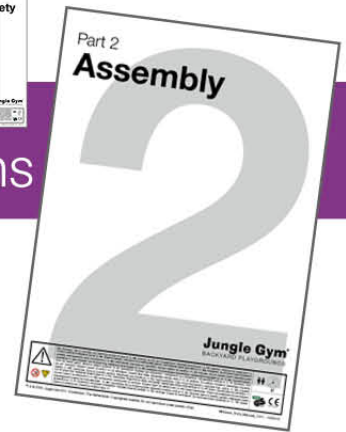


Part 2

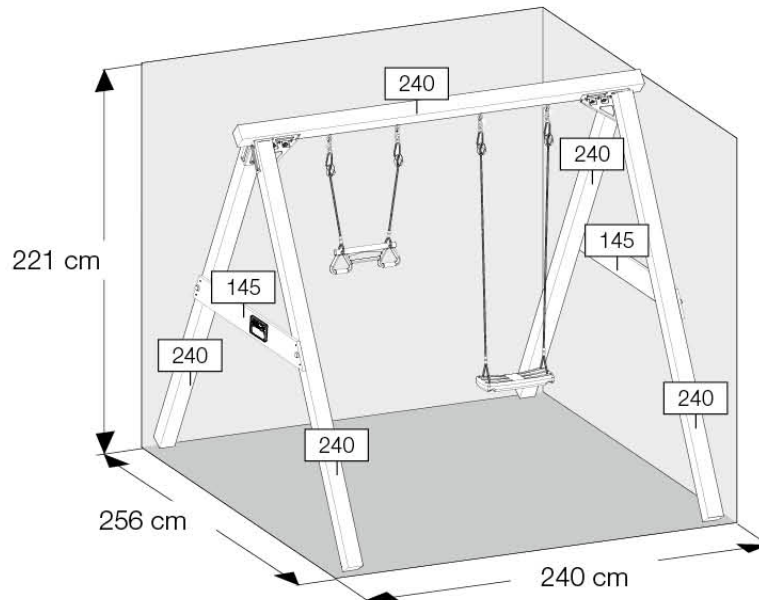
# Assembly

Instructions



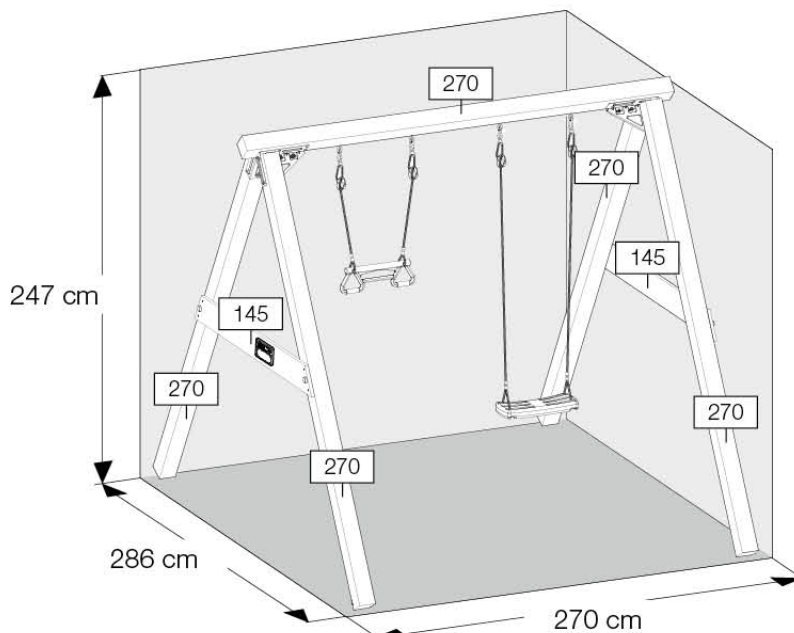
## Jungle Swing 220 cm

801\_601



## Jungle Swing 250 cm

801\_602



# Jungle Gym

BACKYARD PLAYGROUNDS

since 1988



EN. Warnings. Only for domestic use. Maximum number of users is 2. **DE.** Achtung. Nur für den Hausgebrauch. Maximale Benutzerzahl: 2. **FR.** Attention. Réserve à un usage familial. Le nombre maximal d'utilisateurs est de 2. **NL.** Waarschuwingen. Uitsluitend voor huishoudelijk gebruik. Het maximale aantal gebruikers is 2. **BG.** Внимание. За употреба само в домашни условия. Максималният брой потребители е 2. **CS.** Varování. Jen pro domácí použití. Maximální počet uživatelů je 2. **DA.** Advarsel. Kun til privat brug. Maksimum antal brugere er 2. **EL.** Προειδοποίηση. Μόνο για οικιακή χρήση. Μέγιστος αριθμός χρηστών 2. **ES.** Advertencias. Solo para uso doméstico. Número máximo de usuarios: 2. **ET.** Hoiatused. Ainult koduseks kasutamiseks. Maksimaalne kasutajate arv on 2. **FI.** Varoitukset. Ainoastaan kotikäyttöön. Käyttäjää yhteensä enintään 2. **HR.** Upozorenja. Samo za kućansku uporabu. Maksimalan broj korisnika je 2. **HU.** Figyelmeztetések. Csak otthoni használatra! A használók max. száma: 2. **IS.** Varnaðarorð. Engöngu fyrir einlitaðum og á einkalöðum. Hámarksfjöldi notenda er 2. **IT.** Avvertenze. Solo per uso domestico. Massimo numero di utenti è 2. **LT.** Įspėjimai. Tik buitiniam naudojimui. Maksimalus naudotojų skaičius 2. **LV.** Brīdinājumi. Izmantoj tikai mājās. Maksimālais lietotāju skaits ir 2. **NO.** Advarsel. Kun for privat bruk. Maksimalt antall brukere er 2. **PL.** Ostrzeżenia. Wyłącznie do użytku domowego. Maksymalna liczba użytkowników to 2. **PT.** Avisos. Apenas para uso doméstico. O número máximo de utilizadores é 2. **RO.** Avertismente. Numarul maxim de utilizatori este 2. **RU.** Предостережения. Только для домашнего использования. Максимальное количество пользователей - 2. **SK.** Upozornenia. Iba na domáce použitie. Maximálne množstvo osôb je 2. **SL.** Opozorila. Samo za domačo uporabo. Maksimalno število uporabnikov je 2. **SR.** Upozorenja. Samo za kućnu upotrebu. Maksimalan broj korisnika je 2. **SV.** Varningar. Endast för hemmabruk. Det maximala antalet användare är 2. **TR.** Uyarılar. Sadece ev kullanımı için. Maksimum kullanıcı sayısı 2.



2h



EN 71-1,-2,-3,-4 & 9

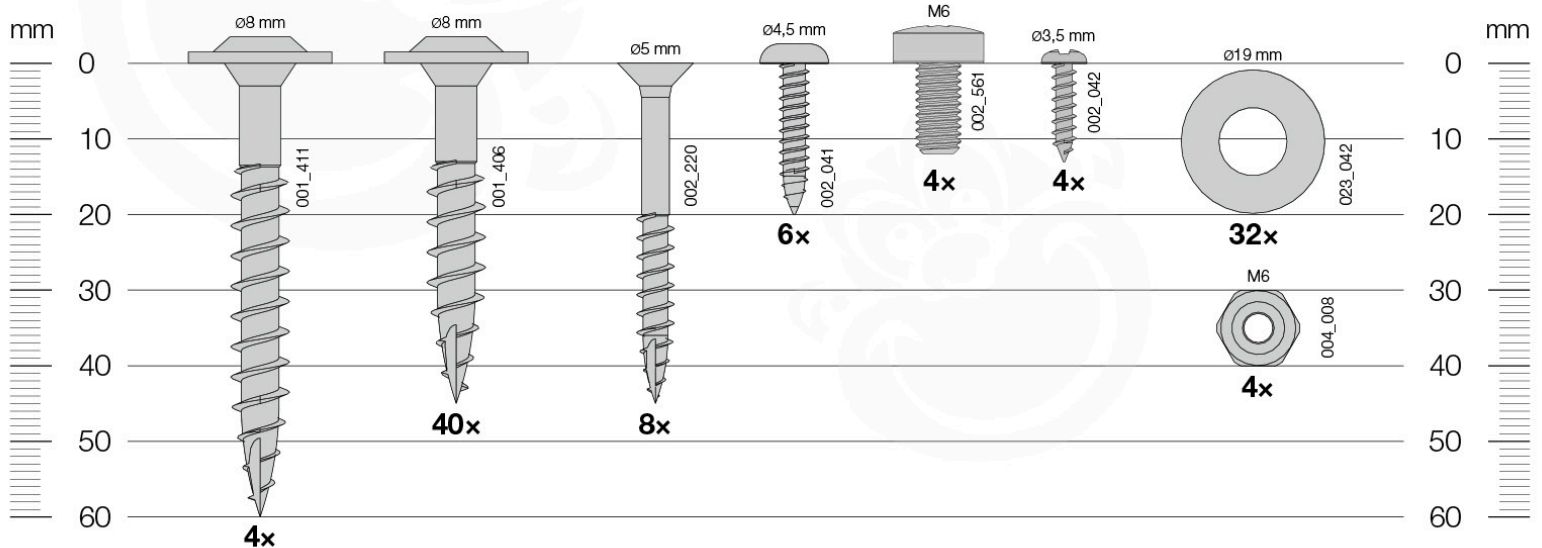
# Content

401\_600

<p><b>1x</b> 122_134</p>	<p><b>1x</b> 122_112</p>	<p><b>1x</b> 040_805 <b>1x</b> 040_065</p>	<p><b>4x</b> 120_005</p>	<p><b>1x</b> 104_210</p>
	<p><b>2x</b> 005_051</p>	<p><b>4x</b> 007_001</p>	<p><b>4x</b> 101_003</p>	<p><b>1x</b> 104_403 ø7,5 mm 008_034</p>
<p><b>1x</b> 100_065</p>	<p><b>2x</b> 005_071</p>	<p><b>1x</b> 022_910</p>		<p><b>1x</b> 103_901</p>

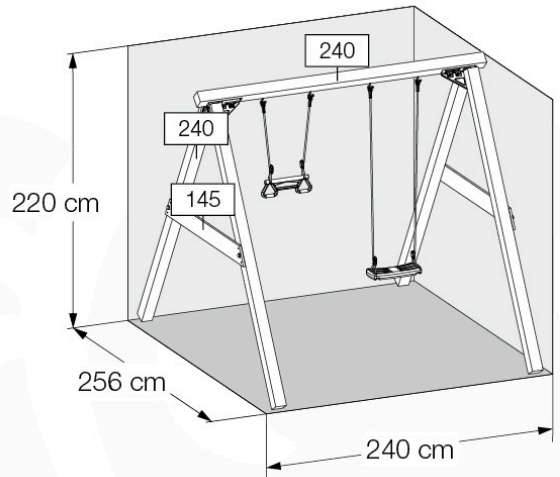
## Hardware

100\_065

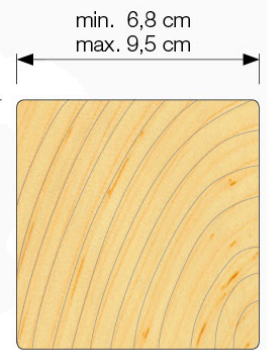


# Timber Jungle Swing 220cm

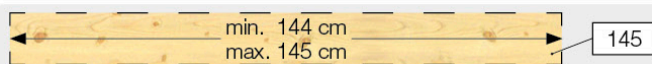
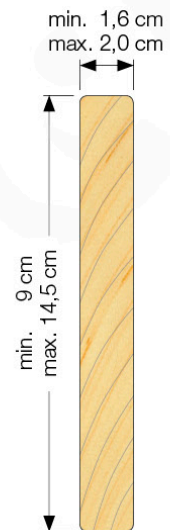
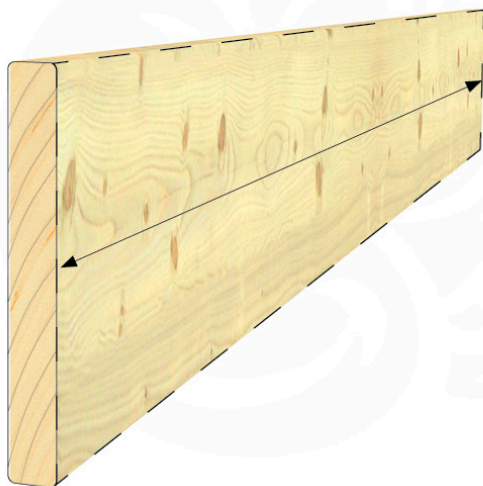
601\_601



min. 6,8 cm  
max. 9,5 cm



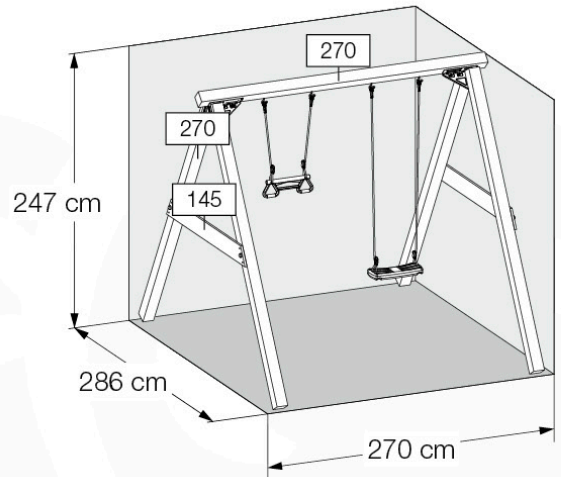
**5x**



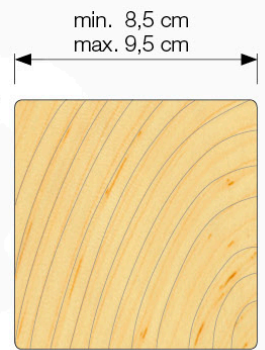
**2x**

# Timber Jungle Swing 250cm

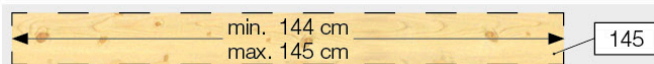
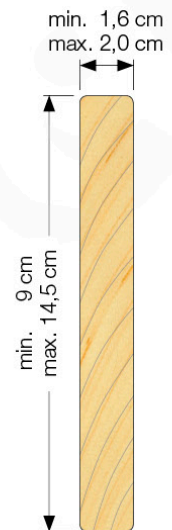
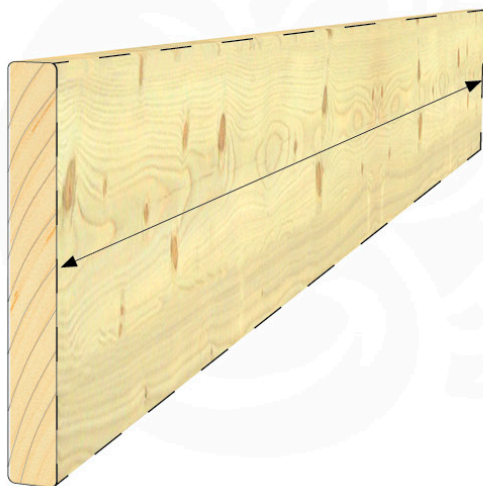
601\_602



min. 8,5 cm  
max. 9,5 cm

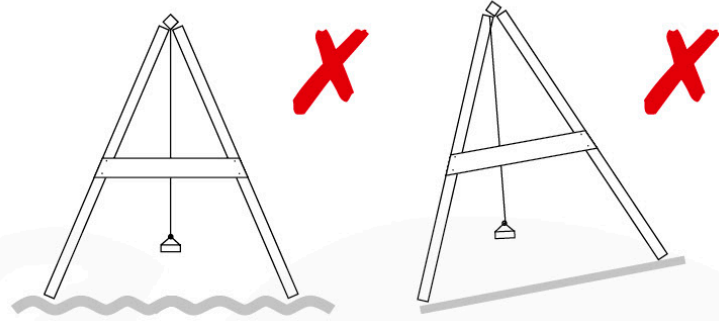
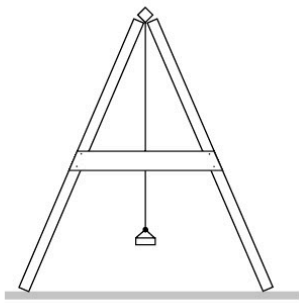


**5x**

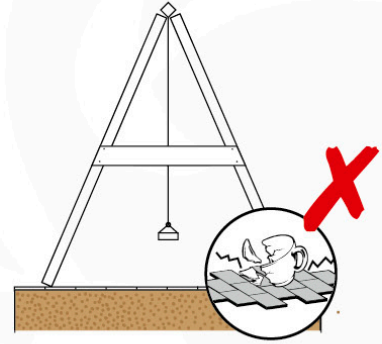
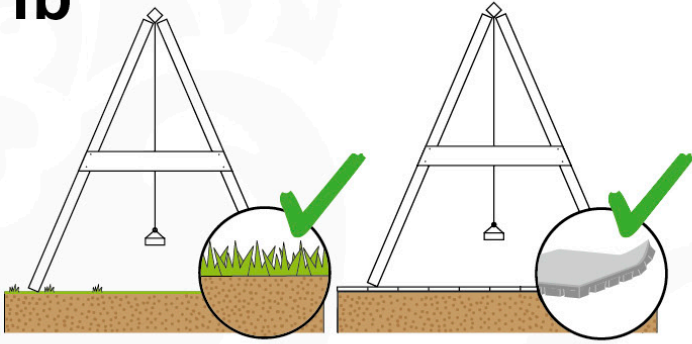


**2x**

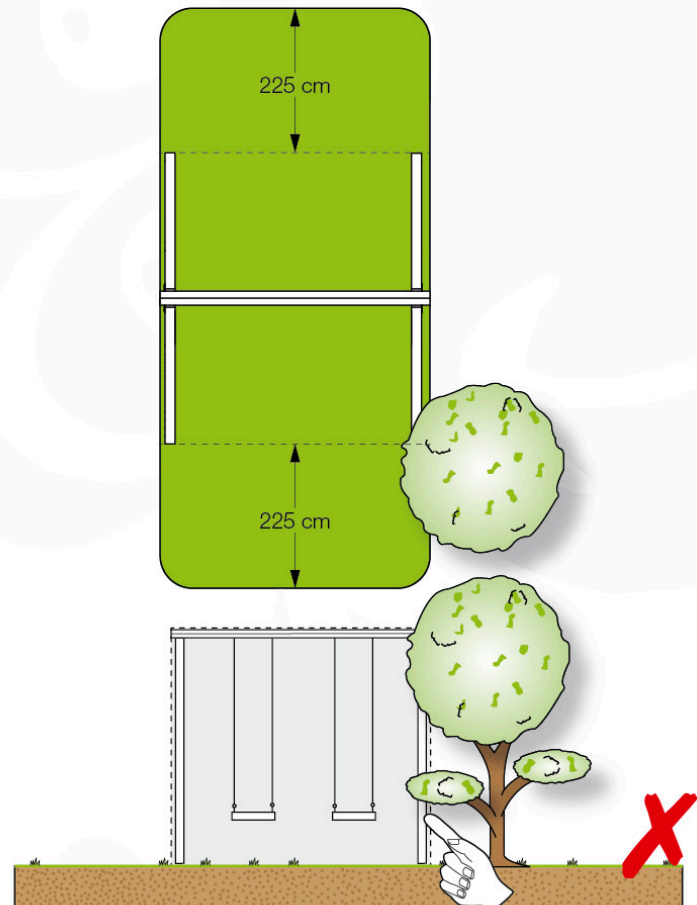
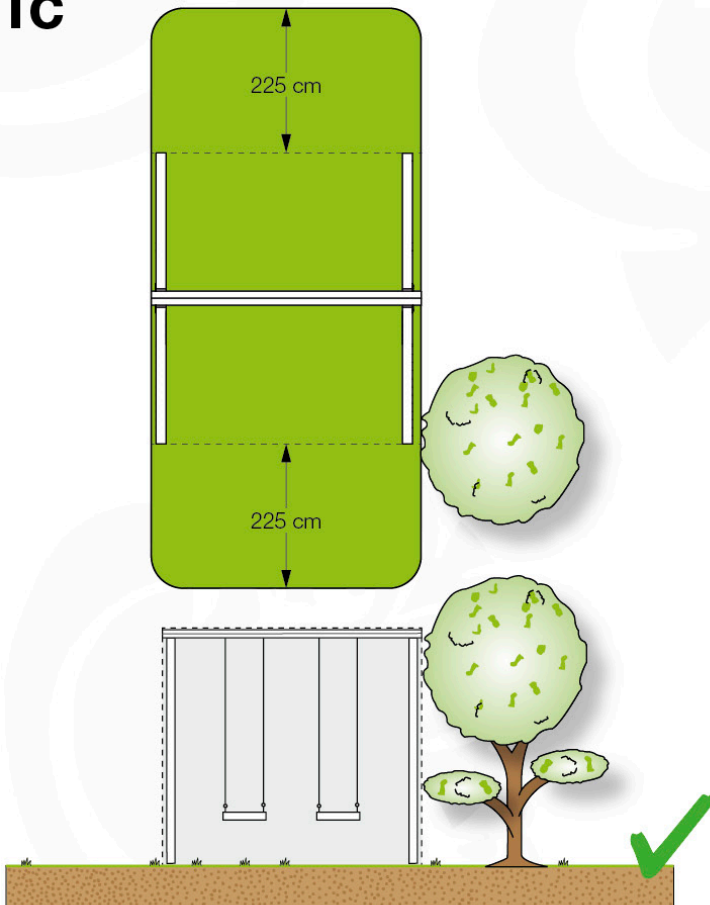
1a



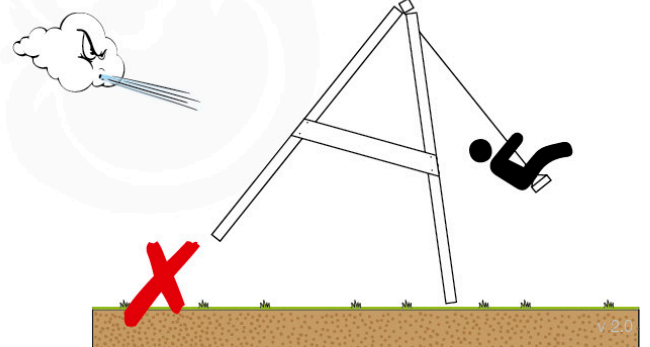
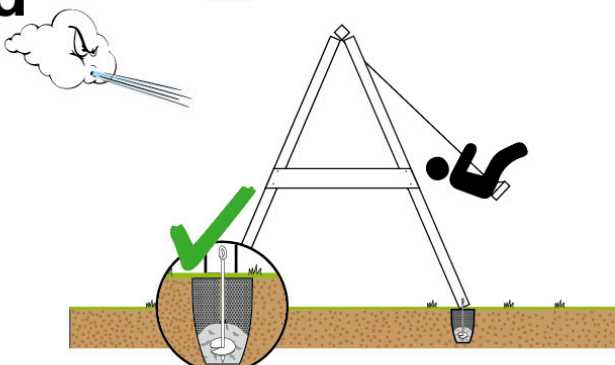
1b



1c



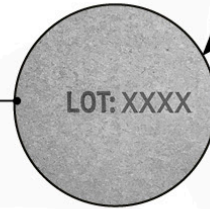
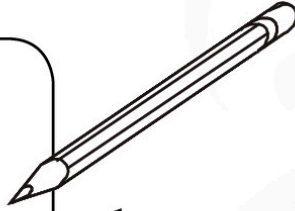
1d



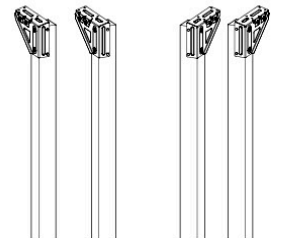
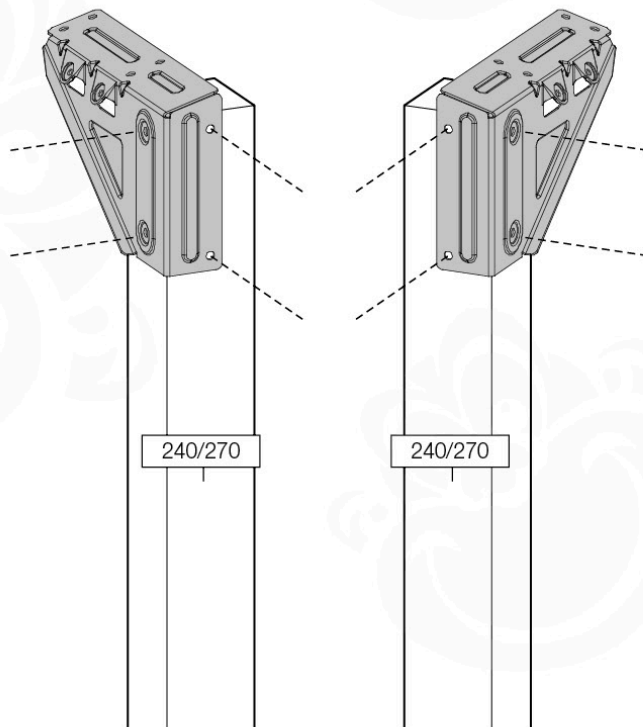
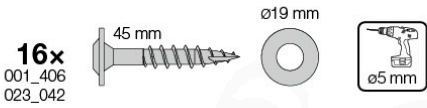
# 02 Product Identification



Art. Description: \_\_\_\_\_  
Art. Reference: \_\_\_\_\_  
**LOT:** \_\_\_\_\_

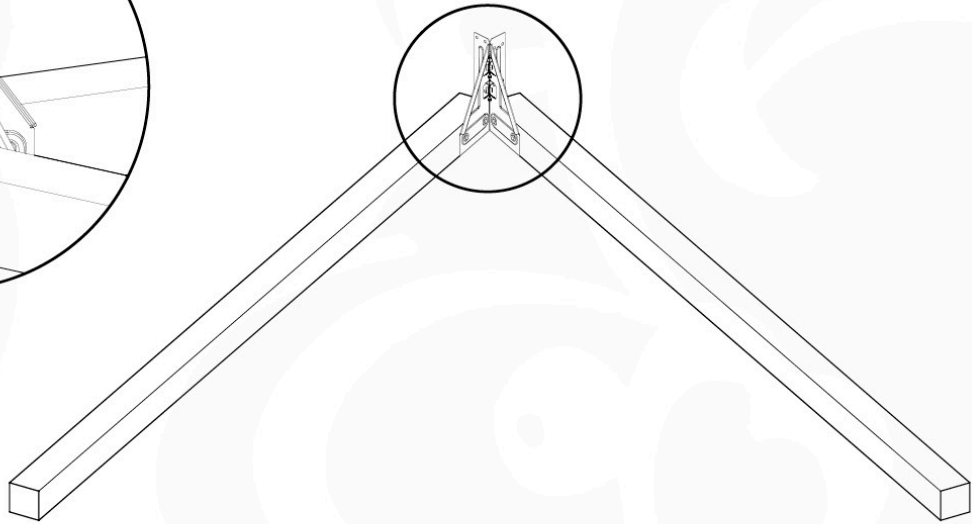
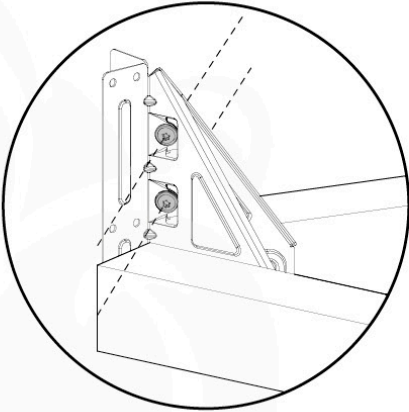


## 3a



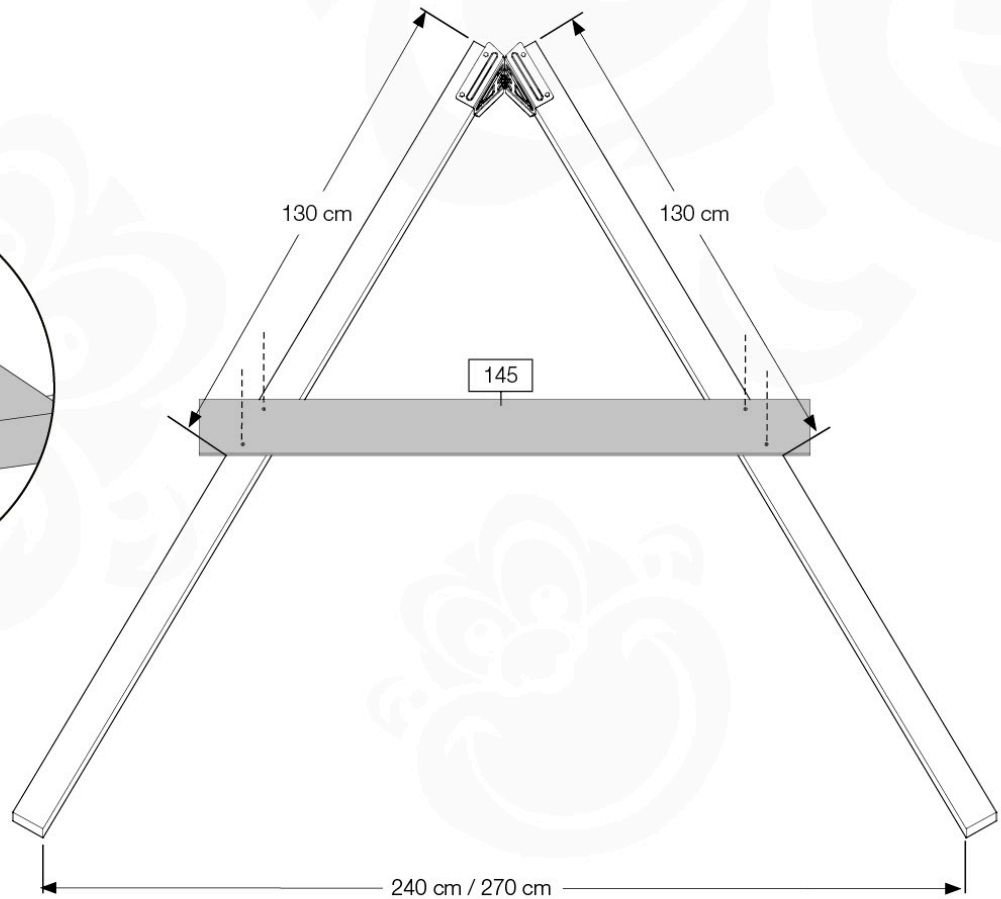
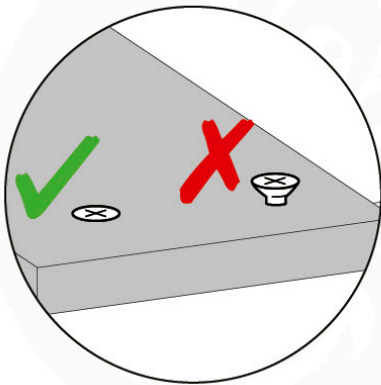
# 3b

4x  
002\_561  
004\_008



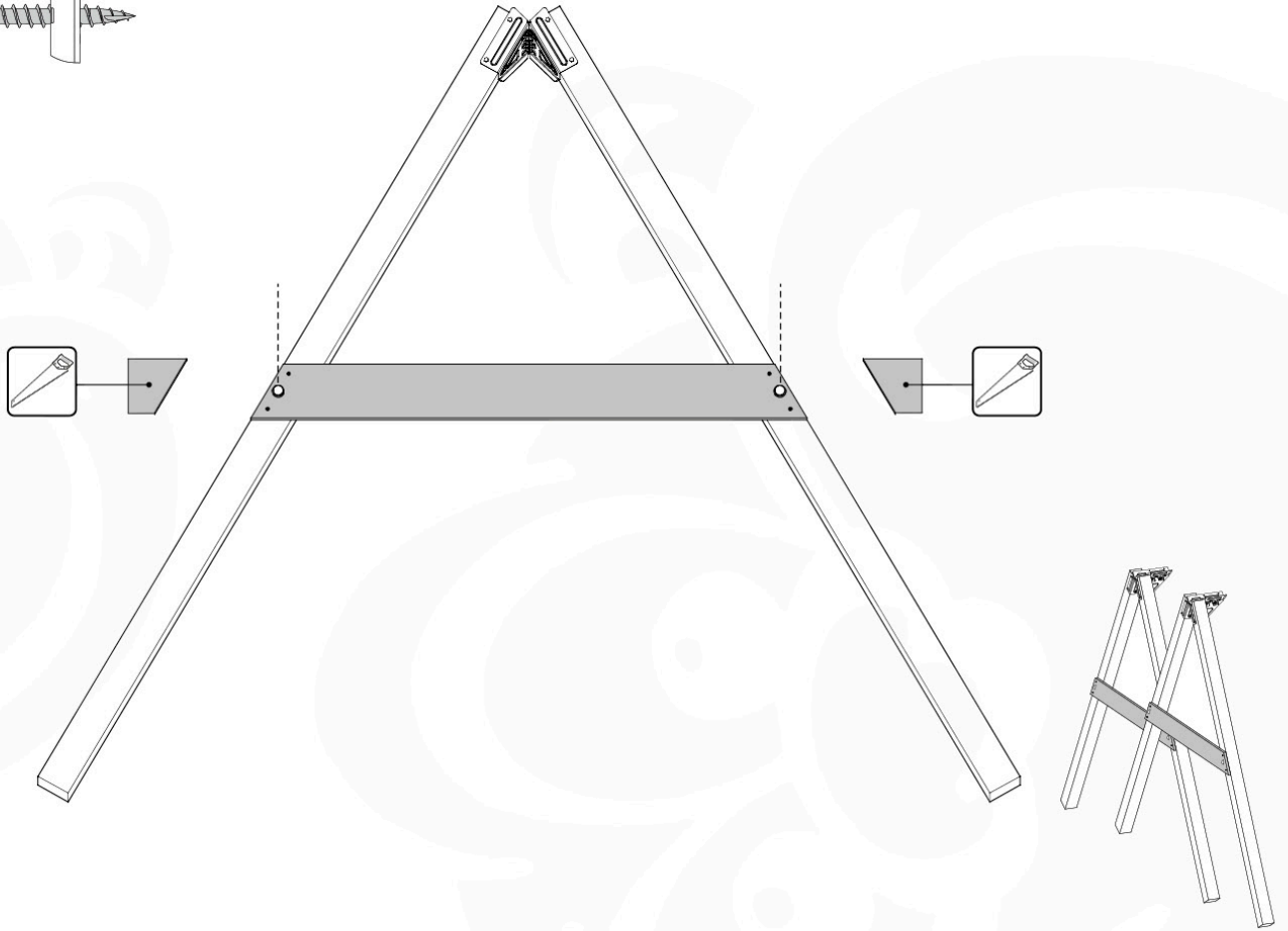
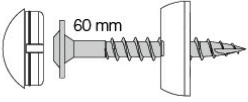
# 4a

8x  
002\_220



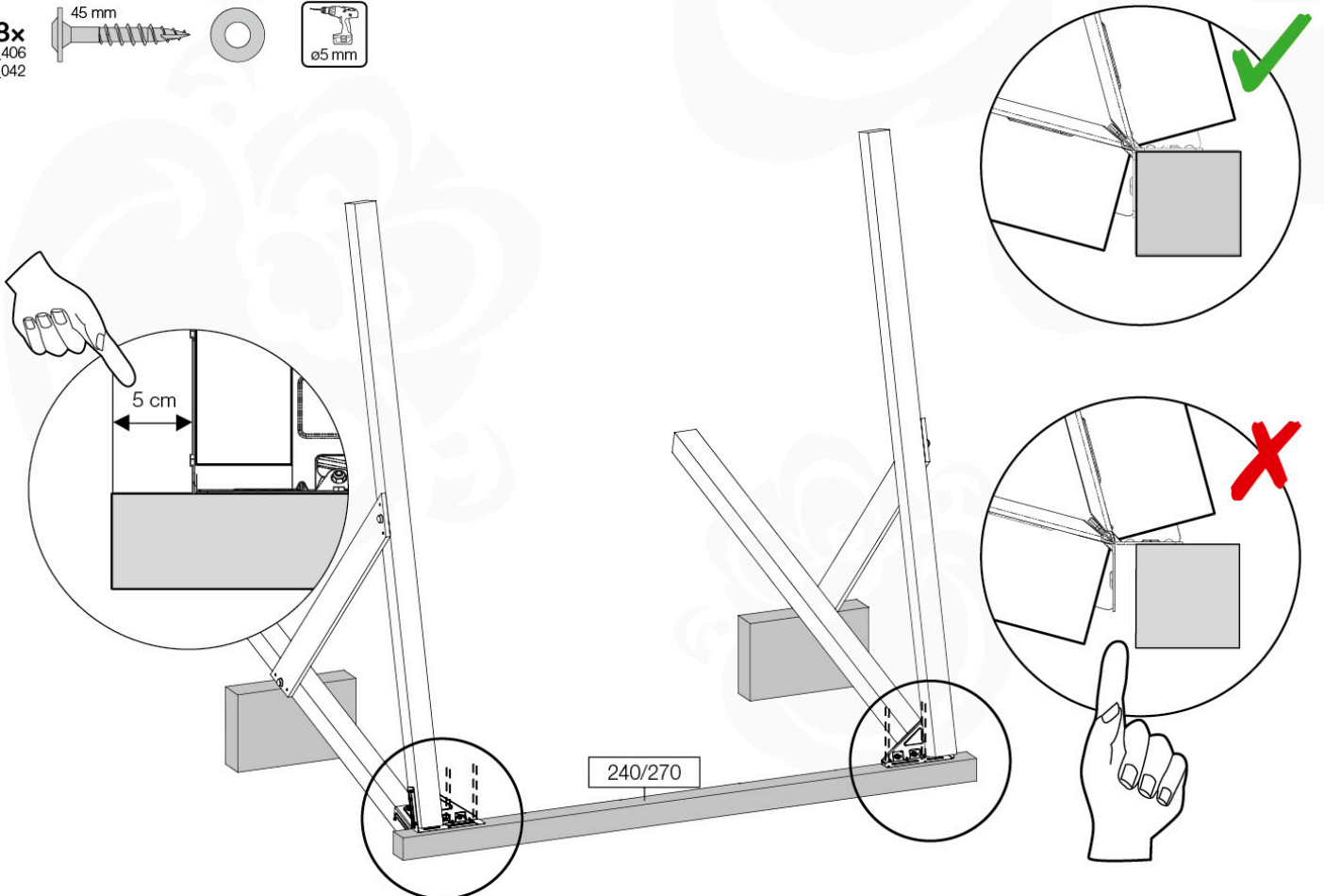
# 4b

4x  
001\_411  
120\_005



# 5a

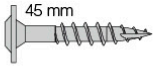
8x  
001\_406  
023\_042



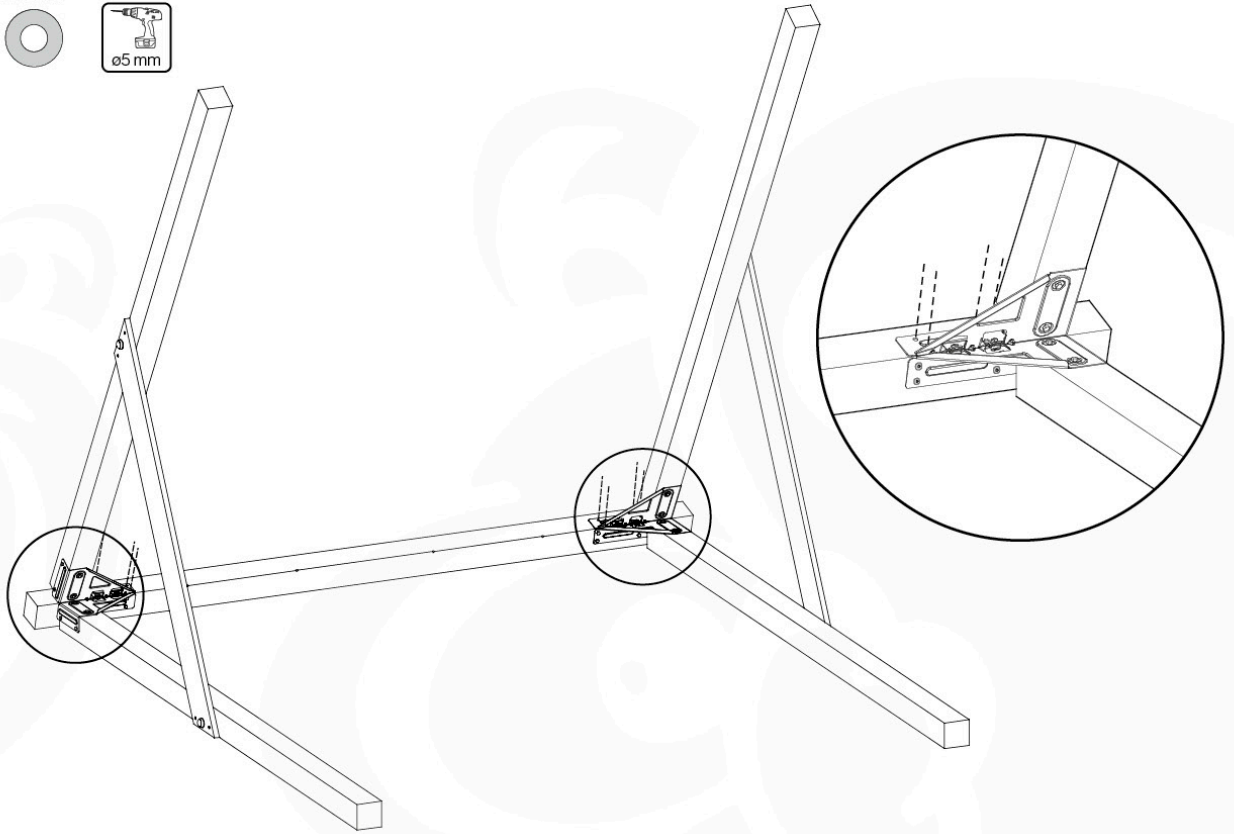


# 5b

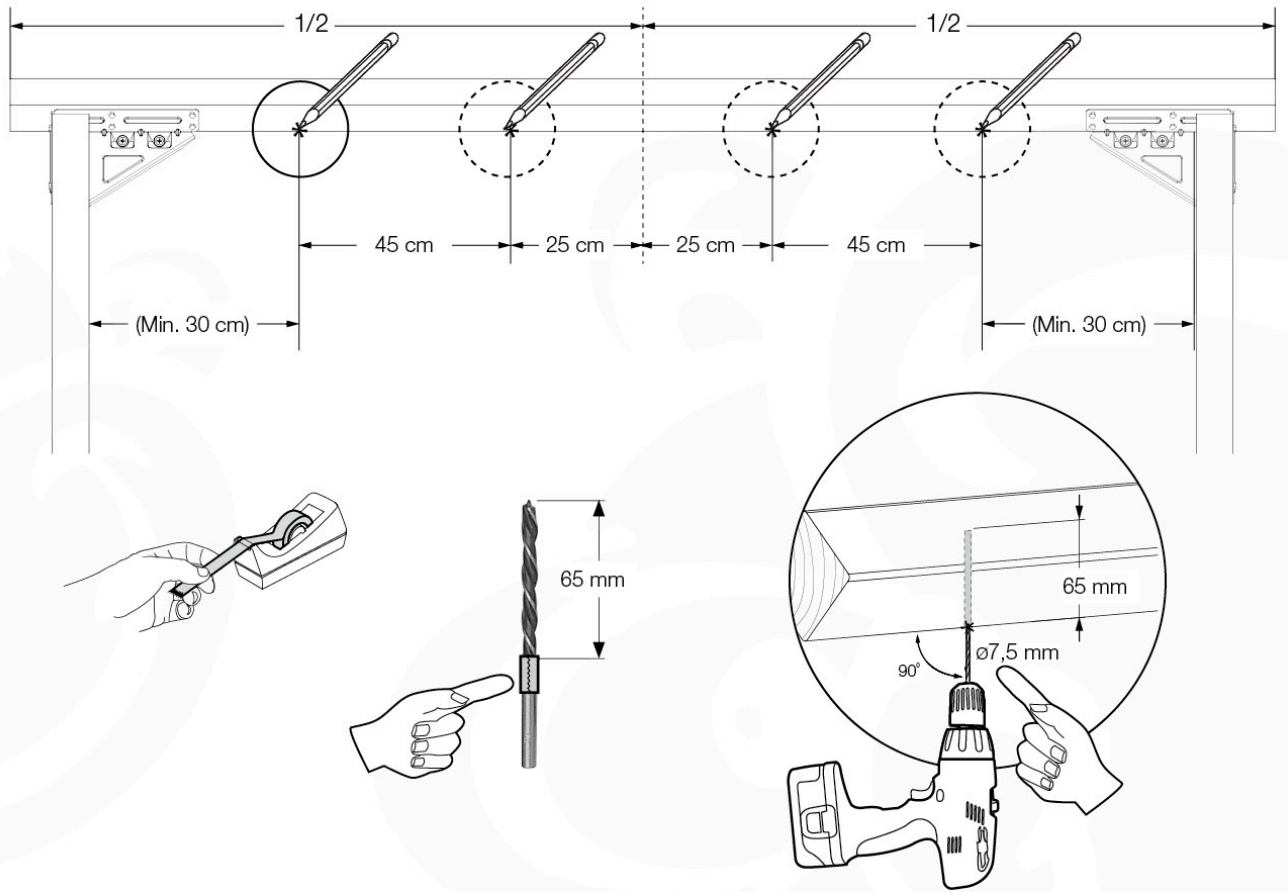
8x  
001\_406  
023\_042



ø19 mm

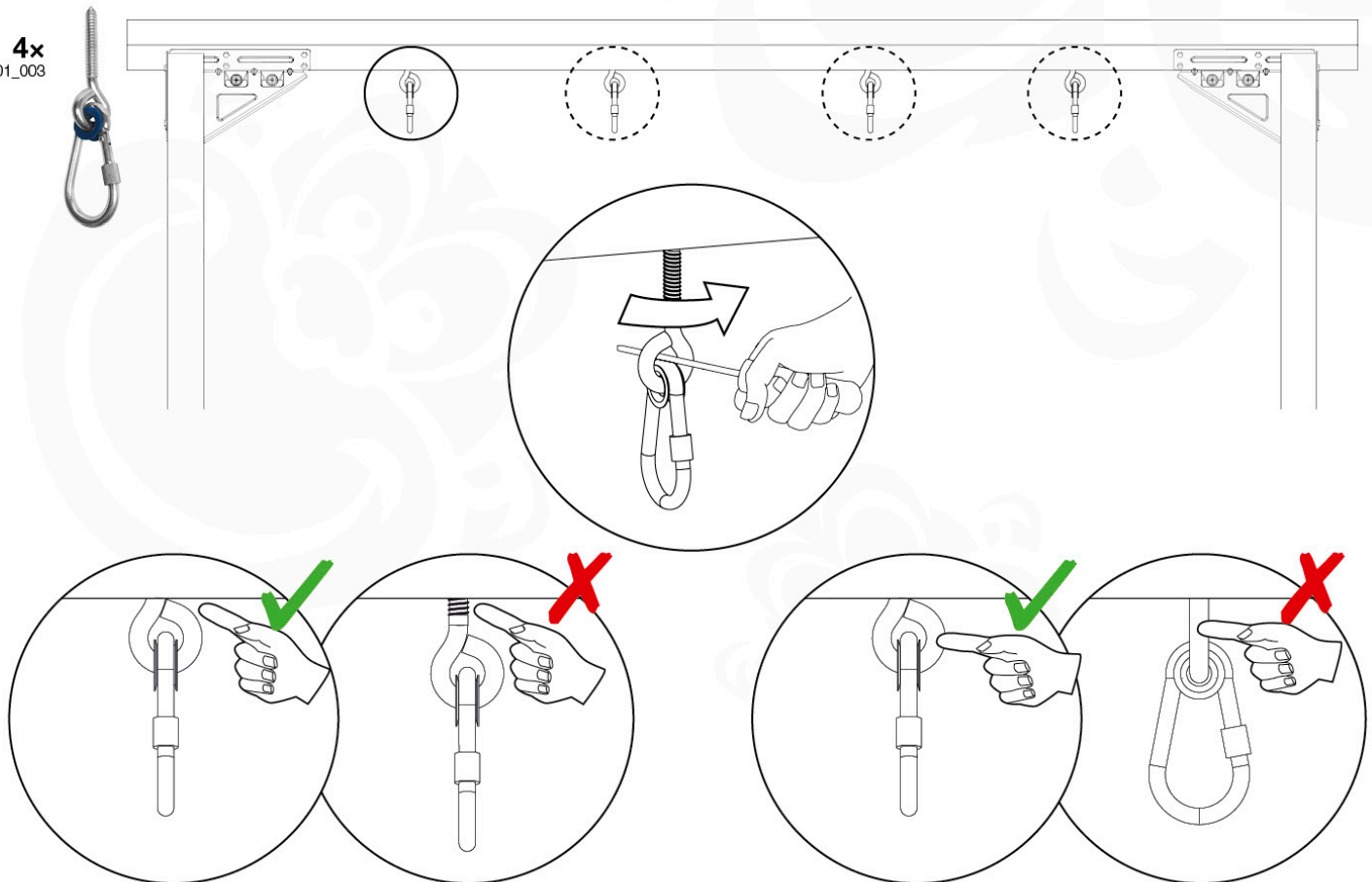


# 6a

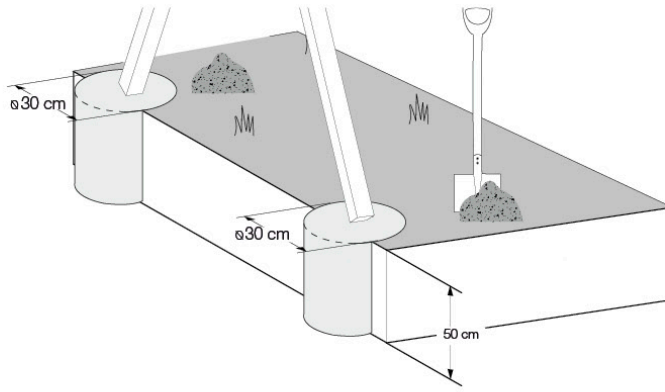


# 6b

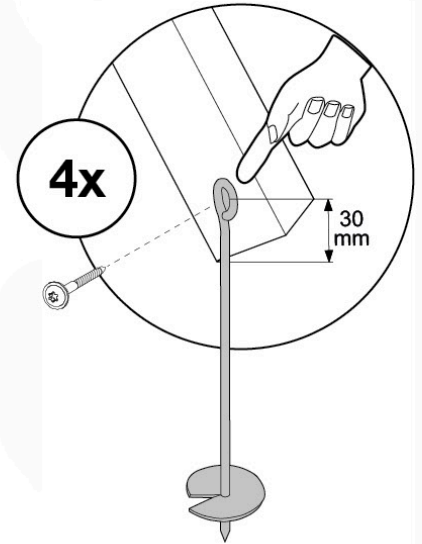
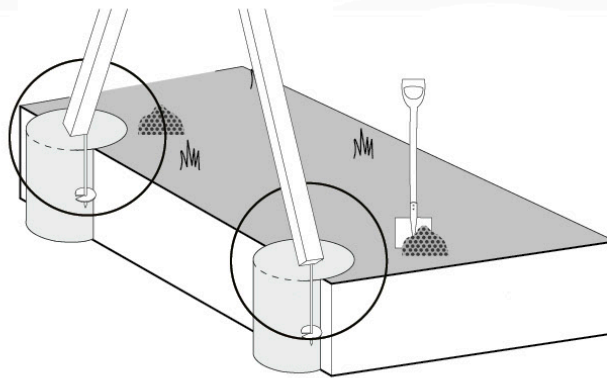
4x  
101\_003



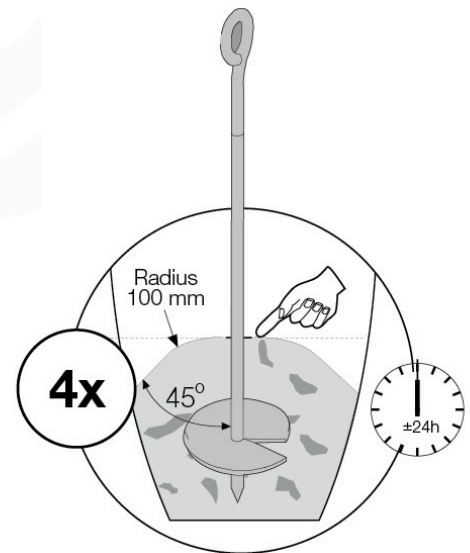
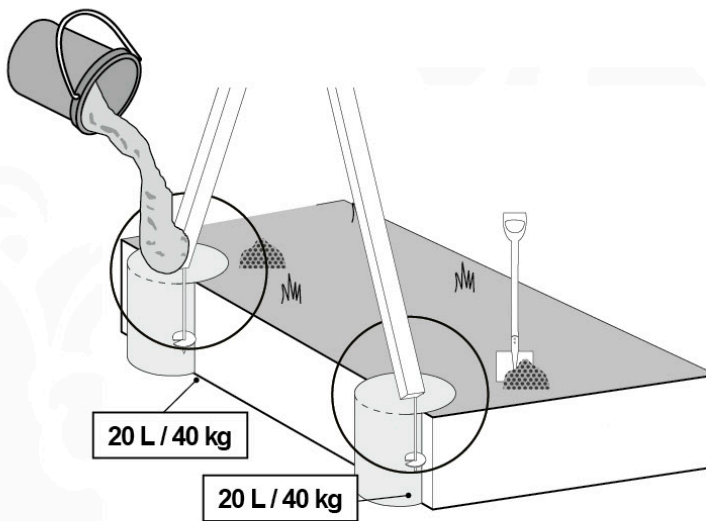
# 7a



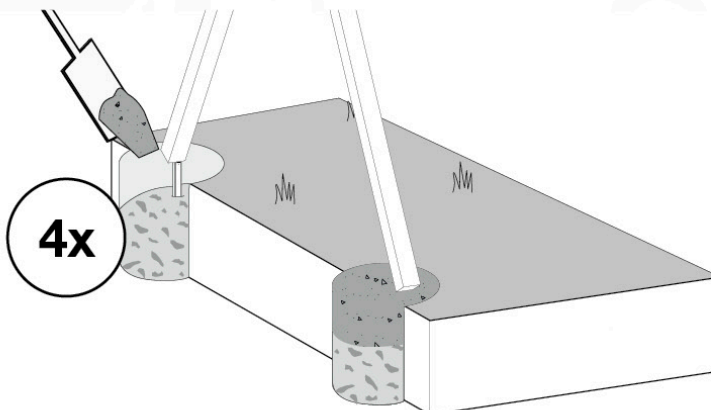
# 7b



# 7c

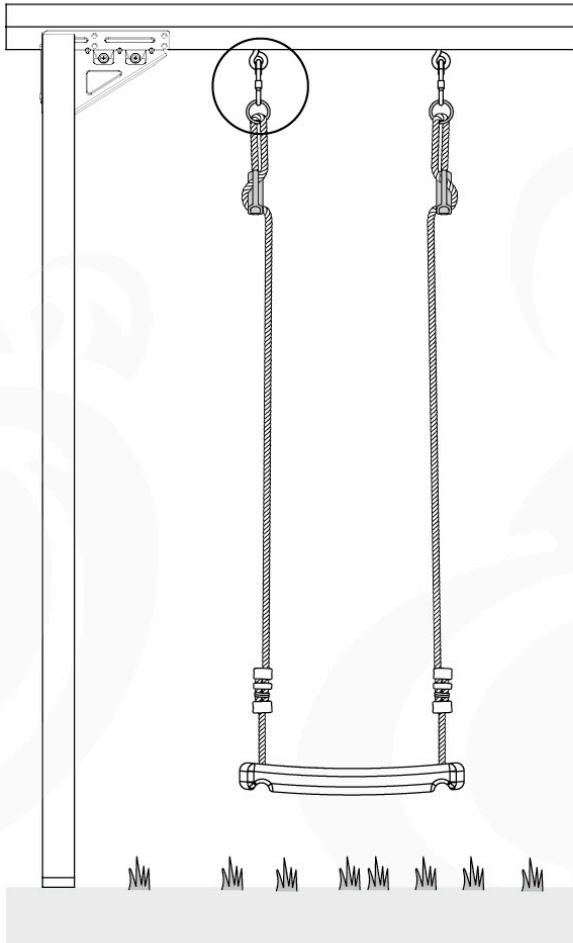


# 7d

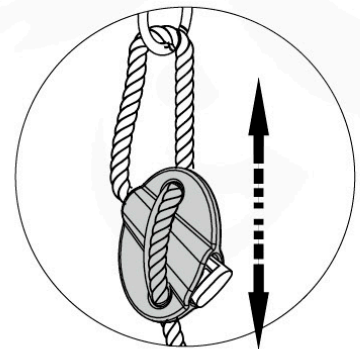
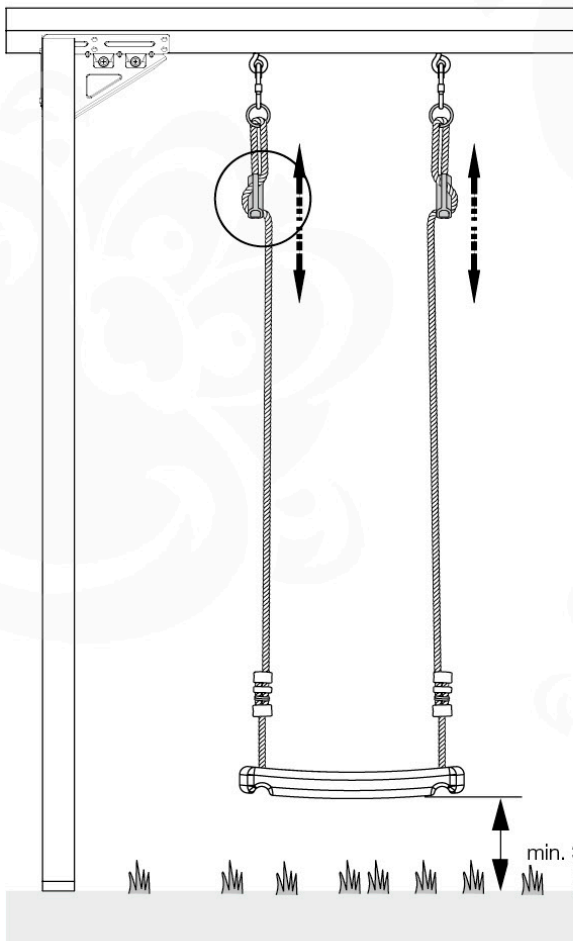


# 8a

1x  
122\_134



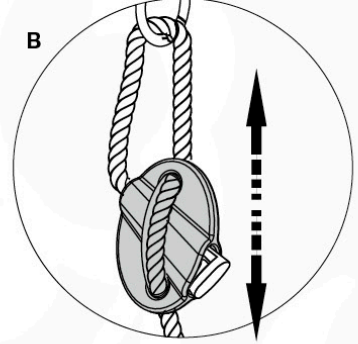
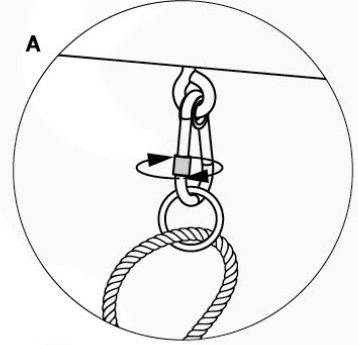
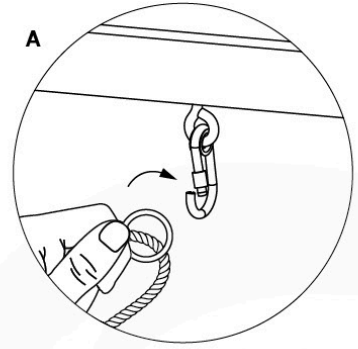
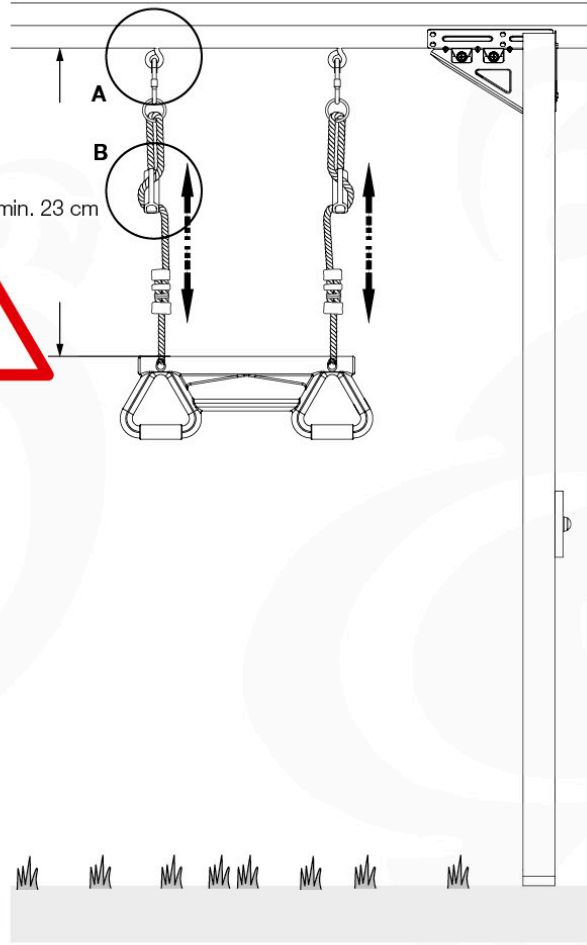
# 8b



min. 35 cm

# 8c

1x  
122\_112

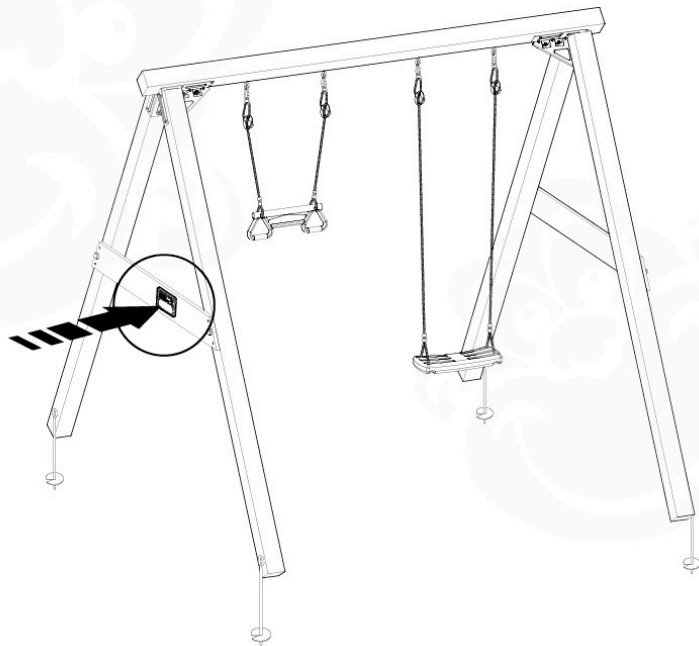


# 9 Product Identification

4x 13 mm  
002\_042

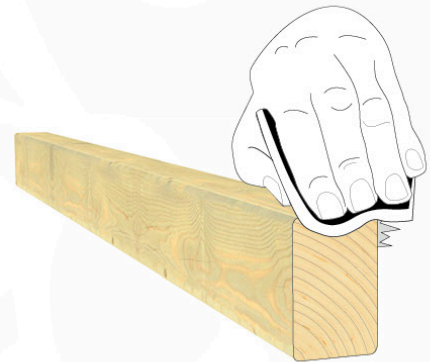
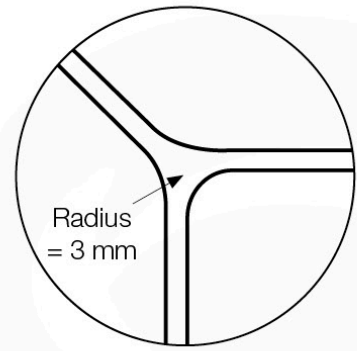
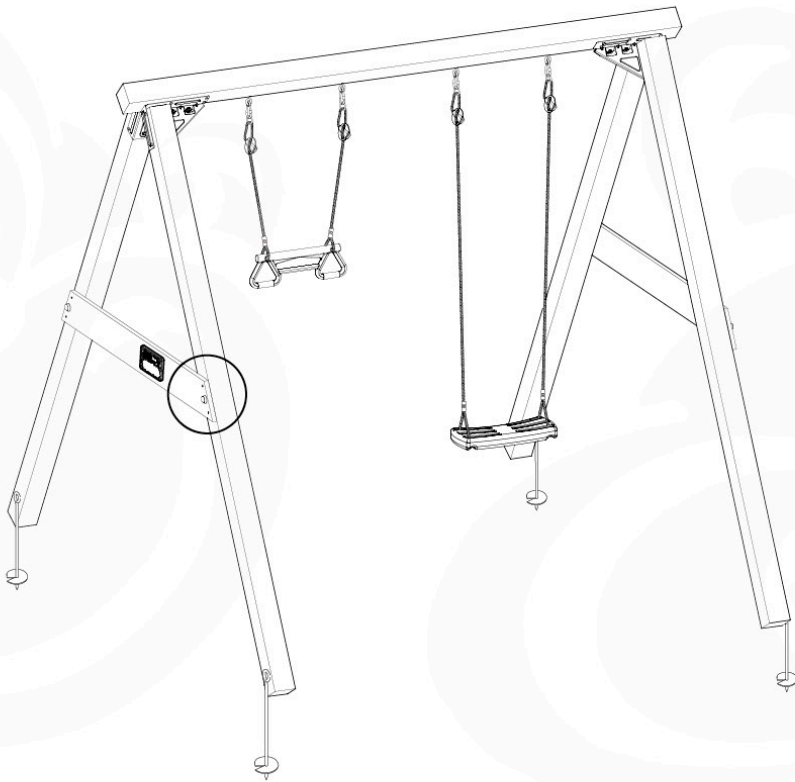
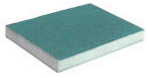


1x  
103\_901

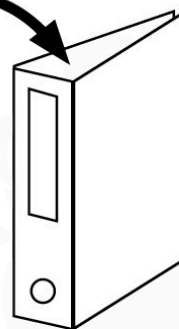


# 10 Safety Check

1x  
022\_910



# 11



# Declaration of Conformity

# Jungle Gym

BACKYARD PLAYGROUNDS

since 1988

## Manufacturer details

Company Name

Jungle Gym B.V.

Tag-line

Backyard Playgrounds

Address

Valschermkade 18, 1059 CD Amsterdam, Netherlands

## Activity toys for domestic use

Product Range Identification

Climbing frames

Playtowers : 801\_005 ... \_200

Playhouses : 830\_150 ... \_253, 835\_251 ... \_253

Modules : 850\_180 ... \_415

Links : 870\_100 ... \_105

Swings : 801\_300, \_600, \_601

Playtowers : 802\_202 ... \_208,

803\_202 ... \_210,

809\_202 ... \_804

Frames : 857\_103, 857\_108,

857\_151, 857\_158

Accessories : 201\_060 ... 250\_070

Slides (XL) : 324\_100 ... \_600

Slides (XXL) : 334\_100 ... \_600

Construction kits

Parts / Base / Access & exit / Roofs / Add-ons : 194\_100 ... \_119

## Applicable EC directives and standards

Chemical References

1. Migration of certain elements (17x + ChrVI + tin) as required in TSD 2009/48/EC and its amendments. Scrape off toy material. Tested according to EN 71-3:2019.

2. Migration of solvents, monomers and plasticizers as specified in "Safety for Toys; Organic Chemical Compounds", EN 71-9: 2005 + A1: 2007. Tested according to EN 71-10: 2005 & EN 71-11: 2005.

3. Content of N-nitrosamines and N-nitrosatable substances as specified in EN standard 71-12: 2013. Tested according to EN 71-12: 2013.

4. Content of 18 PAHs (Polycyclic Aromatic Hydrocarbons) as referred in AfPS GS 2014:01 PAK (Replaced on 2019:01). Tested according to QMA 2011.1284

5. Content of 7 Phthalates (18x) according to REACH (EG) no.1907/2006, Annex XVII. Tested according to COC-CH-C1011-09.3 and EN 15777 / QMA 2011.1300

6. Content of Cadmium according to REACH (EG) no. 1907/2006, Annex XVII. Tested according to EN 17294-2

7. Formaldehyde according to REACH (EG) no. 1907/2006, Annex XVII. Tested according to EN 14184

8. Azo dyes according to REACH (EG) no. 1907/2006, Annex XVII. Tested according to BVL B 82.02-2.

9. Content of 3 Flame retardants according to REACH (EG) no. 1907/2006, Annex XVII. Tested according to EN 62321-6.

10. NI release according to REACH (EG) no. 1907/2006, Annex XVII. Tested according to EN 71-3:2013+A1:2014.

11. Sweat and Salvia resistance tested according to DIN 53160

Mechanical physical properties + flamability

EN 71 - 1 : 2014 + A1: 2018 EN 71 - 2 : 2011 + A1: 2014 EN 71 - 8 : 2018

## Supplementary information

Conformity to the above specified directives and standards has been frequently verified and is continuously monitored by TÜV Süd, TÜV Rheinland LGA products, DEKRA (DE), STR Ltd (UK), LNE SA (FR), LMR Ltd (US) and IPS N.V. (BE) since 1994. Jungle Gym participates in the European Commission for standardisation for the safety of activity toys (TC52 / WG 10).

## Declaration

I hereby declare under our sole responsibility that the products mentioned above, to which this declaration relates, complies with the above mentioned directives and standards.



Name

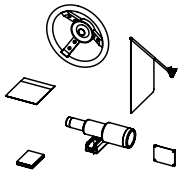
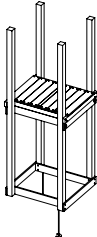
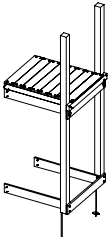
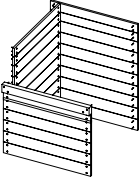
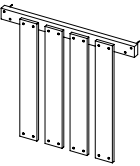
Mr. P. Schmit / Director

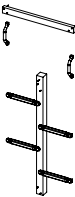


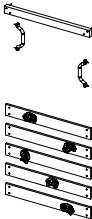
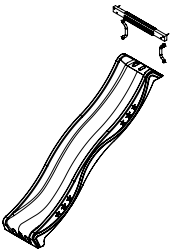
Issued date

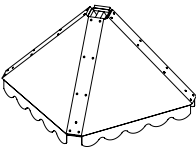
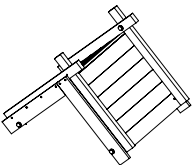
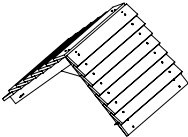
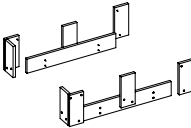
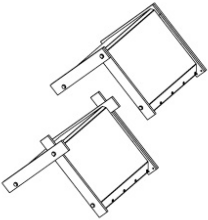
Januari 3<sup>rd</sup>, 2022

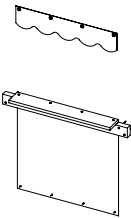
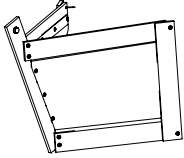
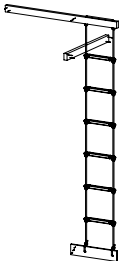
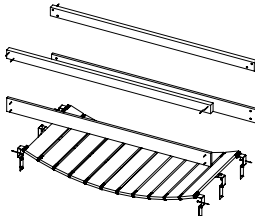
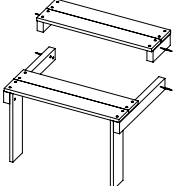
Signature of representative

# Construction kits

Parts	Base			
 <p>AP Accessory set <b>AC</b> 194_119</p>	 <p>Tower 80 <b>BT</b> 194_100</p>	 <p>Tower 80 <b>ET</b> 194_100</p>	 <p>AP Playhouse <b>PH</b> 194_118</p>	 <p>AP Balustrade <b>BL</b> 194_101</p>

Access & exit				
 <p>AP Two Step Ladder 80 <b>LA</b> 194_102</p>	 <p>AP Ladder 80_125 <b>LA</b> 194_103</p>	 <p>AP Ladder 80_145 <b>LA</b> 194_104</p>	 <p>AP Rock wall 80_125 <b>RW</b> 194_105</p>	 <p>AP Slide 80 <b>SL</b> 194_107</p>

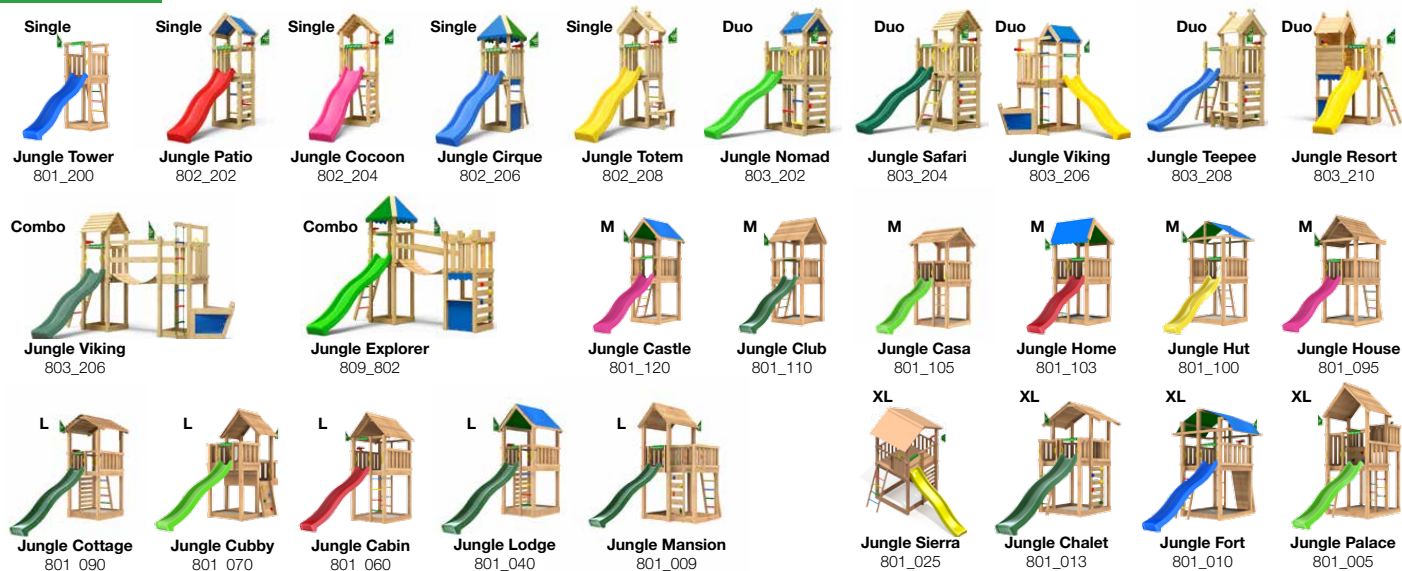
Roofs				
 <p>AP Canvas roof pyramid <b>RF</b> 194_109</p>	 <p>AP Timber roof tipi <b>RF</b> 194_110</p>	 <p>AP Timber roof clapboard <b>RF</b> 194_111</p>	 <p>AP Timber roof lookout <b>RF</b> 194_112</p>	 <p>AP Canvas roof gable &amp; tipi <b>RF</b> 194_108</p>

Add-ons				
 <p>AP Market <b>MT</b> 194_113</p>	 <p>AP Boat front <b>BO</b> 194_114</p>	 <p>AP Rope ladder <b>RL</b> 194_115</p>	 <p>AP Clatter bridge <b>CB</b> 194_116</p>	 <p>AP Picnic <b>PC</b> 194_117</p>

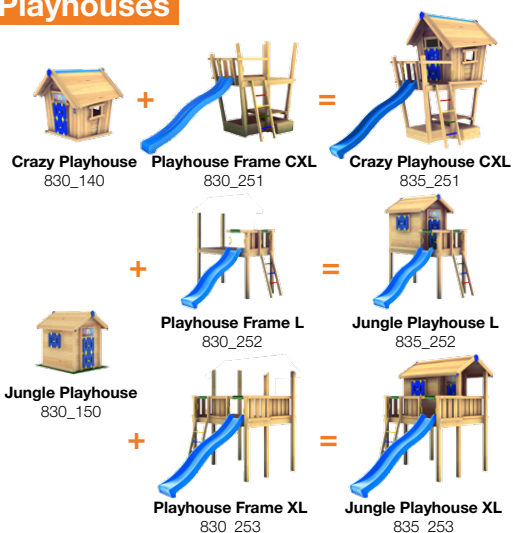


# Climbing frames

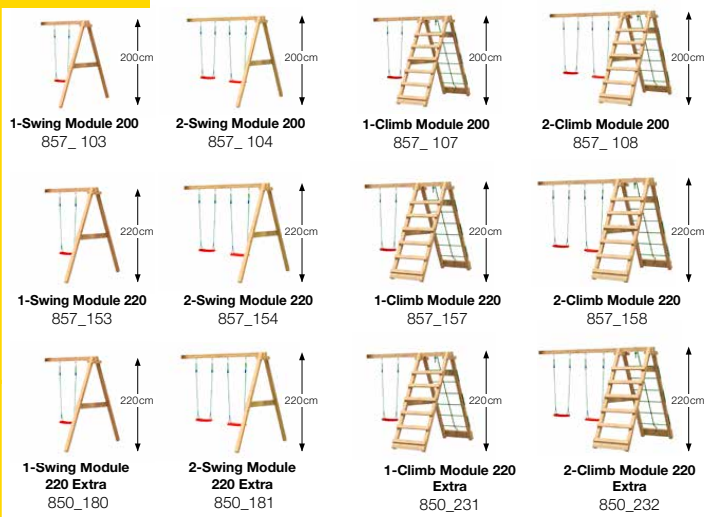
## Playtowers



## Playhouses



## Modules



## Swings



## Links



## Accessories

