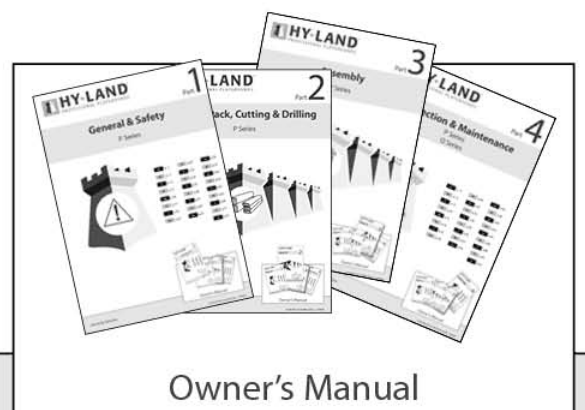
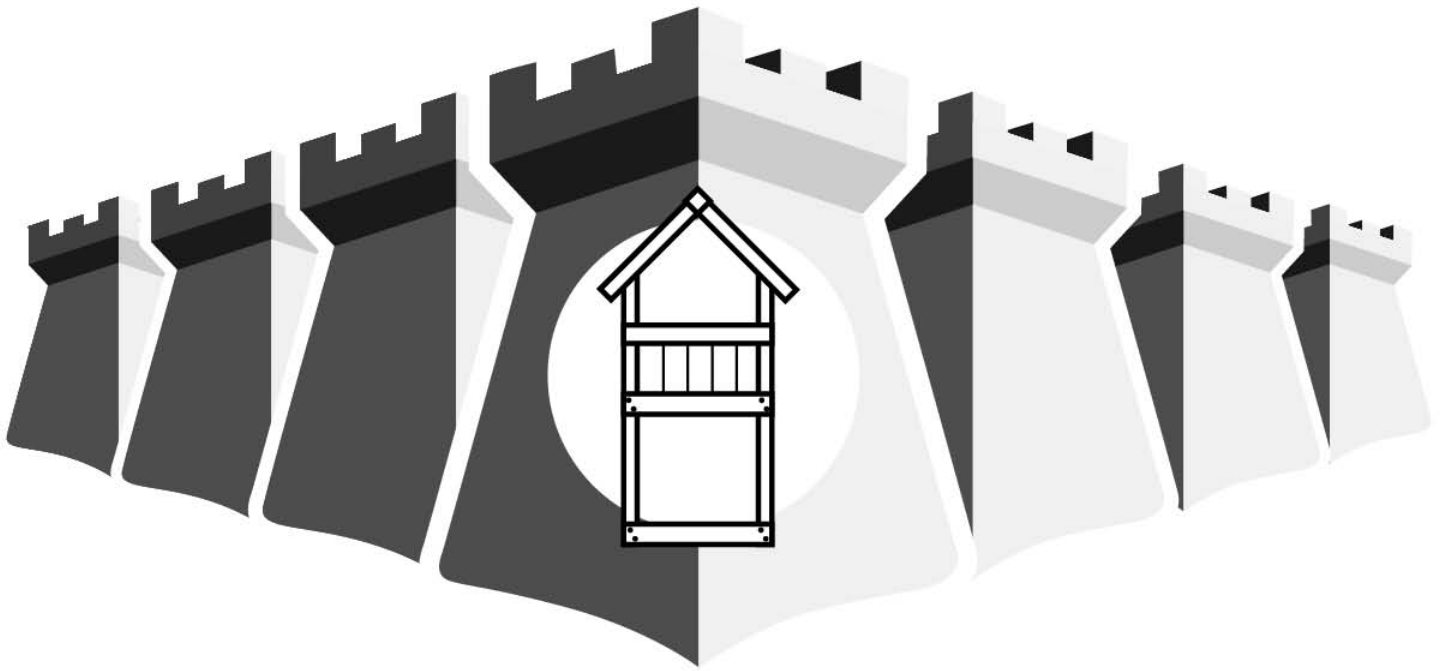


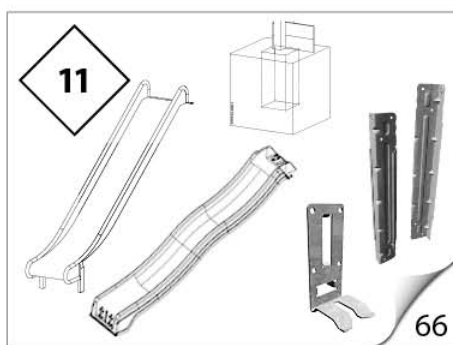
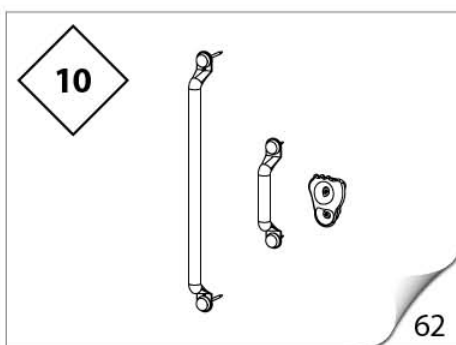
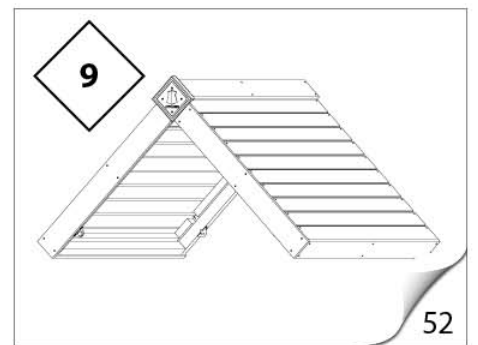
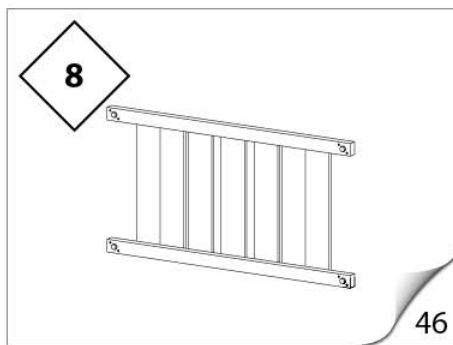
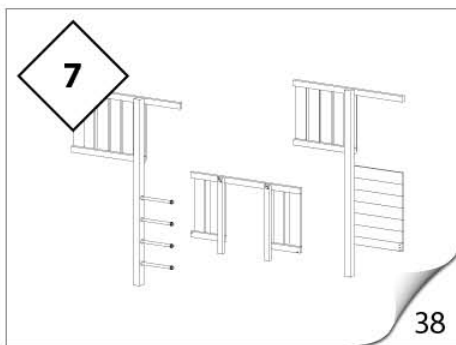
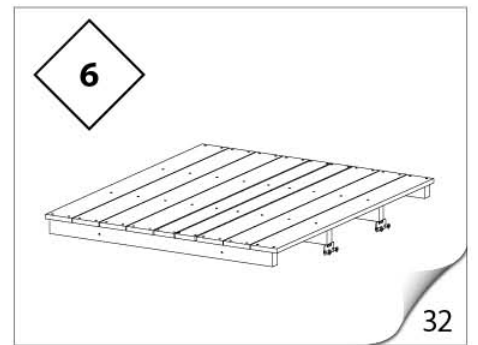
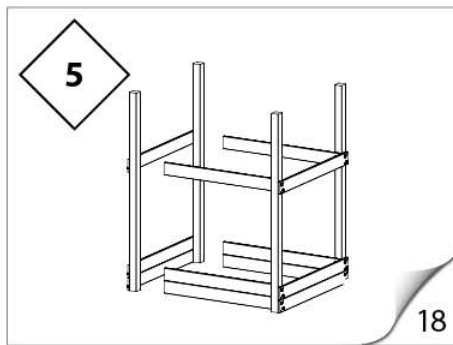
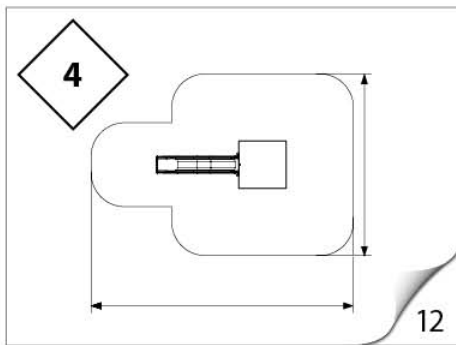
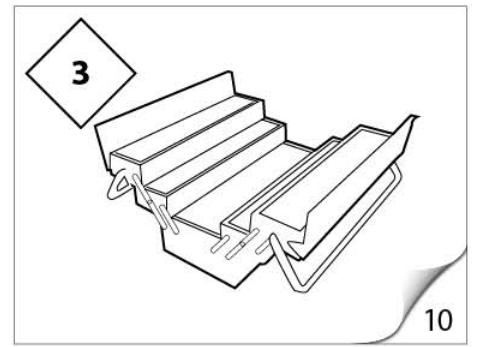
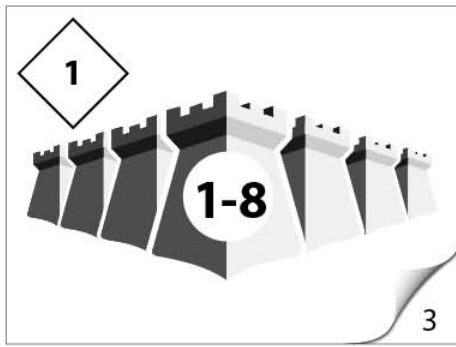
Assembly

P Series



Owner's Manual

Assembly steps



1

1



1x

+



1x



1x



± 0.30 m³



4^h

2



1x

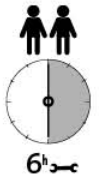
+



1x



± 0.47 m³



6^h

3



1x



1x

+



1x



1x

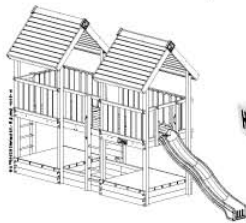


± 0.67 m³



7^h

4



1x



2x

+



1x



1x



± 1.04 m³



13^h

5



2x



1x

+



1x



1x



± 0.87 m³



11^h

6



2x



2x

+



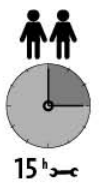
1x



1x

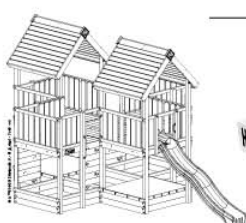


± 1.24 m³



15^h

7



3x



2x

+



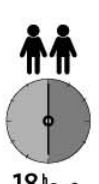
1x



1x

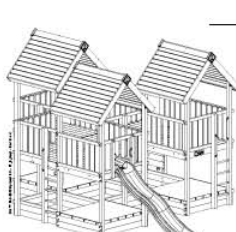


± 1.44 m³



18^h

8



3x



3x

+



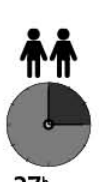
1x



1x



± 1.81 m³



27^h



Content P - Kit A

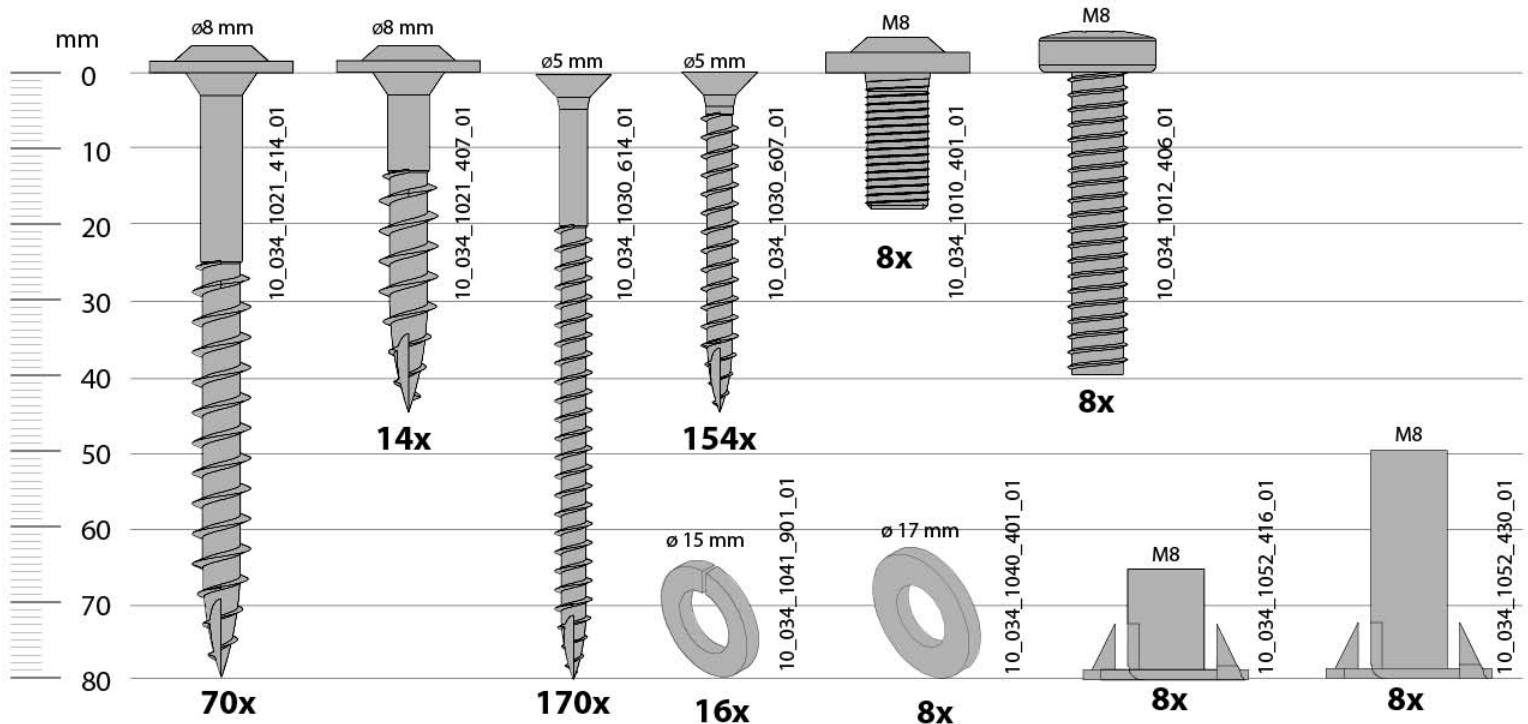
14_001_101_05



<p>6x 10_030_5051_120_04</p>	<p>2x 10_217_2050_100_04</p>	<p>1x 10_217_2050_200_04</p>	<p>1x 10_217_2050_300_04</p>	<p>1x 11_207_1010_401_04</p> <p><i>41x</i> 10_205_2030_000_04</p>
<p>1x 10_467_3010_101_26</p>		<p>2x 11_003_3030_202_06</p>		<p>1x 11_001_1010_100_25</p>

Hardware P - Kit A

11_001_1010_100_25




2.1b


Content P - Kit B

14_001_101_10



<p>1x 11_207_1090_101_02</p>  <p>14x 10_201_2075_205_04</p>	<p>6x 10_030_5051_120_04</p> 
<p>1x 11_203_1031_122_25</p> 	<p>2x 11_003_3030_202_06</p> 
<p>1x 11_203_1030_105_25</p> 	<p>4x 10_026_4010_301_01</p> 
<p>1x 11_203_1041_108_04</p> <p>8x 10_205_2031_000_04</p> 	<p>1x 11_001_1010_200_25</p> 

<p>1x 10_467_3010_201_26</p> 

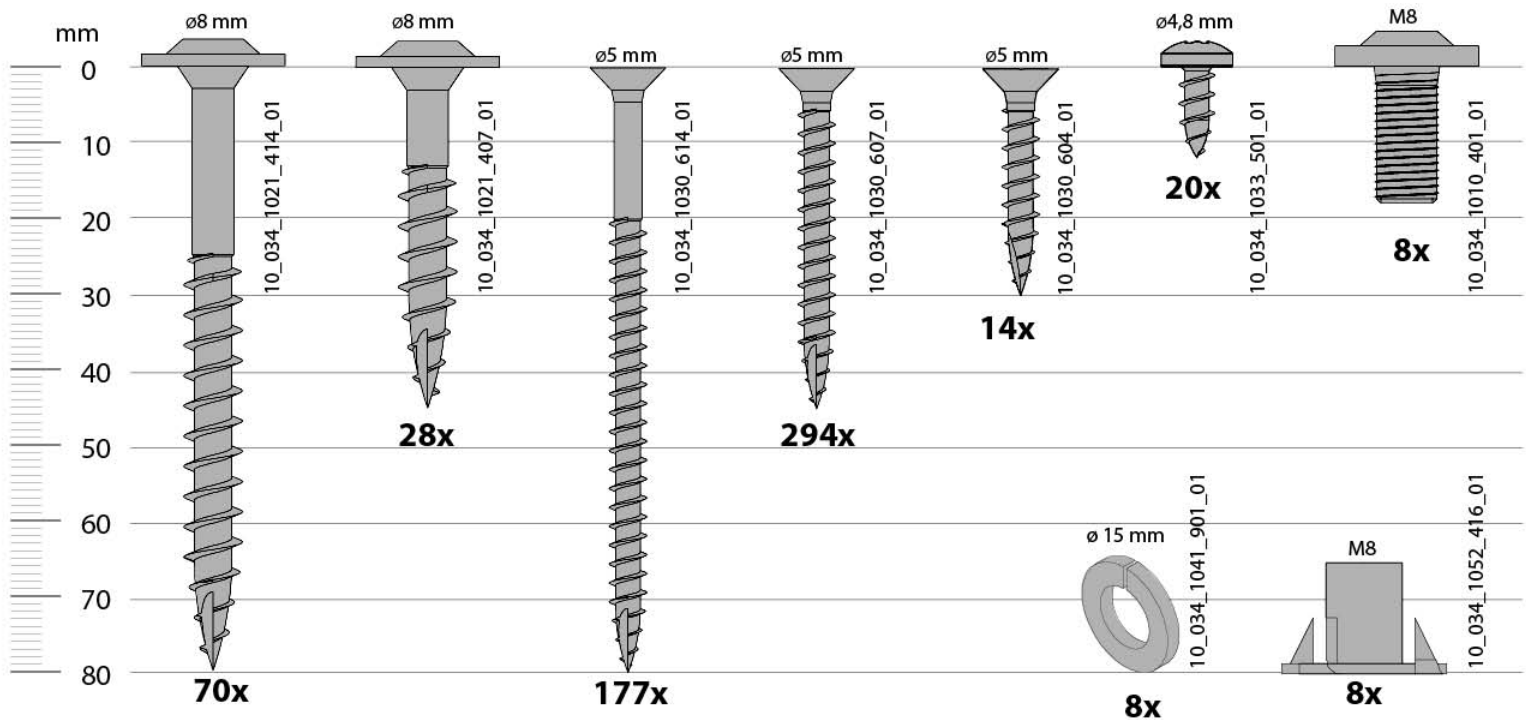
<p>2x 10_030_5011_001_04</p> 

<p>4x 10_030_5010_000_04</p> 

<p>2x 10_201_2075_405_04</p> 

Hardware P - Kit B

11_001_1010_200_25



2.1c

Content P - Kit C

14_303_101_11



<p>1x 10_209_2031_105_05</p>		<p>1x 10_209_2071_103_24</p>			<p>2x 10_030_5041_115_04</p>		<p>1x 10_467_3040_201_26</p>				
<p>1x 10_460_0819_101_26</p>		<p>2x 10_030_5042_116_04</p>		<p>1x 10_030_5042_216_04</p>		<p>2x 10_030_5071_110_01</p>		<p>1x 11_001_1030_100_25</p>		<p>2x 11_207_1010_101_04</p> <p>6x 10_205_2030_000_04</p>	
<p>2x 11_003_3030_101_06</p>		<p>1x 10_026_5041_215_01</p>		<p>1x 11_002_1010_202_25</p>		<p>2x 10_032_5013_225_01</p>		<p>2x 10_032_5012_425_01</p>			

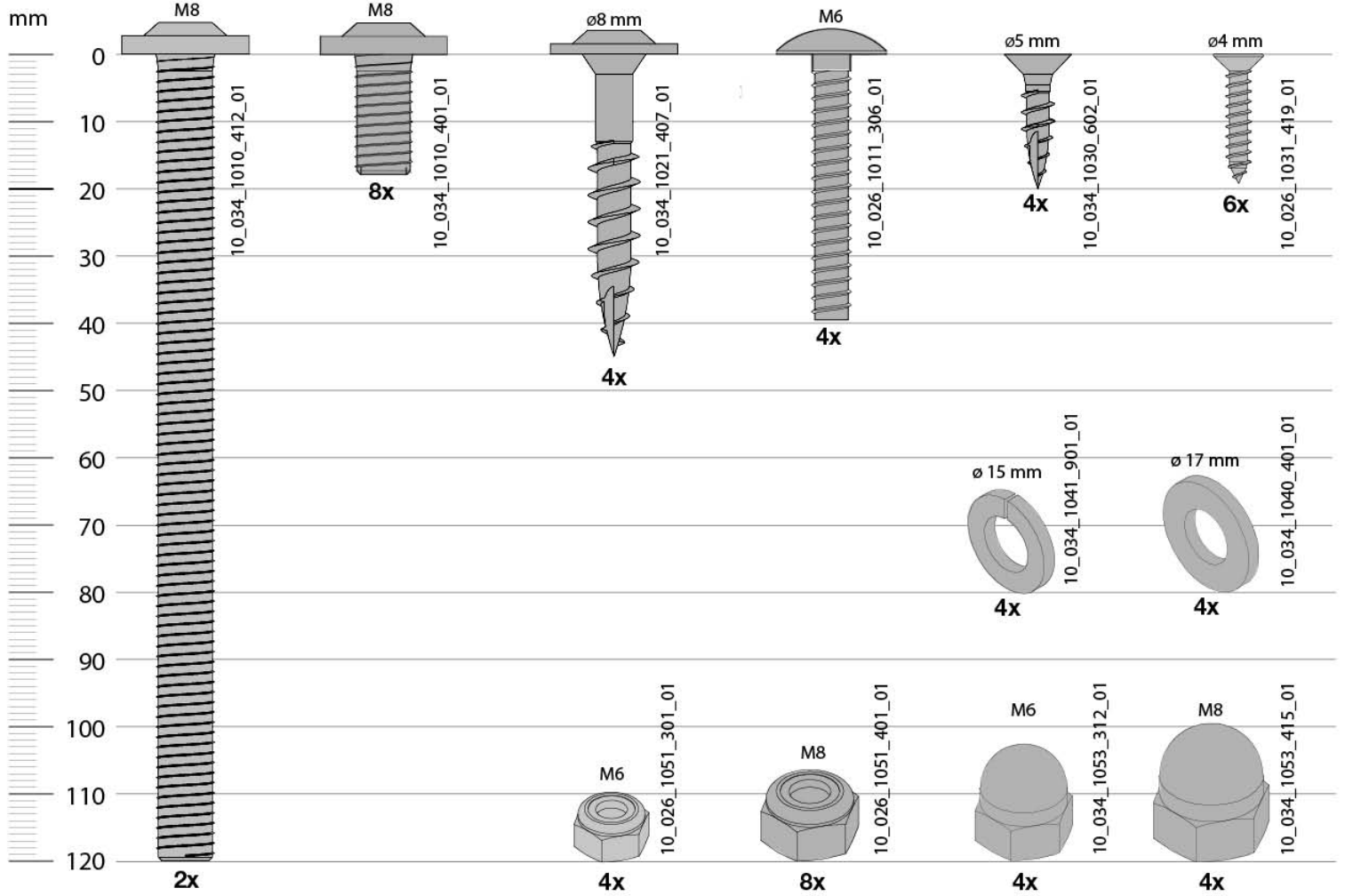
Tools

11_002_1010_202_25



Hardware P - Kit C

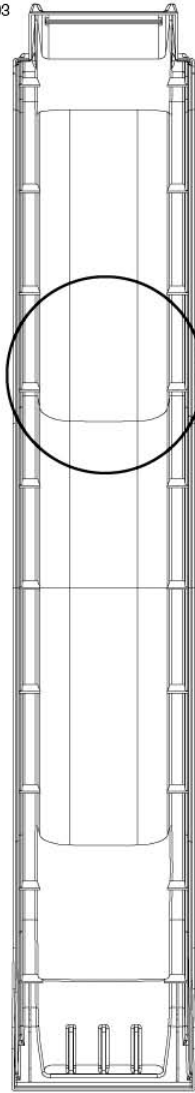
11_001_1030_100_25



2.2a

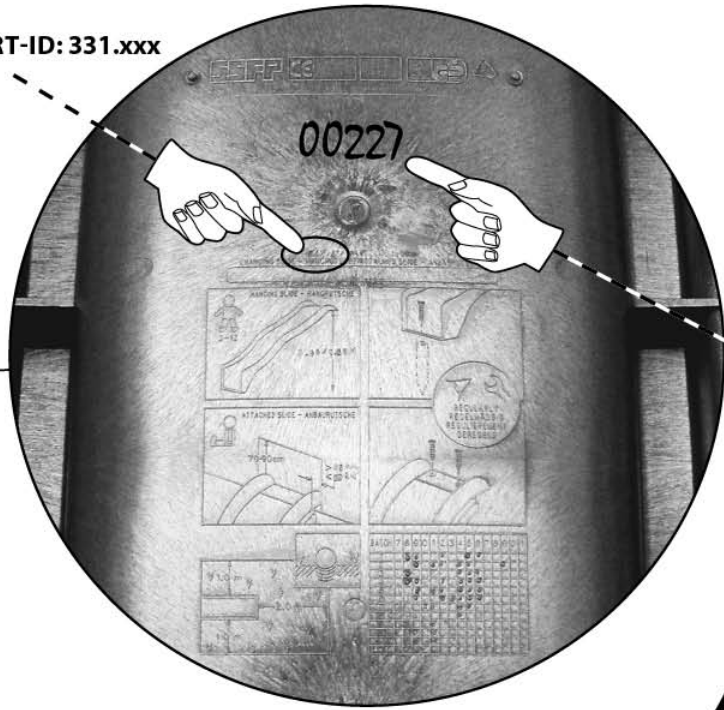
Hy-Slide Polyethylene

14_906_301_03

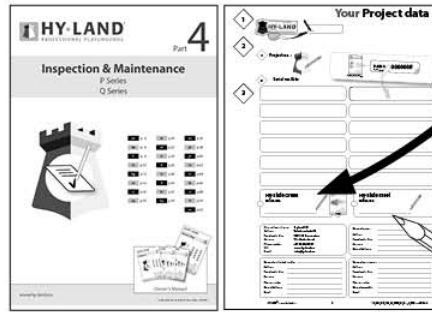


Back

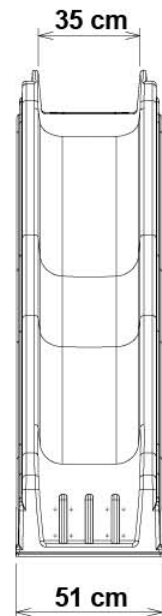
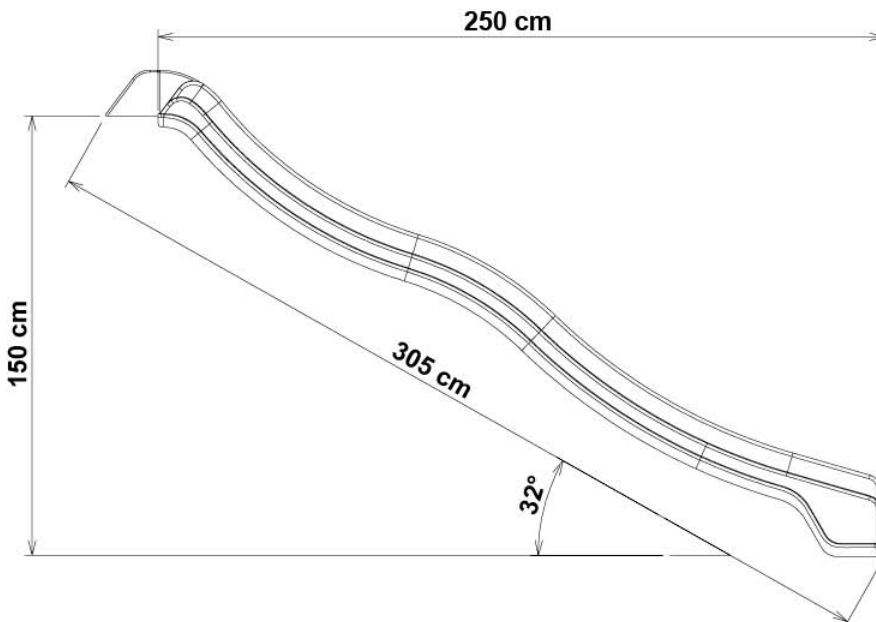
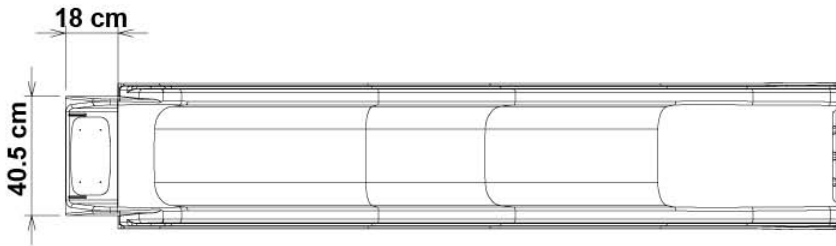
PART-ID: 331.xxx



SERIAL NO.



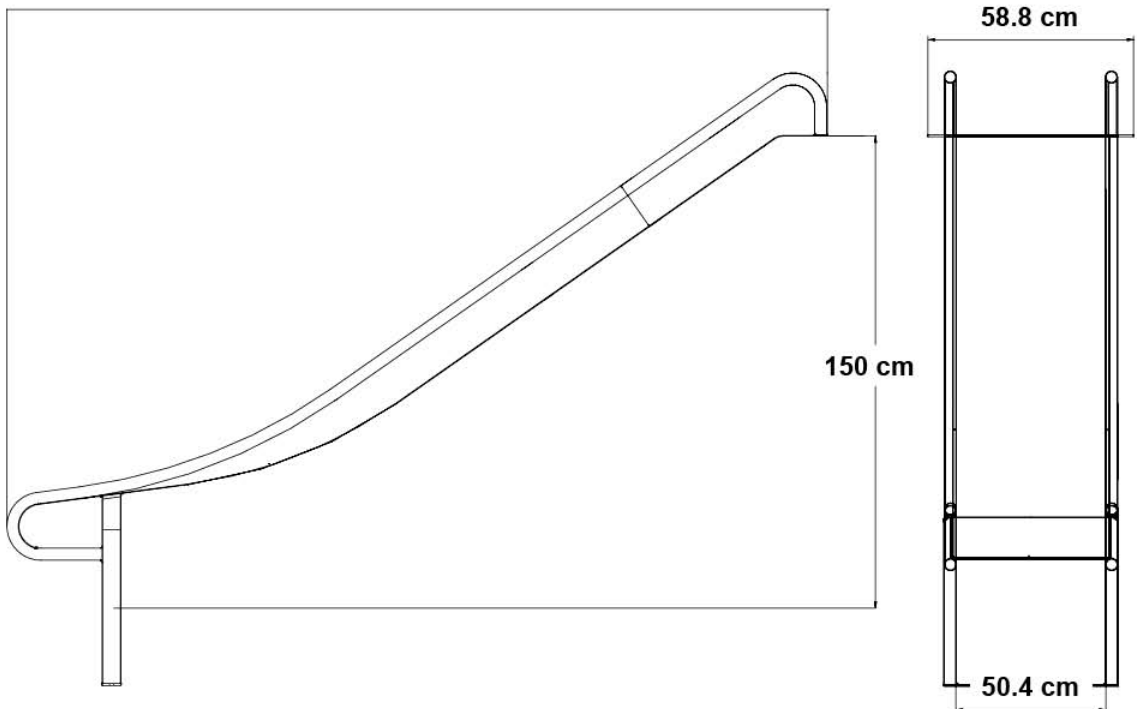
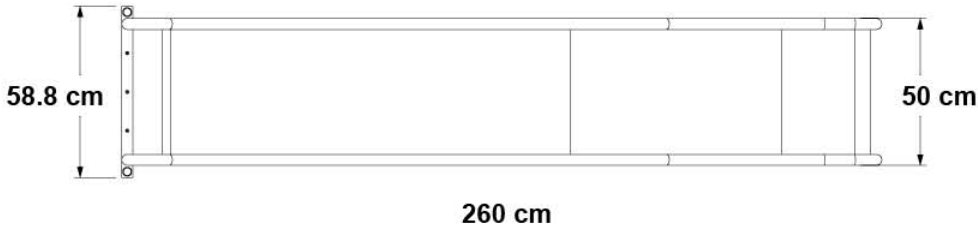
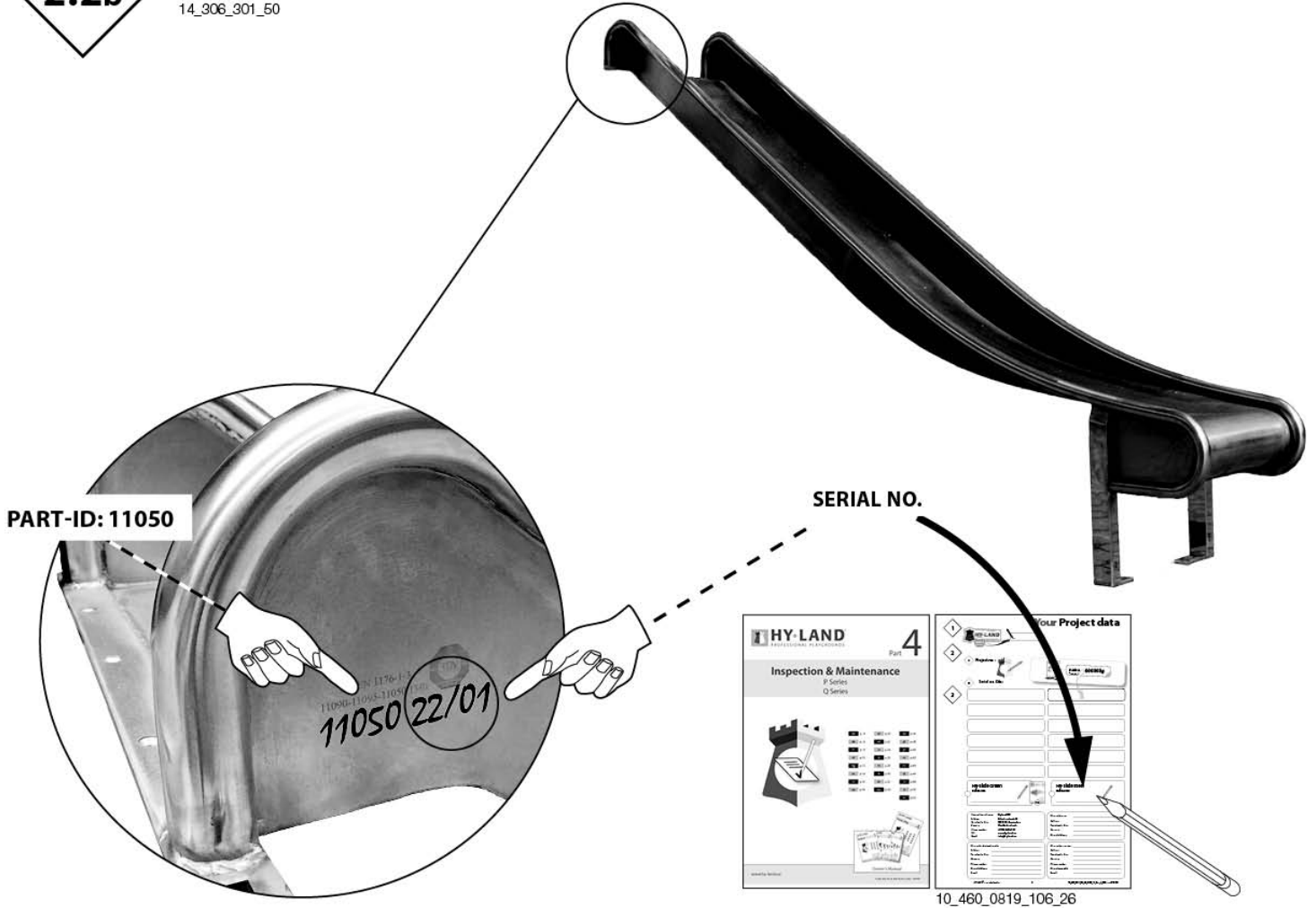
10_460_0819_106_26



2.2b

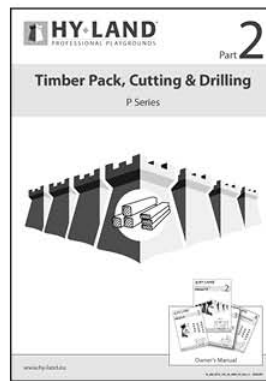
Hy-Slide Stainless Steel

14_906_301_50



2.3

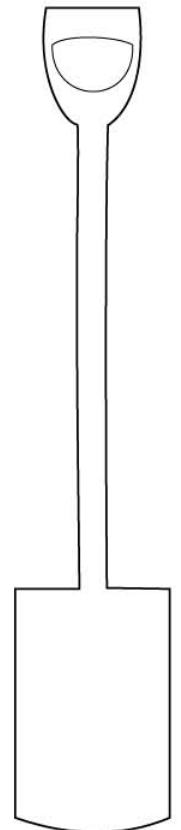
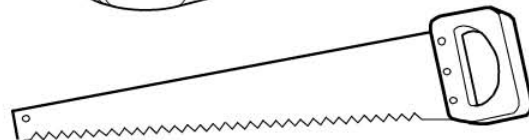
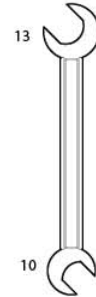
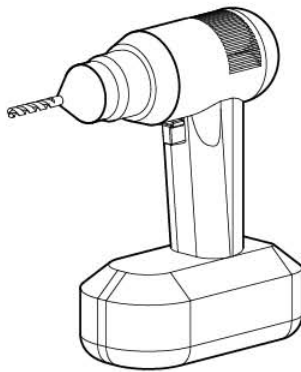
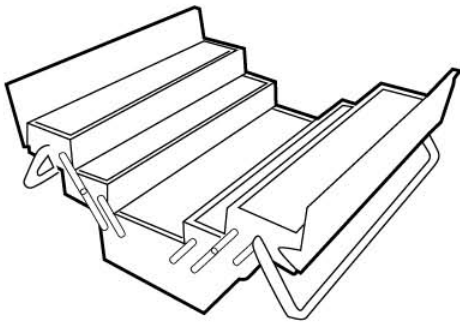
Timber



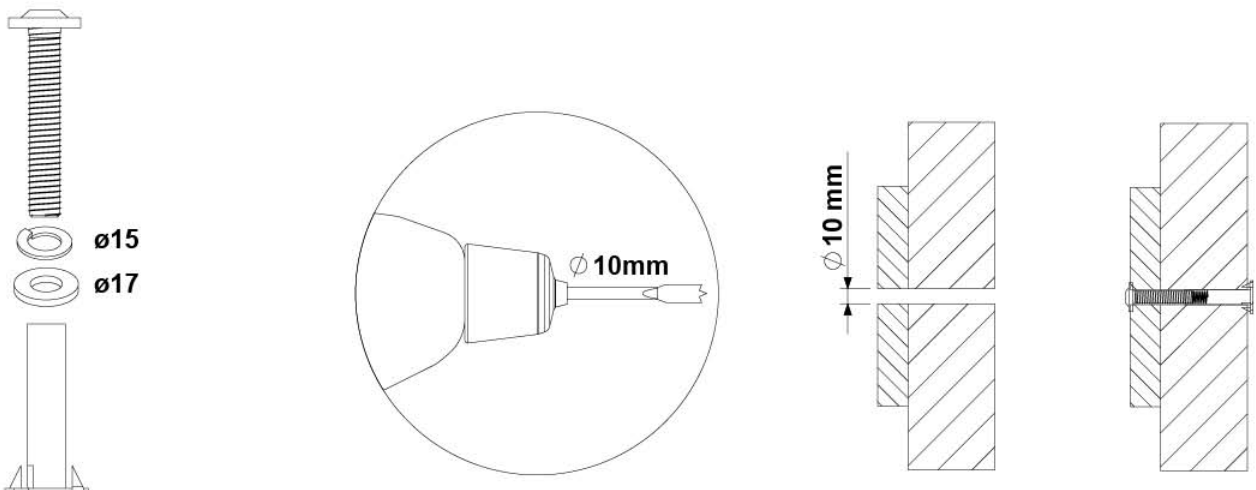
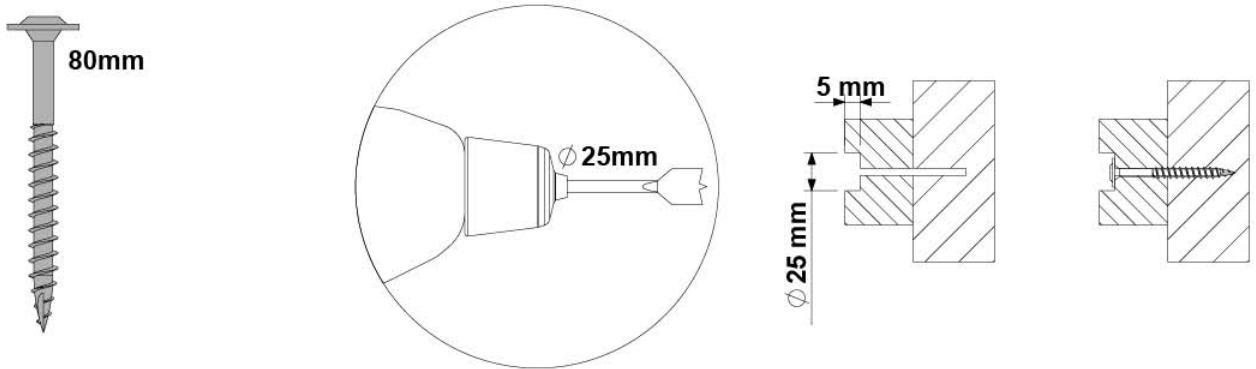
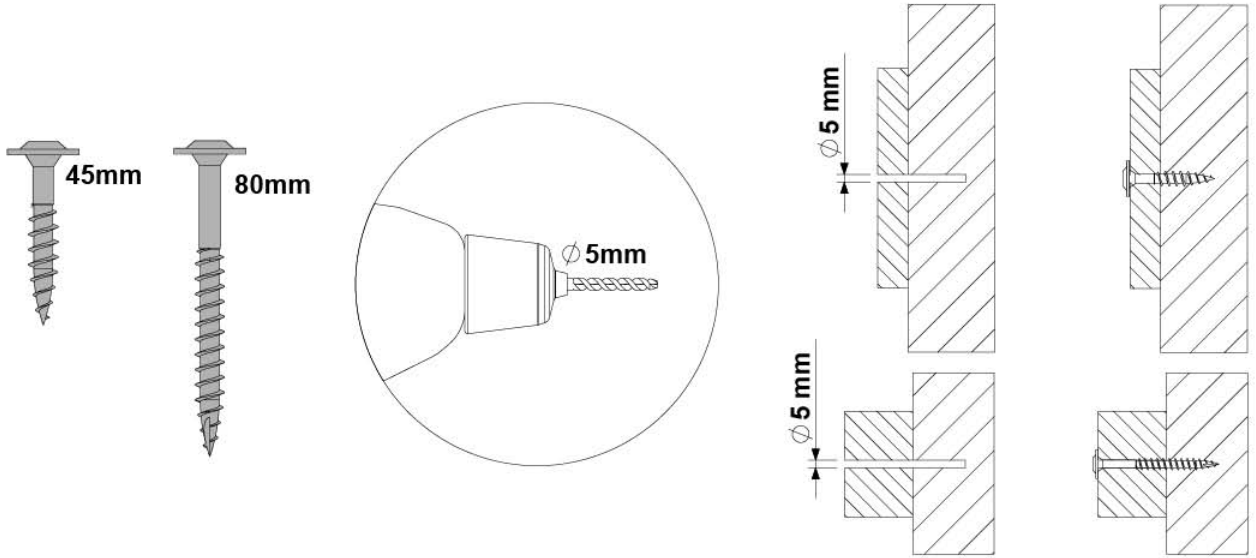
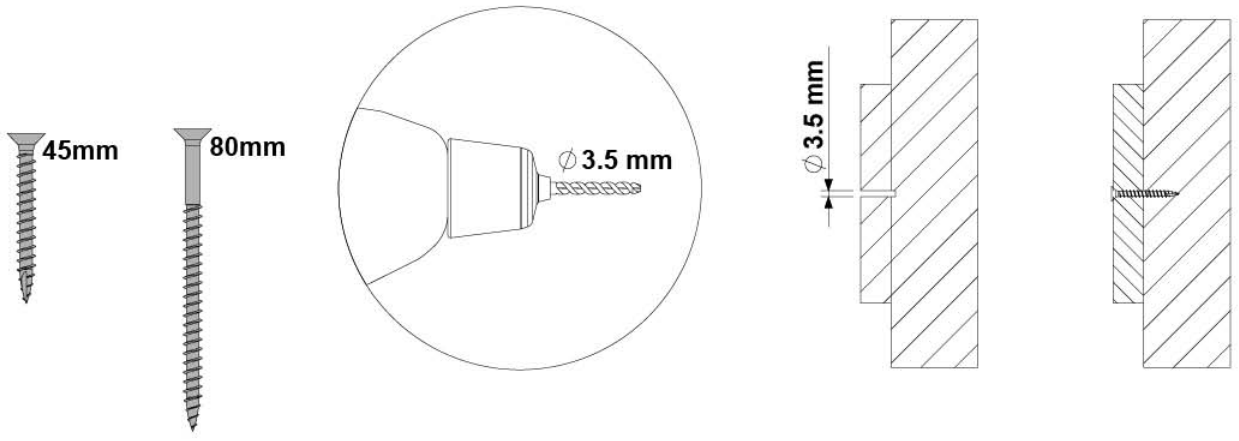
10_460_0019_102_26

3.1

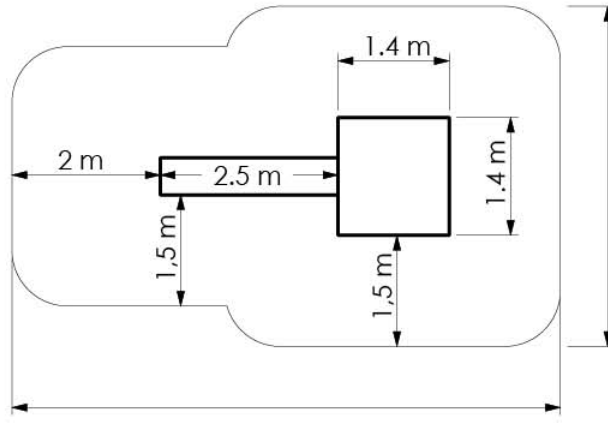
Tools



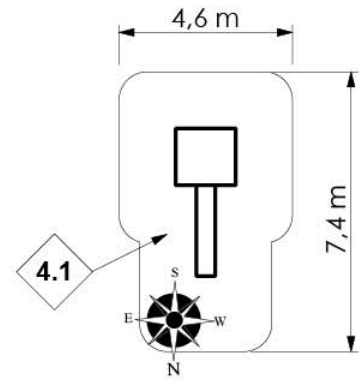
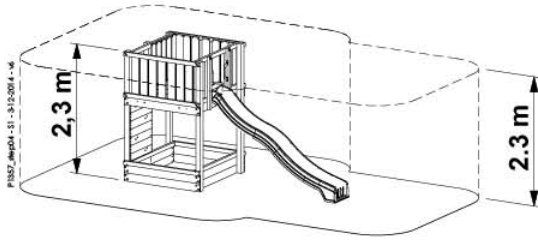
3.2



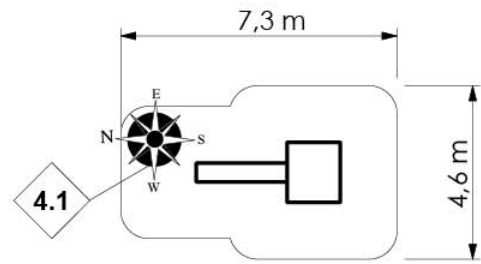
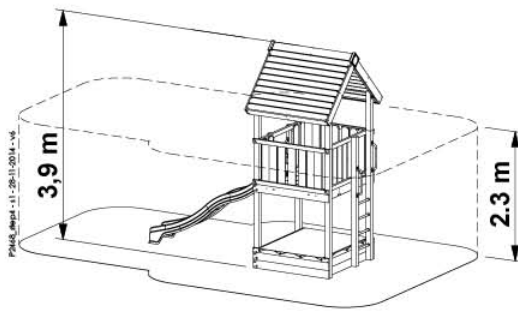
4



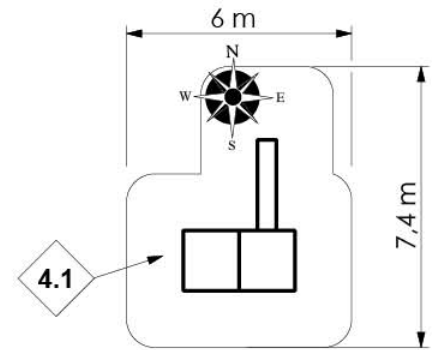
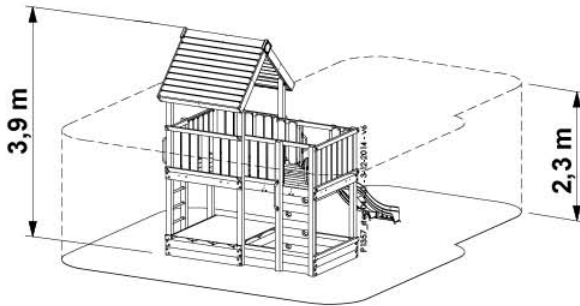
1



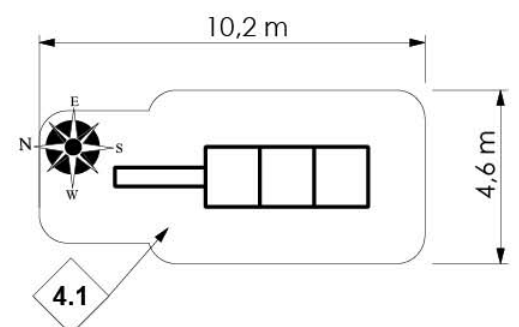
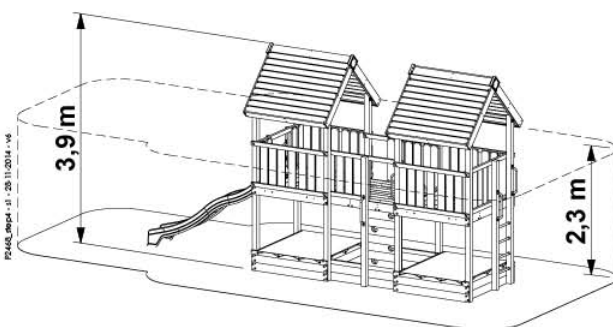
2



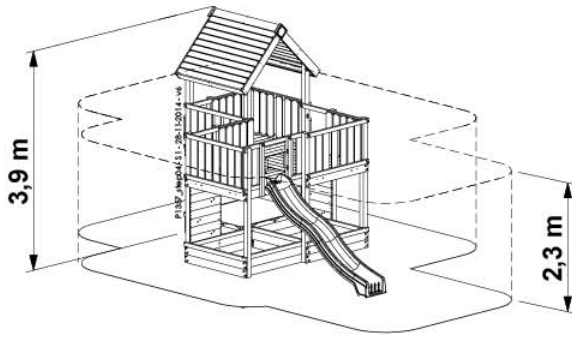
3



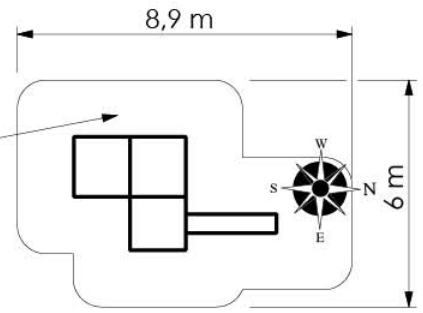
4



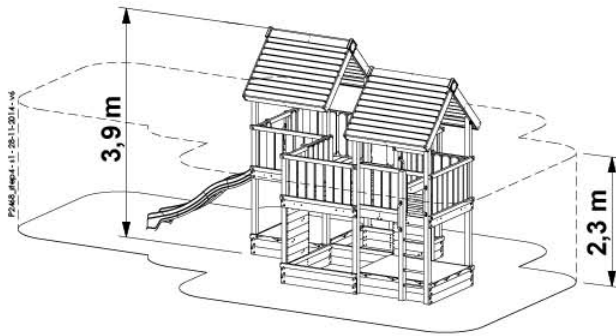
5



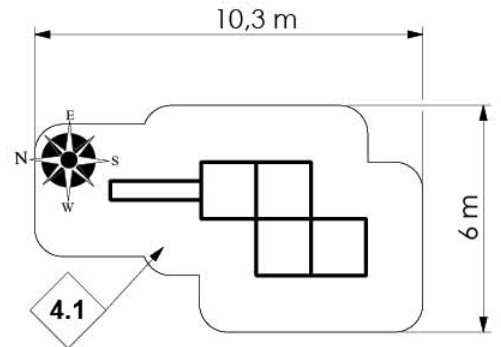
4.1



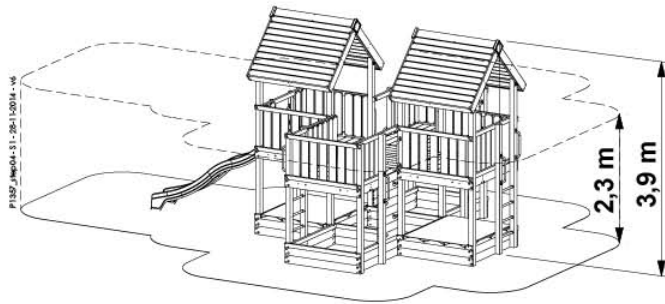
6



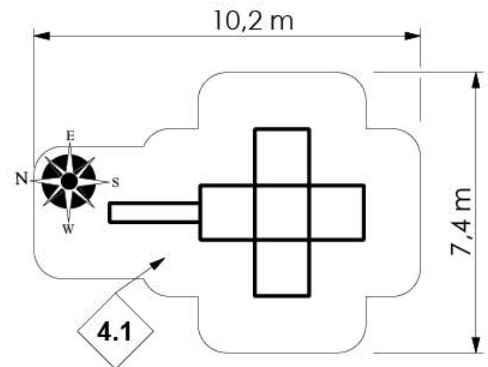
4.1



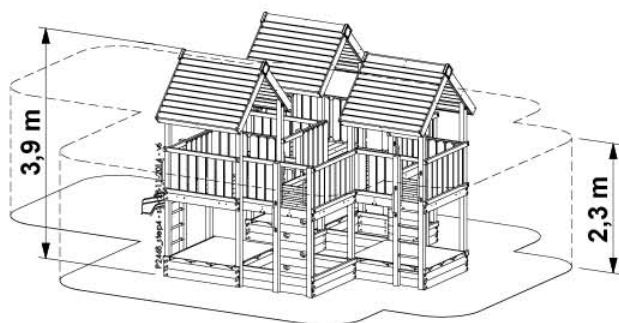
7



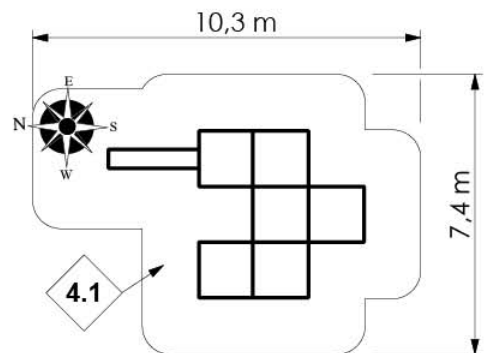
4.1



8



4.1

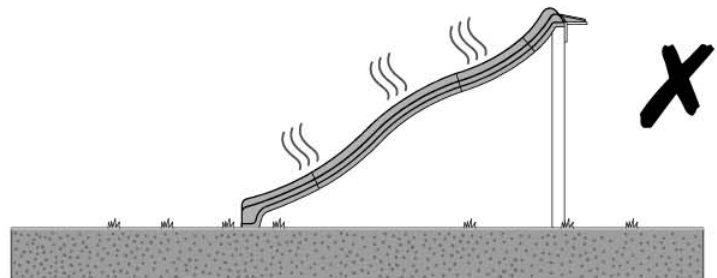
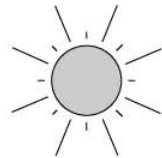
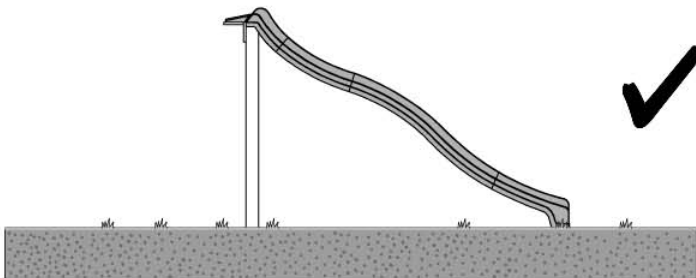
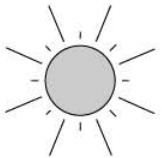
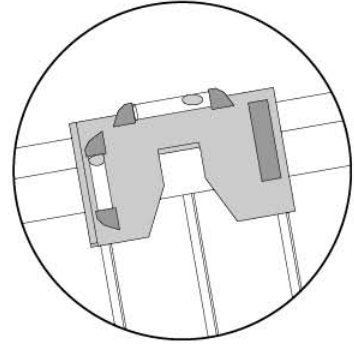
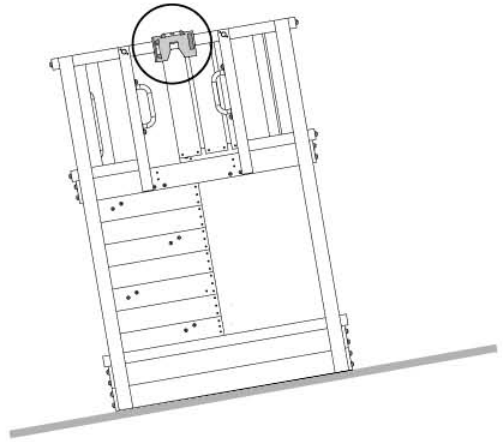
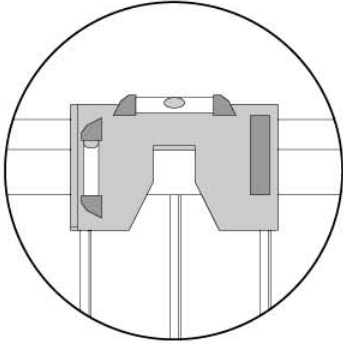
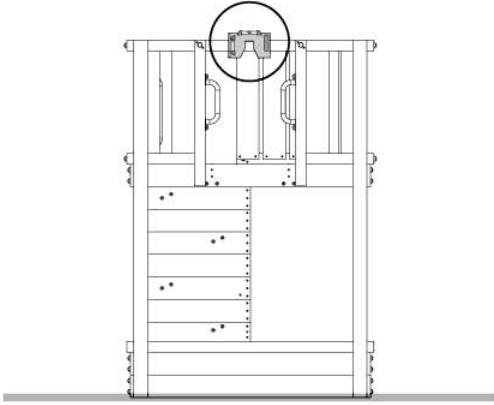


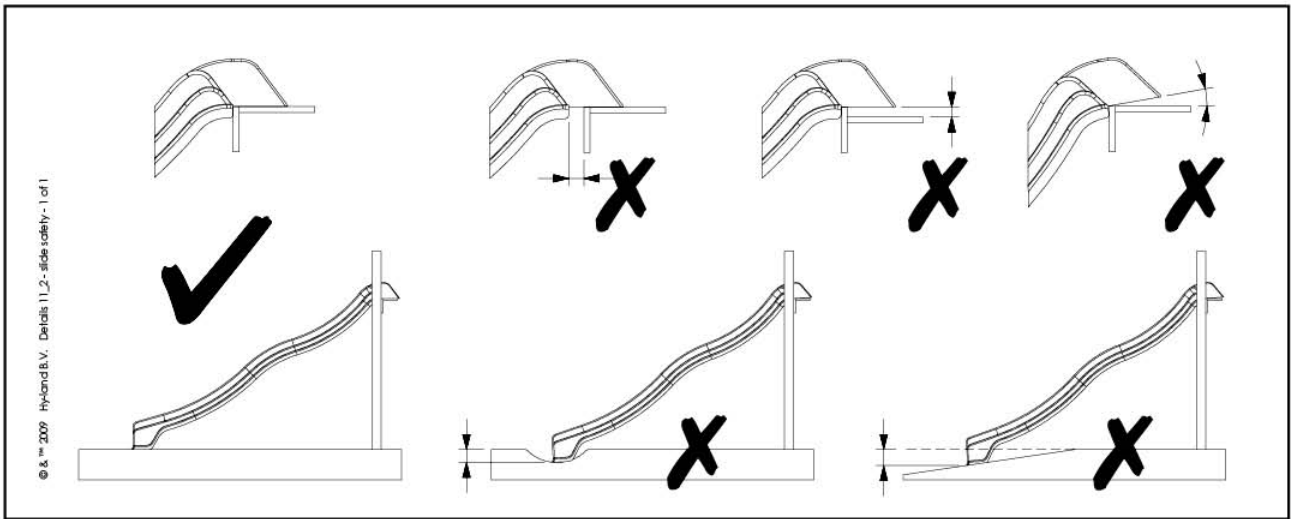


1x

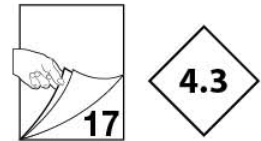
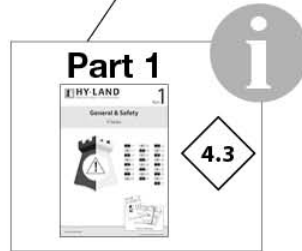
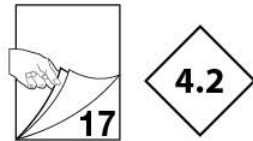
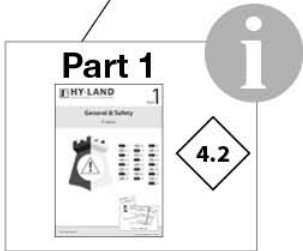
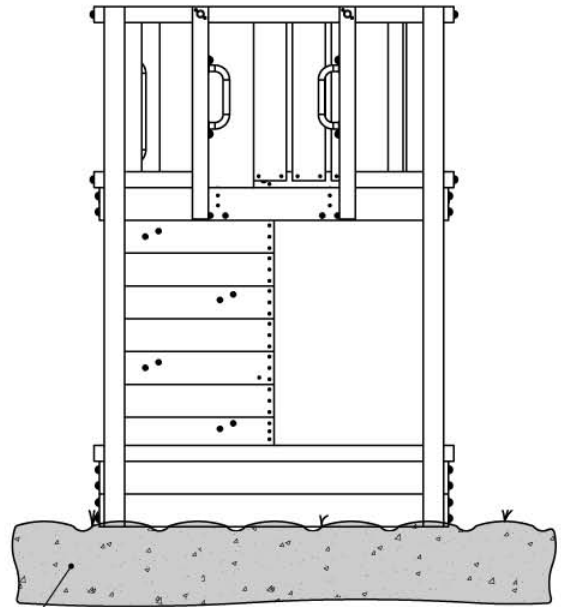
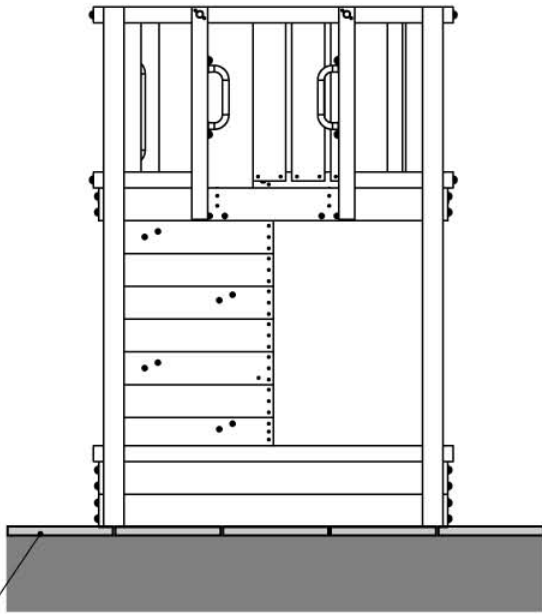


10_209_2031_105_05

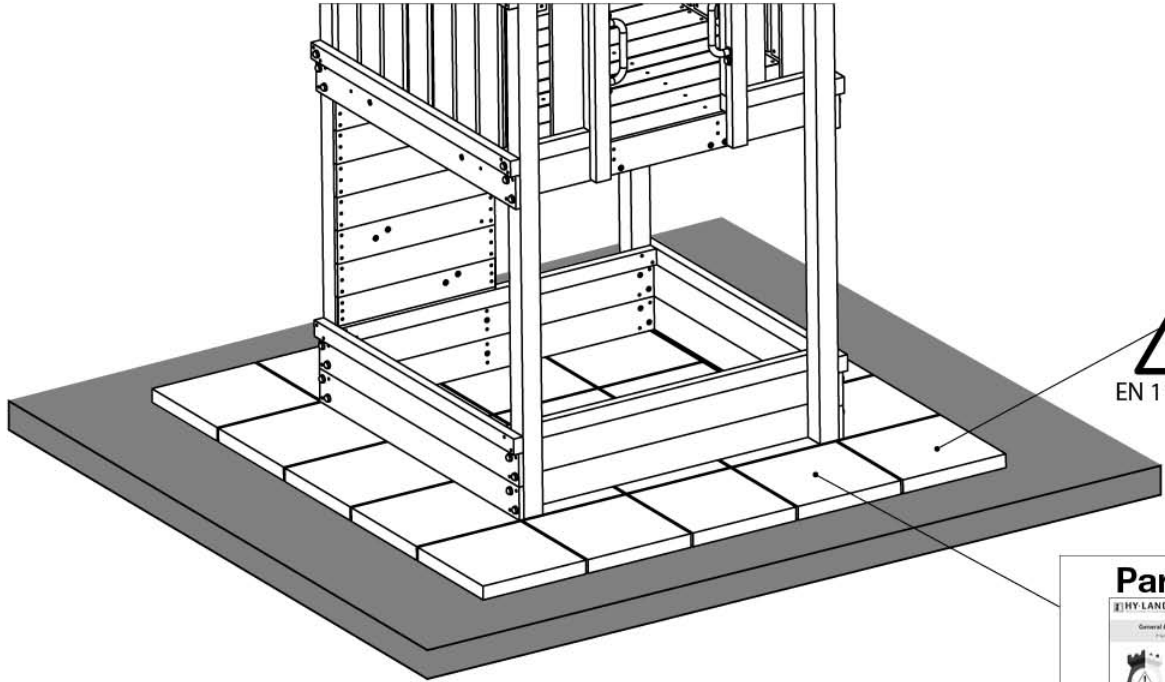




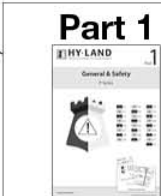
4.1



4.2

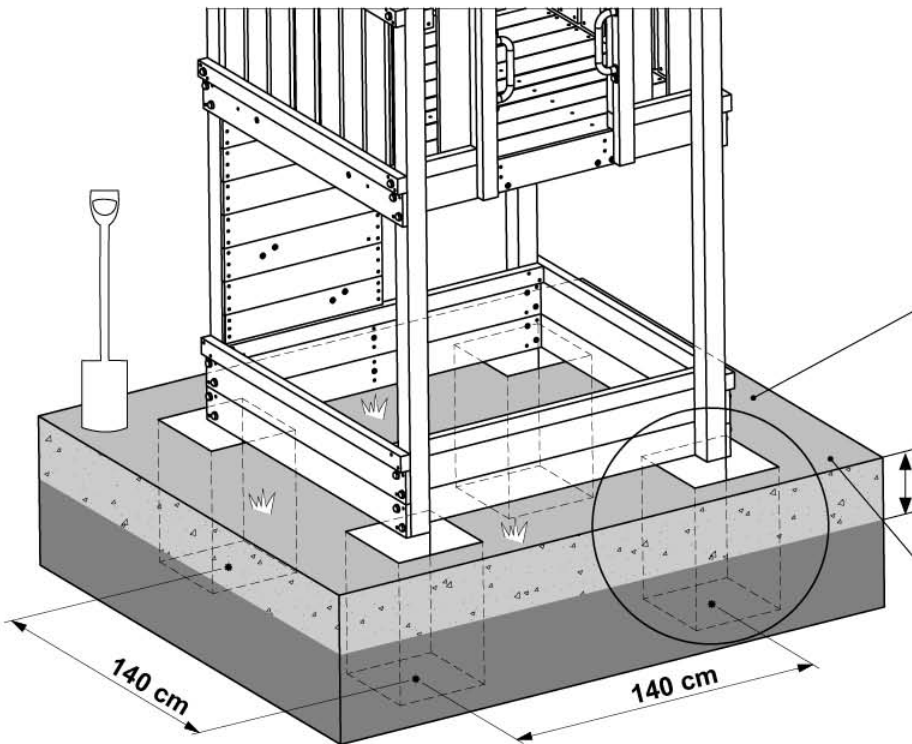


EN 1176:2017

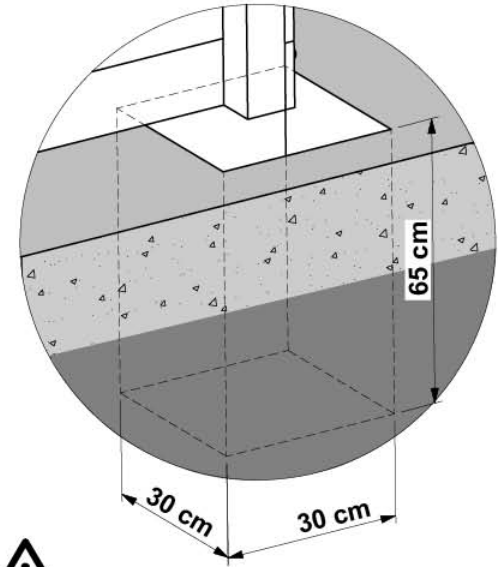


4.2

4.3



EN 1176:2017



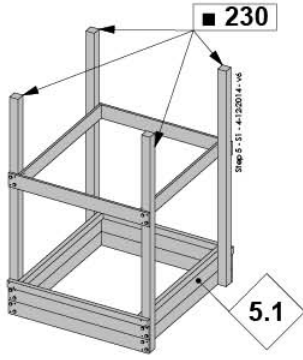
Min. 30 cm



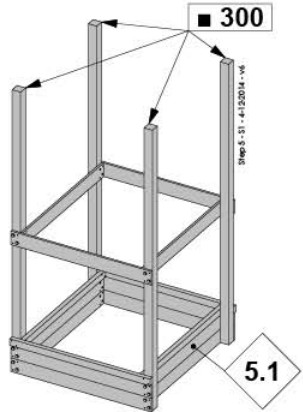
4.3

5

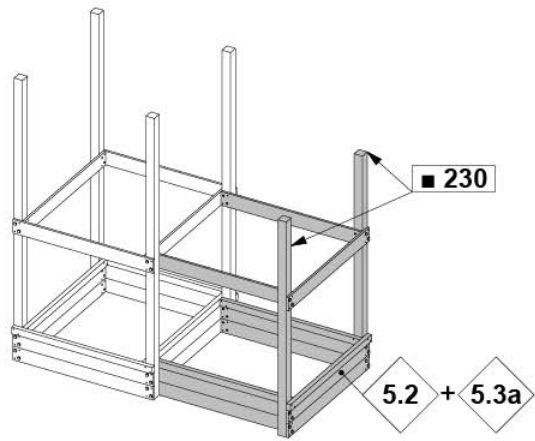
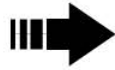
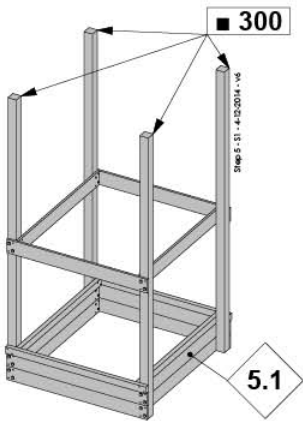
1



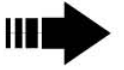
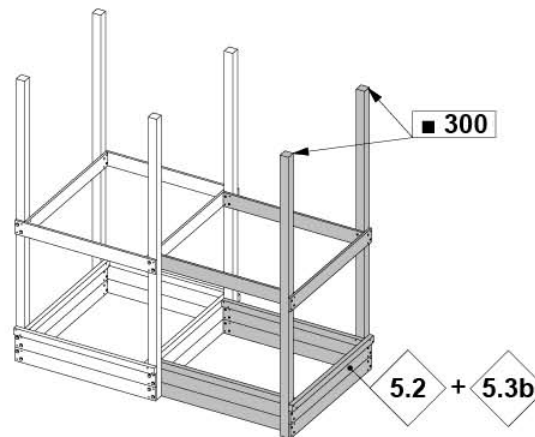
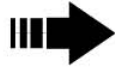
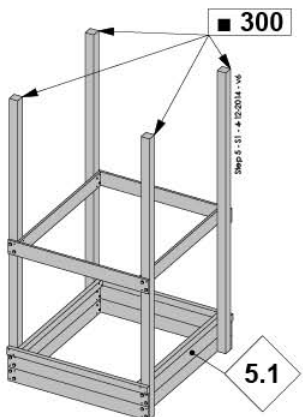
2

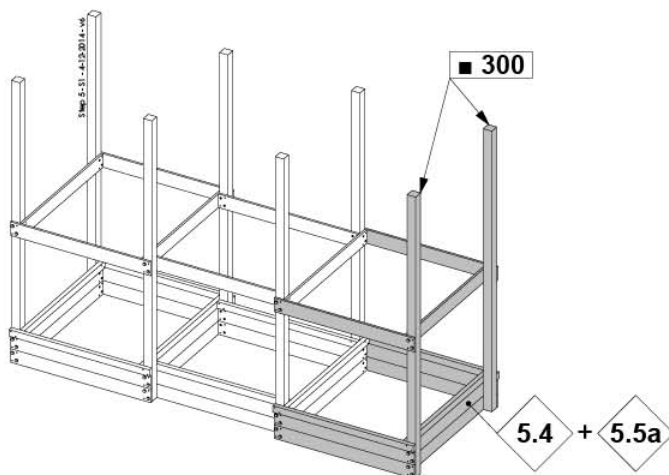


3



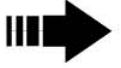
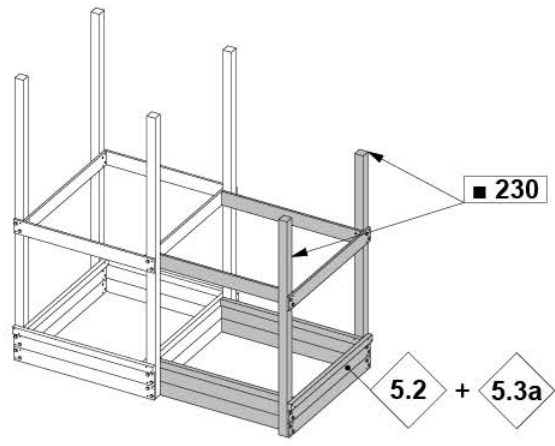
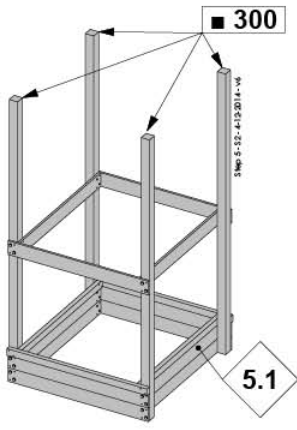
4



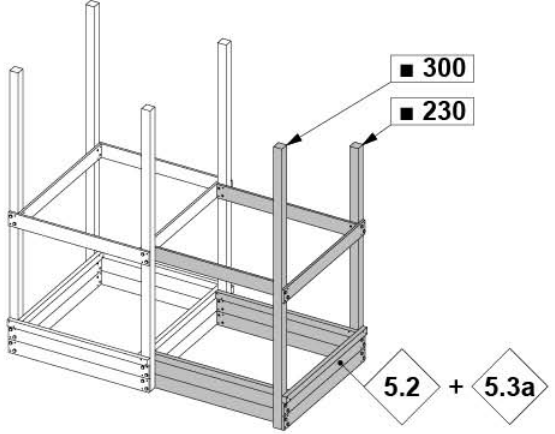
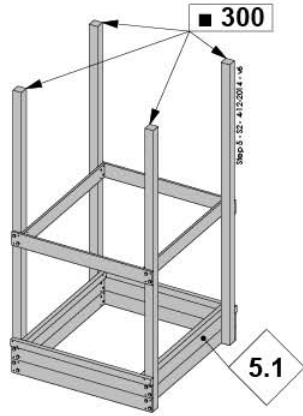


5

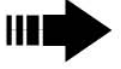
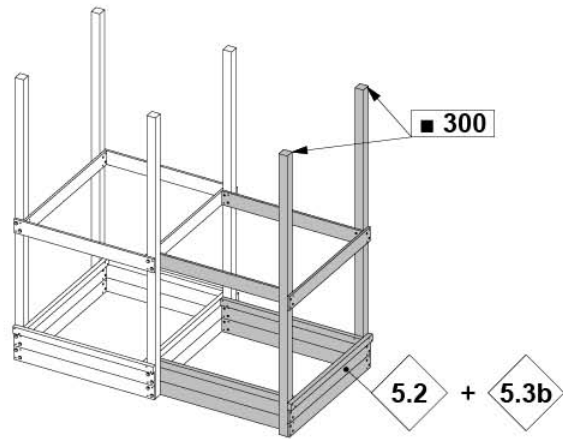
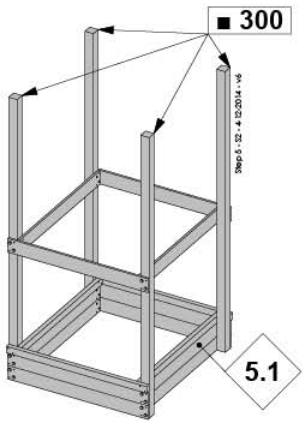
5



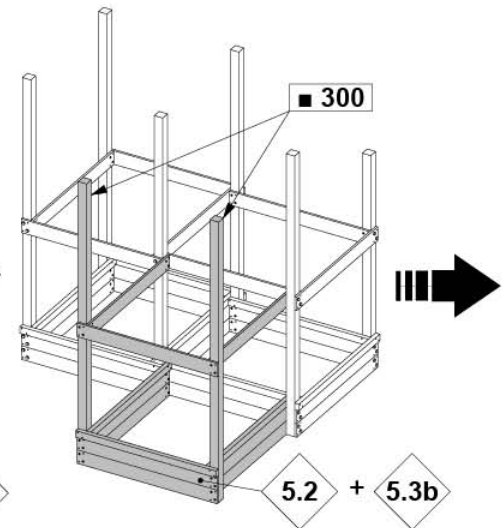
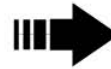
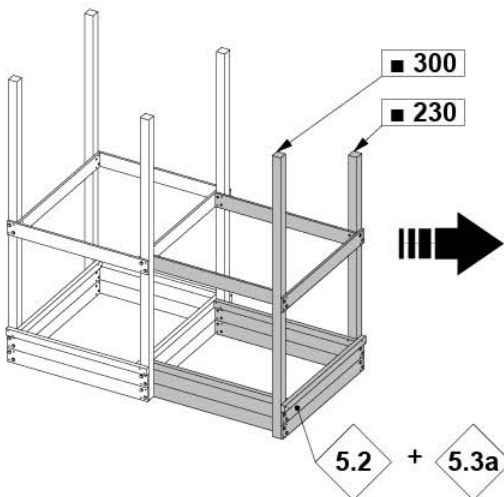
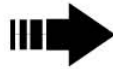
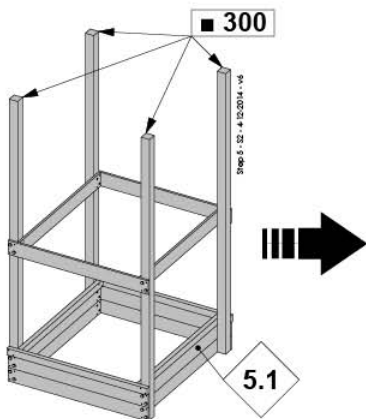
6

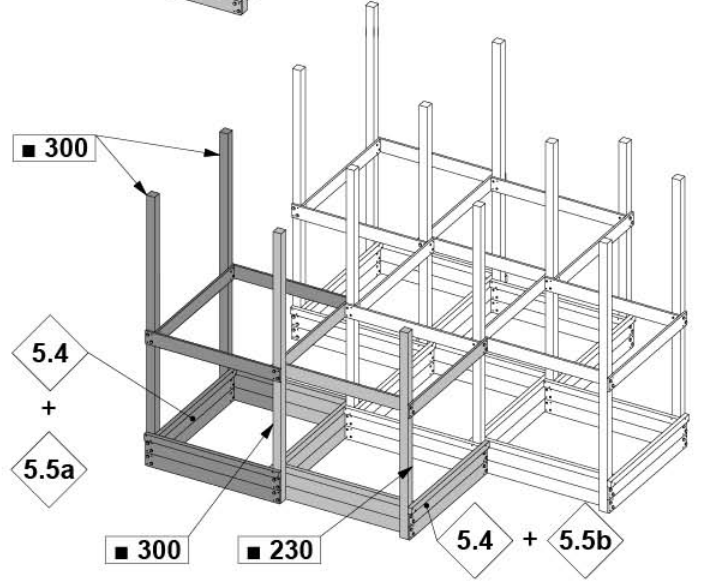
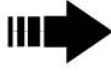
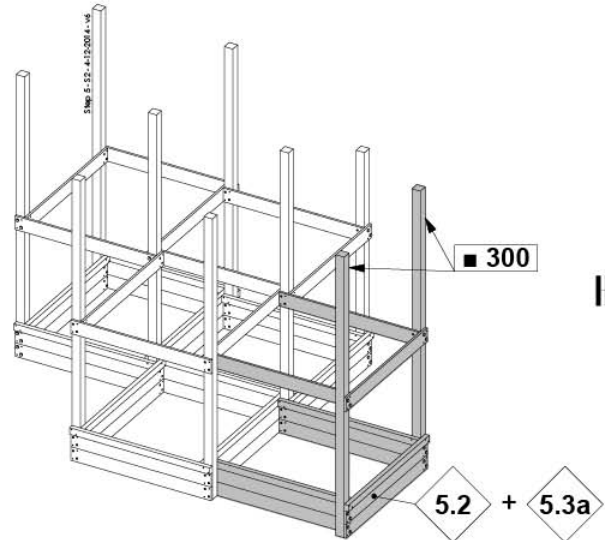
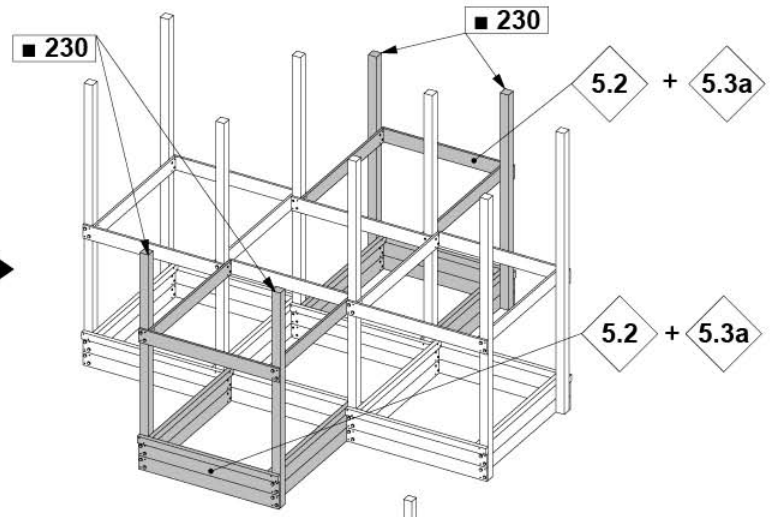
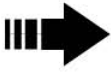
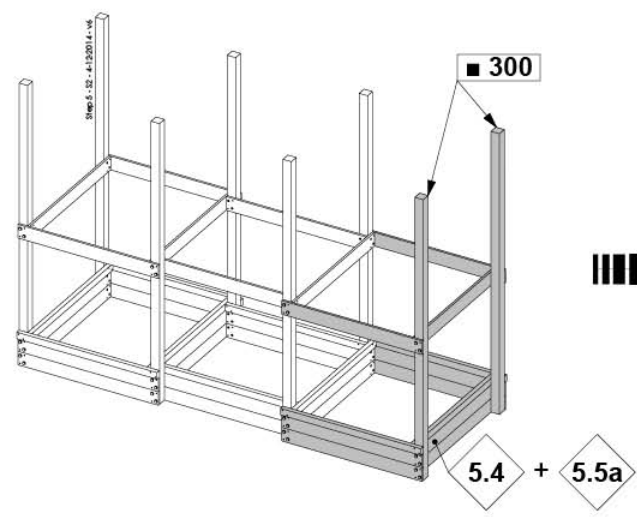
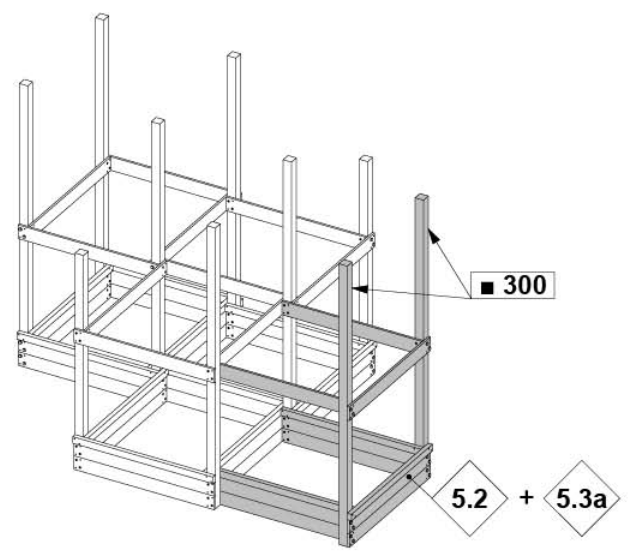
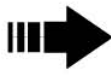
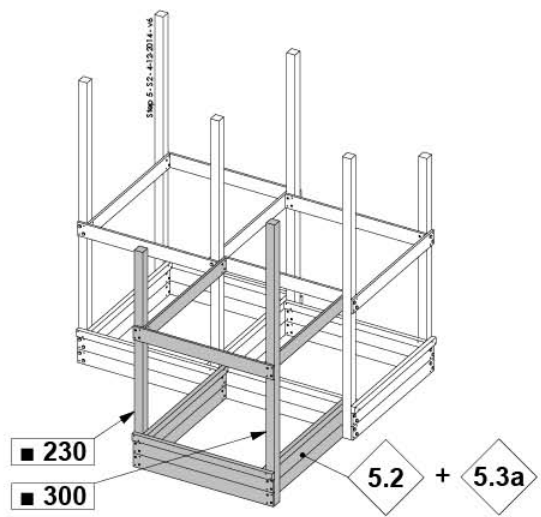
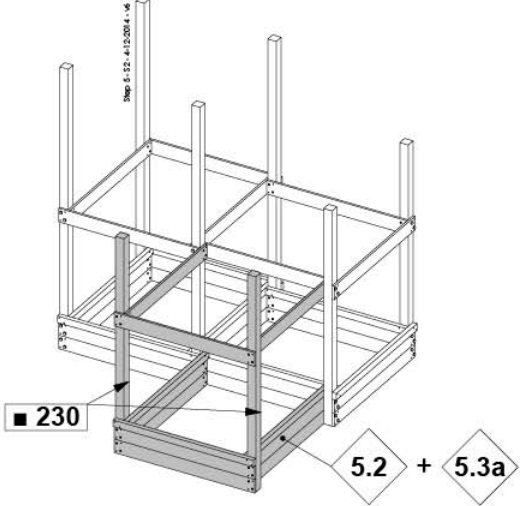


7



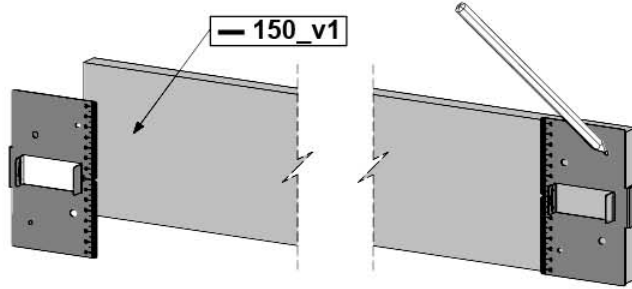
8





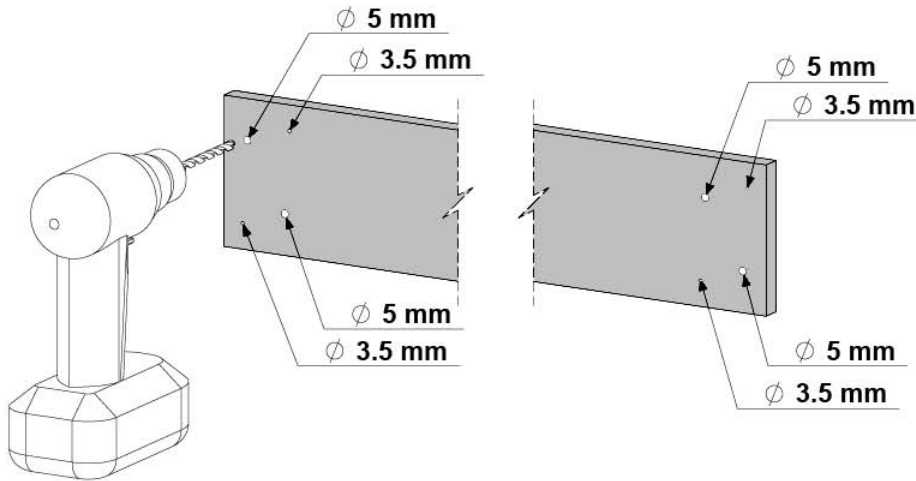
5

1

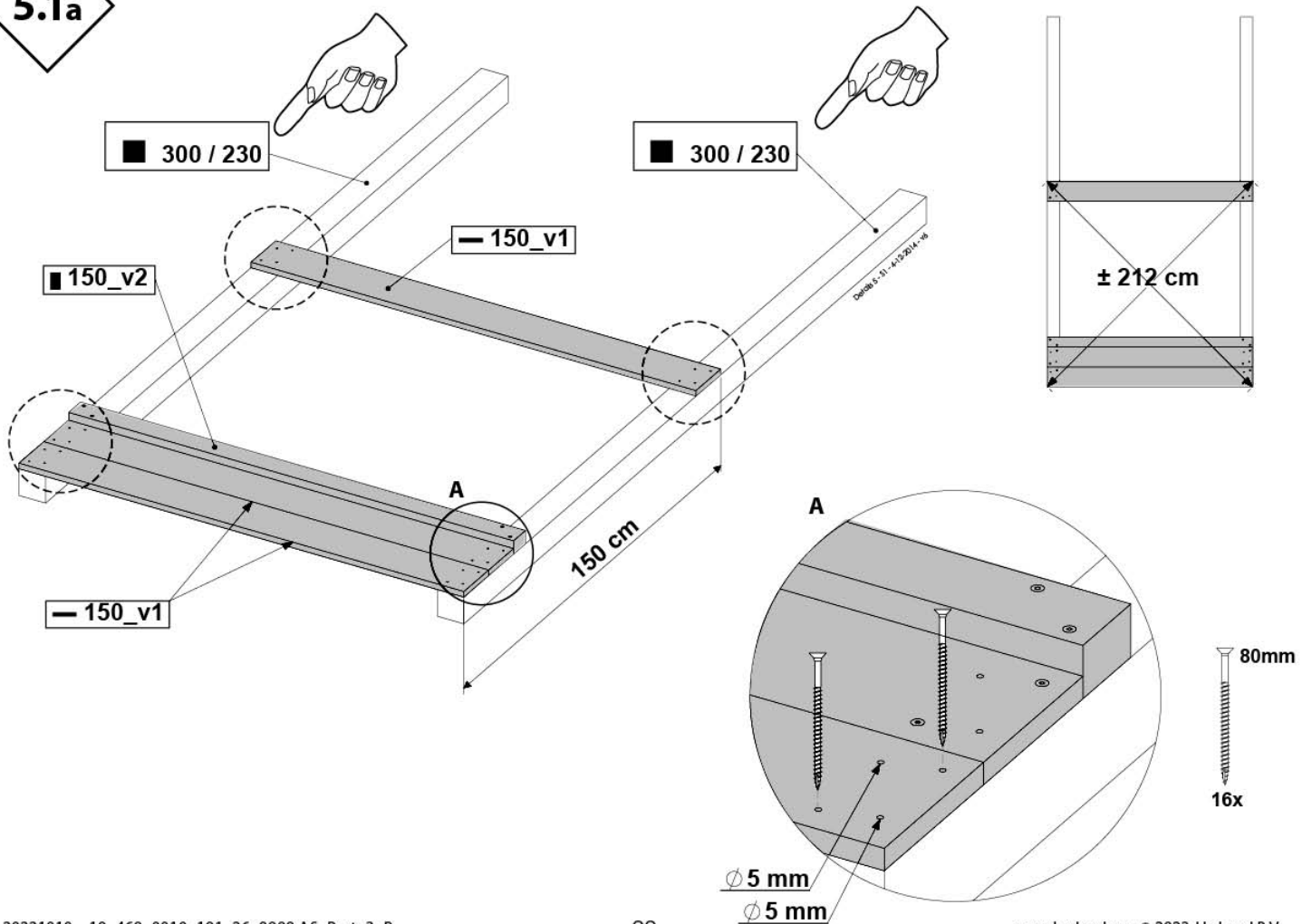


1	2	3	4	5	6	7	8
-	4x	4x	8x	4x	8x	8x	12x

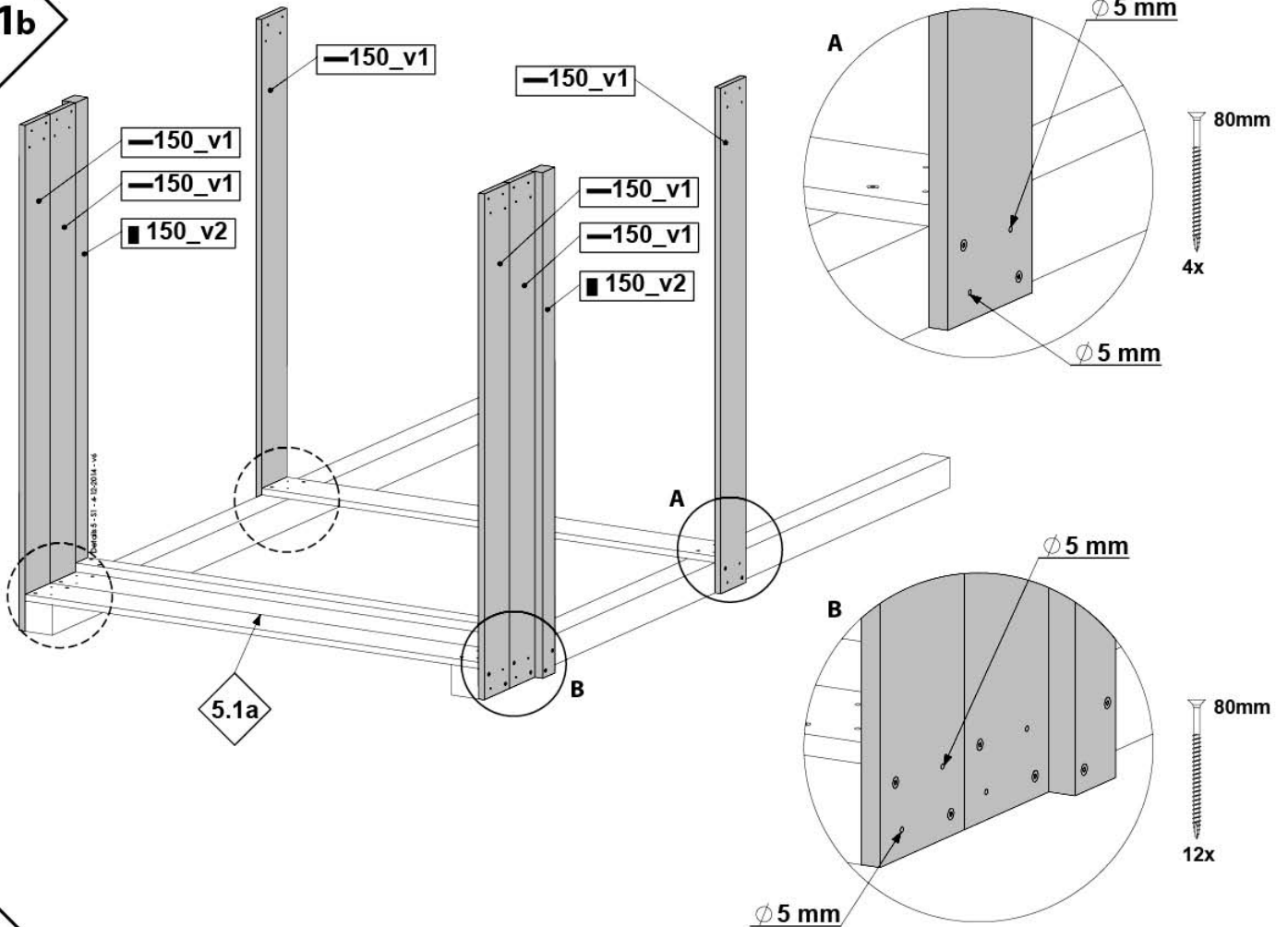
2



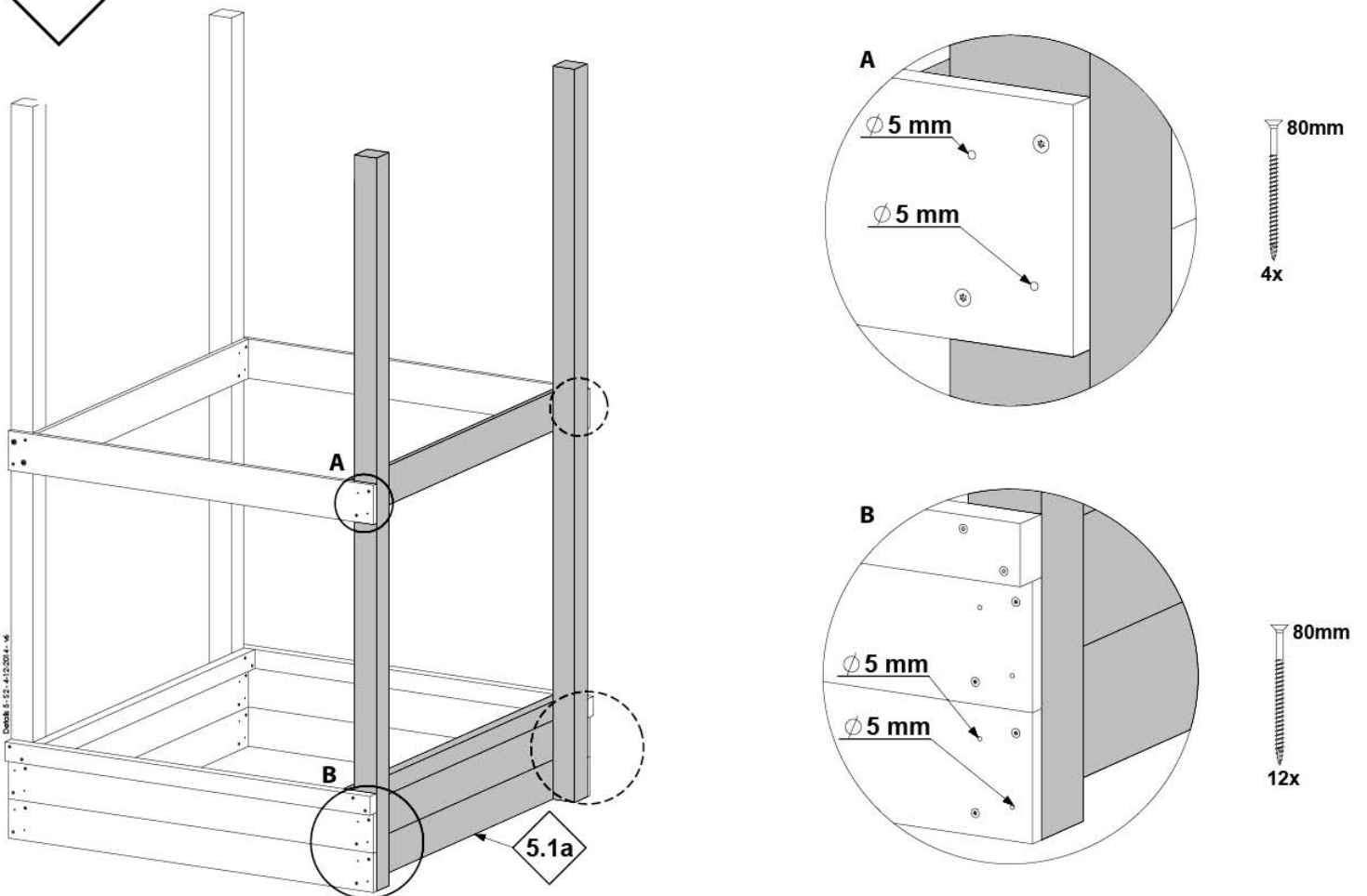
5.1a



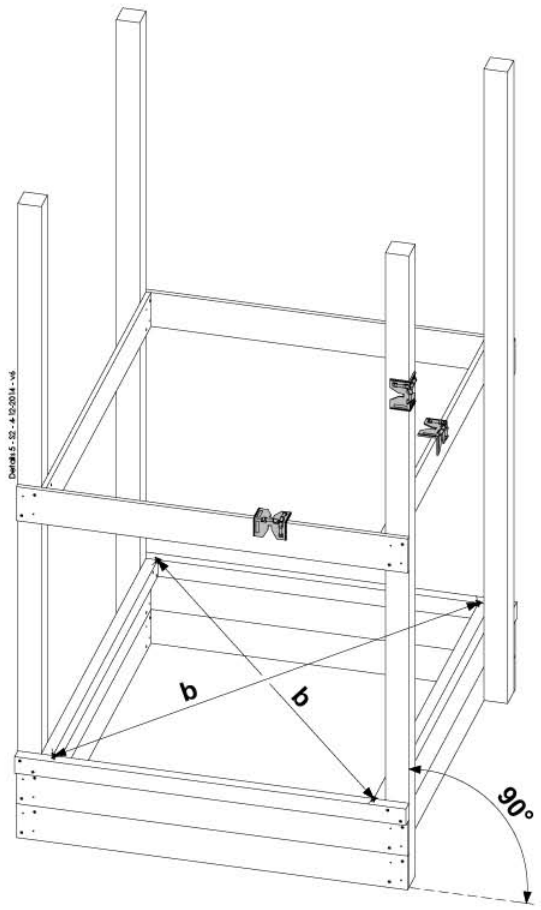
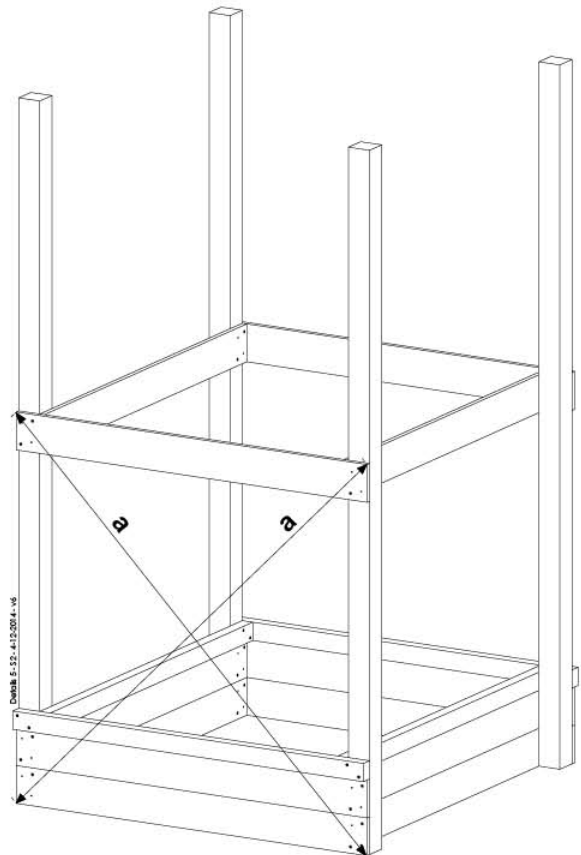
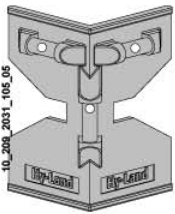
5.1b



5.1c

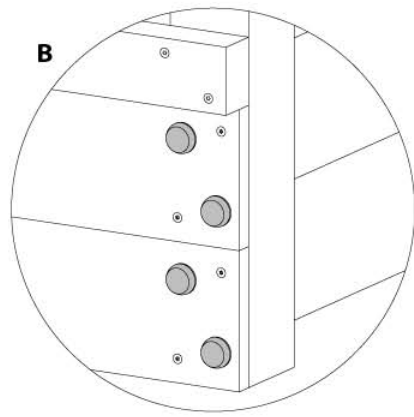
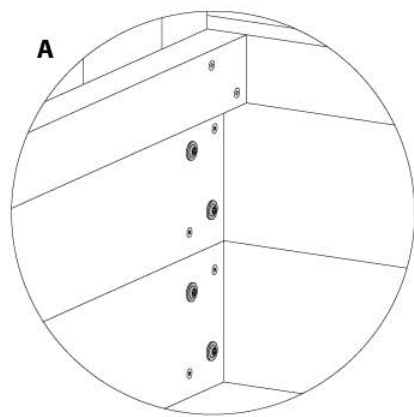
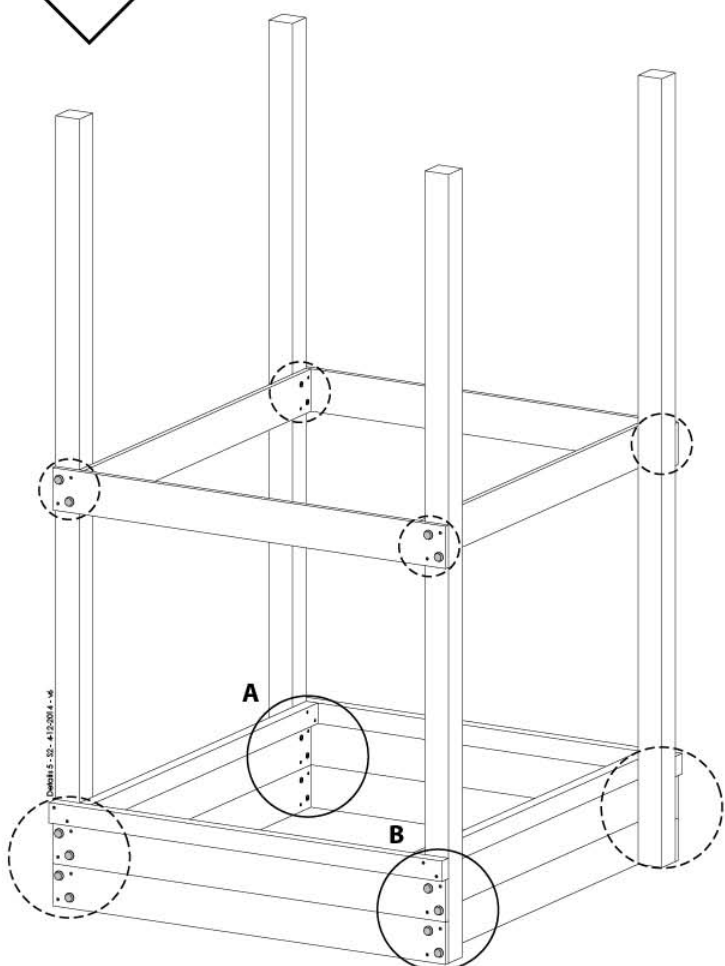


5.1d

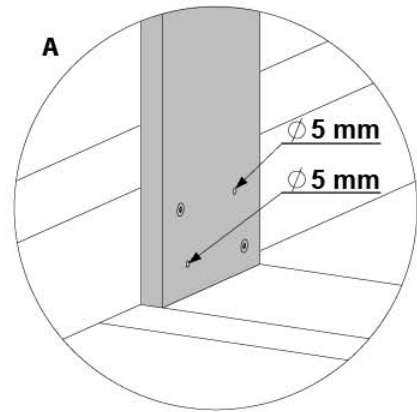
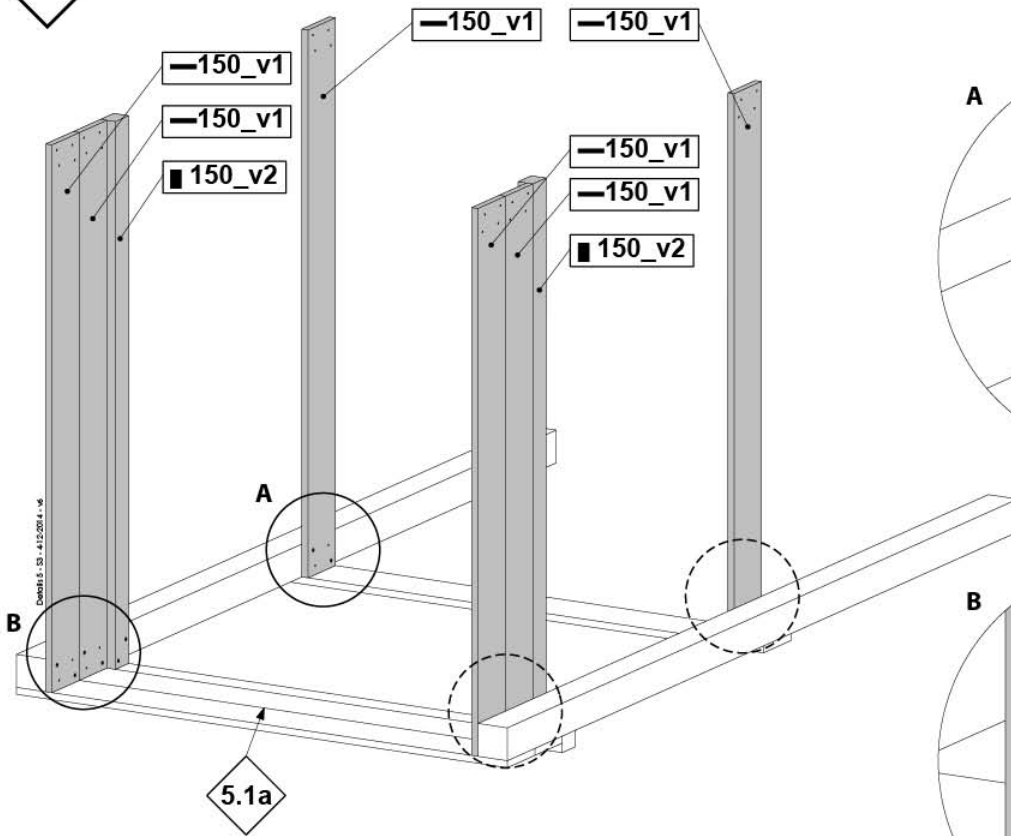


a = a
b = b

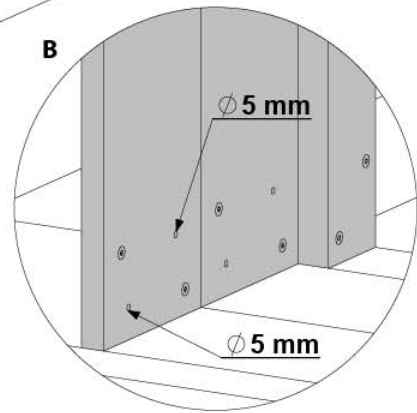
5.1e



5.2a

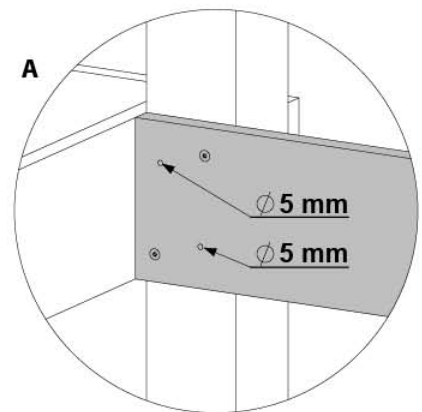
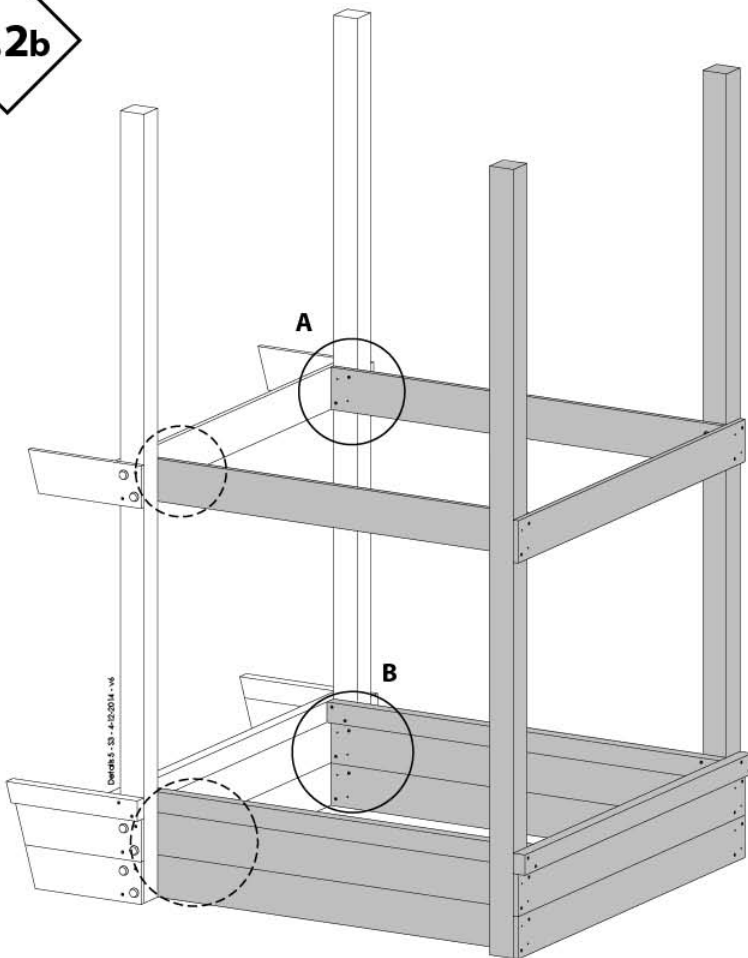


80mm
4x

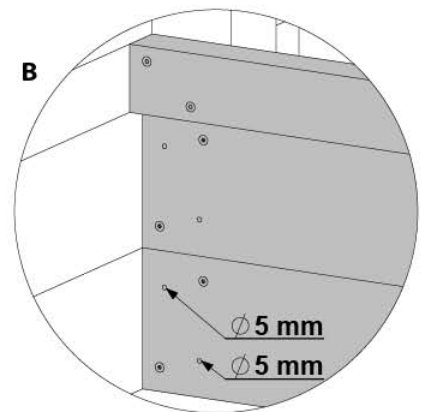


80mm
12x

5.2b

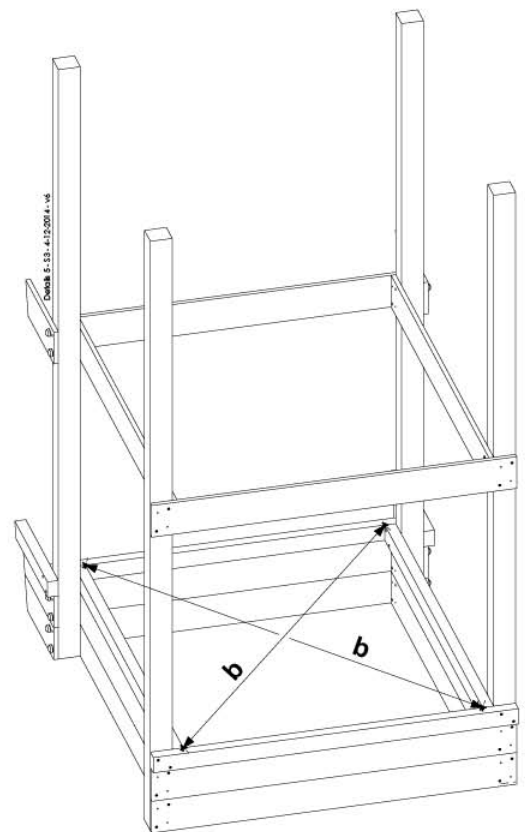
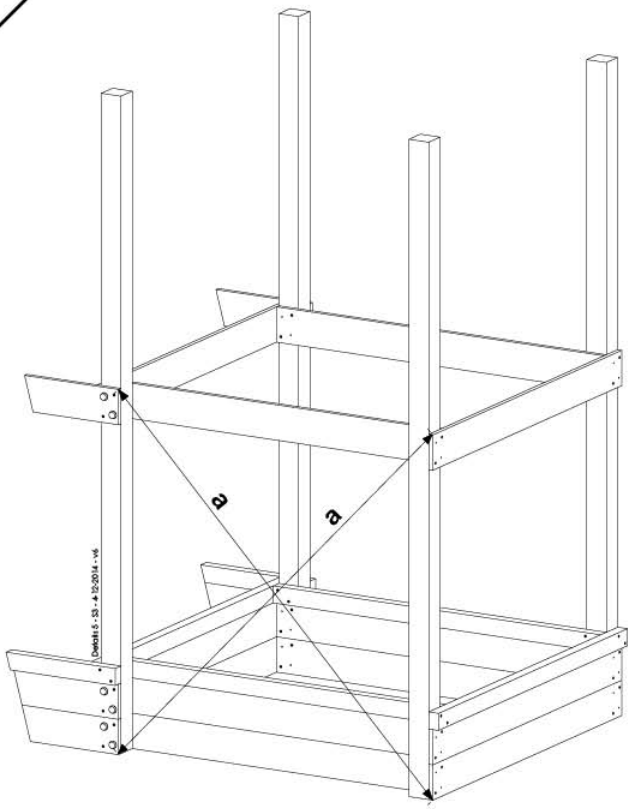


80mm
4x



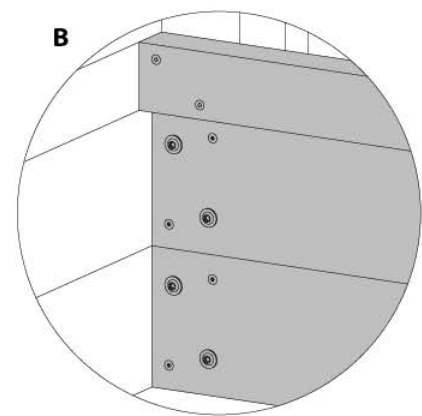
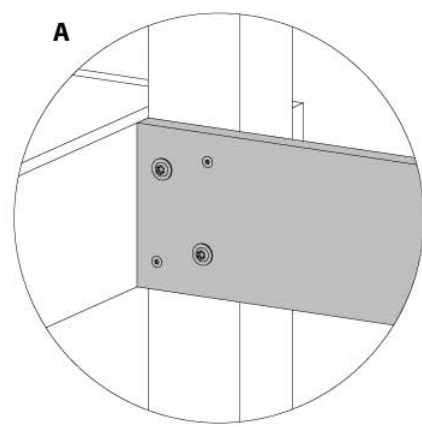
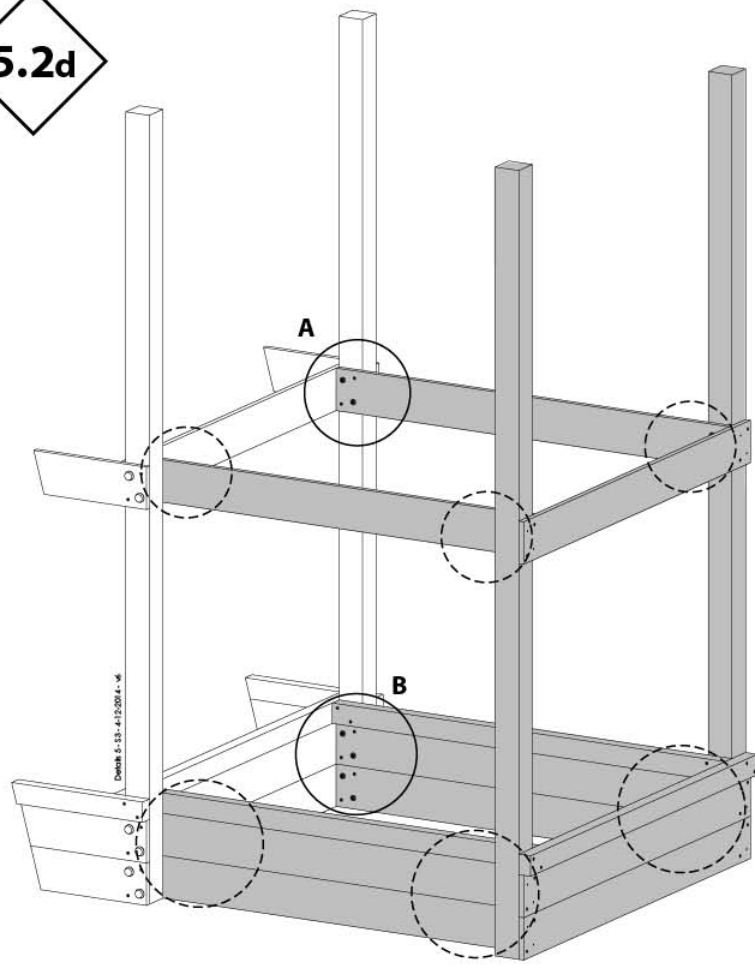
80mm
12x

5.2c



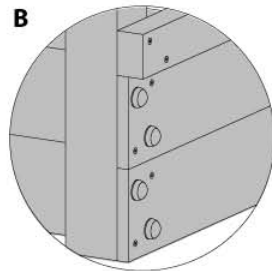
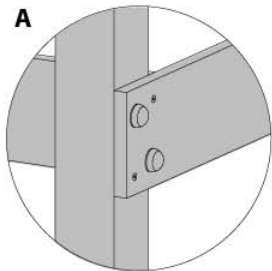
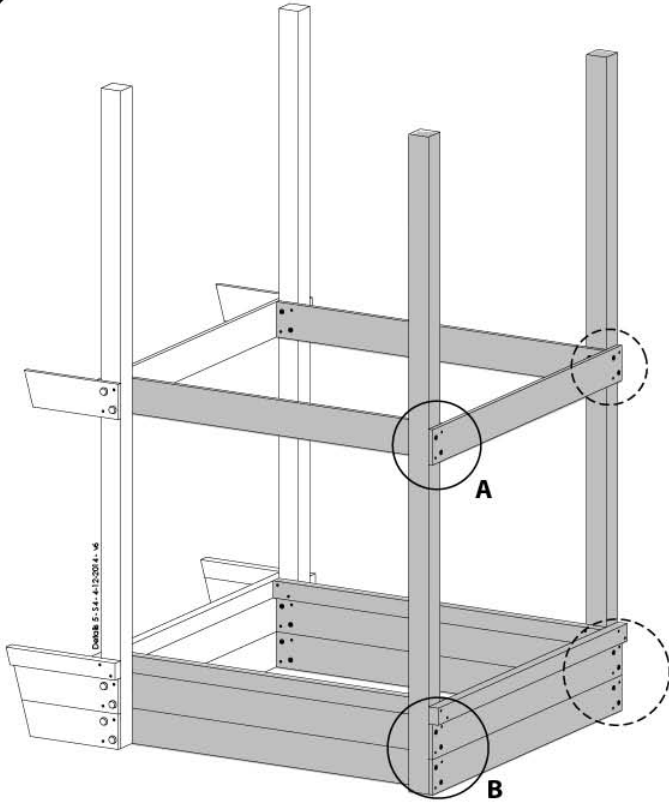
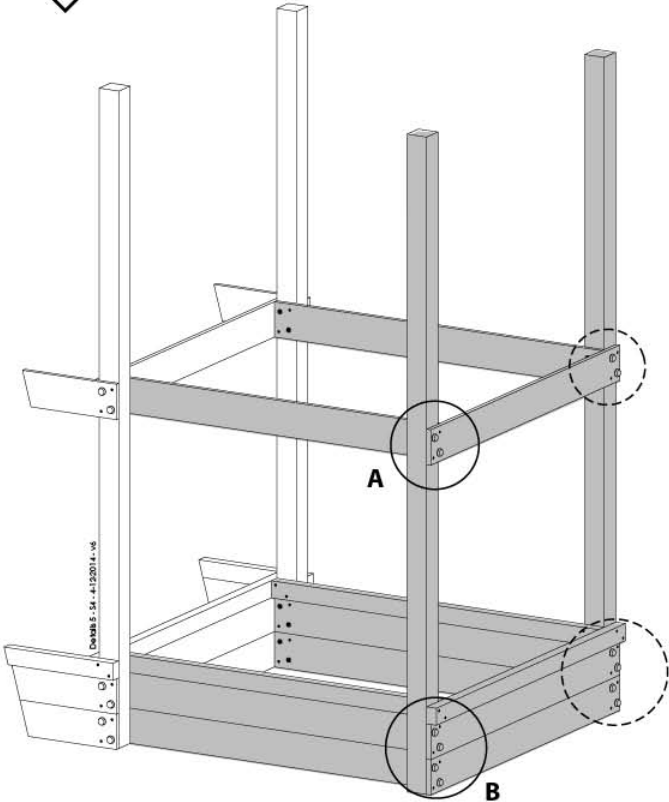
a = a
b = b

5.2d



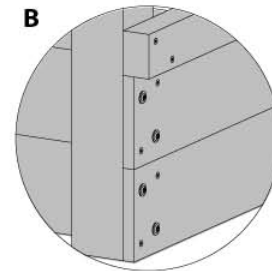
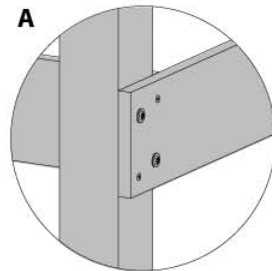
5.3a

5.3b



80mm
4x

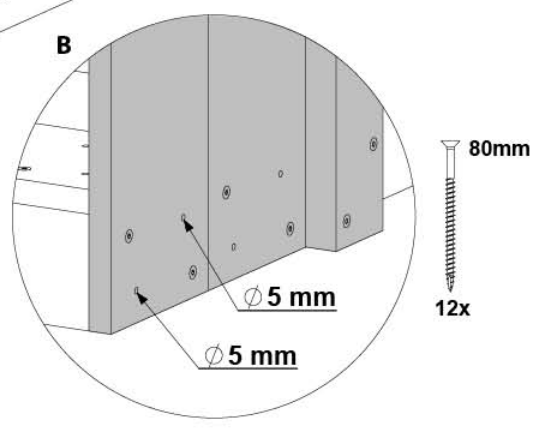
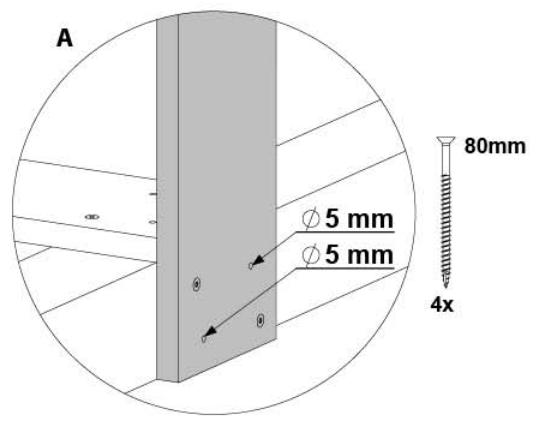
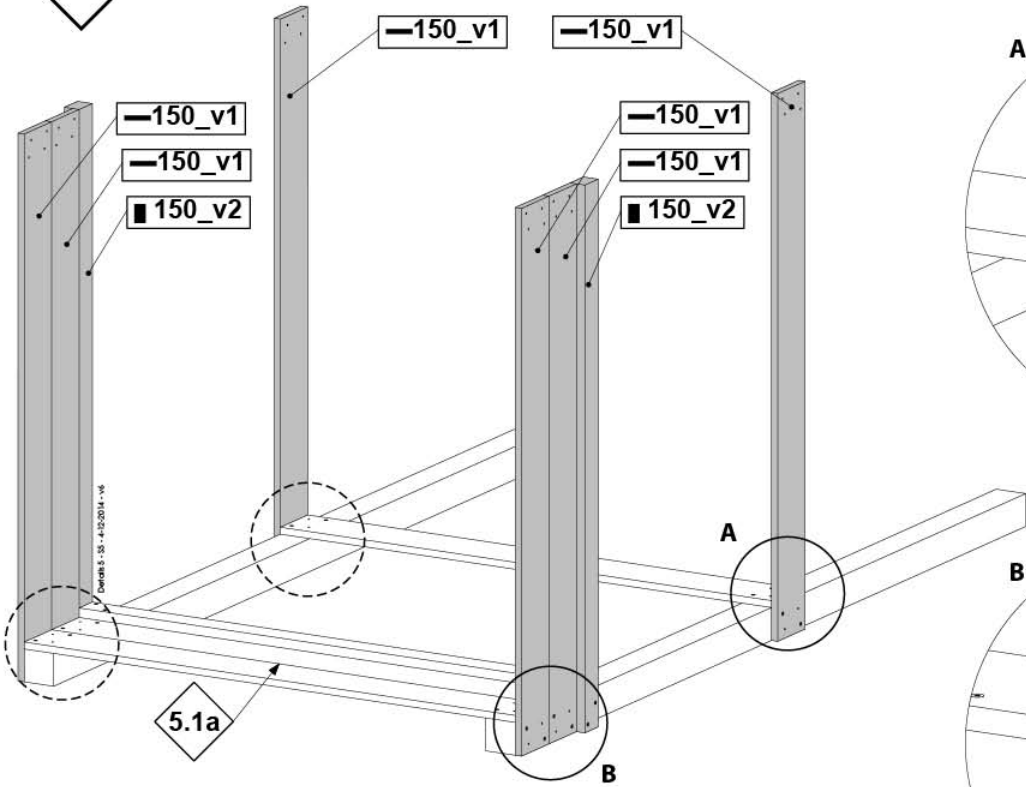
80mm
8x



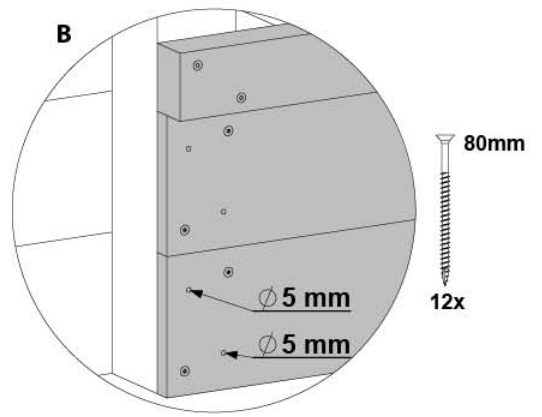
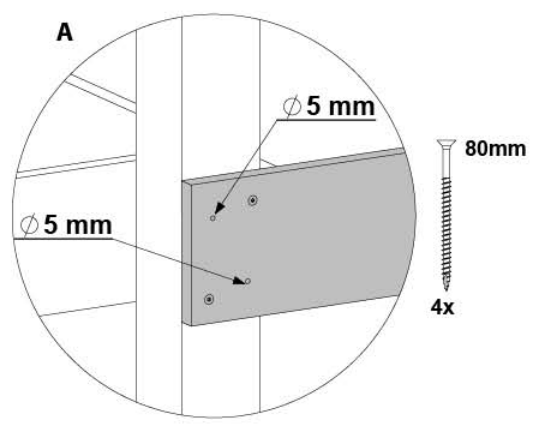
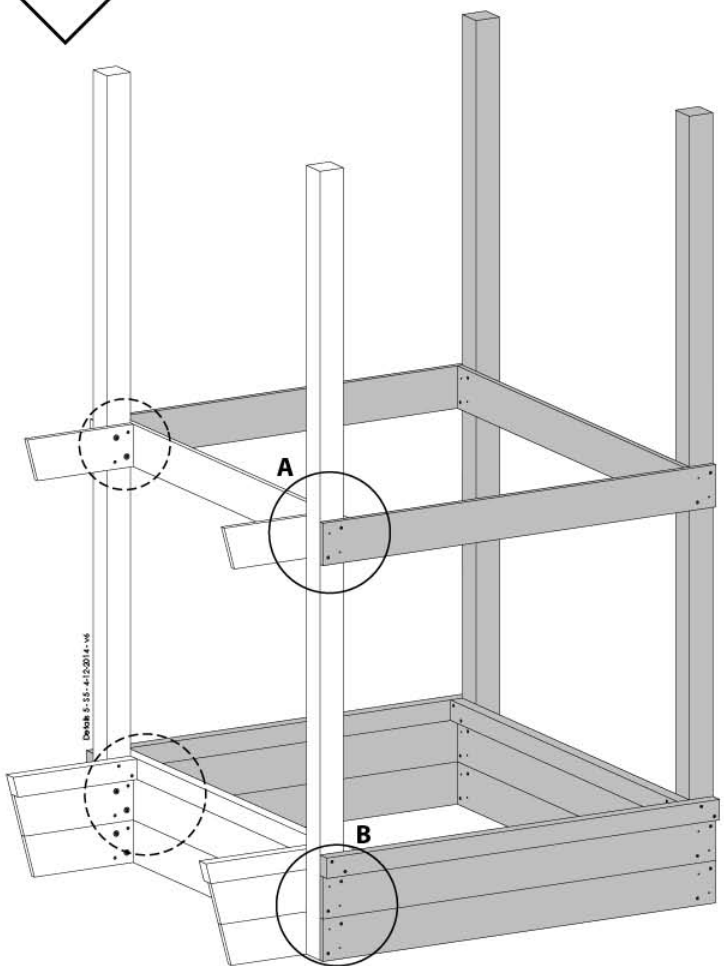
80mm
4x

80mm
8x

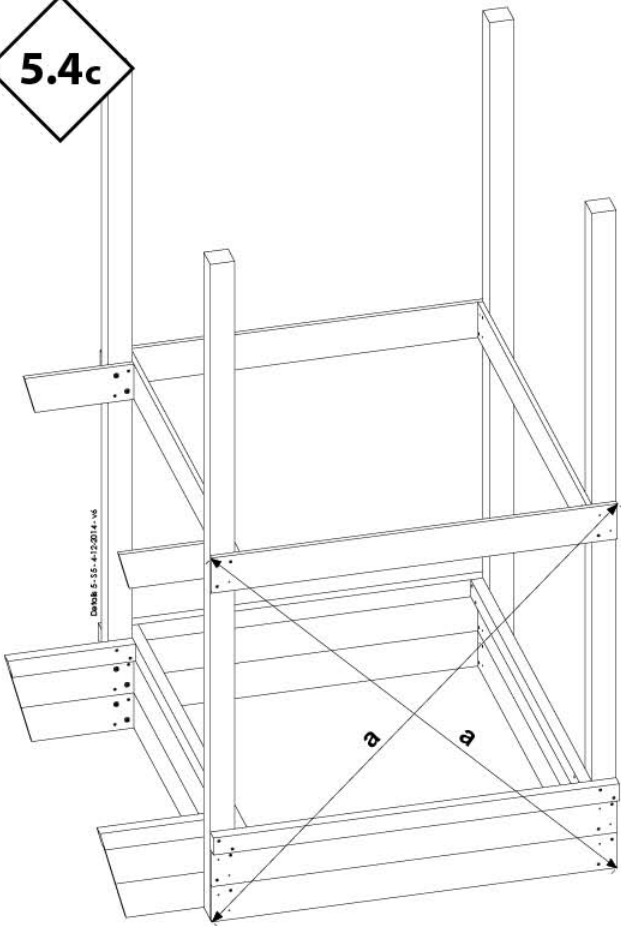
5.4a



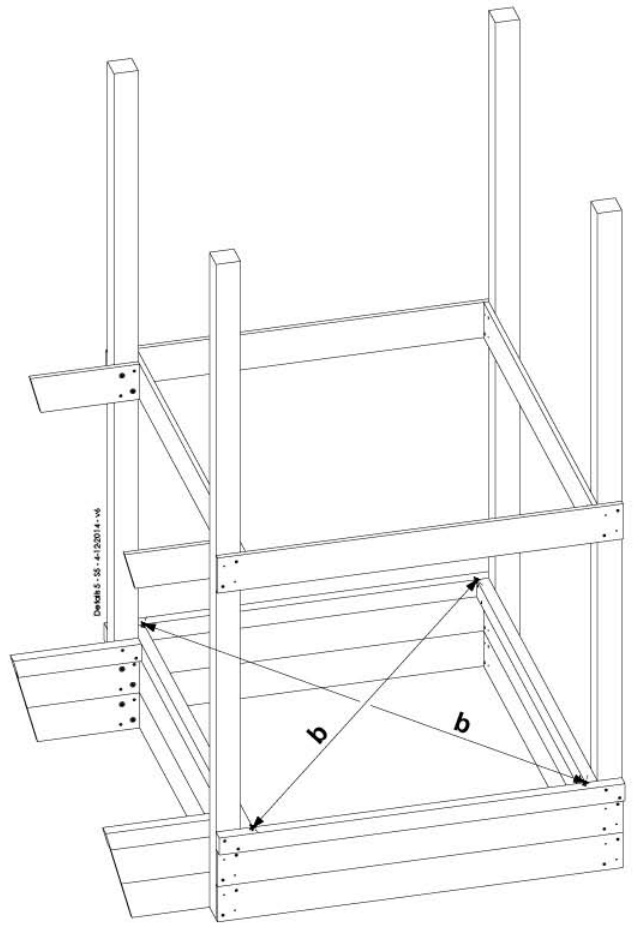
5.4b



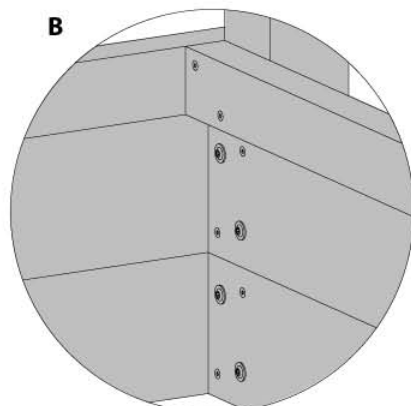
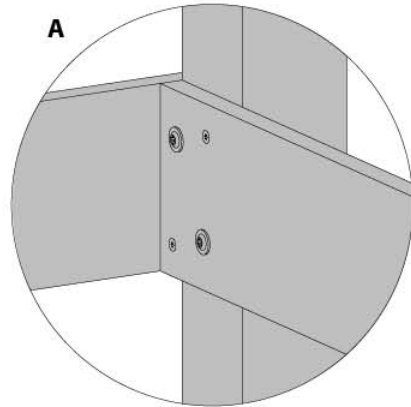
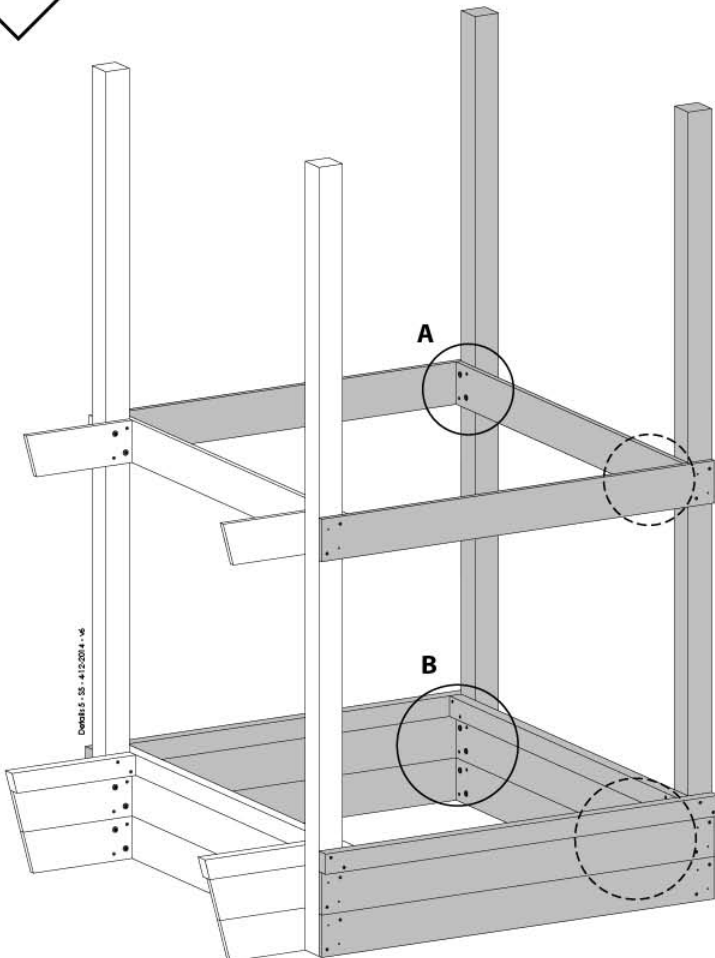
5.4c



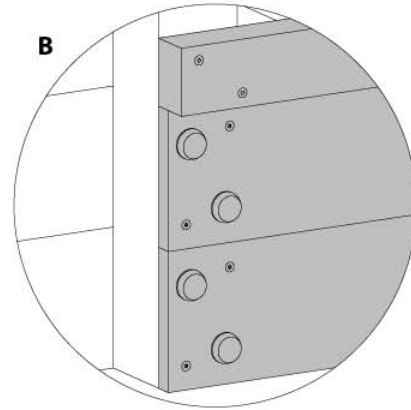
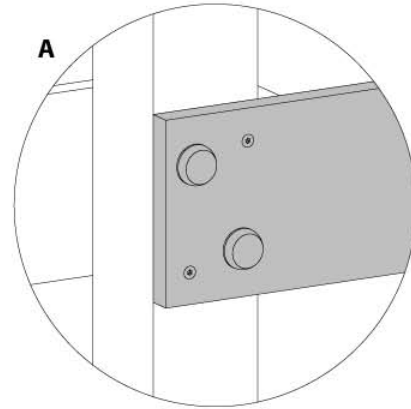
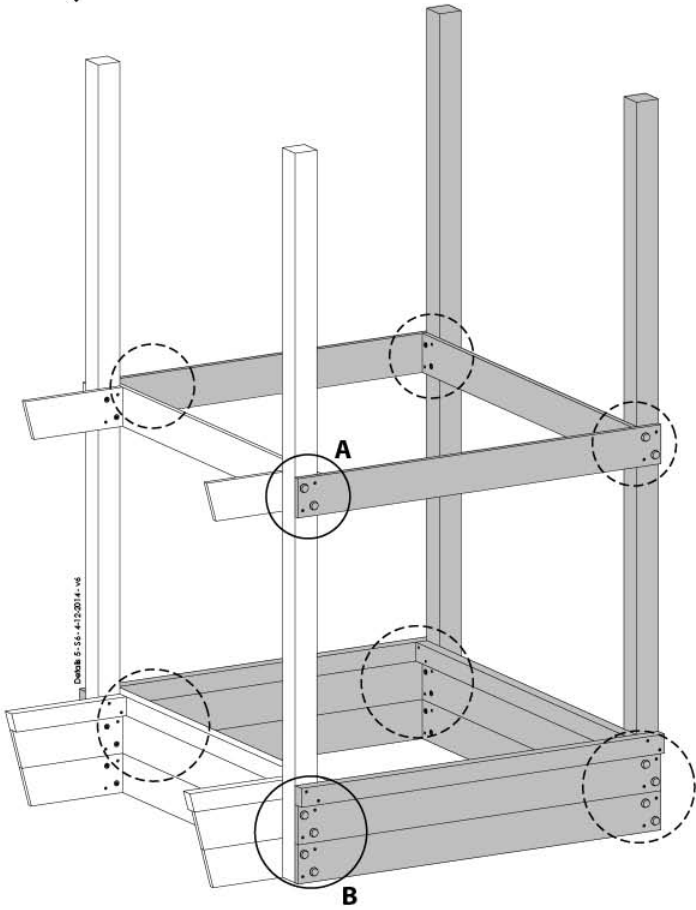
a = a
b = b



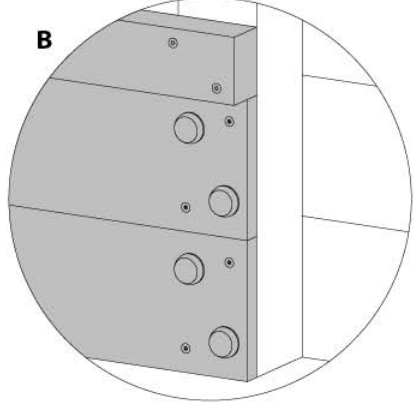
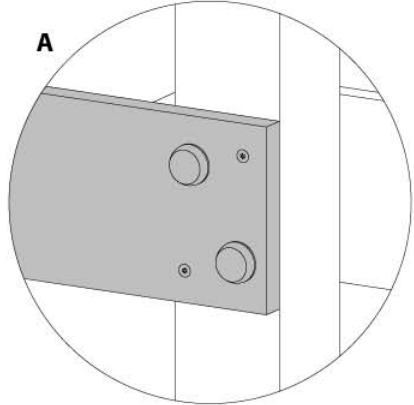
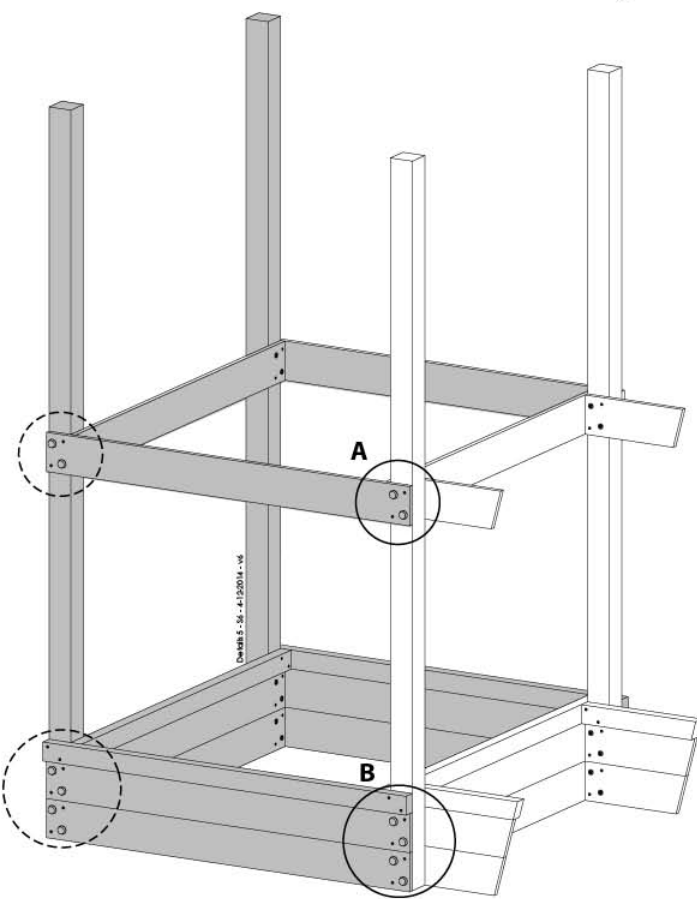
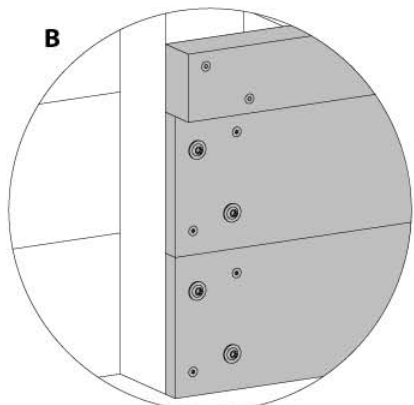
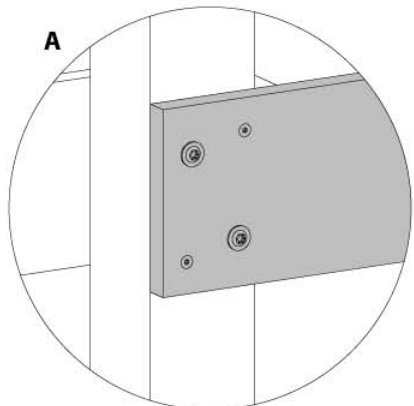
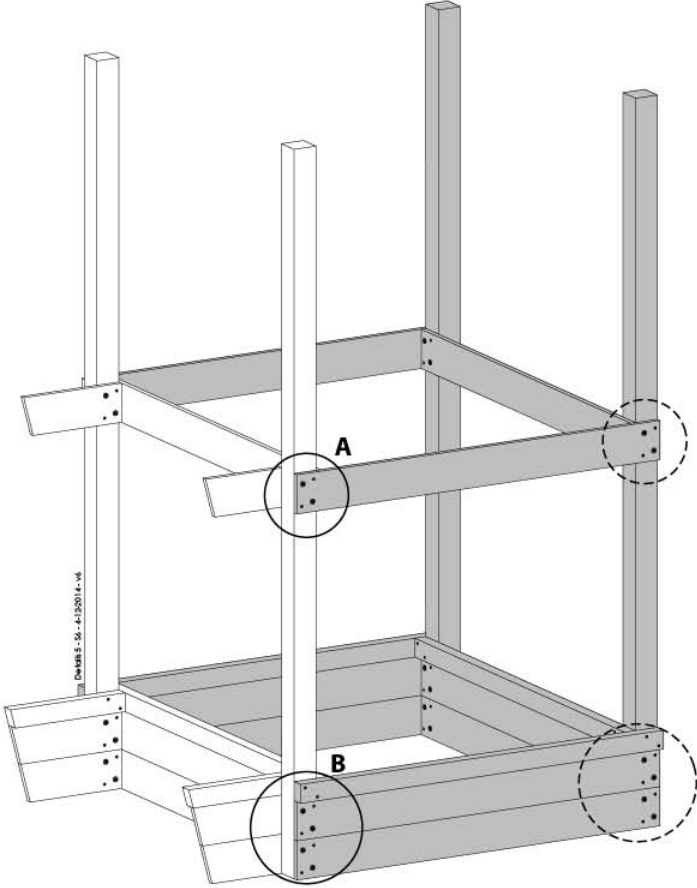
5.4d



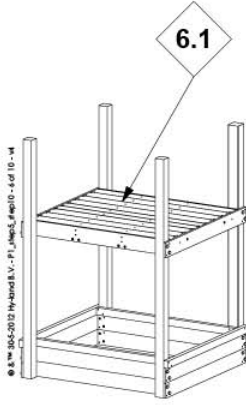
5.5a



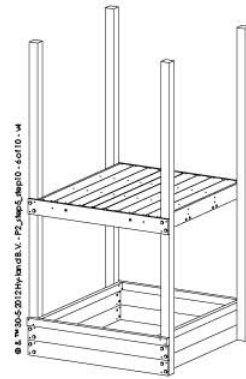
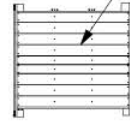
5.5b



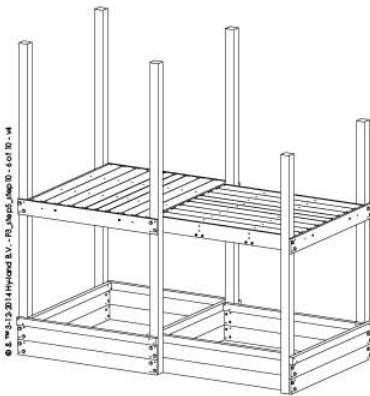
6



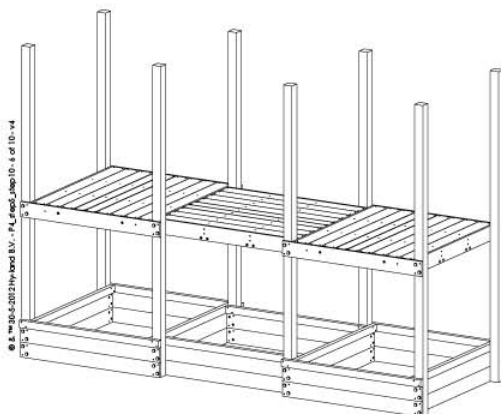
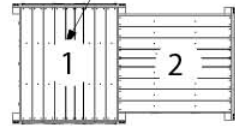
6.1



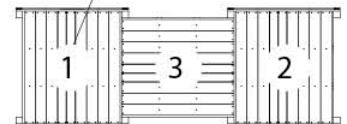
6.1



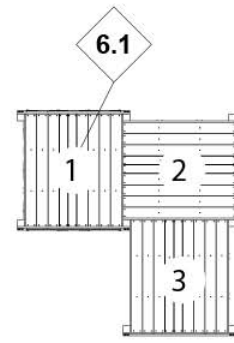
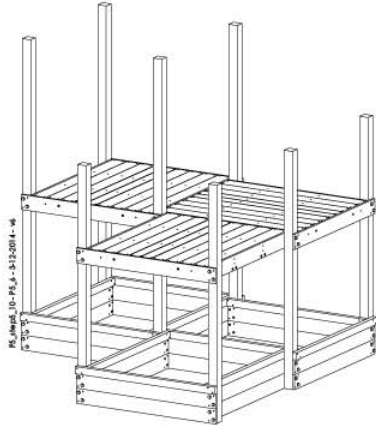
6.1



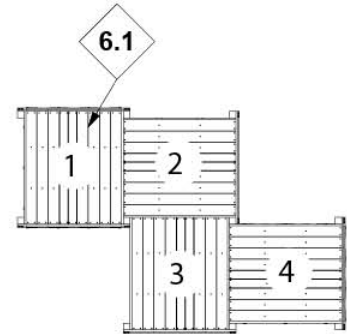
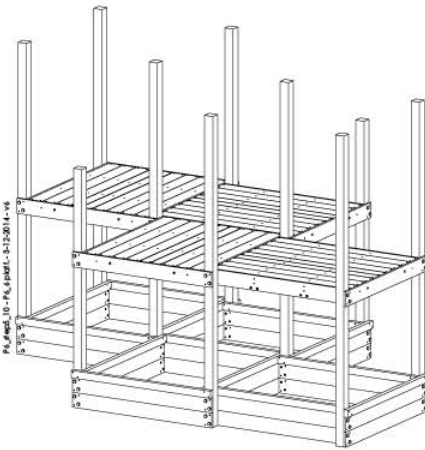
6.1



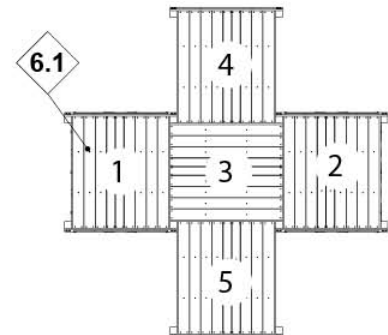
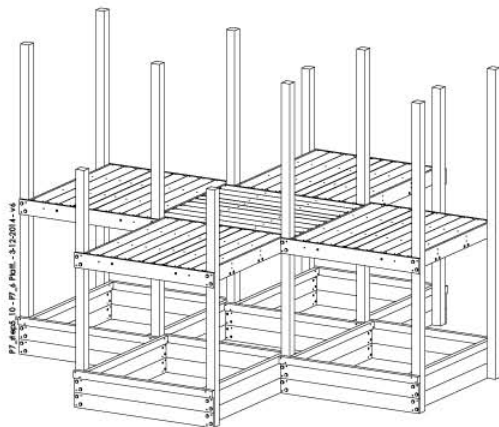
5



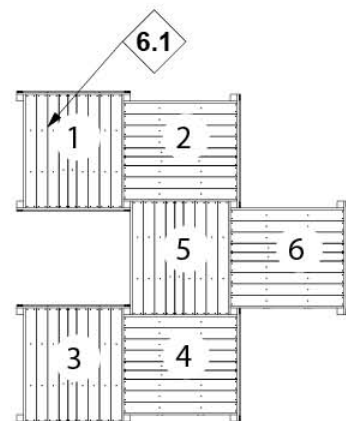
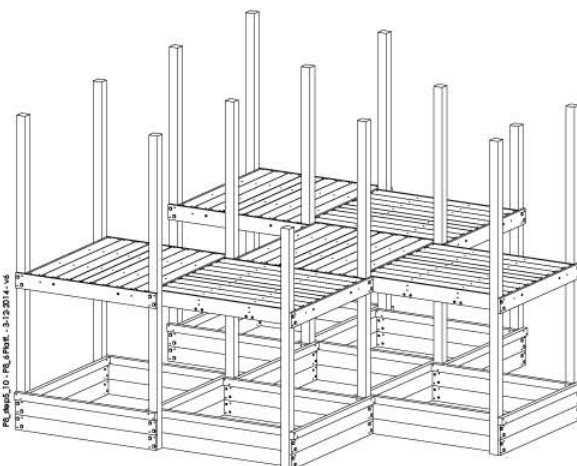
6



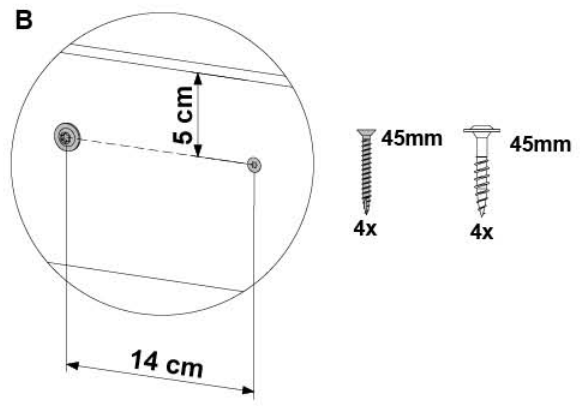
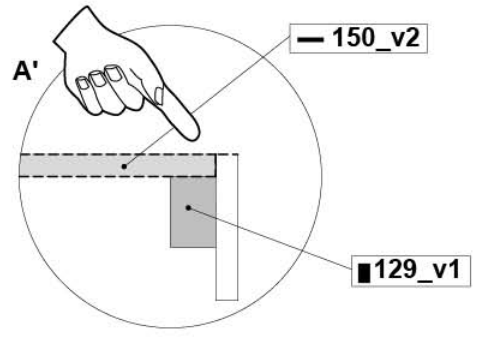
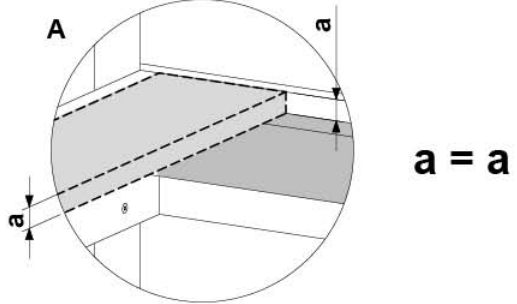
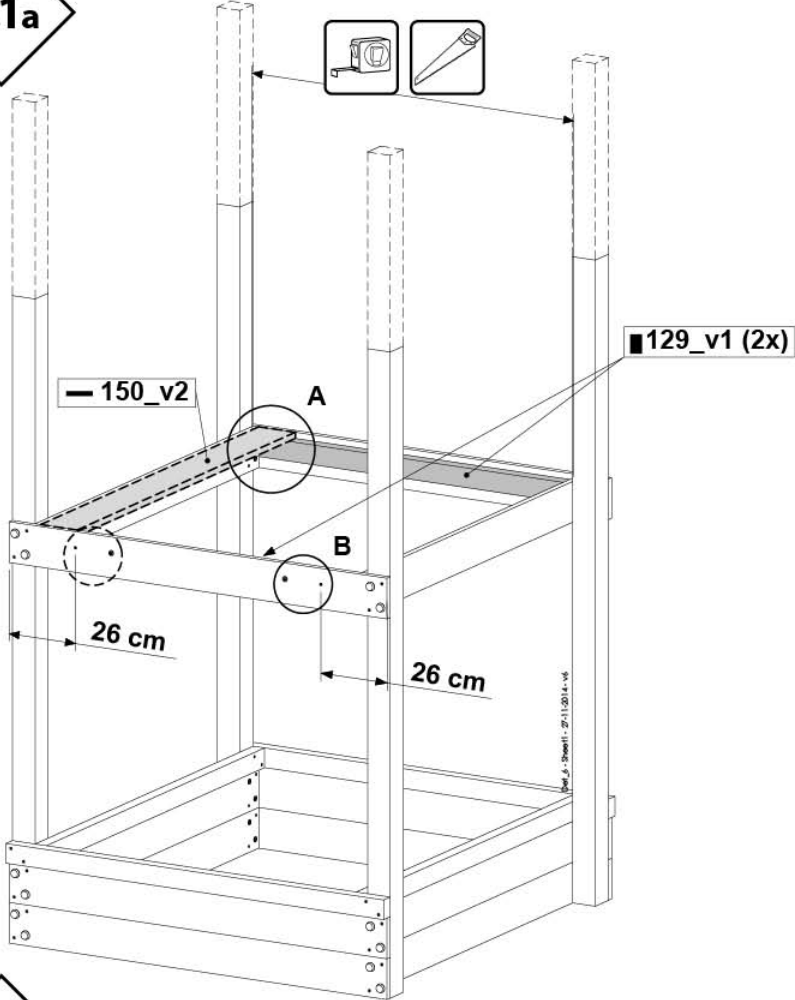
7



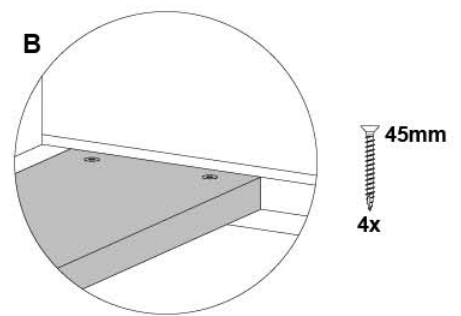
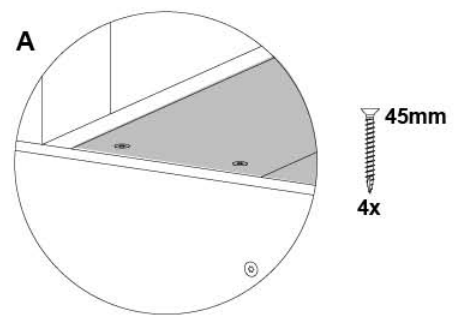
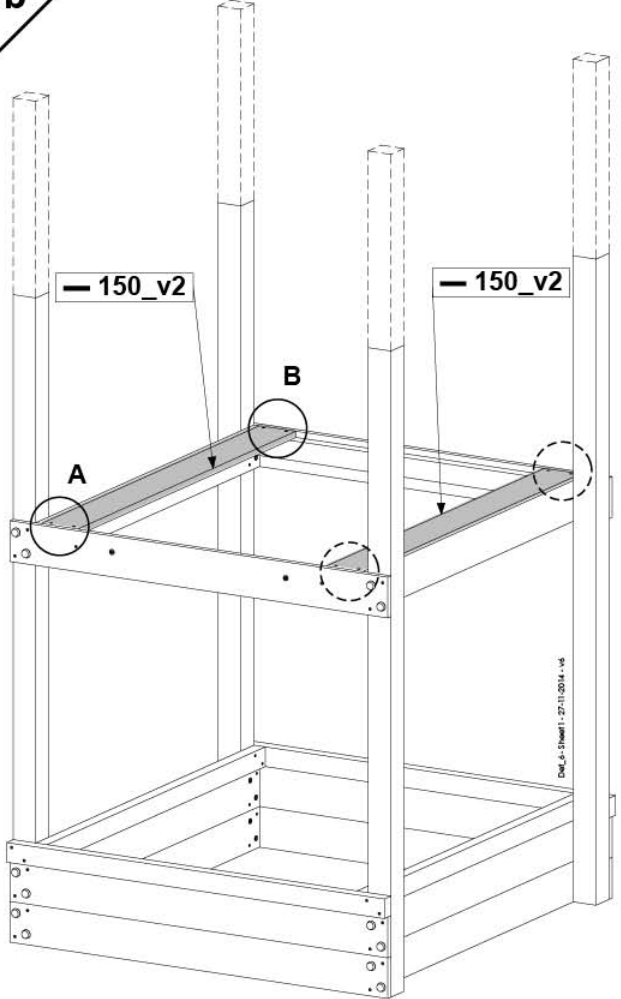
8



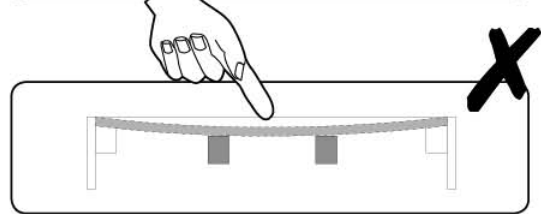
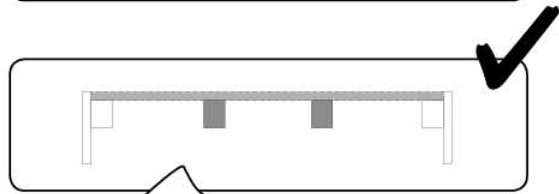
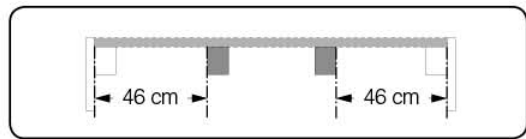
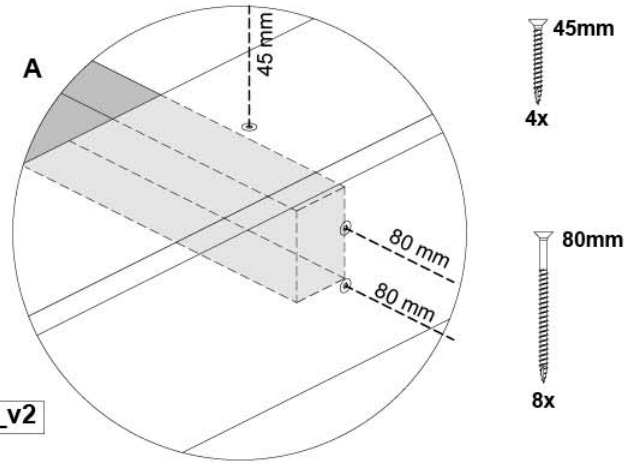
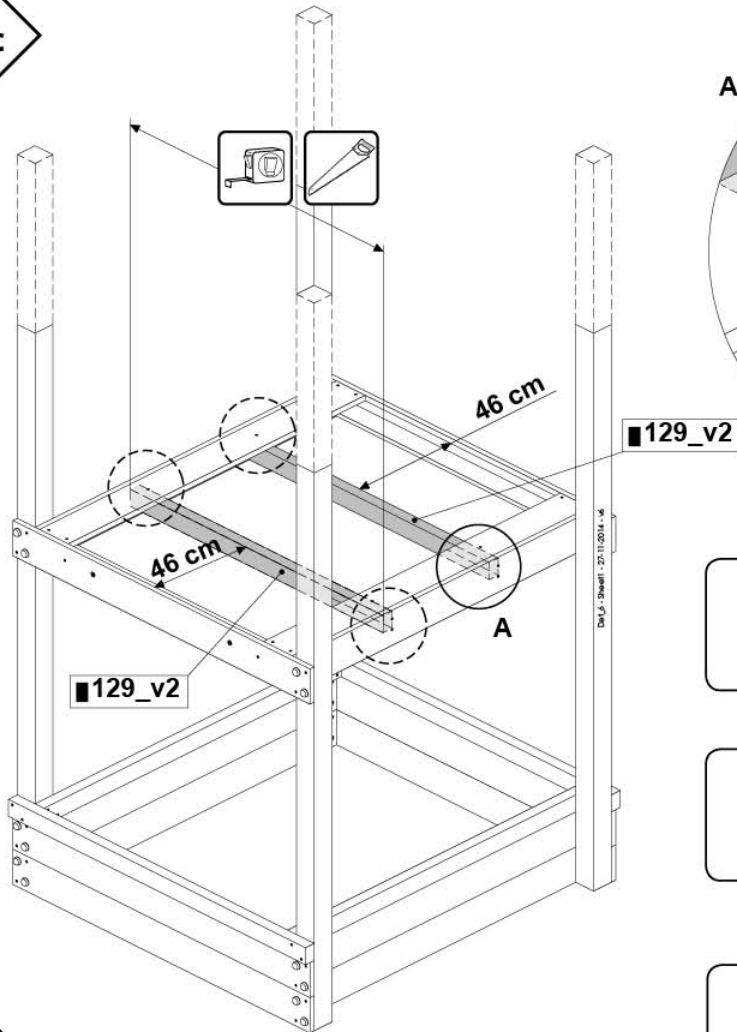
6.1a



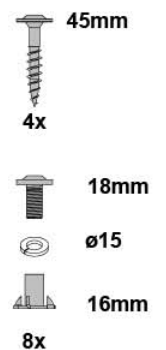
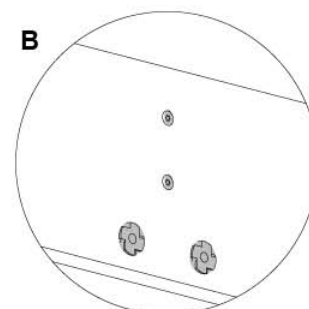
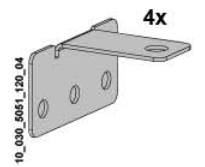
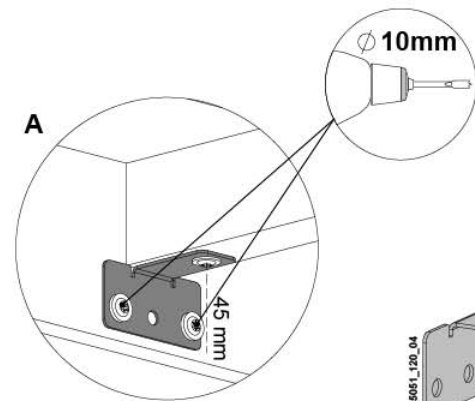
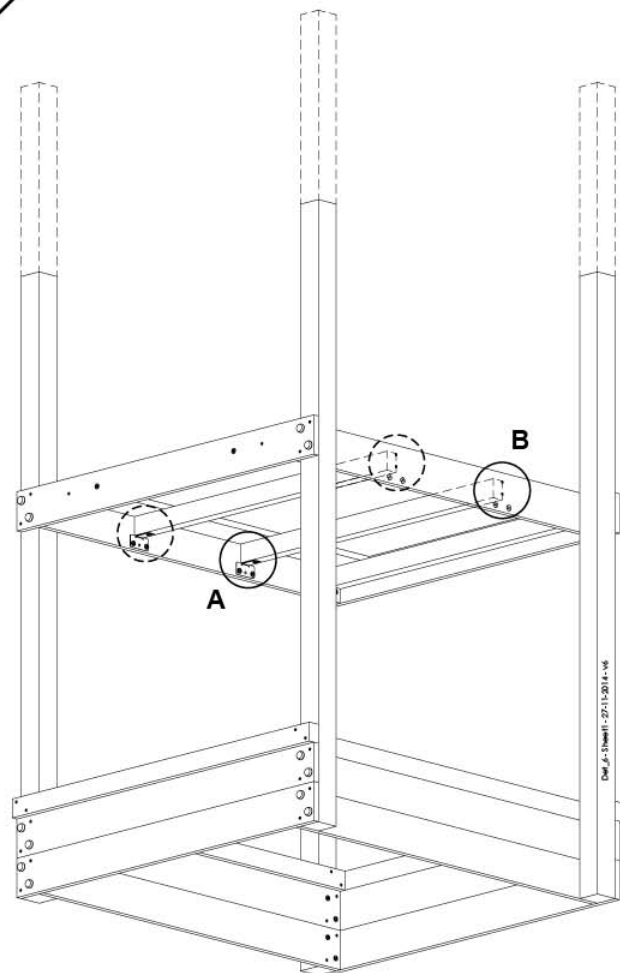
6.1b



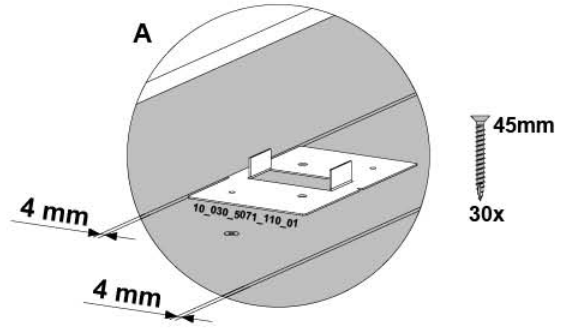
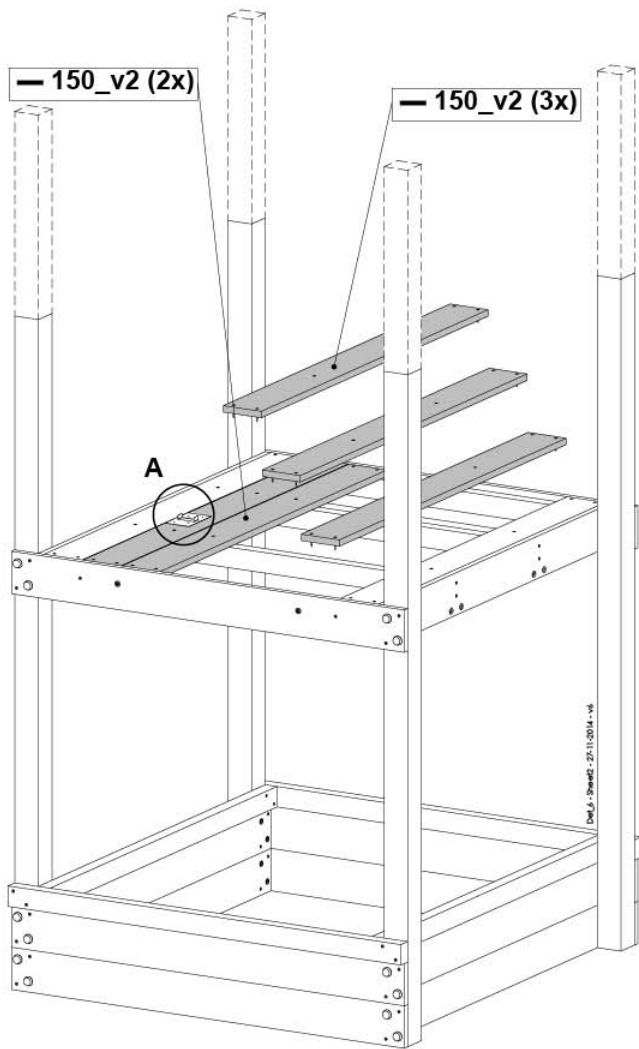
6.1c



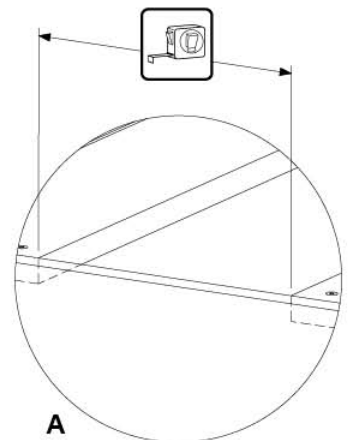
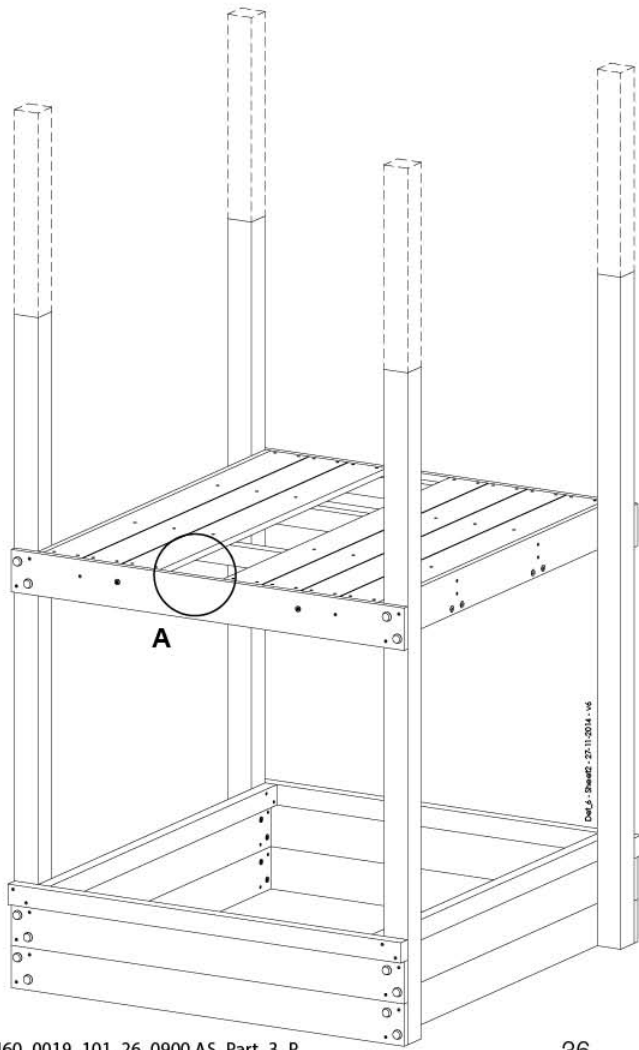
6.1d



6.1e

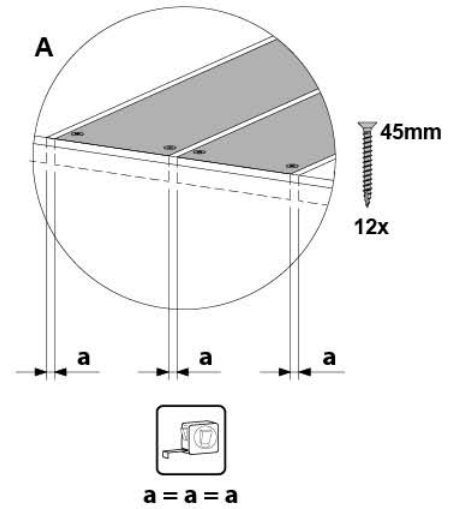
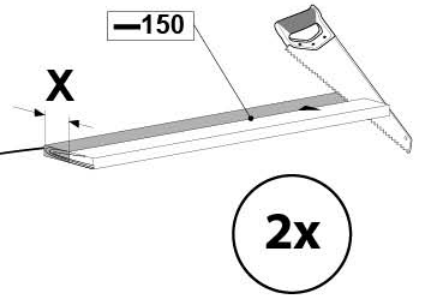
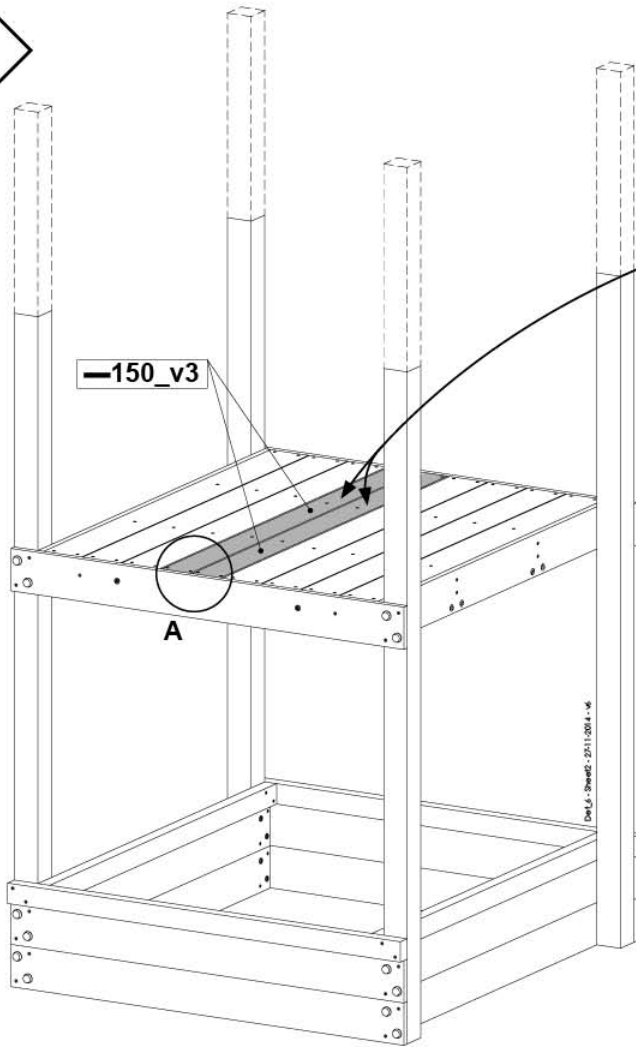


6.1f

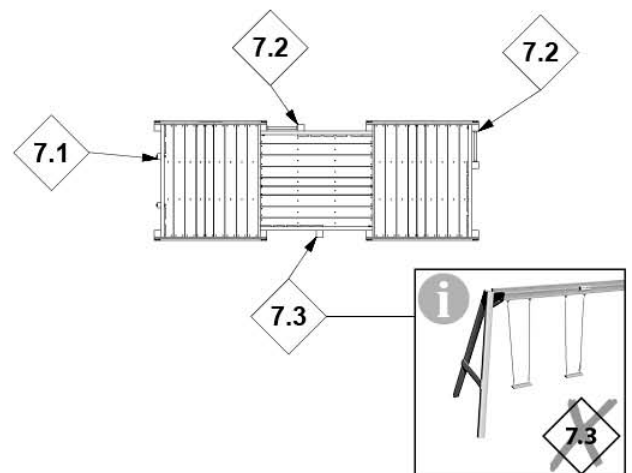
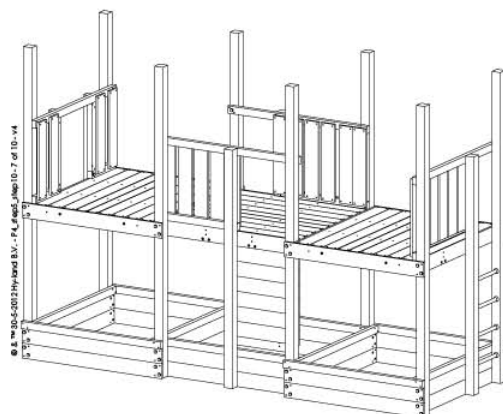
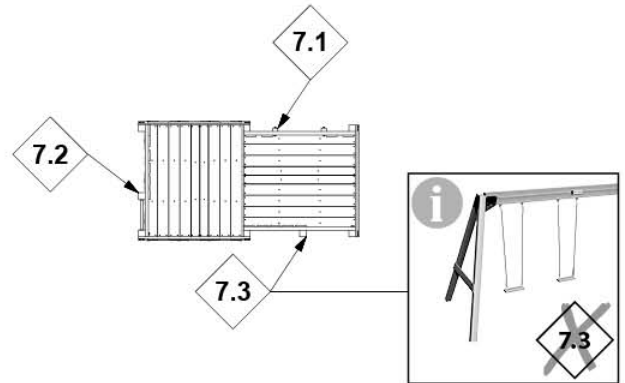
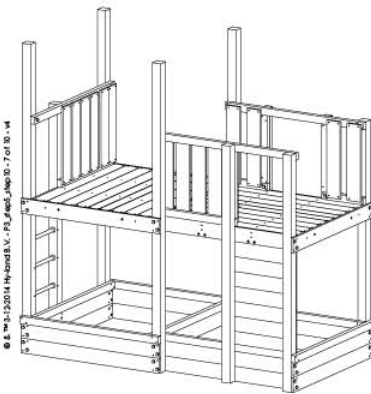
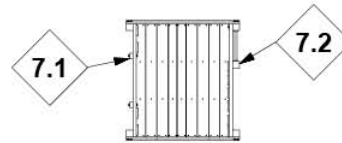
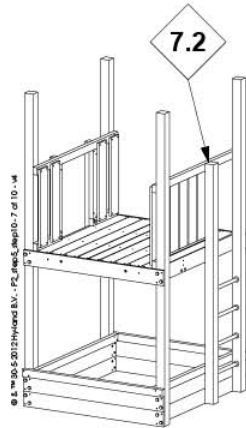
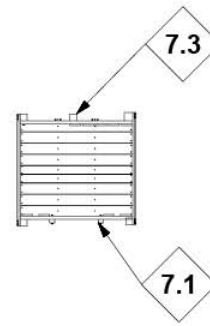
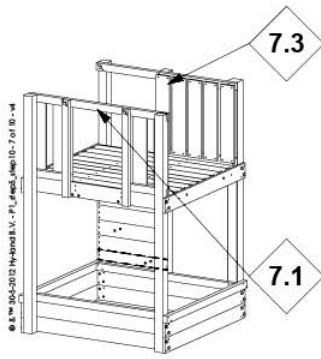


$$\frac{\text{Level icon} - 1,2 \text{ cm}}{2} = X$$

6.1g



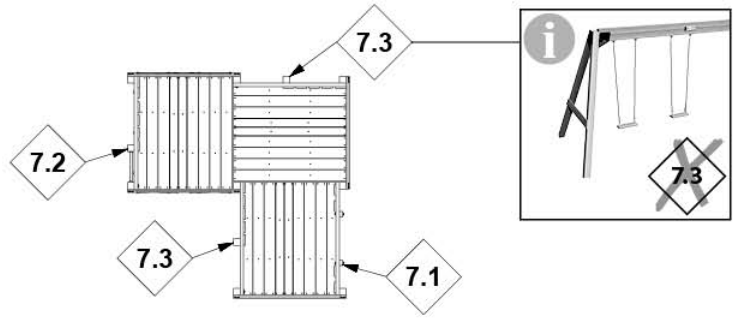
7



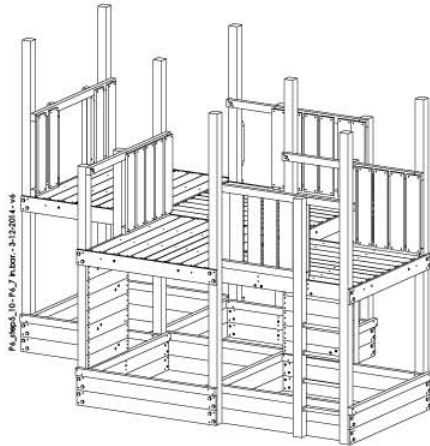
5



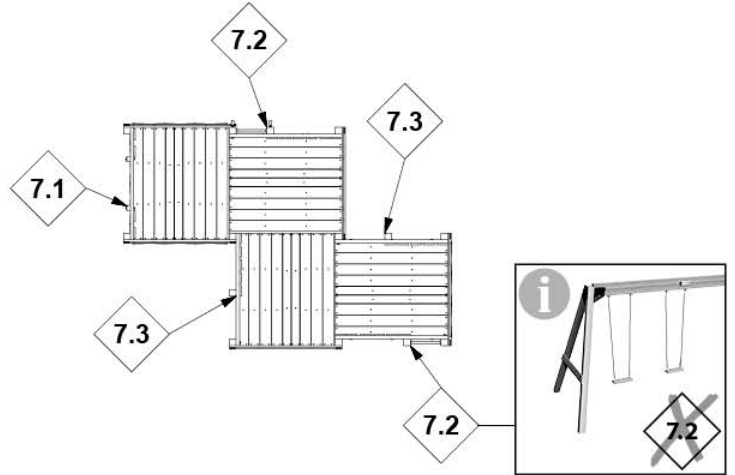
PL_4660_00_PU_7-312011-v4
© 2022



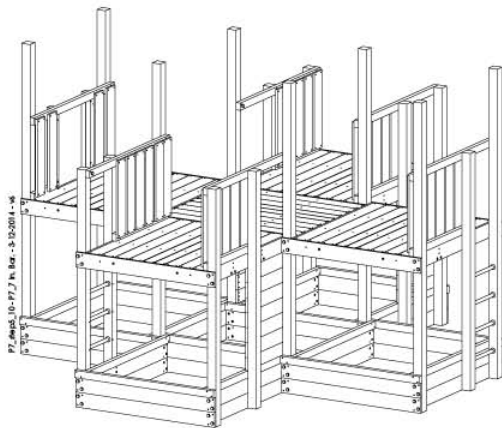
6



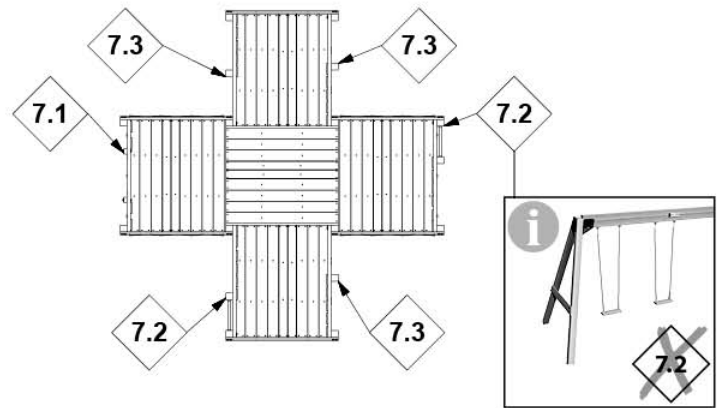
PL_4660_00_PU_7-312011-v4
© 2022



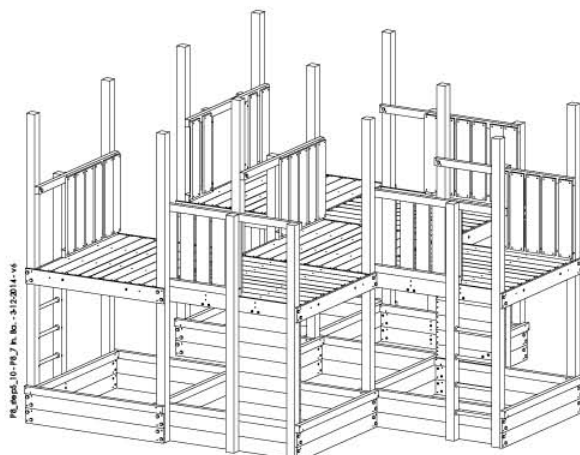
7



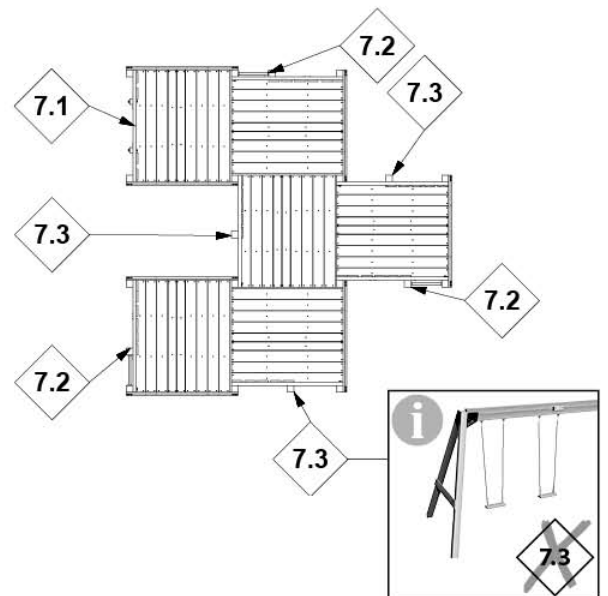
PL_4660_00_PU_7-312011-v4
© 2022



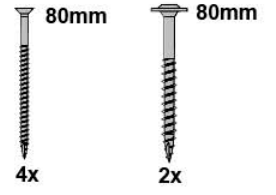
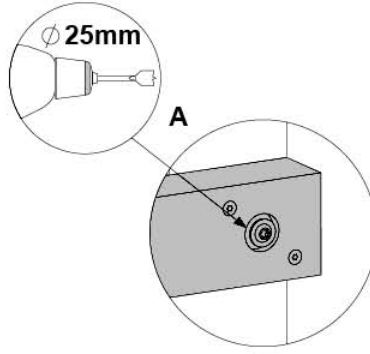
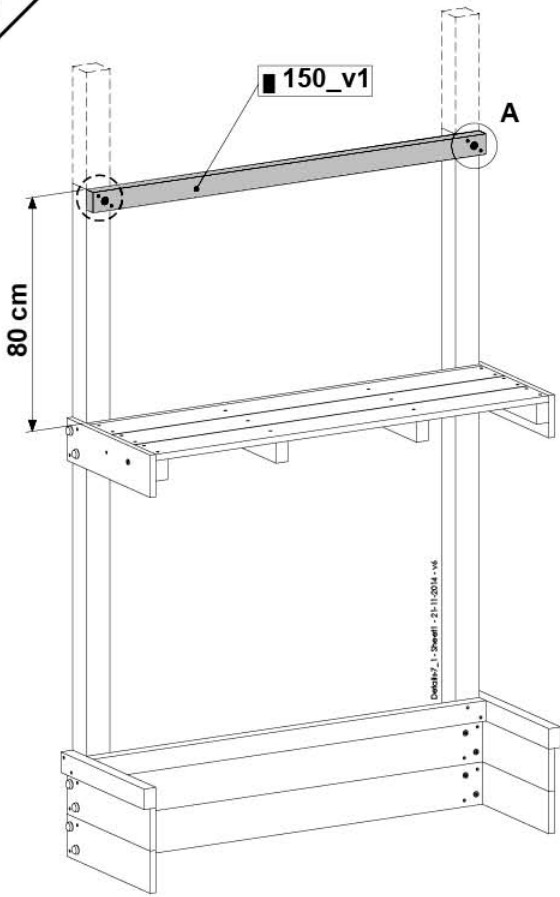
8



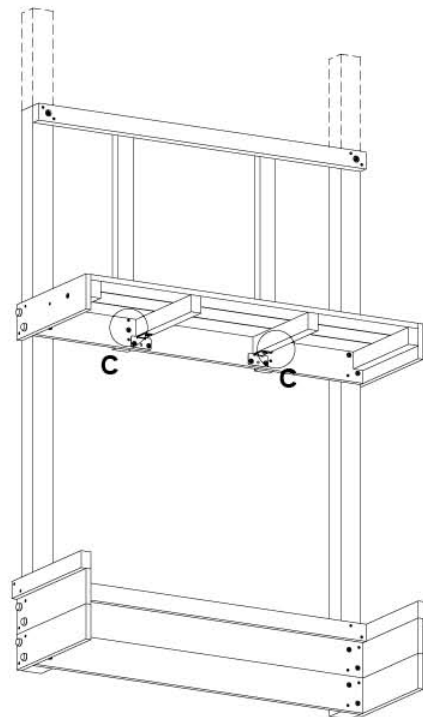
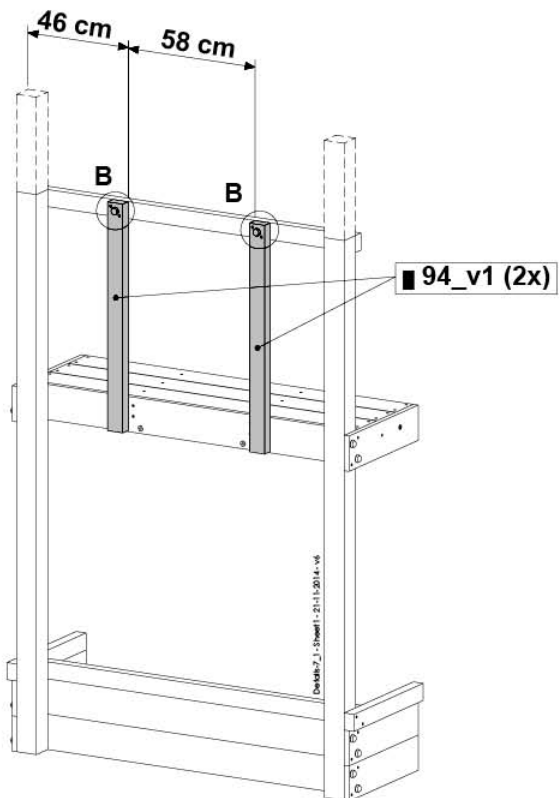
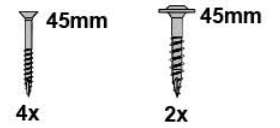
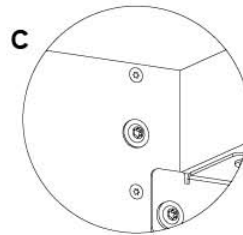
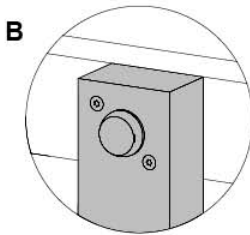
PL_4660_00_PU_7-312011-v4
© 2022



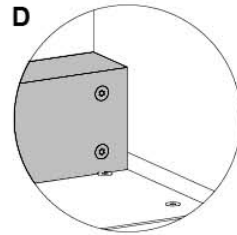
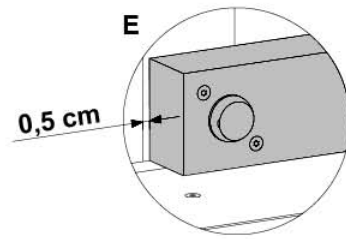
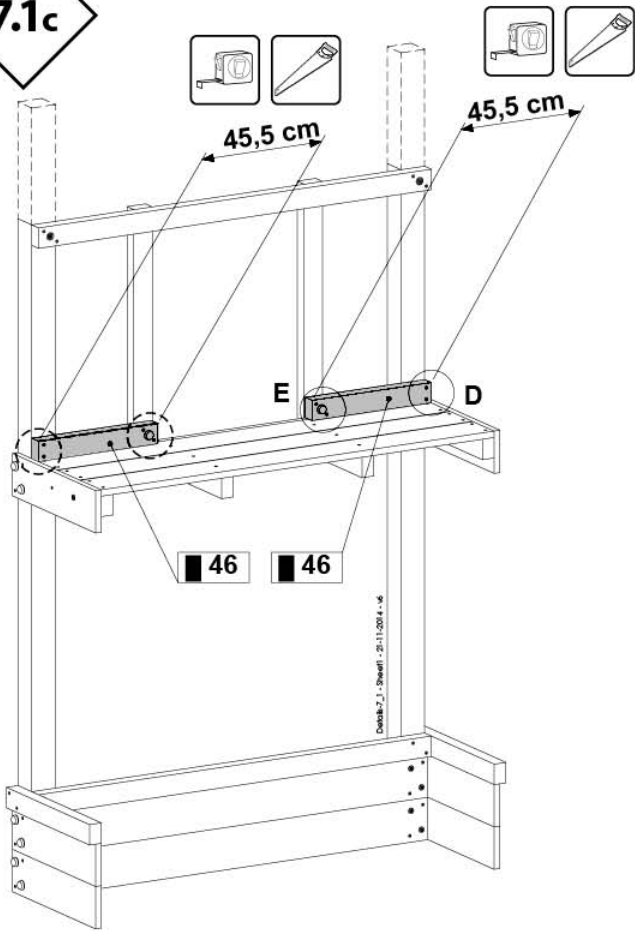
7.1a



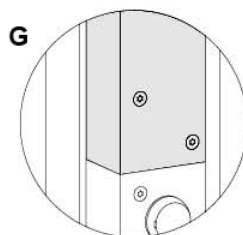
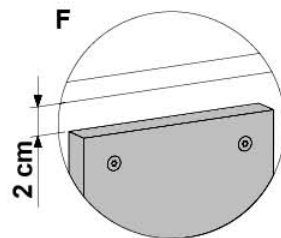
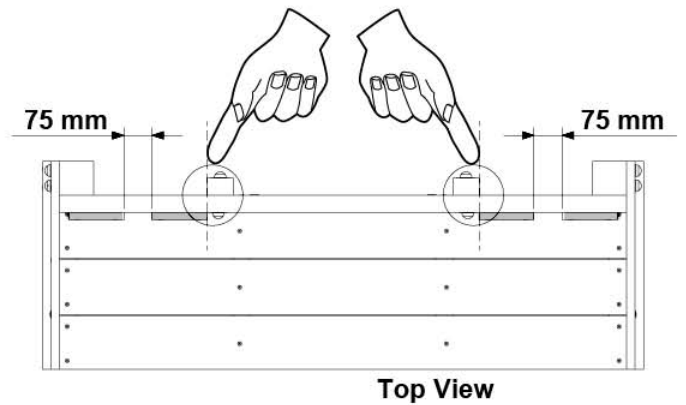
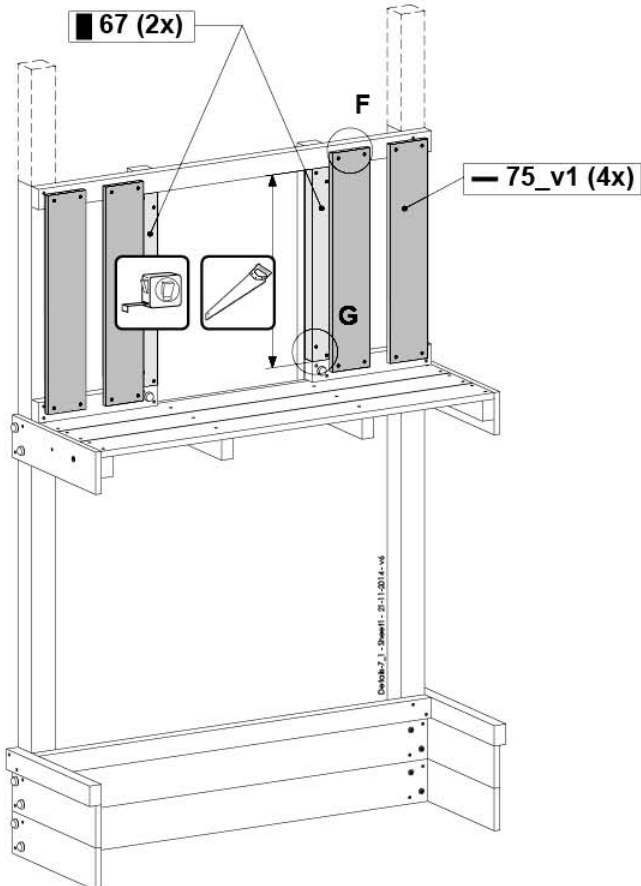
7.1b



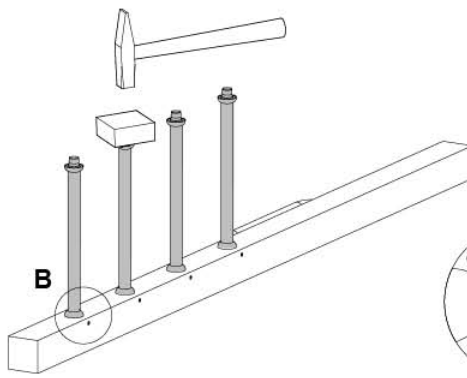
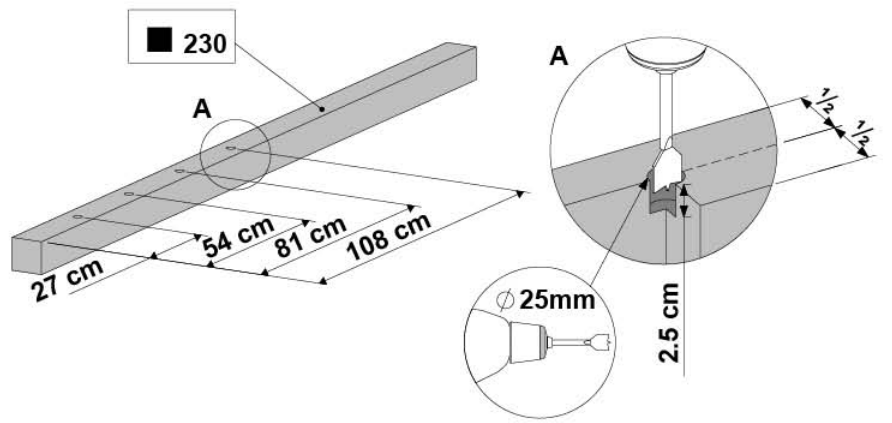
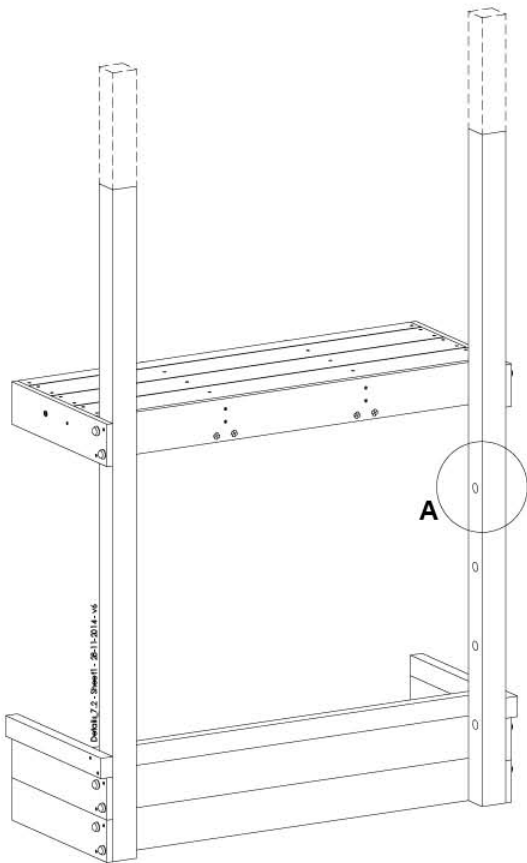
7.1c



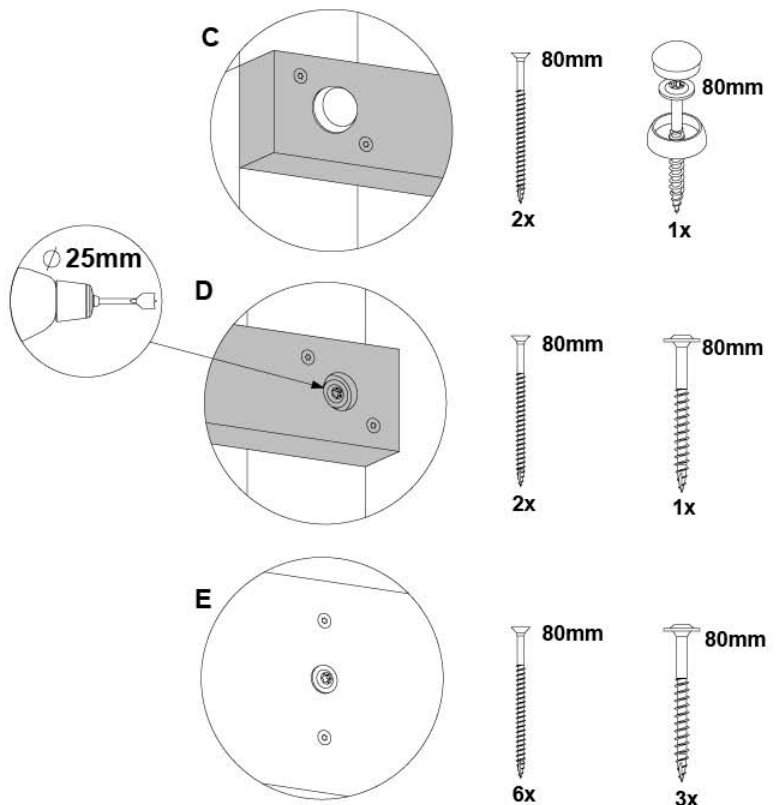
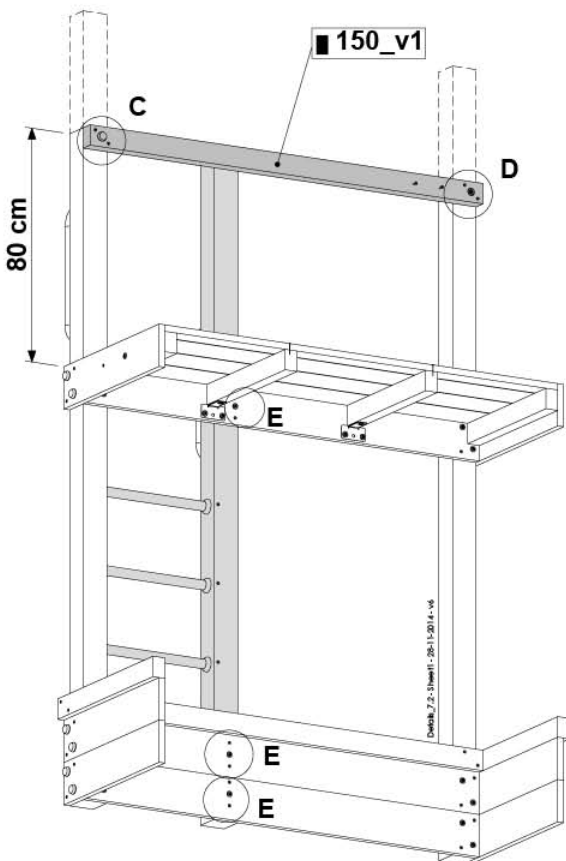
7.1d



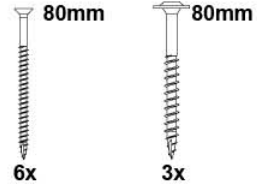
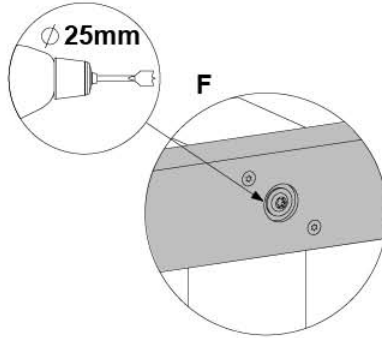
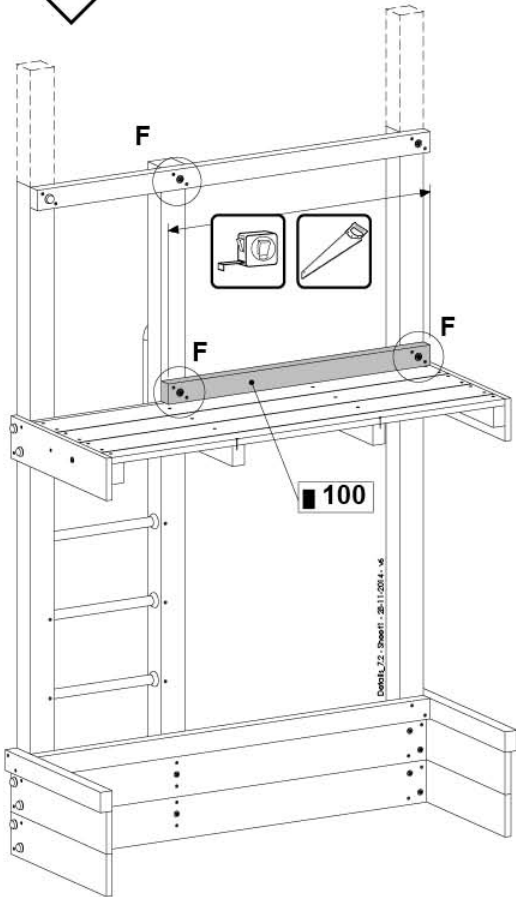
7.2a



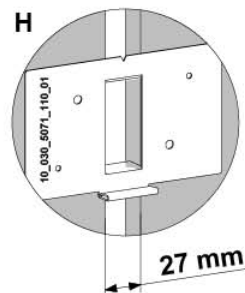
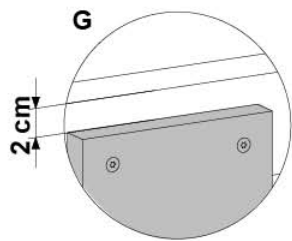
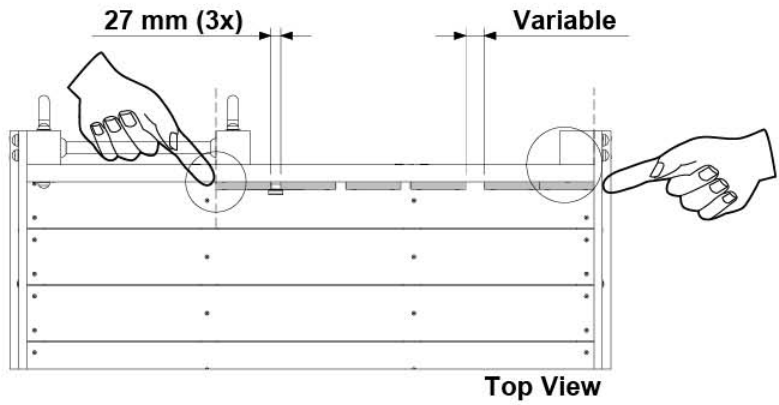
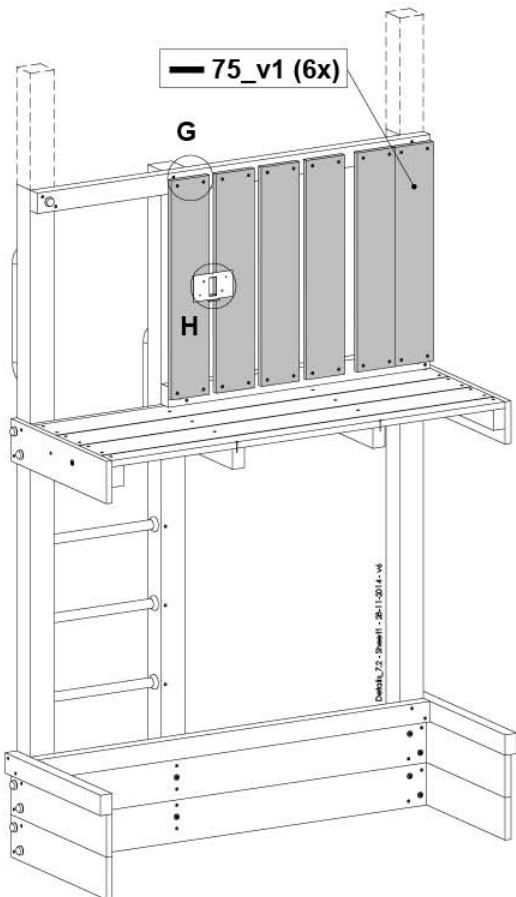
7.2b



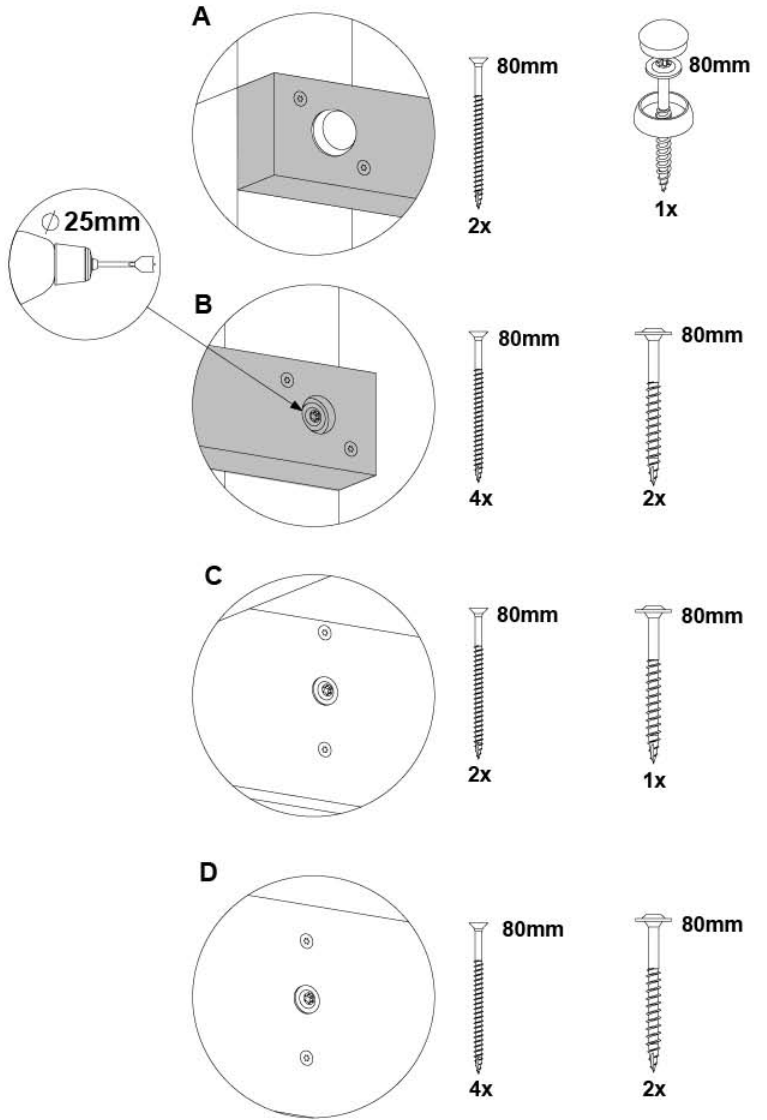
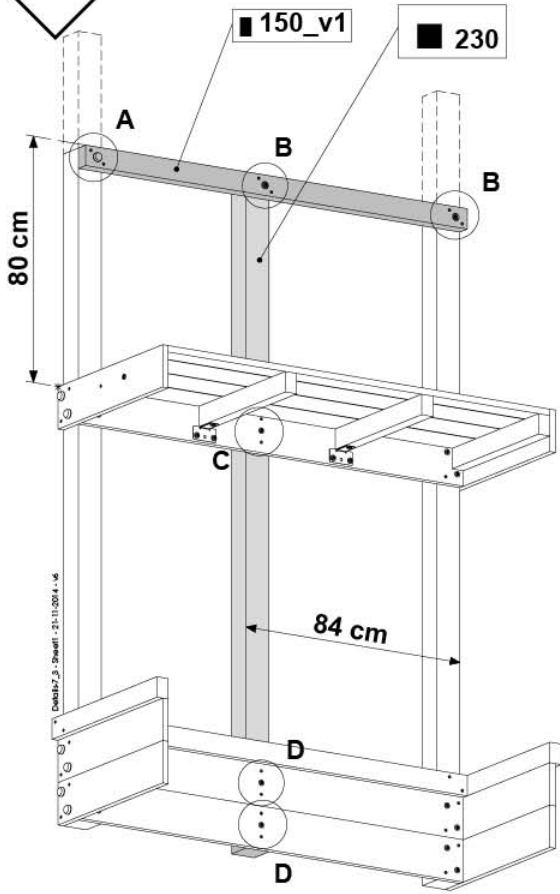
7.2c



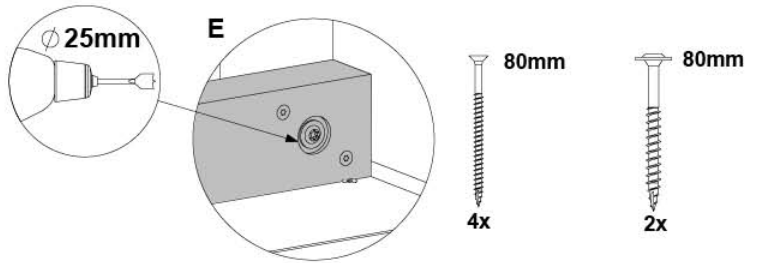
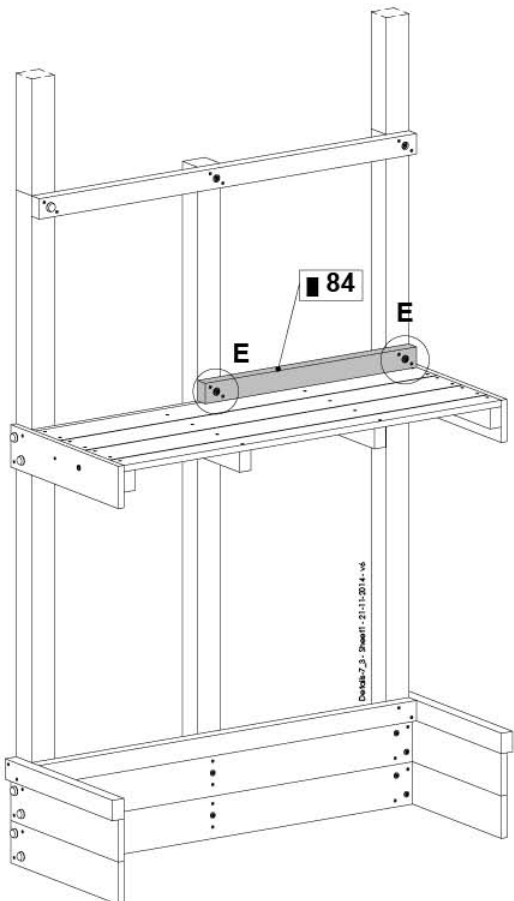
7.2d



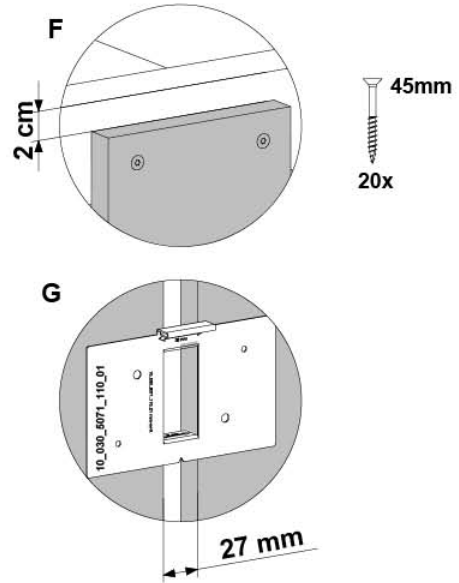
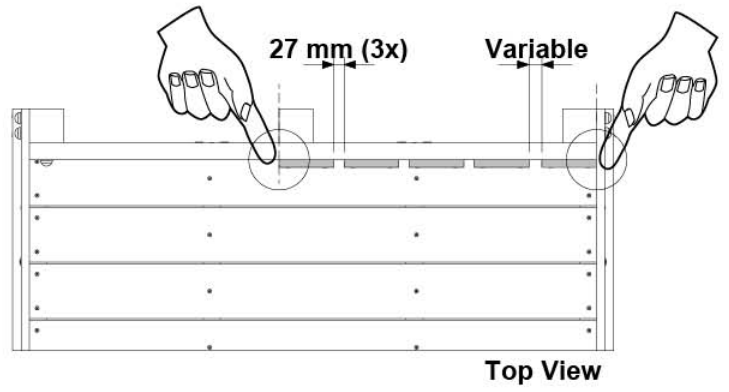
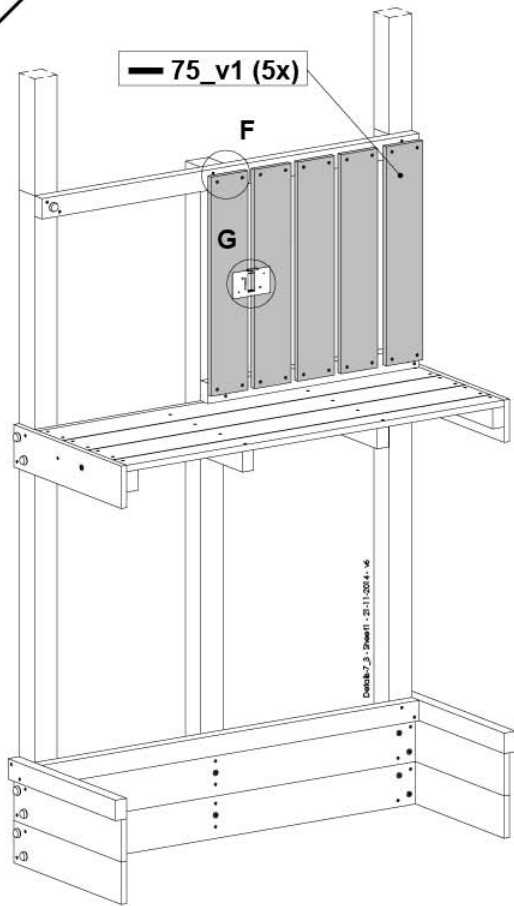
7.3a



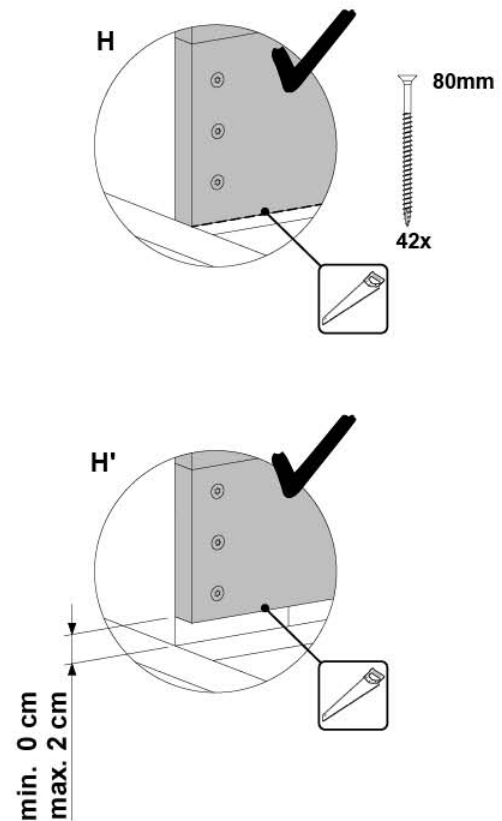
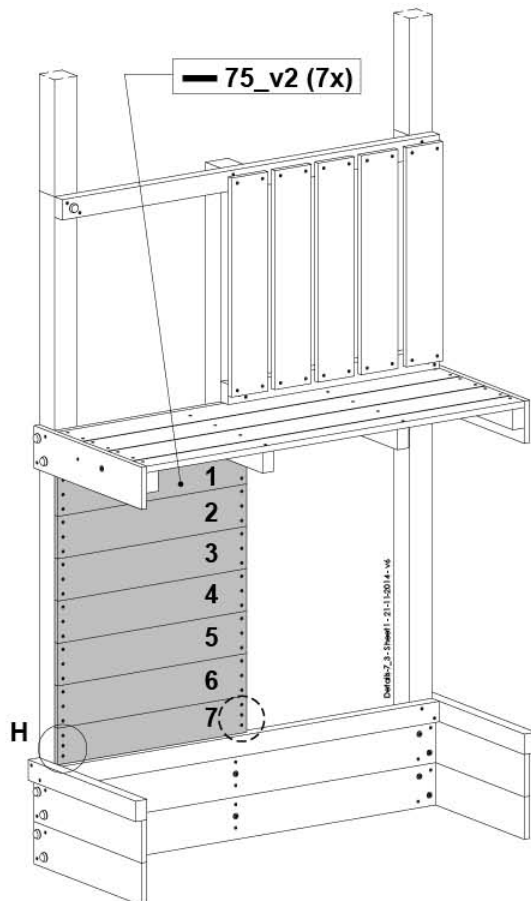
7.3b



7.3c

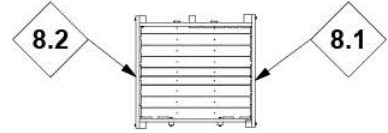
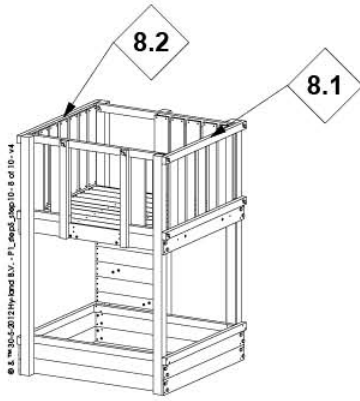


7.3d

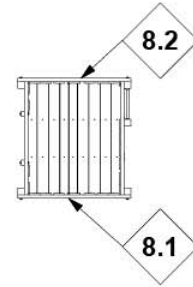
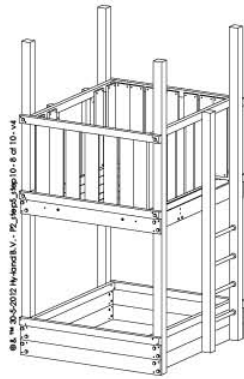


8

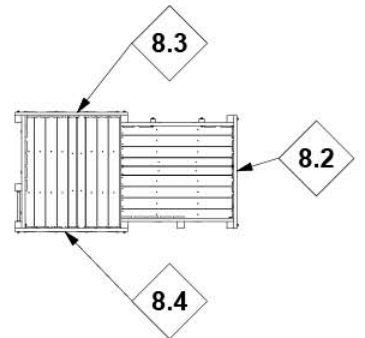
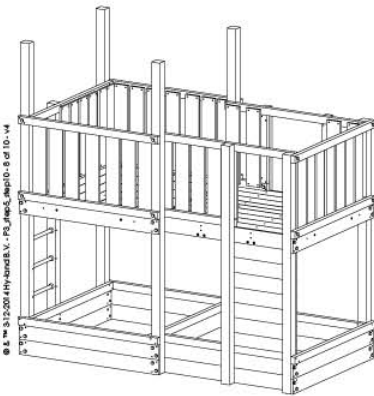
1



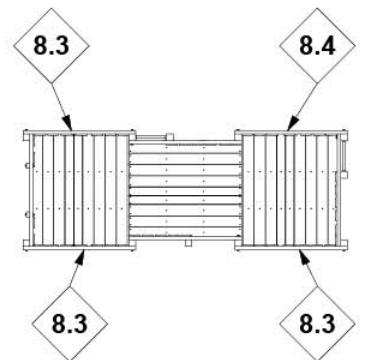
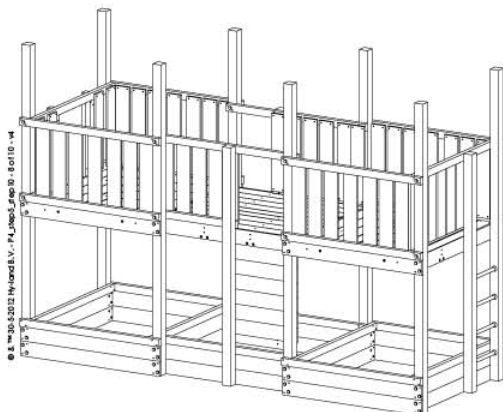
2



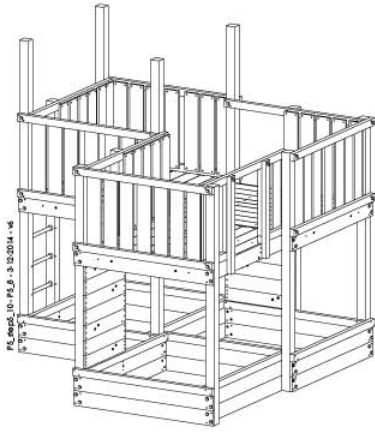
3



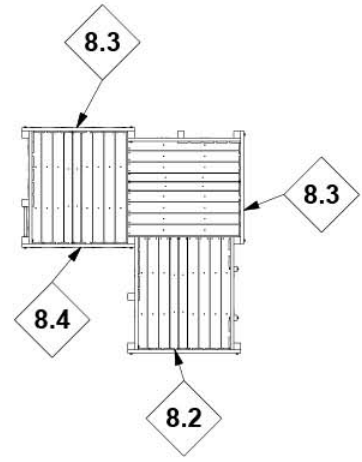
4



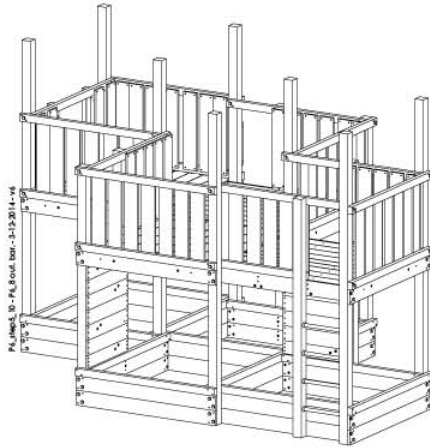
5



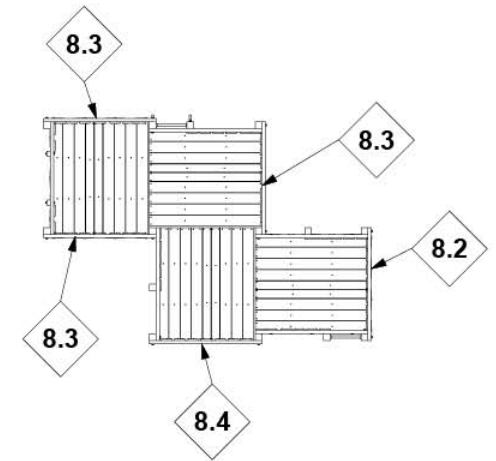
PK 460_10 - PK 50 - 3120114-v4



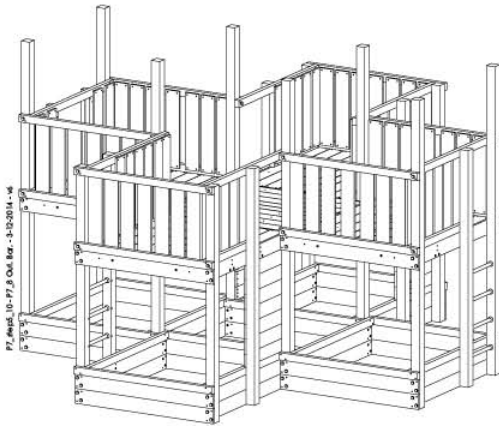
6



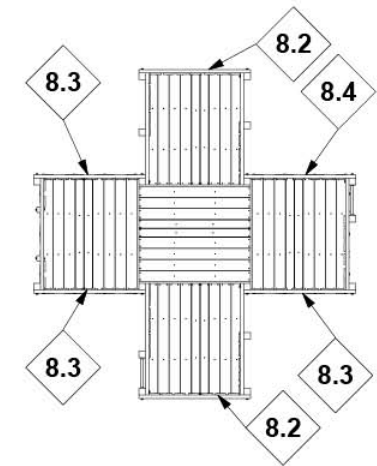
PK 460_10 - PK 500 - 3120114-v4



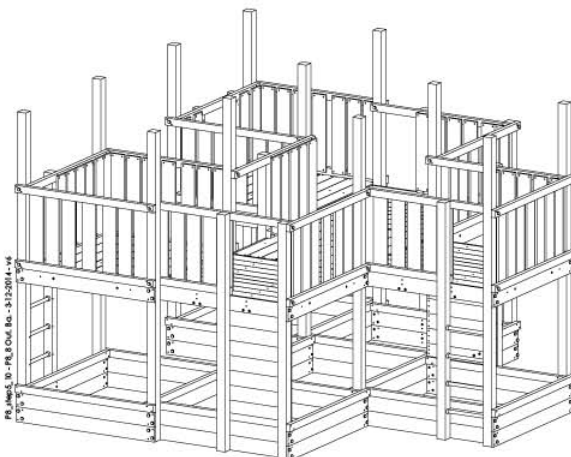
7



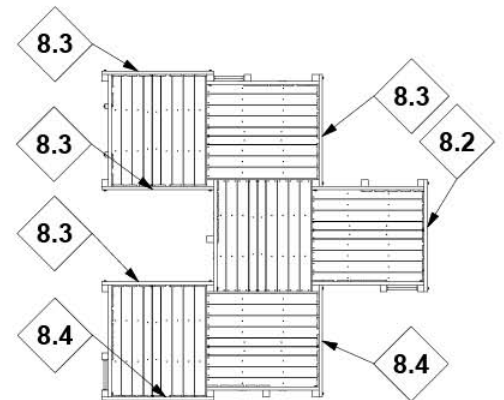
PK 460_10 - PK 500 - 3120114-v4



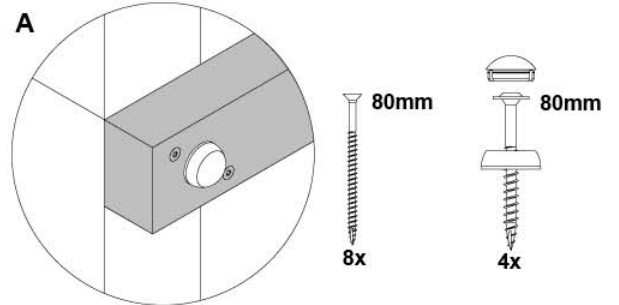
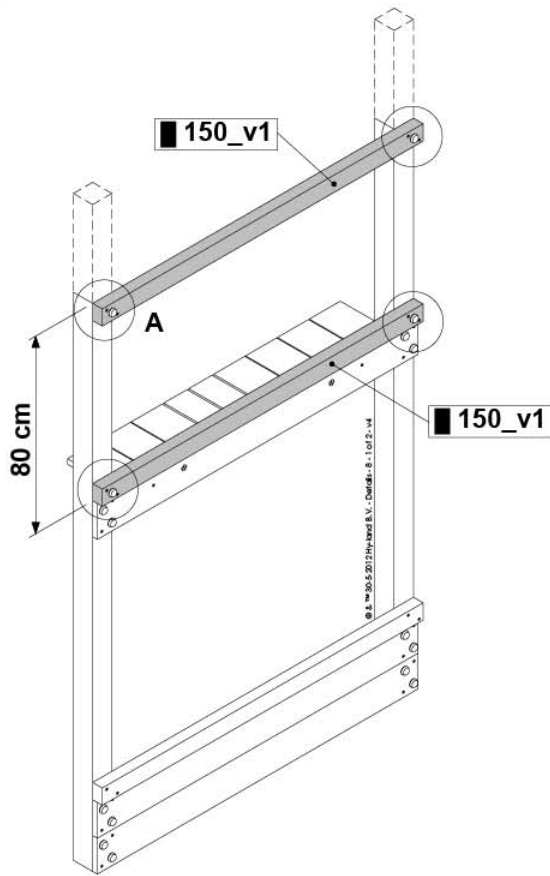
8



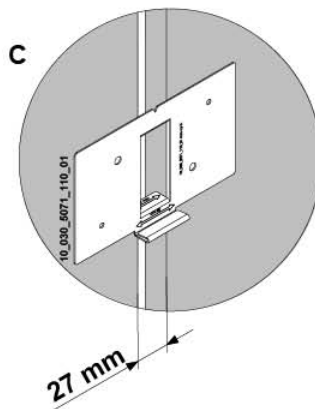
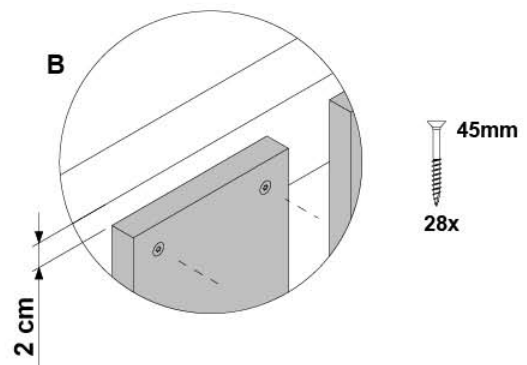
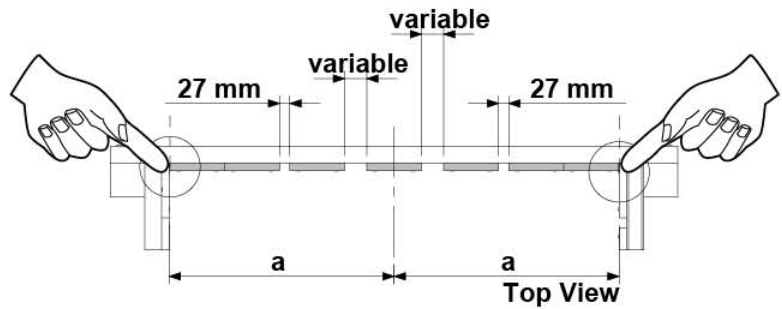
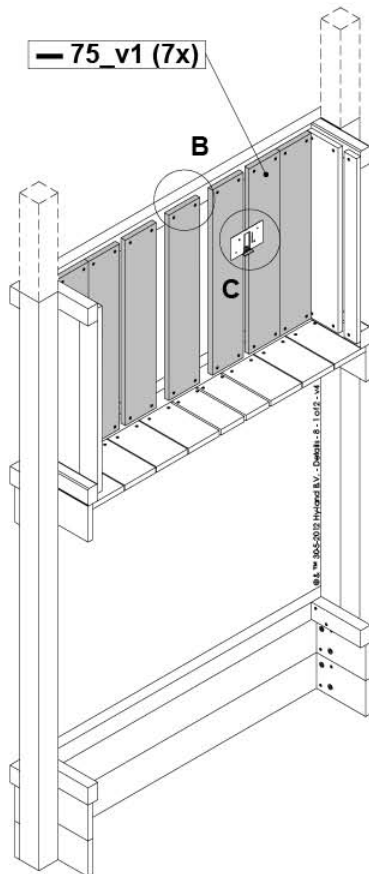
PK 460_10 - PK 500 - 3120114-v4



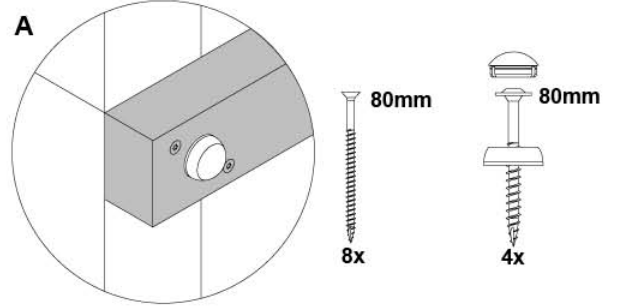
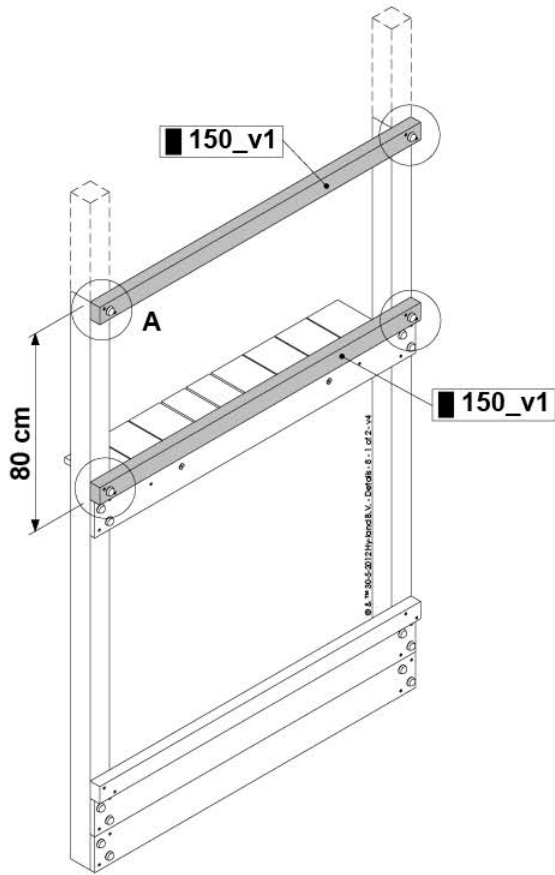
8.1a



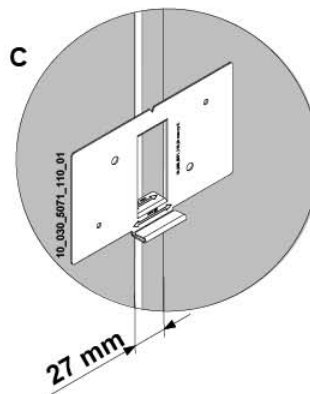
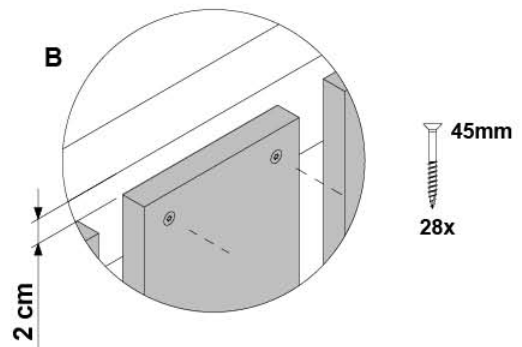
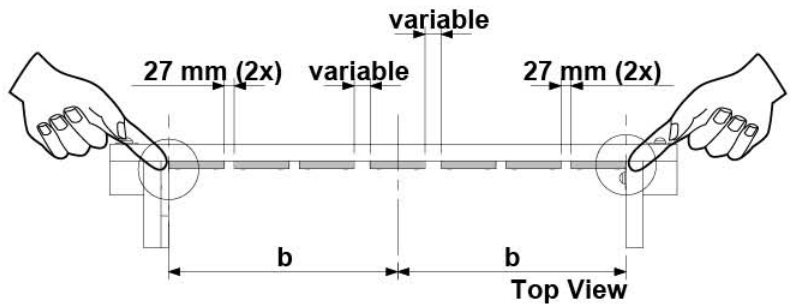
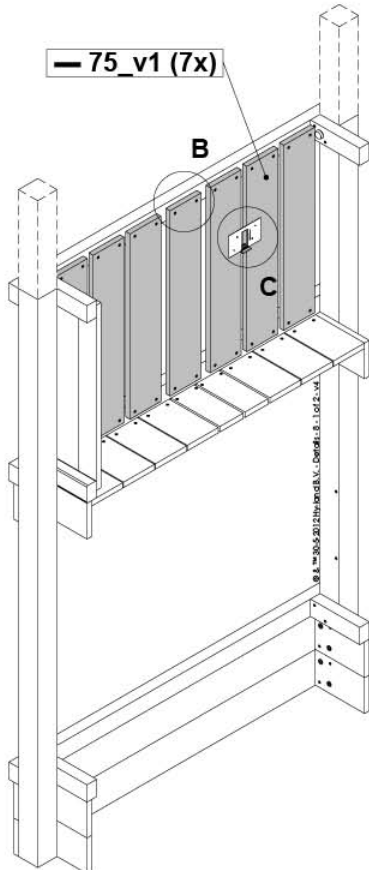
8.1b



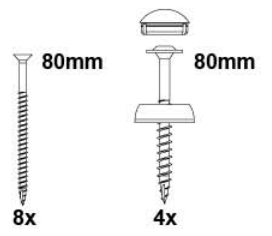
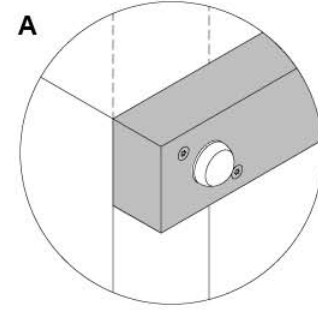
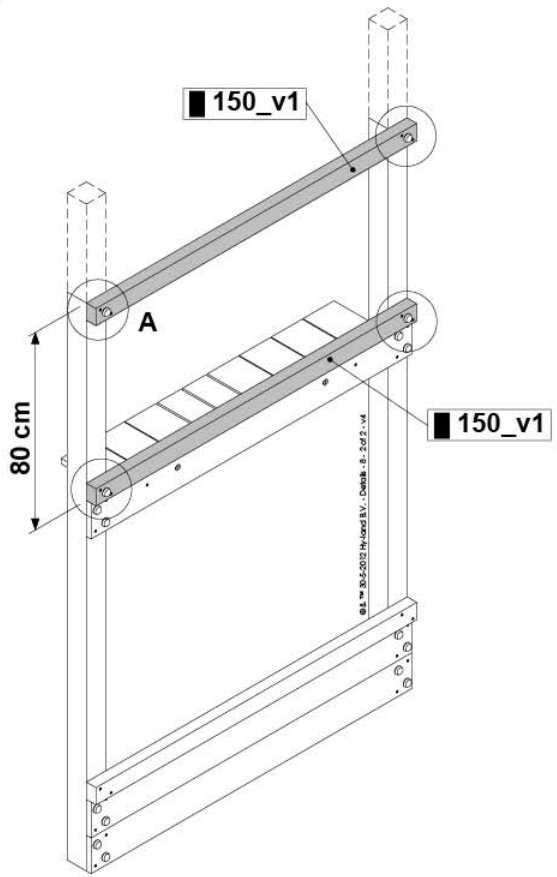
8.2a



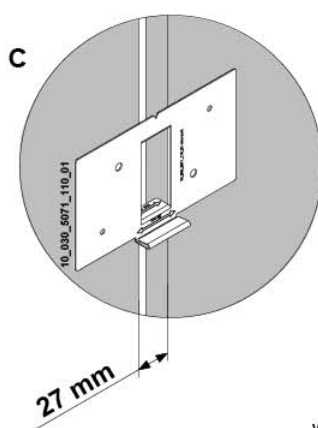
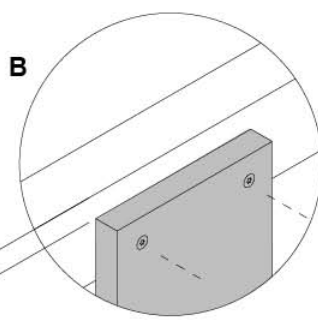
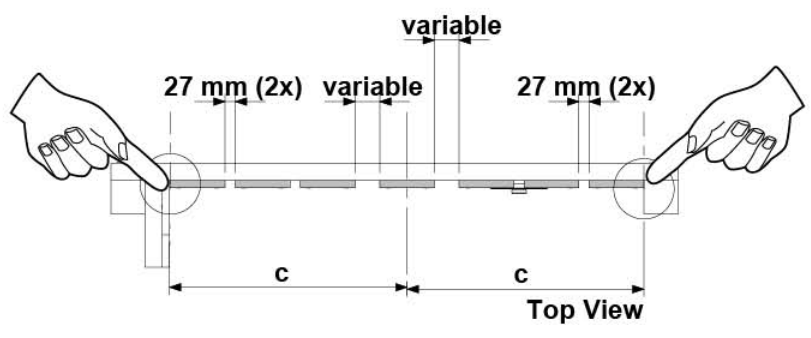
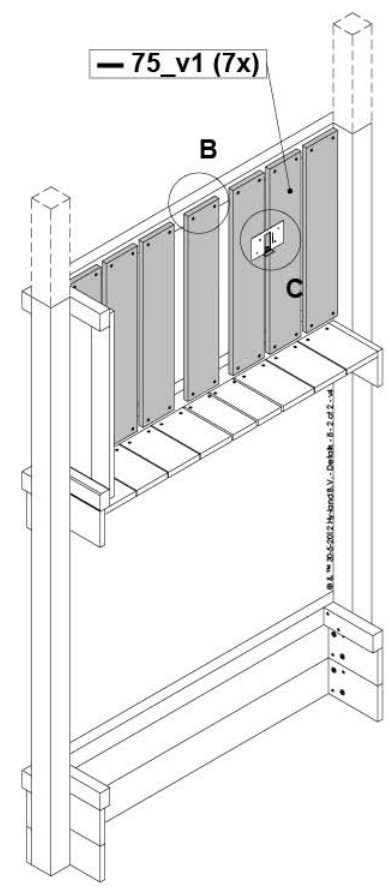
8.2b



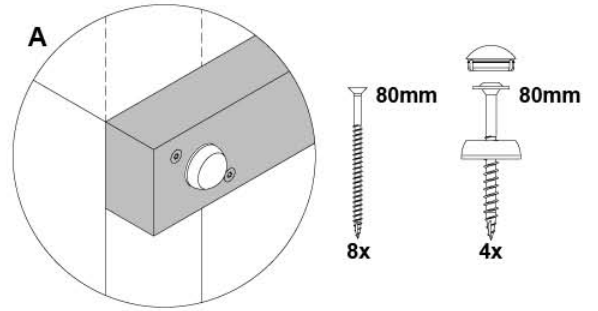
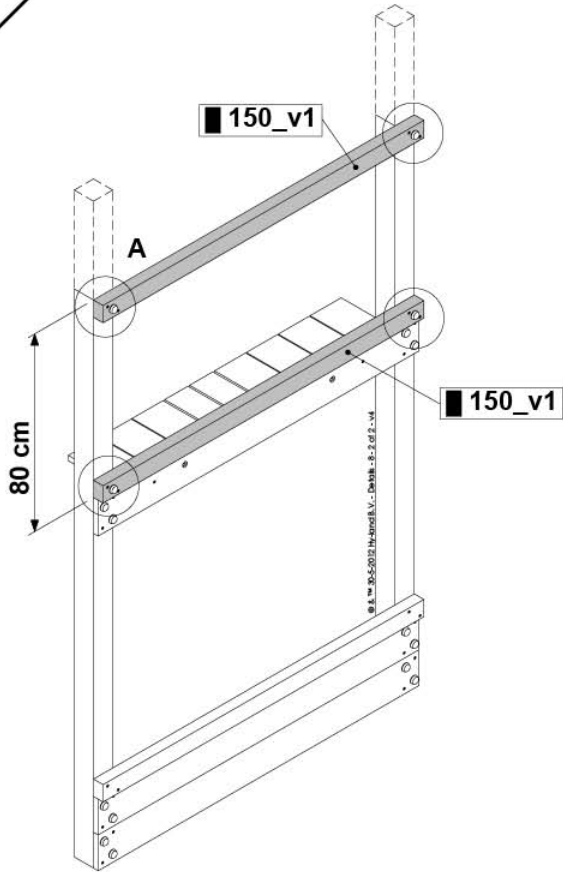
8.3a



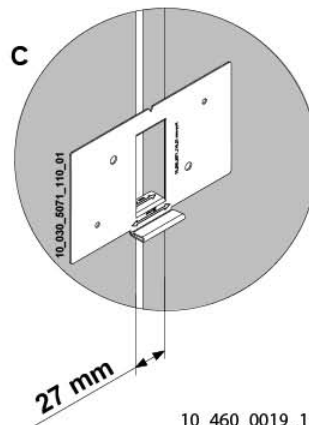
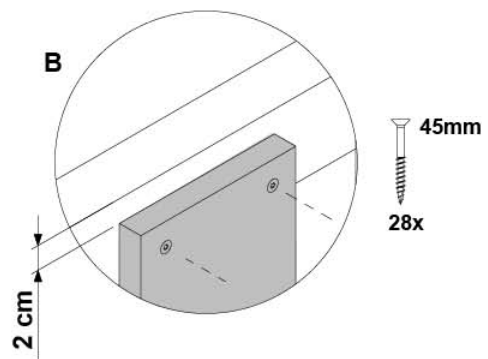
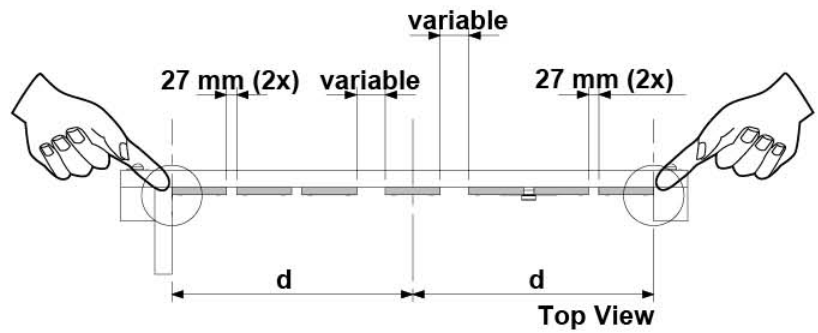
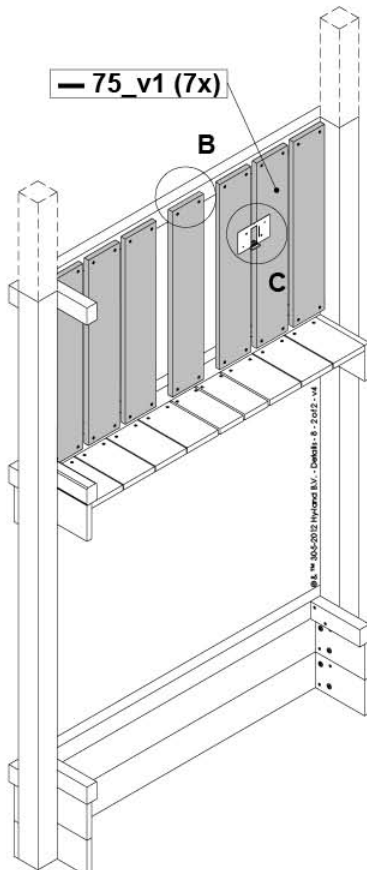
8.3b



8.4a

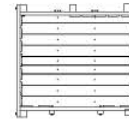


8.4b

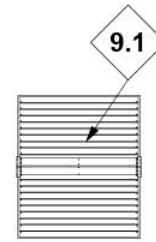
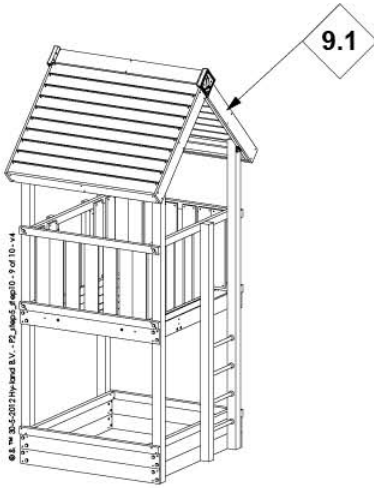


9

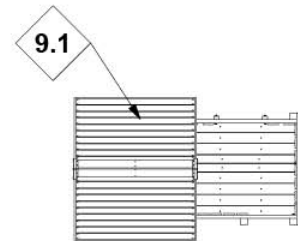
1



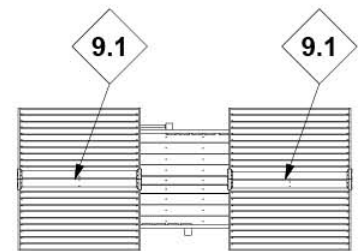
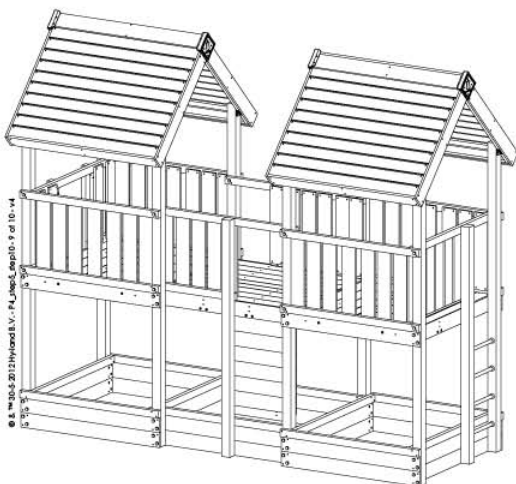
2



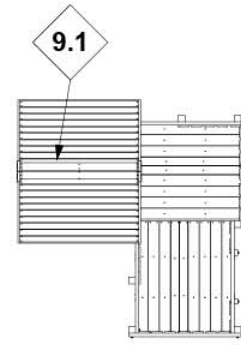
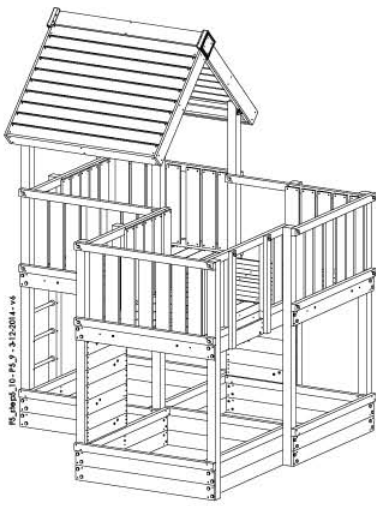
3



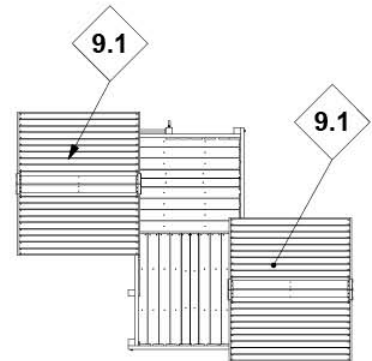
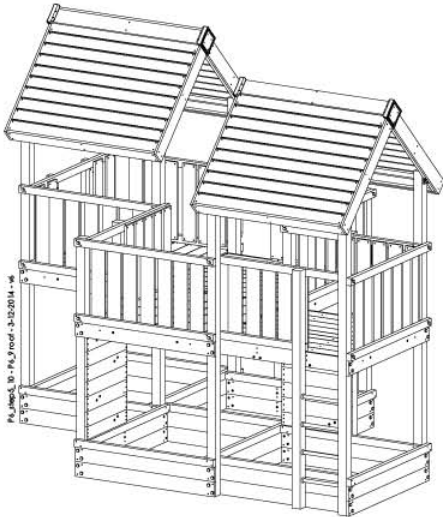
4



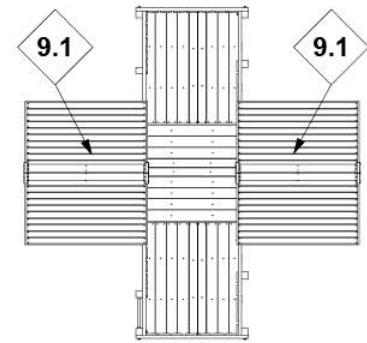
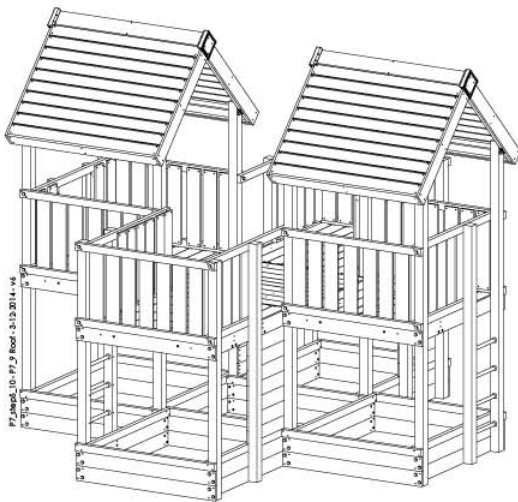
5



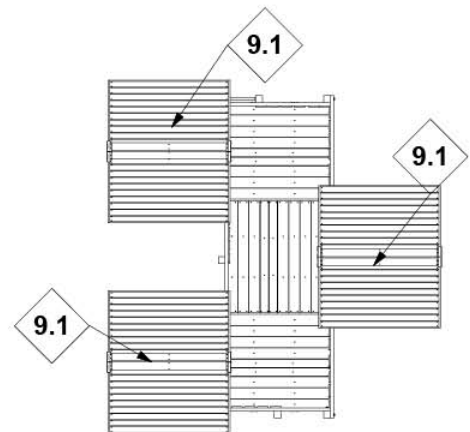
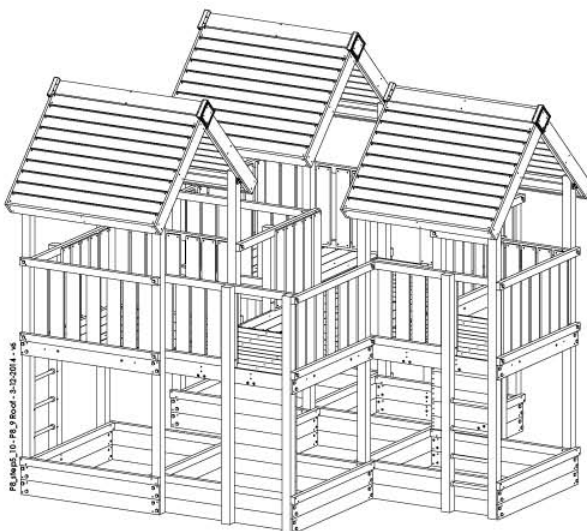
6



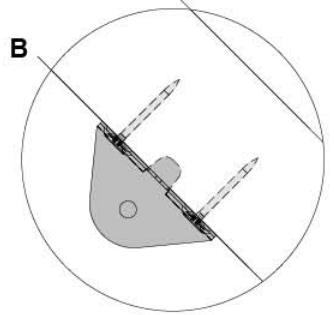
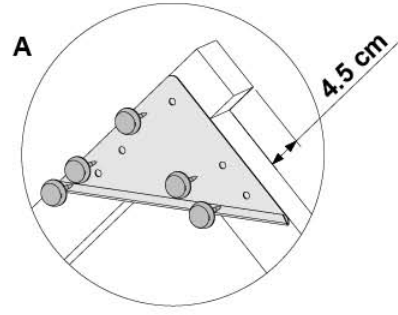
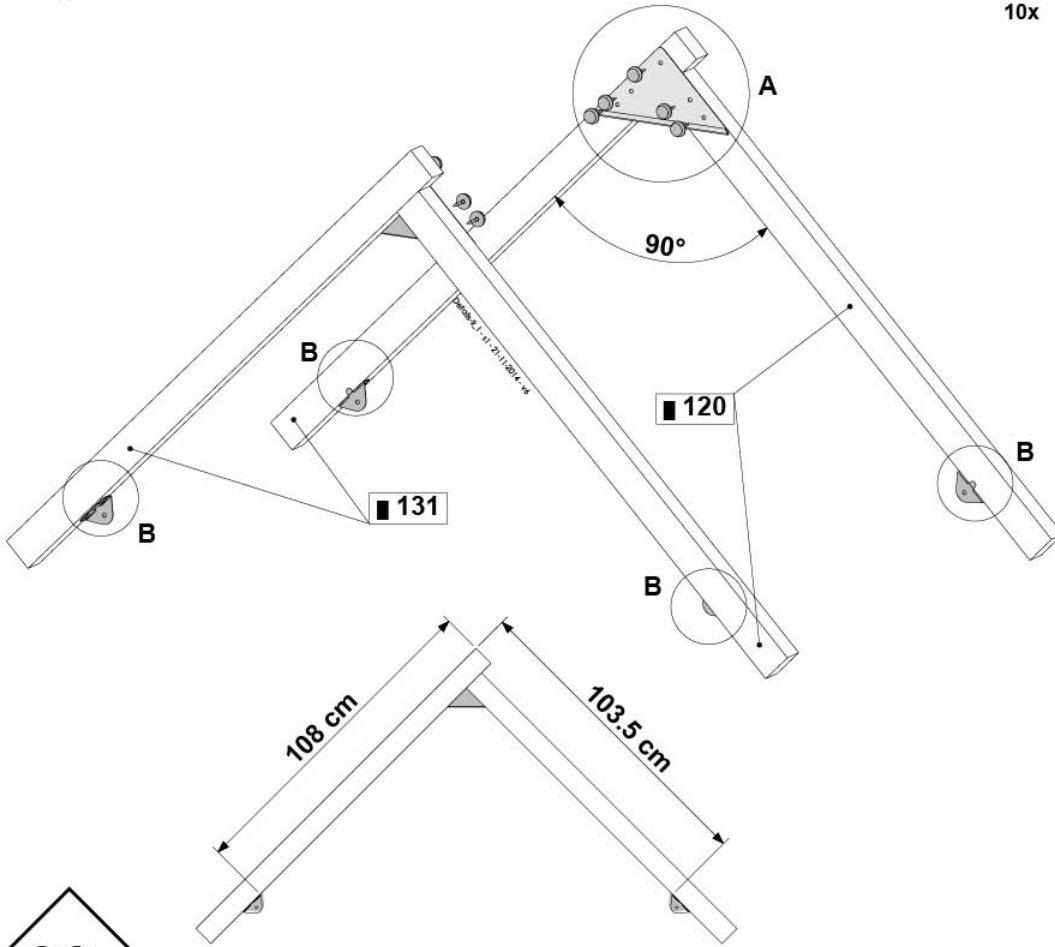
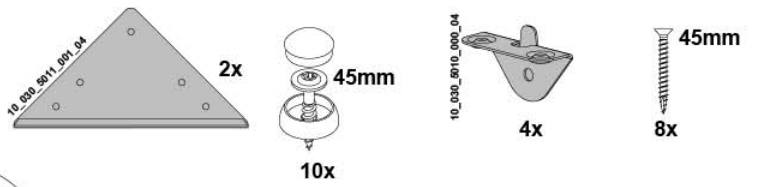
7



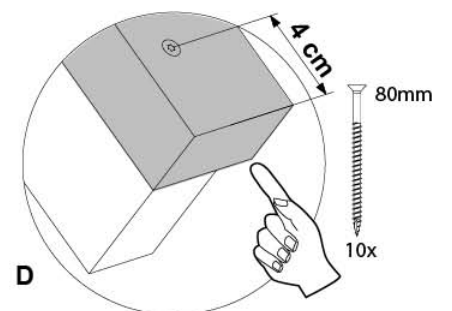
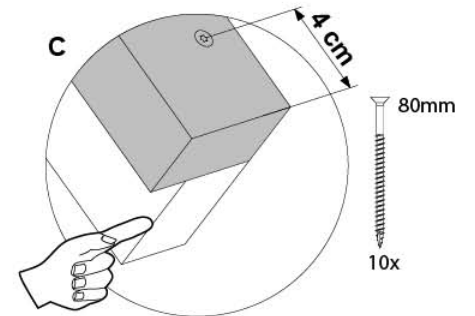
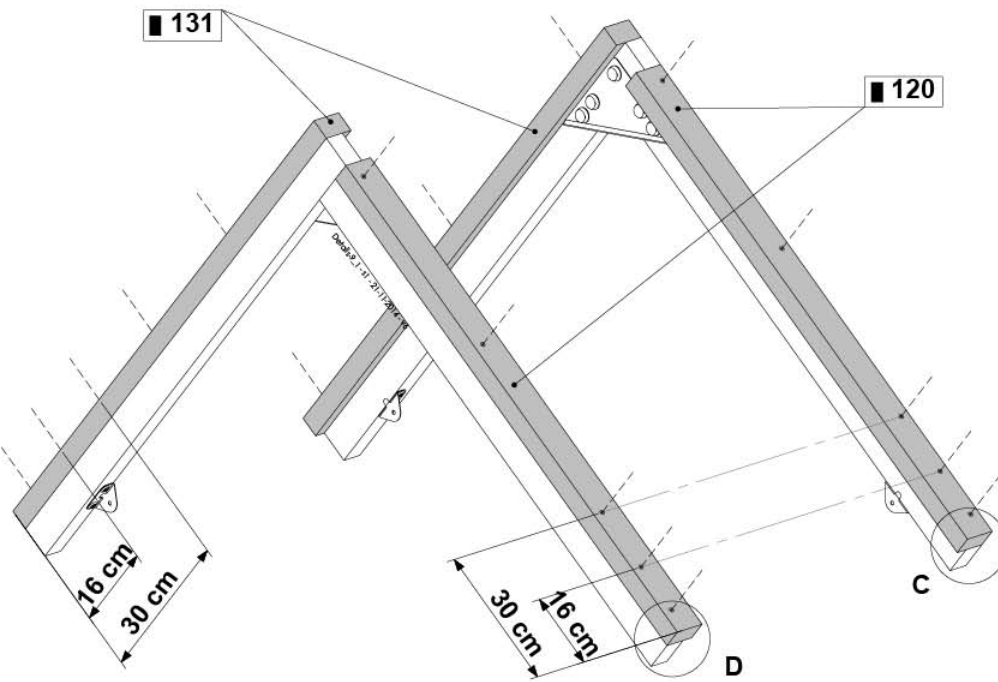
8



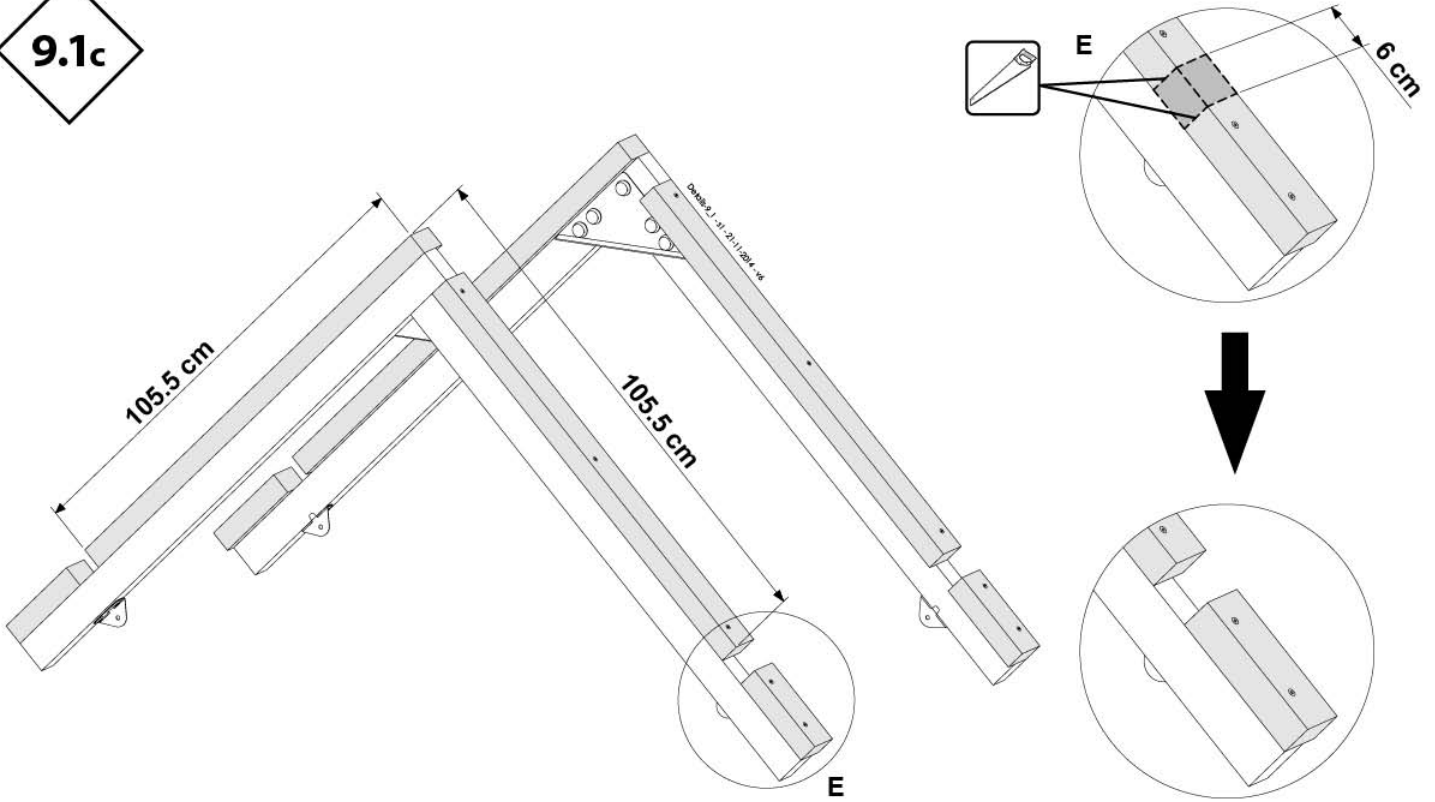
9.1a



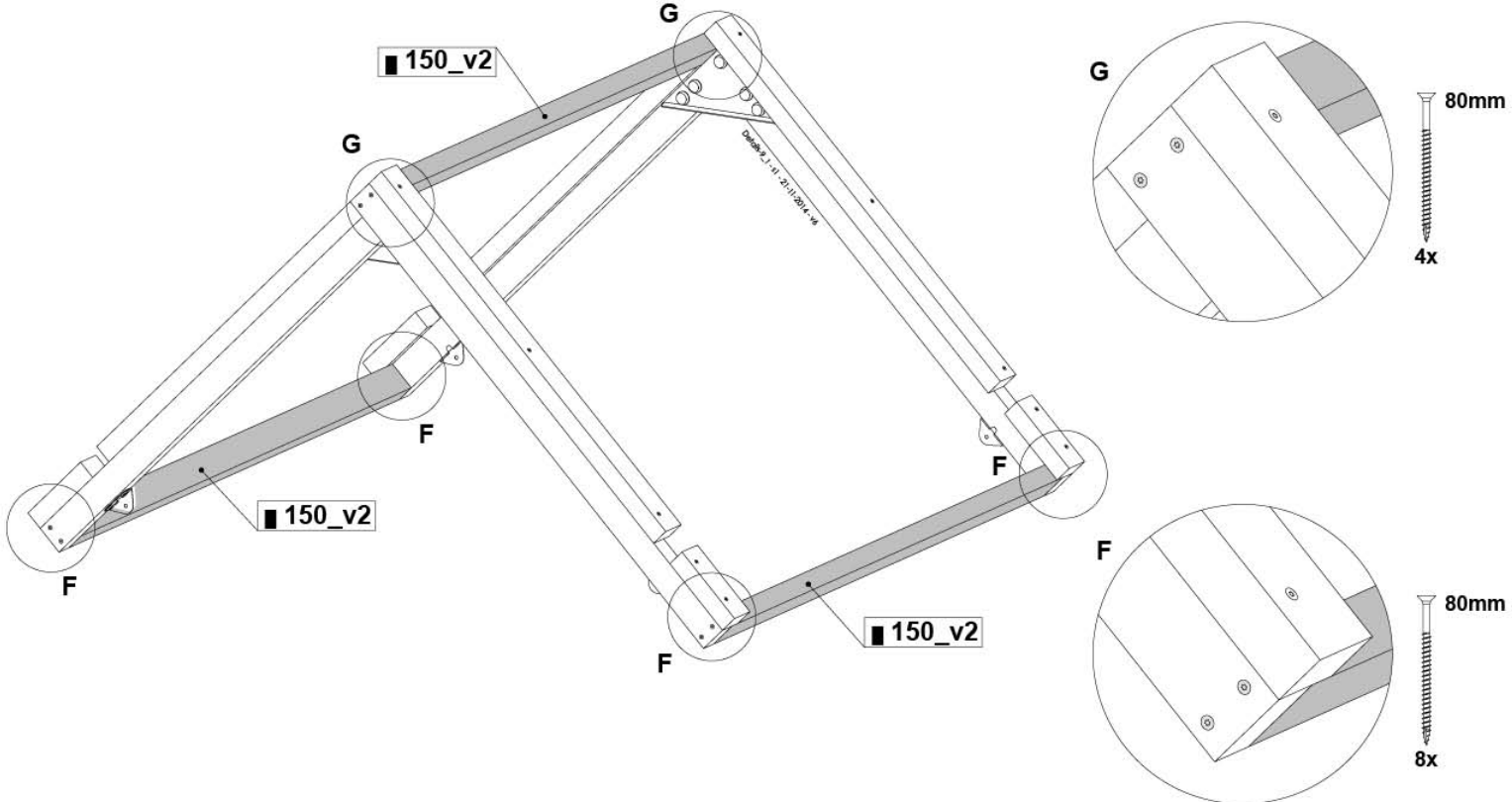
9.1b



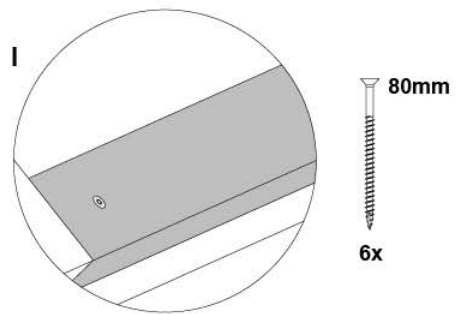
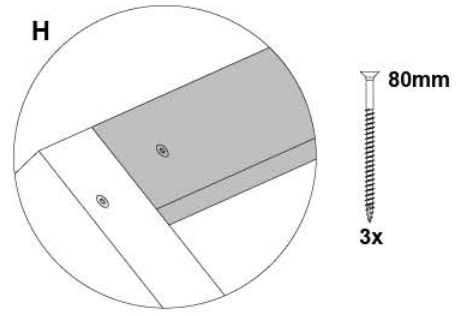
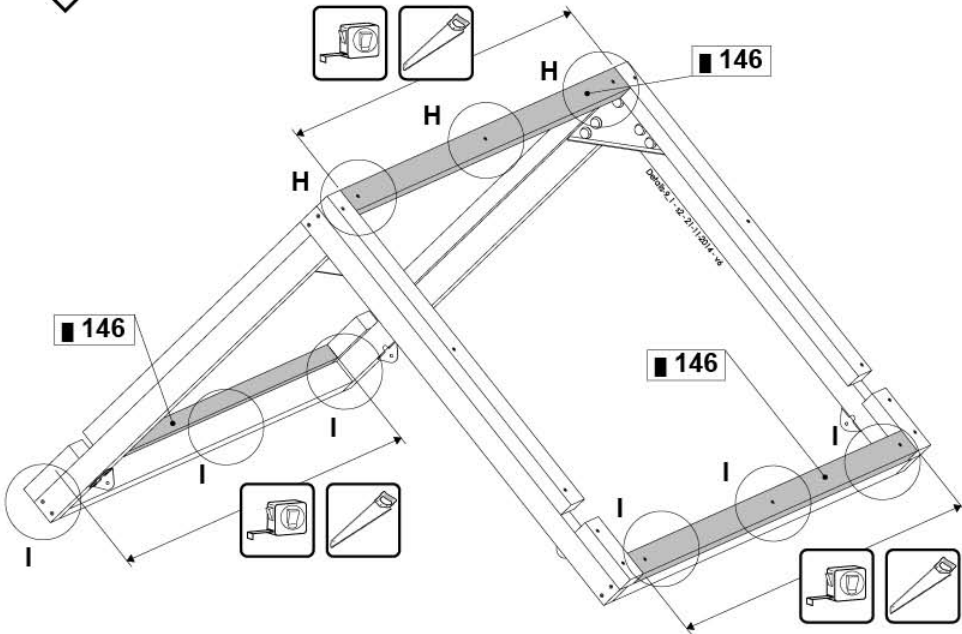
9.1c



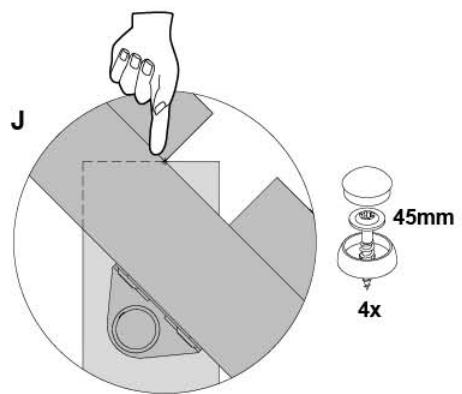
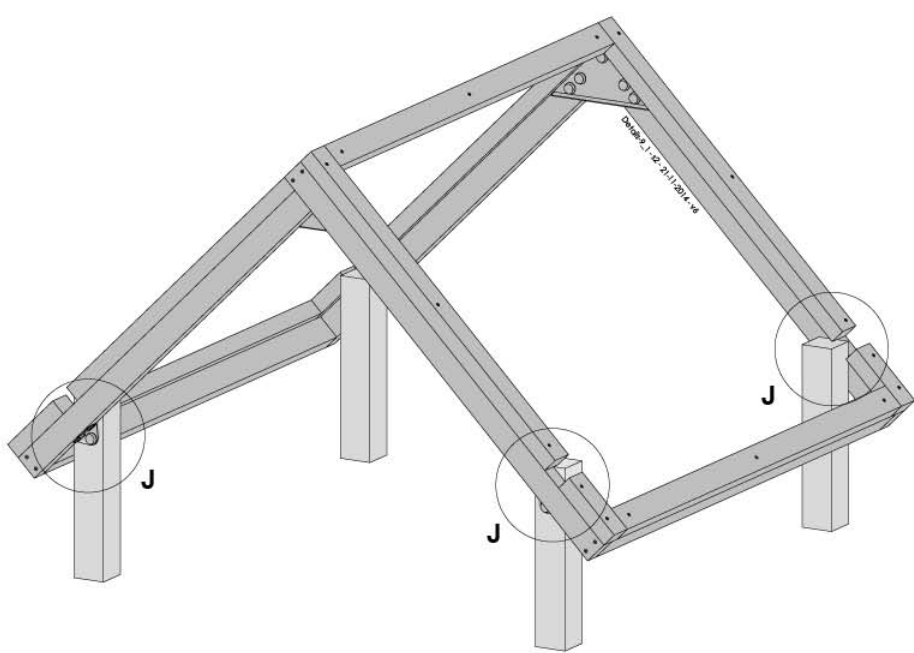
9.1d



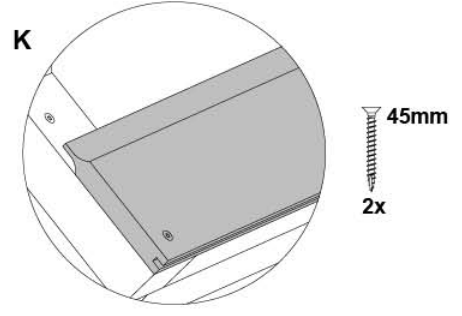
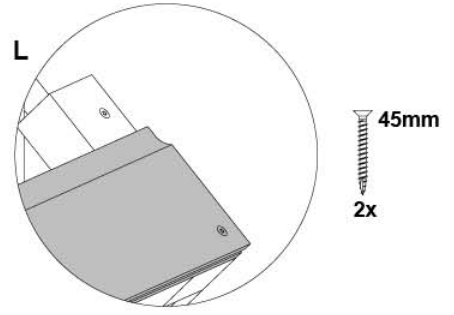
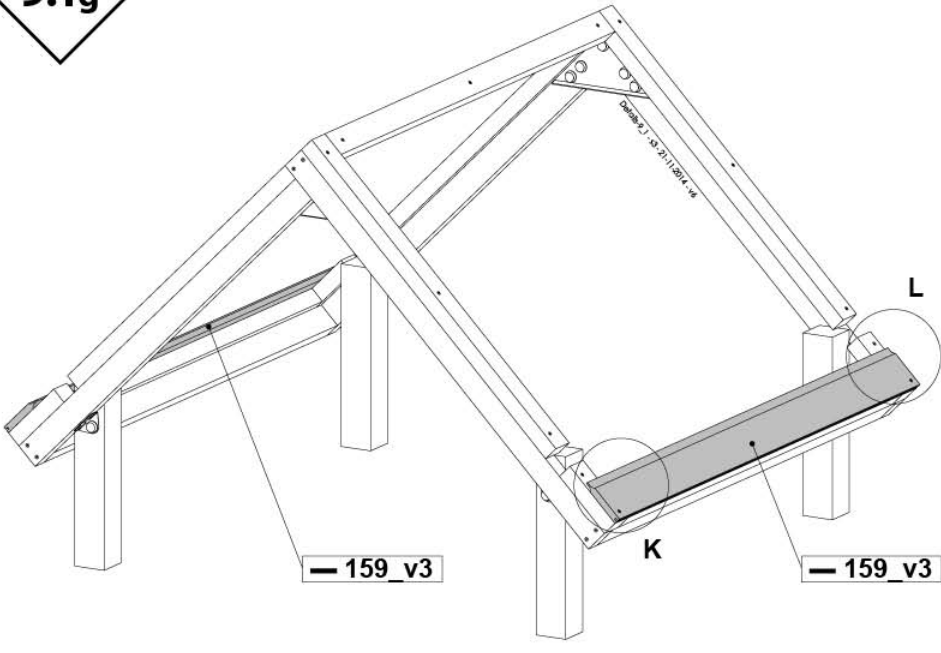
9.1e



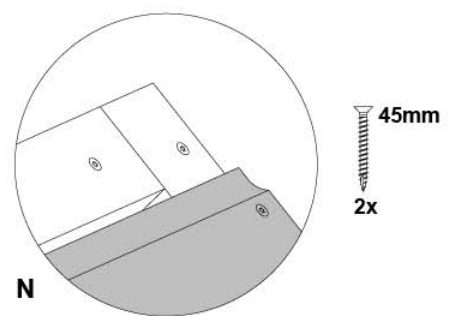
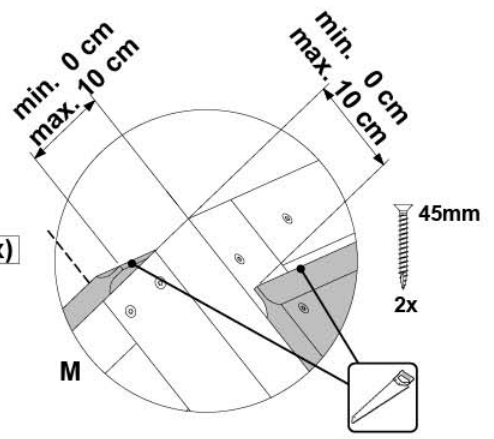
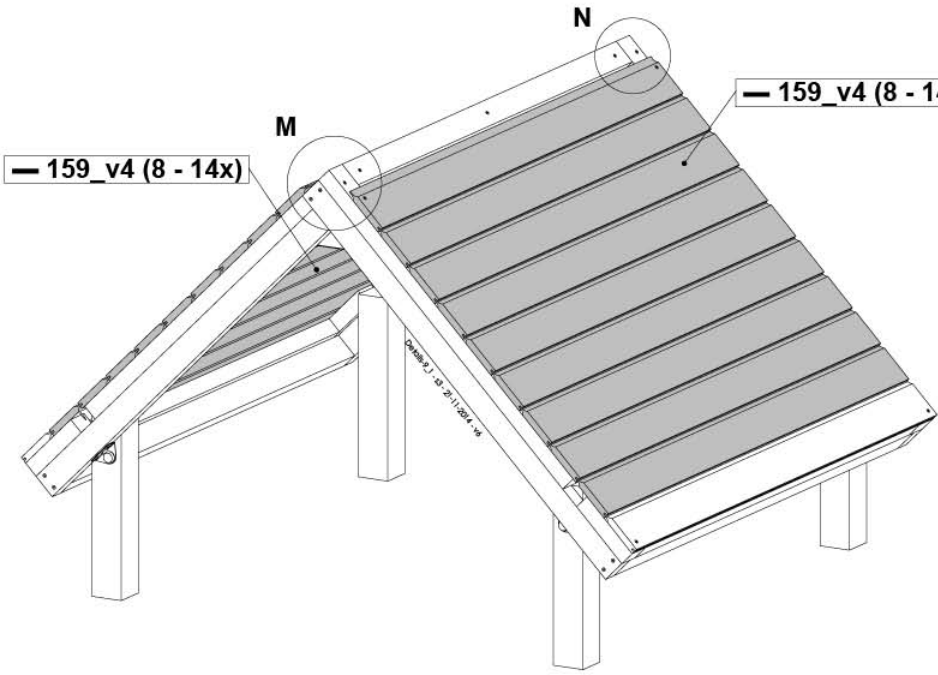
9.1f



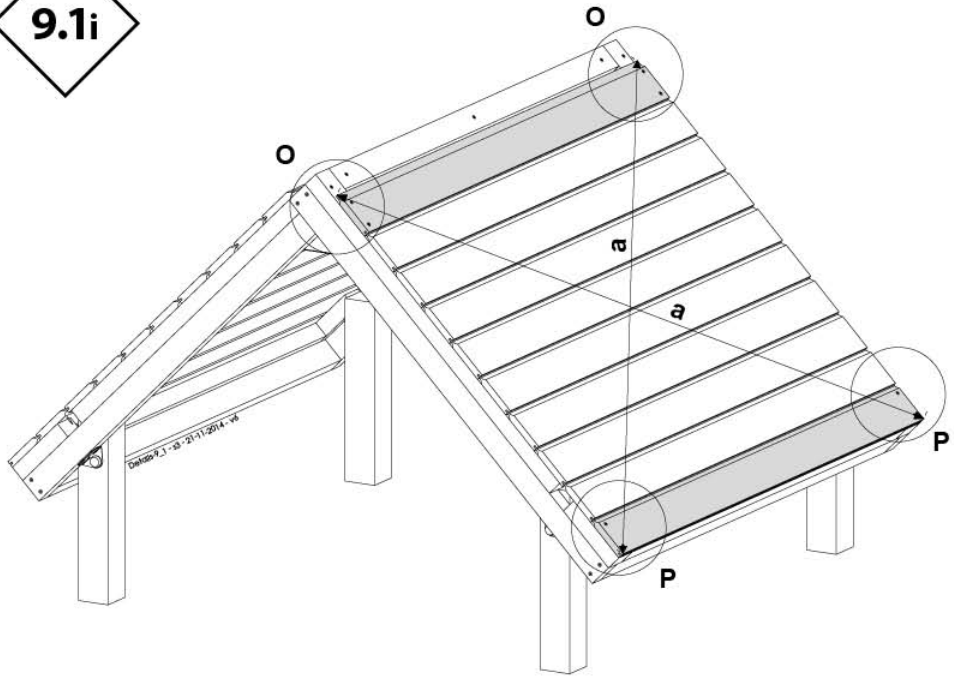
9.1g



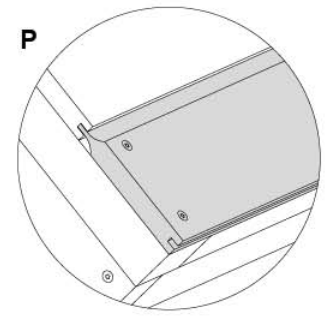
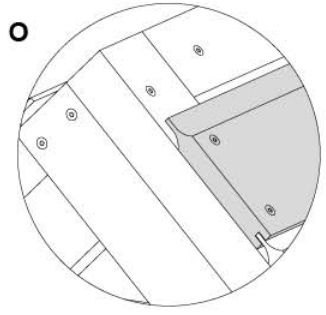
9.1h



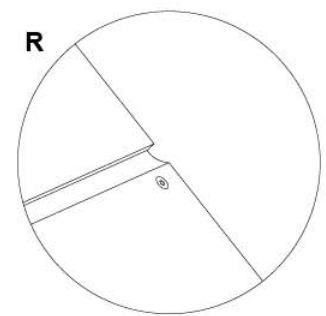
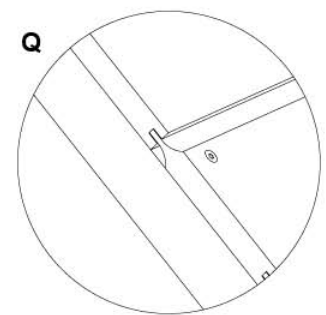
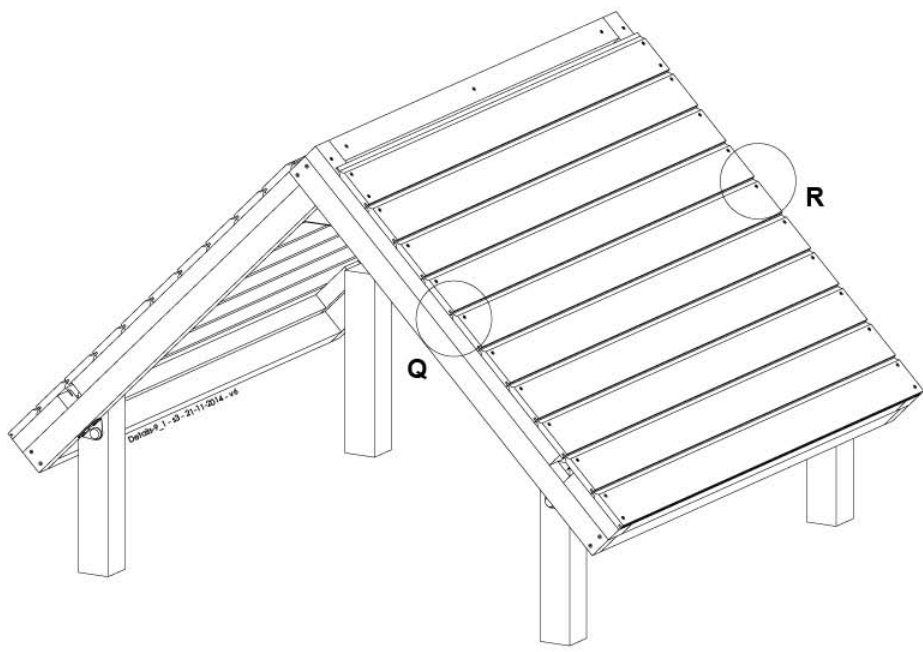
9.1i



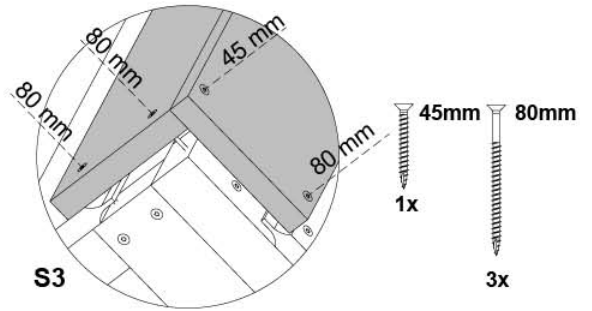
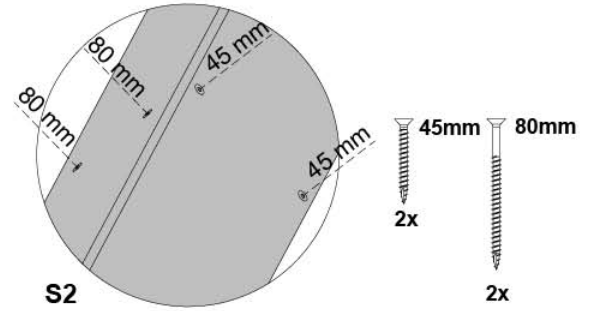
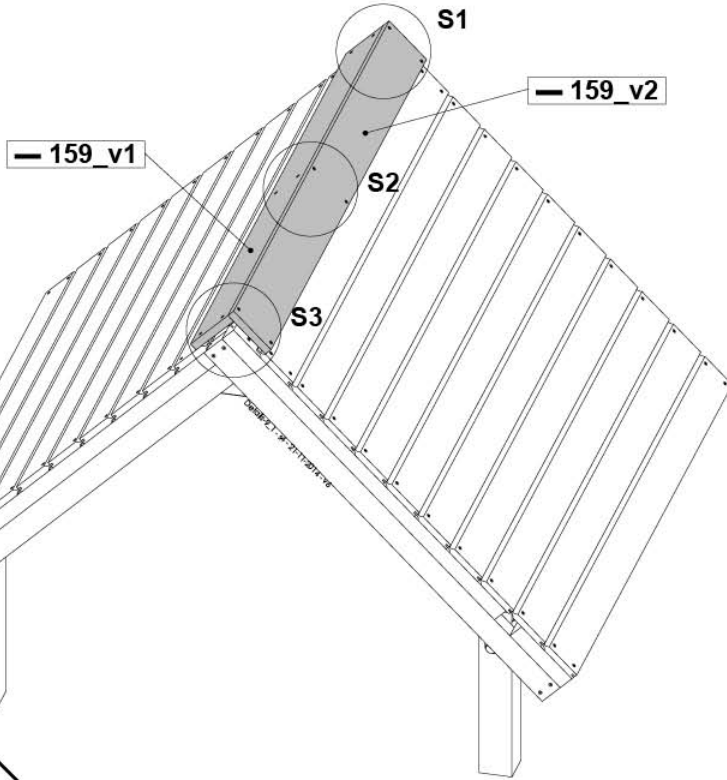
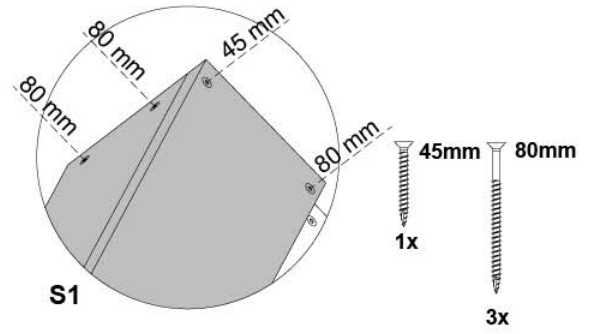
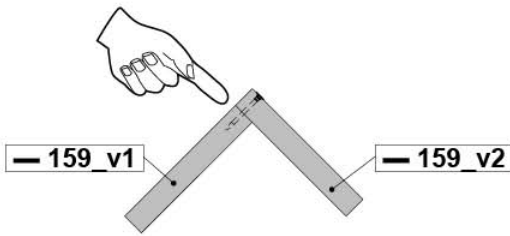
 **a = a**



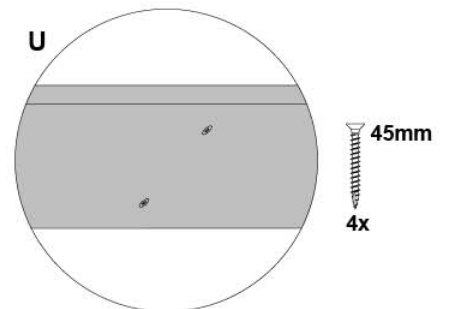
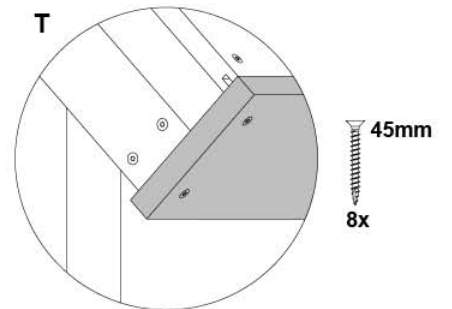
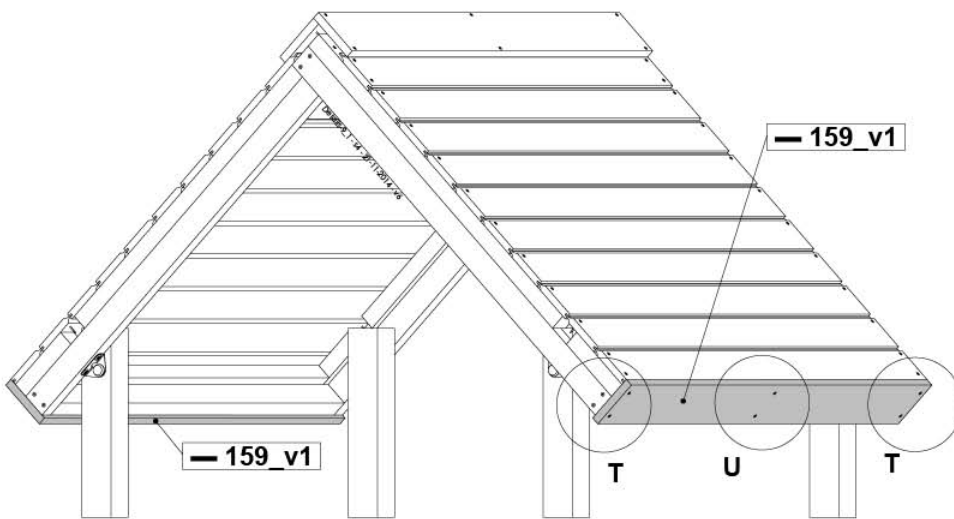
9.1j



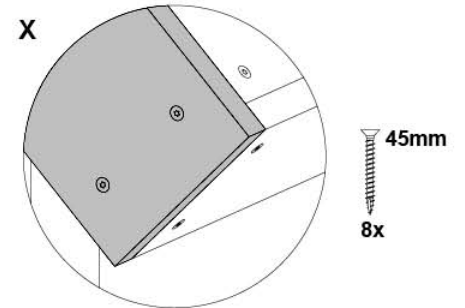
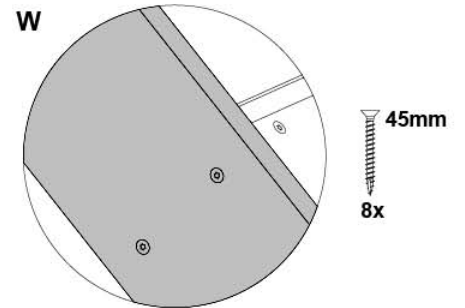
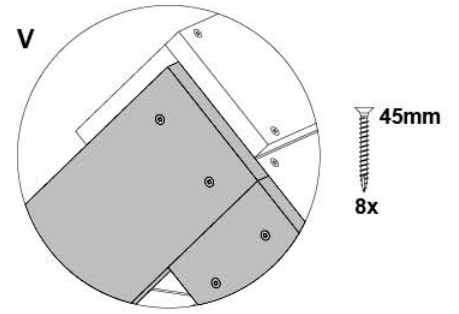
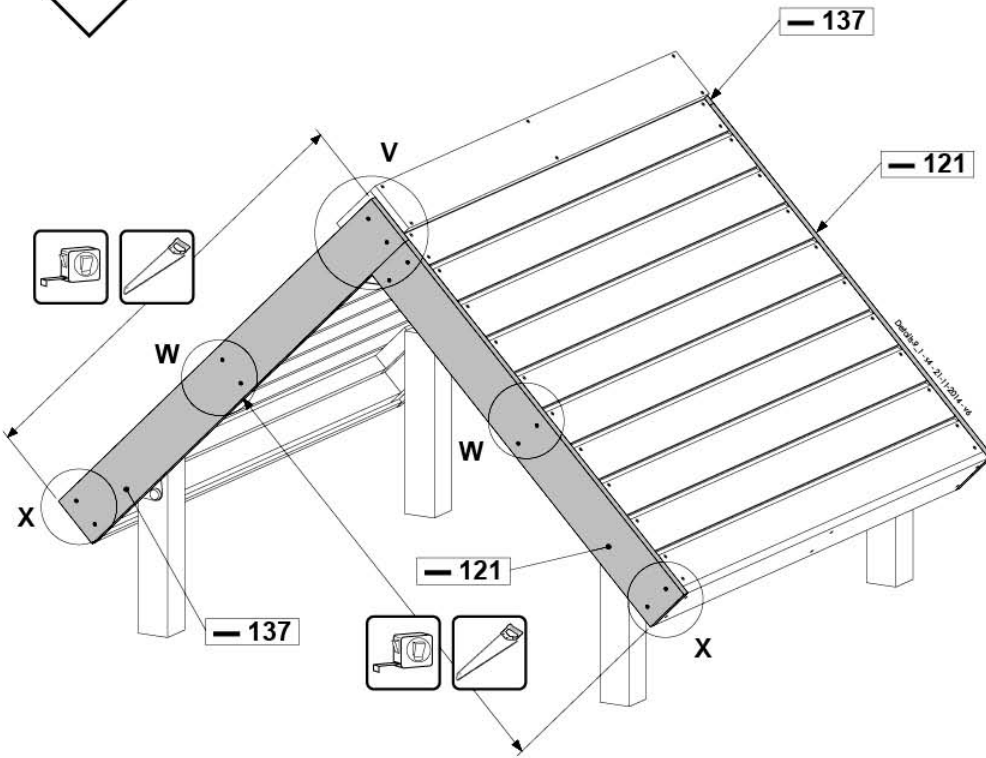
9.1k



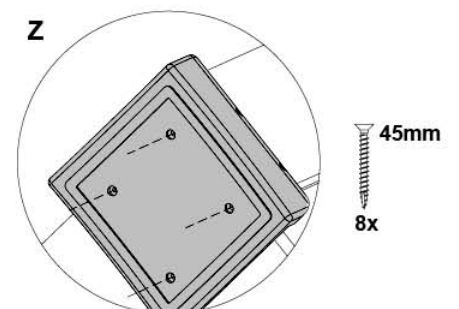
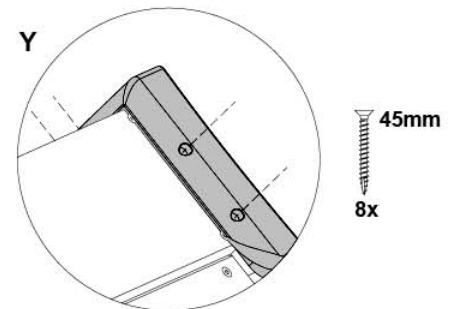
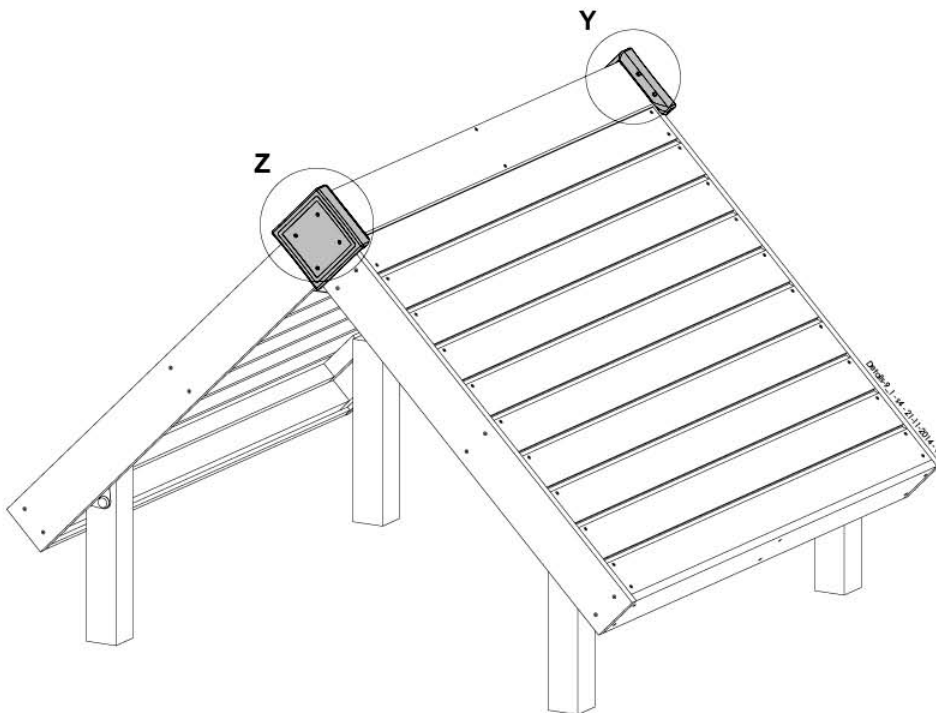
9.1L



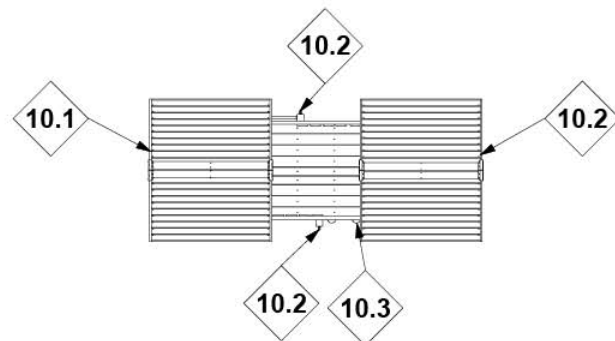
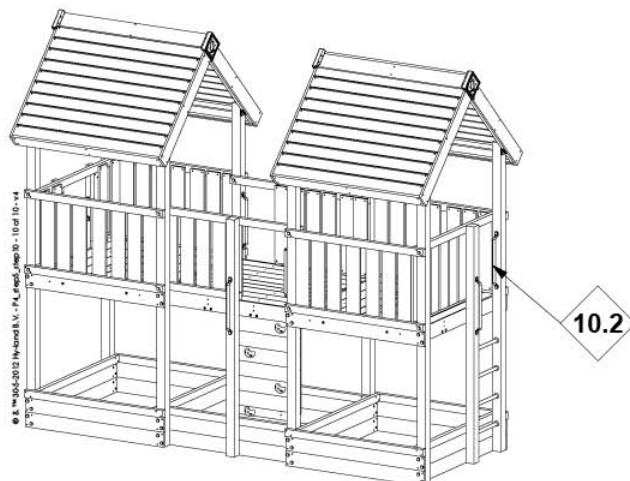
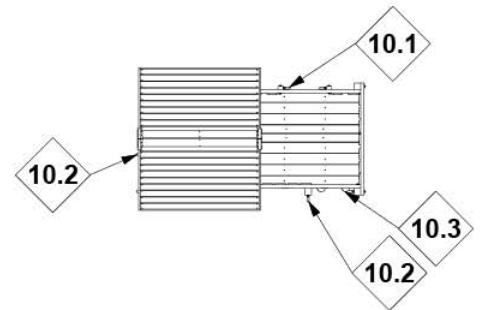
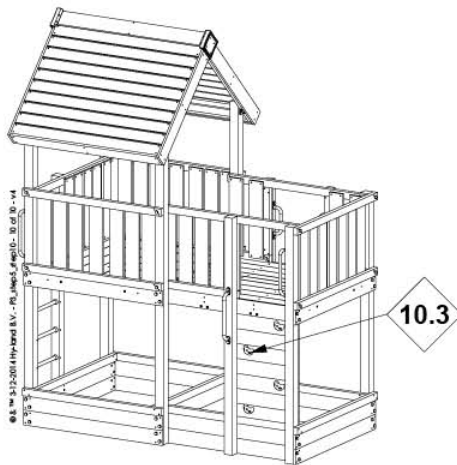
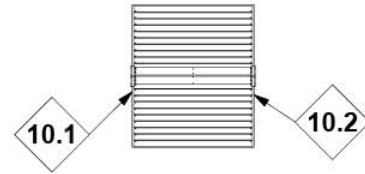
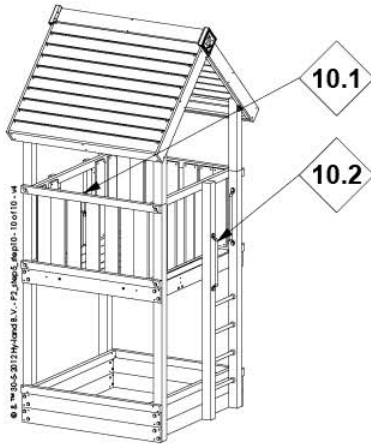
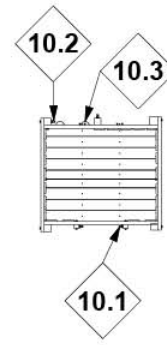
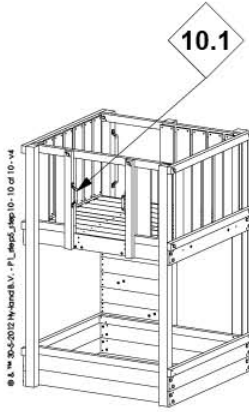
9.1m



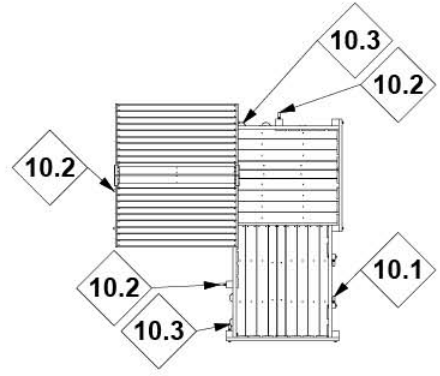
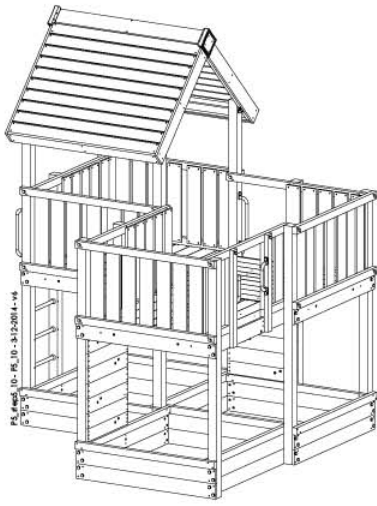
9.1n



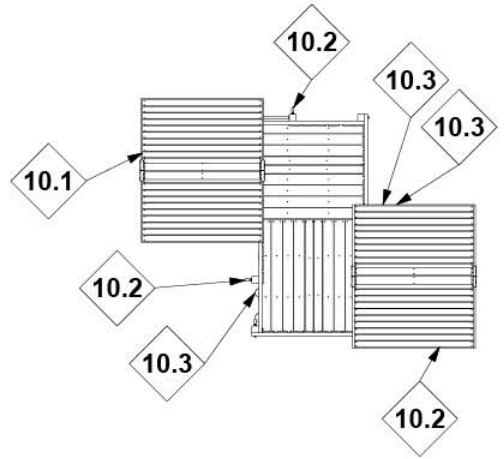
10



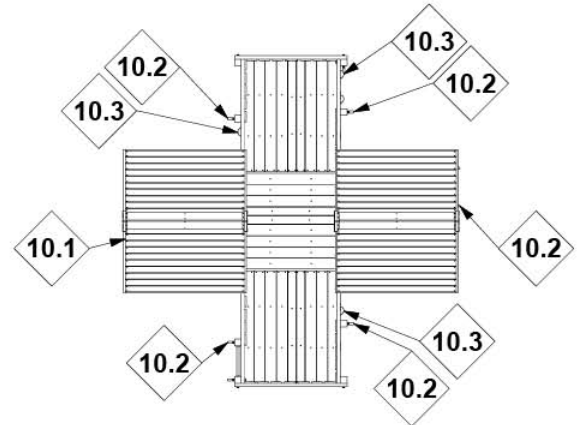
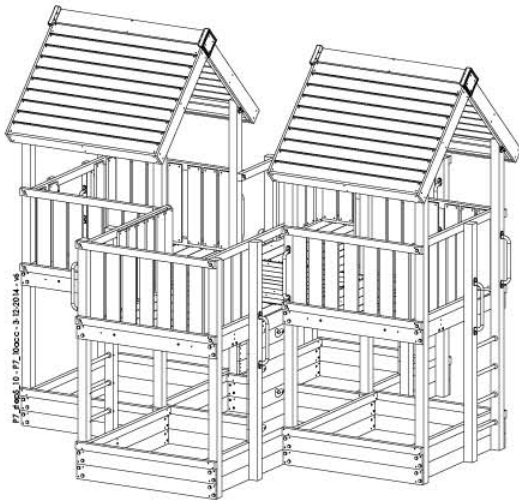
5



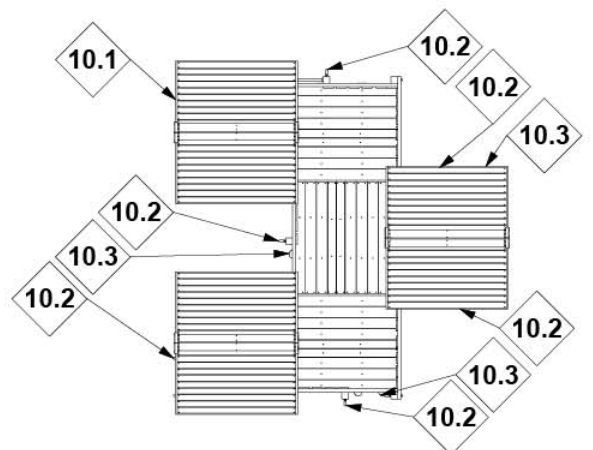
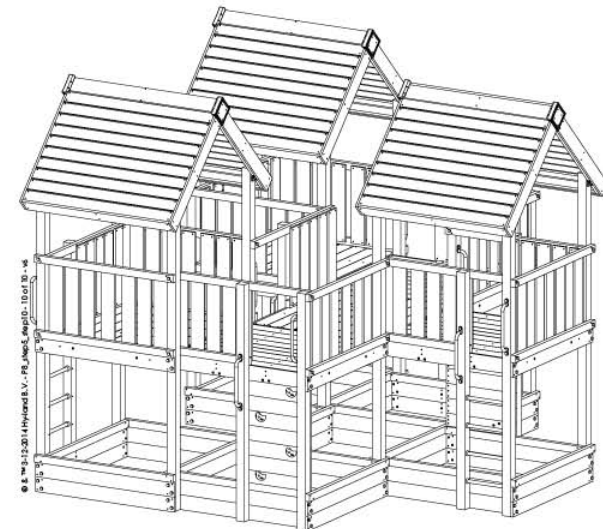
6



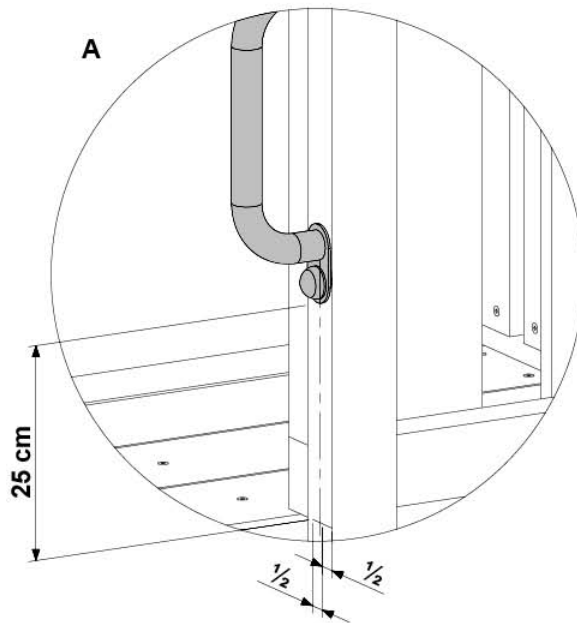
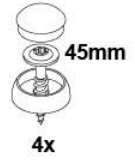
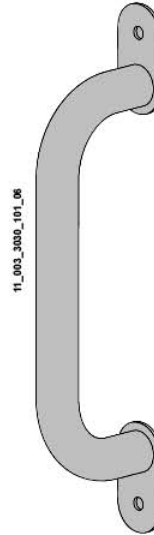
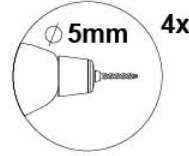
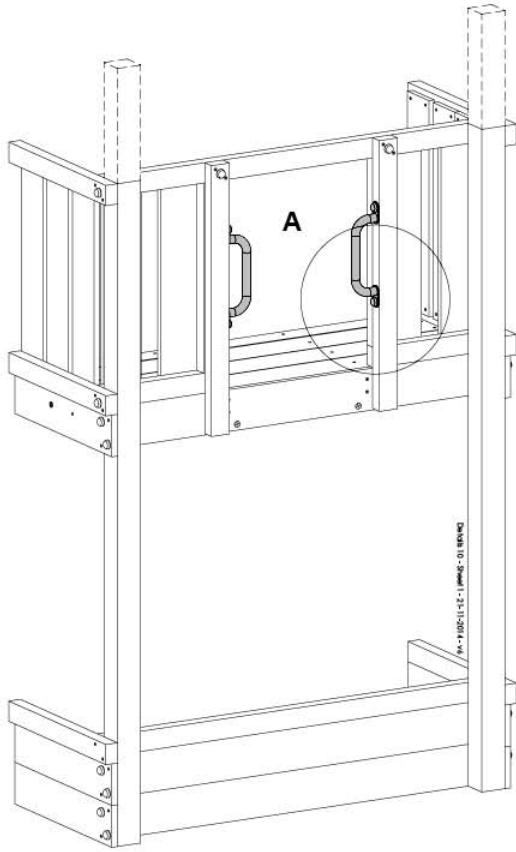
7



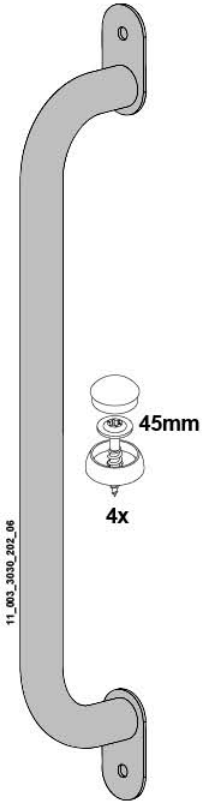
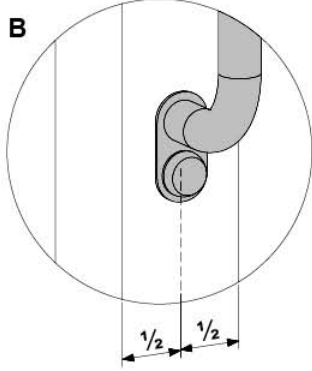
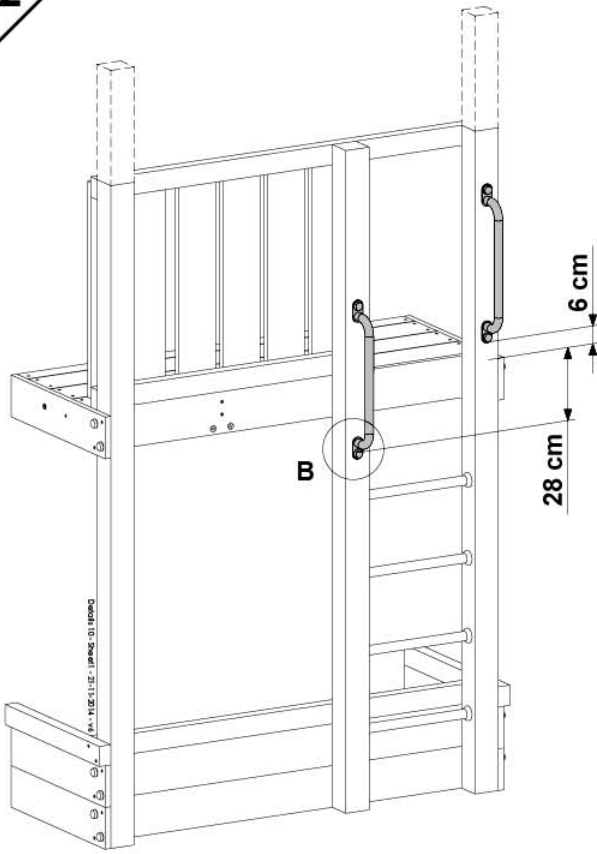
8



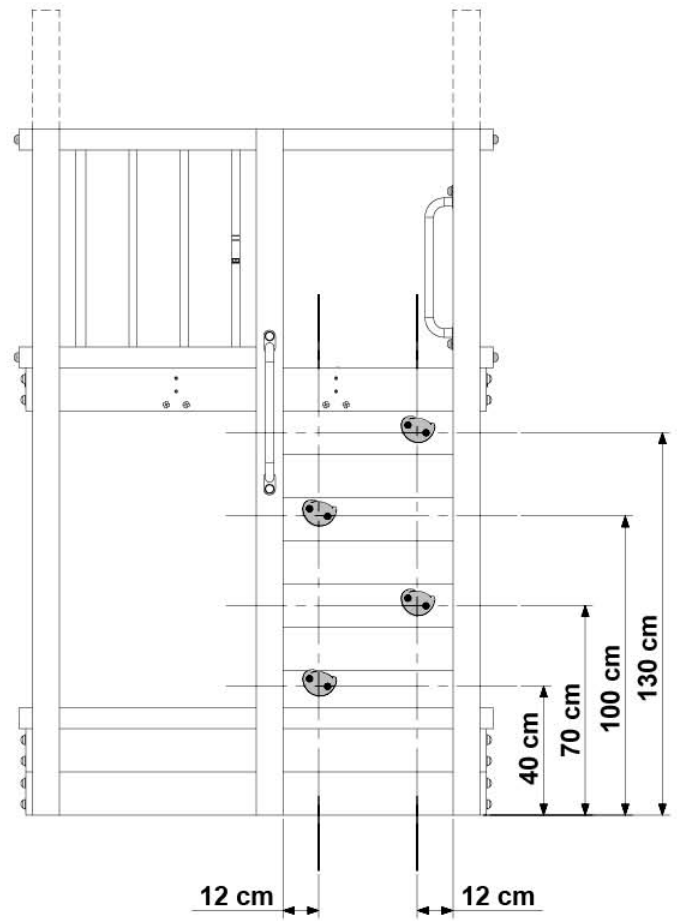
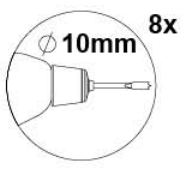
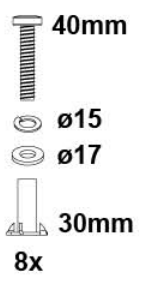
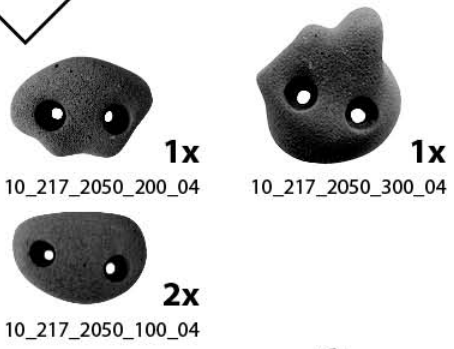
10.1



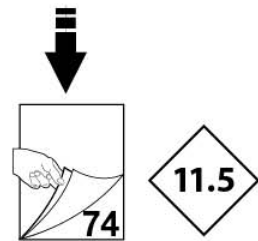
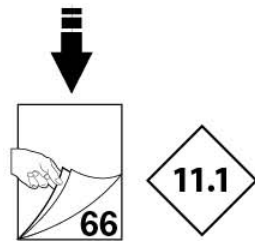
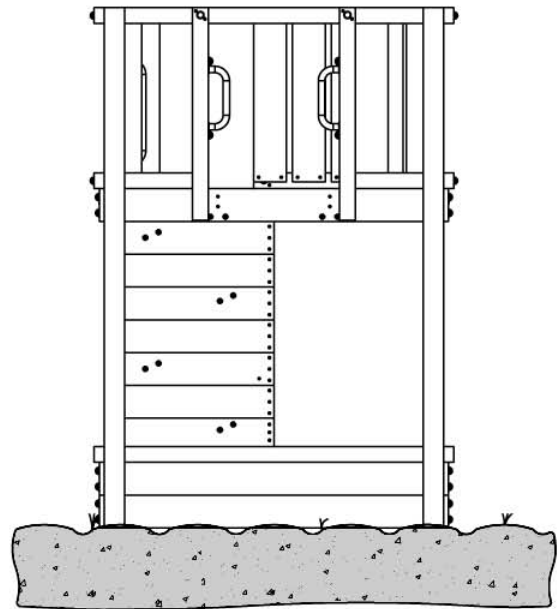
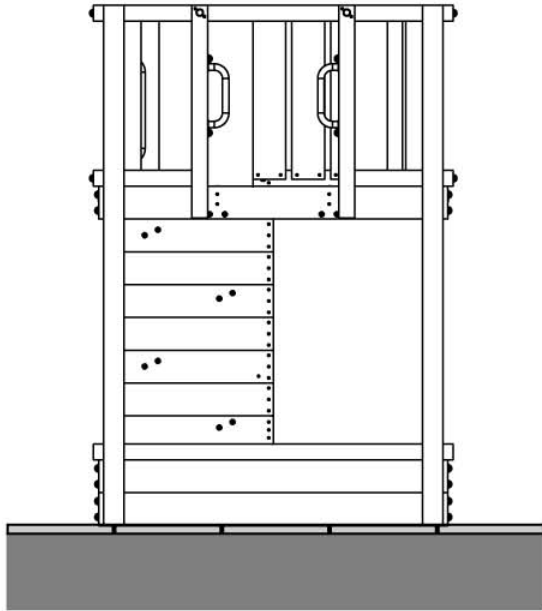
10.2



10.3



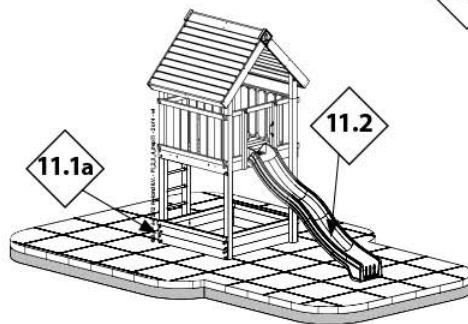
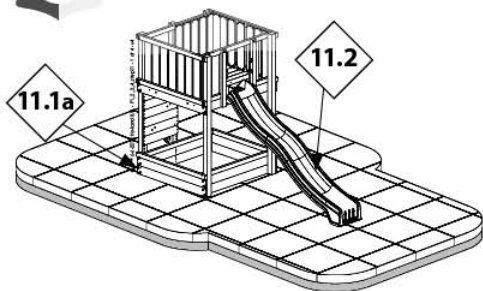
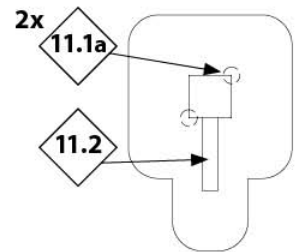
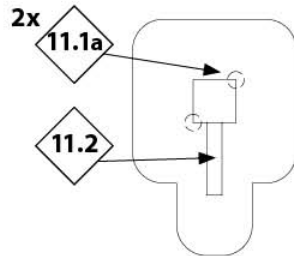
11



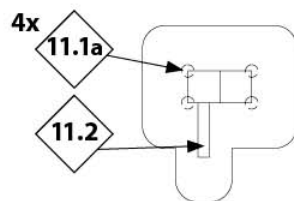
11.1

P2

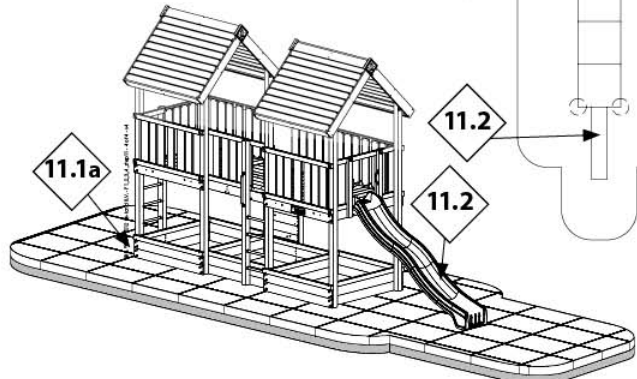
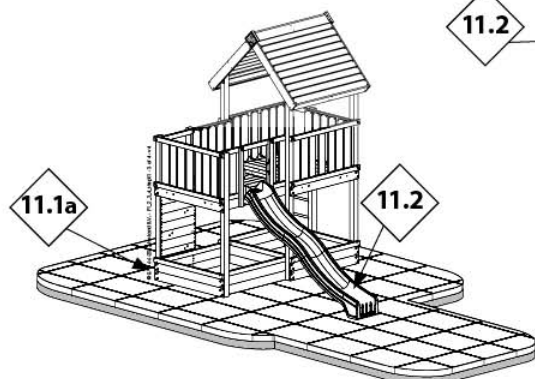
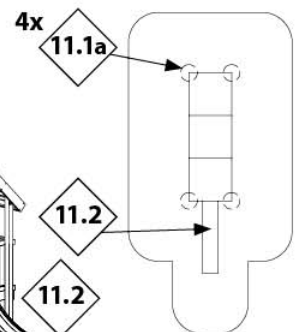
P1



P3

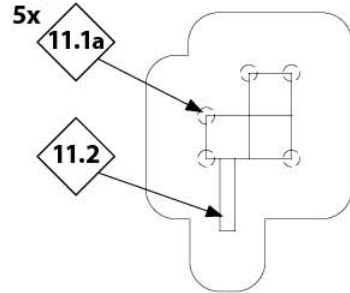
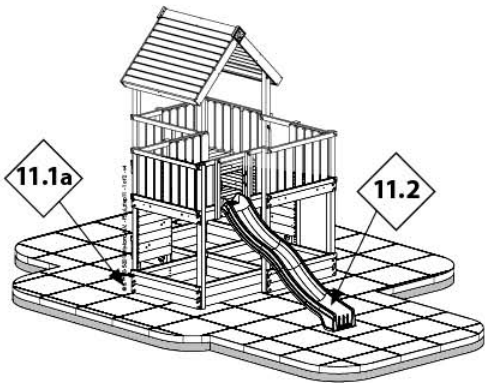


P4

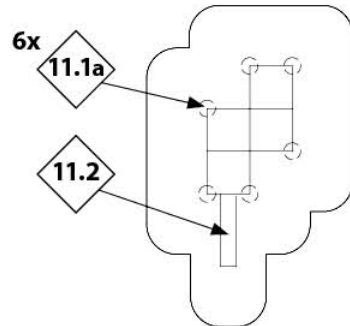
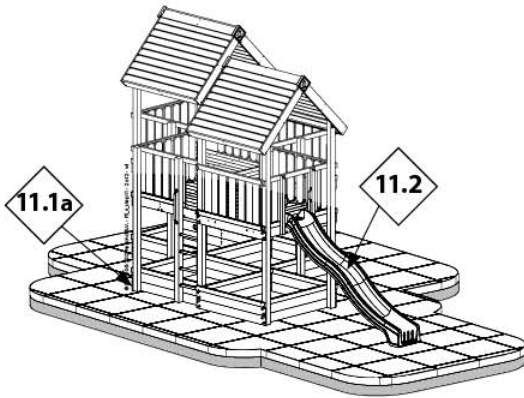


11.1

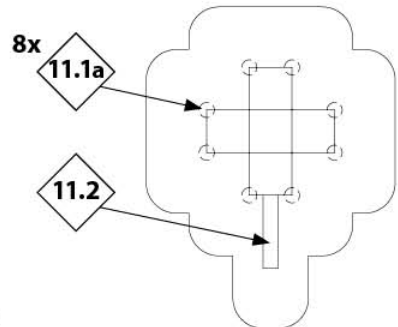
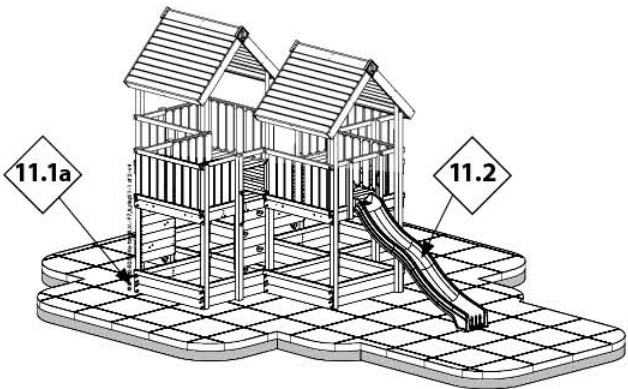
P5



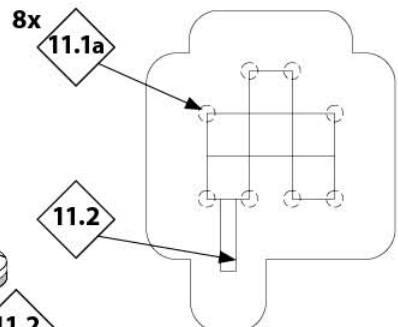
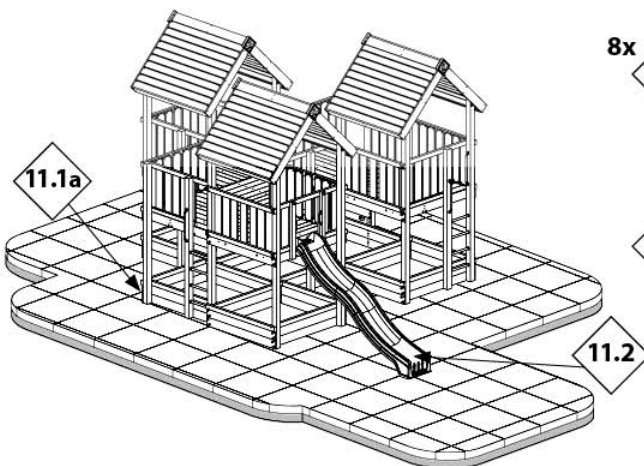
P6



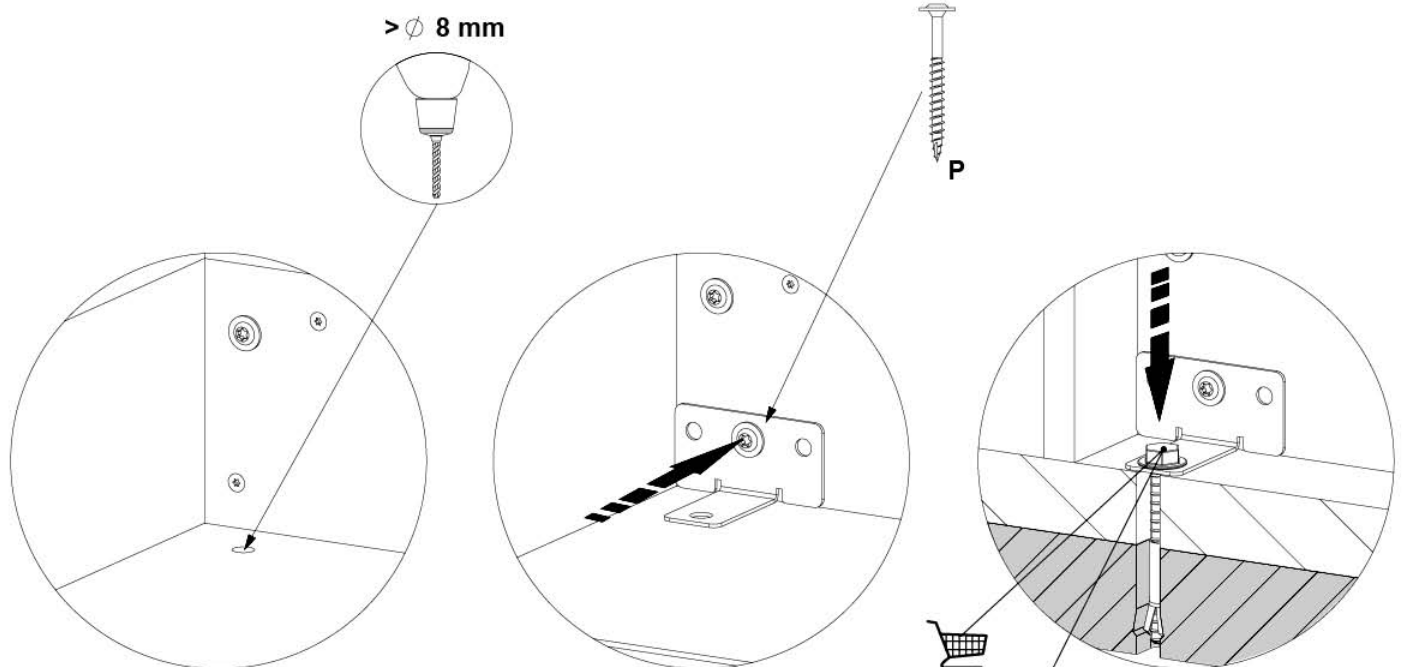
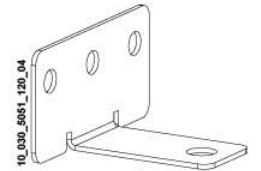
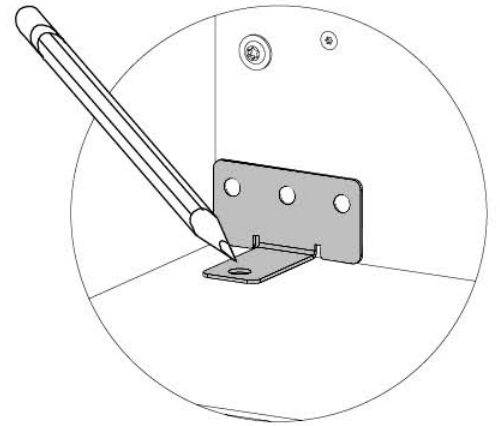
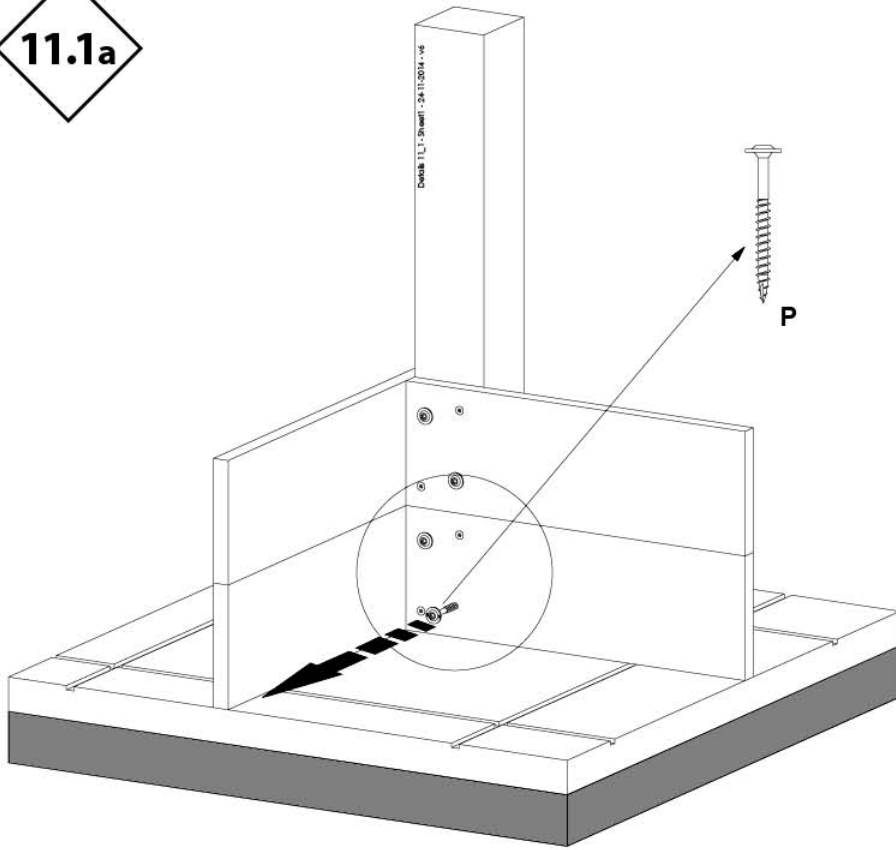
P7



P8



11.1a



11.2



**Polyethylene
Slide**



11.3

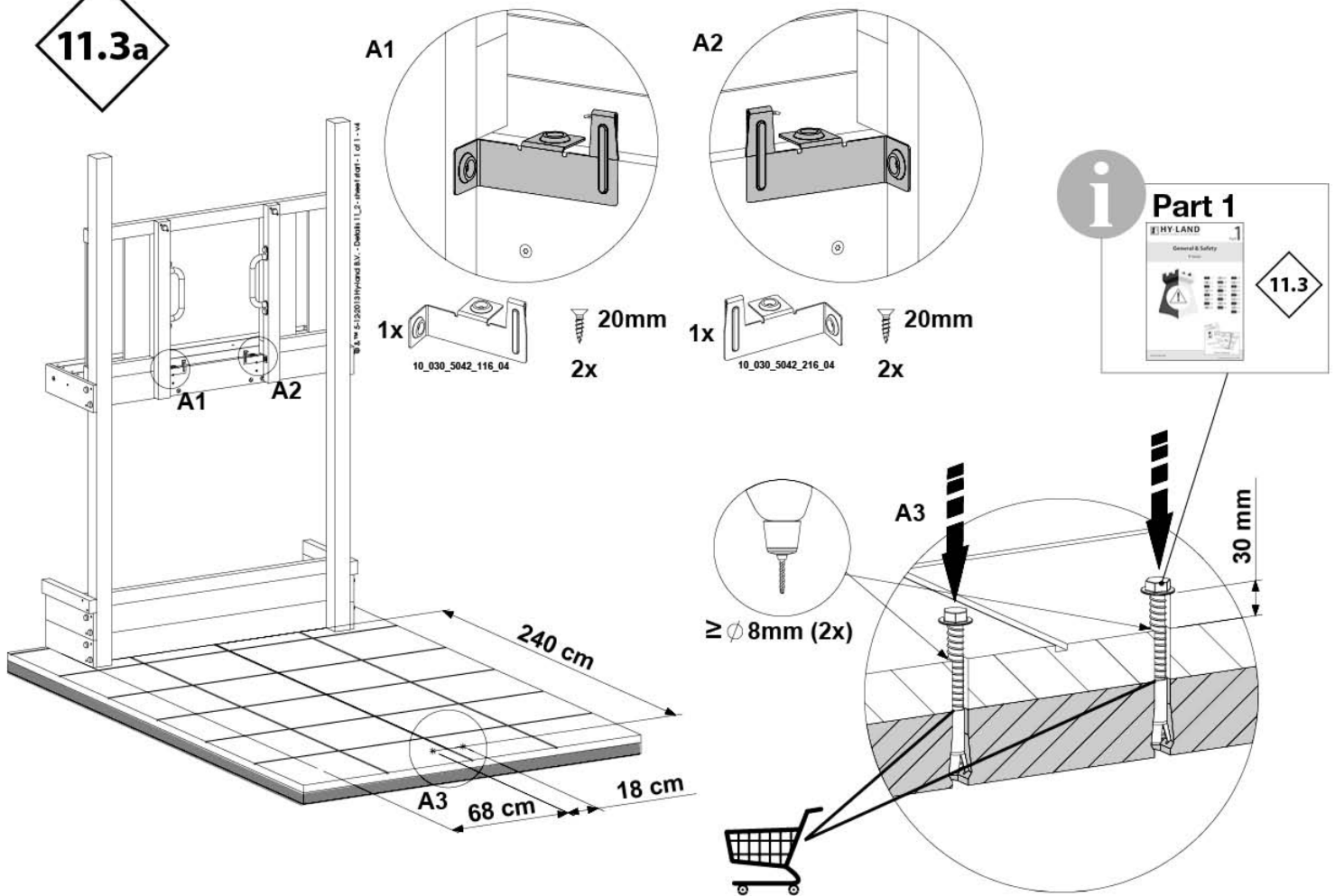


**Stainless Steel
Slide**

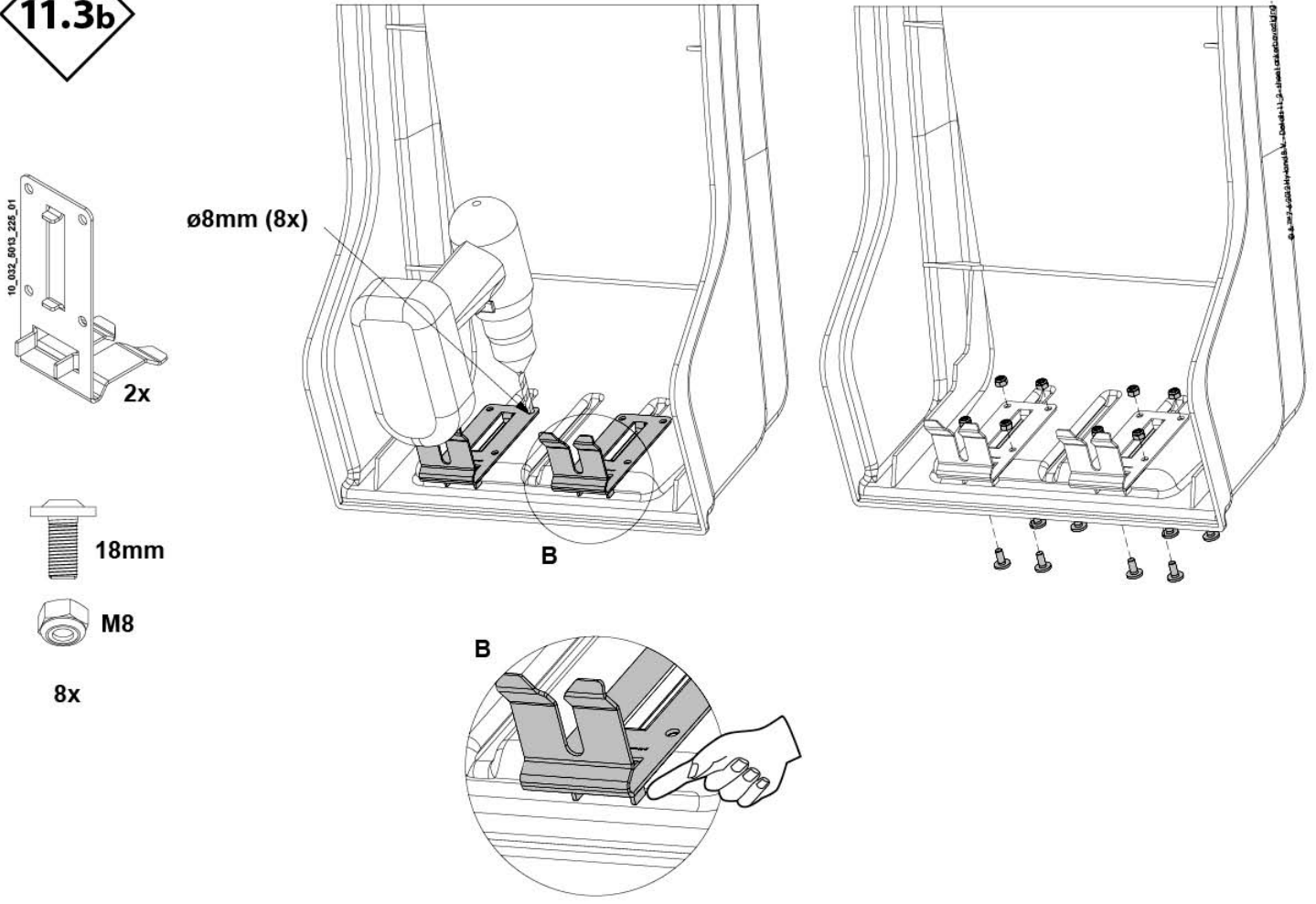


11.4

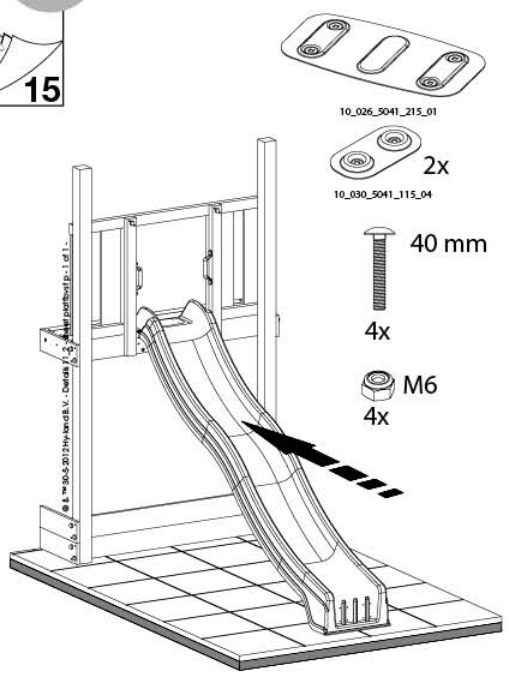
11.3a



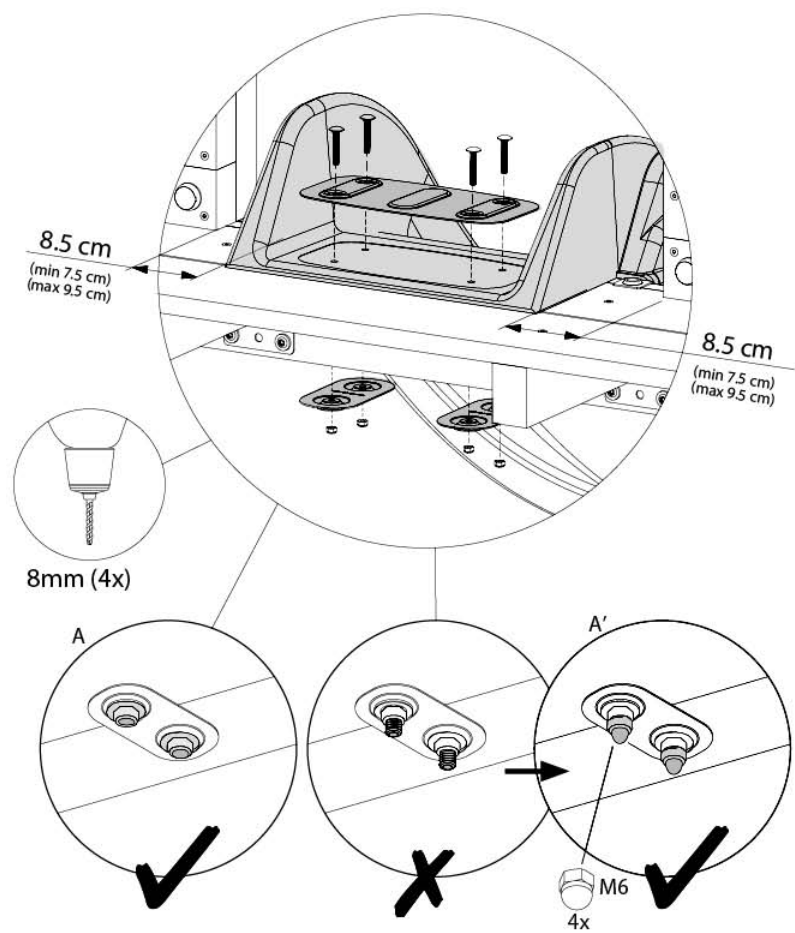
11.3b



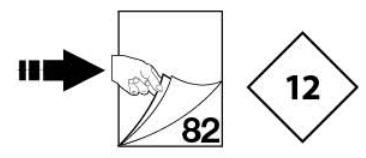
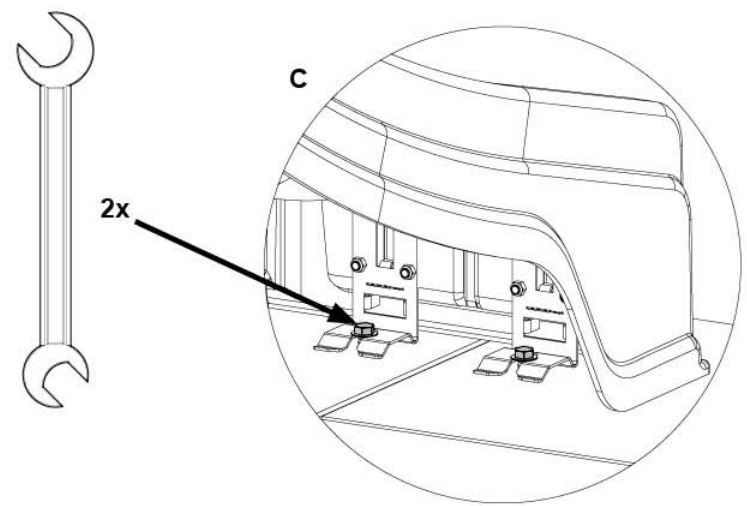
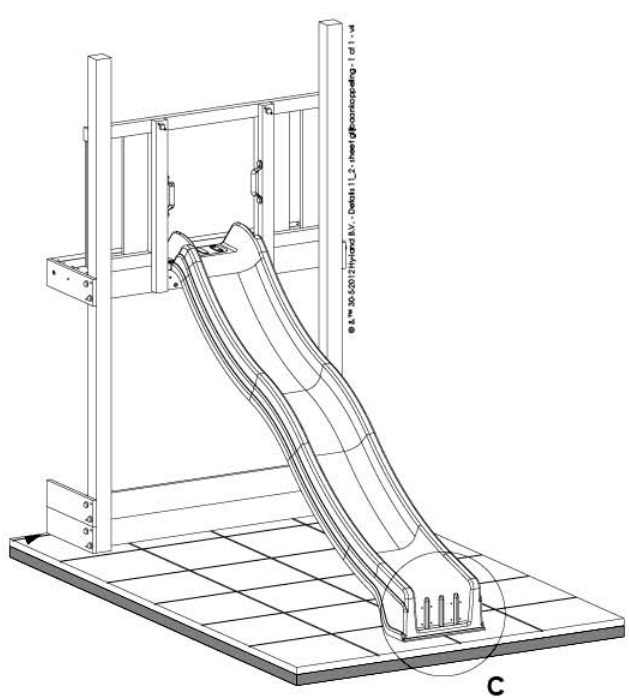
11.3c



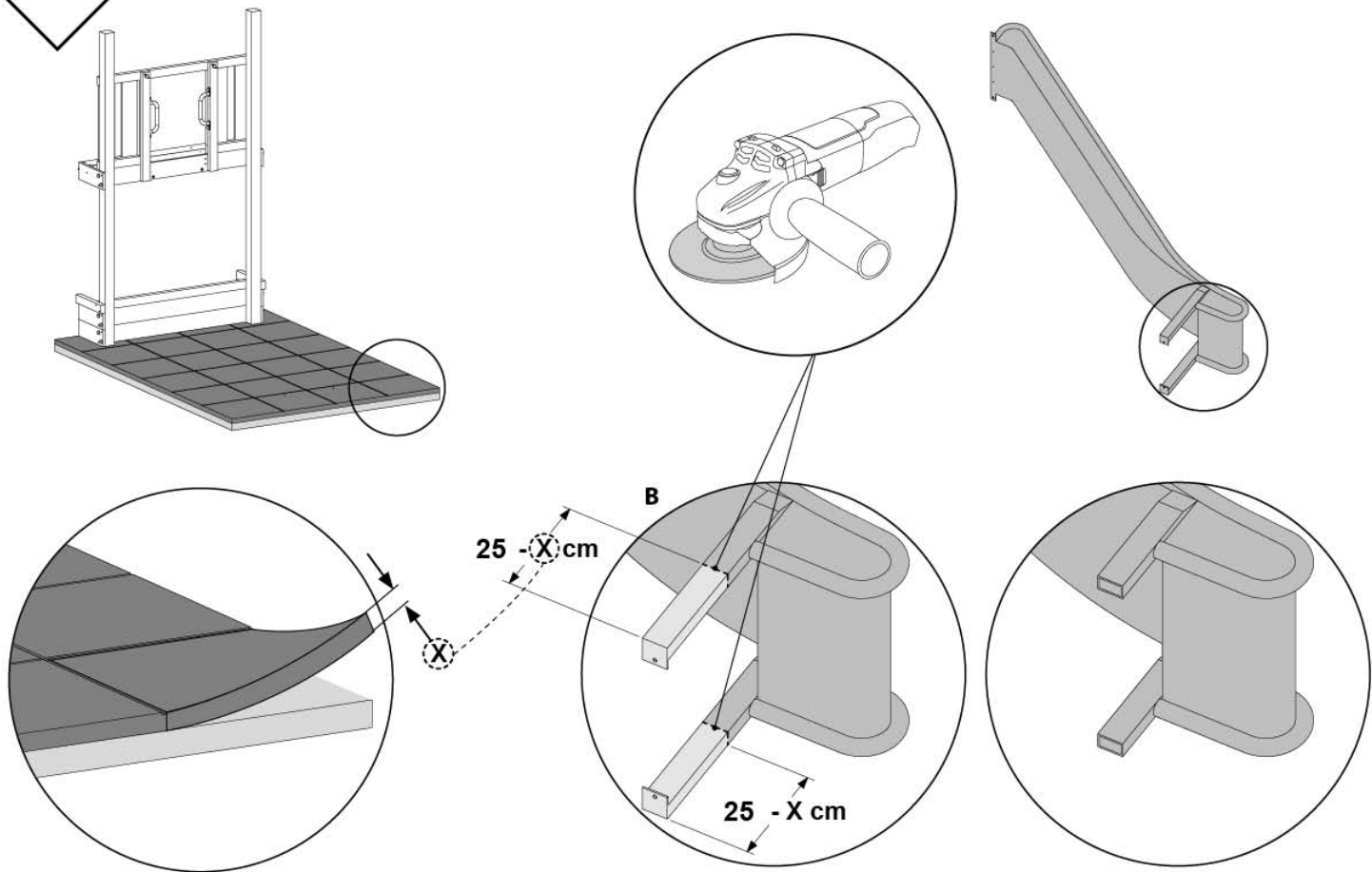
- 10_026_5041_215_01
- 10_030_5041_115_04 2x
- 40 mm
- 4x
- M6
- 4x



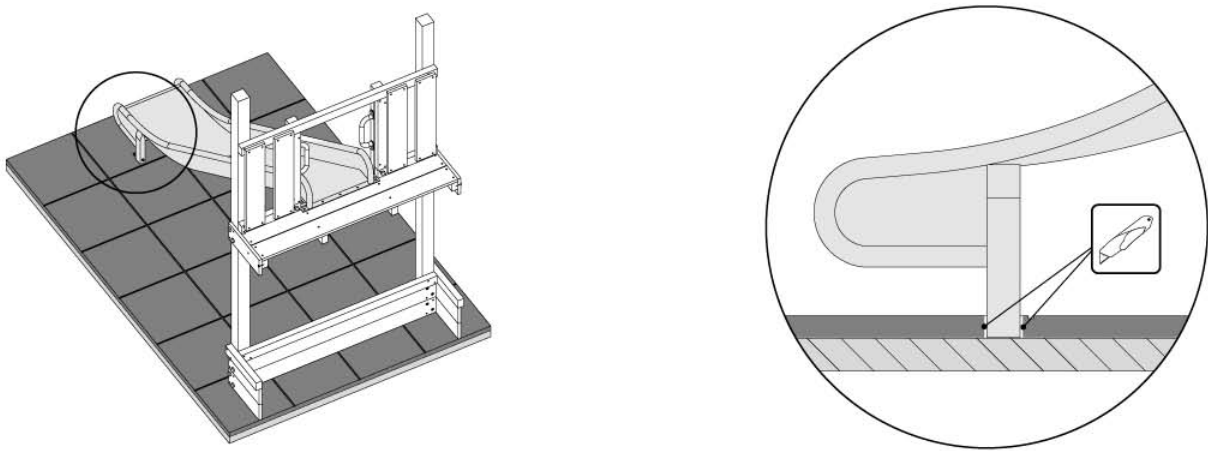
11.3d



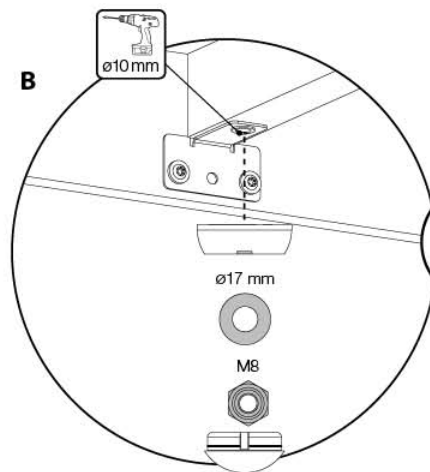
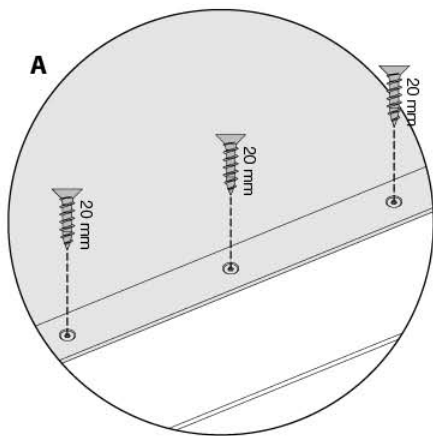
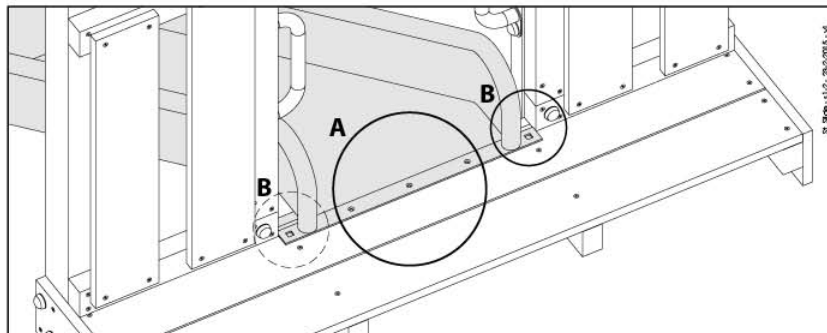
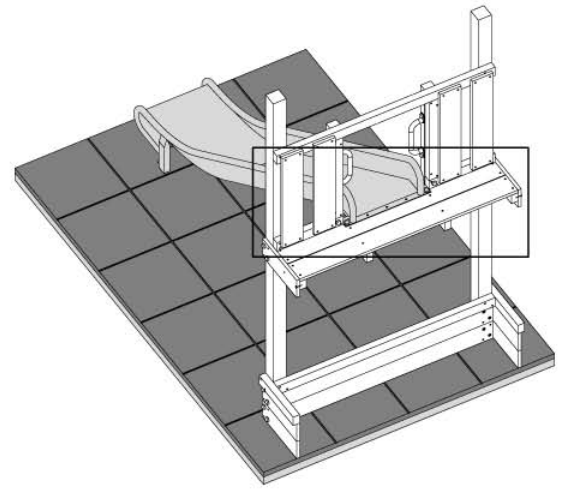
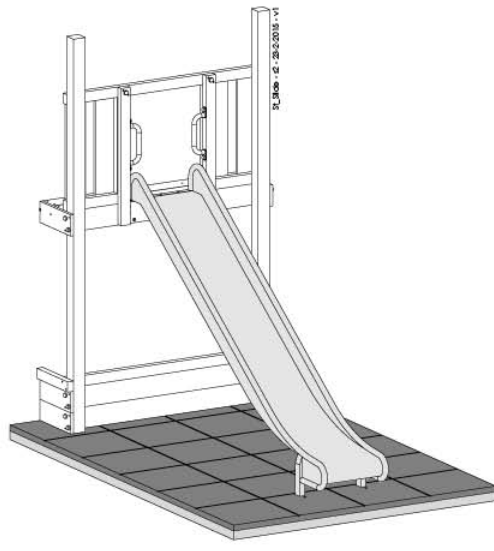
11.4a



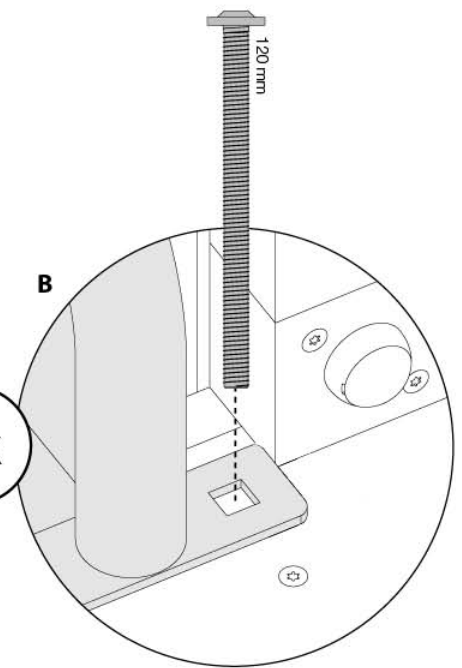
11.4a



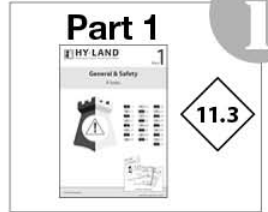
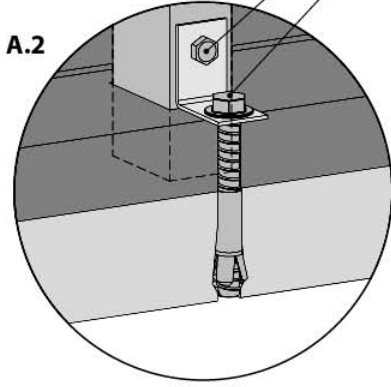
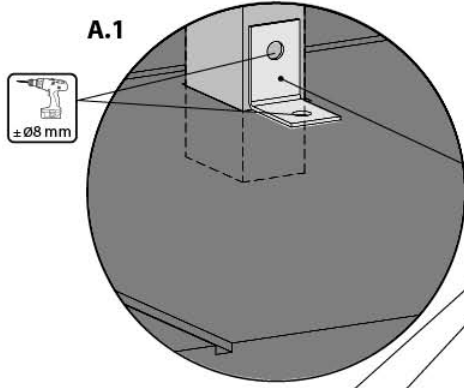
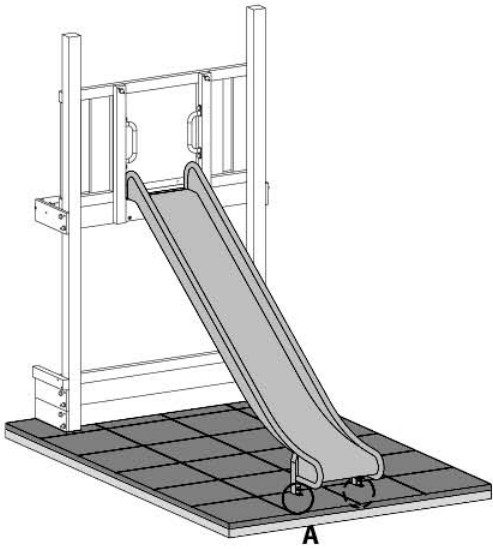
11.4c



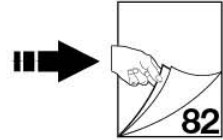
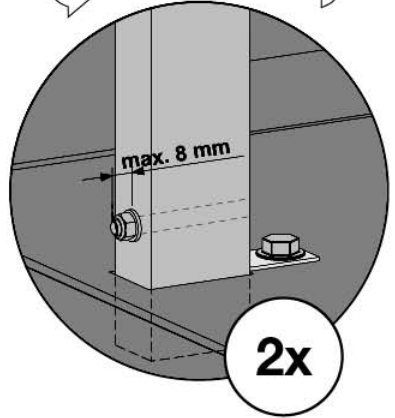
2x



11.4d

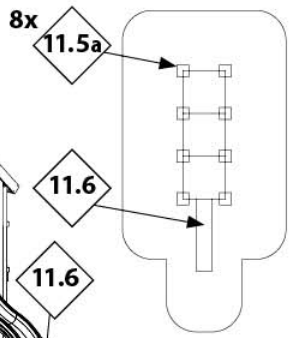
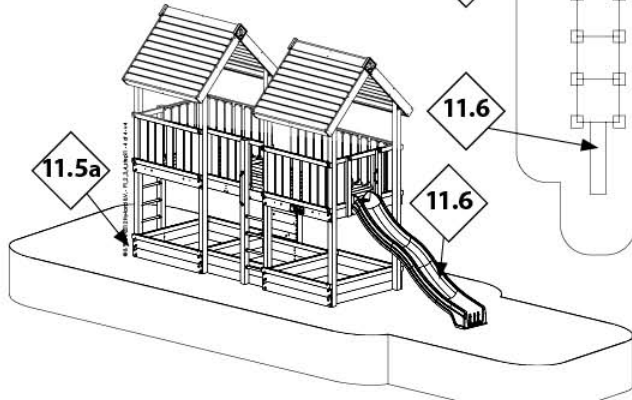
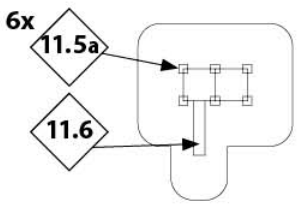
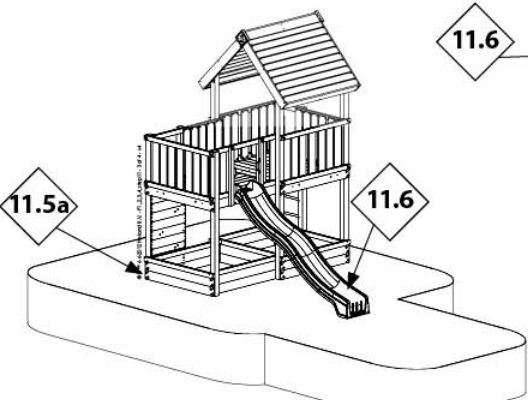
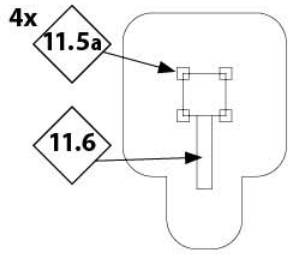
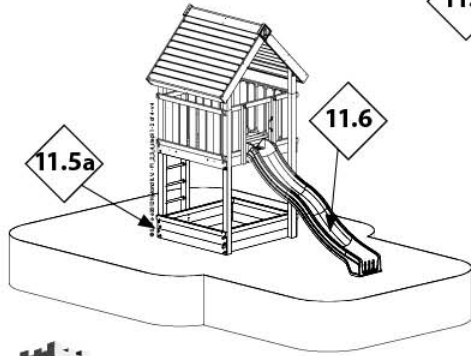
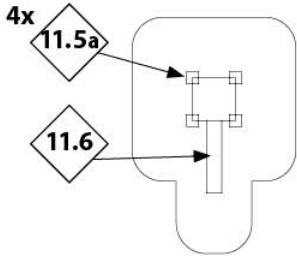


11.3



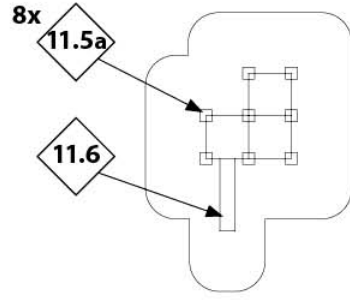
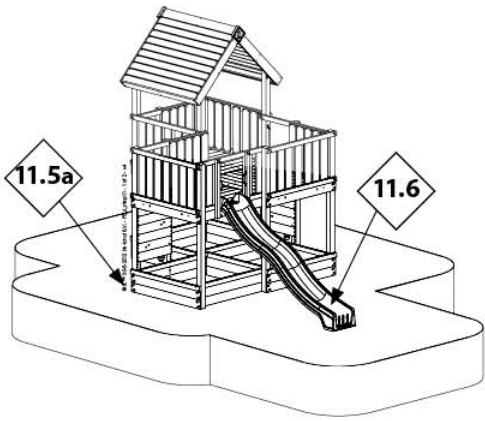
12

11.5

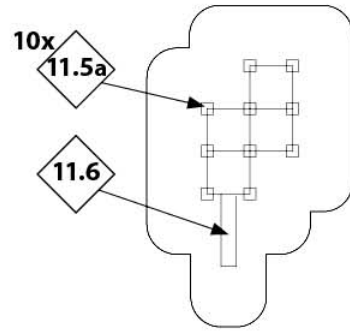
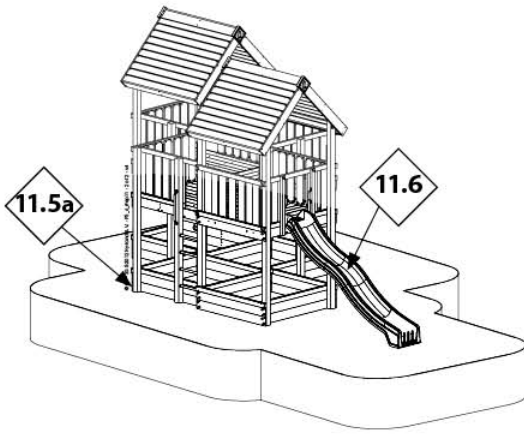


11.5

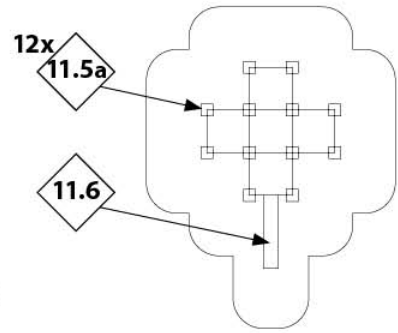
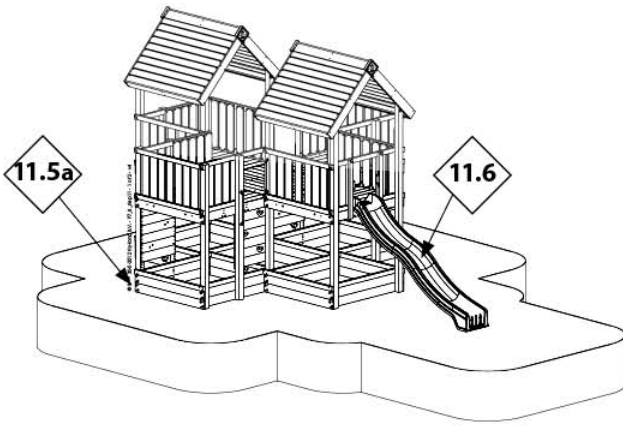
P5



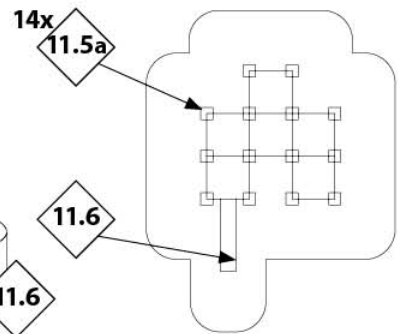
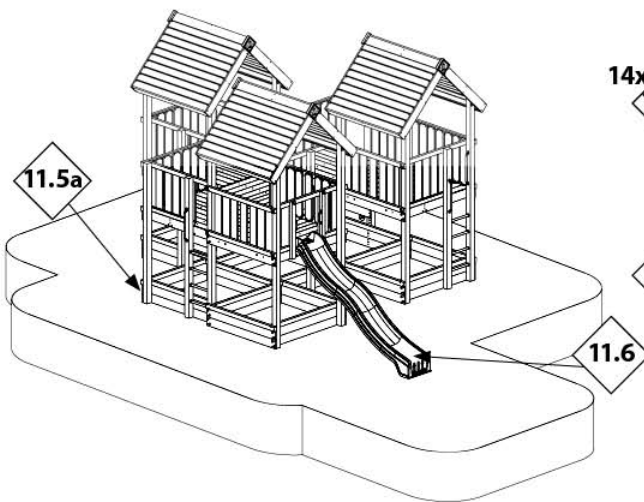
P6



P7



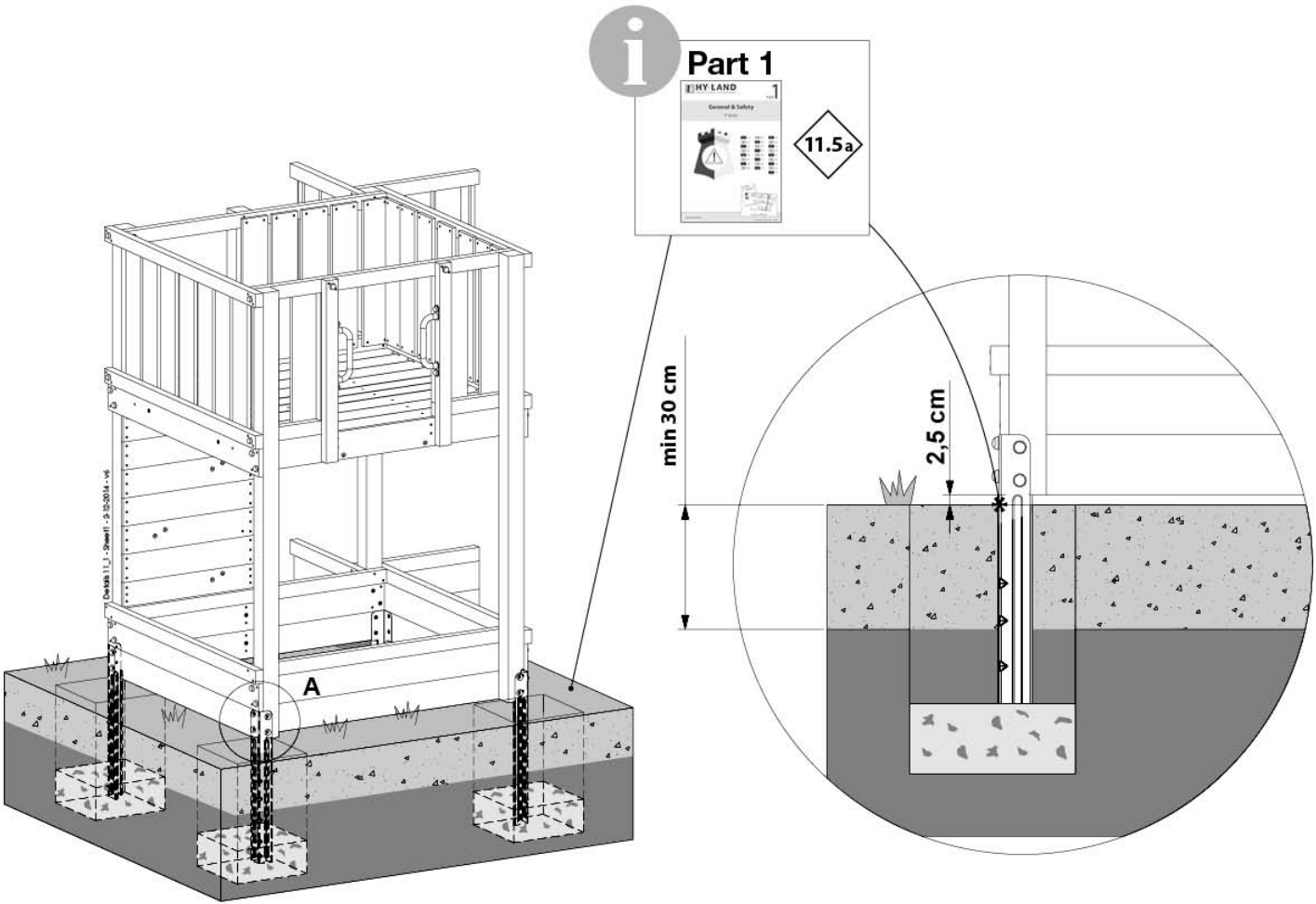
P8



11.5a



10_460_0619_103_26



11.6



Polyethylene Slide



11.7

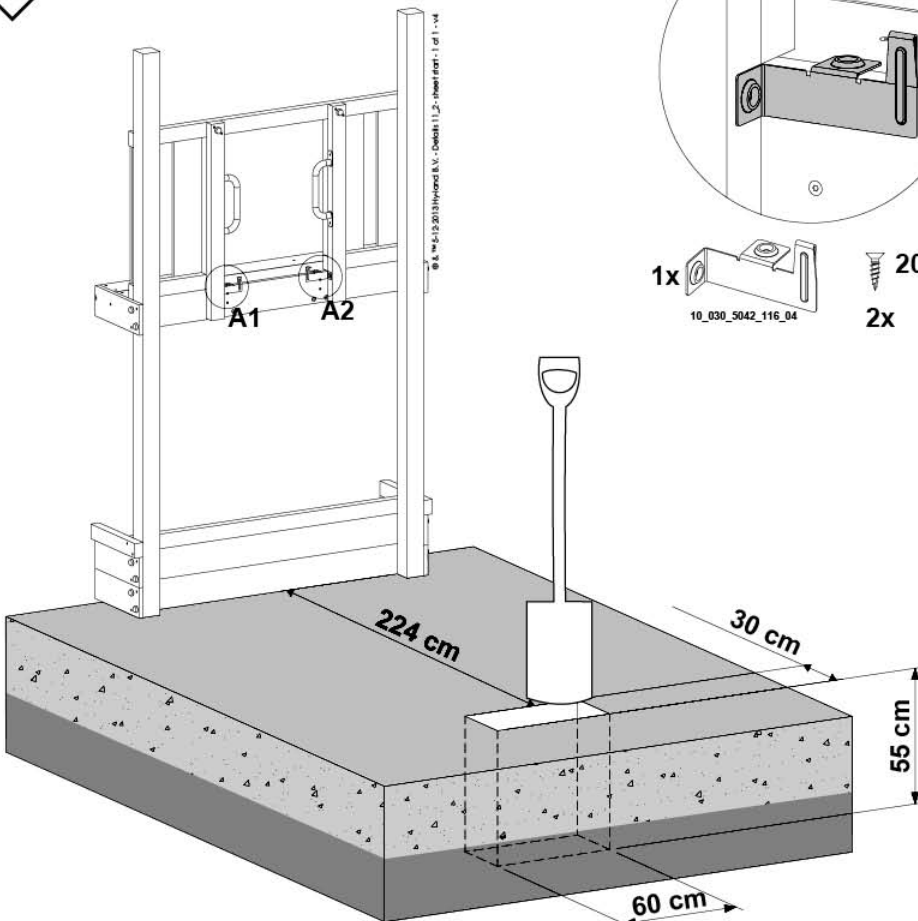


Stainless Steel Slide

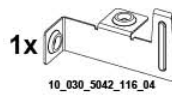
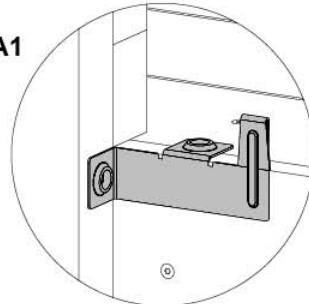


11.8

11.7a



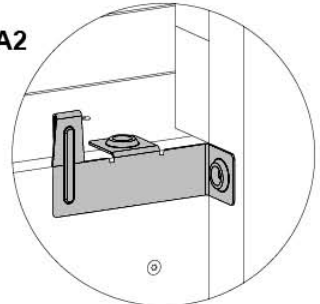
A1



10_030_5042_116_04

20mm
2x

A2

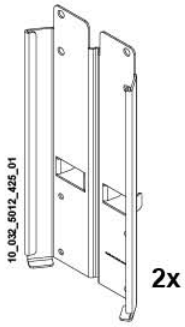


10_030_5042_216_04

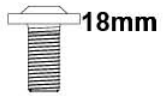
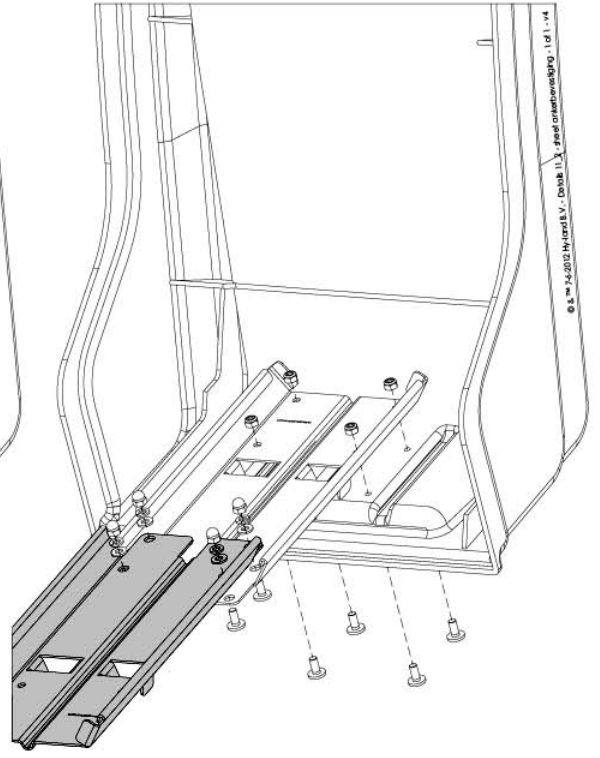
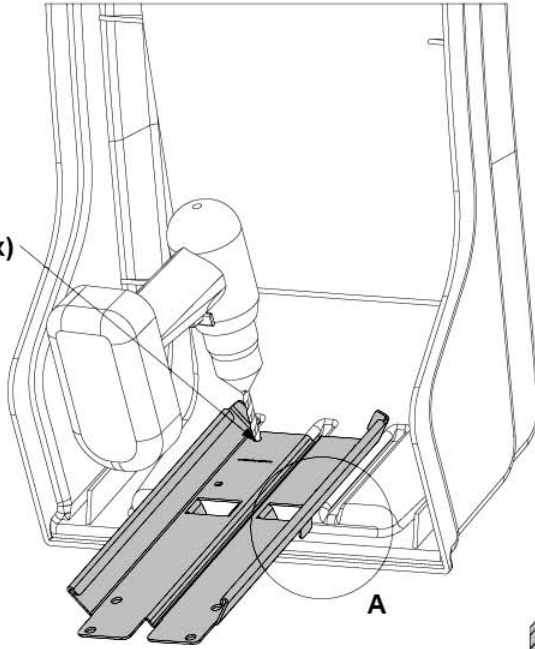
20mm
2x

i Part 1

11.7b



ø8mm (4x)



18mm



ø17

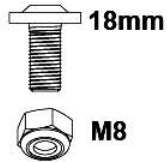


ø15



M8

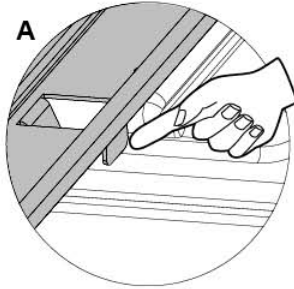
4x



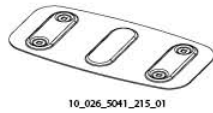
18mm

M8

4x



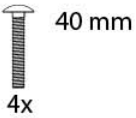
11.7c



10_026_5041_215_01



10_030_5041_115_04

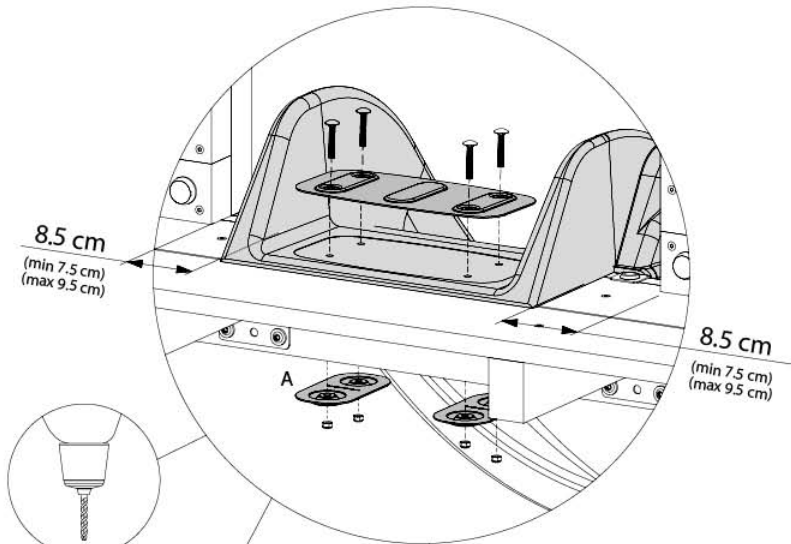
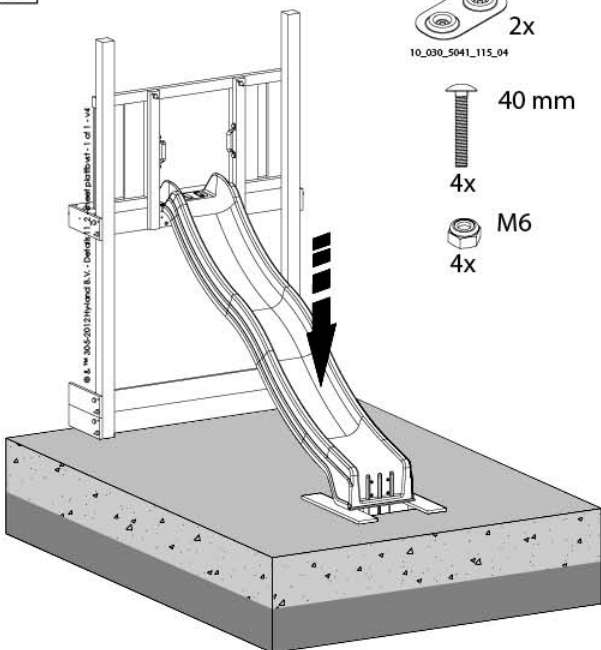


40 mm

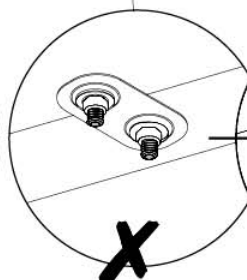
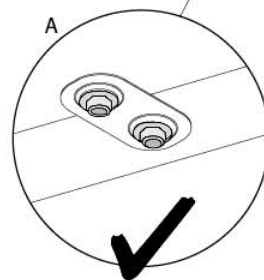


M6

4x

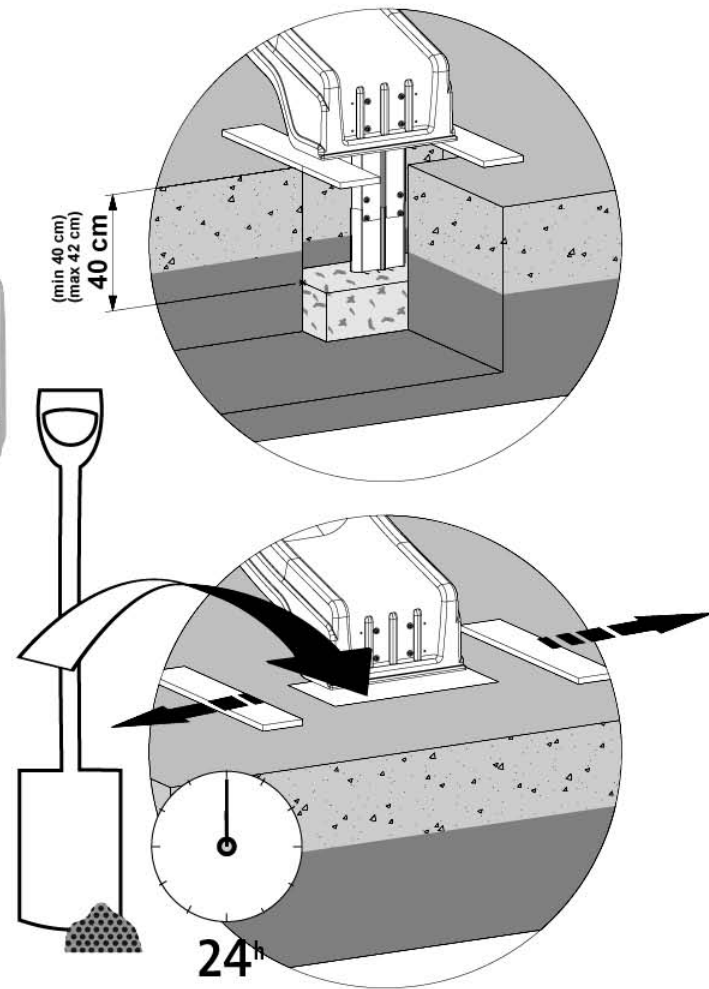
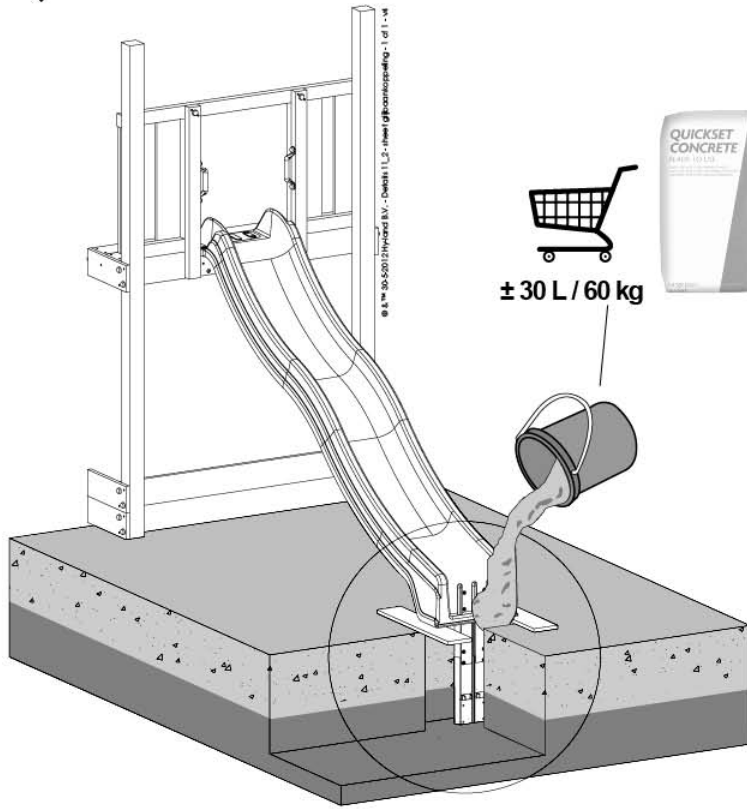


8mm (4x)

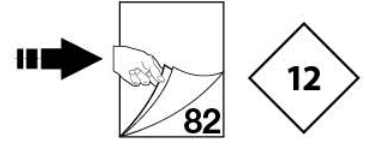
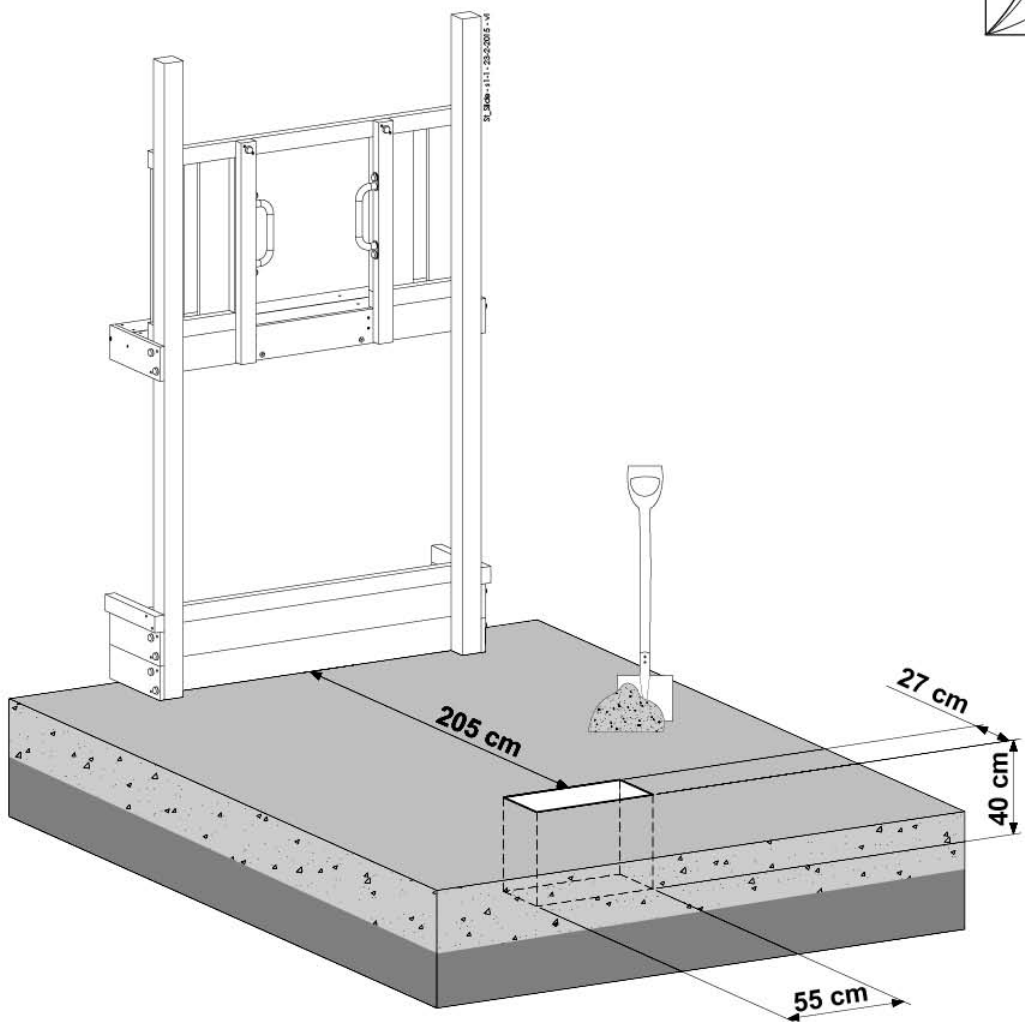


M6
4x

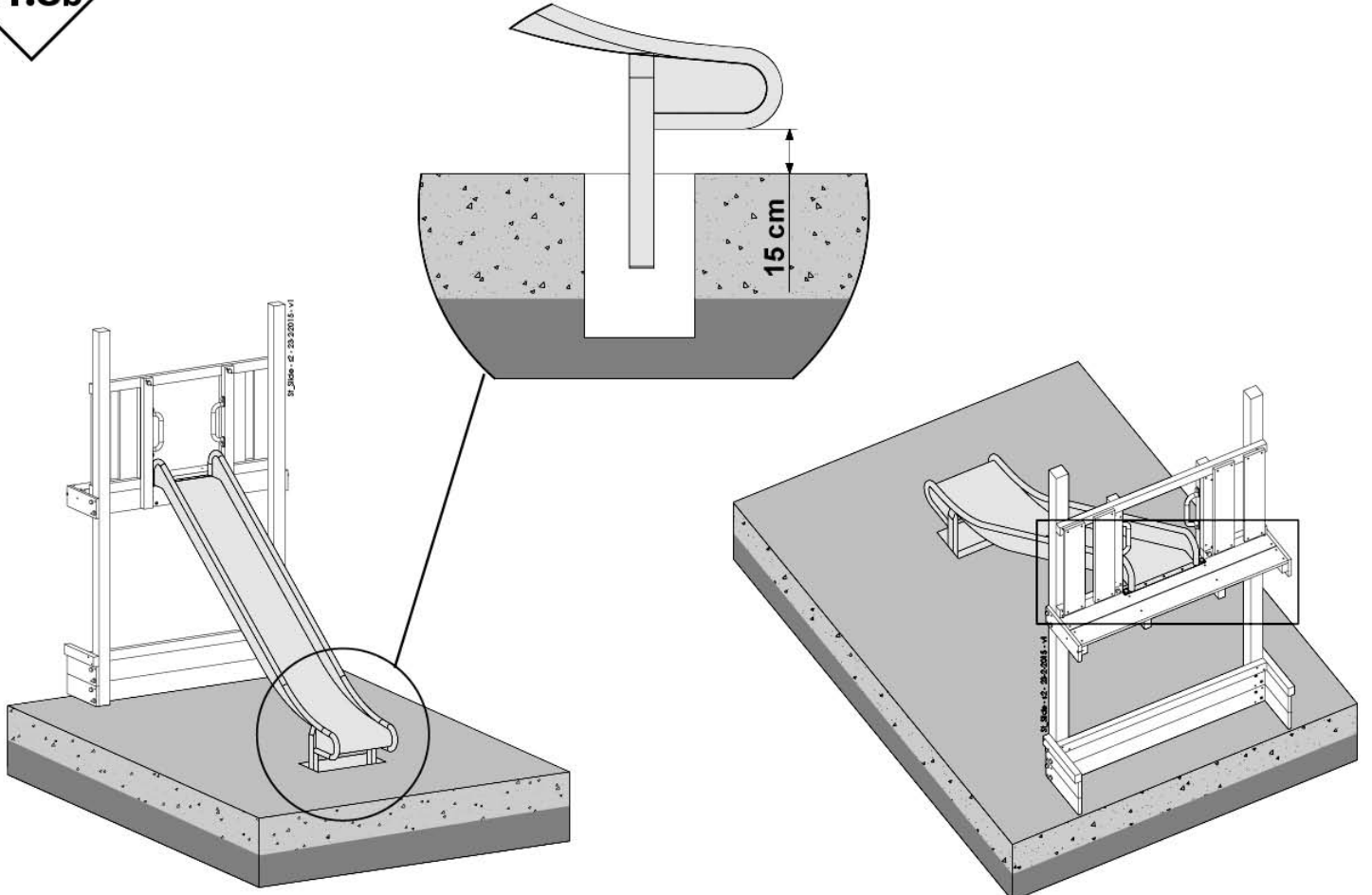
11.7d



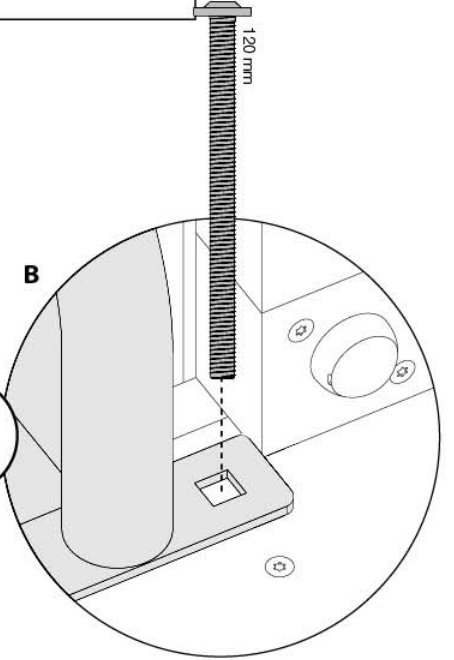
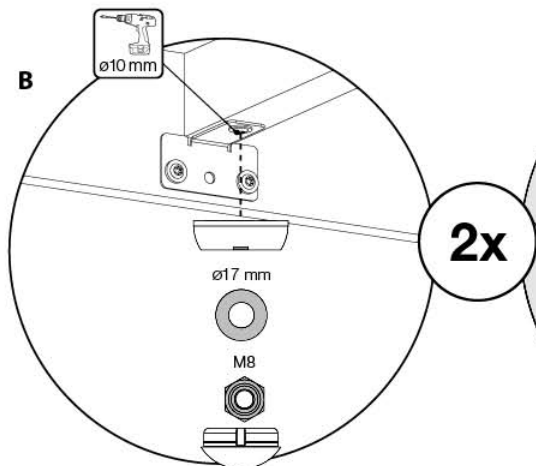
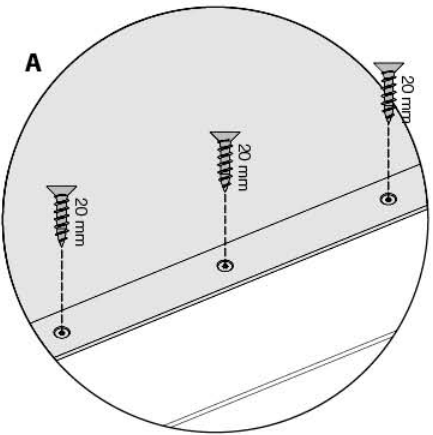
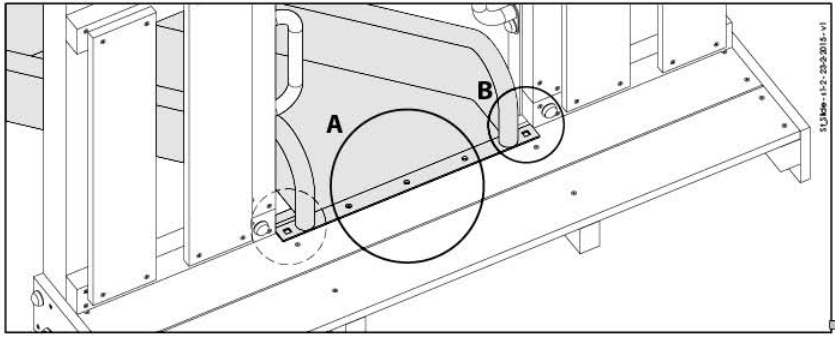
11.8a



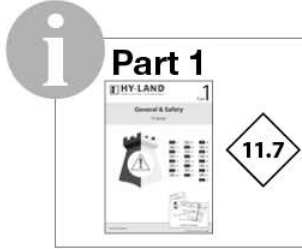
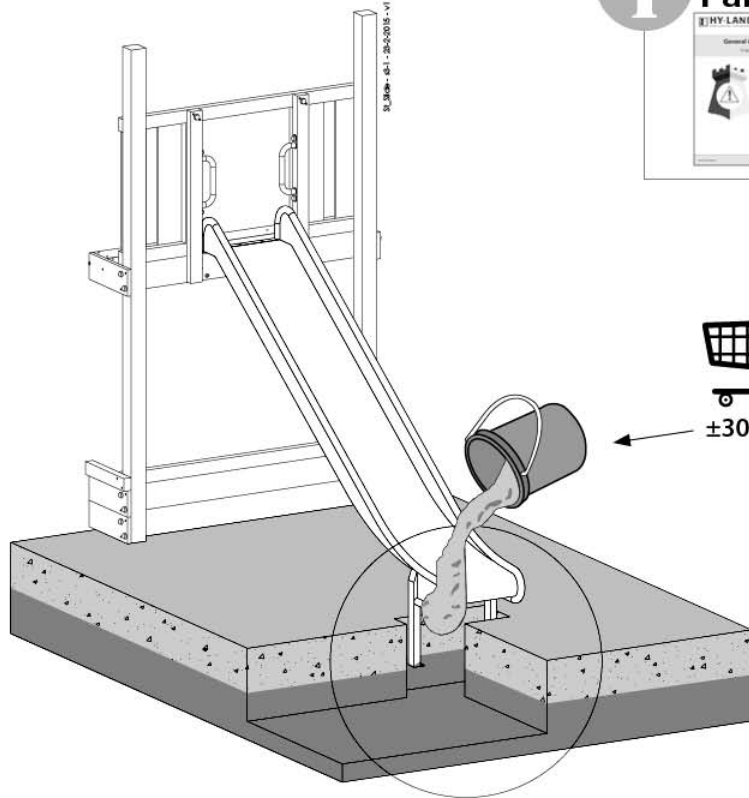
11.8b



11.8c

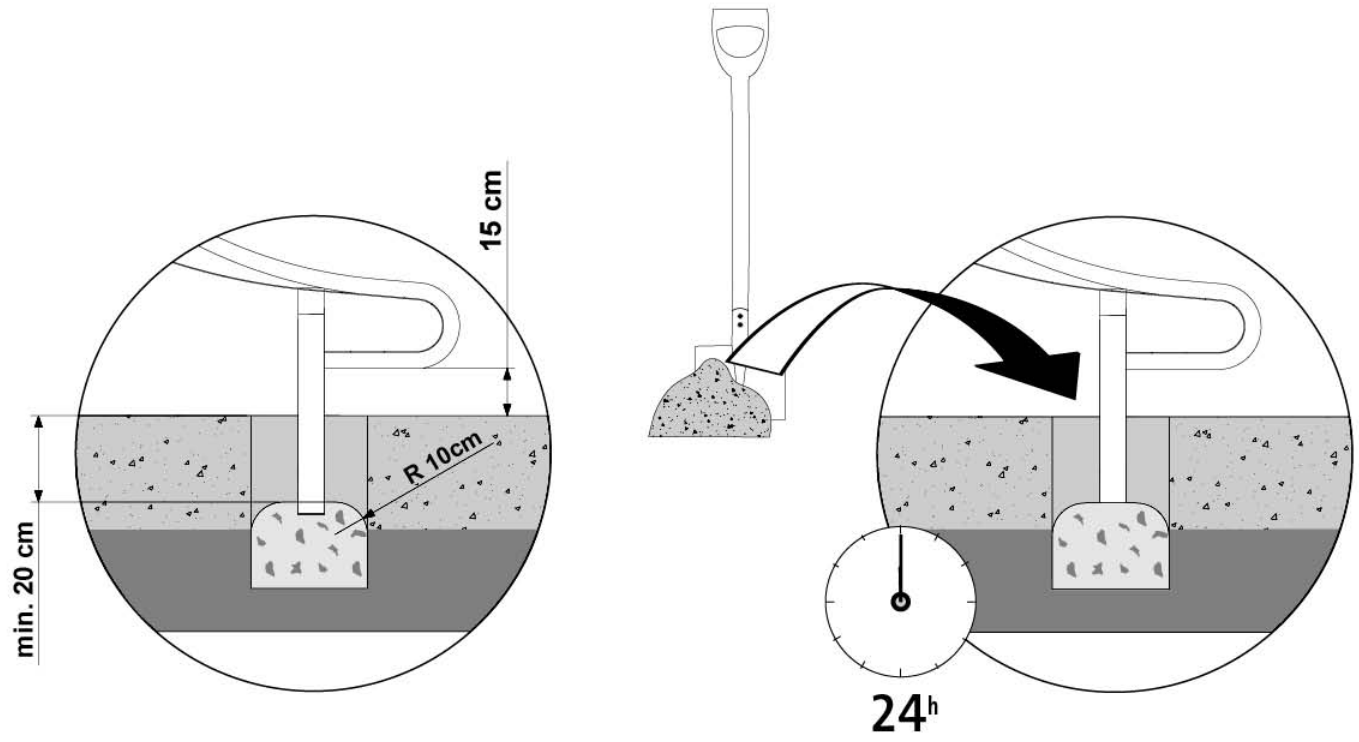


11.8d

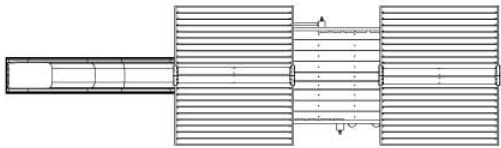
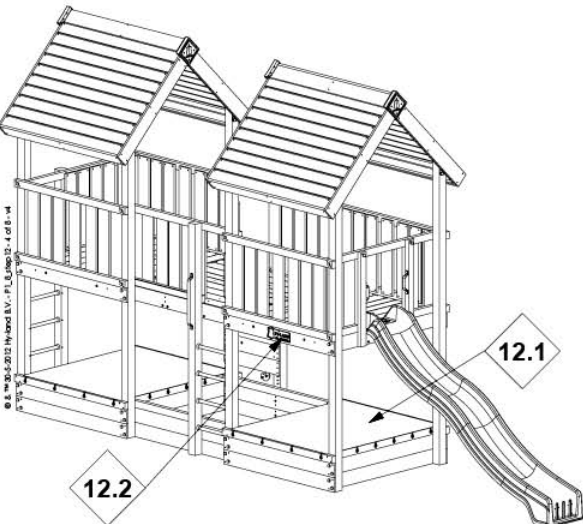
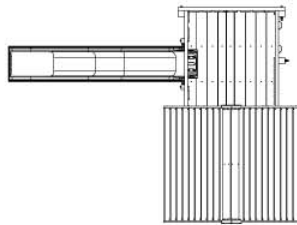
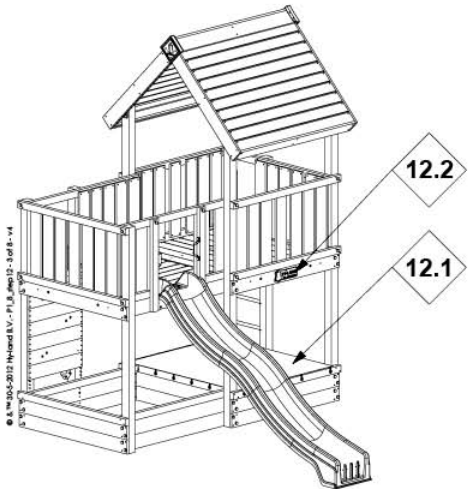
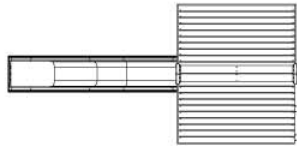
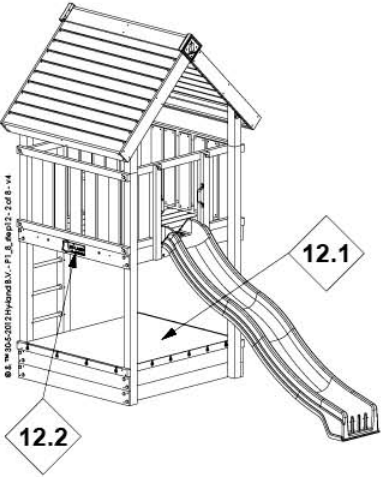
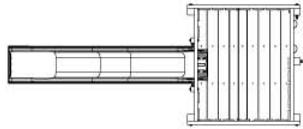
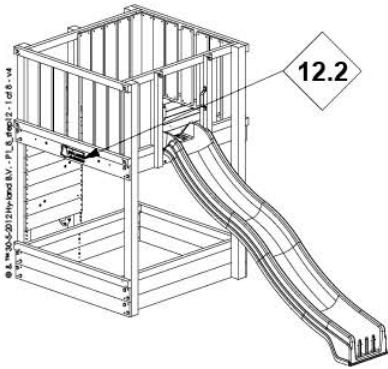


±30L/60kg

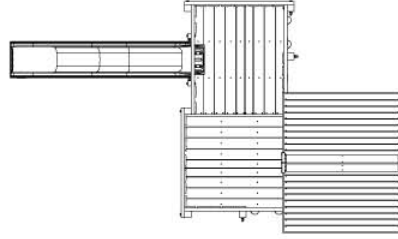
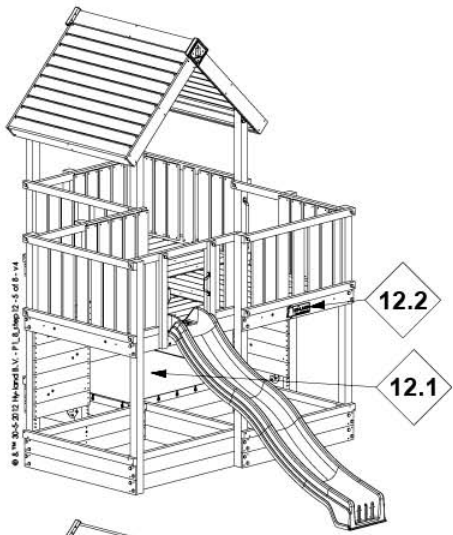
11.8e



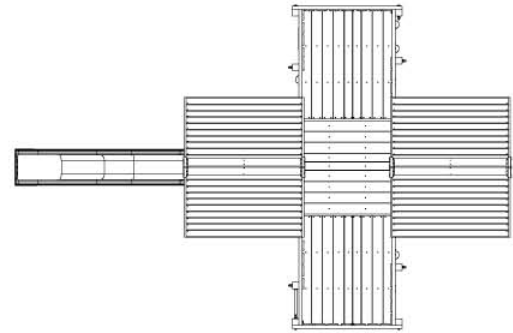
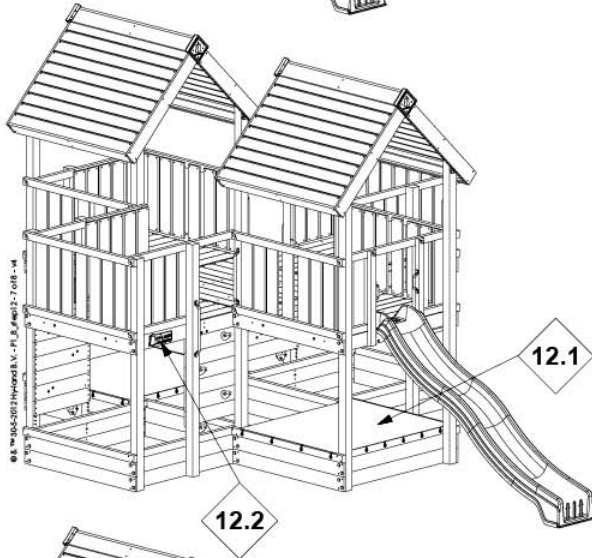
12



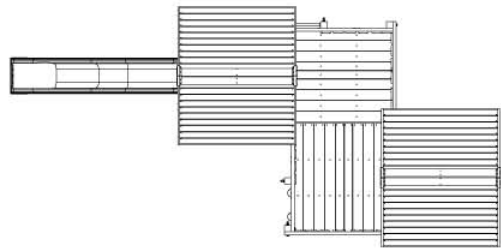
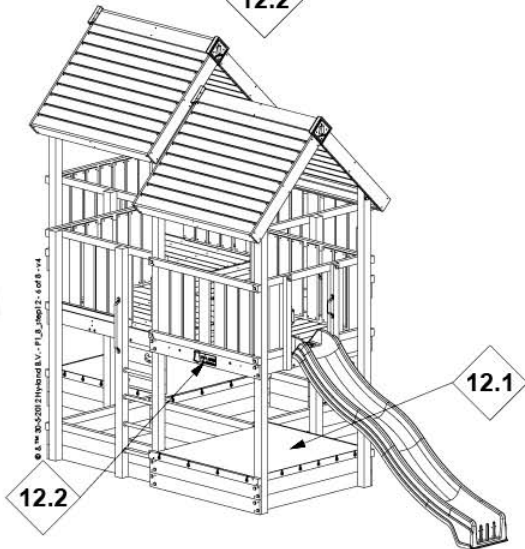
5



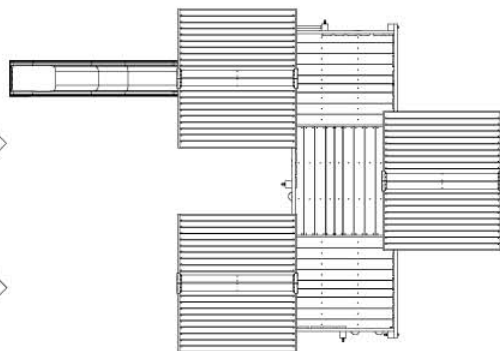
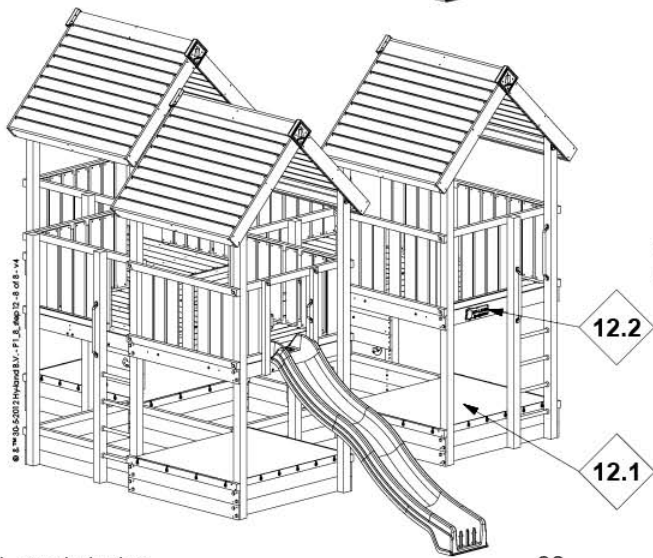
6



7



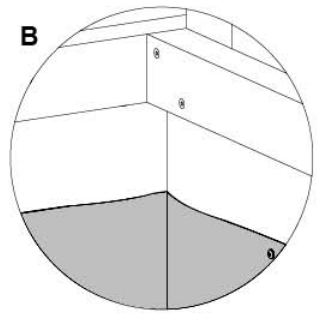
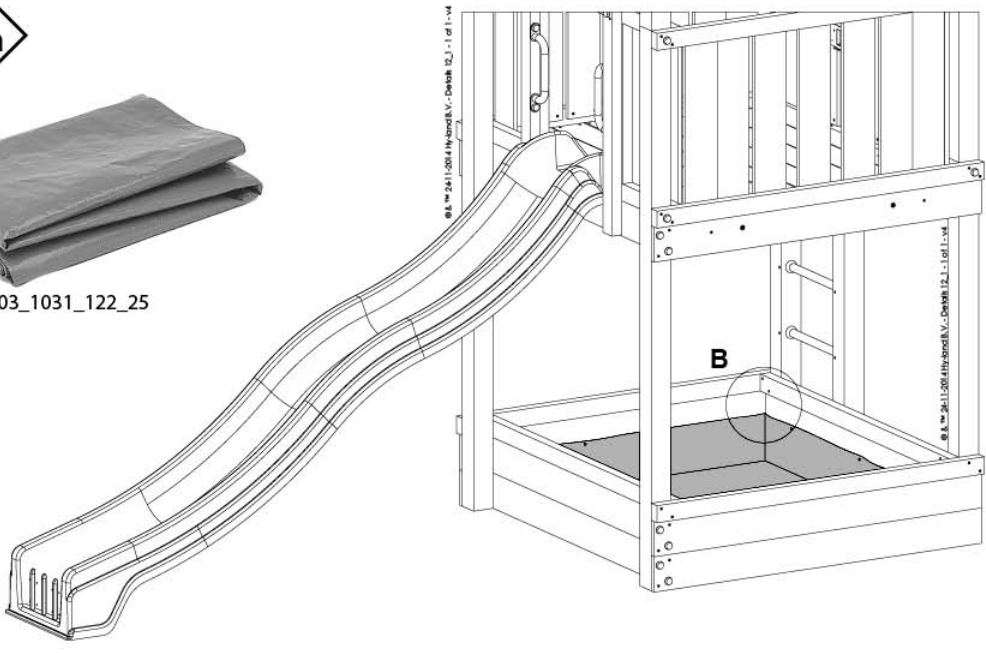
8



12.1a



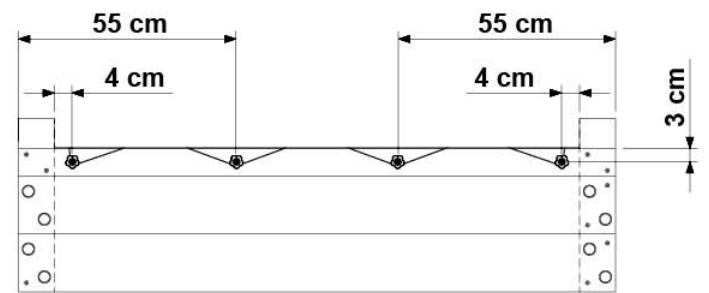
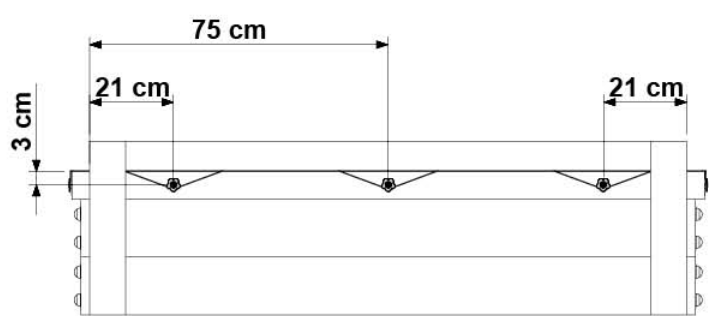
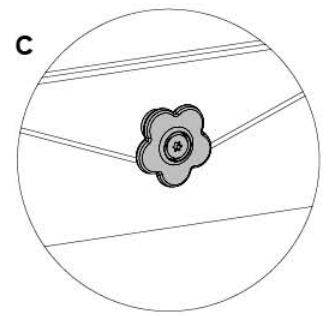
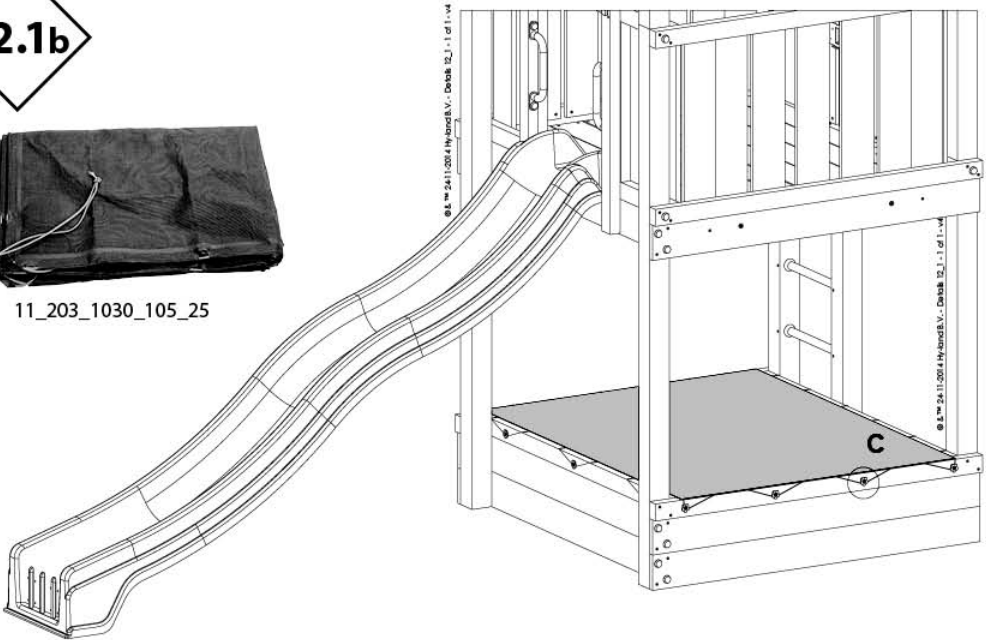
11_203_1031_122_25



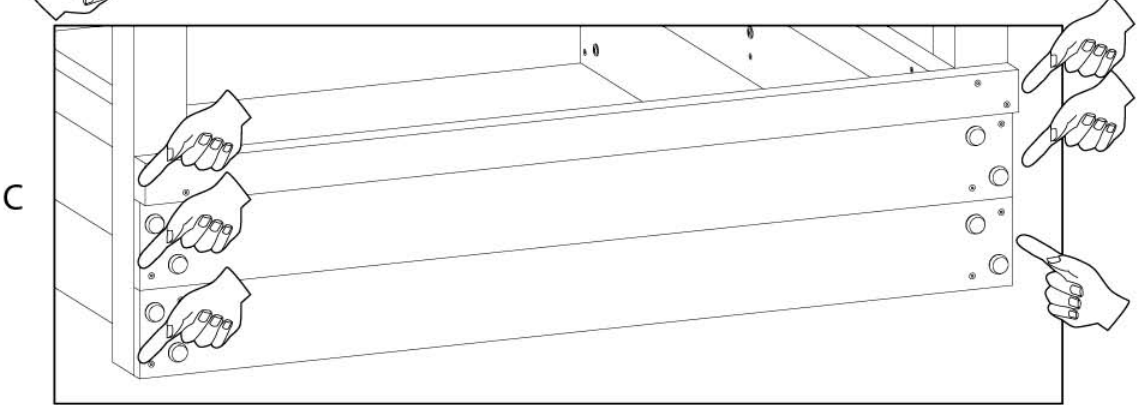
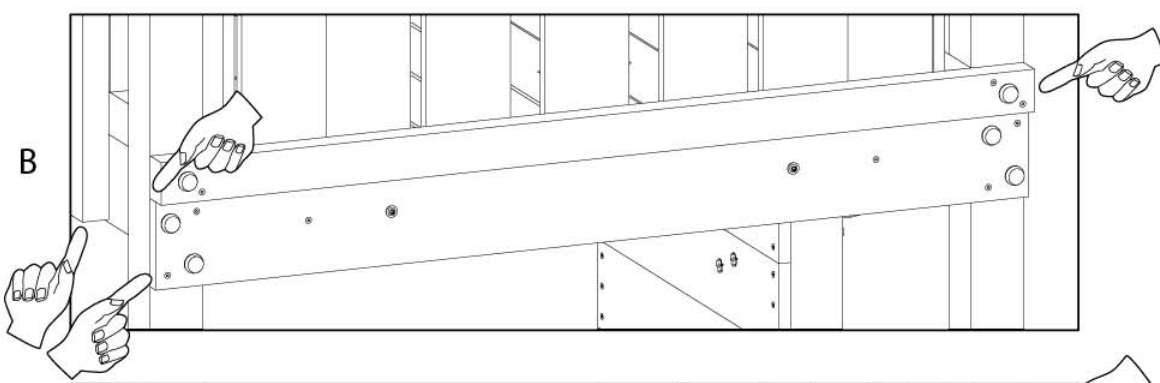
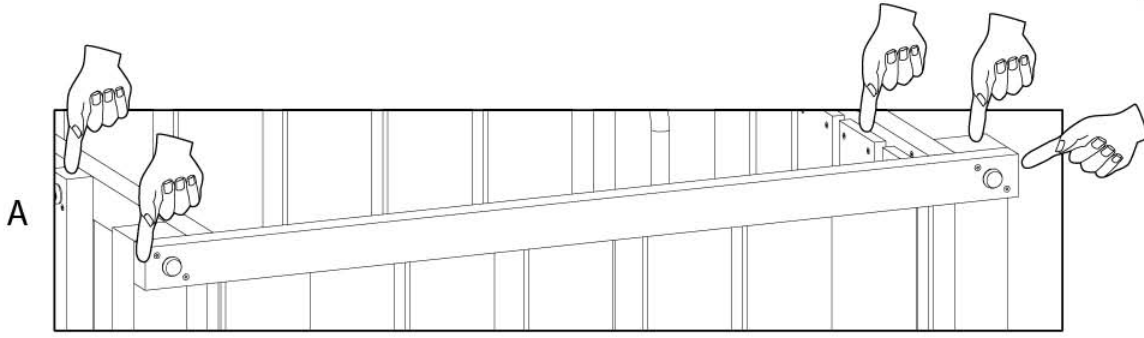
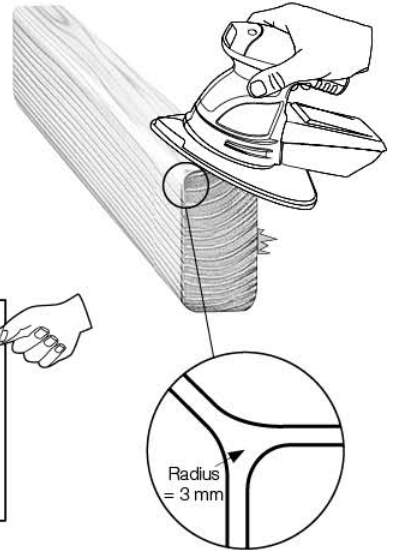
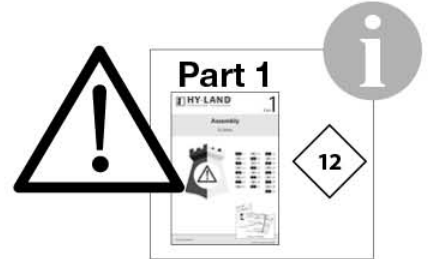
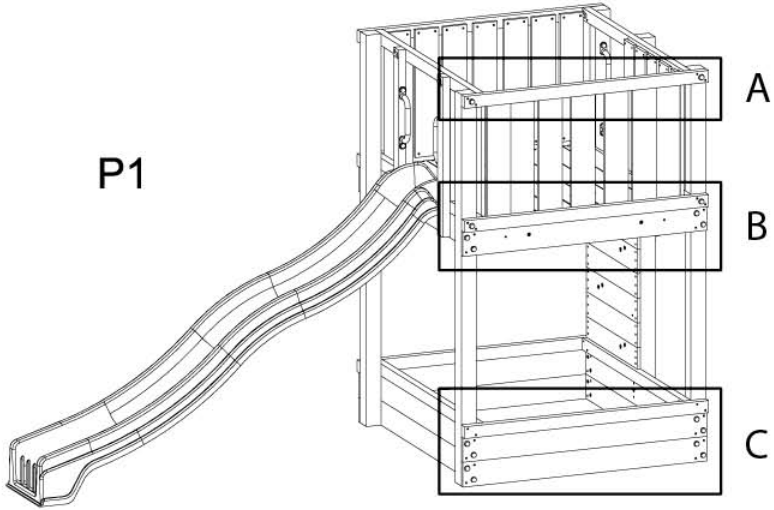
12.1b



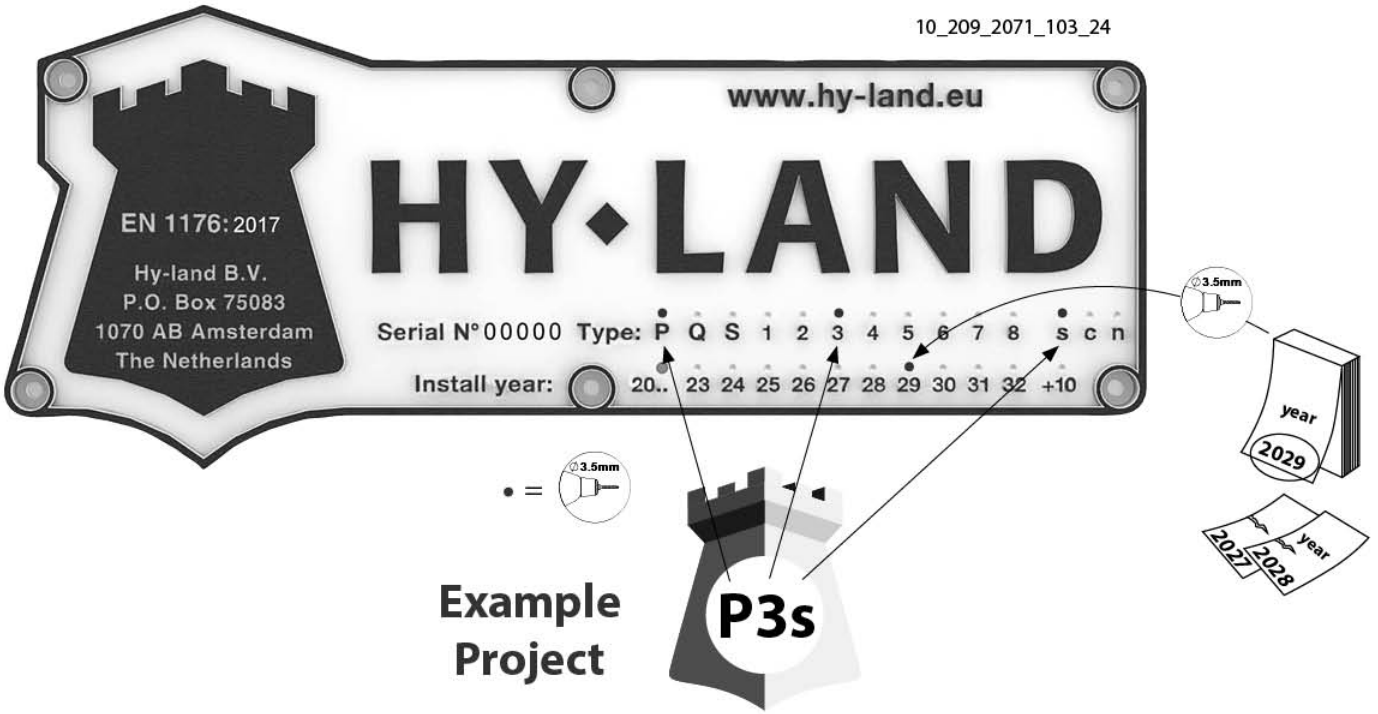
11_203_1030_105_25



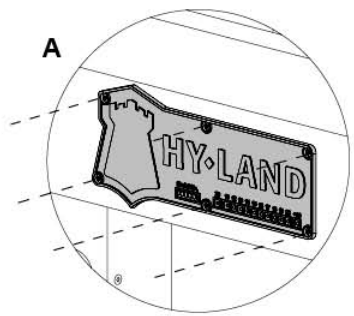
12.2



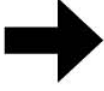
12.3a



12.3b



12.3c



Hy-land B.V.
Valschermkade 18
NL - 1059 CD Amsterdam
The Netherlands

Tel : +31 85 444 41 01
Email : info@hy-land.eu
URL : www.hy-land.eu

Chamber of Commerce :
NL 16.078.319

10_460_0019_101_26_0900 AS_Part_3_P - 20221019

