

Assembly

S Series

Classic Swing Set
(15_901_020_00)

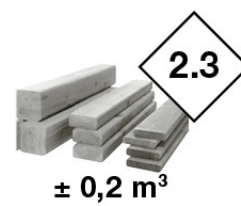
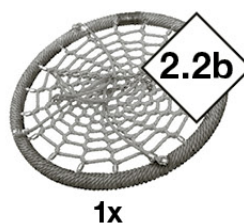
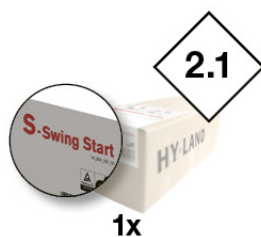
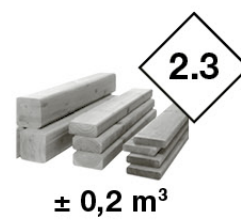
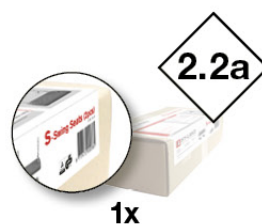
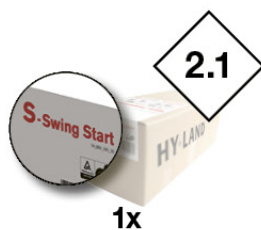
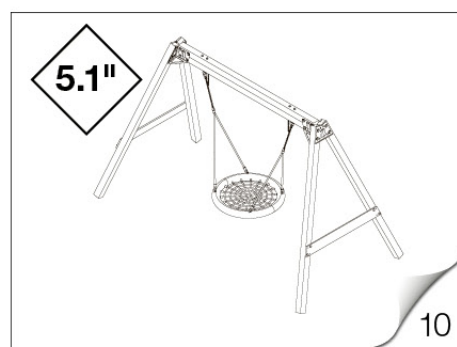
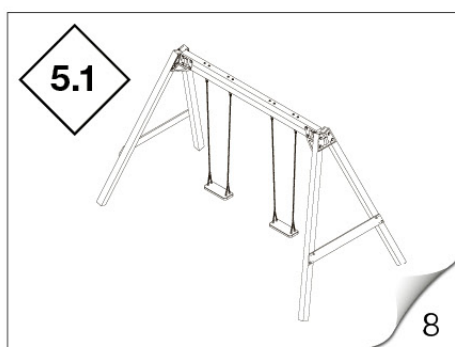
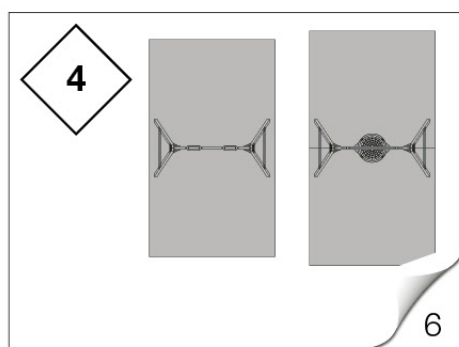
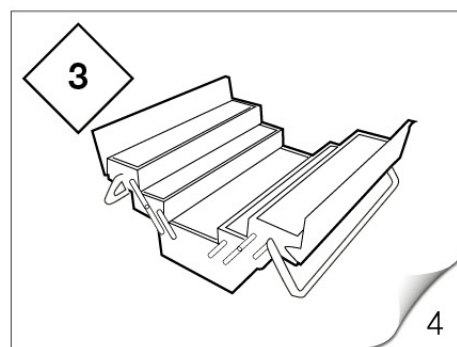
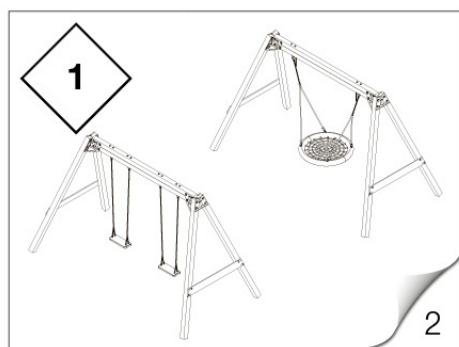


Nest Swing Set
(15_901_025_00)

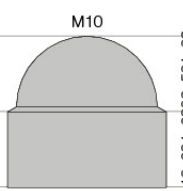
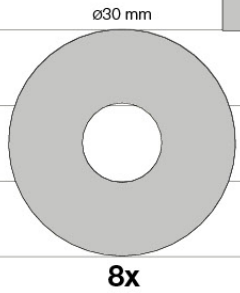
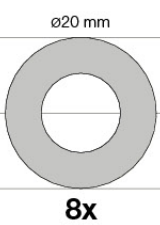
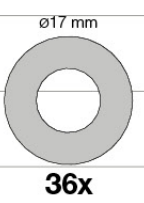
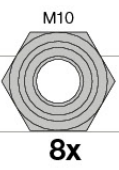
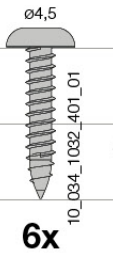
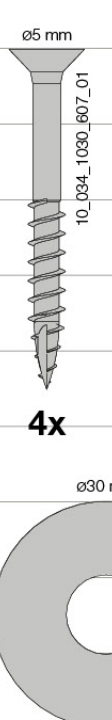
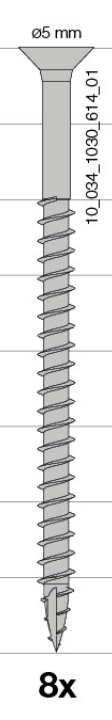
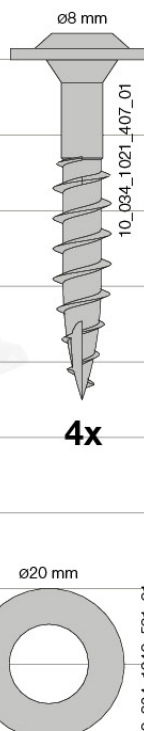
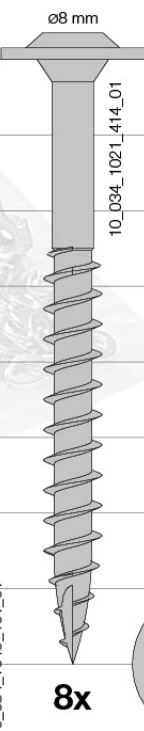
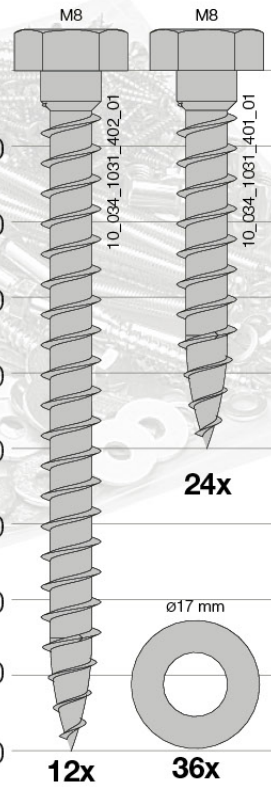
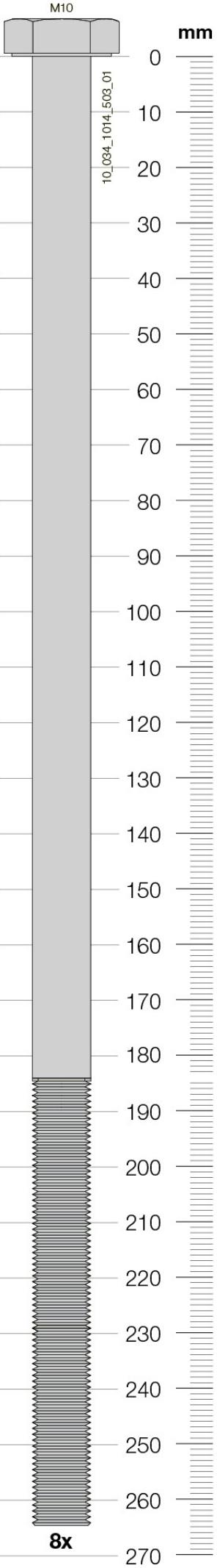
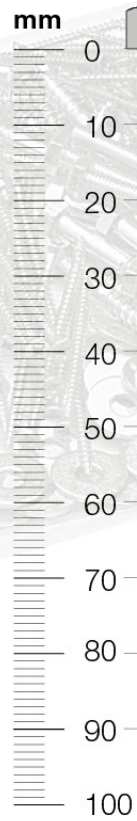
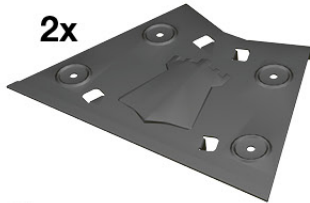
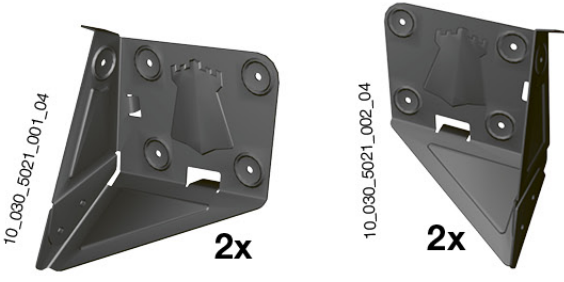


Owner's Manual

Assembly steps



2.1



12x

36x

8x

8x

8x

8x

8x

8x

24x

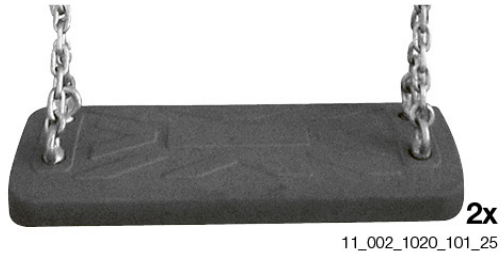
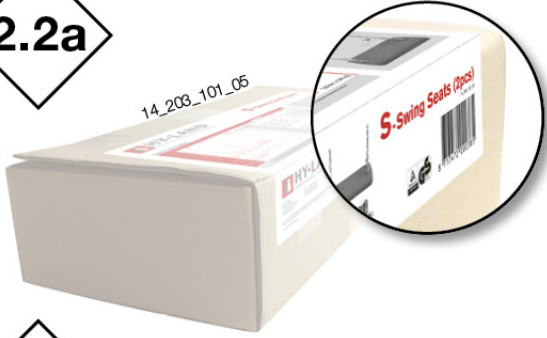
4x

4x

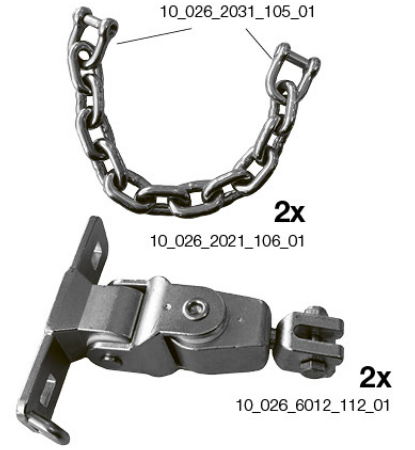
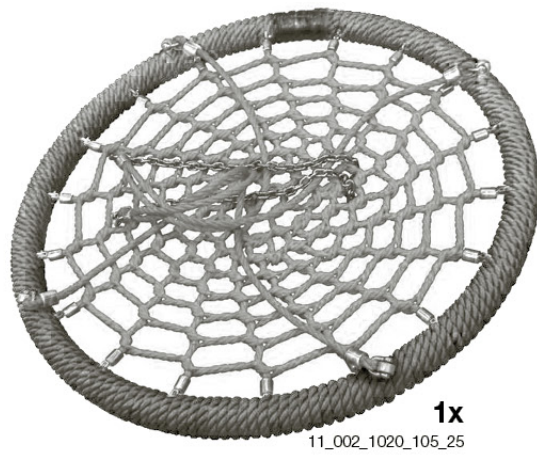
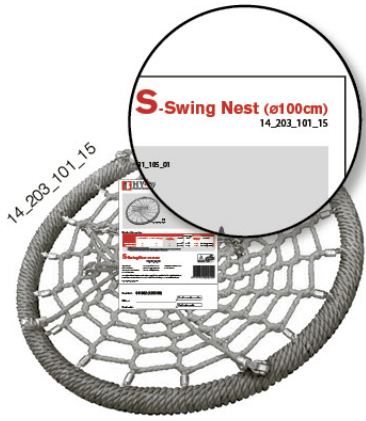
6x

8x

2.2a



2.2b



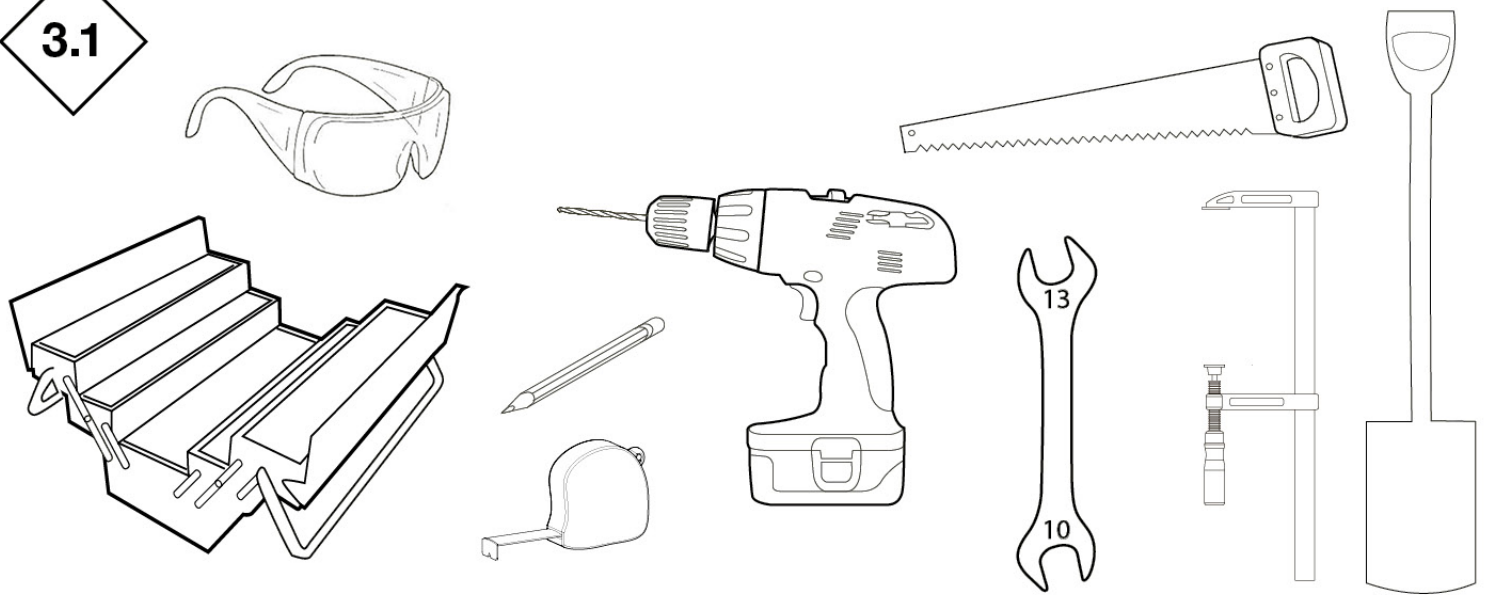
2.3

Timber

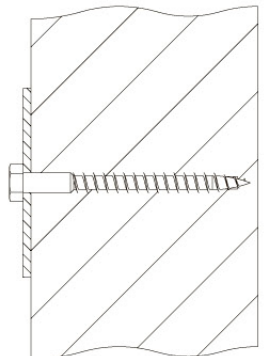
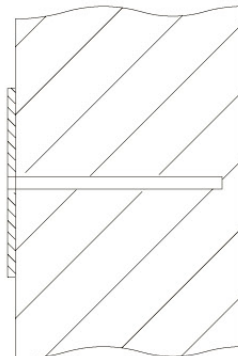
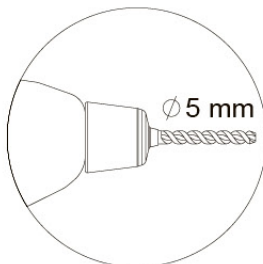
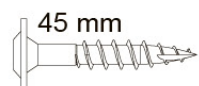
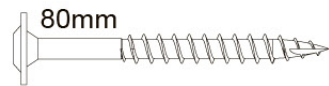
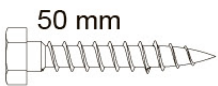
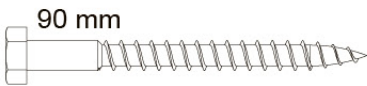
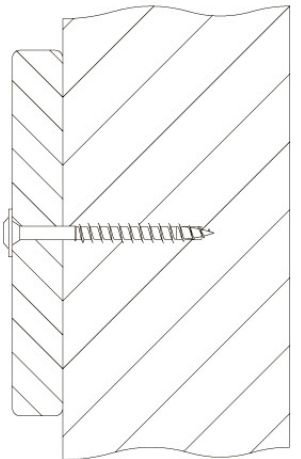
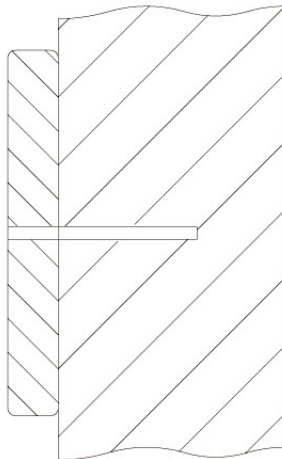
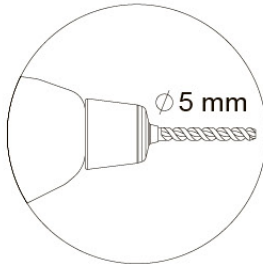
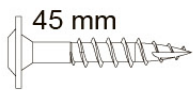
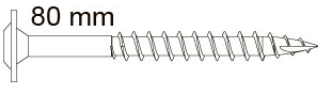
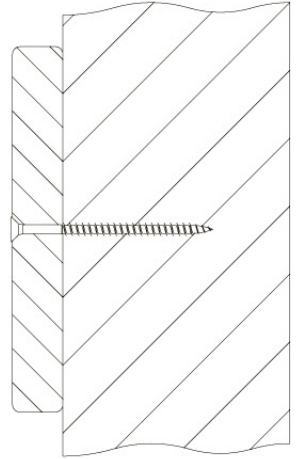
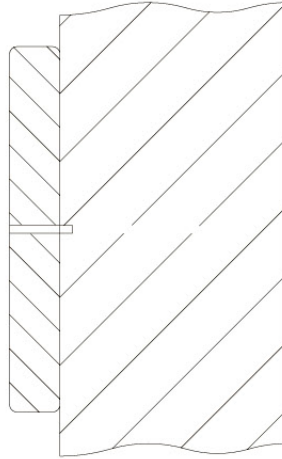
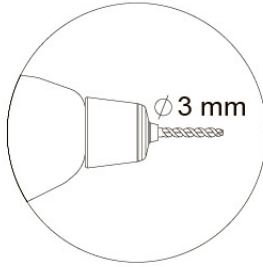
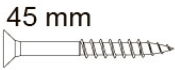


10_460_0019_104_26

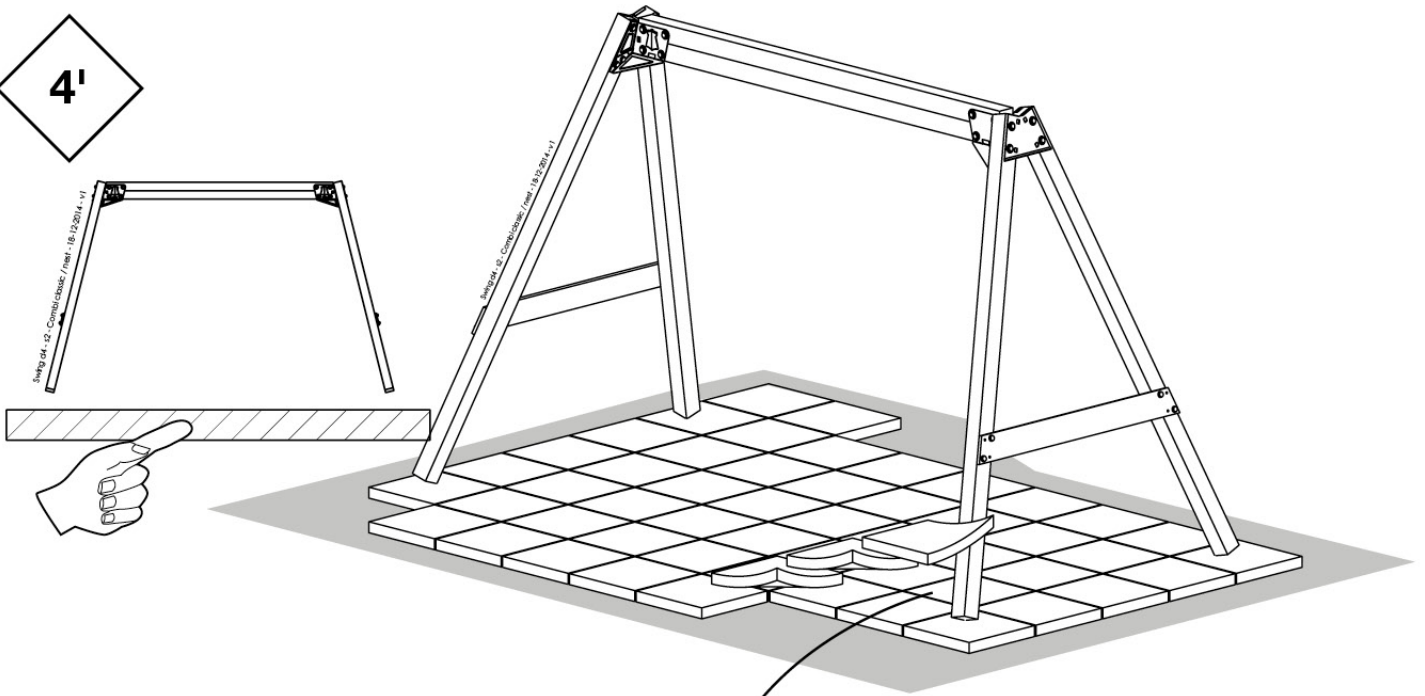
3.1



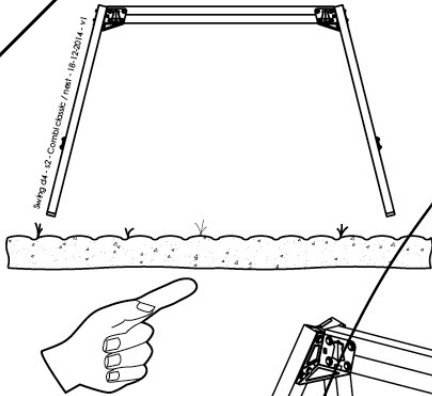
3.2



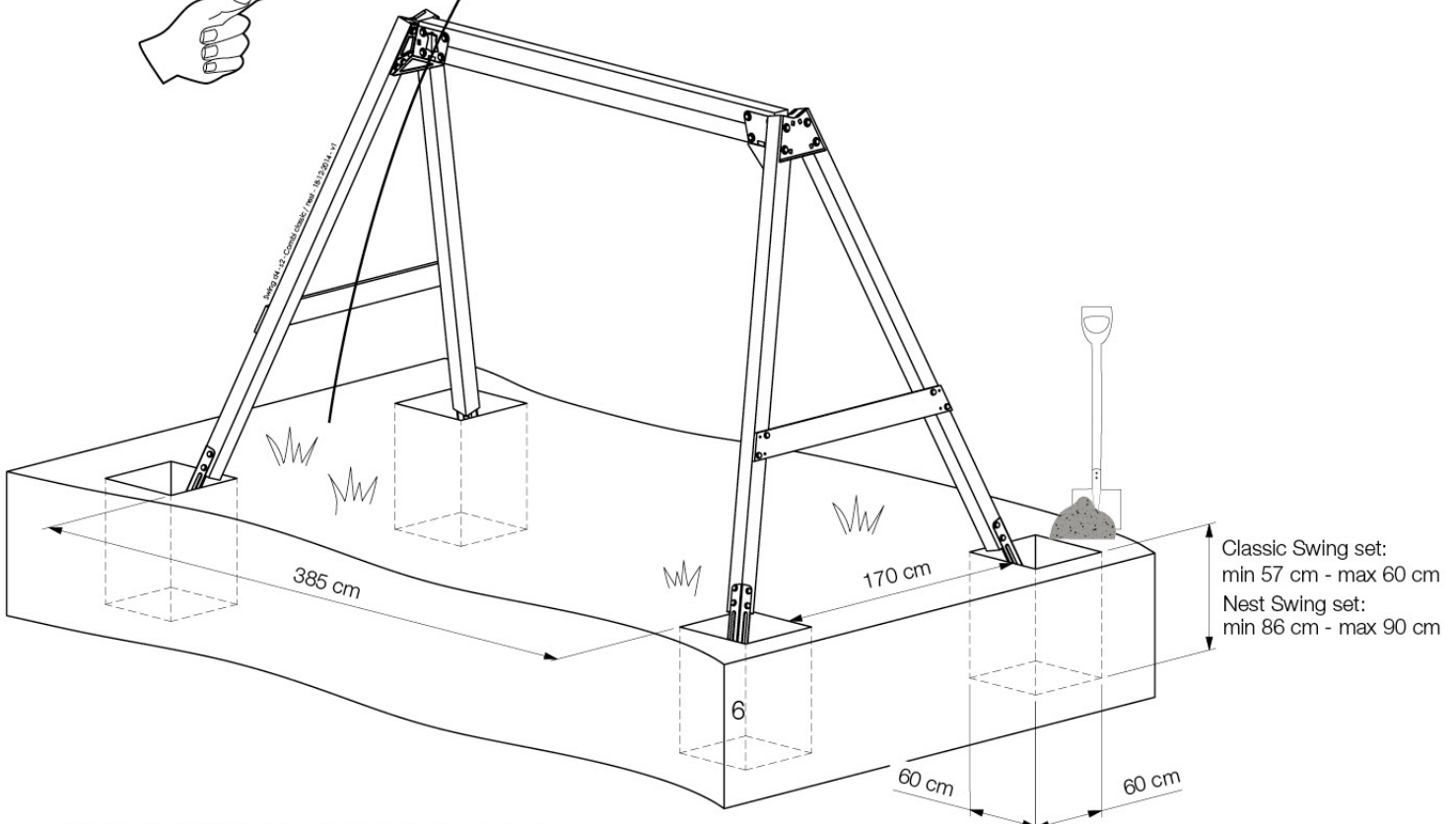
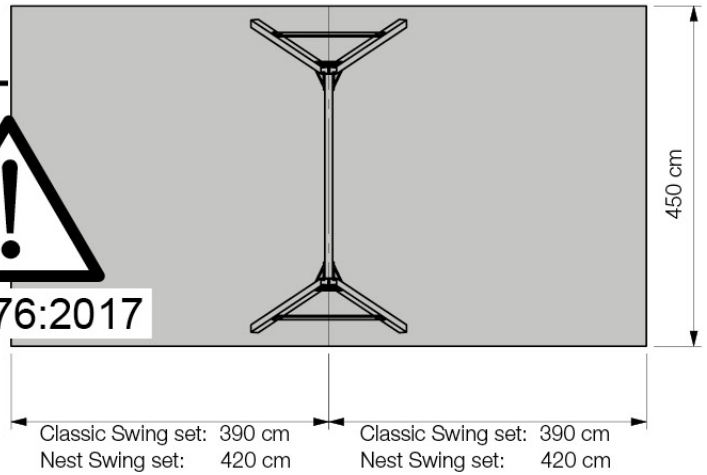
4'



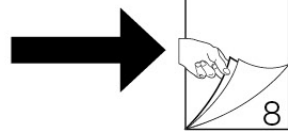
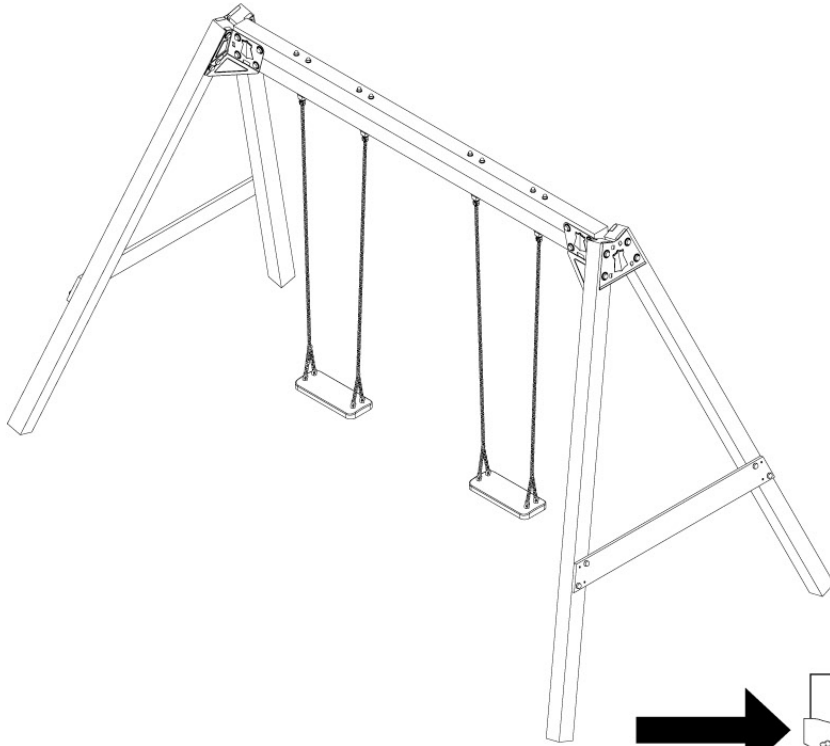
4"



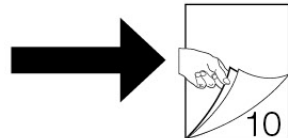
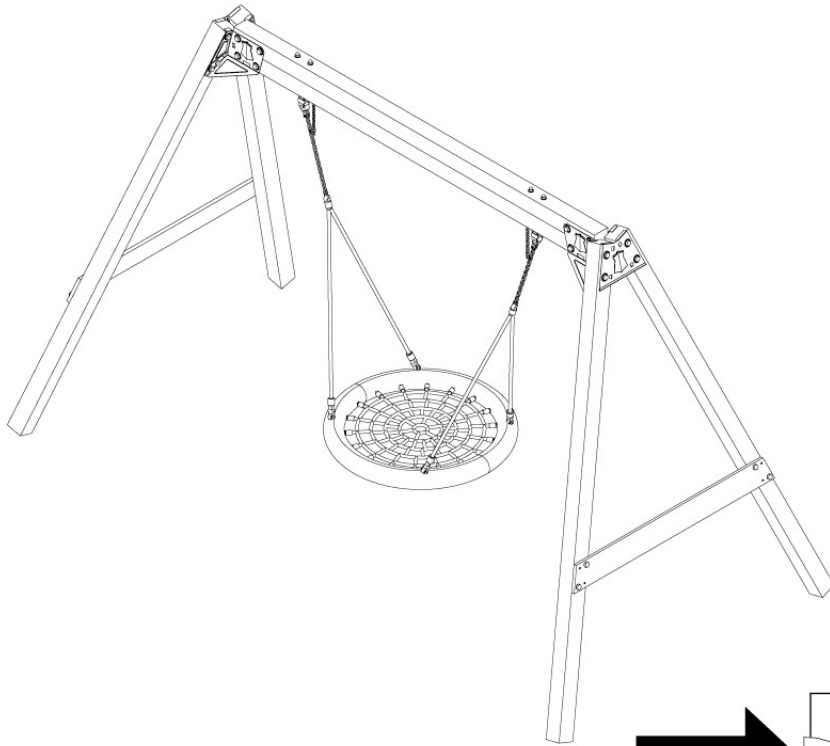
EN 1176:2017



5

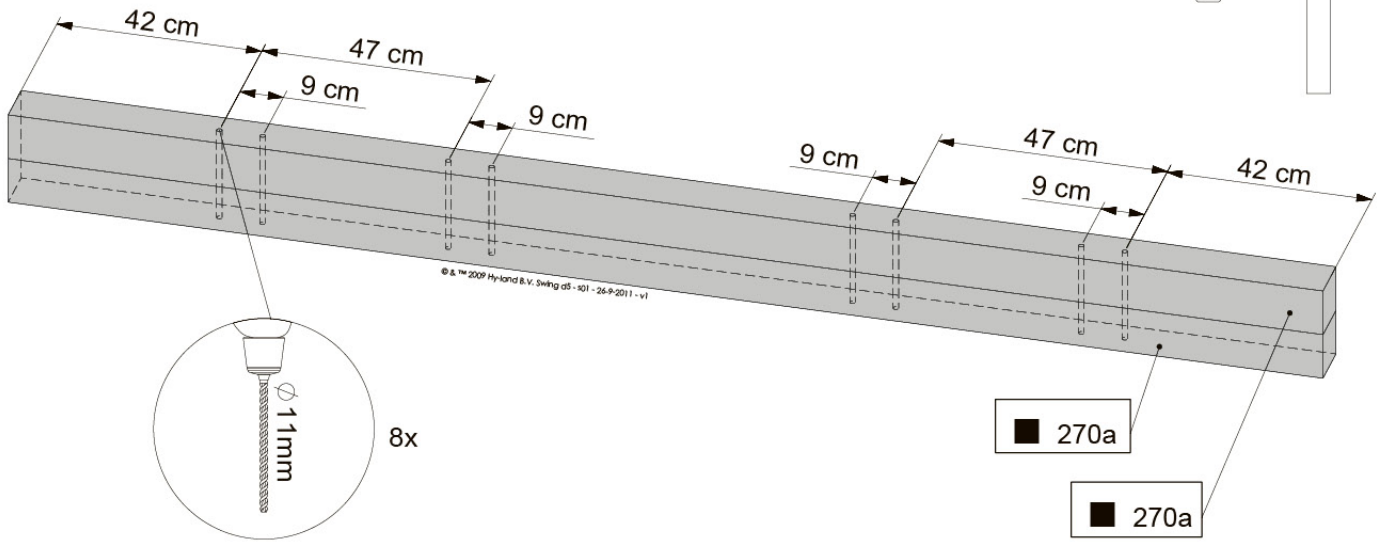
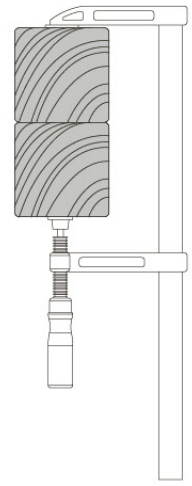
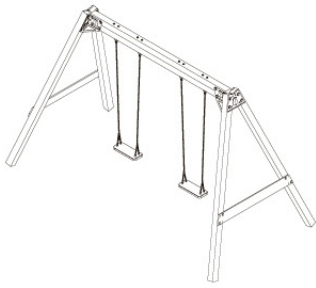


5.1

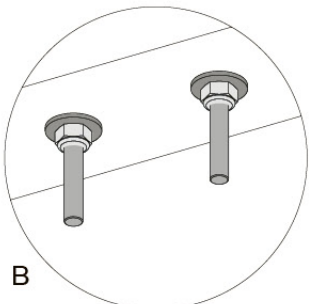
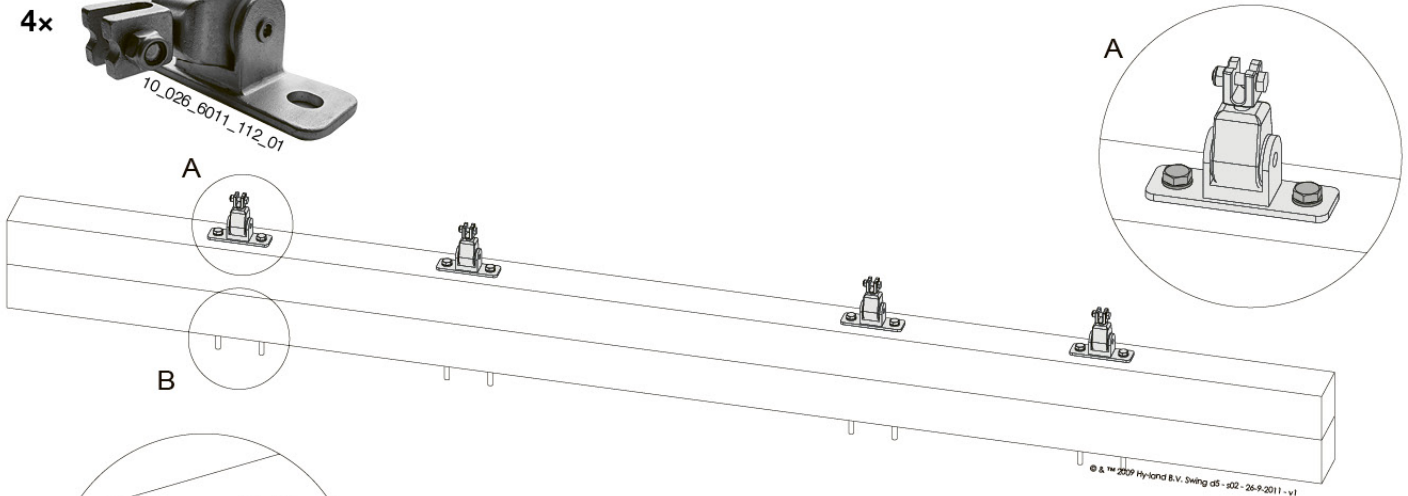


5.1"


5.1a

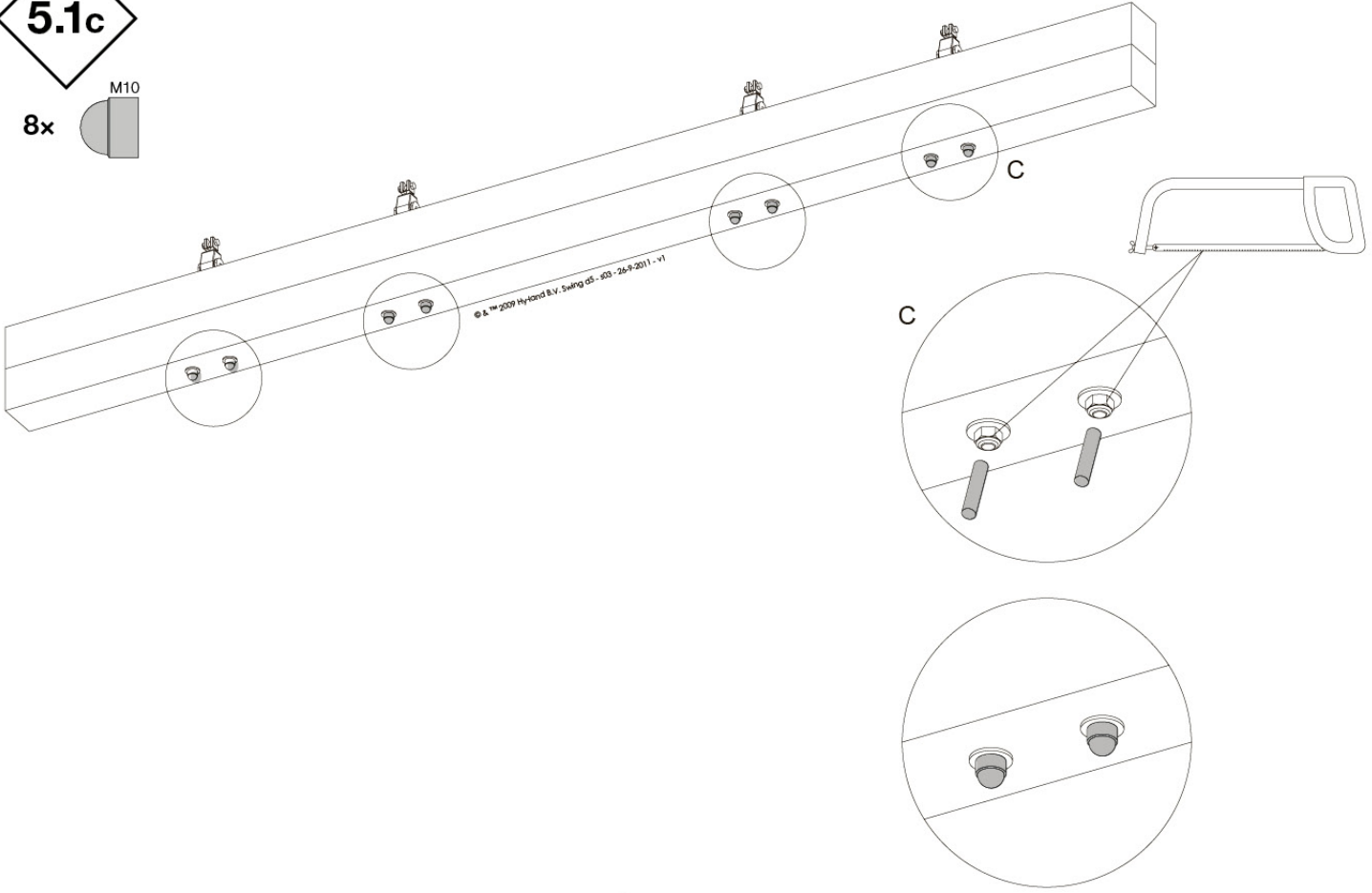


5.1b






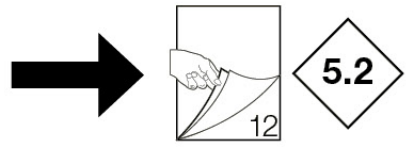
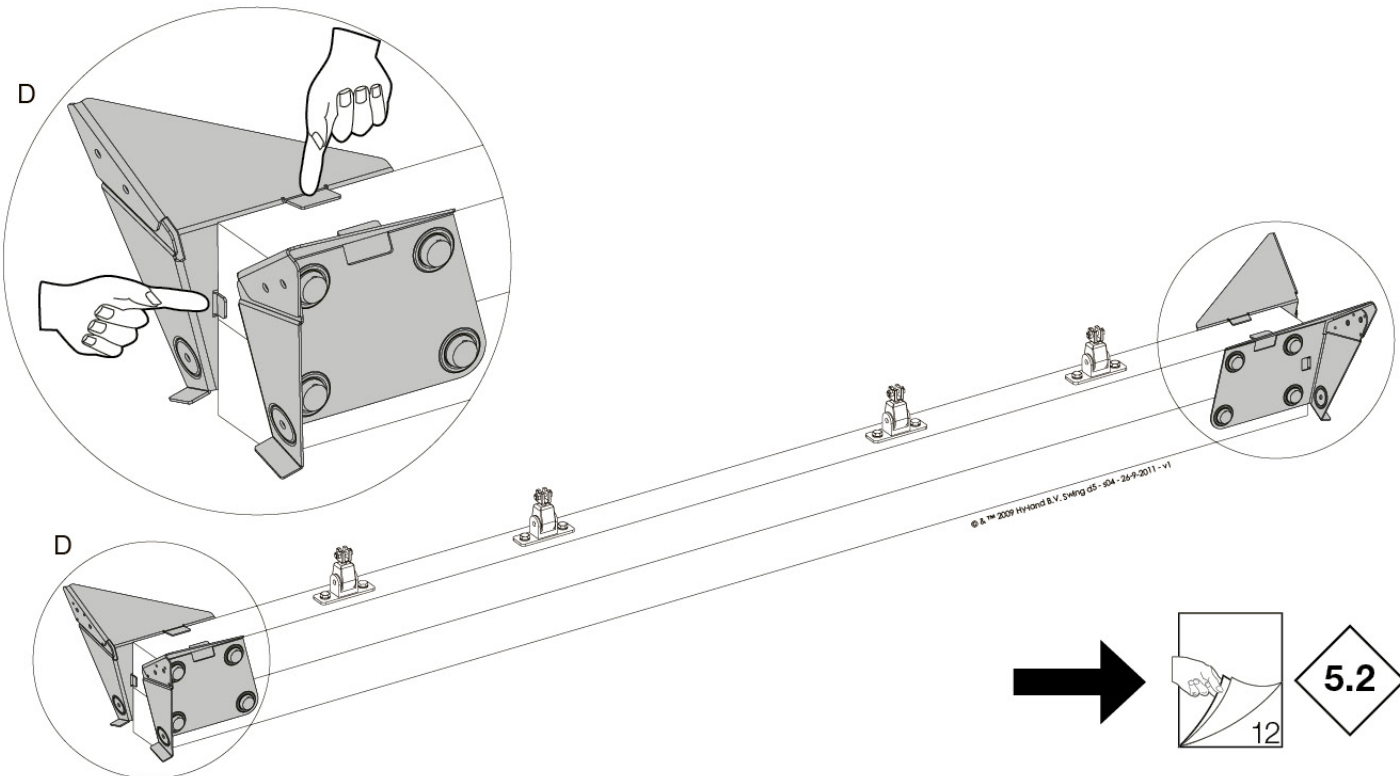
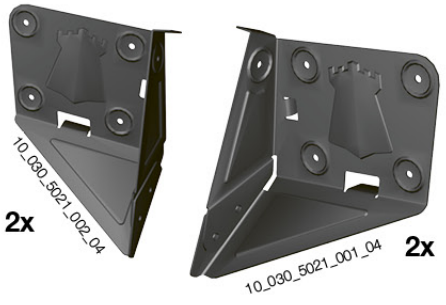
5.1c

8x  M10

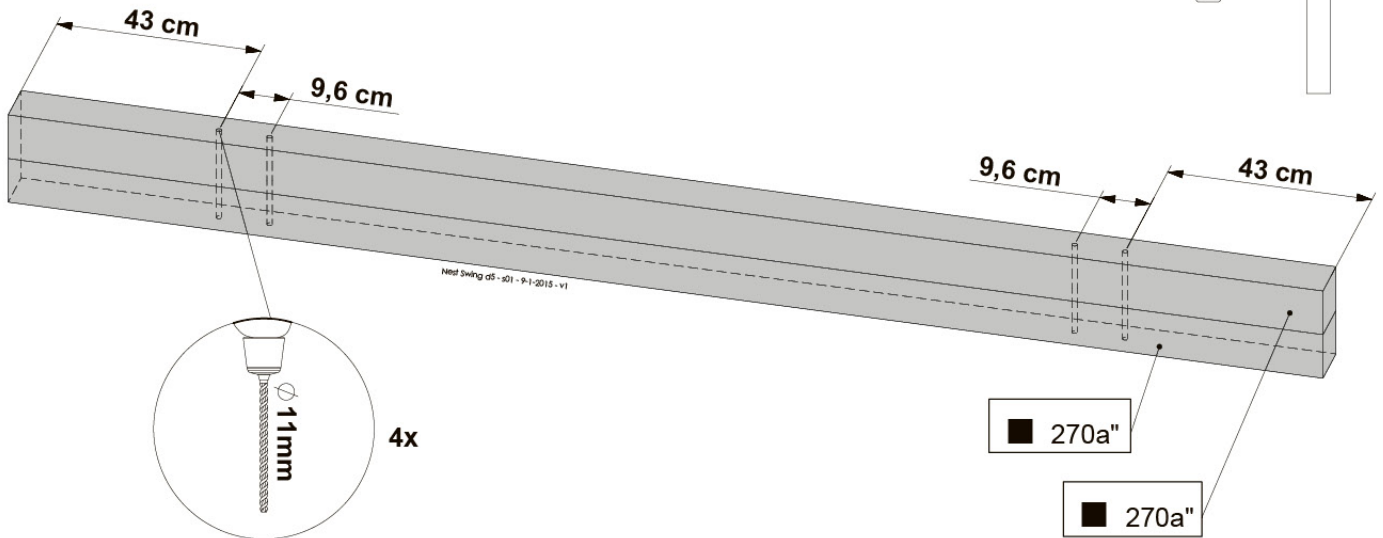
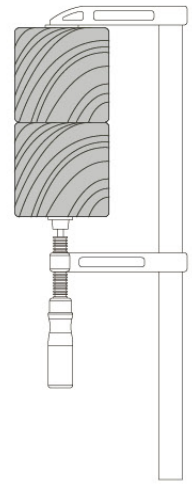


5.1d

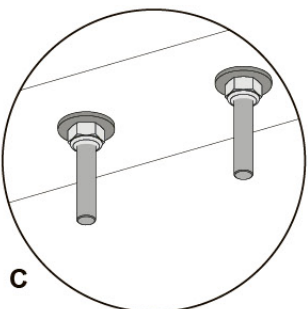
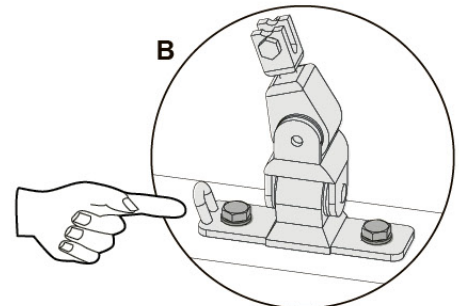
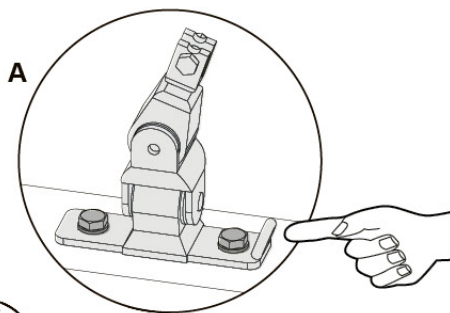
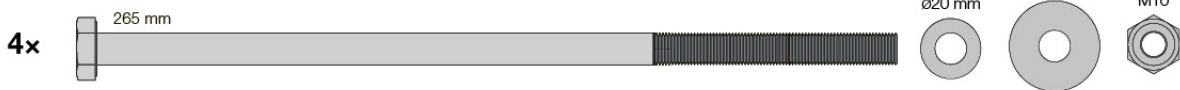
16x  50 mm  ø17 mm 



5.1"a

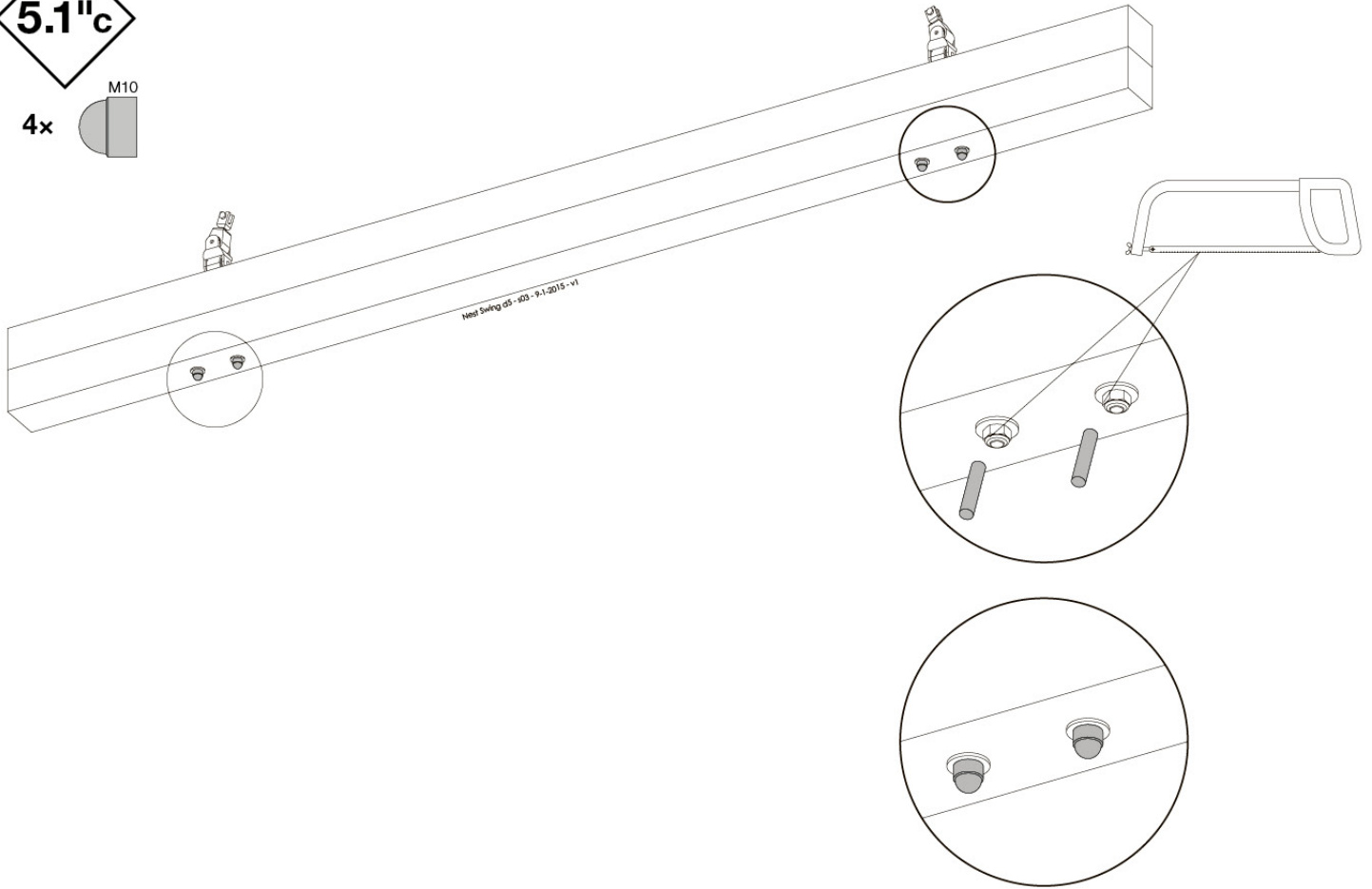


5.1"b



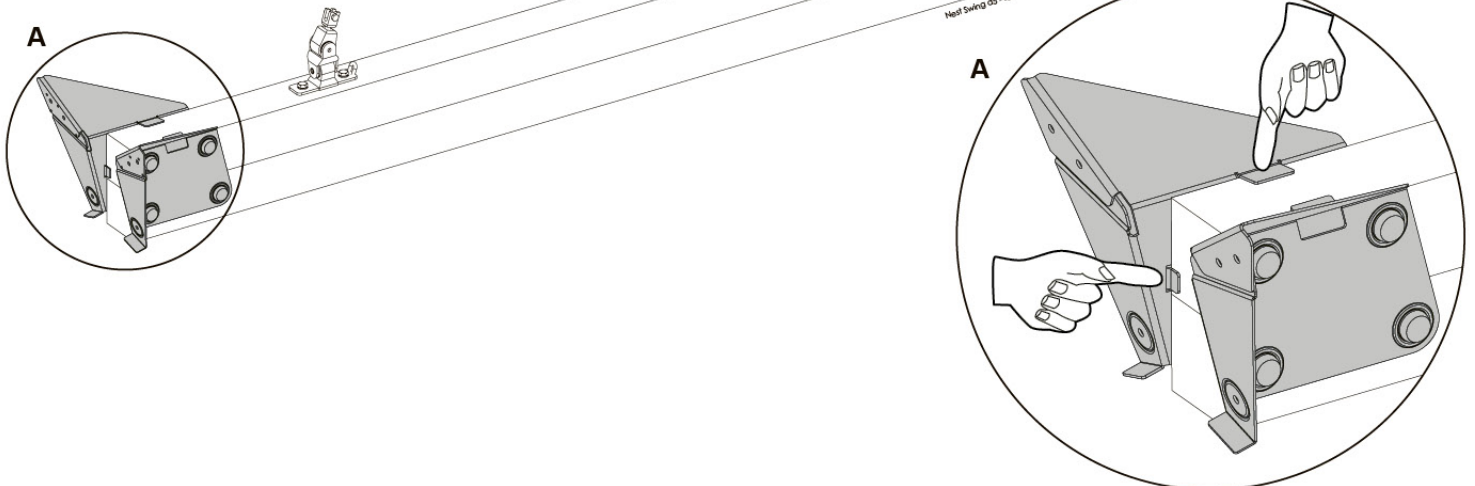
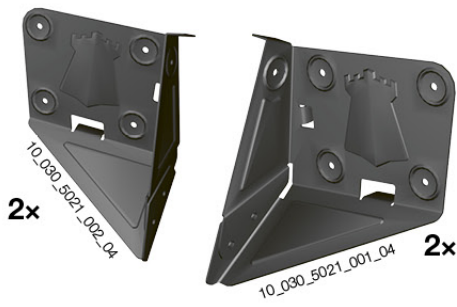
5.1" c

4x M10

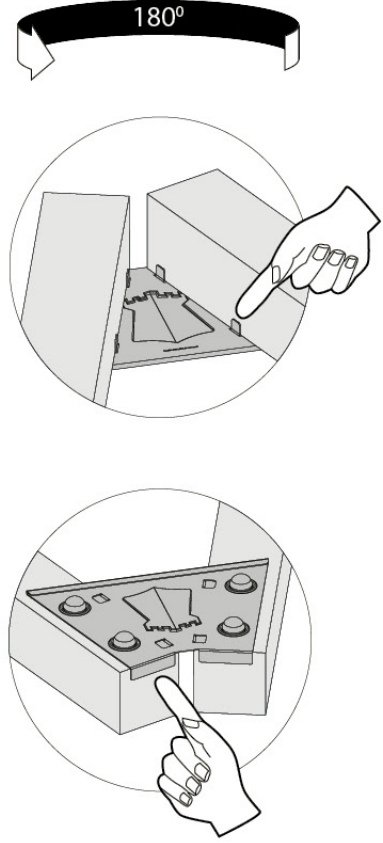
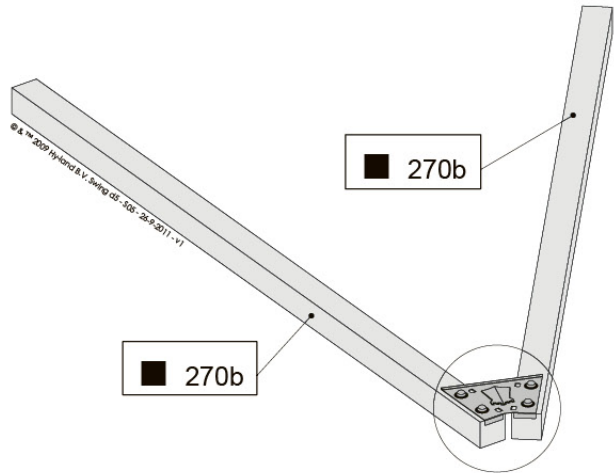
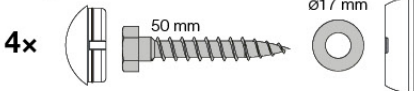


5.1" d

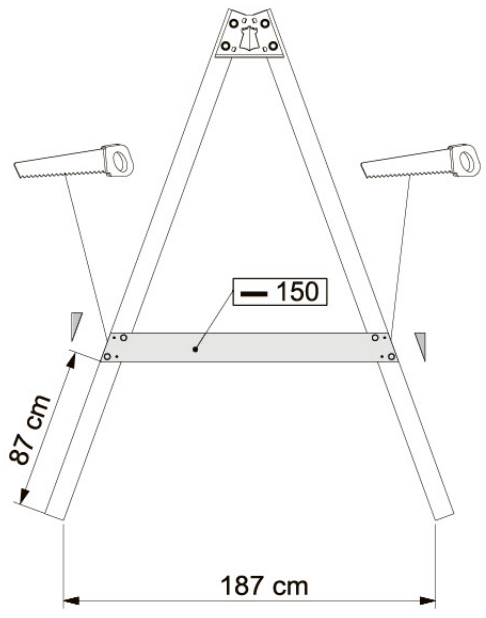
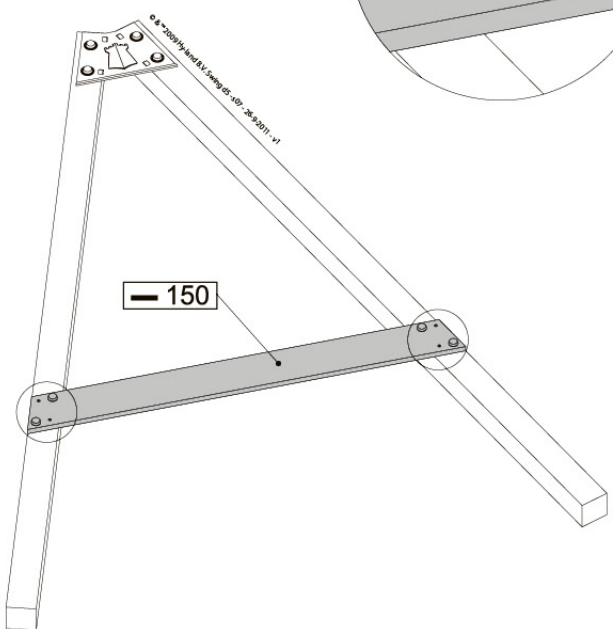
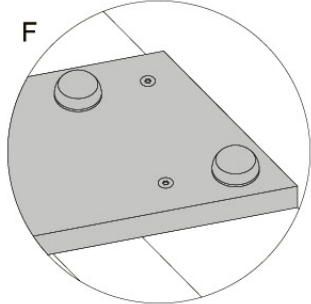
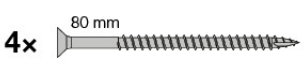
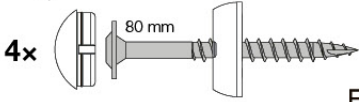
16x 50 mm \varnothing 17 mm



5.2a

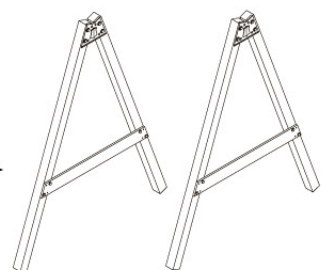


5.2b

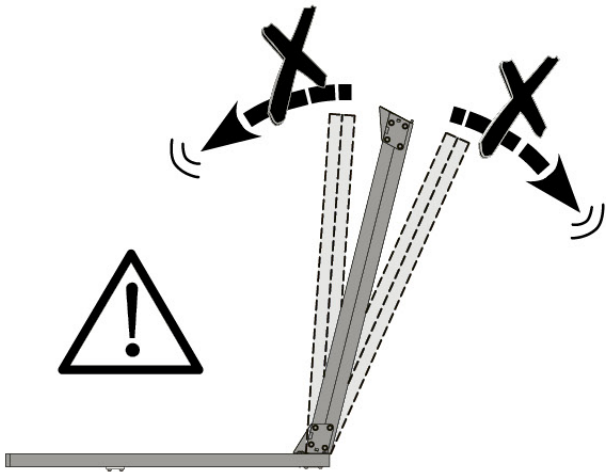
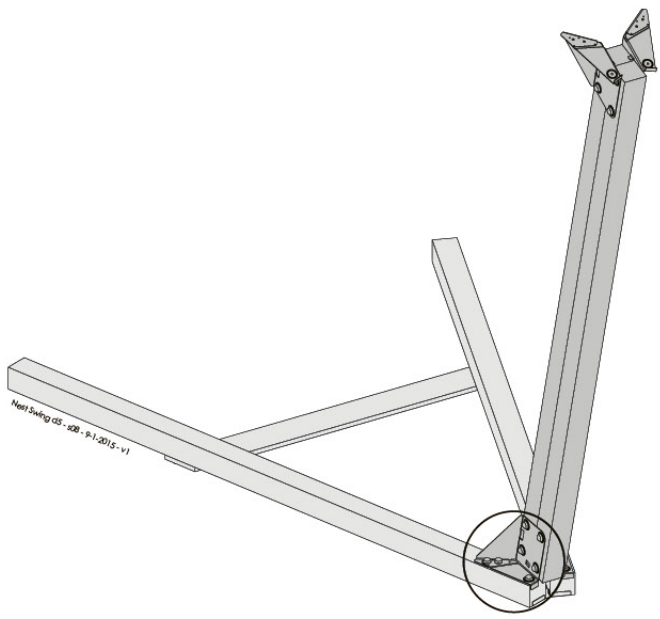
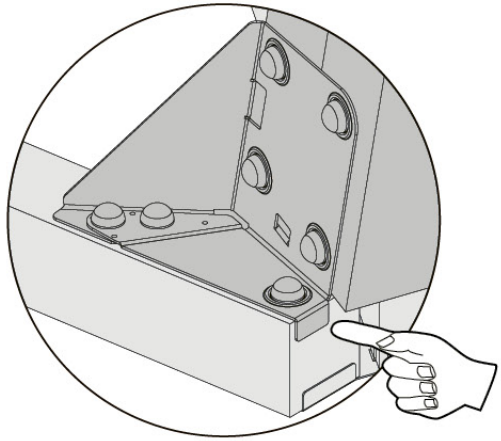
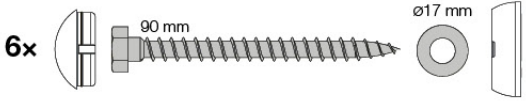


5.2

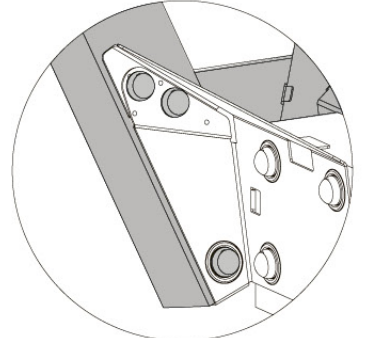
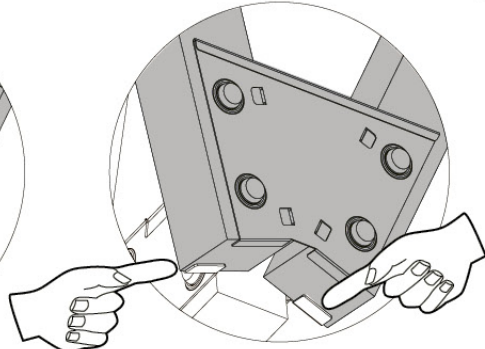
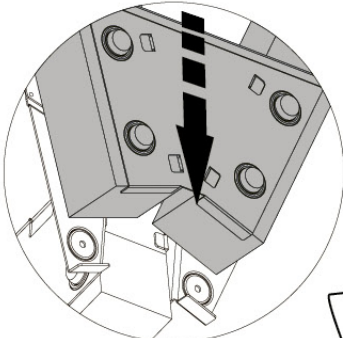
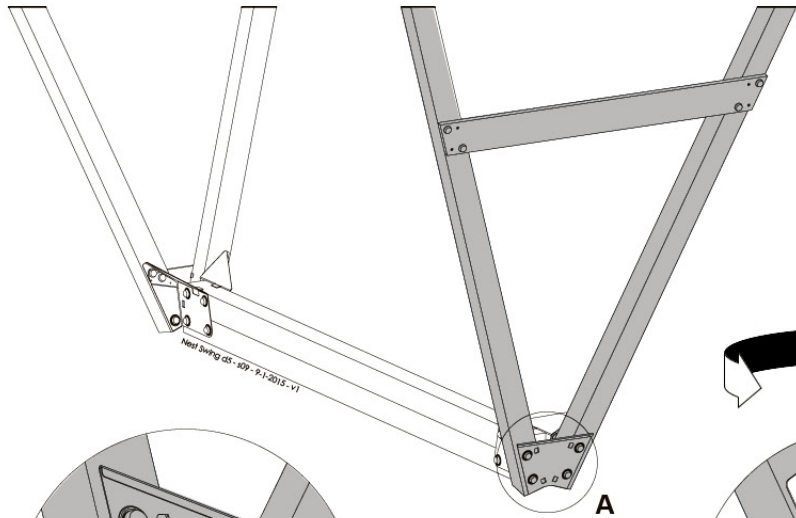
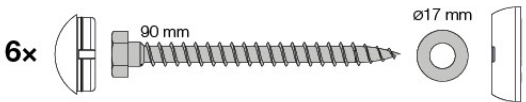
2x →



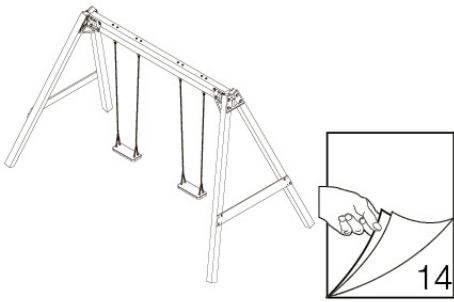
5.3a



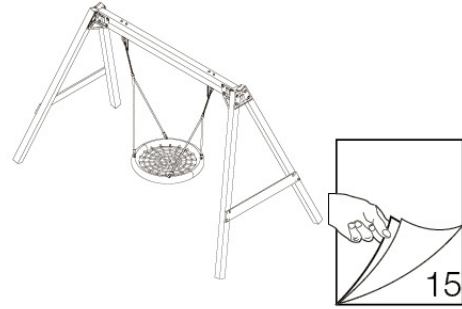
5.3b



5.4



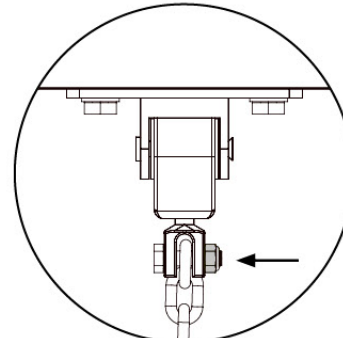
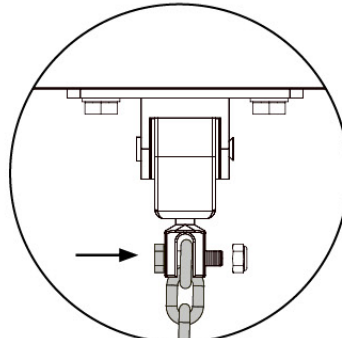
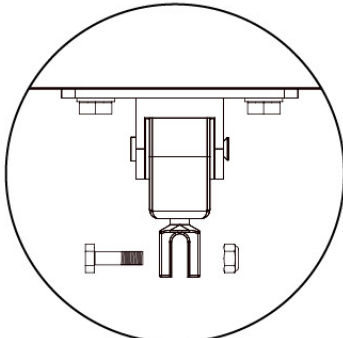
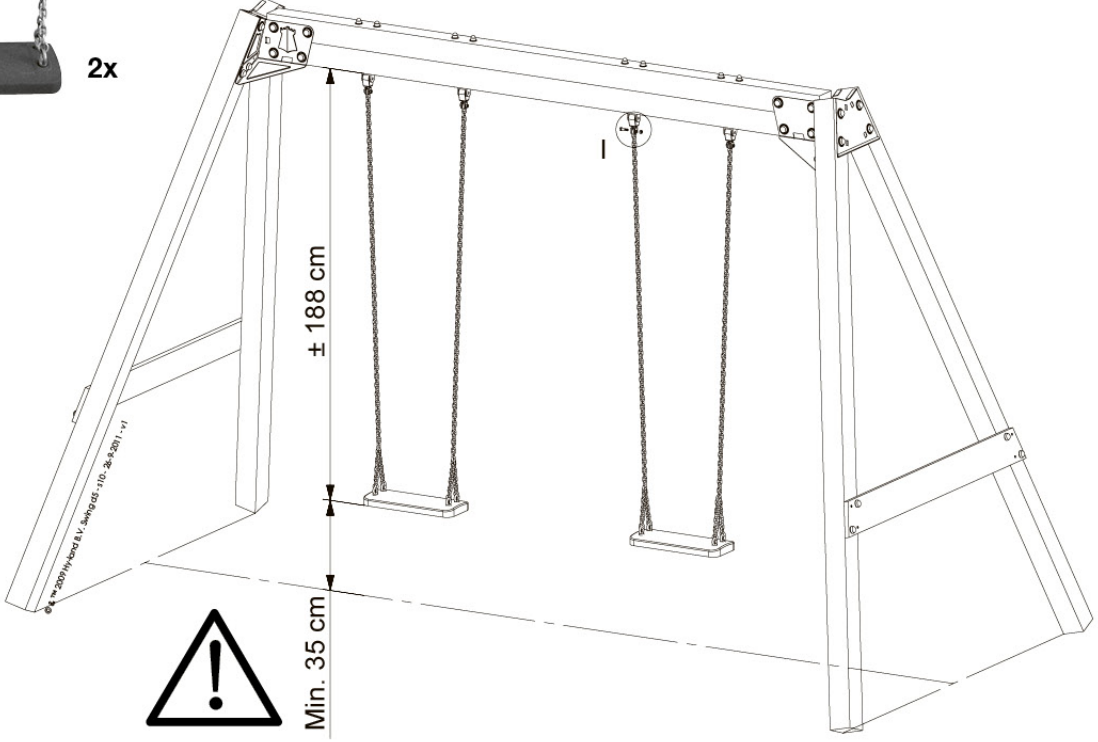
5.4a



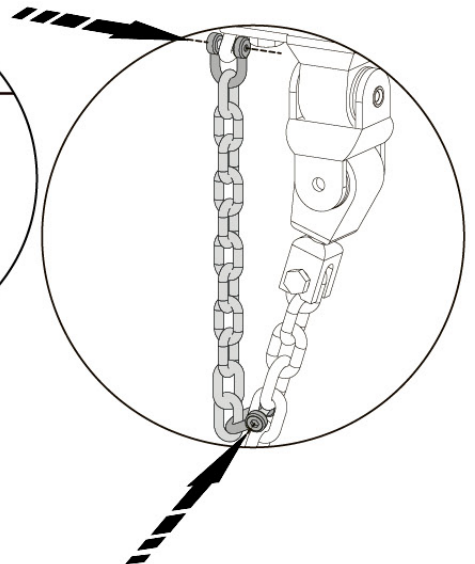
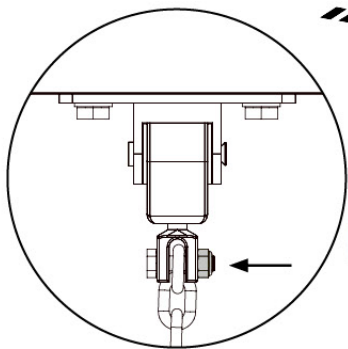
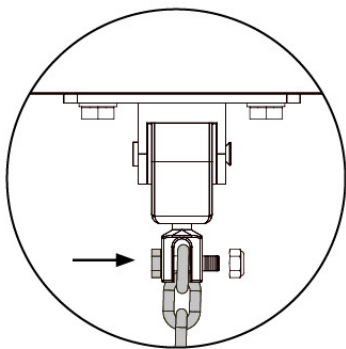
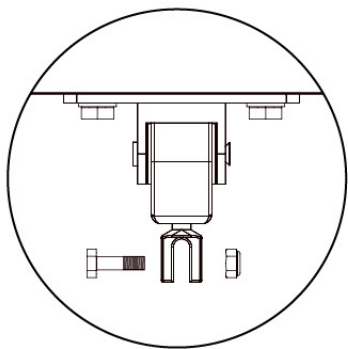
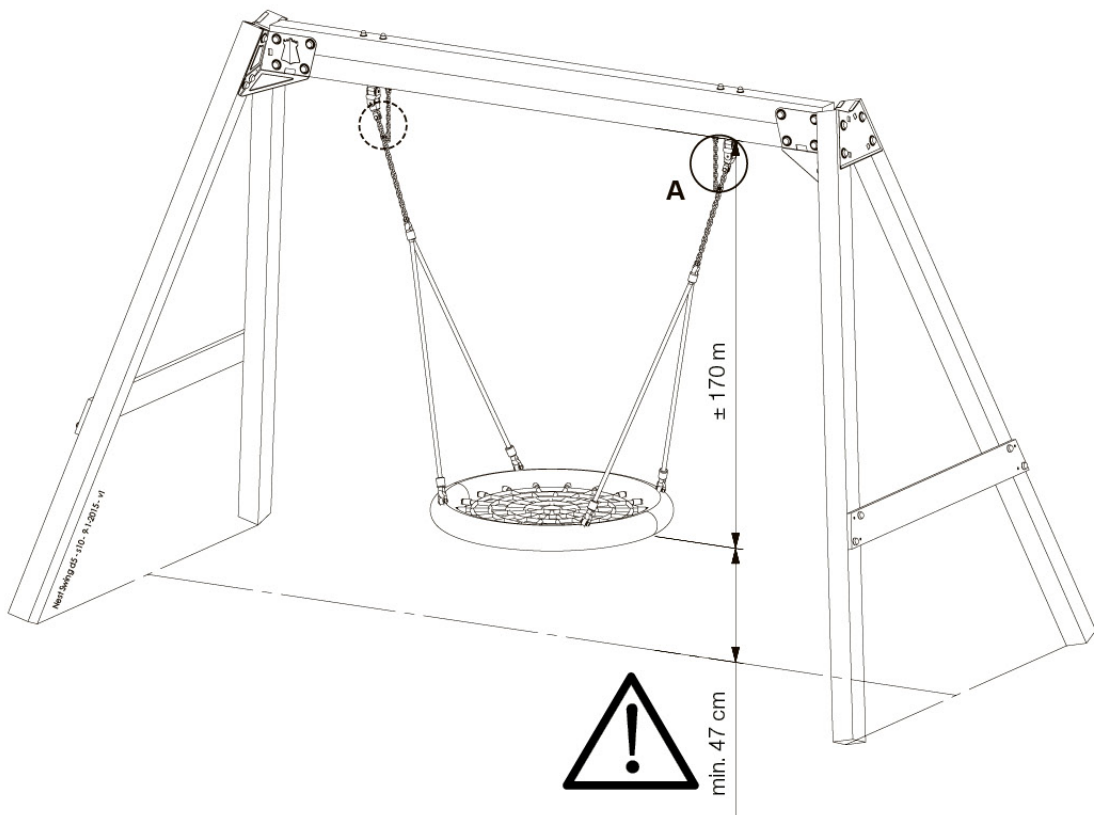
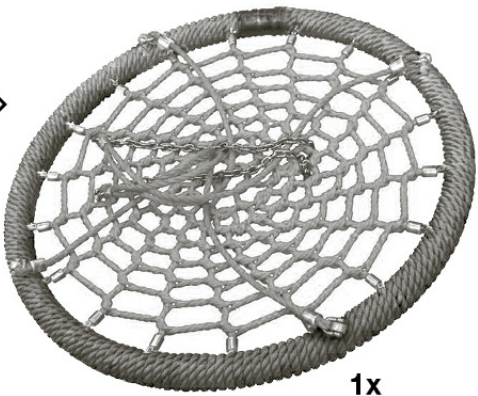
5.4a

5.4a

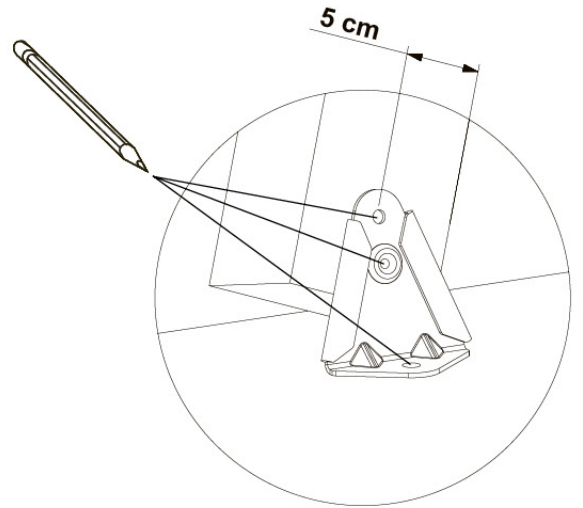
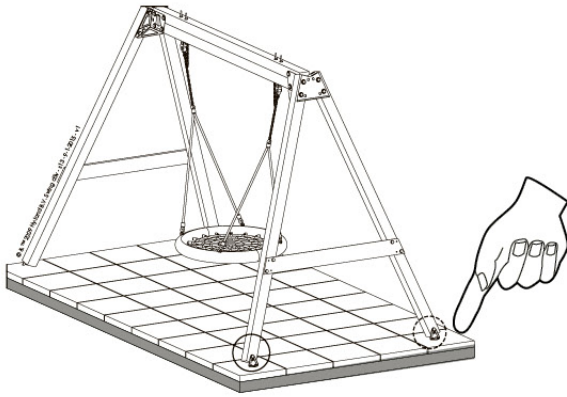
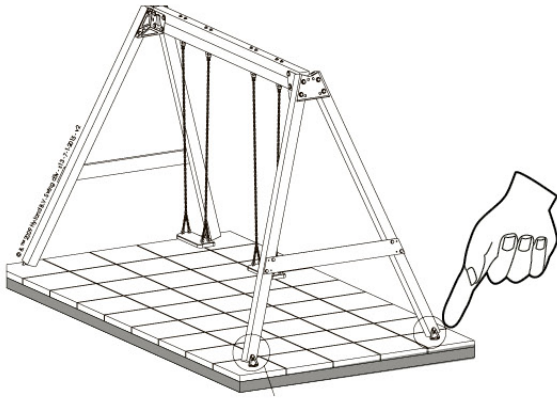
11_002_1020_101_25



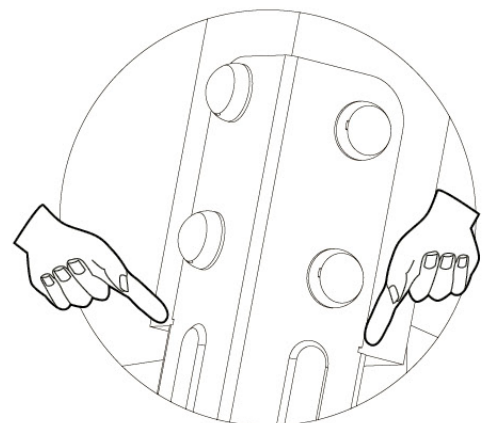
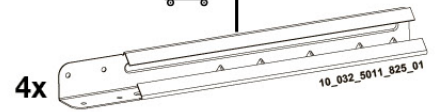
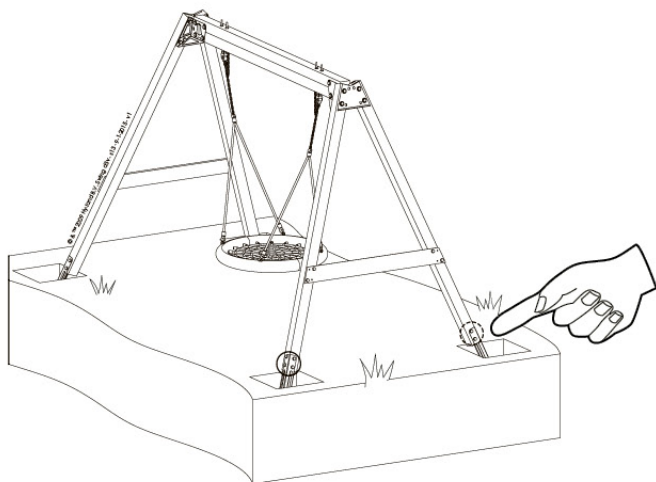
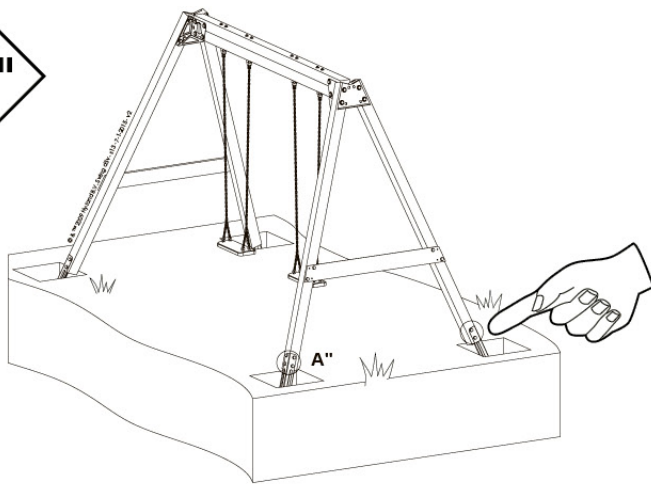
5.4" a

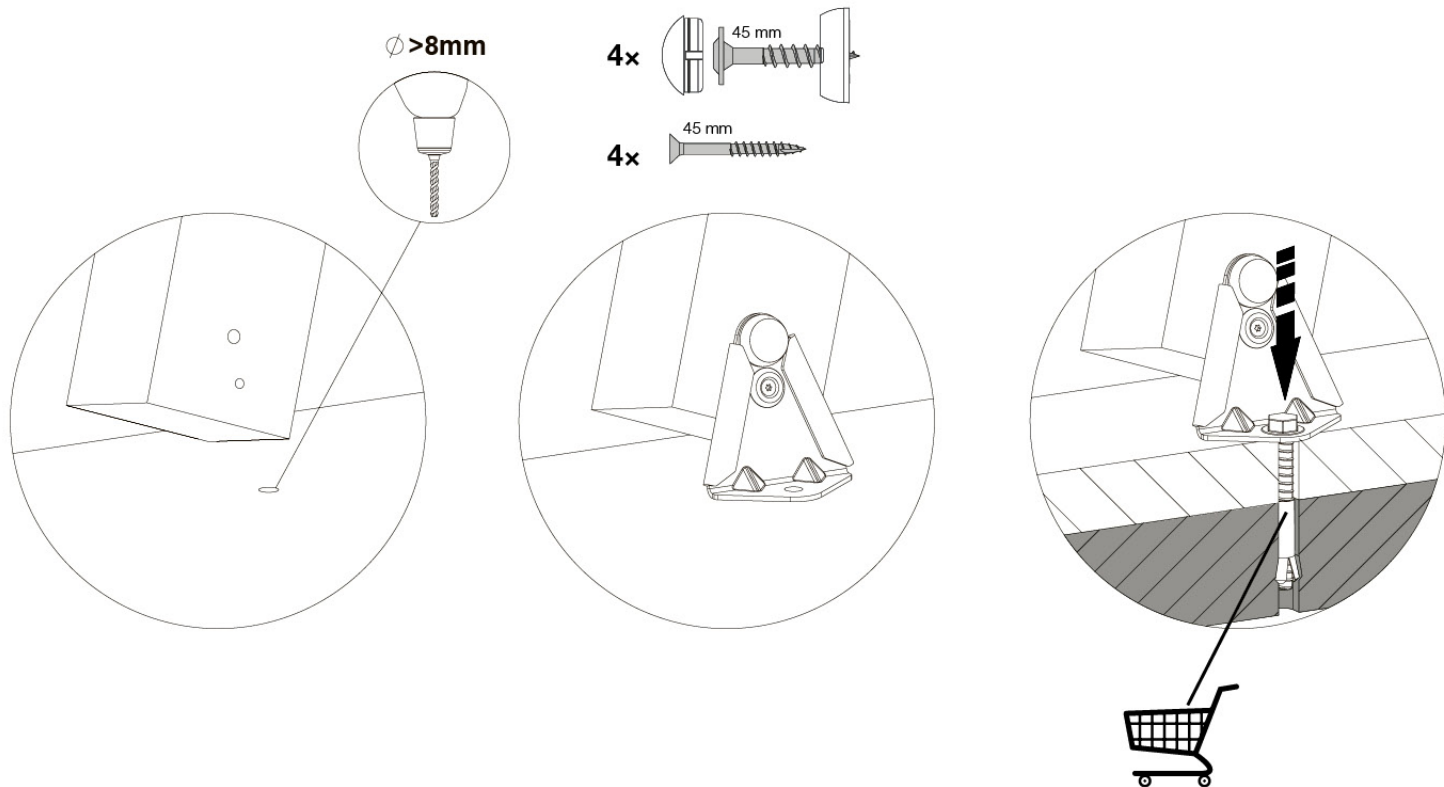


5.5'

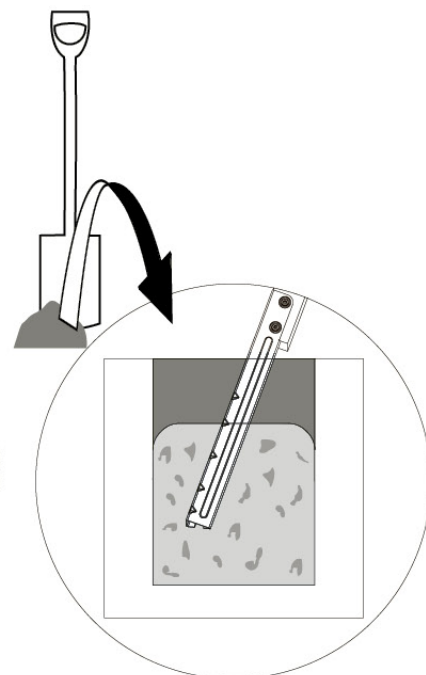
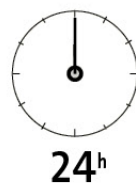
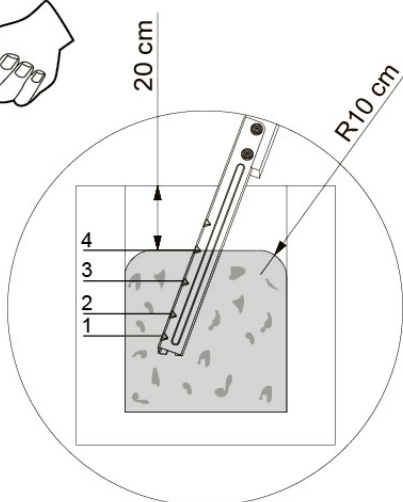
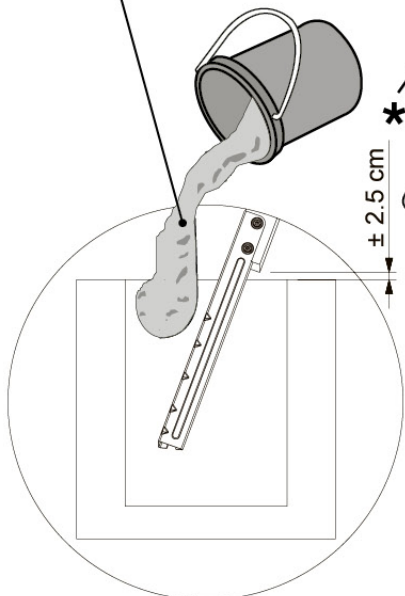


5.5''

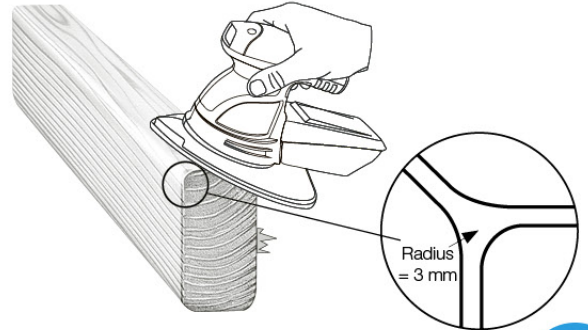
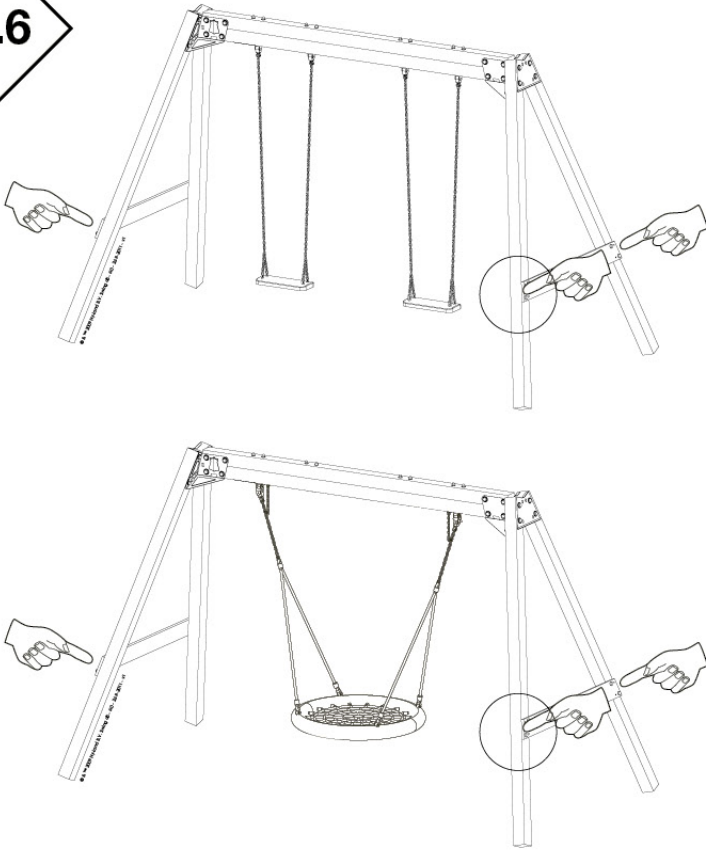




Classic Swing set: $\pm 130\text{ L} / 260\text{ kg}$ (4x)
 Nest Swing set: $\pm 237\text{ L} / 475\text{ kg}$ (4x)



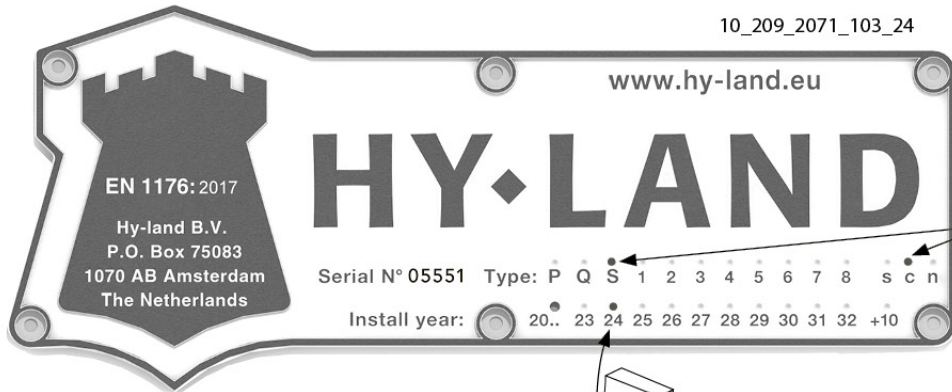
5.6



5.7a



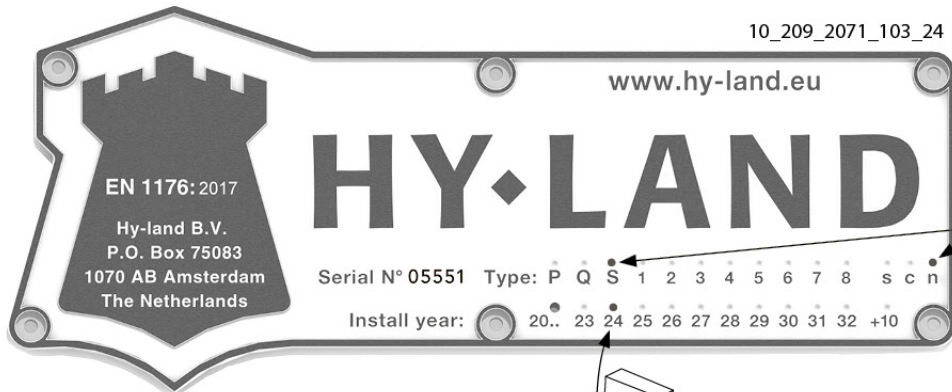
Classic Swing (=Sc)



5.7" a

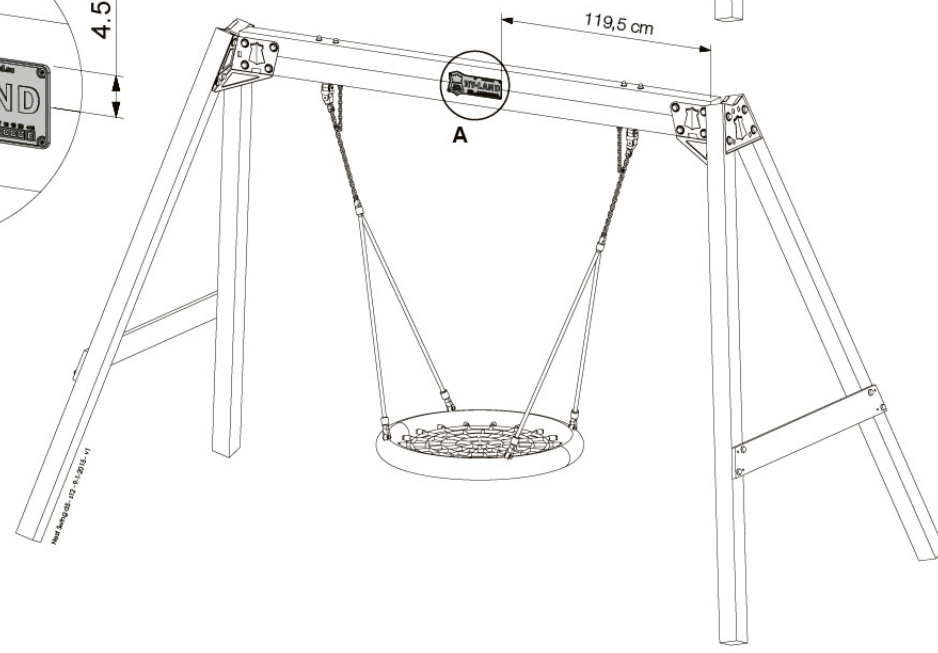
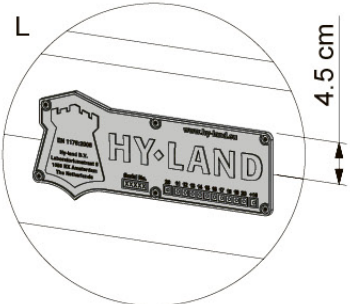
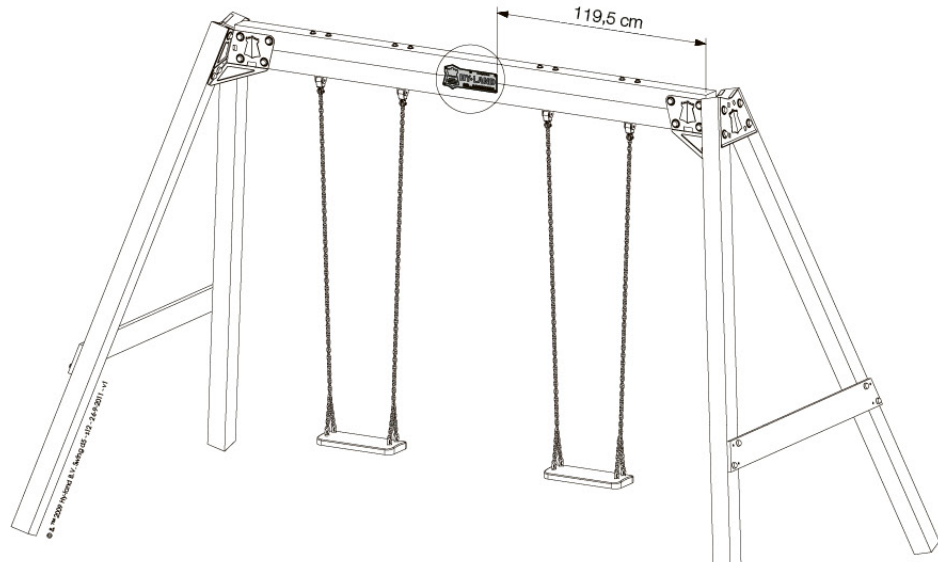


Nest Swing (=Sn)



5.7b

6x 20 mm



6

HY-LAND Part **4**
Inspection & Maintenance
 S Series

10_460_0819_104_26

Hy-land B.V.
P.O. Box 75083
NL - 1070 AB Amsterdam
The Netherlands

Tel : +31 85 444 41 01
Email : info@hy-land.eu
URL : www.hy-land.eu

Chamber of Commerce :
NL 16.078.319

