

Assembly

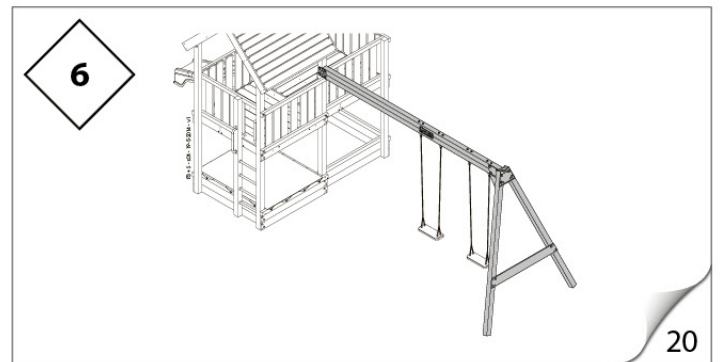
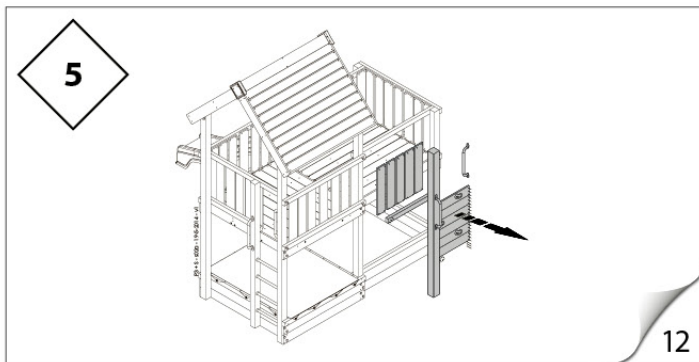
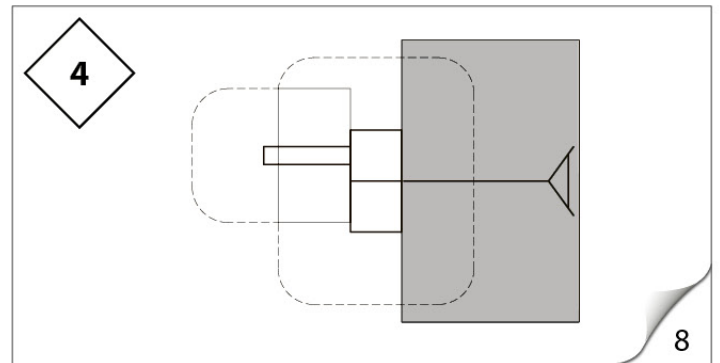
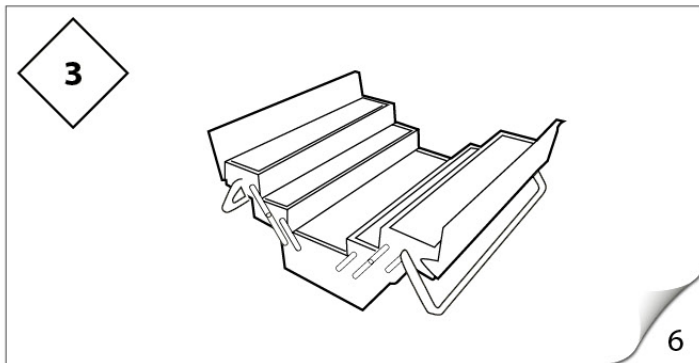
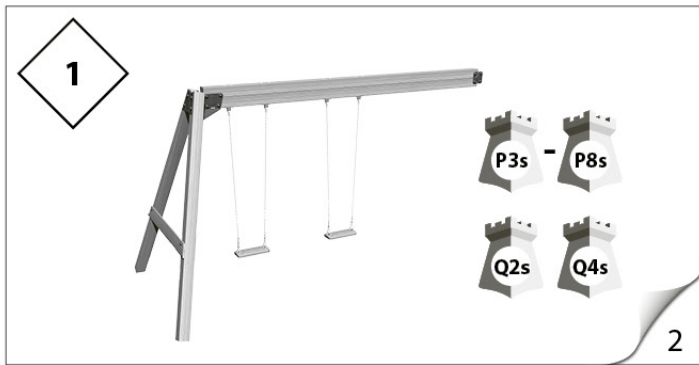
S Series

S - Swing Module



Owner's Manual

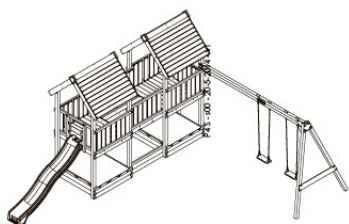
Assembly steps



+



+



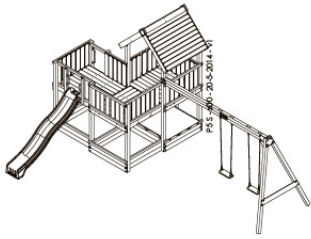
+



+



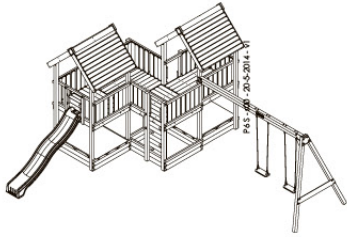
P5s



P5



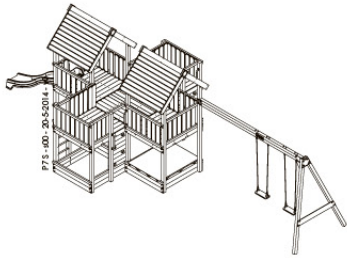
P6s



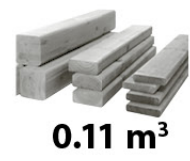
P6



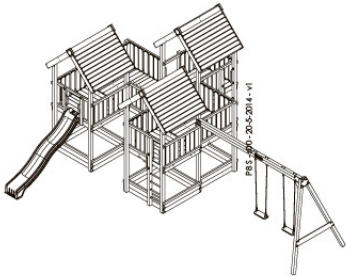
P7s



P7



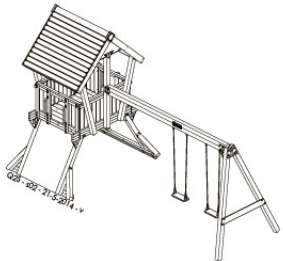
P8s



P8



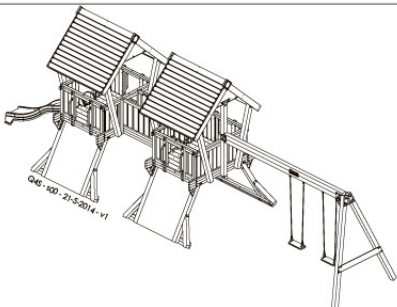
Q2s



Q2



Q4s



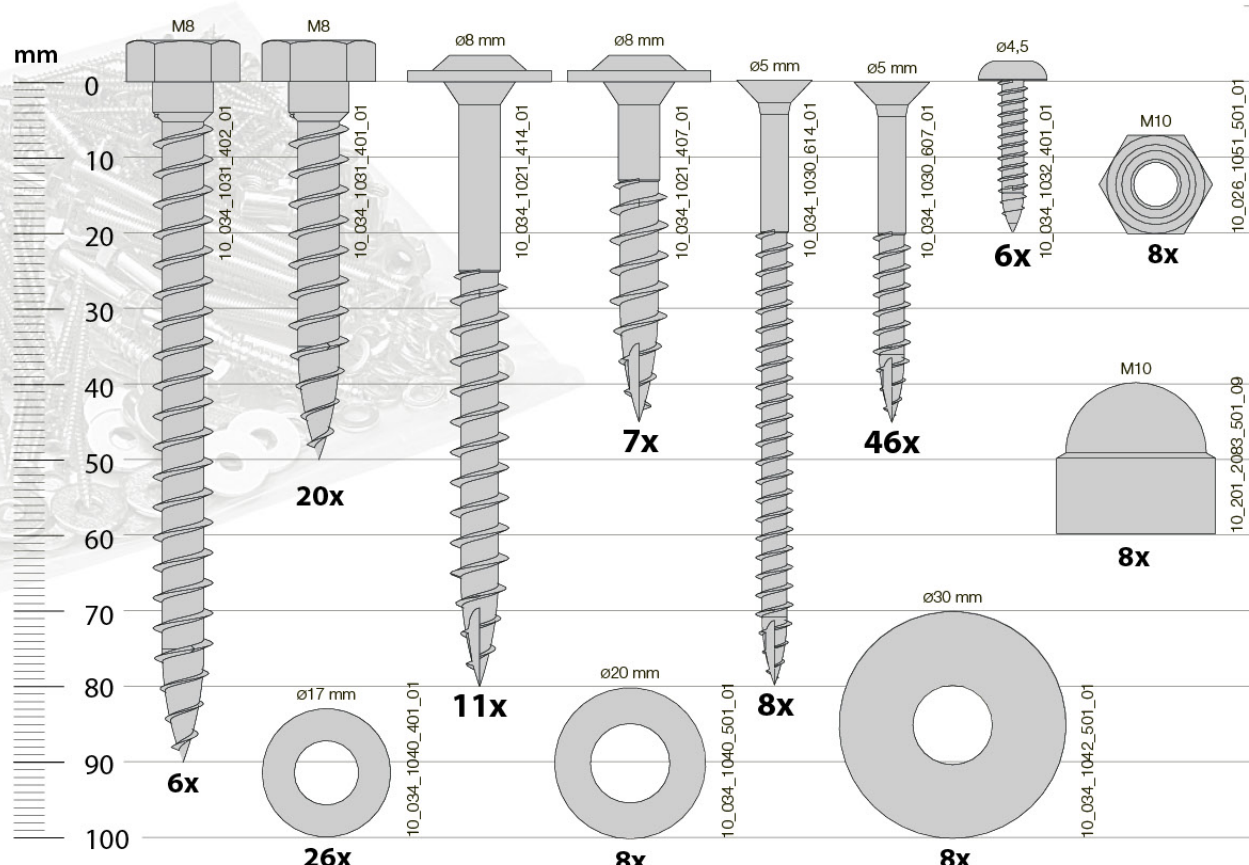
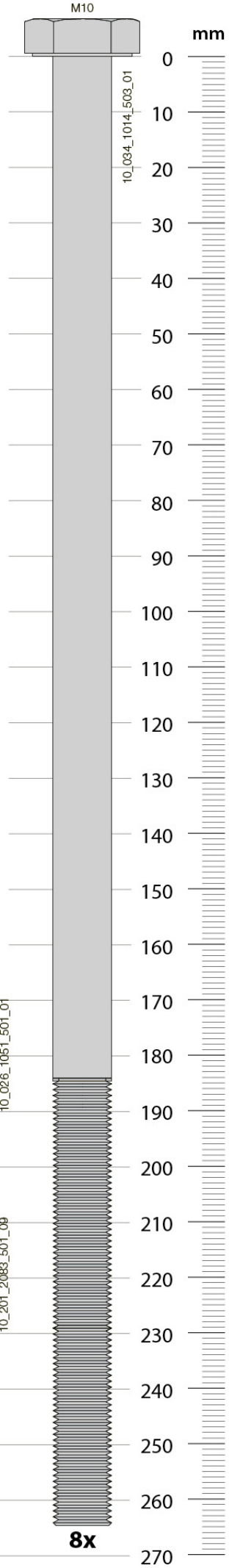
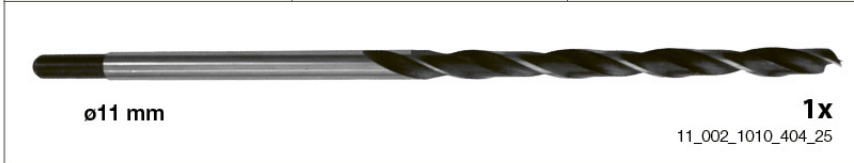
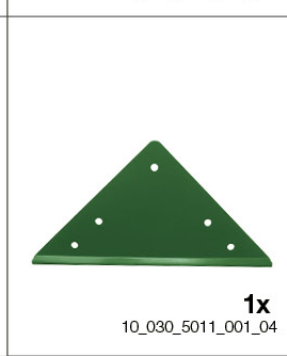
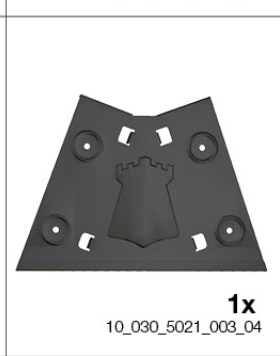
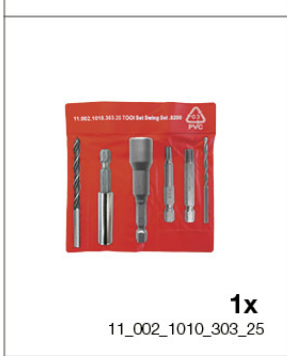
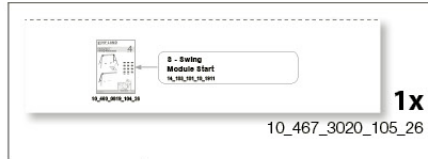
Q4



2.1

Content S - Swing Module Start

14_103_101_10





T25 1x
10_042_7083_158_01

ø5 mm 1x
10_036_7012_140_01

1x
10_028_7091_160_01

ø3,5 mm 1x
10_037_7052_160_01

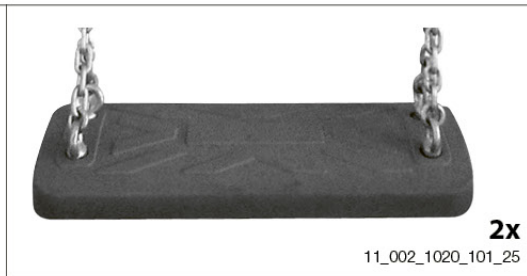
T40 1x
10_042_7085_158_01

M8 1x
10_036_7057_142_01

2.2

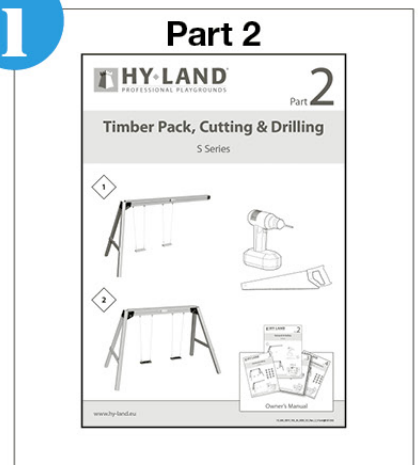
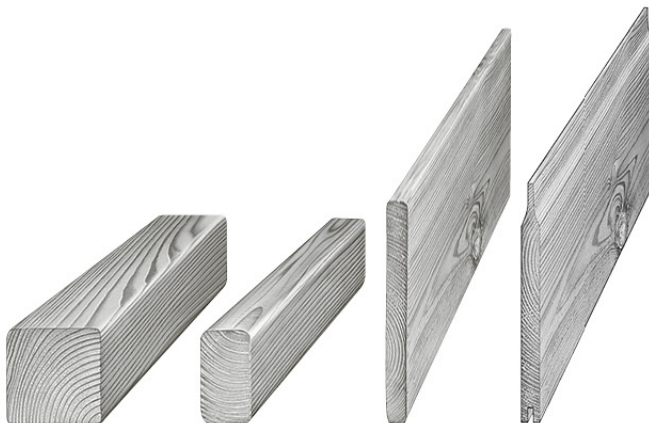
Content S - Swing Seats (2pcs)

14_203_101_05

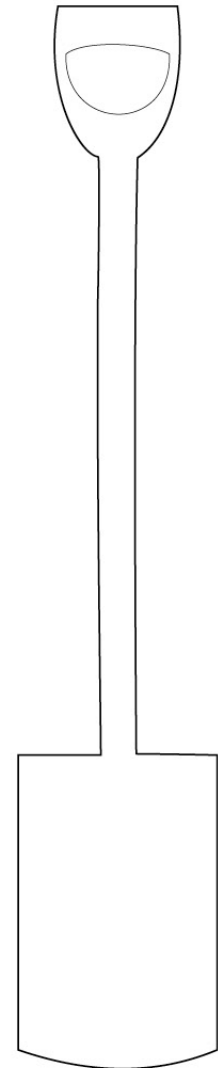
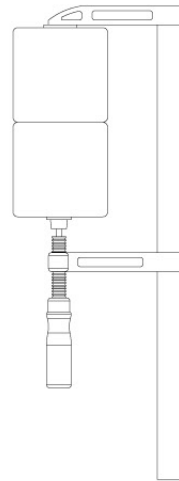
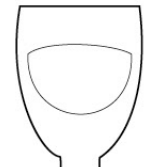
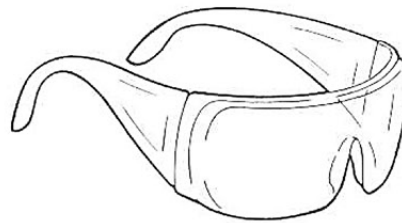
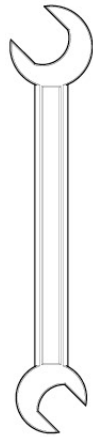
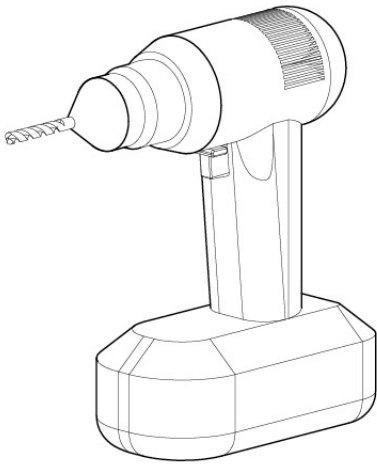
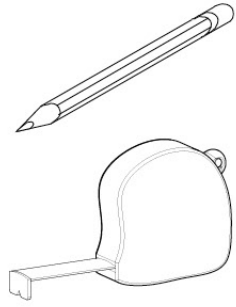
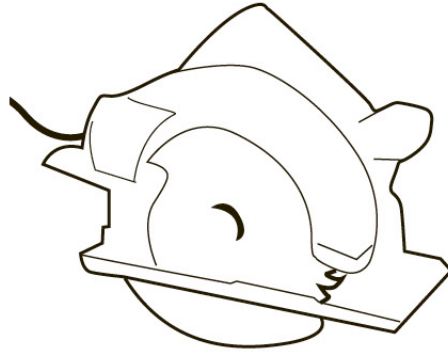
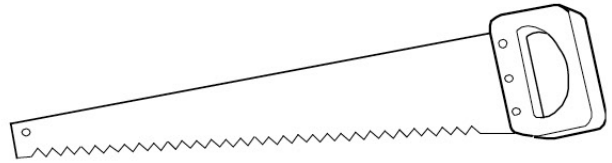
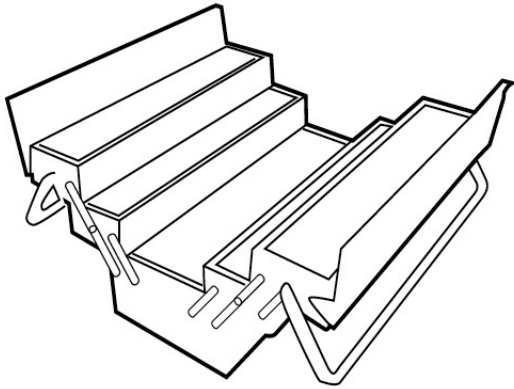


2.3

Timber



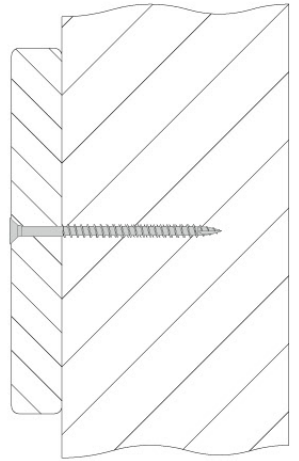
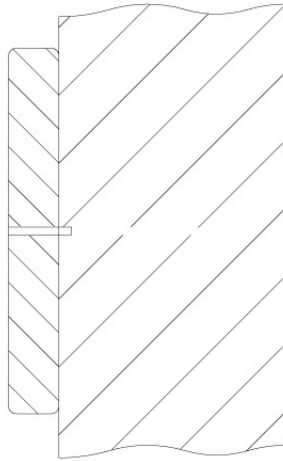
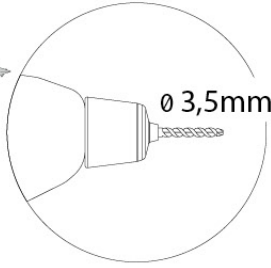
3.1



3.2

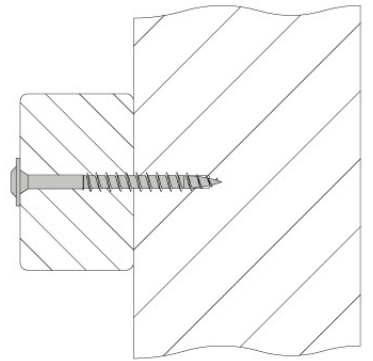
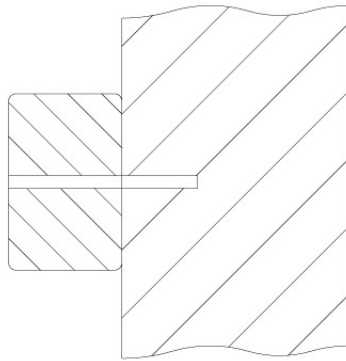
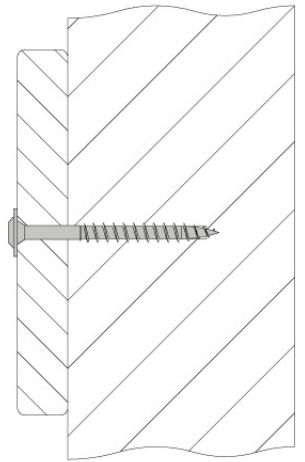
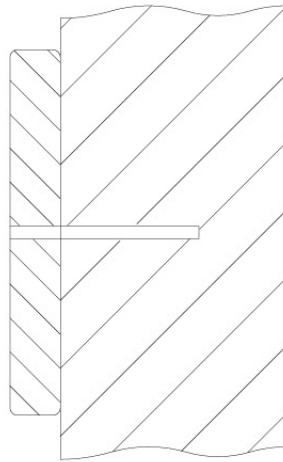
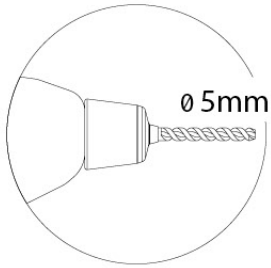
80 mm

45 mm



80 mm

45 mm

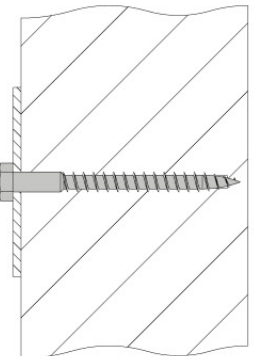
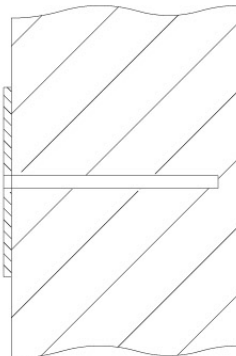
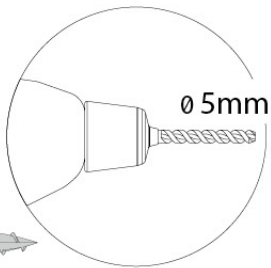


90 mm

50 mm

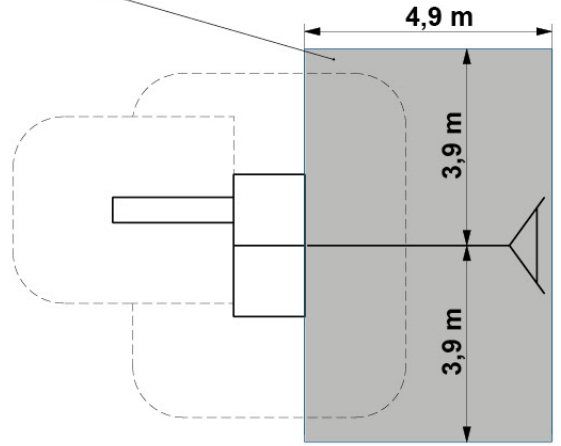
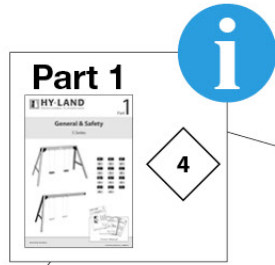
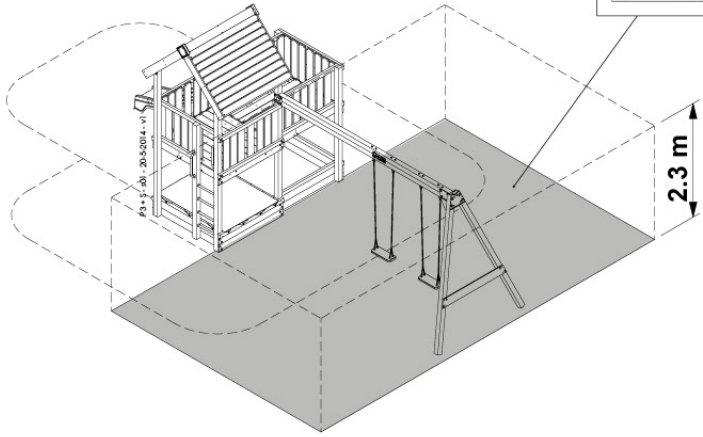
80 mm

45 mm

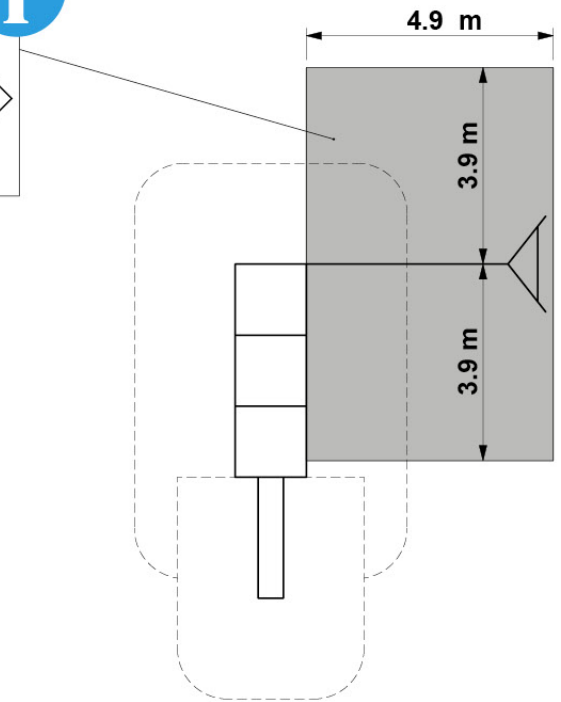
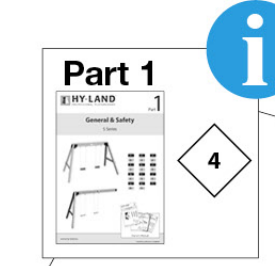
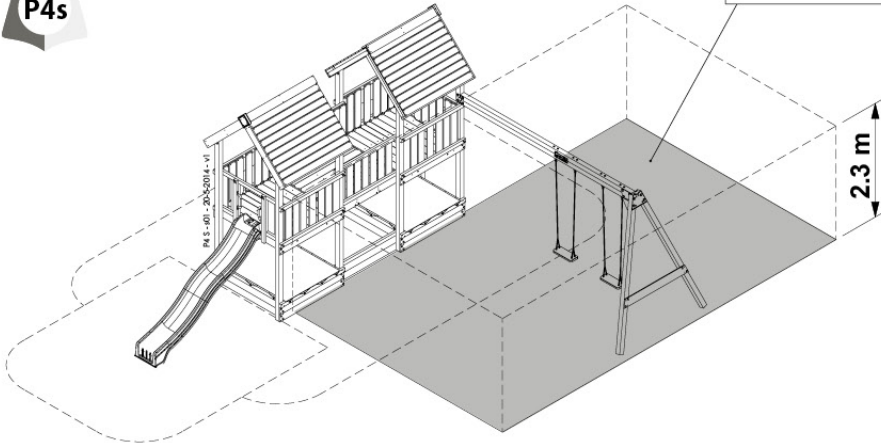


4.1a

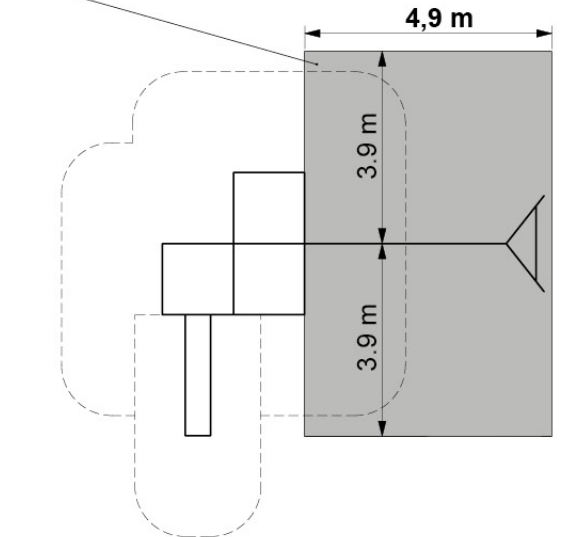
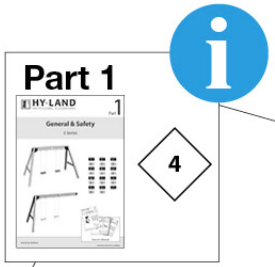
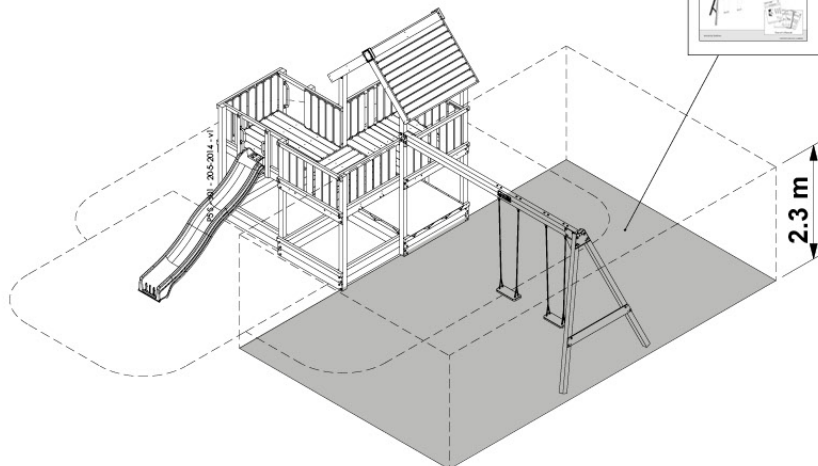
P3s

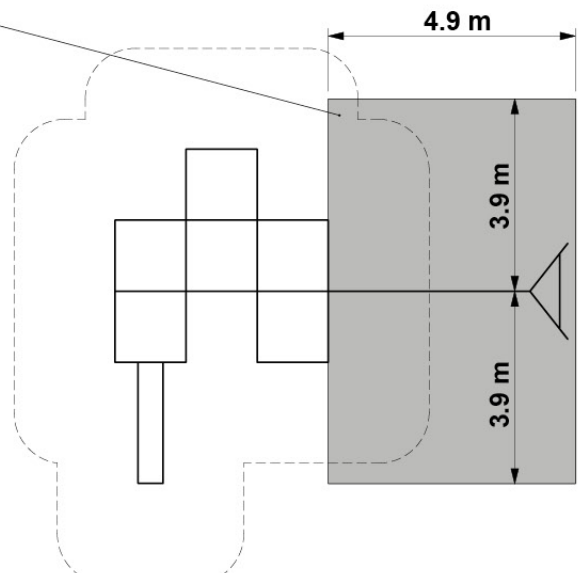
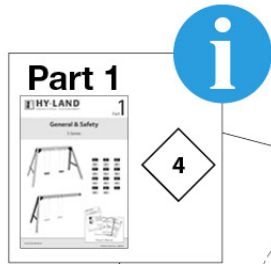
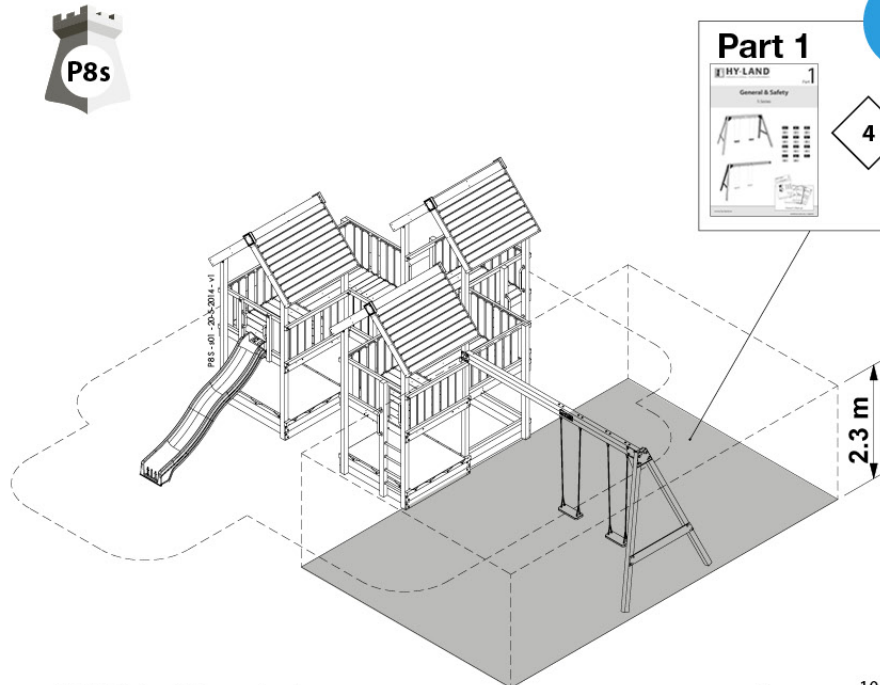
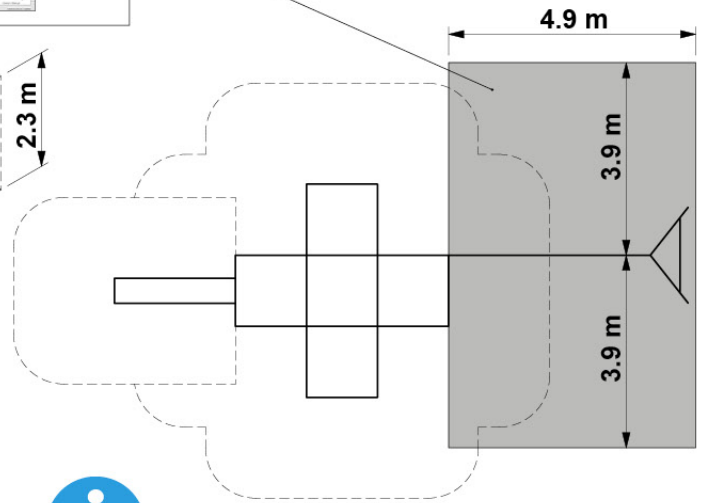
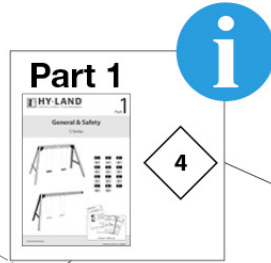
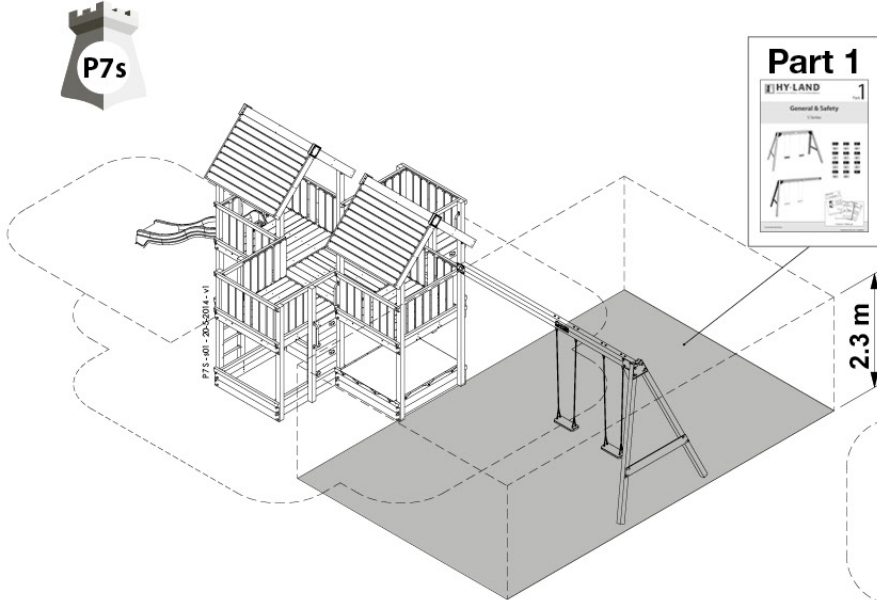
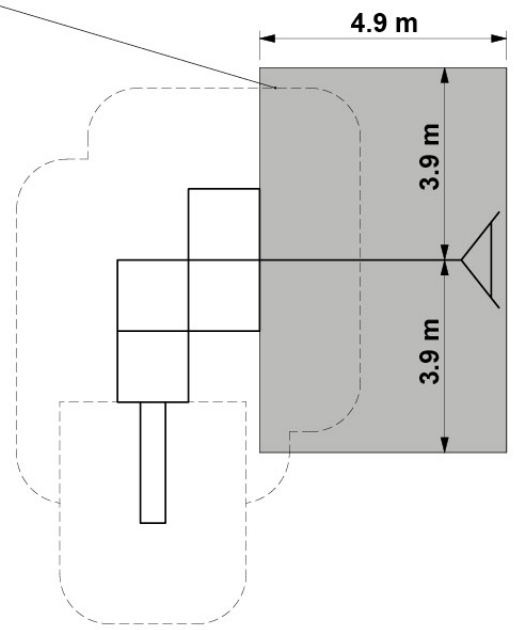
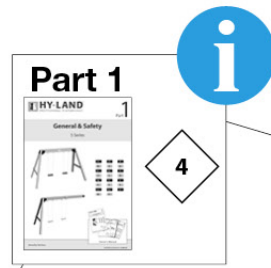
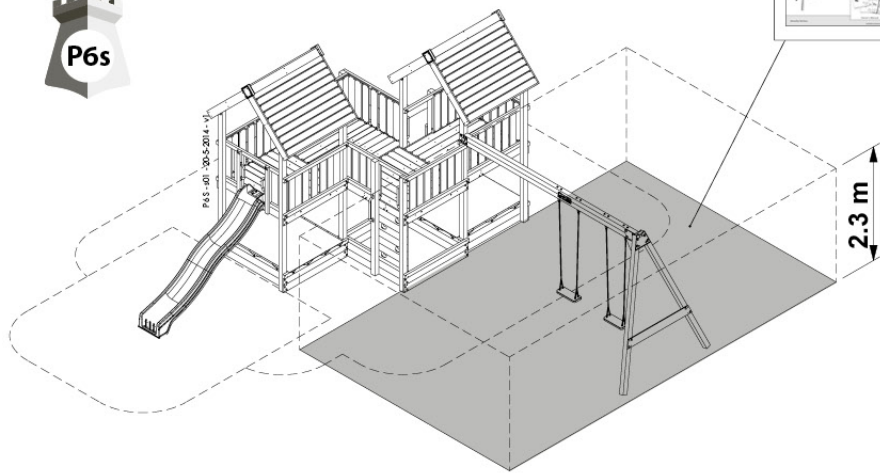


P4s



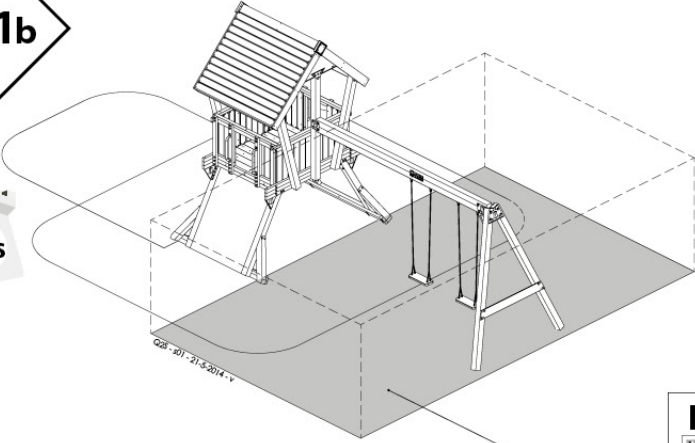
P5s





4.1b

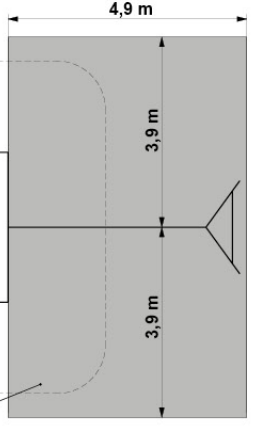
Q2s



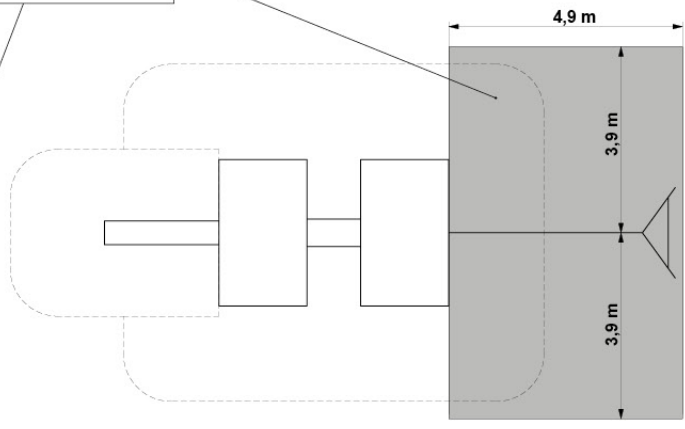
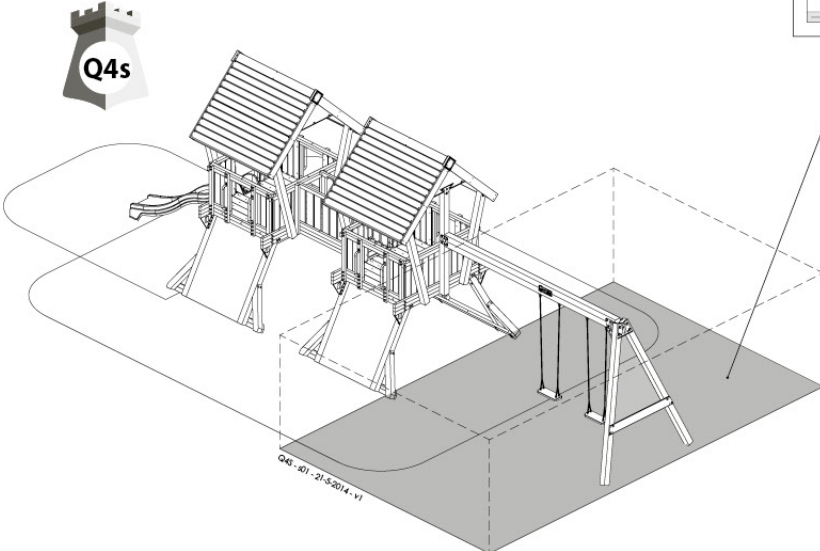
i

Part 1
 HY-LAND
 General & Safety
 4

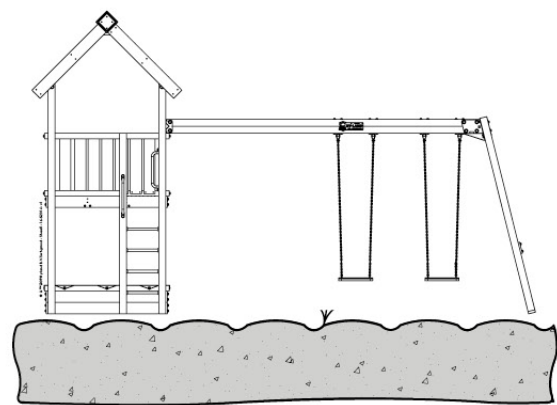
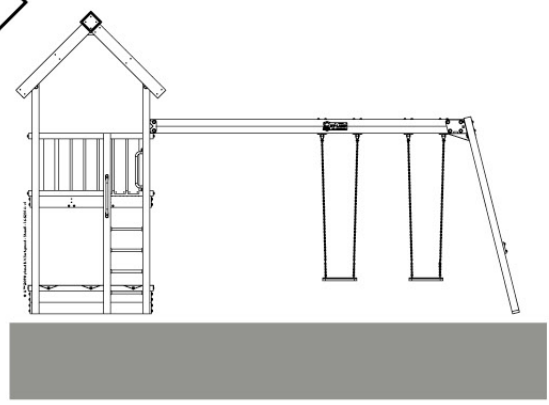
4



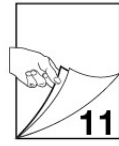
Q4s



4.2

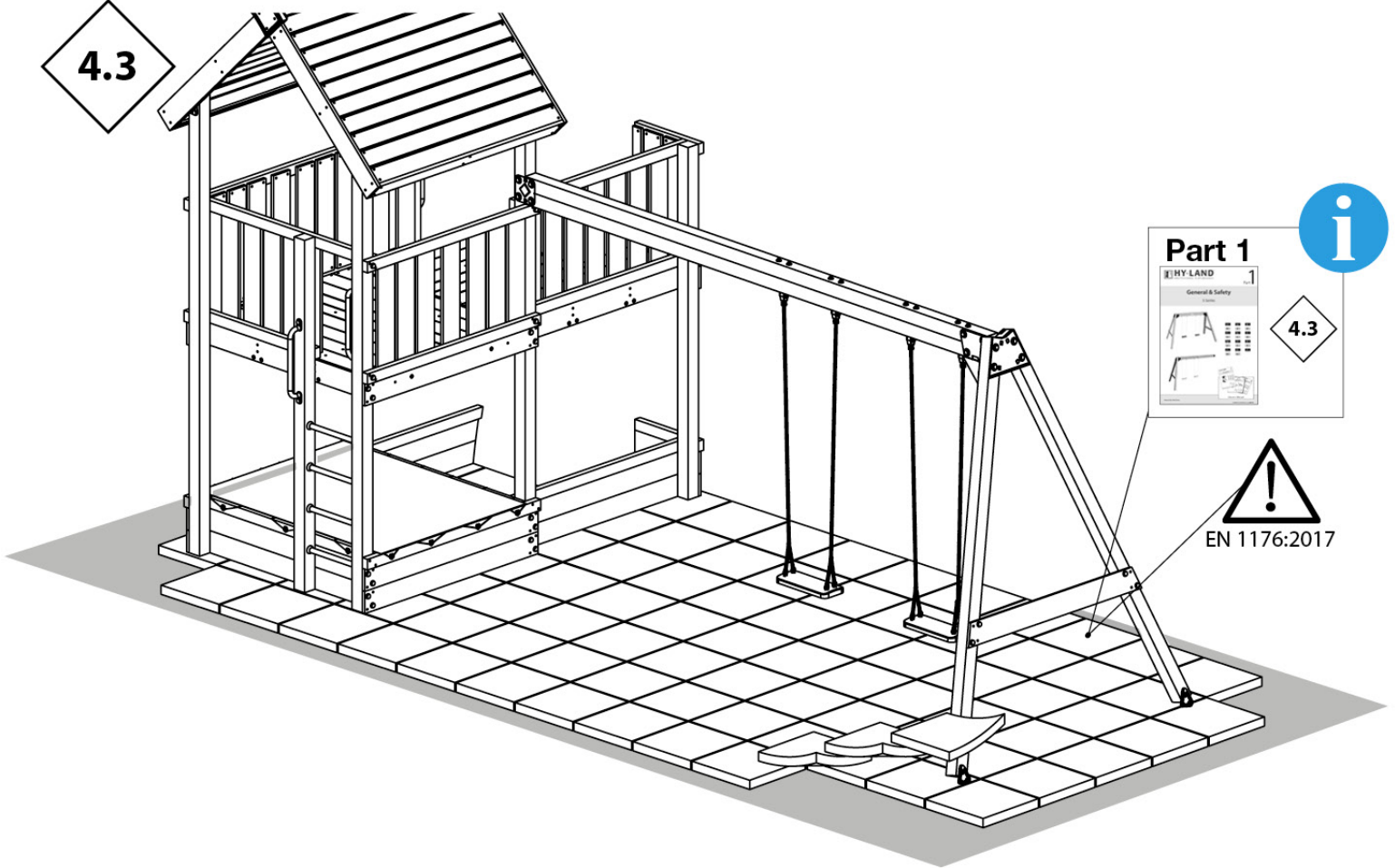


4.3

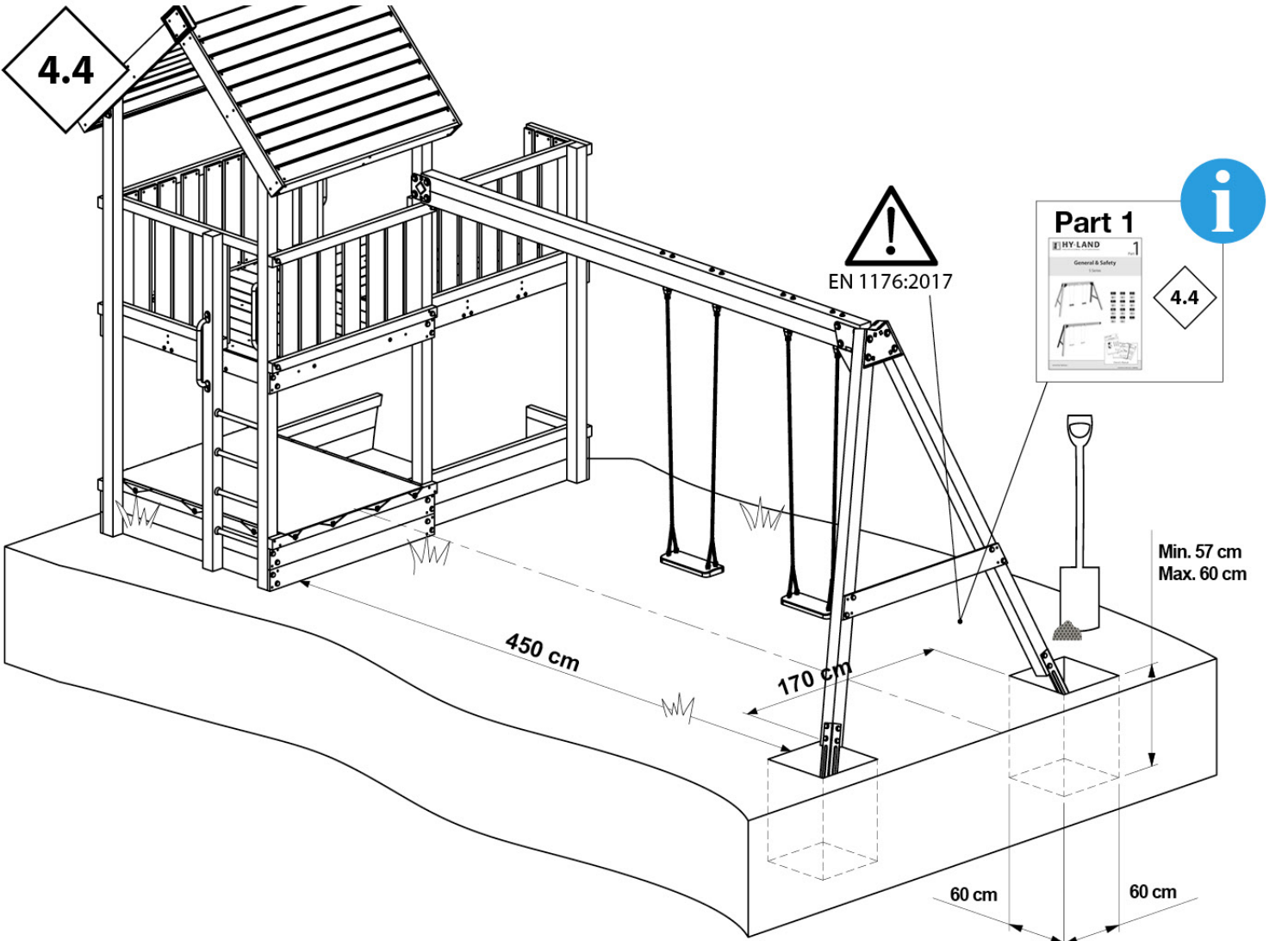


4.4

4.3

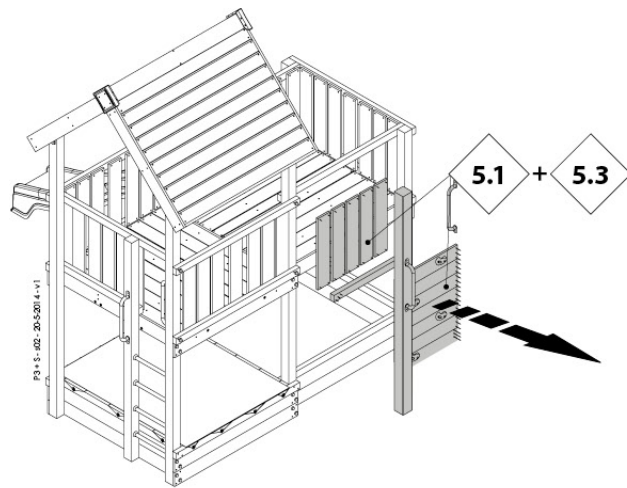


4.4

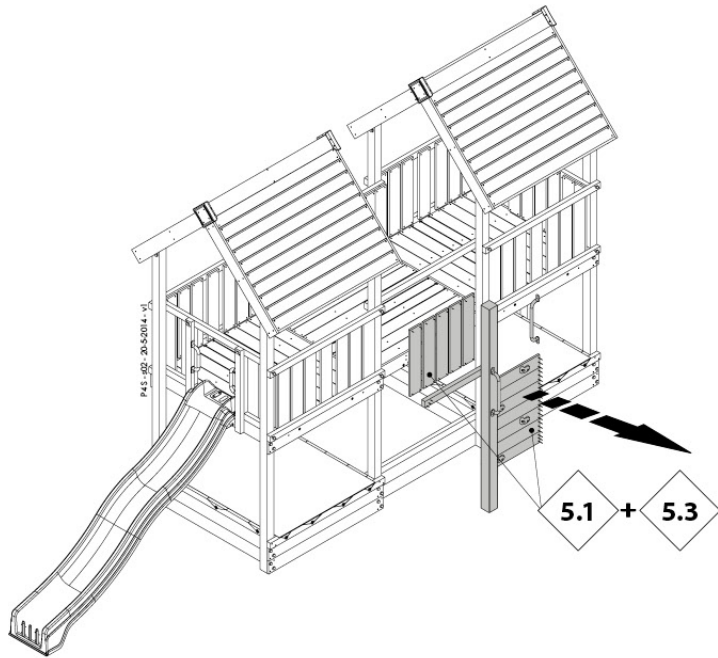


5

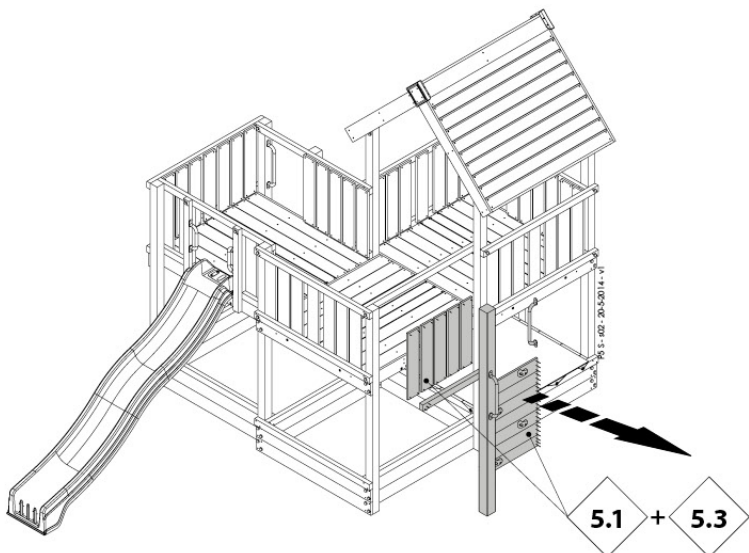
P3s

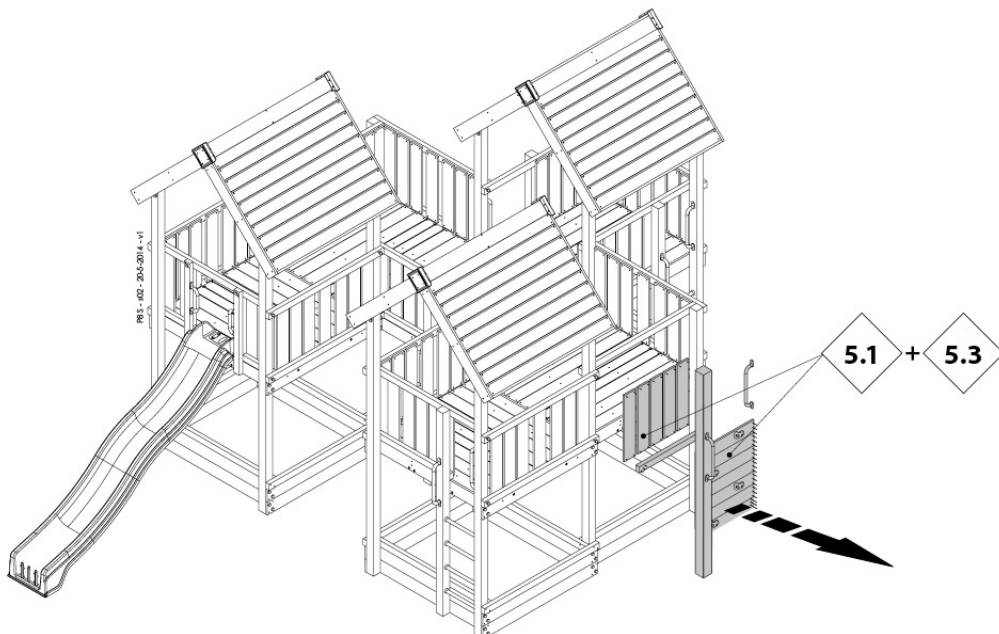
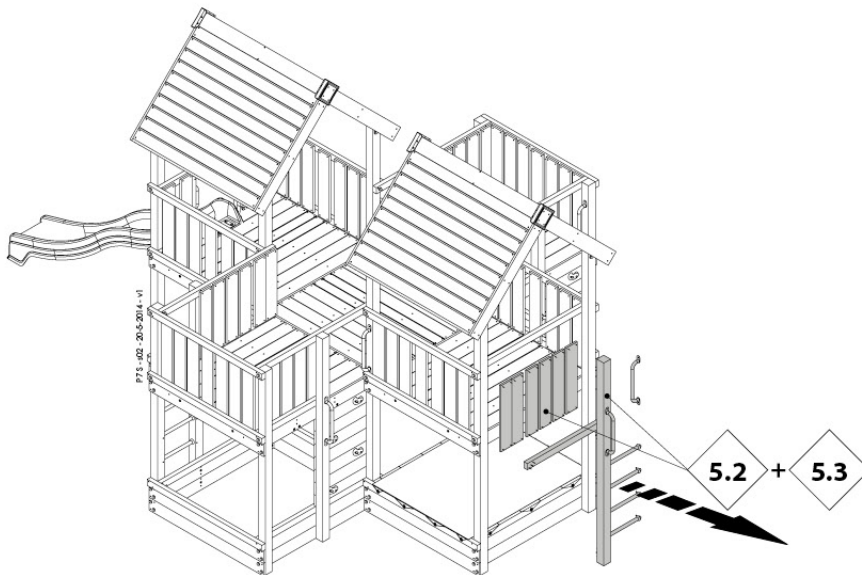
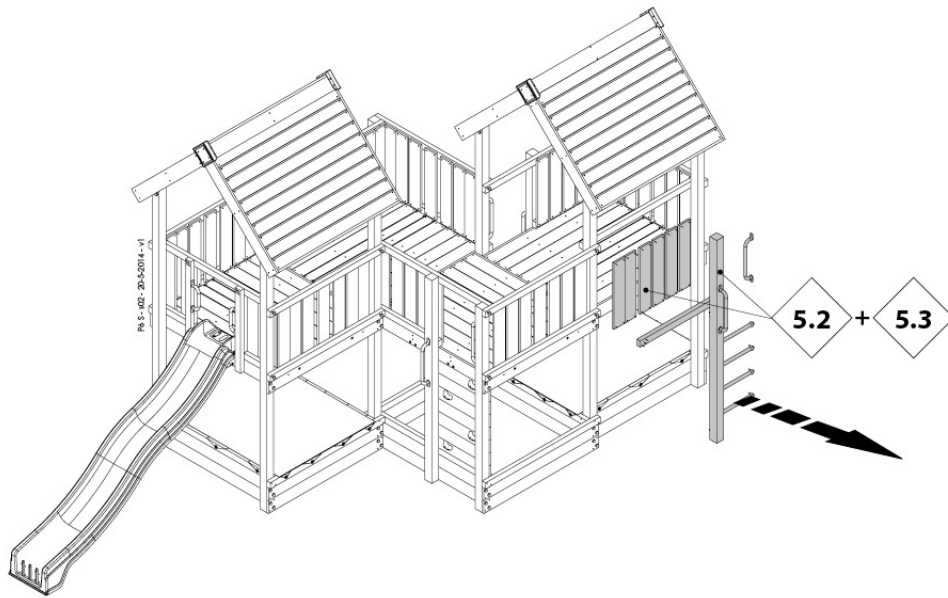


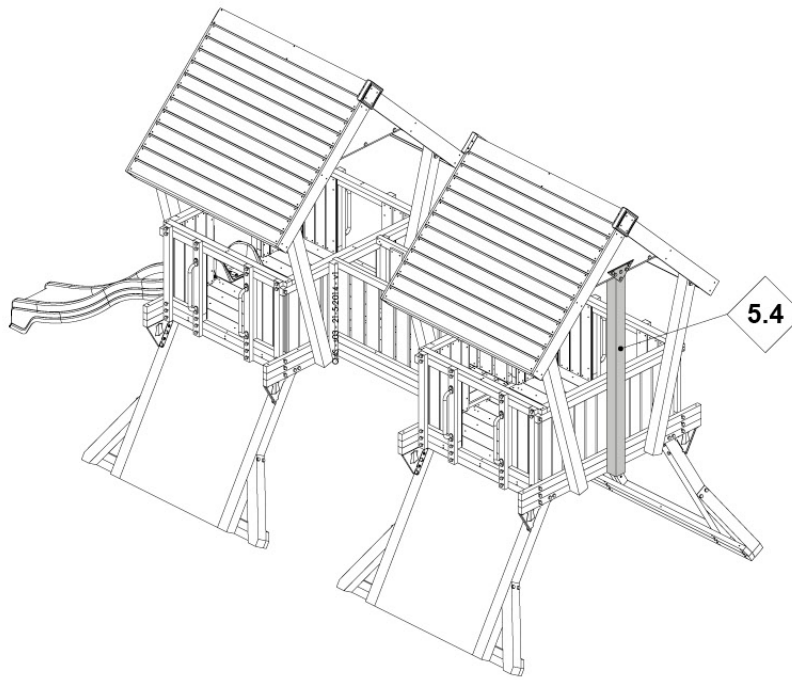
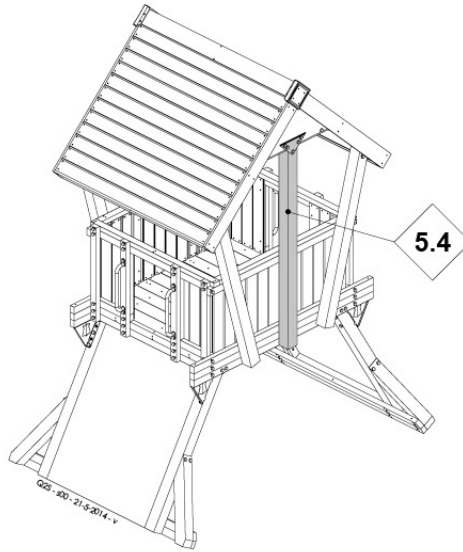
P4s



P5s

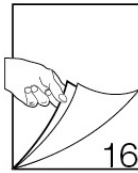




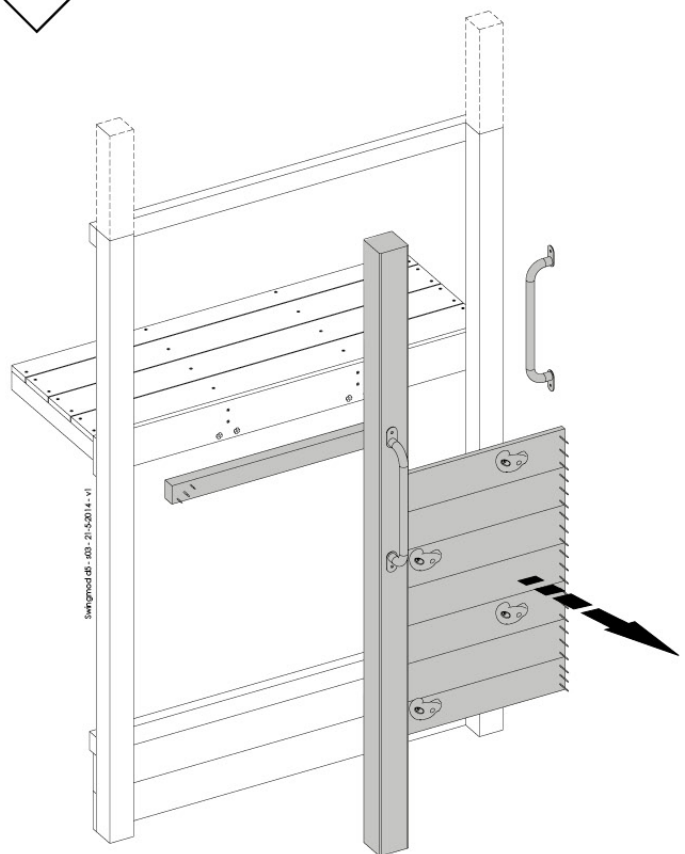
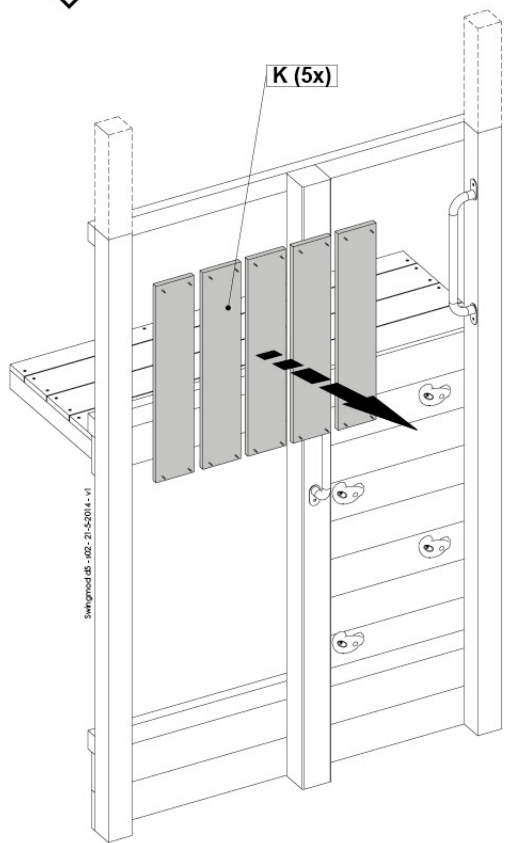


5.1

K (5x) →

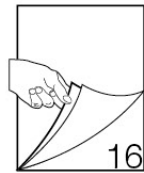


5.3b

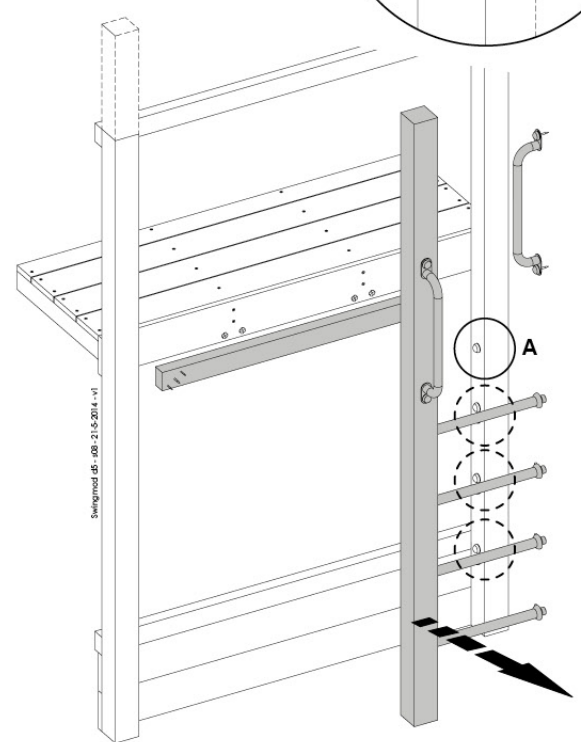
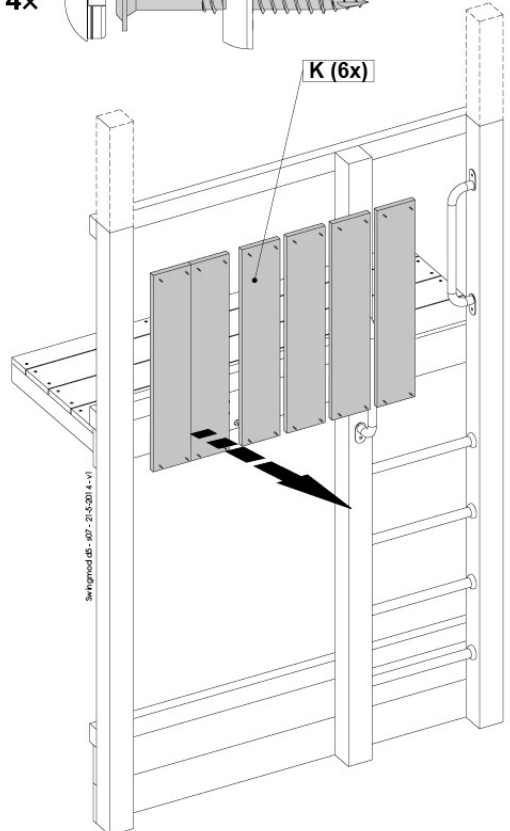
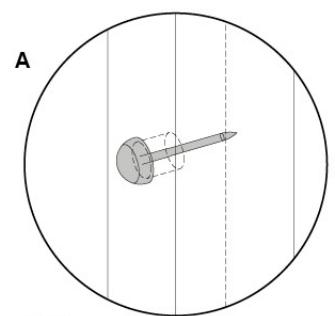
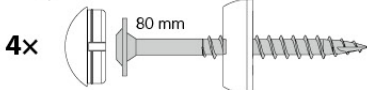


5.2

K (6x) →

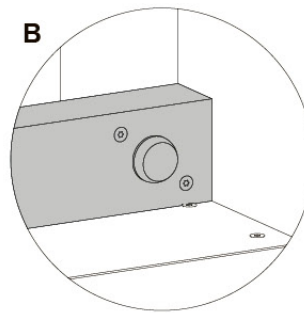
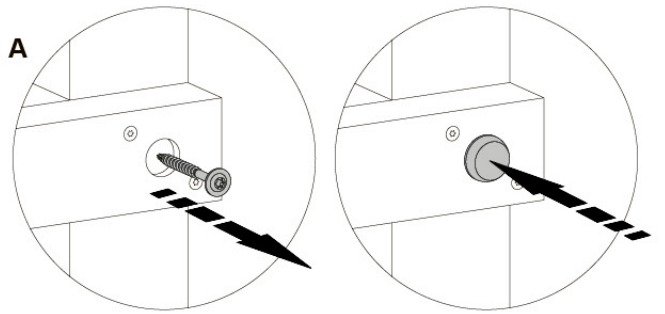
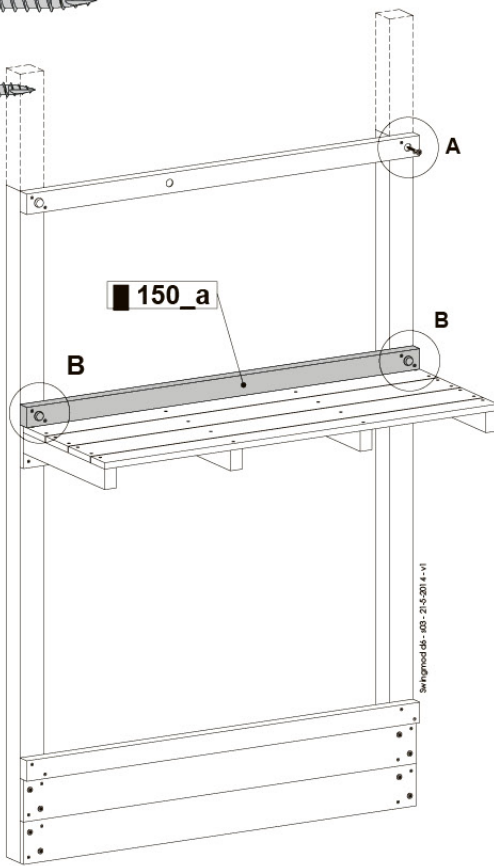
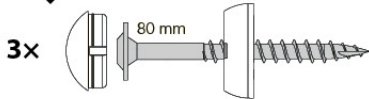


5.3b

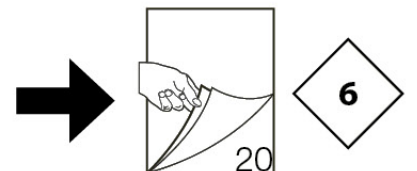
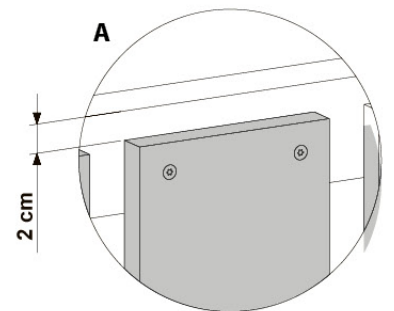
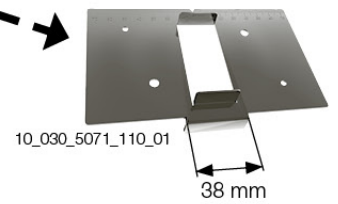
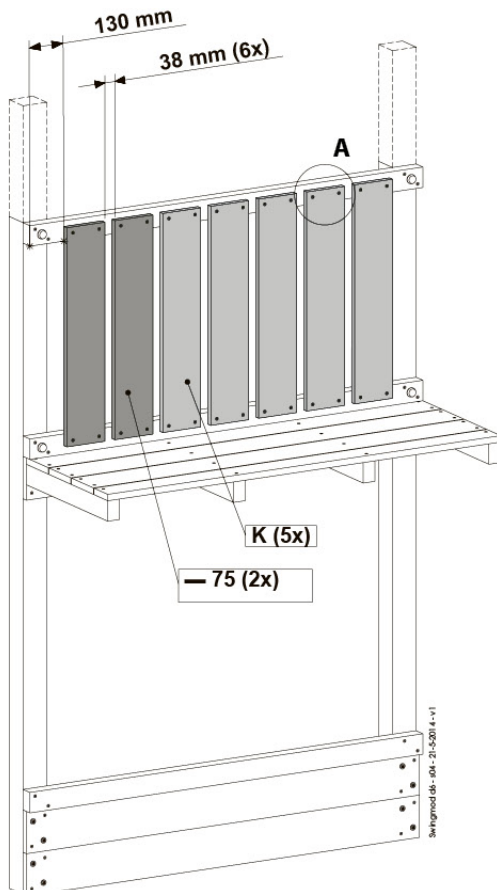


5.3a

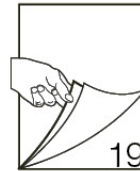
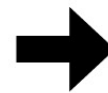
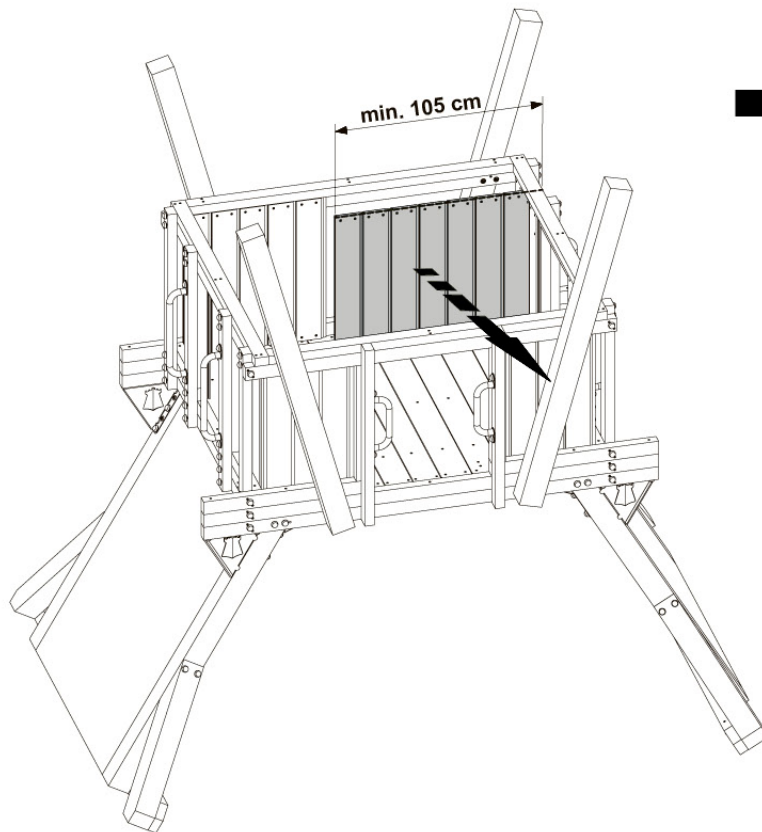
180°



5.3b

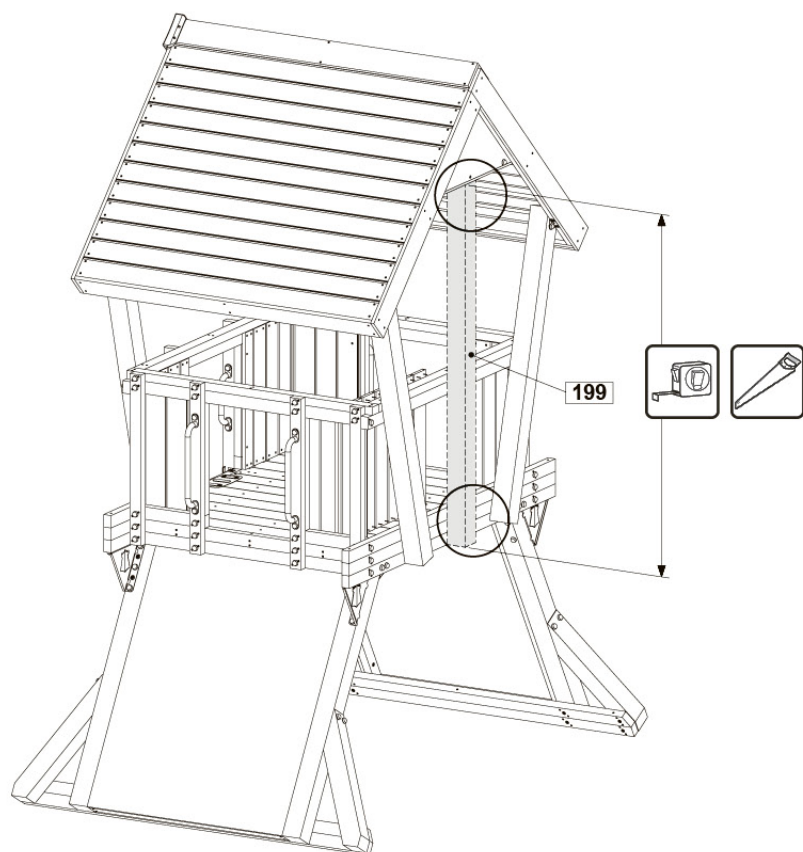
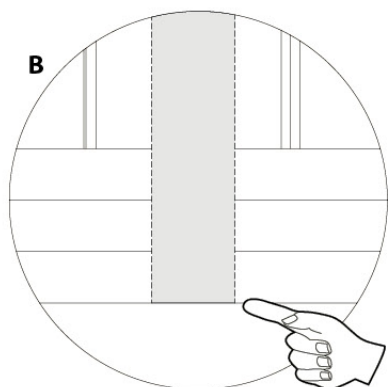
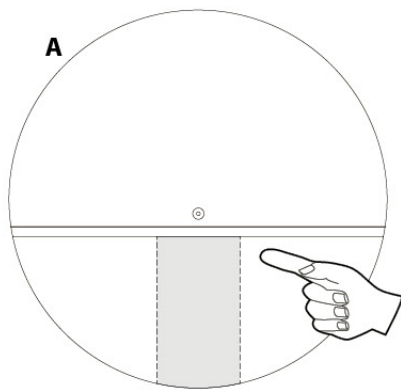


5.4a



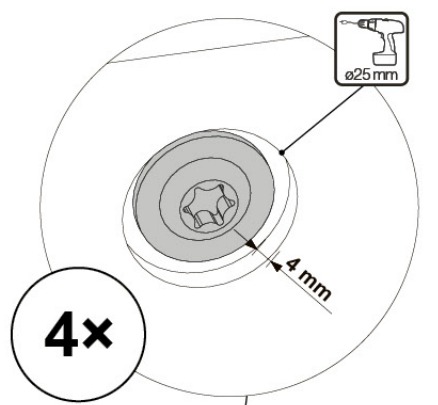
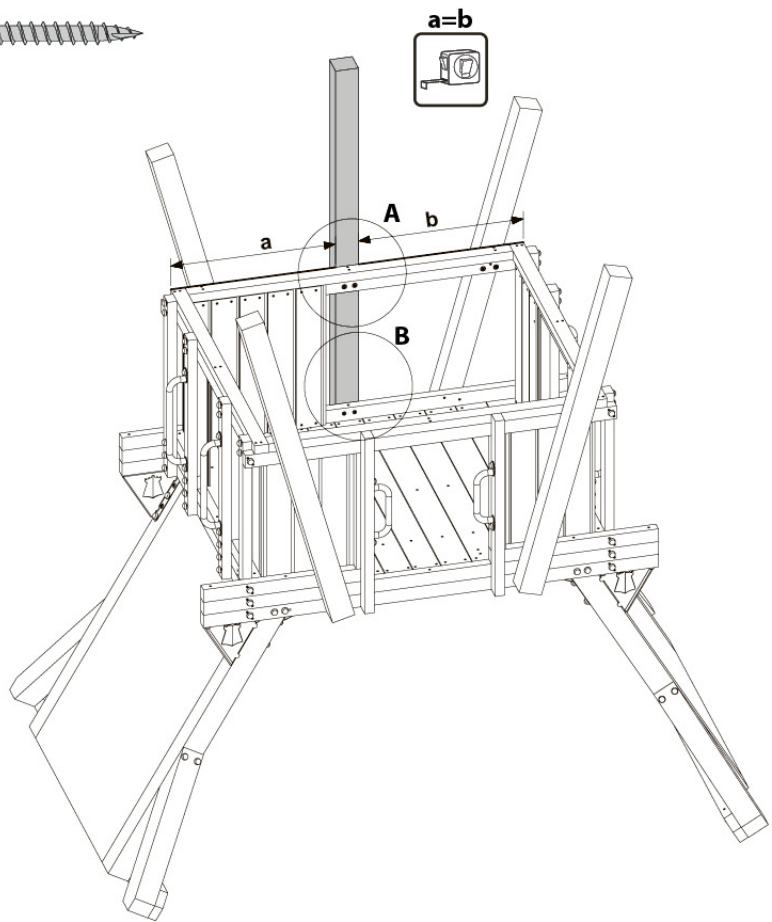
5.4e

5.4b

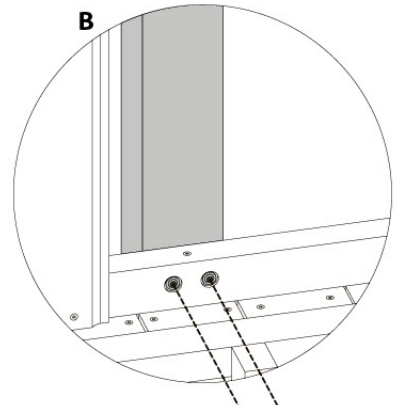
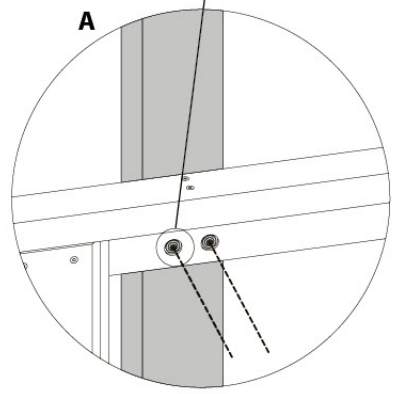


5.4c

4x 80 mm

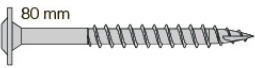
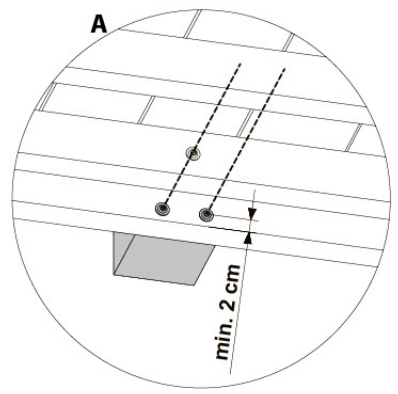
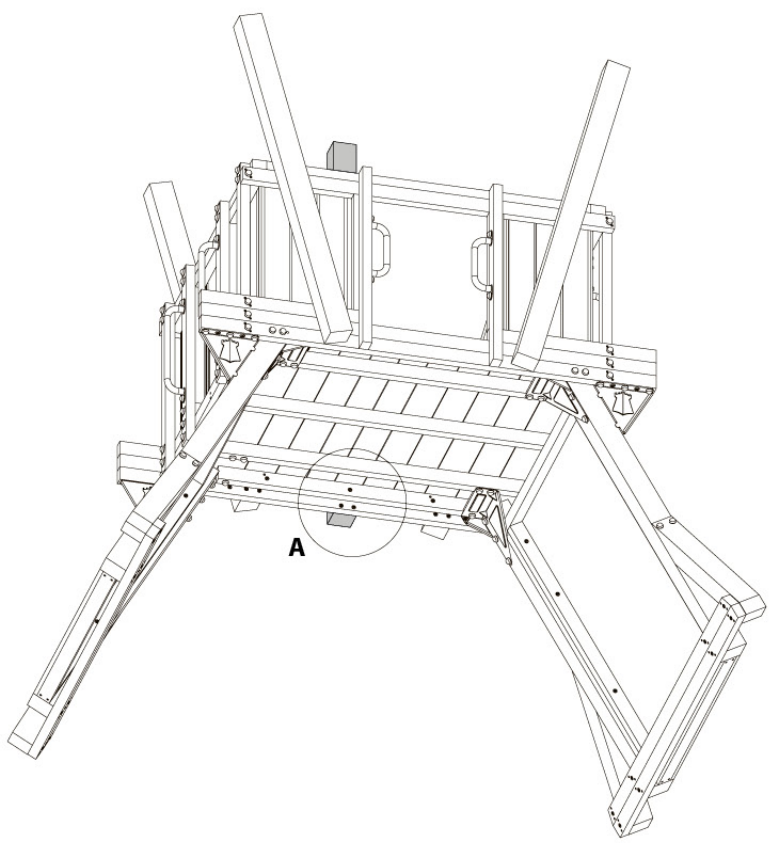



4x



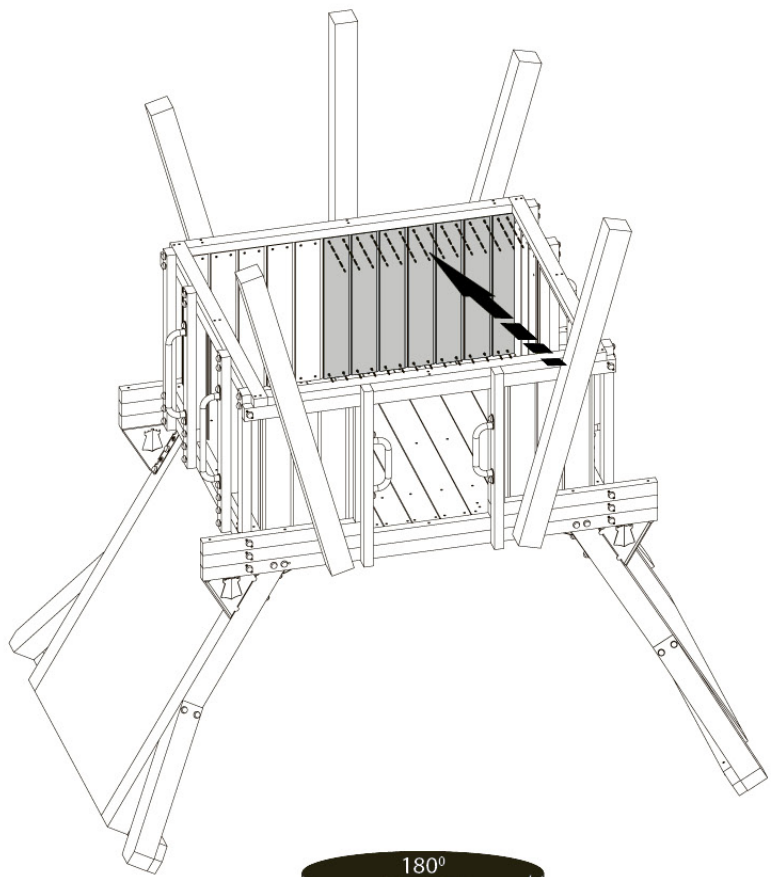
5.4d

2x 80 mm

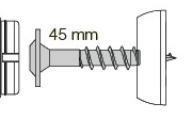



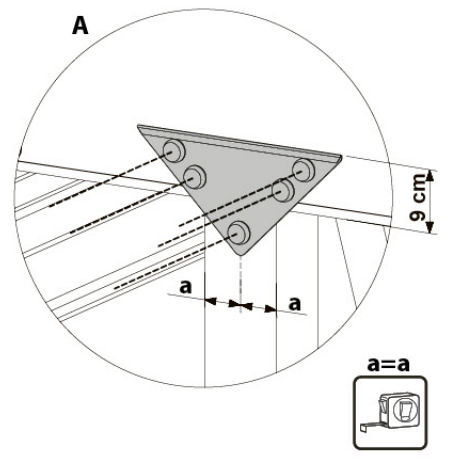
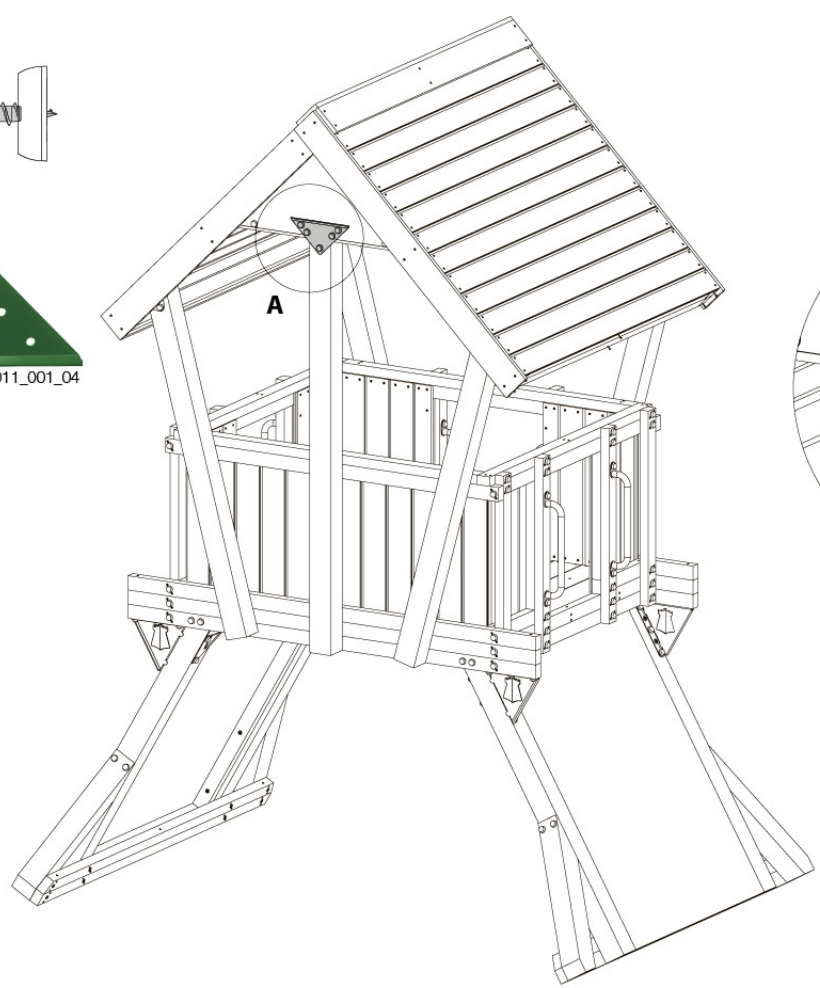
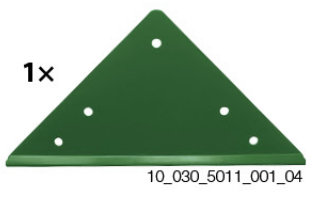
5.4e

36 - 44x  45 mm

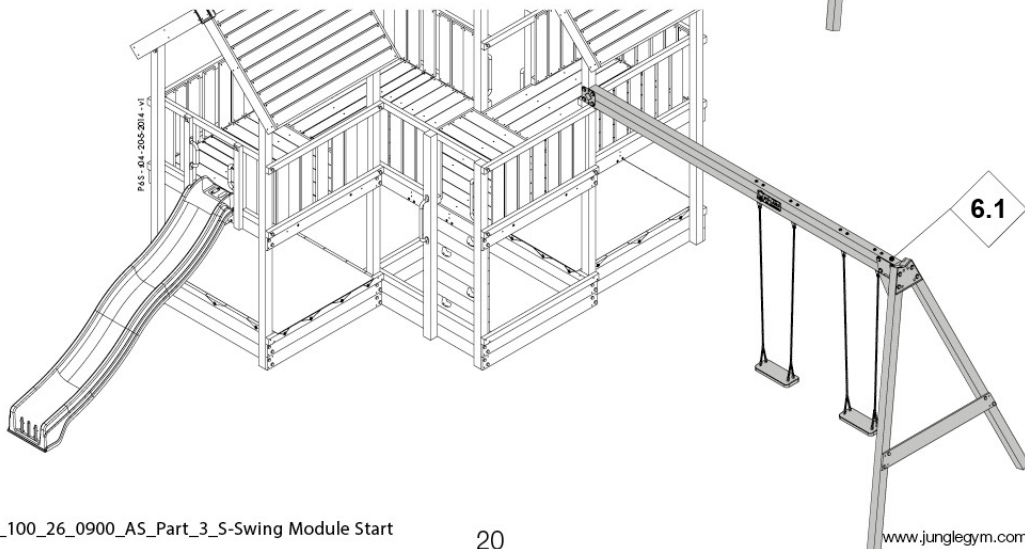
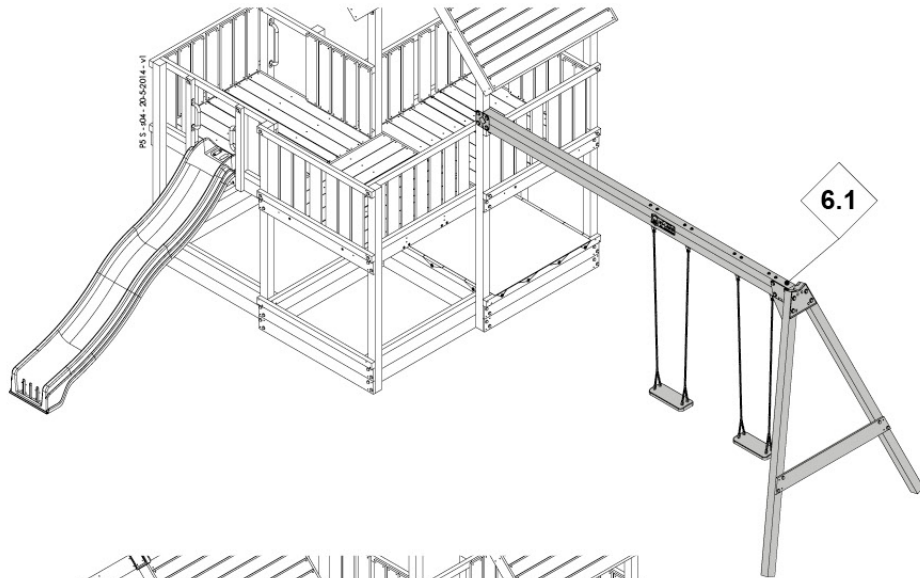
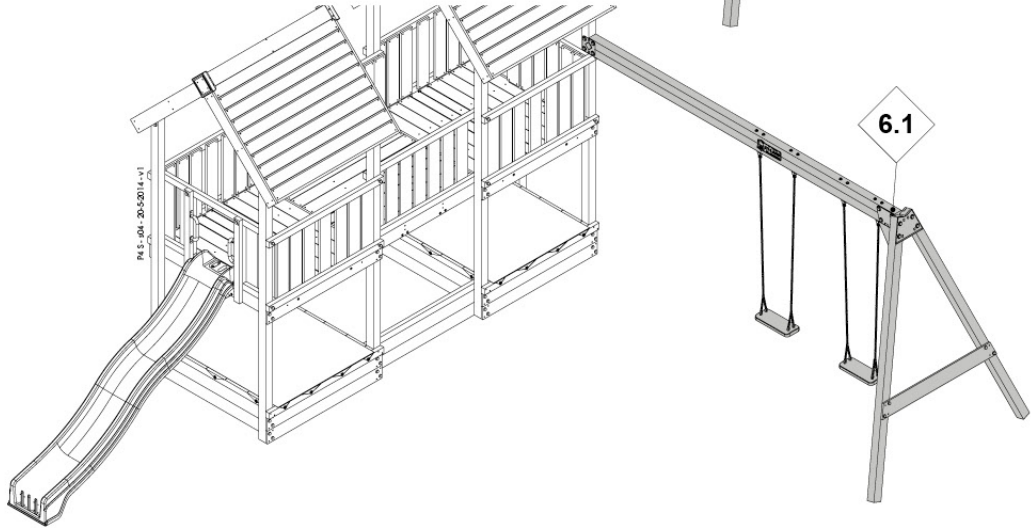
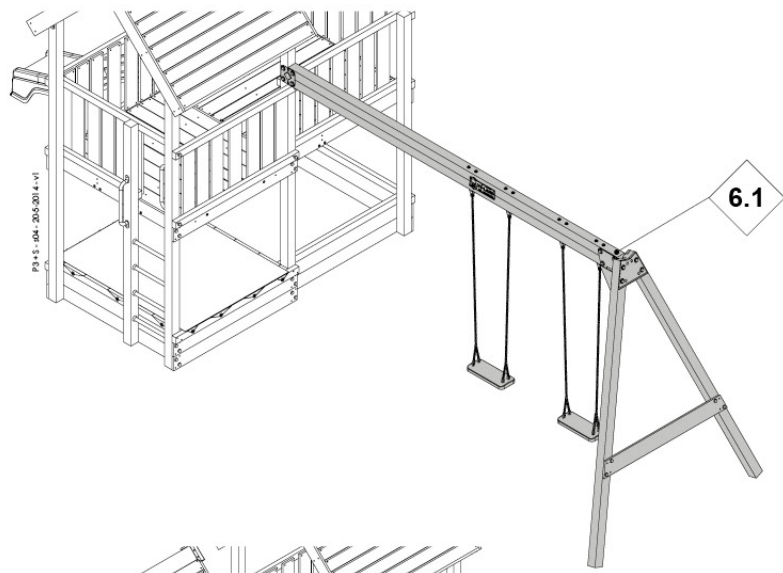


5.4f

5x  45 mm

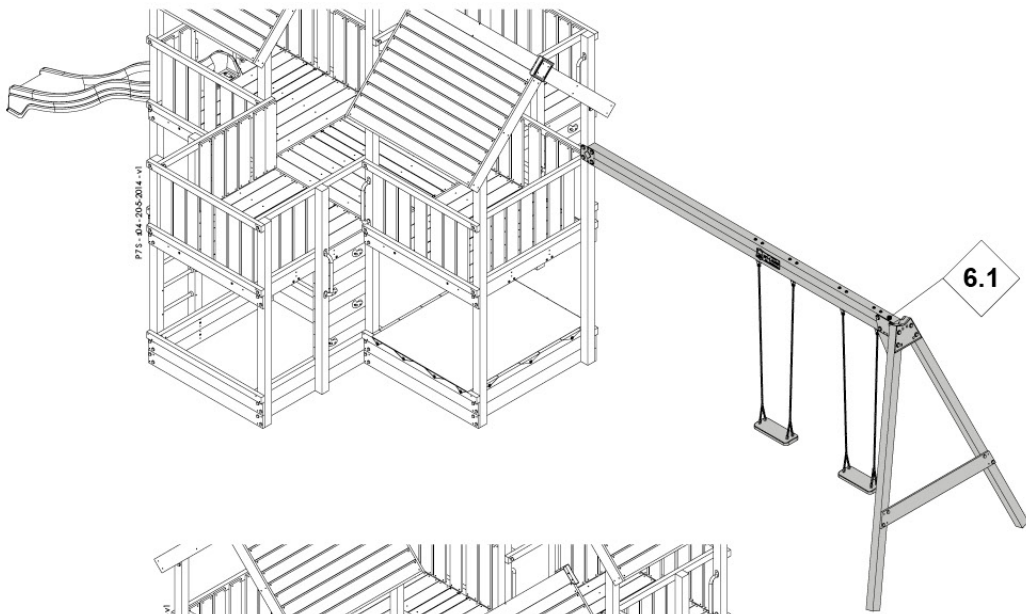


6





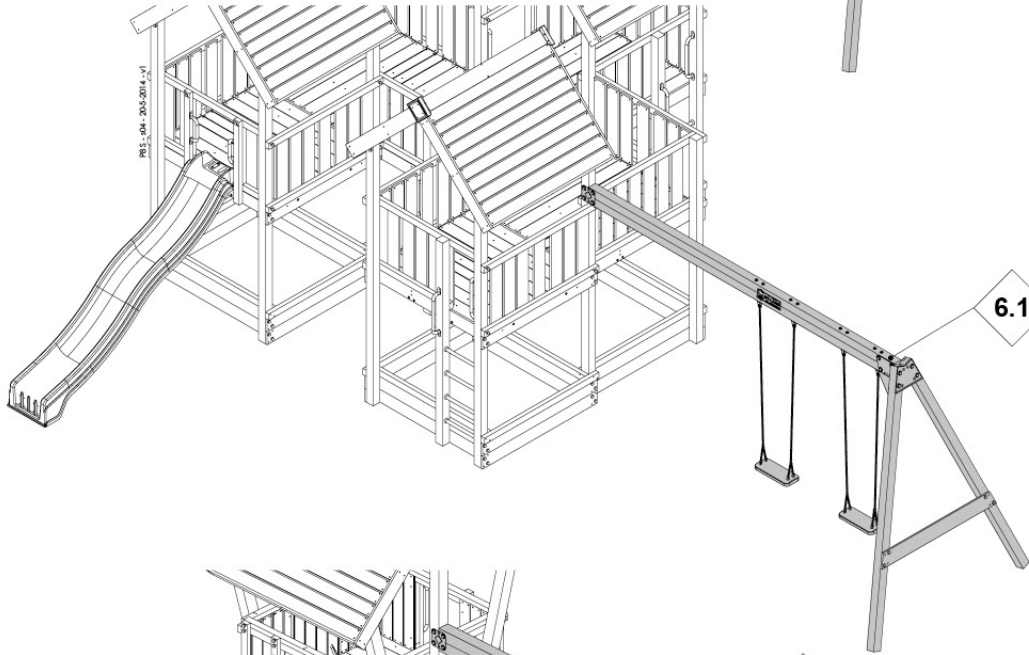
P7s



6.1



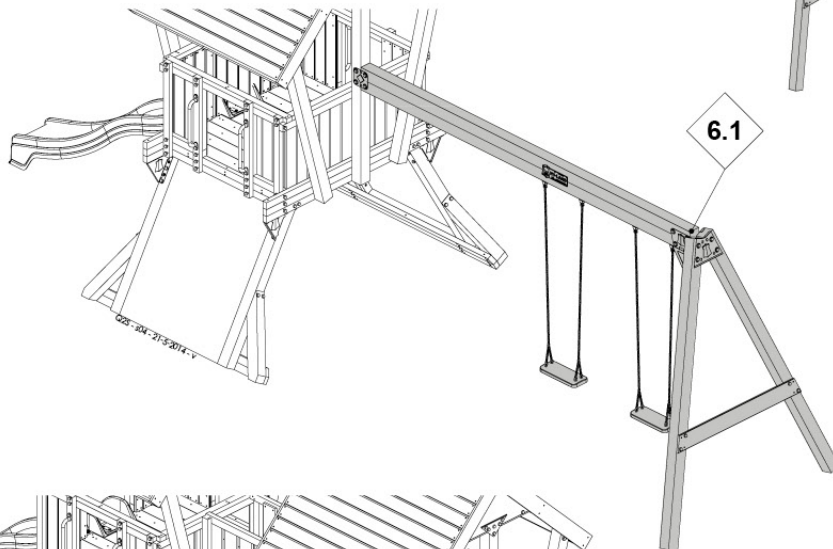
P8s



6.1



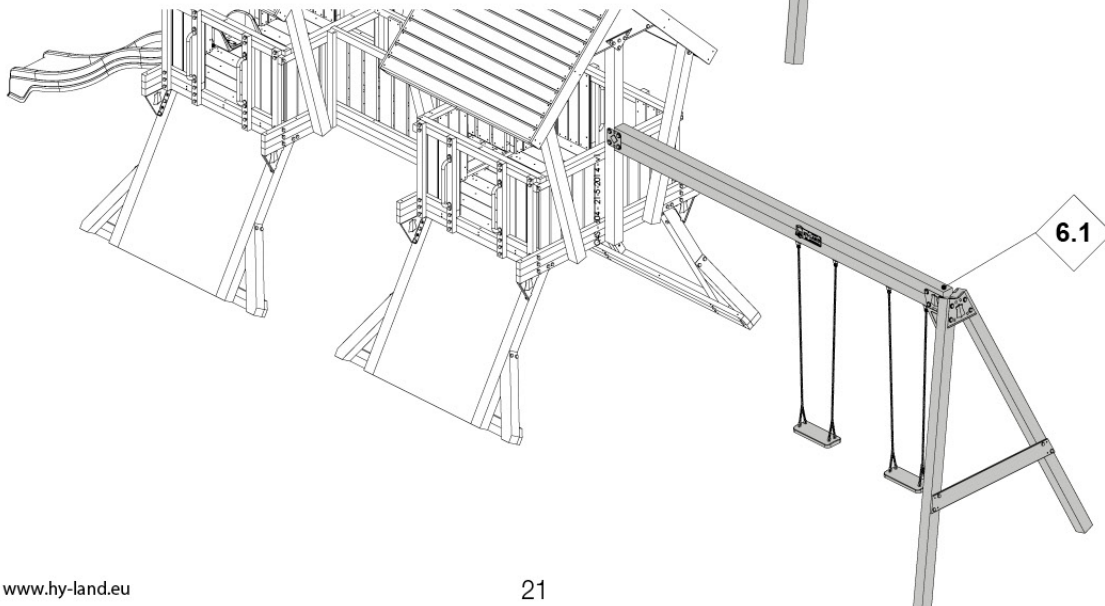
Q2s



6.1

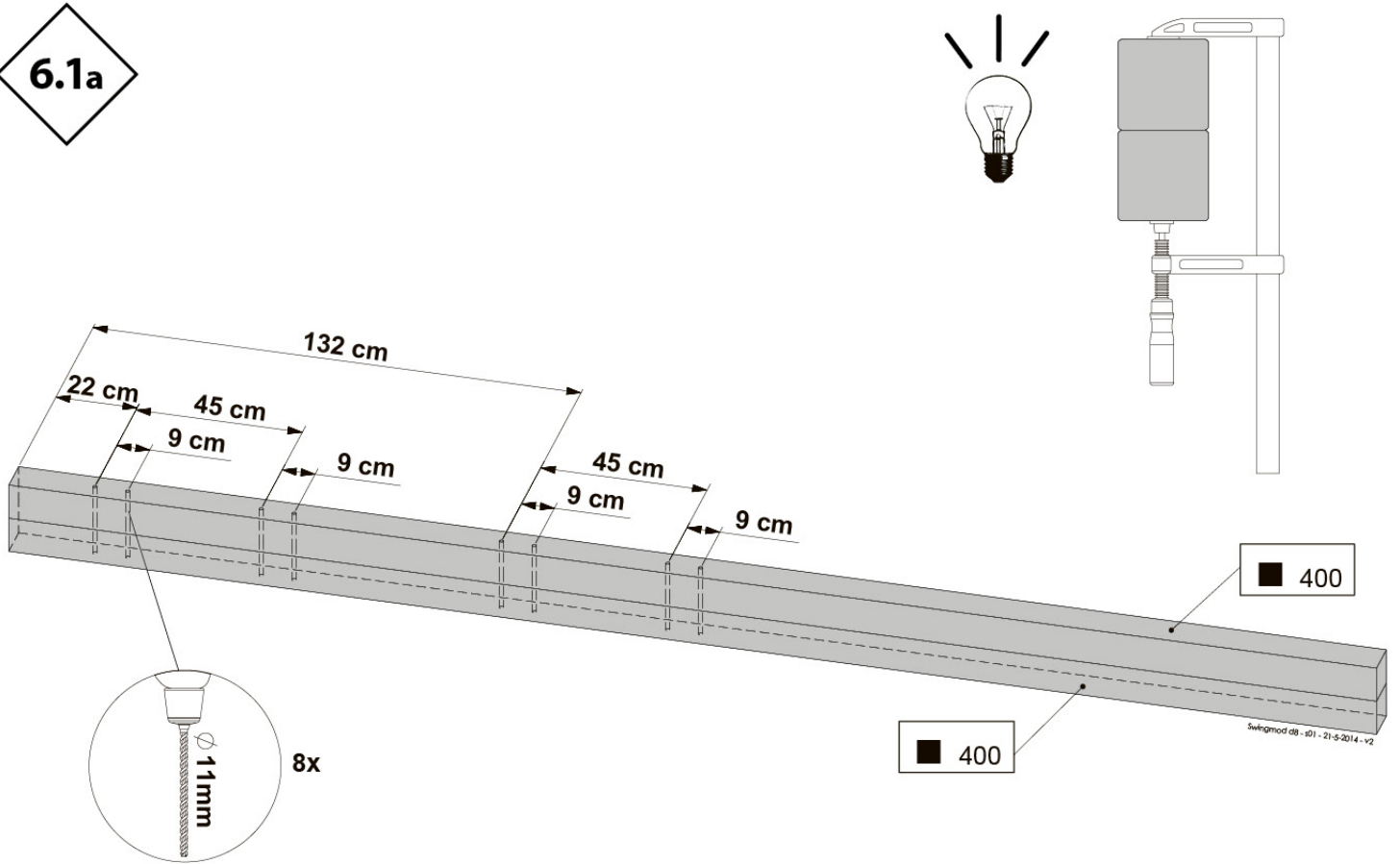


Q4s

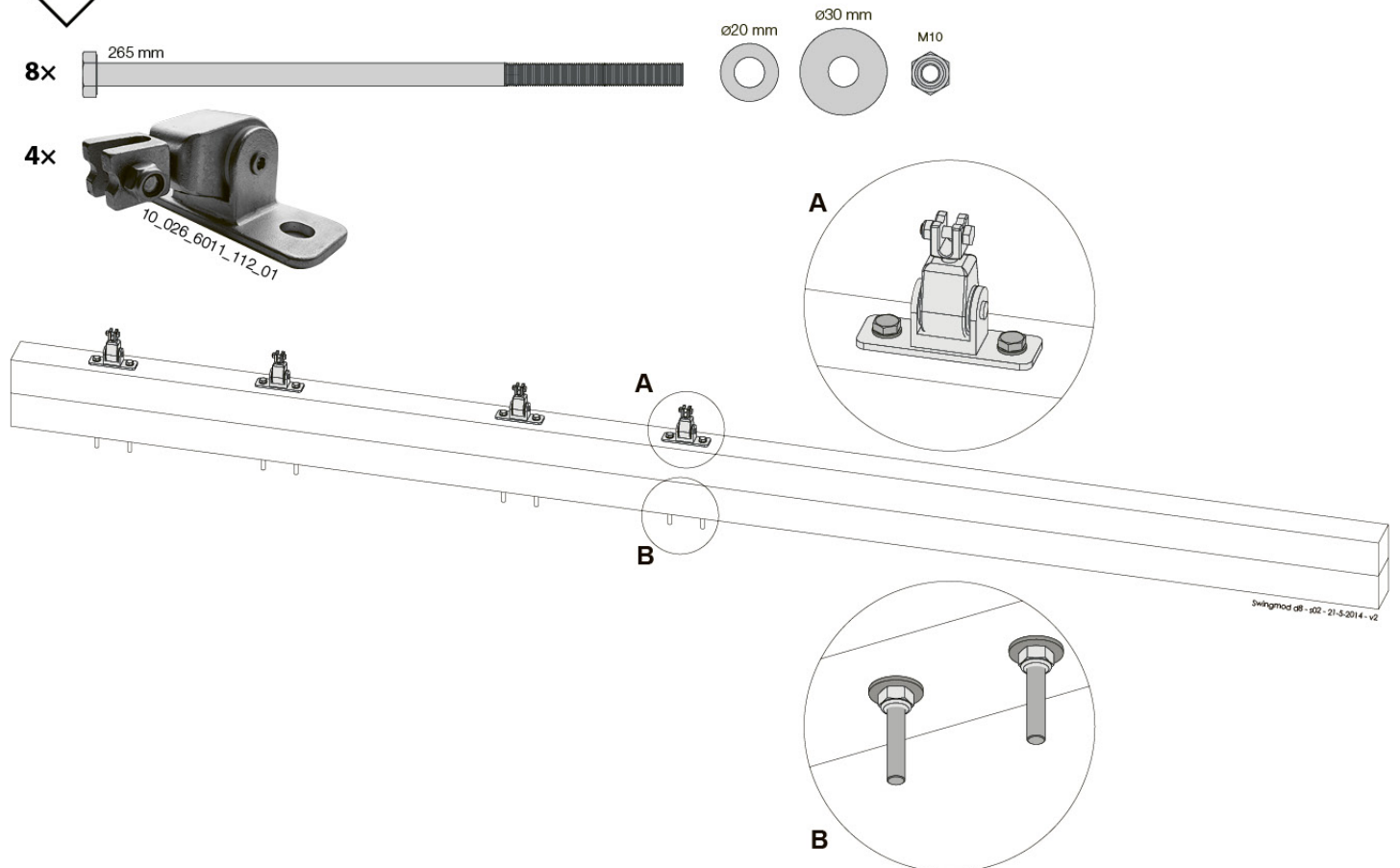


6.1

6.1a

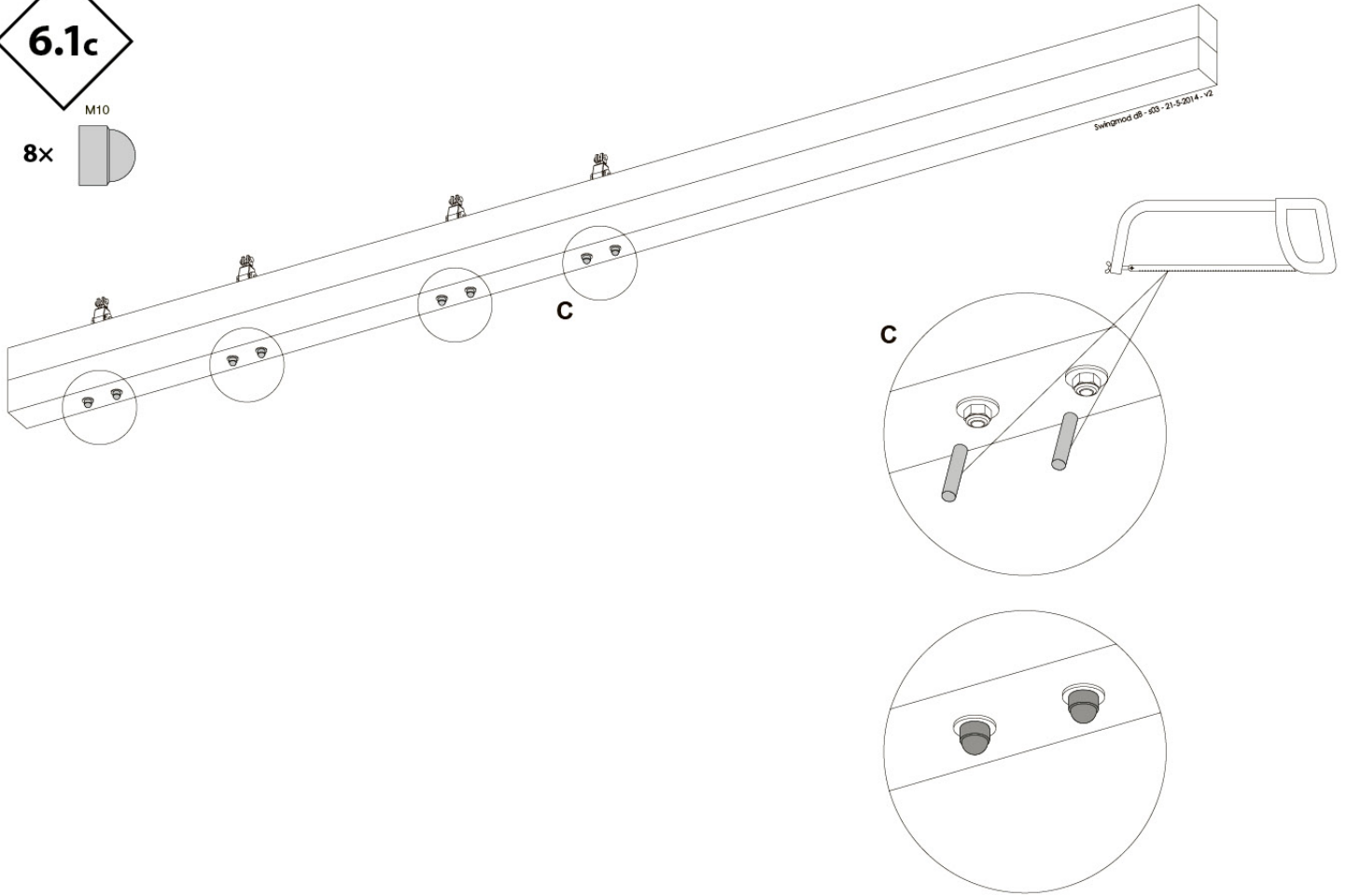


6.1b



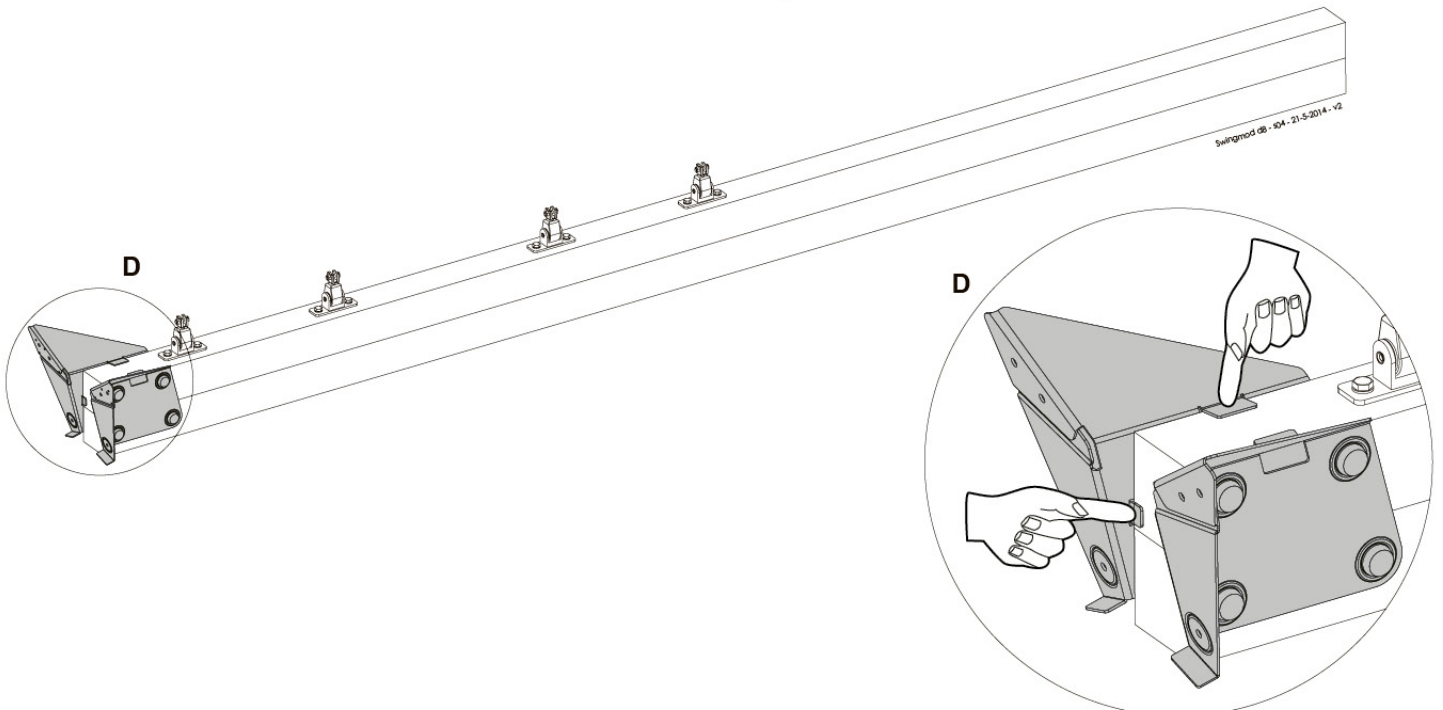
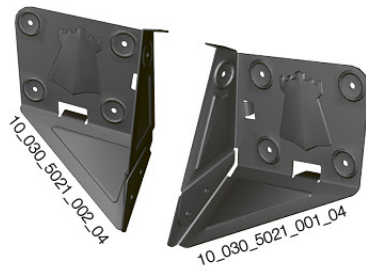
6.1c

8x M10

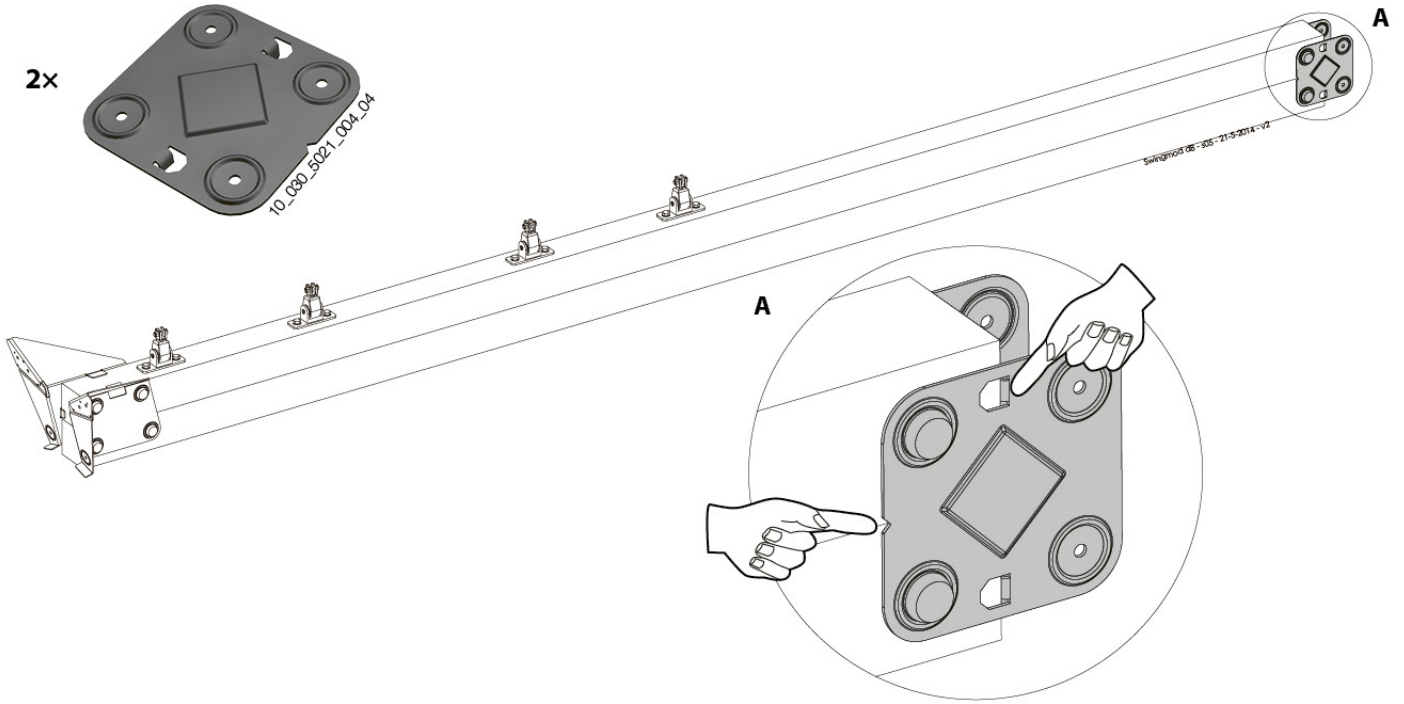
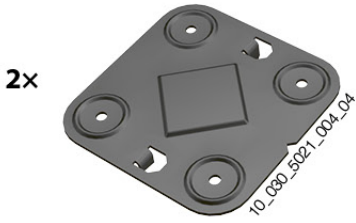
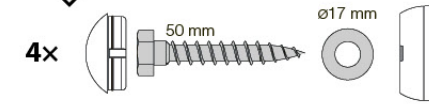


6.1d

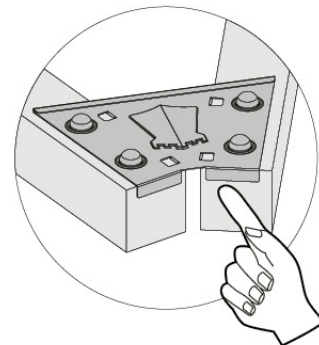
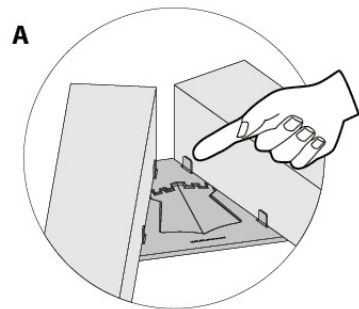
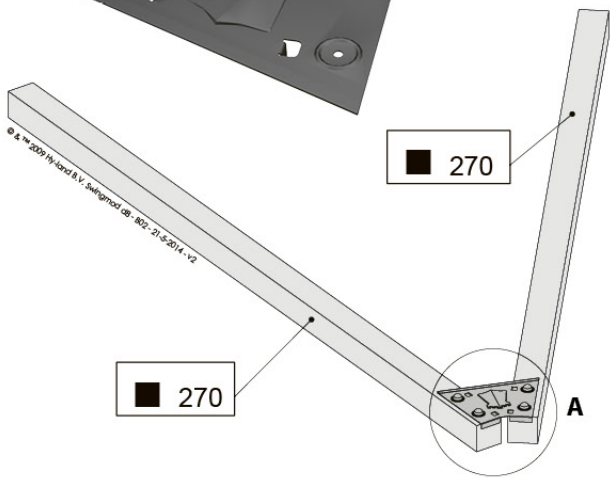
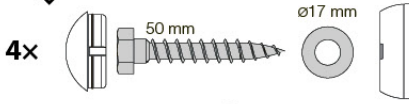
8x 50 mm $\varnothing 17$ mm



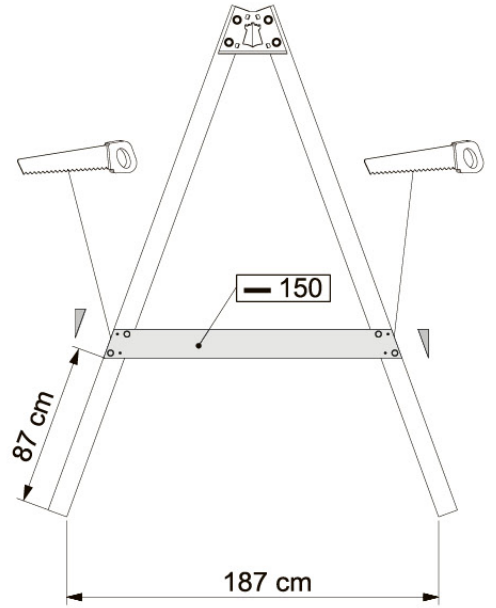
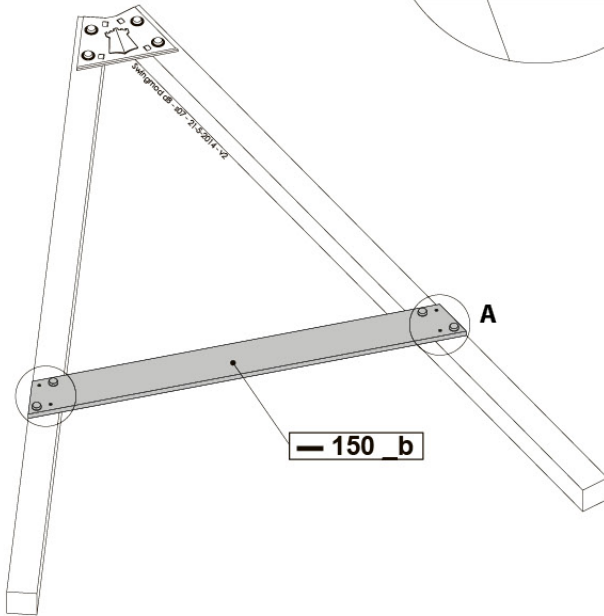
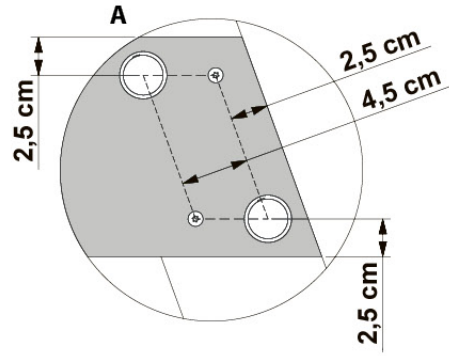
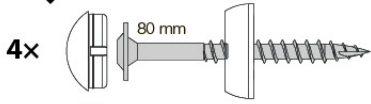
6.1e



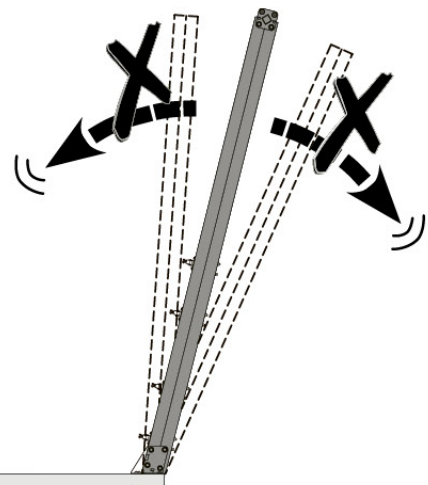
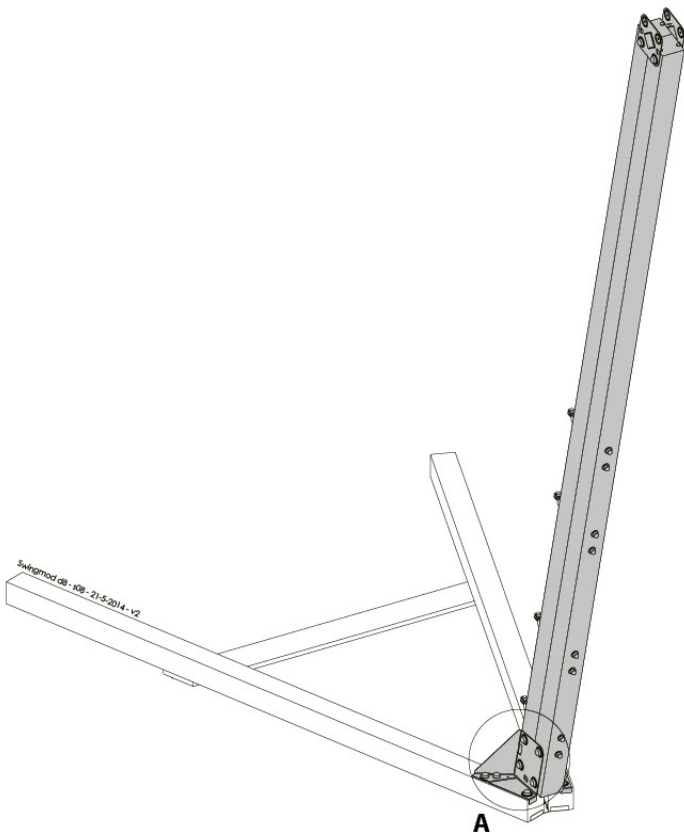
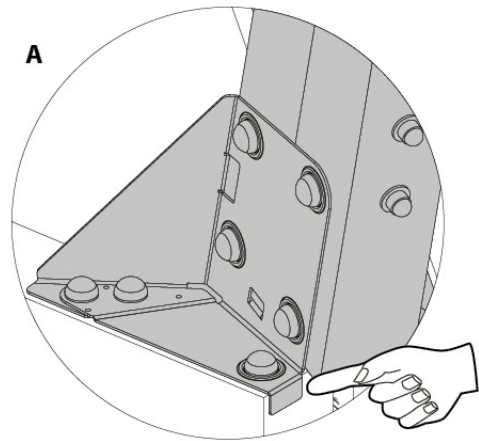
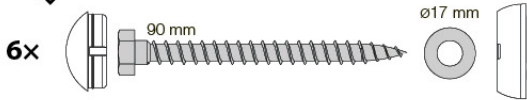
6.1f



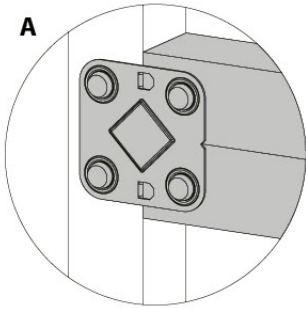
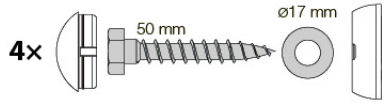
6.1g



6.1h



6.1i

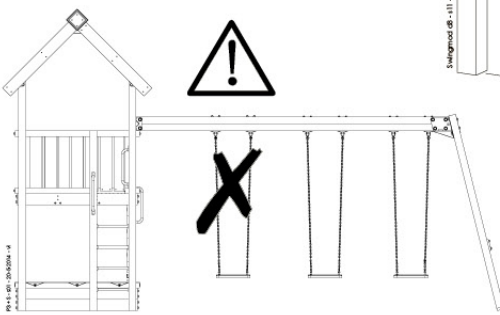
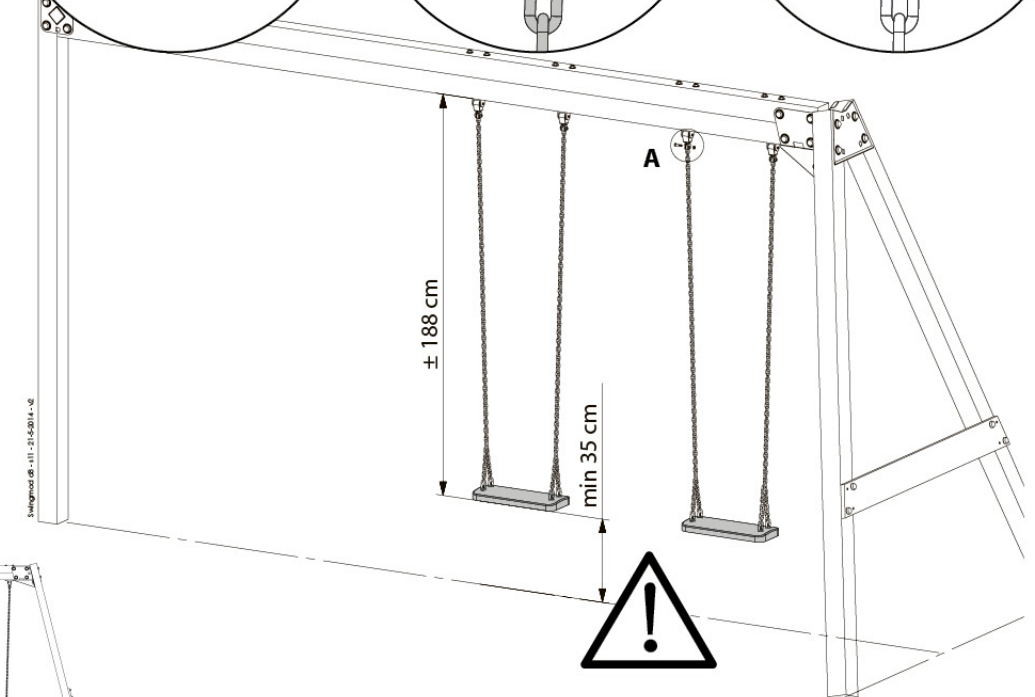
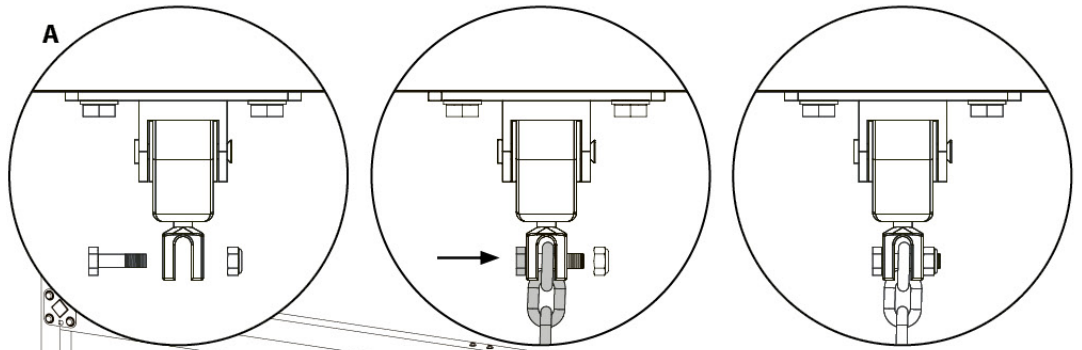


6.1j

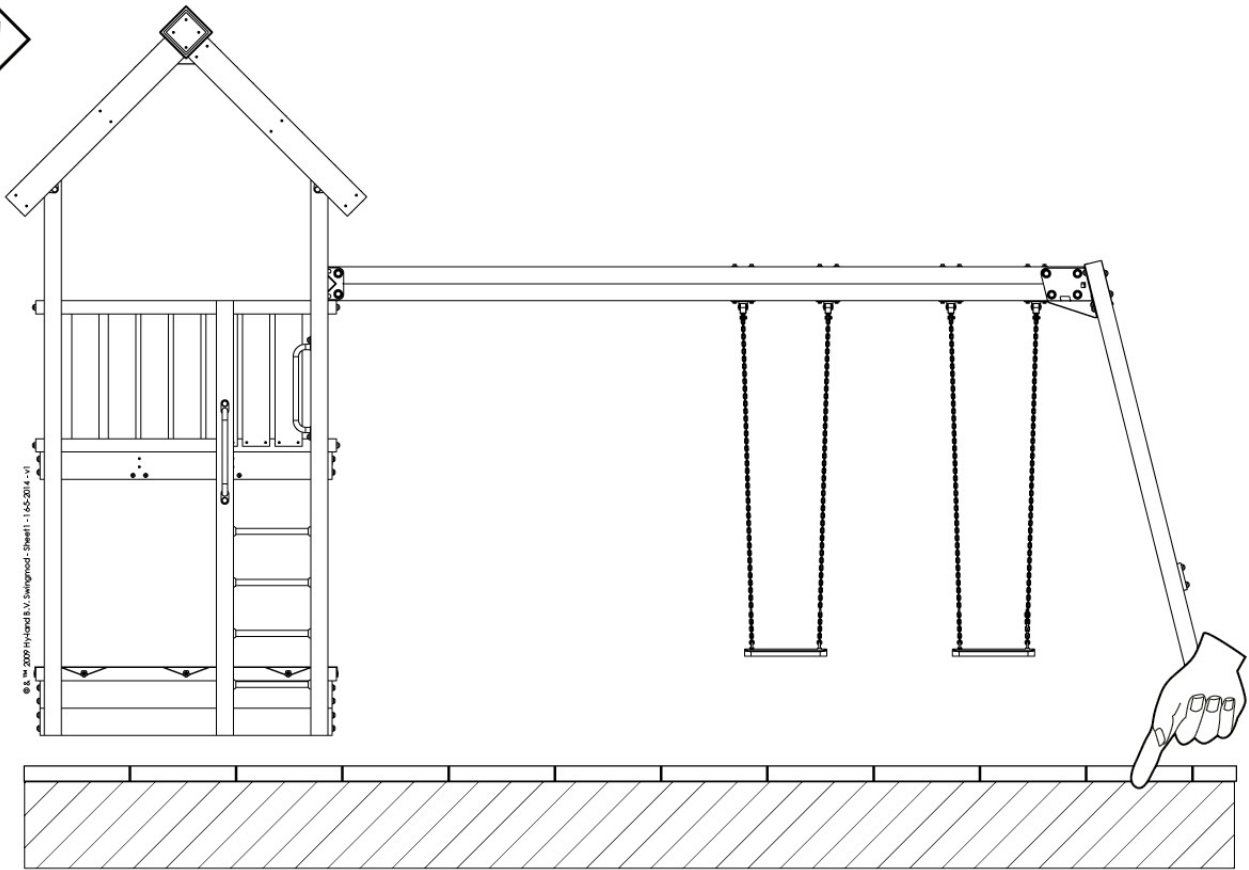
2x



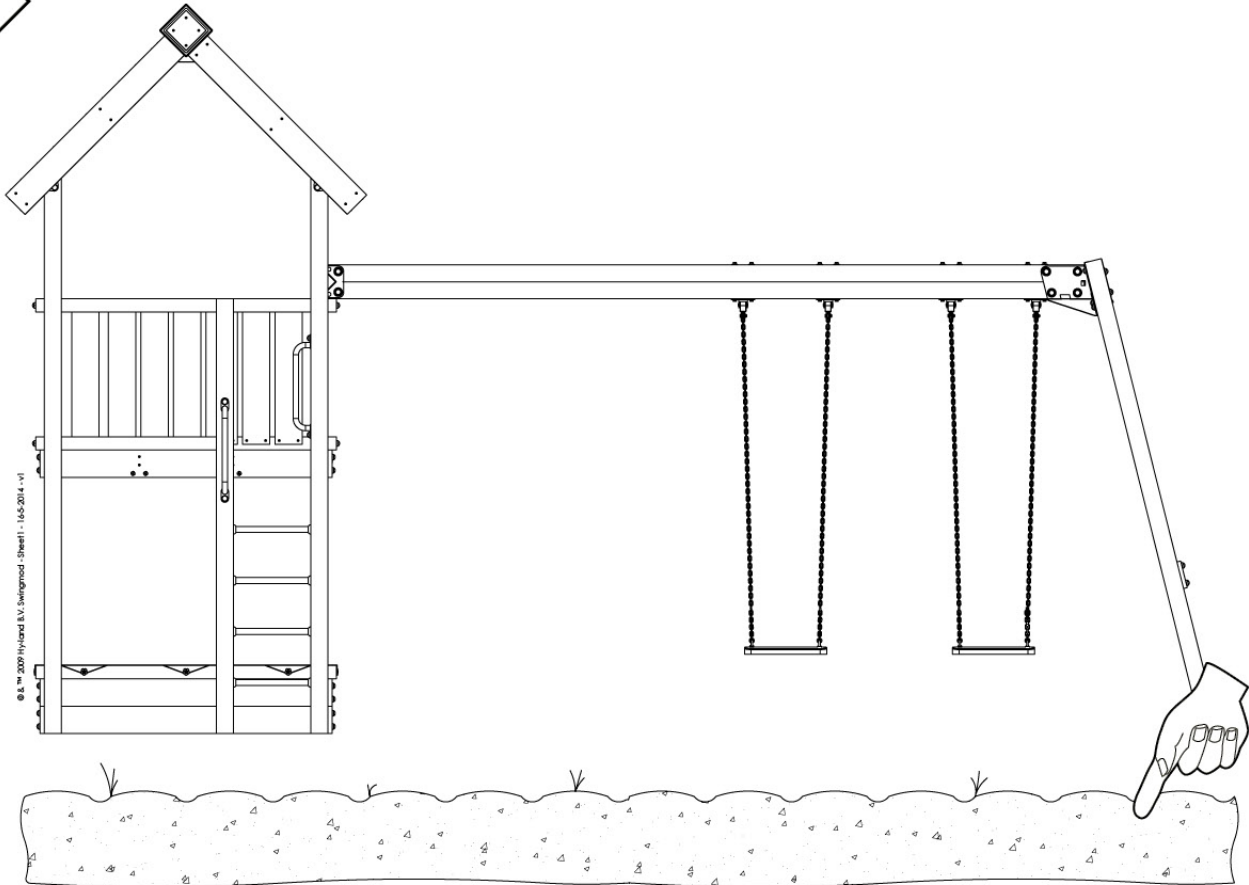
11_002_1020_101_25



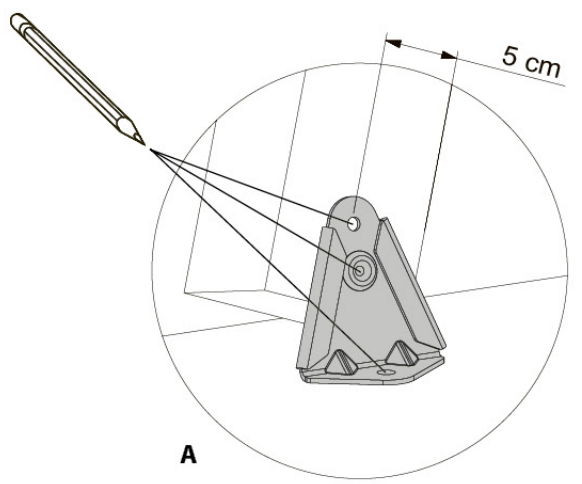
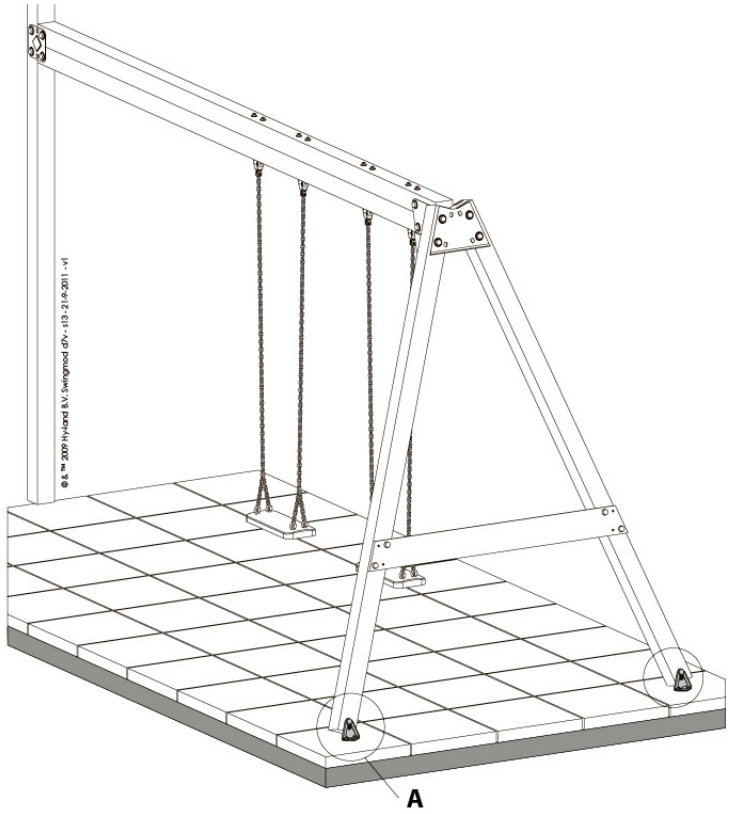
6.1k'



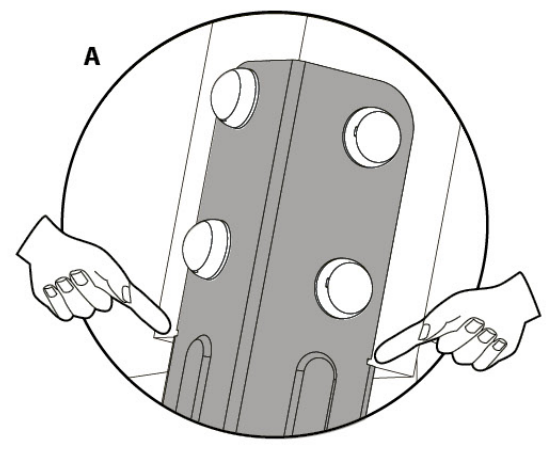
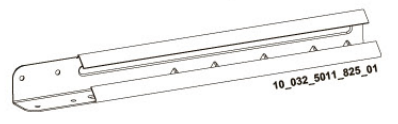
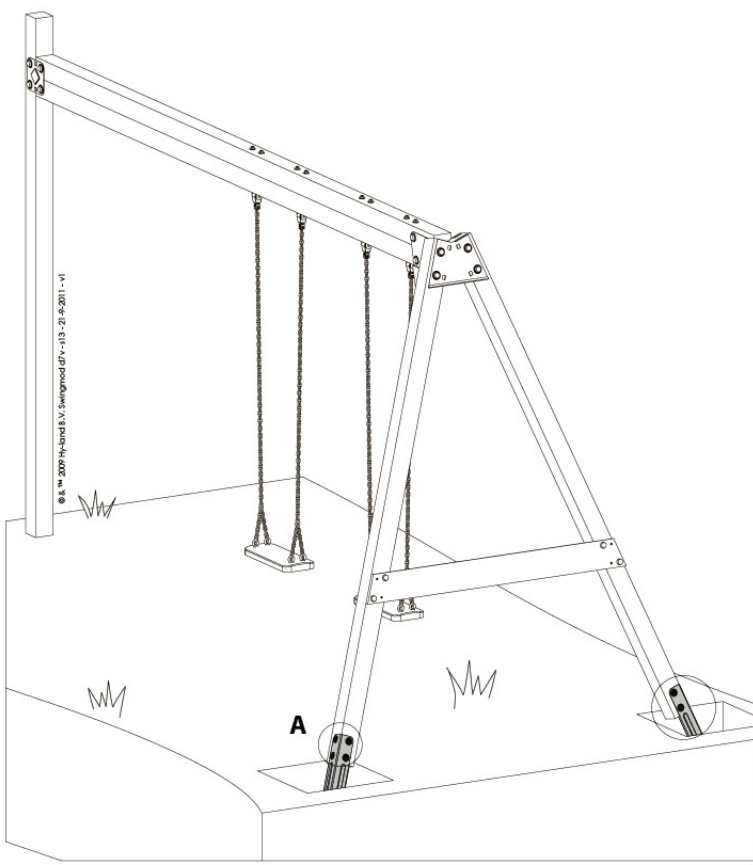
6.1k''

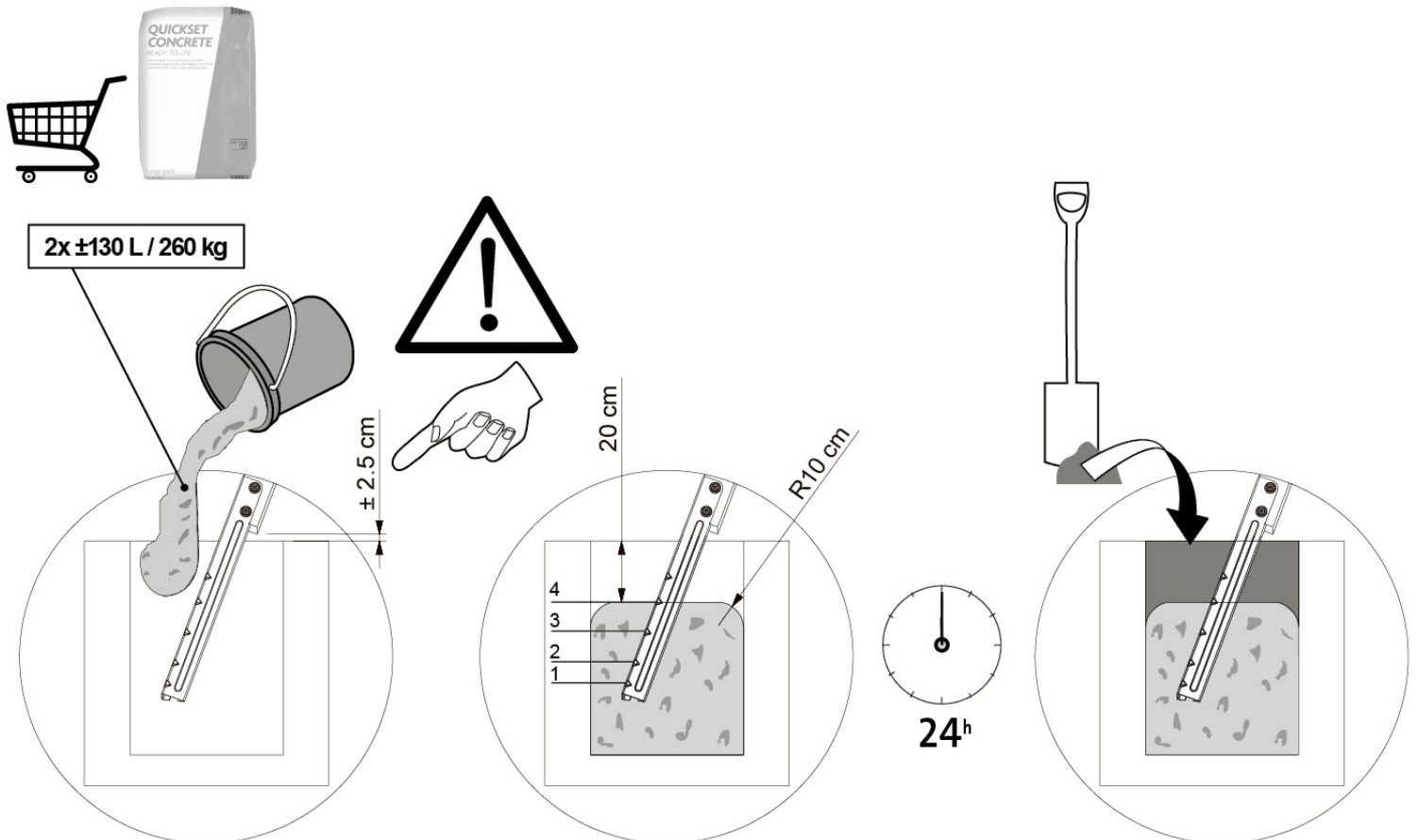
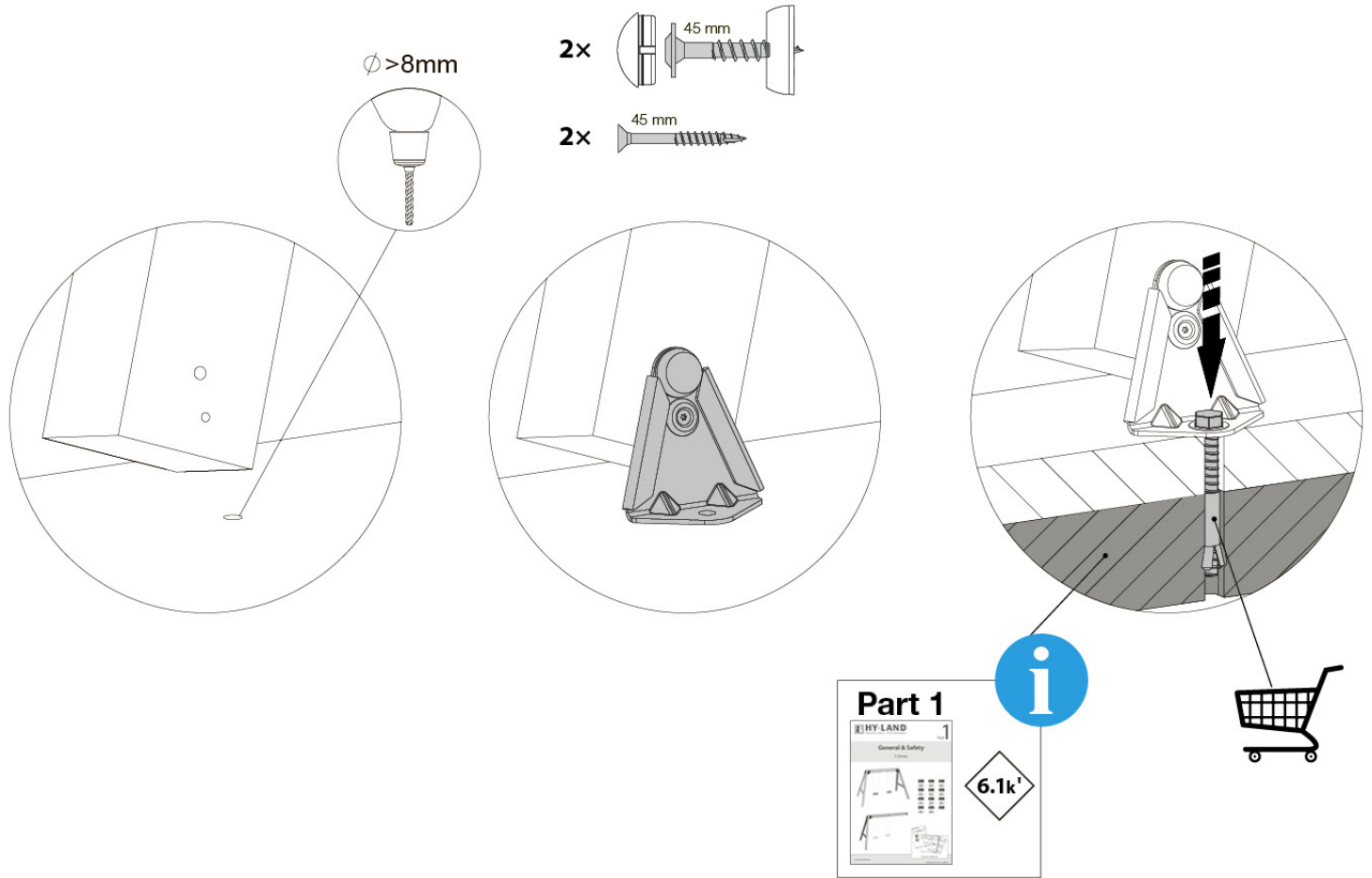


6.1k'

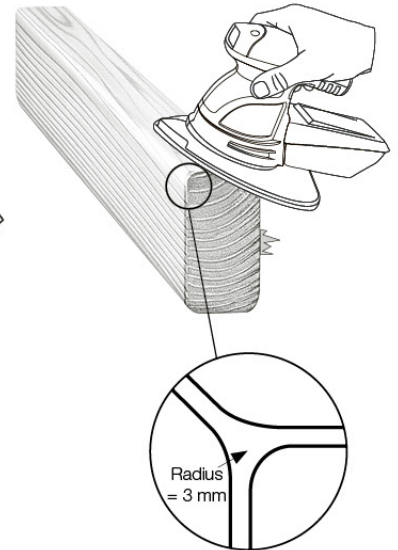
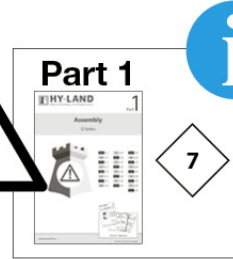
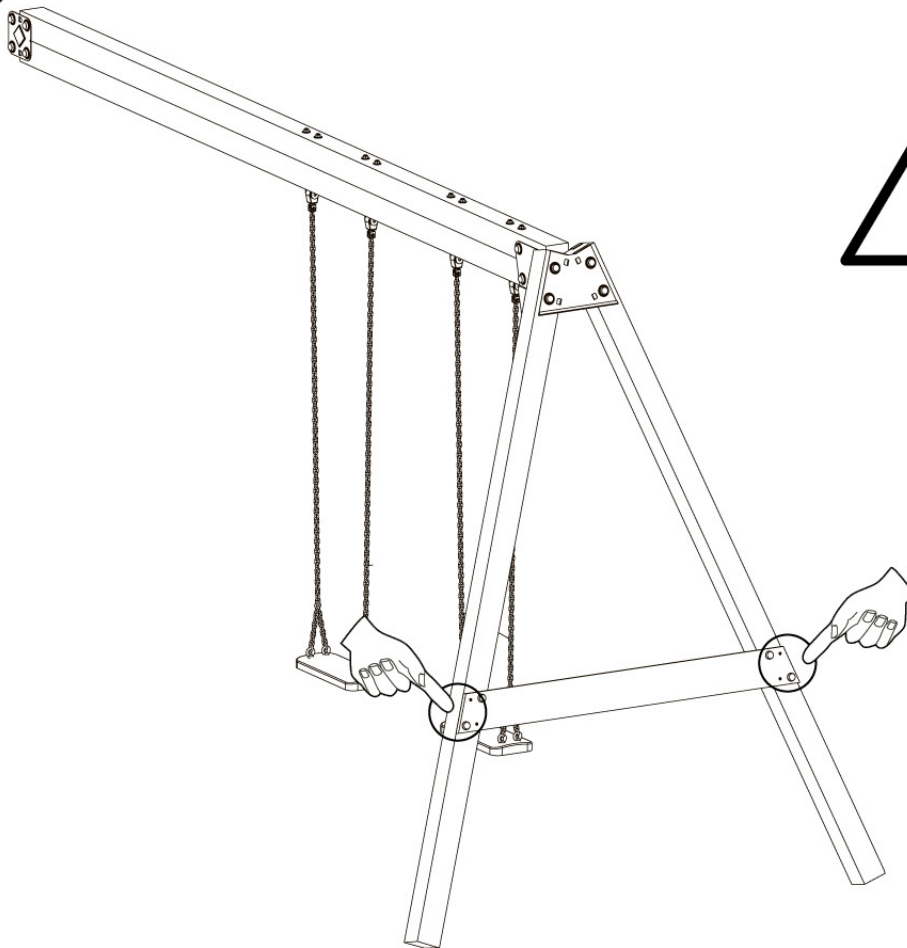


6.1k''

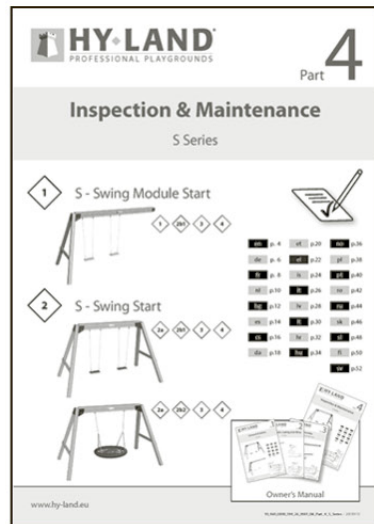




7



8



10_460_0819_104_26

Hy-land B.V.
P.O. Box 75083
NL - 1070 AB Amsterdam
The Netherlands

Tel : +31 85 444 41 01
Email : info@hy-land.eu
URL : www.hy-land.eu

Chamber of Commerce :
NL 16.078.319

