



Assembly

S Series

S - Swing Module (14_103_101_10)

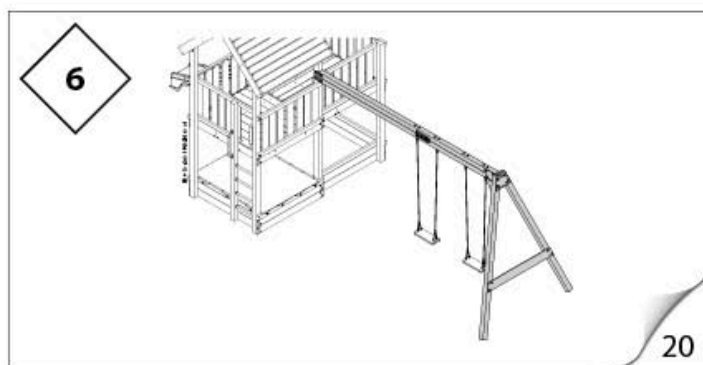
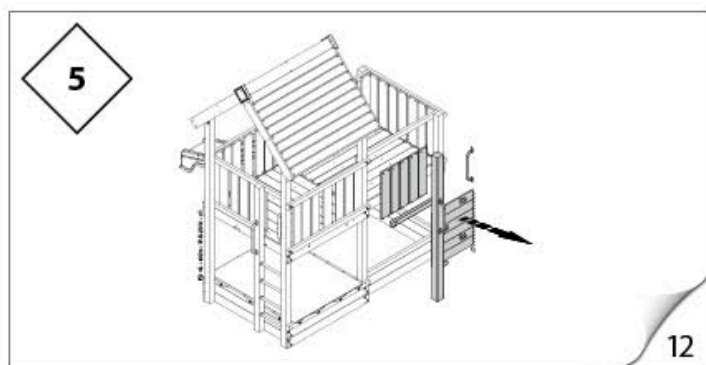
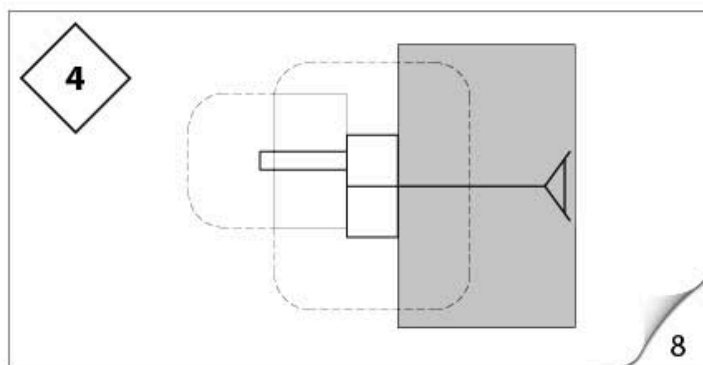
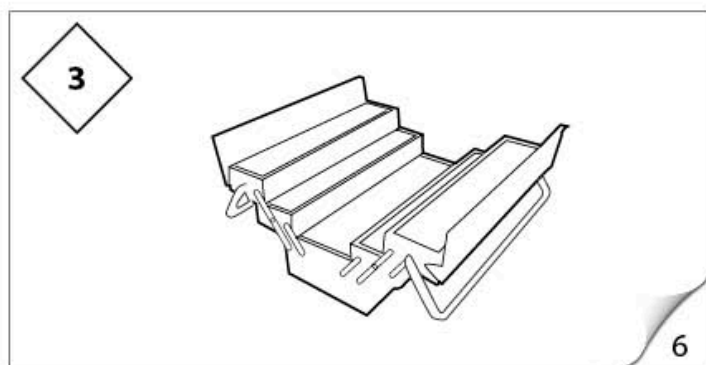
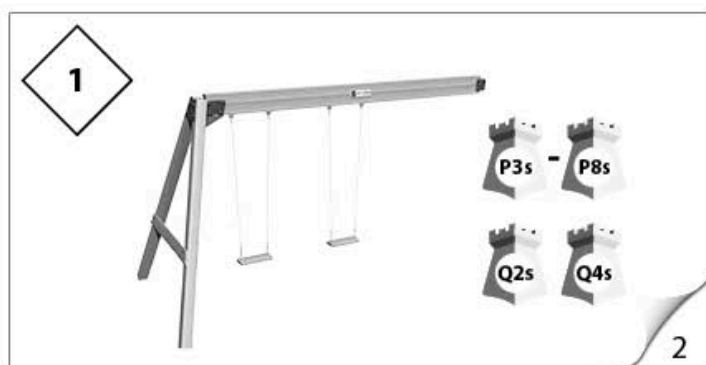


www.tuv.com
ID 000055715



Owner's Manual

Assembly steps



+



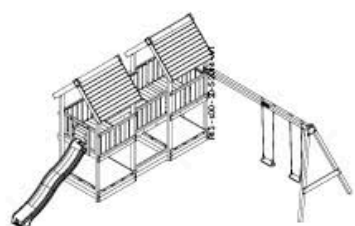
1x

1x

+



0.11 m³



+



1x

1x

+



0.11 m³



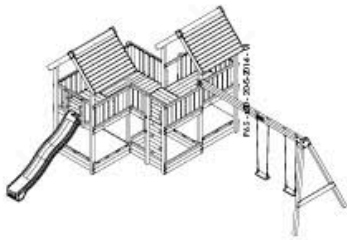
P5s



P5



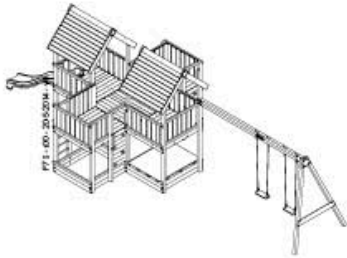
P6s



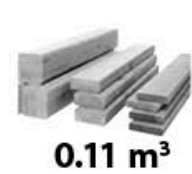
P6



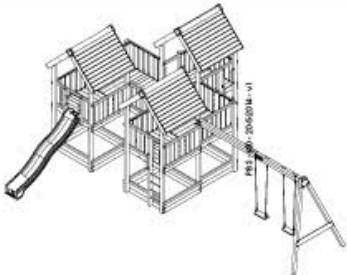
P7s



P7



P8s



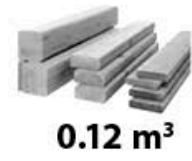
P8



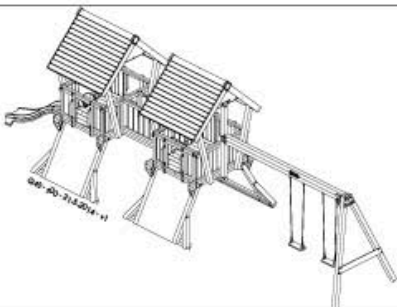
Q2s



Q2



Q4s



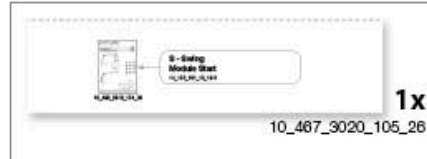
Q4



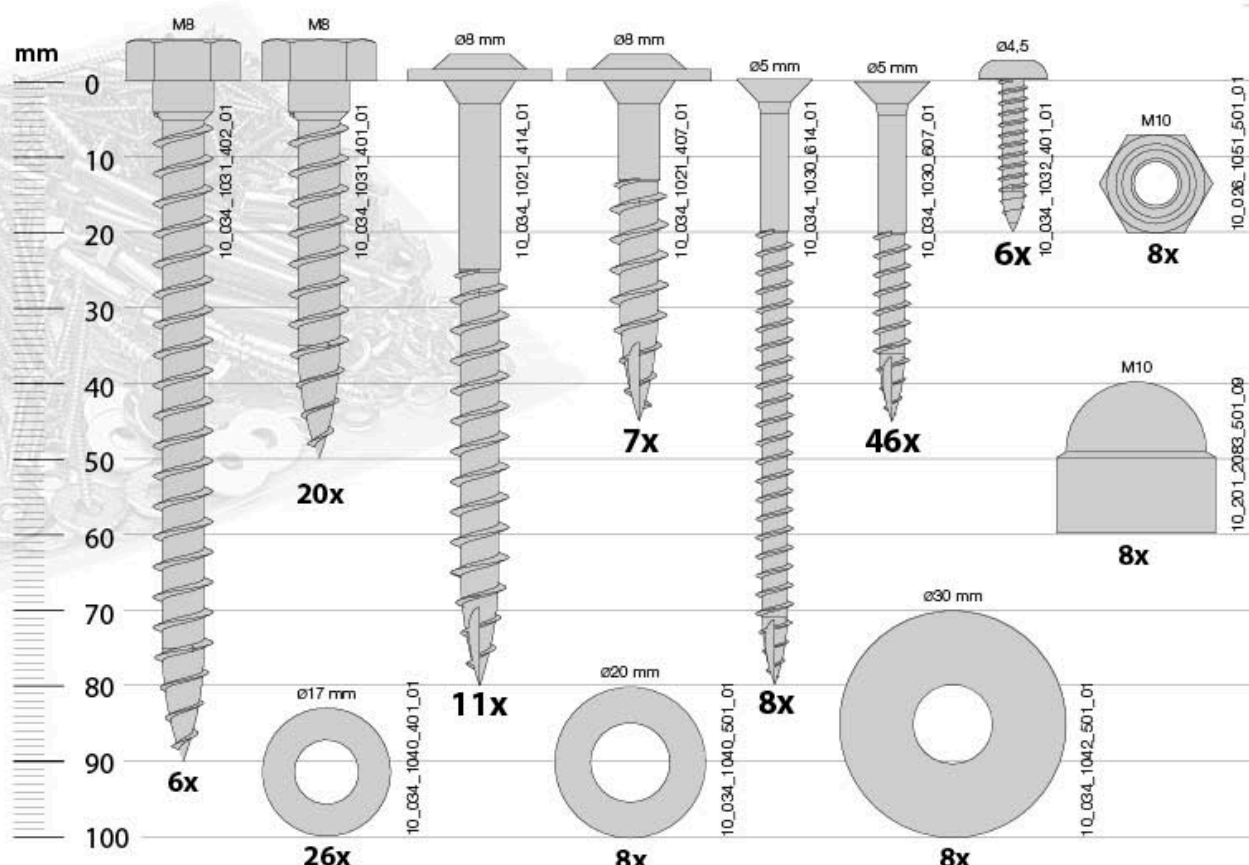
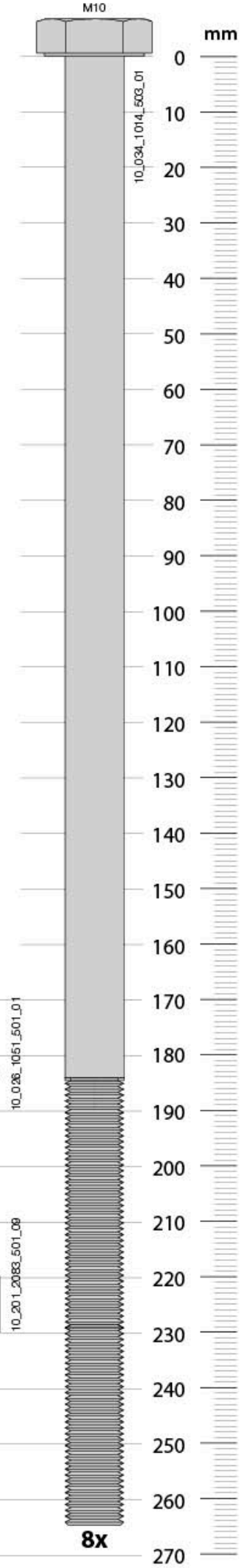
2.1a

Content S - Swing Module Start

14_103_101_10



<p>39x 10_205_2030_000_04</p>	<p>1x 10_030_5021_001_04</p>	<p>1x 10_030_5021_002_04</p>	<p>1x 11_001_1020_105_25</p>
<p>2x 10_032_5013_325_01</p>	<p>1x 10_030_5021_003_04</p>	<p>2x 10_030_5021_004_04</p>	<p>1x 10_209_2071_103_24</p>
<p>1x 11_002_1010_303_25</p>	<p>1x 10_030_5021_003_04</p>	<p>2x 10_030_5021_004_04</p>	<p>1x 10_030_5011_001_04</p>
<p>ø11 mm 1x 11_002_1010_404_25</p>			



Tools

11_002_1010_303_25



T25 1x
10_042_7083_158_01

ø5 mm 1x
10_036_7012_140_01

1x
10_028_7091_160_01

ø3,5 mm 1x
10_037_7052_160_01

T40 1x
10_042_7085_158_01

M8 1x
10_036_7057_142_01

2.1b

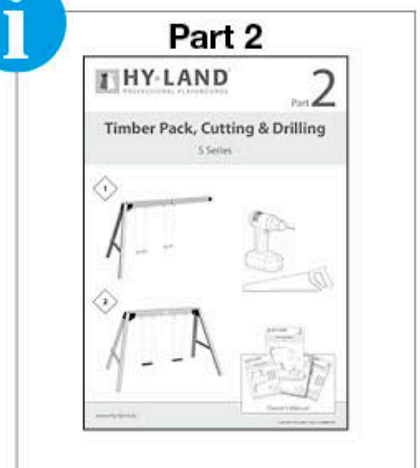
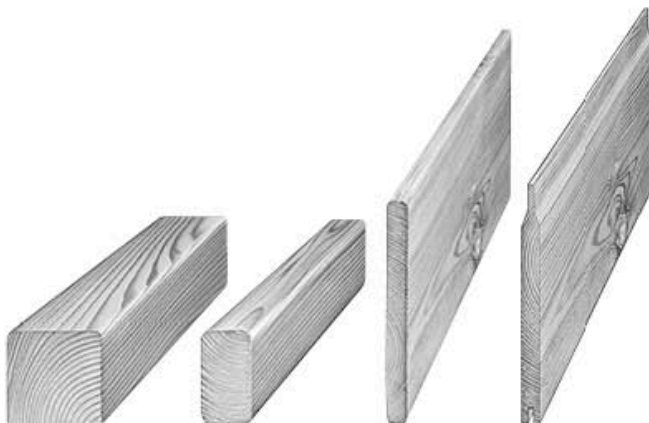
Content S - Swing Seats (2pcs)

14_203_101_05

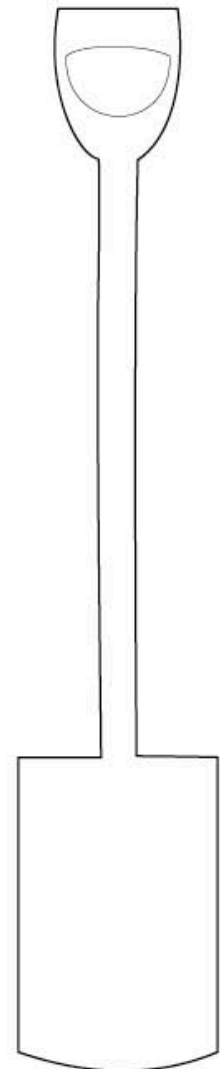
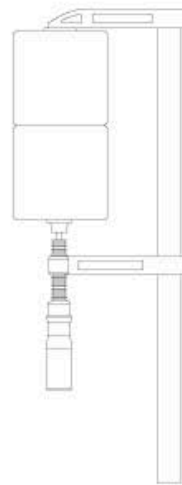
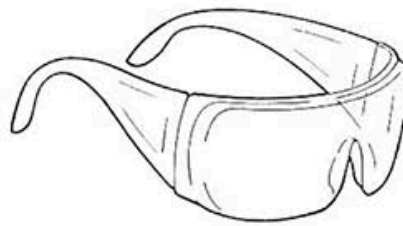
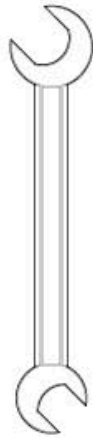
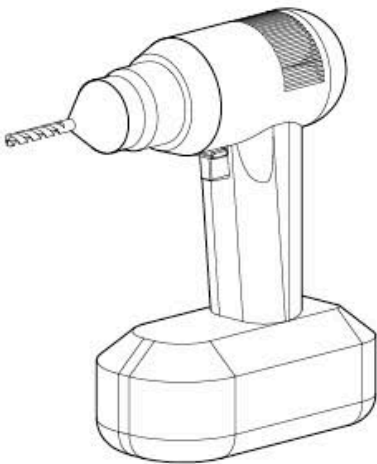
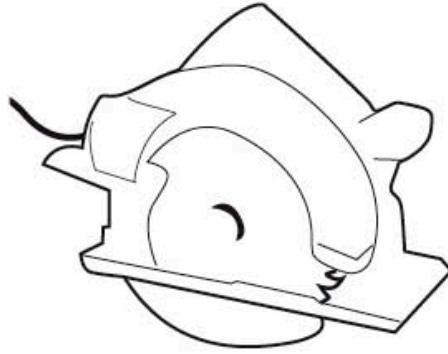
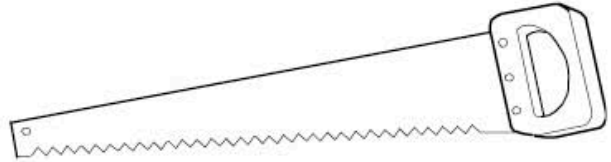
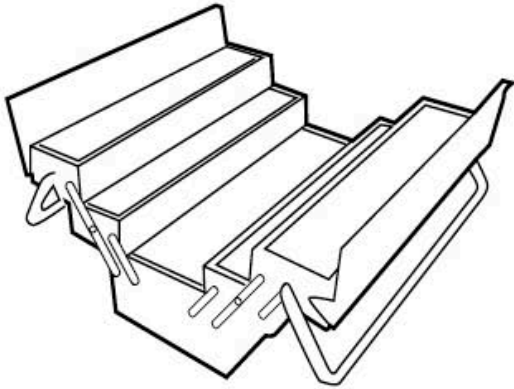


2.2

Timber



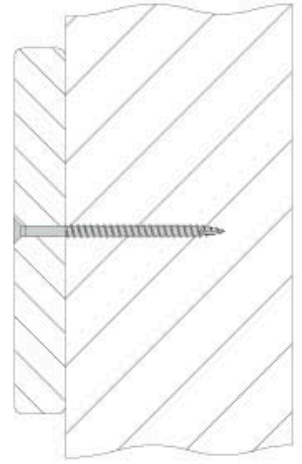
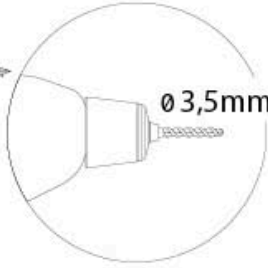
3.1



3.2

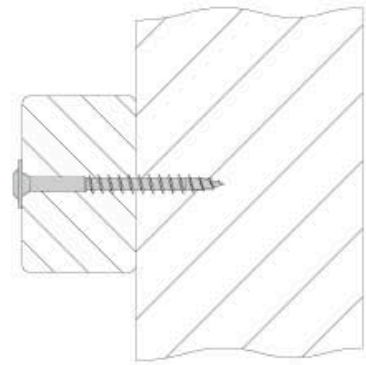
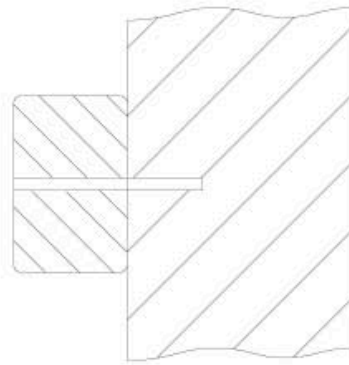
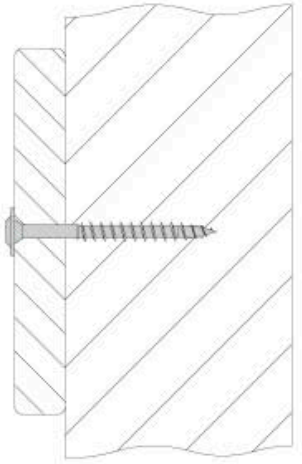
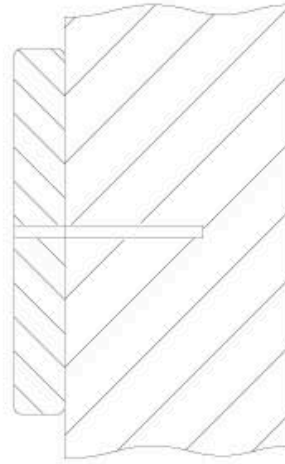
80 mm

45 mm



80 mm

45 mm

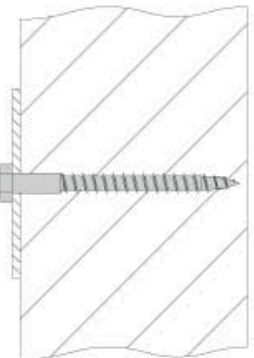
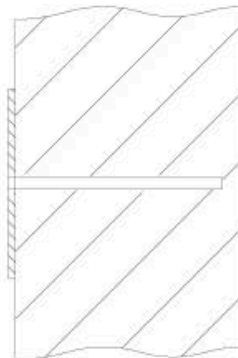
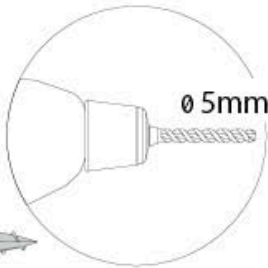


90 mm

50 mm

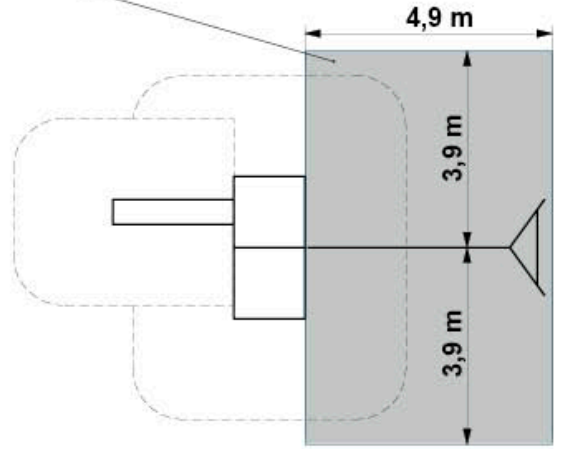
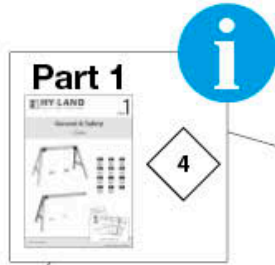
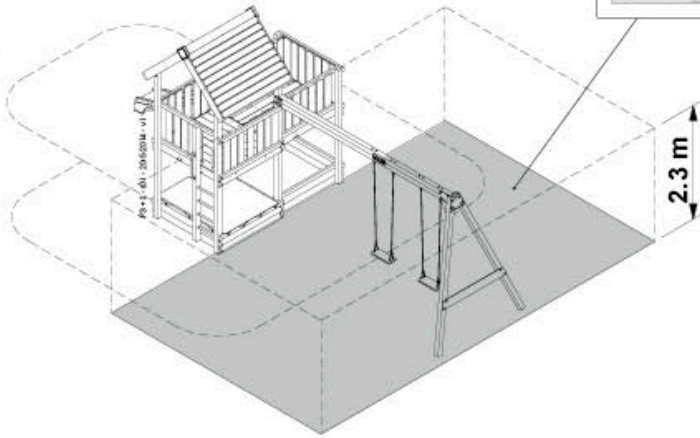
80 mm

45 mm

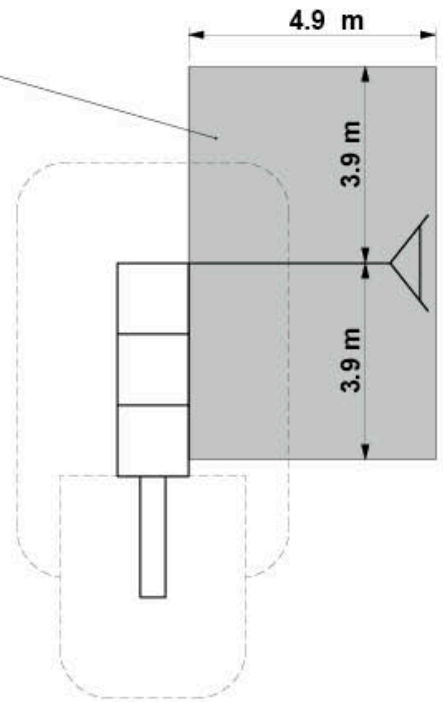
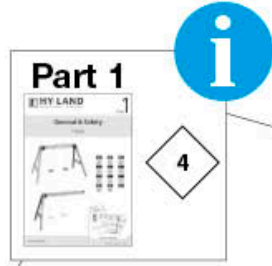
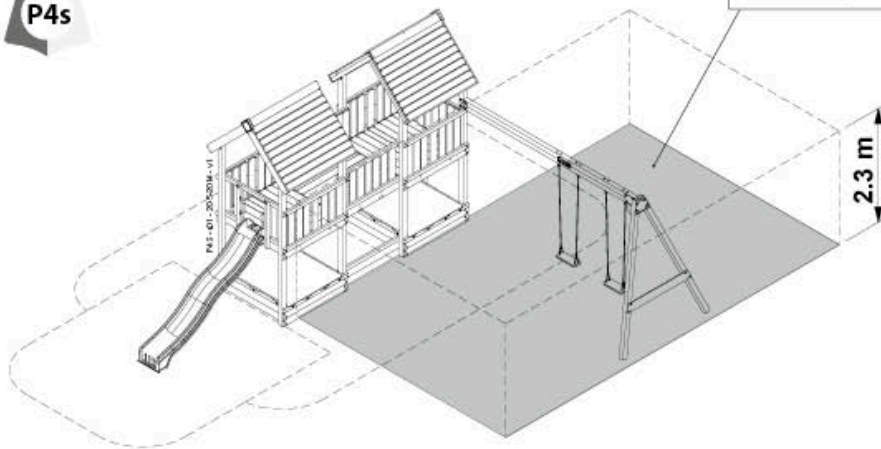


4.1a

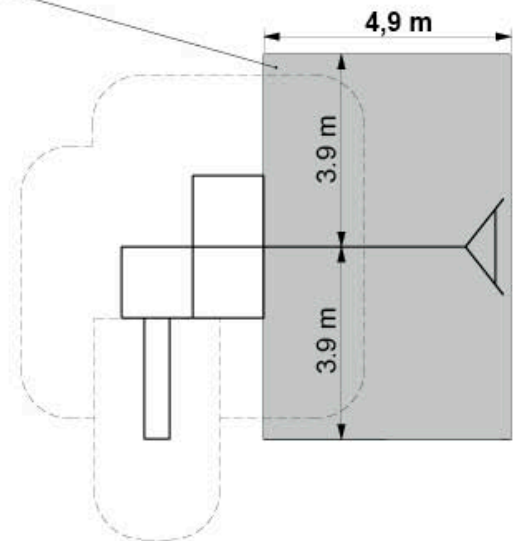
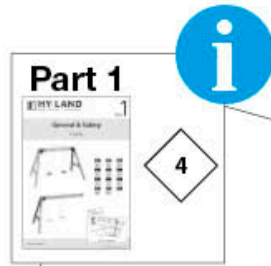
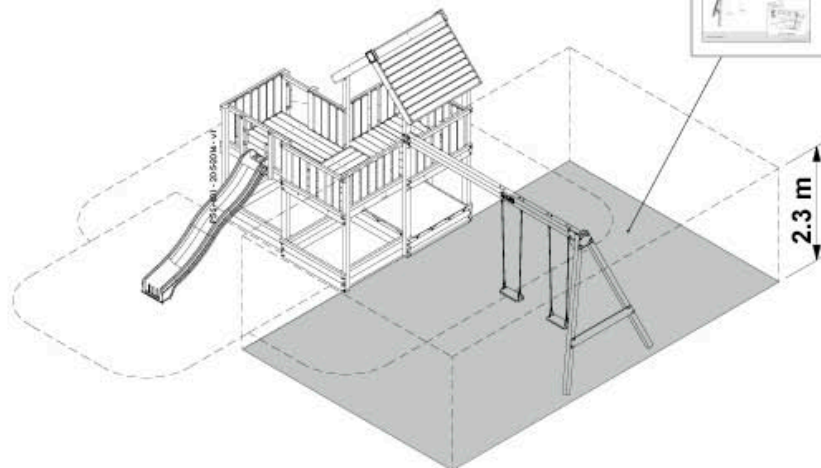
P3s



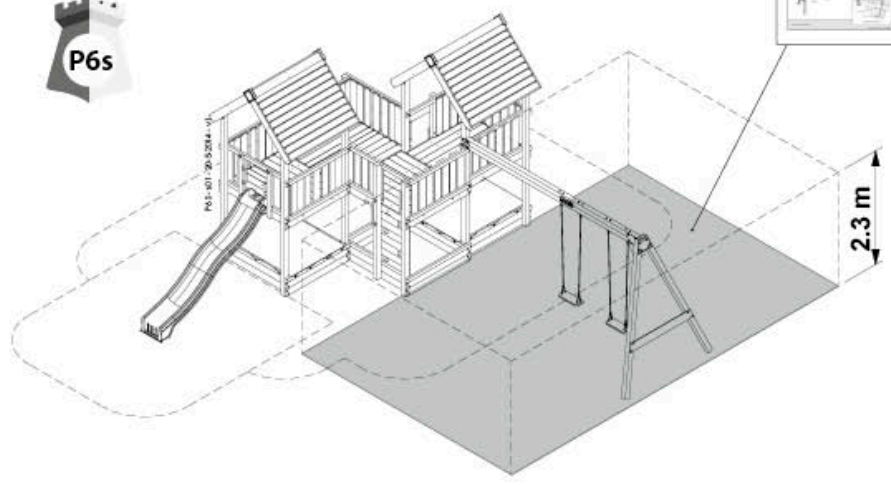
P4s



P5s



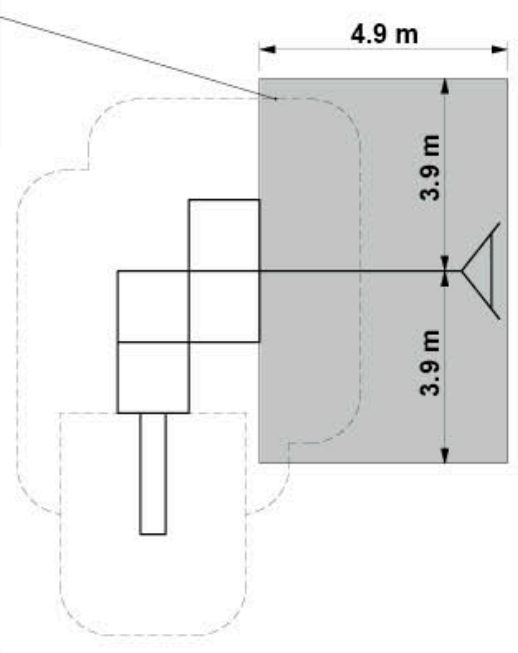
P6s



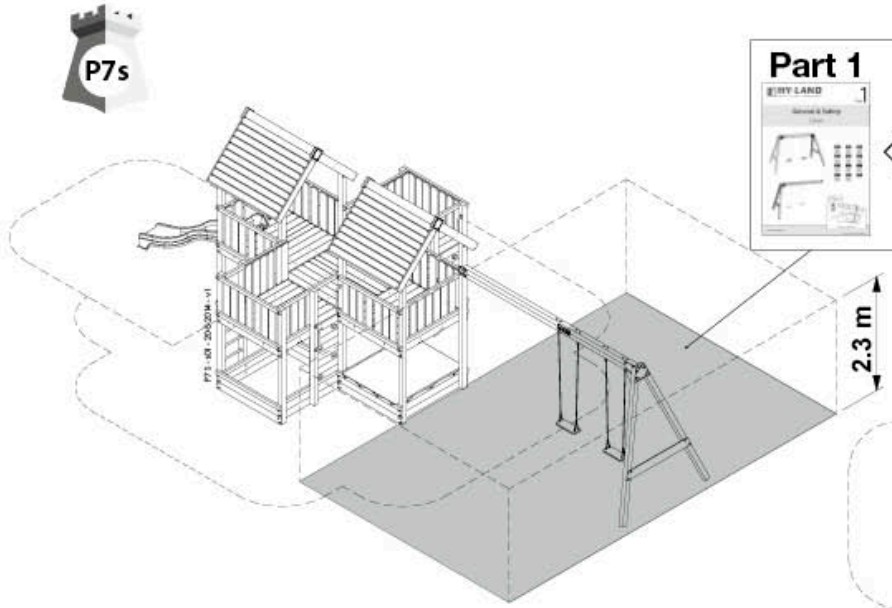
Part 1

ERY LAND

General & Safety



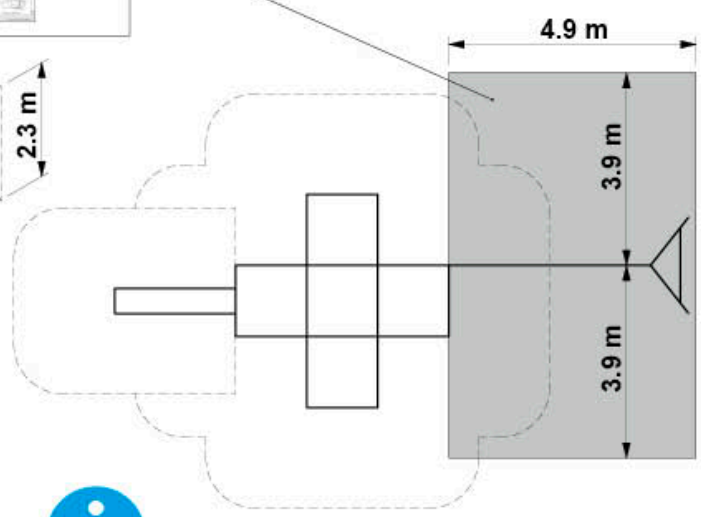
P7s



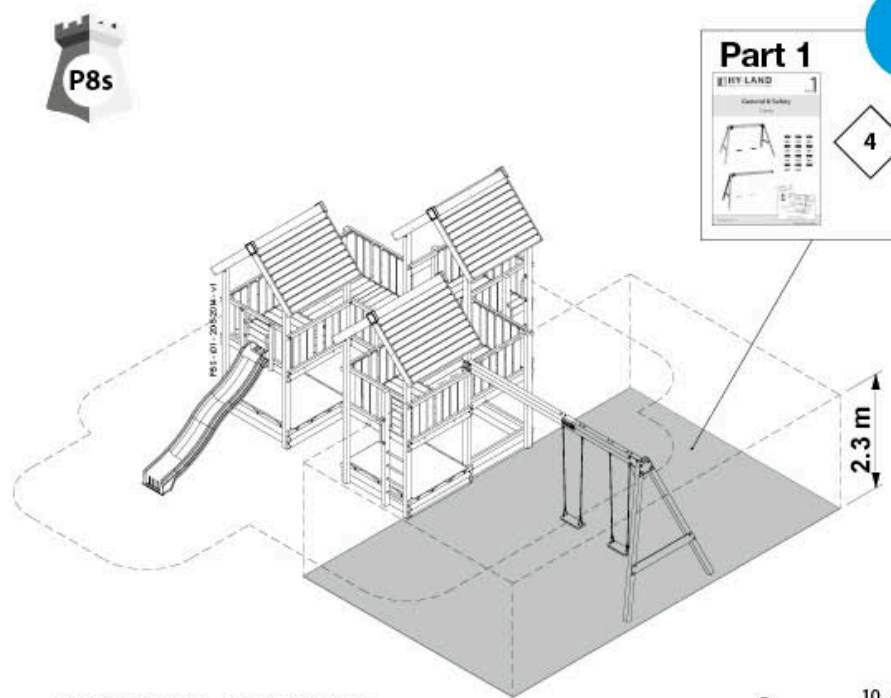
Part 1

ERY LAND

General & Safety



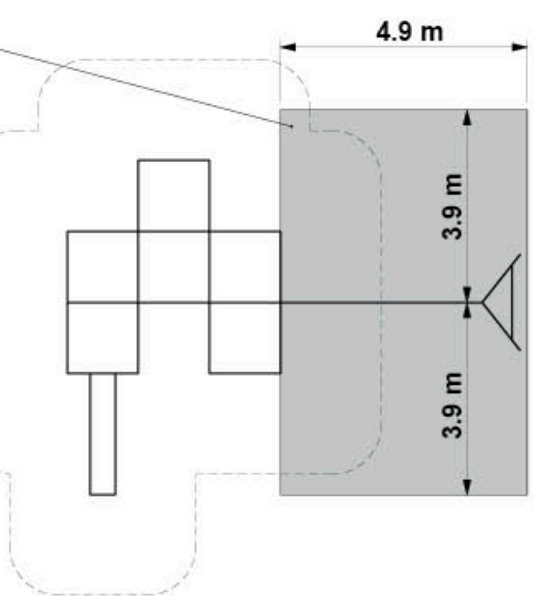
P8s



Part 1

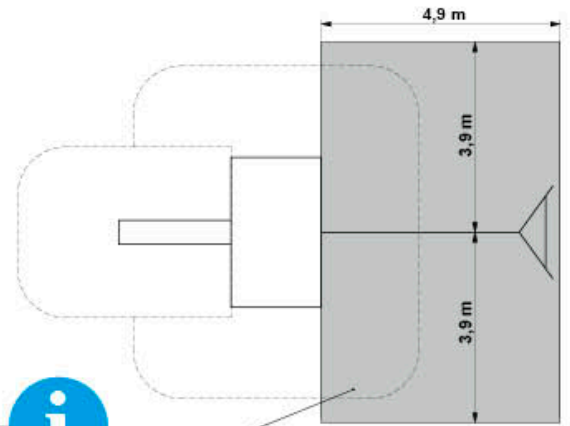
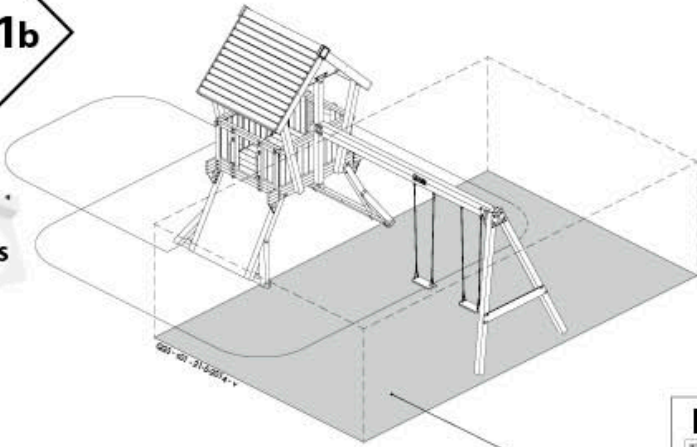
ERY LAND

General & Safety



4.1b

Q2s

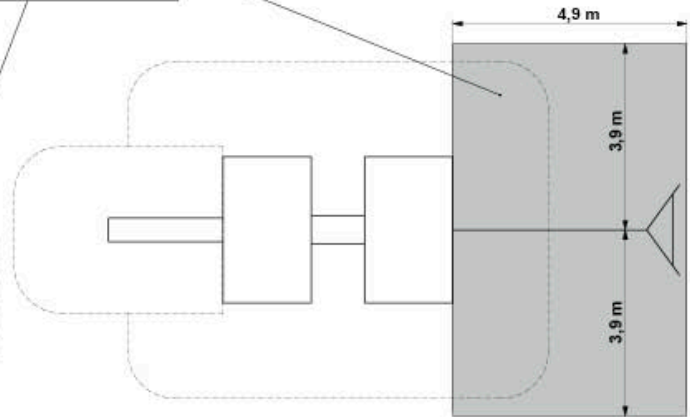
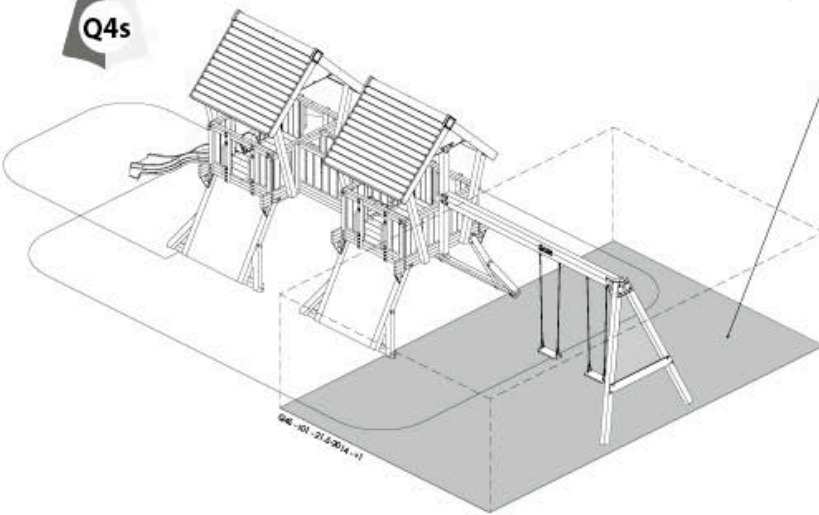


Part 1

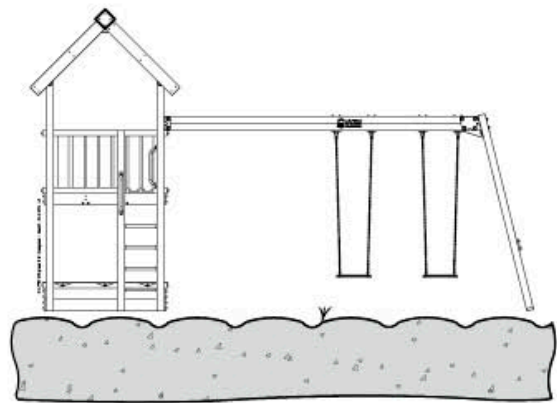
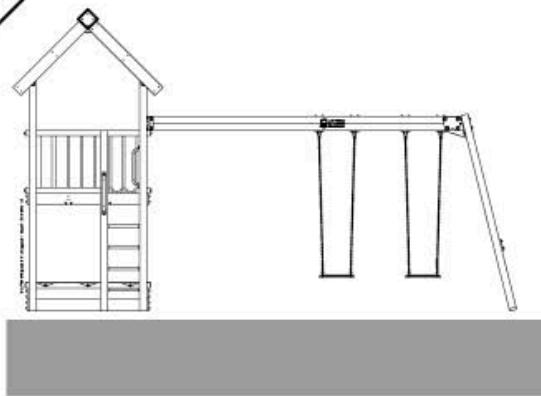
4

i

Q4s



4.2

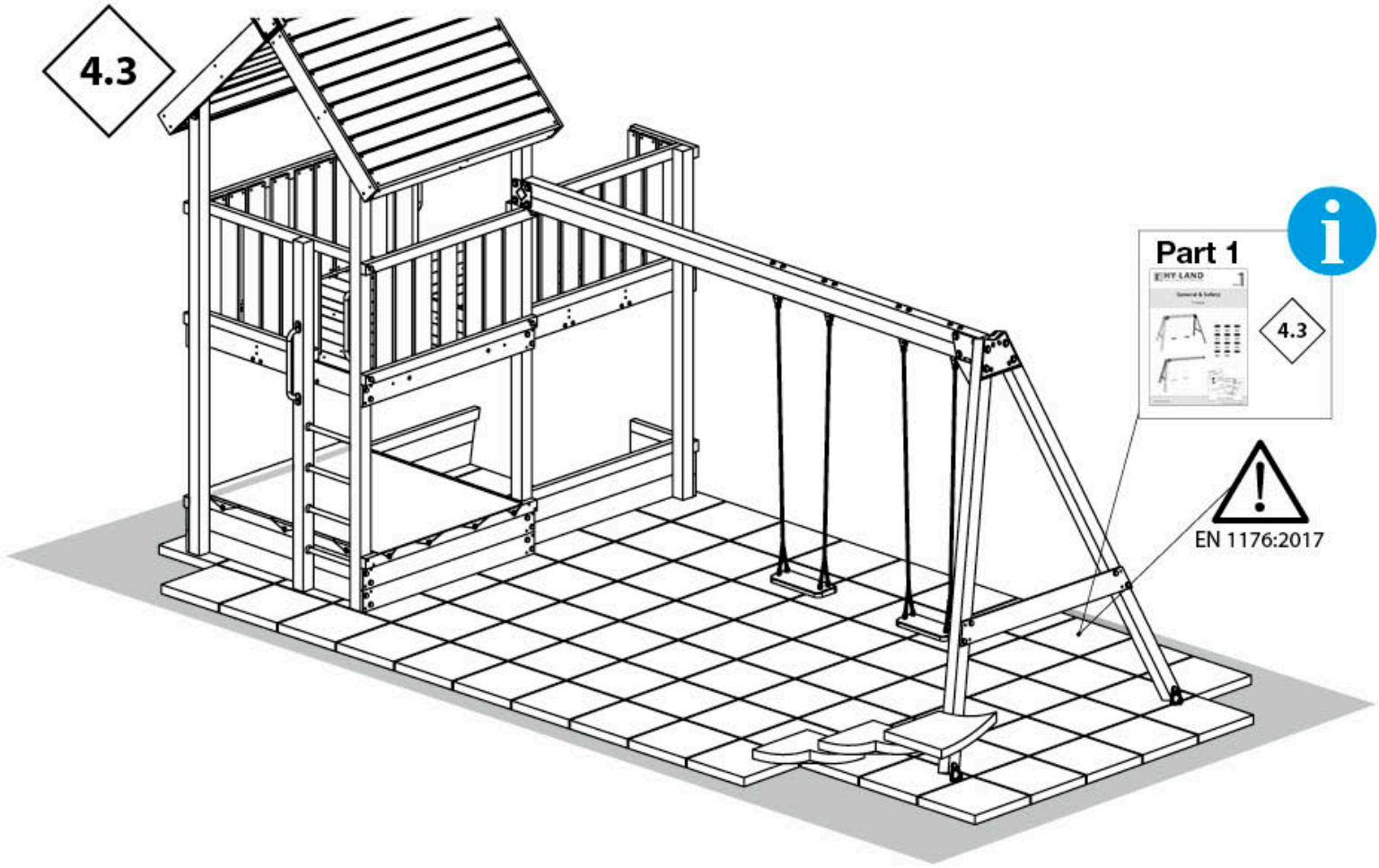


4.3



4.4

4.3



Part 1

HY LAND

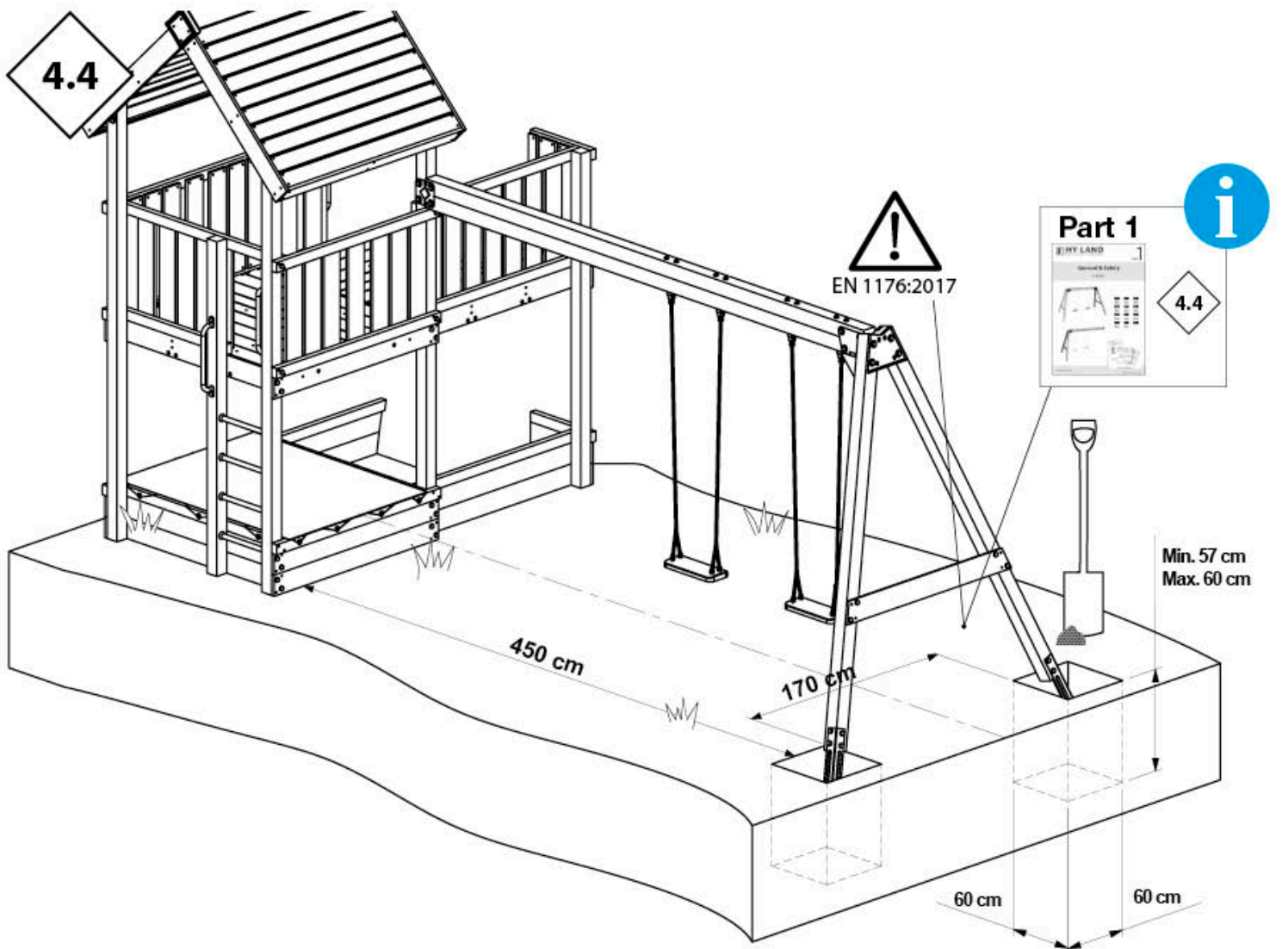
Assembly & Safety

4.3



EN 1176:2017

4.4



Part 1

HY LAND

Assembly & Safety

4.4



EN 1176:2017

Min. 57 cm
Max. 60 cm

450 cm

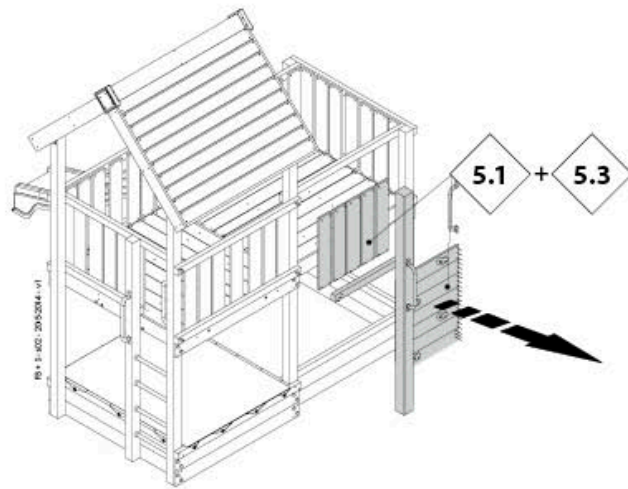
170 cm

60 cm

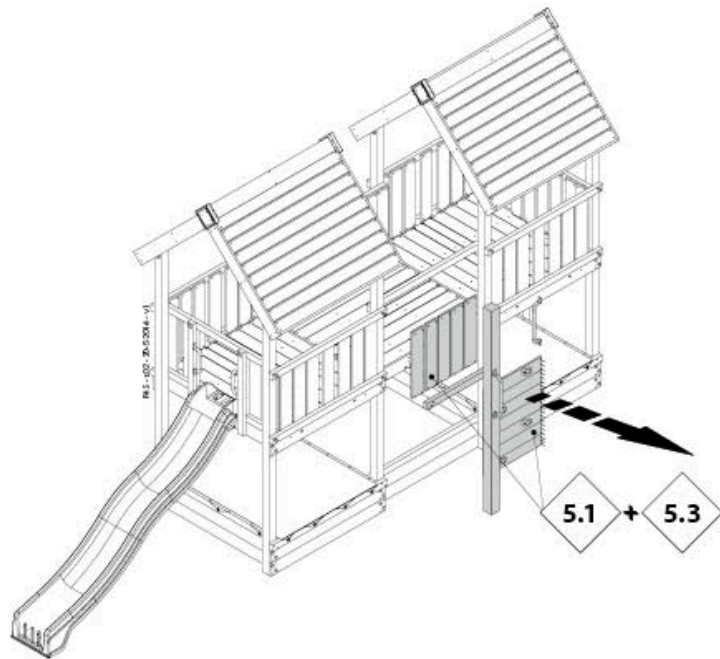
60 cm

5

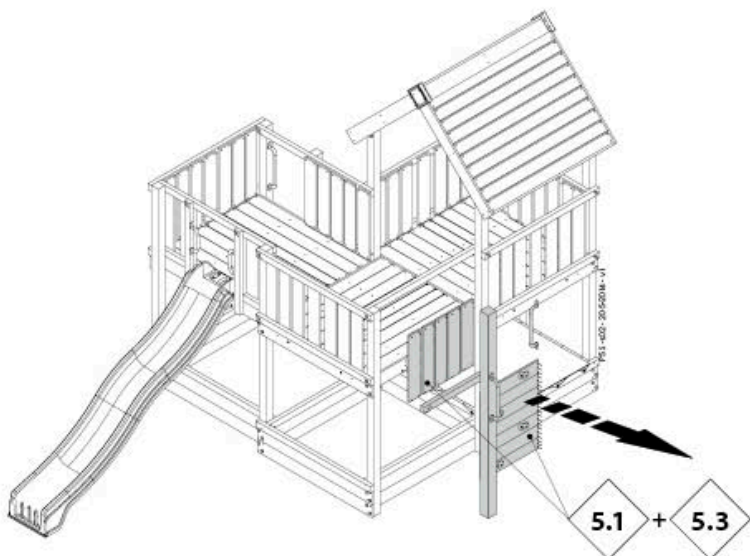
P3s

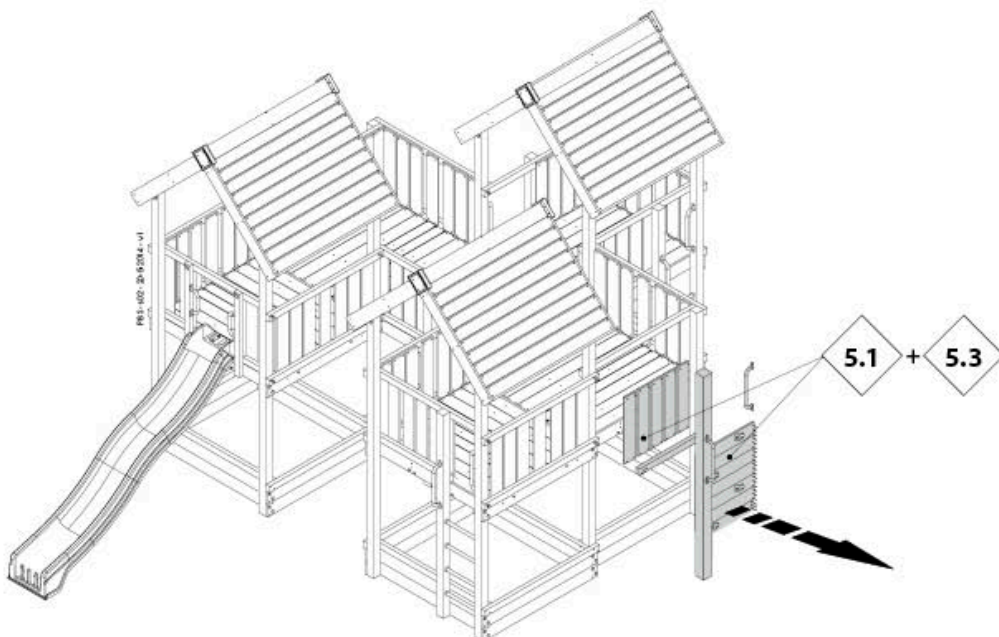
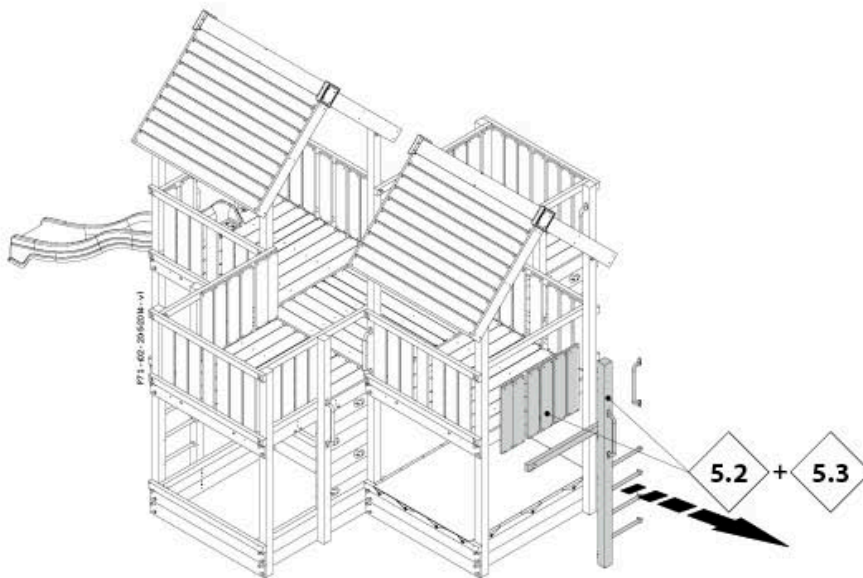
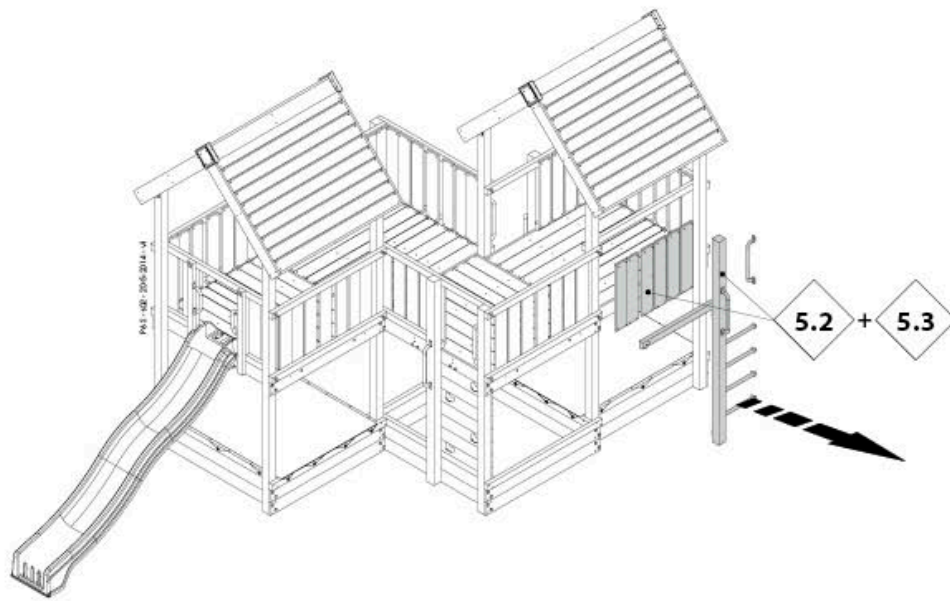


P4s



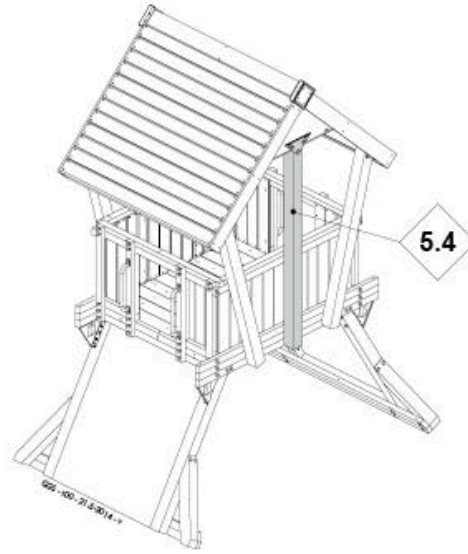
P5s



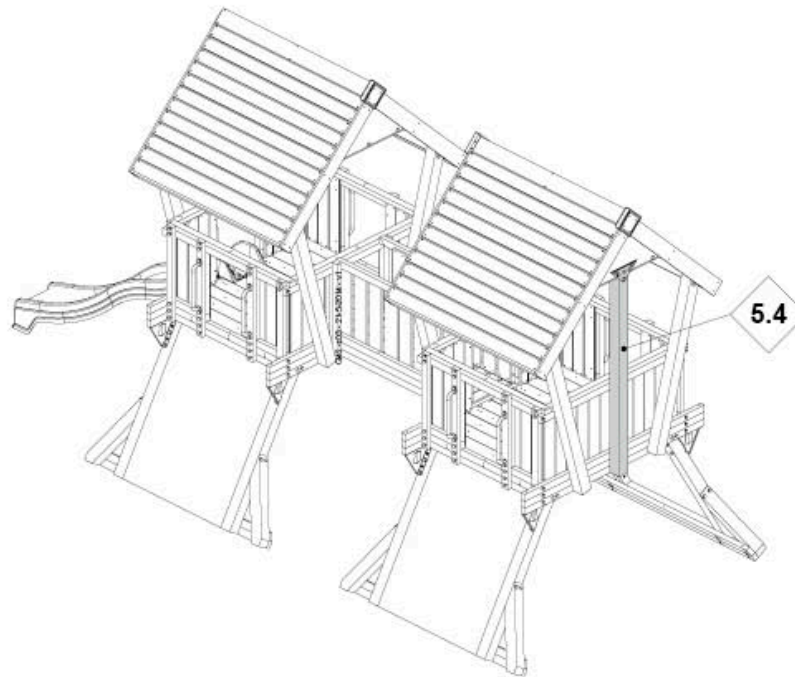




Q2s

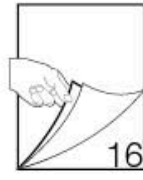


Q4s

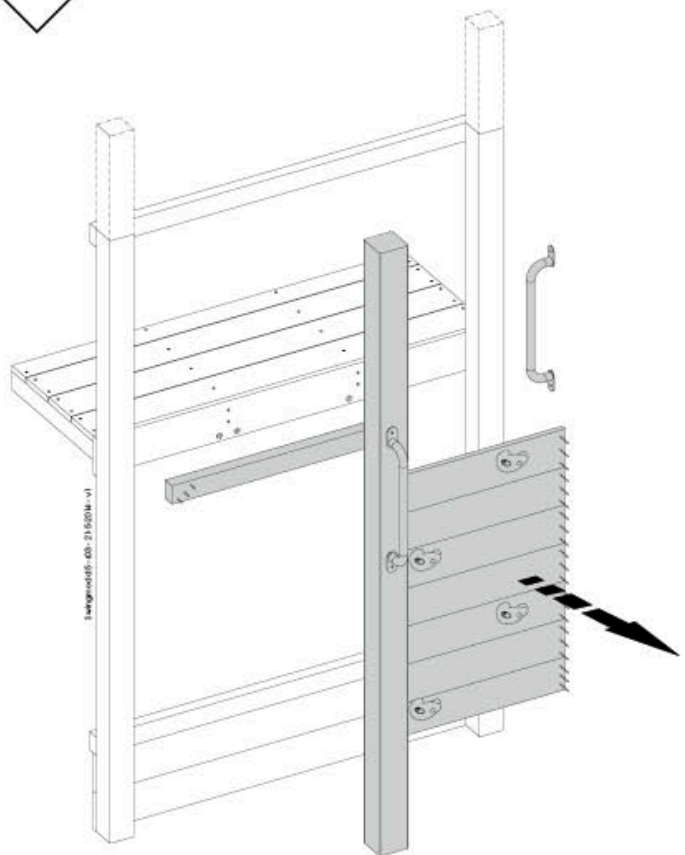
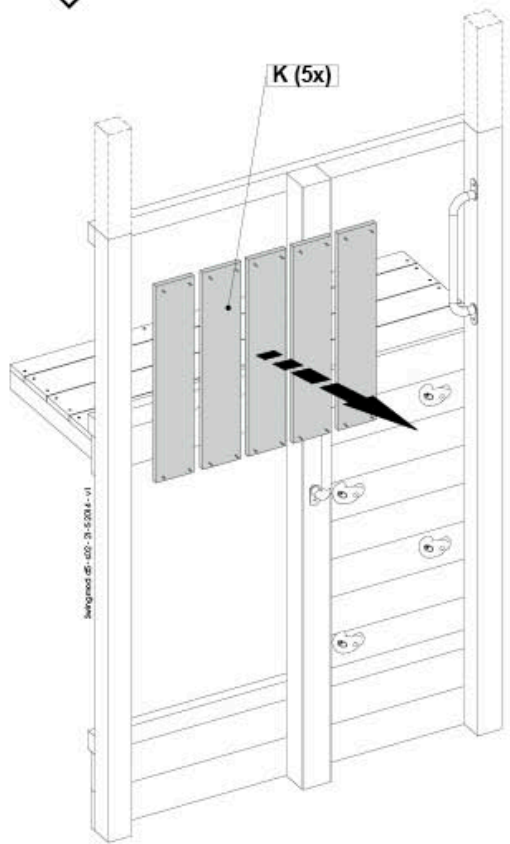


5.1

K (5x)

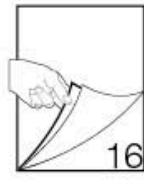


5.3b

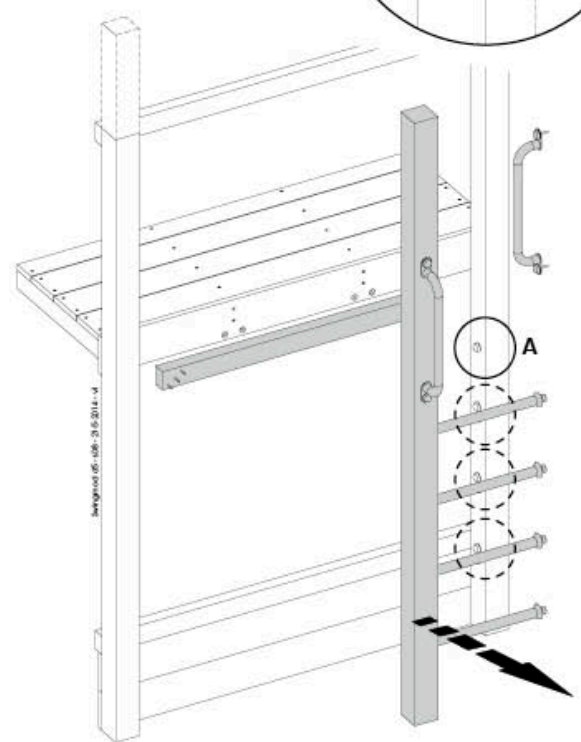
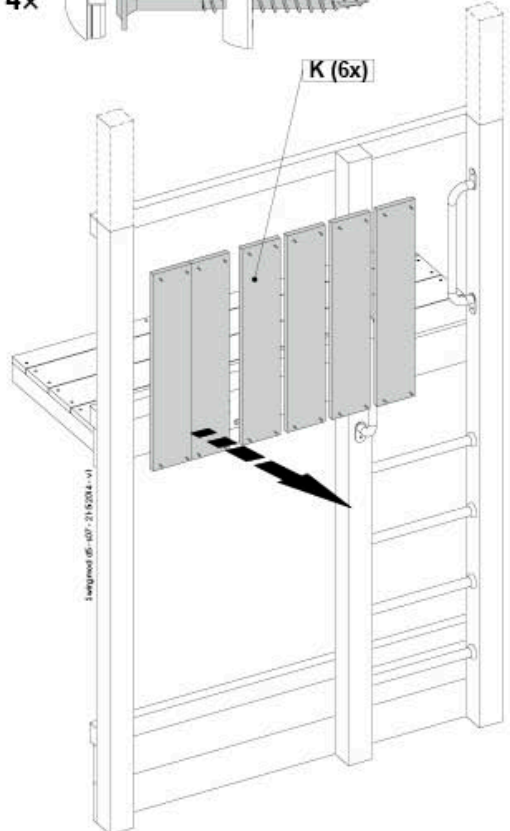
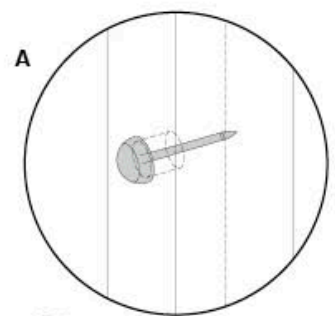
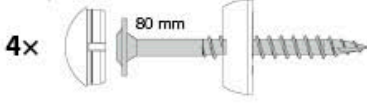


5.2

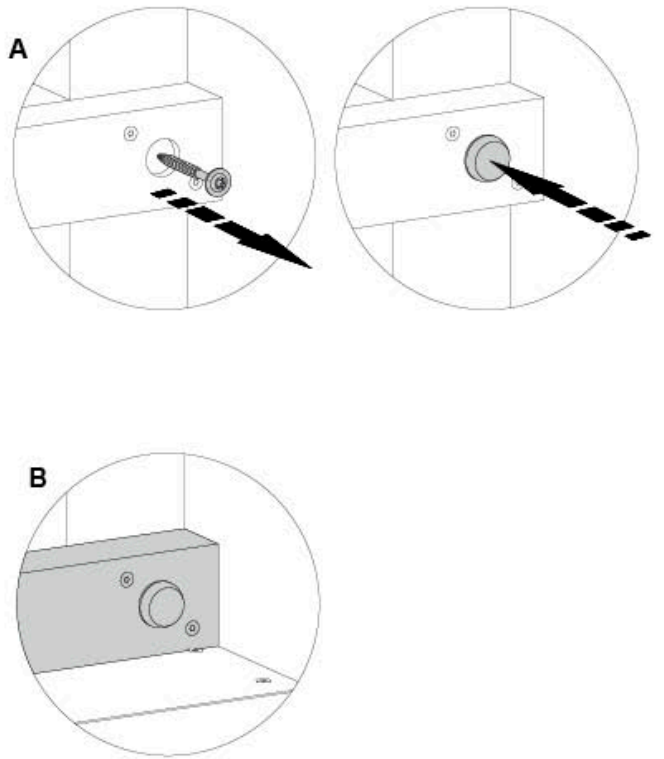
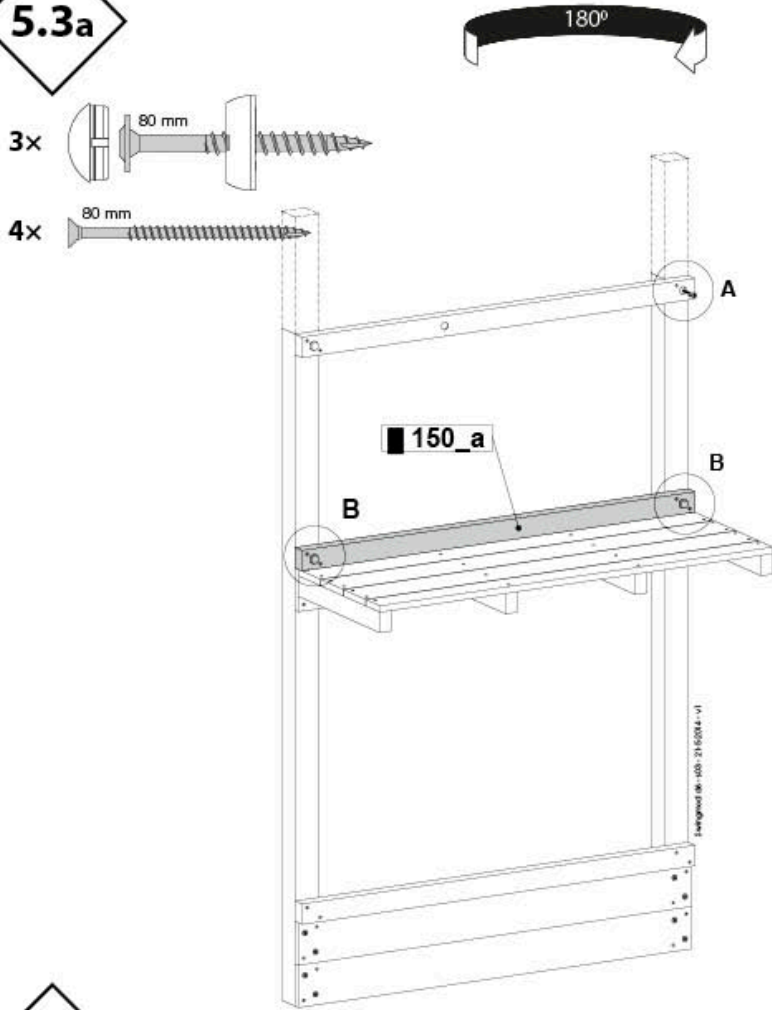
K (6x)



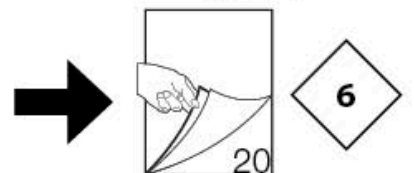
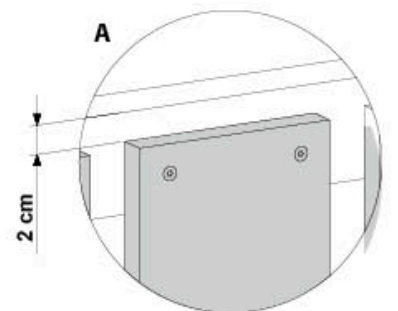
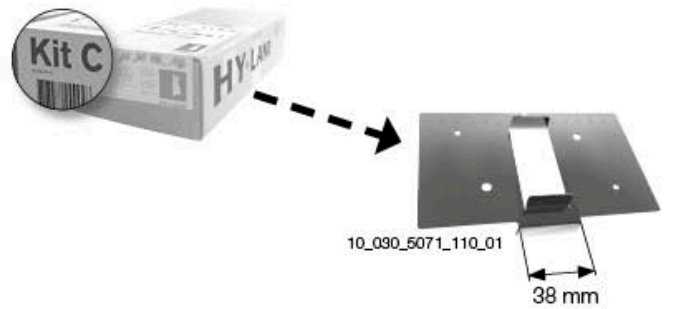
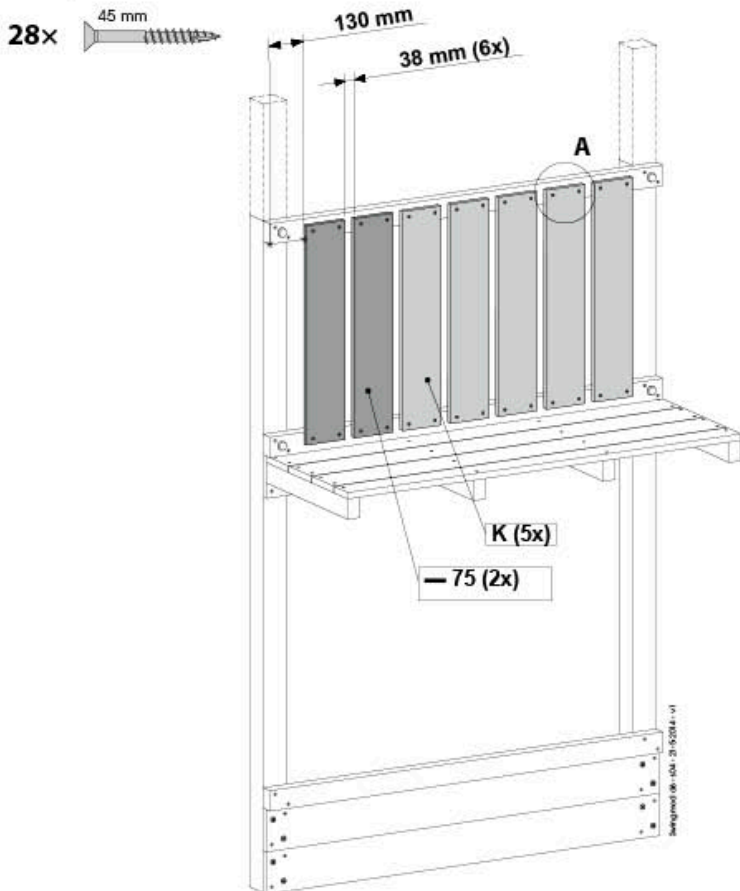
5.3b



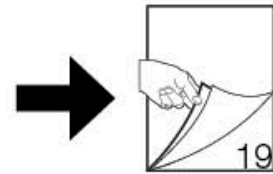
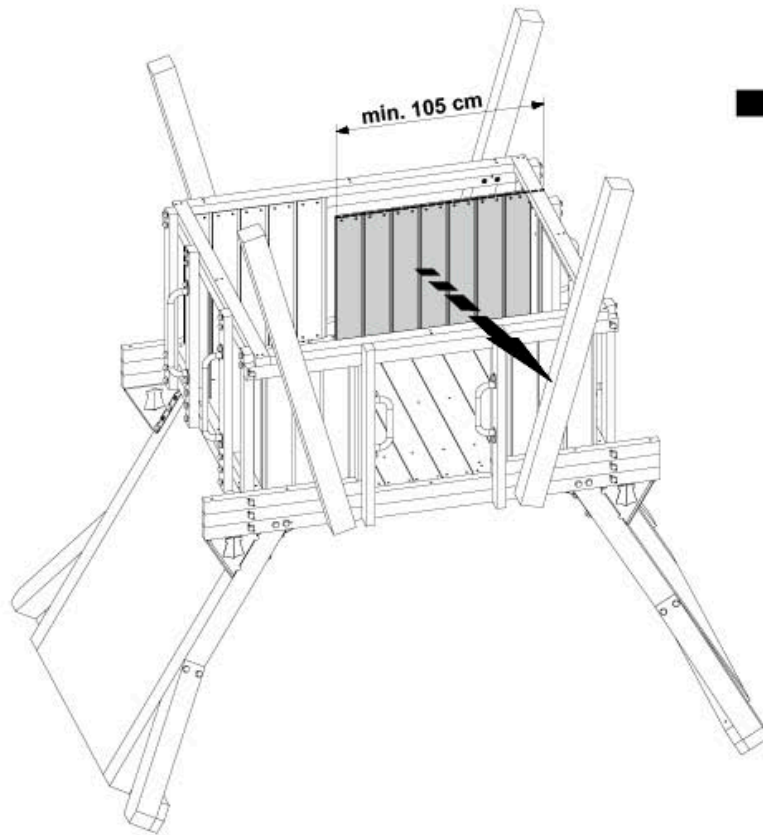
5.3a



5.3b

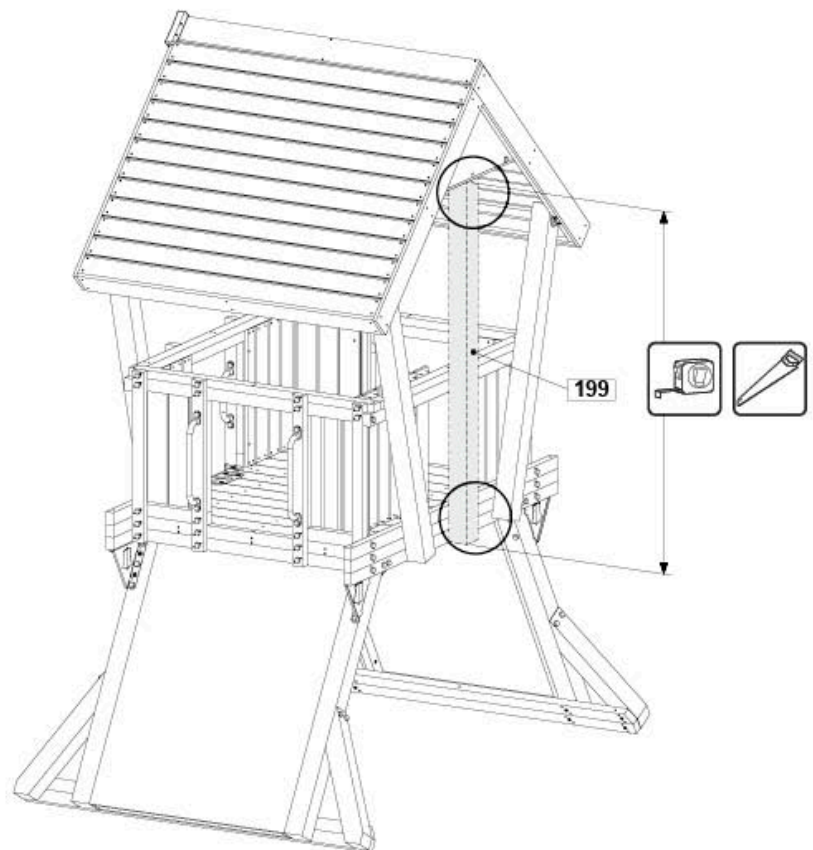
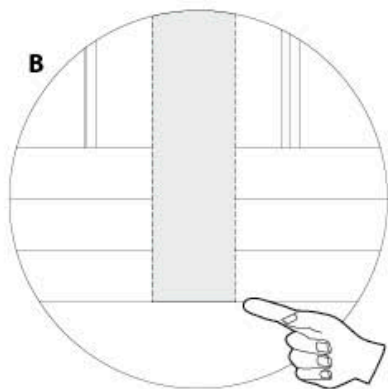
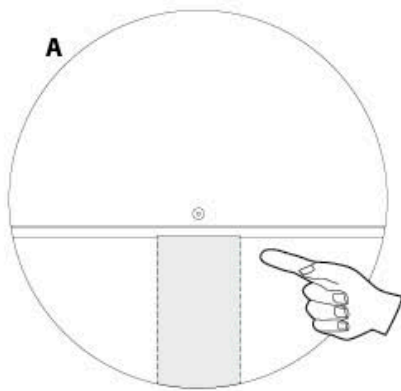


5.4a




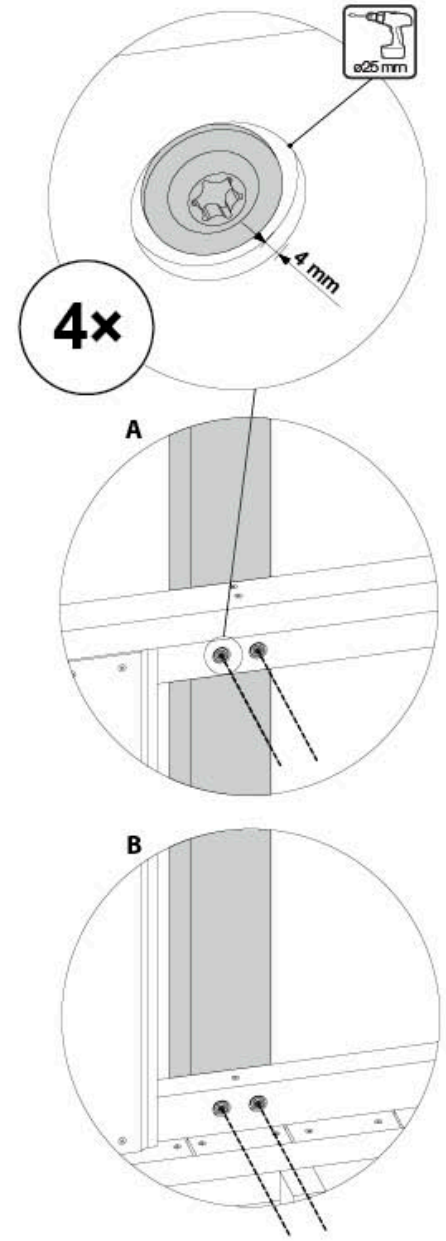
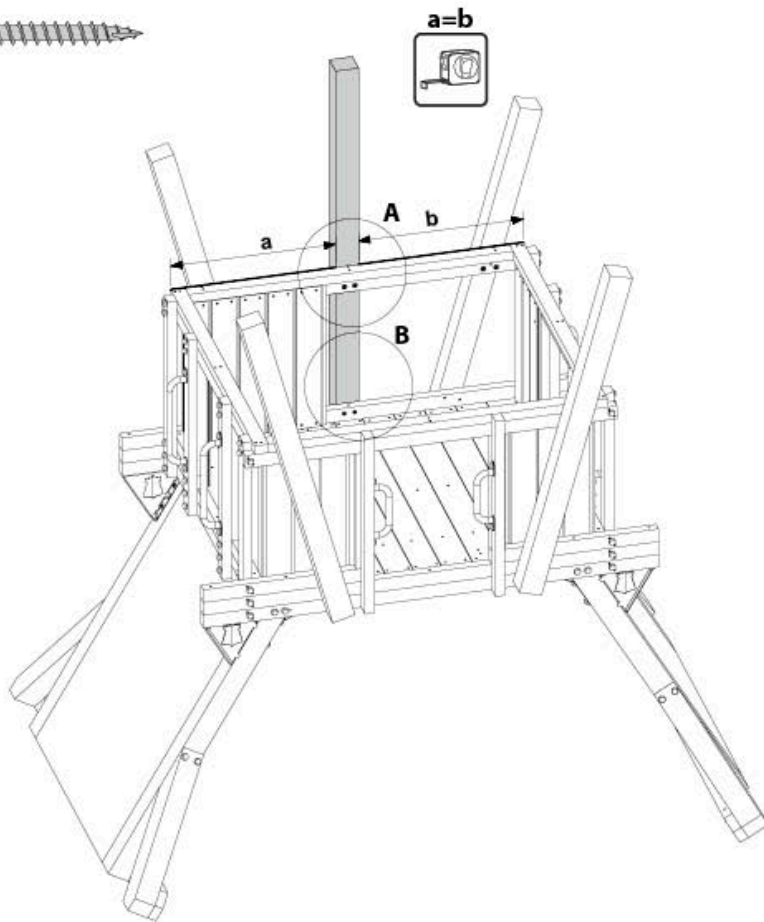
5.4e

5.4b




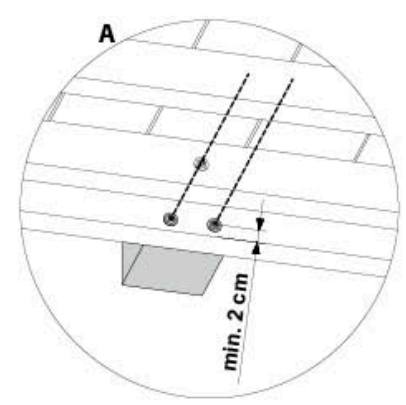
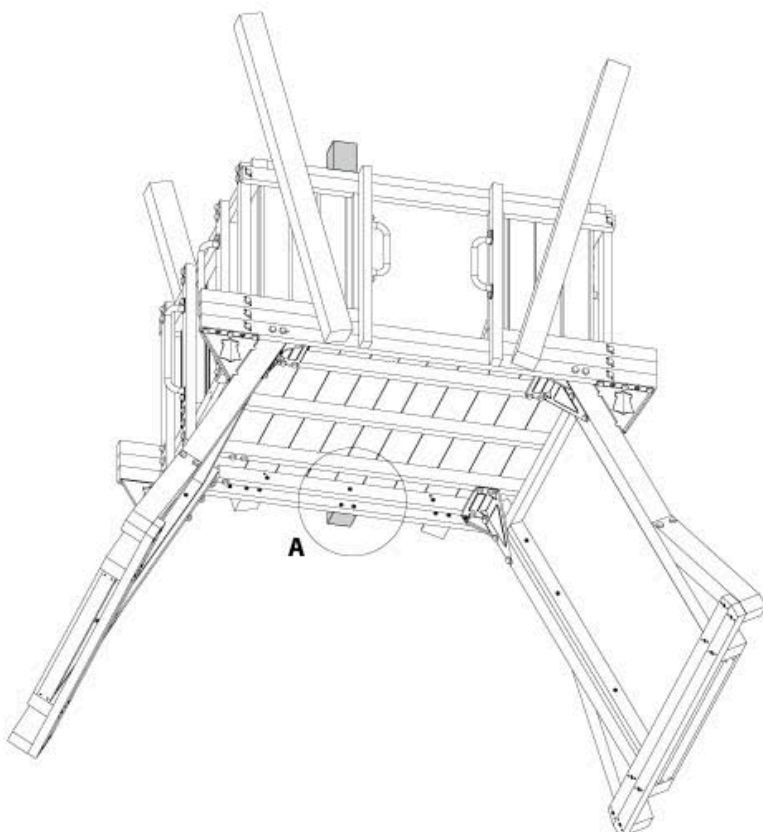
5.4c

4x 80 mm

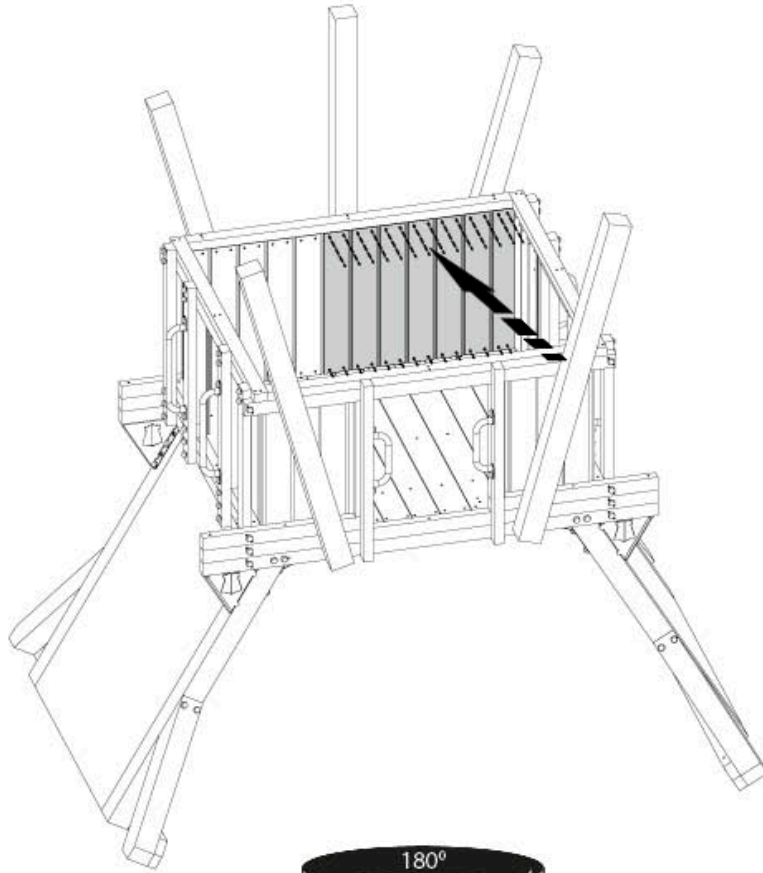
5.4d

2x 80 mm

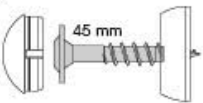



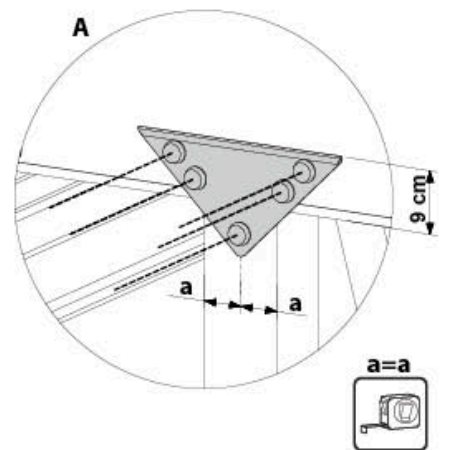
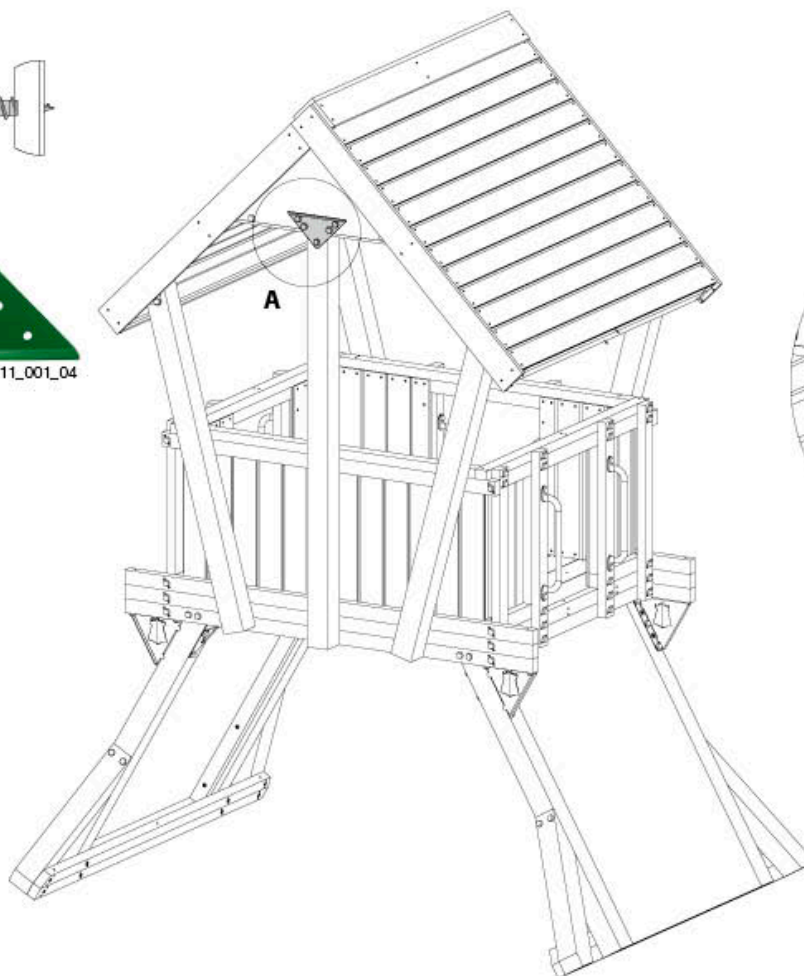
5.4e

36 - 44x 

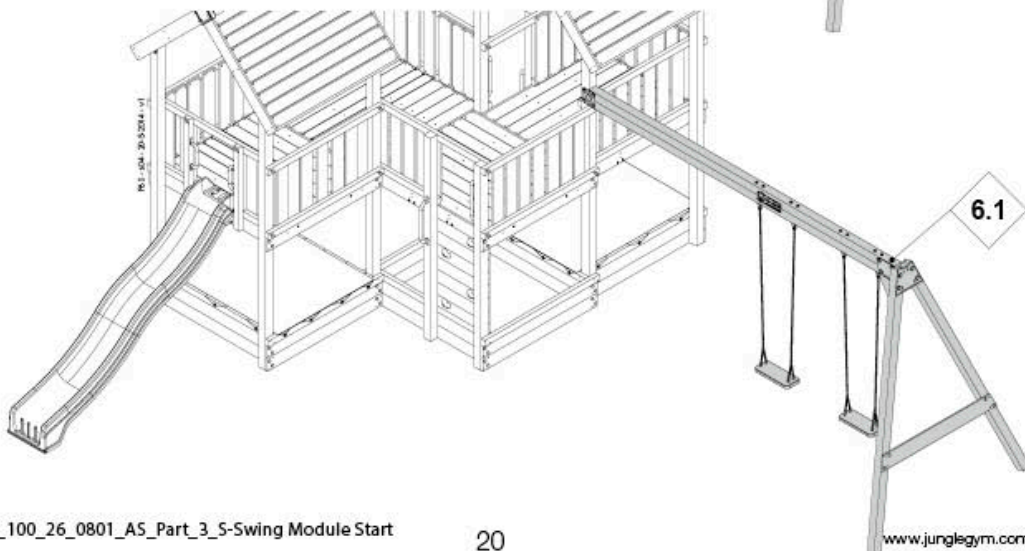
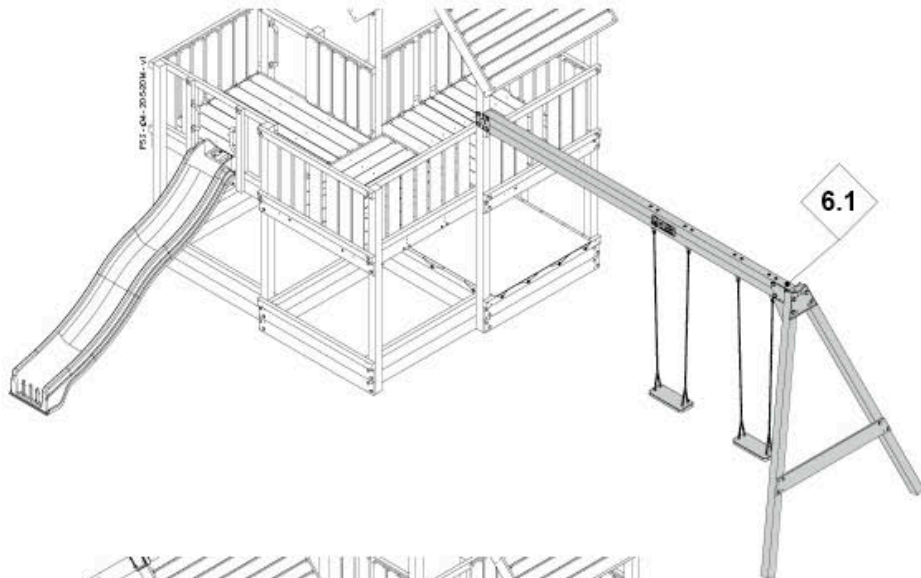
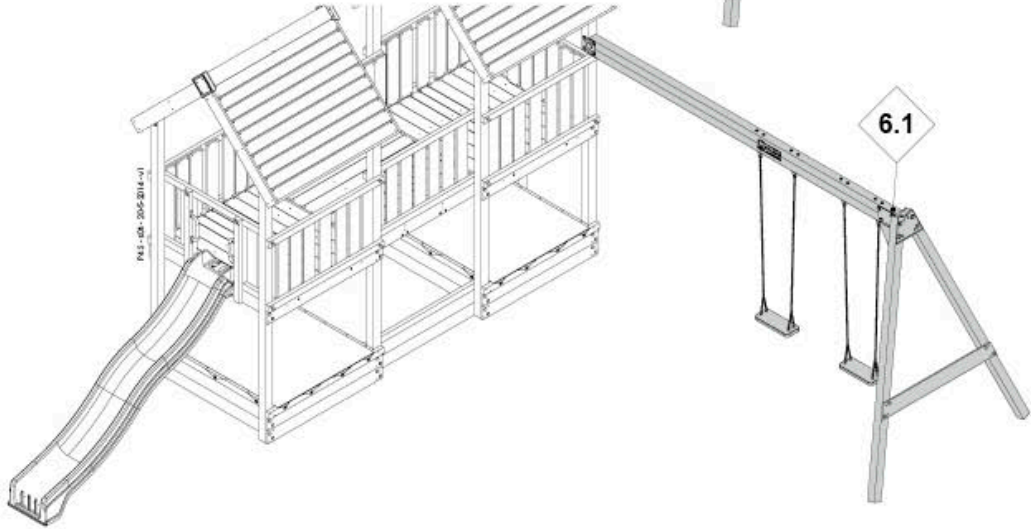
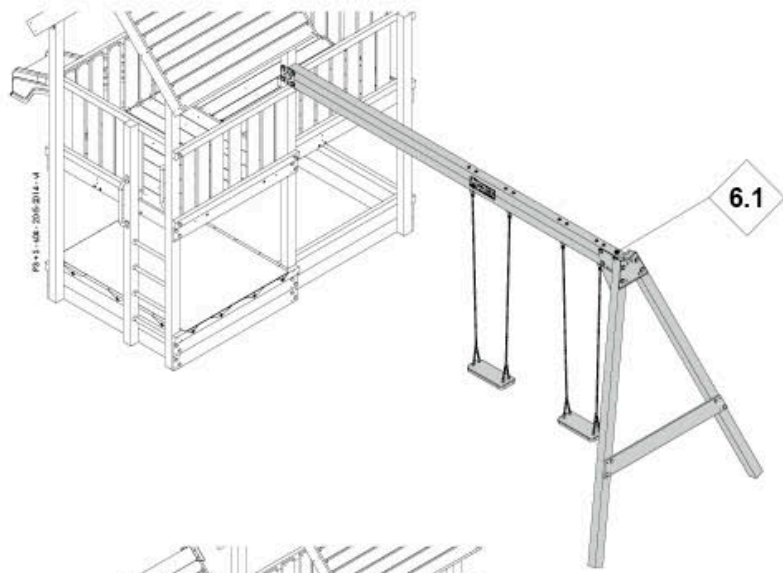


5.4f

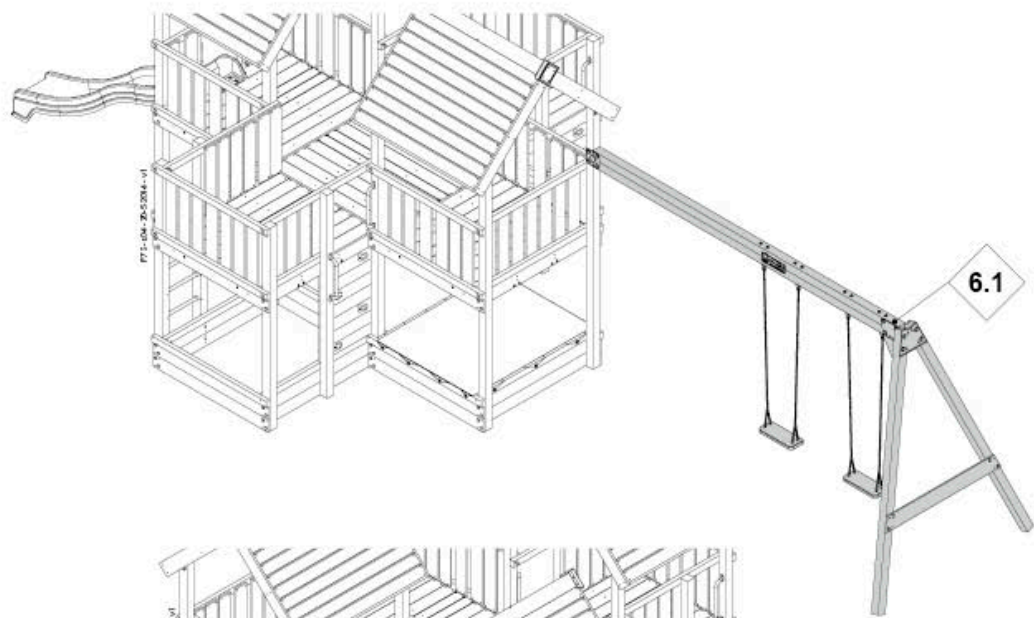
5x 



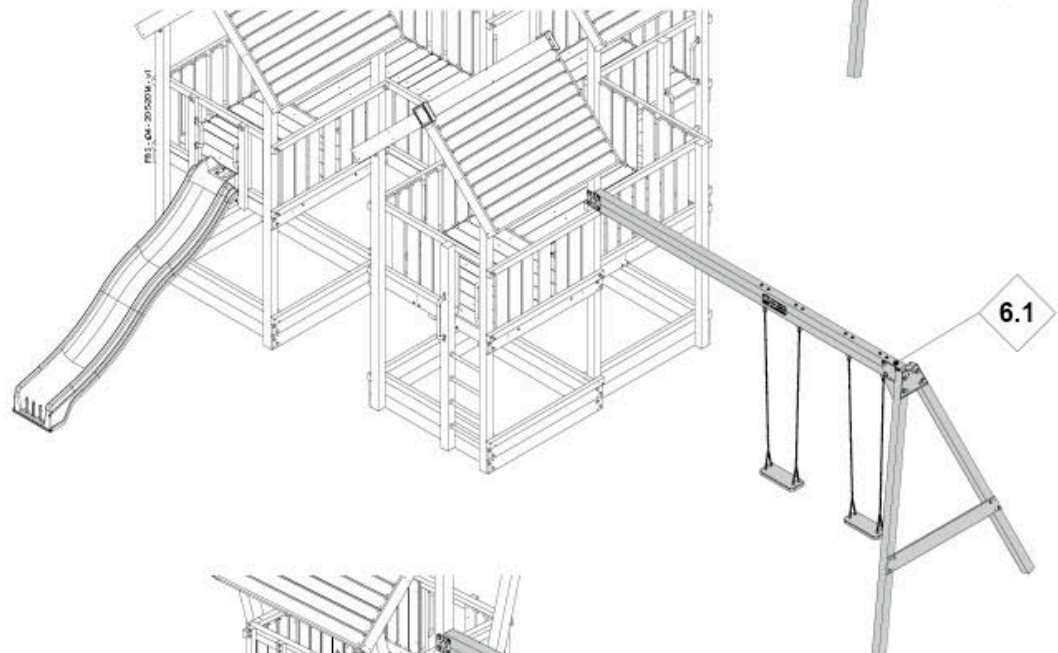
6



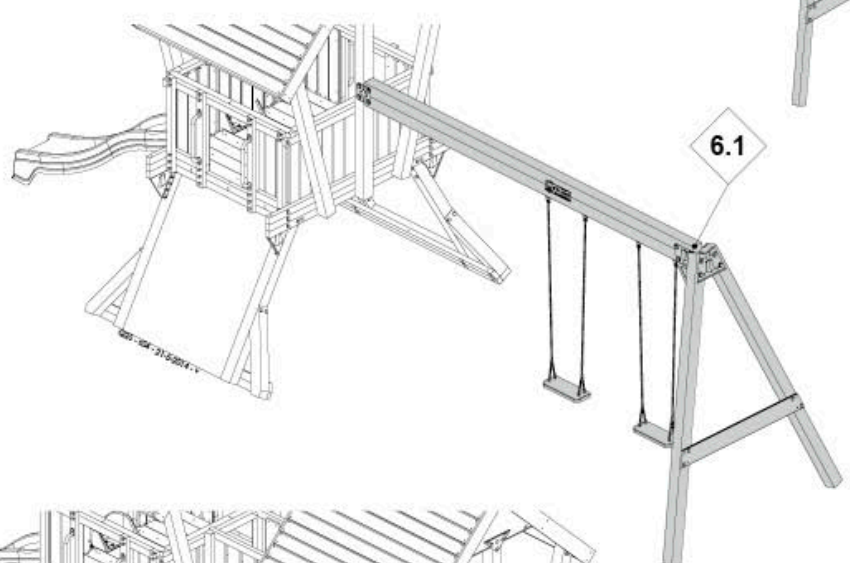
P7s



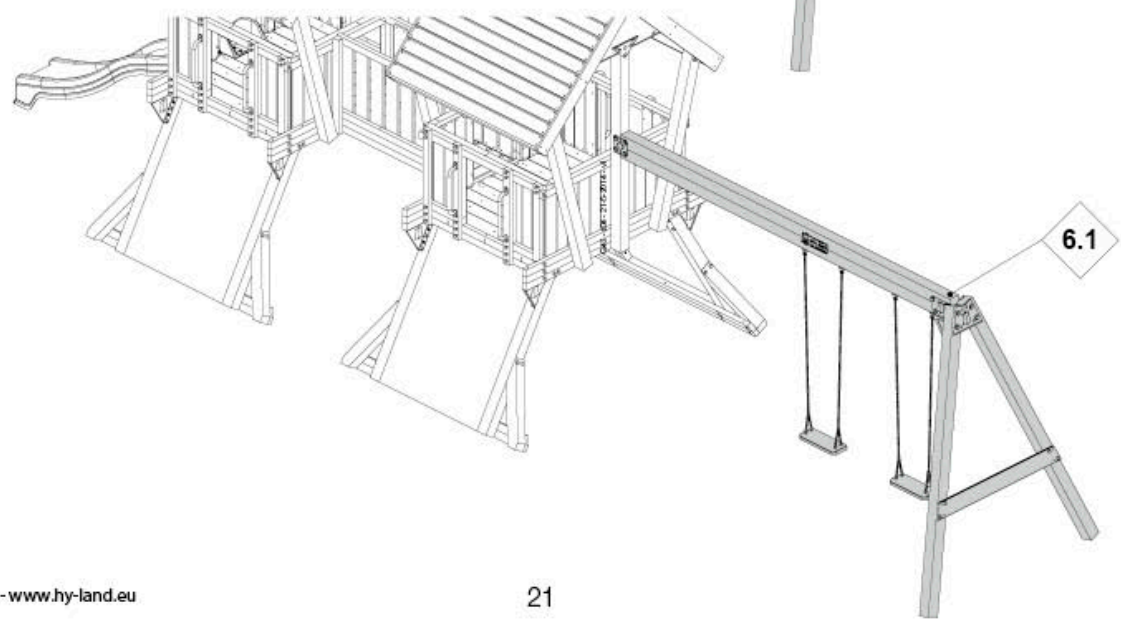
P8s



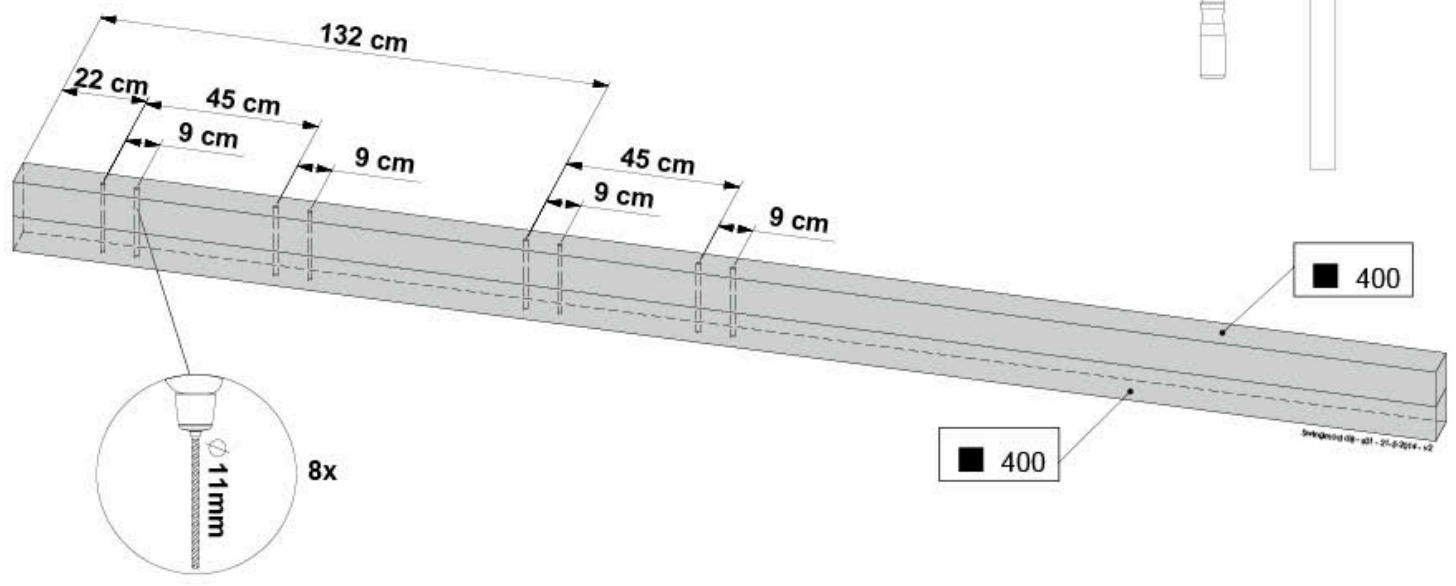
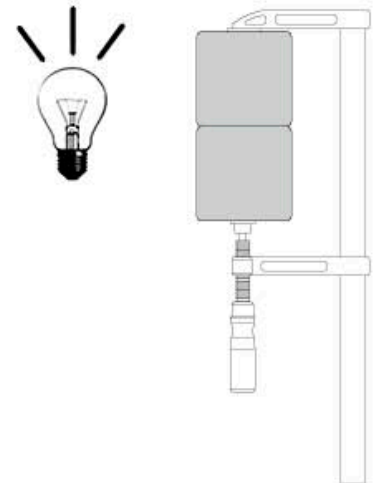
Q2s



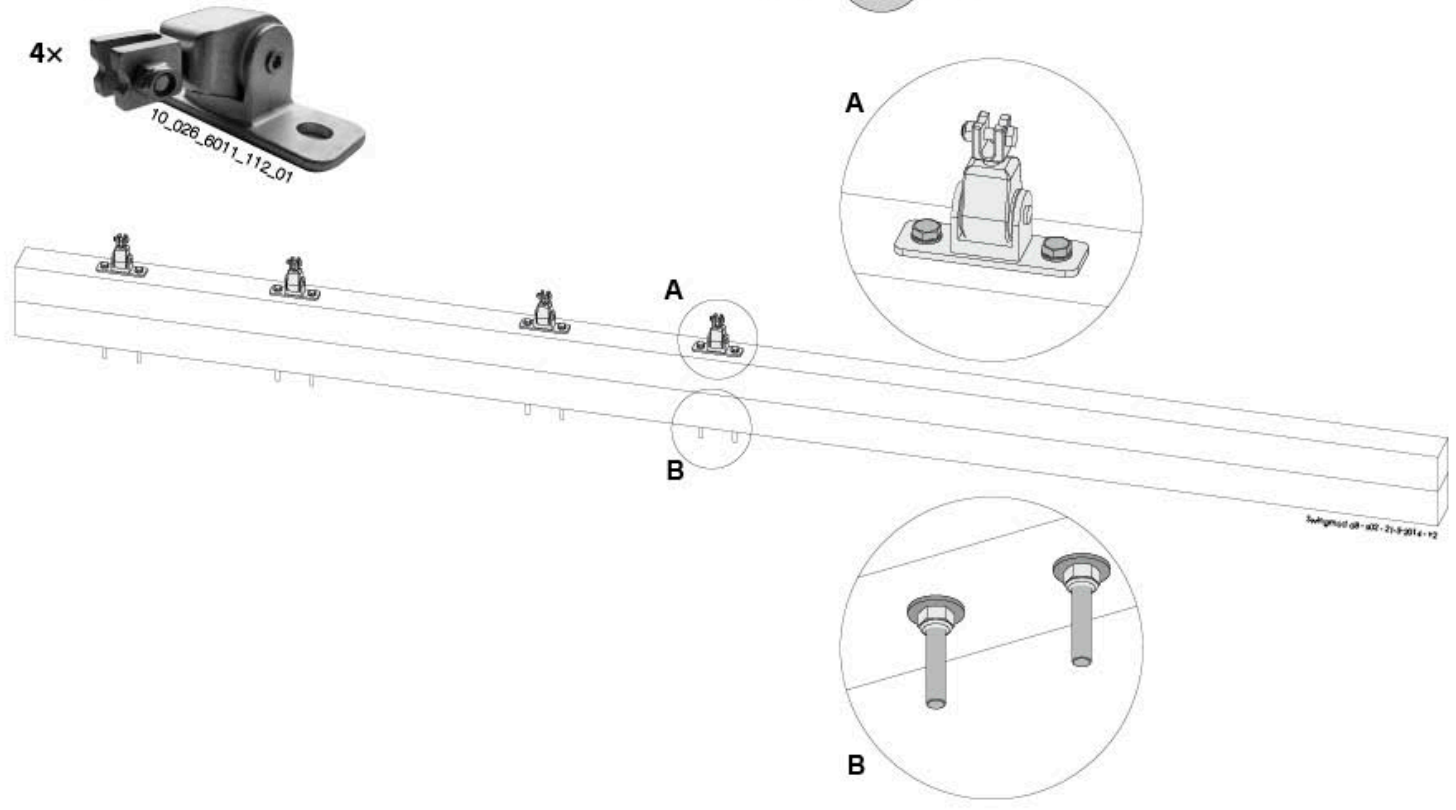
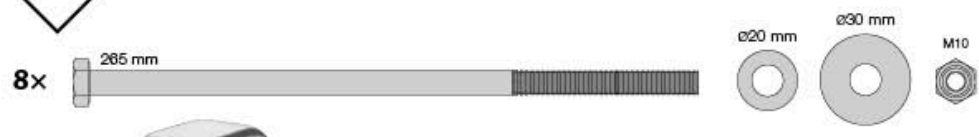
Q4s



6.1a

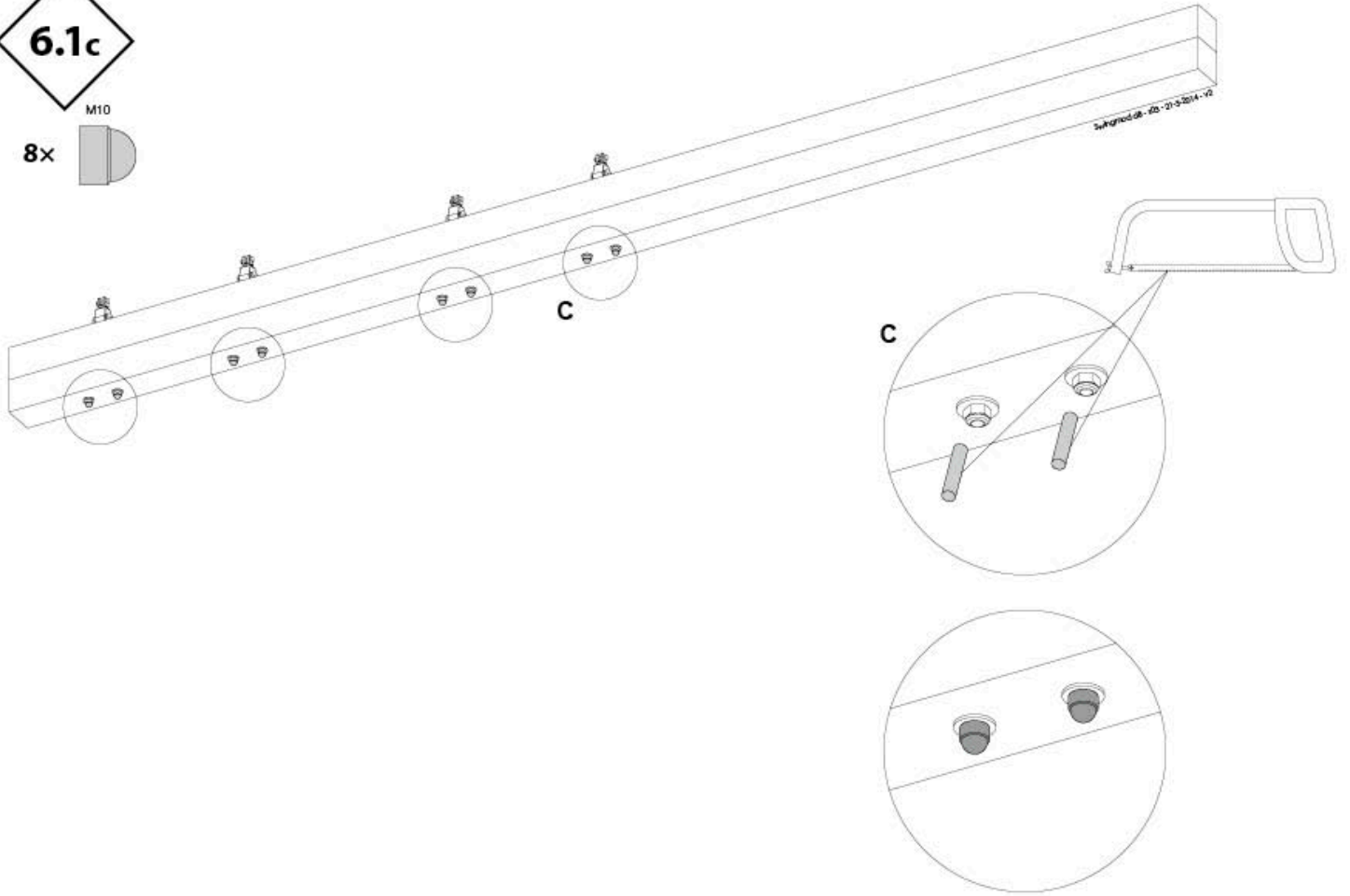


6.1b



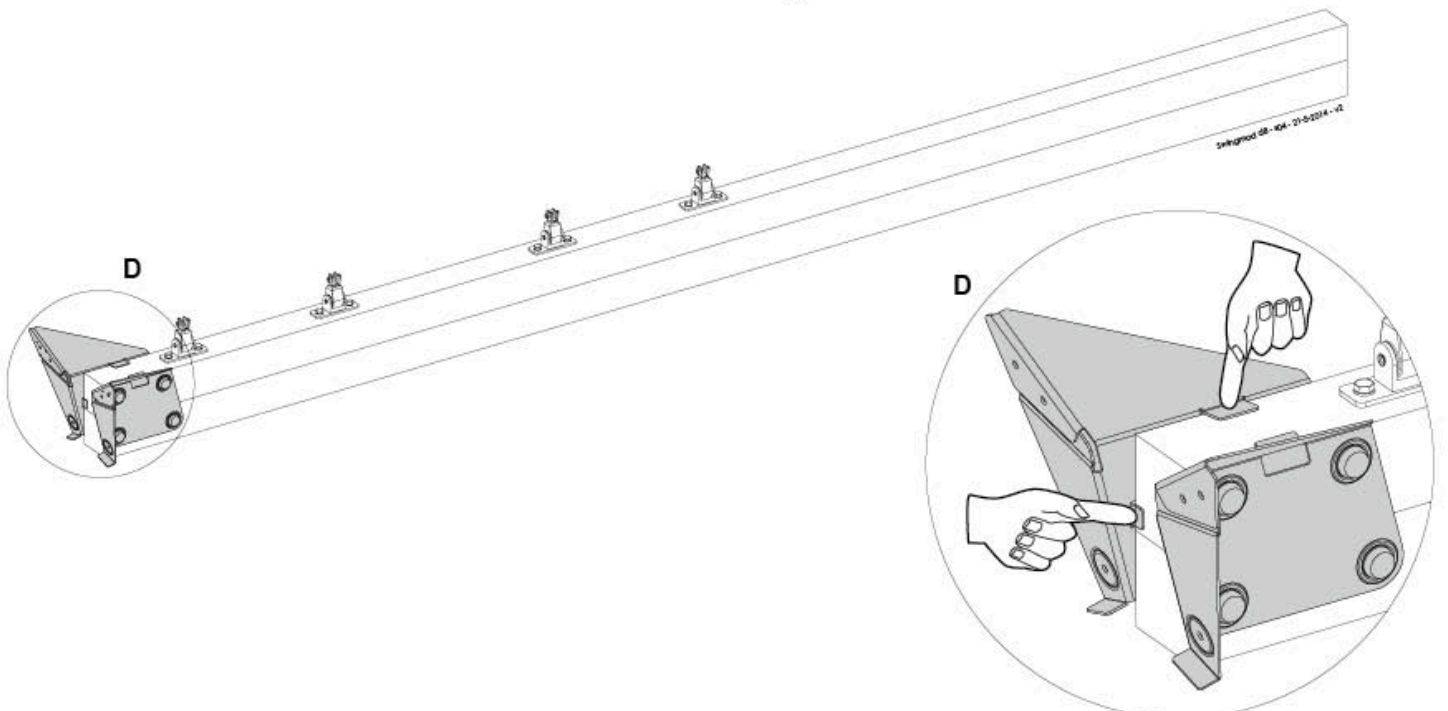
6.1c

8x M10

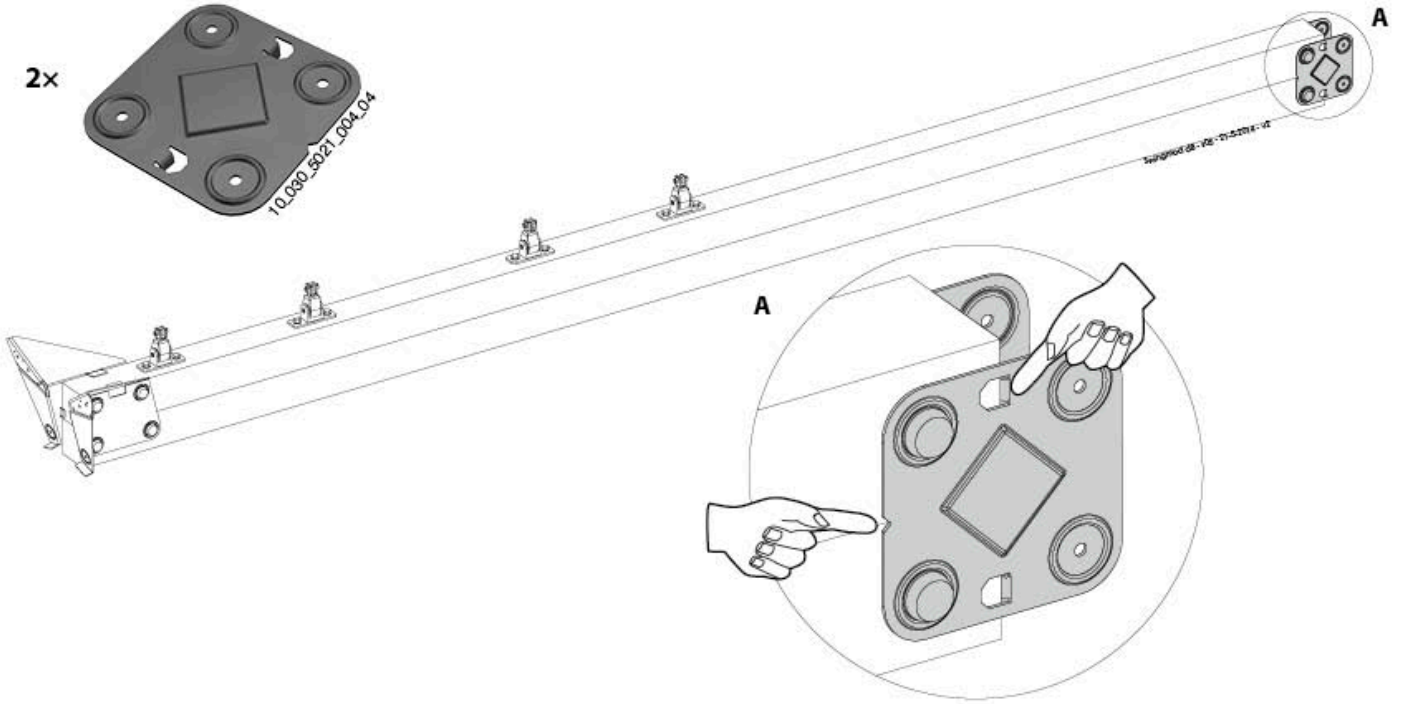
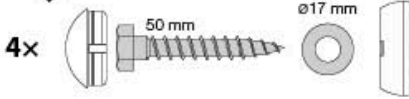


6.1d

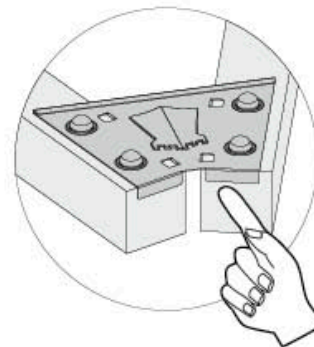
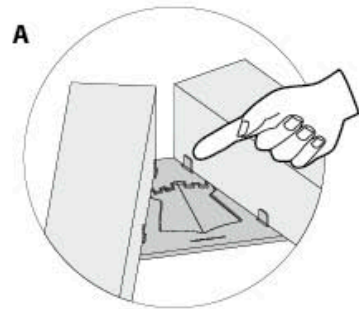
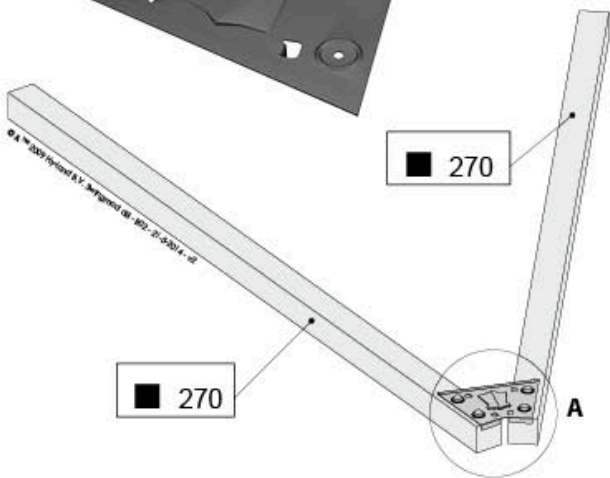
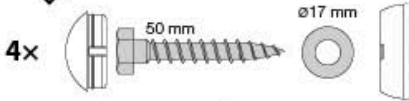
8x 50 mm $\varnothing 17$ mm



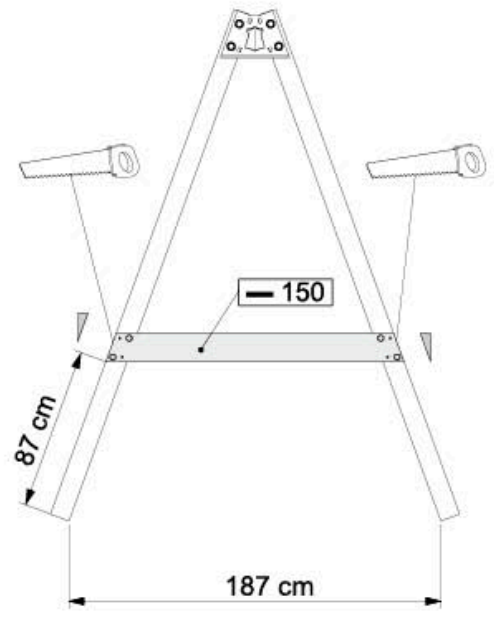
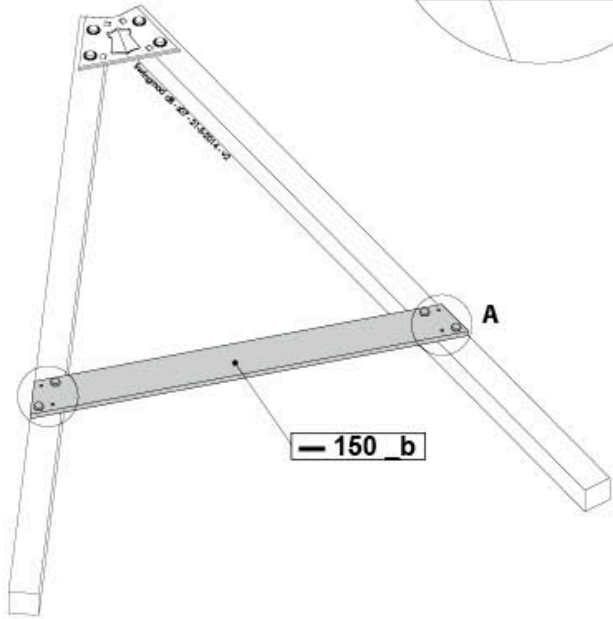
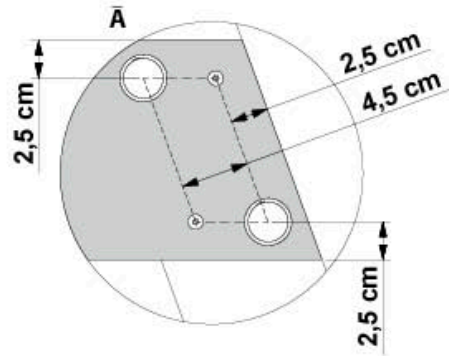
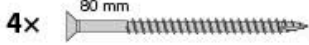
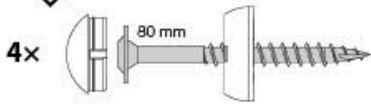
6.1e



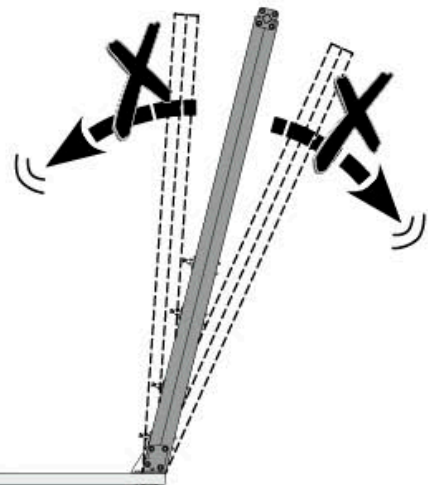
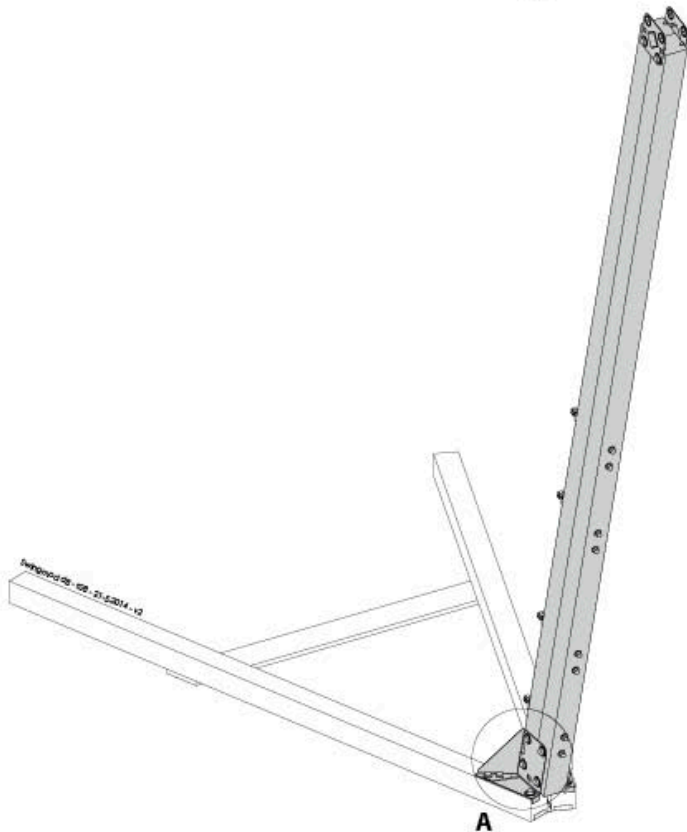
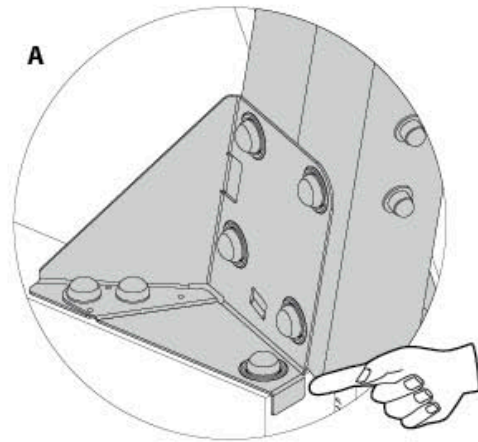
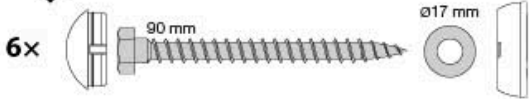
6.1f



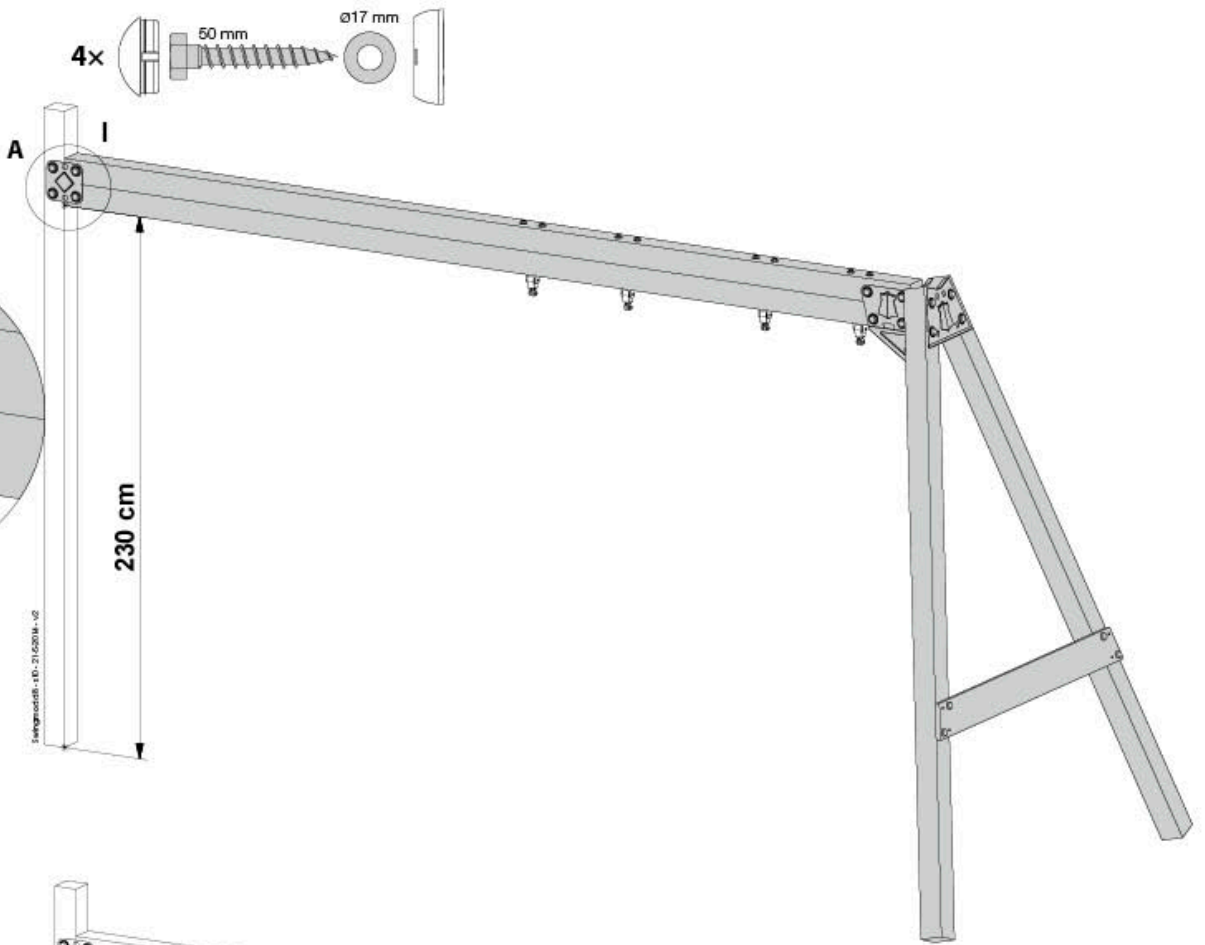
6.1g



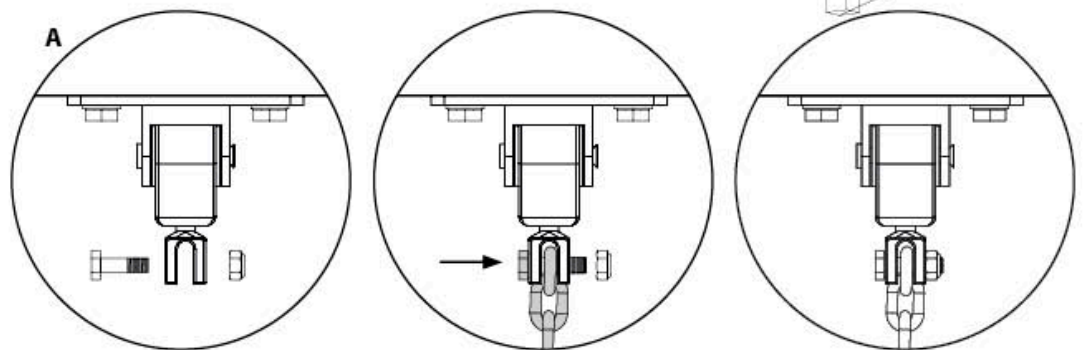
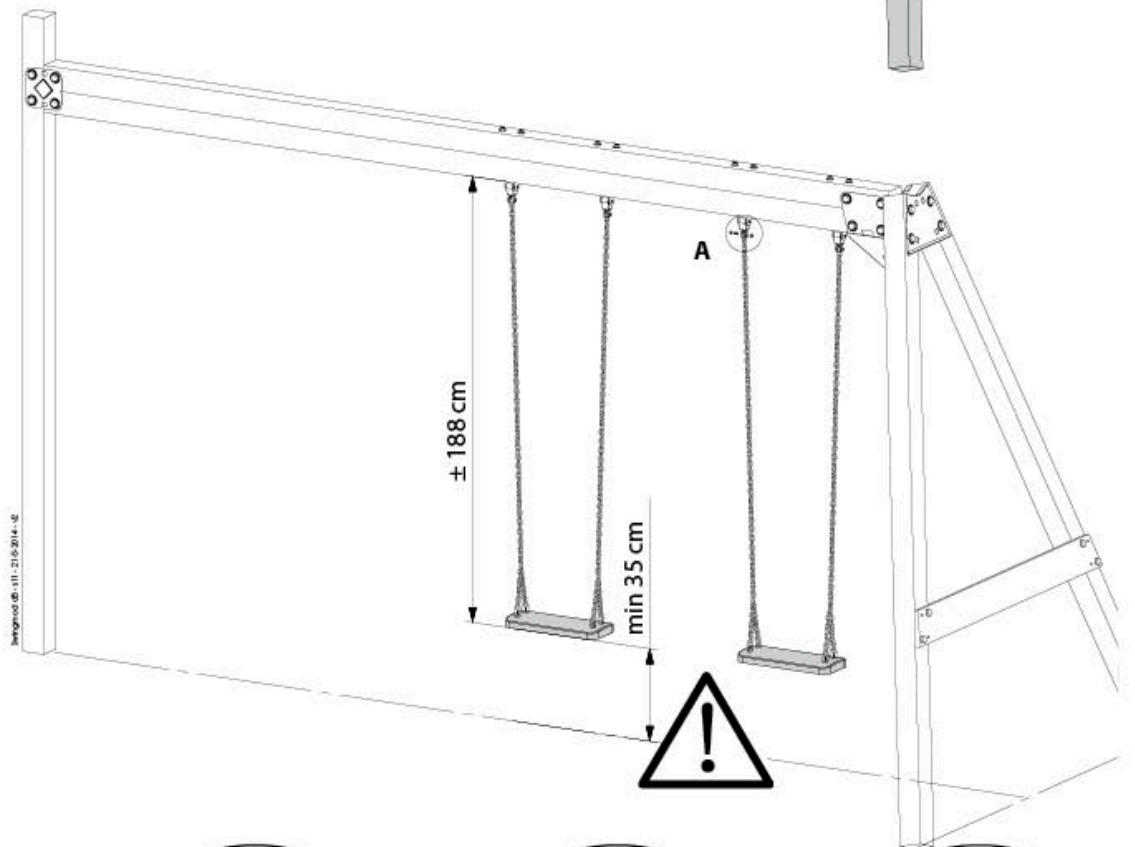
6.1h



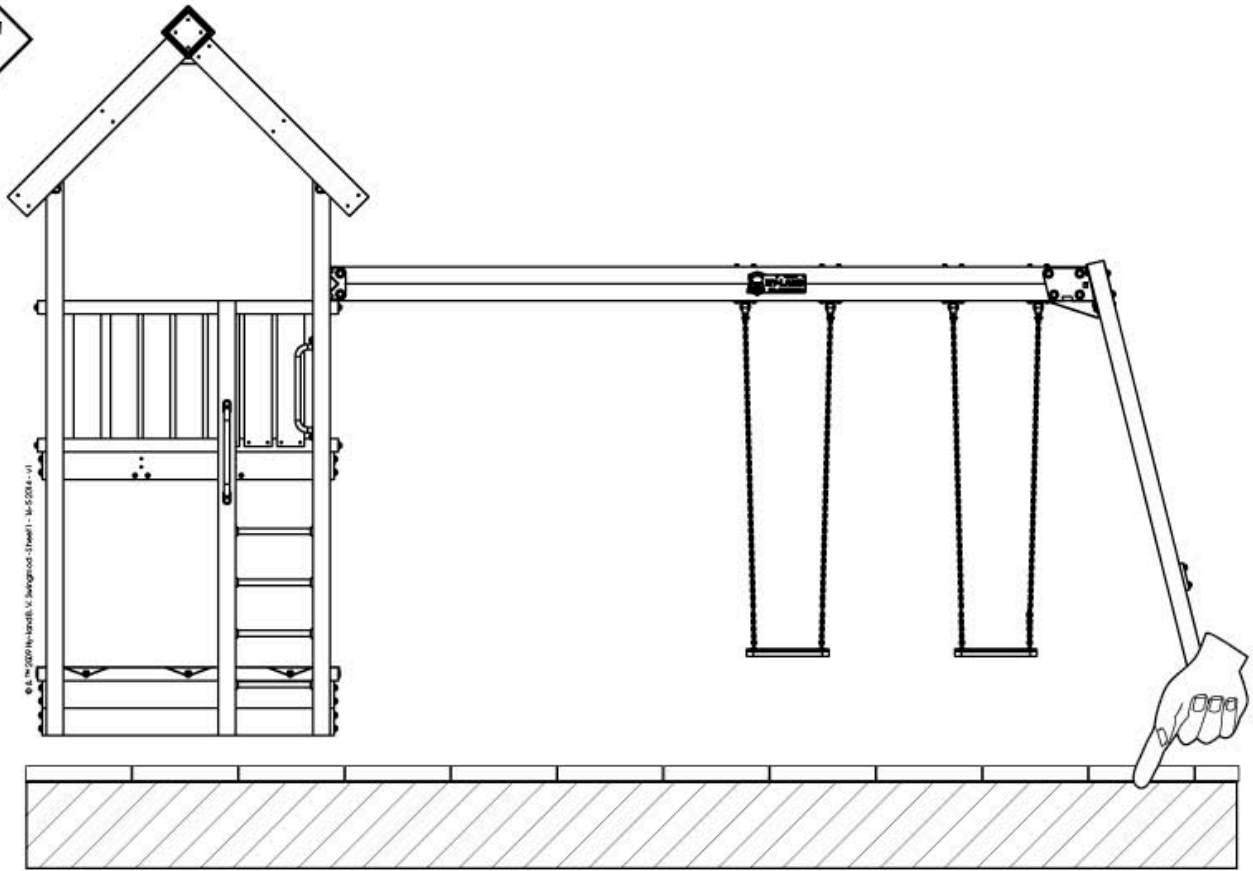
6.1i



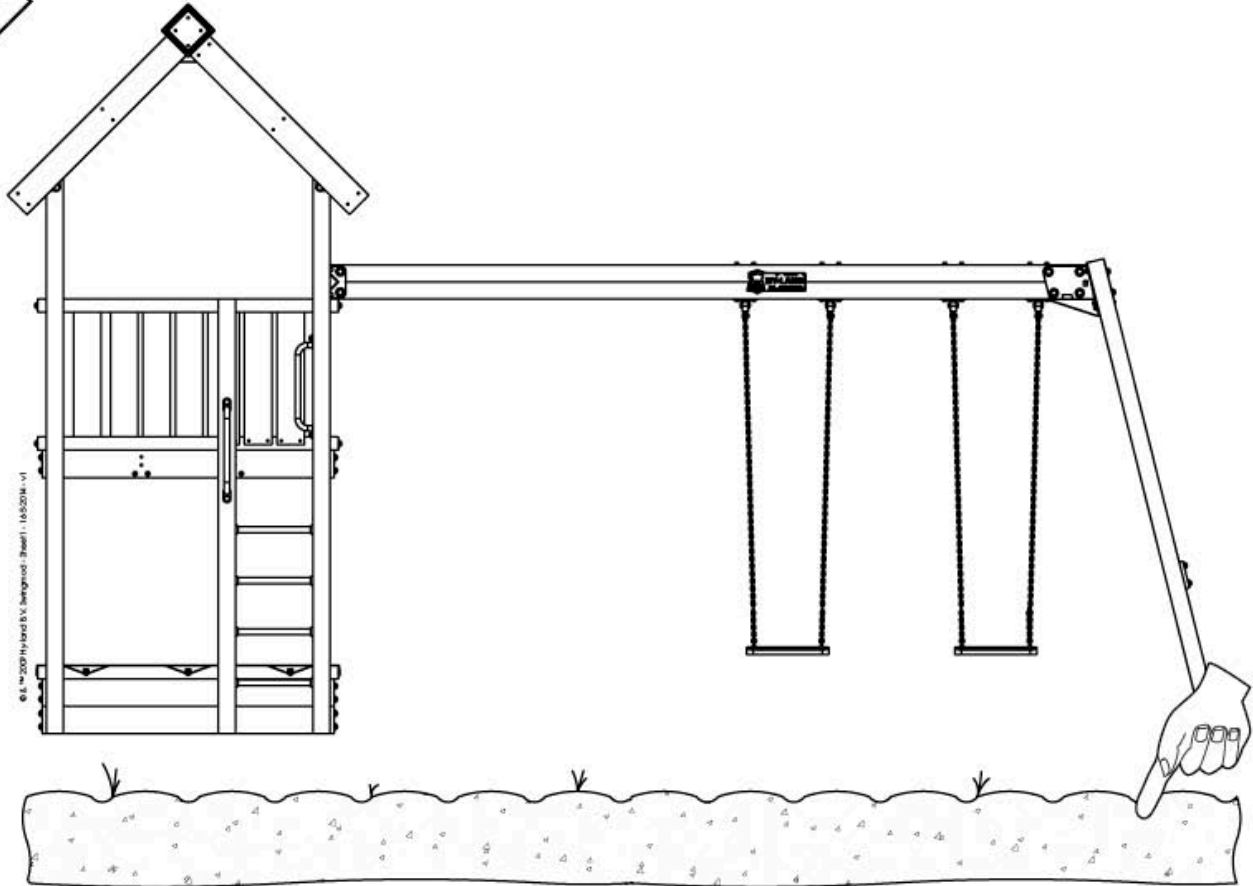
6.1j



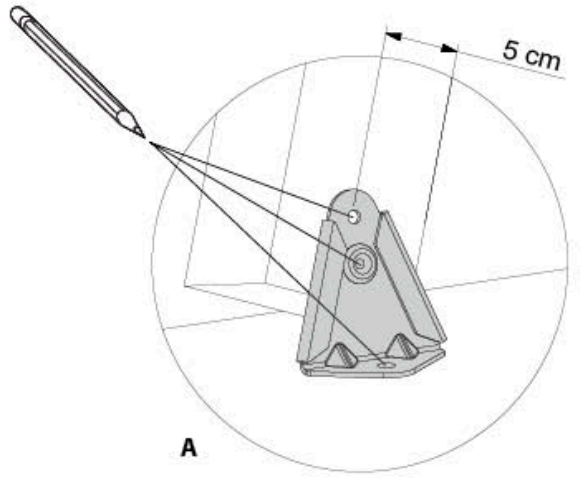
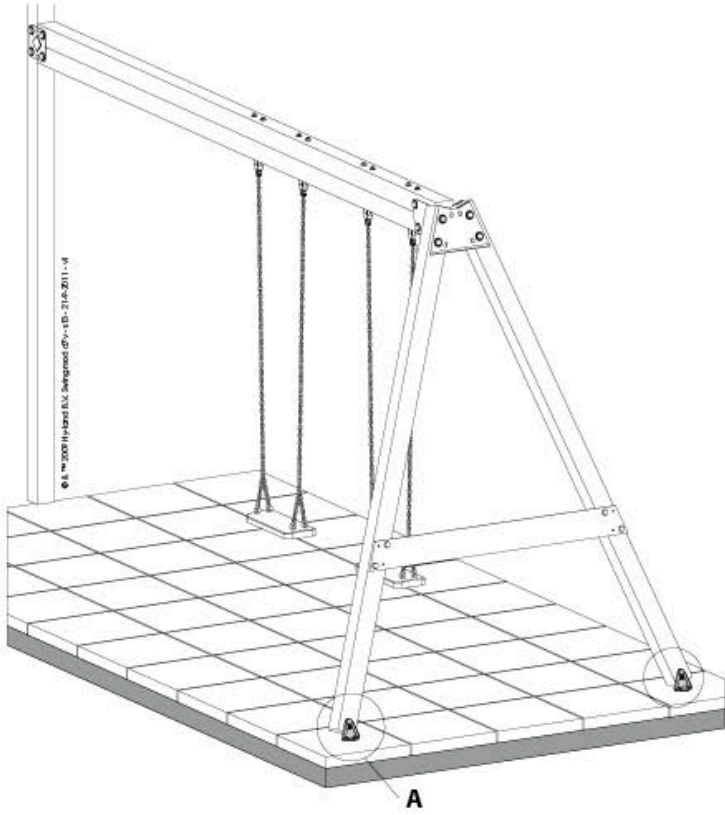
6.1k'



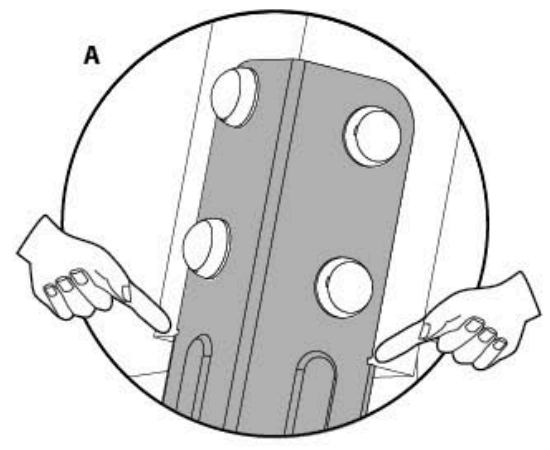
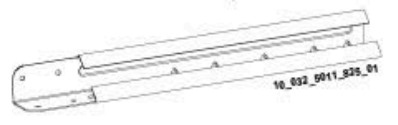
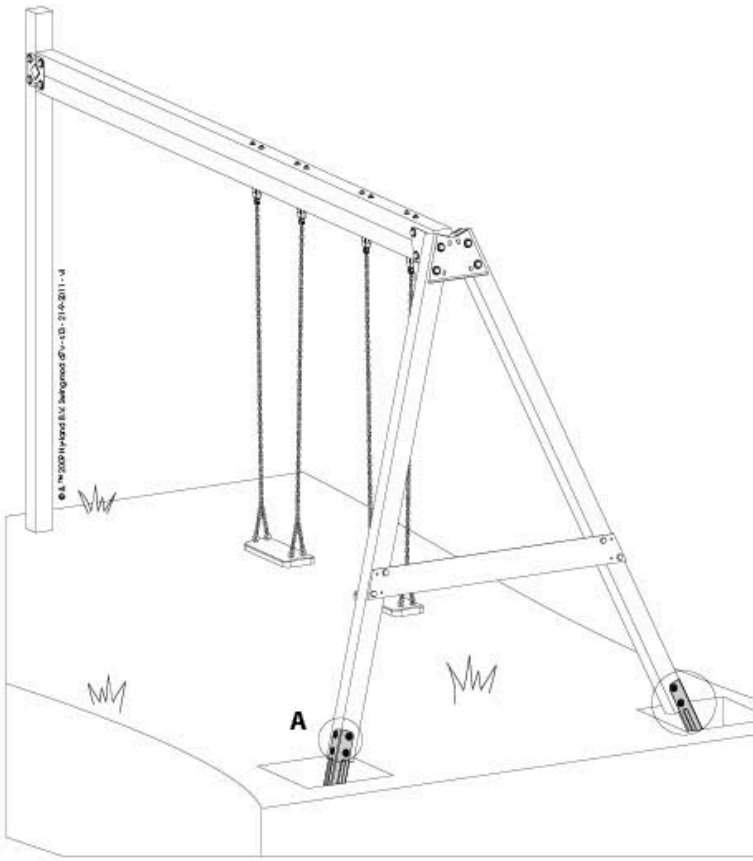
6.1k''

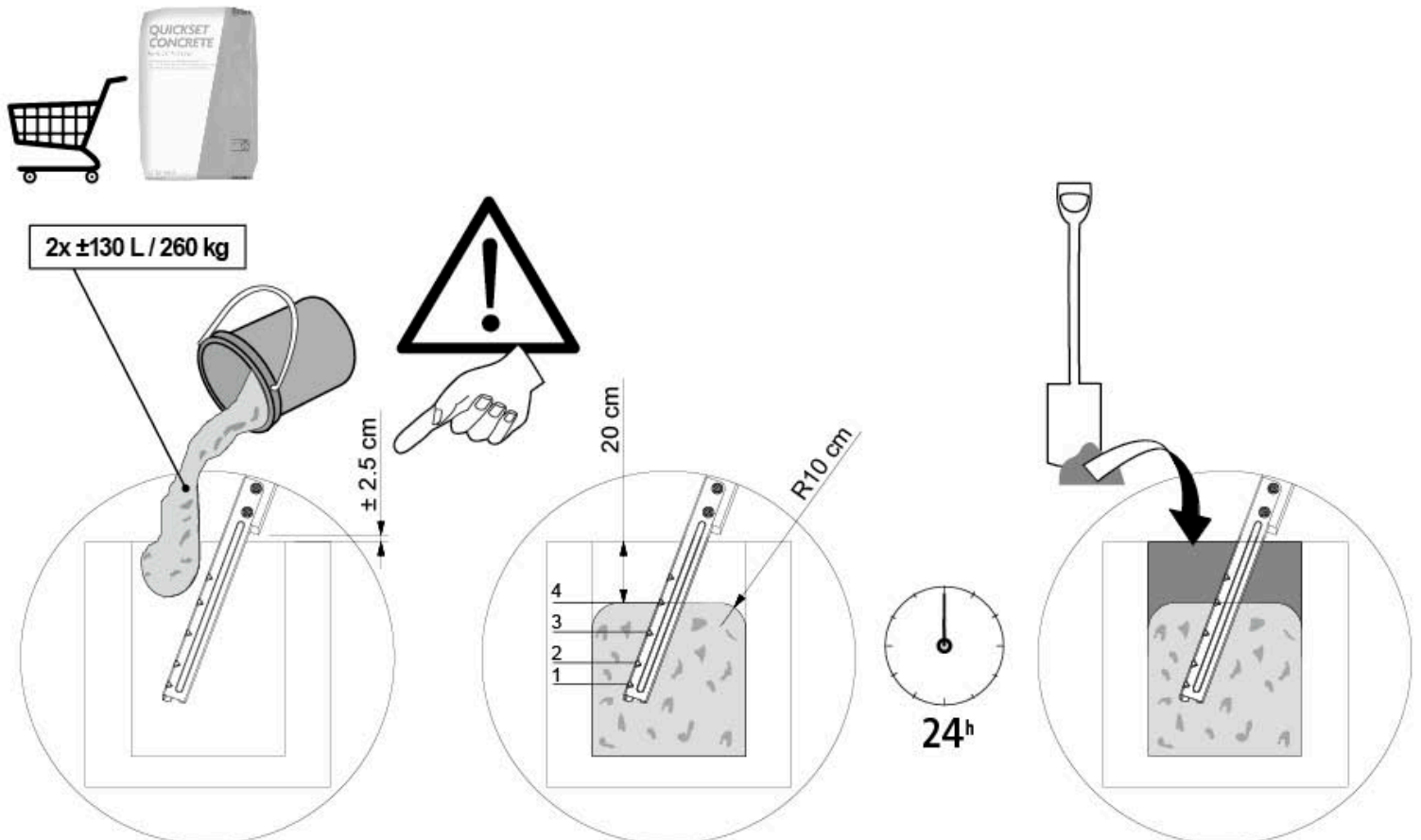
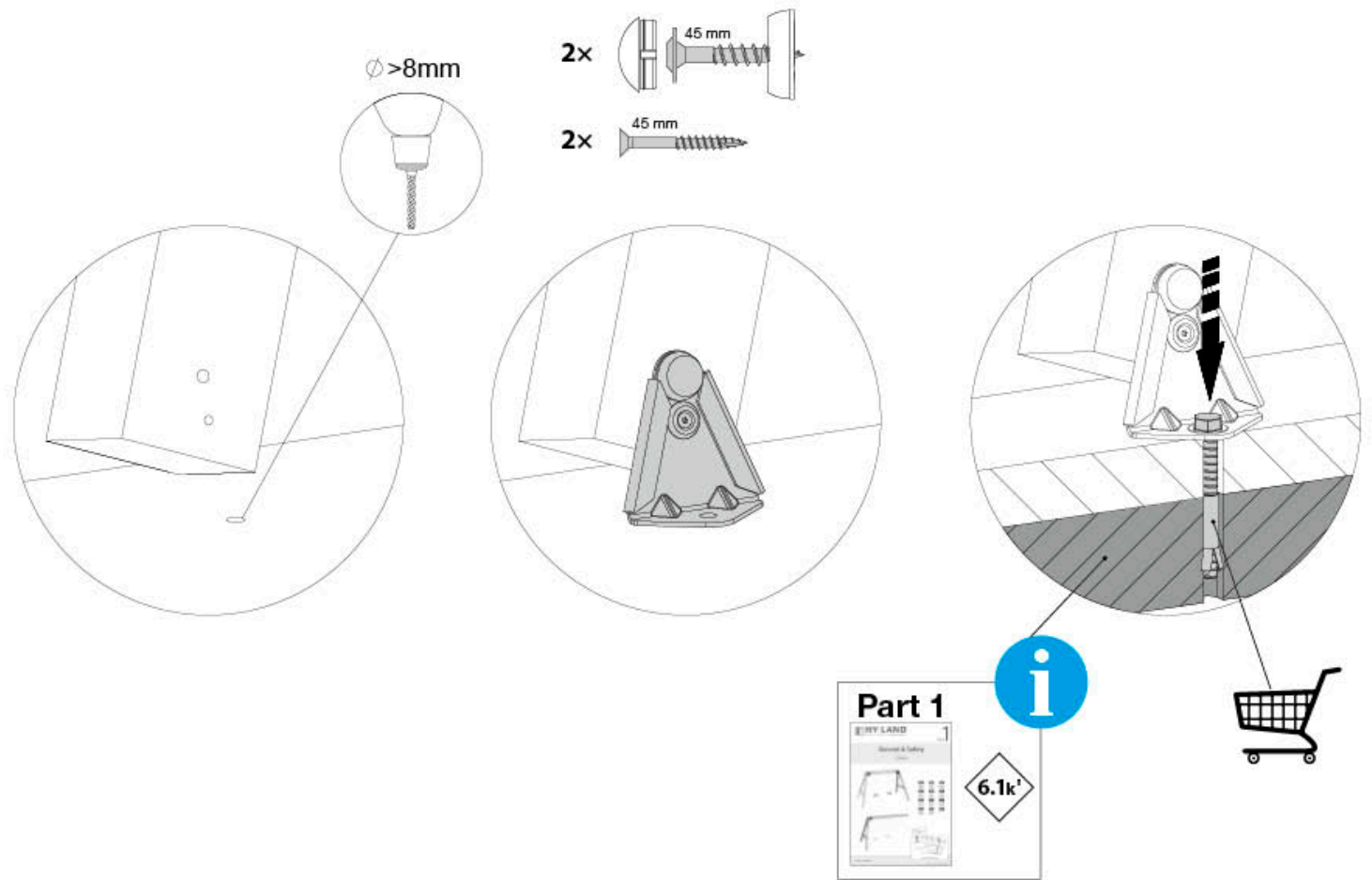


6.1k'

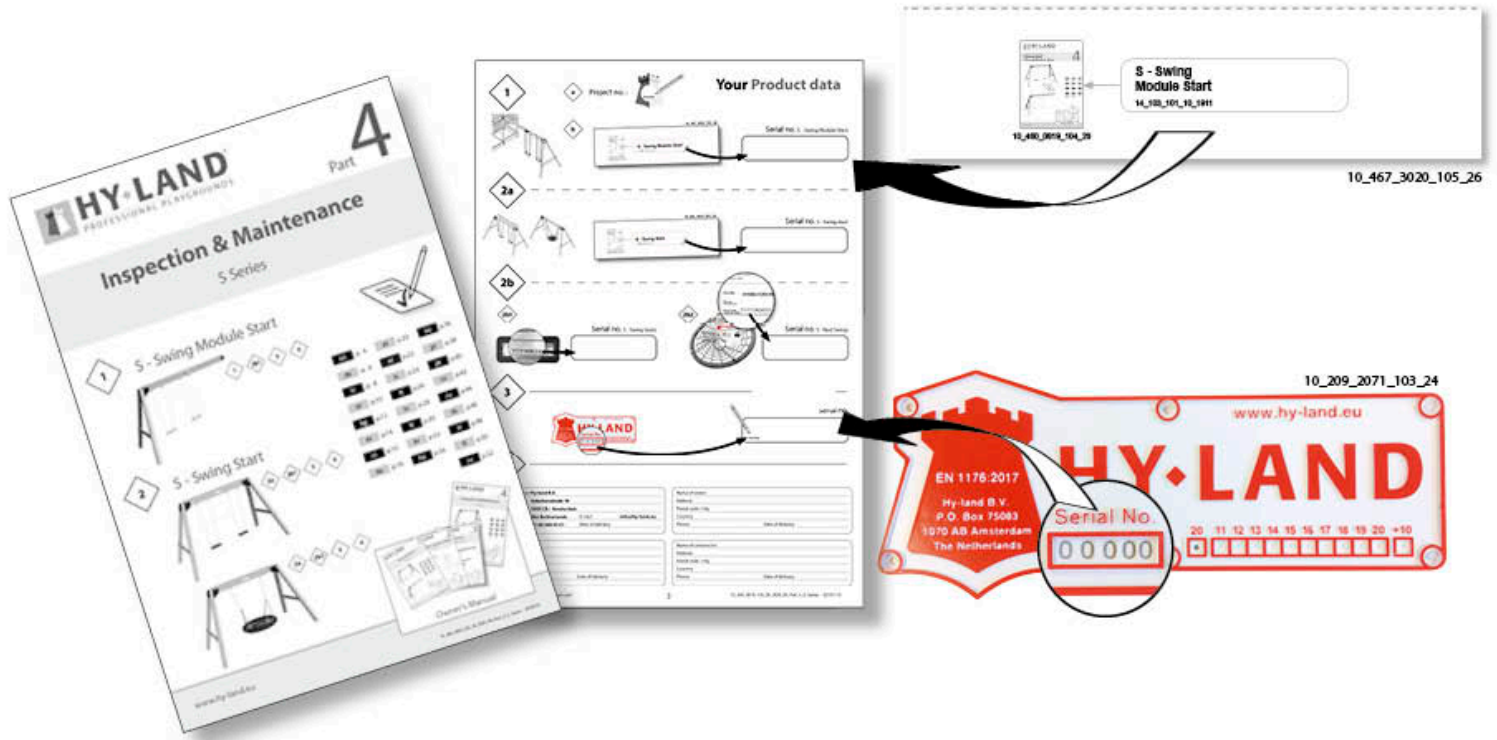


6.1k''

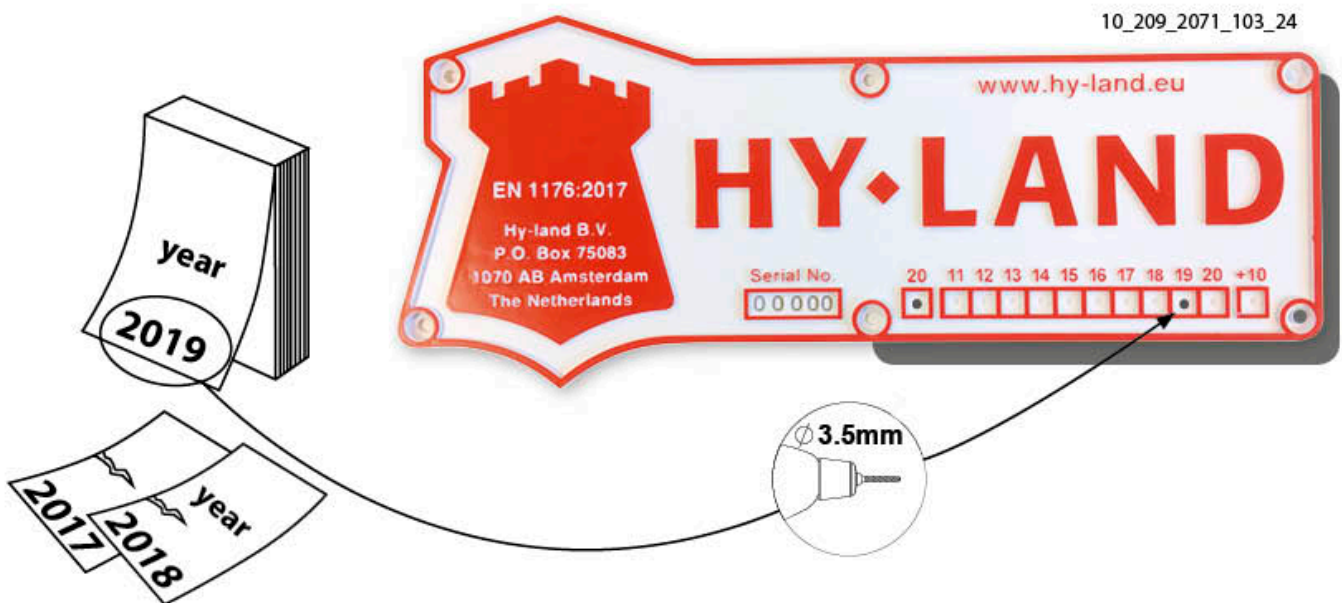




6.1L



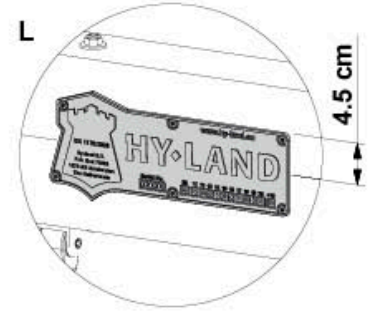
6.1m



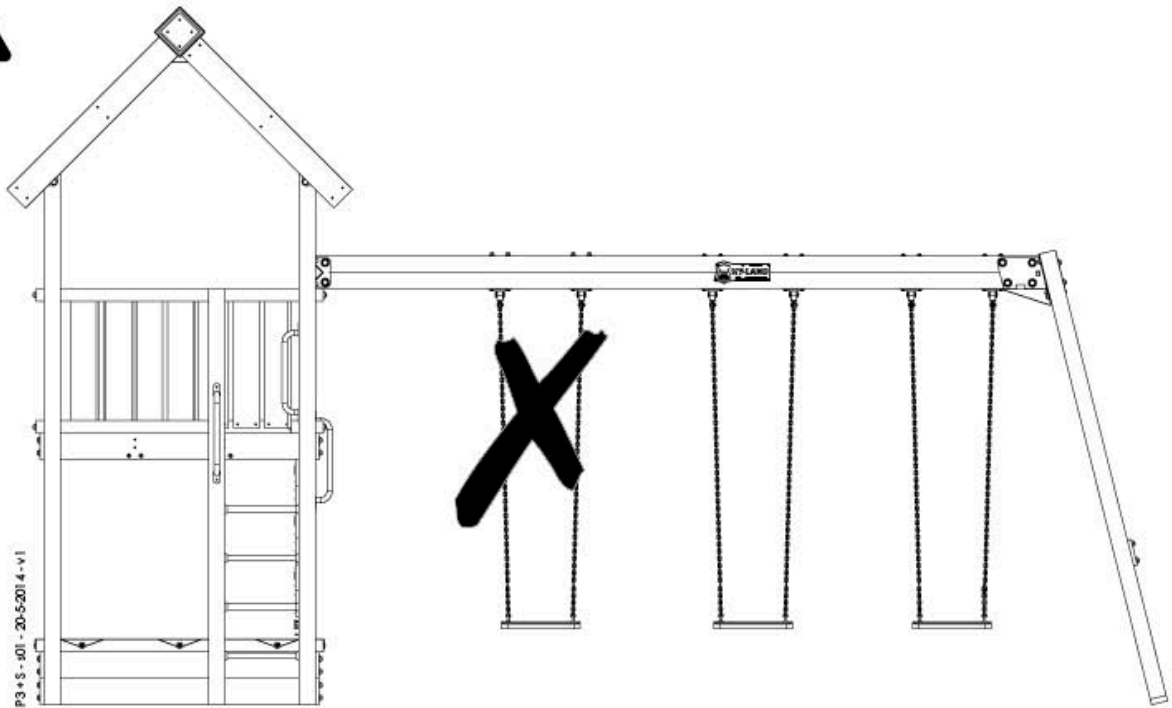
6.1n

6x 20 mm

3wegmodul-83-2162014-v2



149 cm



Hy-land B.V.
Valschermkade 18
NL - 1059 CD Amsterdam
The Netherlands

Tel : +31 85 444 41 01
Email : info@hy-land.eu
URL : www.hy-land.eu

Chamber of Commerce :
NL 16.078.319

