

# Part 2

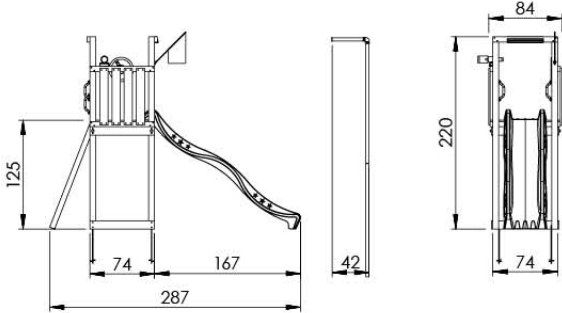
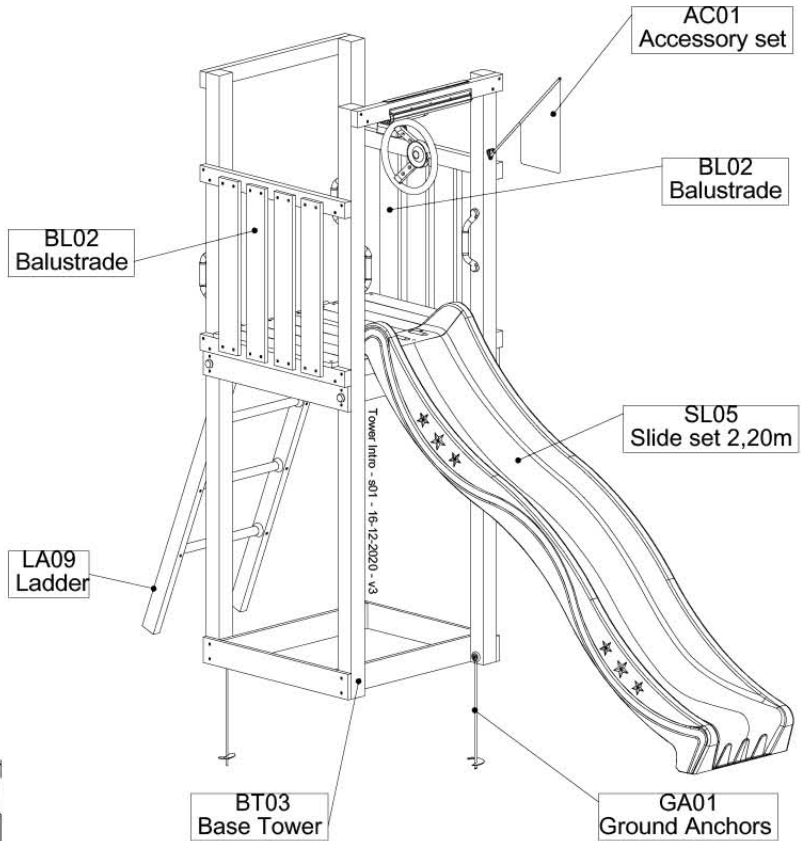
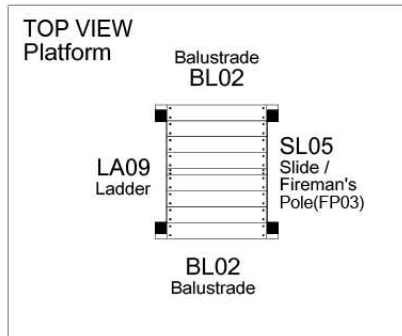
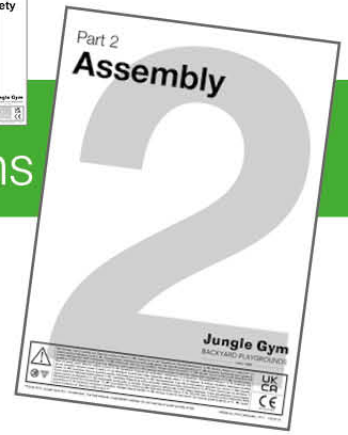
# Assembly

# Jungle Tower

801\_200



Instructions



Manual Part 1



### Important

This assembly manual should always be read in conjunction with the General Safety manual part as included in the hardware package of your playground equipment. Please read these safety instructions carefully before starting the assembly work.

# Jungle Gym

## BACKYARD PLAYGROUNDS

since 1988



4<sup>h</sup>


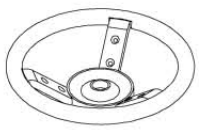
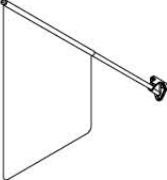



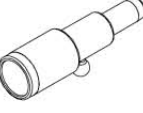

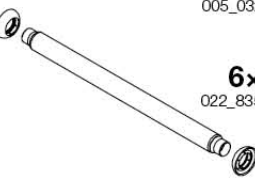


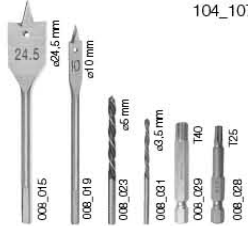


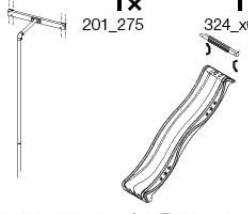


**EN.** Warnings. Only for domestic use. Maximum number of users is 4. **DE.** Achtung. Nur für den Hausgebrauch. Maximale Benutzerzahl: 4. **FR.** Attention. Réserve à un usage familial. Le nombre maximal d'utilisateurs est de 4. **NL.** Waarschuwingen. Uitsluitend voor huishoudelijk gebruik. Het maximale aantal gebruikers is 4. **BG.** Внимание. За употреба само в домашни условия. Максималният брой потребители е 4. **CS.** Varování. Jen pro domácí použití. Maximální počet uživatelů je 4. **DA.** Advarsel. Kun til privat brug. Maksimum antal brugere er 4. **EL.** Προειδοποίησης. Μόνο για οικιακή χρήση. Μέγιστος αριθμός χρηστών 4. **ES.** Advertencias. Solo para uso doméstico. Número máximo de usuarios: 4. **ET.** Hoiatused. Ainult koduseks kasutamiseks. Maksimaalne kasutajate arv on 4. **FI.** Varoitukset. Ainoastaan kotikäyttöön. Käyttäjää yhteensä enintään 4. **HR.** Upozorenja. Samo za kućansku uporabu. Maksimalan broj korisnika je 4. **HU.** Figyelmeztetések. Csak otthoni használatra! A használok max. száma: 4. **IS.** Varnaðarorð. Eingöngu fyrir einkanotkun í heimahúsum og á einkalóðum. Hámarksstjóldi notenda er 4. **IT.** Avvertenze. Solo per uso domestico. Massimo numero di utenti è 4. **LT.** Įspėjimai. Tik buitiniam naudojimui. Maksimalus naudotojų skaičius 4. **LV.** Brīdinājumi. Izmantot tikai mājās. Maksimālais lietotāju skaits ir 4. **NO.** Advarsel. Kun for privat bruk. Maksimalt antal brukere er 4. **PL.** Ostrzeżenia. Wyłącznie do użytku domowego. Maksymalna liczba użytkowników to 4. **PT.** Avisos. Apenas para uso doméstico. O número máximo de utilizadores é 4. **RO.** Avertismente. Numai pentru uz domestic. Numărul maxim de utilizatori este 4. **RU.** Предостережения. Только для домашнего использования. Максимальное количество пользователей - 4. **SK.** Upozornenia. Iba na domáce použitie. Maximálne množstvo osôb je 4. **SL.** Opozorila. Samo za domačo uporabo. Maksimalno število uporabnikov je 4. **SR.** Upozorenja. Samo za kućnu upotrebu. Maksimalan broj korisnika je 4. **SV.** Varningar. Endast för hemmabruk. Det maximala antalet användare är 4. **TR.** Uyarılar. Sadece ev kullanımı için. Maksimum kullanıcı sayısı 4.



# 01 What's in the delivery?











402\_201 + 324\_xxx/201\_275

 <p>1x 040_805 1x 040_070</p>	 <p>1x 022_300</p>	 <p>1x 120_024</p>	 <p>2x 007_001</p>	 <p>2x 120_102 4x 022_820 8x 001_104</p>
 <p>2x 005_522</p>	 <p>1x 122_302</p>  <p>1x 022_800</p>	 <p>3x 005_03x 6x 022_835</p>	 <p>1x 123_200</p>	 <p>1x 100_600 100_605 100_617 100_903 2x 100_601</p>
 <p>1x 104_107</p>	 <p>1x 022_910</p>	 <p>1x 103_901</p>	 <p>1x 201_275 1x 324_x00</p> <p>FMP / Slide</p>	

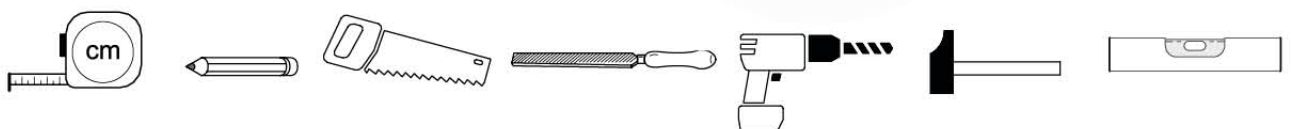
## 02a Hardware

Total HWP 100\_XXX Jungle Tower

20211116

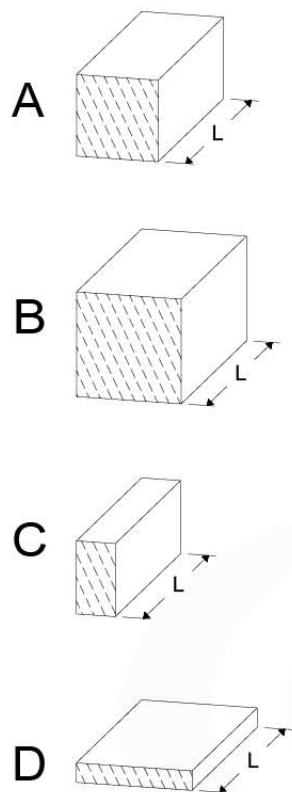
001_406 <b>7x</b> 	ø8 x 45mm	000_101 <b>10x</b> 	ø2 x 20mm
001_404 <b>4x</b> 	ø8 x 30mm	120_005 <b>4x</b> 	M8
002_223 <b>33x</b> 	ø5 x 80mm		
002_220 <b>116x</b> 	ø5 x 45mm		
002_219 <b>6x</b> 	ø5 x 30mm		
002_308 <b>2x</b> 	ø5.0 x 20mm		
002_041 <b>3x</b> 	ø4.5 x 20mm		
002_042 <b>4x</b> 	ø3.5 x 13mm		

## 02b Necessary tools



# 03 Timber

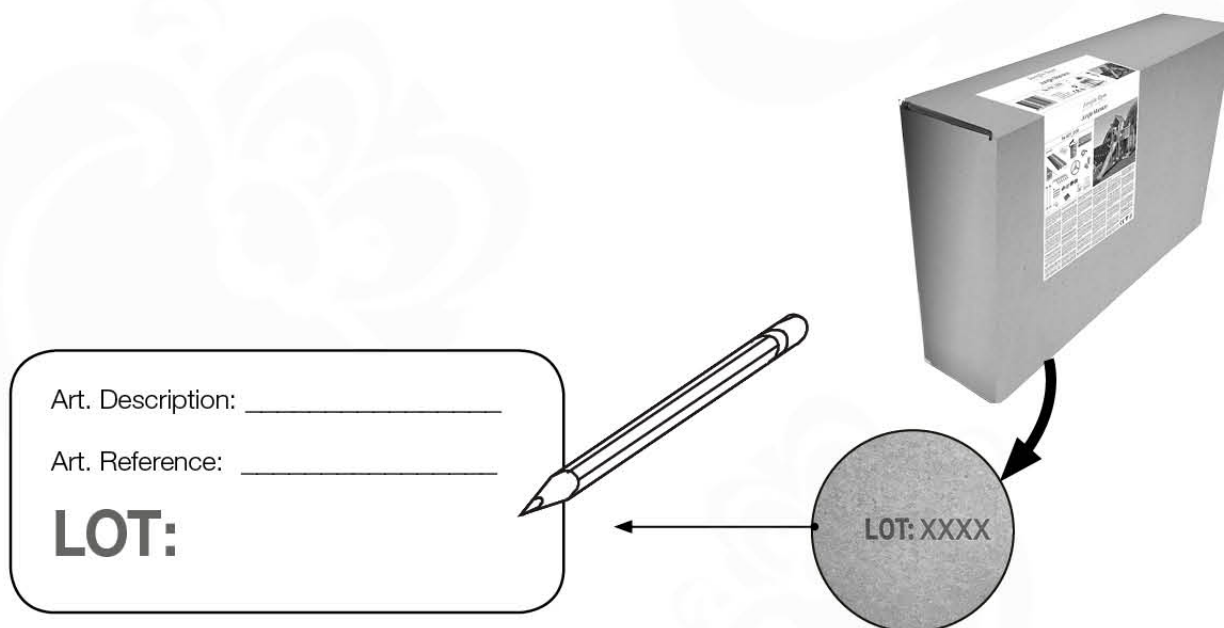
602\_201 Jungle Tower



L		
A220	219cm - 220cm	4 x
-	-	-
C130 C74	129cm - 130cm 73cm - 74cm	2 x 8 x
D74 D65 D60	73cm - 74cm 64cm - 65cm 59cm - 60cm	8 x 8 x 10 x

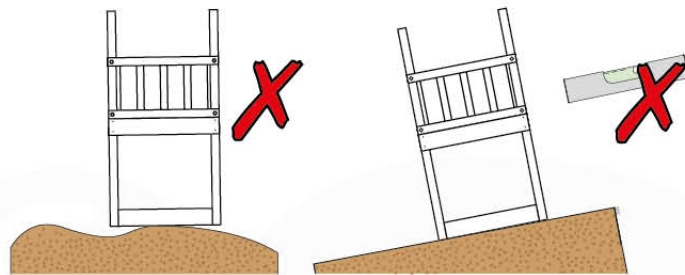
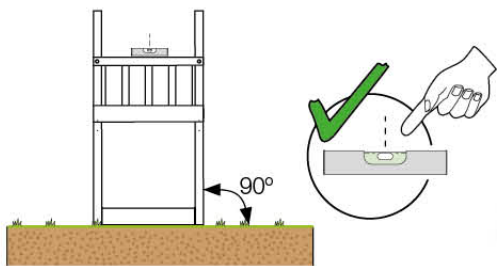
output: 20/11/20

# 04 Product Identification

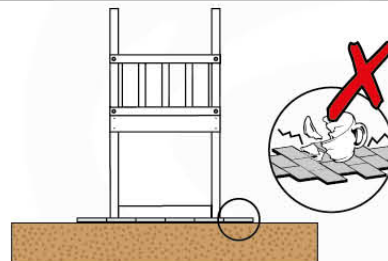
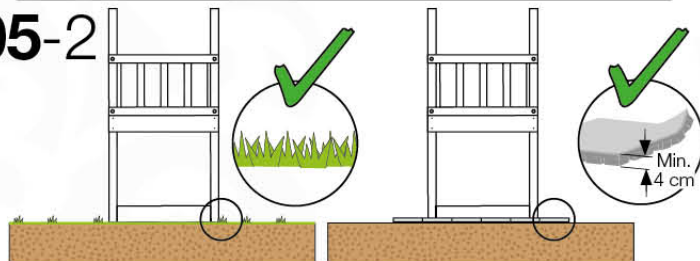


# 05 Safe Playground

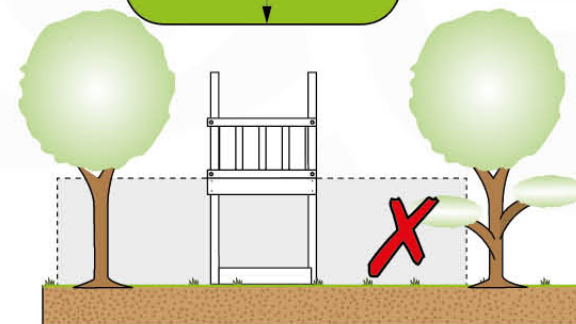
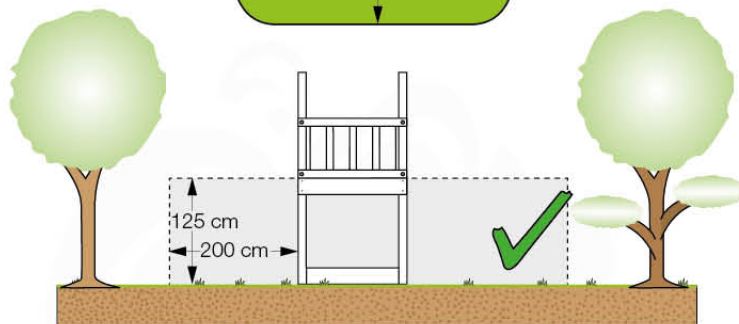
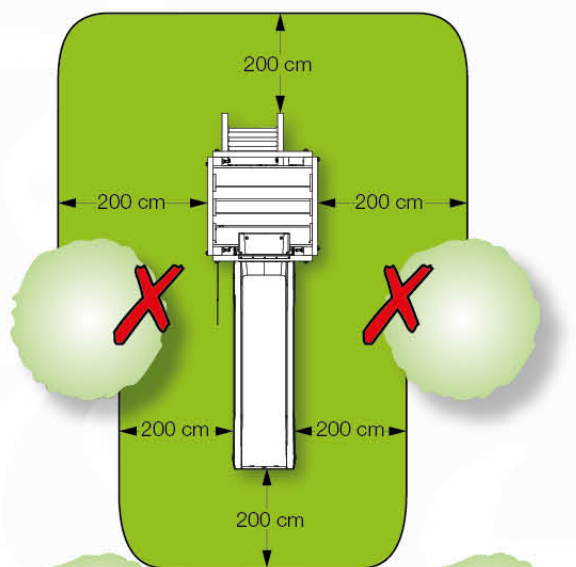
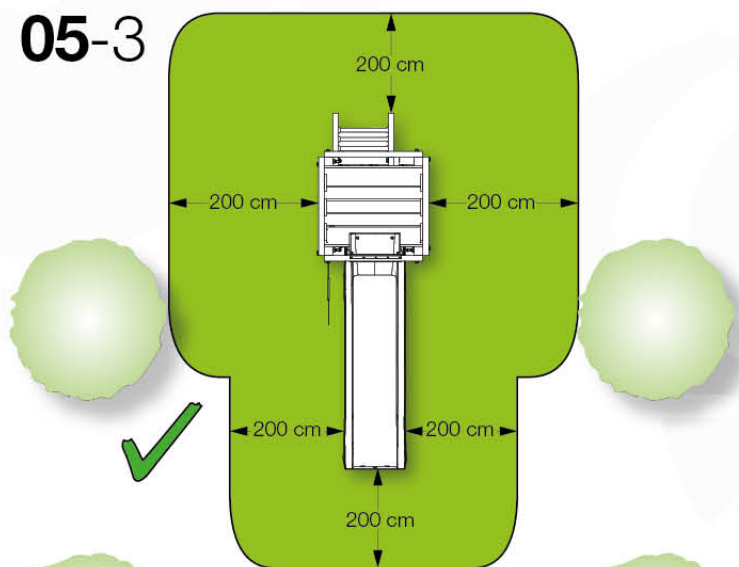
## 05-1



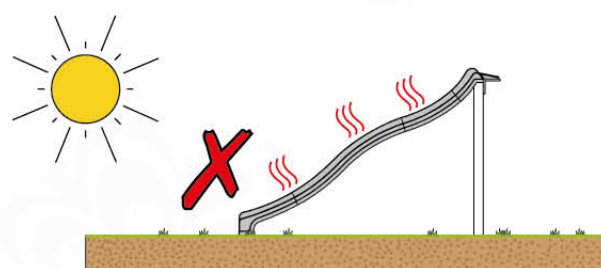
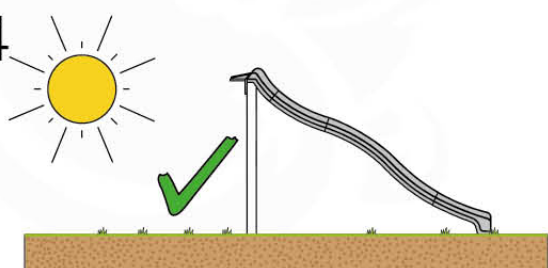
## 05-2



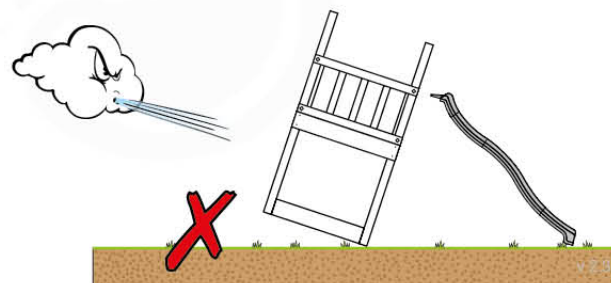
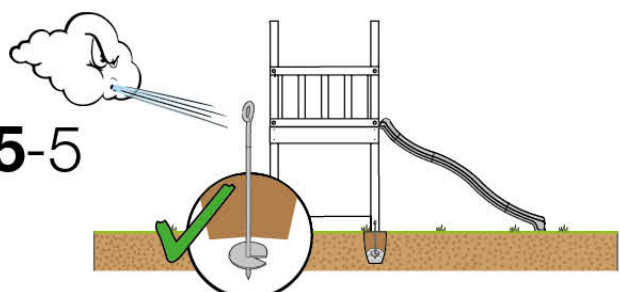
## 05-3



## 05-4

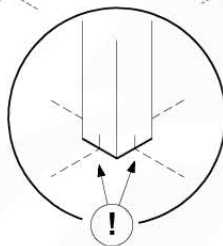
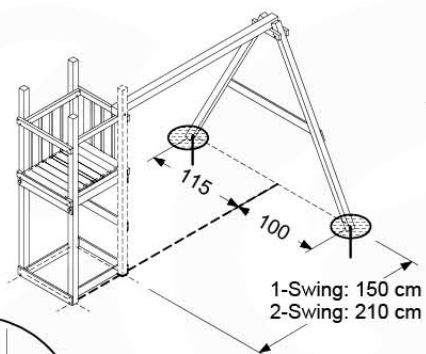
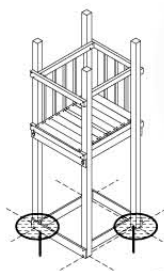
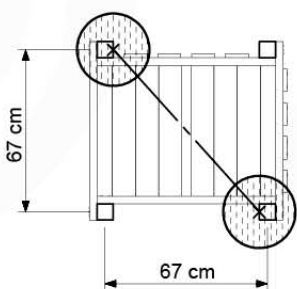
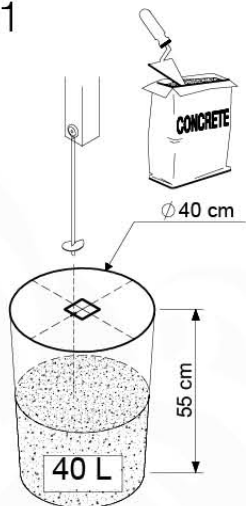


## 05-5

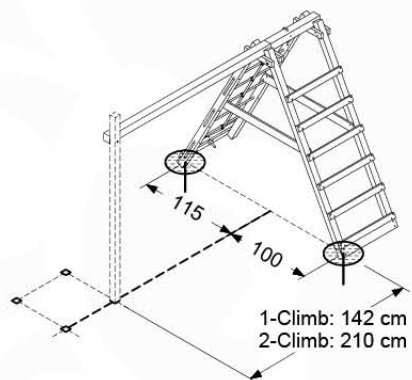


# 06 Playground Foundation

FD01



Foundation Plan TS - P02 - 23.3.2022 - v.3



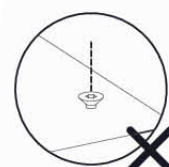
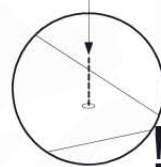
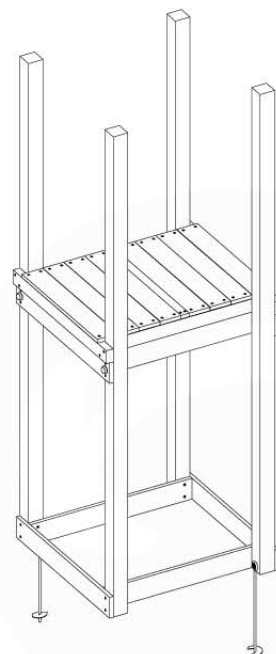
# 07 Base Tower

BT03

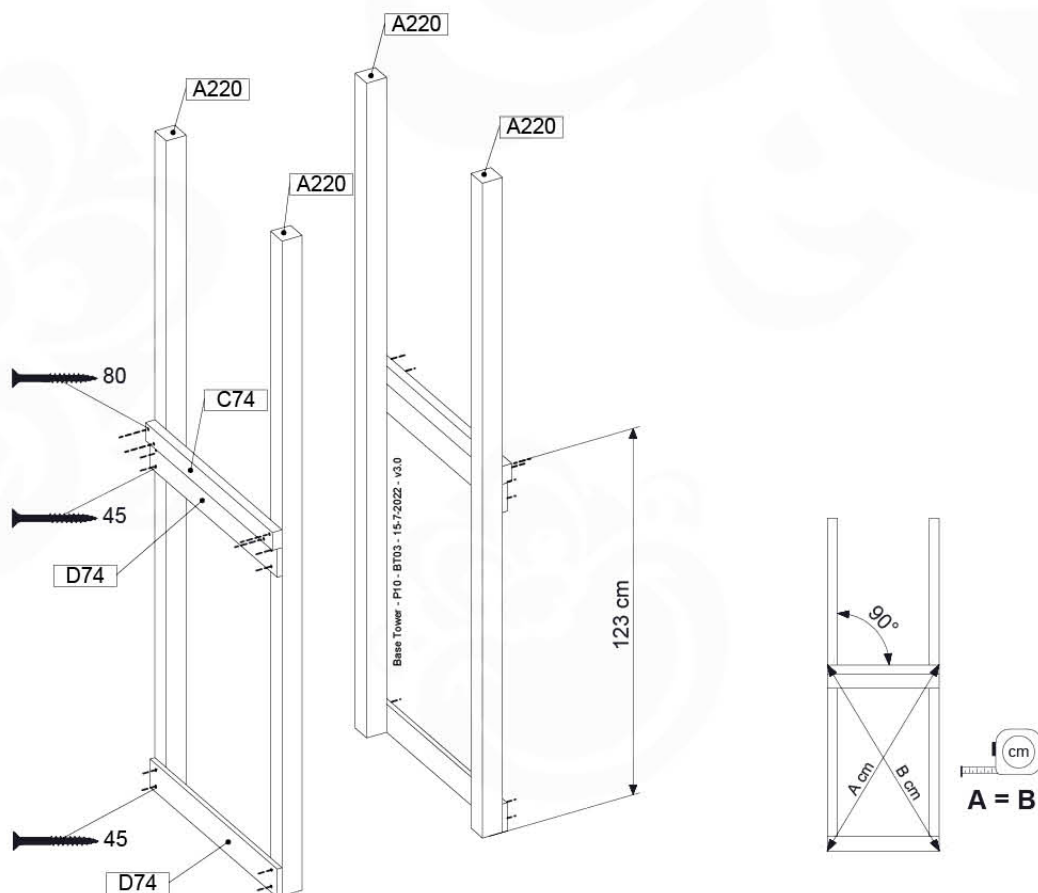
( 194\_100 )

	PartNo	PartName	QTY.
Hardware Pack 100_600	001_406	Stealth Screw 8x45	6
	002_220	Gap Point Screw T25 - 5x45	76
	002_223	Gap Point Screw T25 - 5x80	16
Other	007_001	Ground-anchor	2
Hardware Pack 100_600	022_31x	bpc-base version 3	4
	022_84x	bpc cover	4
Wood	A220	Post 70x70 L2200	4
	C74	Beam 740 mm	4
	D60	Board 600 mm	10
	D74	Board 740 mm	8

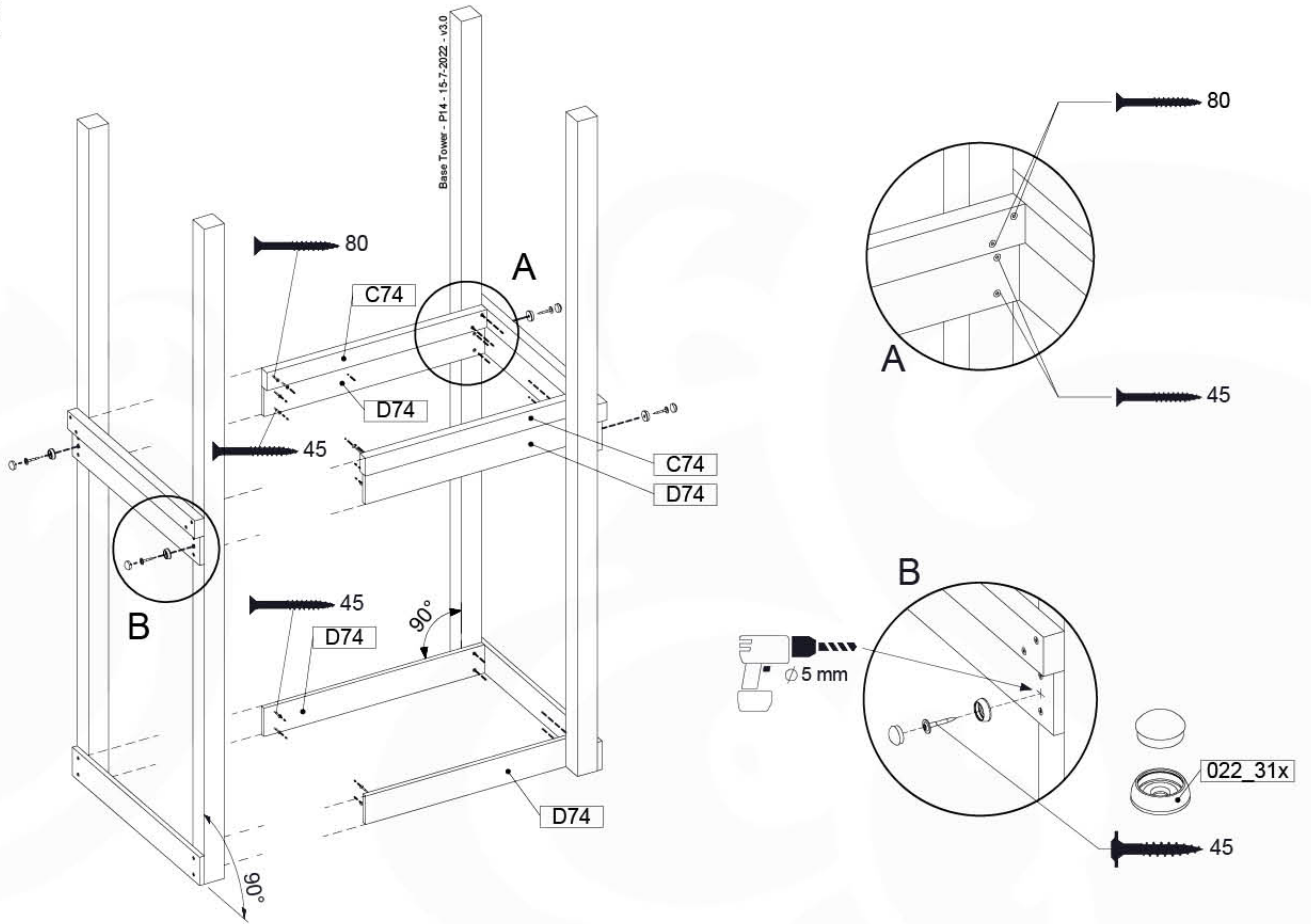
Base Tower - P04 - BT03 - 15-7-2022 - v3.0



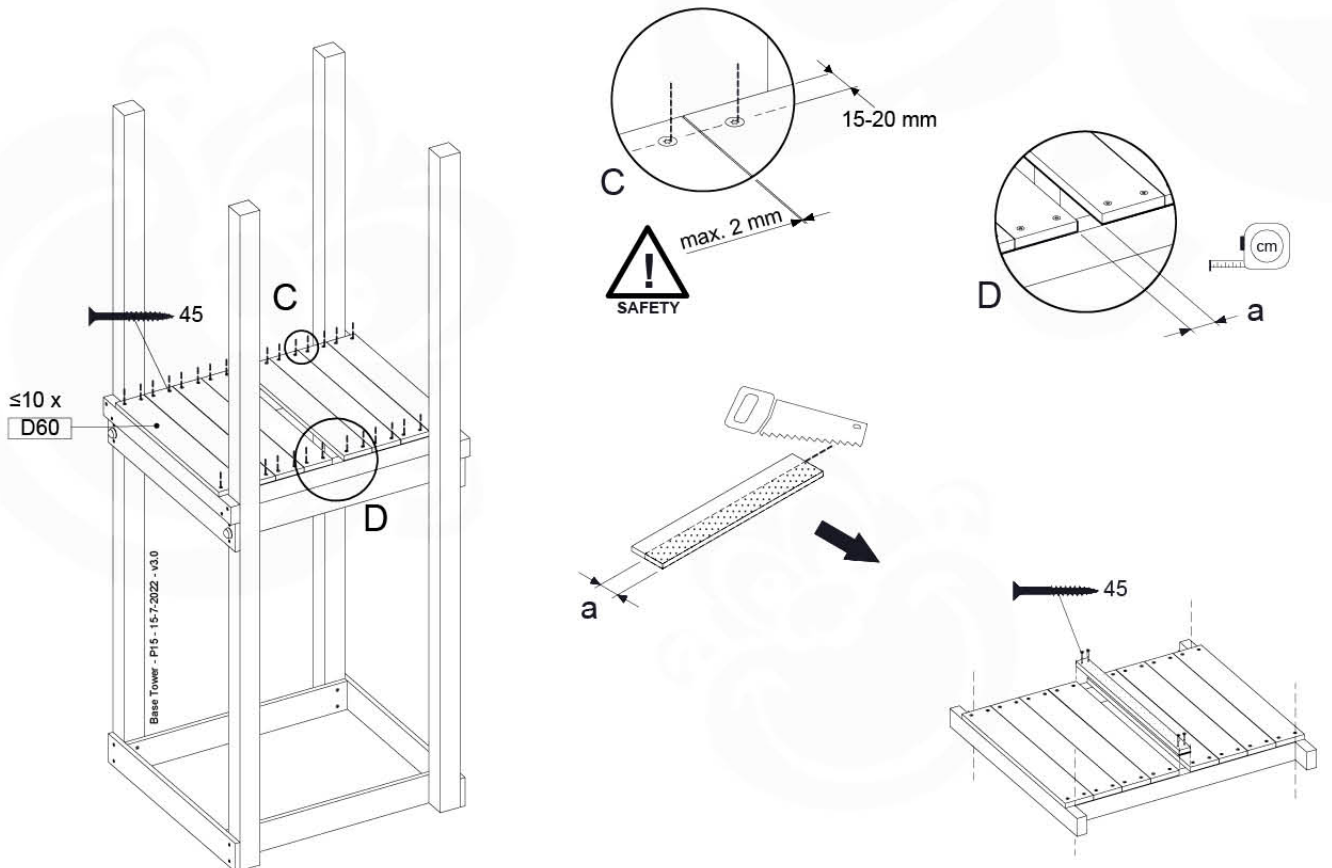
## 07-1



# 07-2



# 07-3



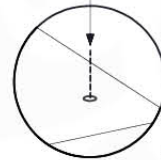
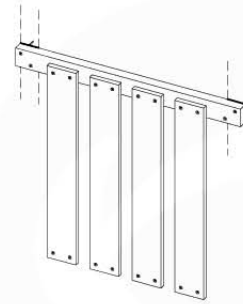
# 08 Balustrade

BL02 - 2x

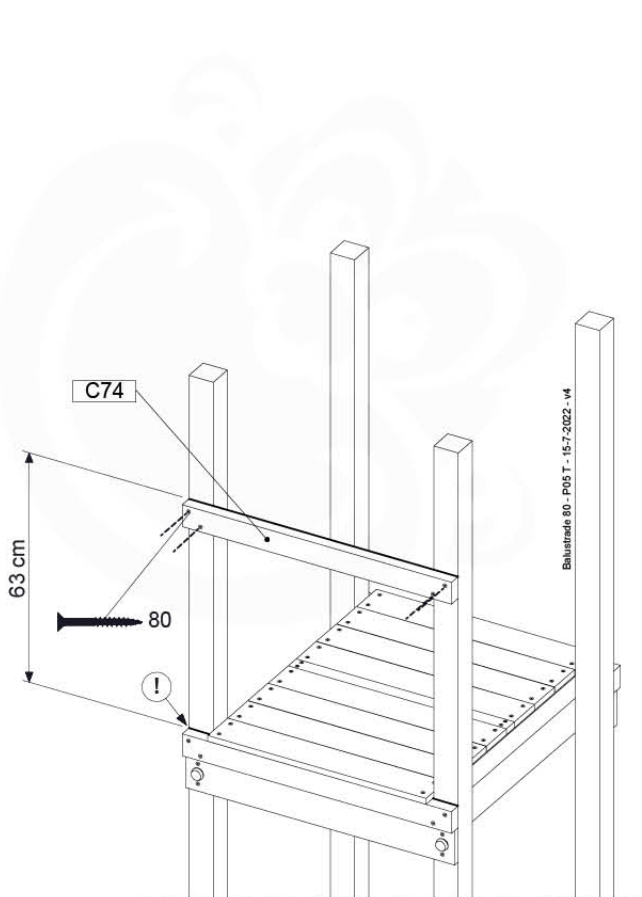
( 194\_101 )

	PartNo	PartName	QTY.
Hardware Pack	002_220	Gap Point Screw T25 - 5x45	16
	100_601	Gap Point Screw T25 - 5x80	4
Timber	C74	Beam 740 mm	1
	D65	Board 650 mm	4

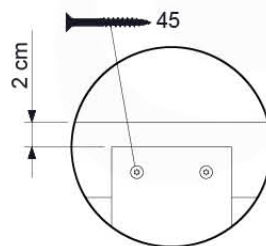
Balustrade 80 - P03 T - 15-7-2022 - v4



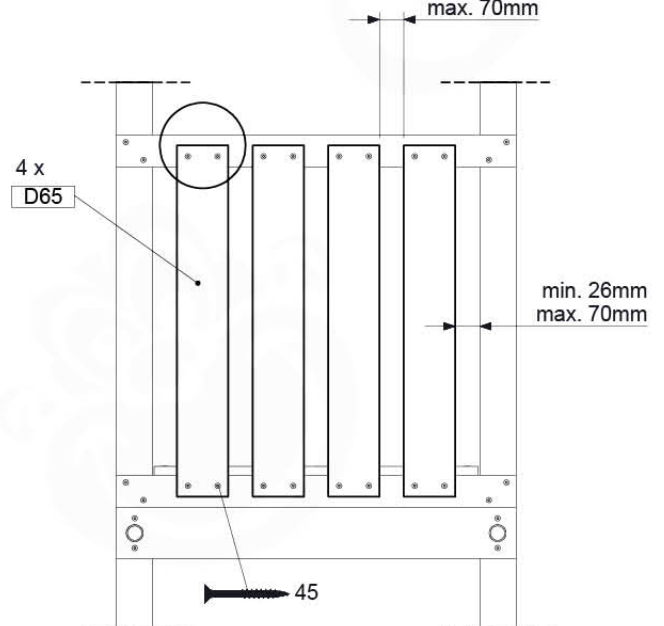
## 08-1



Balustrade 80 - P05 T - 15-7-2022 - v4



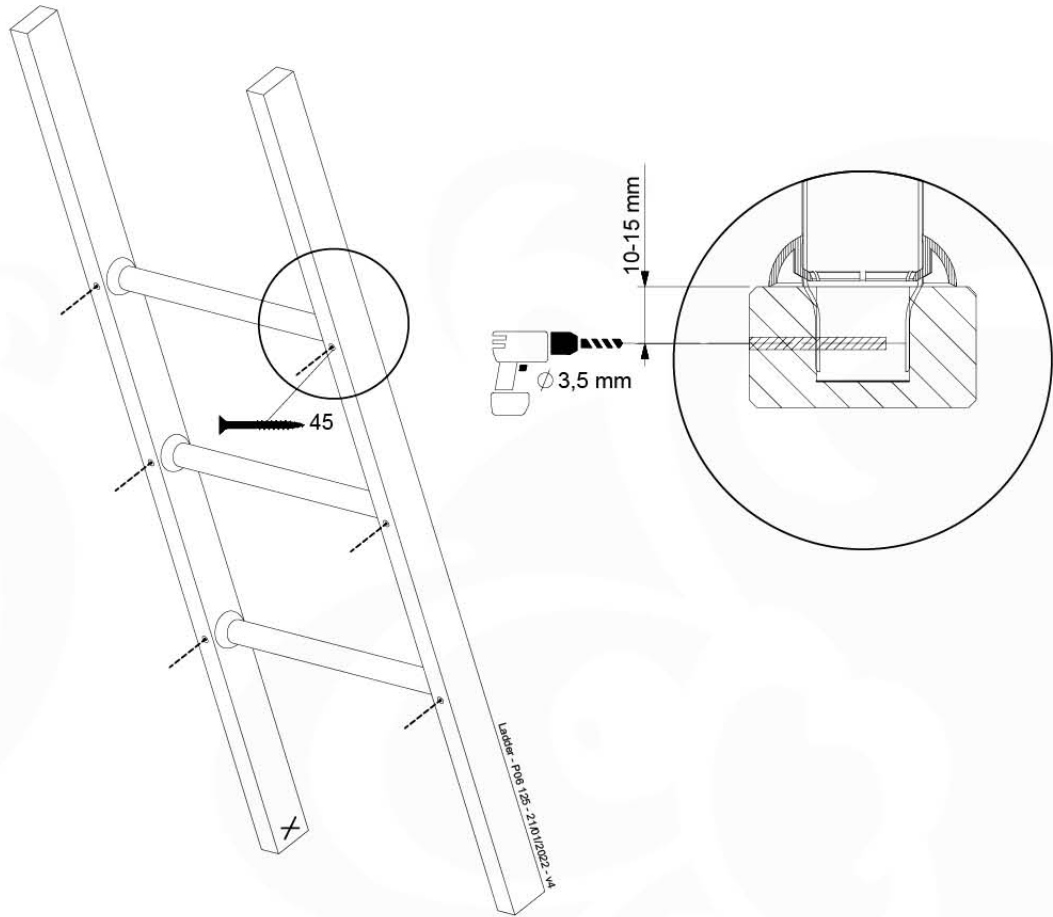
min. 26mm  
max. 70mm



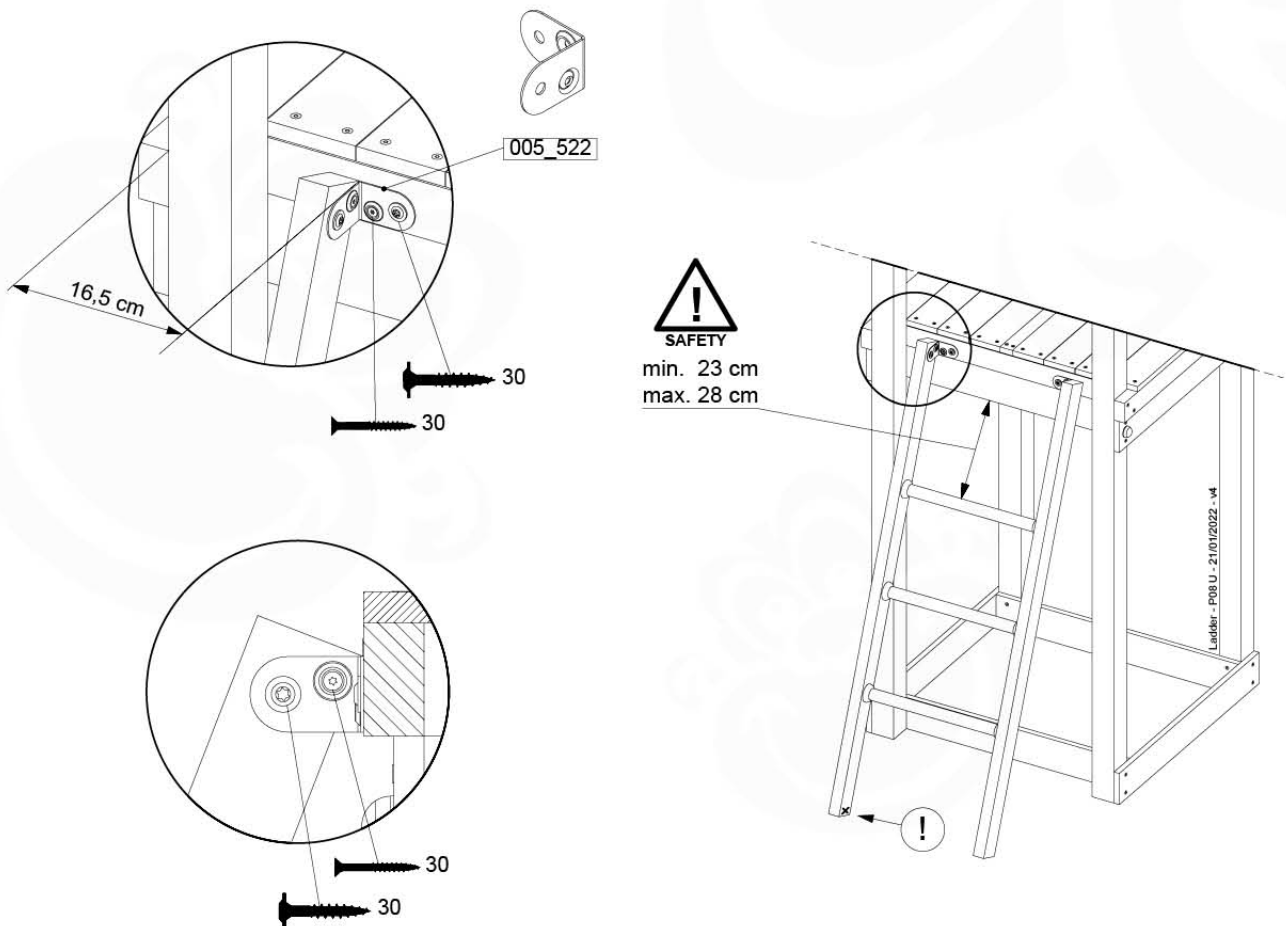




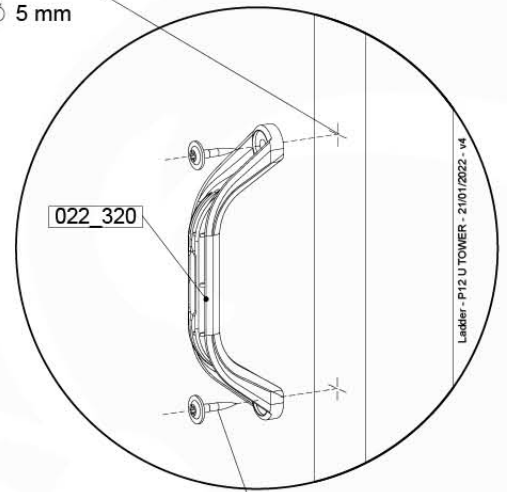
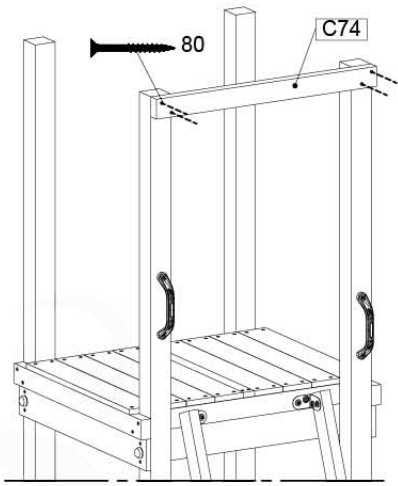
# 09-2



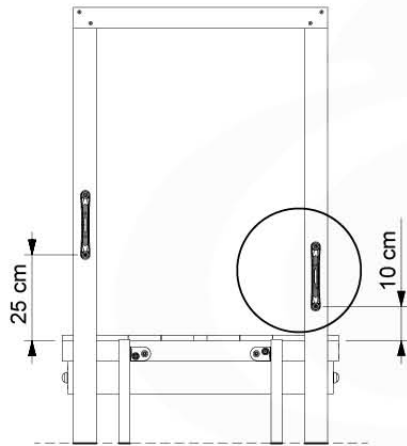
# 09-3



# 09-4



Ladder - P12U TOWER - 21/01/2022 - v4



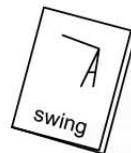
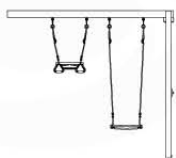
## 10 Swing Frame / Climb Frame



11



+



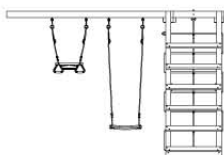
1-Swing Module / 2-Swing Module  
457\_101  
457\_102



11



+



1-Climb Module / 2-Climb Module  
457\_105  
457\_106

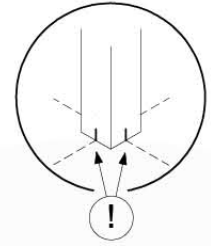
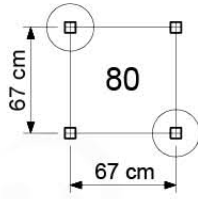


11

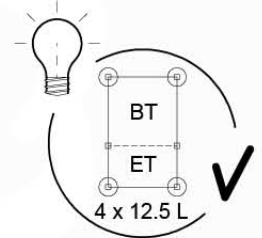
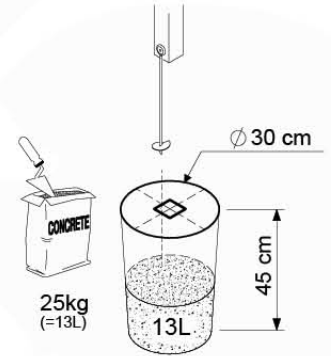
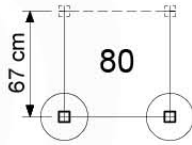
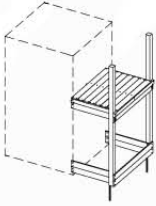
# 11 Ground Anchors

GA01

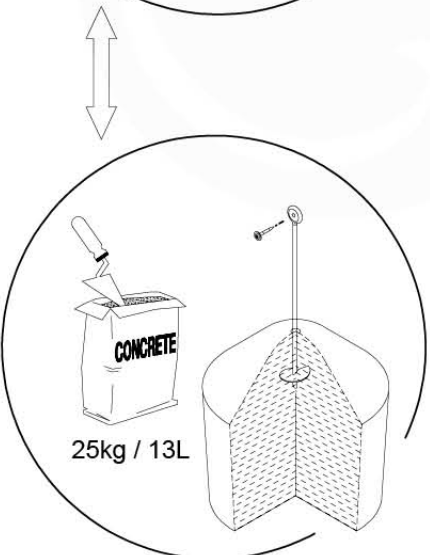
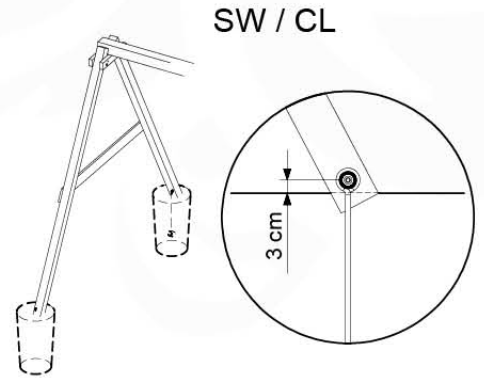
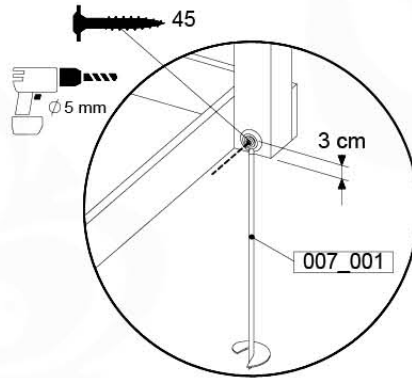
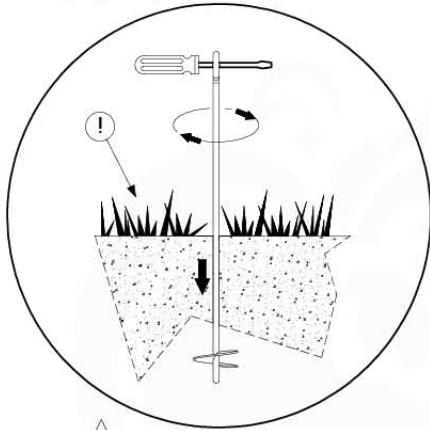
BASE TOWERS



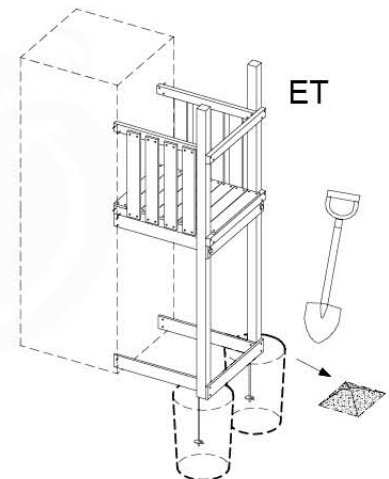
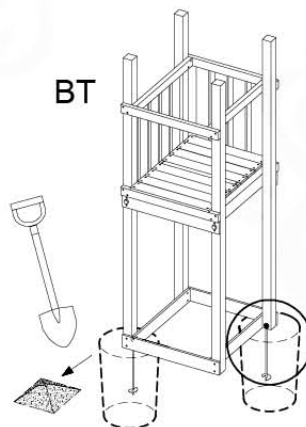
EXTENSION TOWERS



## 11-1



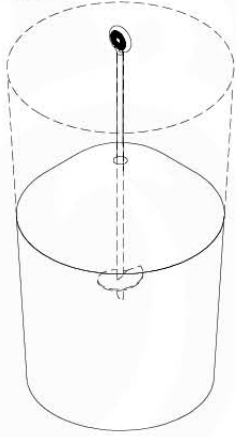
Ground Anchors Uni. - P01 - 04/07/2023 - v1.2



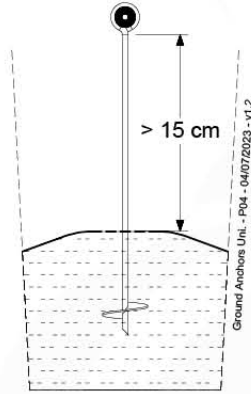
# 11-2



25kg / 13L



1.

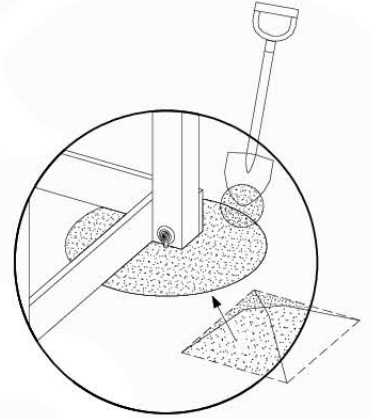


2.

24h



3.

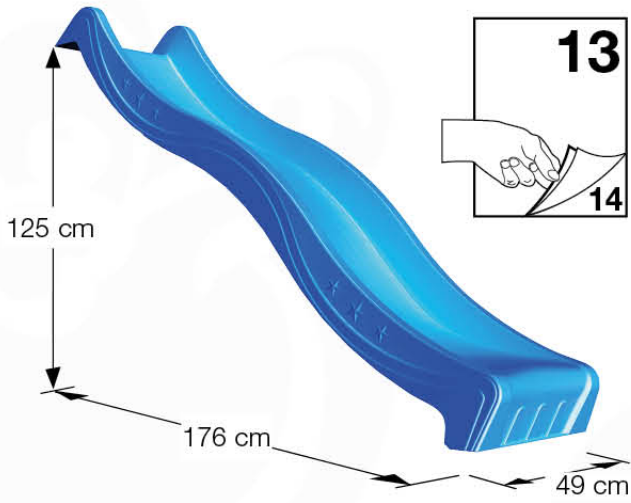


4.

# 12 Add-on

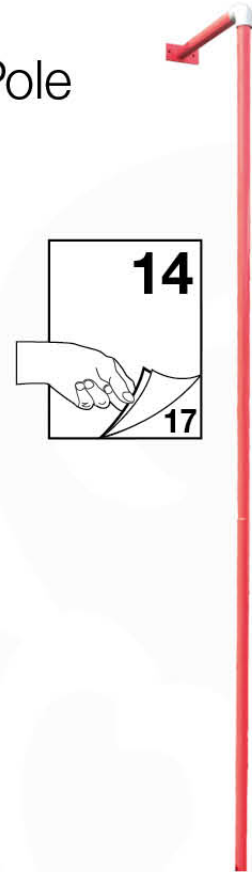
## Wavy Star Slide XL

- 324\_100 Yellow
- 324\_200 Blue
- 324\_300 Green
- 324\_400 Red
- 324\_500 Fuchsia
- 324\_600 Dark Green



## Fireman's Pole

201\_275



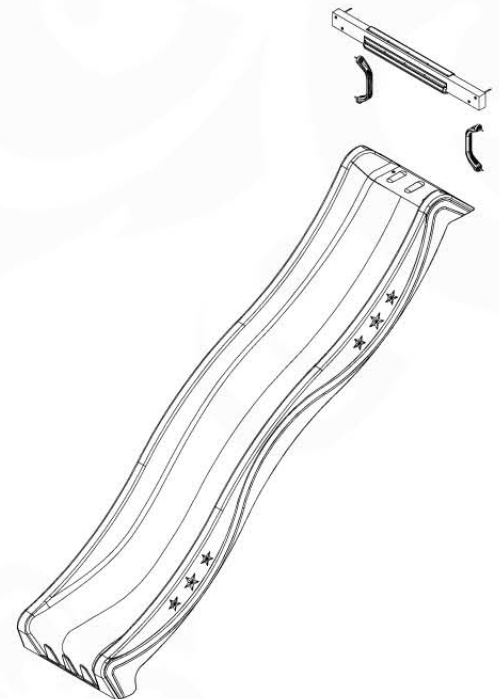
# 13 Slide Set

SL05

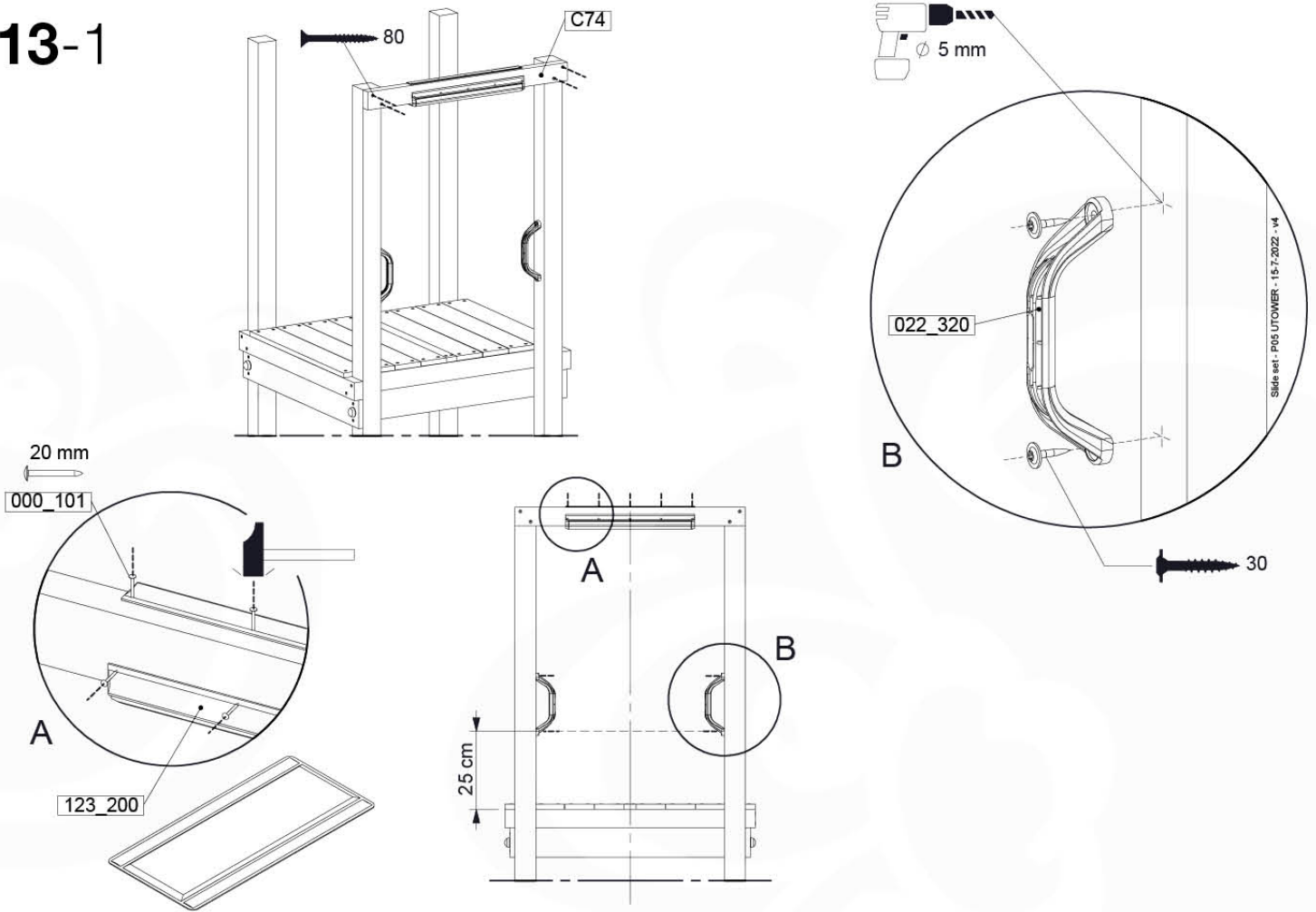
( 194\_107 )

	PartNo	PartName	QTY.
Hardware Pack 100_605	000_101	Nail Pan Head	10
	002_223	Gap Point Screw T25 - 5x80	4
	002_308	Gap Point Screw T25 - 5x20	2
Other	120_102	Handgrip set (2x Complete)	1
	123_200	Bumperpad	1
	324_xxx 334_xxx	Wavy Star Slide XL 2200 mm / Wavy Star Slide XL 2650 mm	1
Timber	C74	Beam 740 mm	1

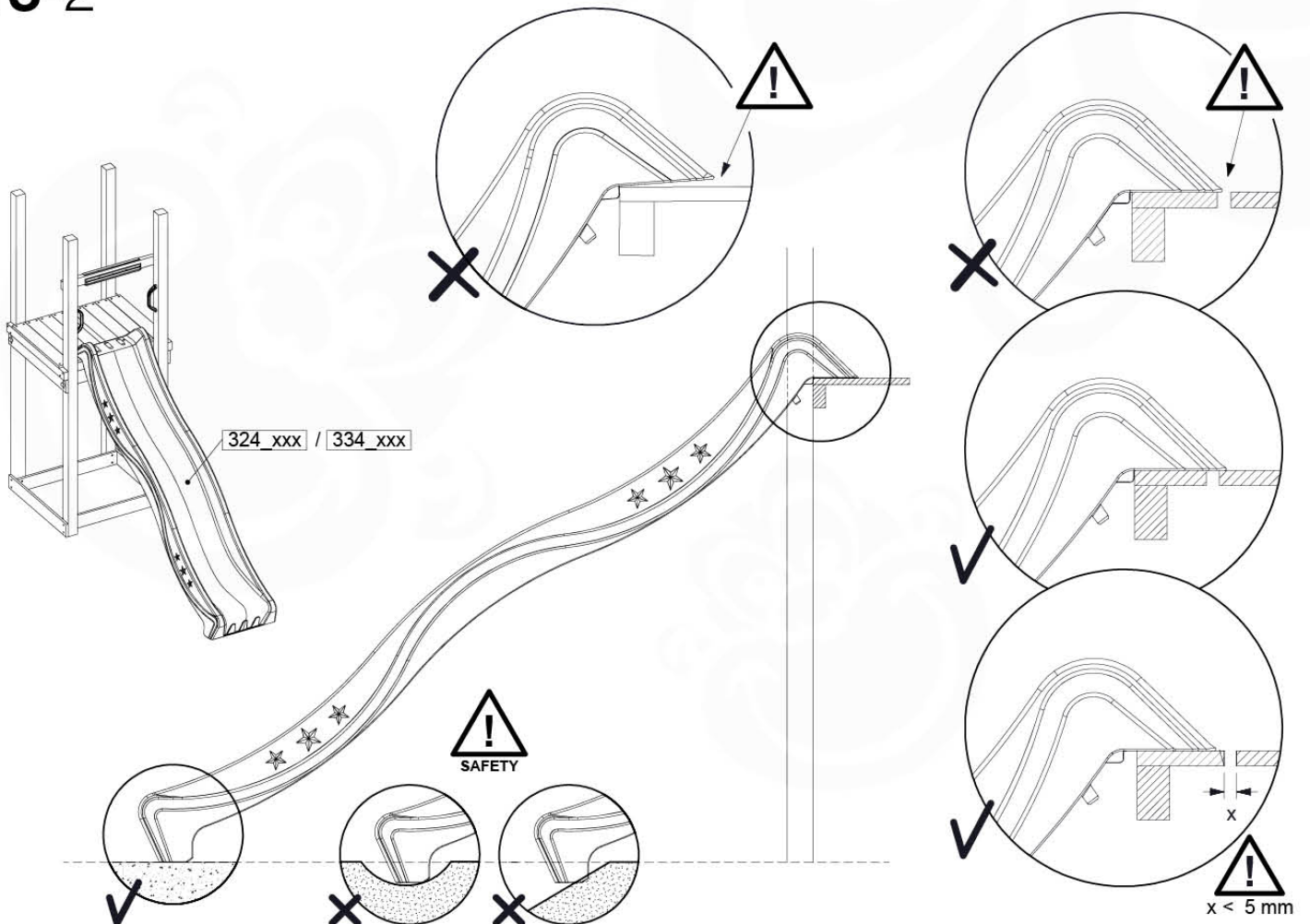
Slide set - P02 - 15-7-2022 - v4



# 13-1



# 13-2

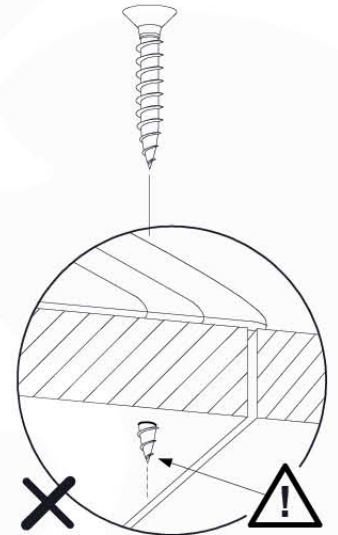
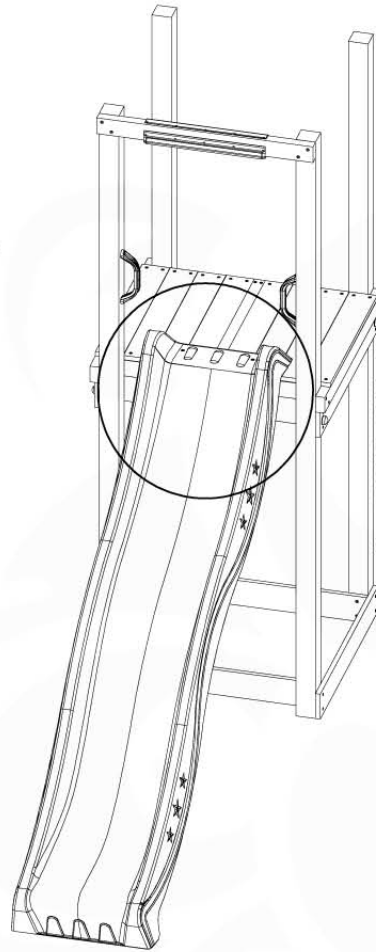
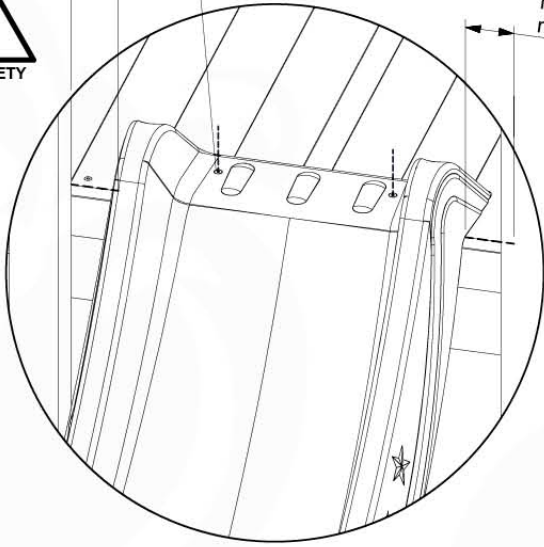


# 13-3

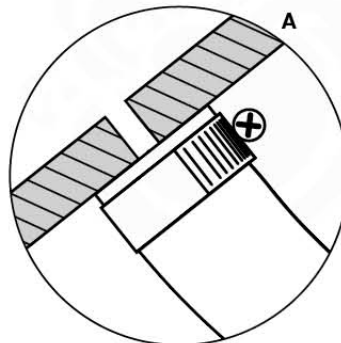
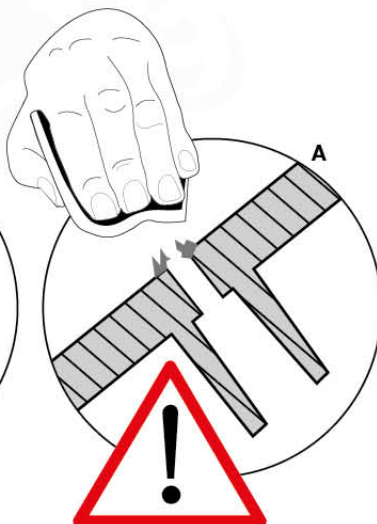
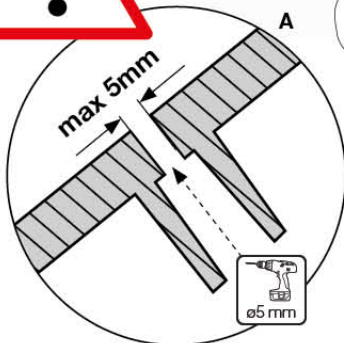
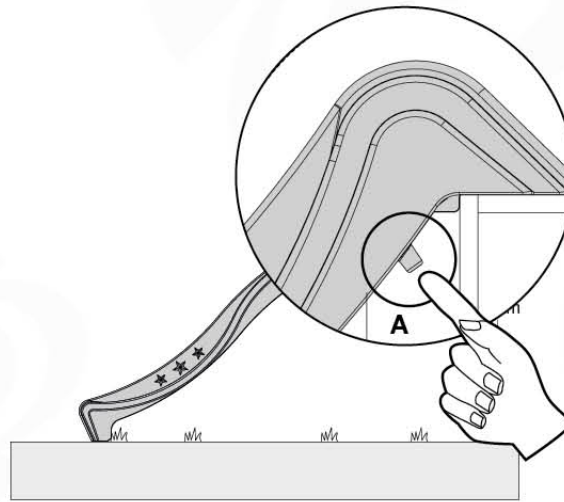
min. 26 mm  
max. 75 mm

20

min. 26 mm  
max. 75 mm



# 13-4



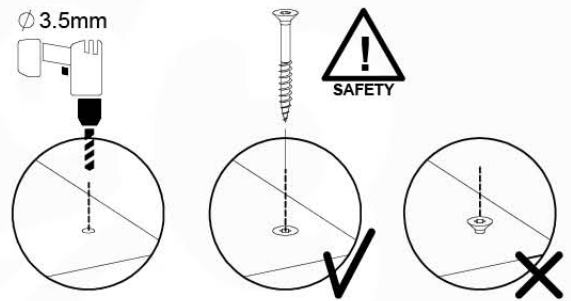


# 14 Firemans Pole

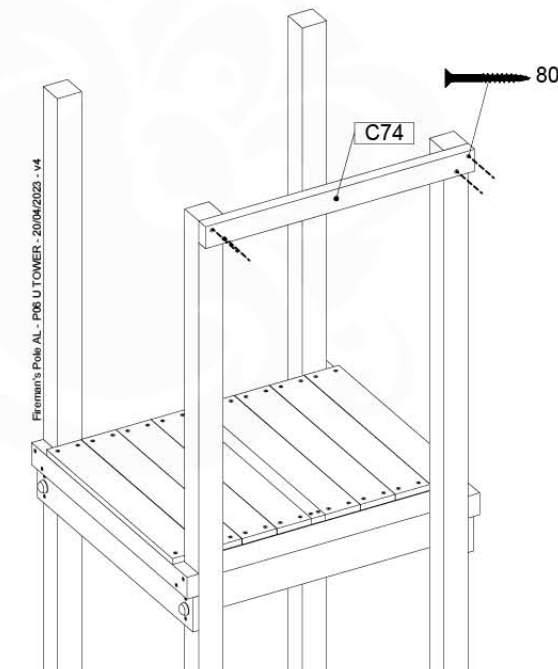
(201\_275)

	PartNo	PartName	QTY.
Kit	201_275	Fireman's Pole kit (incl. 4x Screw T25 5x80)	1
Timber	C74	Beam 740 mm	1

Fireman's Pole AL - P03 T - 20/04/2023 - v4



## 14-1



Fireman's Pole AL - P06 U/TOWER - 20/04/2023 - v4



**Fireman's Pole (201\_275)**  
040\_335 Part 2

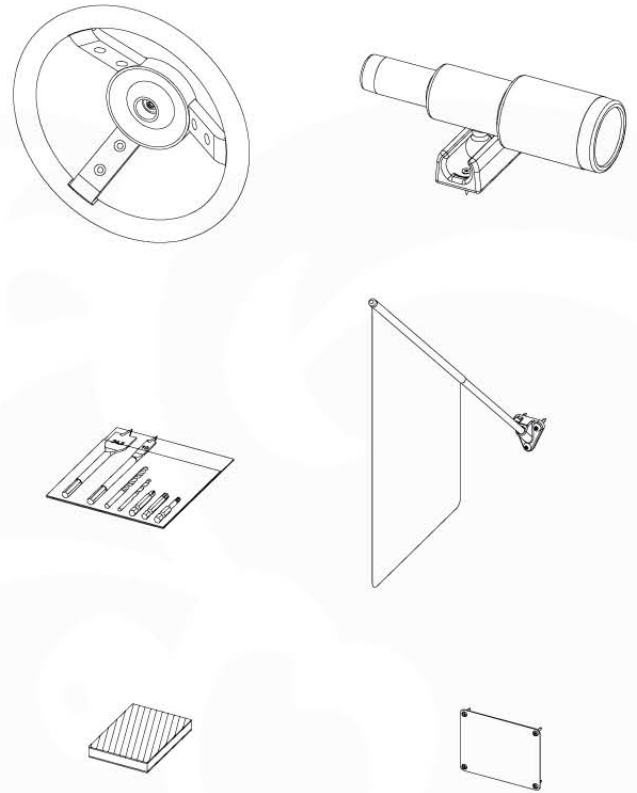
# 15 Accessories

AC01

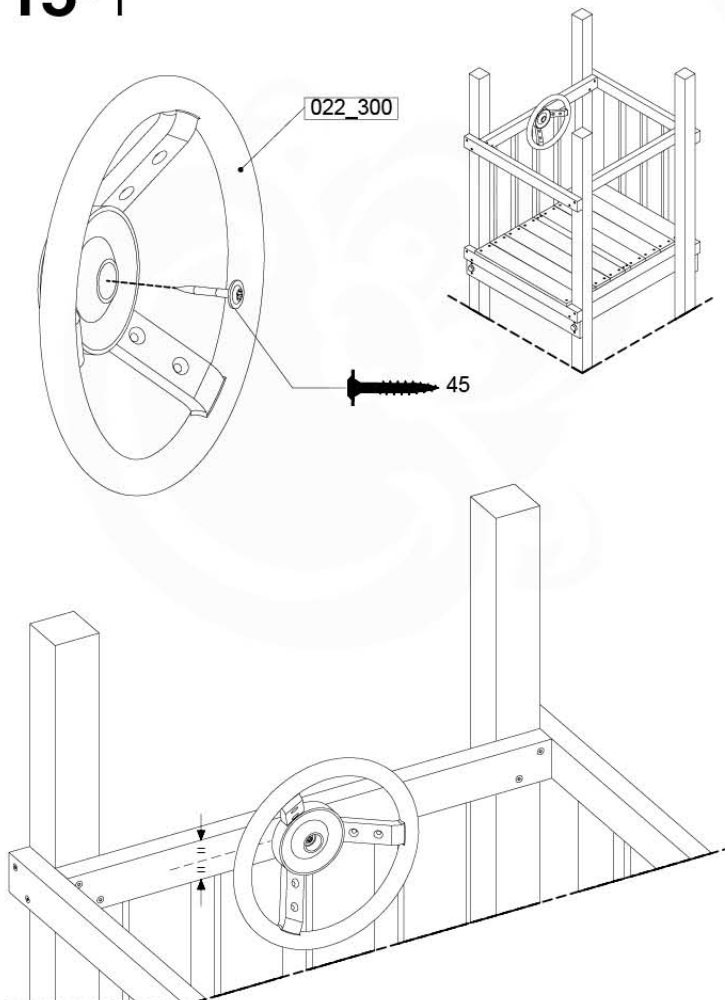
( 194\_119 )

	PartNo	PartName	QTY.
Hardware Pack 100_617	001_406	Stealth Screw 8x45	1
	002_041	Dome head screw 4.5 x 20 mm	3
	002_042	Dome head screw 3.5 x 13mm	4
	002_219	Gap Point Screw T25 - 5x30	2
Other	022_300	Steering Wheel	1
	022_800	Rail P/T 105	1
	022_910	Sandpad	1
	103_901	Logo ID Plate	1
	104_107	Tool Set Climbing Units	1
	120_024	Tower Flag	1
	122_302	Telescope	1

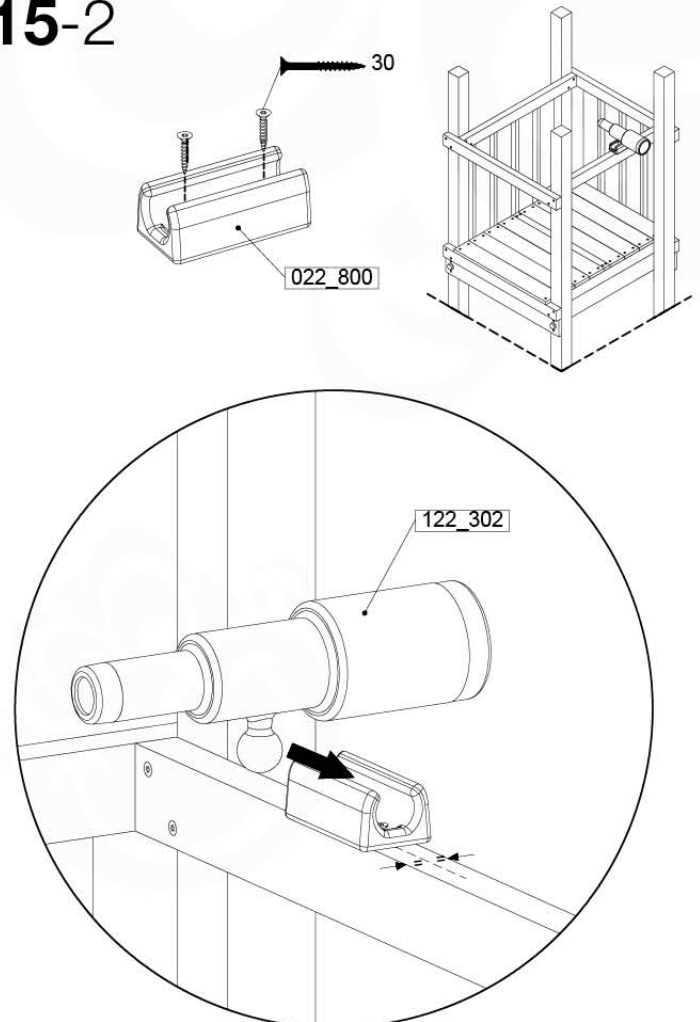
Accessory set - P02 - 06/07/2023 - v5



## 15-1

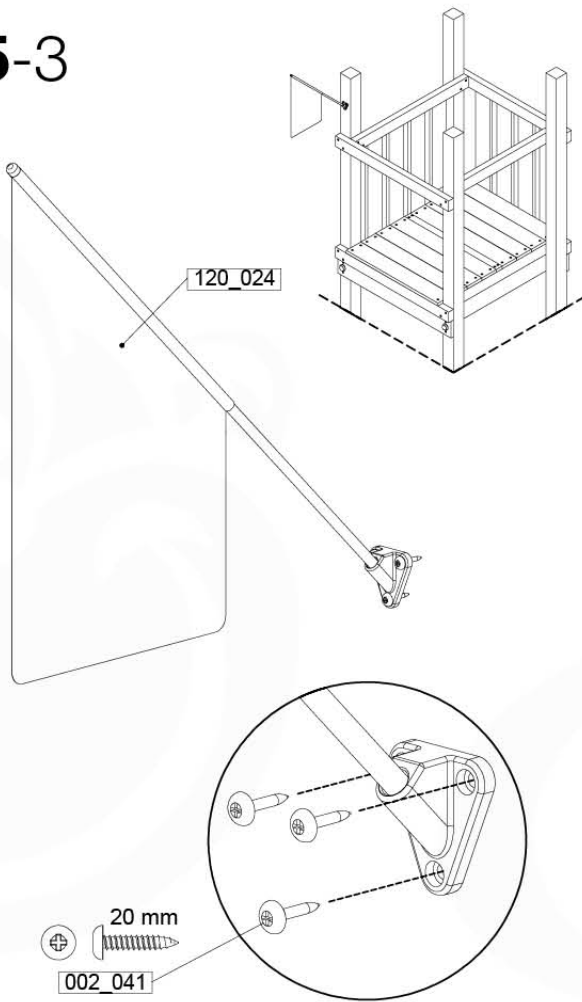


## 15-2

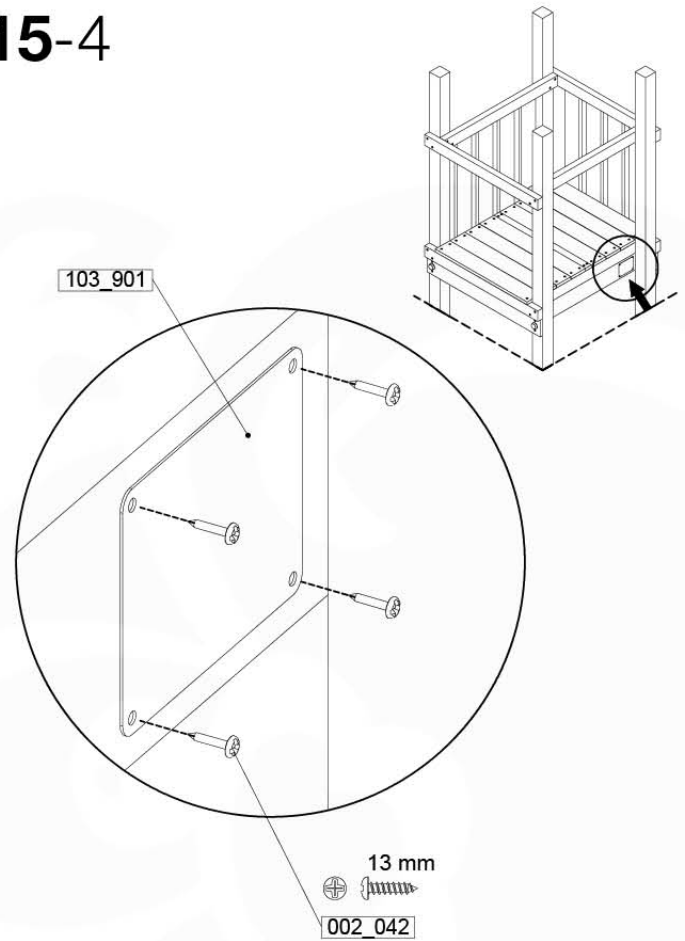


Accessory set - P03 - 06/07/2023 - v5

### 15-3

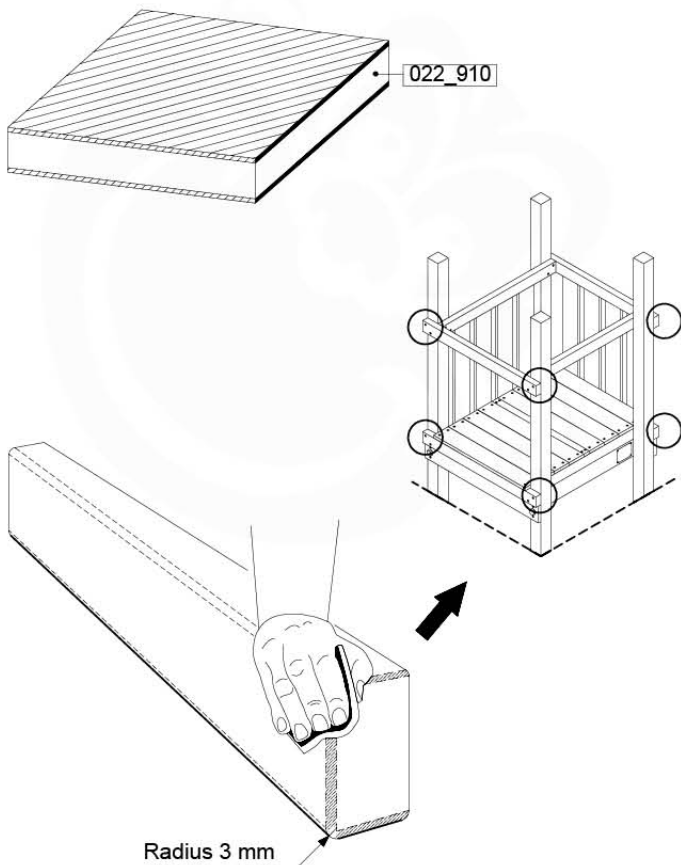


### 15-4



Accessory set - PD4 - 05/07/2023 - v5

### 15-5 Safety check

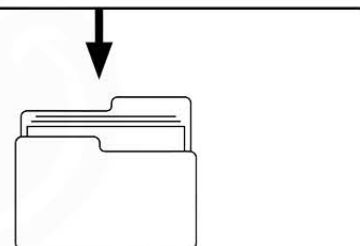


### 16 Download and Saving

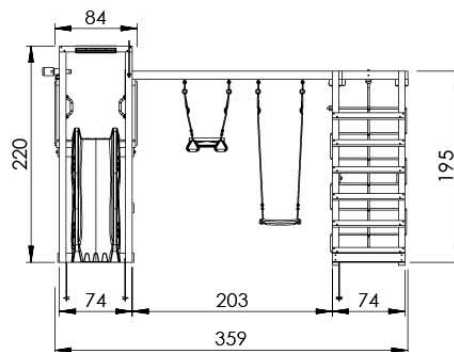
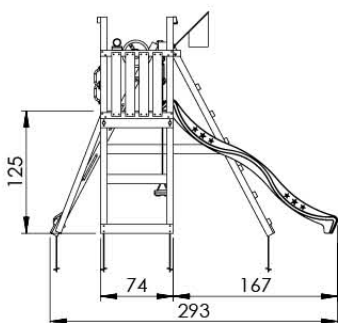
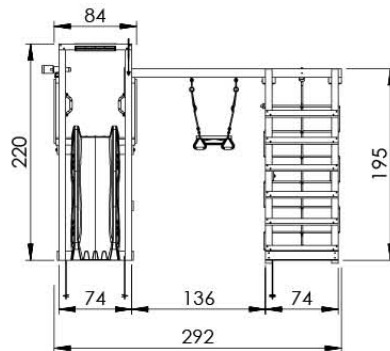
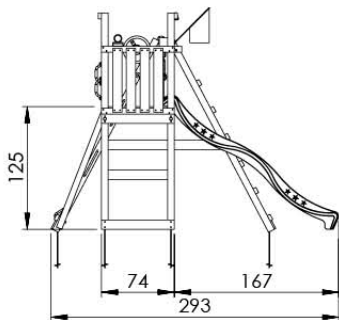
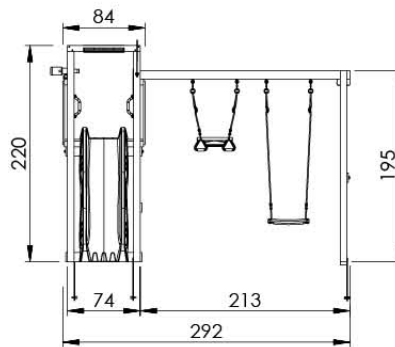
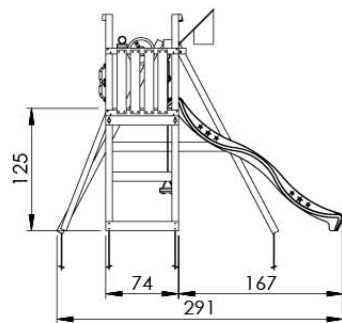
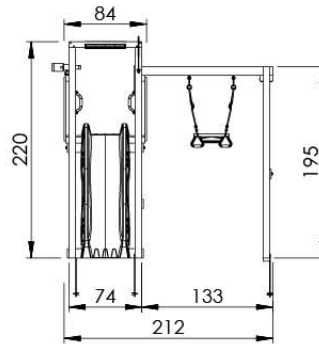
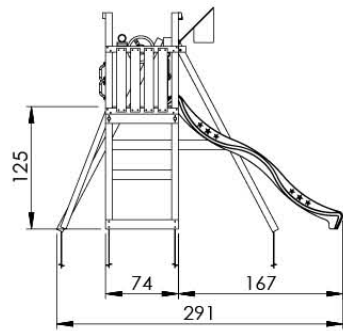
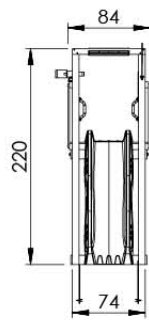
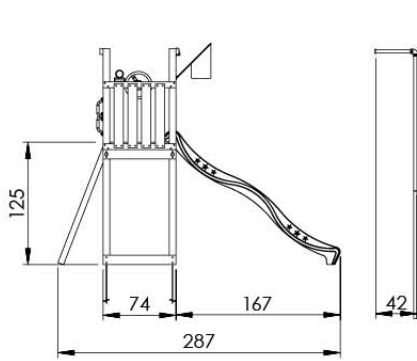


+

Manual Part 1



Accessory set - PD5 - 05/07/2023 - v5



# Declaration of Conformity

# Jungle Gym

## BACKYARD PLAYGROUNDS

since 1988

### Manufacturer details

Company Name

Jungle Gym B.V.

Tag-line

Backyard Playgrounds

Address

P.O. Box 75083, 1070 AB Amsterdam, Netherlands

### Activity toys for domestic use

Product Range Identification

Construction Packages (Sub-Assembly)

Universal Packs / Base Towers / Extension Towers / Roofs / Means of Exit/Access / Add-ons : 790\_001 ... 794\_911

Assembly

Playtowers : 801\_005 ... 200

Links : 870\_100 ... 105

Accessories : 123\_220 ... 250\_075

Playhouses : 830\_150 ... 253, 835\_251 ... 253

Swings : 801\_300, \_600, \_601

Slides (XL) : 324\_100 ... 600

Modules : 850\_180 ... 415

Slides (XXL) : 334\_100 ... 600

: 857\_103, 857\_108

Playtowers : 802\_202 ... 208

857\_151, 857\_158

803\_202 ... 210

809\_202 ... 804

### Applicable EC directives and standards

General

- General Product Safety Directive 2001/95/EG
- Reach directive 1907/2006
- AfPS GS 2019:01 PAK

Activity Toys

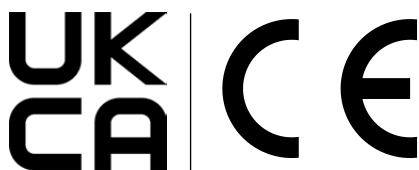
- Toy Safety Directive (2009/48/EG)
- EN 71 Safety of Toys
  - EN 71-1:2014 + A1:2018 Safety of toys Mechanical and physical properties
  - EN 71-2:2020 Flammability
  - EN 71-3:2019 + A1:2021 Migration of certain elements
  - EN 71-8:2018 Safety of toys Activity toys for domestic use

### Supplementary information

Conformity to the above specified directives and standards has been frequently verified by TÜV Rheinland LGA products, DEKRA, LNE SA, since 1994. Jungle Gym participates in the European Commission for standardisation for the safety of activity toys ( TC52 / WG 10).

### Declaration

I hereby declare under our sole responsibility that the products mentioned above, to which this declaration relates, complies with the above mentioned directives and standards.



Name

Mr. P. Schmit / Director

Issued date

Januari 2<sup>nd</sup>, 2023

Signature of representative

# Construction Packages (Assembly)

## Playtowers



**S**  
Single

**Jungle Tower**  
801\_200



**S**  
Single

**Jungle Patio**  
802\_202



**S**  
Single

**Jungle Cocoon**  
802\_204



**S**  
Single

**Jungle Cirque**  
802\_206



**S**  
Single

**Jungle Totem**  
802\_208



**S**  
Duo

**Jungle Nomad**  
803\_202



**S**  
Duo

**Jungle Safari**  
803\_204



**S**  
Duo

**Jungle Viking**  
803\_206



**S**  
Duo

**Jungle Teepee**  
803\_208



**S**  
Duo

**Jungle Resort**  
803\_210



**S**  
Combo

**Jungle Explorer**  
809\_802



**S**  
Combo

**Jungle Voyager**  
809\_804



**M**  
Single

**Jungle Castle**  
801\_120



**M**  
Single

**Jungle Club**  
801\_110



**M**  
Single

**Jungle Casa**  
801\_105



**M**  
Single

**Jungle Home**  
801\_103



**M**  
Single

**Jungle Hut**  
801\_100



**M**  
Single

**Jungle House**  
801\_095



**L**  
Single

**Jungle Cottage**  
801\_090



**L**  
Single

**Jungle Cabin**  
801\_060



**L**  
Single

**Jungle Lodge**  
801\_040



**L**  
Duo

**Jungle Cubby**  
801\_070



**L**  
Duo

**Jungle Mansion**  
801\_009



**XL**  
Single

**Jungle Sierra**  
801\_025



**XL**  
Single

**Jungle Fort**  
801\_010



**XL**  
Single

**Jungle Chalet**  
801\_013



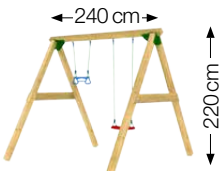
**XL**  
Duo

**Jungle Palace**  
801\_005

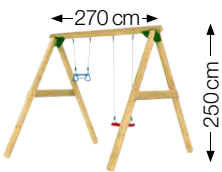
## Swings



**Jungle Peak**  
801\_300

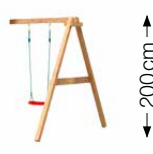


**Jungle Swing**  
801\_601



**Jungle Swing**  
801\_602

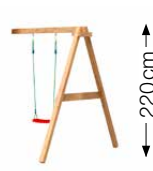
## Swing Module



**1-Swing Module 200**  
857\_101



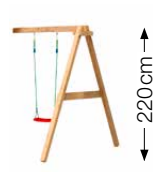
**2-Swing Module 200**  
857\_102



**1-Swing Module 220**  
857\_151



**2-Swing Module 220**  
857\_154



**1-Swing Module 220 Extra**  
850\_176



**2-Swing Module 220 Extra**  
850\_177

## Climb Module



**1-Climb Module 200**  
857\_105



**2-Climb Module 200**  
857\_106



**1-Climb Module 220**  
857\_157



**2-Climb Module 220**  
857\_158



**1-Climb Module 220 Extra**  
850\_231



**2-Climb Module 220 Extra**  
850\_232

## Bridge Module



**Bridge Module**  
850\_240

# Construction Packages (Sub-Assembly)

## Base Towers (BT)



**Small BT**  
790\_001  
790\_002  
790\_003



**Medium BT**  
792\_002  
792\_003



**Large BT**  
794\_001

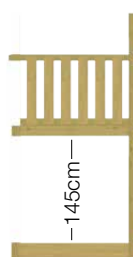
## Extension Towers (ET)



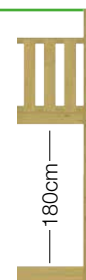
**Small ET**  
790\_101  
790\_102



**Medium ET**  
792\_101  
792\_102  
792\_103  
792\_104  
792\_105  
792\_106

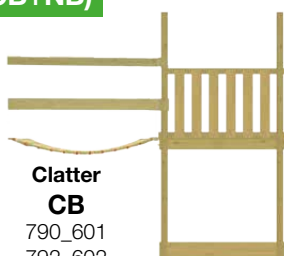


**Large ET**  
792\_107 792\_113 794\_107  
792\_108 792\_114 794\_108  
792\_109 794\_102 794\_109  
792\_110 794\_103  
792\_111 794\_104  
792\_112 794\_105

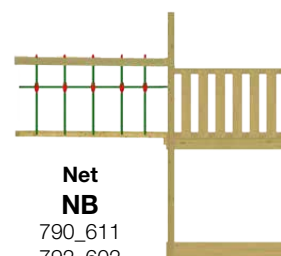


**Small ET**  
794\_110

## Modules Bridges (CB+NB)



**Clatter CB**  
790\_601  
792\_602  
794\_602



**Net NB**  
790\_611  
792\_602  
794\_602

## Modules Swings (SM)



**1-Swing Module 200 SM**  
857\_101



**2-Swing Module 200 SM**  
857\_102



**1-Swing Module 220 SM**  
857\_151



**2-Swing Module 220 SM**  
857\_152



**1-Swing Module 220 Extra SM**  
850\_176



**2-Swing Module 220 Extra SM**  
850\_177

## Modules Climbs (CM)



**1-Climb Module 200 CM**  
857\_105



**2-Climb Module 200 CM**  
857\_106



**1-Climb Module 220 CM**  
857\_157



**2-Climb Module 220 CM**  
857\_158



**1-Climb Module 220 Extra CM**  
850\_231



**2-Climb Module 220 Extra CM**  
850\_232

# Construction Packages (Sub-Assembly)

## Roofs (RF)



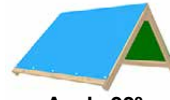
**Tipi RF**  
790\_203



**Gable RF**  
790\_202



**Pyramid RF**  
790\_205



**Angle 90° RF**  
792\_201



**Angle 120° RF**  
792\_206 (=115)  
794\_204 (=140)



**Tipi RF**  
790\_204



**Clapboard RF**  
790\_201



**Lookout RF**  
790\_206



**Angle 90° RF**  
792\_202 (=115)  
794\_202 (=140)



**Angle 120° RF**  
792\_203 (=115)  
794\_203 (=140)

## Balustrade (BA/PH)



**Balustrade panel BA**  
790\_301  
792\_301  
794\_301  
794\_302



**Hide panel PH**  
790\_311  
792\_311  
794\_311



**Wall panel PH**  
790\_313  
792\_313  
794\_313



**Roof panel PH**  
792\_314  
794\_314



**Window panel PH**  
792\_202 (L)  
794\_202 (L)  
792\_203 (R)  
794\_203 (R)



**Door panel PH**  
792\_204 (L)  
794\_204 (L)  
792\_205 (R)  
794\_205 (R)

## Slides (MOE)



**Slide Yellow SL**  
324\_100  
334\_100  
790\_901  
792\_901  
794\_901



**Slide Blue SL**  
324\_200  
334\_200  
790\_901  
792\_901  
794\_901



**Slide Green SL**  
324\_300  
334\_300  
790\_901  
792\_901  
794\_901



**Slide Red SL**  
324\_400  
334\_400  
790\_901  
792\_901  
794\_901



**Slide Fuchsia SL**  
324\_500  
334\_500  
790\_901  
792\_901  
794\_901



**Slide Dark Green SL**  
324\_600  
334\_600  
790\_901  
792\_901  
794\_901

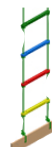
## Means of access (MOA)



**Ladder LA**  
790\_433  
790\_434  
792\_431  
792\_432  
794\_431  
794\_432



**Two Step Ladder TS**  
790\_413  
790\_414  
792\_411  
792\_412  
794\_411  
794\_412  
794\_413  
794\_414



**Rope ladder RL**  
790\_421  
792\_421  
792\_422  
794\_421



**Rock wall RW**  
790\_403  
790\_404  
790\_406  
792\_401  
792\_402  
794\_401  
794\_402

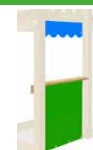


**Ramp RA**  
790\_441  
792\_441  
794\_441



**FMP Exit FP**  
790\_903  
792\_911  
794\_911

## Add-ons (ADD)



**Market MT**  
790\_502  
792\_502  
794\_502



**Boat front BO**  
790\_501

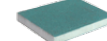
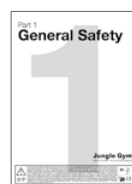


**Picnic PC**  
790\_503



**Picnic PC**  
792\_503  
794\_503

## Universal Pack (AC)

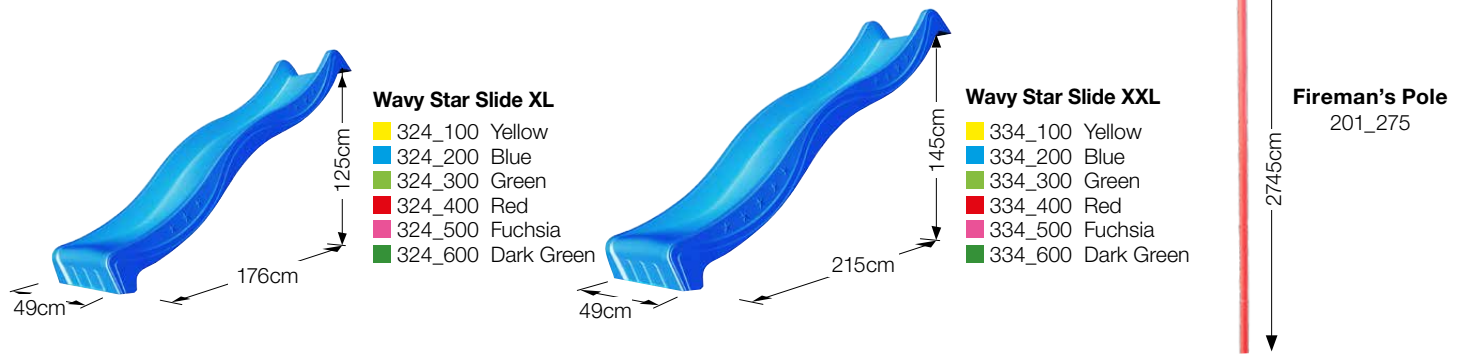


**Accessory set**  
194\_119



# Accessories

## Slides



## Climbing



## Imagination



## Swinging



## Functional



## Components

