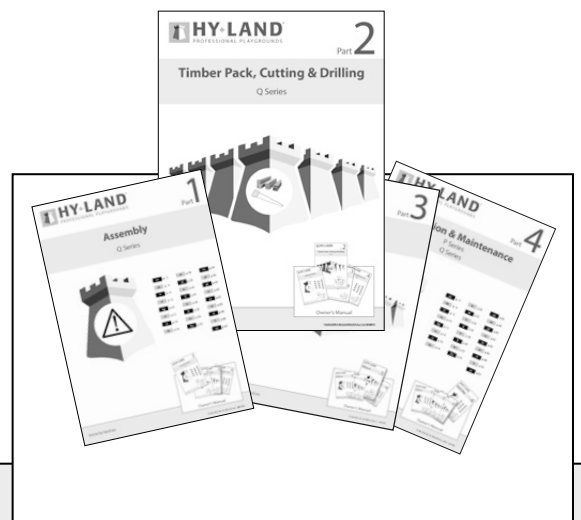
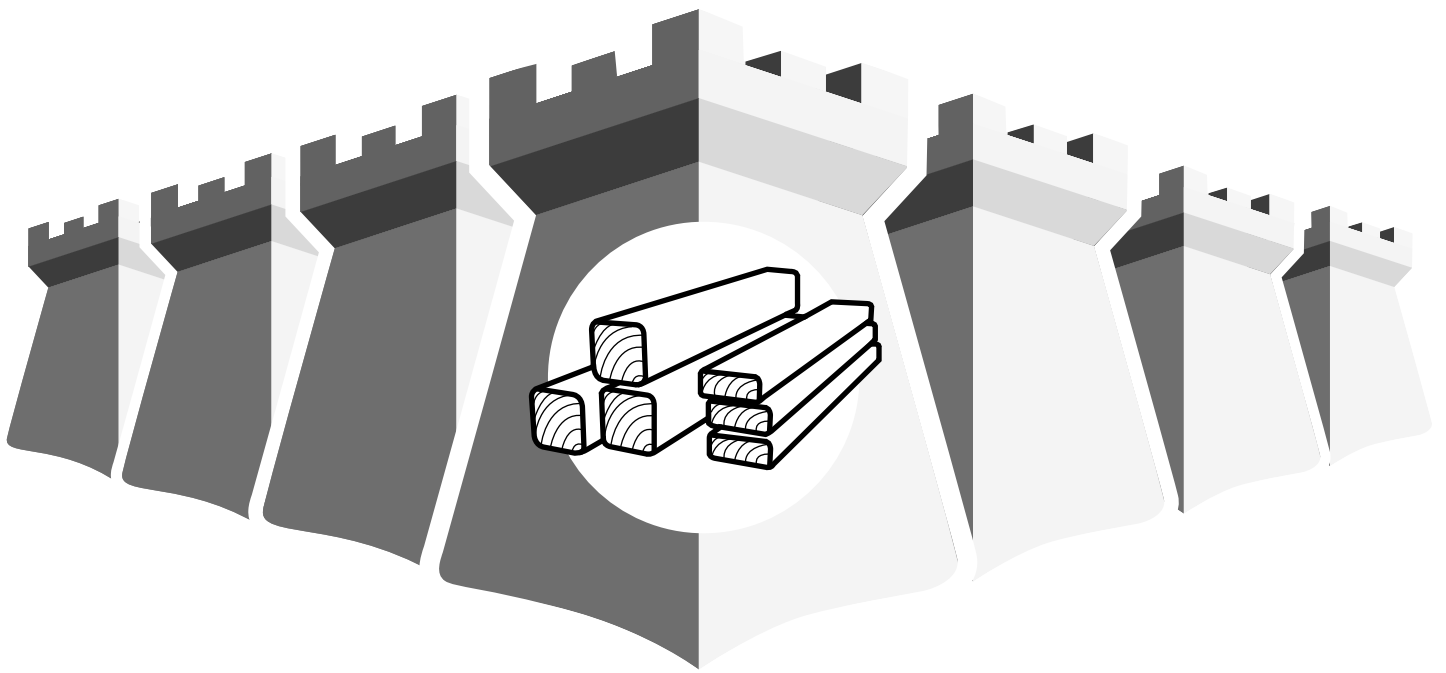


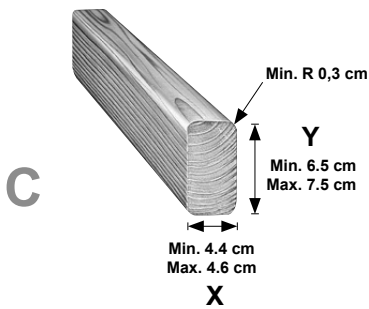
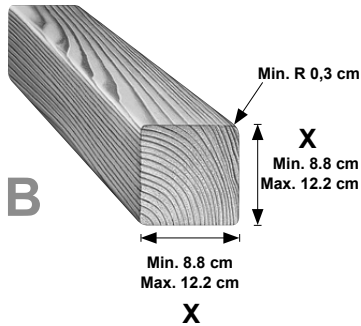
# Timber Pack, Cutting & Drilling

Q Series

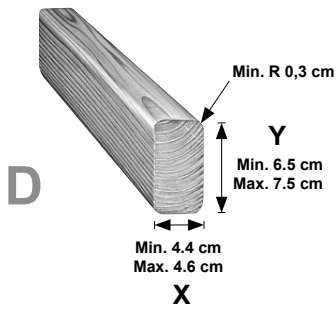


# part 2a

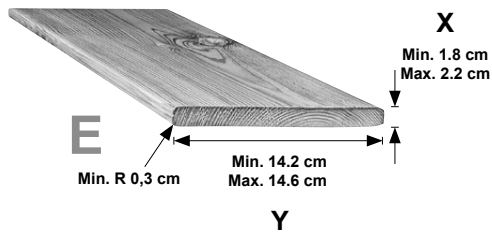
# TIMBER PACK



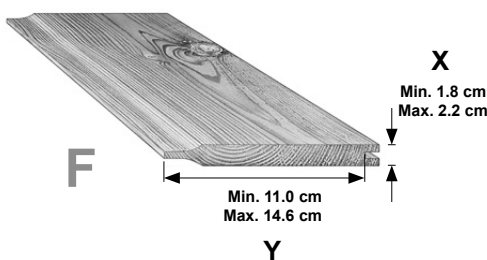
		1	2	3	4
169	(169 cm ± 0,5 cm)	-	4x	4x	8x
159	(159 cm ± 0,5 cm)	4x	4x	6x	8x
122	(112 - 122 cm)	-	-	1x	-
80	(80 cm ± 0,5 cm)	4x	4x	6x	8x
77	(70 - 77 cm)	-	-	1x	-
218	(218 cm ± 0,5 cm)	5x	5x	4x	9x
214	(206 - 214 cm)	2x	2x	3x	4x
214	(206 - 214 cm)	2x	2x	3x	4x
210	(206 - 210 cm)	-	-	6x	-
178	(178 cm ± 0,5 cm)	2x	2x	4x	4x
177	(162 - 177 cm)	-	3x	3x	6x
172	(156 - 172 cm)	-	3x	3x	6x
161	(159 - 161 cm)	3x	3x	6x	6x
160	(160 cm ± 0,5 cm)	-	-	-	10x
157	(156,5 cm ± 0,5 cm)	-	4x	4x	8x
156	(153 - 156 cm)	2x	2x	4x	4x
153	(145 - 153 cm)	2x	2x	4x	4x
146	(144 - 146 cm)	-	4x	4x	8x
144	(136 - 144 cm)	6x	6x	12x	12x
143	(142,5 cm ± 0,5 cm)	-	-	2x	-
140	(140 cm ± 0,5 cm)	5x	5x	8x	10x
131	(121 - 131 cm)	-	-	3x	-
126	(126 cm ± 0,5 cm)	2x	2x	2x	4x
119	(118 - 119 cm)	4x	4x	6x	8x
95	(95 cm ± 0,5 cm)	-	2x	2x	4x



94	(93 - 95 cm)	10x	10x	16x	22x
80	(79,5 cm ± 0,5 cm)	2x	2x	4x	6x
63	(60 - 63 cm)	7x	7x	13x	15x
48	(36 - 48 cm)	4x	4x	8x	8x



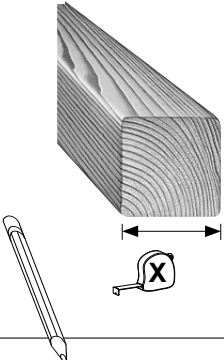
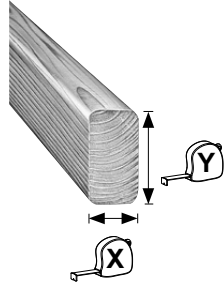
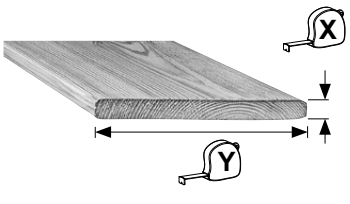
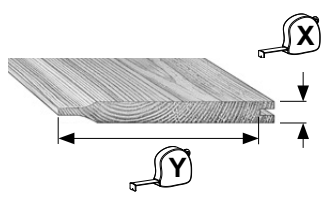
187	(171 - 187 cm)	-	4x	4x	8x
161	(160 - 161 cm)	-	2x	2x	4x
147	(145 - 147 cm)	-	2x	2x	4x
144	(136 - 144 cm)	12x	12x	24x	24x
75	(75 cm ± 0,5 cm)	-	-	-	18x
48,5	(48,5 cm ± 0,5 cm)	-	-	-	11x



187	(171 - 187 cm)	F < 125 mm	-	28x	28x	56x
		F > 125 mm	-	24x	24x	48x
119	(118 - 119 cm)	F < 125 mm	14x	14x	28x	28x
		F > 125 mm	12x	12x	24x	24x
75	(75 cm ± 0,5 cm)	35x	35x	70x	67x	

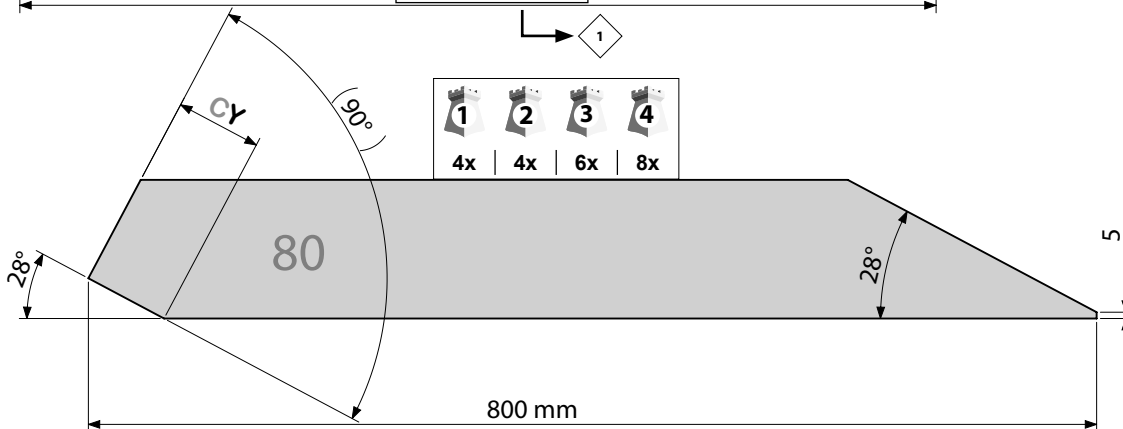
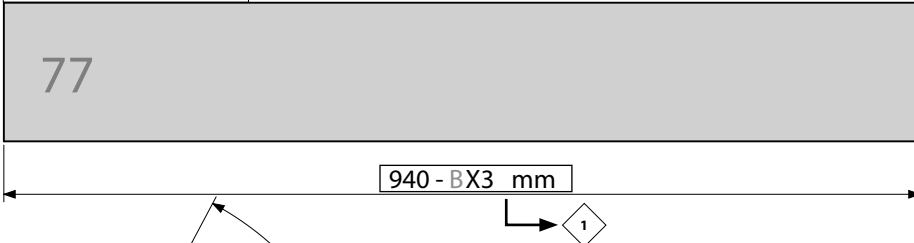
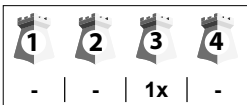
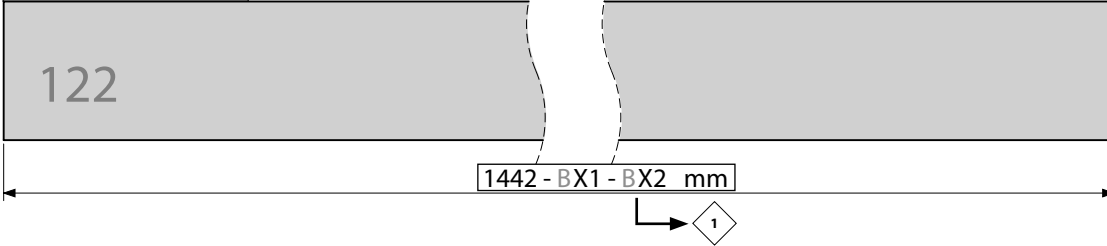
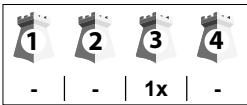
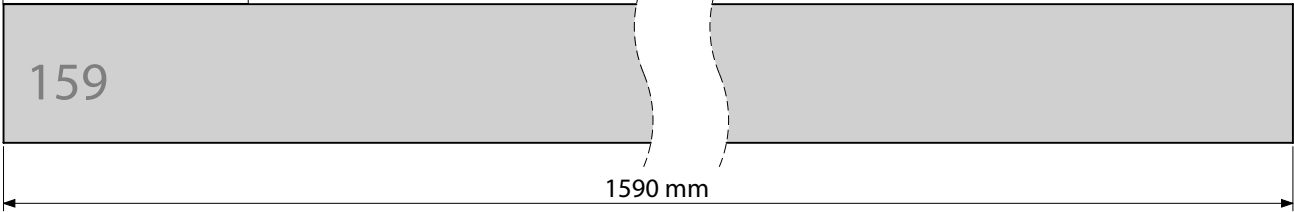
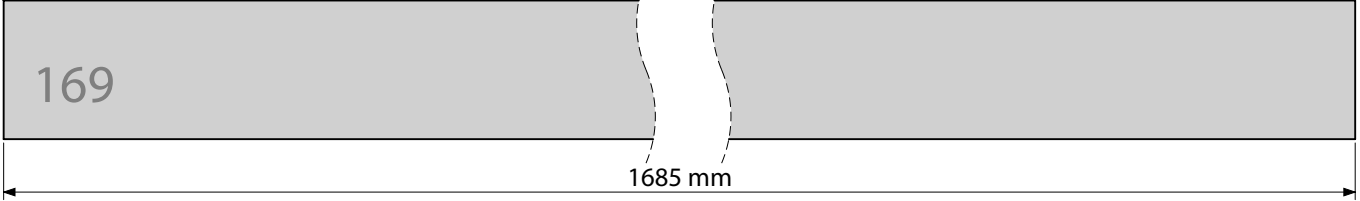
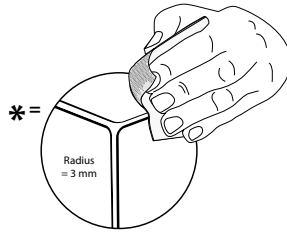
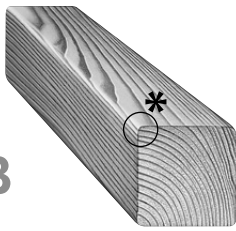
# part 2b TIMBER PACK

1

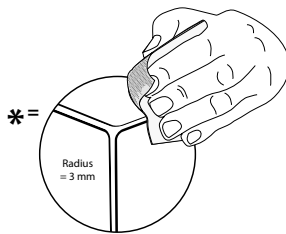
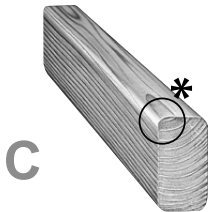
2	3	4	5
<p><b>B</b></p> 	<p><b>C</b></p> 	<p><b>D</b></p> 	<p><b>E</b></p> 
<p><b>BX</b> = .... mm</p> <p><b>BX1</b> = <math>X \times 0,536</math> = .... mm</p> <p><b>BX2</b> = <math>X \times 2,07</math> = .... mm</p> <p><b>BX3</b> = <math>X \times 1,97</math> = .... mm</p>	<p><b>CX</b> = .... mm</p> <p><b>CY</b> = .... mm</p>	<p><b>DX</b> = .... mm</p> <p><b>DY</b> = .... mm</p>	<p><b>EX</b> = .... mm</p> <p><b>EY</b> = .... mm</p>



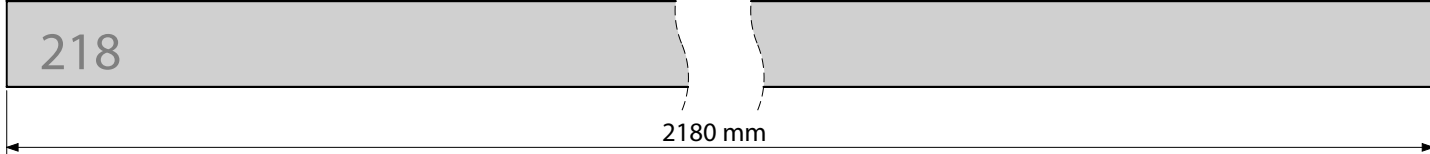
B



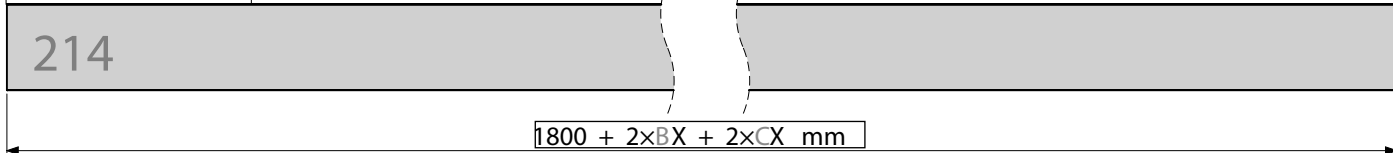
3



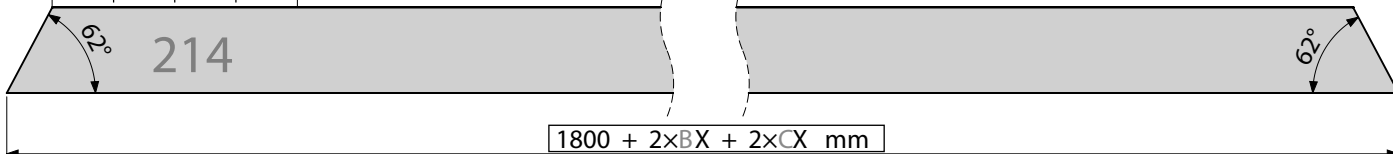
1	2	3	4
5x	5x	4x	9x



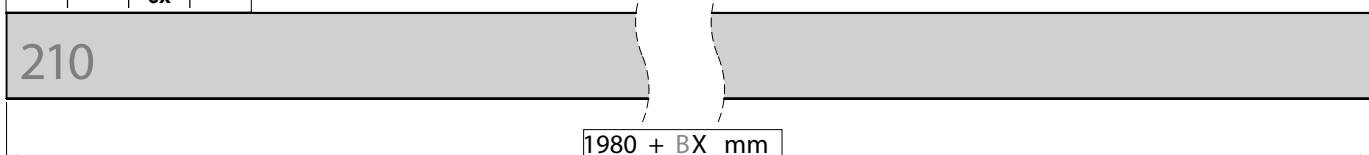
1	2	3	4
2x	2x	3x	4x



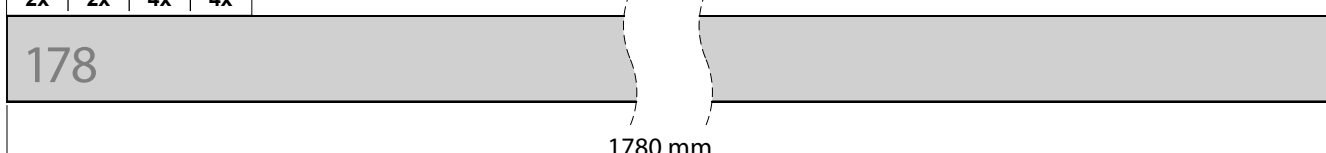
1	2	3	4
2x	2x	3x	4x



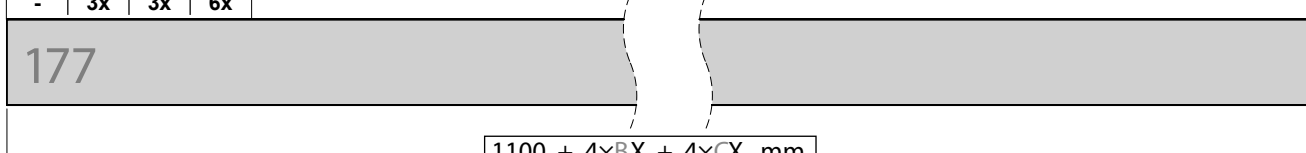
1	2	3	4
-	-	6x	-

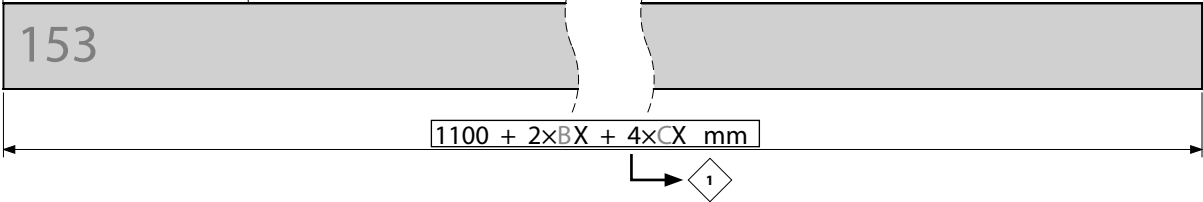
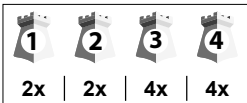
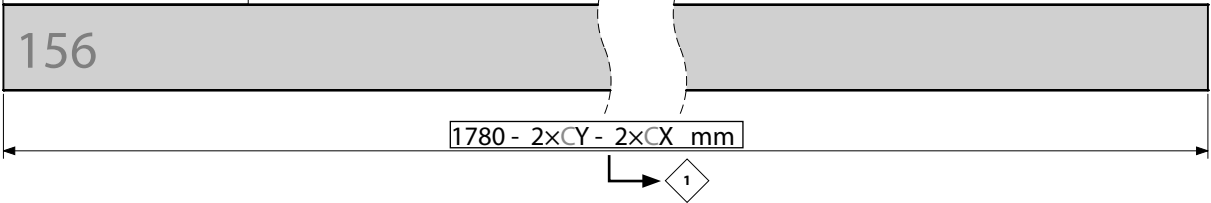
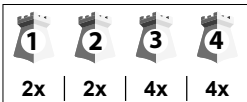
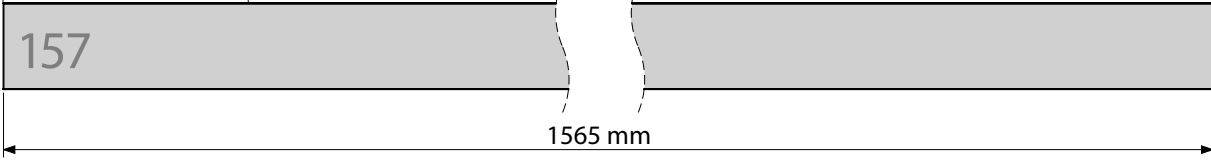
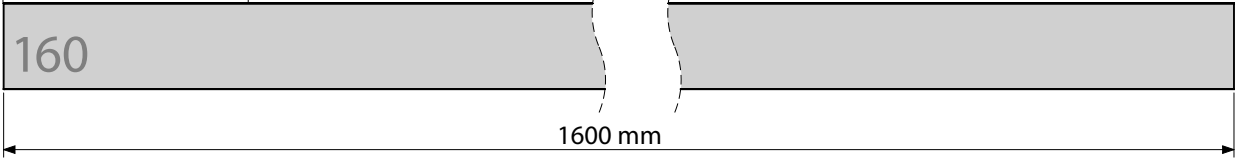
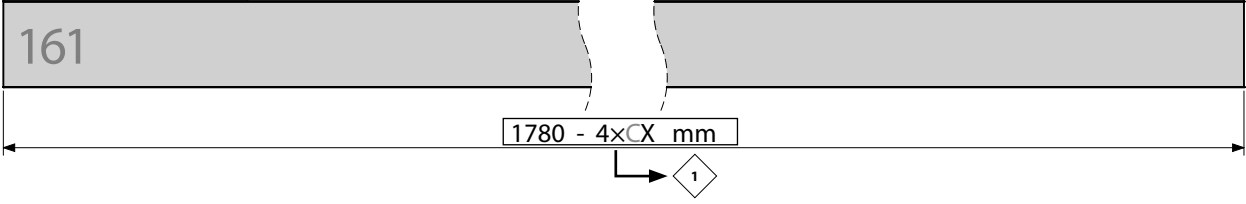
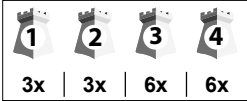
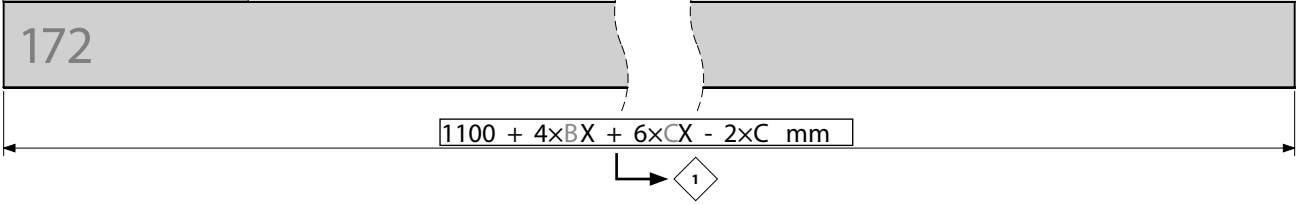
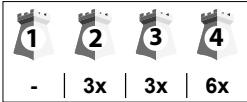


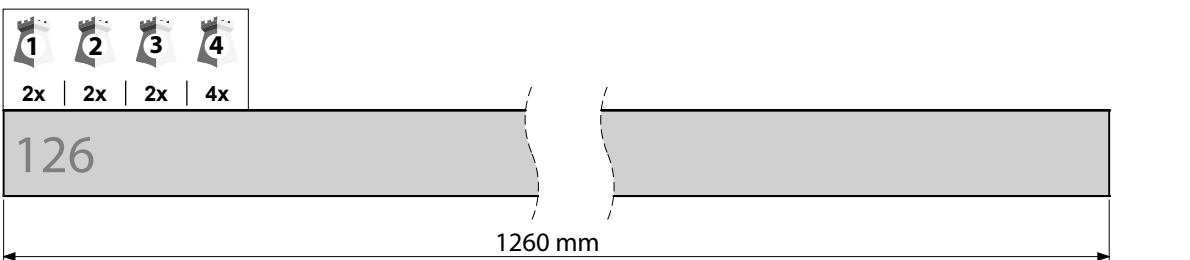
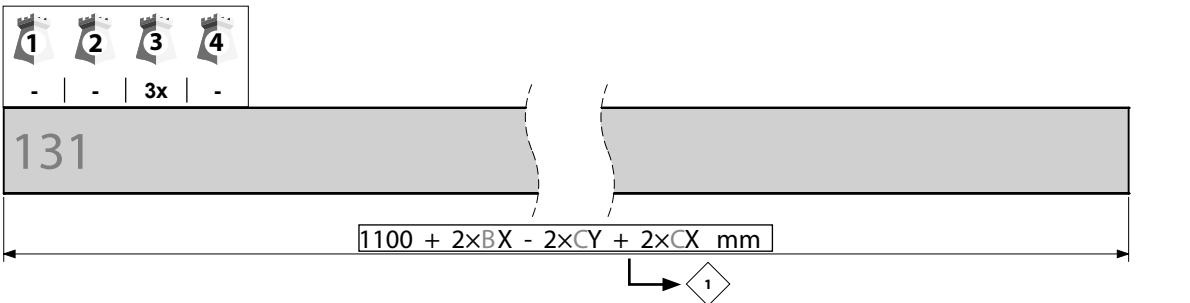
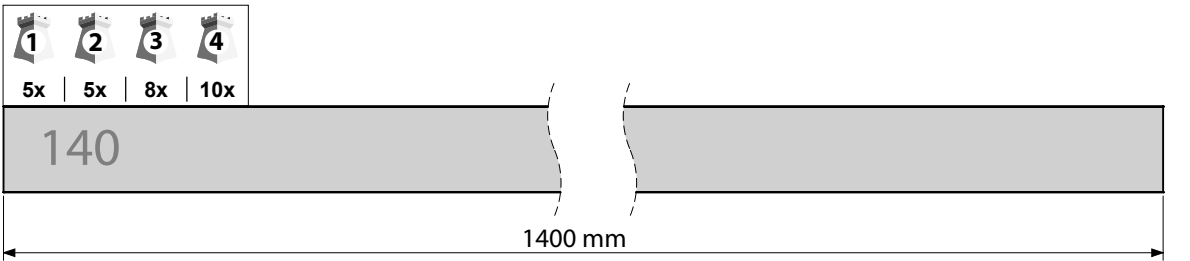
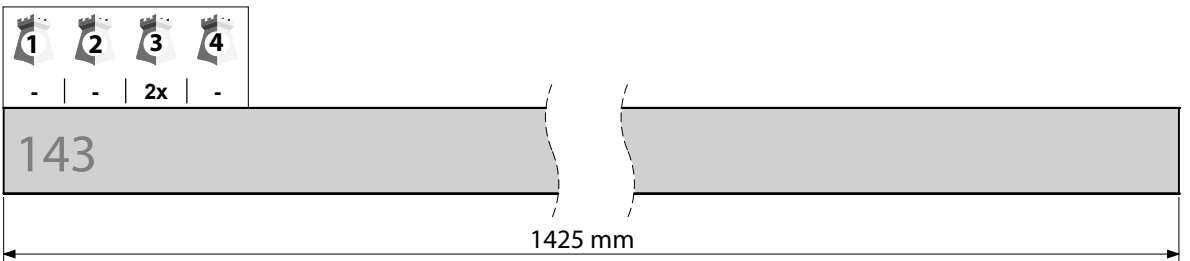
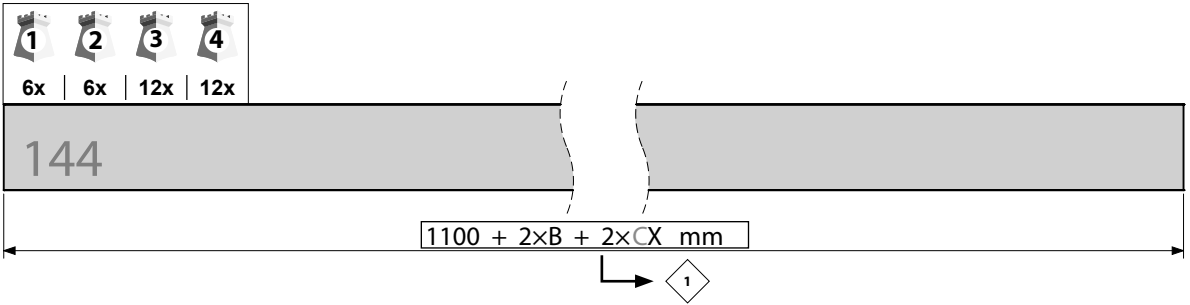
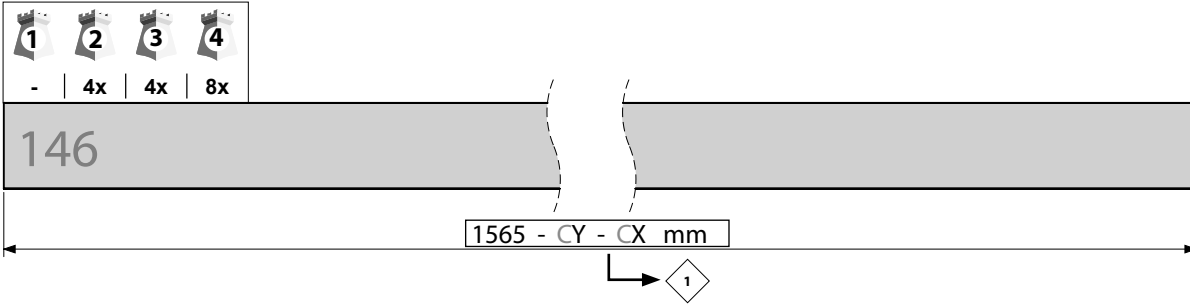
1	2	3	4
2x	2x	4x	4x



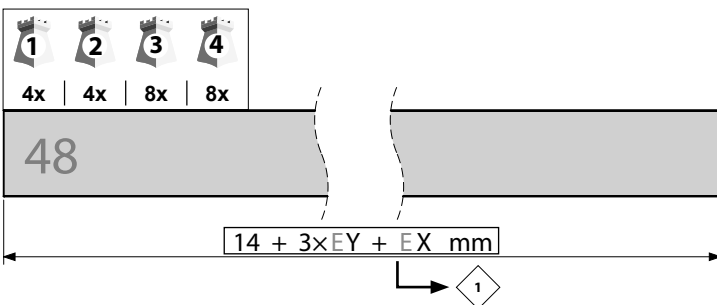
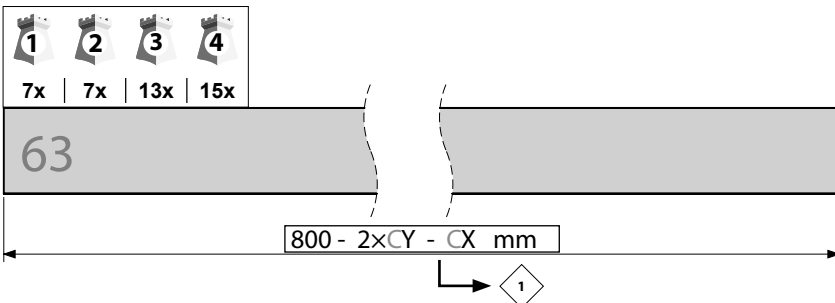
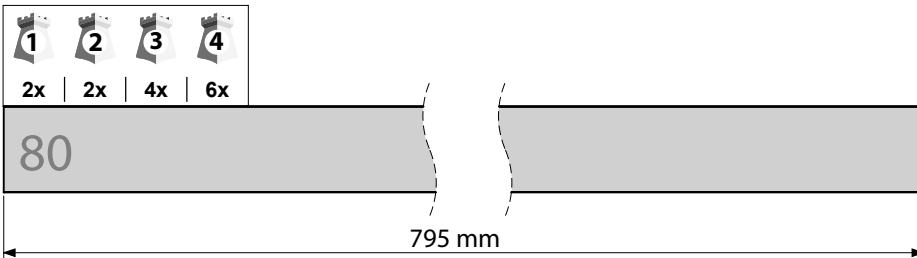
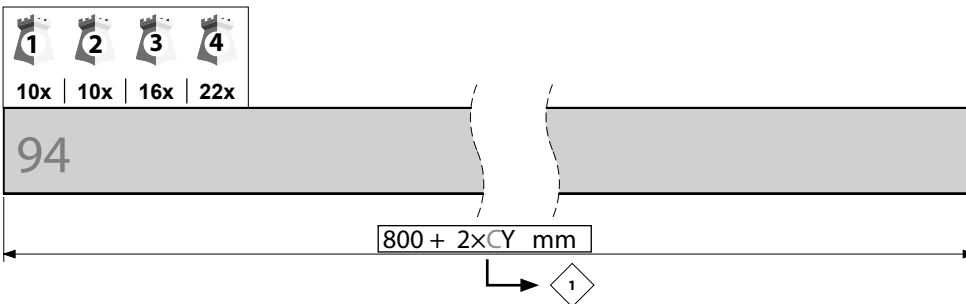
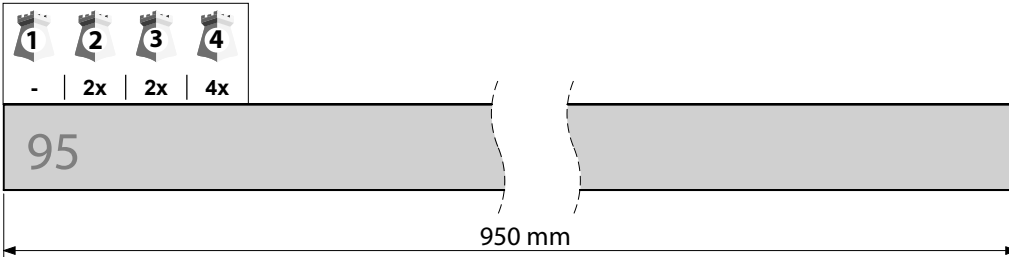
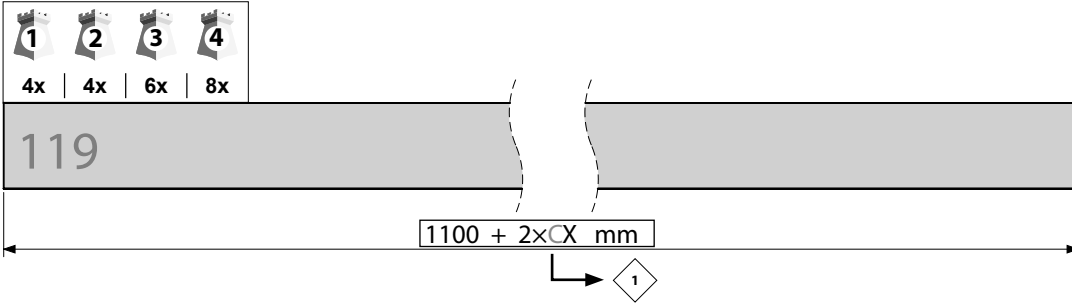
1	2	3	4
-	3x	3x	6x



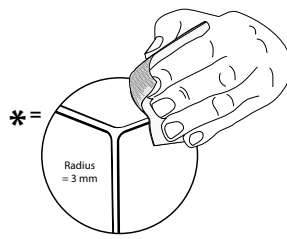




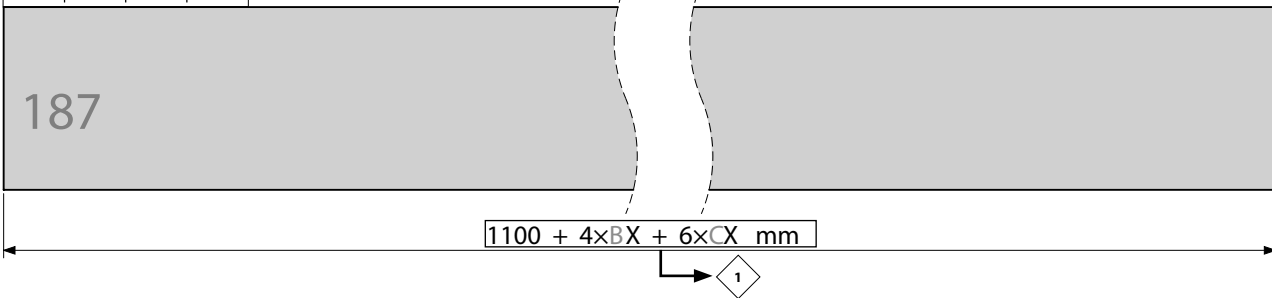




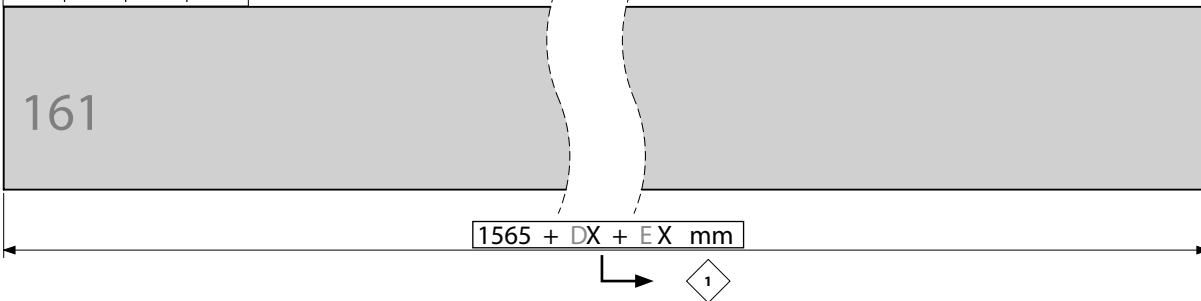
4



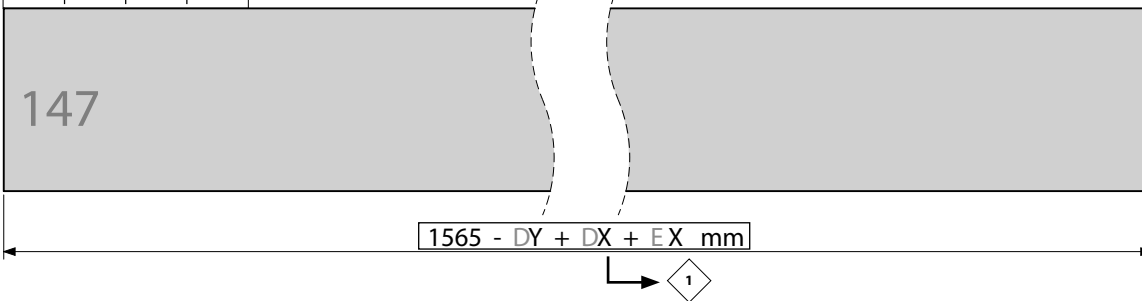
- |   |    |    |    |
|---|----|----|----|
| 1 | 2  | 3  | 4  |
| - | 4x | 4x | 8x |



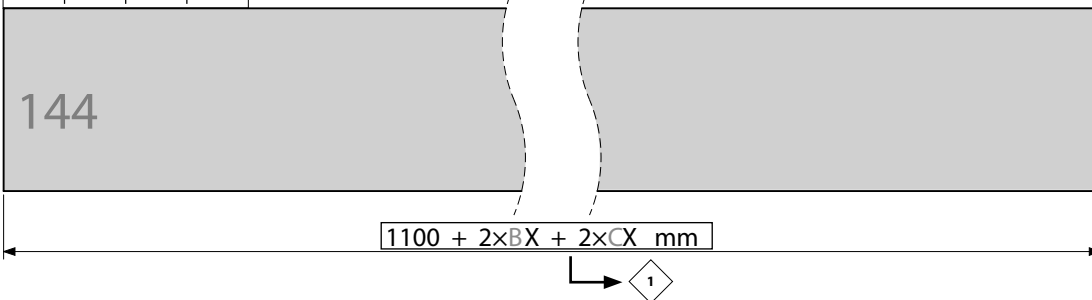
- |   |    |    |    |
|---|----|----|----|
| 1 | 2  | 3  | 4  |
| - | 2x | 2x | 4x |

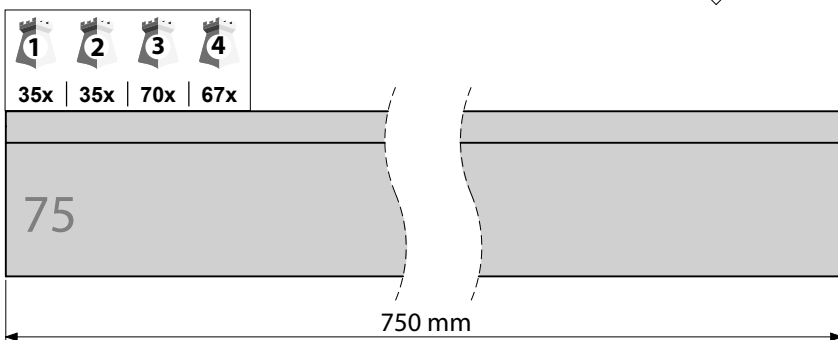
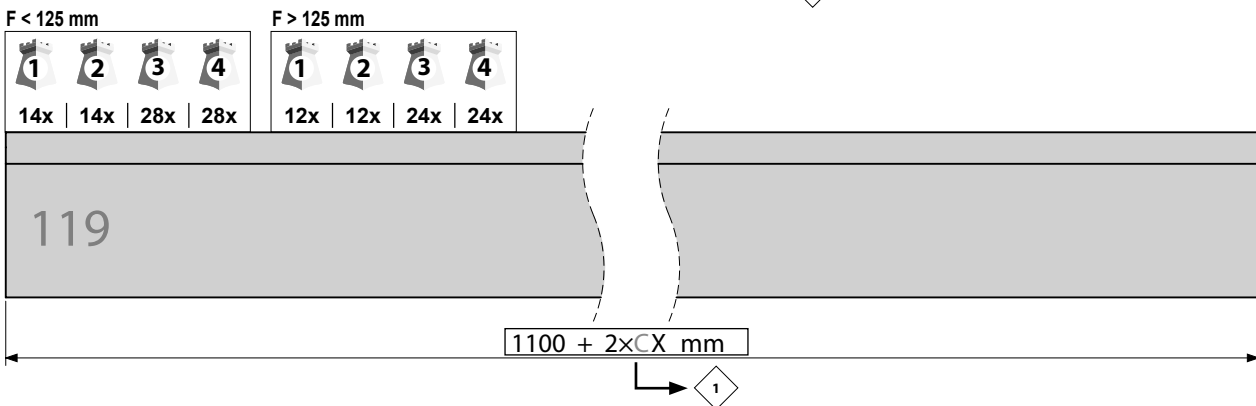
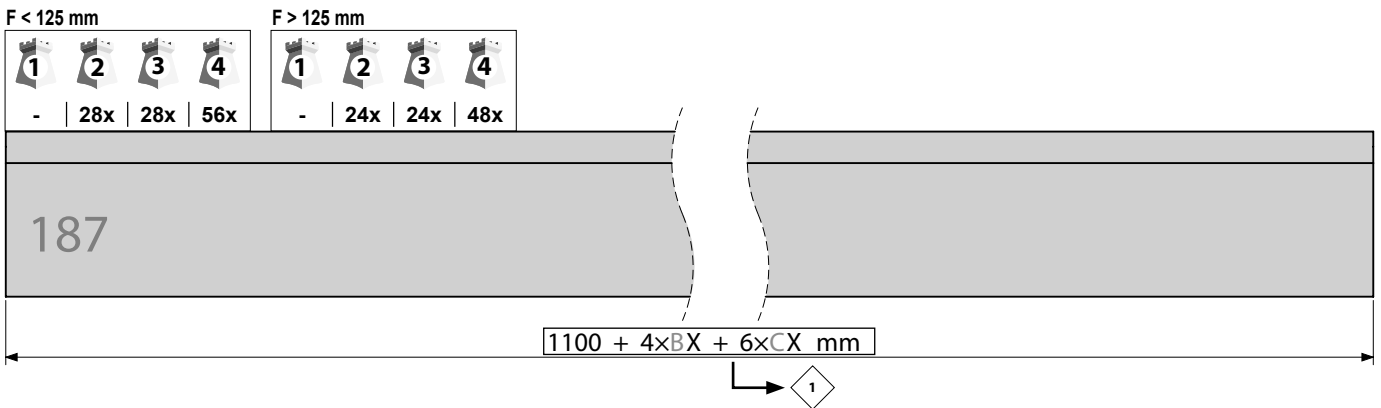
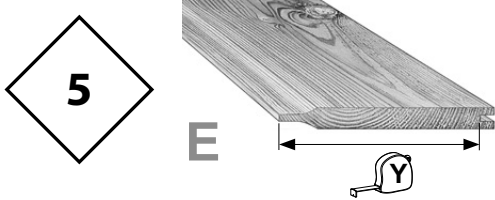
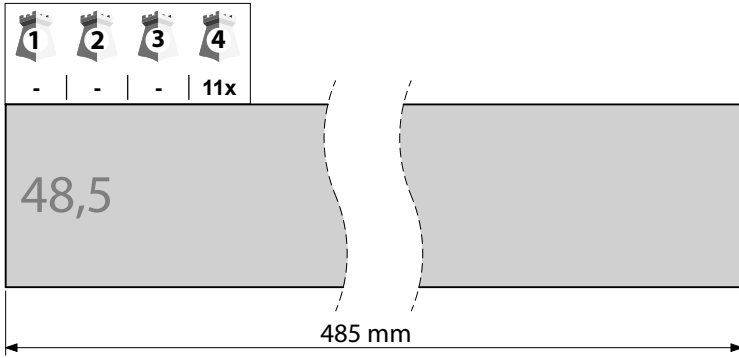
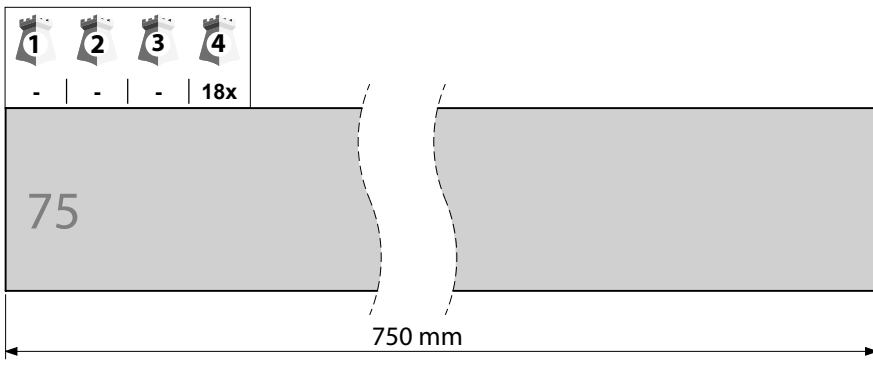


- |   |    |    |    |
|---|----|----|----|
| 1 | 2  | 3  | 4  |
| - | 2x | 2x | 4x |



- |     |     |     |     |
|-----|-----|-----|-----|
| 1   | 2   | 3   | 4   |
| 12x | 12x | 24x | 24x |





Hy-land B.V.  
Valschermkade 18  
NL - 1059 CD Amsterdam  
The Netherlands

Tel : +31 85 444 41 01  
Email : [info@hy-land.eu](mailto:info@hy-land.eu)  
URL : [www.hy-land.eu](http://www.hy-land.eu)

Chamber of Commerce :  
NL 16.078.319

