

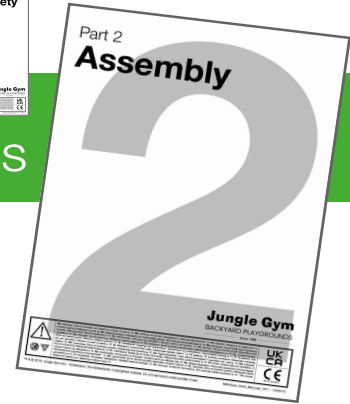
# Part 2

# Assembly

## Instructions

Config ID: 8P1sbU

Date: 2023-07-31



Manual Part 1



### Important

This assembly manual should always be read in conjunction with the General Safety manual part 1 as included in the hardware package of your playground equipment.

Please read these safety instructions carefully before starting the assembly work.

# Jungle Gym

## BACKYARD PLAYGROUNDS

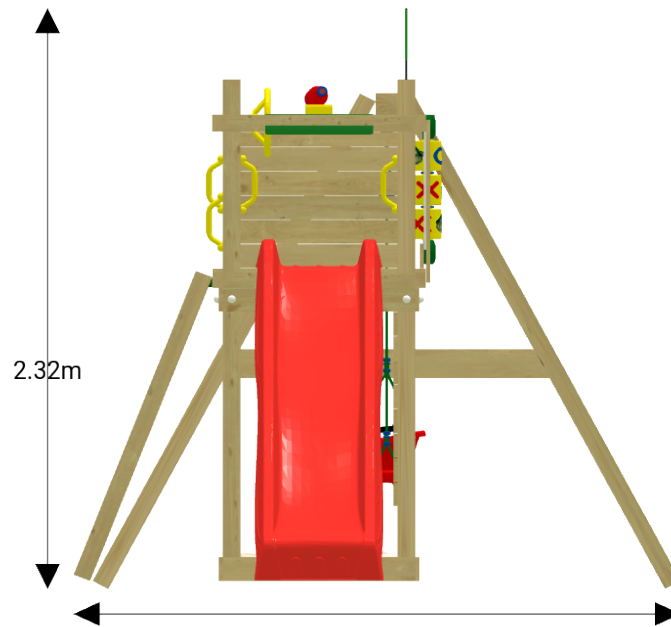
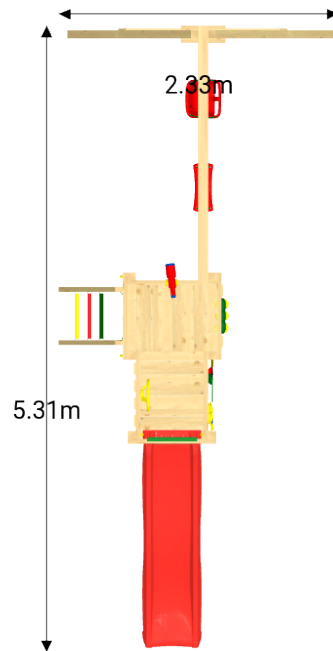
since 1988



**EN.** Warnings. Only for domestic use. Maximum number of users is 4. **DE.** Achtung. Nur für den Hausgebrauch. Maximale Benutzerzahl: 4. **FR.** Attention. Réserve à un usage privé. Le nombre maximal d'utilisateurs est de 4. **NL.** Waarschuwingen. Uitsluitend voor huishoudelijk gebruik. Het maximale aantal gebruikers is 4. **BG.** Внимание. За употреба само в домашни условия. Максималният брой потребители е 4. **ES.** Advertencias. Sólo para uso doméstico. Número máximo de usuarios: 4. **CS.** Varování. Jen pro domácí použití. Maximální počet uživatelů je 4. **DA.** Advarsler. Kun til privat brug. Maksimum antal brugere er 4. **ET.** Hoiatused. Ainult koduseks kasutamiseks. Maksimaalne kasutajate arv on 4. **EL.** Προειδοποιήσεις. Μόνο για οικιακή χρήση. Μέγιστος αριθμός χρηστών 4. **IS.** Varnaðarorð. Eingöngu fyrir einkanotkun í heimahúsum og á einkaloðum. Hámarksfjöldi notenda er 4. **IT.** Avvertenze. Solo per uso domestico. Massimo numero di utenti è 4. **LV.** Brīdinājumi. Izmantot tikai mājās. Maksimālais lietotāju skaits ir 4. **LT.** Įspėjimai. Tik buitiniam naudojimui. Maksimalus naudotojų skaičius HR. Upozorenja. Samo za kućansku uporabu. Maksimalan broj korisnika je 4. **HU.** Figyelmeztetések. Csak otthoni használatra! A használók max. száma: 4. **NO.** Advarsler. Kun for privat bruk. Maksimalt antall brukere er 4. **PL.** Ostrzeżenia. Wyłącznie do użytku domowego. Maksymalna liczba użytkowników to 4. **PT.** Avisos. Apenas para uso doméstico. O número máximo de utilizadores é 4. **RO.** Avertismente. Numai pentru uz domestic. Numărul maxim de utilizatori este 4. **RU.** Предостережения. Только для домашнего использования. Максимальное количество пользователей - 4. **SK.** Upozornenia. Iba na domáce použitie. Maximálne množstvo osôb je 4. **SL.** Opozorila. Samo za domačo uporabo. Maksimalno število uporabnikov je FI. Varoitukset. Ainoastaan kotikäyttöön. Käyttäjää yhteensä enintään 4. **SR.** Upozorenja. Samo za kućnu upotrebu. Maksimalan broj korisnika je 4. **SV.** Varningar. Endast för hemmabruk. Det maximala antalet användare är 4. **TR.** Uyarılar. Sadece ev kullanımı için. Maksimum kullanıcı sayısı 8.



# 1 Views

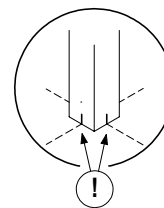
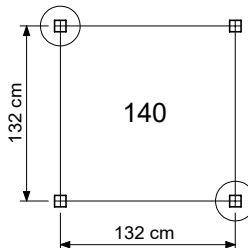
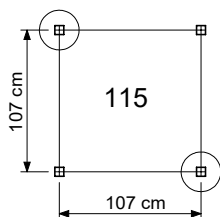
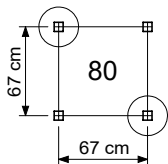
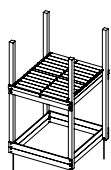


## 2 Order list

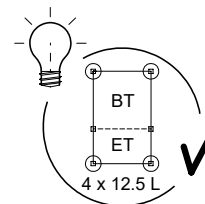
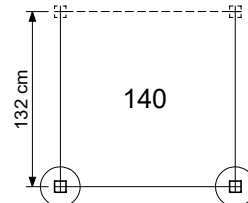
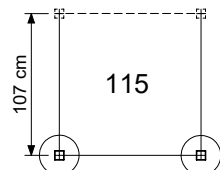
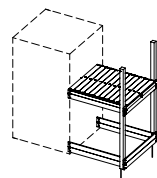
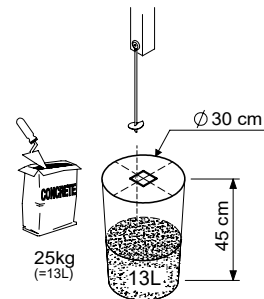
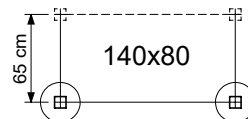
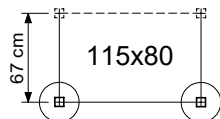
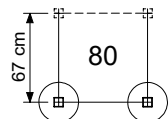
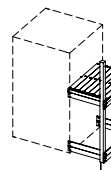
Nr.	SKU	Description	ID	Amount
1	790_313	Playhouse Window Panel 80	PH05	1
2	790_431	Ladder 80_125	LA02	1
3	790_901	Slide 80	SL01	1
4	757_104	2- Swing Module 200	SW05	1
5	324_x00	Wavy Star Slide XL	324_x00	1
6	790_001	Base Tower 80_200200	BT01a	1
7	790_101	Extension Tower 80_200	ET01a	1
8	790_301	Balustrade 80	BL01a	1
9	790_301	Balustrade 80	BL02a	1
10	790_406	Rock wall Closed 80_125	RW31a	1
11	194_119	AP Accessory set	AC01a	1
12	450_310	Tic Tac Toe	AC09a	1
13	250_034	Swing Seat Kit • Red	AC21a	1
14	250_025	Baby Swing Kit • Red	AC24a	1

### 3 Anchor Plan

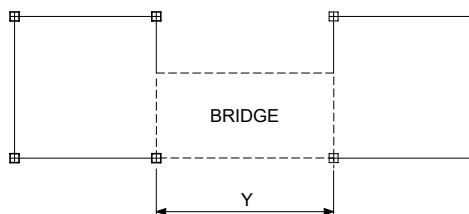
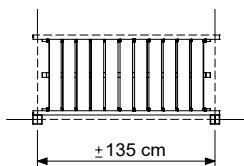
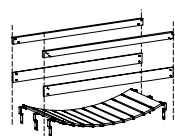
BASE TOWERS



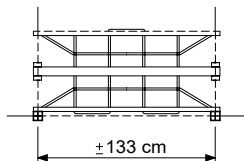
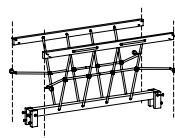
EXTENSION TOWERS



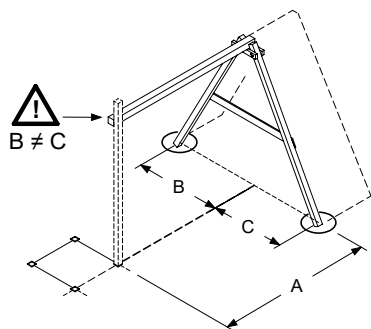
CLATTER BRIDGE



NET BRIDGE

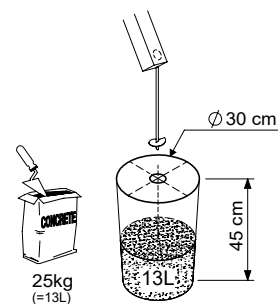


SWING / CLIMB MODULE



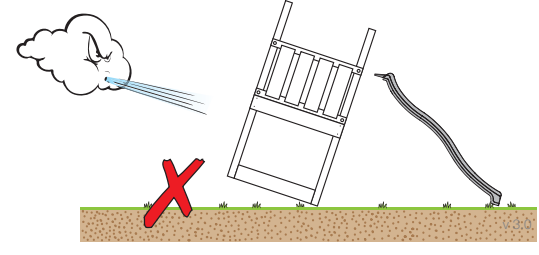
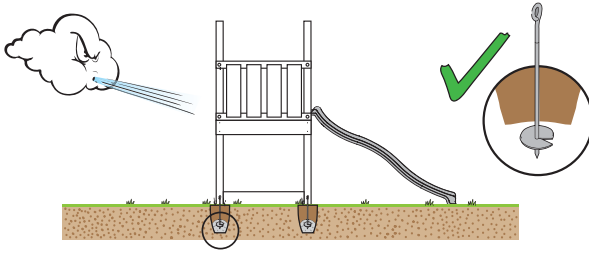
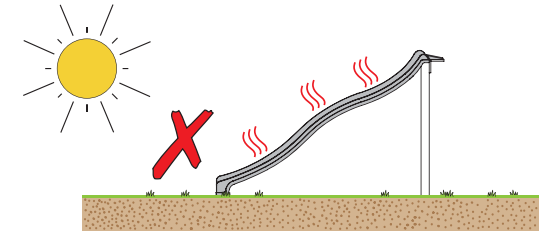
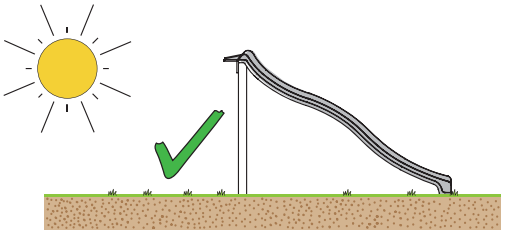
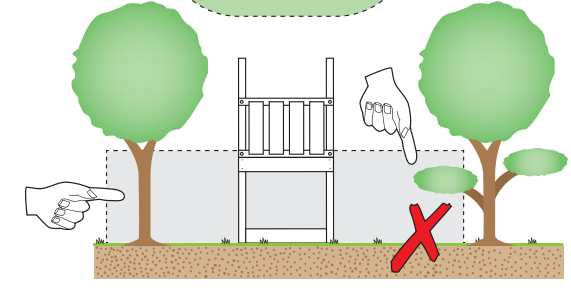
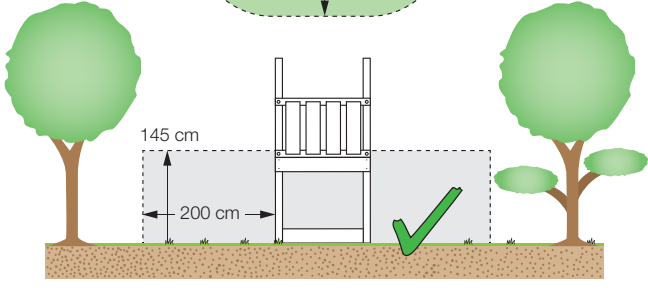
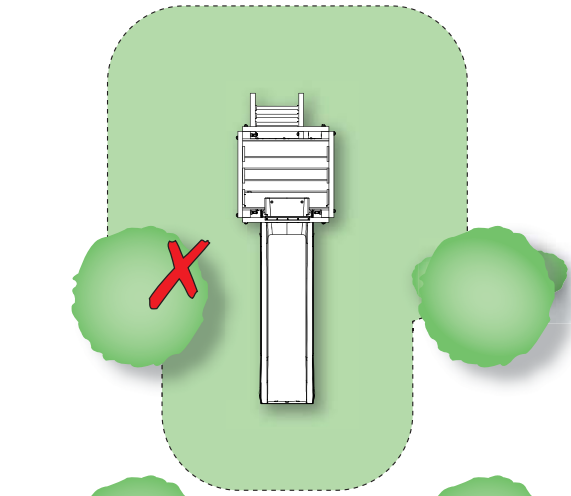
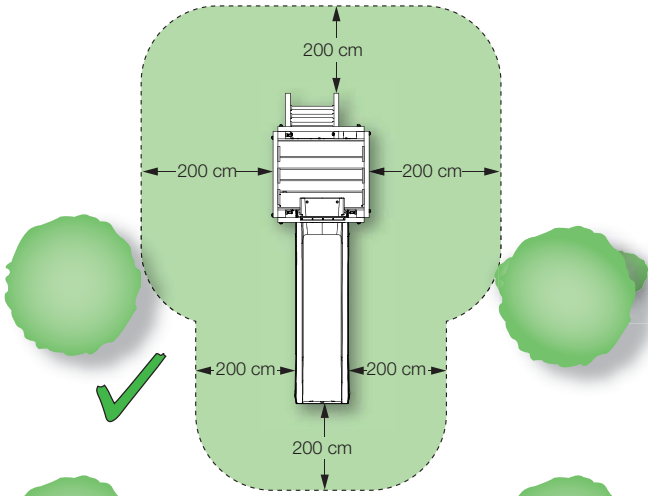
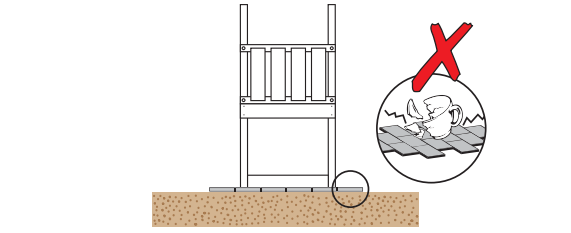
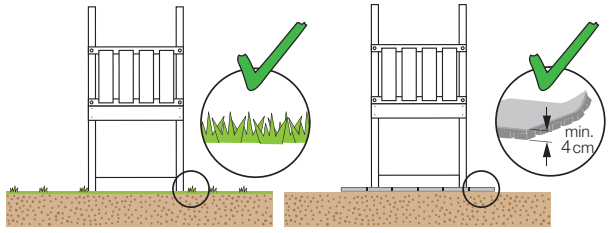
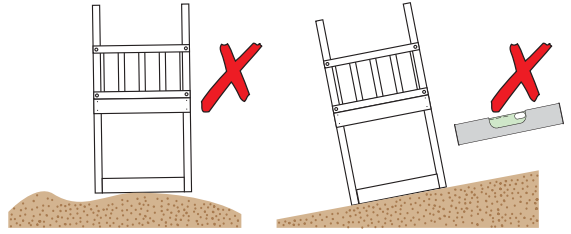
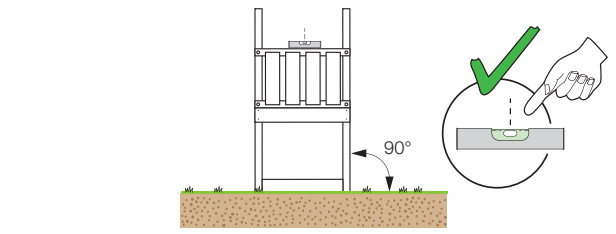
Module type	A	B	C
1-Swing 200	150	115	100
1-Swing 220 / 220 Extra		120	105
2-Swing 200	210	115	100
2-Climb 200			
1-Climb 200	142	120	105
1-Climb 220 / 220 Extra	162		
2-Swing 220 / 220 Extra	230	120	105
2-Climb 220 / 220 Extra			

Ground Anchors Unit - PO1 - 04/07/2023 - v1.2

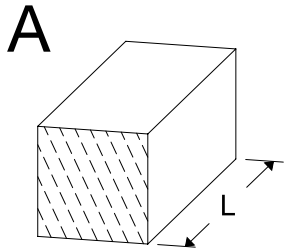


Ground Anchors Unit - PO1 - 04/07/2023 - v1.2

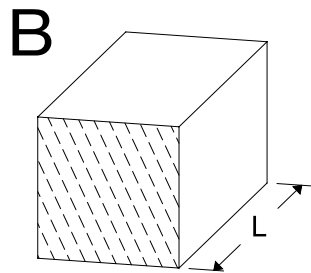
### 3.1 Safe Playground



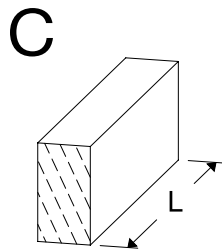
## 4 Timber parts



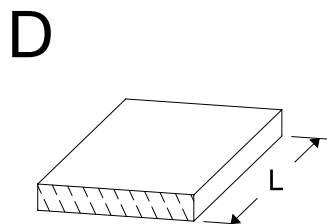
ID	L	#
A200	199 cm - 200 cm	6
A220	219 cm - 220 cm	2



B220	219 cm - 220 cm	1
------	-----------------	---




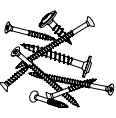

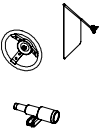
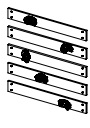

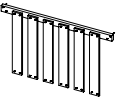





C37	36 cm - 37 cm	2
C74	73 cm - 74 cm	13
C130	129 cm - 130 cm	2

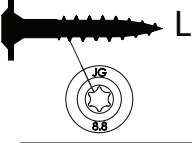
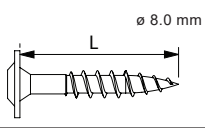
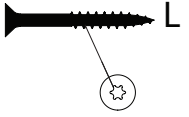
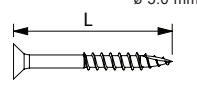


D60	59 cm - 60 cm	19
D65	64 cm - 65 cm	8
D74	73 cm - 74 cm	29
D141	140 cm - 141 cm	2

## 5 Assembly packs & accessories

<p>Slide 2.2m</p>  <p>324_x00</p> <p><b>1x</b></p>	<p>Tic Tac Toe</p>  <p>450_310</p> <p><b>AC</b></p> <p><b>1x</b></p>	<p>Swing Seat</p>  <p>250_034</p> <p><b>AC</b></p> <p><b>1x</b></p>	<p>Hardware 01</p>  <p>194_101</p> <p><b>BL</b> <b>H01</b></p> <p><b>2x</b></p>	<p>Baby Swing</p>  <p>250_025</p> <p><b>AC</b></p> <p><b>1x</b></p>
<p>Accessory Set</p>  <p>194_119</p> <p><b>AC</b></p> <p><b>1x</b></p>	<p>Rock Wall</p>  <p>194_006</p> <p><b>RW</b></p> <p><b>1x</b></p>	<p>Tower 80</p>  <p>194_100</p> <p><b>BT</b> <b>ET</b></p> <p><b>2x</b></p>	<p>Balustrade 140</p>  <p>194_501</p> <p><b>BL</b></p> <p><b>1x</b></p>	<p>Slide Frame</p>  <p>194_107</p> <p><b>SL</b></p> <p><b>1x</b></p>
<p>Ladder 80 125</p>  <p>194_103</p> <p><b>LA</b></p> <p><b>1x</b></p>	<p>Swing Frame Kit</p>  <p>457_102</p> <p><b>SW</b></p> <p><b>1x</b></p>			

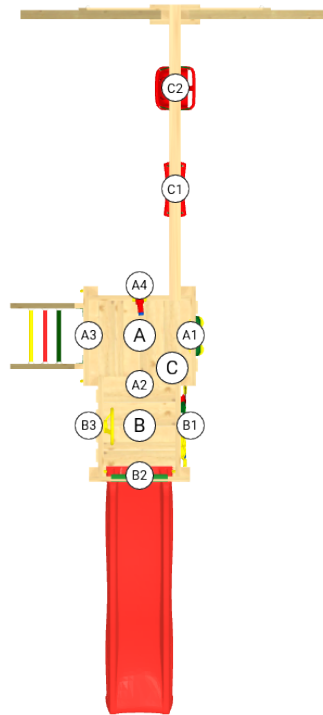
## 6 Hardware Identification

		SKU	L			SKU	L
		001_404	30 mm			002_308	20 mm
		001_406	45 mm			002_219	30 mm
		001_411	60 mm			002_220	45 mm
		001_417	80 mm			002_223	80 mm
		001_422	137 mm				
	M8	001_102	30 mm		M8	003_010	
	ø 2.0 mm	000_101	20 mm		M6	003_034	
	ø 6.3 mm	002_036	16 mm		M8	004_050	22mm
	ø 4.5 mm	002_041	20 mm			022_845	Yellow
						022_846	Blue
						022_847	Green
						022_848	Red
	ø 3.5 mm	002_042	13 mm			023_031	White
	ø 3.9 mm	002_301	40 mm			022_844	
						022_314	
						120_005	White

output: 25/05/23



## 7 Assembly Planning



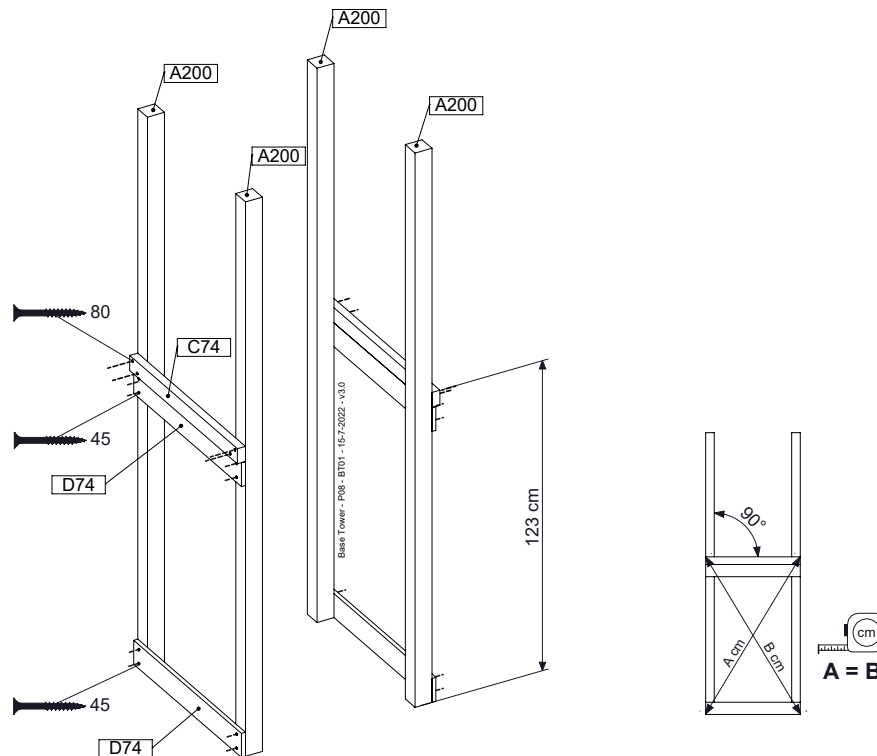
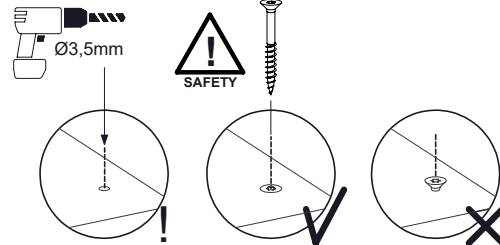
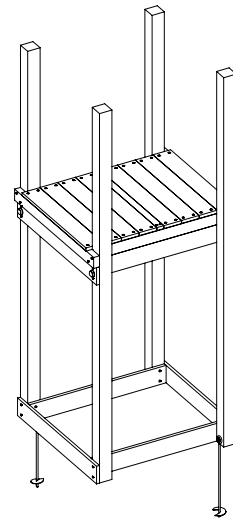
	ID			A	B	C
1	BT01a		p.10	✓	-	-
2	ET01a		p.12	-	✓	-
3	RW31a		p.14	-	B1	-
4	BL01a		p.16	-	B3	-
5	BL02a		p.17	A1	-	-
6	PH05		p.18	A4	-	-
7	LA02		p.19	A3	-	-
8	SW05		p.22	-	-	✓
9	SL01		p.29	-	B2	-
10	GA		p.31	✓	✓	✓
11	AC01a		p.33	✓	-	-

# 8 BT01a: Base tower 80 125cm 200200

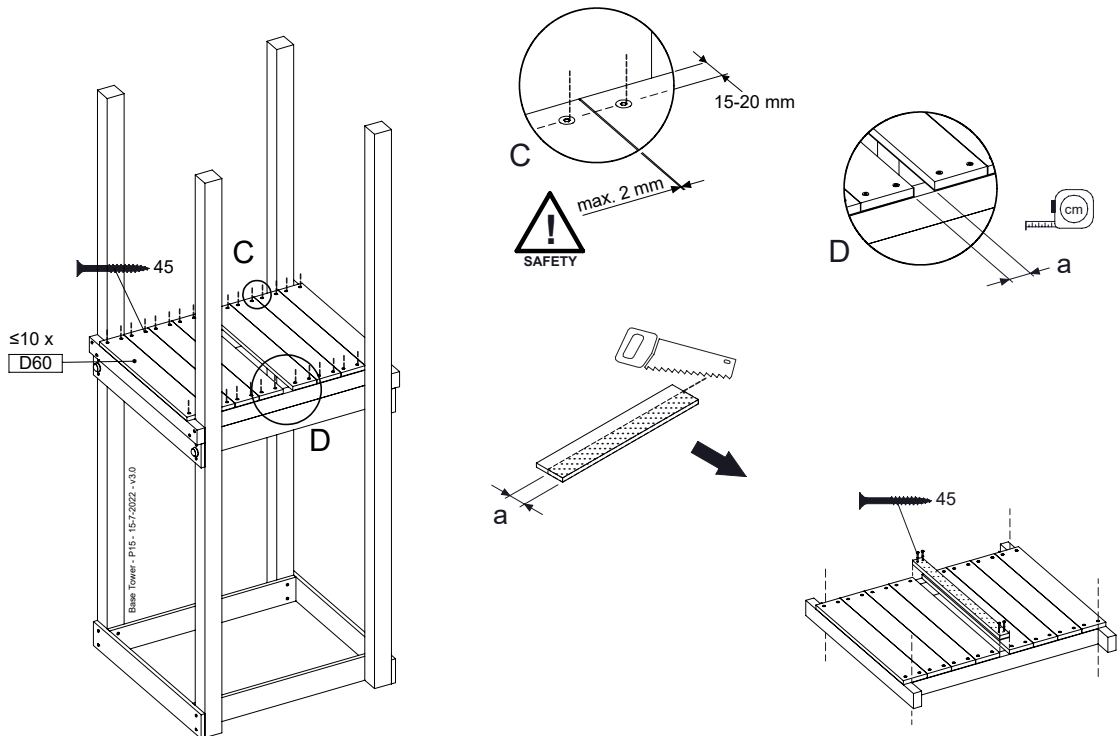
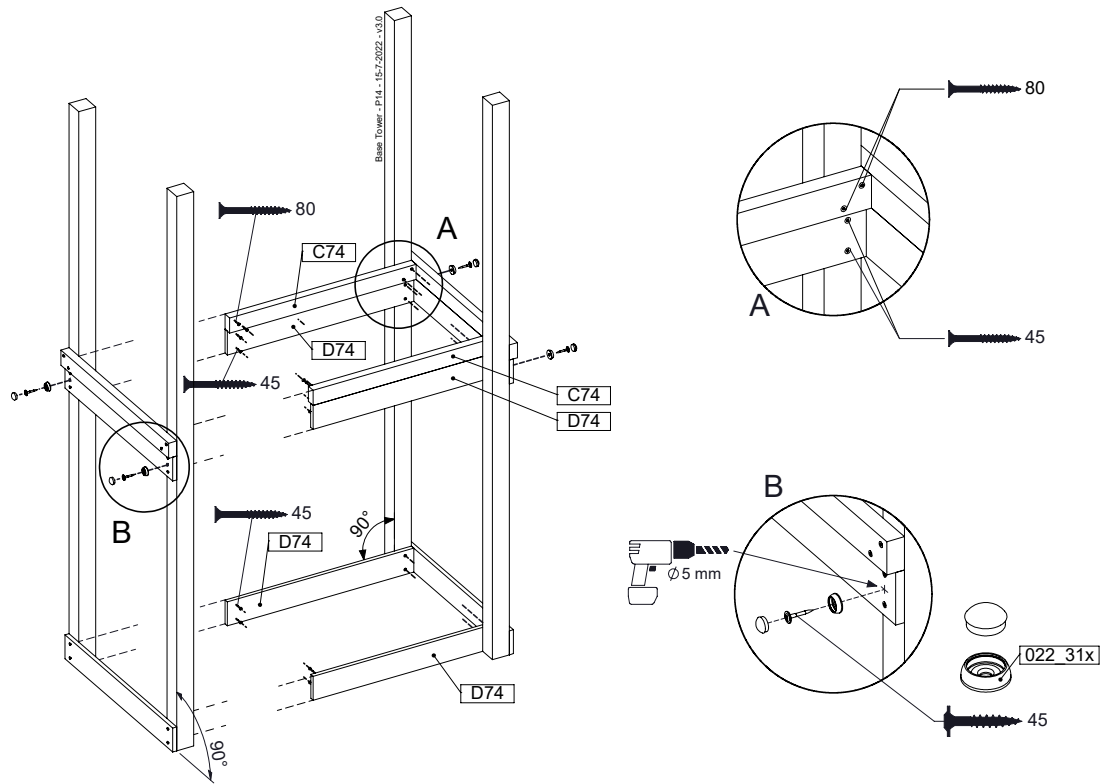
( 194\_100 )

	PartNo	PartName	QTY.
Hardware Pack 100_600	001_406	Stealth Screw 8x45	6
	002_220	Gap Point Screw T25 - 5x45	76
	002_223	Gap Point Screw T25 - 5x80	16
Other	007_001	Ground-anchor	2
Hardware Pack 100_600	022_31x	bpc-base version 3	4
	022_84x	bpc cover	4
Wood	A200	Post 70x70 L2000	4
	C74	Beam 740 mm	4
	D60	Board 600 mm	10
	D74	Board 740 mm	8

Base Tower - P02 - BT01 - 15-7-2022 - v3.0



# 8.1

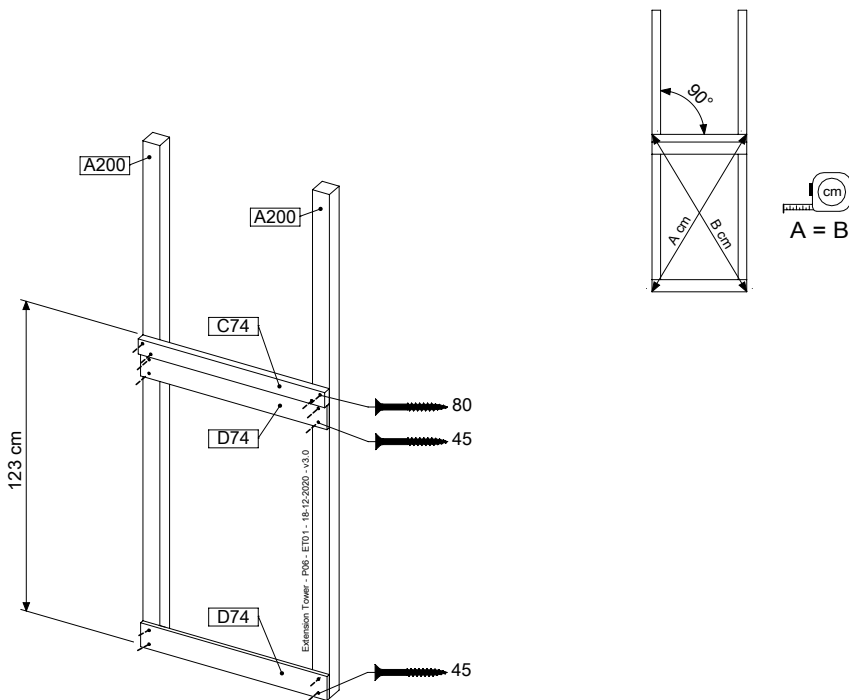
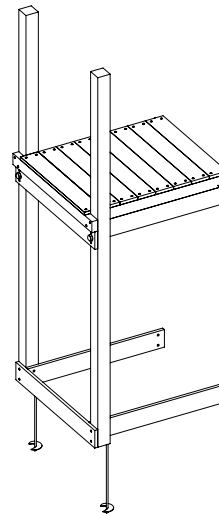


# 9 ET01a: Extension Tower 80 200/125

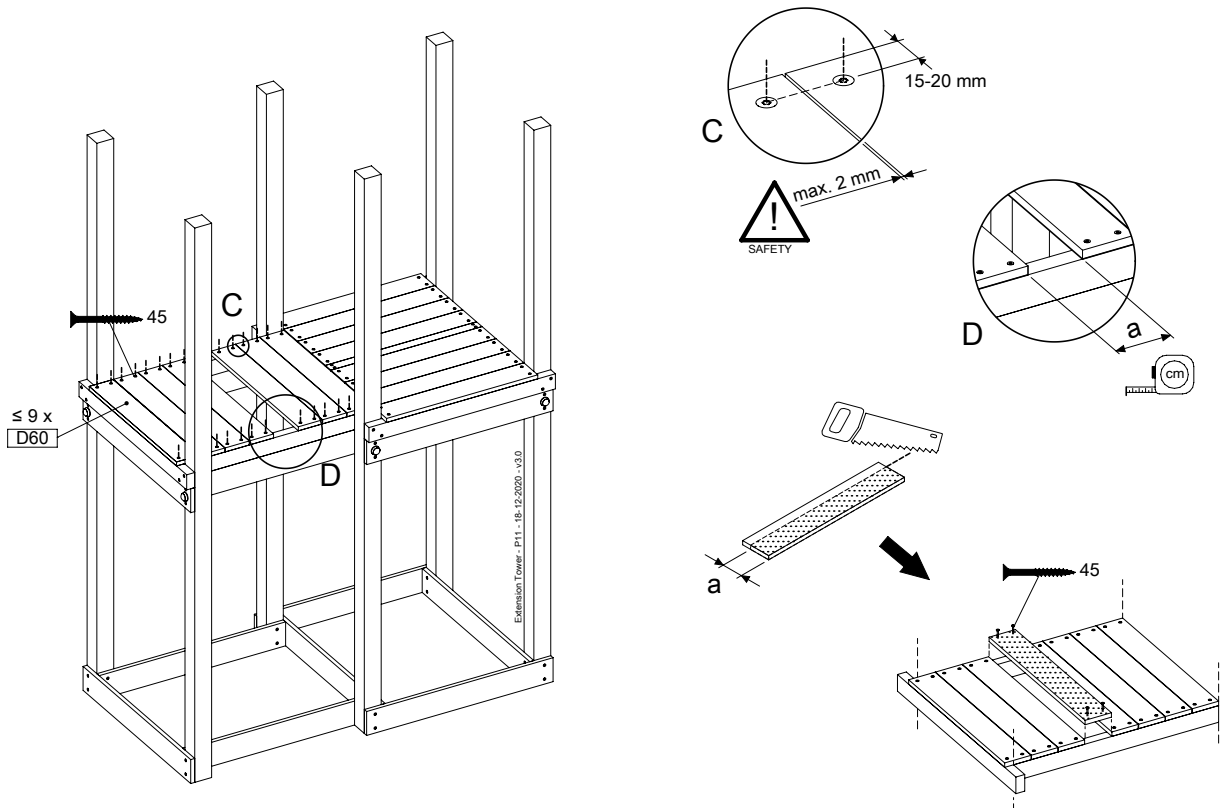
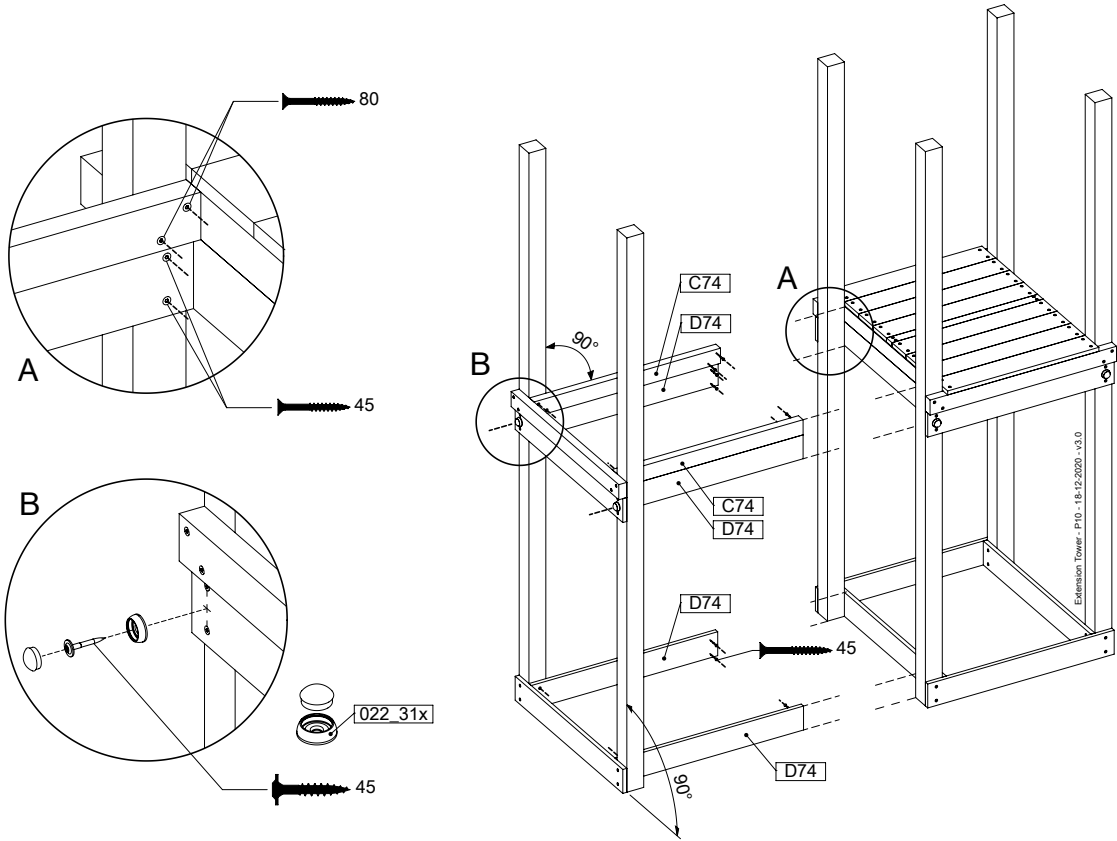
( 194\_100 )

	PartNo	PartName	QTY.
Hardware Pack 100_600	001_406	Stealth Screw 8x45	4
	002_220	Gap Point Screw T25 - 5x45	60
	002_223	Gap Point Screw T25 - 5x80	12
Other	007_001	Ground-anchor	2
Hardware Pack 100_600	022_31x	bpc-base version 3	2
	022_84x	bpc cover	2
Wood	A200	Post 70x70 L2000	2
	C74	Beam 740 mm	3
	D60	Board 600 mm	9
	D74	Board 740 mm	6

Extension Tower - P02 - ET01 - 18-12-2020 - v3.0



# 9.1

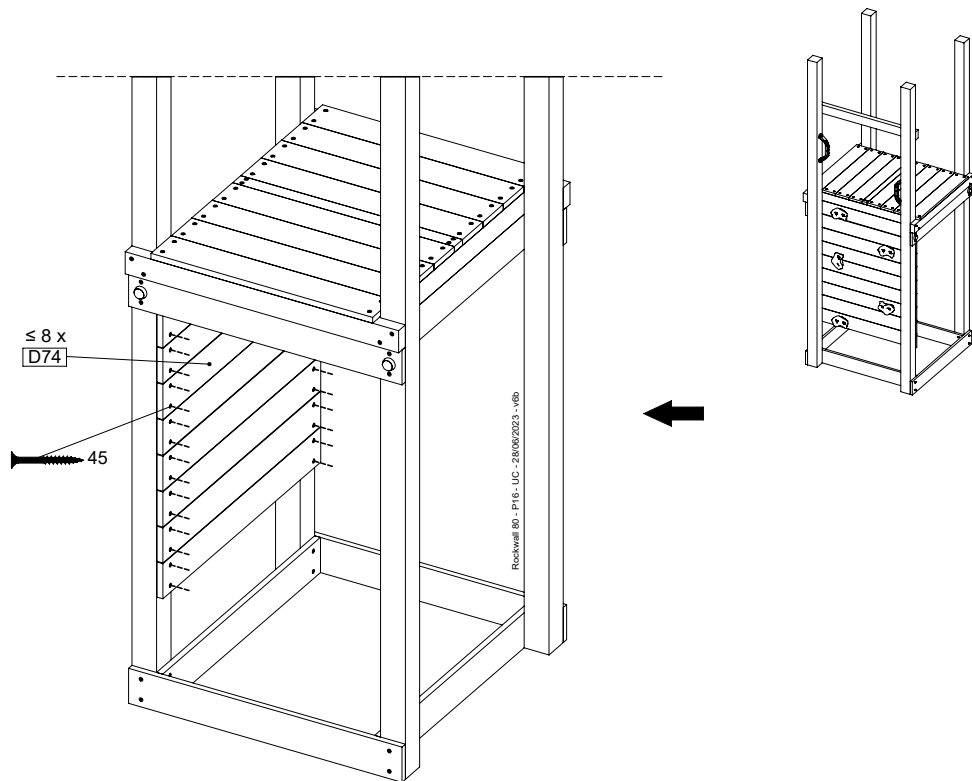
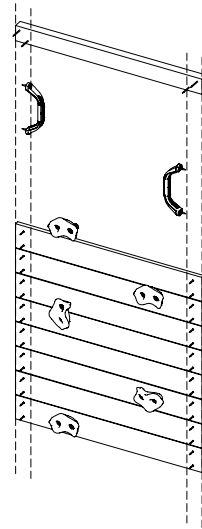


# 10 RW31a: Rock wall 80 125 U Closed

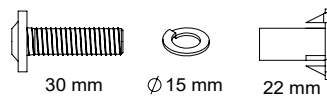
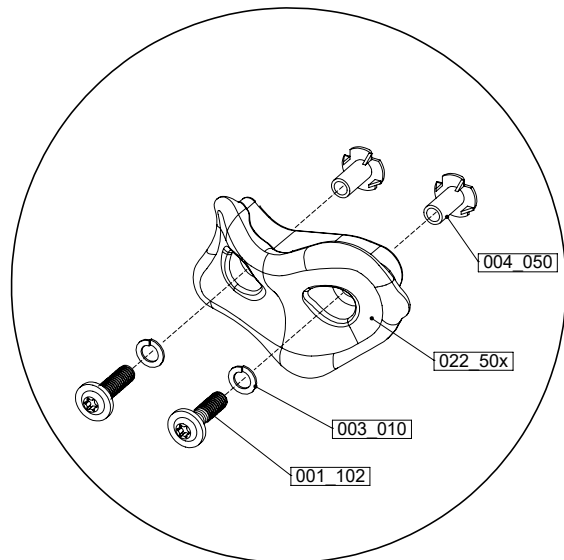
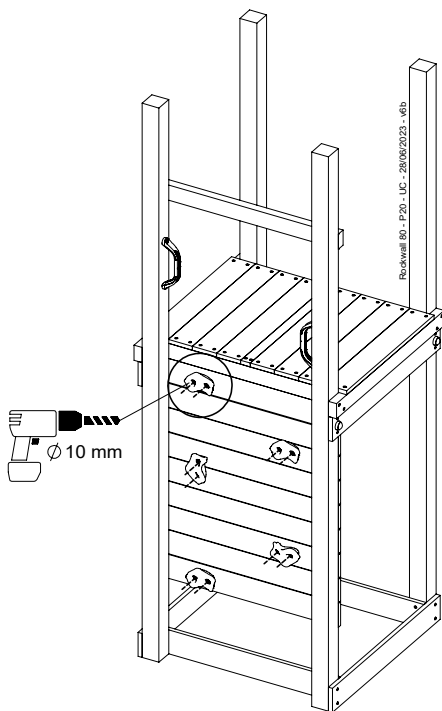
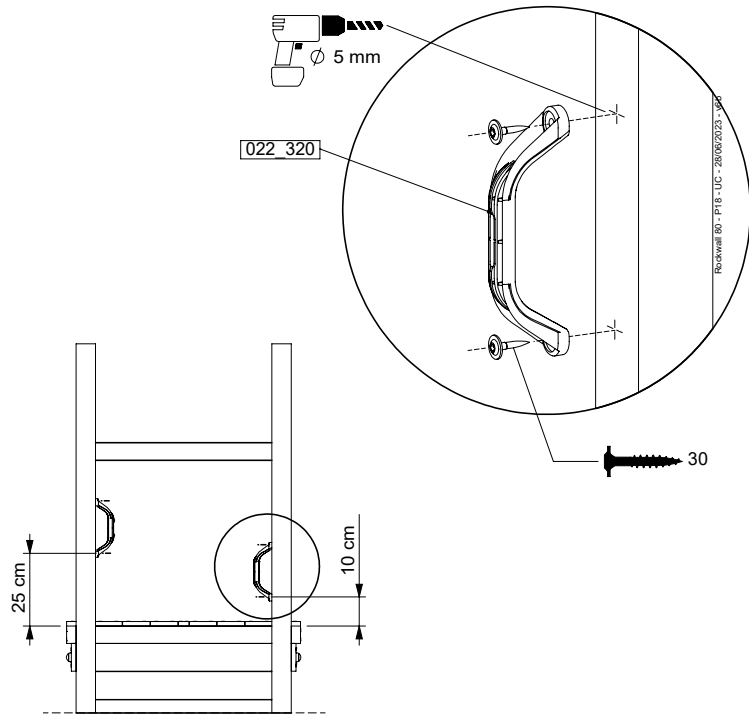
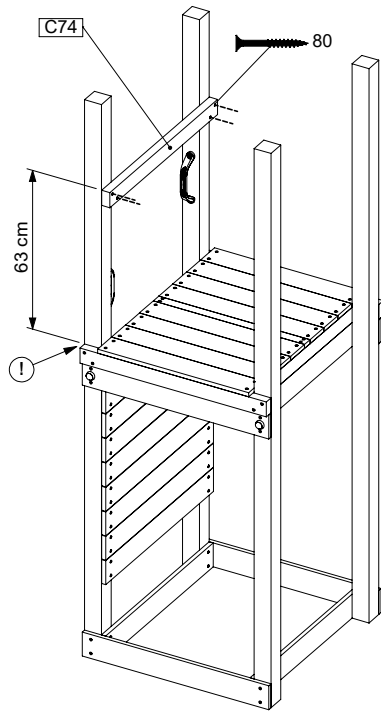
( 194\_006 )

	PartNo	PartName	QTY.
Hardware Pack 100_904	001_102	Washer Head Screw T40 M8x30	10
	002_220	Gap Point Screw T25 - 5x45	32
	002_223	Gap Point Screw T25 - 5x80	4
	003_010	M8 spring lock washer	10
	004_050	M8 Drive-in Nut 22mm	10
Other	022_50x	Climbing Rock	5
	120_102	Handgrip set (2x Complete)	1
Timber	C74	Beam 740 mm	1
	D74	Board 740 mm	8

Rockwall 80 - P05 - 125LIC - 28/06/2023 - v0b



# 10.1

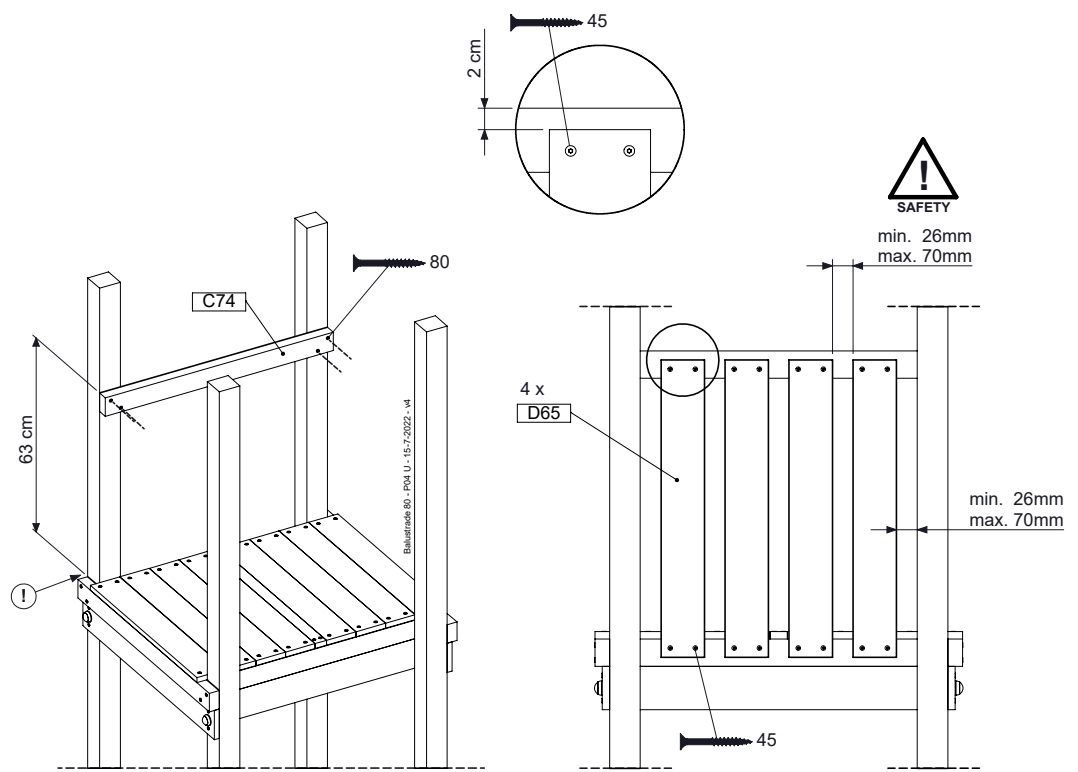
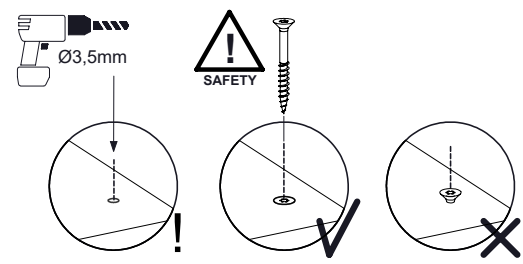
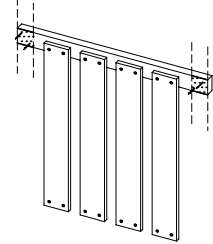


# 11 BL01a: Balustrade 80 U - 7x7 posts

(194\_101)

	PartNo	PartName	QTY.
Hardware Pack	002_220	Gap Point Screw T25 - 5x45	16
	100_601	Gap Point Screw T25 - 5x80	4
Timber	C74	Beam 740 mm	1
	D65	Board 650 mm	4

Balustrade 80 - P04 U - 15-7-2022 - v4



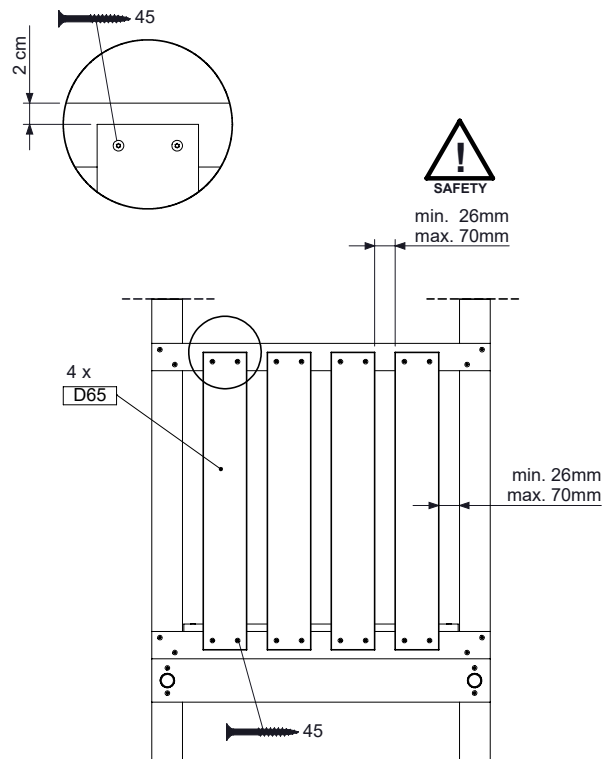
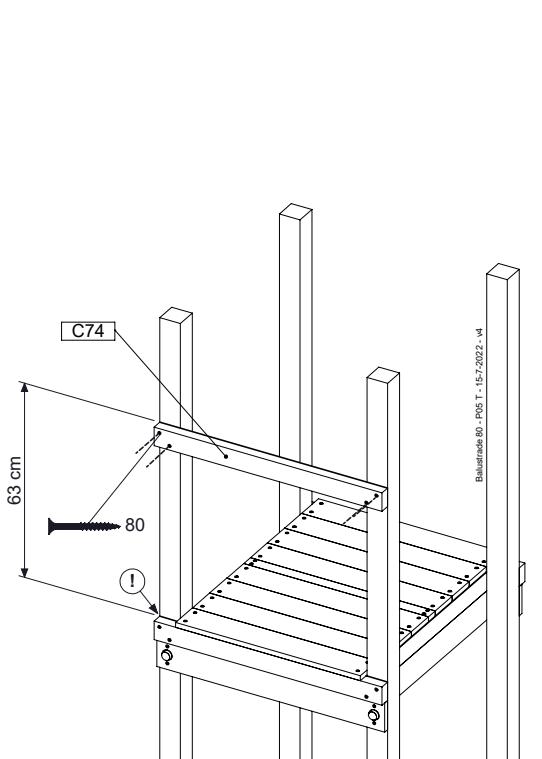
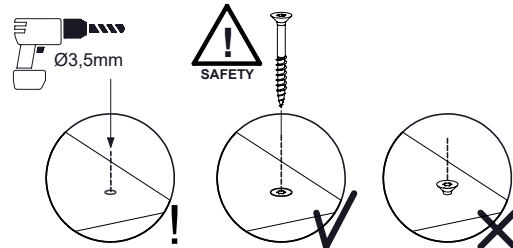
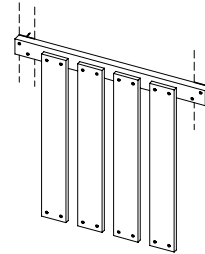


# 12 BL02a: Balustrade 80 T

(194\_101)

	PartNo	PartName	QTY.
Hardware Pack	002_220	Gap Point Screw T25 - 5x45	16
	100_601	002_223	Gap Point Screw T25 - 5x80
Timber	C74	Beam 740 mm	1
	D65	Board 650 mm	4

Balustrade 80 - P03 T - 15-7-2022 - vt

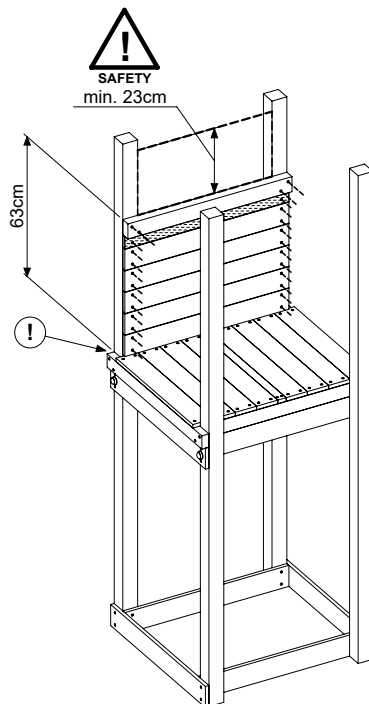
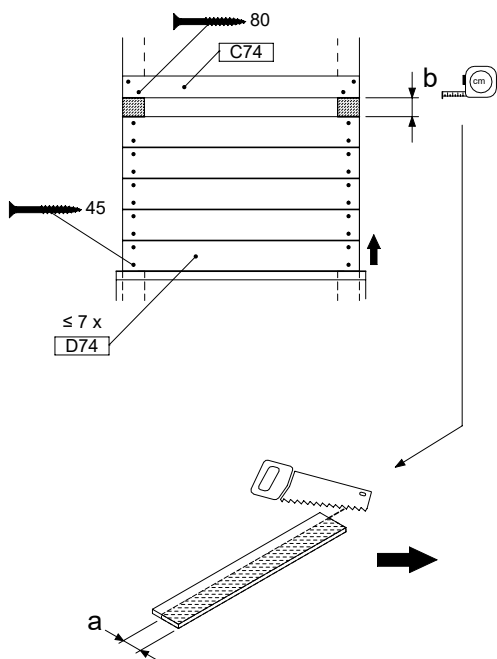
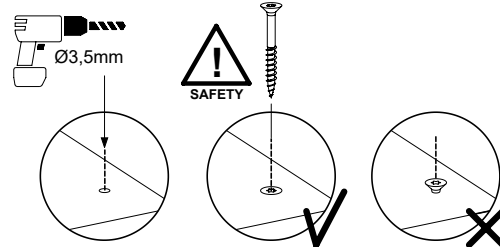
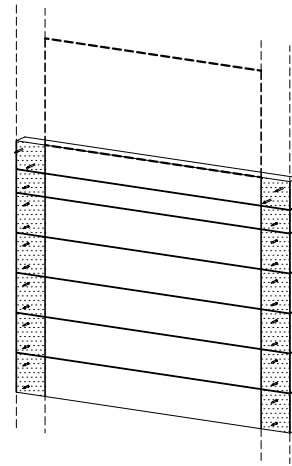


# 13 PH05: Playhouse Window Panel 80 U

( 194\_501 )

	PartNo	PartName	QTY.
Hardware Pack	002_220	Gap Point Screw T25 - 5x45	28
	002_223	Gap Point Screw T25 - 5x80	4
Timber	C74	Beam 740 mm	1
	D74	Board 740 mm	7

Playhouse Walls - P05 WINDOW U - 28-3-2023 - v3

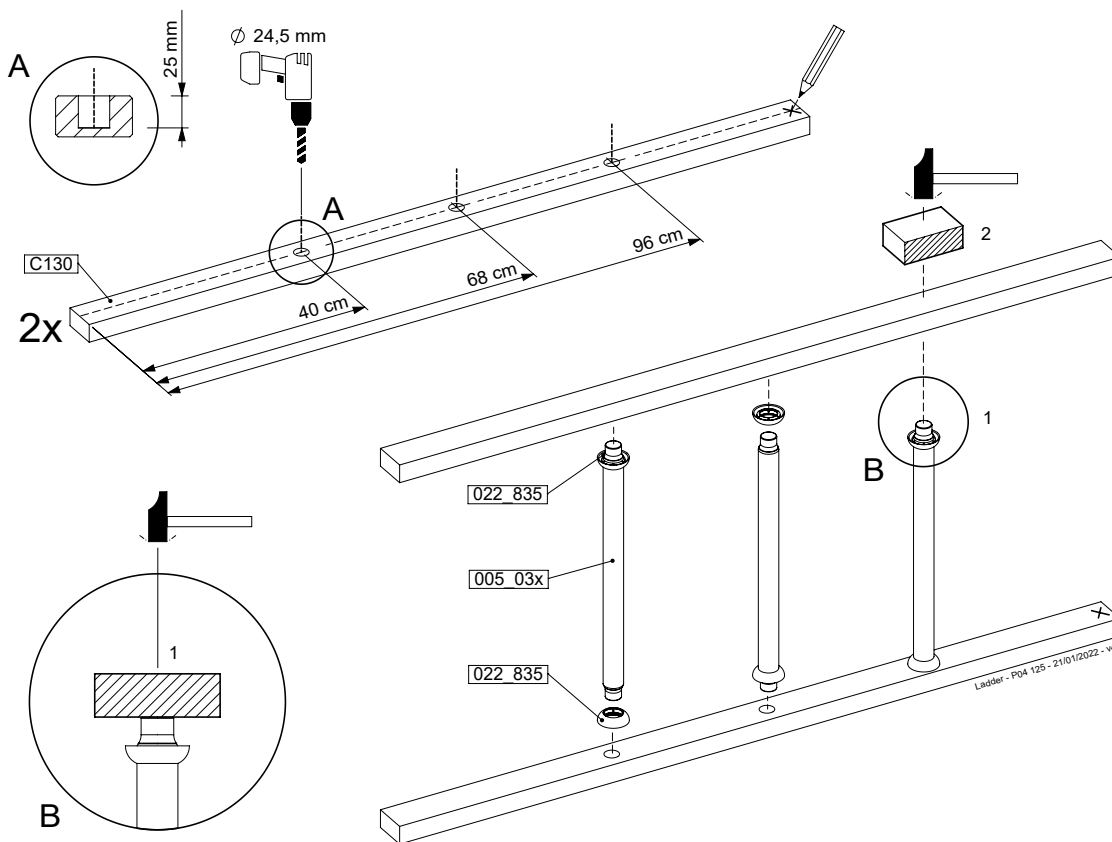
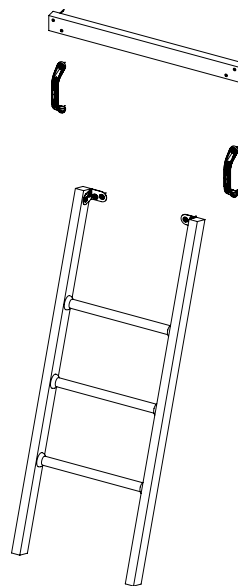


# 14 LA02: Ladder 80 125 T

( 194\_103 )

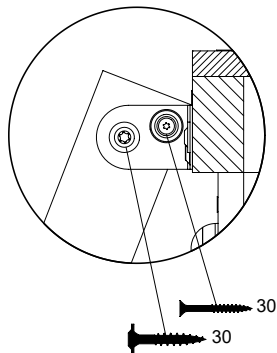
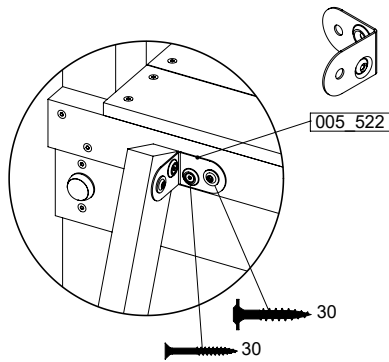
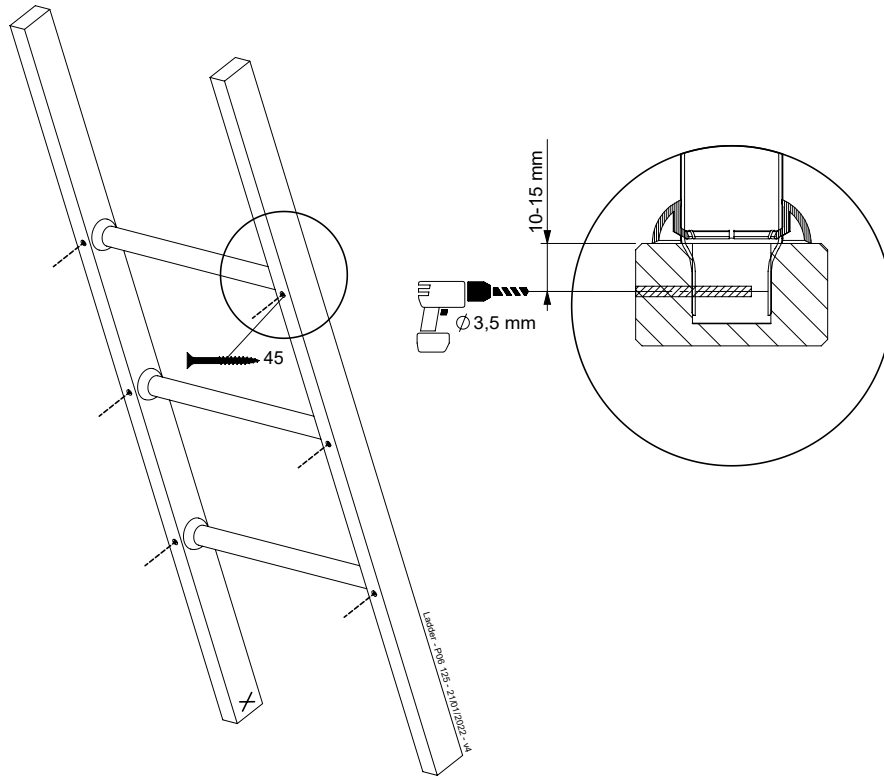
	PartNo	PartName	QTY.
Hardware Pack 100_603	001_404	Stealth Screw 8x30	4
	002_219	Gap Point Screw T25 - 5x30	4
	002_220	Gap Point Screw T25 - 5x45	6
	002_223	Gap Point Screw T25 - 5x80	4
Other	005_03x	Ladder Rung Y/B/G/R	3
	005_522	Connection Bracket Mini Market	2
	022_835	Rung Cap	6
	120_102	Handgrip set (2x Complete)	1
Timber	C74	Beam 740 mm	1
	C130	Beam 1300 mm	2

Ladder - P04 125 - 21/01/2022 - v4

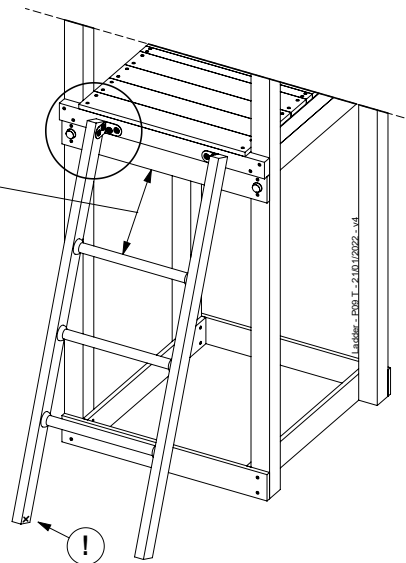


Ladder - P04 125 - 21/01/2022 - v4

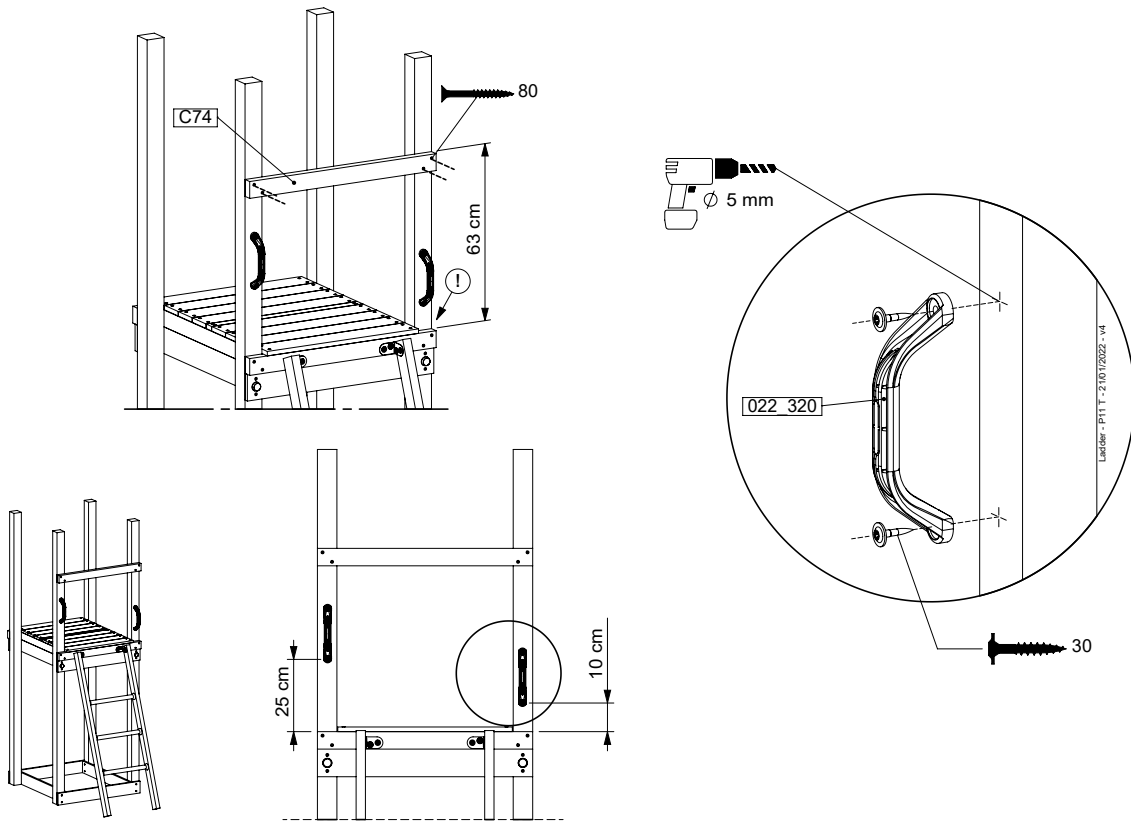
# 14.1



**SAFETY**  
min. 23 cm  
max. 28 cm



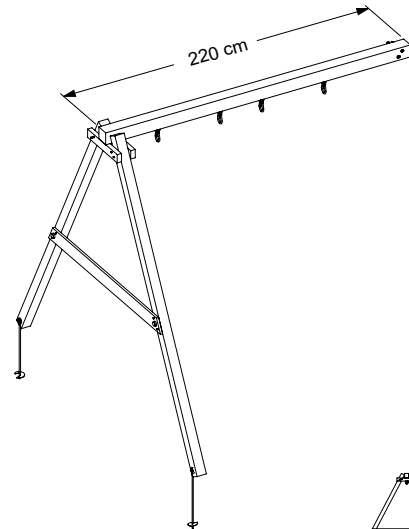
# 14.2



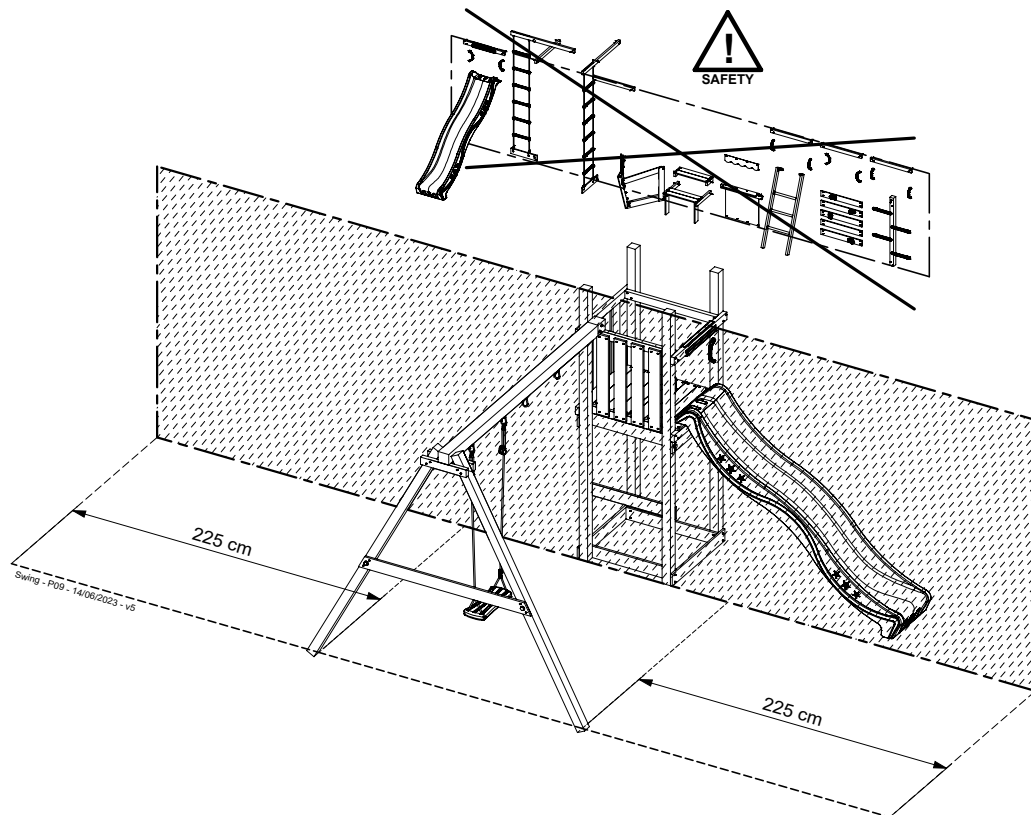
# 15 SW05: 2-Swing Module 200

(457\_102 )

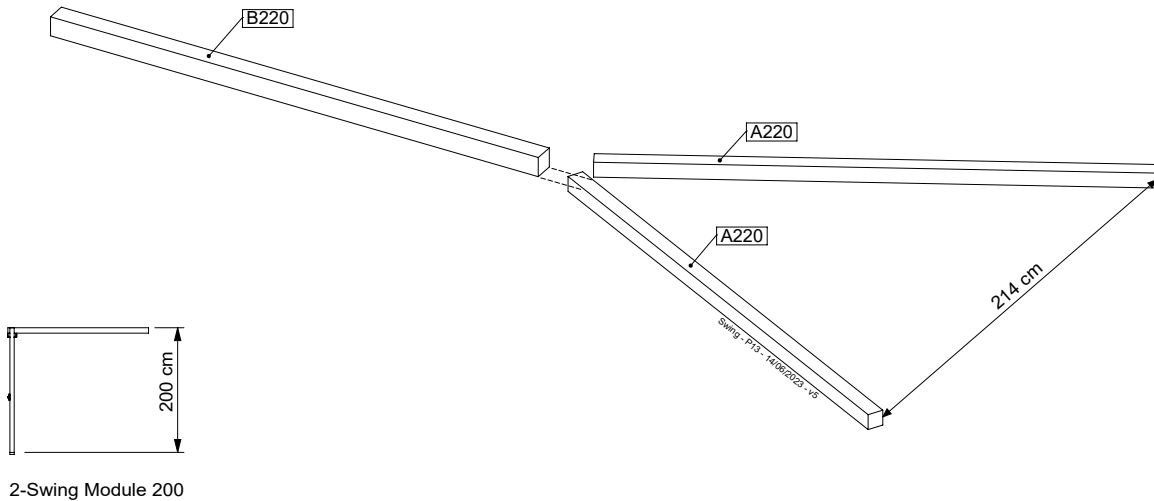
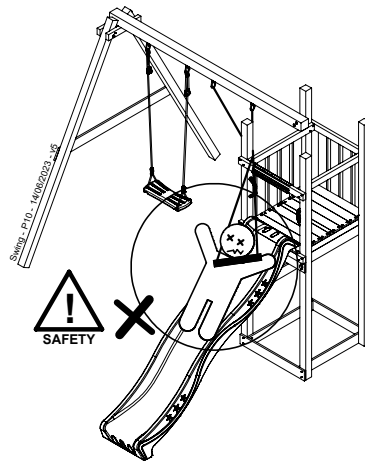
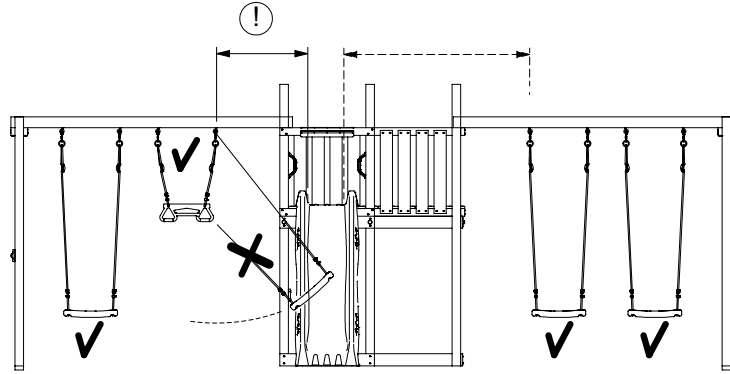
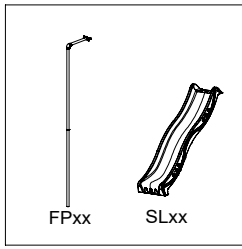
	PartNo	PartName	QTY.
Hardware Pack	001_406	Stealth Screw 8x45	4
	001_417	Stealth Screw 8x80	3 / 4
	001_422	Stealth Screw 8x137	3
	002_220	Gap Point Screw T25 - 5x45	12
	002_223	Gap Point Screw T25 - 5x80	6
Other	005_528	Swing Beam Bracket 7x7	1
	007_001	Ground-anchor	2
	022_31x	bpc-base version 3	2
	022_84x	bpc cover	2
	023_031	Finishing Washer GPS 5.0	2
Timber	101_003	Swing hook with Carabiner	4
	A220	Post 70x70 L2200	2
	B220	Post 90x90 L2200	1
	C37	Beam 370 mm	2
	D141	Board 1410 mm	2



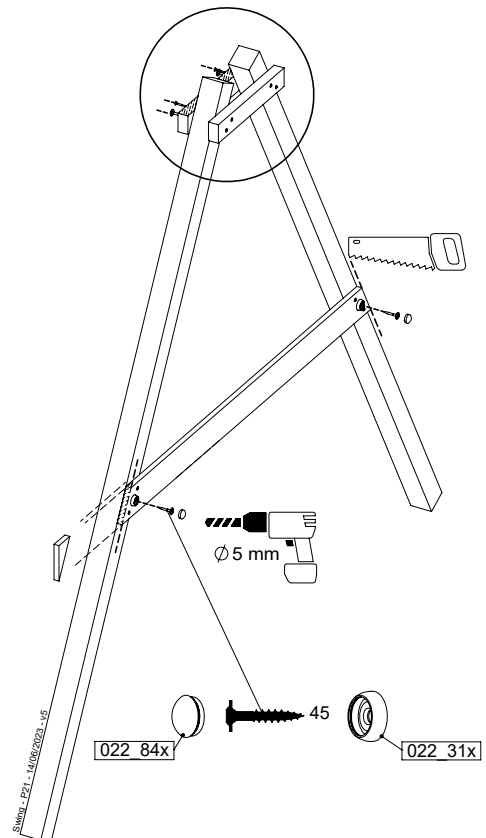
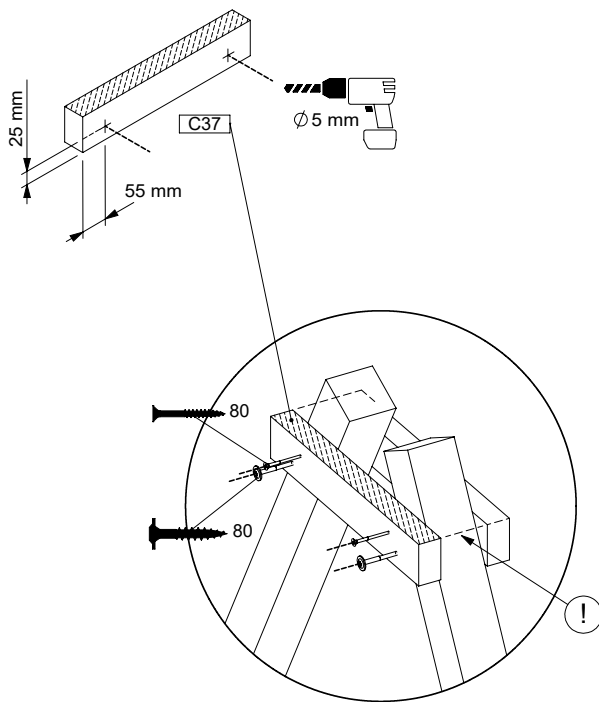
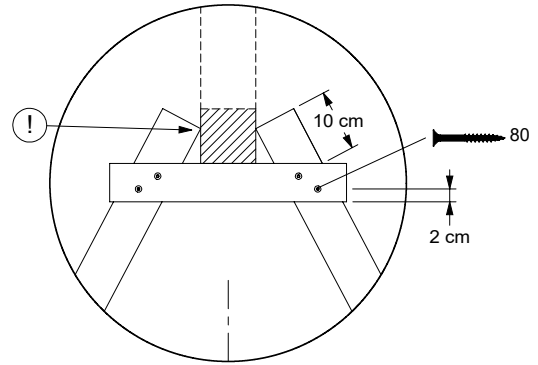
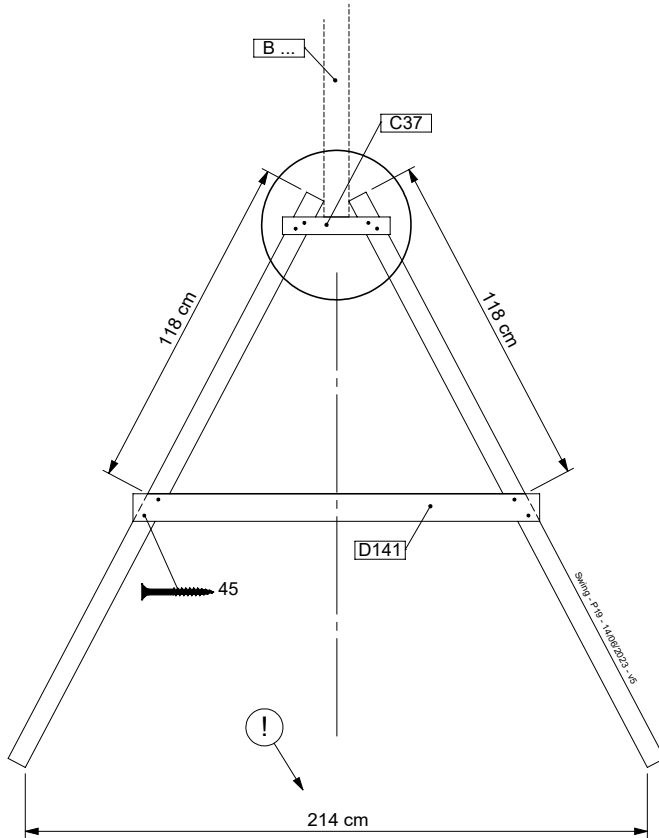
2-Swing Module 200



# 15.1

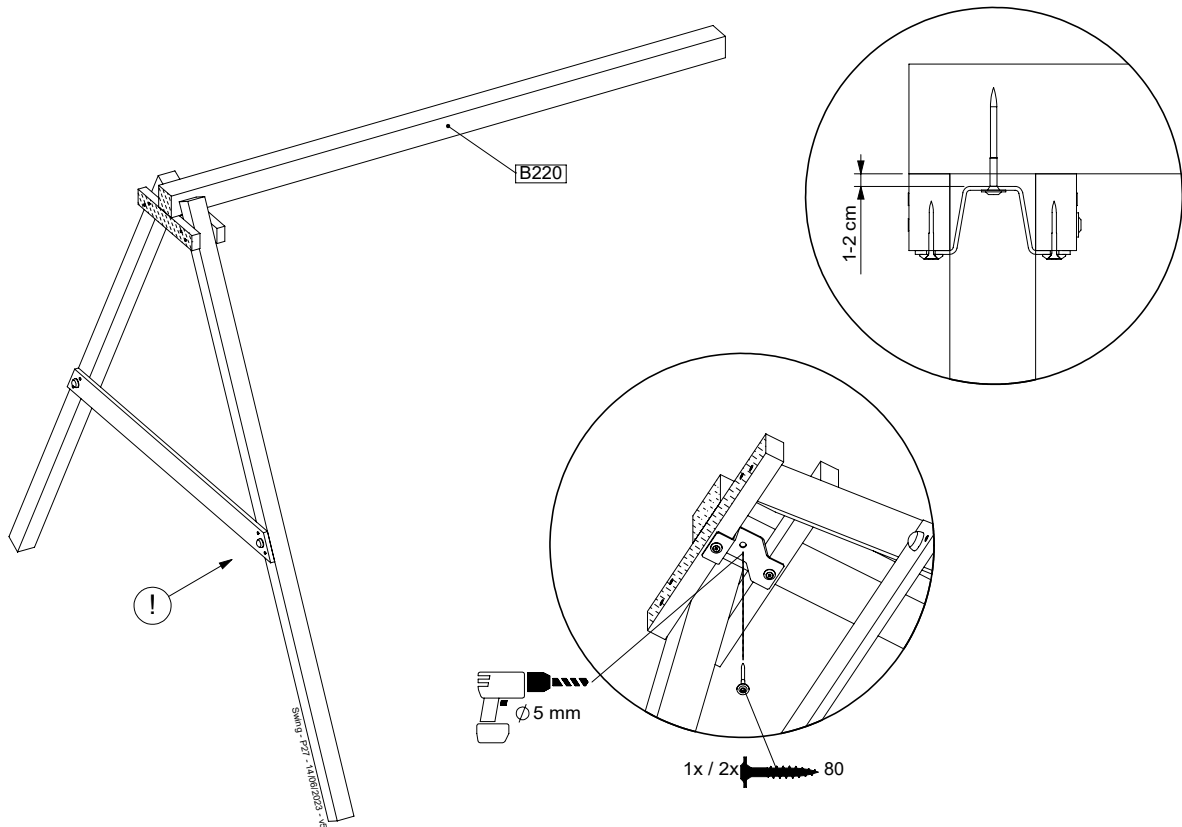
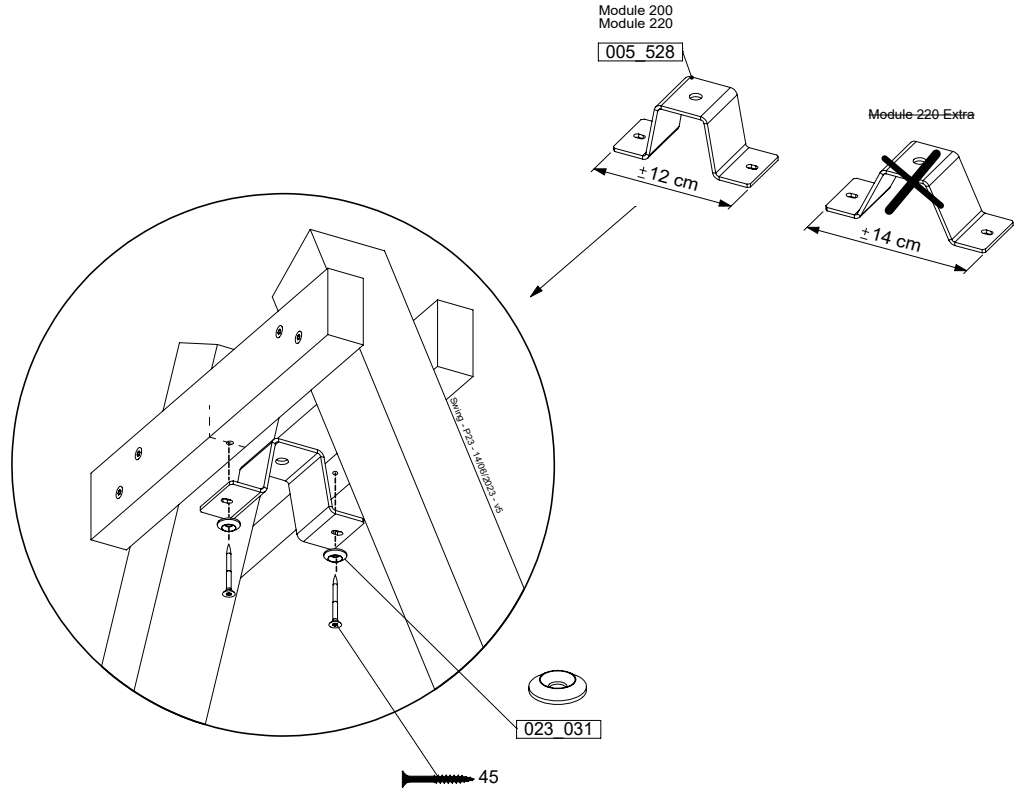


# 15.2

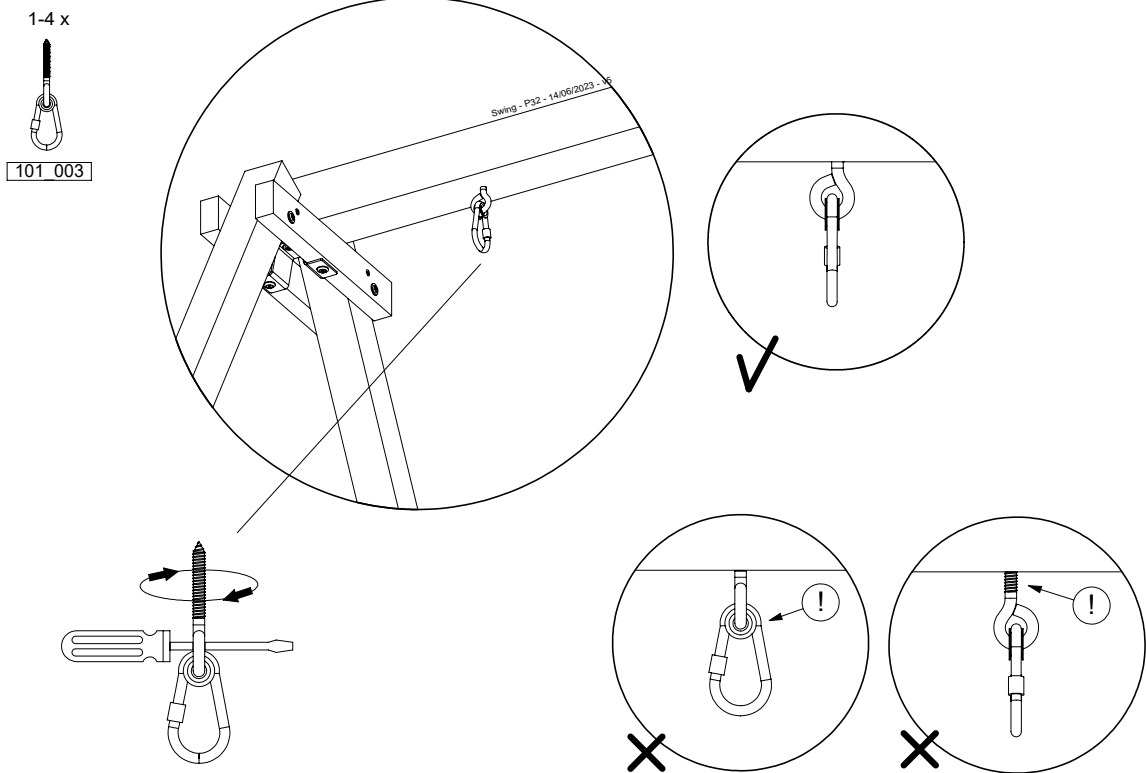
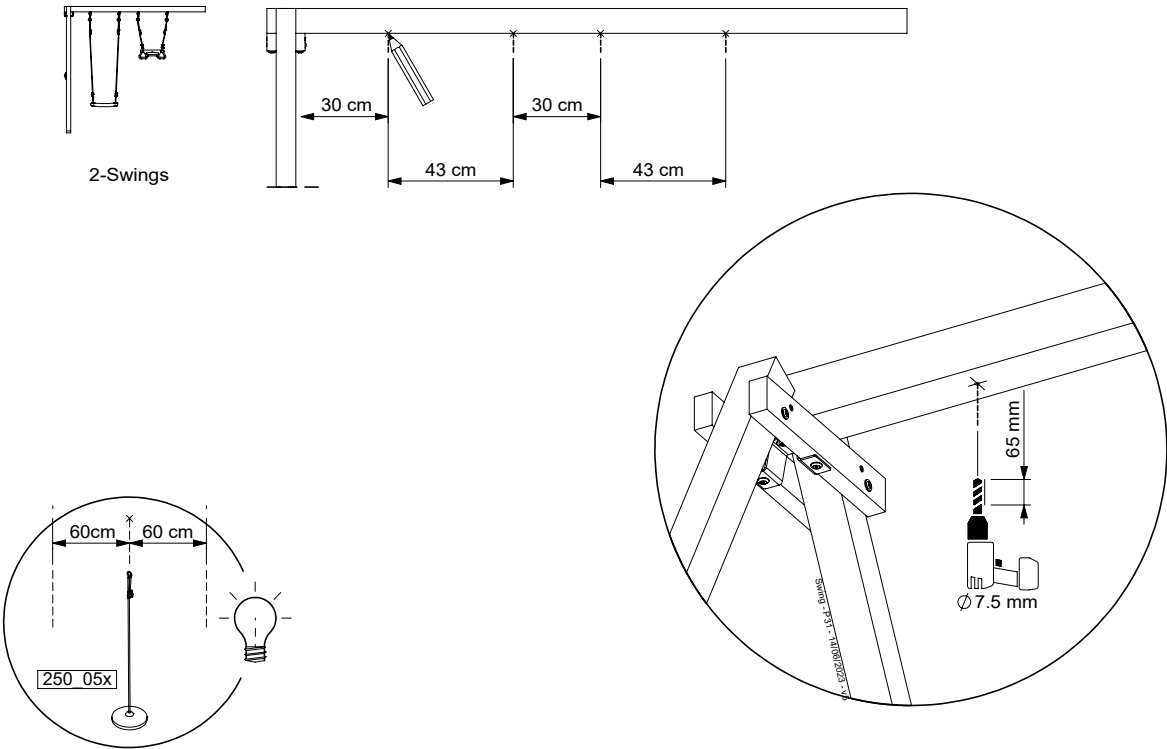




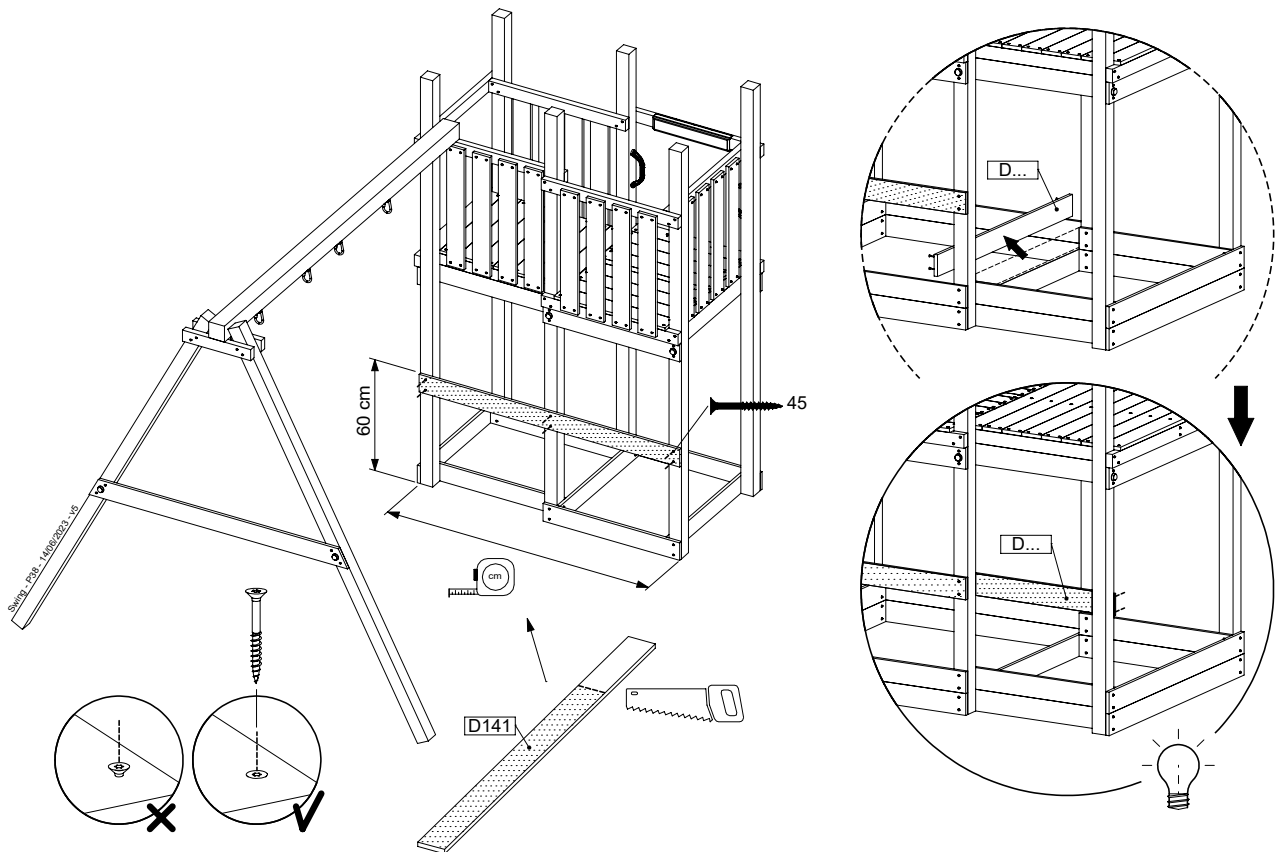
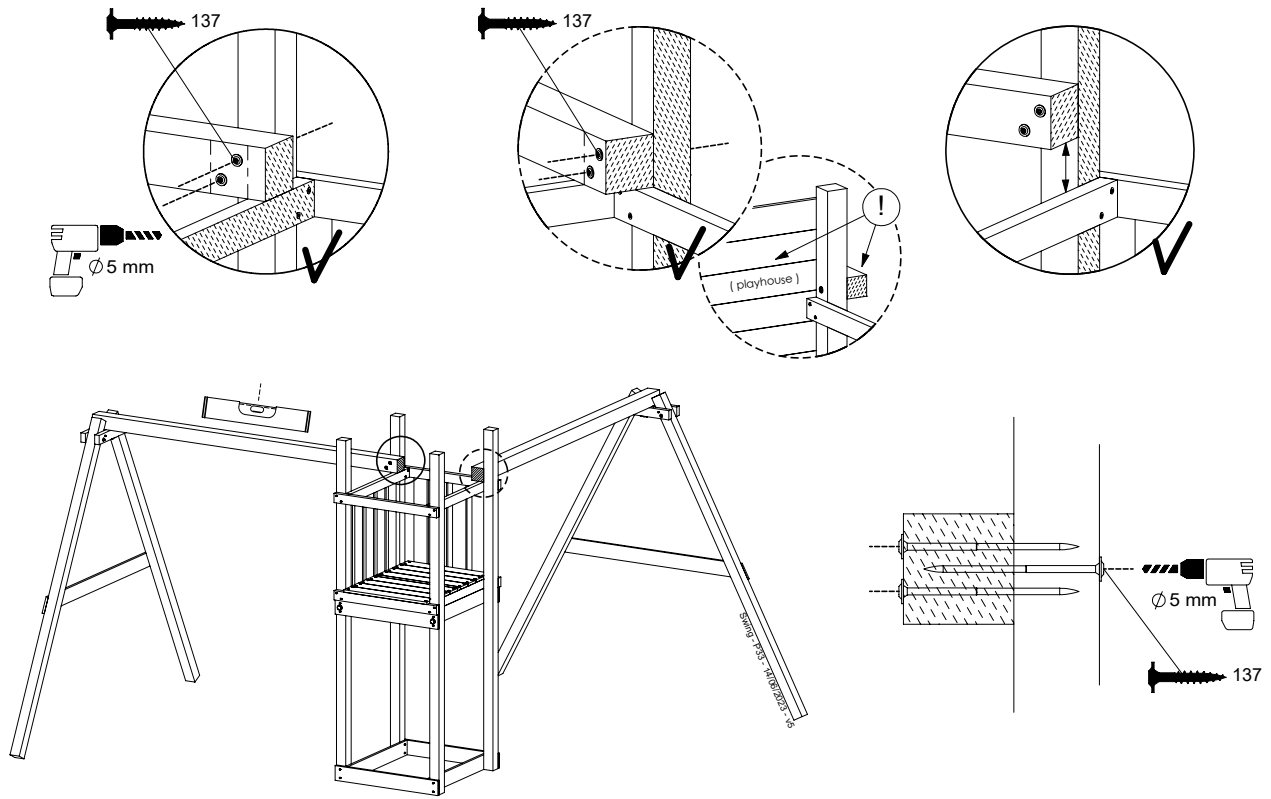
# 15.3



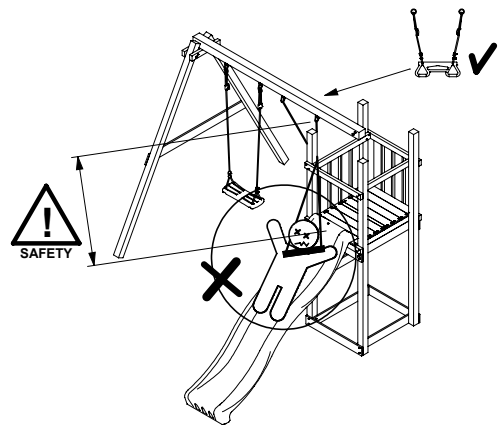
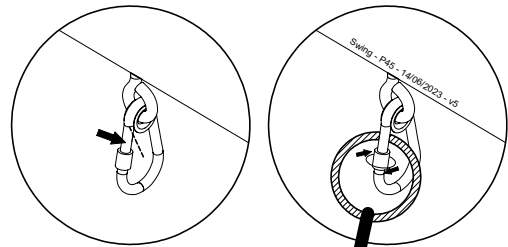
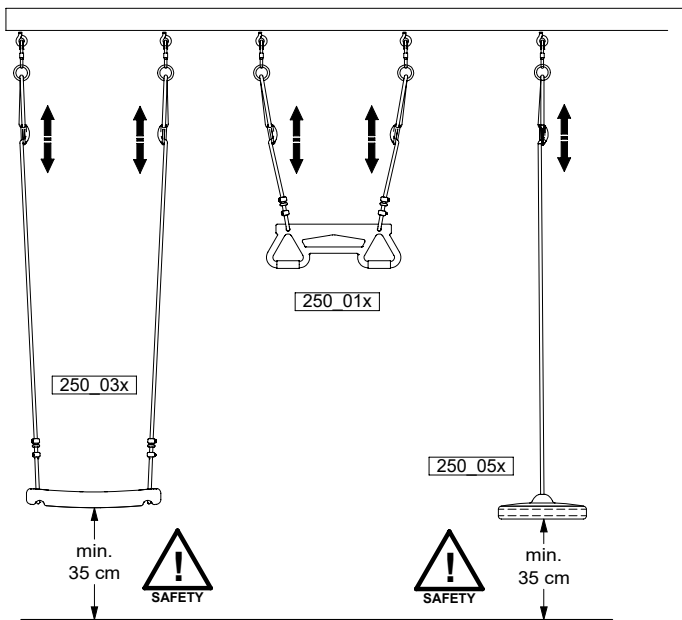
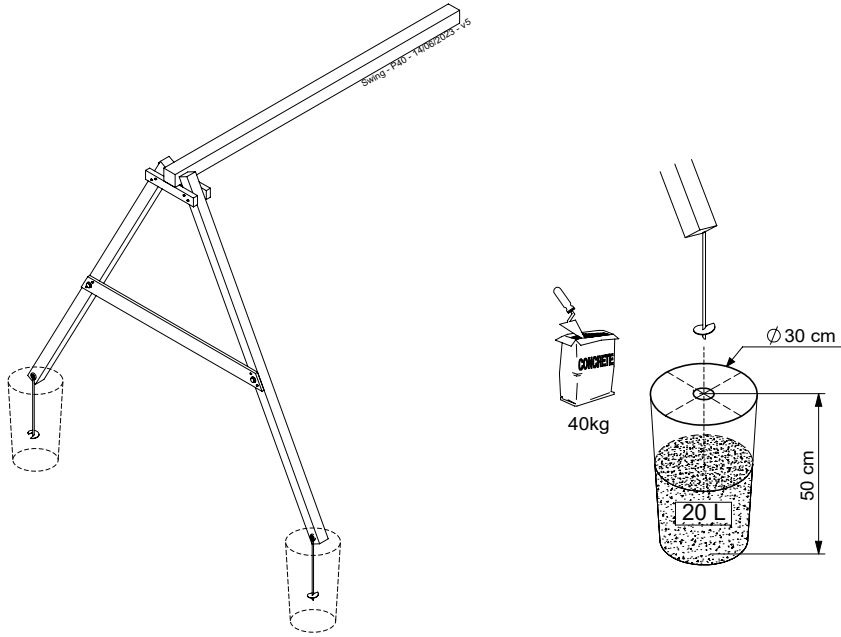
# 15.4



# 15.5



# 15.6

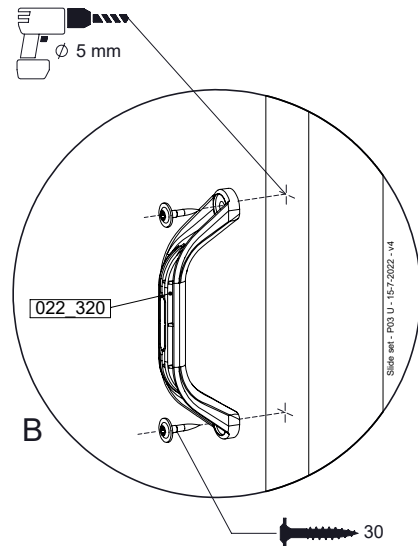
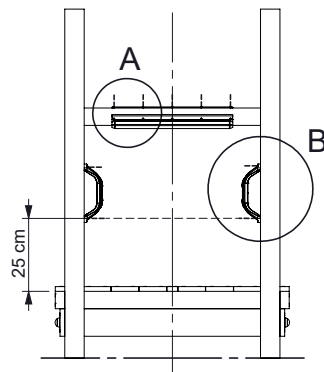
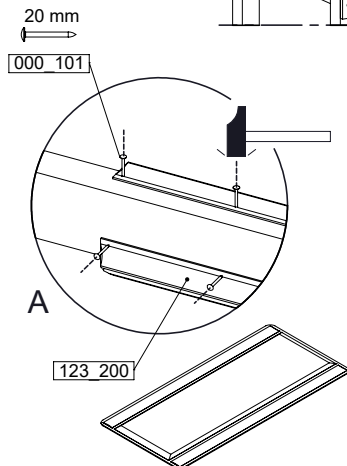
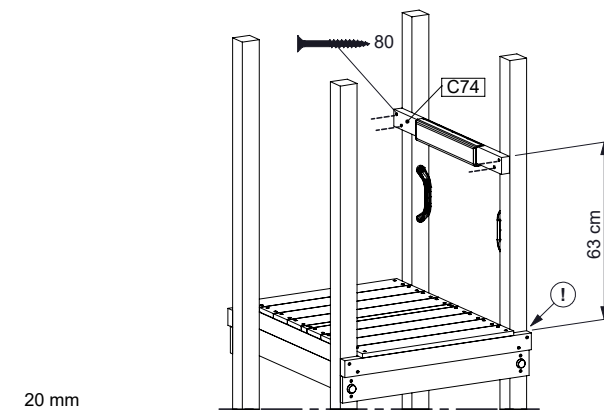
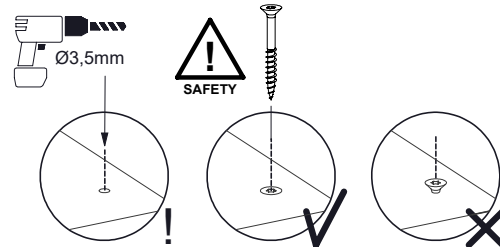
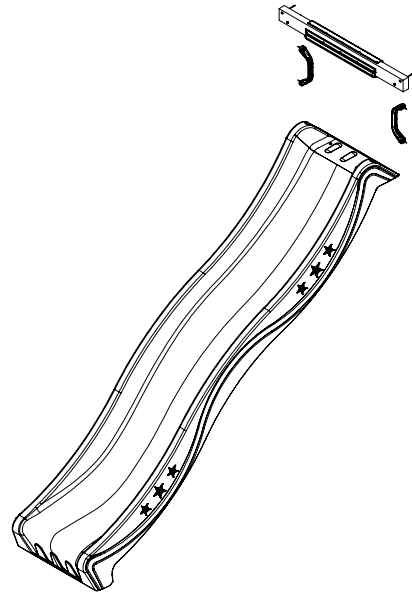


# 16 SL01: Slide 80 125 U

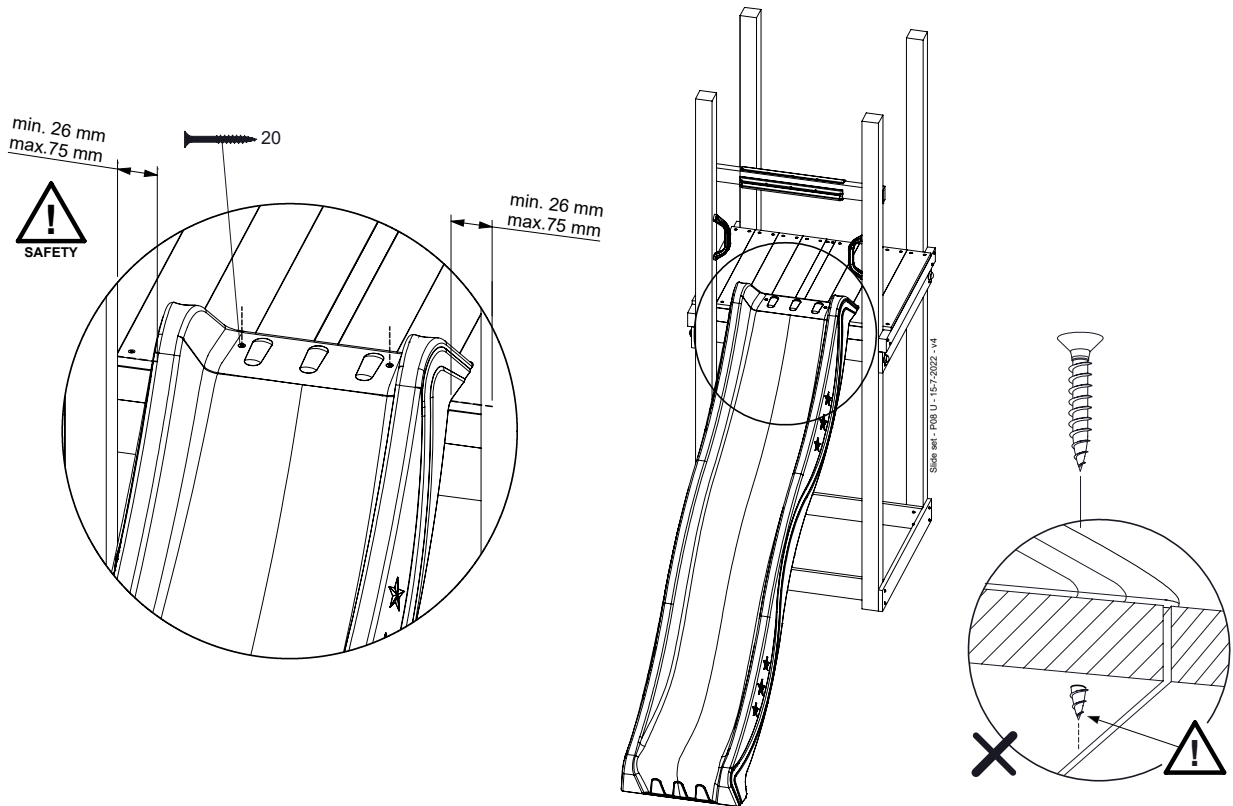
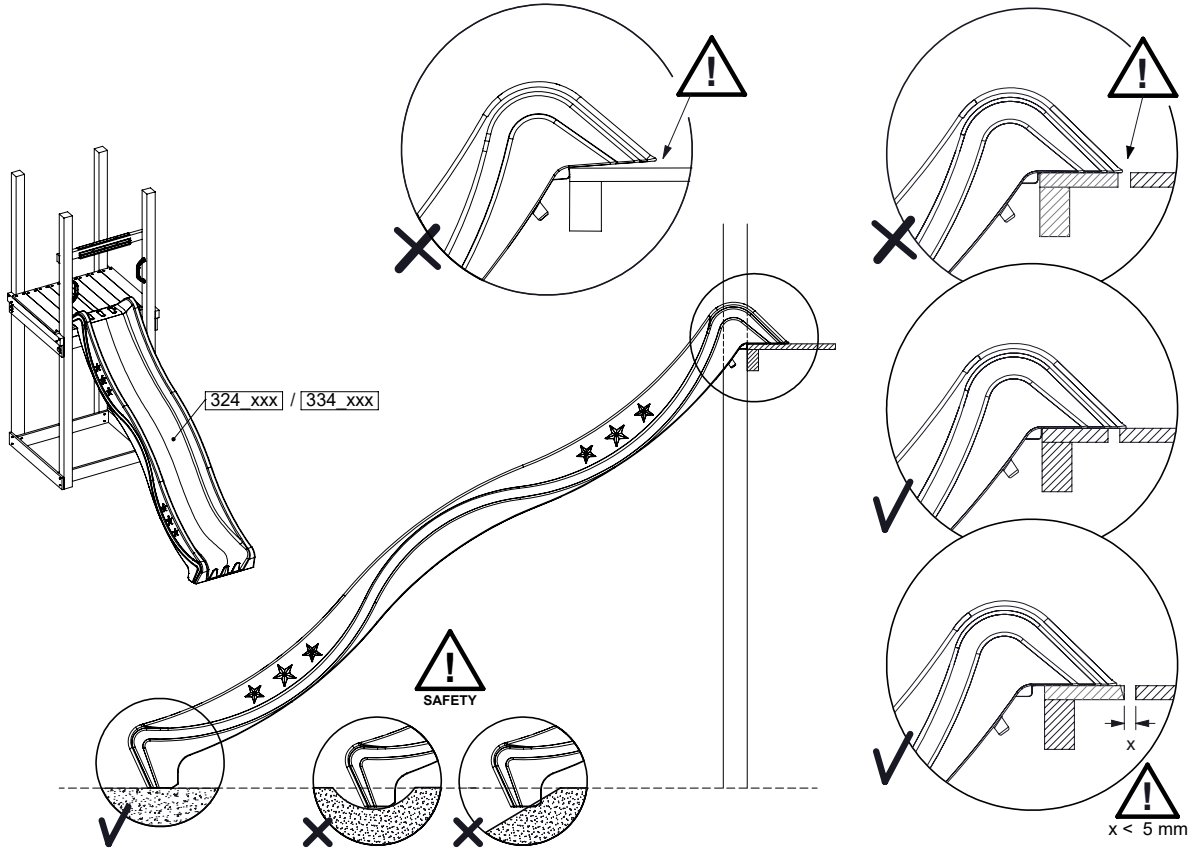
( 194\_107 )

	PartNo	PartName	QTY.
Hardware Pack 100_605	000_101	Nail Pan Head	10
	002_223	Gap Point Screw T25 - 5x80	4
	002_308	Gap Point Screw T25 - 5x20	2
Other	120_102	Handgrip set (2x Complete)	1
	123_200	Bumperpad	1
	324_xxx 334_xxx	Wavy Star Slide XL 2200 mm / Wavy Star Slide XL 2650 mm	1
Timber	C74	Beam 740 mm	1

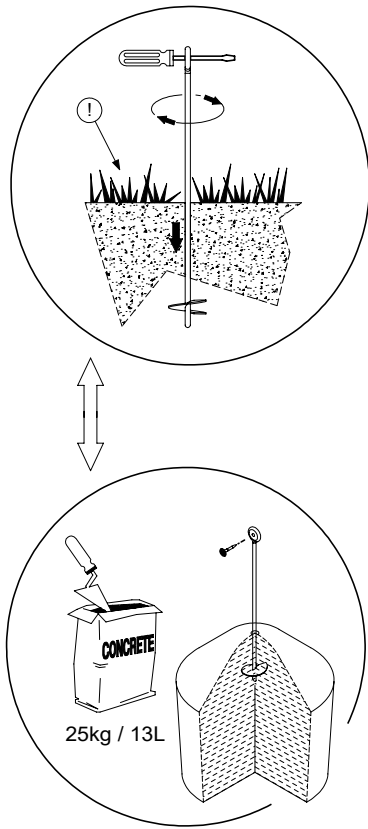
Slide set - P02 - 15-7-2022 - v4



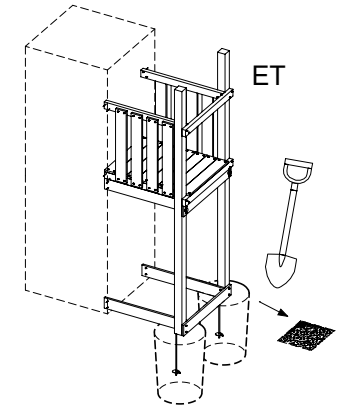
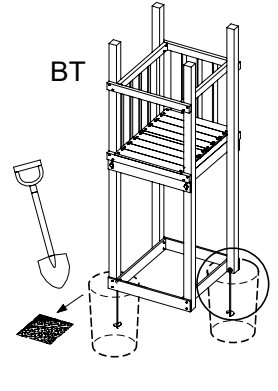
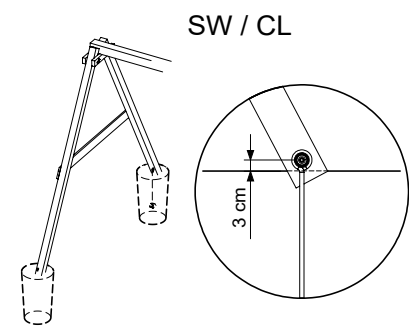
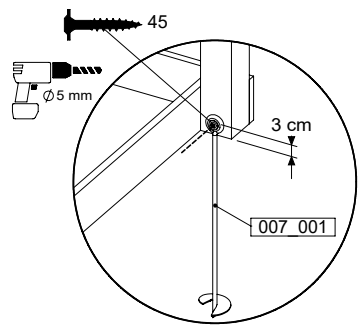
# 16.1



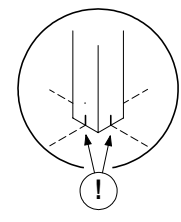
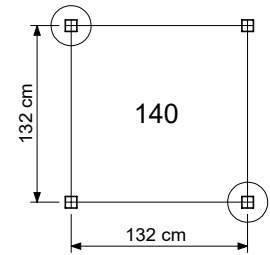
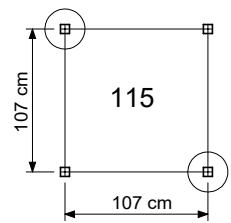
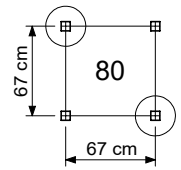
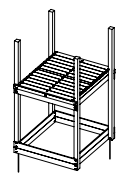
# 17 GA: Ground Anchors



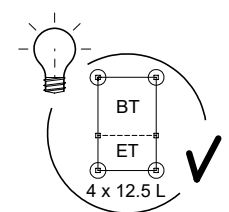
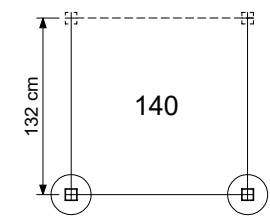
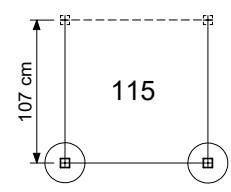
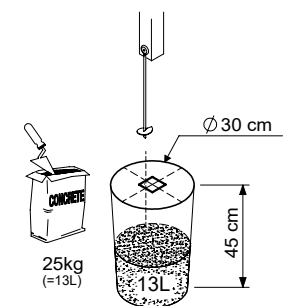
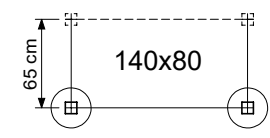
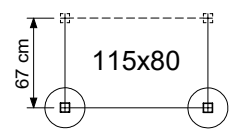
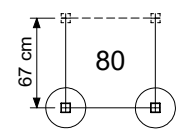
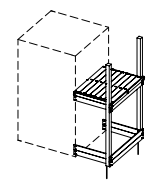
Ground Anchors Unit - P03 - 04/07/2023 - v1.2



BASE TOWERS

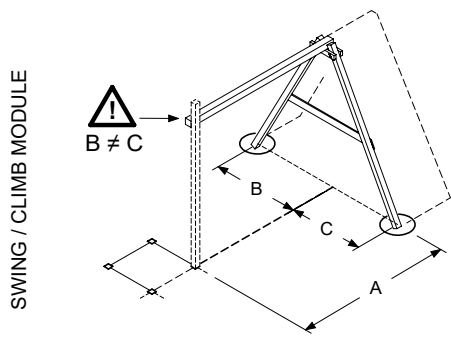
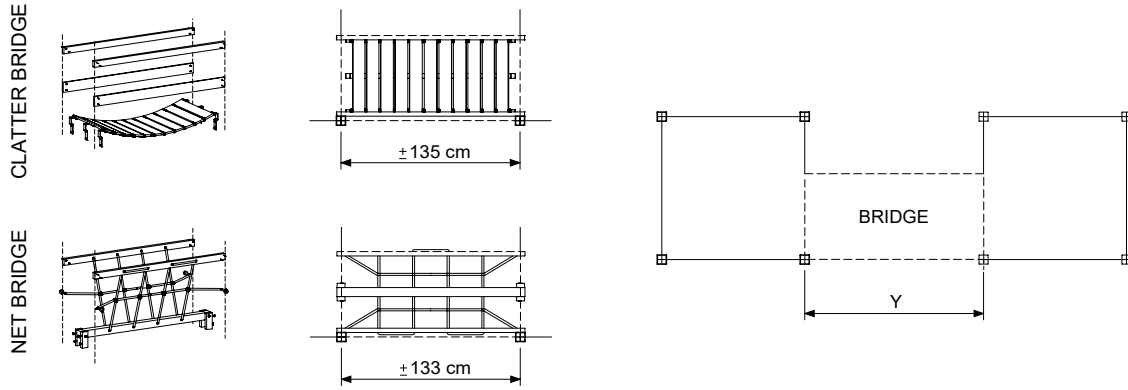


EXTENSION TOWERS



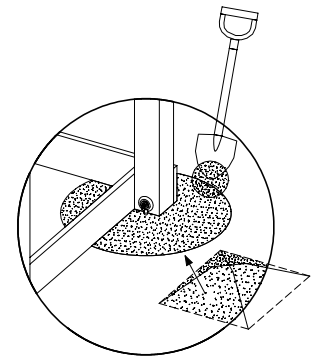
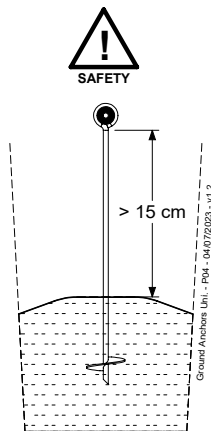
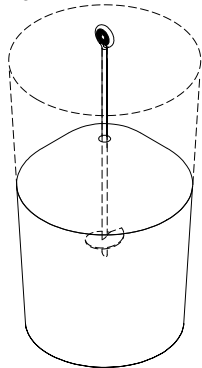
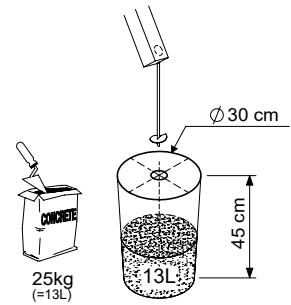
Ground Anchors Unit - P01 - 04/07/2023 - v1.2

# 17.1



Module type	A	B	C
1-Swing 200	150	115	100
1-Swing 220 / 220 Extra		120	105
2-Swing 200	210	115	100
2-Climb 200			
1-Climb 200	142	120	105
1-Climb 220 / 220 Extra			
2-Swing 220 / 220 Extra	230	120	105
2-Climb 220 / 220 Extra			

Ground Anchors Uni. - P02 - 04/07/2023 - v1.2



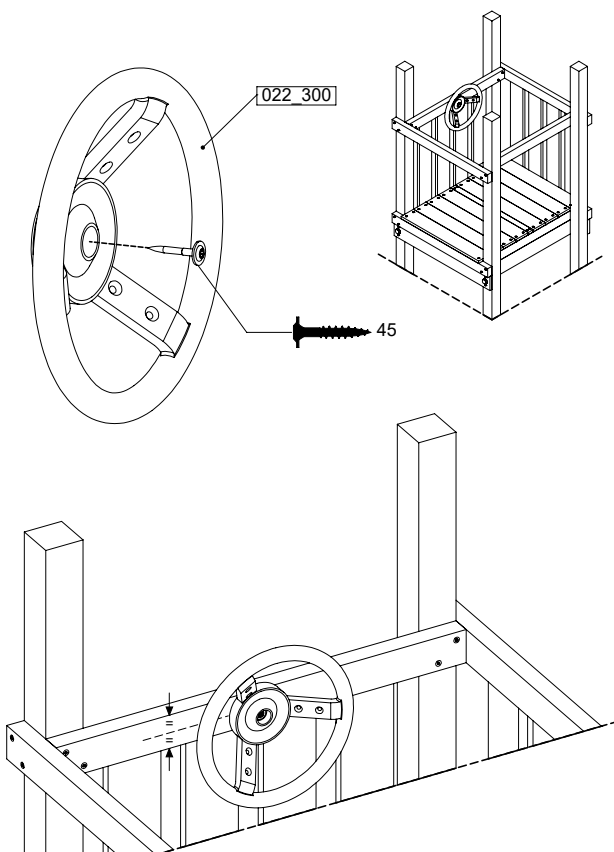
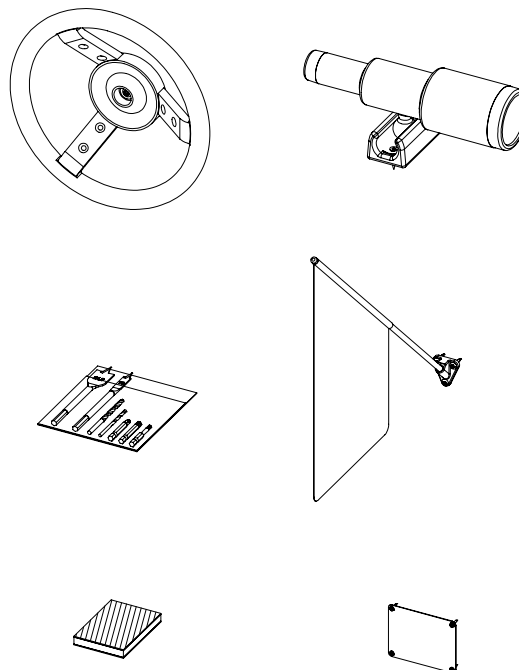


# 18 AC01a: Accessories

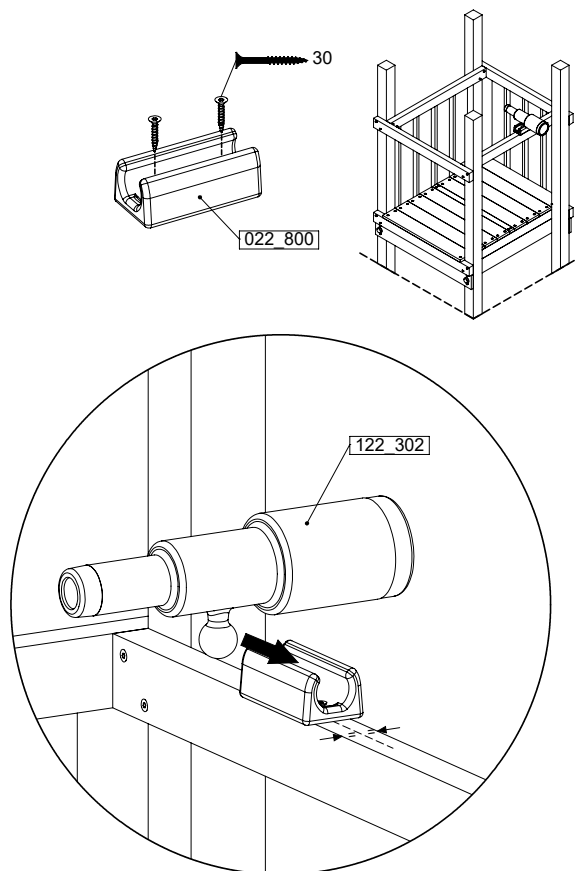
( 194\_119 )

	PartNo	PartName	QTY.
Hardware Pack 100_617	001_406	Stealth Screw 8x45	1
	002_041	Dome head screw 4.5 x 20 mm	3
	002_042	Dome head screw 3.5 x 13mm	4
	002_219	Gap Point Screw T25 - 5x30	2
Other	022_300	Steering Wheel	1
	022_800	Rail P/T 105	1
	022_910	Sandpad	1
	103_901	Logo ID Plate	1
	104_107	Tool Set Climbing Units	1
	120_024	Tower Flag	1
	122_302	Telescope	1

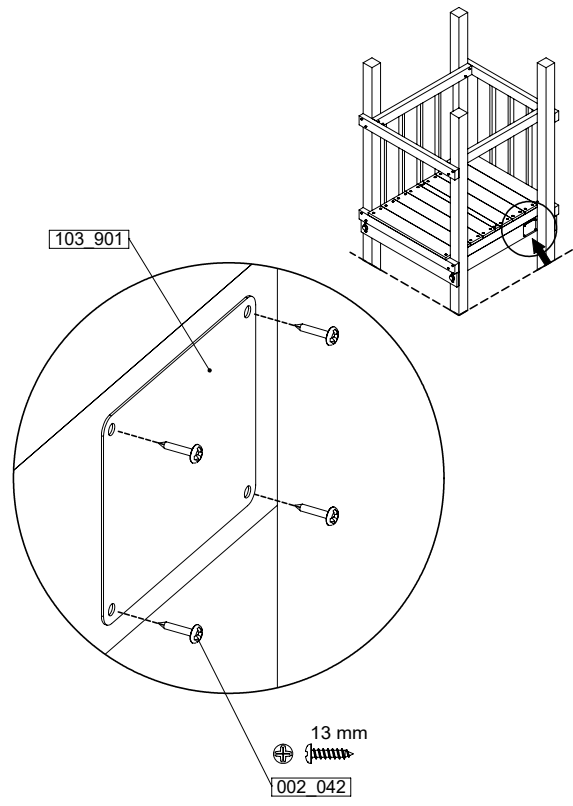
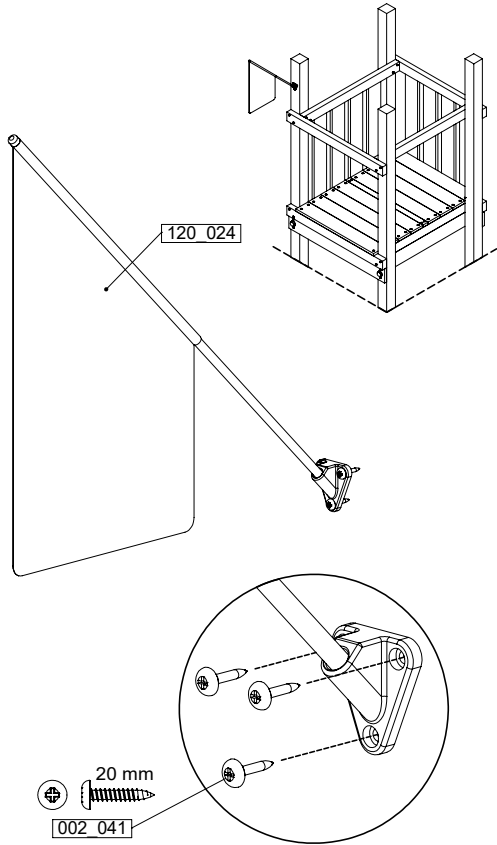
Accessory set - P102 - 06/07/2023 - v5



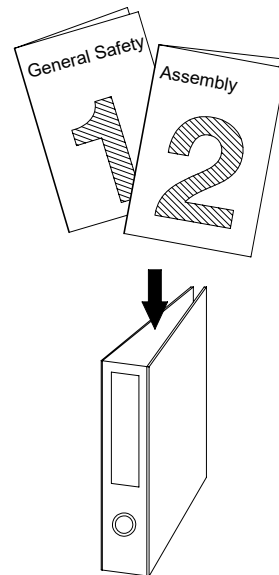
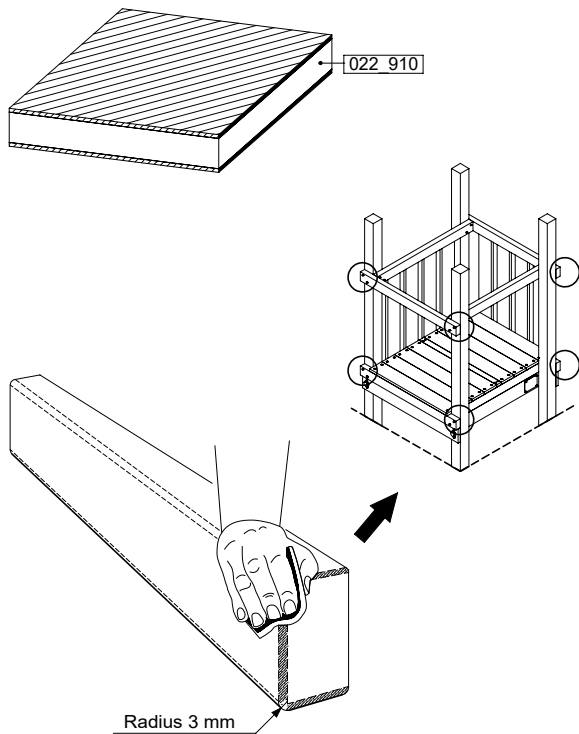
Accessory set - P103 - 06/07/2023 - v5



# 18.1



Accessory set - P04 - 06/07/2023 - v5



Accessory set - P05 - 06/07/2023 - v5

# 19 Conformity

## Declaration of Conformity

# Jungle Gym

BACKYARD PLAYGROUNDS

since 1988

### Manufacturer details

Company Name	Tag-line
Jungle Gym B.V.	Backyard Playgrounds
Address	
P.O. Box 75083, 1070 AB Amsterdam, Netherlands	

### Activity toys for domestic use

#### Product Range Identification

##### Construction Packages (Sub-Assembly)

Universal Packs / Base Towers / Extension Towers / Roofs / Means of Exit/Access / Add-ons : 790\_001 ... 794\_911

##### Assembly

Playtowers : 801_005 ... 200	Links : 870_100 ... 105	Accessories : 123_220 ... 250_075
Playhouses : 830_150 ... 253, 835_251 ... 253	Swings : 801_300, _600, _601	Slides (XL) : 324_100 ... 600
Modules : 850_180 ... 415		Slides (XXL) : 334_100 ... 600
: 857_103, 857_108	Playtowers: 802_202 ... 208	
857_151, 857_158	803_202 ... 210	
	809_202 ... 804	

### Applicable EC directives and standards

#### Chemical References

1. Migration of certain elements (17x + Chr VI + tin) as required in TSD 2009/48/EC and its amendments. Scrape off toy material. Tested according to EN 71-3:2019.	5. Content of 7 Phthalates (18x) according to REACH (EG) no.1907/2006, Annex XVII. Tested according to COC-CH-C1011-09.3 and EN 15777 / QMA 2011.1300	9. Content of 3 Flame retardants according to REACH (EG) no. 1907/2006, Annex XVII. Tested according to EN 62321-6.
2. Migration of solvents, monomers and plasticizers as specified in "Safety for Toys: Organic Chemical Compounds", EN 71-9: 2005 + A1: 2007. Tested according to EN 71-10: 2005 & EN 71-11: 2005.	6. Content of Cadmium according to REACH (EG) no. 1907/2006, Annex XVII. Tested according to EN 17294-2	10. Ni release according to REACH (EG) no. 1907/2006, Annex XVII. Tested according to EN 71-3:2013+A1:2014.
3. Content of N-nitrosamines and N-nitrosatable substances as specified in EN standard 71-12: 2013. Tested according to EN 71-12: 2013.	7. Formaldehyde according to REACH (EG) no. 1907/2006, Annex XVII. Tested according to EN 14184	11. Sweat and Salvia resistance tested according to DIN 53160
4. Content of 18 PAHs (Polycyclic Aromatic Hydrocarbons) as referred in AfPS GS 2014:01 PAK (Replaced on 2019:01) Tested according to QMA 2011.1284	8. Azo dyes according to REACH (EG) no. 1907/2006, Annex XVII. Tested according to BVL B 82.02-2.	

#### Mechanical physical properties + flammability

EN 71 - 1 : 2014 + A1: 2018 EN 71 - 2 : 2011 + A1: 2014 EN 71 - 8 : 2018

### Supplementary information

Conformity to the above specified directives and standards has been frequently verified and is continuously monitored by TÜV Süd, TÜV Rheinland LGA products, DEKRA (DE), STR Ltd (UK), LNE SA (FR), LMR Ltd (US) and IPS N.V. (BE) since 1994. Jungle Gym participates in the European Commission for standardisation for the safety of activity toys ( TC52 / WG 10).

### Declaration

I hereby declare under our sole responsibility that the products mentioned above, to which this declaration relates, complies with the above mentioned directives and standards.






























Name  
Mr. P. Schmit / Director

Issued date  
Januari 2<sup>nd</sup>, 2023


Signature of representative

# Construction Packages (Assembly)

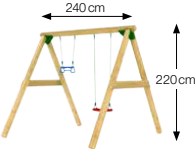
## Playtowers

<p><b>S</b> Single</p>  <p><b>Jungle Tower</b> 802_201</p>	<p><b>S</b> Single</p>  <p><b>Jungle Patio</b> 802_202</p>	<p><b>S</b> Single</p>  <p><b>Jungle Cocoon</b> 802_204</p>	<p><b>S</b> Single</p>  <p><b>Jungle Cirque</b> 802_206</p>	<p><b>S</b> Single</p>  <p><b>Jungle Totem</b> 802_208</p>	<p><b>S</b> Duo</p>  <p><b>Jungle Nomad</b> 803_202</p>	<p><b>S</b> Duo</p>  <p><b>Jungle Safari</b> 803_204</p>
<p><b>S</b> Duo</p>  <p><b>Jungle Viking</b> 803_206</p>	<p><b>S</b> Duo</p>  <p><b>Jungle Teepee</b> 803_208</p>	<p><b>S</b> Duo</p>  <p><b>Jungle Resort</b> 803_210</p>	<p><b>S</b> Combo</p>  <p><b>Jungle Explorer</b> 809_802</p>	<p><b>S</b> Combo</p>  <p><b>Jungle Voyager</b> 809_804</p>	<p><b>M</b> Single</p>  <p><b>Jungle Castle</b> 801_120</p>	
<p><b>M</b> Single</p>  <p><b>Jungle Club</b> 801_110</p>	<p><b>M</b> Single</p>  <p><b>Jungle Casa</b> 801_105</p>	<p><b>M</b> Single</p>  <p><b>Jungle Home</b> 801_103</p>	<p><b>M</b> Single</p>  <p><b>Jungle Hut</b> 801_100</p>	<p><b>M</b> Single</p>  <p><b>Jungle House</b> 801_095</p>	<p><b>L</b> Single</p>  <p><b>Jungle Cottage</b> 801_090</p>	<p><b>L</b> Single</p>  <p><b>Jungle Cabin</b> 801_060</p>
<p><b>L</b> Single</p>  <p><b>Jungle Lodge</b> 801_040</p>	<p><b>L</b> Duo</p>  <p><b>Jungle Cubby</b> 801_070</p>	<p><b>L</b> Duo</p>  <p><b>Jungle Mansion</b> 801_009</p>	<p><b>XL</b> Single</p>  <p><b>Jungle Sierra</b> 801_025</p>	<p><b>XL</b> Single</p>  <p><b>Jungle Fort</b> 801_010</p>	<p><b>XL</b> Duo</p>  <p><b>Jungle Chalet</b> 801_013</p>	<p><b>XL</b> Duo</p>  <p><b>Jungle Palace</b> 801_005</p>

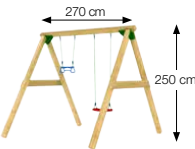
## Swings



**Jungle Peak**  
801\_300




**Jungle Swing**  
801\_601




**Jungle Swing**  
801\_602


## Swing Module




**1-Swing Module 200**  
857\_101




**2-Swing Module 200**  
857\_102




**1-Swing Module 220**  
857\_151



**2-Swing Module 220**  
857\_154




**1-Swing Module 220 Extra**  
850\_176




**2-Swing Module 220 Extra**  
850\_177


## Climb Module




**1-Climb Module 200**  
857\_105




**2-Climb Module 200**  
857\_106




**1-Climb Module 220**  
857\_157



**2-Climb Module 220**  
857\_158



**1-Climb Module 220 Extra**  
850\_231



**2-Climb Module 220 Extra**  
850\_232

## Bridge Module



**Bridge Module**  
850\_240

# Construction Packages (Sub-Assembly)

## Base Towers (BT)



790\_001  
790\_002  
790\_003



792\_002  
792\_003



794\_001

## Add-on Towers (ET)



790\_101  
790\_102



792\_101  
792\_102  
792\_103  
792\_104  
792\_105  
792\_106

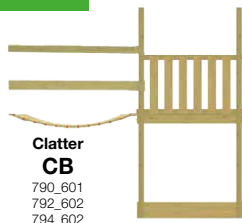


792\_107 794\_102  
792\_108 794\_103  
792\_109 794\_104  
792\_110 794\_105  
792\_111 794\_107  
792\_112 794\_108  
792\_113 794\_109  
792\_114

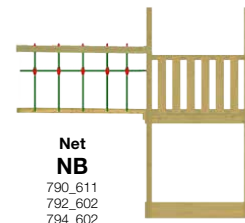


794\_110

## Bridges (CB + NB)



**Clatter  
CB**  
790\_601  
792\_602  
794\_602



**Net  
NB**  
790\_611  
792\_602  
794\_602

## Swing Modules (SM)



**1-Swing Module 200  
SM**  
857\_101



**2-Swing Module 200  
SM**  
857\_102



**1-Swing Module 220  
SM**  
857\_151



**2-Swing Module 220  
SM**  
857\_152



**1-Swing Module 220  
Extra  
SM**  
850\_176



**2-Swing Module 220  
Extra  
SM**  
850\_177

## Climb Modules (CM)



**1-Climb Module 200  
CM**  
857\_105



**2-Climb Module 200  
CM**  
857\_106



**1-Climb Module 220  
CM**  
857\_157



**2-Climb Module 220  
CM**  
857\_158



**1-Climb Module 220  
Extra  
CM**  
850\_231



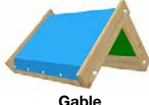
**2-Climb Module 220  
Extra  
CM**  
850\_232

# Construction Packages (Sub-Assembly)

## Roofs (RF)



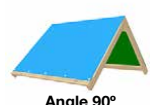
**Tipi  
RF**  
790\_203



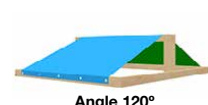
**Gable  
RF**  
790\_202



**Pyramid  
RF**  
790\_205



**Angle 90°  
RF**  
792\_201



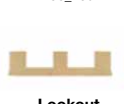
**Angle 120°  
RF**  
792\_206 (=115)  
794\_204 (=140)



**Tipi  
RF**  
790\_204



**Clapboard  
RF**  
790\_201



**Lookout  
RF**  
790\_206



**Angle 90°  
RF**  
792\_202 (=115)  
794\_202 (=140)



**Angle 120°  
RF**  
792\_203 (=115)  
794\_203 (=140)

## Balustrade (BA/PH)



**Balustrade panel  
BA**  
790\_301  
792\_301  
794\_301  
794\_302



**Hide panel  
PH**  
790\_311  
792\_311  
794\_311



**Wall panel  
PH**  
790\_313  
792\_313  
794\_313



**Roof panel  
PH**  
792\_314  
794\_314



**Window panel  
PH**  
792\_202 (L)  
794\_202 (L)  
792\_203 (R)  
794\_203 (R)

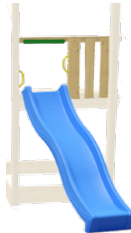


**Door panel  
PH**  
792\_204 (L)  
794\_204 (L)  
792\_205 (R)  
794\_205 (R)

## Slides (SL)



**Slide Yellow  
SL**  
324\_100  
334\_100  
790\_901  
792\_901  
794\_901



**Slide Blue  
SL**  
324\_200  
334\_200  
790\_901  
792\_901  
794\_901



**Slide Green  
SL**  
324\_300  
334\_300  
790\_901  
792\_901  
794\_901



**Slide Red  
SL**  
324\_400  
334\_400  
790\_901  
792\_901  
794\_901



**Slide Fuchsia  
SL**  
324\_500  
334\_500  
790\_901  
792\_901  
794\_901

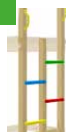


**Slide Dark Green  
SL**  
324\_600  
334\_600  
790\_901  
792\_901  
794\_901

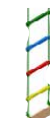
## Access



**Ladder  
LA**  
790\_433  
790\_434  
792\_431  
792\_432  
794\_431  
794\_432



**Two Step Ladder  
TS**  
790\_413  
790\_414  
792\_411  
792\_412  
794\_411  
794\_412  
794\_413  
794\_414



**Rope ladder  
RL**  
790\_421  
792\_421  
792\_422  
794\_421



**Rock wall  
RW**  
790\_403  
790\_404  
792\_401  
792\_402  
794\_401  
794\_402



**Ramp  
RA**  
790\_441  
792\_441  
794\_441



**FMP Exit  
FP**  
790\_903  
792\_911  
794\_911

## Add-ons (ADD)



**Market  
MT**  
790\_502  
792\_502  
794\_502



**Boat front  
BO**  
790\_501



**Picnic  
PC**  
790\_503



**Picnic  
PC**  
792\_503  
794\_503

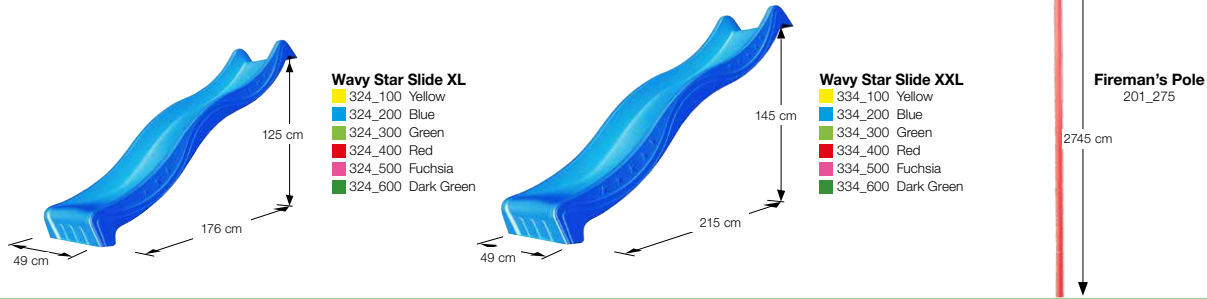
## Universal Pack (AC)



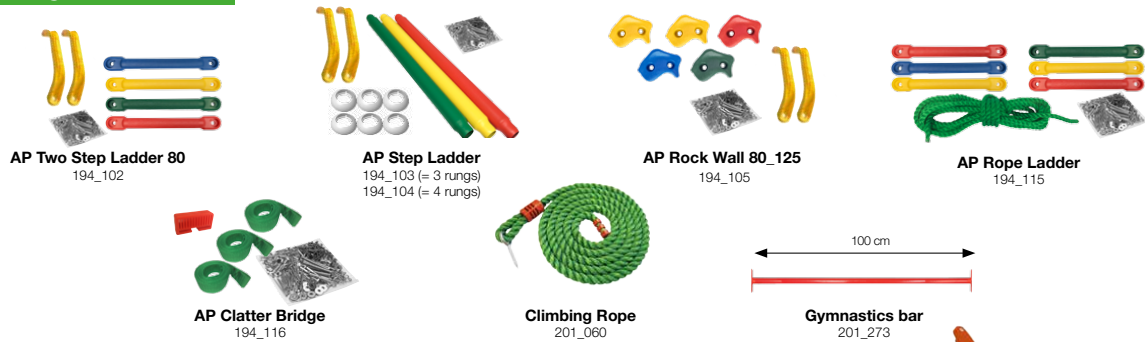
**Accessory set**  
194\_119

# Accessories

## Slides (MOE)



## Climbing



## Imagination



## Swinging



## Functional



## Components

