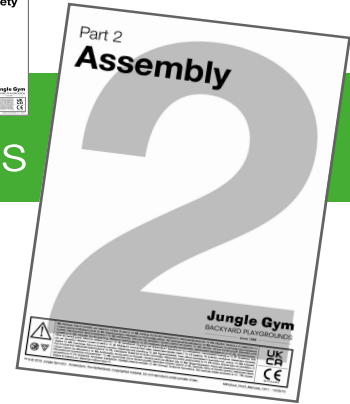


Part 2

Assembly

Instructions



Config ID: UpmBQh

Date: 2023-07-21



Manual Part 1



Important

This assembly manual should always be read in conjunction with the General Safety manual part 1 as included in the hardware package of your playground equipment.

Please read these safety instructions carefully before starting the assembly work.

Jungle Gym

BACKYARD PLAYGROUNDS

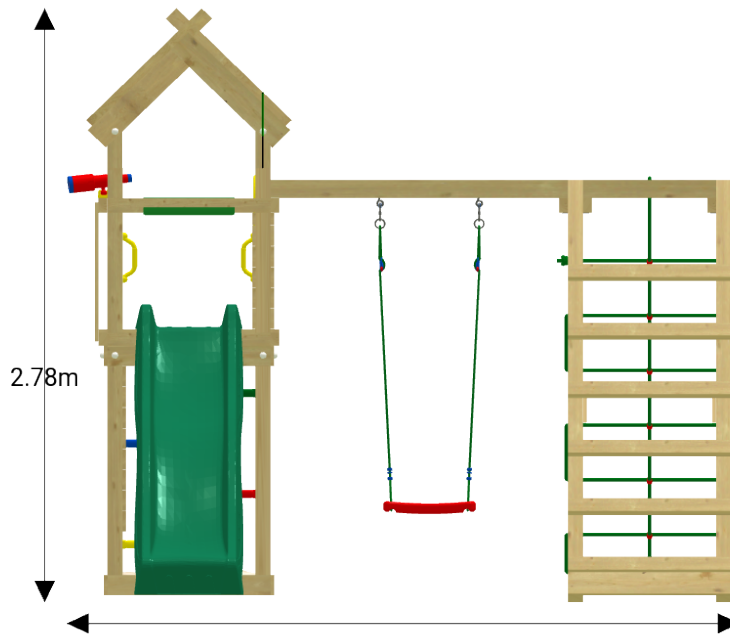
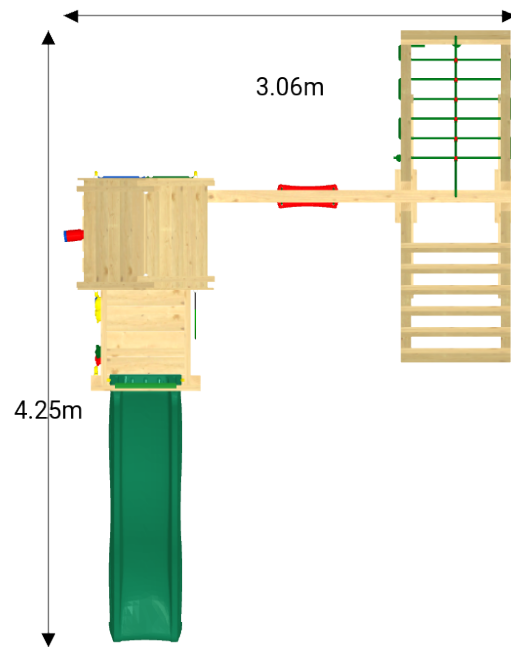
since 1988



EN. Warnings. Only for domestic use. Maximum number of users is **3**. **DE.** Achtung. Nur für den Hausgebrauch. Maximale Benutzerzahl: **3**. **FR.** Attention. Réserve à un usage privé. Le nombre maximal d'utilisateurs est de **3**. **NL.** Waarschuwingen. Uitsluitend voor huishoudelijk gebruik. Het maximale aantal gebruikers is **3**. **BG.** Внимание. За употреба само в домашни условия. Максималният брой потребители е **3**. **ES.** Advertencias. Sólo para uso doméstico. Número máximo de usuarios: **3**. **CS.** Varování. Jen pro domácí použití. Maximální počet uživatelů je **3**. **DA.** Advarsler. Kun til privat brug. Maksimum antal brugere er **3**. **ET.** Hoiatused. Ainult koduseks kasutamiseks. Maksimaalne kasutajate arv on **3**. **EL.** Προειδοποιήσεις. Μόνο για οικιακή χρήση. Μέγιστος αριθμός χρηστών **3**. **IS.** Varnaðarorð. Eingöngu fyrir einkanotkun í heimahúsum og á einkaloðum. Hámarksfjöldi notenda er **3**. **IT.** Avvertenze. Solo per uso domestico. Massimo numero di utenti è **3**. **LV.** Brīdinājumi. Izmantot tikai mājās. Maksimālais lietotāju skaits ir **3**. **LT.** Įspėjimai. Tik buitiniam naudojimui. Maksimalus naudotojų skaičius **HR.** Upozorenja. Samo za kućansku uporabu. Maksimalan broj korisnika je **3**. **HU.** Figyelmeztetések. Csak otthoni használatra! A használók max. száma: **3**. **NO.** Advarsler. Kun for privat bruk. Maksimalt antall brukere er **3**. **PL.** Ostrzeżenia. Wyłącznie do użytku domowego. Maksymalna liczba użytkowników to **3**. **PT.** Avisos. Apenas para uso doméstico. O número máximo de utilizadores é **3**. **RO.** Avertismente. Numai pentru uz domestic. Numărul maxim de utilizatori este **3**. **RU.** Предостережения. Только для домашнего использования. Максимальное количество пользователей - **3**. **SK.** Upozornenia. Iba na domáce použitie. Maximálne množstvo osôb je **3**. **SL.** Opozorila. Samo za domačo uporabo. Maksimalno število uporabnikov je **FI.** Varoitukset. Ainoastaan kotikäyttöön. Käyttäjää yhteensä enintään **3**. **SR.** Upozorenja. Samo za kućnu upotrebu. Maksimalan broj korisnika je **3**. **SV.** Varningar. Endast för hemmabruk. Det maximala antalet användare är **3**. **TR.** Uyarılar. Sadece ev kullanımı için. Maksimum kullanıcı sayısı **8**.



1 Views

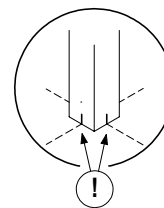
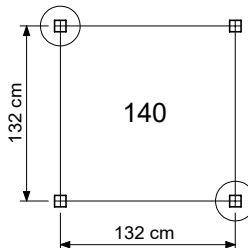
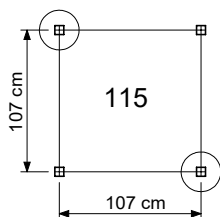
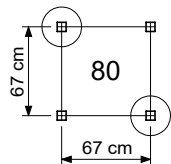
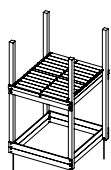


2 Order list

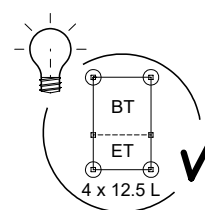
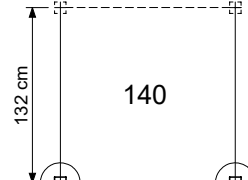
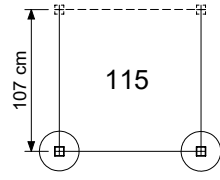
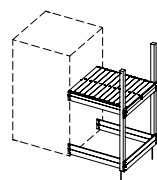
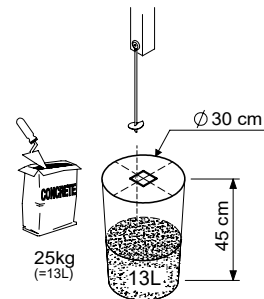
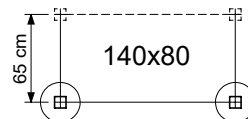
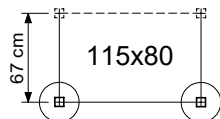
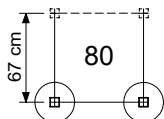
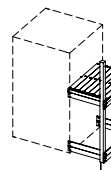
| Nr. | SKU | Description | ID | Amount |
|-----|---------|---------------------------|---------|--------|
| 1 | 790_003 | Base Tower 80_ 220220 | BT03 | 1 |
| 2 | 790_101 | Extension Tower 80_ 200 | ET01 | 1 |
| 3 | 790_204 | Roof Wooden Tipi 80 | RF04 | 1 |
| 4 | 790_301 | Balustrade 80 | BL02 | 1 |
| 5 | 790_313 | Playhouse Window Panel 80 | PH05 | 1 |
| 6 | 790_313 | Playhouse Window Panel 80 | PH06 | 1 |
| 7 | 790_411 | TwoStep Ladder 80_125 | TS01 | 1 |
| 8 | 790_901 | Slide 80 | SL01 | 1 |
| 9 | 757_107 | 1- Climb Module 200 | CL01 | 1 |
| 10 | 194_119 | AP Accessory set | AC01 | 1 |
| 11 | 250_034 | Swing Seat Kit • Red | AC21 | 1 |
| 12 | 324_x00 | Wavy Star Slide XL | 324_x00 | 1 |
| 13 | 790_406 | Rock wall Closed 80_125 | RW31a | 1 |

3 Anchor Plan

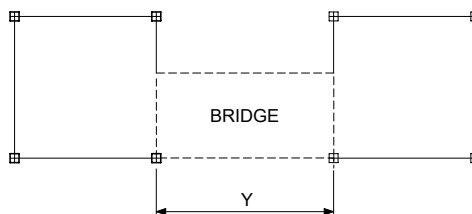
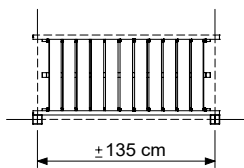
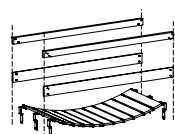
BASE TOWERS



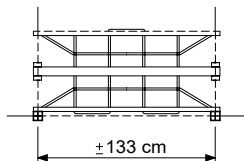
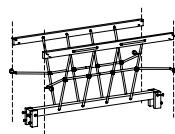
EXTENSION TOWERS



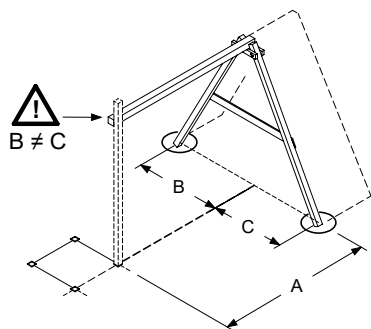
CLATTER BRIDGE



NET BRIDGE

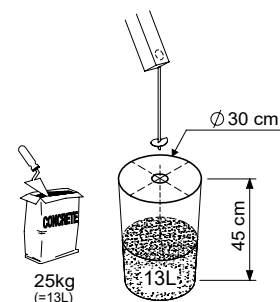


SWING / CLIMB MODULE



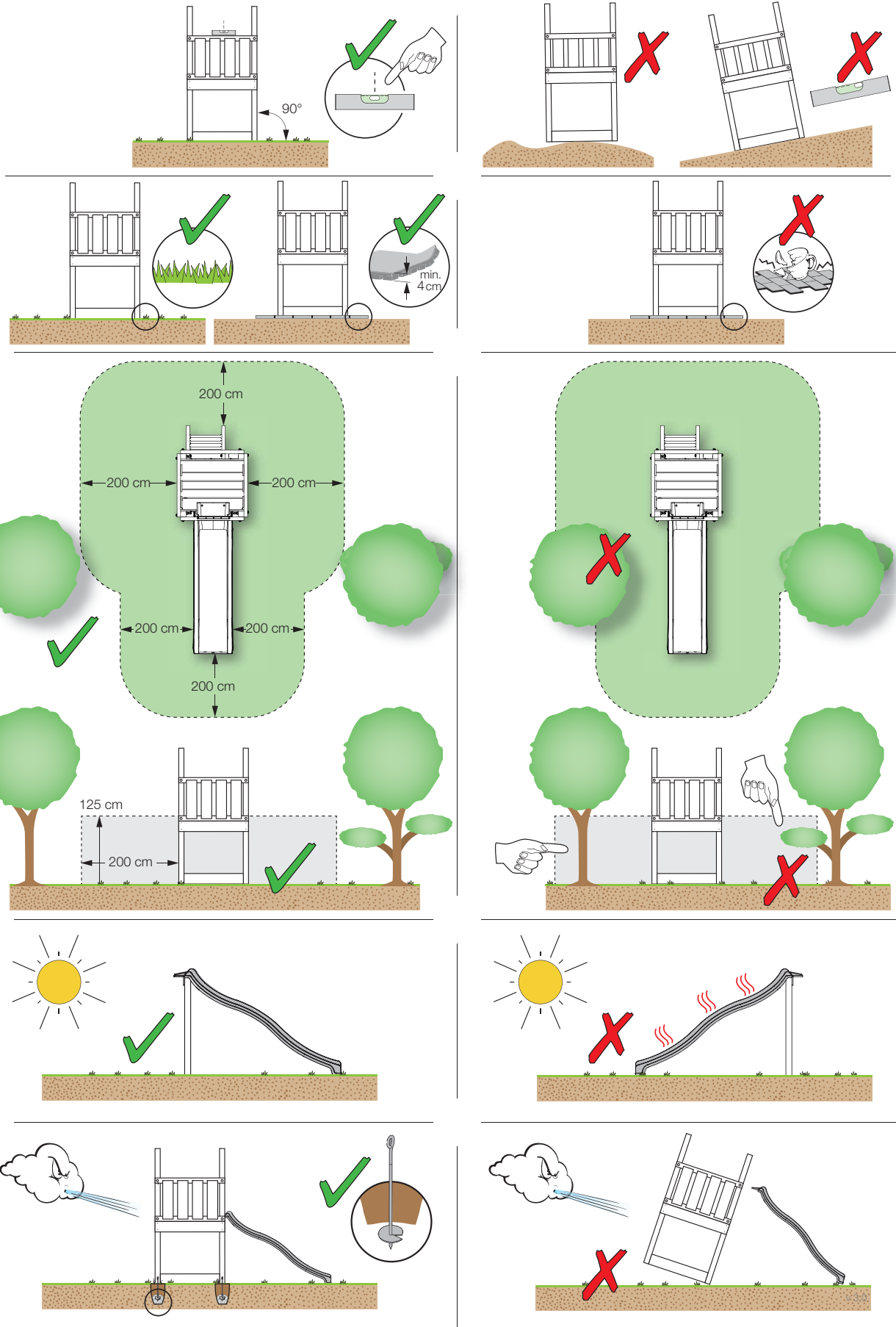
| Module type | A | B | C |
|-------------------------|-----|-----|-----|
| 1-Swing 200 | 150 | 115 | 100 |
| 1-Swing 220 / 220 Extra | | 120 | 105 |
| 2-Swing 200 | 210 | 115 | 100 |
| 2-Climb 200 | | | |
| 1-Climb 200 | 142 | 120 | 105 |
| 1-Climb 220 / 220 Extra | 162 | | |
| 2-Swing 220 / 220 Extra | 230 | 120 | 105 |
| 2-Climb 220 / 220 Extra | | | |

Ground Anchors Unit - PO1 - 04/07/2023 - v1.2

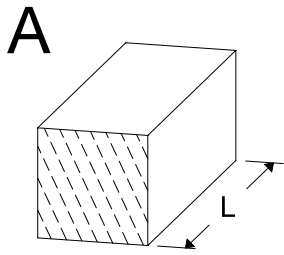


Ground Anchors Unit - PO1 - 04/07/2023 - v1.2

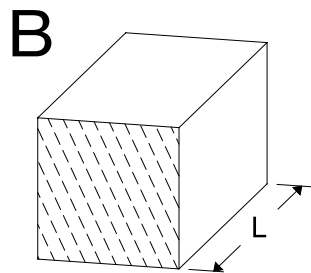
3.1 Safe Playground



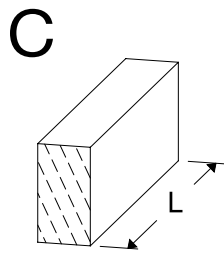
4 Timber parts



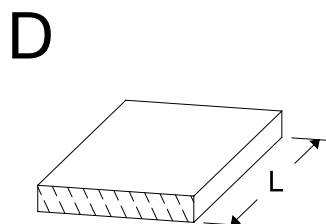
| ID | L | # |
|------|-----------------|---|
| A123 | 122 cm - 123 cm | 1 |
| A200 | 199 cm - 200 cm | 2 |
| A220 | 219 cm - 220 cm | 8 |



| | | |
|------|-----------------|---|
| B220 | 219 cm - 220 cm | 1 |
|------|-----------------|---|


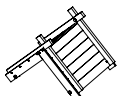

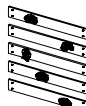

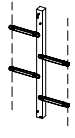

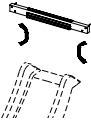

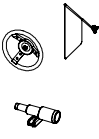



| | | |
|-----|---------------|----|
| C37 | 36 cm - 37 cm | 4 |
| C74 | 73 cm - 74 cm | 24 |

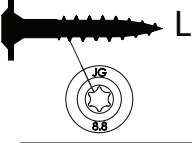
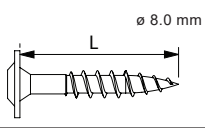
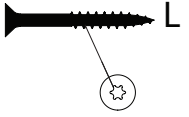
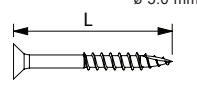
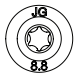




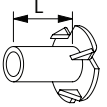


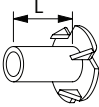







| | | |
|------|-----------------|----|
| D56 | 53,5 cm - 56 cm | 2 |
| D60 | 59 cm - 60 cm | 19 |
| D65 | 64 cm - 65 cm | 6 |
| D74 | 73 cm - 74 cm | 52 |
| D141 | 140 cm - 141 cm | 3 |

5 Assembly packs & accessories

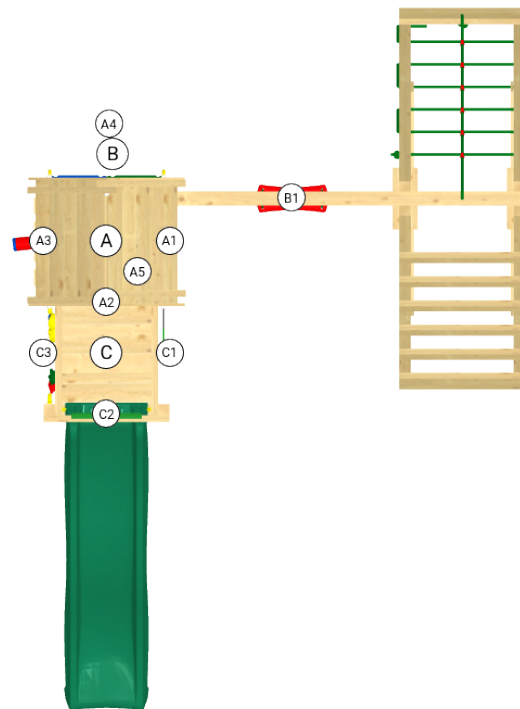
| | | | | |
|--|--|---|---|---|
| <p>Balustrade 140</p>  <p>BL</p> <p>194_501</p> <p>2x</p> | <p>Roof Timber Tipi 80</p>  <p>RF</p> <p>194_110</p> <p>1x</p> | <p>Tower 80</p>  <p>BT ET</p> <p>194_100</p> <p>2x</p> | <p>Rock Wall</p>  <p>RW</p> <p>194_006</p> <p>1x</p> | <p>Swing Seat</p>  <p>AC</p> <p>250_034</p> <p>1x</p> |
| <p>Two Step Ladder 80</p>  <p>TS</p> <p>194_102</p> <p>1x</p> | <p>Slide 2.2m</p>  <p>324_x00</p> <p>1x</p> | <p>Slide Frame</p>  <p>SL</p> <p>194_107</p> <p>1x</p> | <p>Hardware 01</p>  <p>BL H01</p> <p>194_101</p> <p>1x</p> | <p>Accessory Set</p>  <p>AC</p> <p>194_119</p> <p>1x</p> |
| <p>Climb Frame Kit</p>  <p>CL</p> <p>457_106</p> <p>1x</p> | | | | |

6 Hardware Identification

| | | SKU | L | | | SKU | L | |
|--|---|---------|--------|--|---|---------|---------|-------|
|  |  \varnothing 8.0 mm | 001_404 | 30 mm |  |  \varnothing 5.0 mm | 002_308 | 20 mm | |
| | | 001_406 | 45 mm | | | | 002_219 | 30 mm |
| | | 001_411 | 60 mm | | | | 002_220 | 45 mm |
| | | 001_417 | 80 mm | | | | 002_223 | 80 mm |
| | | 001_422 | 137 mm | | | | | |
|  | M8 | 001_102 | 30 mm |  | M8 | 003_010 | | |
|  | \varnothing 2.0 mm | 000_101 | 20 mm |  | M6 | 003_034 | | |
|  | \varnothing 6.3 mm | 002_036 | 16 mm |  | M8 | 004_050 | 22mm | |
|  | \varnothing 4.5 mm | 002_041 | 20 mm |  | | 022_845 | Yellow | |
| | | | | | | 022_846 | Blue | |
| | | | | | | 022_847 | Green | |
| | | | | | | 022_848 | Red | |
|  | \varnothing 3.5 mm | 002_042 | 13 mm |  | | 023_031 | White | |
|  | \varnothing 3.9 mm | 002_301 | 40 mm |  | | 120_005 | White | |
| | | | |  | | 022_844 | | |
| | | | |  | | 022_314 | | |

output: 25/05/23

7 Assembly Planning



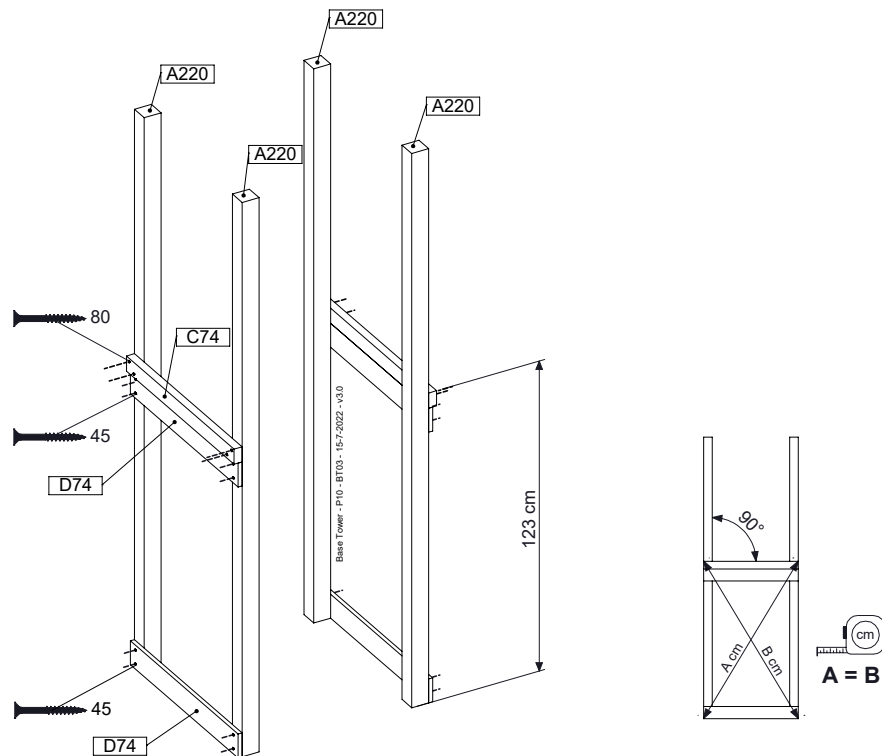
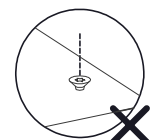
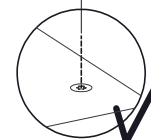
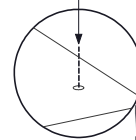
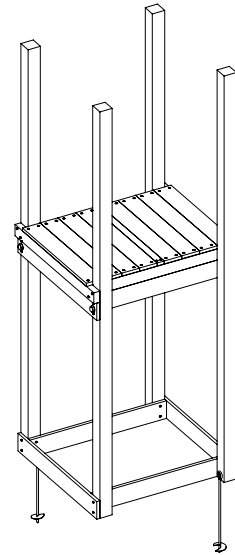
| | ID | | | A | B | C |
|----|-------|--|------|----|---|----|
| 1 | BT03 | | p.10 | ✓ | - | - |
| 2 | ET01 | | p.12 | - | - | ✓ |
| 3 | RW31a | | p.14 | - | - | C3 |
| 4 | BL02 | | p.16 | A3 | - | - |
| 5 | RF04 | | p.17 | A5 | - | - |
| 6 | PH05 | | p.20 | - | - | C1 |
| 7 | PH06 | | p.21 | A1 | - | - |
| 8 | TS01 | | p.22 | A4 | - | - |
| 9 | CL01 | | p.28 | - | ✓ | - |
| 10 | SL01 | | p.33 | - | - | C2 |
| 11 | GA | | p.35 | ✓ | ✓ | ✓ |
| 12 | AC01 | | p.37 | A1 | - | - |

8 BT03: Base tower 80 125cm 220220

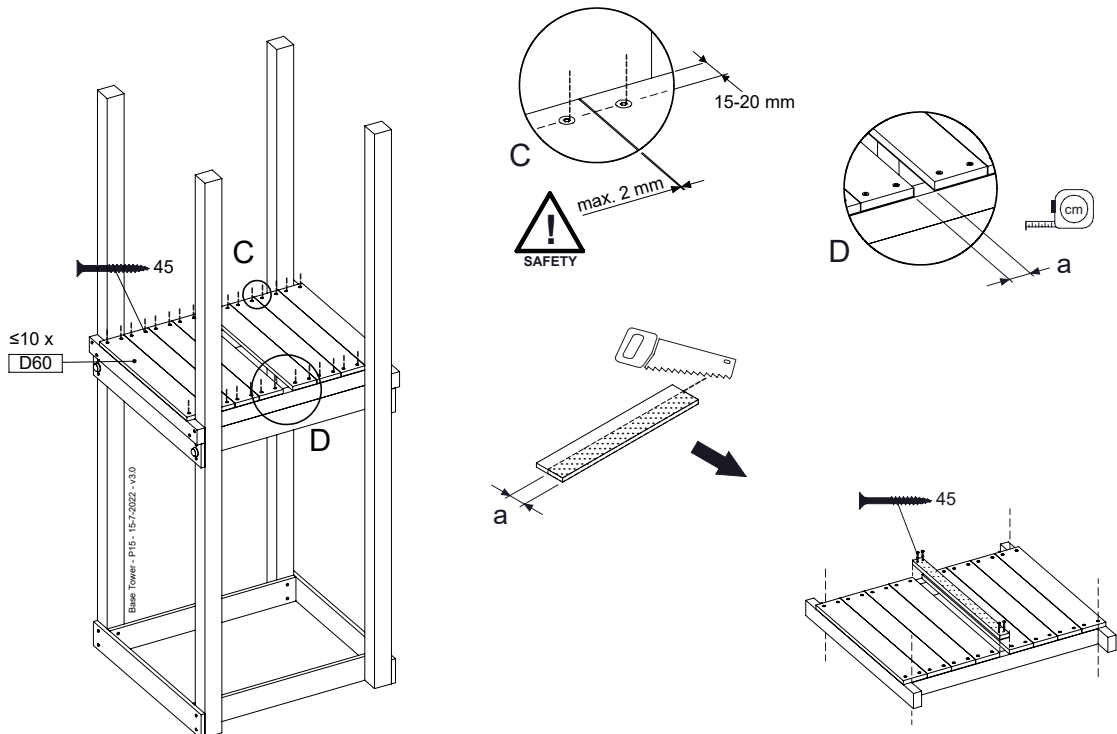
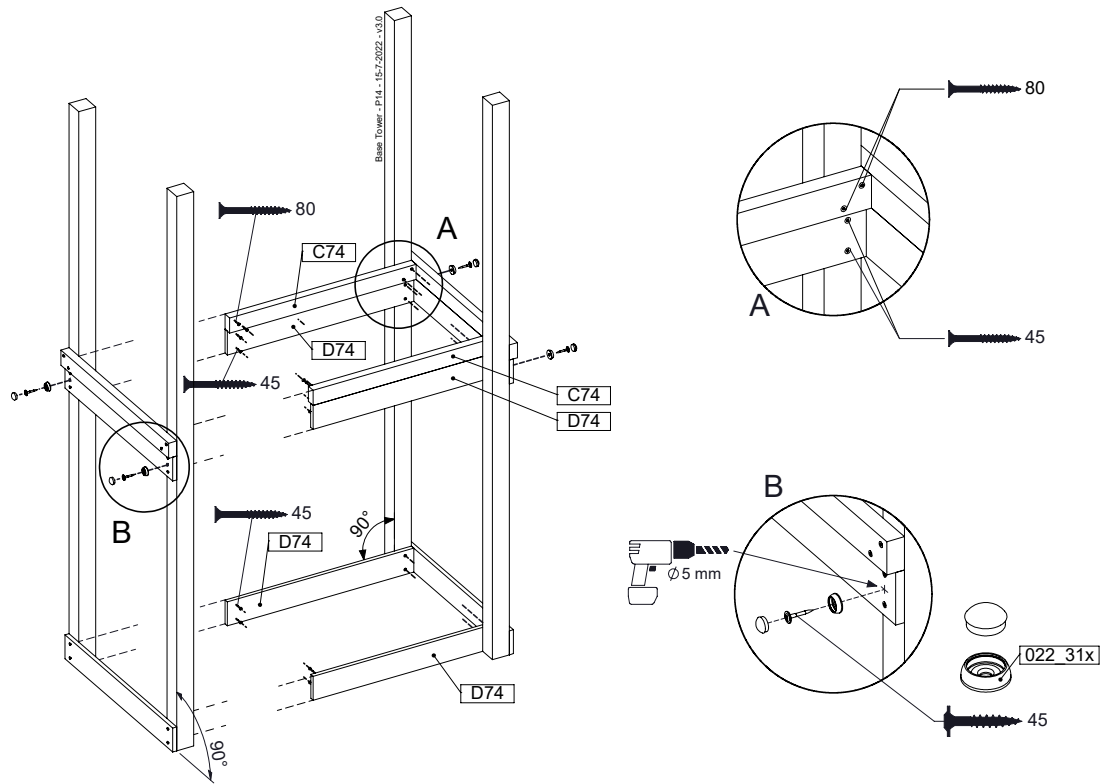
(194_100)

| | PartNo | PartName | QTY. |
|--------------------------|---------|----------------------------|------|
| Hardware Pack 100_600 | 001_406 | Stealth Screw 8x45 | 6 |
| | 002_220 | Gap Point Screw T25 - 5x45 | 76 |
| | 002_223 | Gap Point Screw T25 - 5x80 | 16 |
| Other | 007_001 | Ground-anchor | 2 |
| Hardware Pack 100_600 | 022_31x | bpc-base version 3 | 4 |
| | 022_84x | bpc cover | 4 |
| Wood | A220 | Post 70x70 L2200 | 4 |
| | C74 | Beam 740 mm | 4 |
| | D60 | Board 600 mm | 10 |
| | D74 | Board 740 mm | 8 |

Base Tower - P04 - BT03 - 15-7-2022 - v3.0



8.1

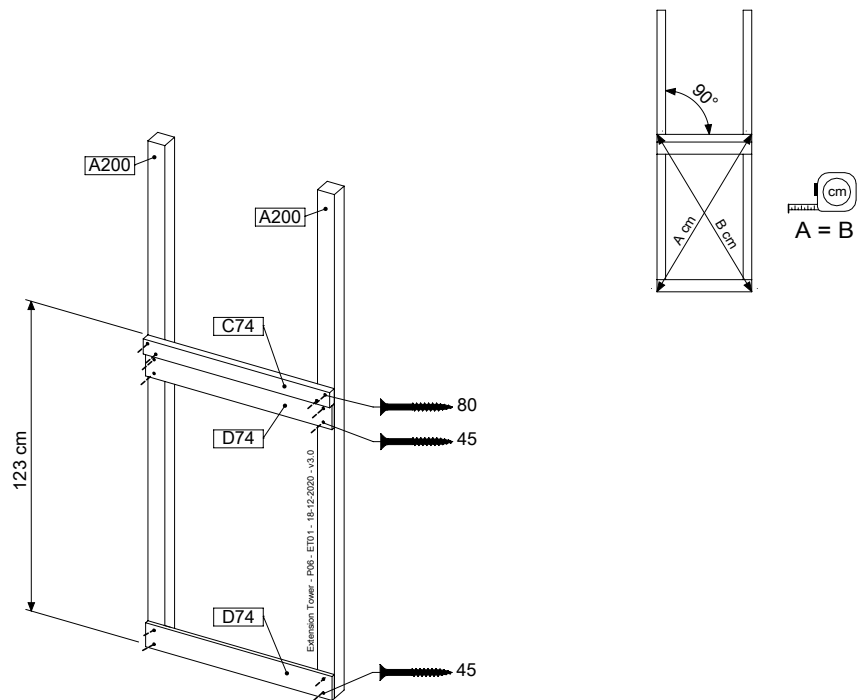
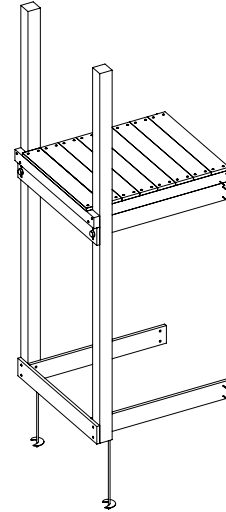


9 ET01: Extension Tower 80 200/125

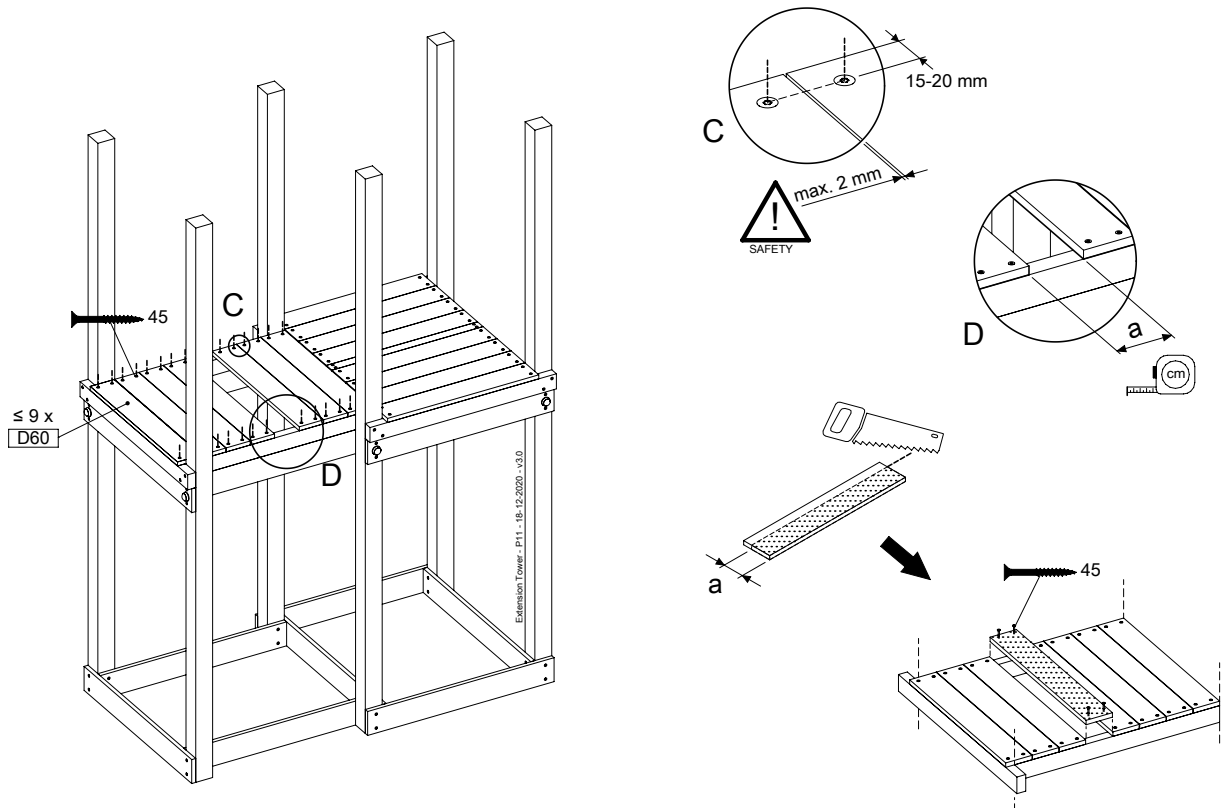
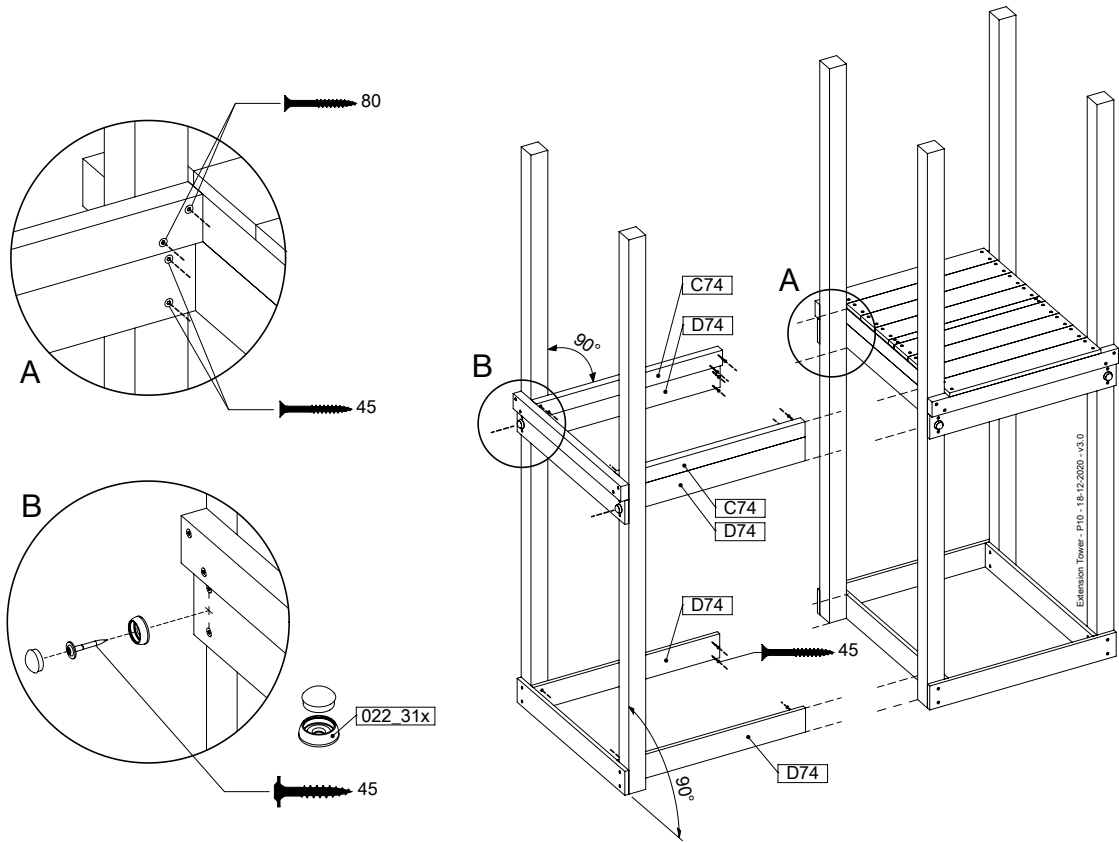
(194_100)

| | PartNo | PartName | QTY. |
|--------------------------|---------|----------------------------|------|
| Hardware Pack 100_600 | 001_406 | Stealth Screw 8x45 | 4 |
| | 002_220 | Gap Point Screw T25 - 5x45 | 60 |
| | 002_223 | Gap Point Screw T25 - 5x80 | 12 |
| Other | 007_001 | Ground-anchor | 2 |
| Hardware Pack 100_600 | 022_31x | bpc-base version 3 | 2 |
| | 022_84x | bpc cover | 2 |
| Wood | A200 | Post 70x70 L2000 | 2 |
| | C74 | Beam 740 mm | 3 |
| | D60 | Board 600 mm | 9 |
| | D74 | Board 740 mm | 6 |

Extension Tower - P02 - ET01 - 18-12-2020 - v3.0



9.1

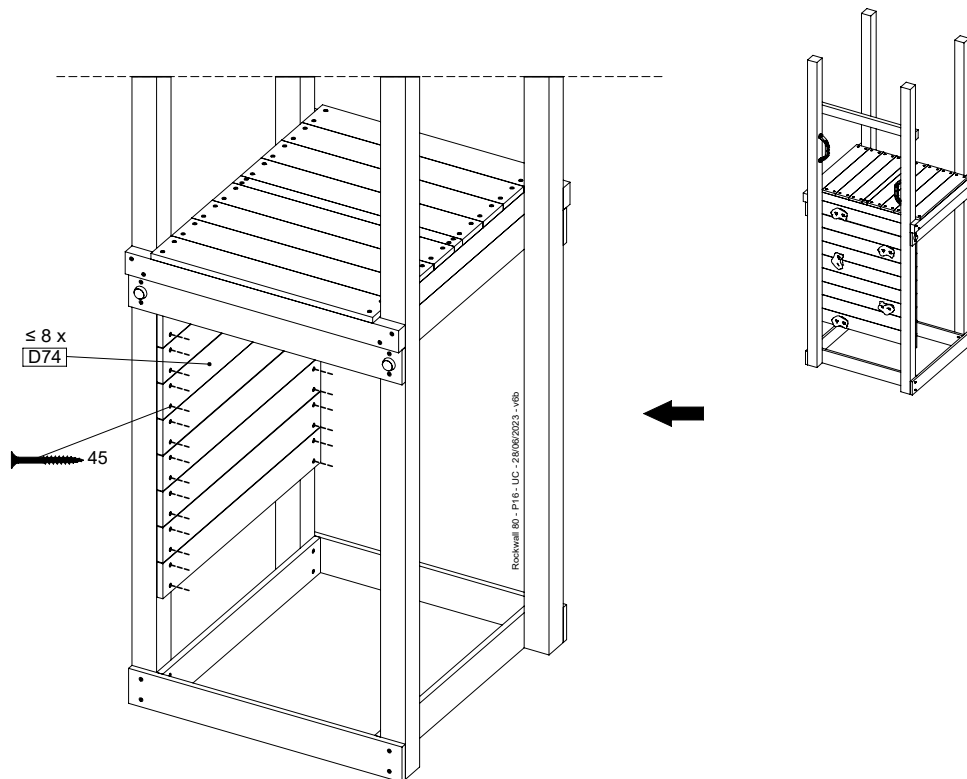
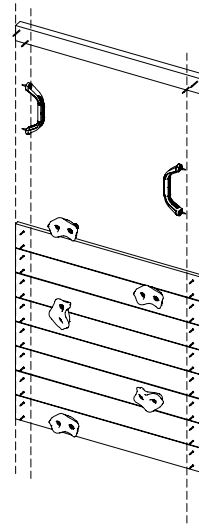


10 RW31a: Rock wall 80 125 U Closed

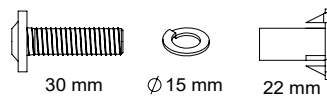
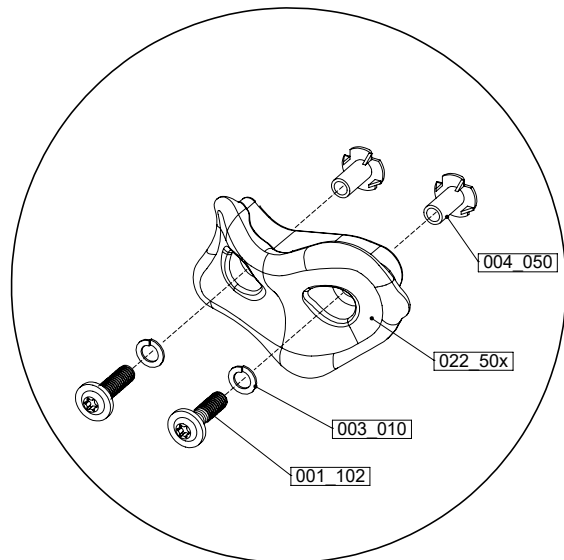
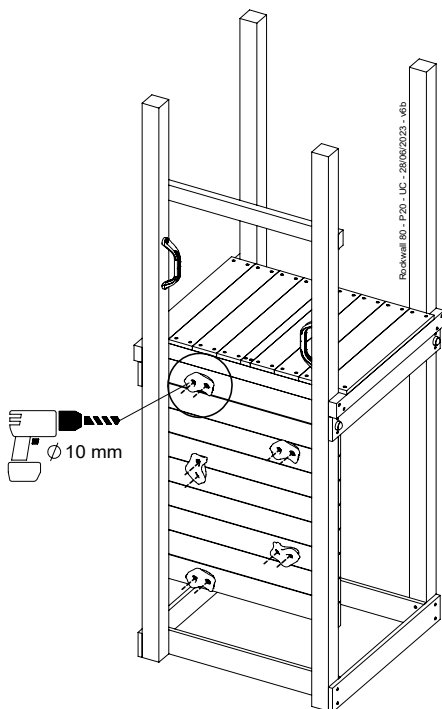
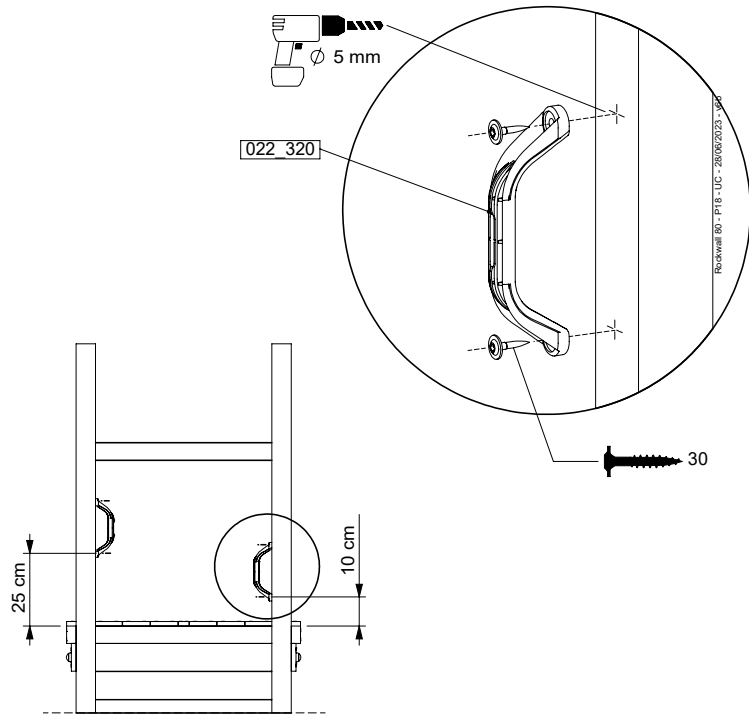
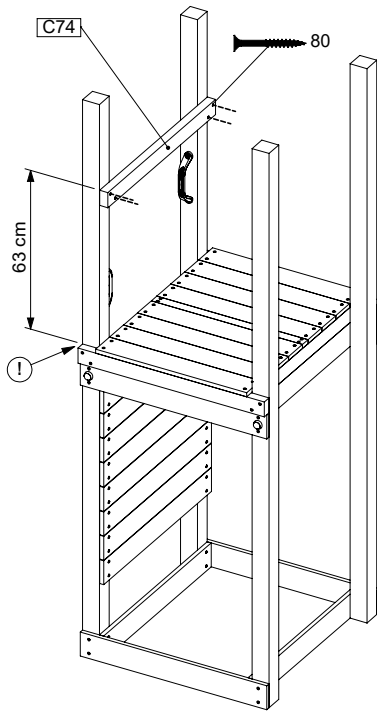
(194_006)

| | PartNo | PartName | QTY. |
|--------------------------|---------|-----------------------------|------|
| Hardware Pack 100_904 | 001_102 | Washer Head Screw T40 M8x30 | 10 |
| | 002_220 | Gap Point Screw T25 - 5x45 | 32 |
| | 002_223 | Gap Point Screw T25 - 5x80 | 4 |
| | 003_010 | M8 spring lock washer | 10 |
| | 004_050 | M8 Drive-in Nut 22mm | 10 |
| Other | 022_50x | Climbing Rock | 5 |
| | 120_102 | Handgrip set (2x Complete) | 1 |
| Timber | C74 | Beam 740 mm | 1 |
| | D74 | Board 740 mm | 8 |

Rockwall 80 - P05 - 125LIC - 28/06/2023 - v0b



10.1

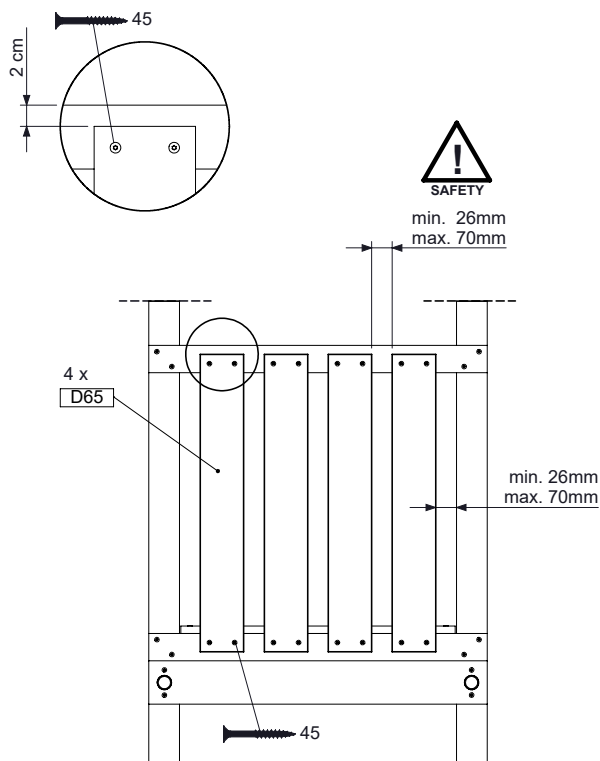
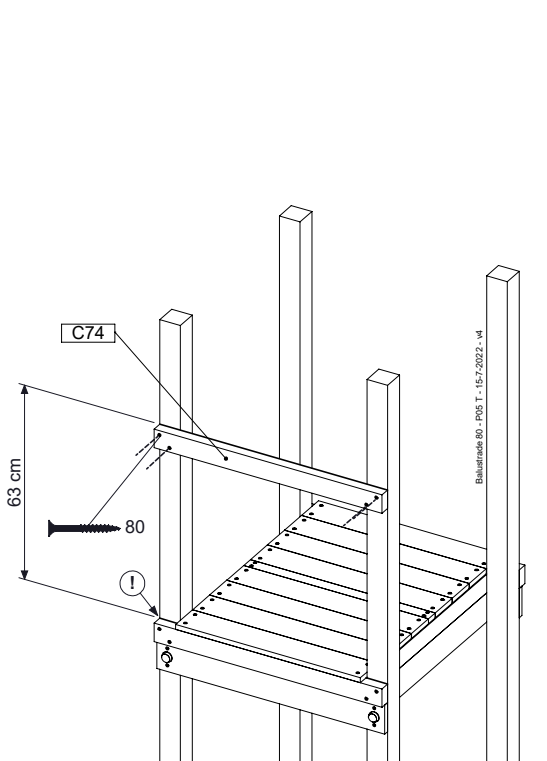
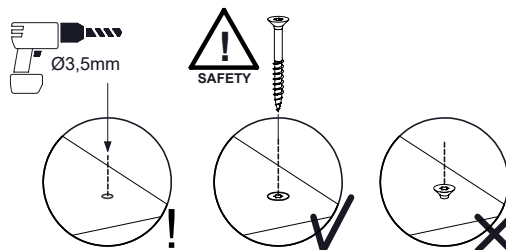
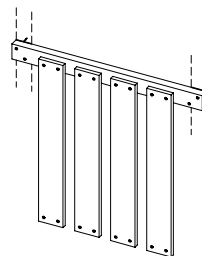


11 BL02: Balustrade 80 T

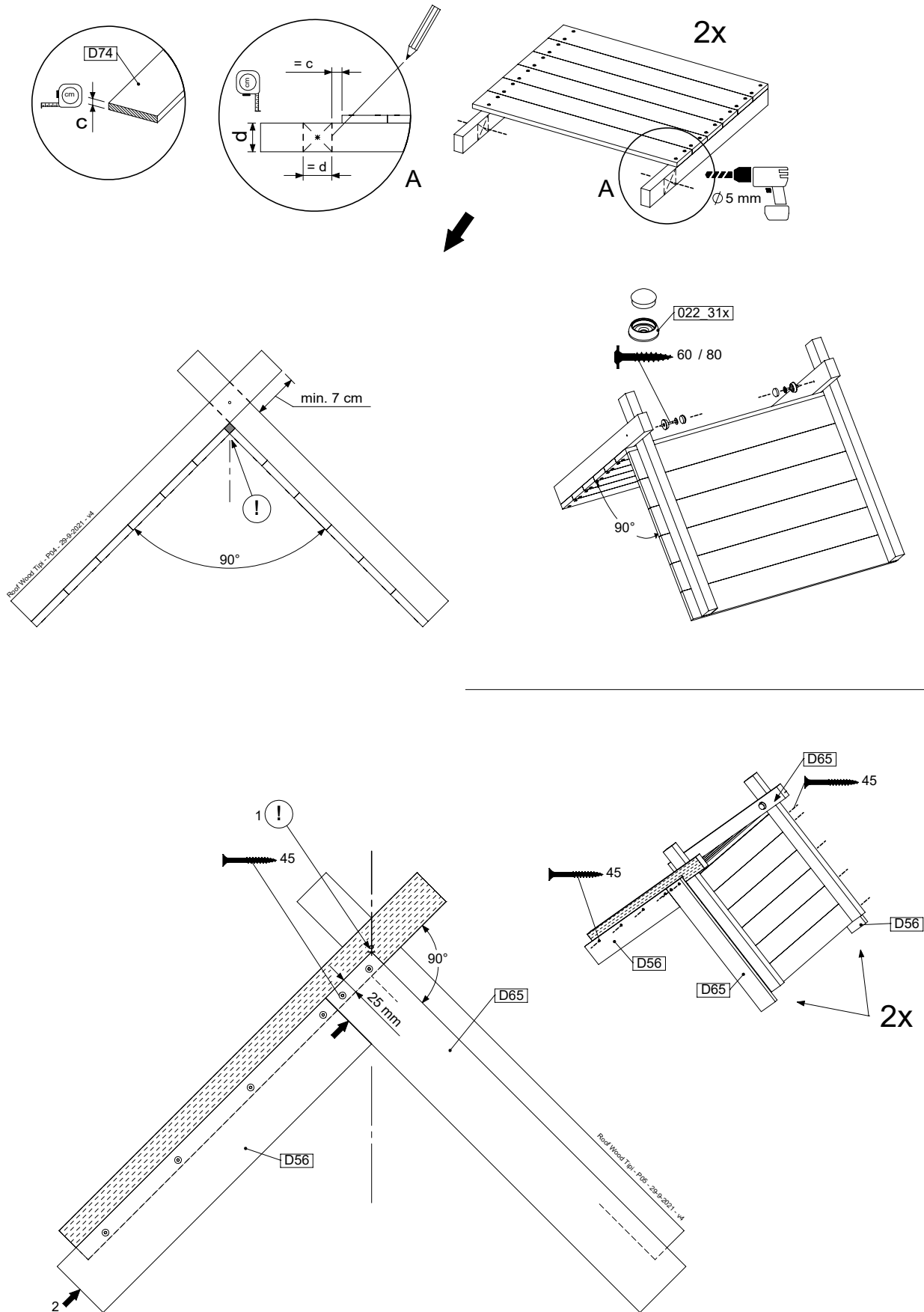
(194_101)

| | PartNo | PartName | QTY. |
|---------------|---------|----------------------------|------|
| Hardware Pack | 002_220 | Gap Point Screw T25 - 5x45 | 16 |
| | 100_601 | Gap Point Screw T25 - 5x80 | 4 |
| Timber | C74 | Beam 740 mm | 1 |
| | D65 | Board 650 mm | 4 |

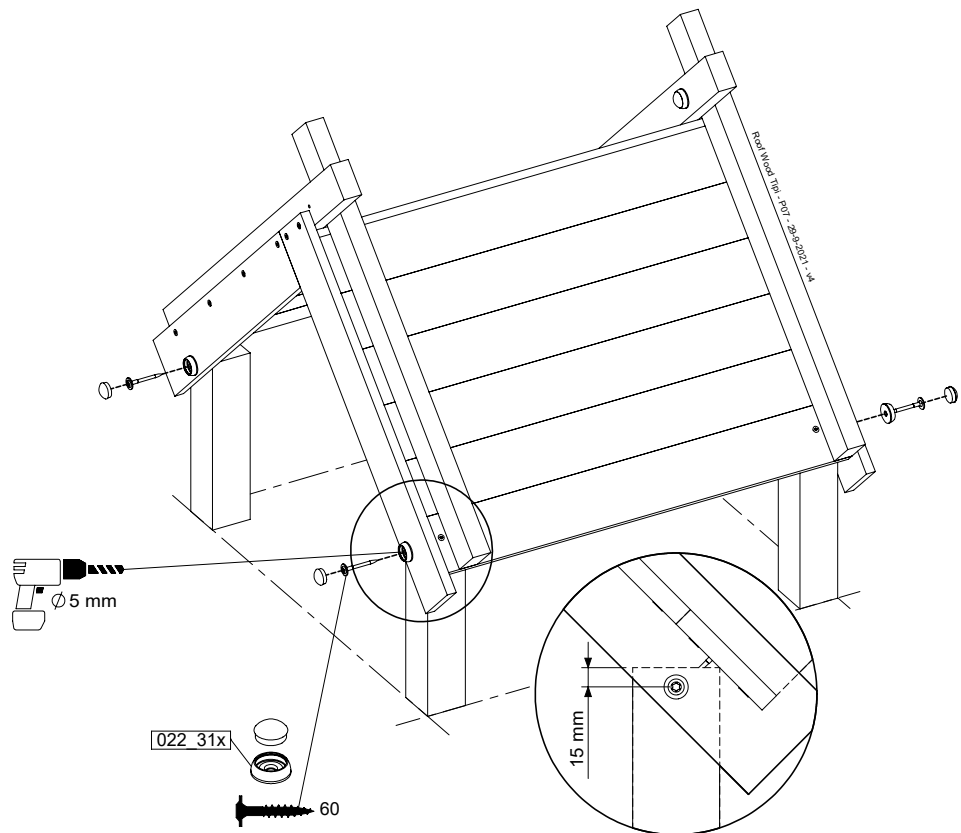
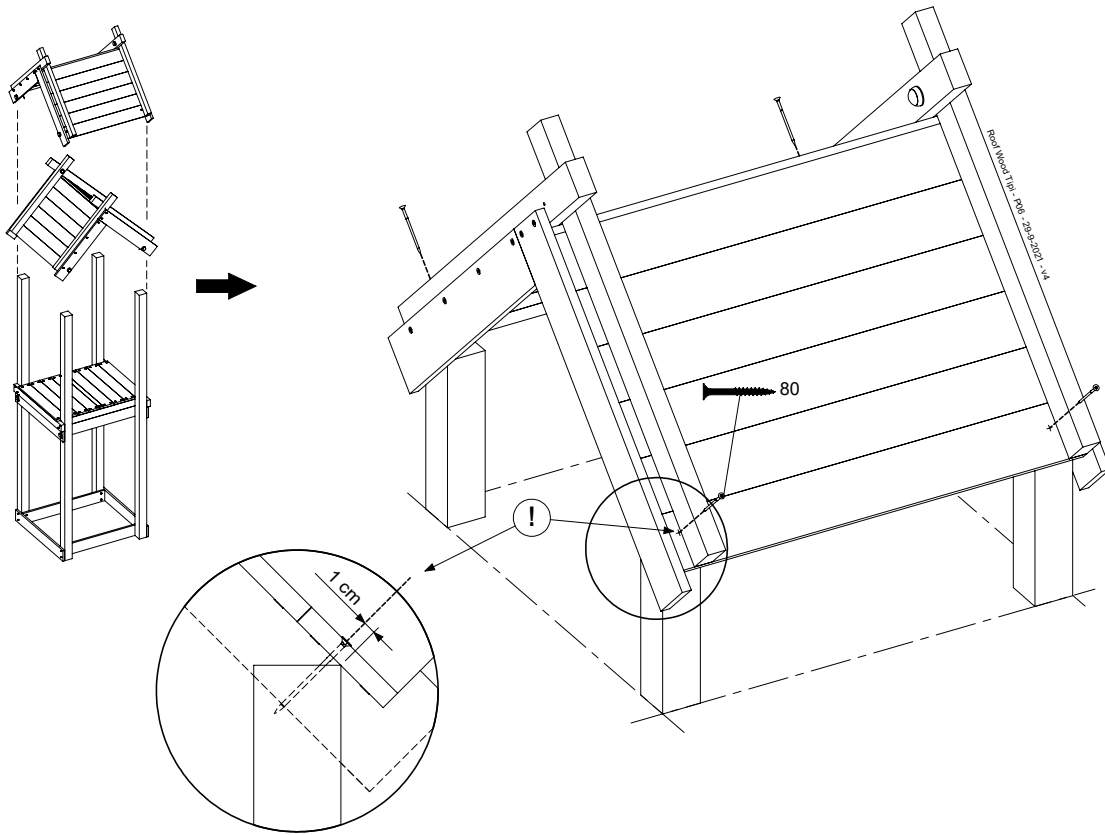
Balustrade 80 - P03 T - 15-7-2022 - vt



12.1



12.2

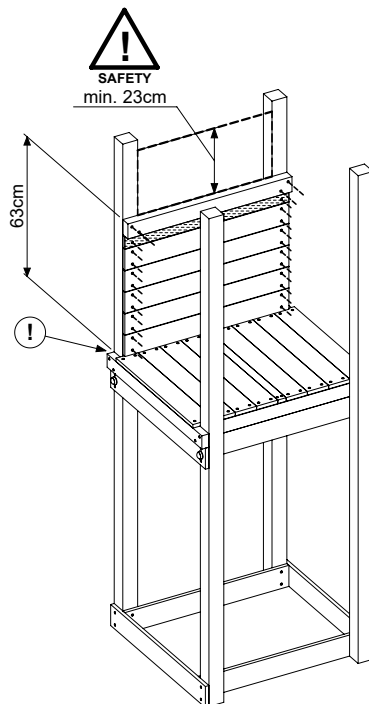
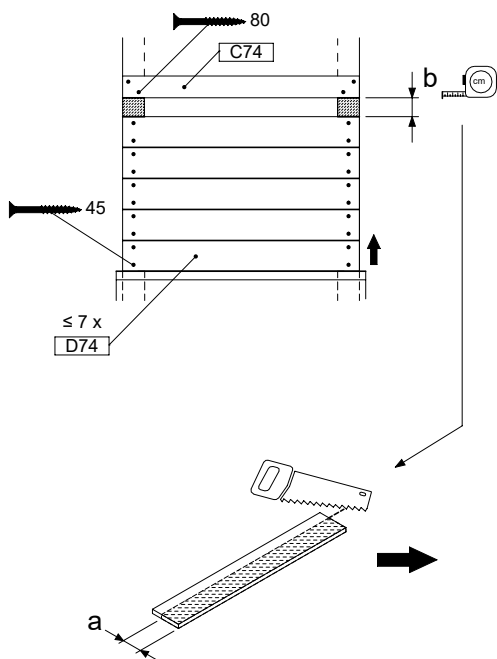
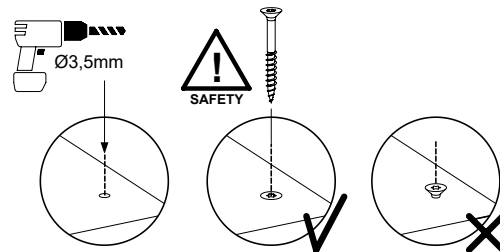
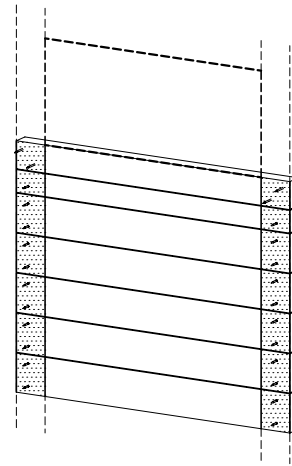


13 PH05: Playhouse Window Panel 80 U

(194_501)

| | PartNo | PartName | QTY. |
|---------------|---------|----------------------------|------|
| Hardware Pack | 002_220 | Gap Point Screw T25 - 5x45 | 28 |
| | 002_223 | Gap Point Screw T25 - 5x80 | 4 |
| Timber | C74 | Beam 740 mm | 1 |
| | D74 | Board 740 mm | 7 |

Playhouse Walls - P05 WINDOW U - 28-3-2023 - v3



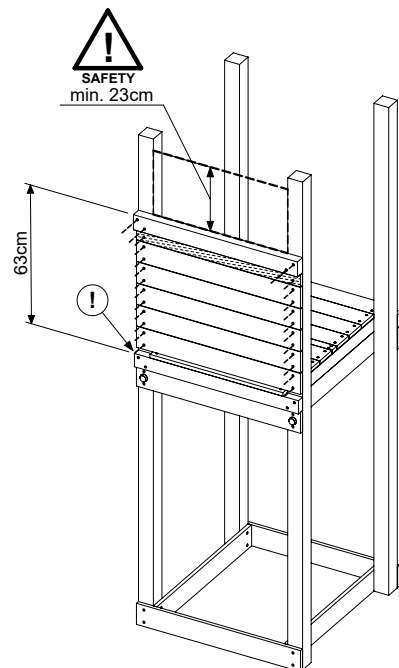
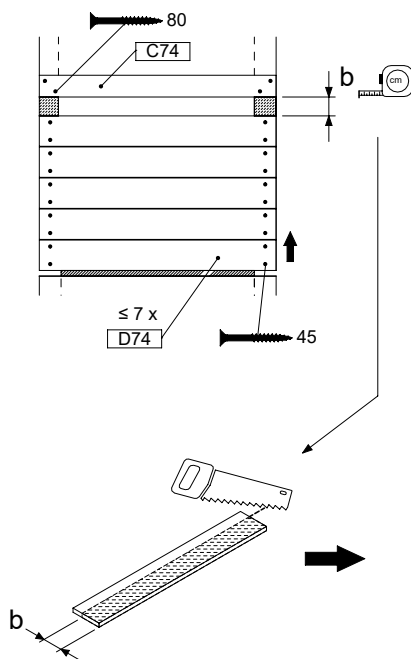
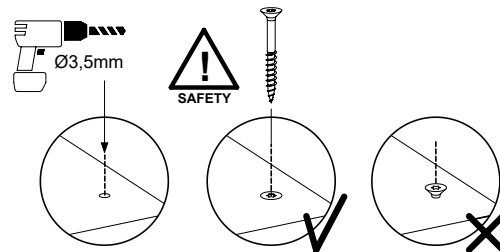
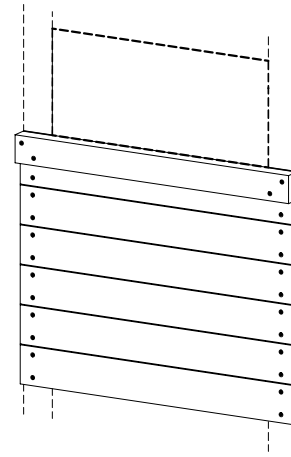
Playhouse Walls - P12 WINDOW U - 28-3-2023 - v3

14 PH06: Playhouse Window Panel 80 T

(194_501)

| PartNo | PartName | QTY. |
|---------|----------------------------|------|
| 002_220 | Gap Point Screw T25 - 5x45 | 28 |
| 002_223 | Gap Point Screw T25 - 5x80 | 4 |
| C74 | Beam 740 mm | 1 |
| D74 | Board 740 mm | 7 |

Playhouse Walls - PH6 WINDOW T - 25-3-2023 - v3

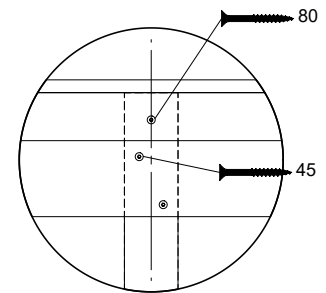
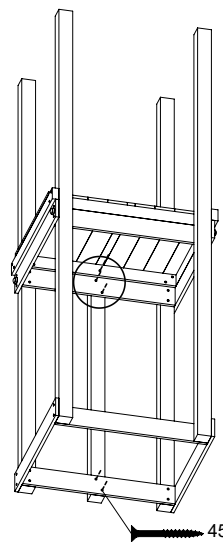
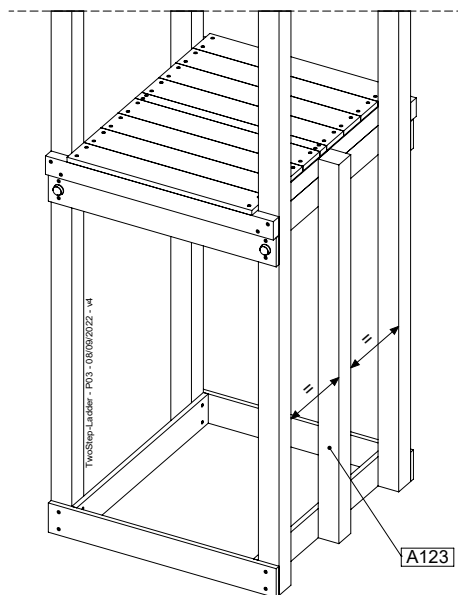
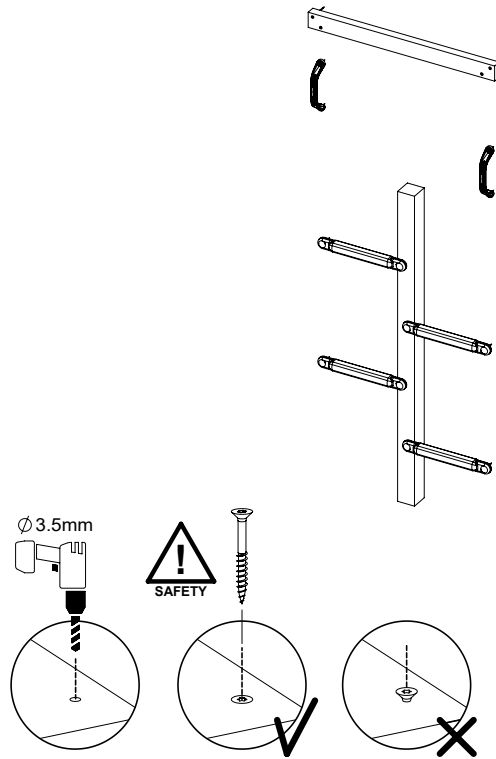


15 TS01: Two Step 80 125 U

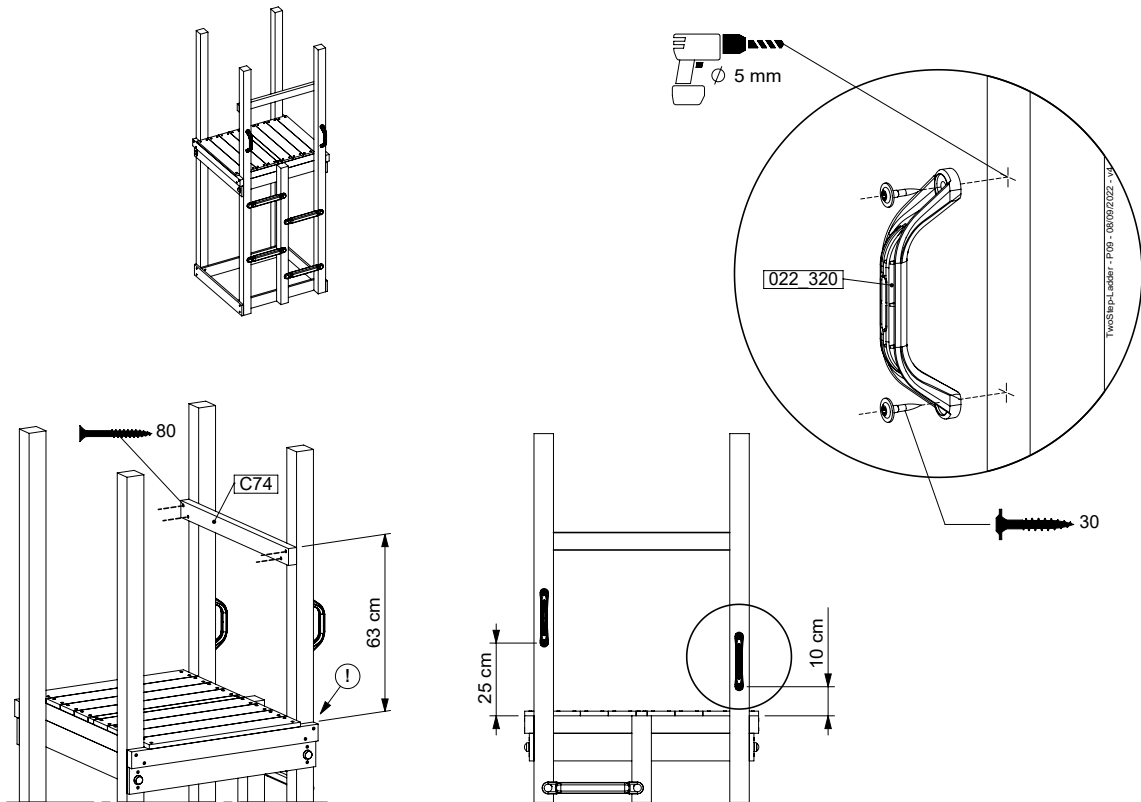
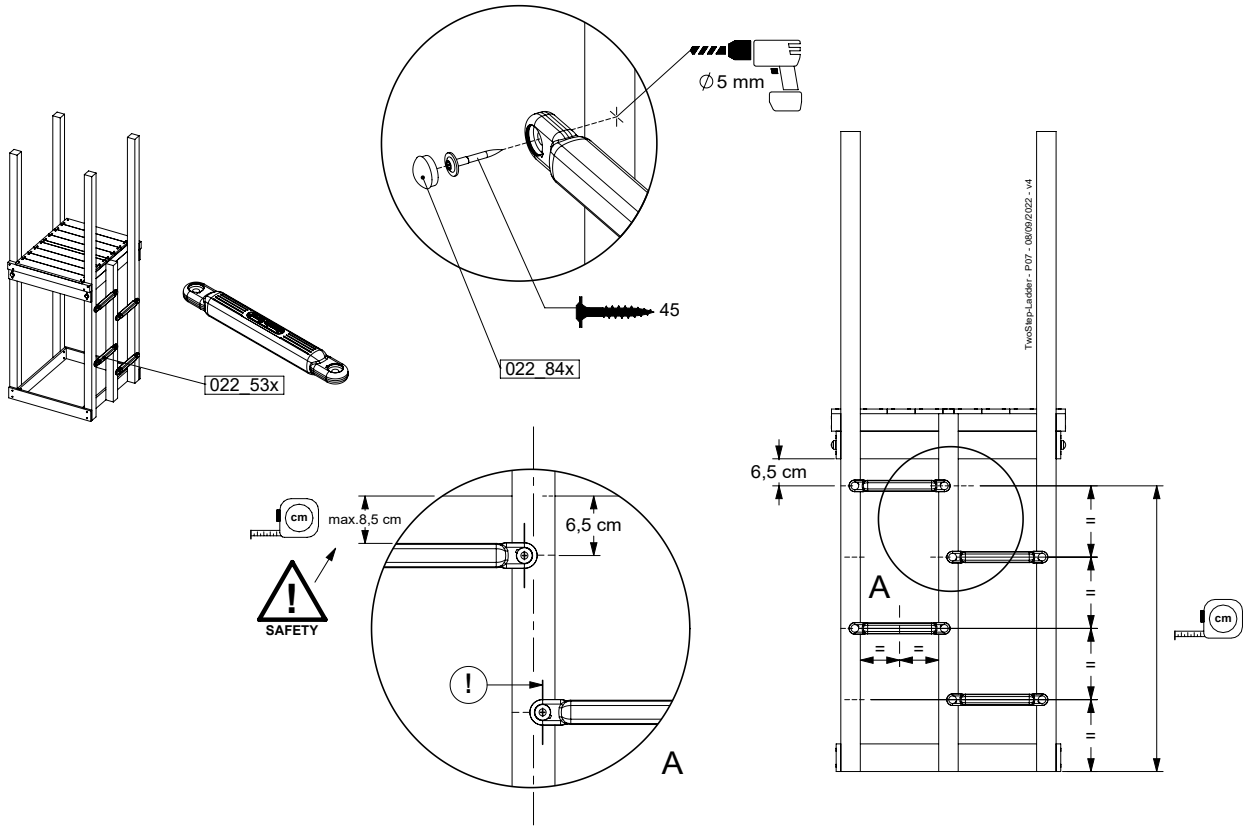
(194_102 / 194_002)

| | PartNo | PartName | QTY. |
|--------------------------------------|---------|----------------------------|------|
| Hardware Pack 100_602 /100_902 | 001_406 | Stealth Screw 8x45 | 8 |
| | 002_220 | Gap Point Screw T25 - 5x45 | 4 |
| | 002_223 | Gap Point Screw T25 - 5x80 | 5 |
| Other | 022_53x | Ladder/ Rope Rung 30cm | 4 |
| | 022_84x | bpc cover | 8 |
| | 120_102 | Handgrip set (2x Complete) | 1 |
| Timber | A123 | Post 70x70 L1230 | 1 |
| | C74 | Beam 740 mm | 1 |

TwoStep-Ladder - FR3 - 08/09/2022 - v4



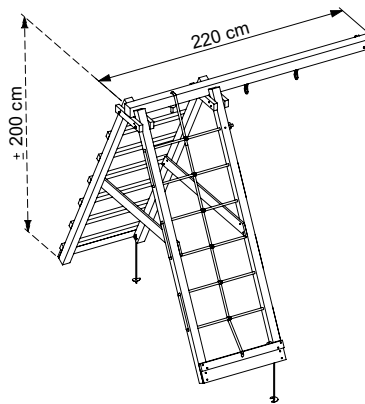
15.1



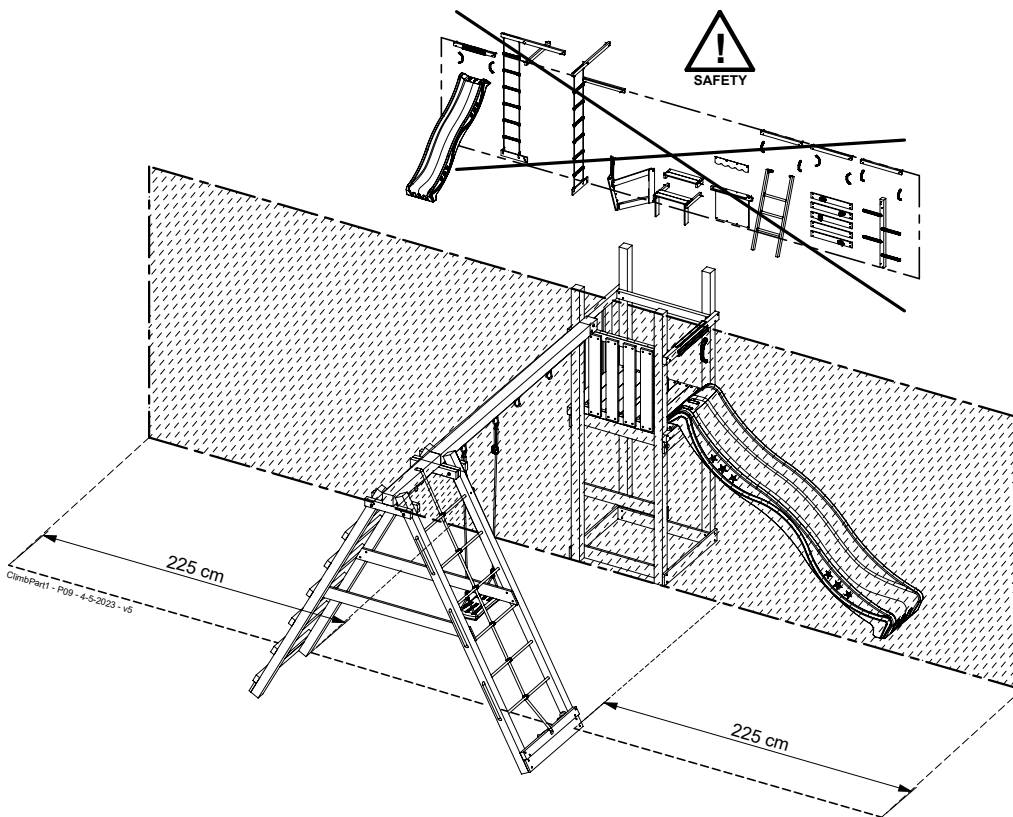
16 CL01: 1-Climb Module 200

(457_106)

| | PartNo | PartName | QTY. |
|---------------|---------|--------------------------------|-------|
| Hardware Pack | 001_406 | Stealth Screw 8x45 | 2 |
| | 001_417 | Stealth Screw 8x80 | 6 / 8 |
| | 001_422 | Stealth Screw 8x137 | 3 |
| | 002_220 | Gap Point Screw T25 - 5x45 | 41 |
| | 002_223 | Gap Point Screw T25 - 5x80 | 41 |
| | 002_301 | Dry Wall Screw PH2 3.9 x 40 mm | 6 |
| Other | 005_528 | Swing Beam Bracket 7x7 | 2 |
| | 007_001 | Ground-anchor | 2 |
| | 020_317 | Rope Polyester 16mm Green 3.4m | 1 |
| | 020_318 | Rope Polyester 16mm Green 8.1m | 1 |
| | 022_455 | Rope Cross Connector Egg | 6 |
| | 023_031 | Finishing Washer GPS 5.0 | 4 |
| Timber | 101_003 | Swing hook with Carabiner | 2 |
| | A220 | Post 70x70 L2200 | 4 |
| | B220 | Post 90x90 L2200 | 1 |
| | C37 | Beam 370 mm | 4 |
| | C74 | Beam 740 mm | 7 |
| | D74 | Board 740 mm | 2 |
| | D141 | Board 1410 mm | 3 |

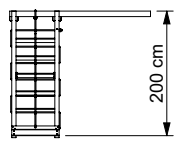
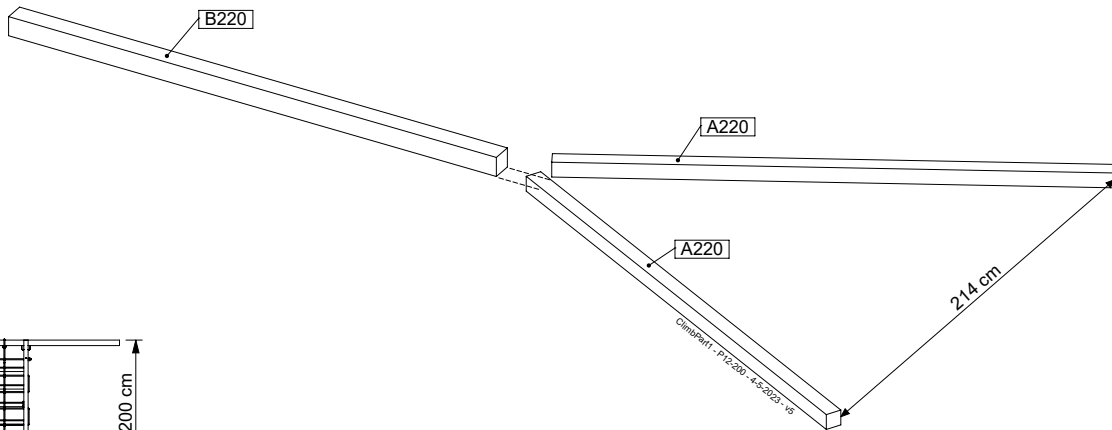
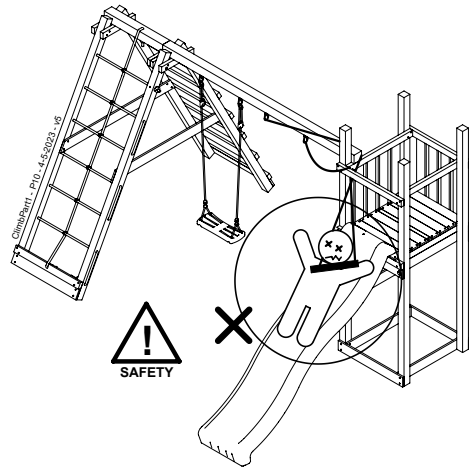
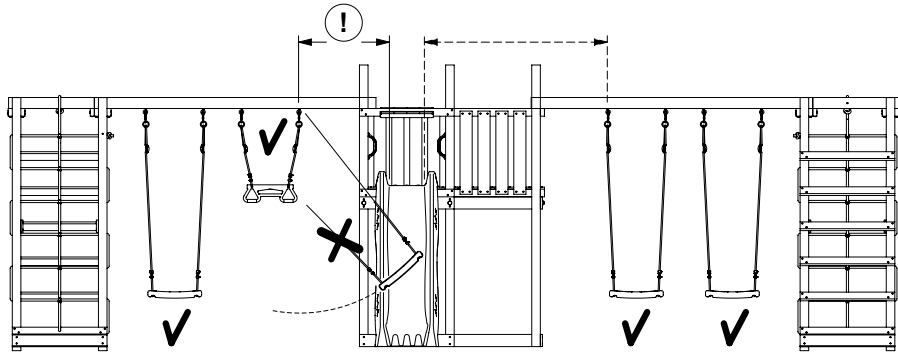
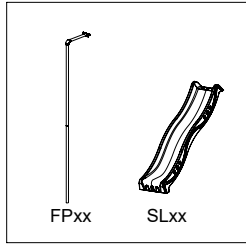


ClimbPart1 - P09 - 4-5-2023 - v5



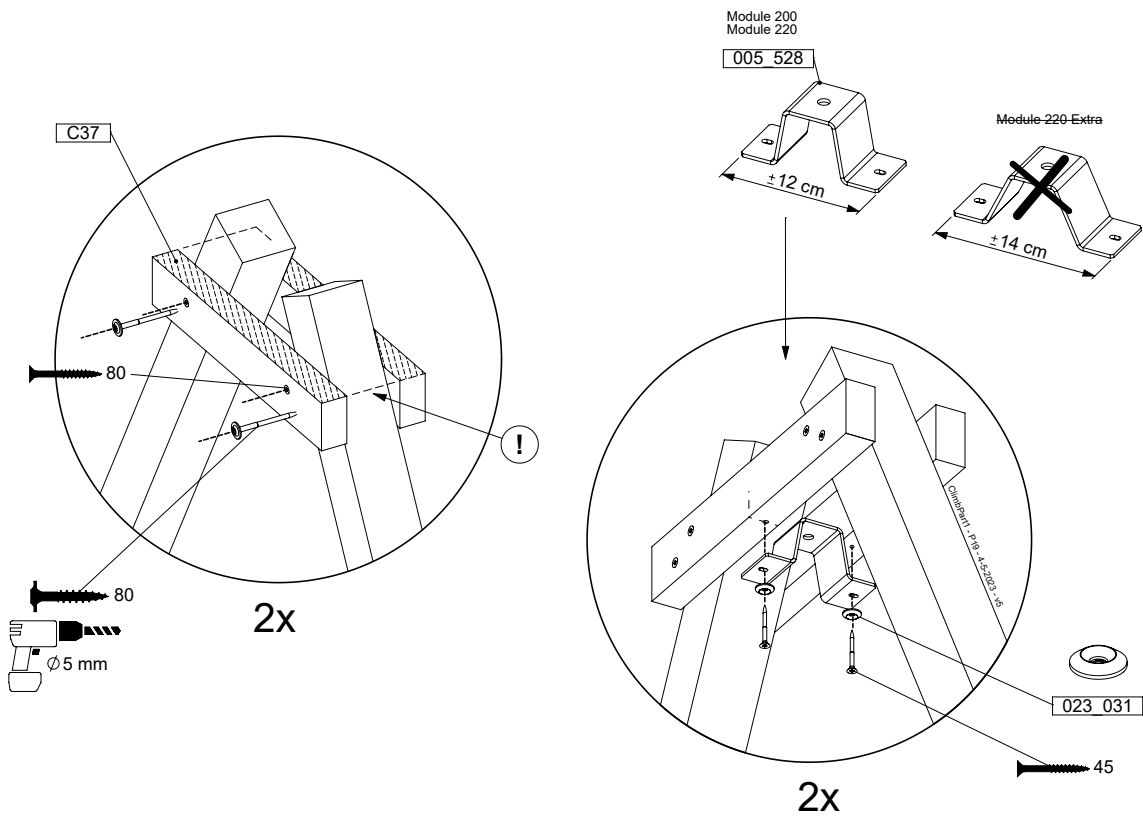
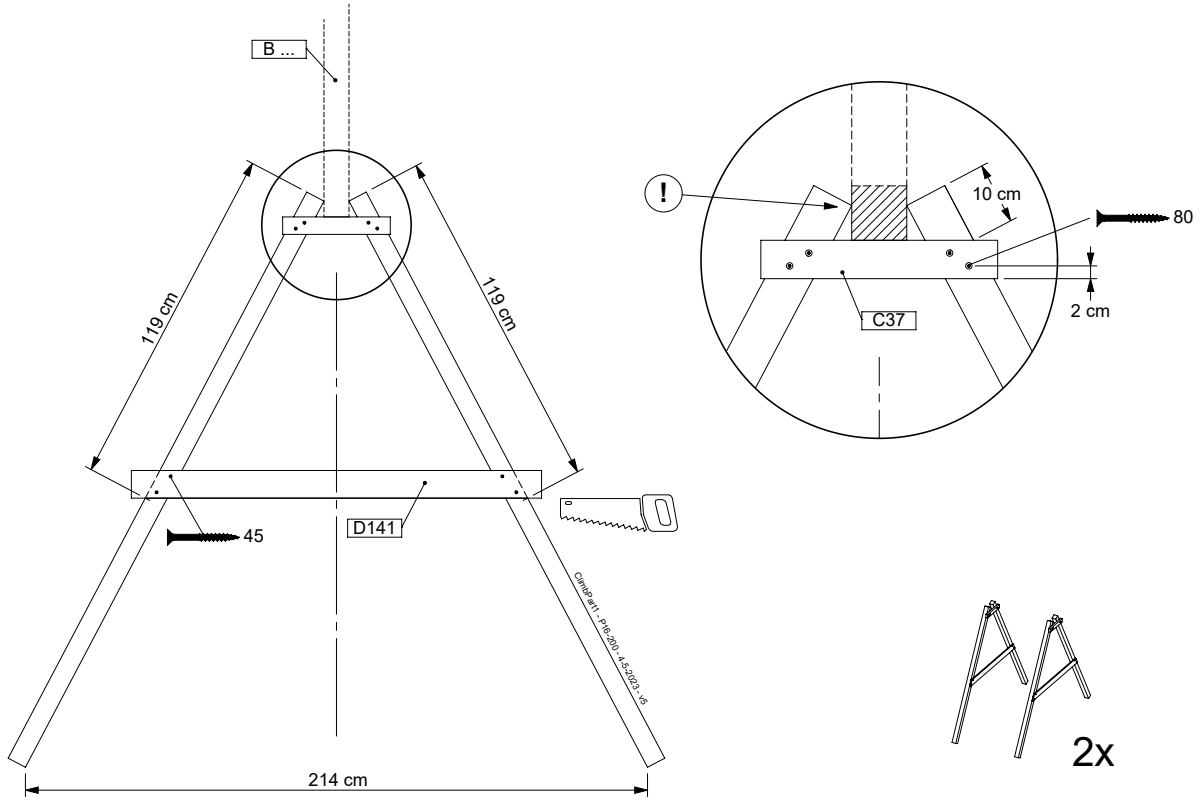
ClimbPart1 - P09 - 4-5-2023 - v5

16.1

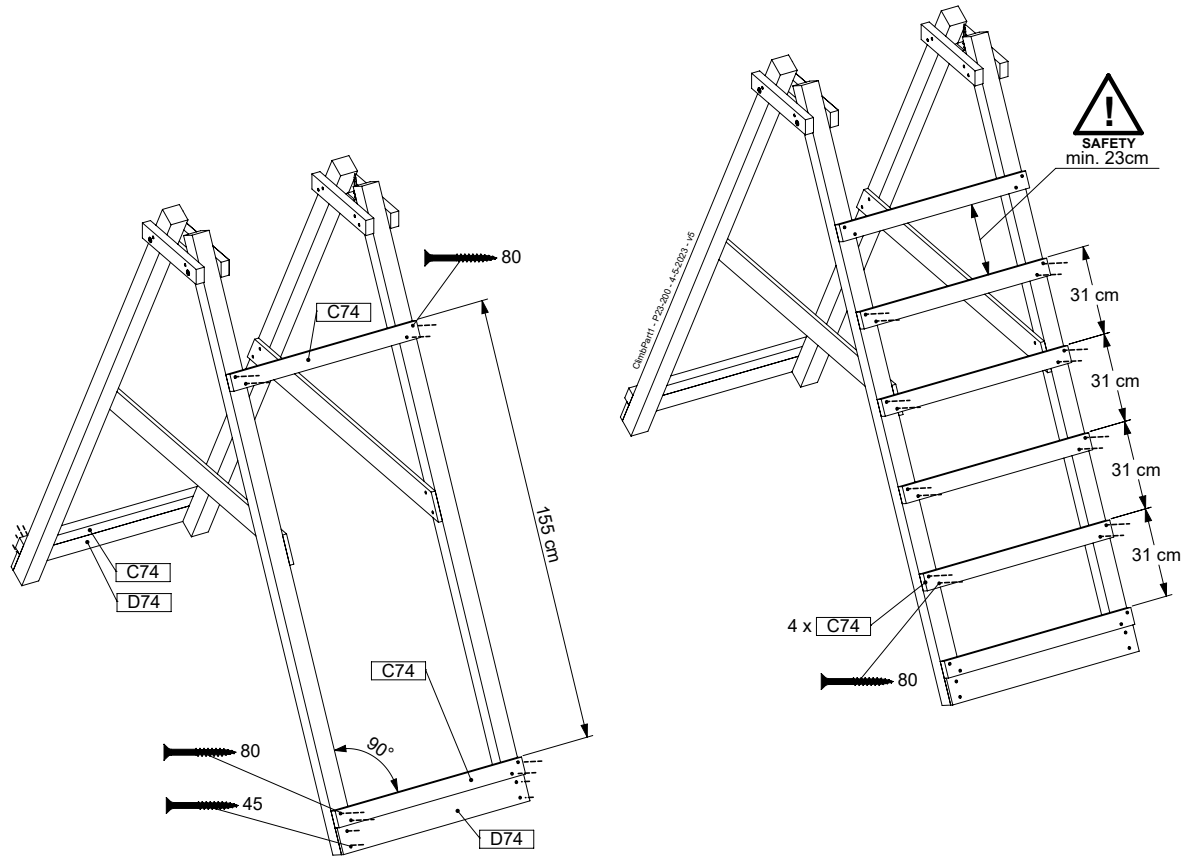


Climb Module 200

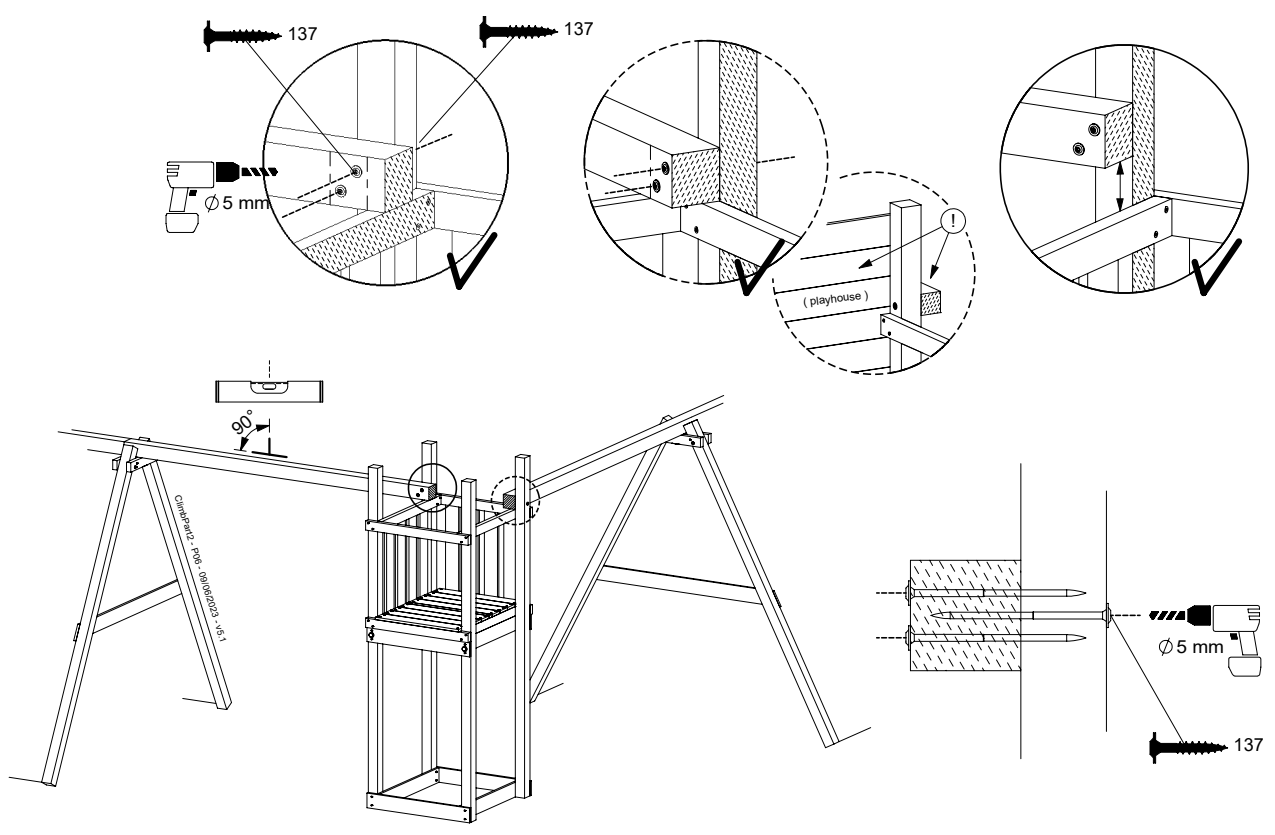
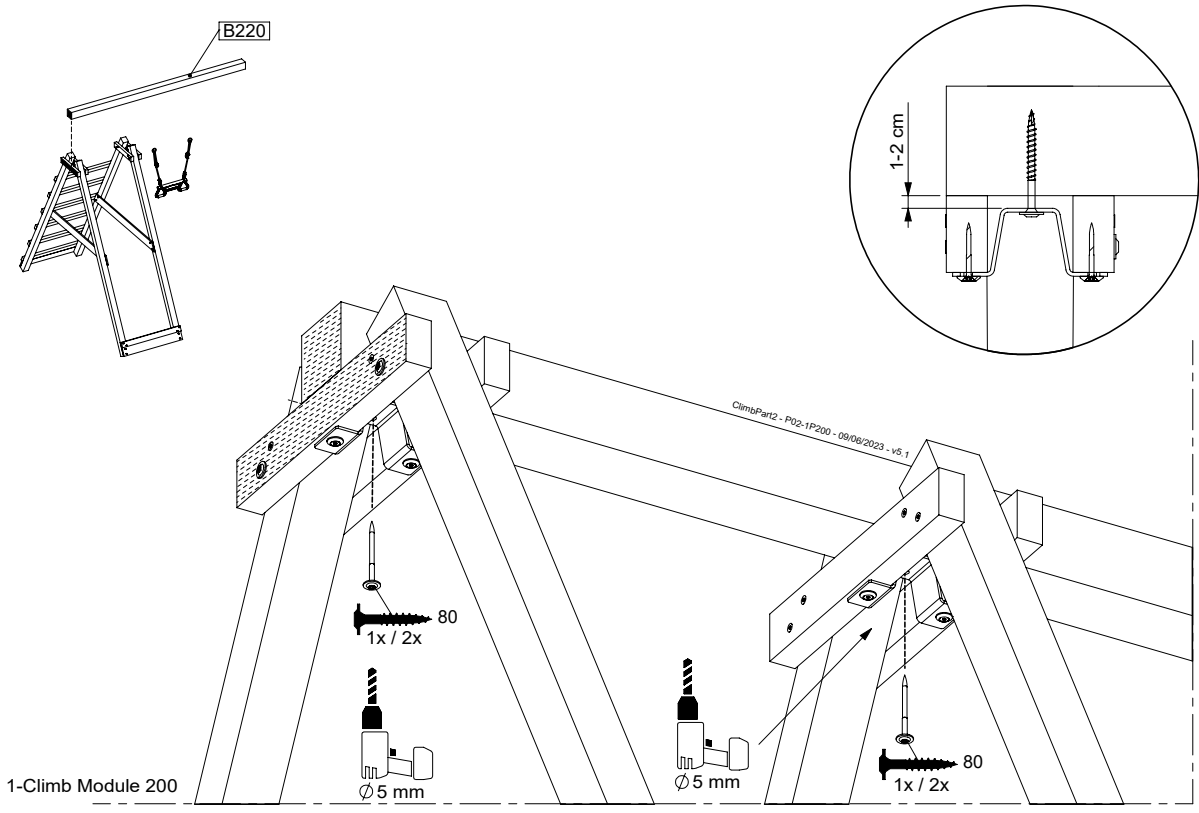
16.2



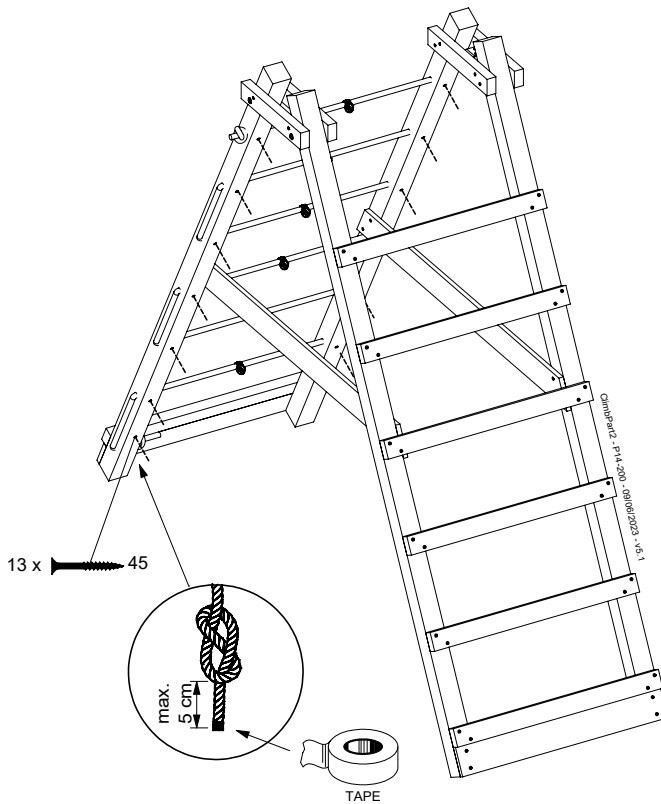
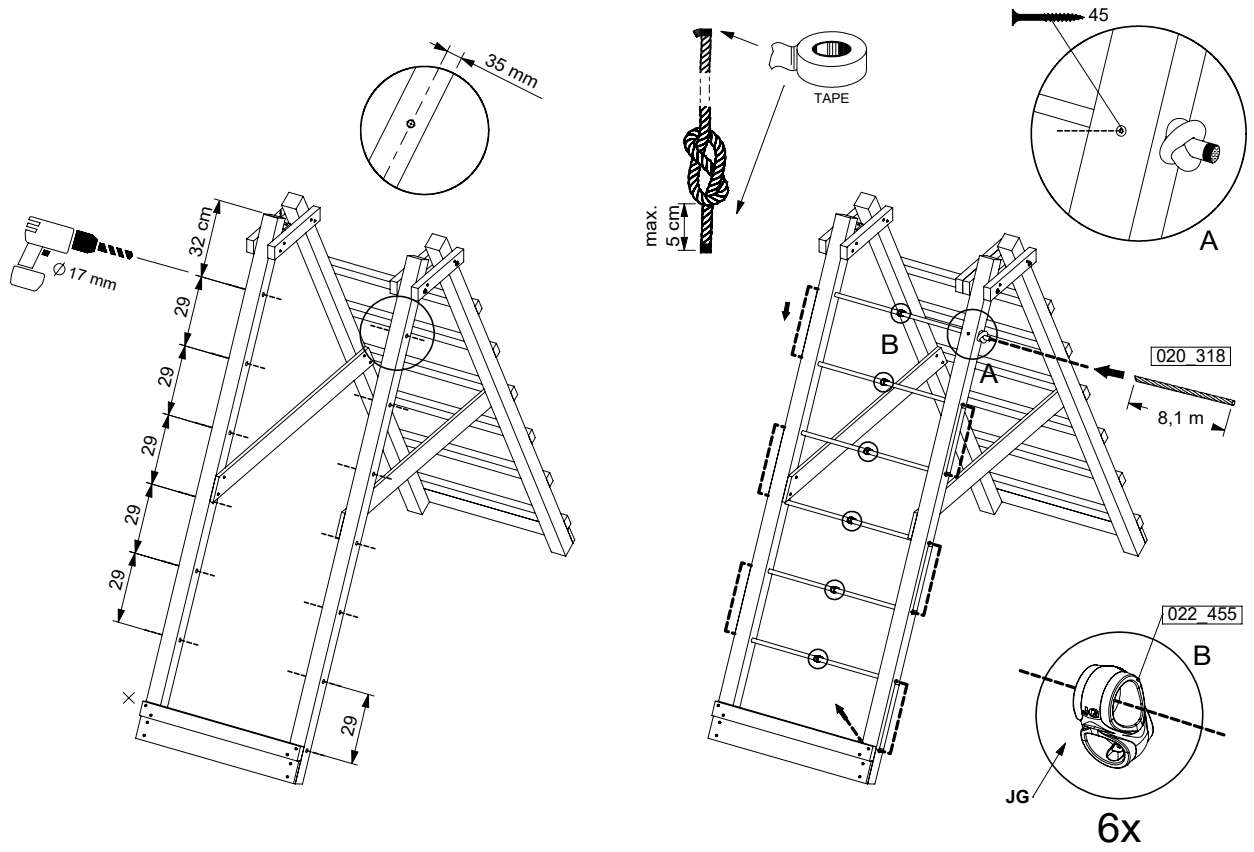
16.3



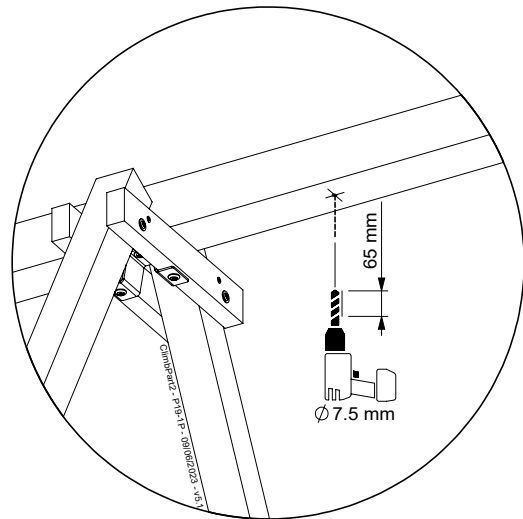
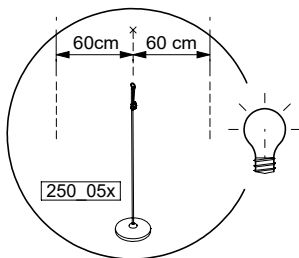
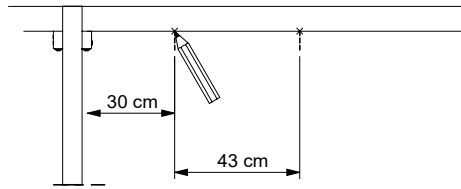
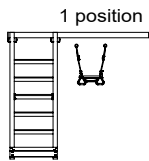
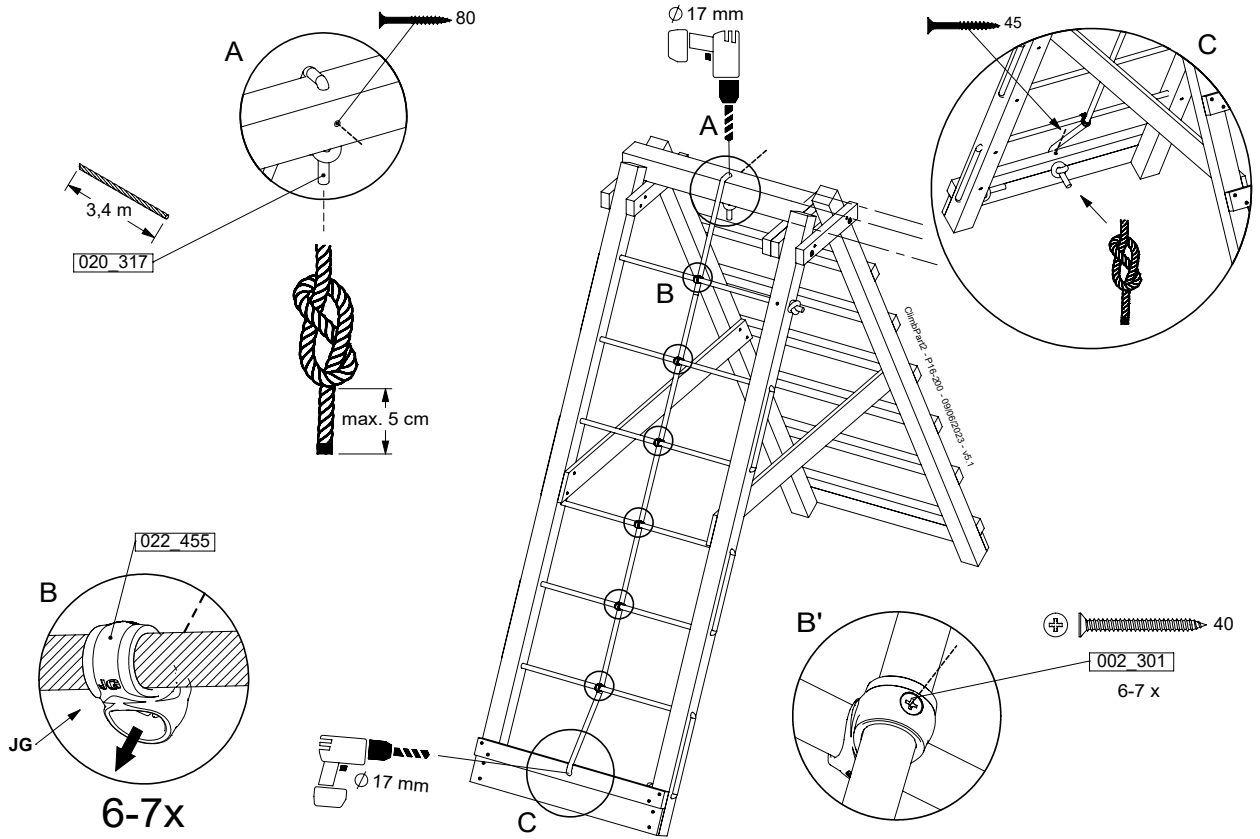
17 CL01: 1-Climb Module 200 - Part 2



17.1

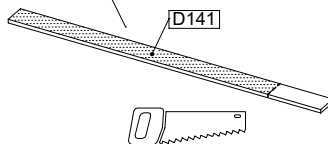
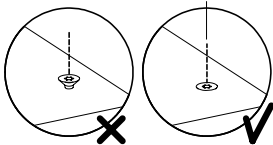
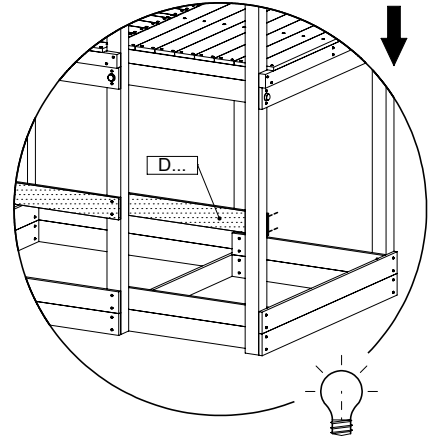
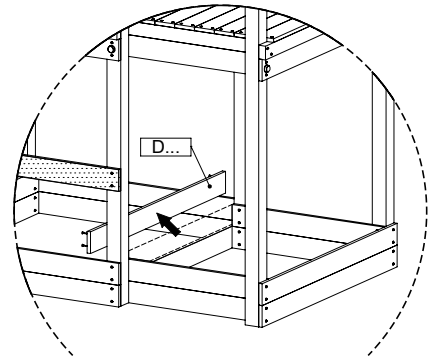
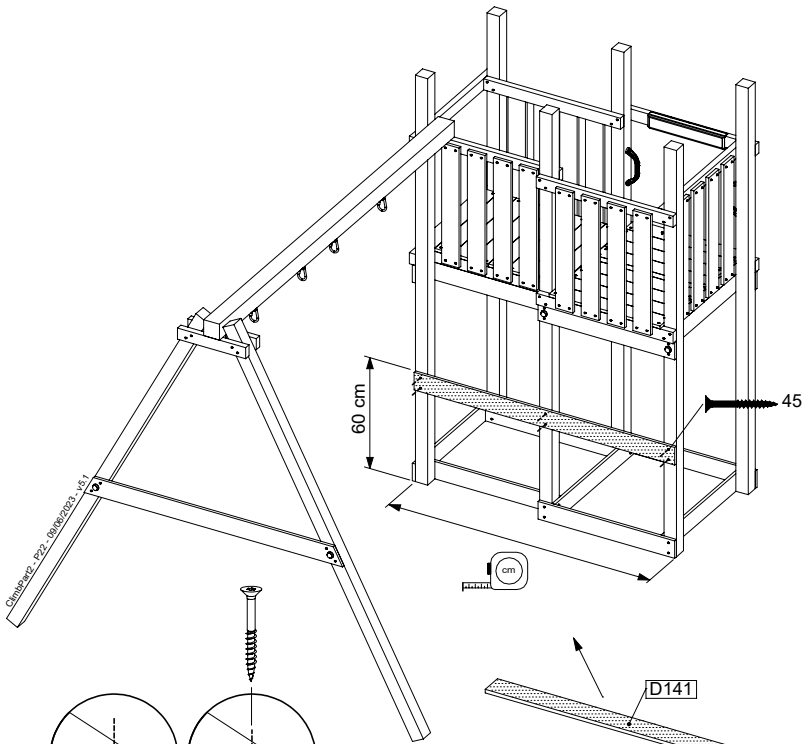
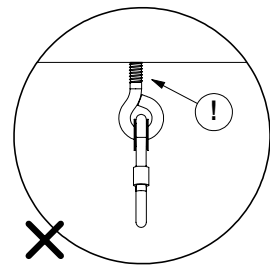
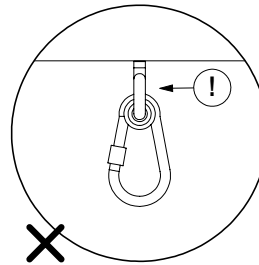
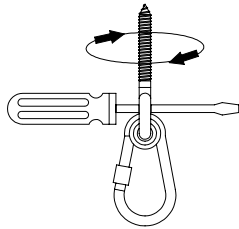
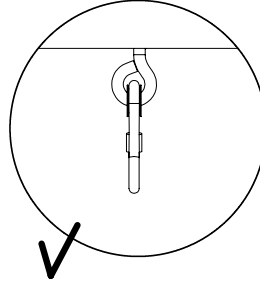
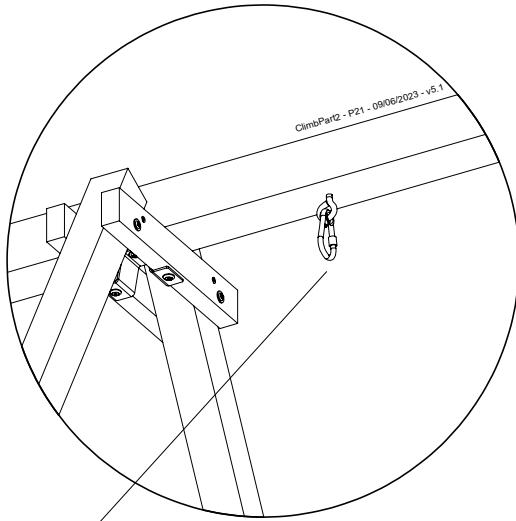


17.2

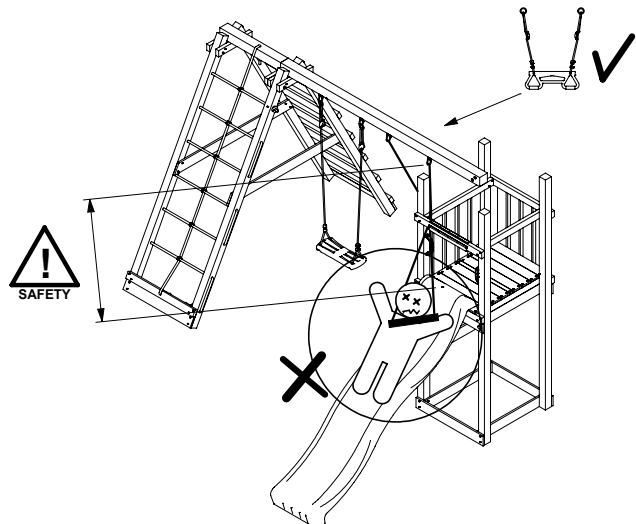
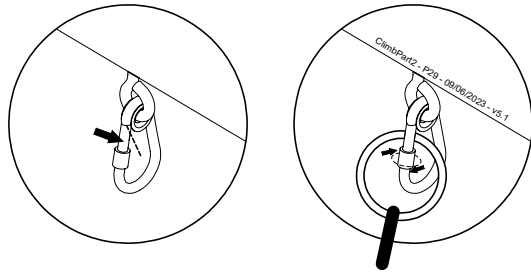
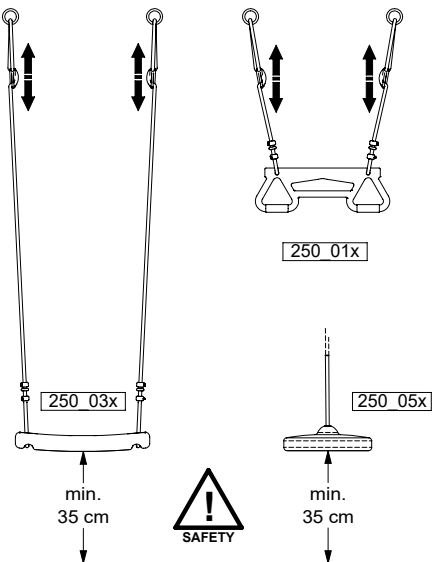
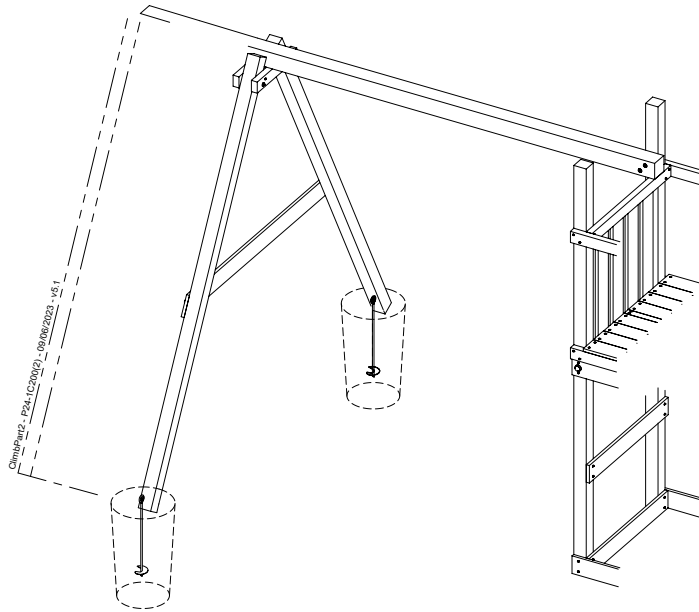
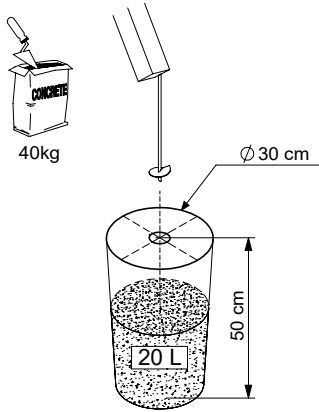


17.3

1-4 x
101 003



17.4

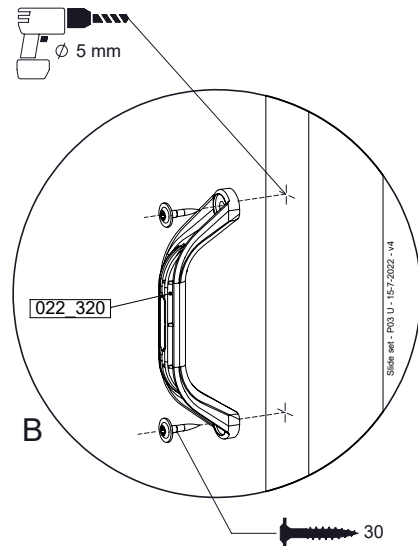
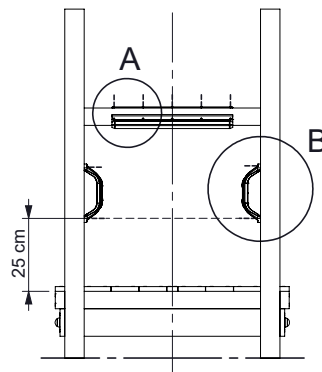
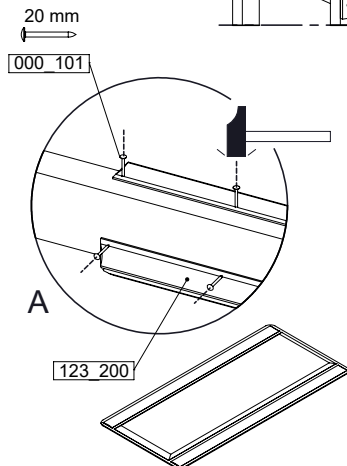
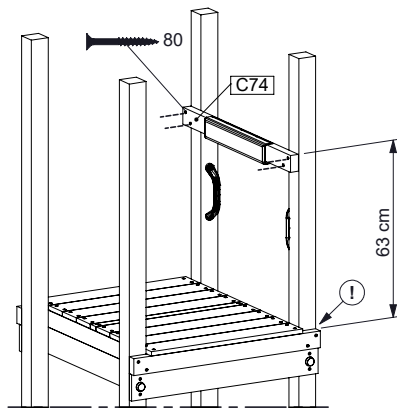
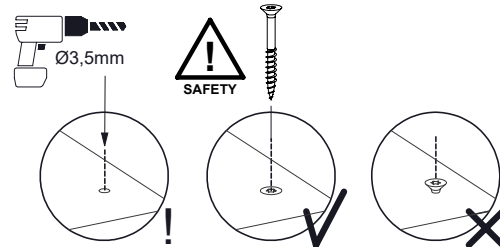
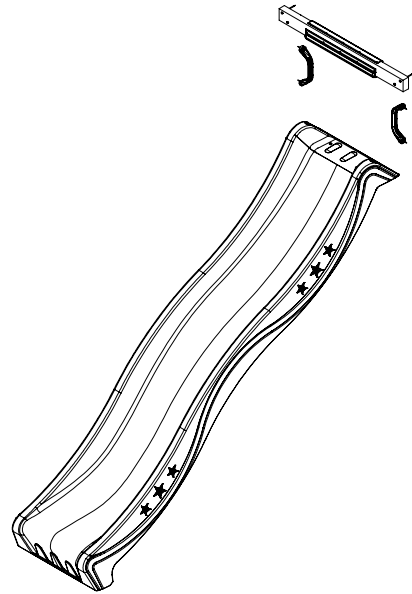


18 SL01: Slide 80 125 U

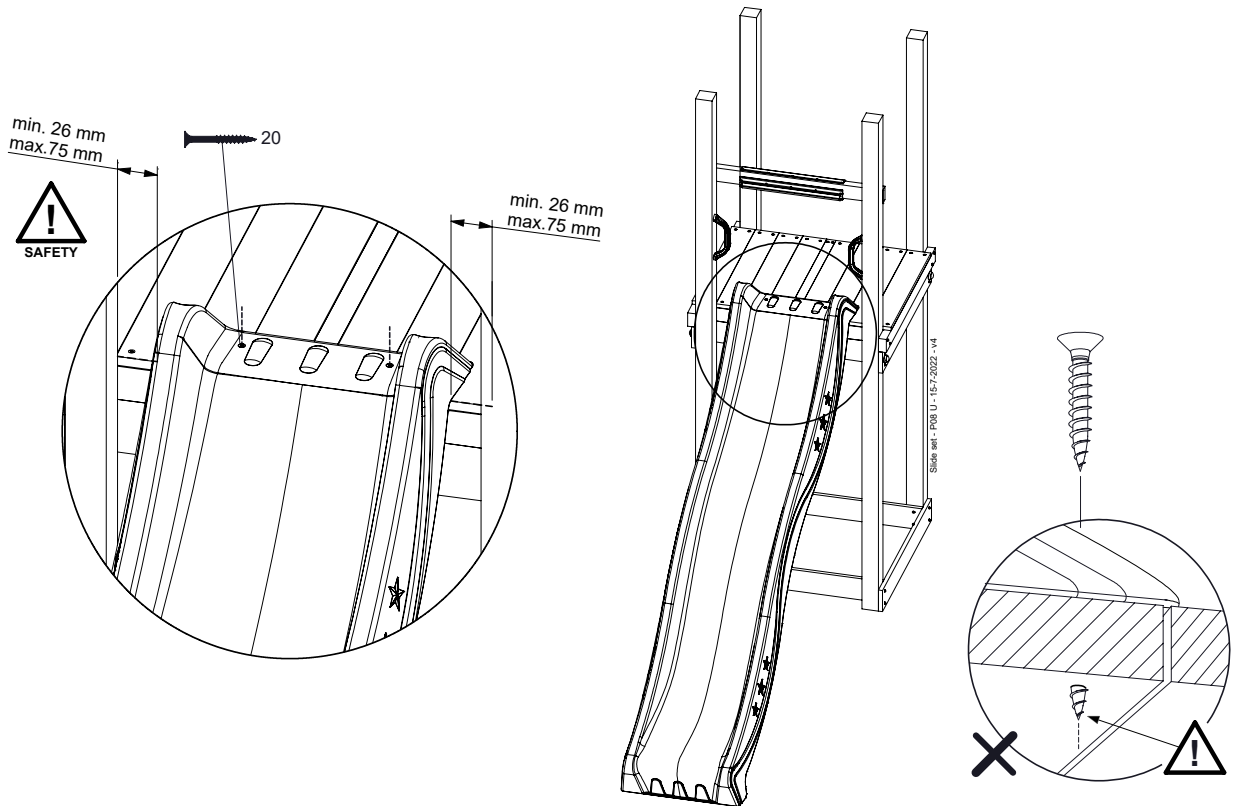
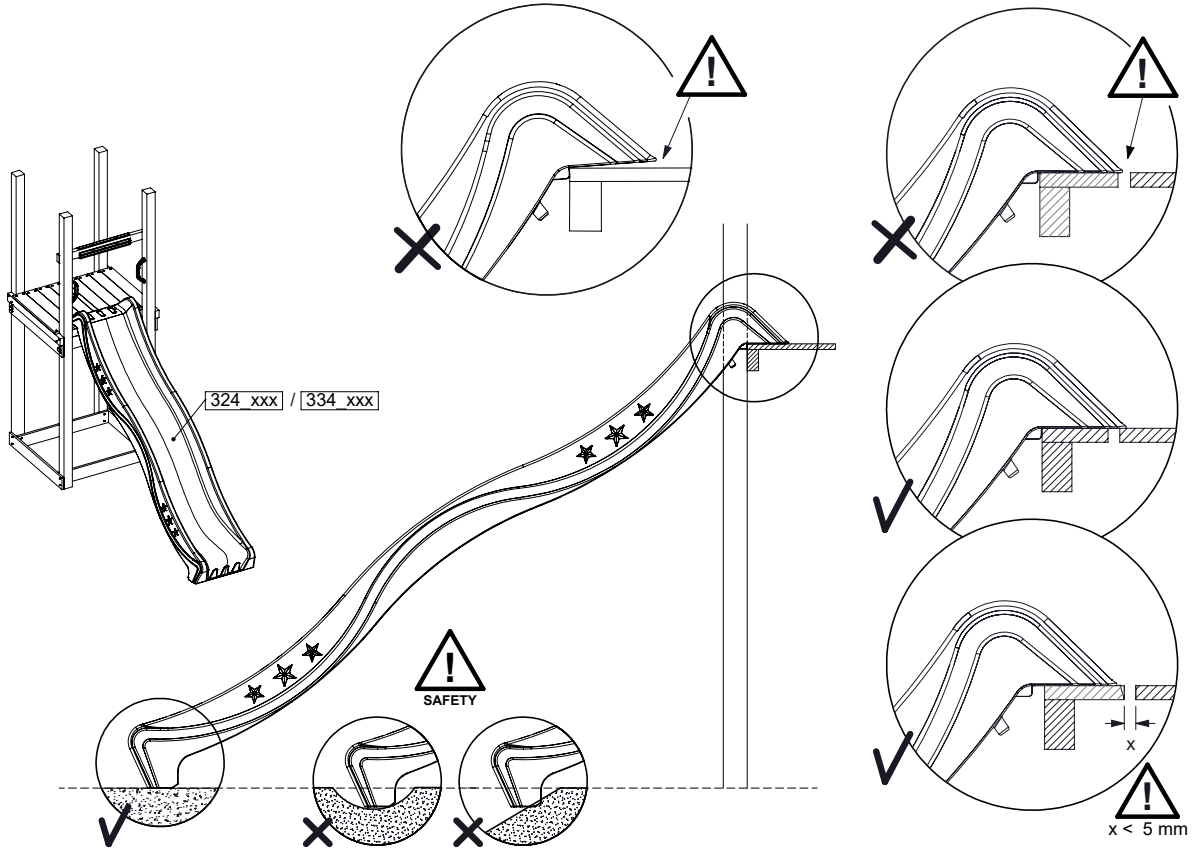
(194_107)

| | PartNo | PartName | QTY. |
|--------------------------|--------------------|--|------|
| Hardware Pack 100_605 | 000_101 | Nail Pan Head | 10 |
| | 002_223 | Gap Point Screw T25 - 5x80 | 4 |
| | 002_308 | Gap Point Screw T25 - 5x20 | 2 |
| Other | 120_102 | Handgrip set (2x Complete) | 1 |
| | 123_200 | Bumperpad | 1 |
| | 324_xxx 334_xxx | Wavy Star Slide XL 2200 mm / Wavy Star Slide XL 2650 mm | 1 |
| Timber | C74 | Beam 740 mm | 1 |

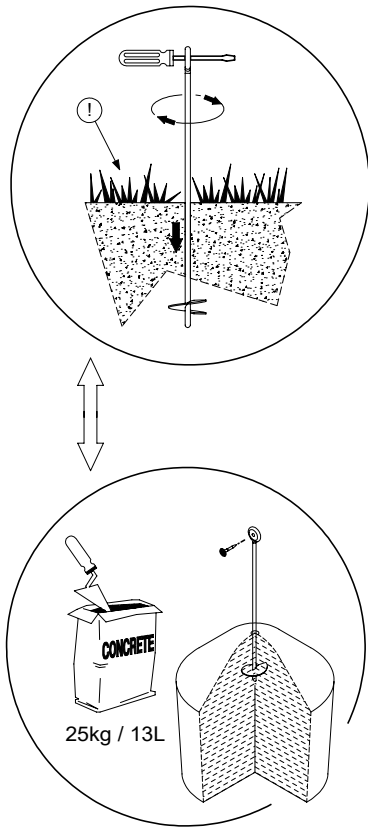
Slide set - P02 - 15-7-2022 - v4



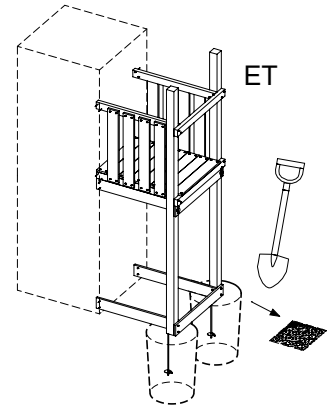
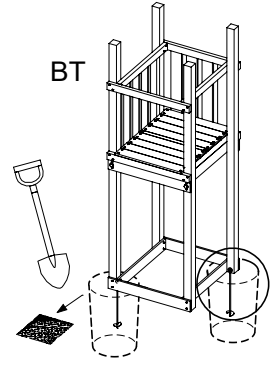
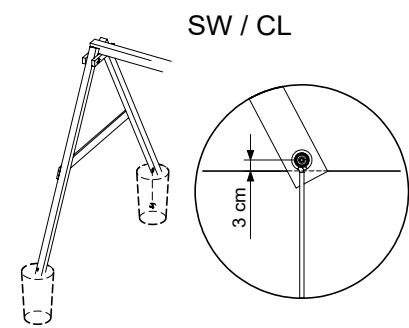
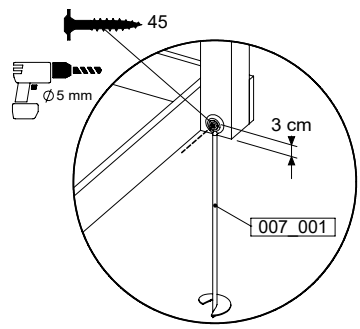
18.1



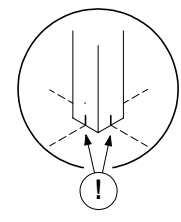
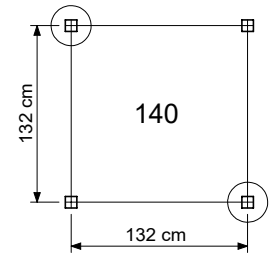
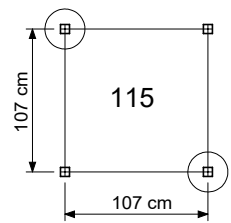
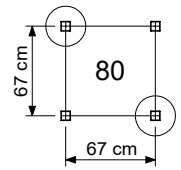
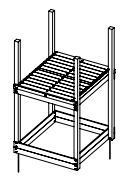
19 GA: Ground Anchors



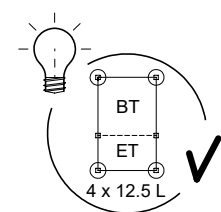
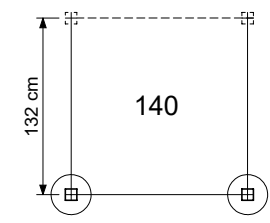
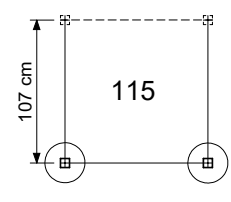
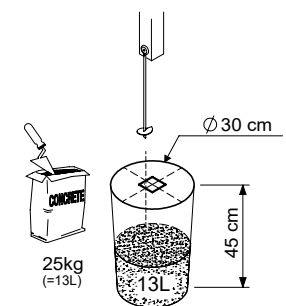
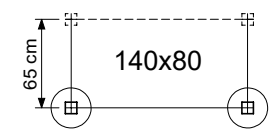
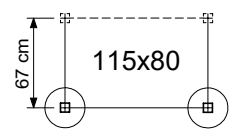
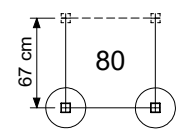
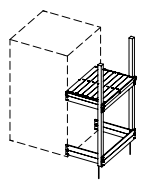
Ground Anchors Unit - P03 - 04/07/2023 - v1.2



BASE TOWERS

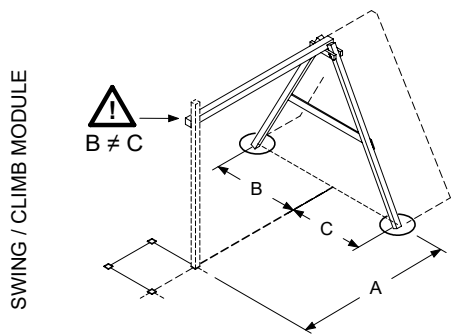
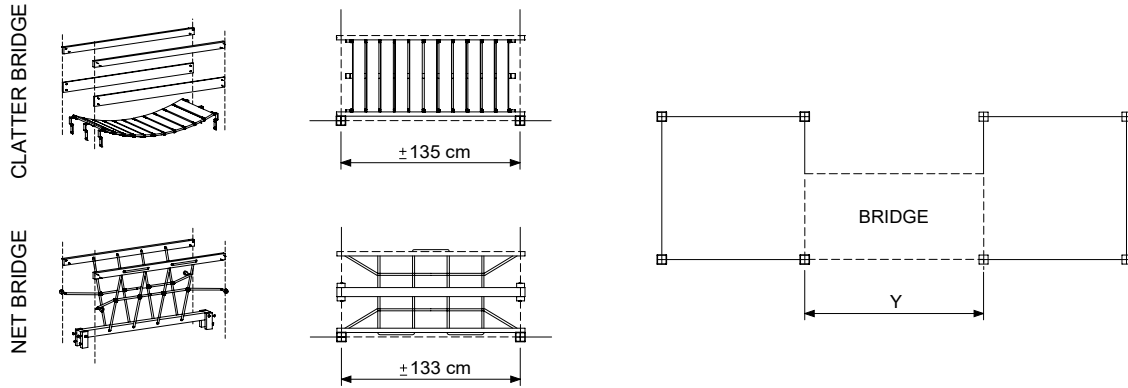


EXTENSION TOWERS



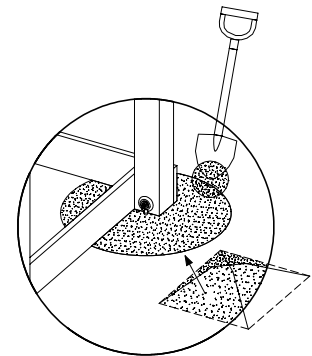
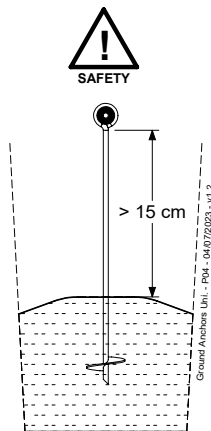
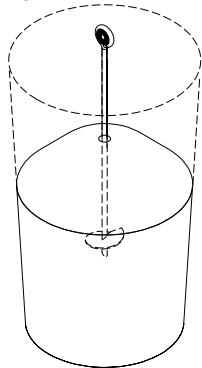
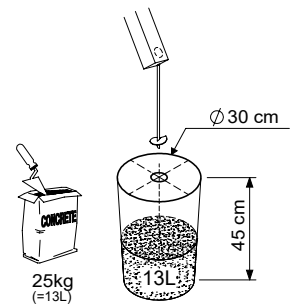
Ground Anchors Unit - P01 - 04/07/2023 - v1.2

19.1



| Module type | A | B | C |
|-------------------------|-----|-----|-----|
| 1-Swing 200 | 150 | 115 | 100 |
| 1-Swing 220 / 220 Extra | | 120 | 105 |
| 2-Swing 200 | 210 | 115 | 100 |
| 2-Climb 200 | | | |
| 1-Climb 200 | 142 | 120 | 105 |
| 1-Climb 220 / 220 Extra | | | |
| 2-Swing 220 / 220 Extra | 230 | 120 | 105 |
| 2-Climb 220 / 220 Extra | | | |

Grand Anchors Uni. - P02 - 04/07/2023 - v1.2

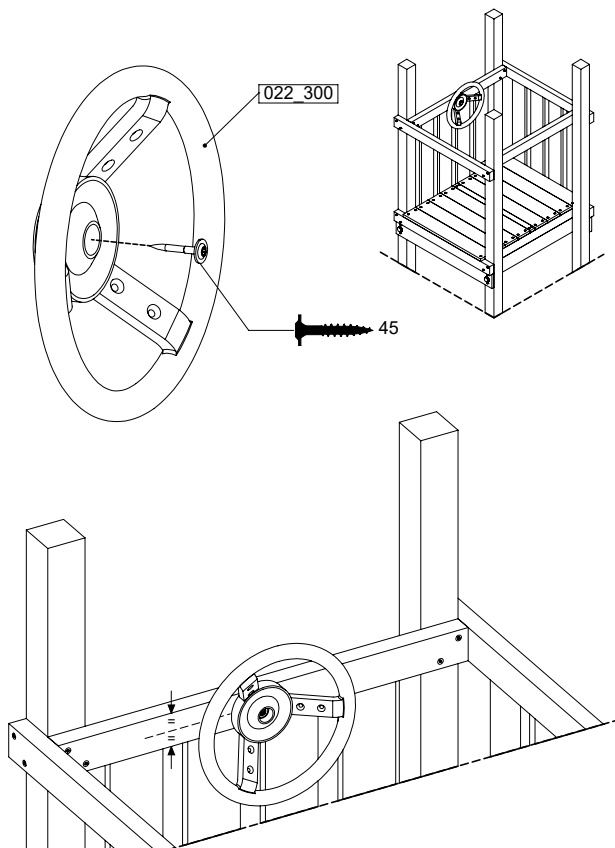
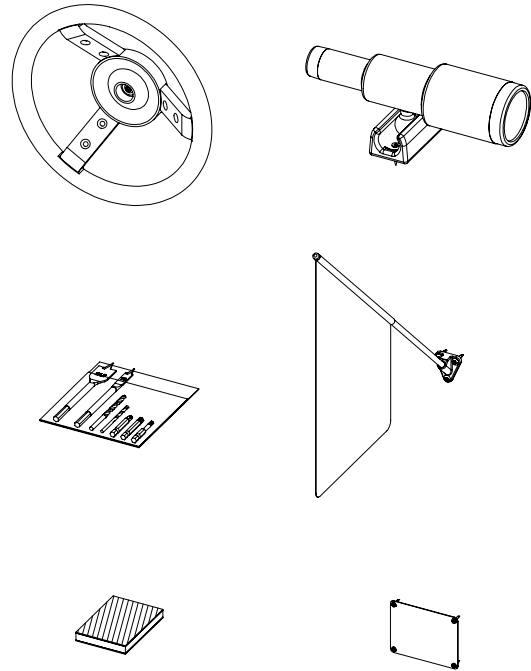


20 AC01: Accessories

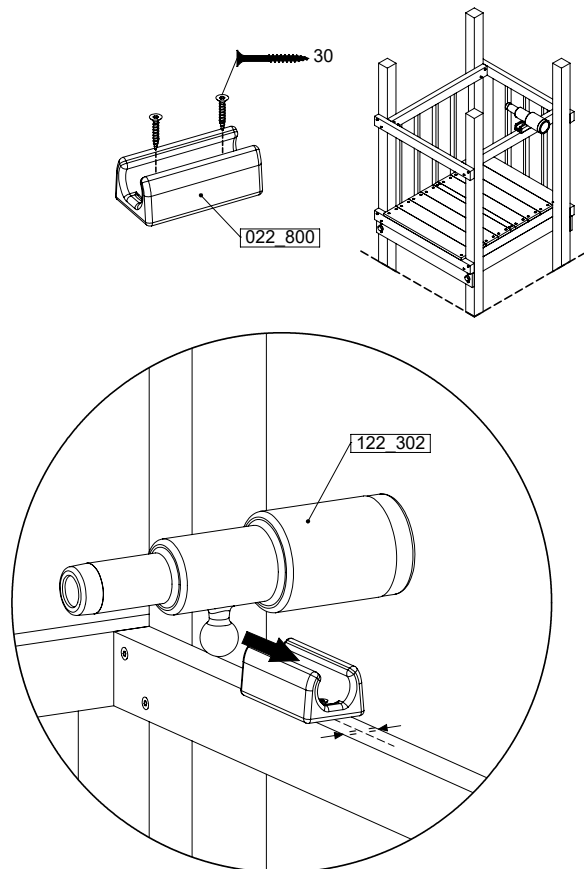
(194_119)

| | PartNo | PartName | QTY. |
|--------------------------|---------|-----------------------------|------|
| Hardware Pack 100_617 | 001_406 | Stealth Screw 8x45 | 1 |
| | 002_041 | Dome head screw 4.5 x 20 mm | 3 |
| | 002_042 | Dome head screw 3.5 x 13mm | 4 |
| | 002_219 | Gap Point Screw T25 - 5x30 | 2 |
| Other | 022_300 | Steering Wheel | 1 |
| | 022_800 | Rail P/T 105 | 1 |
| | 022_910 | Sandpad | 1 |
| | 103_901 | Logo ID Plate | 1 |
| | 104_107 | Tool Set Climbing Units | 1 |
| | 120_024 | Tower Flag | 1 |
| | 122_302 | Telescope | 1 |

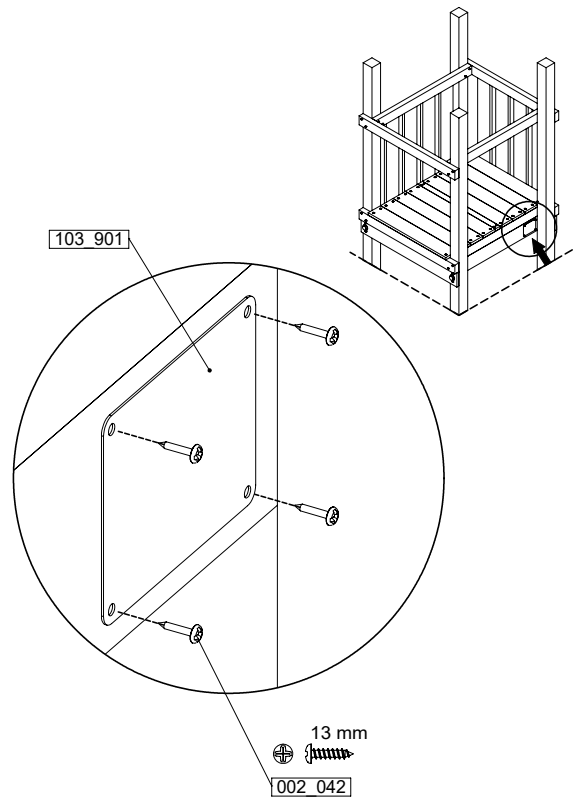
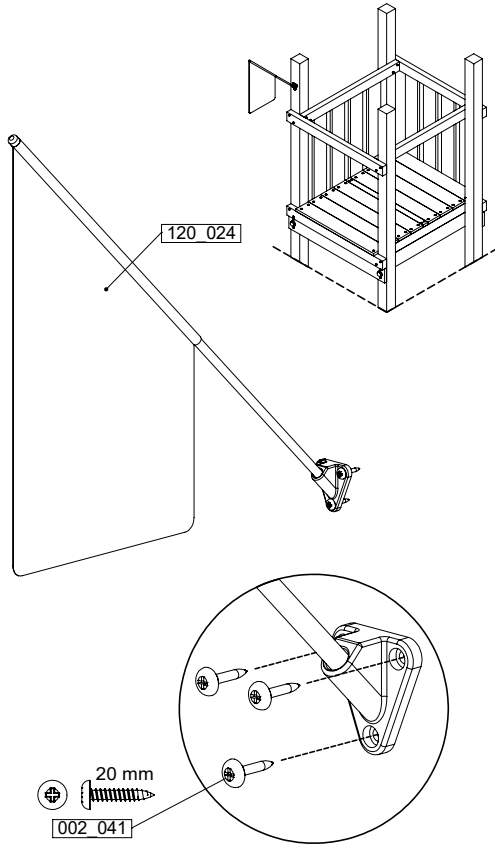
Accessory set - P102 - 06/07/2023 - v5



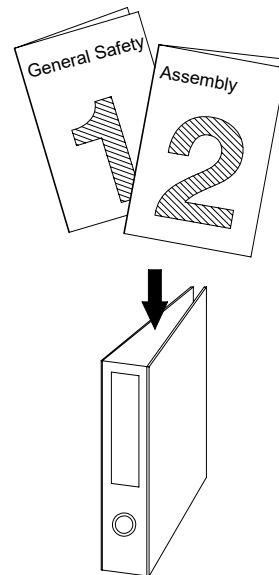
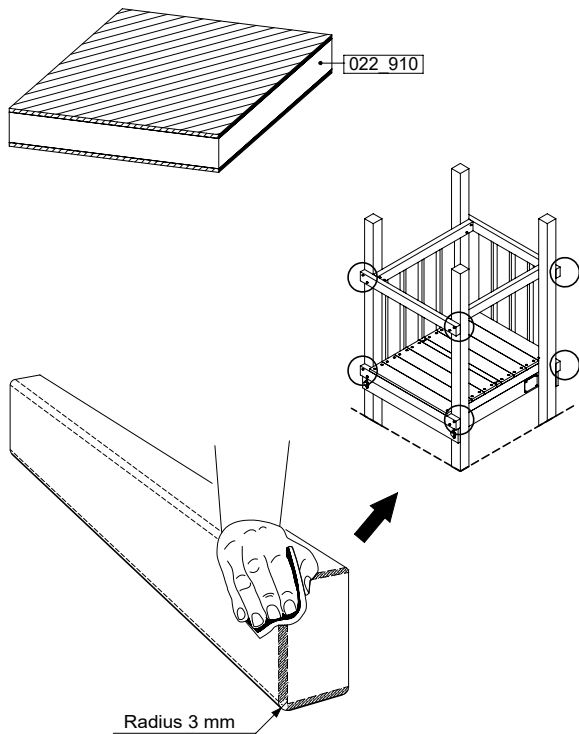
Accessory set - P103 - 06/07/2023 - v5



20.1



Accessory set - P04 - 06/07/2023 - v5



Accessory set - P05 - 06/07/2023 - v5

21 Conformity

Declaration of Conformity

Jungle Gym

BACKYARD PLAYGROUNDS

since 1988

Manufacturer details

| | |
|--|----------------------|
| Company Name | Tag-line |
| Jungle Gym B.V. | Backyard Playgrounds |
| Address | |
| P.O. Box 75083, 1070 AB Amsterdam, Netherlands | |

Activity toys for domestic use

Product Range Identification

Construction Packages (Sub-Assembly)

Universal Packs / Base Towers / Extension Towers / Roofs / Means of Exit/Access / Add-ons : 790_001 ... 794_911

Assembly

| | | |
|---|------------------------------|-----------------------------------|
| Playtowers : 801_005 ... 200 | Links : 870_100 ... 105 | Accessories : 123_220 ... 250_075 |
| Playhouses : 830_150 ... 253, 835_251 ... 253 | Swings : 801_300, _600, _601 | Slides (XL) : 324_100 ... 600 |
| Modules : 850_180 ... 415 | | Slides (XXL) : 334_100 ... 600 |
| : 857_103, 857_108 | Playtowers: 802_202 ... 208 | |
| 857_151, 857_158 | 803_202 ... 210 | |
| | 809_202 ... 804 | |

Applicable EC directives and standards

Chemical References

1. Migration of certain elements (17x + Chr VI + tin) as required in TSD 2009/48/EC and its amendments. Scrape off toy material. Tested according to EN 71-3:2019.
2. Migration of solvents, monomers and plasticizers as specified in "Safety for Toys: Organic Chemical Compounds", EN 71-9: 2005 + A1: 2007. Tested according to EN 71-10: 2005 & EN 71-11: 2005.
3. Content of N-nitrosamines and N-nitrosatable substances as specified in EN standard 71-12: 2013. Tested according to EN 71-12: 2013.
4. Content of 18 PAHs (Polycyclic Aromatic Hydrocarbons) as referred in AfPS GS 2014:01 PAK (Replaced on 2019:01). Tested according to QMA 2011.1284
5. Content of 7 Phthalates (18x) according to REACH (EG) no.1907/2006, Annex XVII. Tested according to COC-CH-C1011-09.3 and EN 15777 / QMA 2011.1300
6. Content of Cadmium according to REACH (EG) no. 1907/2006, Annex XVII. Tested according to EN 17294-2
7. Formaldehyde according to REACH (EG) no. 1907/2006, Annex XVII. Tested according to EN 14184
8. Azo dyes according to REACH (EG) no. 1907/2006, Annex XVII. Tested according to BVL B 82.02-2.
9. Content of 3 Flame retardants according to REACH (EG) no. 1907/2006, Annex XVII. Tested according to EN 62321-6.
10. Ni release according to REACH (EG) no. 1907/2006, Annex XVII. Tested according to EN 71-3:2013+A1:2014.
11. Sweat and Salvia resistance tested according to DIN 53160

Mechanical physical properties + flammability

EN 71 - 1 : 2014 + A1: 2018 EN 71 - 2 : 2011 + A1: 2014 EN 71 - 8 : 2018

Supplementary information

Conformity to the above specified directives and standards has been frequently verified and is continuously monitored by TÜV Süd, TÜV Rheinland LGA products, DEKRA (DE), STR Ltd (UK), LNE SA (FR), LMR Ltd (US) and IPS N.V. (BE) since 1994. Jungle Gym participates in the European Commission for standardisation for the safety of activity toys (TC52 / WG 10).


Declaration

I hereby declare under our sole responsibility that the products mentioned above, to which this declaration relates, complies with the above mentioned directives and standards.






























Name
Mr. P. Schmit / Director

Issued date
Januari 2nd, 2023



Signature of representative

Construction Packages (Assembly)


Playtowers

| | | | | | | |
|--|---|--|--|--|---|---|
| <p>S Single</p>  <p>Jungle Tower 802_201</p> | <p>S Single</p>  <p>Jungle Patio 802_202</p> | <p>S Single</p>  <p>Jungle Cocoon 802_204</p> | <p>S Single</p>  <p>Jungle Cirque 802_206</p> | <p>S Single</p>  <p>Jungle Totem 802_208</p> | <p>S Duo</p>  <p>Jungle Nomad 803_202</p> | <p>S Duo</p>  <p>Jungle Safari 803_204</p> |
| <p>S Duo</p>  <p>Jungle Viking 803_206</p> | <p>S Duo</p>  <p>Jungle Teepee 803_208</p> | <p>S Duo</p>  <p>Jungle Resort 803_210</p> | <p>S Combo</p>  <p>Jungle Explorer 809_802</p> | <p>S Combo</p>  <p>Jungle Voyager 809_804</p> | <p>M Single</p>  <p>Jungle Castle 801_120</p> | |
| <p>M Single</p>  <p>Jungle Club 801_110</p> | <p>M Single</p>  <p>Jungle Casa 801_105</p> | <p>M Single</p>  <p>Jungle Home 801_103</p> | <p>M Single</p>  <p>Jungle Hut 801_100</p> | <p>M Single</p>  <p>Jungle House 801_095</p> | <p>L Single</p>  <p>Jungle Cottage 801_090</p> | <p>L Single</p>  <p>Jungle Cabin 801_060</p> |
| <p>L Single</p>  <p>Jungle Lodge 801_040</p> | <p>L Duo</p>  <p>Jungle Cubby 801_070</p> | <p>L Duo</p>  <p>Jungle Mansion 801_009</p> | <p>XL Single</p>  <p>Jungle Sierra 801_025</p> | <p>XL Single</p>  <p>Jungle Fort 801_010</p> | <p>XL Duo</p>  <p>Jungle Chalet 801_013</p> | <p>XL Duo</p>  <p>Jungle Palace 801_005</p> |

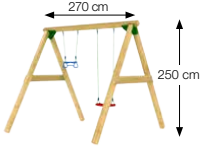
Swings



Jungle Peak
801_300




Jungle Swing
801_601




Jungle Swing
801_602


Swing Module




1-Swing Module 200
857_101




2-Swing Module 200
857_102




1-Swing Module 220
857_151



2-Swing Module 220
857_154




1-Swing Module 220 Extra
850_176




2-Swing Module 220 Extra
850_177


Climb Module




1-Climb Module 200
857_105




2-Climb Module 200
857_106




1-Climb Module 220
857_157



2-Climb Module 220
857_158



1-Climb Module 220 Extra
850_231



2-Climb Module 220 Extra
850_232

Bridge Module



Bridge Module
850_240

Construction Packages (Sub-Assembly)

Base Towers (BT)



790_001
790_002
790_003



792_002
792_003



794_001

Add-on Towers (ET)



790_101
790_102



792_101
792_102
792_103
792_104
792_105
792_106

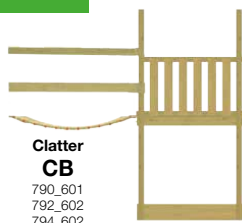


792_107 794_102
792_108 794_103
792_109 794_104
792_110 794_105
792_111 794_107
792_112 794_108
792_113 794_109
792_114

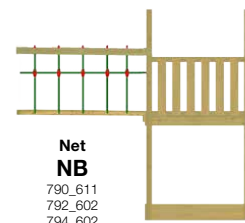


794_110

Bridges (CB + NB)



**Clatter
CB**
790_601
792_602
794_602



**Net
NB**
790_611
792_602
794_602

Swing Modules (SM)



**1-Swing Module 200
SM**
857_101



**2-Swing Module 200
SM**
857_102



**1-Swing Module 220
SM**
857_151



**2-Swing Module 220
SM**
857_152



**1-Swing Module 220
Extra
SM**
850_176



**2-Swing Module 220
Extra
SM**
850_177

Climb Modules (CM)



**1-Climb Module 200
CM**
857_105



**2-Climb Module 200
CM**
857_106



**1-Climb Module 220
CM**
857_157



**2-Climb Module 220
CM**
857_158



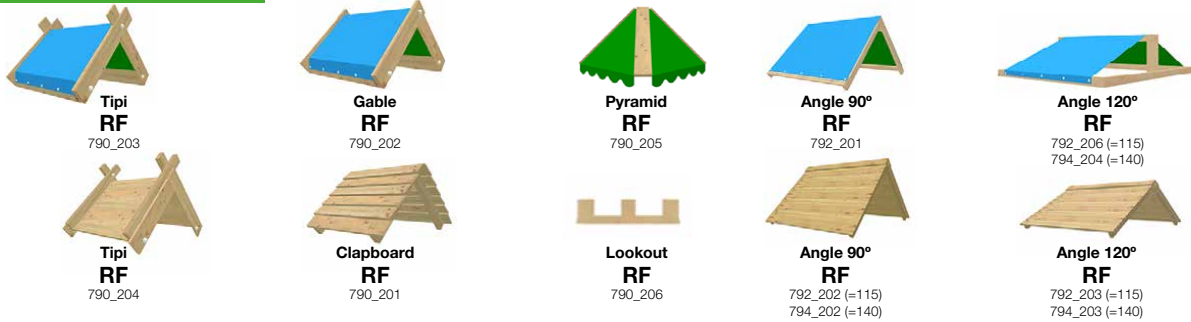
**1-Climb Module 220
Extra
CM**
850_231



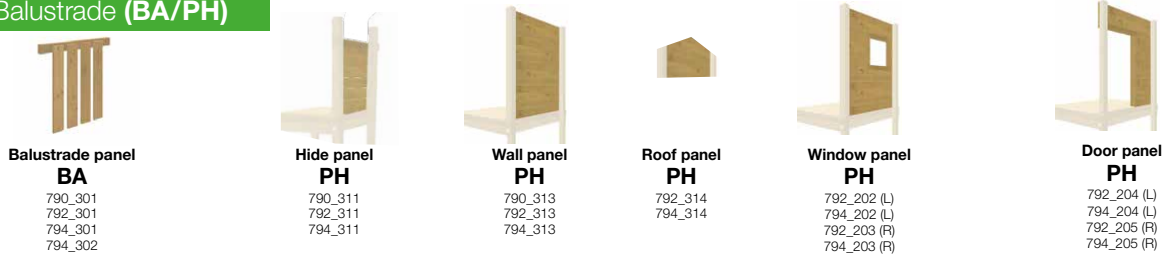
**2-Climb Module 220
Extra
CM**
850_232

Construction Packages (Sub-Assembly)

Roofs (RF)



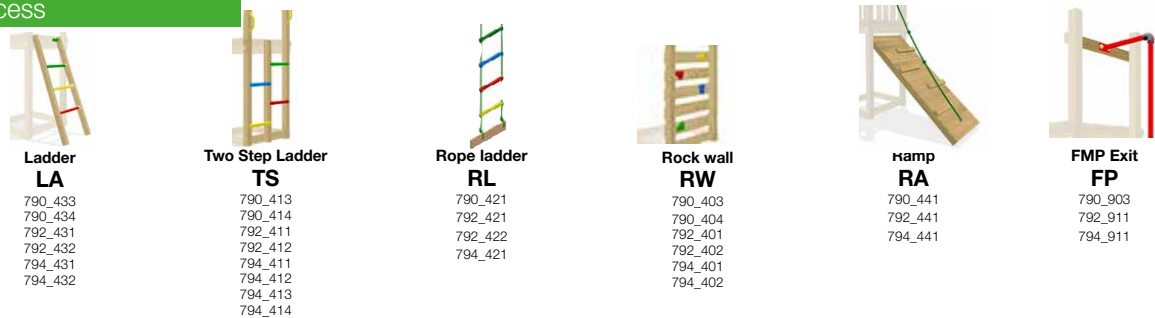
Balustrade (BA/PH)



Slides (SL)



Access



Add-ons (ADD)

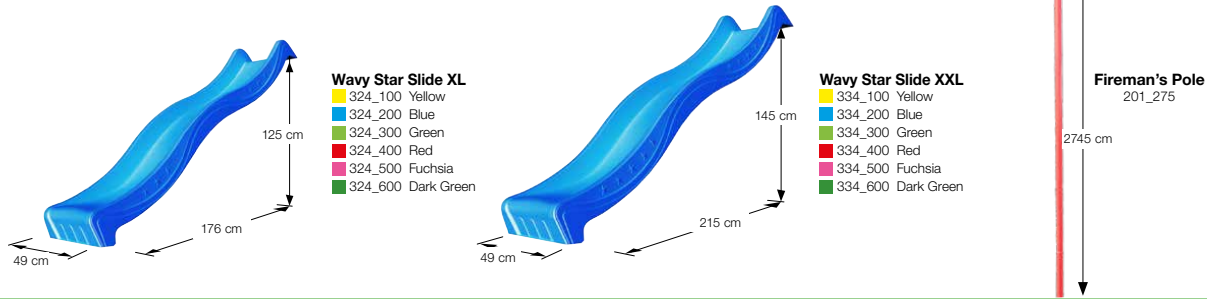


Universal Pack (AC)

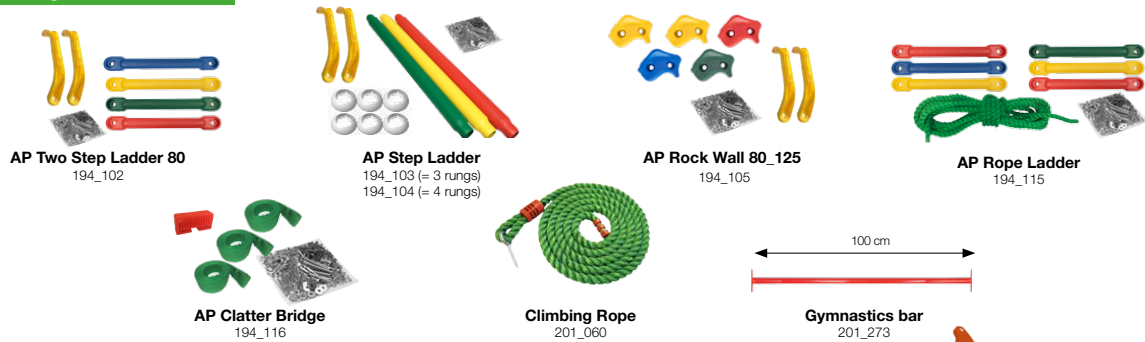


Accessories

Slides (MOE)



Climbing



Imagination



Swinging



Functional



Components

