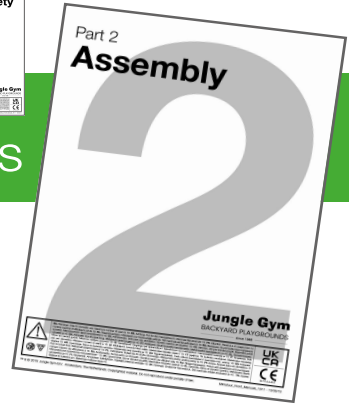


Part 2

Assembly

Instructions



Config ID: IcAxZU

Date: 2023-08-10



Manual Part 1



Important

This assembly manual should always be read in conjunction with the General Safety manual part 1 as included in the hardware package of your playground equipment.

Please read these safety instructions carefully before starting the assembly work.

Jungle Gym

BACKYARD PLAYGROUNDS

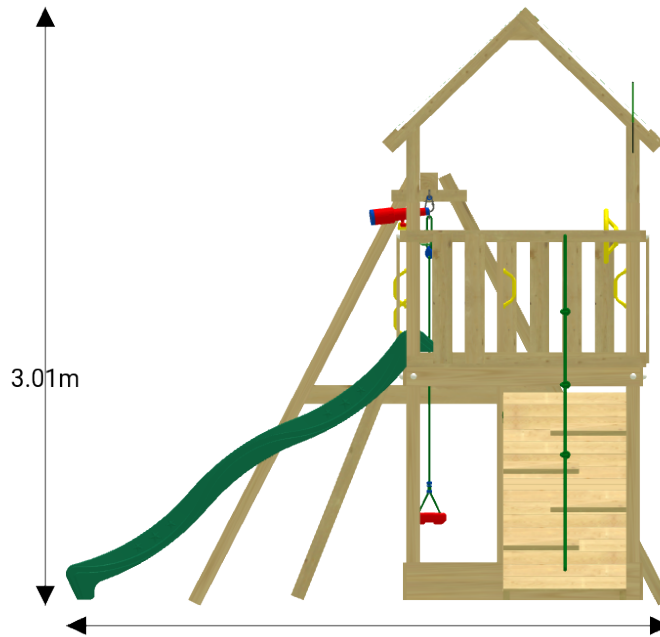
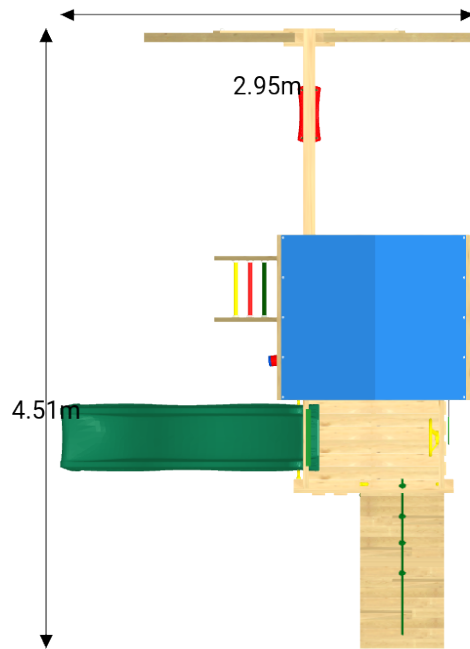
since 1988



EN. Warnings. Only for domestic use. Maximum number of users is **3**. **DE.** Achtung. Nur für den Hausgebrauch. Maximale Benutzerzahl: **3**. **FR.** Attention. Réserve à un usage privé. Le nombre maximal d'utilisateurs est de **3**. **NL.** Waarschuwingen. Uitsluitend voor huishoudelijk gebruik. Het maximale aantal gebruikers is **3**. **BG.** Внимание. За употреба само в домашни условия. Максималният брой потребители е **3**. **ES.** Advertencias. Sólo para uso doméstico. Número máximo de usuarios: **3**. **CS.** Varování. Jen pro domácí použití. Maximální počet uživatelů je **3**. **DA.** Advarsler. Kun til privat brug. Maksimum antal brugere er **3**. **ET.** Hoiatused. Ainult koduseks kasutamiseks. Maksimaalne kasutajate arv on **3**. **EL.** Προειδοποιήσεις. Μόνο για οικιακή χρήση. Μέγιστος αριθμός χρηστών **3**. **IS.** Varnaðarorð. Eingöngu fyrir einkanotkun í heimahúsum og á einkaloðum. Hámarksfjöldi notenda er **3**. **IT.** Avvertenze. Solo per uso domestico. Massimo numero di utenti è **3**. **LV.** Brīdinājumi. Izmantot tikai mājās. Maksimālais lietotāju skaits ir **3**. **LT.** Įspėjimai. Tik buitiniam naudojimui. Maksimalus naudotojų skaičius **HR.** Upozorenja. Samo za kućansku uporabu. Maksimalan broj korisnika je **3**. **HU.** Figyelmeztetések. Csak otthoni használatra! A használok max. száma: **3**. **NO.** Advarsler. Kun for privat bruk. Maksimalt antall brukere er **3**. **PL.** Ostrzeżenia. Wyłącznie do użytku domowego. Maksymalna liczba użytkowników to **3**. **PT.** Avisos. Apenas para uso doméstico. O número máximo de utilizadores é **3**. **RO.** Avertismente. Numai pentru uz domestic. Numărul maxim de utilizatori este **3**. **RU.** Предостережения. Только для домашнего использования. Максимальное количество пользователей - **3**. **SK.** Upozornenia. Iba na domáce použitie. Maximálne množstvo osôb je **3**. **SL.** Opozorila. Samo za domačo uporabo. Maksimalno število uporabnikov je **FI.** Varoitukset. Ainoastaan kotikäyttöön. Käyttäjää yhteensä enintään **3**. **SR.** Upozorenja. Samo za kućnu upotrebu. Maksimalan broj korisnika je **3**. **SV.** Varningar. Endast för hemmabruk. Det maximala antalet användare är **3**. **TR.** Uyarılar. Sadece ev kullanımı için. Maksimum kullanıcı sayısı **8**.



1 Views

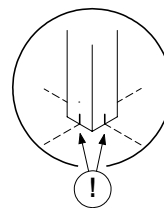
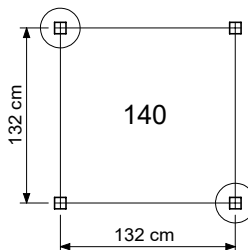
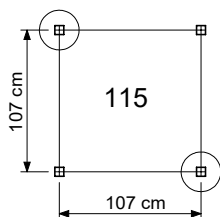
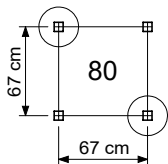
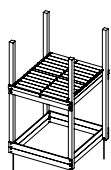


2 Order list

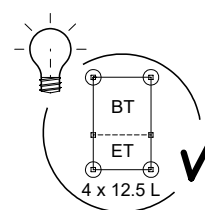
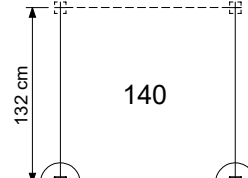
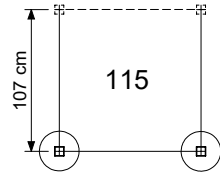
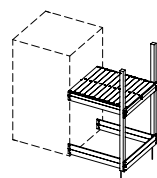
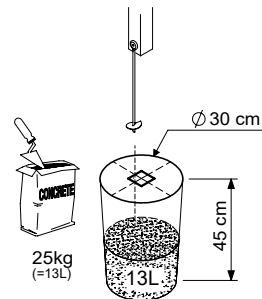
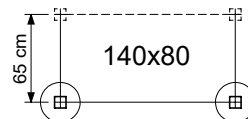
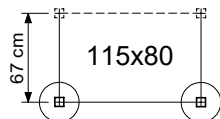
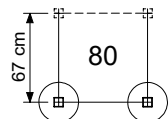
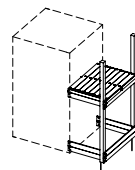
Nr.	SKU	Description	ID	Amount
1	792_431	Ladder 115_125	LA13	1
2	792_002	Base Tower 115_240240	BT11a	1
3	792_101	Extension Tower 11580_200	ET05a	1
4	792_201	Roof Castle 115	RF07a	1
5	790_301	Balustrade 80	BL01a	1
6	792_301	Balustrade 115	BL03a	1
7	792_301	Balustrade 115	BL04a	1
8	792_441	Ramp 115_125	RA08a	1
9	790_901	Slide 80	SL01a	1
10	757_153	1- Swing Module 220	SW09a	1
11	194_119	AP Accessory set	AC01a	1
12	250_034	Swing Seat Kit • Red	AC21a	1
13	324_x00	Wavy Star Slide XL	324_x00	1

3 Anchor Plan

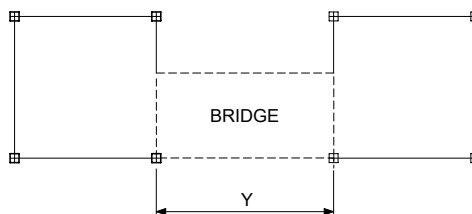
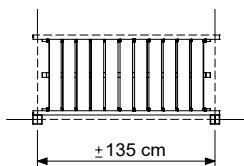
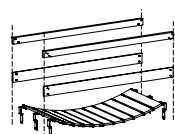
BASE TOWERS



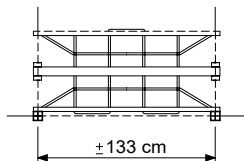
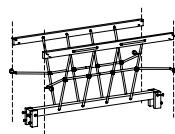
EXTENSION TOWERS



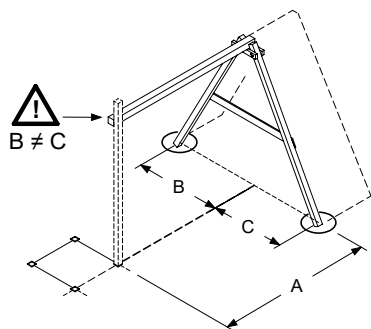
CLATTER BRIDGE



NET BRIDGE

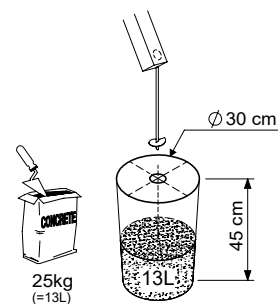


SWING / CLIMB MODULE



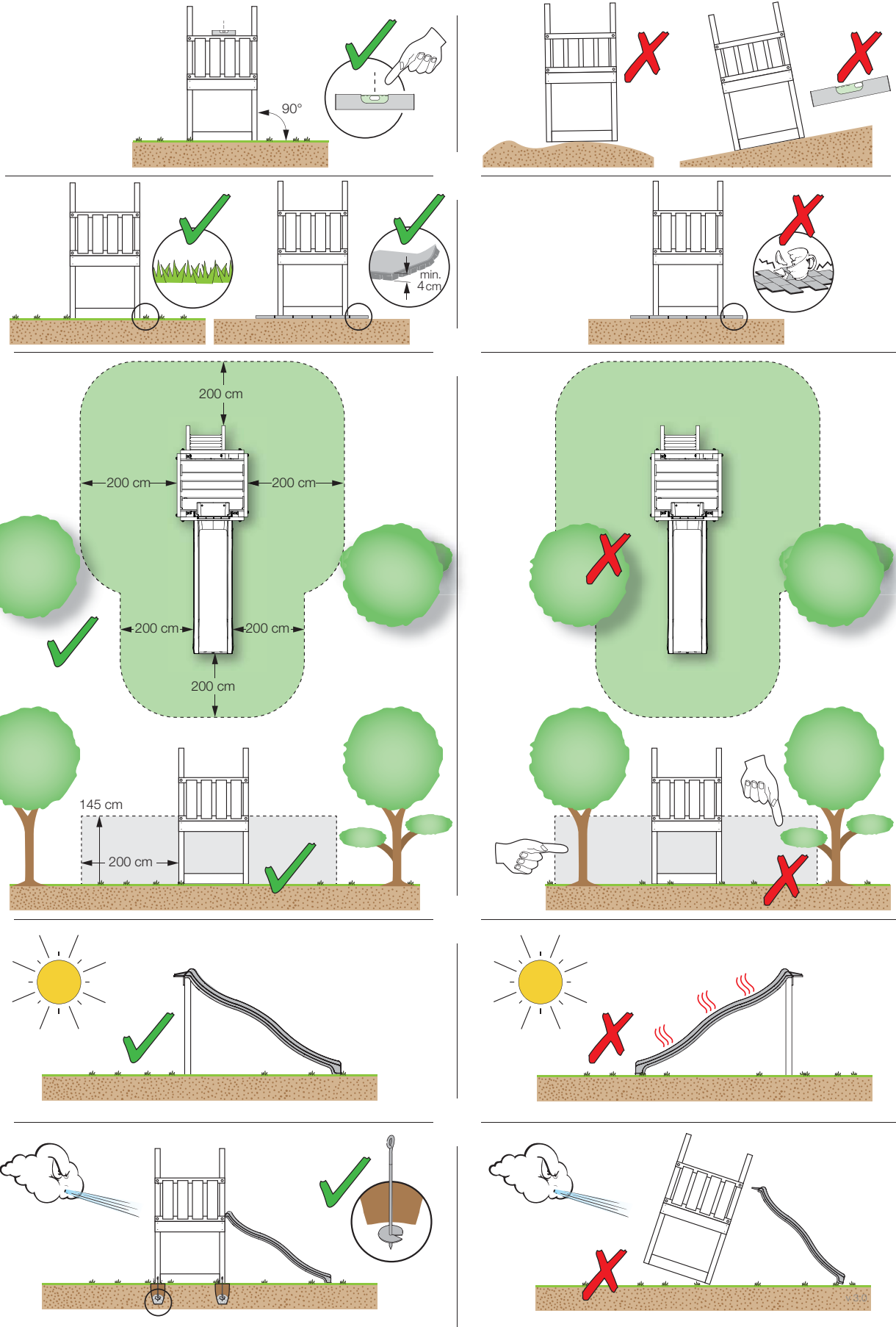
Module type	A	B	C
1-Swing 200	150	115	100
1-Swing 220 / 220 Extra		120	105
2-Swing 200	210	115	100
2-Climb 200			
1-Climb 200	142	120	105
1-Climb 220 / 220 Extra	162		
2-Swing 220 / 220 Extra	230	120	105
2-Climb 220 / 220 Extra			

Ground Anchors Unit - PO1 - 04/07/2023 - v1.2

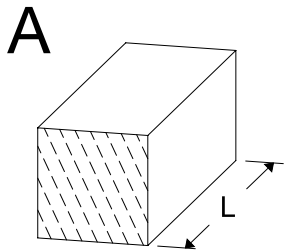


Ground Anchors Unit - PO1 - 04/07/2023 - v1.2

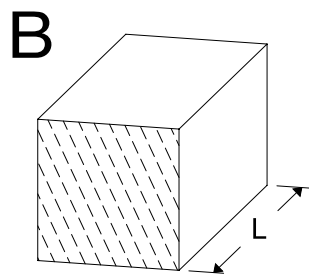
3.1 Safe Playground



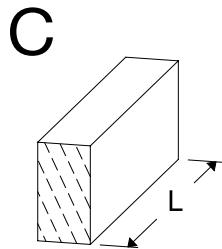
4 Timber parts



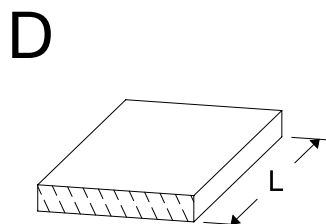
ID	L	#
A200	199 cm - 200 cm	2
A240	239 cm - 240 cm	6



B160	159 cm - 160 cm	1
------	-----------------	---


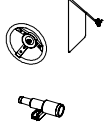





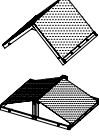
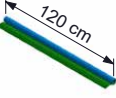
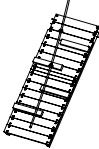
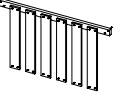



C37	36 cm - 37 cm	6
C70	69 cm - 70 cm	1
C74	73 cm - 74 cm	5
C90	89 cm - 90 cm	2
C96	85 cm - 96 cm	2
C114	113 cm - 114 cm	10
C130	129 cm - 130 cm	2
C154	153 cm - 154 cm	2
C186	185 cm - 186 cm	1



D60	59 cm - 60 cm	18
D65	64 cm - 65 cm	21
D74	73 cm - 74 cm	6
D100	99 cm - 100 cm	23
D114	113 cm - 114 cm	15
D120	119 cm - 120 cm	3
D141	140 cm - 141 cm	2

5 Assembly packs & accessories

<p>Tower 115</p>  <p>BT ET</p> <p>194_300</p> <p>2x</p>	<p>Accessory Set</p>  <p>AC</p> <p>194_119</p> <p>1x</p>	<p>Slide 2.2m</p>  <p>324_x00</p> <p>1x</p>	<p>Ladder 125</p>  <p>LA</p> <p>194_003</p> <p>1x</p>	<p>Hardware 01</p>  <p>BL H01</p> <p>194_101</p> <p>2x</p>
<p>Slide Frame</p>  <p>SL</p> <p>194_107</p> <p>1x</p>	<p>Swing Frame Kit</p>  <p>SW</p> <p>457_102</p> <p>1x</p>	<p>Roof Canvas 115</p>  <p>RF</p> <p>194_312</p> <p>1x</p>	<p>Canvas 185 x 120cm</p>  <p>120 cm</p> <p>123_222</p> <p>1x</p>	<p>Ramp</p>  <p>RA</p> <p>194_008</p> <p>1x</p>
<p>Balustrade 140</p>  <p>BL</p> <p>194_501</p> <p>2x</p>	<p>Swing Seat</p>  <p>AC</p> <p>250_034</p> <p>1x</p>			

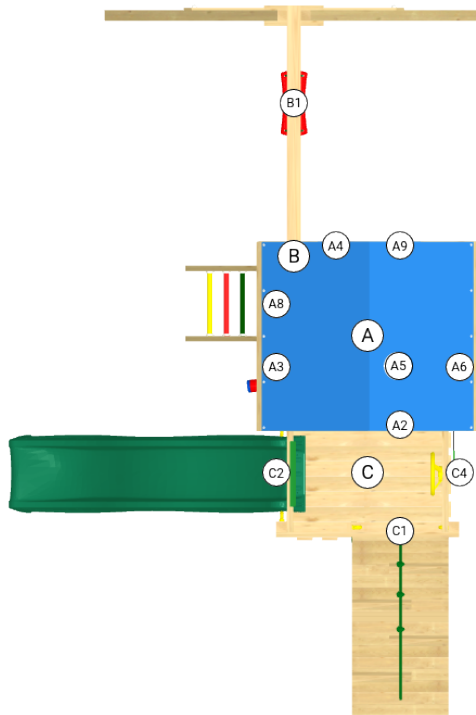
6 Hardware Identification













		SKU	L	
		001_404 001_406 001_411 001_417 001_422	30 mm 45 mm 60 mm 80 mm 137 mm	
		M8	001_102	30 mm
		ø 2.0 mm	000_101	20 mm
		ø 6.3 mm	002_036	16 mm
		ø 4.5 mm	002_041	20 mm
	ø 3.5 mm	002_042	13 mm	
	ø 3.9 mm	002_301	40 mm	

		SKU	L	
		002_308 002_219 002_220 002_223	20 mm 30 mm 45 mm 80 mm	
		M8	003_010	
		M6	003_034	
		M8	004_050	22mm
		022_845 022_846 022_847 022_848	Yellow Blue Green Red	
		023_031	White	
		120_005	White	
022_844	022_314			

output: 25/05/23

7 Assembly Planning



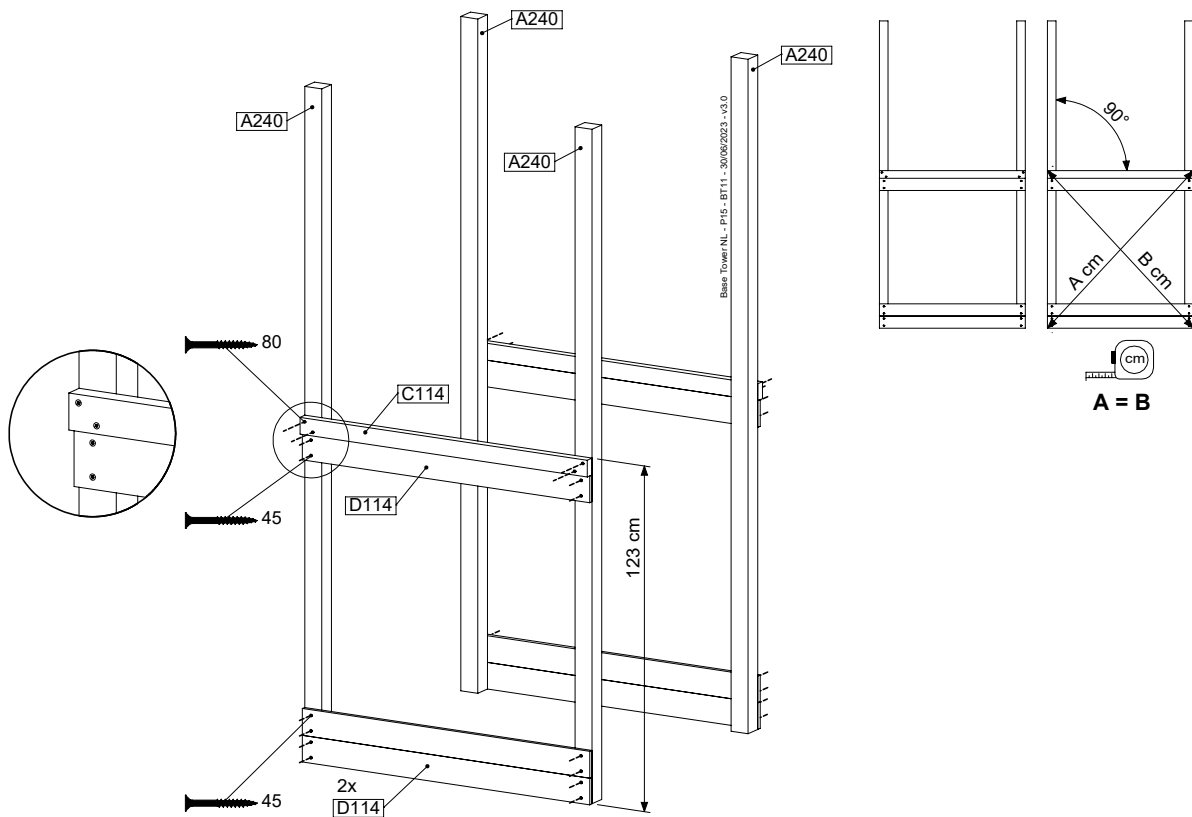
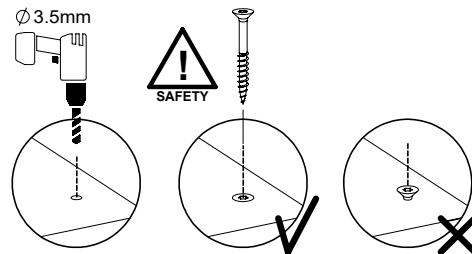
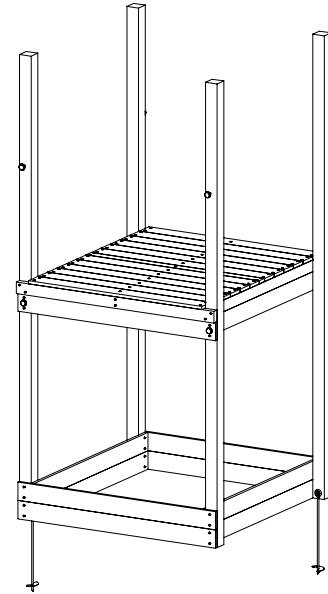
	ID			A	B	C
1	BT11a		p.10	✓	-	-
2	ET05a		p.13	-	-	✓
3	BL01a		p.16	-	-	C4
4	BL03a		p.17	A9	-	-
5	BL04a		p.18	A6	-	-
6	RF07a		p.19	A5	-	-
7	LA13		p.21	A8	-	-
8	RA08a		p.24	-	-	C1
9	SW09a		p.29	-	✓	-
10	SL01a		p.36	-	-	C2
11	GA		p.38	✓	✓	✓
12	AC01a		p.40	✓	-	-

8 BT11a: Base Tower 115 125cm 240240

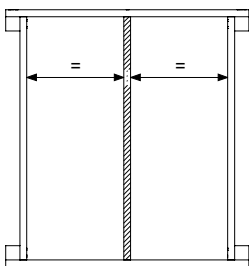
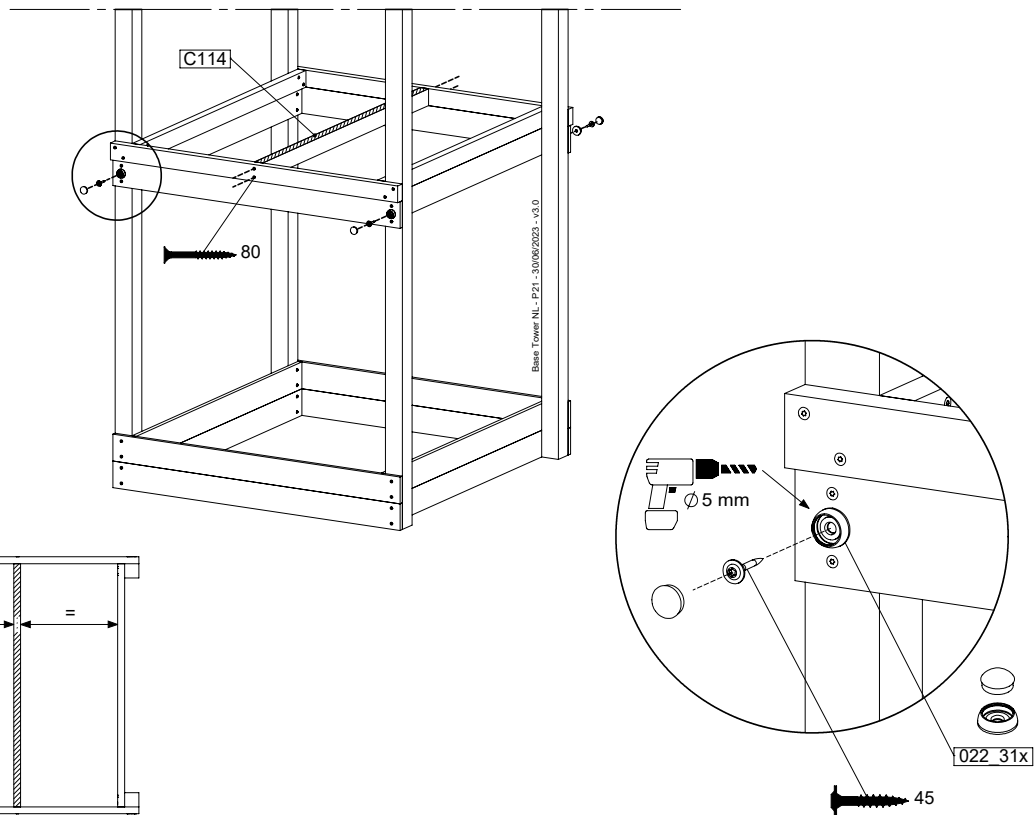
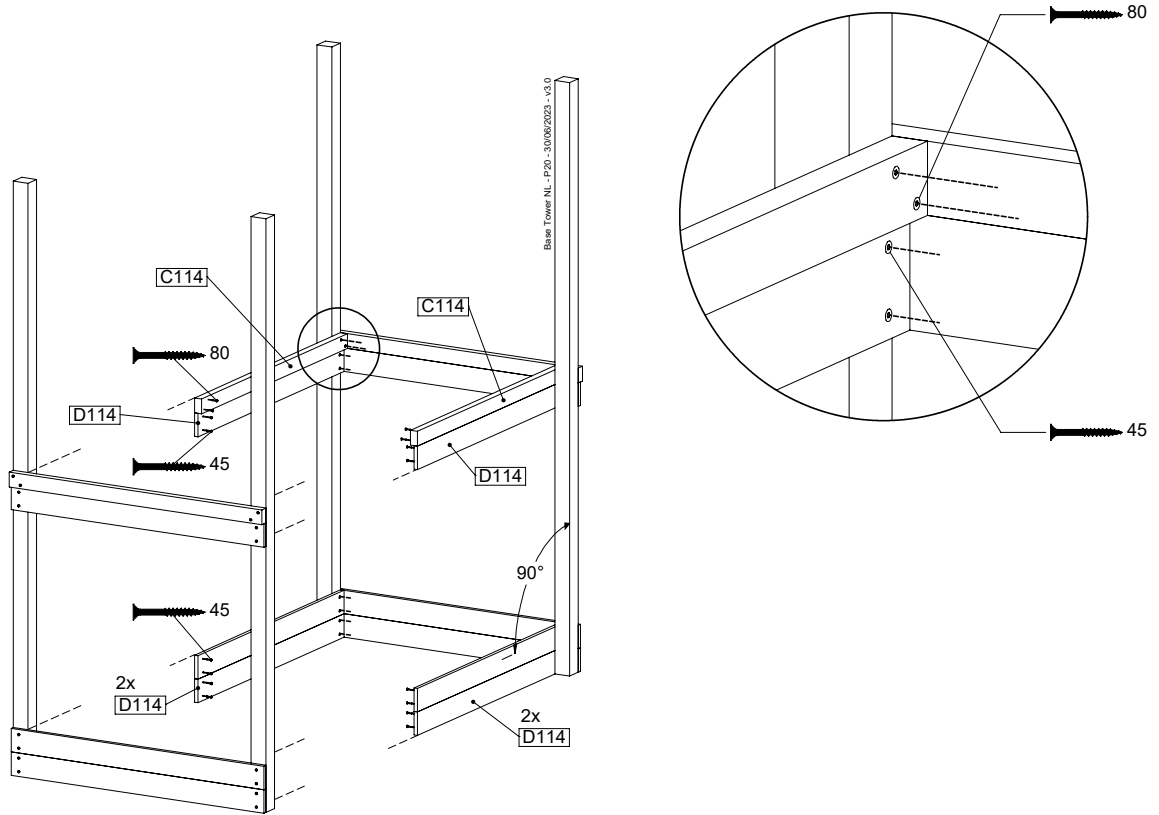
(194_300)

	PartNo	PartName	QTY.
Hardware pack	001_406	Stealth Screw 8x45	6
	001_417	Stealth Screw 8x80	4
	002_220	Gap Point Screw T25 - 5x45	118
	002_223	Gap Point Screw T25 - 5x80	20
	022_31x	bpc-base version 3	8
	022_84x	bpc cover	8
Other	007_001	Ground-anchor	2
Timber	A240	Post 70x70 L2400	4
	C114	Beam 1140 mm	5
	D100	Board 1000 mm	14
	D114	Board 1140 mm	12

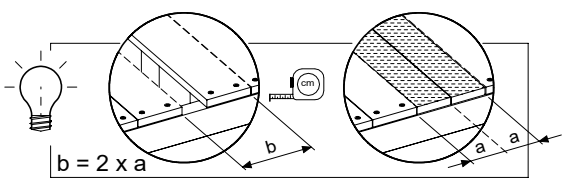
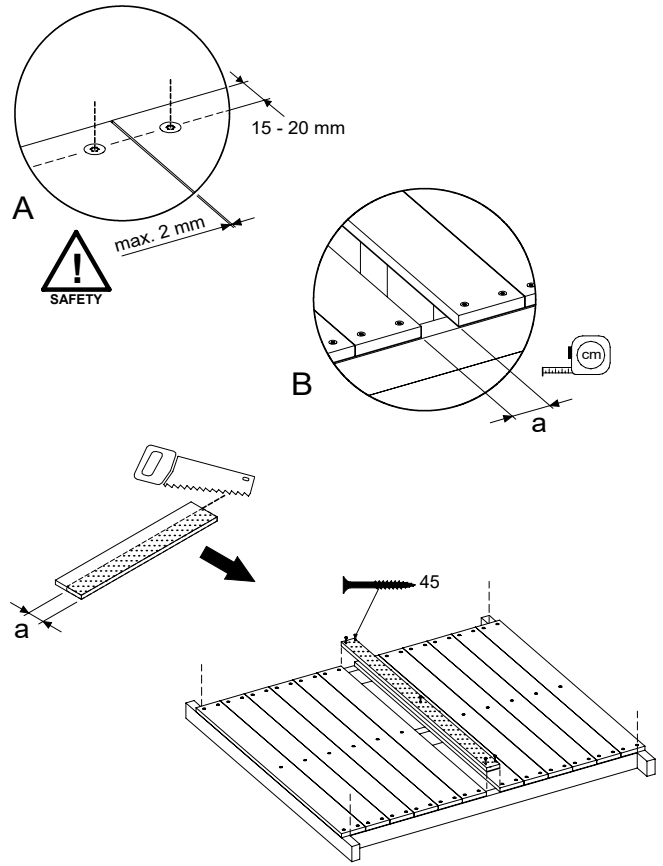
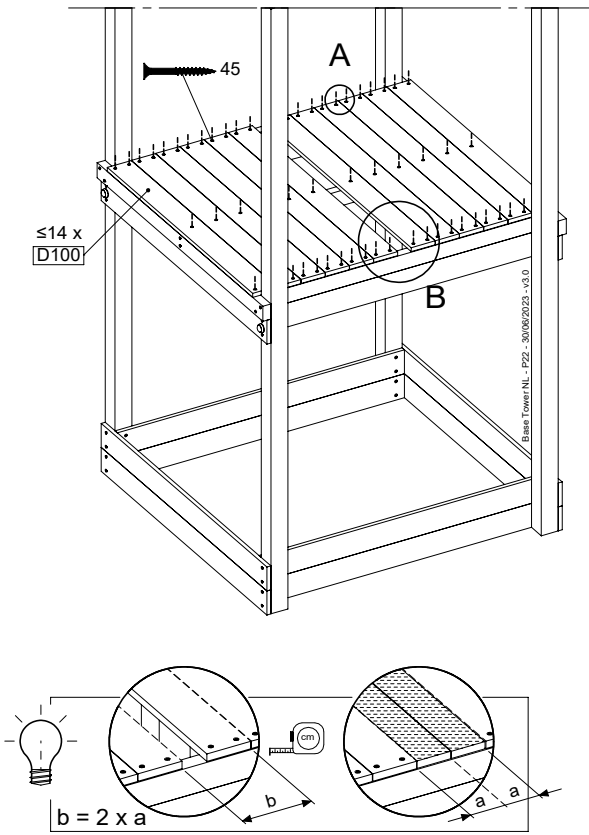
Base Tower.NL - POP - BT11 - 30/06/2023 - v3.0



8.1



8.2

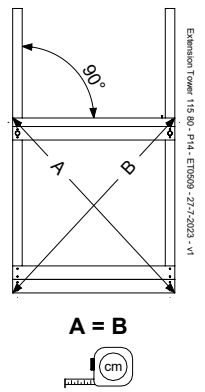
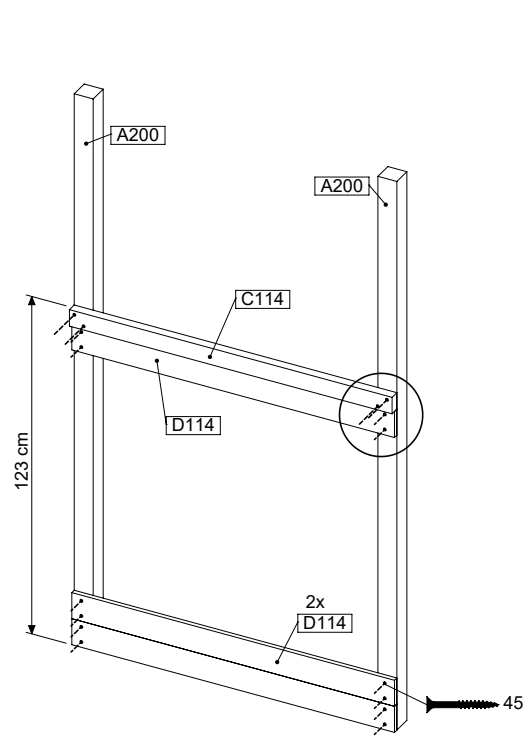
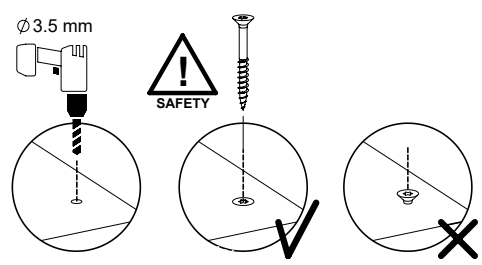
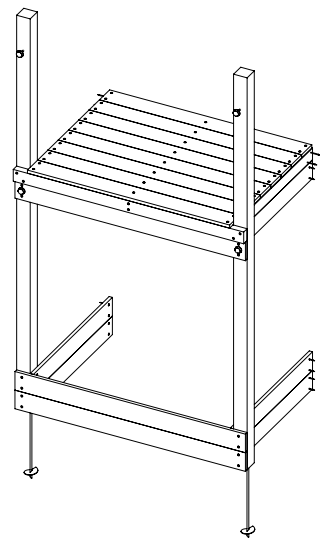


9 ET05a: Extension Tower 11580 200/125

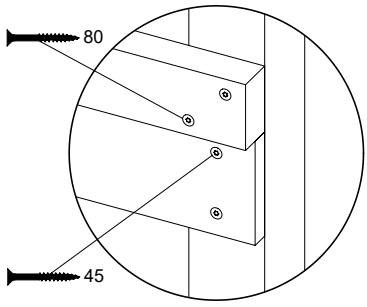
(194_300)

	PartNo	PartName	QTY.
Hardware pack	001_406	Stealth Screw 8x45	4
	001_417	Stealth Screw 8x80	2
	002_220	Gap Point Screw T25 - 5x45	81
	002_223	Gap Point Screw T25 - 5x80	16
Other	007_001	Ground-anchor	2
	022_31x	bpc-base version 3	4
	022_84x	bpc cover	4
Timber	A200	Post 70x70 L2000	2
	C74	Beam 740 mm	3
	C114	Beam 1140 mm	1
	D74	Board 740 mm	6
	D100	Board 1000 mm	9
	D114	Board 1140 mm	3

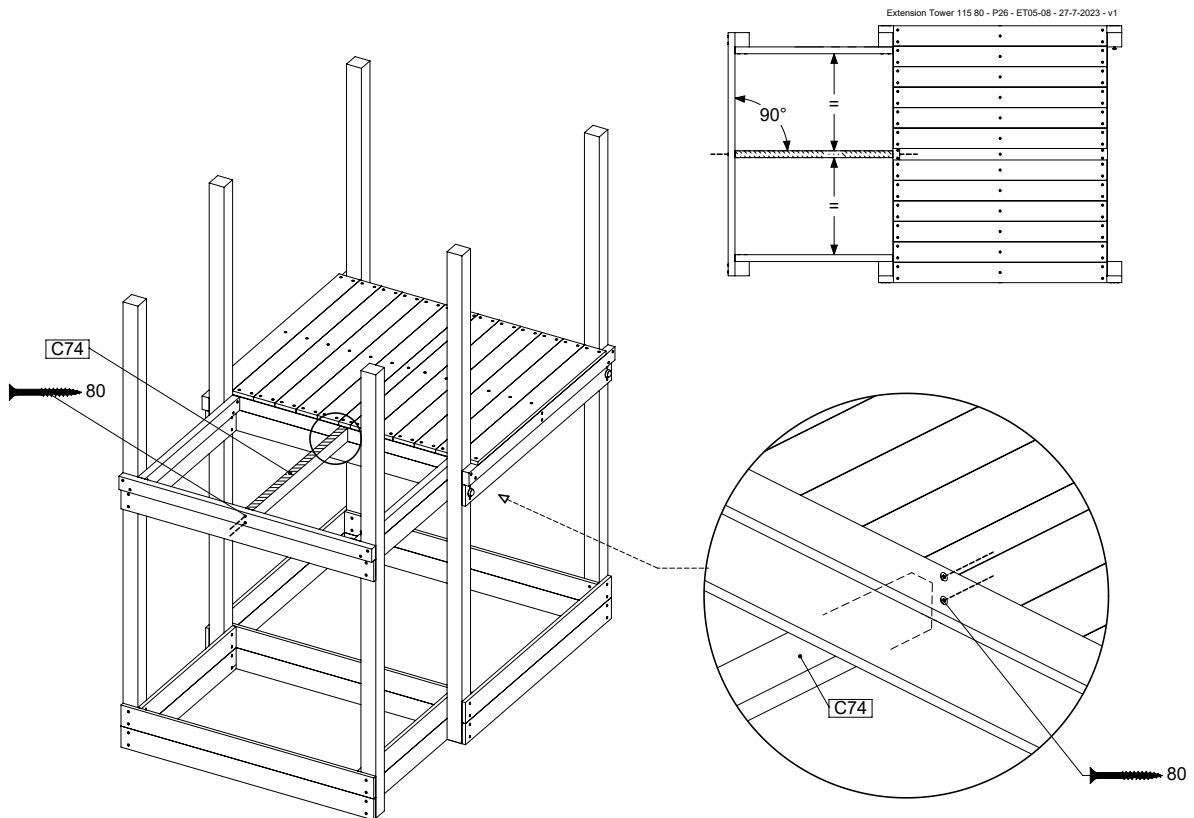
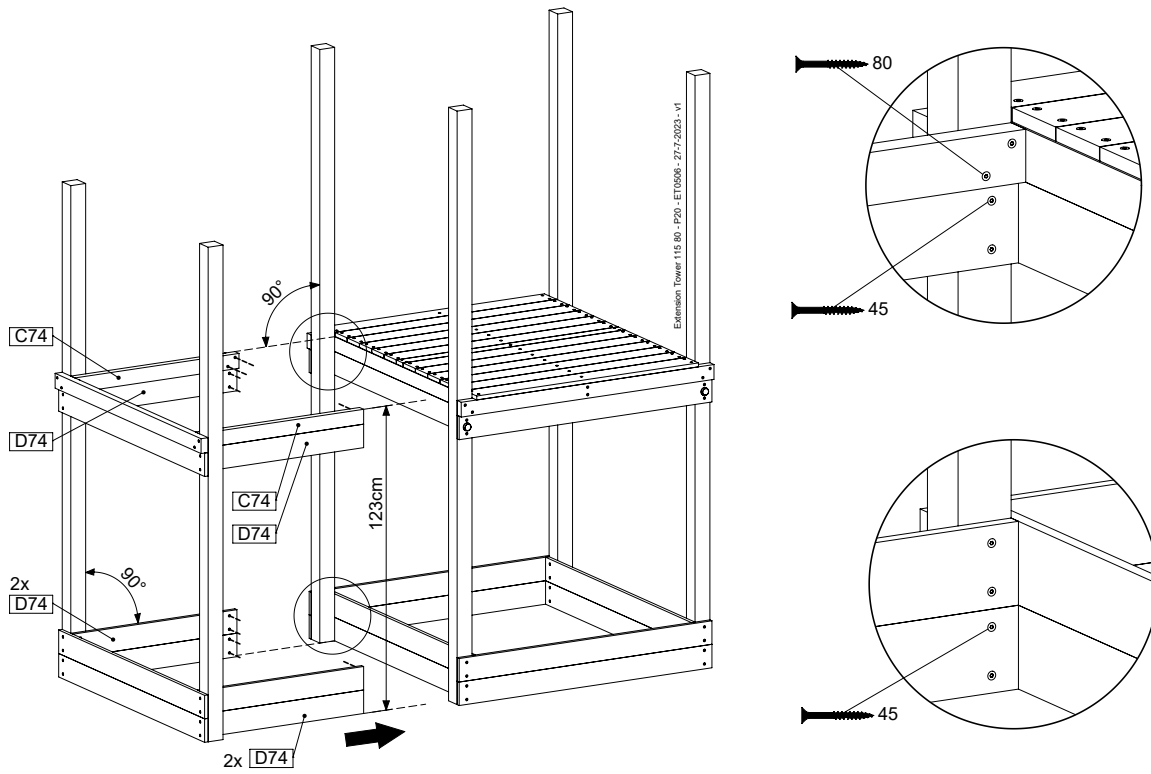
Extension Tower 115.80 - P14 - ET05a - 27-7-2023 - v1



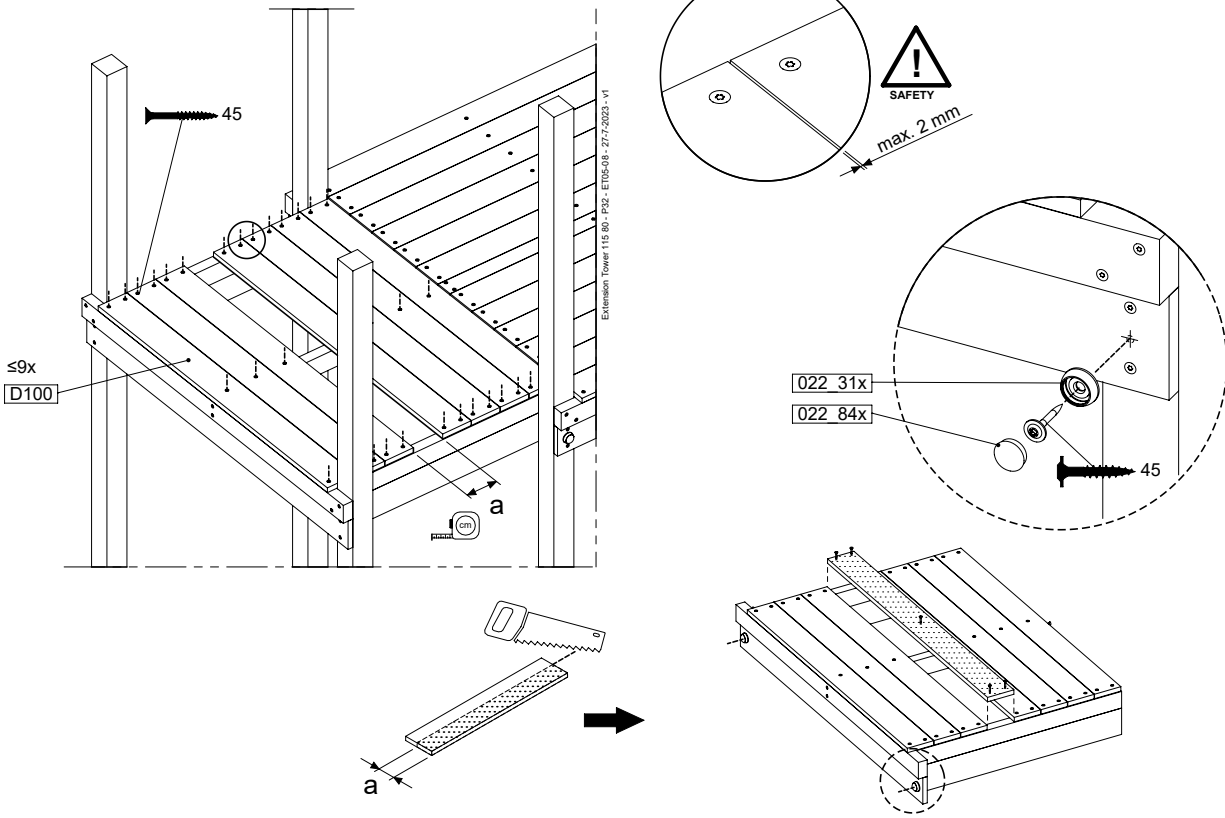
Extension Tower 115.80 - P14 - ET05a - 27-7-2023 - v1



9.1



9.2

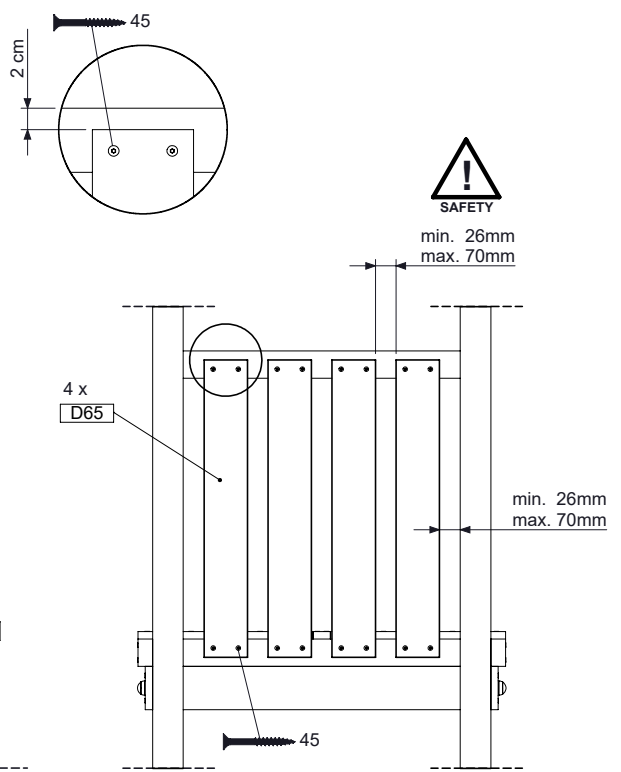
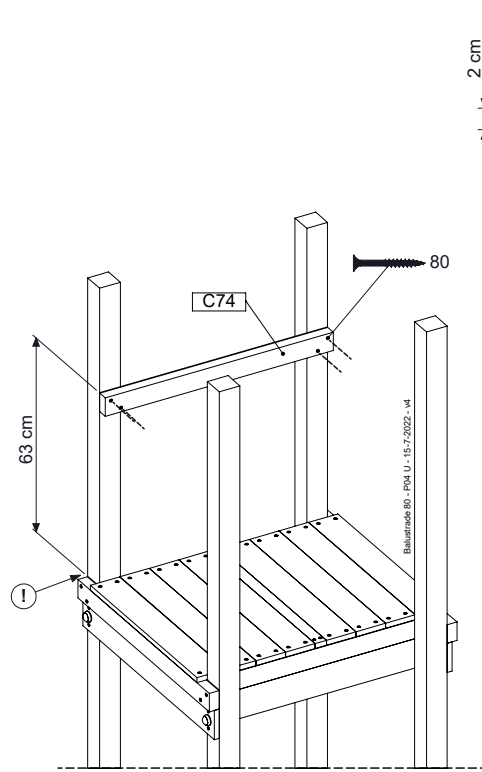
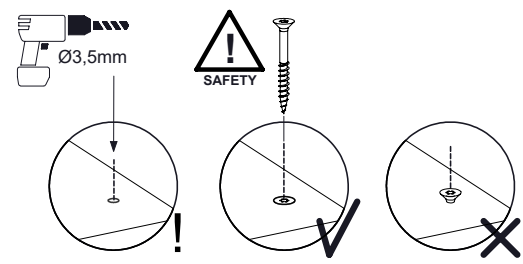
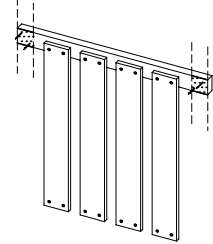


10 BL01a: Balustrade 80 U - 7x7 posts

(194_101)

	PartNo	PartName	QTY.
Hardware Pack	002_220	Gap Point Screw T25 - 5x45	16
	100_601	Gap Point Screw T25 - 5x80	4
Timber	C74	Beam 740 mm	1
	D65	Board 650 mm	4

Balustrade 80 - P04 U - 15-7-2022 - v4

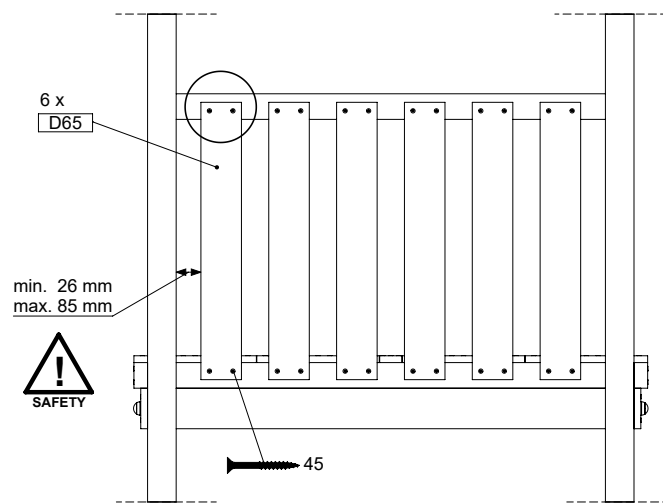
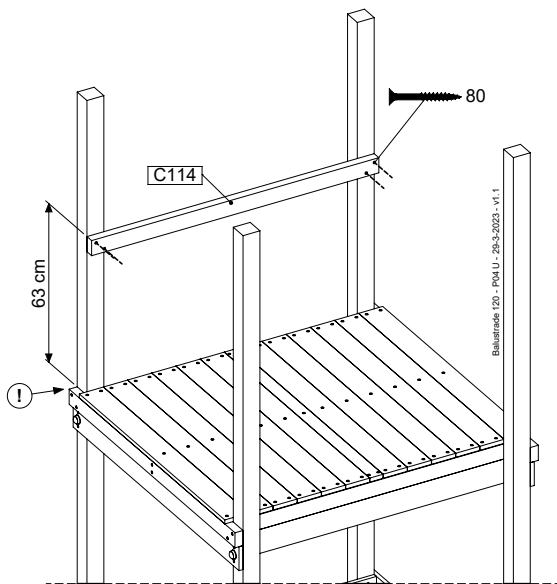
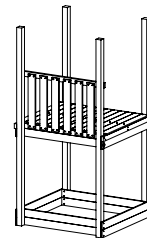
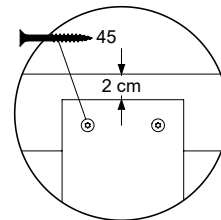
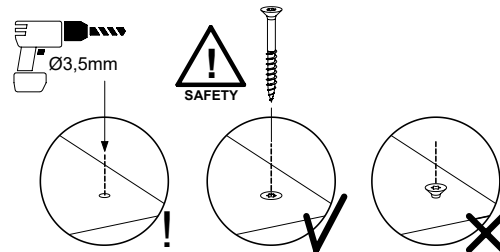
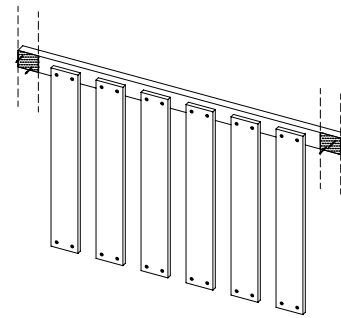


11 BL03a: Balustrade 115 U

(194_501)

	PartNo	PartName	QTY.
Hardware Pack	002_220	Gap Point Screw T25 - 5x45	24
	002_223	Gap Point Screw T25 - 5x80	4
Timber	C114	Beam 1140 mm	1
	D65	Board 650 mm	6

Balustrade 120 - POC U - 29-3-2023 - v1.1

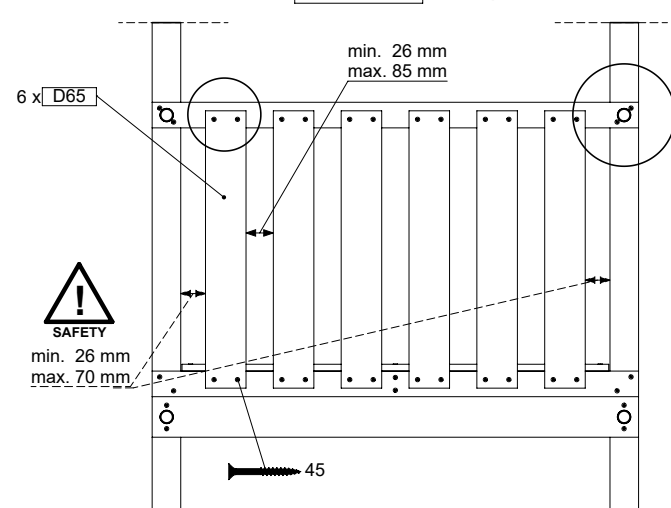
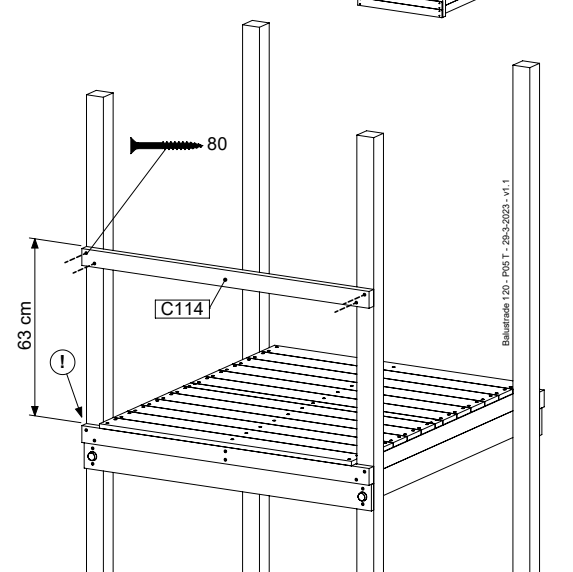
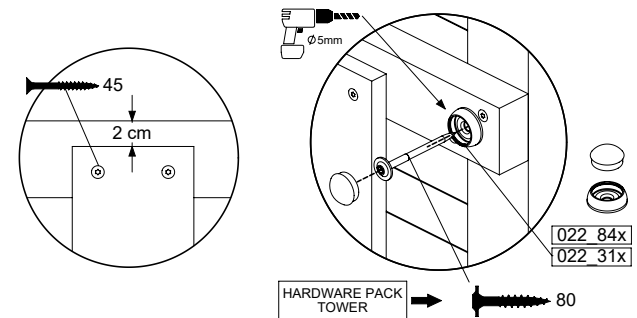
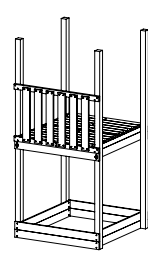
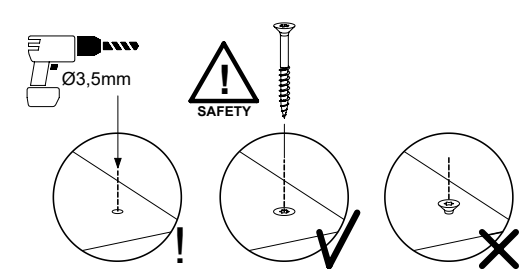
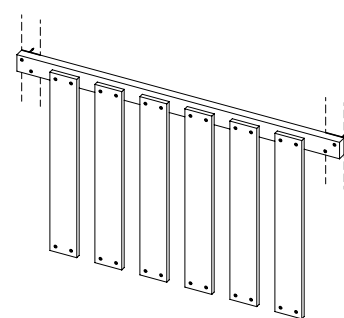


12 BL04a: Balustrade 115 T

(194_501)

	PartNo	PartName	QTY.
Hardware Pack	002_220	Gap Point Screw T25 - 5x45	24
	002_223	Gap Point Screw T25 - 5x80	4
Timber	C114	Beam 1140 mm	1
	D65	Board 650 mm	6

Balustrade 120 - P03 T - 29-3-2023 - v1.1

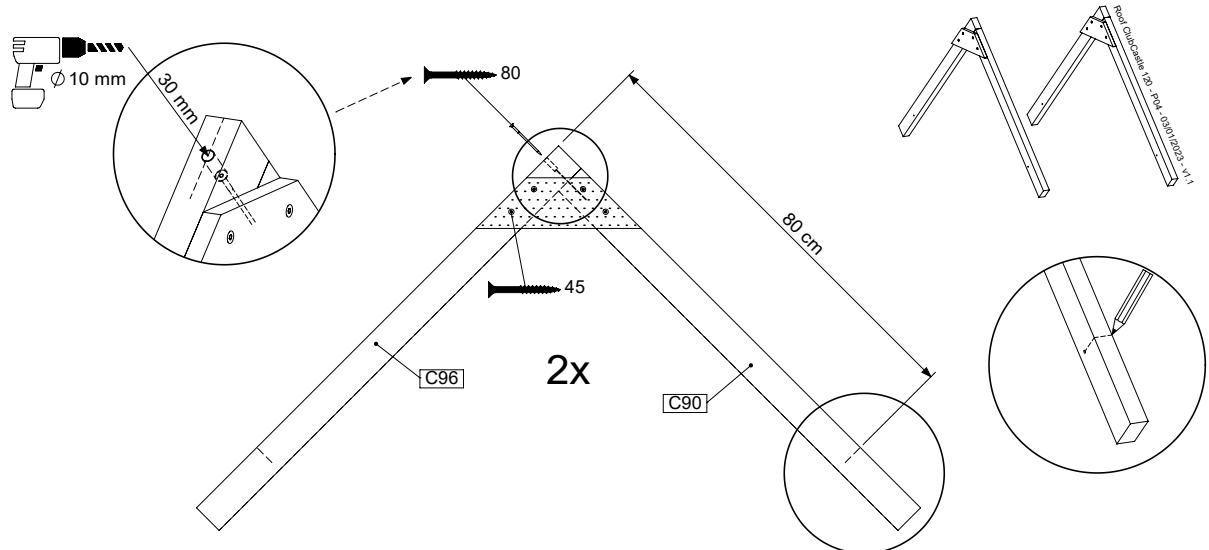
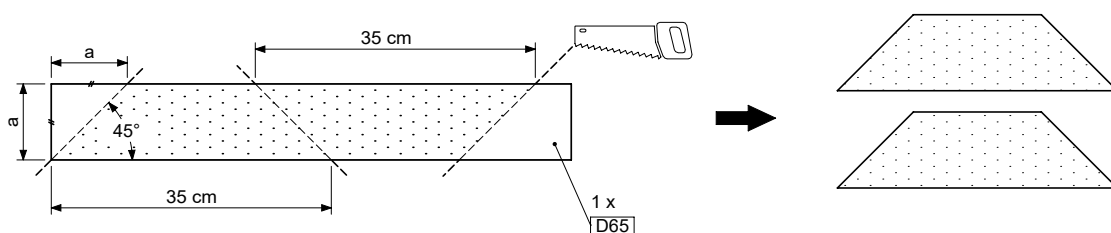
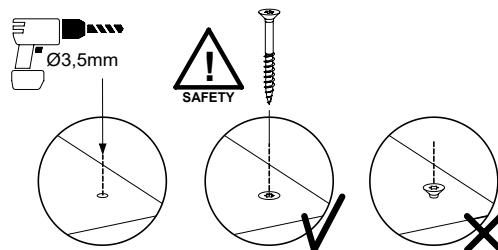
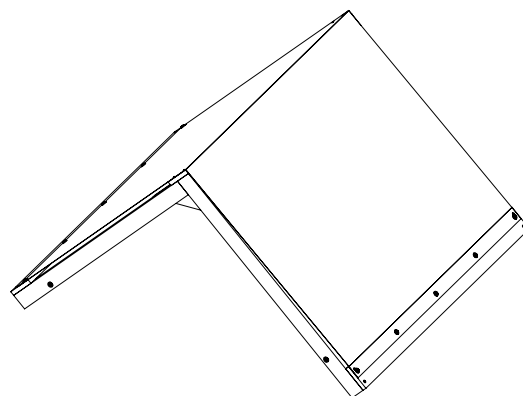


13 RF07a: Roof Canvas Gable 115

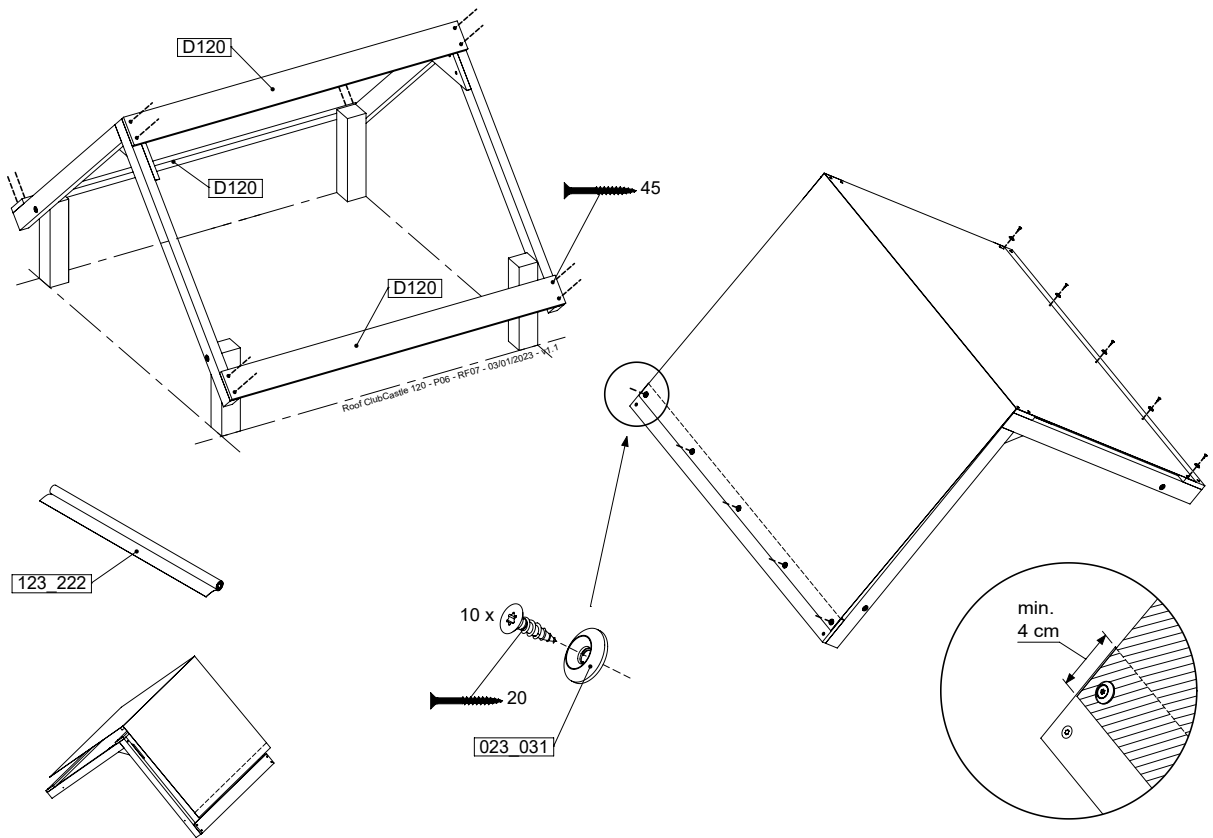
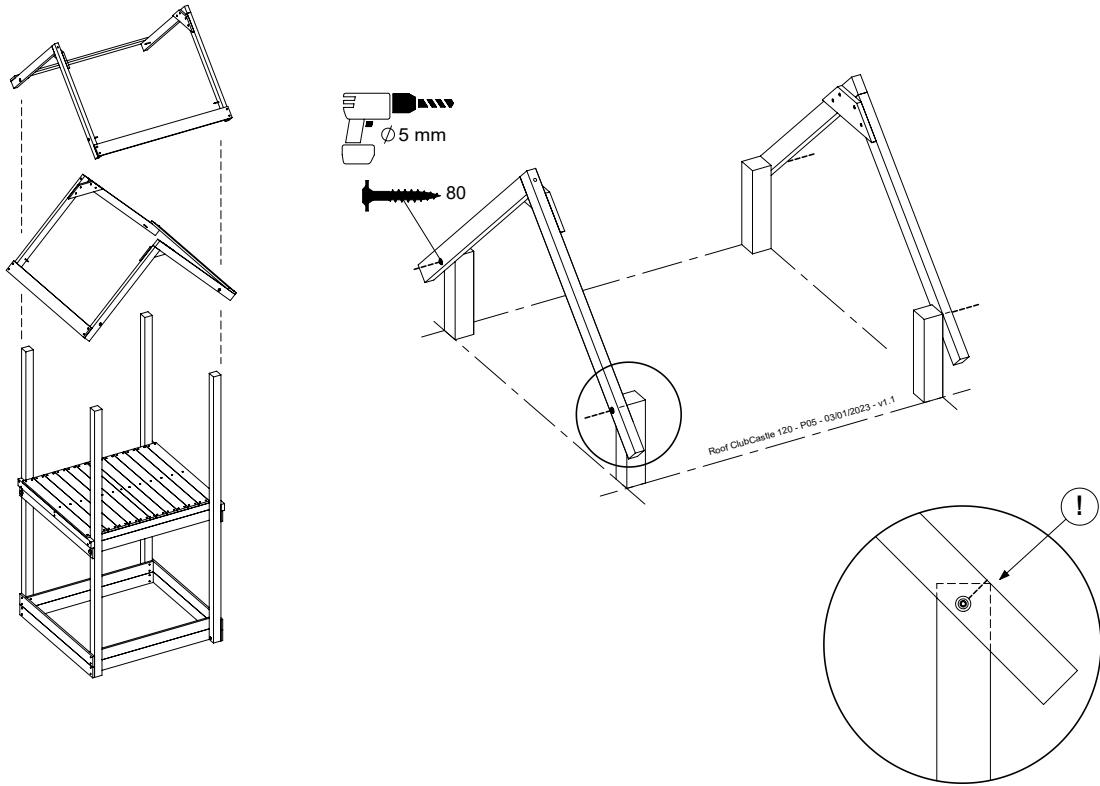
AP 194_312 / RF

	PartNo	PartName	QTY.
Hardware Pack	001_417	Stealth Screw 8x80	4
	002_220	Gap Point Screw T25 - 5x45	20
	002_223	Gap Point Screw T25 - 5x80	2
	002_308	Gap Point Screw T25 - 5x20	10
	023_031	Finishing Washer GPS 5.0	10
Other	123_222	Sheet Canvas 1200x1850	1
Timber	C96	Beam 960 mm	2
	D65	Board 650 mm	1
	D120	Board 1200 mm	3
	C90	Beam 900 mm	2

Roof Canvas 120 - P02 - RF07 - 03/01/2023 - v1.1



13.1

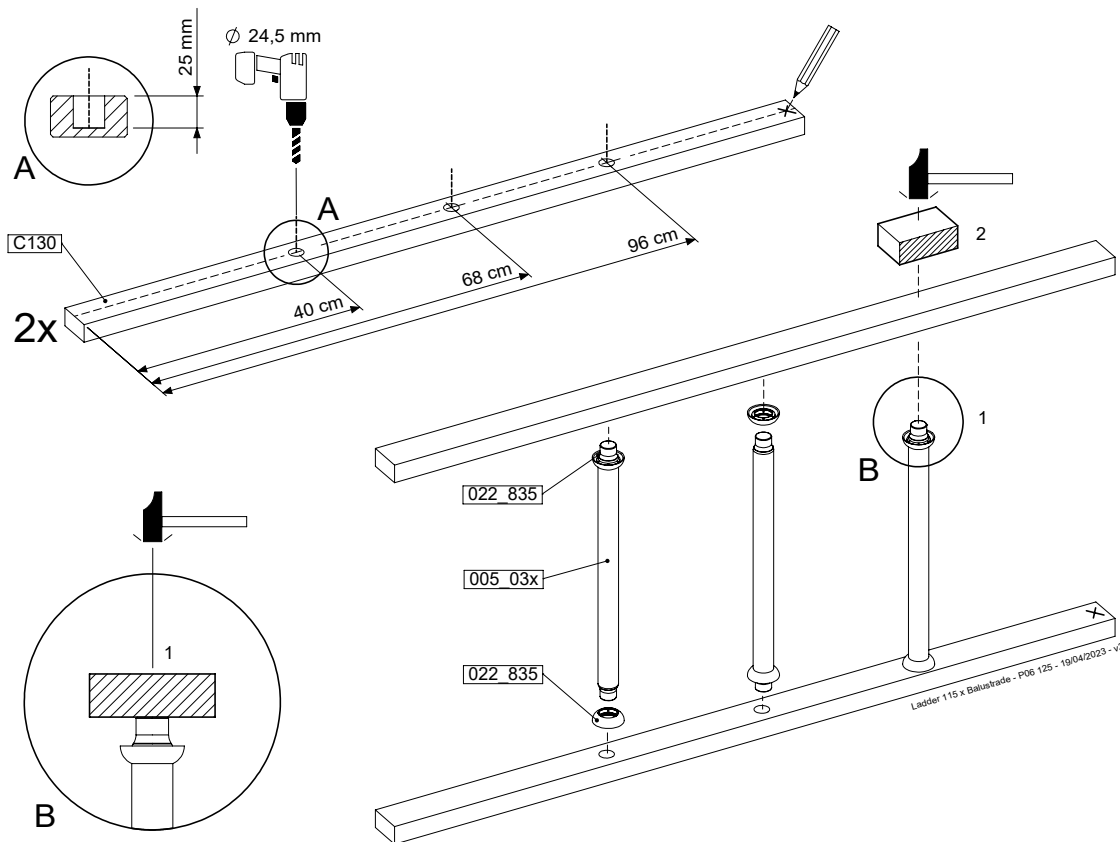
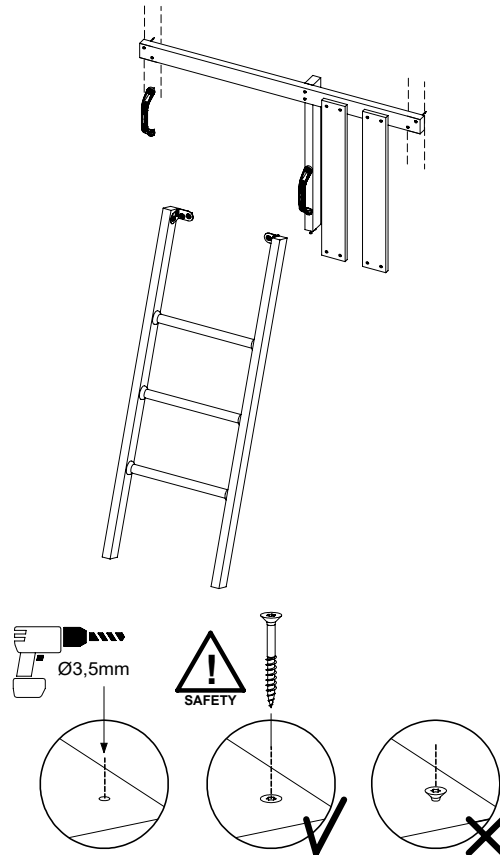


14 LA13: Ladder 115 125 T Left

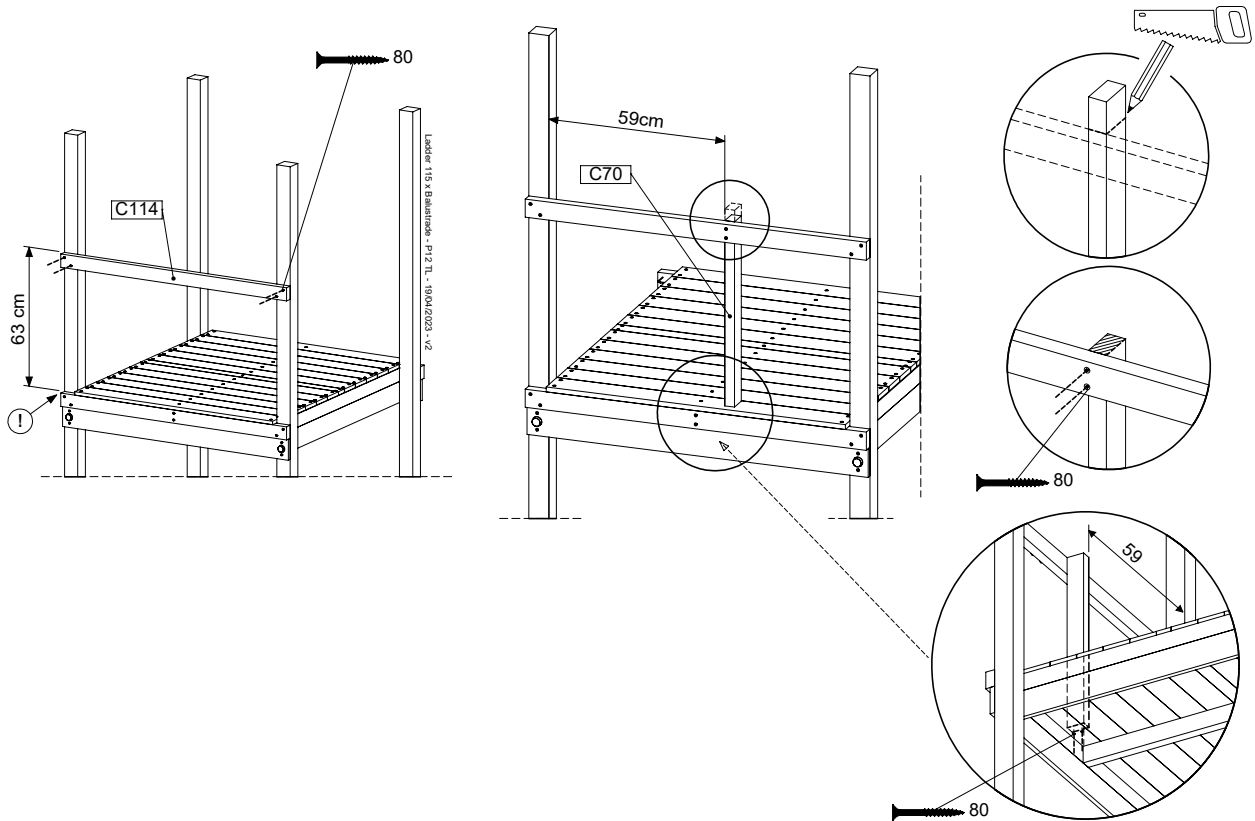
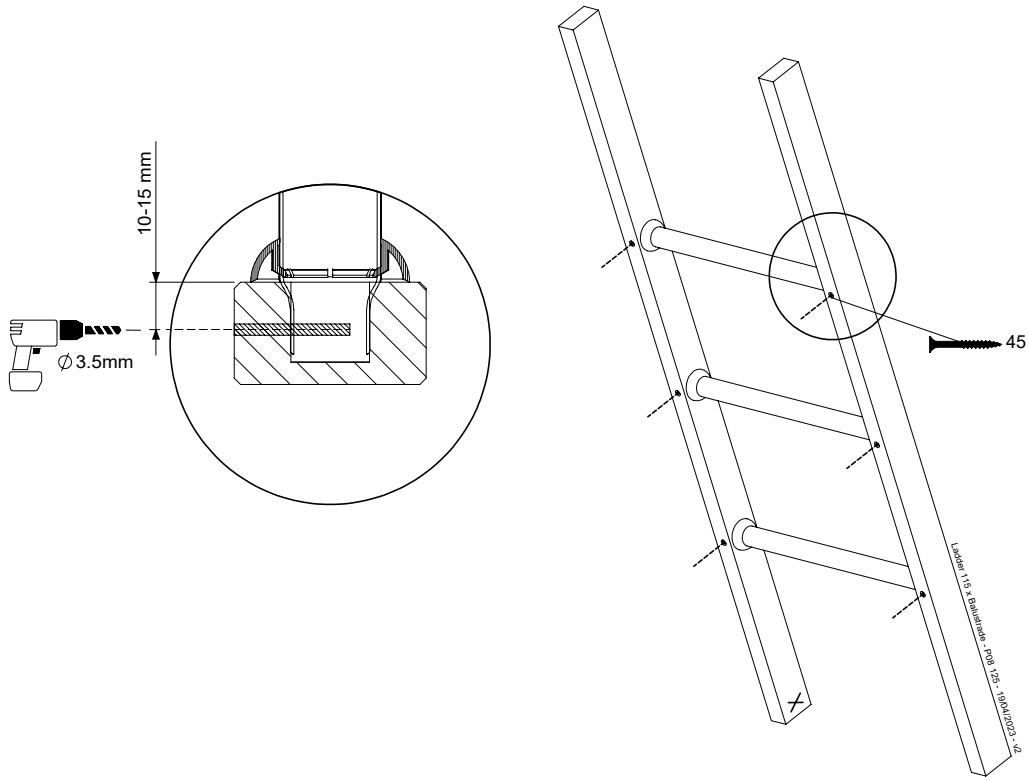
(194_003 + 194_101)

	PartNo	PartName	QTY.
Hardware Pack	001_404	Stealth Screw 8x30	4
	002_219	Gap Point Screw T25 - 5x30	4
	002_220	Gap Point Screw T25 - 5x45	14
	002_223	Gap Point Screw T25 - 5x80	8
Other	005_03x	Ladder Rung Y/B/G/R	3
	005_522	Connection Bracket Mini Market	2
	022_835	Rung Cap	6
	120_102	Handgrip set (complete 2x)	1
Timber	C114	Beam 1140 mm	1
	C130	Beam 1300 mm	2
	C70	Beam 700 mm	1
	D65	Board 650 mm	2

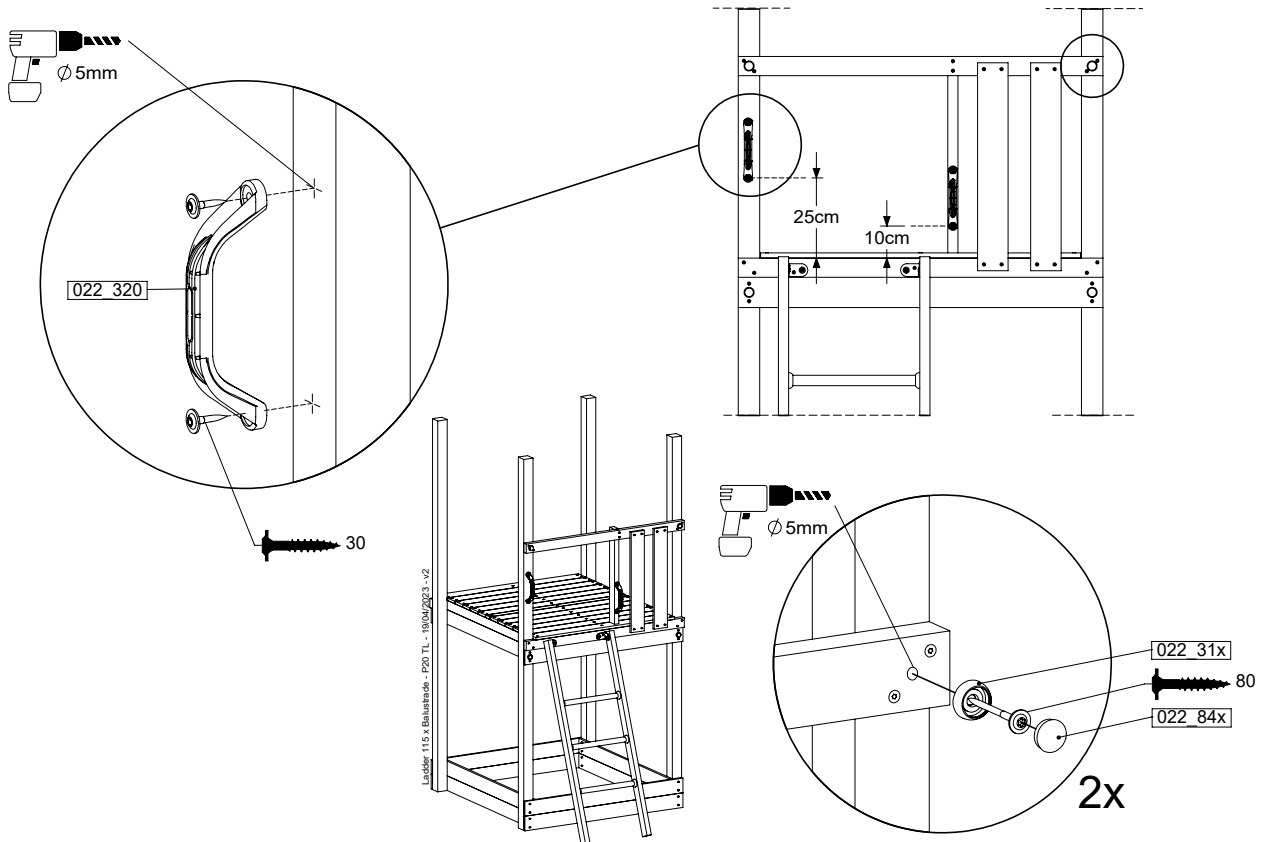
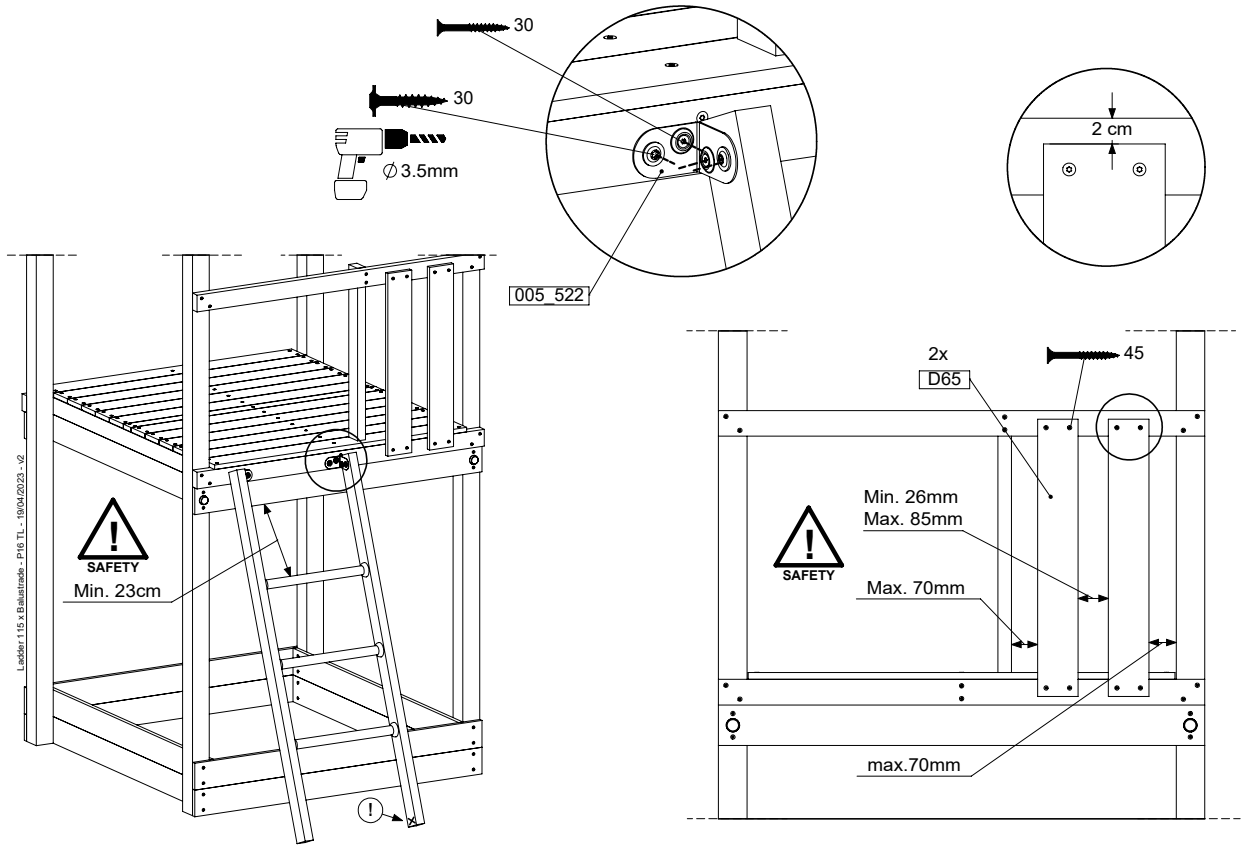
Ladder 115 x Balustrade - P04 TL 125 - 19/04/2023 - v2



14.1



14.2

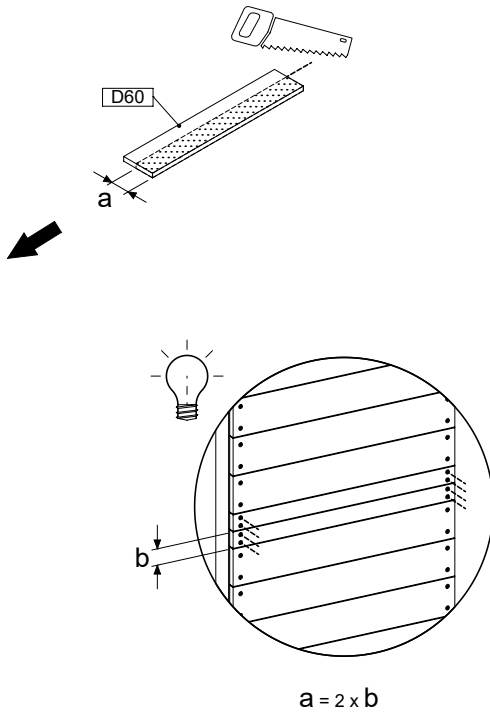
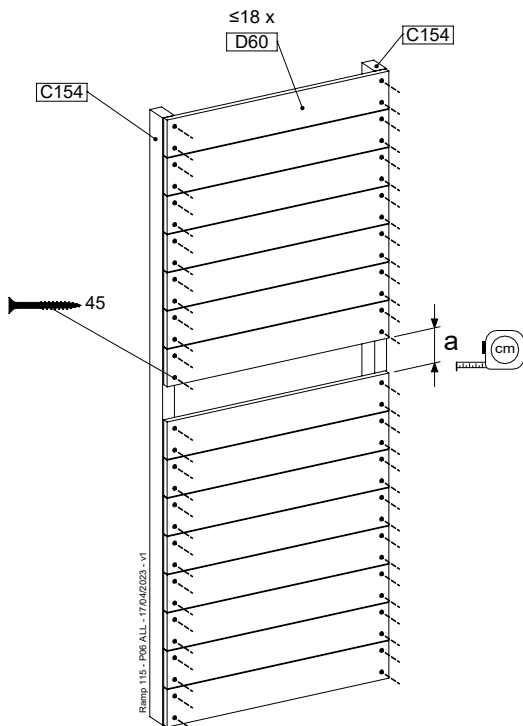
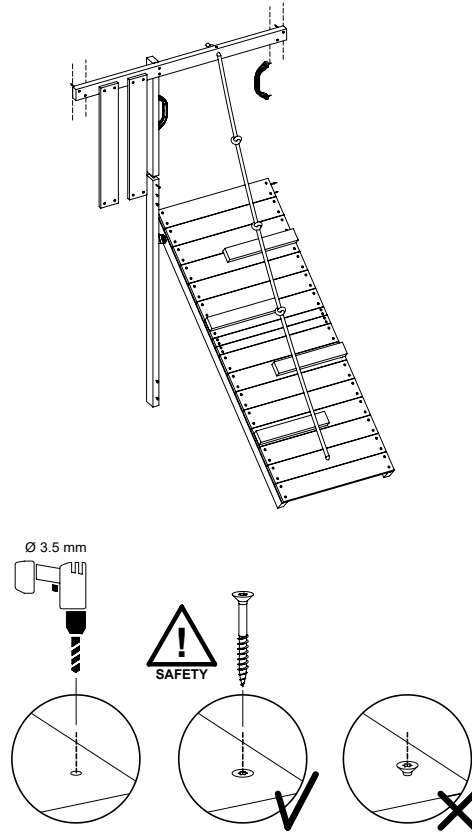


15 RA08a: Ramp 115 125 TR

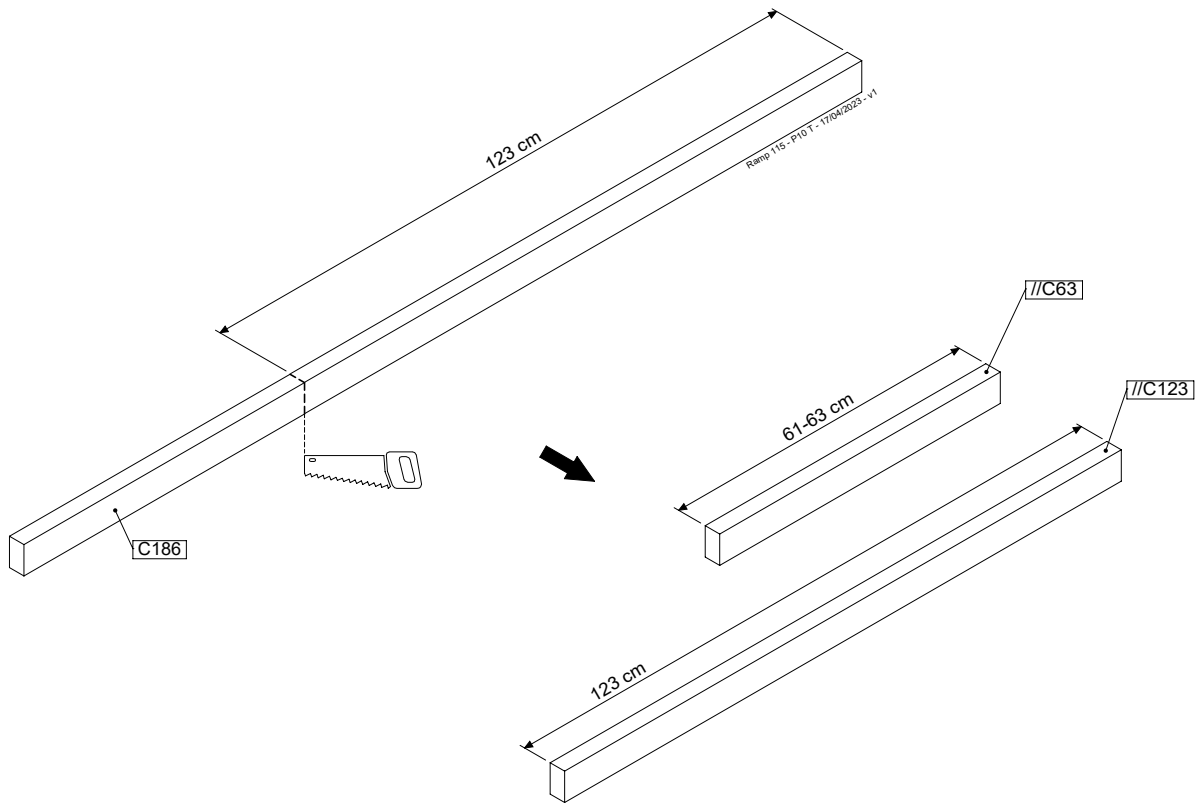
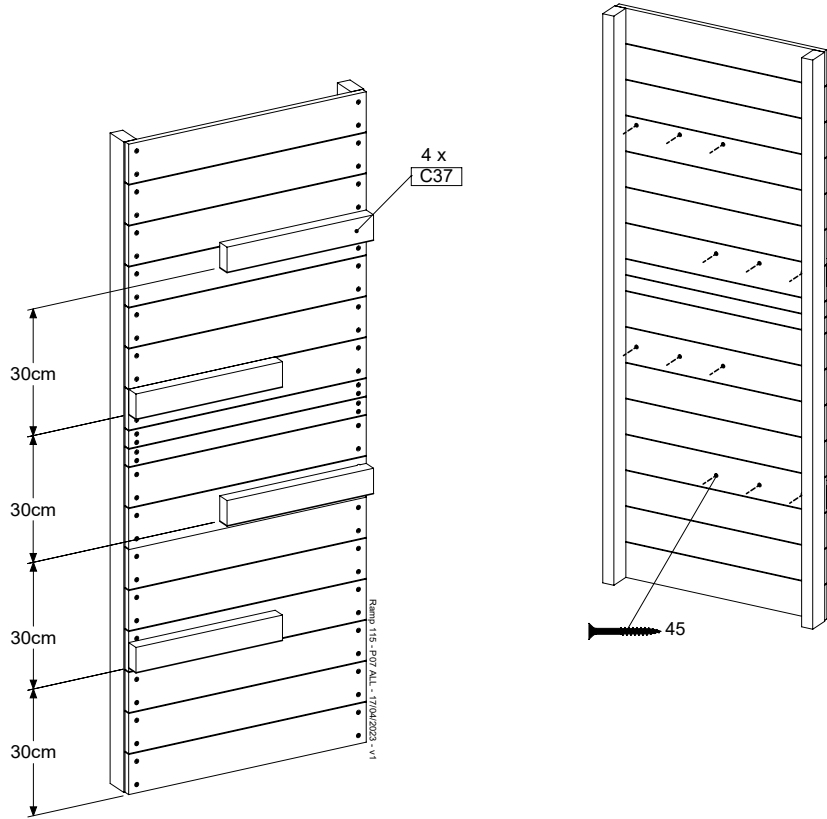
(194_008)

	PartNo	PartName	QTY.
Hardware Pack	001_404	Stealth Screw 8x30	2
	001_411	Stealth Screw 8x60	1
	001_417	Stealth Screw 8x80	2
	002_220	Gap Point Screw T25 - 5x45	97
	002_223	Gap Point Screw T25 - 5x80	10
Other	005_514	Ladder Bracket	1
	020_317	Rope Polyester 16mm Green 3.4m	1
	120_102	Handgrip set (2x Complete)	1
Timber	C37	Beam 370 mm	4
	C114	Beam 1140 mm	1
	C154	Beam 1540 mm	2
	C186	Beam 1860 mm	1
	D60	Board 600 mm	18
	D65	Board 650 mm	2

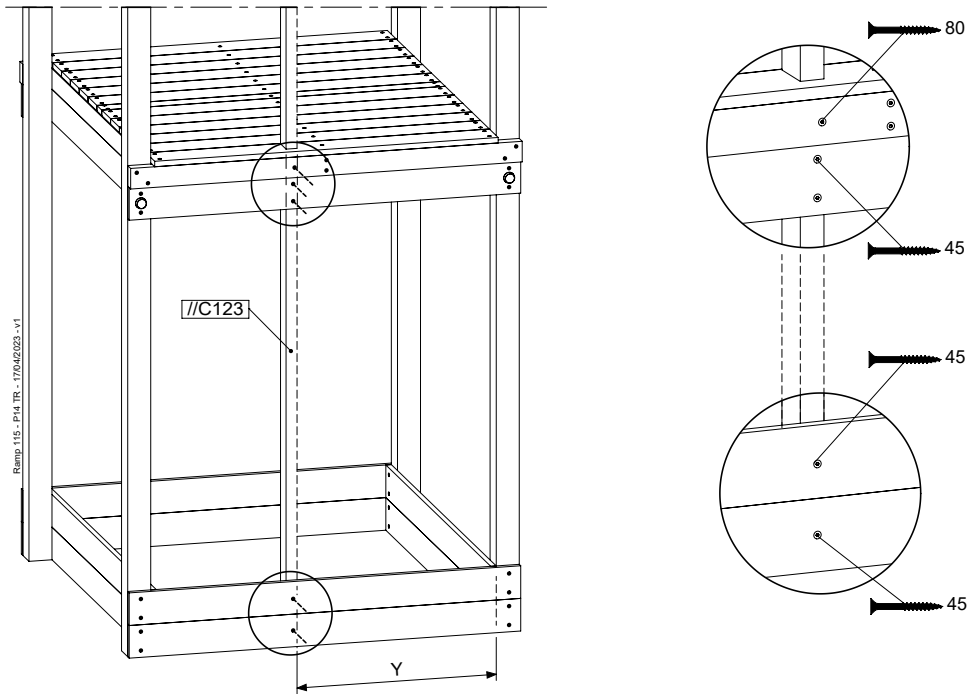
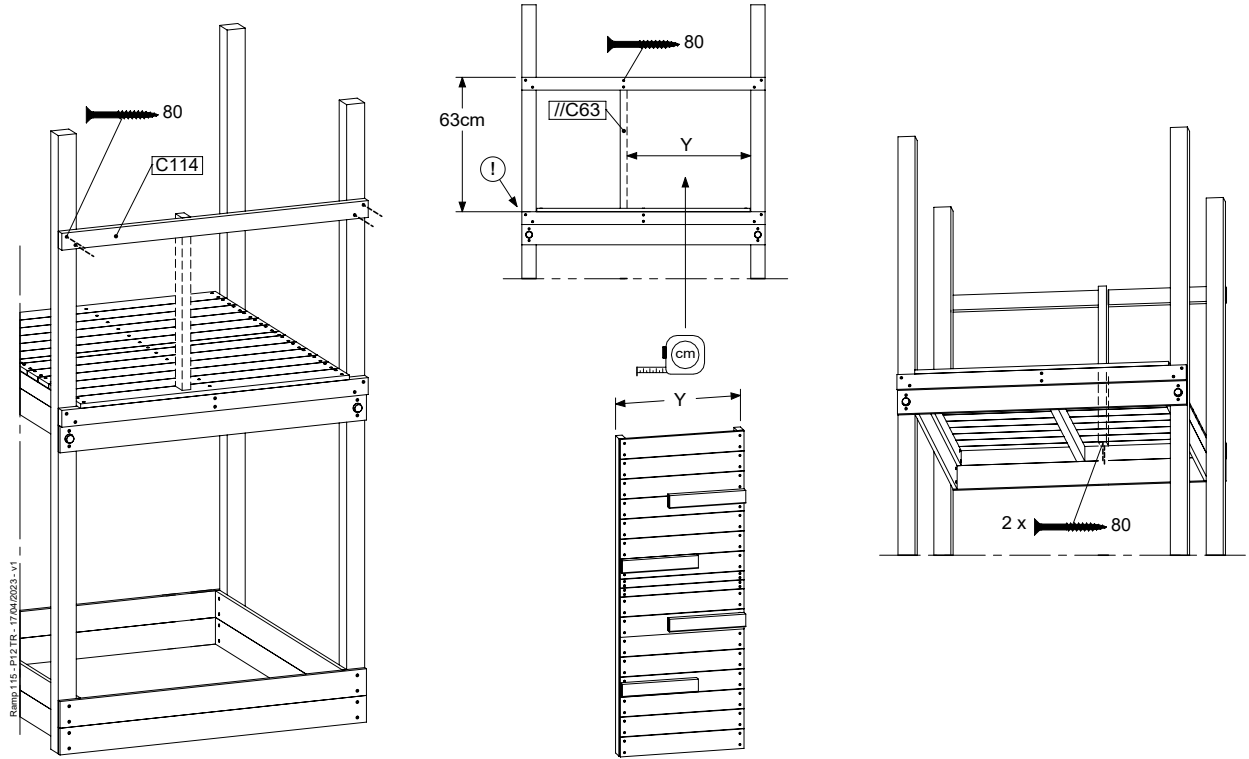
Ramp 115 - P06-TR - 17/04/2023 - v1



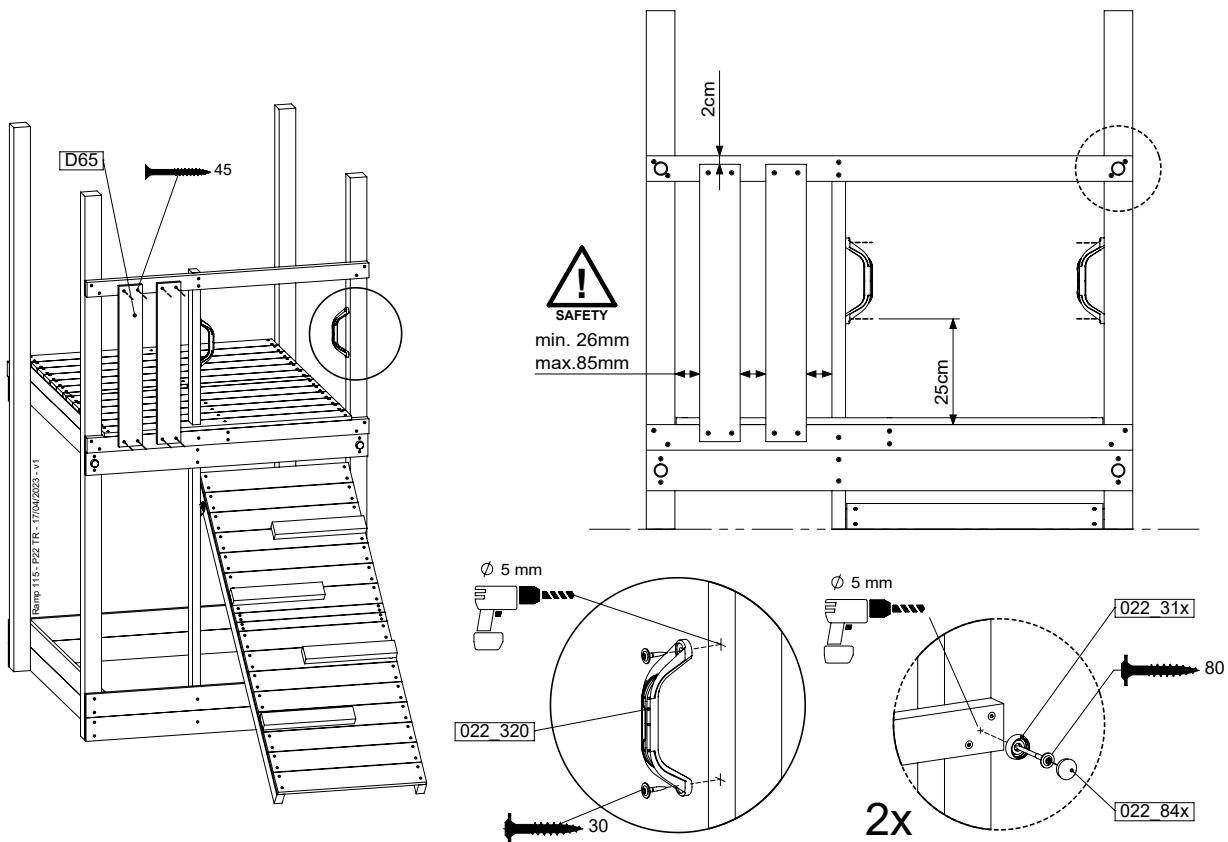
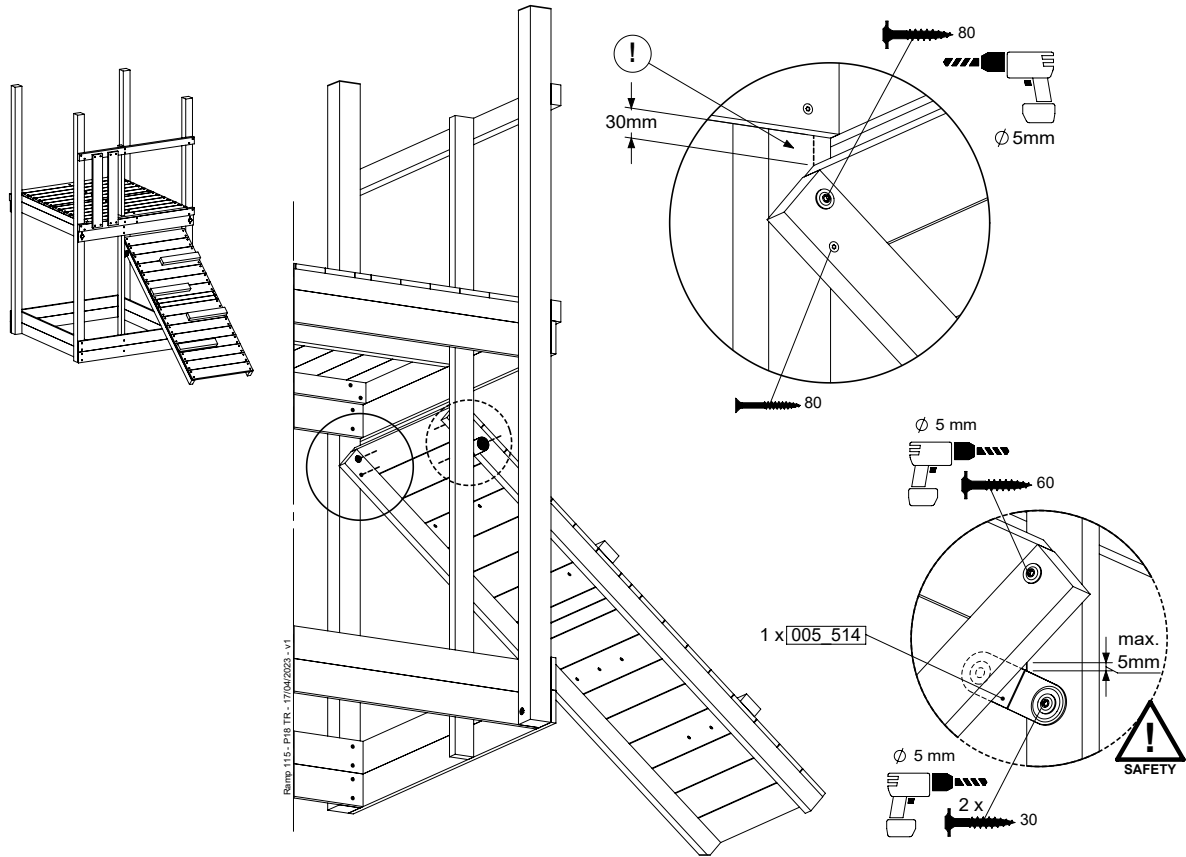
15.1



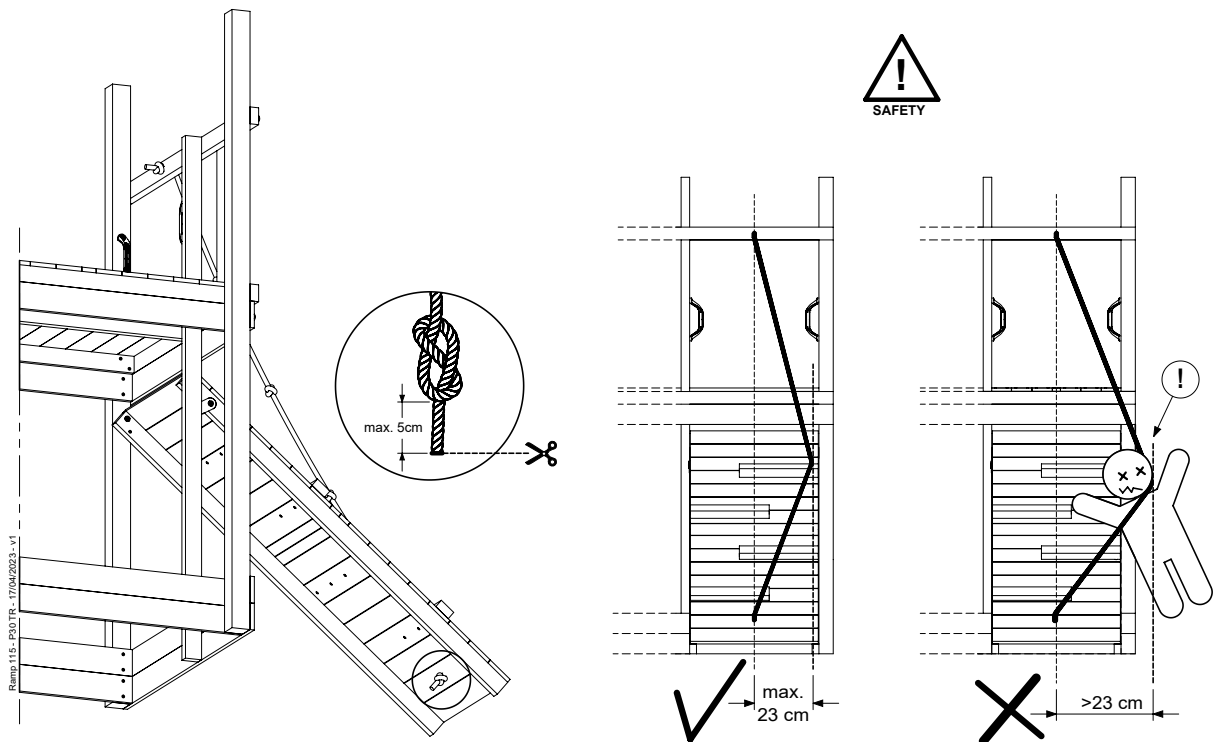
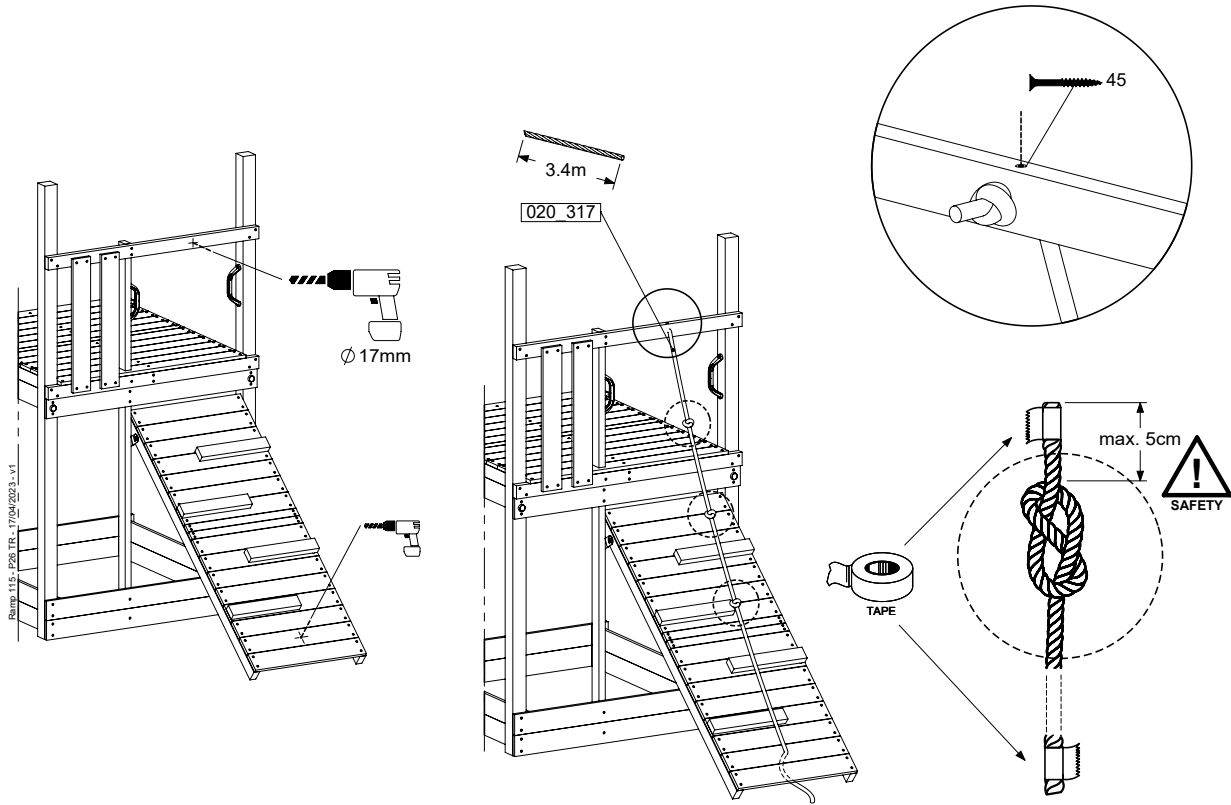
15.2



15.3



15.4

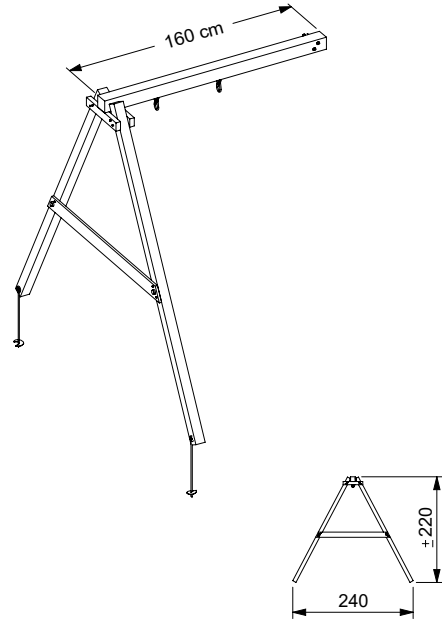


16 SW09a: 1-Swing Module 220

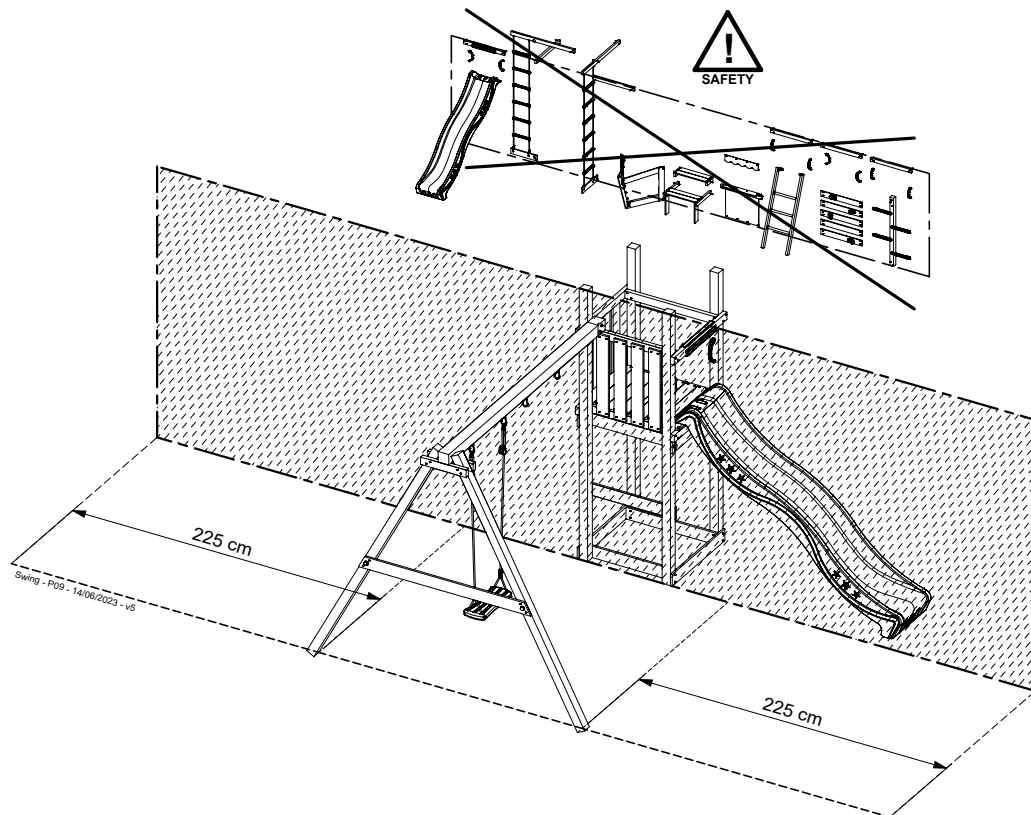
(457_102)

	PartNo	PartName	QTY.
Hardware Pack	001_406	Stealth Screw 8x45	4
	001_417	Stealth Screw 8x80	3 / 4
	001_422	Stealth Screw 8x137	3
	002_220	Gap Point Screw T25 - 5x45	12
	002_223	Gap Point Screw T25 - 5x80	6
Other	005_528	Swing Beam Bracket 7x7	1
	007_001	Ground-anchor	2
	022_31x	bpc-base version 3	2
	022_84x	bpc cover	2
	023_031	Finishing Washer GPS 5.0	2
	101_003	Swing hook with Carabiner	2
Timber	A220	Post 70x70 L2200	2
	B160	Post 90x90 L1600	1
	C37	Beam 370 mm	2
	D141	Board 1410 mm	2

Swing - P09 - 14/06/2023 - v5

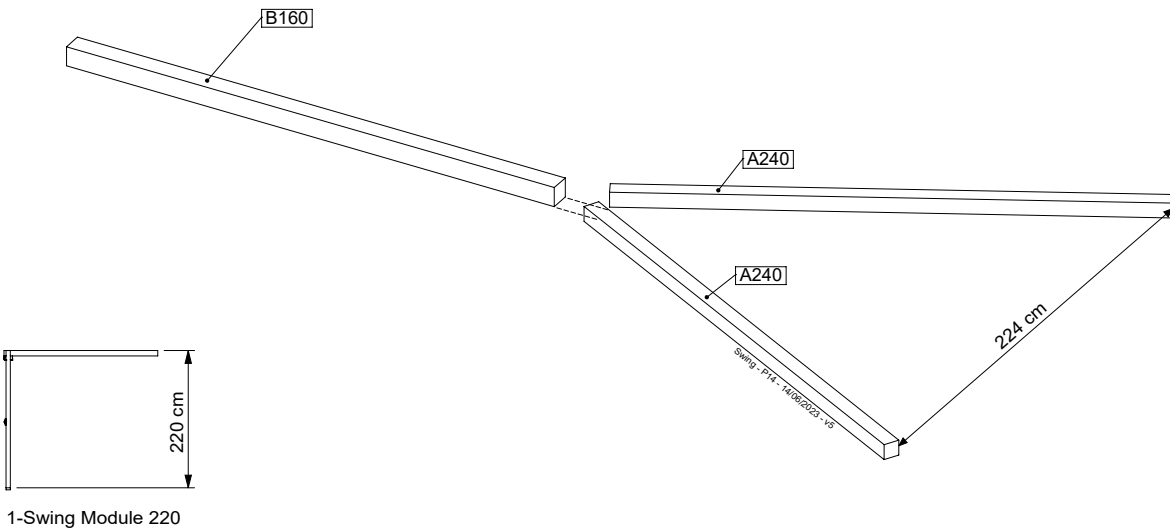
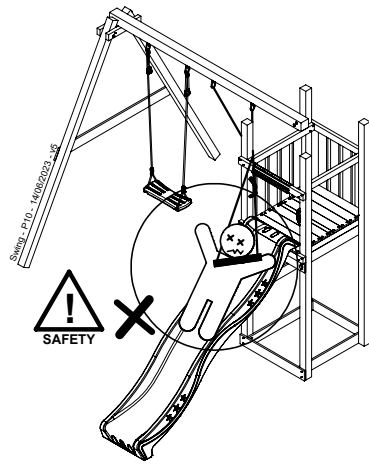
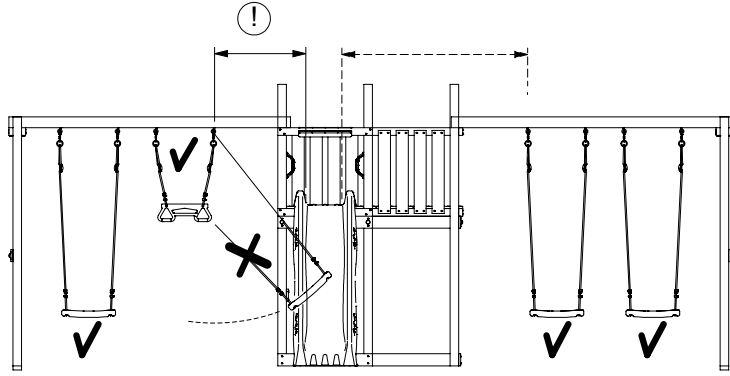
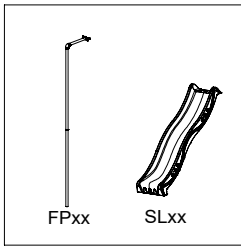


1-Swing Module 220

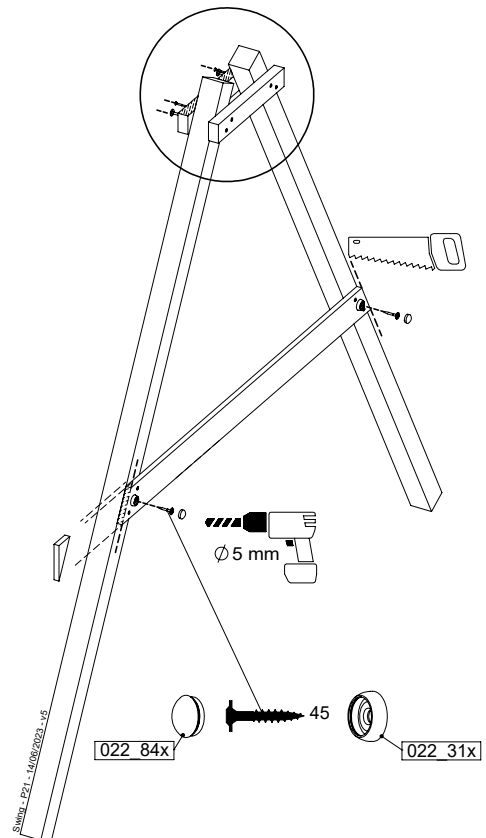
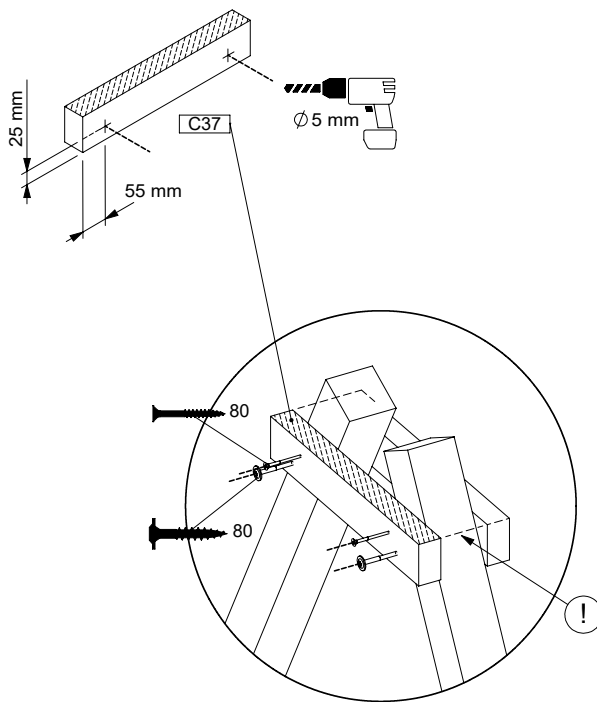
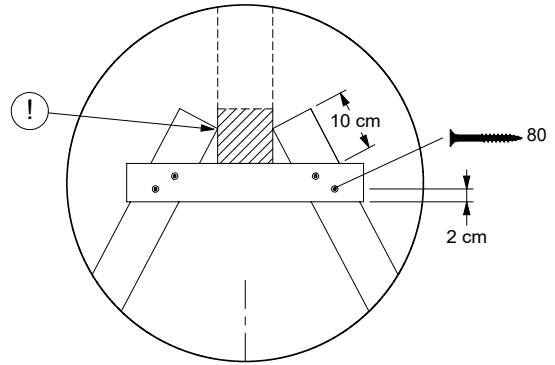
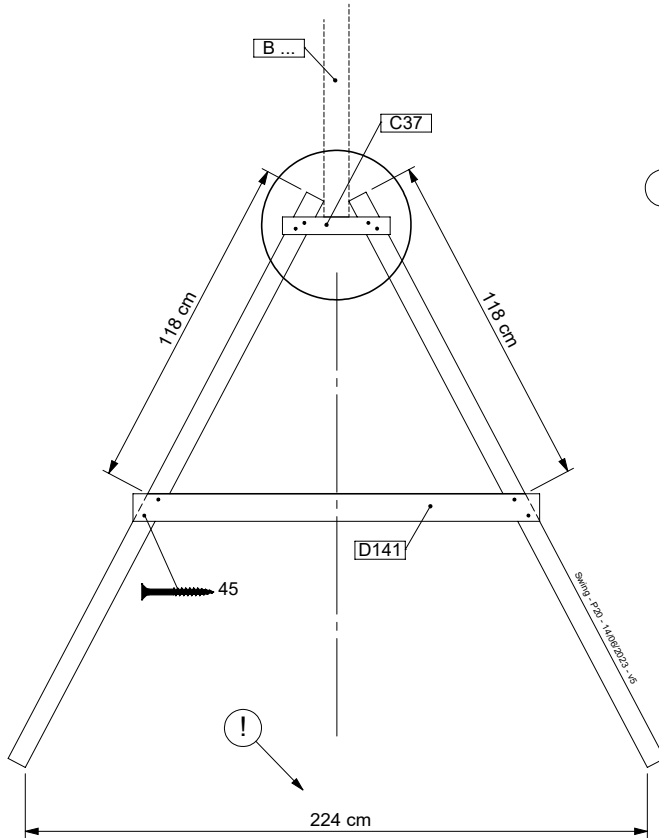


Swing - P09 - 14/06/2023 - v5

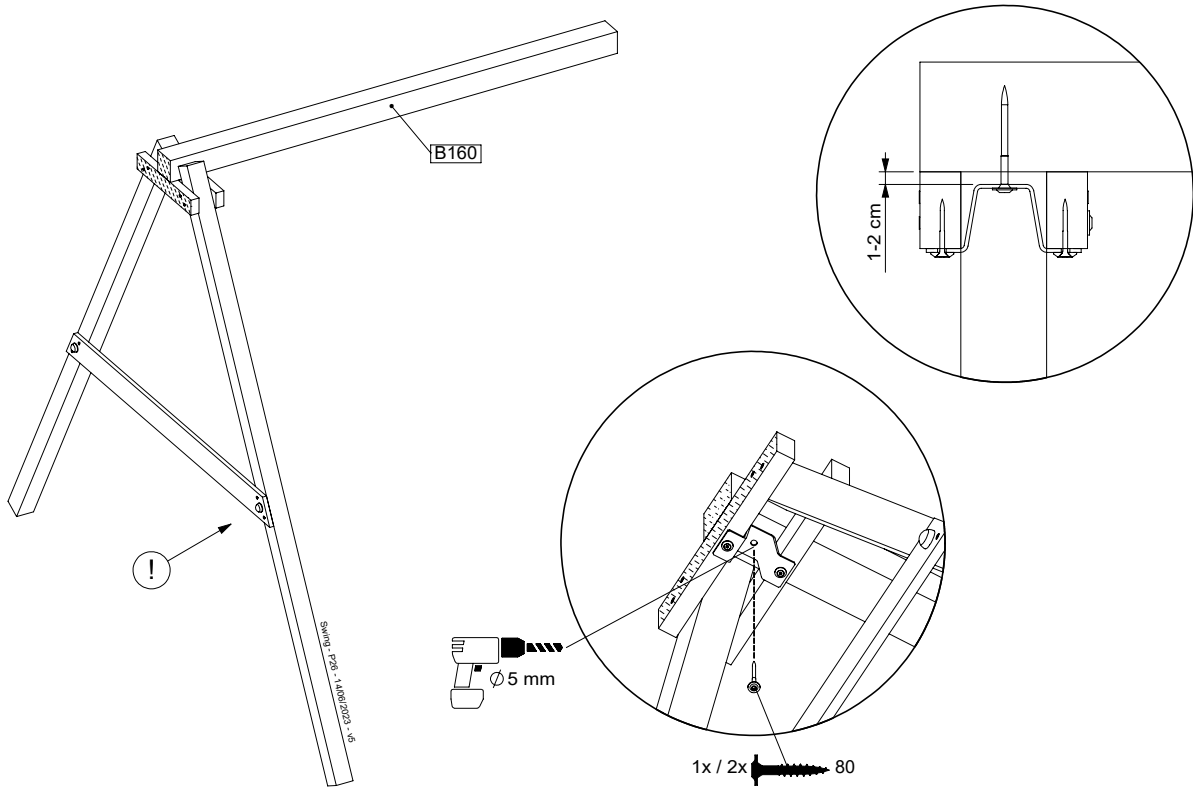
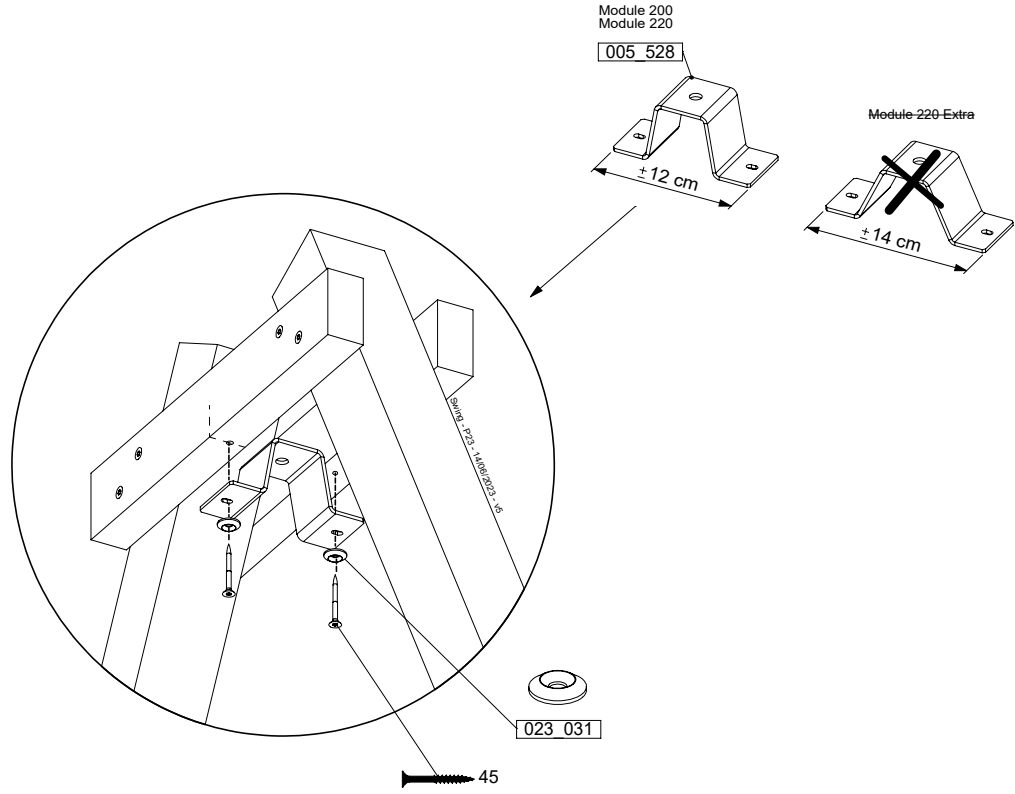
16.1



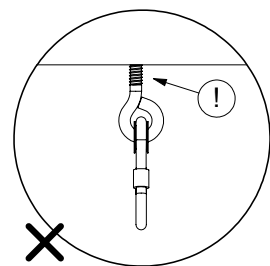
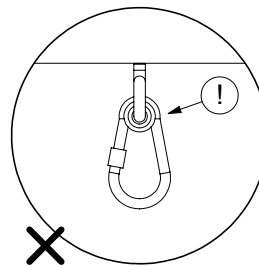
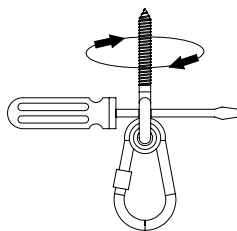
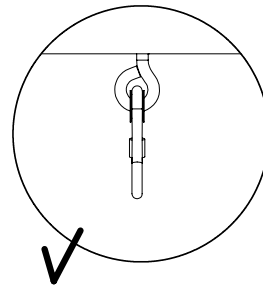
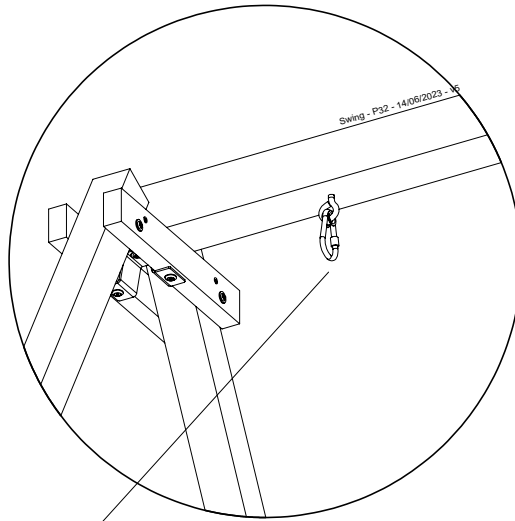
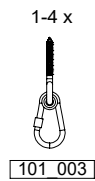
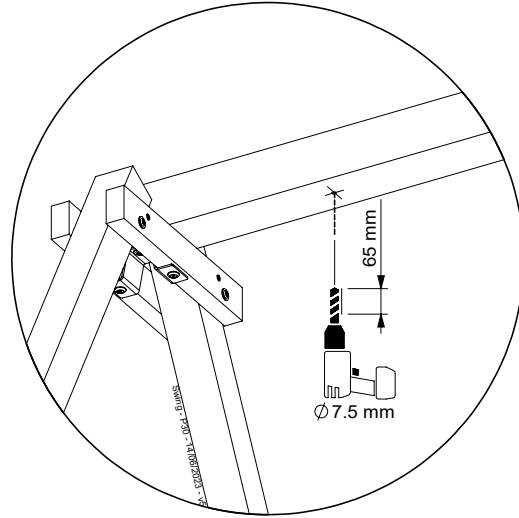
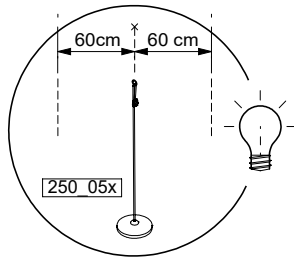
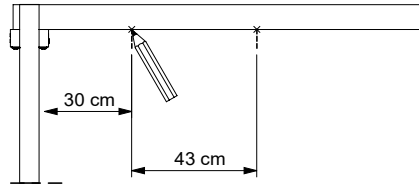
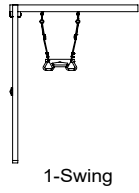
16.2



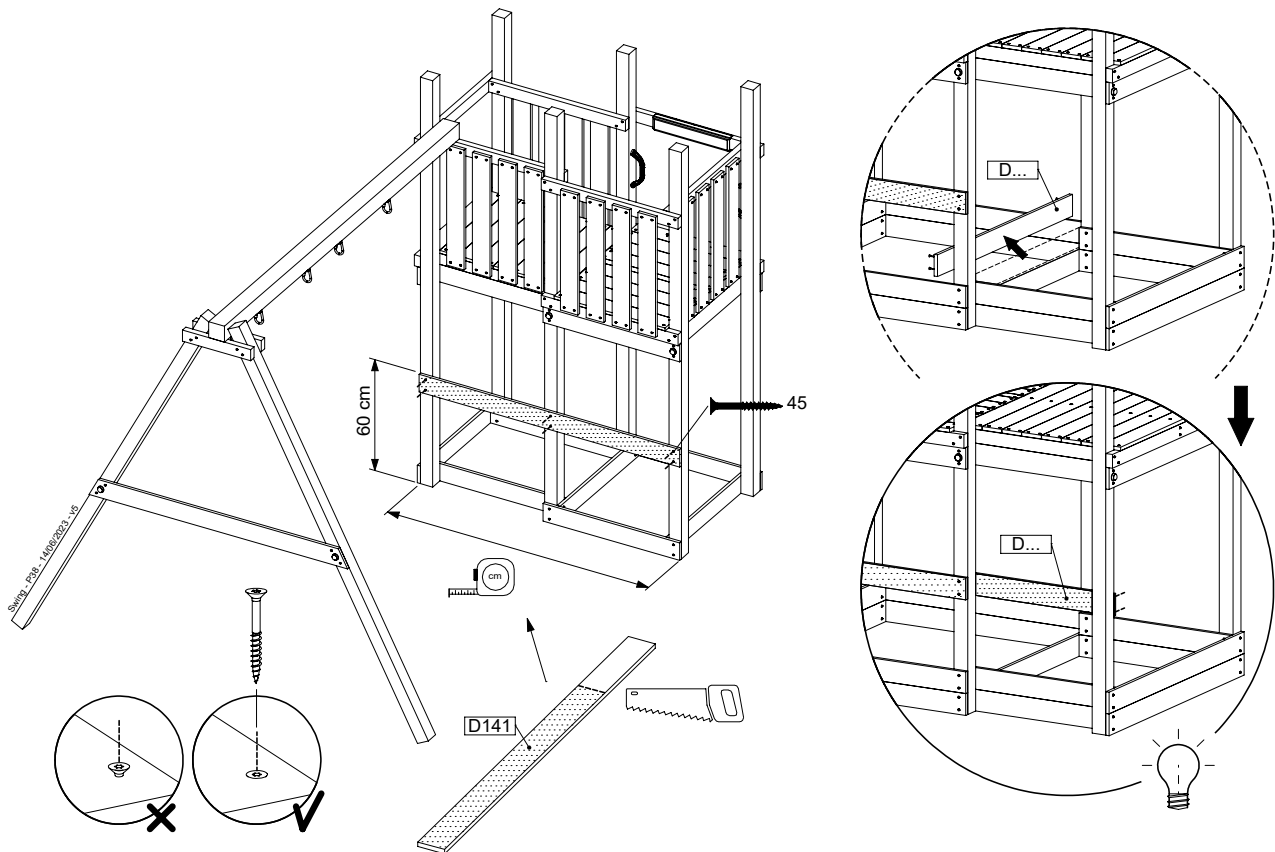
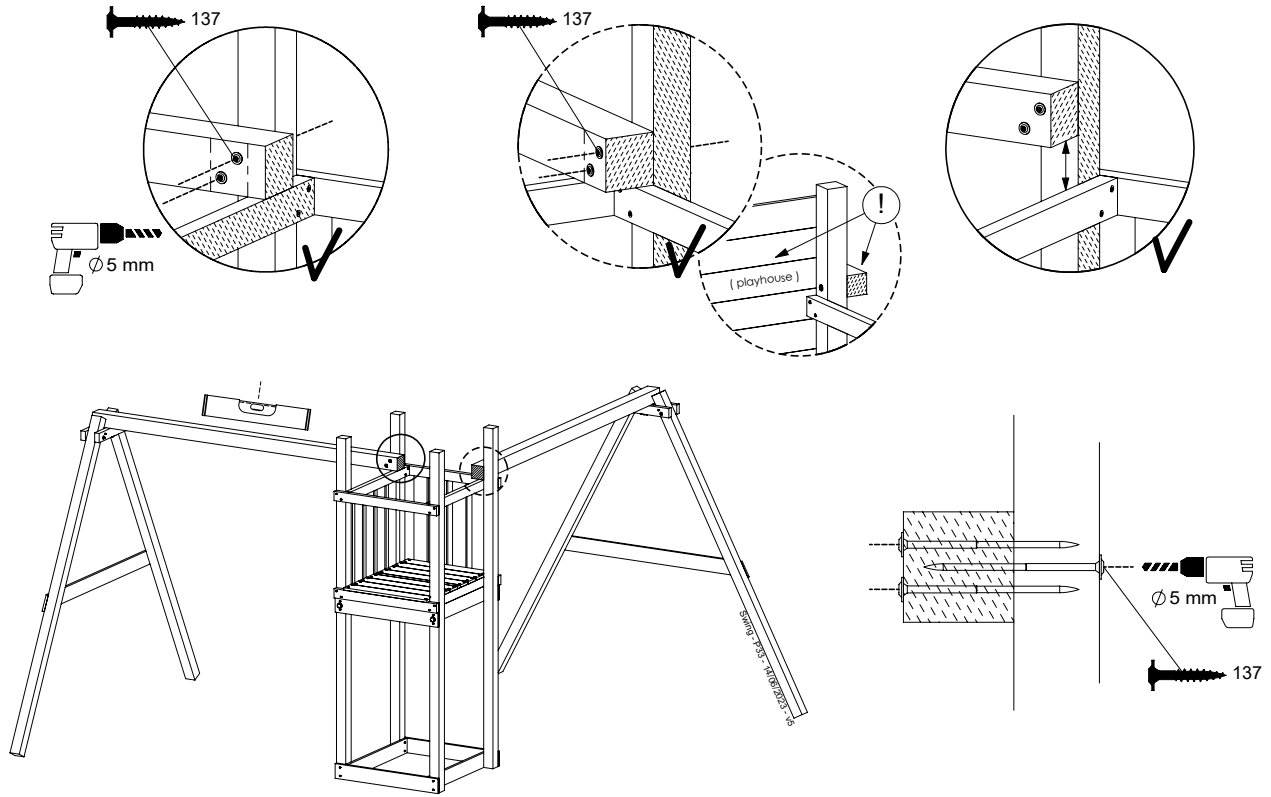
16.3



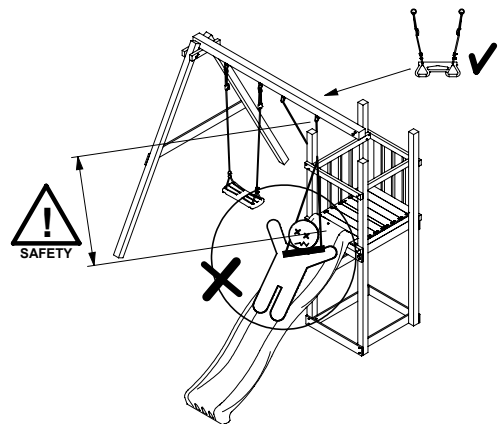
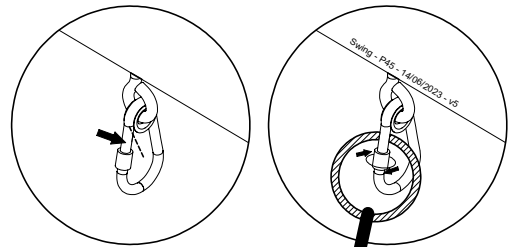
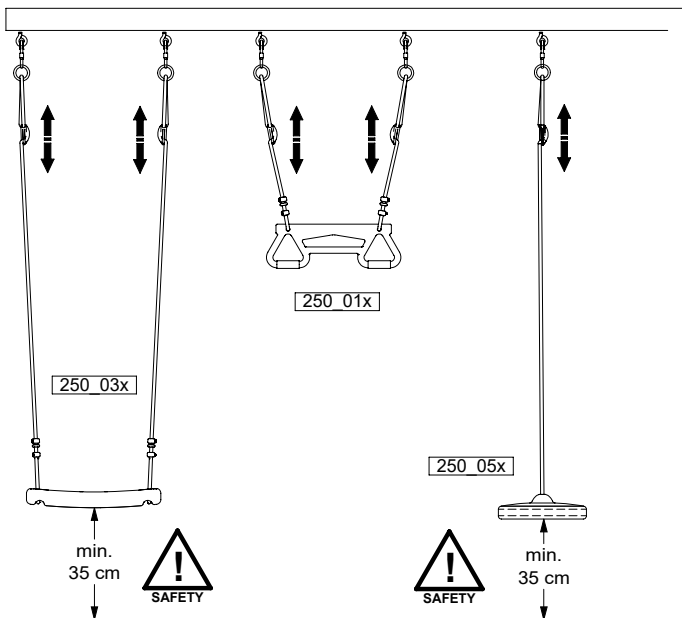
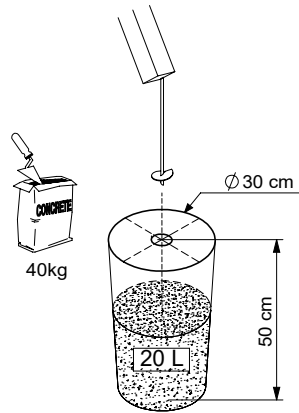
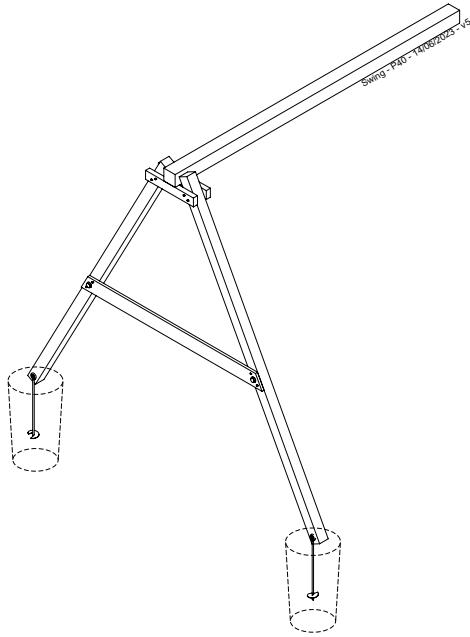
16.4



16.5



16.6

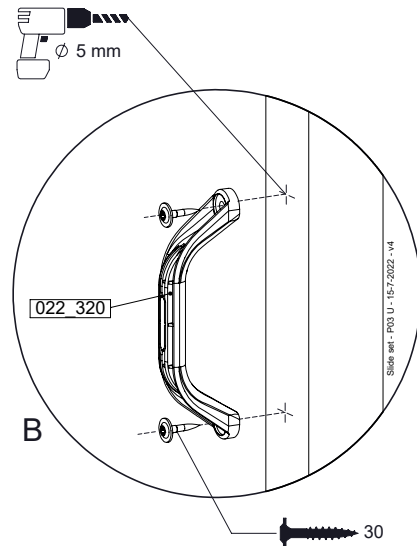
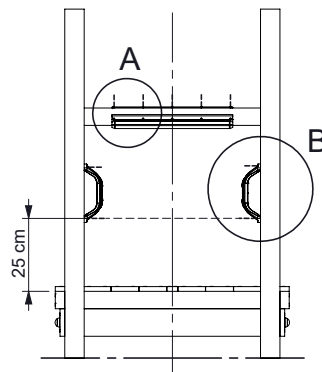
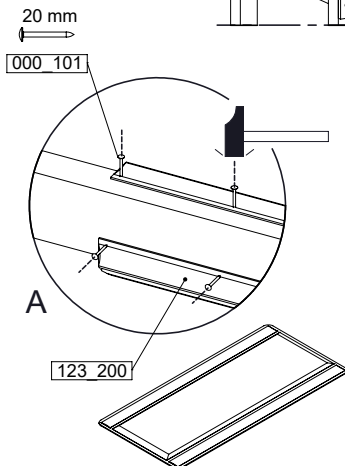
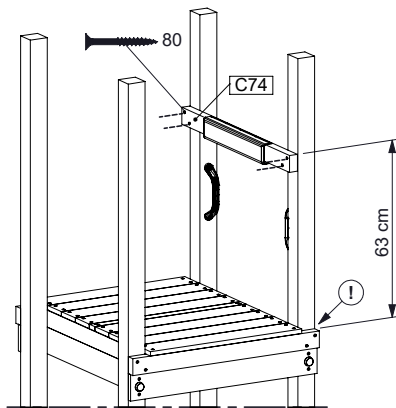
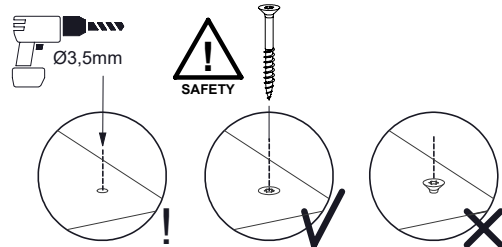
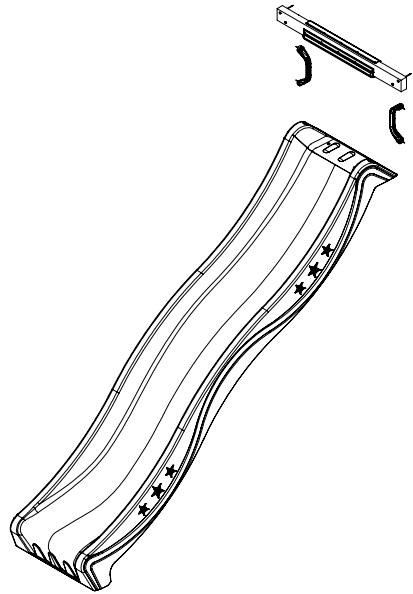


17 SL01a: Slide 80 125 U

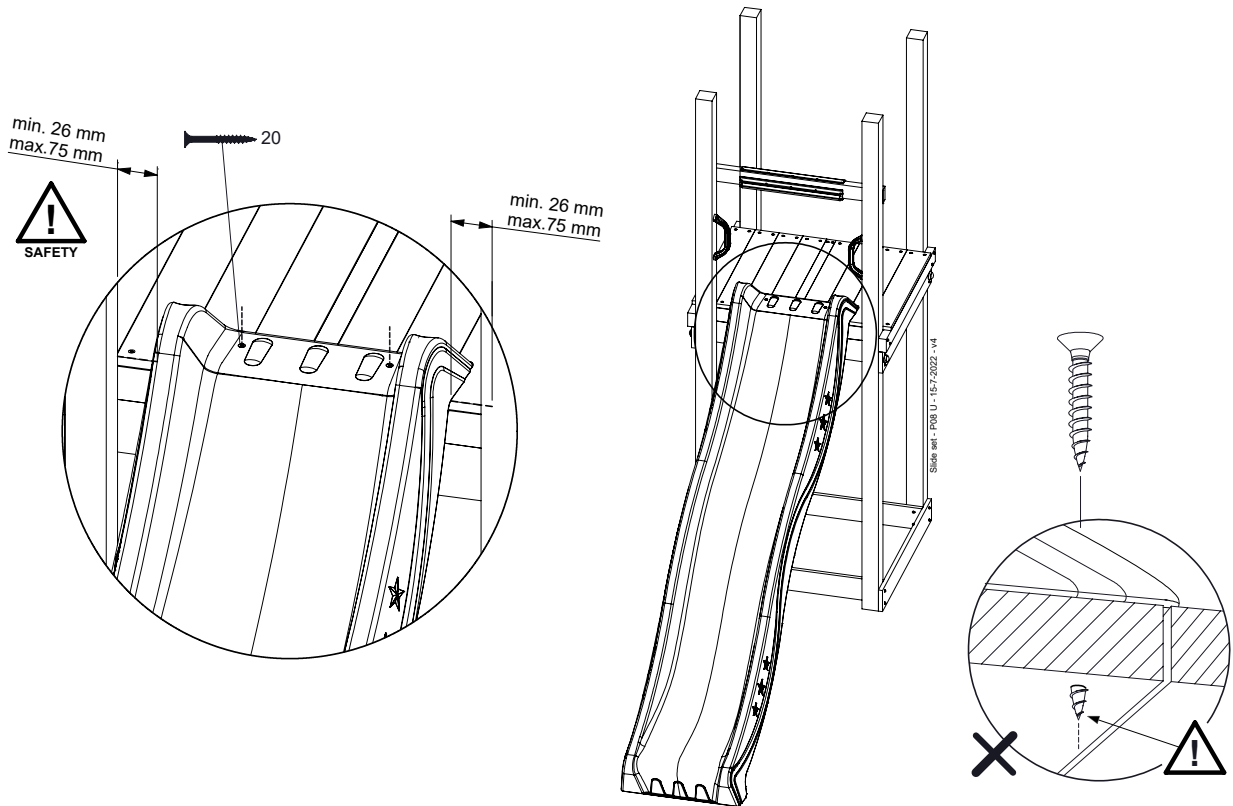
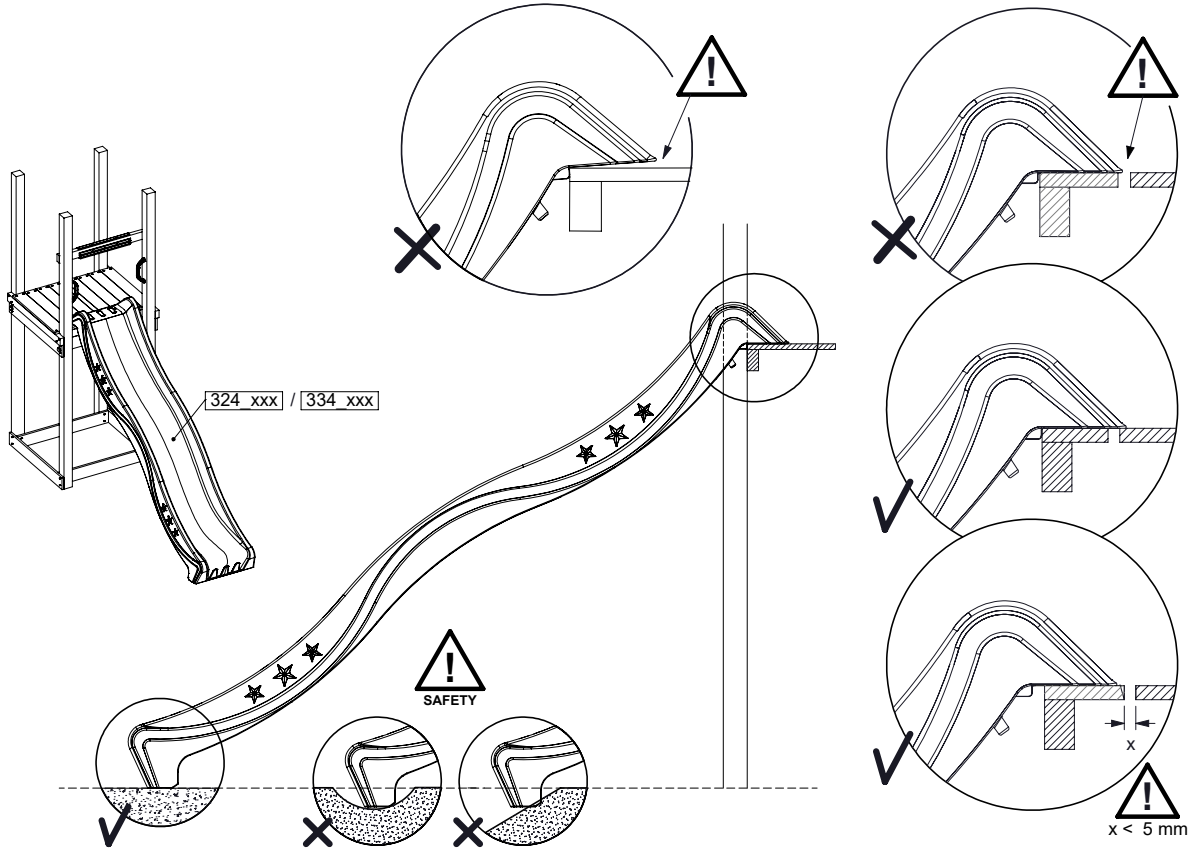
(194_107)

	PartNo	PartName	QTY.
Hardware Pack 100_605	000_101	Nail Pan Head	10
	002_223	Gap Point Screw T25 - 5x80	4
	002_308	Gap Point Screw T25 - 5x20	2
Other	120_102	Handgrip set (2x Complete)	1
	123_200	Bumperpad	1
	324_xxx 334_xxx	Wavy Star Slide XL 2200 mm / Wavy Star Slide XL 2650 mm	1
Timber	C74	Beam 740 mm	1

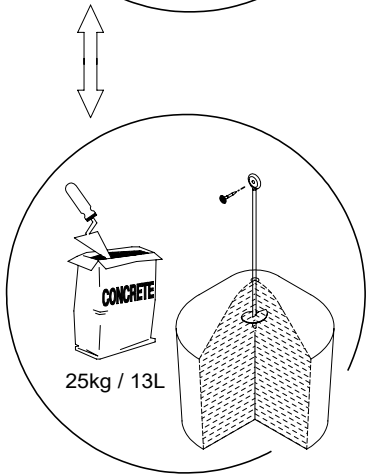
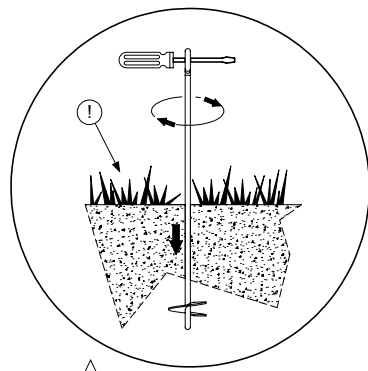
Slide set - P02 - 15-7-2022 - v4



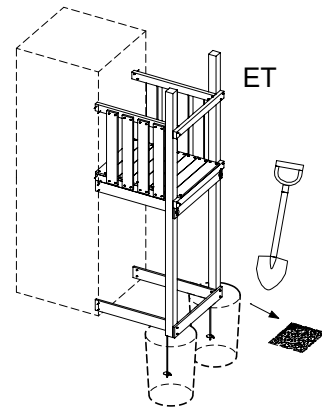
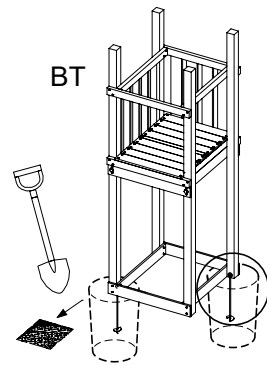
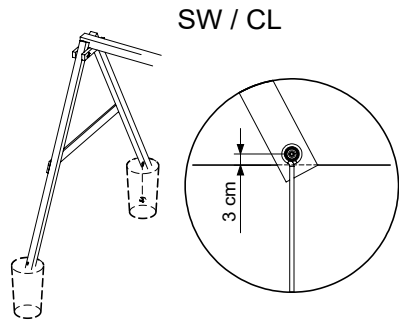
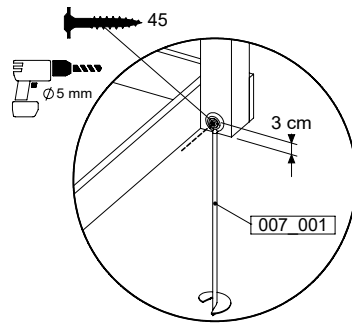
17.1



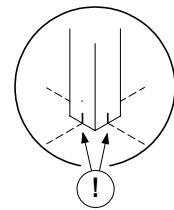
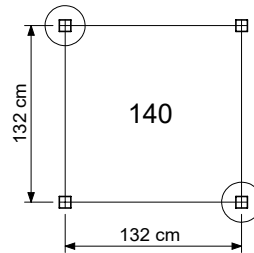
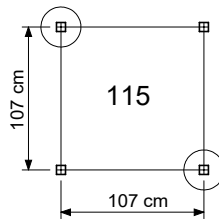
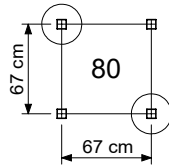
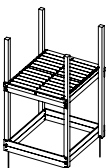
18 GA: Ground Anchors



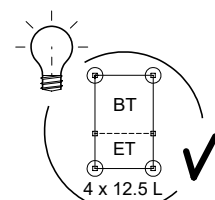
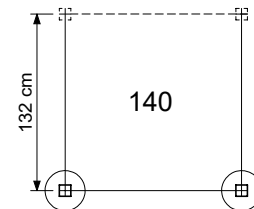
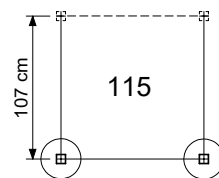
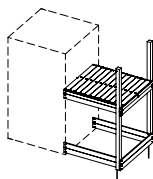
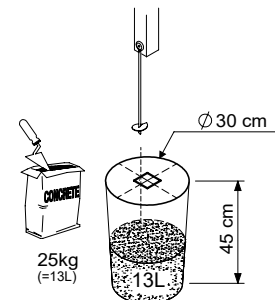
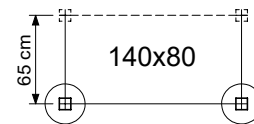
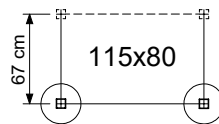
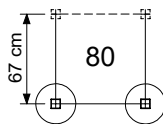
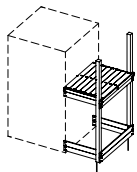
Ground Anchors Unit - P03 - 04/07/2023 - v1.2



BASE TOWERS



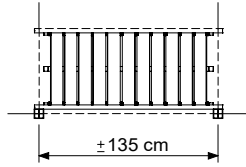
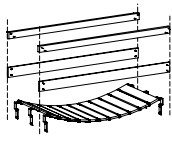
EXTENSION TOWERS



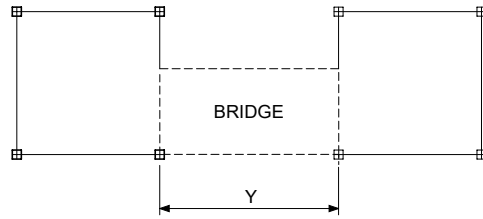
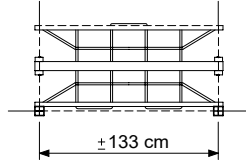
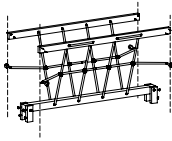
Ground Anchors Unit - P01 - 04/07/2023 - v1.2

18.1

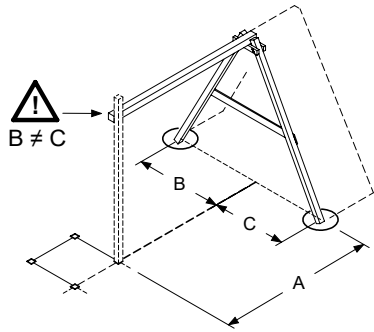
CLATTER BRIDGE



NET BRIDGE

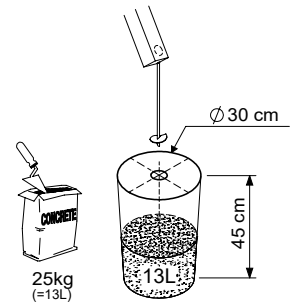


SWING / CLIMB MODULE

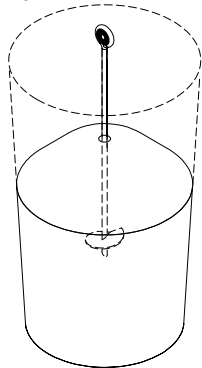


Module type	A	B	C
1-Swing 200	150	115	100
1-Swing 220 / 220 Extra		120	105
2-Swing 200	210	115	100
2-Climb 200			
1-Climb 200	142	120	105
1-Climb 220 / 220 Extra			
2-Swing 220 / 220 Extra	230	120	105
2-Climb 220 / 220 Extra			

Grand Anchors Uni. - P02 - 04/07/2023 - v1.2



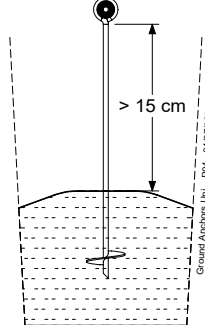
25kg / 13L



1.



SAFETY

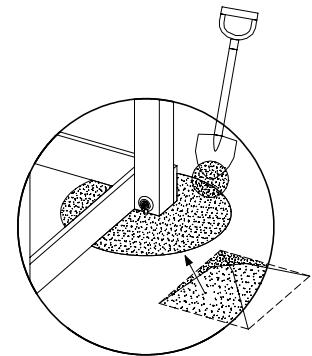


2.

24h



3.



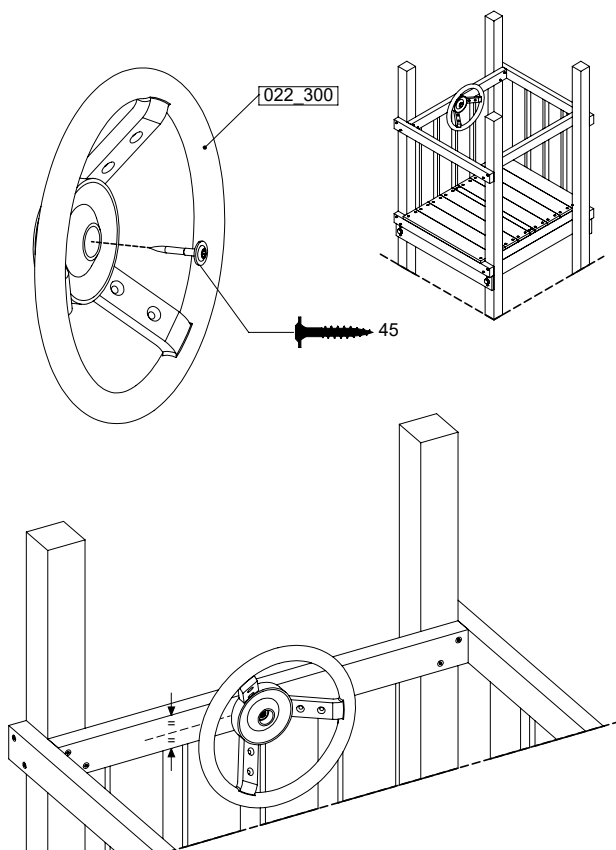
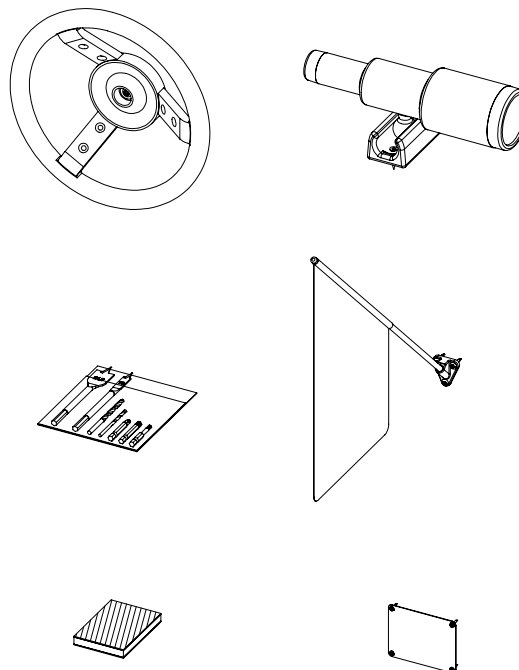
4.

19 AC01a: Accessories

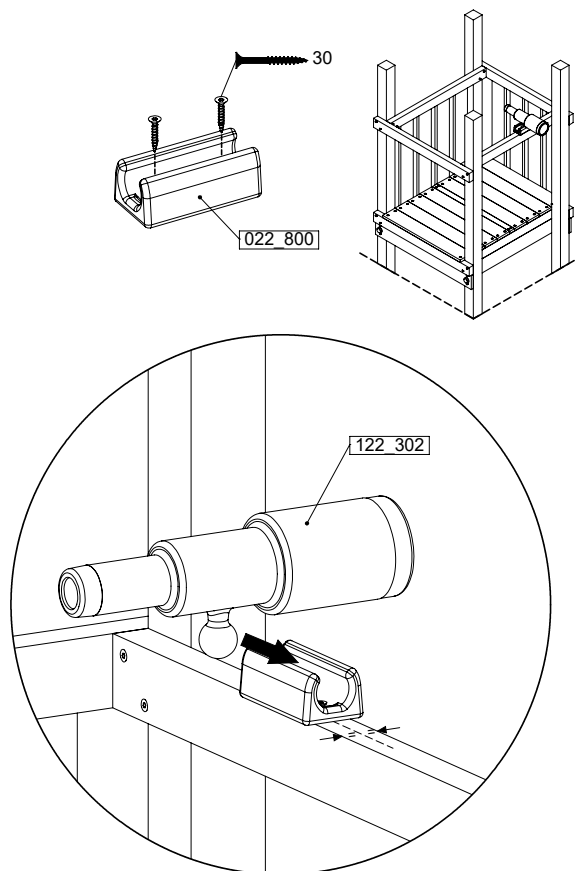
(194_119)

	PartNo	PartName	QTY.
Hardware Pack 100_617	001_406	Stealth Screw 8x45	1
	002_041	Dome head screw 4.5 x 20 mm	3
	002_042	Dome head screw 3.5 x 13mm	4
	002_219	Gap Point Screw T25 - 5x30	2
Other	022_300	Steering Wheel	1
	022_800	Rail P/T 105	1
	022_910	Sandpad	1
	103_901	Logo ID Plate	1
	104_107	Tool Set Climbing Units	1
	120_024	Tower Flag	1
	122_302	Telescope	1

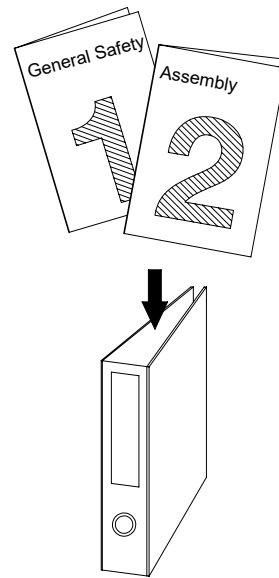
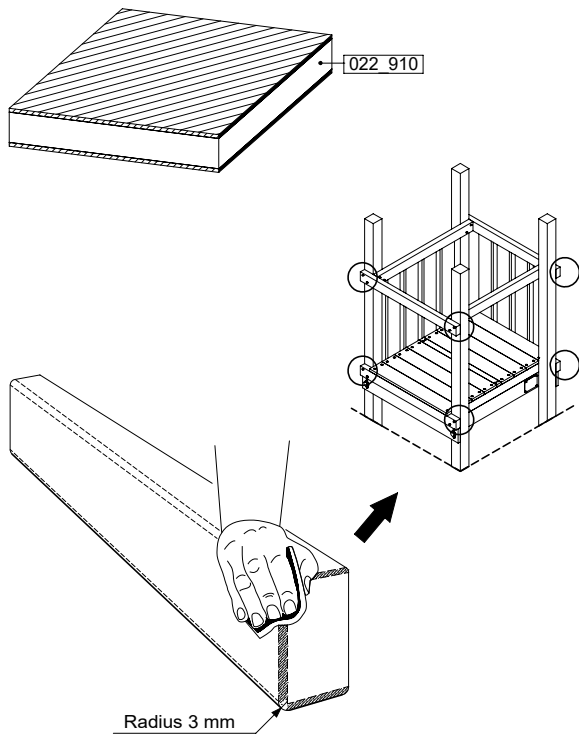
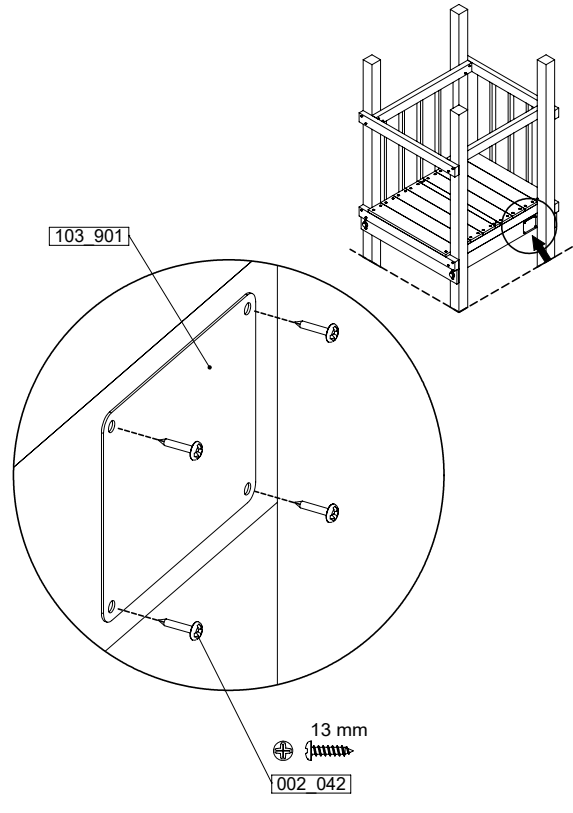
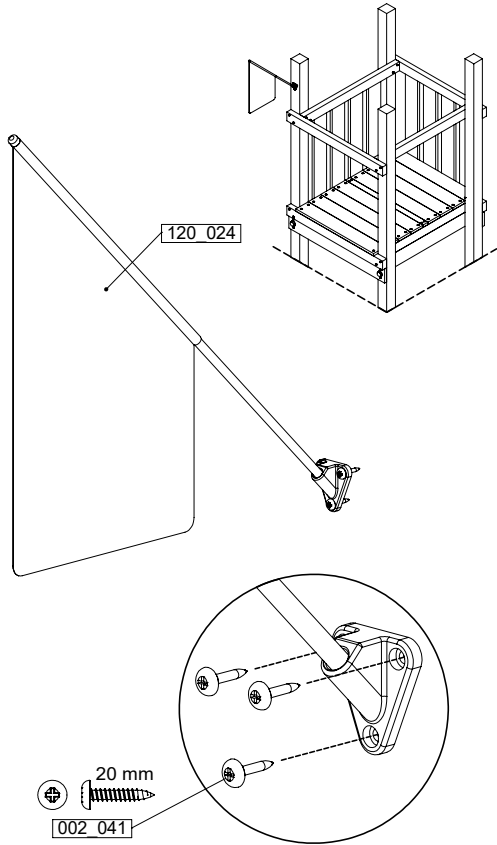
Accessory set - P102 - 06/07/2023 - v5



Accessory set - P103 - 06/07/2023 - v5



19.1



Declaration of Conformity

Jungle Gym

BACKYARD PLAYGROUNDS

since 1988

Manufacturer details

Company Name

Jungle Gym B.V.

Tag-line

Backyard Playgrounds

Address

P.O. Box 75083, 1070 AB Amsterdam, Netherlands

Activity toys for domestic use

Product Range Identification

Construction Packages (Sub-Assembly)

Universal Packs / Base Towers / Extension Towers / Roofs / Means of Exit/Access / Add-ons : 790_001 ... 794_911

Assembly

Playtowers : 801_005 ... 200

Links : 870_100 ... 105

Accessories : 123_220 ... 250_075

Playhouses : 830_150 ... 253, 835_251 ... 253

Swings : 801_300, _600, _601

Slides (XL) : 324_100 ... 600

Modules : 850_180 ... 415

Playtowers: 802_202 ... 208

Slides (XXL) : 334_100 ... 600

: 857_103, 857_108

803_202 ... 210

857_151, 857_158

809_202 ... 804

Applicable EC directives and standards

Chemical References

- | | | |
|---------------------------------------------------------------------------------------------------------------------------------------------------------------------------------------------------|-------------------------------------------------------------------------------------------------------------------------------------------------------|---------------------------------------------------------------------------------------------------------------------|
| 1. Migration of certain elements (17x + Chr VI + tin) as required in TSD 2009/48/EC and its amendments. Scrape off toy material. Tested according to EN 71-3:2019. | 5. Content of 7 Phthalates (18x) according to REACH (EG) no.1907/2006, Annex XVII. Tested according to COC-CH-C1011-09.3 and EN 15777 / QMA 2011.1300 | 9. Content of 3 Flame retardants according to REACH (EG) no. 1907/2006, Annex XVII. Tested according to EN 62321-6. |
| 2. Migration of solvents, monomers and plasticizers as specified in "Safety for Toys: Organic Chemical Compounds", EN 71-9: 2005 + A1: 2007. Tested according to EN 71-10: 2005 & EN 71-11: 2005. | 6. Content of Cadmium according to REACH (EG) no. 1907/2006, Annex XVII. Tested according to EN 17294-2 | 10. Ni release according to REACH (EG) no. 1907/2006, Annex XVII. Tested according to EN 71-3:2013+A1:2014. |
| 3. Content of N-nitrosamines and N-nitrosatable substances as specified in EN standard 71-12: 2013. Tested according to EN 71-12: 2013. | 7. Formaldehyde according to REACH (EG) no. 1907/2006, Annex XVII. Tested according to EN 14184 | 11. Sweat and Salvia resistance tested according to DIN 53160 |
| 4. Content of 18 PAHs (Polycyclic Aromatic Hydrocarbons) as referred in AfPS GS 2014:01 PAK (Replaced on 2019:01). Tested according to QMA 2011.1284 | 8. Azo dyes according to REACH (EG) no. 1907/2006, Annex XVII. Tested according to BVL B 82.02-2. | |

Mechanical physical properties + flammability

EN 71 - 1 : 2014 + A1: 2018 EN 71 - 2 : 2011 + A1: 2014 EN 71 - 8 : 2018

Supplementary information

Conformity to the above specified directives and standards has been frequently verified and is continuously monitored by TÜV Süd, TÜV Rheinland LGA products, DEKRA (DE), STR Ltd (UK), LNE SA (FR), LMR Ltd (US) and IPS N.V. (BE) since 1994. Jungle Gym participates in the European Commission for standardisation for the safety of activity toys (TC52 / WG 10).

Declaration

I hereby declare under our sole responsibility that the products mentioned above, to which this declaration relates, complies with the above mentioned directives and standards.



Name

Mr. P. Schmit / Director




























Issued date

Januari 2nd, 2023


Signature of representative

Construction Packages (Assembly)

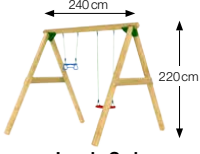
Playtowers

<p>S Single</p>  <p>Jungle Tower 802_201</p>	<p>S Single</p>  <p>Jungle Patio 802_202</p>	<p>S Single</p>  <p>Jungle Cocoon 802_204</p>	<p>S Single</p>  <p>Jungle Cirque 802_206</p>	<p>S Single</p>  <p>Jungle Totem 802_208</p>	<p>S Duo</p>  <p>Jungle Nomad 803_202</p>	<p>S Duo</p>  <p>Jungle Safari 803_204</p>
<p>S Duo</p>  <p>Jungle Viking 803_206</p>	<p>S Duo</p>  <p>Jungle Teepee 803_208</p>	<p>S Duo</p>  <p>Jungle Resort 803_210</p>	<p>S Combo</p>  <p>Jungle Explorer 809_802</p>	<p>S Combo</p>  <p>Jungle Voyager 809_804</p>	<p>M Single</p>  <p>Jungle Castle 801_120</p>	
<p>M Single</p>  <p>Jungle Club 801_110</p>	<p>M Single</p>  <p>Jungle Casa 801_105</p>	<p>M Single</p>  <p>Jungle Home 801_103</p>	<p>M Single</p>  <p>Jungle Hut 801_100</p>	<p>M Single</p>  <p>Jungle House 801_095</p>	<p>L Single</p>  <p>Jungle Cottage 801_090</p>	<p>L Single</p>  <p>Jungle Cabin 801_060</p>
<p>L Single</p>  <p>Jungle Lodge 801_040</p>	<p>L Duo</p>  <p>Jungle Cubby 801_070</p>	<p>L Duo</p>  <p>Jungle Mansion 801_009</p>	<p>XL Single</p>  <p>Jungle Sierra 801_025</p>	<p>XL Single</p>  <p>Jungle Fort 801_010</p>	<p>XL Duo</p>  <p>Jungle Chalet 801_013</p>	<p>XL Duo</p>  <p>Jungle Palace 801_005</p>

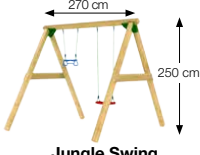
Swings



Jungle Peak
801_300




Jungle Swing
801_601




Jungle Swing
801_602


Swing Module




1-Swing Module 200
857_101




2-Swing Module 200
857_102




1-Swing Module 220
857_151



2-Swing Module 220
857_154




1-Swing Module 220 Extra
850_176




2-Swing Module 220 Extra
850_177


Climb Module




1-Climb Module 200
857_105




2-Climb Module 200
857_106




1-Climb Module 220
857_157



2-Climb Module 220
857_158



1-Climb Module 220 Extra
850_231



2-Climb Module 220 Extra
850_232

Bridge Module



Bridge Module
850_240

Construction Packages (Sub-Assembly)

Base Towers (BT)



790_001
790_002
790_003



792_002
792_003



794_001

Add-on Towers (ET)



790_101
790_102



792_101
792_102
792_103
792_104
792_105
792_106

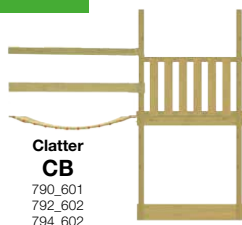


792_107 794_102
792_108 794_103
792_109 794_104
792_110 794_105
792_111 794_107
792_112 794_108
792_113 794_109
792_114

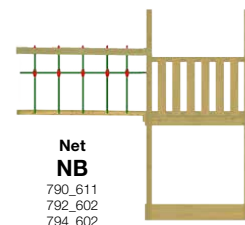


794_110

Bridges (CB + NB)



**Clatter
CB**
790_601
792_602
794_602



**Net
NB**
790_611
792_602
794_602

Swing Modules (SM)



**1-Swing Module 200
SM**
857_101



**2-Swing Module 200
SM**
857_102



**1-Swing Module 220
SM**
857_151



**2-Swing Module 220
SM**
857_152



**1-Swing Module 220
Extra
SM**
850_176



**2-Swing Module 220
Extra
SM**
850_177

Climb Modules (CM)



**1-Climb Module 200
CM**
857_105



**2-Climb Module 200
CM**
857_106



**1-Climb Module 220
CM**
857_157



**2-Climb Module 220
CM**
857_158



**1-Climb Module 220
Extra
CM**
850_231



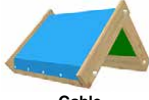
**2-Climb Module 220
Extra
CM**
850_232

Construction Packages (Sub-Assembly)

Roofs (RF)



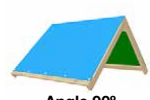
**Tipi
RF**
790_203



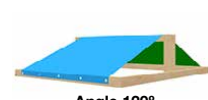
**Gable
RF**
790_202



**Pyramid
RF**
790_205



**Angle 90°
RF**
792_201



**Angle 120°
RF**
792_206 (=115)
794_204 (=140)



**Tipi
RF**
790_204



**Clapboard
RF**
790_201



**Lookout
RF**
790_206



**Angle 90°
RF**
792_202 (=115)
794_202 (=140)



**Angle 120°
RF**
792_203 (=115)
794_203 (=140)

Balustrade (BA/PH)



**Balustrade panel
BA**
790_301
792_301
794_301
794_302



**Hide panel
PH**
790_311
792_311
794_311



**Wall panel
PH**
790_313
792_313
794_313



**Roof panel
PH**
792_314
794_314



**Window panel
PH**
792_202 (L)
794_202 (L)
792_203 (R)
794_203 (R)

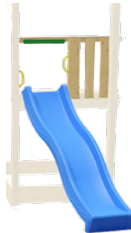


**Door panel
PH**
792_204 (L)
794_204 (L)
792_205 (R)
794_205 (R)

Slides (SL)



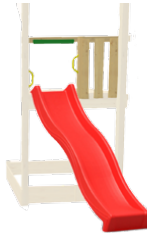
**Slide Yellow
SL**
324_100
334_100
790_901
792_901
794_901



**Slide Blue
SL**
324_200
334_200
790_901
792_901
794_901



**Slide Green
SL**
324_300
334_300
790_901
792_901
794_901



**Slide Red
SL**
324_400
334_400
790_901
792_901
794_901



**Slide Fuchsia
SL**
324_500
334_500
790_901
792_901
794_901

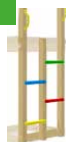


**Slide Dark Green
SL**
324_600
334_600
790_901
792_901
794_901

Access



**Ladder
LA**
790_433
790_434
792_431
792_432
794_431
794_432



**Two Step Ladder
TS**
790_413
790_414
792_411
792_412
794_411
794_412
794_413
794_414



**Rope ladder
RL**
790_421
792_421
792_422
794_421



**Rock wall
RW**
790_403
790_404
792_401
792_402
794_401
794_402



**Ramp
RA**
790_441
792_441
794_441



**FMP Exit
FP**
790_903
792_911
794_911

Add-ons (ADD)



**Market
MT**
790_502
792_502
794_502



**Boat front
BO**
790_501



**Picnic
PC**
790_503



**Picnic
PC**
792_503
794_503

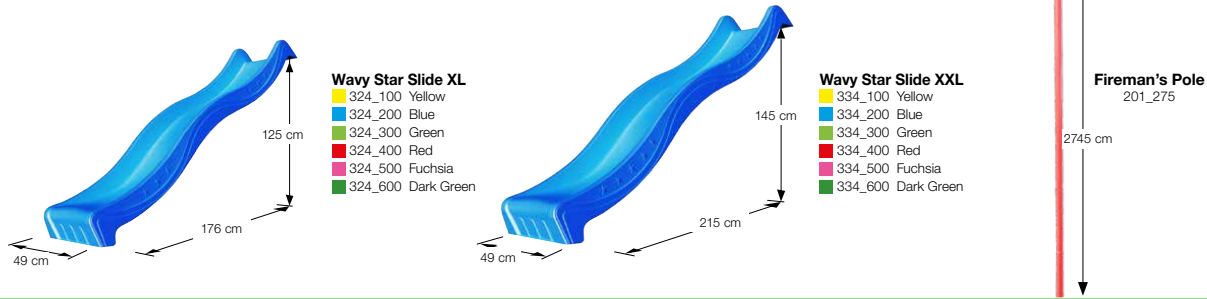
Universal Pack (AC)



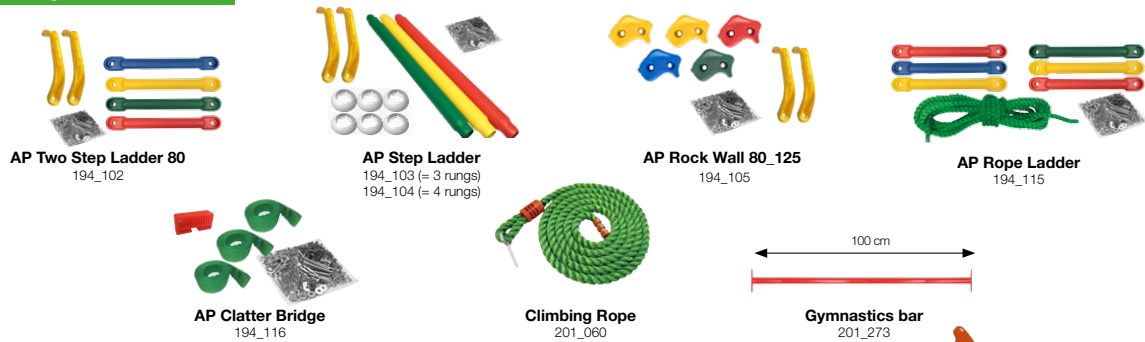
Accessory set
194_119

Accessories

Slides (MOE)



Climbing



Imagination



Swinging



Functional



Components

