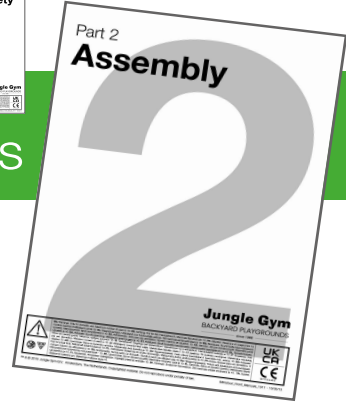


Part 2

Assembly

Instructions



Config ID: OLhn4b

Date: 2023-09-07



Manual Part 1



Important

This assembly manual should always be read in conjunction with the General Safety manual part 1 as included in the hardware package of your playground equipment.

Please read these safety instructions carefully before starting the assembly work.

Jungle Gym

BACKYARD PLAYGROUNDS

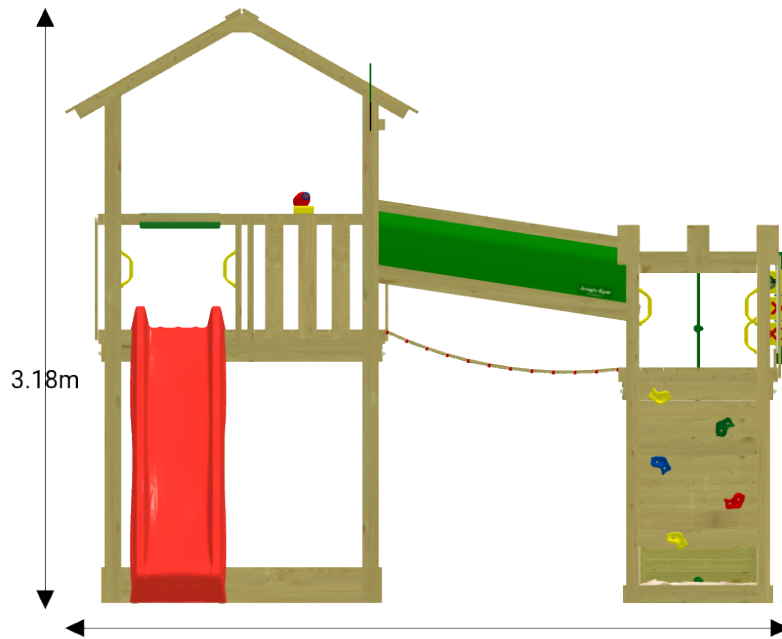
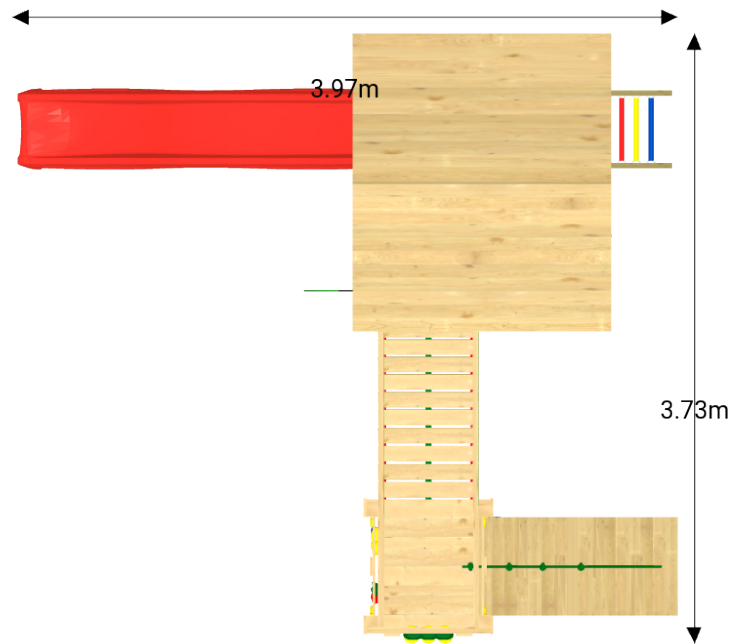
since 1988



EN. Warnings. Only for domestic use. Maximum number of users is **5**. **DE.** Achtung. Nur für den Hausgebrauch. Maximale Benutzerzahl: **5**. **FR.** Attention. Réserve à un usage privé. Le nombre maximal d'utilisateurs est de **5**. **NL.** Waarschuwingen. Uitsluitend voor huishoudelijk gebruik. Het maximale aantal gebruikers is **5**. **BG.** Внимание. За употреба само в домашни условия. Максималният брой потребители е **5**. **ES.** Advertencias. Sólo para uso doméstico. Número máximo de usuarios: **5**. **CS.** Varování. Jen pro domácí použití. Maximální počet uživatelů je **5**. **DA.** Advarsler. Kun til privat brug. Maksimum antal brugere er **5**. **ET.** Hoiatused. Ainult koduseks kasutamiseks. Maksimaalne kasutajate arv on **5**. **EL.** Προειδοποιήσεις. Μόνο για οικιακή χρήση. Μέγιστος αριθμός χρηστών **5**. **IS.** Varnaðarorð. Eingöngu fyrir einkanotkun í heimahúsum og á einkalöðum. Hámarksfjöldi notenda er **5**. **IT.** Avvertenze. Solo per uso domestico. Massimo numero di utenti è **5**. **LV.** Brīdinājumi. Izmantot tikai mājās. Maksimālais lietotāju skaits ir **5**. **LT.** Įspėjimai. Tik buitiniam naudojimui. Maksimalus naudotojų skaičius **HR.** Upozorenja. Samo za kućansku uporabu. Maksimalan broj korisnika je **5**. **HU.** Figyelmeztetések. Csak otthoni használatra! A használok max. száma: **5**. **NO.** Advarsler. Kun for privat bruk. Maksimalt antall brukere er **5**. **PL.** Ostrzeżenia. Wyłącznie do użytku domowego. Maksymalna liczba użytkowników to **5**. **PT.** Avisos. Apenas para uso doméstico. O número máximo de utilizadores é **5**. **RO.** Avertismente. Numai pentru uz domestic. Numărul maxim de utilizatori este **5**. **RU.** Предостережения. Только для домашнего использования. Максимальное количество пользователей - **5**. **SK.** Upozornenia. Iba na domáce použitie. Maximálne množstvo osôb je **5**. **SL.** Opozorila. Samo za domačo uporabo. Maksimalno število uporabnikov je **FI.** Varoitukset. Ainoastaan kotikäyttöön. Käyttäjää yhteensä enintään **5**. **SR.** Upozorenja. Samo za kućnu upotrebu. Maksimalan broj korisnika je **5**. **SV.** Varningar. Endast för hemmabruk. Det maximala antalet användare är **5**. **TR.** Uyarılar. Sadece ev kullanımı için. Maksimum kullanıcı sayısı **8**.



1 Views

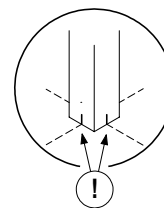
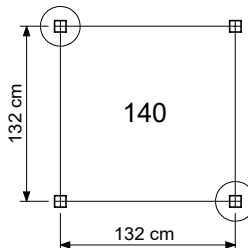
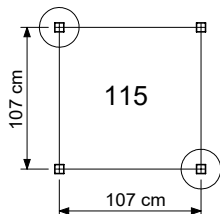
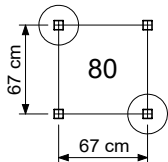
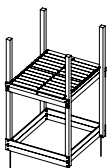


2 Order list

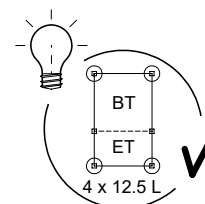
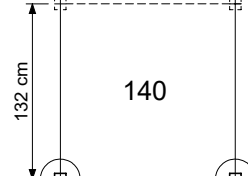
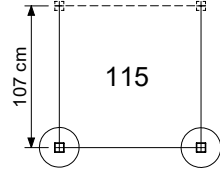
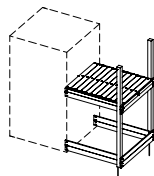
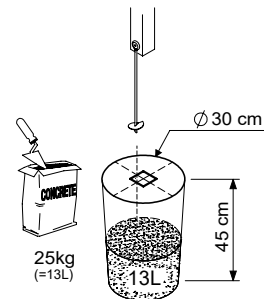
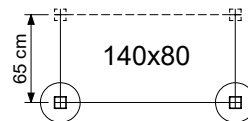
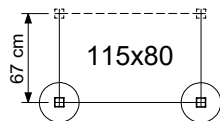
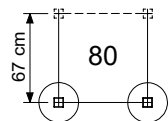
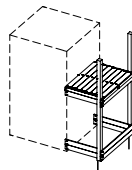
Nr.	SKU	Description	ID	#
1	790_206	Roof Lookout 80	RF06	1
2	794_203	Roof Chalet 140	RF15	1
3	794_432	Ladder 140_145	LA24	1
4	790_441	Ramp 80_125	RA03	1
5	794_901	Slide 70/140	SL26	1
6	334_x00	Wavy Star Slide XXL	334_x00	1
7	790_001	Base Tower 80_200200	BT01a	1
8	794_001	Base Tower 140_270270	BT20a	1
9	790_301	Balustrade 80	BL02a	1
10	794_301	Balustrade 140	BL06a	1
11	794_302	Balustrade 70/140	BL07a	1
12	794_302	Balustrade 70/140	BL08a	1
13	790_406	Rock wall Closed 80_125	RW31a	1
14	790_601	Bridge 80	CB01a	1
15	794_602	Bridge Frame 140	BF23a	1
16	194_119	AP Accessory set	AC01a	1
17	450_310	Tic Tac Toe	AC09a	1
18	123_230	Mesh green	AC30a	1

3 Anchor Plan

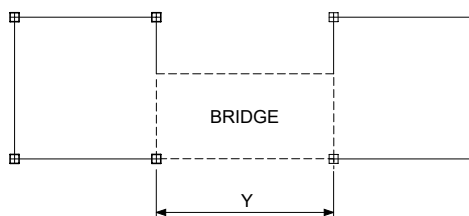
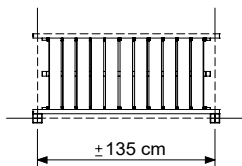
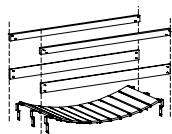
BASE TOWERS



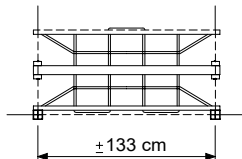
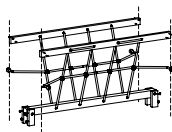
EXTENSION TOWERS



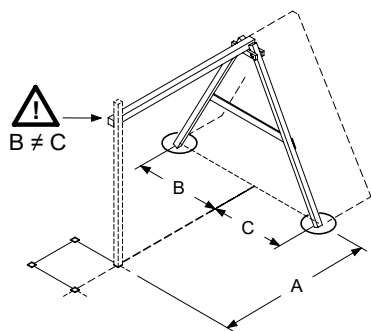
CLATTER BRIDGE



NET BRIDGE

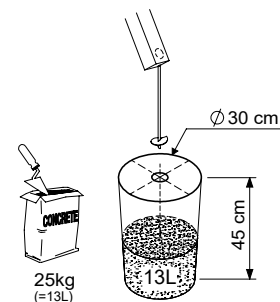


SWING / CLIMB MODULE



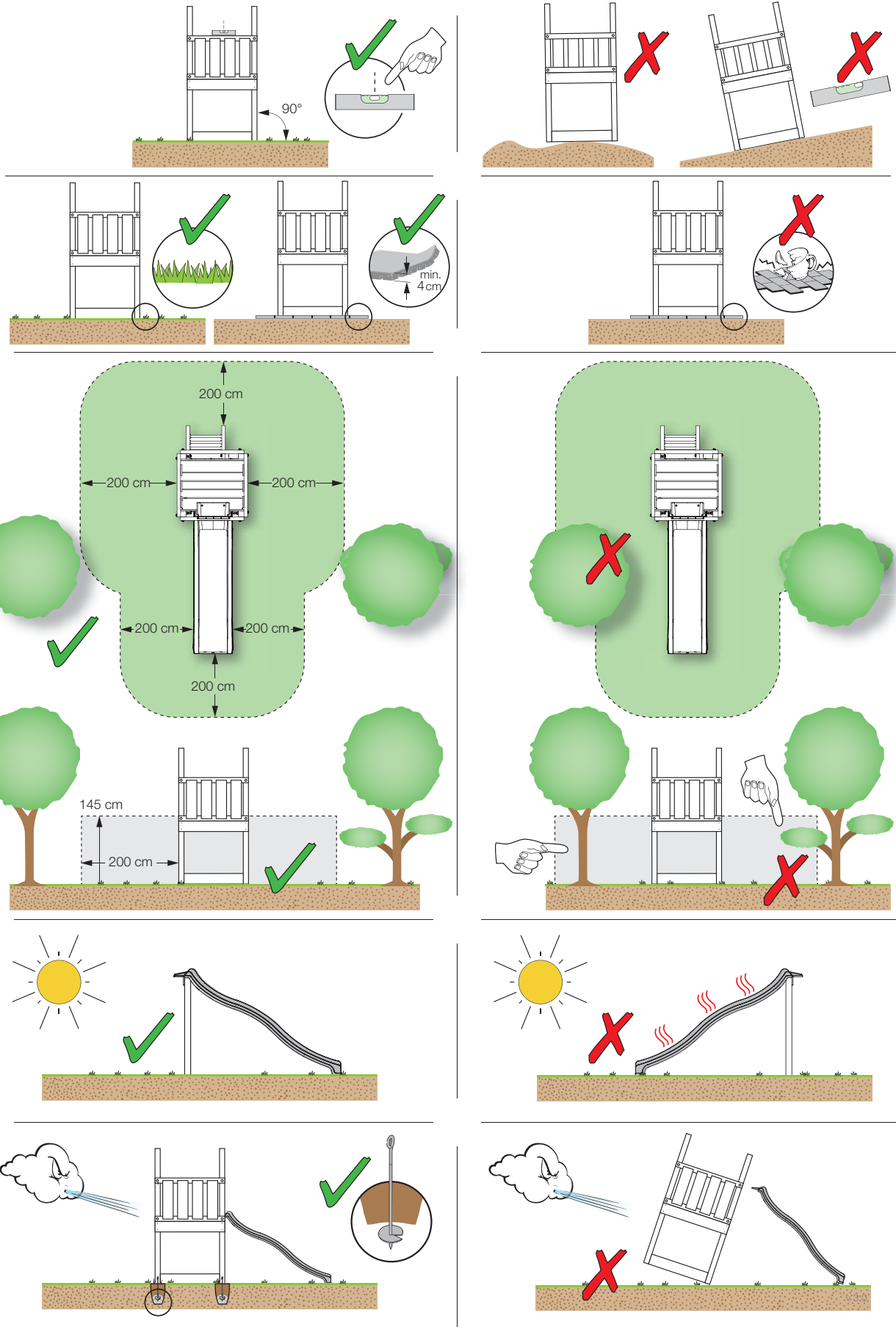
Module type	A	B	C
1-Swing 200	150	115	100
1-Swing 220 / 220 Extra		120	105
2-Swing 200	210	115	100
2-Climb 200			
1-Climb 200	142	120	105
1-Climb 220 / 220 Extra			
2-Swing 220 / 220 Extra	230	120	105
2-Climb 220 / 220 Extra			

Ground Anchors Unit - POZ - 04/07/2023 - v1.2

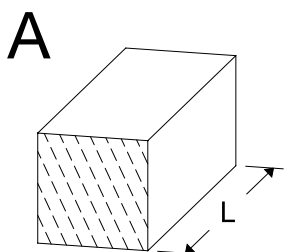


Ground Anchors Unit - POZ - 04/07/2023 - v1.2

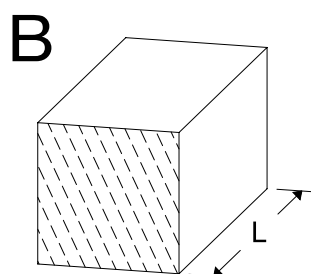
3.1 Safe Playground



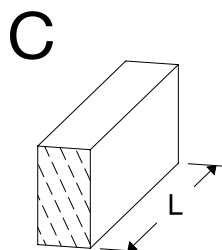
4 Timber parts



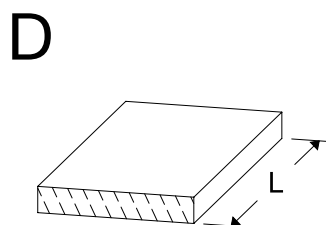
ID	L	#
A200	199 cm - 200 cm	4



B270	269 cm - 270 cm	4
------	-----------------	---

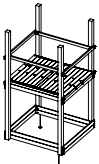

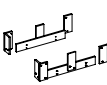

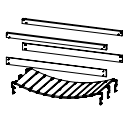
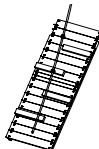
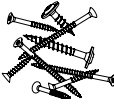
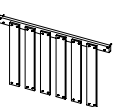


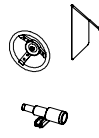
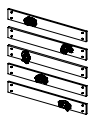
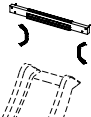

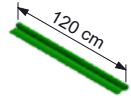
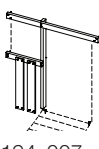


C37	36 cm - 37 cm	4
C70	69 cm - 70 cm	4
C74	73 cm - 74 cm	8
C96	85 cm - 96 cm	4
C141	140 cm - 141 cm	13
C150	149 cm - 150 cm	2
C154	153 cm - 154 cm	2

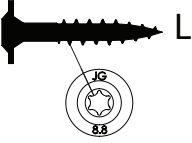
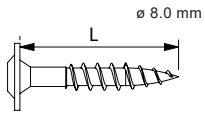
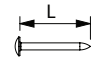
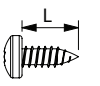
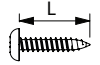
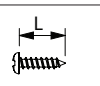
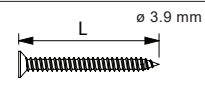


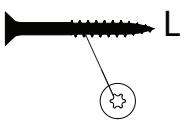
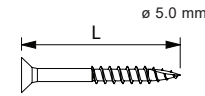
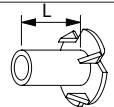


D21	20 cm - 21 cm	10
D60	59 cm - 60 cm	42
D65	64 cm - 65 cm	21
D74	73 cm - 74 cm	16
D123	122 cm - 123 cm	18
D141	140 cm - 141 cm	14
D154	153 cm - 154 cm	24

5 Assembly packs & accessories

<p>Tower 140</p>  <p>BT ET</p> <p>194_500</p> <p>1x</p>	<p>Tic Tac Toe</p>  <p>AC</p> <p>450_310</p> <p>1x</p>	<p>Roof Timber Lookout 80</p>  <p>RF</p> <p>194_112</p> <p>1x</p>	<p>Tower 80</p>  <p>BT ET</p> <p>194_100</p> <p>1x</p>	<p>Clatter Bridge</p>  <p>CB</p> <p>194_116</p> <p>1x</p>
<p>Ramp</p>  <p>RA</p> <p>194_008</p> <p>1x</p>	<p>Hardware 01</p>  <p>BL H01</p> <p>194_101</p> <p>3x</p>	<p>Balustrade 140</p>  <p>BL</p> <p>194_501</p> <p>1x</p>	<p>Slide 2.6m</p>  <p>334_x00</p> <p>1x</p>	<p>Roof Timber 140</p>  <p>RF</p> <p>194_508</p> <p>1x</p>
<p>Accessory Set</p>  <p>AC</p> <p>194_119</p> <p>1x</p>	<p>Rock Wall</p>  <p>RW</p> <p>194_006</p> <p>1x</p>	<p>Slide Frame</p>  <p>SL</p> <p>194_107</p> <p>1x</p>	<p>Ladder 145</p>  <p>LA</p> <p>194_004</p> <p>1x</p>	<p>Mesh Green 185 x 120cm</p>  <p>120 cm</p> <p>123_230</p> <p>1x</p>
<p>Bridge Frame</p>  <p>BF</p> <p>194_007</p> <p>1x</p>				

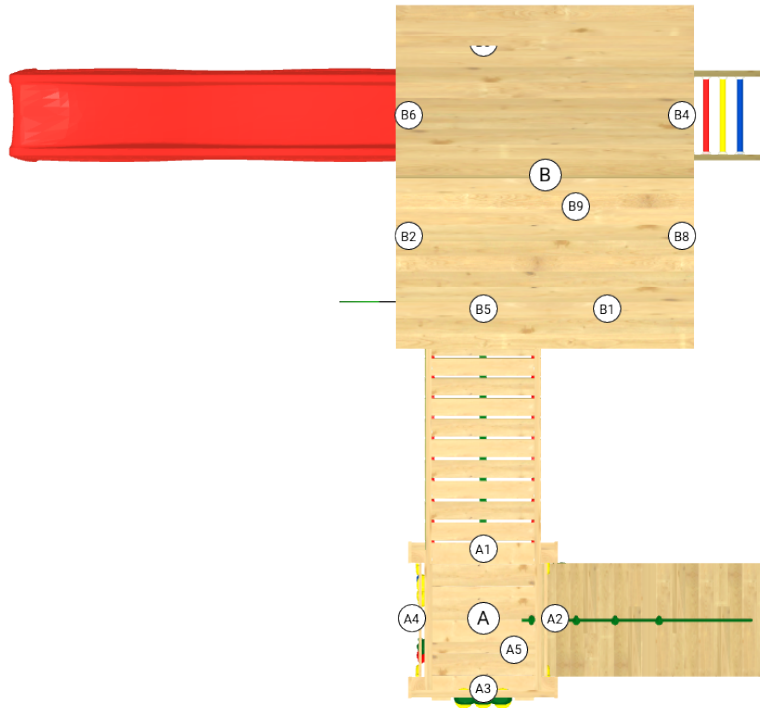
6 Hardware Identification

		SKU	L
	 \varnothing 8.0 mm	001_404	30 mm
		001_406	45 mm
		001_411	60 mm
		001_417	80 mm
		001_422	137 mm
	M8	001_102	30 mm
	 \varnothing 2.0 mm	000_101	20 mm
	 \varnothing 6.3 mm	002_036	16 mm
	 \varnothing 4.5 mm	002_041	20 mm
	 \varnothing 3.5 mm	002_042	13 mm
	 \varnothing 3.9 mm	002_301	40 mm



		SKU	L	
	 \varnothing 5.0 mm	002_308	20 mm	
		002_219	30 mm	
		002_220	45 mm	
		002_223	80 mm	
	M8	003_010		
	M6	003_034		
	 \varnothing 6.3 mm	004_050	22mm	
		022_845	Yellow	
		022_846	Blue	
		022_847	Green	
		022_848	Red	
		023_031	White	
	 022_844	 022_314	120_005	White

output: 25/05/23

7 Assembly Planning



	ID			A	B
1	BT01a		p.7	✓	-
2	BT20a		p.7	-	✓
3	RW31a		p.7	A4	-
4	BL02a		p.7	A3	-
5	BL06a		p.7	-	B3
6	BL07a		p.7	-	B8
7	BL08a		p.7	-	B2
8	RF06		p.7	A5	-
9	RF15		p.7	-	B9
10	CB01a		p.7	A1	B5
11	BF23a		p.7	-	B1
12	LA24		p.7	-	B4
13	RA03		p.7	A2	-
14	SL26		p.7	-	B6
15	GA		p.7	✓	✓

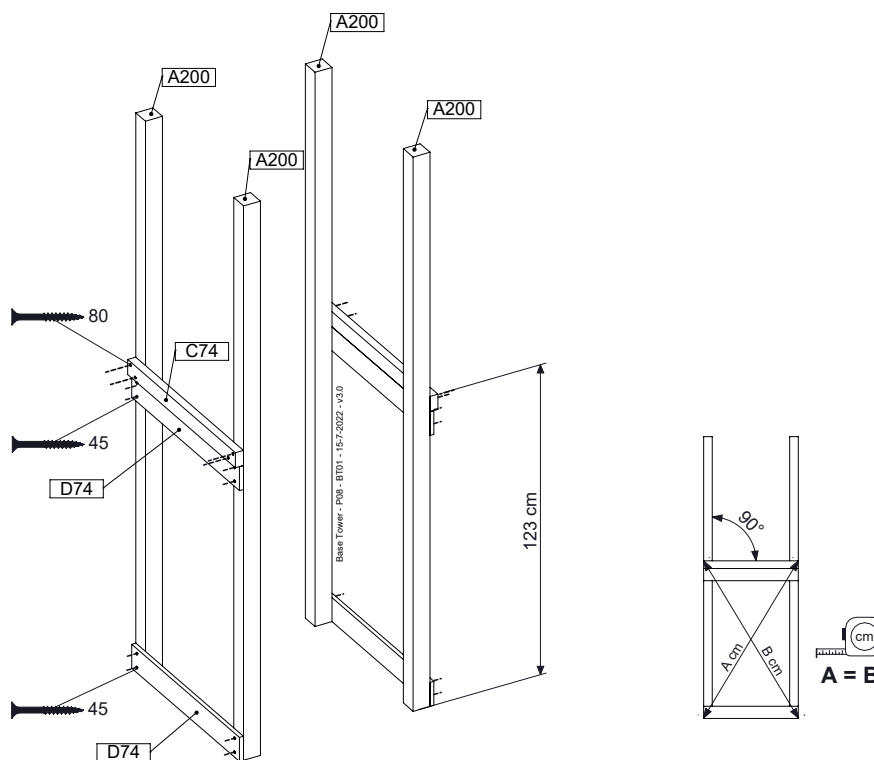
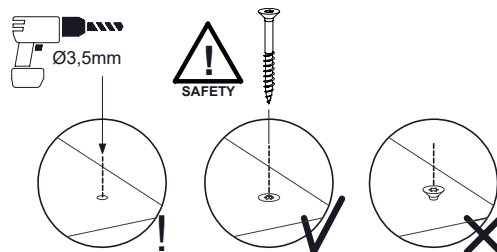
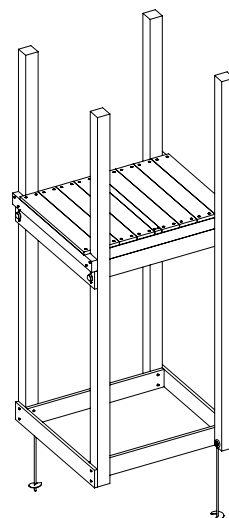
	ID			A	B
16	AC30a		p.7	A1	B5
17	AC01a		p.7	-	✓

8 BT01a: Base tower 80 125cm 200200

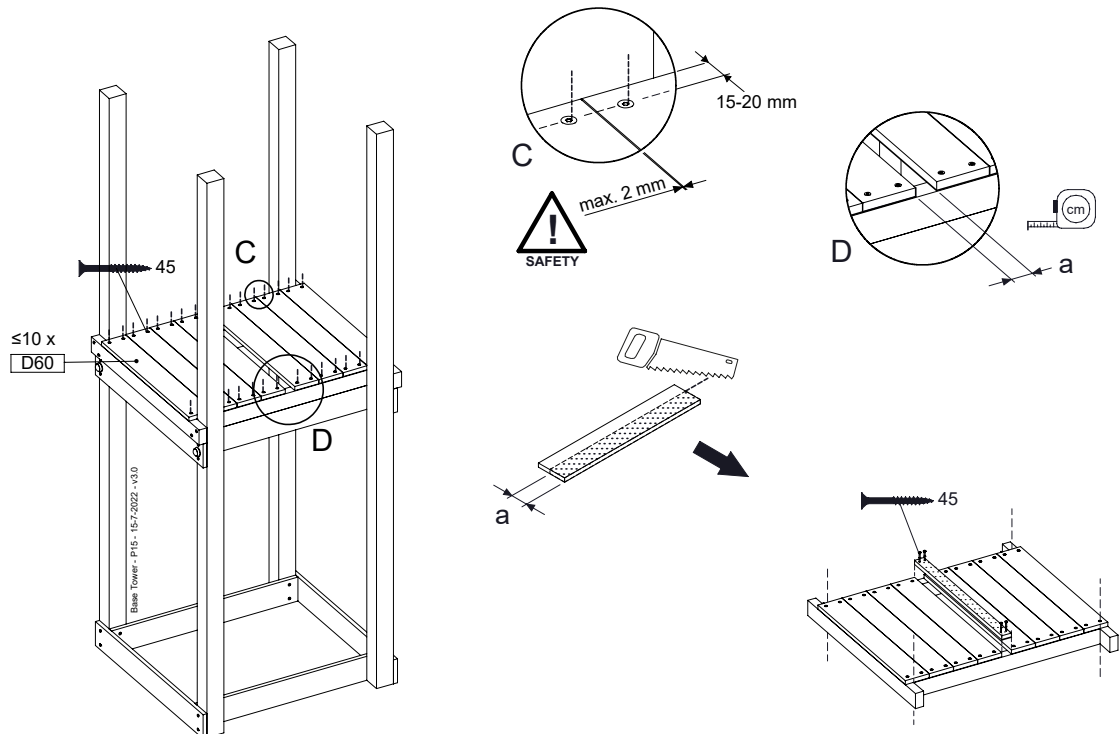
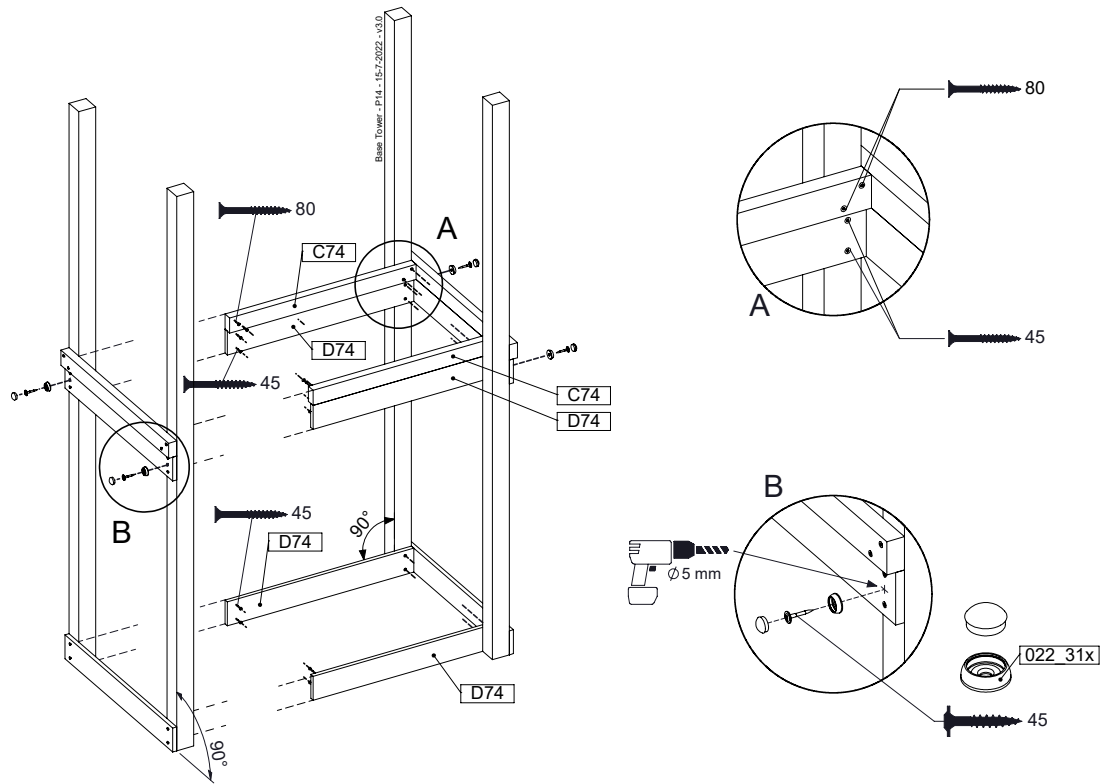
(194_100)

	PartNo	PartName	QTY.
Hardware Pack 100_600	001_406	Stealth Screw 8x45	6
	002_220	Gap Point Screw T25 - 5x45	76
	002_223	Gap Point Screw T25 - 5x80	16
Other	007_001	Ground-anchor	2
Hardware Pack 100_600	022_31x	bpc-base version 3	4
	022_84x	bpc cover	4
Wood	A200	Post 70x70 L2000	4
	C74	Beam 740 mm	4
	D60	Board 600 mm	10
	D74	Board 740 mm	8

Base Tower - P02 - BT01 - 15-7-2022 - v3.0



8.1

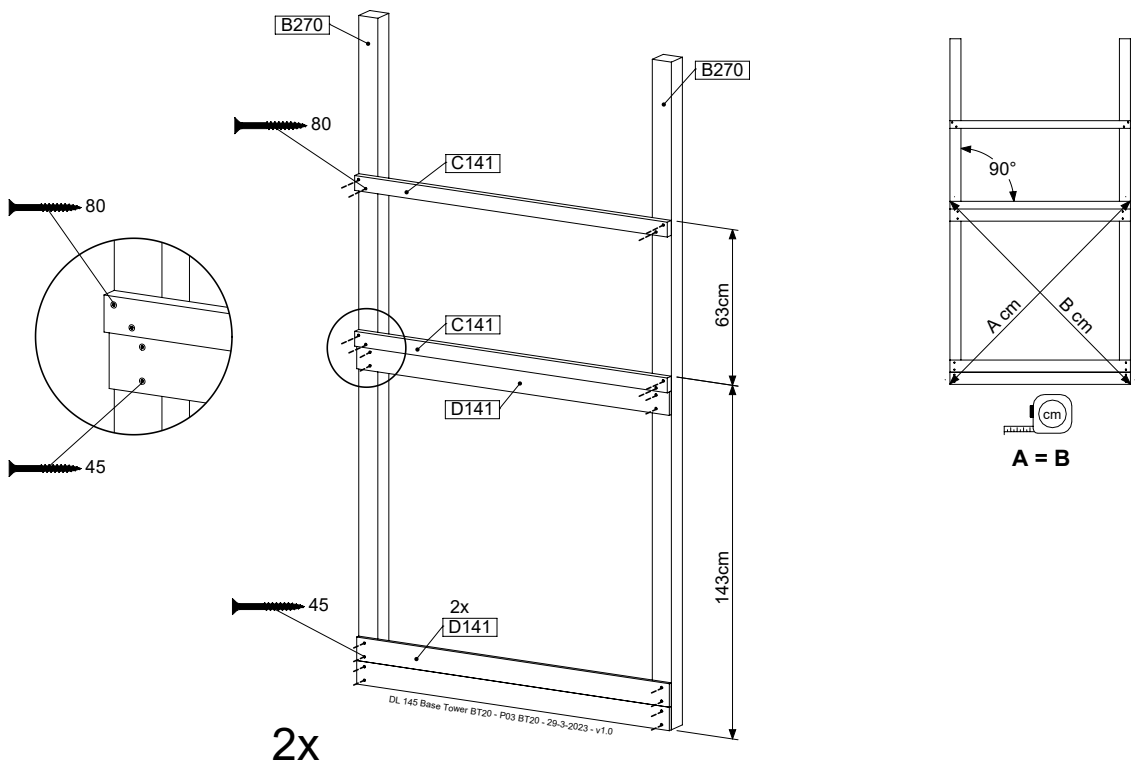
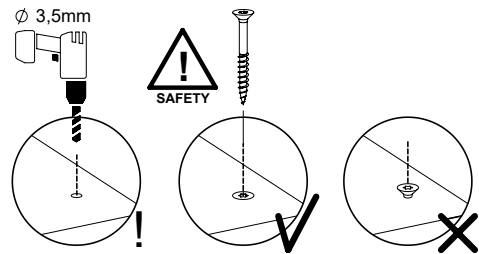
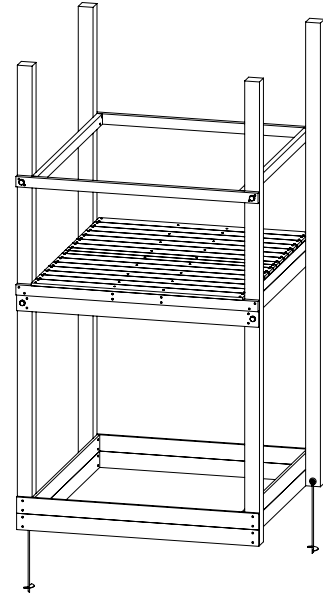


9 BT20a: Base Tower 140 145cm 270270

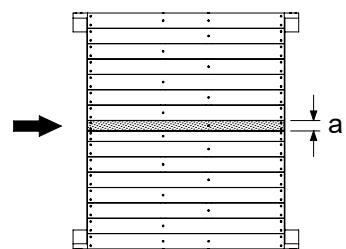
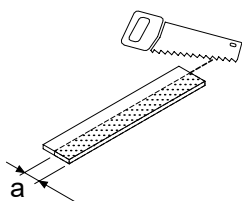
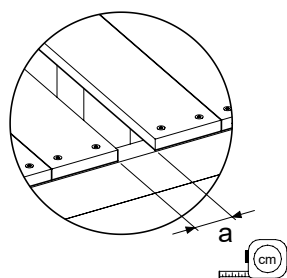
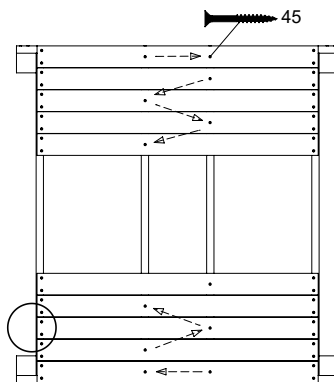
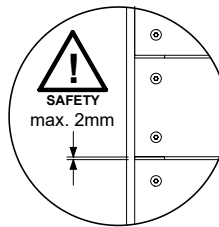
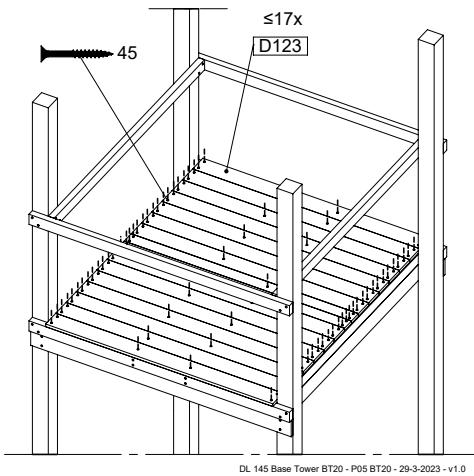
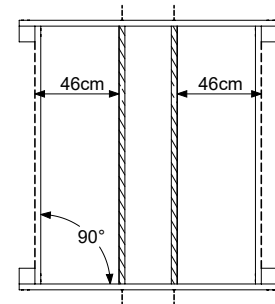
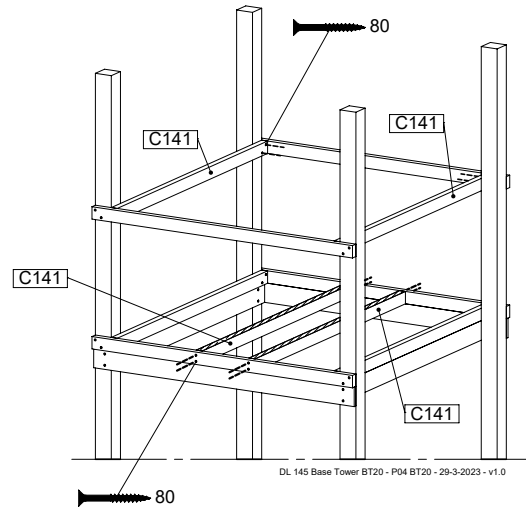
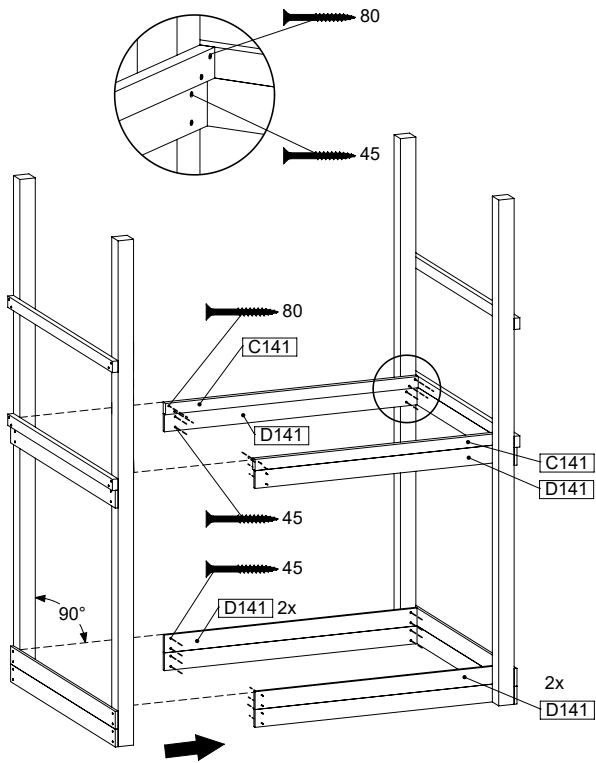
(194_500)

	PartNo	PartName	QTY.
Hardware pack	001_406	Stealth Screw 8x45	6
	001_417	Stealth Screw 8x80	4
	002_220	Gap Point Screw T25 - 5x45	135
	002_223	Gap Point Screw T25 - 5x80	40
Other	007_001	Ground-anchor	2
	022_31x	bpc-base version 3	8
	022_84x	bpc cover	8
Timber	B270	Post 90x90 L2700	4
	C141	Beam 1410 mm	10
	D123	Board 1230 mm	17
	D141	Board 1410 mm	12

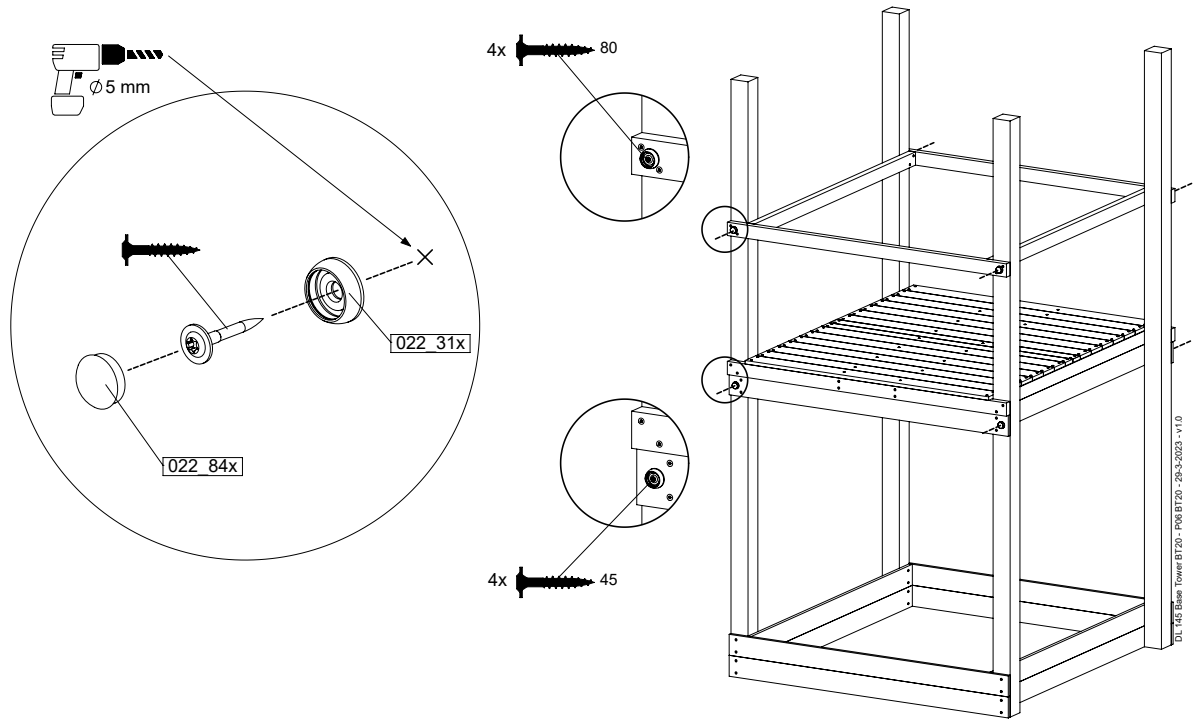
DL 145 Base Tower BT20 - P02 BT20 - 29-3-2023 - v1.0



9.1



9.2

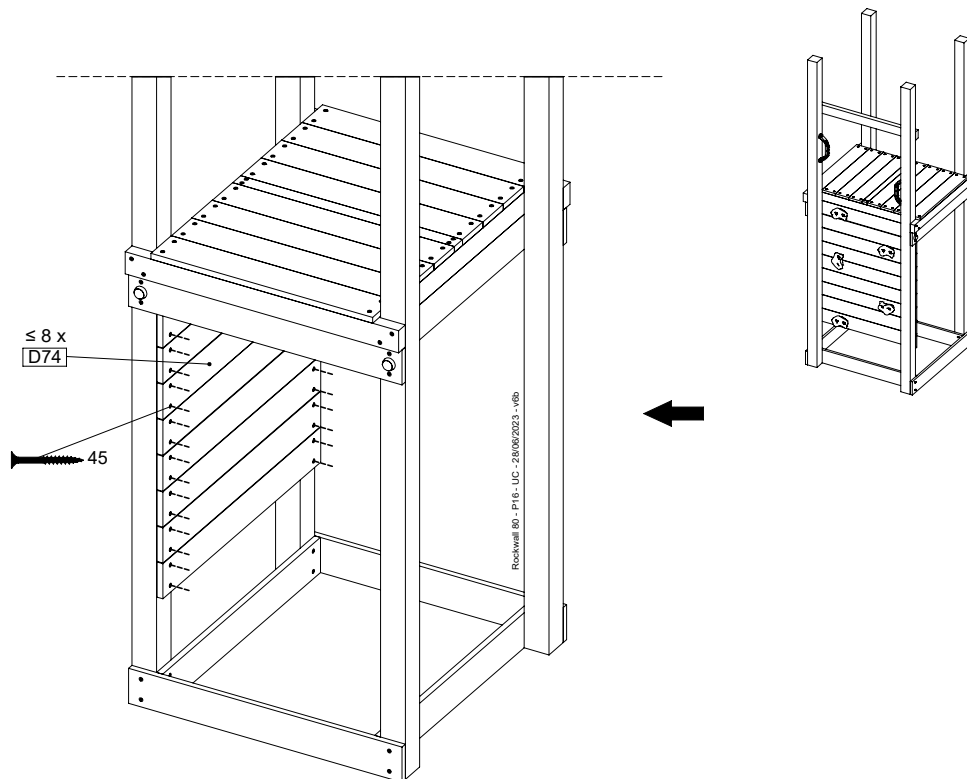
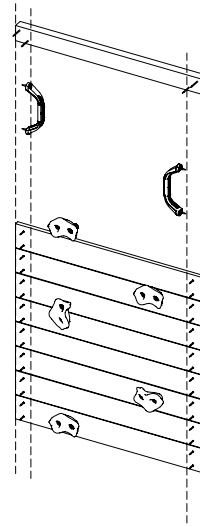


10 RW31a: Rock wall 80 125 U Closed

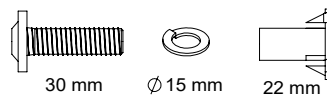
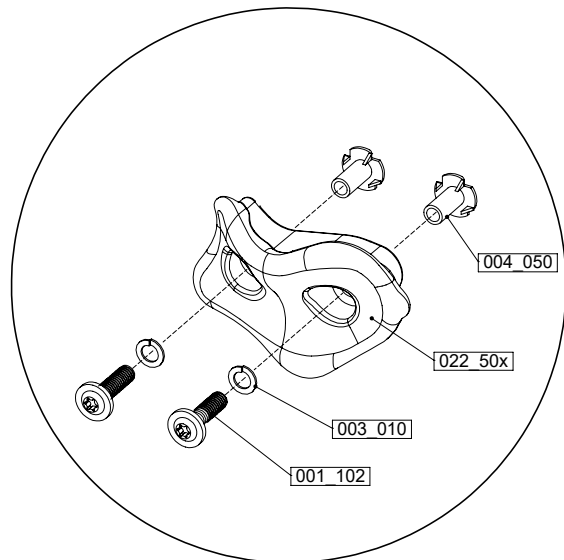
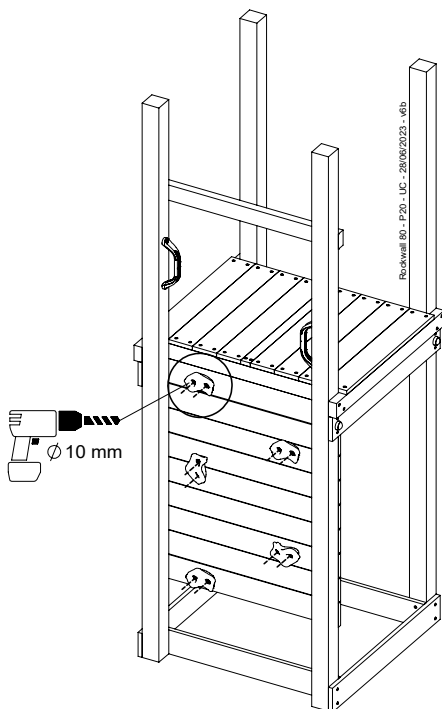
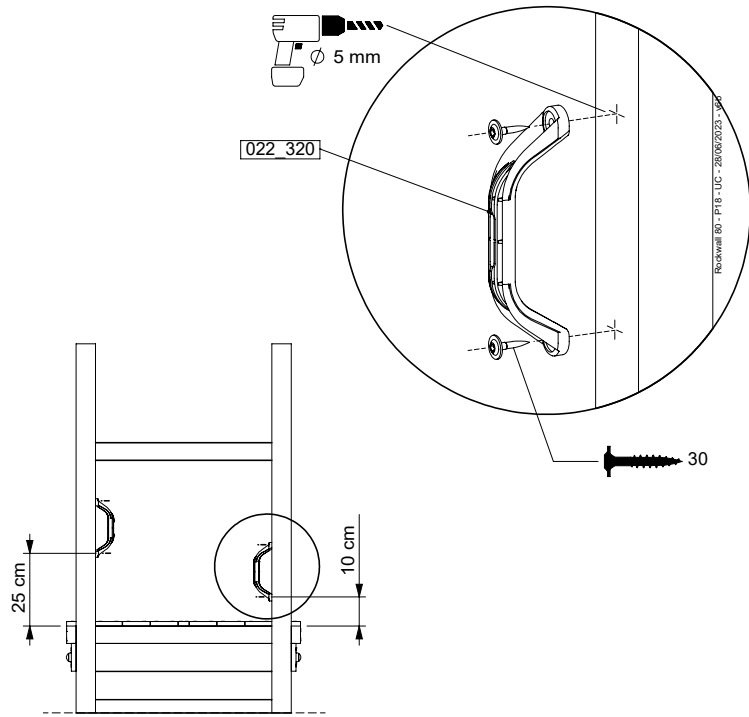
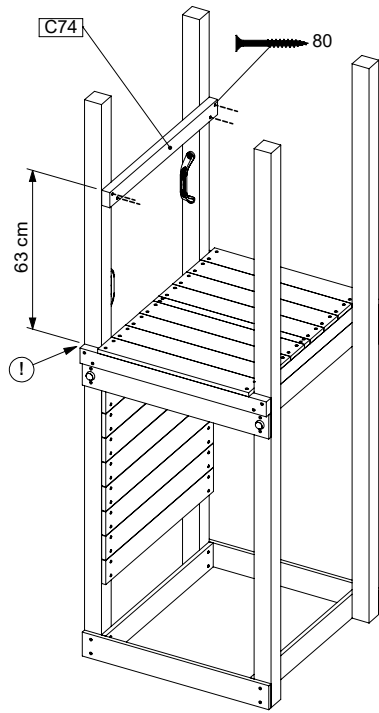
(194_006)

	PartNo	PartName	QTY.
Hardware Pack 100_904	001_102	Washer Head Screw T40 M8x30	10
	002_220	Gap Point Screw T25 - 5x45	32
	002_223	Gap Point Screw T25 - 5x80	4
	003_010	M8 spring lock washer	10
	004_050	M8 Drive-in Nut 22mm	10
Other	022_50x	Climbing Rock	5
	120_102	Handgrip set (2x Complete)	1
Timber	C74	Beam 740 mm	1
	D74	Board 740 mm	8

Rockwall 80 - P05 - 125LIC - 28/06/2023 - v0b



10.1

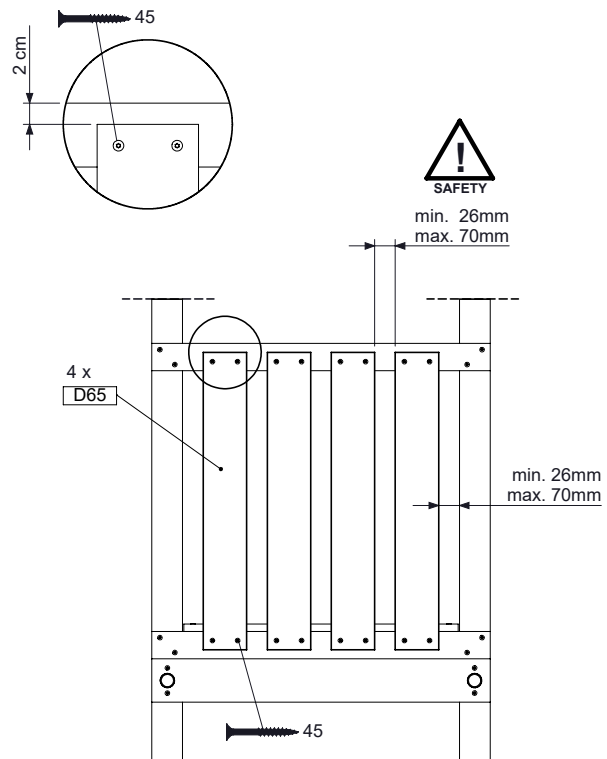
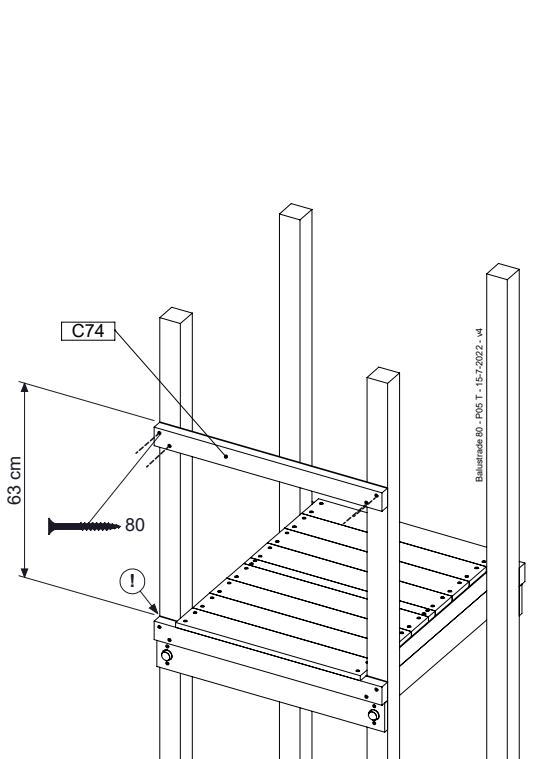
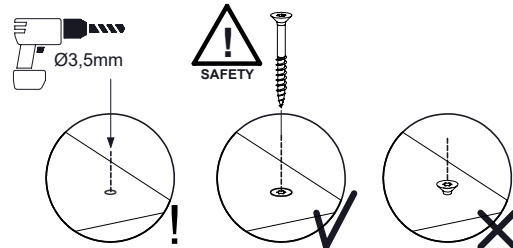
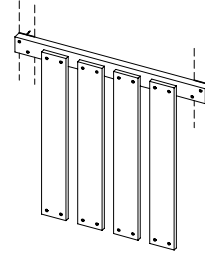


11 BL02a: Balustrade 80 T

(194_101)

	PartNo	PartName	QTY.
Hardware Pack	002_220	Gap Point Screw T25 - 5x45	16
	100_601	Gap Point Screw T25 - 5x80	4
Timber	C74	Beam 740 mm	1
	D65	Board 650 mm	4

Balustrade 80 - P03 T - 15-7-2022 - vt

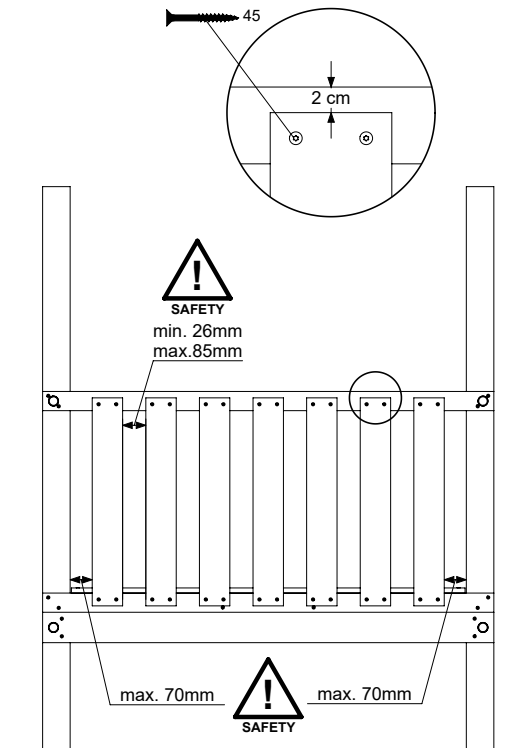
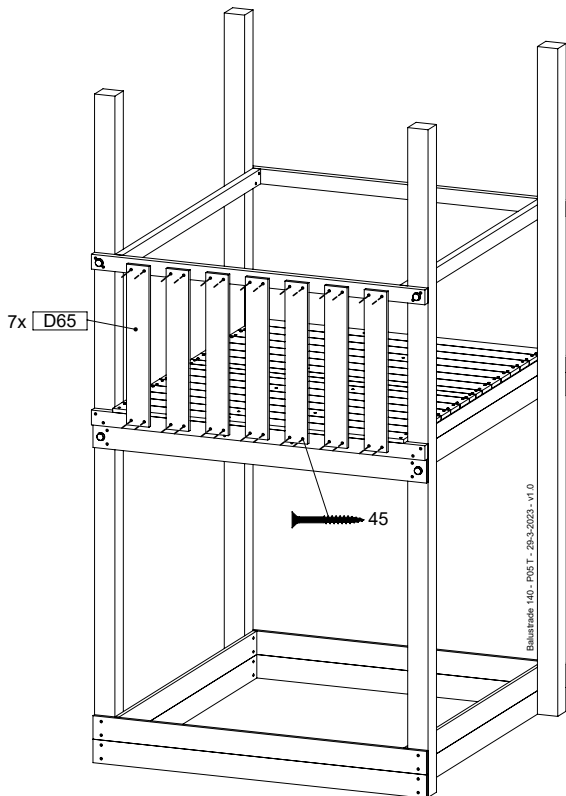
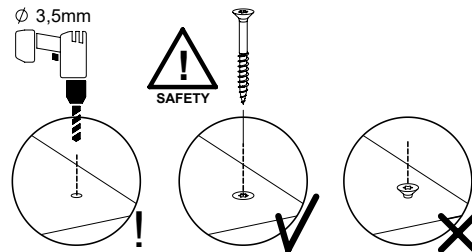
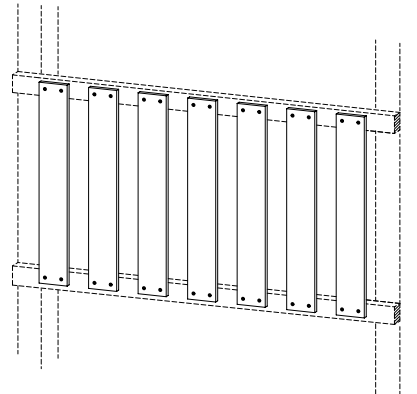


12 BL06a: Balustrade 140 T

(194_501)

	PartNo	PartName	QTY.
Hardware pack	002_220	Gap Point Screw T25 - 5x45	28
Timber	D65	Board 650 mm	7

Balustrade 140 - P03 T - 29-3-2023 - v1.0

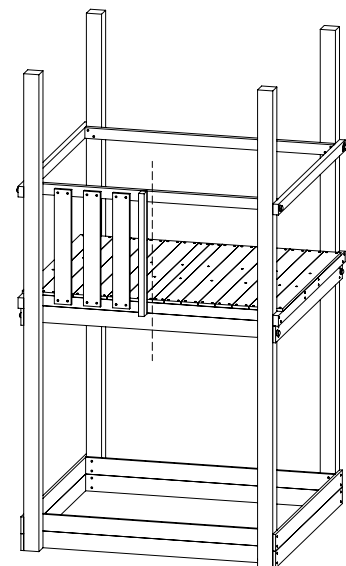
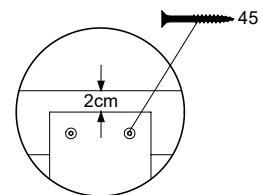
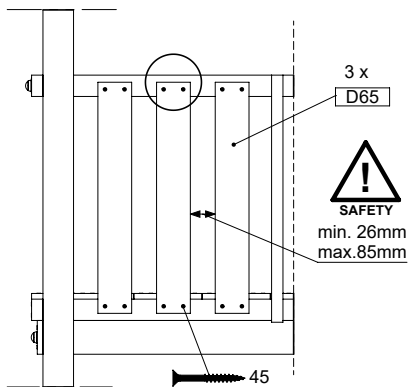
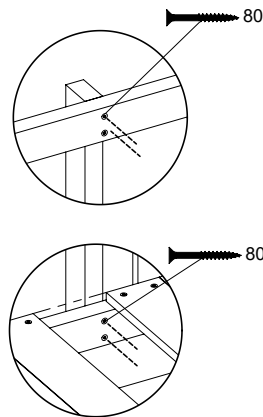
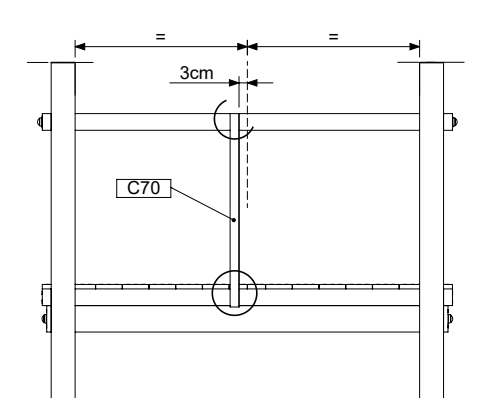
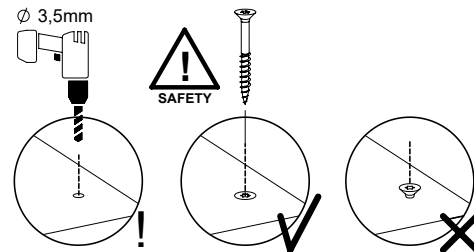
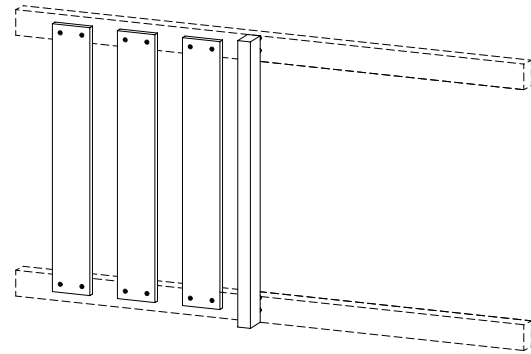


13 BL07a: Half Balustrade U Left

(194_101)

	PartNo	PartName	QTY.
Hardware pack	002_220	Gap Point Screw T25 - 5x45	12
	002_223	Gap Point Screw T25 - 5x80	4
Timber	C70	Beam 700 mm	1
	D65	Board 650 mm	3

DI: Half Balustrade 701/40 - P02 UL - 28-3-2023 - v1



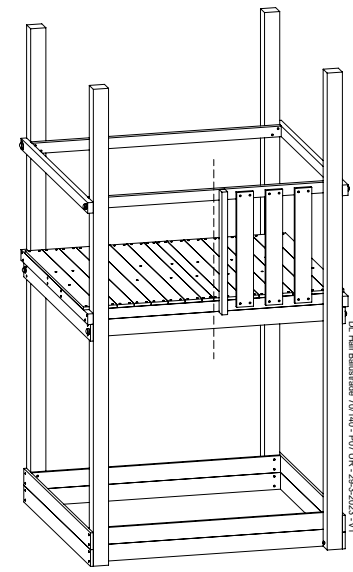
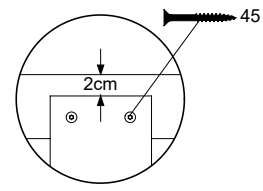
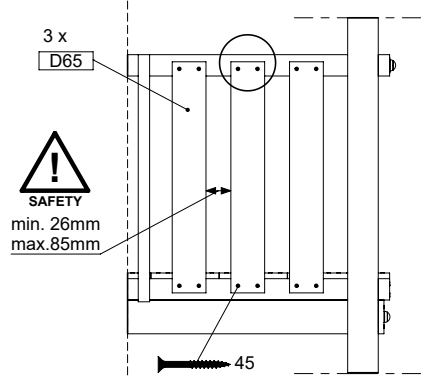
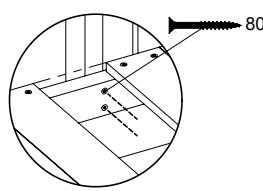
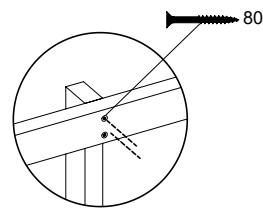
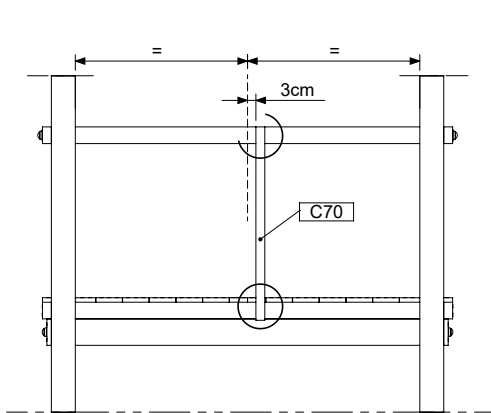
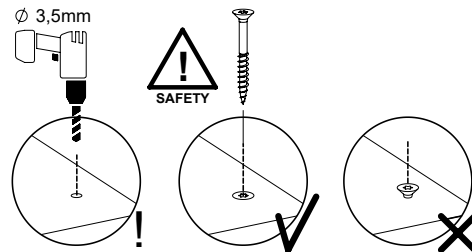
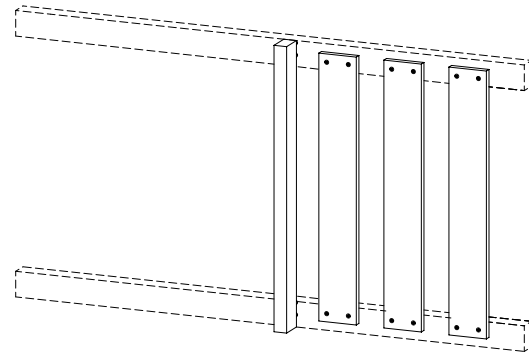
DI: Half Balustrade 701/40 - P06 UL - 28-3-2023 - v1

14 BL08a: Half Balustrade U Right

(194_101)

	PartNo	PartName	QTY.
Hardware pack	002_220	Gap Point Screw T25 - 5x45	12
	002_223	Gap Point Screw T25 - 5x80	4
Timber	C70	Beam 700 mm	1
	D65	Board 650 mm	3

DL Half Balustrade 70140 - P03 UR - 28-3-2023 - v1



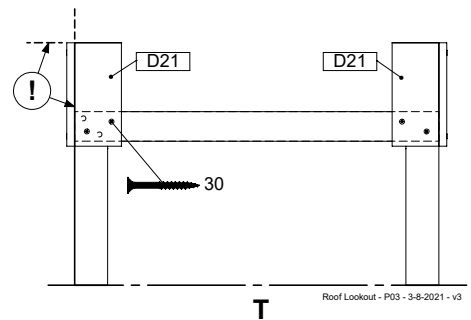
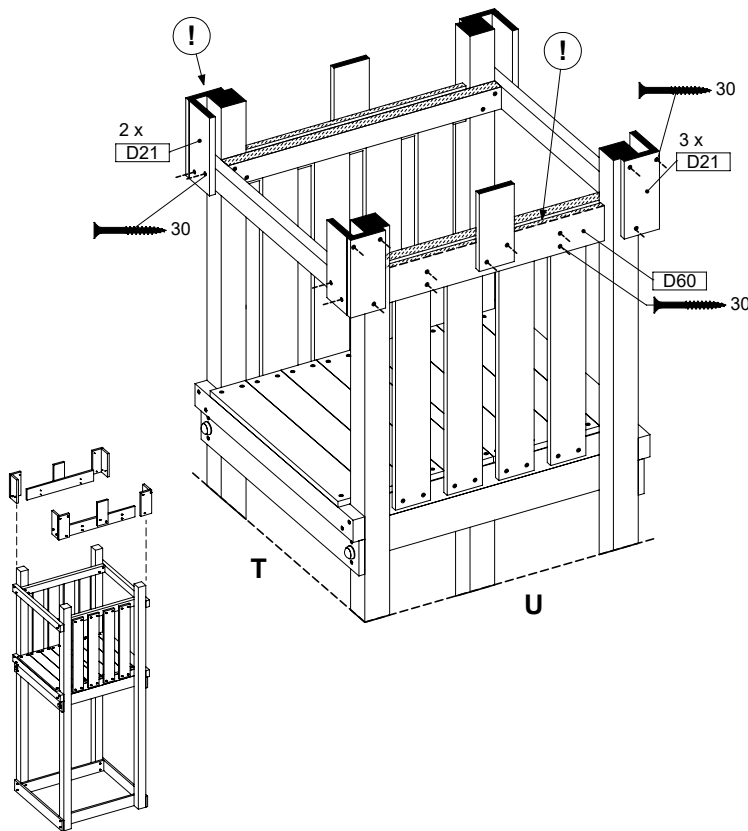
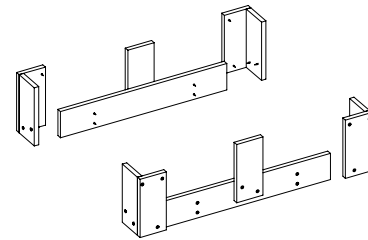
DL Half Balustrade 70140 - P03 UR - 28-3-2023 - v1

15 RF06: Roof Timber Lookout 80

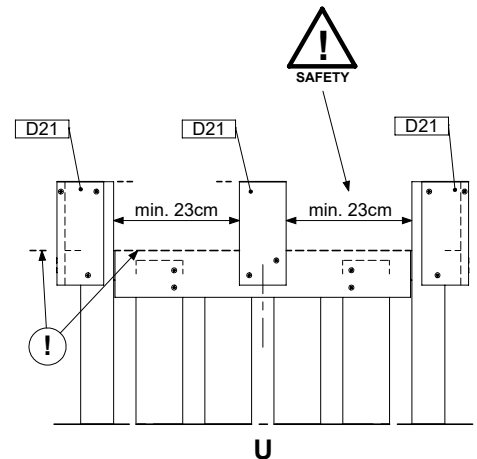
(194_112)

	PartNo	PartName	QTY.
Hardware Pack 100_610	002_219	Gap Point Screw T25 - 5x30	32
Wood	D21	Board 210 mm	10
	D60	Board 600 mm	2

Roof Lookout - P02 - 3-8-2021 - v3



Roof Lookout - P03 - 3-8-2021 - v3

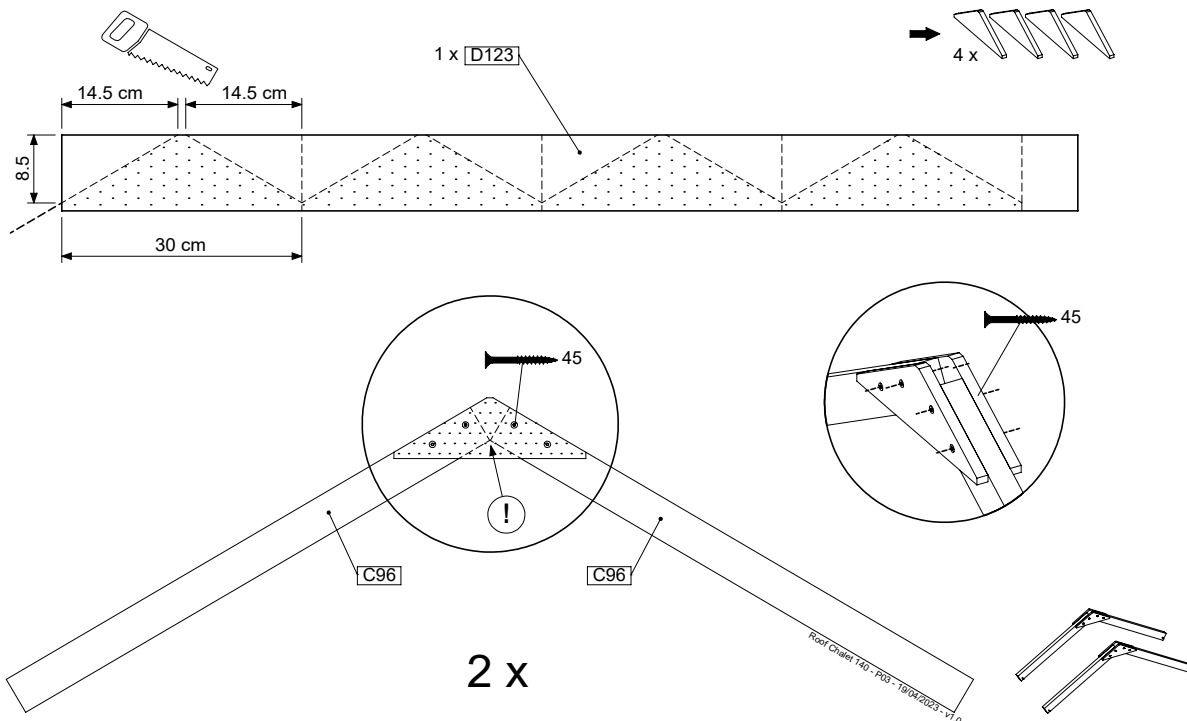
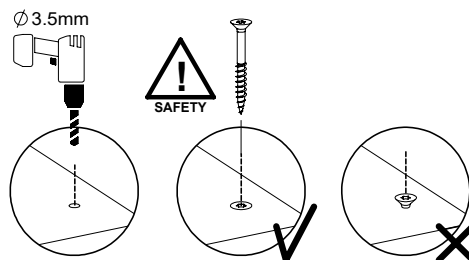
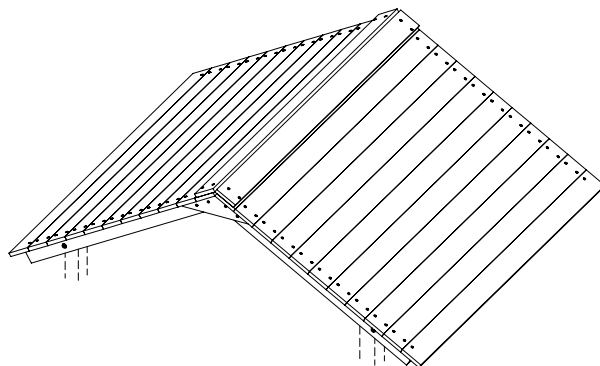


16 RF15: Roof Timber Slope 140

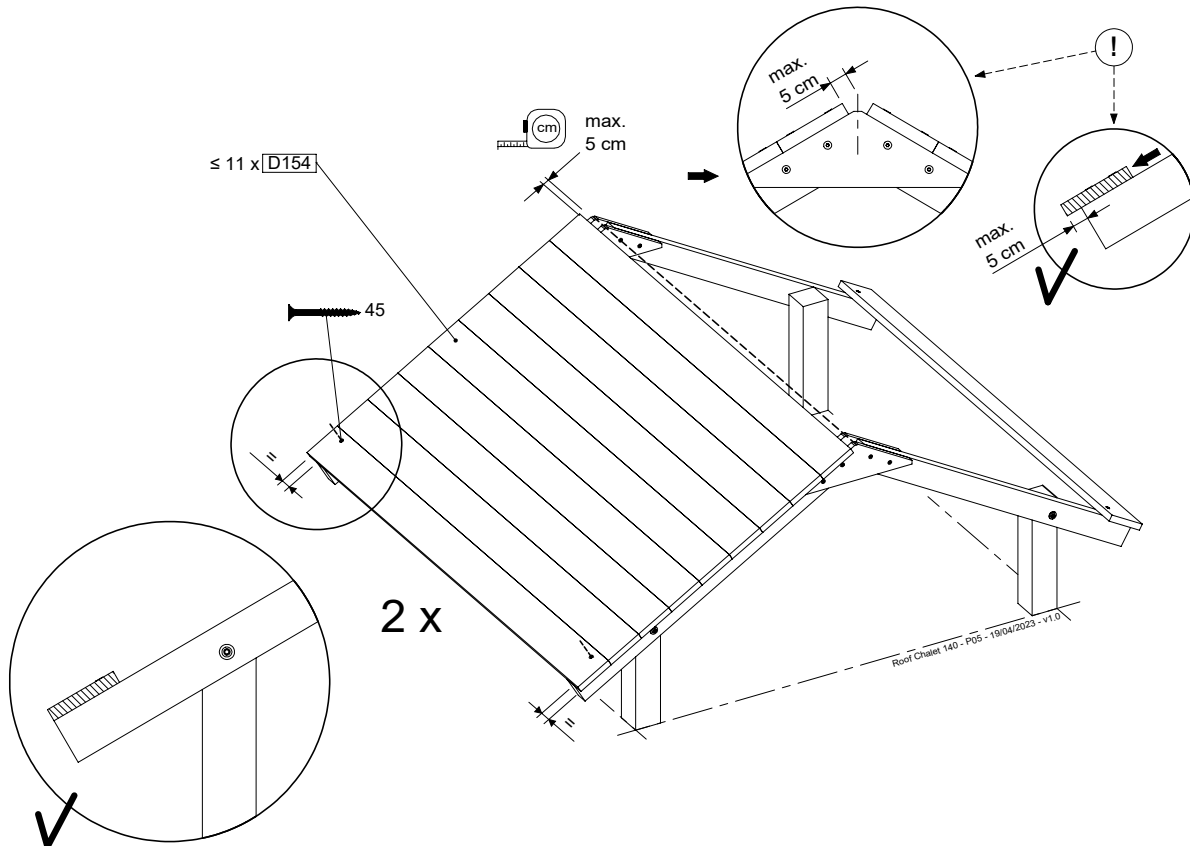
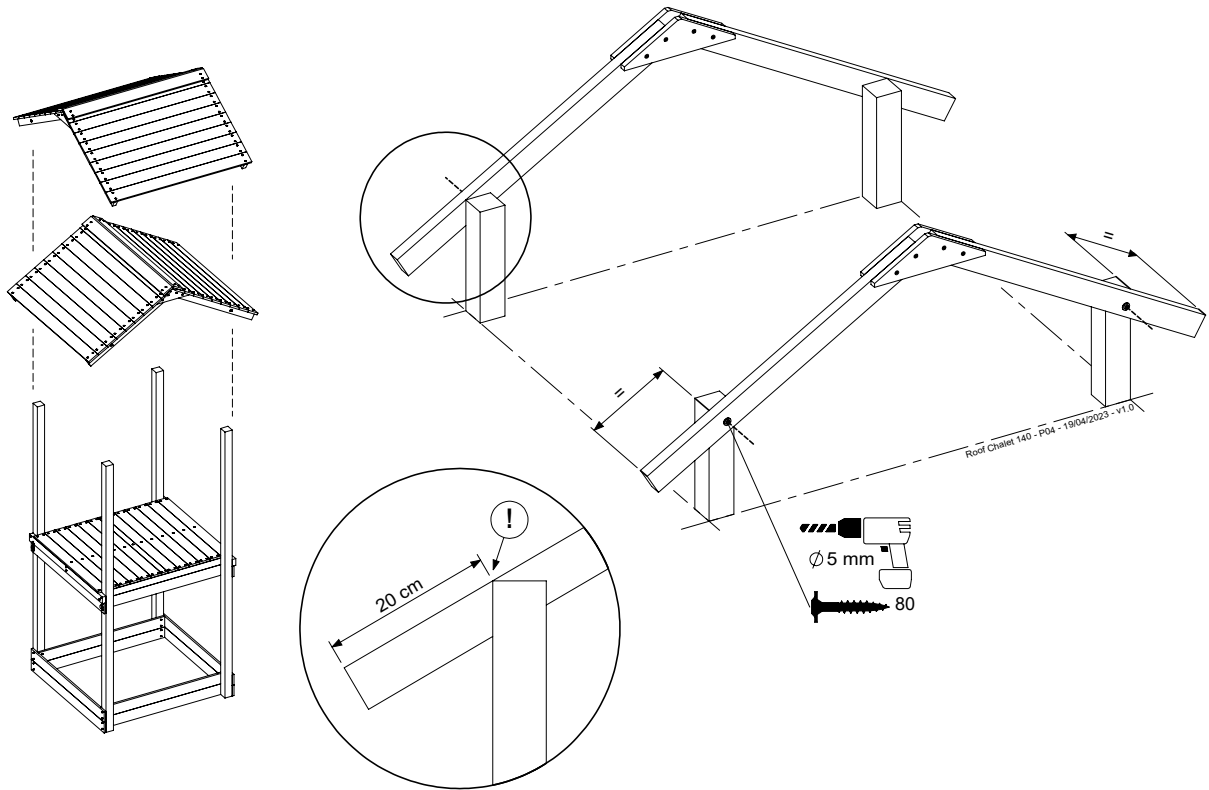
(194_508)

	PartNo	PartName	QTY.
Hardware pack	001_417	Stealth Screw 8x80	4
	002_220	Gap Point Screw T25 - 5x45	108
Timber	C96	Beam 960 mm	4
	D123	Board 1230 mm	1
	D154	Board 1540 mm	24

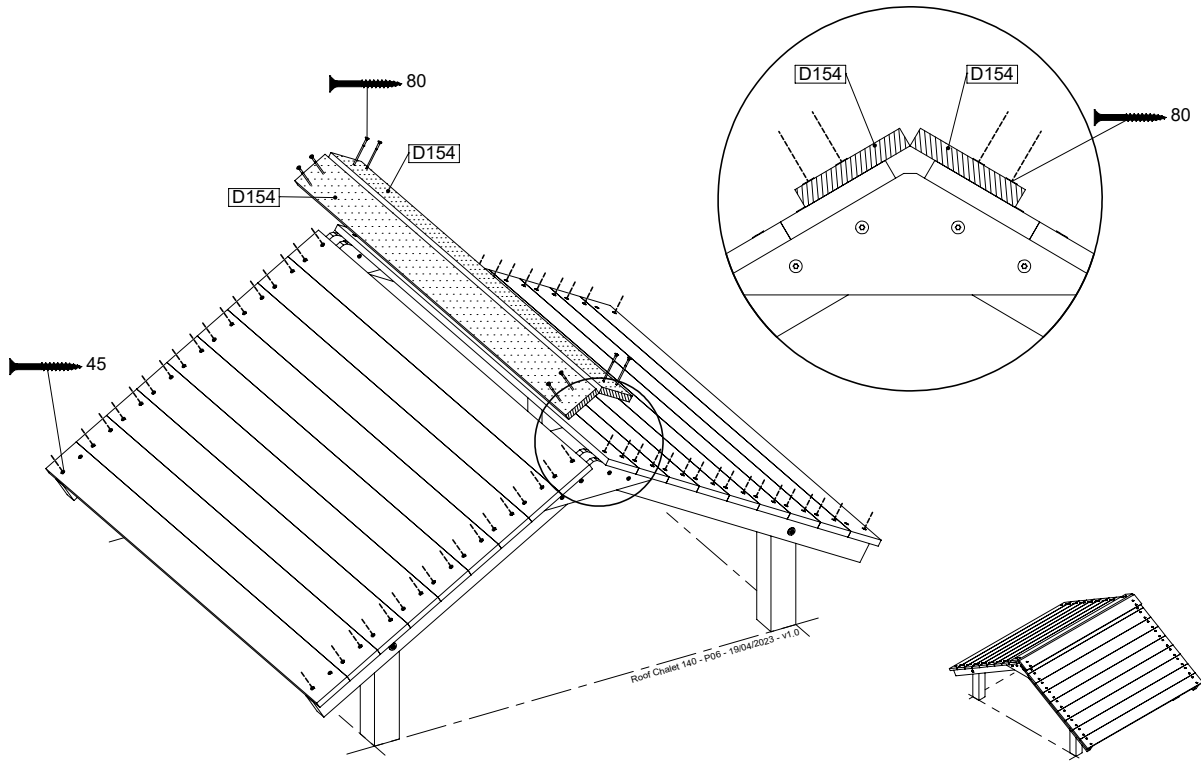
Roof Chassis 140 - P02 - 19/04/2023 - v1.0



16.1



16.2

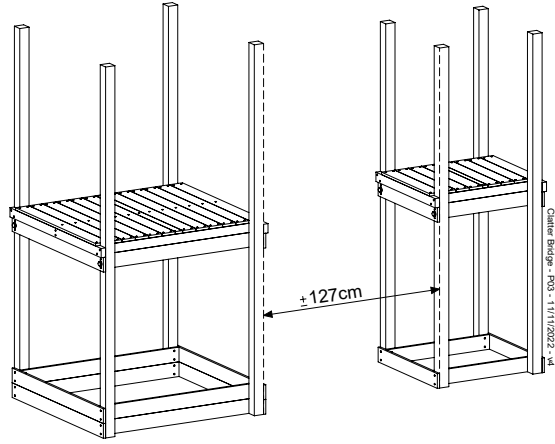
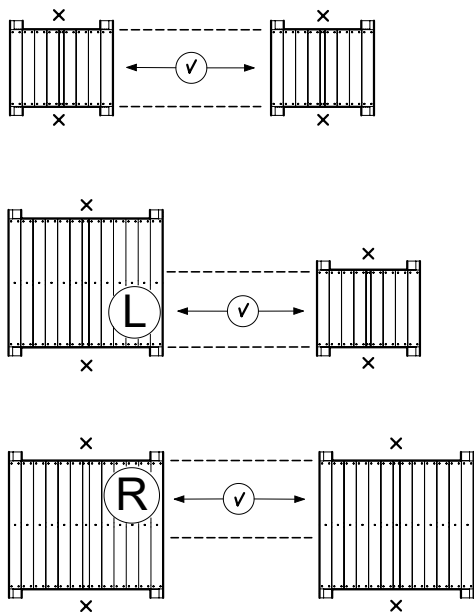
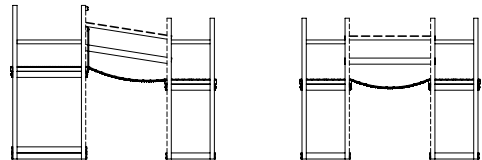
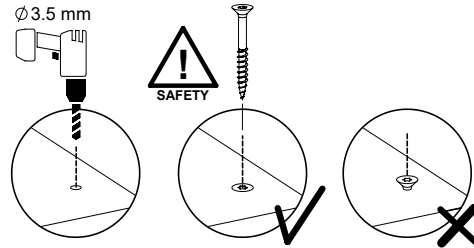
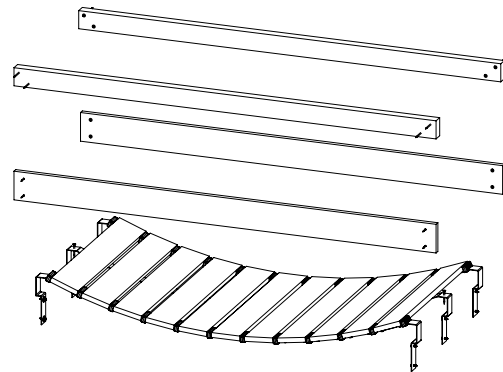


17 CB01a: Clatter Bridge - PART 1

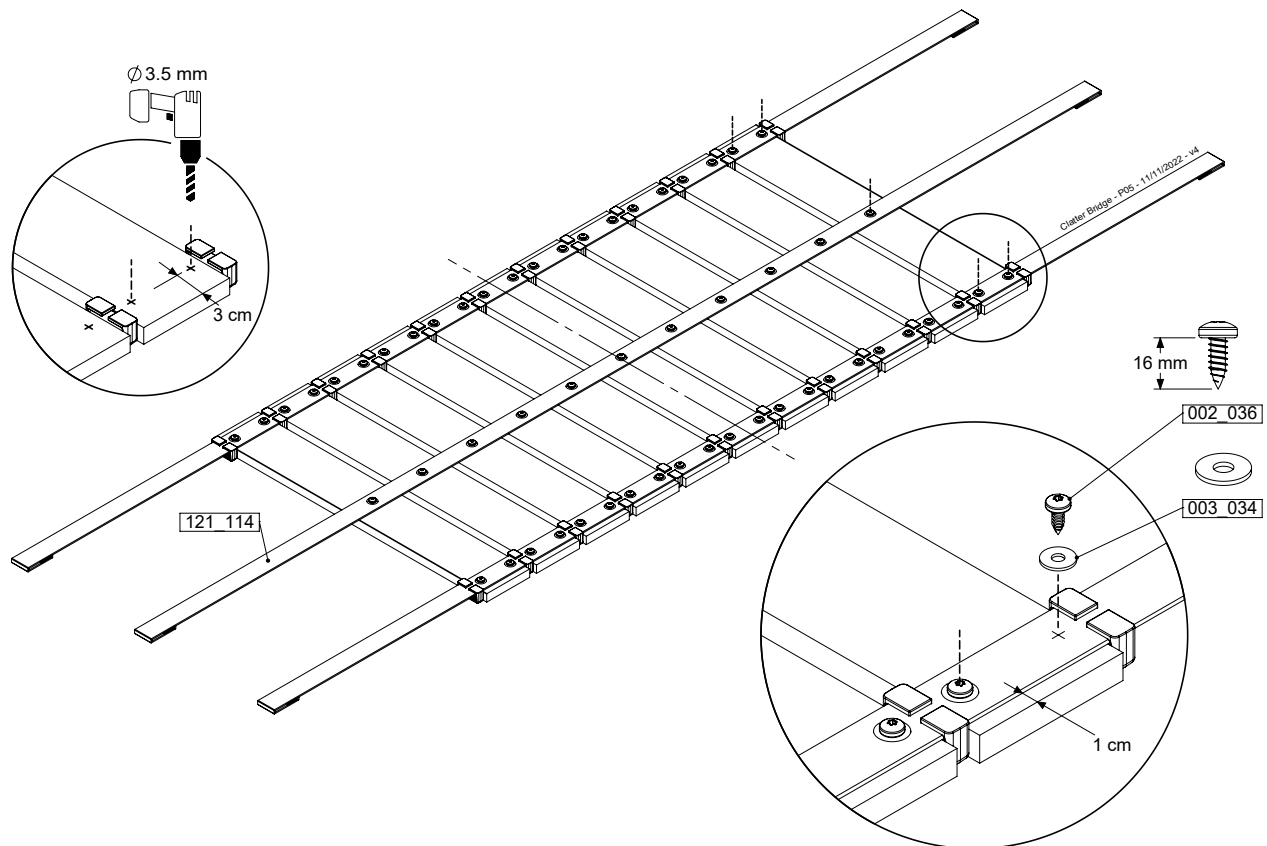
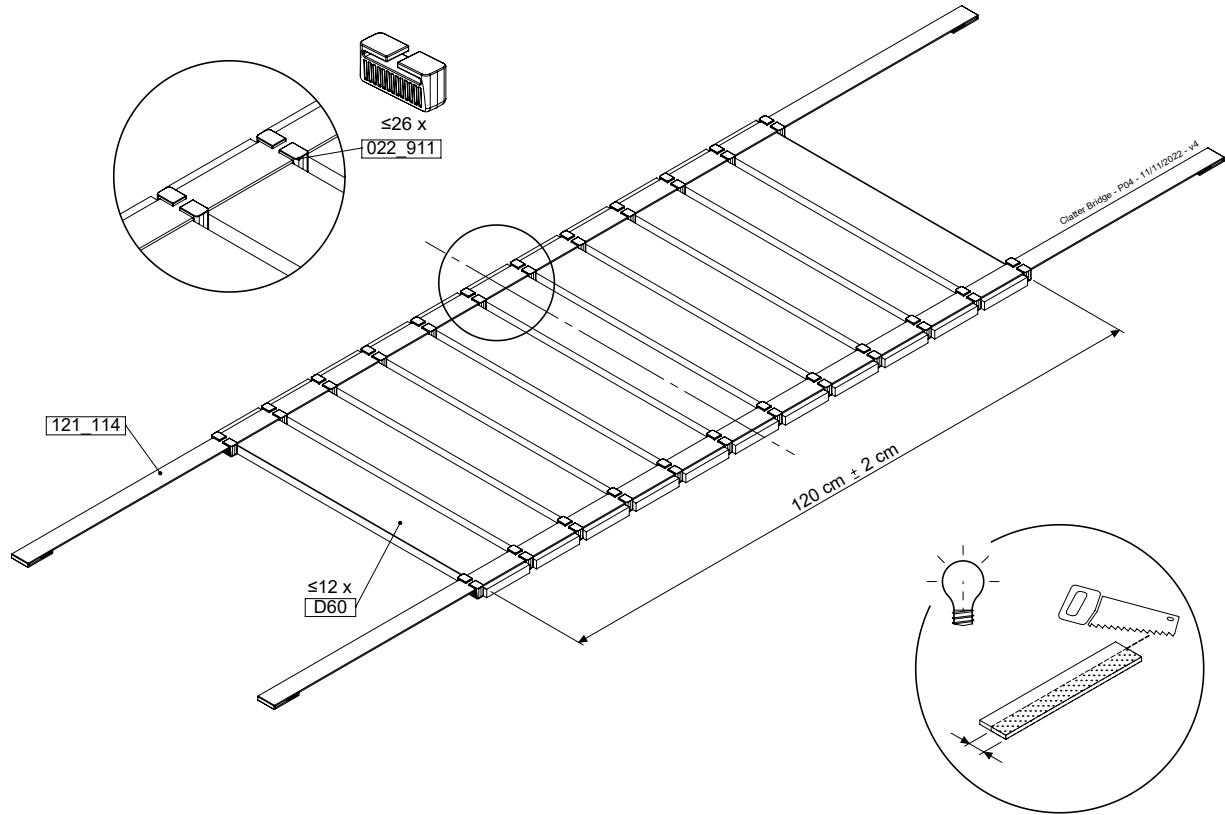
(194_116)

	PartNo	PartName	QTY.
Hardware Pack 100_614	002_036	16mm Pan Head Tapping Screw T25	72
	002_220	Gap Point Screw T25 - 5x45	10
	002_223	Gap Point Screw T25 - 5x80	12
	003_034	M6 Washer	72
Other	022_911	Bridge Spacer	26
	121_114	BridgeLink Strap 210cm	3
Wood	C141	Beam 1410 mm	2
	D60	Board 600 mm	12
	D141	Board 1410 mm	2

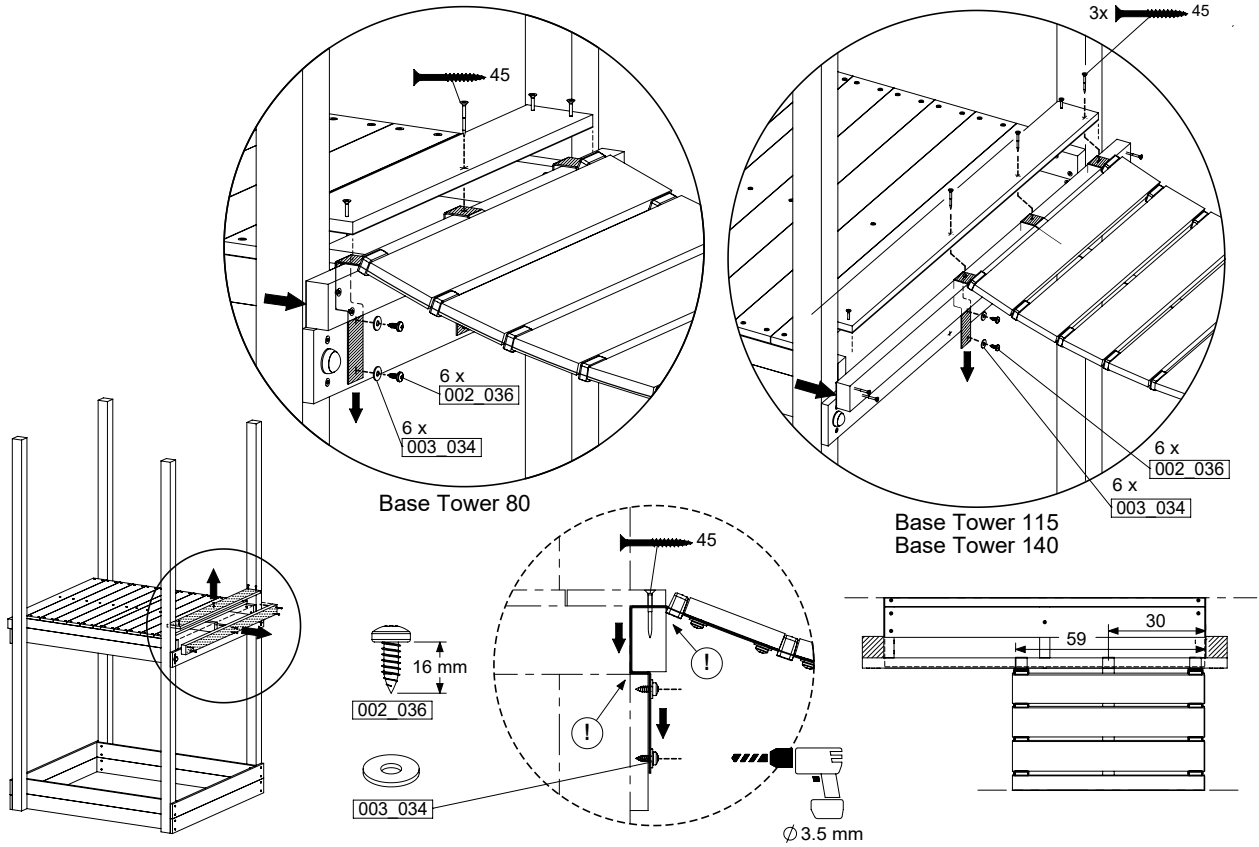
Clatter Bridge - P02 - 1/11/2022 - v4



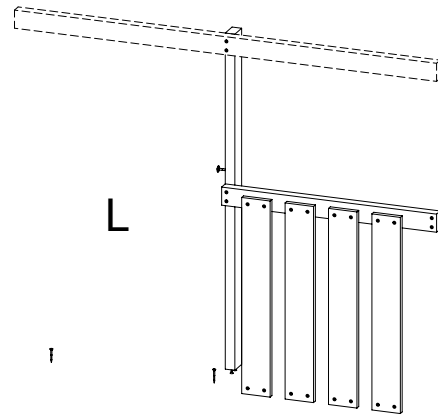
17.1



17.2



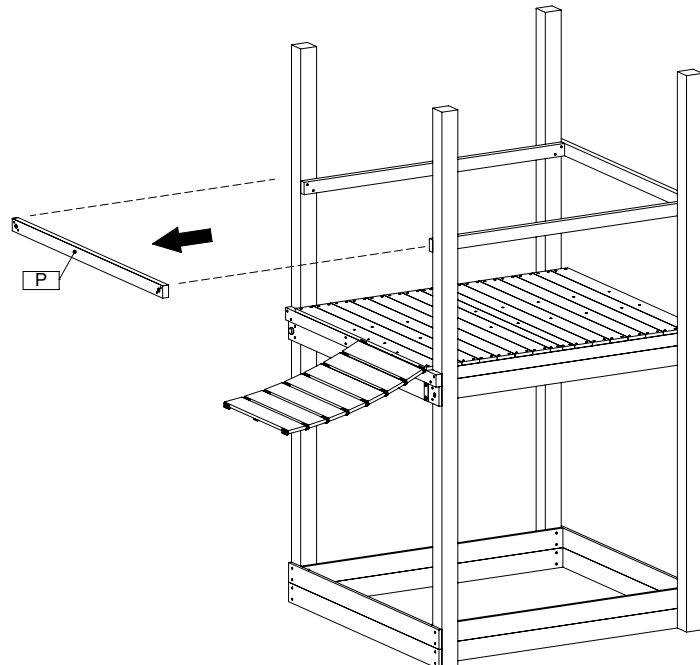
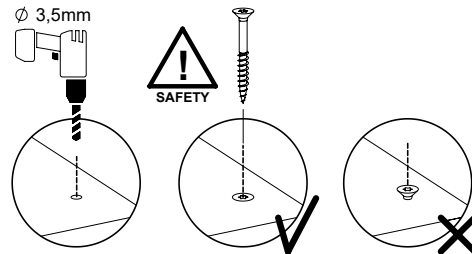
18 BF23a: Bridge Frame 140 T Left



(194_007)

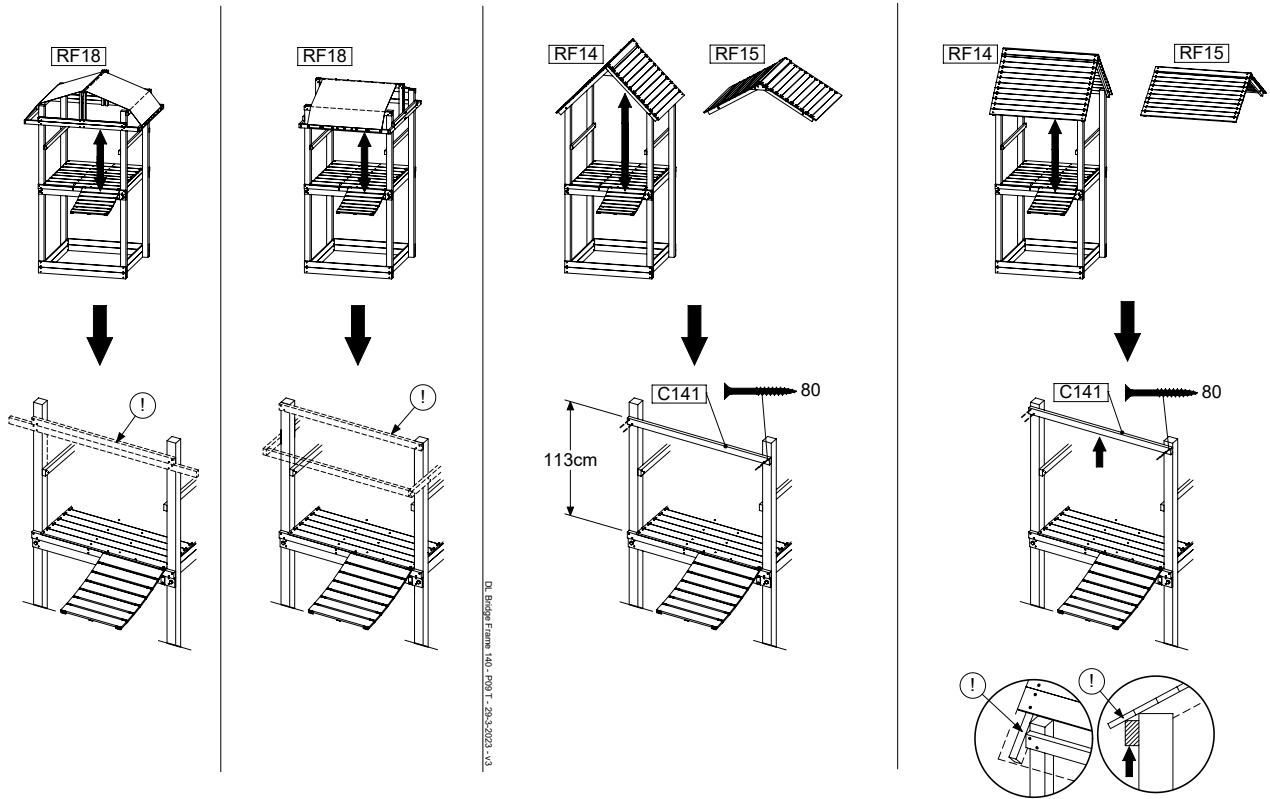
	PartNo	PartName	QTY.
Hardware Pack 100_905	001_411	Stealth Screw 8x60	1
	002_220	Gap Point Screw T25 - 5x45	18
	002_223	Gap Point Screw T25 - 5x80	8
Timber	C74	Beam 740 mm	1
	C141	Beam 1410 mm	1
	D65	Board 650 mm	4

DL Bridge Frame 140 - P04 TL - 28-3-2023 - v3



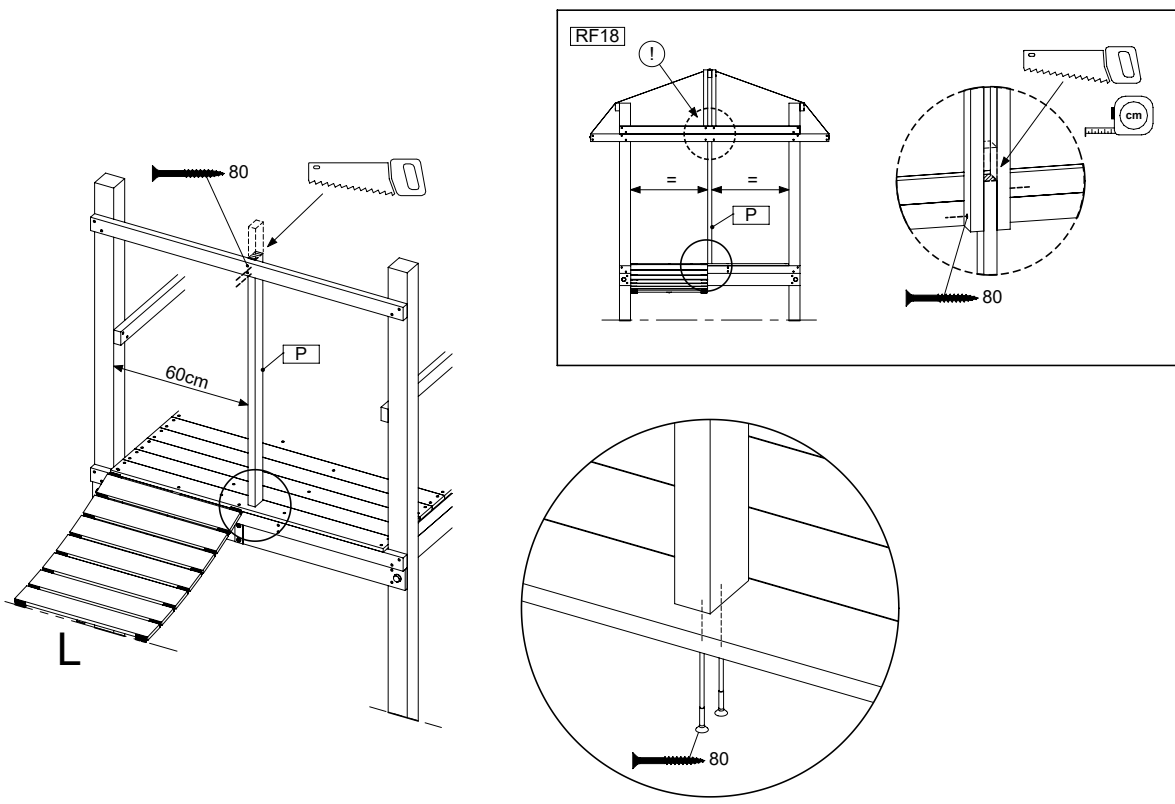
DL Bridge Frame 140 - P07 T - 28-3-2023 - v3

18.1

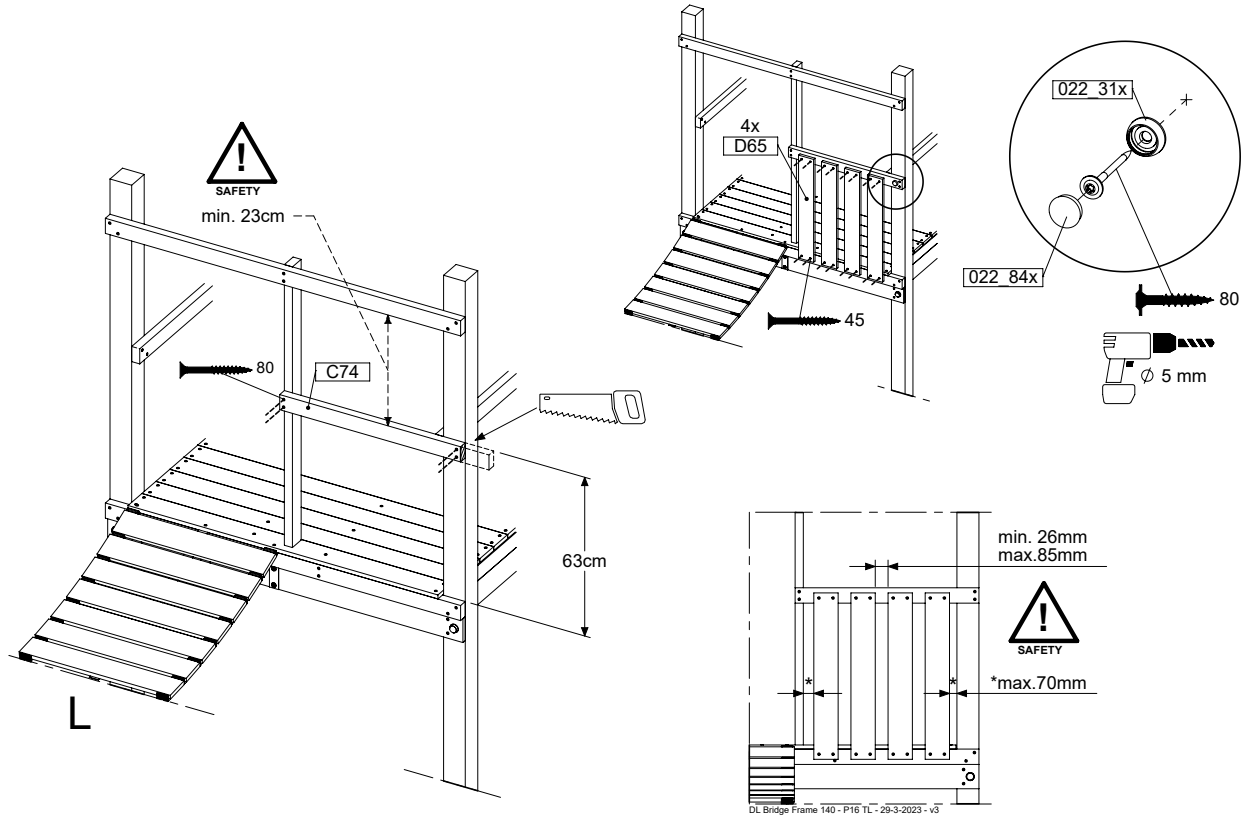


DL Bridge Frame 140 - 1991 T - 26-S-2023 - v3

DL Bridge Frame 140 - P12 TL - 26-S-2023 - v3



18.2

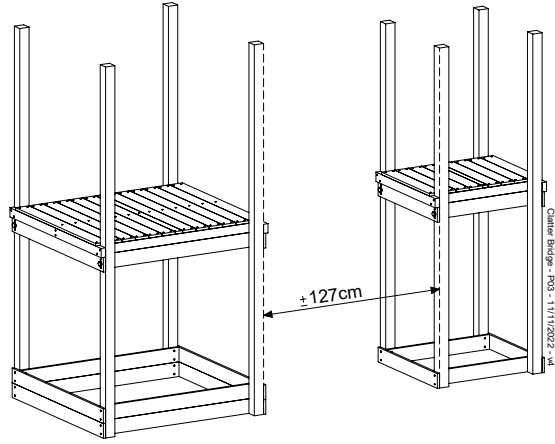
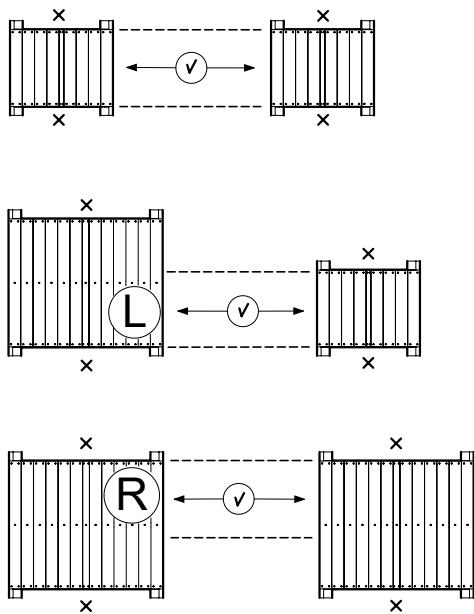
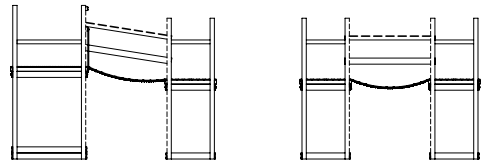
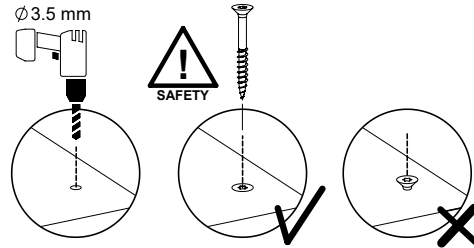
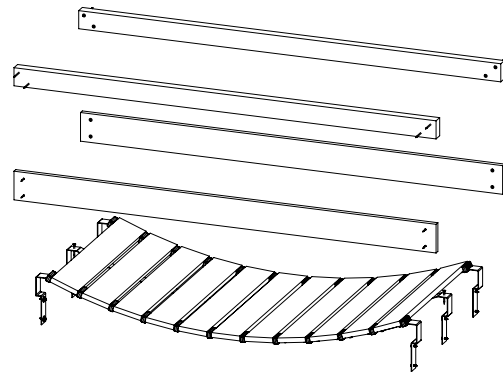


19 CB01a: Clatter Bridge - PART 1

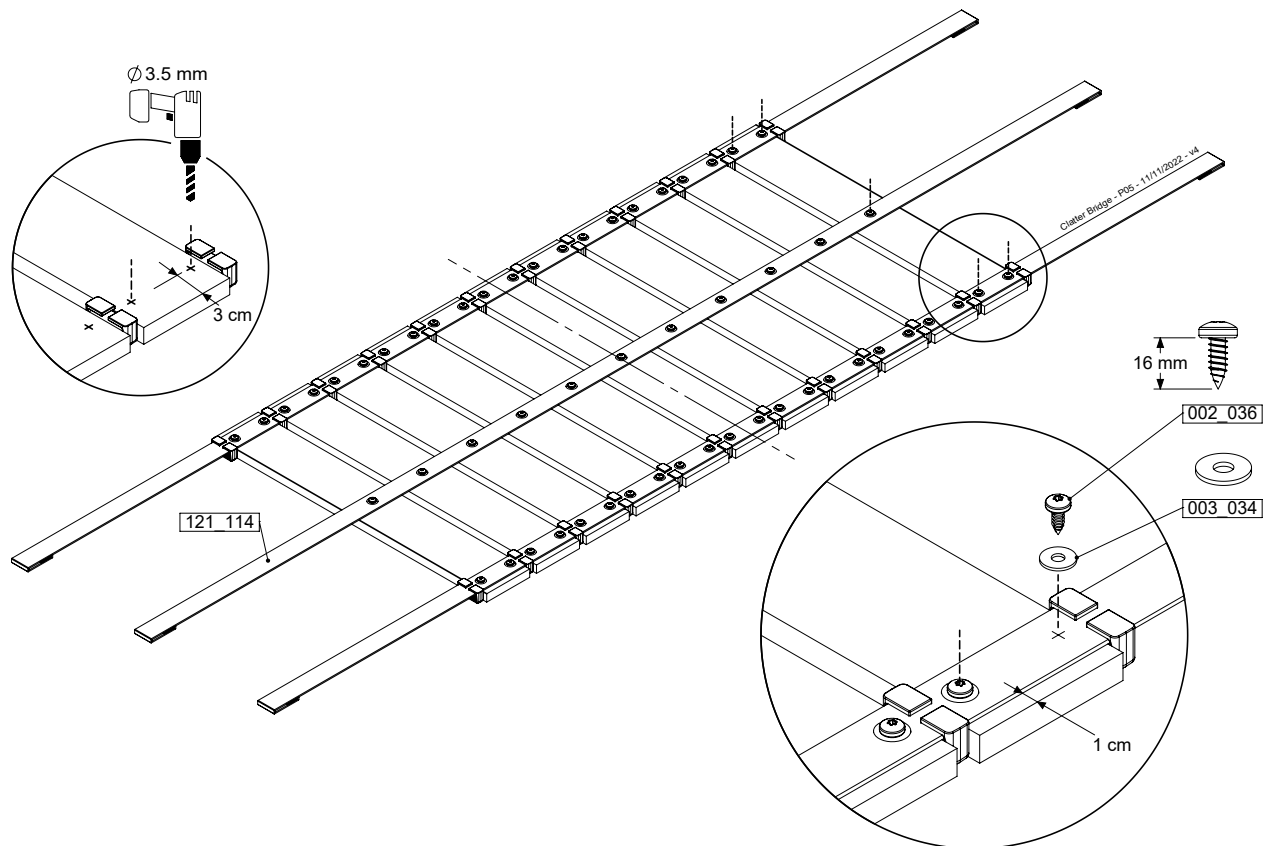
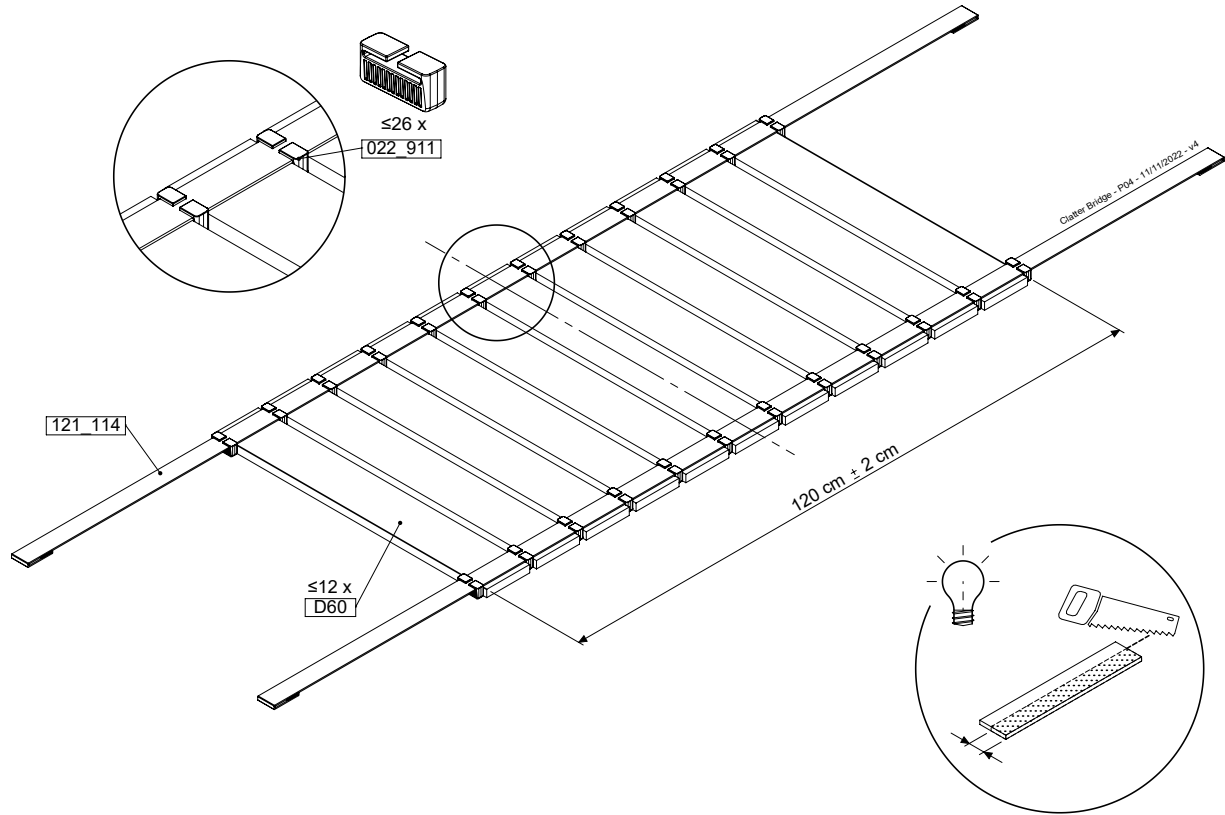
(194_116)

	PartNo	PartName	QTY.
Hardware Pack 100_614	002_036	16mm Pan Head Tapping Screw T25	72
	002_220	Gap Point Screw T25 - 5x45	10
	002_223	Gap Point Screw T25 - 5x80	12
	003_034	M6 Washer	72
Other	022_911	Bridge Spacer	26
	121_114	BridgeLink Strap 210cm	3
Wood	C141	Beam 1410 mm	2
	D60	Board 600 mm	12
	D141	Board 1410 mm	2

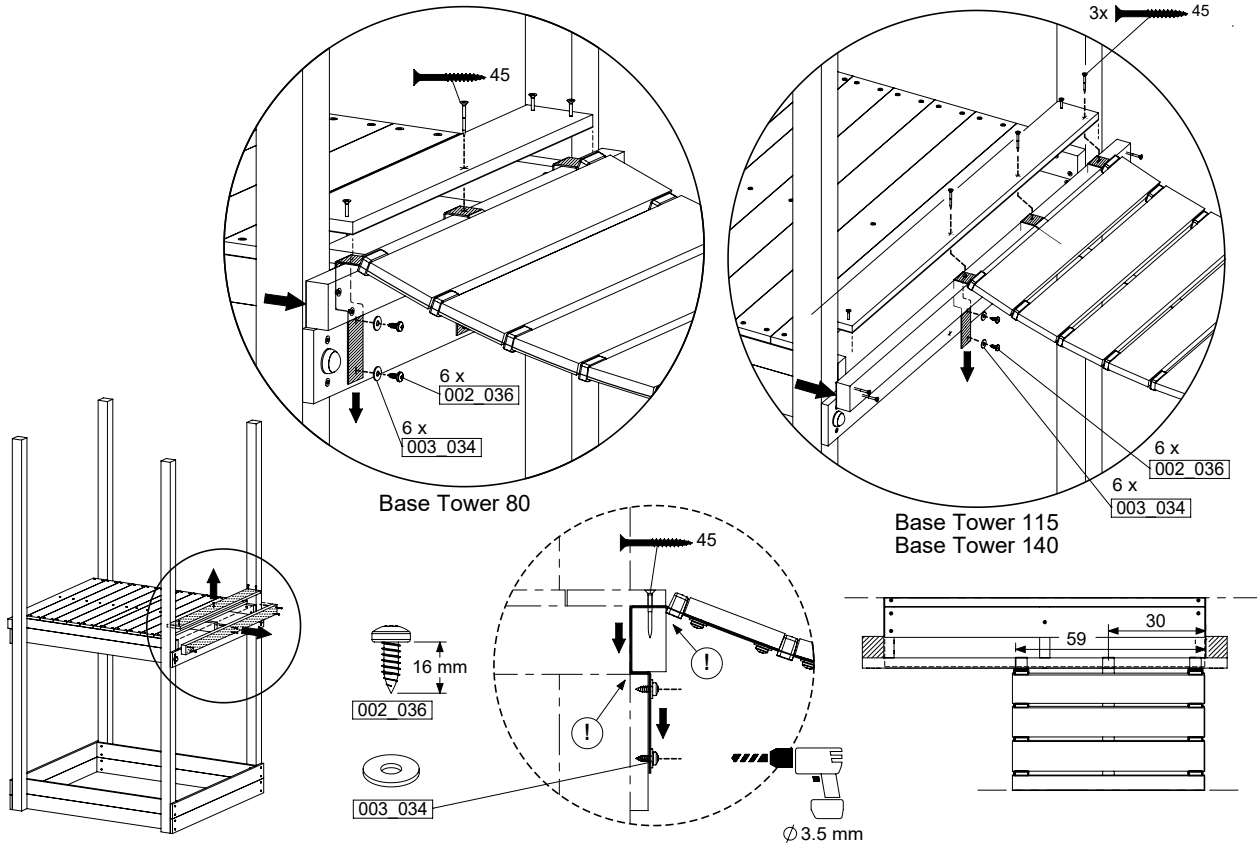
Clatter Bridge - P02 - 1/11/2022 - v4



19.1



19.2

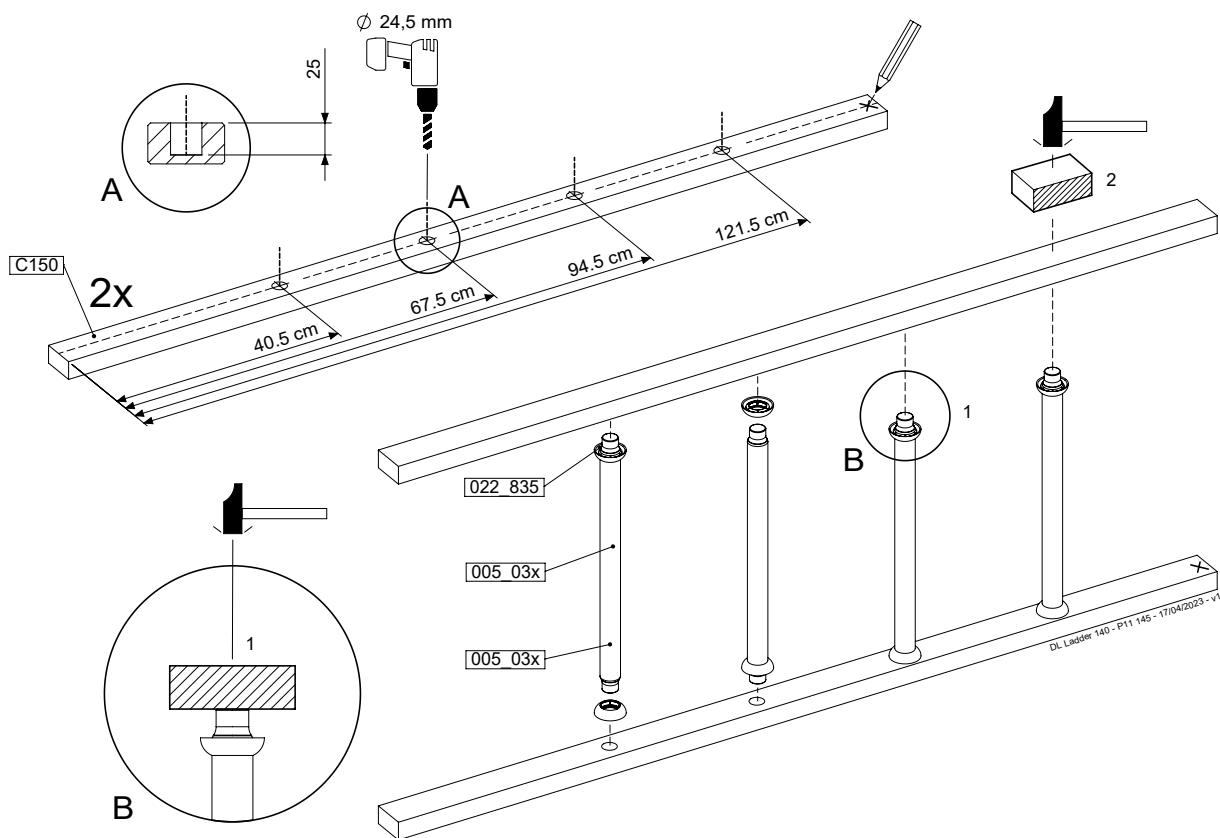
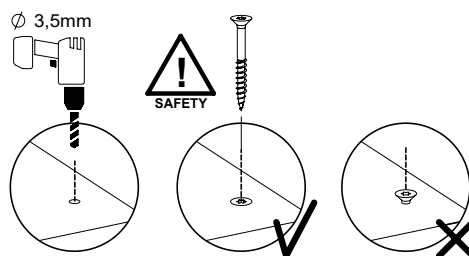
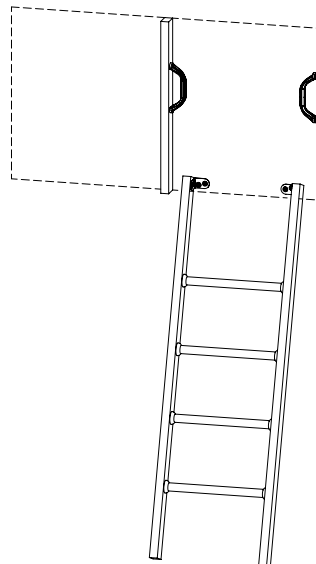


20 LA24: Ladder 140 145 U Right

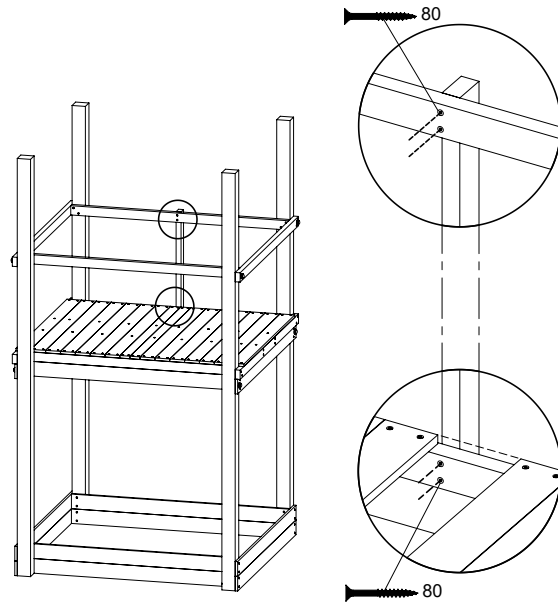
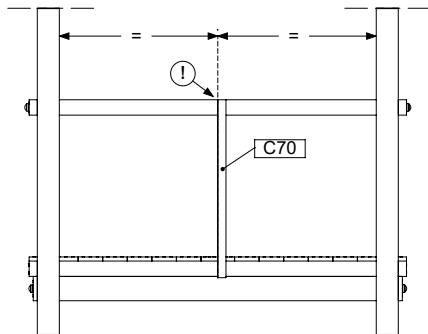
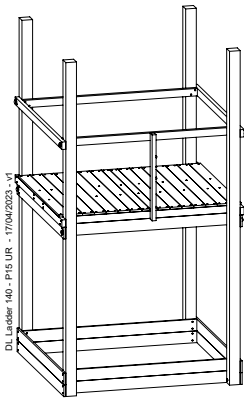
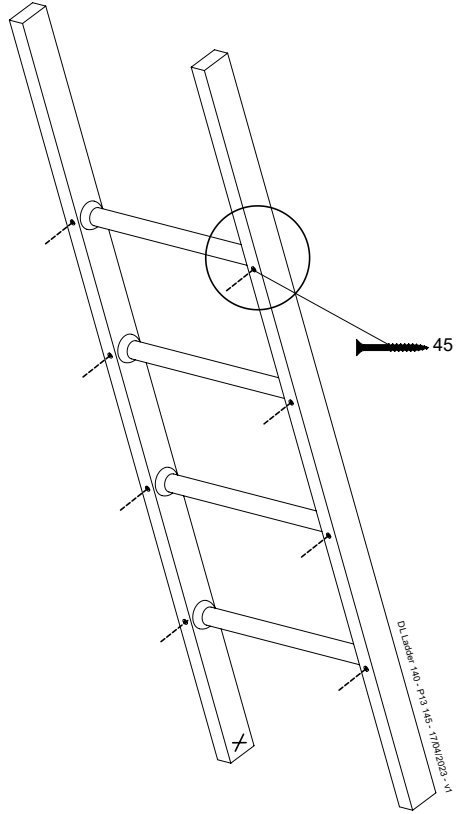
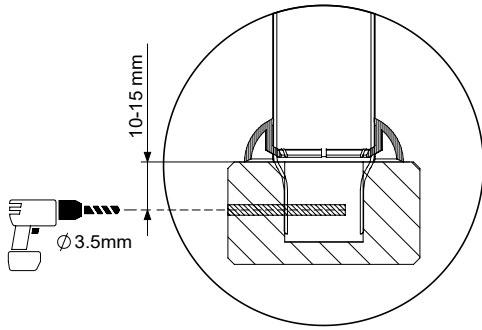
(194_004)

	PartNo	PartName	QTY.
Hardware pack	001_404	Stealth Screw 8x30	4
	002_219	Gap Point Screw T25 - 5x30	4
	002_220	Gap Point Screw T25 - 5x45	8
	002_223	Gap Point Screw T25 - 5x80	4
Other	005_03x	Ladder Rung Y/B/G/R	4
	005_522	Connection Bracket Mini Market	2
	022_835	Rung Cap	8
	120_102	Handgrip set (complete 2x)	1
Timber	C70	Beam 700 mm	1
	C150	Beam 1500 mm	2

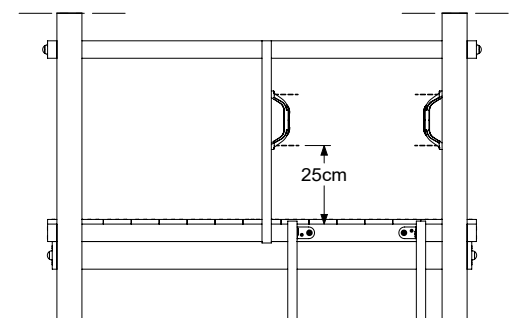
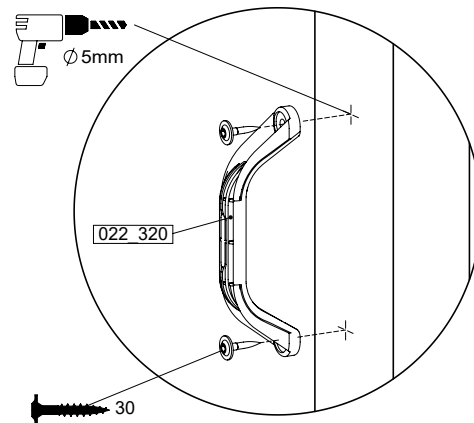
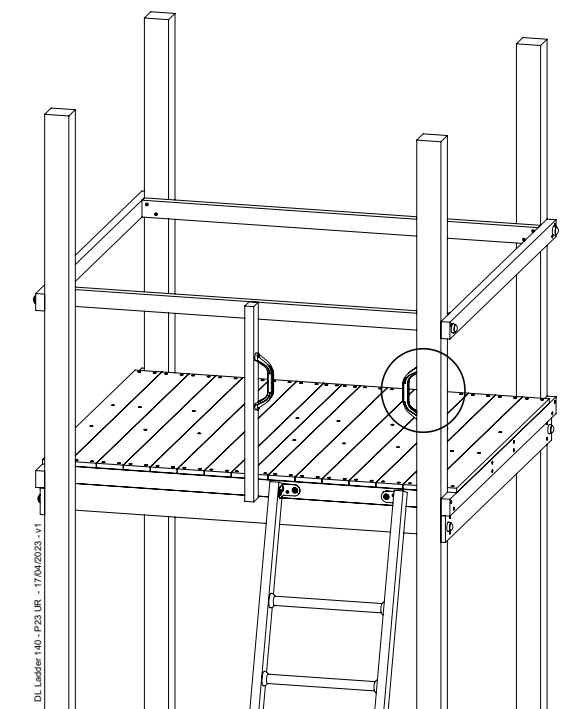
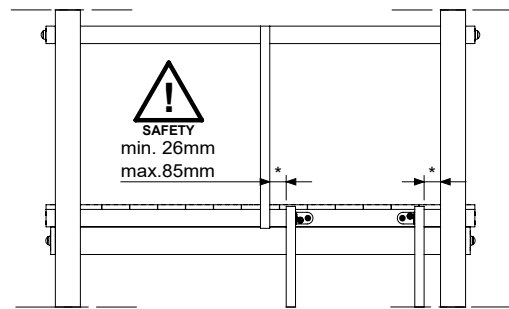
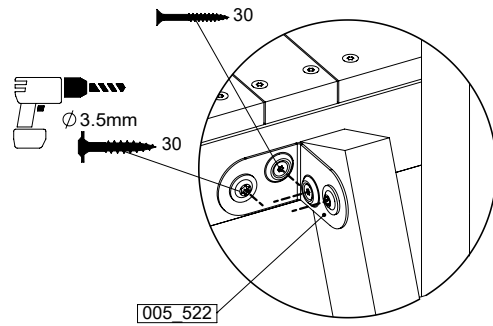
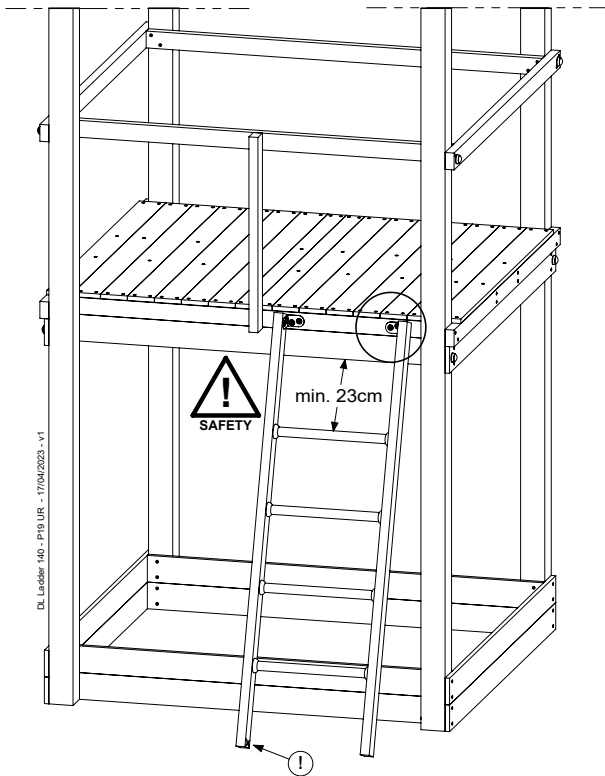
DL Ladder 140 - P07 UR 145 - 17/04/2023 - v1



20.1



20.2

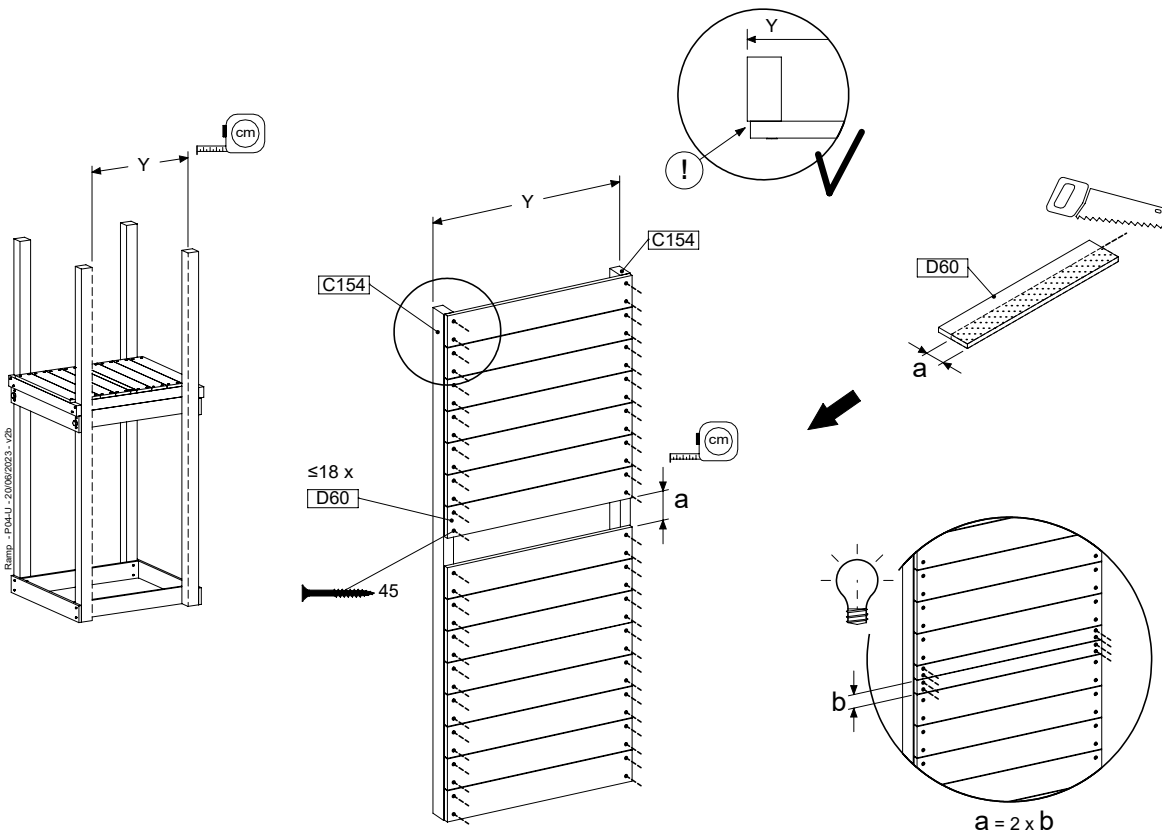
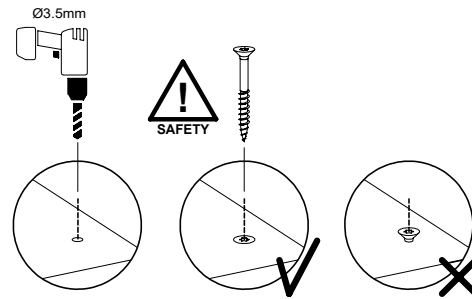
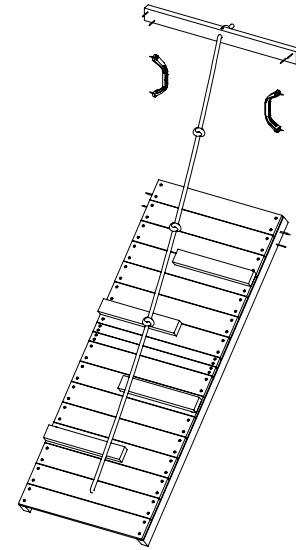


21 RA03: Ramp 80 125 U

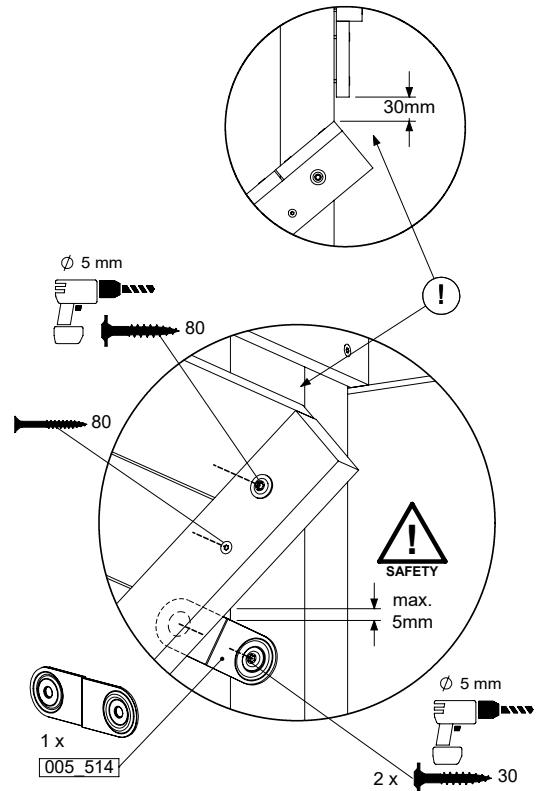
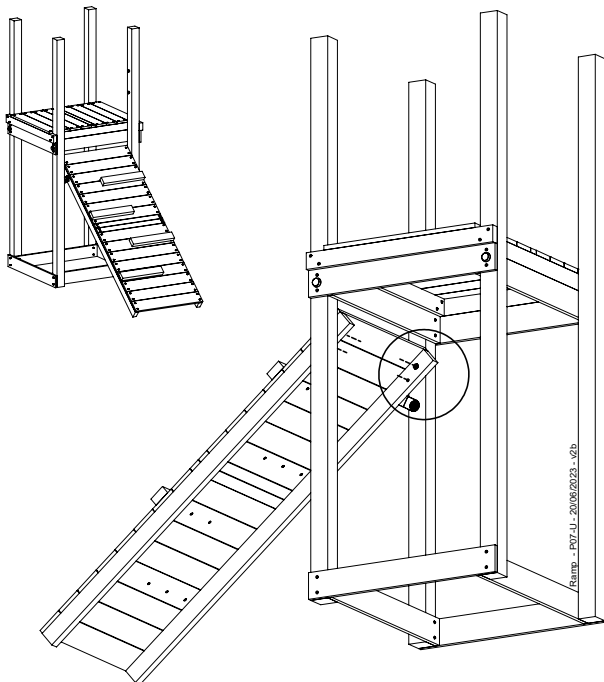
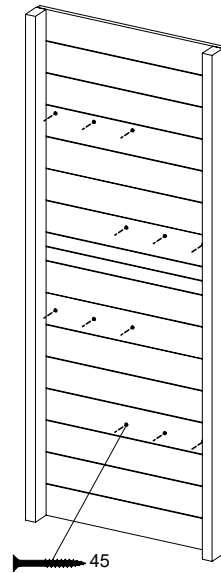
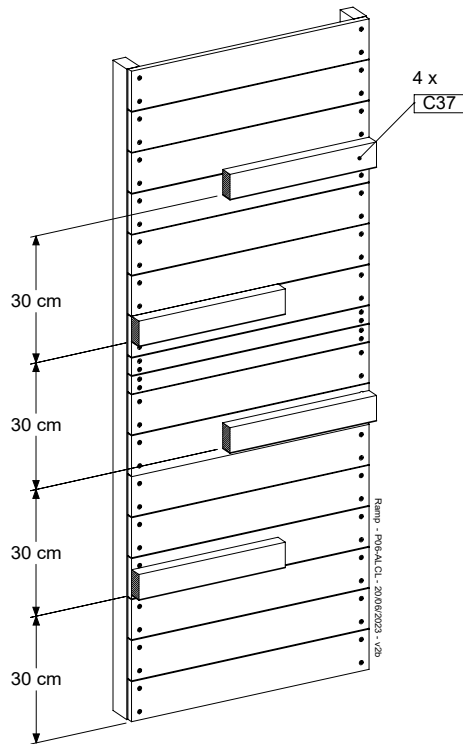
(194_008)

	PartNo	PartName	QTY.
Hardware Pack	001_404	Stealth Screw 8x30	2
	001_417	Stealth Screw 8x80	2
	002_220	Gap Point Screw T25 - 5x45	85
	002_223	Gap Point Screw T25 - 5x80	6
Other	005_514	Ladder Bracket	1
	020_317	Rope Polyester 16mm Green 3.4m	1
	120_102	Handgrip set (2x Complete)	1
Timber	C37	Beam 370 mm	4
	C74	Beam 740 mm	1
	C154	Beam 1540 mm	2
	D60	Board 600 mm	18

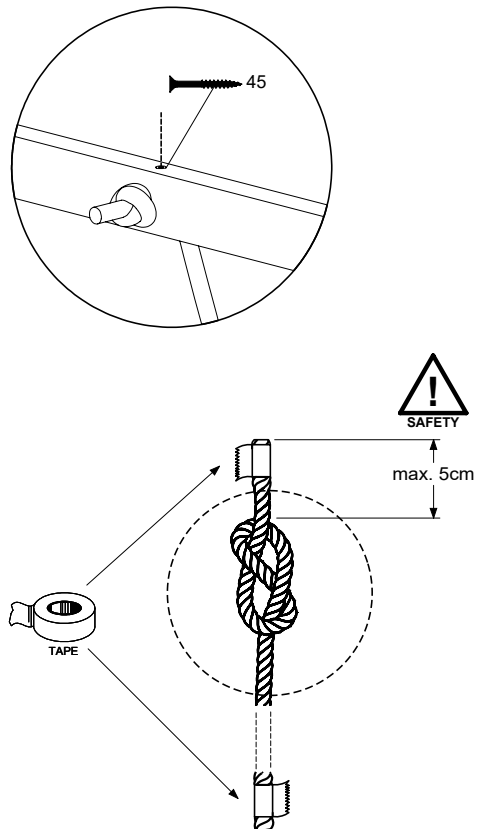
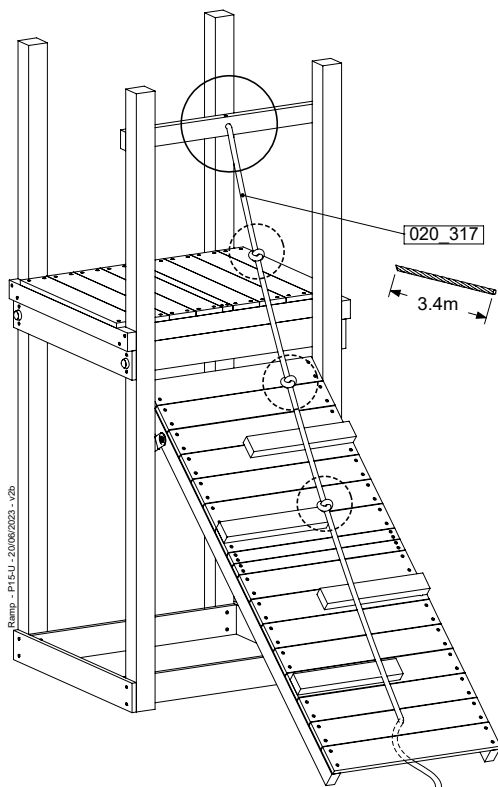
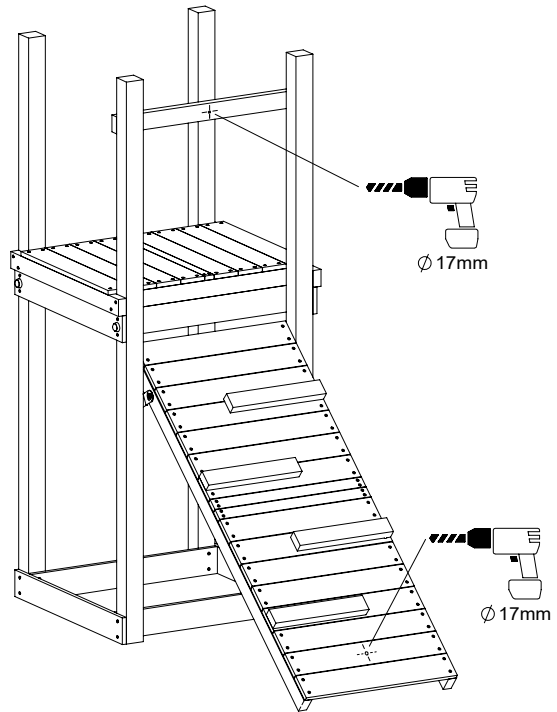
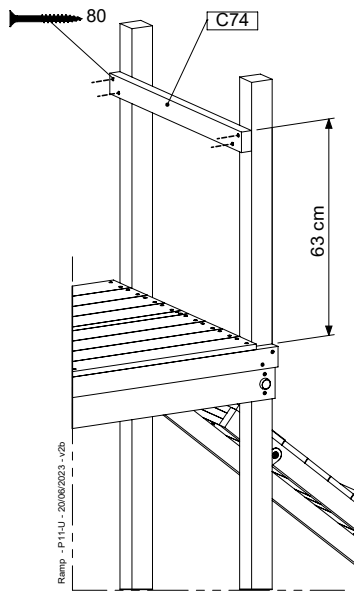
Ramp - P03U - 2010/02/23 - v2b



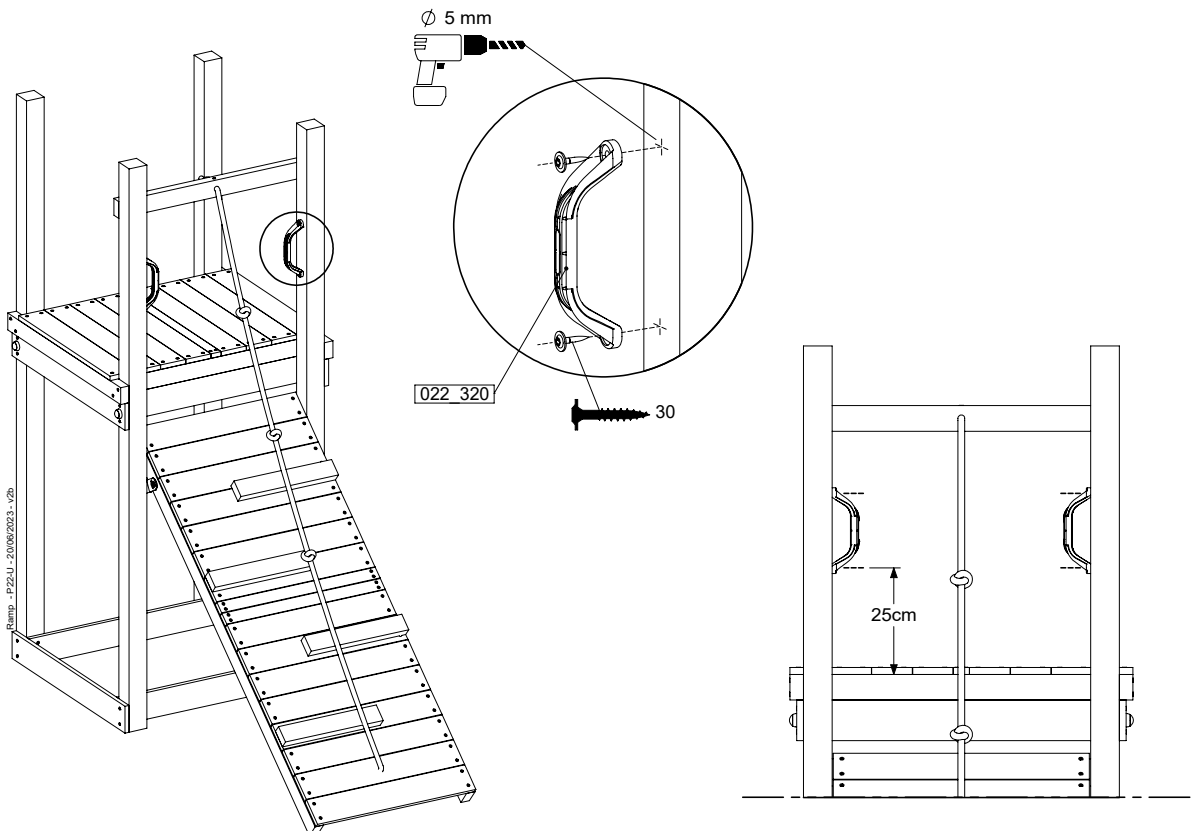
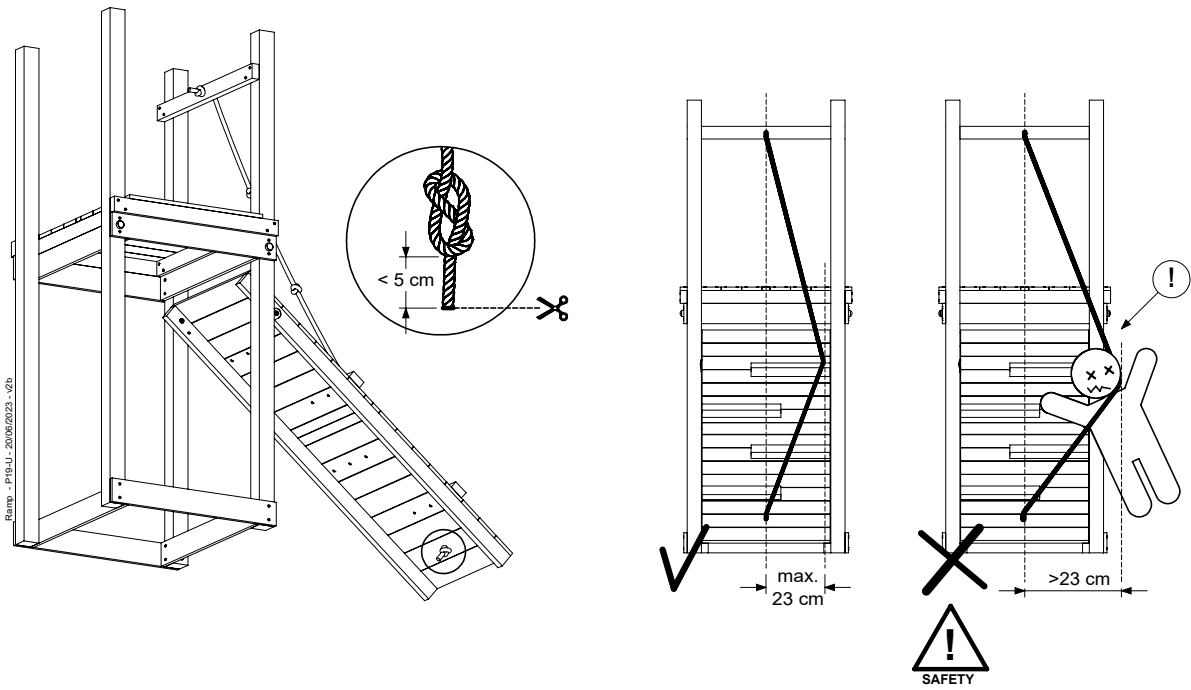
21.1



21.2



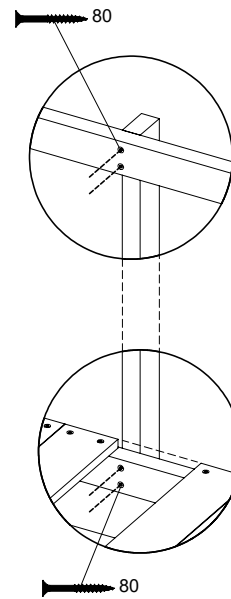
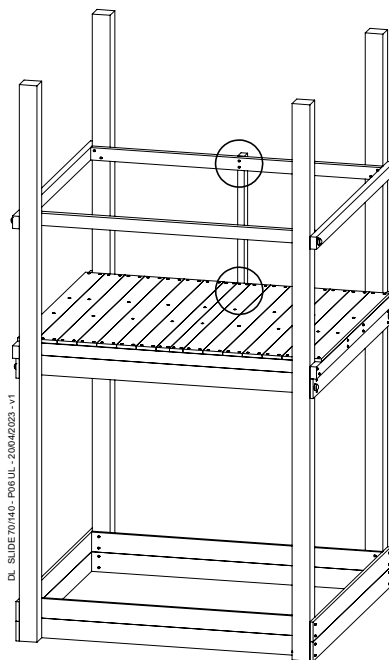
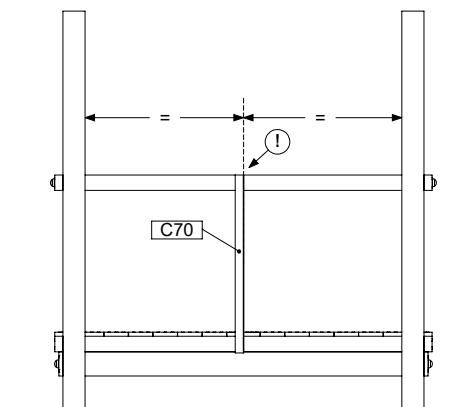
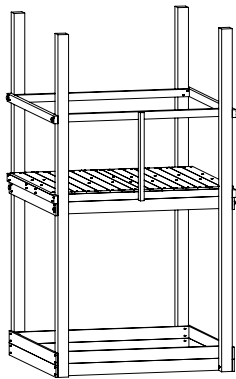
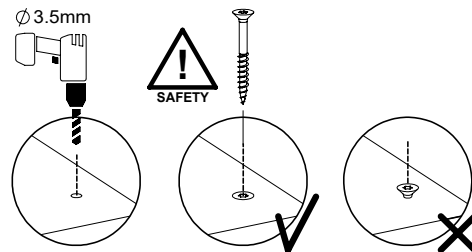
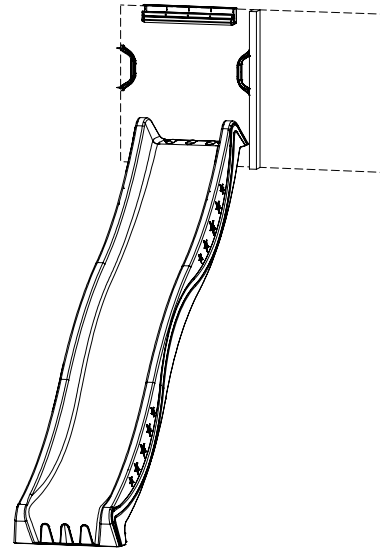
21.3



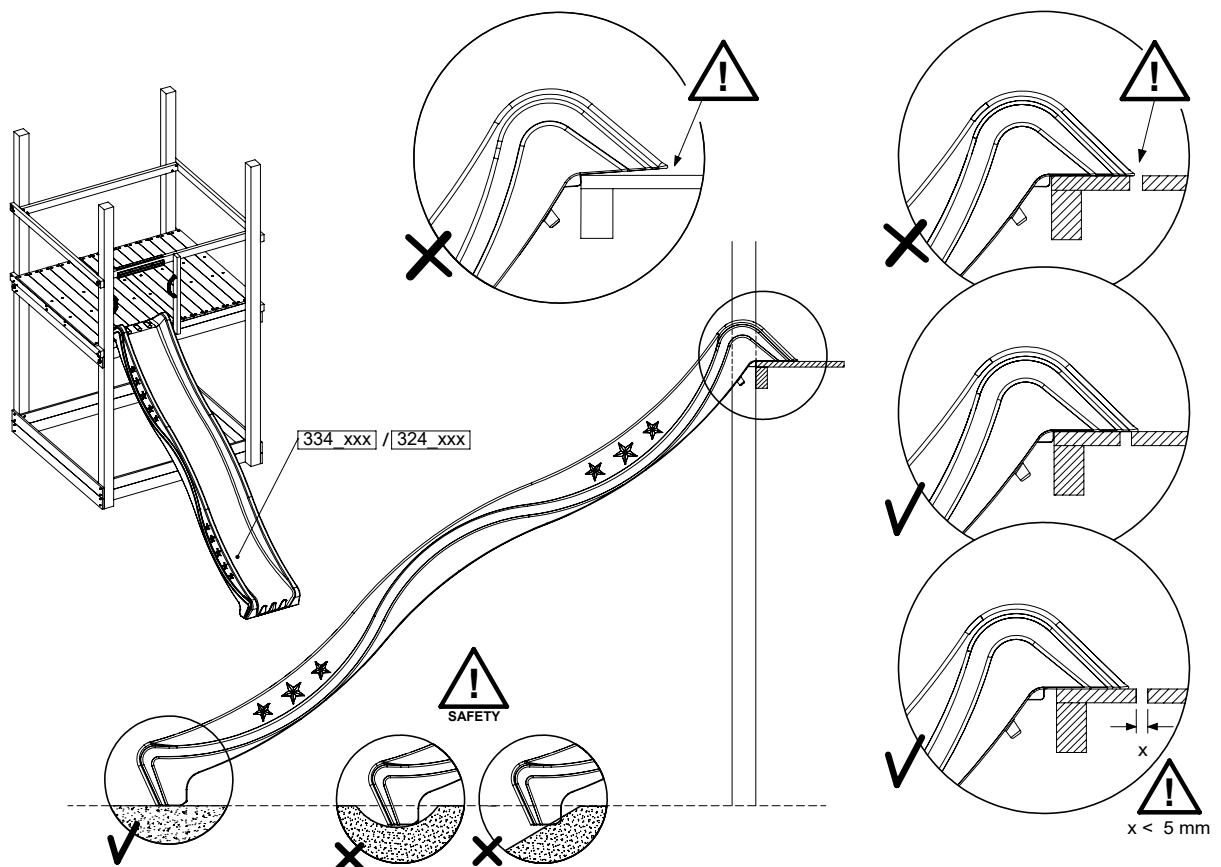
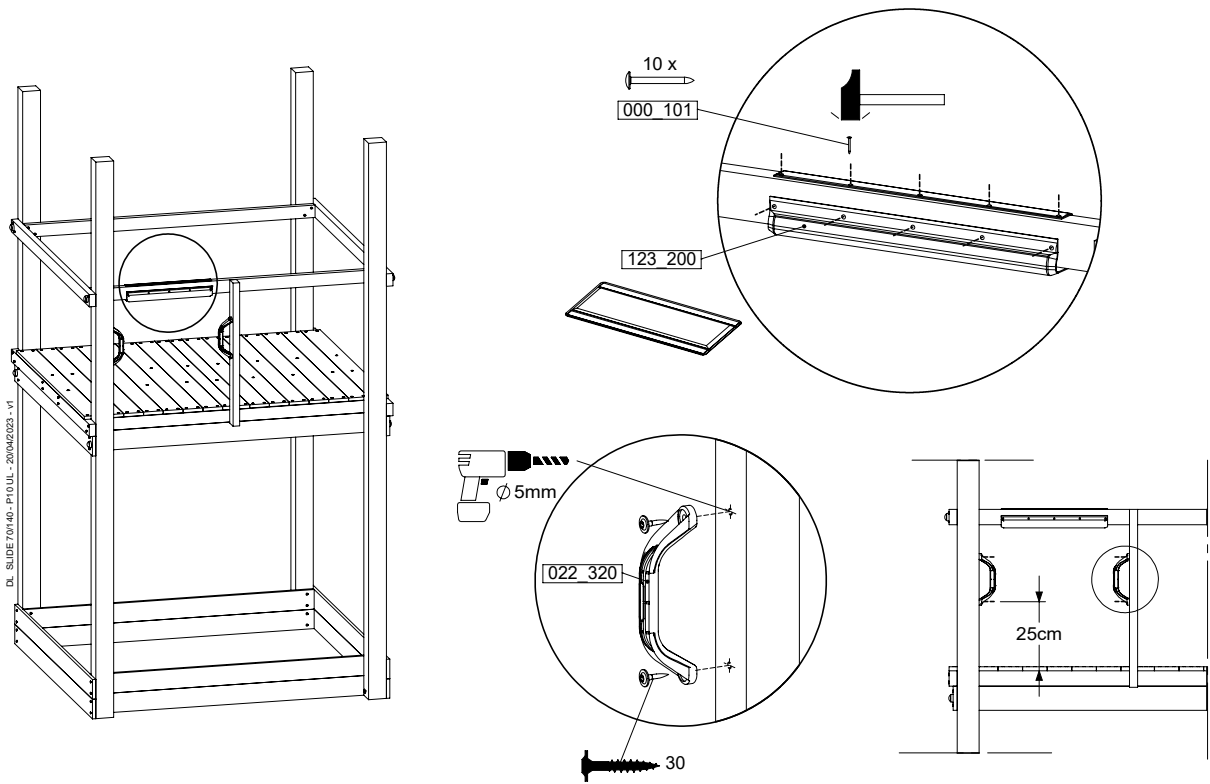
22 SL26: Slide 140 145 U Left

(194_107)

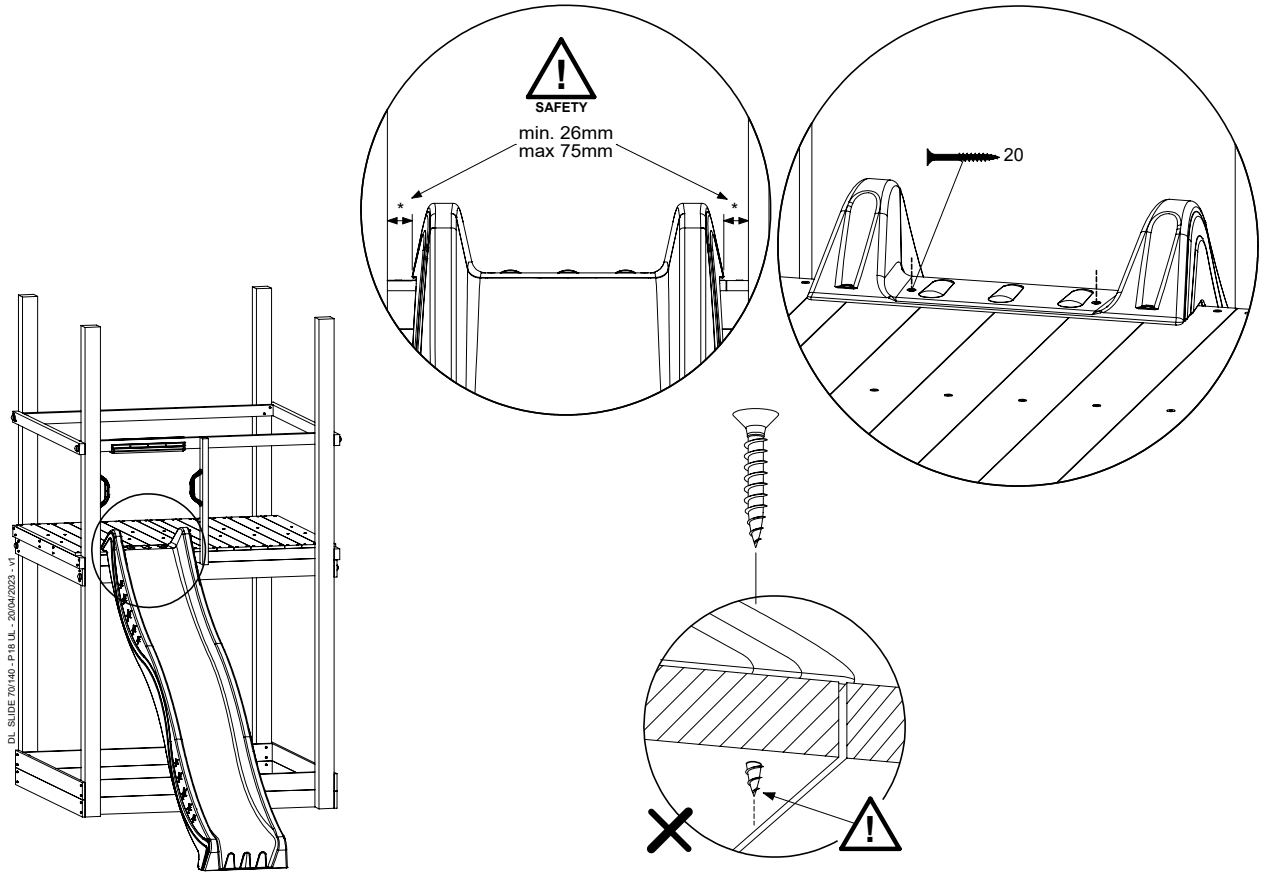
	PartNo	PartName	QTY.
Hardware pack	000_101	Nail Pan Head	10
	002_223	Gap Point Screw T25 - 5x80	4
	002_308	Gap Point Screw T25 - 5x20	2
Other	120_102	Handgrip set (complete 2x)	1
	123_200	Bumperpad	1
	334_xxx /324_xxx	Wavy Star Slide XXL 2650 mm / Wavy Star Slide XL 2200 mm	1
Timber	C70	Beam 700 mm	1



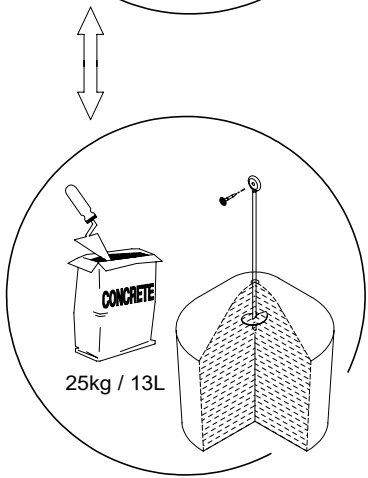
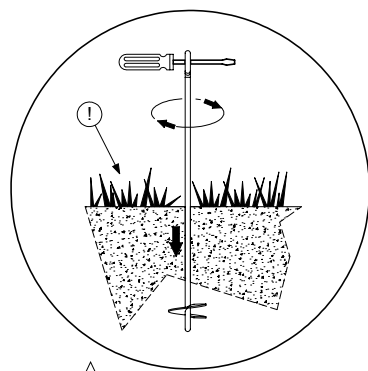
22.1



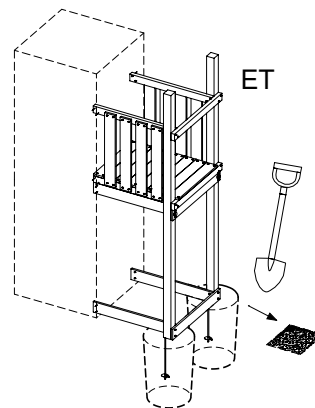
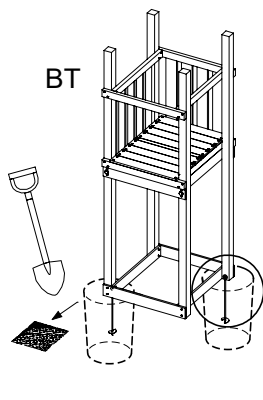
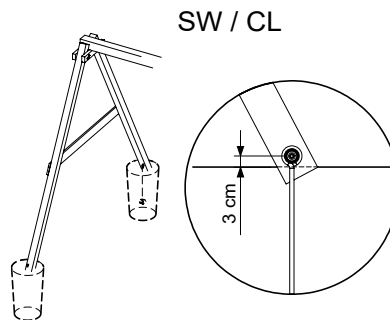
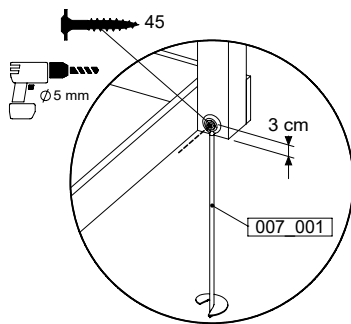
22.2



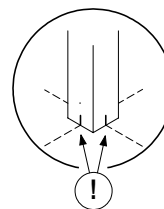
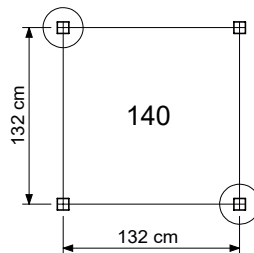
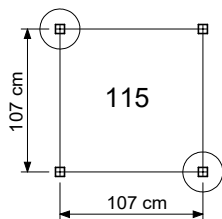
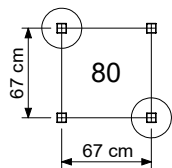
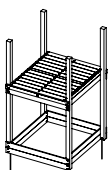
23 GA: Ground Anchors



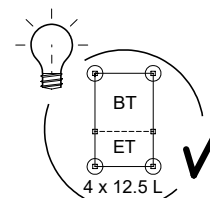
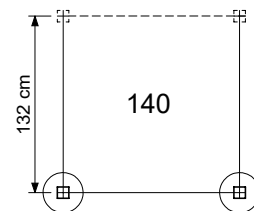
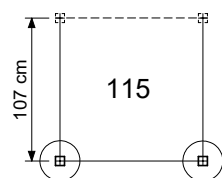
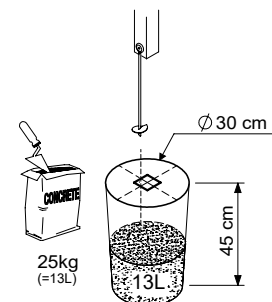
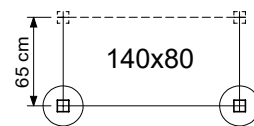
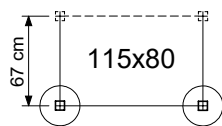
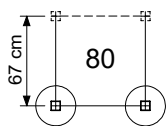
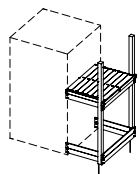
Ground Anchors Unit - P03 - 04/07/2023 - v1.2



BASE TOWERS

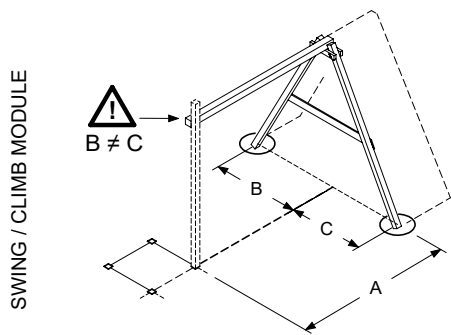
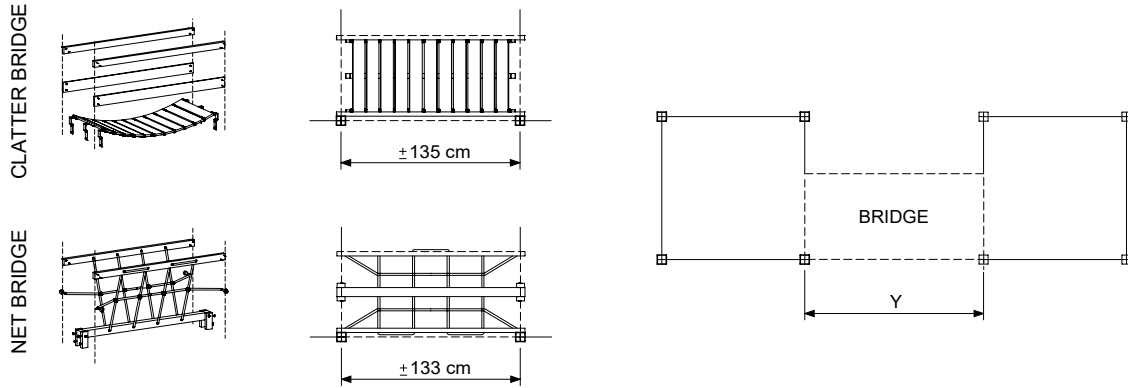


EXTENSION TOWERS



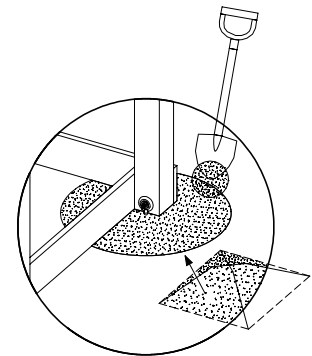
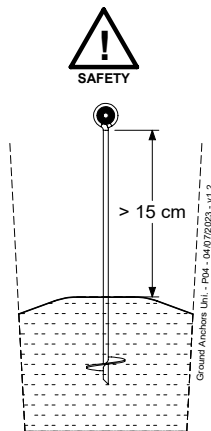
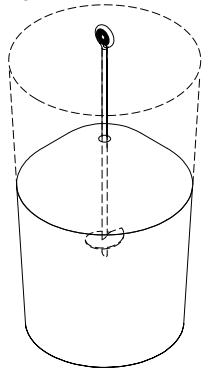
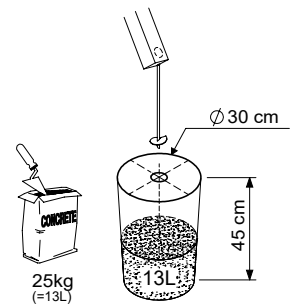
Ground Anchors Unit - P01 - 04/07/2023 - v1.2

23.1



Module type	A	B	C
1-Swing 200	150	115	100
1-Swing 220 / 220 Extra		120	105
2-Swing 200	210	115	100
2-Climb 200			
1-Climb 200	142	120	105
1-Climb 220 / 220 Extra			
2-Swing 220 / 220 Extra	230	120	105
2-Climb 220 / 220 Extra			

Ground Anchors Unit - P02 - 04/07/2023 - v1.2

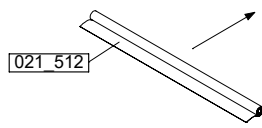
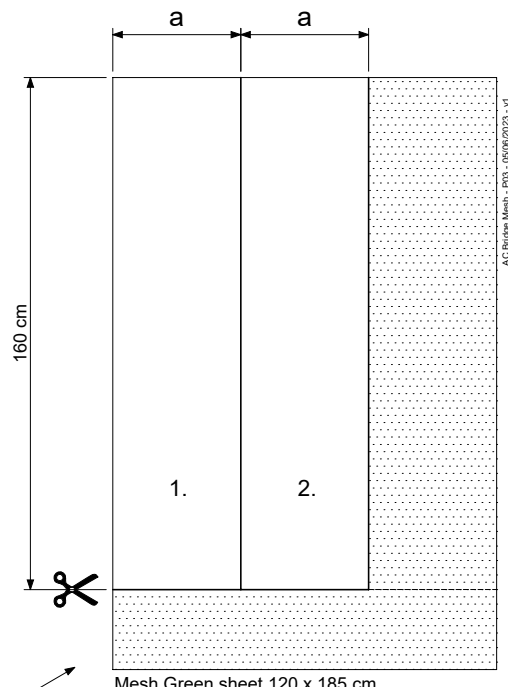
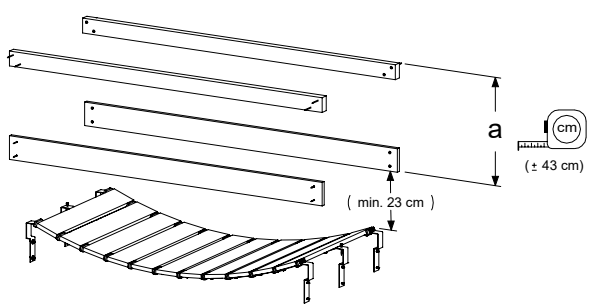
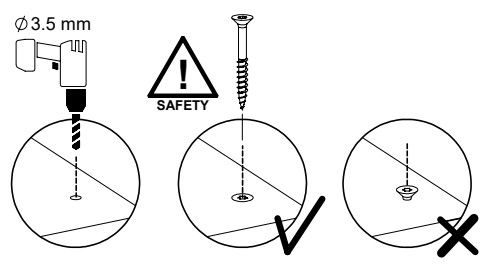
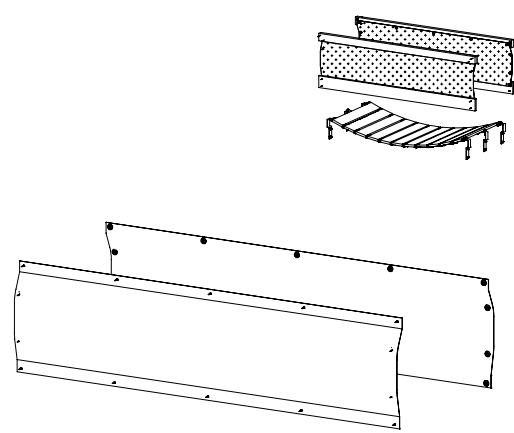


24 AC30a: Bridge Mesh

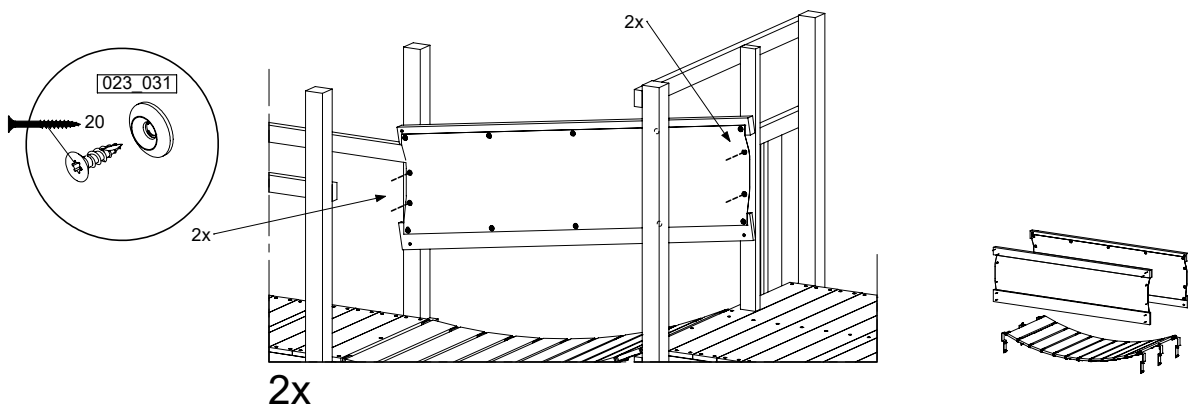
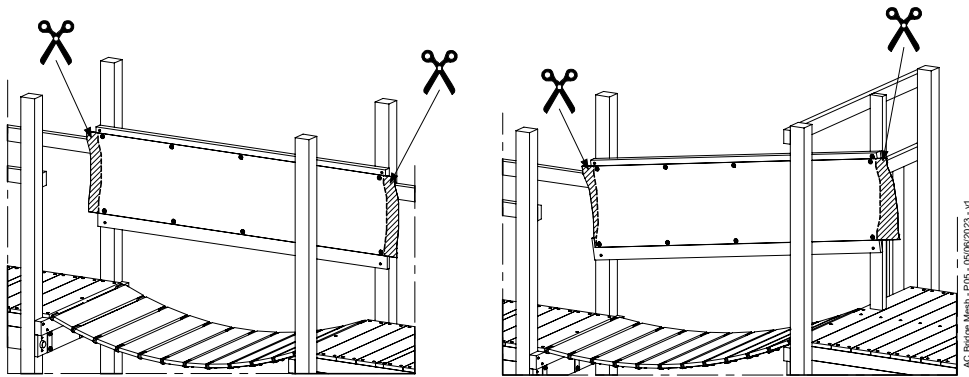
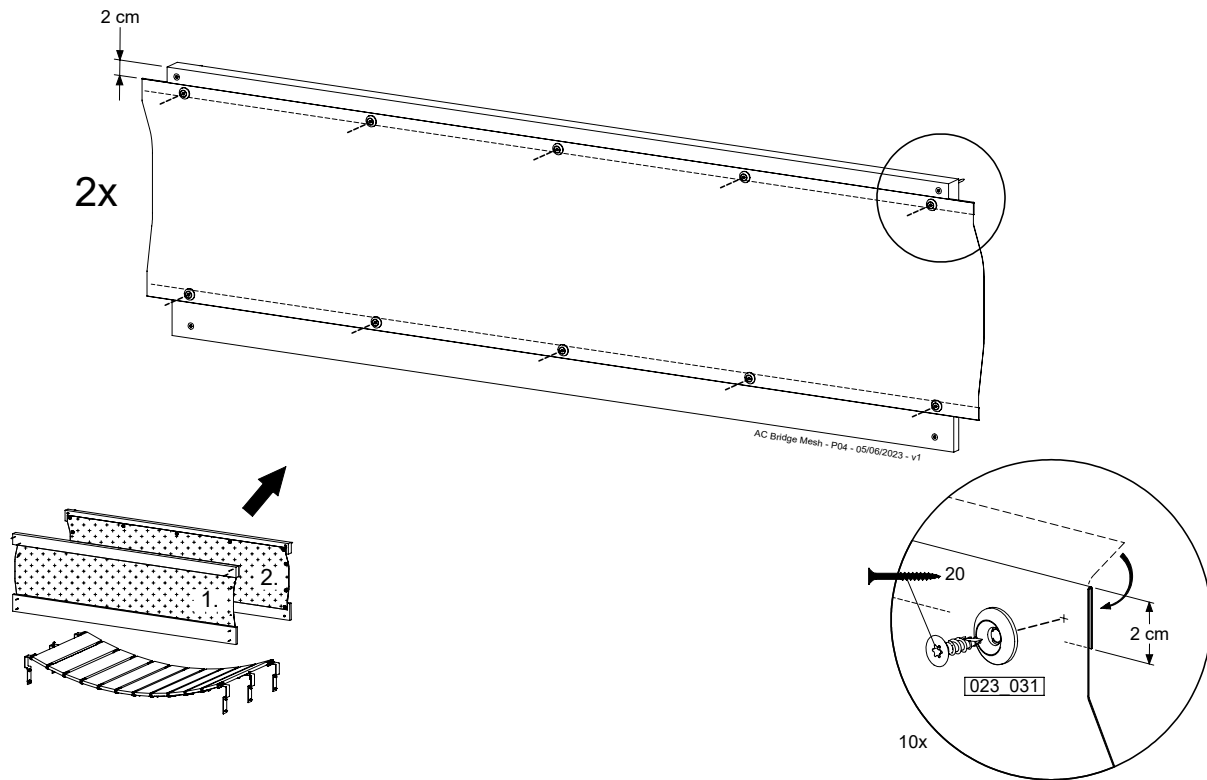
(123_230)

	PartNo	PartName	QTY.
Hardware Packs	002_308	Gap Point Screw T25 - 5x20	28
100_411	023_031	Finishing Washer GPS 5.0	28
Other	021_512	Mesh green 1.20 x 1.85m	1

AC Bridge Mesh - PG2 - 05/06/2023 - v1



24.1

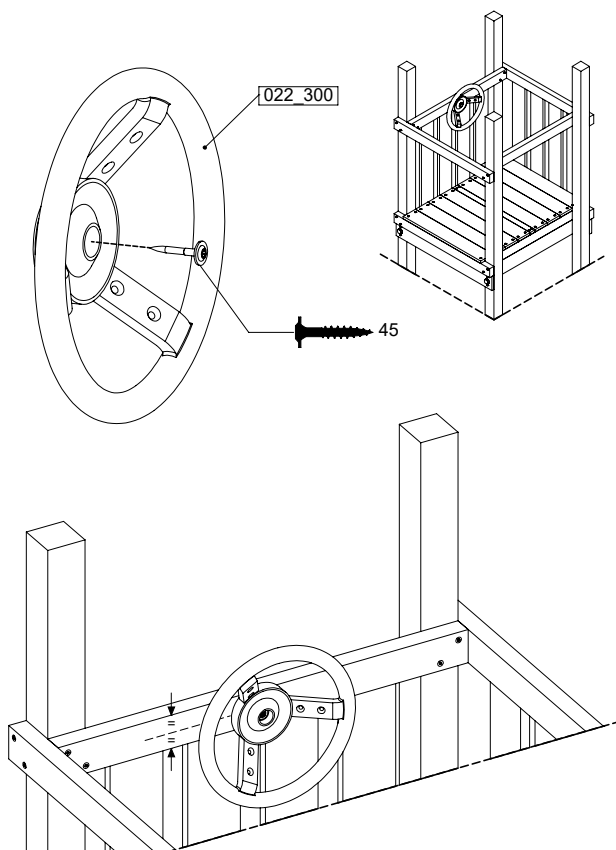
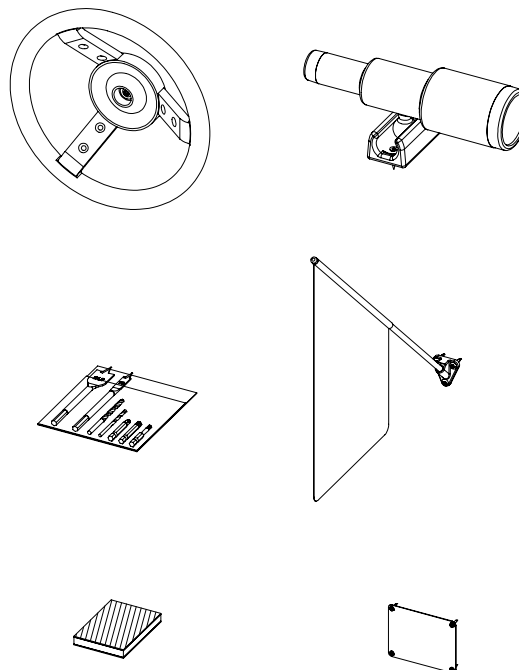


25 AC01a: Accessories

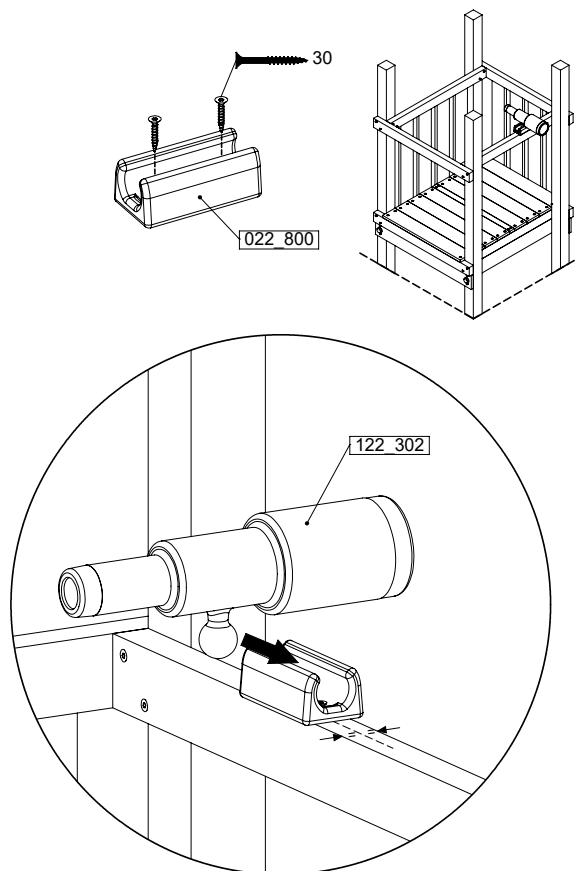
(194_119)

	PartNo	PartName	QTY.
Hardware Pack 100_617	001_406	Stealth Screw 8x45	1
	002_041	Dome head screw 4.5 x 20 mm	3
	002_042	Dome head screw 3.5 x 13mm	4
	002_219	Gap Point Screw T25 - 5x30	2
Other	022_300	Steering Wheel	1
	022_800	Rail P/T 105	1
	022_910	Sandpad	1
	103_901	Logo ID Plate	1
	104_107	Tool Set Climbing Units	1
	120_024	Tower Flag	1
	122_302	Telescope	1

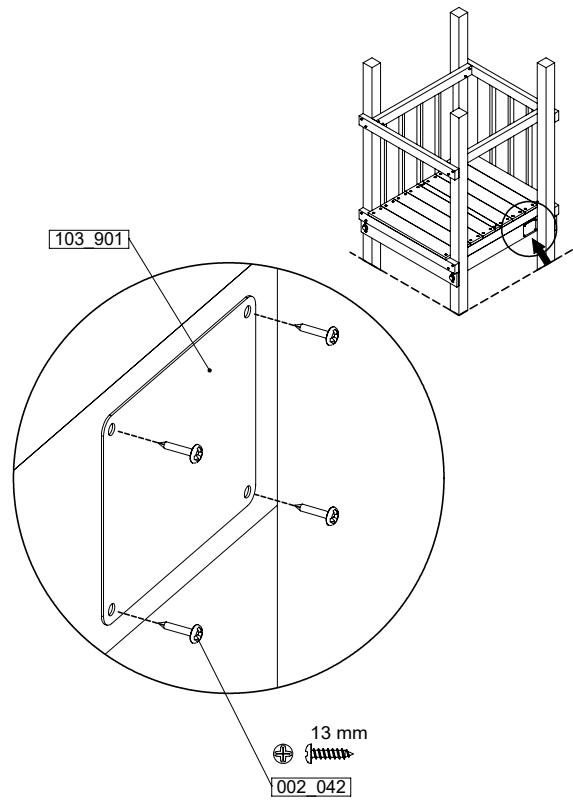
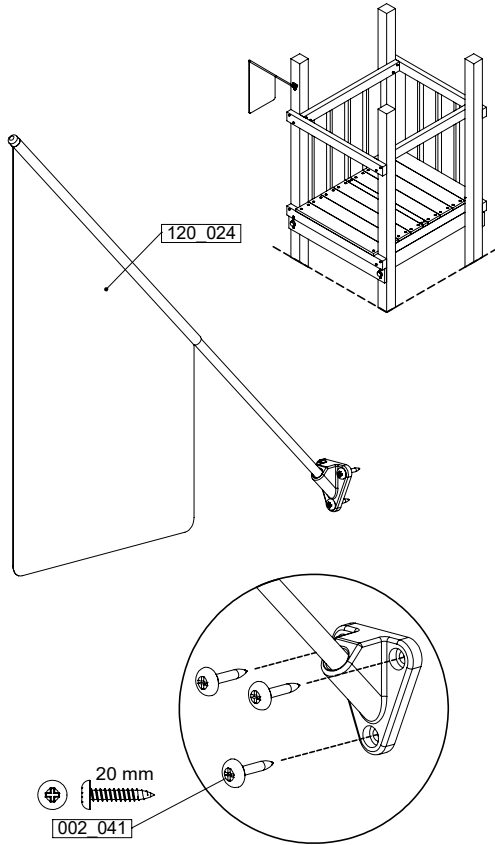
Accessory set - P102 - 06/07/2023 - v5



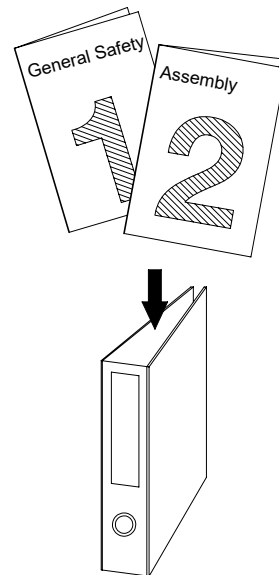
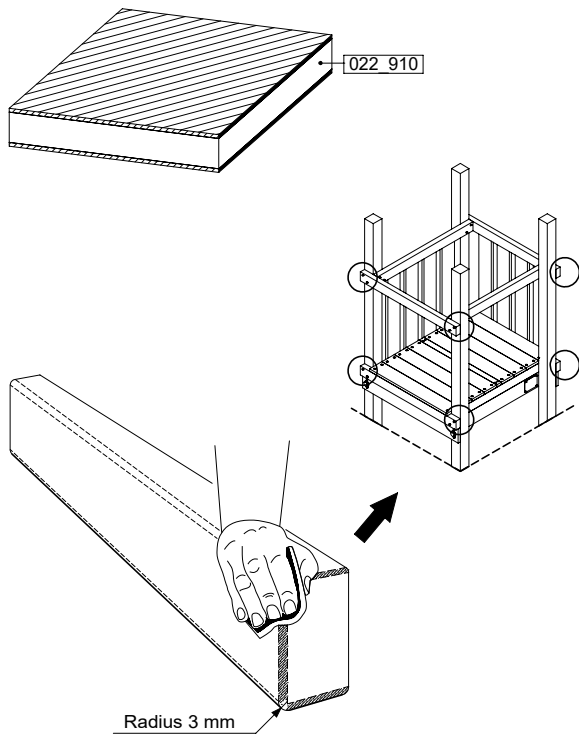
Accessory set - P103 - 06/07/2023 - v5



25.1



Accessory set - P04 - 06/07/2023 - v5



Accessory set - P05 - 06/07/2023 - v5

26 Conformity

Declaration of Conformity

Jungle Gym
BACKYARD PLAYGROUNDS
since 1988

Manufacturer details

Company Name	Tag-line
Jungle Gym B.V.	Backyard Playgrounds
Address	
P.O. Box 75083, 1070 AB Amsterdam, Netherlands	

Activity toys for domestic use

Product Range Identification

Construction Packages (Sub-Assembly)

Universal Packs / Base Towers / Extension Towers / Roofs / Means of Exit/Access / Add-ons : 790_001 ... 794_911

Assembly

Playtowers : 801_005 ... 200	Links : 870_100 ... 105	Accessories : 123_220 ... 250_075
Playhouses : 830_150 ... 253, 835_251 ... 253	Swings : 801_300, _600, _601	Slides (XL) : 324_100 ... 600
Modules : 850_180 ... 415		Slides (XXL) : 334_100 ... 600
: 857_103, 857_108	Playtowers: 802_202 ... 208	
857_151, 857_158	803_202 ... 210	
	809_202 ... 804	

Applicable EC directives and standards

Chemical References

1. Migration of certain elements (17x + Chr VI + tin) as required in TSD 2009/48/EC and its amendments. Scrape off toy material. Tested according to EN 71-3:2019.	5. Content of 7 Phthalates (18x) according to REACH (EG) no.1907/2006, Annex XVII. Tested according to COC-CH-C1011-09.3 and EN 15777 / QMA 2011.1300	9. Content of 3 Flame retardants according to REACH (EG) no. 1907/2006, Annex XVII. Tested according to EN 62321-6.
2. Migration of solvents, monomers and plasticizers as specified in "Safety for Toys: Organic Chemical Compounds", EN 71-9: 2005 + A1: 2007. Tested according to EN 71-10: 2005 & EN 71-11: 2005.	6. Content of Cadmium according to REACH (EG) no. 1907/2006, Annex XVII. Tested according to EN 17294-2	10. Ni release according to REACH (EG) no. 1907/2006, Annex XVII. Tested according to EN 71-3:2013+A1:2014.
3. Content of N-nitrosamines and N-nitrosatable substances as specified in EN standard 71-12: 2013. Tested according to EN 71-12: 2013.	7. Formaldehyde according to REACH (EG) no. 1907/2006, Annex XVII. Tested according to EN 14184	11. Sweat and Salvia resistance tested according to DIN 53160
4. Content of 18 PAHs (Polycyclic Aromatic Hydrocarbons) as referred in AfPS GS 2014:01 PAK (Replaced on 2019:01) Tested according to QMA 2011.1284	8. Azo dyes according to REACH (EG) no. 1907/2006, Annex XVII. Tested according to BVL B 82.02-2.	

Mechanical physical properties + flammability

EN 71 - 1 : 2014 + A1: 2018 EN 71 - 2 : 2011 + A1: 2014 EN 71 - 8 : 2018

Supplementary information

Conformity to the above specified directives and standards has been frequently verified and is continuously monitored by TÜV Süd, TÜV Rheinland LGA products, DEKRA (DE), STR Ltd (UK), LNE SA (FR), LMR Ltd (US) and IPS N.V. (BE) since 1994. Jungle Gym participates in the European Commission for standardisation for the safety of activity toys (TC52 / WG 10).


Declaration

I hereby declare under our sole responsibility that the products mentioned above, to which this declaration relates, complies with the above mentioned directives and standards.



Name
Mr. P. Schmit / Director

Issued date
Januari 2nd, 2023


Signature of representative