

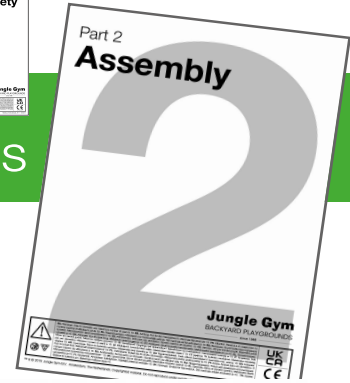
Part 2

Assembly

Instructions

Config ID: rDa4XG

Date: 2023-08-01



Manual Part 1



Important

This assembly manual should always be read in conjunction with the General Safety manual part 1 as included in the hardware package of your playground equipment. Please read these safety instructions carefully before starting the assembly work.

Jungle Gym

BACKYARD PLAYGROUNDS

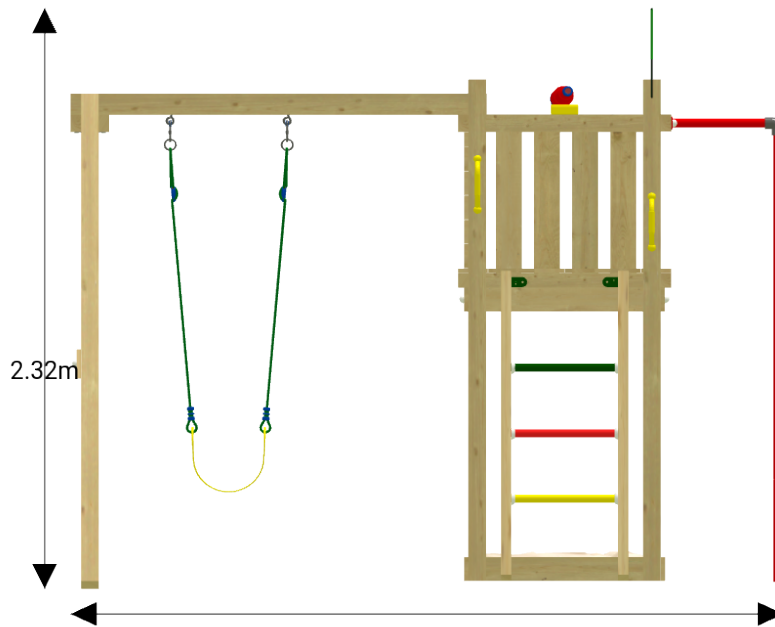
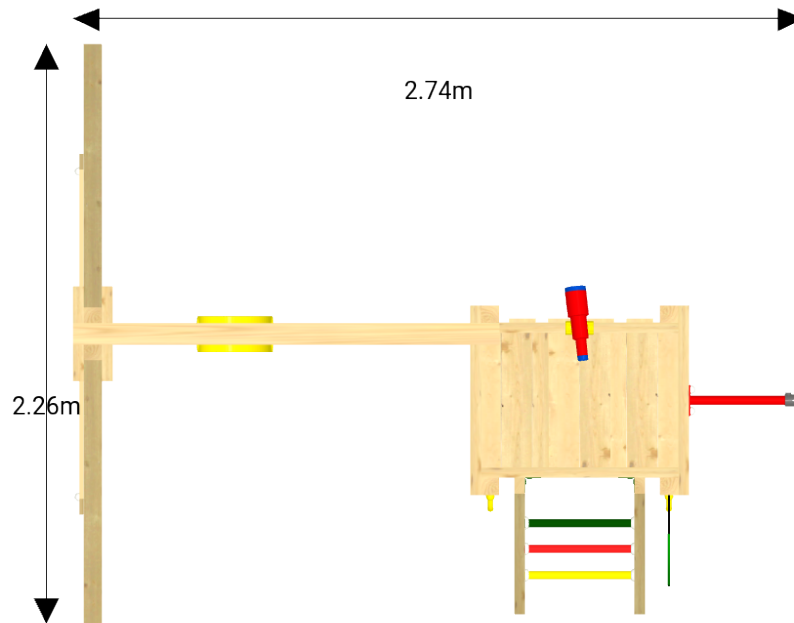
since 1988



EN. Warnings. Only for domestic use. Maximum number of users is 2. **DE.** Achtung. Nur für den Hausgebrauch. Maximale Benutzerzahl: 2. **FR.** Attention. Réserve à un usage privé. Le nombre maximal d'utilisateurs est de 2. **NL.** Waarschuwingen. Uitsluitend voor huishoudelijk gebruik. Het maximale aantal gebruikers is 2. **BG.** Внимание. За употреба само в домашни условия. Максималният брой потребители е 2. **ES.** Advertencias. Sólo para uso doméstico. Número máximo de usuarios: 2. **CS.** Varování. Jen pro domácí použití. Maximální počet uživatelů je 2. **DA.** Advarsler. Kun til privat brug. Maksimum antal brugere er 2. **ET.** Hoiatused. Ainult koduseks kasutamiseks. Maksimaalne kasutajate arv on 2. **EL.** Προειδοποιήσεις. Μόνο για οικιακή χρήση. Μέγιστος αριθμός χρηστών 2. **IS.** Varnaðarorð. Eingöngu fyrir einkanotkun í heimahúsum og á einkaloðum. Hámarksfjöldi notenda er 2. **IT.** Avvertenze. Solo per uso domestico. Massimo numero di utenti è 2. **LV.** Brīdinājumi. Izmantot tikai mājās. Maksimālais lietotāju skaits ir 2. **LT.** Įspėjimai. Tik buitiniam naudojimui. Maksimalus naudotojų skaičius HR. Upozorenia. Samo za kućansku uporabu. Maksimalan broj korisnika je 2. **HU.** Figyelmeztetések. Csak otthoni használatra! A használok max. száma: 2. **NO.** Advarsler. Kun for privat bruk. Maksimalt antall brukere er 2. **PL.** Ostrzeżenia. Wyłącznie do użytku domowego. Maksymalna liczba użytkowników to 2. **PT.** Avisos. Apenas para uso doméstico. O número máximo de utilizadores é 2. **RO.** Avertismente. Numai pentru uz domestic. Numărul maxim de utilizatori este 2. **RU.** Предостережения. Только для домашнего использования. Максимальное количество пользователей - 2. **SK.** Upozornenia. Iba na domáce použitie. Maximálne množstvo osôb je 2. **SL.** Opozorila. Samo za domačo uporabo. Maksimalno število uporabnikov je 2. **FI.** Varoitukset. Ainoastaan kotikäyttöön. Käyttäjää yhteensä enintään 2. **SR.** Upozorenia. Samo za kućnu upotrebu. Maksimalan broj korisnika je 2. **SV.** Varningar. Endast för hemmabruk. Det maximala antalet användare är 2. **TR.** Uyarılar. Sadece ev kullanımı için. Maksimum kullanıcı sayısı 2.



1 Views

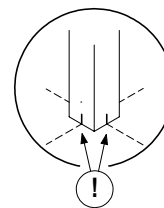
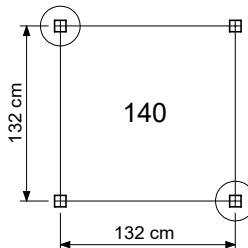
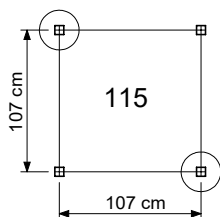
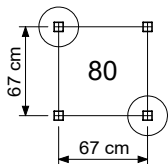
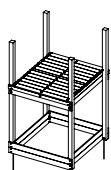


2 Order list

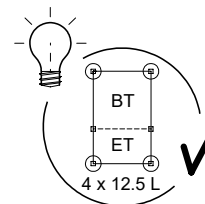
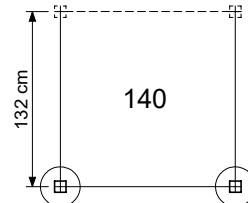
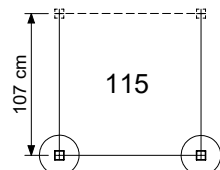
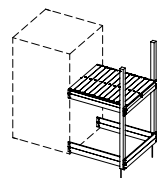
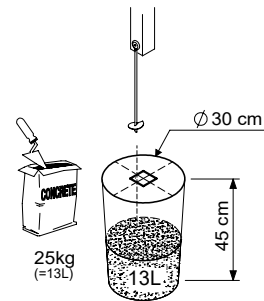
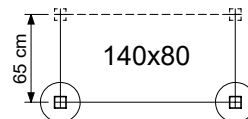
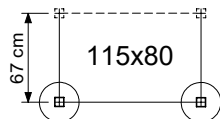
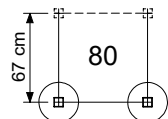
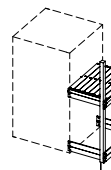
Nr.	SKU	Description	ID	Amount
1	790_001	Base Tower 80_ 200200	BT01	1
2	790_301	Balustrade 80	BL01	1
3	790_313	Playhouse Window Panel 80	PH06	1
4	790_431	Ladder 80_125	LA01	1
5	790_903	Fireman's pole 80	FP02	1
6	757_103	1- Swing Module 200	SW01	1
7	194_119	AP Accessory set	AC01	1
8	250_001	Sling Swing Kit • Yellow	AC23	1

3 Anchor Plan

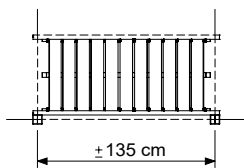
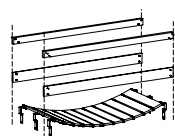
BASE TOWERS



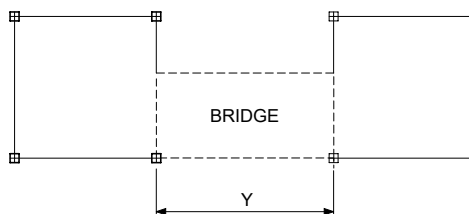
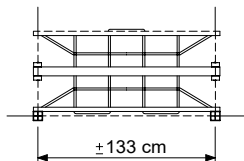
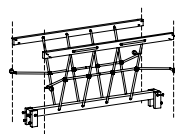
EXTENSION TOWERS



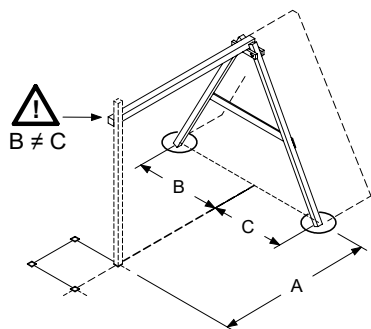
CLATTER BRIDGE



NET BRIDGE

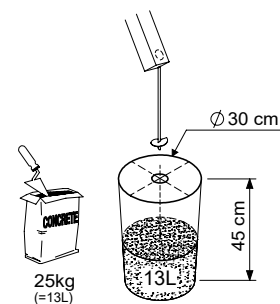


SWING / CLIMB MODULE



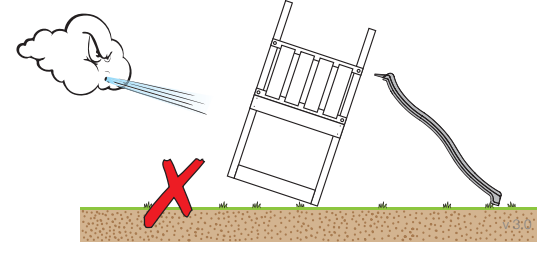
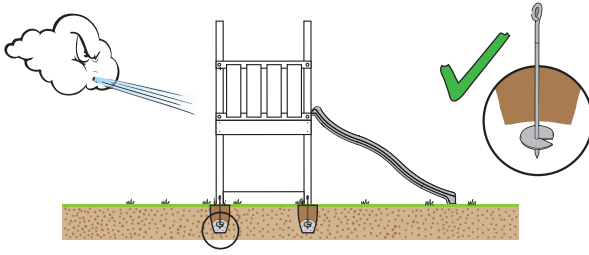
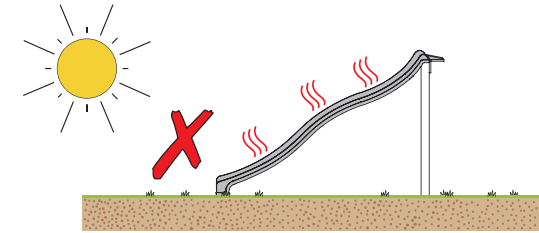
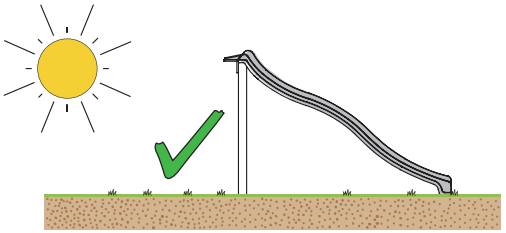
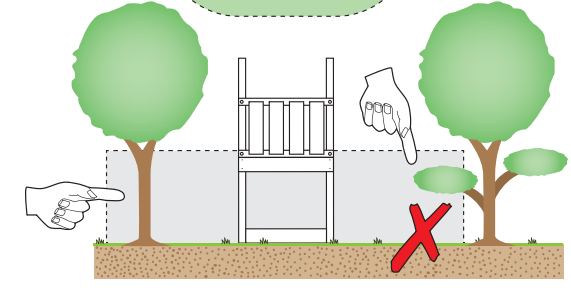
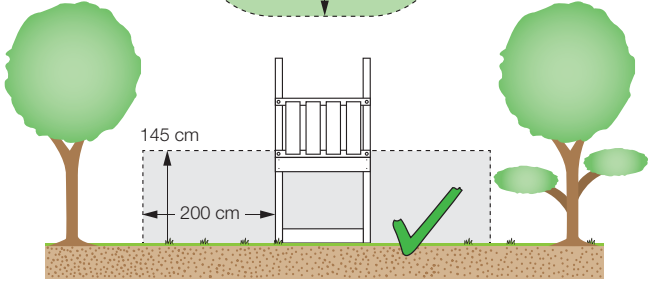
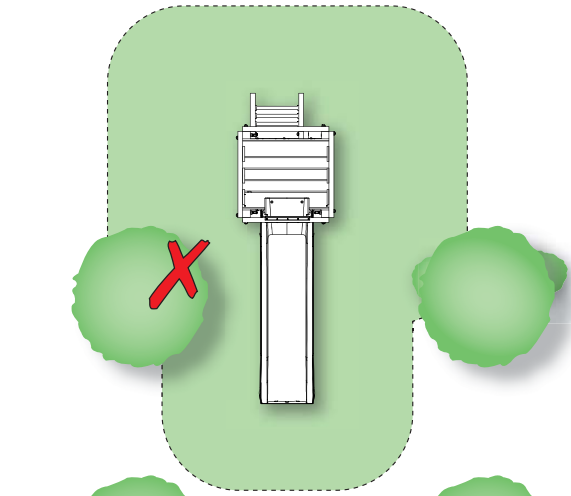
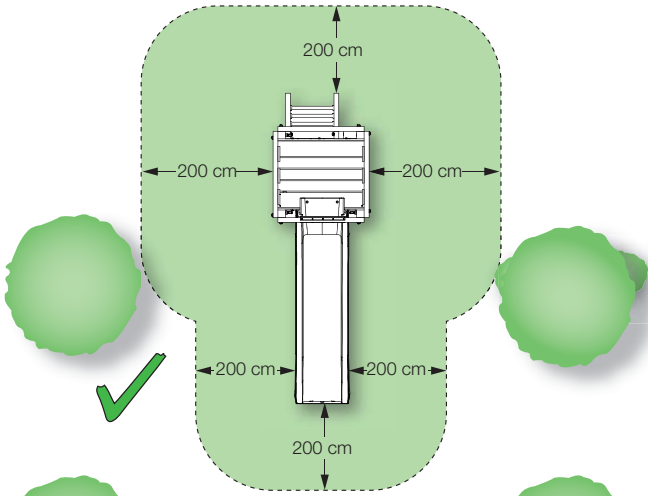
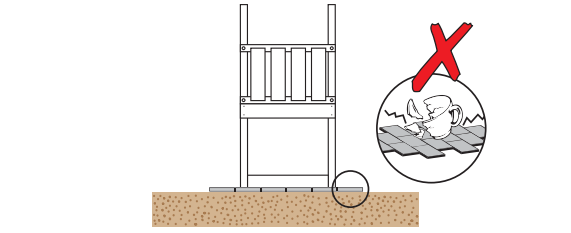
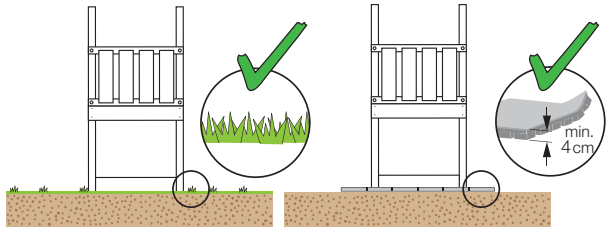
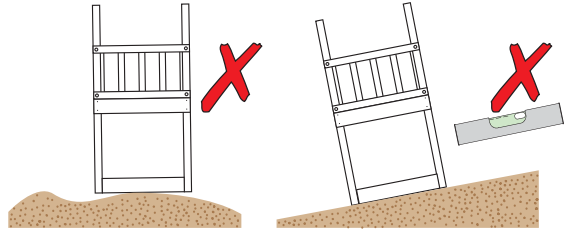
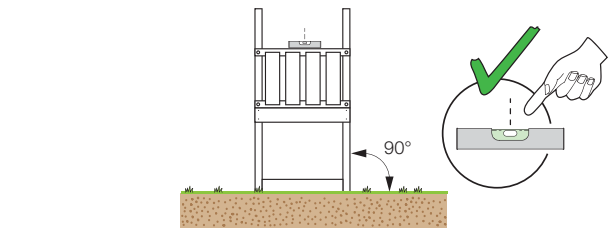
Module type	A	B	C
1-Swing 200	150	115	100
1-Swing 220 / 220 Extra		120	105
2-Swing 200	210	115	100
2-Climb 200			
1-Climb 200	142	120	105
1-Climb 220 / 220 Extra	162		
2-Swing 220 / 220 Extra	230	120	105
2-Climb 220 / 220 Extra			

Ground Anchors Unit - PO1 - 04/07/2023 - v1.2

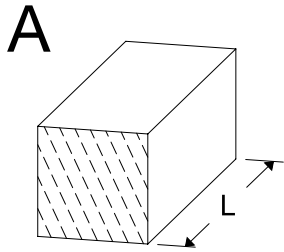


Ground Anchors Unit - PO1 - 04/07/2023 - v1.2

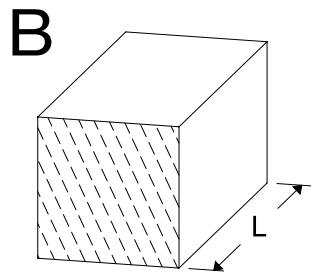
3.1 Safe Playground



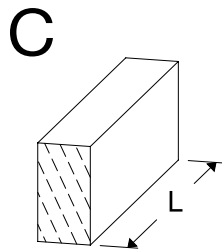
4 Timber parts



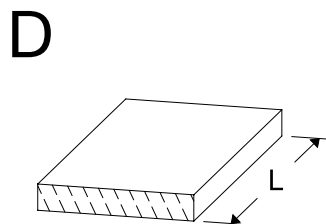
ID	L	#
A200	199 cm - 200 cm	4
A220	219 cm - 220 cm	2



B160	159 cm - 160 cm	1
------	-----------------	---





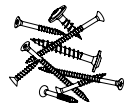
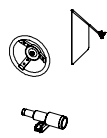

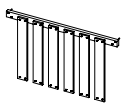


C37	36 cm - 37 cm	2
C74	73 cm - 74 cm	8
C130	129 cm - 130 cm	2

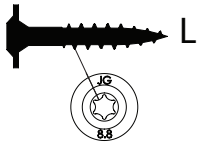
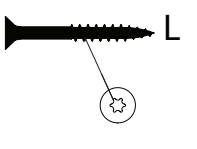
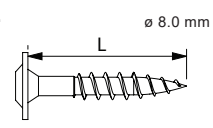
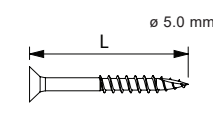
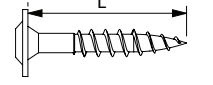
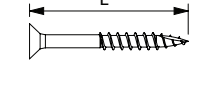
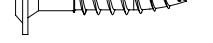
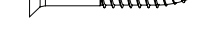






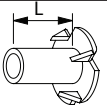


D60	59 cm - 60 cm	10
D65	64 cm - 65 cm	4
D74	73 cm - 74 cm	15
D141	140 cm - 141 cm	2

5 Assembly packs & accessories

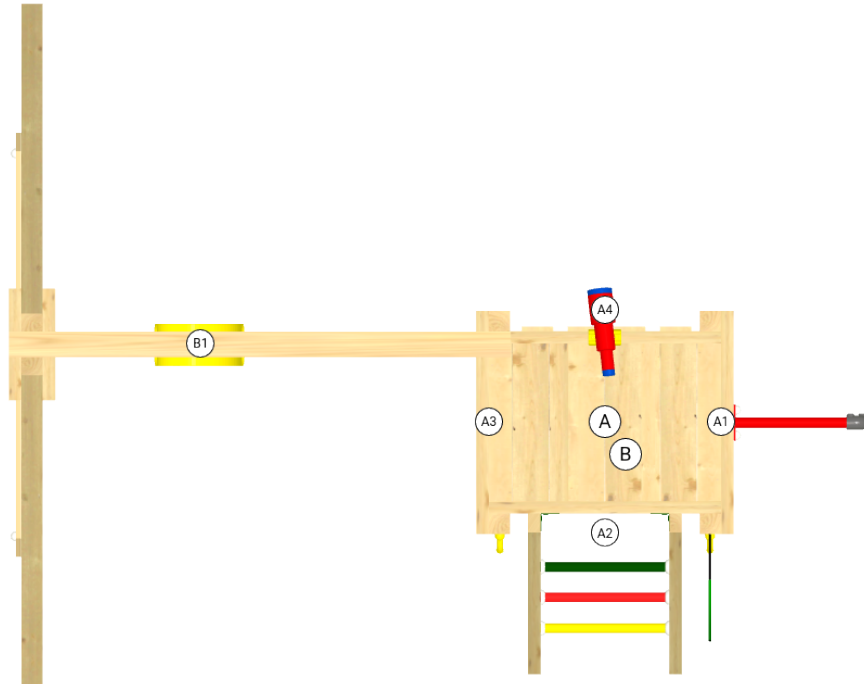
<p>Swing Frame Kit</p>  <p>SW</p> <p>457_102</p> <p>1x</p>	<p>Fireman's Pole</p>  <p>FP</p> <p>201_275</p> <p>1x</p>	<p>Tower 80</p>  <p>BT ET</p> <p>194_100</p> <p>1x</p>	<p>Sling Swing</p>  <p>AC</p> <p>250_001</p> <p>1x</p>	<p>Hardware 01</p>  <p>BL H01</p> <p>194_101</p> <p>1x</p>
<p>Accessory Set</p>  <p>AC</p> <p>194_119</p> <p>1x</p>	<p>Ladder 80 125</p>  <p>LA</p> <p>194_103</p> <p>1x</p>	<p>Balustrade 140</p>  <p>BL</p> <p>194_501</p> <p>1x</p>		

6 Hardware Identification

Image	SKU	L	Image	SKU	L	
 <p>ø 8.0 mm</p>	001_404	30 mm	 <p>ø 5.0 mm</p>	002_308	20 mm	
	001_406	45 mm		002_219	30 mm	
	001_411	60 mm		002_220	45 mm	
	001_417	80 mm		002_223	80 mm	
	001_422	137 mm				
 <p>M8</p>	001_102	30 mm	 <p>M8</p>	003_010		
 <p>ø 2.0 mm</p>	000_101	20 mm	 <p>M6</p>	003_034		
 <p>ø 6.3 mm</p>	002_036	16 mm	 <p>M8</p>	004_050	22mm	
 <p>ø 4.5 mm</p>	002_041	20 mm		022_845	Yellow	
				022_846	Blue	
				022_847	Green	
				022_848	Red	
 <p>ø 3.5 mm</p>	002_042	13 mm		023_031	White	
 <p>ø 3.9 mm</p>	002_301	40 mm	 <p>022_844</p>	 <p>022_314</p>	120_005	White

output: 25/05/23

7 Assembly Planning



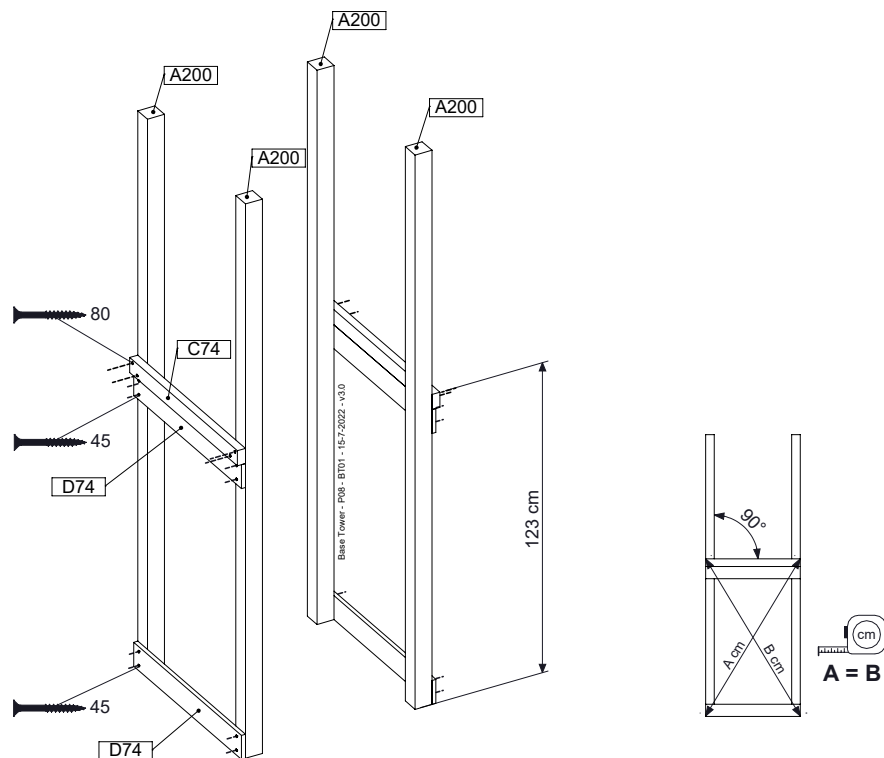
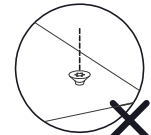
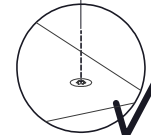
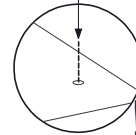
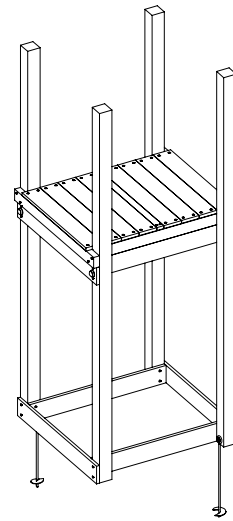
	ID			A	B
1	BT01		p.9	✓	-
2	BL01		p.11	A4	-
3	PH06		p.12	A3	-
4	LA01		p.13	A2	-
5	SW01		p.16	-	✓
6	FP02		p.23	A1	-
7	GA		p.24	✓	✓
8	AC01		p.26	✓	-

8 BT01: Base tower 80 125cm 200200

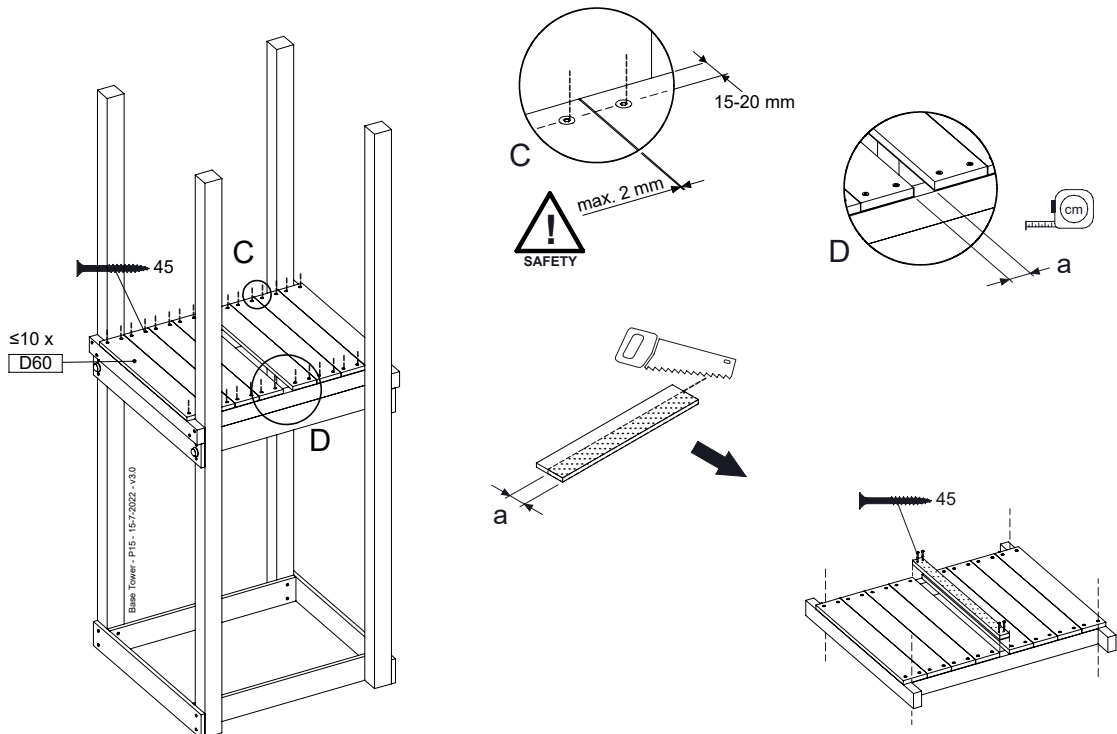
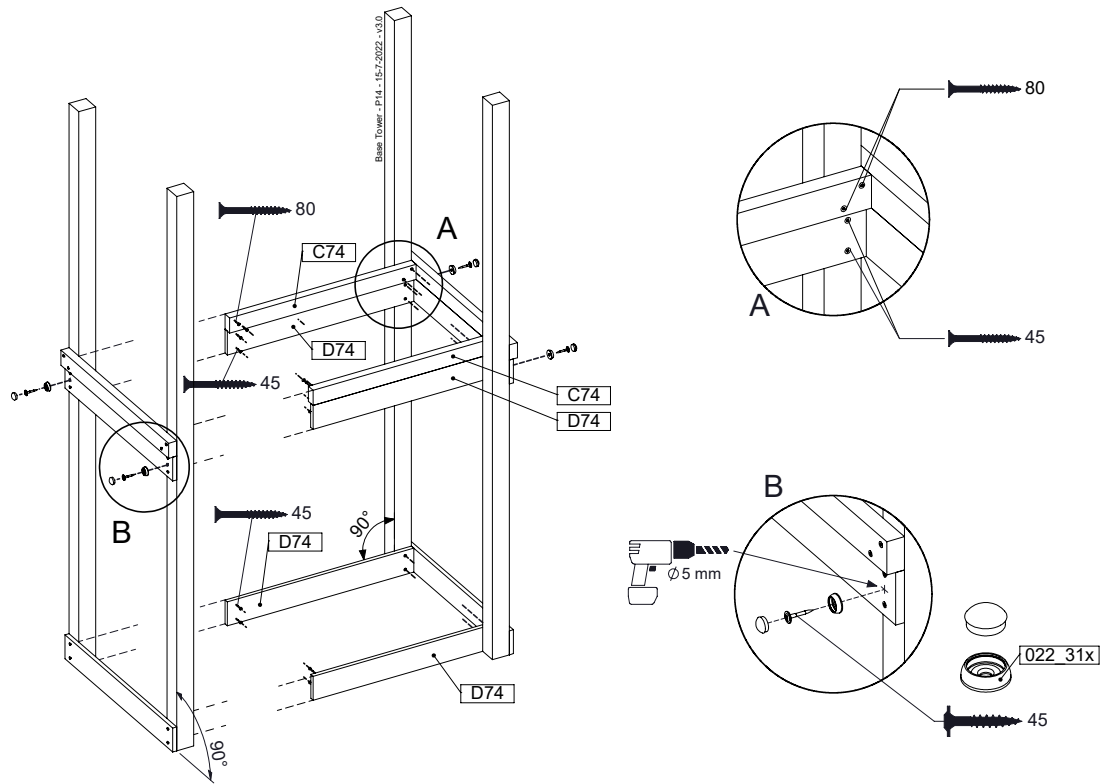
(194_100)

	PartNo	PartName	QTY.
Hardware Pack 100_600	001_406	Stealth Screw 8x45	6
	002_220	Gap Point Screw T25 - 5x45	76
	002_223	Gap Point Screw T25 - 5x80	16
Other	007_001	Ground-anchor	2
Hardware Pack 100_600	022_31x	bpc-base version 3	4
	022_84x	bpc cover	4
Wood	A200	Post 70x70 L2000	4
	C74	Beam 740 mm	4
	D60	Board 600 mm	10
	D74	Board 740 mm	8

Base Tower - P02 - BT01 - 15-7-2022 - v3.0



8.1

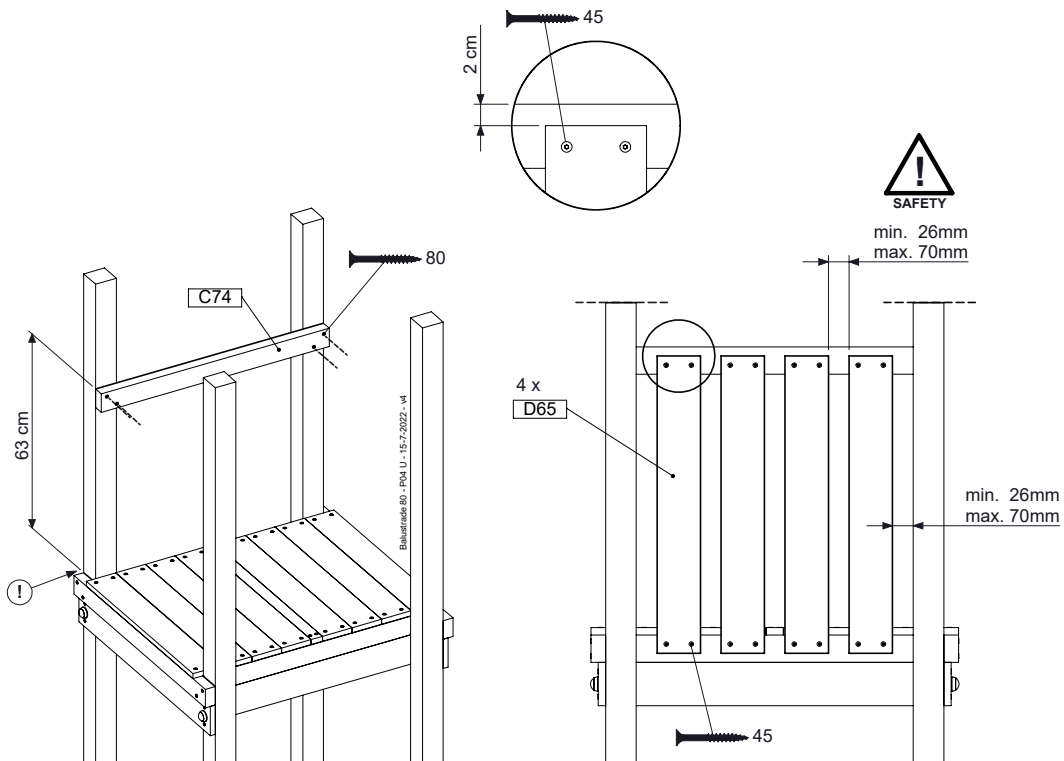
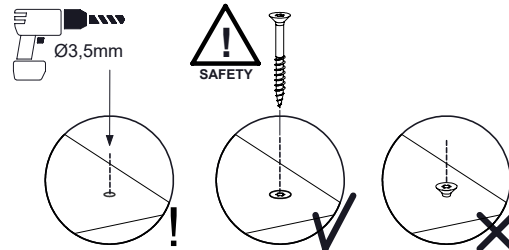
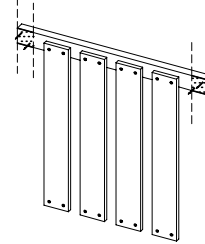


9 BL01: Balustrade 80 U - 7x7 posts

(194_101)

	PartNo	PartName	QTY.
Hardware Pack	002_220	Gap Point Screw T25 - 5x45	16
	100_601	Gap Point Screw T25 - 5x80	4
Timber	C74	Beam 740 mm	1
	D65	Board 650 mm	4

Balustrade 80 - P04 U - 15-7-2022 - v4

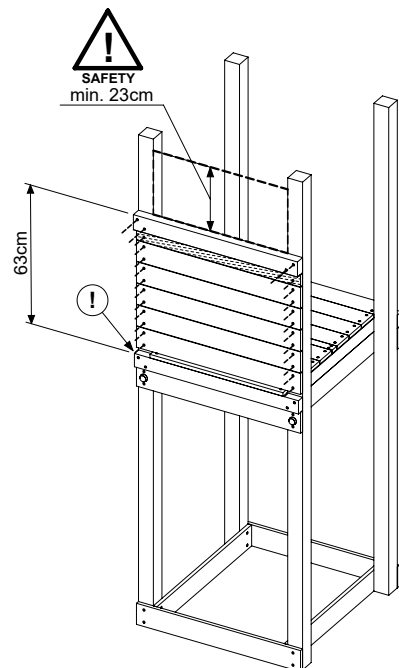
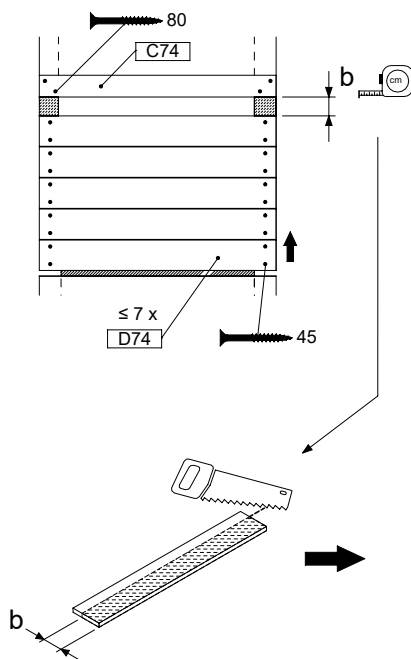
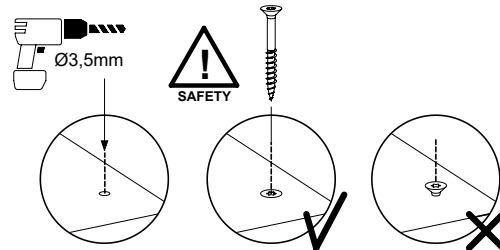
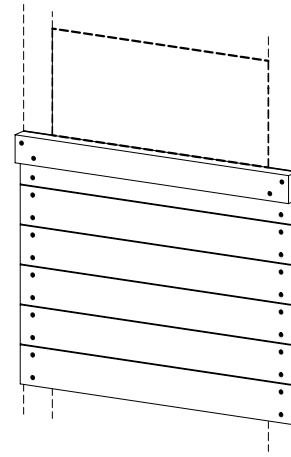


10 PH06: Playhouse Window Panel 80 T

(194_501)

PartNo	PartName	QTY.
002_220	Gap Point Screw T25 - 5x45	28
002_223	Gap Point Screw T25 - 5x80	4
C74	Beam 740 mm	1
D74	Board 740 mm	7

Playhouse Walls - PH6 WINDOW T - 25-3-2023 - v3



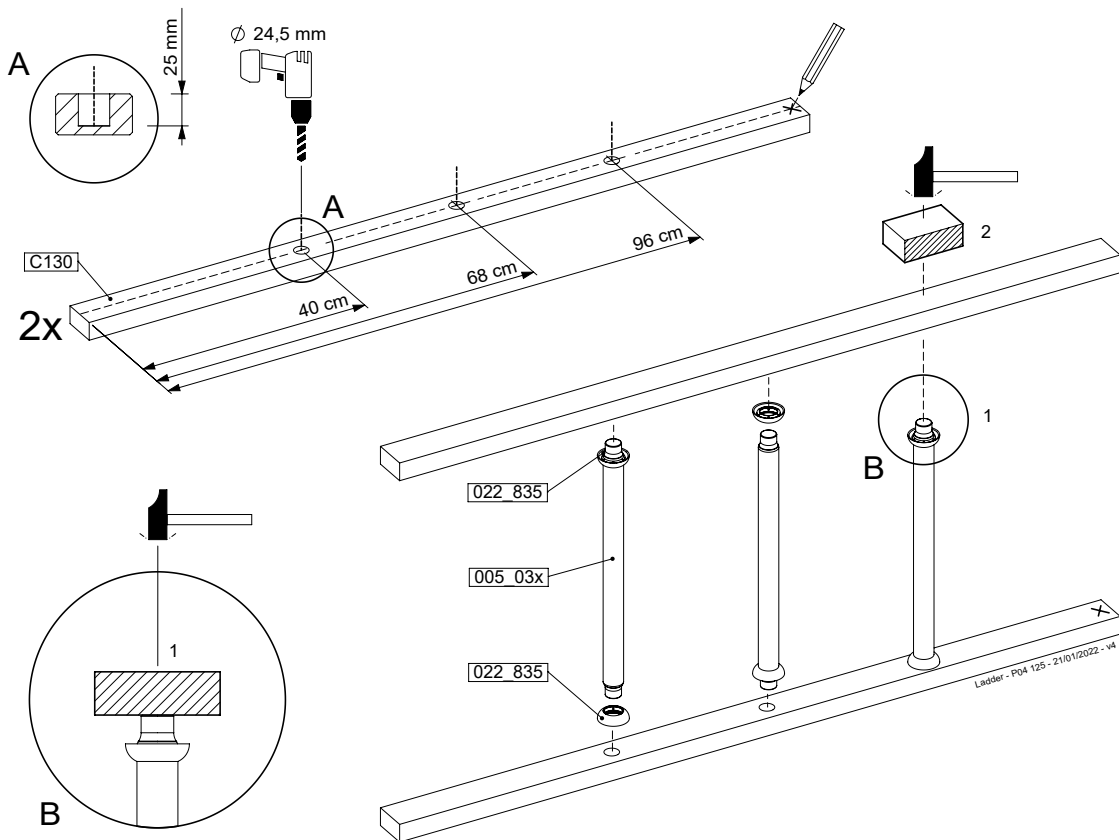
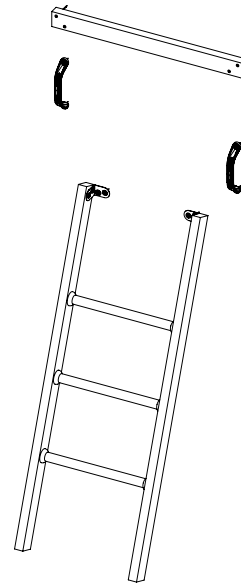
Playhouse Walls - PH6 WINDOW T - 25-3-2023 - v3

11 LA01: Ladder 80 125 U

(194_103)

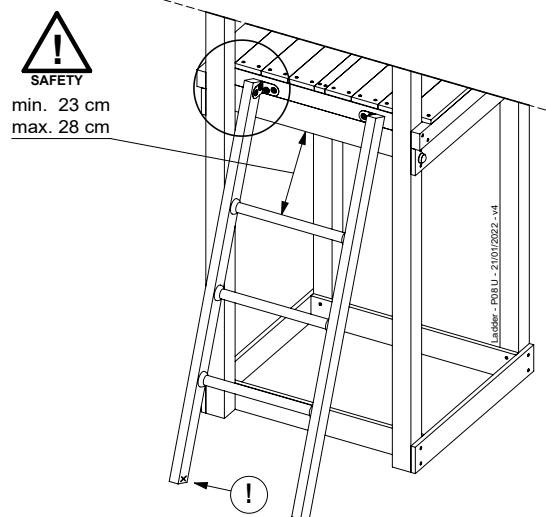
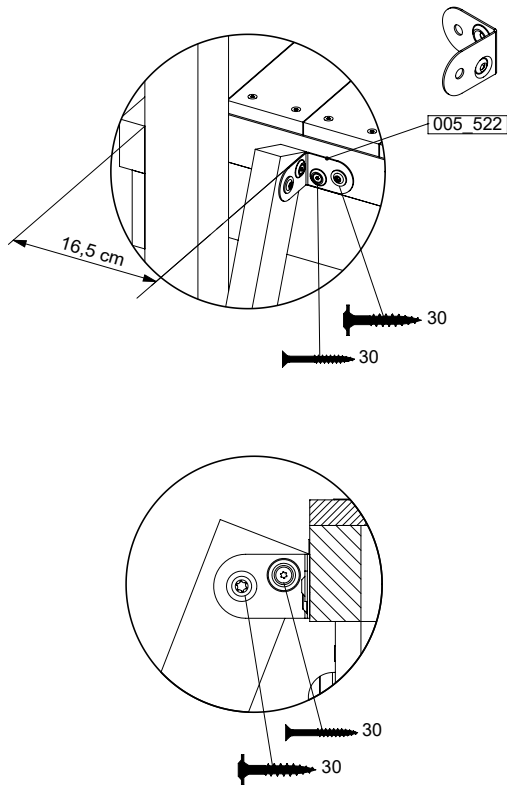
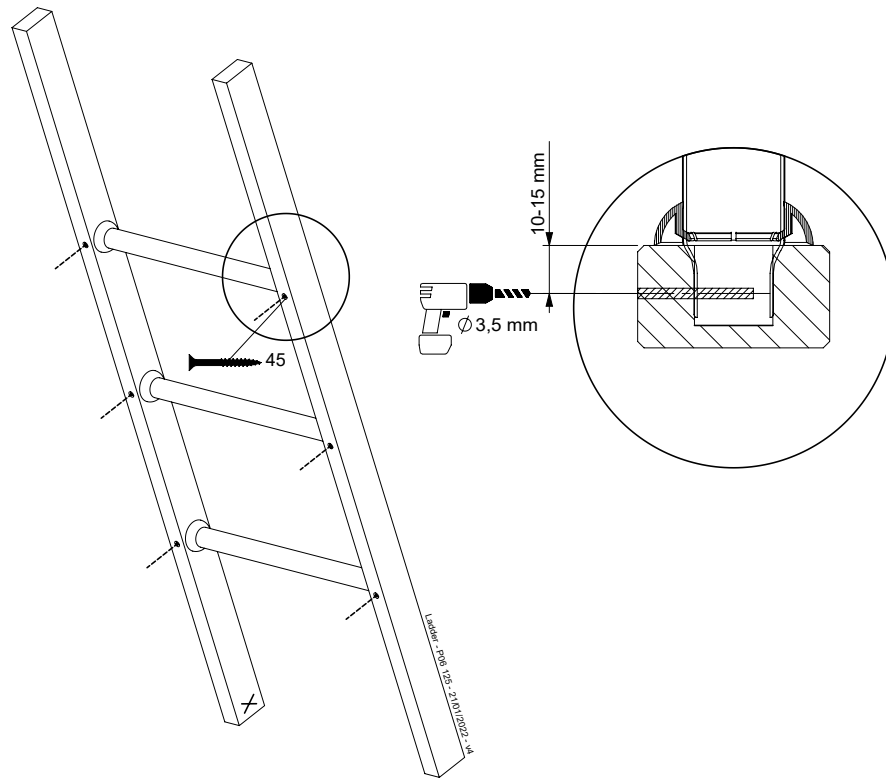
	PartNo	PartName	QTY.
Hardware Pack 100_603	001_404	Stealth Screw 8x30	4
	002_219	Gap Point Screw T25 - 5x30	4
	002_220	Gap Point Screw T25 - 5x45	6
	002_223	Gap Point Screw T25 - 5x80	4
Other	005_03x	Ladder Rung Y/B/G/R	3
	005_522	Connection Bracket Mini Market	2
	022_835	Rung Cap	6
	120_102	Handgrip set (2x Complete)	1
Timber	C74	Beam 740 mm	1
	C130	Beam 1300 mm	2

Ladder - P04 125 - 21/01/2022 - v4

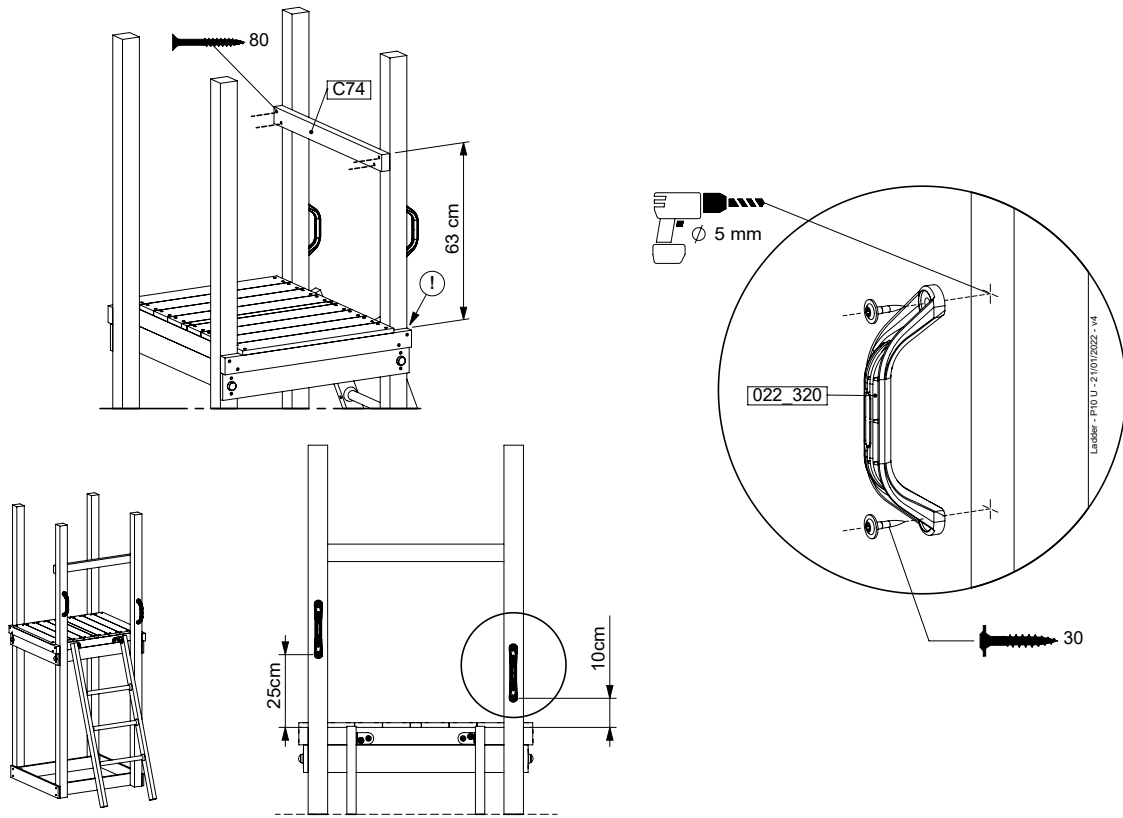


Ladder - P04 125 - 21/01/2022 - v4

11.1



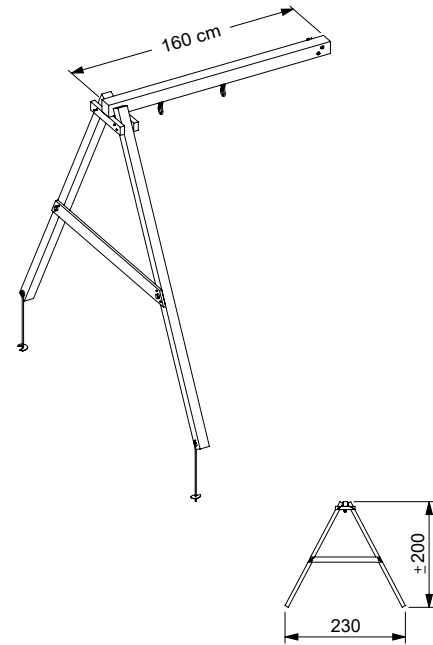
11.2



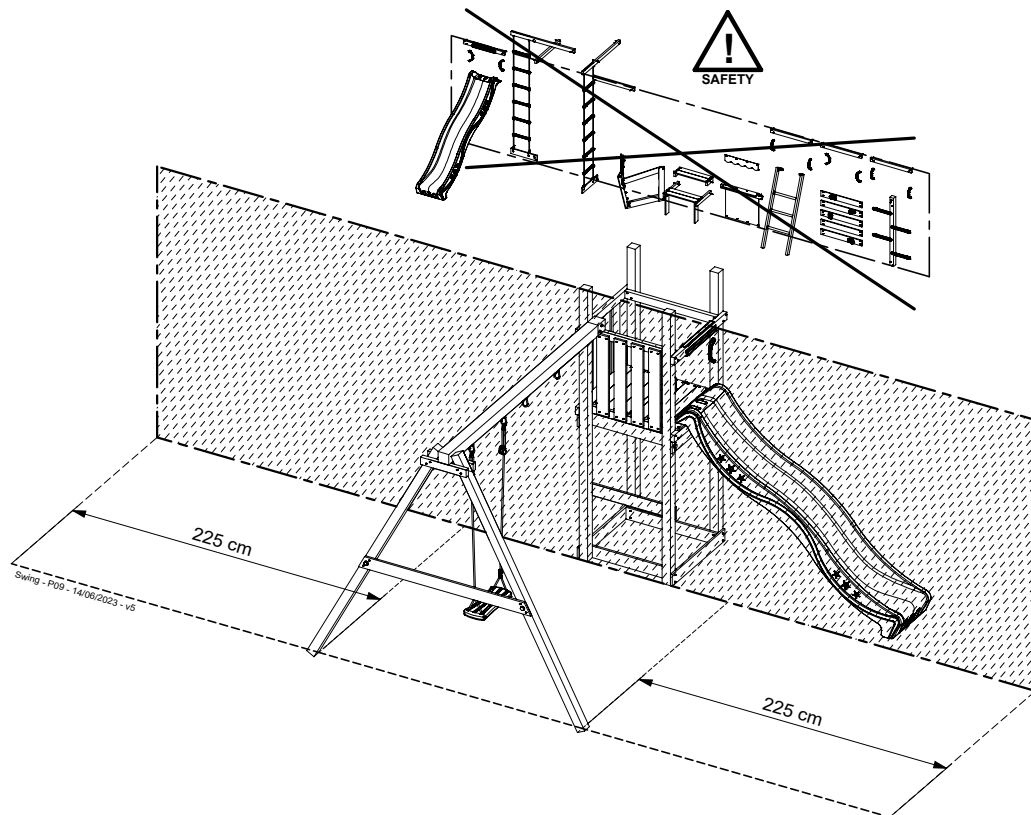
12 SW01: 1-Swing Module 200

(457_102)

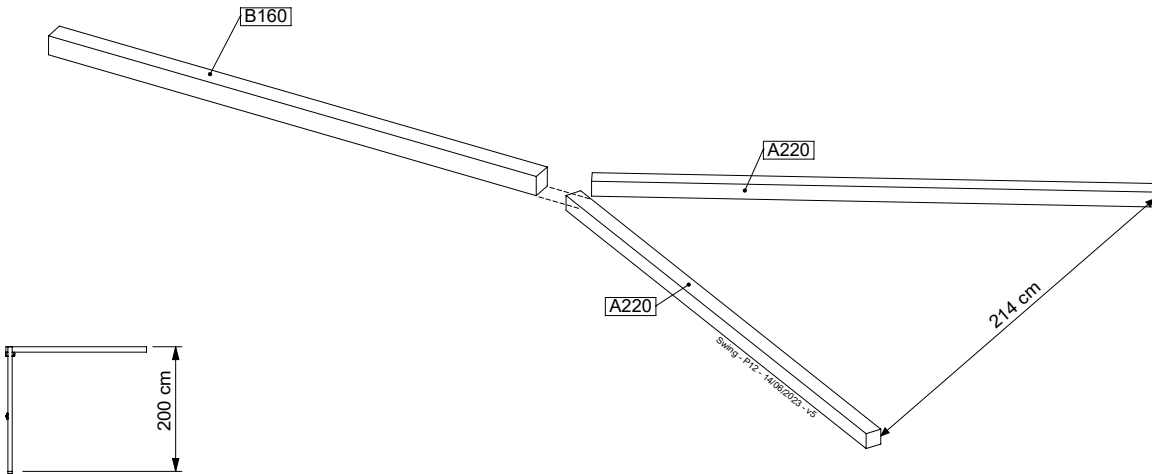
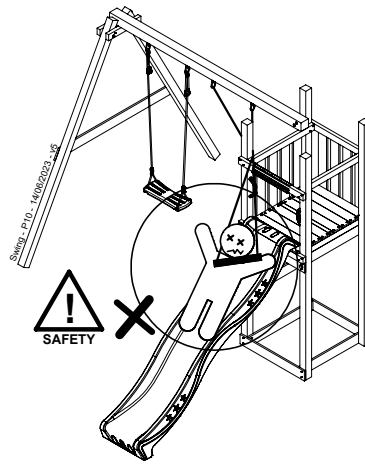
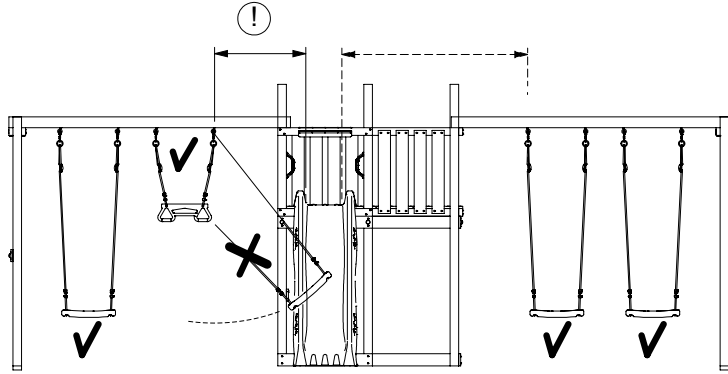
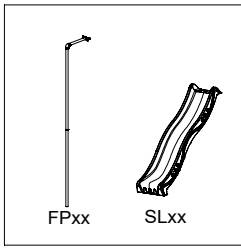
	PartNo	PartName	QTY.
Hardware Pack	001_406	Stealth Screw 8x45	4
	001_417	Stealth Screw 8x80	3 / 4
	001_422	Stealth Screw 8x137	3
	002_220	Gap Point Screw T25 - 5x45	12
	002_223	Gap Point Screw T25 - 5x80	6
Other	005_528	Swing Beam Bracket 7x7	1
	007_001	Ground-anchor	2
	022_31x	bpc-base version 3	2
	022_84x	bpc cover	2
	023_031	Finishing Washer GPS 5.0	2
	101_003	Swing hook with Carabiner	2
Timber	A220	Post 70x70 L2200	2
	B160	Post 90x90 L1600	1
	C37	Beam 370 mm	2
	D141	Board 1410 mm	2



1-Swing Module 200

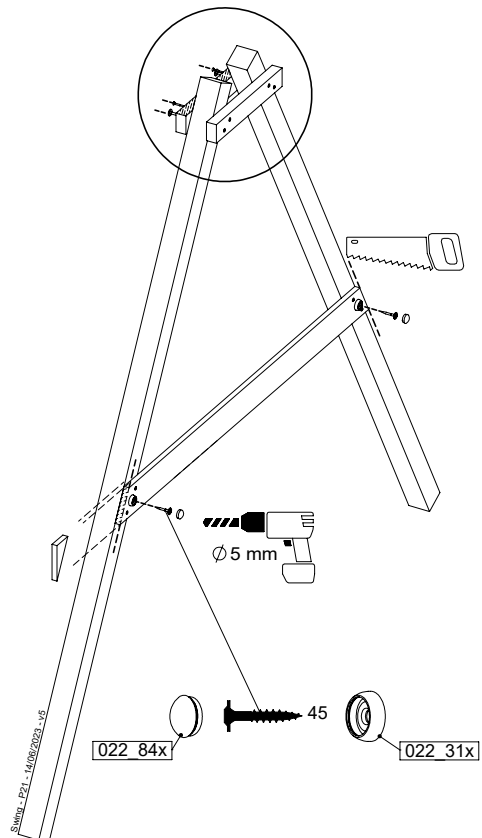
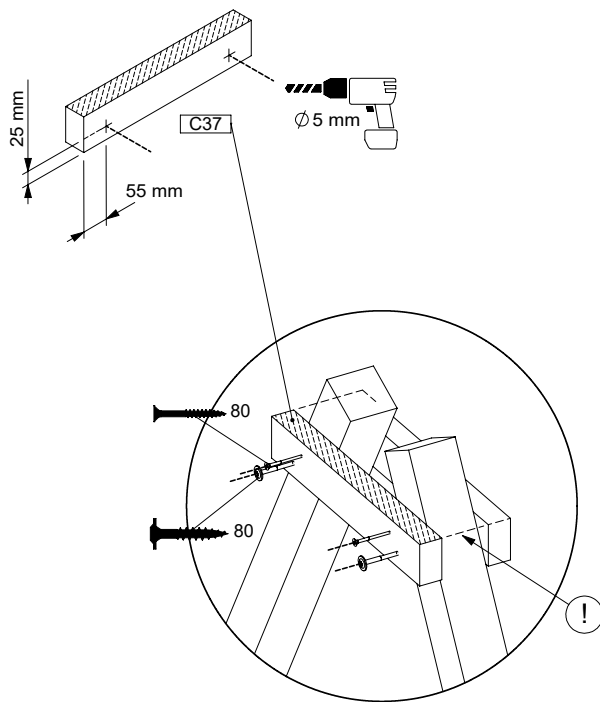
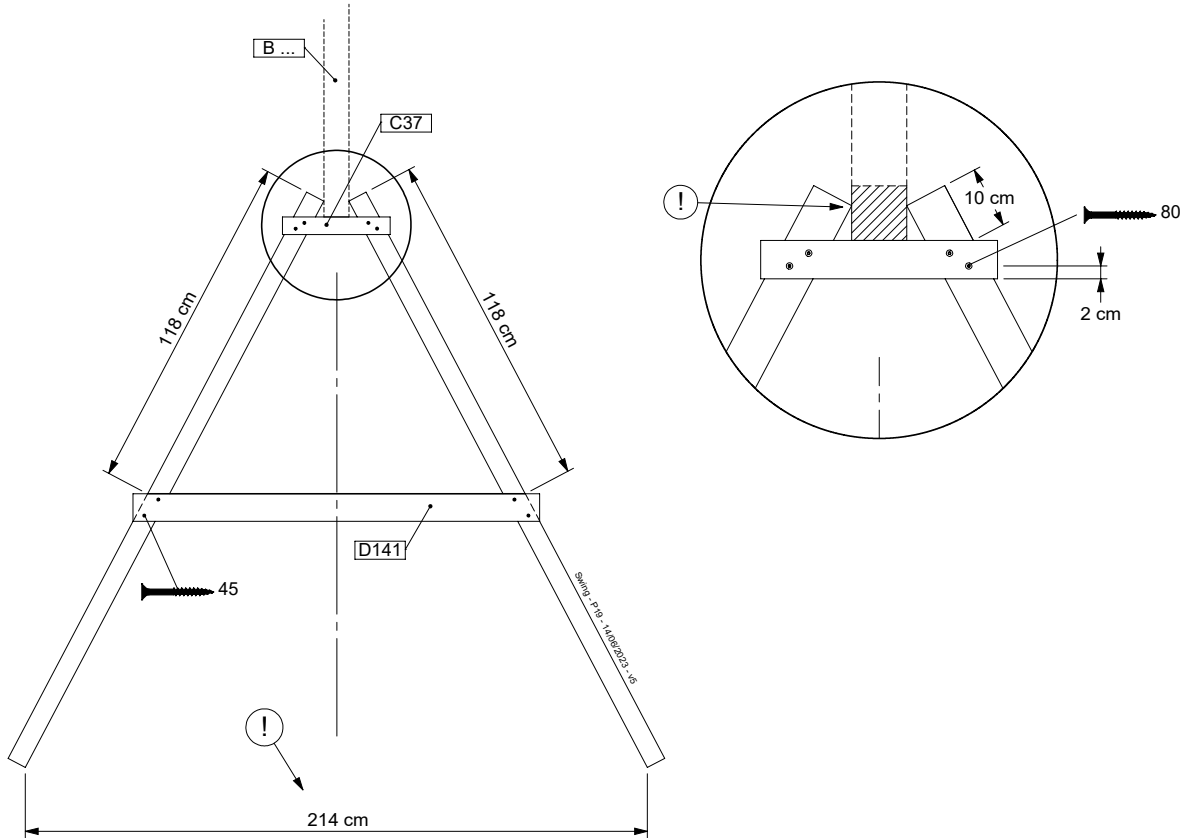


12.1

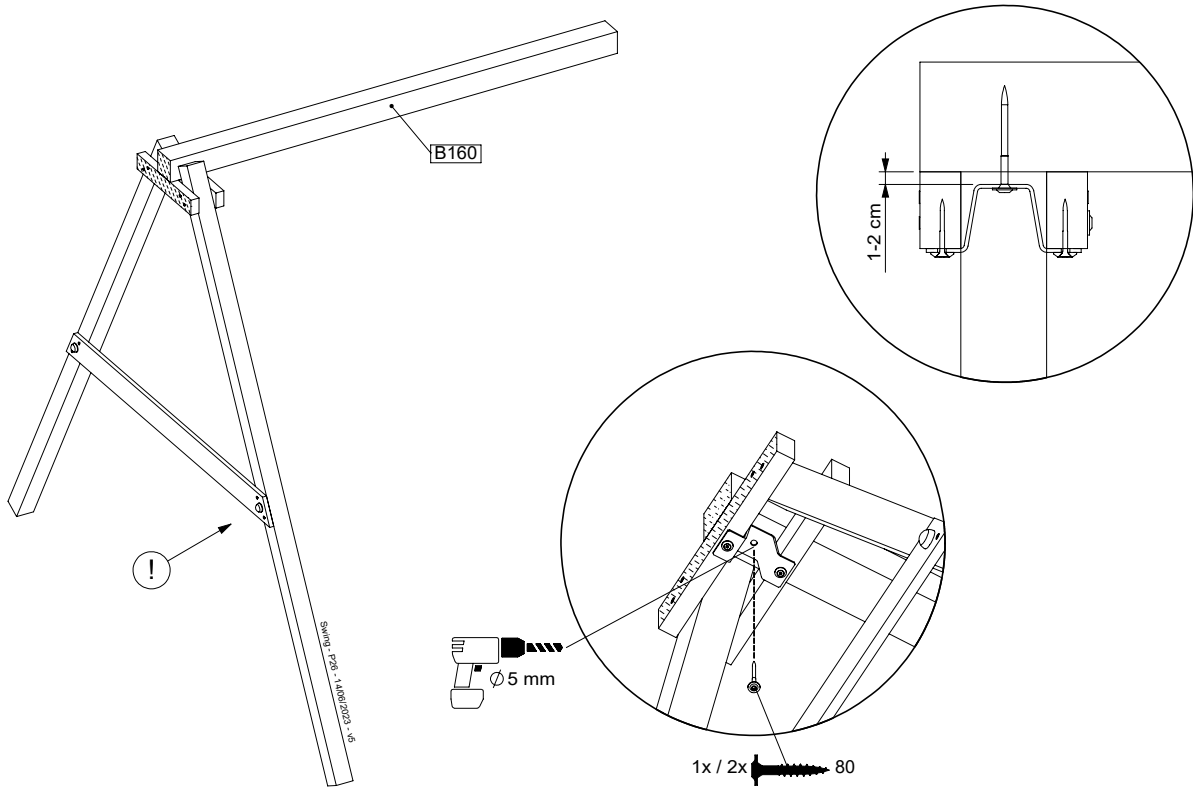
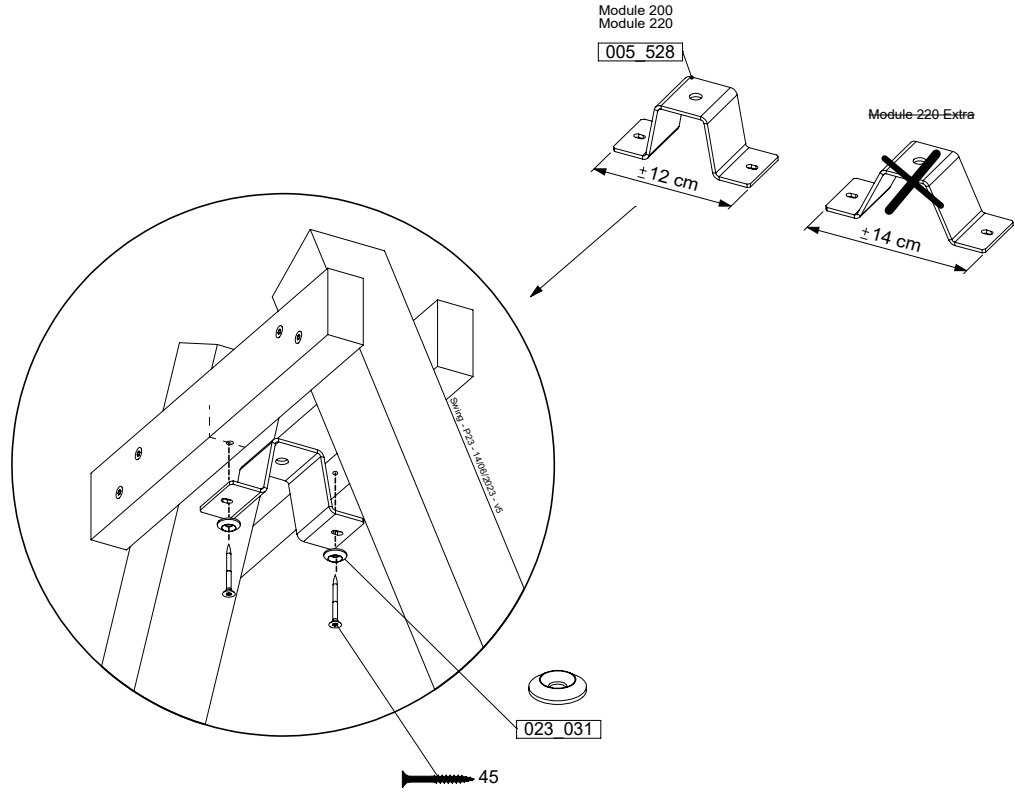


1-Swing Module 200

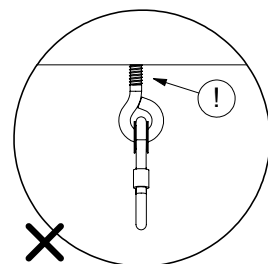
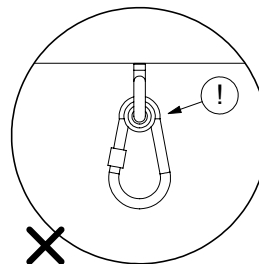
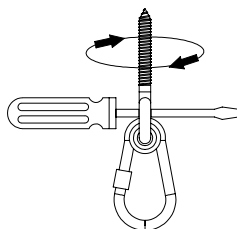
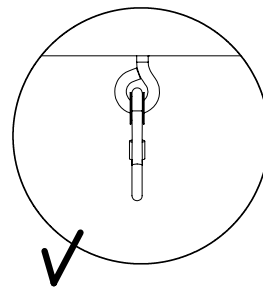
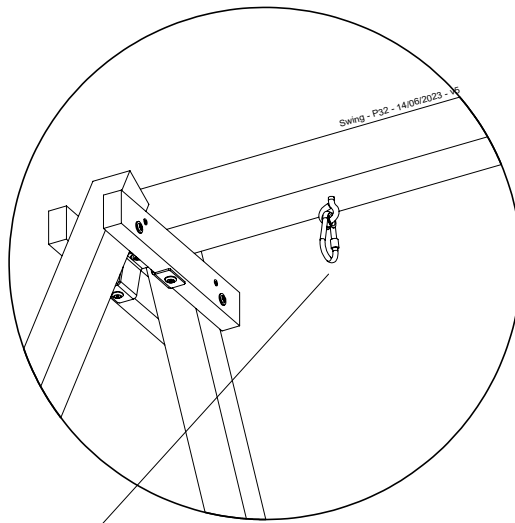
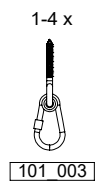
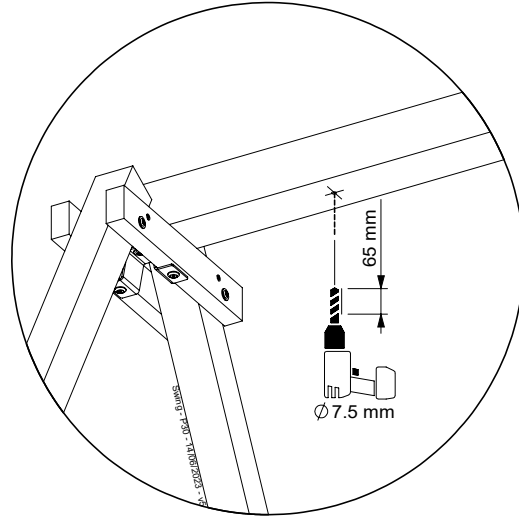
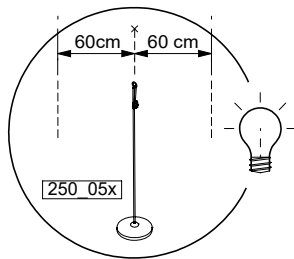
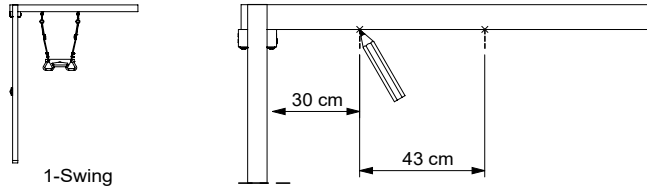
12.2



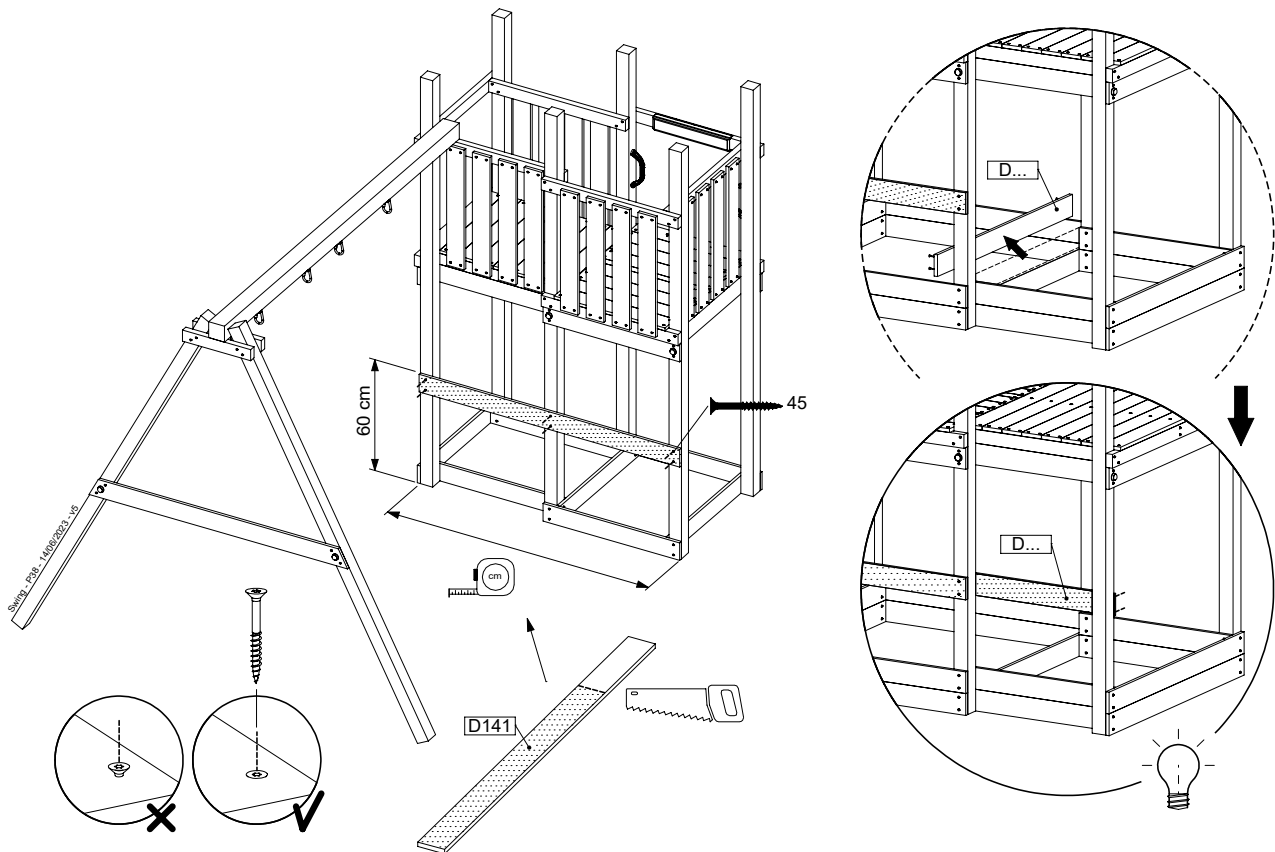
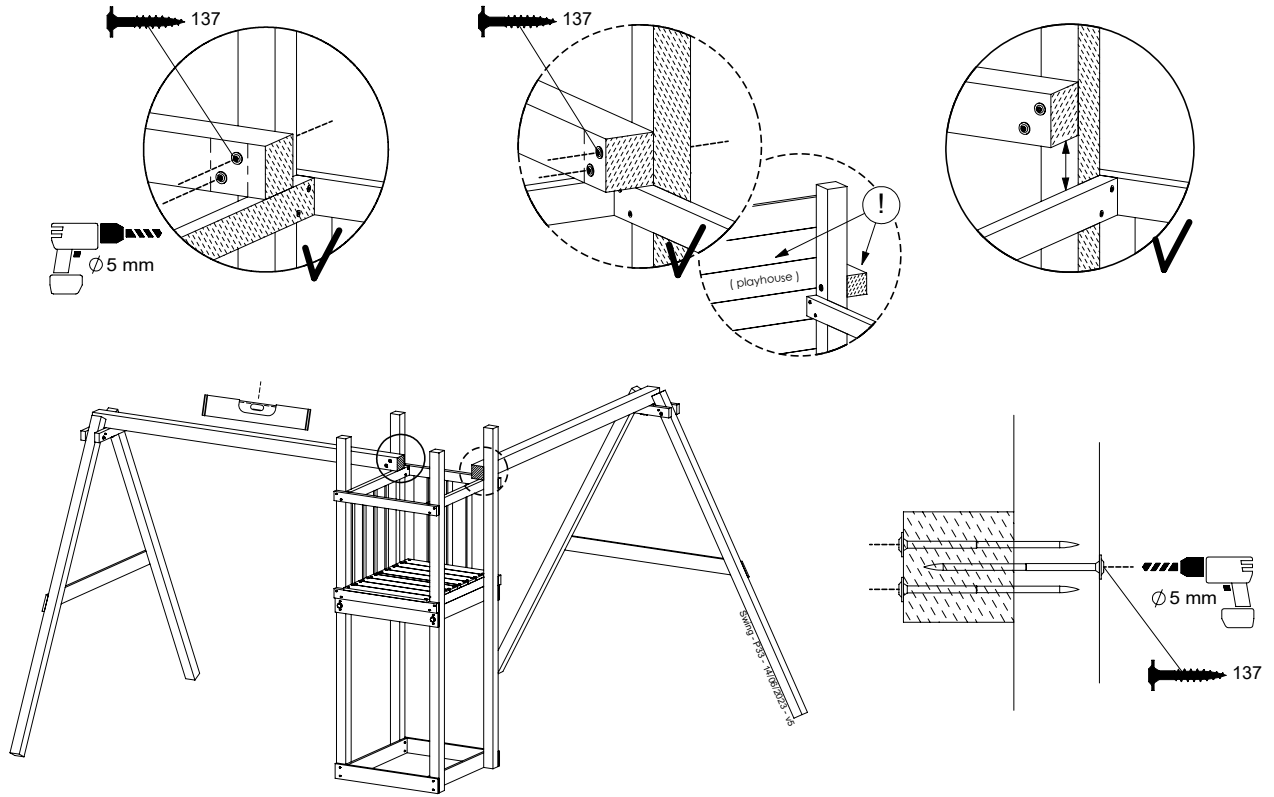
12.3



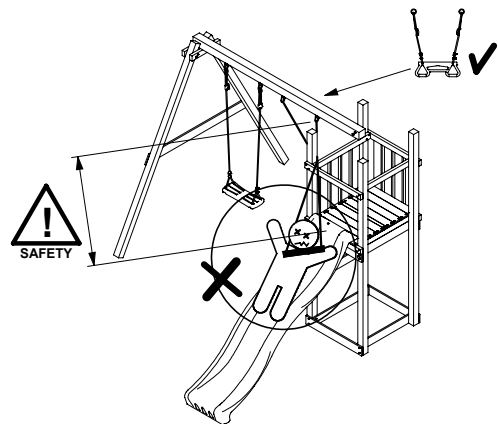
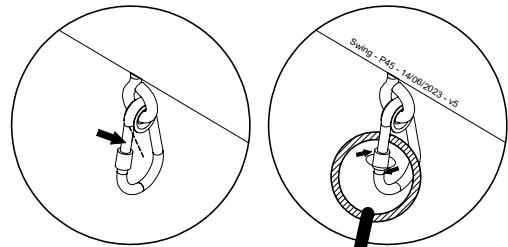
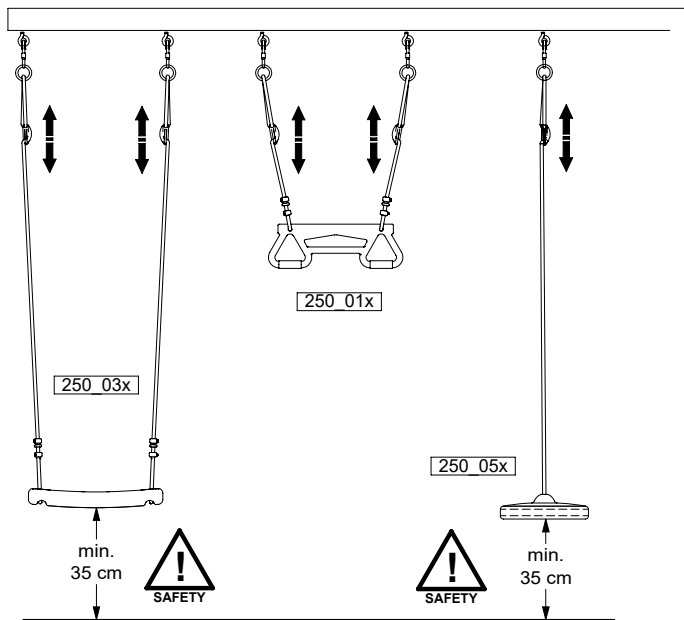
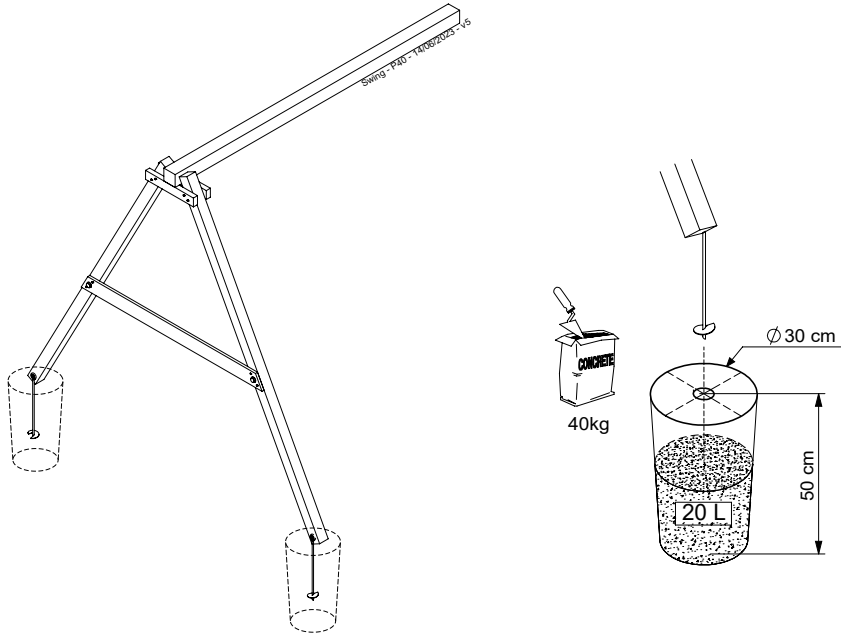
12.4



12.5



12.6

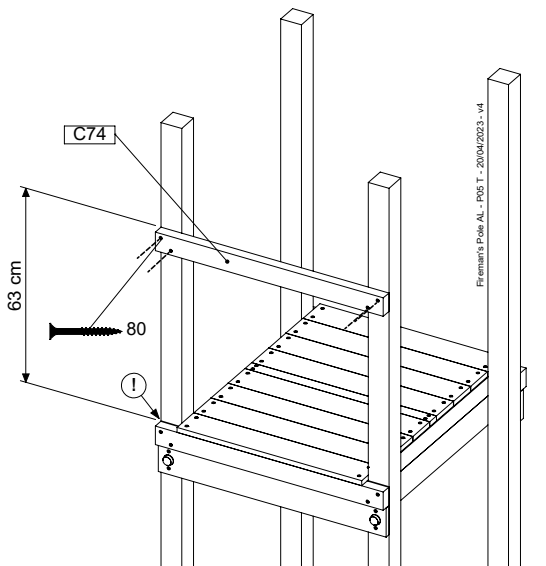
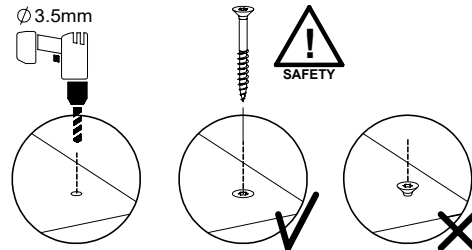
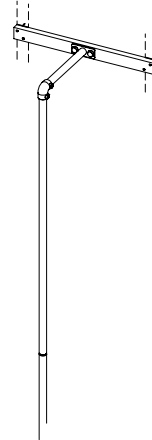


13 FP02: Fireman's pole 80 T

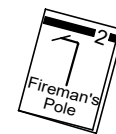
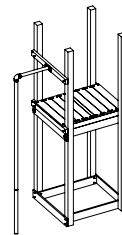
(201_275)

	PartNo	PartName	QTY.
Kit	201_275	Fireman's Pole kit (incl. 4x Screw T25 5x80)	1
Timber	C74	Beam 740 mm	1

Fireman's Pole AL - P03 T - 20/04/2023 - v4

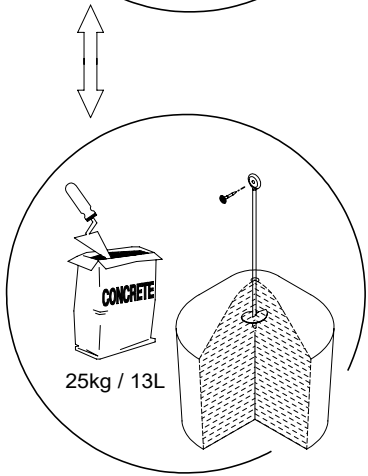
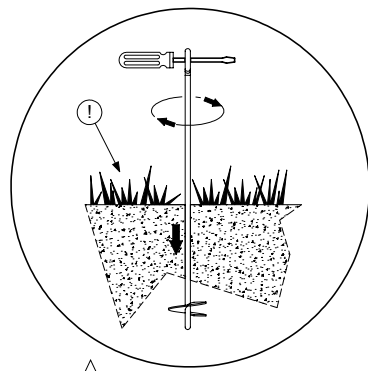


Fireman's Pole AL - P03 T - 20/04/2023 - v4

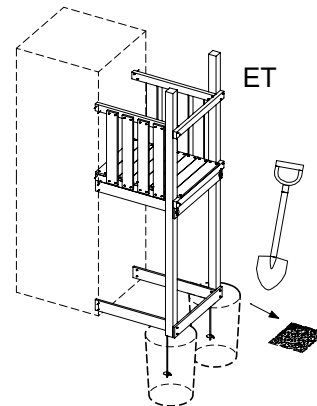
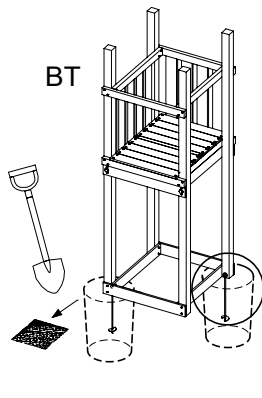
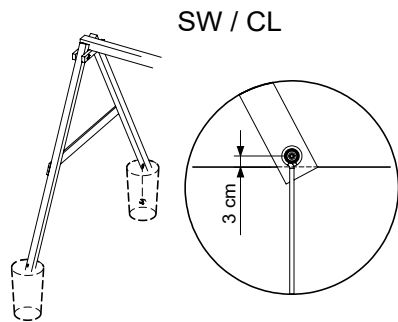
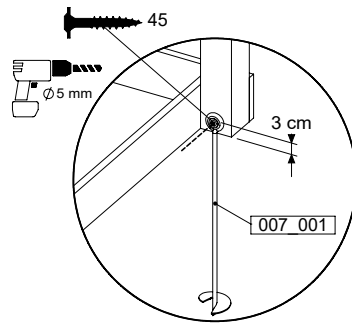


**Fireman's Pole (201_275)
040_335 Part 2**

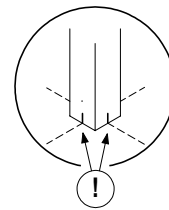
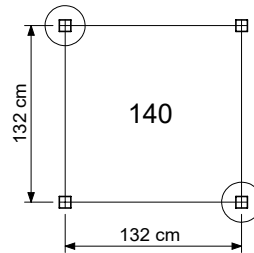
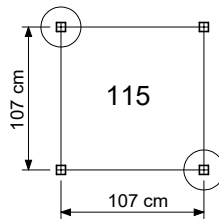
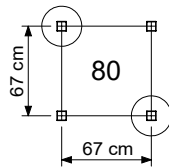
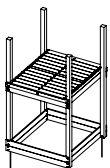
14 GA: Ground Anchors



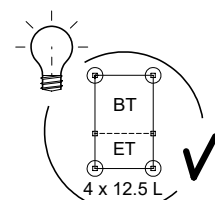
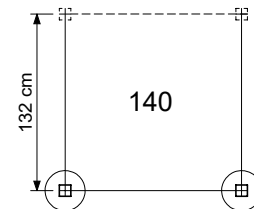
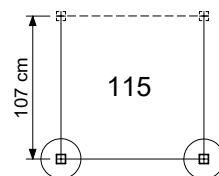
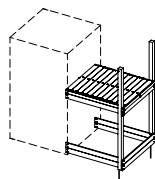
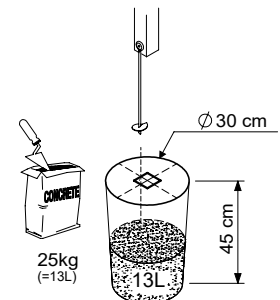
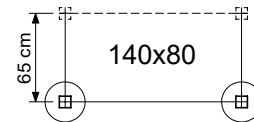
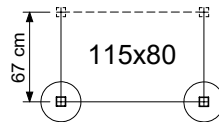
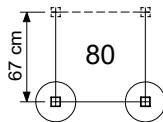
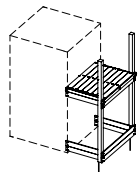
Ground Anchors Unit - P03 - 04/07/2023 - v1.2



BASE TOWERS

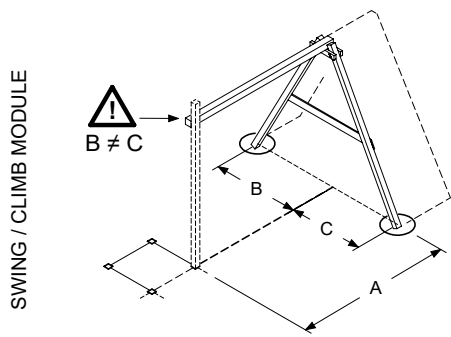
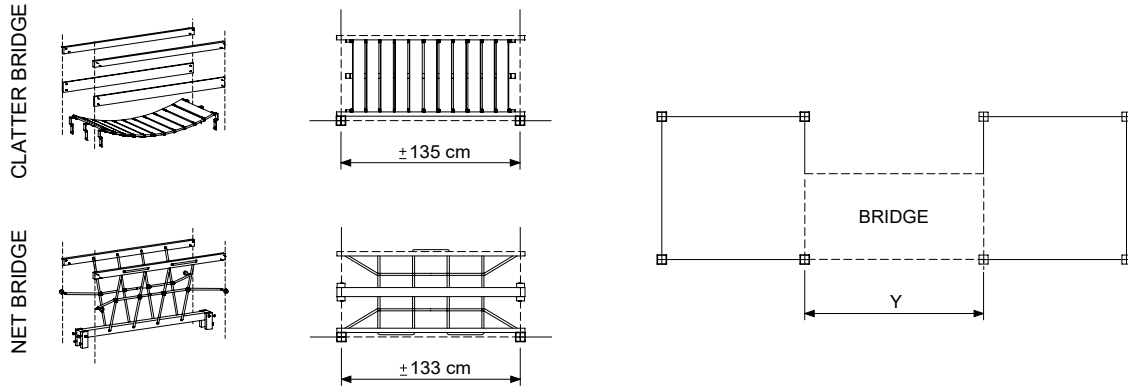


EXTENSION TOWERS



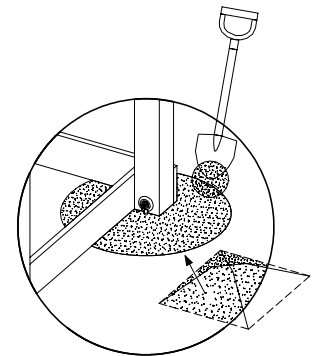
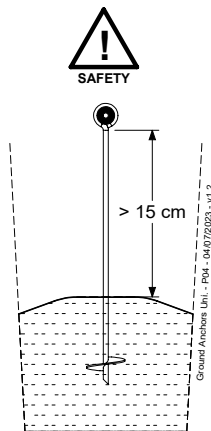
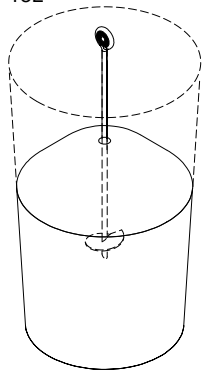
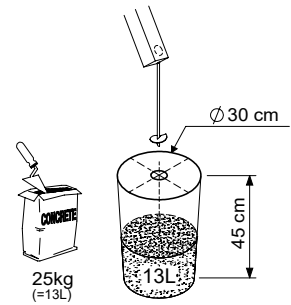
Ground Anchors Unit - P01 - 04/07/2023 - v1.2

14.1



Module type	A	B	C
1-Swing 200	150	115	100
1-Swing 220 / 220 Extra		120	105
2-Swing 200	210	115	100
2-Climb 200			
1-Climb 200	142	120	105
1-Climb 220 / 220 Extra			
2-Swing 220 / 220 Extra	230	120	105
2-Climb 220 / 220 Extra			

Ground Anchors Uni. - P02 - 04/07/2023 - v1.2

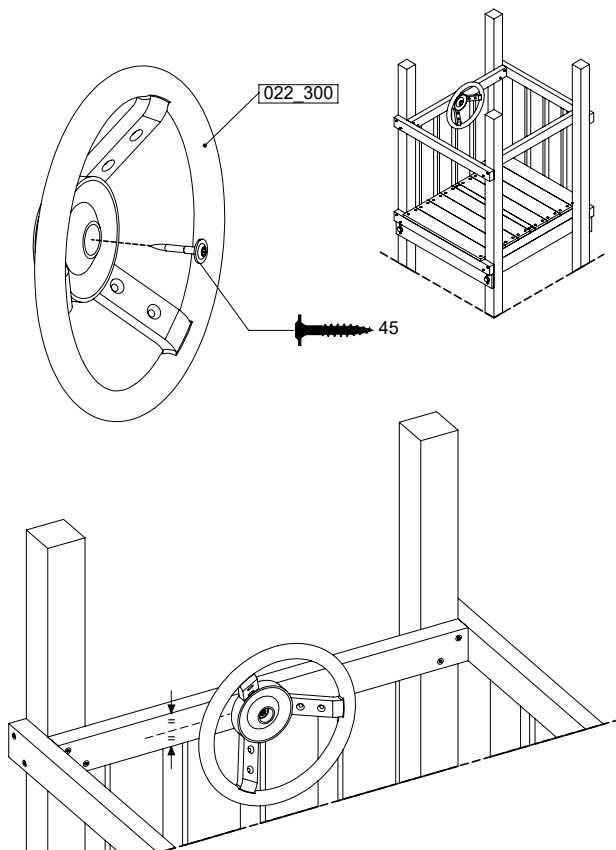
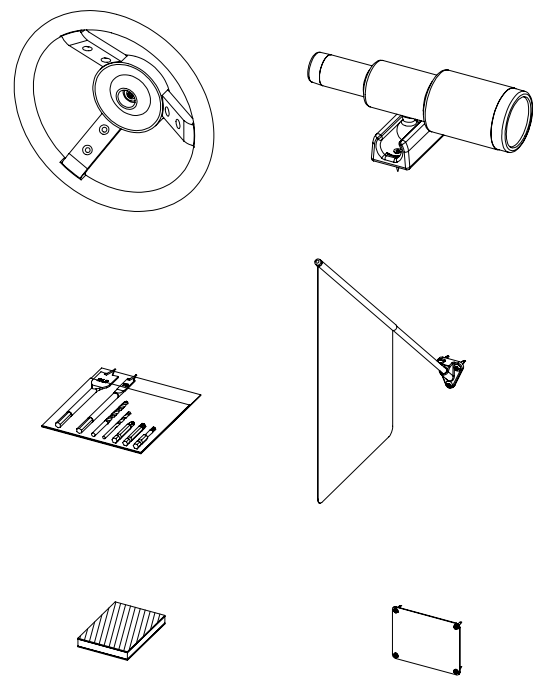


15 AC01: Accessories

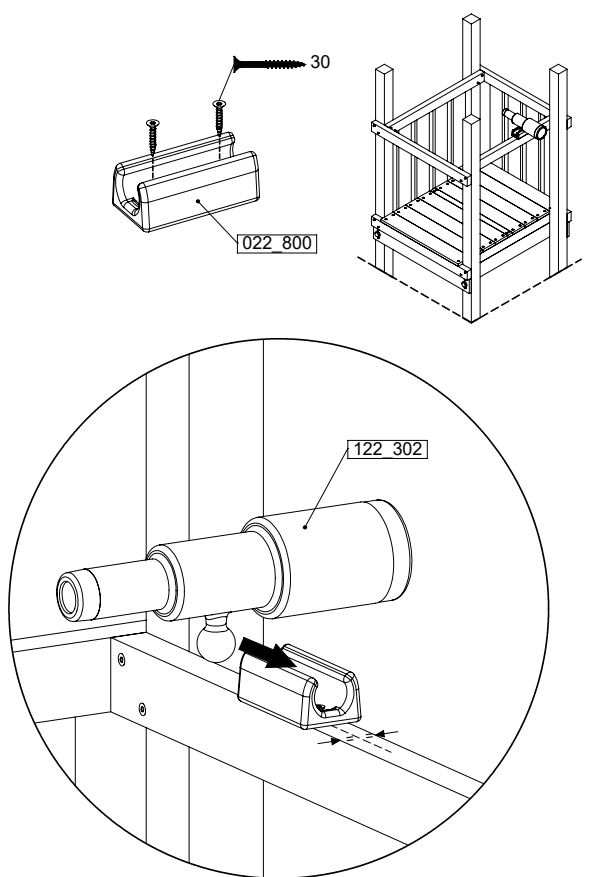
(194_119)

	PartNo	PartName	QTY.
Hardware Pack 100_617	001_406	Stealth Screw 8x45	1
	002_041	Dome head screw 4.5 x 20 mm	3
	002_042	Dome head screw 3.5 x 13mm	4
	002_219	Gap Point Screw T25 - 5x30	2
Other	022_300	Steering Wheel	1
	022_800	Rail P/T 105	1
	022_910	Sandpad	1
	103_901	Logo ID Plate	1
	104_107	Tool Set Climbing Units	1
	120_024	Tower Flag	1
	122_302	Telescope	1

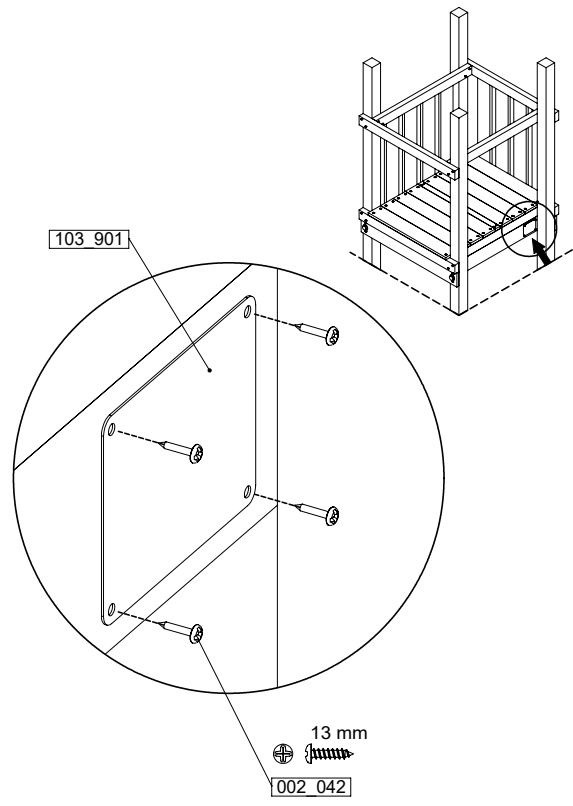
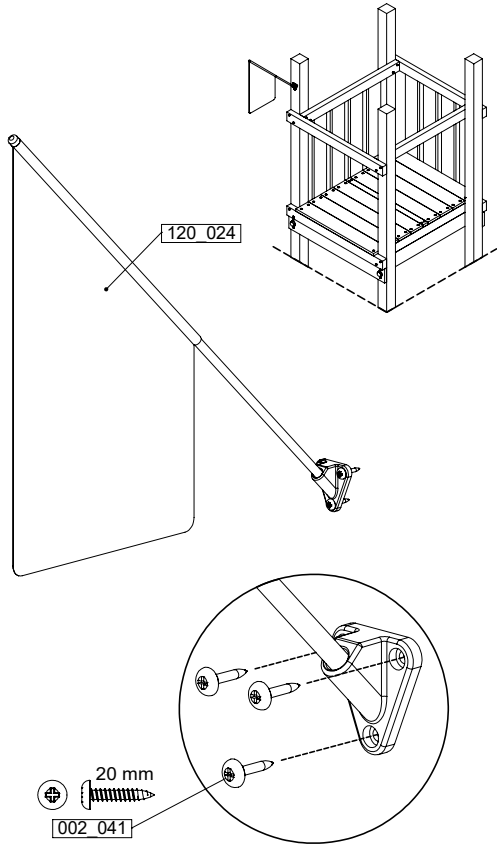
Accessory set - P102 - 06/07/2023 - v5



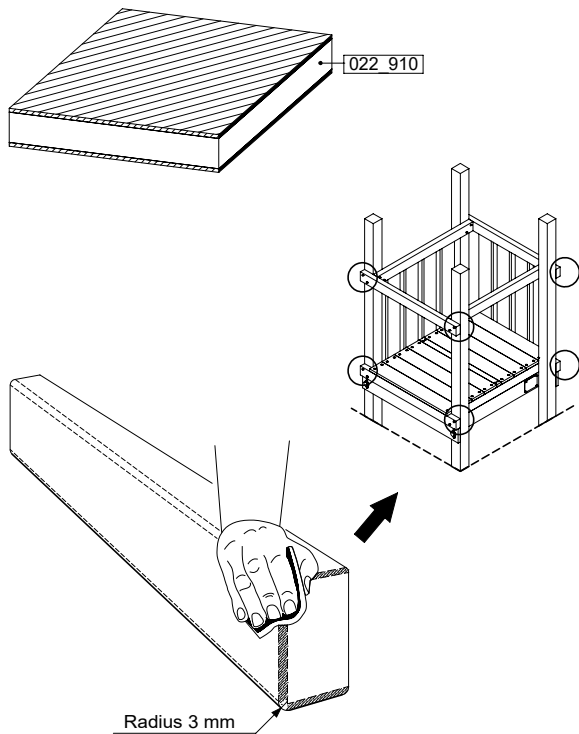
Accessory set - P103 - 06/07/2023 - v5



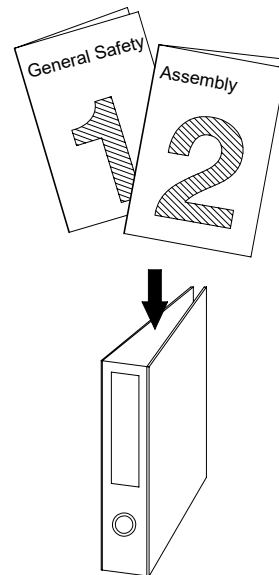
15.1



Accessory set - P04 - 06/07/2023 - v5



Accessory set - P05 - 06/07/2023 - v5



16 Conformity

Declaration of Conformity

Jungle Gym
BACKYARD PLAYGROUNDS
since 1988

Manufacturer details

Company Name	Tag-line
Jungle Gym B.V.	Backyard Playgrounds
Address	
P.O. Box 75083, 1070 AB Amsterdam, Netherlands	

Activity toys for domestic use

Product Range Identification

Construction Packages (Sub-Assembly)

Universal Packs / Base Towers / Extension Towers / Roofs / Means of Exit/Access / Add-ons : 790_001 ... 794_911

Assembly

Playtowers : 801_005 ... 200	Links : 870_100 ... 105	Accessories : 123_220 ... 250_075
Playhouses : 830_150 ... 253, 835_251 ... 253	Swings : 801_300, _600, _601	Slides (XL) : 324_100 ... 600
Modules : 850_180 ... 415		Slides (XXL) : 334_100 ... 600
: 857_103, 857_108	Playtowers: 802_202 ... 208	
857_151, 857_158	803_202 ... 210	
	809_202 ... 804	

Applicable EC directives and standards

Chemical References

1. Migration of certain elements (17x + Chr VI + tin) as required in TSD 2009/48/EC and its amendments. Scrape off toy material. Tested according to EN 71-3:2019.	5. Content of 7 Phthalates (18x) according to REACH (EG) no.1907/2006, Annex XVII. Tested according to COC-CH-C1011-09.3 and EN 15777 / QMA 2011.1300	9. Content of 3 Flame retardants according to REACH (EG) no. 1907/2006, Annex XVII. Tested according to EN 62321-6.
2. Migration of solvents, monomers and plasticizers as specified in "Safety for Toys: Organic Chemical Compounds", EN 71-9: 2005 + A1: 2007. Tested according to EN 71-10: 2005 & EN 71-11: 2005.	6. Content of Cadmium according to REACH (EG) no. 1907/2006, Annex XVII. Tested according to EN 17294-2	10. Ni release according to REACH (EG) no. 1907/2006, Annex XVII. Tested according to EN 71-3:2013+A1:2014.
3. Content of N-nitrosamines and N-nitrosatable substances as specified in EN standard 71-12: 2013. Tested according to EN 71-12: 2013.	7. Formaldehyde according to REACH (EG) no. 1907/2006, Annex XVII. Tested according to EN 14184	11. Sweat and Salvia resistance tested according to DIN 53160
4. Content of 18 PAHs (Polycyclic Aromatic Hydrocarbons) as referred in AfPS GS 2014:01 PAK (Replaced on 2019:01) Tested according to QMA 2011.1284	8. Azo dyes according to REACH (EG) no. 1907/2006, Annex XVII. Tested according to BVL B 82.02-2.	

Mechanical physical properties + flammability

EN 71 - 1 : 2014 + A1: 2018 EN 71 - 2 : 2011 + A1: 2014 EN 71 - 8 : 2018

Supplementary information

Conformity to the above specified directives and standards has been frequently verified and is continuously monitored by TÜV Süd, TÜV Rheinland LGA products, DEKRA (DE), STR Ltd (UK), LNE SA (FR), LMR Ltd (US) and IPS N.V. (BE) since 1994. Jungle Gym participates in the European Commission for standardisation for the safety of activity toys (TC52 / WG 10).


Declaration

I hereby declare under our sole responsibility that the products mentioned above, to which this declaration relates, complies with the above mentioned directives and standards.



Name
Mr. P. Schmit / Director

Issued date
Januari 2nd, 2023


Signature of representative