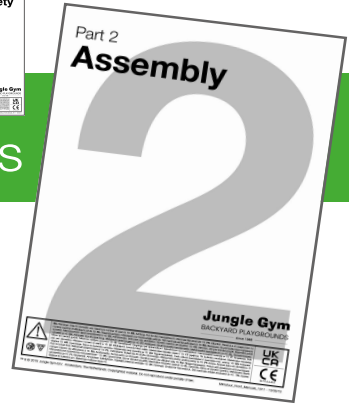


Part 2

Assembly

Instructions



Config ID: gQQhkf

Date: 2023-08-01



Manual Part 1



Important

This assembly manual should always be read in conjunction with the General Safety manual part 1 as included in the hardware package of your playground equipment.

Please read these safety instructions carefully before starting the assembly work.

Jungle Gym

BACKYARD PLAYGROUNDS

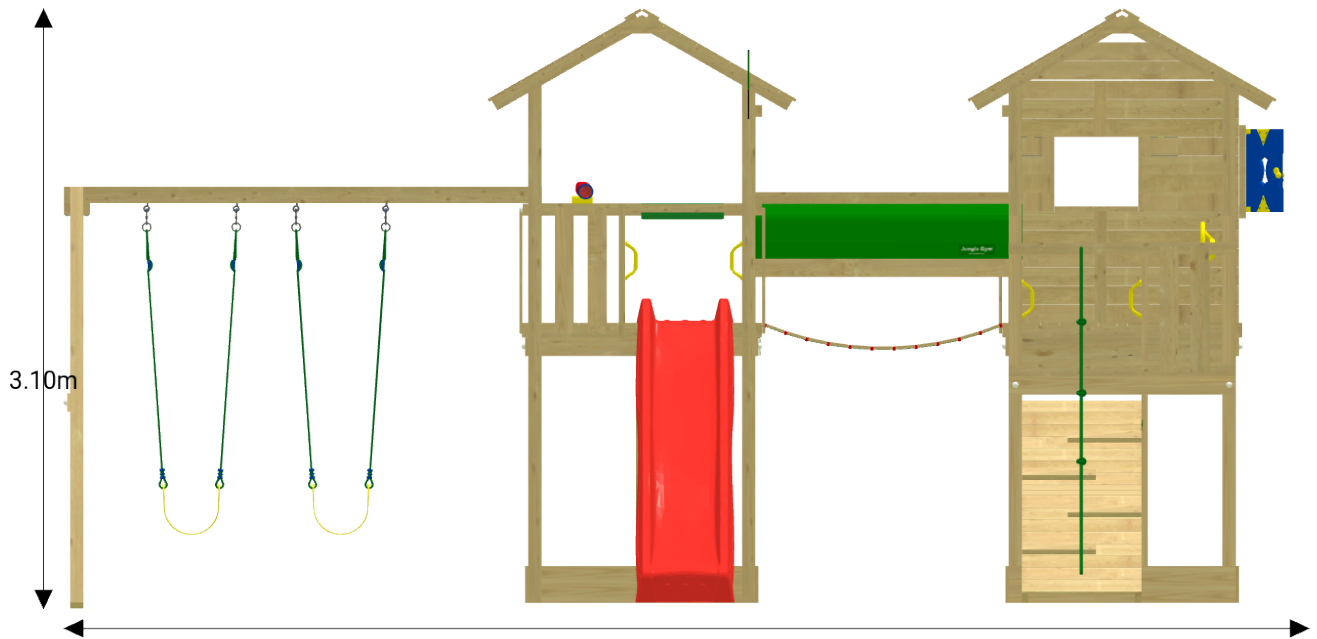
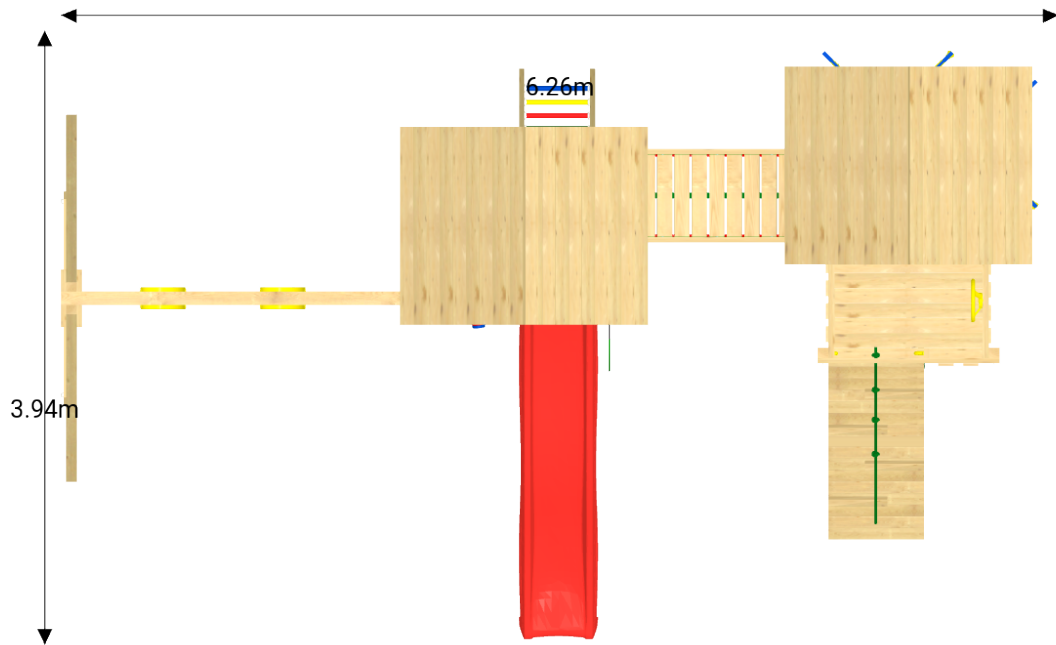
since 1988



EN. Warnings. Only for domestic use. Maximum number of users is **6**. **DE.** Achtung. Nur für den Hausgebrauch. Maximale Benutzerzahl: **6**. **FR.** Attention. Réserve à un usage privé. Le nombre maximal d'utilisateurs est de **6**. **NL.** Waarschuwingen. Uitsluitend voor huishoudelijk gebruik. Het maximale aantal gebruikers is **6**. **BG.** Внимание. За употреба само в домашни условия. Максималният брой потребители е **6**. **ES.** Advertencias. Sólo para uso doméstico. Número máximo de usuarios: **6**. **CS.** Varování. Jen pro domácí použití. Maximální počet uživatelů je **6**. **DA.** Advarsler. Kun til privat brug. Maksimum antal brugere er **6**. **ET.** Hoiatused. Ainult koduseks kasutamiseks. Maksimaalne kasutajate arv on **6**. **EL.** Προειδοποιήσεις. Μόνο για οικιακή χρήση. Μέγιστος αριθμός χρηστών **6**. **IS.** Varnaðarorð. Eingöngu fyrir einkanotkun í heimahúsum og á einkaloðum. Hámarksfjöldi notenda er **6**. **IT.** Avvertenze. Solo per uso domestico. Massimo numero di utenti è **6**. **LV.** Brīdinājumi. Izmantot tikai mājās. Maksimālais lietotāju skaits ir **6**. **LT.** Įspėjimai. Tik buitiniam naudojimui. Maksimalus naudotojų skaičius **6**. **HR.** Upozorenja. Samo za kućansku uporabu. Maksimalan broj korisnika je **6**. **HU.** Figyelmeztetések. Csak otthoni használatra! A használok max. száma: **6**. **NO.** Advarsler. Kun for privat bruk. Maksimalt antall brukere er **6**. **PL.** Ostrzeżenia. Wyłącznie do użytku domowego. Maksymalna liczba użytkowników to **6**. **PT.** Avisos. Apenas para uso doméstico. O número máximo de utilizadores é **6**. **RO.** Avertismente. Numai pentru uz domestic. Numărul maxim de utilizatori este **6**. **RU.** Предостережения. Только для домашнего использования. Максимальное количество пользователей - **6**. **SK.** Upozornenia. Iba na domáce použitie. Maximálne množstvo osôb je **6**. **SL.** Opozorila. Samo za domačo uporabo. Maksimalno število uporabnikov je **6**. **FI.** Varoitukset. Ainoastaan kotikäyttöön. Käyttäjää yhteensä enintään **6**. **SR.** Upozorenja. Samo za kućnu upotrebu. Maksimalan broj korisnika je **6**. **SV.** Varningar. Endast för hemmabruk. Det maximala antalet användare är **6**. **TR.** Uyarılar. Sadece ev kullanımı için. Maksimum kullanıcı sayısı **6**.



1 Views

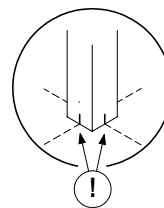
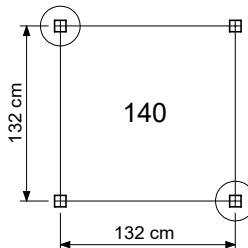
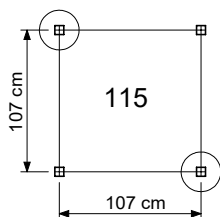
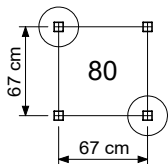
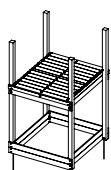


2 Order list

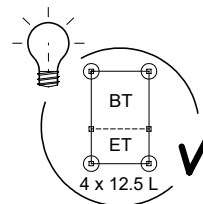
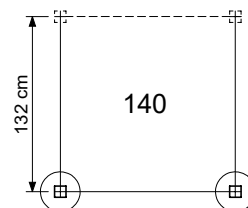
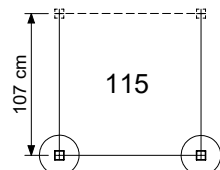
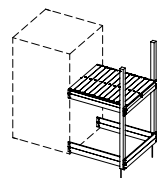
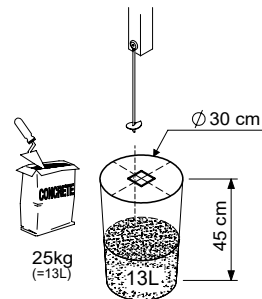
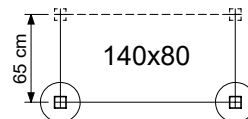
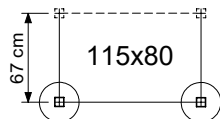
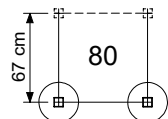
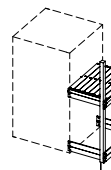
Nr.	SKU	Description	ID	Amount
1	792_003	Base Tower 115_ 270270	BT15	2
2	792_104	Extension Tower 11580_200_up	ET09	1
3	792_203	Roof Casa 115	RF09	2
4	790_301	Balustrade 80	BL01	2
5	792_301	Balustrade 115	BL04	1
6	792_313	Playhouse Window Panel 115	PH17	1
7	792_313	Playhouse Window Panel 115	PH19	1
8	792_314	Playhouse Roof Panels 115	PH31	1
9	792_432	Ladder 115_145	LA15	1
10	792_441	Ramp 115_125	RA07	1
11	790_601	Bridge 80	CB01	1
12	792_602	Bridge Frame 115	BF04	2
13	792_901	Slide/ balustrade 115	SL11	1
14	757_154	2- Swing Module 220	SW13	1
15	194_119	AP Accessory set	AC01	1
16	250_075	Shutters 2x Blue	AC02	2
17	250_001	Sling Swing Kit • Yellow	AC23	2
18	123_230	Mesh green	AC30	1
19	334_x00	Wavy Star Slide XXL	334_x00	1

3 Anchor Plan

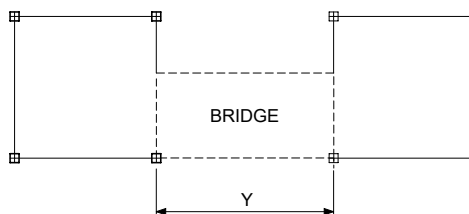
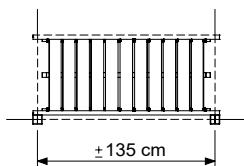
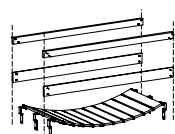
BASE TOWERS



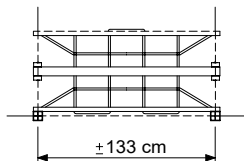
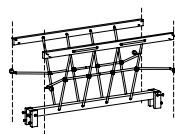
EXTENSION TOWERS



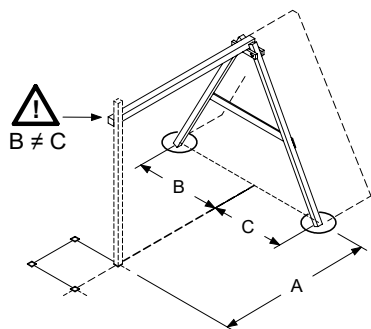
CLATTER BRIDGE



NET BRIDGE

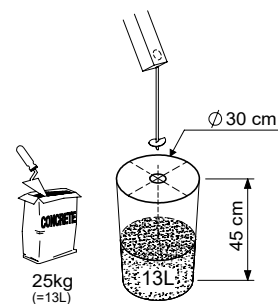


SWING / CLIMB MODULE



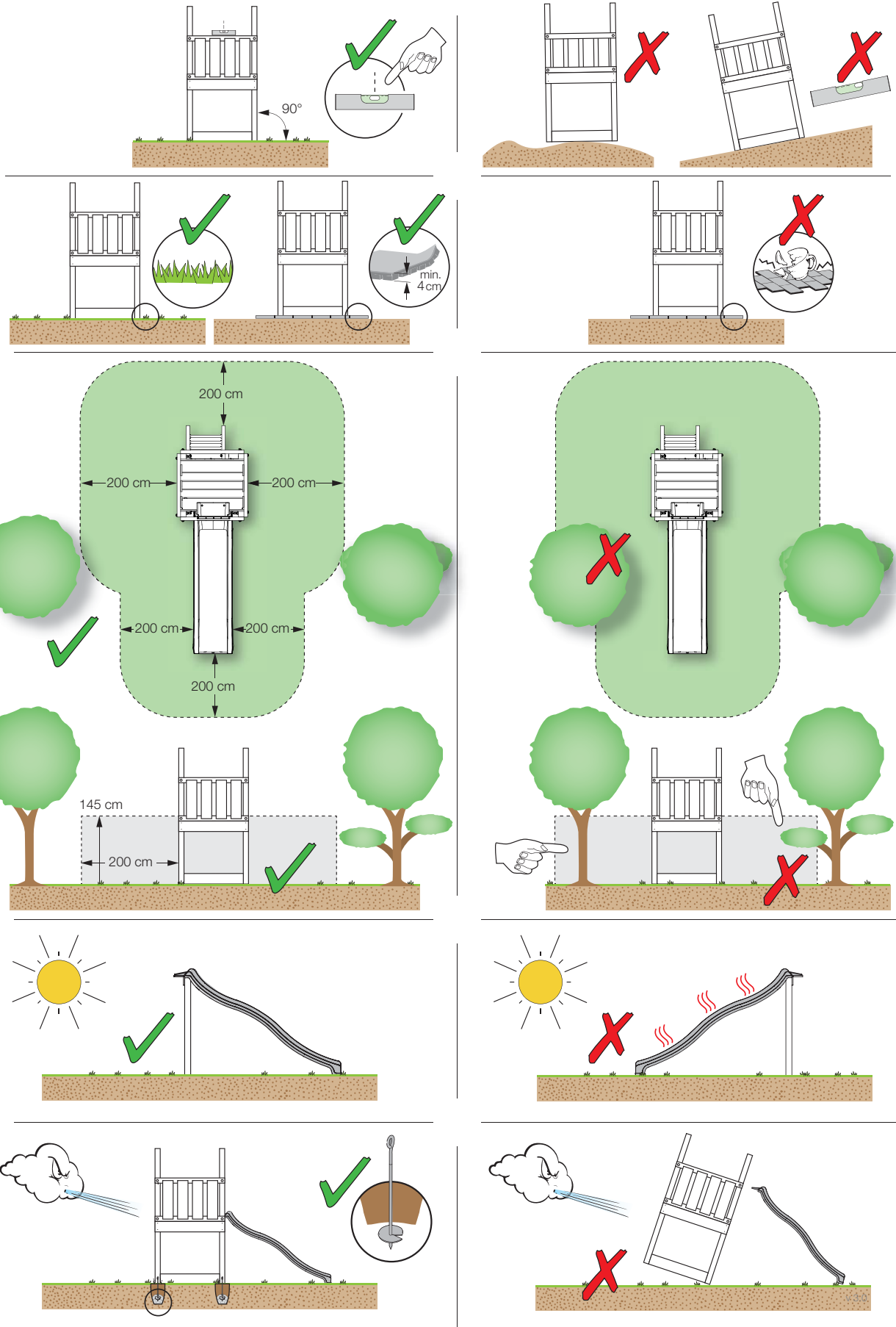
Module type	A	B	C
1-Swing 200	150	115	100
1-Swing 220 / 220 Extra		120	105
2-Swing 200	210	115	100
2-Climb 200			
1-Climb 200	142	120	105
1-Climb 220 / 220 Extra	162		
2-Swing 220 / 220 Extra	230	120	105
2-Climb 220 / 220 Extra			

Ground Anchors Unit - PO1 - 04/07/2023 - v1.2

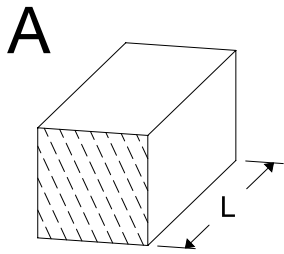


Ground Anchors Unit - PO1 - 04/07/2023 - v1.2

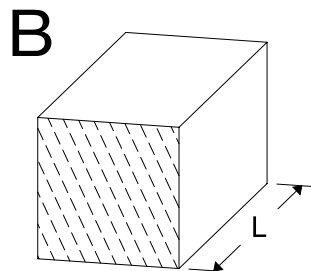
3.1 Safe Playground



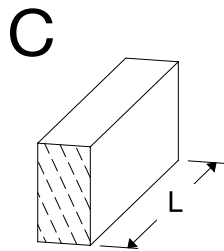
4 Timber parts



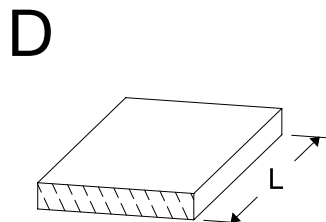
ID	L	#
A200	199 cm - 200 cm	2
A240	239 cm - 240 cm	2
A270	269 cm - 270 cm	8



B240	239 cm - 240 cm	1
------	-----------------	---

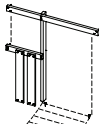

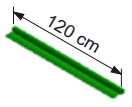
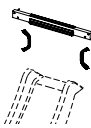

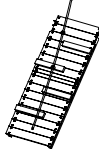
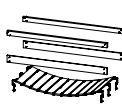

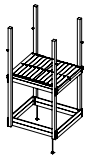


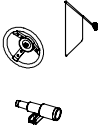
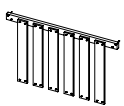





C37	36 cm - 37 cm	6
C56	55 cm - 56 cm	2
C70	69 cm - 70 cm	2
C74	73 cm - 74 cm	5
C84	83 cm - 84 cm	10
C96	85 cm - 96 cm	4
C114	113 cm - 114 cm	17
C141	140 cm - 141 cm	4
C150	149 cm - 150 cm	2
C154	153 cm - 154 cm	2
C186	185 cm - 186 cm	1

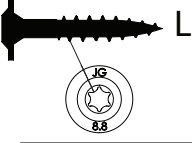
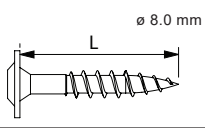
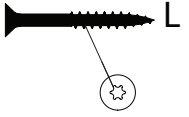
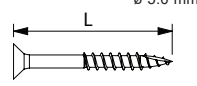
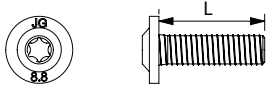




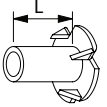









D21	20 cm - 21 cm	8
D47	46 cm - 47 cm	8
D60	59 cm - 60 cm	30
D65	64 cm - 65 cm	26
D74	73 cm - 74 cm	6
D100	99 cm - 100 cm	39
D114	113 cm - 114 cm	52
D127	126 cm - 127 cm	46
D141	140 cm - 141 cm	4

5 Assembly packs & accessories

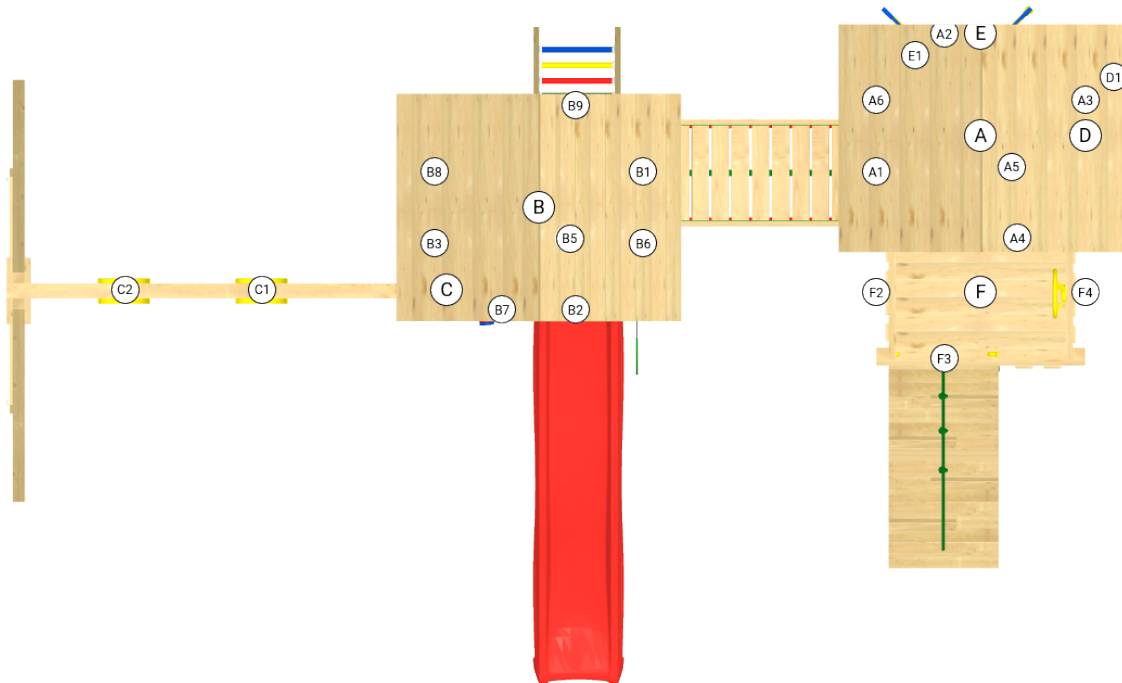
<p>Bridge Frame</p>  <p>BF</p> <p>194_007</p> <p>2x</p>	<p>Slide 2.6m</p>  <p>334_x00</p> <p>1x</p>	<p>Mesh Green 185 x 120cm</p>  <p>123_230</p> <p>1x</p>	<p>Slide Frame</p>  <p>SL</p> <p>194_107</p> <p>1x</p>	<p>Hardware 01</p>  <p>BL H01</p> <p>194_101</p> <p>4x</p>
<p>Ramp</p>  <p>RA</p> <p>194_008</p> <p>1x</p>	<p>Clatter Bridge</p>  <p>CB</p> <p>194_116</p> <p>1x</p>	<p>Sling Swing</p>  <p>AC</p> <p>250_001</p> <p>2x</p>	<p>Tower 115</p>  <p>BT ET</p> <p>194_300</p> <p>3x</p>	<p>Ladder 145</p>  <p>LA</p> <p>194_004</p> <p>1x</p>
<p>Playhouse Panel</p>  <p>PH</p> <p>194_118</p> <p>2x</p>	<p>Accessory Set</p>  <p>AC</p> <p>194_119</p> <p>1x</p>	<p>Balustrade 140</p>  <p>BL</p> <p>194_501</p> <p>2x</p>	<p>Shutters 2x Blue</p>  <p>AC</p> <p>250_075</p> <p>2x</p>	<p>Swing Frame Kit</p>  <p>SW</p> <p>457_102</p> <p>1x</p>
<p>Roof Timber 115</p>  <p>RF</p> <p>194_308</p> <p>2x</p>				

6 Hardware Identification







		SKU	L			SKU	L	
	 \varnothing 8.0 mm	001_404	30 mm		 \varnothing 5.0 mm	002_308	20 mm	
		001_406	45 mm				002_219	30 mm
		001_411	60 mm				002_220	45 mm
		001_417	80 mm				002_223	80 mm
		001_422	137 mm					
	M8	001_102	30 mm		M8	003_010		
	\varnothing 2.0 mm	000_101	20 mm		M6	003_034		
	\varnothing 6.3 mm	002_036	16 mm		M8	004_050	22mm	
	\varnothing 4.5 mm	002_041	20 mm			022_845	Yellow	
						022_846	Blue	
						022_847	Green	
						022_848	Red	
	\varnothing 3.5 mm	002_042	13 mm			023_031	White	
	\varnothing 3.9 mm	002_301	40 mm	 022_844	 022_314	120_005	White	

output: 25/05/23

7 Assembly Planning



	ID			A	B	C	D	E	F
1	BT15		p.11	✓	✓	-	-	-	-
2	ET09		p.14	-	-	-	-	-	✓
3	BL01		p.17	-	-	-	-	-	F2, F4
4	BL04		p.18	-	B8	-	-	-	-
5	RF09		p.19	A5	B5	-	-	-	-
6	CB01		p.27	A1	B1	-	-	-	-
7	BF04		p.25	A6	B6	-	-	-	-
8	PH17		p.28	-	-	-	-	✓	-
9	PH19		p.31	-	-	-	✓	-	-
10	PH31		p.34	-	-	-	-	-	-
11	LA15		p.36	-	B9	-	-	-	-
12	RA07		p.39	-	-	-	-	-	F3
13	SW13		p.44	-	-	✓	-	-	-
14	SL11		p.51	-	B2	-	-	-	-
15	GA		p.54	✓	✓	✓	-	-	✓

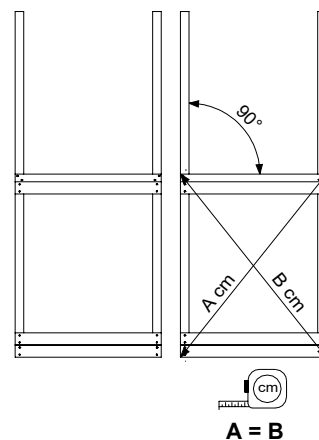
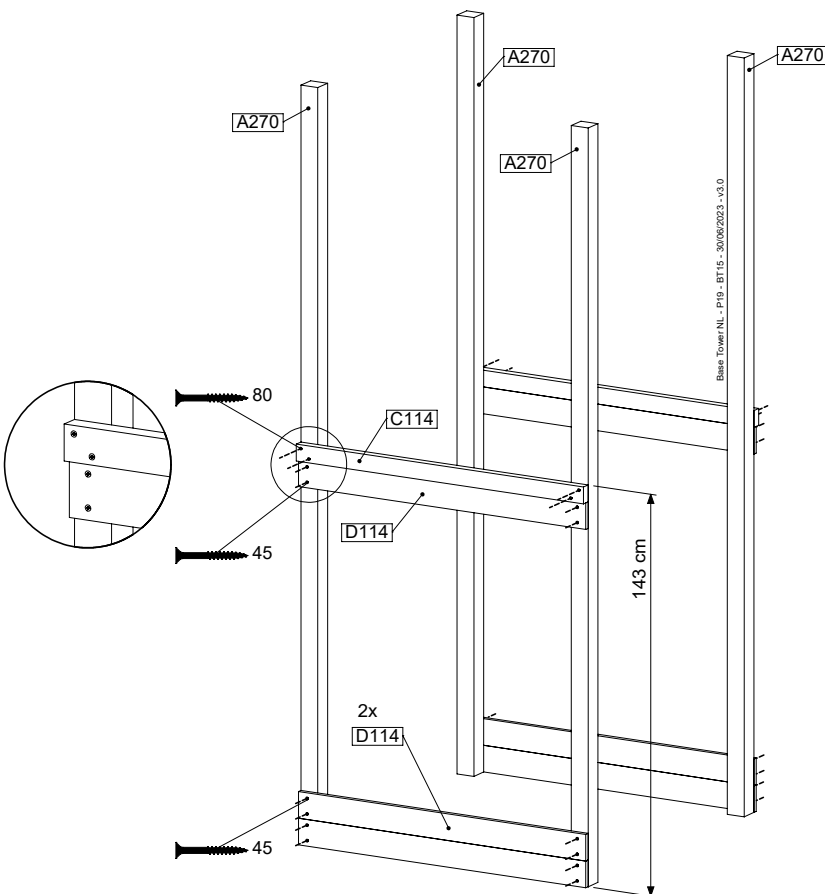
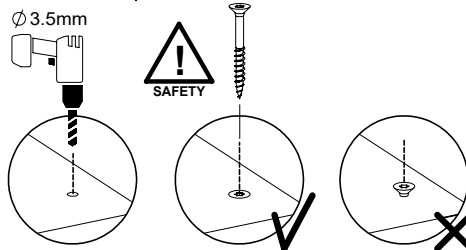
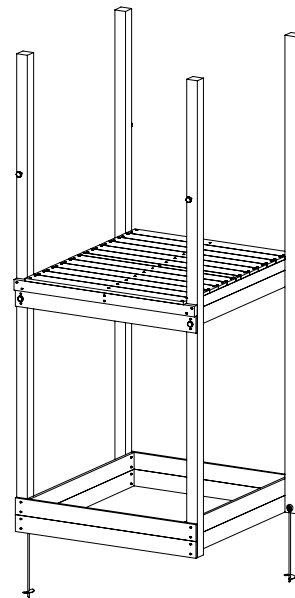
	ID			A	B	C	D	E	F
16	AC30	 	p.56	A1	B1	-	-	-	-
17	AC02	 	p.58	-	-	-	D1	E1	-
18	AC01	 	p.59	-	✓	-	-	-	-

8 BT15: Base Tower 115 145cm 270270

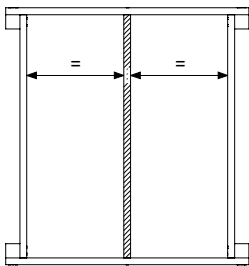
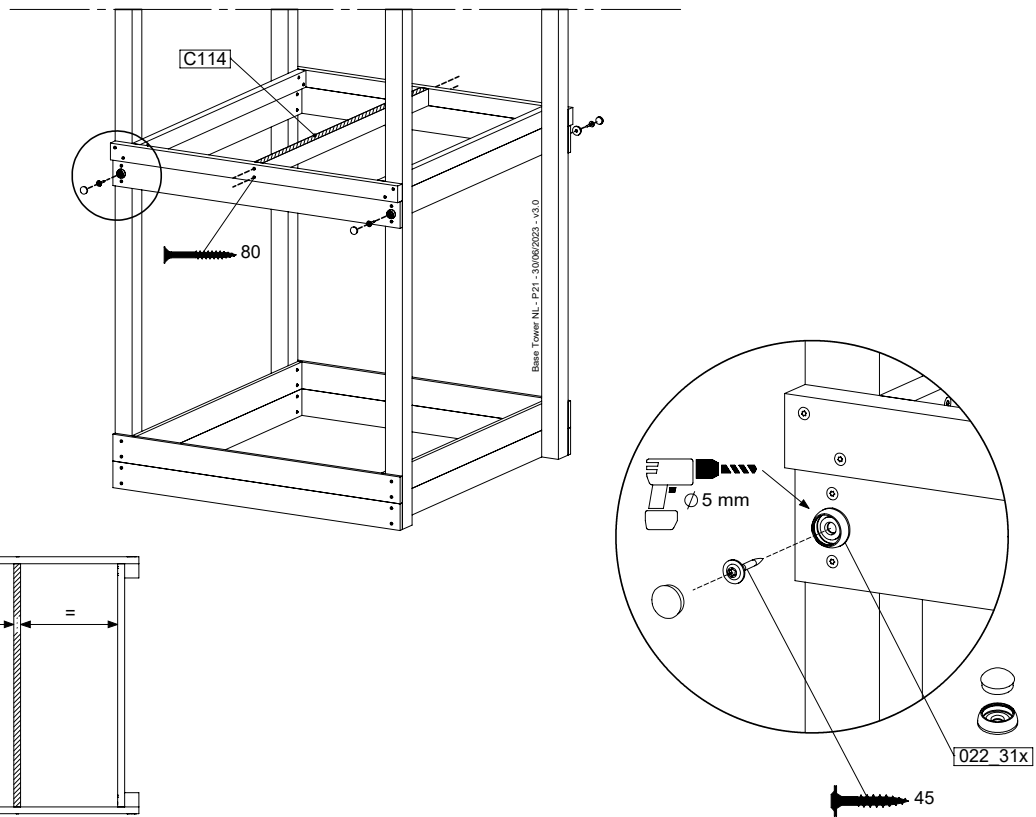
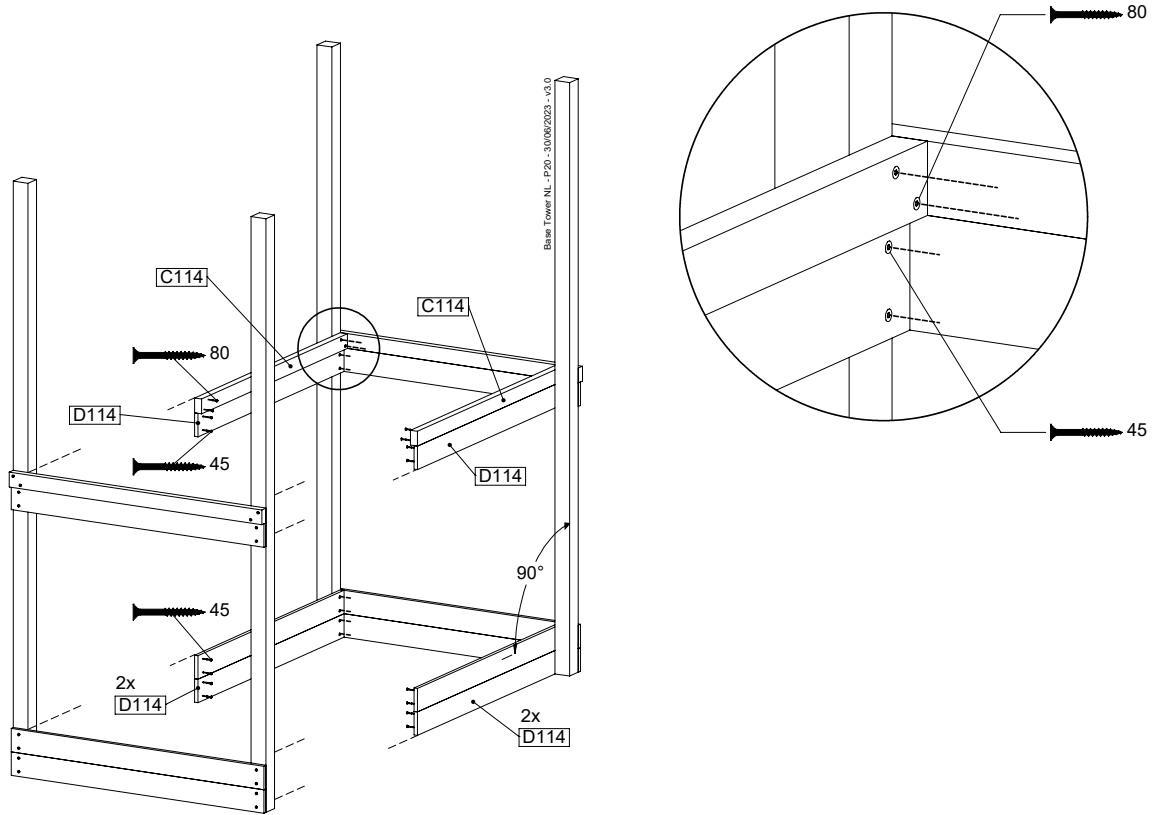
(194_300)

	PartNo	PartName	QTY.
Hardware Pack	001_406	Stealth Screw 8x45	6
	001_417	Stealth Screw 8x80	4
	002_220	Gap Point Screw T25 - 5x45	118
	002_223	Gap Point Screw T25 - 5x80	20
	022_31x	bpc-base version 3	8
	022_84x	bpc cover	8
Other	007_001	Ground-anchor	2
Timber	A270	Post 70x70 L2700	4
	C114	Beam 1140 mm	5
	D100	Board 1000 mm	14
	D114	Board 1140 mm	12

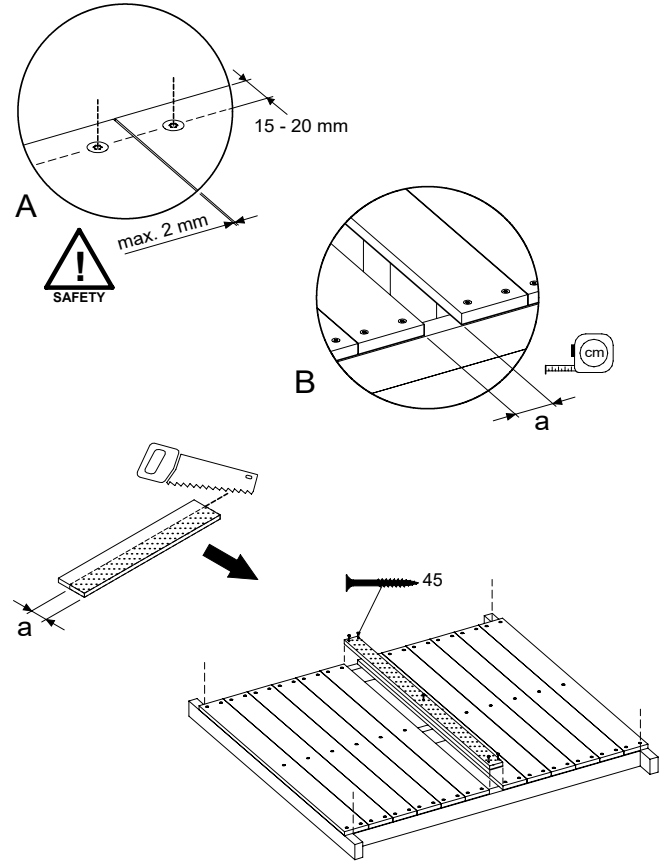
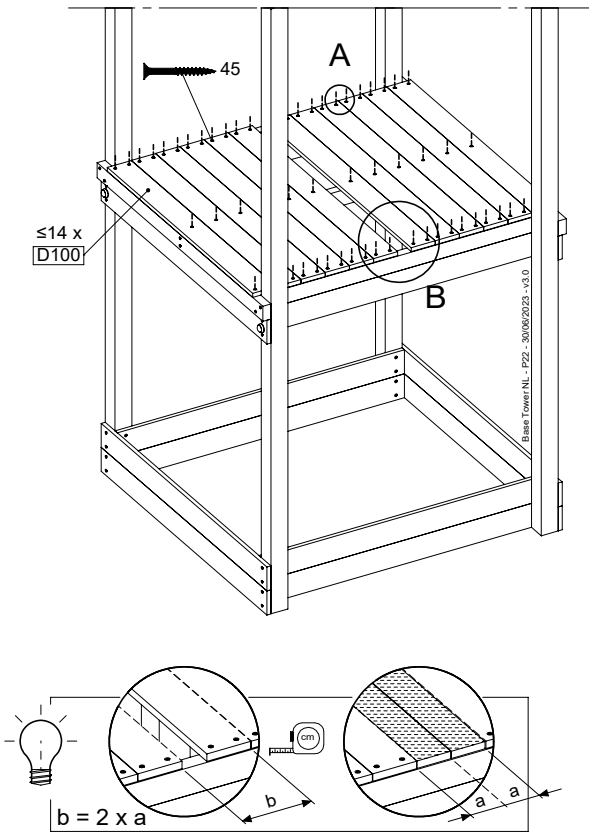
Base Tower.NL - P10 - BT15 - 300002023 - v3.0



8.1



8.2

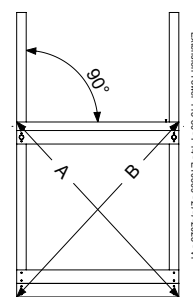
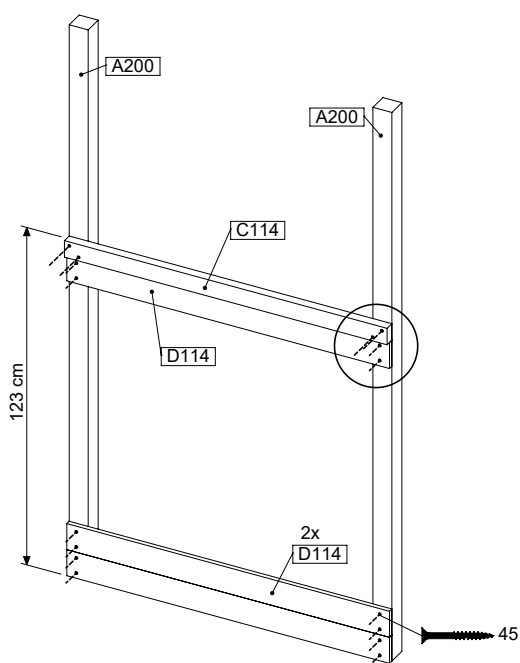
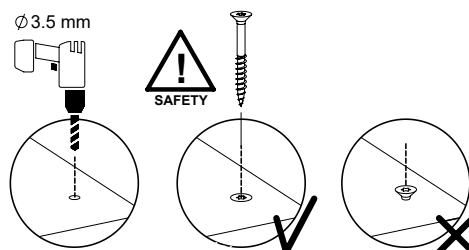
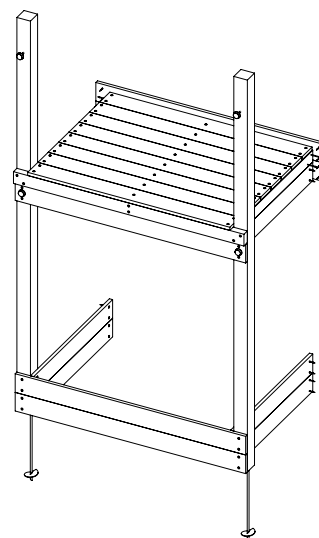


9 ET09: Extension Tower 11580 200/125

(194_300)

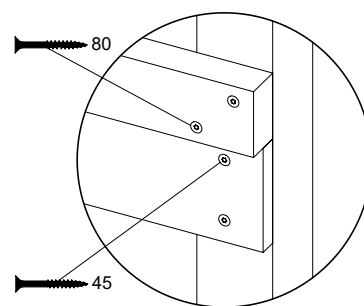
	PartNo	PartName	QTY.
Hardware pack	001_406	Stealth Screw 8x45	4
	001_417	Stealth Screw 8x80	2
	002_220	Gap Point Screw T25 - 5x45	93
	002_223	Gap Point Screw T25 - 5x80	16
Other	007_001	Ground-anchor	2
	022_31x	bpc-base version 3	4
	022_84x	bpc cover	4
Timber	A200	Post 70x70 L2000	2
	C74	Beam 740 mm	3
	C114	Beam 1140 mm	1
	D74	Board 740 mm	6
	D100	Board 1000 mm	9
	D114	Board 1140 mm	6

Extension Tower 115 80 - P06 - ET09 - 27-7-2023 - v1

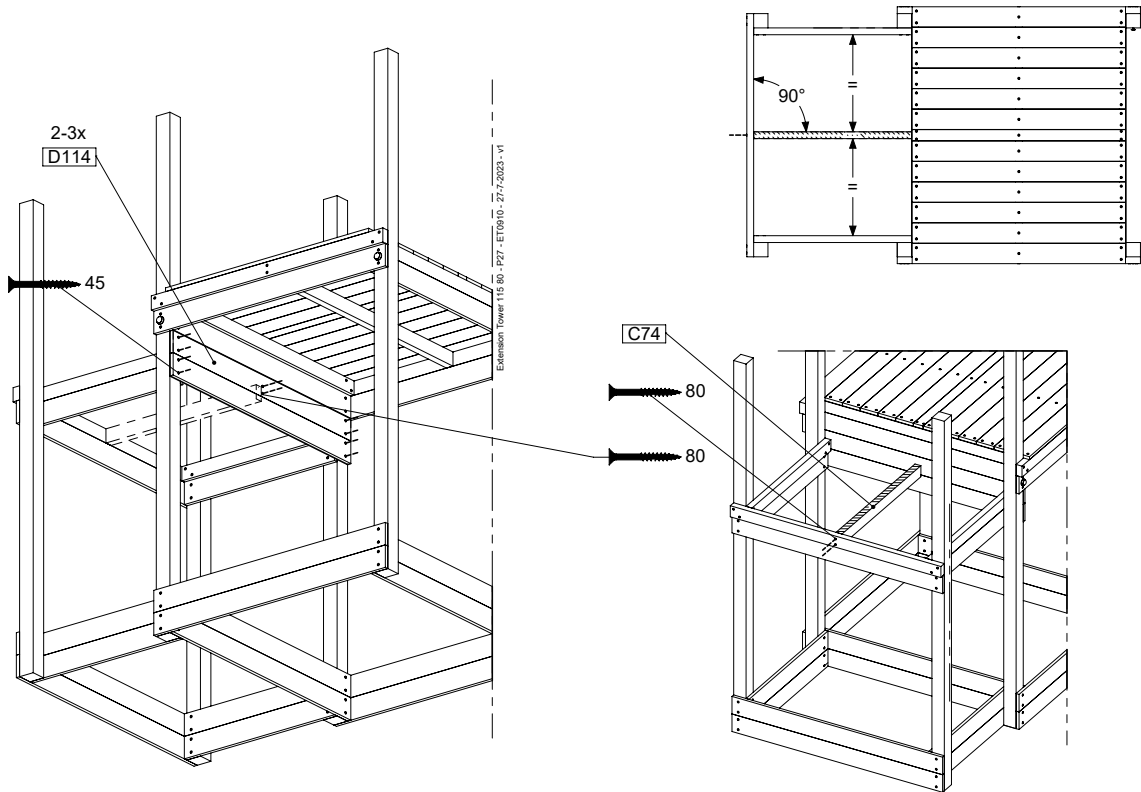
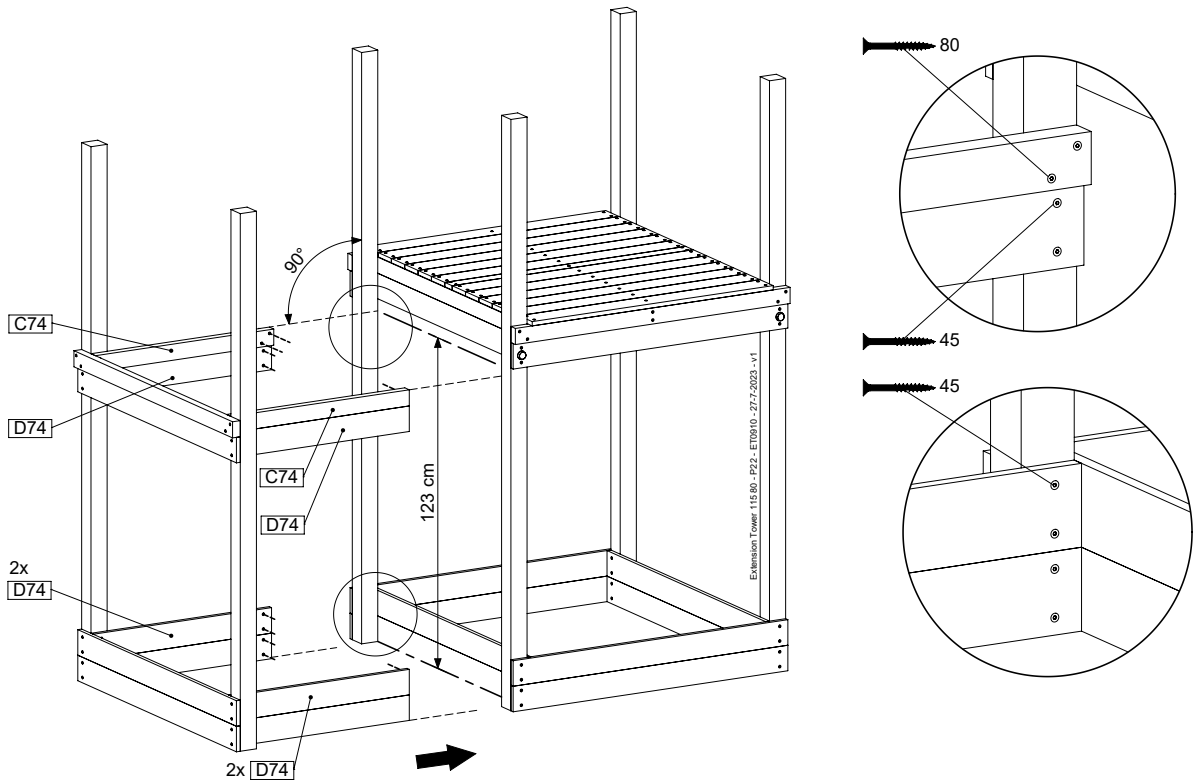


Extension Tower 115 80 - P14 - ET09 - 27-7-2023 - v1

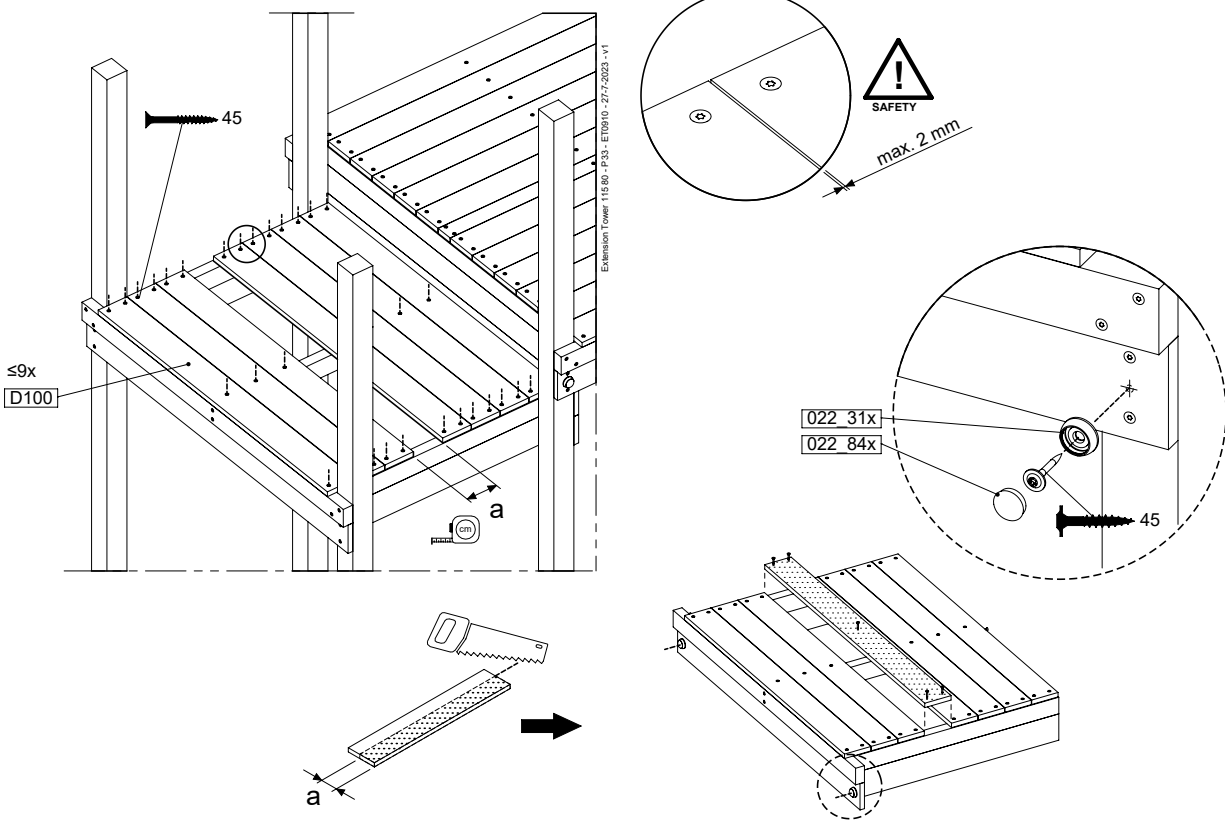
A = B



9.1



9.2

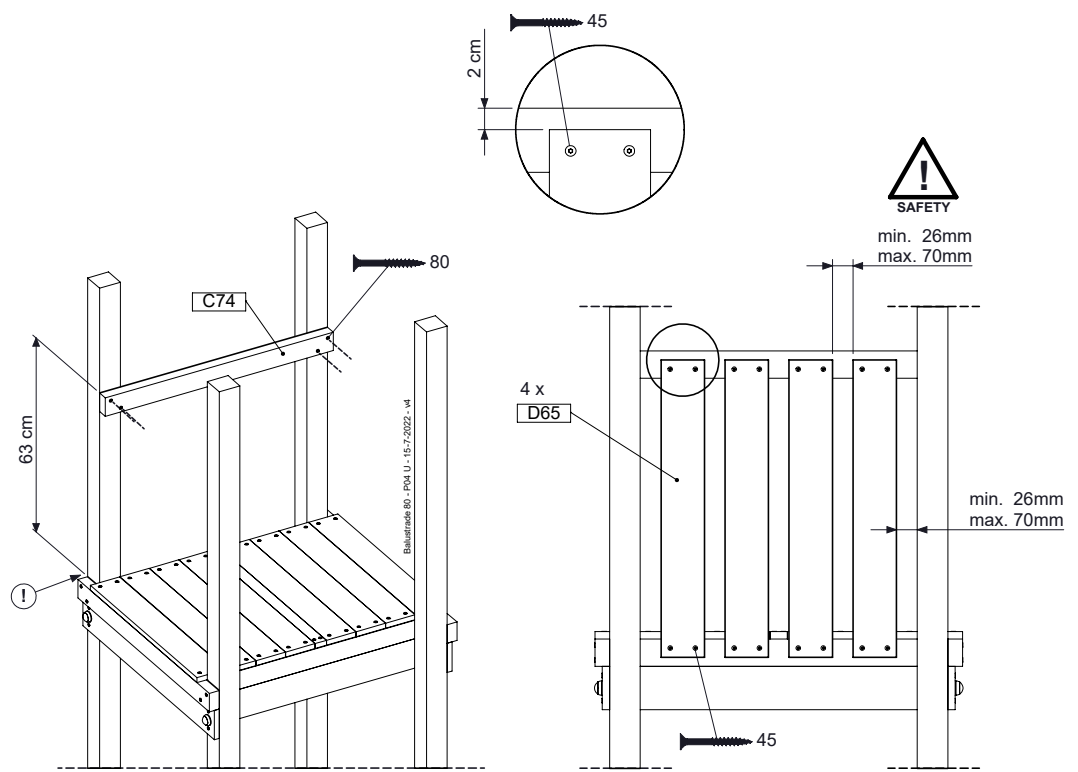
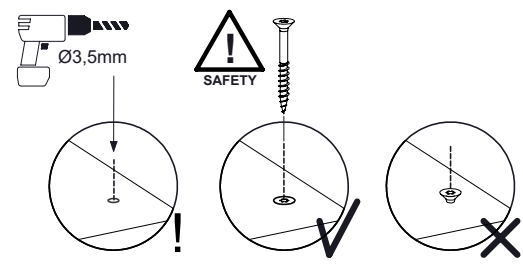
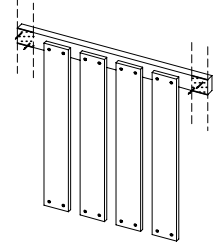


10 BL01: Balustrade 80 U - 7x7 posts

(194_101)

	PartNo	PartName	QTY.
Hardware Pack	002_220	Gap Point Screw T25 - 5x45	16
	100_601	002_223	Gap Point Screw T25 - 5x80
Timber	C74	Beam 740 mm	1
	D65	Board 650 mm	4

Balustrade 80 - P04 U - 15-7-2022 - v4

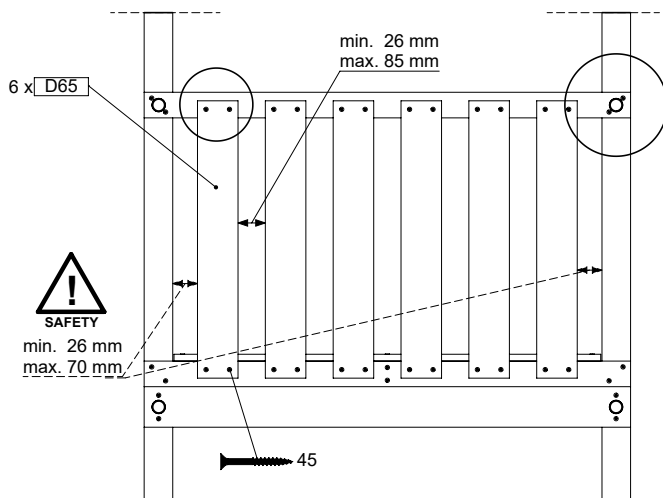
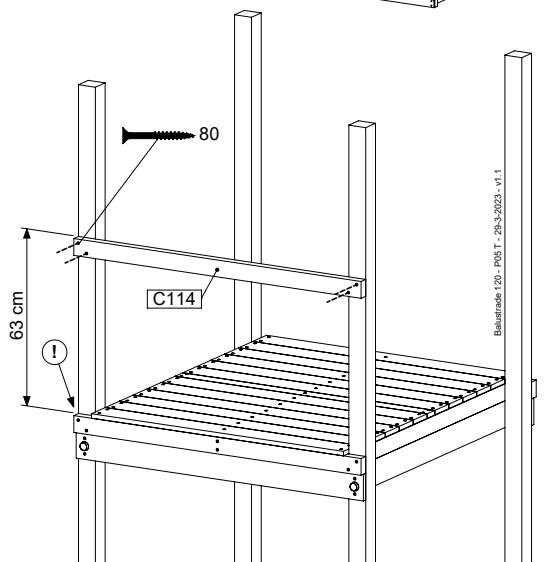
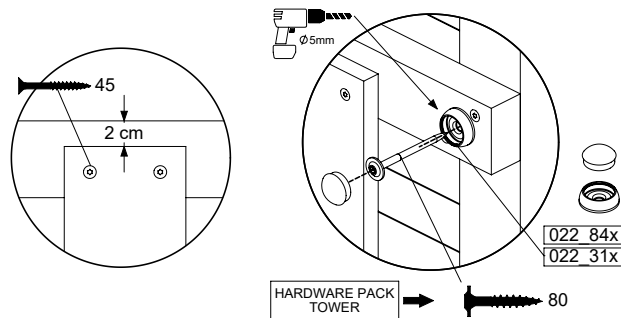
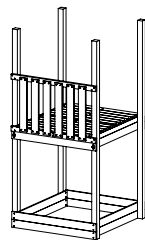
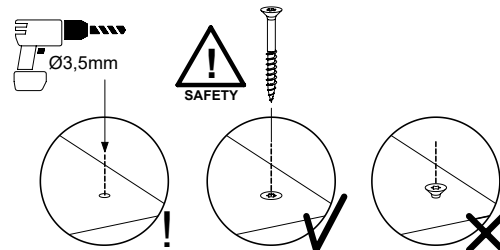
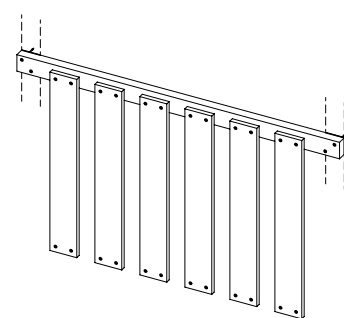


11 BL04: Balustrade 115 T

(194_501)

	PartNo	PartName	QTY.
Hardware Pack	002_220	Gap Point Screw T25 - 5x45	24
	002_223	Gap Point Screw T25 - 5x80	4
Timber	C114	Beam 1140 mm	1
	D65	Board 650 mm	6

Balustrade 120 - P03 T - 29-3-2023 - v1.1

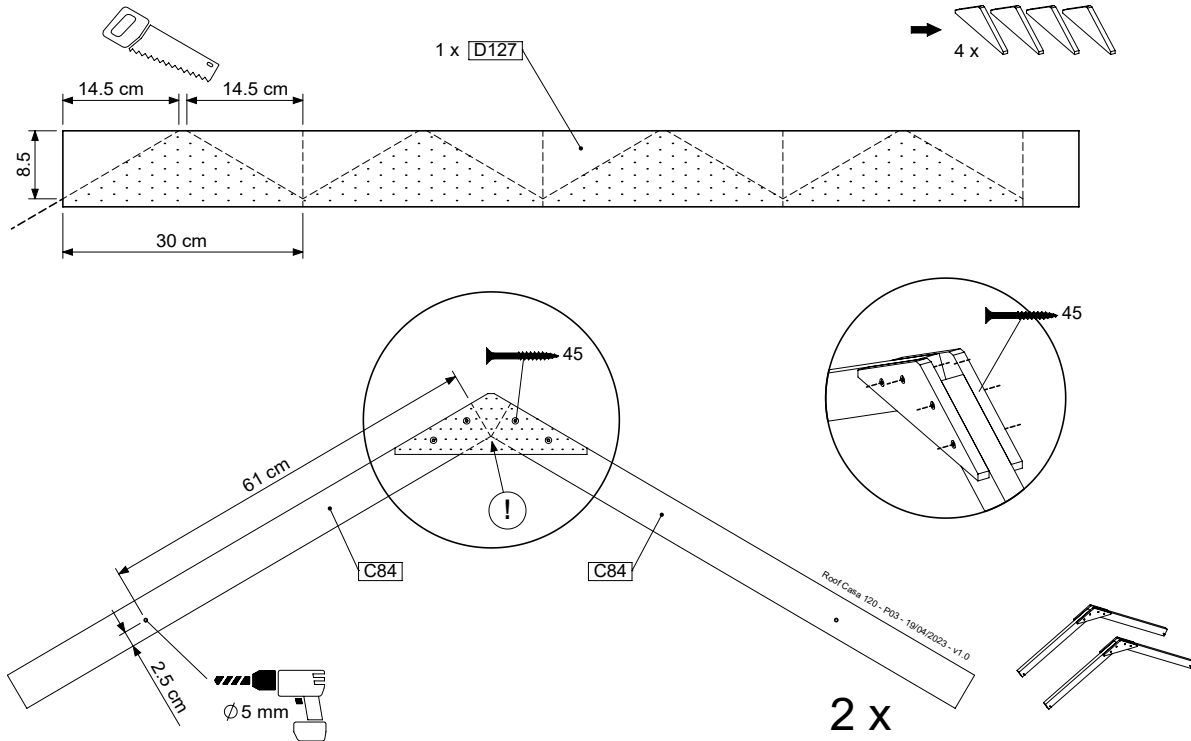
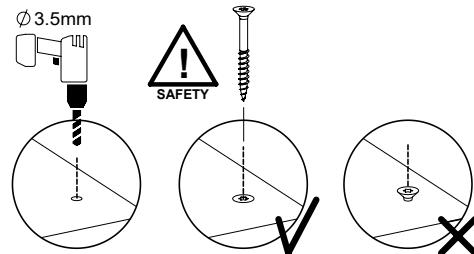
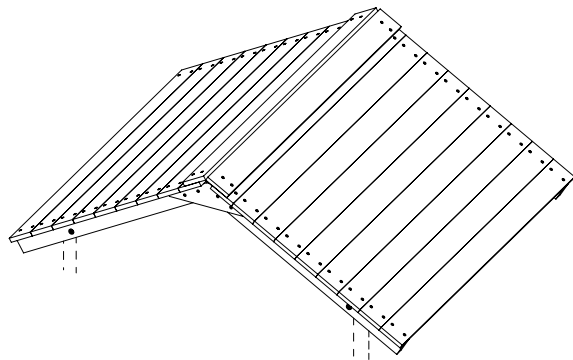


12 RF09: Roof Timber Slope 115

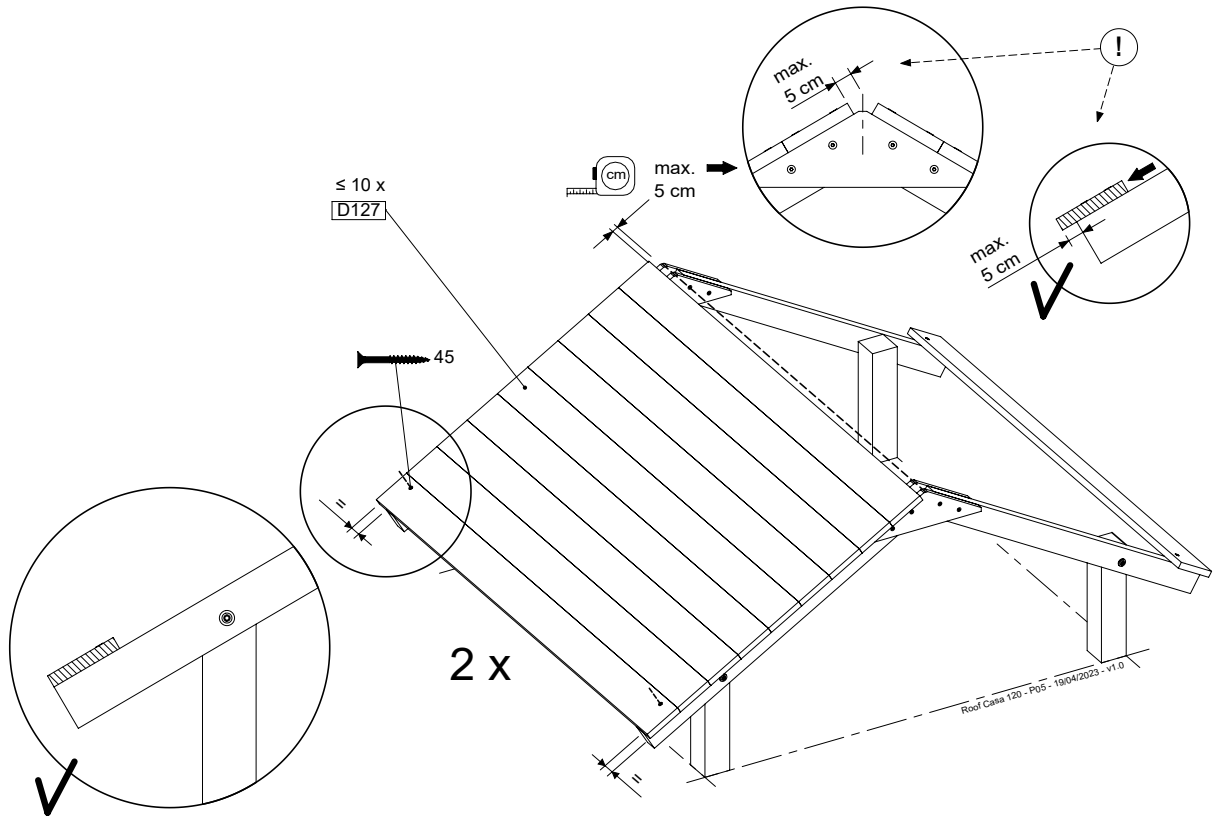
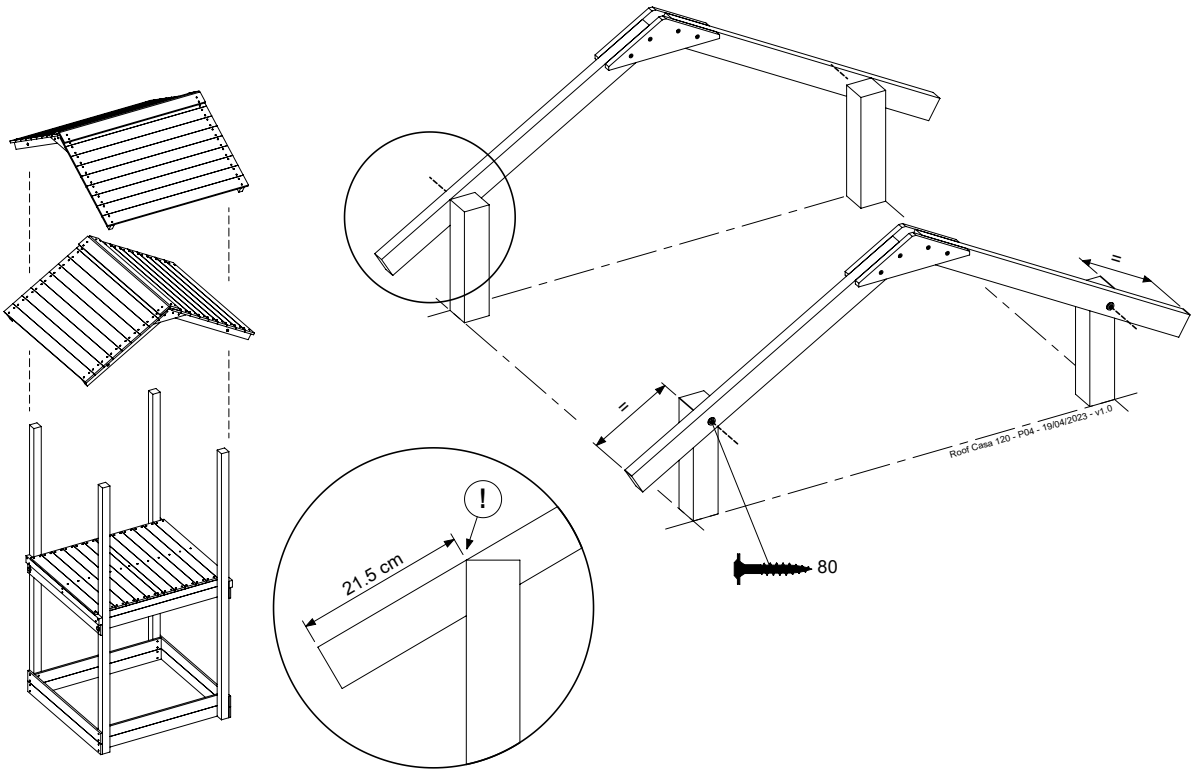
(194_308)

	PartNo	PartName	QTY.
Hardware Pack	001_417	Stealth Screw 8x80	4
	002_220	Gap Point Screw T25 - 5x45	96
	002_223	Gap Point Screw T25 - 5x80	8
Timber	C84	Beam 840 mm	4
	D127	Board 1270 mm	19-23

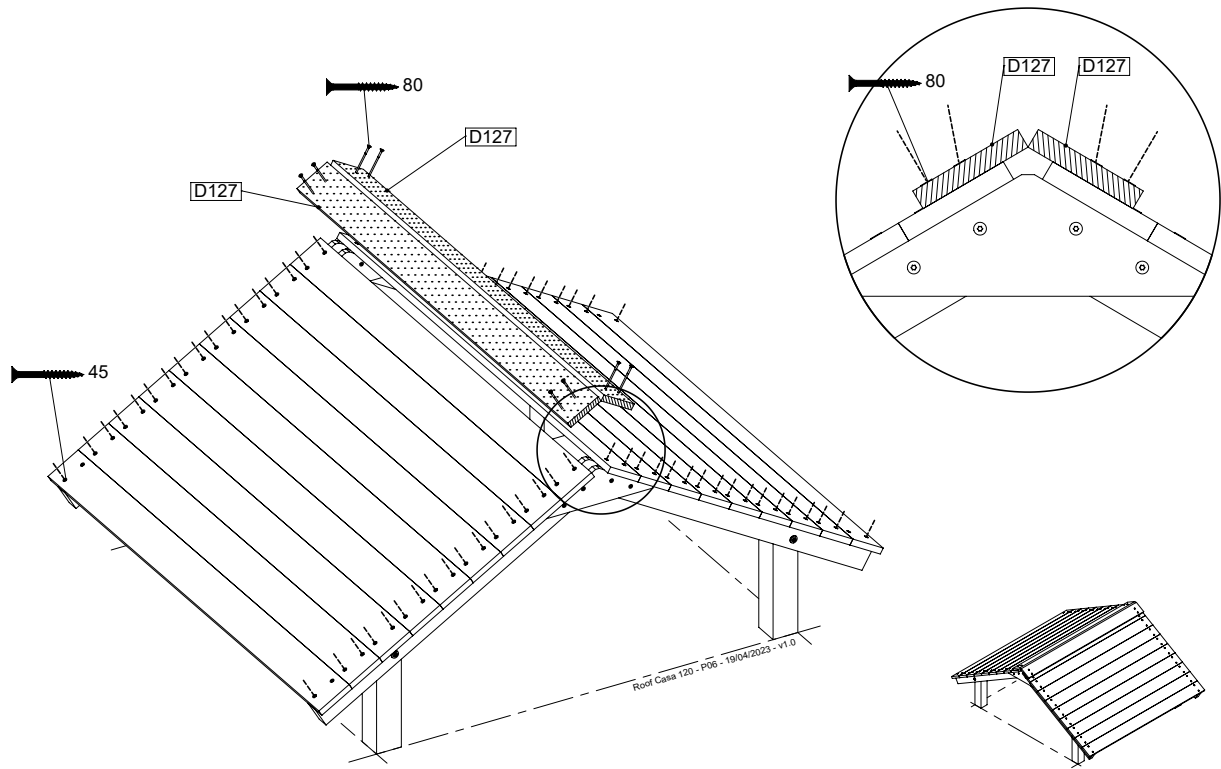
Roof Case T20 - P02 - 19/04/2023 - v1.0



12.1



12.2

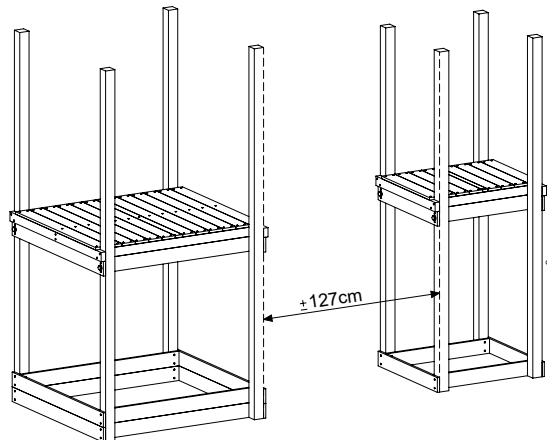
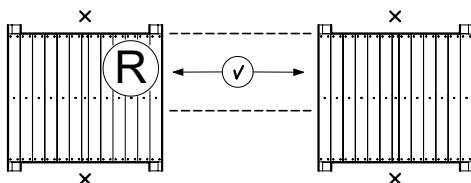
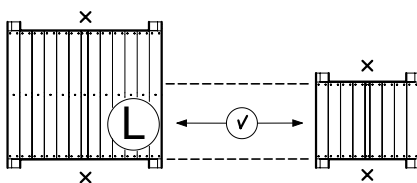
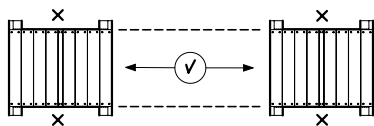
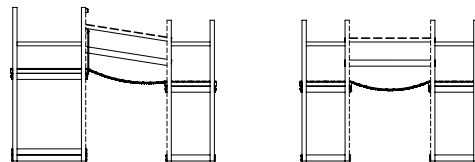
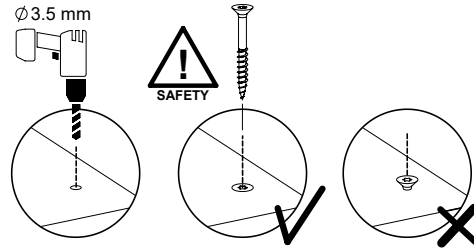
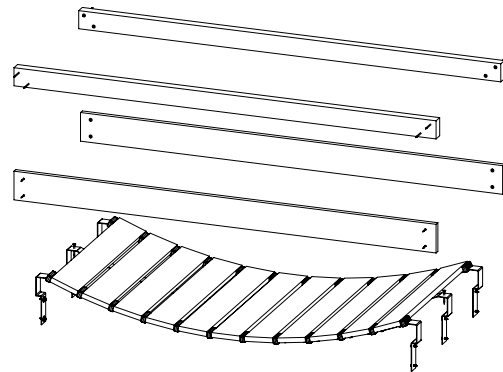


13 CB01: Clatter Bridge - PART 1

(194_116)

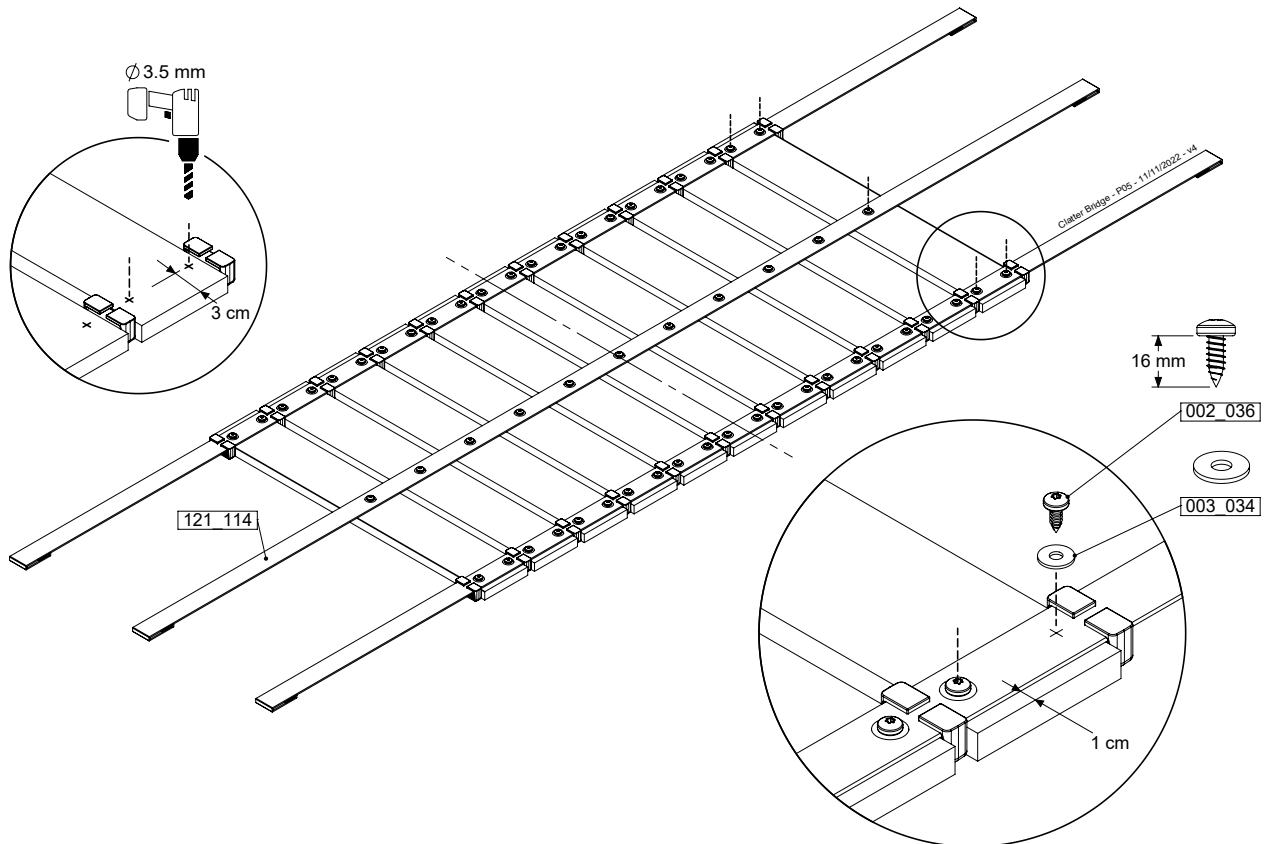
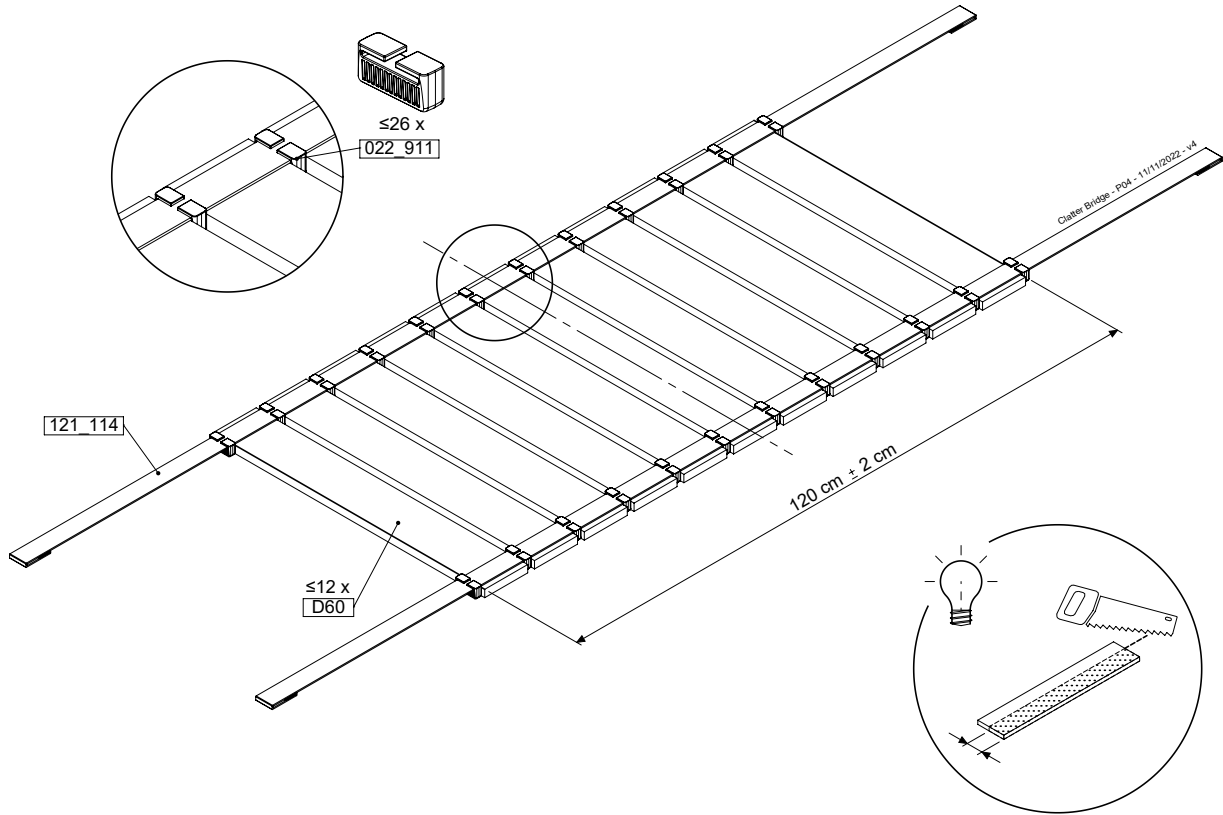
	PartNo	PartName	QTY.
Hardware Pack 100_614	002_036	16mm Pan Head Tapping Screw T25	72
	002_220	Gap Point Screw T25 - 5x45	10
	002_223	Gap Point Screw T25 - 5x80	12
	003_034	M6 Washer	72
Other	022_911	Bridge Spacer	26
	121_114	BridgeLink Strap 210cm	3
Wood	C141	Beam 1410 mm	2
	D60	Board 600 mm	12
	D141	Board 1410 mm	2

Clatter Bridge - P02 - 1/11/2022 - v4

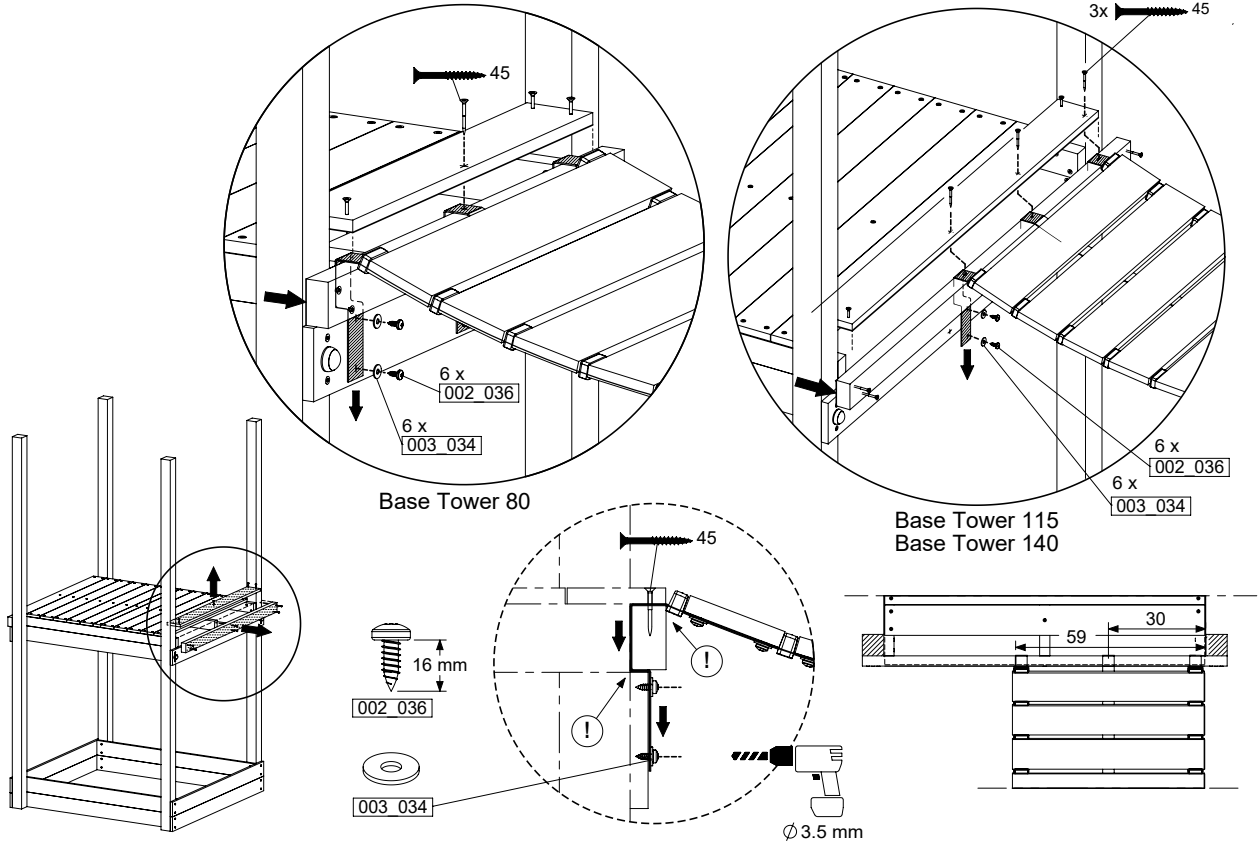


Clatter Bridge - P02 - 1/11/2022 - v4

13.1



13.2

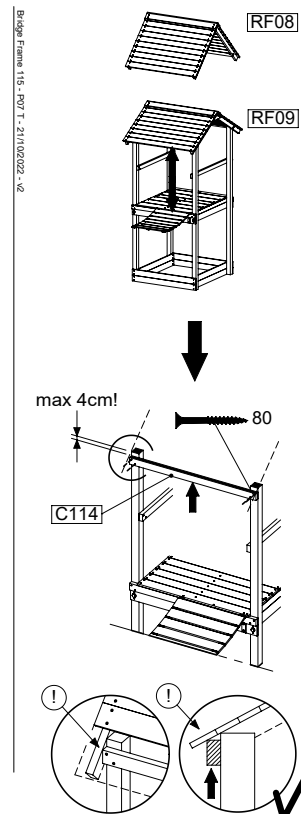
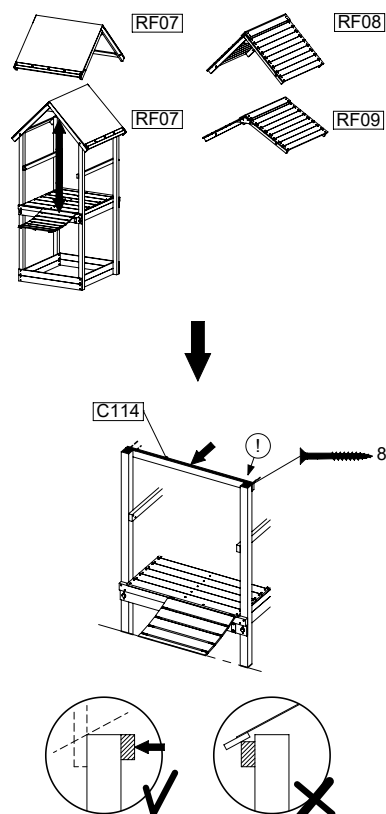
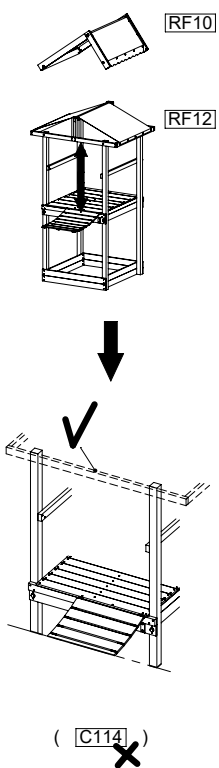
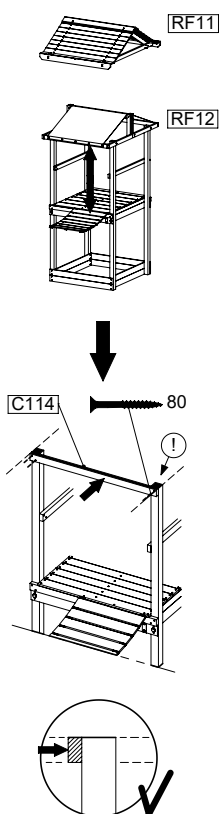
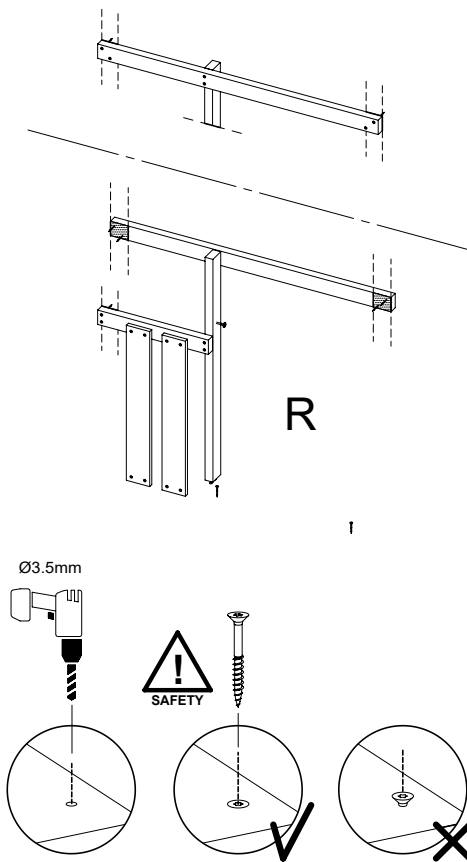


14 BF04: Bridge Frame 115 T Right

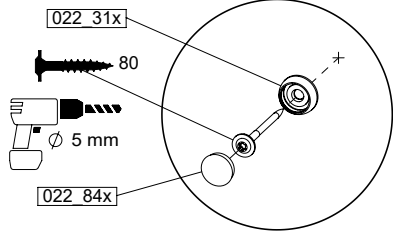
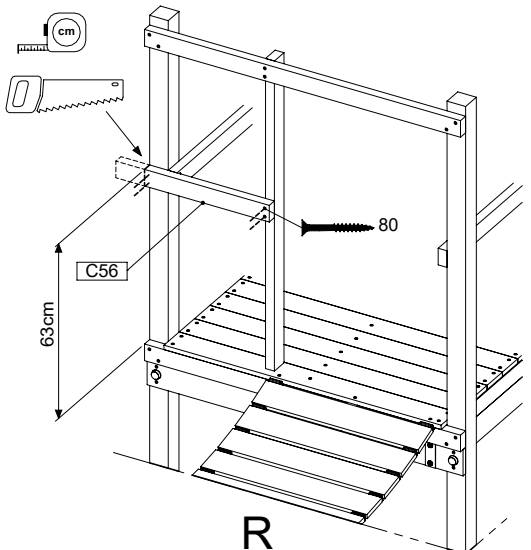
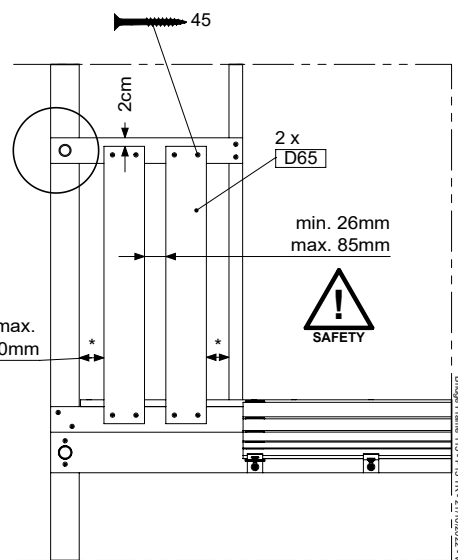
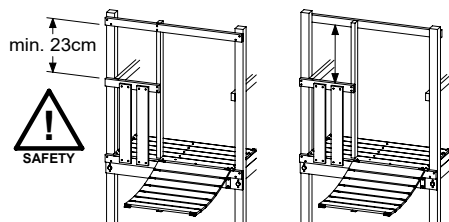
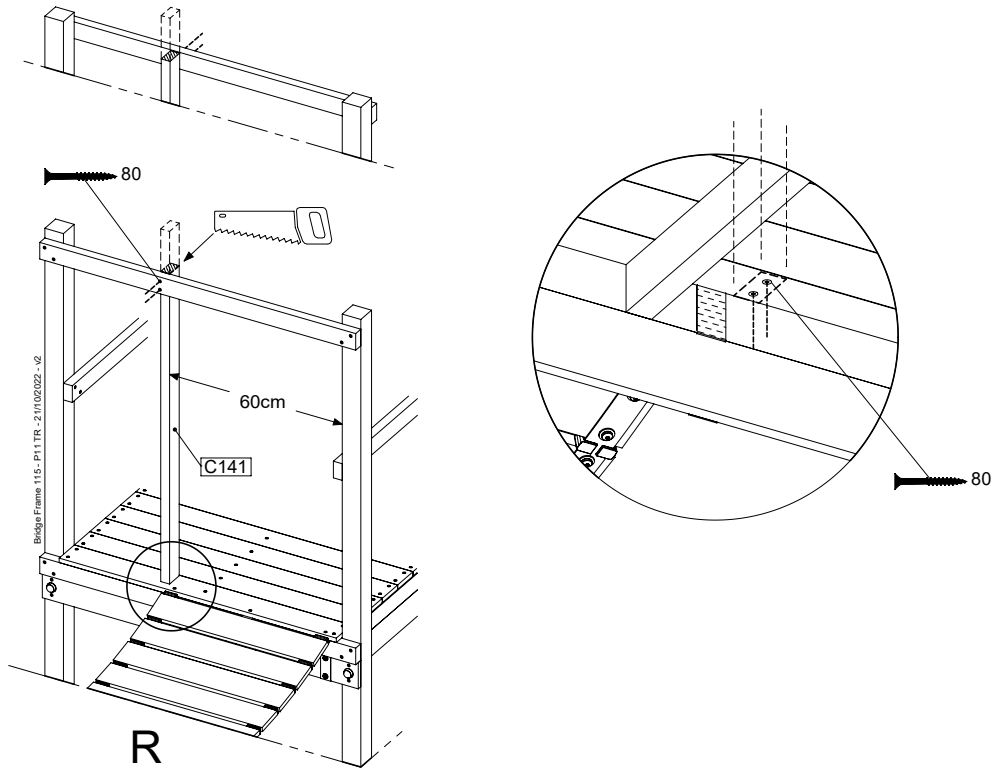
(194_007)

	PartNo	PartName	QTY.
Hardware Pack	001_411	Stealth Screw 8x60	1
	002_220	Gap Point Screw T25 - 5x45	10
	002_223	Gap Point Screw T25 - 5x80	12
Timber	C56	Beam 560 mm	1
	C114	Beam 1140 mm	1
	C141	Beam 1410 mm	1
	D65	Board 650 mm	2

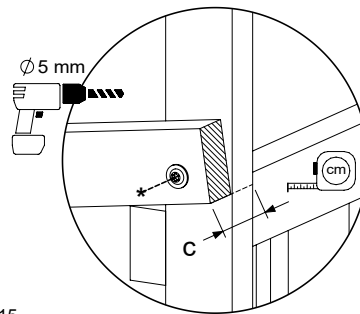
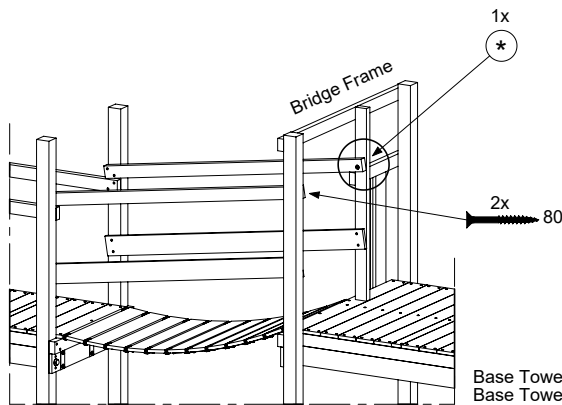
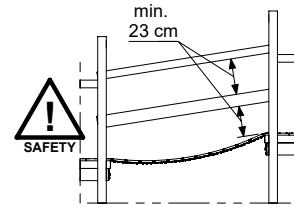
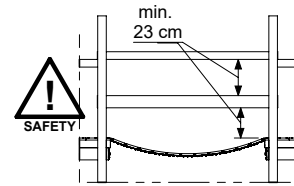
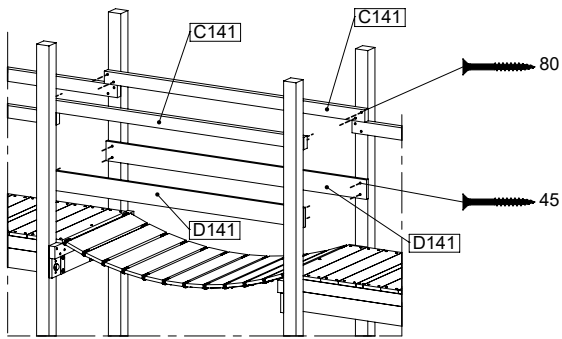
Bridge Frame 115 - P03 TR - 2.11.02.022 - v2



14.1



15 CB01: Clatter Bridge - PART 2



C < 8cm 1x 60

C > 8cm 1x 80

BF - Bridge Frame

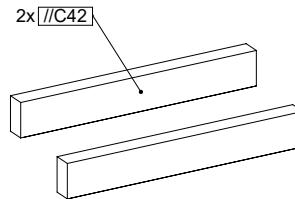
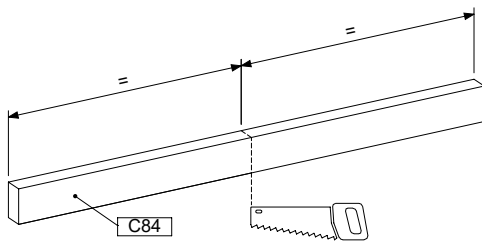
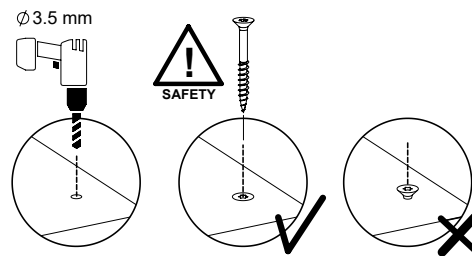
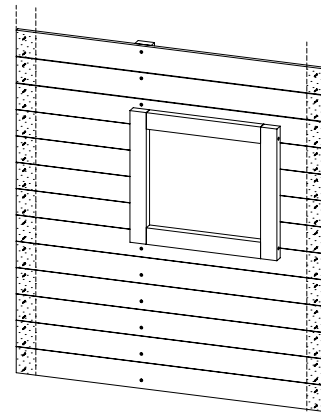
Clatter Bridge - P07 - 11/11/2022 - v4

16 PH17: Playhouse Window Panel 115 UR

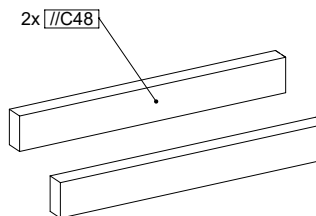
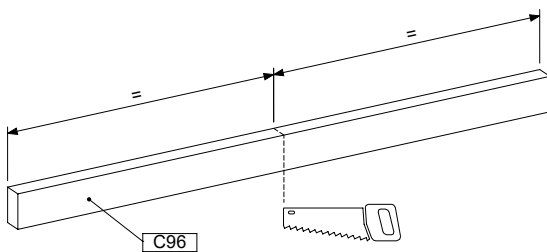
(194_118)

	PartNo	PartName	QTY.
Hardware Pack	002_220	Gap Point Screw T25 - 5x45	90
	002_223	Gap Point Screw T25 - 5x80	4
Timber	C84	Beam 840 mm	1
	C96	Beam 960 mm	2
	D21	Board 210 mm	4
	D47	Board 470 mm	4
	D114	Board 1140 mm	10

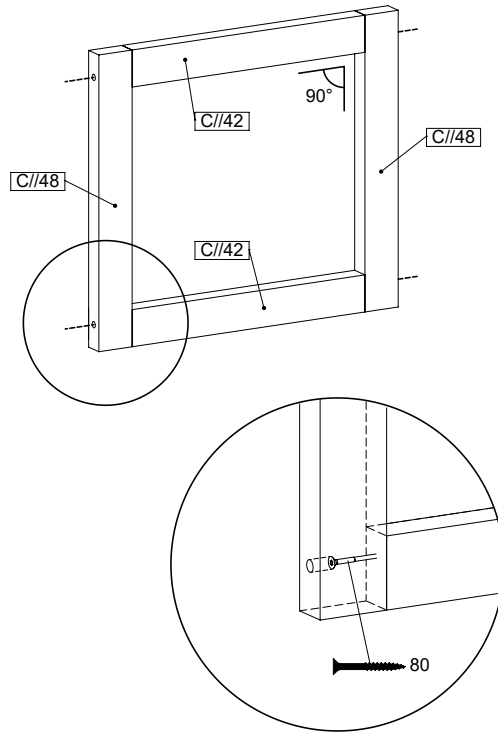
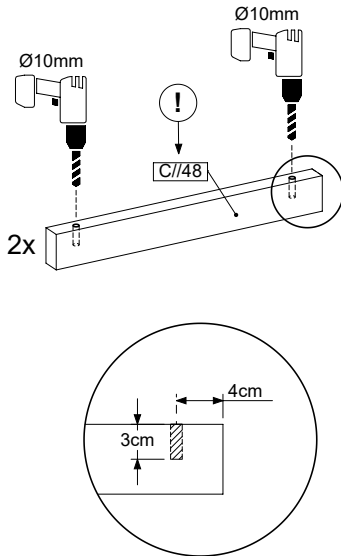
Playhouse Window 115 - P03 UR - 6-6-2023 - v1



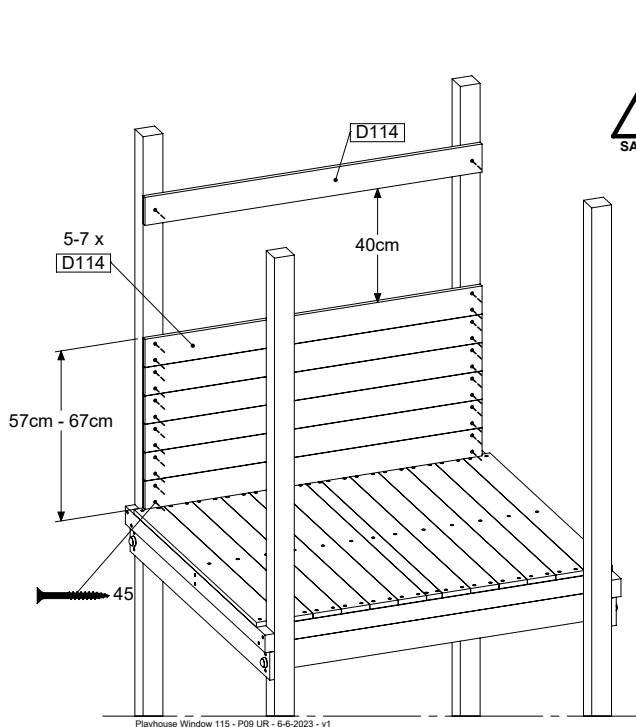
Playhouse Window 115 - P06 uni. - 6-6-2023 - v1



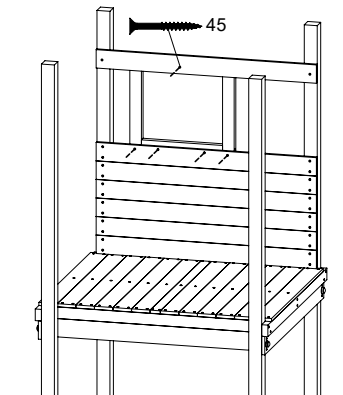
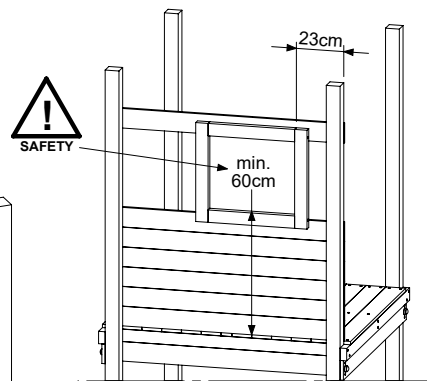
16.1



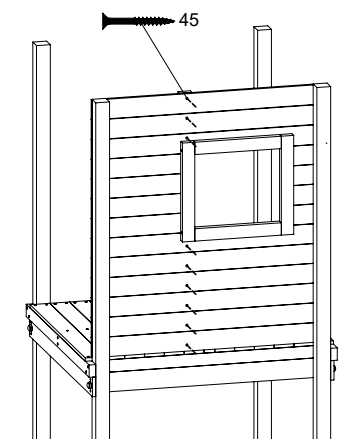
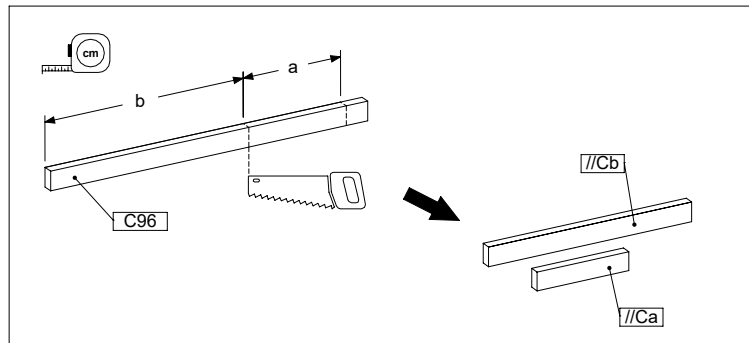
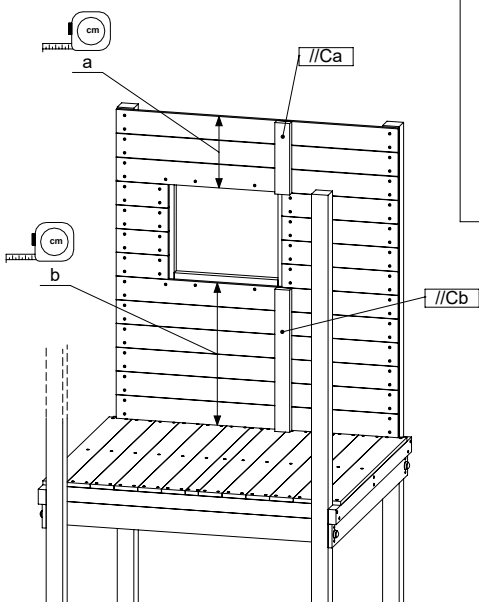
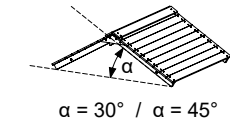
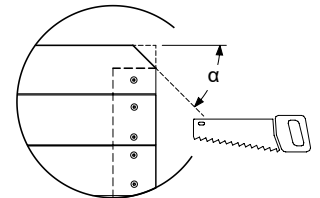
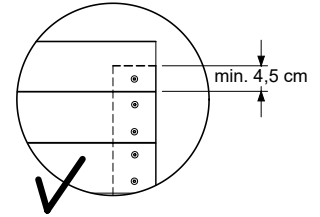
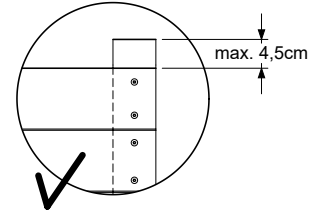
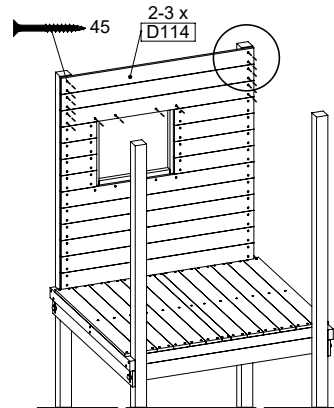
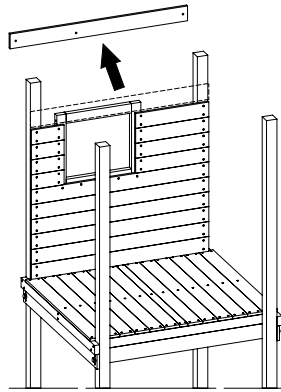
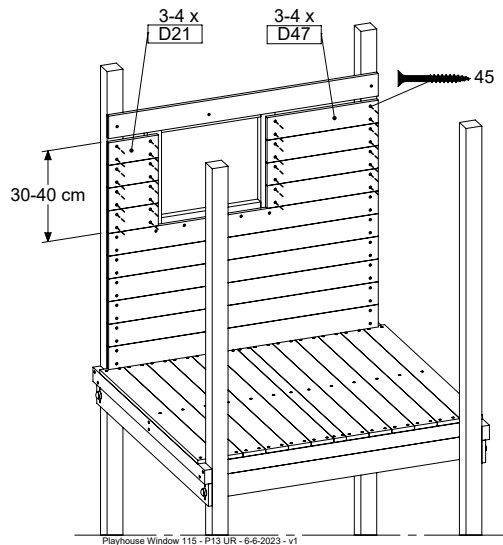
Playhouse Window 115 - P09 UR - 6-6-2023 - v1



Playhouse Window 115 - P09 UR - 6-6-2023 - v1



16.2

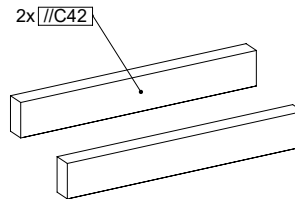
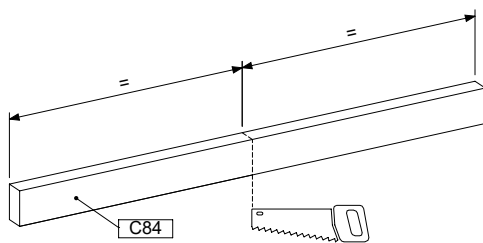
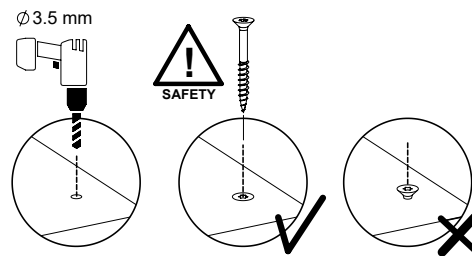
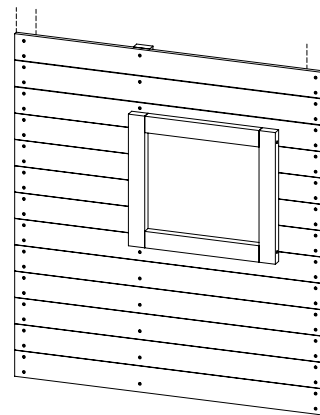


17 PH19: Playhouse Window Panel 115 TR

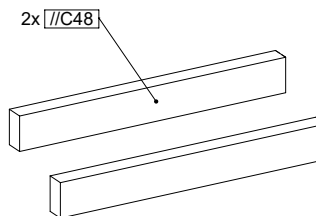
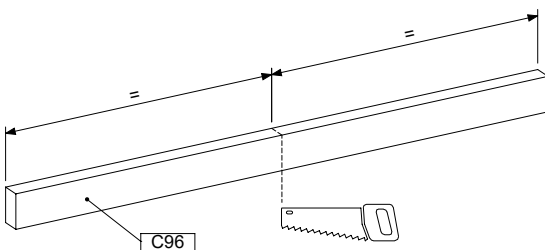
(194_118)

	PartNo	PartName	QTY.
Hardware Pack	002_220	Gap Point Screw T25 - 5x45	90
	002_223	Gap Point Screw T25 - 5x80	4
Timber	C84	Beam 840 mm	1
	C96	Beam 960 mm	2
	D21	Board 210 mm	4
	D47	Board 470 mm	4
	D114	Board 1140 mm	10

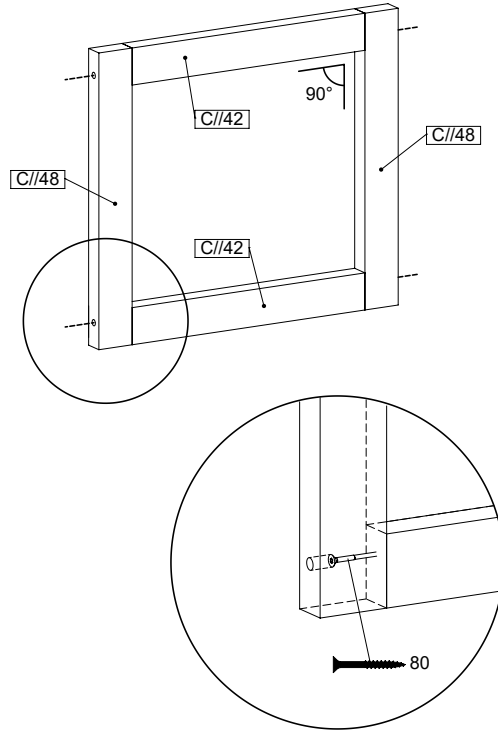
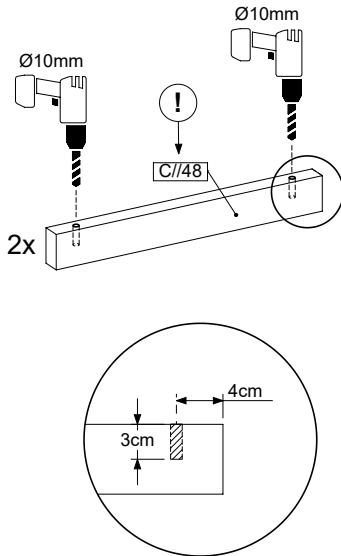
Playhouse Window 115 - P05 TR - 6-6-2023 - v1



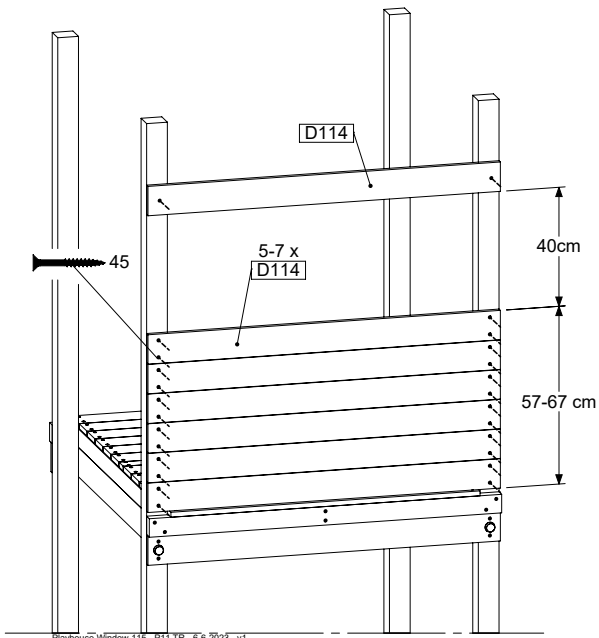
Playhouse Window 115 - P06 uni. - 6-6-2023 - v1



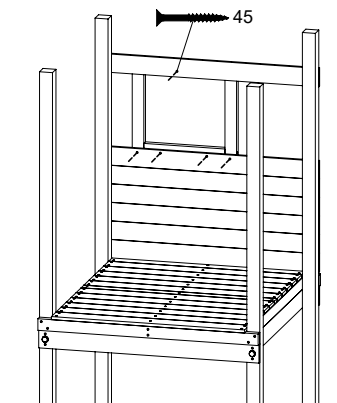
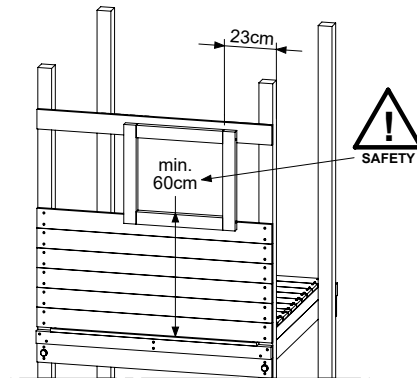
17.1



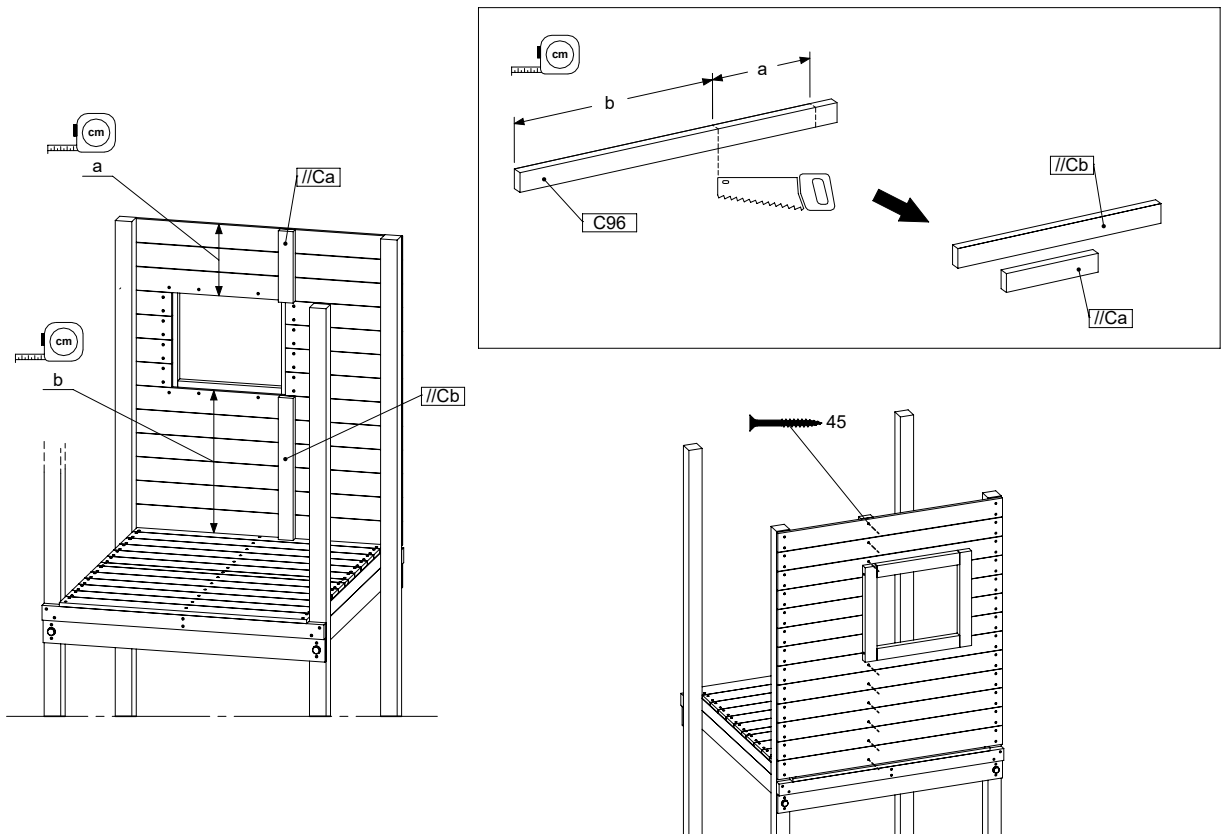
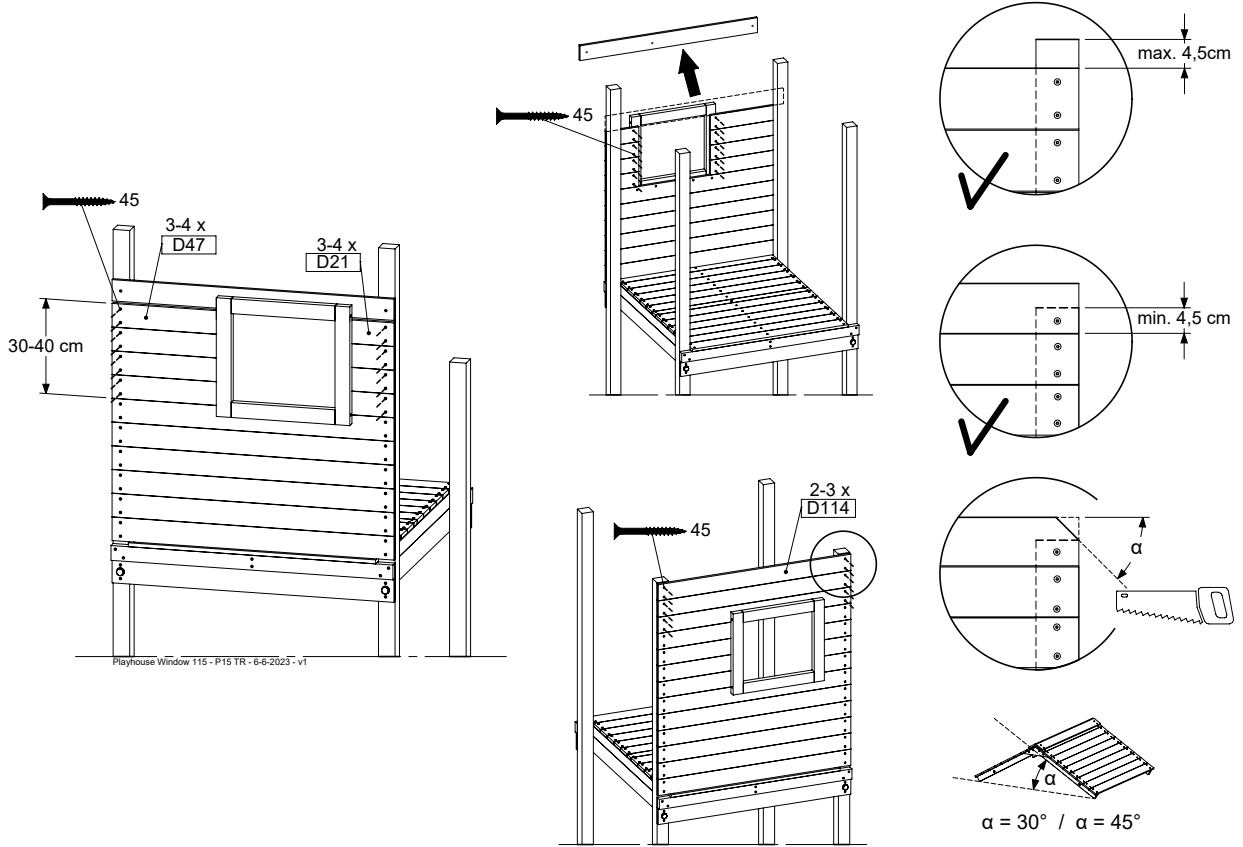
Playhouse Window 115 - P107 cm - 6-8-2023 - v1



Playhouse Window 115 - P11 TR - 6-8-2023 - v1



17.2

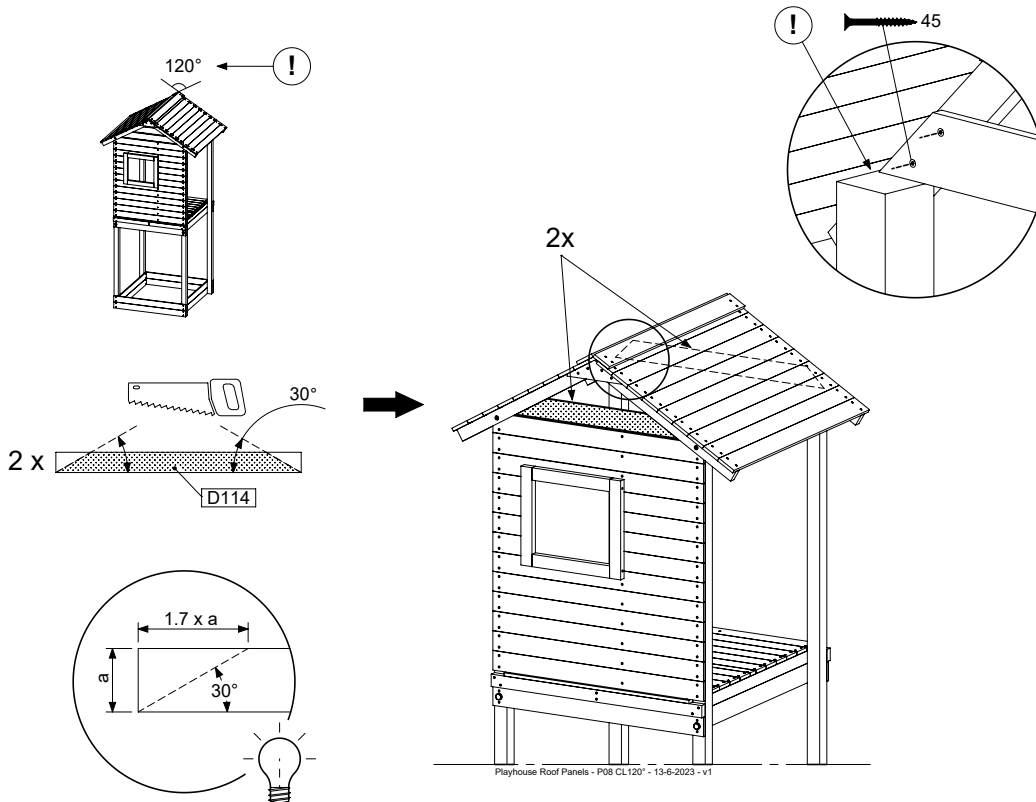
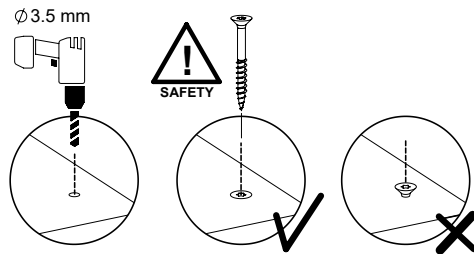
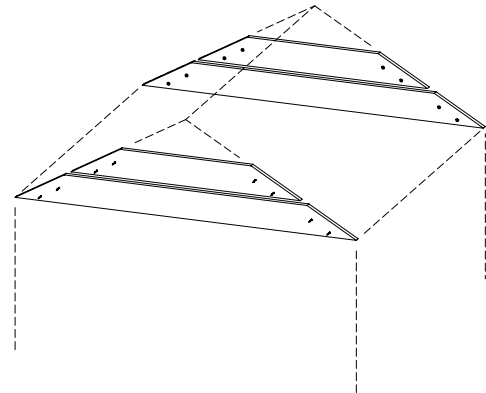


18 PH31: Playhouse Roof Panels 115 120deg

(194_501)

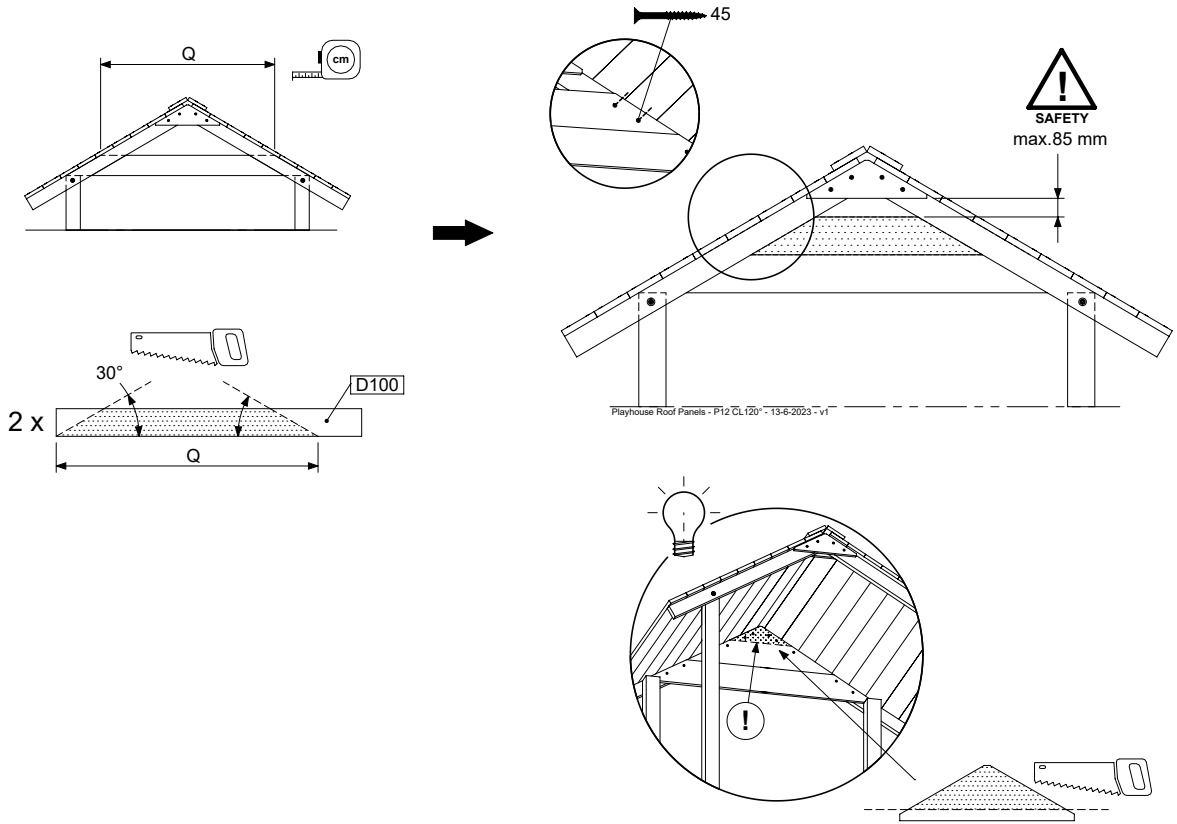
	PartNo	PartName	QTY.
Hardware Pack	002_220	Gap Point Screw T25 - 5x45	24
Timber	D65	Board 650 mm	2
	D100	Board 1000 mm	2
	D114	Board 1140 mm	2

Playhouse Roof Panels - P08 CL120° - 13-6-2023 - v1



Playhouse Roof Panels - P08 CL120° - 13-6-2023 - v1

18.1

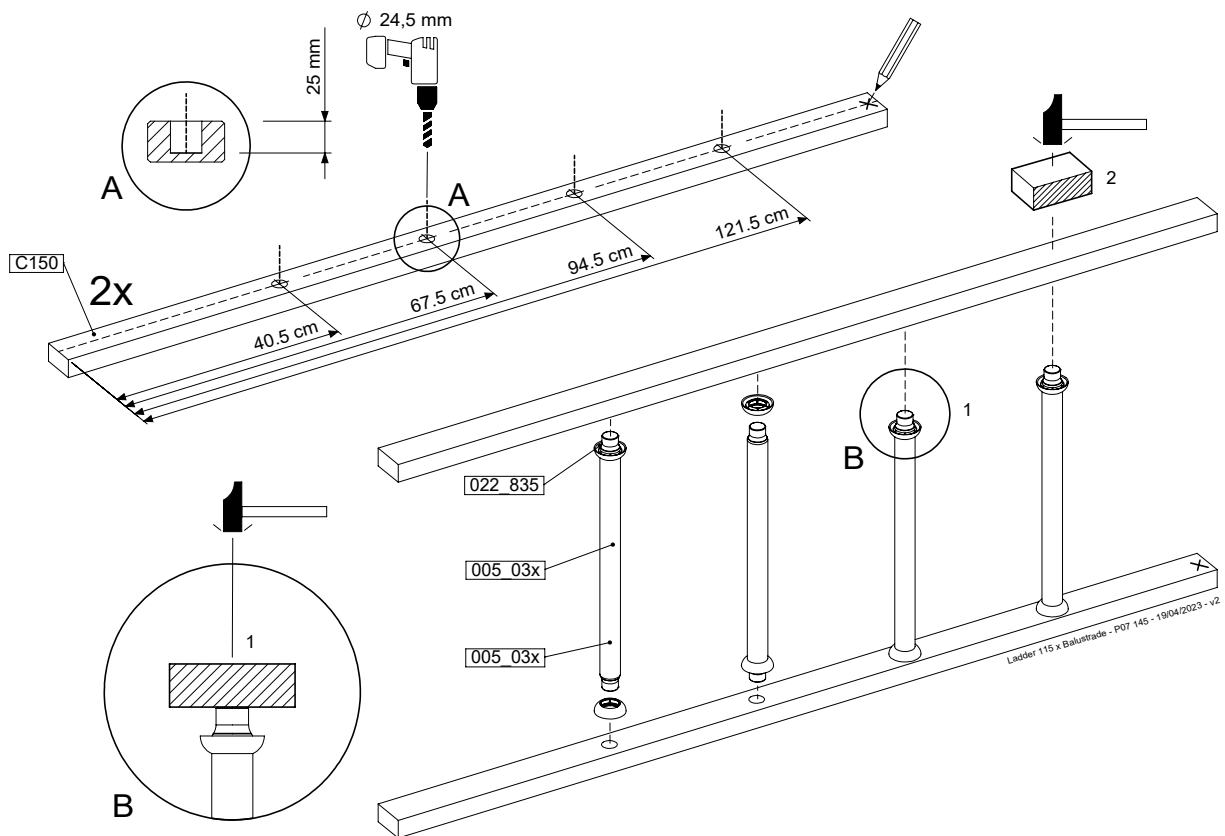
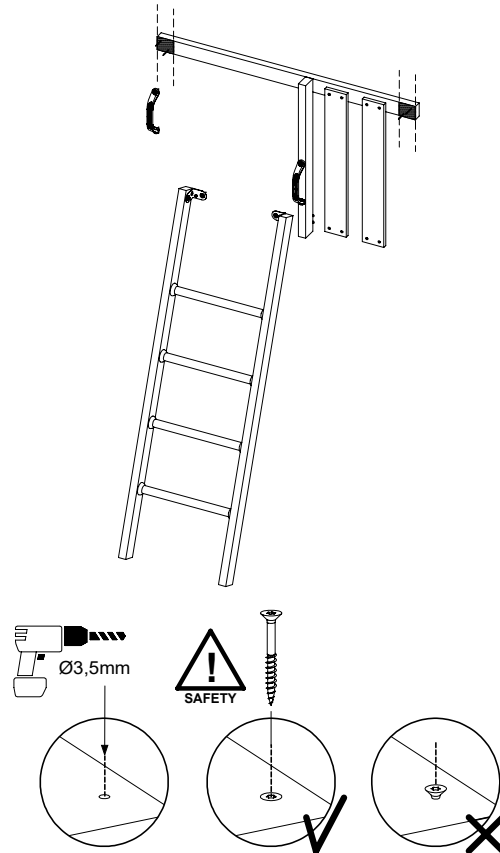


19 LA15: Ladder 115 145 U Left

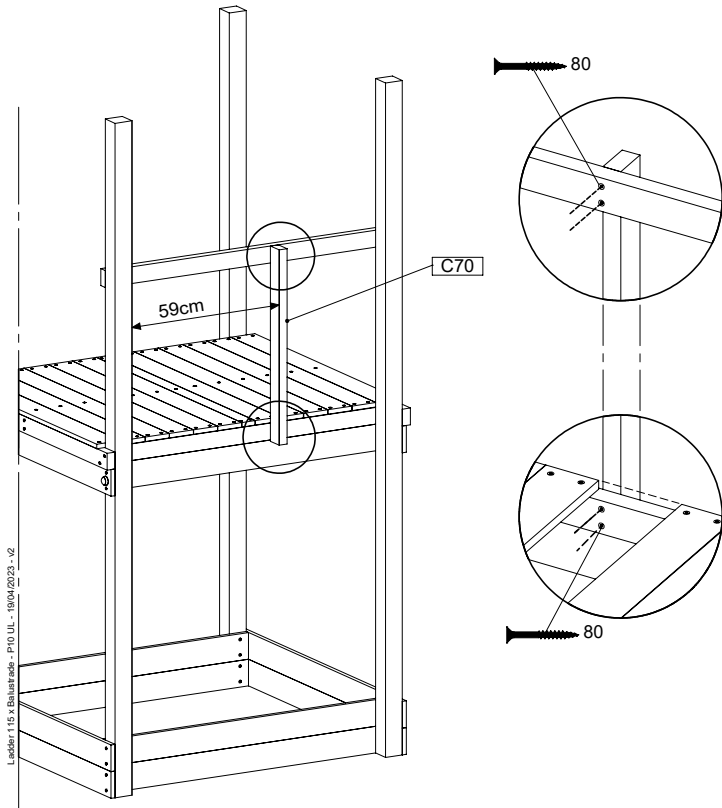
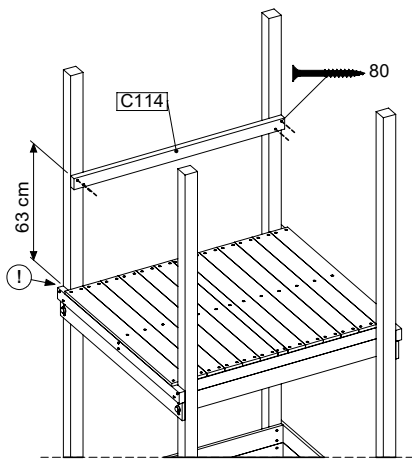
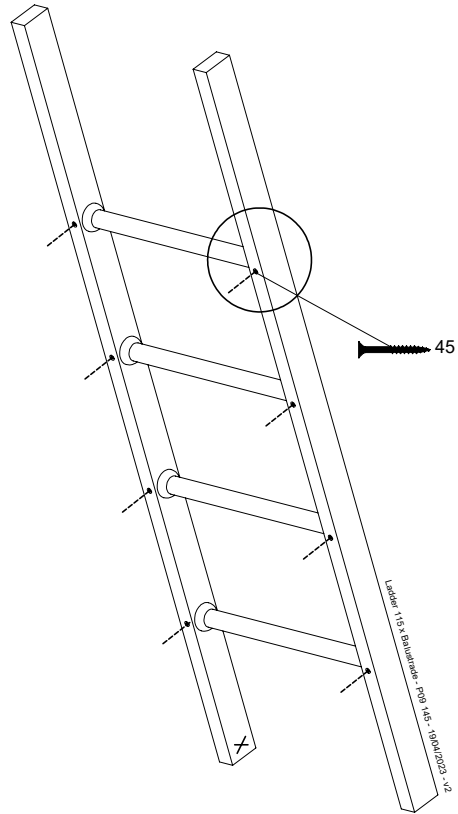
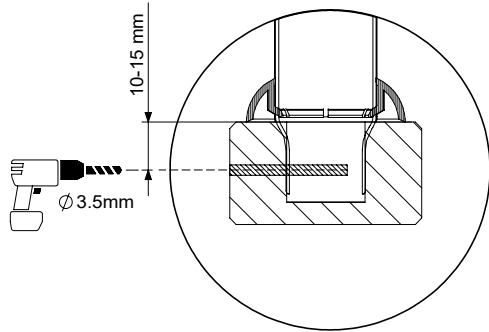
(194_004 + 194_101)

	PartNo	PartName	QTY.
Hardware Pack	001_404	Stealth Screw 8x30	4
	002_219	Gap Point Screw T25 - 5x30	4
	002_220	Gap Point Screw T25 - 5x45	16
	002_223	Gap Point Screw T25 - 5x80	8
Other	005_03x	Ladder Rung Y/B/G/R	4
	005_522	Connection Bracket Mini Market	2
	022_835	Rung Cap	8
	120_102	Handgrip set (complete 2x)	1
Timber	C114	Beam 1140 mm	1
	C150	Beam 1500 mm	2
	C70	Beam 700 mm	1
	D65	Board 650 mm	2

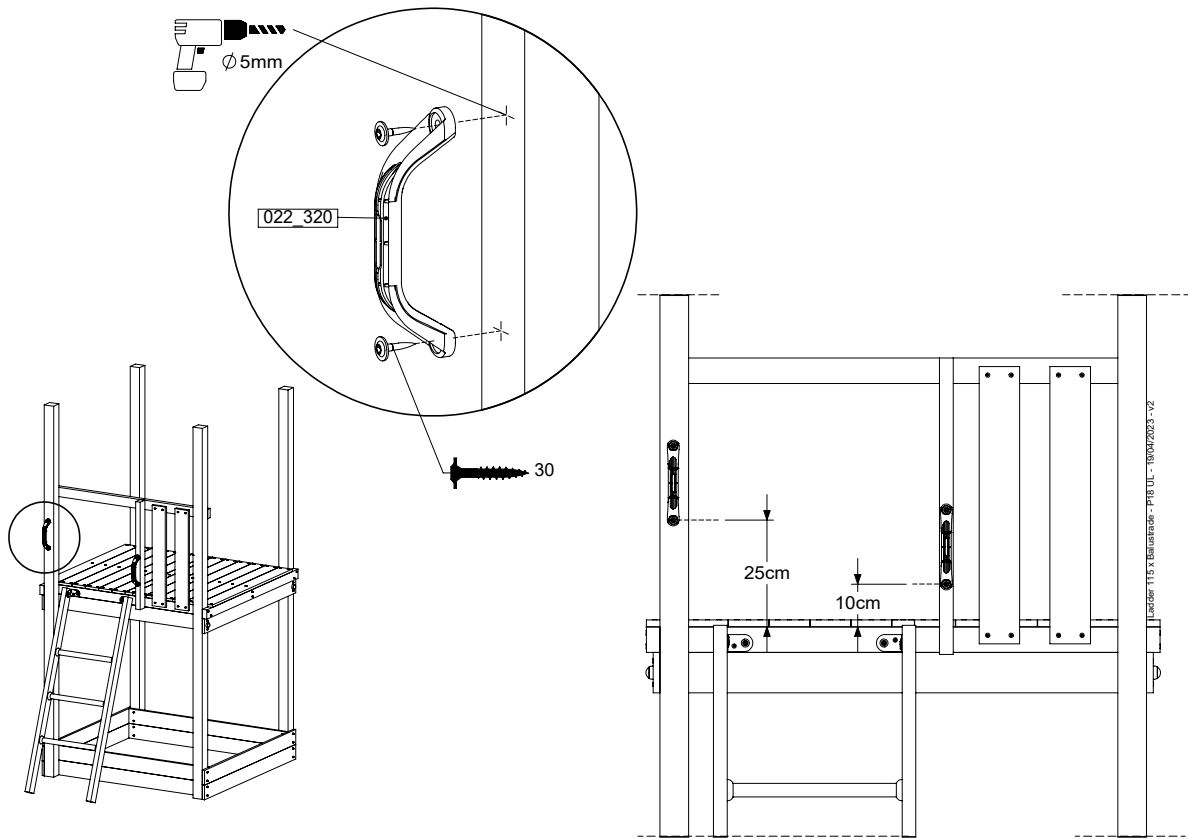
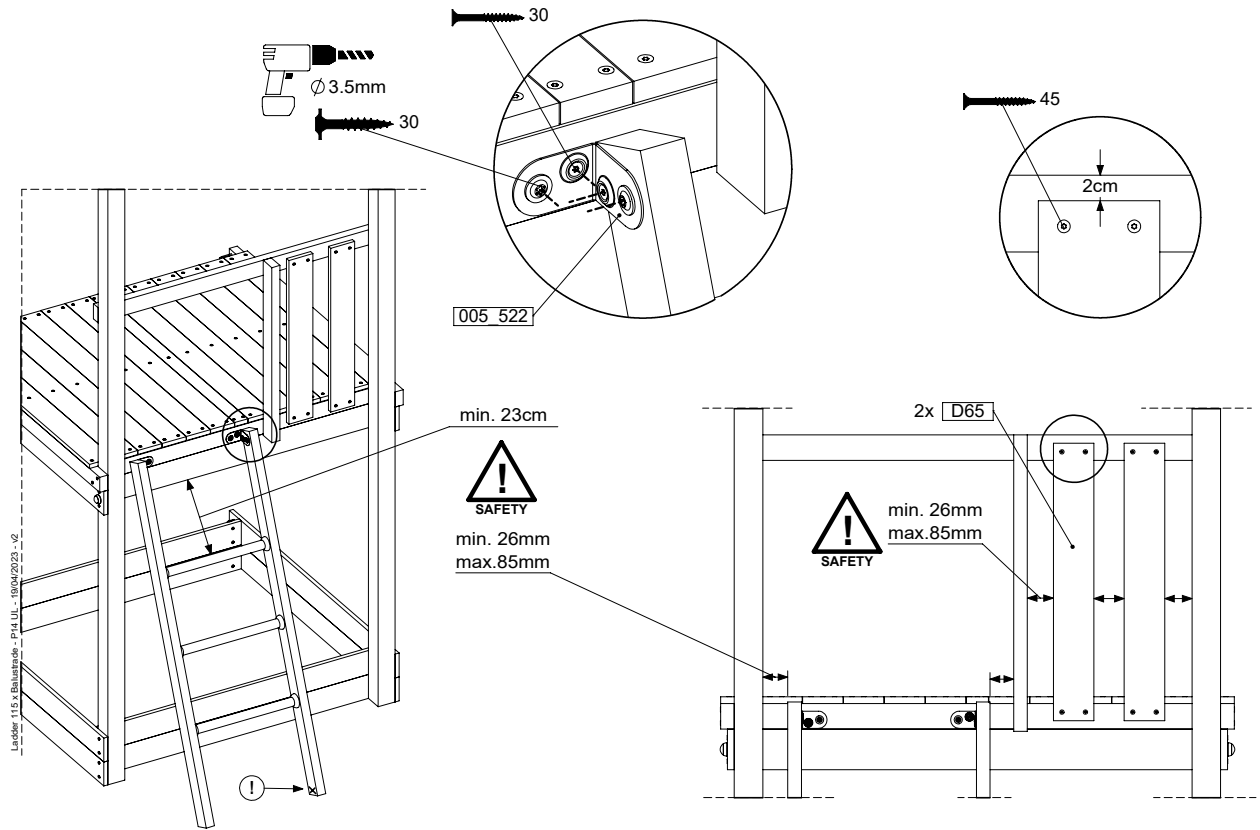
Ladder 115 x Balustrade - P07 LL 145 - 19/04/2023 - v2



19.1



19.2

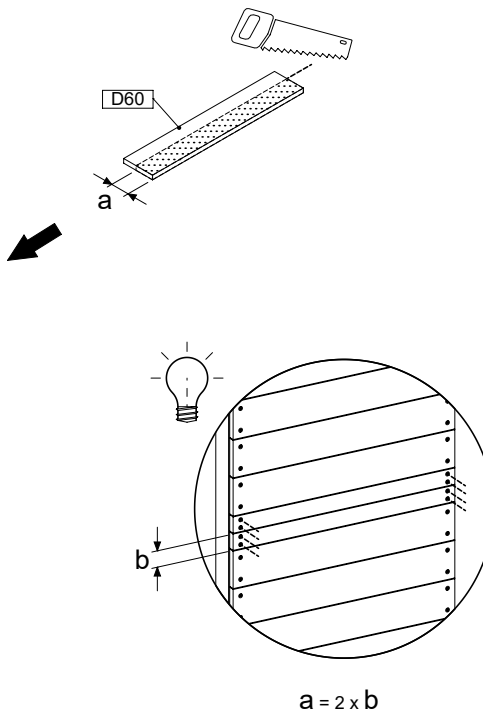
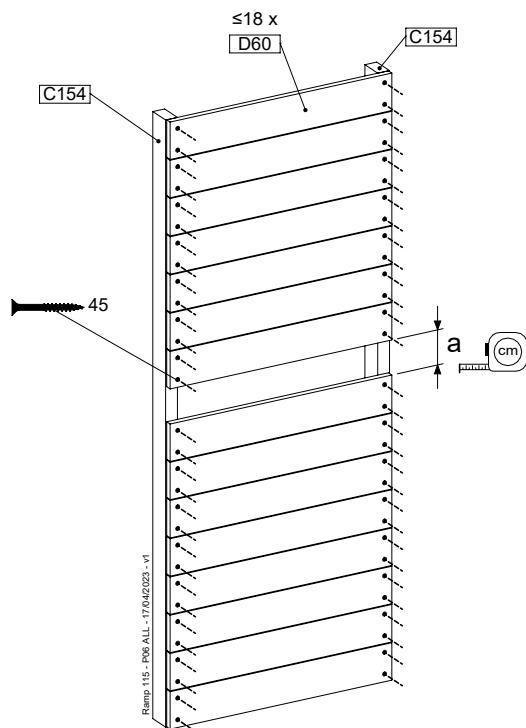
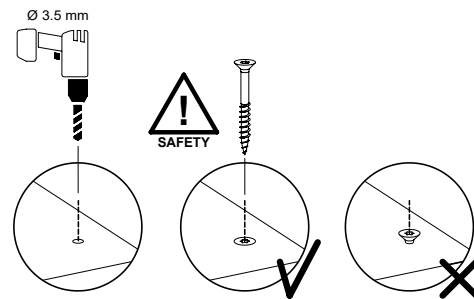
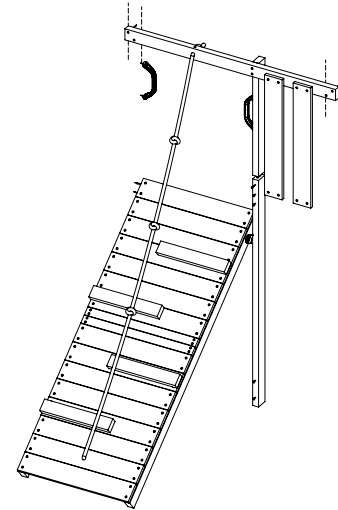


20 RA07: Ramp 115 125 TL

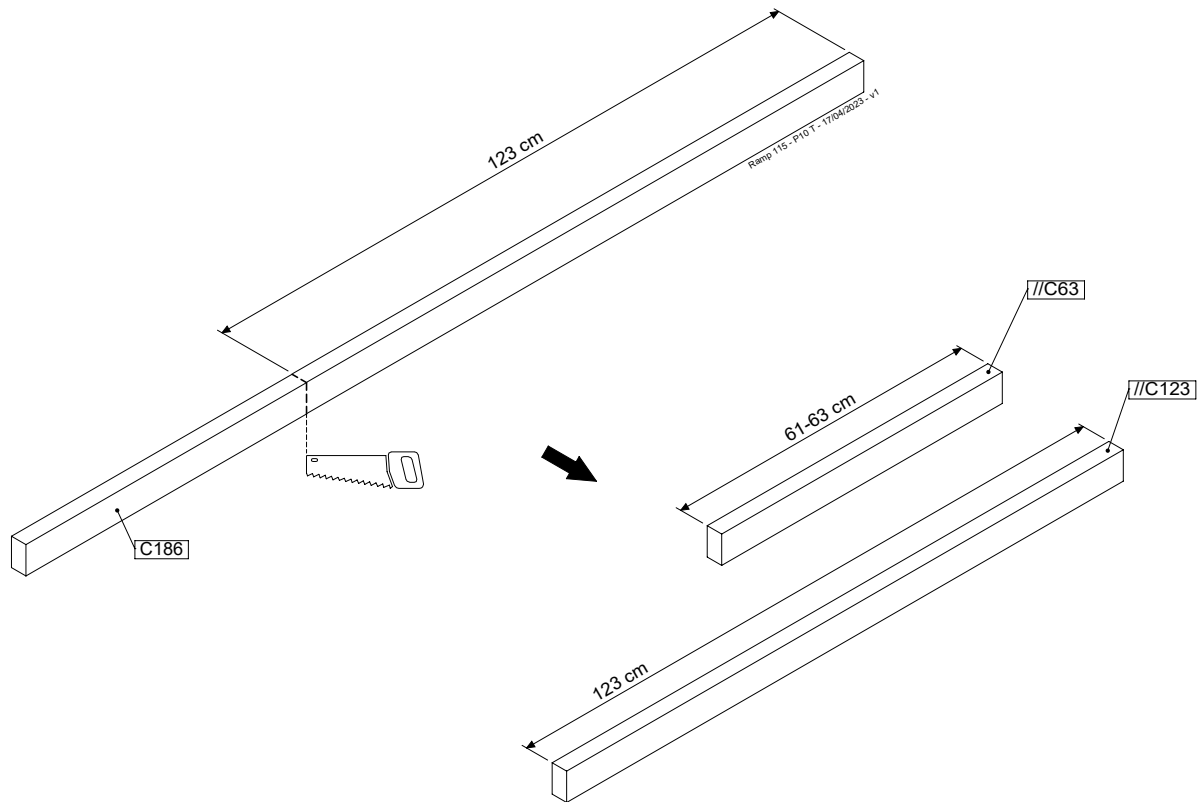
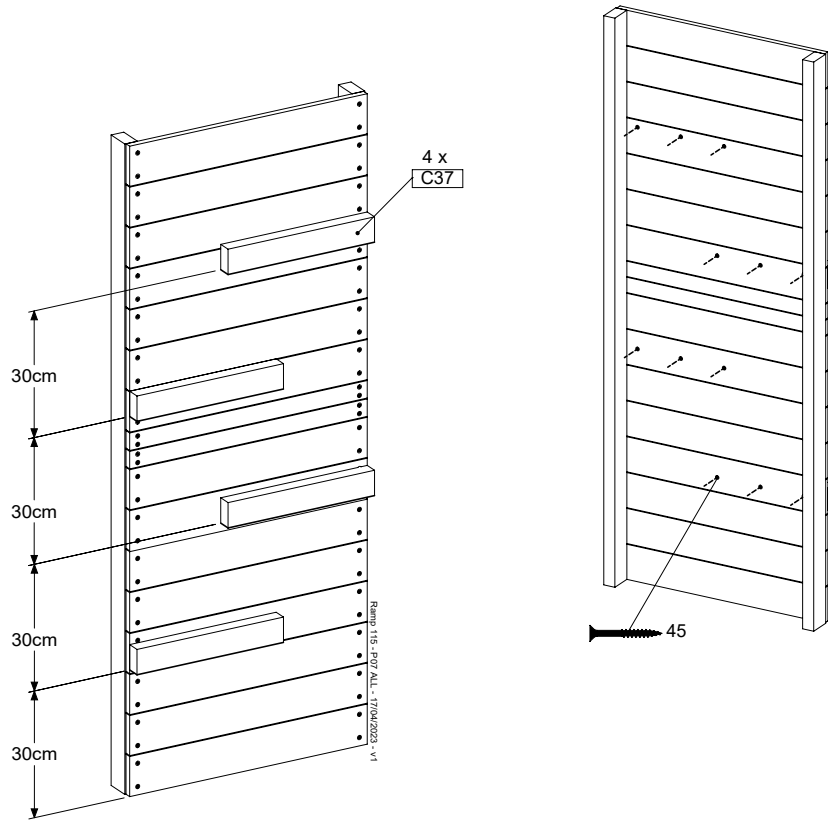
(194_008)

	PartNo	PartName	QTY.
Hardware Pack	001_404	Stealth Screw 8x30	2
	001_411	Stealth Screw 8x60	1
	001_417	Stealth Screw 8x80	2
	002_220	Gap Point Screw T25 - 5x45	97
	002_223	Gap Point Screw T25 - 5x80	10
Other	005_514	Ladder Bracket	1
	020_317	Rope Polyester 16mm Green 3.4m	1
	120_102	Handgrip set (2x Complete)	1
Timber	C37	Beam 370 mm	4
	C114	Beam 1140 mm	1
	C154	Beam 1540 mm	2
	C186	Beam 1860 mm	1
	D60	Board 600 mm	18
	D65	Board 650 mm	2

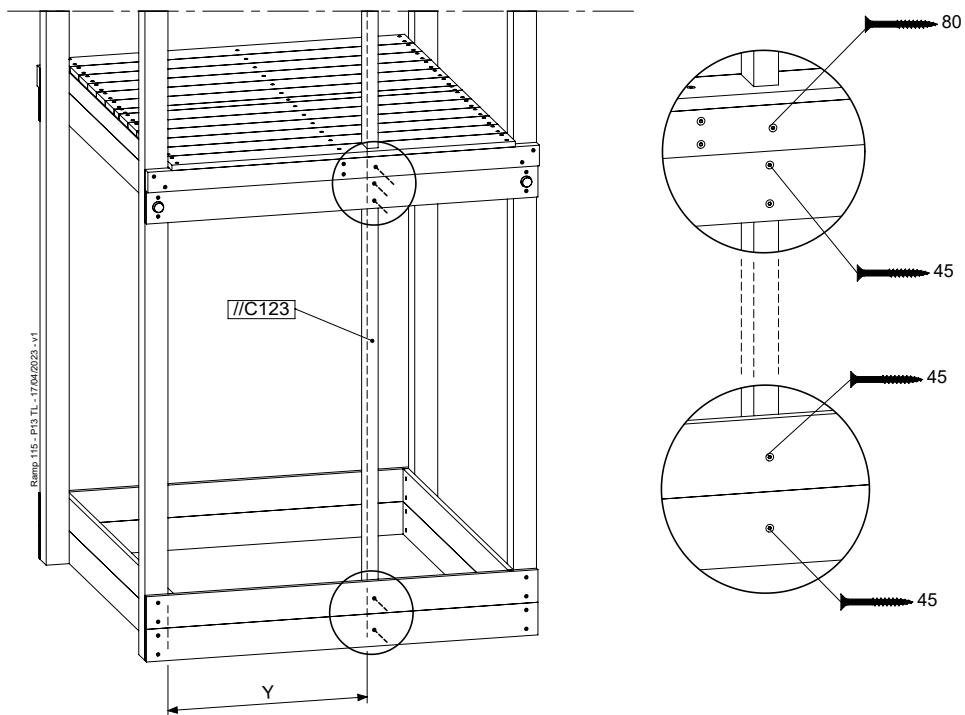
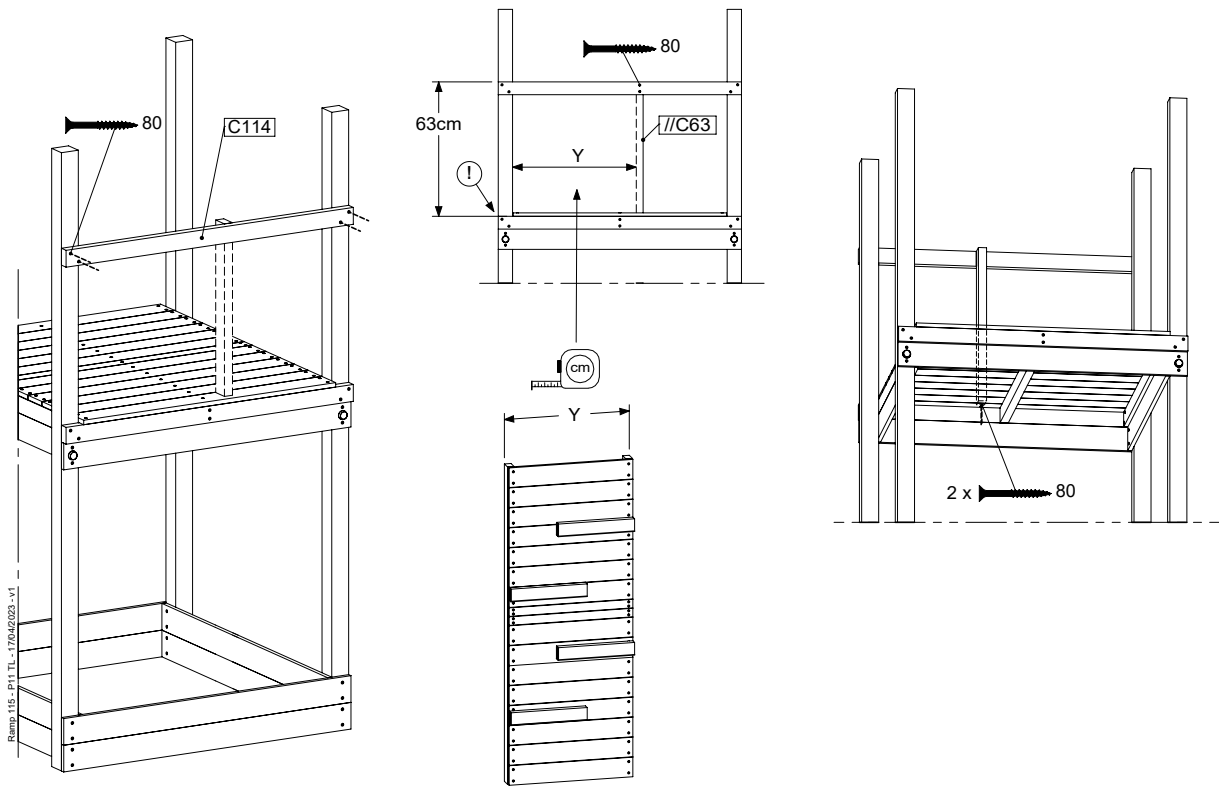
Ramp 115 - 104 - TL - 17/04/2023 - v1



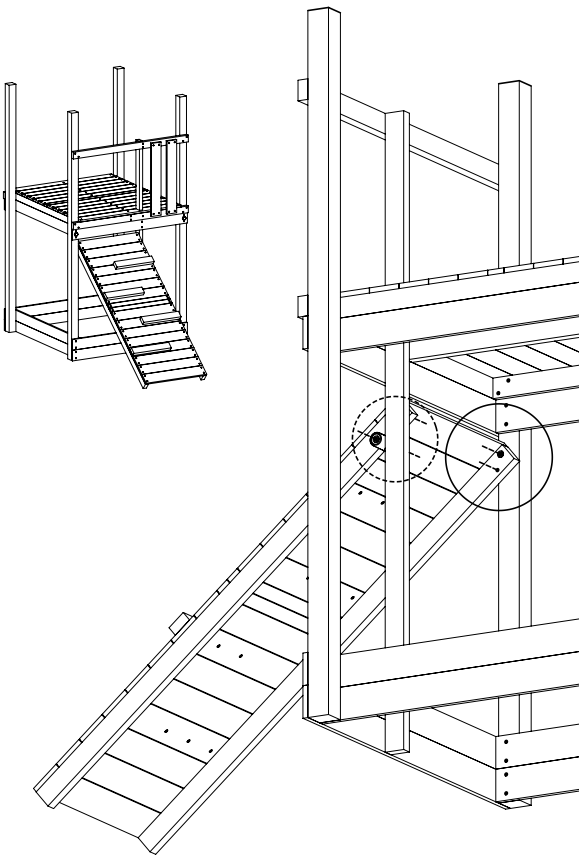
20.1



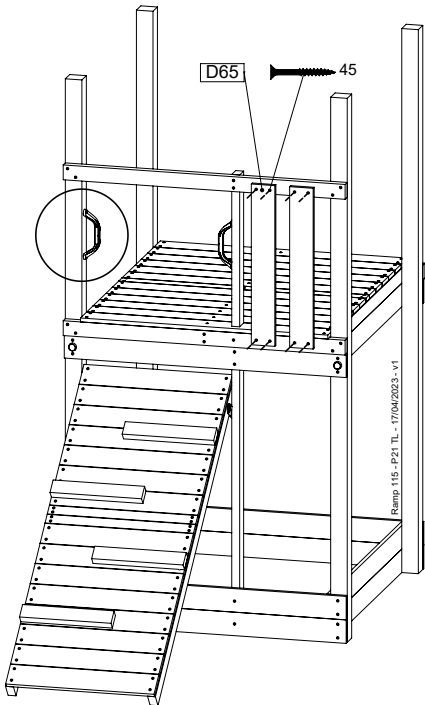
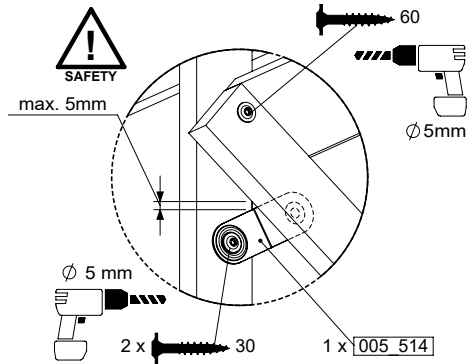
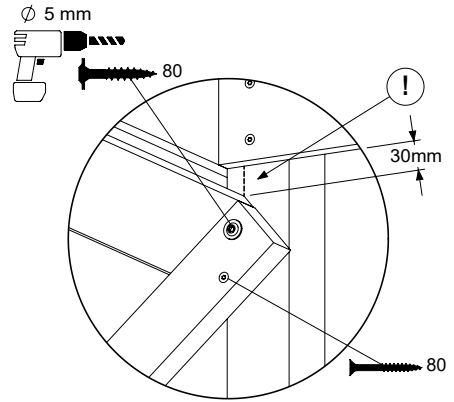
20.2



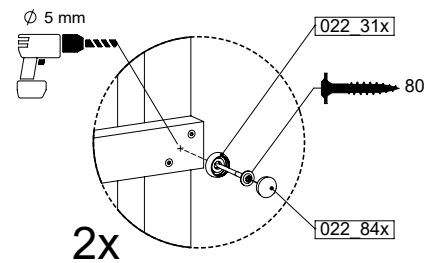
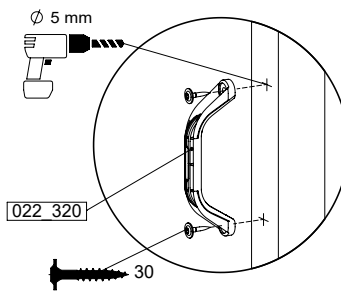
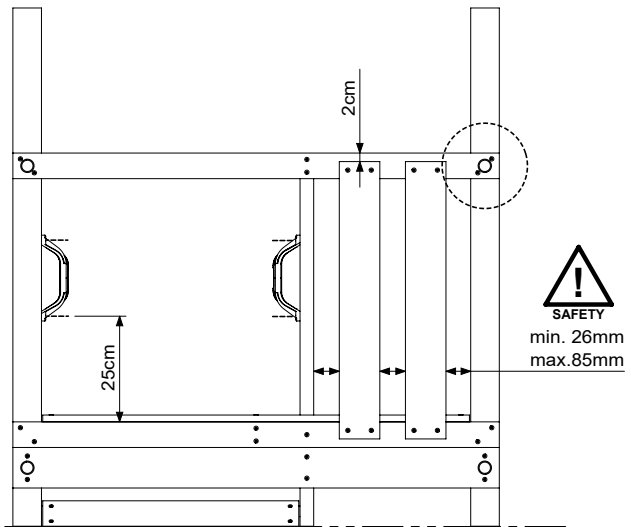
20.3



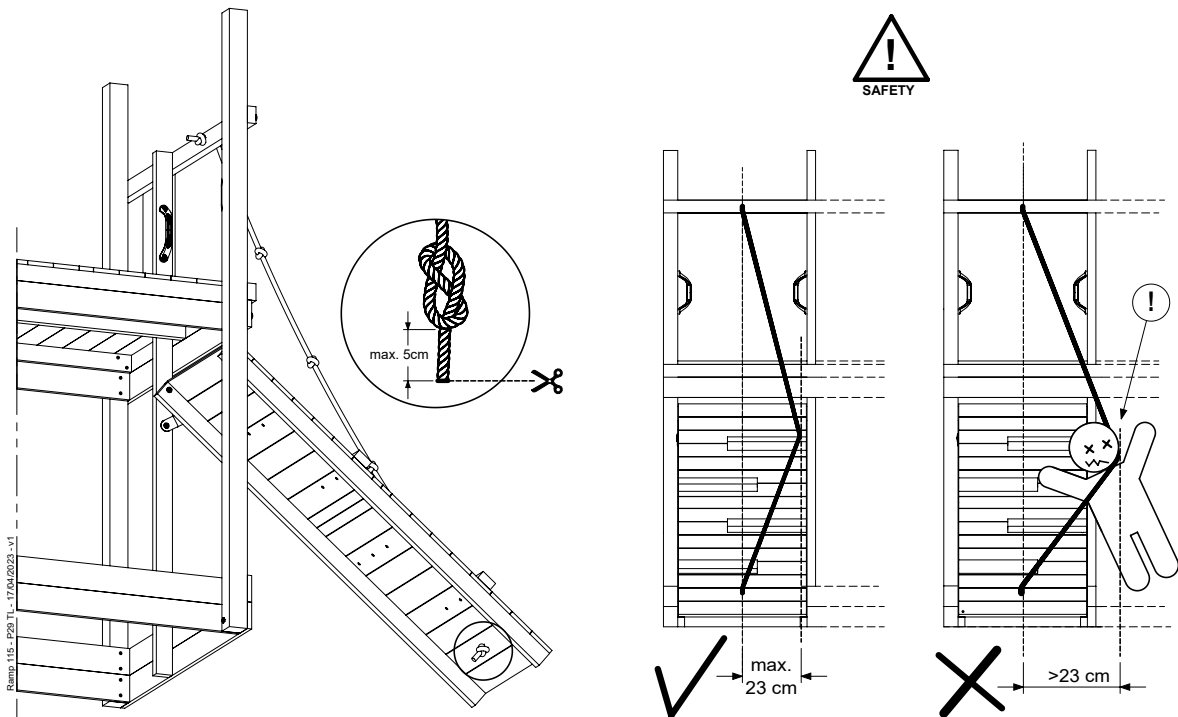
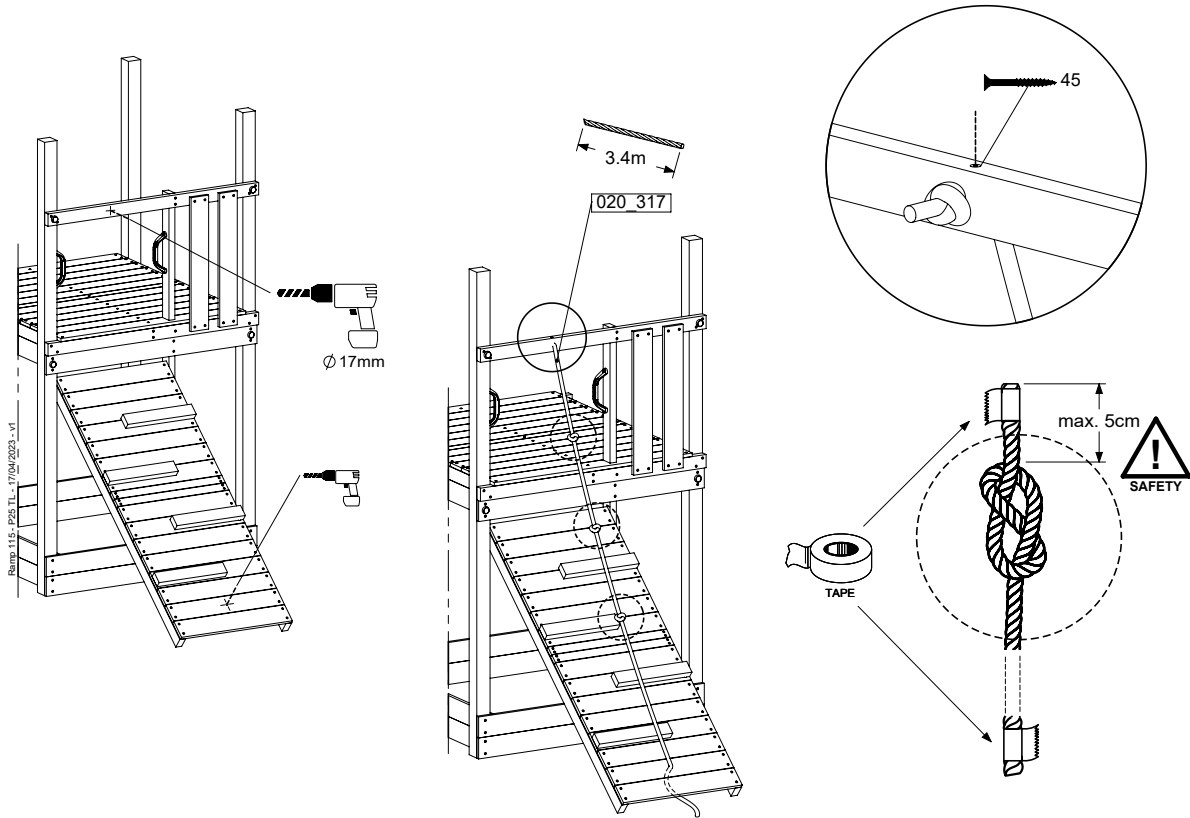
Ramp 115 - P17 TL - 1704/2023 - v1



Ramp 115 - P21 TL - 1704/2023 - v1



20.4



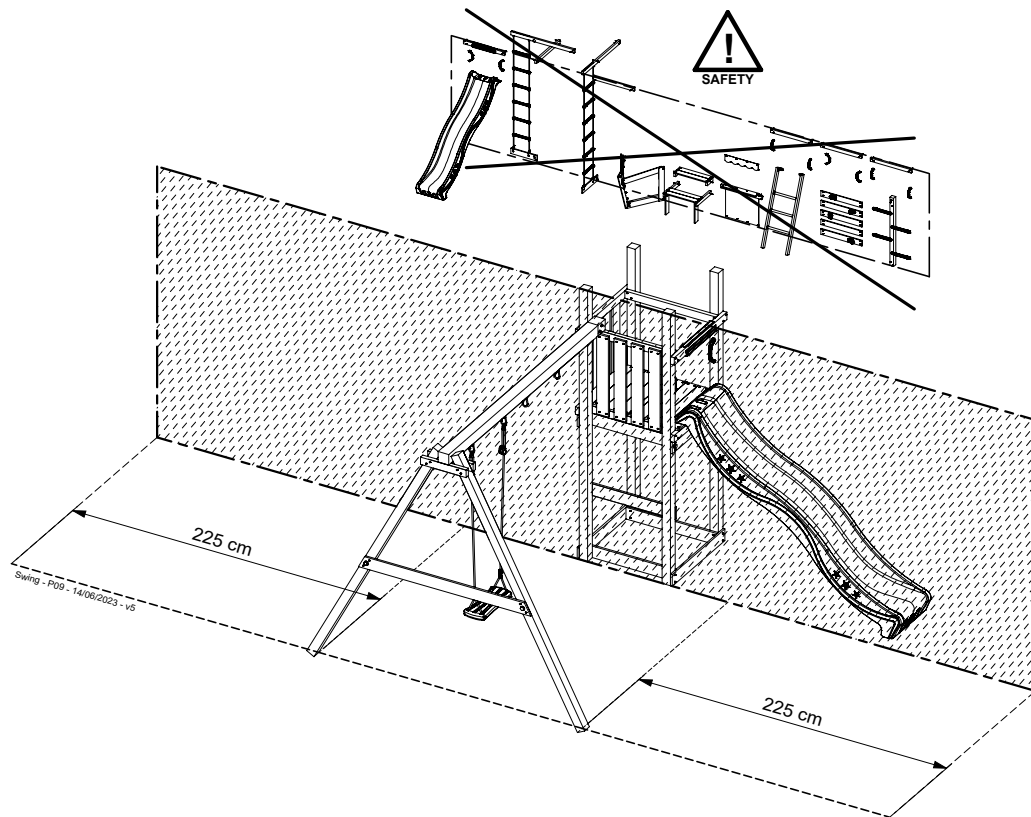
21 SW13: 2-Swing Module 220

(457_102)

	PartNo	PartName	QTY.
Hardware Pack	001_406	Stealth Screw 8x45	4
	001_417	Stealth Screw 8x80	3 / 4
	001_422	Stealth Screw 8x137	3
	002_220	Gap Point Screw T25 - 5x45	12
	002_223	Gap Point Screw T25 - 5x80	6
Other	005_528	Swing Beam Bracket 7x7	1
	007_001	Ground-anchor	2
	022_31x	bpc-base version 3	2
	022_84x	bpc cover	2
	023_031	Finishing Washer GPS 5.0	2
Timber	101_003	Swing hook with Carabiner	4
	A220	Post 70x70 L2200	2
	B220	Post 90x90 L2200	1
	C37	Beam 370 mm	2
	D141	Board 1410 mm	2

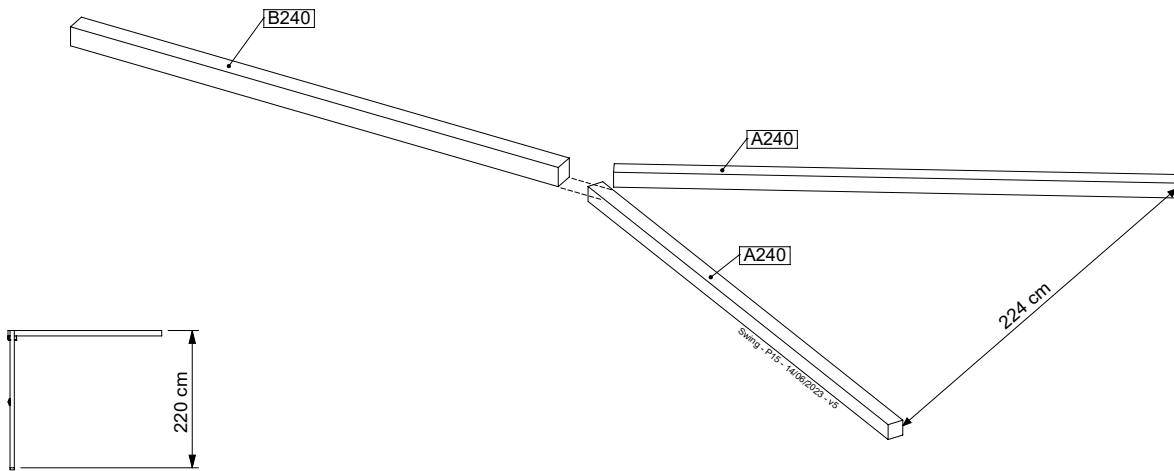
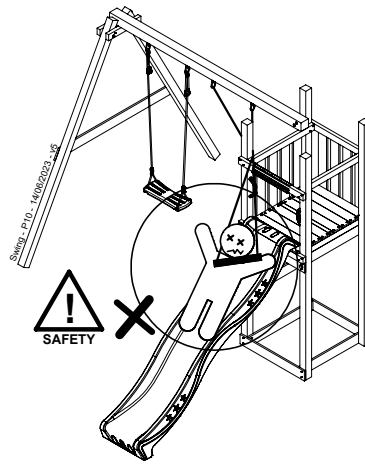
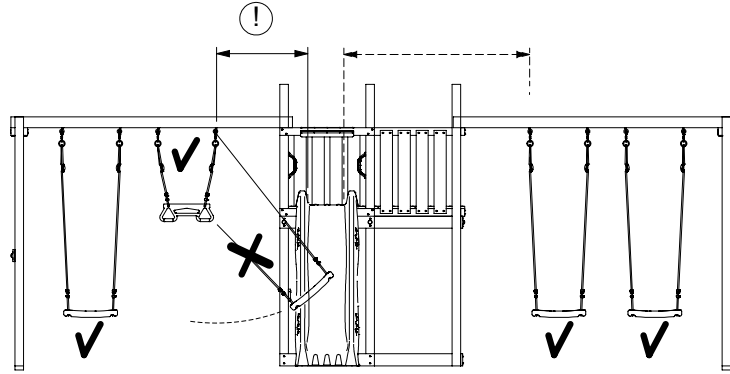
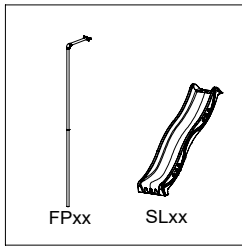
Swing - P09 - 14/06/2023 - v5

2-Swing Module 220



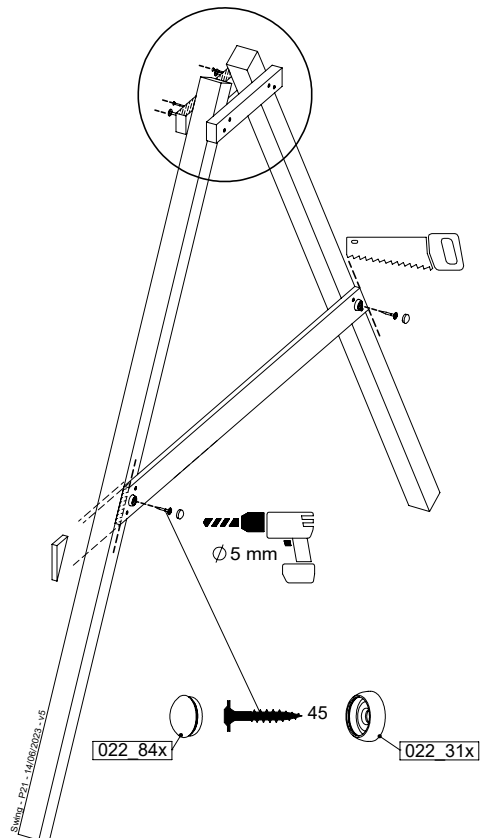
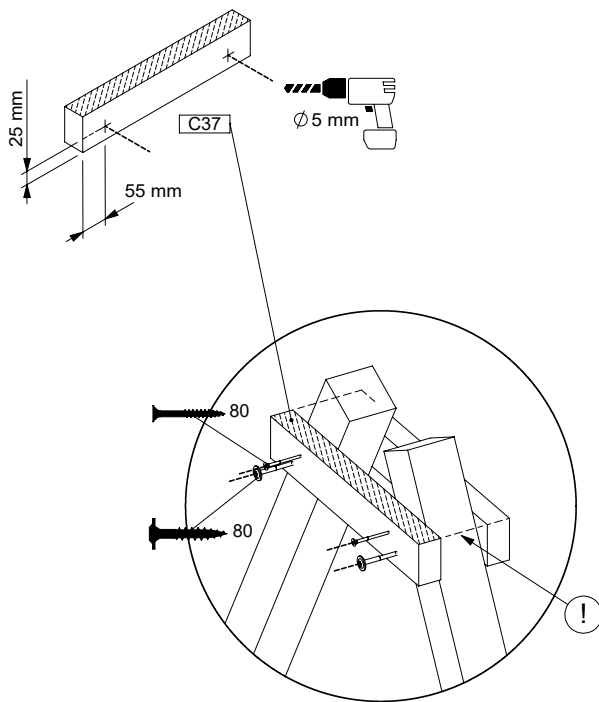
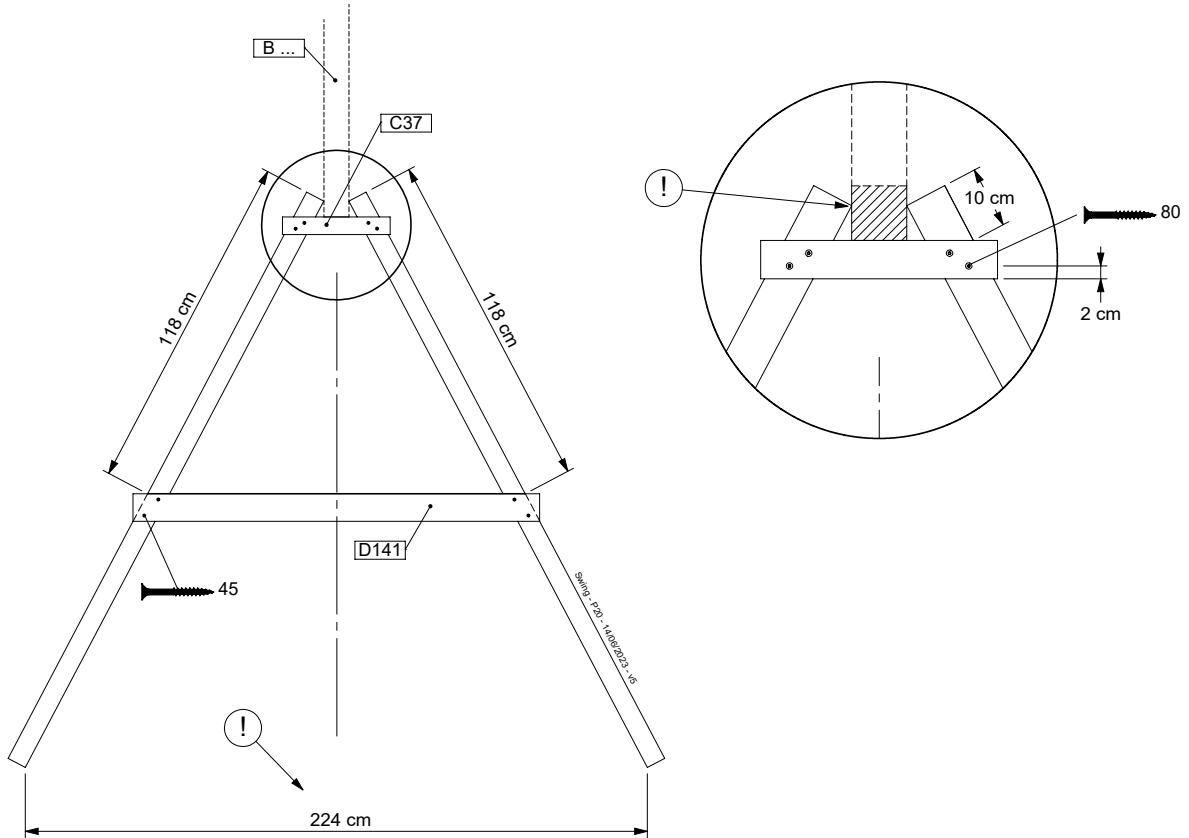
Swing - P09 - 14/06/2023 - v5

21.1

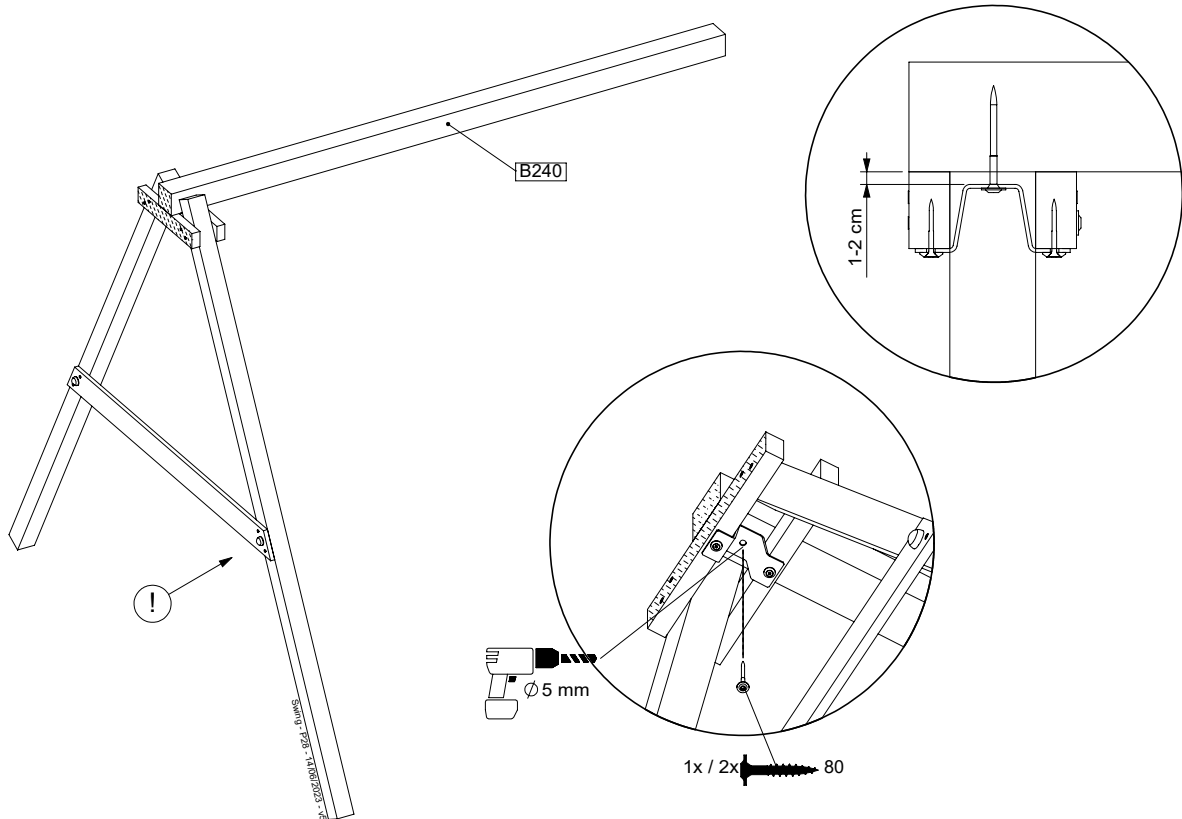
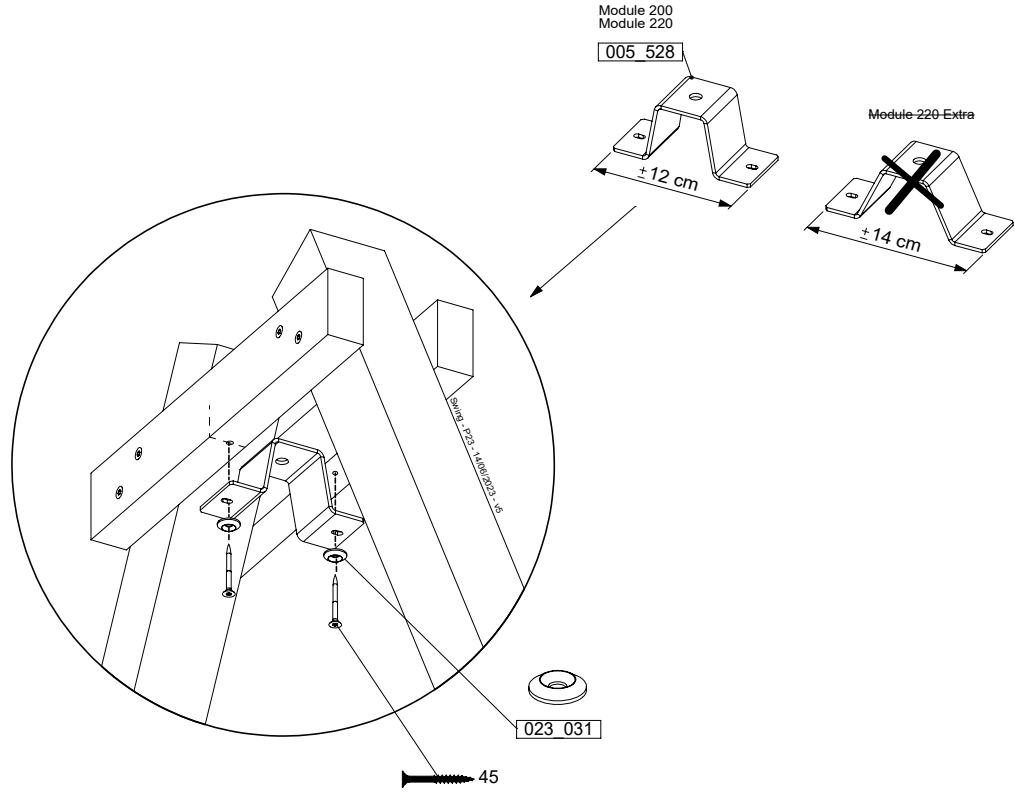


2-Swing Module 220

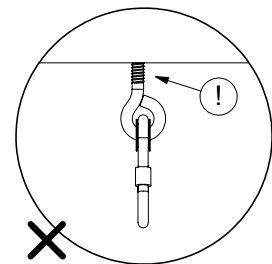
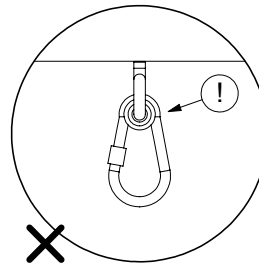
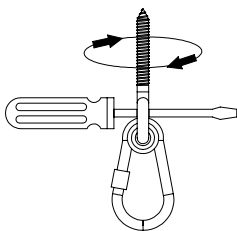
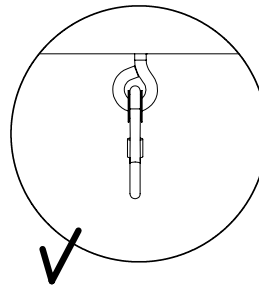
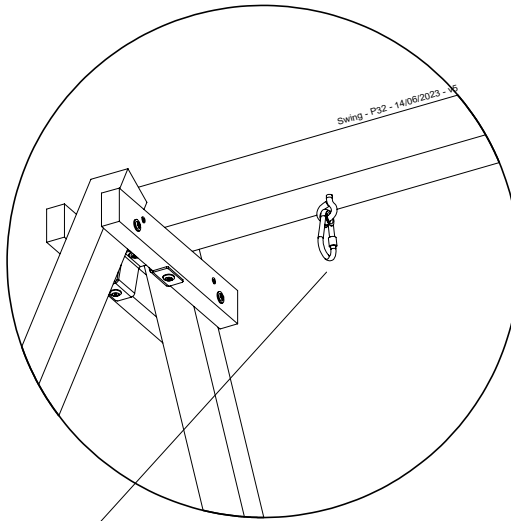
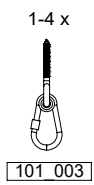
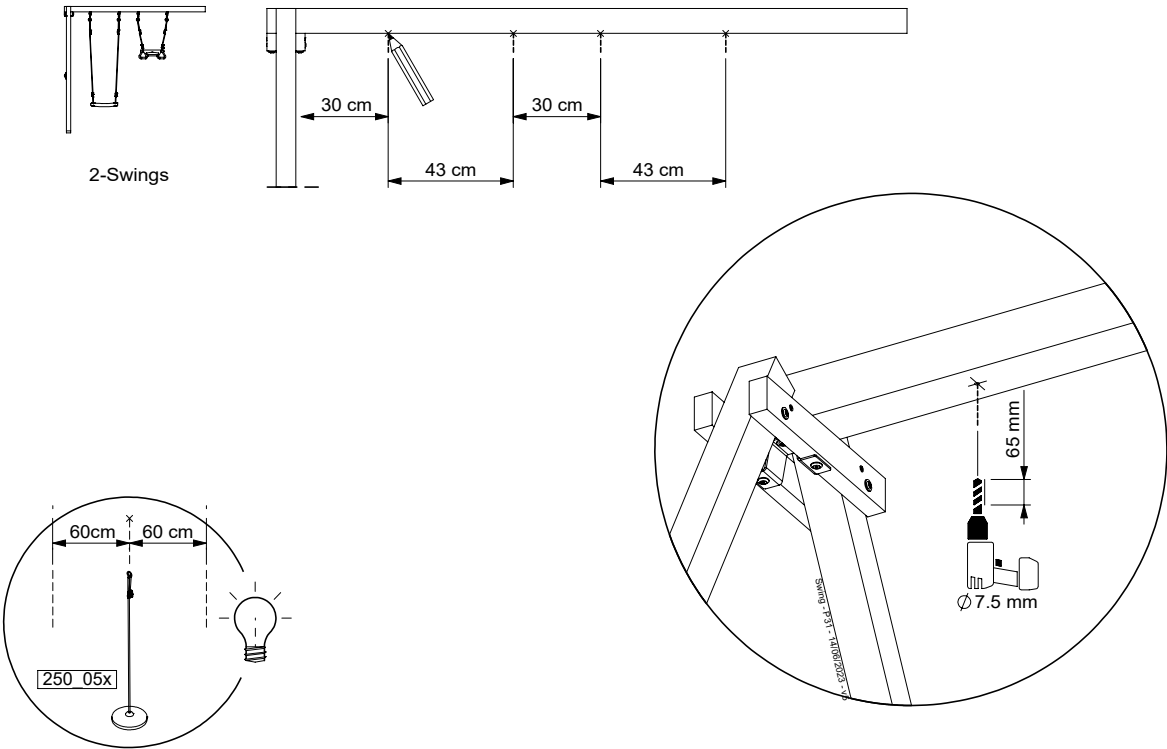
21.2



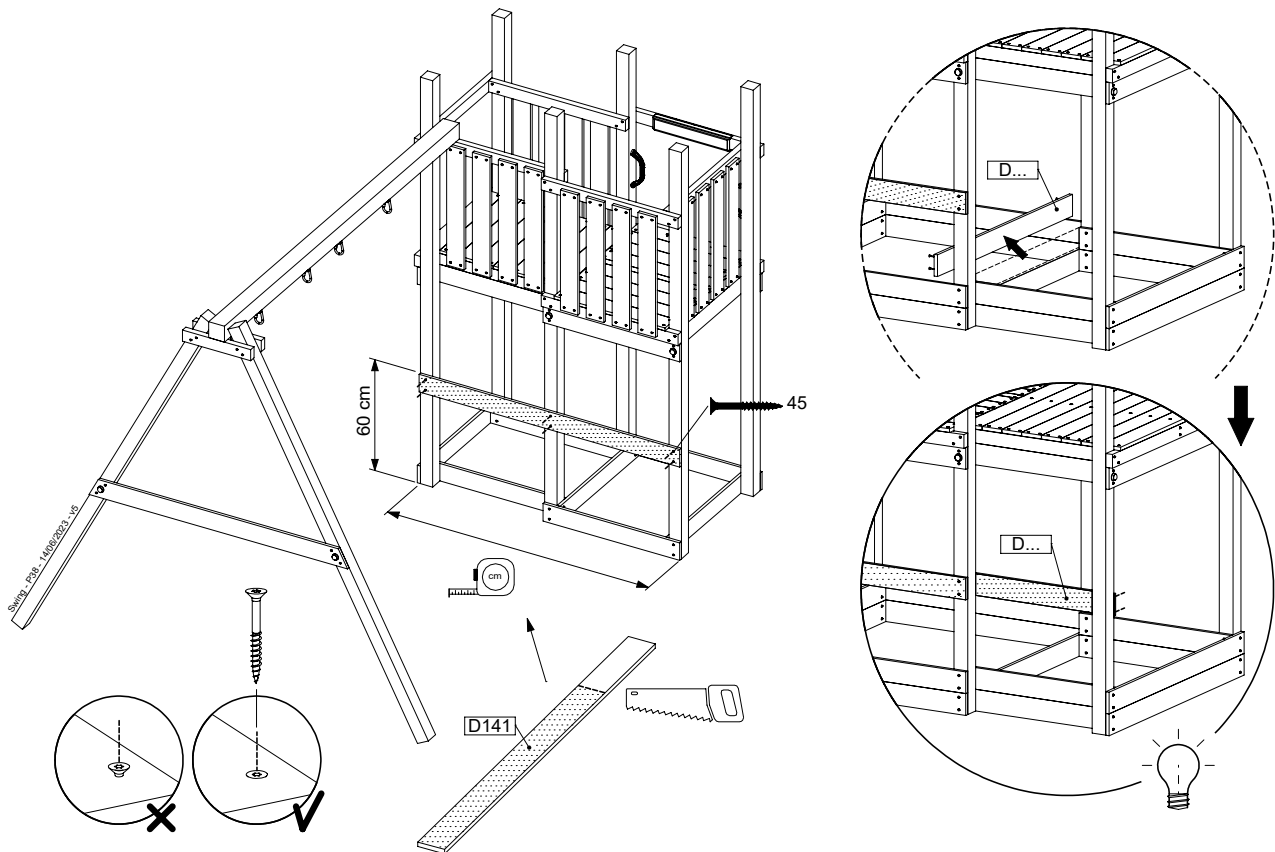
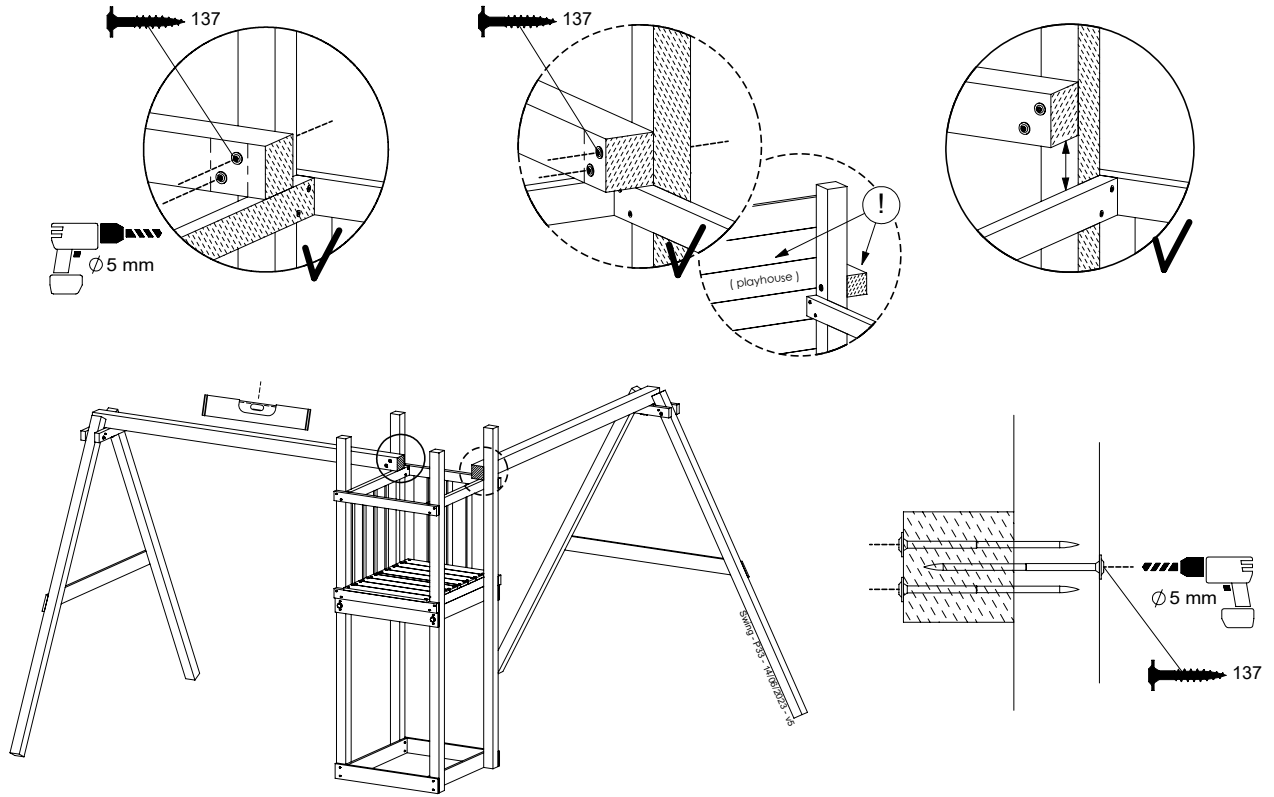
21.3



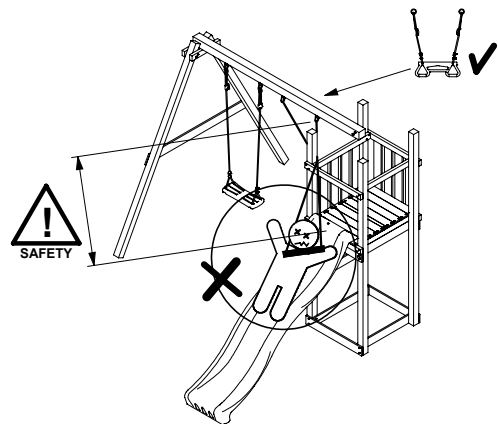
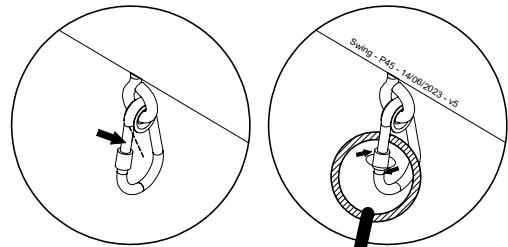
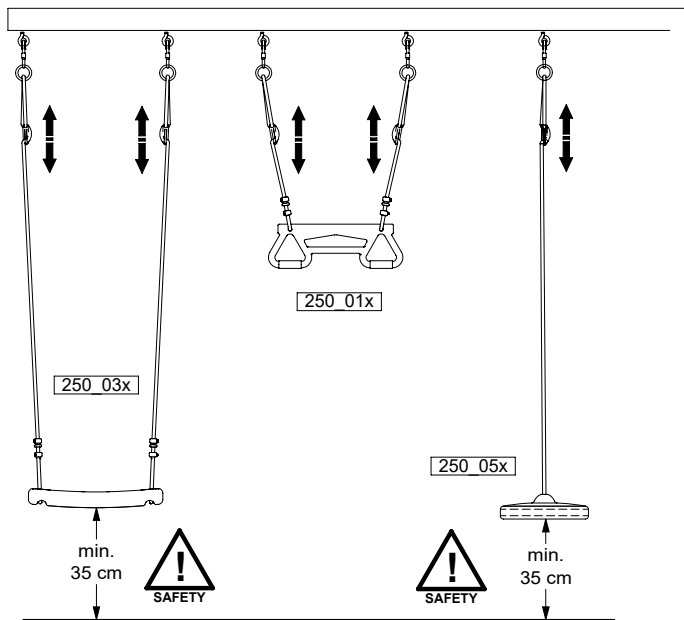
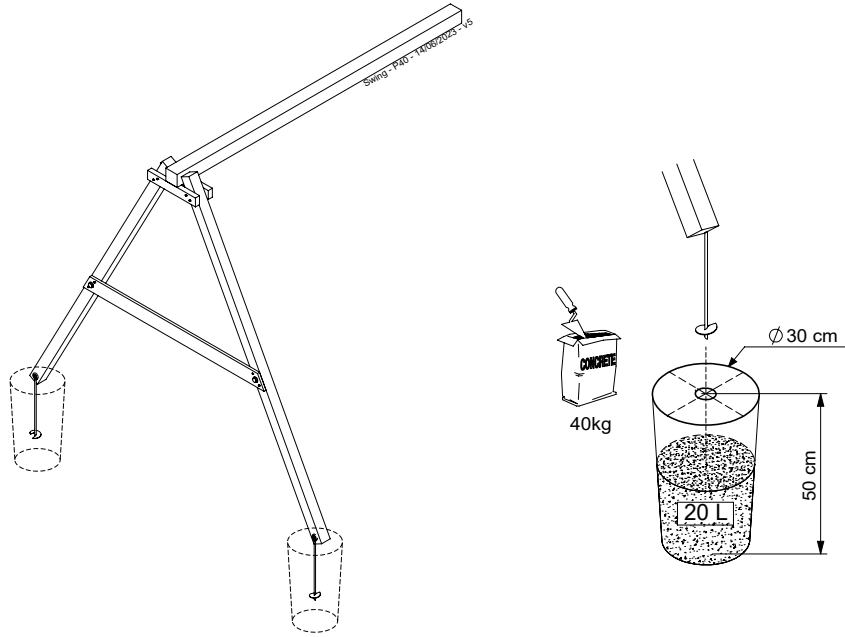
21.4



21.5



21.6

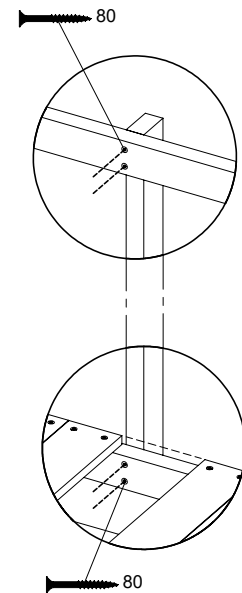
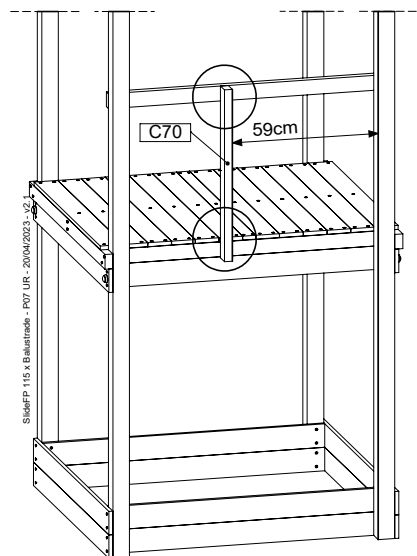
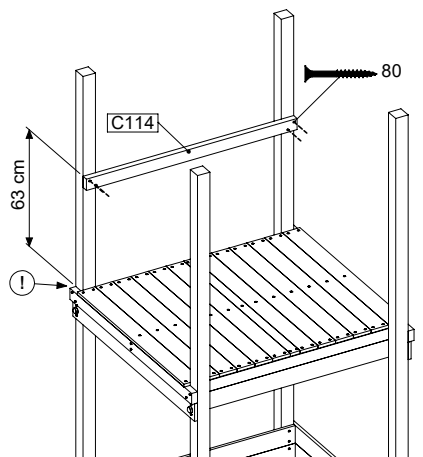
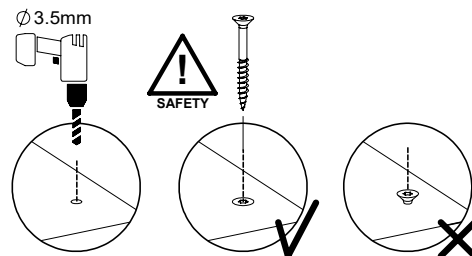
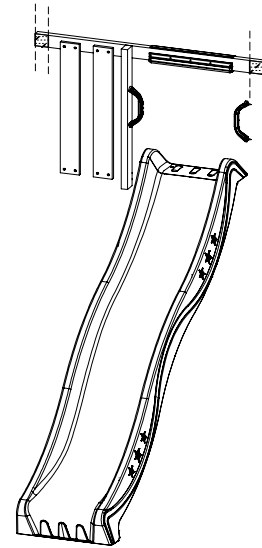


22 SL11: Slide 115 145 U Right

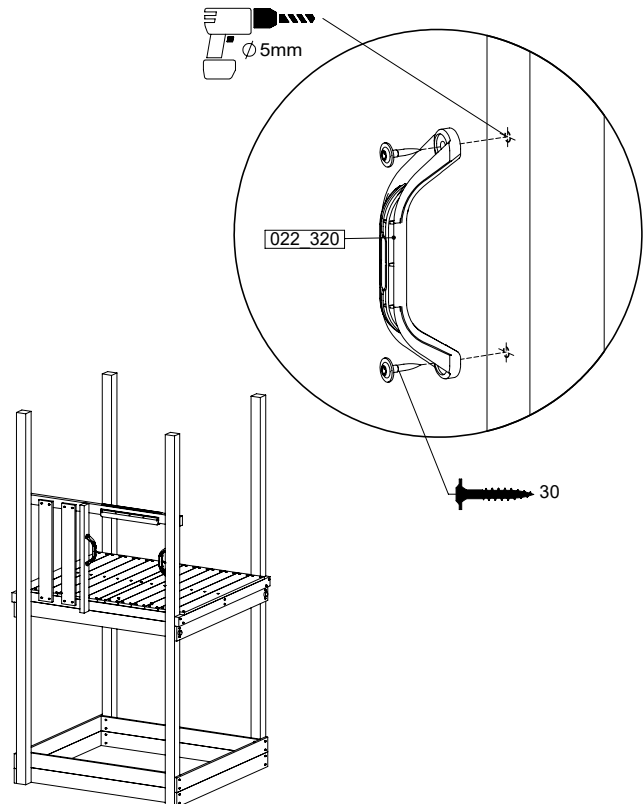
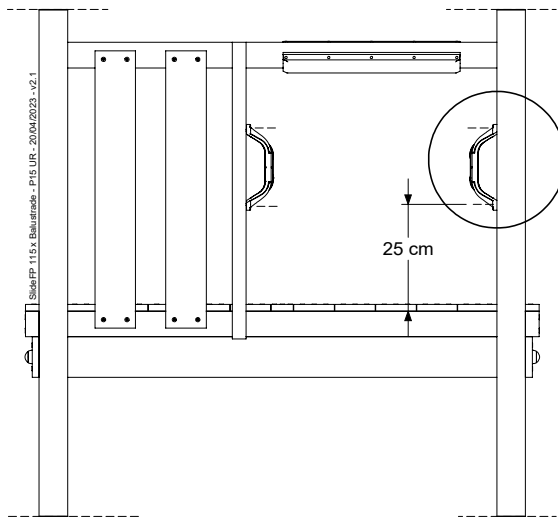
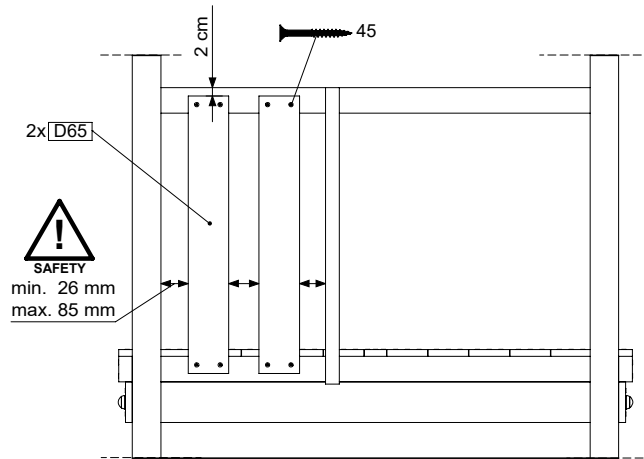
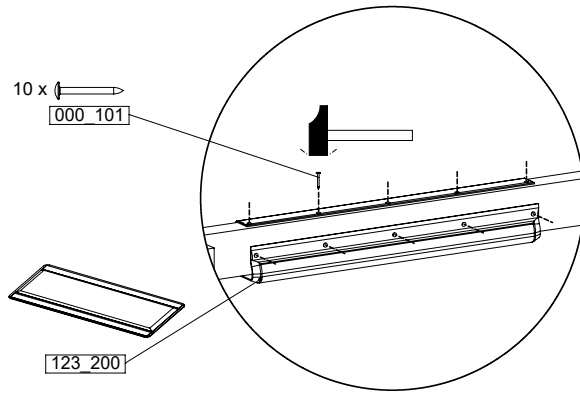
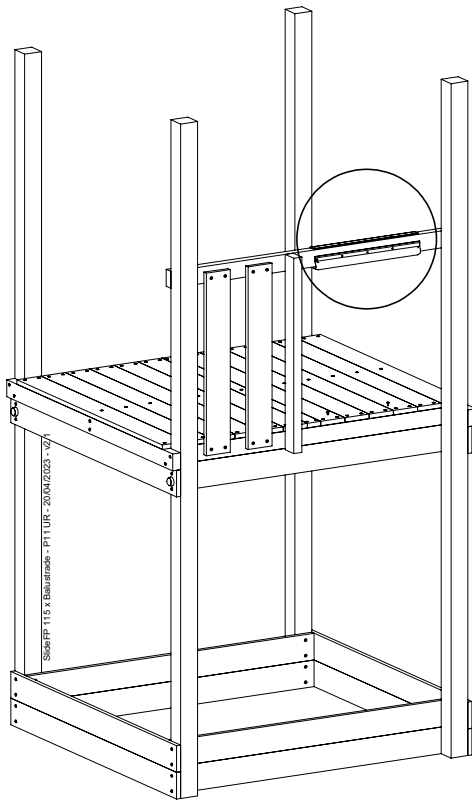
(194_107 + 194_101)

	PartNo	PartName	QTY.
Hardware Pack	000_101	Nail Pan Head	10
	002_220	Gap Point Screw T25 - 5x45	8
	002_223	Gap Point Screw T25 - 5x80	8
	002_308	Gap Point Screw T25 - 5x20	2
Other	120_102	Handgrip set (complete 2x)	1
	123_200	Bumperpad	1
	324_xxx 334_xxx	Wavy Star Slide XL 2200 mm / Wavy Star Slide XXL 2650 mm	1
Timber	C114	Beam 1140 mm	1
	C70	Beam 700 mm	1
	D65	Board 650 mm	2

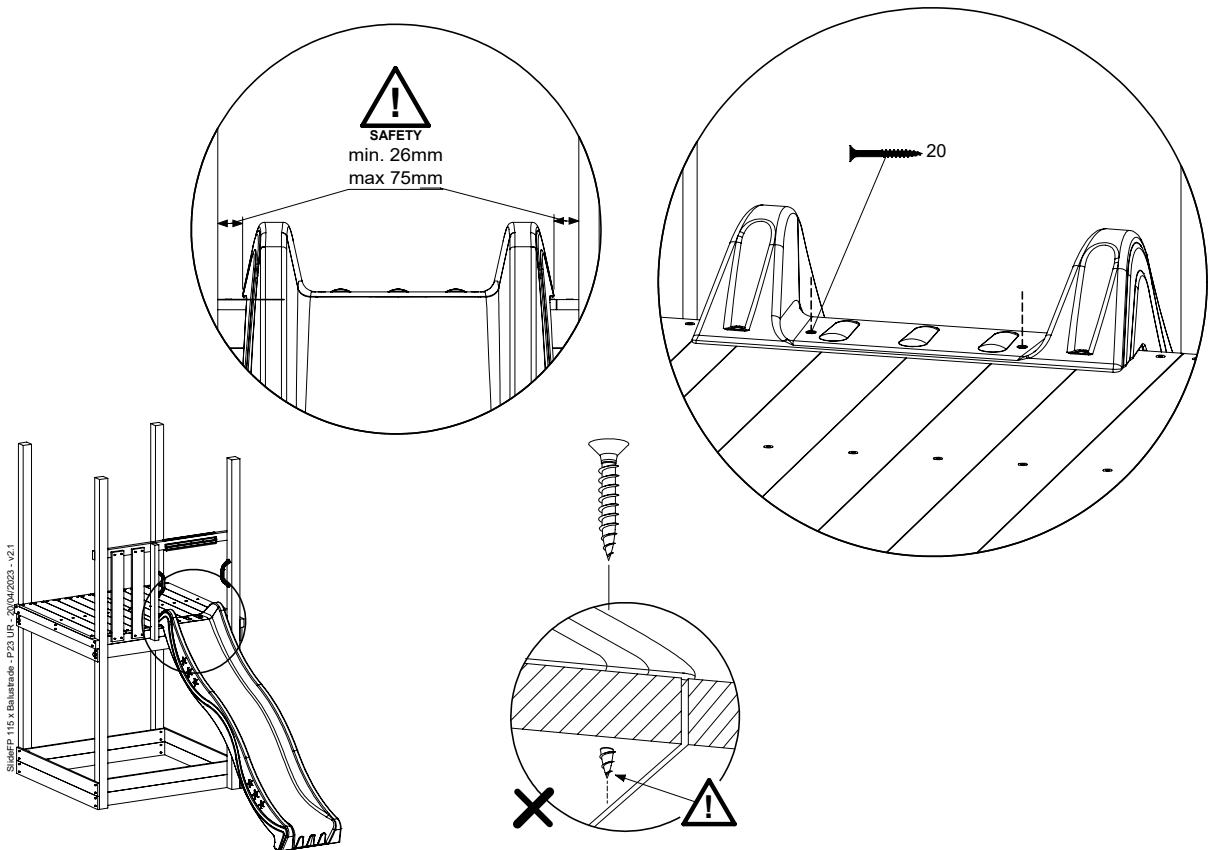
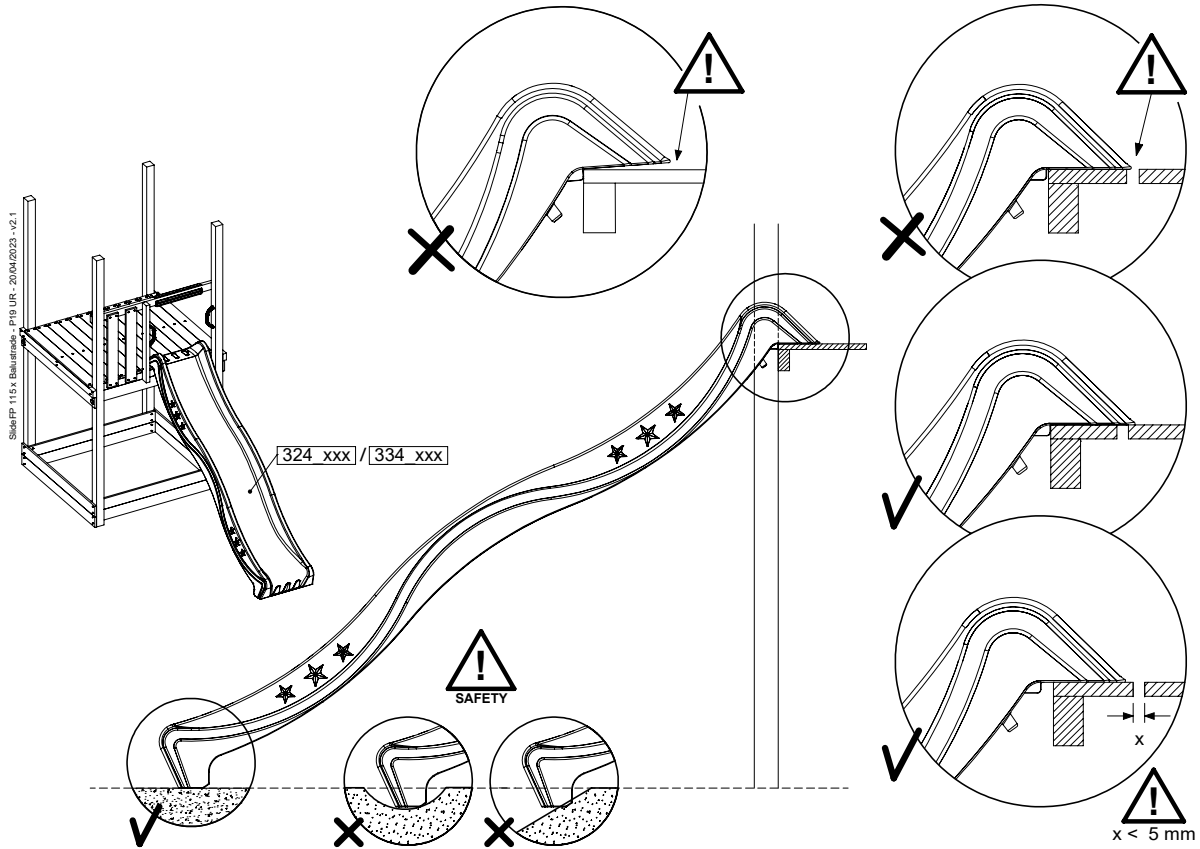
SlideP 115 x Beamaade - R03 UR - 20/04/2023 - v2.1



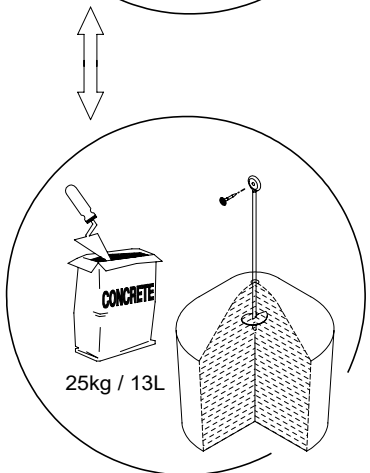
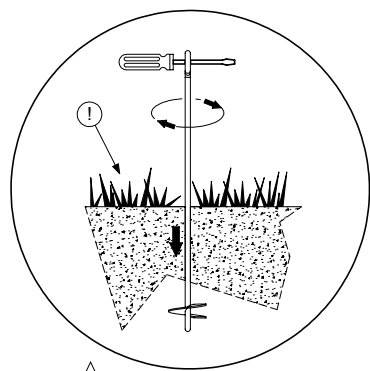
22.1



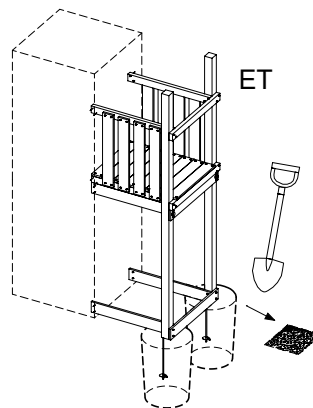
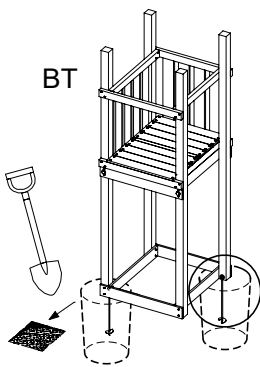
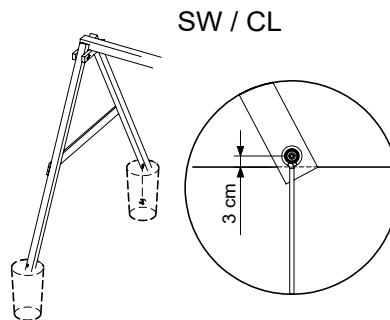
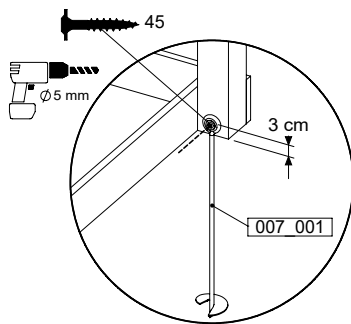
22.2



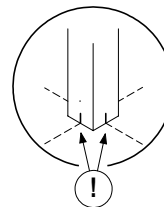
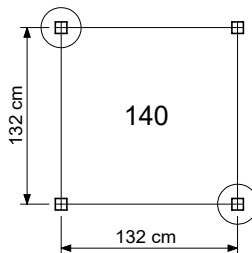
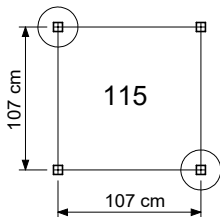
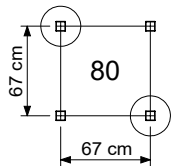
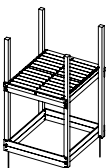
23 GA: Ground Anchors



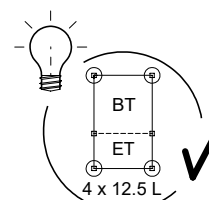
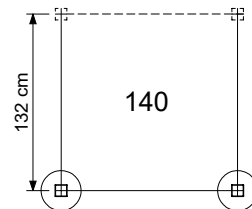
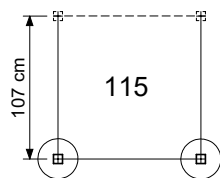
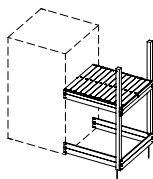
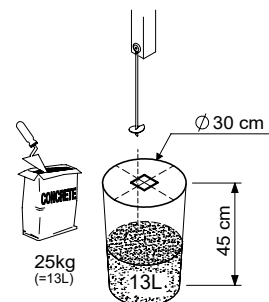
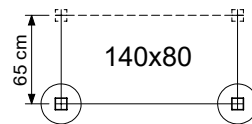
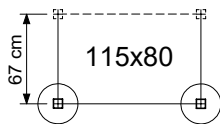
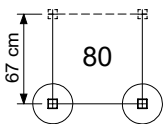
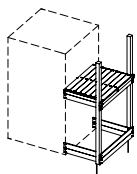
Ground Anchors Unit - P03 - 04/07/2023 - v1.2



BASE TOWERS

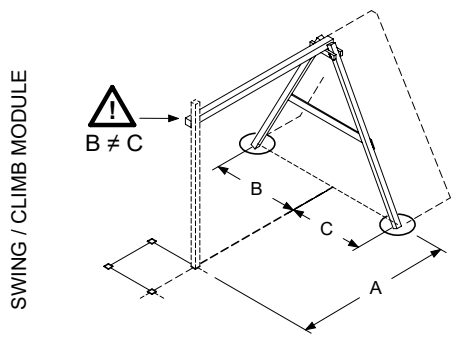
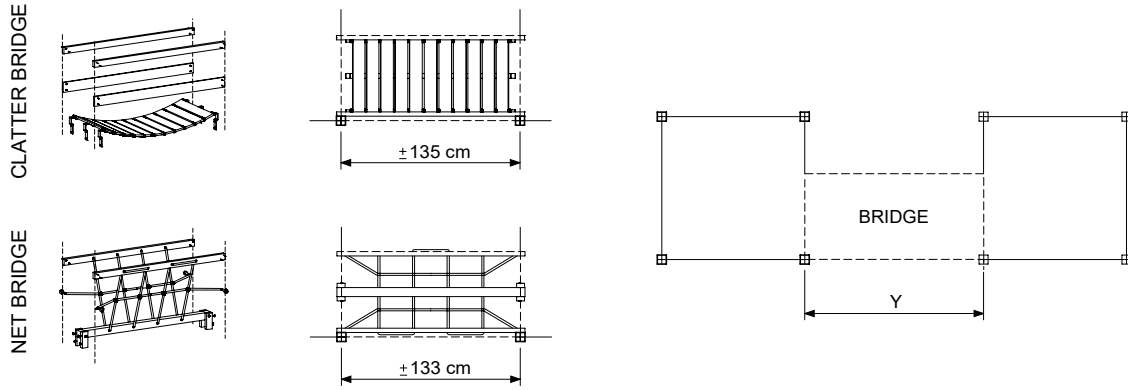


EXTENSION TOWERS



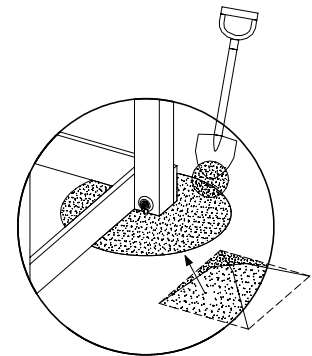
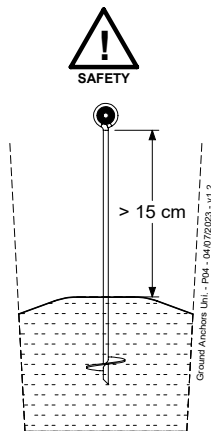
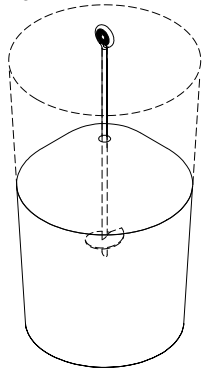
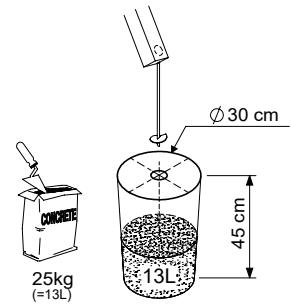
Ground Anchors Unit - P01 - 04/07/2023 - v1.2

23.1



Module type	A	B	C
1-Swing 200	150	115	100
1-Swing 220 / 220 Extra		120	105
2-Swing 200	210	115	100
2-Climb 200			
1-Climb 200	142	120	105
1-Climb 220 / 220 Extra			
2-Swing 220 / 220 Extra	230	120	105
2-Climb 220 / 220 Extra			

Ground Anchors Unit - P02 - 04/07/2023 - v1.2

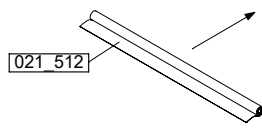
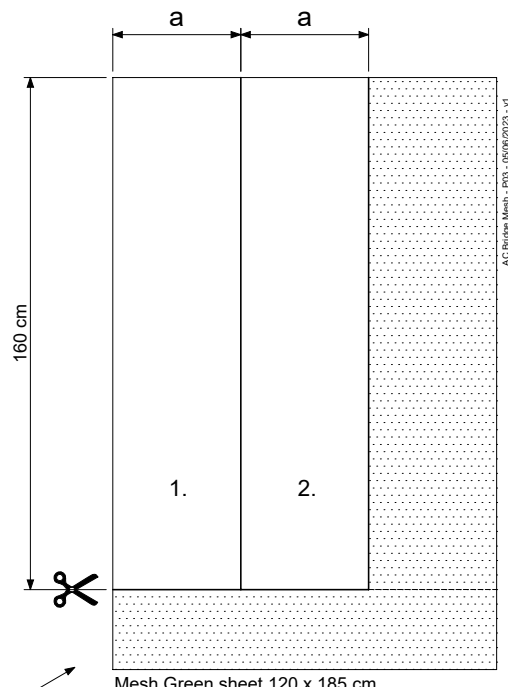
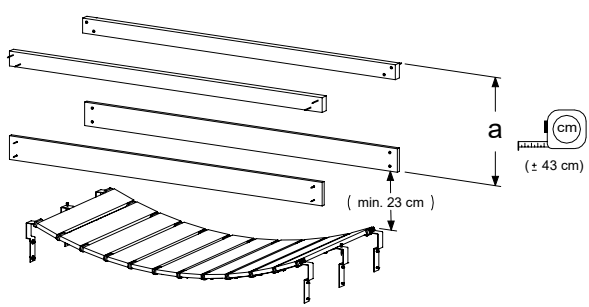
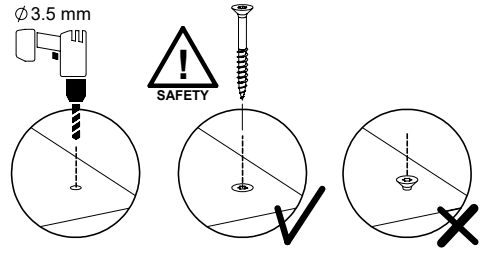
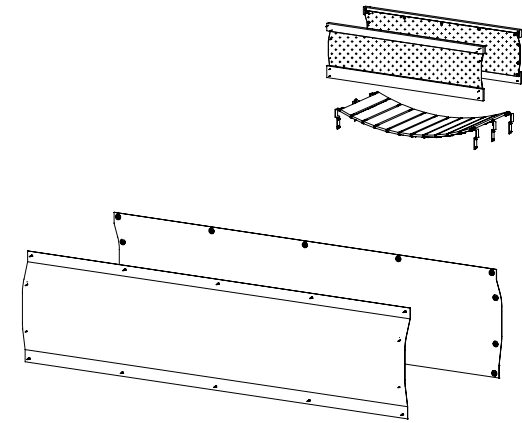


24 AC30: Bridge Mesh

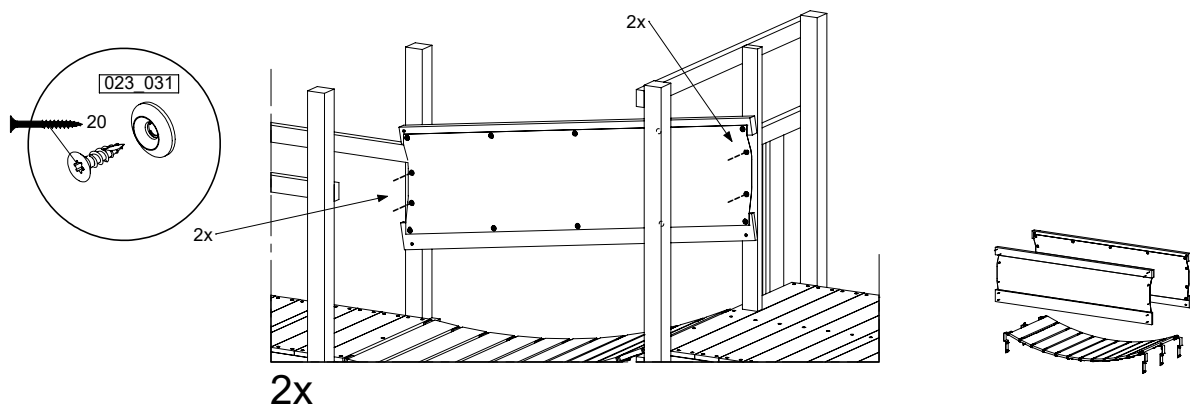
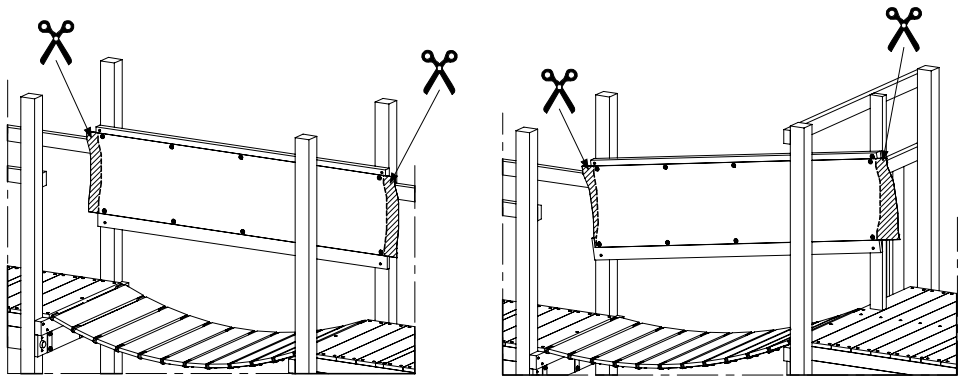
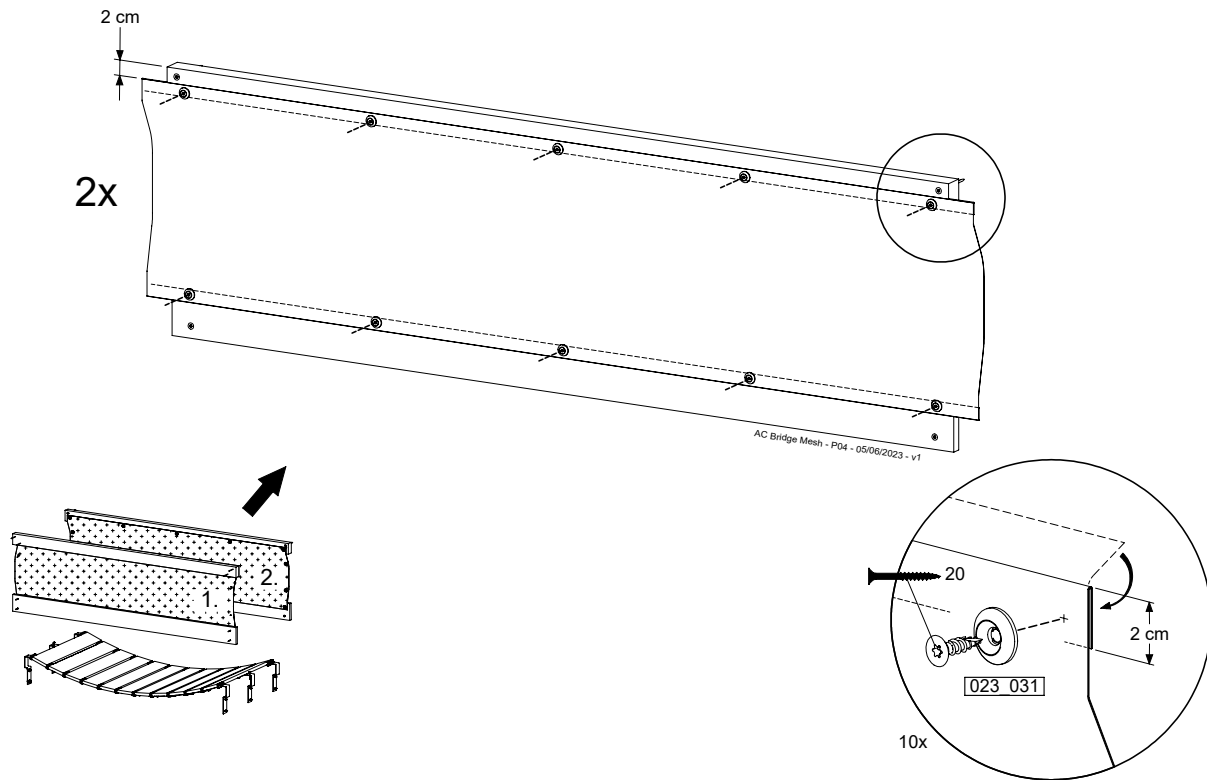
(123_230)

	PartNo	PartName	QTY.
Hardware Packs	002_308	Gap Point Screw T25 - 5x20	28
100_411	023_031	Finishing Washer GPS 5.0	28
Other	021_512	Mesh green 1.20 x 1.85m	1

AC Bridge Mesh - PDC - 05/06/2023 - v1



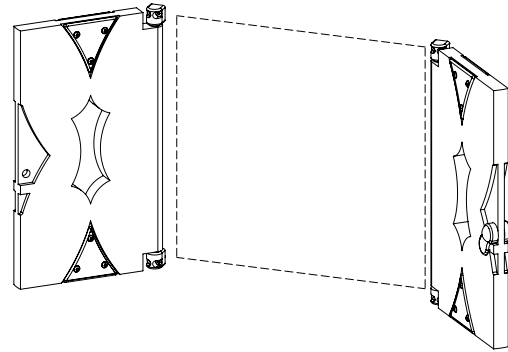
24.1



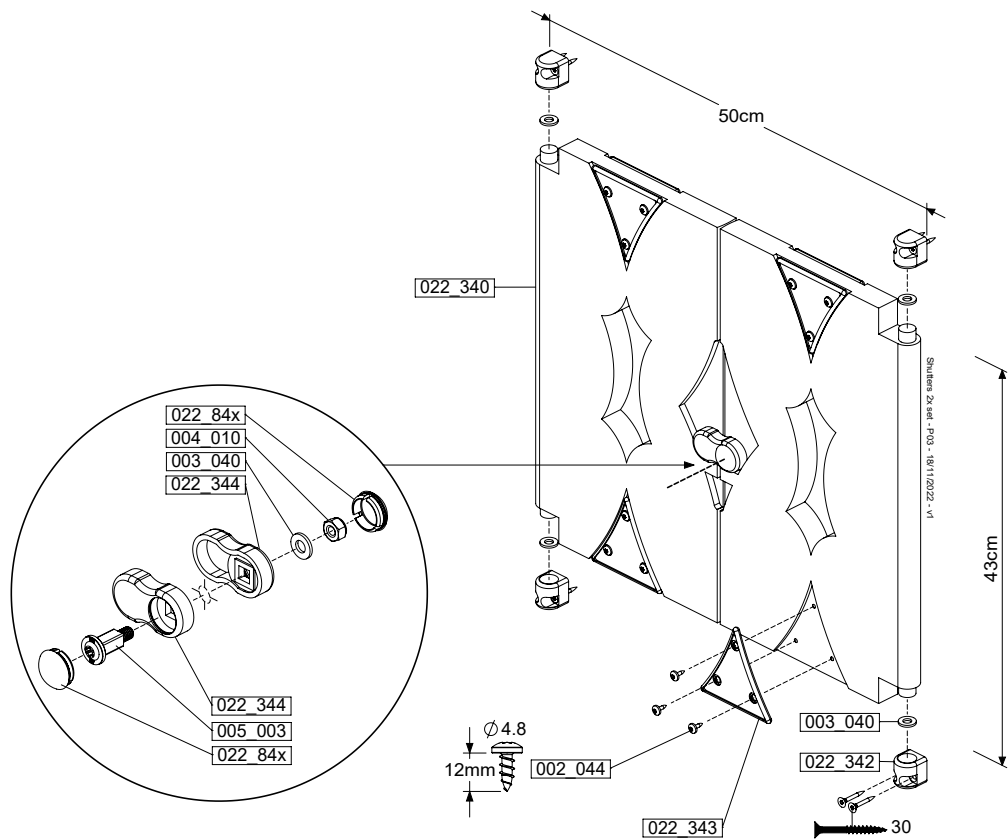
25 AC02: Shutters

(250_075)

	PartNo	PartName	QTY.
Hardware Pack	002_044	Pan head screw - DIN 7981 - T25 - 4.8x12	24
	002_219	Gap Point Screw T25 - 5x30	8
	003_040	M8 Washer	5
	004_010	M8 Locking Nut	1
	005_003	Lock bolt	1
Other	022_84x	bpc cover	2
	022_340	Shutter	2
	022_342	Hinge	4
	022_343	Decoration plate	8
	022_344	Lock	2



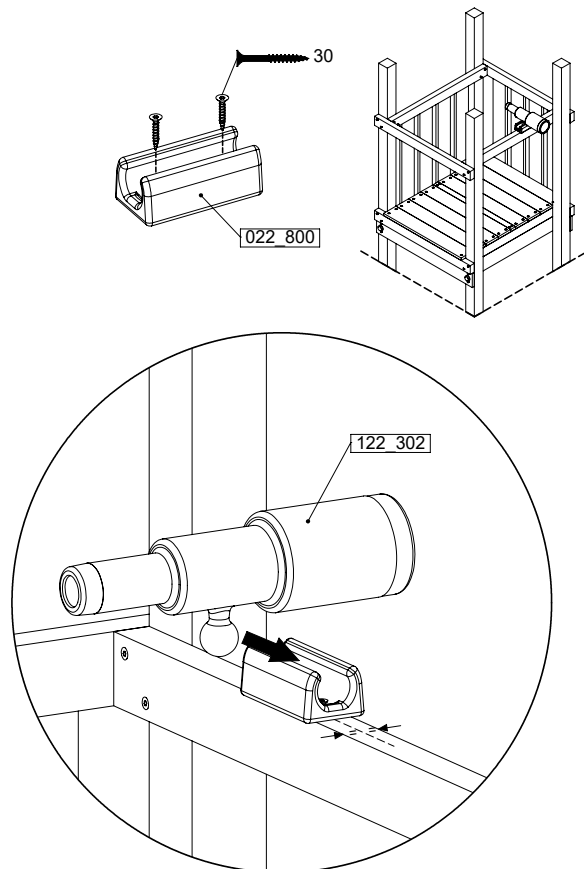
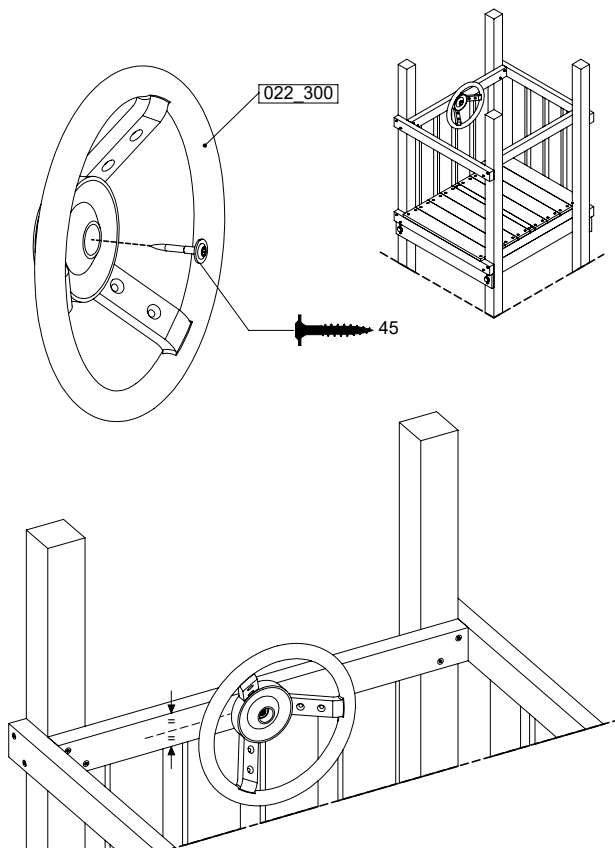
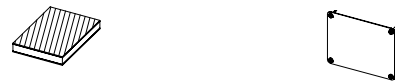
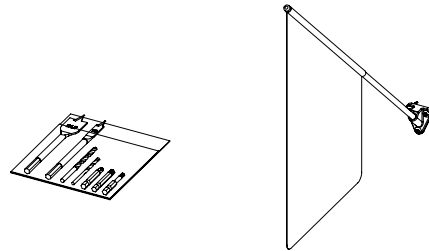
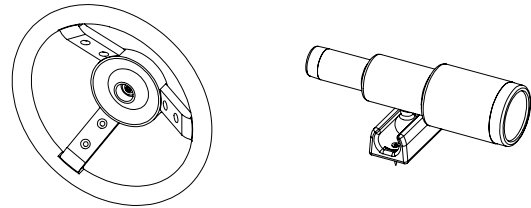
Shutters 2x set - Pkg - 18/11/2022 - v1



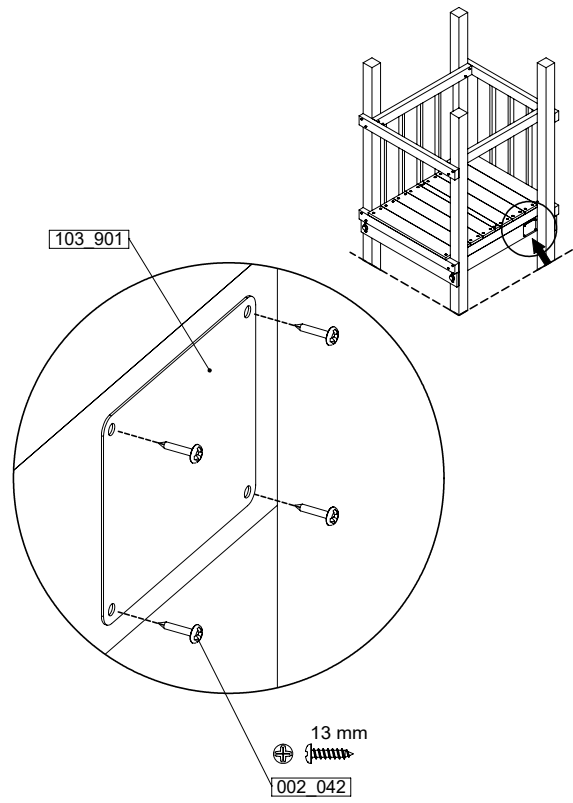
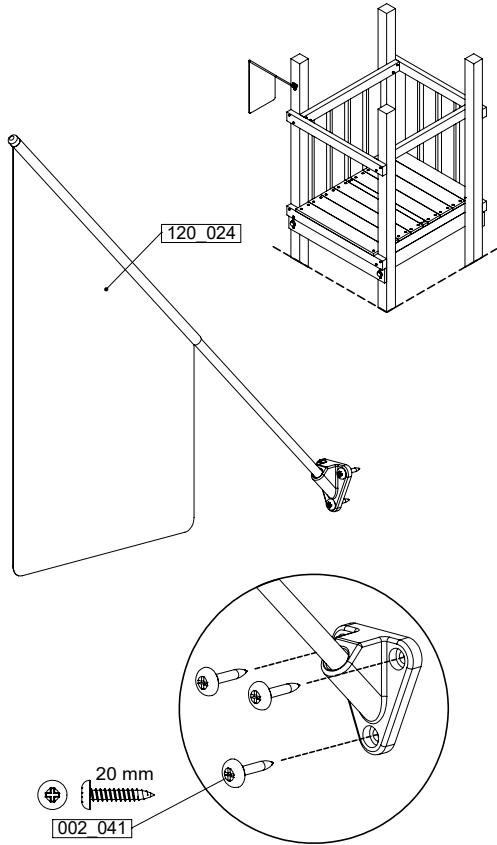
26 AC01: Accessories

(194_119)

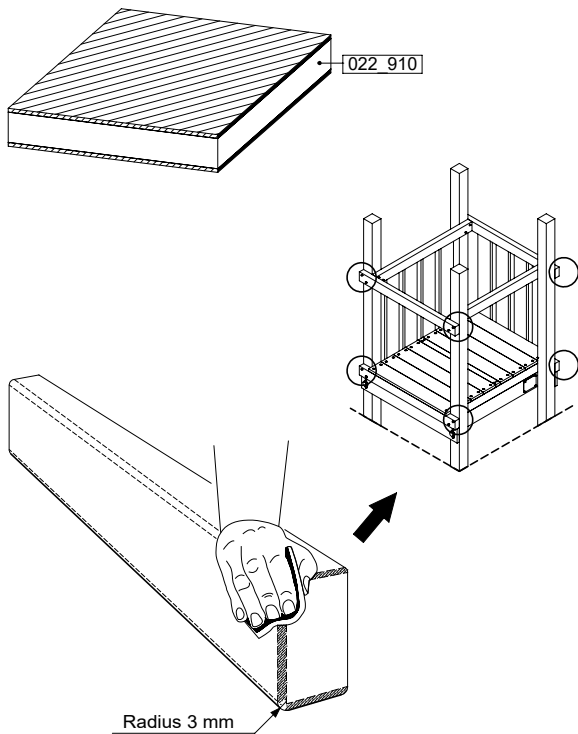
	PartNo	PartName	QTY.
Hardware Pack 100_617	001_406	Stealth Screw 8x45	1
	002_041	Dome head screw 4.5 x 20 mm	3
	002_042	Dome head screw 3.5 x 13mm	4
	002_219	Gap Point Screw T25 - 5x30	2
Other	022_300	Steering Wheel	1
	022_800	Rail P/T 105	1
	022_910	Sandpad	1
	103_901	Logo ID Plate	1
	104_107	Tool Set Climbing Units	1
	120_024	Tower Flag	1
	122_302	Telescope	1



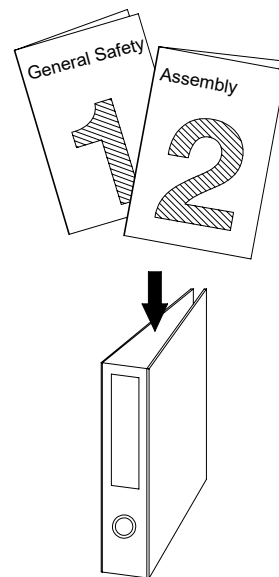
26.1



Accessory set - P04 - 06/07/2023 - v5



Accessory set - P05 - 06/07/2023 - v5



27 Conformity

Declaration of Conformity

Jungle Gym

BACKYARD PLAYGROUNDS

since 1988

Manufacturer details

Company Name

Jungle Gym B.V.

Tag-line

Backyard Playgrounds

Address

P.O. Box 75083, 1070 AB Amsterdam, Netherlands

Activity toys for domestic use

Product Range Identification

Construction Packages (Sub-Assembly)

Universal Packs / Base Towers / Extension Towers / Roofs / Means of Exit/Access / Add-ons : 790_001 ... 794_911

Assembly

Playtowers : 801_005 ... 200

Links : 870_100 ... 105

Accessories : 123_220 ... 250_075

Playhouses : 830_150 ... 253, 835_251 ... 253

Swings : 801_300, _600, _601

Slides (XL) : 324_100 ... 600

Modules : 850_180 ... 415

Slides (XXL) : 334_100 ... 600

: 857_103, 857_108

Playtowers: 802_202 ... 208

857_151, 857_158

803_202 ... 210

809_202 ... 804

Applicable EC directives and standards

Chemical References

- | | | |
|---|---|---|
| 1. Migration of certain elements (17x + Chr VI + tin) as required in TSD 2009/48/EC and its amendments. Scrape off toy material. Tested according to EN 71-3:2019. | 5. Content of 7 Phthalates (18x) according to REACH (EG) no.1907/2006, Annex XVII. Tested according to COC-CH-C1011-09.3 and EN 15777 / QMA 2011.1300 | 9. Content of 3 Flame retardants according to REACH (EG) no. 1907/2006, Annex XVII. Tested according to EN 62321-6. |
| 2. Migration of solvents, monomers and plasticizers as specified in "Safety for Toys: Organic Chemical Compounds", EN 71-9: 2005 + A1: 2007. Tested according to EN 71-10: 2005 & EN 71-11: 2005. | 6. Content of Cadmium according to REACH (EG) no. 1907/2006, Annex XVII. Tested according to EN 17294-2 | 10. Ni release according to REACH (EG) no. 1907/2006, Annex XVII. Tested according to EN 71-3:2013+A1:2014. |
| 3. Content of N-nitrosamines and N-nitrosatable substances as specified in EN standard 71-12: 2013. Tested according to EN 71-12: 2013. | 7. Formaldehyde according to REACH (EG) no. 1907/2006, Annex XVII. Tested according to EN 14184 | 11. Sweat and Salvia resistance tested according to DIN 53160 |
| 4. Content of 18 PAHs (Polycyclic Aromatic Hydrocarbons) as referred in AfPS GS 2014:01 PAK (Replaced on 2019:01) Tested according to QMA 2011.1284 | 8. Azo dyes according to REACH (EG) no. 1907/2006, Annex XVII. Tested according to BVL B 82.02-2. | |

Mechanical physical properties + flammability

EN 71 - 1 : 2014 + A1: 2018 EN 71 - 2 : 2011 + A1: 2014 EN 71 - 8 : 2018

Supplementary information

Conformity to the above specified directives and standards has been frequently verified and is continuously monitored by TÜV Süd, TÜV Rheinland LGA products, DEKRA (DE), STR Ltd (UK), LNE SA (FR), LMR Ltd (US) and IPS N.V. (BE) since 1994. Jungle Gym participates in the European Commission for standardisation for the safety of activity toys (TC52 / WG 10).

Declaration

I hereby declare under our sole responsibility that the products mentioned above, to which this declaration relates, complies with the above mentioned directives and standards.



Name

Mr. P. Schmit / Director

Issued date

Januari 2nd, 2023

Signature of representative

Jungle Gym B.V. | P.O. Box 75083 | 1070 AB Amsterdam | Netherlands
Phone: +31 85 444 41 00 | e-mail: info@jungle gym.com | www.jungle gym.com

1 of 5

00_01_01_1209_Declaration_of_Conformity_20230426