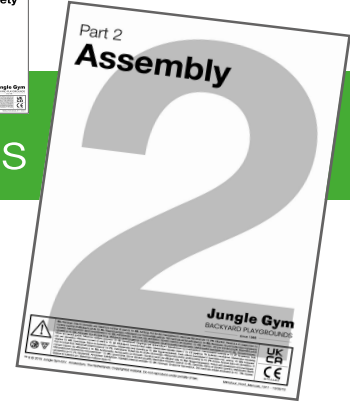


Part 2

Assembly

Instructions



Config ID: 2KCOMi

Date: 2023-08-10



Manual Part 1



Important

This assembly manual should always be read in conjunction with the General Safety manual part 1 as included in the hardware package of your playground equipment.

Please read these safety instructions carefully before starting the assembly work.

Jungle Gym

BACKYARD PLAYGROUNDS

since 1988

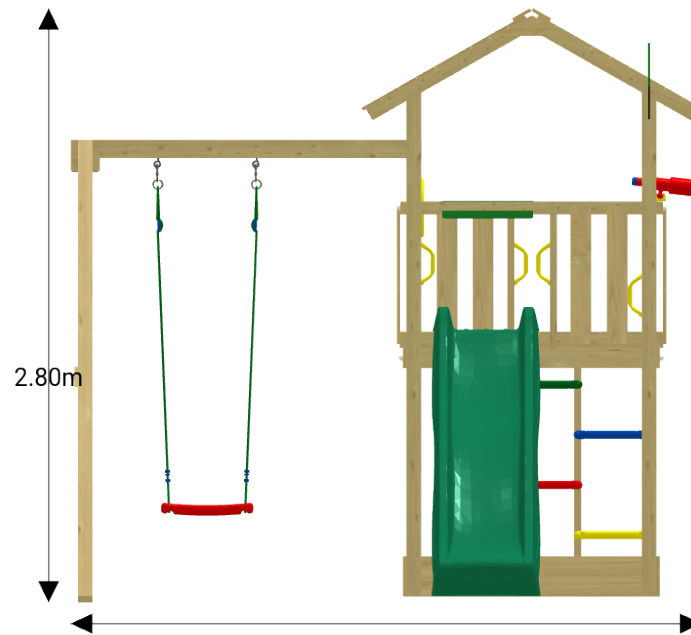
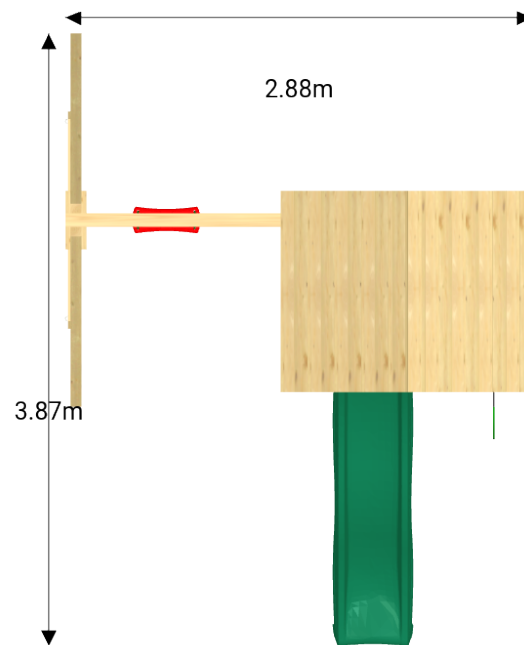


EN. Warnings. Only for domestic use. Maximum number of users is **3**. **DE.** Achtung. Nur für den Hausgebrauch. Maximale Benutzerzahl: **3**. **FR.** Attention. Réserve à un usage privé. Le nombre maximal d'utilisateurs est de **3**. **NL.** Waarschuwingen. Uitsluitend voor huishoudelijk gebruik. Het maximale aantal gebruikers is **3**. **BG.** Внимание. За употреба само в домашни условия. Максималният брой потребители е **3**. **ES.** Advertencias. Sólo para uso doméstico. Número máximo de usuarios: **3**. **CS.** Varování. Jen pro domácí použití. Maximální počet uživatelů je **3**. **DA.** Advarsler. Kun til privat brug. Maksimum antal brugere er **3**. **ET.** Hoiatused. Ainult koduseks kasutamiseks. Maksimaalne kasutajate arv on **3**. **EL.** Προειδοποιήσεις. Μόνο για οικιακή χρήση. Μέγιστος αριθμός χρηστών **3**. **IS.** Varnaðarorð. Eingöngu fyrir einkanotkun í heimahúsum og á einkaloðum. Hámarksfjöldi notenda er **3**. **IT.** Avvertenze. Solo per uso domestico. Massimo numero di utenti è **3**. **LV.** Brīdinājumi. Izmantot tikai mājās. Maksimālais lietotāju skaits ir **3**. **LT.** Įspėjimai. Tik buitiniam naudojimui. Maksimalus naudotojų skaičius HR. Upozorenja. Samo za kućansku uporabu. Maksimalan broj korisnika je **3**. **HU.** Figyelmeztetések. Csak otthoni használatra! A használok max. száma: **3**. **NO.** Advarsler. Kun for privat bruk. Maksimalt antall brukere er **3**. **PL.** Ostrzeżenia. Wyłącznie do użytku domowego. Maksymalna liczba użytkowników to **3**. **PT.** Avisos. Apenas para uso doméstico. O número máximo de utilizadores é **3**. **RO.** Avertismente. Numai pentru uz domestic. Numărul maxim de utilizatori este **3**. **RU.** Предостережения. Только для домашнего использования. Максимальное количество пользователей - **3**. **SK.** Upozornenia. Iba na domáce použitie. Maximálne množstvo osôb je **3**. **SL.** Opozorila. Samo za domačo uporabo. Maksimalno število uporabnikov je **3**. **FI.** Varoitukset. Ainoastaan kotikäyttöön. Käyttäjää yhteensä enintään **3**. **SR.** Upozorenja. Samo za kućnu upotrebu. Maksimalan broj korisnika je **3**. **SV.** Varningar. Endast för hemmabruk. Det maximala antalet användare är **3**. **TR.** Uyarılar. Sadece ev kullanımı için. Maksimum kullanıcı sayısı **8**.



EN 71-1-2-3-8&9

1 Views

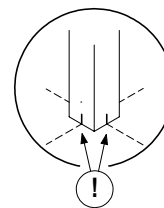
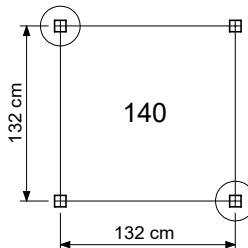
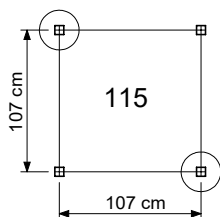
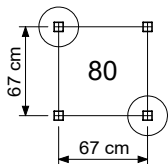
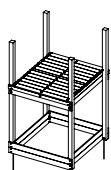


2 Order list

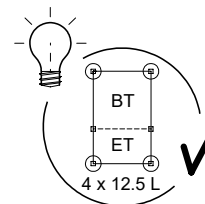
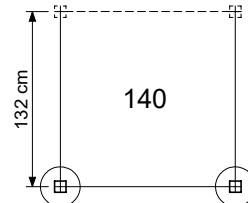
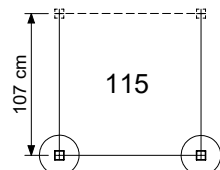
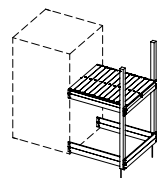
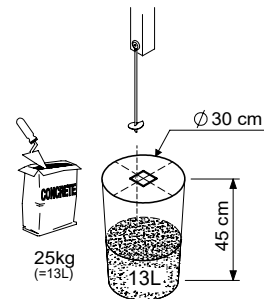
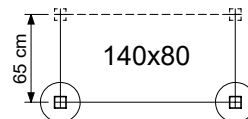
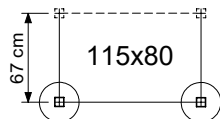
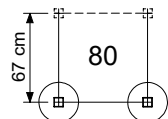
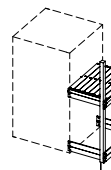
Nr.	SKU	Description	ID	Amount
1	792_002	Base Tower 115_ 240240	BT11a	1
2	792_203	Roof Casa 115	RF09a	1
3	792_301	Balustrade 115	BL04a	2
4	792_411	Two Step Ladder 115_125	TS05a	1
5	792_901	Slide/ balustrade 115	SL06a	1
6	757_153	1- Swing Module 220	SW09a	1
7	194_119	AP Accessory set	AC01a	1
8	250_034	Swing Seat Kit • Red	AC21a	1
9	324_x00	Wavy Star Slide XL	324_x00	1

3 Anchor Plan

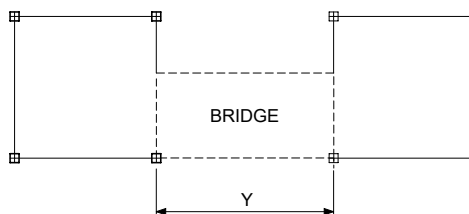
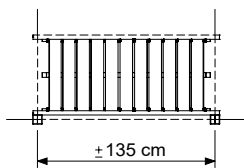
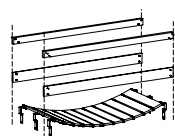
BASE TOWERS



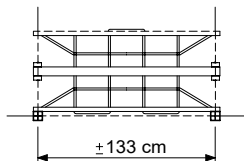
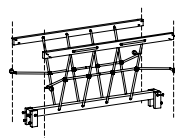
EXTENSION TOWERS



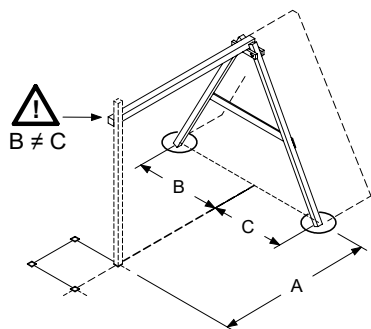
CLATTER BRIDGE



NET BRIDGE

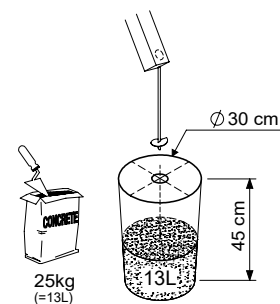


SWING / CLIMB MODULE



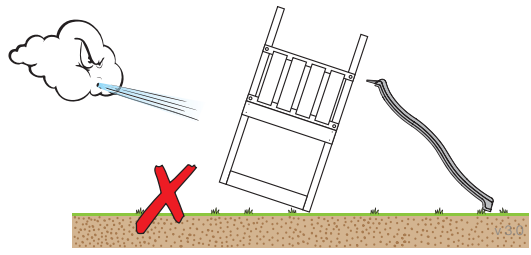
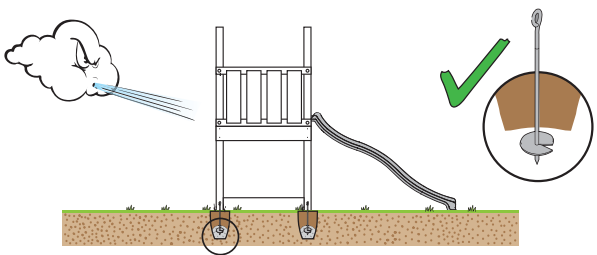
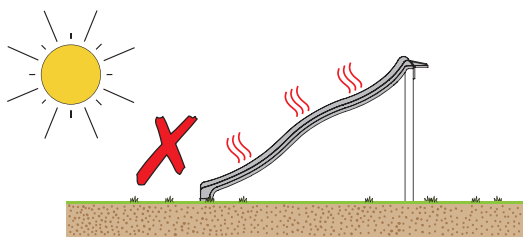
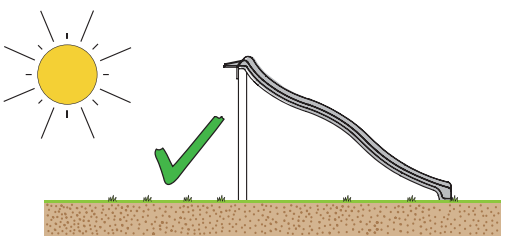
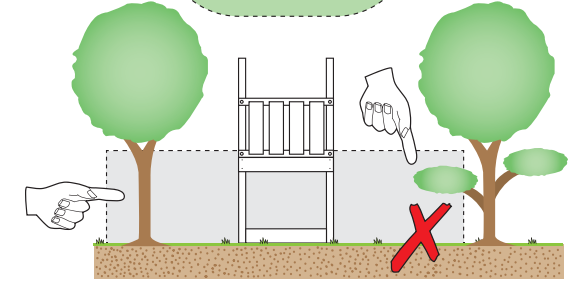
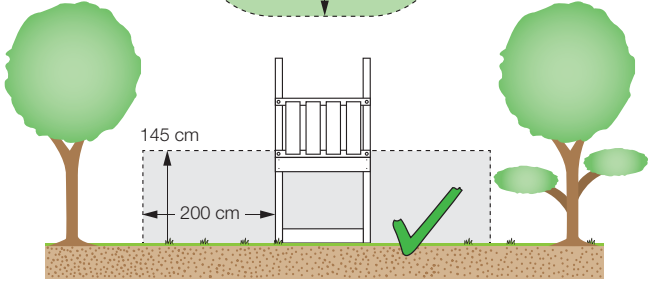
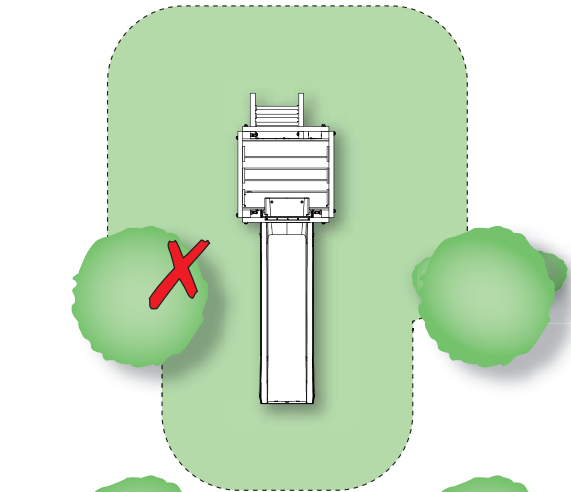
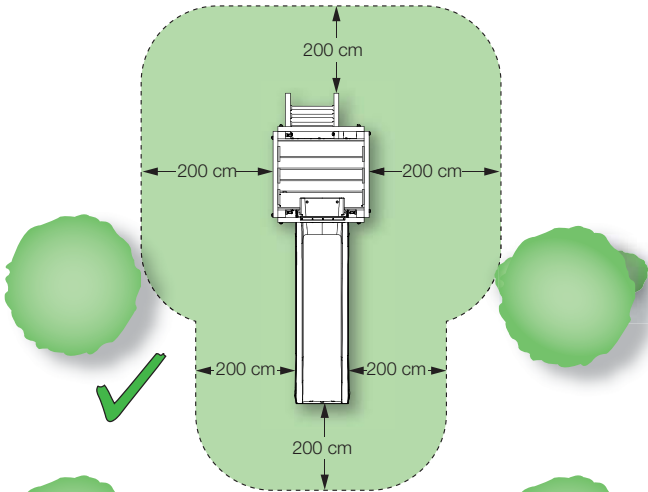
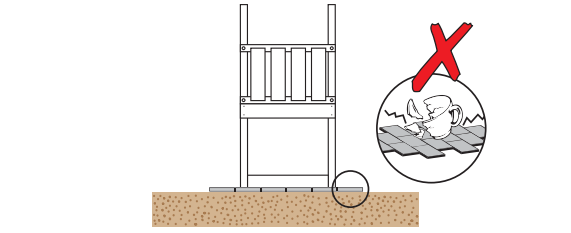
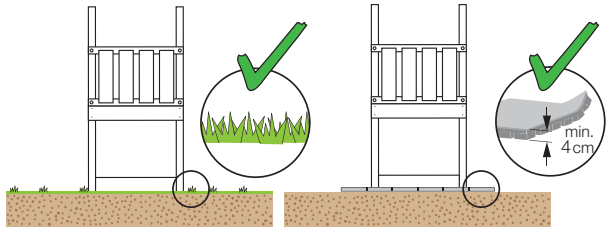
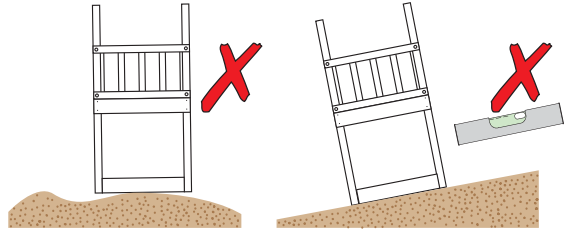
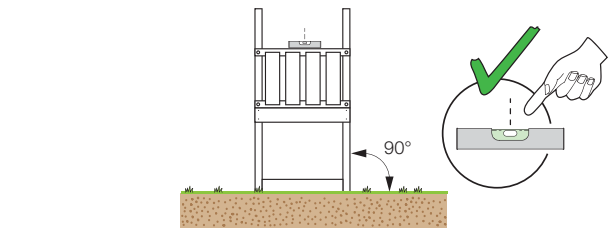
Module type	A	B	C
1-Swing 200	150	115	100
1-Swing 220 / 220 Extra		120	105
2-Swing 200	210	115	100
2-Climb 200			
1-Climb 200	142	120	105
1-Climb 220 / 220 Extra	162		
2-Swing 220 / 220 Extra	230	120	105
2-Climb 220 / 220 Extra			

Ground Anchors Unit - PO1 - 04/07/2023 - v1.2

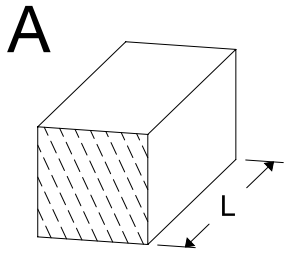


Ground Anchors Unit - PO1 - 04/07/2023 - v1.2

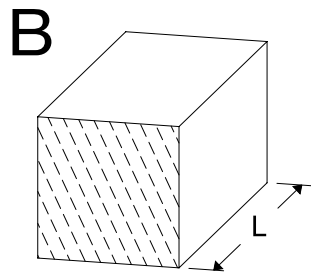
3.1 Safe Playground



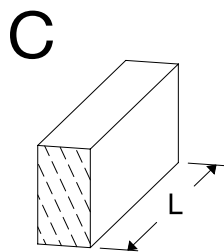
4 Timber parts



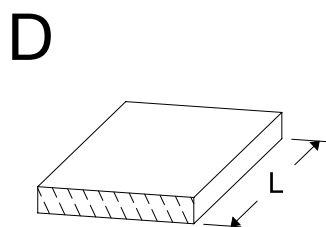
ID	L	#
A240	239 cm - 240 cm	6



B160	159 cm - 160 cm	1
------	-----------------	---

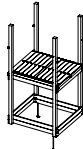
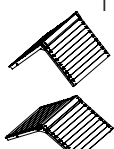

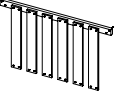
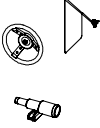


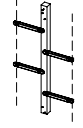




C37	36 cm - 37 cm	2
C70	69 cm - 70 cm	1
C84	83 cm - 84 cm	4
C114	113 cm - 114 cm	9
C123	122 cm - 123 cm	1
C186	185 cm - 186 cm	1

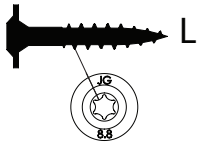
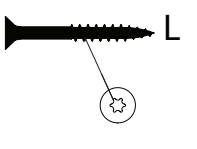
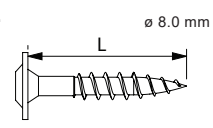
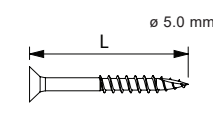
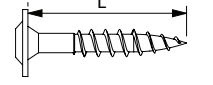
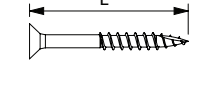
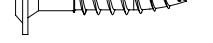
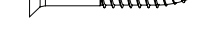





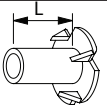









D65	64 cm - 65 cm	16
D100	99 cm - 100 cm	14
D114	113 cm - 114 cm	12
D127	126 cm - 127 cm	23
D141	140 cm - 141 cm	2

5 Assembly packs & accessories

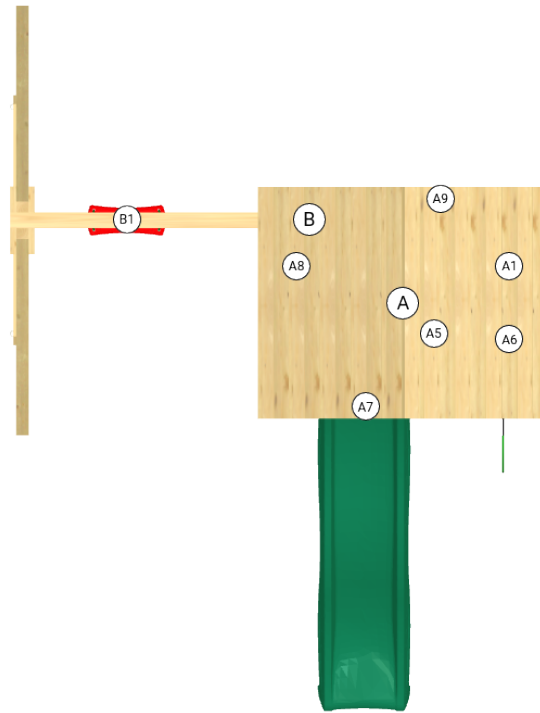
<p>Tower 115</p>  <p>BT ET</p> <p>194_300</p> <p>1X</p>	<p>Roof Timber 115</p>  <p>RF</p> <p>194_308</p> <p>1X</p>	<p>Swing Frame Kit</p>  <p>SW</p> <p>457_102</p> <p>1X</p>	<p>Balustrade 140</p>  <p>BL</p> <p>194_501</p> <p>2X</p>	<p>Accessory Set</p>  <p>AC</p> <p>194_119</p> <p>1X</p>
<p>Swing Seat</p>  <p>AC</p> <p>250_034</p> <p>1X</p>	<p>Slide 2.2m</p>  <p>1X</p> <p>324_x00</p>	<p>Two Step Ladder</p>  <p>TS</p> <p>194_002</p> <p>1X</p>	<p>Hardware 01</p>  <p>BL H01</p> <p>194_101</p> <p>2X</p>	<p>Slide Frame</p>  <p>SL</p> <p>194_107</p> <p>1X</p>

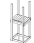







6 Hardware Identification

Image	SKU	L	Image	SKU	L
	001_404	30 mm		002_308	20 mm
	001_406	45 mm		002_219	30 mm
	001_411	60 mm		002_220	45 mm
	001_417	80 mm		002_223	80 mm
	001_422	137 mm			
	001_102	30 mm		003_010	
	000_101	20 mm		003_034	
	002_036	16 mm		004_050	22mm
	002_041	20 mm		022_845	Yellow
				022_846	Blue
				022_847	Green
				022_848	Red
	002_042	13 mm		023_031	White
	002_301	40 mm		022_844	
				022_314	White

output: 25/05/23

7 Assembly Planning



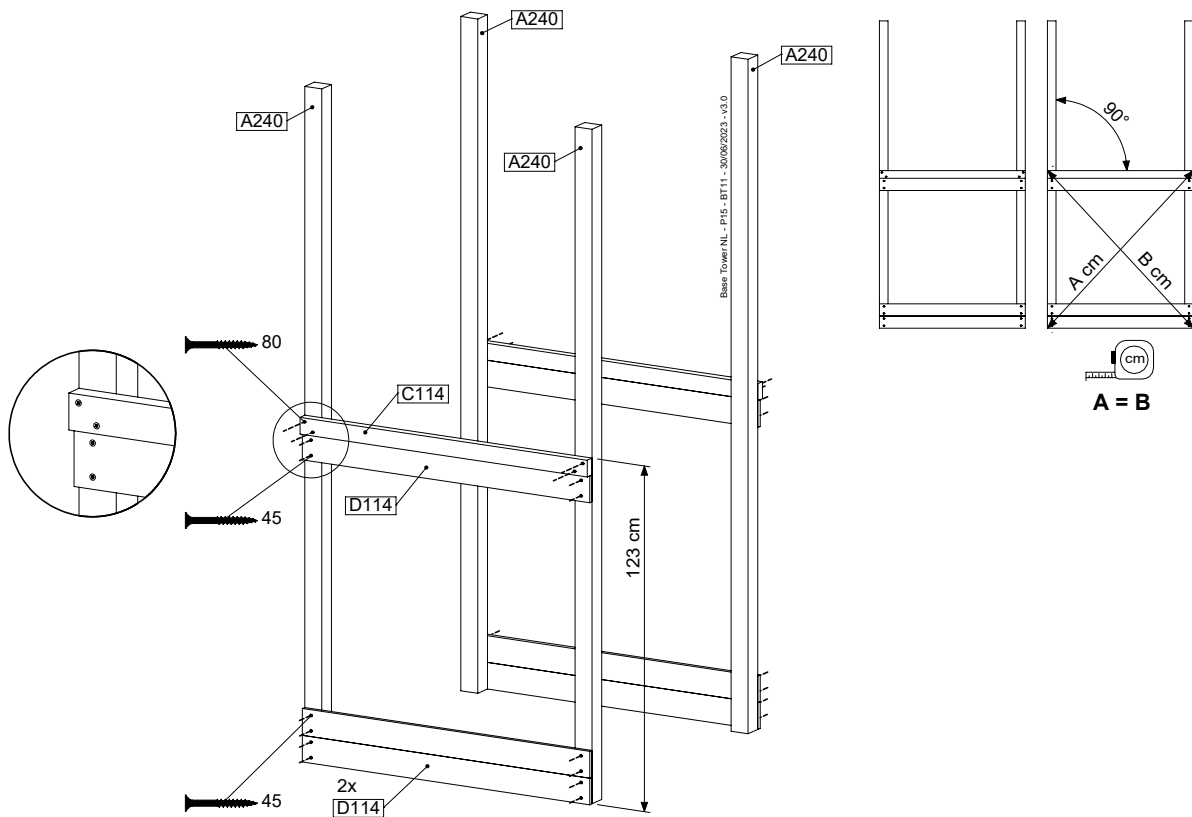
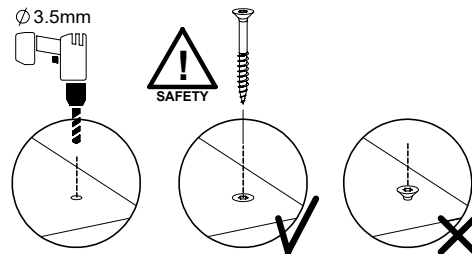
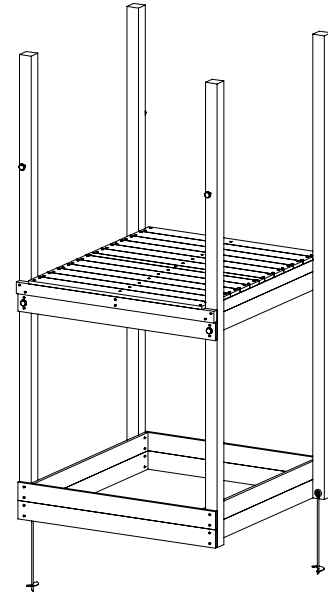
	ID			A	B
1	BT11a		p.9	✓	-
2	BL04a		p.12	A6, A8	-
3	RF09a		p.13	A5	-
4	TS05a		p.16	A9	-
5	SW09a		p.18	-	✓
6	SL06a		p.25	A7	-
7	GA		p.28	✓	✓
8	AC01a		p.30	✓	-

8 BT11a: Base Tower 115 125cm 240240

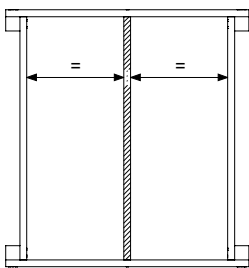
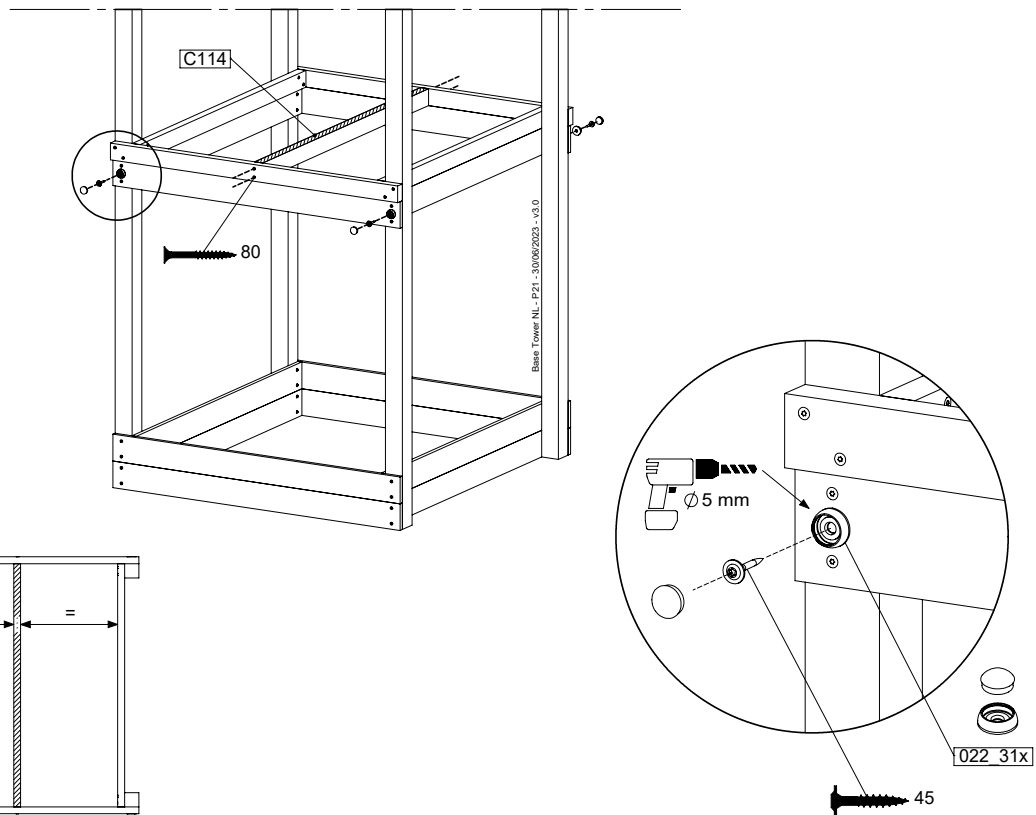
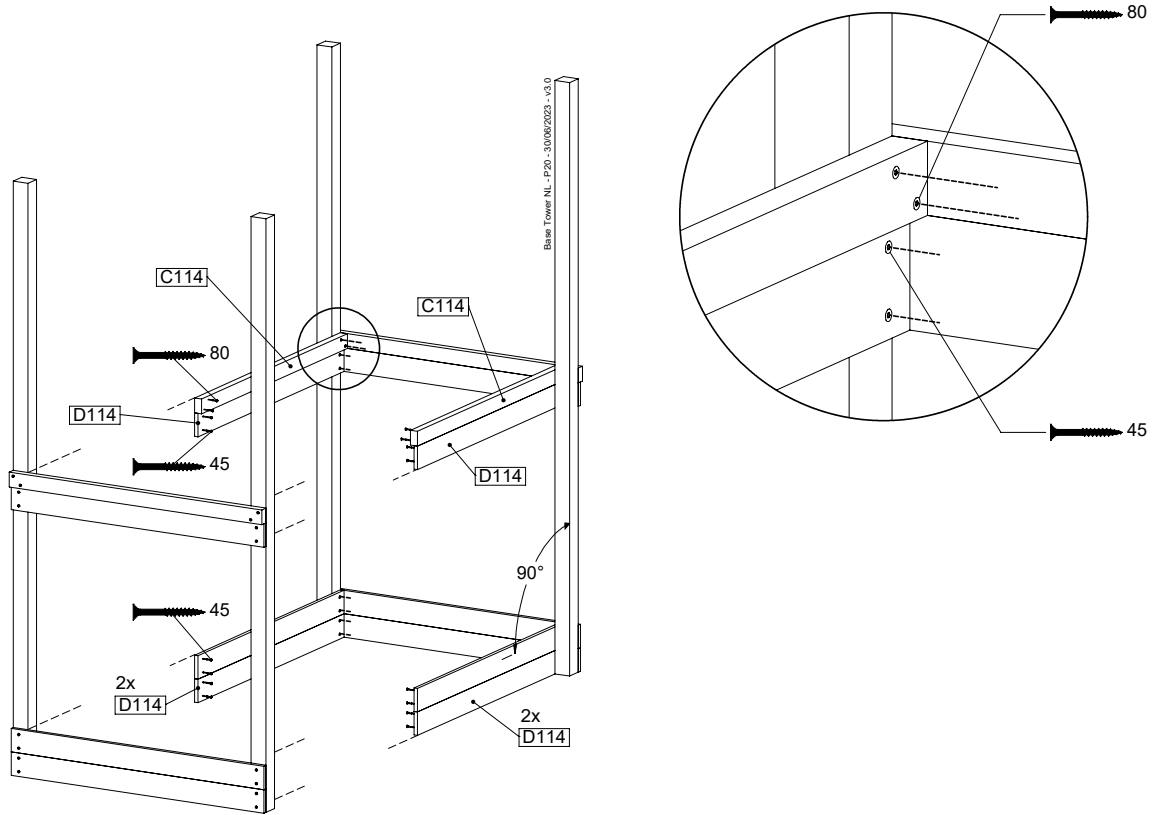
(194_300)

	PartNo	PartName	QTY.
Hardware pack	001_406	Stealth Screw 8x45	6
	001_417	Stealth Screw 8x80	4
	002_220	Gap Point Screw T25 - 5x45	118
	002_223	Gap Point Screw T25 - 5x80	20
	022_31x	bpc-base version 3	8
	022_84x	bpc cover	8
Other	007_001	Ground-anchor	2
Timber	A240	Post 70x70 L2400	4
	C114	Beam 1140 mm	5
	D100	Board 1000 mm	14
	D114	Board 1140 mm	12

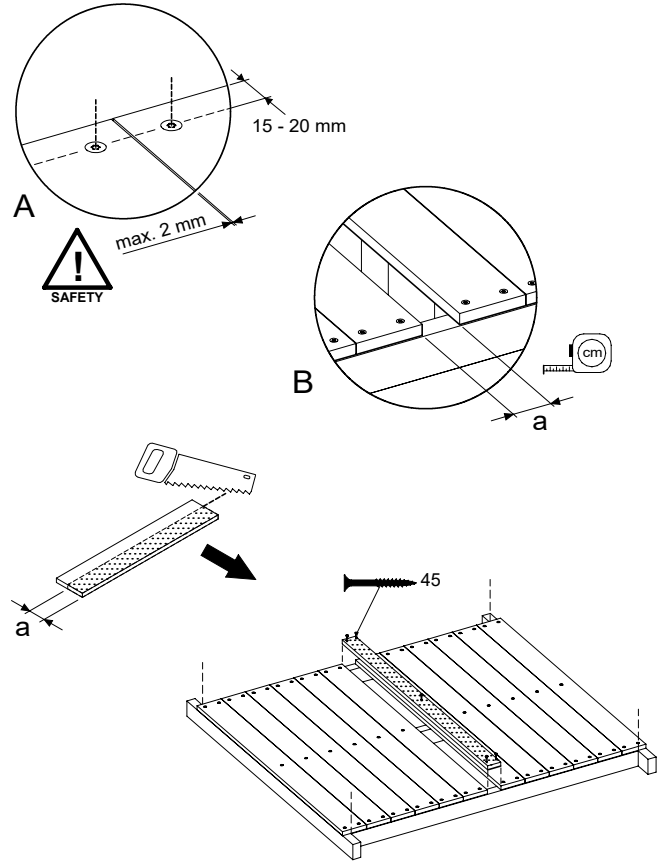
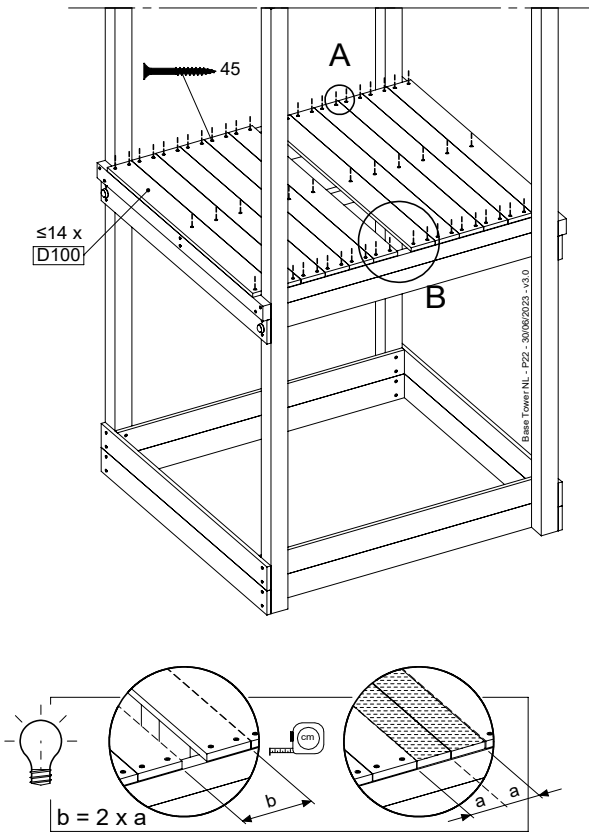
Base Tower.NL - POP - BT11 - 30/06/2023 - v3.0



8.1



8.2

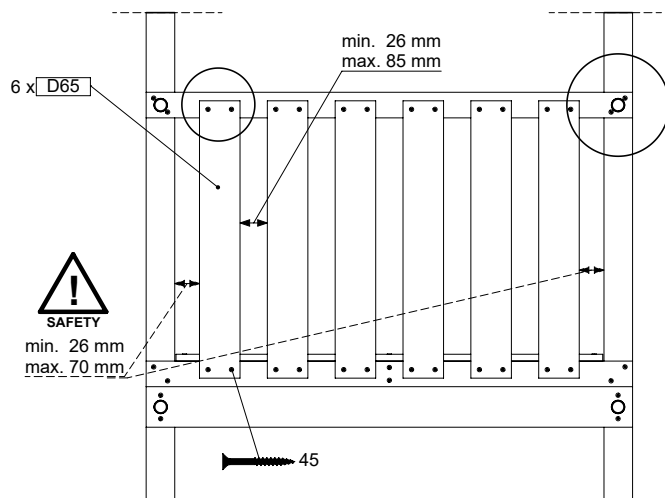
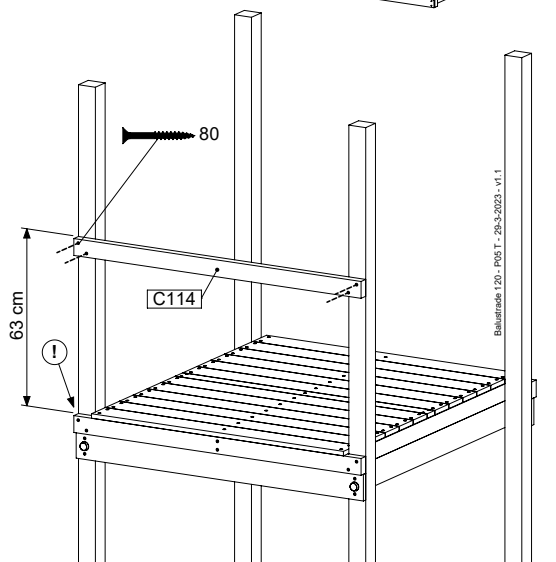
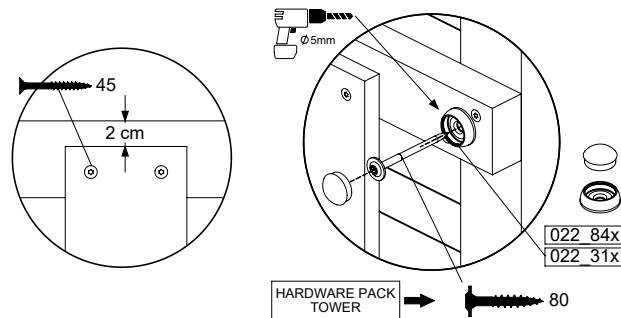
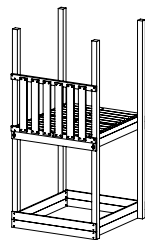
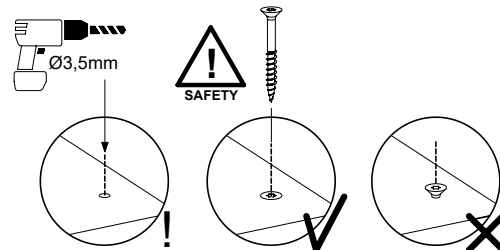
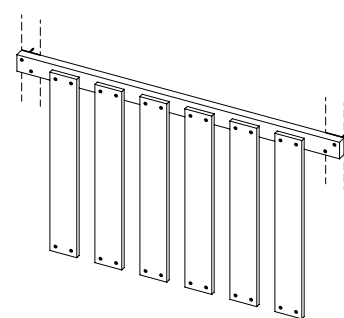


9 BL04a: Balustrade 115 T

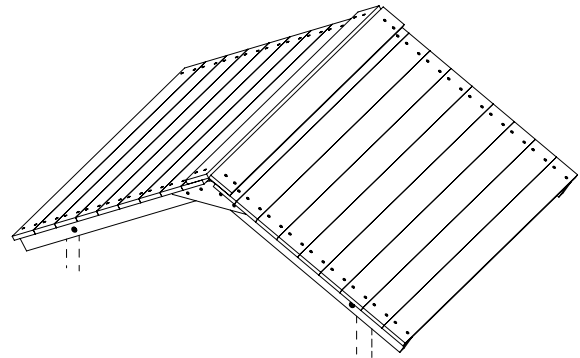
(194_501)

	PartNo	PartName	QTY.
Hardware Pack	002_220	Gap Point Screw T25 - 5x45	24
	002_223	Gap Point Screw T25 - 5x80	4
Timber	C114	Beam 1140 mm	1
	D65	Board 650 mm	6

Balustrade 120 - P03 T - 29-3-2023 - v1.1



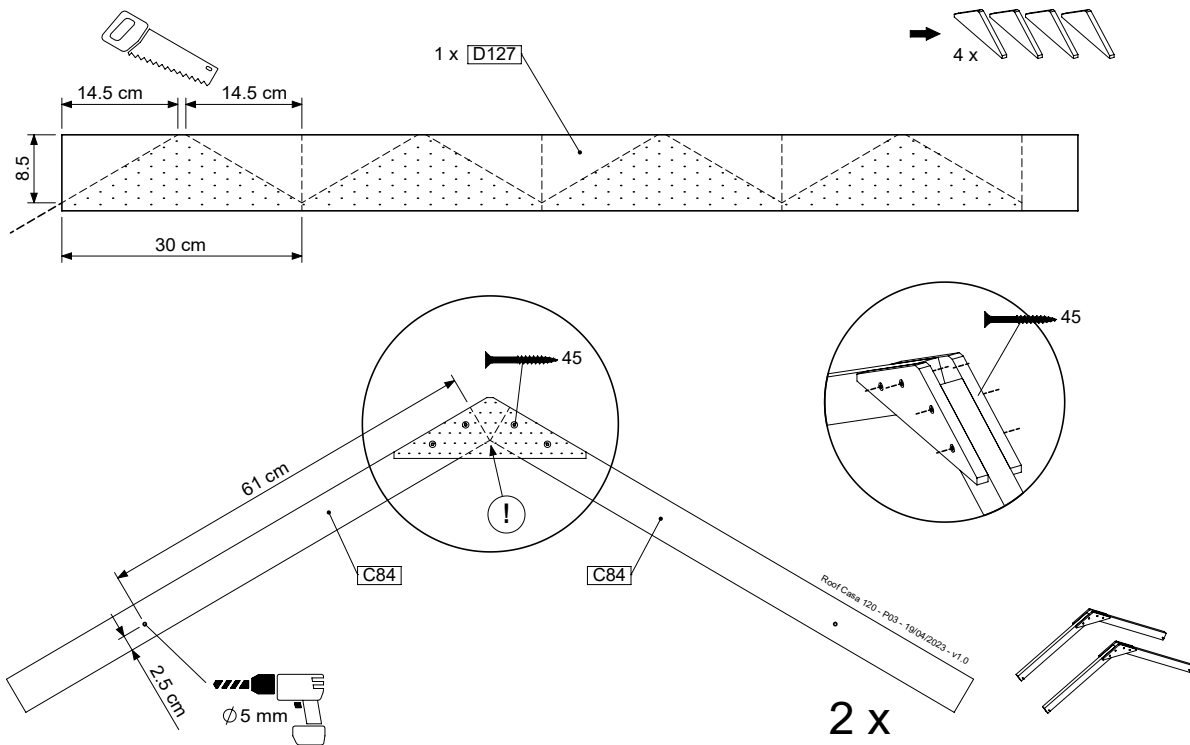
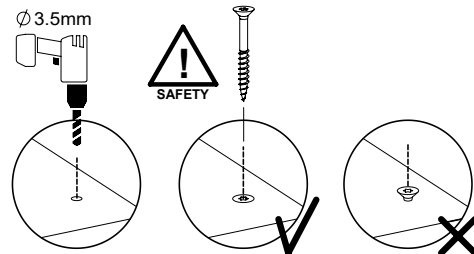
10 RF09a: Roof Timber Slope 115



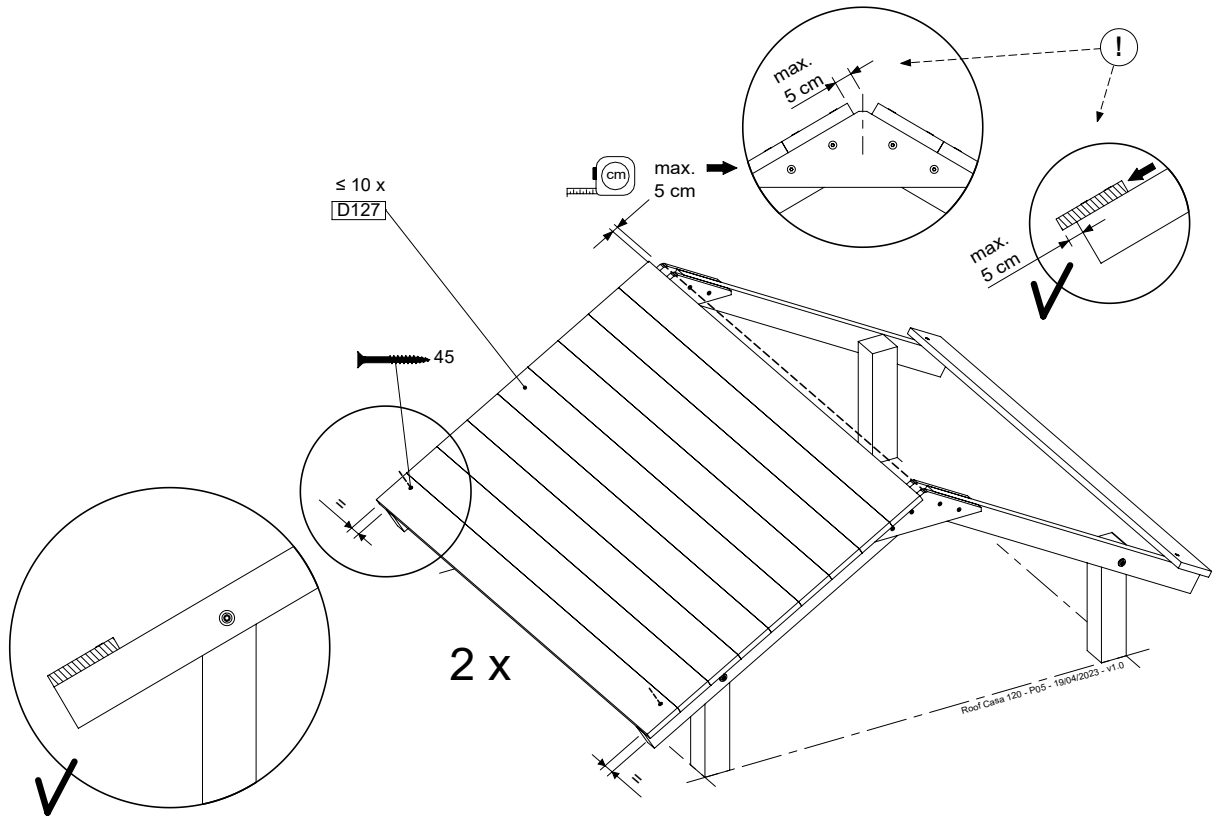
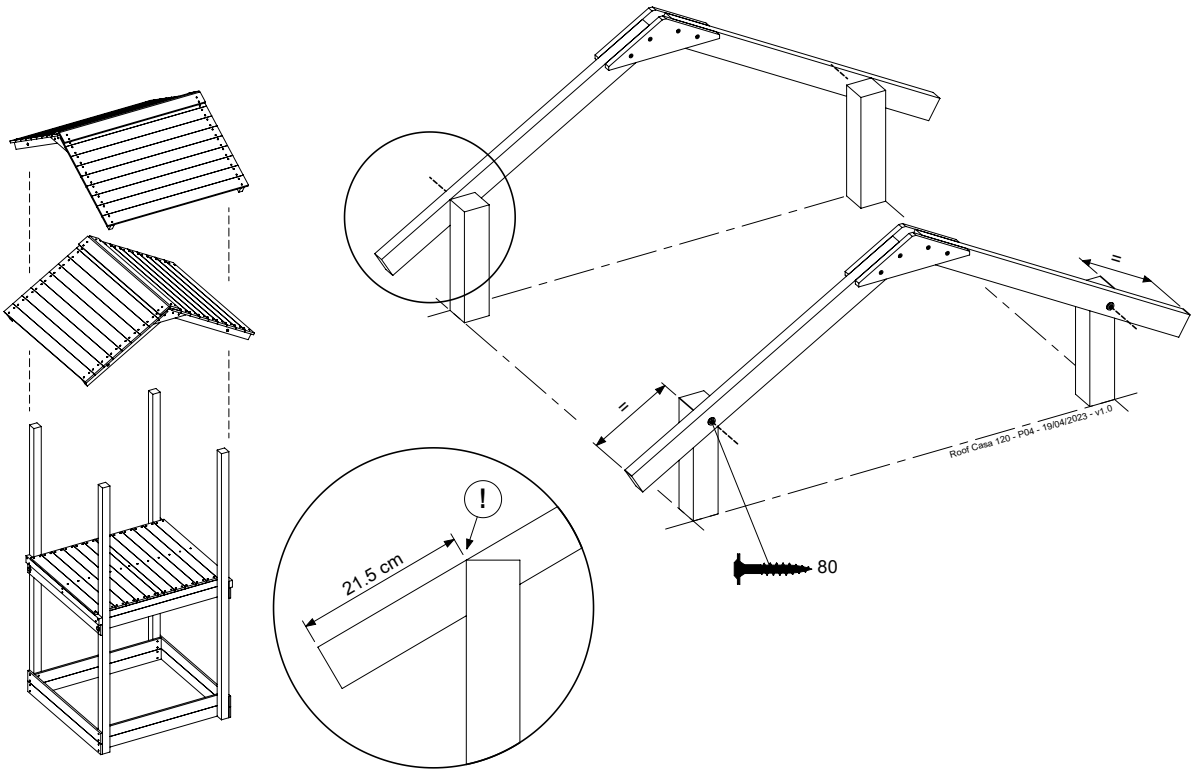
(194_308)

	PartNo	PartName	QTY.
Hardware Pack	001_417	Stealth Screw 8x80	4
	002_220	Gap Point Screw T25 - 5x45	96
	002_223	Gap Point Screw T25 - 5x80	8
Timber	C84	Beam 840 mm	4
	D127	Board 1270 mm	19-23

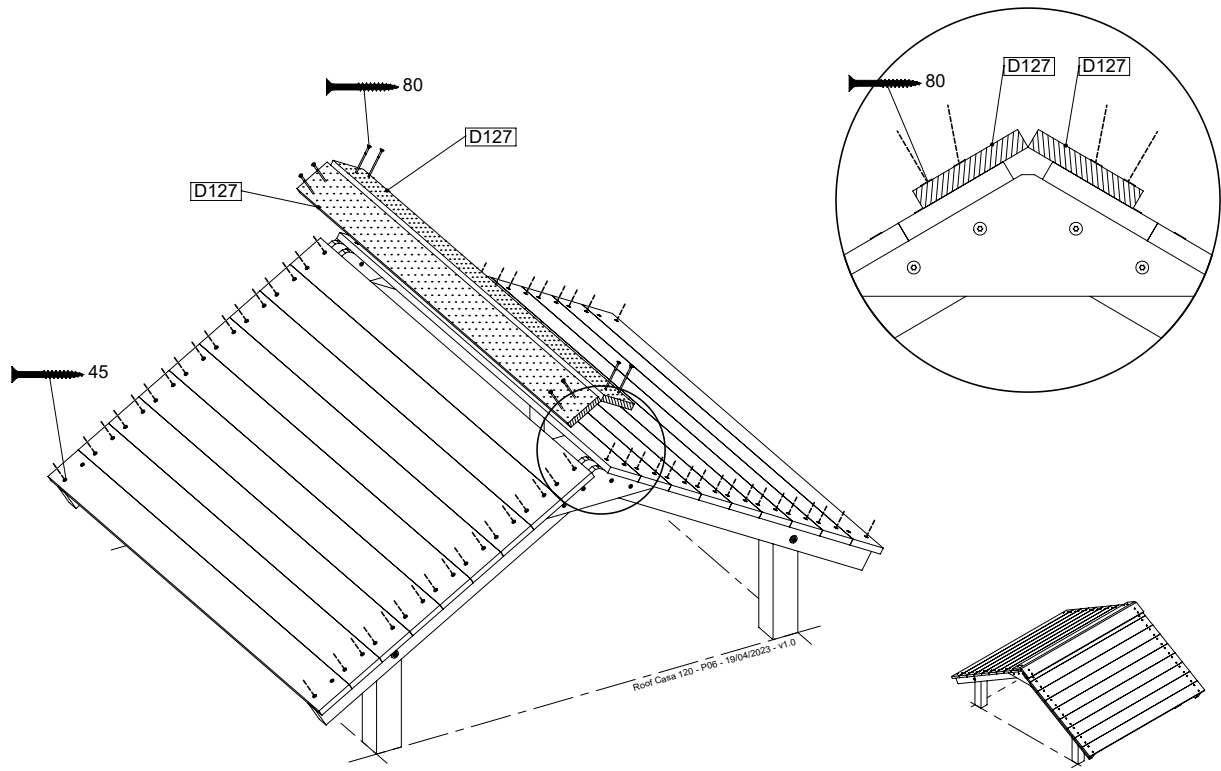
Roof Case T20 - P02 - 19/04/2023 - v1.0



10.1



10.2

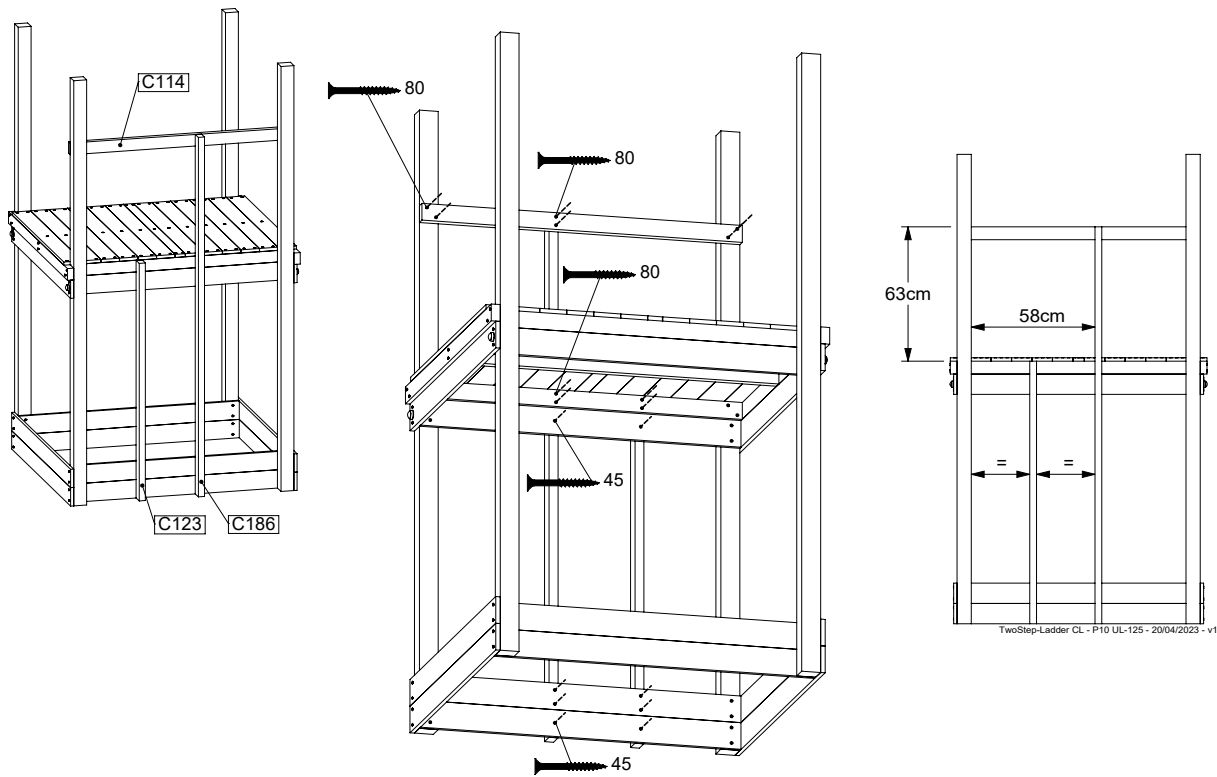
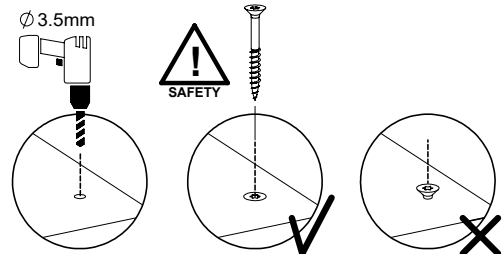
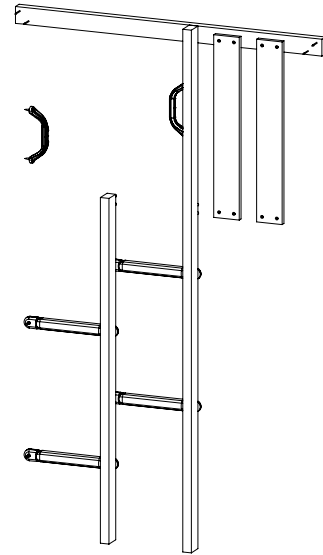


11 TS05a: Two Step 115 125 U Left

(194_002 +194_101)

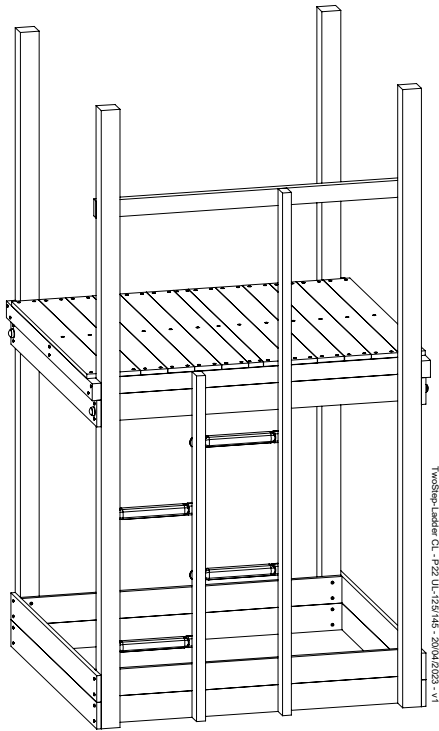
	PartNo	PartName	QTY.
Hardware pack	001_406	Stealth Screw 8x45	8
	002_220	Gap Point Screw T25 - 5x45	16
	002_223	Gap Point Screw T25 - 5x80	10
Other	022_53x	Ladder/ Rope Rung 30cm	4
	022_84x	bpc cover	8
	120_102	Handgrip set (complete 2x)	1
Timber	C114	Beam 1140 mm	1
	C123	Beam 1230 mm	1
	C186	Beam 1860 mm	1
	D65	Board 650 mm	2

TwoStep-Ladder CL - P10 UL-125 - 20/04/2023 - v1

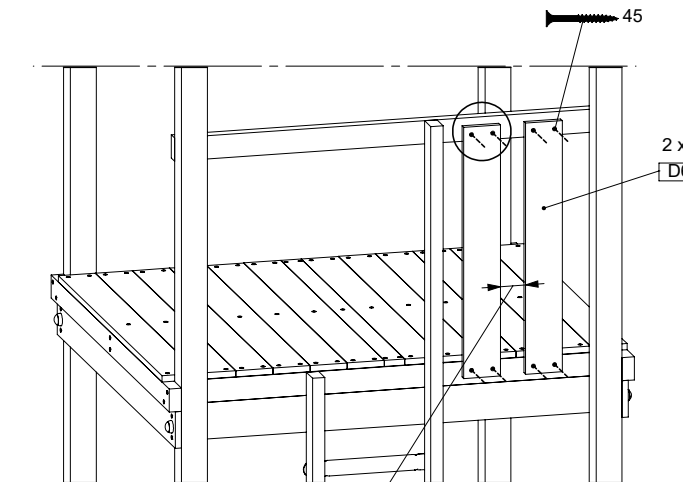
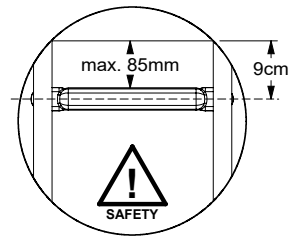
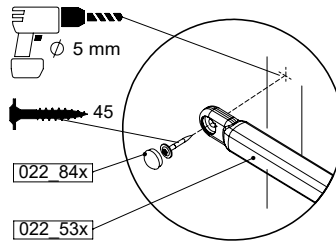
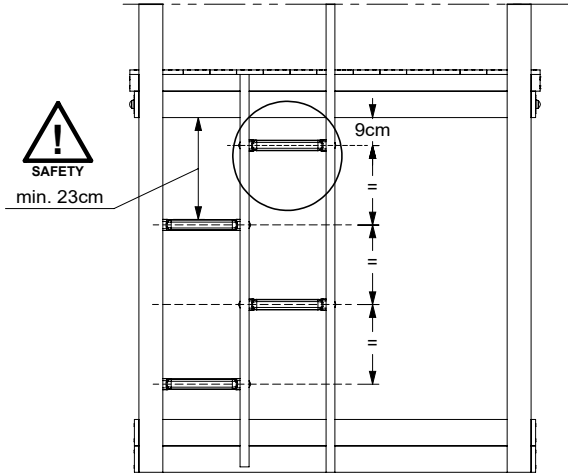


TwoStep-Ladder CL - P10 UL-125 - 20/04/2023 - v1

11.1

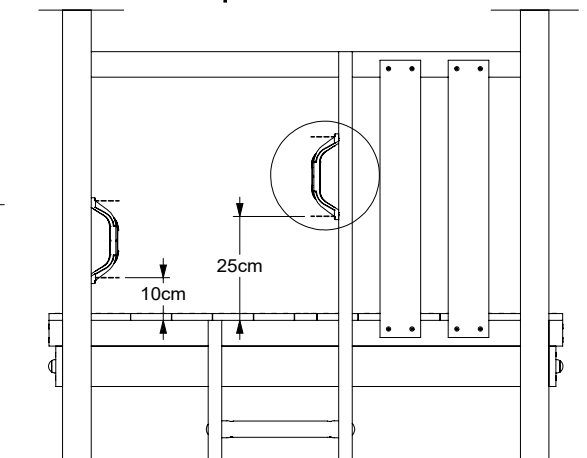
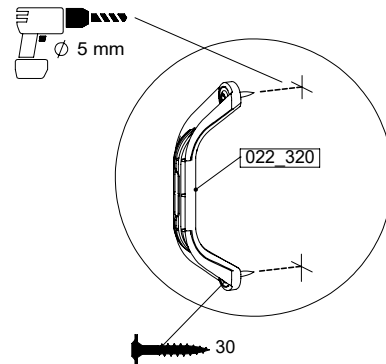
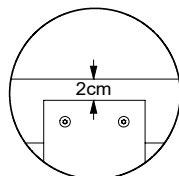


TwoStep-Ladder CL - P22 UL-125/145 - 20/04/2023 - v1



TwoStep-Ladder CL - P26 UL-125/145 - 20/04/2023 - v1

SAFETY
min. 26mm
max. 85mm

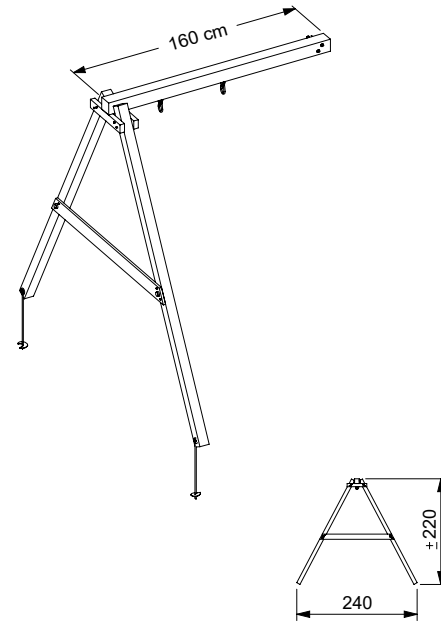


12 SW09a: 1-Swing Module 220

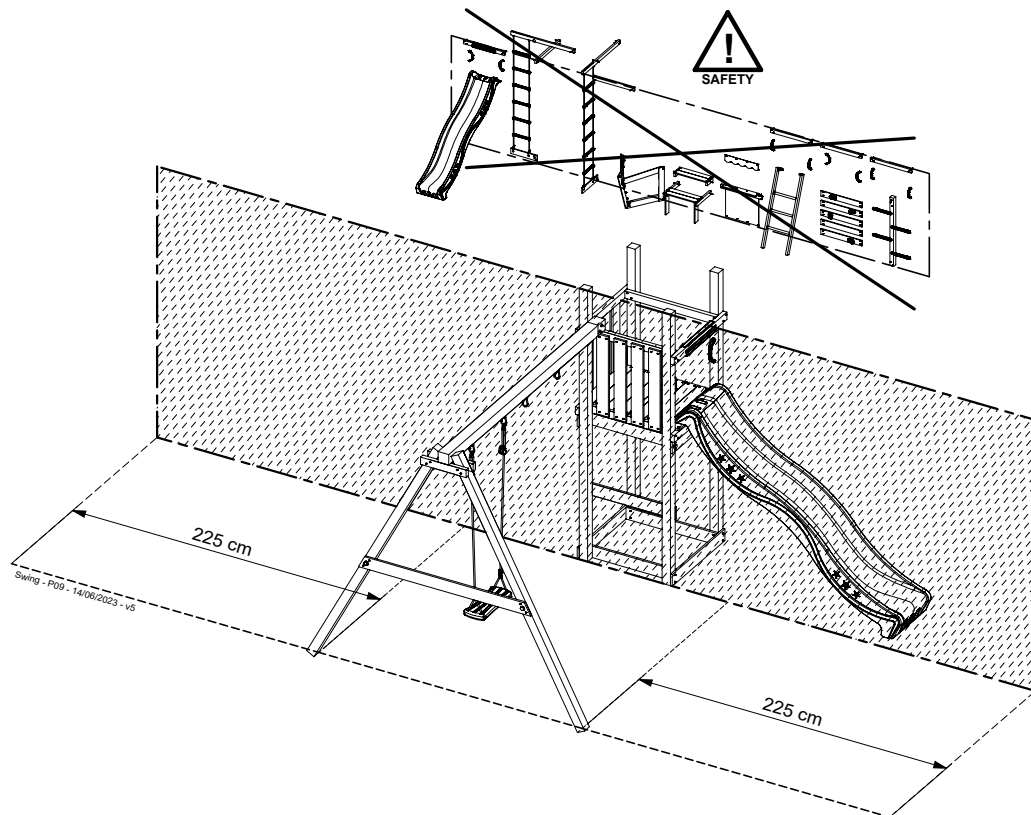
(457_102)

	PartNo	PartName	QTY.
Hardware Pack	001_406	Stealth Screw 8x45	4
	001_417	Stealth Screw 8x80	3 / 4
	001_422	Stealth Screw 8x137	3
	002_220	Gap Point Screw T25 - 5x45	12
	002_223	Gap Point Screw T25 - 5x80	6
Other	005_528	Swing Beam Bracket 7x7	1
	007_001	Ground-anchor	2
	022_31x	bpc-base version 3	2
	022_84x	bpc cover	2
	023_031	Finishing Washer GPS 5.0	2
	101_003	Swing hook with Carabiner	2
Timber	A220	Post 70x70 L2200	2
	B160	Post 90x90 L1600	1
	C37	Beam 370 mm	2
	D141	Board 1410 mm	2

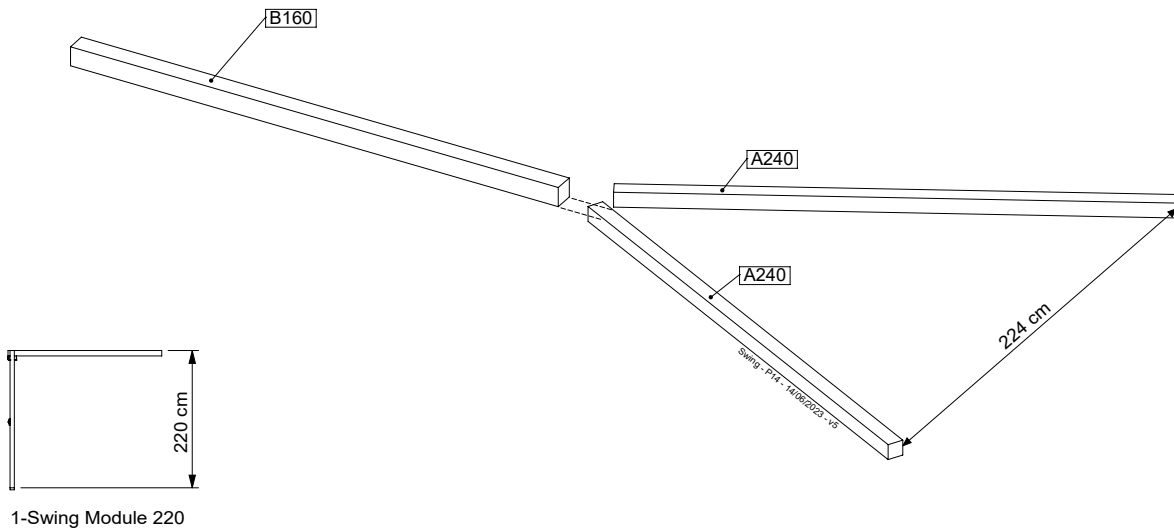
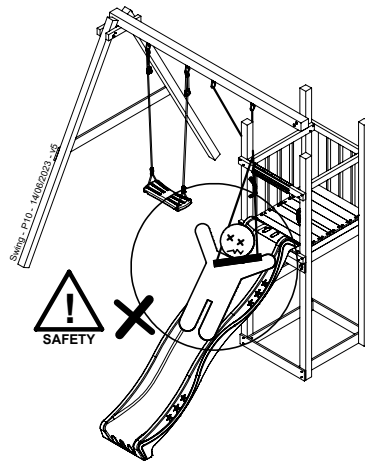
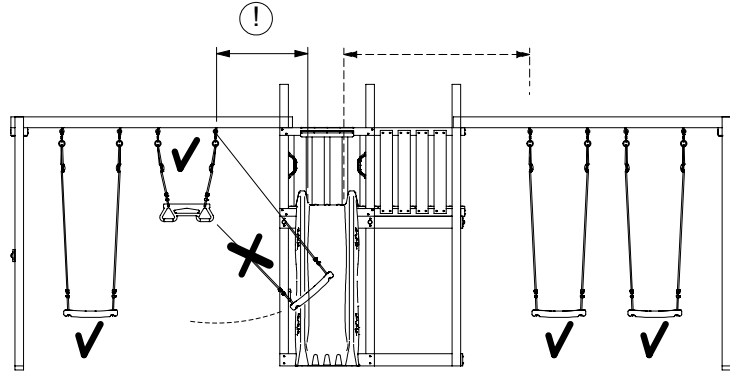
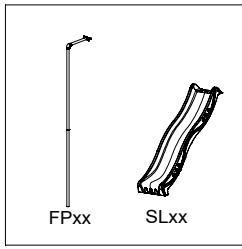
Swing - P09 - 14/06/2023 - v5



1-Swing Module 220

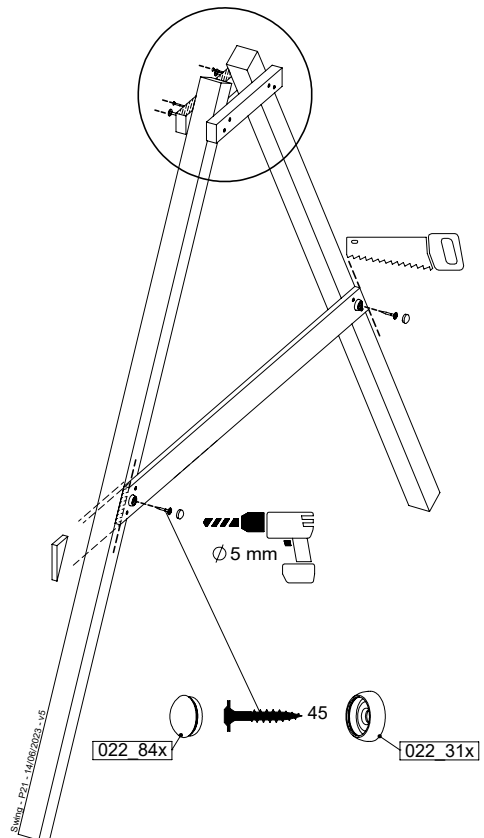
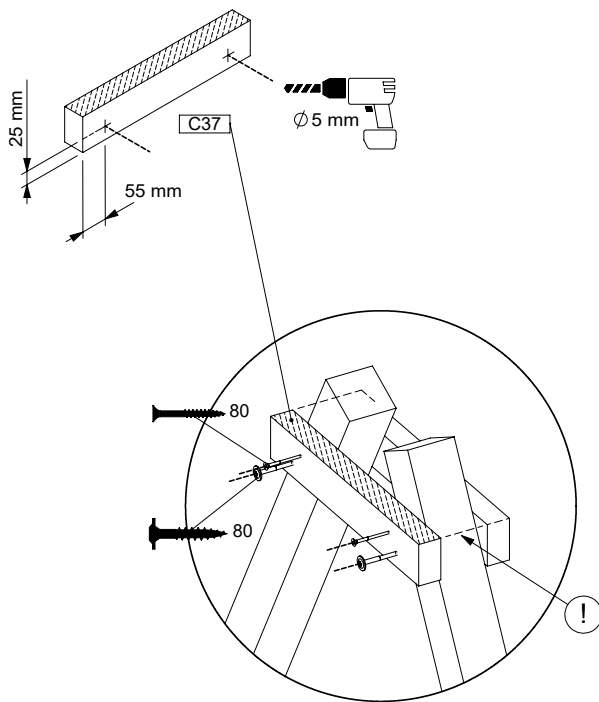
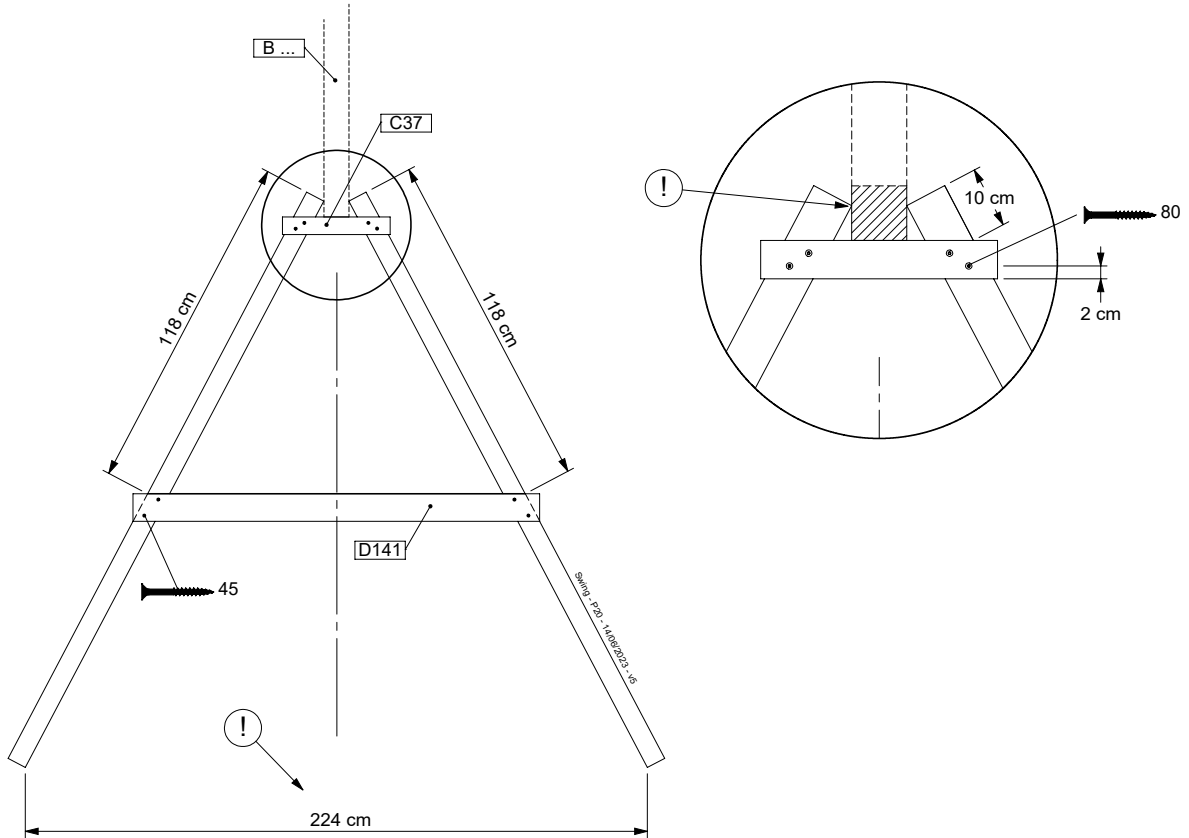


12.1

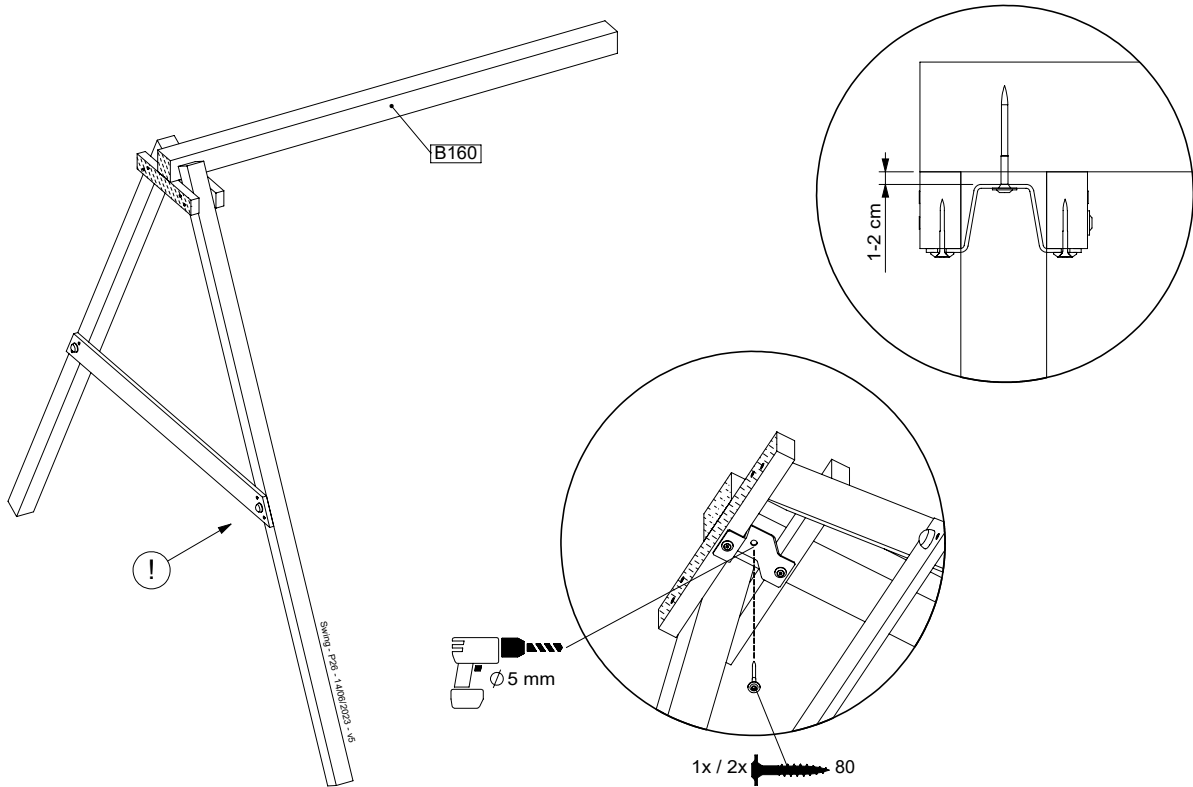
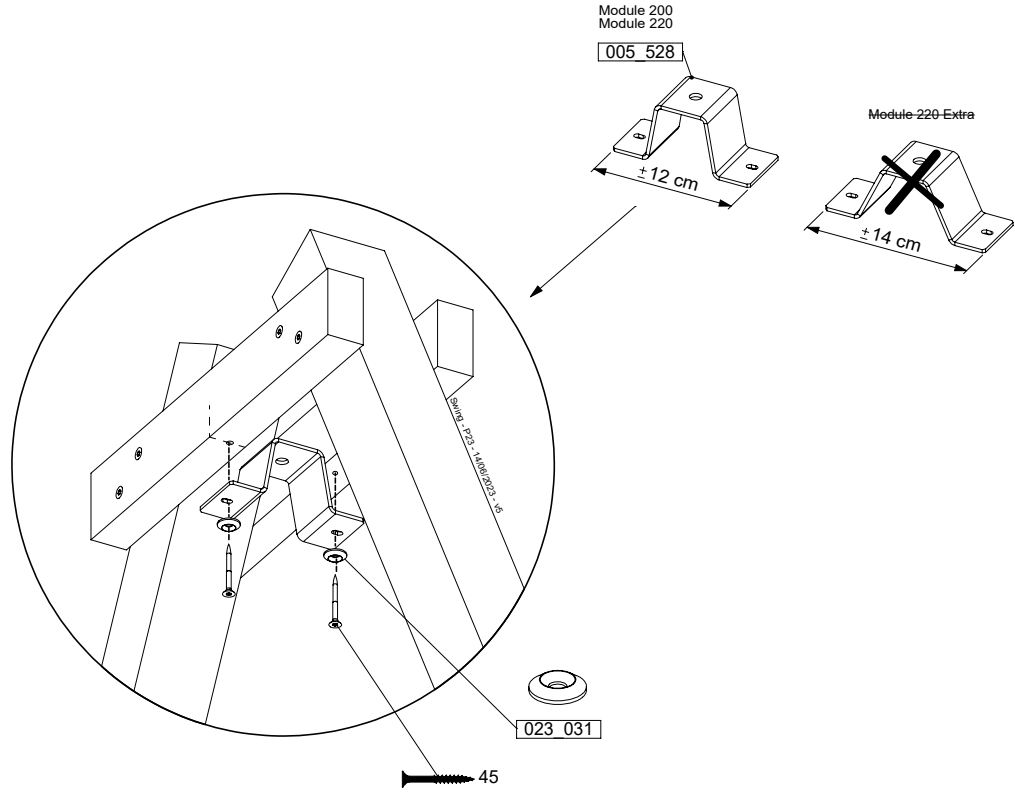


1-Swing Module 220

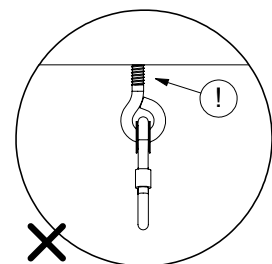
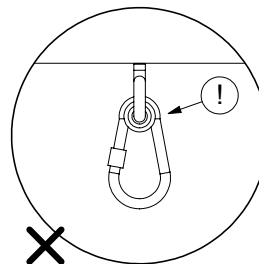
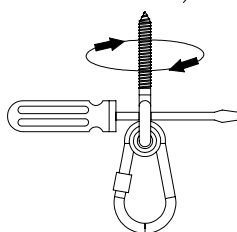
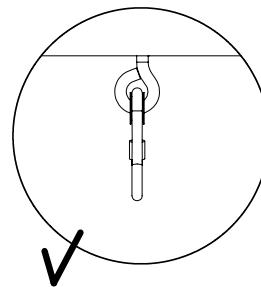
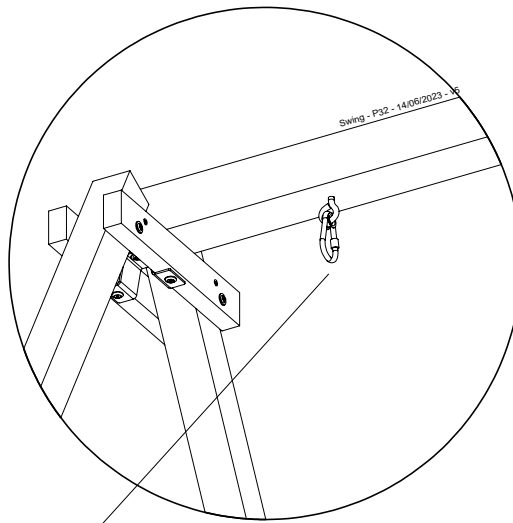
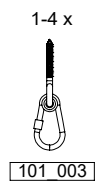
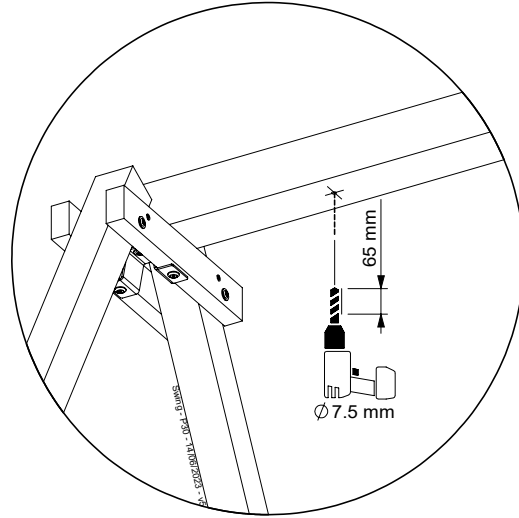
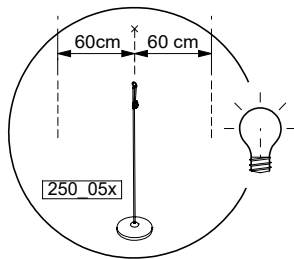
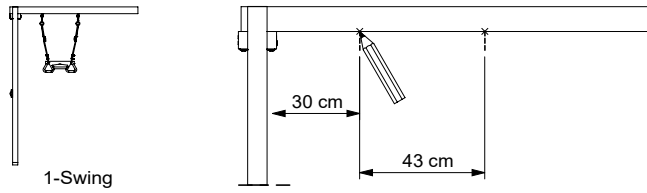
12.2



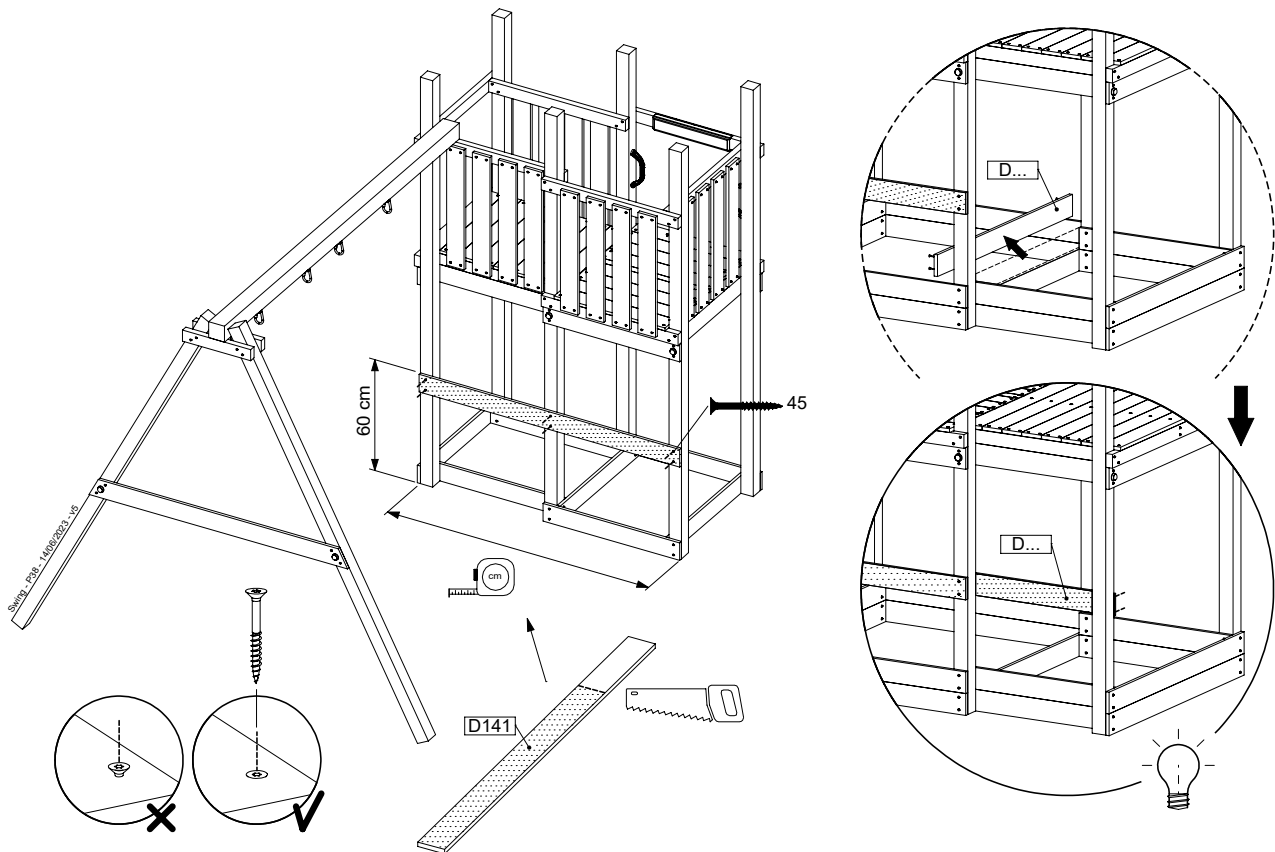
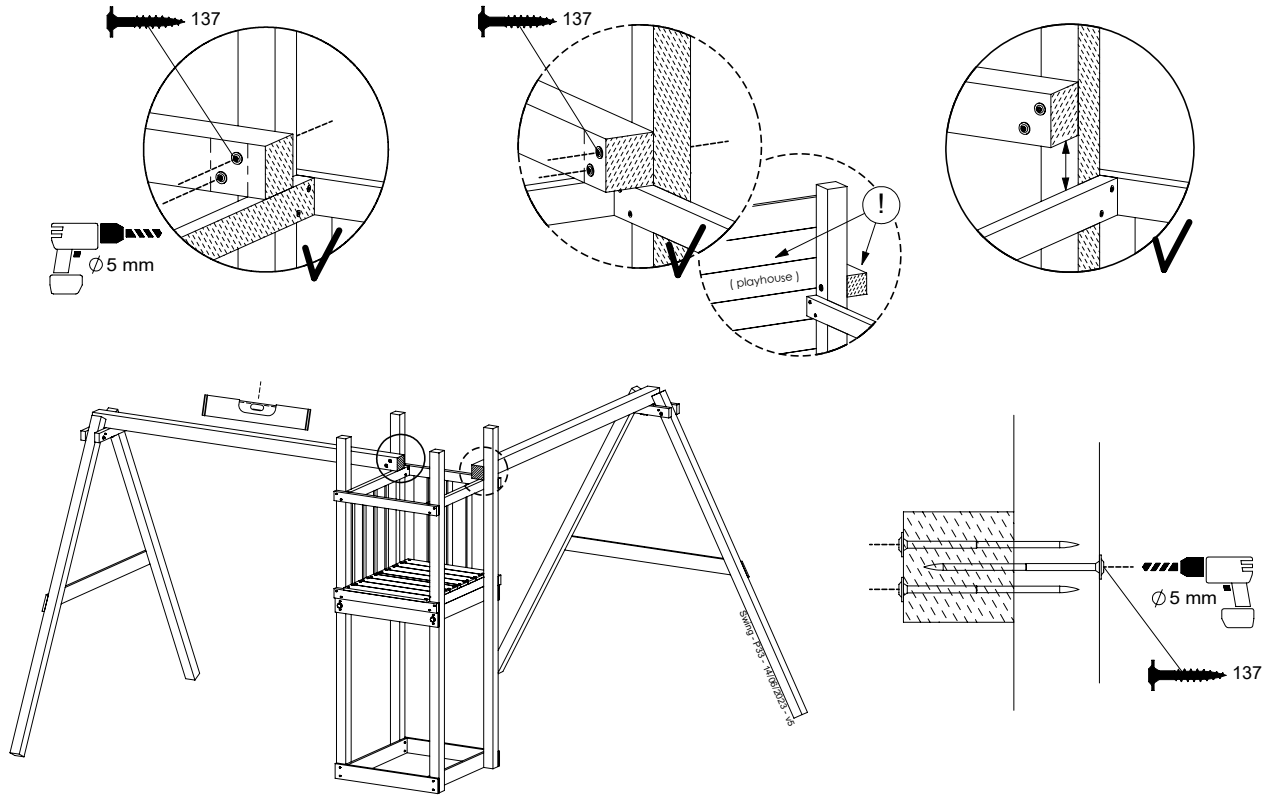
12.3



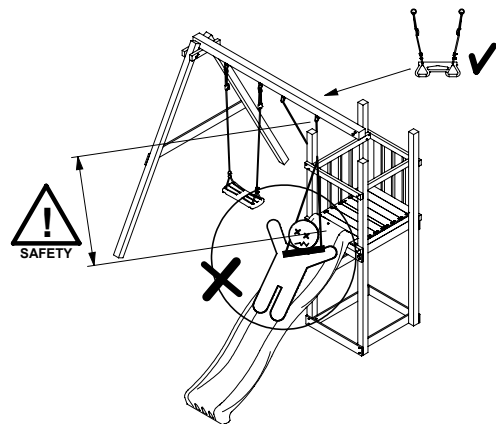
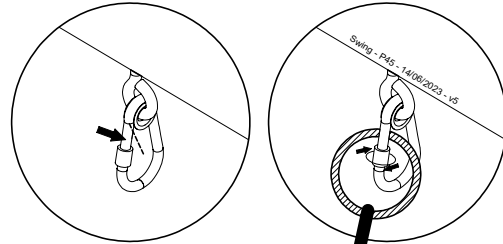
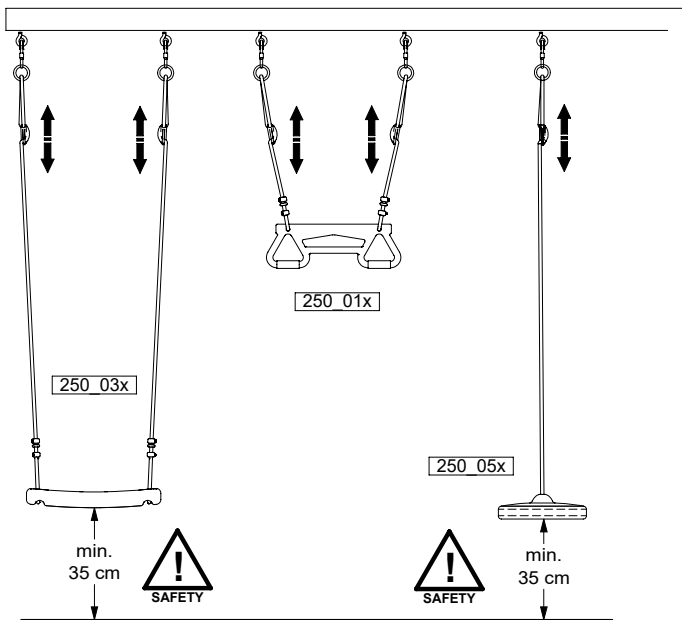
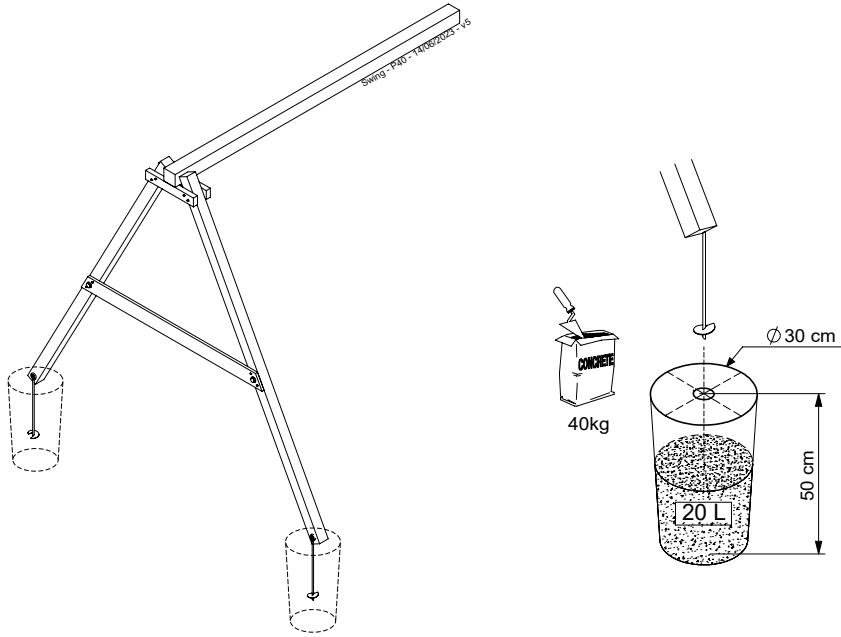
12.4



12.5



12.6

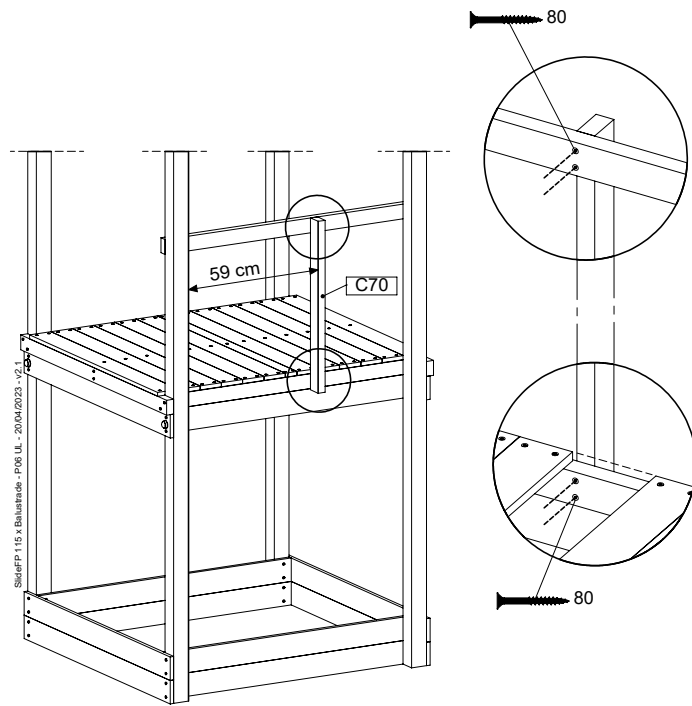
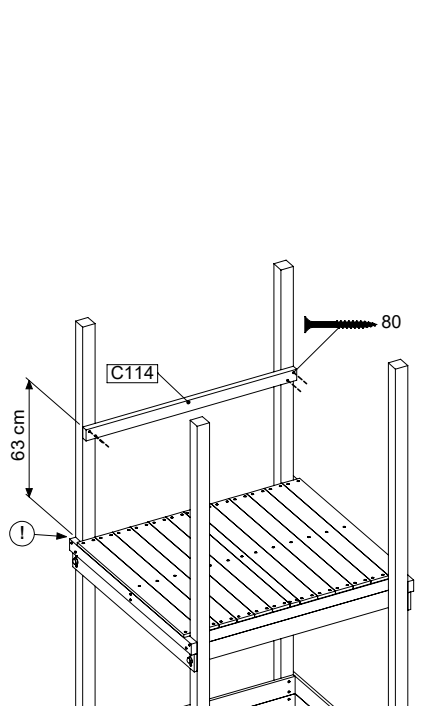
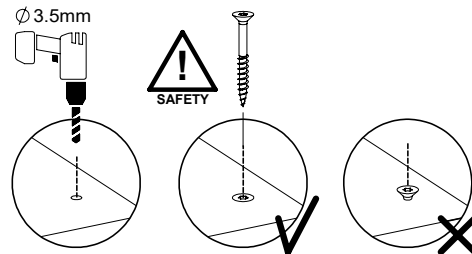
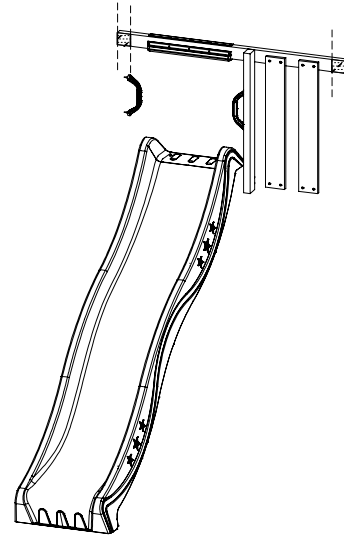


13 SL06a: Slide 115 125 U Left

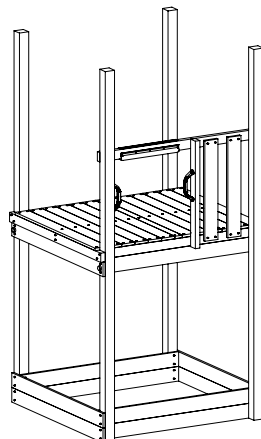
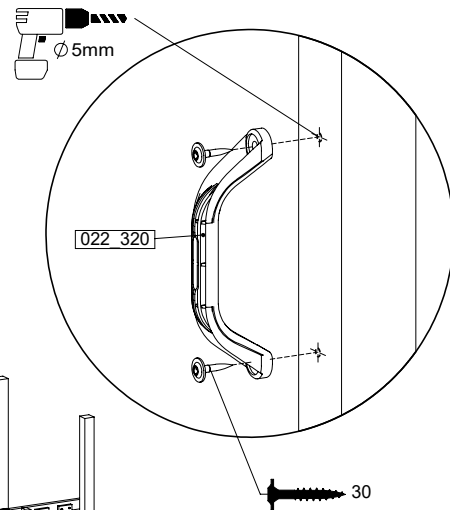
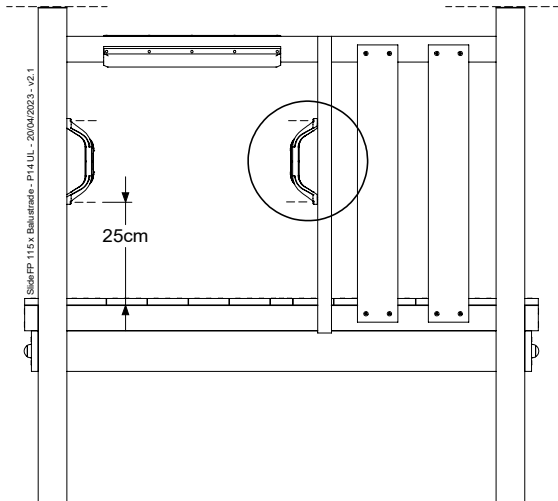
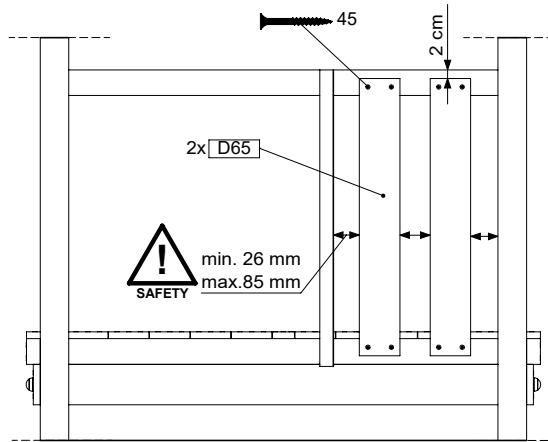
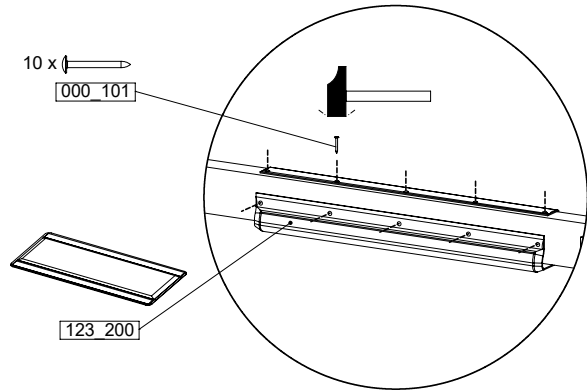
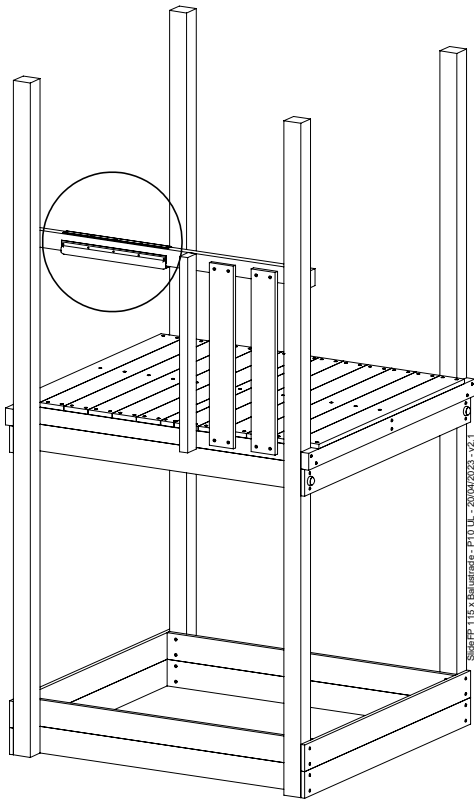
(194_107 + 194_101)

	PartNo	PartName	QTY.
Hardware Pack	000_101	Nail Pan Head	10
	002_220	Gap Point Screw T25 - 5x45	8
	002_223	Gap Point Screw T25 - 5x80	8
	002_308	Gap Point Screw T25 - 5x20	2
Other	120_102	Handgrip set (complete 2x)	1
	123_200	Bumperpad	1
	324_xxx 334_xxx	Wavy Star Slide XL 2200 mm / Wavy Star Slide XXL 2650 mm	1
Timber	C114	Beam 1140 mm	1
	C70	Beam 700 mm	1
	D65	Board 650 mm	2

SleufP 115 x Beukade - POZ UL - 20/01/2023 - v2.1

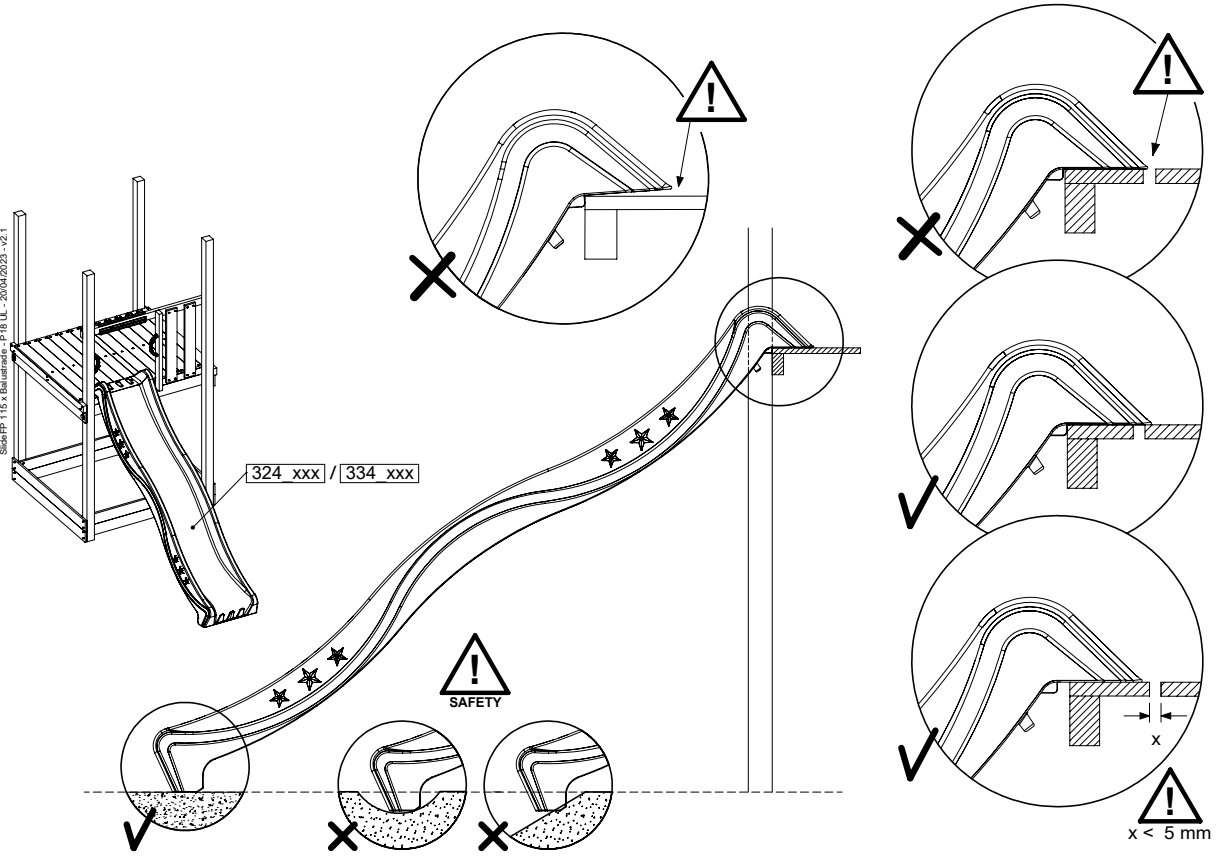


13.1

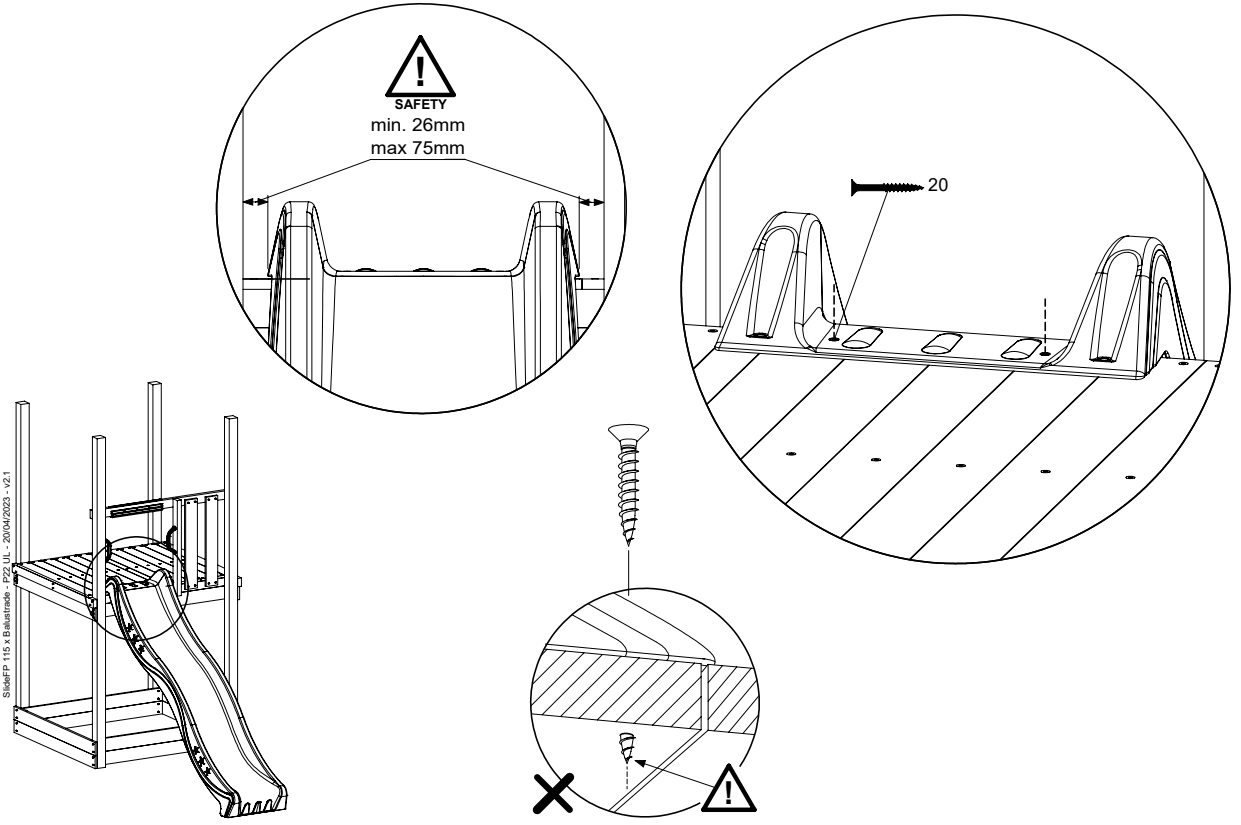


13.2

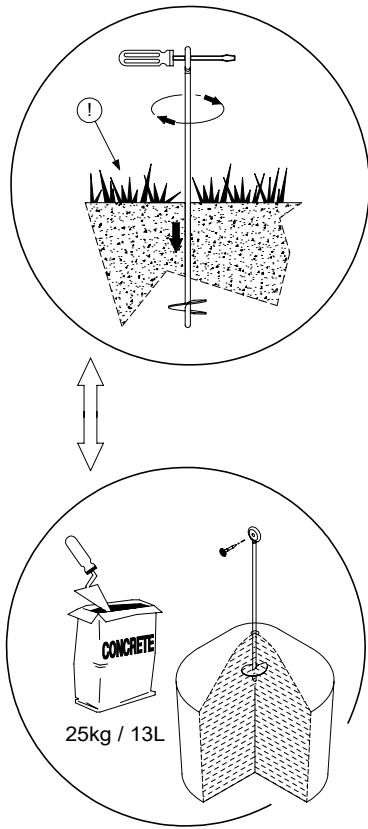
SlideP115 x Balustrade - P18 UL - 20/04/2023 - v2.1



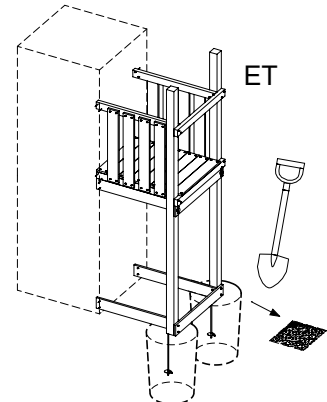
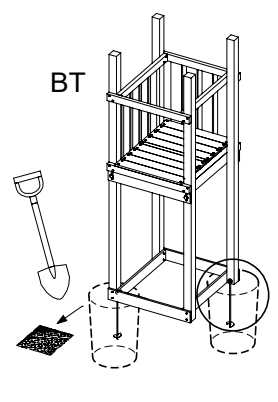
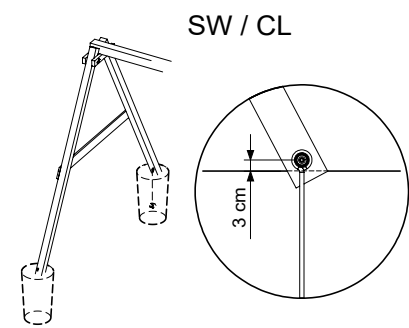
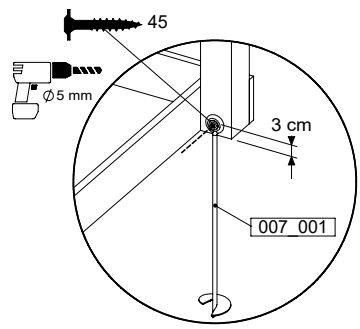
SlideP115 x Balustrade - P21 UL - 20/04/2023 - v2.1



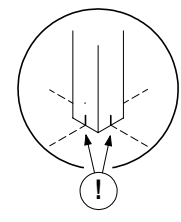
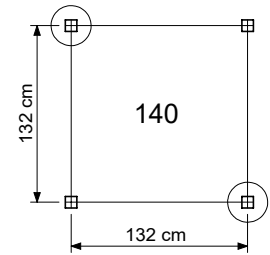
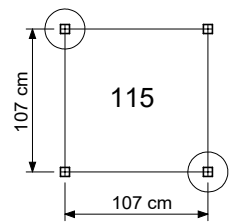
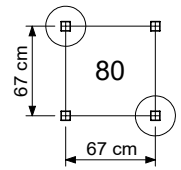
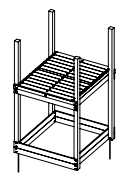
14 GA: Ground Anchors



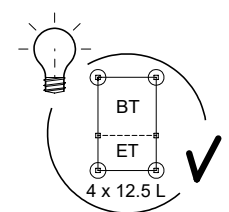
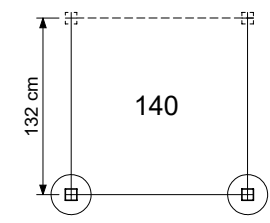
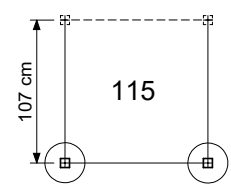
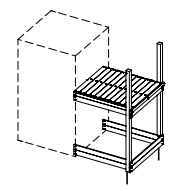
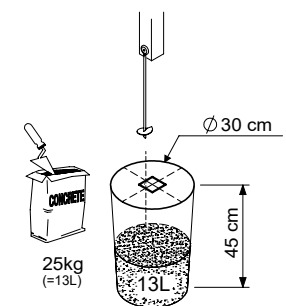
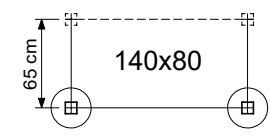
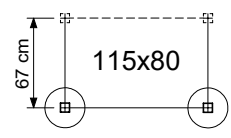
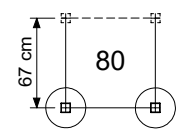
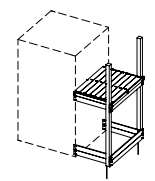
Ground Anchors Unit - P03 - 04/07/2023 - v1.2



BASE TOWERS

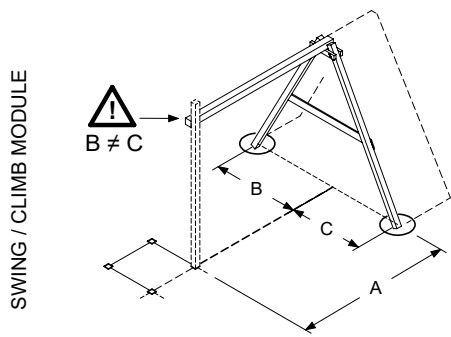
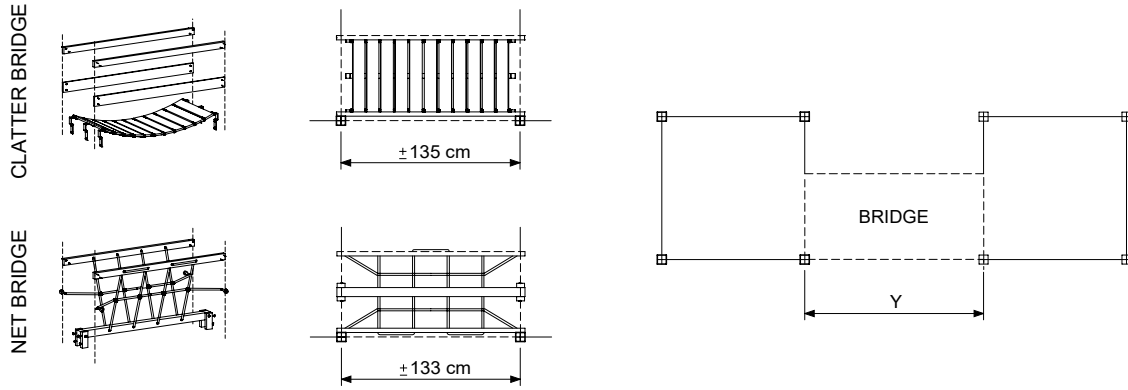


EXTENSION TOWERS



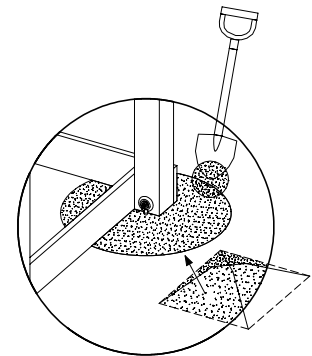
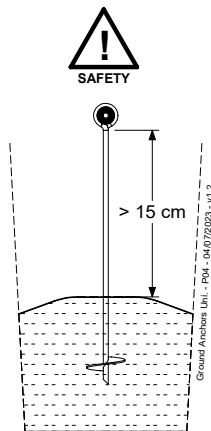
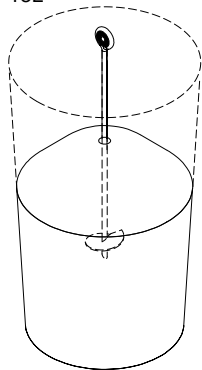
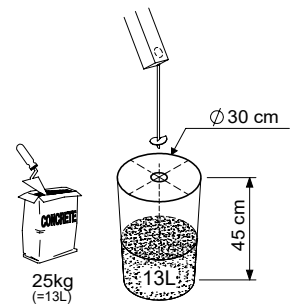
Ground Anchors Unit - P01 - 04/07/2023 - v1.2

14.1



Module type	A	B	C
1-Swing 200	150	115	100
1-Swing 220 / 220 Extra		120	105
2-Swing 200	210	115	100
2-Climb 200			
1-Climb 200	142	120	105
1-Climb 220 / 220 Extra			
2-Swing 220 / 220 Extra	230	120	105
2-Climb 220 / 220 Extra			

Ground Anchors Uni. - P02 - 04/07/2023 - v1.2

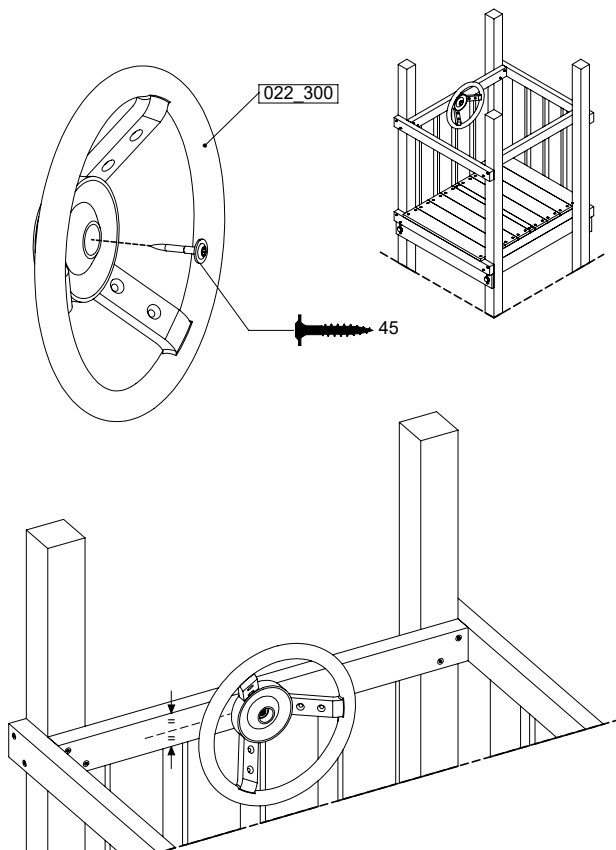
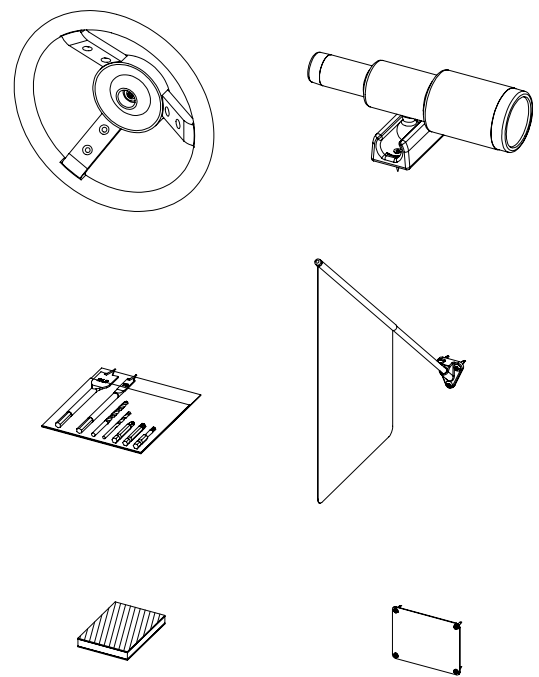


15 AC01a: Accessories

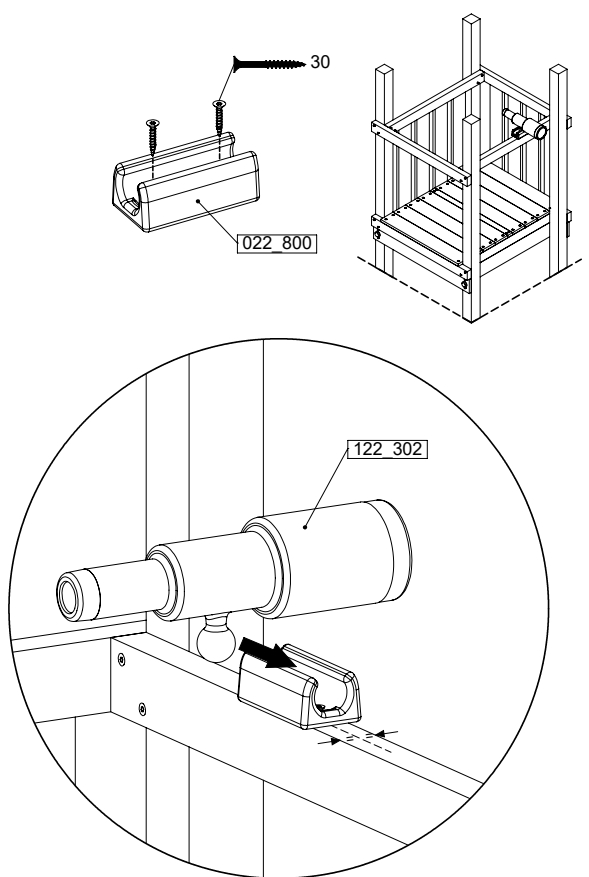
(194_119)

	PartNo	PartName	QTY.
Hardware Pack 100_617	001_406	Stealth Screw 8x45	1
	002_041	Dome head screw 4.5 x 20 mm	3
	002_042	Dome head screw 3.5 x 13mm	4
	002_219	Gap Point Screw T25 - 5x30	2
Other	022_300	Steering Wheel	1
	022_800	Rail P/T 105	1
	022_910	Sandpad	1
	103_901	Logo ID Plate	1
	104_107	Tool Set Climbing Units	1
	120_024	Tower Flag	1
	122_302	Telescope	1

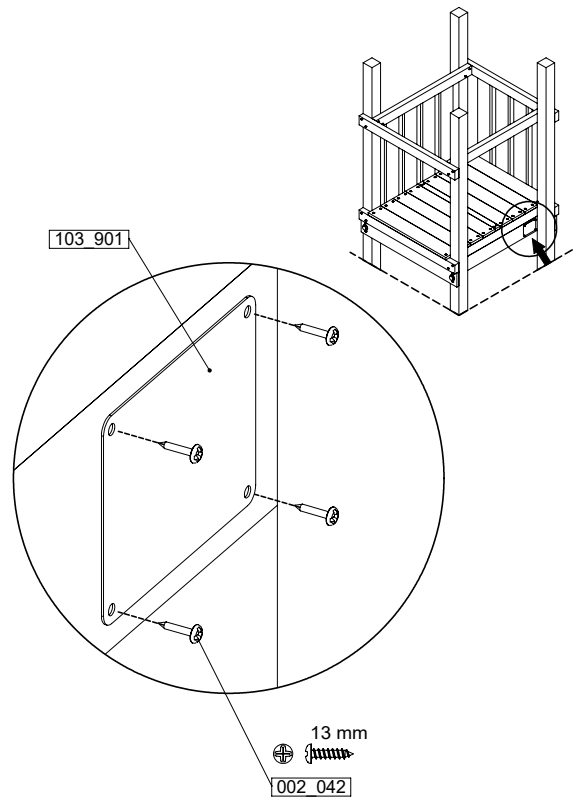
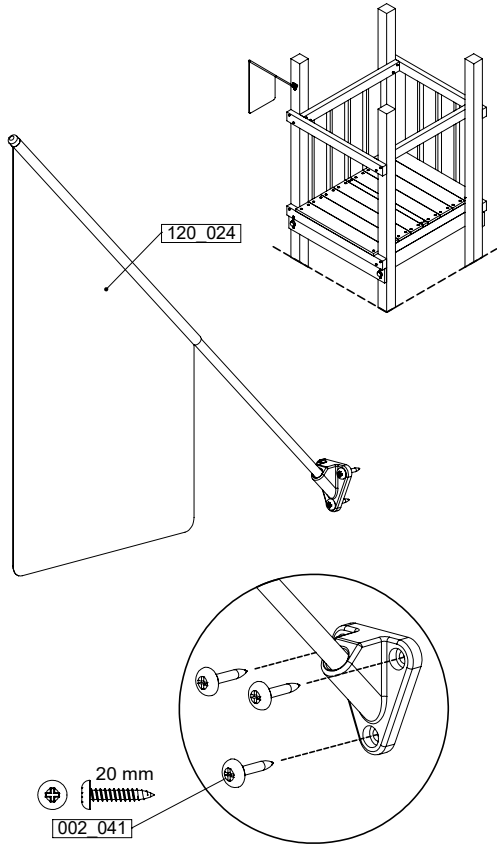
Accessory set - P102 - 06/07/2023 - v5



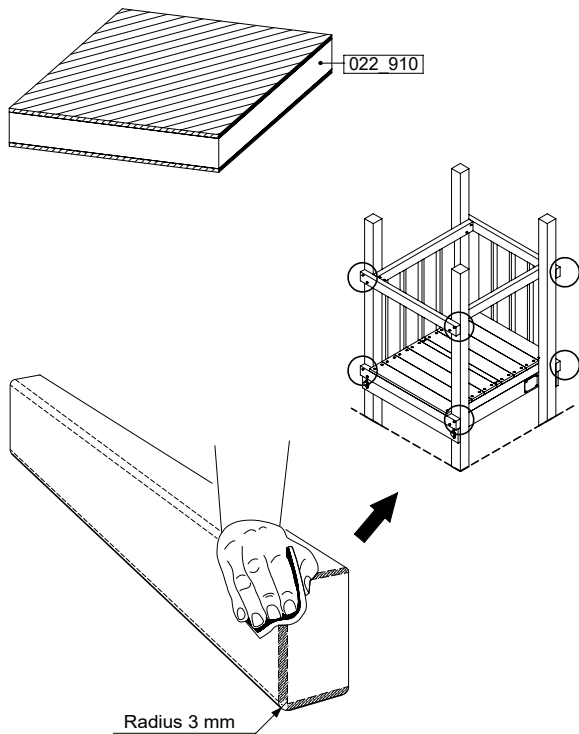
Accessory set - P103 - 06/07/2023 - v5



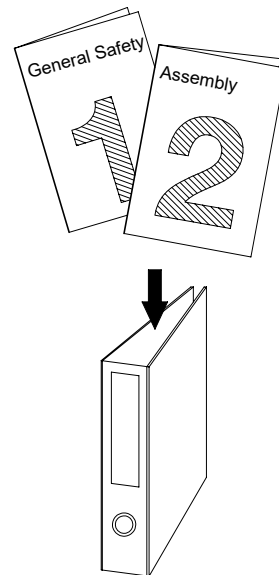
15.1



Accessory set - P04 - 06/07/2023 - v5



Accessory set - P05 - 06/07/2023 - v5



16 Conformity

Declaration of Conformity

Jungle Gym
BACKYARD PLAYGROUNDS
since 1988

Manufacturer details

Company Name	Tag-line
Jungle Gym B.V.	Backyard Playgrounds
Address	
P.O. Box 75083, 1070 AB Amsterdam, Netherlands	

Activity toys for domestic use

Product Range Identification

Construction Packages (Sub-Assembly)

Universal Packs / Base Towers / Extension Towers / Roofs / Means of Exit/Access / Add-ons : 790_001 ... 794_911

Assembly

Playtowers : 801_005 ... 200	Links : 870_100 ... 105	Accessories : 123_220 ... 250_075
Playhouses : 830_150 ... 253, 835_251 ... 253	Swings : 801_300, _600, _601	Slides (XL) : 324_100 ... 600
Modules : 850_180 ... 415		Slides (XXL) : 334_100 ... 600
: 857_103, 857_108	Playtowers: 802_202 ... 208	
857_151, 857_158	803_202 ... 210	
	809_202 ... 804	

Applicable EC directives and standards

Chemical References

1. Migration of certain elements (17x + Chr VI + tin) as required in TSD 2009/48/EC and its amendments. Scrape off toy material. Tested according to EN 71-3:2019.	5. Content of 7 Phthalates (18x) according to REACH (EG) no.1907/2006, Annex XVII. Tested according to COC-CH-C1011-09.3 and EN 15777 / QMA 2011.1300	9. Content of 3 Flame retardants according to REACH (EG) no. 1907/2006, Annex XVII. Tested according to EN 62321-6.
2. Migration of solvents, monomers and plasticizers as specified in "Safety for Toys: Organic Chemical Compounds", EN 71-9: 2005 + A1: 2007. Tested according to EN 71-10: 2005 & EN 71-11: 2005.	6. Content of Cadmium according to REACH (EG) no. 1907/2006, Annex XVII. Tested according to EN 17294-2	10. Ni release according to REACH (EG) no. 1907/2006, Annex XVII. Tested according to EN 71-3:2013+A1:2014.
3. Content of N-nitrosamines and N-nitrosatable substances as specified in EN standard 71-12: 2013. Tested according to EN 71-12: 2013.	7. Formaldehyde according to REACH (EG) no. 1907/2006, Annex XVII. Tested according to EN 14184	11. Sweat and Salvia resistance tested according to DIN 53160
4. Content of 18 PAHs (Polycyclic Aromatic Hydrocarbons) as referred in AfPS GS 2014:01 PAK (Replaced on 2019:01) Tested according to QMA 2011.1284	8. Azo dyes according to REACH (EG) no. 1907/2006, Annex XVII. Tested according to BVL B 82.02-2.	

Mechanical physical properties + flammability

EN 71 - 1 : 2014 + A1: 2018 EN 71 - 2 : 2011 + A1: 2014 EN 71 - 8 : 2018

Supplementary information

Conformity to the above specified directives and standards has been frequently verified and is continuously monitored by TÜV Süd, TÜV Rheinland LGA products, DEKRA (DE), STR Ltd (UK), LNE SA (FR), LMR Ltd (US) and IPS N.V. (BE) since 1994. Jungle Gym participates in the European Commission for standardisation for the safety of activity toys (TC52 / WG 10).


Declaration

I hereby declare under our sole responsibility that the products mentioned above, to which this declaration relates, complies with the above mentioned directives and standards.



Name
Mr. P. Schmit / Director

Issued date
Januari 2nd, 2023


Signature of representative