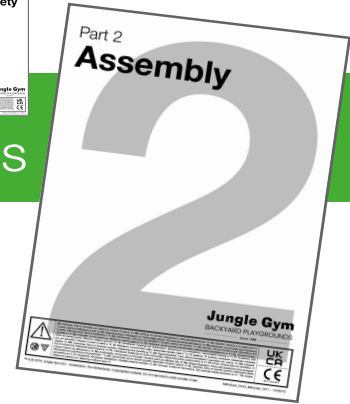


# Part 2

# Assembly

## Instructions



Config ID: xiN5S8

Date: 2023-08-10



Manual Part 1



### Important

This assembly manual should always be read in conjunction with the General Safety manual part 1 as included in the hardware package of your playground equipment.

Please read these safety instructions carefully before starting the assembly work.

# Jungle Gym

## BACKYARD PLAYGROUNDS

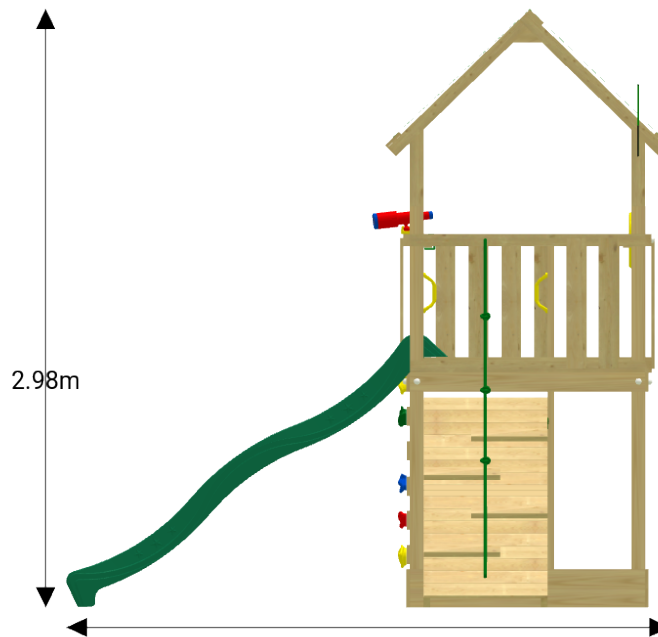
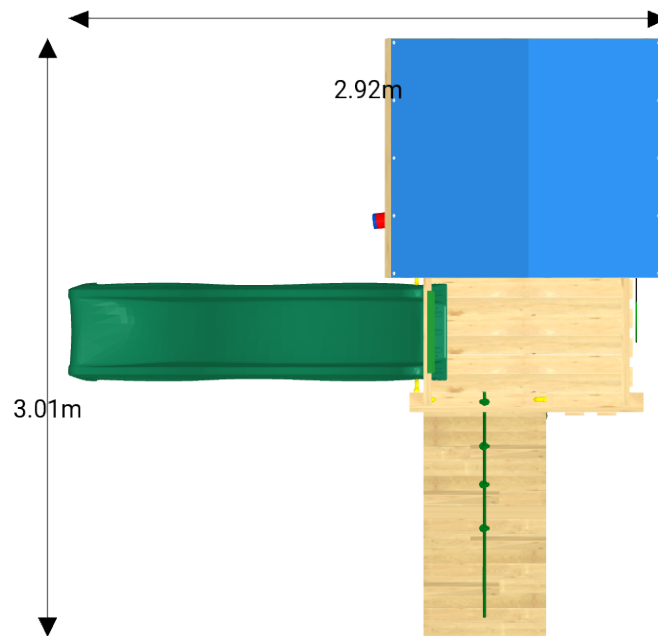
since 1988



**EN.** Warnings. Only for domestic use. Maximum number of users is **3**. **DE.** Achtung. Nur für den Hausgebrauch. Maximale Benutzerzahl: **3**. **FR.** Attention. Réserve à un usage privé. Le nombre maximal d'utilisateurs est de **3**. **NL.** Waarschuwingen. Uitsluitend voor huishoudelijk gebruik. Het maximale aantal gebruikers is **3**. **BG.** Внимание. За употреба само в домашни условия. Максималният брой потребители е **3**. **ES.** Advertencias. Sólo para uso doméstico. Número máximo de usuarios: **3**. **CS.** Varování. Jen pro domácí použití. Maximální počet uživatelů je **3**. **DA.** Advarsler. Kun til privat brug. Maksimum antal brugere er **3**. **ET.** Hoiatused. Ainult koduseks kasutamiseks. Maksimaalne kasutajate arv on **3**. **EL.** Προειδοποιήσεις. Μόνο για οικιακή χρήση. Μέγιστος αριθμός χρηστών **3**. **IS.** Varnaðarorð. Eingöngu fyrir einkanotkun í heimahúsum og á einkaloðum. Hámarksfjöldi notenda er **3**. **IT.** Avvertenze. Solo per uso domestico. Massimo numero di utenti è **3**. **LV.** Brīdinājumi. Izmantot tikai mājās. Maksimālais lietotāju skaits ir **3**. **LT.** Įspėjimai. Tik buitiniam naudojimui. Maksimalus naudotojų skaičius HR. Upozorenja. Samo za kućansku uporabu. Maksimalan broj korisnika je **3**. **HU.** Figyelmeztetések. Csak otthoni használatra! A használók max. száma: **3**. **NO.** Advarsler. Kun for privat bruk. Maksimalt antall brukere er **3**. **PL.** Ostrzeżenia. Wyłącznie do użytku domowego. Maksymalna liczba użytkowników to **3**. **PT.** Avisos. Apenas para uso doméstico. O número máximo de utilizadores é **3**. **RO.** Avertismente. Numai pentru uz domestic. Numărul maxim de utilizatori este **3**. **RU.** Предостережения. Только для домашнего использования. Максимальное количество пользователей - **3**. **SK.** Upozornenia. Iba na domáce použitie. Maximálne množstvo osôb je **3**. **SL.** Opozorila. Samo za domačo uporabo. Maksimalno število uporabnikov je **3**. **FI.** Varoitukset. Ainoastaan kotikäyttöön. Käyttäjää yhteensä enintään **3**. **SR.** Upozorenja. Samo za kućnu upotrebu. Maksimalan broj korisnika je **3**. **SV.** Varningar. Endast för hemmabruk. Det maximala antalet användare är **3**. **TR.** Uyarılar. Sadece ev kullanımı için. Maksimum kullanıcı sayısı **8**.



# 1 Views

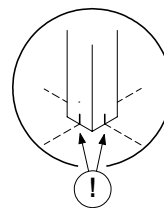
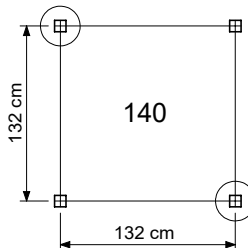
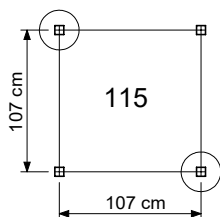
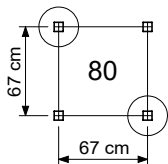
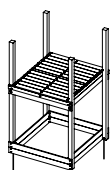


## 2 Order list

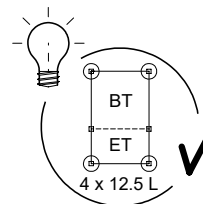
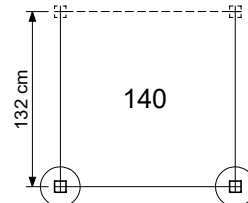
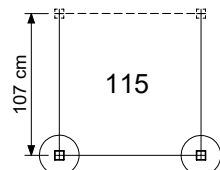
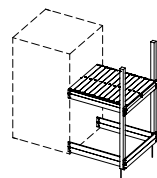
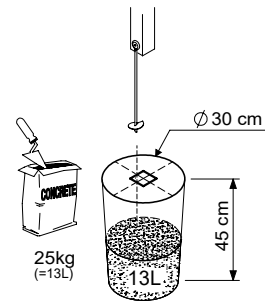
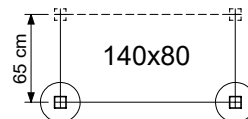
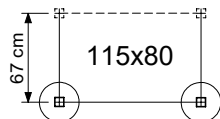
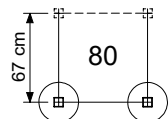
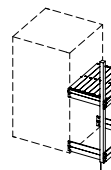
| Nr. | SKU     | Description               | ID      | Amount |
|-----|---------|---------------------------|---------|--------|
| 1   | 792_002 | Base Tower 115_ 240240    | BT11a   | 1      |
| 2   | 792_101 | Extension Tower 11580_200 | ET05a   | 1      |
| 3   | 792_201 | Roof Castle 115           | RF07a   | 1      |
| 4   | 790_301 | Balustrade 80             | BL01a   | 1      |
| 5   | 792_301 | Balustrade 115            | BL03a   | 1      |
| 6   | 792_301 | Balustrade 115            | BL04a   | 1      |
| 7   | 792_401 | Rock wall 115_125         | RW07a   | 1      |
| 8   | 792_441 | Ramp 115_125              | RA07a   | 1      |
| 9   | 790_901 | Slide 80                  | SL01a   | 1      |
| 10  | 194_119 | AP Accessory set          | AC01a   | 1      |
| 11  | 324_x00 | Wavy Star Slide XL        | 324_x00 | 1      |

### 3 Anchor Plan

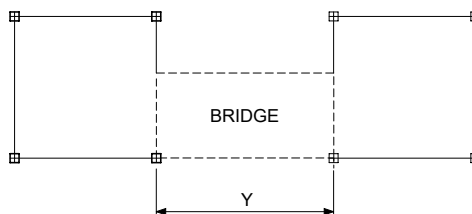
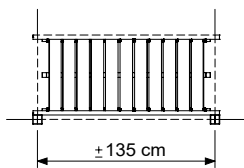
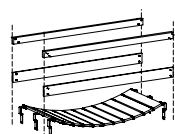
BASE TOWERS



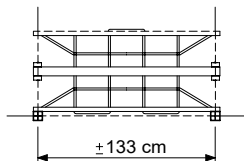
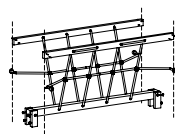
EXTENSION TOWERS



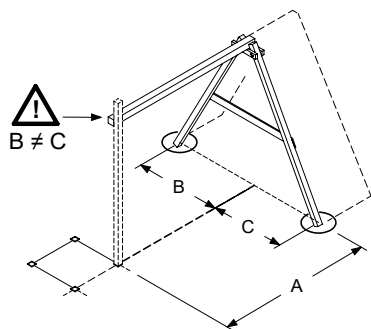
CLATTER BRIDGE



NET BRIDGE

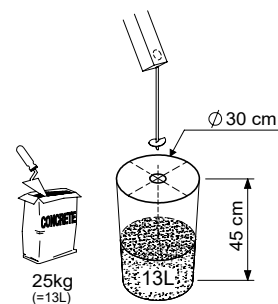


SWING / CLIMB MODULE



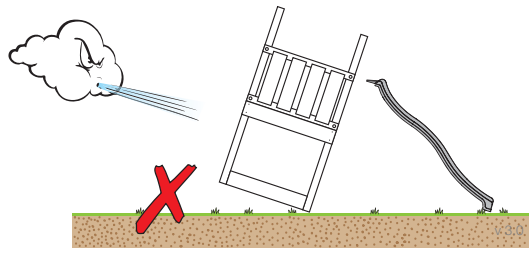
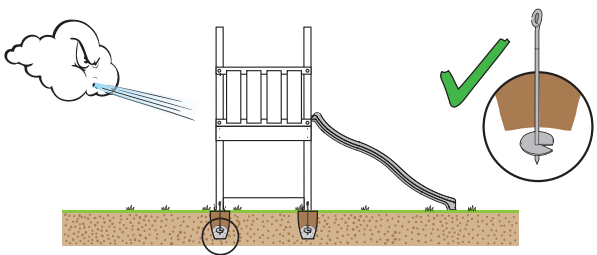
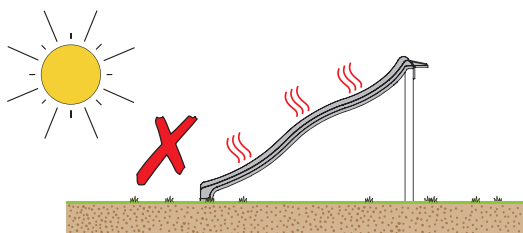
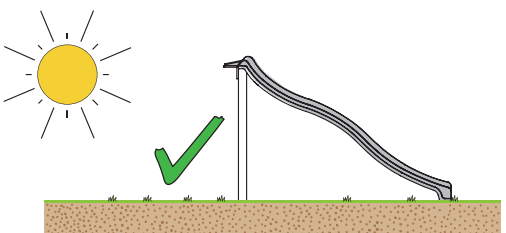
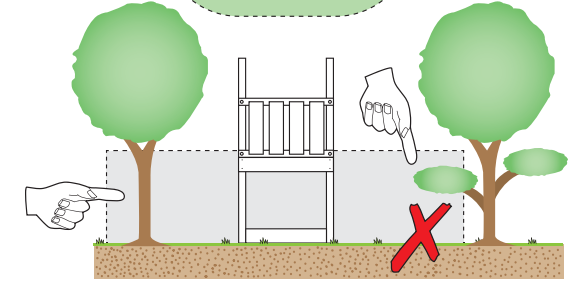
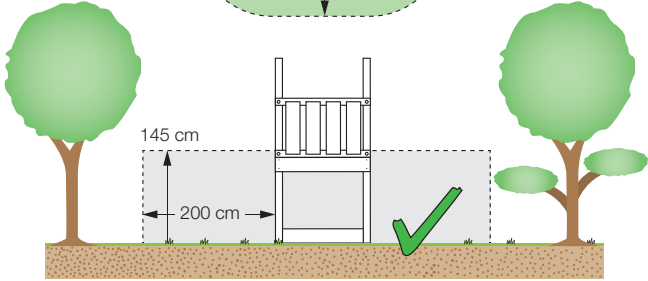
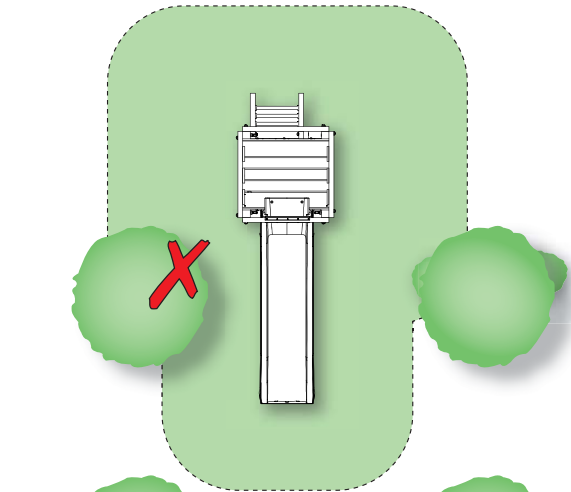
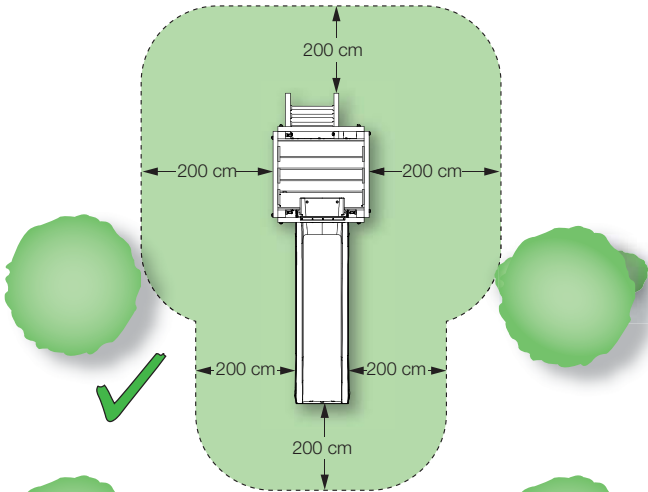
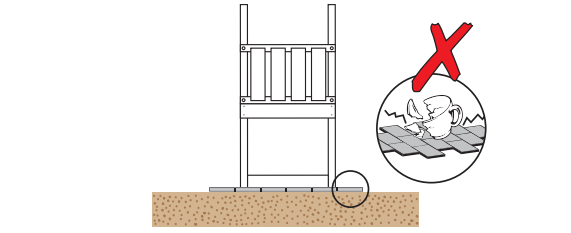
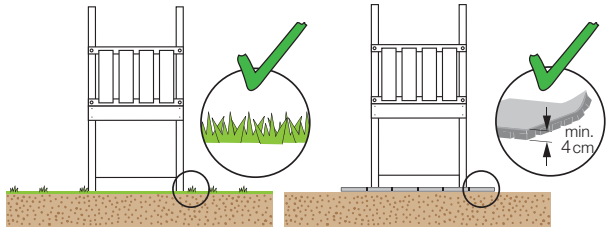
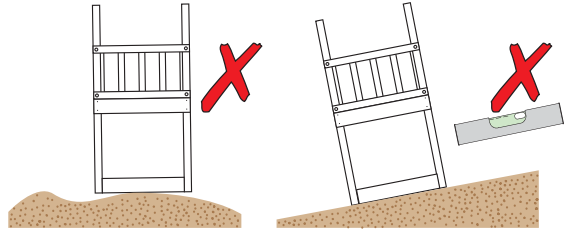
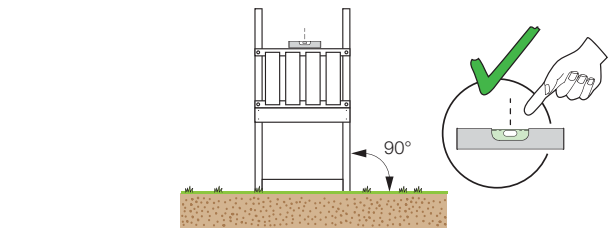
| Module type             | A   | B   | C   |
|-------------------------|-----|-----|-----|
| 1-Swing 200             | 150 | 115 | 100 |
| 1-Swing 220 / 220 Extra |     | 120 | 105 |
| 2-Swing 200             | 210 | 115 | 100 |
| 2-Climb 200             |     |     |     |
| 1-Climb 200             | 142 | 120 | 105 |
| 1-Climb 220 / 220 Extra | 162 |     |     |
| 2-Swing 220 / 220 Extra | 230 | 120 | 105 |
| 2-Climb 220 / 220 Extra |     |     |     |

Ground Anchors Unit - PO1 - 04/07/2023 - v1.2

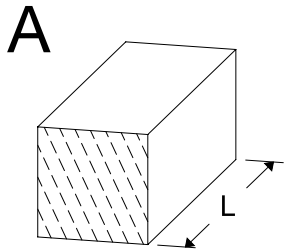


Ground Anchors Unit - PO1 - 04/07/2023 - v1.2

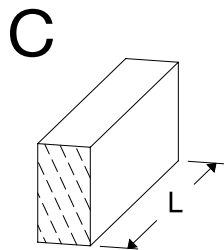
### 3.1 Safe Playground



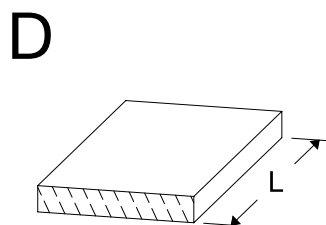
## 4 Timber parts



| ID   | L               | # |
|------|-----------------|---|
| A200 | 199 cm - 200 cm | 2 |
| A240 | 239 cm - 240 cm | 4 |

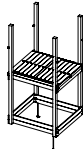

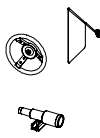

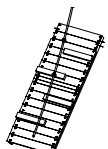
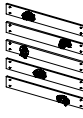
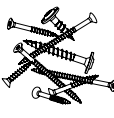

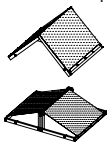
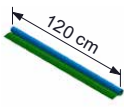


|      |                 |    |
|------|-----------------|----|
| C37  | 36 cm - 37 cm   | 4  |
| C74  | 73 cm - 74 cm   | 5  |
| C90  | 89 cm - 90 cm   | 2  |
| C96  | 85 cm - 96 cm   | 2  |
| C114 | 113 cm - 114 cm | 10 |
| C154 | 153 cm - 154 cm | 2  |
| C186 | 185 cm - 186 cm | 2  |

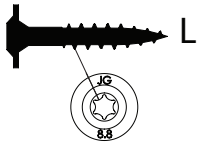
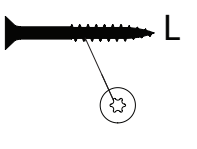
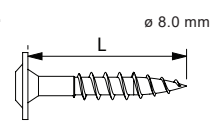
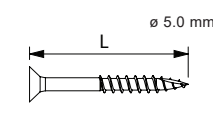

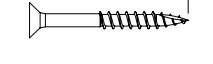
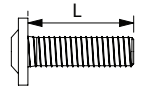


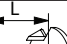




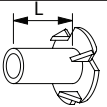






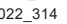




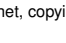


|      |                 |    |
|------|-----------------|----|
| D60  | 59 cm - 60 cm   | 18 |
| D65  | 64 cm - 65 cm   | 27 |
| D74  | 73 cm - 74 cm   | 6  |
| D100 | 99 cm - 100 cm  | 23 |
| D114 | 113 cm - 114 cm | 15 |
| D120 | 119 cm - 120 cm | 3  |

## 5 Assembly packs & accessories

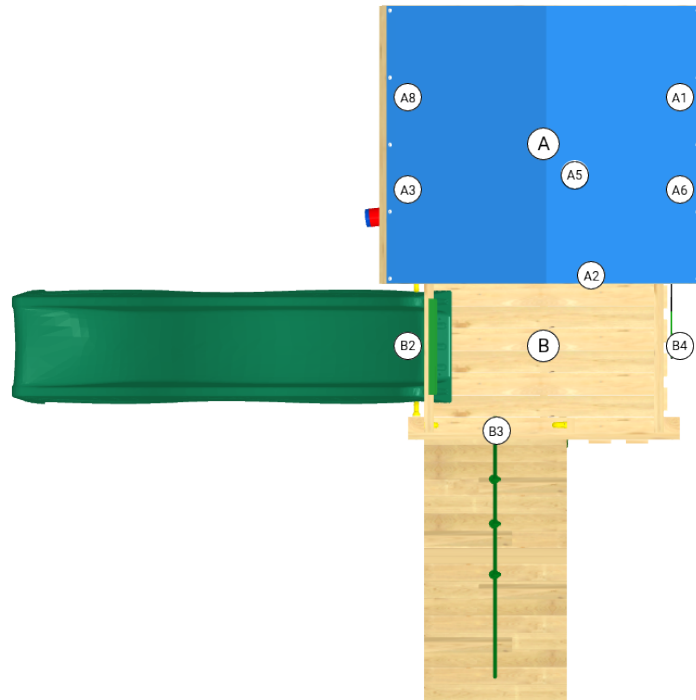
|  |   |   |  |   |
|--|---|---|--|---|
| <p>Tower 115</p>  <p><b>BT<br/>ET</b></p> <p>194_300</p> <p><b>2x</b></p> | <p>Balustrade 140</p>  <p><b>BL</b></p> <p>194_501</p> <p><b>2x</b></p>      | <p>Accessory Set</p>  <p><b>AC</b></p> <p>194_119</p> <p><b>1x</b></p> | <p>Slide 2.2m</p>  <p>324_x00</p> <p><b>1x</b></p>                       | <p>Ramp</p>  <p><b>RA</b></p> <p>194_008</p> <p><b>1x</b></p>            |
| <p>Rock Wall</p>  <p><b>RW</b></p> <p>194_006</p> <p><b>1x</b></p>        | <p>Hardware 01</p>  <p><b>BL<br/>H01</b></p> <p>194_101</p> <p><b>2x</b></p> | <p>Slide Frame</p>  <p><b>SL</b></p> <p>194_107</p> <p><b>1x</b></p>   | <p>Roof Canvas 115</p>  <p><b>RF</b></p> <p>194_312</p> <p><b>1x</b></p> | <p>Canvas 185 x 120cm</p>  <p>120 cm</p> <p>123_222</p> <p><b>1x</b></p> |

## 6 Hardware Identification

| Image   | SKU     | L      | Image   | SKU     | L      |
|---|---------|--------|---|---------|--------|
|    | 001_404 | 30 mm  |     | 002_308 | 20 mm  |
|    | 001_406 | 45 mm  |    | 002_219 | 30 mm  |
|  | 001_411 | 60 mm  |  | 003_010 |        |
|  | 001_417 | 80 mm  |  | 003_034 |        |
|  | 001_422 | 137 mm |  | 004_050 | 22mm   |
|  |         |        |  | 022_845 | Yellow |
|  | 001_102 | 30 mm  |  | 022_846 | Blue   |
|  |         |        |  | 022_847 | Green  |
|  | 000_101 | 20 mm  |  | 022_848 | Red    |
|  | 002_036 | 16 mm  |  | 023_031 | White  |
|  | 002_041 | 20 mm  |  | 120_005 | White  |
|  | 002_042 | 13 mm  |  |         |        |
|  | 002_041 | 20 mm  |  |         |        |
|  | 002_042 | 13 mm  |  |         |        |
|  | 002_301 | 40 mm  |  |         |        |

output: 25/05/23

## 7 Assembly Planning



|    | ID    |  |      | A  | B  |
|----|-------|--|------|----|----|
| 1  | BT11a |  | p.9  | ✓  | -  |
| 2  | ET05a |  | p.12 | -  | ✓  |
| 3  | RW07a |  | p.15 | A8 | -  |
| 4  | BL01a |  | p.18 | -  | B4 |
| 5  | BL03a |  | p.19 | A9 | -  |
| 6  | BL04a |  | p.20 | A6 | -  |
| 7  | RF07a |  | p.21 | A5 | -  |
| 8  | RA07a |  | p.23 | -  | B3 |
| 9  | SL01a |  | p.28 | -  | B2 |
| 10 | GA    |  | p.30 | ✓  | ✓  |
| 11 | AC01a |  | p.32 | ✓  | -  |

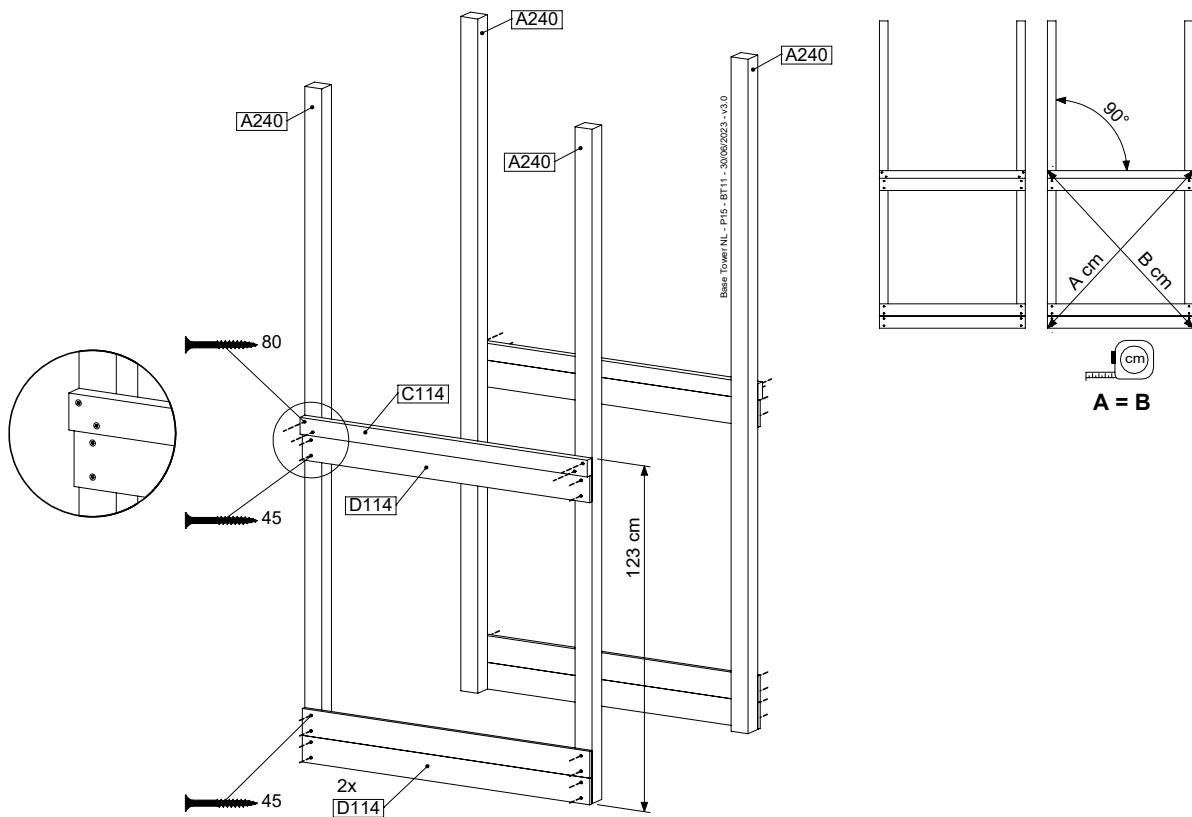
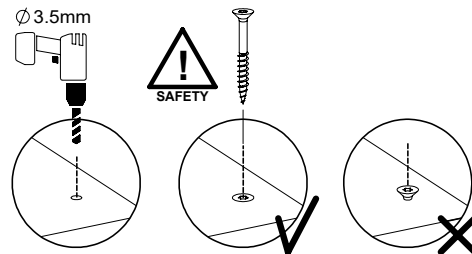
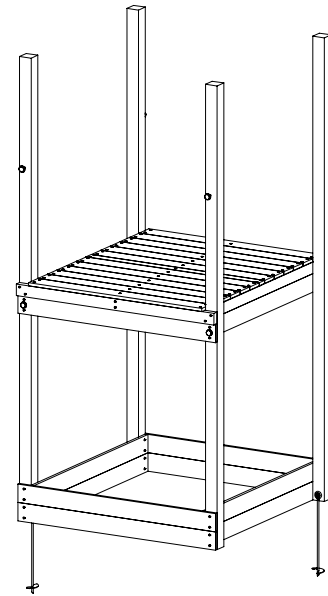


# 8 BT11a: Base Tower 115 125cm 240240

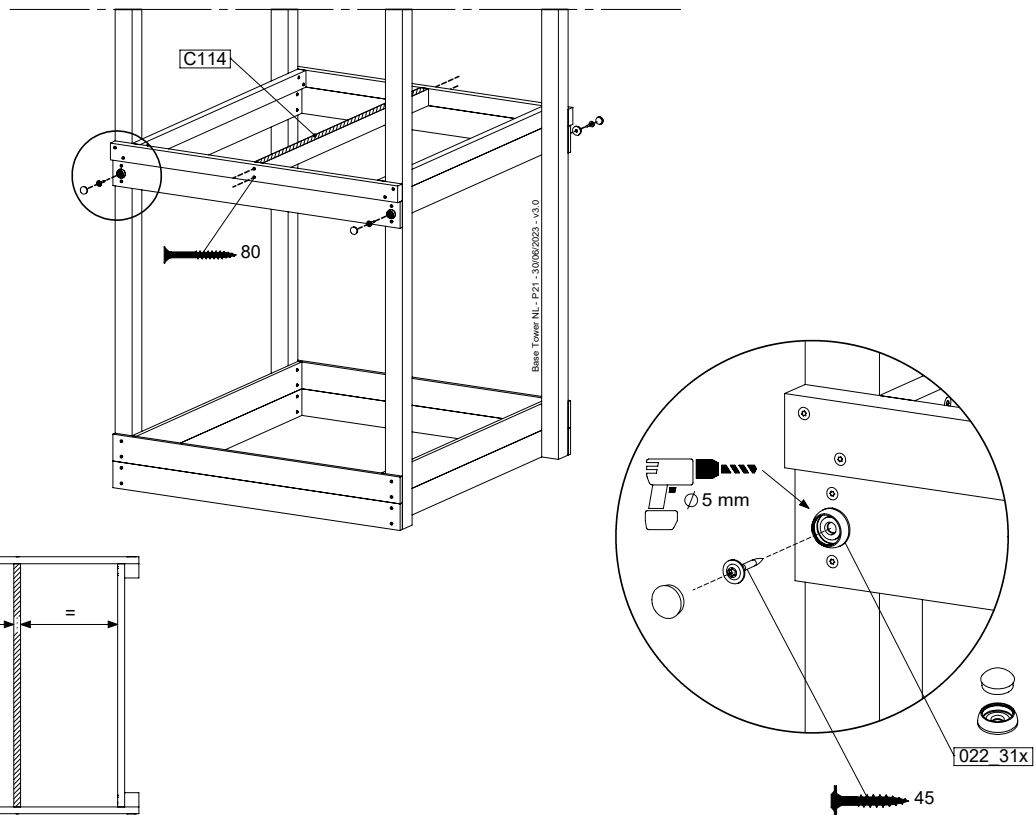
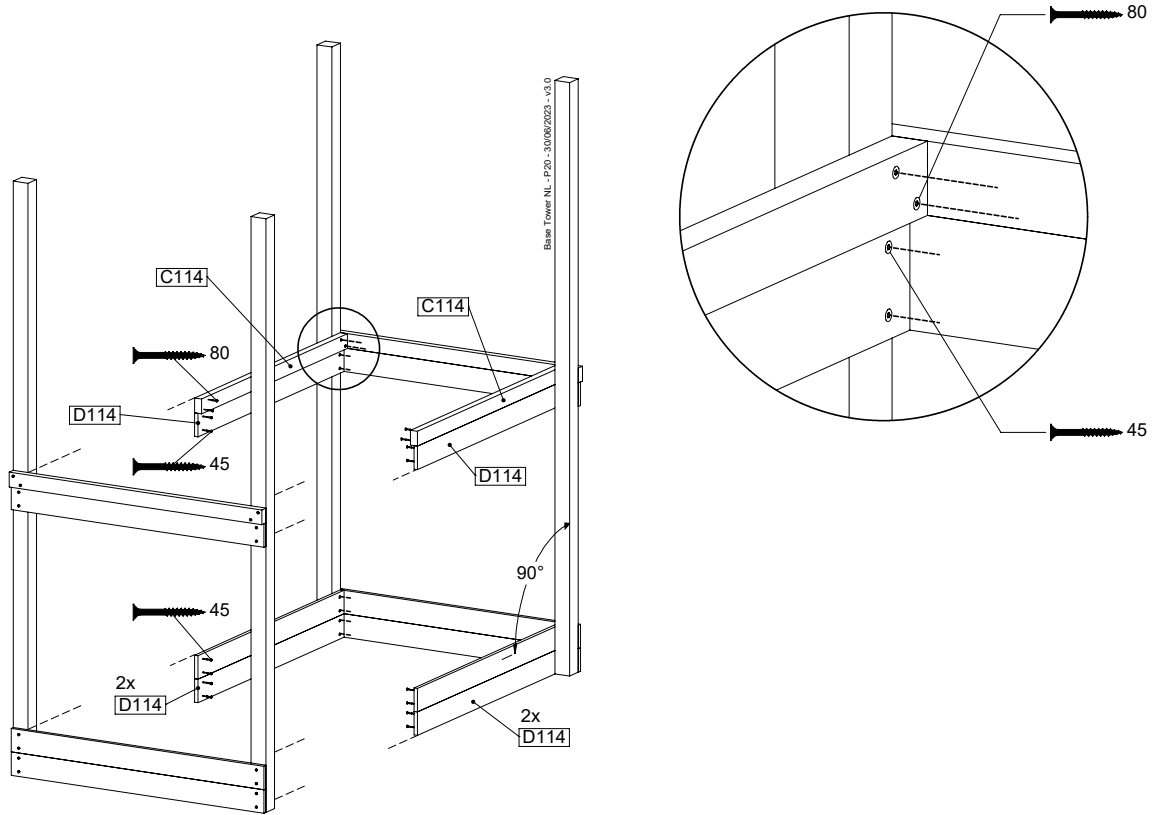
( 194\_300 )

|               | PartNo  | PartName                   | QTY. |
|---------------|---------|----------------------------|------|
| Hardware pack | 001_406 | Stealth Screw 8x45         | 6    |
|               | 001_417 | Stealth Screw 8x80         | 4    |
|               | 002_220 | Gap Point Screw T25 - 5x45 | 118  |
|               | 002_223 | Gap Point Screw T25 - 5x80 | 20   |
|               | 022_31x | bpc-base version 3         | 8    |
|               | 022_84x | bpc cover                  | 8    |
| Other         | 007_001 | Ground-anchor              | 2    |
| Timber        | A240    | Post 70x70 L2400           | 4    |
|               | C114    | Beam 1140 mm               | 5    |
|               | D100    | Board 1000 mm              | 14   |
|               | D114    | Board 1140 mm              | 12   |

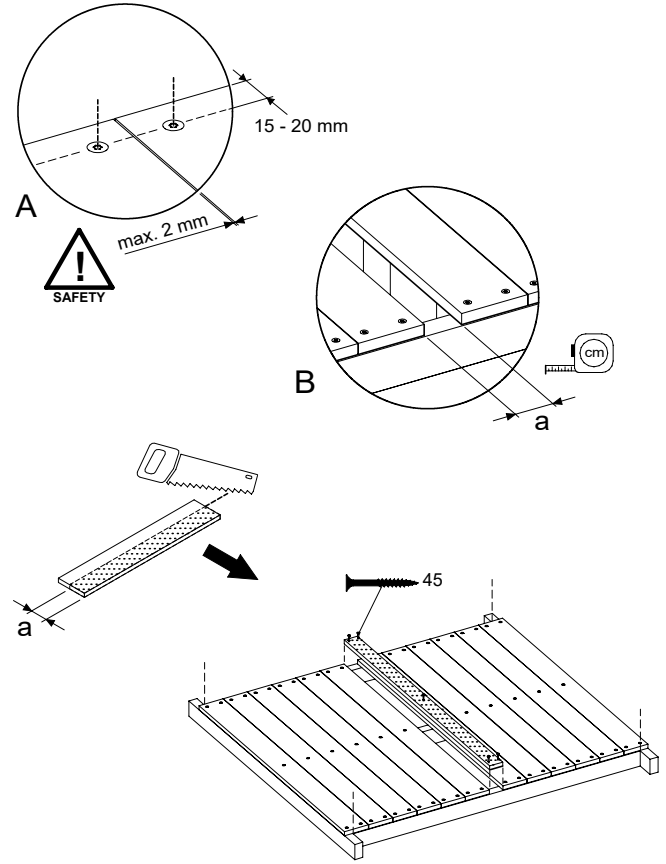
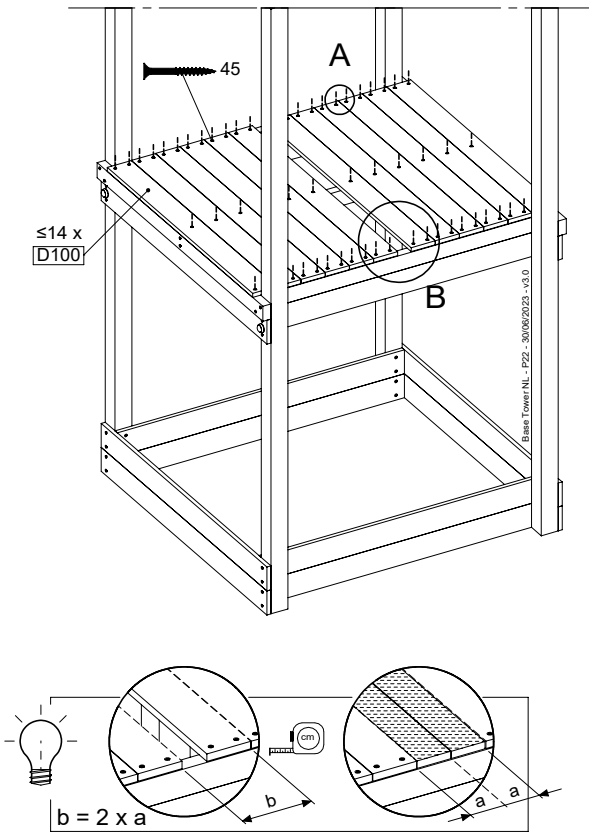
Base Tower.NL - POP - BT11 - 30/06/2023 - v3.0



# 8.1



## 8.2

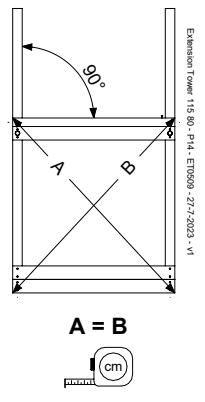
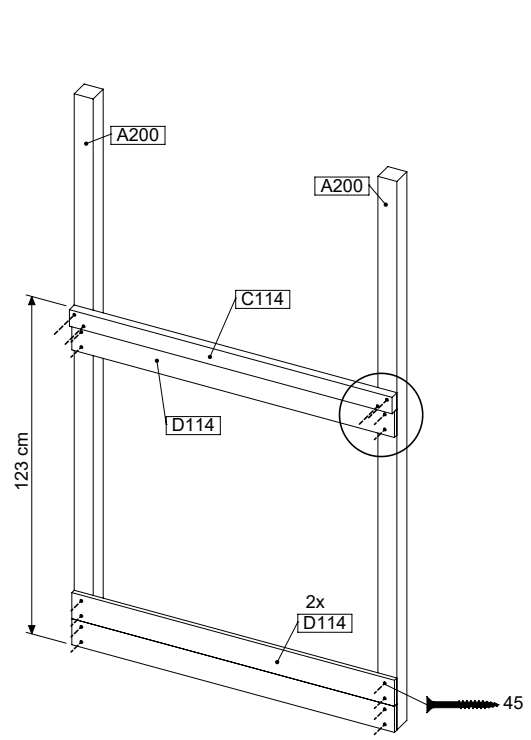
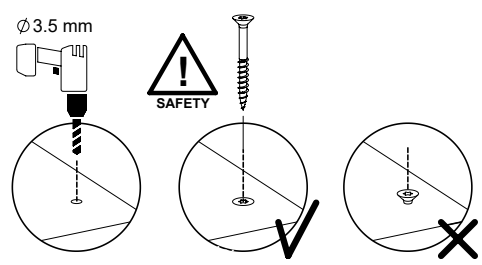
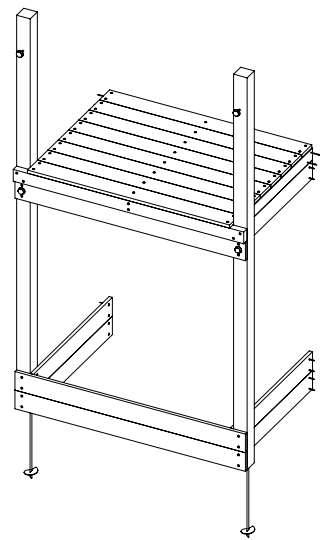


# 9 ET05a: Extension Tower 11580 200/125

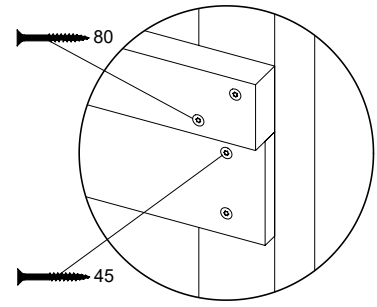
( 194\_300 )

|               | PartNo  | PartName                   | QTY. |
|---------------|---------|----------------------------|------|
| Hardware pack | 001_406 | Stealth Screw 8x45         | 4    |
|               | 001_417 | Stealth Screw 8x80         | 2    |
|               | 002_220 | Gap Point Screw T25 - 5x45 | 81   |
|               | 002_223 | Gap Point Screw T25 - 5x80 | 16   |
| Other         | 007_001 | Ground-anchor              | 2    |
|               | 022_31x | bpc-base version 3         | 4    |
|               | 022_84x | bpc cover                  | 4    |
| Timber        | A200    | Post 70x70 L2000           | 2    |
|               | C74     | Beam 740 mm                | 3    |
|               | C114    | Beam 1140 mm               | 1    |
|               | D74     | Board 740 mm               | 6    |
|               | D100    | Board 1000 mm              | 9    |
|               | D114    | Board 1140 mm              | 3    |

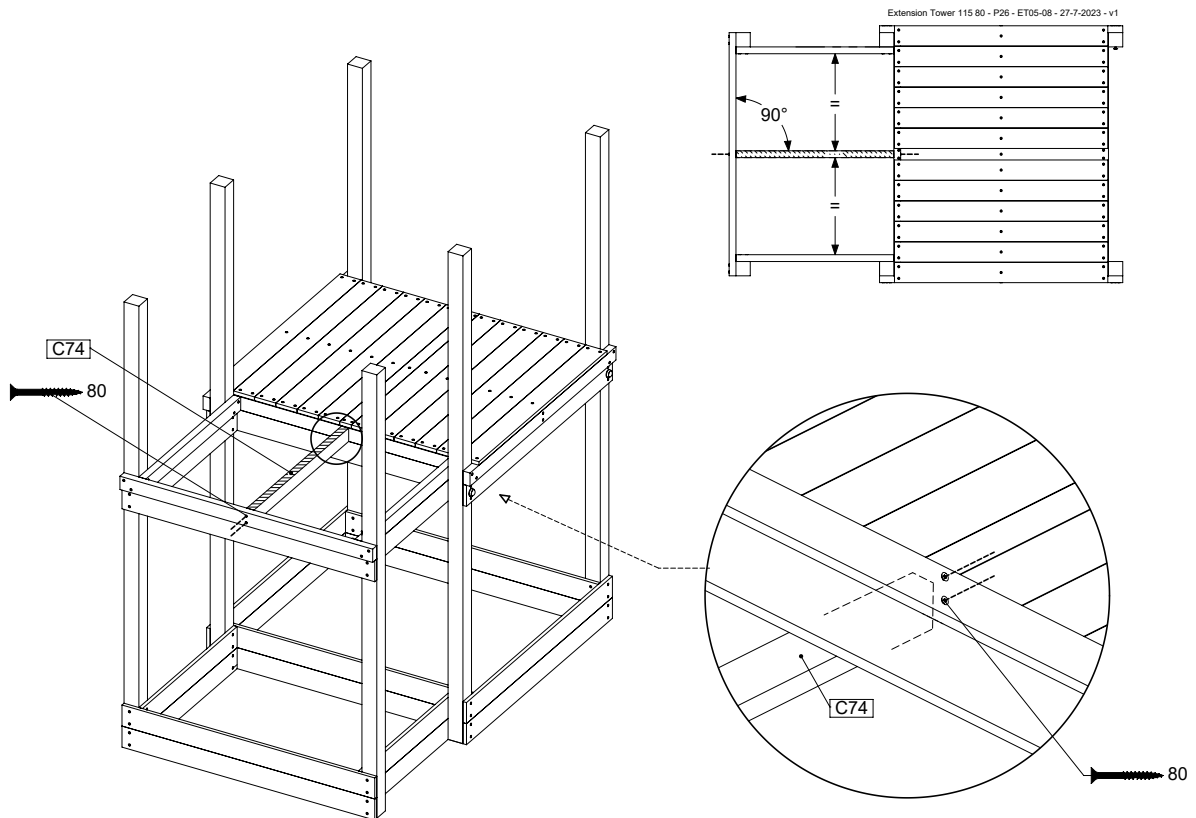
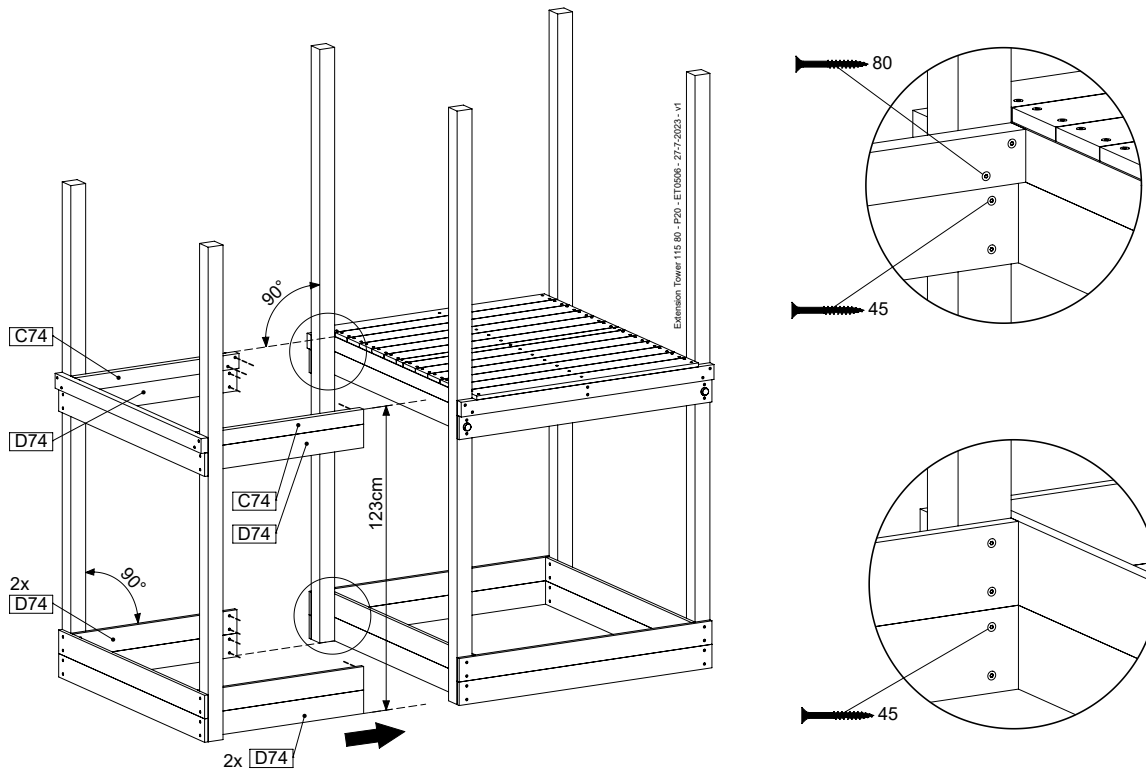
Extension Tower 115.80 - P02 - ET05 - 27.7-2023 - v1



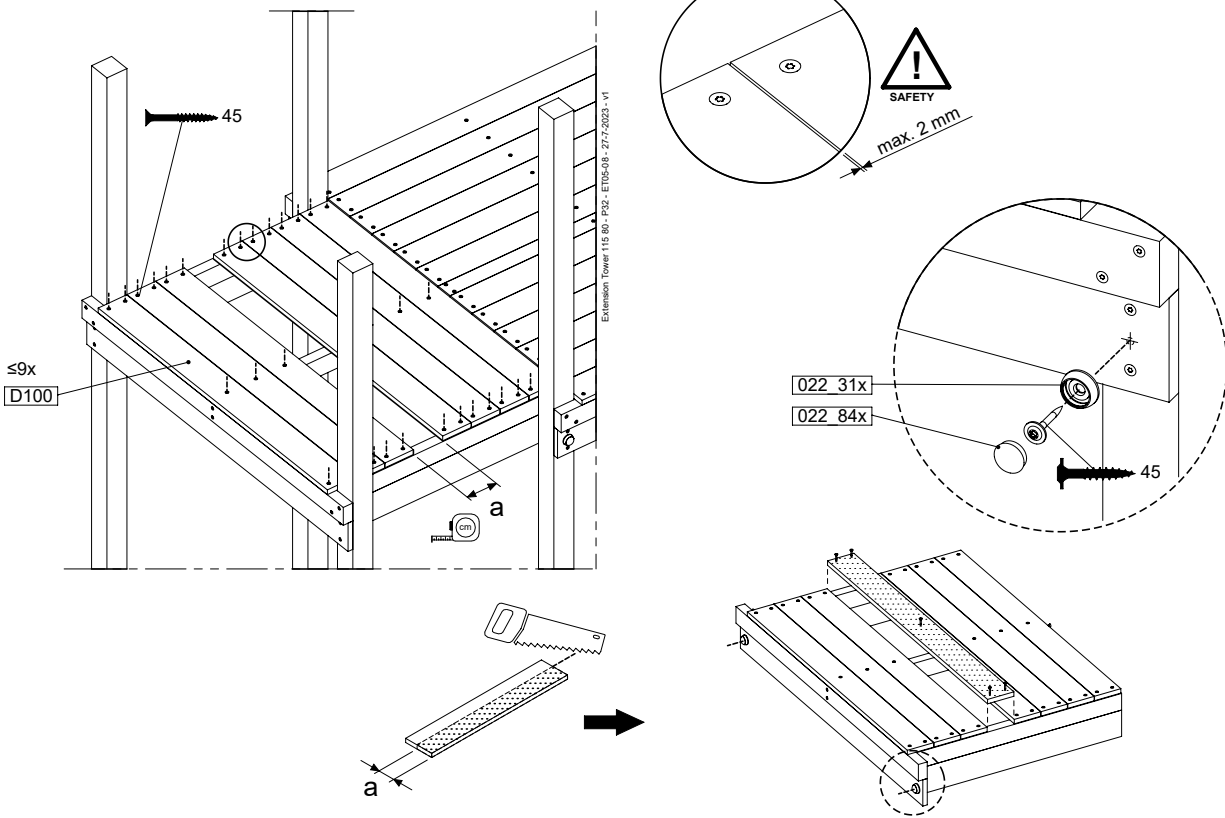
Extension Tower 115.80 - P14 - ET0500 - 27.7-2023 - v1



# 9.1



## 9.2

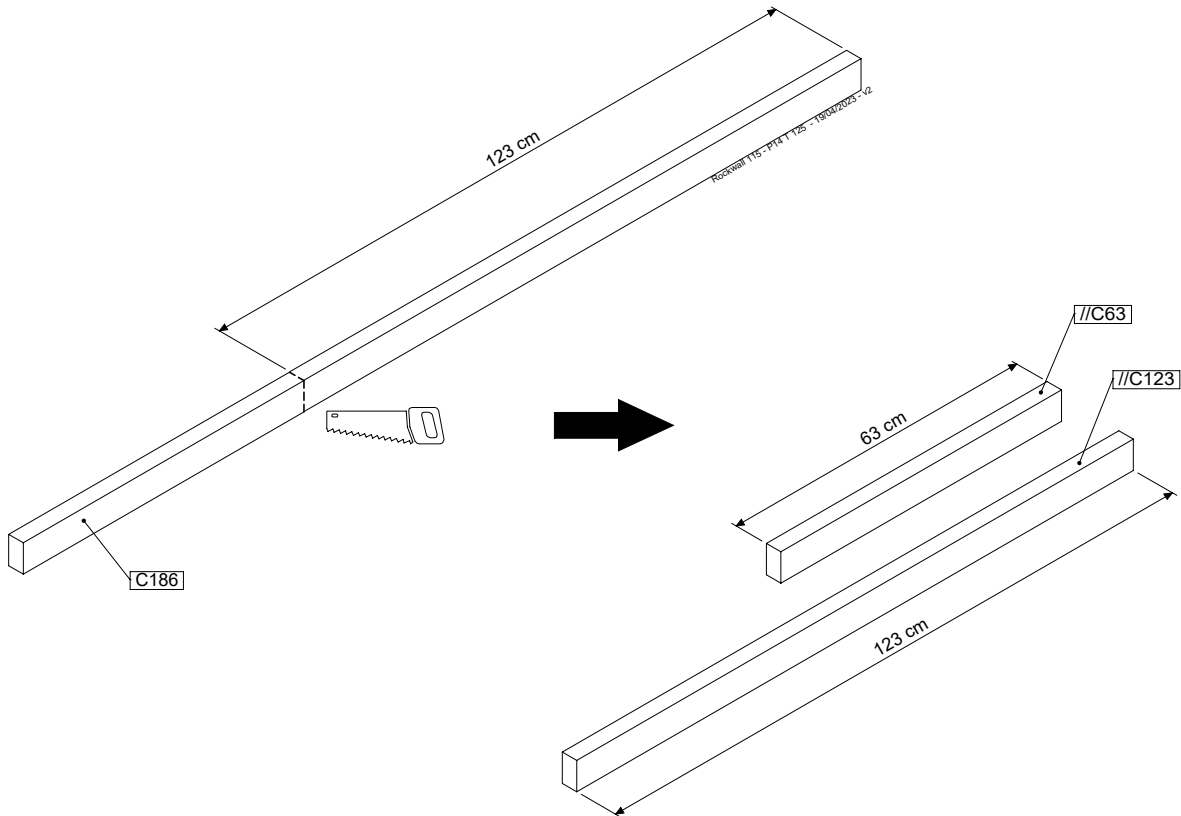
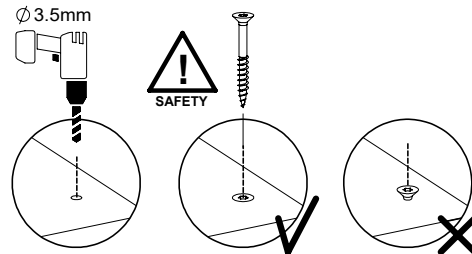
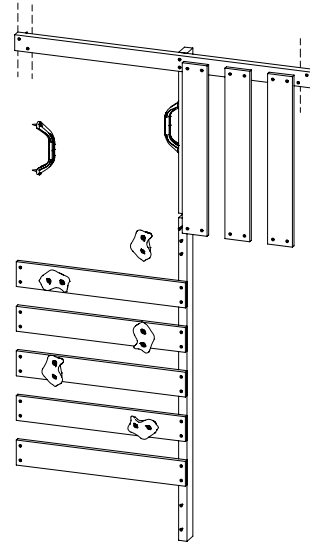


# 10 RW07a: Rock wall 115 145 U Left

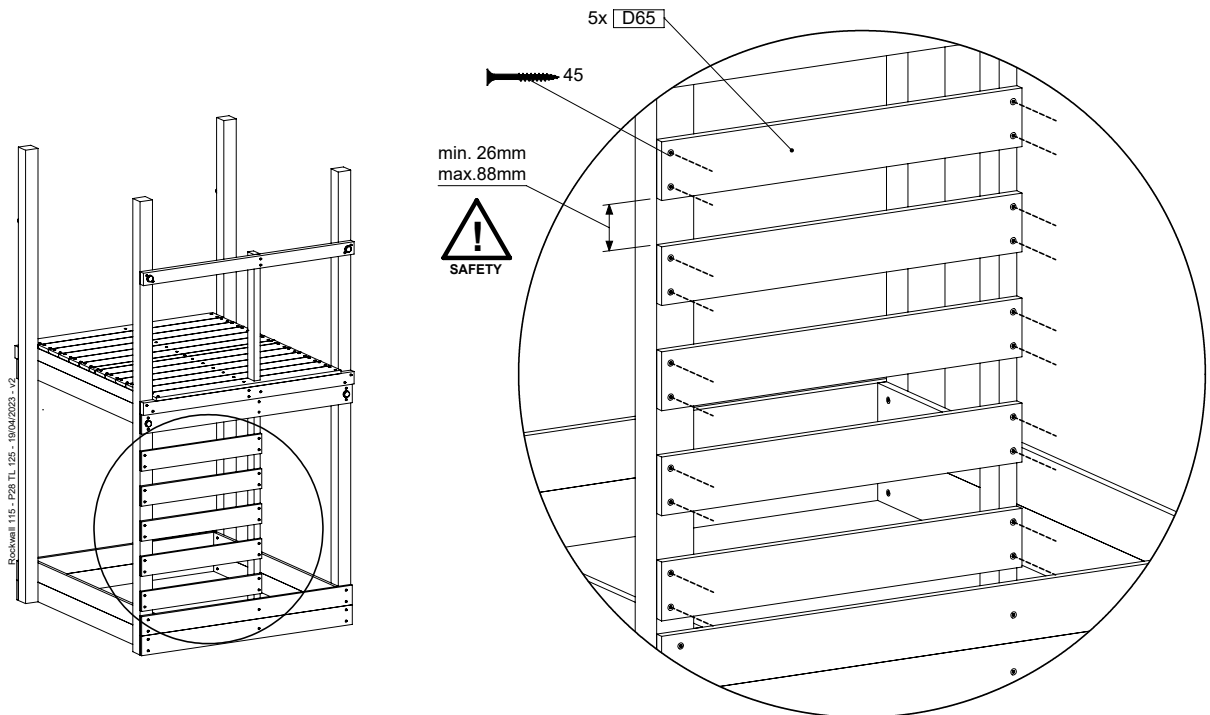
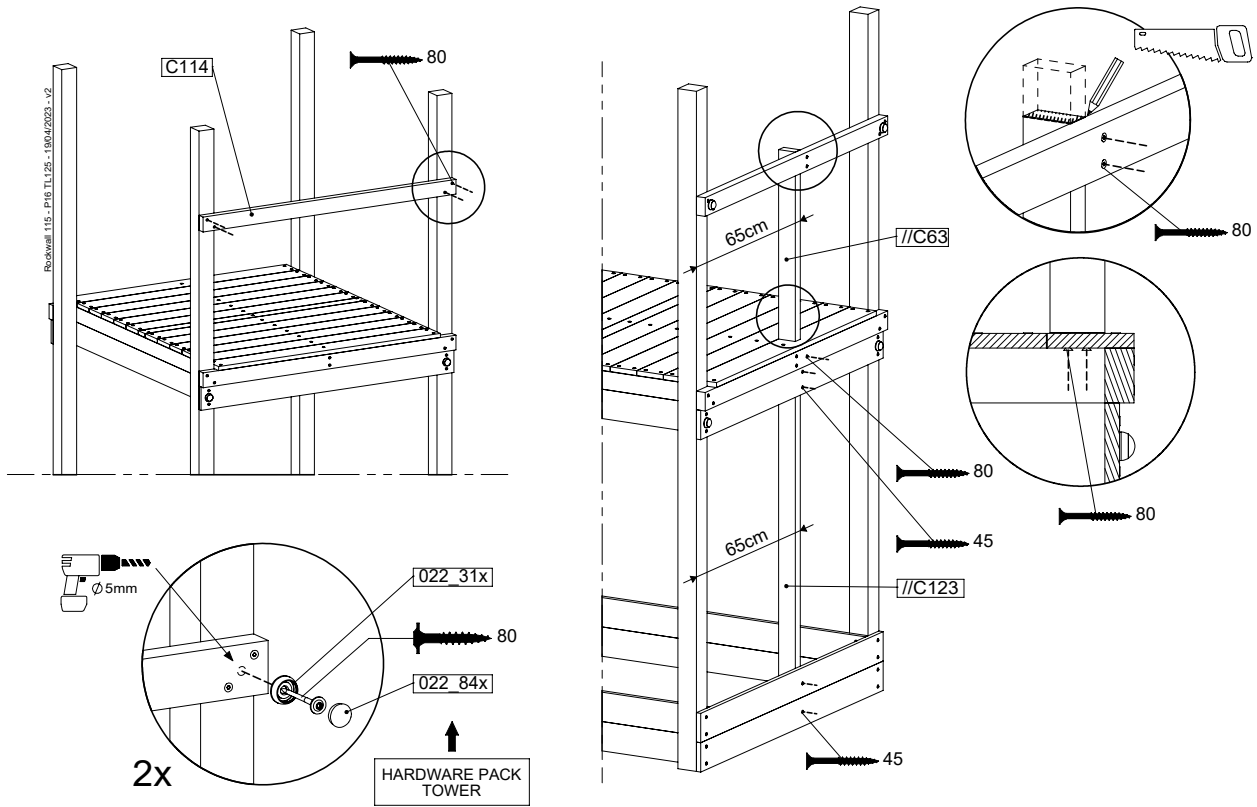
( 194\_006 + 194\_101)

|               | PartNo  | PartName                    | QTY. |
|---------------|---------|-----------------------------|------|
| Hardware Pack | 001_102 | Washer Head Screw T40 M8x30 | 10   |
|               | 002_220 | Gap Point Screw T25 - 5x45  | 36   |
|               | 002_223 | Gap Point Screw T25 - 5x80  | 9    |
|               | 003_010 | M8 spring lock washer       | 10   |
|               | 004_050 | M8 Drive-in Nut 22mm        | 10   |
| Other         | 022_50x | Climbing Rock               | 5    |
|               | 120_102 | Handgrip set (complete 2x)  | 1    |
| Timber        | C114    | Beam 1140 mm                | 1    |
|               | C186    | Beam 1860 mm                | 1    |
|               | D65     | Board 650 mm                | 8    |

Rockwall 115 - P08 TL 125 - 18/04/2023 - v2

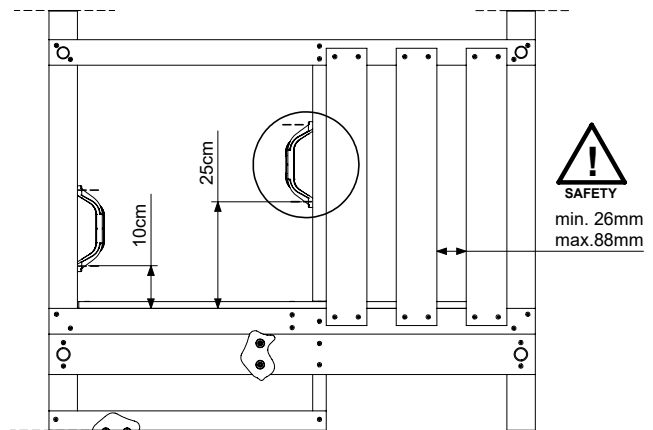
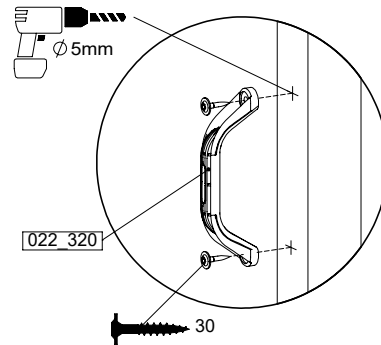
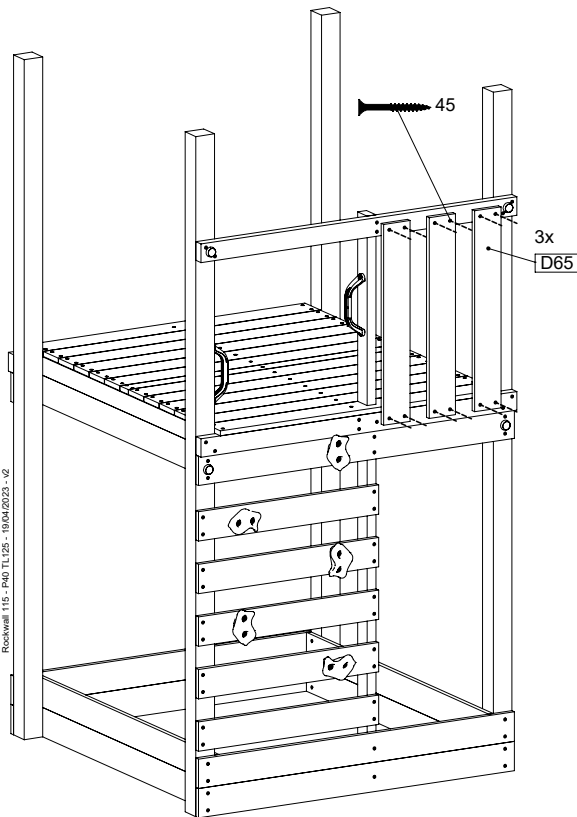
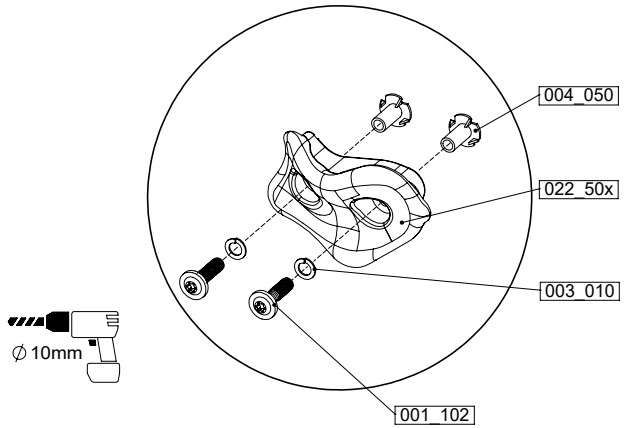
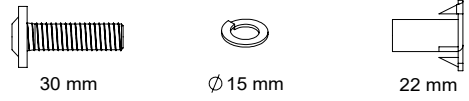
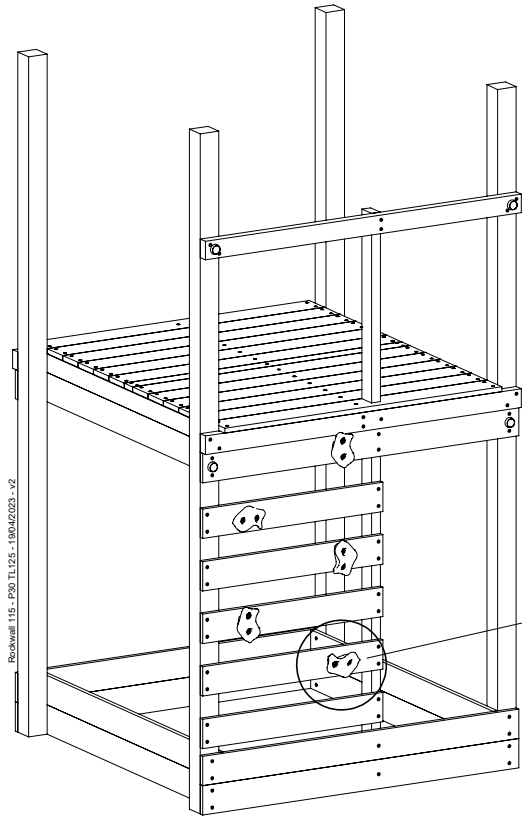


# 10.1





## 10.2

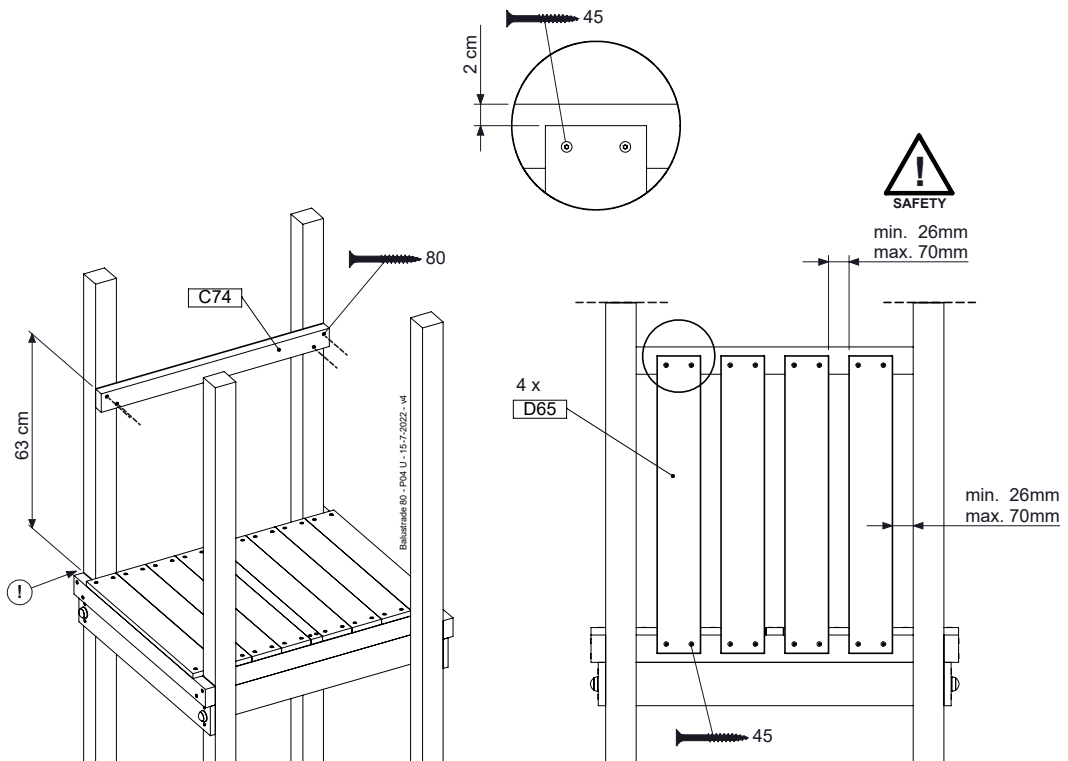
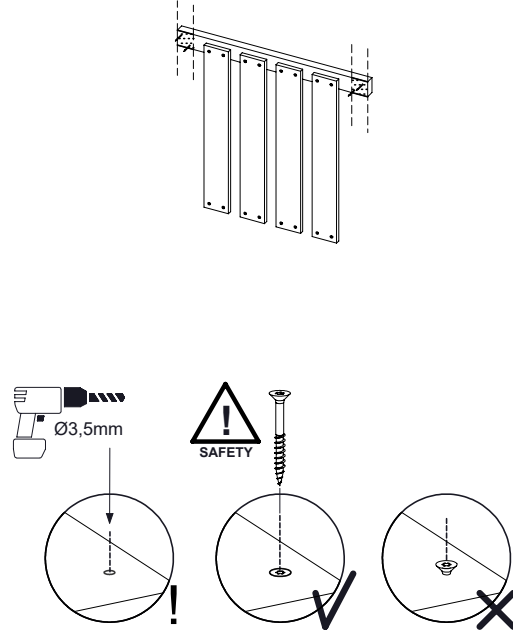


# 11 BL01a: Balustrade 80 U - 7x7 posts

( 194\_101 )

|               | PartNo  | PartName                   | QTY. |
|---------------|---------|----------------------------|------|
| Hardware Pack | 002_220 | Gap Point Screw T25 - 5x45 | 16   |
|               | 100_601 | Gap Point Screw T25 - 5x80 | 4    |
| Timber        | C74     | Beam 740 mm                | 1    |
|               | D65     | Board 650 mm               | 4    |

Balustrade 80 - P04 U - 15-7-2022 - v4

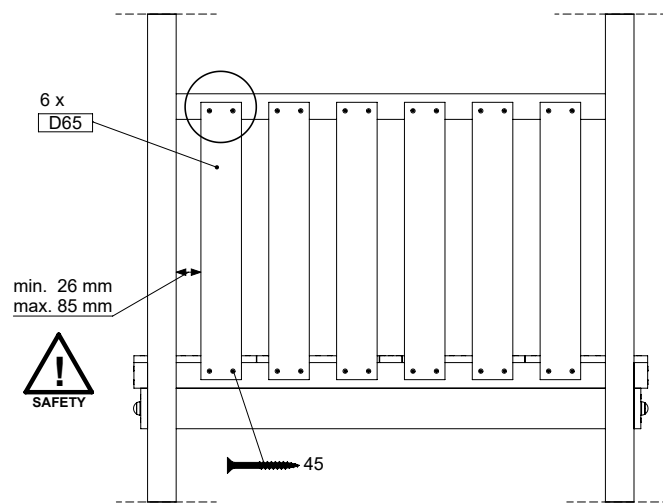
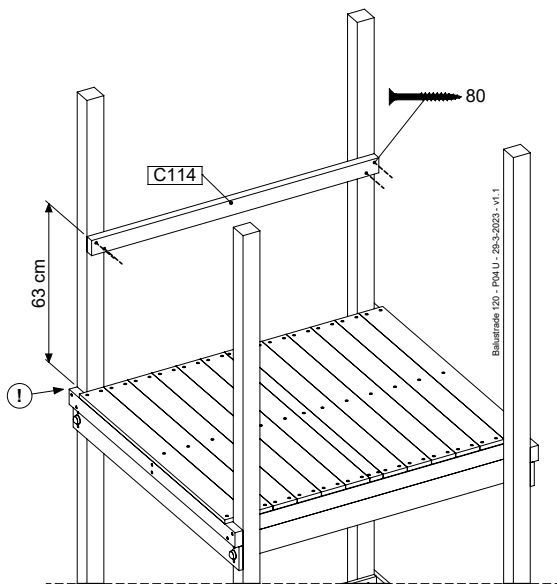
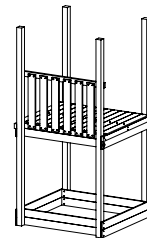
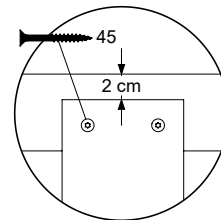
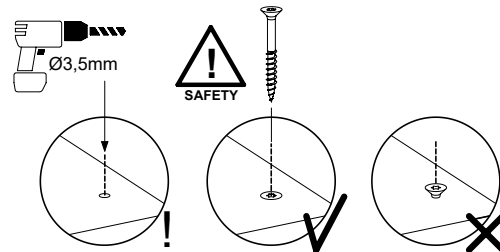
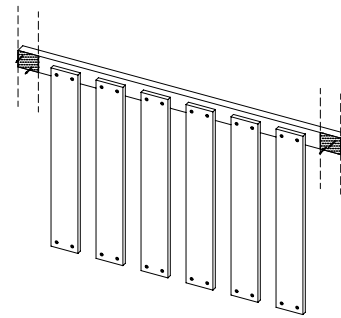


# 12 BL03a: Balustrade 115 U

( 194\_501 )

|               | PartNo  | PartName                   | QTY. |
|---------------|---------|----------------------------|------|
| Hardware Pack | 002_220 | Gap Point Screw T25 - 5x45 | 24   |
|               | 002_223 | Gap Point Screw T25 - 5x80 | 4    |
| Timber        | C114    | Beam 1140 mm               | 1    |
|               | D65     | Board 650 mm               | 6    |

Balustrade 120 - POC U - 29-3-2023 - v1.1

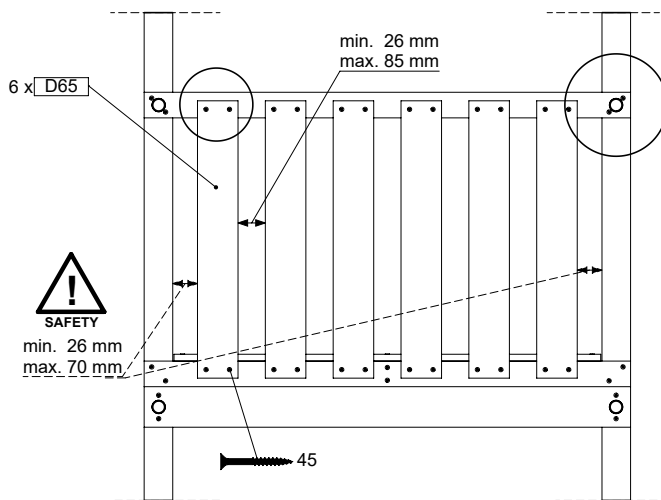
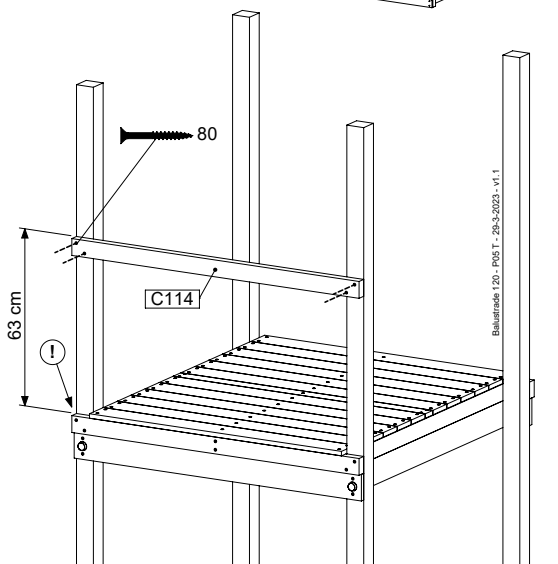
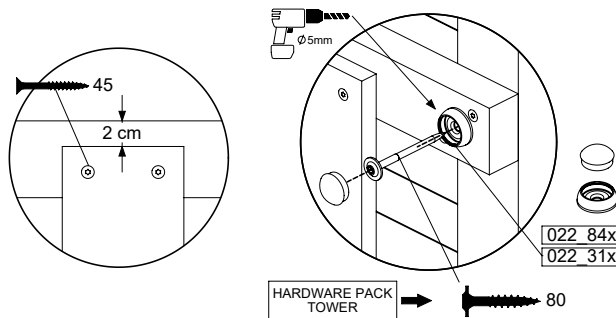
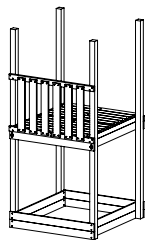
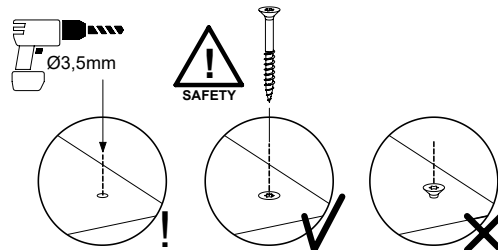
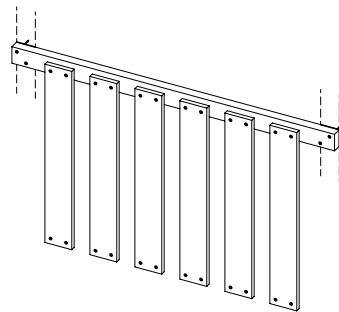


# 13 BL04a: Balustrade 115 T

( 194\_501 )

|               | PartNo  | PartName                   | QTY. |
|---------------|---------|----------------------------|------|
| Hardware Pack | 002_220 | Gap Point Screw T25 - 5x45 | 24   |
|               | 002_223 | Gap Point Screw T25 - 5x80 | 4    |
| Timber        | C114    | Beam 1140 mm               | 1    |
|               | D65     | Board 650 mm               | 6    |

Balustrade 120 - P03 T - 29-3-2023 - v1.1

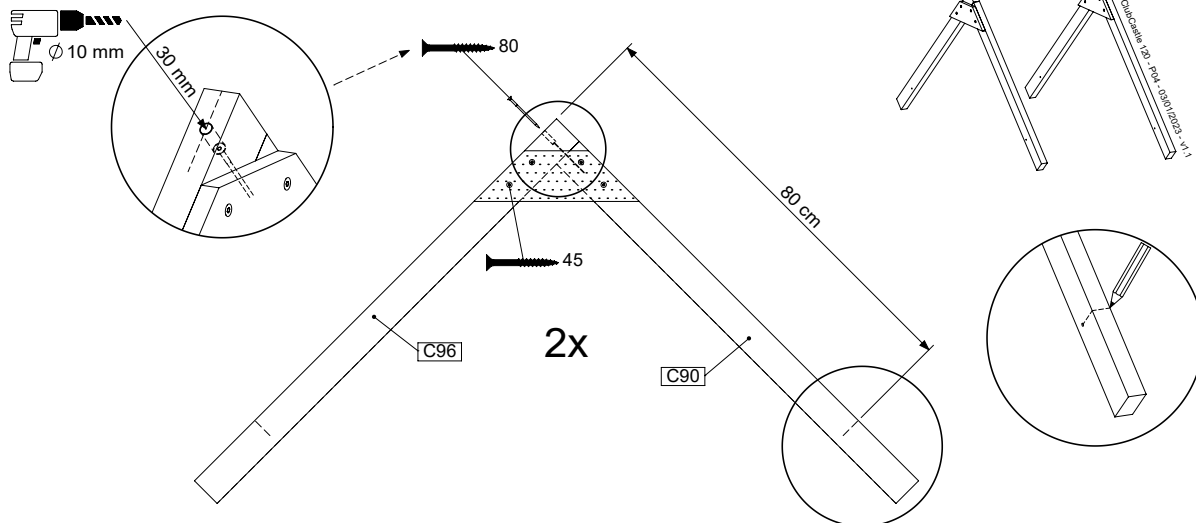
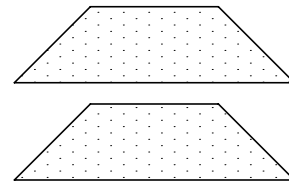
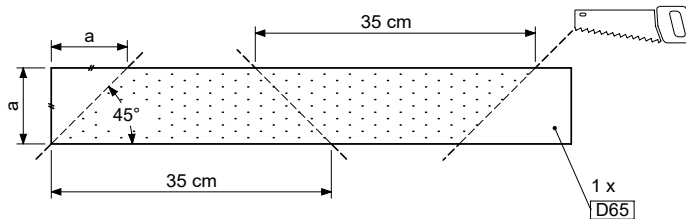
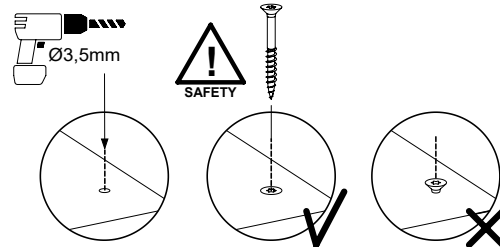
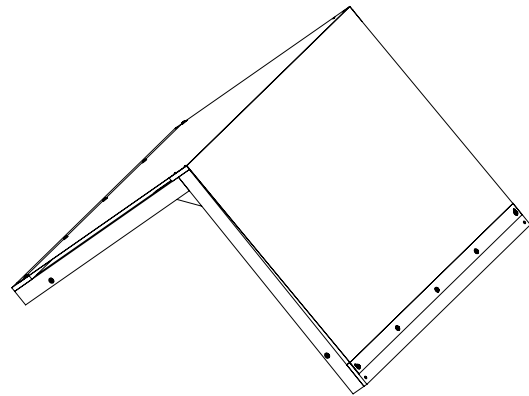


# 14 RF07a: Roof Canvas Gable 115

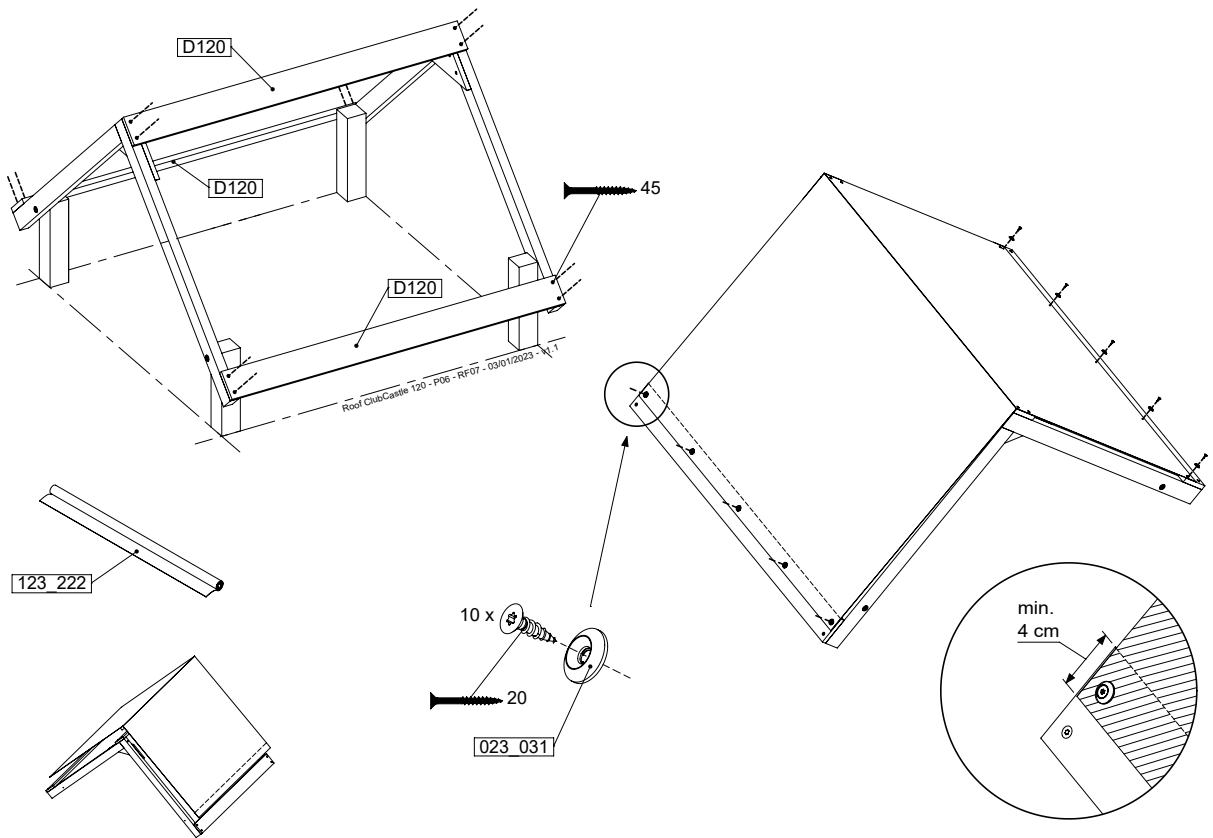
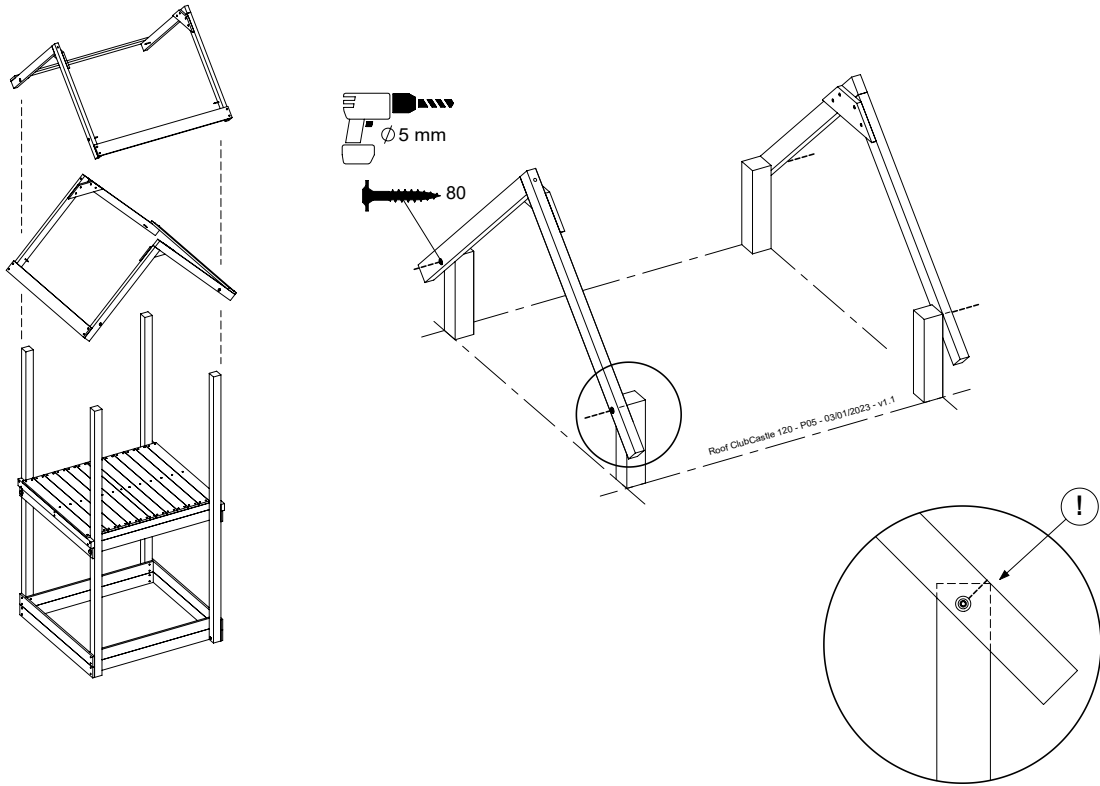
AP 194\_312 / RF

|               | PartNo  | PartName                   | QTY. |
|---------------|---------|----------------------------|------|
| Hardware Pack | 001_417 | Stealth Screw 8x80         | 4    |
|               | 002_220 | Gap Point Screw T25 - 5x45 | 20   |
|               | 002_223 | Gap Point Screw T25 - 5x80 | 2    |
|               | 002_308 | Gap Point Screw T25 - 5x20 | 10   |
|               | 023_031 | Finishing Washer GPS 5.0   | 10   |
| Other         | 123_222 | Sheet Canvas 1200x1850     | 1    |
| Timber        | C96     | Beam 960 mm                | 2    |
|               | D65     | Board 650 mm               | 1    |
|               | D120    | Board 1200 mm              | 3    |
|               | C90     | Beam 900 mm                | 2    |

Roof Canvas 120 - P02 - RF07 - 03/01/2023 - v1.1



# 14.1

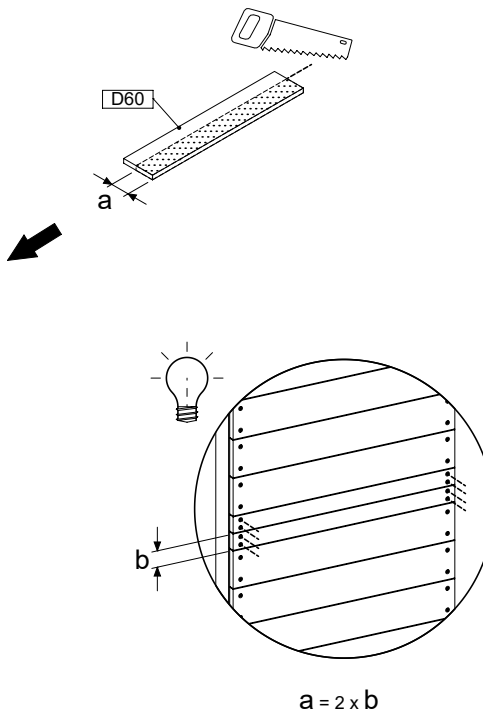
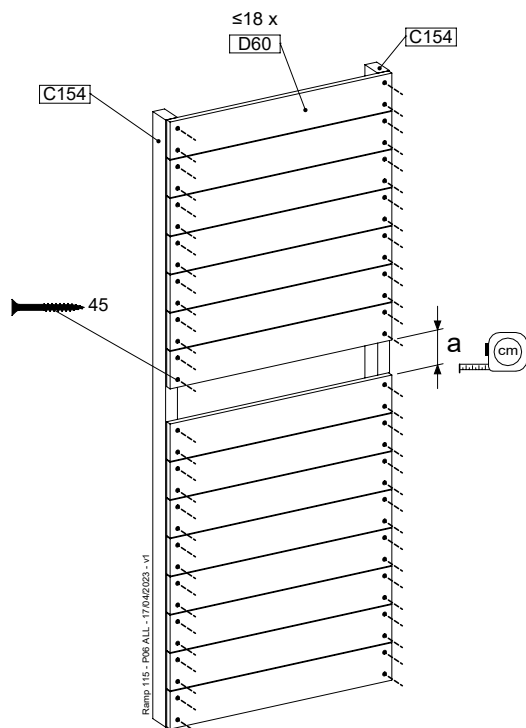
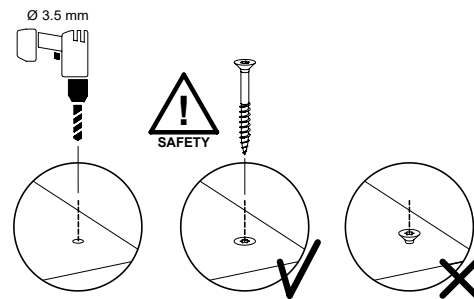
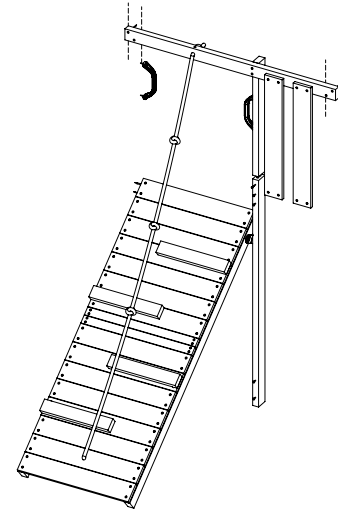


# 15 RA07a: Ramp 115 125 TL

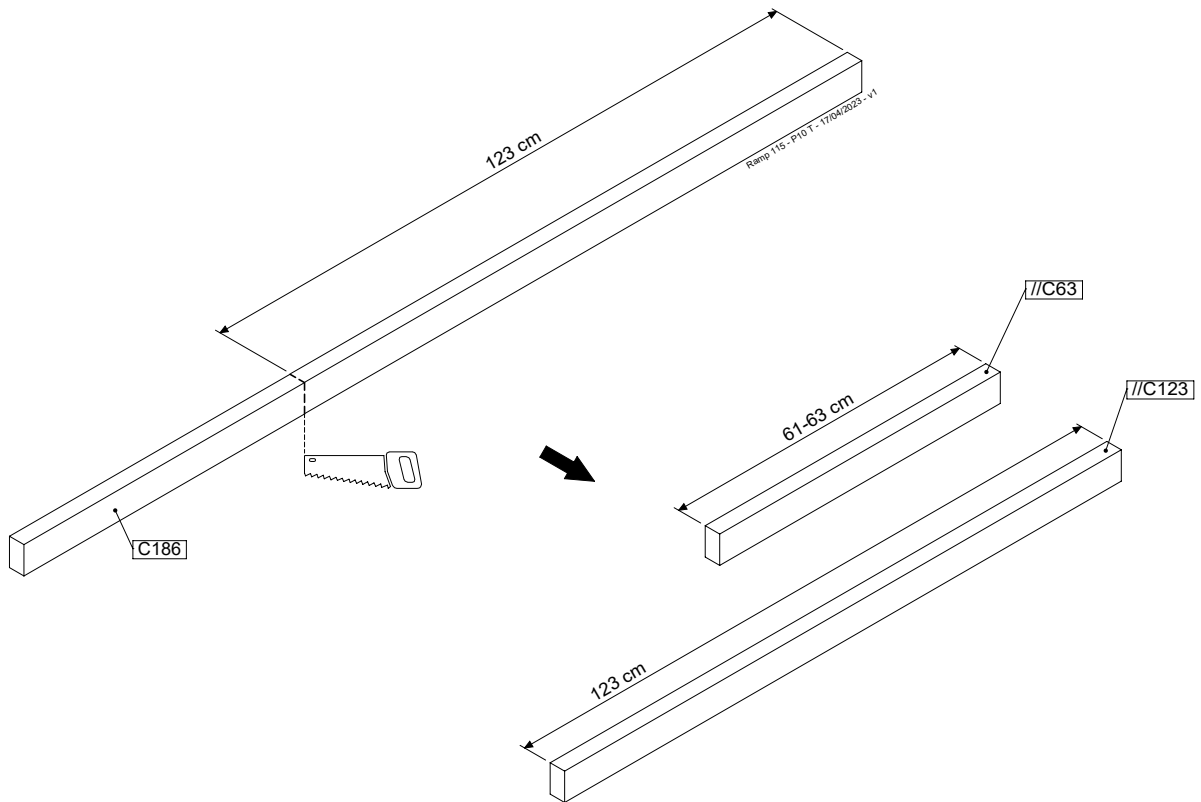
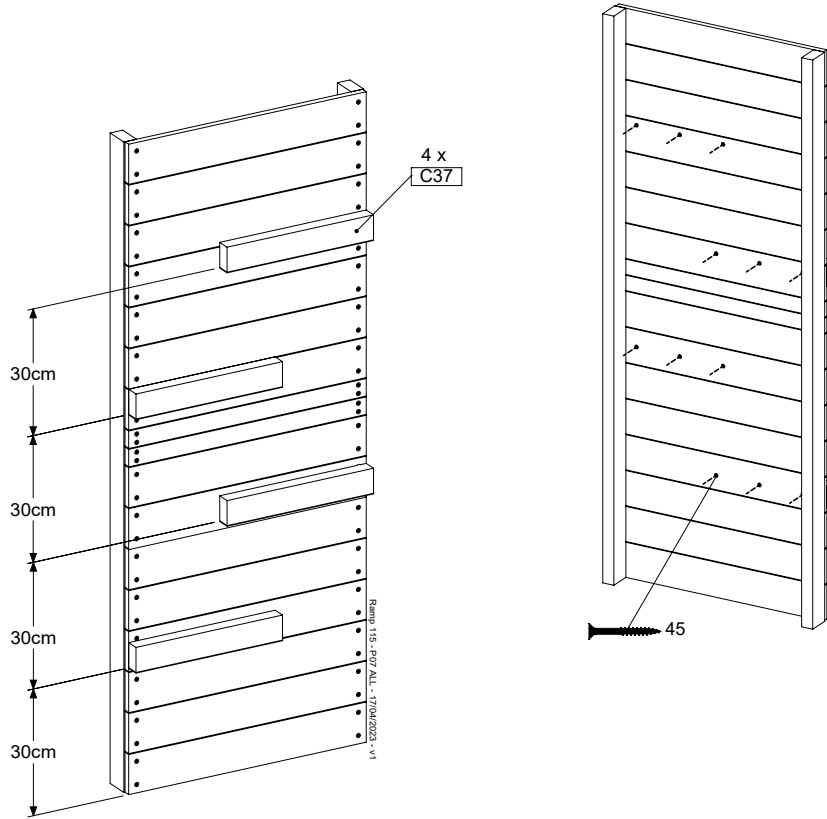
( 194\_008 )

|               | PartNo  | PartName                       | QTY. |
|---------------|---------|--------------------------------|------|
| Hardware Pack | 001_404 | Stealth Screw 8x30             | 2    |
|               | 001_411 | Stealth Screw 8x60             | 1    |
|               | 001_417 | Stealth Screw 8x80             | 2    |
|               | 002_220 | Gap Point Screw T25 - 5x45     | 97   |
|               | 002_223 | Gap Point Screw T25 - 5x80     | 10   |
| Other         | 005_514 | Ladder Bracket                 | 1    |
|               | 020_317 | Rope Polyester 16mm Green 3.4m | 1    |
|               | 120_102 | Handgrip set (2x Complete)     | 1    |
| Timber        | C37     | Beam 370 mm                    | 4    |
|               | C114    | Beam 1140 mm                   | 1    |
|               | C154    | Beam 1540 mm                   | 2    |
|               | C186    | Beam 1860 mm                   | 1    |
|               | D60     | Board 600 mm                   | 18   |
|               | D65     | Board 650 mm                   | 2    |

Ramp 115 - 106 ALL - 17/04/2023 - v1

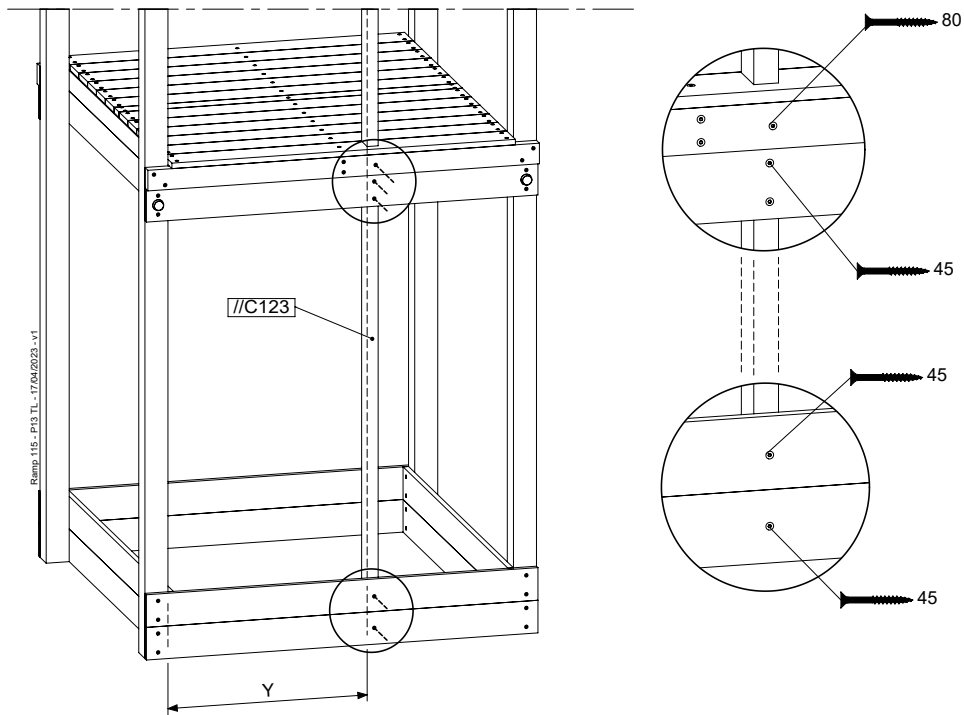
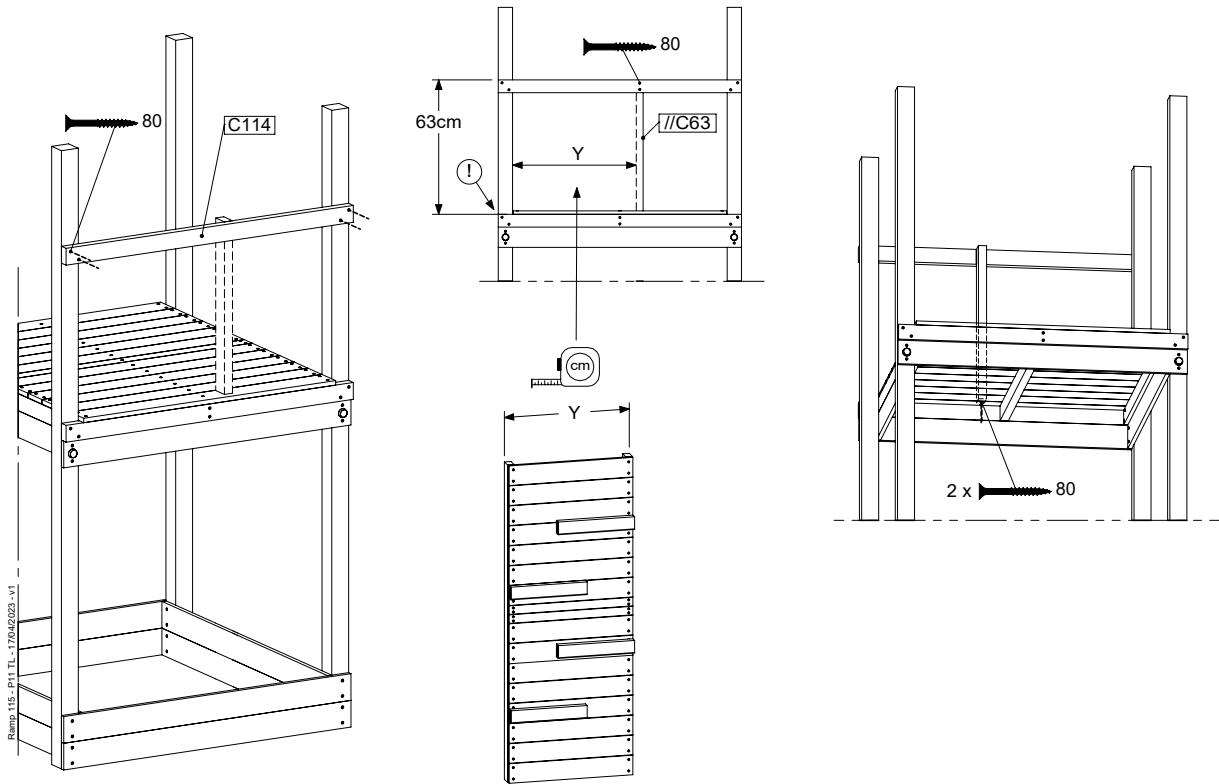


# 15.1

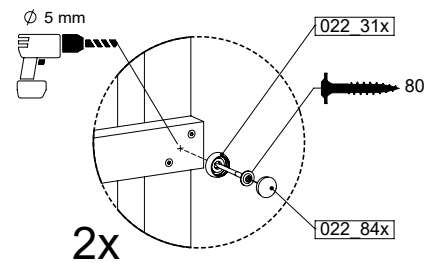
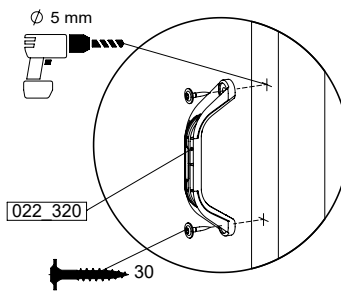
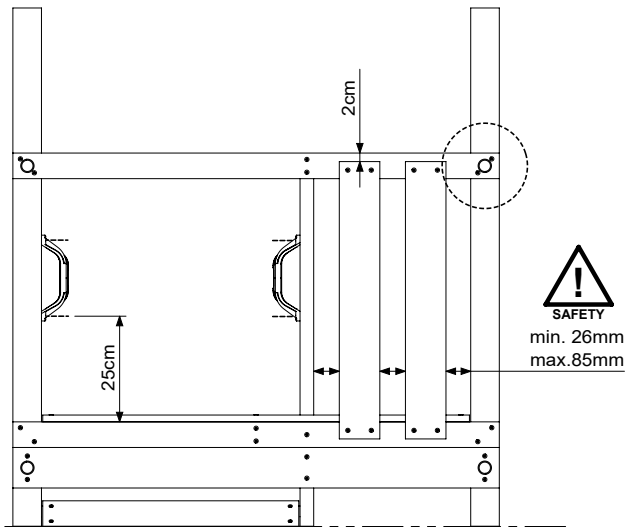
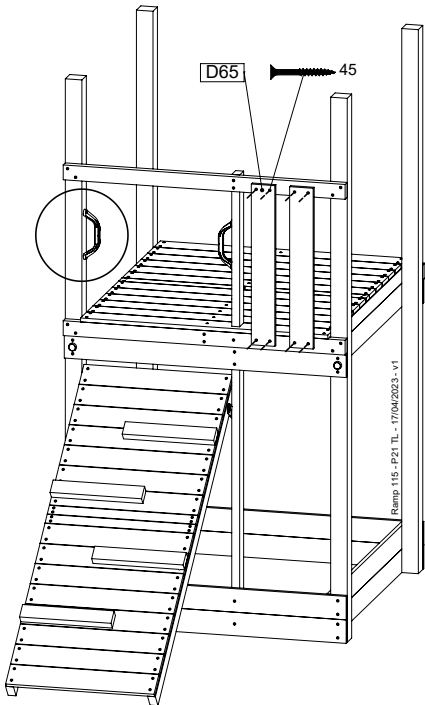
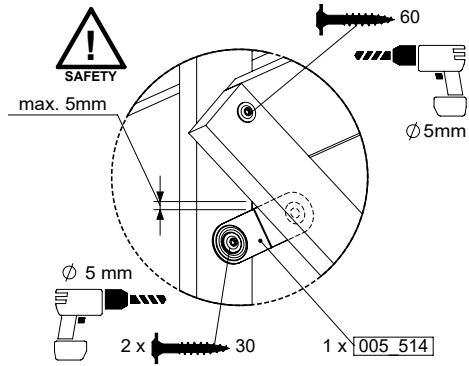
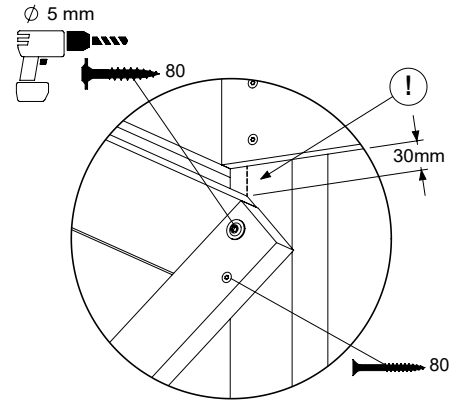
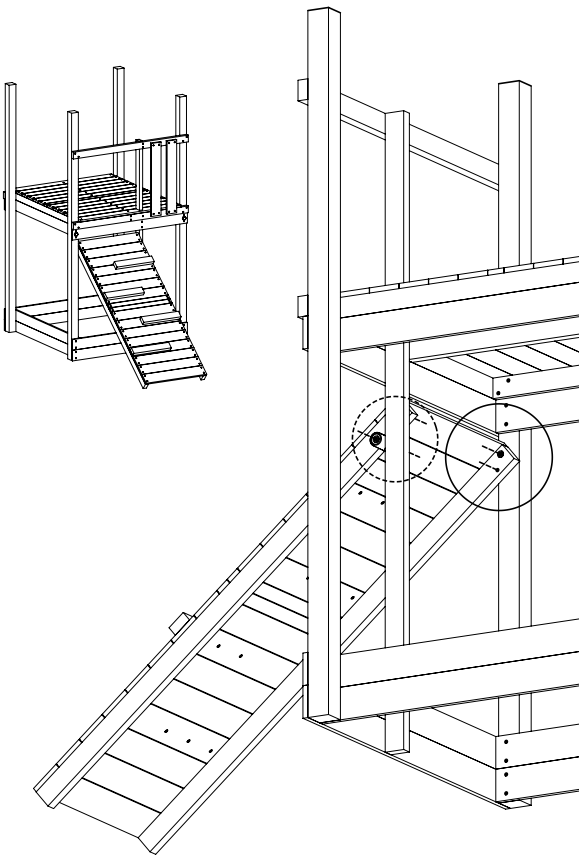




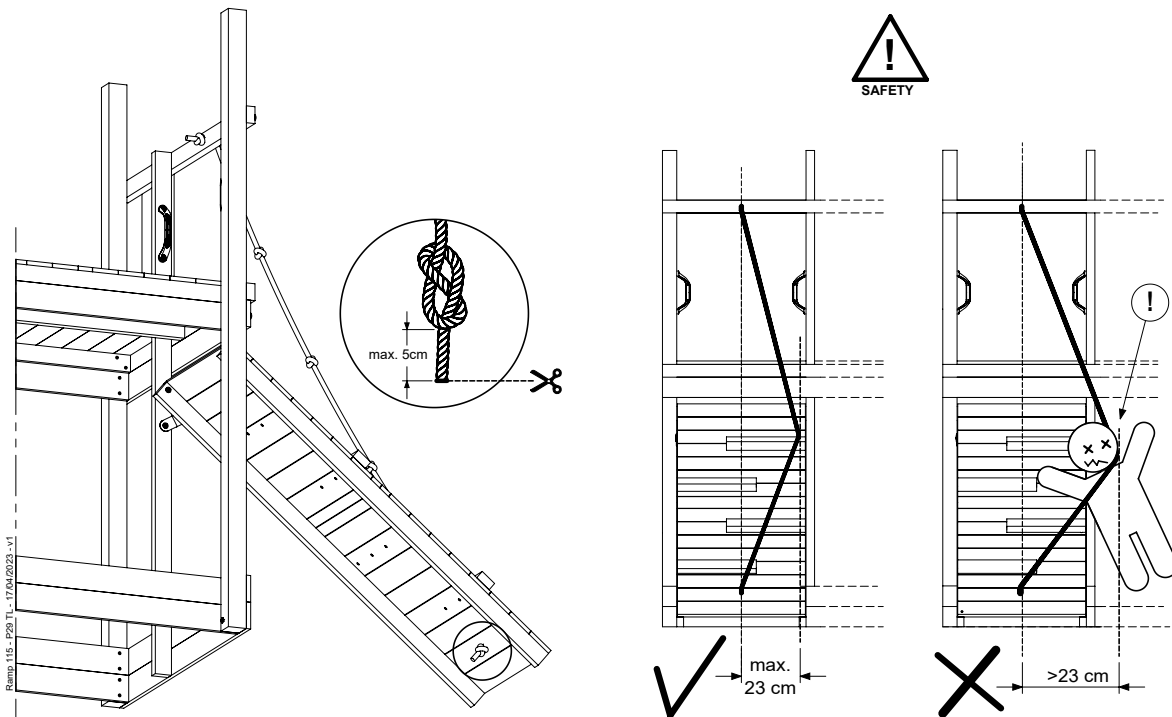
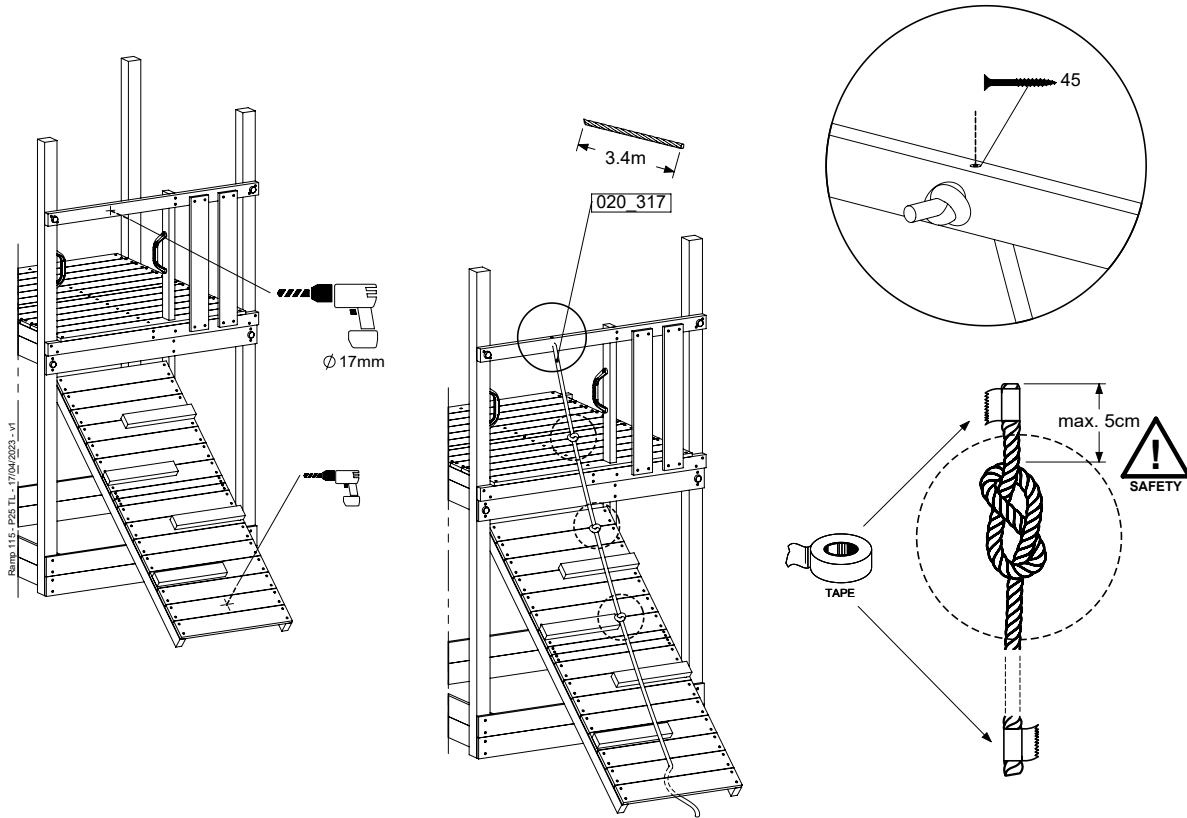
# 15.2



# 15.3



# 15.4

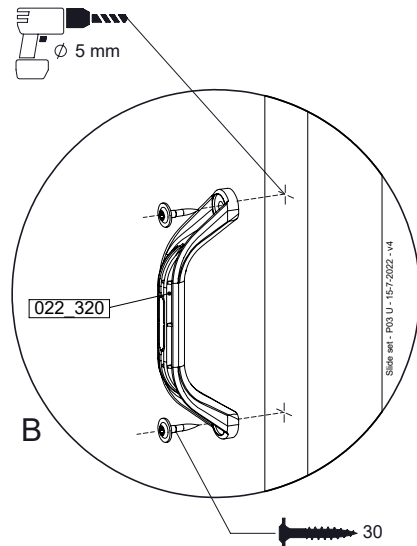
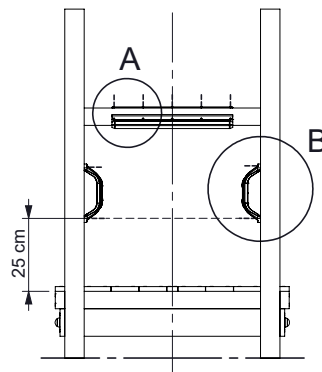
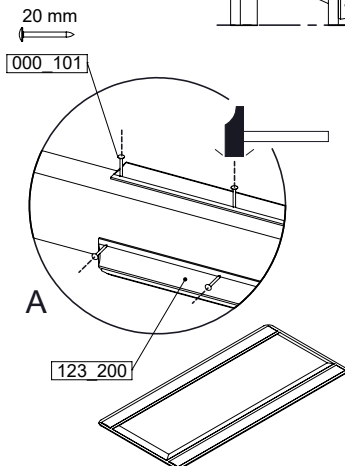
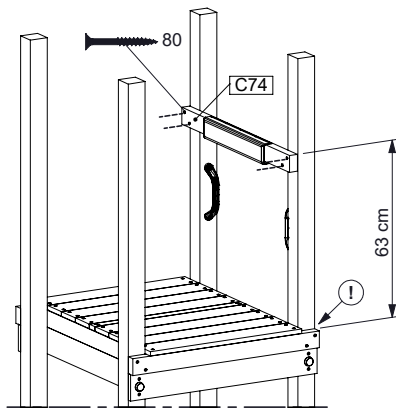
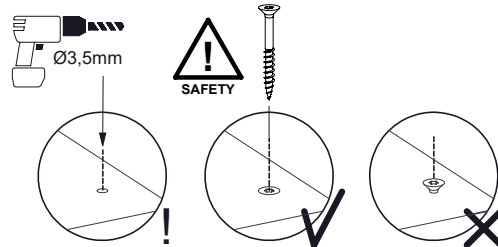
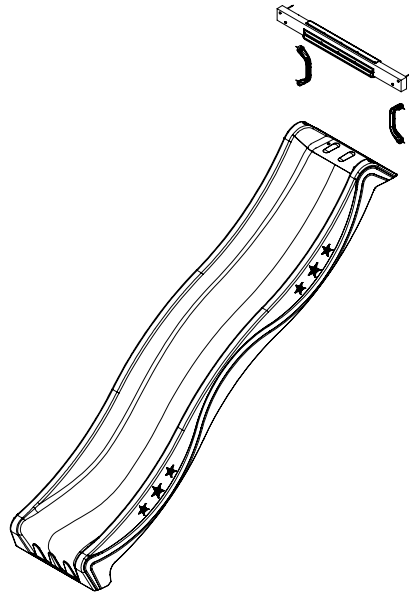


# 16 SL01a: Slide 80 125 U

( 194\_107 )

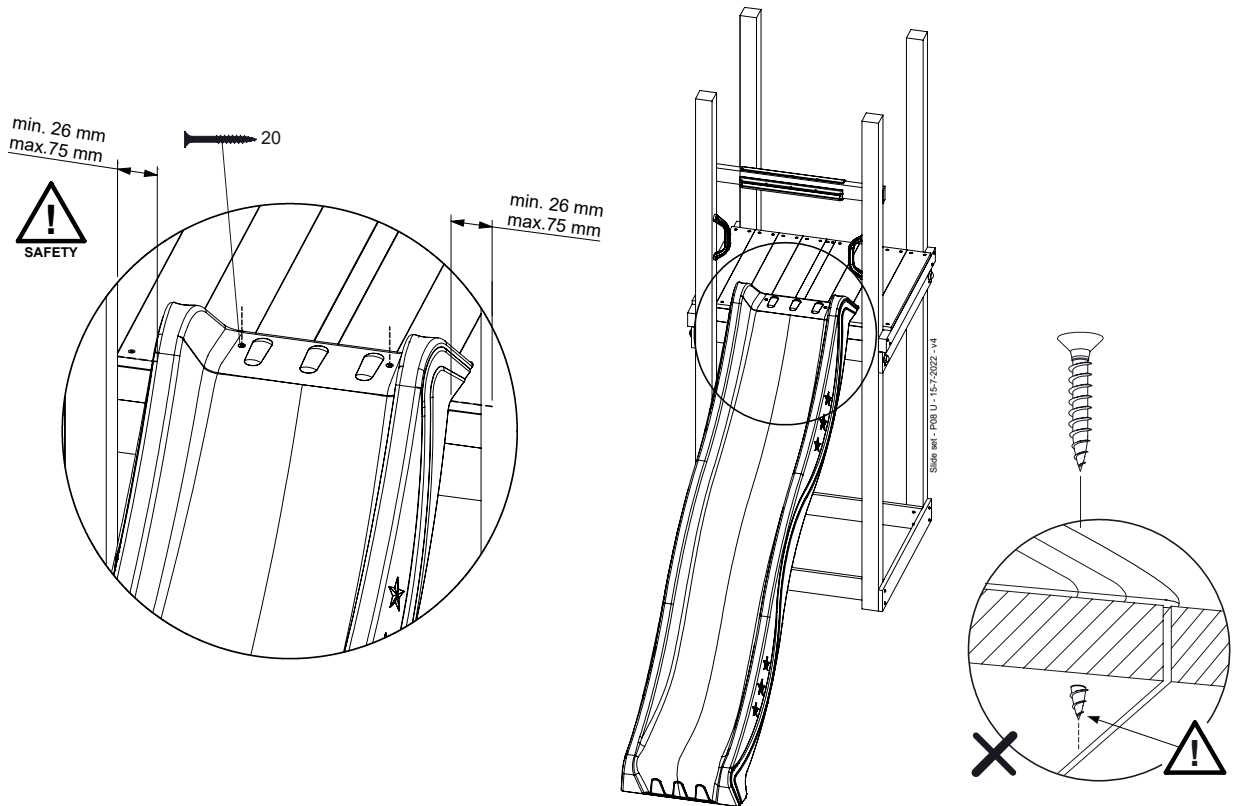
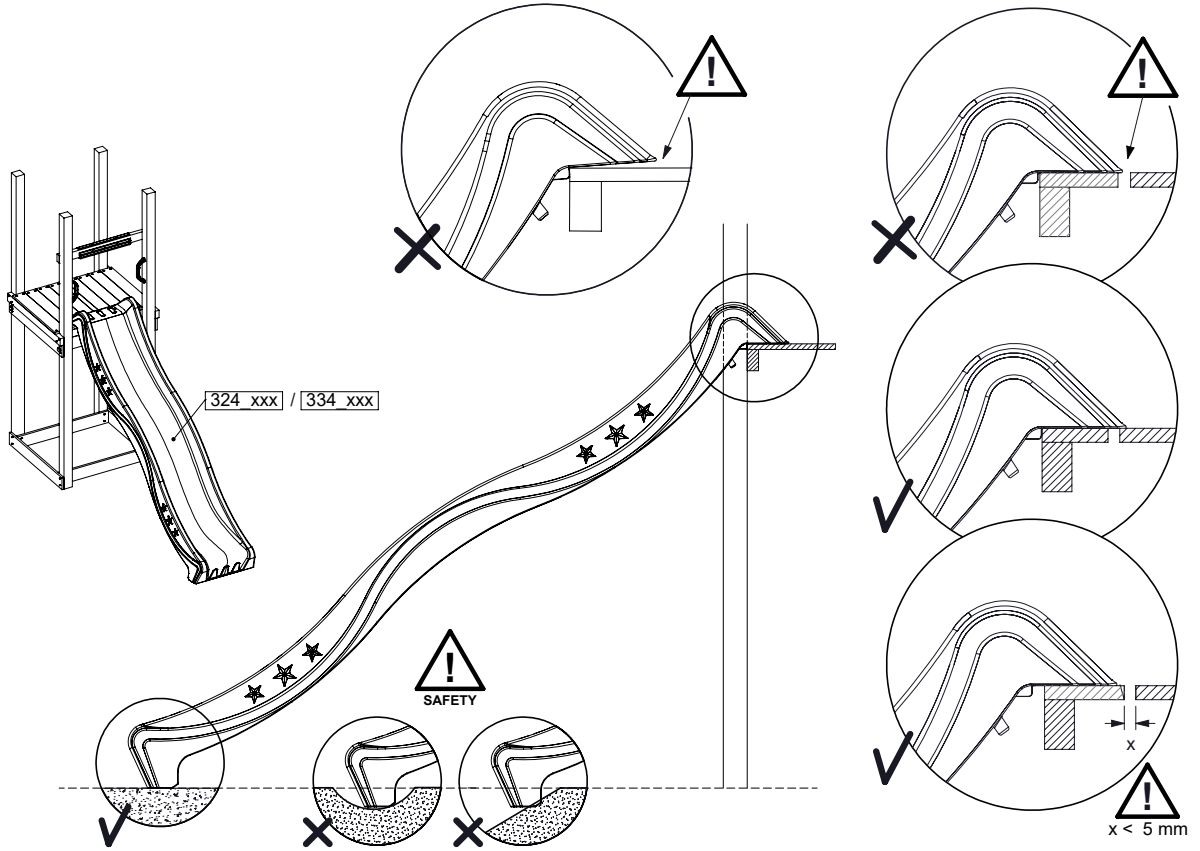
|                          | PartNo             | PartName   | QTY. |
|--------------------------|--------------------|--|------|
| Hardware Pack<br>100_605 | 000_101            | Nail Pan Head  | 10   |
|                          | 002_223            | Gap Point Screw T25 - 5x80                                 | 4    |
|                          | 002_308            | Gap Point Screw T25 - 5x20                                 | 2    |
| Other                    | 120_102            | Handgrip set (2x Complete)                                 | 1    |
|                          | 123_200            | Bumperpad  | 1    |
|                          | 324_xxx<br>334_xxx | Wavy Star Slide XL 2200 mm /<br>Wavy Star Slide XL 2650 mm | 1    |
| Timber                   | C74                | Beam 740 mm  | 1    |

Slide set - P02 - 15-7-2022 - v4

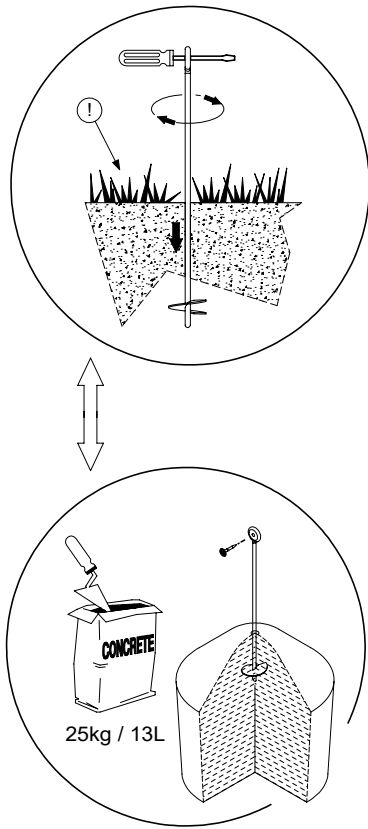


Slide set - P02 - 15-7-2022 - v4

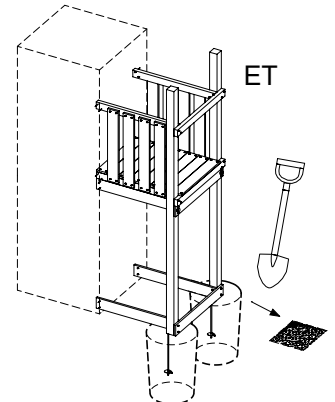
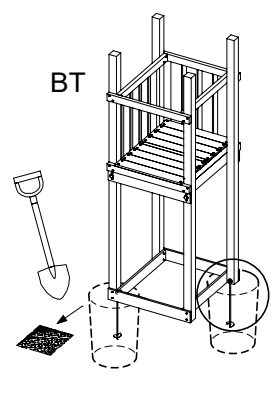
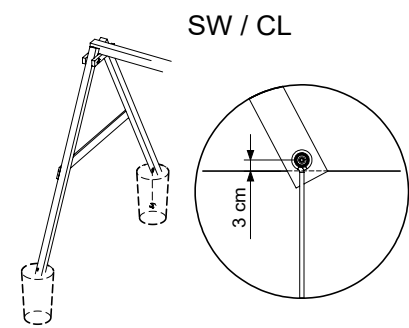
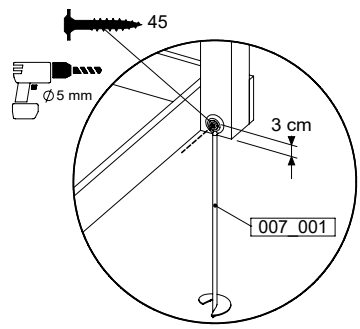
# 16.1



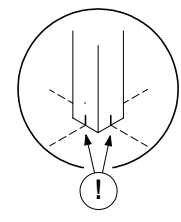
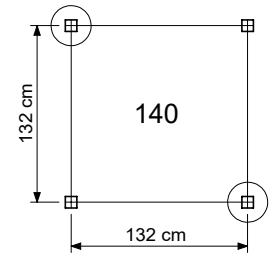
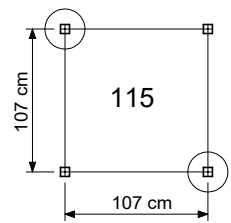
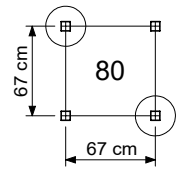
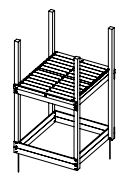
# 17 GA: Ground Anchors



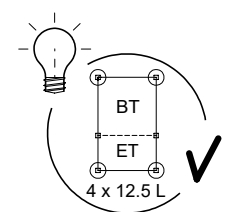
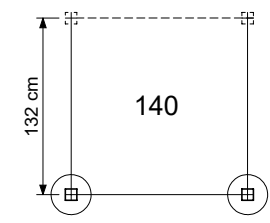
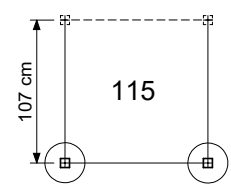
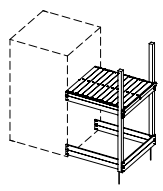
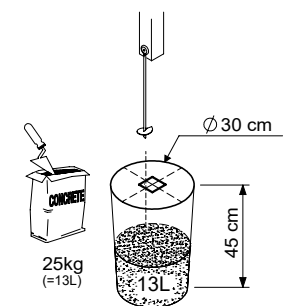
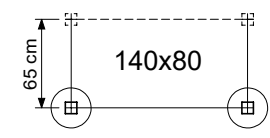
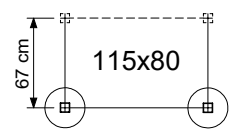
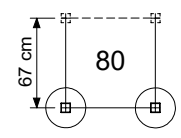
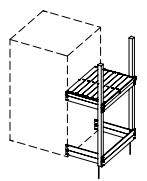
Ground Anchors Unit - P03 - 04/07/2023 - v1.2



BASE TOWERS

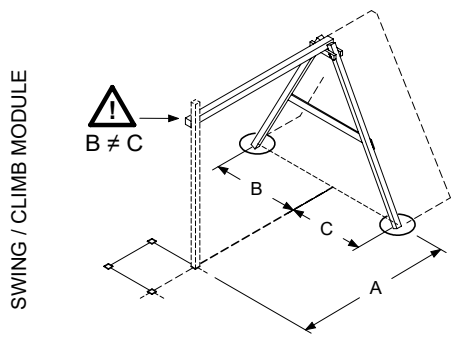
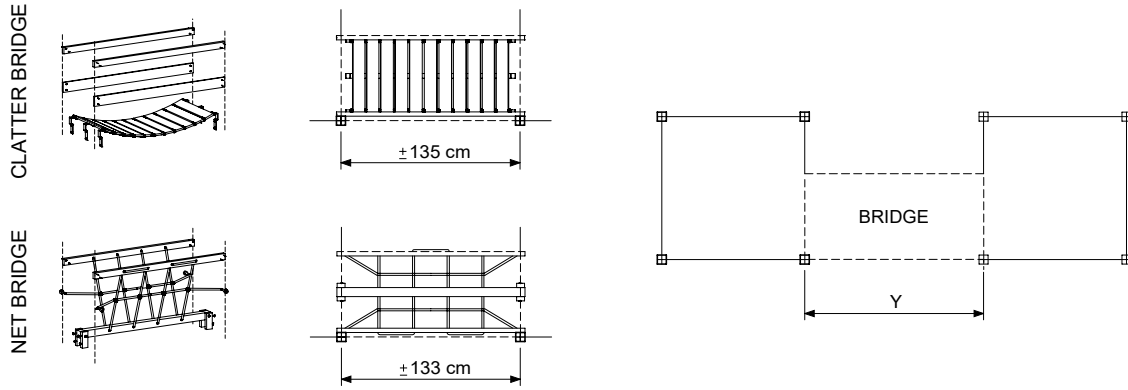


EXTENSION TOWERS



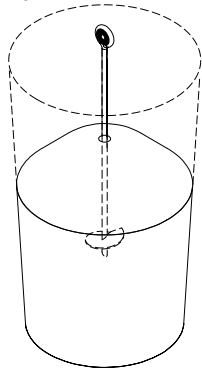
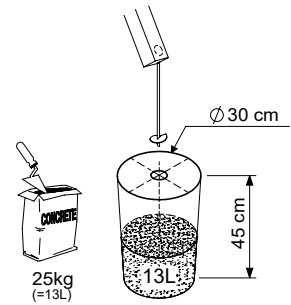
Ground Anchors Unit - P01 - 04/07/2023 - v1.2

# 17.1

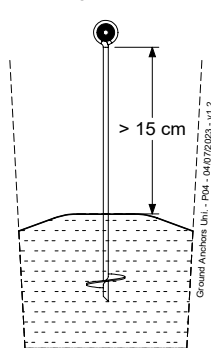


| Module type             | A   | B   | C   |
|-------------------------|-----|-----|-----|
| 1-Swing 200             | 150 | 115 | 100 |
| 1-Swing 220 / 220 Extra |     | 120 | 105 |
| 2-Swing 200             | 210 | 115 | 100 |
| 2-Climb 200             |     |     |     |
| 1-Climb 200             | 142 | 120 | 105 |
| 1-Climb 220 / 220 Extra |     |     |     |
| 2-Swing 220 / 220 Extra | 230 | 120 | 105 |
| 2-Climb 220 / 220 Extra |     |     |     |

Ground Anchors Uni. - P02 - 04/07/2023 - v1.2



1.

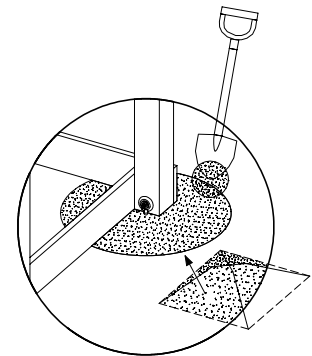


2.

24h



3.



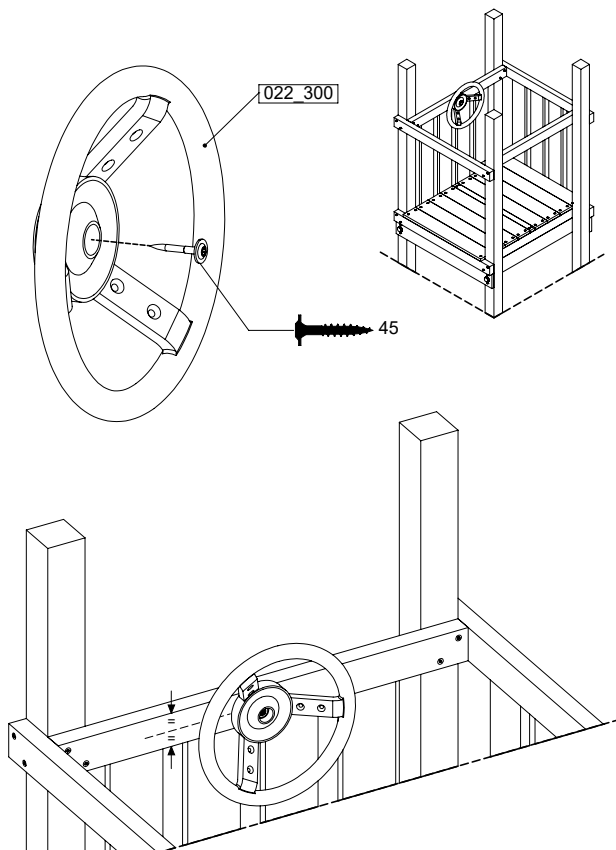
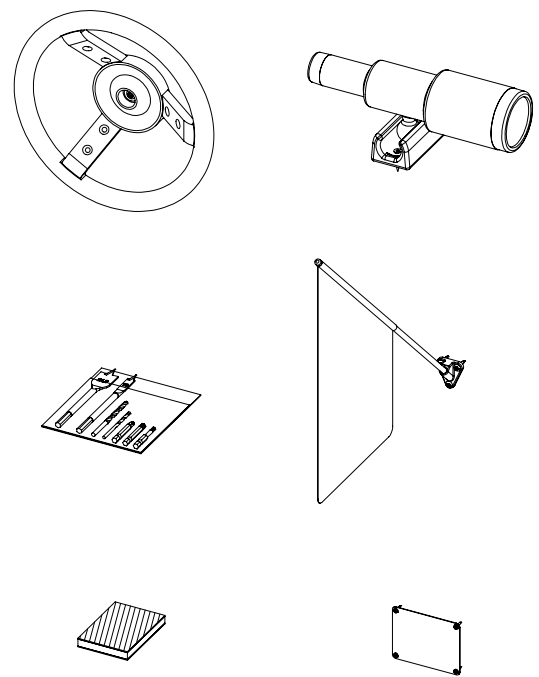
4.

# 18 AC01a: Accessories

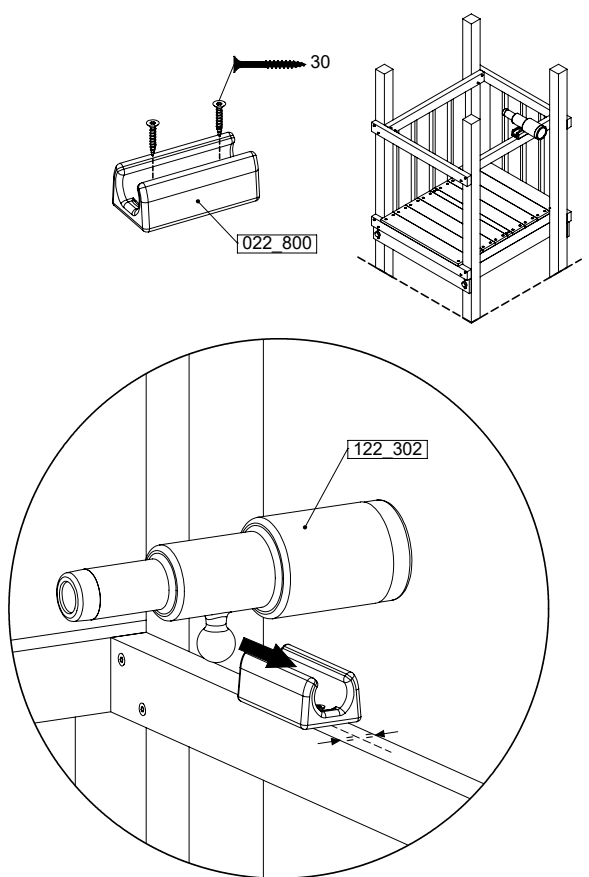
( 194\_119 )

|                          | PartNo  | PartName                    | QTY. |
|--------------------------|---------|-----------------------------|------|
| Hardware Pack<br>100_617 | 001_406 | Stealth Screw 8x45          | 1    |
|                          | 002_041 | Dome head screw 4.5 x 20 mm | 3    |
|                          | 002_042 | Dome head screw 3.5 x 13mm  | 4    |
|                          | 002_219 | Gap Point Screw T25 - 5x30  | 2    |
| Other                    | 022_300 | Steering Wheel              | 1    |
|                          | 022_800 | Rail P/T 105                | 1    |
|                          | 022_910 | Sandpad                     | 1    |
|                          | 103_901 | Logo ID Plate               | 1    |
|                          | 104_107 | Tool Set Climbing Units     | 1    |
|                          | 120_024 | Tower Flag                  | 1    |
|                          | 122_302 | Telescope                   | 1    |

Accessory set - P102 - 06/07/2023 - v5

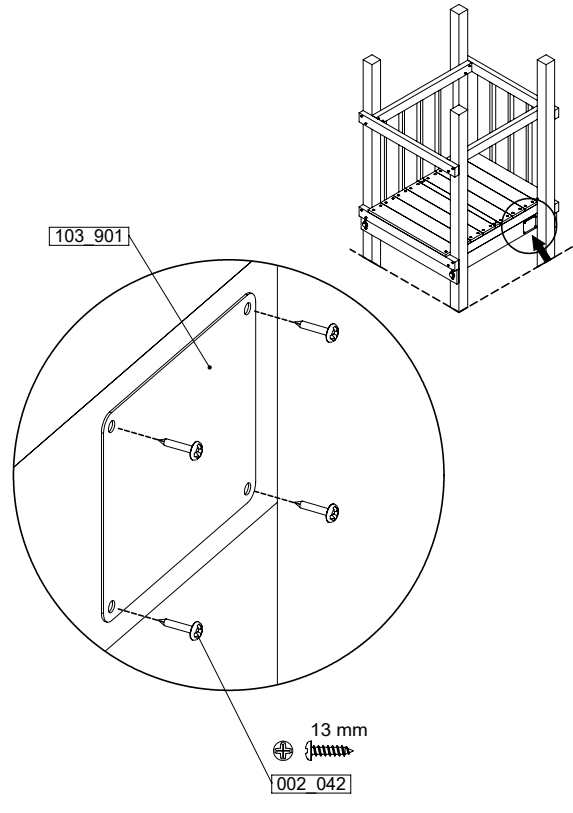
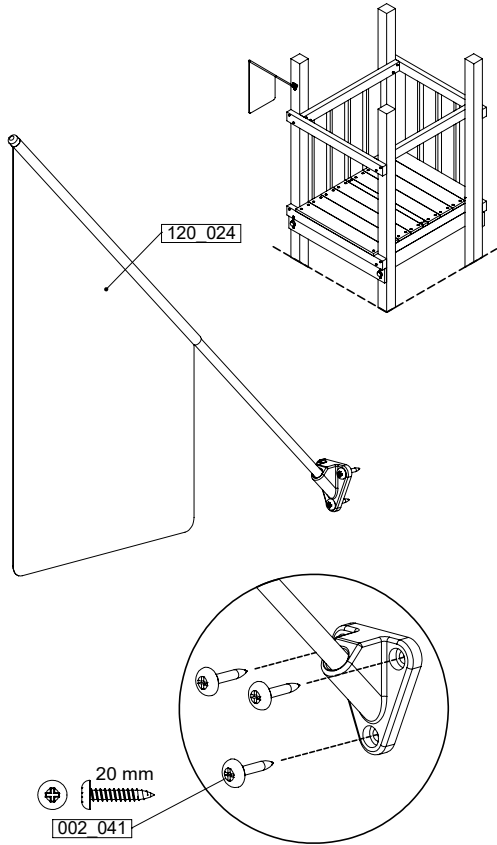


Accessory set - P103 - 06/07/2023 - v5

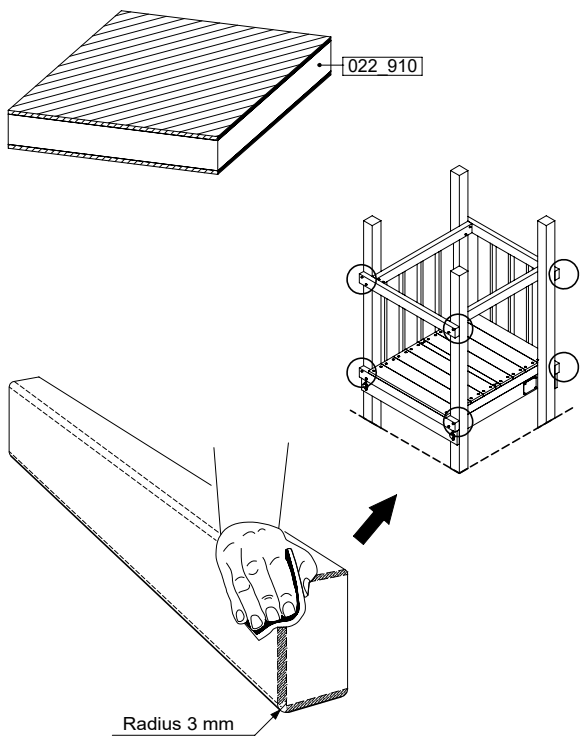




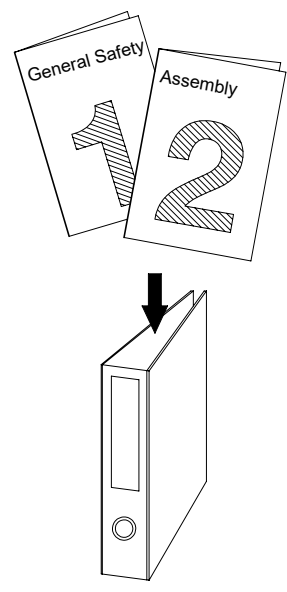
# 18.1



Accessory set - P04 - 06/07/2023 - v5



Accessory set - P05 - 06/07/2023 - v5



# 19 Conformity

## Declaration of Conformity

# Jungle Gym

## BACKYARD PLAYGROUNDS

since 1988

### Manufacturer details

Company Name

Jungle Gym B.V.

Tag-line

Backyard Playgrounds

Address

P.O. Box 75083, 1070 AB Amsterdam, Netherlands

### Activity toys for domestic use

Product Range Identification

Construction Packages (Sub-Assembly)

Universal Packs / Base Towers / Extension Towers / Roofs / Means of Exit/Access / Add-ons : 790\_001 ... 794\_911

Assembly

Playtowers : 801\_005 ... 200

Links : 870\_100 ... 105

Accessories : 123\_220 ... 250\_075

Playhouses : 830\_150 ... 253, 835\_251 ... 253

Swings : 801\_300, \_600, \_601

Slides (XL) : 324\_100 ... 600

Modules : 850\_180 ... 415

Slides (XXL) : 334\_100 ... 600

: 857\_103, 857\_108

Playtowers: 802\_202 ... 208

857\_151, 857\_158

803\_202 ... 210

809\_202 ... 804

### Applicable EC directives and standards

Chemical References

1. Migration of certain elements (17x + Chr VI + tin) as required in TSD 2009/48/EC and its amendments. Scrape off toy material. Tested according to EN 71-3:2019.

5. Content of 7 Phthalates (18x) according to REACH (EG) no.1907/2006, Annex XVII. Tested according to COC-CH-C1011-09.3 and EN 15777 / QMA 2011.1300

9. Content of 3 Flame retardants according to REACH (EG) no. 1907/2006, Annex XVII. Tested according to EN 62321-6.

2. Migration of solvents, monomers and plasticizers as specified in "Safety for Toys: Organic Chemical Compounds", EN 71-9: 2005 + A1: 2007. Tested according to EN 71-10: 2005 & EN 71-11: 2005.

6. Content of Cadmium according to REACH (EG) no. 1907/2006, Annex XVII. Tested according to EN 17294-2

10. Ni release according to REACH (EG) no. 1907/2006, Annex XVII. Tested according to EN 71-3:2013+A1:2014.

3. Content of N-nitrosamines and N-nitrosatable substances as specified in EN standard 71-12: 2013. Tested according to EN 71-12: 2013.

7. Formaldehyde according to REACH (EG) no. 1907/2006, Annex XVII. Tested according to EN 14184

11. Sweat and Salvia resistance tested according to DIN 53160

4. Content of 18 PAHs (Polycyclic Aromatic Hydrocarbons) as referred in AfPS GS 2014:01 PAK (Replaced on 2019:01). Tested according to QMA 2011.1284

8. Azo dyes according to REACH (EG) no. 1907/2006, Annex XVII. Tested according to BVL B 82.02-2.

Mechanical physical properties + flammability

EN 71 - 1 : 2014 + A1: 2018 EN 71 - 2 : 2011 + A1: 2014 EN 71 - 8 : 2018

### Supplementary information

Conformity to the above specified directives and standards has been frequently verified and is continuously monitored by TÜV Süd, TÜV Rheinland LGA products, DEKRA (DE), STR Ltd (UK), LNE SA (FR), LMR Ltd (US) and IPS N.V. (BE) since 1994. Jungle Gym participates in the European Commission for standardisation for the safety of activity toys ( TC52 / WG 10).

### Declaration

I hereby declare under our sole responsibility that the products mentioned above, to which this declaration relates, complies with the above mentioned directives and standards.



Name

Mr. P. Schmit / Director

Issued date

Januari 2<sup>nd</sup>, 2023

Signature of representative