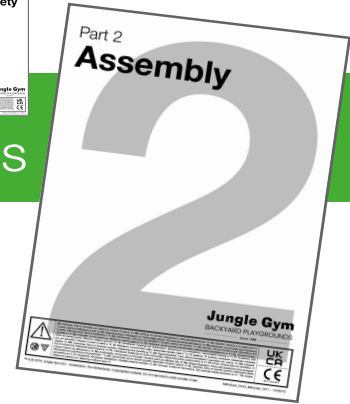


# Part 2

# Assembly

## Instructions



Config ID: ppQpiW

Date: 2023-08-10



Manual Part 1



### Important

This assembly manual should always be read in conjunction with the General Safety manual part 1 as included in the hardware package of your playground equipment.

Please read these safety instructions carefully before starting the assembly work.

# Jungle Gym

## BACKYARD PLAYGROUNDS

since 1988

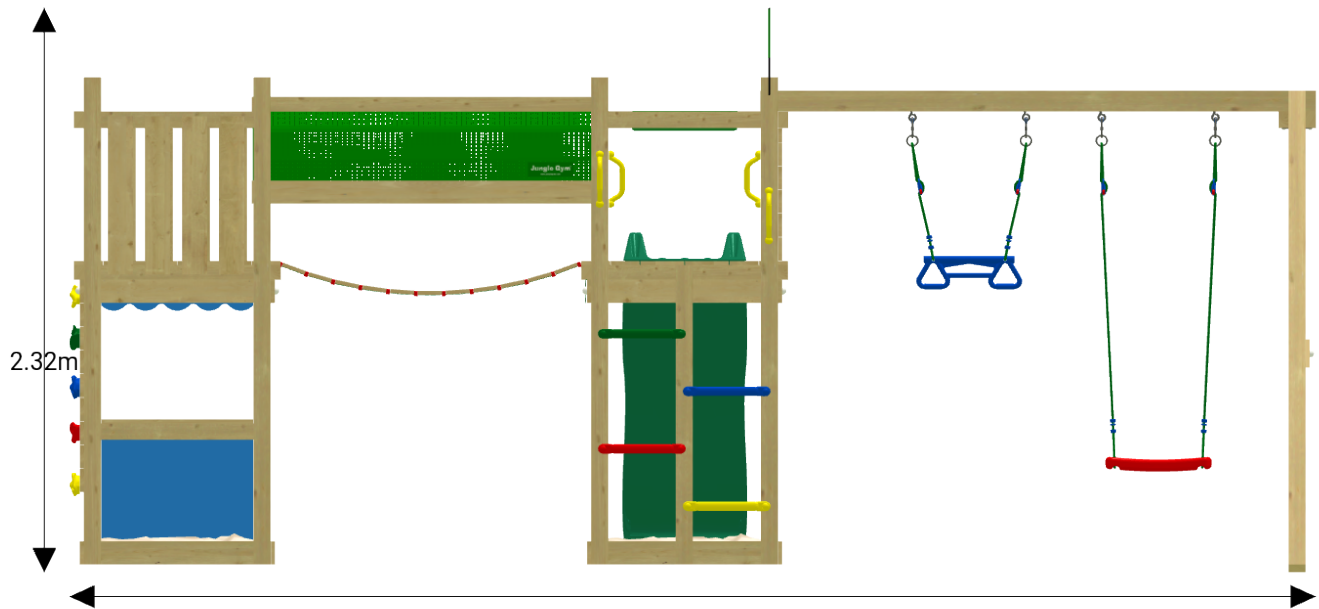
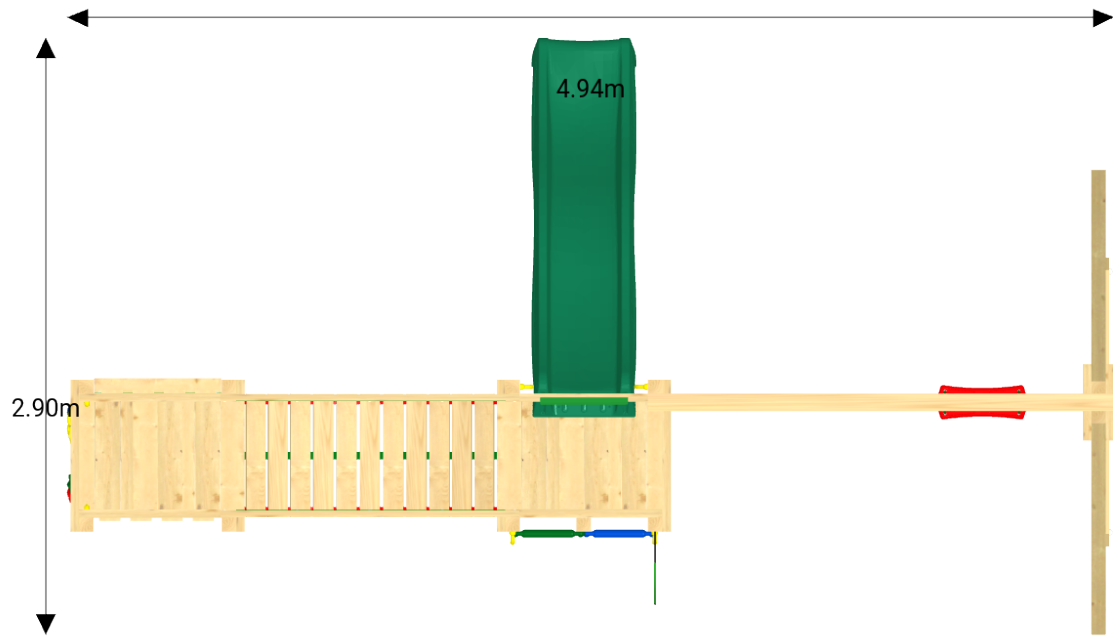


**EN.** Warnings. Only for domestic use. Maximum number of users is 4. **DE.** Achtung. Nur für den Hausgebrauch. Maximale Benutzerzahl: 4. **FR.** Attention. Réserve à un usage privé. Le nombre maximal d'utilisateurs est de 4. **NL.** Waarschuwingen. Uitsluitend voor huishoudelijk gebruik. Het maximale aantal gebruikers is 4. **BG.** Внимание. За употреба само в домашни условия. Максималният брой потребители е 4. **ES.** Advertencias. Sólo para uso doméstico. Número máximo de usuarios: 4. **CS.** Varování. Jen pro domácí použití. Maximální počet uživatelů je 4. **DA.** Advarsler. Kun til privat brug. Maksimum antal brugere er 4. **ET.** Hoiatused. Ainult koduseks kasutamiseks. Maksimaalne kasutajate arv on 4. **EL.** Προειδοποιήσεις. Μόνο για οικιακή χρήση. Μέγιστος αριθμός χρηστών 4. **IS.** Varnaðarorð. Eingöngu fyrir einkanotkun í heimahúsum og á einkaloðum. Hámarksfjöldi notenda er 4. **IT.** Avvertenze. Solo per uso domestico. Massimo numero di utenti è 4. **LV.** Brīdinājumi. Izmantot tikai mājās. Maksimālais lietotāju skaits ir 4. **LT.** Įspėjimai. Tik buitiniam naudojimui. Maksimalus naudotojų skaičius HR. Upozorenja. Samo za kućansku uporabu. Maksimalan broj korisnika je 4. **HU.** Figyelmeztetések. Csak otthoni használatra! A használók max. száma: 4. **NO.** Advarsler. Kun for privat bruk. Maksimalt antall brukere er 4. **PL.** Ostrzeżenia. Wyłącznie do użytku domowego. Maksymalna liczba użytkowników to 4. **PT.** Avisos. Apenas para uso doméstico. O número máximo de utilizadores é 4. **RO.** Avertismente. Numai pentru uz domestic. Numărul maxim de utilizatori este 4. **RU.** Предостережения. Только для домашнего использования. Максимальное количество пользователей - 4. **SK.** Upozornenia. Iba na domáce použitie. Maximálne množstvo osôb je 4. **SL.** Opozorila. Samo za domačo uporabo. Maksimalno število uporabnikov je 4. **FI.** Varoitukset. Ainoastaan kotikäyttöön. Käyttäjää yhteensä enintään 4. **SR.** Upozorenja. Samo za kućnu upotrebu. Maksimalan broj korisnika je 4. **SV.** Varningar. Endast för hemmabruk. Det maximala antalet användare är 4. **TR.** Uyarılar. Sadece ev kullanımı için. Maksimum kullanıcı sayısı 8.



EN 71-1-2-3-8&-9

# 1 Views

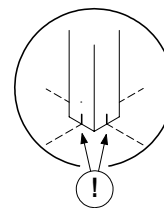
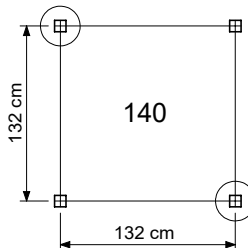
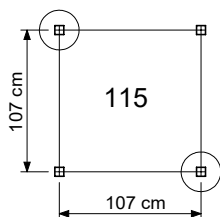
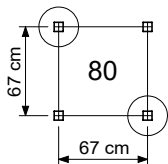
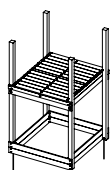


## 2 Order list

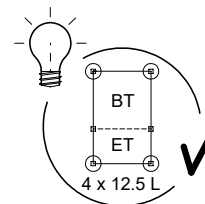
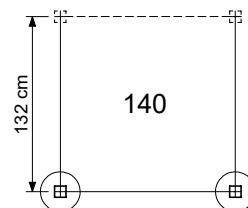
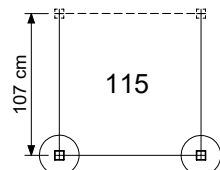
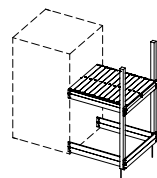
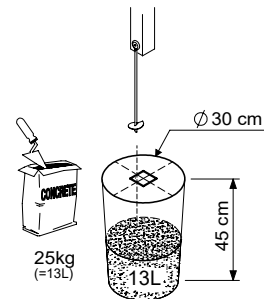
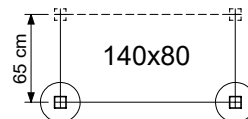
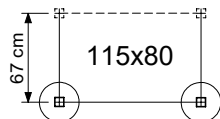
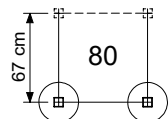
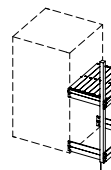
| Nr. | SKU     | Description               | ID      | Amount |
|-----|---------|---------------------------|---------|--------|
| 1   | 790_411 | TwoStep Ladder 80_125     | TS01    | 1      |
| 2   | 790_001 | Base Tower 80_200200      | BT01a   | 2      |
| 3   | 790_301 | Balustrade 80             | BL01a   | 2      |
| 4   | 790_313 | Playhouse Window Panel 80 | PH06a   | 1      |
| 5   | 790_406 | Rock wall Closed 80_125   | RW32a   | 1      |
| 6   | 790_502 | Market 80                 | MT01a   | 1      |
| 7   | 790_601 | Bridge 80                 | CB01a   | 1      |
| 8   | 790_901 | Slide 80                  | SL01a   | 1      |
| 9   | 757_104 | 2- Swing Module 200       | SW05a   | 1      |
| 10  | 194_119 | AP Accessory set          | AC01a   | 1      |
| 11  | 250_034 | Swing Seat Kit • Red      | AC21a   | 1      |
| 12  | 250_013 | Monkey Bar Kit • Blue     | AC22a   | 1      |
| 13  | 123_230 | Mesh green                | AC30a   | 1      |
| 14  | 324_x00 | Wavy Star Slide XL        | 324_x00 | 1      |

### 3 Anchor Plan

BASE TOWERS

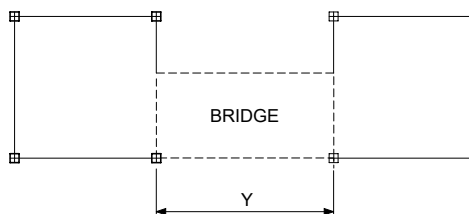
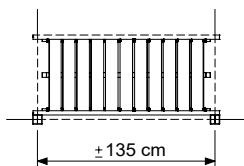
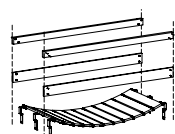


EXTENSION TOWERS

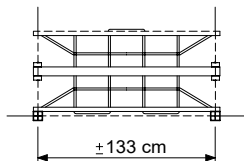
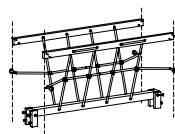


Ground Anchors Unit - PO1 - 04/07/2023 - v1.2

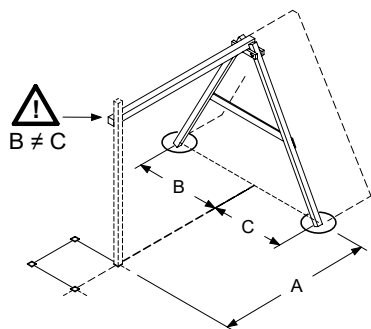
CLATTER BRIDGE



NET BRIDGE

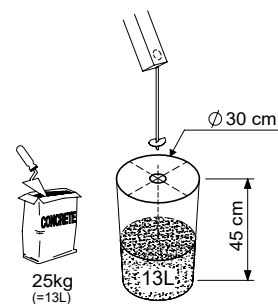


SWING / CLIMB MODULE

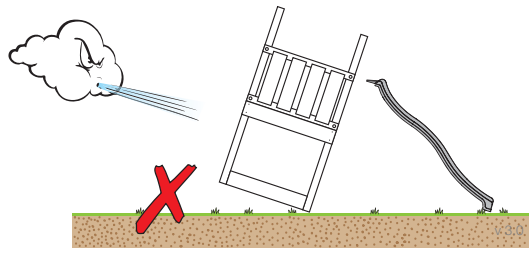
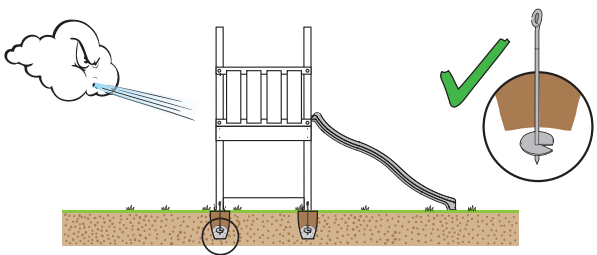
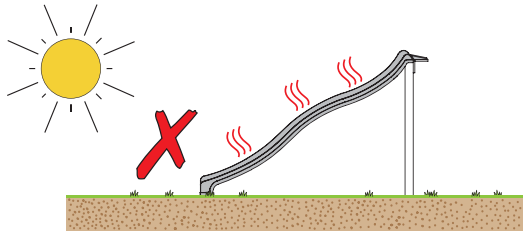
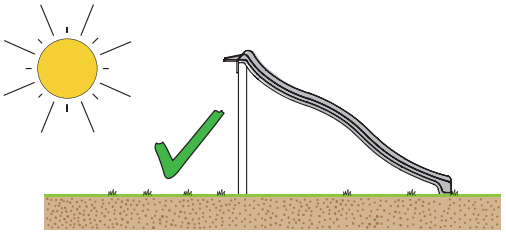
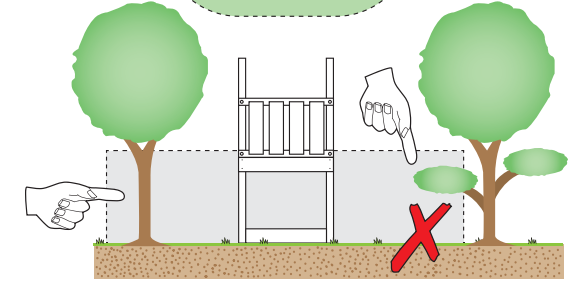
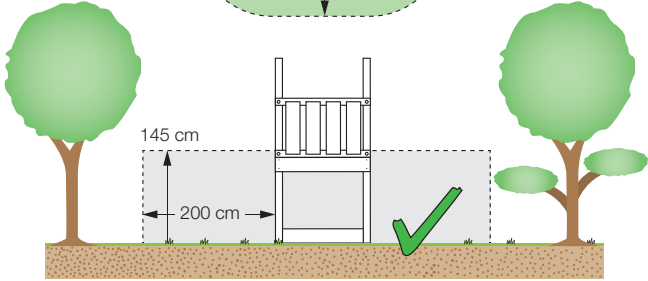
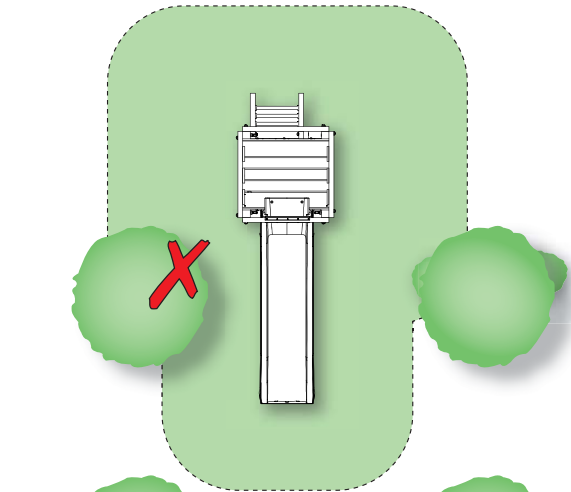
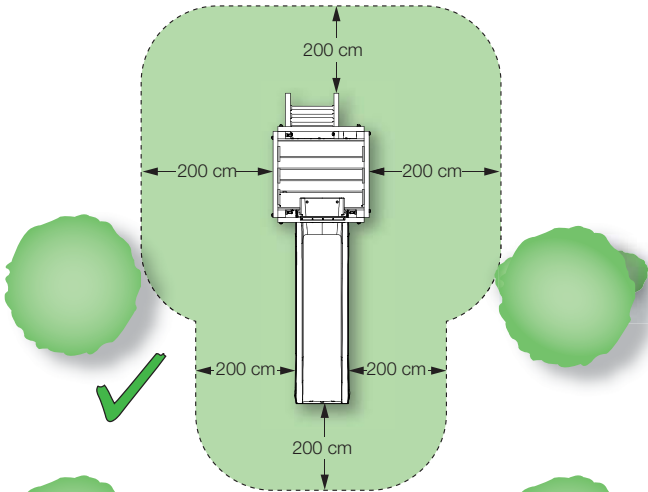
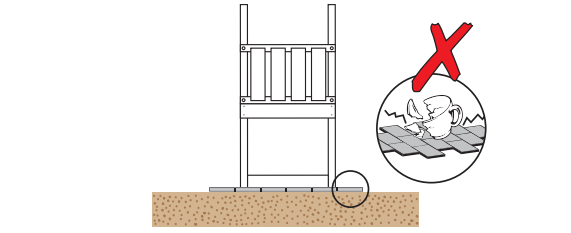
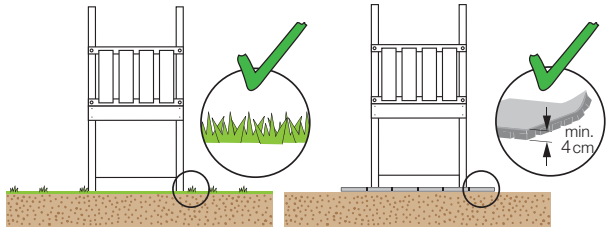
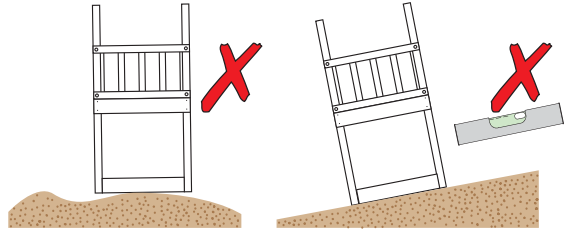
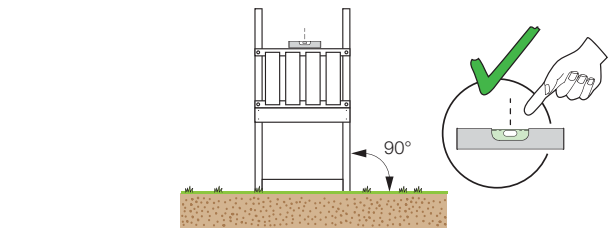


| Module type             | A   | B   | C   |
|-------------------------|-----|-----|-----|
| 1-Swing 200             | 150 | 115 | 100 |
| 1-Swing 220 / 220 Extra |     | 120 | 105 |
| 2-Swing 200             | 210 | 115 | 100 |
| 2-Climb 200             |     |     |     |
| 1-Climb 200             | 142 | 120 | 105 |
| 1-Climb 220 / 220 Extra | 162 |     |     |
| 2-Swing 220 / 220 Extra | 230 | 120 | 105 |
| 2-Climb 220 / 220 Extra |     |     |     |

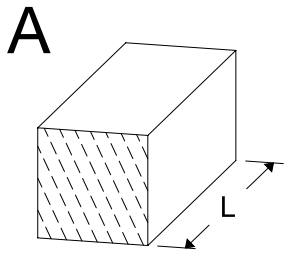
Ground Anchors Unit - PO2 - 04/07/2023 - v1.2



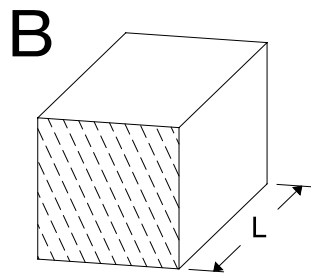
### 3.1 Safe Playground



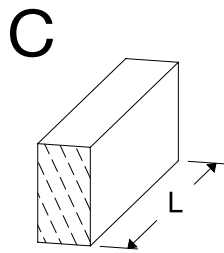
## 4 Timber parts



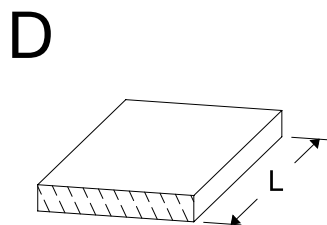
| ID   | L               | # |
|------|-----------------|---|
| A123 | 122 cm - 123 cm | 1 |
| A200 | 199 cm - 200 cm | 8 |
| A220 | 219 cm - 220 cm | 2 |



|      |                 |   |
|------|-----------------|---|
| B220 | 219 cm - 220 cm | 1 |
|------|-----------------|---|

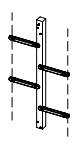

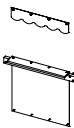
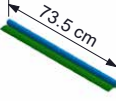
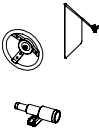




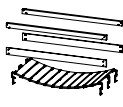
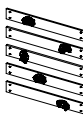
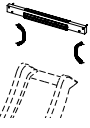

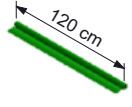
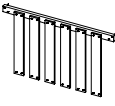


|      |                 |    |
|------|-----------------|----|
| C37  | 36 cm - 37 cm   | 2  |
| C74  | 73 cm - 74 cm   | 15 |
| C141 | 140 cm - 141 cm | 2  |

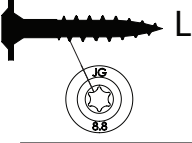
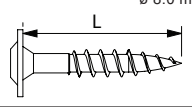
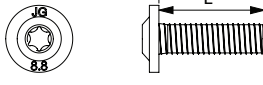


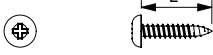



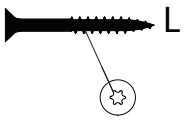
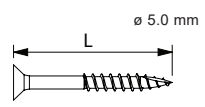


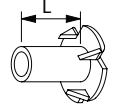

|      |                 |    |
|------|-----------------|----|
| D60  | 59 cm - 60 cm   | 33 |
| D65  | 64 cm - 65 cm   | 8  |
| D74  | 73 cm - 74 cm   | 31 |
| D141 | 140 cm - 141 cm | 4  |

## 5 Assembly packs & accessories

|   |   |   |  |  |
|---|---|---|--|--|
| <p>Two Step Ladder 80</p>  <p><b>TS</b></p> <p>194_102</p> <p><b>1x</b></p> | <p>Hardware 01</p>  <p><b>BL H01</b></p> <p>194_101</p> <p><b>2x</b></p> | <p>Market</p>  <p><b>MT</b></p> <p>194_113</p> <p><b>1x</b></p>       | <p>Canvas 136 x 74cm</p>  <p>73.5 cm</p> <p>123_220</p> <p><b>1x</b></p>      | <p>Accessory Set</p>  <p><b>AC</b></p> <p>194_119</p> <p><b>1x</b></p>   |
| <p>Slide 2.2m</p>  <p>324_x00</p> <p><b>1x</b></p>                         | <p>Swing Seat</p>  <p><b>AC</b></p> <p>250_034</p> <p><b>1x</b></p>    | <p>Monkey Bar</p>  <p><b>AC</b></p> <p>250_013</p> <p><b>1x</b></p>  | <p>Swing Frame Kit</p>  <p><b>SW</b></p> <p>457_102</p> <p><b>1x</b></p>     | <p>Clatter Bridge</p>  <p><b>CB</b></p> <p>194_116</p> <p><b>1x</b></p> |
| <p>Rock Wall</p>  <p><b>RW</b></p> <p>194_006</p> <p><b>1x</b></p>         | <p>Slide Frame</p>  <p><b>SL</b></p> <p>194_107</p> <p><b>1x</b></p>   | <p>Tower 80</p>  <p><b>BT ET</b></p> <p>194_100</p> <p><b>2x</b></p> | <p>Mesh Green 185 x 120cm</p>  <p>120 cm</p> <p>123_230</p> <p><b>1x</b></p> | <p>Balustrade 140</p>  <p><b>BL</b></p> <p>194_501</p> <p><b>1x</b></p> |

## 6 Hardware Identification

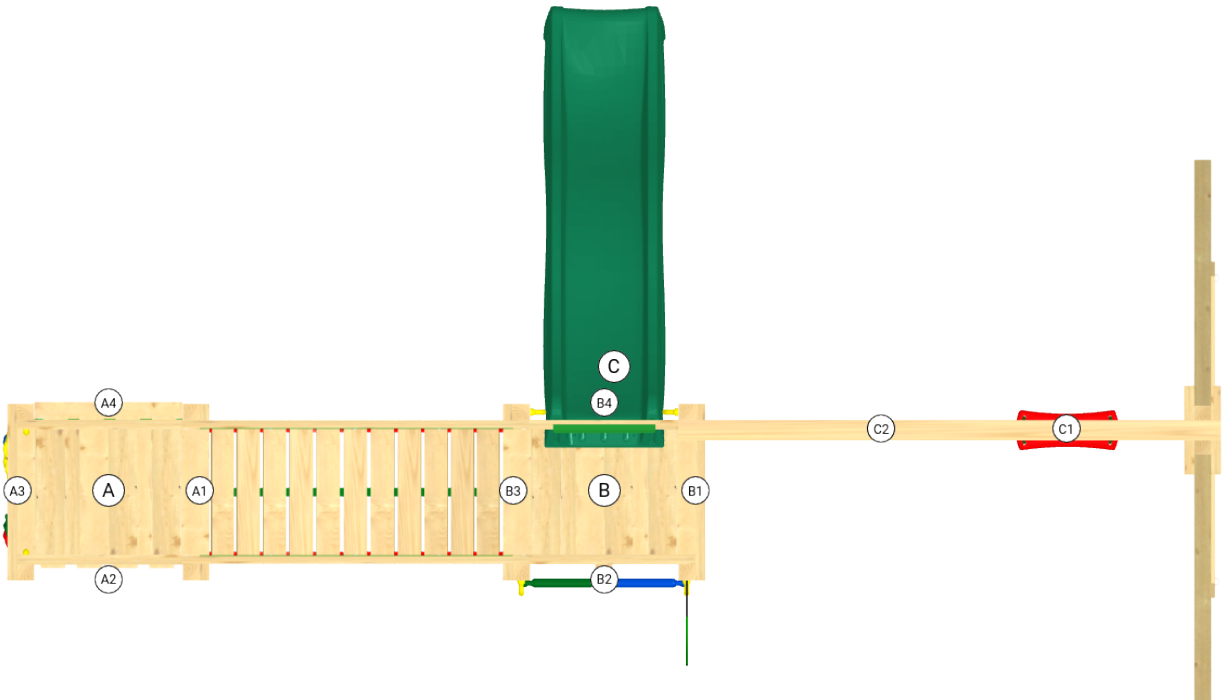
|  |   | SKU   | L  |
|--|---|---|--|
|                                   | <br>$\varnothing 8.0 \text{ mm}$ | 001_404<br>001_406<br>001_411<br>001_417<br>001_422 | 30 mm<br>45 mm<br>60 mm<br>80 mm<br>137 mm |
|  | M8  | 001_102   | 30 mm                                      |
|  | <br>$\varnothing 2.0 \text{ mm}$ | 000_101   | 20 mm                                      |
|  | <br>$\varnothing 6.3 \text{ mm}$ | 002_036   | 16 mm                                      |
|  | <br>$\varnothing 4.5 \text{ mm}$ | 002_041   | 20 mm                                      |
| <br>$\varnothing 3.5 \text{ mm}$  | 002_042   | 13 mm   |  |
| <br>$\varnothing 3.9 \text{ mm}$ | 002_301   | 40 mm   |  |



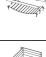
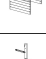




|  |   | SKU                                      | L                                |
|--|---|--|----------------------------------|
|              | <br>$\varnothing 5.0 \text{ mm}$ | 002_308<br>002_219<br>002_220<br>002_223 | 20 mm<br>30 mm<br>45 mm<br>80 mm |
|  | M8  | 003_010                                  |                                  |
|  | M6  | 003_034                                  |                                  |
|  | M8  | 004_050                                  | 22mm                             |
|  |                                  | 022_845<br>022_846<br>022_847<br>022_848 | Yellow<br>Blue<br>Green<br>Red   |
|  |                                  | 023_031                                  | White                            |
| <br>022_844 | <br>022_314                     | 120_005                                  | White                            |

output: 25/05/23



## 7 Assembly Planning



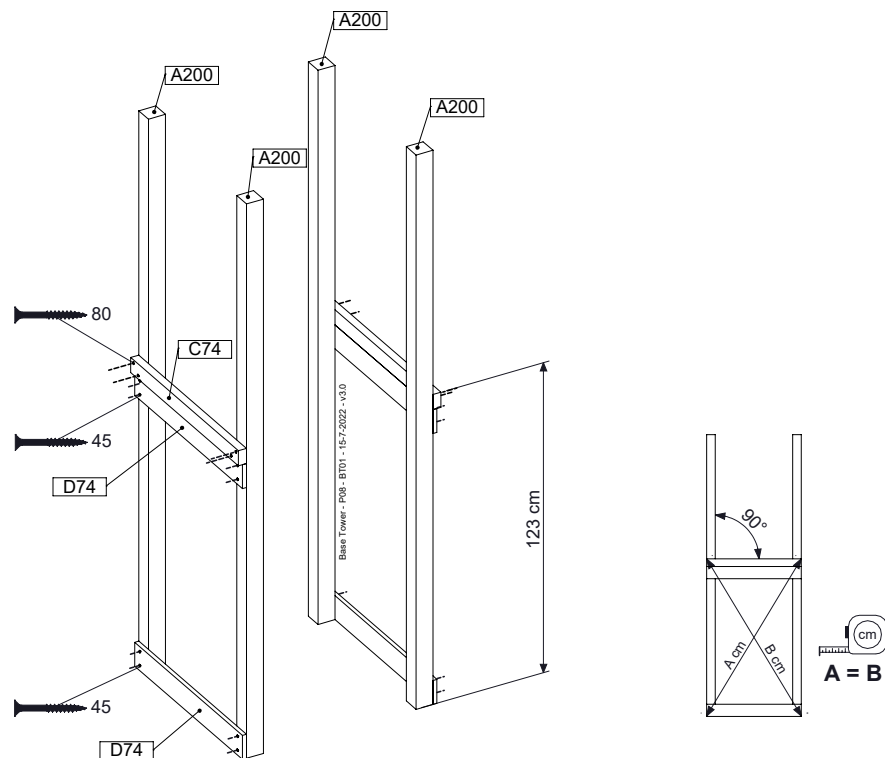
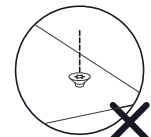
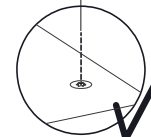
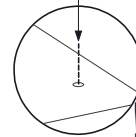
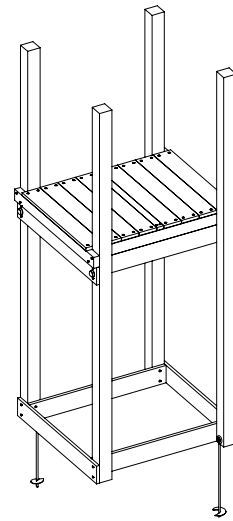
|    | ID    |   |      | A      | B  | C |
|----|-------|---|------|--------|----|---|
| 1  | BT01a |   | p.10 | ✓      | ✓  | - |
| 2  | RW32a |  | p.12 | A3     | -  | - |
| 3  | BL01a |  | p.14 | A2, A4 | -  | - |
| 4  | CB01a |  | p.18 | A1     | B3 | - |
| 5  | PH06a |  | p.19 | -      | B1 | - |
| 6  | TS01  |  | p.20 | -      | B2 | - |
| 7  | MT01a |  | p.22 | A4     | -  | - |
| 8  | SW05a |  | p.26 | -      | -  | ✓ |
| 9  | SL01a |  | p.33 | -      | B4 | - |
| 10 | GA    |  | p.35 | ✓      | ✓  | ✓ |
| 11 | AC30a |  | p.37 | A1     | B3 | - |
| 12 | AC01a |  | p.39 | -      | ✓  | - |

# 8 BT01a: Base tower 80 125cm 200200

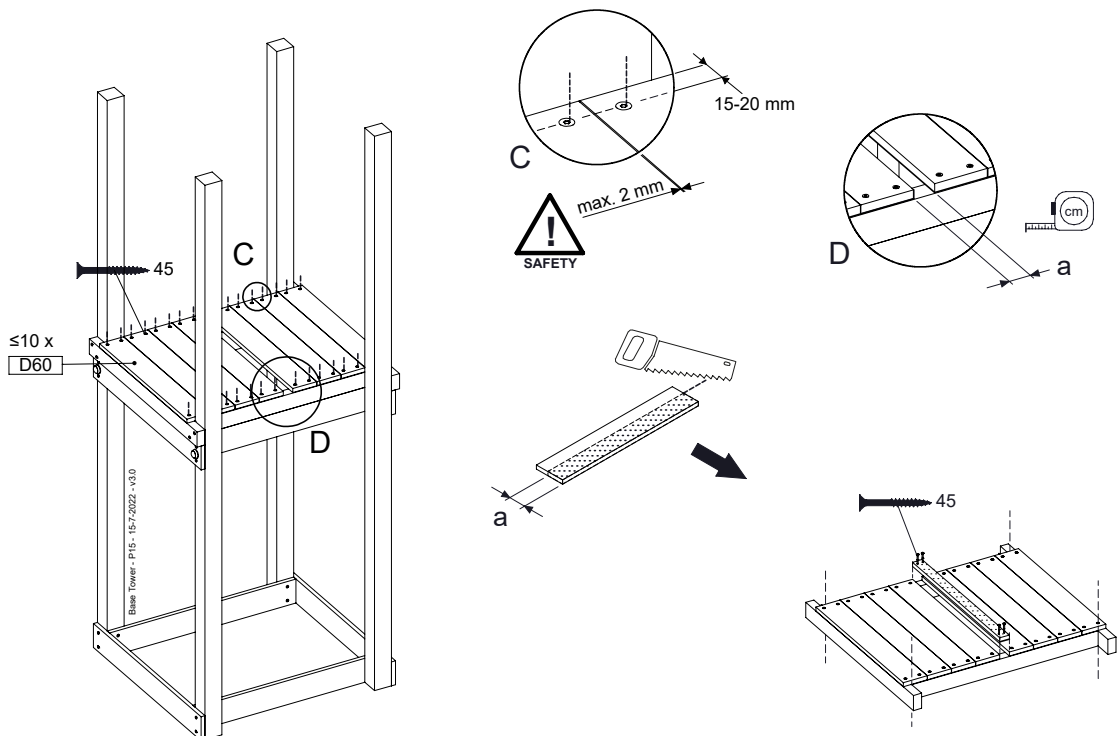
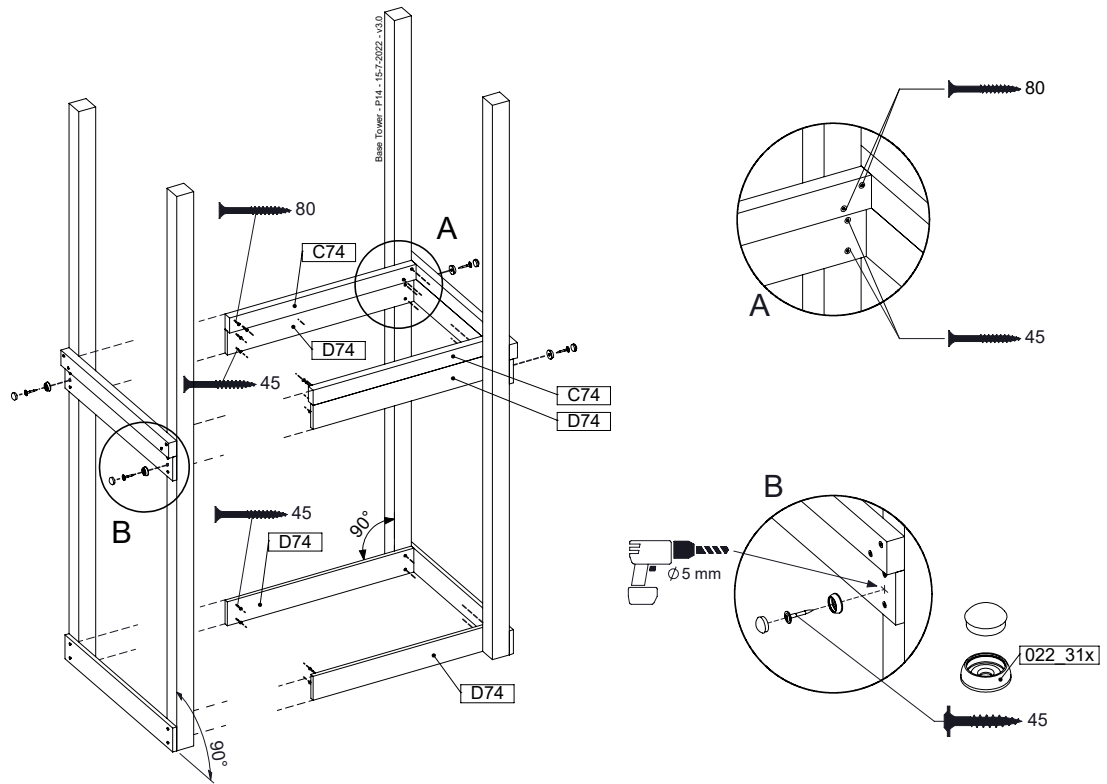
( 194\_100 )

|                          | PartNo  | PartName                   | QTY. |
|--------------------------|---------|----------------------------|------|
| Hardware Pack<br>100_600 | 001_406 | Stealth Screw 8x45         | 6    |
|                          | 002_220 | Gap Point Screw T25 - 5x45 | 76   |
|                          | 002_223 | Gap Point Screw T25 - 5x80 | 16   |
| Other                    | 007_001 | Ground-anchor              | 2    |
| Hardware Pack<br>100_600 | 022_31x | bpc-base version 3         | 4    |
|                          | 022_84x | bpc cover                  | 4    |
| Wood                     | A200    | Post 70x70 L2000           | 4    |
|                          | C74     | Beam 740 mm                | 4    |
|                          | D60     | Board 600 mm               | 10   |
|                          | D74     | Board 740 mm               | 8    |

Base Tower - P02 - BT01 - 15-7-2022 - v3.0



# 8.1

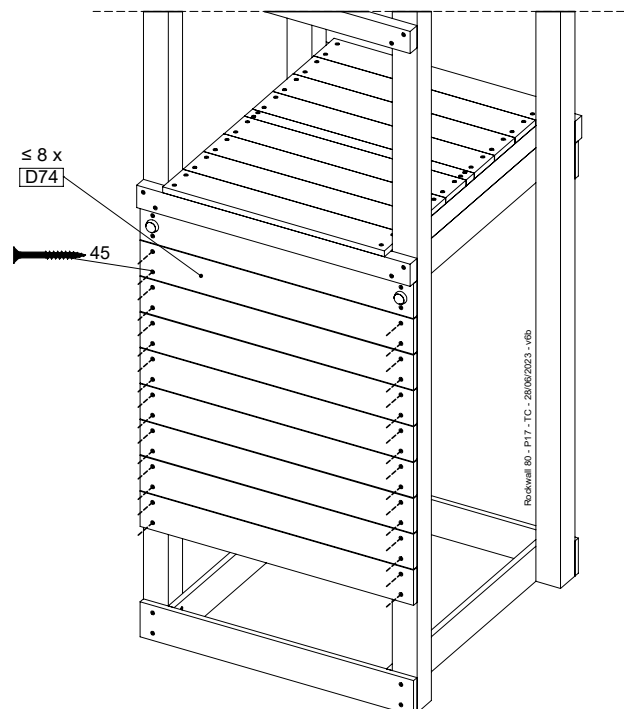
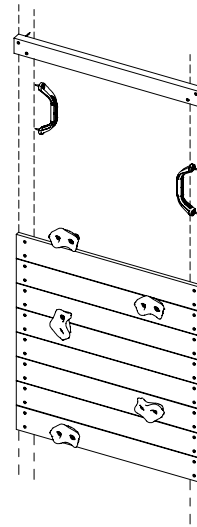


## 9 RW32a: Rock wall 80 125 T Closed

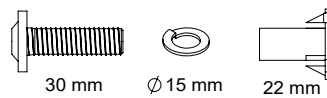
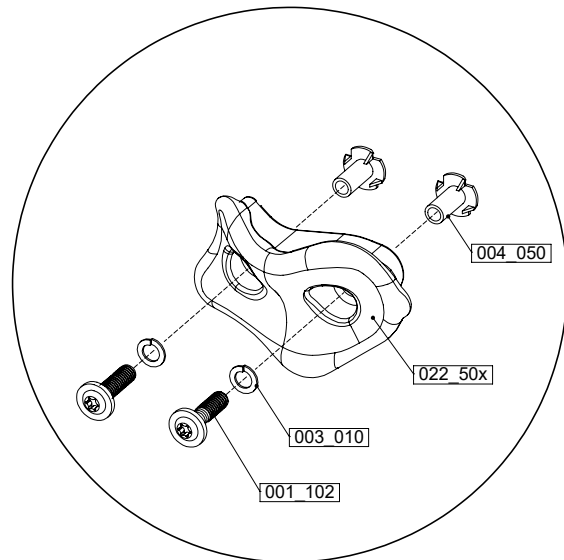
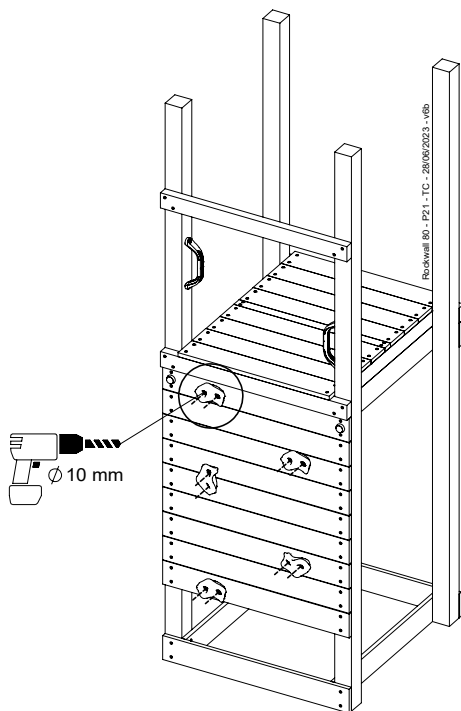
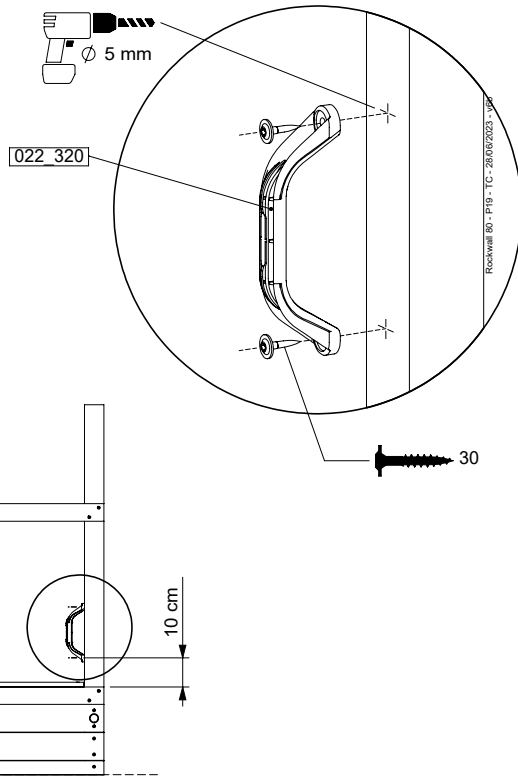
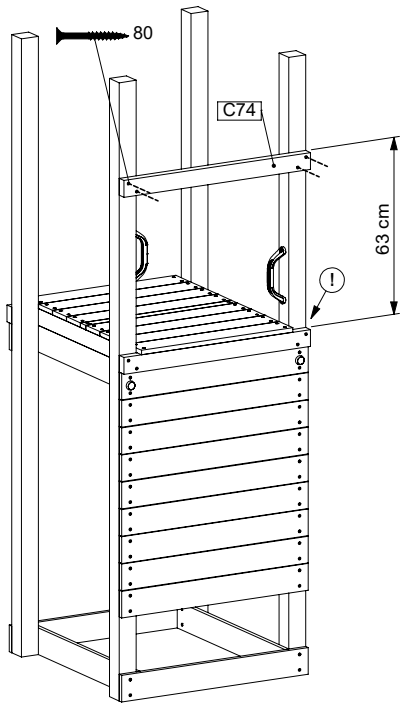
( 194\_006 )

|                          | PartNo  | PartName                    | QTY. |
|--------------------------|---------|-----------------------------|------|
| Hardware Pack<br>100_904 | 001_102 | Washer Head Screw T40 M8x30 | 10   |
|                          | 002_220 | Gap Point Screw T25 - 5x45  | 32   |
|                          | 002_223 | Gap Point Screw T25 - 5x80  | 4    |
|                          | 003_010 | M8 spring lock washer       | 10   |
|                          | 004_050 | M8 Drive-in Nut 22mm        | 10   |
| Other                    | 022_50x | Climbing Rock               | 5    |
|                          | 120_102 | Handgrip set (2x Complete)  | 1    |
| Timber                   | C74     | Beam 740 mm                 | 1    |
|                          | D74     | Board 740 mm                | 8    |

Rockwall 80 - P08 - 125TC - 28/06/2023 - v6b



# 9.1

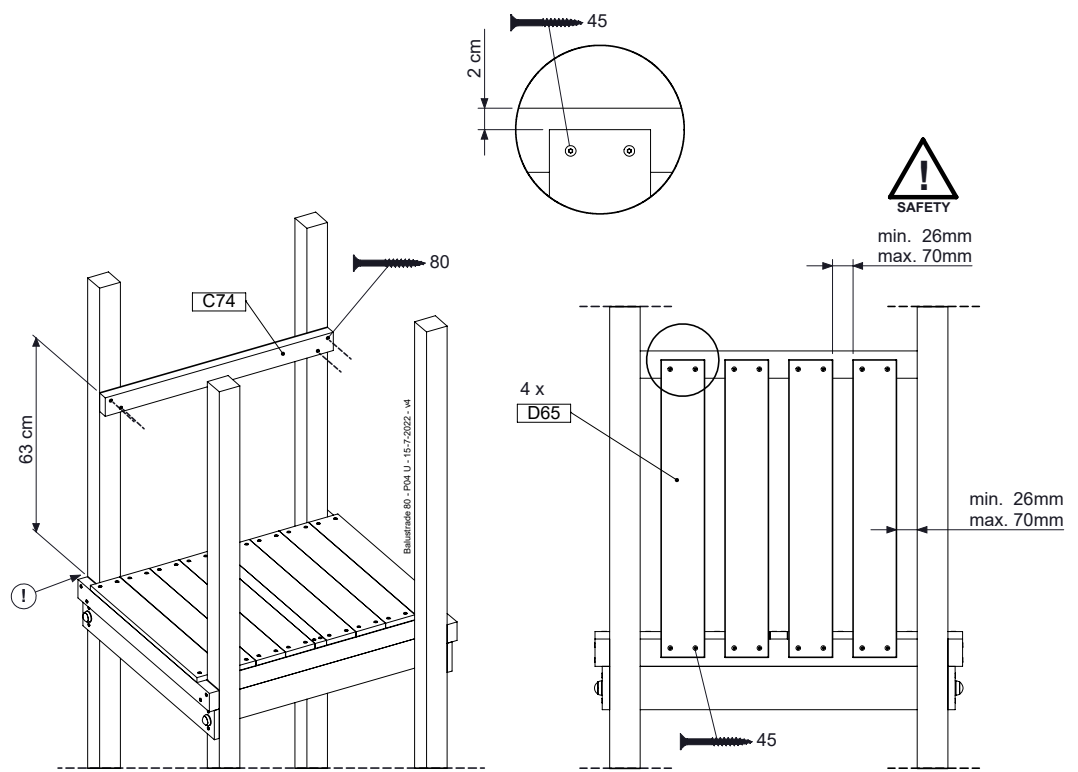
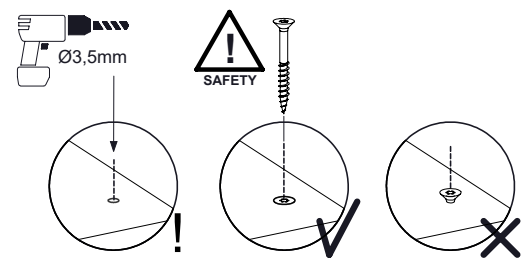
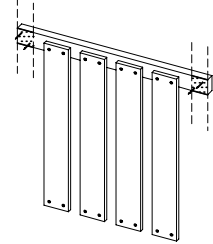


# 10 BL01a: Balustrade 80 U - 7x7 posts

(194\_101)

|               | PartNo  | PartName                   | QTY. |
|---------------|---------|----------------------------|------|
| Hardware Pack | 002_220 | Gap Point Screw T25 - 5x45 | 16   |
|               | 100_601 | Gap Point Screw T25 - 5x80 | 4    |
| Timber        | C74     | Beam 740 mm                | 1    |
|               | D65     | Board 650 mm               | 4    |

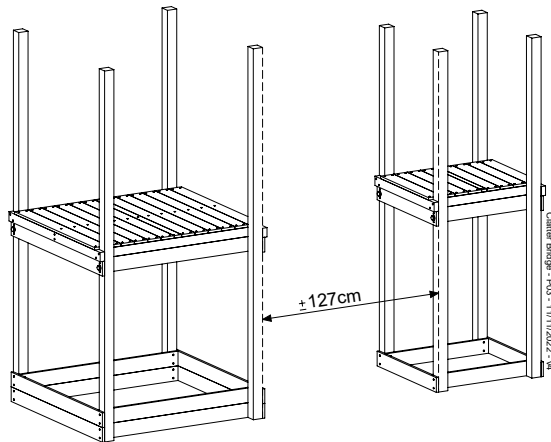
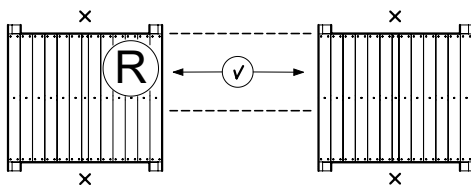
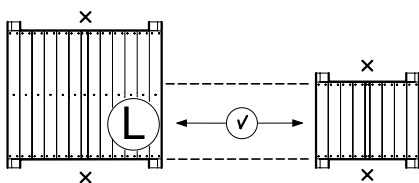
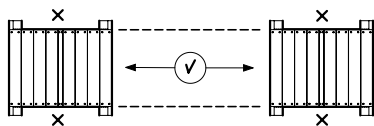
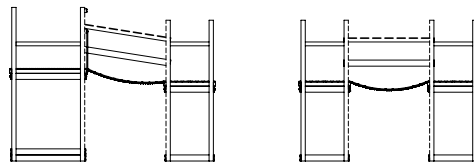
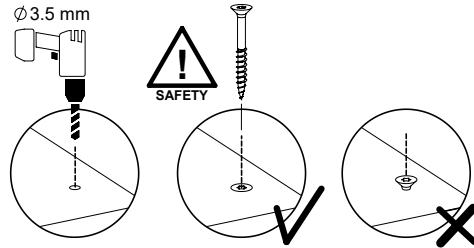
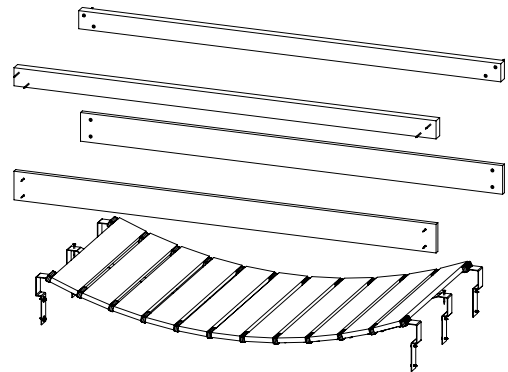
Balustrade 80 - P04 U - 15-7-2022 - v4



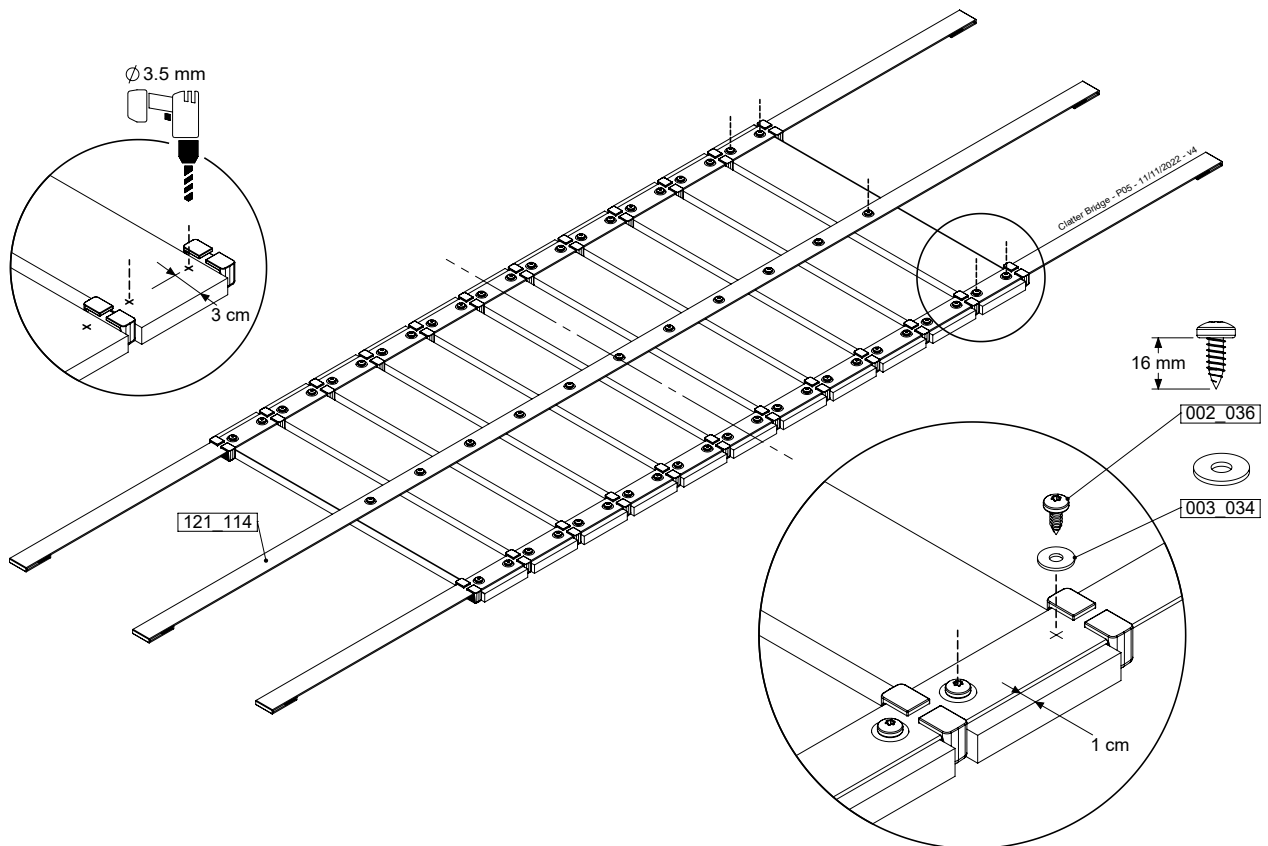
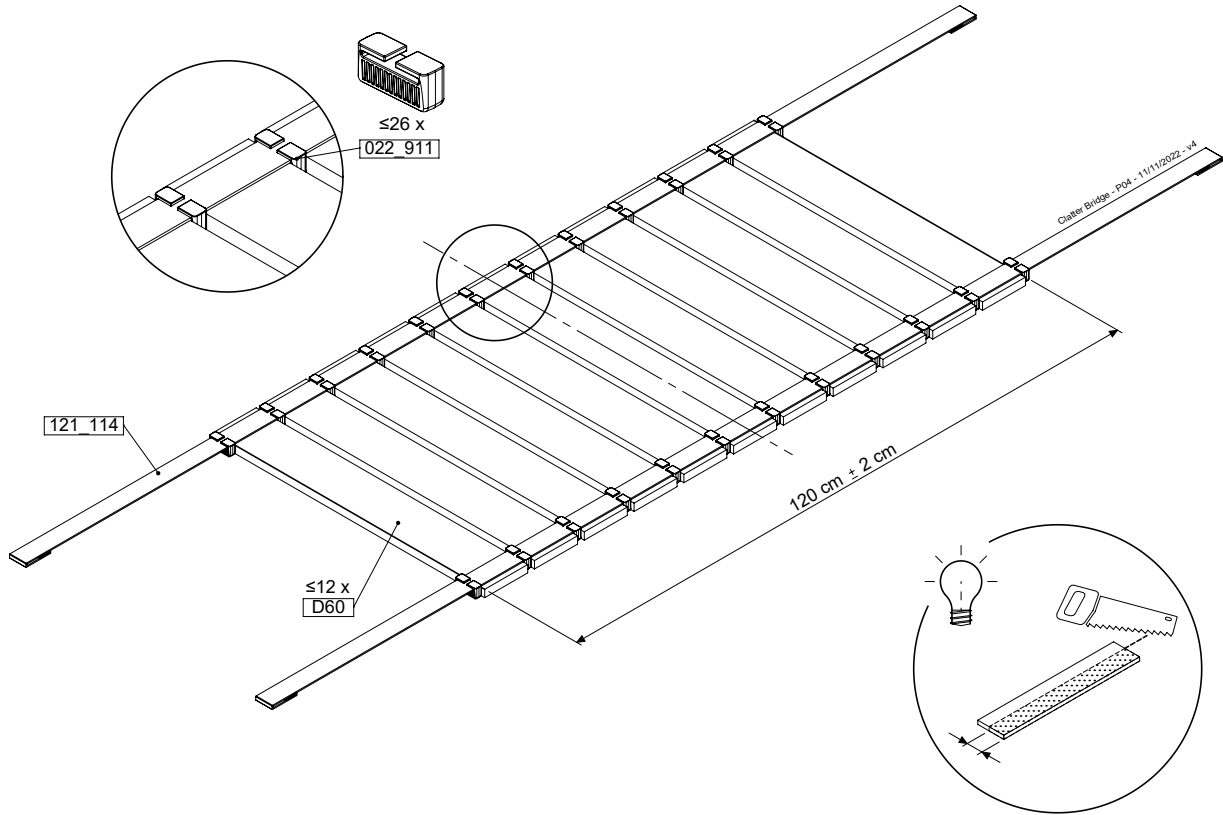
# 11 CB01a: Clatter Bridge - PART 1

( 194\_116 )

|                          | PartNo  | PartName                        | QTY. |
|--------------------------|---------|---------------------------------|------|
| Hardware Pack<br>100_614 | 002_036 | 16mm Pan Head Tapping Screw T25 | 72   |
|                          | 002_220 | Gap Point Screw T25 - 5x45      | 10   |
|                          | 002_223 | Gap Point Screw T25 - 5x80      | 12   |
|                          | 003_034 | M6 Washer                       | 72   |
| Other                    | 022_911 | Bridge Spacer                   | 26   |
|                          | 121_114 | BridgeLink Strap 210cm          | 3    |
| Wood                     | C141    | Beam 1410 mm                    | 2    |
|                          | D60     | Board 600 mm                    | 12   |
|                          | D141    | Board 1410 mm                   | 2    |

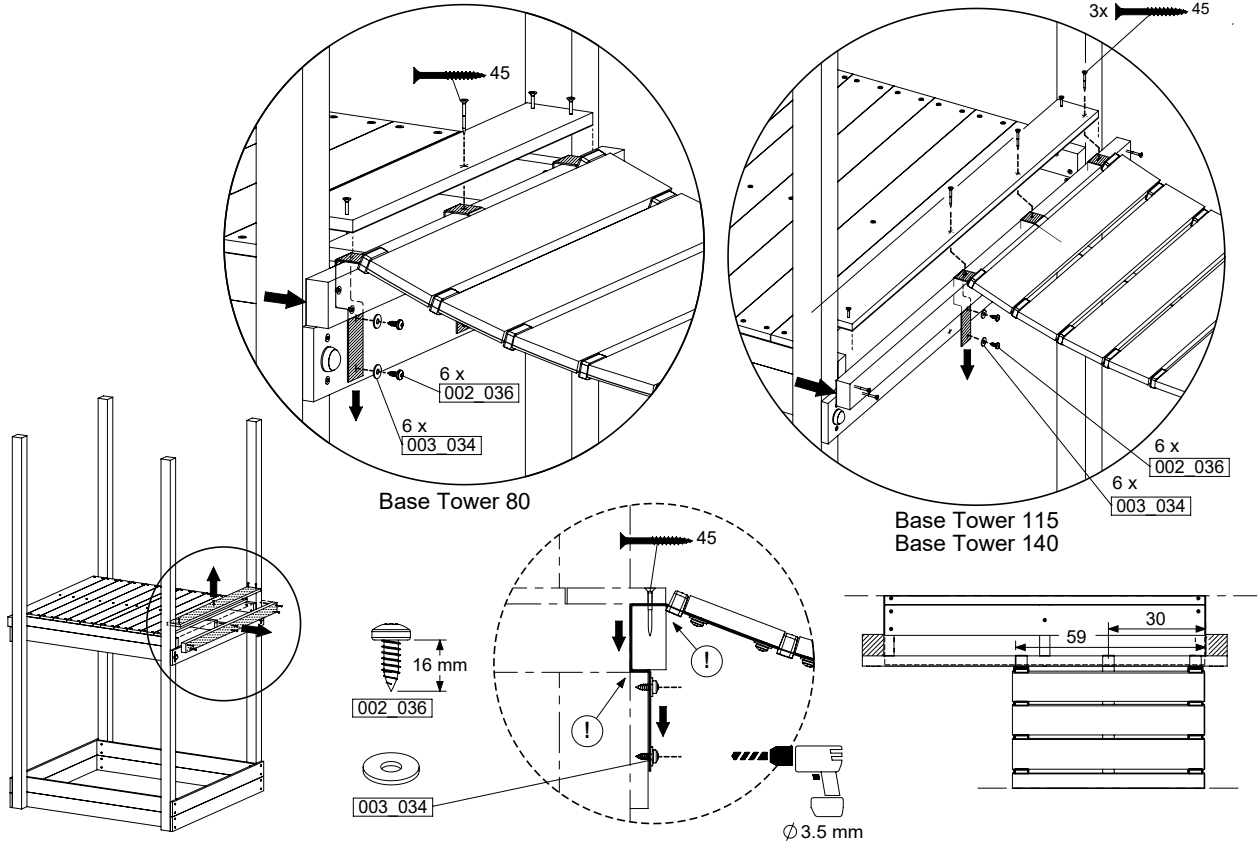


# 11.1

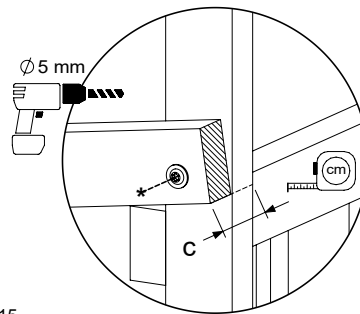
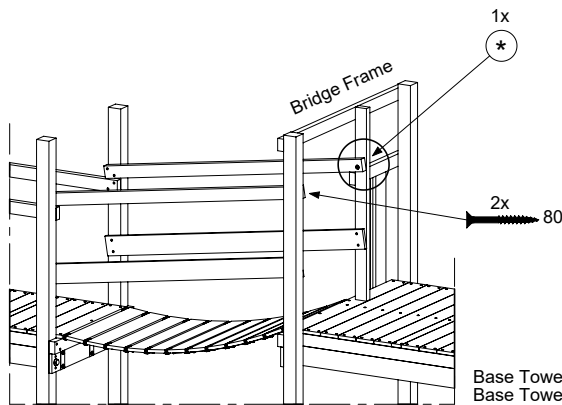
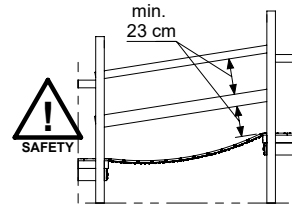
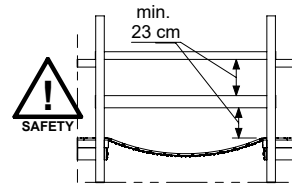
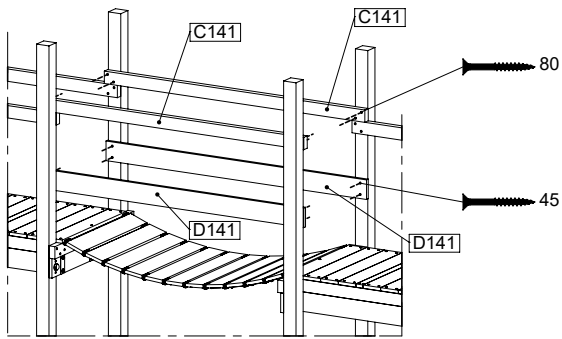




# 11.2



# 12 CB01a: Clatter Bridge - PART 2



C < 8cm 1x 60

C > 8cm 1x 80

BF - Bridge Frame

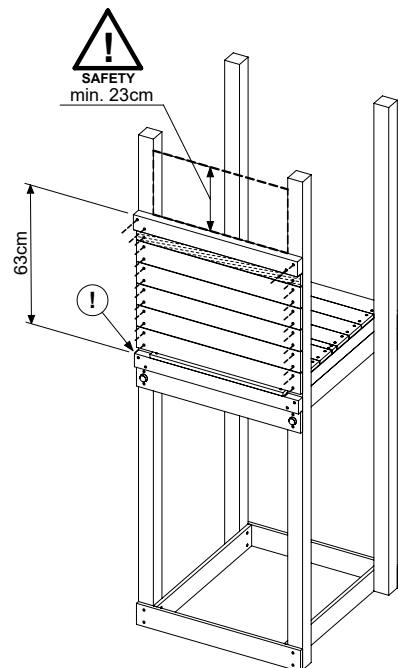
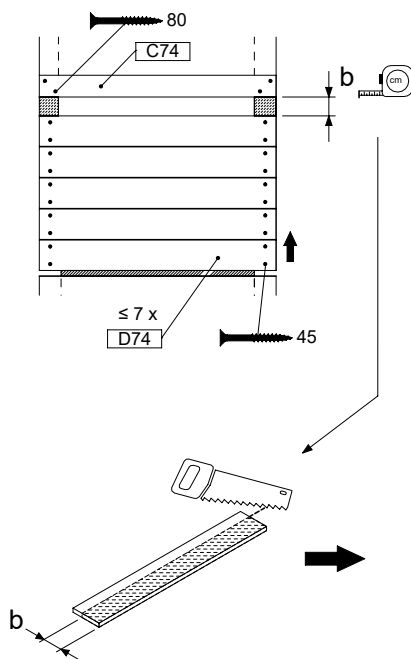
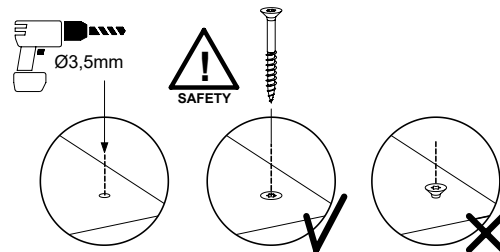
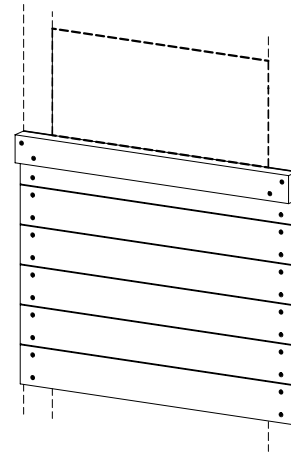
Clatter Bridge - P07 - 11/11/2022 - v4

# 13 PH06a: Playhouse Window Panel 80 T

( 194\_501 )

| PartNo  | PartName                   | QTY. |
|---------|----------------------------|------|
| 002_220 | Gap Point Screw T25 - 5x45 | 28   |
| 002_223 | Gap Point Screw T25 - 5x80 | 4    |
| C74     | Beam 740 mm                | 1    |
| D74     | Board 740 mm               | 7    |

Playhouse Walls - PH6 WINDOW T - 25-3-2023 - v3



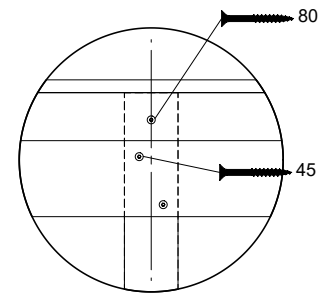
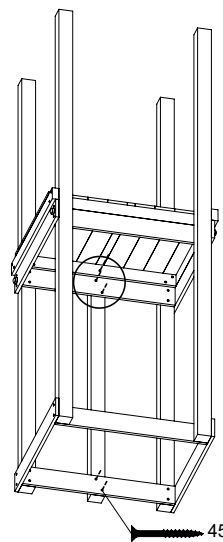
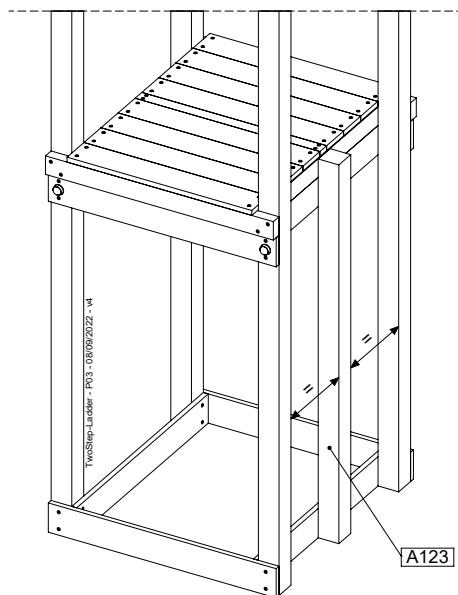
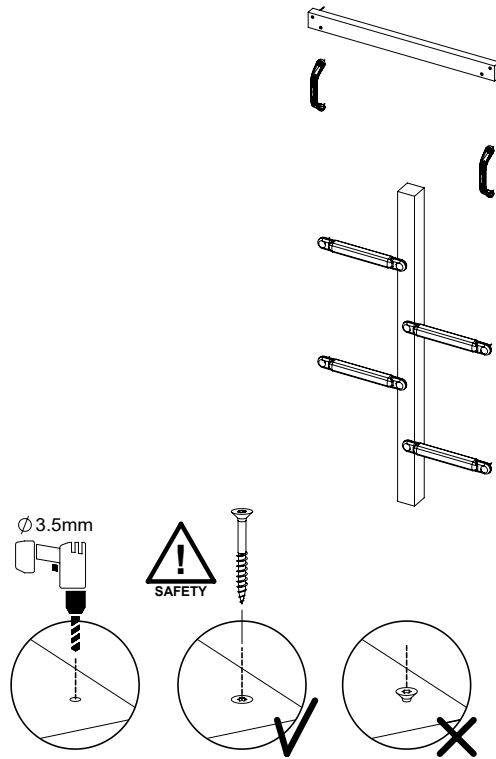
Playhouse Walls - P13 WINDOW T - 25-3-2023 - v3

# 14 TS01: Two Step 80 125 U

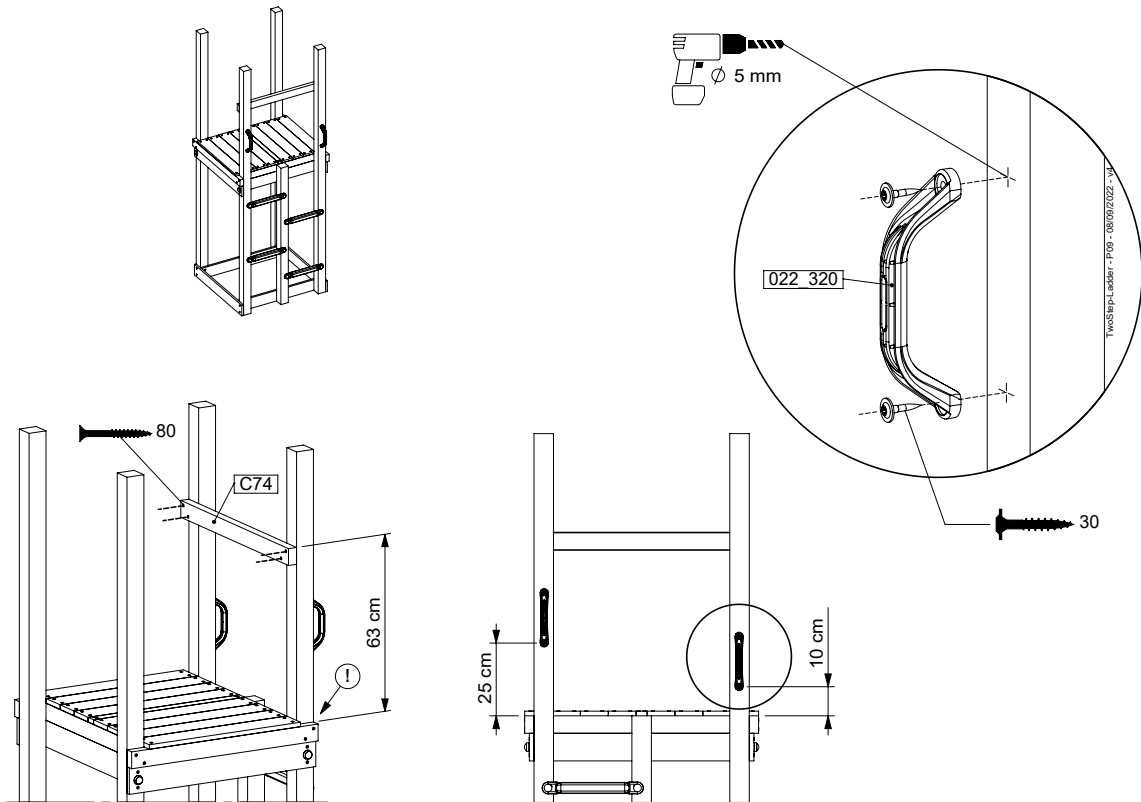
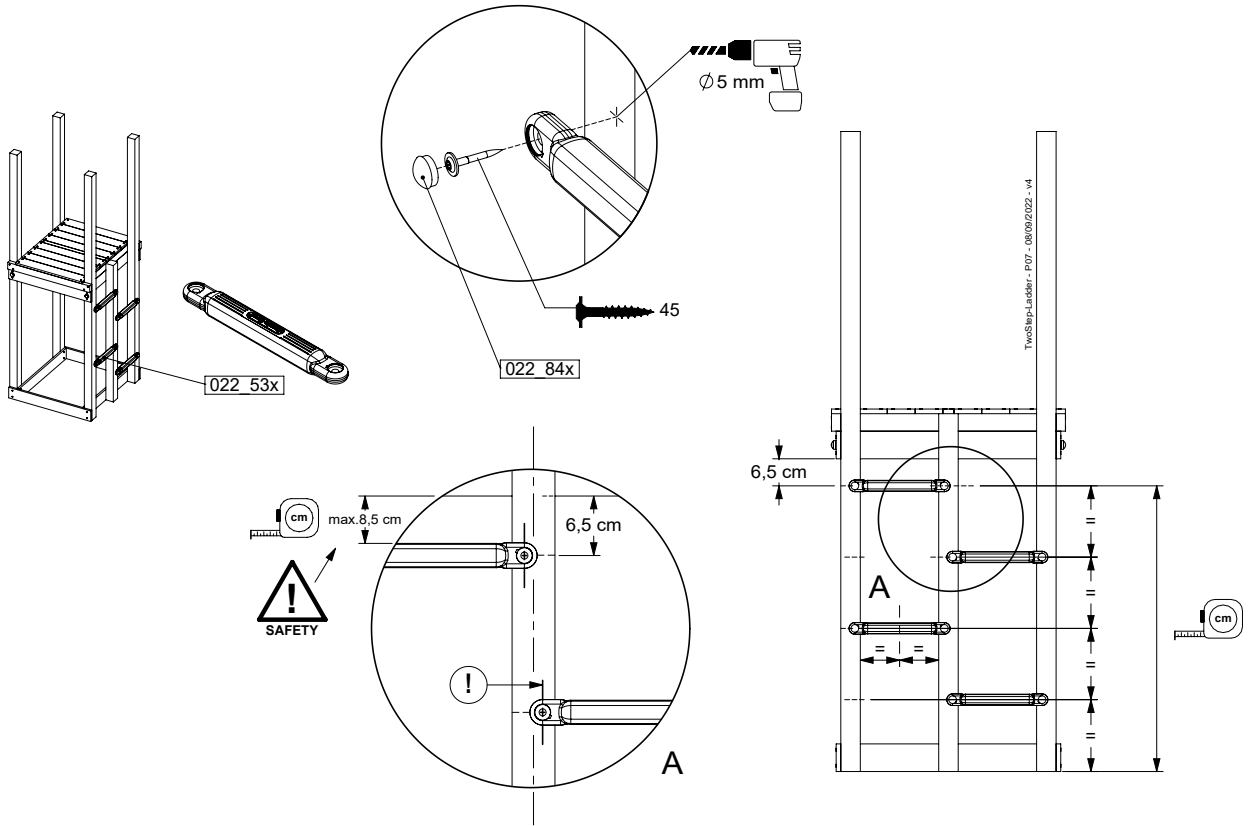
( 194\_102 / 194\_002 )

|                                      | PartNo  | PartName                   | QTY. |
|--------------------------------------|---------|----------------------------|------|
| Hardware Pack<br>100_602<br>/100_902 | 001_406 | Stealth Screw 8x45         | 8    |
|                                      | 002_220 | Gap Point Screw T25 - 5x45 | 4    |
|                                      | 002_223 | Gap Point Screw T25 - 5x80 | 5    |
| Other                                | 022_53x | Ladder/ Rope Rung 30cm     | 4    |
|                                      | 022_84x | bpc cover                  | 8    |
|                                      | 120_102 | Handgrip set (2x Complete) | 1    |
| Timber                               | A123    | Post 70x70 L1230           | 1    |
|                                      | C74     | Beam 740 mm                | 1    |

TwoStep-Ladder - FR3 - 08/09/2022 - v4



# 14.1

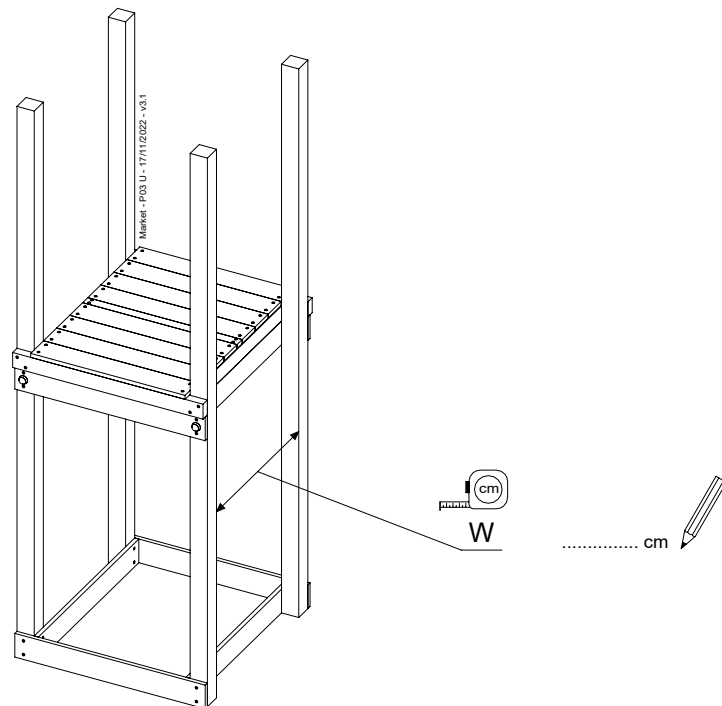
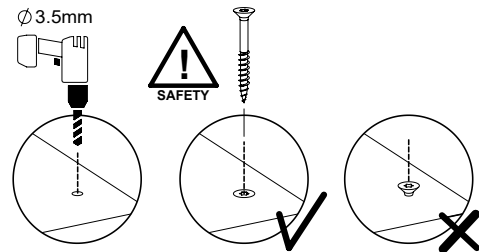
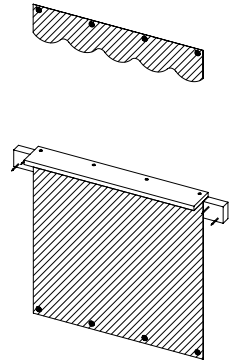


# 15 MT01a: Market 80 U

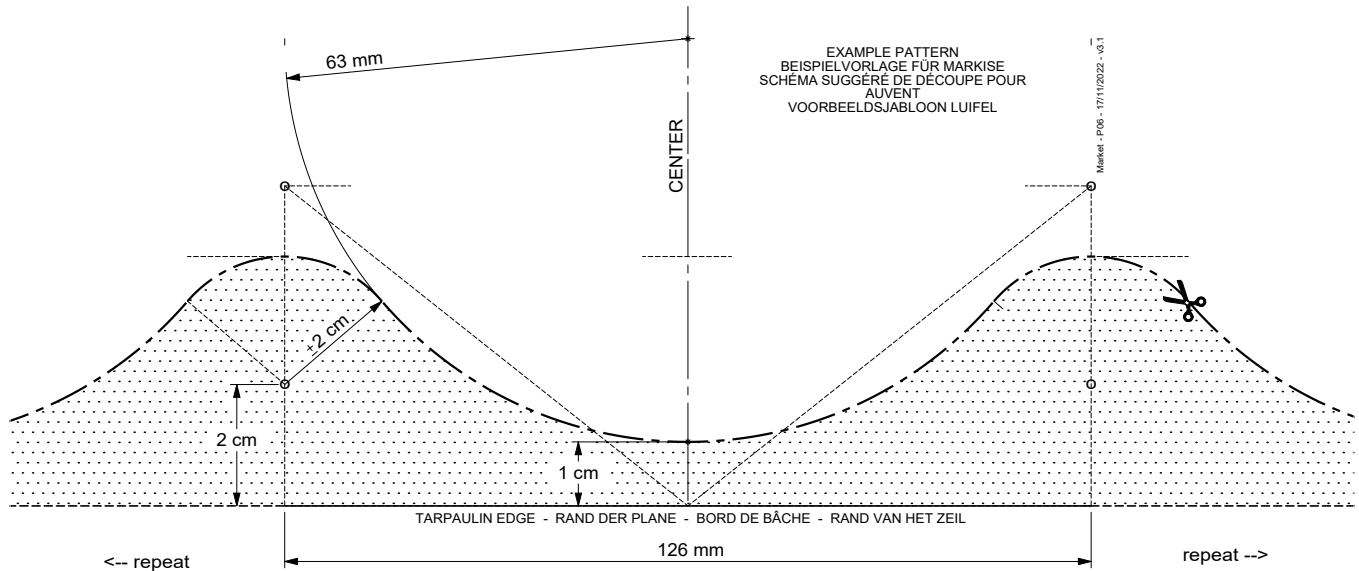
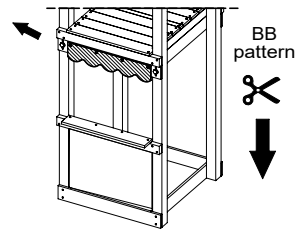
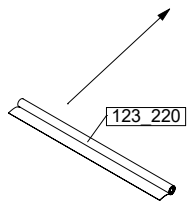
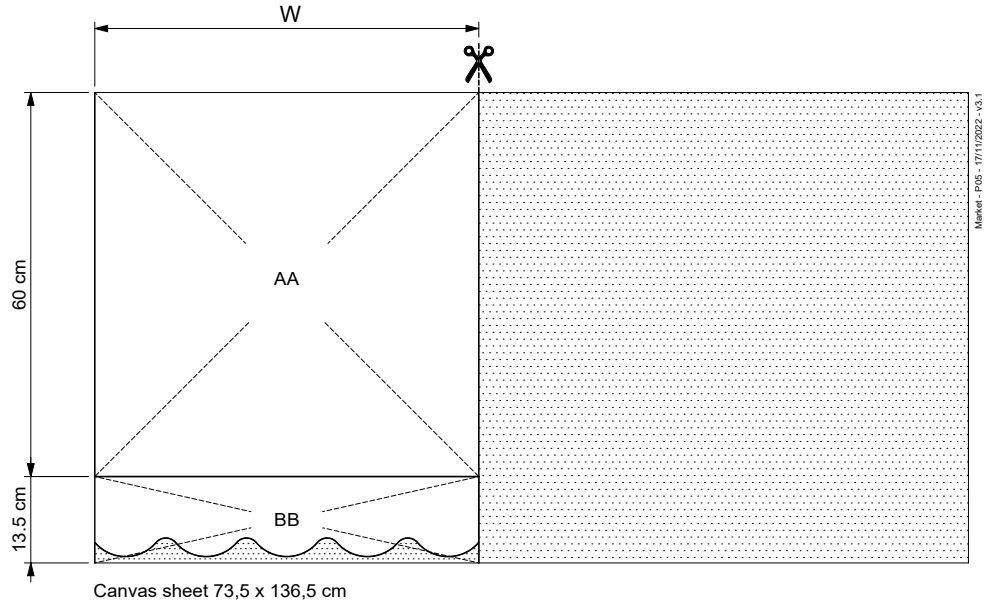
( 194\_113 )

|                          | PartNo  | PartName                   | QTY. |
|--------------------------|---------|----------------------------|------|
| Hardware Pack<br>100_611 | 002_220 | Gap Point Screw T25 - 5x45 | 4    |
|                          | 002_223 | Gap Point Screw T25 - 5x80 | 4    |
|                          | 002_308 | Gap Point Screw T25 - 5x20 | 8    |
|                          | 023_031 | Finishing Washer GPS 5.0   | 8    |
| Other                    | 123_220 | Canvas sheet 735x1365      | 1    |
| Wood                     | C74     | Beam 740 mm                | 1    |
|                          | D60     | Board 600 mm               | 1    |

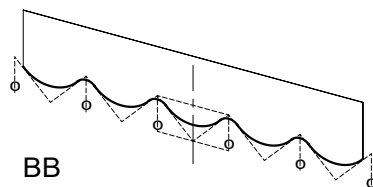
Market - P10 U - 17/11/2022 - v3.1



# 15.1



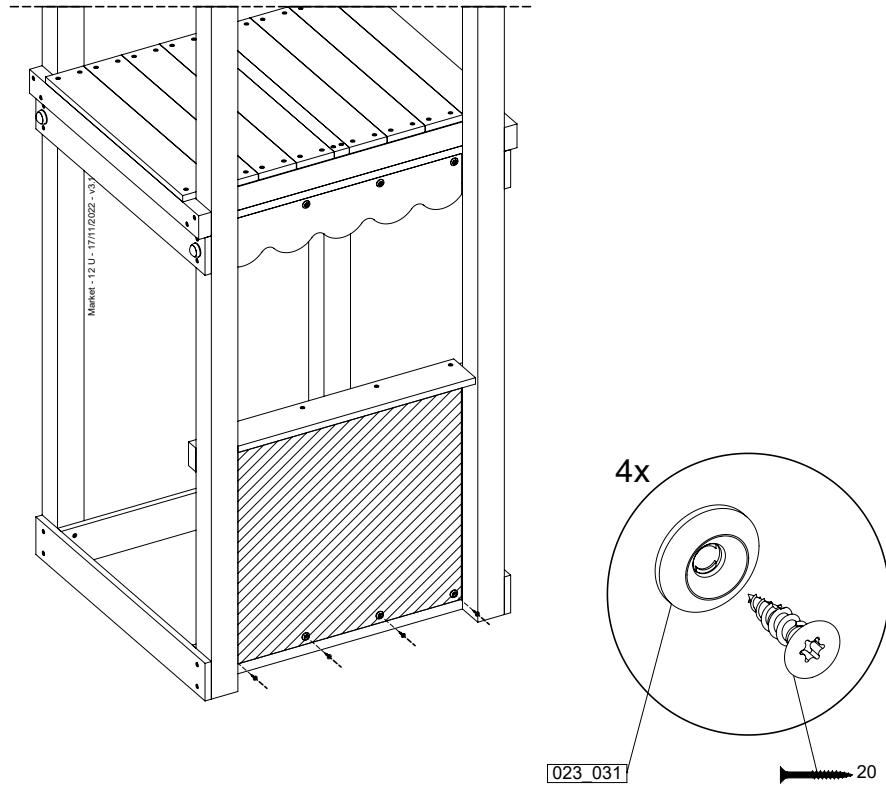
! Scale of print may not be accurate.  
 Druckformat kann abweichen.  
 Les tailles imprimées peuvent varier.  
 Printformaat kan afwijken.







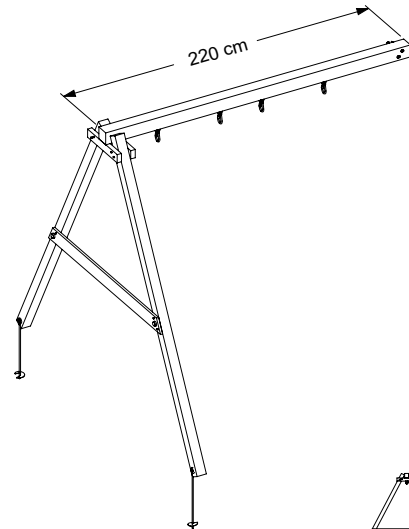
# 15.3



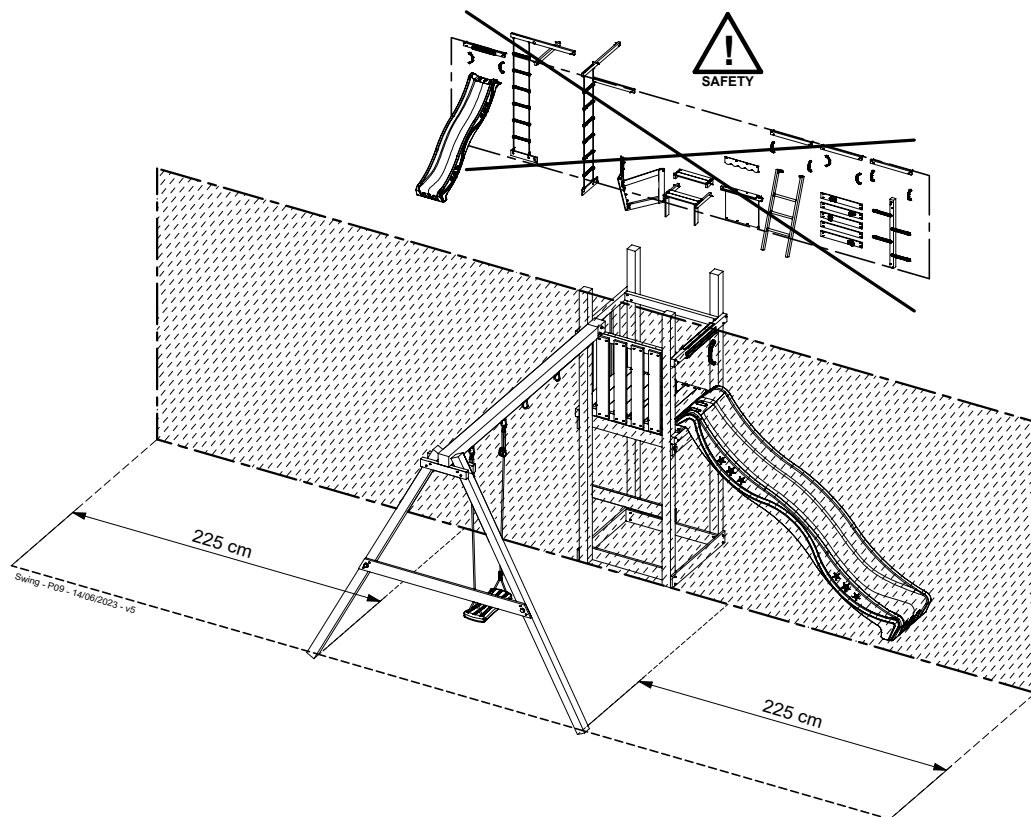
# 16 SW05a: 2-Swing Module 200

(457\_102 )

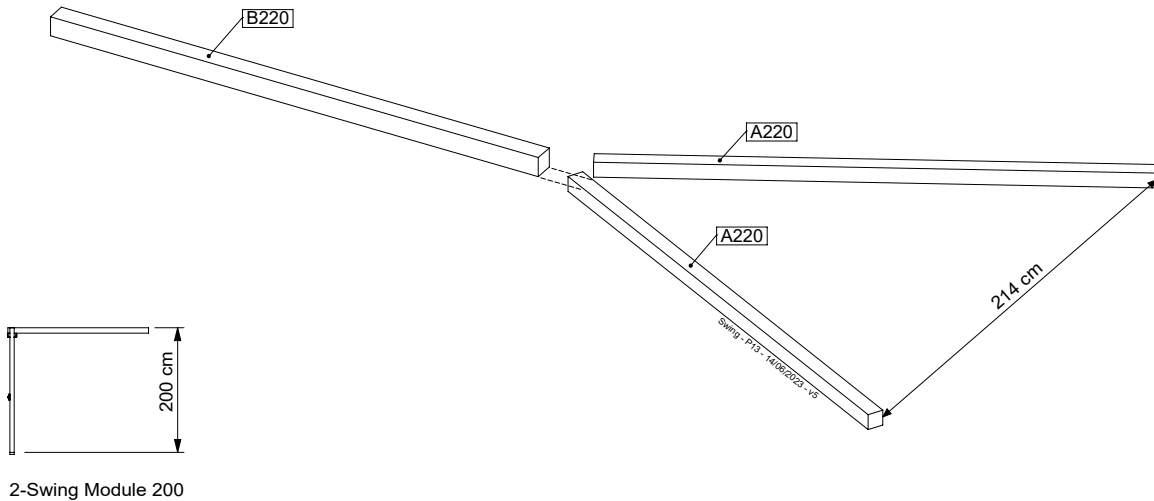
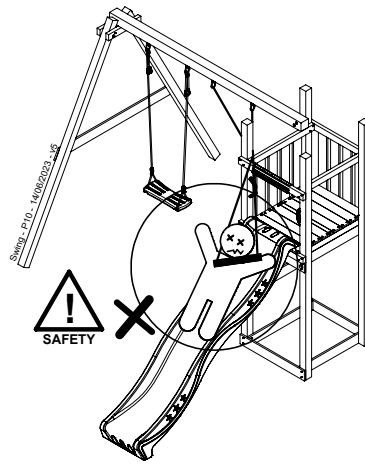
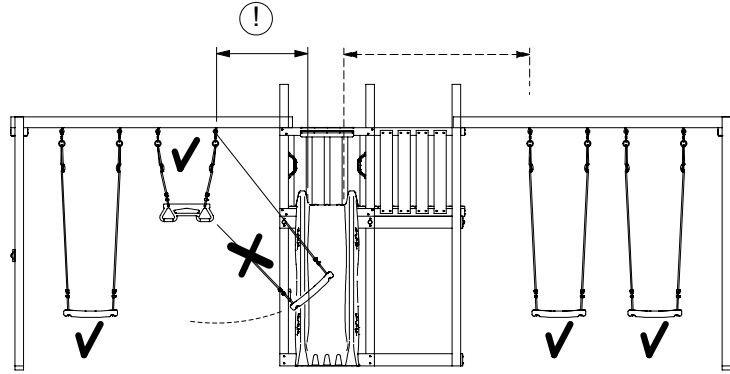
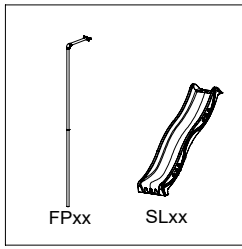
|               | PartNo  | PartName                   | QTY.  |
|---------------|---------|----------------------------|-------|
| Hardware Pack | 001_406 | Stealth Screw 8x45         | 4     |
|               | 001_417 | Stealth Screw 8x80         | 3 / 4 |
|               | 001_422 | Stealth Screw 8x137        | 3     |
|               | 002_220 | Gap Point Screw T25 - 5x45 | 12    |
|               | 002_223 | Gap Point Screw T25 - 5x80 | 6     |
| Other         | 005_528 | Swing Beam Bracket 7x7     | 1     |
|               | 007_001 | Ground-anchor              | 2     |
|               | 022_31x | bpc-base version 3         | 2     |
|               | 022_84x | bpc cover                  | 2     |
|               | 023_031 | Finishing Washer GPS 5.0   | 2     |
| Timber        | 101_003 | Swing hook with Carabiner  | 4     |
|               | A220    | Post 70x70 L2200           | 2     |
|               | B220    | Post 90x90 L2200           | 1     |
|               | C37     | Beam 370 mm                | 2     |
|               | D141    | Board 1410 mm              | 2     |



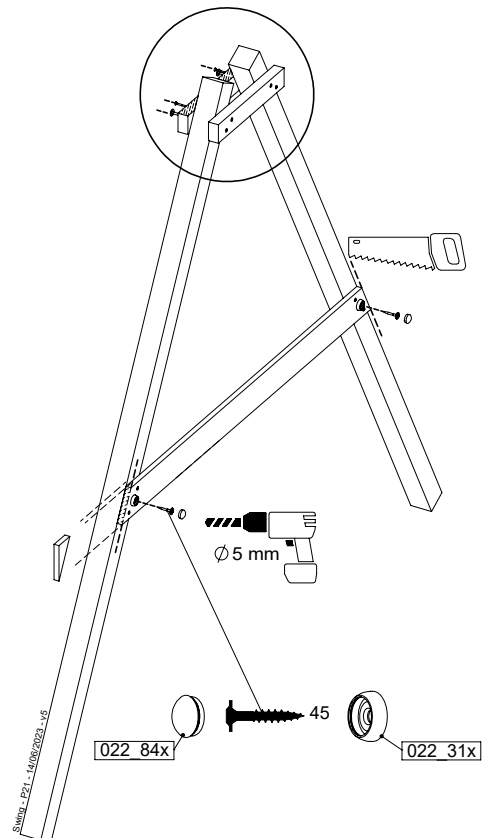
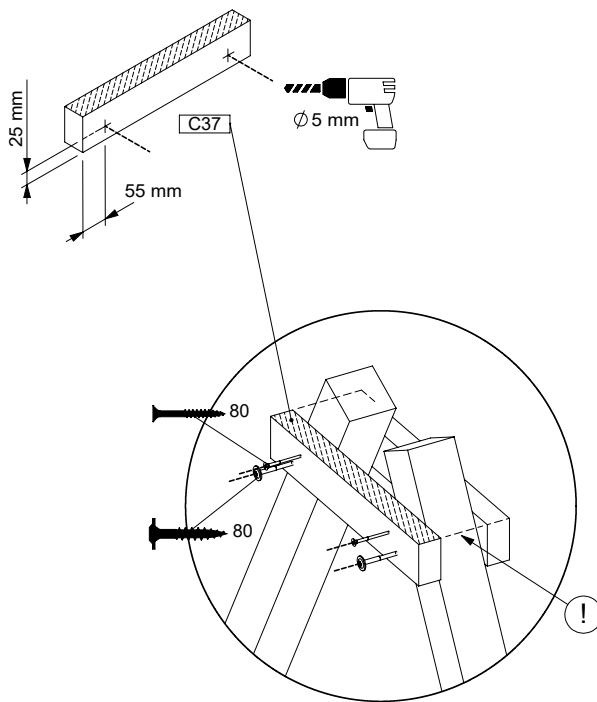
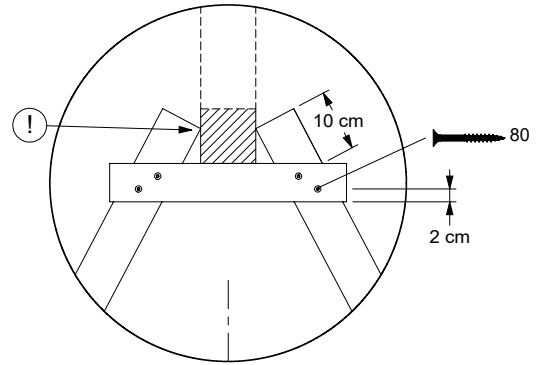
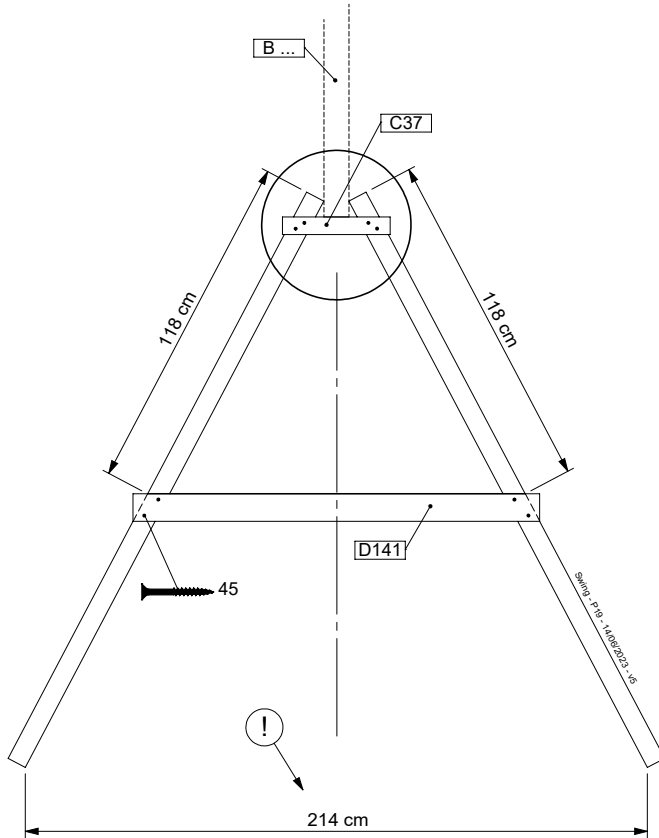
2-Swing Module 200



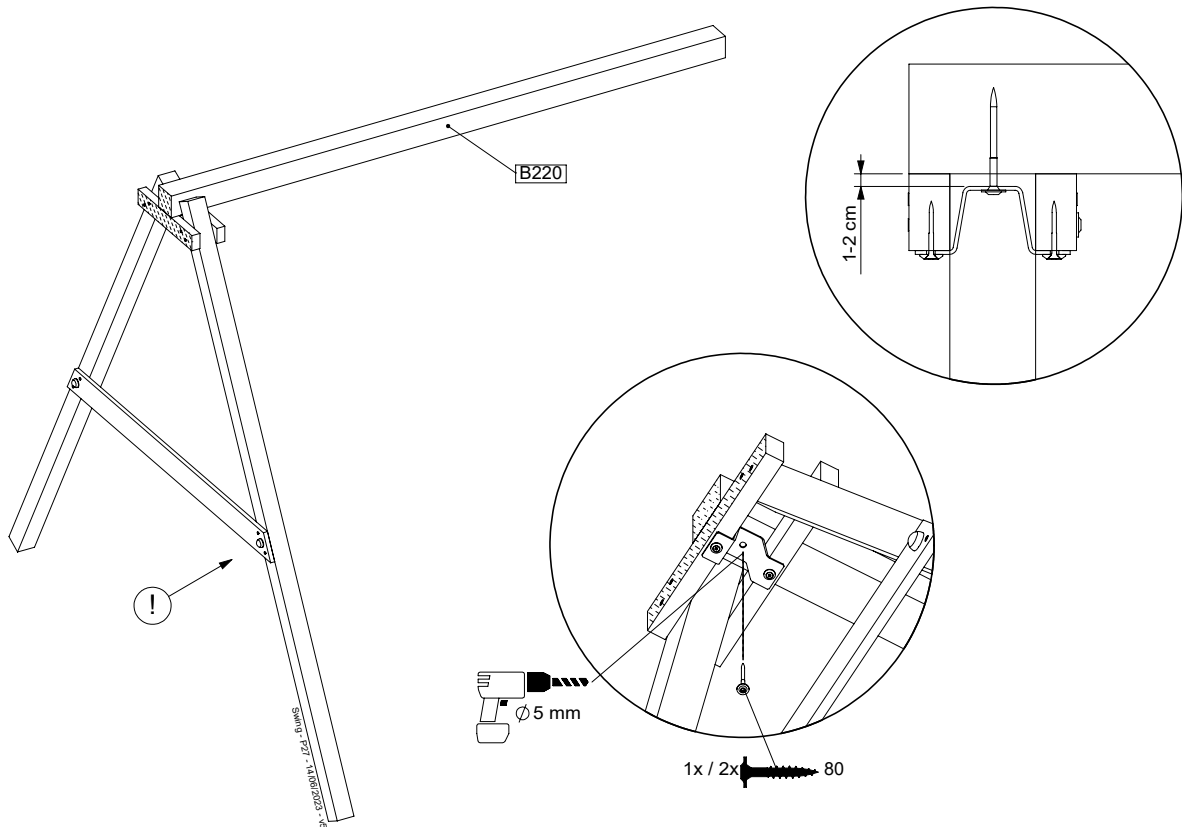
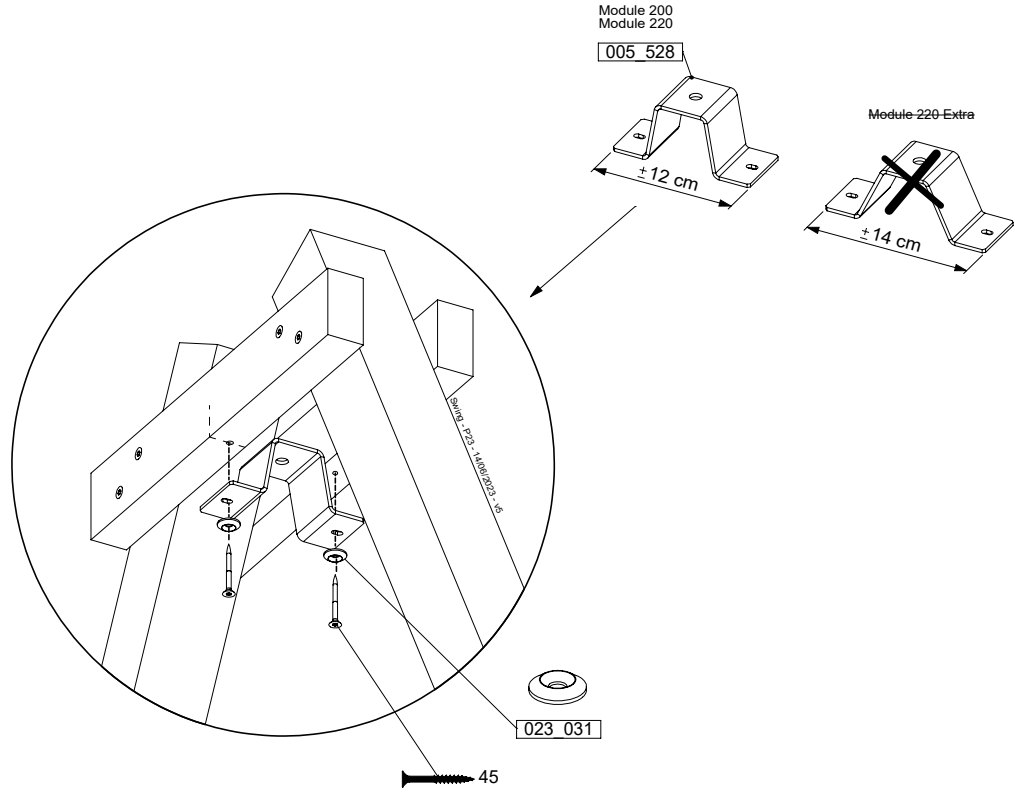
# 16.1



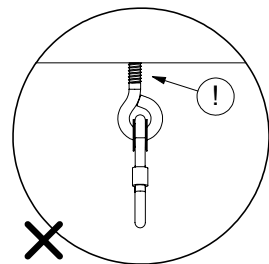
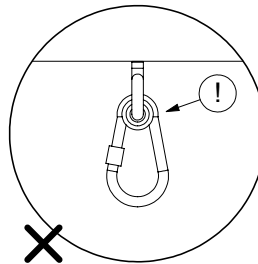
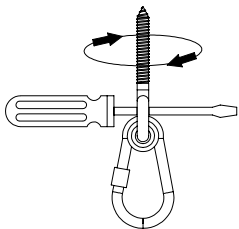
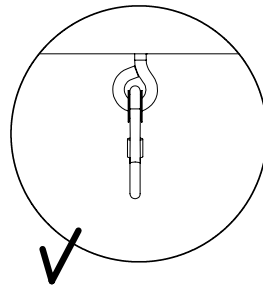
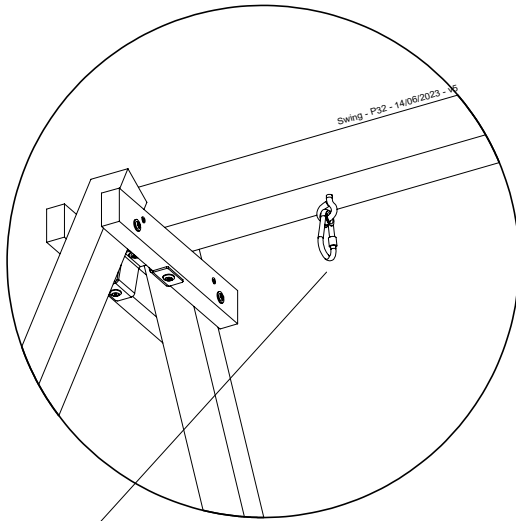
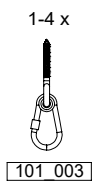
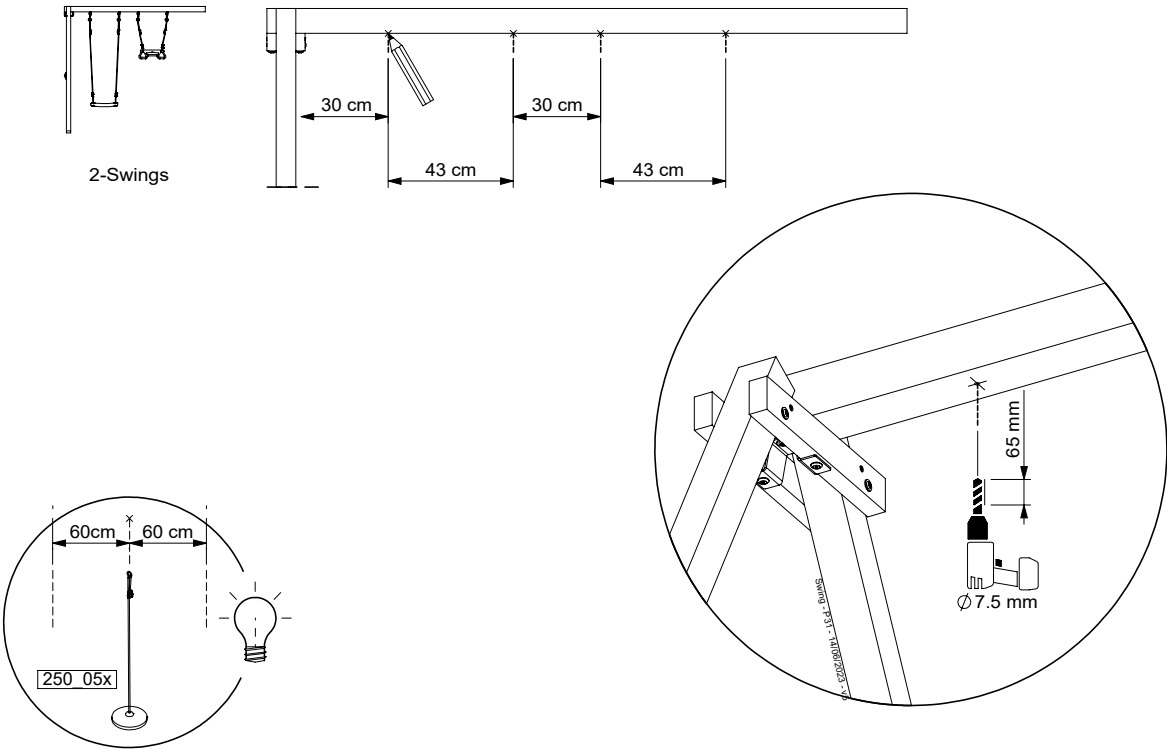
# 16.2



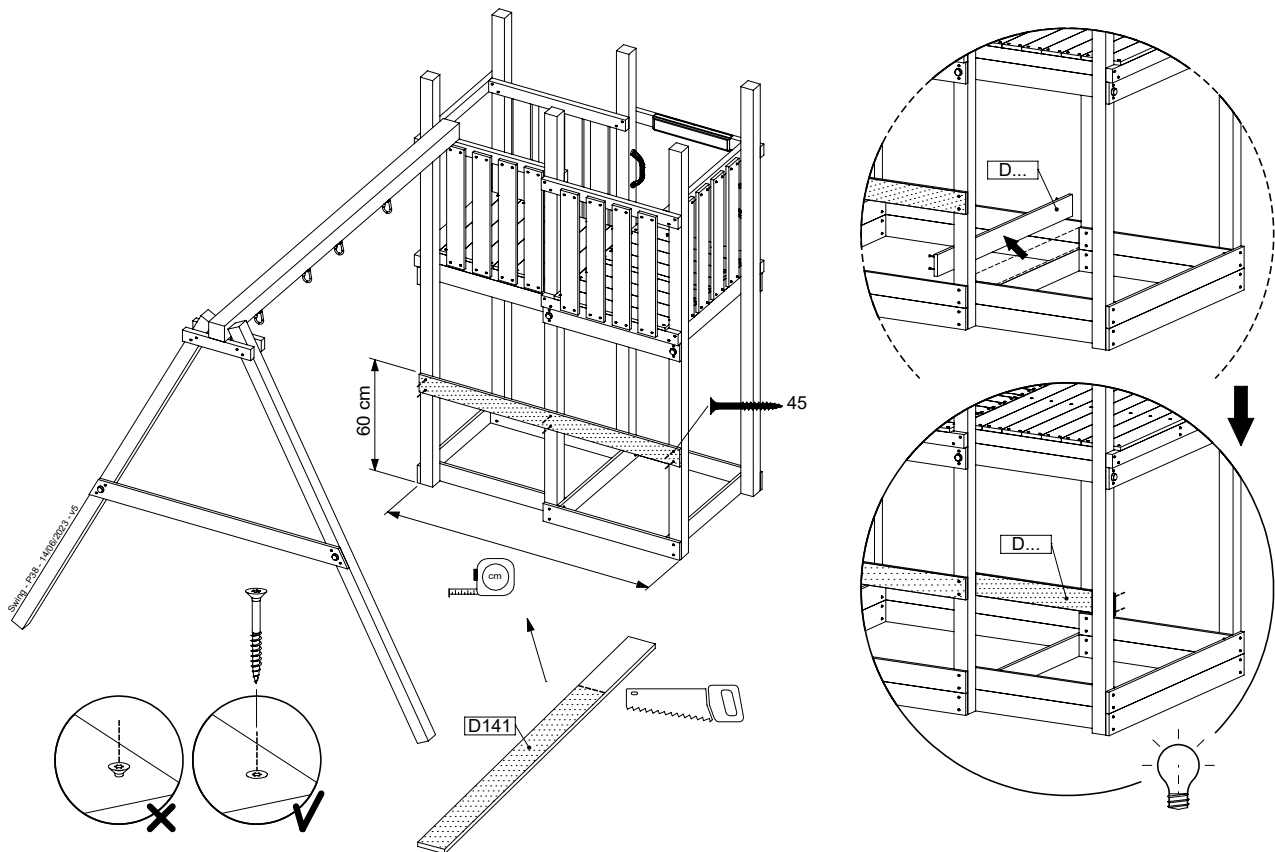
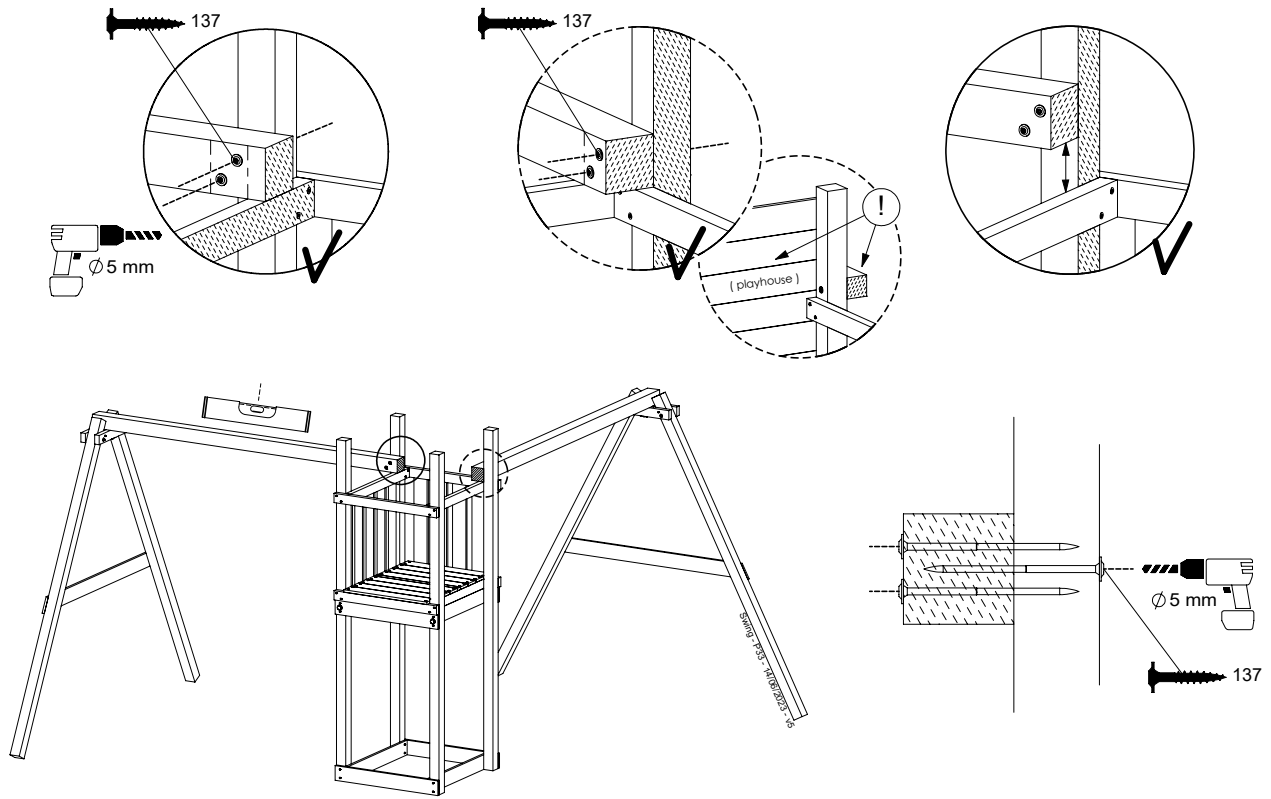
# 16.3



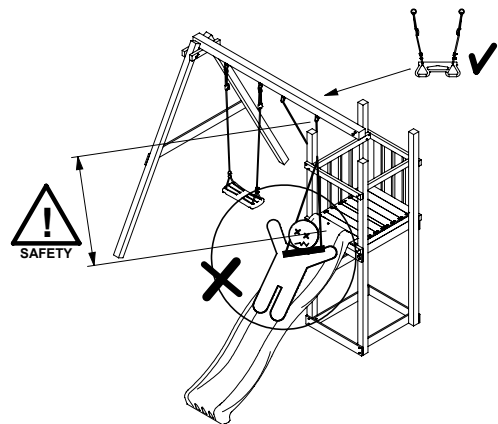
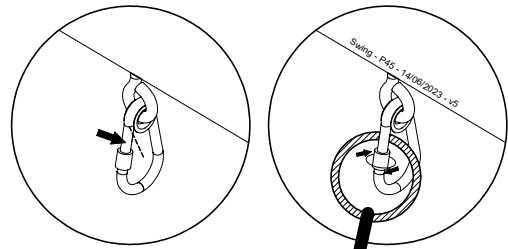
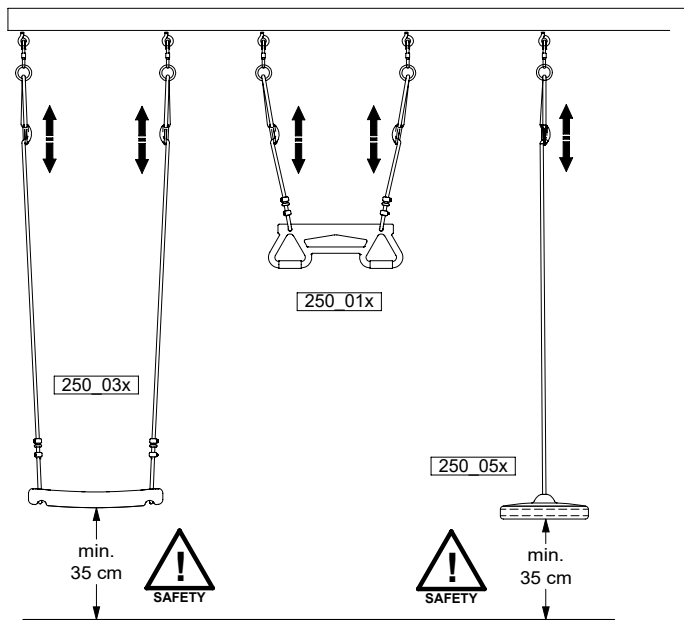
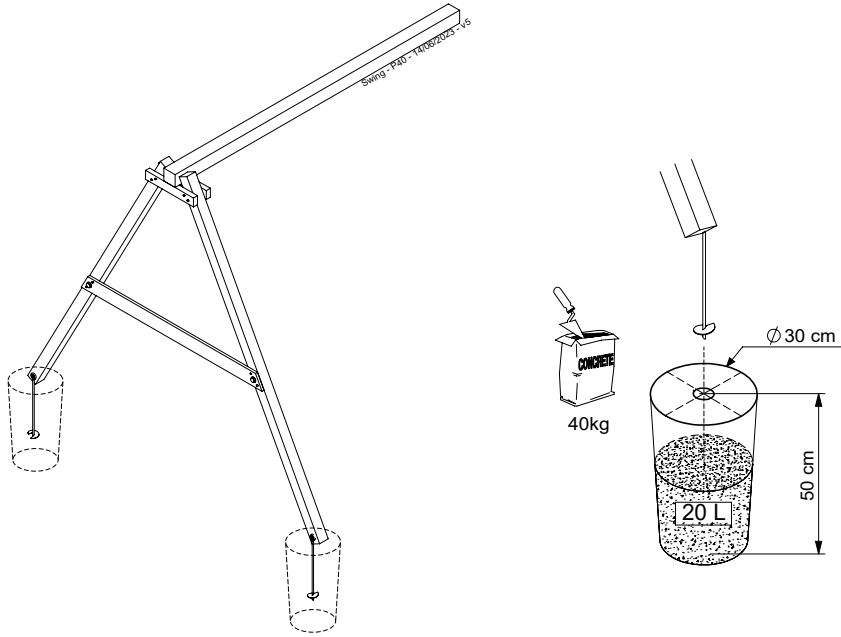
# 16.4



# 16.5



# 16.6



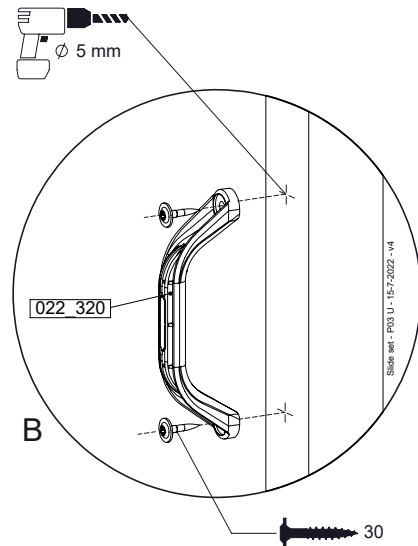
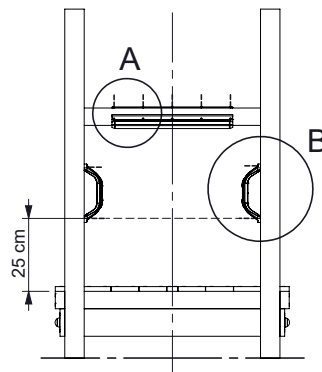
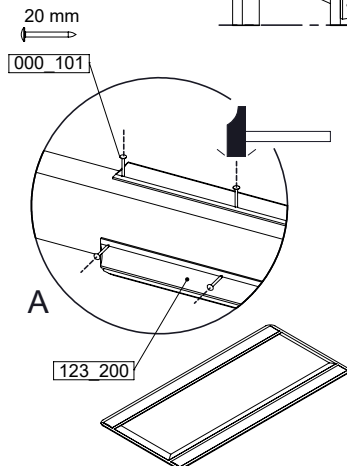
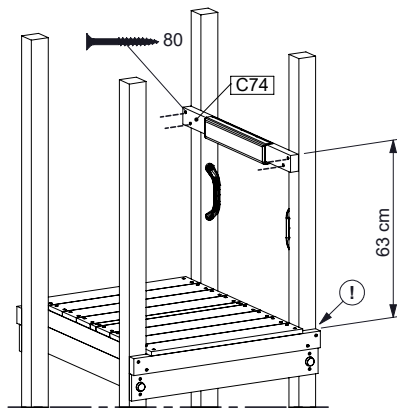
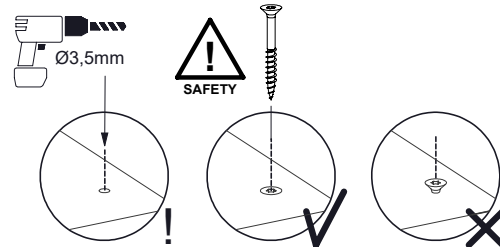
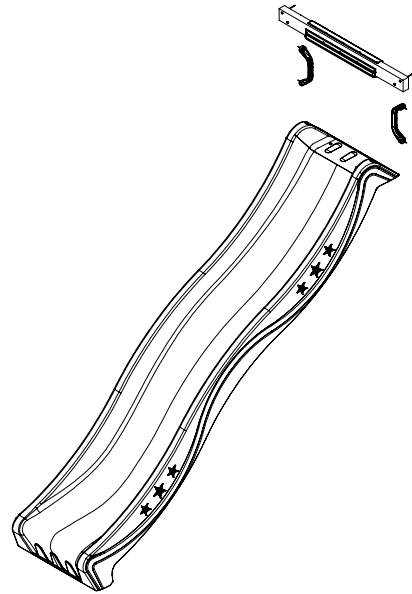


# 17 SL01a: Slide 80 125 U

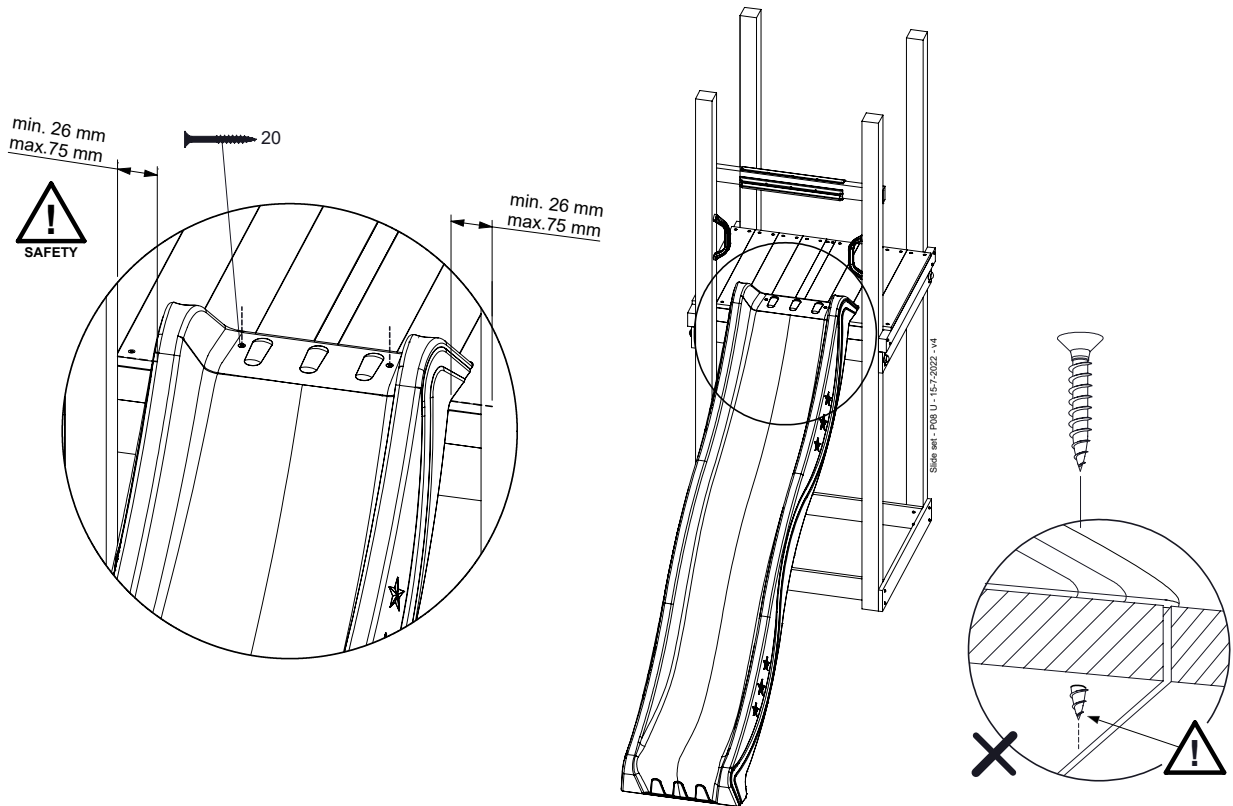
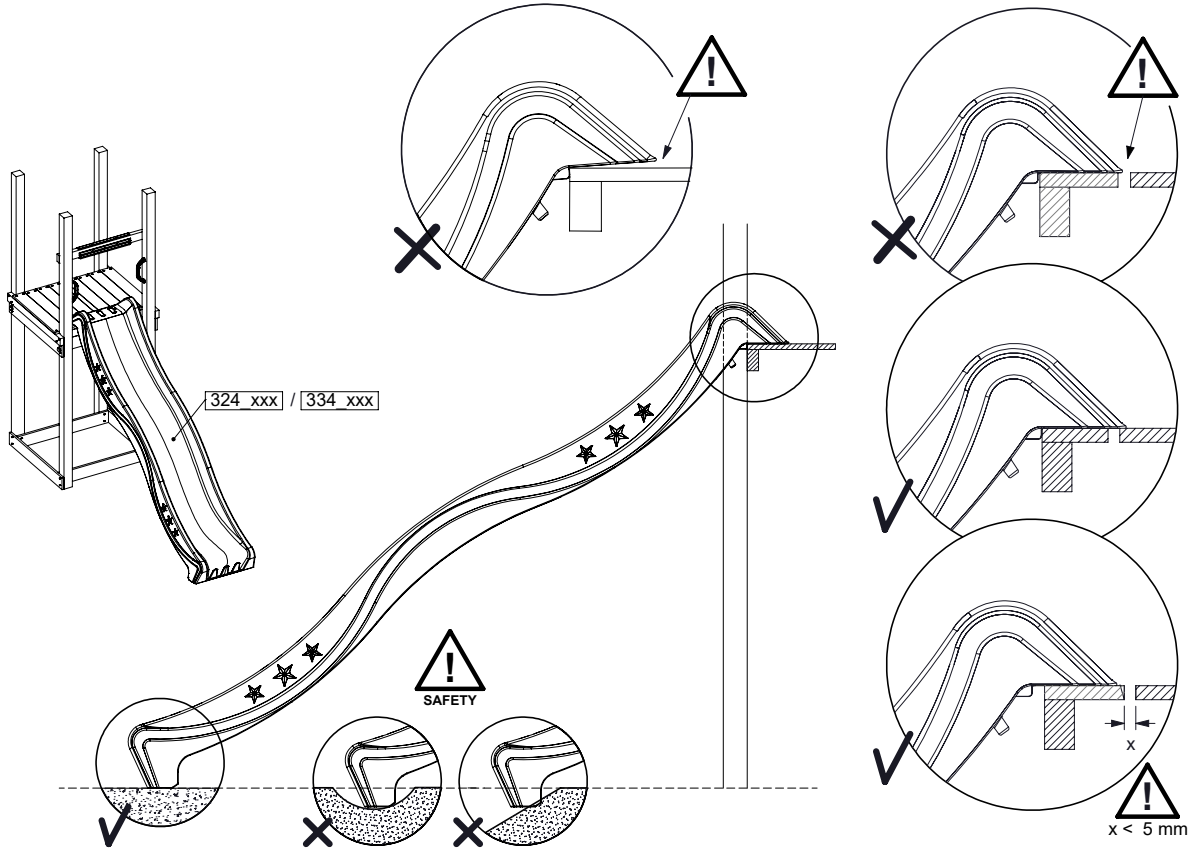
( 194\_107 )

|                          | PartNo             | PartName   | QTY. |
|--------------------------|--------------------|--|------|
| Hardware Pack<br>100_605 | 000_101            | Nail Pan Head  | 10   |
|                          | 002_223            | Gap Point Screw T25 - 5x80                                 | 4    |
|                          | 002_308            | Gap Point Screw T25 - 5x20                                 | 2    |
| Other                    | 120_102            | Handgrip set (2x Complete)                                 | 1    |
|                          | 123_200            | Bumperpad  | 1    |
|                          | 324_xxx<br>334_xxx | Wavy Star Slide XL 2200 mm /<br>Wavy Star Slide XL 2650 mm | 1    |
| Timber                   | C74                | Beam 740 mm  | 1    |

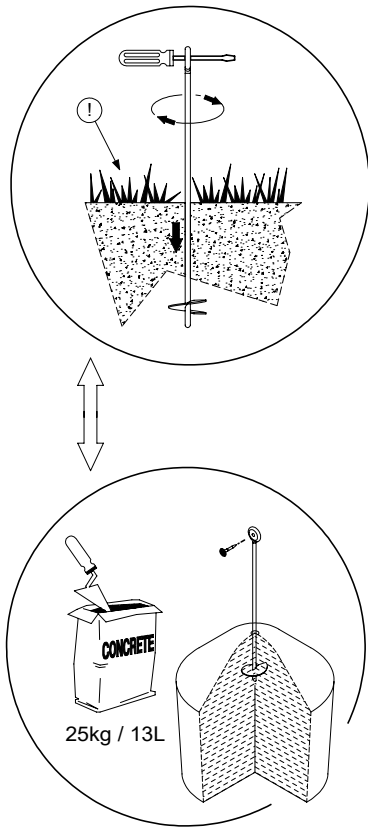
Slide set - P02 - 15-7-2022 - v4



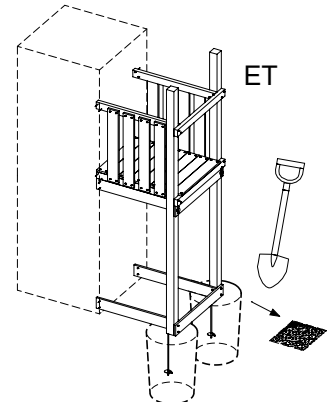
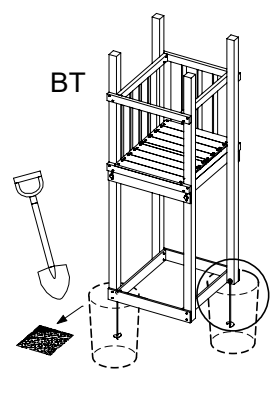
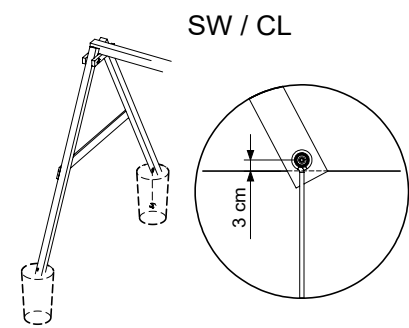
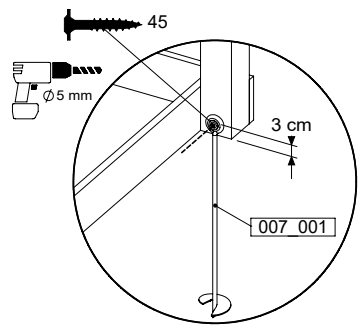
# 17.1



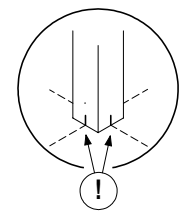
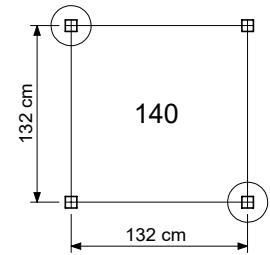
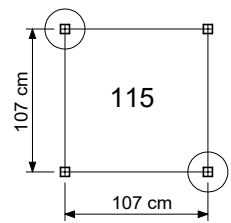
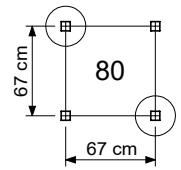
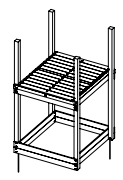
# 18 GA: Ground Anchors



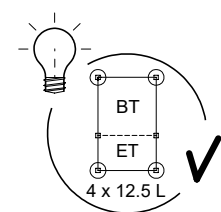
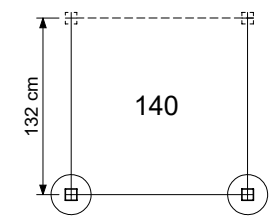
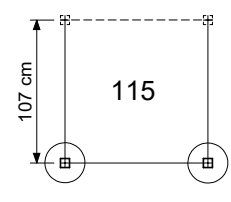
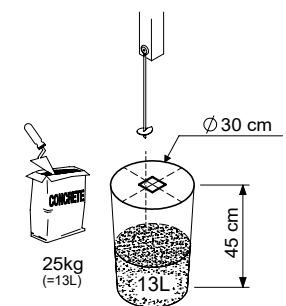
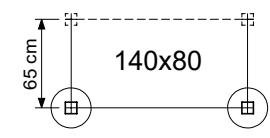
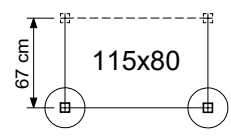
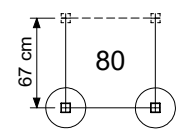
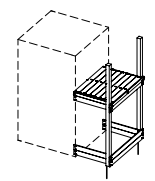
Ground Anchors Unit - P03 - 04/07/2023 - v1.2



BASE TOWERS



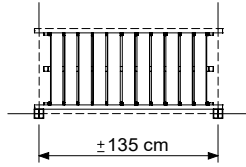
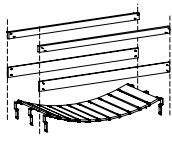
EXTENSION TOWERS



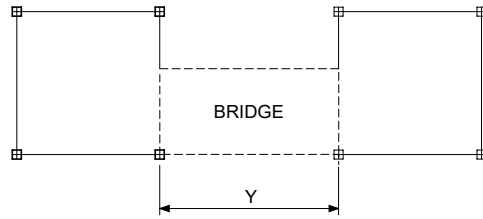
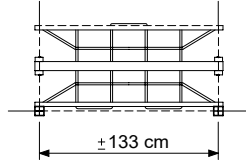
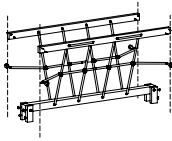
Ground Anchors Unit - P01 - 04/07/2023 - v1.2

# 18.1

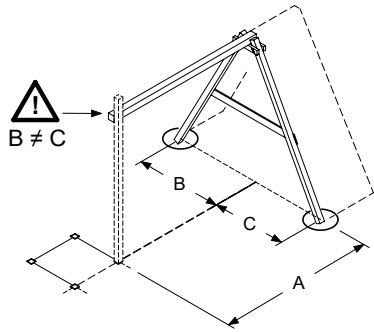
CLATTER BRIDGE



NET BRIDGE

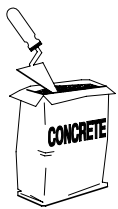
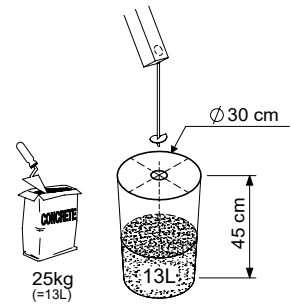


SWING / CLIMB MODULE

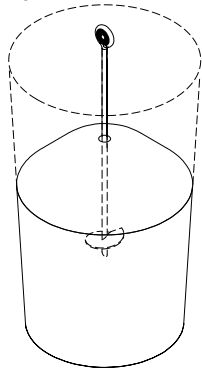


| Module type             | A   | B   | C   |
|-------------------------|-----|-----|-----|
| 1-Swing 200             | 150 | 115 | 100 |
| 1-Swing 220 / 220 Extra |     | 120 | 105 |
| 2-Swing 200             | 210 | 115 | 100 |
| 2-Climb 200             |     |     |     |
| 1-Climb 200             | 142 | 120 | 105 |
| 1-Climb 220 / 220 Extra | 162 |     |     |
| 2-Swing 220 / 220 Extra | 230 | 120 | 105 |
| 2-Climb 220 / 220 Extra |     |     |     |

Grand Anchoas Uni. - P02 - 04/07/2023 - v1.2



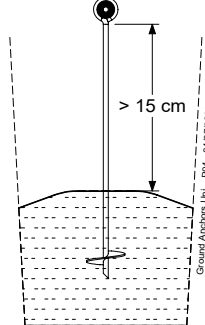
25kg / 13L



1.



SAFETY



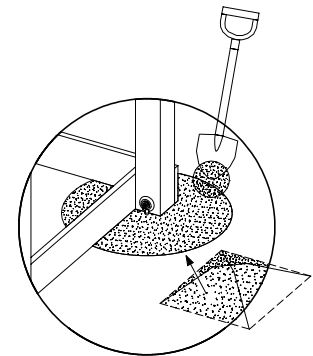
2.

Grand Anchoas Uni. - P04 - 04/07/2023 - v1.2

24h



3.



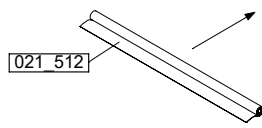
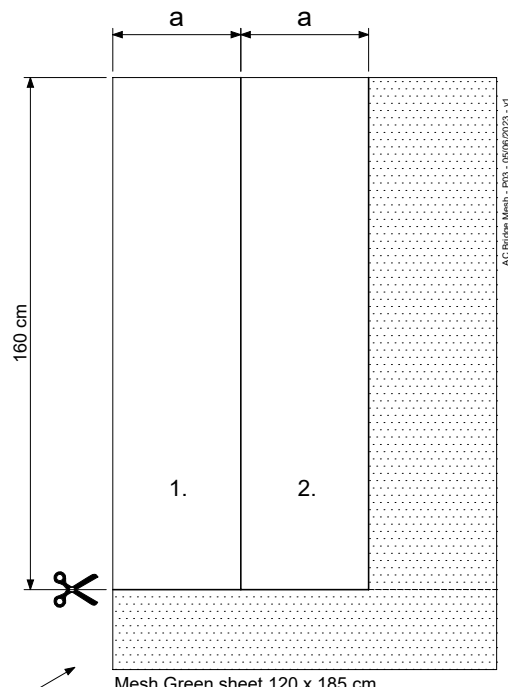
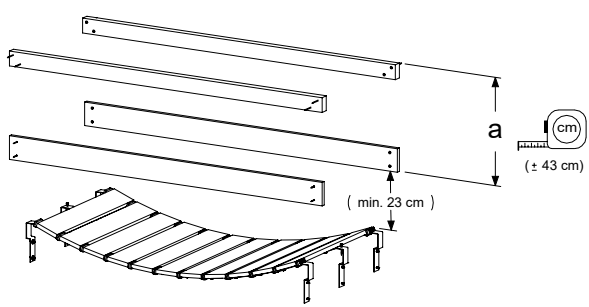
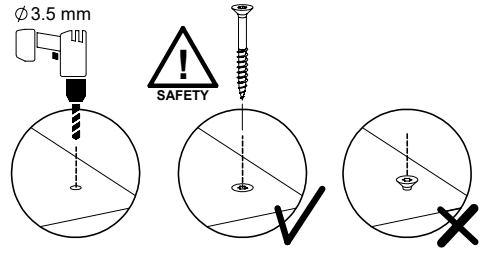
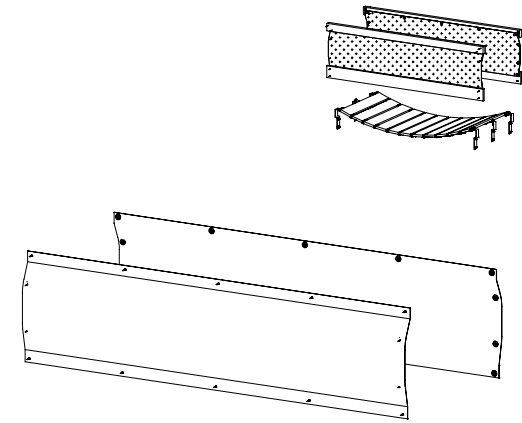
4.

# 19 AC30a: Bridge Mesh

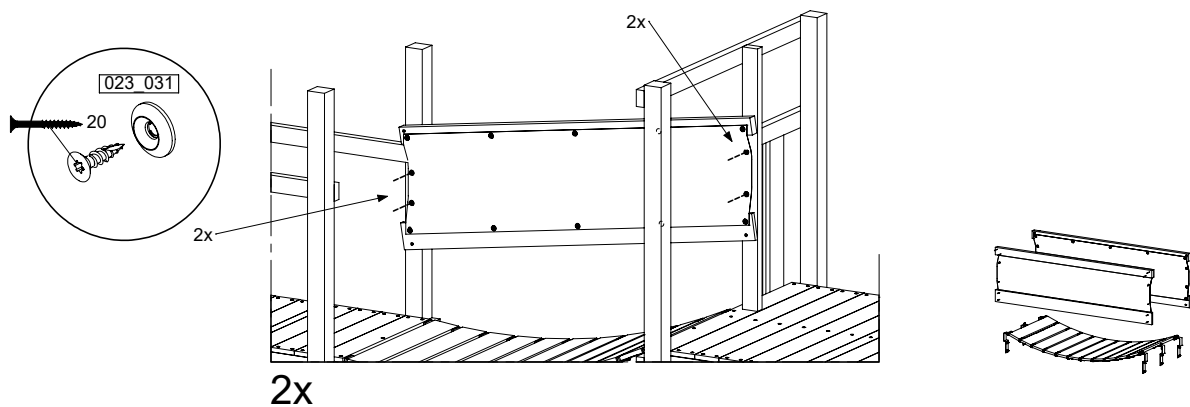
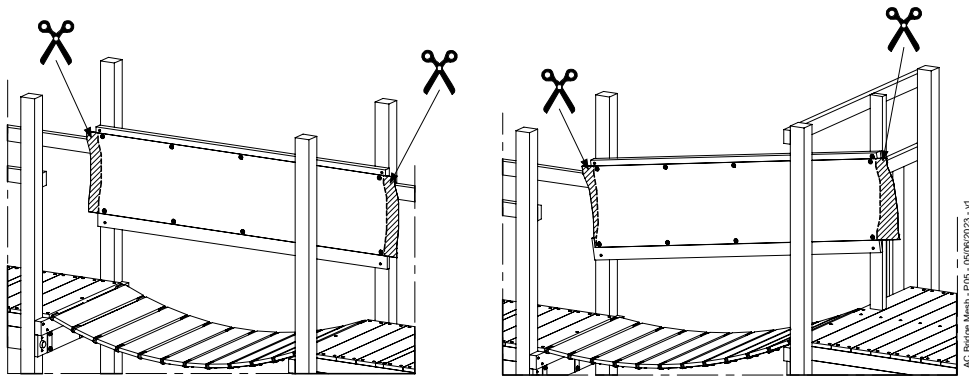
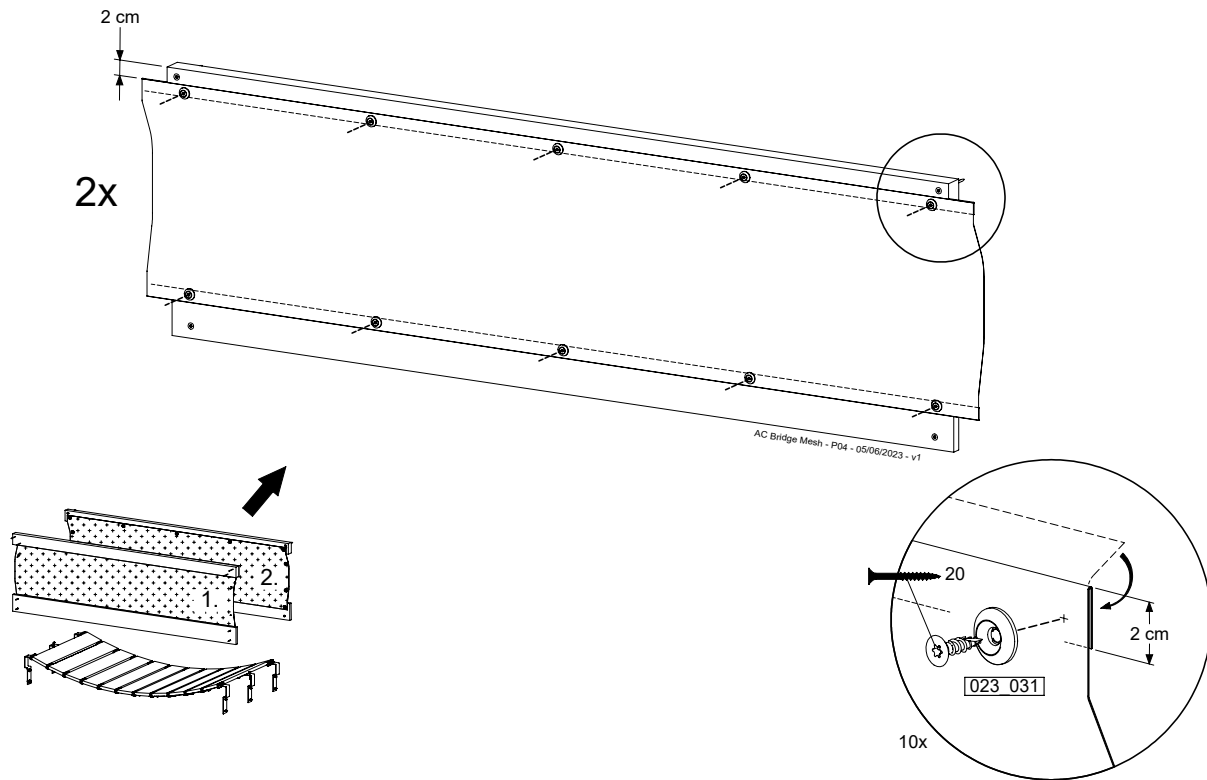
( 123\_230 )

|                | PartNo  | PartName                   | QTY. |
|----------------|---------|----------------------------|------|
| Hardware Packs | 002_308 | Gap Point Screw T25 - 5x20 | 28   |
| 100_411        | 023_031 | Finishing Washer GPS 5.0   | 28   |
| Other          | 021_512 | Mesh green 1.20 x 1.85m    | 1    |

AC Bridge Mesh - PDC - 05/06/2023 - v1



# 19.1

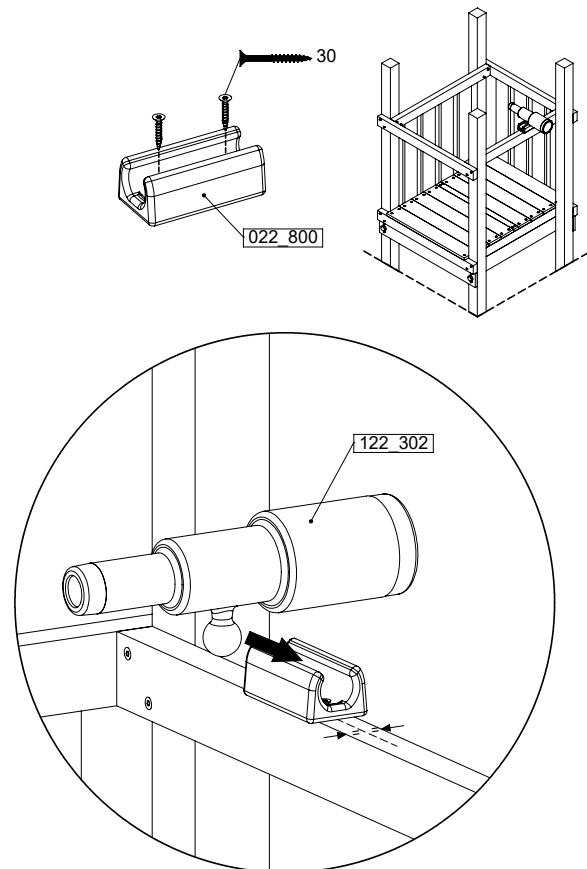
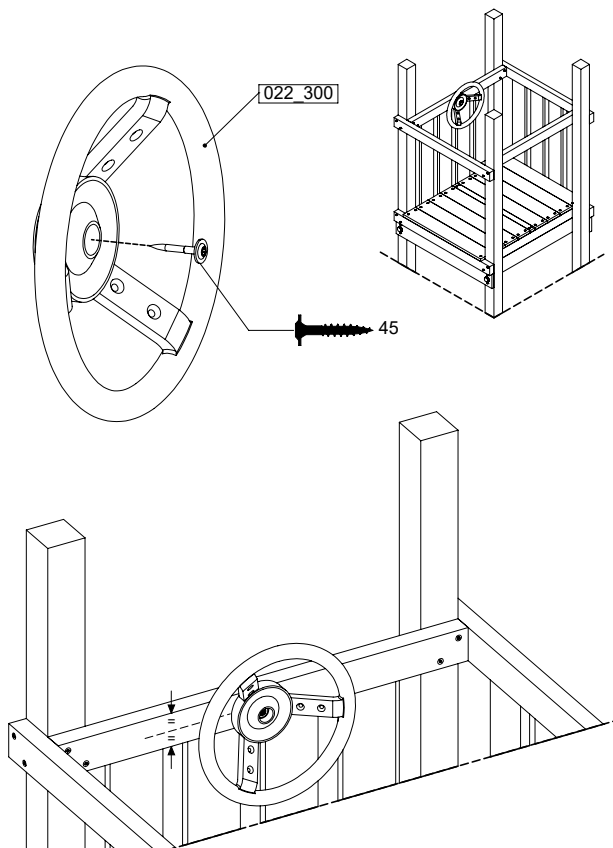
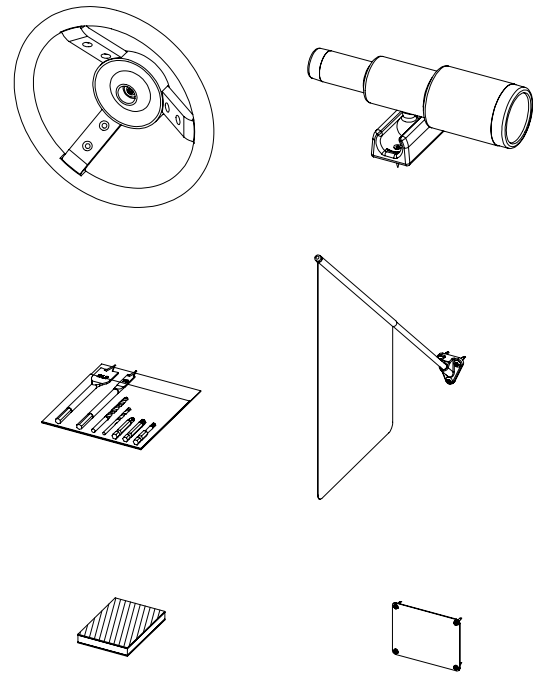


## 20 AC01a: Accessories

( 194\_119 )

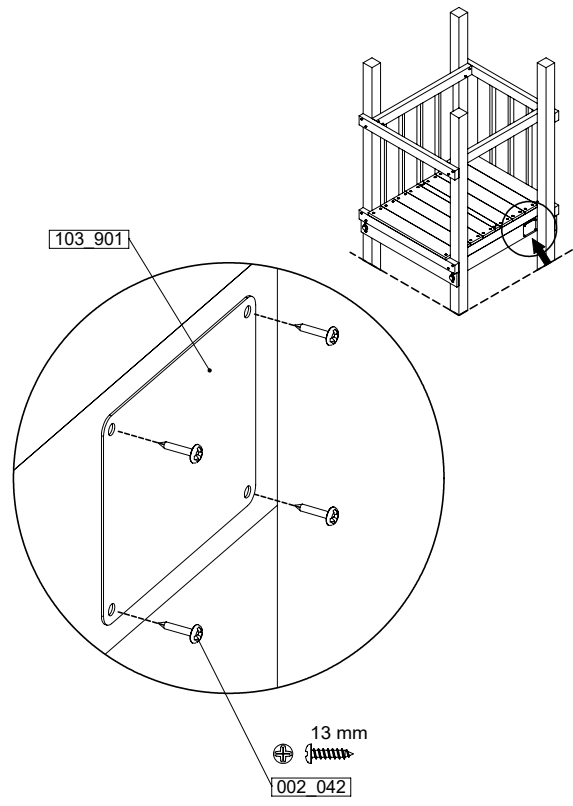
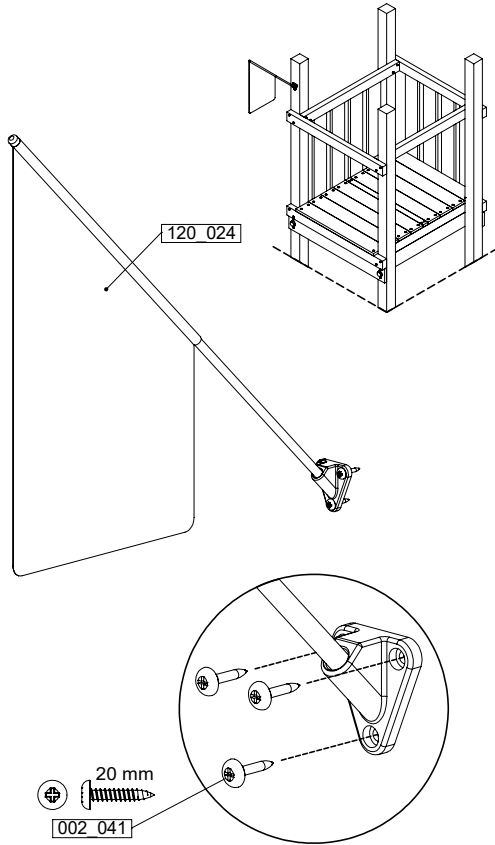
|                          | PartNo  | PartName                    | QTY. |
|--------------------------|---------|-----------------------------|------|
| Hardware Pack<br>100_617 | 001_406 | Stealth Screw 8x45          | 1    |
|                          | 002_041 | Dome head screw 4.5 x 20 mm | 3    |
|                          | 002_042 | Dome head screw 3.5 x 13mm  | 4    |
|                          | 002_219 | Gap Point Screw T25 - 5x30  | 2    |
| Other                    | 022_300 | Steering Wheel              | 1    |
|                          | 022_800 | Rail P/T 105                | 1    |
|                          | 022_910 | Sandpad                     | 1    |
|                          | 103_901 | Logo ID Plate               | 1    |
|                          | 104_107 | Tool Set Climbing Units     | 1    |
|                          | 120_024 | Tower Flag                  | 1    |
|                          | 122_302 | Telescope                   | 1    |

Accessory set - P102 - 06/07/2023 - v5

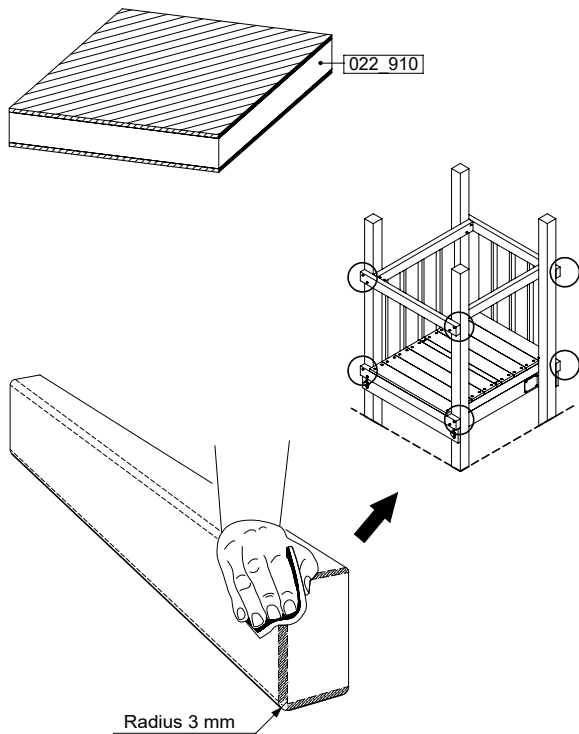


Accessory set - P103 - 06/07/2023 - v5

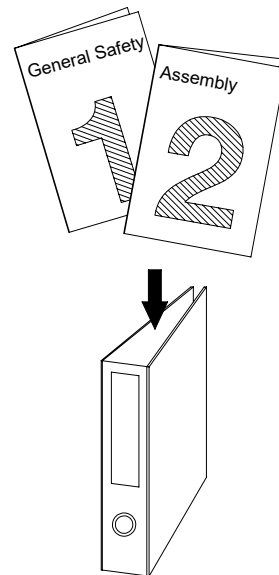
# 20.1



Accessory set - P04 - 06/07/2023 - v5



Accessory set - P05 - 06/07/2023 - v5





## 21 Conformity

# Declaration of Conformity

# Jungle Gym

## BACKYARD PLAYGROUNDS

since 1988

### Manufacturer details

Company Name

Jungle Gym B.V.

Tag-line

Backyard Playgrounds

Address

P.O. Box 75083, 1070 AB Amsterdam, Netherlands

### Activity toys for domestic use

Product Range Identification

Construction Packages (Sub-Assembly)

Universal Packs / Base Towers / Extension Towers / Roofs / Means of Exit/Access / Add-ons : 790\_001 ... 794\_911

Assembly

Playtowers : 801\_005 ... 200

Links : 870\_100 ... 105

Accessories : 123\_220 ... 250\_075

Playhouses : 830\_150 ... 253, 835\_251 ... 253

Swings : 801\_300, \_600, \_601

Slides (XL) : 324\_100 ... 600

Modules : 850\_180 ... 415

Slides (XXL) : 334\_100 ... 600

: 857\_103, 857\_108

Playtowers: 802\_202 ... 208

857\_151, 857\_158

803\_202 ... 210

809\_202 ... 804

### Applicable EC directives and standards

Chemical References

- |   |   |   |
|---|---|---|
| 1. Migration of certain elements (17x + Chr VI + tin) as required in TSD 2009/48/EC and its amendments. Scrape off toy material. Tested according to EN 71-3:2019.                                | 5. Content of 7 Phthalates (18x) according to REACH (EG) no.1907/2006, Annex XVII. Tested according to COC-CH-C1011-09.3 and EN 15777 / QMA 2011.1300 | 9. Content of 3 Flame retardants according to REACH (EG) no. 1907/2006, Annex XVII. Tested according to EN 62321-6. |
| 2. Migration of solvents, monomers and plasticizers as specified in "Safety for Toys: Organic Chemical Compounds", EN 71-9: 2005 + A1: 2007. Tested according to EN 71-10: 2005 & EN 71-11: 2005. | 6. Content of Cadmium according to REACH (EG) no. 1907/2006, Annex XVII. Tested according to EN 17294-2   | 10. Ni release according to REACH (EG) no. 1907/2006, Annex XVII. Tested according to EN 71-3:2013+A1:2014.         |
| 3. Content of N-nitrosamines and N-nitrosatable substances as specified in EN standard 71-12: 2013. Tested according to EN 71-12: 2013.   | 7. Formaldehyde according to REACH (EG) no. 1907/2006, Annex XVII. Tested according to EN 14184   | 11. Sweat and Salvia resistance tested according to DIN 53160   |
| 4. Content of 18 PAHs (Polycyclic Aromatic Hydrocarbons) as referred in AfPS GS 2014:01 PAK (Replaced on 2019:01). Tested according to QMA 2011.1284  | 8. Azo dyes according to REACH (EG) no. 1907/2006, Annex XVII. Tested according to BVL B 82.02-2.   |   |

Mechanical physical properties + flammability

EN 71 - 1 : 2014 + A1: 2018 EN 71 - 2 : 2011 + A1: 2014 EN 71 - 8 : 2018

### Supplementary information

Conformity to the above specified directives and standards has been frequently verified and is continuously monitored by TÜV Süd, TÜV Rheinland LGA products, DEKRA (DE), STR Ltd (UK), LNE SA (FR), LMR Ltd (US) and IPS N.V. (BE) since 1994. Jungle Gym participates in the European Commission for standardisation for the safety of activity toys ( TC52 / WG 10).

### Declaration

I hereby declare under our sole responsibility that the products mentioned above, to which this declaration relates, complies with the above mentioned directives and standards.



Name

Mr. P. Schmit / Director

Issued date

Januari 2<sup>nd</sup>, 2023

Signature of representative

Jungle Gym B.V. | P.O. Box 75083 | 1070 AB Amsterdam | Netherlands  
Phone: +31 85 444 41 00 | e-mail: info@jungle gym.com | [www.jungle gym.com](http://www.jungle gym.com)

1 of 5

00\_01\_01\_1209\_Declaration\_of\_Conformity\_20230426