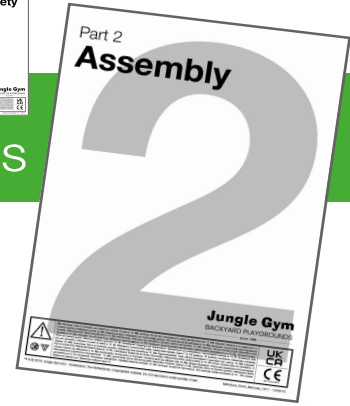


# Part 2

# Assembly

## Instructions



Config ID: yBzzka

Date: 2023-08-10



Manual Part 1



### Important

This assembly manual should always be read in conjunction with the General Safety manual part 1 as included in the hardware package of your playground equipment. Please read these safety instructions carefully before starting the assembly work.

# Jungle Gym

## BACKYARD PLAYGROUNDS

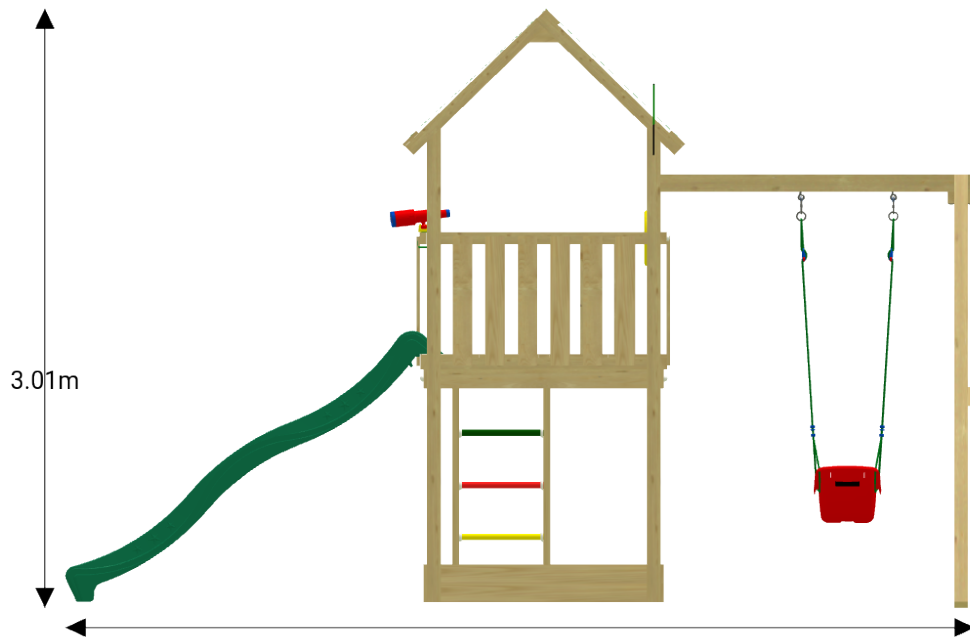
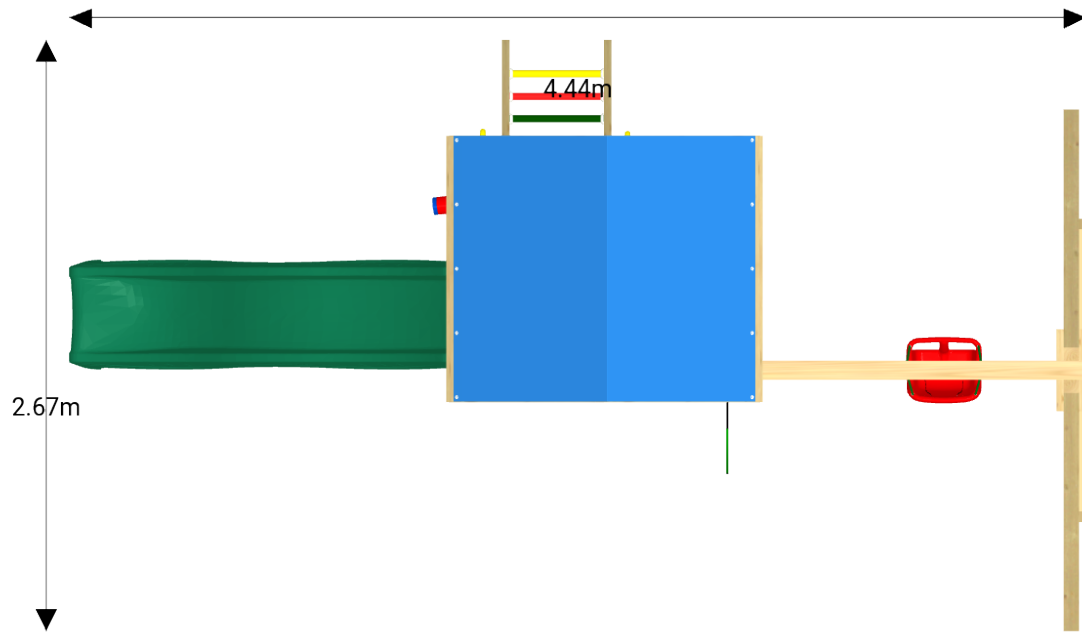
since 1988



**EN.** Warnings. Only for domestic use. Maximum number of users is **3**. **DE.** Achtung. Nur für den Hausgebrauch. Maximale Benutzerzahl: **3**. **FR.** Attention. Réserve à un usage privé. Le nombre maximal d'utilisateurs est de **3**. **NL.** Waarschuwingen. Uitsluitend voor huishoudelijk gebruik. Het maximale aantal gebruikers is **3**. **BG.** Внимание. За употреба само в домашни условия. Максималният брой потребители е **3**. **ES.** Advertencias. Sólo para uso doméstico. Número máximo de usuarios: **3**. **CS.** Varování. Jen pro domácí použití. Maximální počet uživatelů je **3**. **DA.** Advarsler. Kun til privat brug. Maksimum antal brugere er **3**. **ET.** Hoiatused. Ainult koduseks kasutamiseks. Maksimaalne kasutajate arv on **3**. **EL.** Προειδοποιήσεις. Μόνο για οικιακή χρήση. Μέγιστος αριθμός χρηστών **3**. **IS.** Varnaðarorð. Eingöngu fyrir einkanotkun í heimahúsum og á einkaloðum. Hámarksfjöldi notenda er **3**. **IT.** Avvertenze. Solo per uso domestico. Massimo numero di utenti è **3**. **LV.** Brīdinājumi. Izmantot tikai mājās. Maksimālais lietotāju skaits ir **3**. **LT.** Įspėjimai. Tik buitiniam naudojimui. Maksimalus naudotojų skaičius **HR.** Upozorenja. Samo za kućansku uporabu. Maksimalan broj korisnika je **3**. **HU.** Figyelmeztetések. Csak otthoni használatra! A használok max. száma: **3**. **NO.** Advarsler. Kun for privat bruk. Maksimalt antall brukere er **3**. **PL.** Ostrzeżenia. Wyłącznie do użytku domowego. Maksymalna liczba użytkowników to **3**. **PT.** Avisos. Apenas para uso doméstico. O número máximo de utilizadores é **3**. **RO.** Avertismente. Numai pentru uz domestic. Numărul maxim de utilizatori este **3**. **RU.** Предостережения. Только для домашнего использования. Максимальное количество пользователей - **3**. **SK.** Upozornenia. Iba na domáce použitie. Maximálne množstvo osôb je **3**. **SL.** Opozorila. Samo za domačo uporabo. Maksimalno število uporabnikov je **FI.** Varoitukset. Ainoastaan kotikäyttöön. Käyttäjää yhteensä enintään **3**. **SR.** Upozorenja. Samo za kućnu upotrebu. Maksimalan broj korisnika je **3**. **SV.** Varningar. Endast för hemmabruk. Det maximala antalet användare är **3**. **TR.** Uyarılar. Sadece ev kullanımı için. Maksimum kullanıcı sayısı **8**.



# 1 Views

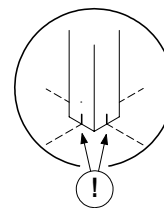
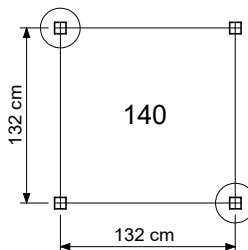
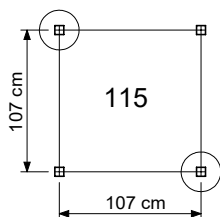
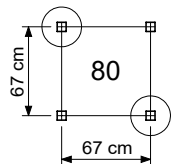
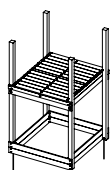


## 2 Order list

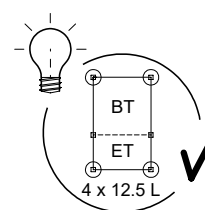
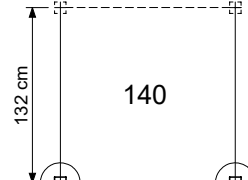
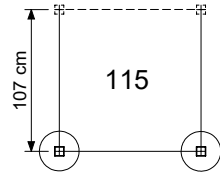
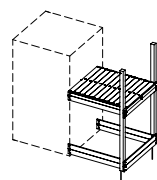
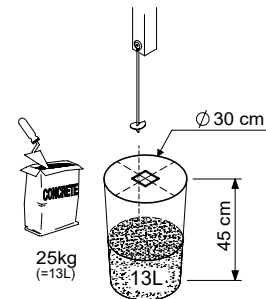
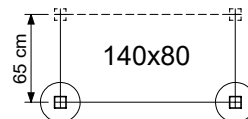
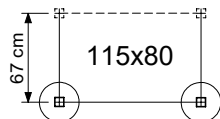
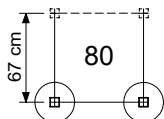
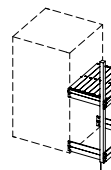
Nr.	SKU	Description	ID	Amount
1	792_431	Ladder 115_125	LA12	1
2	792_002	Base Tower 115_240240	BT11a	1
3	792_201	Roof Castle 115	RF07a	1
4	792_301	Balustrade 115	BL03a	1
5	792_301	Balustrade 115	BL04a	1
6	792_901	Slide/ balustrade 115	SL09a	1
7	757_153	1- Swing Module 220	SW09a	1
8	194_119	AP Accessory set	AC01a	1
9	250_025	Baby Swing Kit • Red	AC24a	1
10	324_x00	Wavy Star Slide XL	324_x00	1

### 3 Anchor Plan

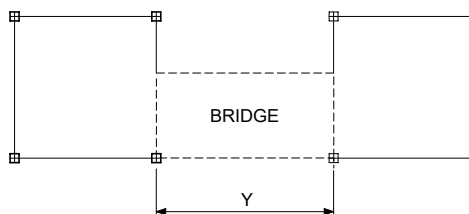
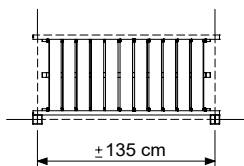
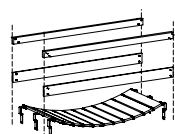
BASE TOWERS



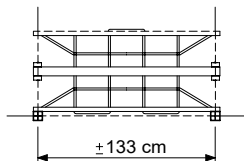
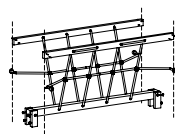
EXTENSION TOWERS



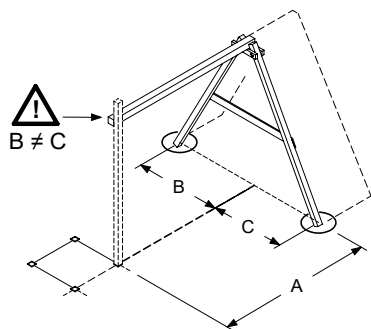
CLATTER BRIDGE



NET BRIDGE

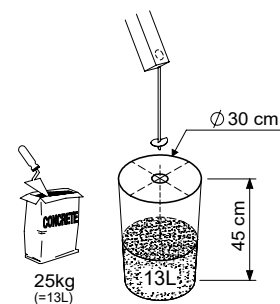


SWING / CLIMB MODULE



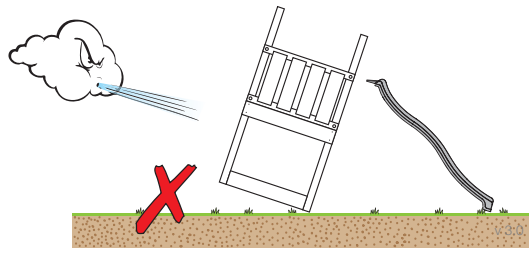
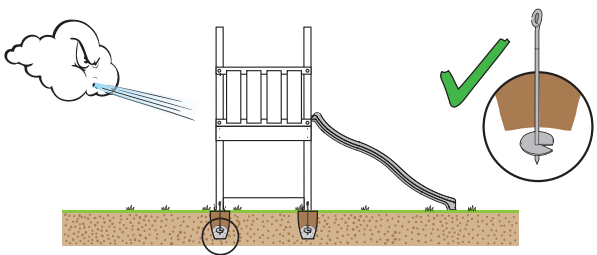
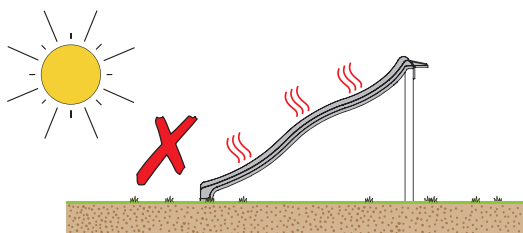
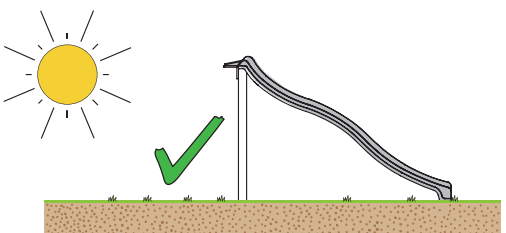
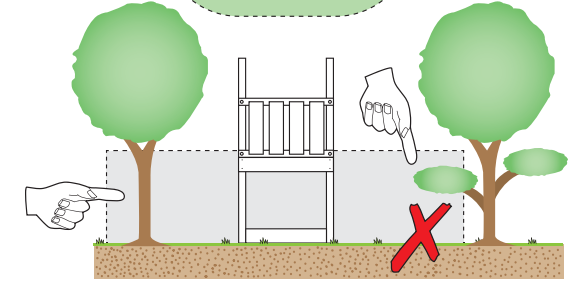
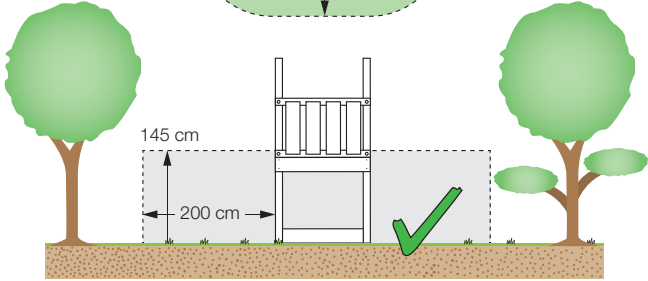
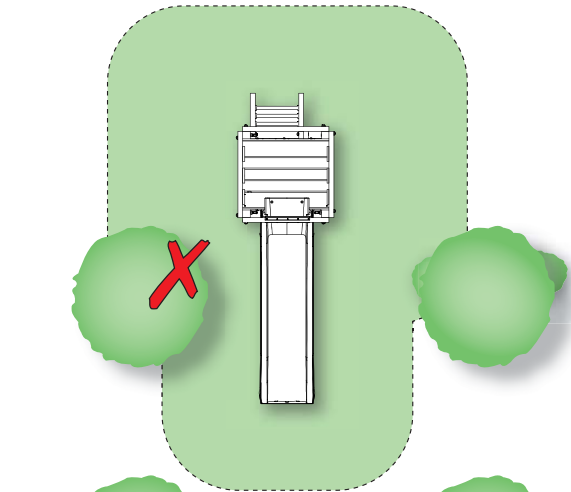
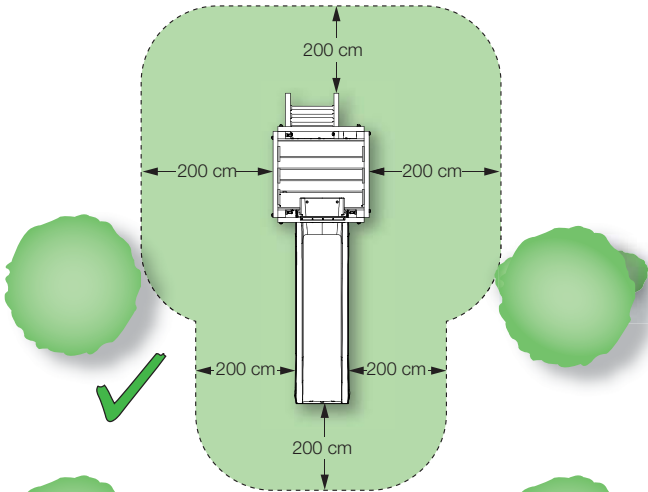
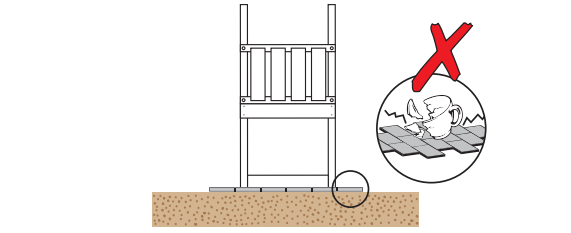
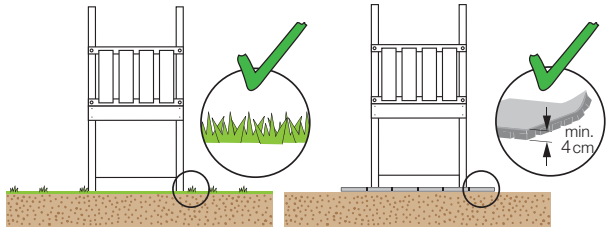
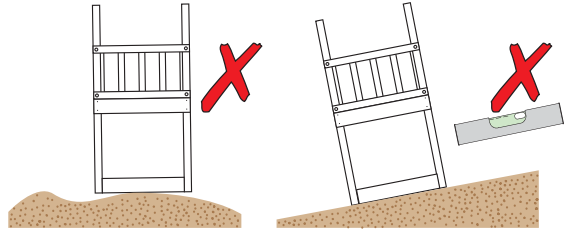
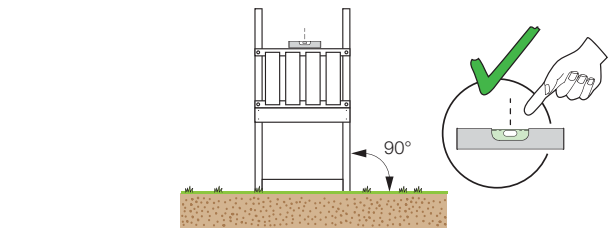
Module type	A	B	C
1-Swing 200	150	115	100
1-Swing 220 / 220 Extra		120	105
2-Swing 200	210	115	100
2-Climb 200			
1-Climb 200	142	120	105
1-Climb 220 / 220 Extra	162		
2-Swing 220 / 220 Extra	230	120	105
2-Climb 220 / 220 Extra			

Ground Anchors Unit - PO1 - 04/07/2023 - v1.2

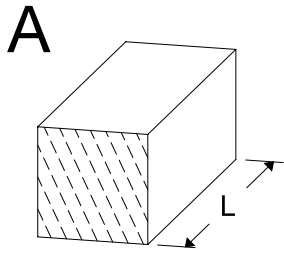


Ground Anchors Unit - PO1 - 04/07/2023 - v1.2

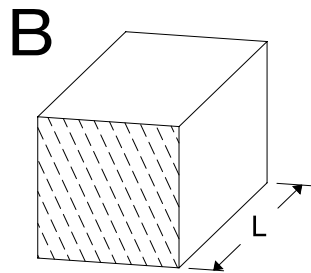
### 3.1 Safe Playground



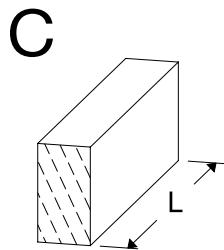
## 4 Timber parts



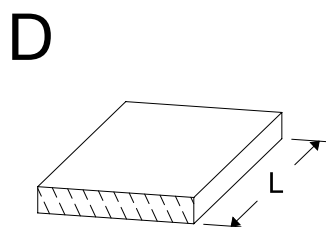
ID	L	#
A240	239 cm - 240 cm	6



B160	159 cm - 160 cm	1
------	-----------------	---


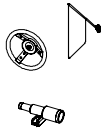

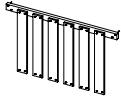
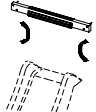



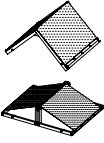
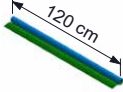



C37	36 cm - 37 cm	2
C70	69 cm - 70 cm	2
C90	89 cm - 90 cm	2
C96	85 cm - 96 cm	2
C114	113 cm - 114 cm	9
C130	129 cm - 130 cm	2



D65	64 cm - 65 cm	17
D100	99 cm - 100 cm	14
D114	113 cm - 114 cm	12
D120	119 cm - 120 cm	3
D141	140 cm - 141 cm	2

## 5 Assembly packs & accessories

<p>Tower 115</p>  <p><b>BT ET</b></p> <p>194_300</p> <p><b>1x</b></p>	<p>Accessory Set</p>  <p><b>AC</b></p> <p>194_119</p> <p><b>1x</b></p>	<p>Slide 2.2m</p>  <p>324_x00</p> <p><b>1x</b></p>	<p>Balustrade 140</p>  <p><b>BL</b></p> <p>194_501</p> <p><b>2x</b></p>	<p>Slide Frame</p>  <p><b>SL</b></p> <p>194_107</p> <p><b>1x</b></p>
<p>Hardware 01</p>  <p><b>BL H01</b></p> <p>194_101</p> <p><b>2x</b></p>	<p>Swing Frame Kit</p>  <p><b>SW</b></p> <p>457_102</p> <p><b>1x</b></p>	<p>Baby Swing</p>  <p><b>AC</b></p> <p>250_025</p> <p><b>1x</b></p>	<p>Roof Canvas 115</p>  <p><b>RF</b></p> <p>194_312</p> <p><b>1x</b></p>	<p>Canvas 185 x 120cm</p>  <p>120 cm</p> <p>123_222</p> <p><b>1x</b></p>
<p>Ladder 125</p>  <p><b>LA</b></p> <p>194_003</p> <p><b>1x</b></p>				

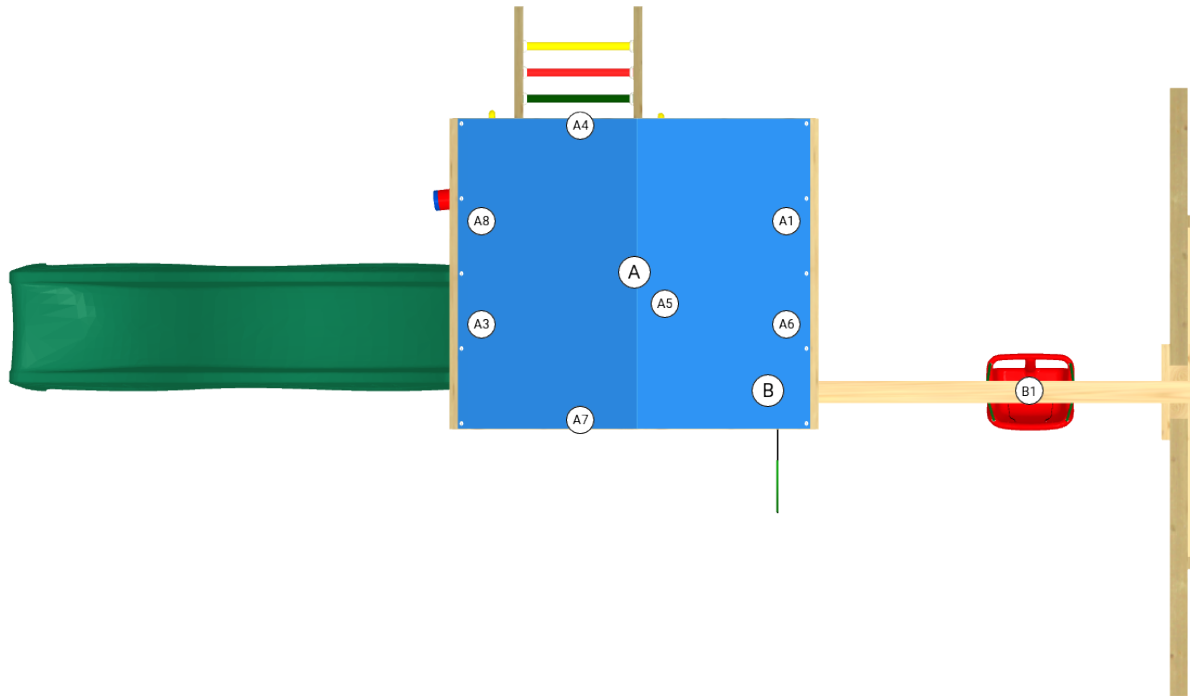
## 6 Hardware Identification

		SKU	L			SKU	L
		001_404	30 mm		002_308	20 mm	
		001_406	45 mm		002_219	30 mm	
		001_411	60 mm		002_220	45 mm	
		001_417	80 mm		002_223	80 mm	
		001_422	137 mm				
	M8	001_102	30 mm		M8	003_010	
		000_101	20 mm		M6	003_034	
		002_036	16 mm		M8	004_050	22mm
		002_041	20 mm			022_845	Yellow
						022_846	Blue
						022_847	Green
						022_848	Red
		002_042	13 mm			023_031	White
		002_301	40 mm			120_005	White
						022_844	
						022_314	

output: 25/05/23



## 7 Assembly Planning



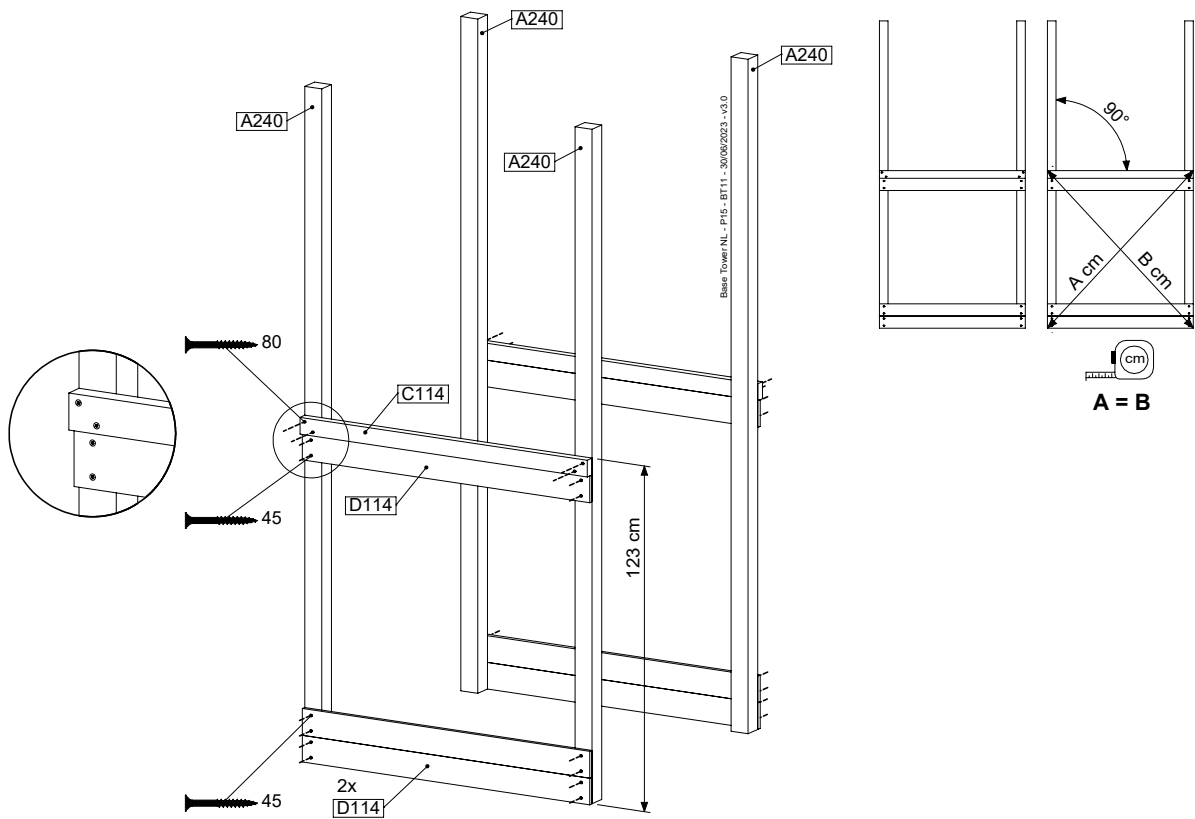
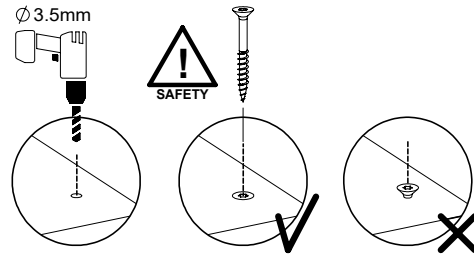
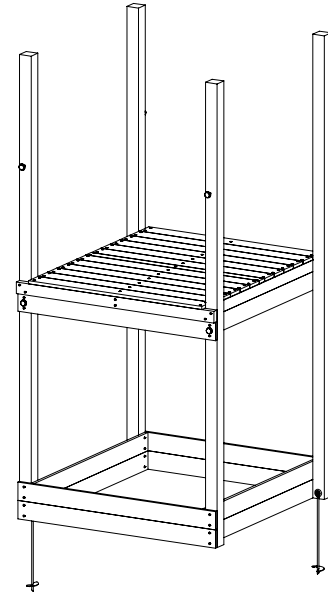
	ID			A	B
1	BT11a		p.10	✓	-
2	BL03a		p.13	A7	-
3	BL04a		p.14	A6	-
4	RF07a		p.15	A5	-
5	LA12		p.17	A4	-
6	SW09a		p.20	-	✓
7	SL09a		p.27	A3	-
8	GA		p.30	✓	✓
9	AC01a		p.32	✓	-

# 8 BT11a: Base Tower 115 125cm 240240

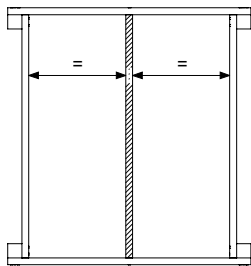
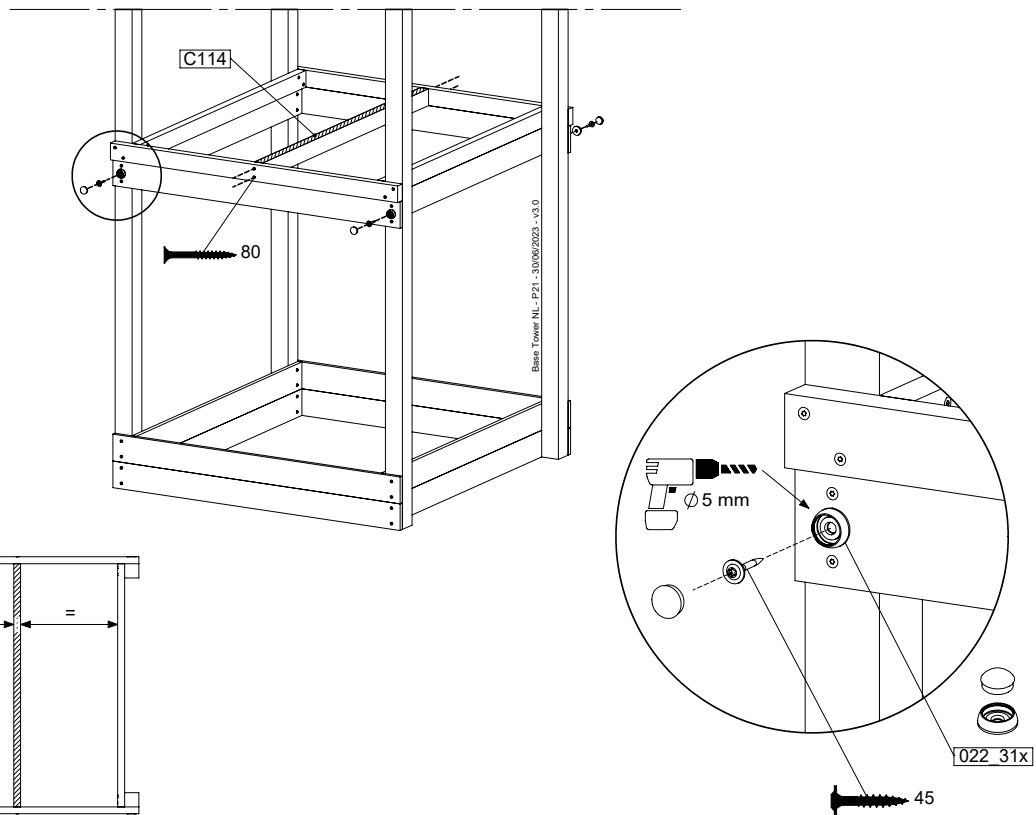
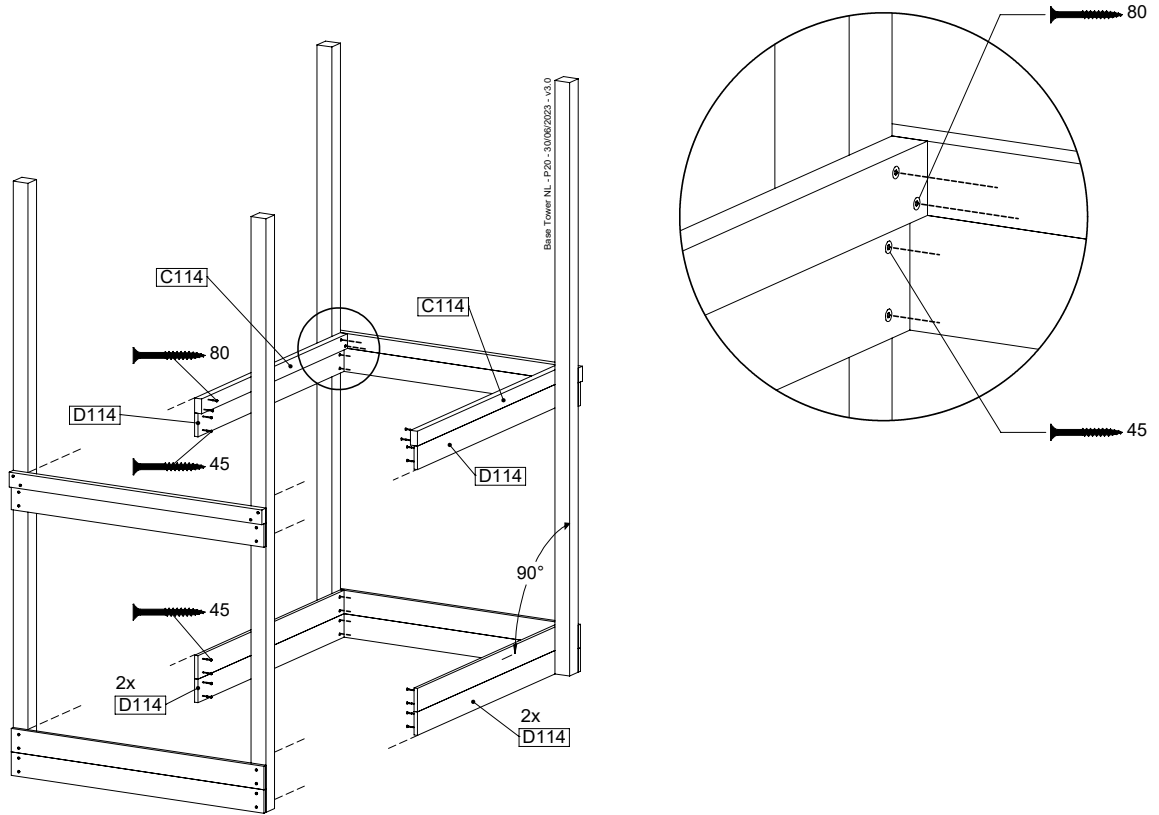
( 194\_300 )

	PartNo	PartName	QTY.
Hardware pack	001_406	Stealth Screw 8x45	6
	001_417	Stealth Screw 8x80	4
	002_220	Gap Point Screw T25 - 5x45	118
	002_223	Gap Point Screw T25 - 5x80	20
	022_31x	bpc-base version 3	8
	022_84x	bpc cover	8
Other	007_001	Ground-anchor	2
Timber	A240	Post 70x70 L2400	4
	C114	Beam 1140 mm	5
	D100	Board 1000 mm	14
	D114	Board 1140 mm	12

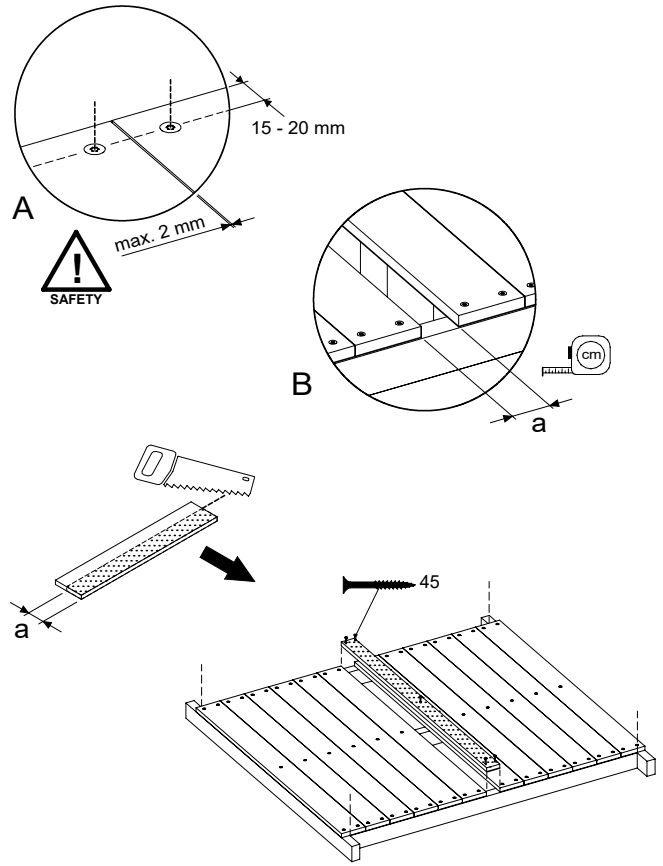
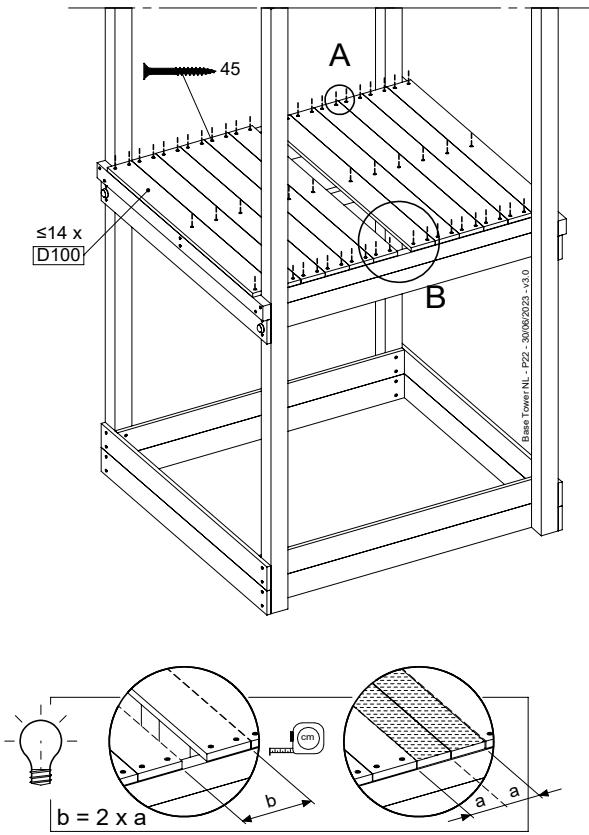
Base Tower.NL - POP - BT11 - 30/06/2023 - v3.0



# 8.1



## 8.2

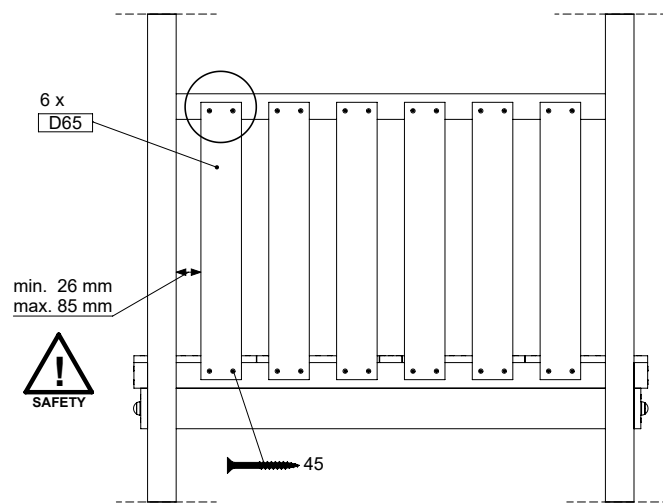
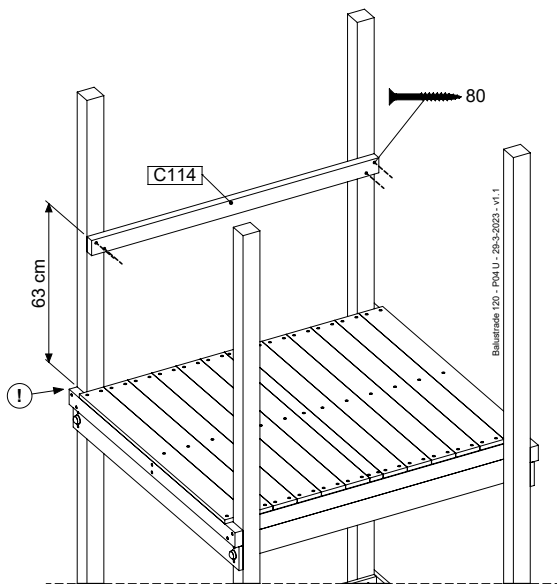
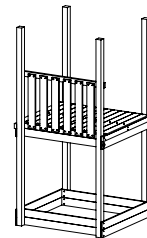
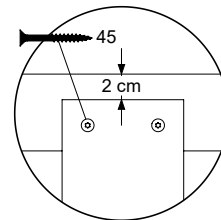
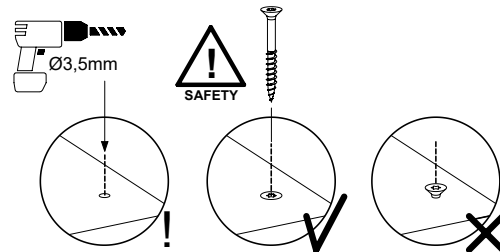
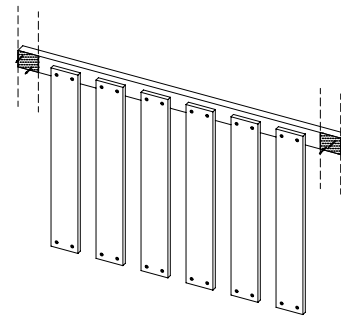


# 9 BL03a: Balustrade 115 U

( 194\_501 )

	PartNo	PartName	QTY.
Hardware Pack	002_220	Gap Point Screw T25 - 5x45	24
	002_223	Gap Point Screw T25 - 5x80	4
Timber	C114	Beam 1140 mm	1
	D65	Board 650 mm	6

Balustrade 120 - POC U - 29-3-2023 - v1.1

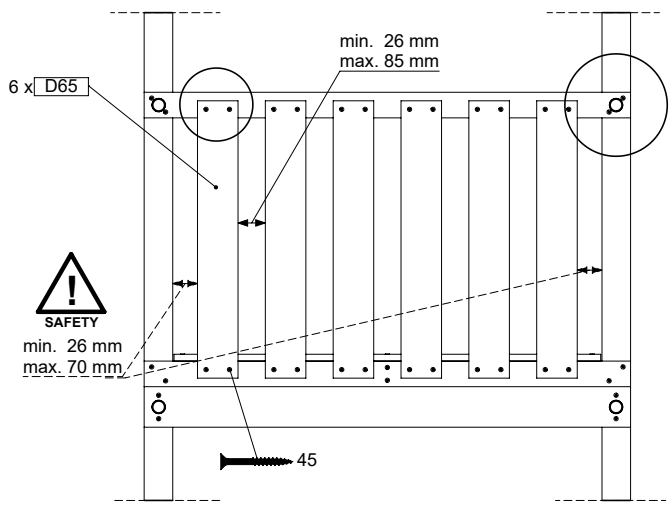
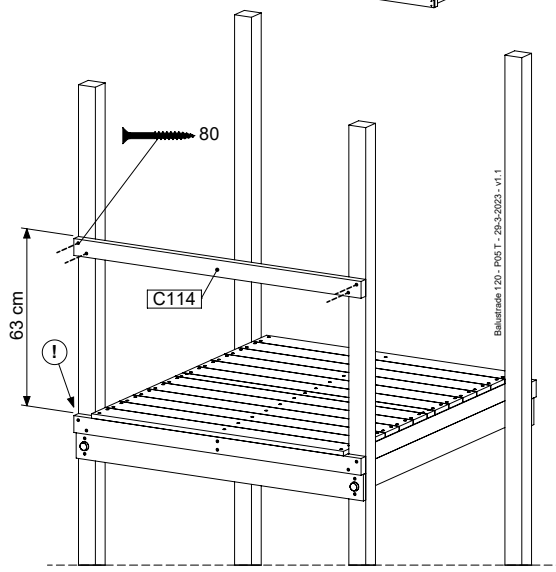
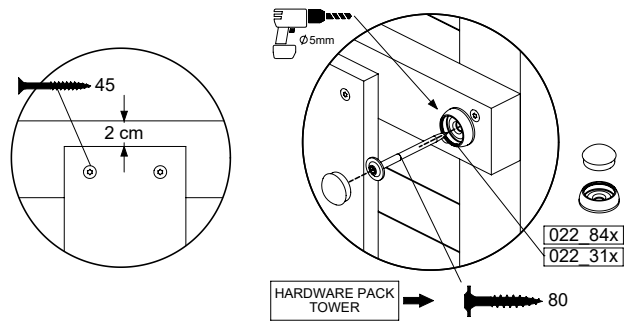
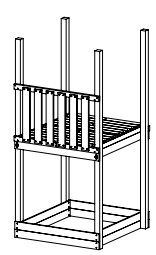
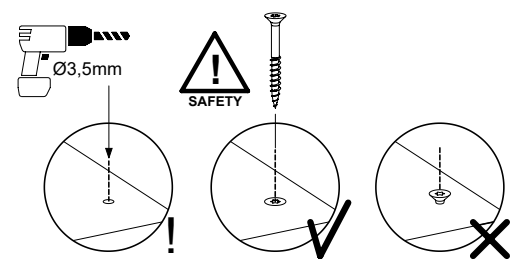
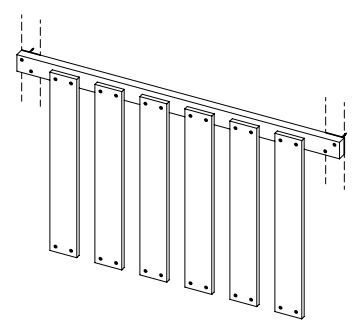


# 10 BL04a: Balustrade 115 T

( 194\_501 )

	PartNo	PartName	QTY.
Hardware Pack	002_220	Gap Point Screw T25 - 5x45	24
	002_223	Gap Point Screw T25 - 5x80	4
Timber	C114	Beam 1140 mm	1
	D65	Board 650 mm	6

Balustrade 120 - P03 T - 29-3-2023 - v1.1

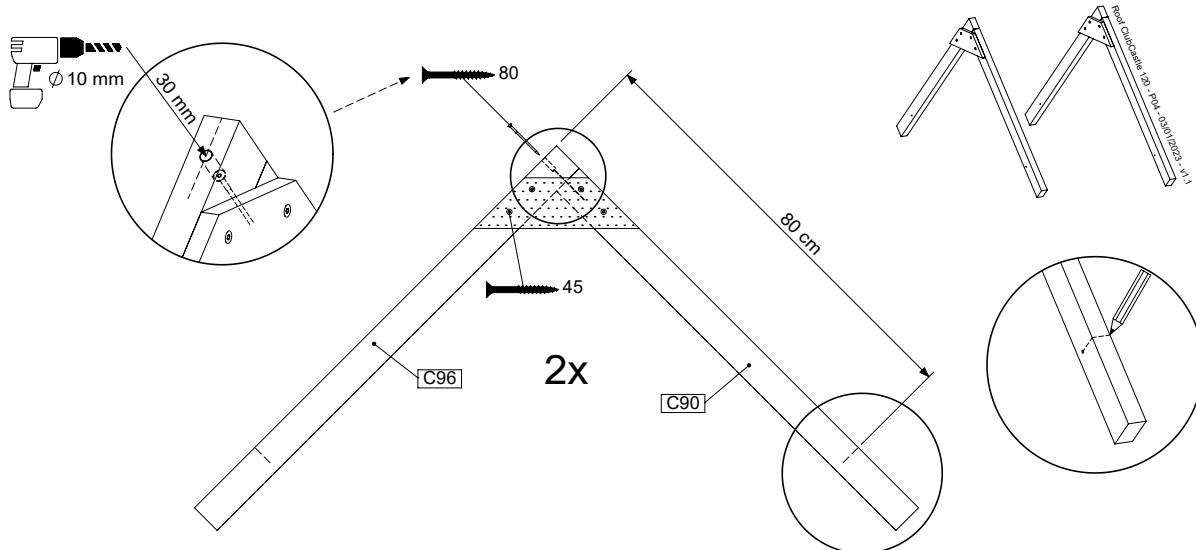
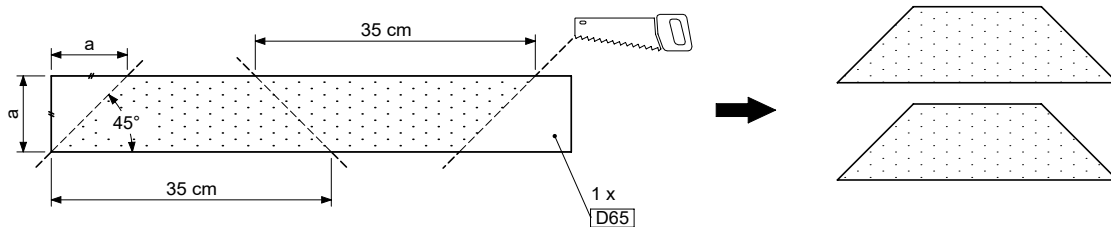
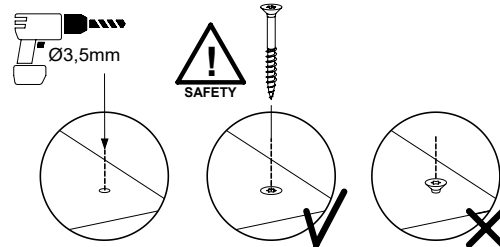
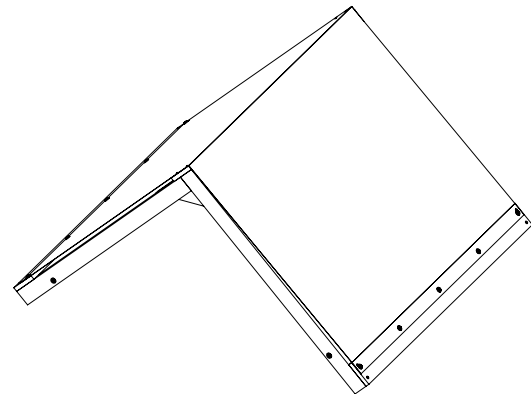


# 11 RF07a: Roof Canvas Gable 115

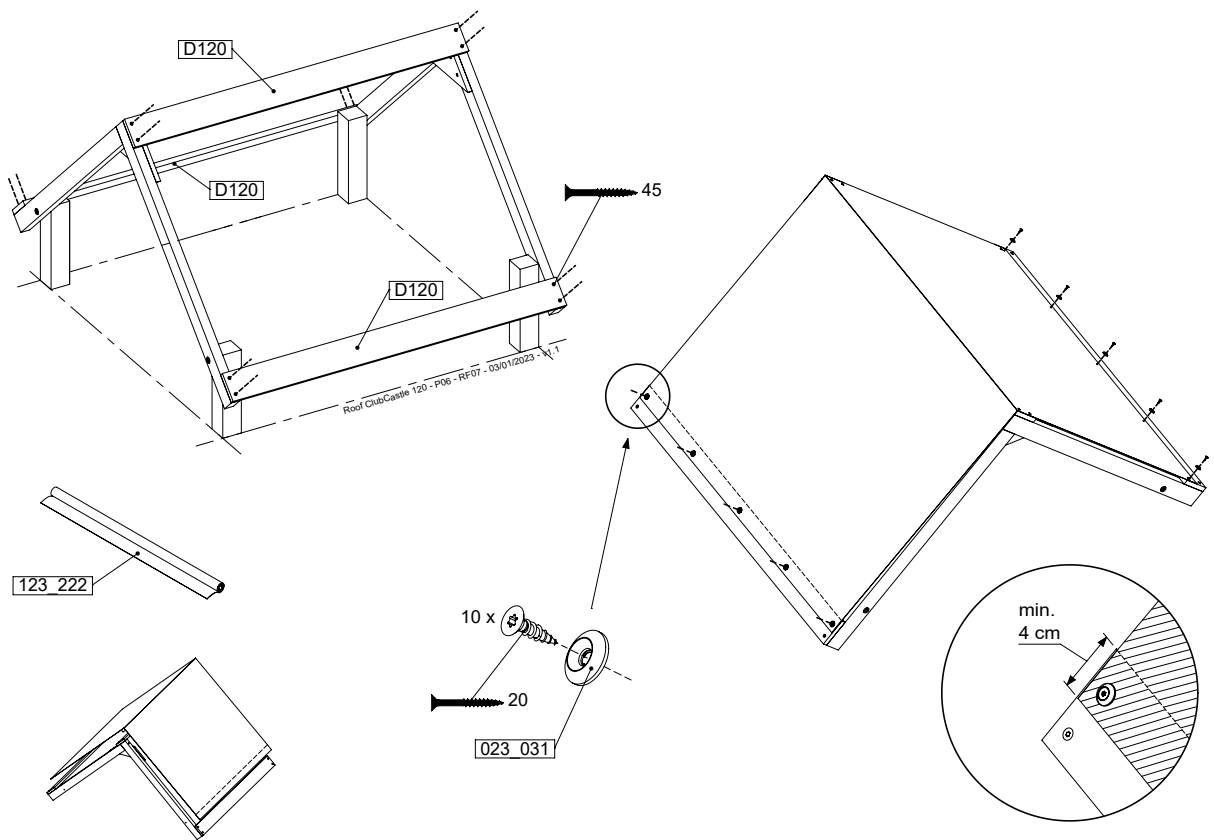
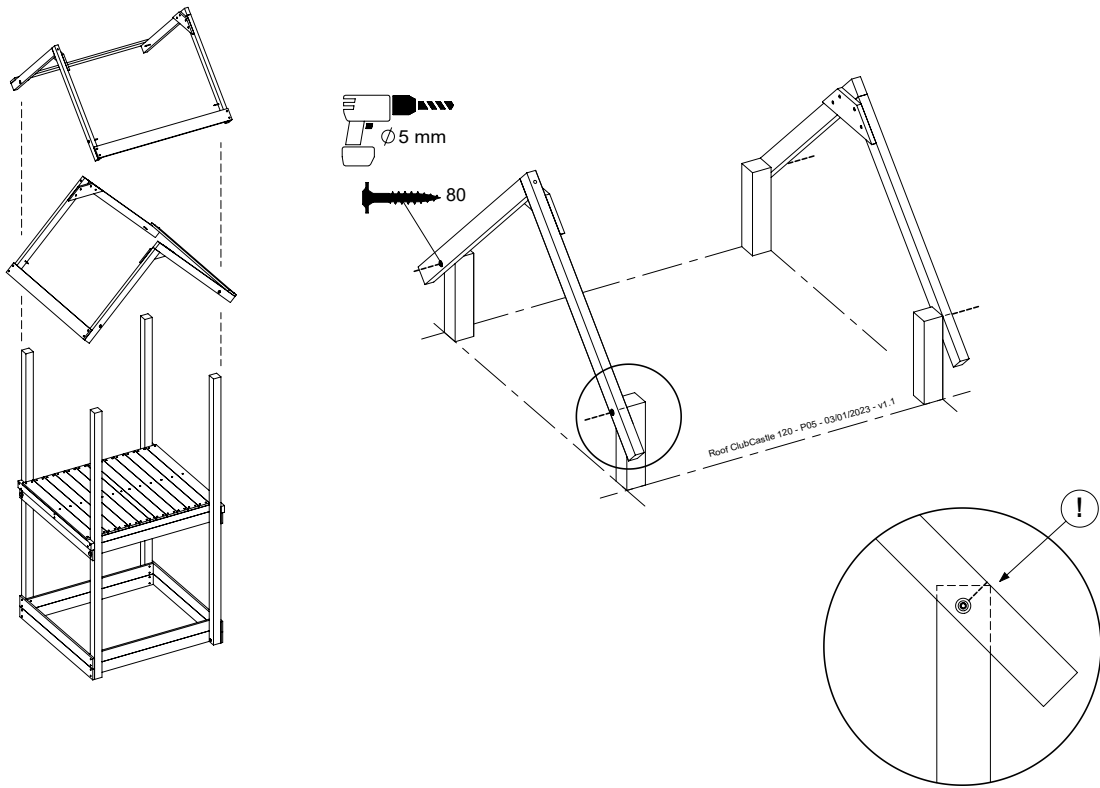
AP 194\_312 / RF

	PartNo	PartName	QTY.
Hardware Pack	001_417	Stealth Screw 8x80	4
	002_220	Gap Point Screw T25 - 5x45	20
	002_223	Gap Point Screw T25 - 5x80	2
	002_308	Gap Point Screw T25 - 5x20	10
	023_031	Finishing Washer GPS 5.0	10
Other	123_222	Sheet Canvas 1200x1850	1
Timber	C96	Beam 960 mm	2
	D65	Board 650 mm	1
	D120	Board 1200 mm	3
	C90	Beam 900 mm	2

Roof Canvas 120 - P02 - RF07 - 03/01/2023 - v1.1



# 11.1



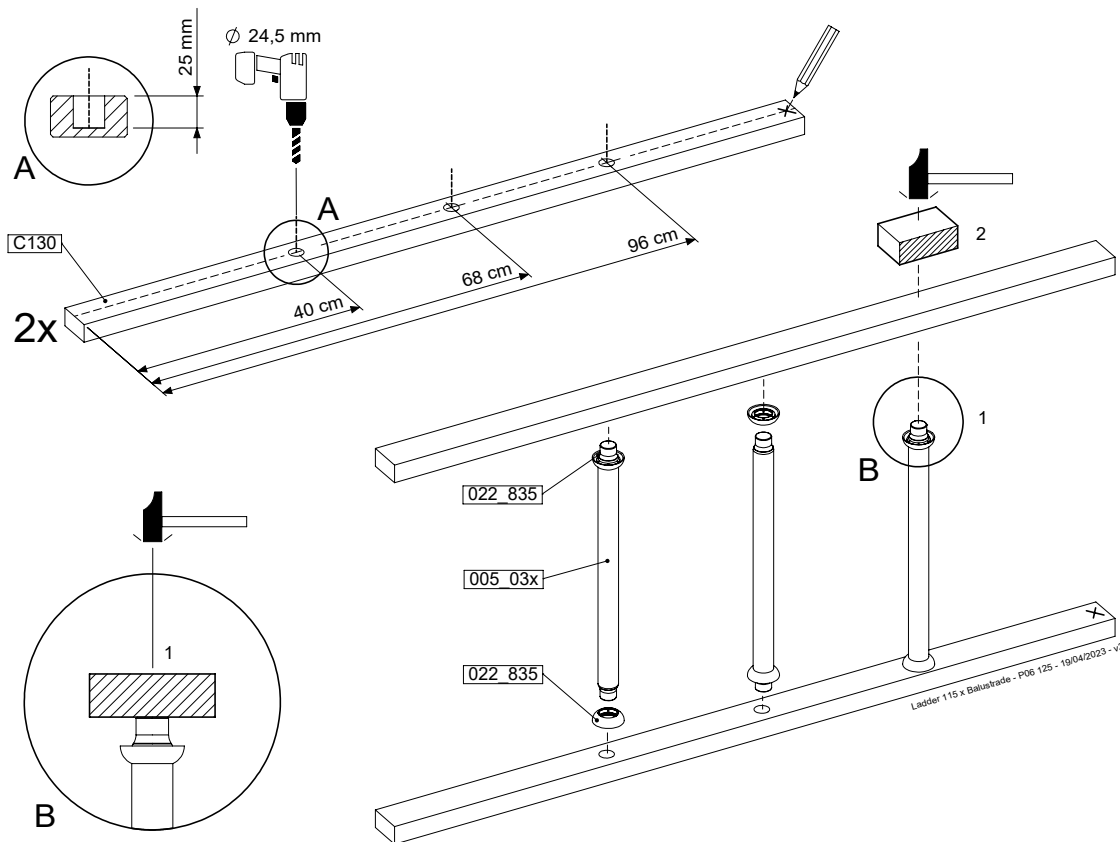
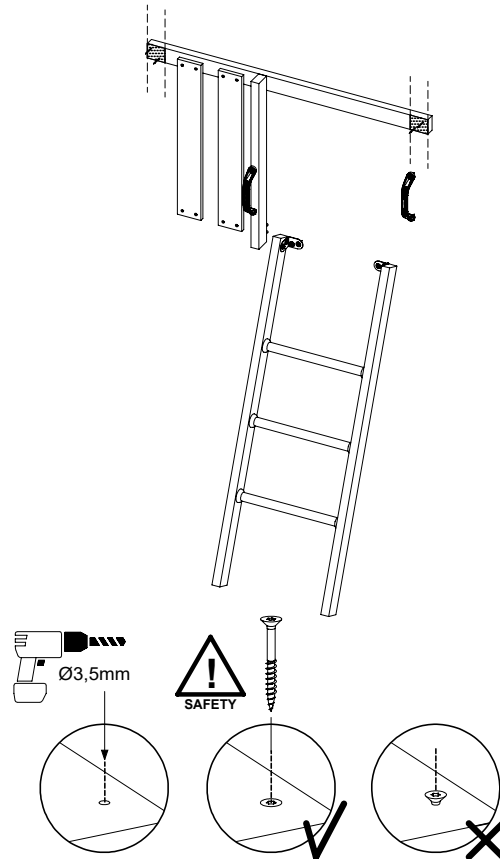


# 12 LA12: Ladder 115 125 U Right

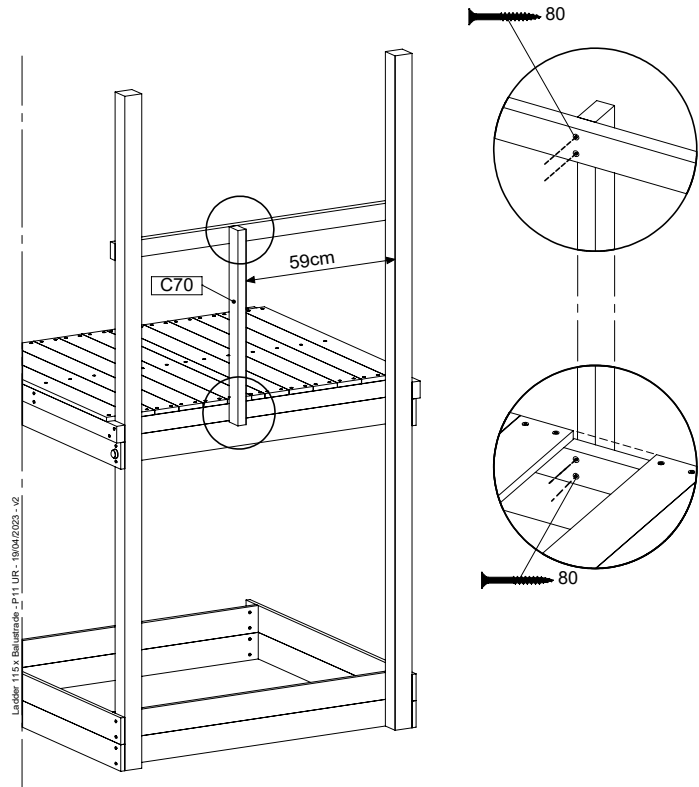
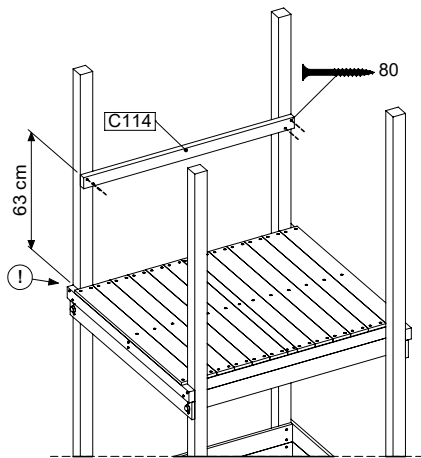
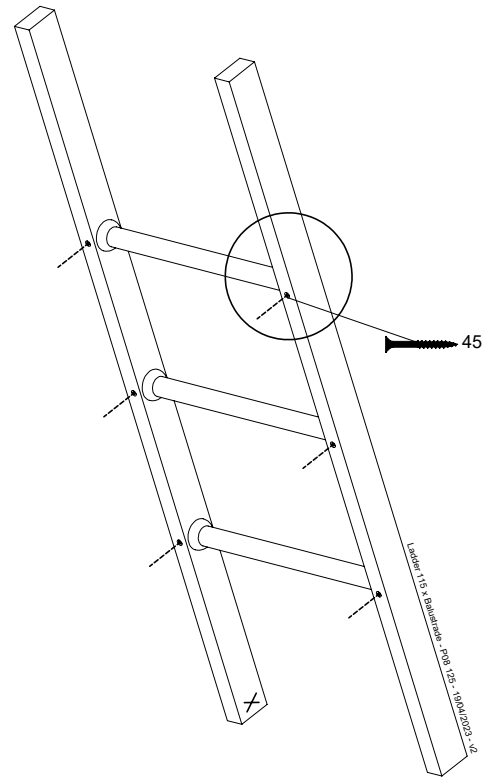
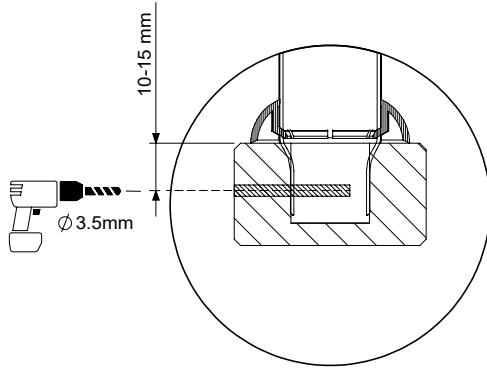
( 194\_003 + 194\_101 )

	PartNo	PartName	QTY.
Hardware Pack	001_404	Stealth Screw 8x30	4
	002_219	Gap Point Screw T25 - 5x30	4
	002_220	Gap Point Screw T25 - 5x45	14
	002_223	Gap Point Screw T25 - 5x80	8
Other	005_03x	Ladder Rung Y/B/G/R	3
	005_522	Connection Bracket Mini Market	2
	022_835	Rung Cap	6
	120_102	Handgrip set (complete 2x)	1
Timber	C114	Beam 1140 mm	1
	C130	Beam 1300 mm	2
	C70	Beam 700 mm	1
	D65	Board 650 mm	2

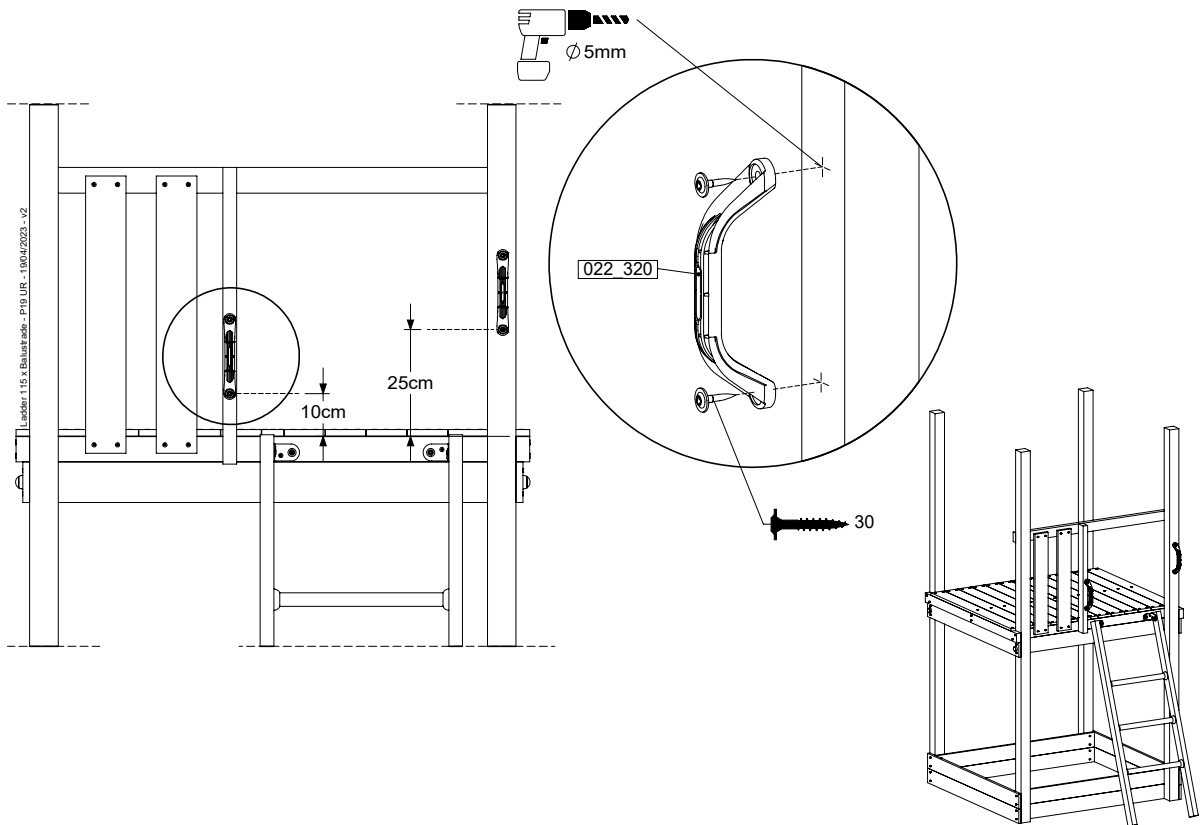
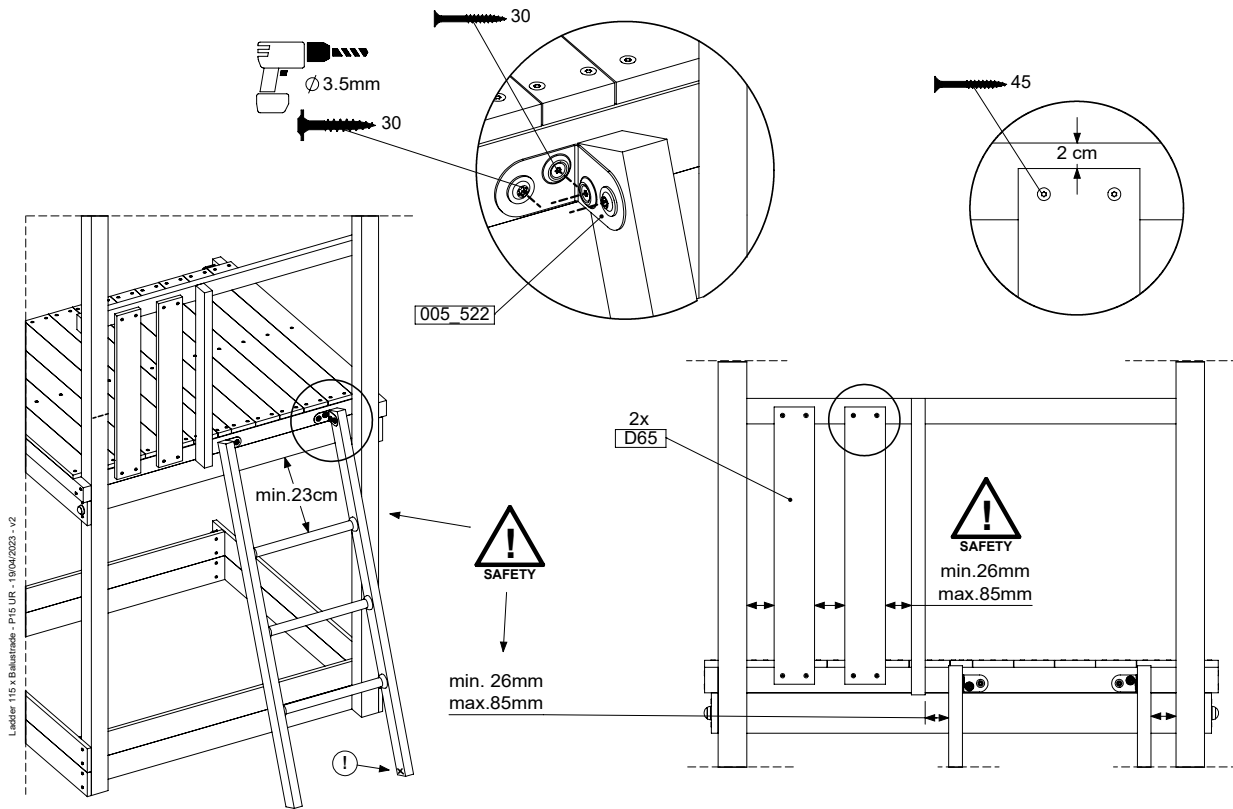
Ladder 115 x Balustrade - P03 LRT25 - 19/04/2023 - v2



# 12.1



# 12.2

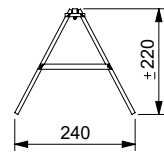
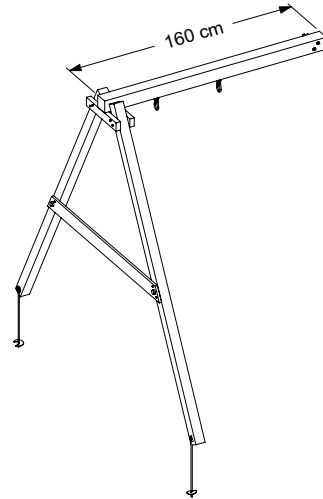


# 13 SW09a: 1-Swing Module 220

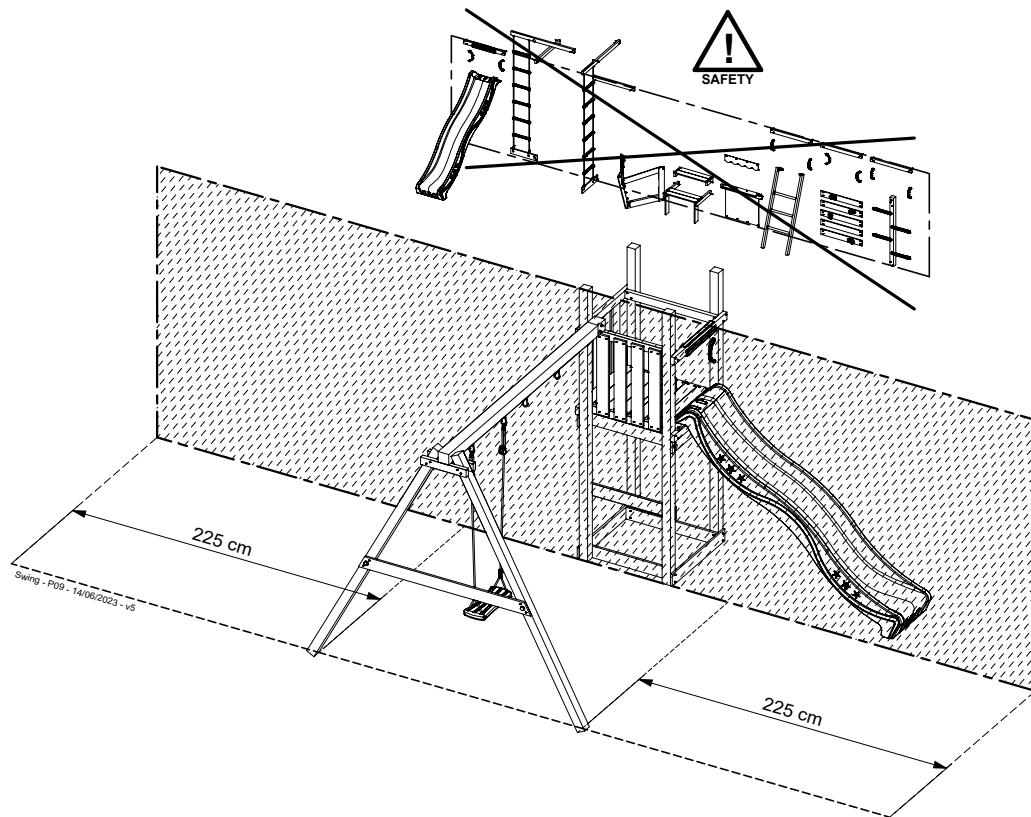
(457\_102 )

	PartNo	PartName	QTY.
Hardware Pack	001_406	Stealth Screw 8x45	4
	001_417	Stealth Screw 8x80	3 / 4
	001_422	Stealth Screw 8x137	3
	002_220	Gap Point Screw T25 - 5x45	12
	002_223	Gap Point Screw T25 - 5x80	6
Other	005_528	Swing Beam Bracket 7x7	1
	007_001	Ground-anchor	2
	022_31x	bpc-base version 3	2
	022_84x	bpc cover	2
	023_031	Finishing Washer GPS 5.0	2
	101_003	Swing hook with Carabiner	2
Timber	A220	Post 70x70 L2200	2
	B160	Post 90x90 L1600	1
	C37	Beam 370 mm	2
	D141	Board 1410 mm	2

Swing - P09 - 14/06/2023 - v5

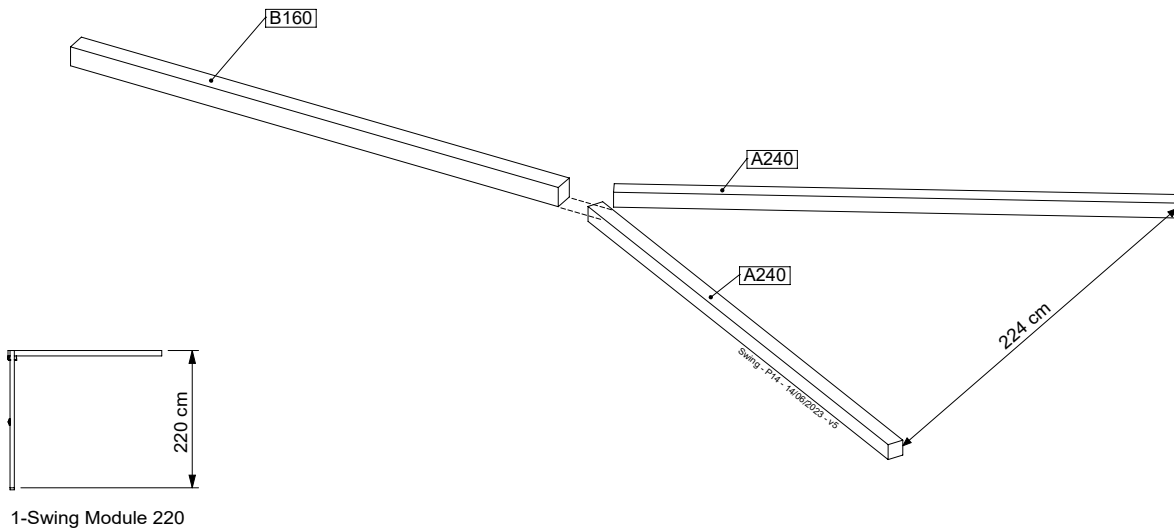
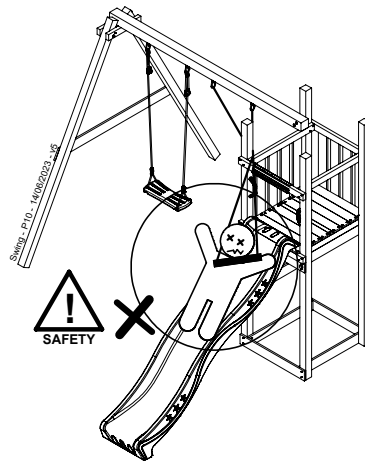
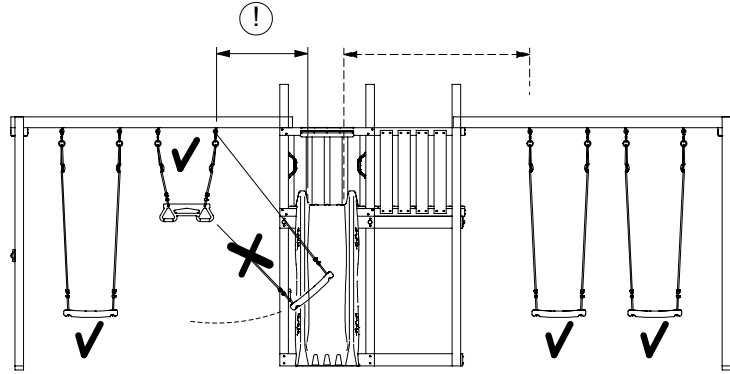
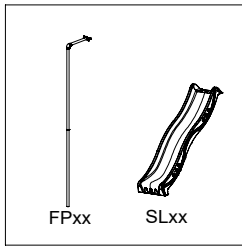


1-Swing Module 220

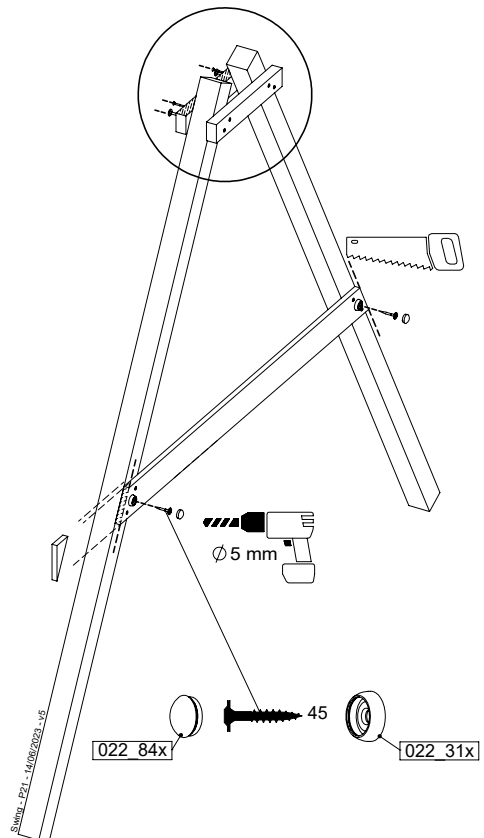
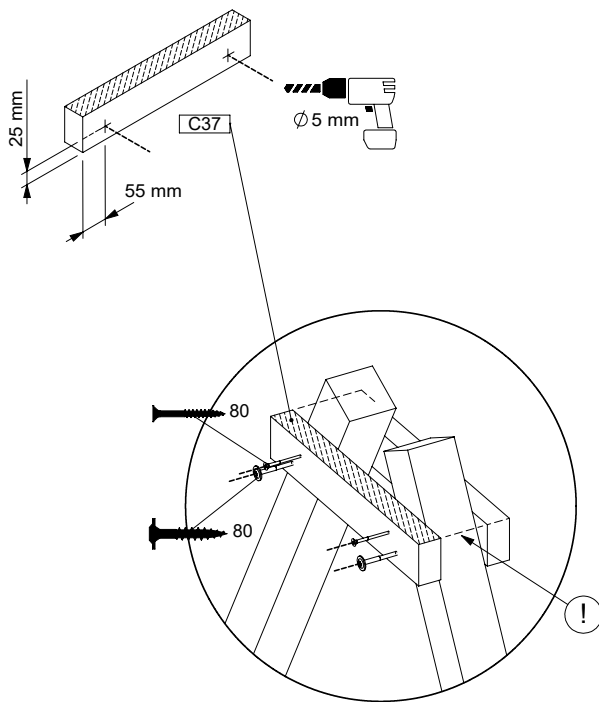
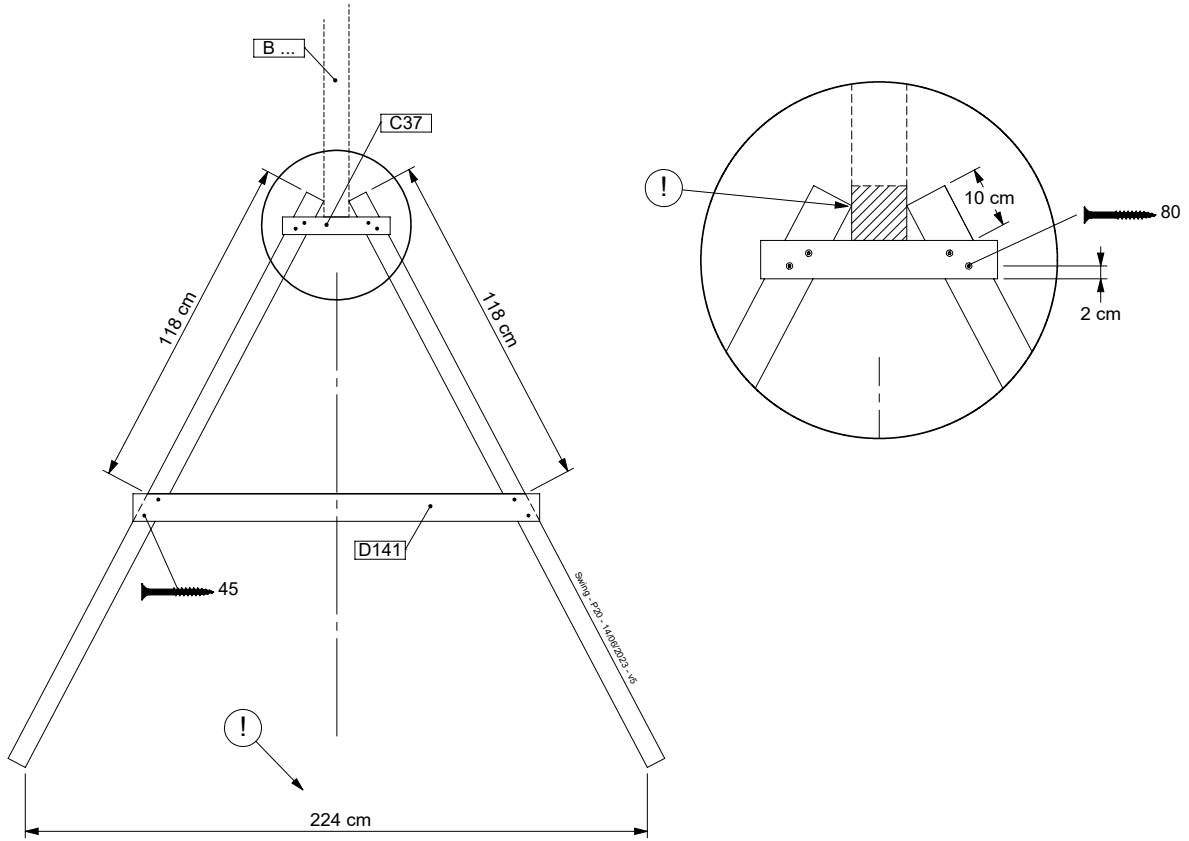


Swing - P09 - 14/06/2023 - v5

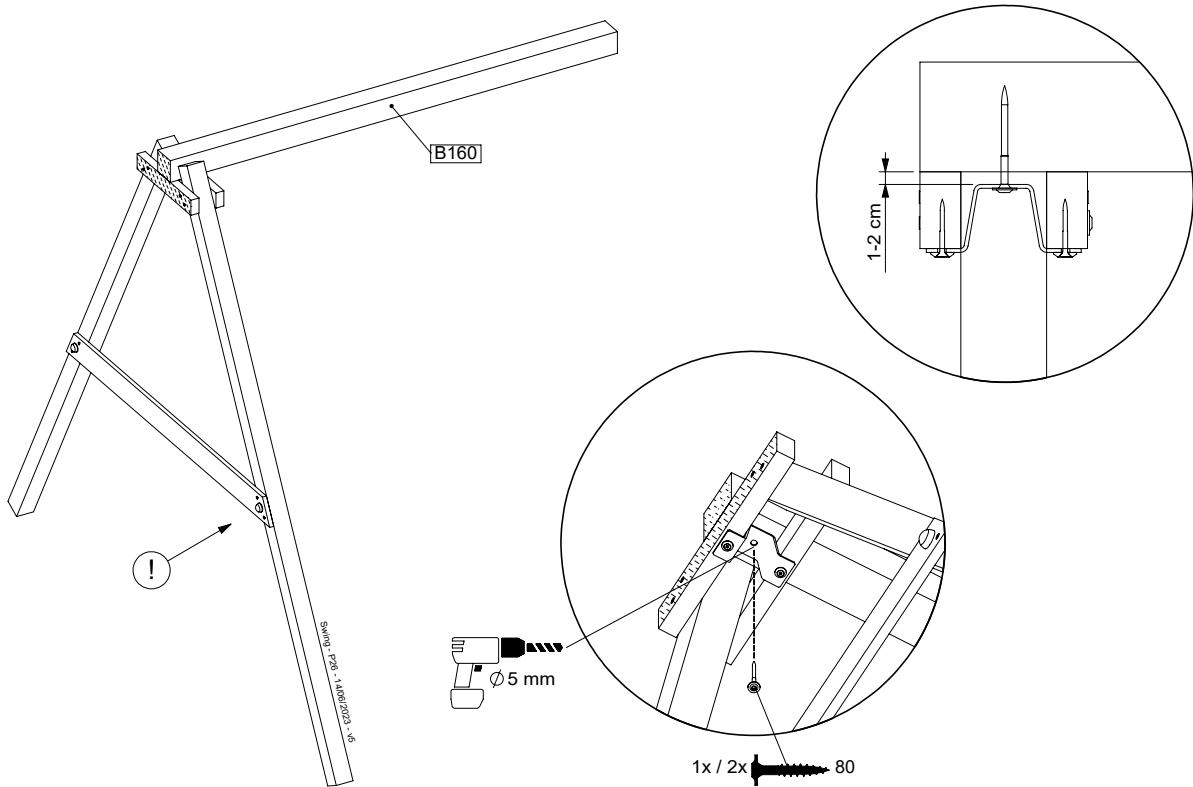
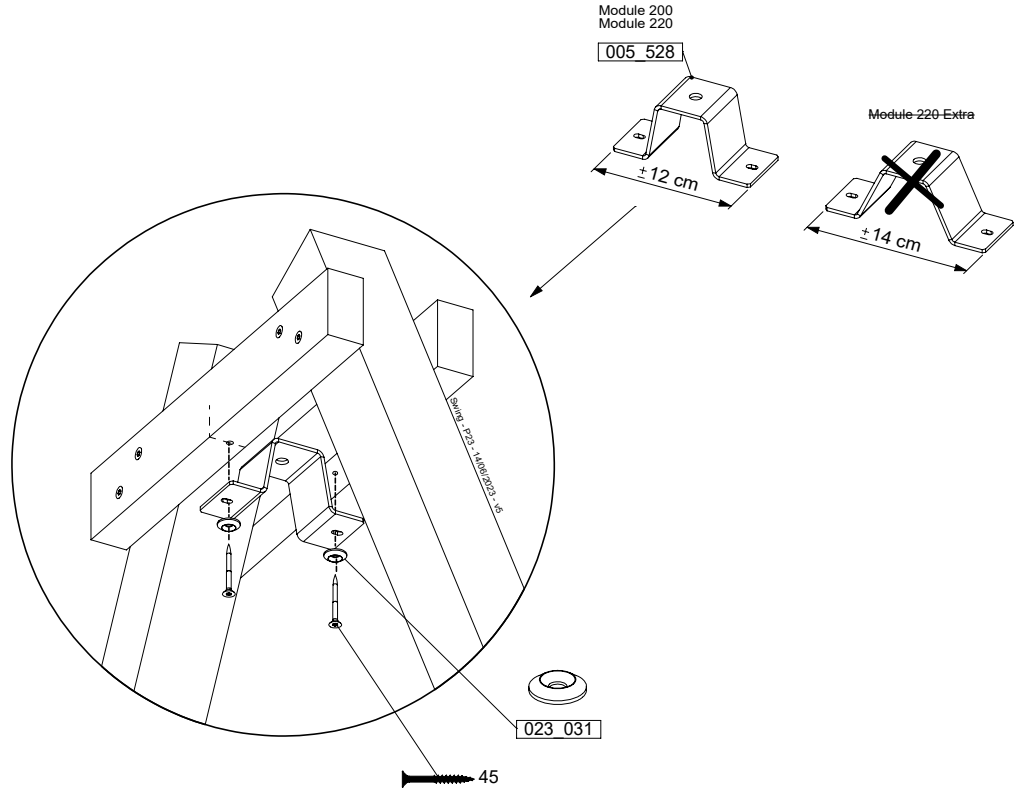
# 13.1



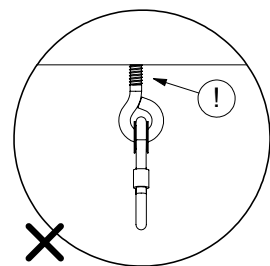
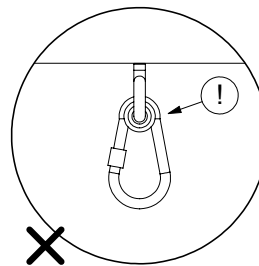
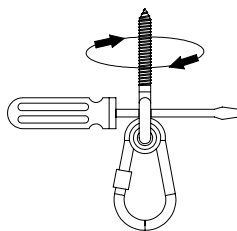
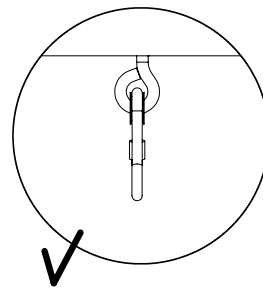
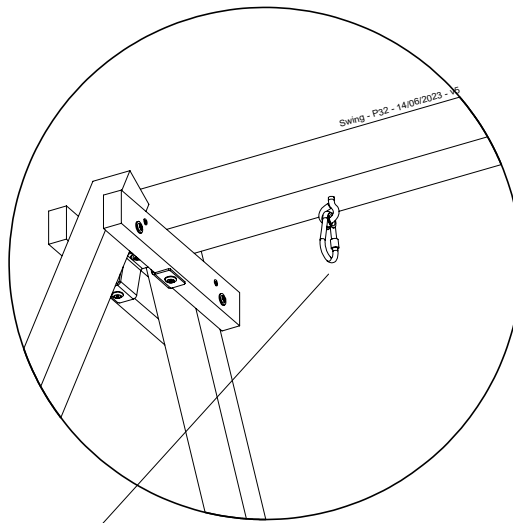
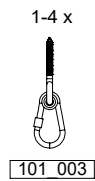
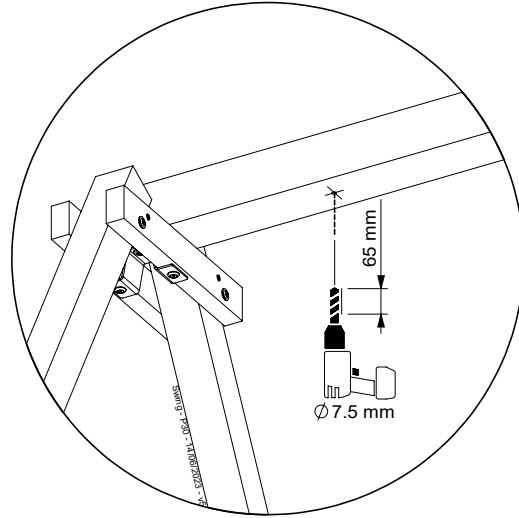
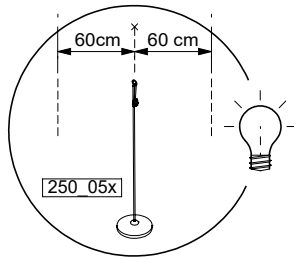
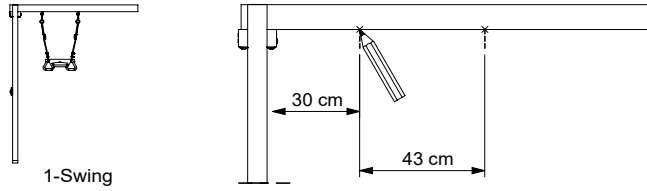
# 13.2



# 13.3

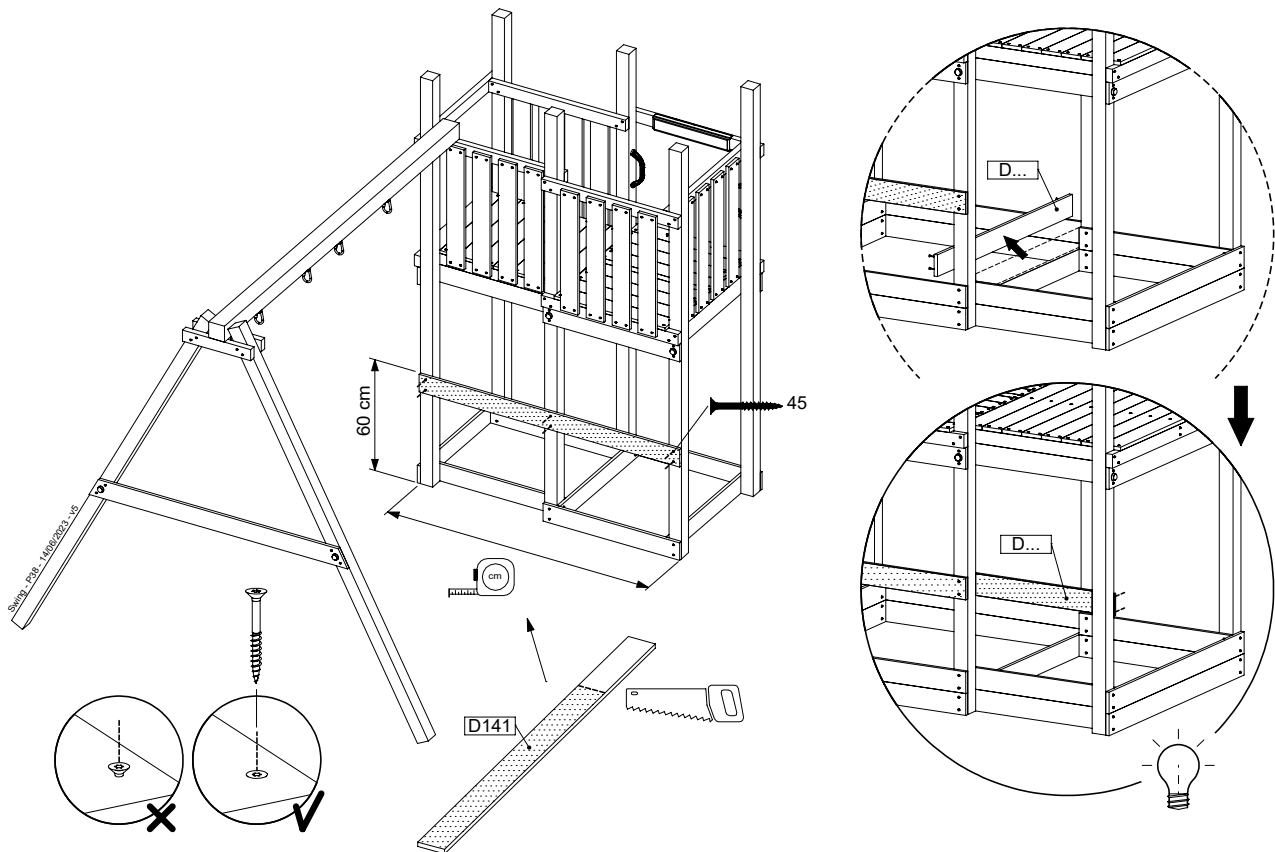
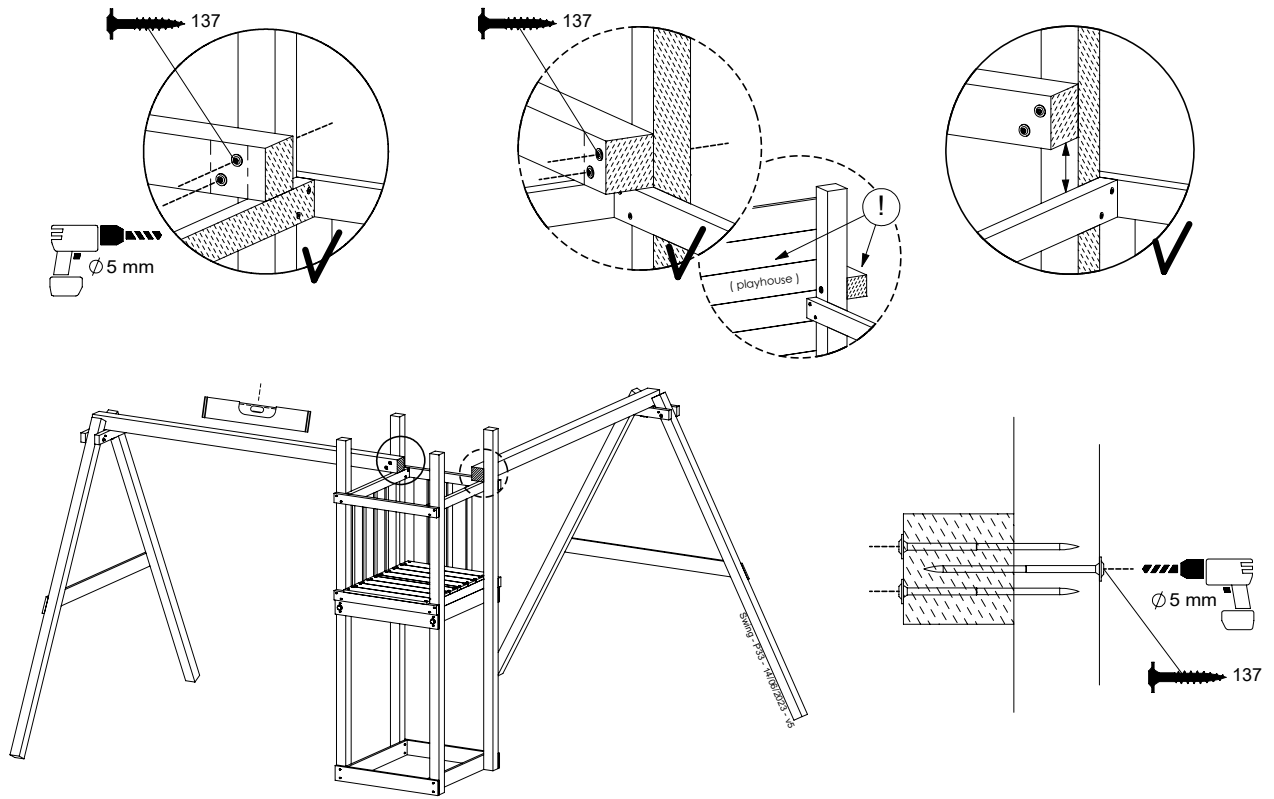


# 13.4

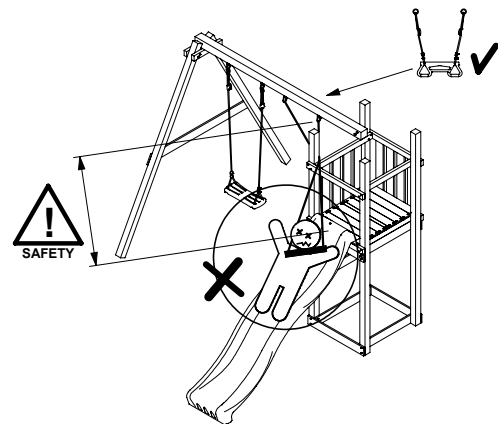
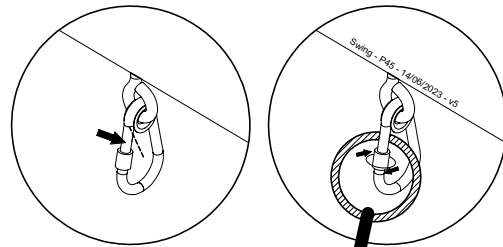
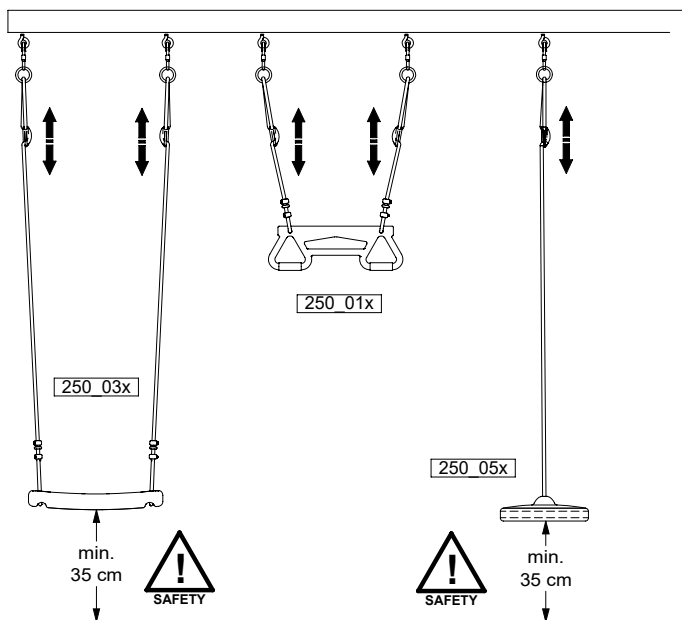
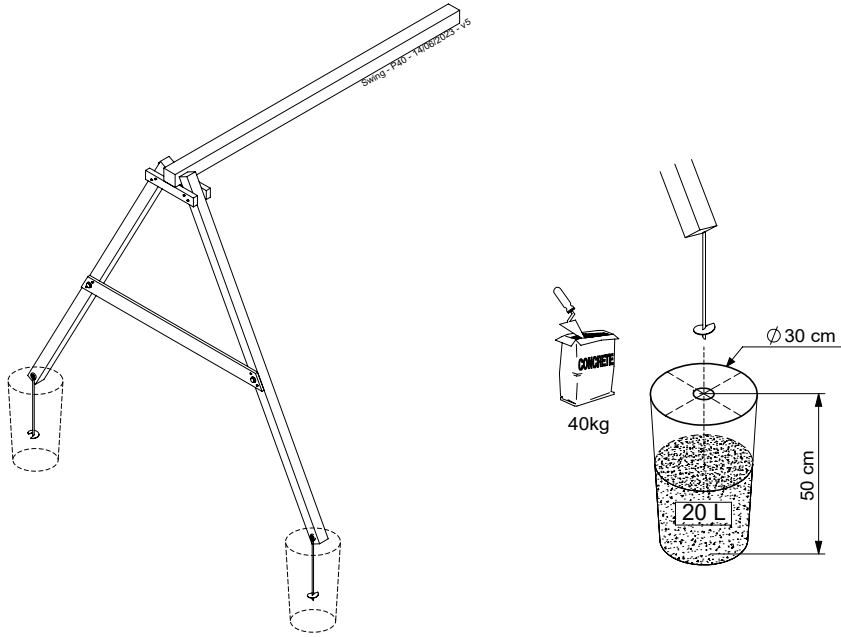




# 13.5



# 13.6

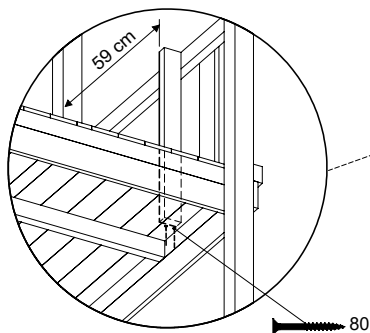
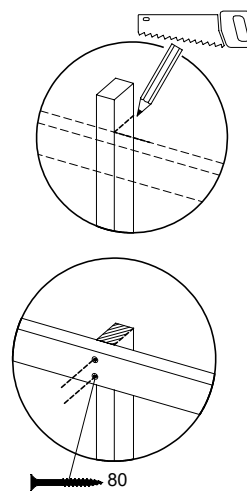
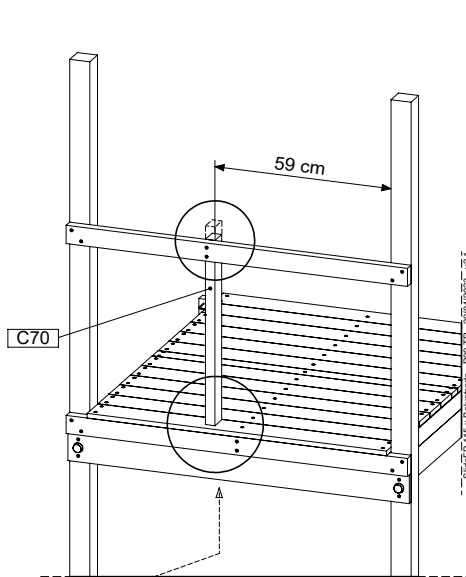
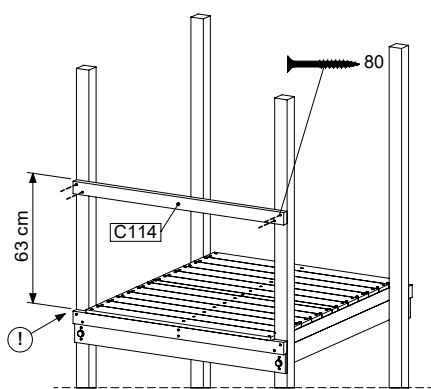
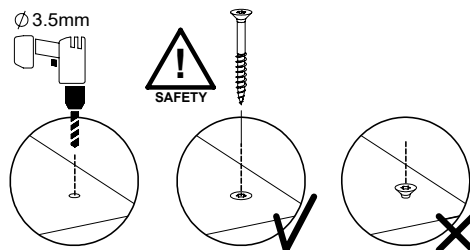
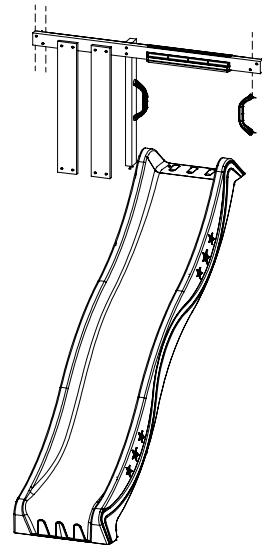


# 14 SL09a: Slide 115 125 T Right

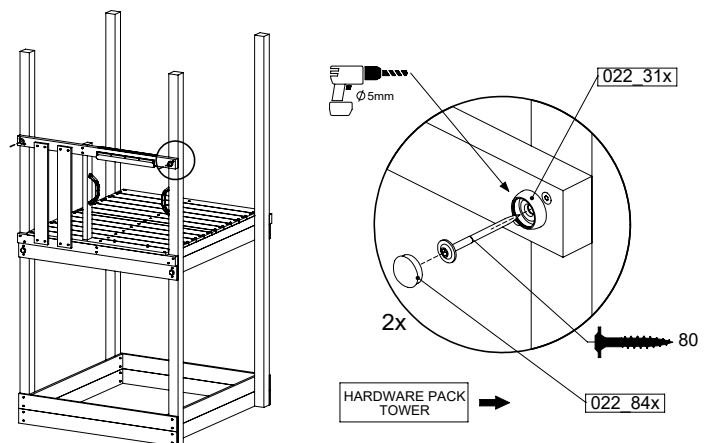
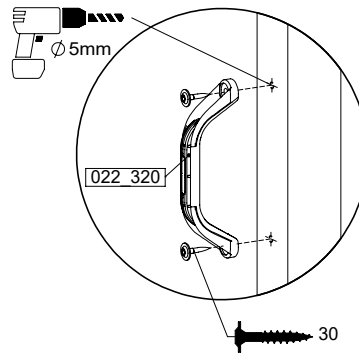
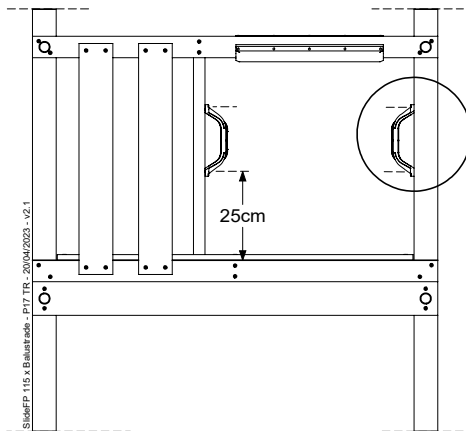
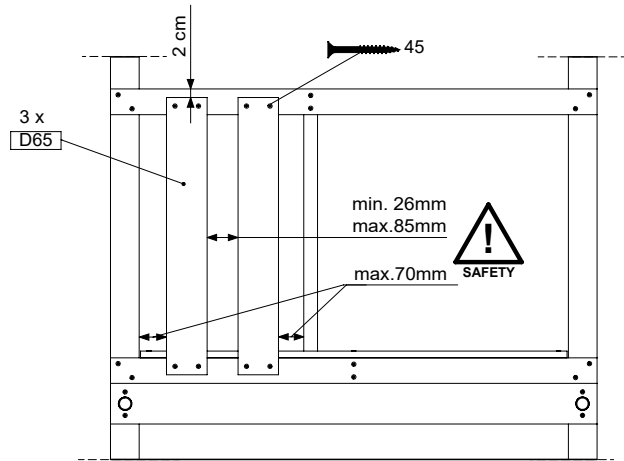
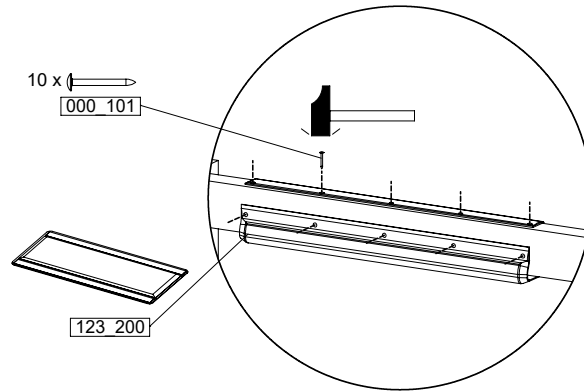
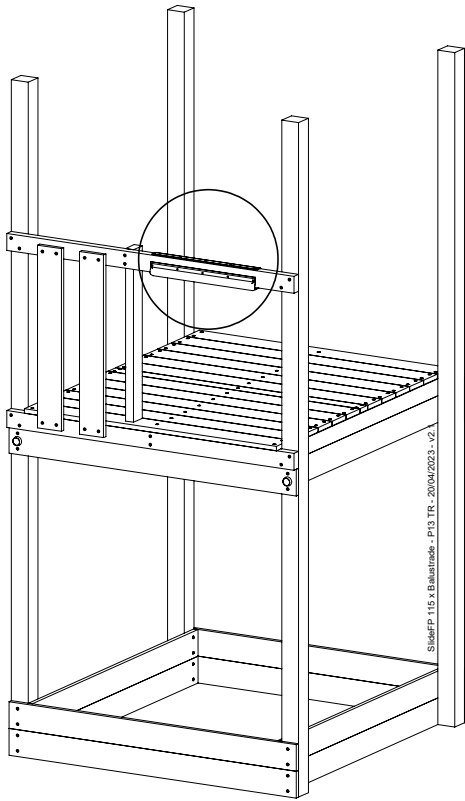
( 194\_107 + 194\_101 )

	PartNo	PartName	QTY.
Hardware Pack	000_101	Nail Pan Head	10
	002_220	Gap Point Screw T25 - 5x45	8
	002_223	Gap Point Screw T25 - 5x80	8
	002_308	Gap Point Screw T25 - 5x20	2
Other	120_102	Handgrip set (complete 2x)	1
	123_200	Bumperpad	1
	324_xxx 334_xxx	Wavy Star Slide XL 2200 mm / Wavy Star Slide XXL 2650 mm	1
Timber	C114	Beam 1140 mm	1
	C70	Beam 700 mm	1
	D65	Board 650 mm	2

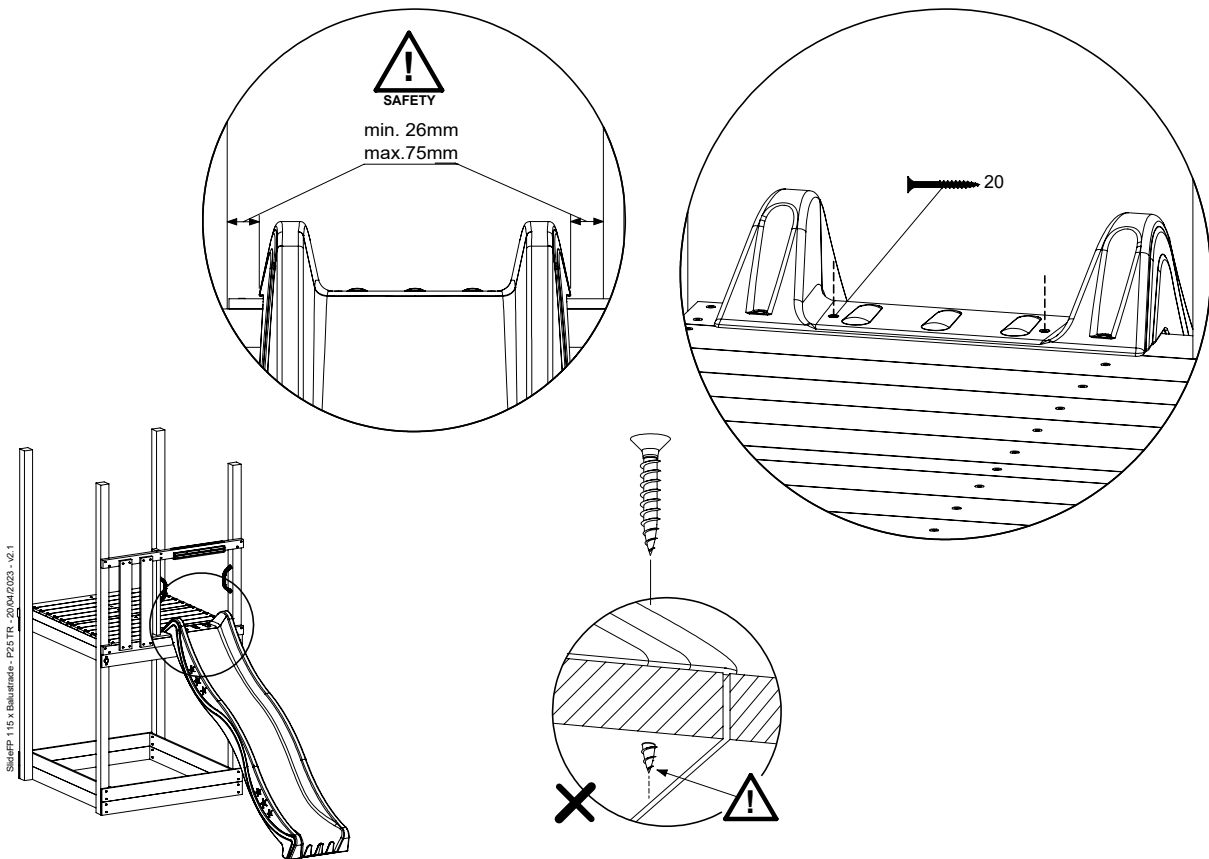
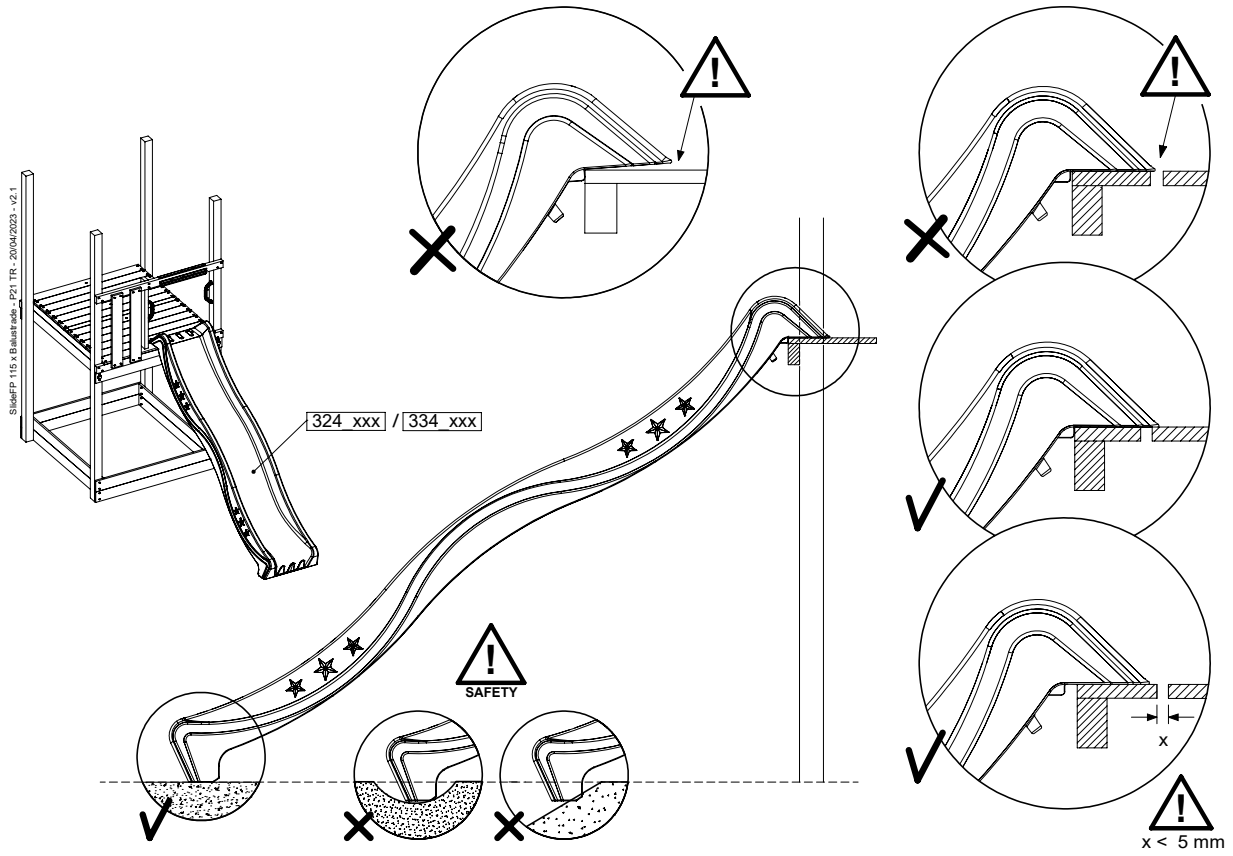
SlideFP 115 x Baumtrapez - P05 TR - 20/04/2023 - v2.1



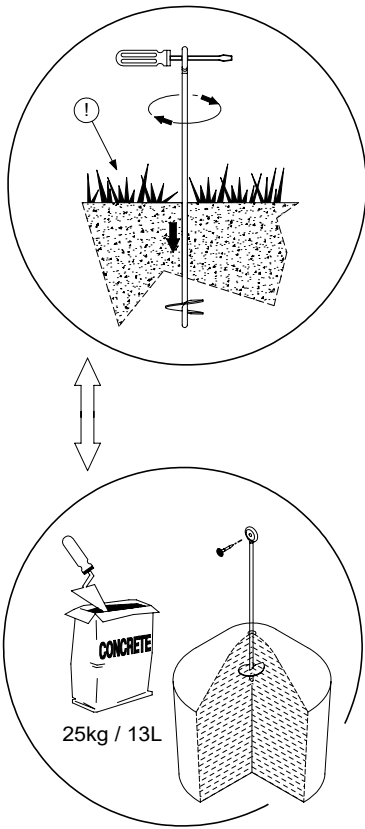
# 14.1



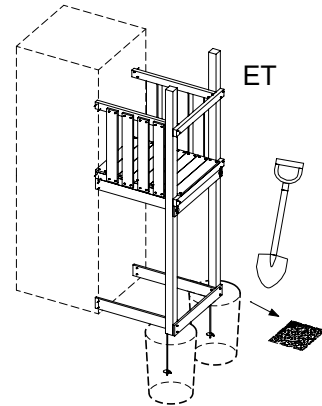
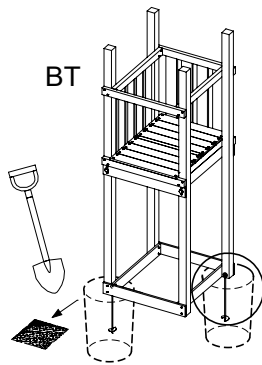
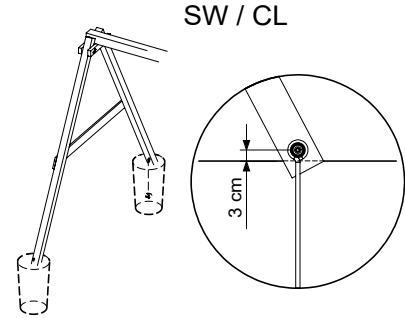
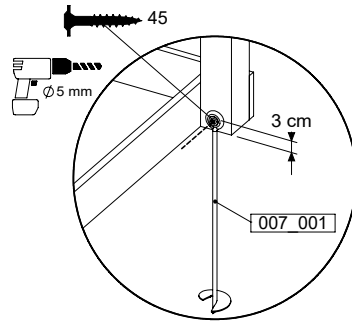
# 14.2



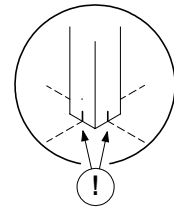
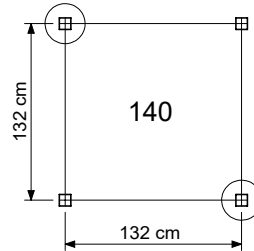
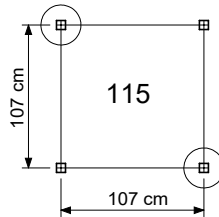
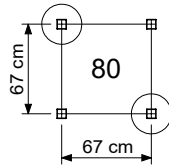
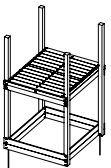
# 15 GA: Ground Anchors



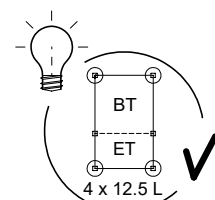
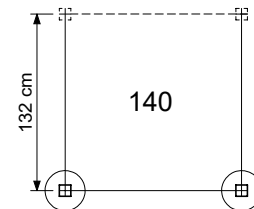
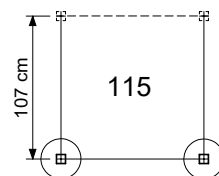
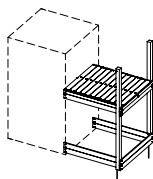
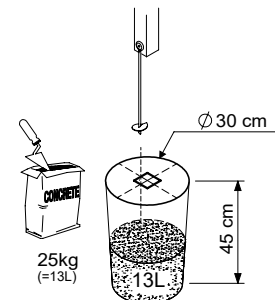
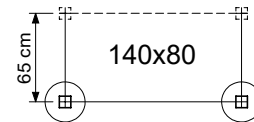
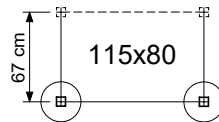
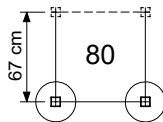
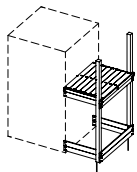
Ground Anchors Unit - P03 - 04/07/2023 - v1.2



BASE TOWERS

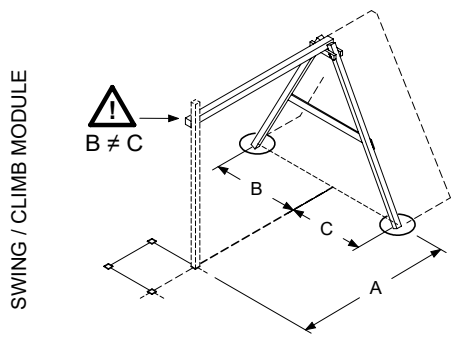
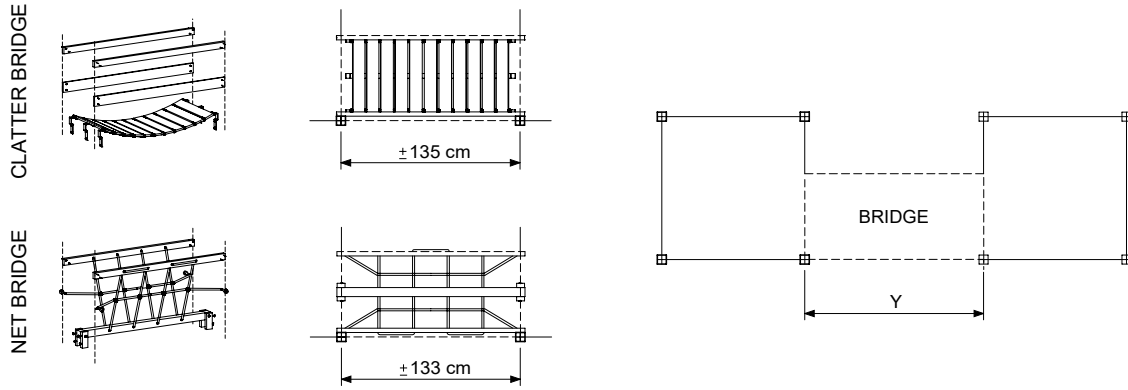


EXTENSION TOWERS



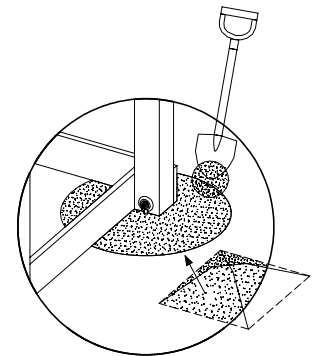
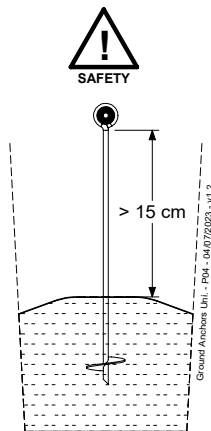
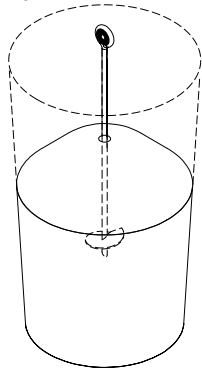
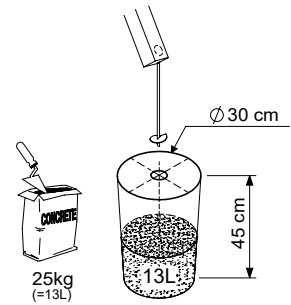
Ground Anchors Unit - P01 - 04/07/2023 - v1.2

# 15.1



Module type	A	B	C
1-Swing 200	150	115	100
1-Swing 220 / 220 Extra		120	105
2-Swing 200	210	115	100
2-Climb 200			
1-Climb 200	142	120	105
1-Climb 220 / 220 Extra			
2-Swing 220 / 220 Extra	230	120	105
2-Climb 220 / 220 Extra			

Ground Anchors Uni. - P02 - 04/07/2023 - v1.2

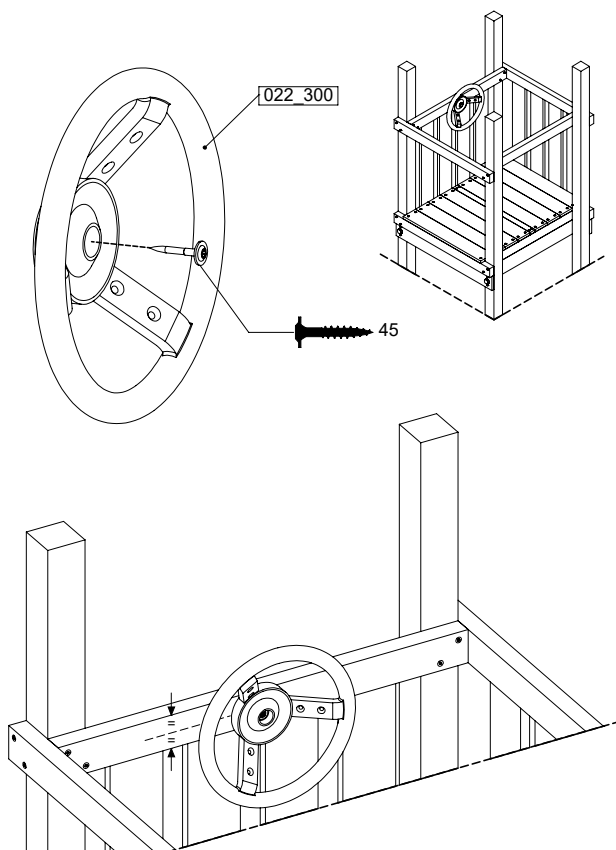
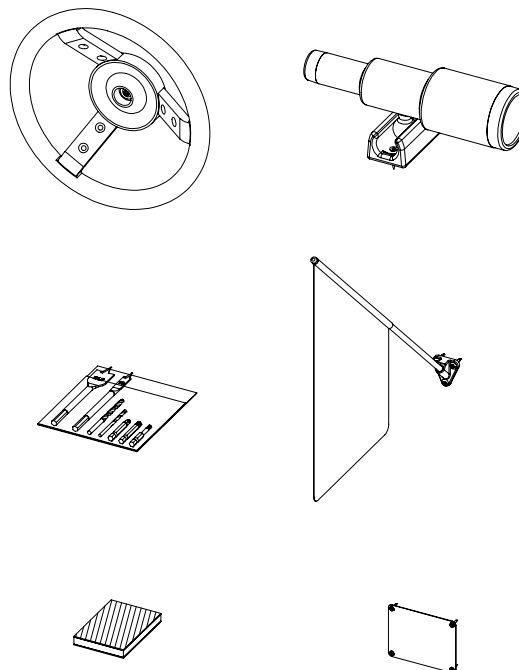


# 16 AC01a: Accessories

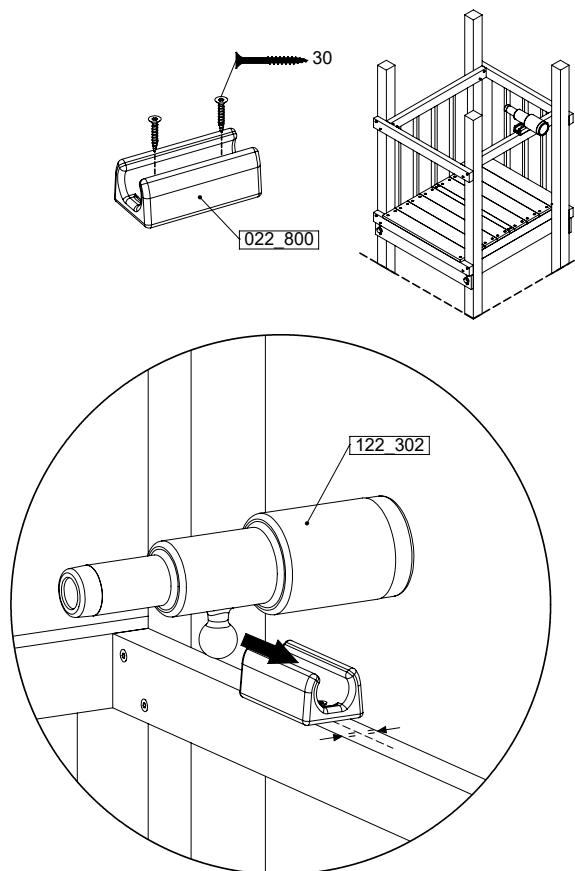
( 194\_119 )

	PartNo	PartName	QTY.
Hardware Pack 100_617	001_406	Stealth Screw 8x45	1
	002_041	Dome head screw 4.5 x 20 mm	3
	002_042	Dome head screw 3.5 x 13mm	4
	002_219	Gap Point Screw T25 - 5x30	2
Other	022_300	Steering Wheel	1
	022_800	Rail P/T 105	1
	022_910	Sandpad	1
	103_901	Logo ID Plate	1
	104_107	Tool Set Climbing Units	1
	120_024	Tower Flag	1
	122_302	Telescope	1

Accessory set - P102 - 06/07/2023 - v5

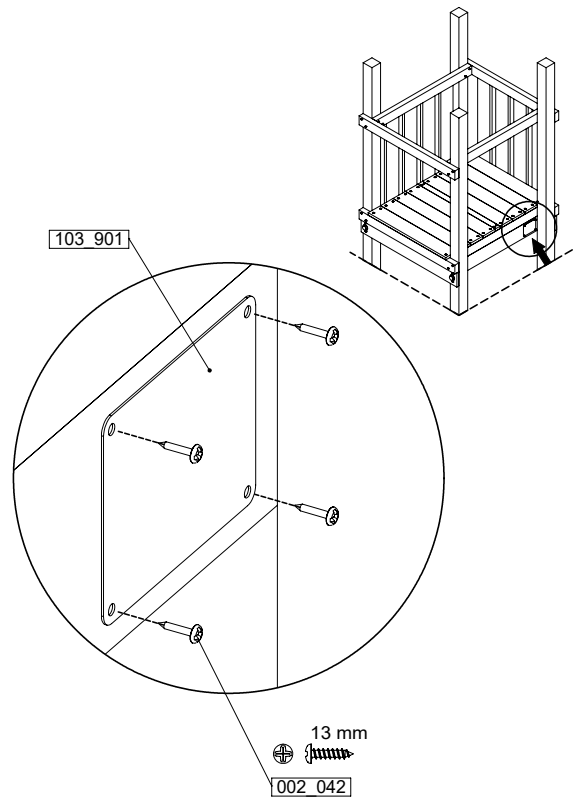
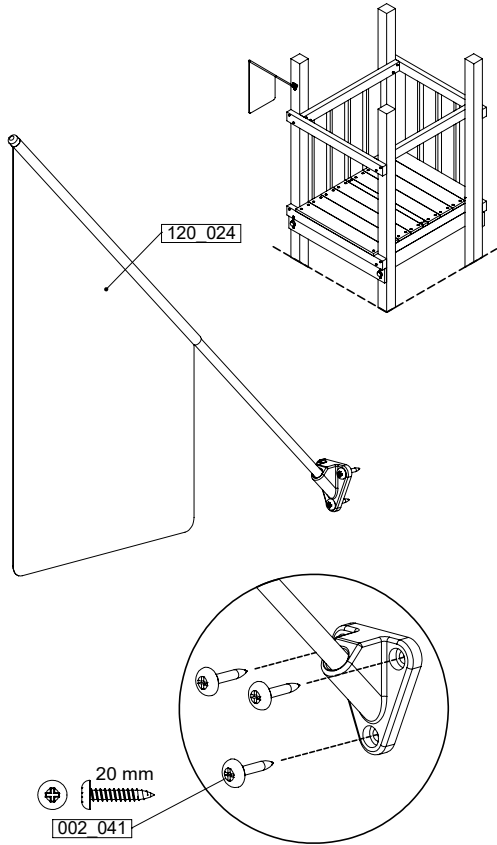


Accessory set - P103 - 06/07/2023 - v5

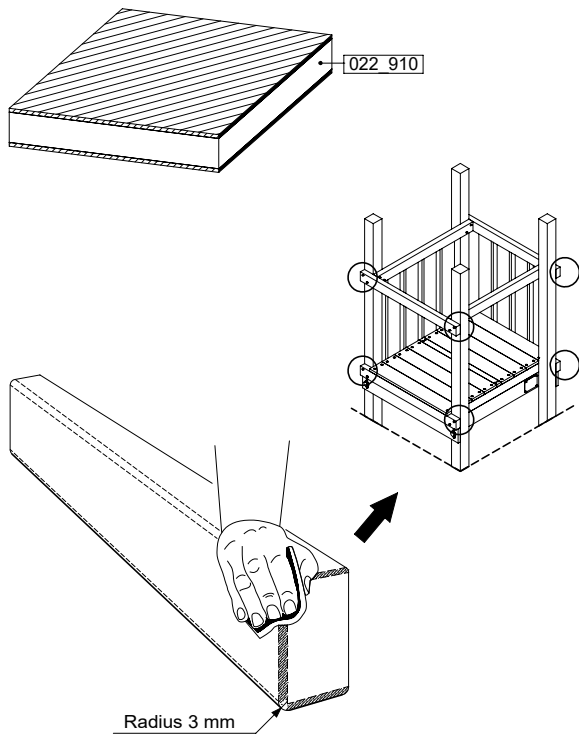




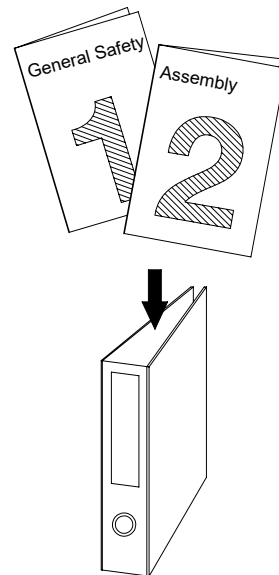
# 16.1



Accessory set - P04 - 06/07/2023 - v5



Accessory set - P05 - 06/07/2023 - v5



# 17 Conformity

## Declaration of Conformity

# Jungle Gym

BACKYARD PLAYGROUNDS

since 1988

### Manufacturer details

Company Name

Jungle Gym B.V.

Tag-line

Backyard Playgrounds

Address

P.O. Box 75083, 1070 AB Amsterdam, Netherlands

### Activity toys for domestic use

Product Range Identification

Construction Packages (Sub-Assembly)

Universal Packs / Base Towers / Extension Towers / Roofs / Means of Exit/Access / Add-ons : 790\_001 ... 794\_911

Assembly

Playtowers : 801\_005 ... 200

Links : 870\_100 ... 105

Accessories : 123\_220 ... 250\_075

Playhouses : 830\_150 ... 253, 835\_251 ... 253

Swings : 801\_300, \_600, \_601

Slides (XL) : 324\_100 ... 600

Modules : 850\_180 ... 415

Slides (XXL) : 334\_100 ... 600

: 857\_103, 857\_108

Playtowers: 802\_202 ... 208

857\_151, 857\_158

803\_202 ... 210

809\_202 ... 804

### Applicable EC directives and standards

Chemical References

1. Migration of certain elements (17x + Chr VI + tin) as required in TSD 2009/48/EC and its amendments. Scrape off toy material. Tested according to EN 71-3:2019.

5. Content of 7 Phthalates (18x) according to REACH (EG) no.1907/2006, Annex XVII. Tested according to COC-CH-C1011-09.3 and EN 15777 / QMA 2011.1300

9. Content of 3 Flame retardants according to REACH (EG) no. 1907/2006, Annex XVII. Tested according to EN 62321-6.

2. Migration of solvents, monomers and plasticizers as specified in "Safety for Toys: Organic Chemical Compounds", EN 71-9: 2005 + A1: 2007. Tested according to EN 71-10: 2005 & EN 71-11: 2005.

6. Content of Cadmium according to REACH (EG) no. 1907/2006, Annex XVII. Tested according to EN 17294-2

10. Ni release according to REACH (EG) no. 1907/2006, Annex XVII. Tested according to EN 71-3:2013+A1:2014.

3. Content of N-nitrosamines and N-nitrosatable substances as specified in EN standard 71-12: 2013. Tested according to EN 71-12: 2013.

7. Formaldehyde according to REACH (EG) no. 1907/2006, Annex XVII. Tested according to EN 14184

11. Sweat and Salvia resistance tested according to DIN 53160

4. Content of 18 PAHs (Polycyclic Aromatic Hydrocarbons) as referred in AfPS GS 2014:01 PAK (Replaced on 2019:01). Tested according to QMA 2011.1284

8. Azo dyes according to REACH (EG) no. 1907/2006, Annex XVII. Tested according to BVL B 82.02-2.

Mechanical physical properties + flammability

EN 71 - 1 : 2014 + A1: 2018 EN 71 - 2 : 2011 + A1: 2014 EN 71 - 8 : 2018

### Supplementary information

Conformity to the above specified directives and standards has been frequently verified and is continuously monitored by TÜV Süd, TÜV Rheinland LGA products, DEKRA (DE), STR Ltd (UK), LNE SA (FR), LMR Ltd (US) and IPS N.V. (BE) since 1994. Jungle Gym participates in the European Commission for standardisation for the safety of activity toys ( TC52 / WG 10).

### Declaration

I hereby declare under our sole responsibility that the products mentioned above, to which this declaration relates, complies with the above mentioned directives and standards.



Name

Mr. P. Schmit / Director

Issued date

Januari 2<sup>nd</sup>, 2023

Signature of representative