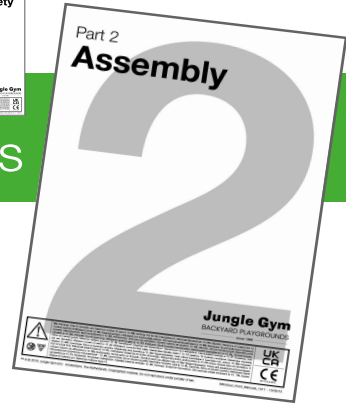


Part 2

Assembly

Instructions



Config ID: YuCOvn
Date: 2023-09-07



Manual Part 1



Important

This assembly manual should always be read in conjunction with the General Safety manual part 1 as included in the hardware package of your playground equipment.

Please read these safety instructions carefully before starting the assembly work.

Jungle Gym

BACKYARD PLAYGROUNDS

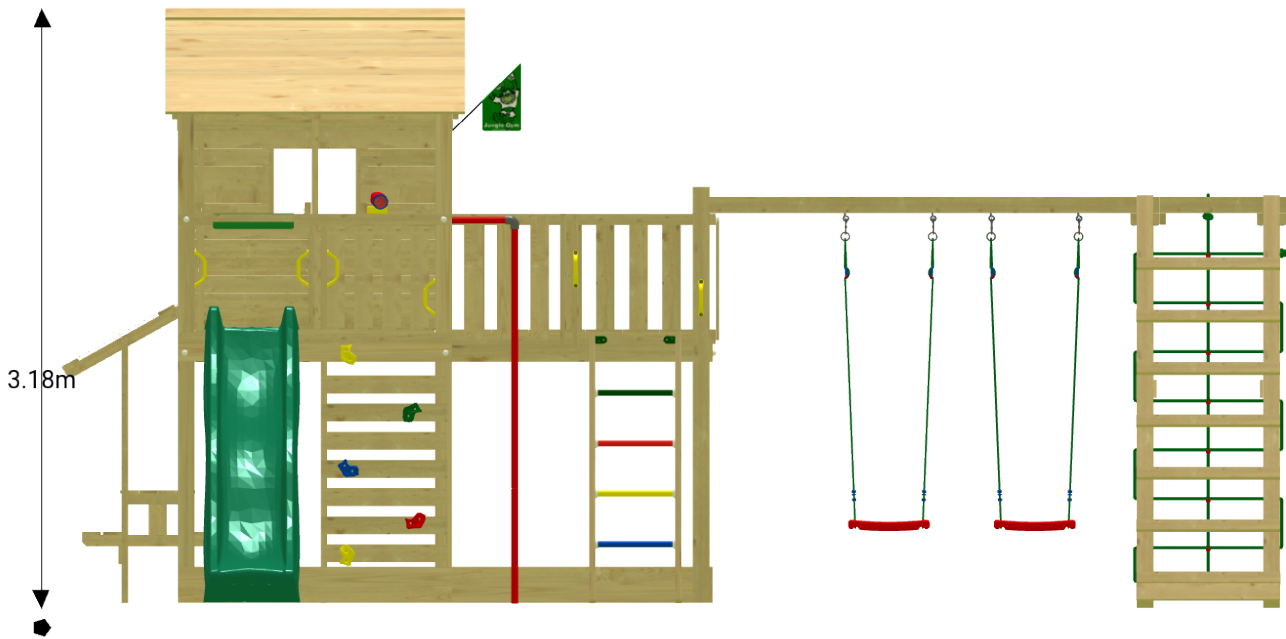
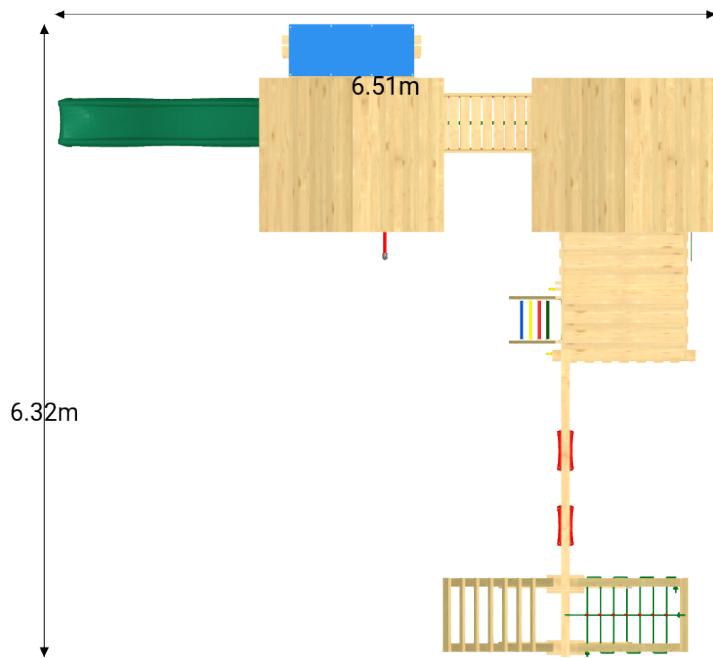
since 1988



EN. Warnings. Only for domestic use. Maximum number of users is 7. **DE.** Achtung. Nur für den Hausgebrauch. Maximale Benutzerzahl: 7. **FR.** Attention. Réserve à un usage privé. Le nombre maximal d'utilisateurs est de 7. **NL.** Waarschuwingen. Uitsluitend voor huishoudelijk gebruik. Het maximale aantal gebruikers is 7. **BG.** Внимание. За употреба само в домашни условия. Максималният брой потребители е 7. **ES.** Advertencias. Sólo para uso doméstico. Número máximo de usuarios: 7. **CS.** Varování. Jen pro domácí použití. Maximální počet uživatelů je 7. **DA.** Advarsler. Kun til privat brug. Maksimum antal brugere er 7. **ET.** Hoiatused. Ainult koduseks kasutamiseks. Maksimaalne kasutajate arv on 7. **EL.** Προειδοποιήσεις. Μόνο για οικιακή χρήση. Μέγιστος αριθμός χρηστών 7. **IS.** Varnaðarorð. Eingöngu fyrir einkanotkun í heimahúsum og á einkalóðum. Hámarksfjöldi notenda er 7. **IT.** Avvertenze. Solo per uso domestico. Massimo numero di utenti è 7. **LV.** Brīdinājumi. Izmantot tikai mājās. Maksimālais lietotāju skaits ir 7. **LT.** Įspėjimai. Tik buitiniam naudojimui. Maksimalus naudotojų skaičius HR. Upozorenja. Samo za kućansku uporabu. Maksimalan broj korisnika je 7. **HU.** Figyelmeztetések. Csak otthoni használatra! A használók max. száma: 7. **NO.** Advarsler. Kun for privat bruk. Maksimalt antall brukere er 7. **PL.** Ostrzeżenia. Wyłącznie do użytku domowego. Maksymalna liczba użytkowników to 7. **PT.** Avisos. Apenas para uso doméstico. O número máximo de utilizadores é 7. **RO.** Avertismente. Numai pentru uz domestic. Numărul maxim de utilizatori este 7. **RU.** Предостережения. Только для домашнего использования. Максимальное количество пользователей - 7. **SK.** Upozornenia. Iba na domáce použitie. Maximálne množstvo osôb je 7. **SL.** Opozorila. Samo za domačo uporabo. Maksimalno število uporabnikov je 7. **FI.** Varoitukset. Ainoastaan kotikäyttöön. Käyttäjää yhteensä enintään 7. **SR.** Upozorenja. Samo za kućnu upotrebu. Maksimalan broj korisnika je 7. **SV.** Varningar. Endast för hemmabruk. Det maximala antalet användare är 7. **TR.** Uyarılar. Sadece ev kullanımı için. Maksimum kullanıcı sayısı 8.



1 Views

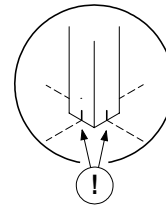
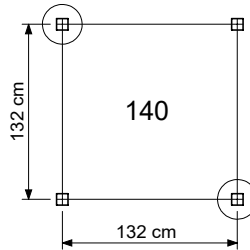
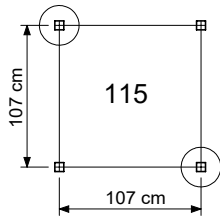
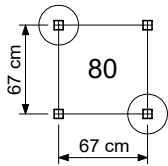
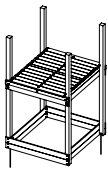


2 Order list

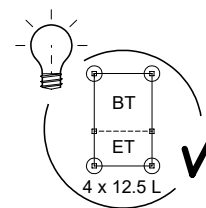
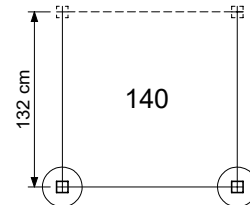
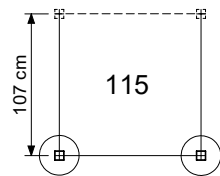
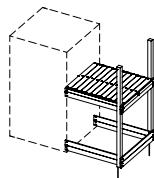
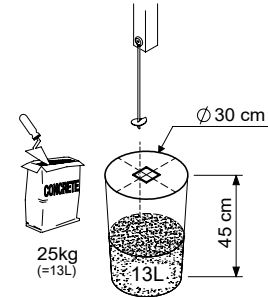
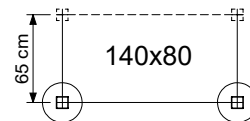
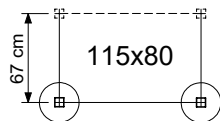
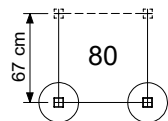
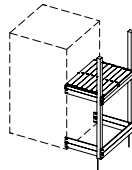
| Nr. | SKU | Description | ID | # |
|-----|---------|--------------------------------|---------|---|
| 1 | 794_432 | Ladder 140_145 | LA24 | 1 |
| 2 | 794_001 | Base Tower 140_270270 | BT20a | 2 |
| 3 | 794_107 | Extension Tower 140140_220_145 | ET39a | 1 |
| 4 | 794_203 | Roof Chalet 140 | RF15a | 2 |
| 5 | 794_301 | Balustrade 140 | BL05a | 2 |
| 6 | 794_301 | Balustrade 140 | BL06a | 1 |
| 7 | 794_302 | Balustrade 70/140 | BL07a | 2 |
| 8 | 794_311 | Playhouse Wall Panel 140 | PH20a | 1 |
| 9 | 794_313 | Playhouse Window Panel 140 | PH27a | 1 |
| 10 | 794_314 | Playhouse Roof Panels 140 | PH33a | 1 |
| 11 | 794_402 | Rock wall 140_145 | RW20a | 1 |
| 12 | 794_503 | Picnic 140 | PC09a | 1 |
| 13 | 790_601 | Bridge 80 | CB01a | 1 |
| 14 | 794_602 | Bridge Frame 140 | BF23a | 1 |
| 15 | 794_602 | Bridge Frame 140 | BF24a | 1 |
| 16 | 794_901 | Slide 70/140 | SL28a | 1 |
| 17 | 794_911 | FMP 70/140 | FP26a | 1 |
| 18 | 750_232 | 2- Climb Module 220_Extra | CL21a | 1 |
| 19 | 194_119 | AP Accessory set | AC01a | 1 |
| 20 | 250_034 | Swing Seat Kit • Red | AC21a | 2 |
| 21 | 123_230 | Mesh green | AC30a | 1 |
| 22 | 334_x00 | Wavy Star Slide XXL | 334_x00 | 1 |

3 Anchor Plan

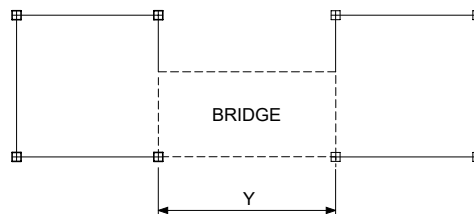
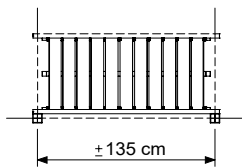
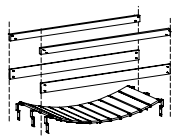
BASE TOWERS



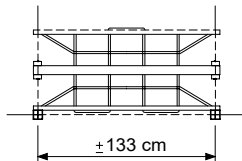
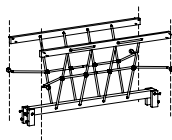
EXTENSION TOWERS



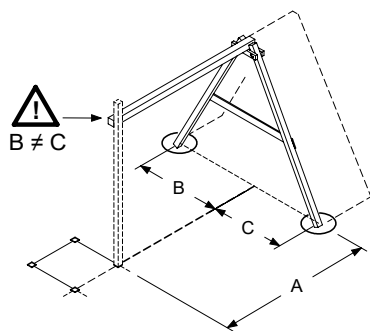
CLATTER BRIDGE



NET BRIDGE

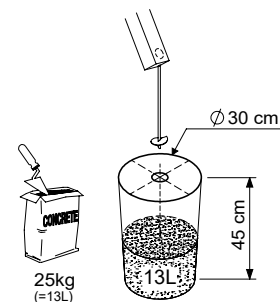


SWING / CLIMB MODULE



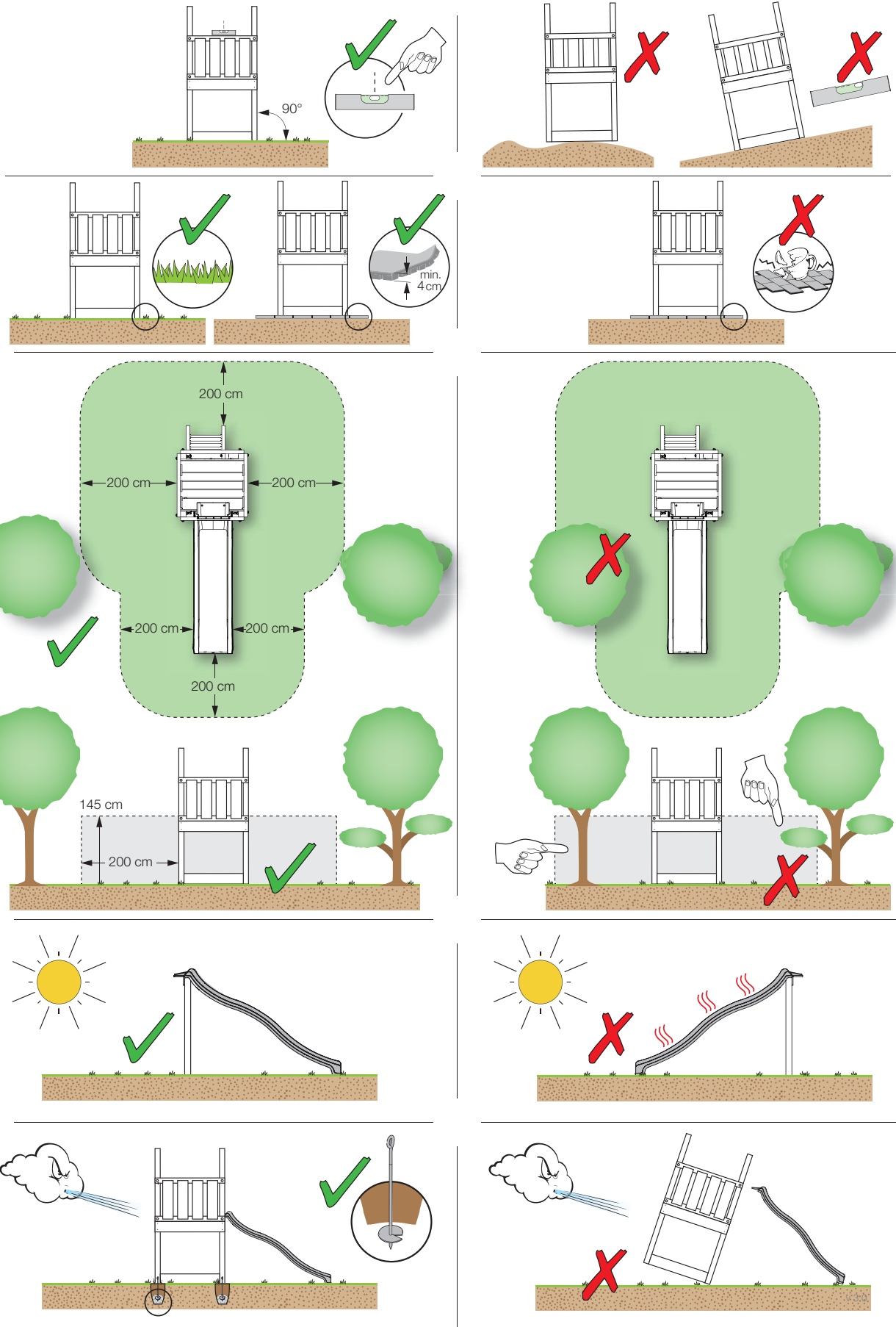
| Module type | A | B | C |
|-------------------------|-----|-----|-----|
| 1-Swing 200 | 150 | 115 | 100 |
| 1-Swing 220 / 220 Extra | | 120 | 105 |
| 2-Swing 200 | 210 | 115 | 100 |
| 2-Climb 200 | | | |
| 1-Climb 200 | 142 | 120 | 105 |
| 1-Climb 220 / 220 Extra | 162 | | |
| 2-Swing 220 / 220 Extra | 230 | 120 | 105 |
| 2-Climb 220 / 220 Extra | | | |

Ground Anchors Unit - POZ - 04/07/2023 - v1.2

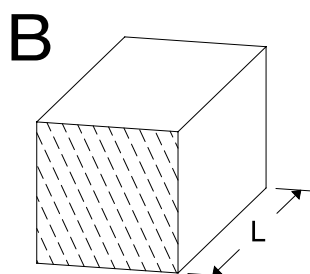


Ground Anchors Unit - POZ - 04/07/2023 - v1.2

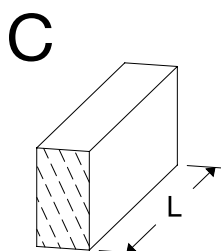
3.1 Safe Playground



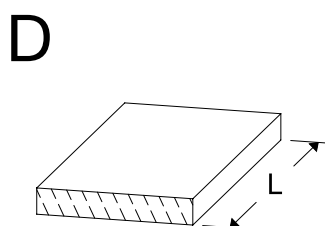
4 Timber parts



| | | |
|------|-----------------|---|
| B67 | 66 cm - 67 cm | 1 |
| B220 | 219 cm - 220 cm | 2 |
| B240 | 239 cm - 240 cm | 5 |
| B270 | 269 cm - 270 cm | 8 |

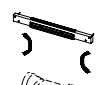



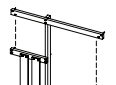
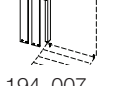




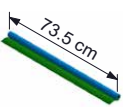
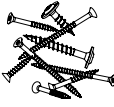



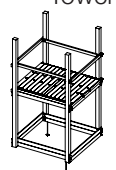

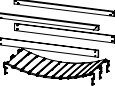



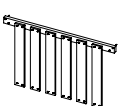


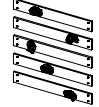



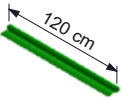


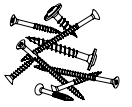

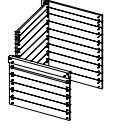



| | | |
|------|-----------------|----|
| C37 | 36 cm - 37 cm | 8 |
| C70 | 69 cm - 70 cm | 5 |
| C74 | 73 cm - 74 cm | 12 |
| C84 | 83 cm - 84 cm | 4 |
| C96 | 85 cm - 96 cm | 10 |
| C123 | 122 cm - 123 cm | 1 |
| C141 | 140 cm - 141 cm | 33 |
| C150 | 149 cm - 150 cm | 2 |
| C206 | 205 cm - 206 cm | 1 |

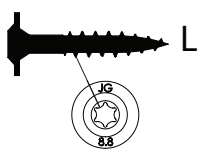
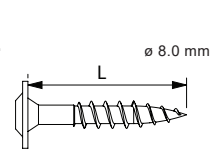
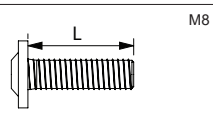
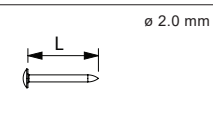
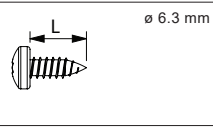
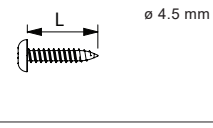
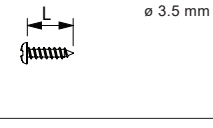
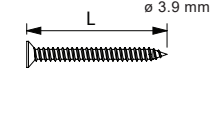


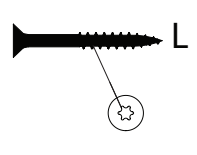
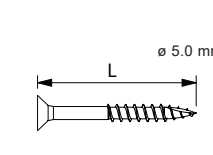
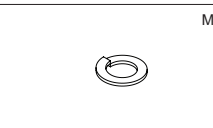
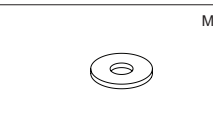
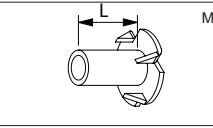
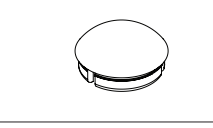
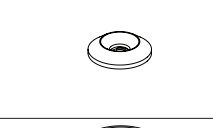

| | | |
|------|-----------------|----|
| D47 | 46 cm - 47 cm | 9 |
| D60 | 59 cm - 60 cm | 12 |
| D65 | 64 cm - 65 cm | 42 |
| D74 | 73 cm - 74 cm | 2 |
| D100 | 99 cm - 100 cm | 2 |
| D123 | 122 cm - 123 cm | 61 |
| D141 | 140 cm - 141 cm | 69 |
| D154 | 153 cm - 154 cm | 48 |

5 Assembly packs & accessories

| | | | | |
|--|---|--|--|--|
| <p>Slide Frame</p>  <p>SL</p>  <p>194_107</p> <p>1x</p> | <p>Roof Timber 140</p>  <p>RF</p>  <p>194_508</p> <p>2x</p> | <p>Bridge Frame</p>  <p>BF</p>  <p>194_007</p> <p>2x</p> | <p>Accessory Set</p>  <p>AC</p>  <p>194_119</p> <p>1x</p> | <p>Hardware 10</p>  <p>H10</p>  <p>194_810</p> <p>1x</p> |
| <p>Canvas 136 x 74cm</p>  <p>73.5 cm</p> <p>123_220</p> <p>1x</p> | <p>Hardware 09</p>  <p>H09</p>  <p>194_809</p> <p>1x</p> | <p>Swing Seat</p>  <p>AC</p>  <p>250_034</p> <p>2x</p> | <p>Tower 140</p>  <p>BT ET</p>  <p>194_500</p> <p>3x</p> | <p>Clatter Bridge</p>  <p>CB</p>  <p>194_116</p> <p>1x</p> |
| <p>Ladder 145</p>  <p>LA</p>  <p>194_004</p> <p>1x</p> | <p>Balustrade 140</p>  <p>BL</p>  <p>194_501</p> <p>4x</p> | <p>Slide 2.6m</p>  <p>1x</p> <p>334_x00</p> | <p>Rock Wall</p>  <p>RW</p>  <p>194_006</p> <p>1x</p> | <p>Fireman's Pole</p>  <p>FP</p>  <p>201_275</p> <p>1x</p> |
| <p>Mesh Green 185 x 120cm</p>  <p>120 cm</p> <p>123_230</p> <p>1x</p> | <p>Climb Frame Kit</p>  <p>CL</p>  <p>457_106</p> <p>1x</p> | <p>Hardware 01</p>  <p>BL H01</p>  <p>194_101</p> <p>2x</p> | <p>Playhouse Panel</p>  <p>PH</p>  <p>194_118</p> <p>1x</p> | |

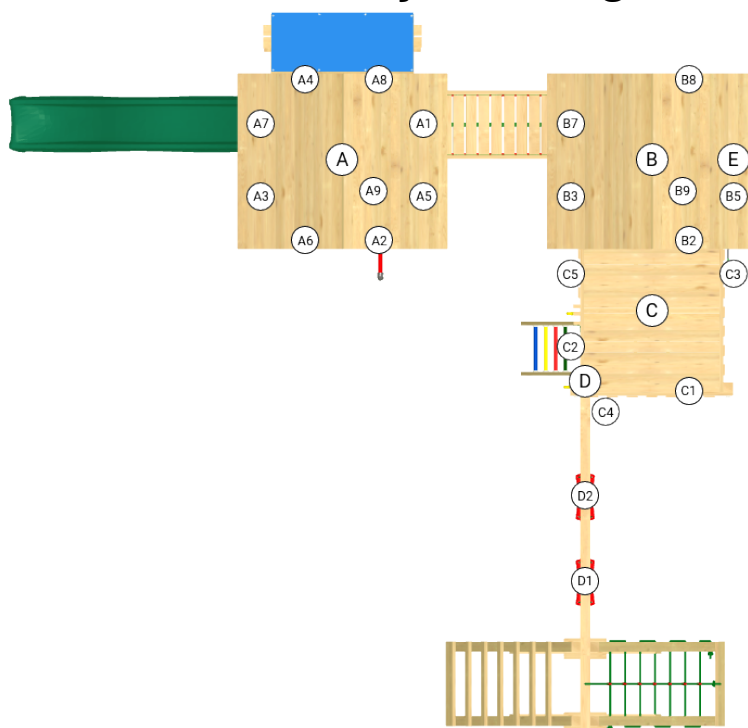
6 Hardware Identification

| | | SKU | L |
|--|---|---|--|
|  |  $\varnothing 8.0 \text{ mm}$ | 001_404 001_406 001_411 001_417 001_422 | 30 mm 45 mm 60 mm 80 mm 137 mm |
| |  M8 | 001_102 | 30 mm |
| |  $\varnothing 2.0 \text{ mm}$ | 000_101 | 20 mm |
| |  $\varnothing 6.3 \text{ mm}$ | 002_036 | 16 mm |
| |  $\varnothing 4.5 \text{ mm}$ | 002_041 | 20 mm |
|  $\varnothing 3.5 \text{ mm}$ | 002_042 | 13 mm | |
|  $\varnothing 3.9 \text{ mm}$ | 002_301 | 40 mm | |







| | | SKU | L |
|--|---|--|----------------------------------|
|  |  $\varnothing 5.0 \text{ mm}$ | 002_308 002_219 002_220 002_223 | 20 mm 30 mm 45 mm 80 mm |
| |  M8 | 003_010 | |
| |  M6 | 003_034 | |
| |  M8 | 004_050 | 22mm |
| |  | 022_845 022_846 022_847 022_848 | Yellow Blue Green Red |
| |  | 023_031 | White |
| |  022_844 022_314 | 120_005 | White |

output: 25/05/23

7 Assembly Planning



| | ID | | | A | B | C | D | E |
|----|-------|--|-----|----|----|----|---|---|
| 1 | BT20a | | p.7 | ✓ | ✓ | - | - | - |
| 2 | ET39a | | p.7 | - | - | ✓ | - | - |
| 3 | RW20a | | p.7 | A3 | - | - | - | - |
| 4 | BL05a | | p.7 | A4 | - | C3 | - | - |
| 5 | BL06a | | p.7 | - | - | C1 | - | - |
| 6 | BL07a | | p.7 | A6 | - | C5 | - | - |
| 7 | RF15a | | p.7 | A9 | B9 | - | - | - |
| 8 | CB01a | | p.7 | A1 | B7 | - | - | - |
| 9 | BF23a | | p.7 | - | B3 | - | - | - |
| 10 | BF24a | | p.7 | A5 | - | - | - | - |
| 11 | PH20a | | p.7 | - | B8 | - | - | - |
| 12 | PH27a | | p.7 | - | - | - | - | ✓ |
| 13 | PH33a | | p.7 | - | B9 | - | - | - |
| 14 | PC09a | | p.7 | A4 | - | - | - | - |
| 15 | LA24 | | p.7 | - | - | C2 | - | - |

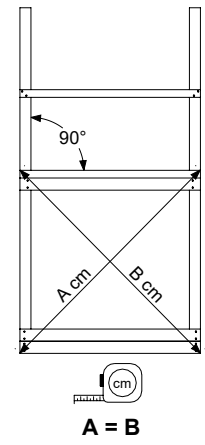
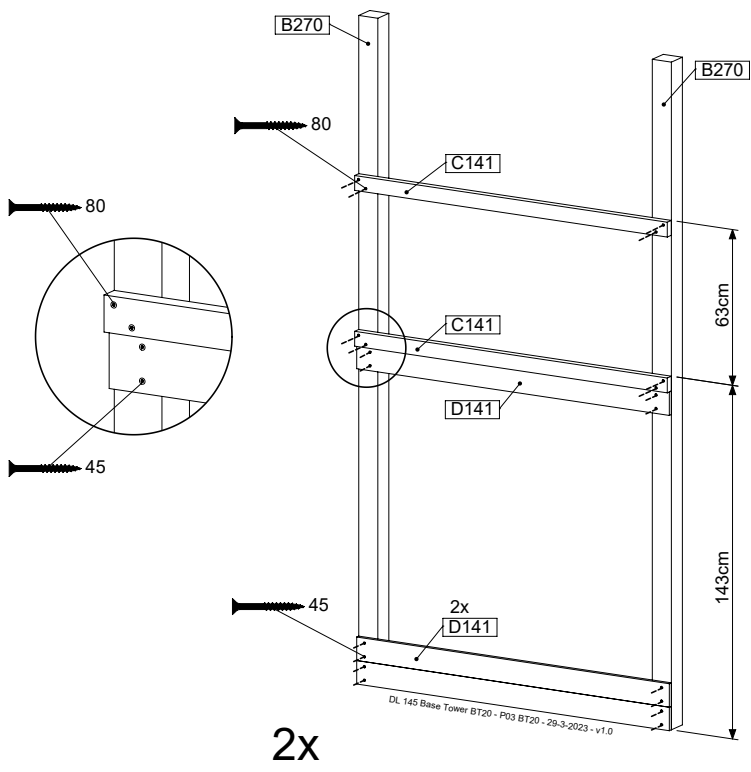
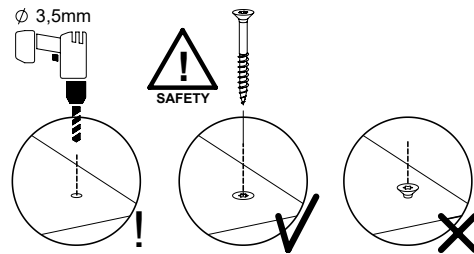
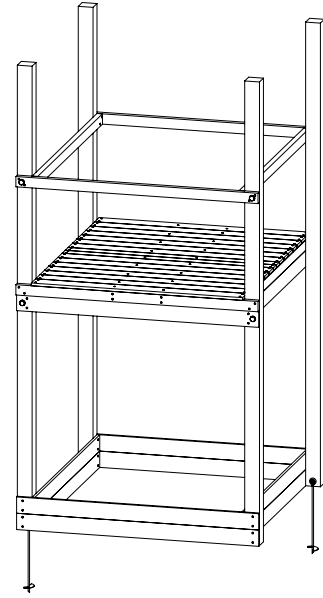
| | ID | | | A | B | C | D | E |
|----|-------|---|-----|----|----|---|---|---|
| 16 | CL21a |  | p.7 | - | - | - | ✓ | - |
| 17 | SL28a |  | p.7 | A7 | - | - | - | - |
| 18 | FP26a |  | p.7 | A2 | - | - | - | - |
| 19 | GA |  | p.7 | ✓ | ✓ | ✓ | ✓ | - |
| 20 | AC30a |  | p.7 | A1 | B7 | - | - | - |
| 21 | AC01a |  | p.7 | - | ✓ | - | - | - |

8 BT20a: Base Tower 140 145cm 270270

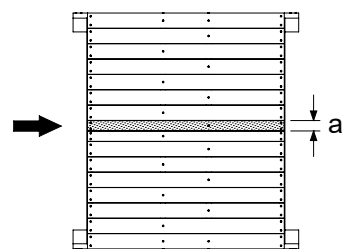
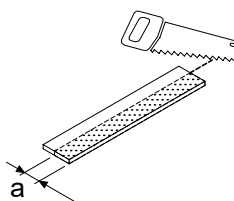
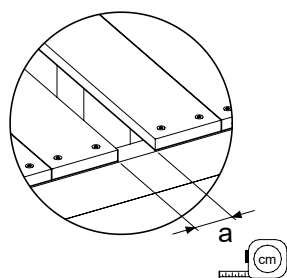
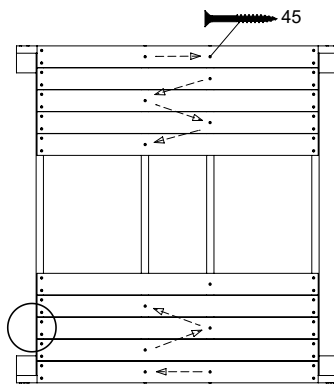
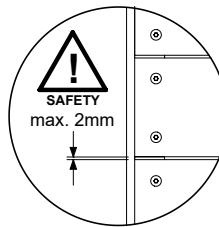
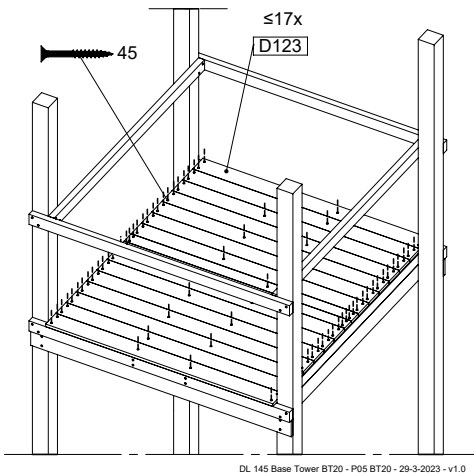
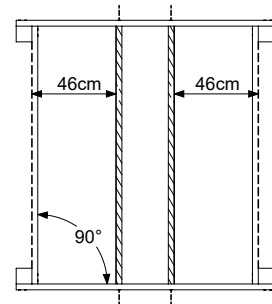
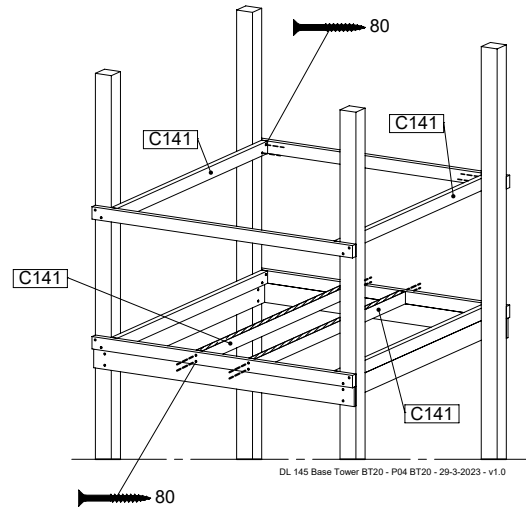
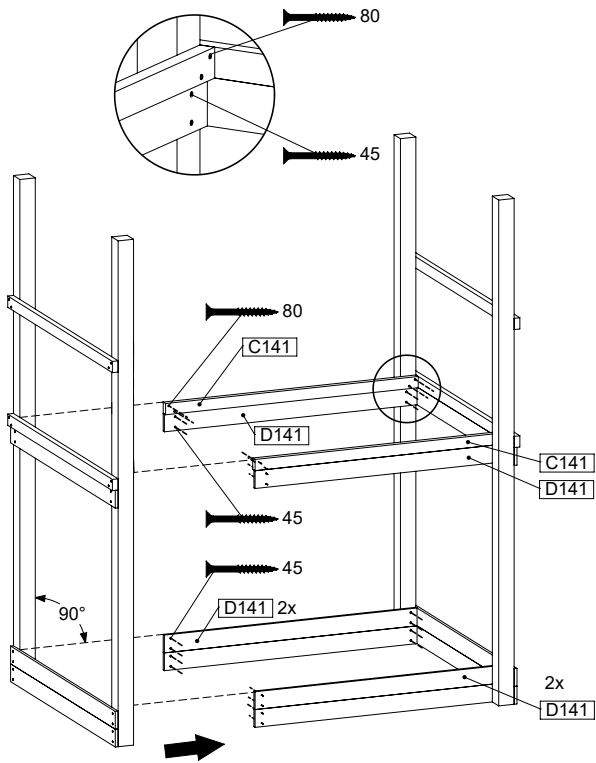
(194_500)

| | PartNo | PartName | QTY. |
|---------------|---------|----------------------------|------|
| Hardware pack | 001_406 | Stealth Screw 8x45 | 6 |
| | 001_417 | Stealth Screw 8x80 | 4 |
| | 002_220 | Gap Point Screw T25 - 5x45 | 135 |
| | 002_223 | Gap Point Screw T25 - 5x80 | 40 |
| Other | 007_001 | Ground-anchor | 2 |
| | 022_31x | bpc-base version 3 | 8 |
| | 022_84x | bpc cover | 8 |
| Timber | B270 | Post 90x90 L2700 | 4 |
| | C141 | Beam 1410 mm | 10 |
| | D123 | Board 1230 mm | 17 |
| | D141 | Board 1410 mm | 12 |

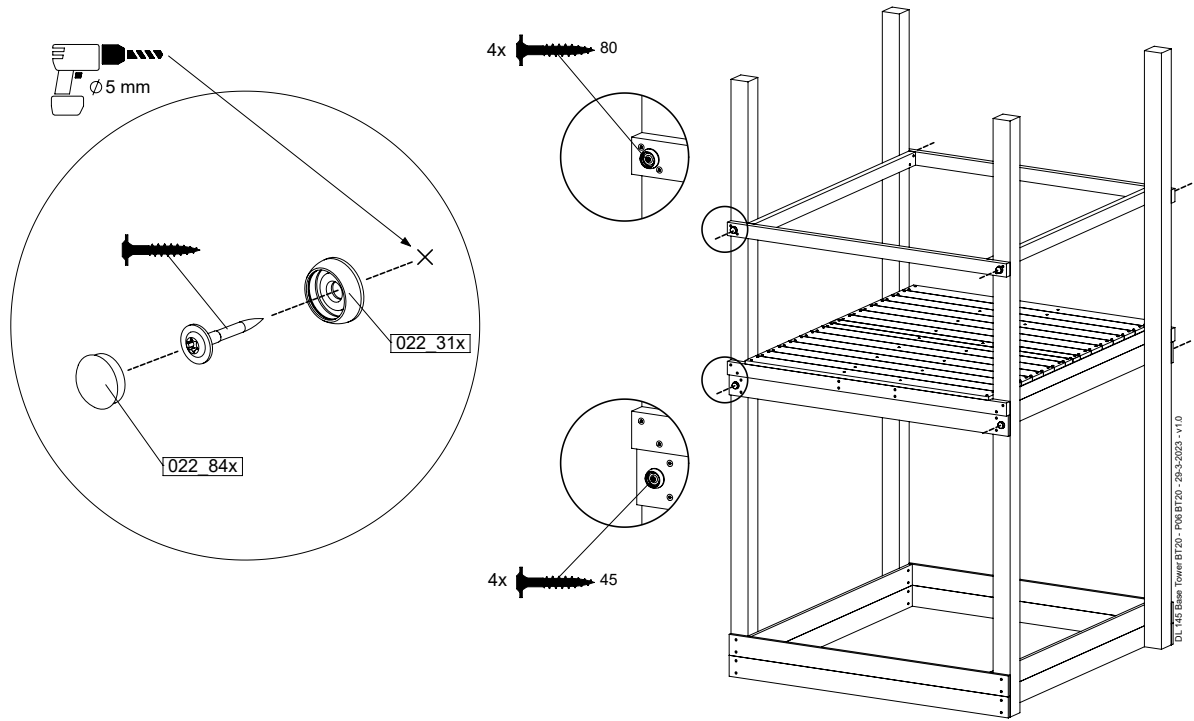
DL 145 Base Tower BT20 - P02 BT20 - 29-3-2023 - v1.0



8.1



8.2

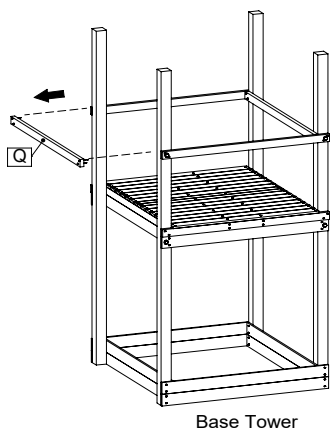
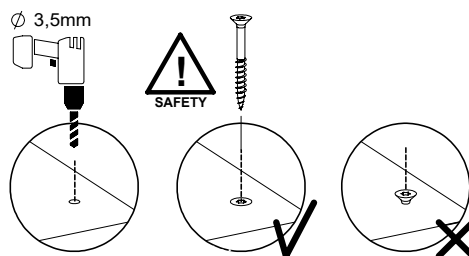
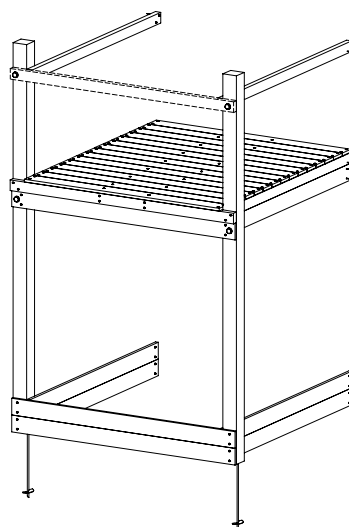


9 ET39a: Extension Tower 14080 220/145

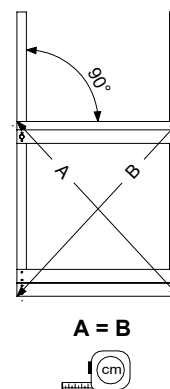
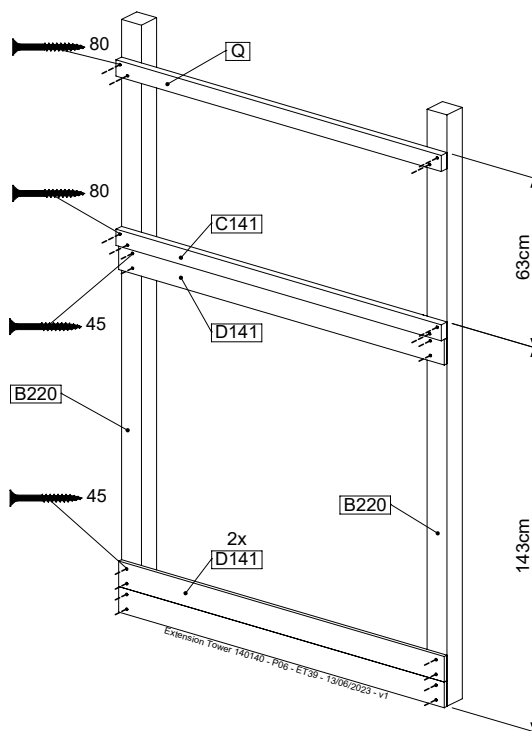
(194_500)

| | PartNo | PartName | QTY. |
|---------------|---------|----------------------------|------|
| Hardware pack | 001_406 | Stealth Screw 8x45 | 4 |
| | 001_417 | Stealth Screw 8x80 | 2 |
| | 002_220 | Gap Point Screw T25 - 5x45 | 123 |
| | 002_223 | Gap Point Screw T25 - 5x80 | 28 |
| Other | 007_001 | Ground-anchor | 2 |
| | 022_31x | bpc-base version 3 | 4 |
| | 022_84x | bpc cover | 4 |
| Timber | B220 | Post 90x90 L2200 | 2 |
| | C141 | Beam 1410 mm | 7 |
| | D123 | Board 1230 mm | 17 |
| | D141 | Board 1410 mm | 9 |

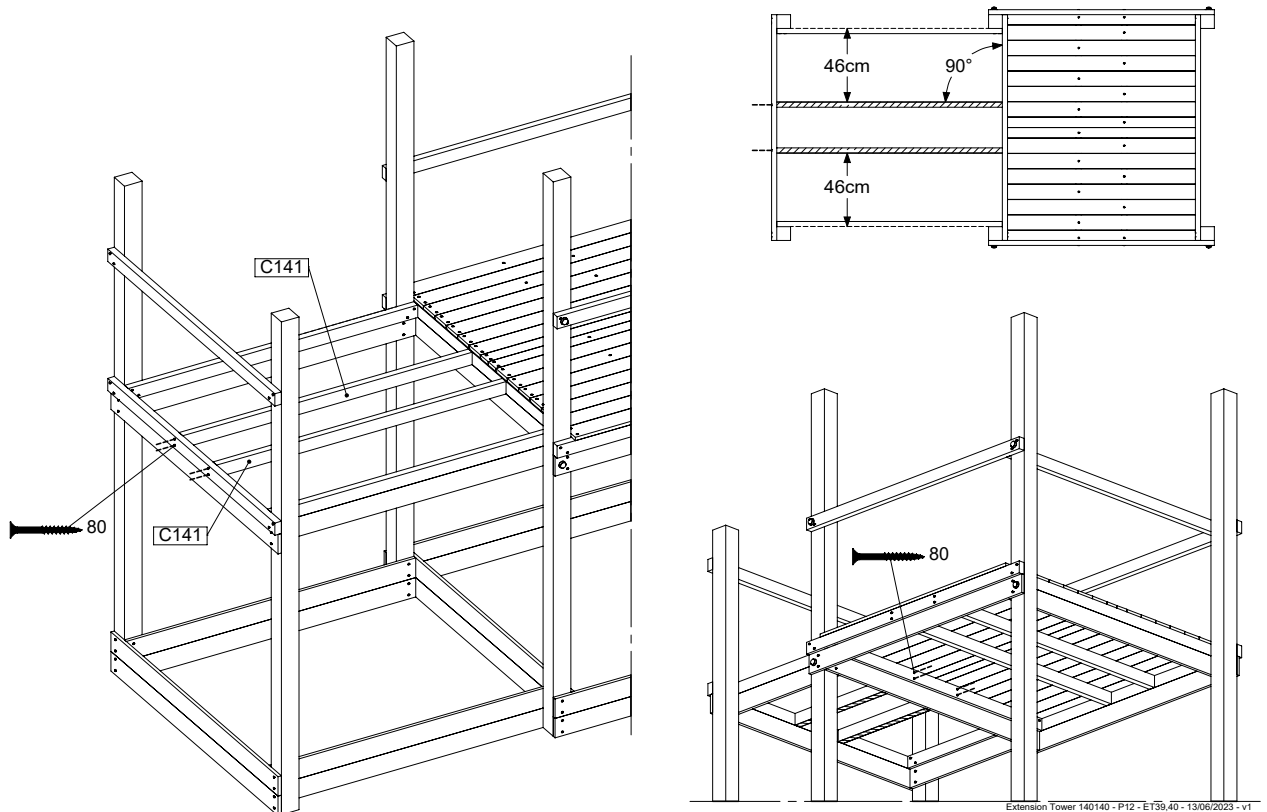
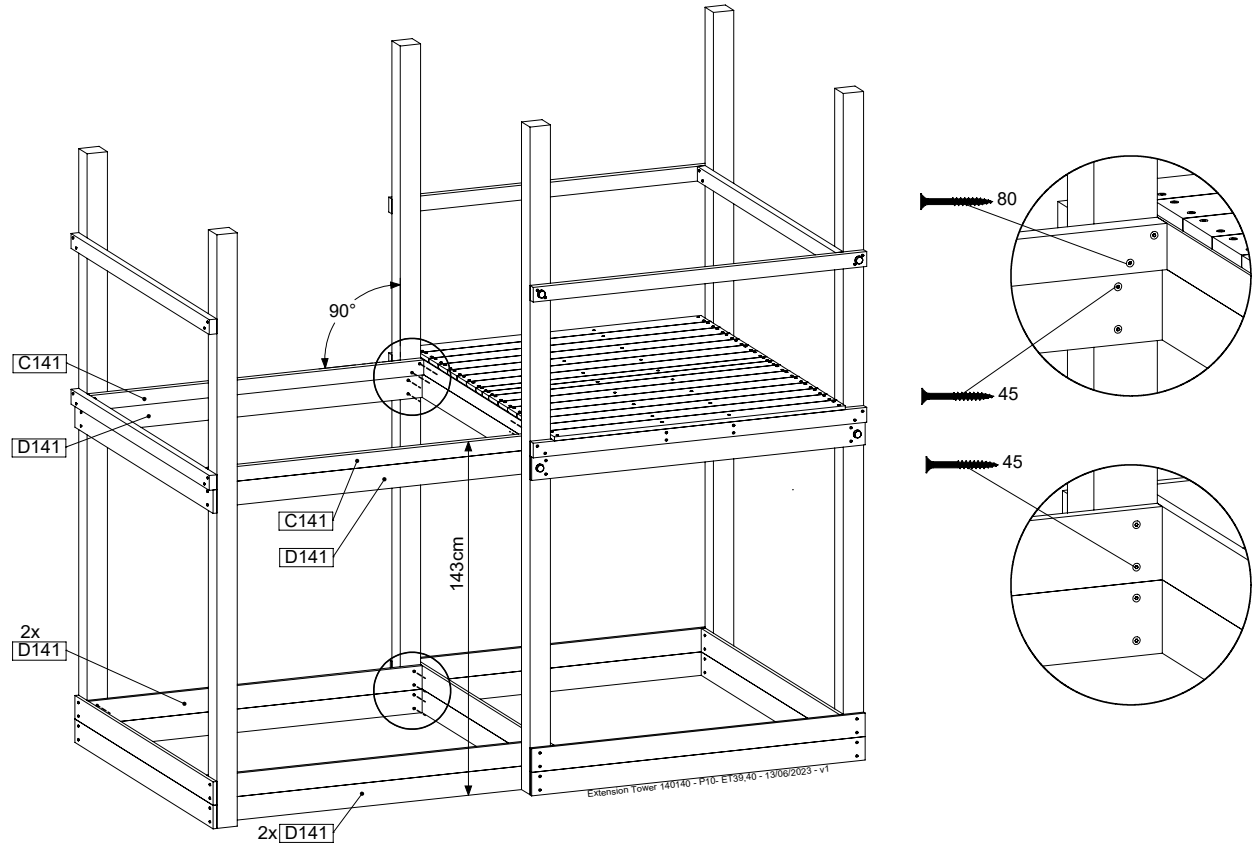
Extension Tower 140140 - P02 - ET39 - 13/06/2023 - v1



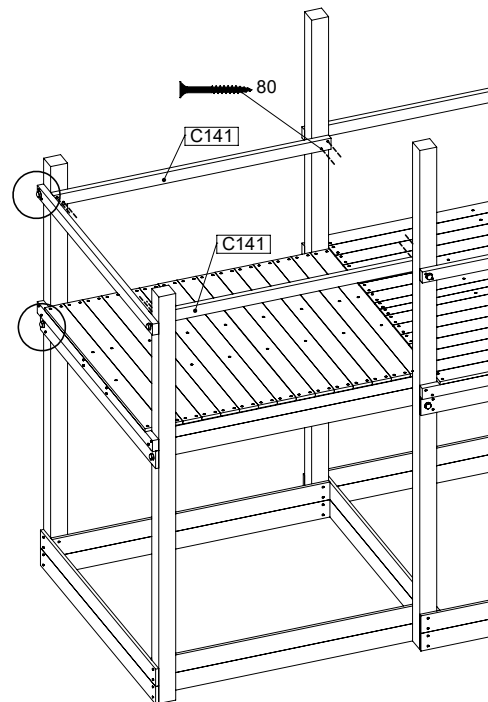
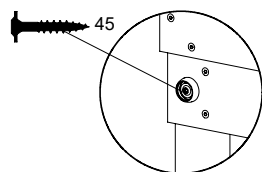
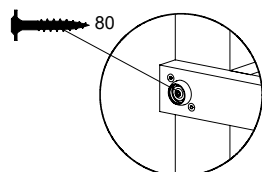
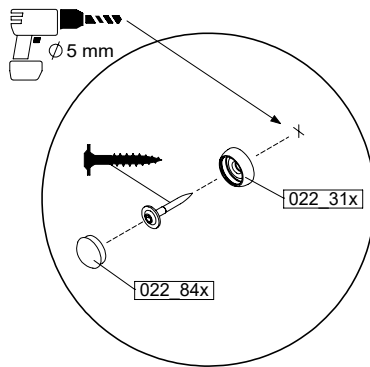
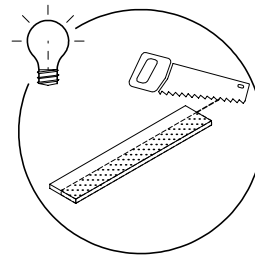
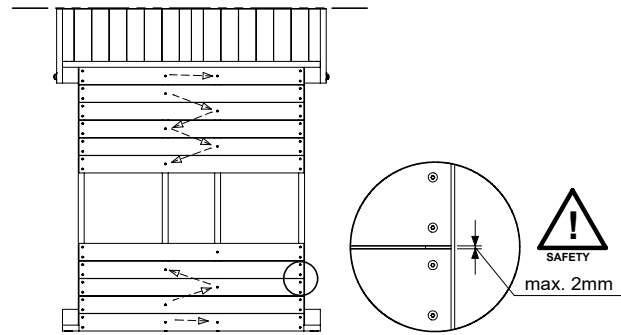
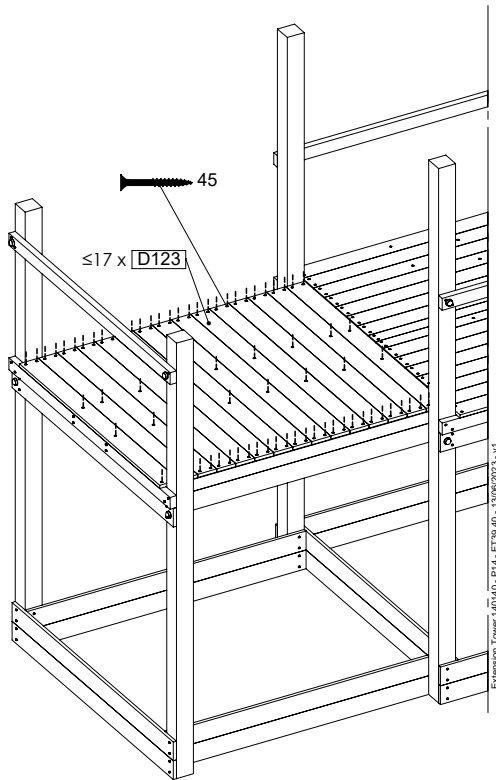
Base Tower



9.1



9.2

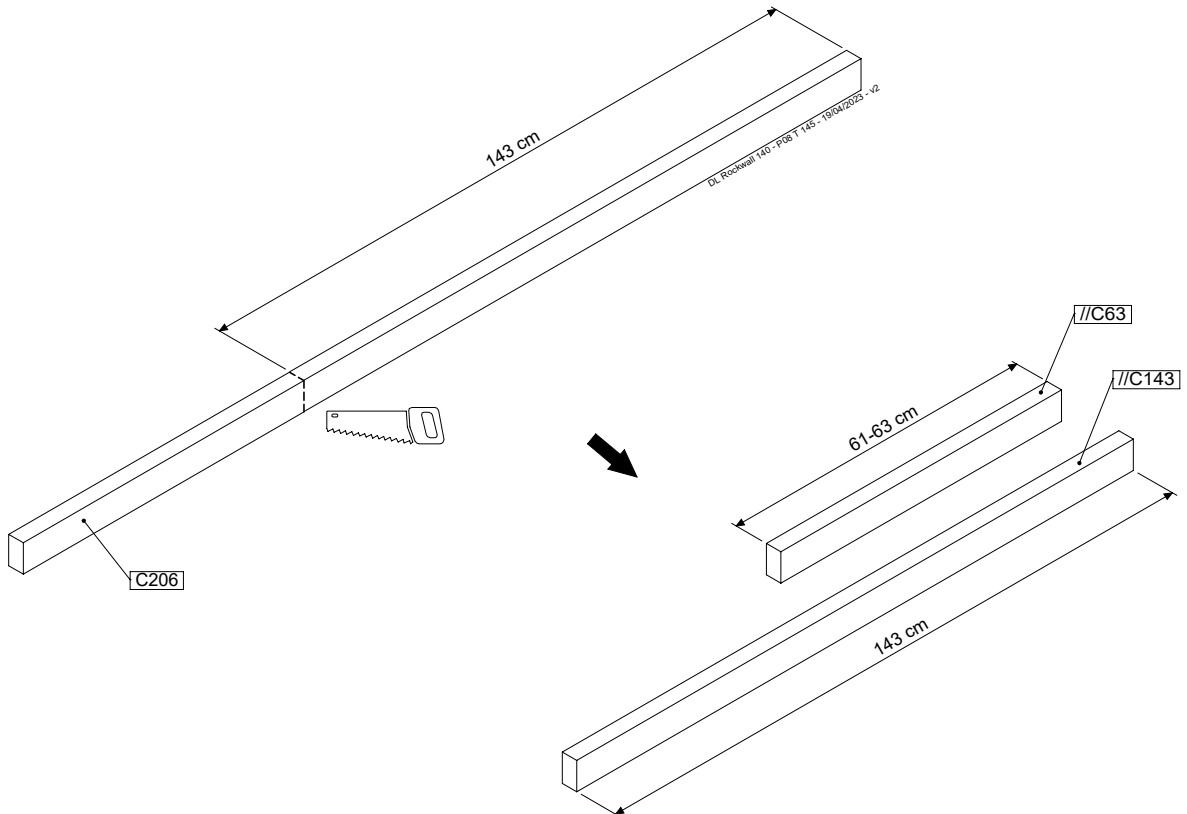
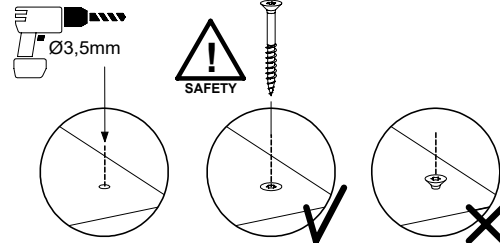
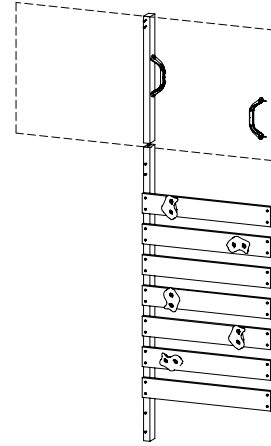


10 RW20a: Rock wall 140 145 T Right

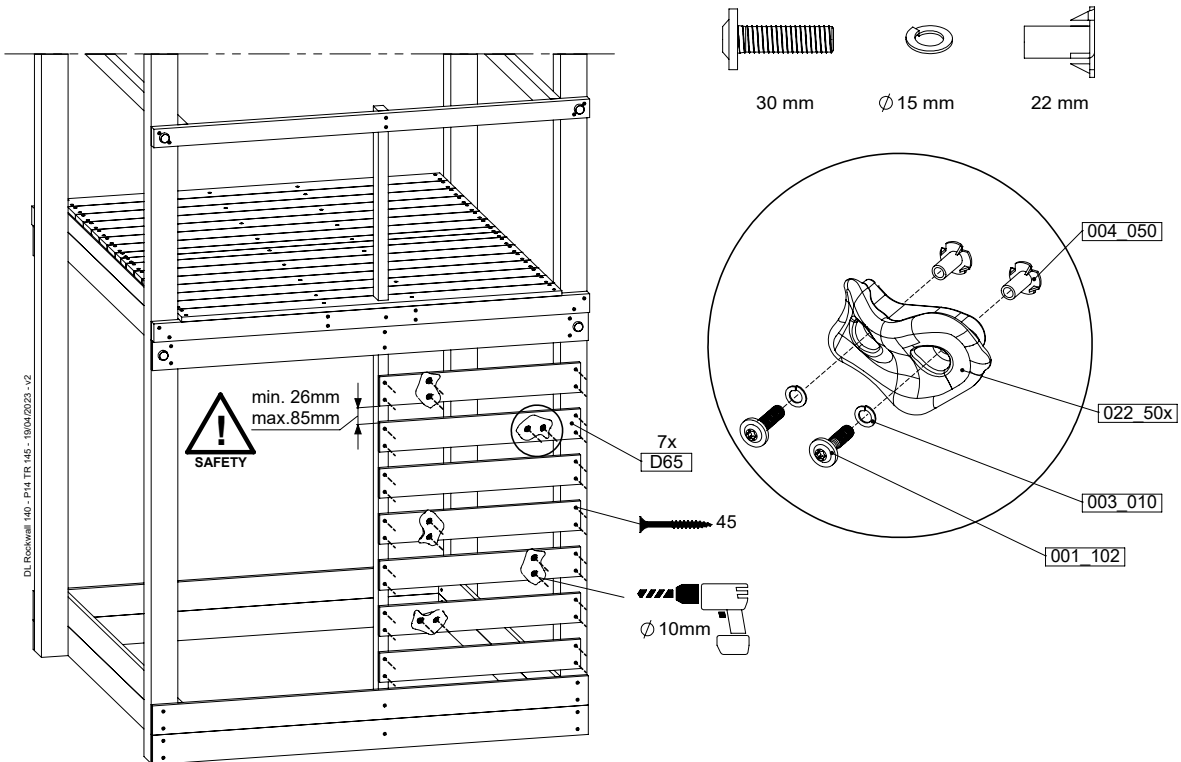
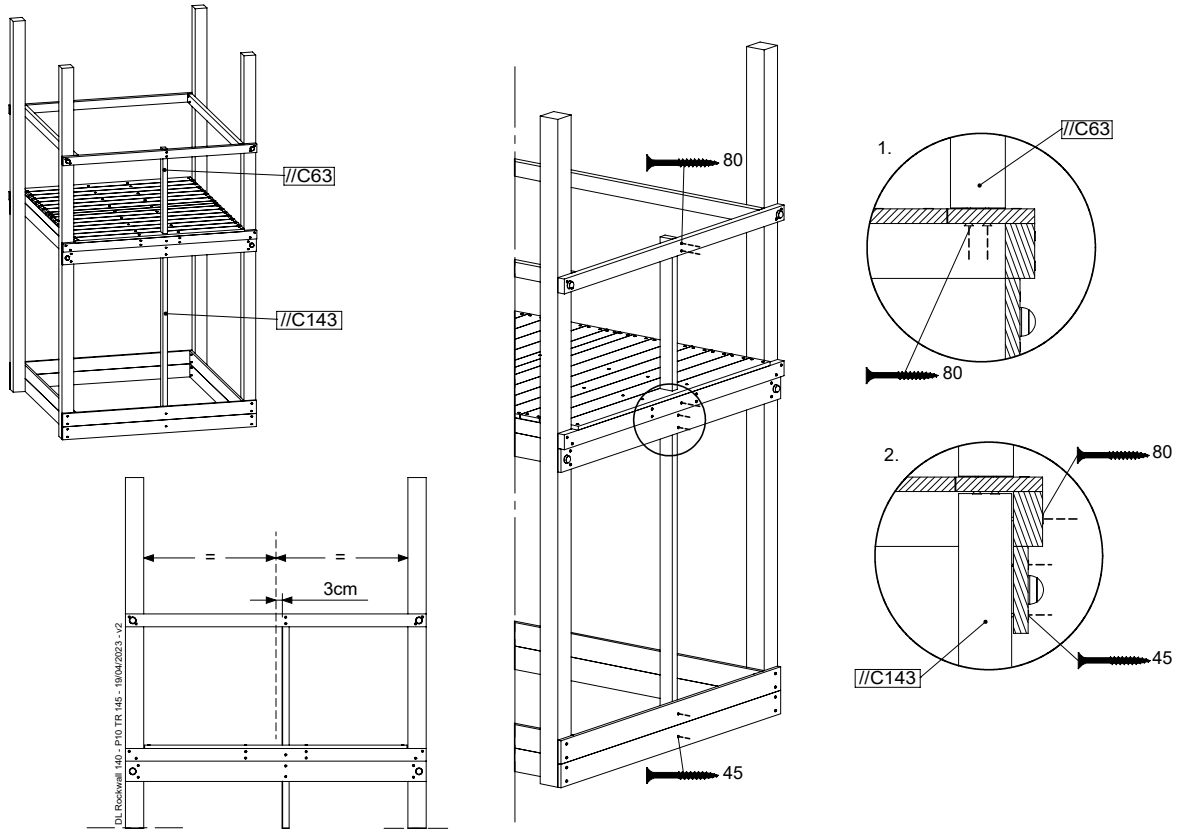
(194_006)

| | PartNo | PartName | QTY. |
|---------------|---------|-----------------------------|------|
| Hardware pack | 001_102 | Washer Head Screw T40 M8x30 | 10 |
| | 002_220 | Gap Point Screw T25 - 5x45 | 32 |
| | 002_223 | Gap Point Screw T25 - 5x80 | 5 |
| | 003_010 | M8 spring lock washer | 10 |
| | 004_050 | M8 Drive-in Nut 22mm | 10 |
| Other | 022_50x | Climbing Rock | 5 |
| | 120_102 | Handgrip set (complete 2x) | 1 |
| Timber | C206 | Beam 2060 mm | 1 |
| | D65 | Board 650 mm | 7 |

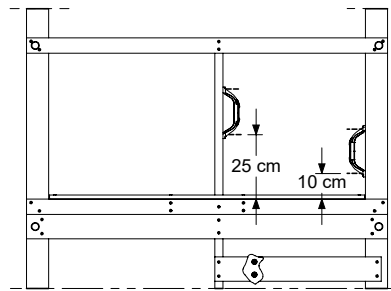
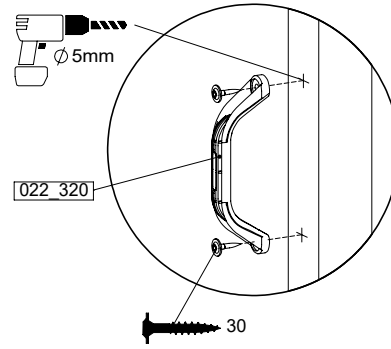
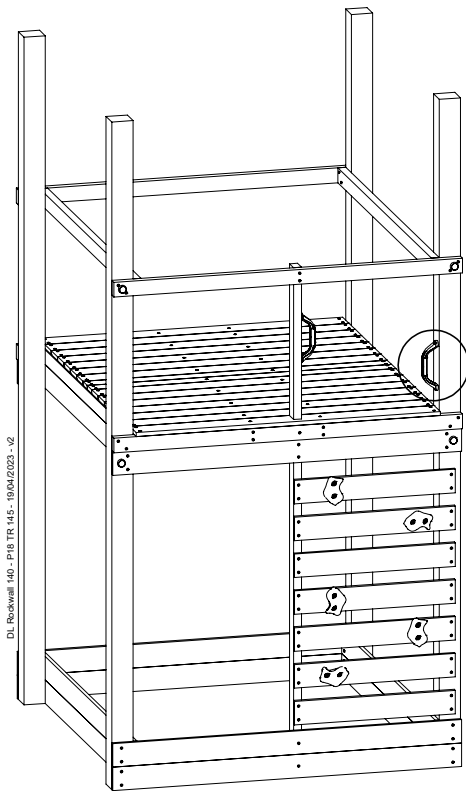
DL Rockwall 140 - P05 TR 145 - 19/04/2023 - v2



10.1



10.2

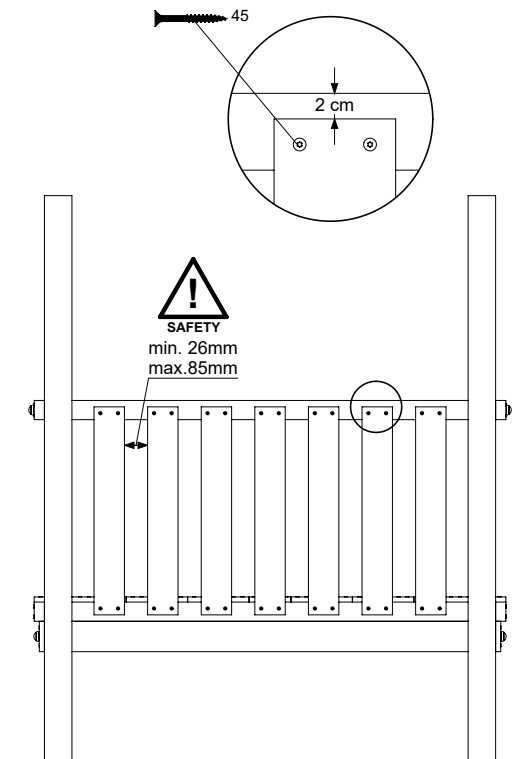
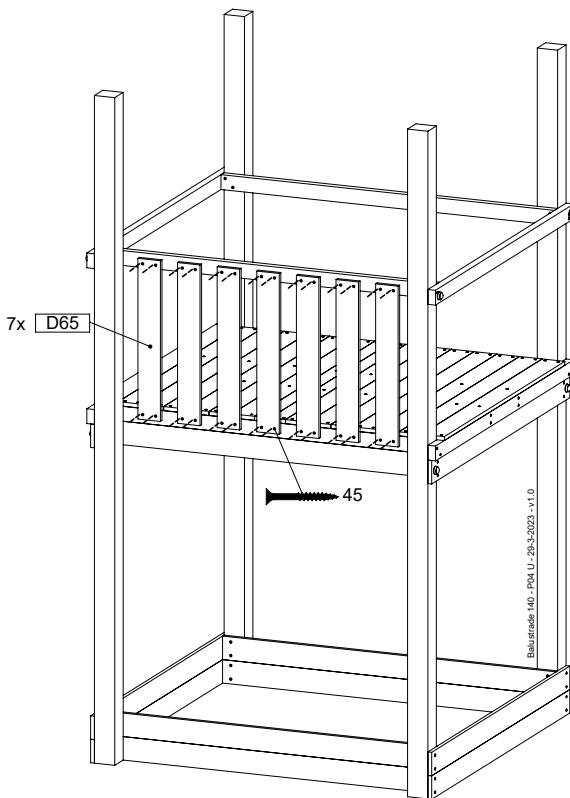
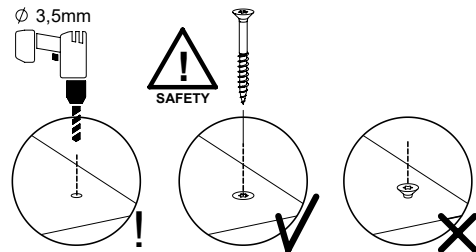
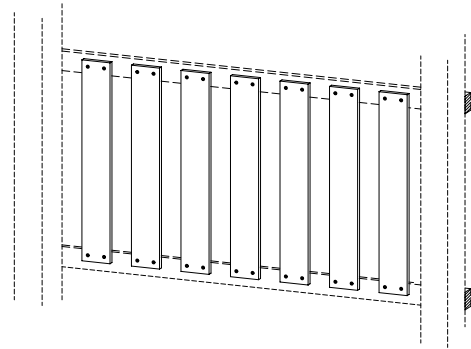


11 BL05a: Balustrade 140 U

(194_501)

| | PartNo | PartName | QTY. |
|---------------|---------|----------------------------|------|
| Hardware pack | 002_220 | Gap Point Screw T25 - 5x45 | 28 |
| Timber | D65 | Board 650 mm | 7 |

Balustrade 140 - P02 U - 28-3-2023 - v1.0

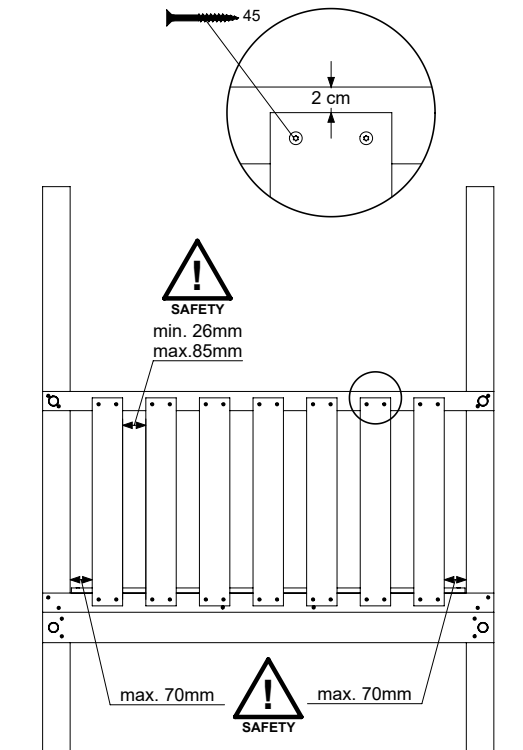
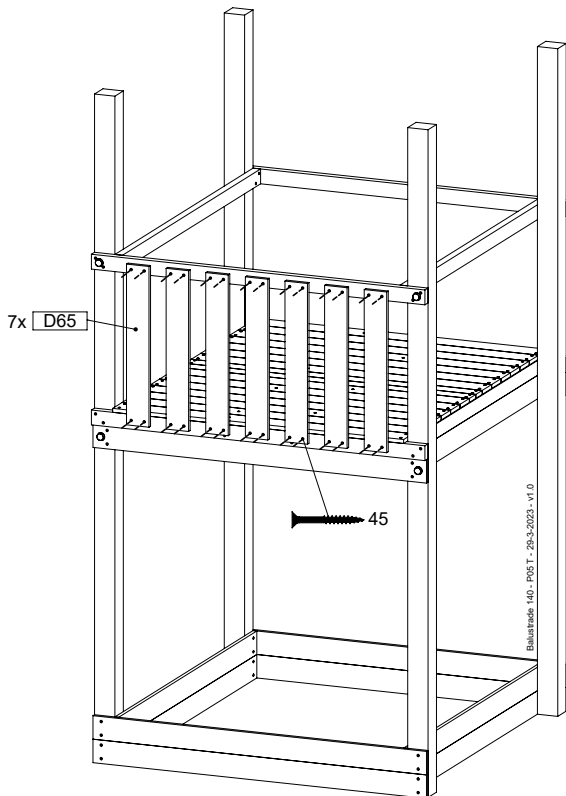
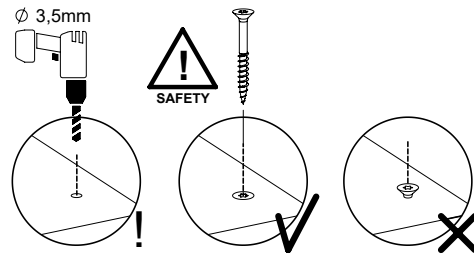
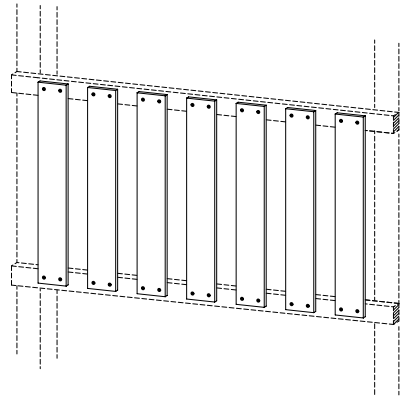


12 BL06a: Balustrade 140 T

(194_501)

| | PartNo | PartName | QTY. |
|---------------|---------|----------------------------|------|
| Hardware pack | 002_220 | Gap Point Screw T25 - 5x45 | 28 |
| Timber | D65 | Board 650 mm | 7 |

Balustrade 140 - P03 T - 29-3-2023 - v1.0

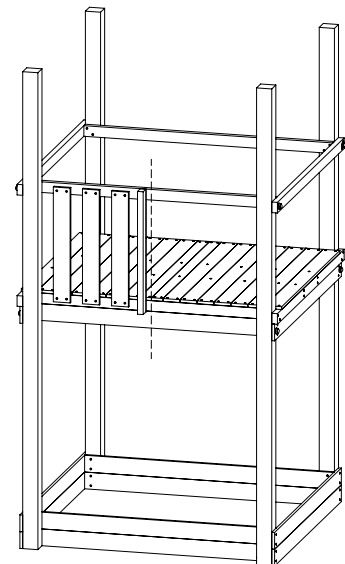
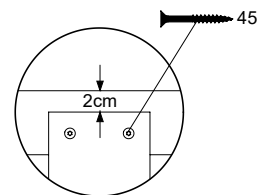
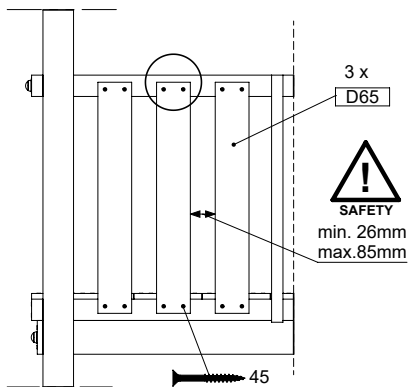
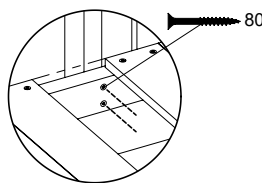
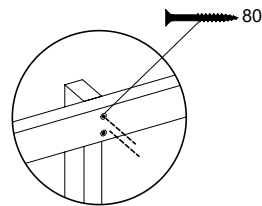
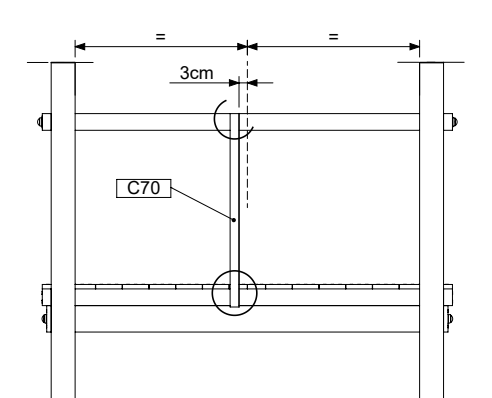
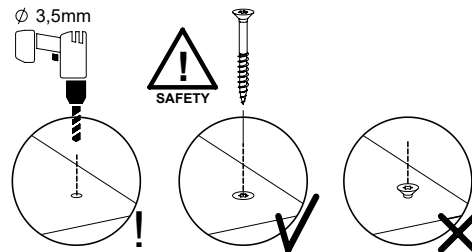
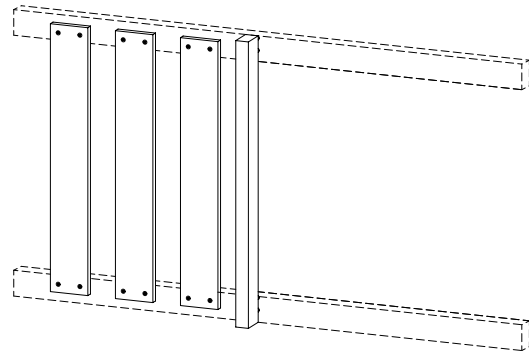


13 BL07a: Half Balustrade U Left

(194_101)

| | PartNo | PartName | QTY. |
|---------------|---------|----------------------------|------|
| Hardware pack | 002_220 | Gap Point Screw T25 - 5x45 | 12 |
| | 002_223 | Gap Point Screw T25 - 5x80 | 4 |
| Timber | C70 | Beam 700 mm | 1 |
| | D65 | Board 650 mm | 3 |

DL Half Balustrade 701/40 - P02 UL - 28-3-2023 - v1

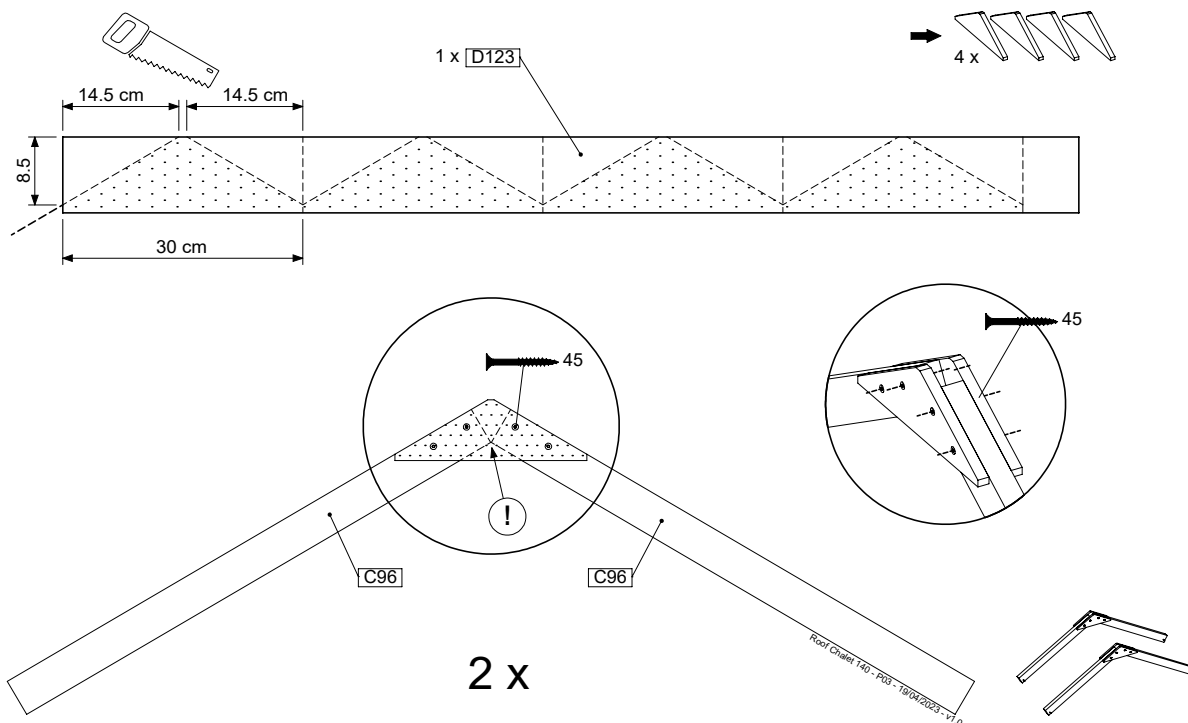
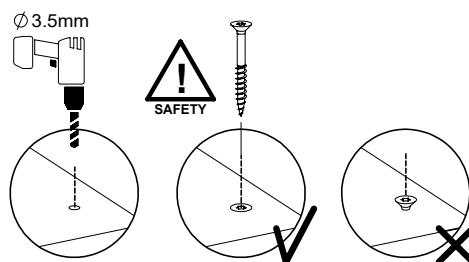
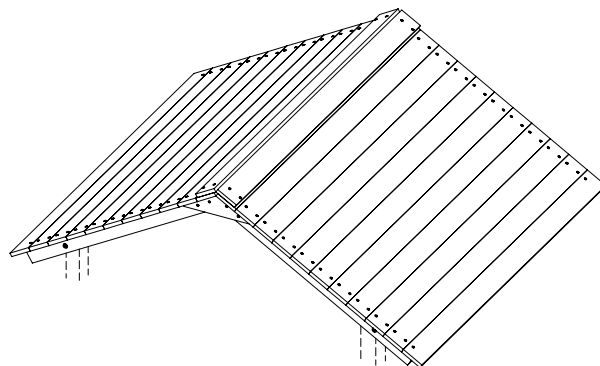


DL Half Balustrade 701/40 - P06 UL - 28-3-2023 - v1

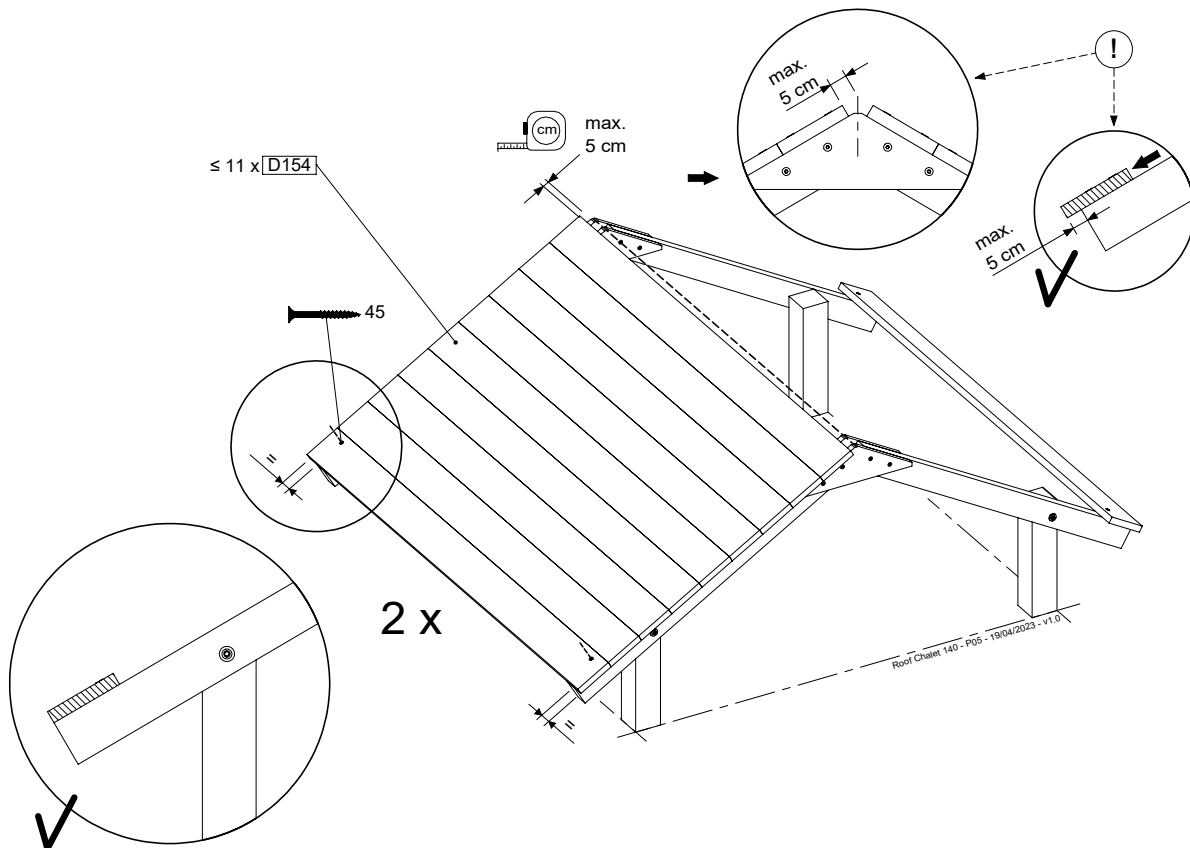
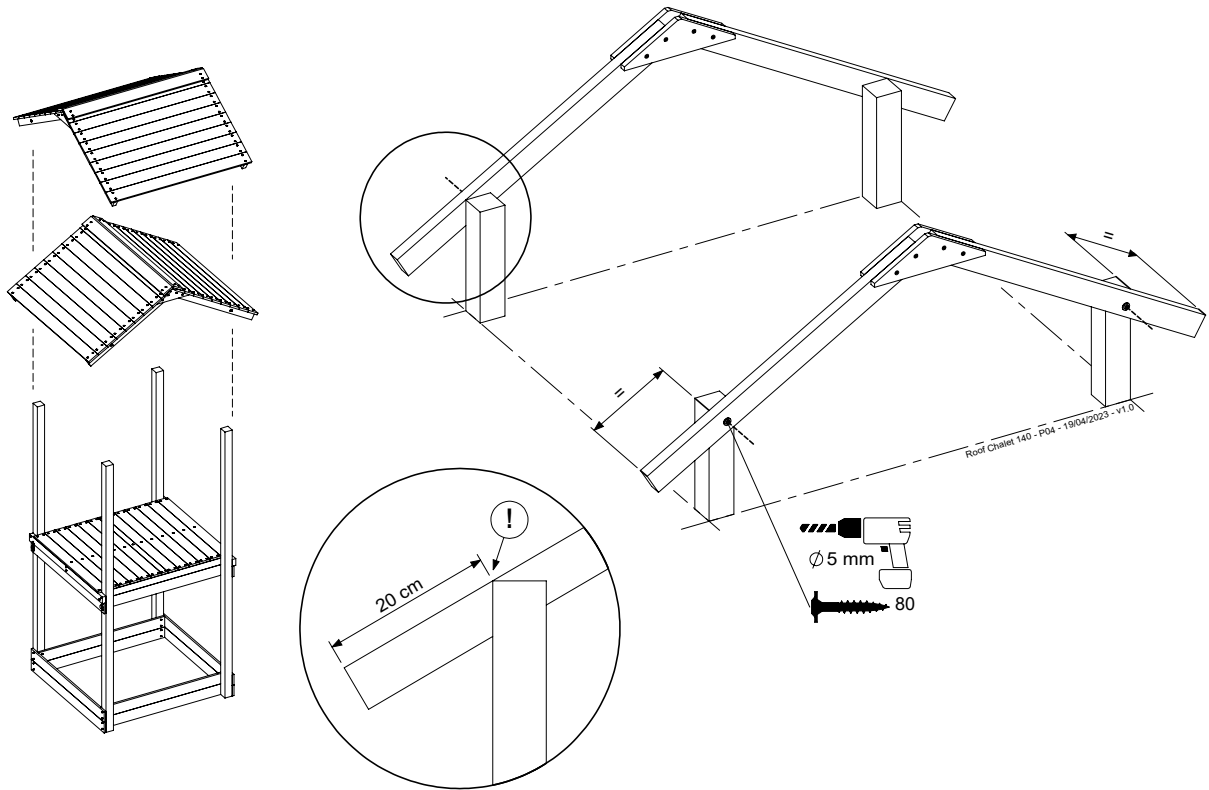
14 RF15a: Roof Timber Slope 140

(194_508)

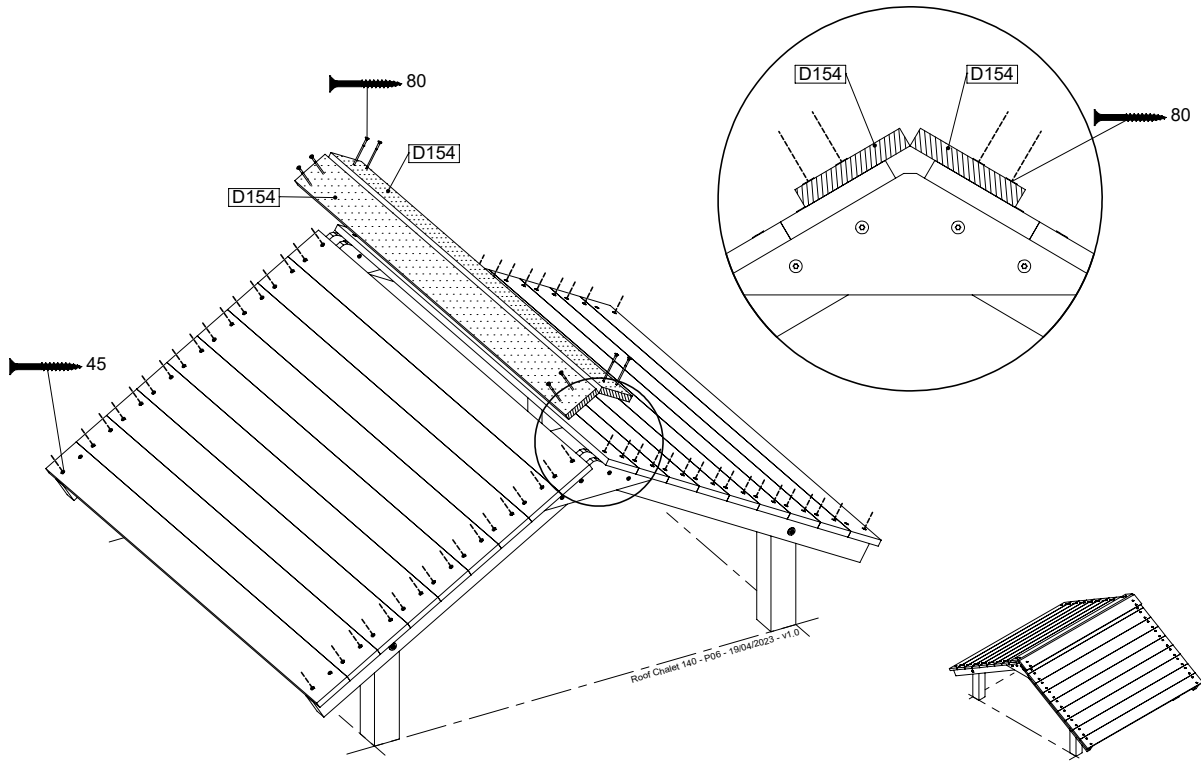
| | PartNo | PartName | QTY. |
|---------------|---------|----------------------------|------|
| Hardware pack | 001_417 | Stealth Screw 8x80 | 4 |
| | 002_220 | Gap Point Screw T25 - 5x45 | 108 |
| Timber | C96 | Beam 960 mm | 4 |
| | D123 | Board 1230 mm | 1 |
| | D154 | Board 1540 mm | 24 |



14.1



14.2

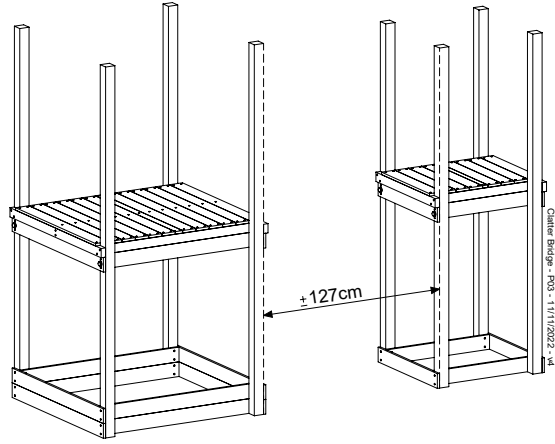
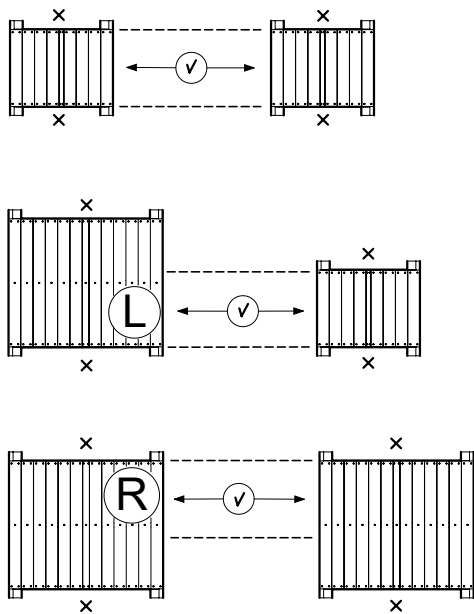
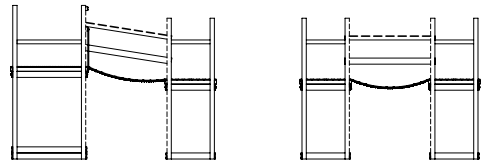
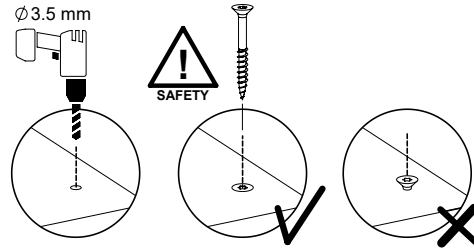
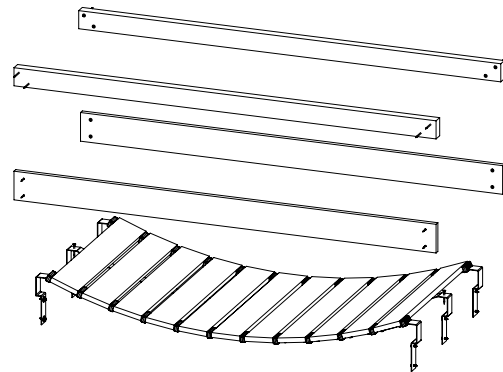


15 CB01a: Clatter Bridge - PART 1

(194_116)

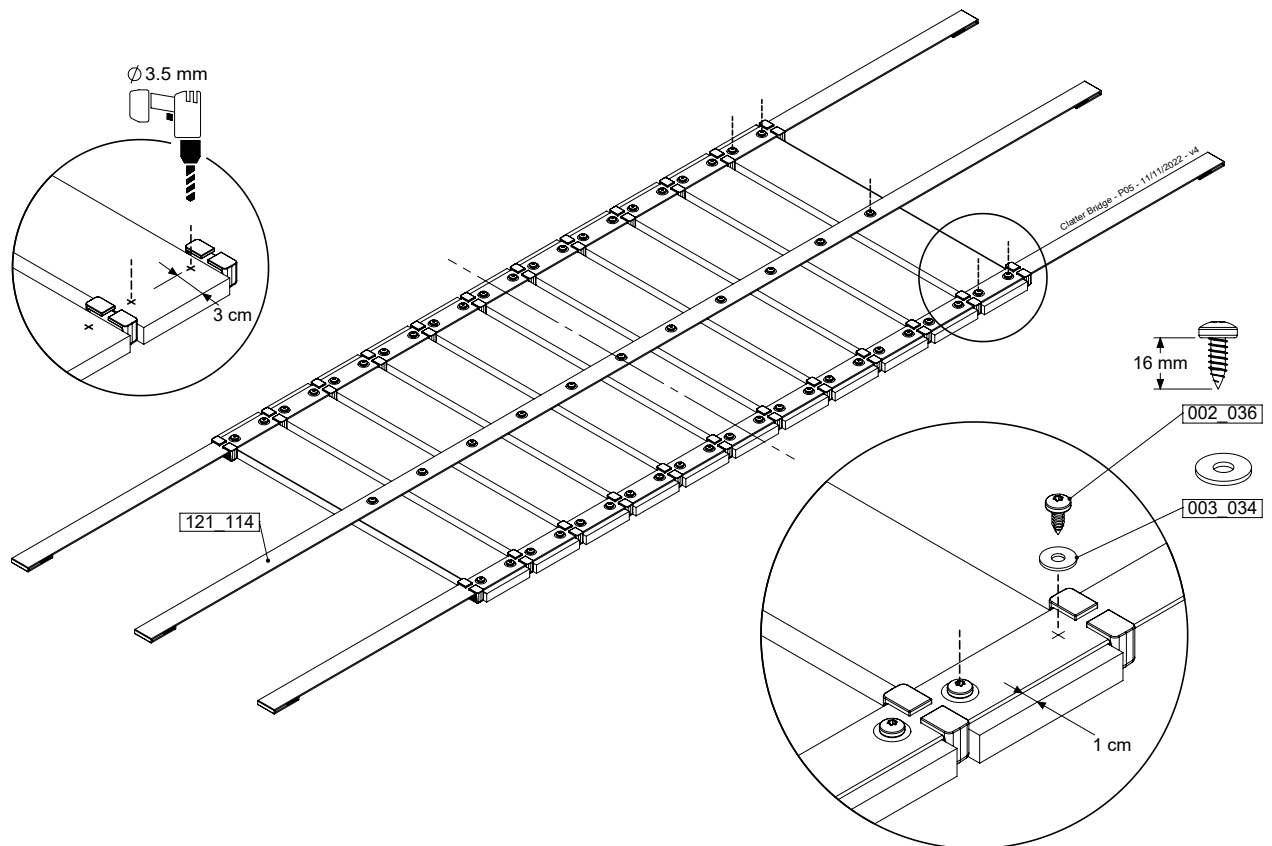
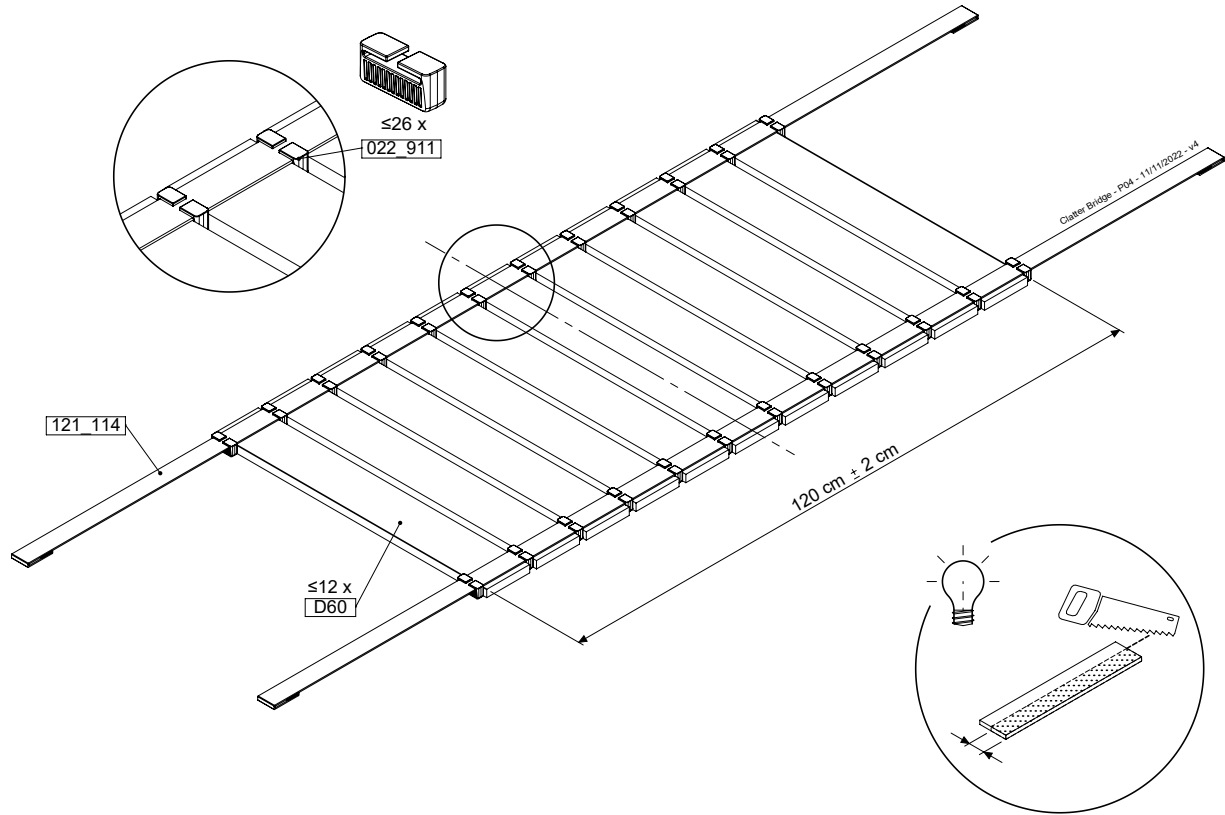
| | PartNo | PartName | QTY. |
|--------------------------|---------|---------------------------------|------|
| Hardware Pack 100_614 | 002_036 | 16mm Pan Head Tapping Screw T25 | 72 |
| | 002_220 | Gap Point Screw T25 - 5x45 | 10 |
| | 002_223 | Gap Point Screw T25 - 5x80 | 12 |
| | 003_034 | M6 Washer | 72 |
| Other | 022_911 | Bridge Spacer | 26 |
| | 121_114 | BridgeLink Strap 210cm | 3 |
| Wood | C141 | Beam 1410 mm | 2 |
| | D60 | Board 600 mm | 12 |
| | D141 | Board 1410 mm | 2 |

Clatter Bridge - P02 - 11/11/2022 - v4

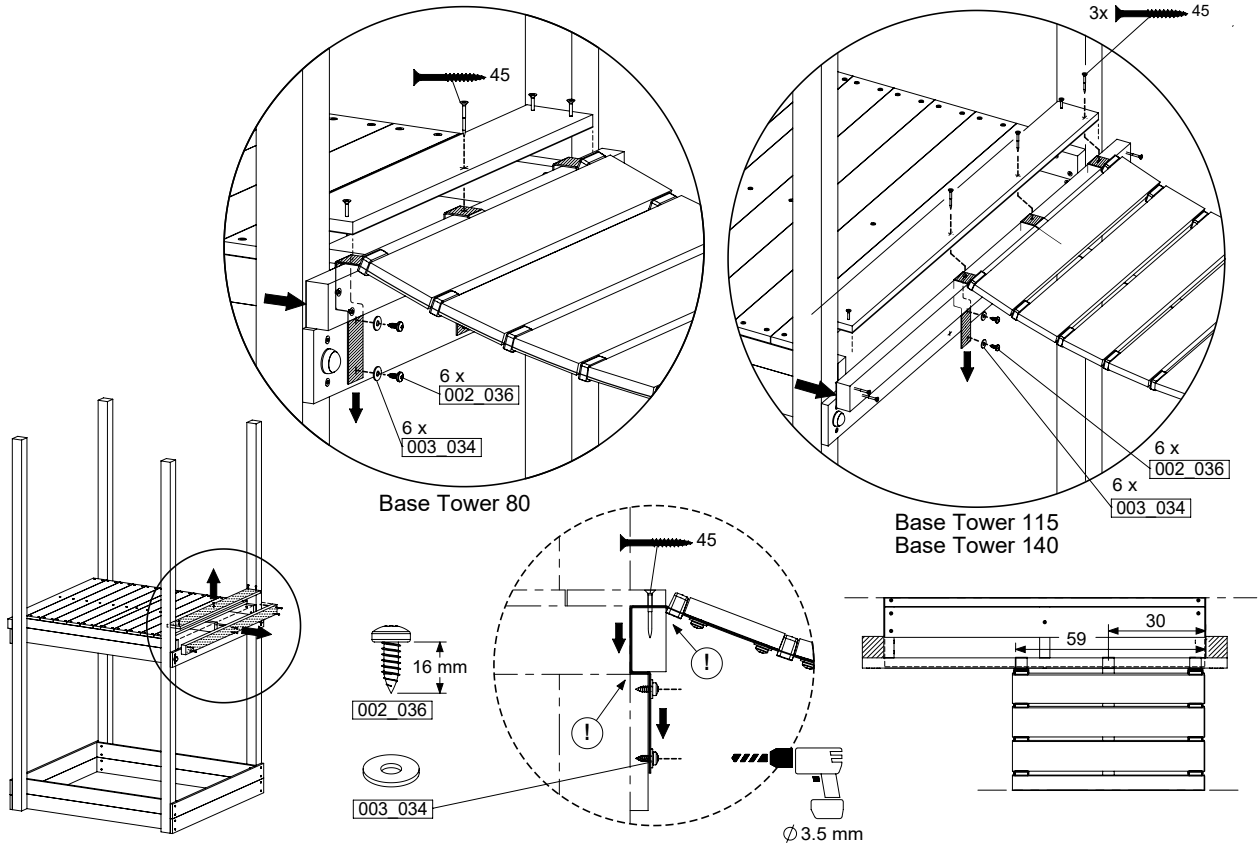


Clatter Bridge - P02 - 11/11/2022 - v4

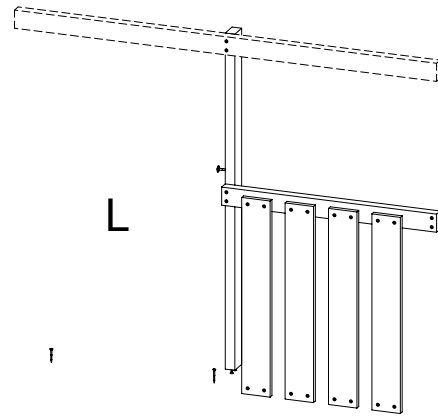
15.1



15.2

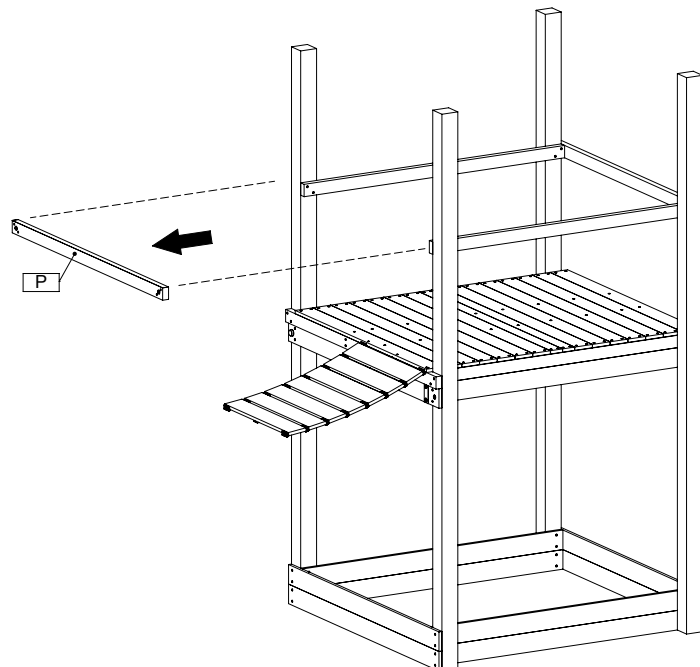
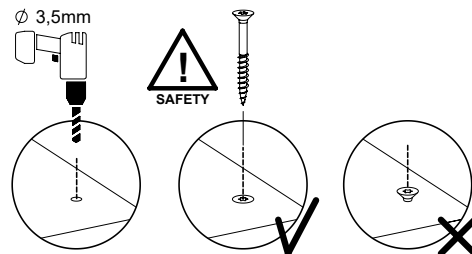


16 BF23a: Bridge Frame 140 T Left

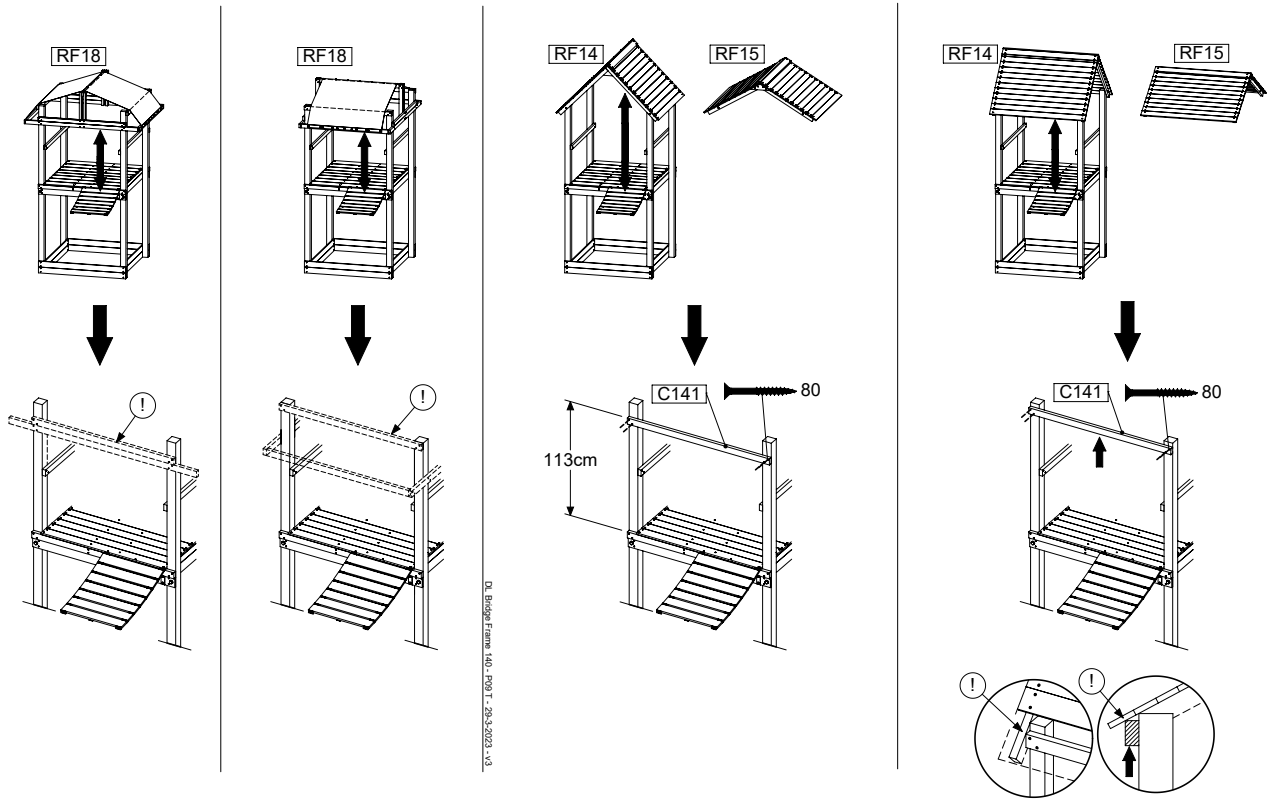


(194_007)

| | PartNo | PartName | QTY. |
|-----------------------|---------|----------------------------|------|
| Hardware Pack 100_905 | 001_411 | Stealth Screw 8x60 | 1 |
| | 002_220 | Gap Point Screw T25 - 5x45 | 18 |
| | 002_223 | Gap Point Screw T25 - 5x80 | 8 |
| Timber | C74 | Beam 740 mm | 1 |
| | C141 | Beam 1410 mm | 1 |
| | D65 | Board 650 mm | 4 |

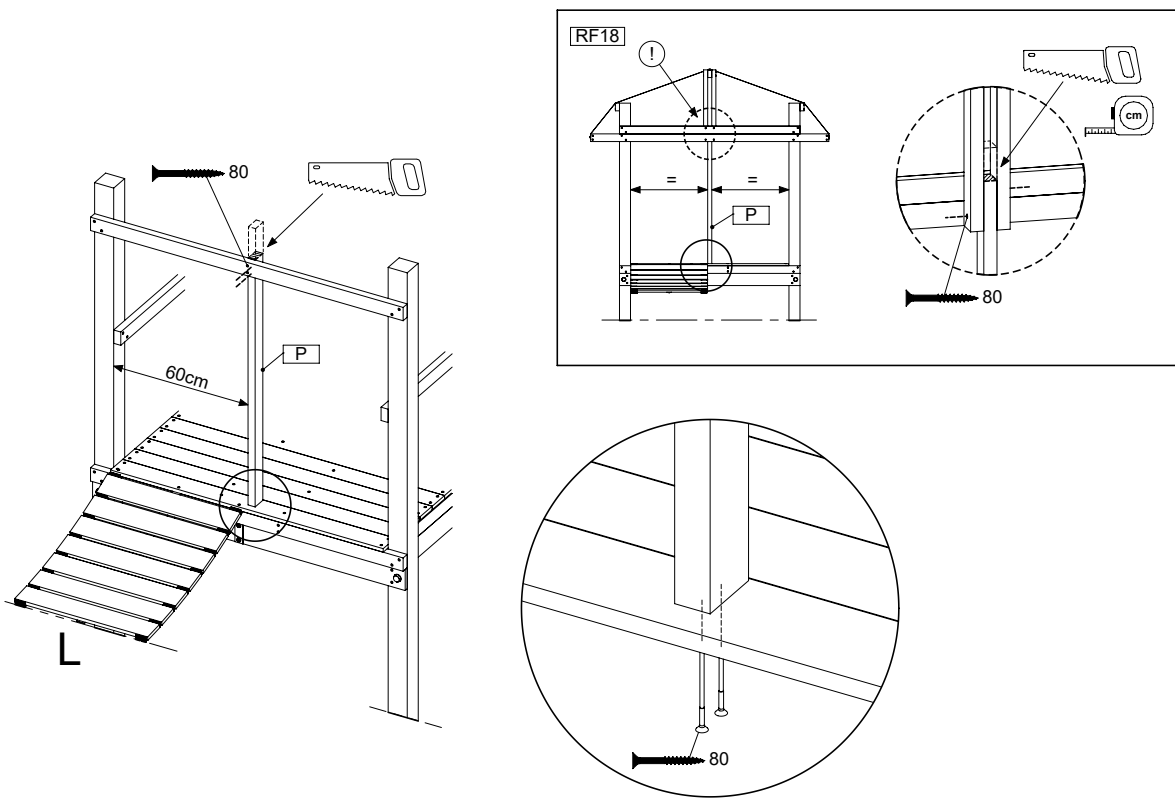


16.1

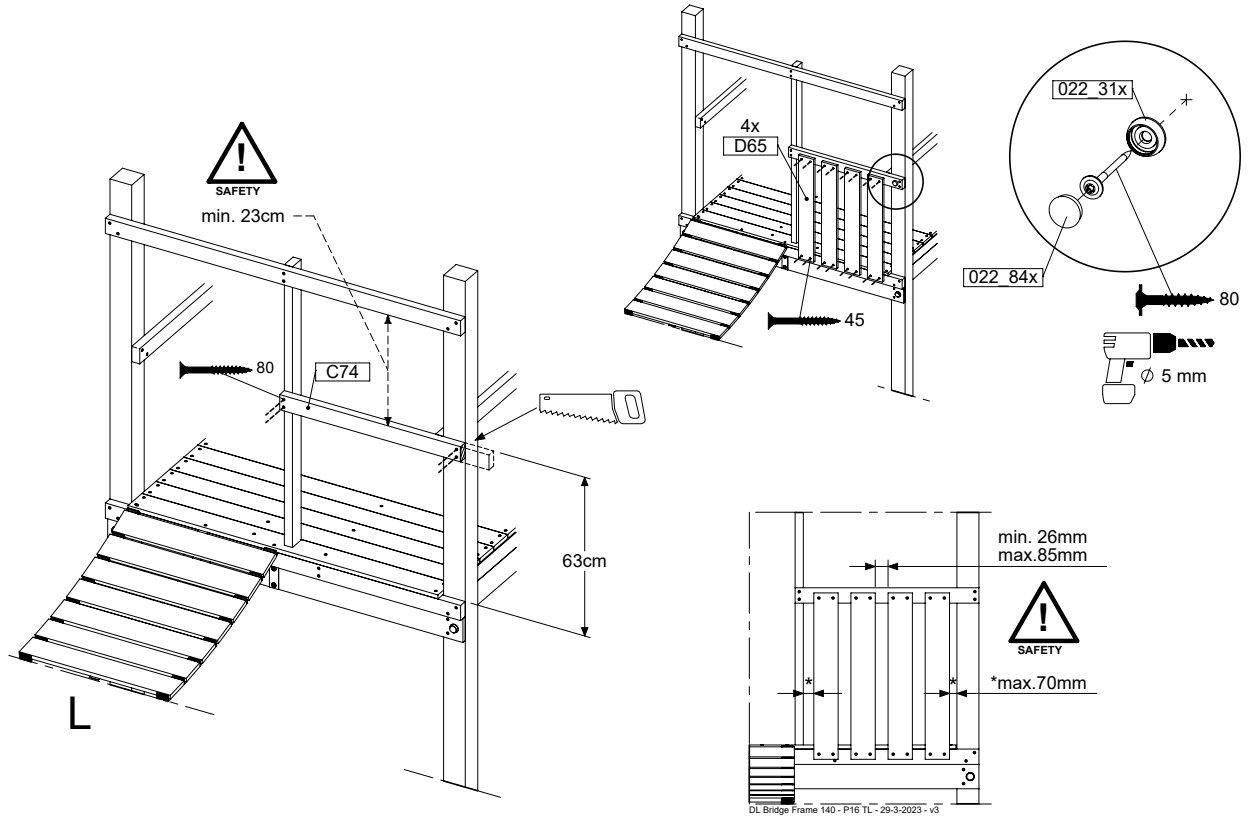


DL Bridge Frame 140 - 1991 T - 26-3-2023 - v3

DL Bridge Frame 140 - P12 TL - 26-3-2023 - v3



16.2

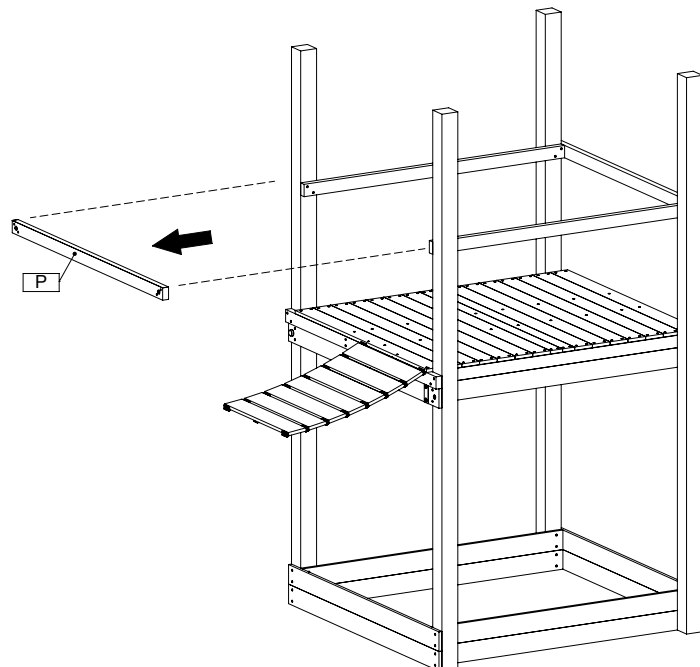
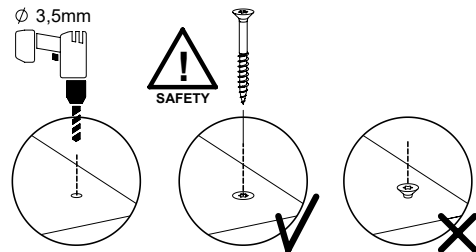
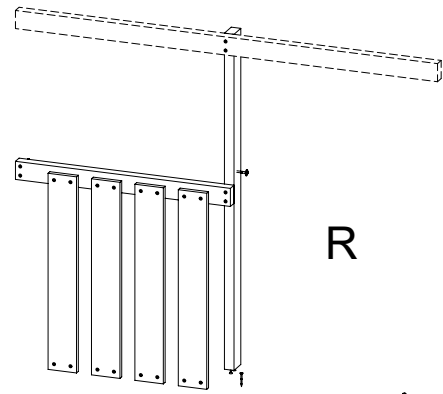


17 BF24a: Bridge Frame 140 T Right

(194_007)

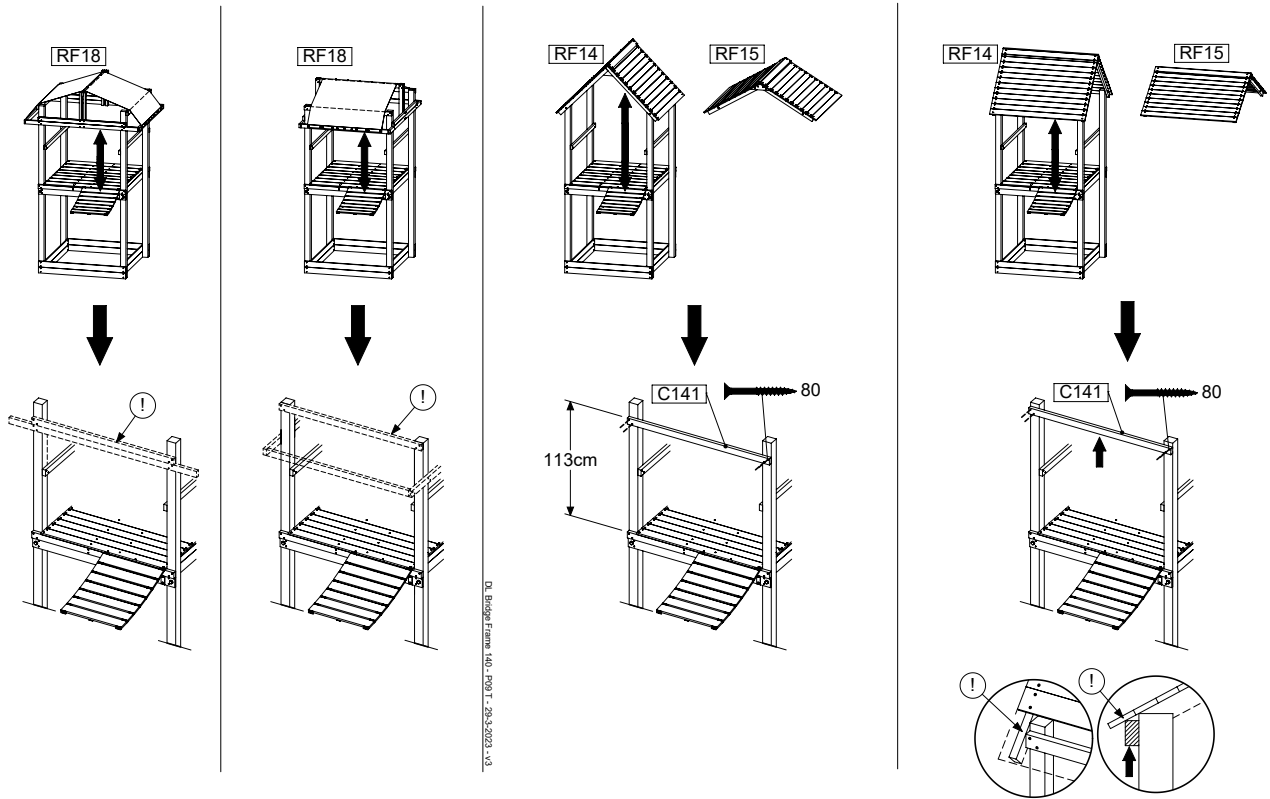
| | PartNo | PartName | QTY. |
|-----------------------|---------|----------------------------|------|
| Hardware Pack 100_905 | 001_411 | Stealth Screw 8x60 | 1 |
| | 002_220 | Gap Point Screw T25 - 5x45 | 18 |
| | 002_223 | Gap Point Screw T25 - 5x80 | 8 |
| Timber | C74 | Beam 740 mm | 1 |
| | C141 | Beam 1410 mm | 1 |
| | D65 | Board 650 mm | 4 |

DL Bridge Frame 140 - P05 IR - 28-3-2023 -v3

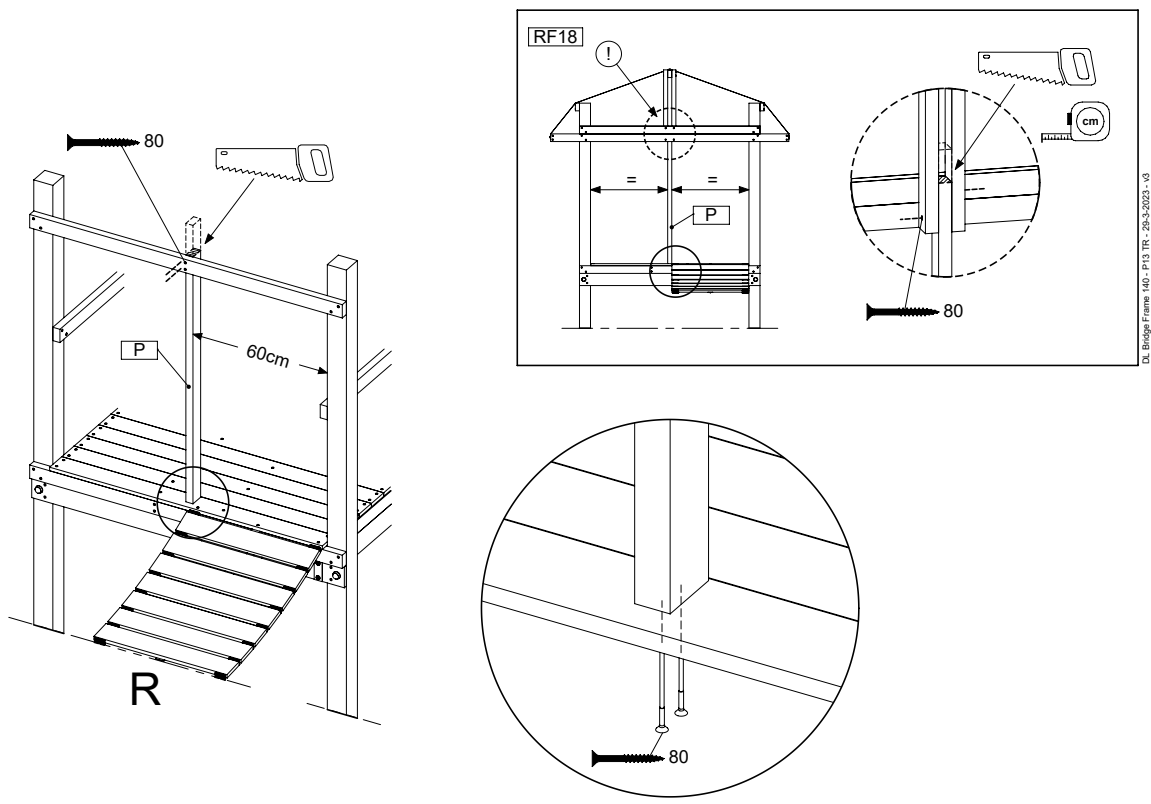


DL Bridge Frame 140 - P07 T - 28-3-2023 -v3

17.1

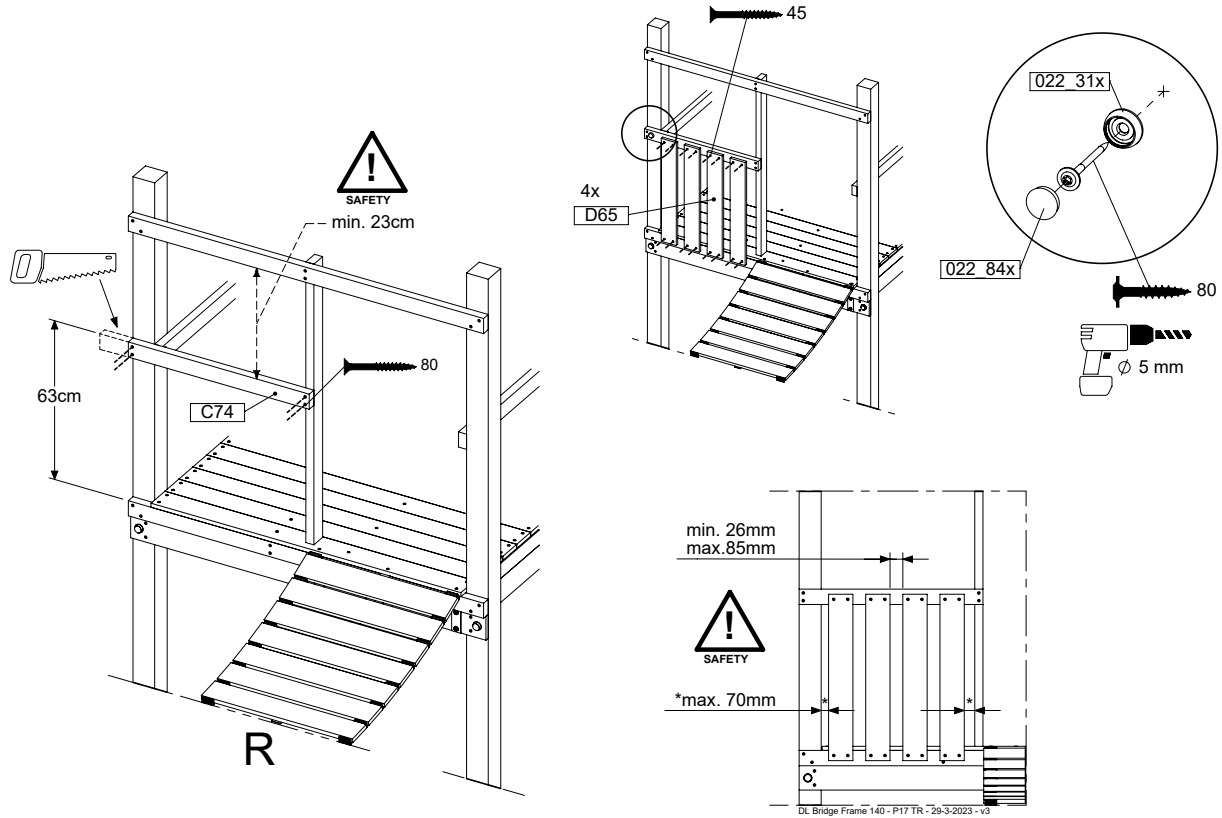


DL Bridge Frame 140 - P13 TR - 26.3.2023 - v3



DL Bridge Frame 140 - P13 TR - 26.3.2023 - v3

17.2

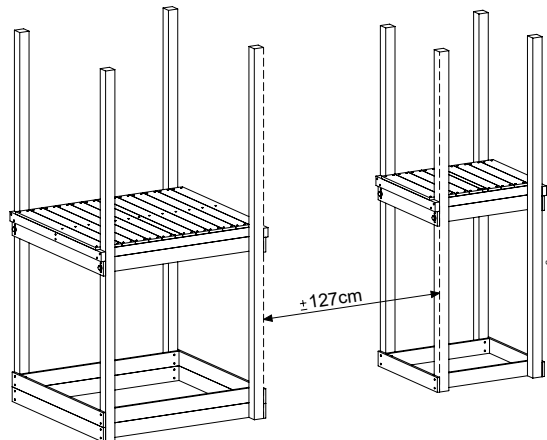
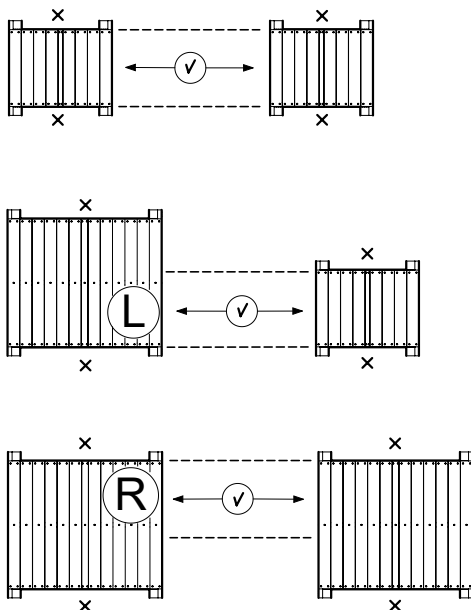
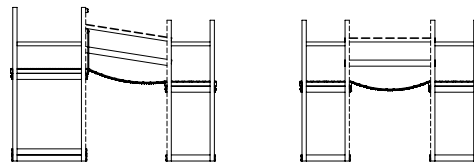
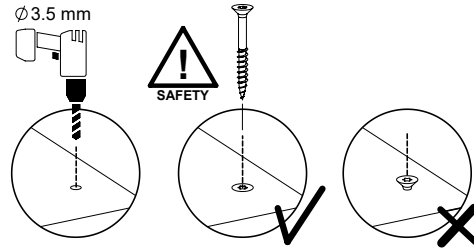
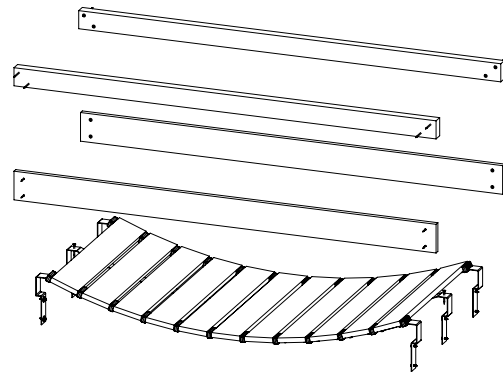


18 CB01a: Clatter Bridge - PART 1

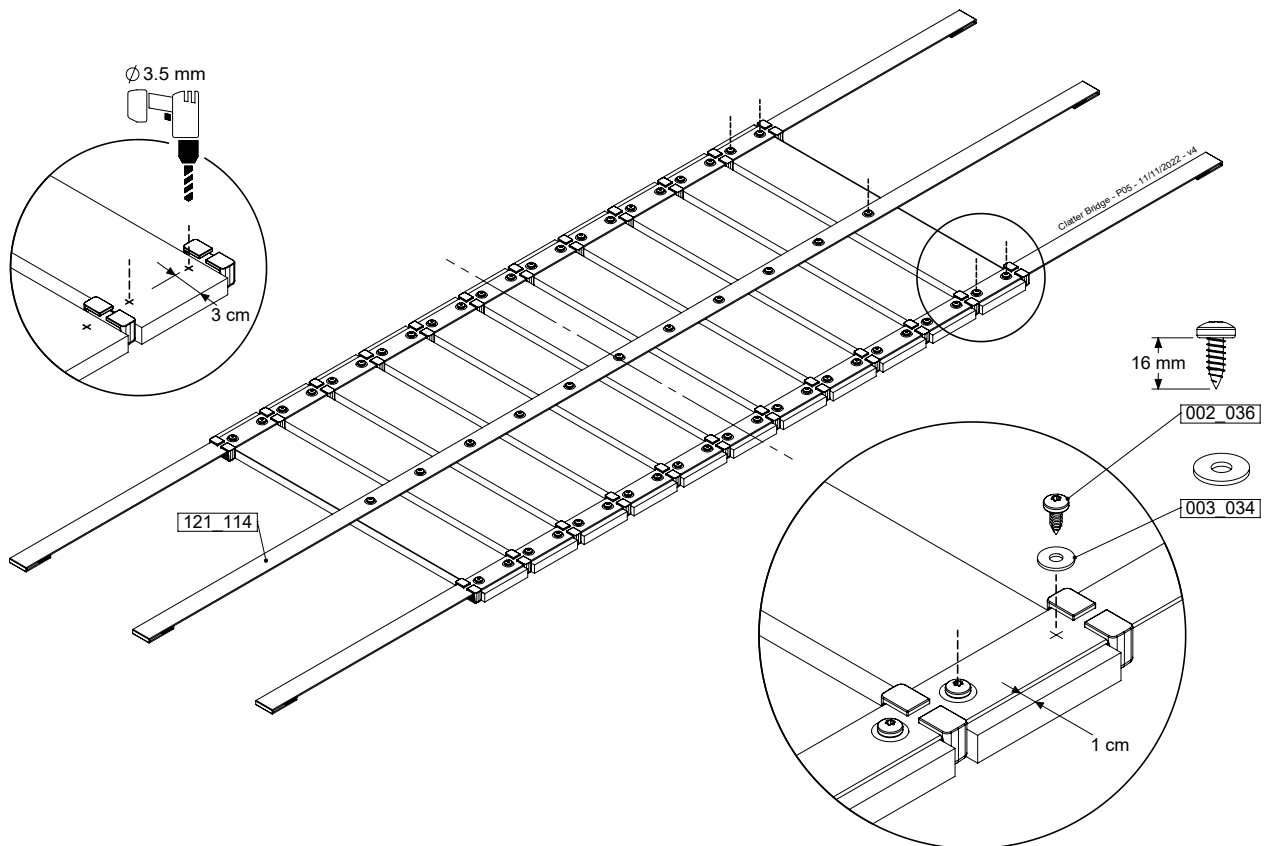
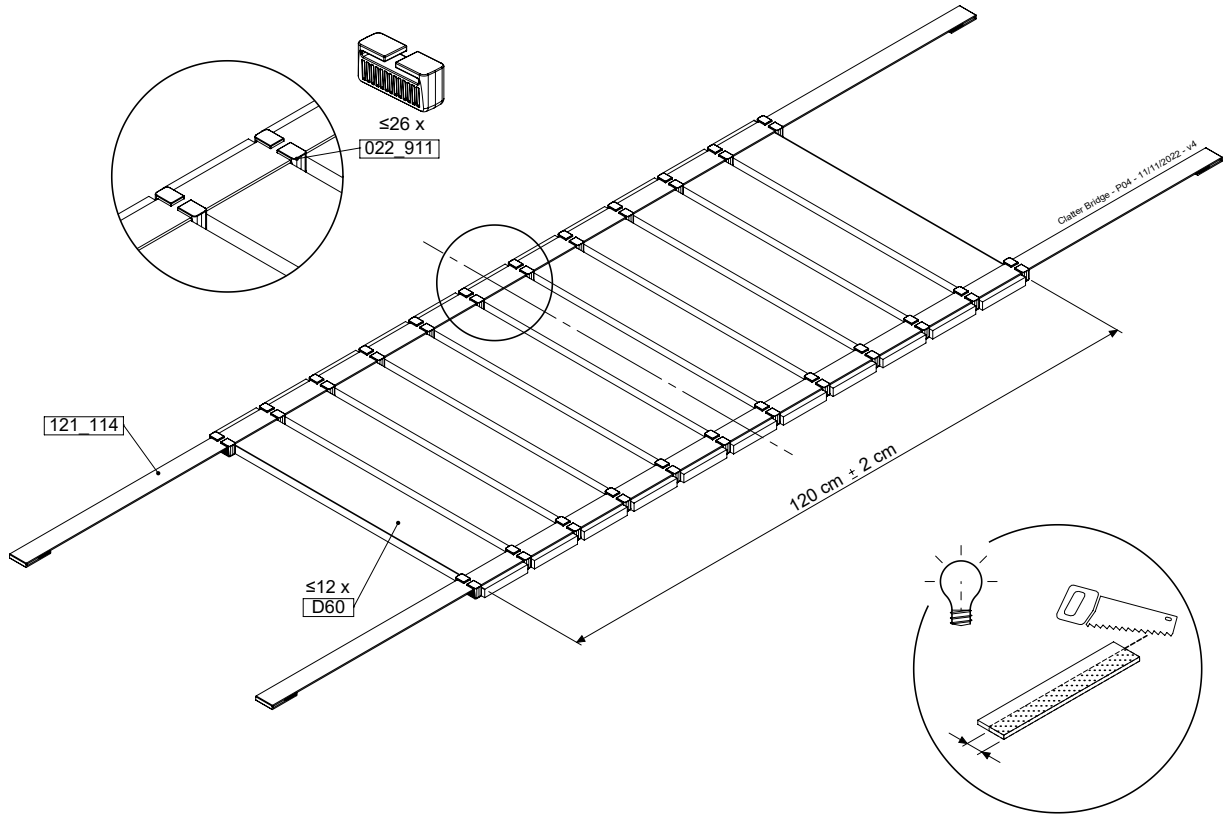
(194_116)

| | PartNo | PartName | QTY. |
|--------------------------|---------|---------------------------------|------|
| Hardware Pack 100_614 | 002_036 | 16mm Pan Head Tapping Screw T25 | 72 |
| | 002_220 | Gap Point Screw T25 - 5x45 | 10 |
| | 002_223 | Gap Point Screw T25 - 5x80 | 12 |
| | 003_034 | M6 Washer | 72 |
| Other | 022_911 | Bridge Spacer | 26 |
| | 121_114 | BridgeLink Strap 210cm | 3 |
| Wood | C141 | Beam 1410 mm | 2 |
| | D60 | Board 600 mm | 12 |
| | D141 | Board 1410 mm | 2 |

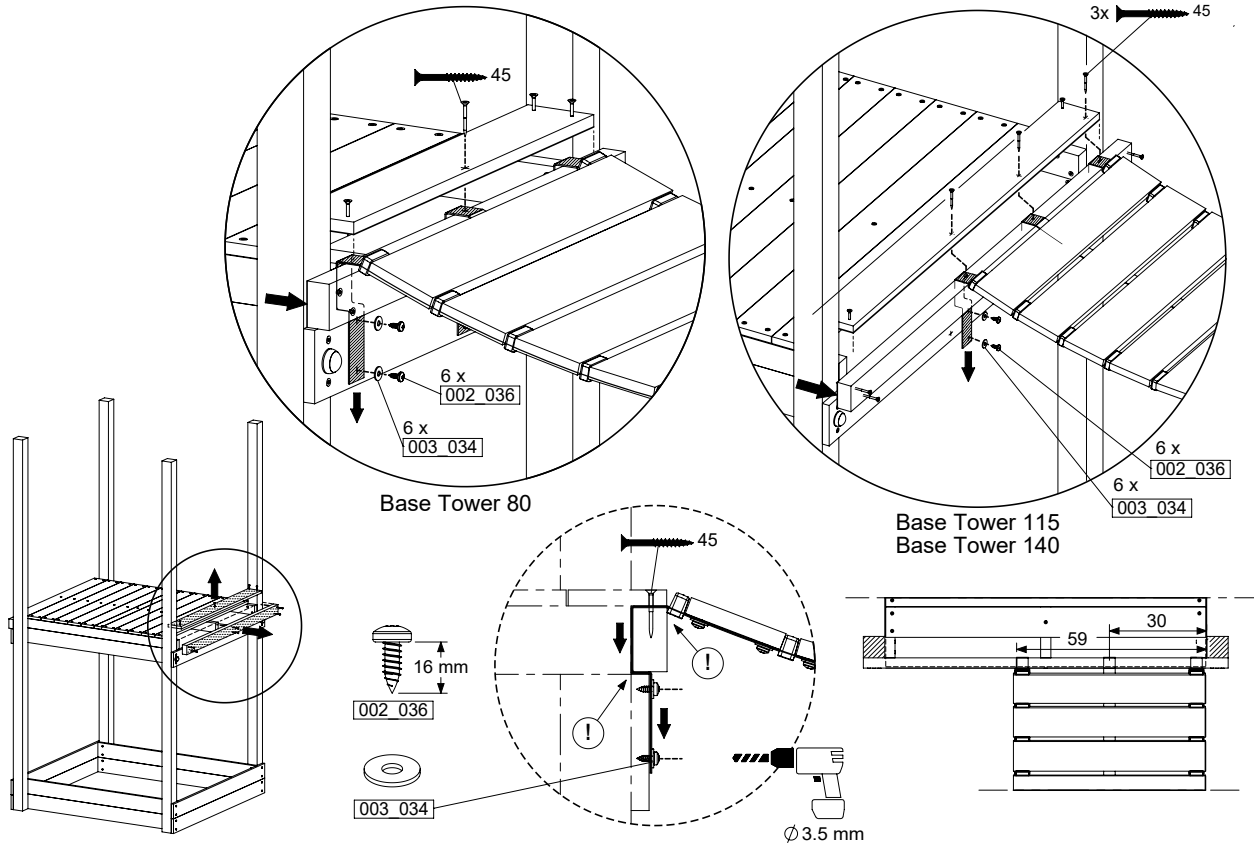
Clatter Bridge - P02 - 1/11/2022 - v4



18.1



18.2

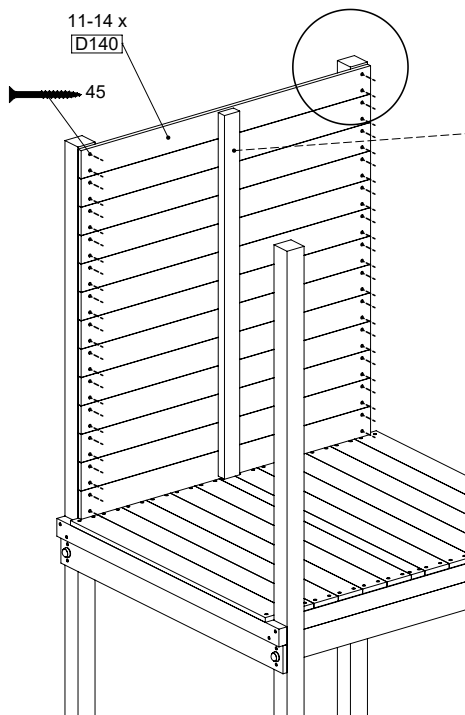
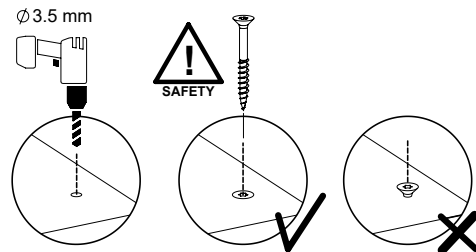
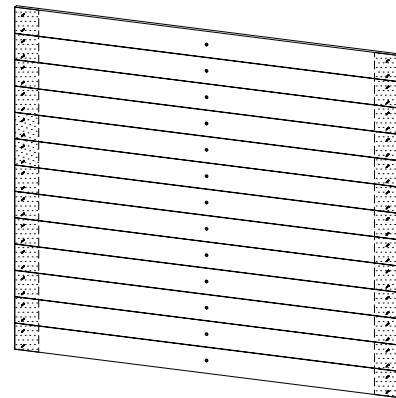


19 PH20a: Playhouse Wall Panel 140 U

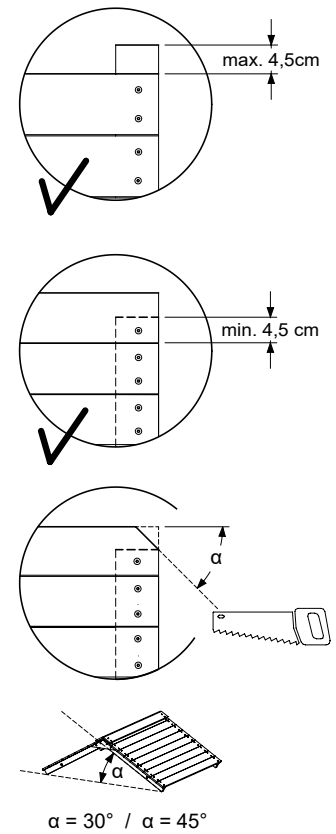
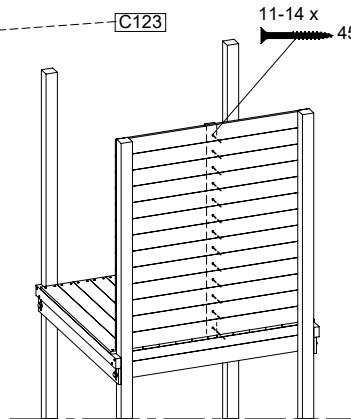
(194_809)

| | PartNo | PartName | QTY. |
|---------------|---------|----------------------------|------|
| Hardware Pack | 002_220 | Gap Point Screw T25 - 5x45 | 70 |
| Timber | C123 | Beam 1230 mm | 1 |
| | D141 | Board 1410 mm | 14 |

Playhouse Wall 140 - P02 U - 18/04/2023 - v1



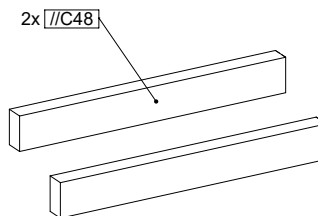
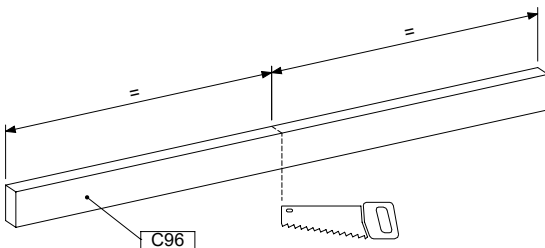
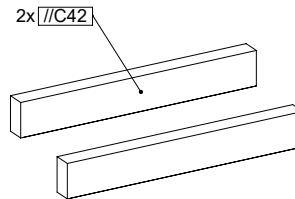
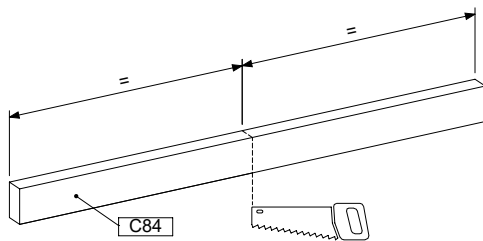
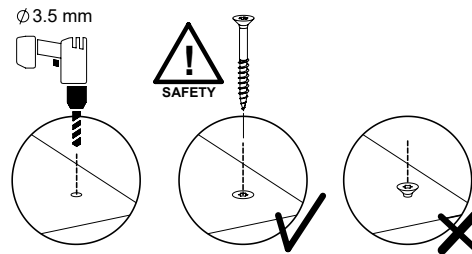
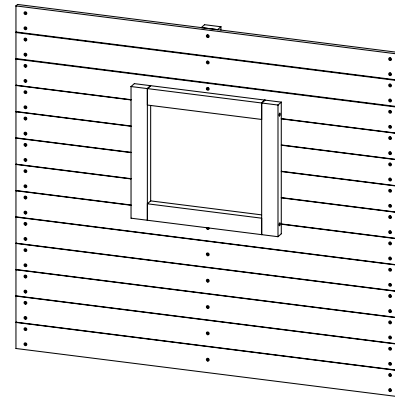
Playhouse Wall 140 - P04 U - 18/04/2023 - v1



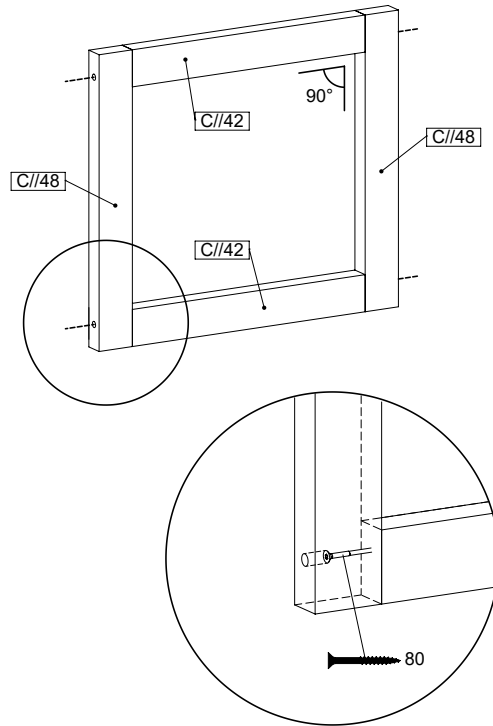
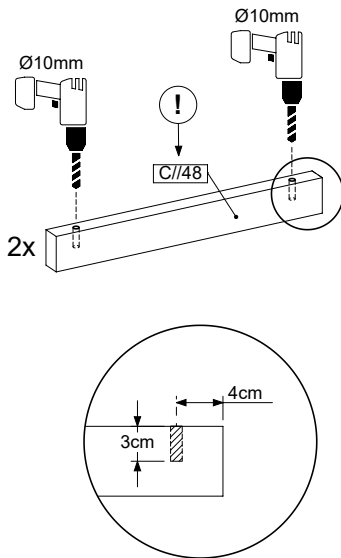
20 PH27a: Playhouse Window Panel 140 T

(194_118)

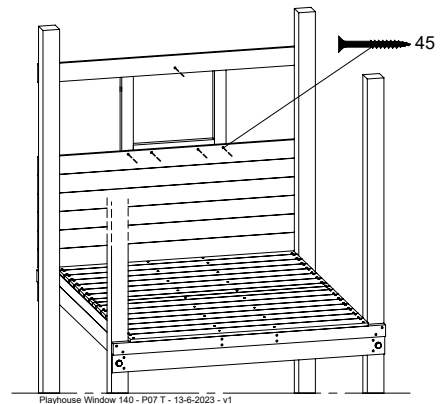
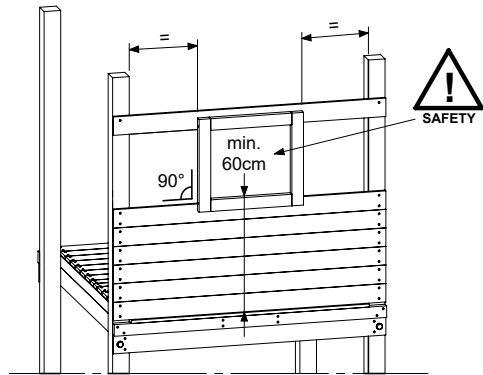
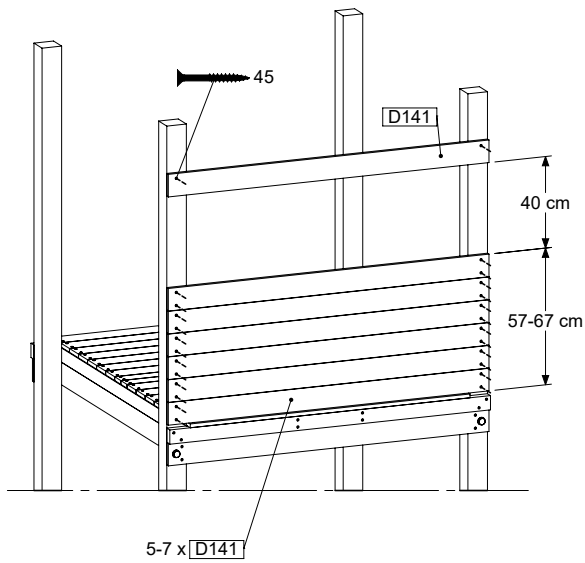
| | PartNo | PartName | QTY. |
|---------------|---------|----------------------------|------|
| Hardware Pack | 002_220 | Gap Point Screw T25 - 5x45 | 90 |
| | 002_223 | Gap Point Screw T25 - 5x80 | 4 |
| Timber | C84 | Beam 840 mm | 1 |
| | C96 | Beam 960 mm | 2 |
| | D47 | Board 470 mm | 8 |
| | D141 | Board 1410 mm | 10 |



20.1

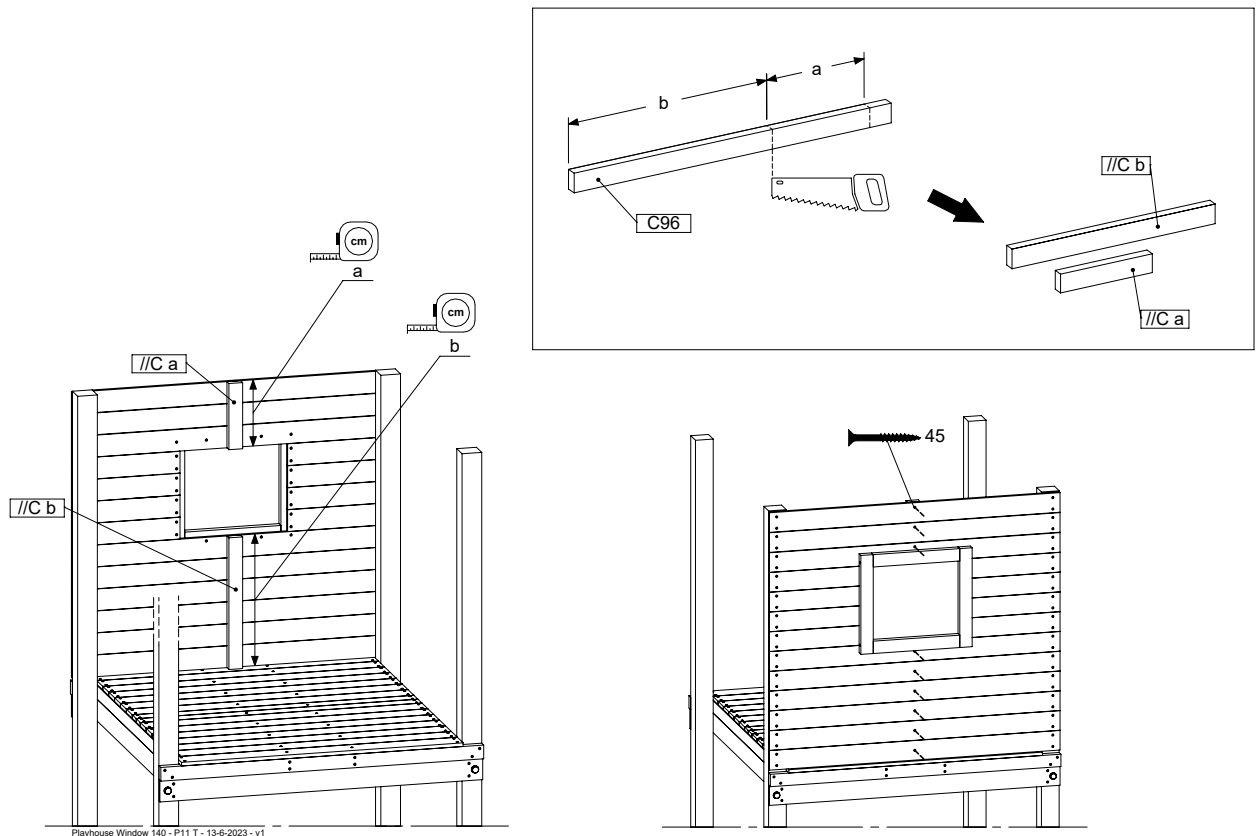
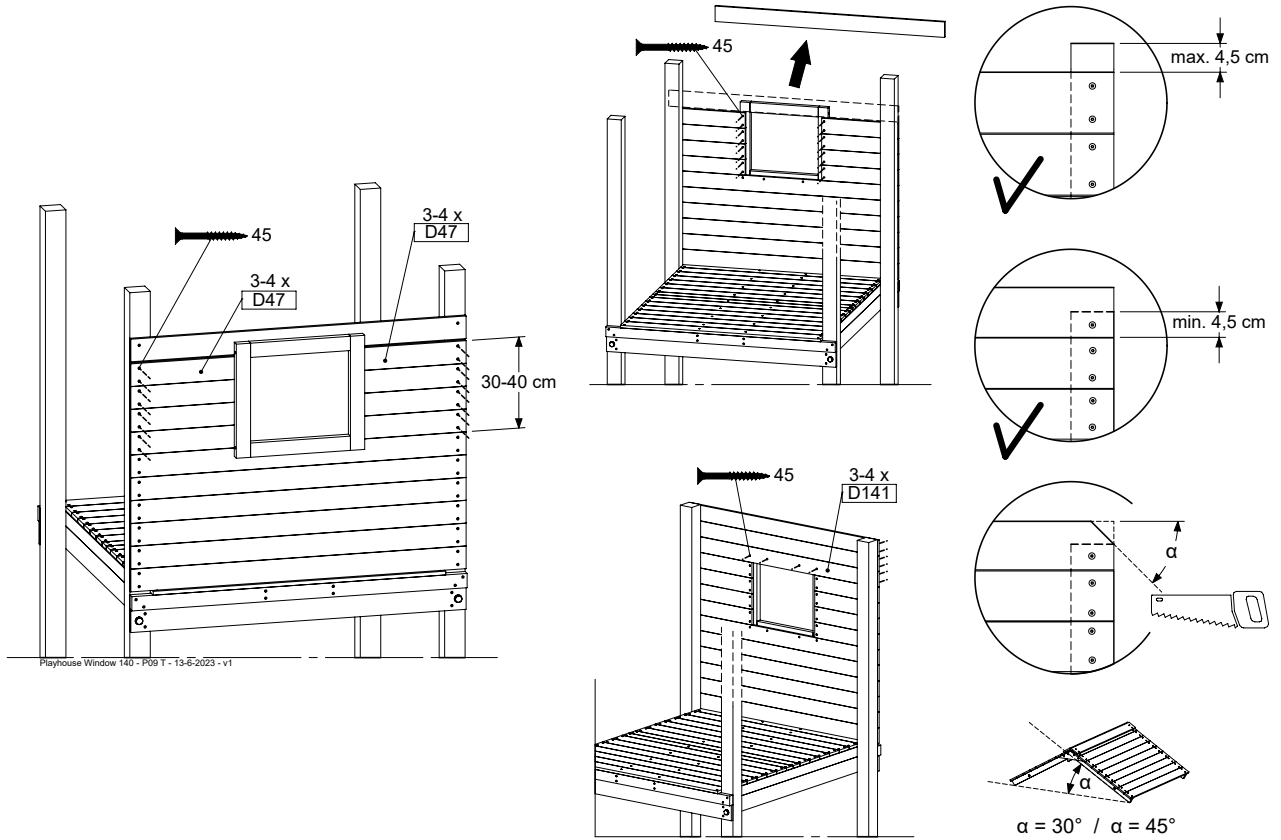


Playhouse Window 140 - P05 em. - 13-6-2023 - v1



Playhouse Window 140 - P07 T - 13-6-2023 - v1

20.2

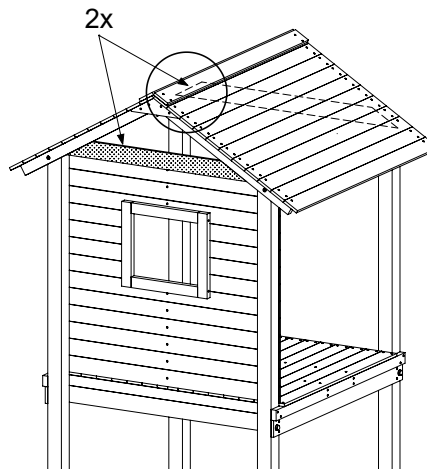
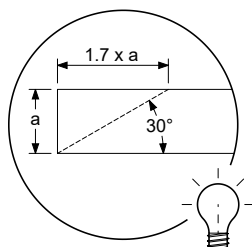
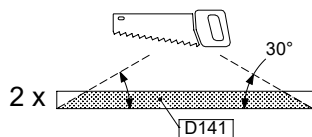
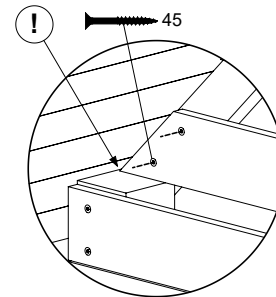
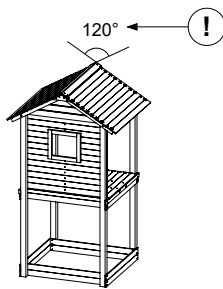
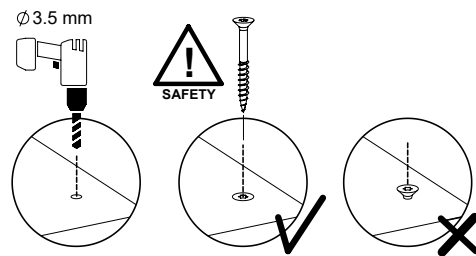
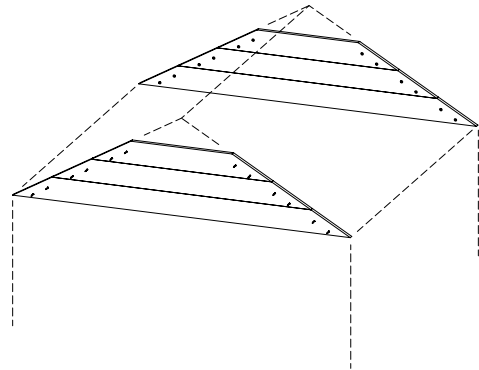


21 PH33a: Playhouse Roof Panels 140 120deg

(194_501)

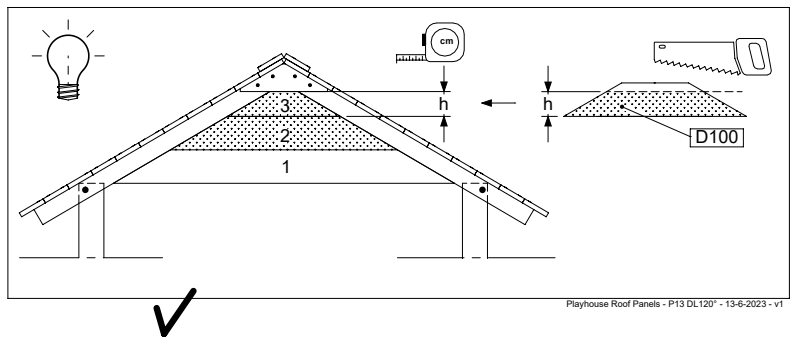
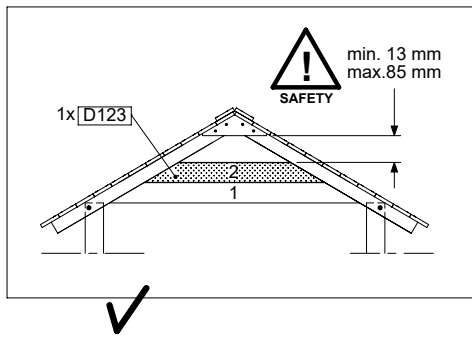
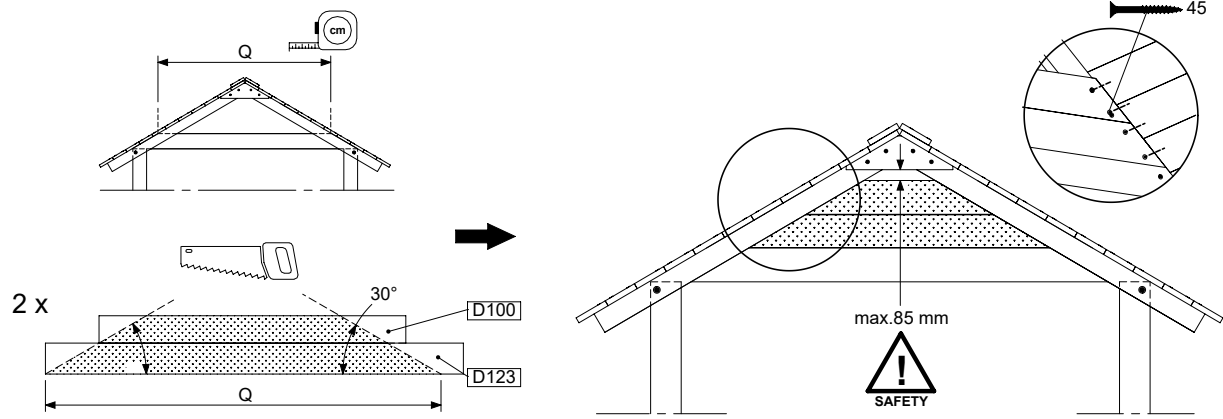
| | PartNo | PartName | QTY. |
|---------------|---------|----------------------------|------|
| Hardware Pack | 002_220 | Gap Point Screw T25 - 5x45 | 24 |
| Timber | D100 | Board 1000 mm | 2 |
| | D123 | Board 1230 mm | 2 |
| | D141 | Board 1410 mm | 2 |

Playhouse Roof Panels - P09 DL120° - 13-6-2023 - v1



Playhouse Roof Panels - P09 DL120° - 13-6-2023 - v1

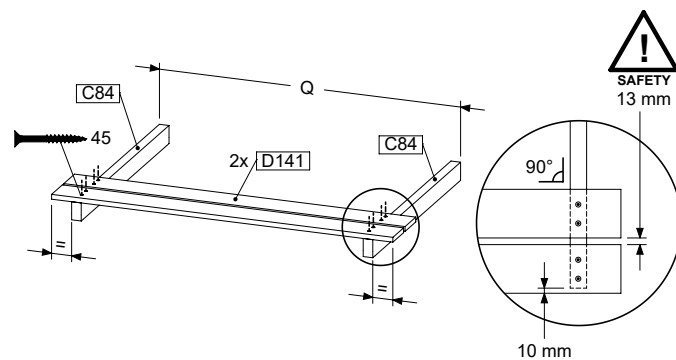
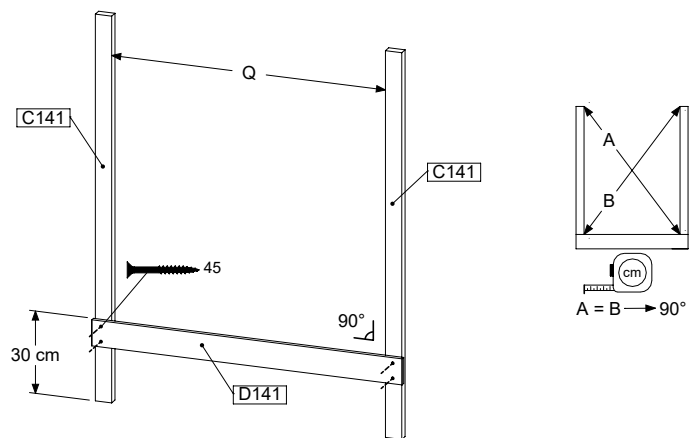
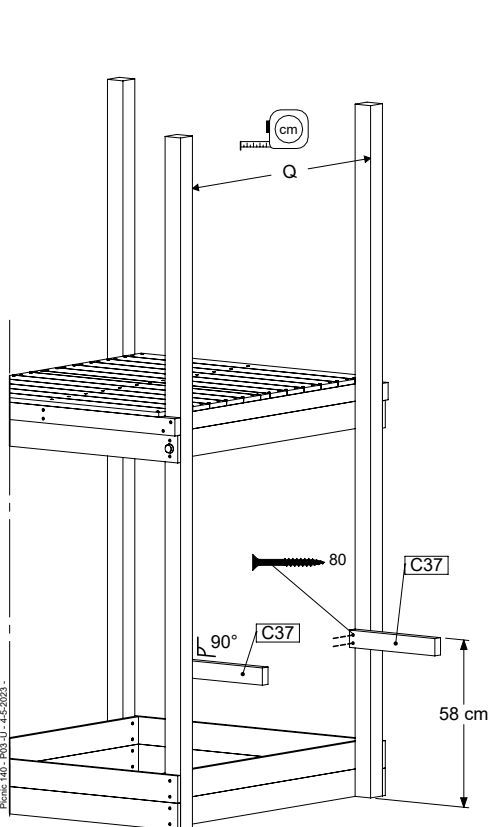
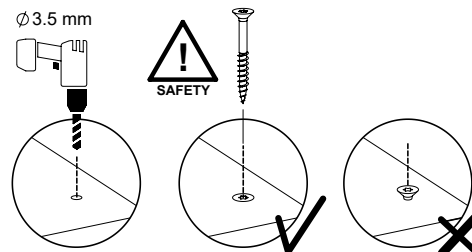
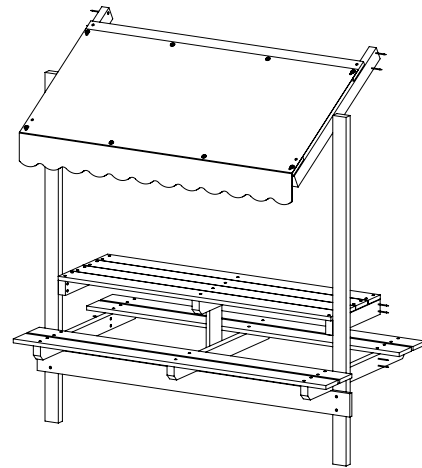
21.1



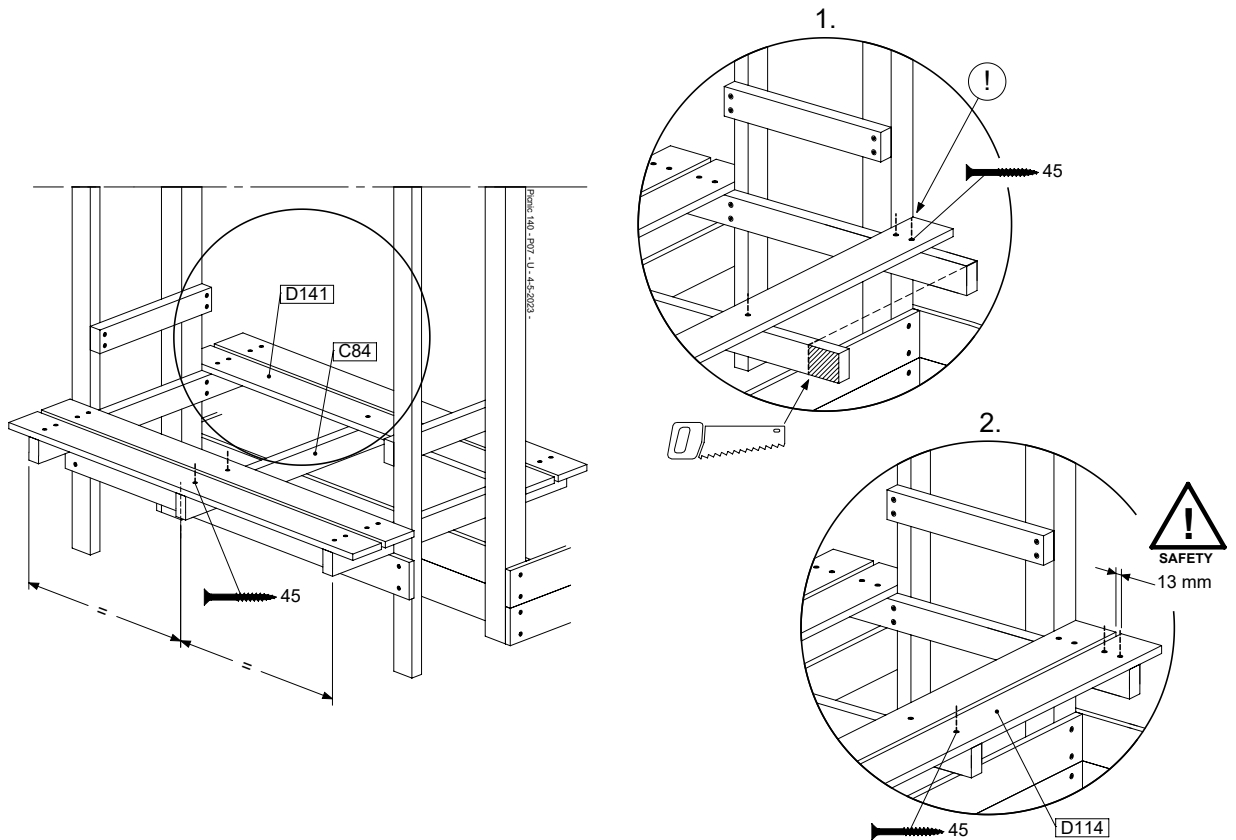
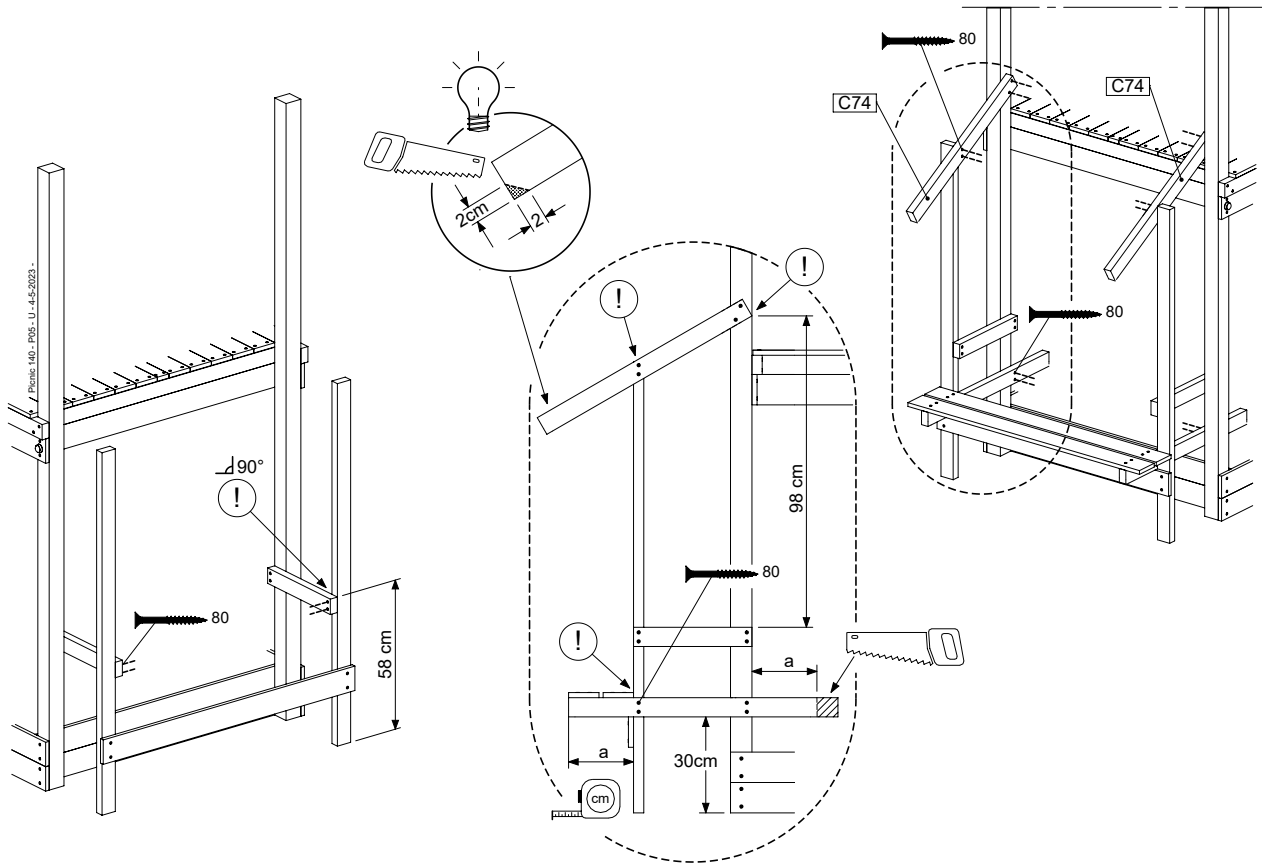
22 PC09a: Picnic 140 U

(194_810)

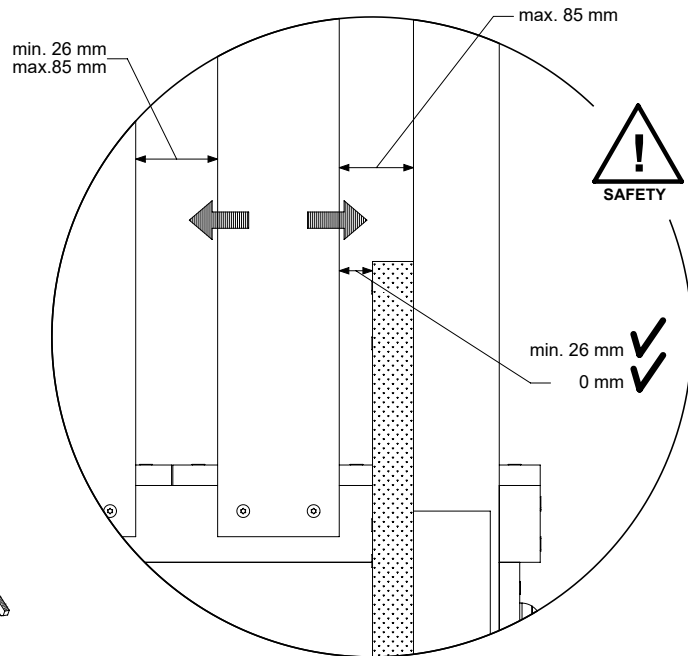
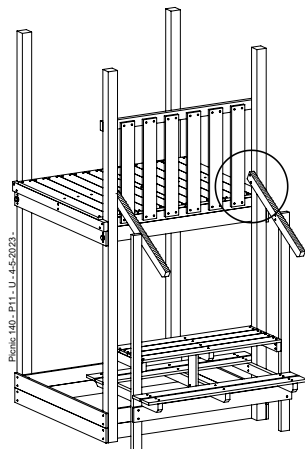
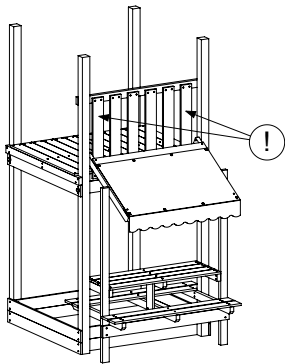
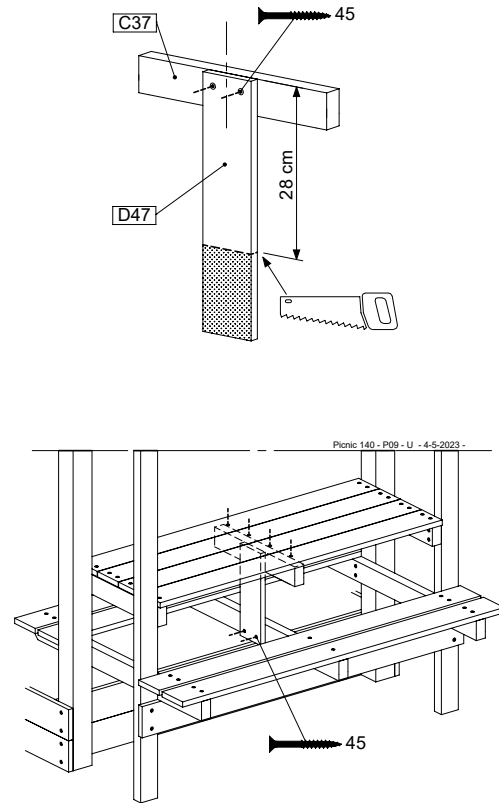
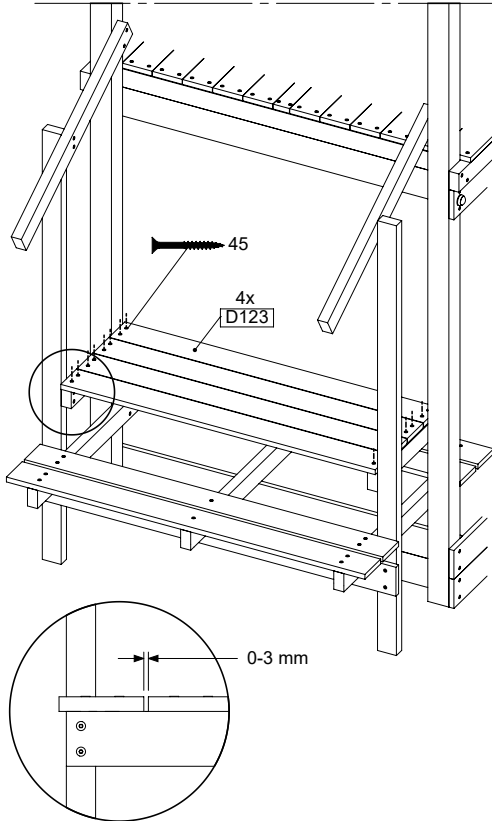
| | PartNo | PartName | QTY. |
|---------------|---------|----------------------------|------|
| Hardware Pack | 002_220 | Gap Point Screw T25 - 5x45 | 56 |
| | 002_223 | Gap Point Screw T25 - 5x80 | 24 |
| | 002_308 | Gap Point Screw T25 - 5x20 | 8 |
| | 023_031 | Finishing Washer GPS 5.0 | 8 |
| Other | 123_220 | Canvas sheet 735x1365mm | 1 |
| Timber | C37 | Beam 370 mm | 3 |
| | C74 | Beam 740 mm | 2 |
| | C84 | Beam 840 mm | 3 |
| | C141 | Beam 1410 mm | 2 |
| | D47 | Board 470 mm | 1 |
| | D123 | Board 1230 mm | 6 |
| | D141 | Board 1410 mm | 5 |



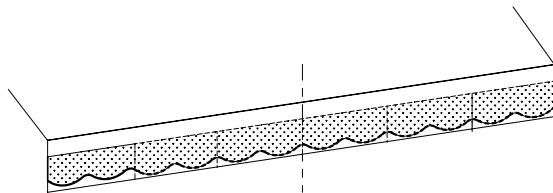
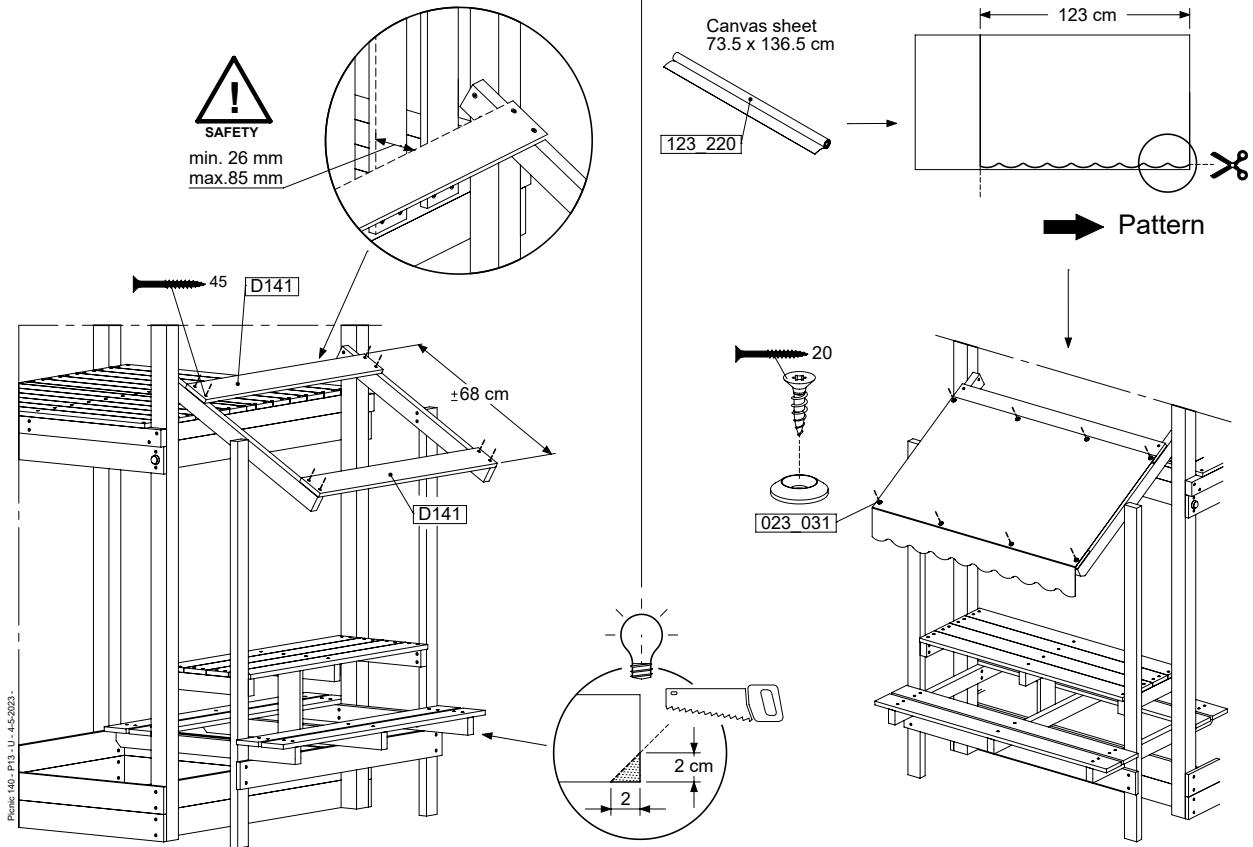
22.1



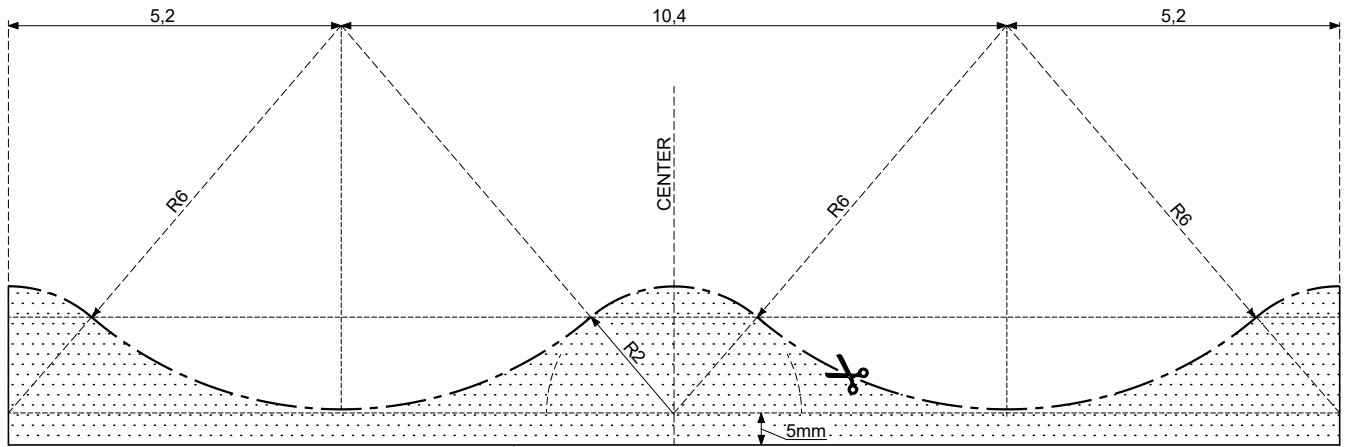
22.2



22.3



EXAMPLE PATTERN
BEISPIELVORLAGE FÜR MARKISE
SCHÉMA SUGGÉRÉ DE DÉCOUPE POUR AUVENT
VOORBEELDSJABLOON LUIFEL



Picnic 140 - P15 - Pattern - 4-5-2023

← repeat

repeat →

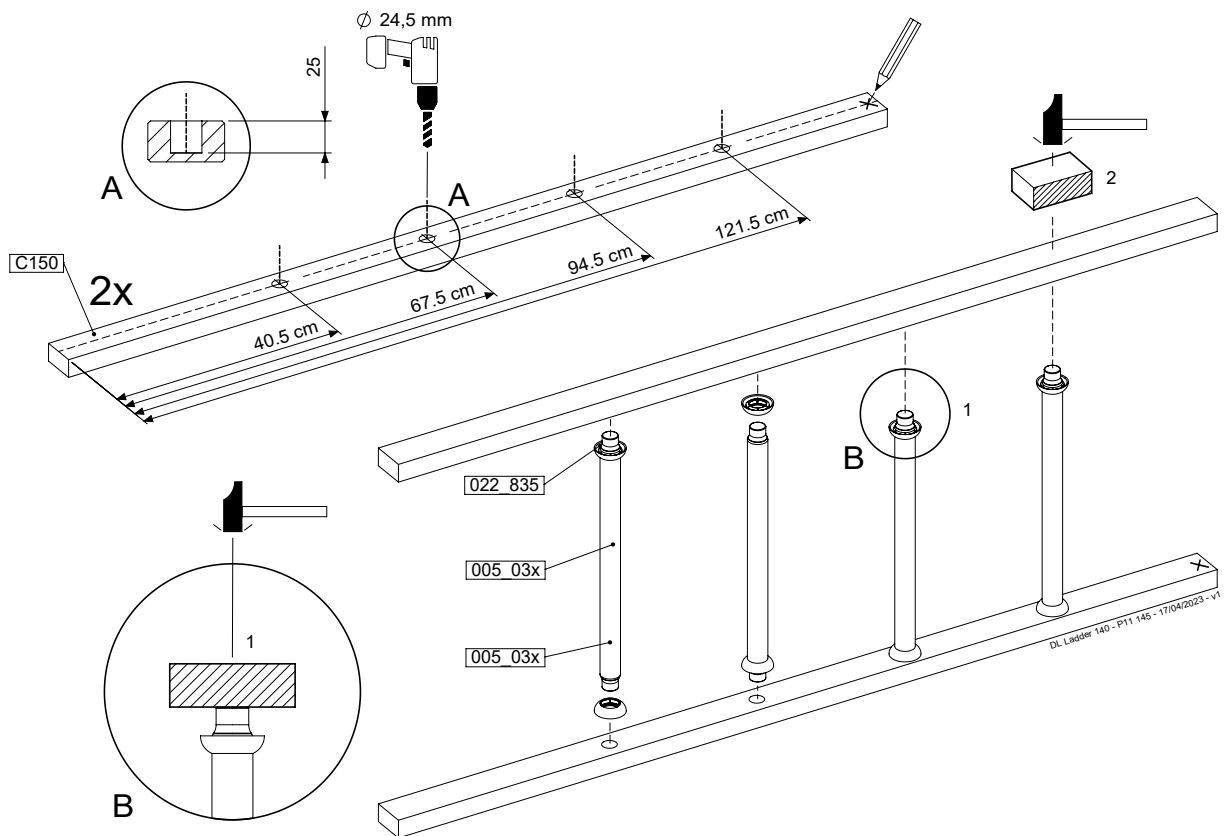
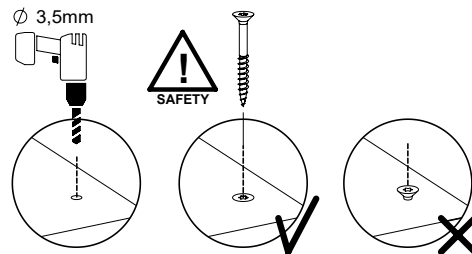
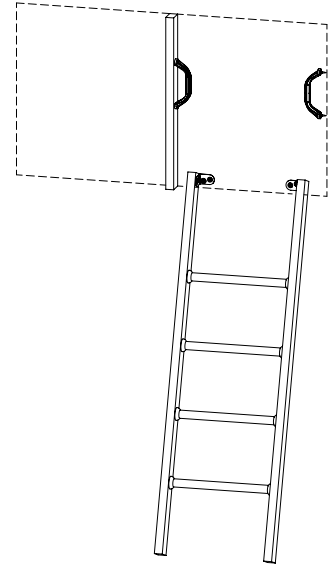
! Scale of print may not be accurate.
Druckformat kann abweichen.
Les tailles imprimées peuvent varier.
Printformaat kan afwijken.

23 LA24: Ladder 140 145 U Right

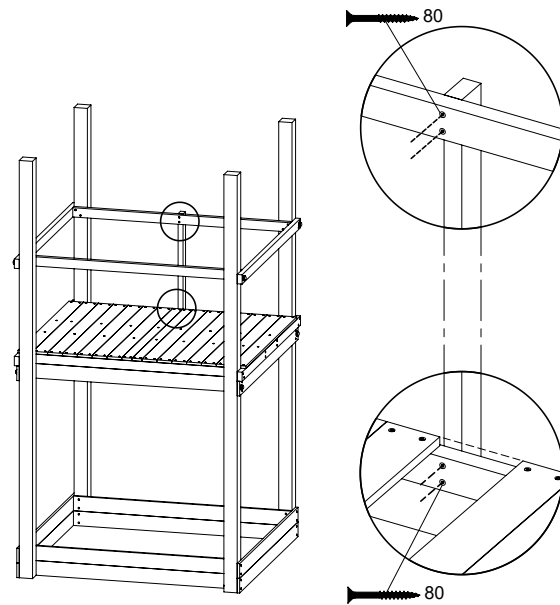
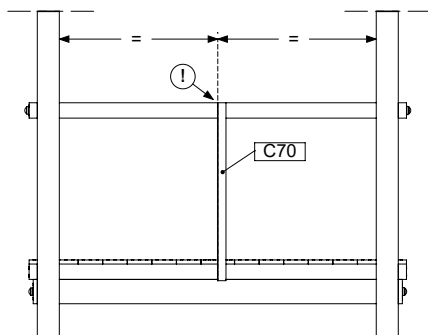
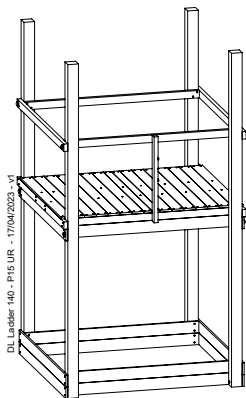
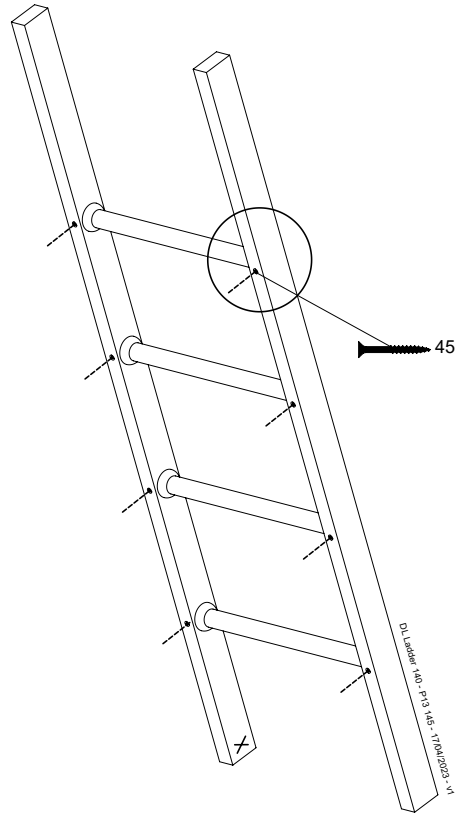
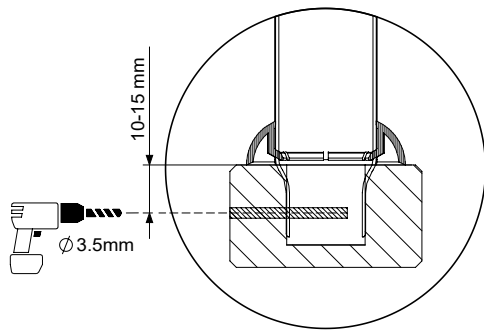
(194_004)

| | PartNo | PartName | QTY. |
|---------------|---------|--------------------------------|------|
| Hardware pack | 001_404 | Stealth Screw 8x30 | 4 |
| | 002_219 | Gap Point Screw T25 - 5x30 | 4 |
| | 002_220 | Gap Point Screw T25 - 5x45 | 8 |
| | 002_223 | Gap Point Screw T25 - 5x80 | 4 |
| Other | 005_03x | Ladder Rung Y/B/G/R | 4 |
| | 005_522 | Connection Bracket Mini Market | 2 |
| | 022_835 | Rung Cap | 8 |
| | 120_102 | Handgrip set (complete 2x) | 1 |
| Timber | C70 | Beam 700 mm | 1 |
| | C150 | Beam 1500 mm | 2 |

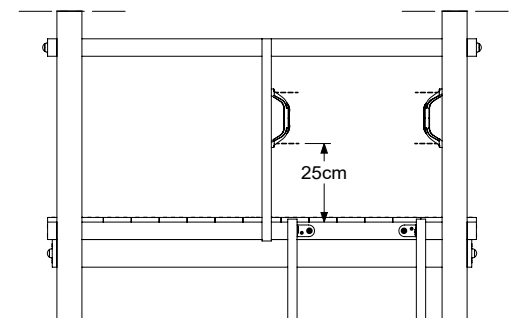
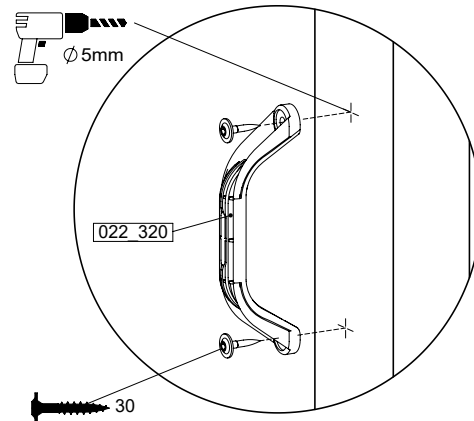
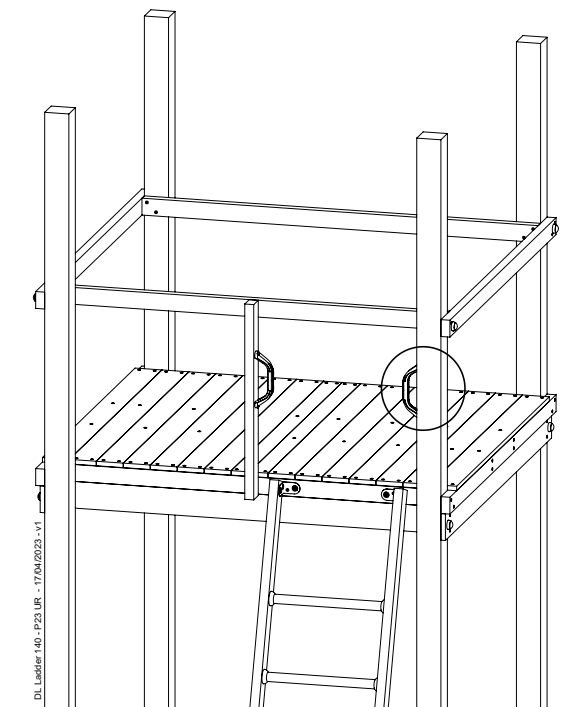
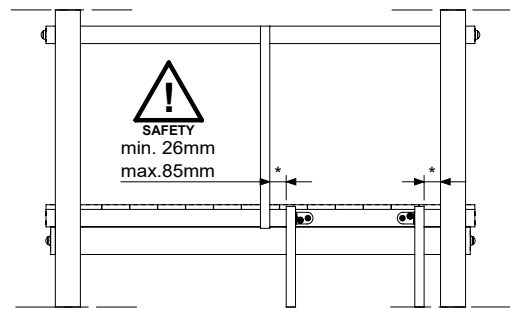
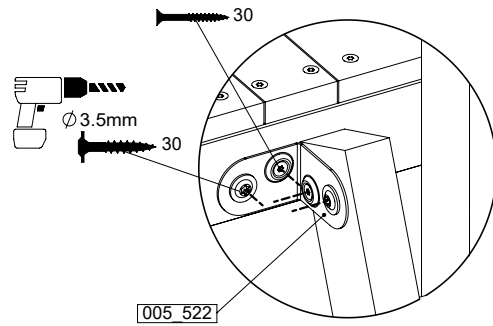
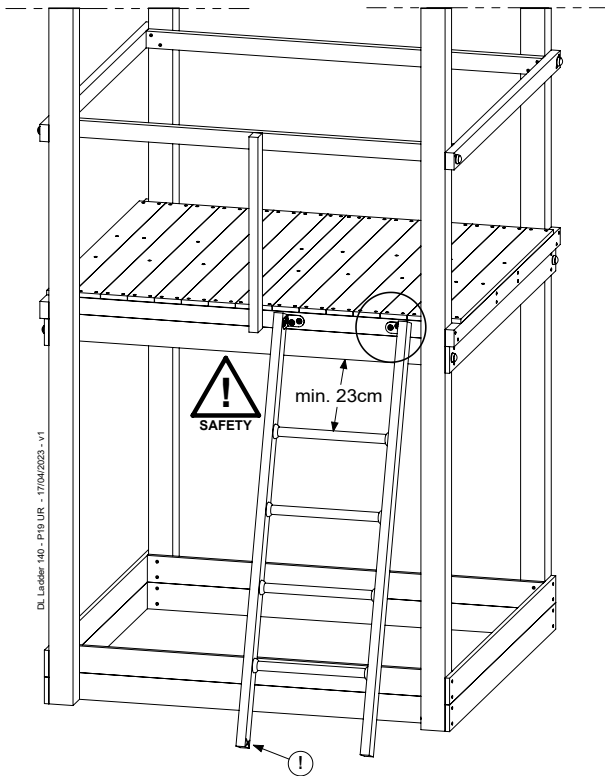
DL Ladder 140 - P07 UR 145 - 17/04/2023 - v1



23.1



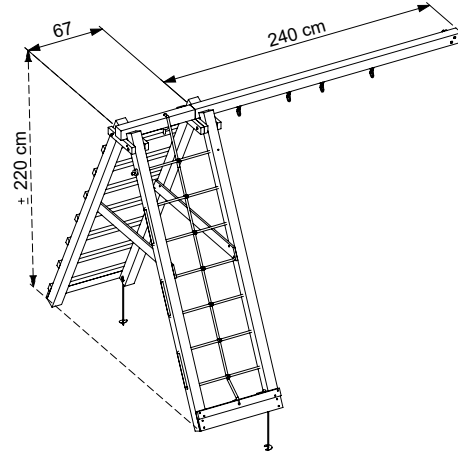
23.2



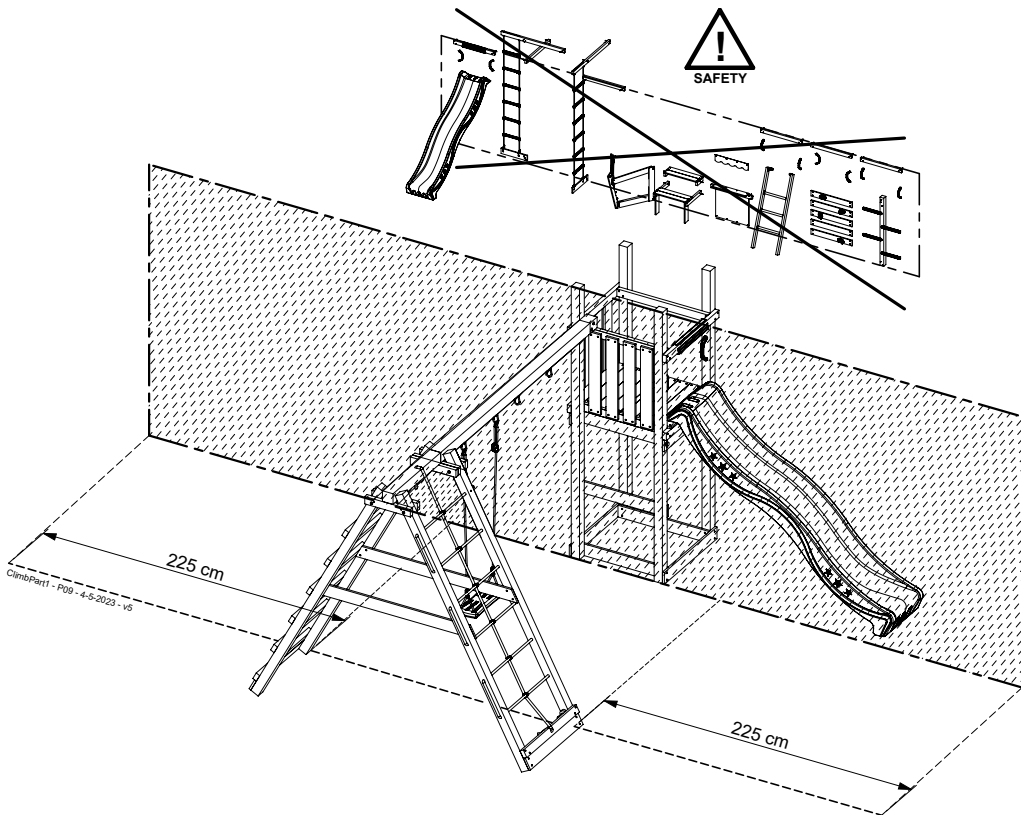
24 CL21a: 2-Climb Module 220 Extra

(457_106)

| | PartNo | PartName | QTY. |
|---------------|---------|--------------------------------|-------|
| Hardware Pack | 001_406 | Stealth Screw 8x45 | 2 |
| | 001_417 | Stealth Screw 8x80 | 6 / 8 |
| | 001_422 | Stealth Screw 8x137 | 6 |
| | 002_220 | Gap Point Screw T25 - 5x45 | 43 |
| | 002_223 | Gap Point Screw T25 - 5x80 | 45 |
| | 002_301 | Dry Wall Screw PH2 3.9 x 40 mm | 7 |
| Other | 005_529 | Swing Beam Bracket 9x9 | 2 |
| | 007_001 | Ground-anchor | 2 |
| | 020_317 | Rope Polyester 16mm Green 3.4m | 1 |
| | 020_318 | Rope Polyester 16mm Green 8.1m | 1 |
| | 022_455 | Rope Cross Connector Egg | 7 |
| | 023_031 | Finishing Washer GPS 5.0 | 4 |
| | 101_003 | Swing hook with Carabiner | 4 |
| Timber | B67 | Post 90x90 L670 | 1 |
| | B240 | Post 90x90 L2400 | 5 |
| | C37 | Beam 370 mm | 5 |
| | C74 | Beam 740 mm | 8 |
| | D74 | Board 740 mm | 2 |
| | D141 | Board 1410 mm | 3 |

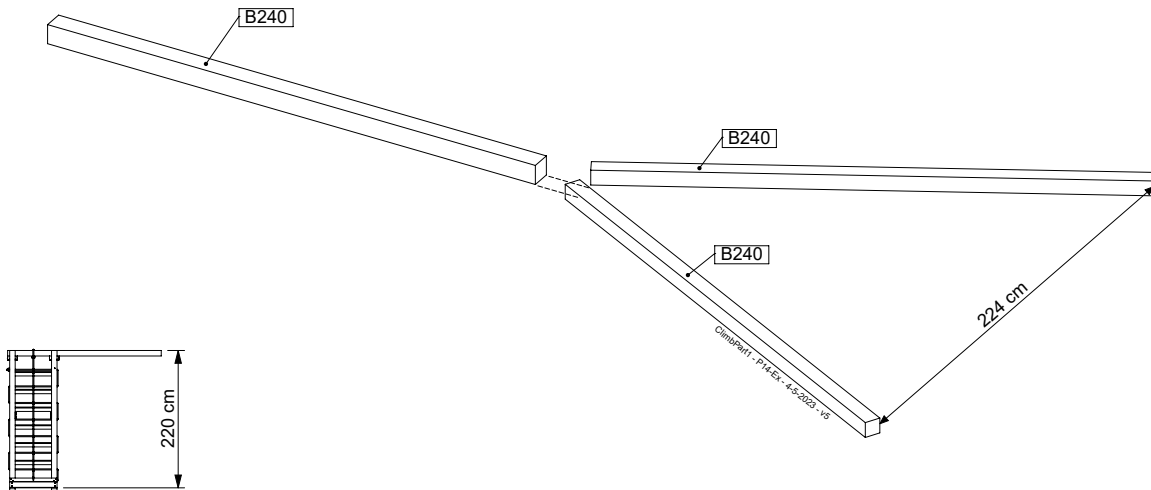
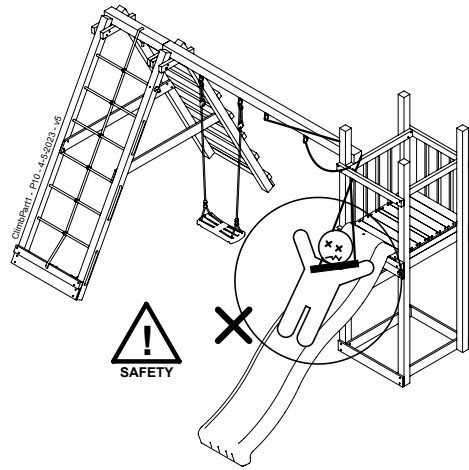
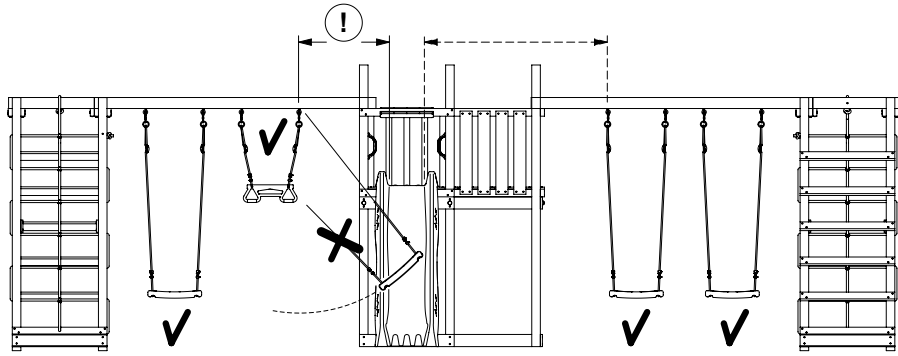
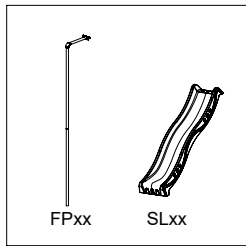


ClimbPart1 - P09-2023 - 4-5-2023 - v5



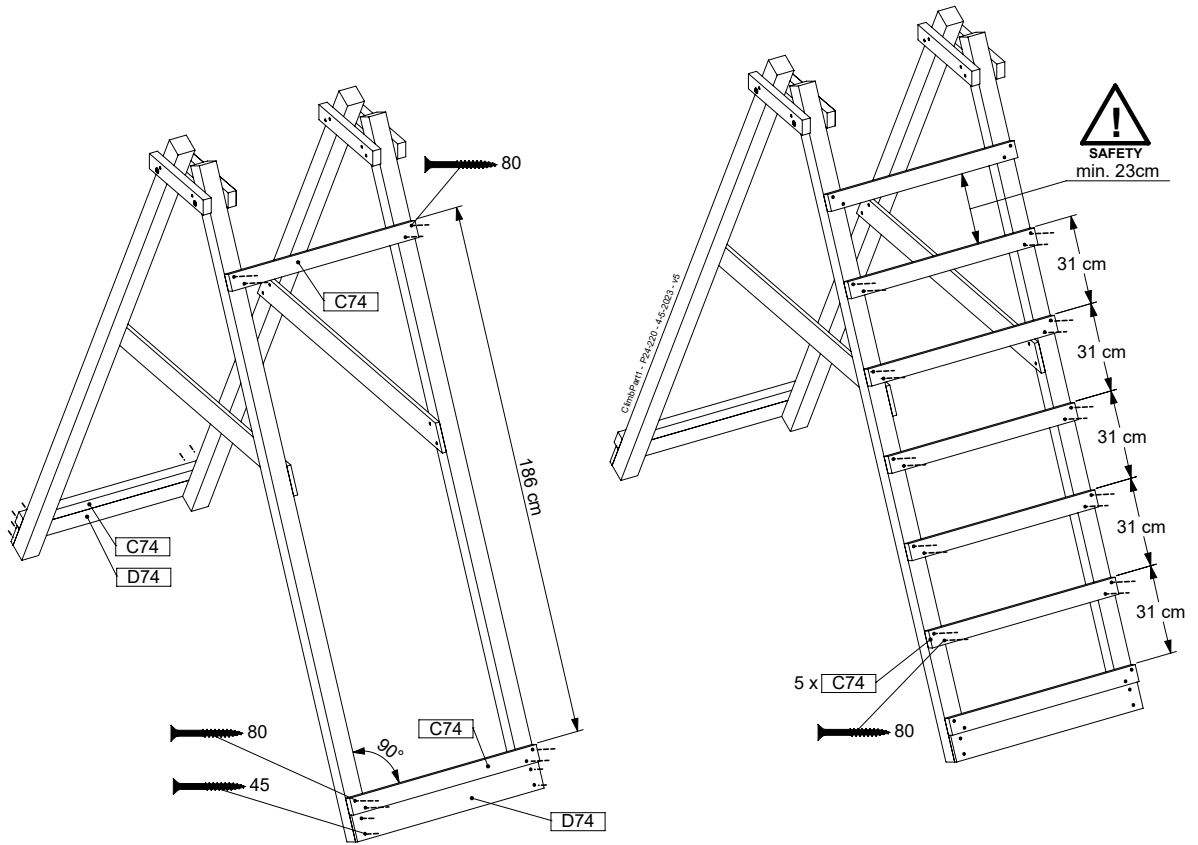
ClimbPart1 - P09 - 4-5-2023 - v5

24.1



Climb Module 220 Extra

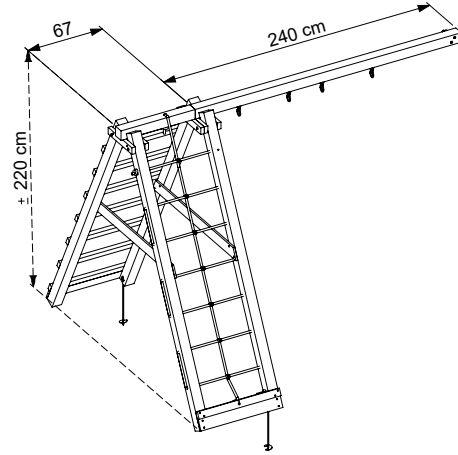
24.3



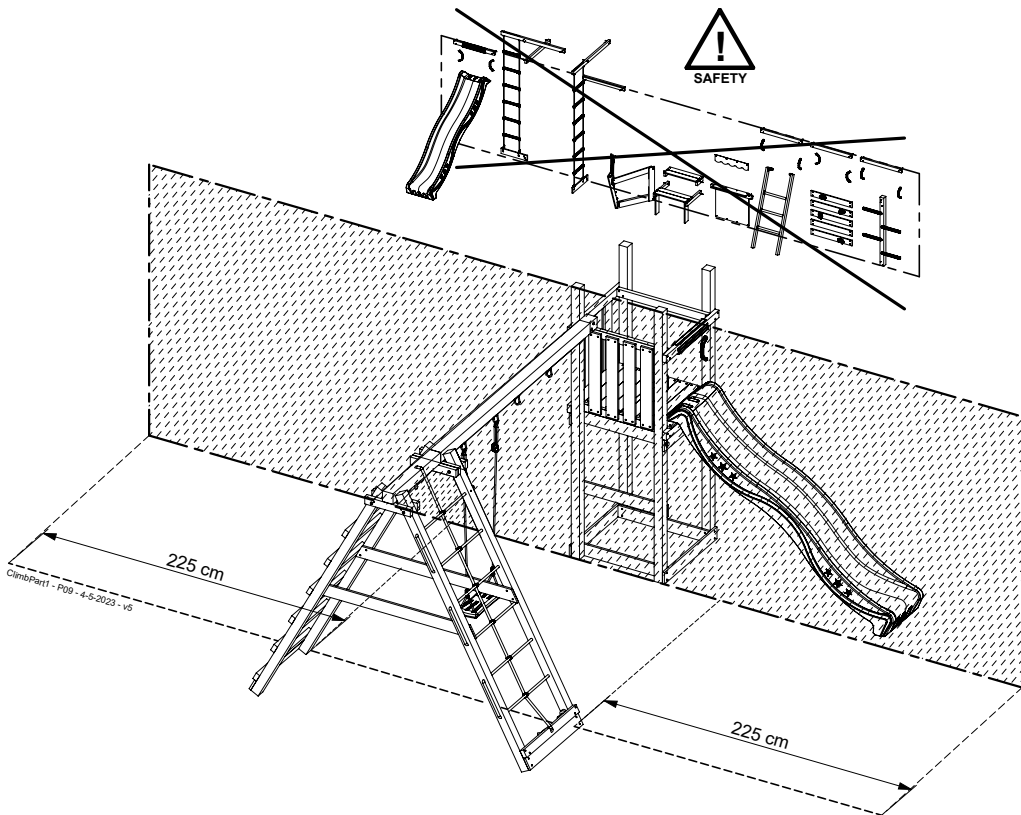
25 CL21a: 2-Climb Module 220 Extra

(457_106)

| | PartNo | PartName | QTY. |
|---------------|---------|--------------------------------|-------|
| Hardware Pack | 001_406 | Stealth Screw 8x45 | 2 |
| | 001_417 | Stealth Screw 8x80 | 6 / 8 |
| | 001_422 | Stealth Screw 8x137 | 6 |
| | 002_220 | Gap Point Screw T25 - 5x45 | 43 |
| | 002_223 | Gap Point Screw T25 - 5x80 | 45 |
| | 002_301 | Dry Wall Screw PH2 3.9 x 40 mm | 7 |
| Other | 005_529 | Swing Beam Bracket 9x9 | 2 |
| | 007_001 | Ground-anchor | 2 |
| | 020_317 | Rope Polyester 16mm Green 3.4m | 1 |
| | 020_318 | Rope Polyester 16mm Green 8.1m | 1 |
| | 022_455 | Rope Cross Connector Egg | 7 |
| | 023_031 | Finishing Washer GPS 5.0 | 4 |
| | 101_003 | Swing hook with Carabiner | 4 |
| Timber | B67 | Post 90x90 L670 | 1 |
| | B240 | Post 90x90 L2400 | 5 |
| | C37 | Beam 370 mm | 5 |
| | C74 | Beam 740 mm | 8 |
| | D74 | Board 740 mm | 2 |
| | D141 | Board 1410 mm | 3 |

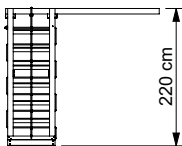
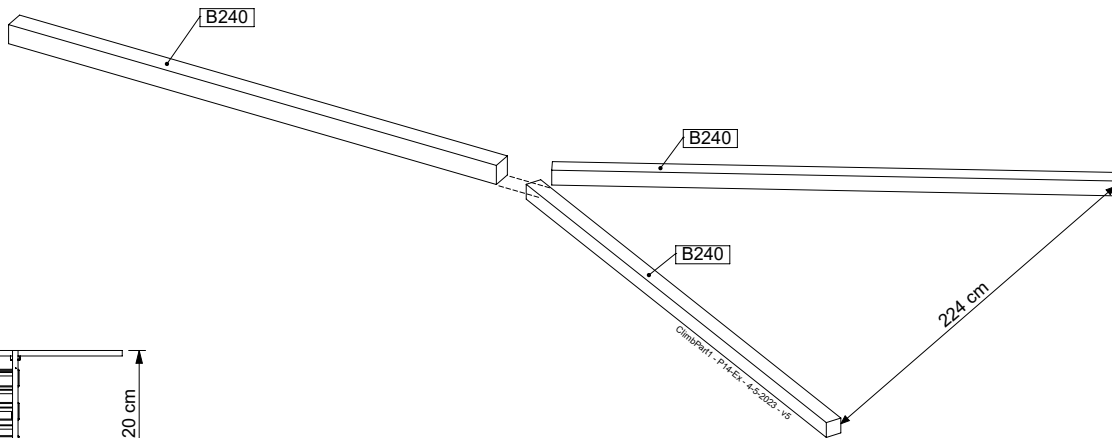
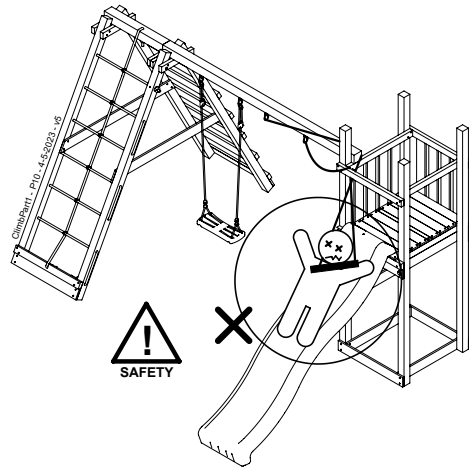
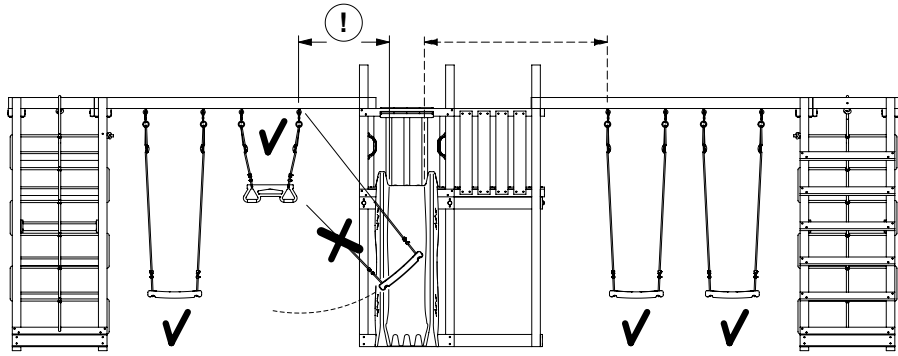
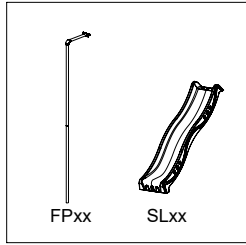


ClimbPart1 - P09-2023 - 4-5-2023 - v5



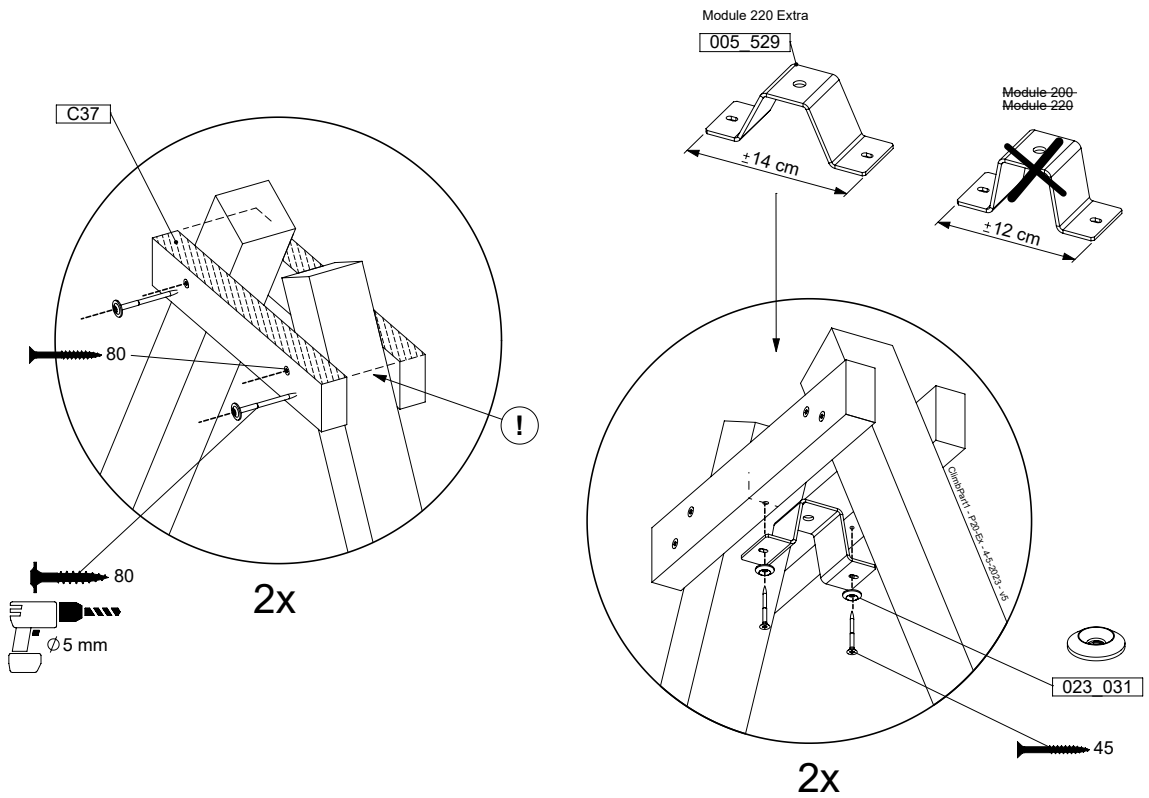
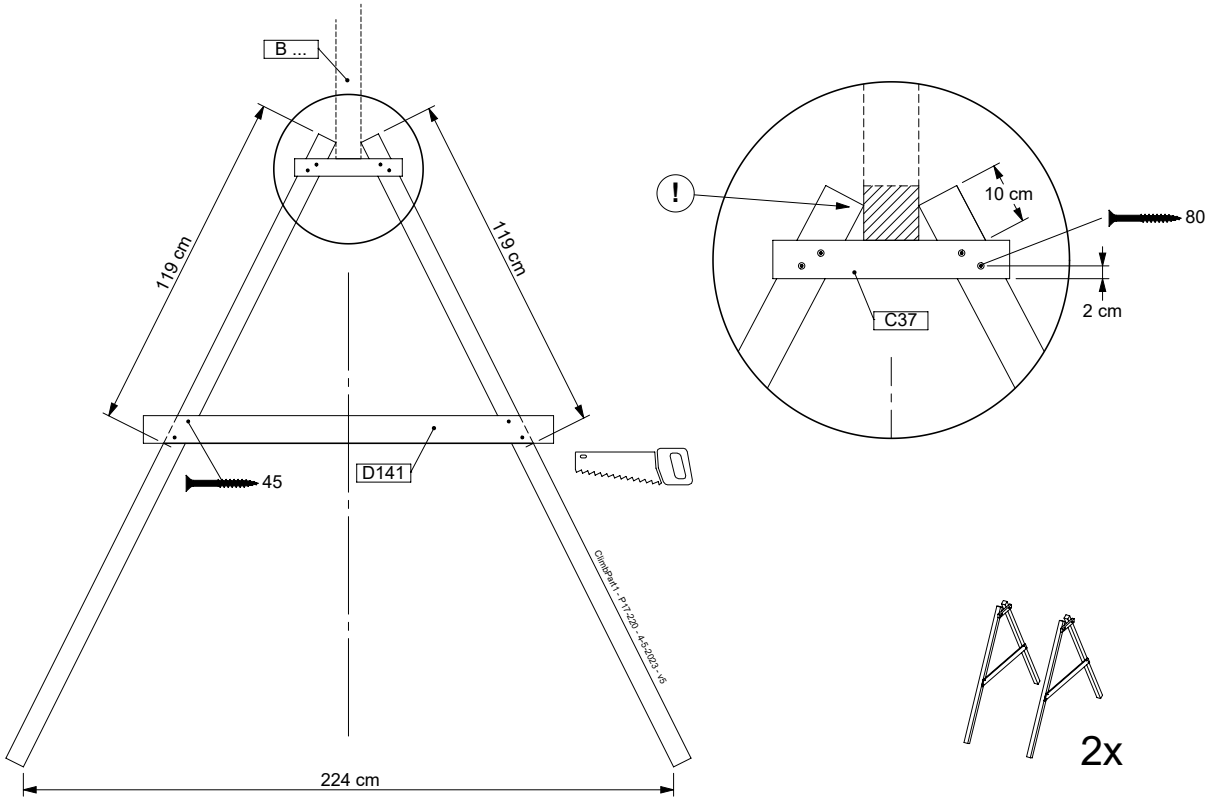
ClimbPart1 - P09 - 4-5-2023 - v5

25.1

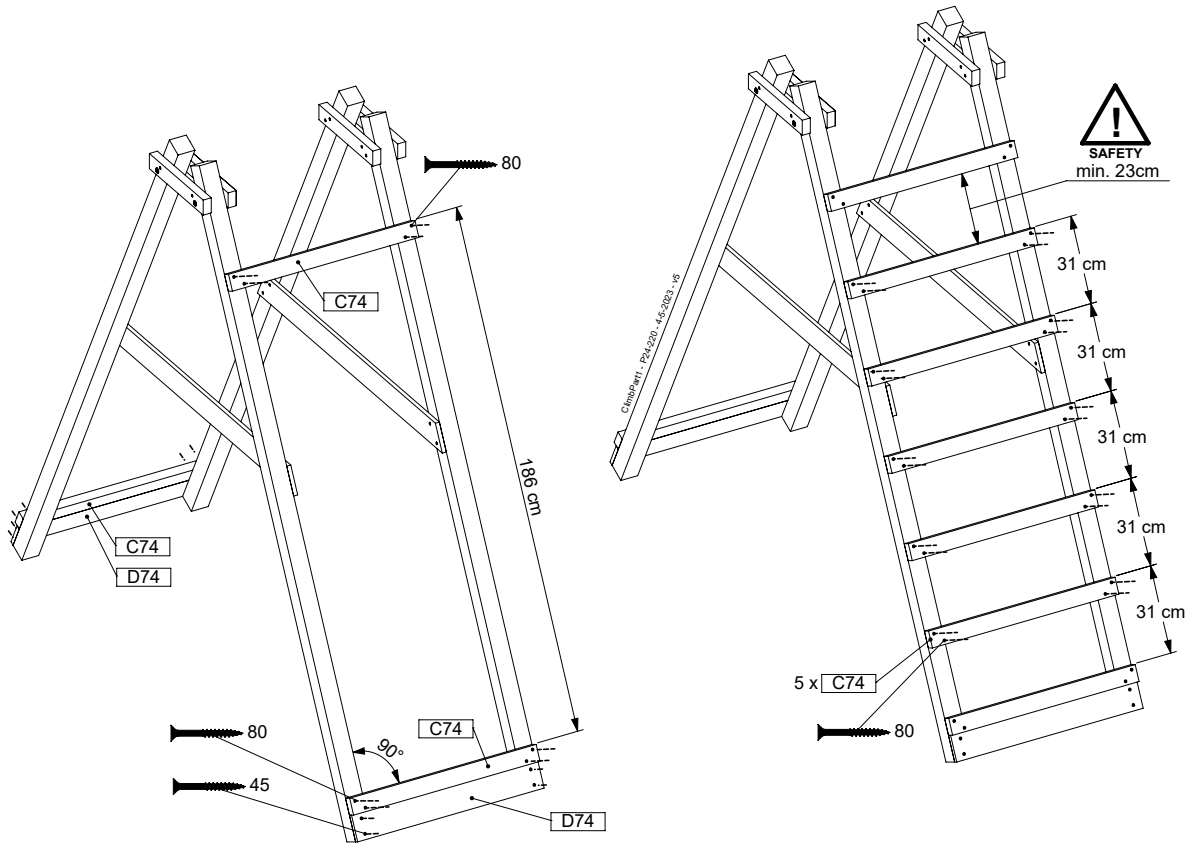


Climb Module 220 Extra

25.2



25.3

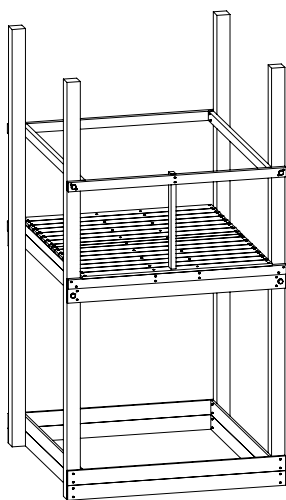
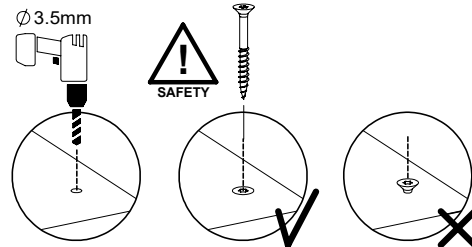
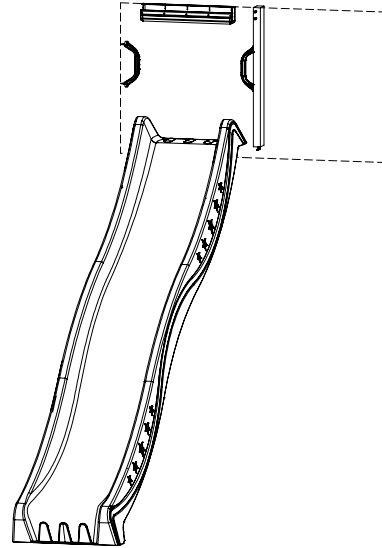


26 SL28a: Slide 140 145 T Left

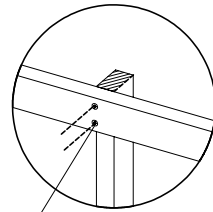
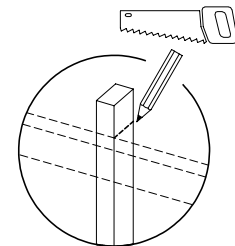
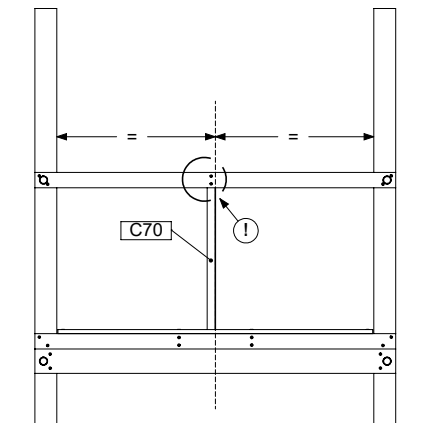
(194_107)

| | PartNo | PartName | QTY. |
|---------------|---------------------|---|------|
| Hardware pack | 000_101 | Nail Pan Head | 10 |
| | 002_223 | Gap Point Screw T25 - 5x80 | 4 |
| | 002_308 | Gap Point Screw T25 - 5x20 | 2 |
| Other | 120_102 | Handgrip set (complete 2x) | 1 |
| | 123_200 | Bumperpad | 1 |
| | 334_xxx /324_xxx | Wavy Star Slide XXL 2650 mm / Wavy Star Slide XL 2200 mm | 1 |
| Timber | C70 | Beam 700 mm | 1 |

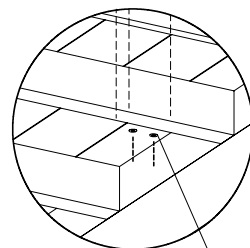
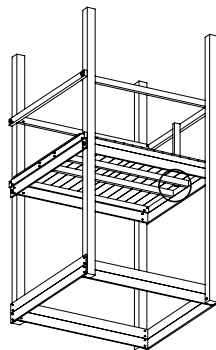
DL SLIDE 70/140 - P08 TL - 20/04/2023 - v1



DL SLIDE 70/140 - P08 TL - 20/04/2023 - v1

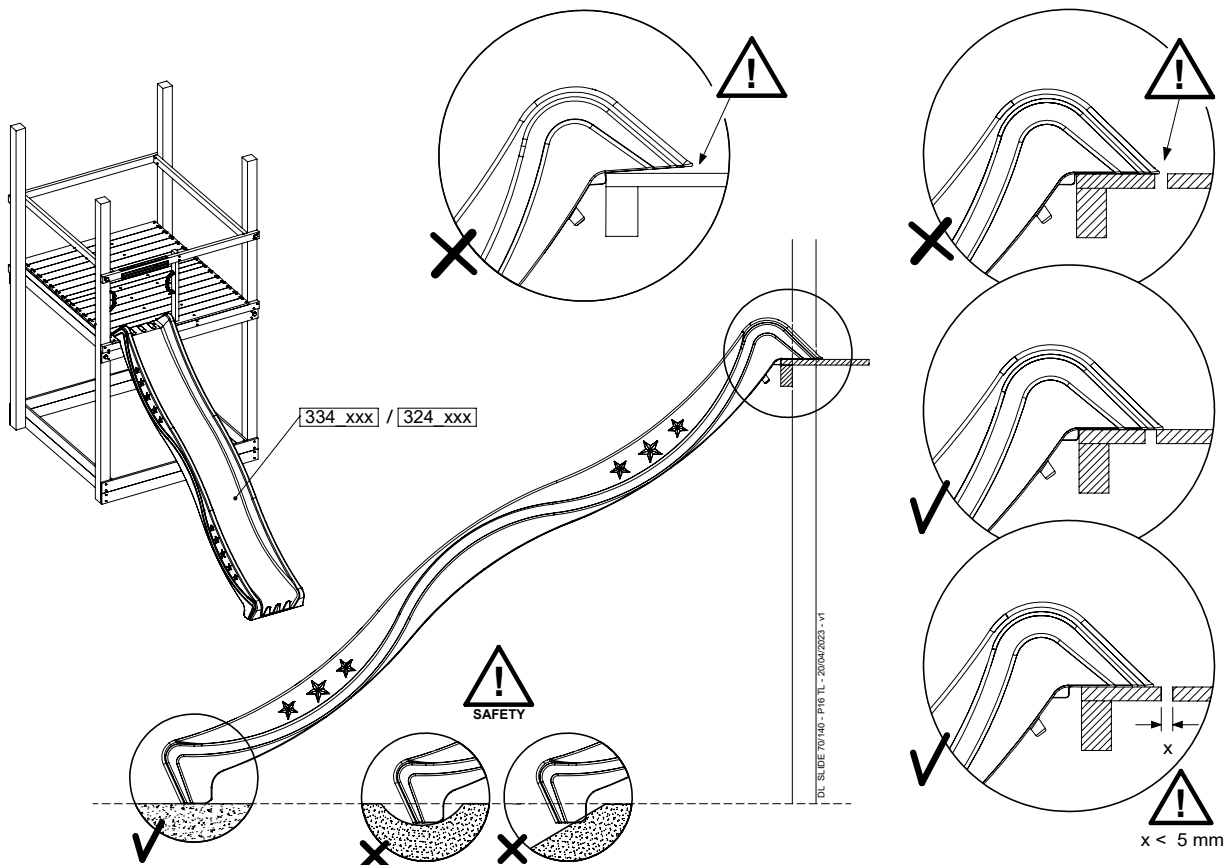
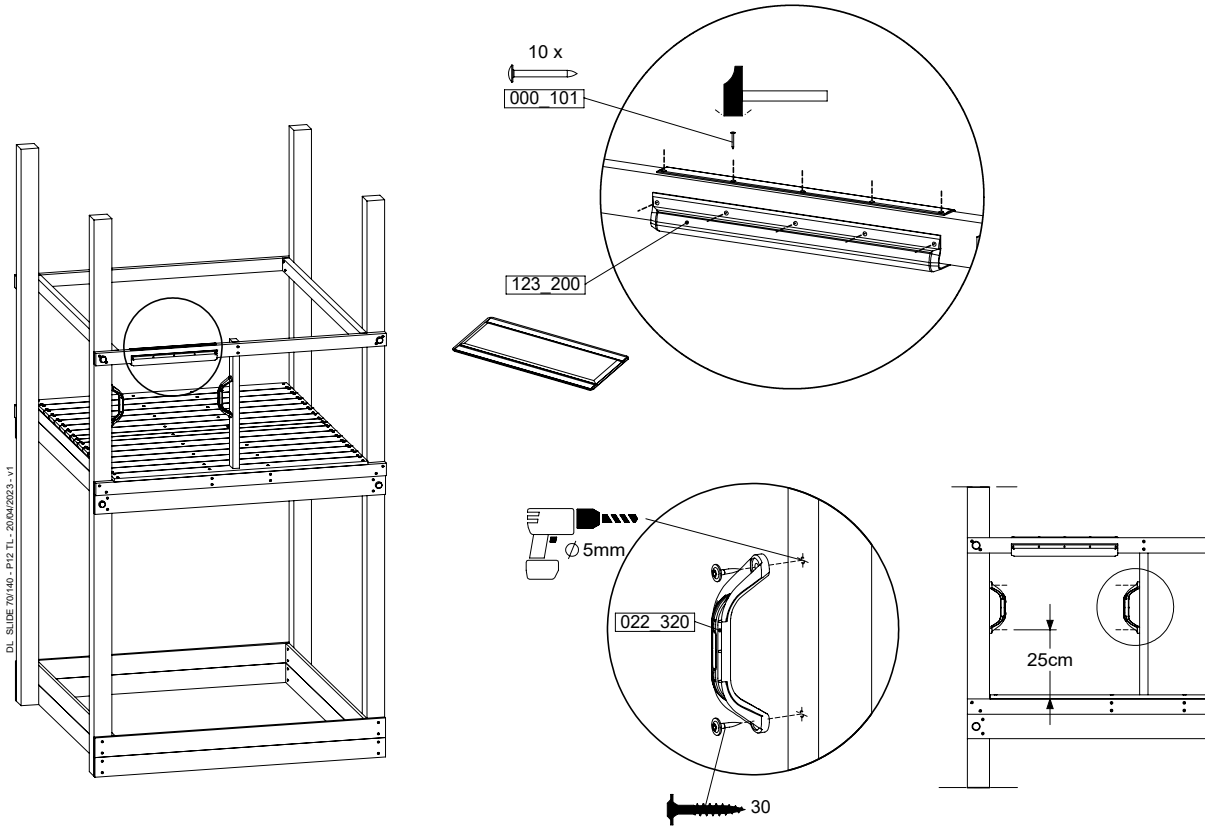


80

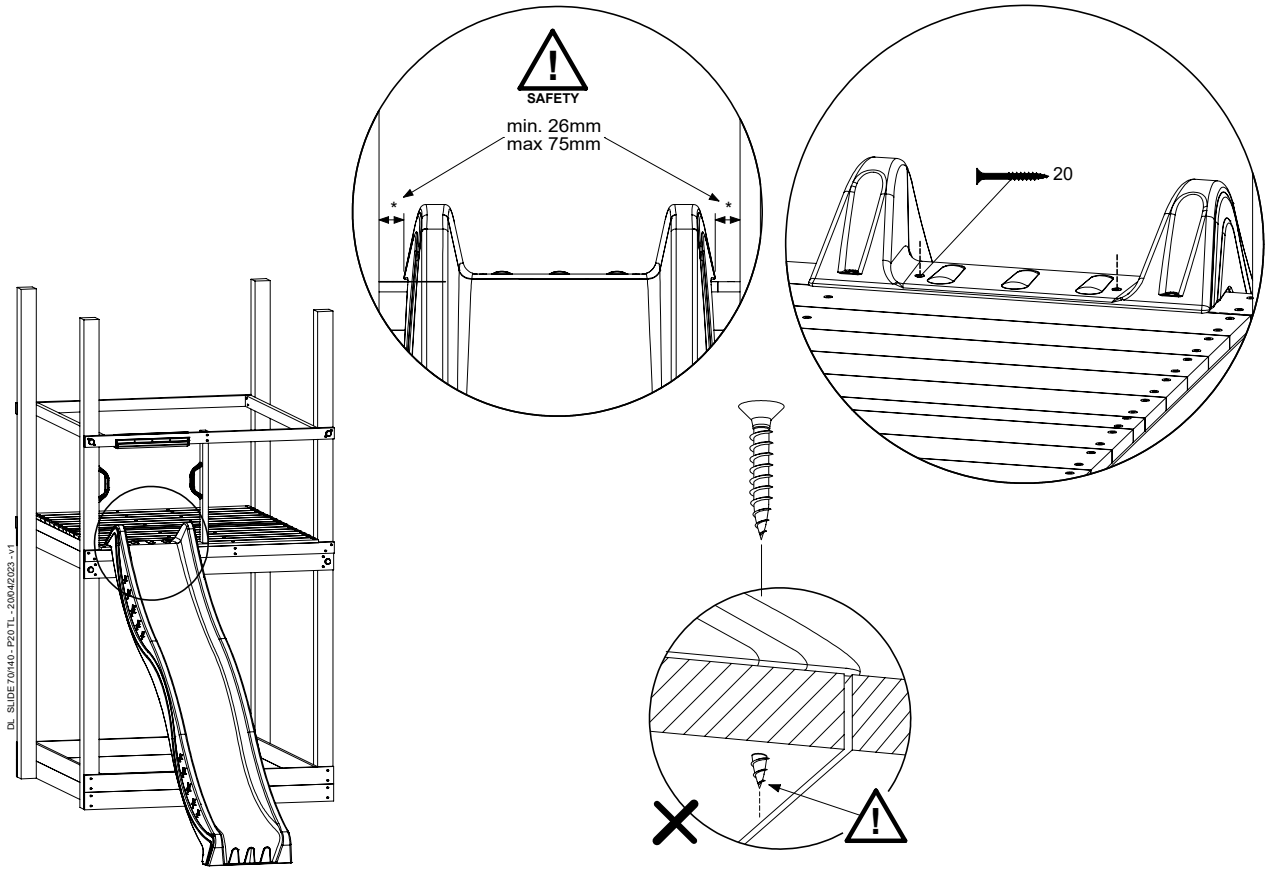


80

26.1



26.2

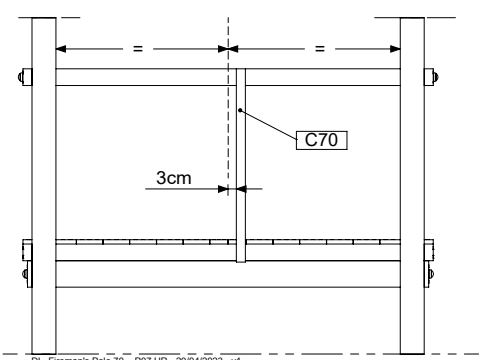
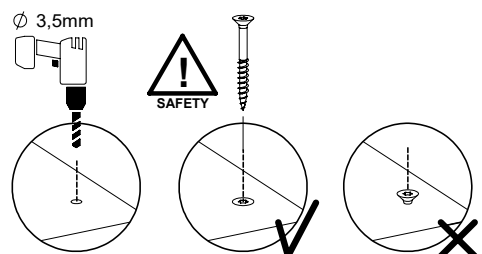
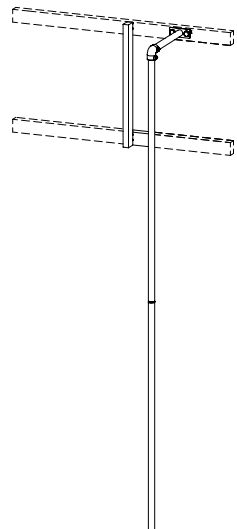


27 FP26a: Fireman's pole 140 Right U

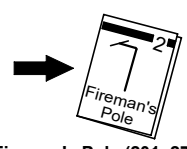
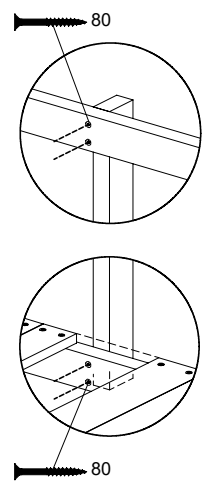
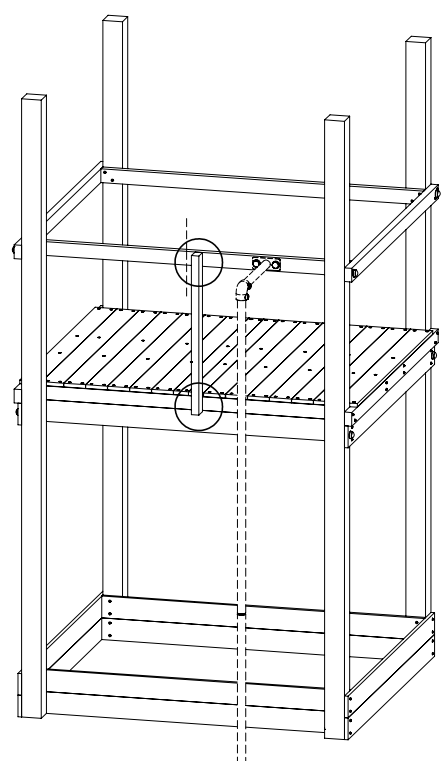
(201_275)

| | PartNo | PartName | QTY. |
|--------|---------|--|------|
| Other | 201_275 | Fireman's Pole kit (incl. 4x Screw T25 5x80) | 1 |
| Timber | C70 | Beam 700 mm | 1 |

DL_Fireman's Pole 70 - P03 UR - 20/04/2023 - v1

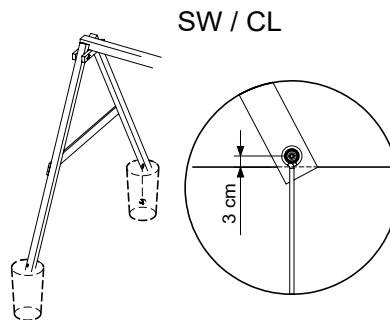
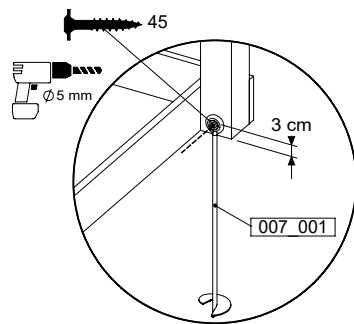
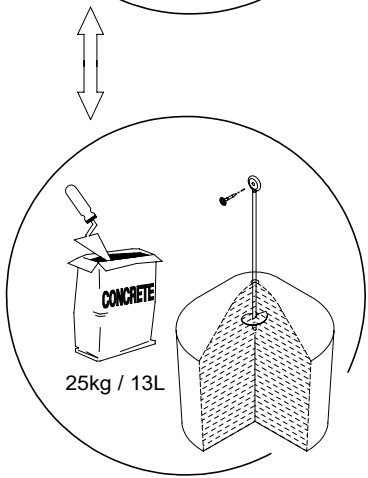
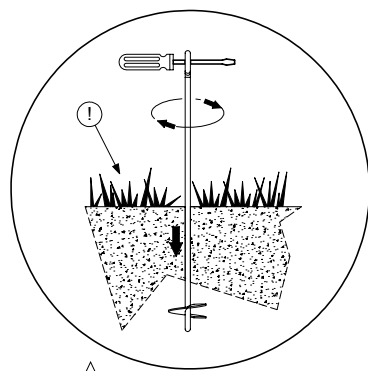


DL_Fireman's Pole 70 - P07 UR - 20/04/2023 - v1

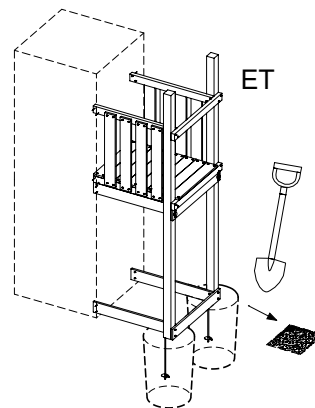
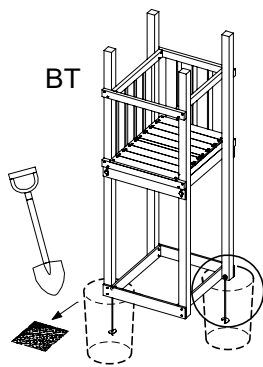


**Fireman's Pole (201_275)
040_335 Part 2**

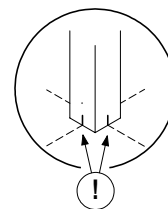
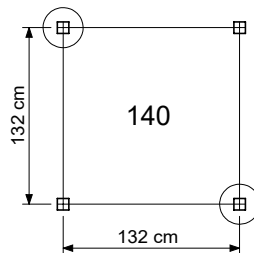
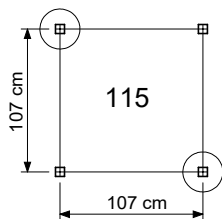
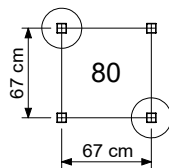
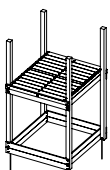
28 GA: Ground Anchors



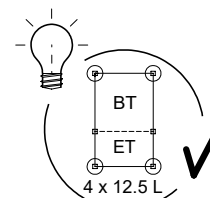
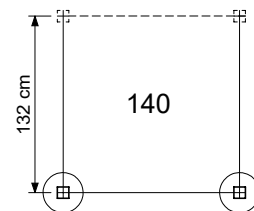
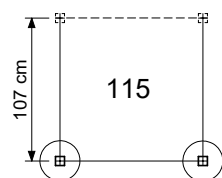
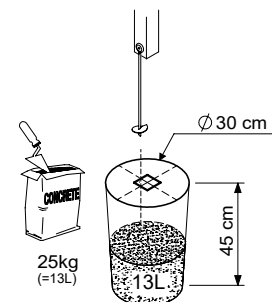
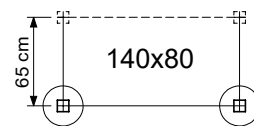
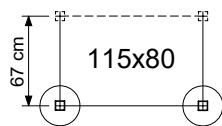
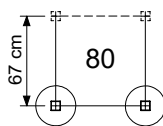
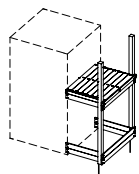
Ground Anchors Unit - P03 - 04/07/2023 - v1.2



BASE TOWERS



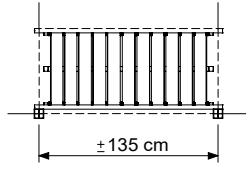
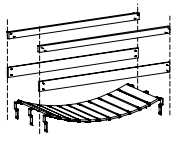
EXTENSION TOWERS



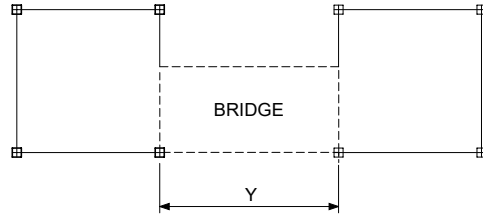
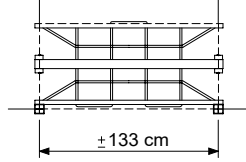
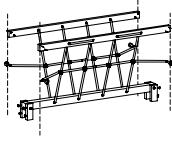
Ground Anchors Unit - P01 - 04/07/2023 - v1.2

28.1

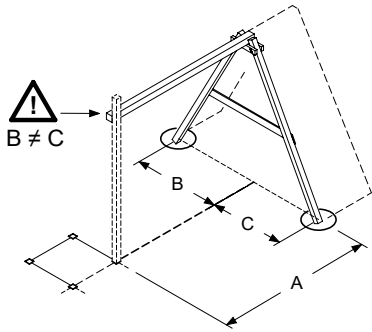
CLATTER BRIDGE



NET BRIDGE

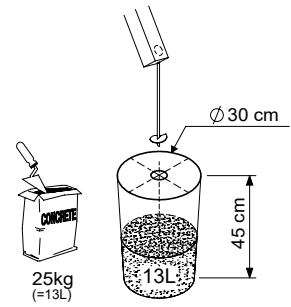


SWING / CLIMB MODULE

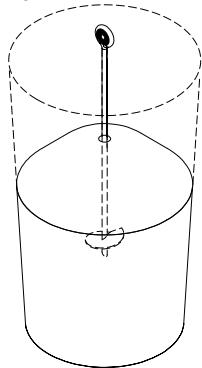


| Module type | A | B | C |
|-------------------------|-----|-----|-----|
| 1-Swing 200 | 150 | 115 | 100 |
| 1-Swing 220 / 220 Extra | | 120 | 105 |
| 2-Swing 200 | 210 | 115 | 100 |
| 2-Climb 200 | | | |
| 1-Climb 200 | 142 | 120 | 105 |
| 1-Climb 220 / 220 Extra | | | |
| 2-Swing 220 / 220 Extra | 230 | 120 | 105 |
| 2-Climb 220 / 220 Extra | | | |

Grand Anchors Uni. - P02 - 04/07/2023 - v1.2



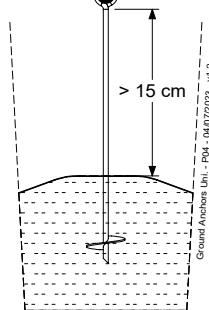
25kg / 13L



1.

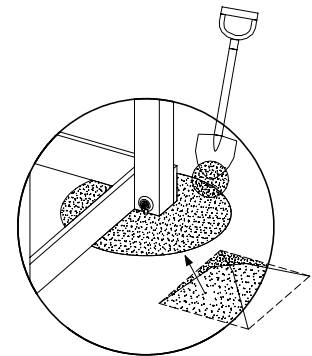


SAFETY



2.

24h



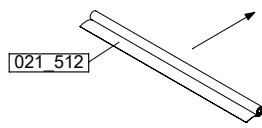
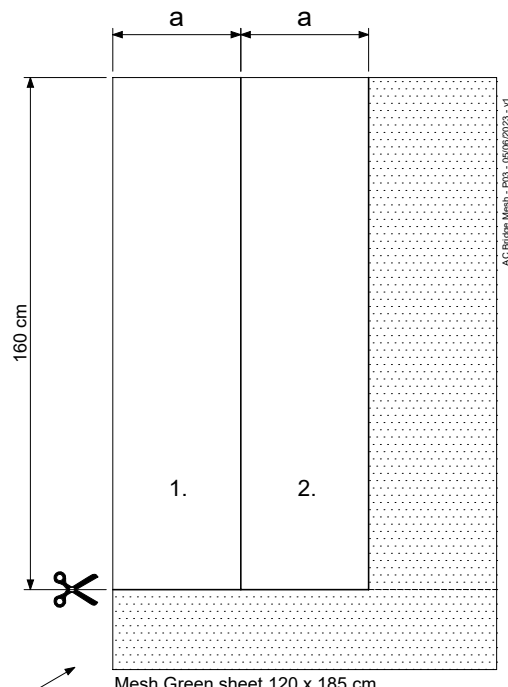
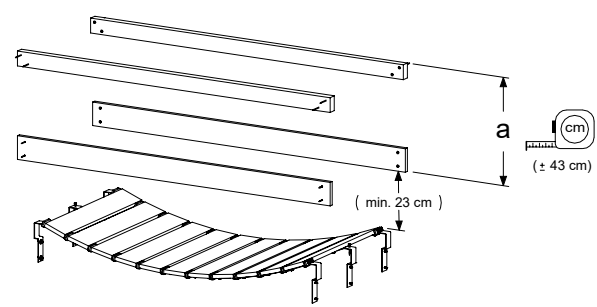
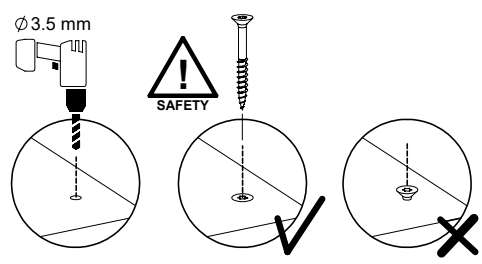
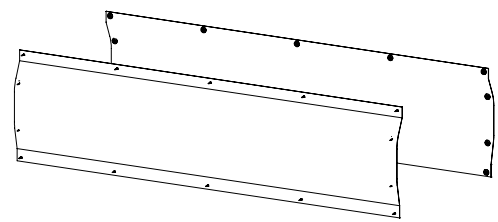
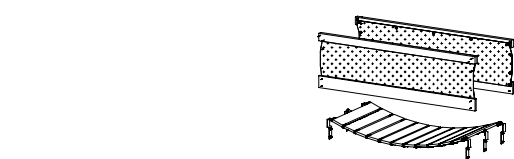
4.

29 AC30a: Bridge Mesh

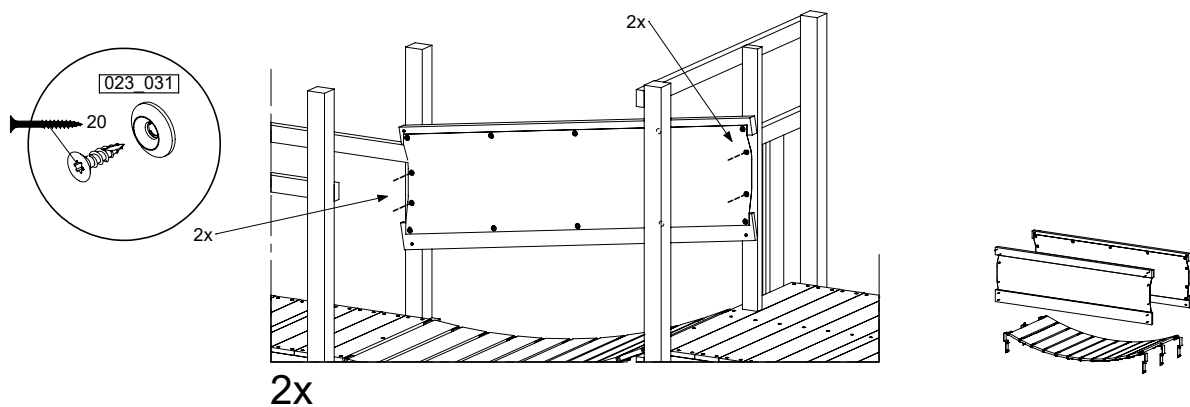
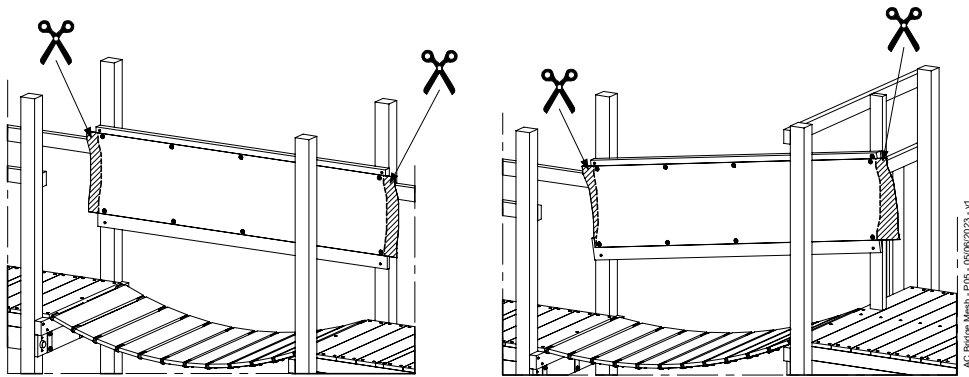
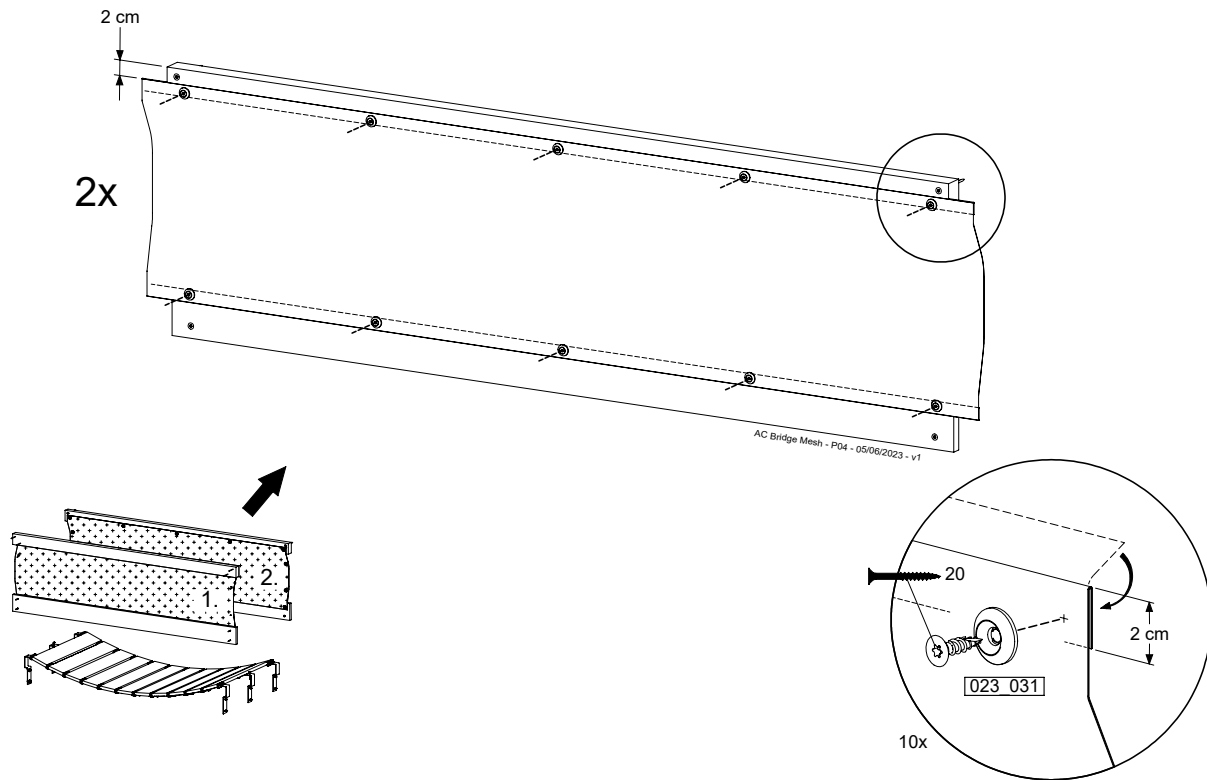
(123_230)

| | PartNo | PartName | QTY. |
|----------------|---------|----------------------------|------|
| Hardware Packs | 002_308 | Gap Point Screw T25 - 5x20 | 28 |
| 100_411 | 023_031 | Finishing Washer GPS 5.0 | 28 |
| Other | 021_512 | Mesh green 1.20 x 1.85m | 1 |

AC Bridge Mesh - PGZ - 05/06/2023 - v1



29.1

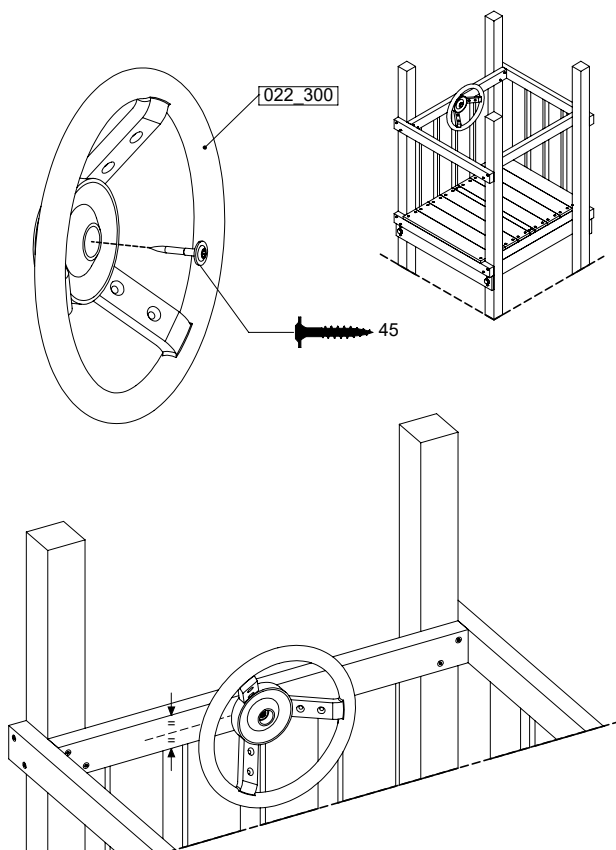
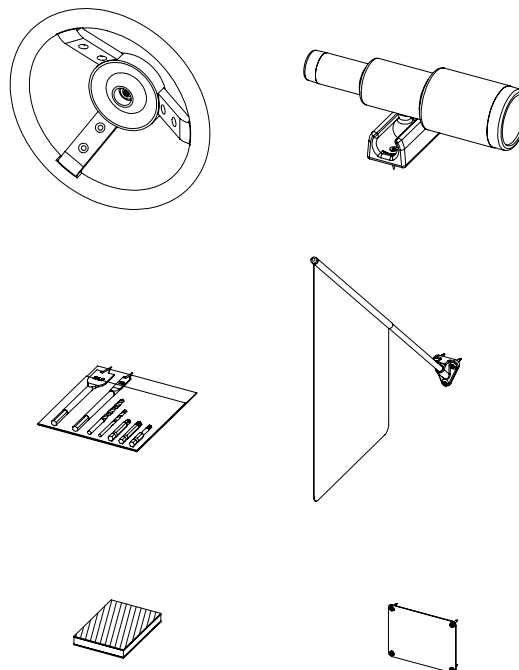


30 AC01a: Accessories

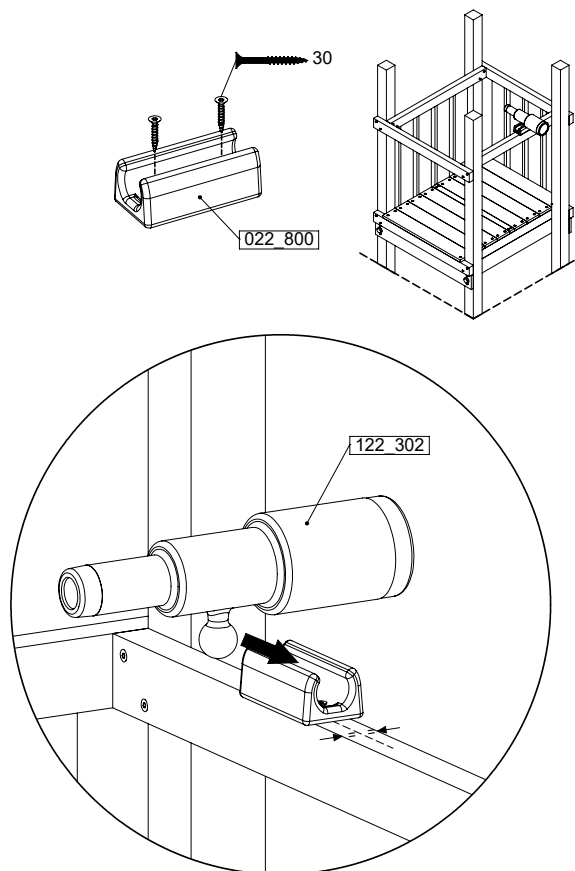
(194_119)

| | PartNo | PartName | QTY. |
|--------------------------|---------|-----------------------------|------|
| Hardware Pack 100_617 | 001_406 | Stealth Screw 8x45 | 1 |
| | 002_041 | Dome head screw 4.5 x 20 mm | 3 |
| | 002_042 | Dome head screw 3.5 x 13mm | 4 |
| | 002_219 | Gap Point Screw T25 - 5x30 | 2 |
| Other | 022_300 | Steering Wheel | 1 |
| | 022_800 | Rail P/T 105 | 1 |
| | 022_910 | Sandpad | 1 |
| | 103_901 | Logo ID Plate | 1 |
| | 104_107 | Tool Set Climbing Units | 1 |
| | 120_024 | Tower Flag | 1 |
| | 122_302 | Telescope | 1 |

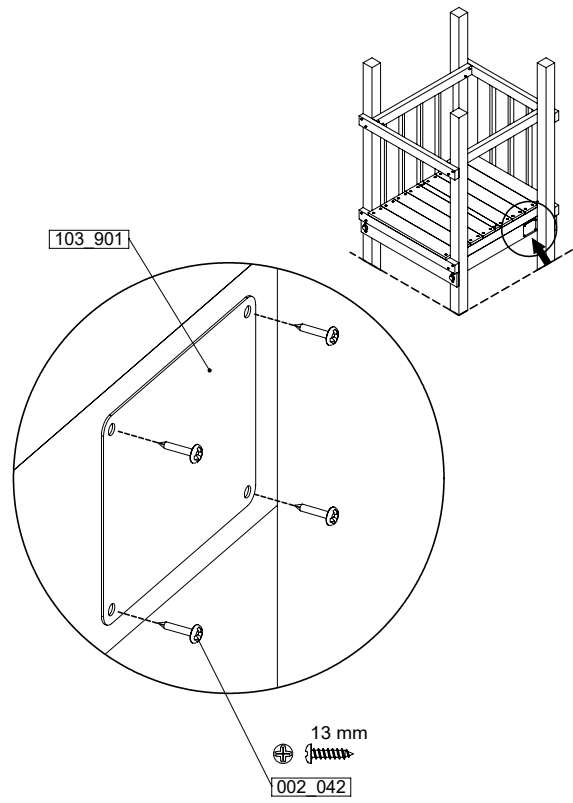
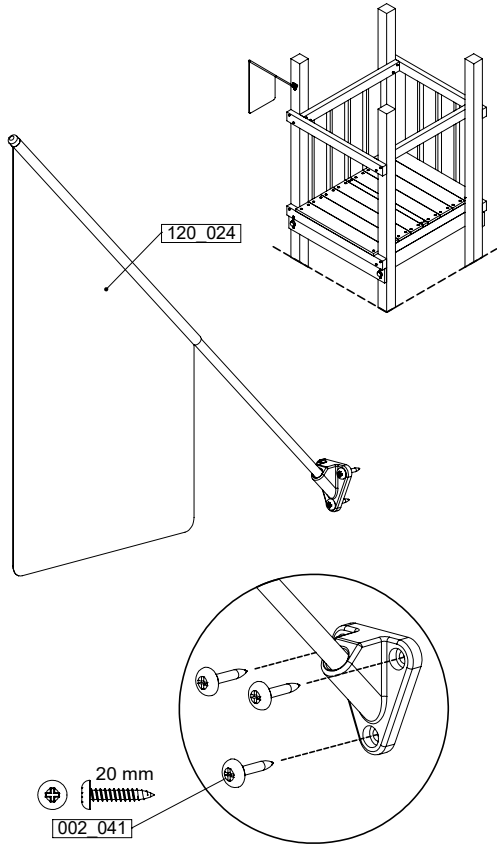
Accessory set - P102 - 06/07/2023 - v5



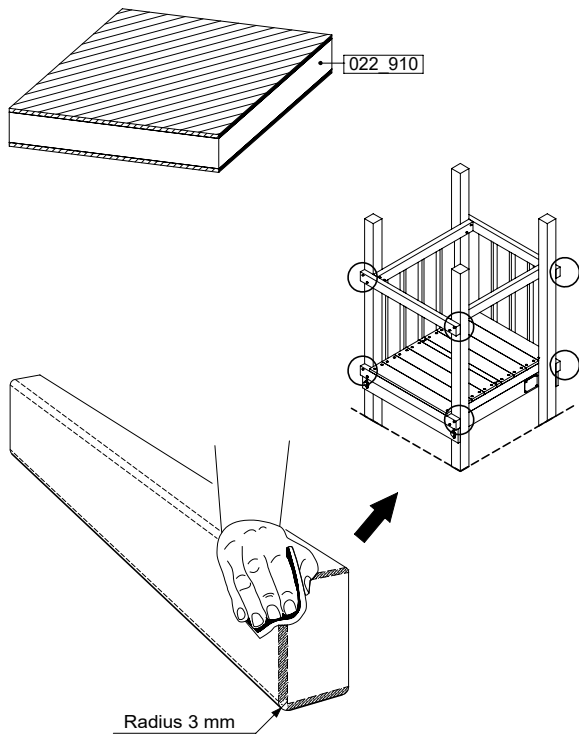
Accessory set - P103 - 06/07/2023 - v5



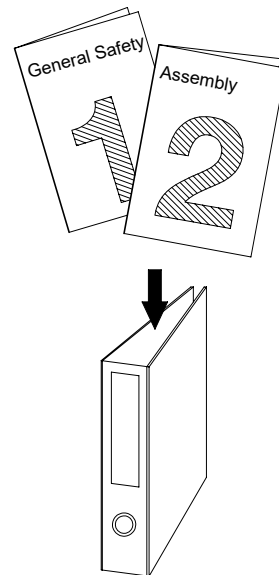
30.1



Accessory set - P04 - 06/07/2023 - v5



Accessory set - P05 - 06/07/2023 - v5



31 Conformity

Declaration of Conformity

Jungle Gym
BACKYARD PLAYGROUNDS
since 1988

Manufacturer details

| | |
|--|----------------------|
| Company Name | Tag-line |
| Jungle Gym B.V. | Backyard Playgrounds |
| Address | |
| P.O. Box 75083, 1070 AB Amsterdam, Netherlands | |

Activity toys for domestic use

Product Range Identification

Construction Packages (Sub-Assembly)

Universal Packs / Base Towers / Extension Towers / Roofs / Means of Exit/Access / Add-ons : 790_001 ... 794_911

Assembly

| | | |
|---|------------------------------|-----------------------------------|
| Playtowers : 801_005 ... 200 | Links : 870_100 ... 105 | Accessories : 123_220 ... 250_075 |
| Playhouses : 830_150 ... 253, 835_251 ... 253 | Swings : 801_300, _600, _601 | Slides (XL) : 324_100 ... 600 |
| Modules : 850_180 ... 415 | | Slides (XXL) : 334_100 ... 600 |
| : 857_103, 857_108 | Playtowers: 802_202 ... 208 | |
| 857_151, 857_158 | 803_202 ... 210 | |
| | 809_202 ... 804 | |

Applicable EC directives and standards

Chemical References

| | | |
|---|---|---|
| 1. Migration of certain elements (17x + Chr VI + tin) as required in TSD 2009/48/EC and its amendments. Scrape off toy material. Tested according to EN 71-3:2019. | 5. Content of 7 Phthalates (18x) according to REACH (EG) no.1907/2006, Annex XVII. Tested according to COC-CH-C1011-09.3 and EN 15777 / QMA 2011.1300 | 9. Content of 3 Flame retardants according to REACH (EG) no. 1907/2006, Annex XVII. Tested according to EN 62321-6. |
| 2. Migration of solvents, monomers and plasticizers as specified in "Safety for Toys: Organic Chemical Compounds", EN 71-9: 2005 + A1: 2007. Tested according to EN 71-10: 2005 & EN 71-11: 2005. | 6. Content of Cadmium according to REACH (EG) no. 1907/2006, Annex XVII. Tested according to EN 17294-2 | 10. Ni release according to REACH (EG) no. 1907/2006, Annex XVII. Tested according to EN 71-3:2013+A1:2014. |
| 3. Content of N-nitrosamines and N-nitrosatable substances as specified in EN standard 71-12: 2013. Tested according to EN 71-12: 2013. | 7. Formaldehyde according to REACH (EG) no. 1907/2006, Annex XVII. Tested according to EN 14184 | 11. Sweat and Salvia resistance tested according to DIN 53160 |
| 4. Content of 18 PAHs (Polycyclic Aromatic Hydrocarbons) as referred in AfPS GS 2014:01 PAK (Replaced on 2019:01) Tested according to QMA 2011.1284 | 8. Azo dyes according to REACH (EG) no. 1907/2006, Annex XVII. Tested according to BVL B 82.02-2. | |

Mechanical physical properties + flammability

EN 71 - 1 : 2014 + A1: 2018 EN 71 - 2 : 2011 + A1: 2014 EN 71 - 8 : 2018

Supplementary information

Conformity to the above specified directives and standards has been frequently verified and is continuously monitored by TÜV Süd, TÜV Rheinland LGA products, DEKRA (DE), STR Ltd (UK), LNE SA (FR), LMR Ltd (US) and IPS N.V. (BE) since 1994. Jungle Gym participates in the European Commission for standardisation for the safety of activity toys (TC52 / WG 10).


Declaration

I hereby declare under our sole responsibility that the products mentioned above, to which this declaration relates, complies with the above mentioned directives and standards.



Name
Mr. P. Schmit / Director

Issued date
Januari 2nd, 2023


Signature of representative