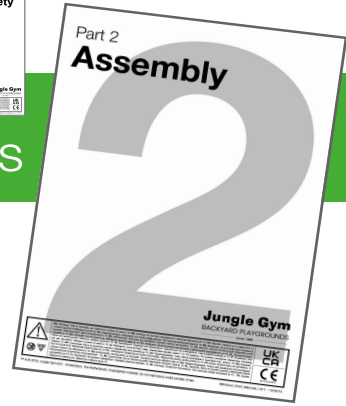


Part 2

Assembly

Instructions



Config ID: x6QuRG

Date: 2023-09-07



Manual Part 1



Important

This assembly manual should always be read in conjunction with the General Safety manual part 1 as included in the hardware package of your playground equipment.

Please read these safety instructions carefully before starting the assembly work.

Jungle Gym

BACKYARD PLAYGROUNDS

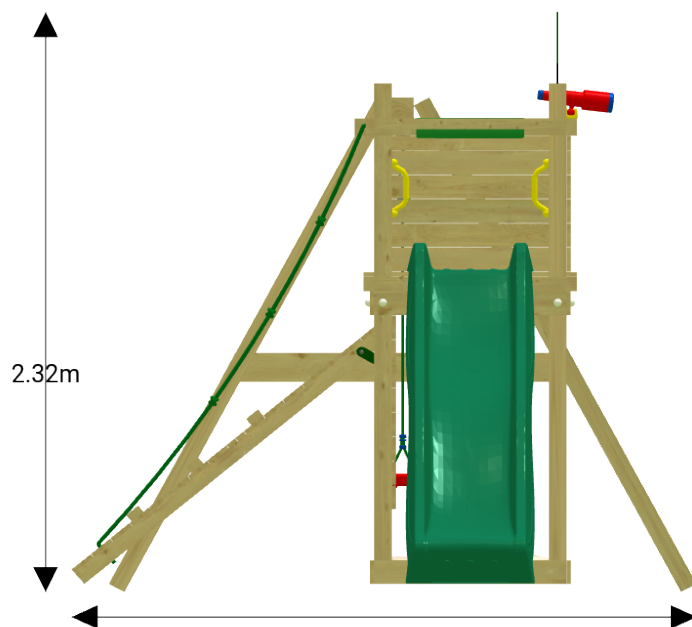
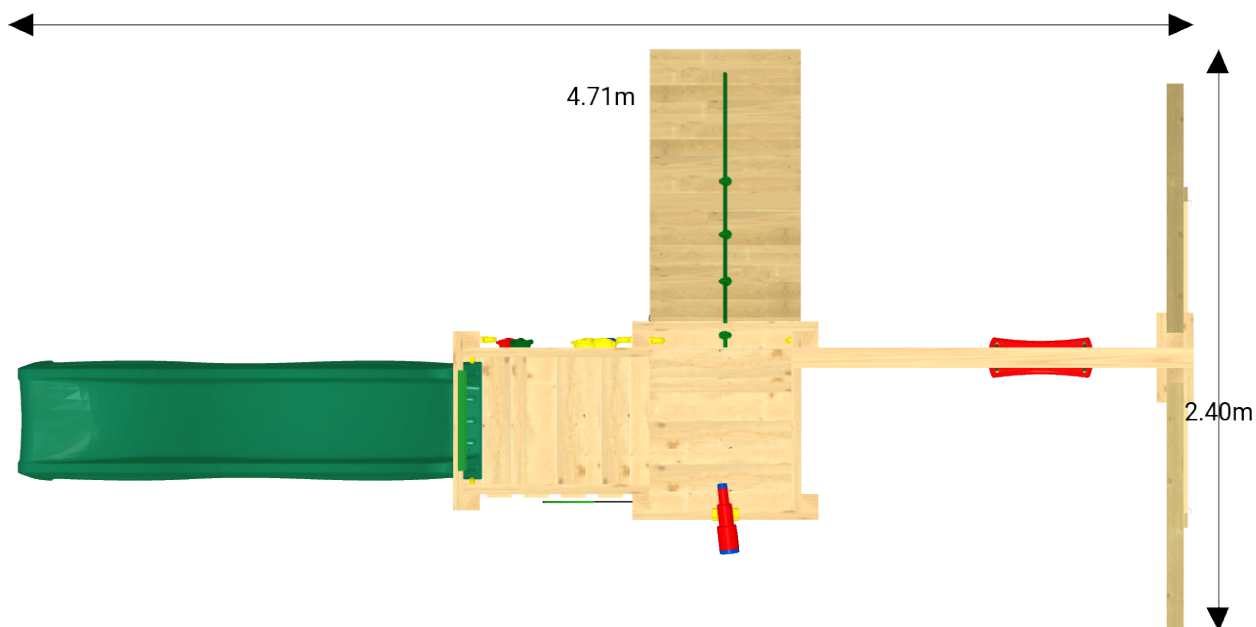
since 1988



EN. Warnings. Only for domestic use. Maximum number of users is **3**. **DE.** Achtung. Nur für den Hausgebrauch. Maximale Benutzerzahl: **3**. **FR.** Attention. Réserve à un usage privé. Le nombre maximal d'utilisateurs est de **3**. **NL.** Waarschuwingen. Uitsluitend voor huishoudelijk gebruik. Het maximale aantal gebruikers is **3**. **BG.** Внимание. За употреба само в домашни условия. Максималният брой потребители е **3**. **ES.** Advertencias. Sólo para uso doméstico. Número máximo de usuarios: **3**. **CS.** Varování. Jen pro domácí použití. Maximální počet uživatelů je **3**. **DA.** Advarsler. Kun til privat brug. Maksimum antal brugere er **3**. **ET.** Hoiatused. Ainult koduseks kasutamiseks. Maksimaalne kasutajate arv on **3**. **EL.** Προειδοποιήσεις. Μόνο για οικιακή χρήση. Μέγιστος αριθμός χρηστών **3**. **IS.** Varnaðarorð. Eingöngu fyrir einkanotkun í heimahúsum og á einkaloðum. Hámarksfjöldi notenda er **3**. **IT.** Avvertenze. Solo per uso domestico. Massimo numero di utenti è **3**. **LV.** Brīdinājumi. Izmantot tikai mājās. Maksimālais lietotāju skaits ir **3**. **LT.** Įspėjimai. Tik buitiniam naudojimui. Maksimalus naudotojų skaičius **HR.** Upozorenja. Samo za kućansku uporabu. Maksimalan broj korisnika je **3**. **HU.** Figyelmeztetések. Csak otthoni használatra! A használok max. száma: **3**. **NO.** Advarsler. Kun for privat bruk. Maksimalt antall brukere er **3**. **PL.** Ostrzeżenia. Wyłącznie do użytku domowego. Maksymalna liczba użytkowników to **3**. **PT.** Avisos. Apenas para uso doméstico. O número máximo de utilizadores é **3**. **RO.** Avertismente. Numai pentru uz domestic. Numărul maxim de utilizatori este **3**. **RU.** Предостережения. Только для домашнего использования. Максимальное количество пользователей - **3**. **SK.** Upozornenia. Iba na domáce použitie. Maximálne množstvo osôb je **3**. **SL.** Opozorila. Samo za domačo uporabo. Maksimalno število uporabnikov je **FI.** Varoitukset. Ainoastaan kotikäyttöön. Käyttäjää yhteensä enintään **3**. **SR.** Upozorenja. Samo za kućnu upotrebu. Maksimalan broj korisnika je **3**. **SV.** Varningar. Endast för hemmabruk. Det maximala antalet användare är **3**. **TR.** Uyarılar. Sadece ev kullanımı için. Maksimum kullanıcı sayısı **8**.



1 Views

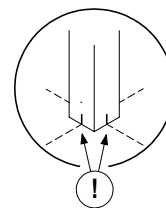
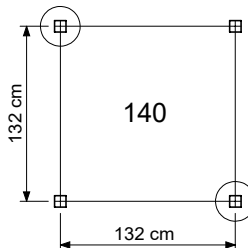
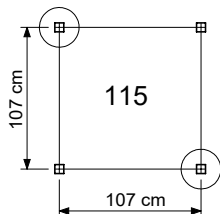
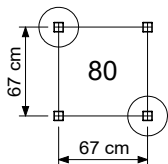
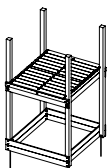


2 Order list

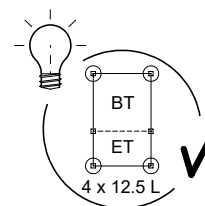
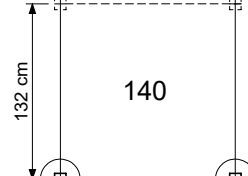
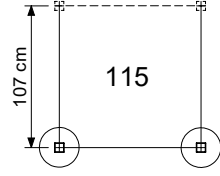
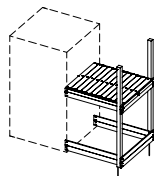
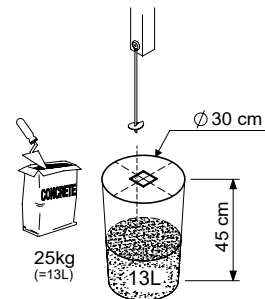
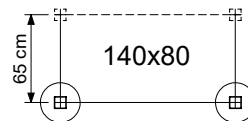
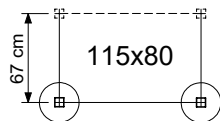
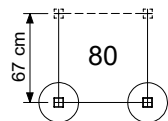
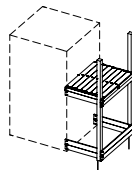
| Nr. | SKU | Description | ID | # |
|-----|---------|---------------------------|---------|---|
| 1 | 790_001 | Base Tower 80_200200 | BT01a | 1 |
| 2 | 790_101 | Extension Tower 80_200 | ET01a | 1 |
| 3 | 790_301 | Balustrade 80 | BL01a | 1 |
| 4 | 790_313 | Playhouse Window Panel 80 | PH05a | 1 |
| 5 | 790_313 | Playhouse Window Panel 80 | PH06a | 1 |
| 6 | 790_406 | Rock wall Closed 80_125 | RW31a | 1 |
| 7 | 790_441 | Ramp 80_125 | RA04a | 1 |
| 8 | 790_901 | Slide 80 | SL01a | 1 |
| 9 | 757_103 | 1- Swing Module 200 | SW01a | 1 |
| 10 | 194_119 | AP Accessory set | AC01a | 1 |
| 11 | 250_034 | Swing Seat Kit • Red | AC21a | 1 |
| 12 | 324_x00 | Wavy Star Slide XL | 324_x00 | 1 |

3 Anchor Plan

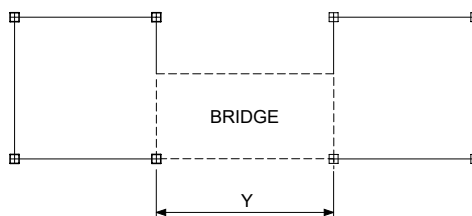
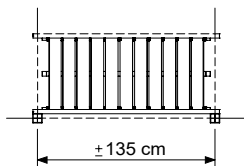
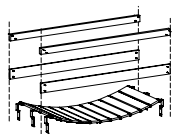
BASE TOWERS



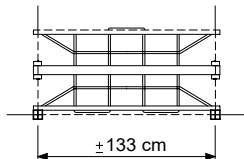
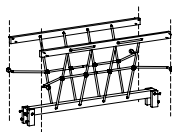
EXTENSION TOWERS



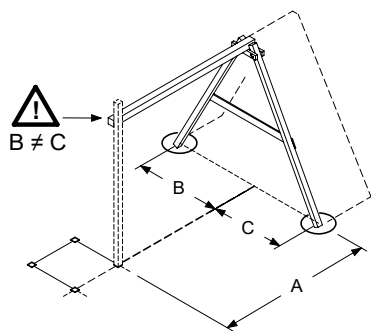
CLATTER BRIDGE



NET BRIDGE

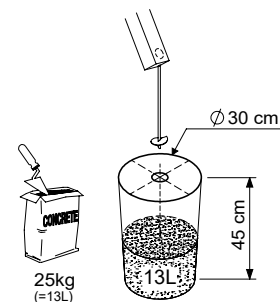


SWING / CLIMB MODULE



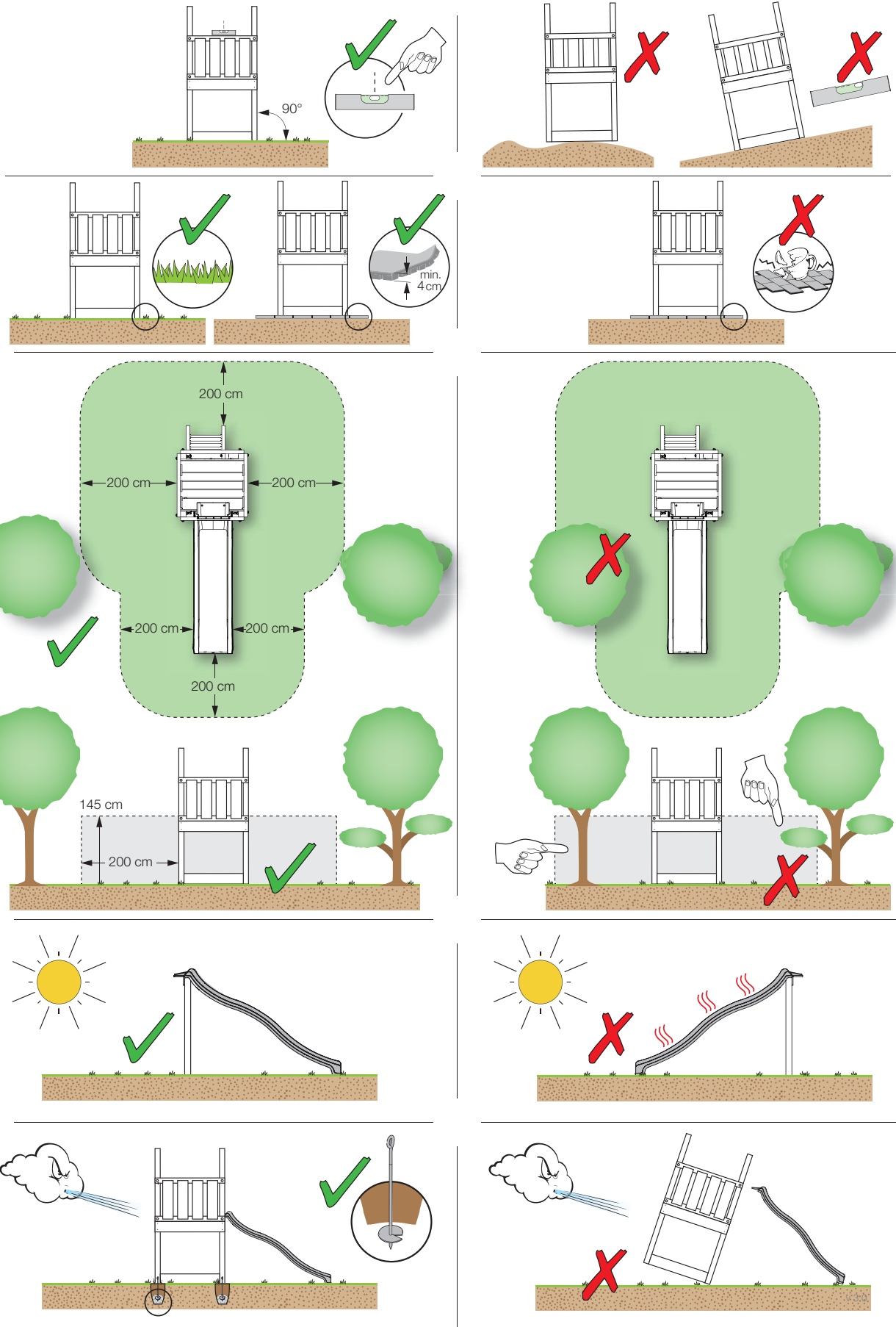
| Module type | A | B | C |
|-------------------------|-----|-----|-----|
| 1-Swing 200 | 150 | 115 | 100 |
| 1-Swing 220 / 220 Extra | | 120 | 105 |
| 2-Swing 200 | 210 | 115 | 100 |
| 2-Climb 200 | | | |
| 1-Climb 200 | 142 | 120 | 105 |
| 1-Climb 220 / 220 Extra | | | |
| 2-Swing 220 / 220 Extra | 230 | 120 | 105 |
| 2-Climb 220 / 220 Extra | | | |

Ground Anchors Unit - POZ - 04/07/2023 - v1.2

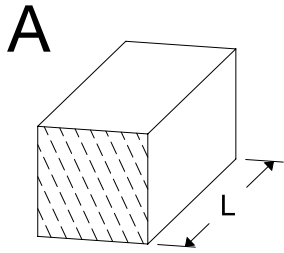


Ground Anchors Unit - POZ - 04/07/2023 - v1.2

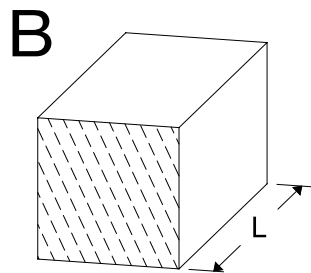
3.1 Safe Playground



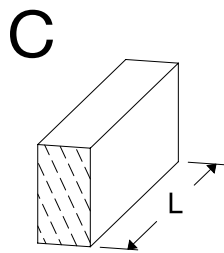
4 Timber parts



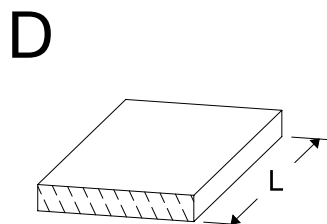
| ID | L | # |
|------|-----------------|---|
| A200 | 199 cm - 200 cm | 6 |
| A220 | 219 cm - 220 cm | 2 |



| | | |
|------|-----------------|---|
| B160 | 159 cm - 160 cm | 1 |
|------|-----------------|---|


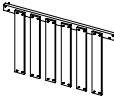



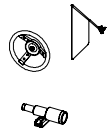
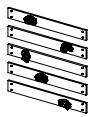

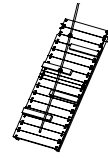
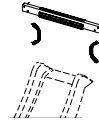


| | | |
|------|-----------------|----|
| C37 | 36 cm - 37 cm | 6 |
| C74 | 73 cm - 74 cm | 13 |
| C154 | 153 cm - 154 cm | 2 |



| | | |
|------|-----------------|----|
| D60 | 59 cm - 60 cm | 37 |
| D65 | 64 cm - 65 cm | 4 |
| D74 | 73 cm - 74 cm | 36 |
| D141 | 140 cm - 141 cm | 2 |

5 Assembly packs & accessories

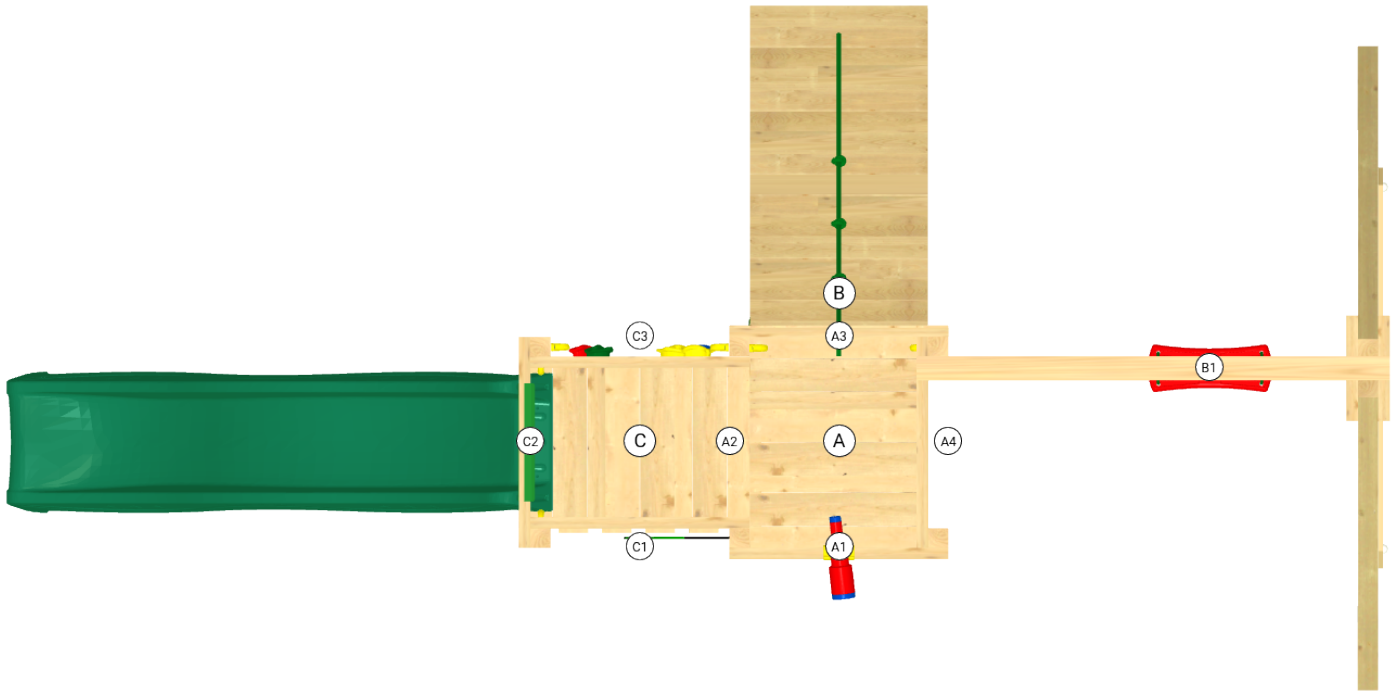
| | | | | |
|---|--|---|---|---|
| <p>Swing Frame Kit</p>  <p>SW</p> <p>457_102</p> <p>1x</p> | <p>Balustrade 140</p>  <p>BL</p> <p>194_501</p> <p>2x</p> | <p>Hardware 01</p>  <p>BL H01</p> <p>194_101</p> <p>1x</p> | <p>Slide 2.2m</p>  <p>324_x00</p> <p>1x</p> | <p>Tower 80</p>  <p>BT ET</p> <p>194_100</p> <p>2x</p> |
| <p>Accessory Set</p>  <p>AC</p> <p>194_119</p> <p>1x</p> | <p>Rock Wall</p>  <p>RW</p> <p>194_006</p> <p>1x</p> | <p>Swing Seat</p>  <p>AC</p> <p>250_034</p> <p>1x</p> | <p>Ramp</p>  <p>RA</p> <p>194_008</p> <p>1x</p> | <p>Slide Frame</p>  <p>SL</p> <p>194_107</p> <p>1x</p> |

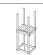



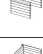






6 Hardware Identification

| Image | SKU | L | Image | SKU | L |
|-------|---------|--------|-------|---------|--------|
| | 001_404 | 30 mm | | 002_308 | 20 mm |
| | 001_406 | 45 mm | | 002_219 | 30 mm |
| | 001_411 | 60 mm | | 002_220 | 45 mm |
| | 001_417 | 80 mm | | 002_223 | 80 mm |
| | 001_422 | 137 mm | | | |
| | | | | 003_010 | |
| | 001_102 | 30 mm | | | |
| | | | | 003_034 | |
| | 000_101 | 20 mm | | | |
| | | | | 004_050 | 22mm |
| | 002_036 | 16 mm | | | |
| | | | | 022_845 | Yellow |
| | 002_041 | 20 mm | | 022_846 | Blue |
| | | | | 022_847 | Green |
| | | | | 022_848 | Red |
| | | | | 023_031 | White |
| | 002_042 | 13 mm | | | |
| | | | | 022_844 | |
| | 002_301 | 40 mm | | 022_314 | White |

output: 25/05/23

7 Assembly Planning



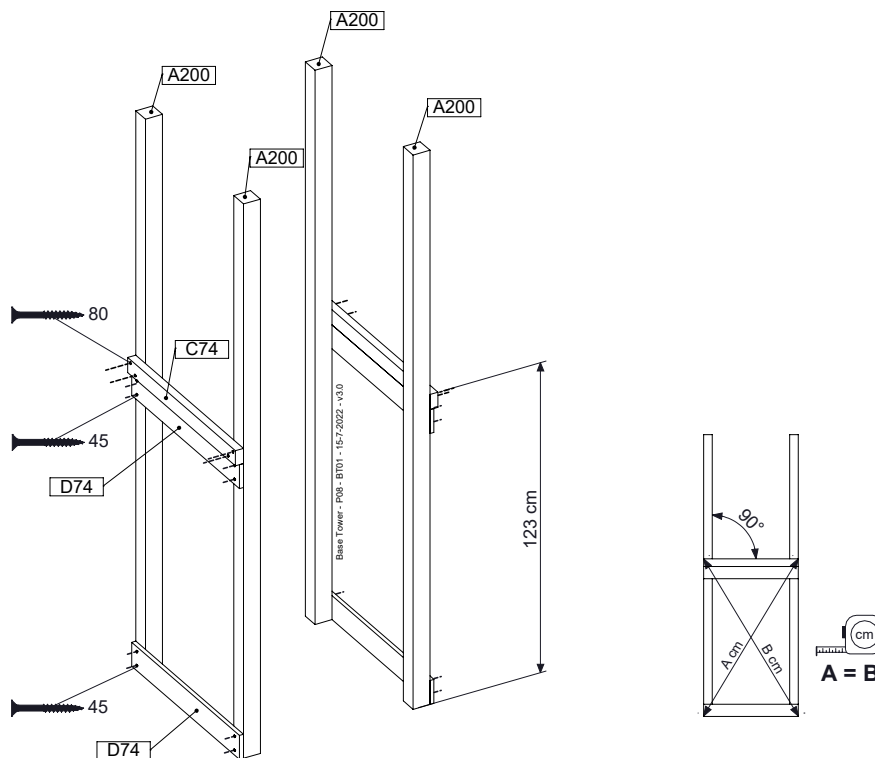
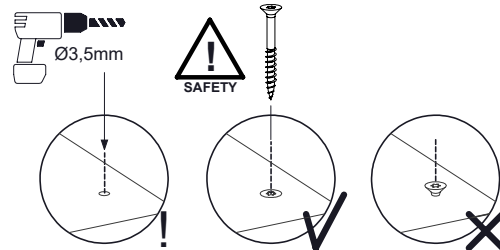
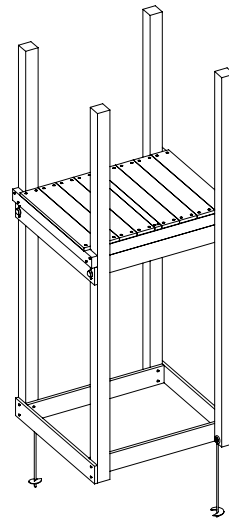
| | ID | | | A | B | C |
|----|-------|---|-----|----|---|----|
| 1 | BT01a |  | p.7 | ✓ | - | - |
| 2 | ET01a |  | p.7 | - | - | ✓ |
| 3 | RW31a |  | p.7 | - | - | C3 |
| 4 | BL01a |  | p.7 | - | - | C1 |
| 5 | PH05a |  | p.7 | A4 | - | - |
| 6 | PH06a |  | p.7 | A1 | - | - |
| 7 | RA04a |  | p.7 | A3 | - | - |
| 8 | SW01a |  | p.7 | - | ✓ | - |
| 9 | SL01a |  | p.7 | - | - | C2 |
| 10 | GA |  | p.7 | ✓ | ✓ | ✓ |
| 11 | AC01a |  | p.7 | ✓ | - | - |

8 BT01a: Base tower 80 125cm 200200

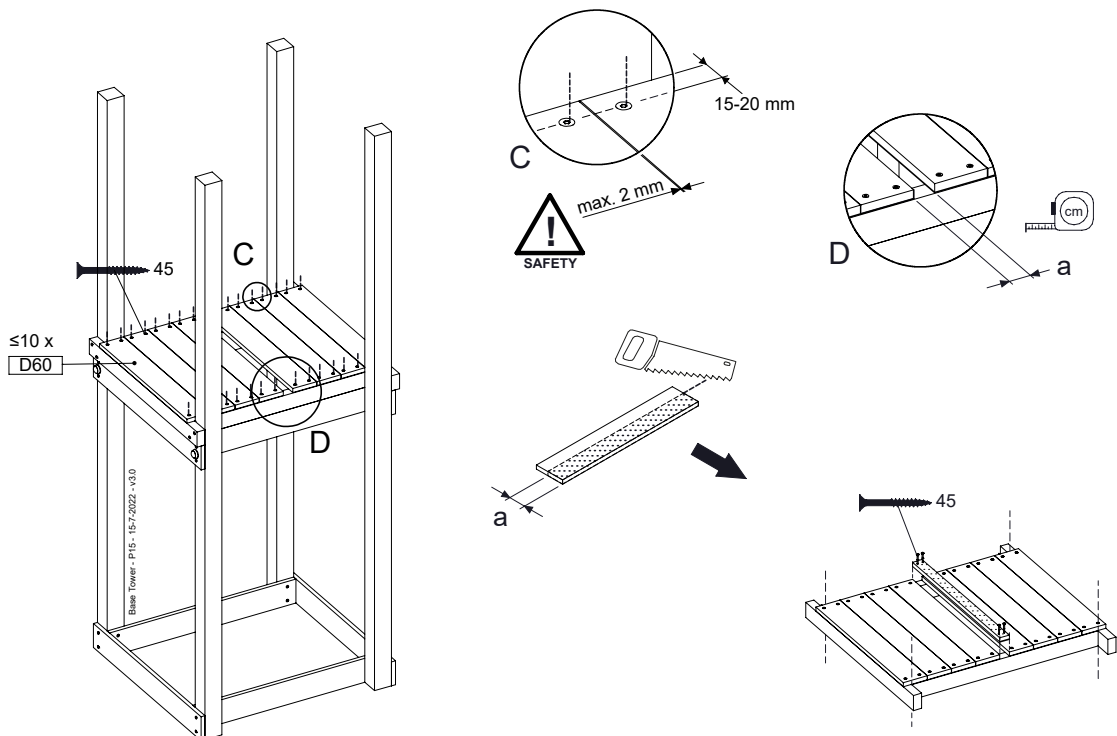
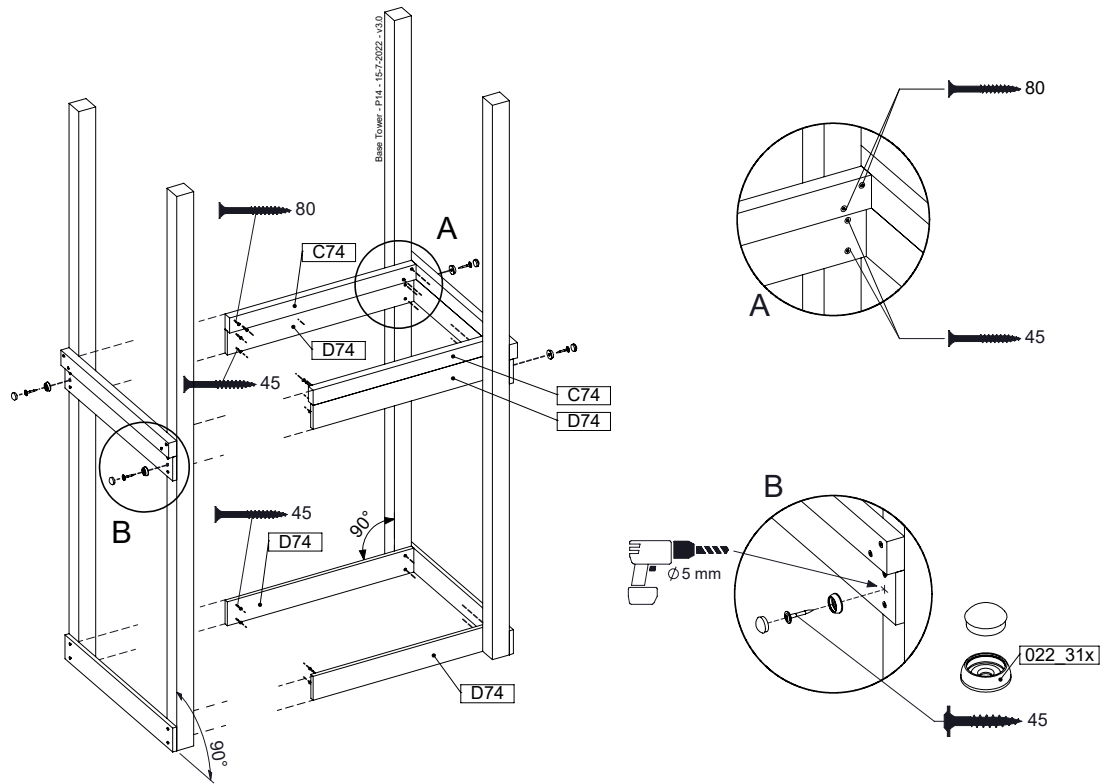
(194_100)

| | PartNo | PartName | QTY. |
|--------------------------|---------|----------------------------|------|
| Hardware Pack 100_600 | 001_406 | Stealth Screw 8x45 | 6 |
| | 002_220 | Gap Point Screw T25 - 5x45 | 76 |
| | 002_223 | Gap Point Screw T25 - 5x80 | 16 |
| Other | 007_001 | Ground-anchor | 2 |
| Hardware Pack 100_600 | 022_31x | bpc-base version 3 | 4 |
| | 022_84x | bpc cover | 4 |
| Wood | A200 | Post 70x70 L2000 | 4 |
| | C74 | Beam 740 mm | 4 |
| | D60 | Board 600 mm | 10 |
| | D74 | Board 740 mm | 8 |

Base Tower - P02 - BT01 - 15-7-2022 - v3.0



8.1

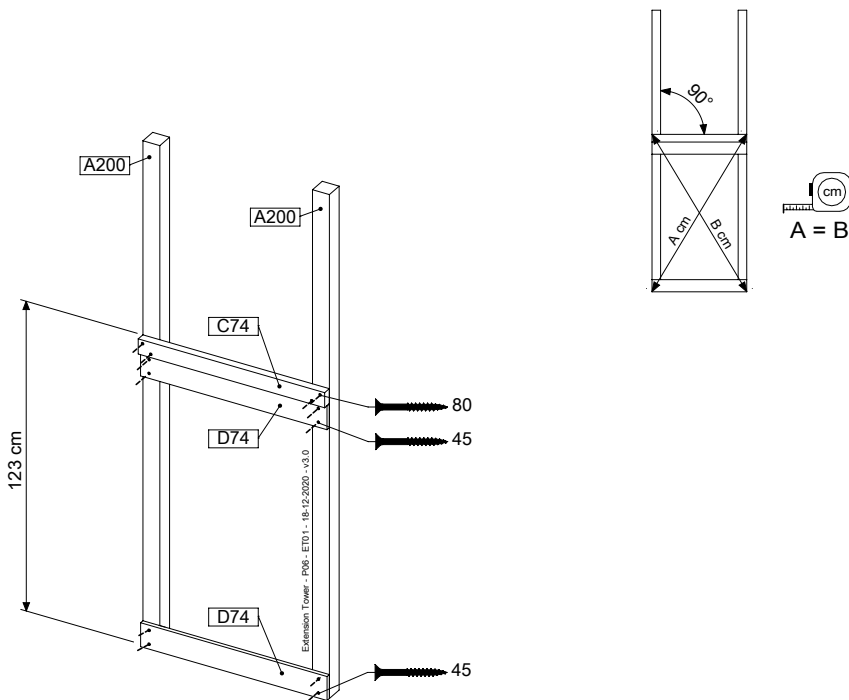
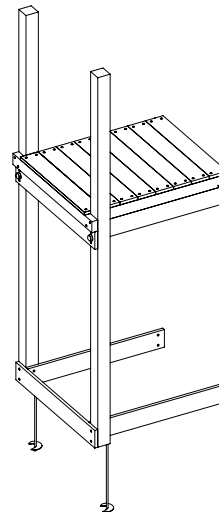


9 ET01a: Extension Tower 80 200/125

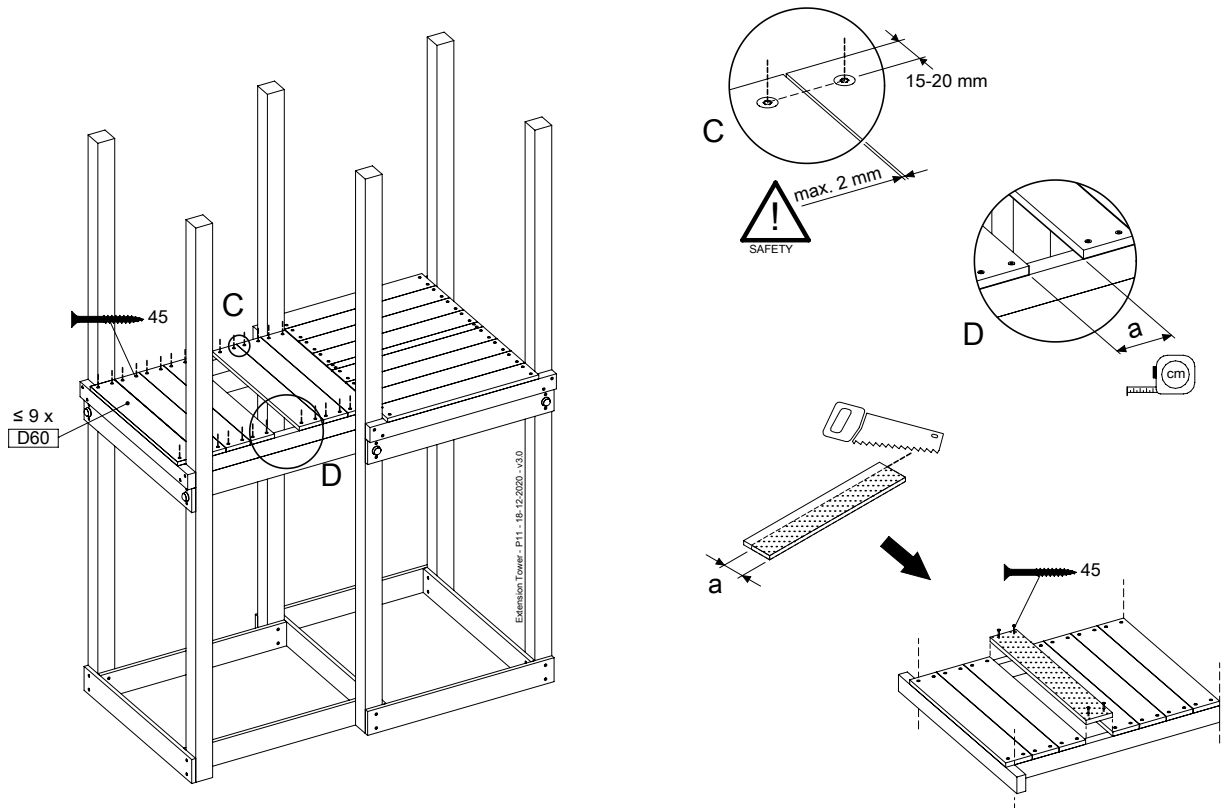
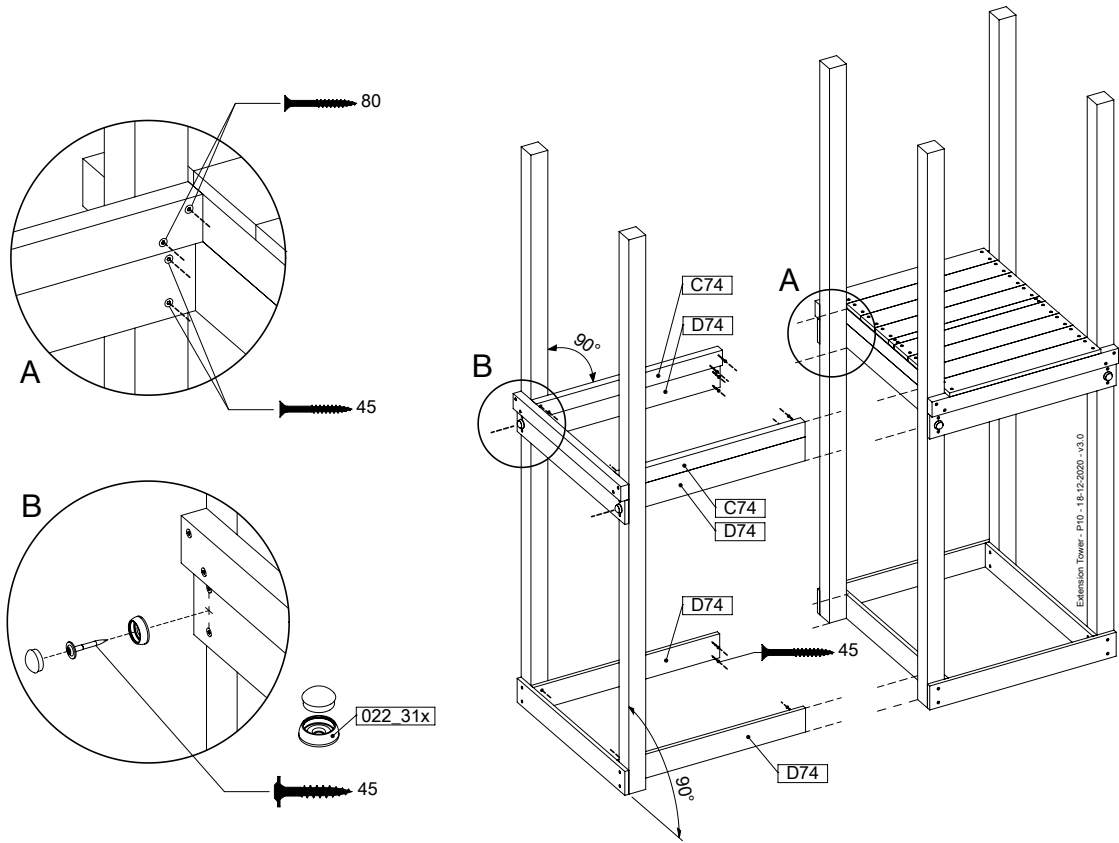
(194_100)

| | PartNo | PartName | QTY. |
|--------------------------|---------|----------------------------|------|
| Hardware Pack 100_600 | 001_406 | Stealth Screw 8x45 | 4 |
| | 002_220 | Gap Point Screw T25 - 5x45 | 60 |
| | 002_223 | Gap Point Screw T25 - 5x80 | 12 |
| Other | 007_001 | Ground-anchor | 2 |
| Hardware Pack 100_600 | 022_31x | bpc-base version 3 | 2 |
| | 022_84x | bpc cover | 2 |
| Wood | A200 | Post 70x70 L2000 | 2 |
| | C74 | Beam 740 mm | 3 |
| | D60 | Board 600 mm | 9 |
| | D74 | Board 740 mm | 6 |

Extension Tower - P02 - ET01 - 18-12-2020 - v3.0



9.1

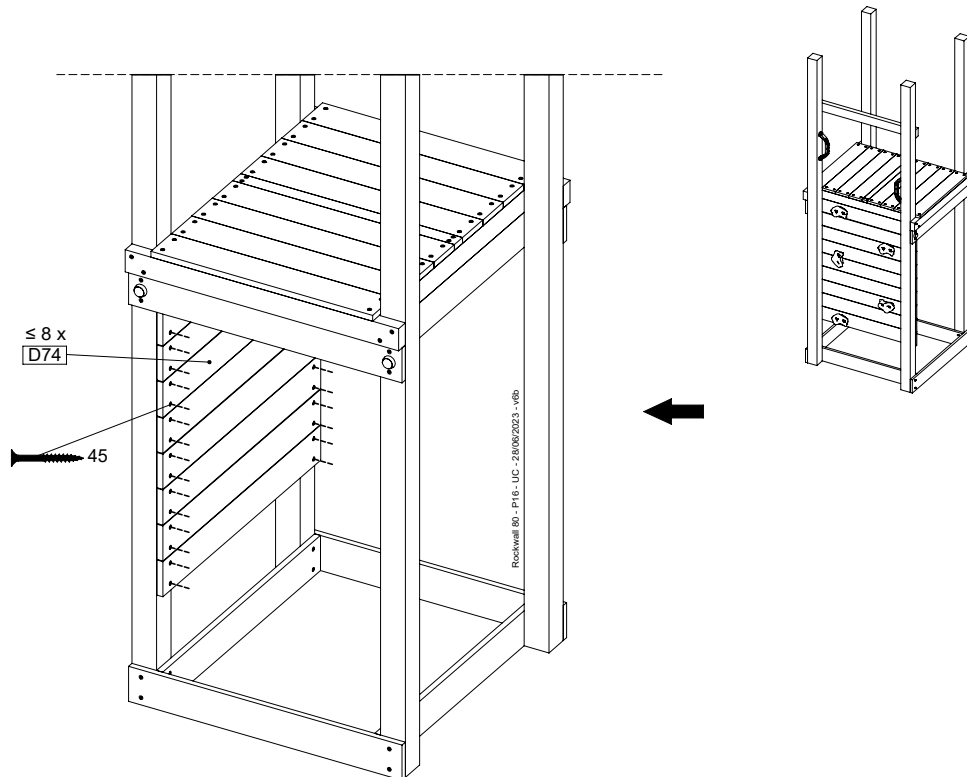
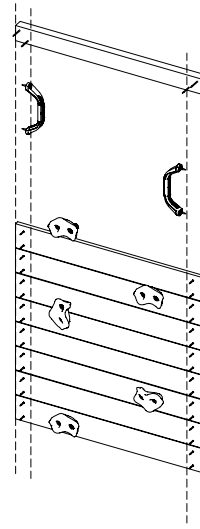


10 RW31a: Rock wall 80 125 U Closed

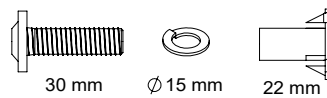
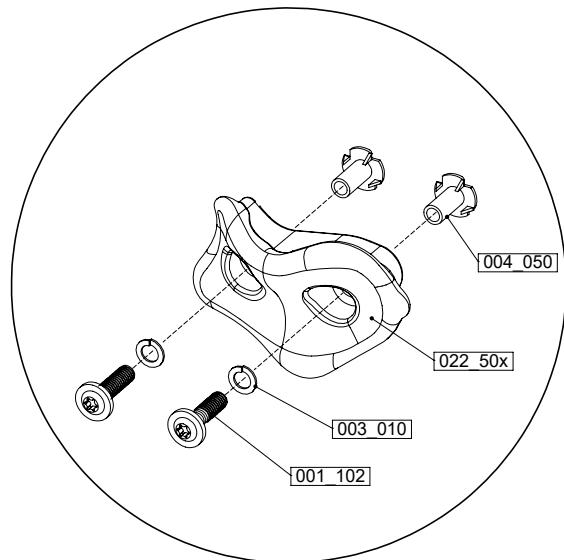
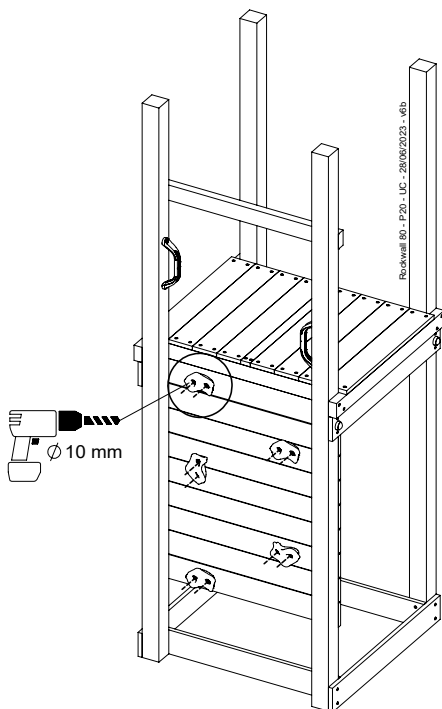
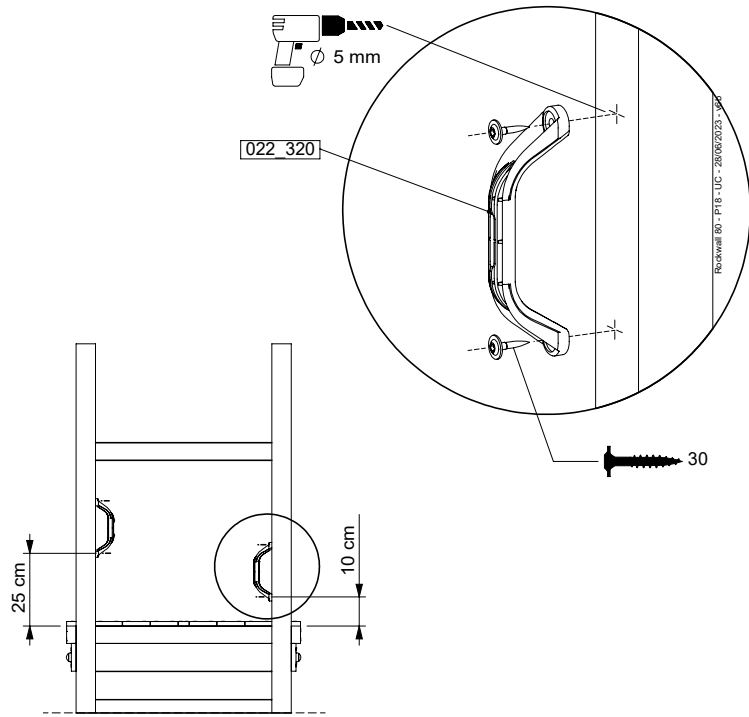
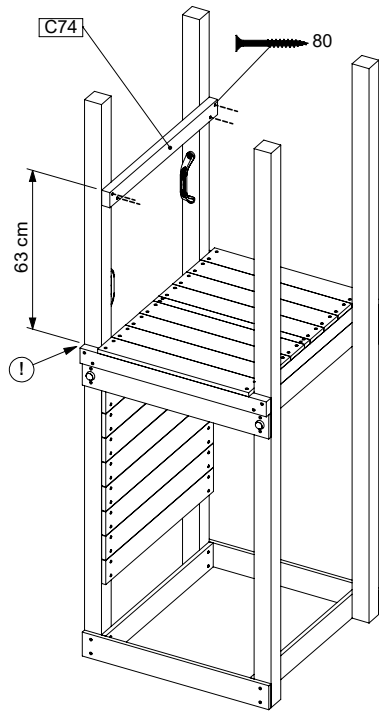
(194_006)

| | PartNo | PartName | QTY. |
|--------------------------|---------|-----------------------------|------|
| Hardware Pack 100_904 | 001_102 | Washer Head Screw T40 M8x30 | 10 |
| | 002_220 | Gap Point Screw T25 - 5x45 | 32 |
| | 002_223 | Gap Point Screw T25 - 5x80 | 4 |
| | 003_010 | M8 spring lock washer | 10 |
| | 004_050 | M8 Drive-in Nut 22mm | 10 |
| Other | 022_50x | Climbing Rock | 5 |
| | 120_102 | Handgrip set (2x Complete) | 1 |
| Timber | C74 | Beam 740 mm | 1 |
| | D74 | Board 740 mm | 8 |

Rockwall 80 - P05 - 125LIC - 28/06/2023 - v0b



10.1

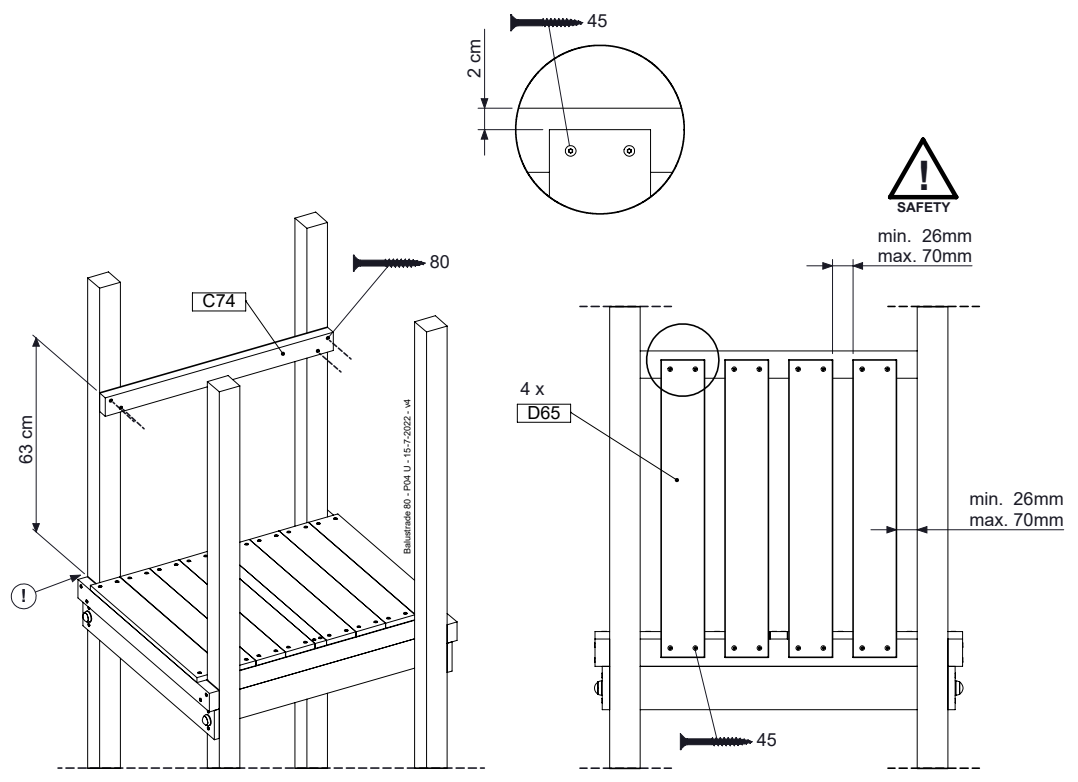
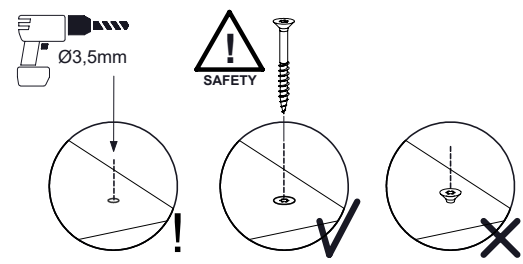
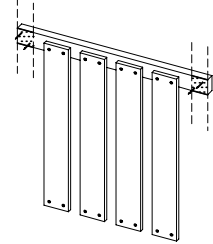


11 BL01a: Balustrade 80 U - 7x7 posts

(194_101)

| | PartNo | PartName | QTY. |
|---------------|---------|----------------------------|------|
| Hardware Pack | 002_220 | Gap Point Screw T25 - 5x45 | 16 |
| | 100_601 | Gap Point Screw T25 - 5x80 | 4 |
| Timber | C74 | Beam 740 mm | 1 |
| | D65 | Board 650 mm | 4 |

Balustrade 80 - P04 U - 15-7-2022 - v4

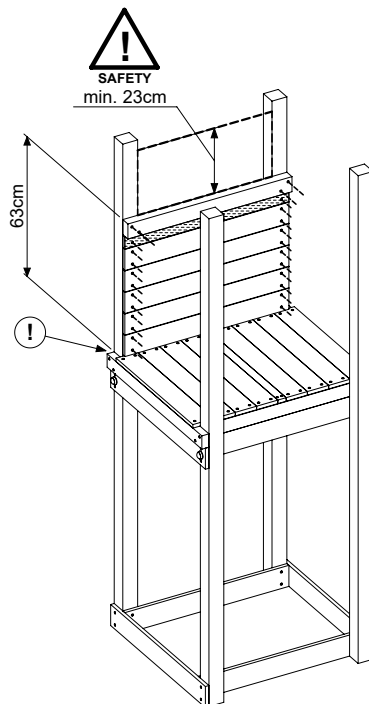
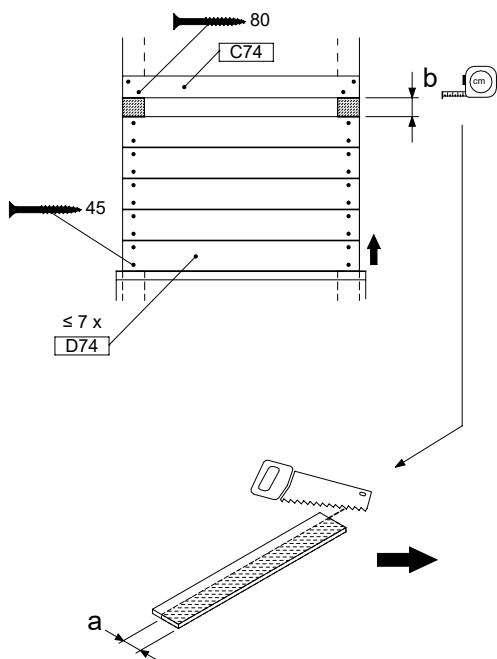
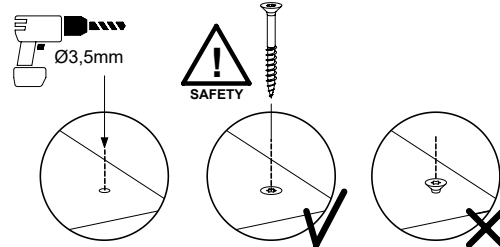
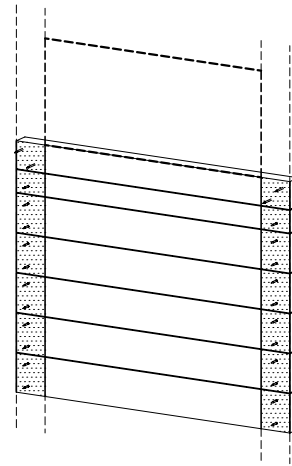


12 PH05a: Playhouse Window Panel 80 U

(194_501)

| | PartNo | PartName | QTY. |
|---------------|---------|----------------------------|------|
| Hardware Pack | 002_220 | Gap Point Screw T25 - 5x45 | 28 |
| | 002_223 | Gap Point Screw T25 - 5x80 | 4 |
| Timber | C74 | Beam 740 mm | 1 |
| | D74 | Board 740 mm | 7 |

Playhouse Walls - P05 WINDOW U - 28-3-2023 - v3

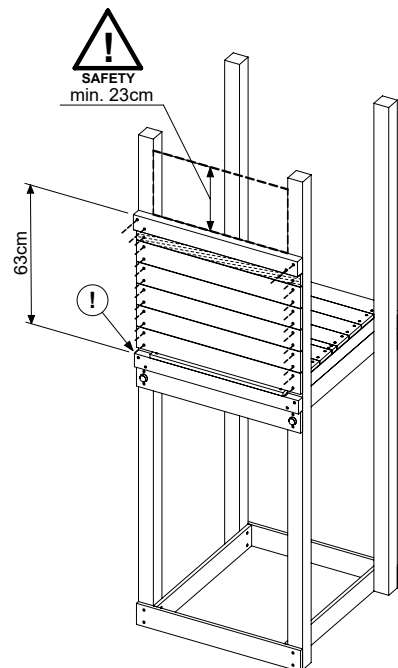
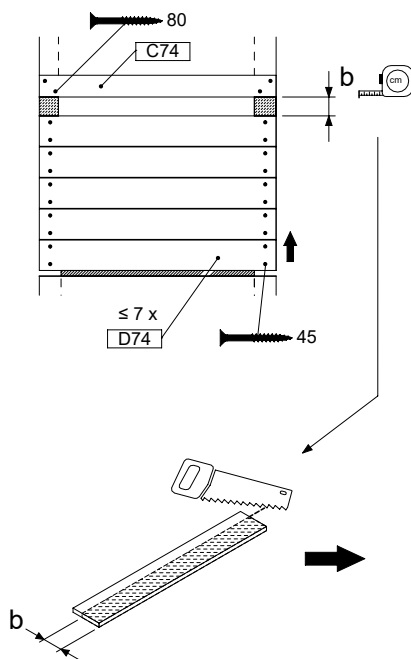
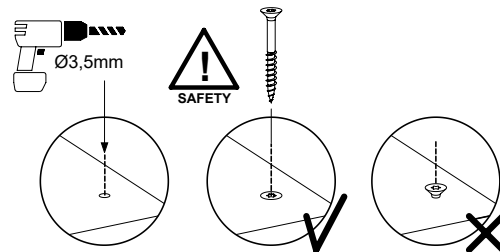
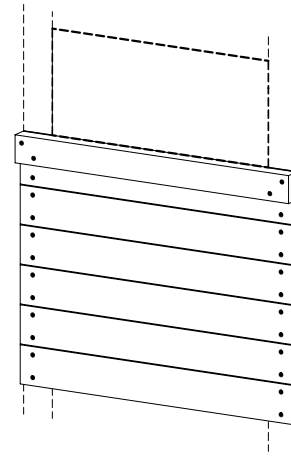


13 PH06a: Playhouse Window Panel 80 T

(194_501)

| PartNo | PartName | QTY. |
|---------|----------------------------|------|
| 002_220 | Gap Point Screw T25 - 5x45 | 28 |
| 002_223 | Gap Point Screw T25 - 5x80 | 4 |
| C74 | Beam 740 mm | 1 |
| D74 | Board 740 mm | 7 |

Playhouse Walls - PH6 WINDOW T - 25-3-2023 - v3



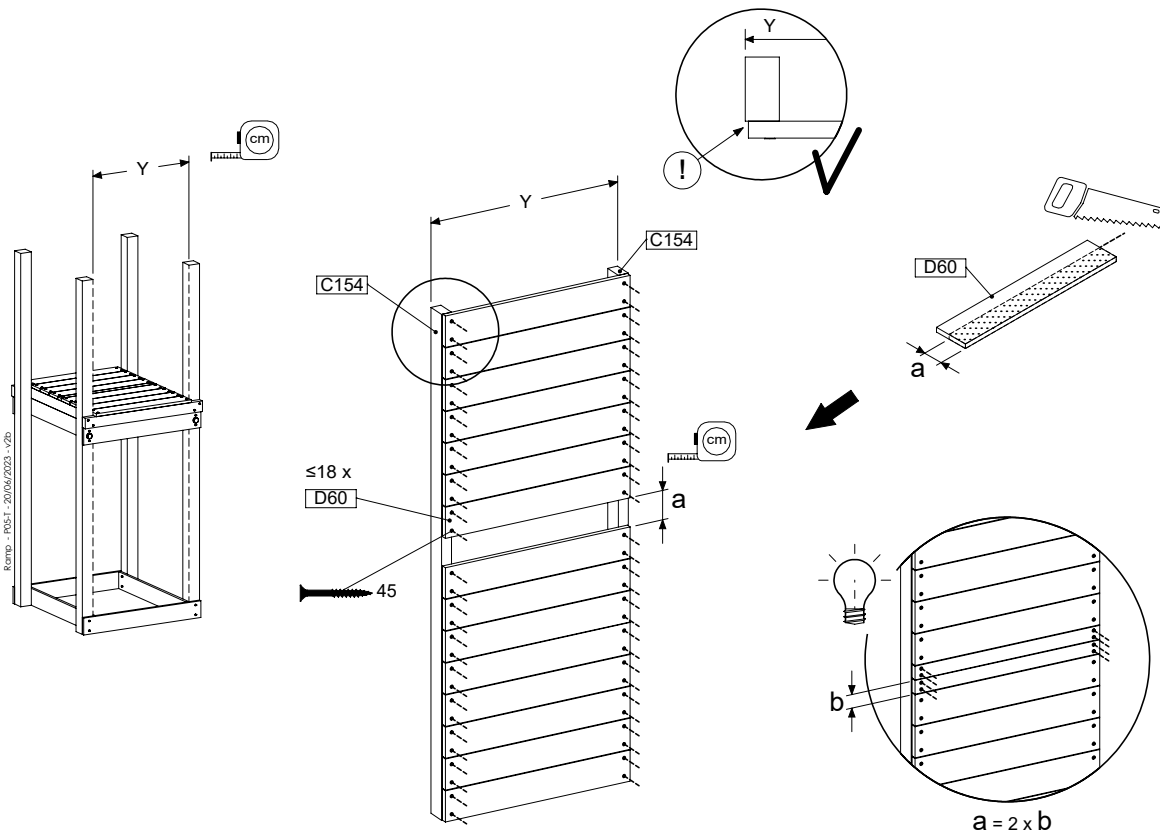
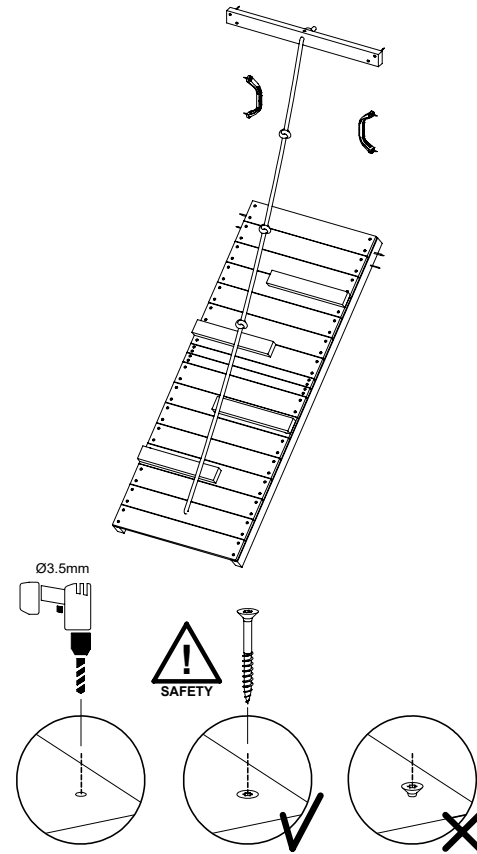
Playhouse Walls - PH6 WINDOW T - 25-3-2023 - v3

14 RA04a: Ramp 80 125 T

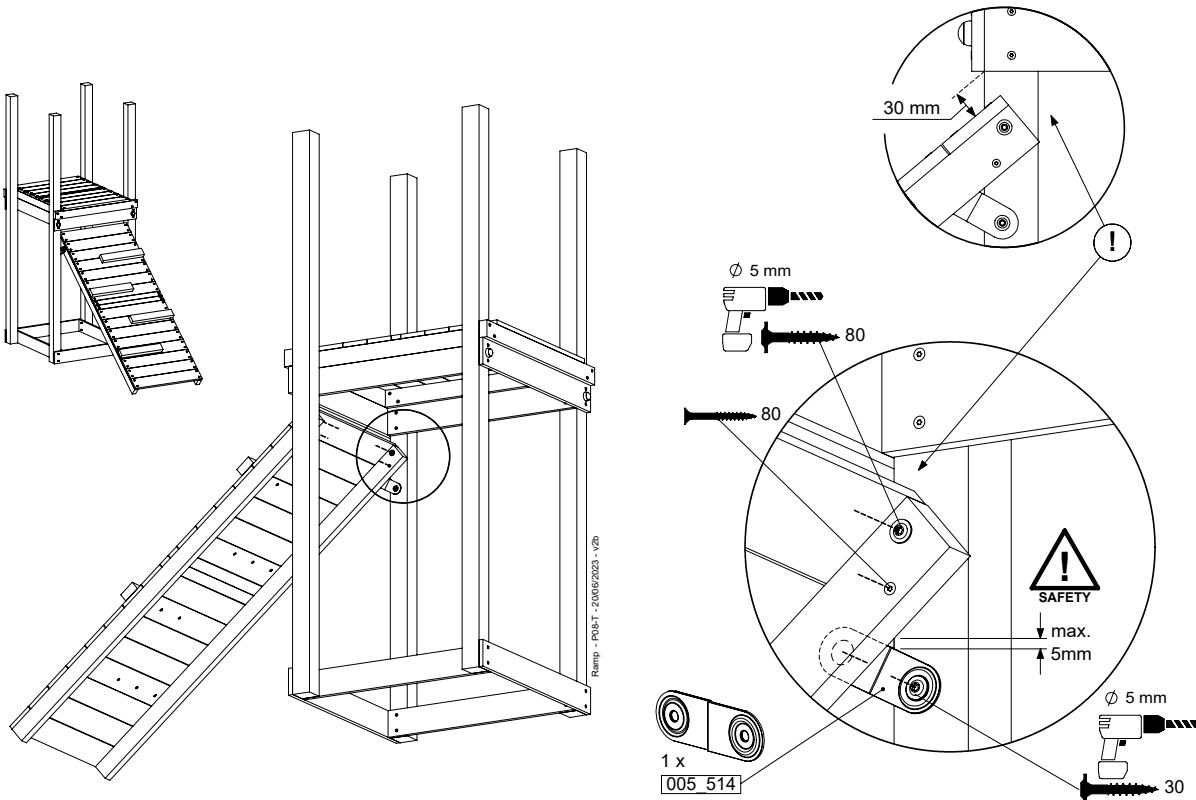
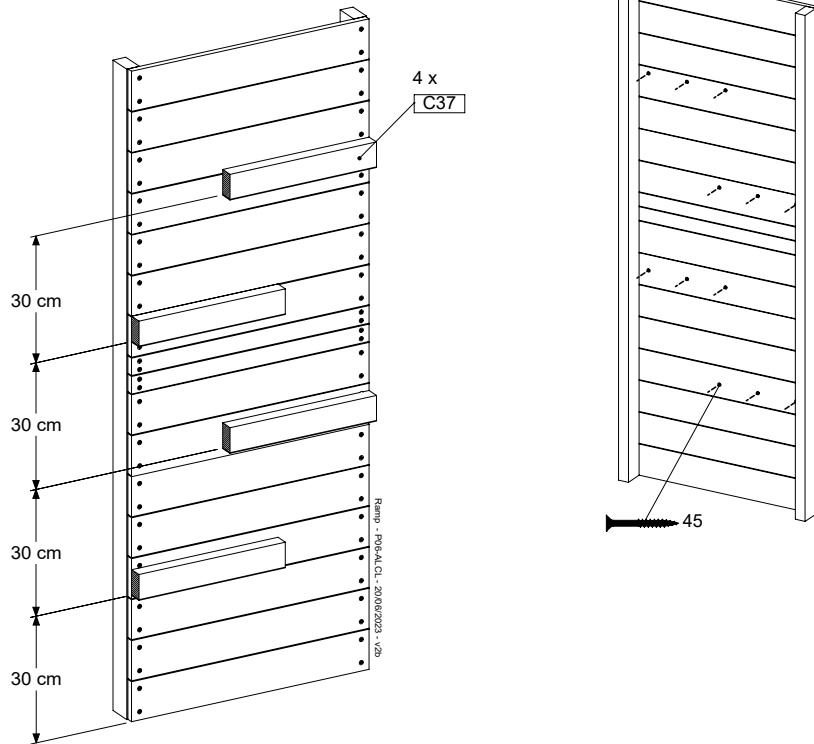
(194_008)

| | PartNo | PartName | QTY. |
|---------------|---------|--------------------------------|------|
| Hardware Pack | 001_404 | Stealth Screw 8x30 | 2 |
| | 001_417 | Stealth Screw 8x80 | 2 |
| | 002_220 | Gap Point Screw T25 - 5x45 | 85 |
| | 002_223 | Gap Point Screw T25 - 5x80 | 6 |
| Other | 005_514 | Ladder Bracket | 1 |
| | 020_317 | Rope Polyester 16mm Green 3.4m | 1 |
| | 120_102 | Handgrip set (2x Complete) | 1 |
| Timber | C37 | Beam 370 mm | 4 |
| | C74 | Beam 740 mm | 1 |
| | C154 | Beam 1540 mm | 2 |
| | D60 | Board 600 mm | 18 |

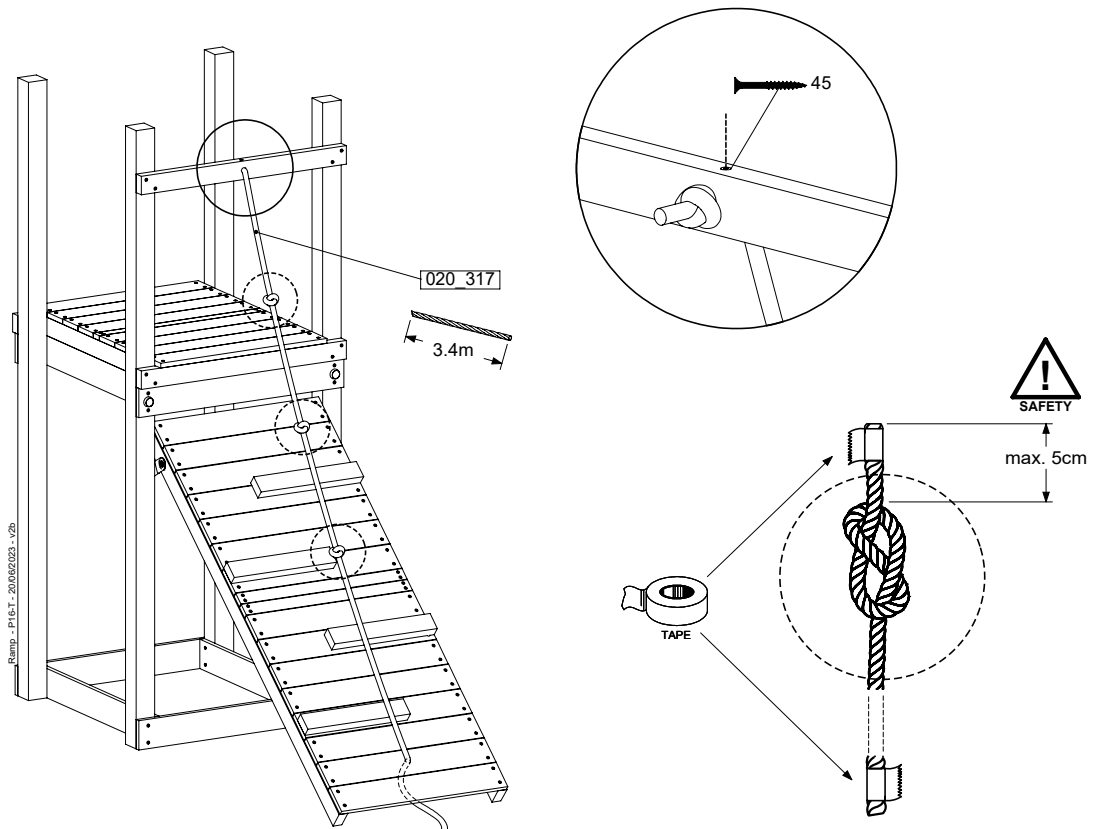
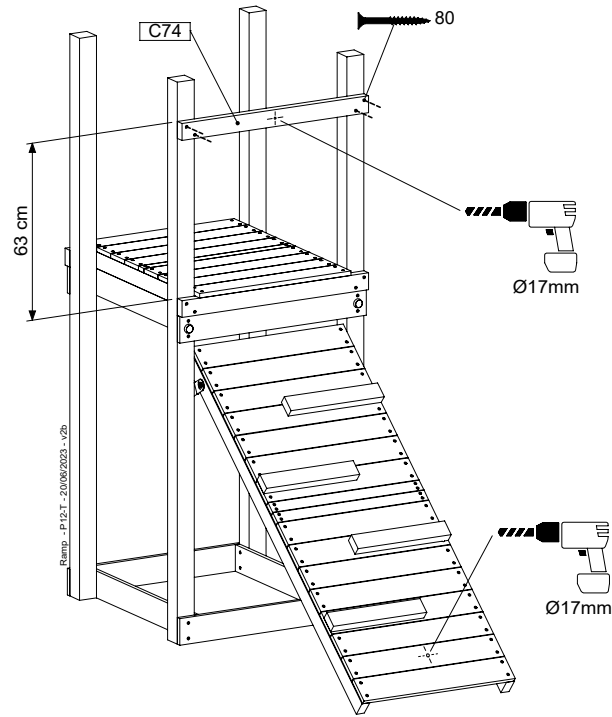
Ramp - P102-Beam - 2016/2023 - v2b



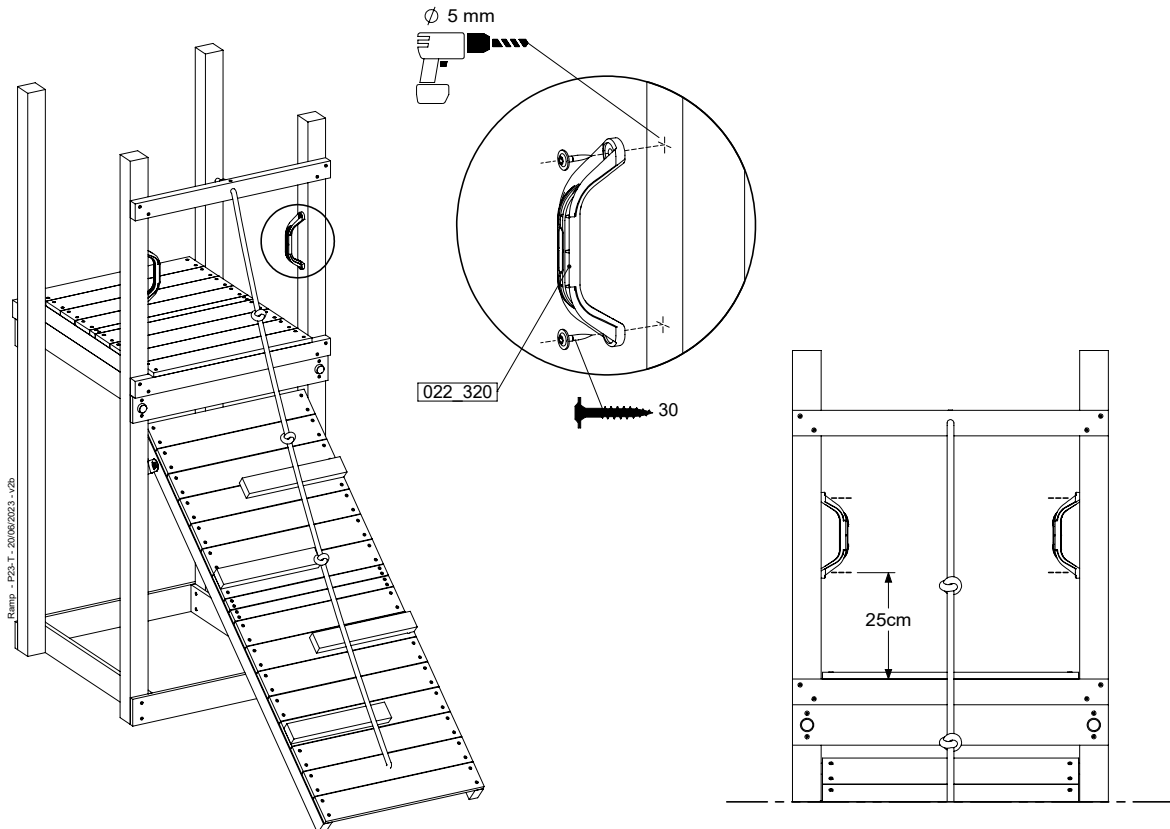
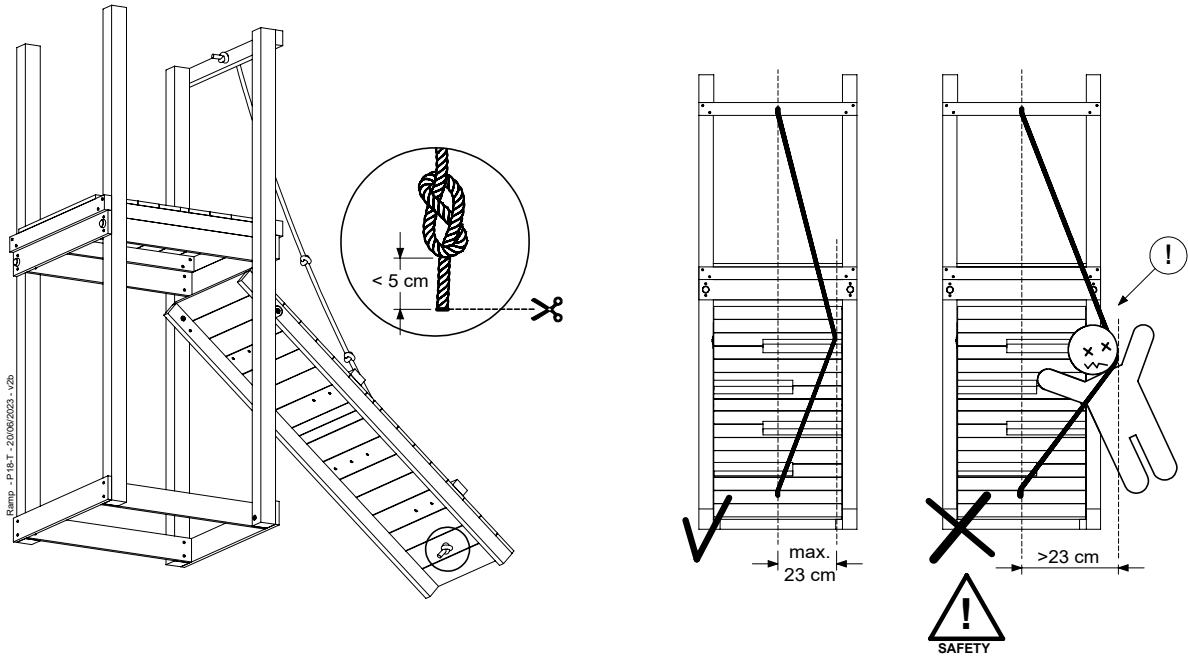
14.1



14.2



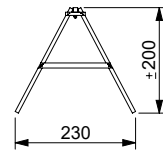
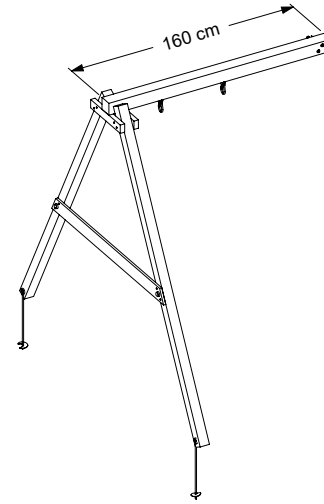
14.3



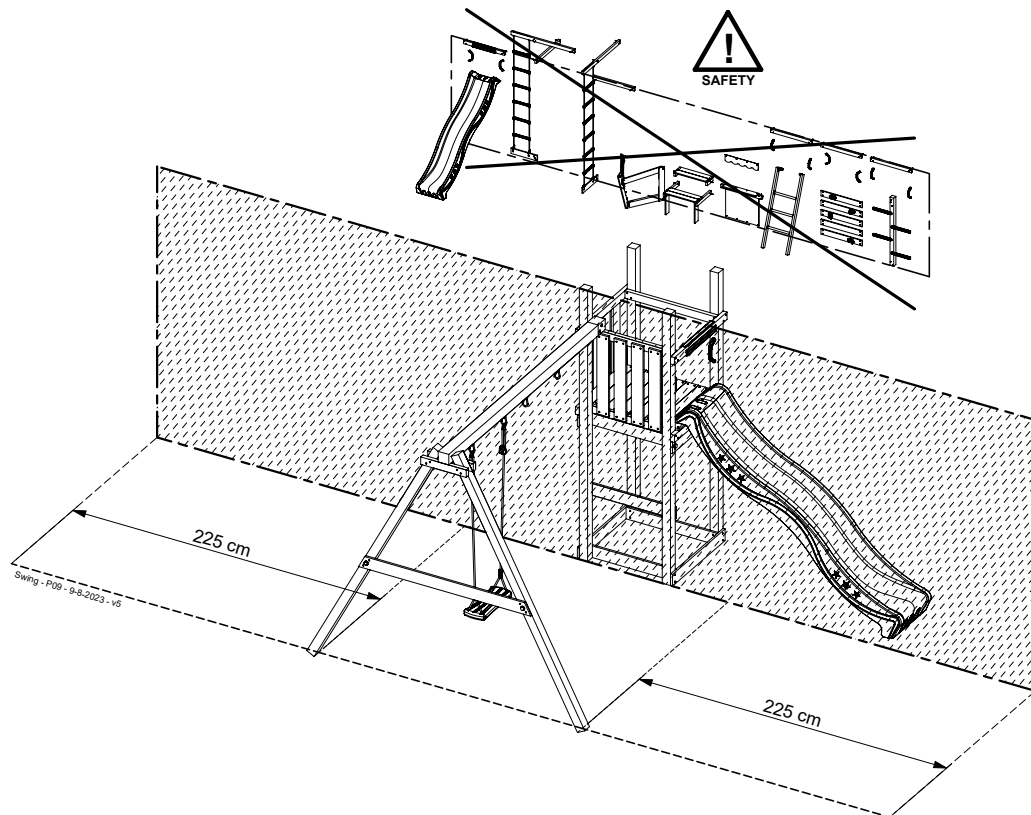
15 SW01a: 1-Swing Module 200

(457_102)

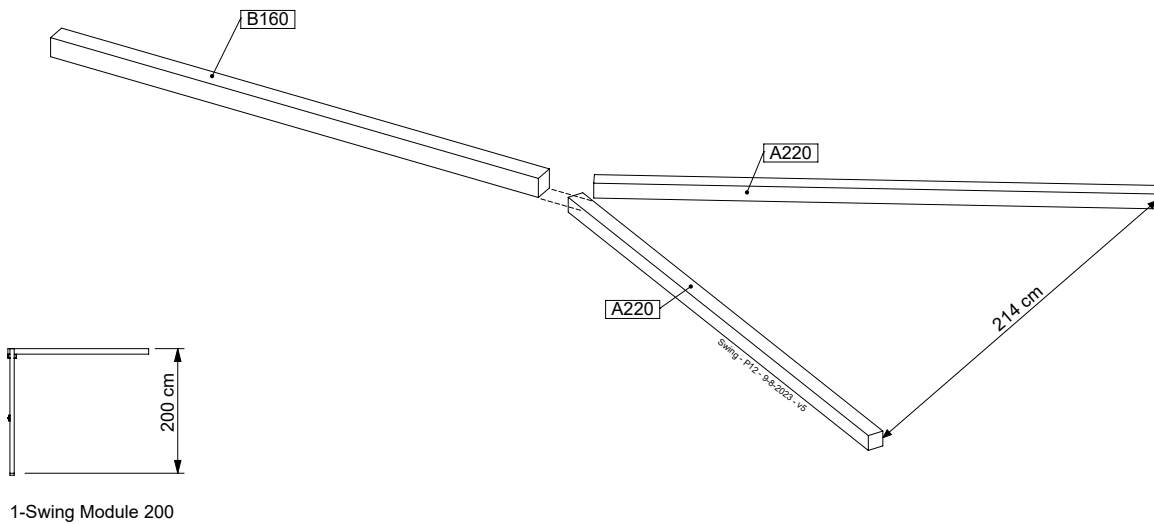
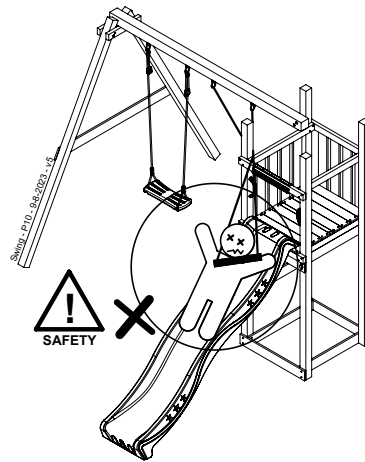
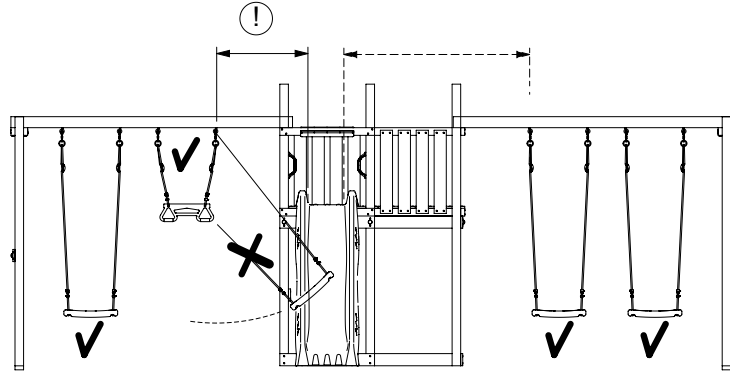
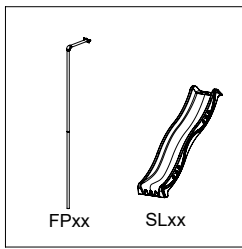
| | PartNo | PartName | QTY. |
|---------------|---------|----------------------------|-------|
| Hardware Pack | 001_406 | Stealth Screw 8x45 | 4 |
| | 001_417 | Stealth Screw 8x80 | 3 / 4 |
| | 001_422 | Stealth Screw 8x137 | 3 |
| | 002_220 | Gap Point Screw T25 - 5x45 | 12 |
| | 002_223 | Gap Point Screw T25 - 5x80 | 6 |
| Other | 005_528 | Swing Beam Bracket 7x7 | 1 |
| | 007_001 | Ground-anchor | 2 |
| | 022_31x | bpc-base version 3 | 2 |
| | 022_84x | bpc cover | 2 |
| | 023_031 | Finishing Washer GPS 5.0 | 2 |
| | 101_003 | Swing hook with Carabiner | 2 |
| Timber | A220 | Post 70x70 L2200 | 2 |
| | B160 | Post 90x90 L1600 | 1 |
| | C37 | Beam 370 mm | 2 |
| | D141 | Board 1410 mm | 2 |



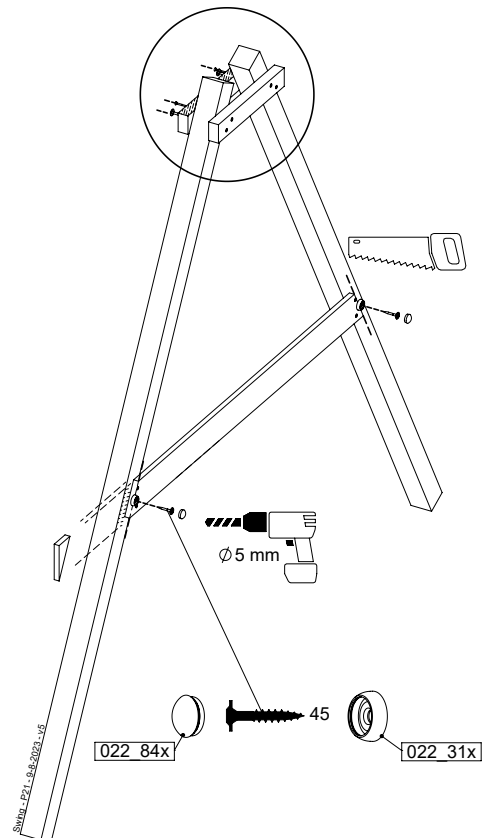
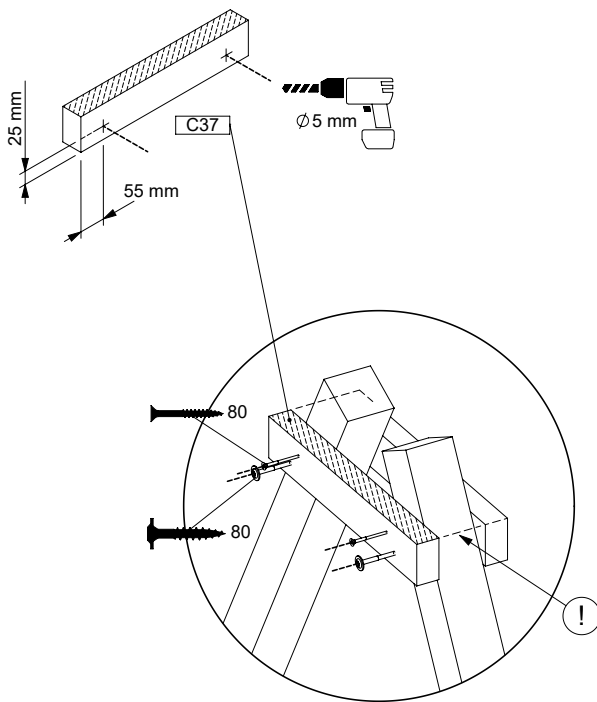
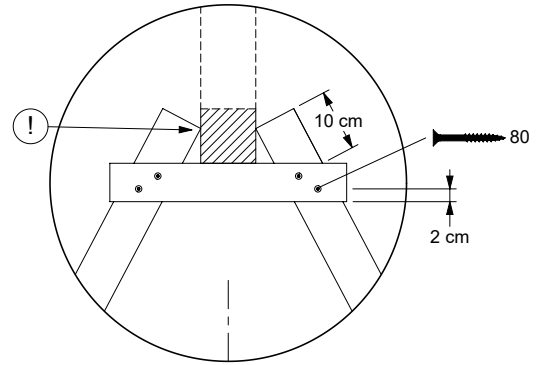
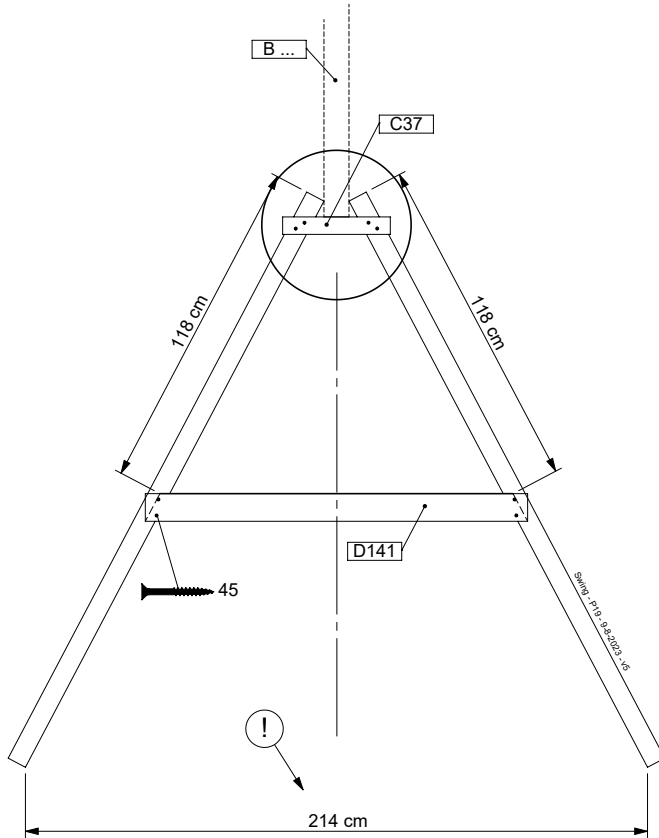
1-Swing Module 200



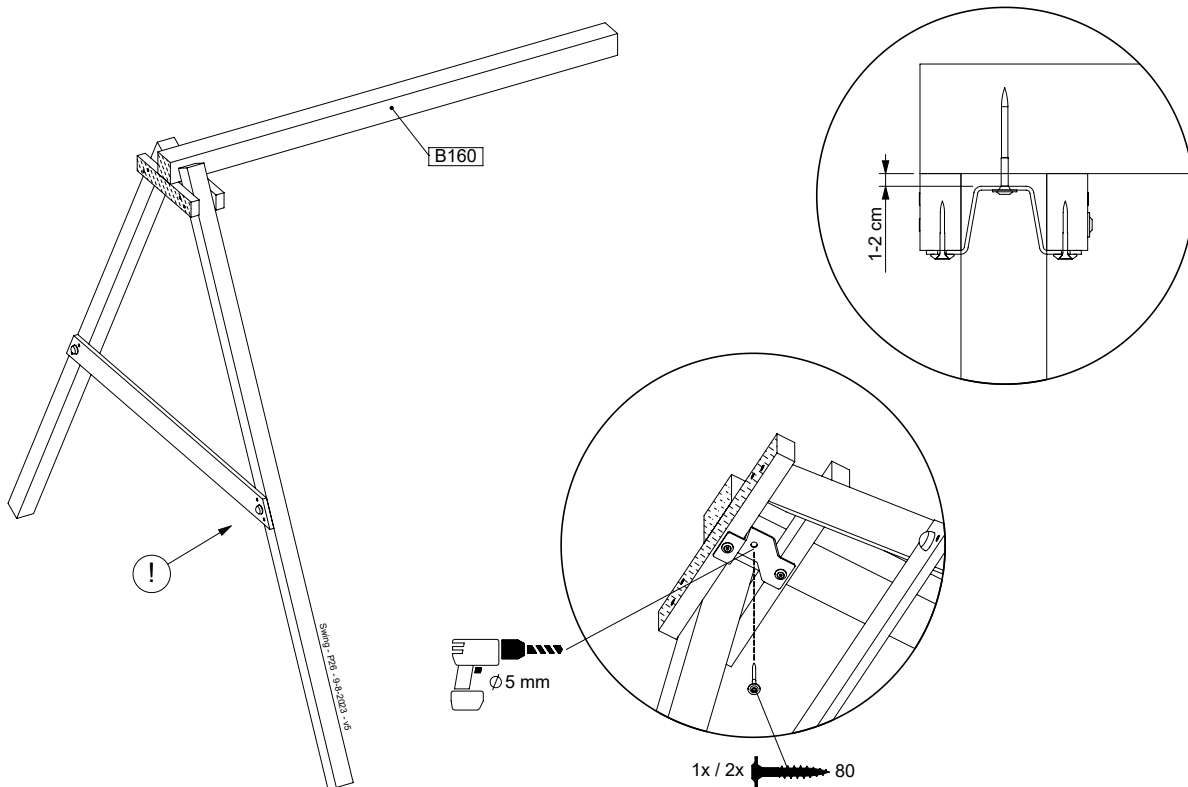
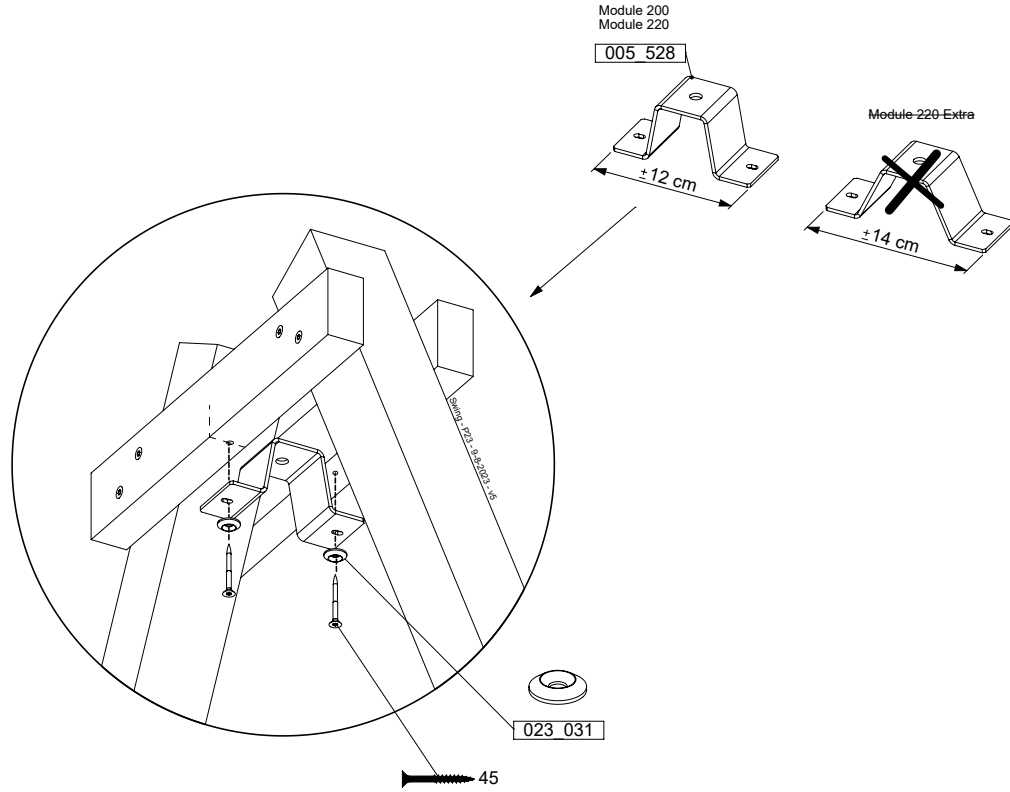
15.1



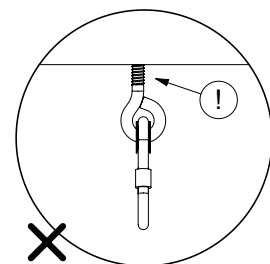
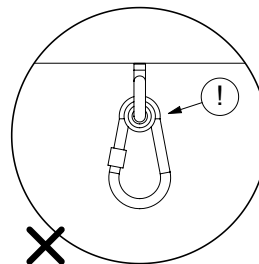
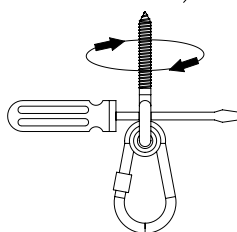
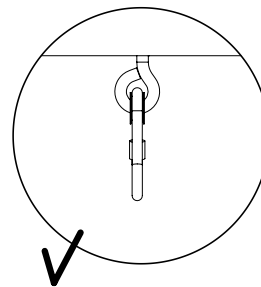
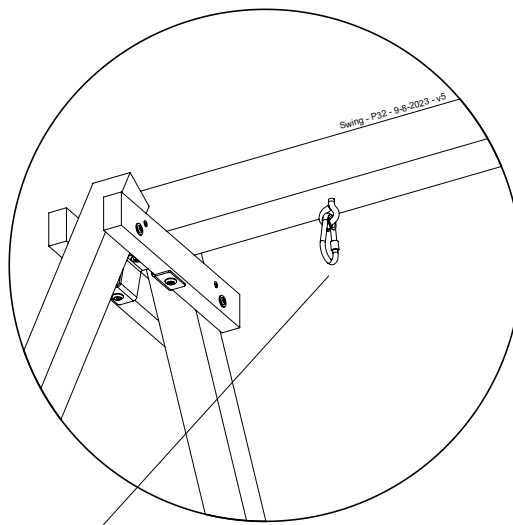
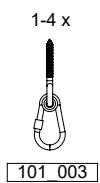
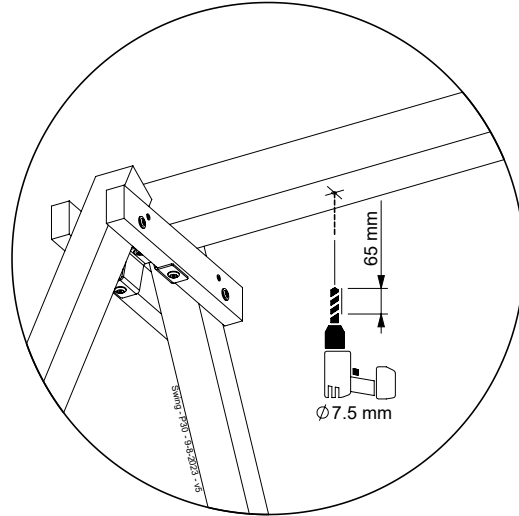
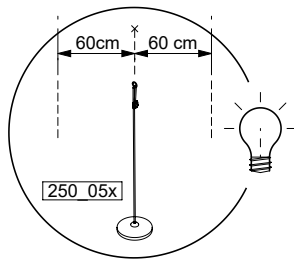
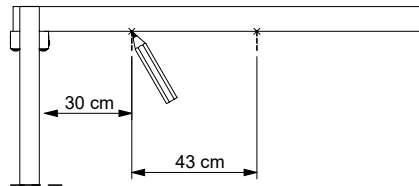
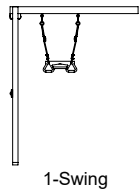
15.2



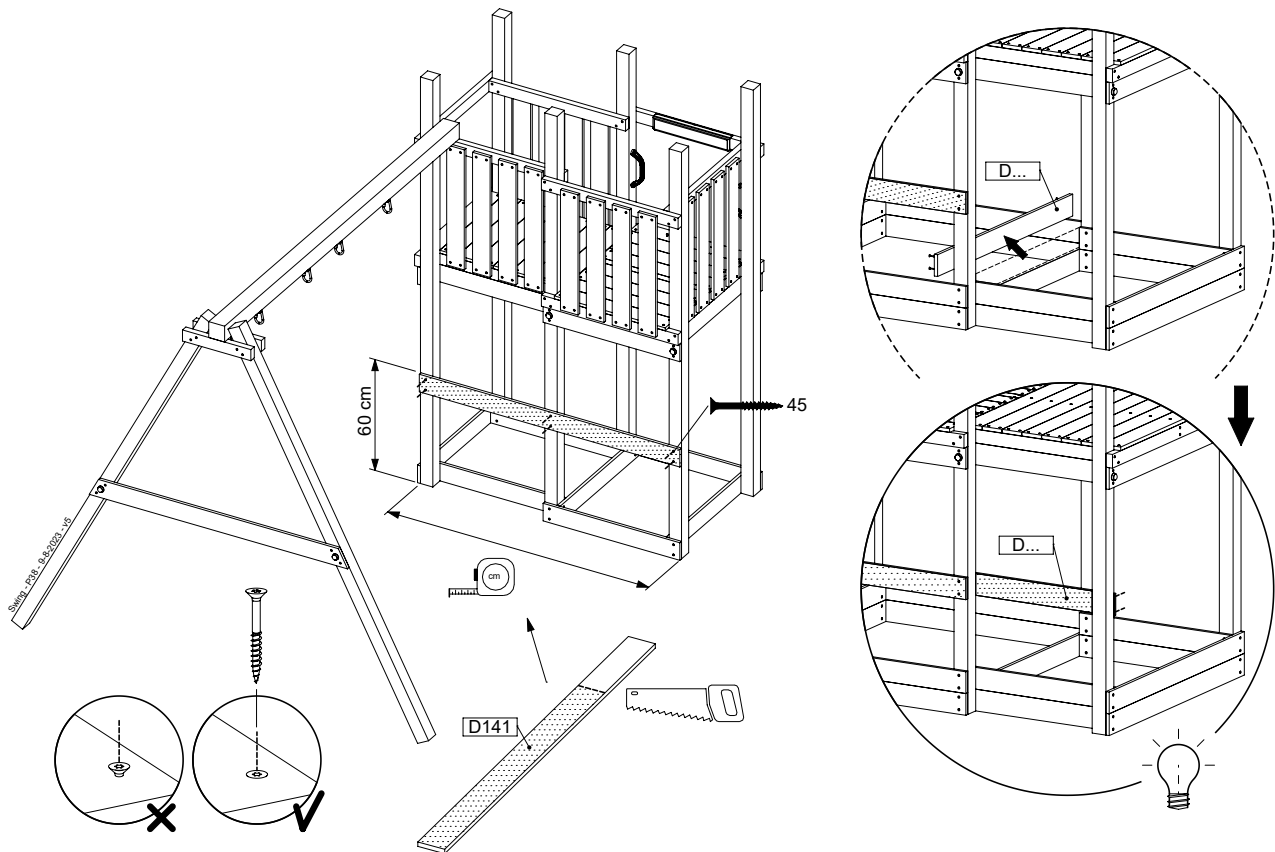
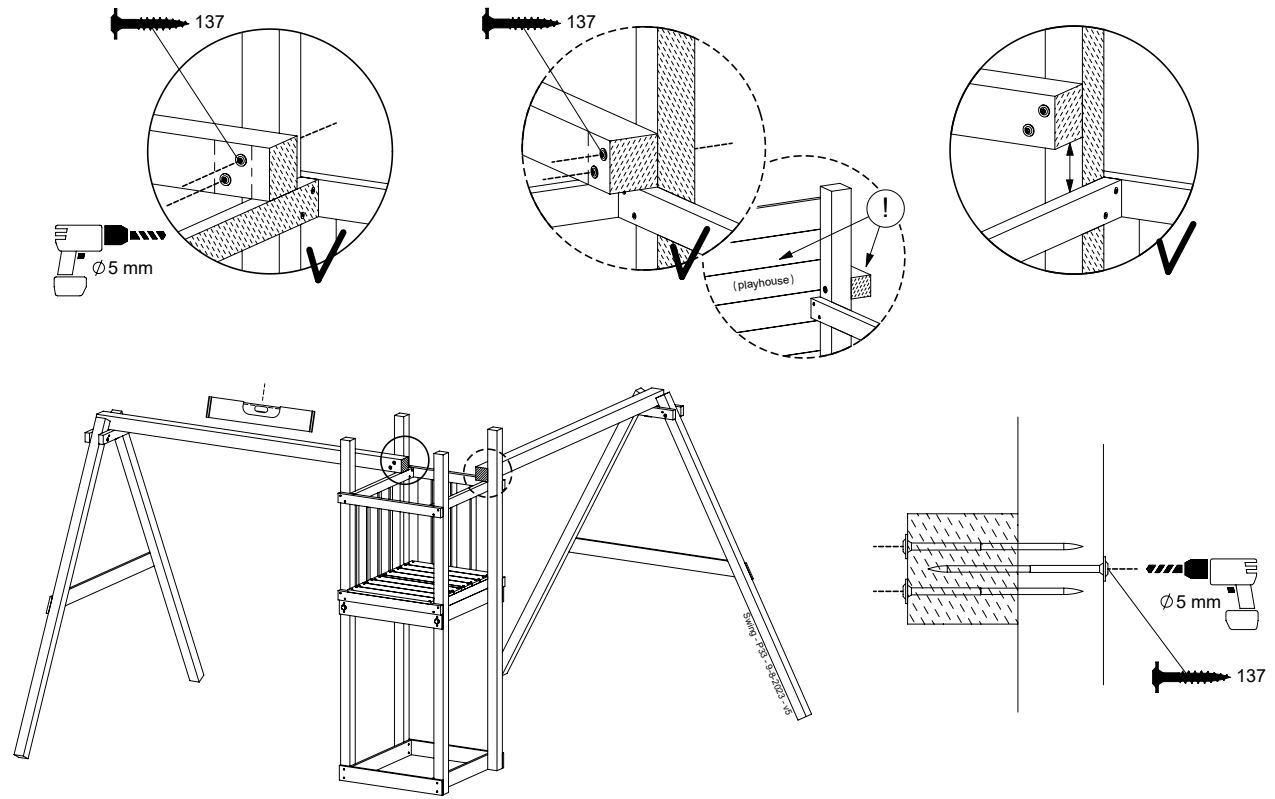
15.3



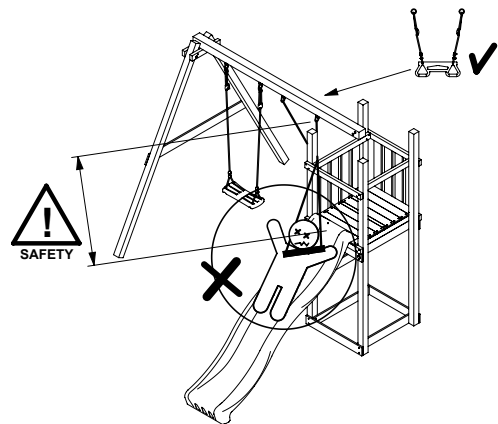
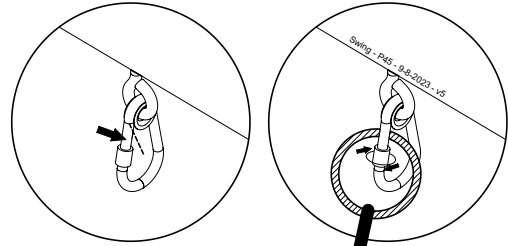
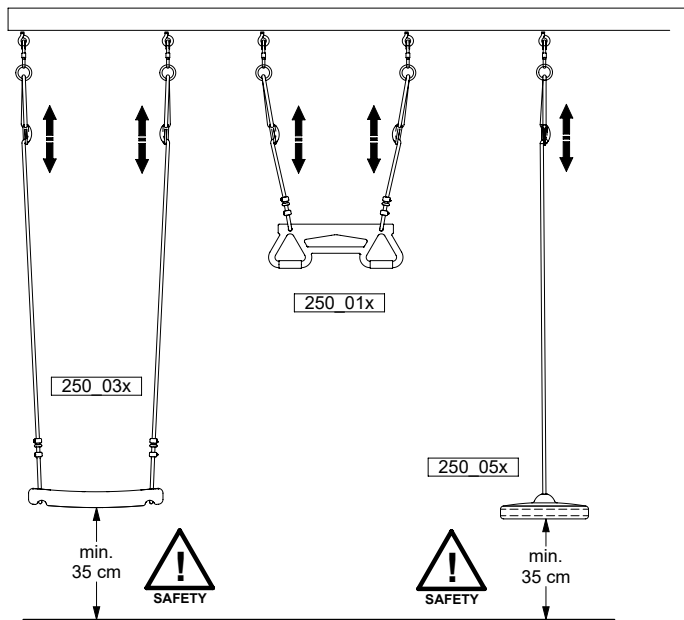
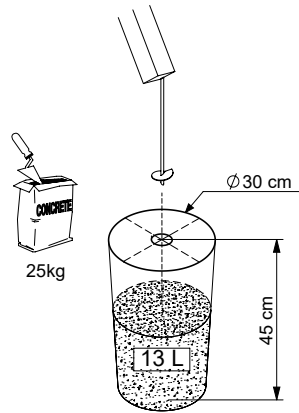
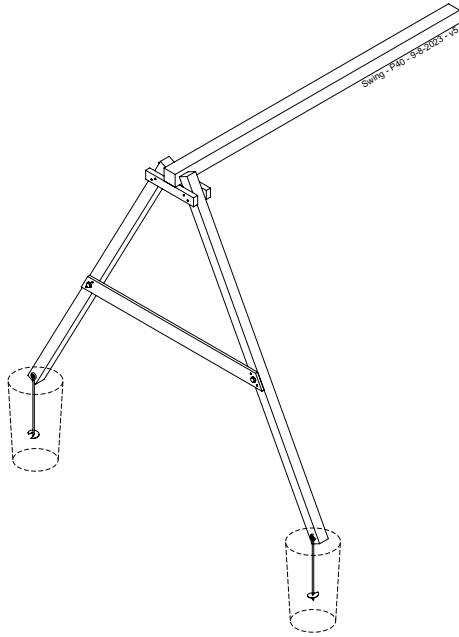
15.4



15.5



15.6

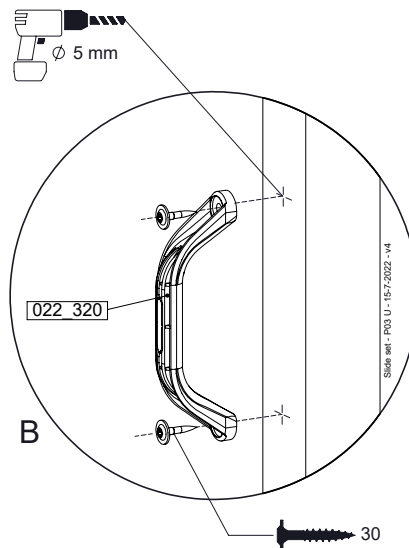
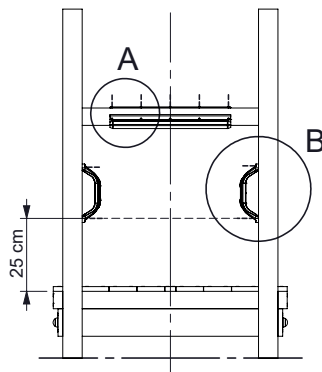
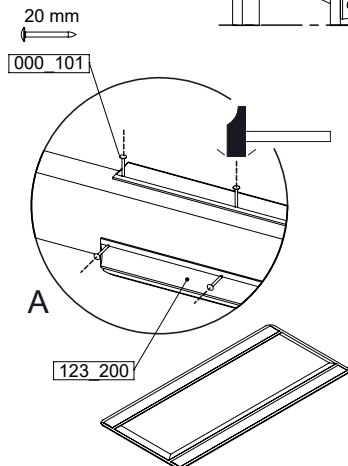
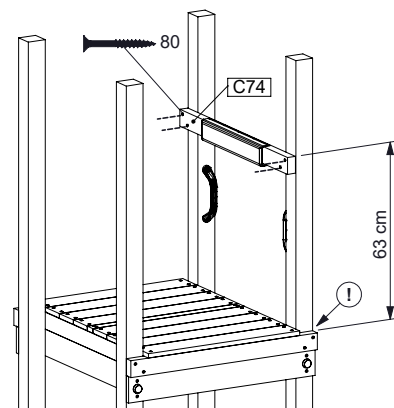
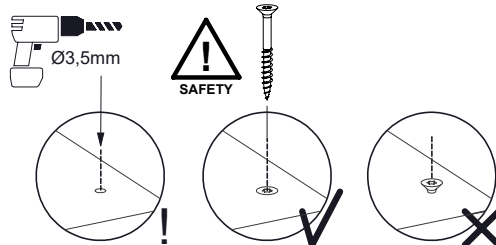
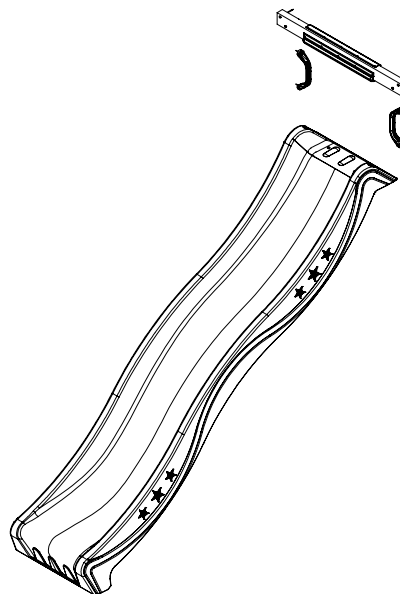


16 SL01a: Slide 80 125 U

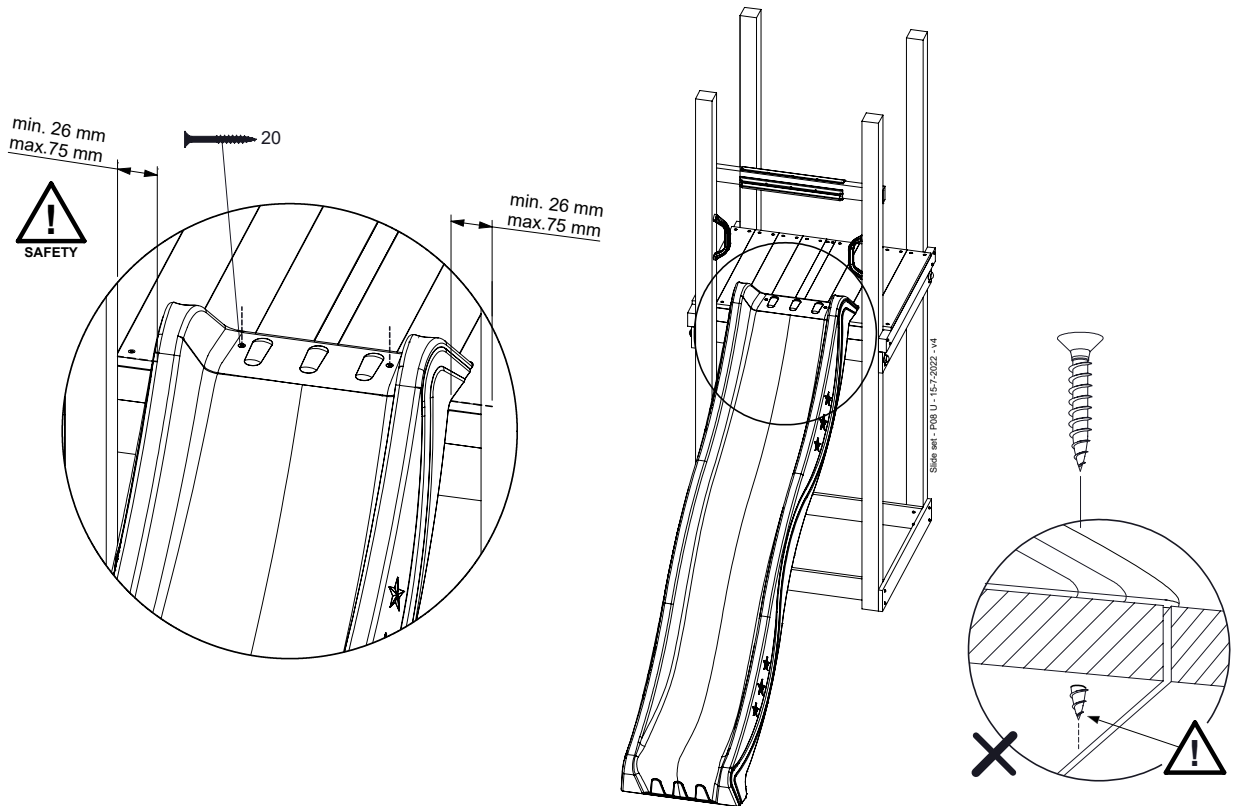
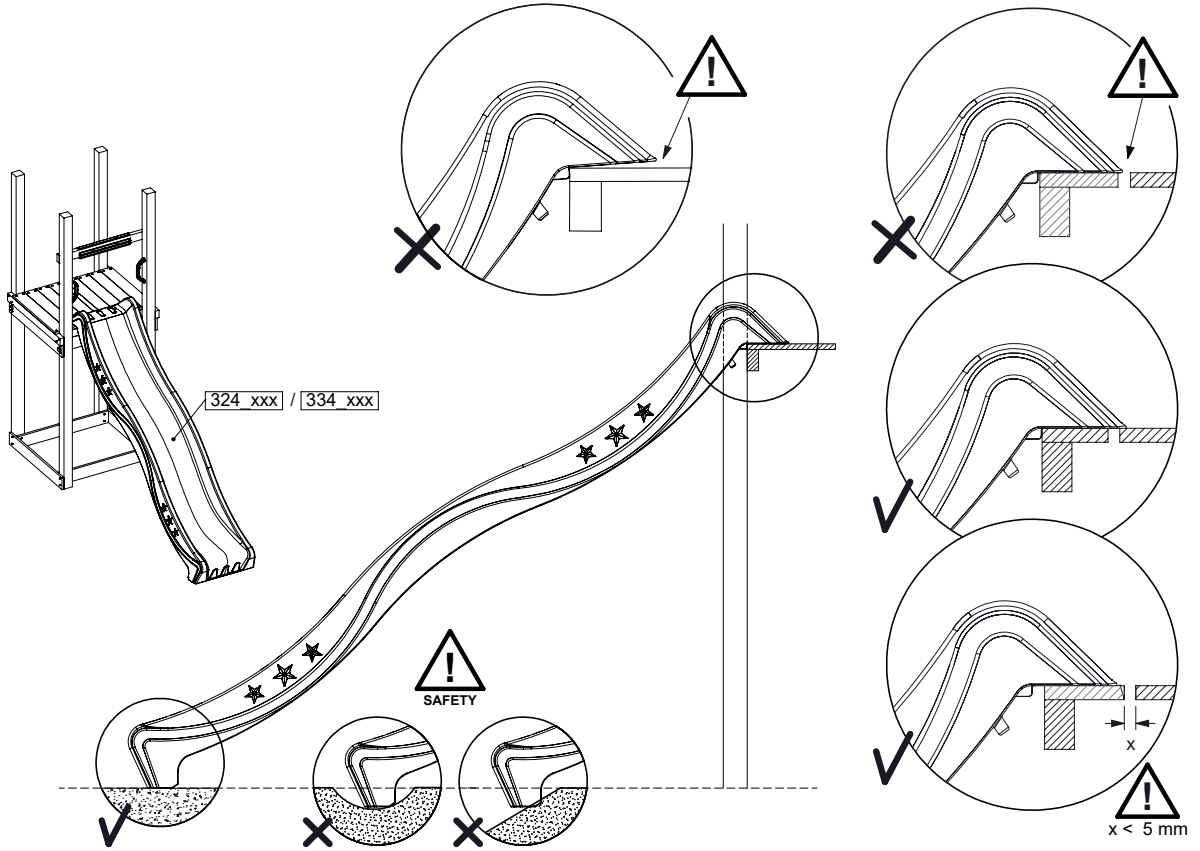
(194_107)

| | PartNo | PartName | QTY. |
|--------------------------|--------------------|--|------|
| Hardware Pack 100_605 | 000_101 | Nail Pan Head | 10 |
| | 002_223 | Gap Point Screw T25 - 5x80 | 4 |
| | 002_308 | Gap Point Screw T25 - 5x20 | 2 |
| Other | 120_102 | Handgrip set (2x Complete) | 1 |
| | 123_200 | Bumperpad | 1 |
| | 324_xxx 334_xxx | Wavy Star Slide XL 2200 mm / Wavy Star Slide XL 2650 mm | 1 |
| Timber | C74 | Beam 740 mm | 1 |

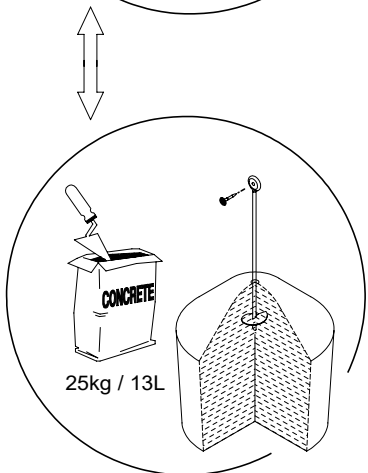
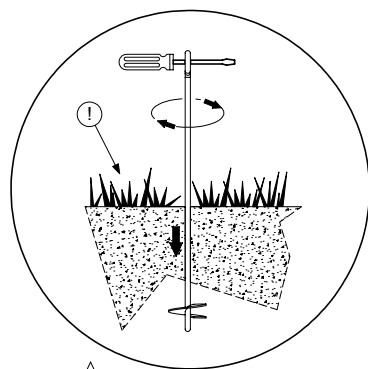
Slide set - P02 - 15-7-2022 - v4



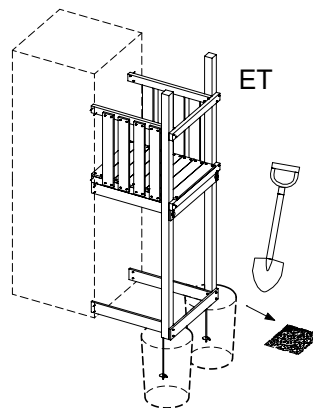
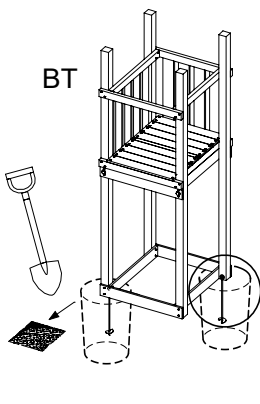
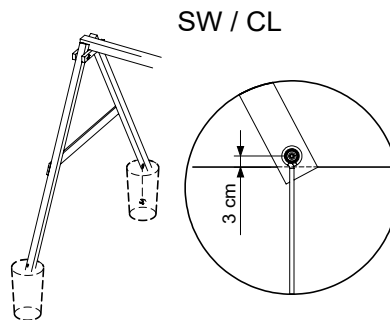
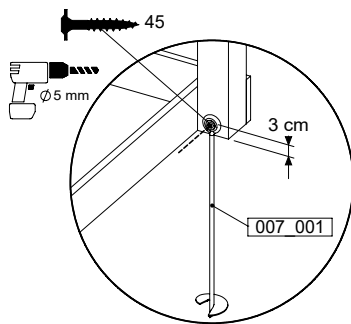
16.1



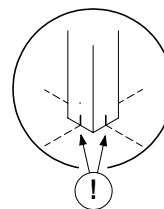
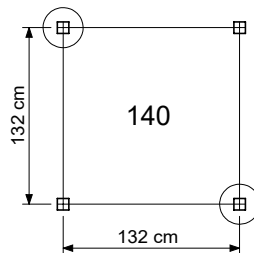
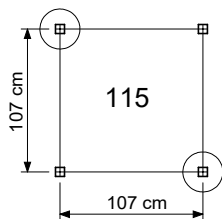
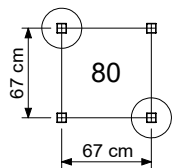
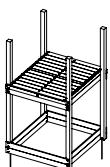
17 GA: Ground Anchors



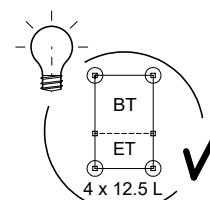
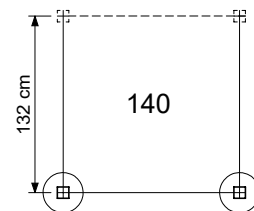
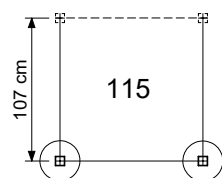
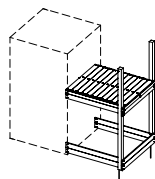
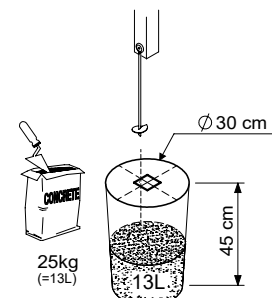
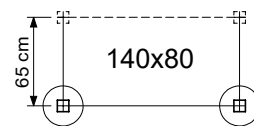
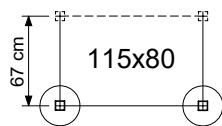
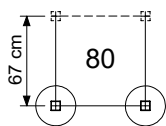
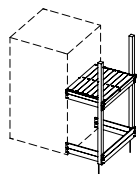
Ground Anchors Unit - P03 - 04/07/2023 - v1.2



BASE TOWERS

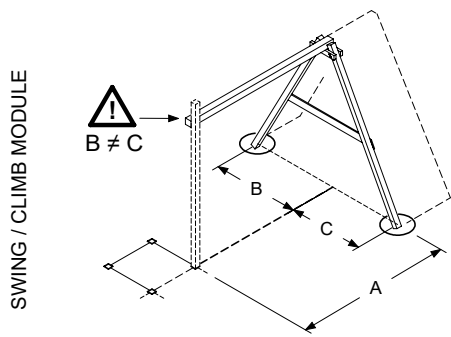
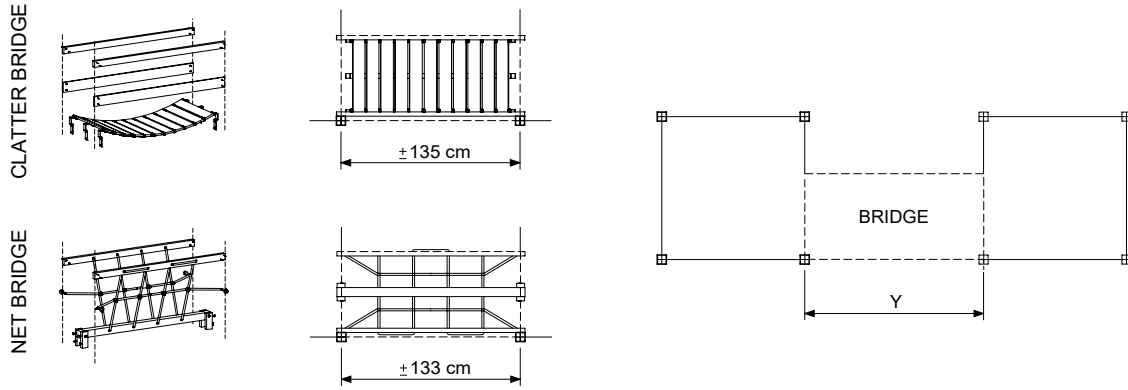


EXTENSION TOWERS



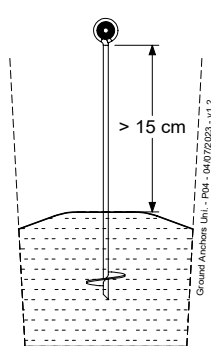
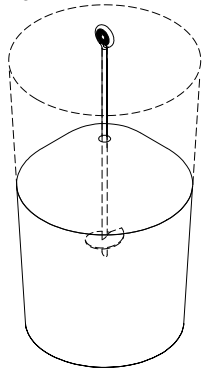
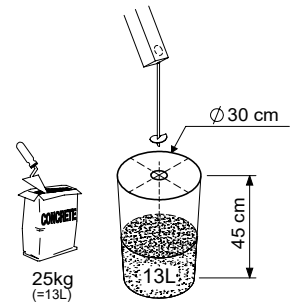
Ground Anchors Unit - P01 - 04/07/2023 - v1.2

17.1

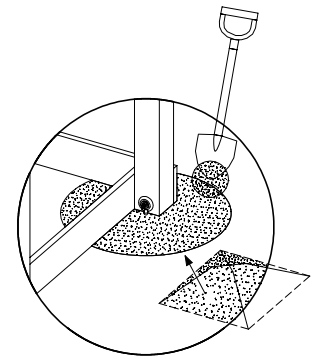


| Module type | A | B | C |
|-------------------------|-----|-----|-----|
| 1-Swing 200 | 150 | 115 | 100 |
| 1-Swing 220 / 220 Extra | | 120 | 105 |
| 2-Swing 200 | 210 | 115 | 100 |
| 2-Climb 200 | | | |
| 1-Climb 200 | 142 | 120 | 105 |
| 1-Climb 220 / 220 Extra | 162 | | |
| 2-Swing 220 / 220 Extra | 230 | 120 | 105 |
| 2-Climb 220 / 220 Extra | | | |

Ground Anchors Unit - P02 - 04/07/2023 - v1.2



24h

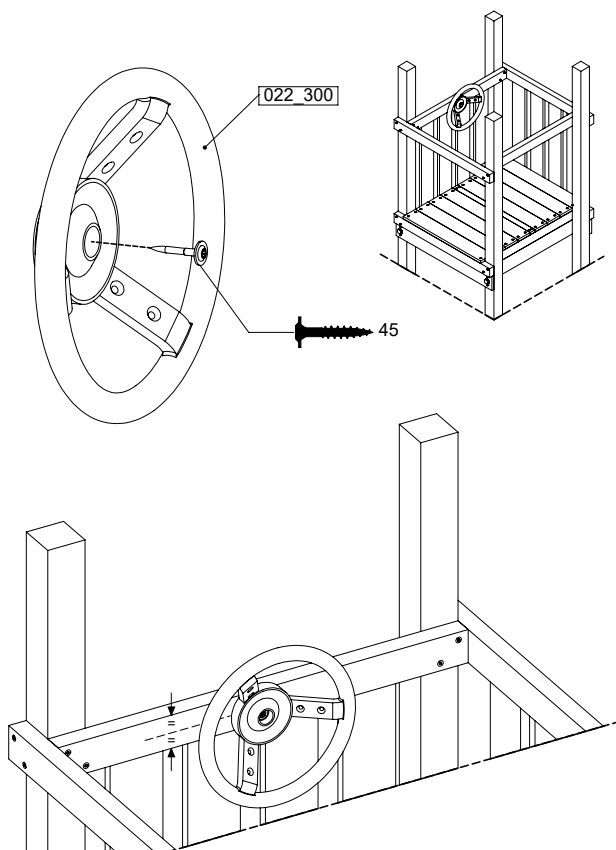
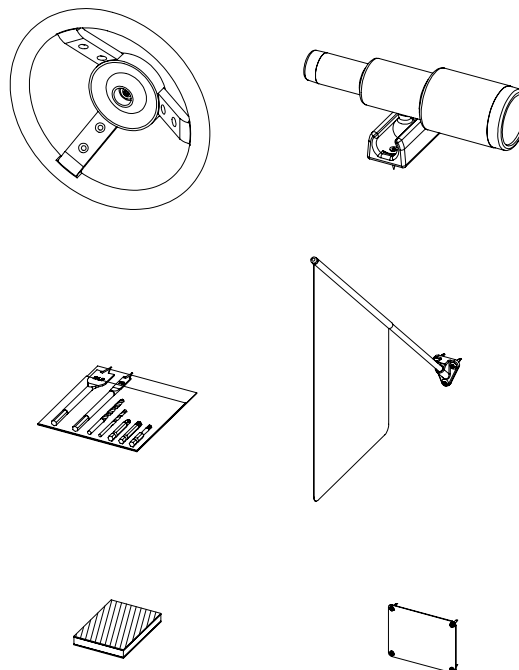


18 AC01a: Accessories

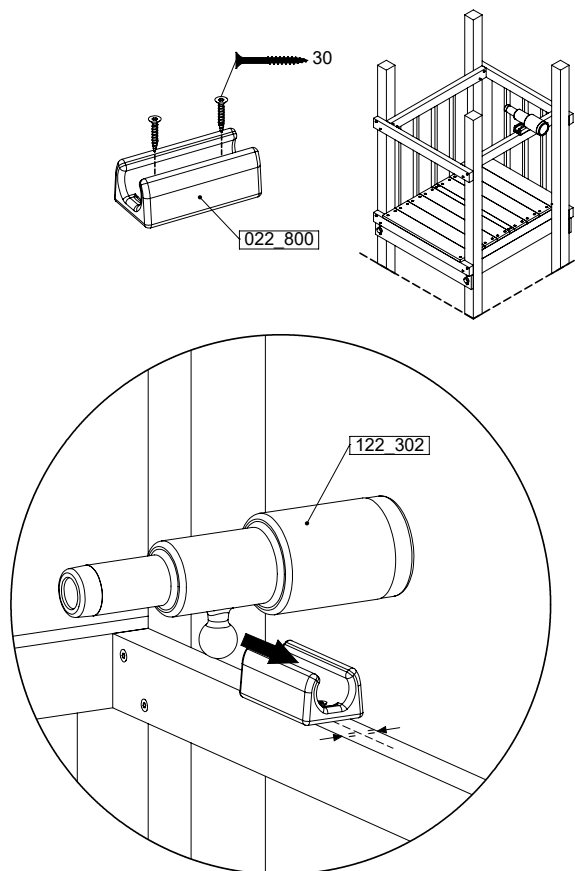
(194_119)

| | PartNo | PartName | QTY. |
|--------------------------|---------|-----------------------------|------|
| Hardware Pack 100_617 | 001_406 | Stealth Screw 8x45 | 1 |
| | 002_041 | Dome head screw 4.5 x 20 mm | 3 |
| | 002_042 | Dome head screw 3.5 x 13mm | 4 |
| | 002_219 | Gap Point Screw T25 - 5x30 | 2 |
| Other | 022_300 | Steering Wheel | 1 |
| | 022_800 | Rail P/T 105 | 1 |
| | 022_910 | Sandpad | 1 |
| | 103_901 | Logo ID Plate | 1 |
| | 104_107 | Tool Set Climbing Units | 1 |
| | 120_024 | Tower Flag | 1 |
| | 122_302 | Telescope | 1 |

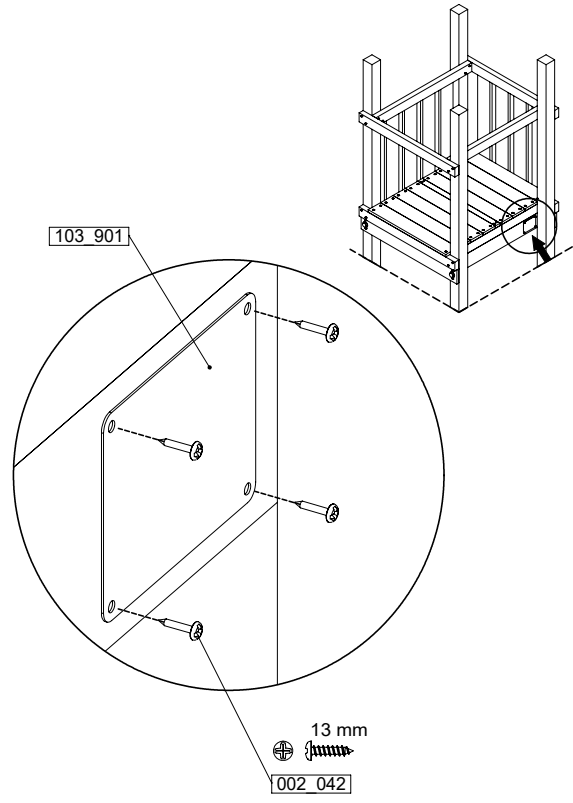
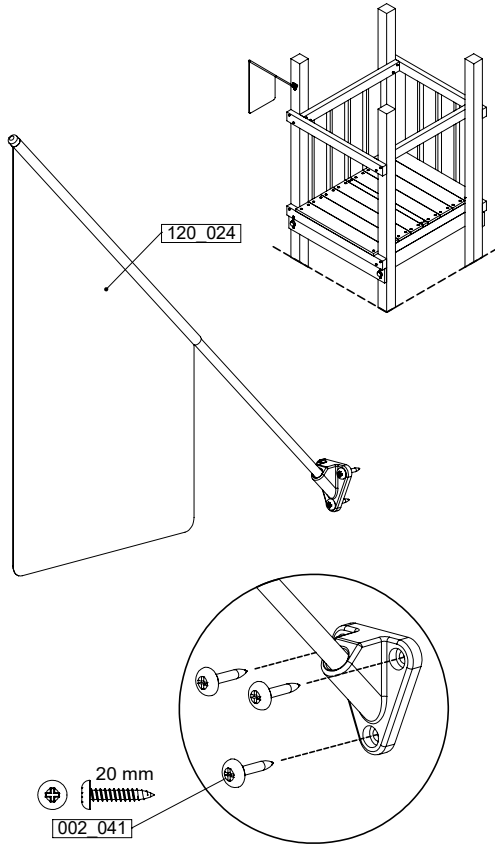
Accessory set - P102 - 06/07/2023 - v5



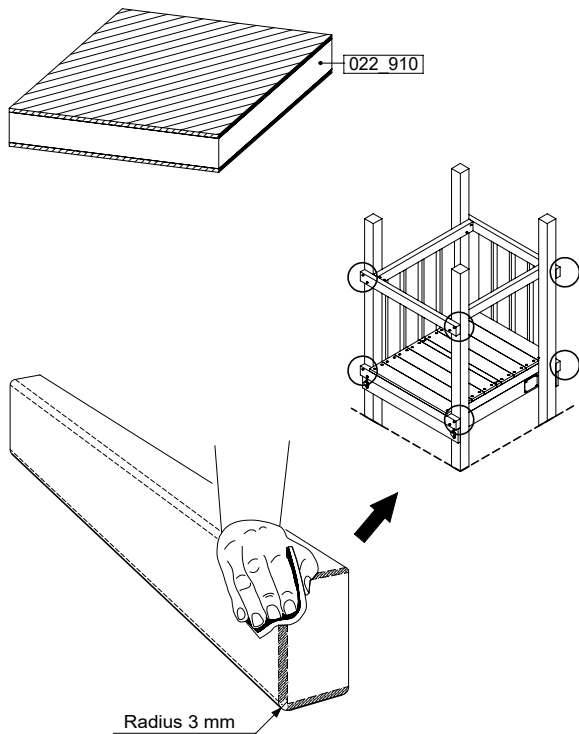
Accessory set - P103 - 06/07/2023 - v5



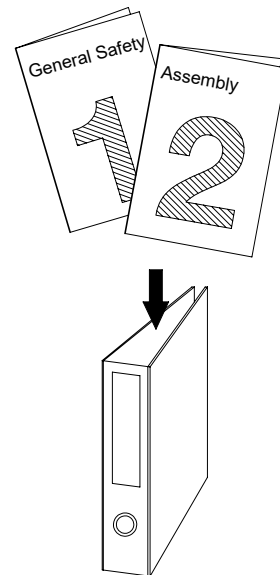
18.1



Accessory set - P04 - 06/07/2023 - v5



Accessory set - P05 - 06/07/2023 - v5



19 Conformity

Declaration of Conformity

Jungle Gym
BACKYARD PLAYGROUNDS
since 1988

Manufacturer details

| | |
|--|----------------------|
| Company Name | Tag-line |
| Jungle Gym B.V. | Backyard Playgrounds |
| Address | |
| P.O. Box 75083, 1070 AB Amsterdam, Netherlands | |

Activity toys for domestic use

Product Range Identification

Construction Packages (Sub-Assembly)

Universal Packs / Base Towers / Extension Towers / Roofs / Means of Exit/Access / Add-ons : 790_001 ... 794_911

Assembly

| | | |
|---|------------------------------|-----------------------------------|
| Playtowers : 801_005 ... 200 | Links : 870_100 ... 105 | Accessories : 123_220 ... 250_075 |
| Playhouses : 830_150 ... 253, 835_251 ... 253 | Swings : 801_300, _600, _601 | Slides (XL) : 324_100 ... 600 |
| Modules : 850_180 ... 415 | | Slides (XXL) : 334_100 ... 600 |
| : 857_103, 857_108 | Playtowers: 802_202 ... 208 | |
| 857_151, 857_158 | 803_202 ... 210 | |
| | 809_202 ... 804 | |

Applicable EC directives and standards

Chemical References

| | | |
|---|---|---|
| 1. Migration of certain elements (17x + Chr VI + tin) as required in TSD 2009/48/EC and its amendments. Scrape off toy material. Tested according to EN 71-3:2019. | 5. Content of 7 Phthalates (18x) according to REACH (EG) no.1907/2006, Annex XVII. Tested according to COC-CH-C1011-09.3 and EN 15777 / QMA 2011.1300 | 9. Content of 3 Flame retardants according to REACH (EG) no. 1907/2006, Annex XVII. Tested according to EN 62321-6. |
| 2. Migration of solvents, monomers and plasticizers as specified in "Safety for Toys: Organic Chemical Compounds", EN 71-9: 2005 + A1: 2007. Tested according to EN 71-10: 2005 & EN 71-11: 2005. | 6. Content of Cadmium according to REACH (EG) no. 1907/2006, Annex XVII. Tested according to EN 17294-2 | 10. Ni release according to REACH (EG) no. 1907/2006, Annex XVII. Tested according to EN 71-3:2013+A1:2014. |
| 3. Content of N-nitrosamines and N-nitrosatable substances as specified in EN standard 71-12: 2013. Tested according to EN 71-12: 2013. | 7. Formaldehyde according to REACH (EG) no. 1907/2006, Annex XVII. Tested according to EN 14184 | 11. Sweat and Salvia resistance tested according to DIN 53160 |
| 4. Content of 18 PAHs (Polycyclic Aromatic Hydrocarbons) as referred in AfPS GS 2014:01 PAK (Replaced on 2019:01) Tested according to QMA 2011.1284 | 8. Azo dyes according to REACH (EG) no. 1907/2006, Annex XVII. Tested according to BVL B 82.02-2. | |

Mechanical physical properties + flammability

EN 71 - 1 : 2014 + A1: 2018 EN 71 - 2 : 2011 + A1: 2014 EN 71 - 8 : 2018

Supplementary information

Conformity to the above specified directives and standards has been frequently verified and is continuously monitored by TÜV Süd, TÜV Rheinland LGA products, DEKRA (DE), STR Ltd (UK), LNE SA (FR), LMR Ltd (US) and IPS N.V. (BE) since 1994. Jungle Gym participates in the European Commission for standardisation for the safety of activity toys (TC52 / WG 10).


Declaration

I hereby declare under our sole responsibility that the products mentioned above, to which this declaration relates, complies with the above mentioned directives and standards.



Name
Mr. P. Schmit / Director

Issued date
Januari 2nd, 2023


Signature of representative