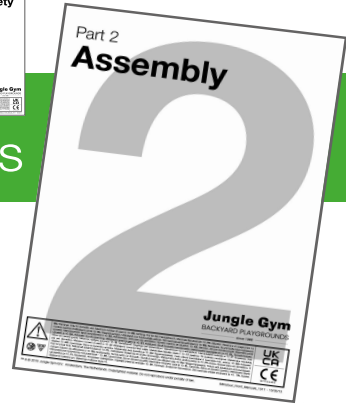


Part 2

Assembly

Instructions



Config ID: kbXcNO

Date: 2023-09-07



Manual Part 1



Important

This assembly manual should always be read in conjunction with the General Safety manual part 1 as included in the hardware package of your playground equipment.

Please read these safety instructions carefully before starting the assembly work.

Jungle Gym

BACKYARD PLAYGROUNDS

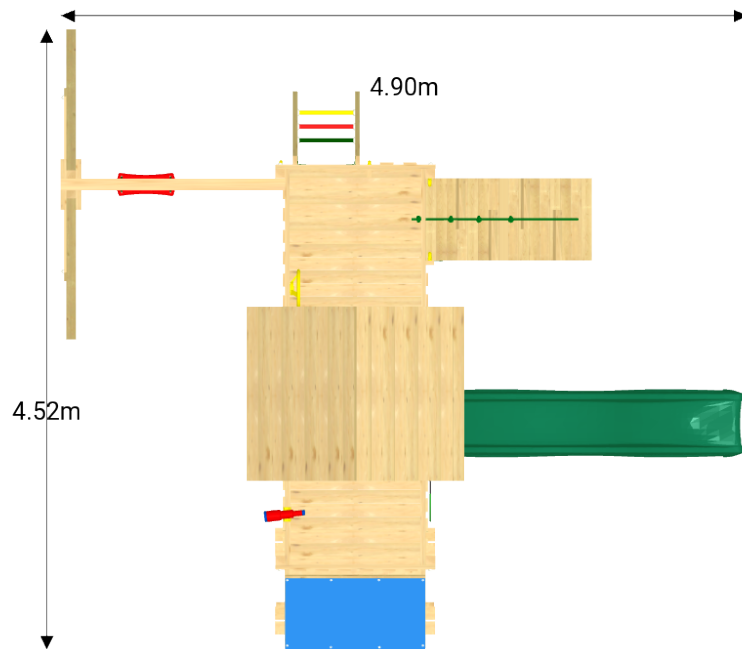
since 1988



EN. Warnings. Only for domestic use. Maximum number of users is **4**. **DE.** Achtung. Nur für den Hausgebrauch. Maximale Benutzerzahl: **4**. **FR.** Attention. Réserve à un usage privé. Le nombre maximal d'utilisateurs est de **4**. **NL.** Waarschuwingen. Uitsluitend voor huishoudelijk gebruik. Het maximale aantal gebruikers is **4**. **BG.** Внимание. За употреба само в домашни условия. Максималният брой потребители е **4**. **ES.** Advertencias. Sólo para uso doméstico. Número máximo de usuarios: **4**. **CS.** Varování. Jen pro domácí použití. Maximální počet uživatelů je **4**. **DA.** Advarsler. Kun til privat brug. Maksimum antal brugere er **4**. **ET.** Hoiatused. Ainult koduseks kasutamiseks. Maksimaalne kasutajate arv on **4**. **EL.** Προειδοποιήσεις. Μόνο για οικιακή χρήση. Μέγιστος αριθμός χρηστών **4**. **IS.** Varnaðarorð. Eingöngu fyrir einkanotkun í heimahúsum og á einkaloðum. Hámarksfjöldi notenda er **4**. **IT.** Avvertenze. Solo per uso domestico. Massimo numero di utenti è **4**. **LV.** Brīdinājumi. Izmantot tikai mājās. Maksimālais lietotāju skaits ir **4**. **LT.** Įspėjimai. Tik buitiniam naudojimui. Maksimalus naudotojų skaičius HR. Upozorenja. Samo za kućansku uporabu. Maksimalan broj korisnika je **4**. **HU.** Figyelmeztetések. Csak otthoni használatra! A használók max. száma: **4**. **NO.** Advarsler. Kun for privat bruk. Maksimalt antall brukere er **4**. **PL.** Ostrzeżenia. Wyłączanie do użytku domowego. Maksymalna liczba użytkowników to **4**. **PT.** Avisos. Apenas para uso doméstico. O número máximo de utilizadores é **4**. **RO.** Avertismente. Numai pentru uz domestic. Numărul maxim de utilizatori este **4**. **RU.** Предостережения. Только для домашнего использования. Максимальное количество пользователей - **4**. **SK.** Upozornenia. Iba na domáce použitie. Maximálne množstvo osôb je **4**. **SL.** Opozorila. Samo za domačo uporabo. Maksimalno število uporabnikov je **4**. **FI.** Varoitukset. Ainoastaan kotikäyttöön. Käyttäjää yhteensä enintään **4**. **SR.** Upozorenja. Samo za kućnu upotrebu. Maksimalan broj korisnika je **4**. **SV.** Varningar. Endast för hemmabruk. Det maximala antalet användare är **4**. **TR.** Uyarılar. Sadece ev kullanımı için. Maksimum kullanıcı sayısı **8**.



1 Views

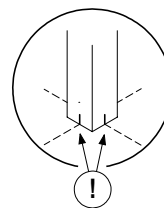
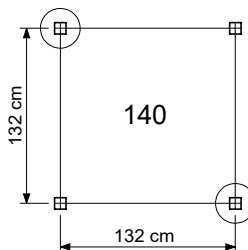
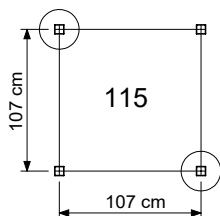
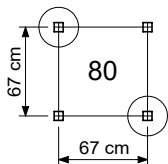
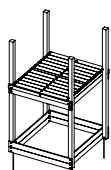


2 Order list

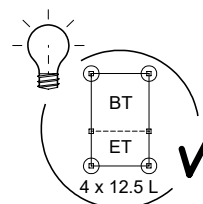
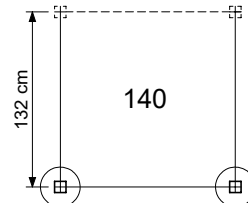
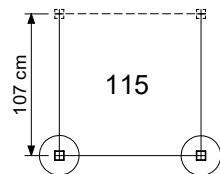
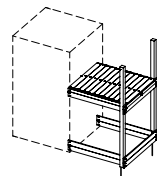
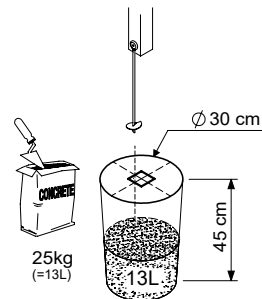
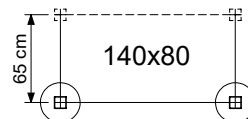
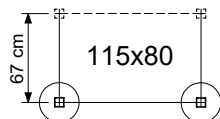
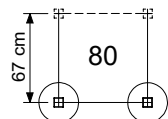
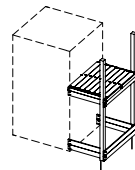
Nr.	SKU	Description	ID	#
1	792_431	Ladder 115_125	LA14	1
2	792_003	Base Tower 115_270270	BT15a	1
3	792_110	Extension Tower 115_200_up	ET17a	1
4	792_114	Extension Tower 11580_240_180	ET23a	1
5	792_203	Roof Casa 115	RF09a	1
6	790_301	Balustrade 80	BL01a	2
7	792_301	Balustrade 115	BL03a	1
8	792_301	Balustrade 115	BL04a	2
9	792_441	Ramp 115_125	RA06a	1
10	792_503	Picnic 115	PC06a	1
11	792_901	Slide/ balustrade 115	SL12a	1
12	757_103	1- Swing Module 200	SW01a	1
13	194_119	AP Accessory set	AC01a	1
14	250_034	Swing Seat Kit • Red	AC21a	1
15	334_x00	Wavy Star Slide XXL	334_x00	1

3 Anchor Plan

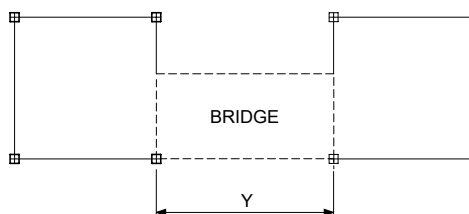
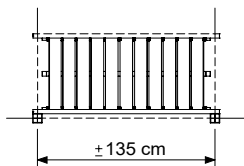
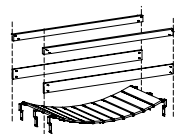
BASE TOWERS



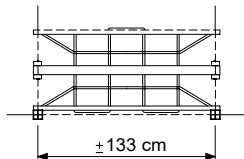
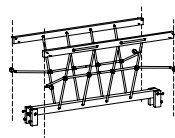
EXTENSION TOWERS



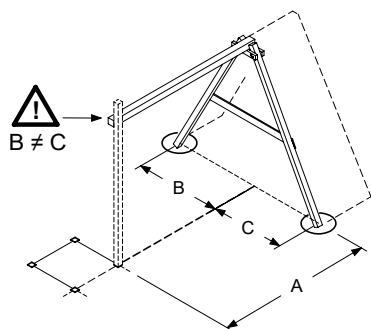
CLATTER BRIDGE



NET BRIDGE

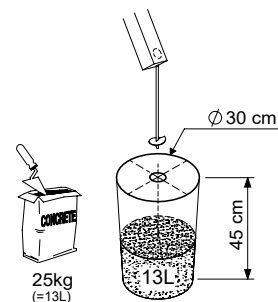


SWING / CLIMB MODULE



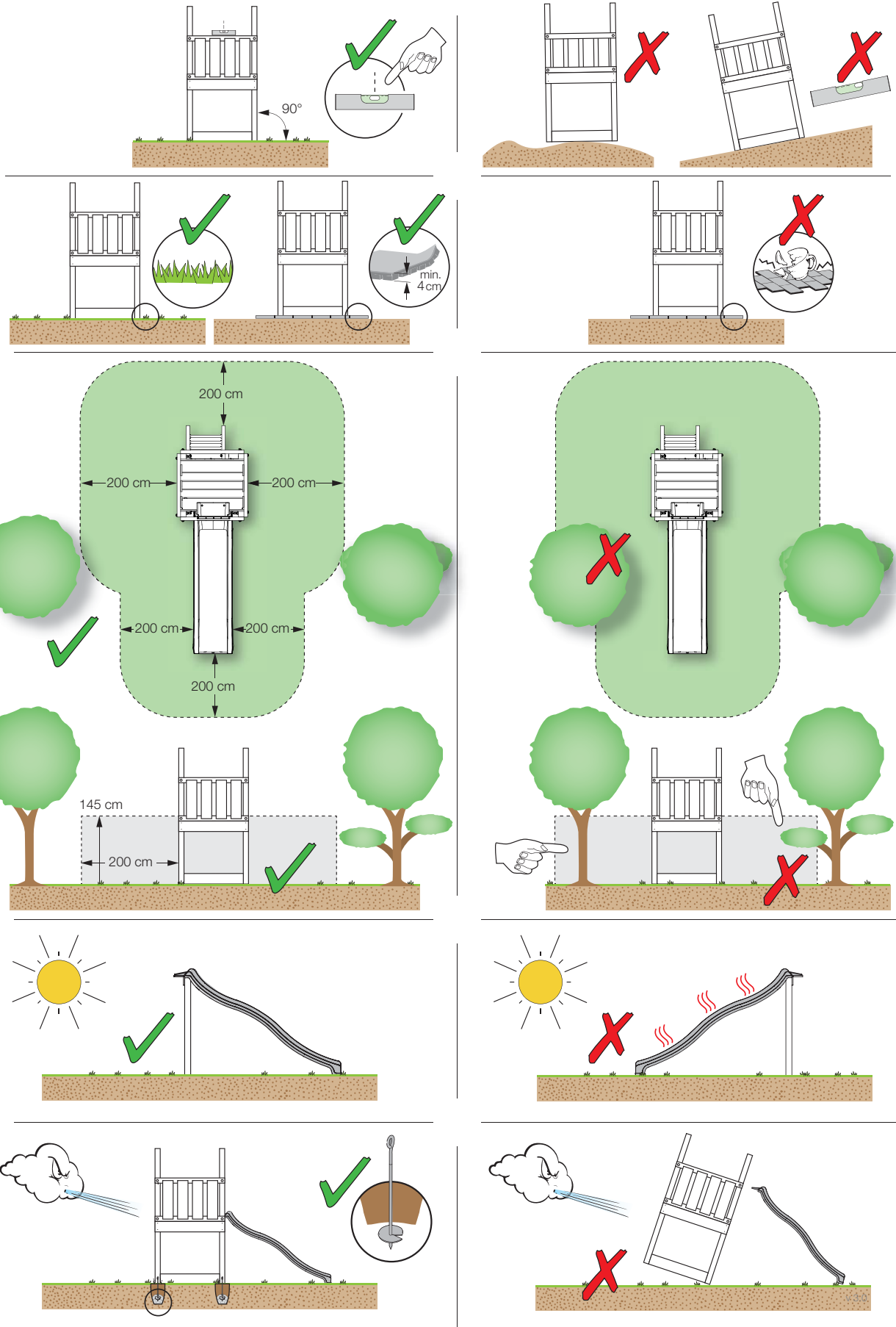
Module type	A	B	C
1-Swing 200	150	115	100
1-Swing 220 / 220 Extra		120	105
2-Swing 200	210	115	100
2-Climb 200			
1-Climb 200	142	120	105
1-Climb 220 / 220 Extra			
2-Swing 220 / 220 Extra	230	120	105
2-Climb 220 / 220 Extra			

Ground Anchors Unit - POZ - 04/07/2023 - v1.2

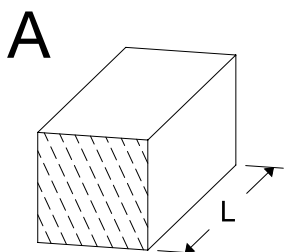


Ground Anchors Unit - POZ - 04/07/2023 - v1.2

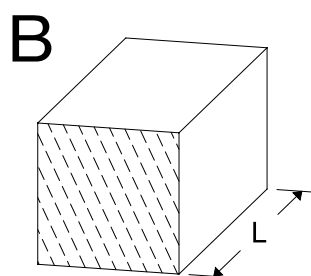
3.1 Safe Playground



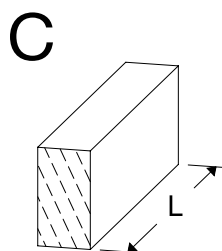
4 Timber parts



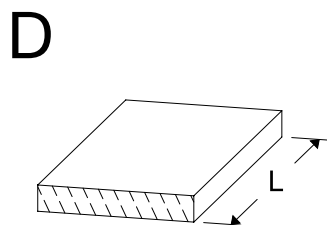
ID	L	#
A200	199 cm - 200 cm	2
A220	219 cm - 220 cm	2
A240	239 cm - 240 cm	2
A270	269 cm - 270 cm	4



B160	159 cm - 160 cm	1
------	-----------------	---

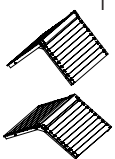

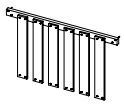
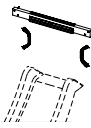

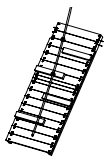
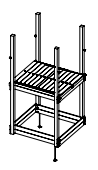



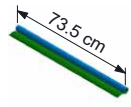
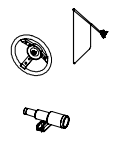



C37	36 cm - 37 cm	9
C70	69 cm - 70 cm	2
C74	73 cm - 74 cm	7
C84	83 cm - 84 cm	7
C114	113 cm - 114 cm	16
C130	129 cm - 130 cm	2
C141	140 cm - 141 cm	2
C154	153 cm - 154 cm	2
C186	185 cm - 186 cm	1

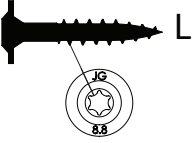
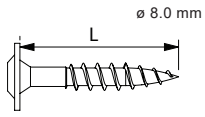


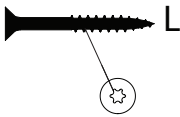
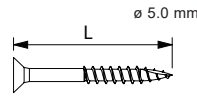


D47	46 cm - 47 cm	1
D60	59 cm - 60 cm	18
D65	64 cm - 65 cm	32
D74	73 cm - 74 cm	6
D100	99 cm - 100 cm	43
D114	113 cm - 114 cm	36
D127	126 cm - 127 cm	23
D141	140 cm - 141 cm	2

5 Assembly packs & accessories

<p>Roof Timber 115</p>  <p>RF</p> <p>194_308</p> <p>1x</p>	<p>Slide 2.6m</p>  <p>334_x00</p> <p>1x</p>	<p>Balustrade 140</p>  <p>194_501</p> <p>BL</p> <p>3x</p>	<p>Slide Frame</p>  <p>194_107</p> <p>SL</p> <p>1x</p>	<p>Hardware 01</p>  <p>194_101</p> <p>BL H01</p> <p>4x</p>
<p>Ramp</p>  <p>194_008</p> <p>RA</p> <p>1x</p>	<p>Tower 115</p>  <p>194_300</p> <p>BT ET</p> <p>3x</p>	<p>Ladder 125</p>  <p>194_003</p> <p>LA</p> <p>1x</p>	<p>Swing Frame Kit</p>  <p>457_102</p> <p>SW</p> <p>1x</p>	<p>Hardware 10</p>  <p>194_810</p> <p>H10</p> <p>1x</p>
<p>Canvas 136 x 74cm</p>  <p>123_220</p> <p>1x</p>	<p>Accessory Set</p>  <p>194_119</p> <p>AC</p> <p>1x</p>	<p>Swing Seat</p>  <p>250_034</p> <p>AC</p> <p>1x</p>		

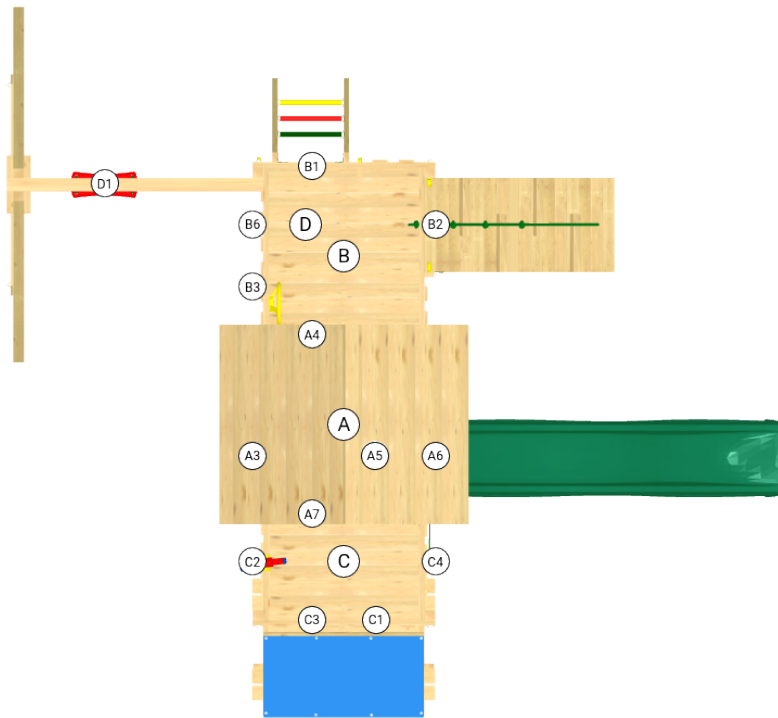
6 Hardware Identification

		SKU	L
	 \varnothing 8.0 mm	001_404	30 mm
		001_406	45 mm
		001_411	60 mm
		001_417	80 mm
		001_422	137 mm
	M8	001_102	30 mm
	\varnothing 2.0 mm	000_101	20 mm
	\varnothing 6.3 mm	002_036	16 mm
	\varnothing 4.5 mm	002_041	20 mm
	\varnothing 3.5 mm	002_042	13 mm
	\varnothing 3.9 mm	002_301	40 mm

		SKU	L
	 \varnothing 5.0 mm	002_308	20 mm
		002_219	30 mm
		002_220	45 mm
		002_223	80 mm
	M8	003_010	
	M6	003_034	
	M8	004_050	22mm
		022_845	Yellow
		022_846	Blue
		022_847	Green
		022_848	Red
		023_031	White
	 \varnothing 8.4 mm	022_844	
	 \varnothing 31.4 mm	022_314	
		120_005	White

output: 25/05/23

7 Assembly Planning



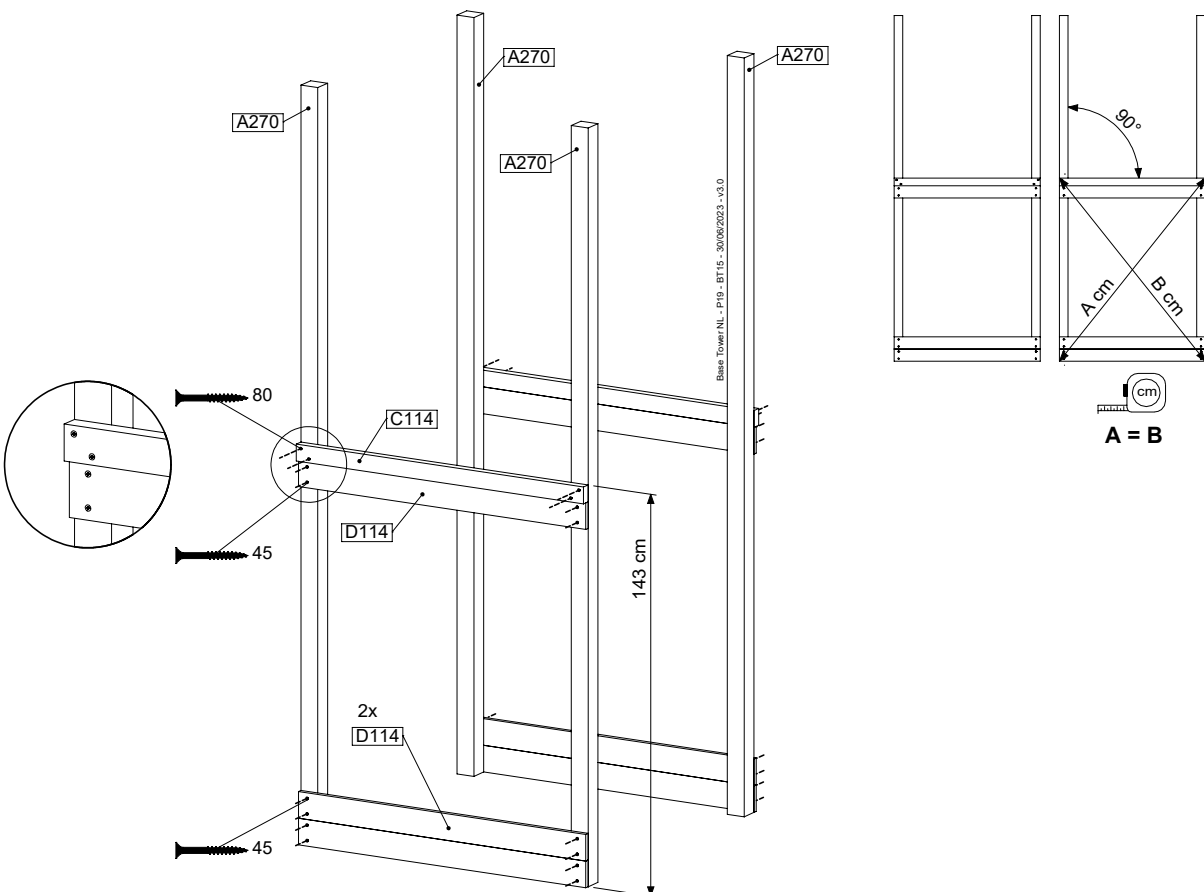
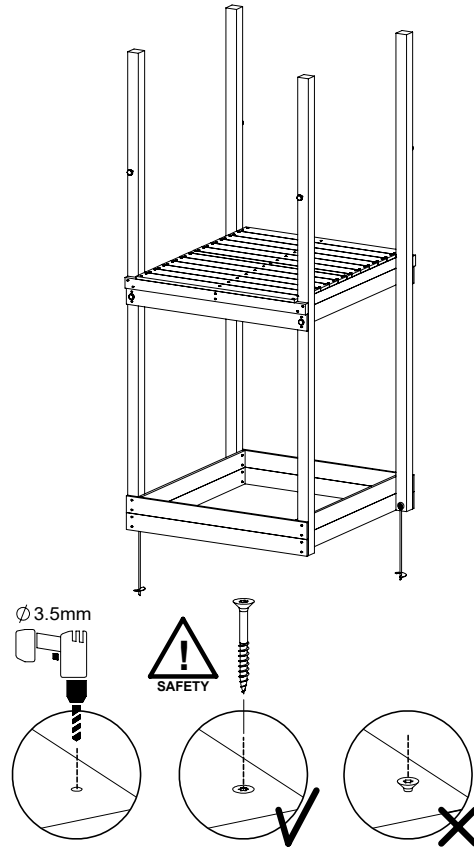
	ID			A	B	C	D
1	BT15a		p.7	✓	-	-	-
2	ET23a		p.7	-	-	✓	-
3	ET17a		p.7	-	✓	-	-
4	BL01a		p.7	-	-	C2, C4	-
5	BL03a		p.7	-	B6	-	-
6	BL04a		p.7	A3	-	C3	-
7	RF09a		p.7	A5	-	-	-
8	PC06a		p.7	-	-	C1	-
9	LA14		p.7	-	B1	-	-
10	RA06a		p.7	-	B2	-	-
11	SW01a		p.7	-	-	-	✓
12	SL12a		p.7	A6	-	-	-
13	GA		p.7	✓	✓	✓	✓
14	AC01a		p.7	✓	-	-	-

8 BT15a: Base Tower 115 145cm 270270

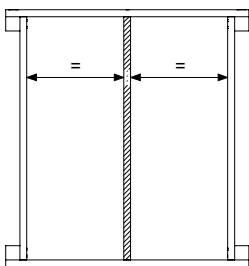
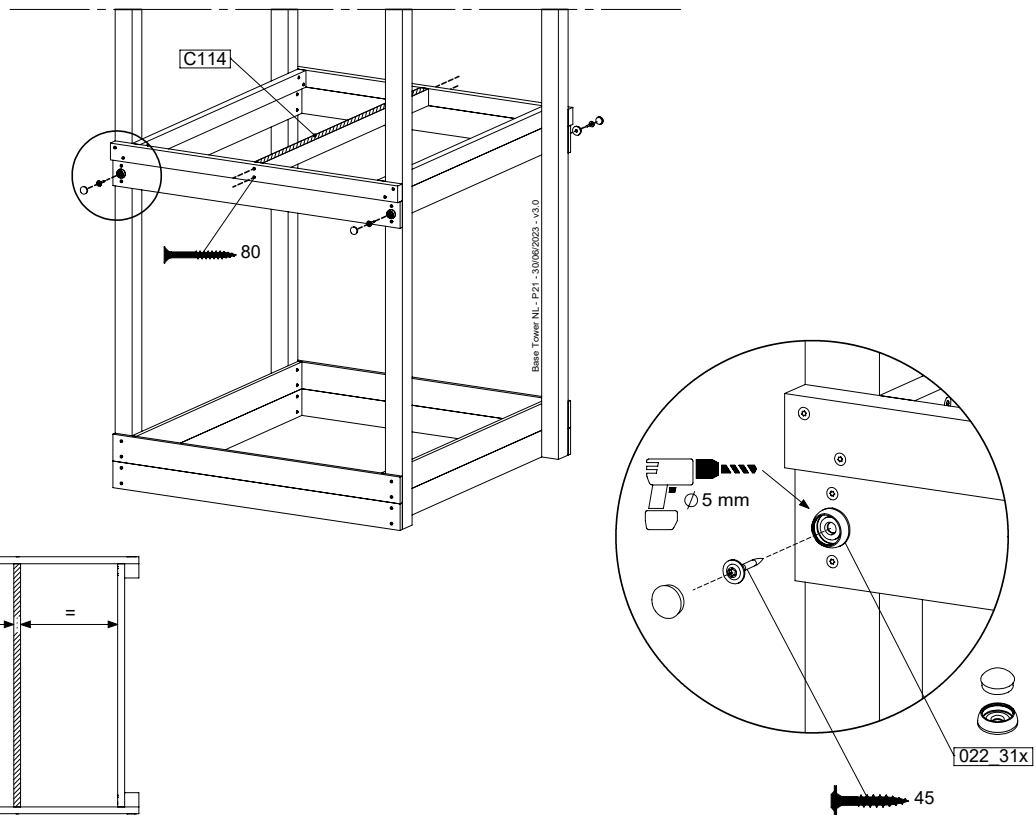
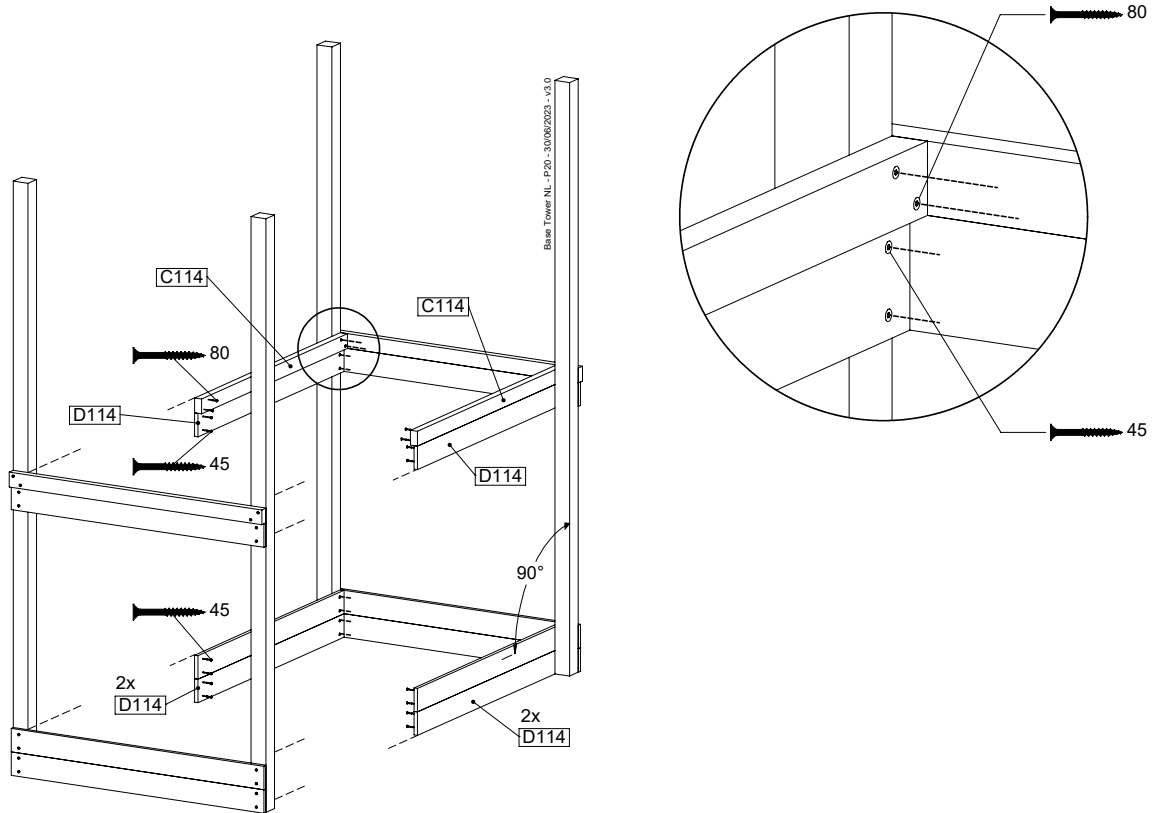
(194_300)

	PartNo	PartName	QTY.
Hardware Pack	001_406	Stealth Screw 8x45	6
	001_417	Stealth Screw 8x80	4
	002_220	Gap Point Screw T25 - 5x45	118
	002_223	Gap Point Screw T25 - 5x80	20
	022_31x	bpc-base version 3	8
	022_84x	bpc cover	8
Other	007_001	Ground-anchor	2
Timber	A270	Post 70x70 L2700	4
	C114	Beam 1140 mm	5
	D100	Board 1000 mm	14
	D114	Board 1140 mm	12

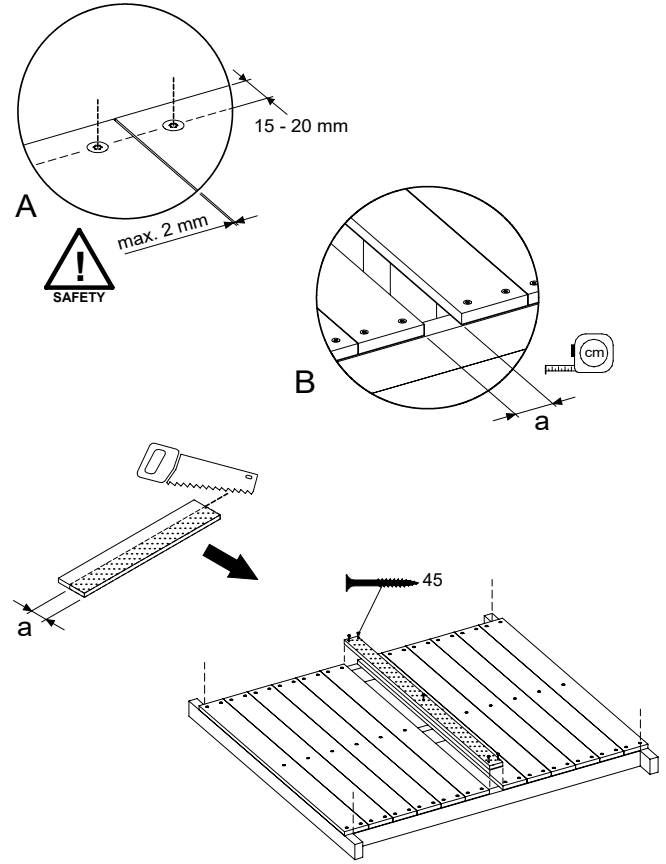
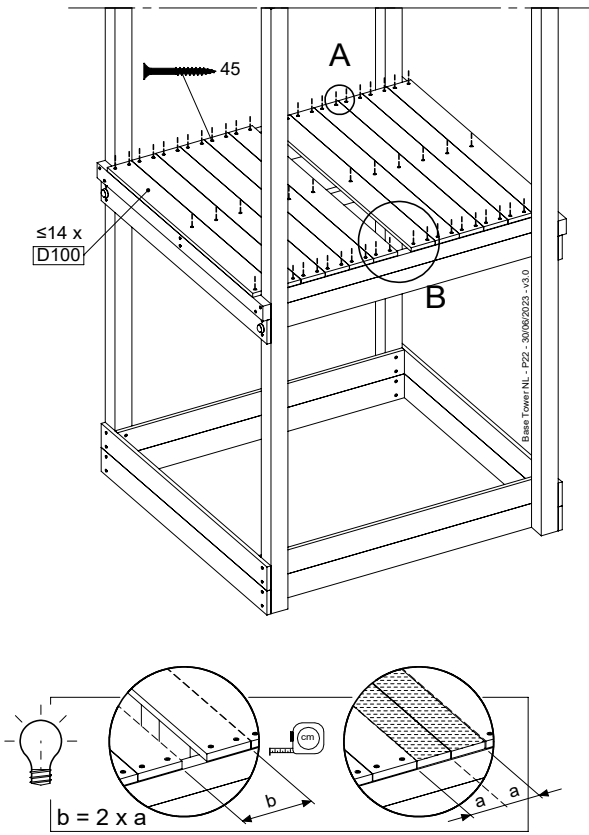
Base Tower.NL - P10 - BT15 - 300002023 - v3.0



8.1



8.2

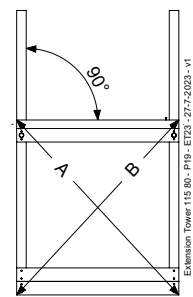
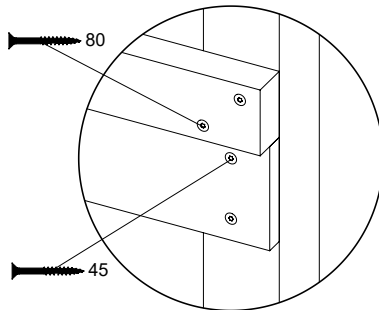
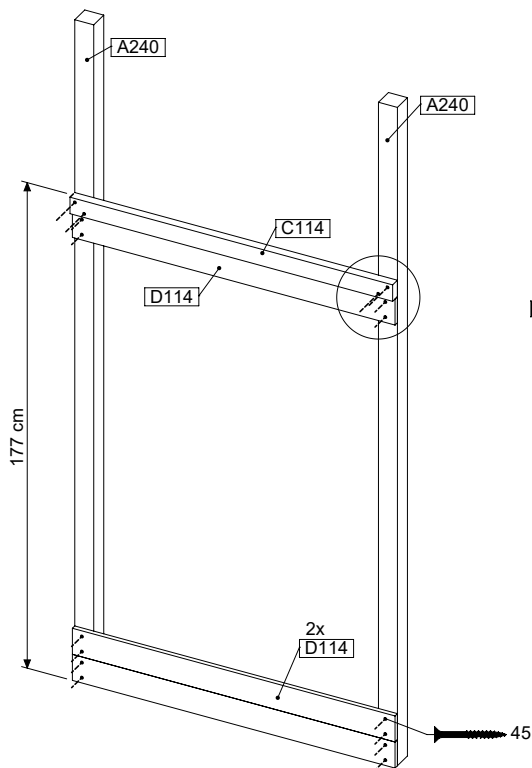
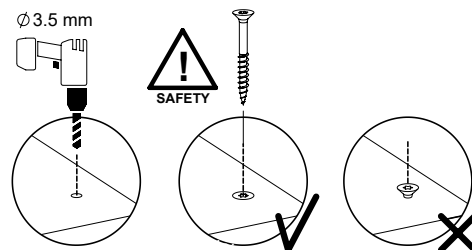
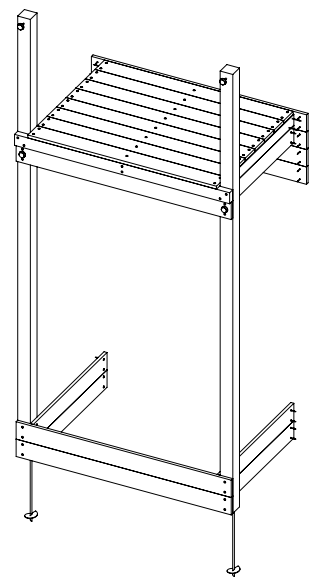


9 ET23a: Extension Tower 11580 240/180

(194_300)

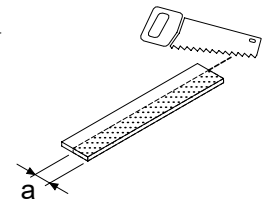
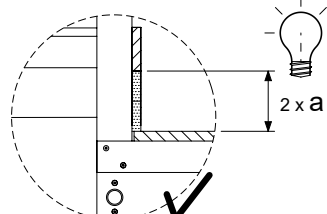
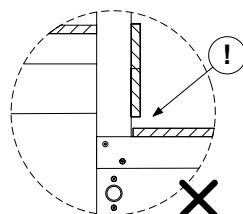
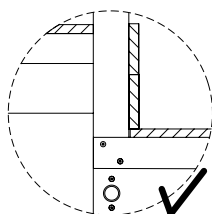
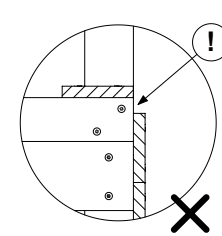
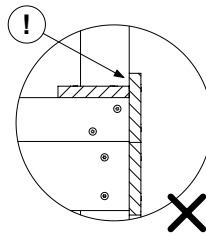
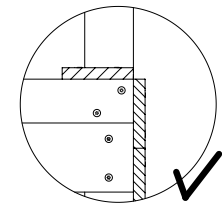
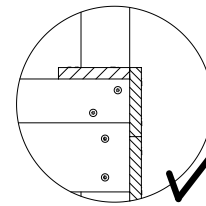
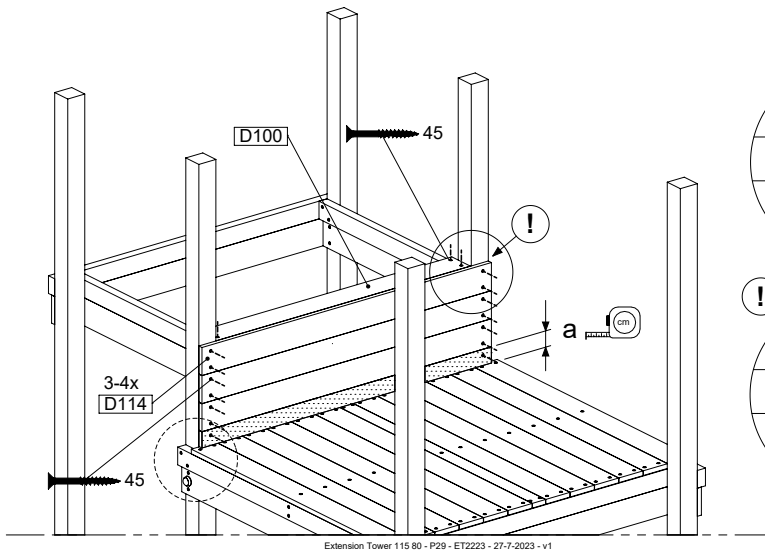
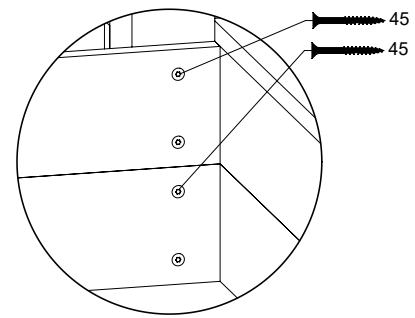
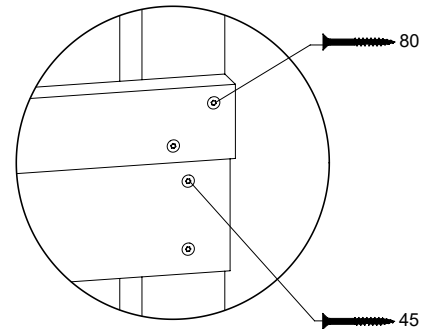
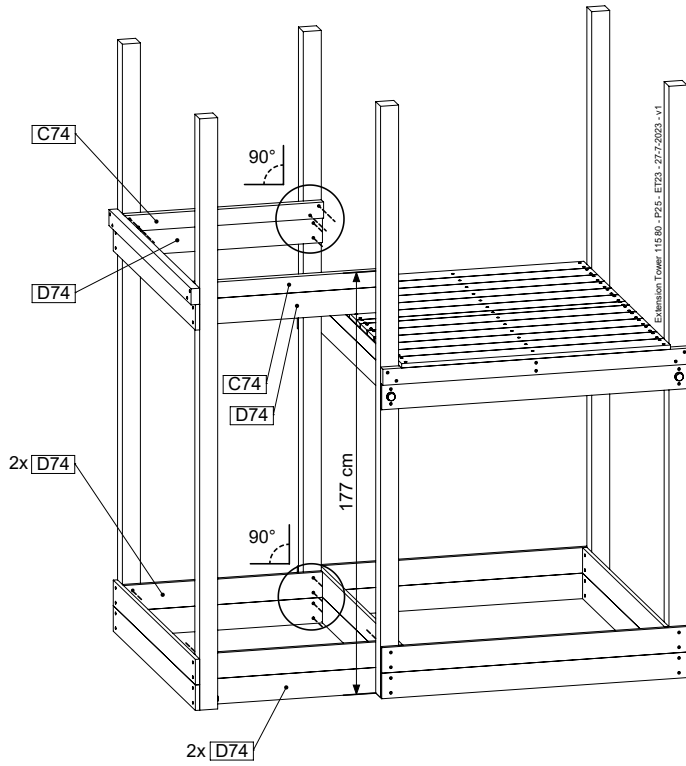
	PartNo	PartName	QTY.
Hardware pack	001_406	Stealth Screw 8x45	4
	001_417	Stealth Screw 8x80	2
	002_220	Gap Point Screw T25 - 5x45	97
	002_223	Gap Point Screw T25 - 5x80	16
Other	007_001	Ground-anchor	2
	022_31x	bpc-base version 3	4
	022_84x	bpc cover	4
Timber	A240	Post 70x70 L2400	2
	C74	Beam 740 mm	3
	C114	Beam 1140 mm	1
	D74	Board 740 mm	6
	D100	Board 1000 mm	9
	D114	Board 1140 mm	7

Extension Tower 11580 - P12 - ET23 - 27.7-2023 - v1

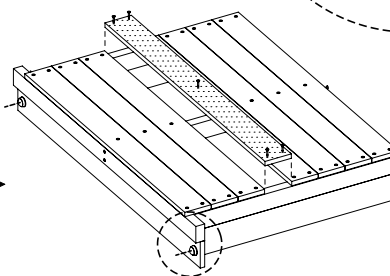
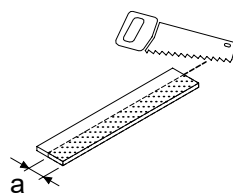
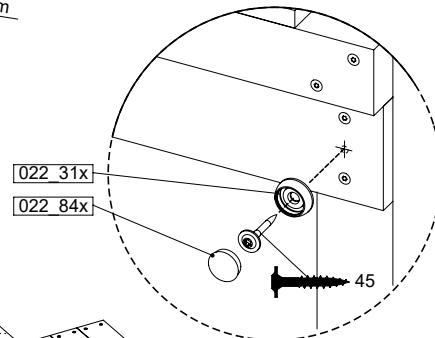
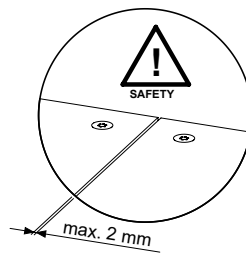
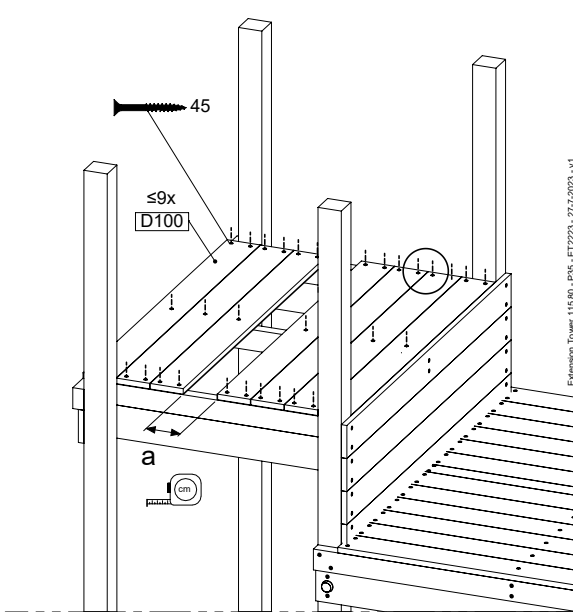
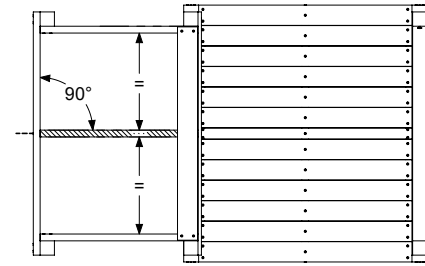
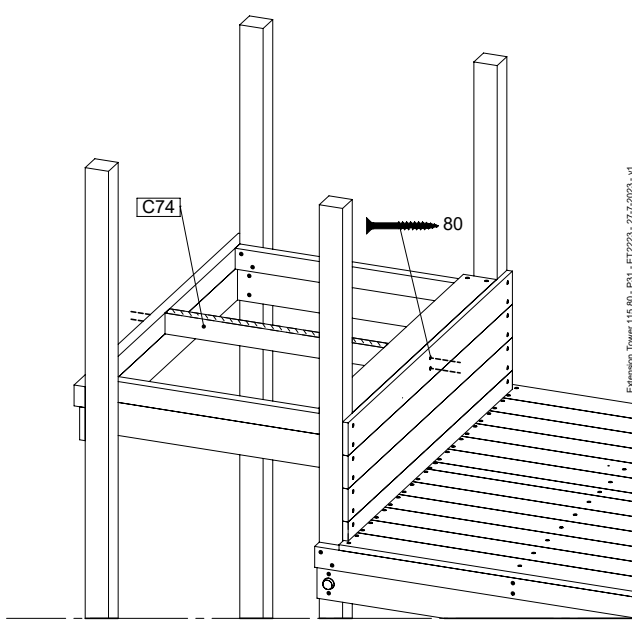


A = B
cm

9.1



9.2

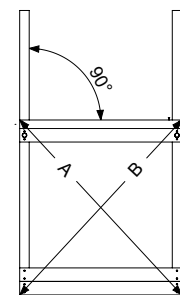
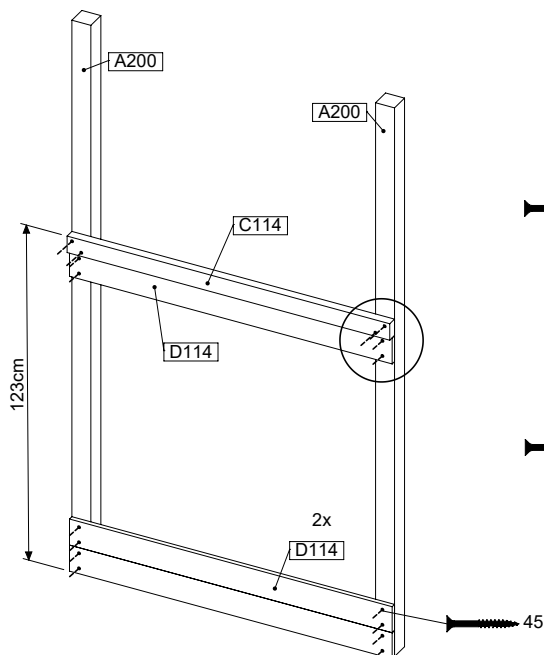
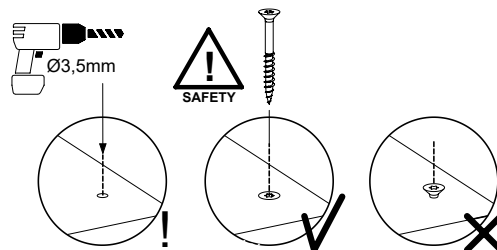
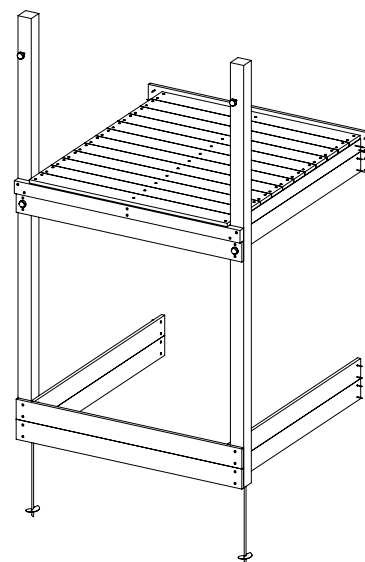


10 ET17a: Extension Tower 115 200/125

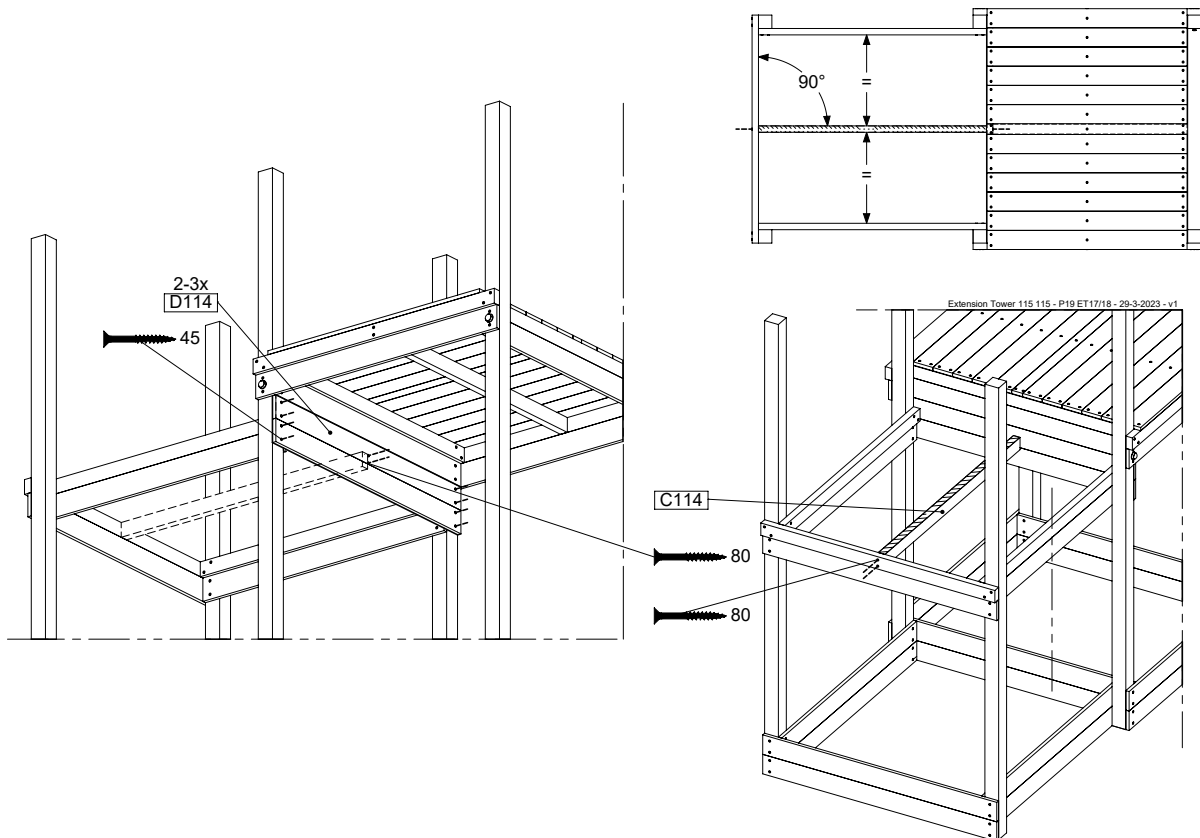
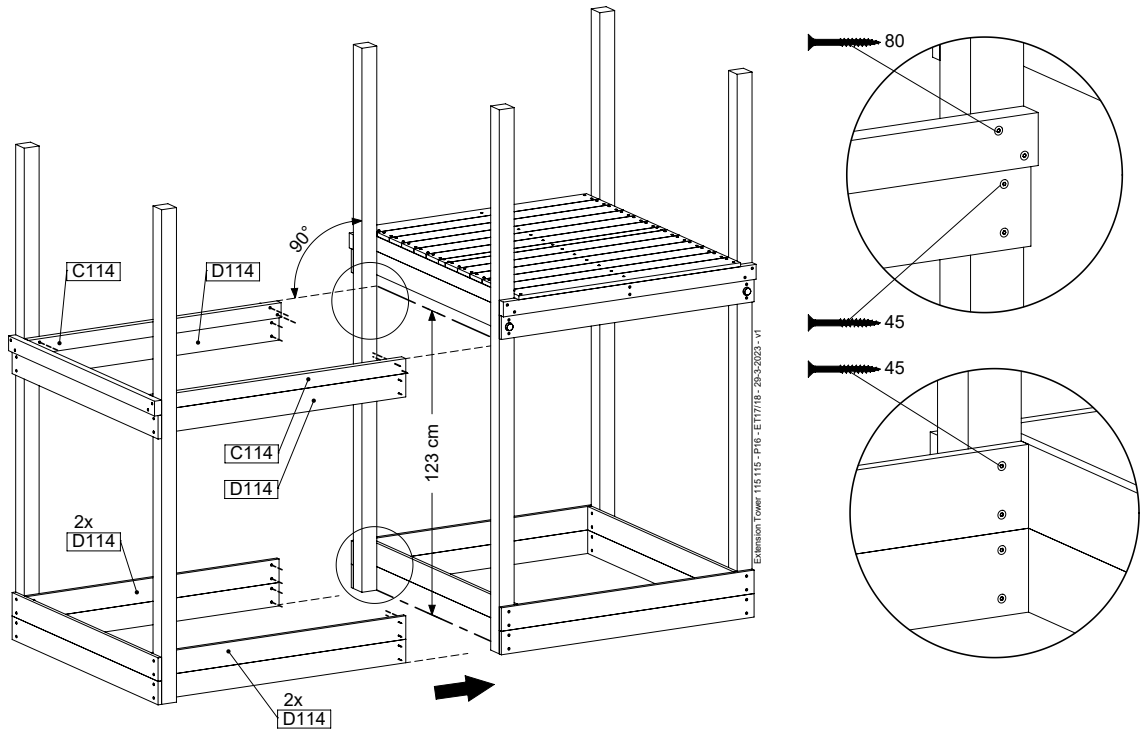
(194_300)

	PartNo	PartName	QTY.
Hardware pack	001_406	Stealth Screw 8x45	4
	001_417	Stealth Screw 8x80	2
	002_220	Gap Point Screw T25 - 5x45	118
	002_223	Gap Point Screw T25 - 5x80	16
Other	007_001	Ground-anchor	2
	022_31x	bpc-base version 3	4
	022_84x	bpc cover	4
Timber	A200	Post 70x70 L2000	2
	C114	Beam 1140 mm	4
	D100	Board 1000 mm	14
	D114	Board 1140 mm	12

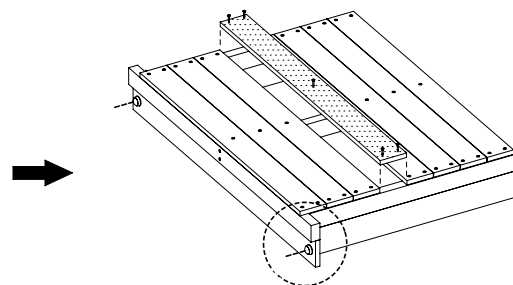
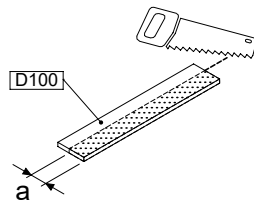
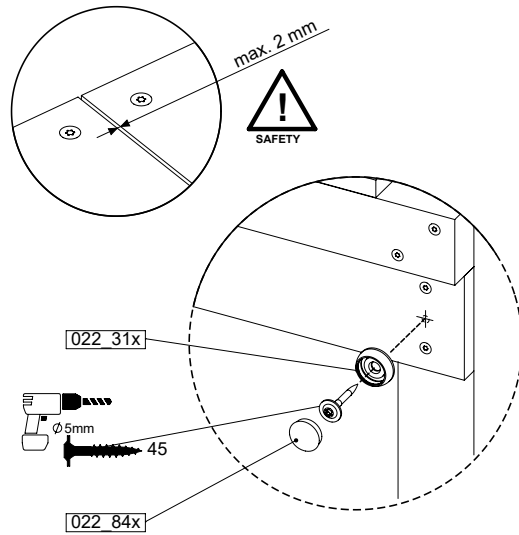
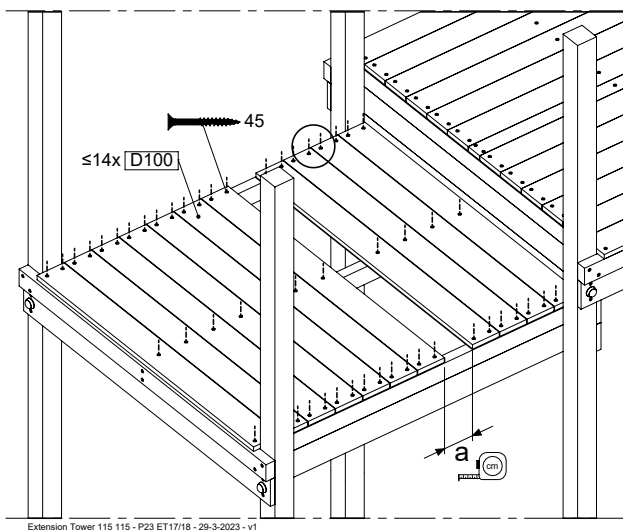
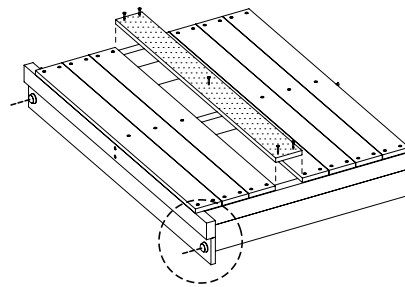
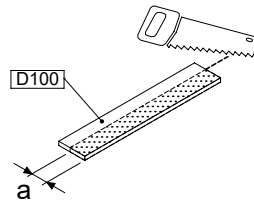
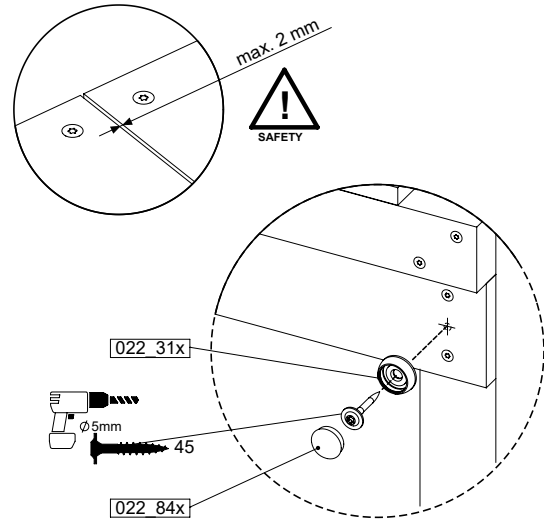
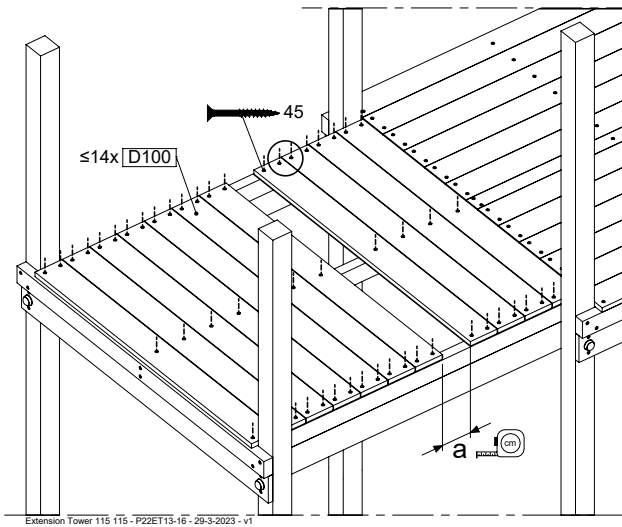
Extension Tower 115 115- P10 - ET17 - 20-3-2023 - v1



10.1



10.2

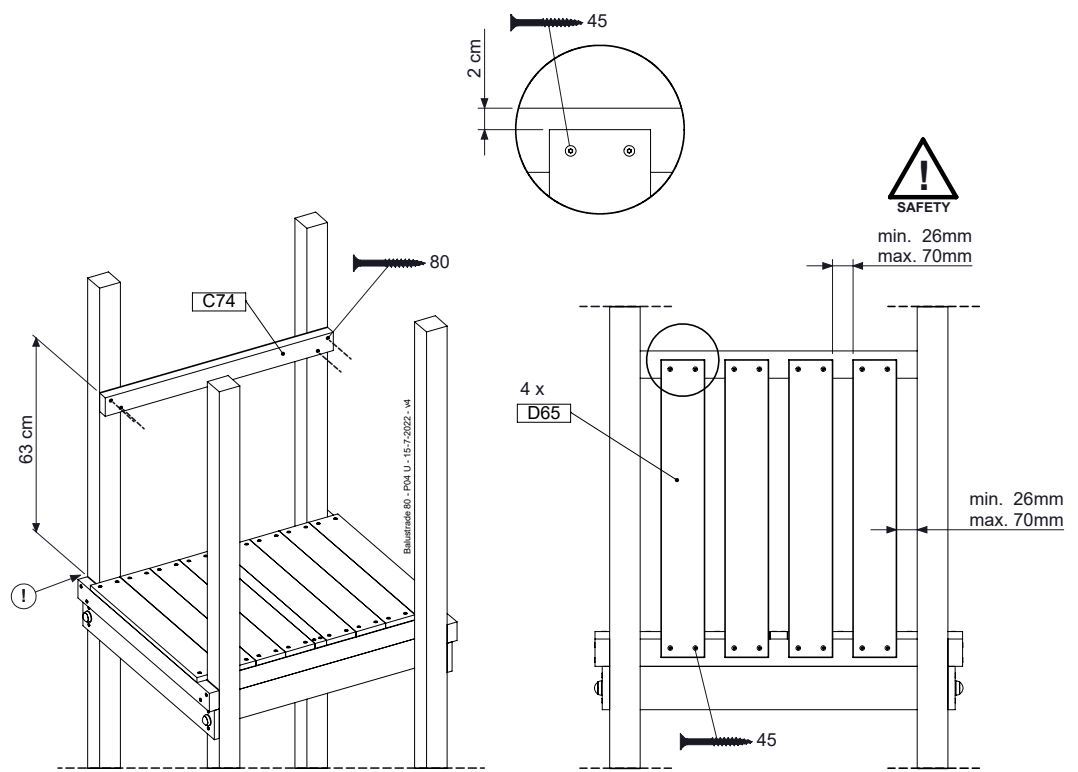
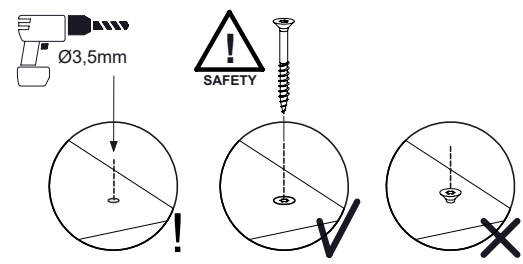
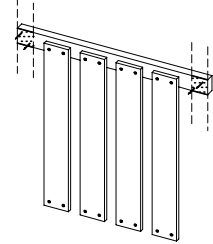


11 BL01a: Balustrade 80 U - 7x7 posts

(194_101)

	PartNo	PartName	QTY.
Hardware Pack	002_220	Gap Point Screw T25 - 5x45	16
	100_601	Gap Point Screw T25 - 5x80	4
Timber	C74	Beam 740 mm	1
	D65	Board 650 mm	4

Balustrade 80 - P04 U - 15-7-2022 - v4

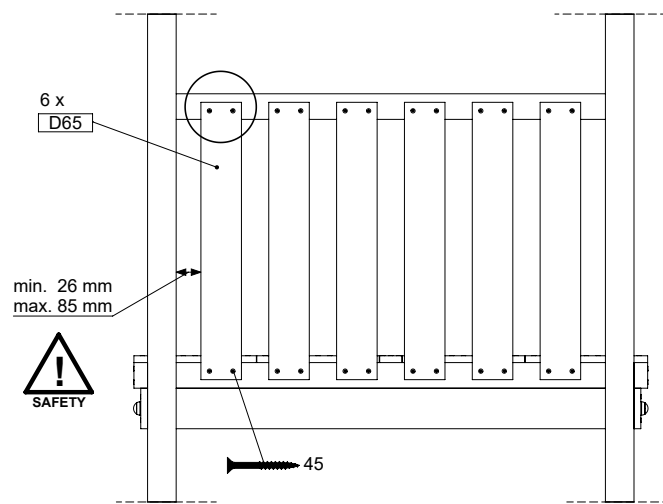
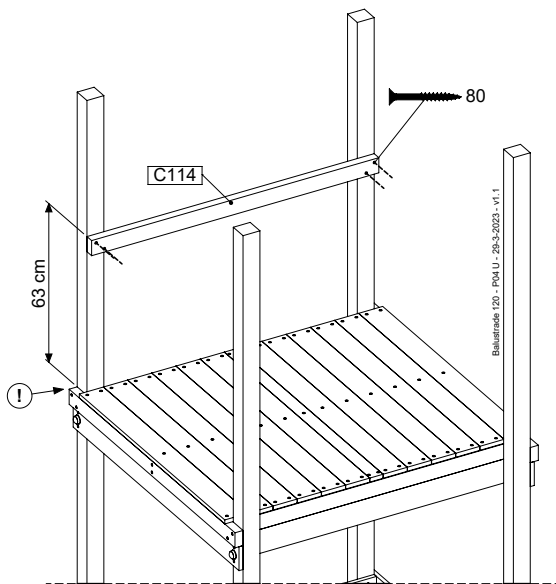
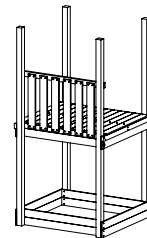
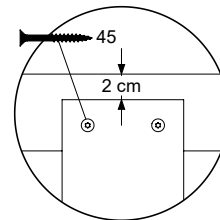
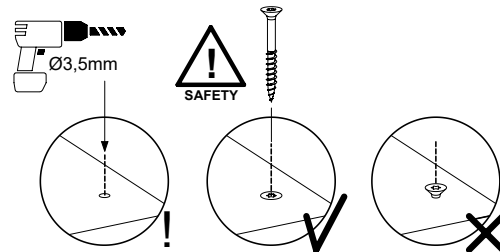
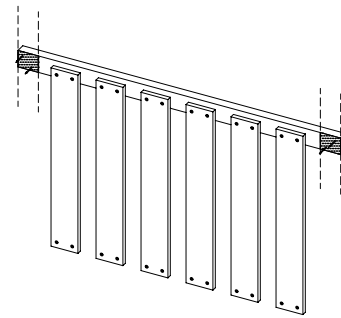


12 BL03a: Balustrade 115 U

(194_501)

	PartNo	PartName	QTY.
Hardware Pack	002_220	Gap Point Screw T25 - 5x45	24
	002_223	Gap Point Screw T25 - 5x80	4
Timber	C114	Beam 1140 mm	1
	D65	Board 650 mm	6

Balustrade 120 - POC U - 29-3-2023 - v1.1

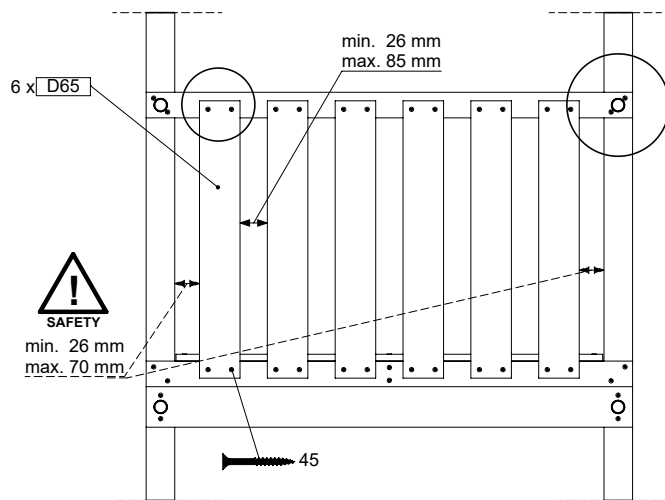
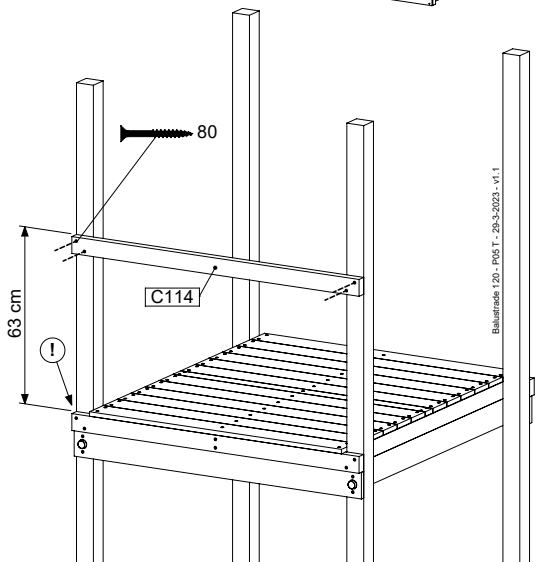
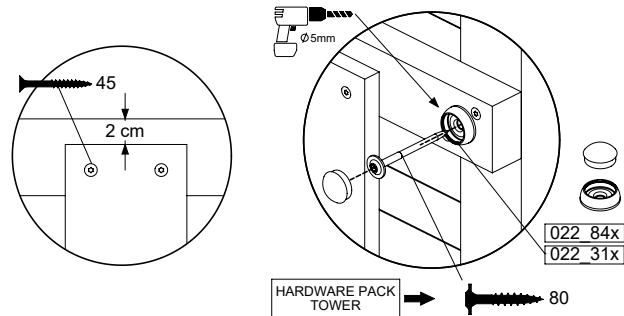
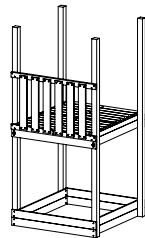
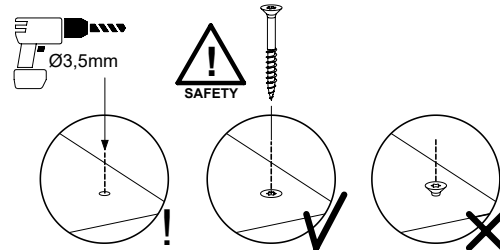
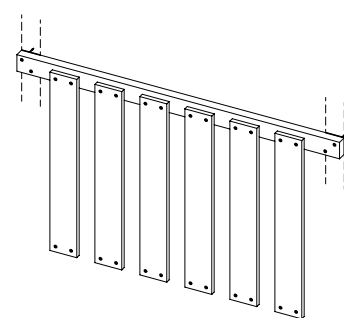


13 BL04a: Balustrade 115 T

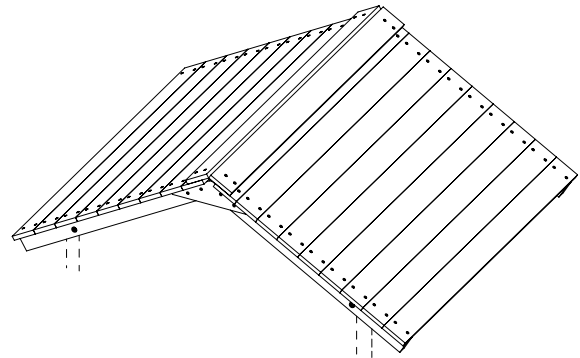
(194_501)

	PartNo	PartName	QTY.
Hardware Pack	002_220	Gap Point Screw T25 - 5x45	24
	002_223	Gap Point Screw T25 - 5x80	4
Timber	C114	Beam 1140 mm	1
	D65	Board 650 mm	6

Balustrade 120 - P03 T - 29-3-2023 - v1.1



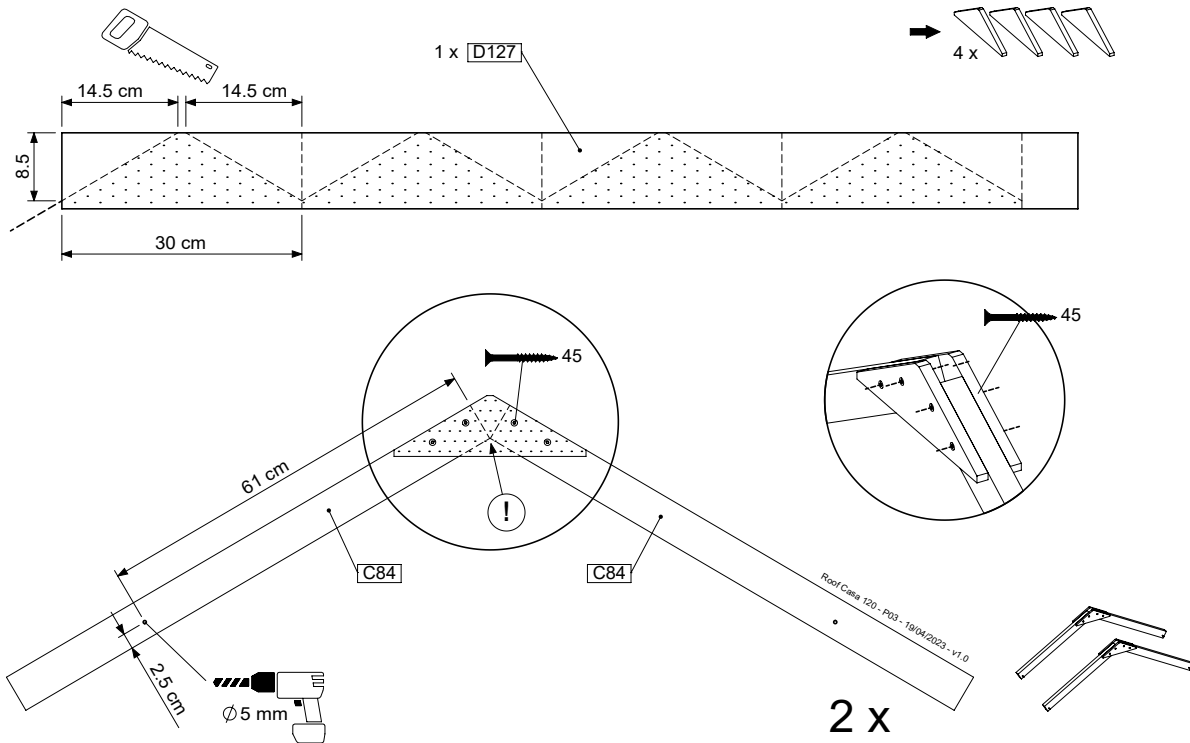
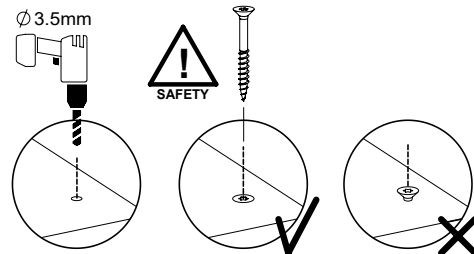
14 RF09a: Roof Timber Slope 115



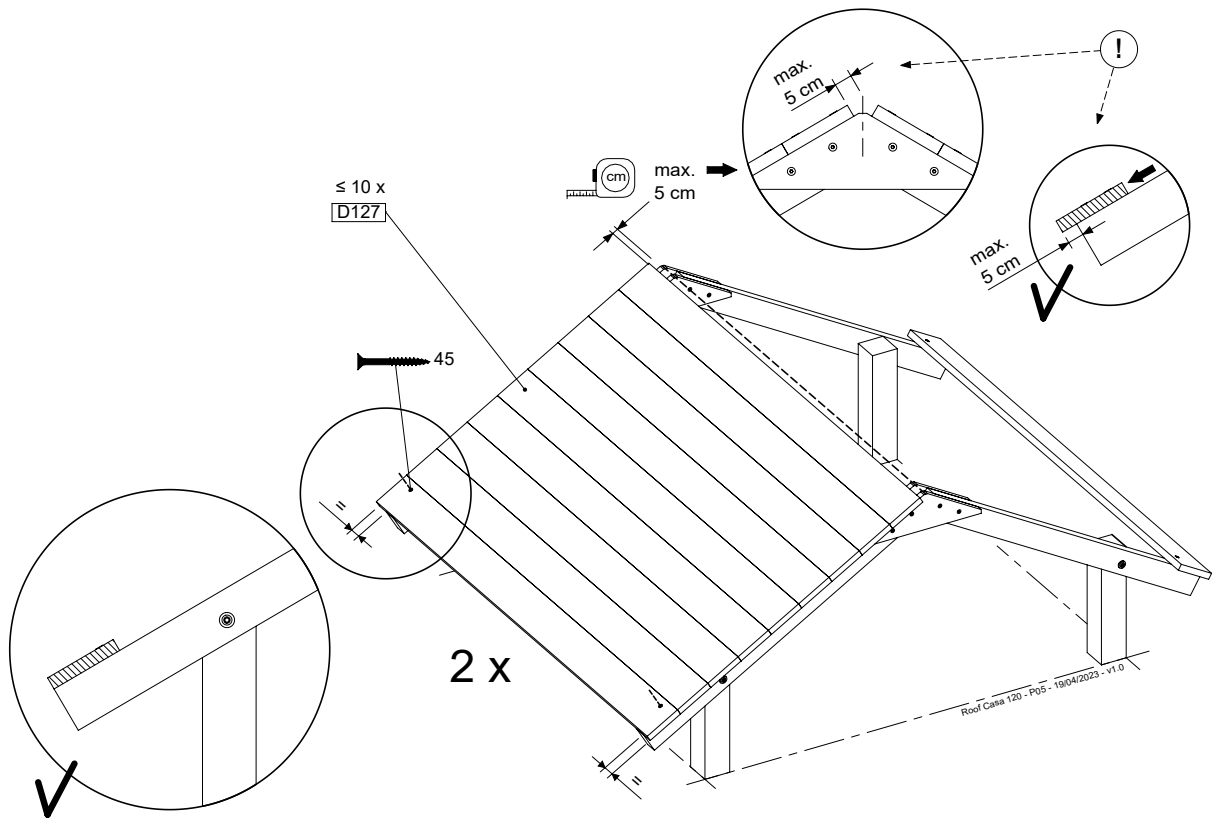
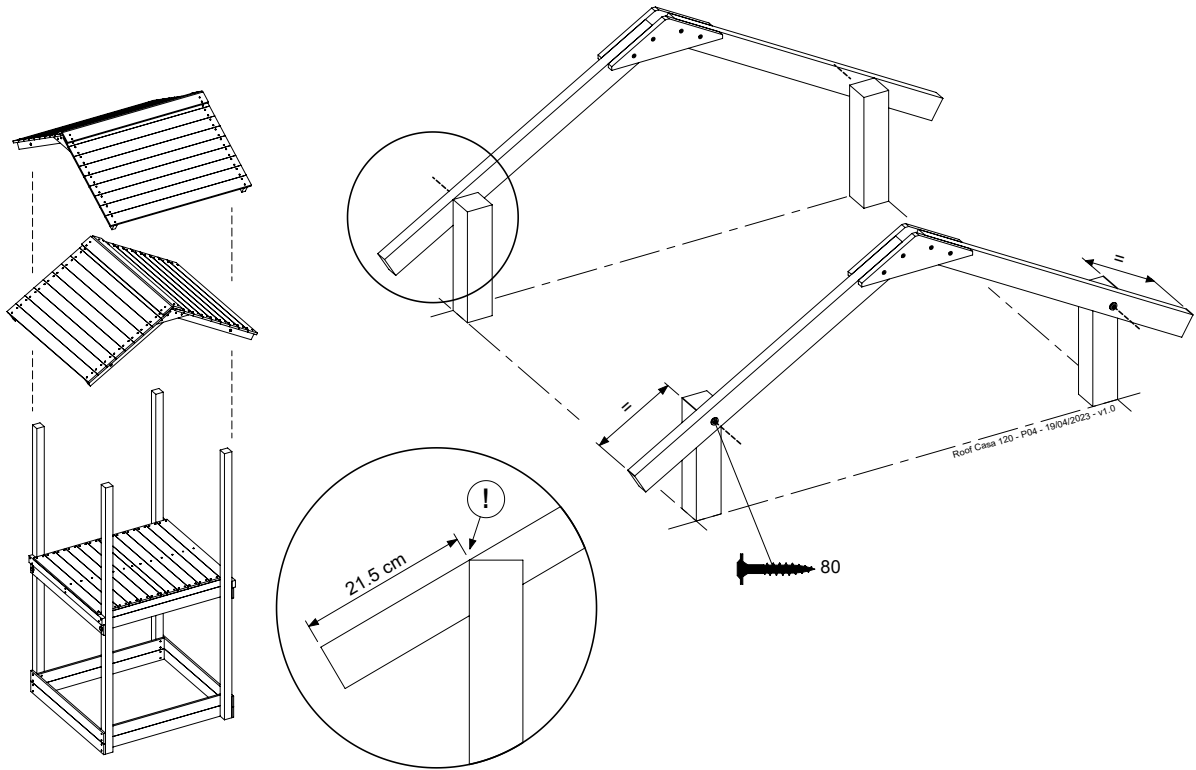
(194_308)

	PartNo	PartName	QTY.
Hardware Pack	001_417	Stealth Screw 8x80	4
	002_220	Gap Point Screw T25 - 5x45	96
	002_223	Gap Point Screw T25 - 5x80	8
Timber	C84	Beam 840 mm	4
	D127	Board 1270 mm	19-23

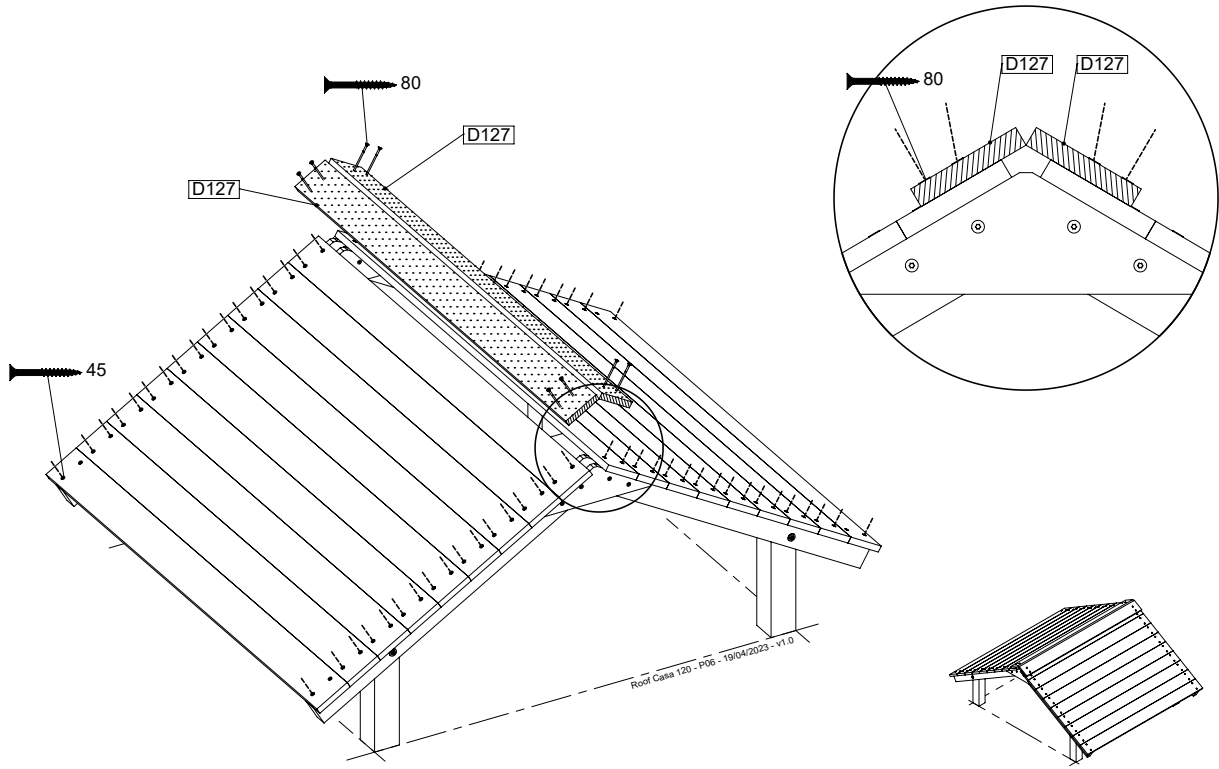
Roof Case T20 - P02 - 19/04/2023 - v1.0



14.1



14.2

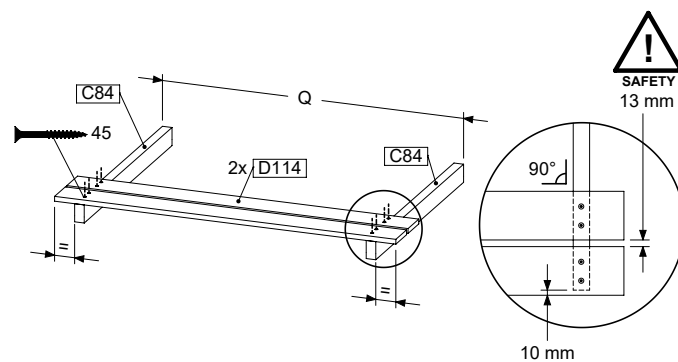
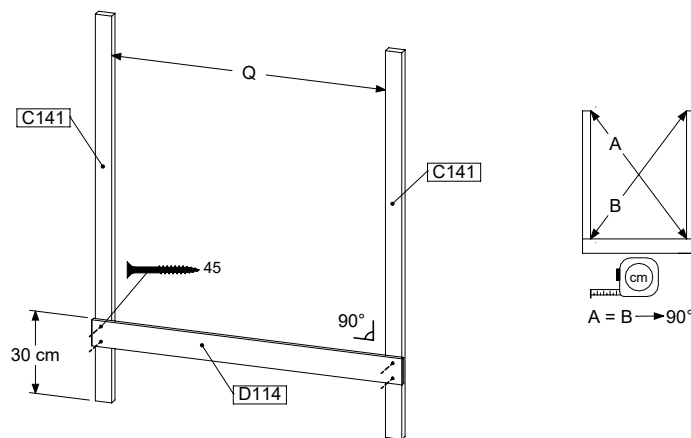
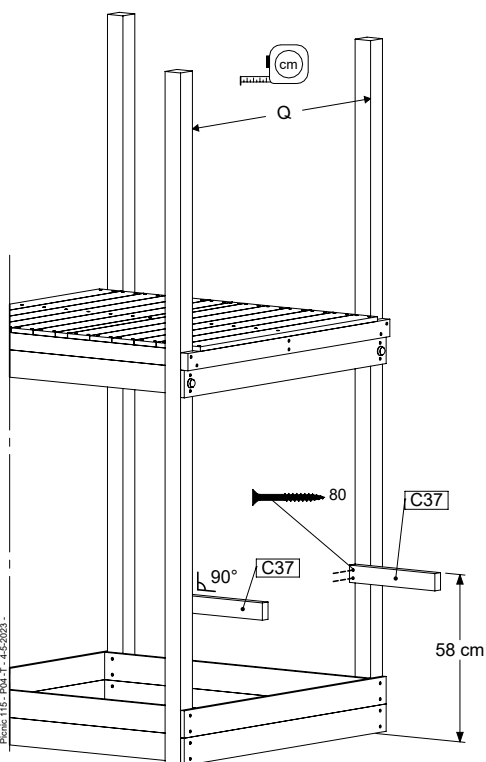
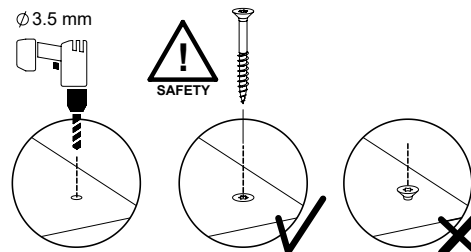
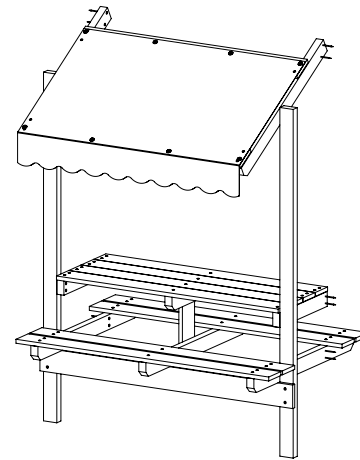


15 PC06a: Picnic 115 T

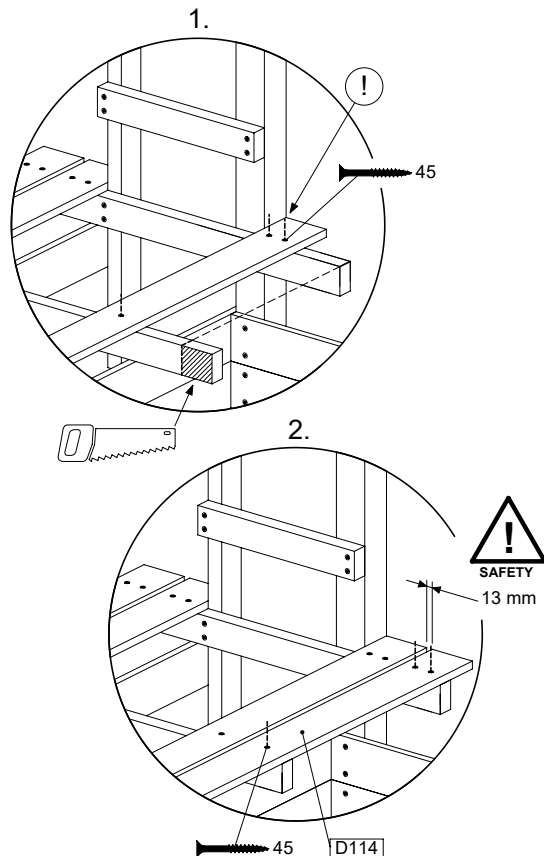
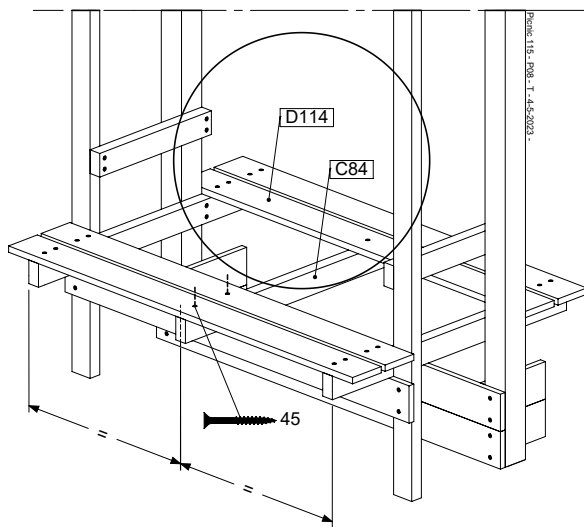
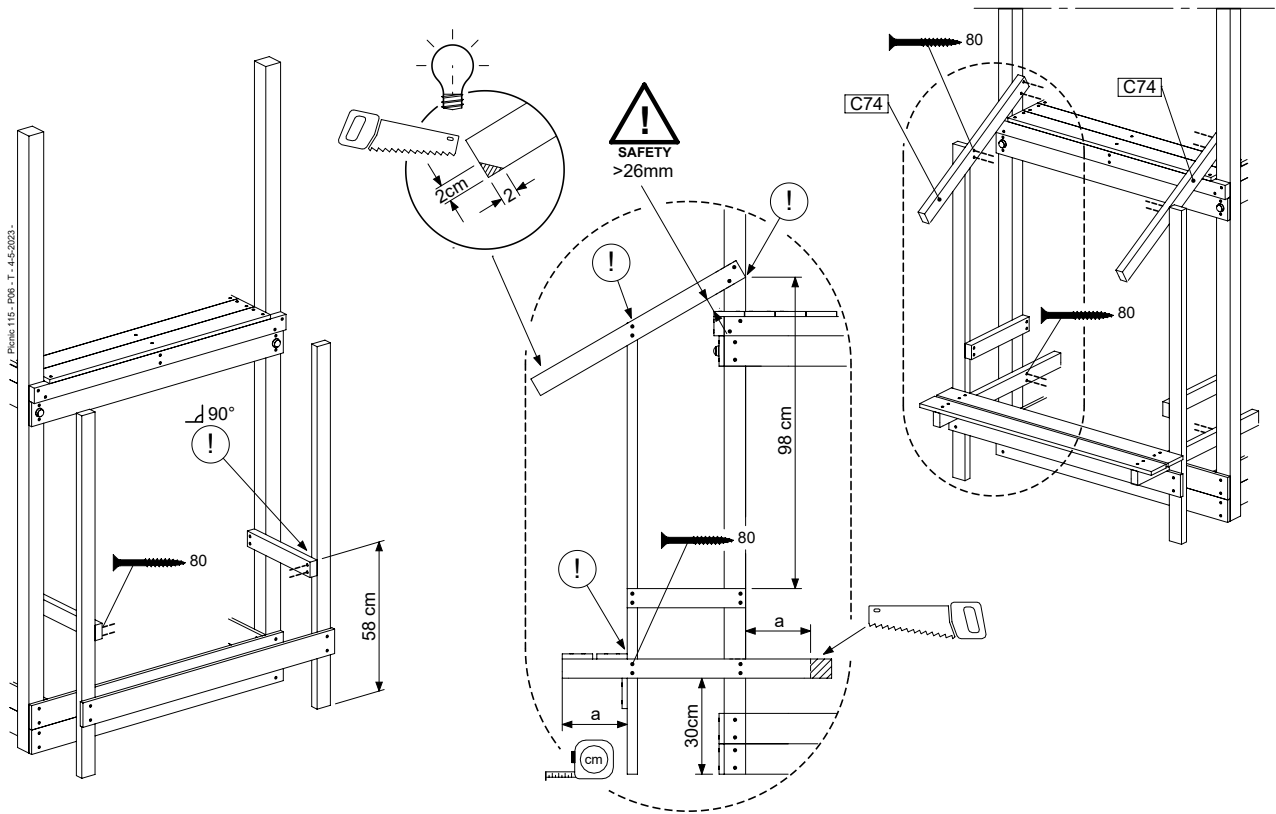
(194_810)

	PartNo	PartName	QTY.
Hardware Pack	002_220	Gap Point Screw T25 - 5x45	56
	002_223	Gap Point Screw T25 - 5x80	24
	002_308	Gap Point Screw T25 - 5x20	8
	023_031	Finishing Washer GPS 5.0	8
Other	123_220	Canvas sheet 735x1365mm	1
Timber	C37	Beam 370 mm	3
	C74	Beam 740 mm	2
	C84	Beam 840 mm	3
	C141	Beam 1410 mm	2
	D47	Board 470 mm	1
	D100	Board 1000 mm	6
	D114	Board 1140 mm	5

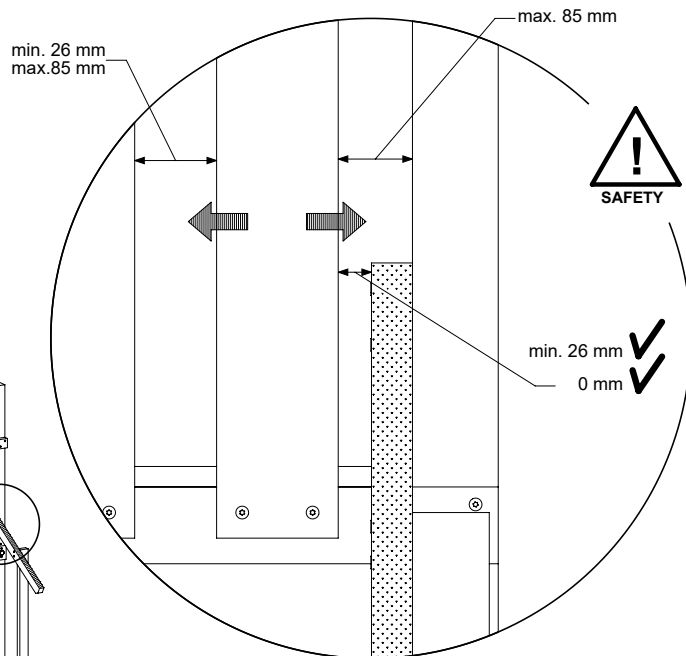
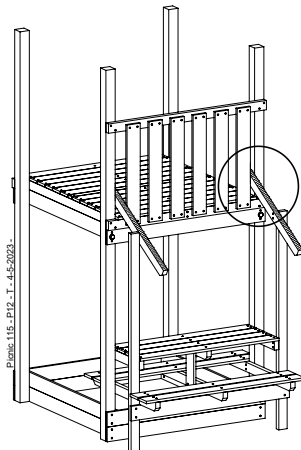
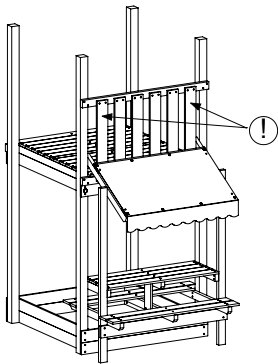
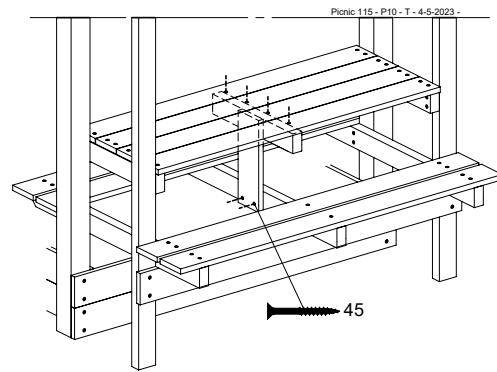
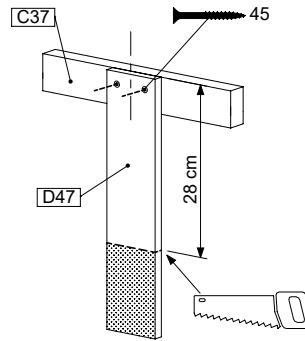
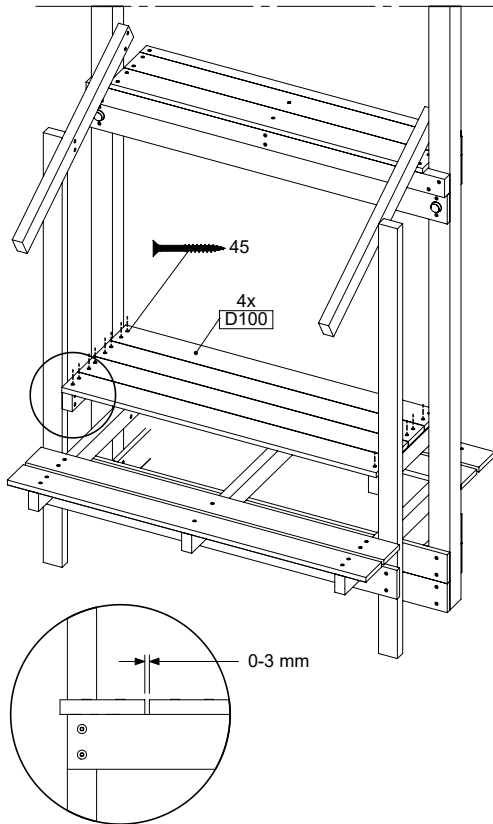
Picnic 115 - P02 - LUT - 4-5-2023



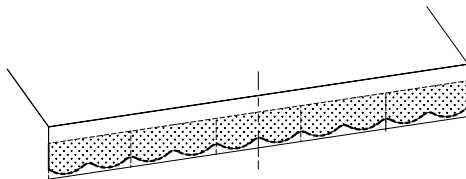
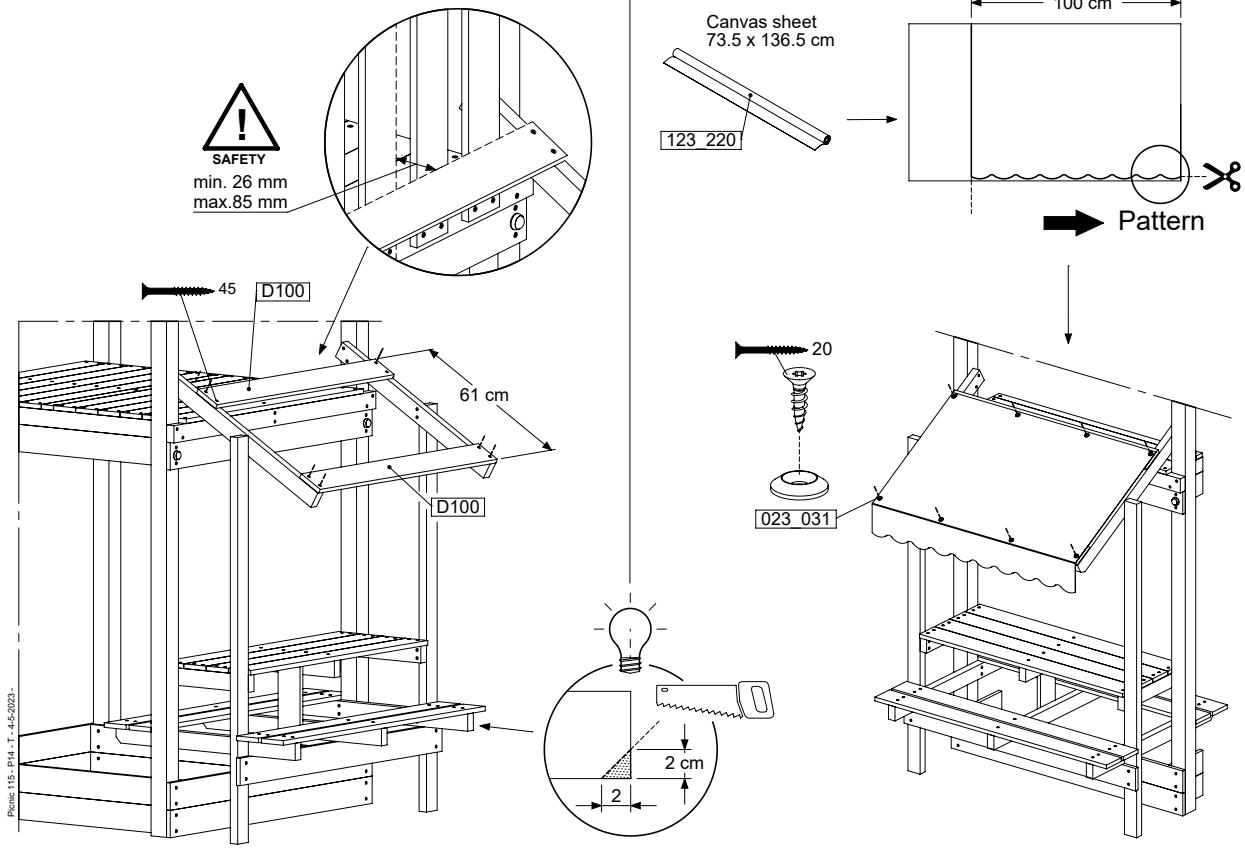
15.1



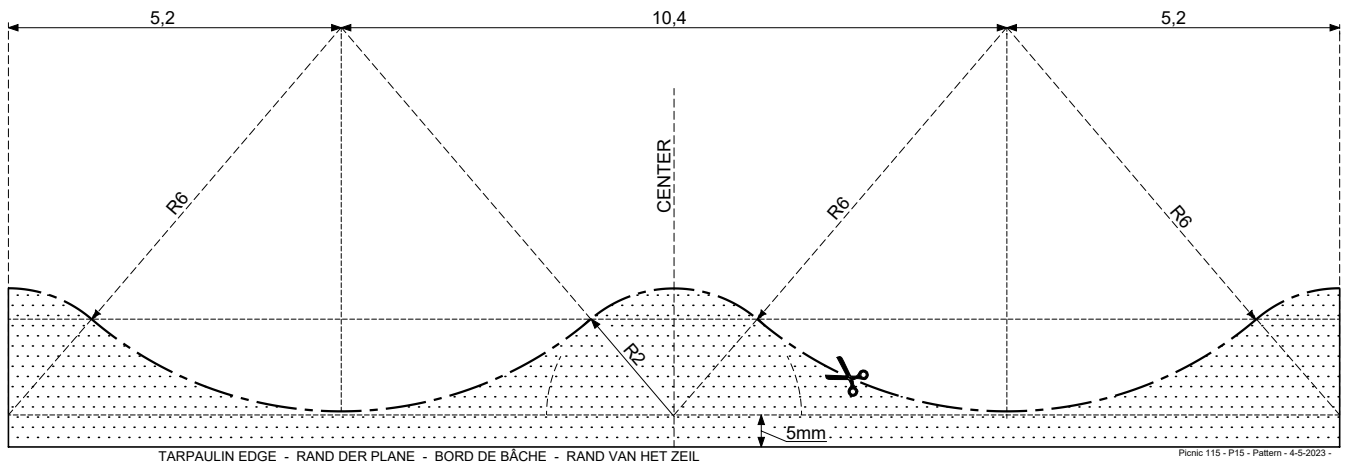
15.2



15.3



EXAMPLE PATTERN
BEISPIELVORLAGE FÜR MARKISE
SCHÉMA SUGGÉRÉ DE DÉCOUPE POUR AUVENT
VOORBEELDSJABLOON LUIFEL



Picno 115 - P15 - Pattern - 4-5-2023

← repeat

repeat →

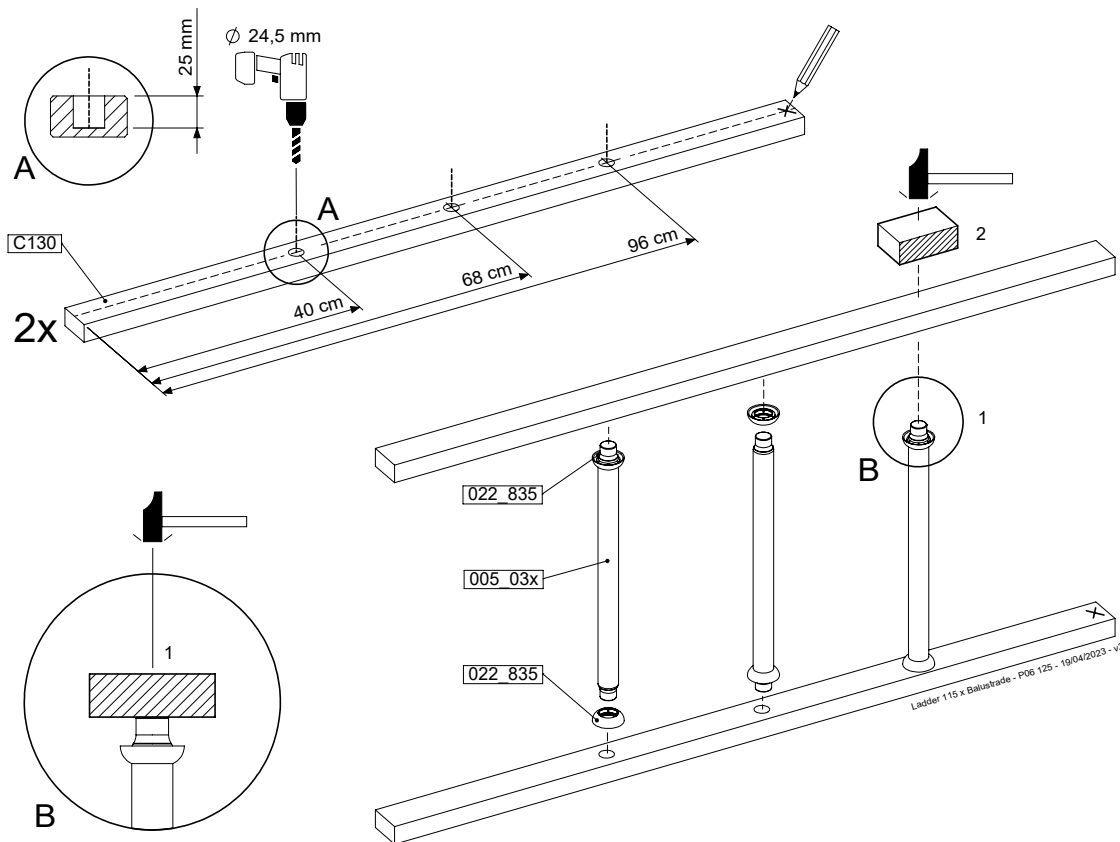
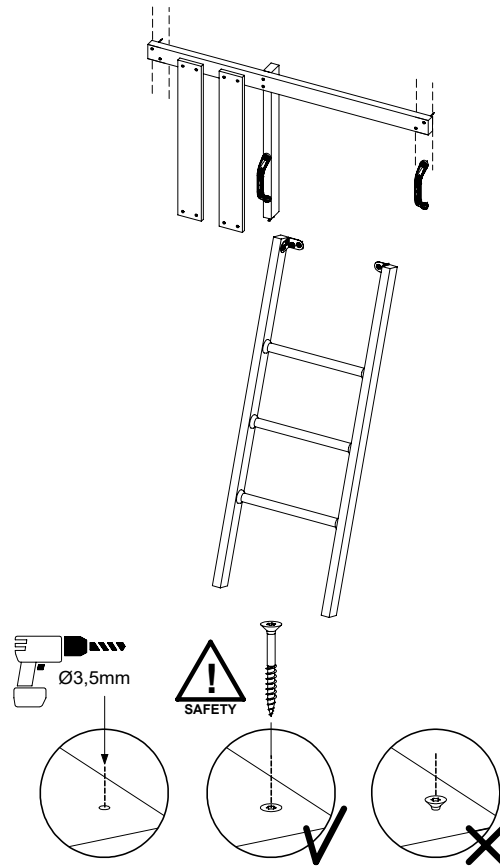
! Scale of print may not be accurate.
Druckformat kann abweichen.
Les tailles imprimées peuvent varier.
Printformaat kan afwijken.

16 LA14: Ladder 115 125 T Right

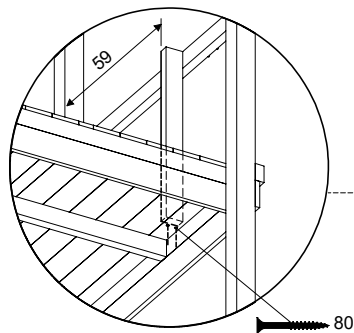
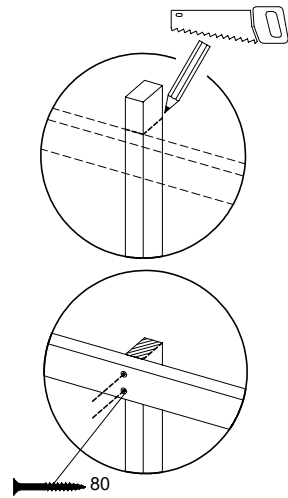
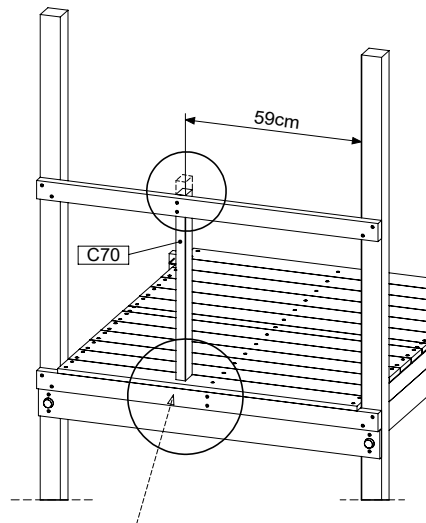
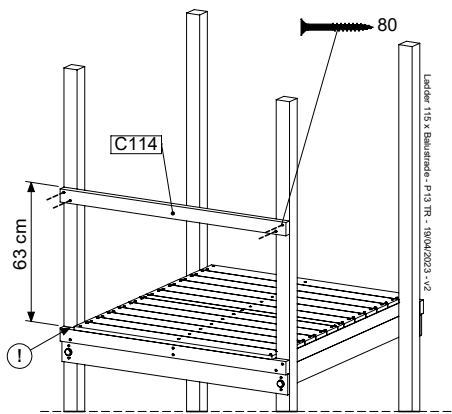
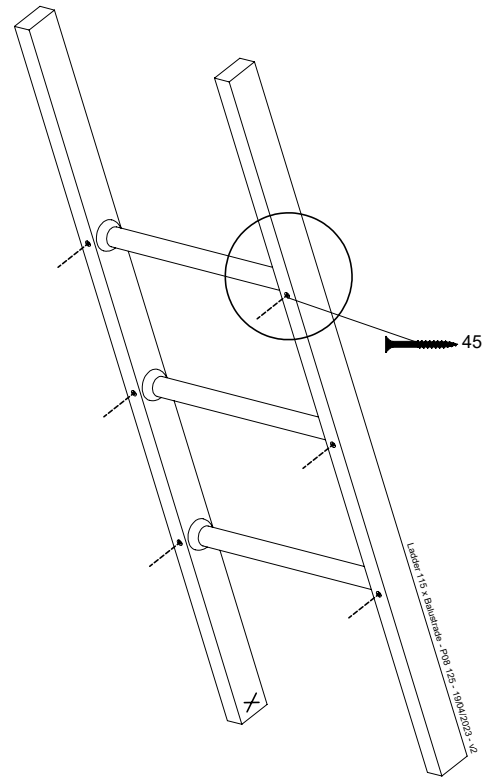
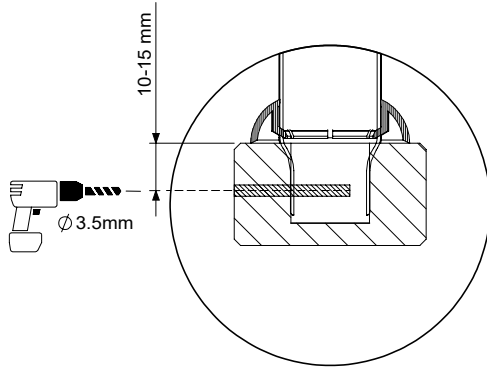
(194_003 + 194_101)

	PartNo	PartName	QTY.
Hardware Pack	001_404	Stealth Screw 8x30	4
	002_219	Gap Point Screw T25 - 5x30	4
	002_220	Gap Point Screw T25 - 5x45	14
	002_223	Gap Point Screw T25 - 5x80	8
Other	005_03x	Ladder Rung Y/B/G/R	3
	005_522	Connection Bracket Mini Market	2
	022_835	Rung Cap	6
	120_102	Handgrip set (complete 2x)	1
Timber	C114	Beam 1140 mm	1
	C130	Beam 1300 mm	2
	C70	Beam 700 mm	1
	D65	Board 650 mm	2

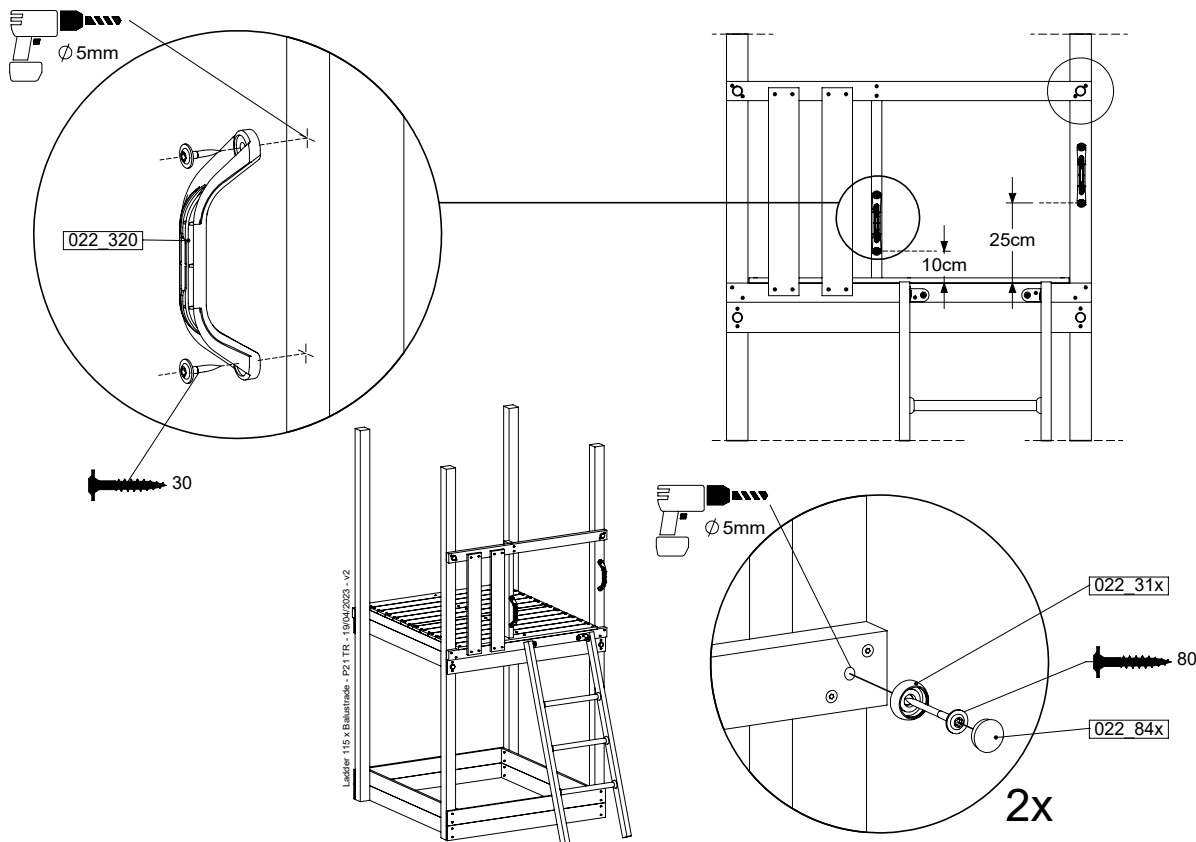
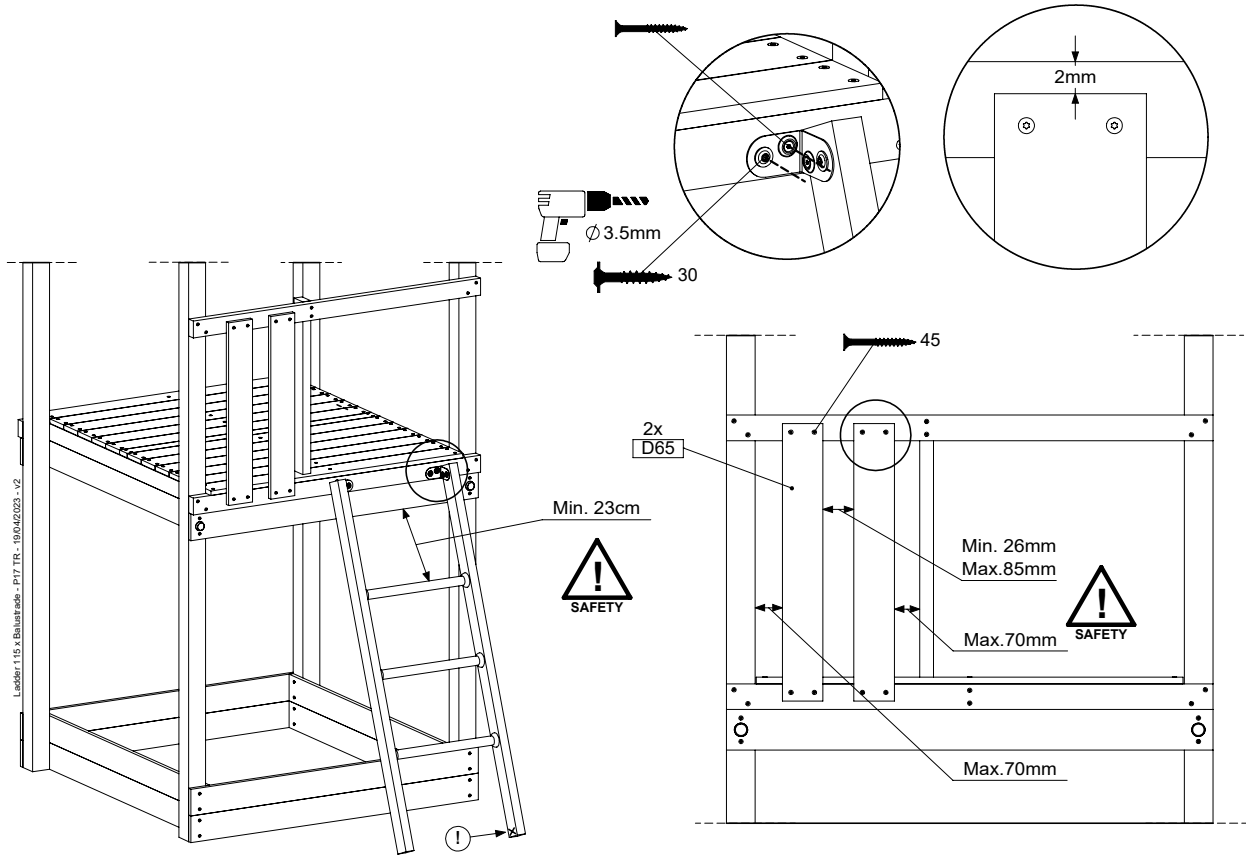
Ladder 115 x Balustrade - P05 TR125 - 19/04/2023 - v2



16.1



16.2

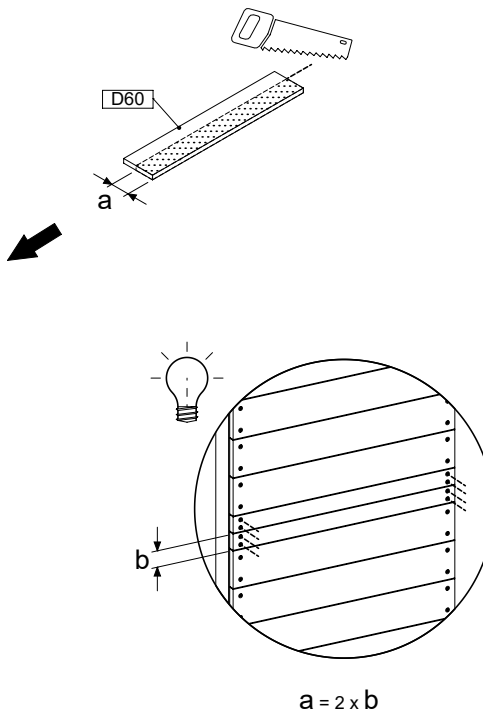
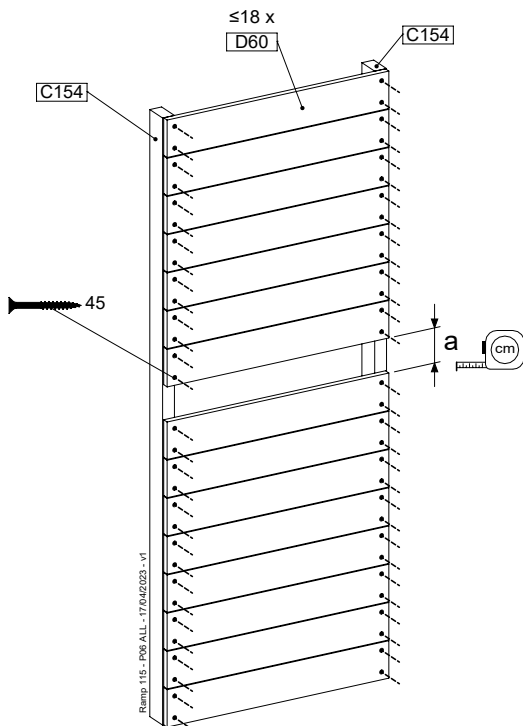
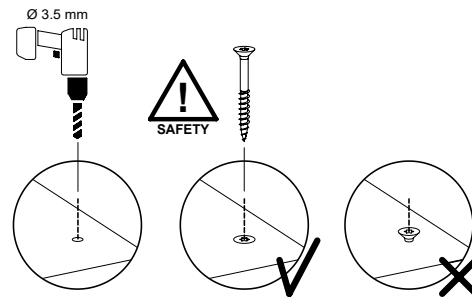
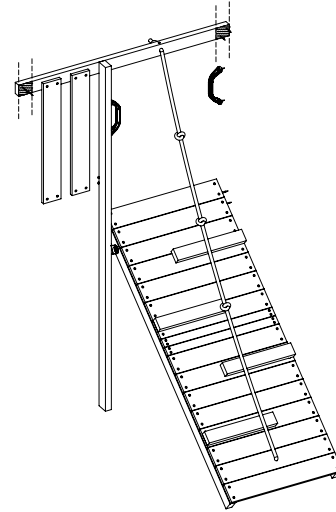


17 RA06a: Ramp 115 125 UR

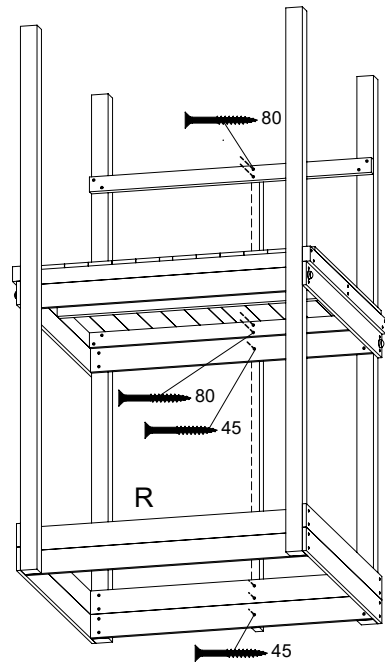
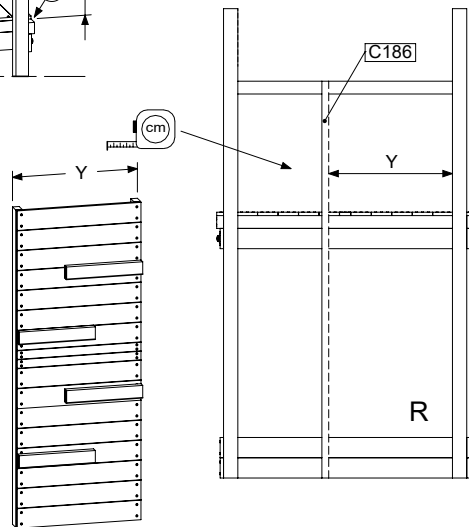
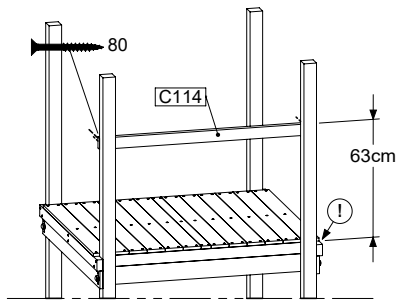
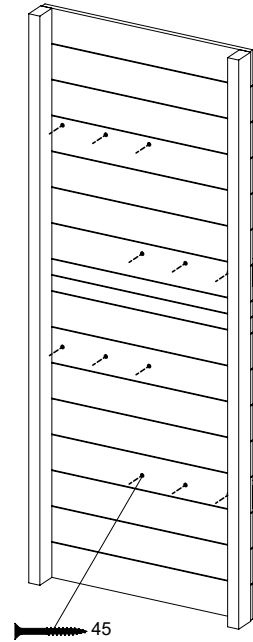
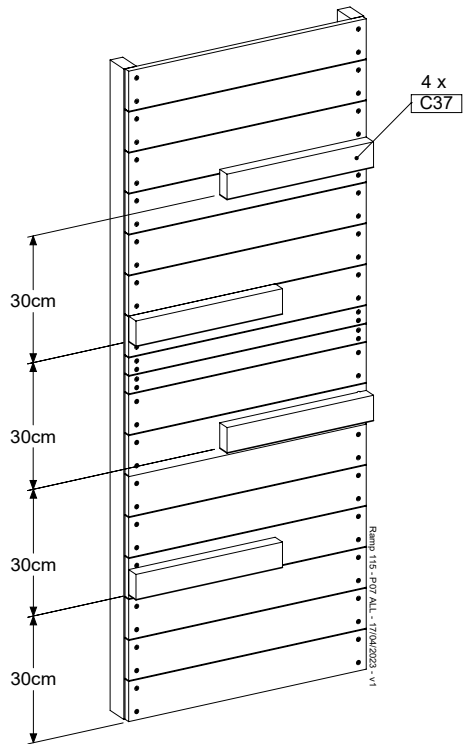
(194_008)

	PartNo	PartName	QTY.
Hardware Pack	001_404	Stealth Screw 8x30	2
	001_411	Stealth Screw 8x60	1
	001_417	Stealth Screw 8x80	2
	002_220	Gap Point Screw T25 - 5x45	97
	002_223	Gap Point Screw T25 - 5x80	9
Other	005_514	Ladder Bracket	1
	020_317	Rope Polyester 16mm Green 3.4m	1
	120_102	Handgrip set (2x Complete)	1
Timber	C37	Beam 370 mm	4
	C114	Beam 1140 mm	1
	C154	Beam 1540 mm	2
	C186	Beam 1860 mm	1
	D60	Board 600 mm	18
	D65	Board 650 mm	2

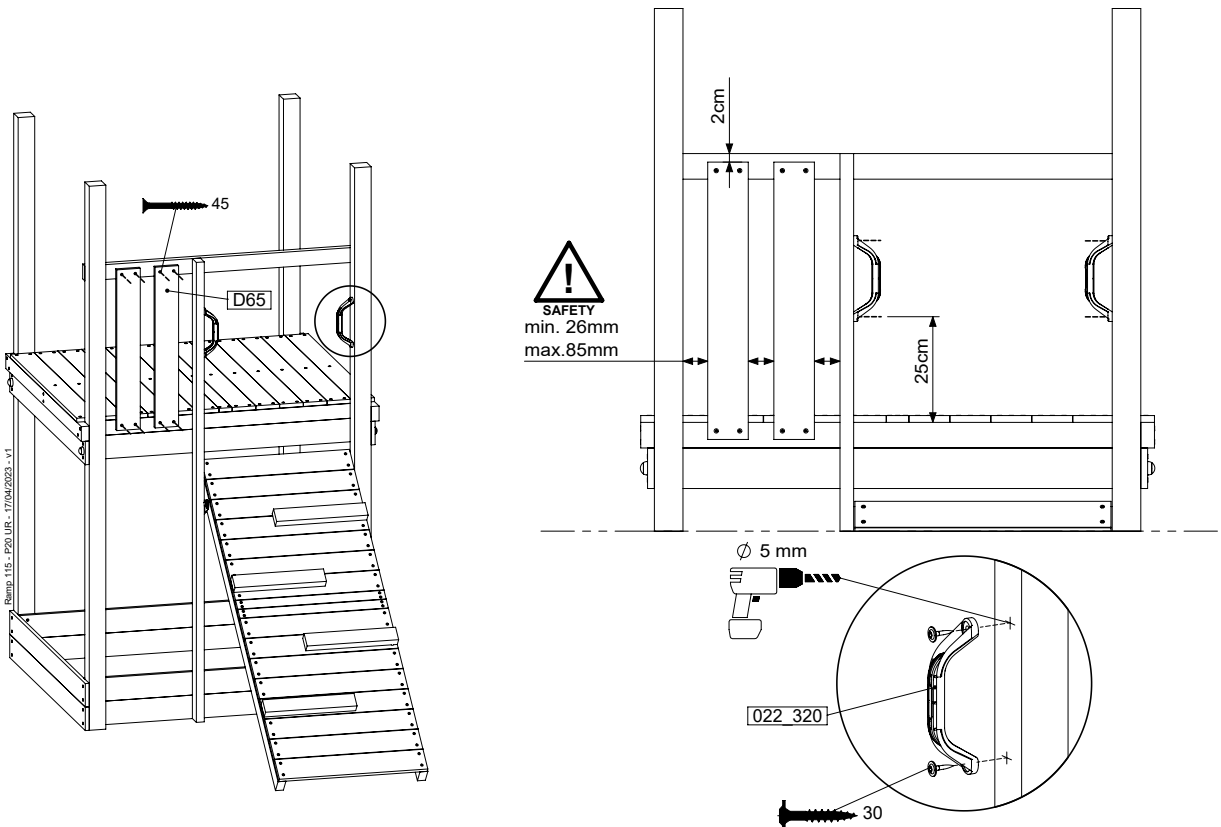
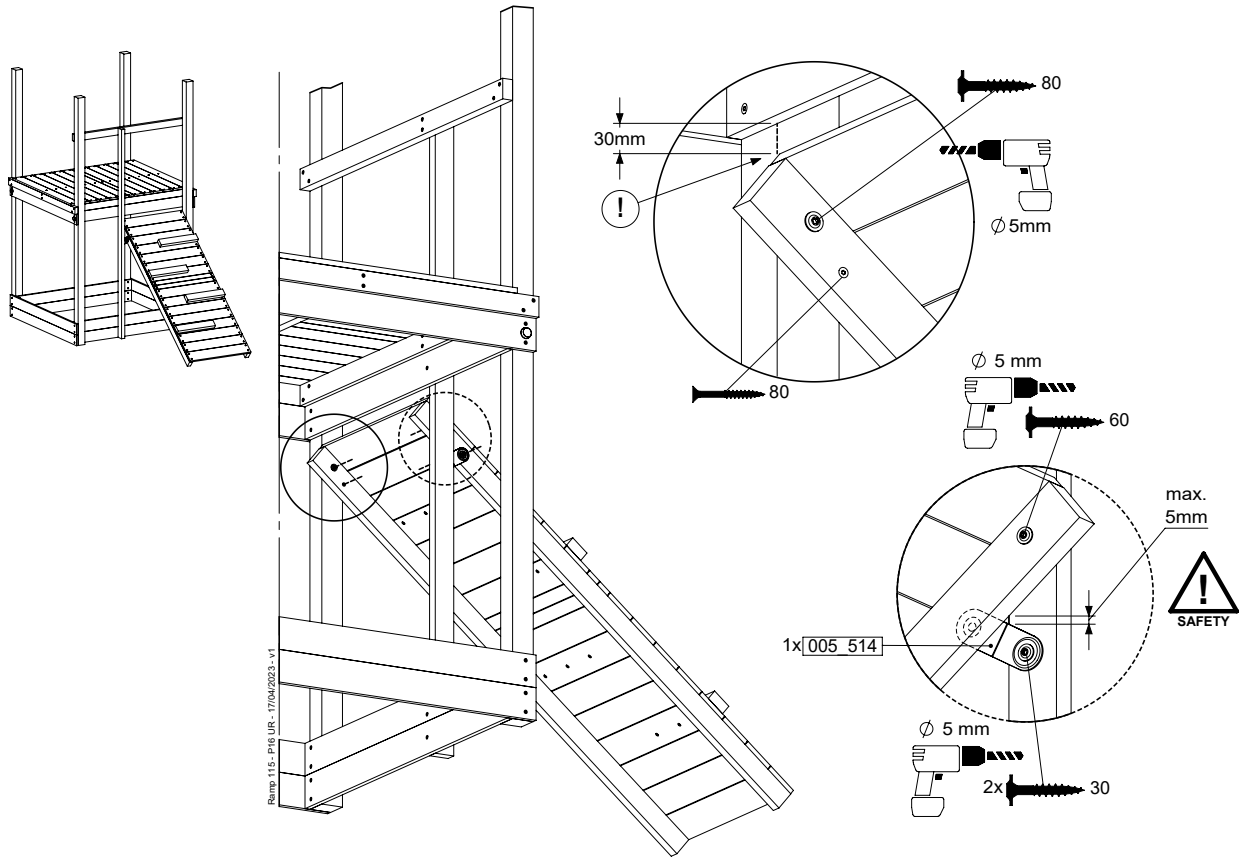
Ramp 115 - 193 UR - 17/04/2023 - v1



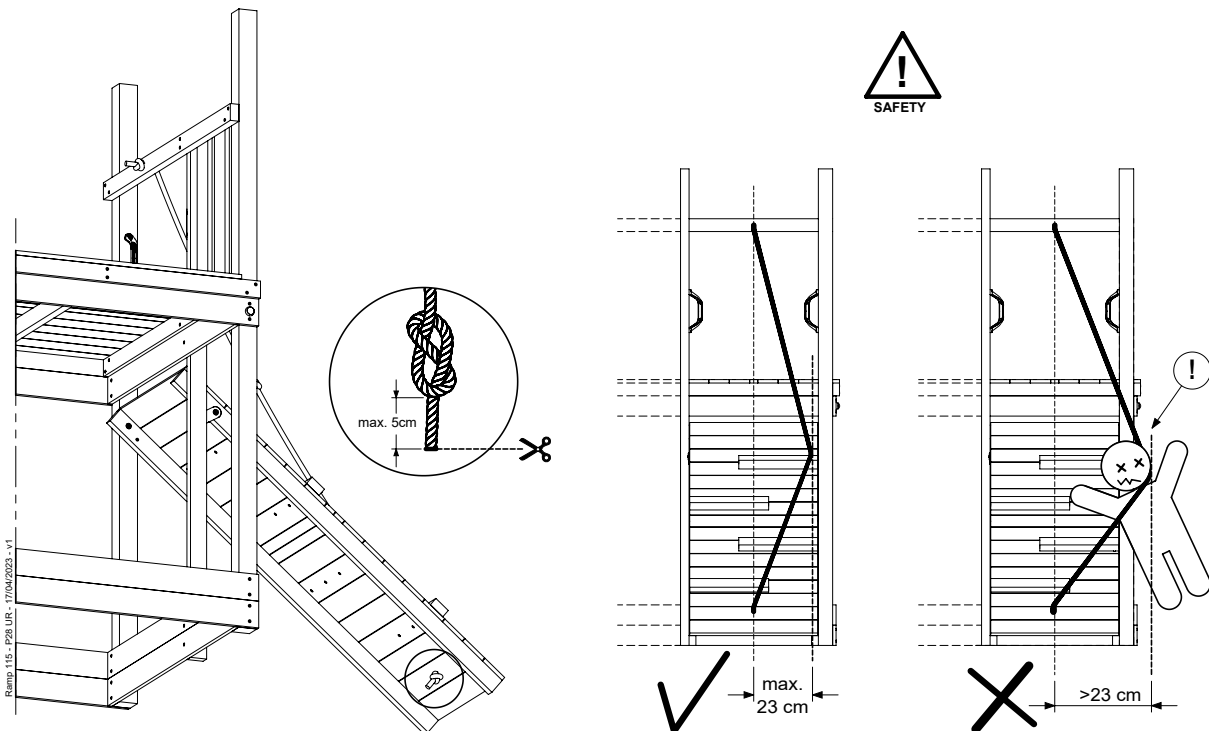
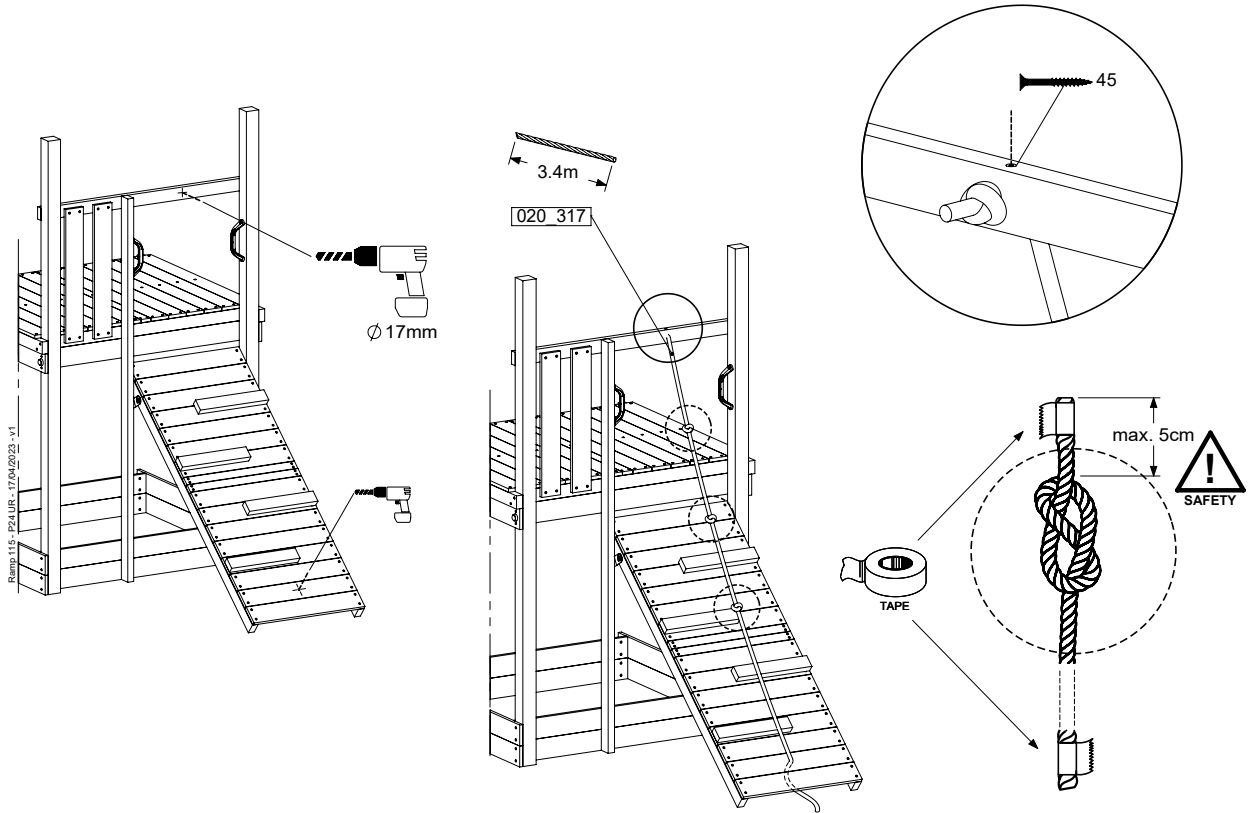
17.1



17.2



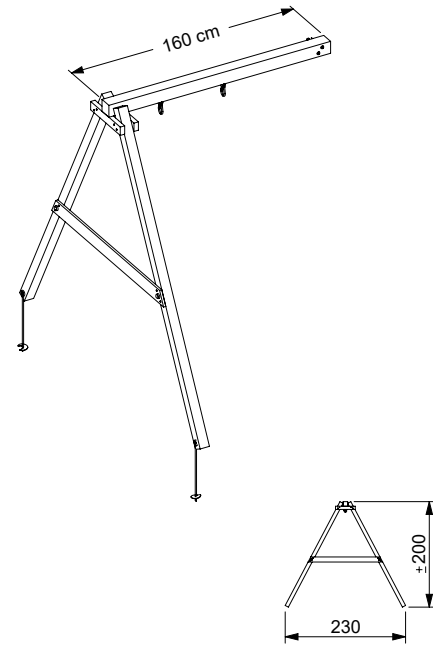
17.3



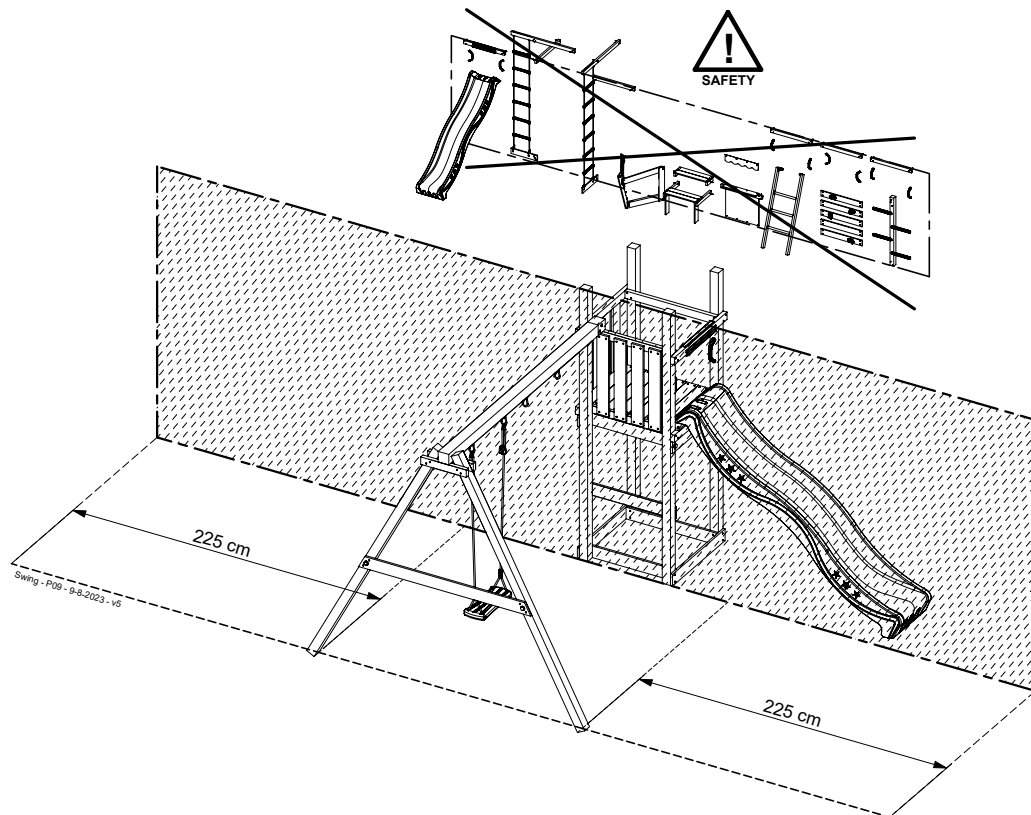
18 SW01a: 1-Swing Module 200

(457_102)

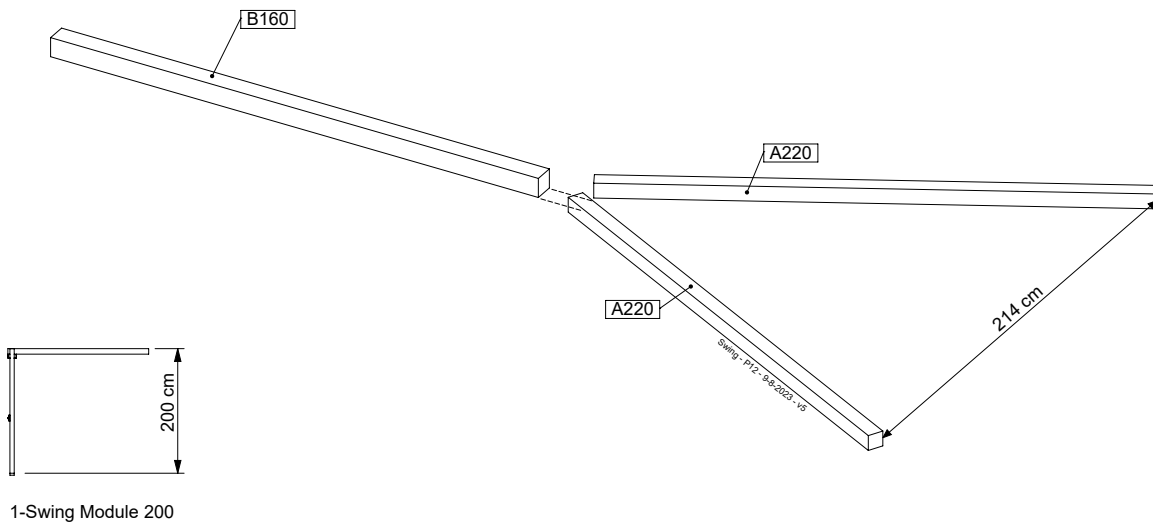
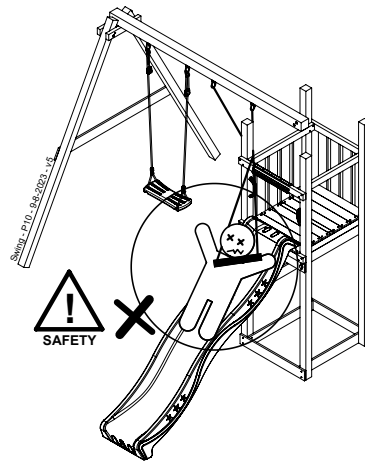
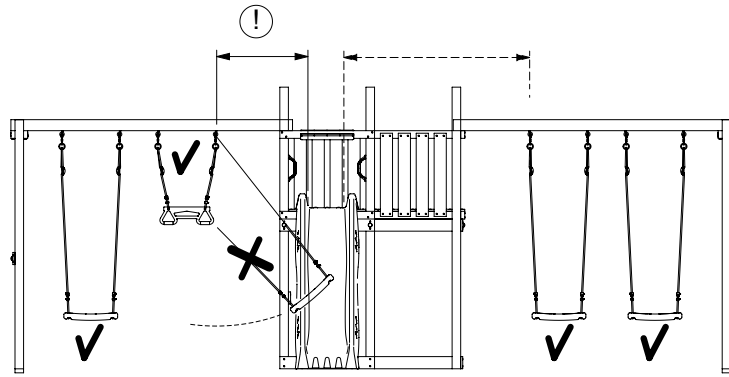
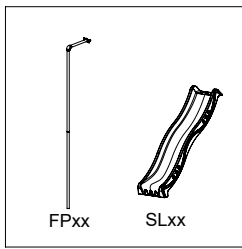
	PartNo	PartName	QTY.
Hardware Pack	001_406	Stealth Screw 8x45	4
	001_417	Stealth Screw 8x80	3 / 4
	001_422	Stealth Screw 8x137	3
	002_220	Gap Point Screw T25 - 5x45	12
	002_223	Gap Point Screw T25 - 5x80	6
Other	005_528	Swing Beam Bracket 7x7	1
	007_001	Ground-anchor	2
	022_31x	bpc-base version 3	2
	022_84x	bpc cover	2
	023_031	Finishing Washer GPS 5.0	2
	101_003	Swing hook with Carabiner	2
Timber	A220	Post 70x70 L2200	2
	B160	Post 90x90 L1600	1
	C37	Beam 370 mm	2
	D141	Board 1410 mm	2



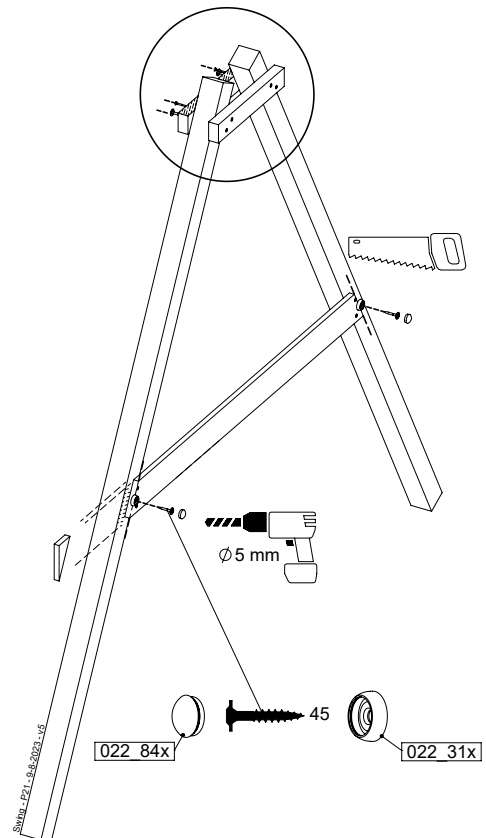
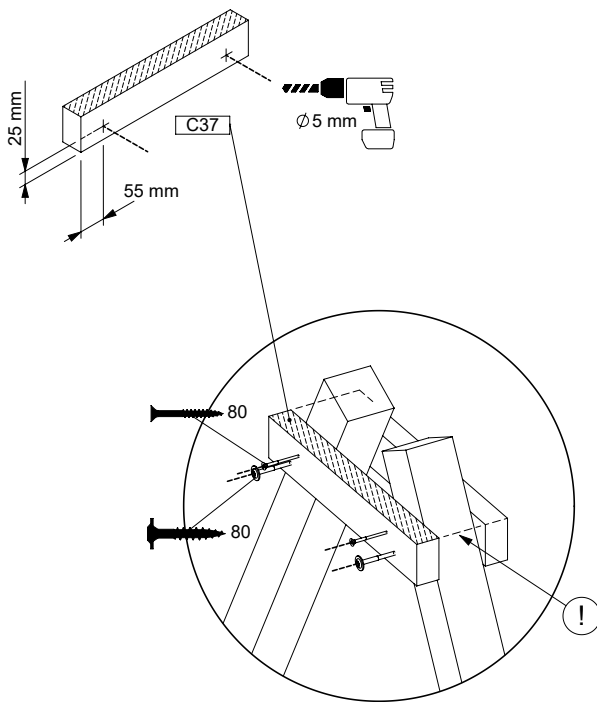
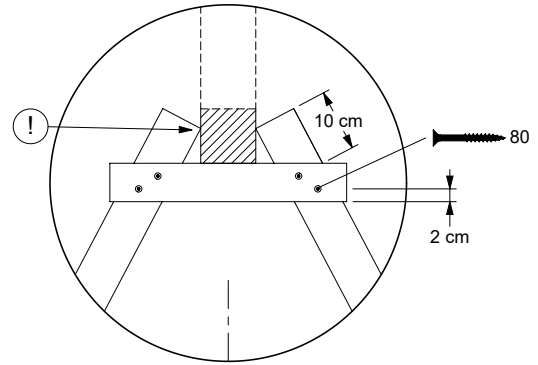
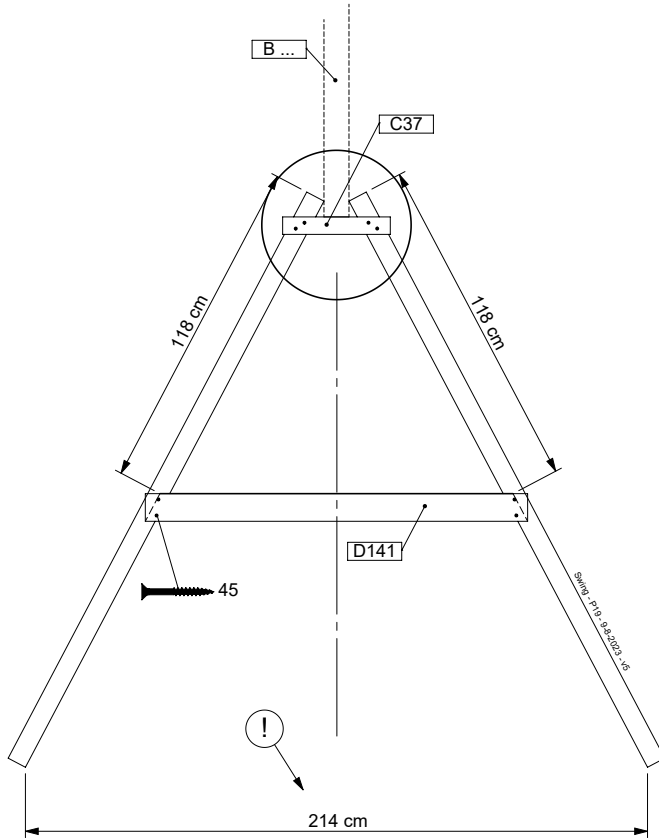
1-Swing Module 200



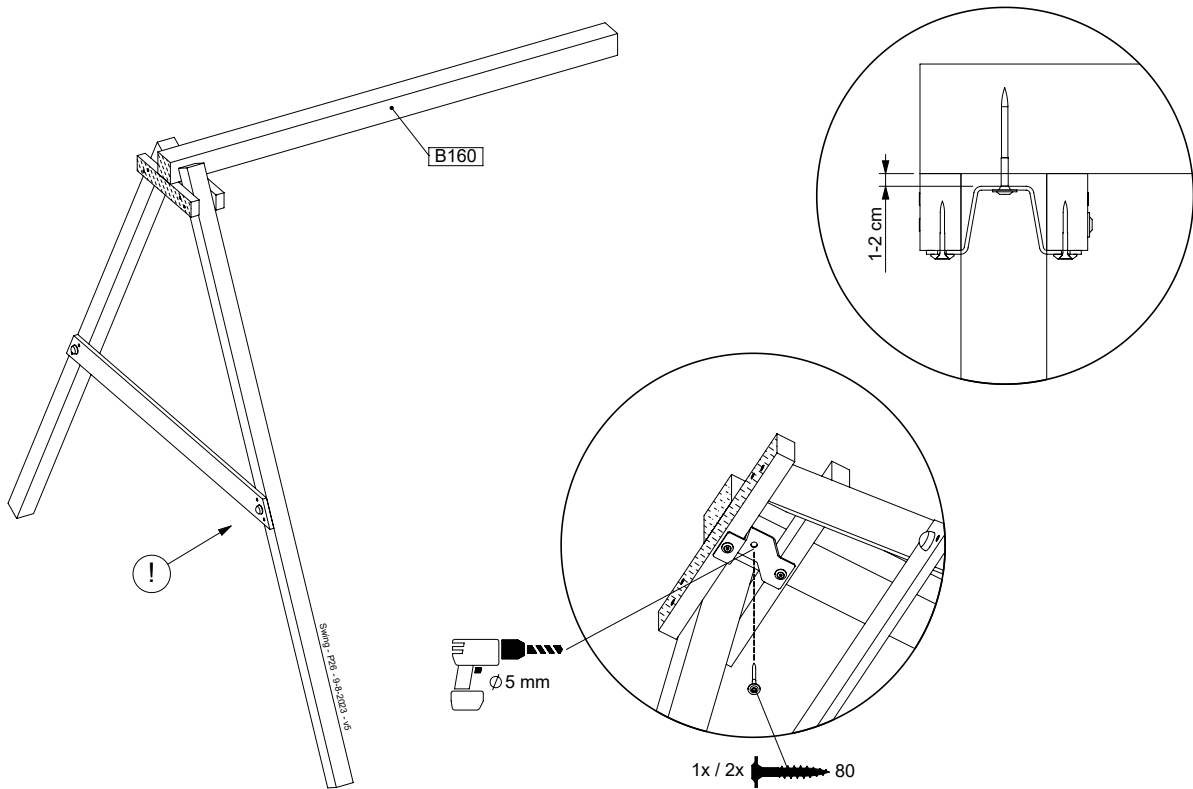
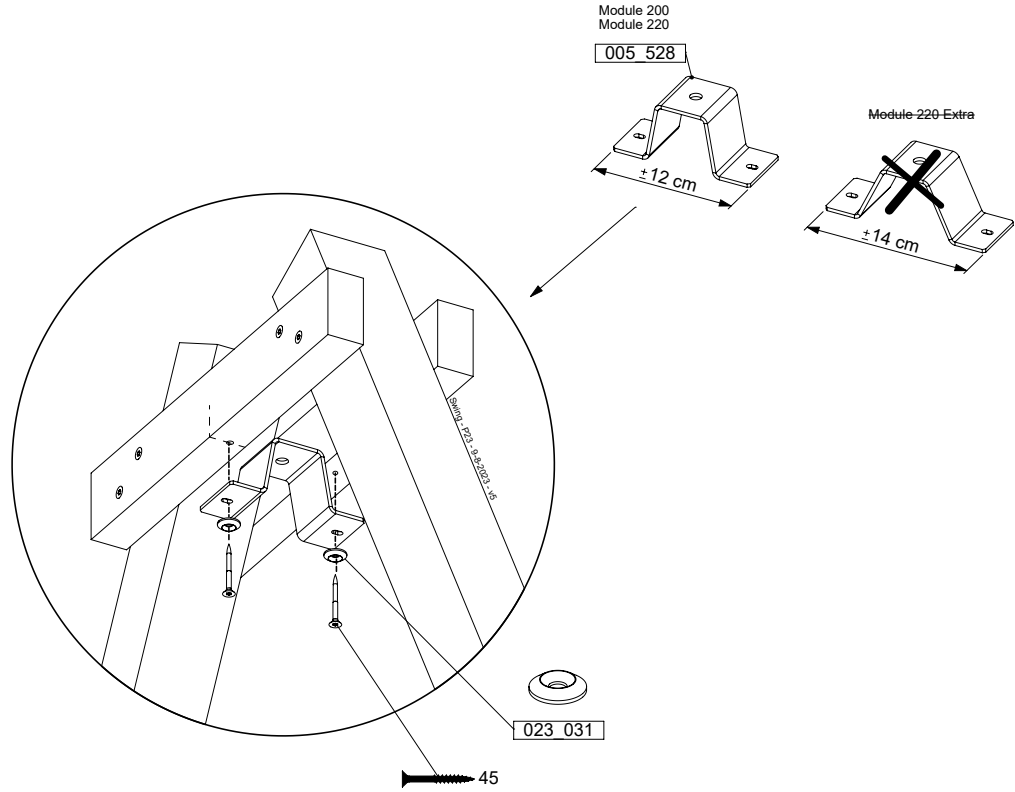
18.1



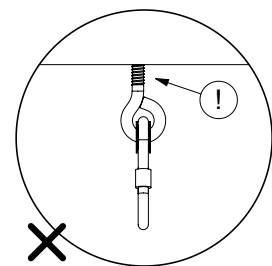
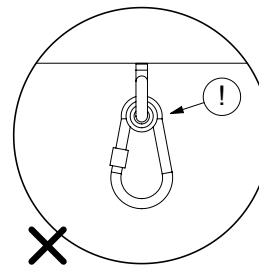
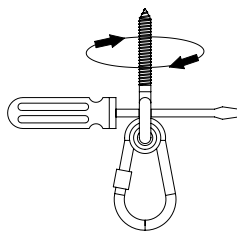
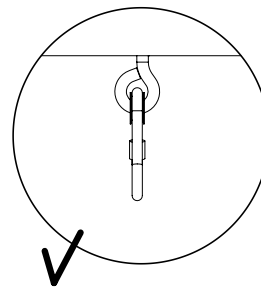
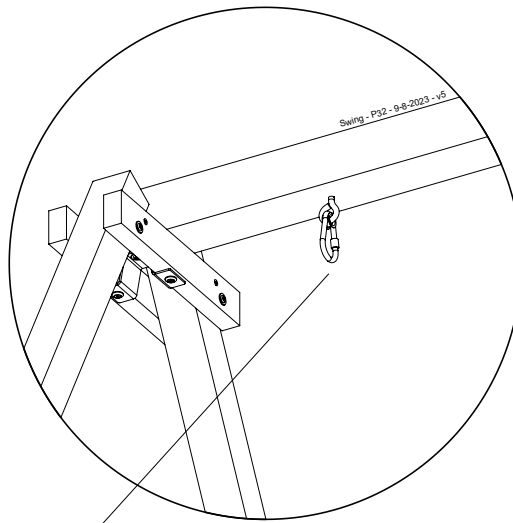
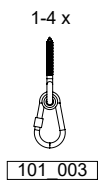
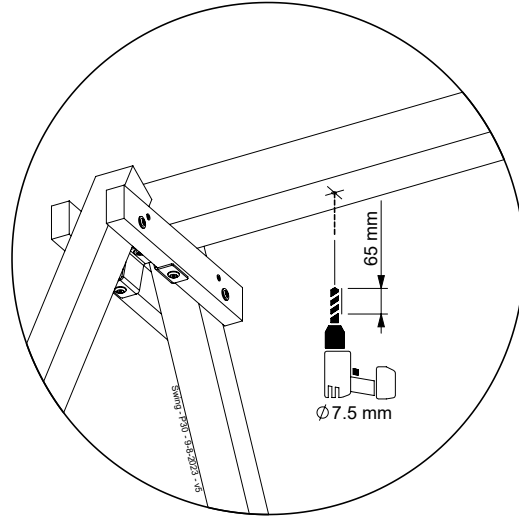
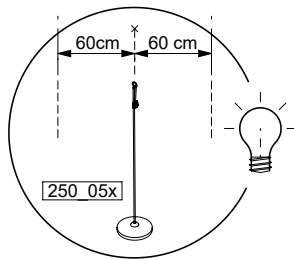
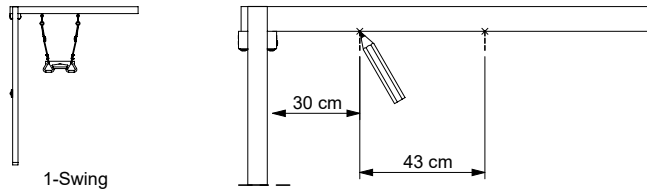
18.2



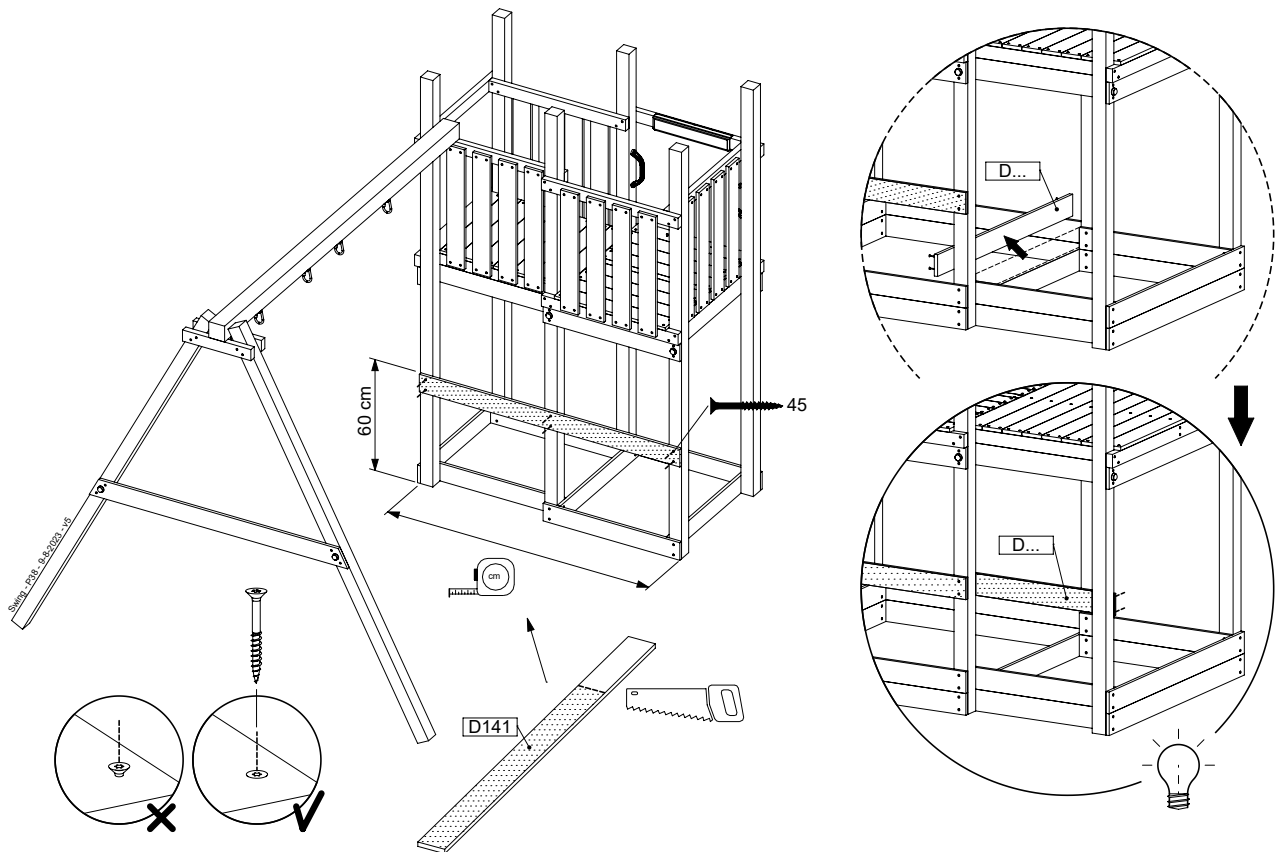
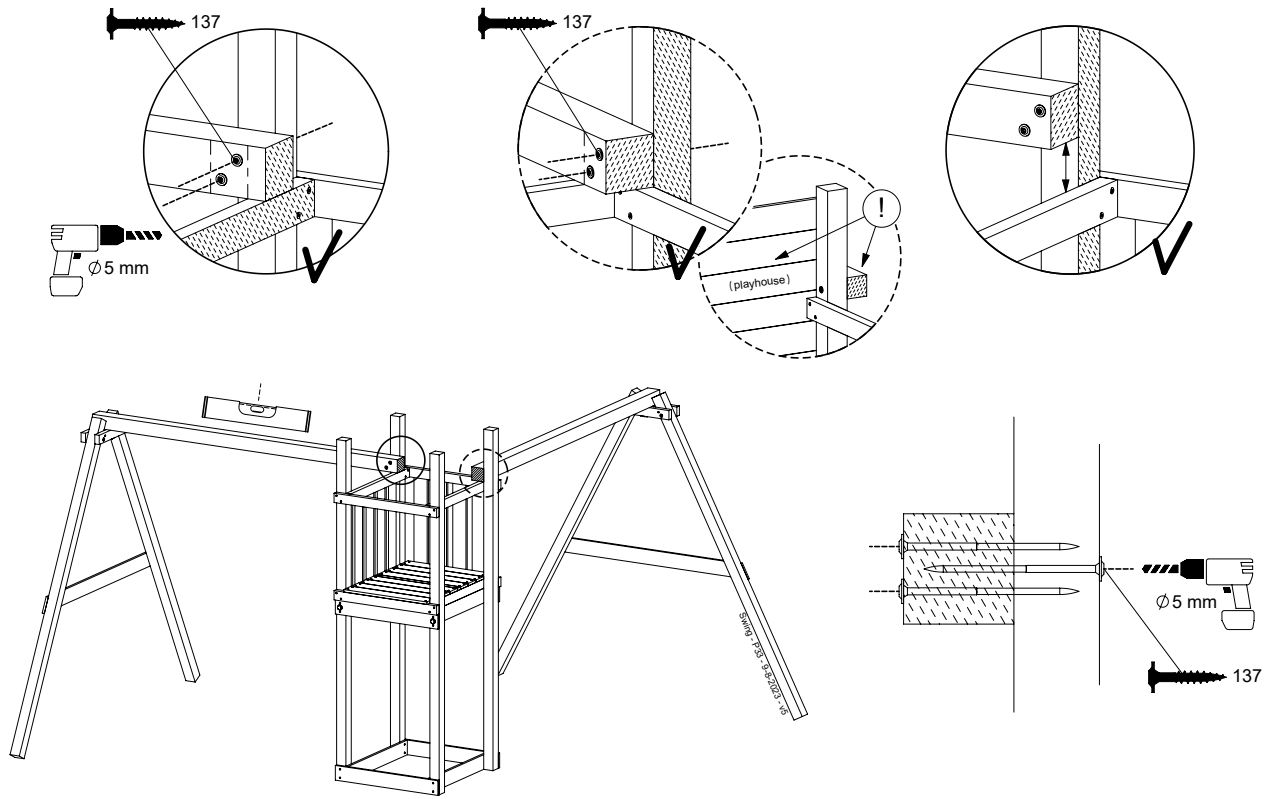
18.3



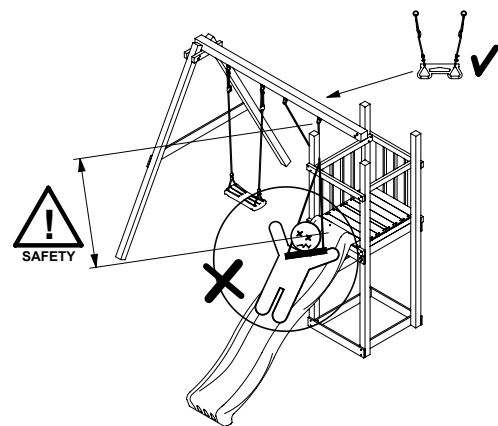
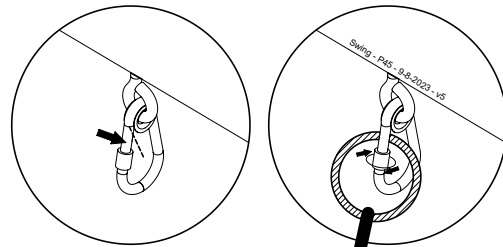
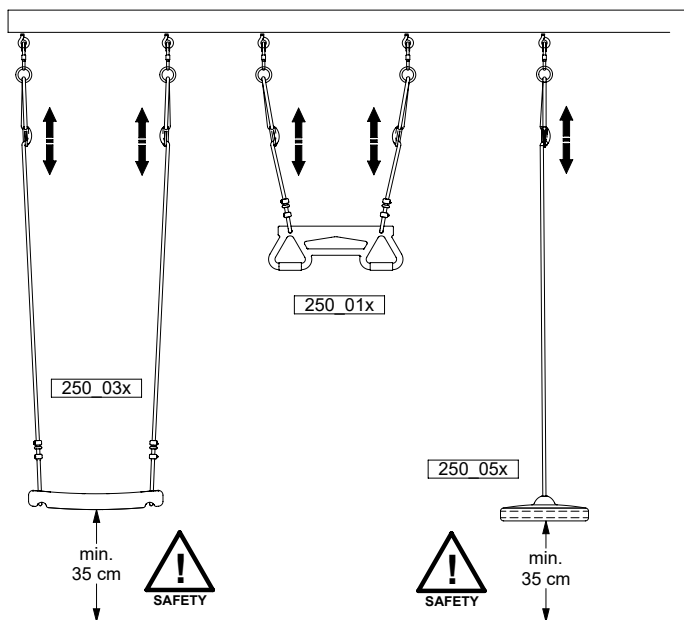
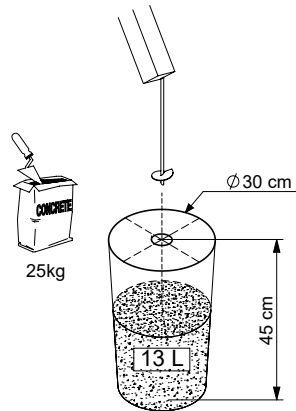
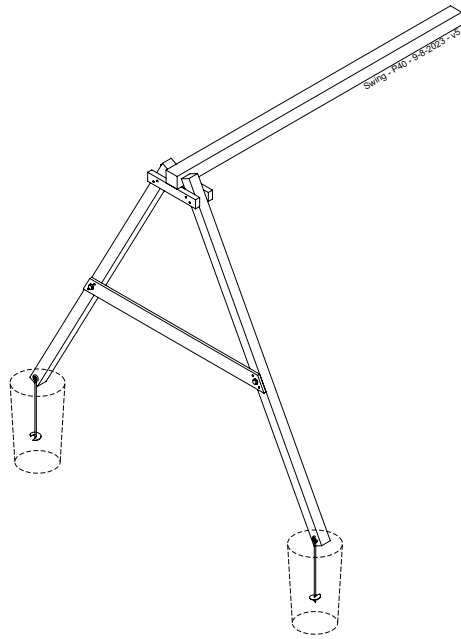
18.4



18.5



18.6

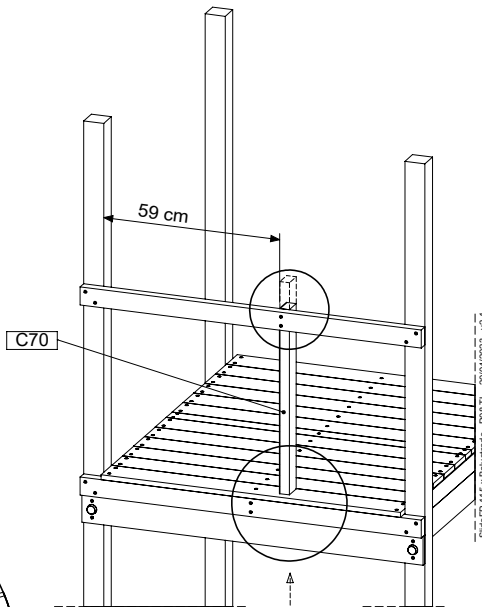
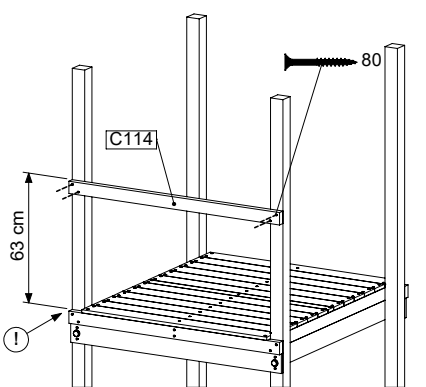
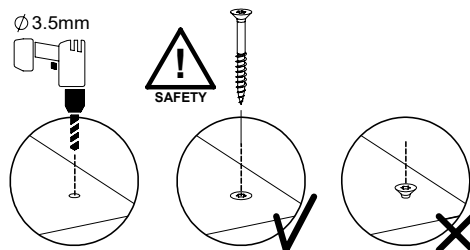
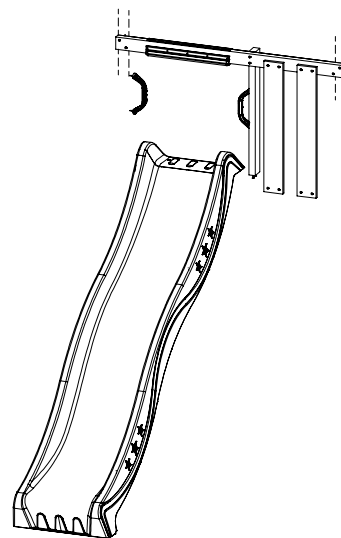


19 SL12a: Slide 115 145 T Left

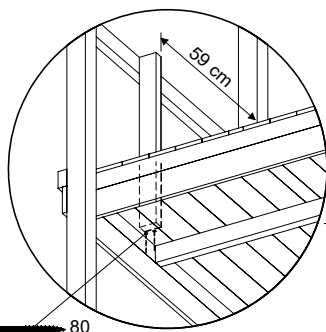
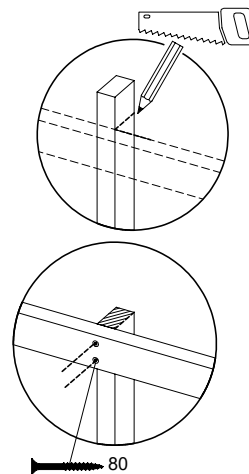
(194_107 + 194_101)

	PartNo	PartName	QTY.
Hardware Pack	000_101	Nail Pan Head	10
	002_220	Gap Point Screw T25 - 5x45	8
	002_223	Gap Point Screw T25 - 5x80	8
	002_308	Gap Point Screw T25 - 5x20	2
Other	120_102	Handgrip set (complete 2x)	1
	123_200	Bumperpad	1
	324_xxx 334_xxx	Wavy Star Slide XL 2200 mm / Wavy Star Slide XXL 2650 mm	1
Timber	C114	Beam 1140 mm	1
	C70	Beam 700 mm	1
	D65	Board 650 mm	2

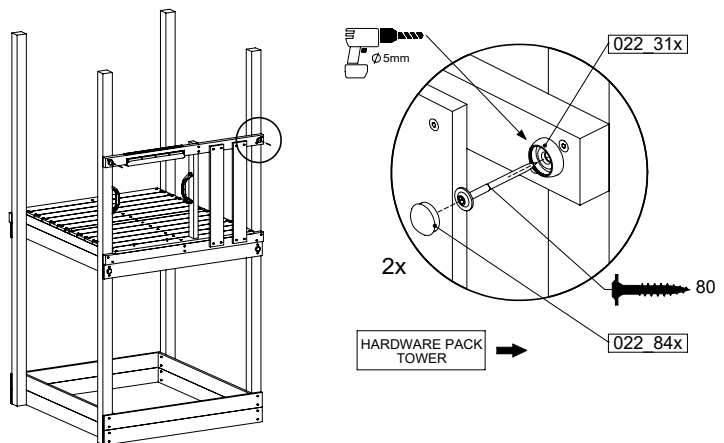
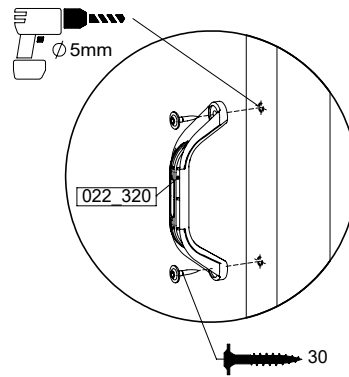
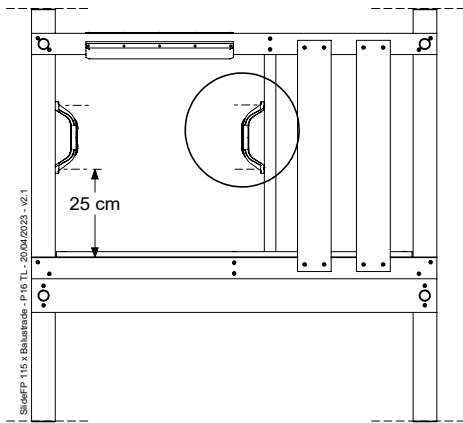
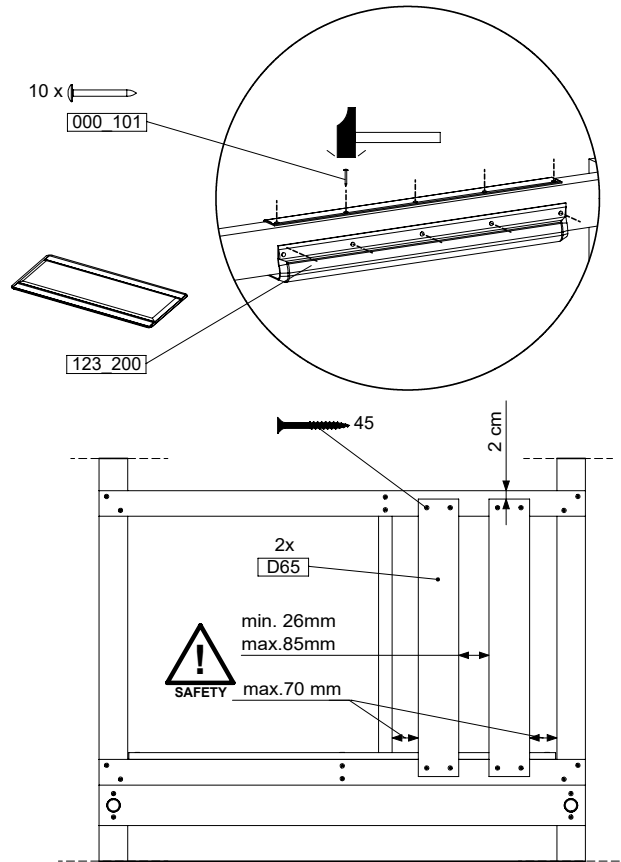
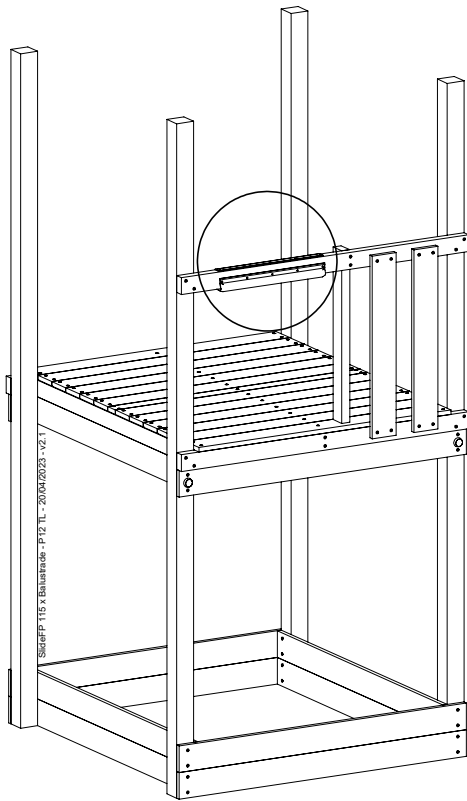
SlideFP 115 x Beaurivade - P10 TL - 20/04/2023 - v2.1



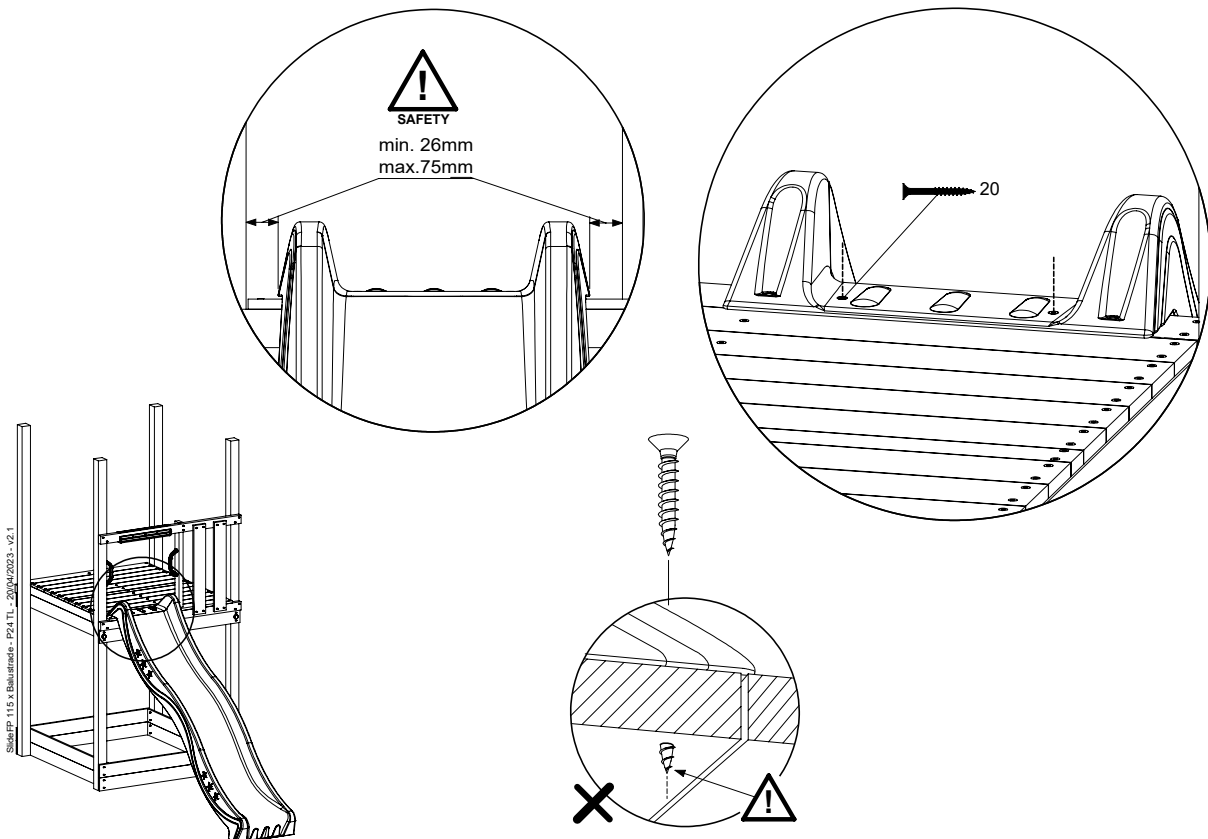
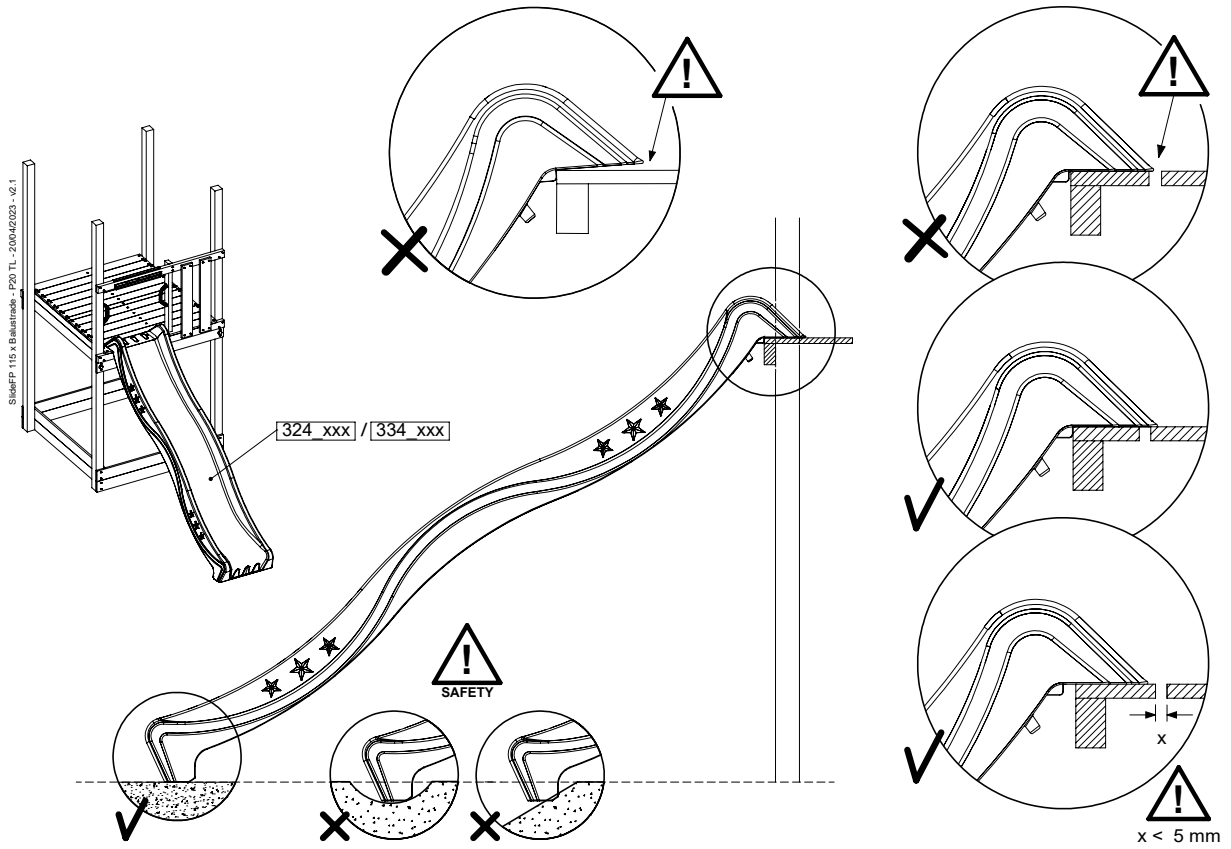
SlideFP 115 x Beaurivade - P10 TL - 20/04/2023 - v2.1



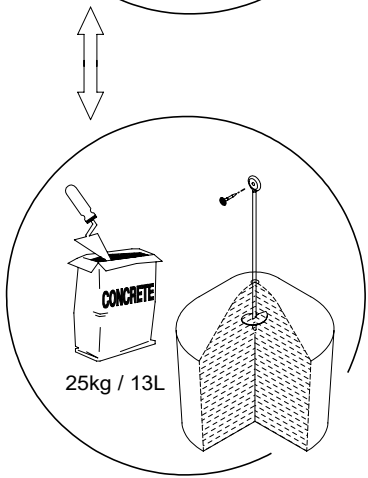
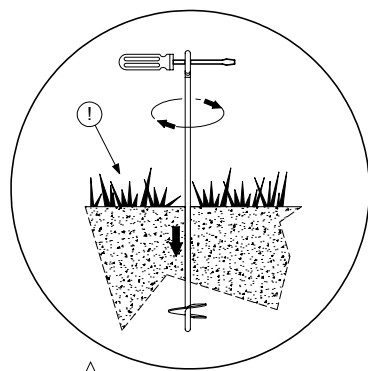
19.1



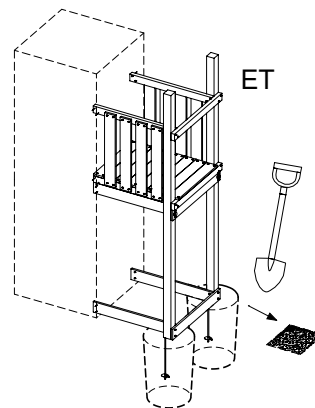
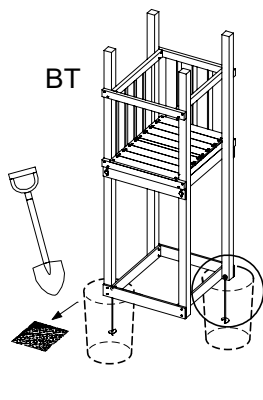
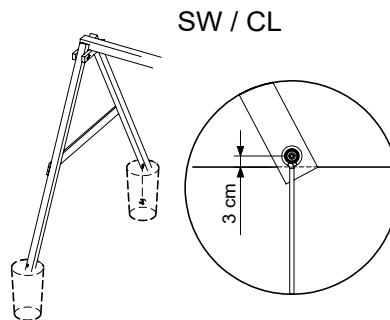
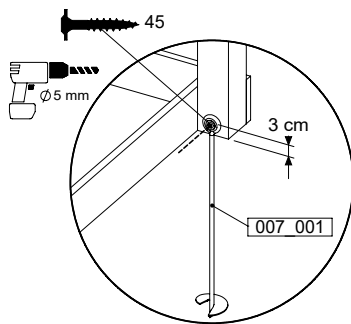
19.2



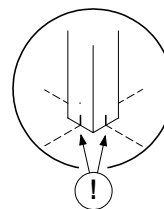
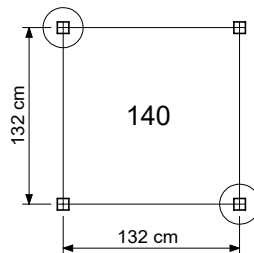
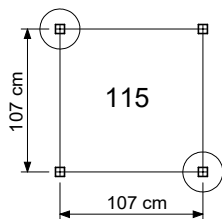
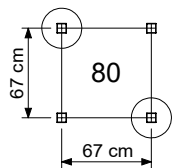
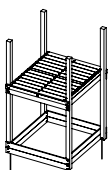
20 GA: Ground Anchors



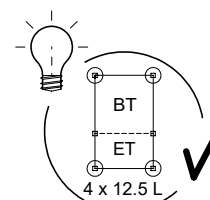
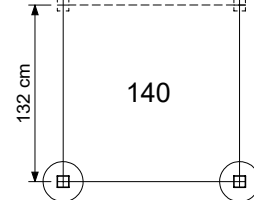
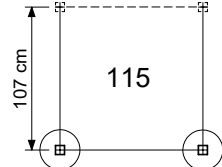
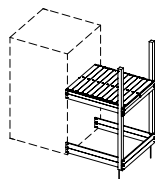
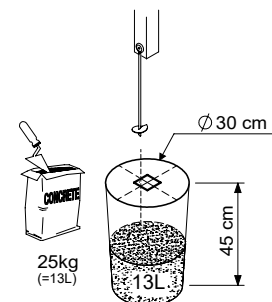
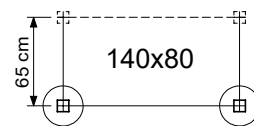
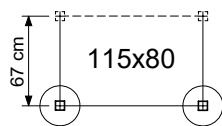
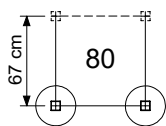
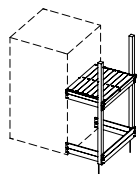
Ground Anchors Unit - P03 - 04/07/2023 - v1.2



BASE TOWERS



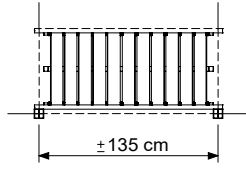
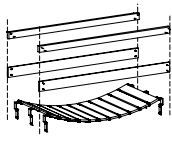
EXTENSION TOWERS



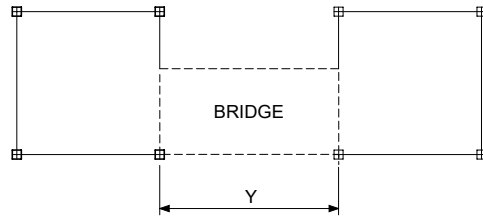
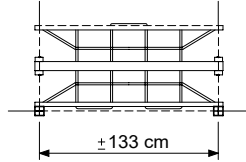
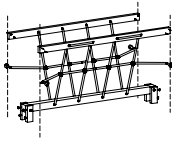
Ground Anchors Unit - P01 - 04/07/2023 - v1.2

20.1

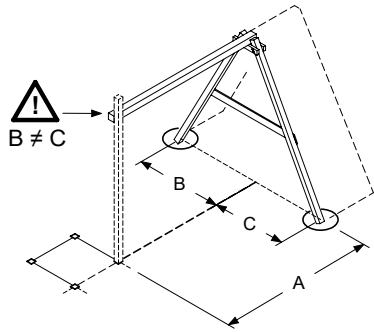
CLATTER BRIDGE



NET BRIDGE

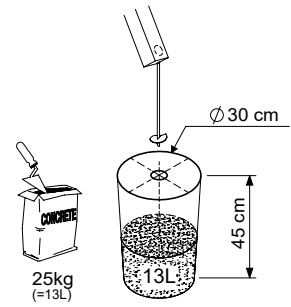


SWING / CLIMB MODULE

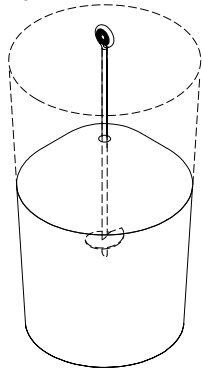


Module type	A	B	C
1-Swing 200	150	115	100
1-Swing 220 / 220 Extra		120	105
2-Swing 200	210	115	100
2-Climb 200			
1-Climb 200	142	120	105
1-Climb 220 / 220 Extra			
2-Swing 220 / 220 Extra	230	120	105
2-Climb 220 / 220 Extra			

Grand Anchors Uni. - P02 - 04/07/2023 - v1.2



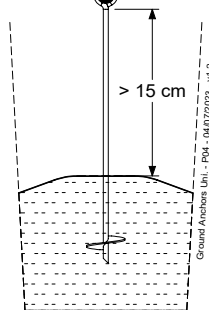
25kg / 13L



1.



SAFETY



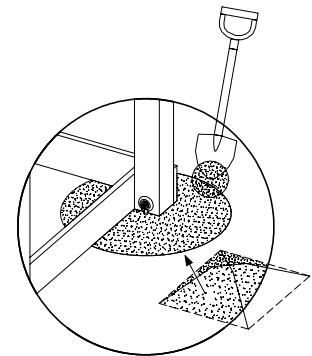
2.

Grand Anchors Uni. - P04 - 04/07/2023 - v1.2

24h



3.



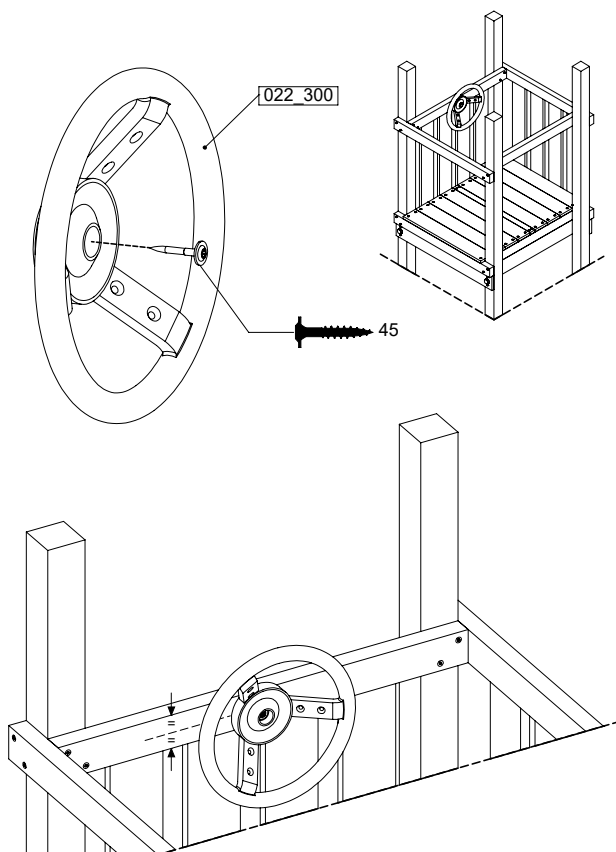
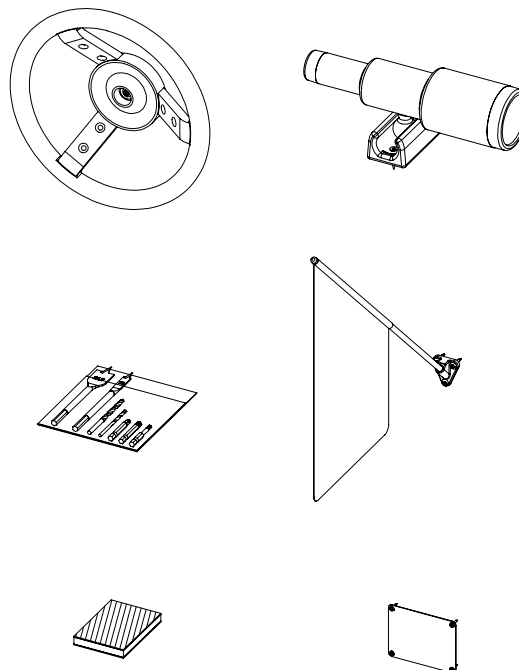
4.

21 AC01a: Accessories

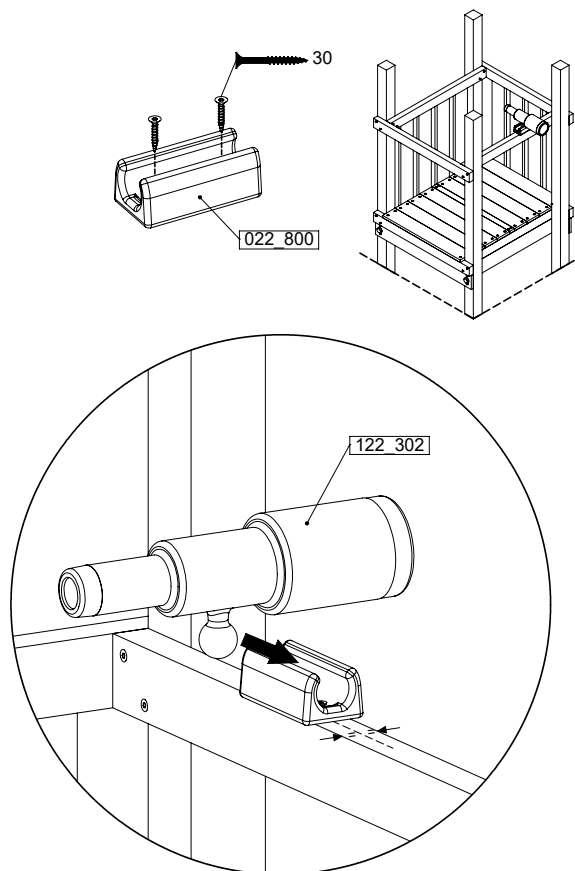
(194_119)

	PartNo	PartName	QTY.
Hardware Pack 100_617	001_406	Stealth Screw 8x45	1
	002_041	Dome head screw 4.5 x 20 mm	3
	002_042	Dome head screw 3.5 x 13mm	4
	002_219	Gap Point Screw T25 - 5x30	2
Other	022_300	Steering Wheel	1
	022_800	Rail P/T 105	1
	022_910	Sandpad	1
	103_901	Logo ID Plate	1
	104_107	Tool Set Climbing Units	1
	120_024	Tower Flag	1
	122_302	Telescope	1

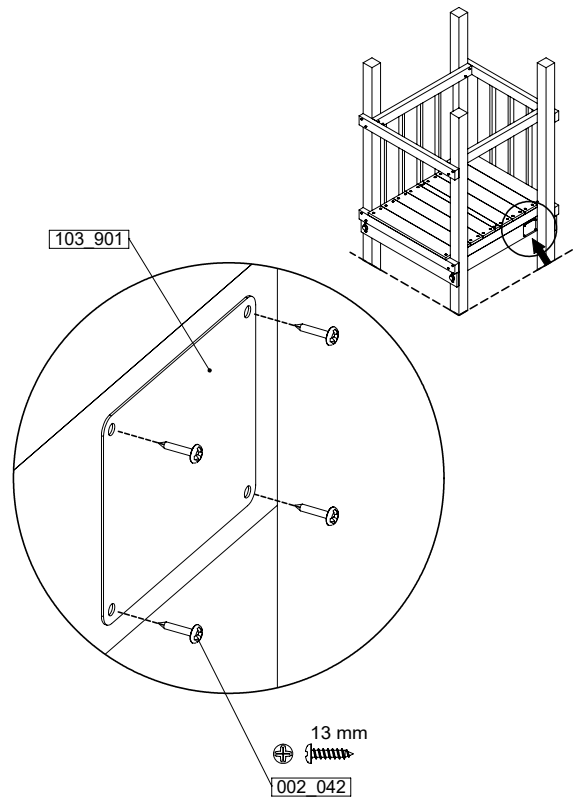
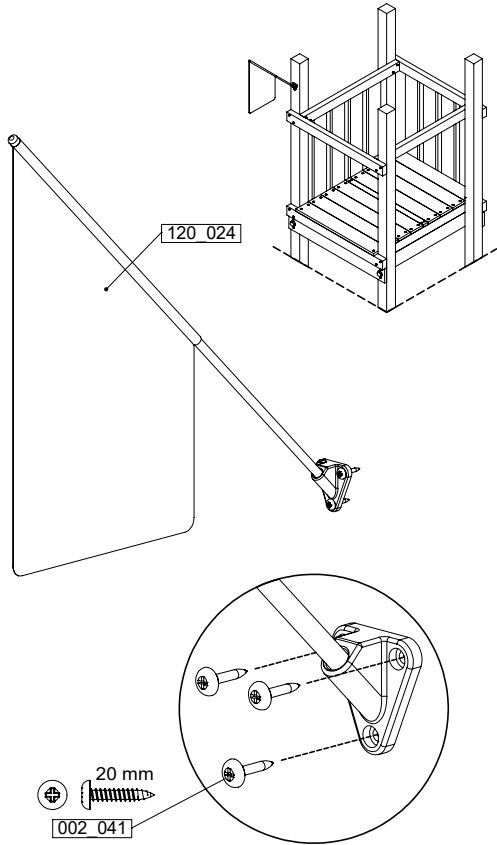
Accessory set - P102 - 06/07/2023 - v5



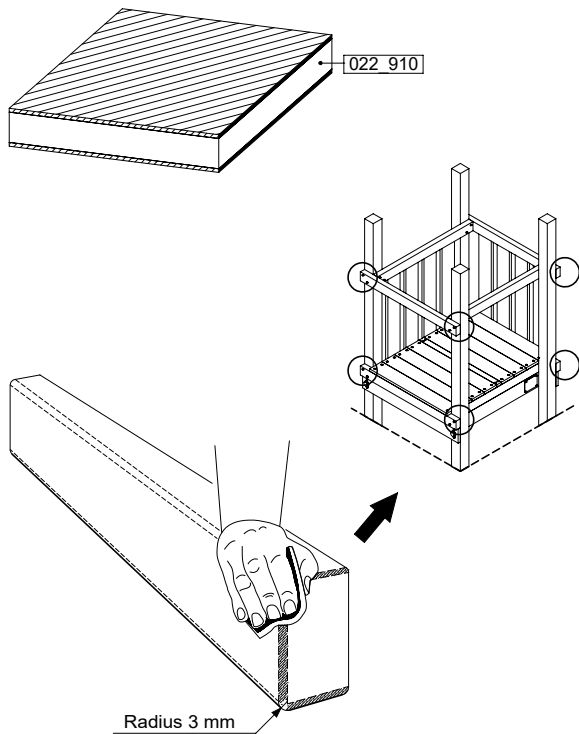
Accessory set - P103 - 06/07/2023 - v5



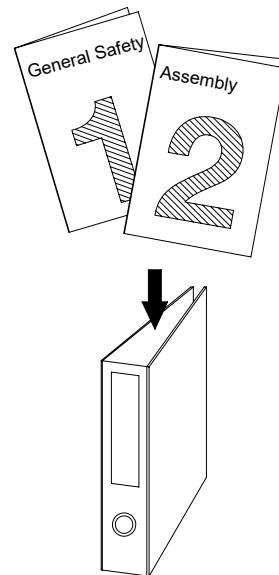
21.1



Accessory set - P04 - 06/07/2023 - v5



Accessory set - P05 - 06/07/2023 - v5



22 Conformity

Declaration of Conformity

Jungle Gym
BACKYARD PLAYGROUNDS
since 1988

Manufacturer details

Company Name	Tag-line
Jungle Gym B.V.	Backyard Playgrounds
Address	
P.O. Box 75083, 1070 AB Amsterdam, Netherlands	

Activity toys for domestic use

Product Range Identification

Construction Packages (Sub-Assembly)

Universal Packs / Base Towers / Extension Towers / Roofs / Means of Exit/Access / Add-ons : 790_001 ... 794_911

Assembly

Playtowers : 801_005 ... 200	Links : 870_100 ... 105	Accessories : 123_220 ... 250_075
Playhouses : 830_150 ... 253, 835_251 ... 253	Swings : 801_300, _600, _601	Slides (XL) : 324_100 ... 600
Modules : 850_180 ... 415		Slides (XXL) : 334_100 ... 600
: 857_103, 857_108	Playtowers: 802_202 ... 208	
857_151, 857_158	803_202 ... 210	
	809_202 ... 804	

Applicable EC directives and standards

Chemical References

1. Migration of certain elements (17x + Chr VI + tin) as required in TSD 2009/48/EC and its amendments. Scrape off toy material. Tested according to EN 71-3:2019.	5. Content of 7 Phthalates (18x) according to REACH (EG) no.1907/2006, Annex XVII. Tested according to COC-CH-C1011-09.3 and EN 15777 / QMA 2011.1300	9. Content of 3 Flame retardants according to REACH (EG) no. 1907/2006, Annex XVII. Tested according to EN 62321-6.
2. Migration of solvents, monomers and plasticizers as specified in "Safety for Toys: Organic Chemical Compounds", EN 71-9: 2005 + A1: 2007. Tested according to EN 71-10: 2005 & EN 71-11: 2005.	6. Content of Cadmium according to REACH (EG) no. 1907/2006, Annex XVII. Tested according to EN 17294-2	10. Ni release according to REACH (EG) no. 1907/2006, Annex XVII. Tested according to EN 71-3:2013+A1:2014.
3. Content of N-nitrosamines and N-nitrosatable substances as specified in EN standard 71-12: 2013. Tested according to EN 71-12: 2013.	7. Formaldehyde according to REACH (EG) no. 1907/2006, Annex XVII. Tested according to EN 14184	11. Sweat and Salvia resistance tested according to DIN 53160
4. Content of 18 PAHs (Polycyclic Aromatic Hydrocarbons) as referred in AfPS GS 2014:01 PAK (Replaced on 2019:01) Tested according to QMA 2011.1284	8. Azo dyes according to REACH (EG) no. 1907/2006, Annex XVII. Tested according to BVL B 82.02-2.	

Mechanical physical properties + flammability

EN 71 - 1 : 2014 + A1: 2018 EN 71 - 2 : 2011 + A1: 2014 EN 71 - 8 : 2018

Supplementary information

Conformity to the above specified directives and standards has been frequently verified and is continuously monitored by TÜV Süd, TÜV Rheinland LGA products, DEKRA (DE), STR Ltd (UK), LNE SA (FR), LMR Ltd (US) and IPS N.V. (BE) since 1994. Jungle Gym participates in the European Commission for standardisation for the safety of activity toys (TC52 / WG 10).


Declaration

I hereby declare under our sole responsibility that the products mentioned above, to which this declaration relates, complies with the above mentioned directives and standards.



Name
Mr. P. Schmit / Director

Issued date
Januari 2nd, 2023


Signature of representative