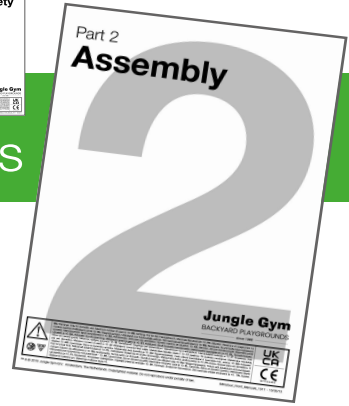


# Part 2

# Assembly

## Instructions



Config ID: KMY3vZ

Date: 2023-09-07



Manual Part 1



### Important

This assembly manual should always be read in conjunction with the General Safety manual part 1 as included in the hardware package of your playground equipment.

Please read these safety instructions carefully before starting the assembly work.

# Jungle Gym

## BACKYARD PLAYGROUNDS

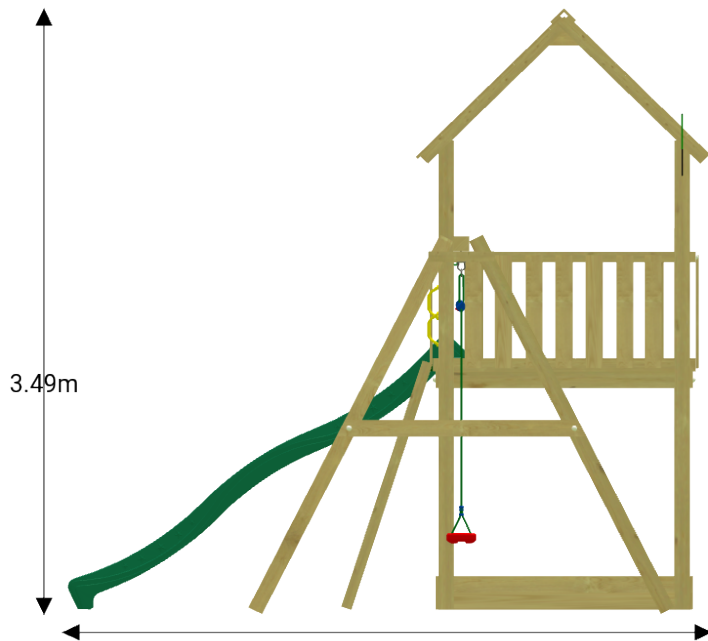
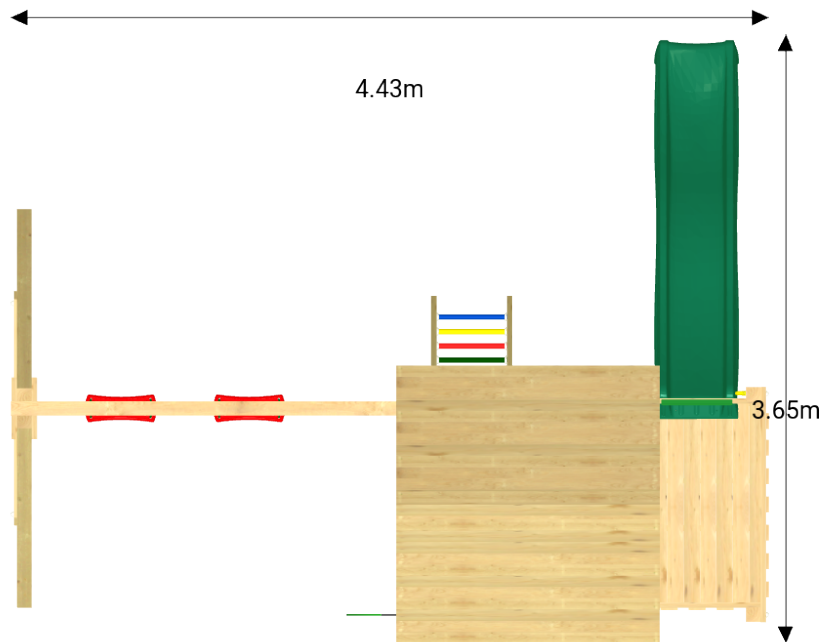
since 1988



**EN.** Warnings. Only for domestic use. Maximum number of users is **4**. **DE.** Achtung. Nur für den Hausgebrauch. Maximale Benutzerzahl: **4**. **FR.** Attention. Réserve à un usage privé. Le nombre maximal d'utilisateurs est de **4**. **NL.** Waarschuwingen. Uitsluitend voor huishoudelijk gebruik. Het maximale aantal gebruikers is **4**. **BG.** Внимание. За употреба само в домашни условия. Максималният брой потребители е **4**. **ES.** Advertencias. Sólo para uso doméstico. Número máximo de usuarios: **4**. **CS.** Varování. Jen pro domácí použití. Maximální počet uživatelů je **4**. **DA.** Advarsler. Kun til privat brug. Maksimum antal brugere er **4**. **ET.** Hoiatused. Ainult koduseks kasutamiseks. Maksimaalne kasutajate arv on **4**. **EL.** Προειδοποιήσεις. Μόνο για οικιακή χρήση. Μέγιστος αριθμός χρηστών **4**. **IS.** Varnaðarorð. Eingöngu fyrir einkanotkun í heimahúsum og á einkalöðum. Hámarksfjöldi notenda er **4**. **IT.** Avvertenze. Solo per uso domestico. Massimo numero di utenti è **4**. **LV.** Brīdinājumi. Izmantot tikai mājās. Maksimālais lietotāju skaits ir **4**. **LT.** Įspėjimai. Tik buitiniam naudojimui. Maksimalus naudotojų skaičius HR. Upozorenja. Samo za kućansku uporabu. Maksimalan broj korisnika je **4**. **HU.** Figyelmeztetések. Csak otthoni használatra! A használók max. száma: **4**. **NO.** Advarsler. Kun for privat bruk. Maksimalt antall brukere er **4**. **PL.** Ostrzeżenia. Wyłącznie do użytku domowego. Maksymalna liczba użytkowników to **4**. **PT.** Avisos. Apenas para uso doméstico. O número máximo de utilizadores é **4**. **RO.** Avertismente. Numai pentru uz domestic. Numărul maxim de utilizatori este **4**. **RU.** Предостережения. Только для домашнего использования. Максимальное количество пользователей - **4**. **SK.** Upozornenia. Iba na domáce použitie. Maximálne množstvo osôb je **4**. **SL.** Opozorila. Samo za domačo uporabo. Maksimalno število uporabnikov je **4**. **FI.** Varoitukset. Ainoastaan kotikäyttöön. Käyttäjää yhteensä enintään **4**. **SR.** Upozorenja. Samo za kućnu upotrebu. Maksimalan broj korisnika je **4**. **SV.** Varningar. Endast för hemmabruk. Det maximala antalet användare är **4**. **TR.** Uyarılar. Sadece ev kullanımı için. Maksimum kullanıcı sayısı **8**.



# 1 Views

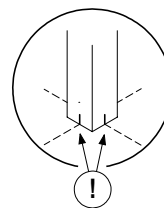
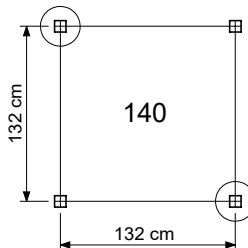
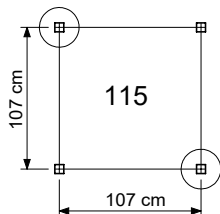
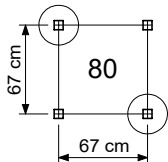
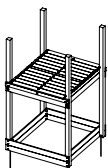


## 2 Order list

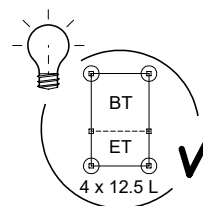
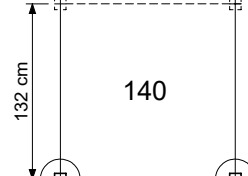
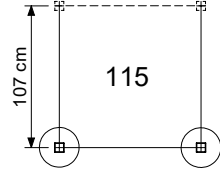
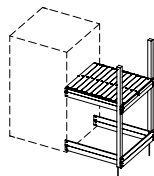
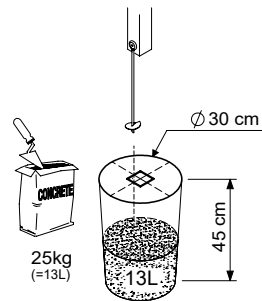
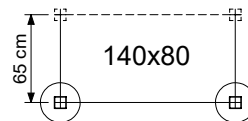
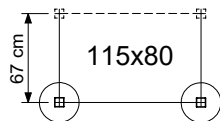
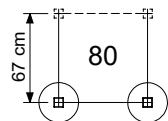
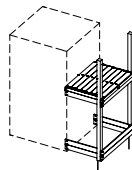
Nr.	SKU	Description	ID	#
1	794_432	Ladder 140_145	LA26	1
2	794_001	Base Tower 140_270270	BT20a	1
3	794_102	Extension Tower 14080_220	ET27a	1
4	794_202	Roof Palace 140	RF14a	1
5	794_301	Balustrade 140	BL05a	1
6	794_301	Balustrade 140	BL06a	2
7	794_302	Balustrade 70/140	BL09a	1
8	790_301	Balustrade 80	BL21a	1
9	790_901	Slide 80	SL03a	1
10	750_181	2- Swing Module 220_Extra	SW21a	1
11	194_119	AP Accessory set	AC01a	1
12	250_034	Swing Seat Kit • Red	AC21a	2
13	334_x00	Wavy Star Slide XXL	334_x00	1

### 3 Anchor Plan

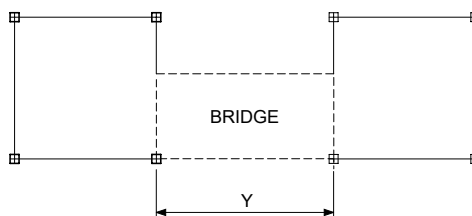
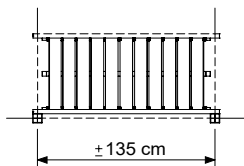
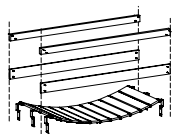
BASE TOWERS



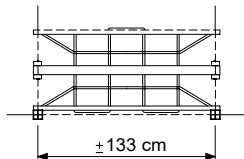
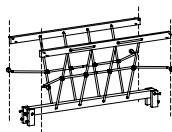
EXTENSION TOWERS



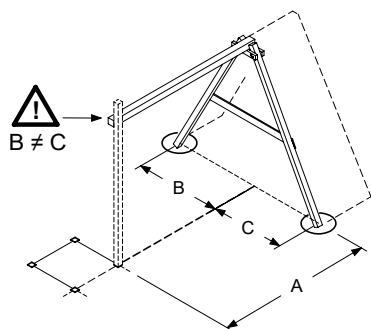
CLATTER BRIDGE



NET BRIDGE

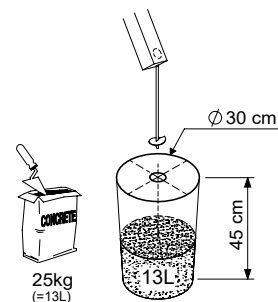


SWING / CLIMB MODULE



Module type	A	B	C
1-Swing 200	150	115	100
1-Swing 220 / 220 Extra		120	105
2-Swing 200	210	115	100
2-Climb 200			
1-Climb 200	142	120	105
1-Climb 220 / 220 Extra	162		
2-Swing 220 / 220 Extra	230	120	105
2-Climb 220 / 220 Extra			

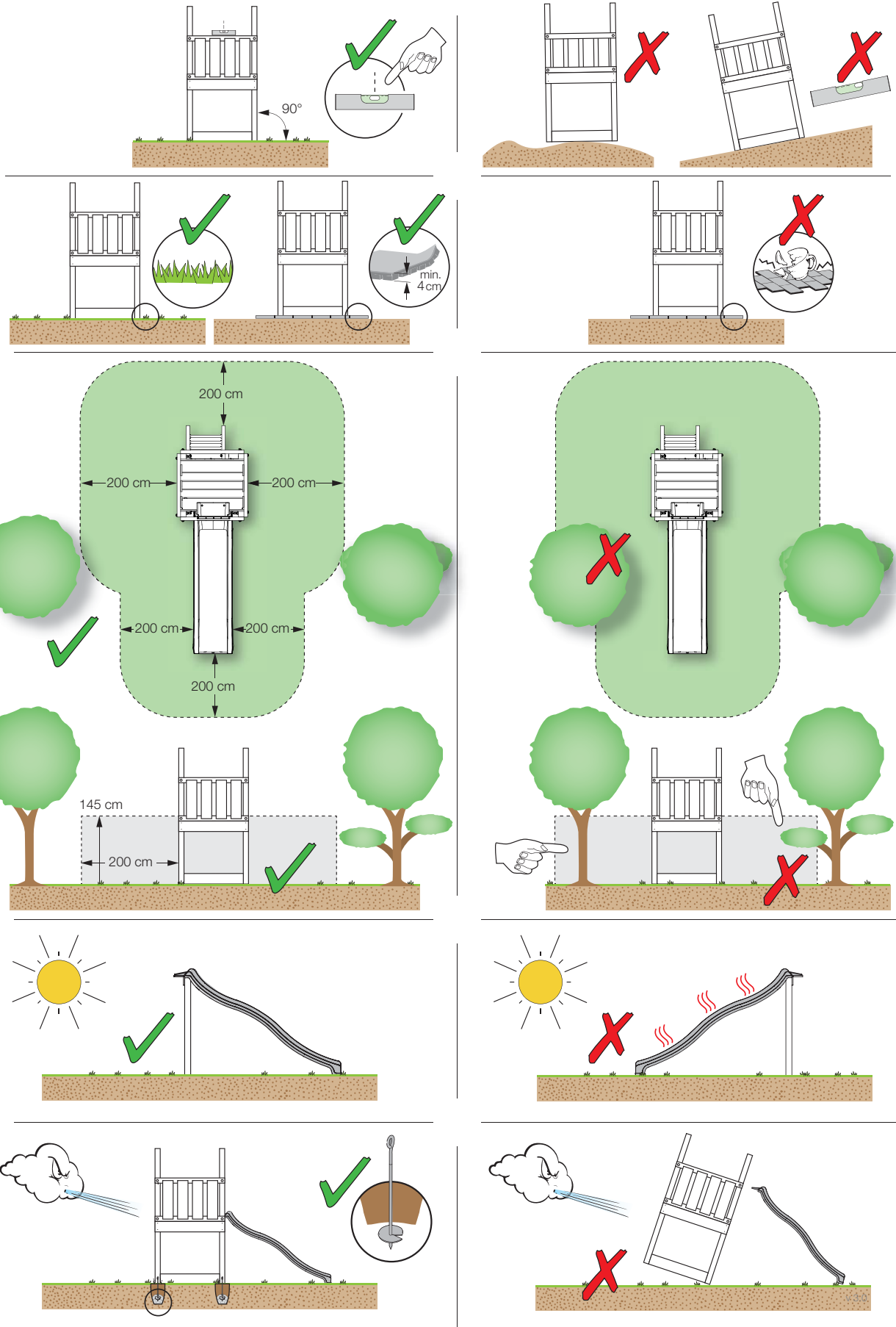
Ground Anchors Unit - POZ - 04/07/2023 - v1.2



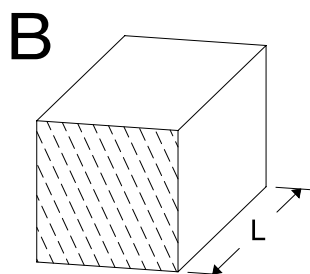
Ground Anchors Unit - POZ - 04/07/2023 - v1.2



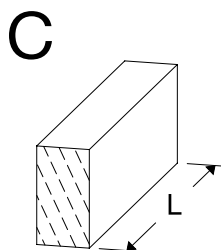
### 3.1 Safe Playground



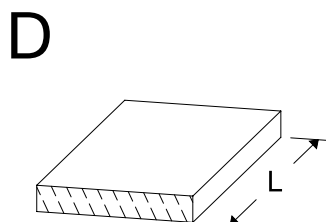
## 4 Timber parts



B220	219 cm - 220 cm	2
B240	239 cm - 240 cm	3
B270	269 cm - 270 cm	4

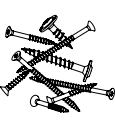
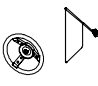

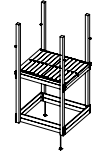
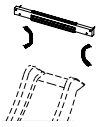
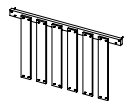


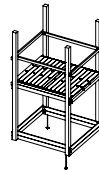




C37	36 cm - 37 cm	2
C70	69 cm - 70 cm	2
C74	73 cm - 74 cm	6
C108	107 cm - 108 cm	2
C114	113 cm - 114 cm	2
C141	140 cm - 141 cm	11
C150	149 cm - 150 cm	2

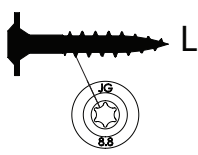
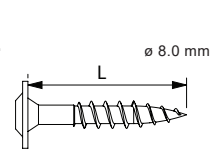


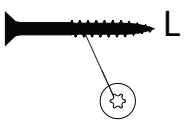
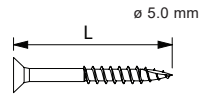


D65	64 cm - 65 cm	29
D74	73 cm - 74 cm	6
D123	122 cm - 123 cm	26
D141	140 cm - 141 cm	17
D154	153 cm - 154 cm	28

## 5 Assembly packs & accessories

<p>Hardware 01</p>  <p><b>BL</b> <b>H01</b></p> <p>194_101</p> <p><b>2x</b></p>	<p>Accessory Set</p>  <p><b>AC</b></p> <p>194_119</p> <p><b>1x</b></p>	<p>Swing Seat</p>  <p><b>AC</b></p> <p>250_034</p> <p><b>2x</b></p>	<p>Tower 115</p>  <p><b>BT</b> <b>ET</b></p> <p>194_300</p> <p><b>1x</b></p>	<p>Slide Frame</p>  <p><b>SL</b></p> <p>194_107</p> <p><b>1x</b></p>
<p>Balustrade 140</p>  <p><b>BL</b></p> <p>194_501</p> <p><b>3x</b></p>	<p>Ladder 145</p>  <p><b>LA</b></p> <p>194_004</p> <p><b>1x</b></p>	<p>Slide 2.6m</p>  <p><b>1x</b></p> <p>334_x00</p>	<p>Tower 140</p>  <p><b>BT</b> <b>ET</b></p> <p>194_500</p> <p><b>1x</b></p>	<p>Swing Frame Kit</p>  <p><b>SW</b></p> <p>457_102</p> <p><b>1x</b></p>
<p>Roof Timber 140</p>  <p><b>RF</b></p> <p>194_508</p> <p><b>1x</b></p>				

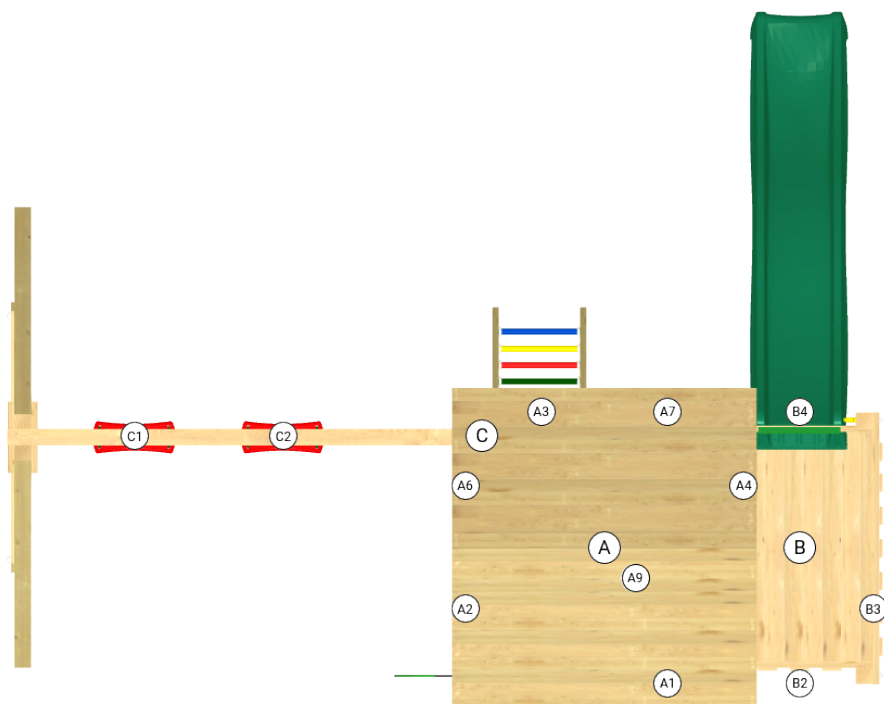
## 6 Hardware Identification

		SKU	L
	 $\varnothing$ 8.0 mm	001_404	30 mm
		001_406	45 mm
		001_411	60 mm
		001_417	80 mm
		001_422	137 mm
	M8	001_102	30 mm
	$\varnothing$ 2.0 mm	000_101	20 mm
	$\varnothing$ 6.3 mm	002_036	16 mm
	$\varnothing$ 4.5 mm	002_041	20 mm
	$\varnothing$ 3.5 mm	002_042	13 mm
	$\varnothing$ 3.9 mm	002_301	40 mm

		SKU	L
	 $\varnothing$ 5.0 mm	002_308	20 mm
		002_219	30 mm
		002_220	45 mm
		002_223	80 mm
	M8	003_010	
	M6	003_034	
	M8	004_050	22mm
		022_845	Yellow
		022_846	Blue
		022_847	Green
		022_848	Red
		023_031	White
	 $\varnothing$ 8.4 mm	022_844	
	 $\varnothing$ 31.4 mm	022_314	
		120_005	White

output: 25/05/23

## 7 Assembly Planning



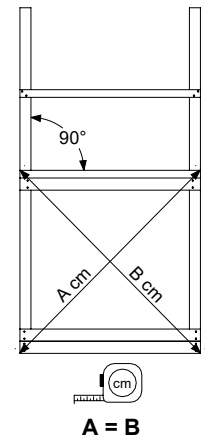
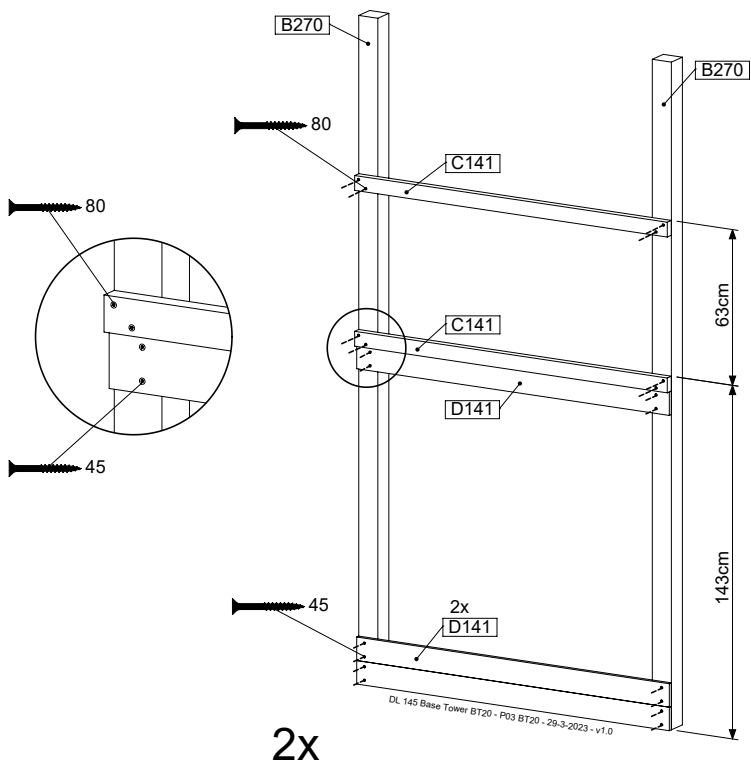
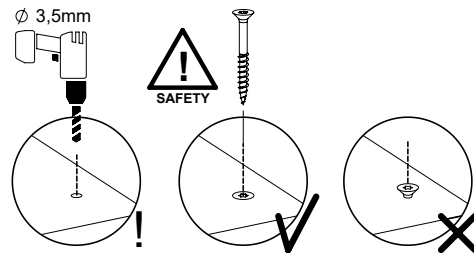
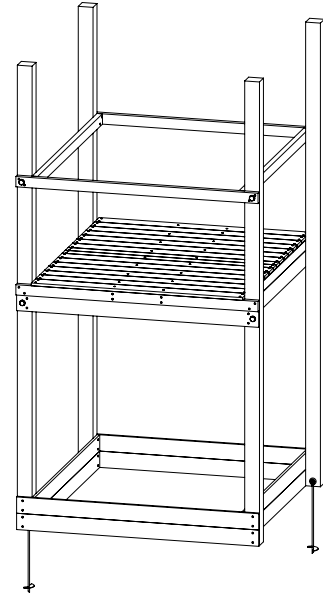
	ID			A	B	C
1	BT20a		p.7	✓	-	-
2	ET27a		p.7	-	✓	-
3	BL05a		p.7	A2	-	-
4	BL06a		p.7	A1	B3	-
5	BL09a		p.7	A7	-	-
6	BL21a		p.7	-	B2	-
7	RF14a		p.7	A9	-	-
8	LA26		p.7	A3	-	-
9	SW21a		p.7	-	-	✓
10	SL03a		p.7	-	B4	-
11	GA		p.7	✓	✓	✓
12	AC01a		p.7	✓	-	-

# 8 BT20a: Base Tower 140 145cm 270270

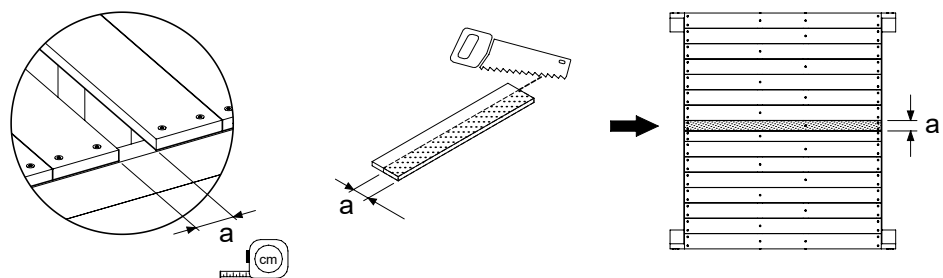
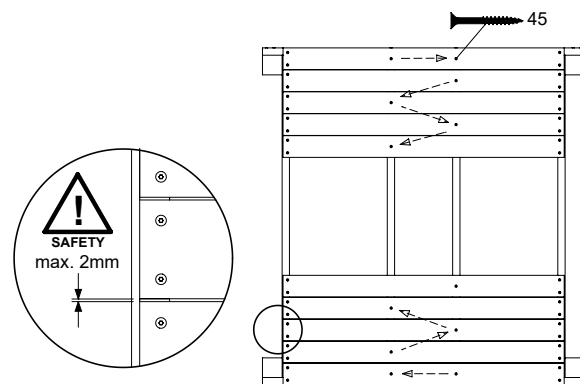
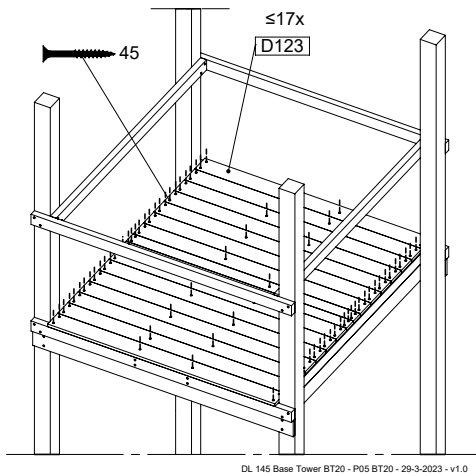
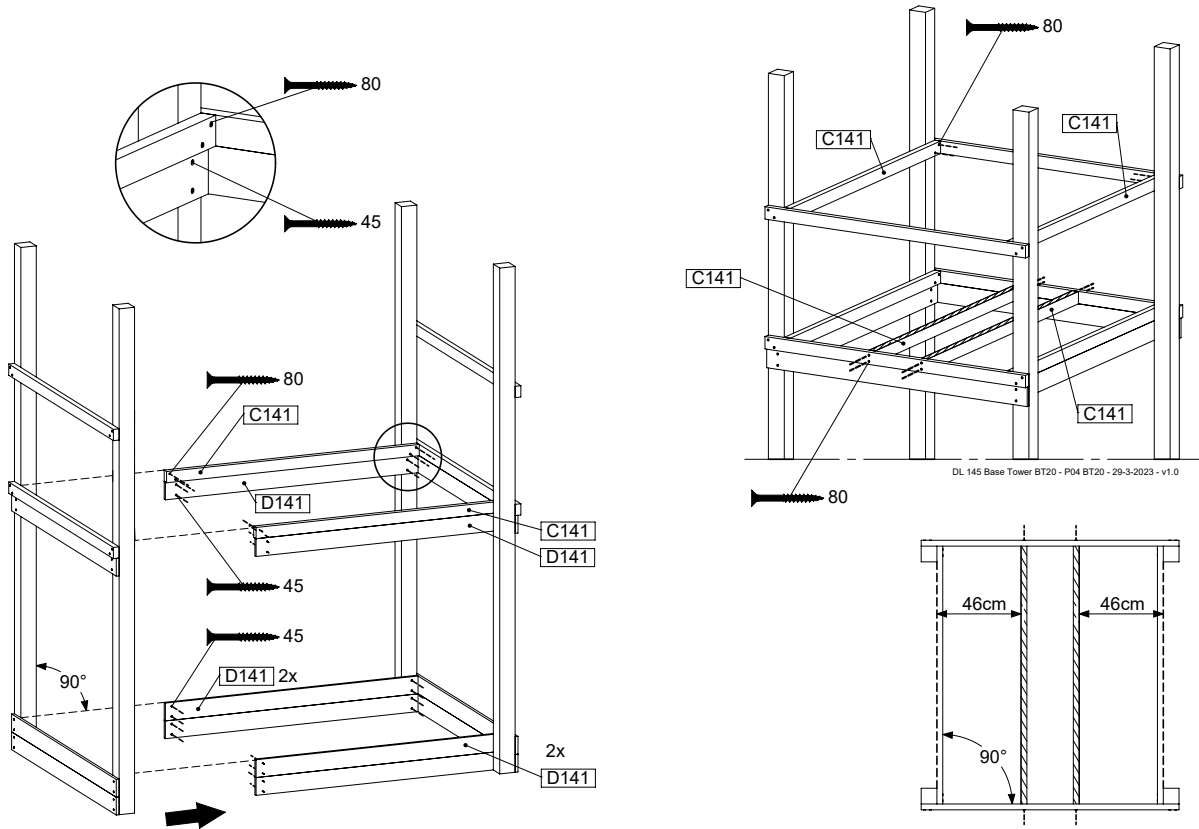
( 194\_500 )

	PartNo	PartName	QTY.
Hardware pack	001_406	Stealth Screw 8x45	6
	001_417	Stealth Screw 8x80	4
	002_220	Gap Point Screw T25 - 5x45	135
	002_223	Gap Point Screw T25 - 5x80	40
Other	007_001	Ground-anchor	2
	022_31x	bpc-base version 3	8
	022_84x	bpc cover	8
Timber	B270	Post 90x90 L2700	4
	C141	Beam 1410 mm	10
	D123	Board 1230 mm	17
	D141	Board 1410 mm	12

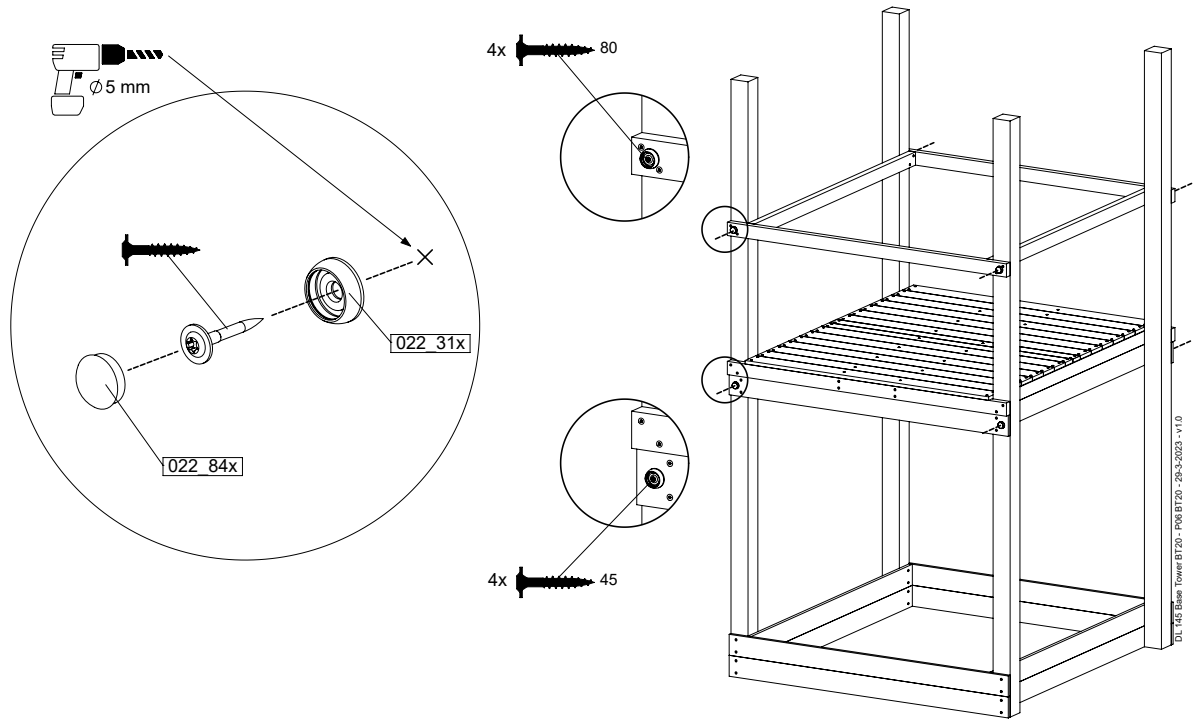
DL 145 Base Tower BT20 - P02 BT20 - 29-3-2023 - v1.0



# 8.1



## 8.2



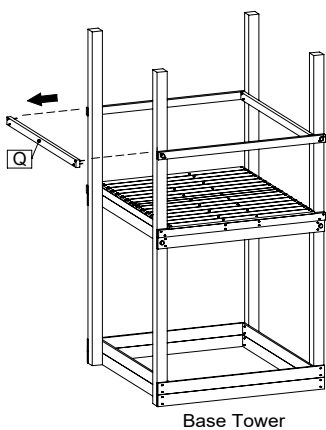
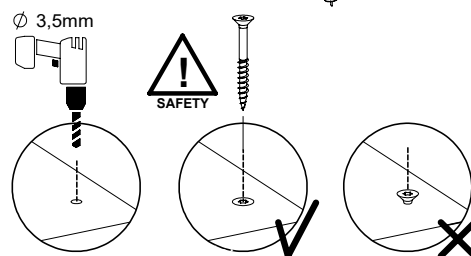
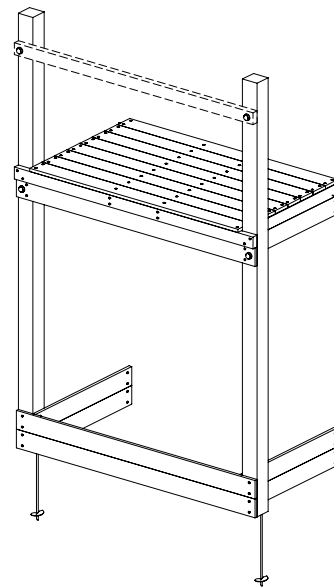


# 9 ET27a: Extension Tower 14080 220/145

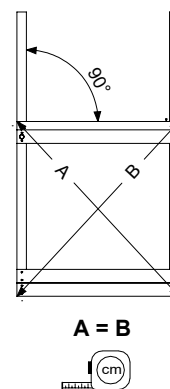
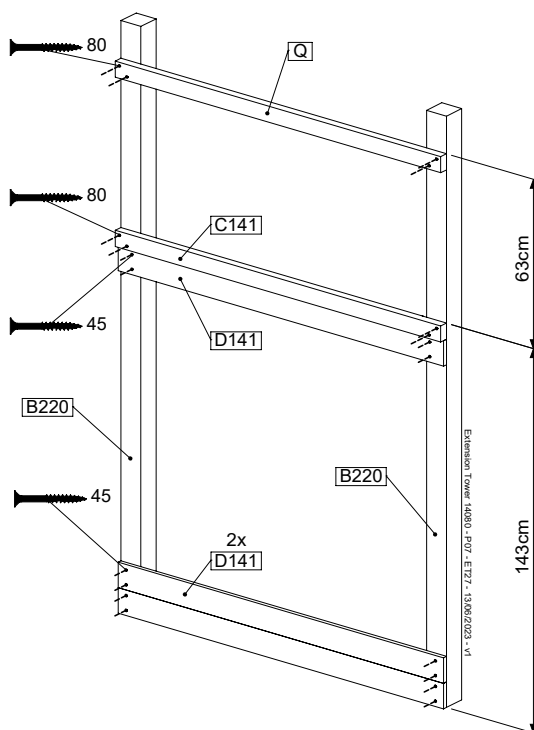
( 194\_300 )

	PartNo	PartName	QTY.
Hardware pack	001_406	Stealth Screw 8x45	4
	001_417	Stealth Screw 8x80	2
	002_220	Gap Point Screw T25 - 5x45	90
	002_223	Gap Point Screw T25 - 5x80	20
Other	007_001	Ground-anchor	2
	022_31x	bpc-base version 3	4
	022_84x	bpc cover	4
Timber	B220	Post 90x90 L2200	2
	C74	Beam 740 mm	4
	C141	Beam 1410 mm	1
	D74	Board 740 mm	6
	D123	Board 1230 mm	9
	D141	Board 1410 mm	3

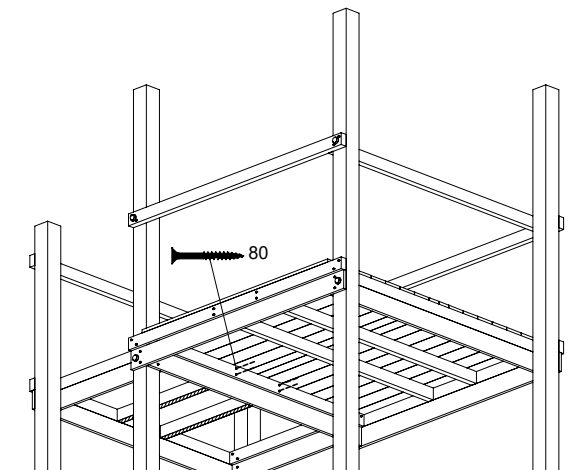
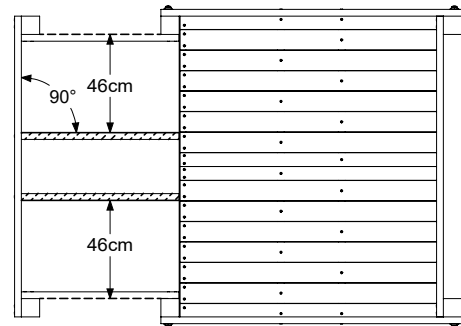
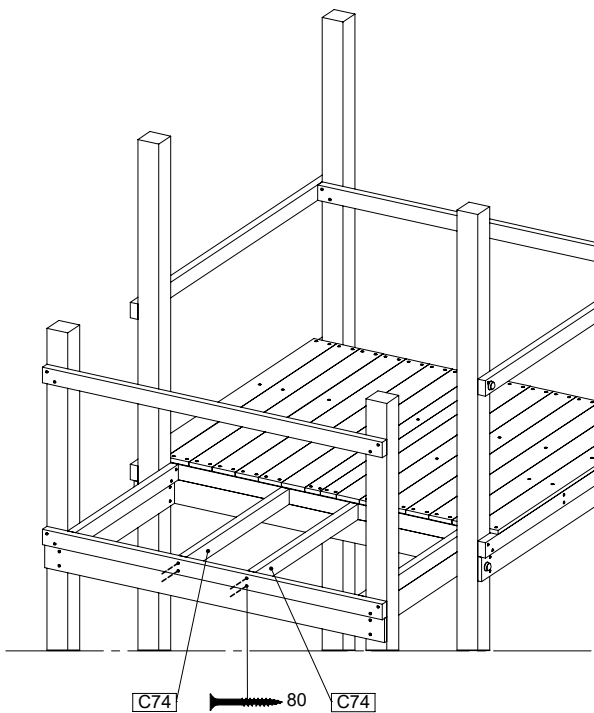
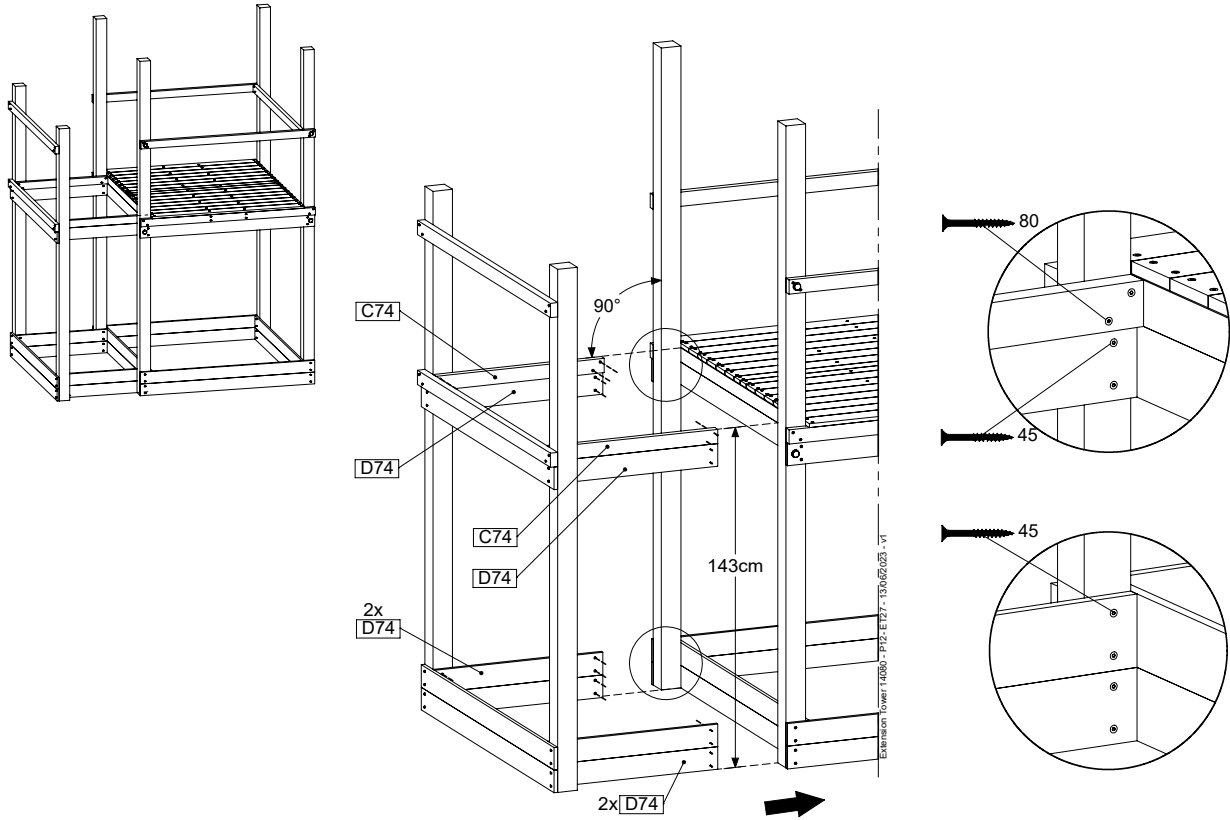
Extension Tower 14080 - P12 - ET27 - 13/06/2023 - v1



Base Tower

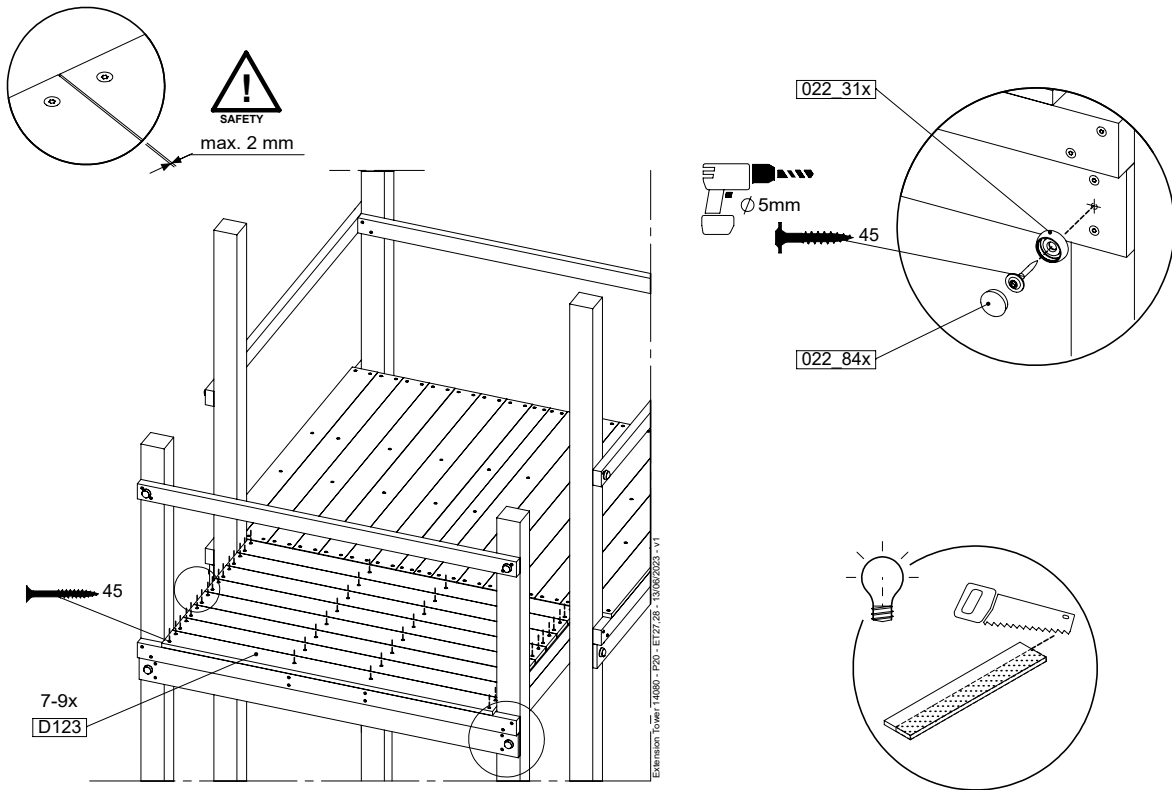


# 9.1



Extension Tower 14080 - P17 - ET27.28 - 13/06/2023 - v1

## 9.2

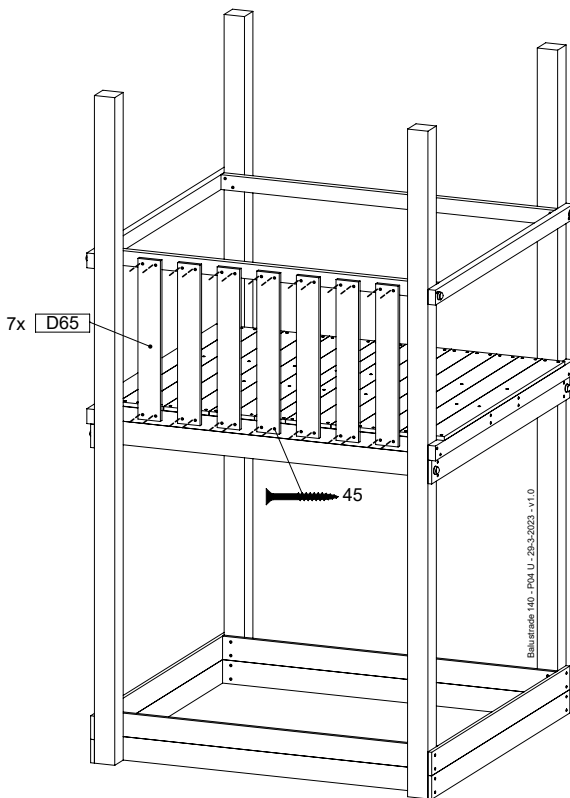
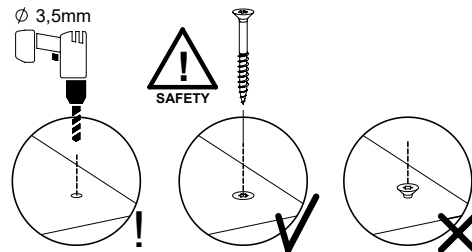
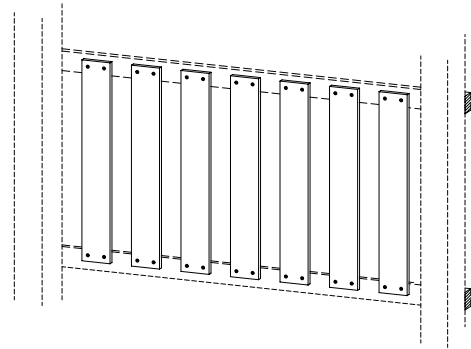


# 10 BL05a: Balustrade 140 U

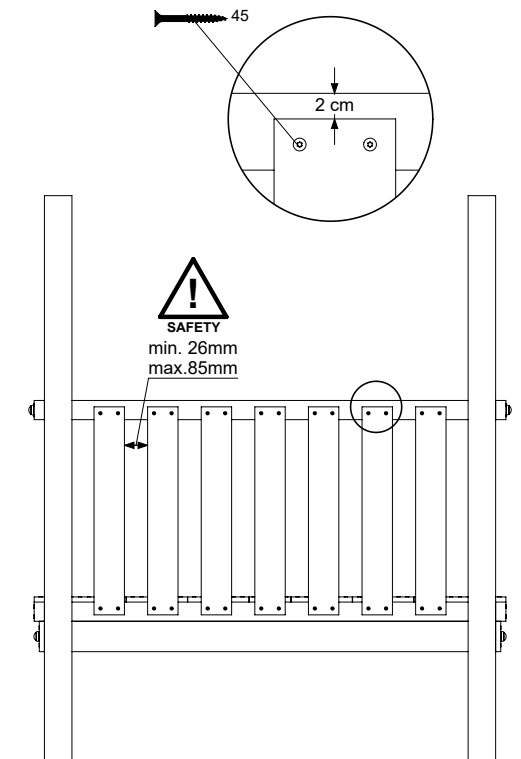
( 194\_501 )

	PartNo	PartName	QTY.
Hardware pack	002_220	Gap Point Screw T25 - 5x45	28
Timber	D65	Board 650 mm	7

Balustrade 140 - P02 U - 28-3-2023 - v1.0



Balustrade 140 - P04 U - 28-3-2023 - v1.0

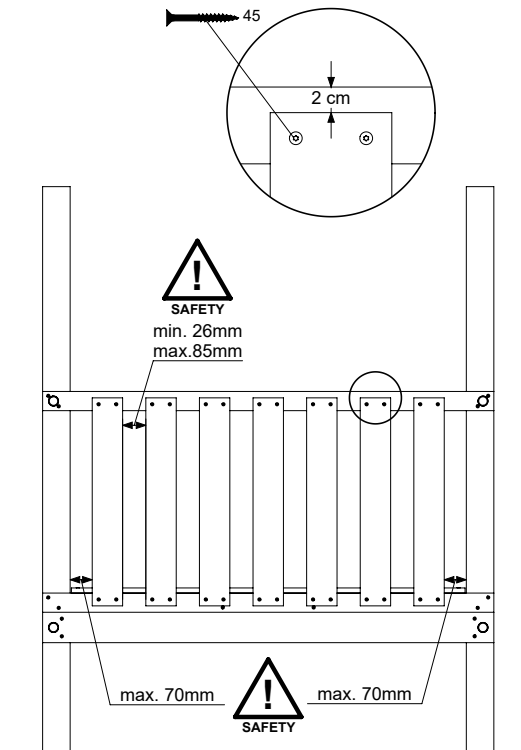
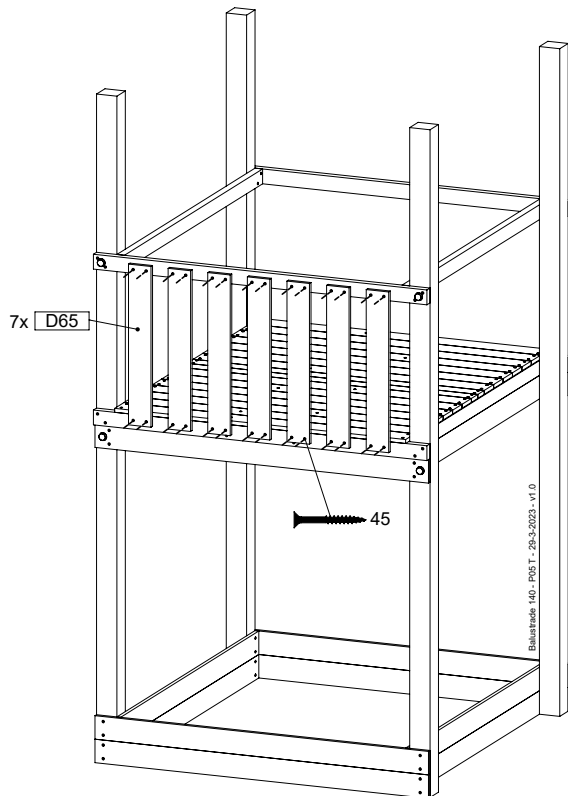
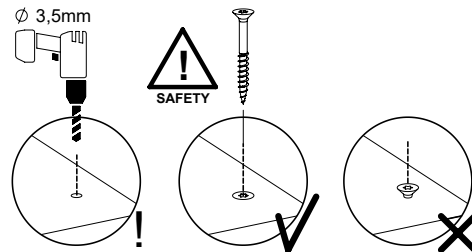
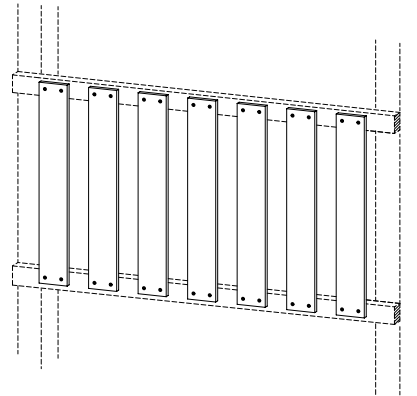


# 11 BL06a: Balustrade 140 T

( 194\_501 )

	PartNo	PartName	QTY.
Hardware pack	002_220	Gap Point Screw T25 - 5x45	28
Timber	D65	Board 650 mm	7

Balustrade 140 - P03 T - 29-3-2023 - v1.0

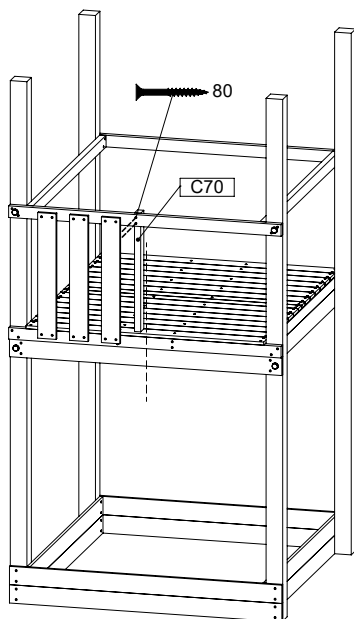
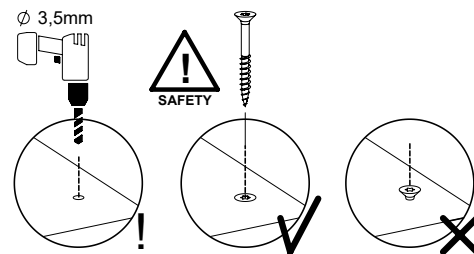
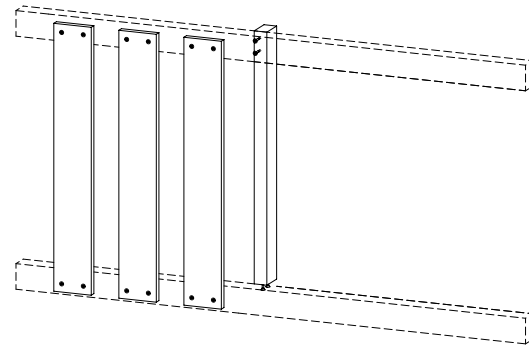


# 12 BL09a: Half Balustrade T Left

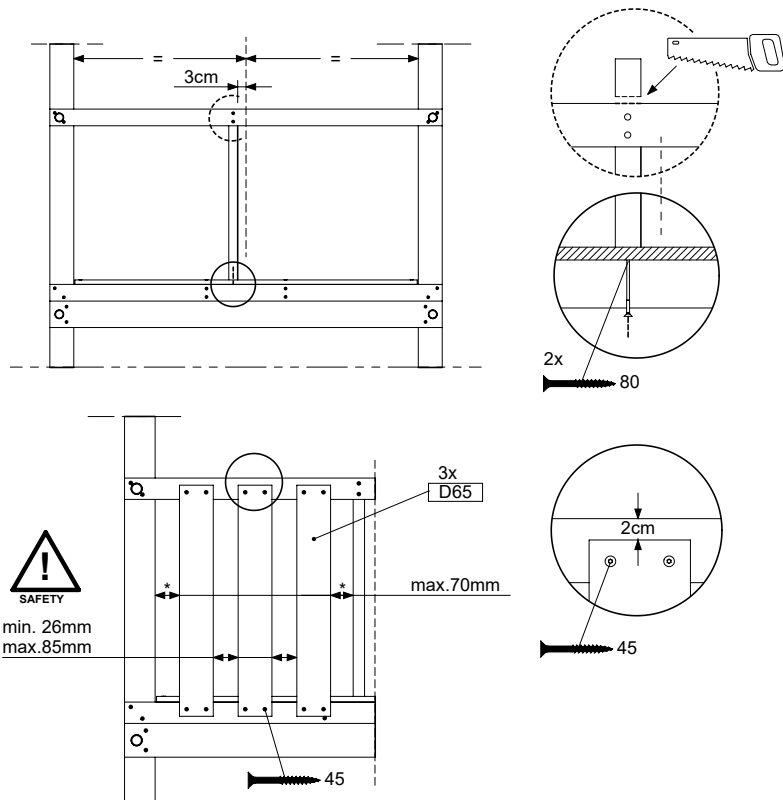
( 194\_101 )

	PartNo	PartName	QTY.
Hardware pack	002_220	Gap Point Screw T25 - 5x45	12
	002_223	Gap Point Screw T25 - 5x80	4
Timber	C70	Beam 700 mm	1
	D65	Board 650 mm	3

DL Half Balustrade 70/140 - Pot TL - 29-3-2023 -v1



DL Half Balustrade 70/140 - Pot TL - 29-3-2023 -v1

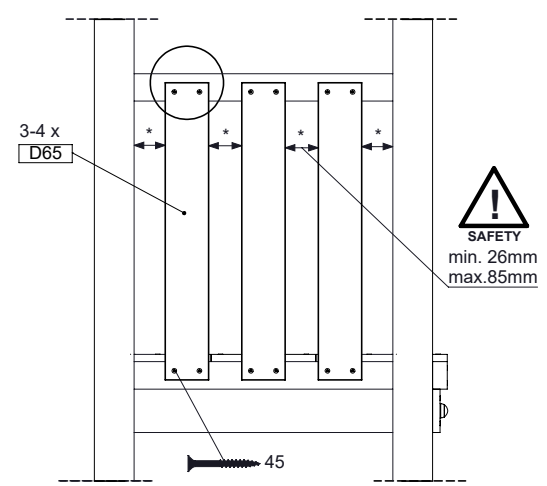
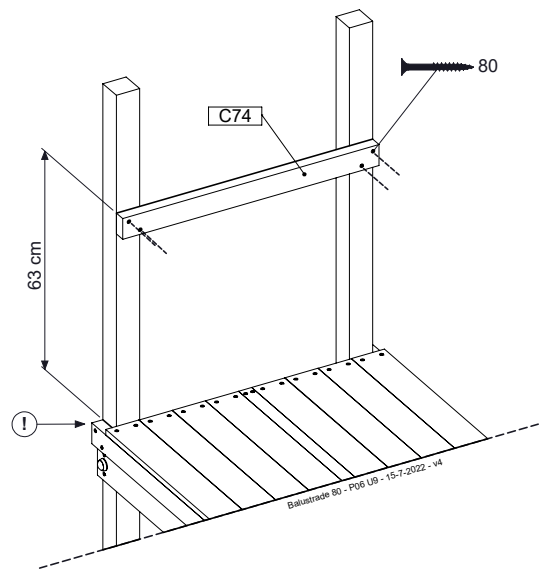
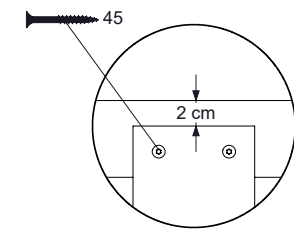
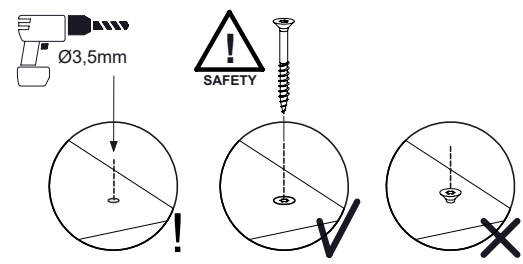
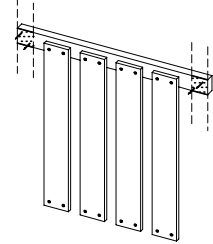


# 13 BL21a: Balustrade 80 U - 9x9 posts

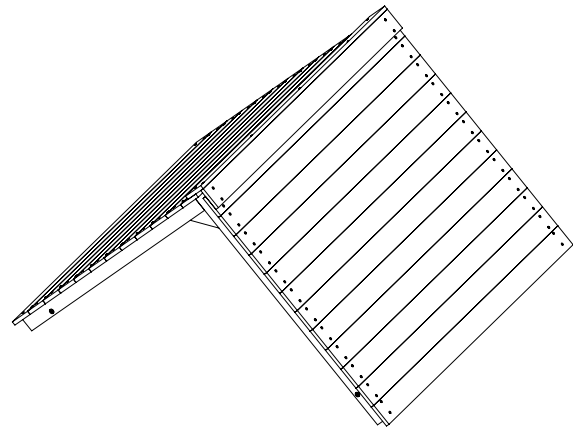
(194\_101)

	PartNo	PartName	QTY.
Hardware Pack	002_220	Gap Point Screw T25 - 5x45	16
	100_601	002_223	Gap Point Screw T25 - 5x80
Timber	C74	Beam 740 mm	1
	D65	Board 650 mm	4

Balustrade 80 - P06 U - 15-7-2022 - v4

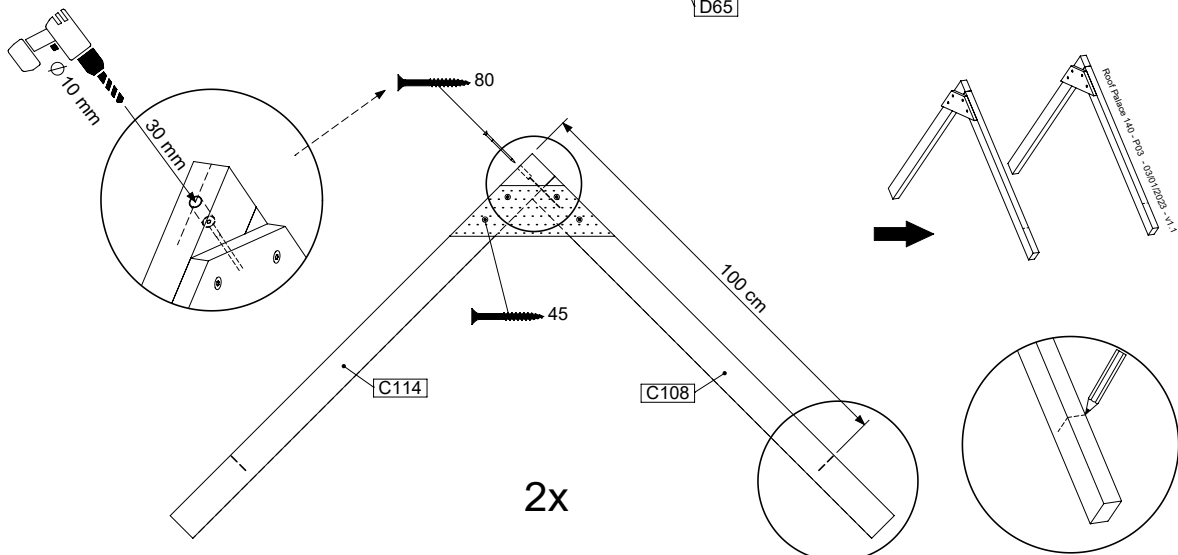
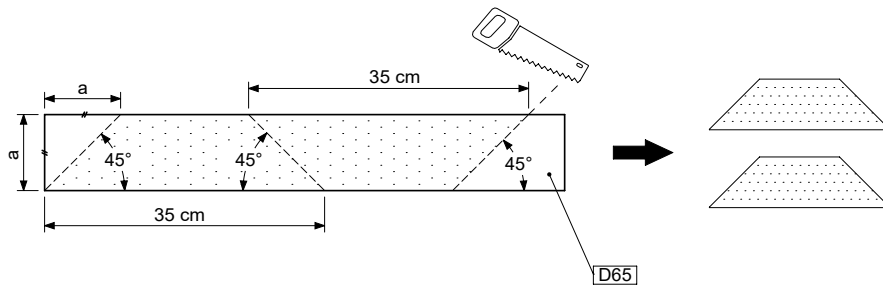
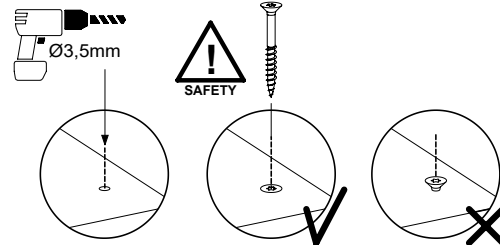


# 14 RF14a: Roof Timber Gable 140



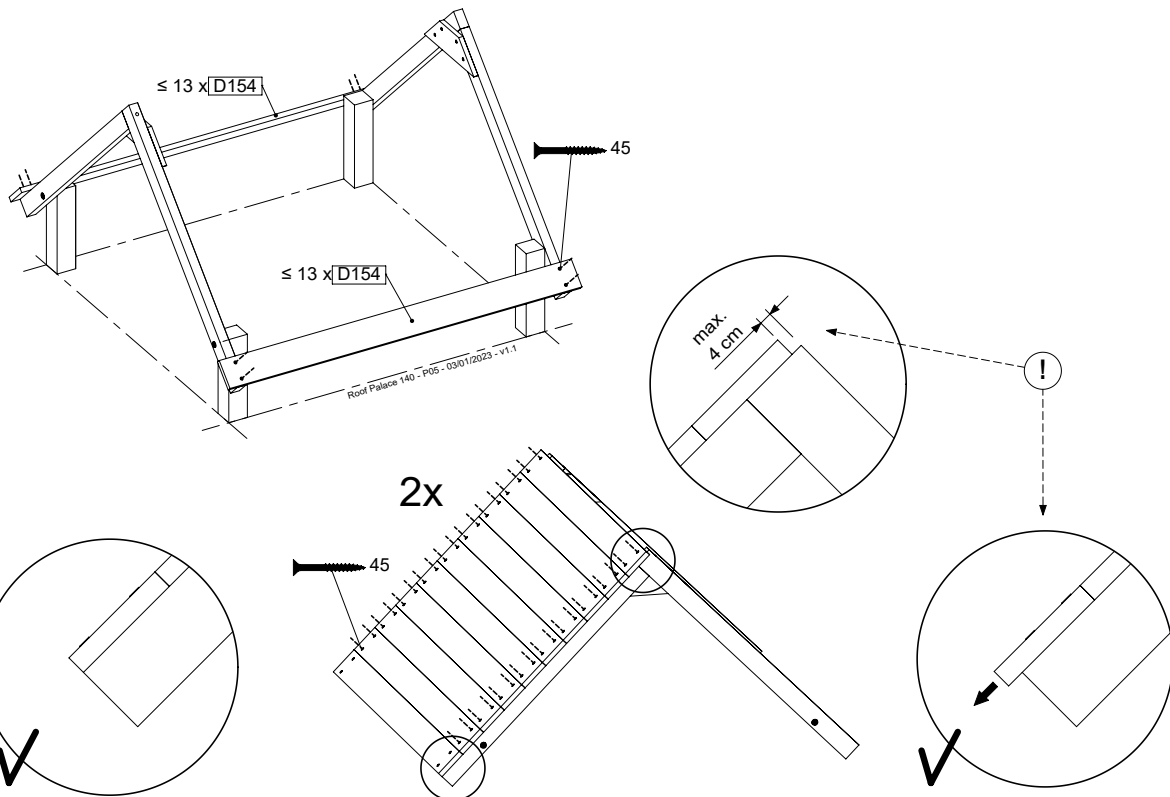
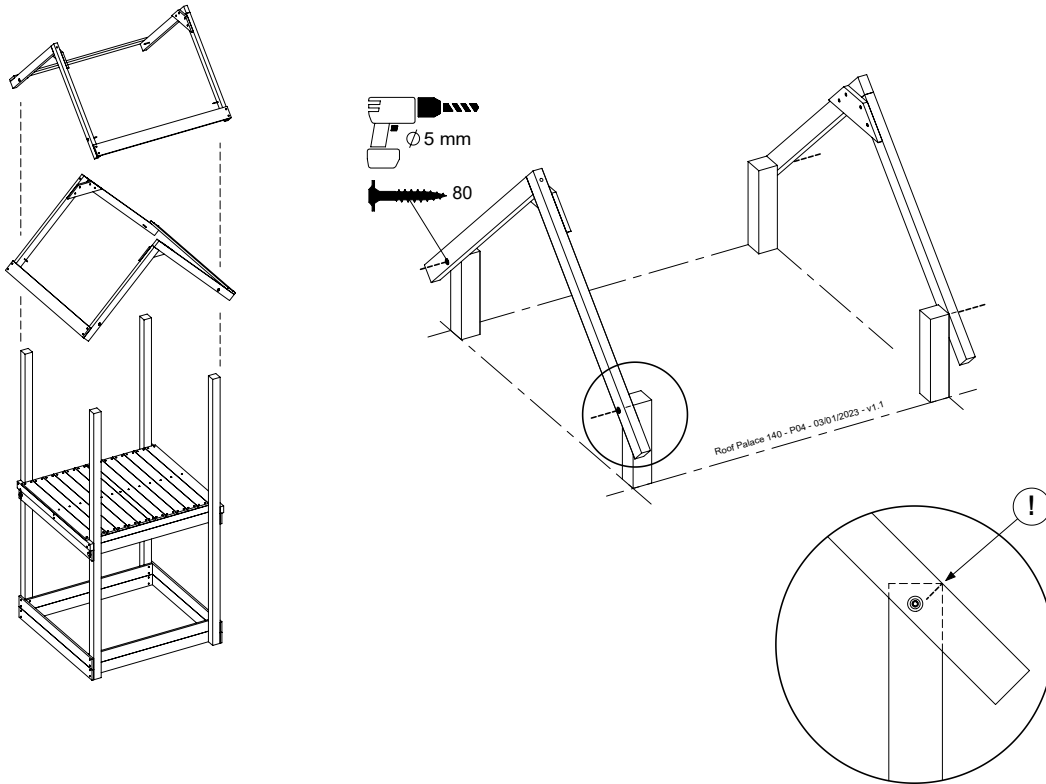
AP 194\_508 / RF

	PartNo	PartName	QTY.
Hardware pack	001_417	Stealth Screw 8x80	4
	002_220	Gap Point Screw T25 - 5x45	120
	002_223	Gap Point Screw T25 - 5x80	4
Timber	C108	Beam 1080 mm	2
	C114	Beam 1140 mm	2
	D65	Board 650 mm	1
	D154	Board 1540 mm	28

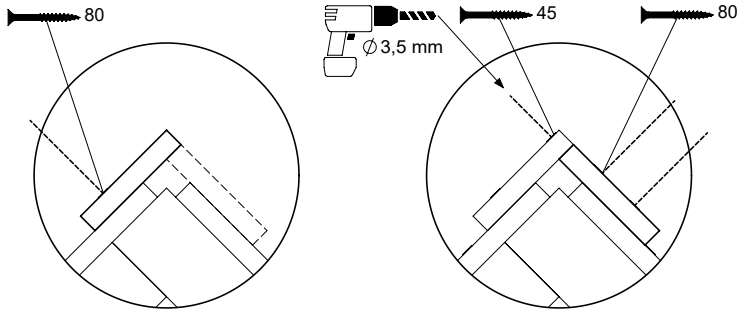
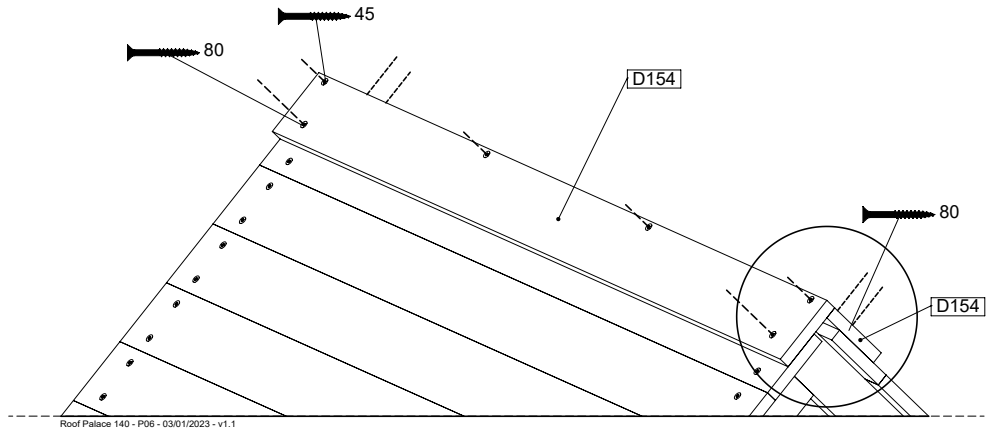




# 14.1



# 14.2

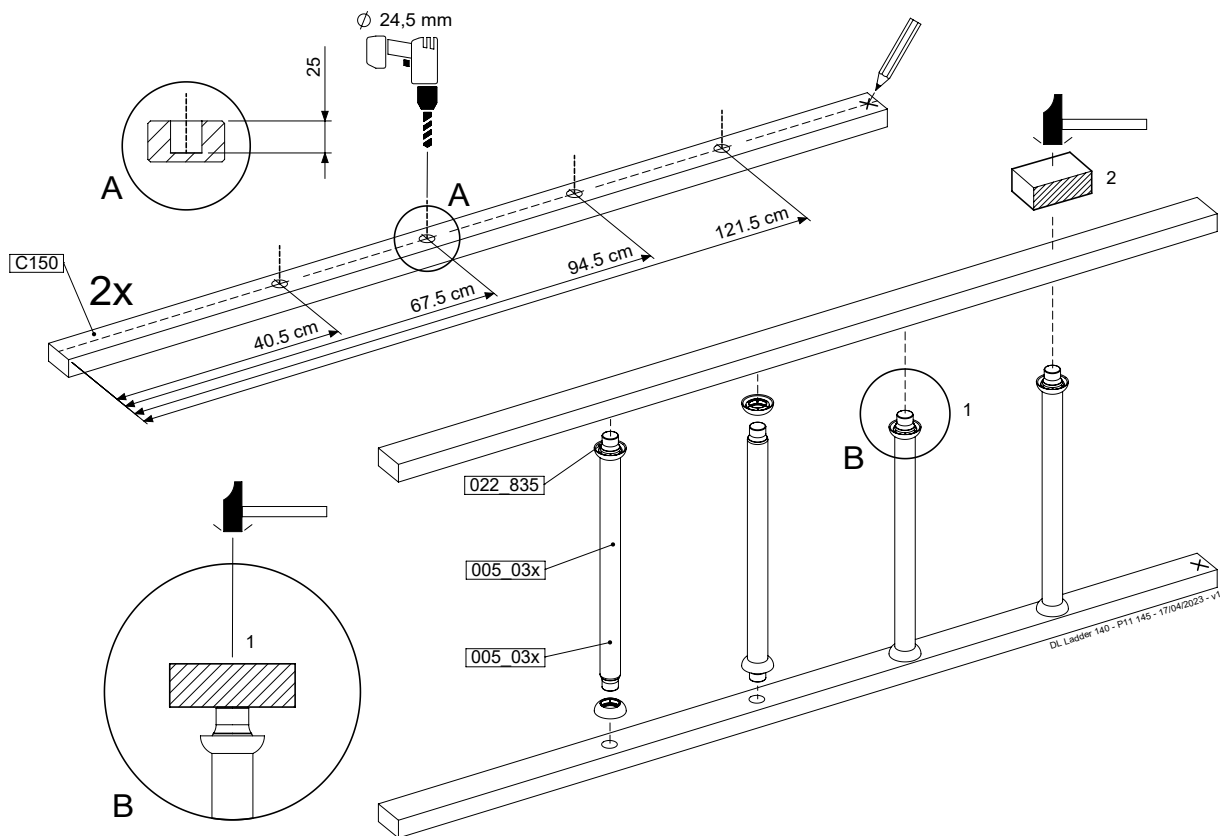
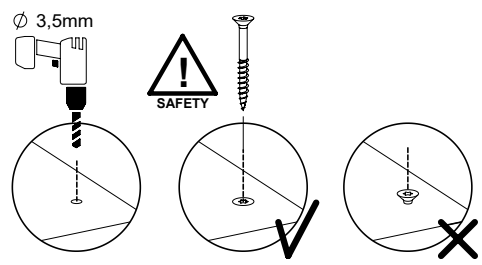
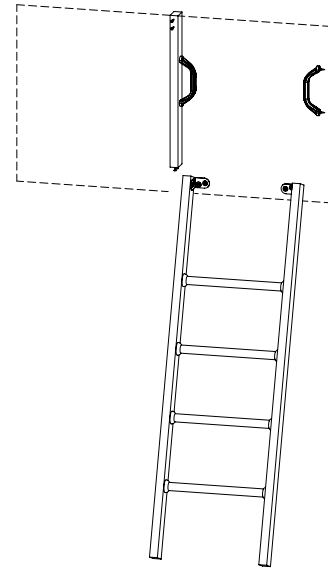


# 15 LA26: Ladder 140 145 T Right

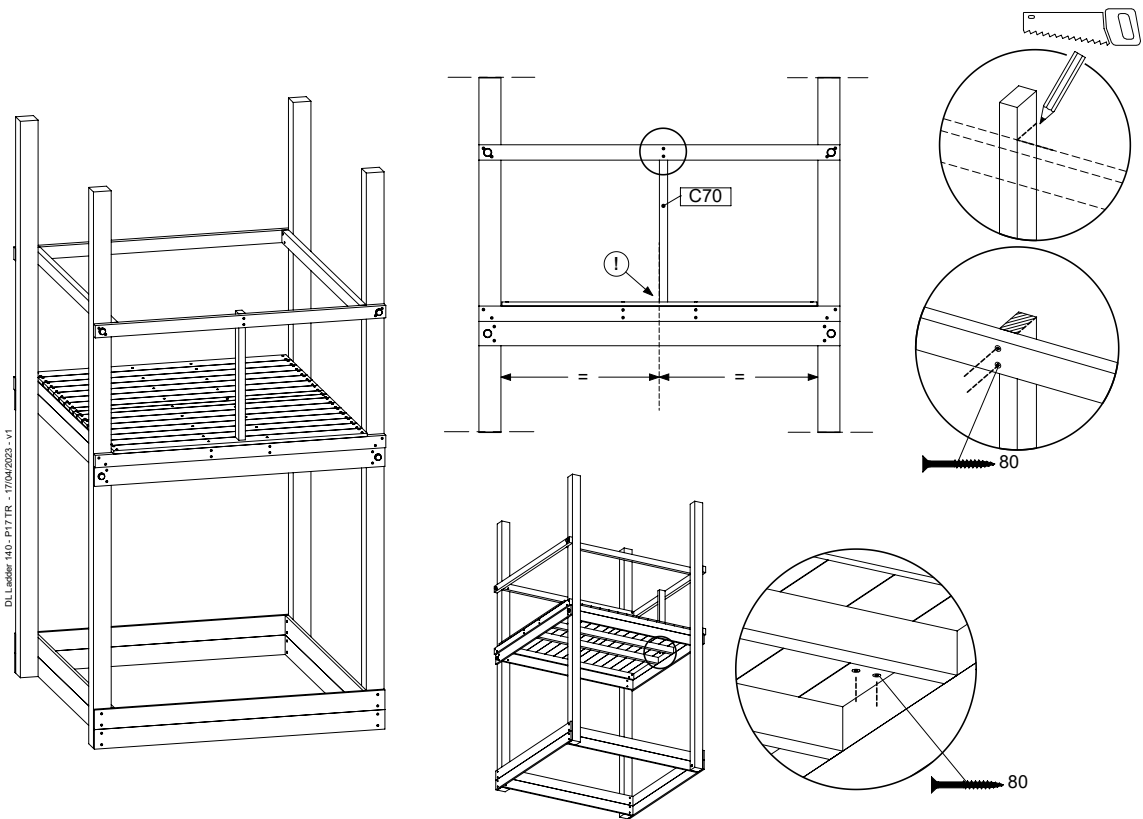
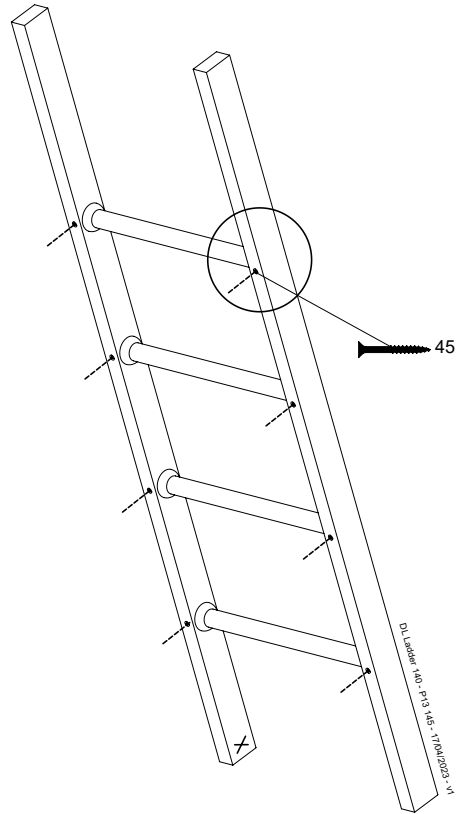
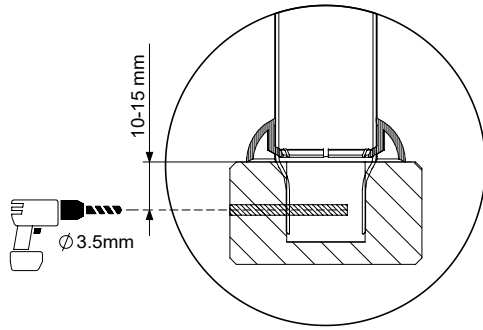
( 194\_004 )

	PartNo	PartName	QTY.
Hardware pack	001_404	Stealth Screw 8x30	4
	002_219	Gap Point Screw T25 - 5x30	4
	002_220	Gap Point Screw T25 - 5x45	8
	002_223	Gap Point Screw T25 - 5x80	4
Other	005_03x	Ladder Rung Y/B/G/R	4
	005_522	Connection Bracket Mini Market	2
	022_835	Rung Cap	8
	120_102	Handgrip set (complete 2x)	1
Timber	C70	Beam 700 mm	1
	C150	Beam 1500 mm	2

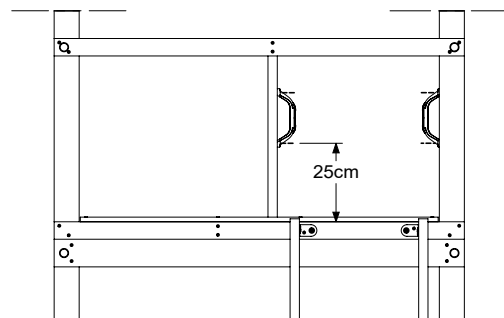
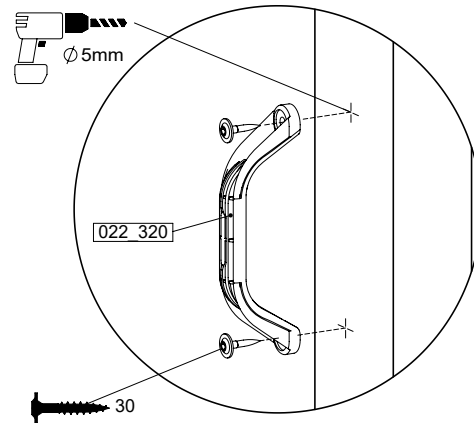
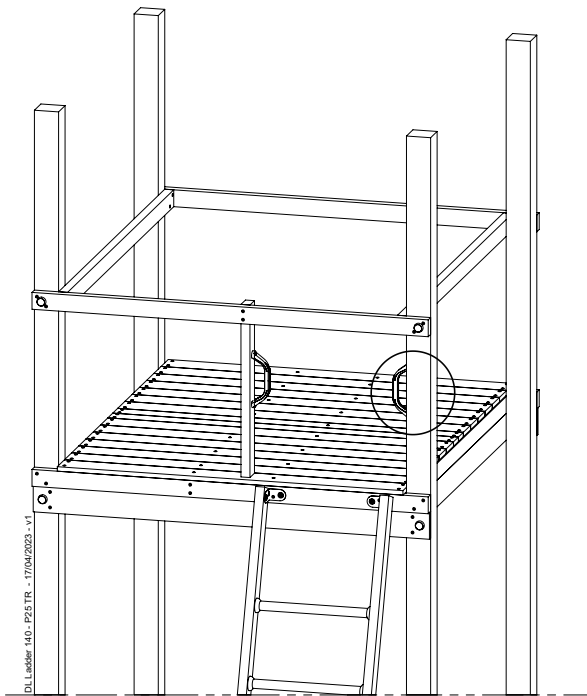
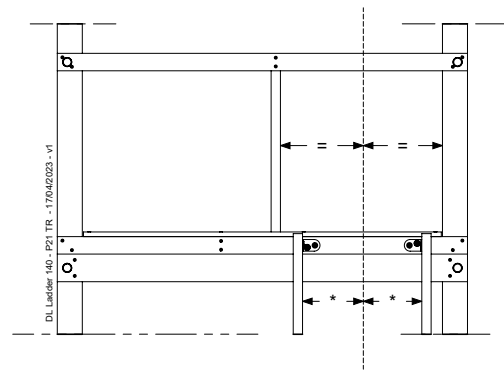
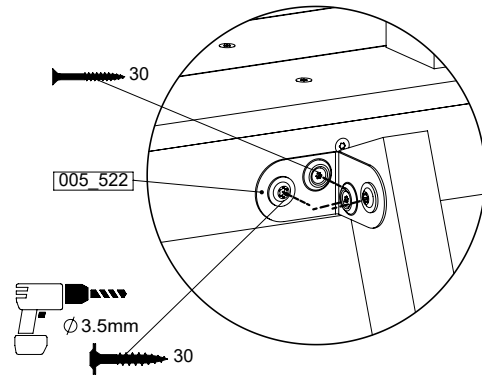
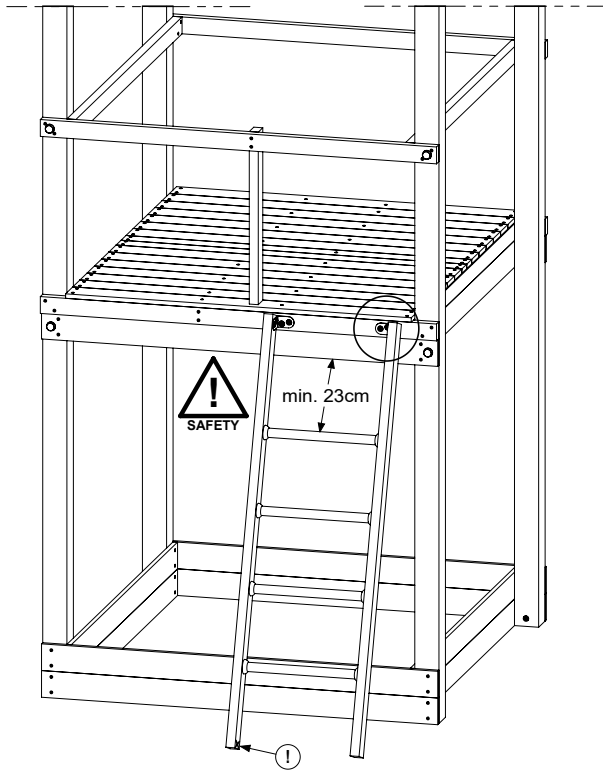
DL Ladder 140 - P101TR 145 - 17/04/2023 - v1



# 15.1



# 15.2



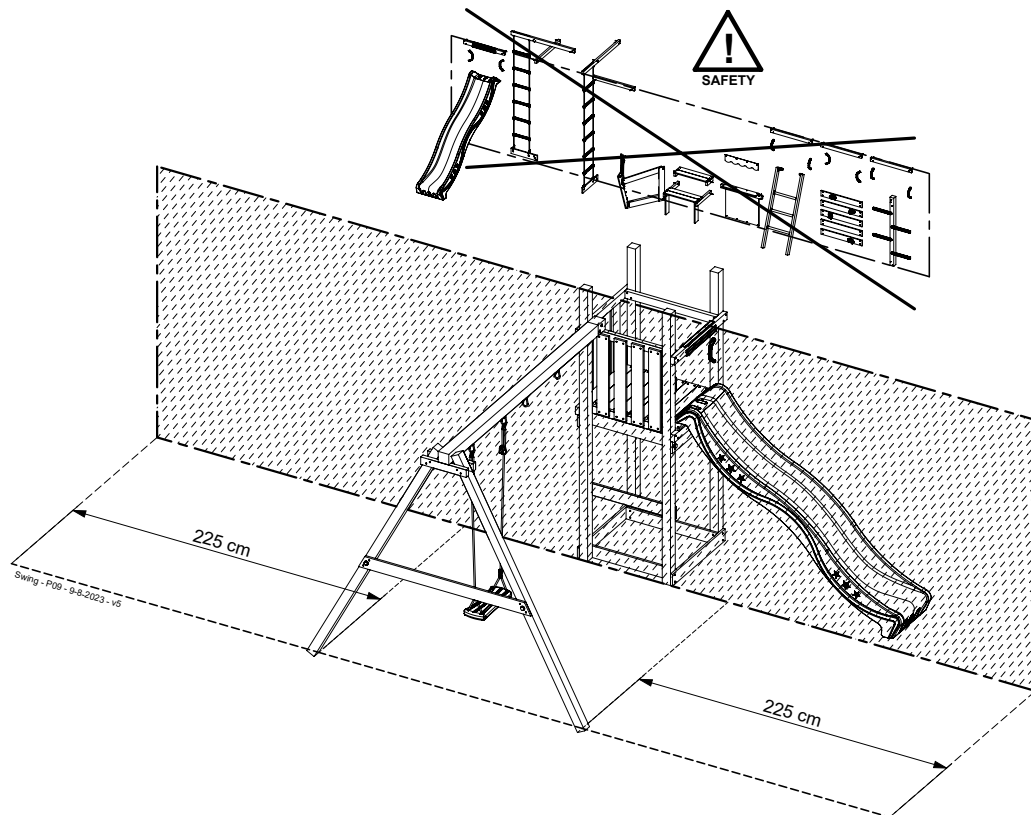
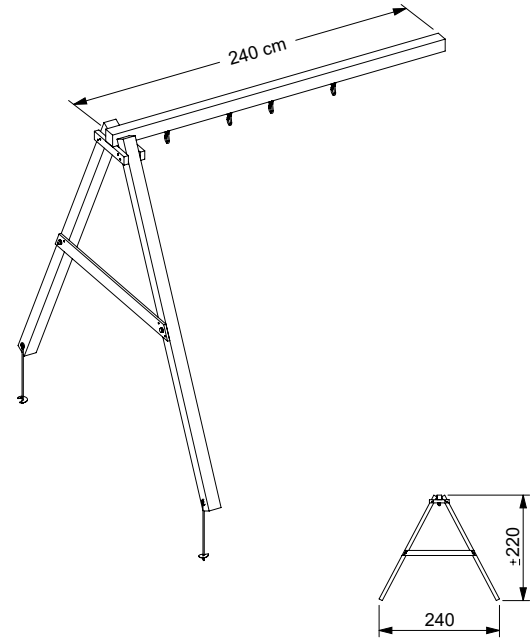
# 16 SW21a: 2-Swing Module 220 Extra

(457\_102)

	PartNo	PartName	QTY.
Hardware Pack	001_406	Stealth Screw 8x45	4
	001_417	Stealth Screw 8x80	3 / 4
	001_422	Stealth Screw 8x137	3
	002_220	Gap Point Screw T25 - 5x45	12
	002_223	Gap Point Screw T25 - 5x80	6
Other	005_529	Swing Beam Bracket 9x9	1
	007_001	Ground-anchor	2
	022_31x	bpc-base version 3	2
	022_84x	bpc cover	2
	023_031	Finishing Washer GPS 5.0	2
	101_003	Swing hook with Carabiner	4
Timber	B240	Post 90x90 L2400	3
	C37	Beam 370 mm	2
	D141	Board 1410 mm	2

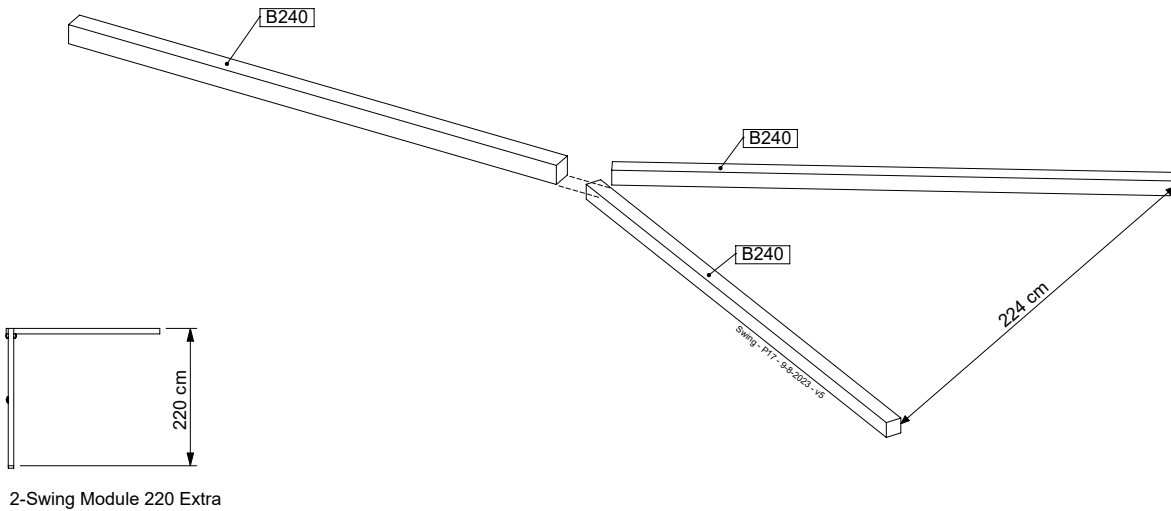
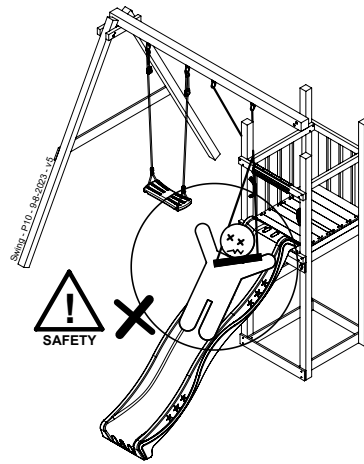
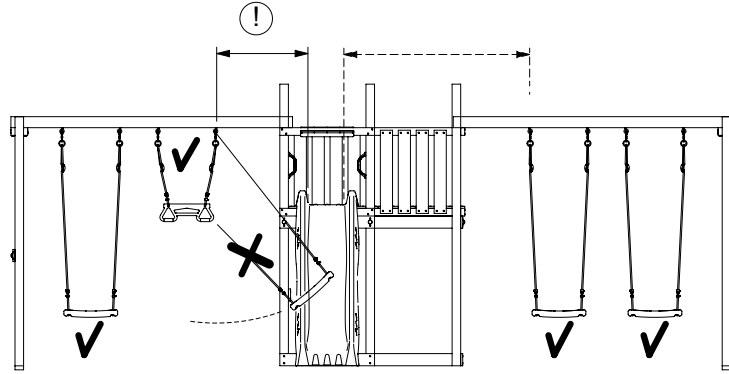
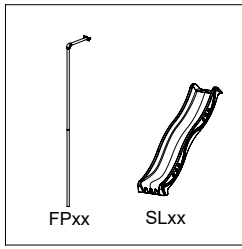
Swing - P08 - 9-B-2023 - v5

2-Swing Module Extra



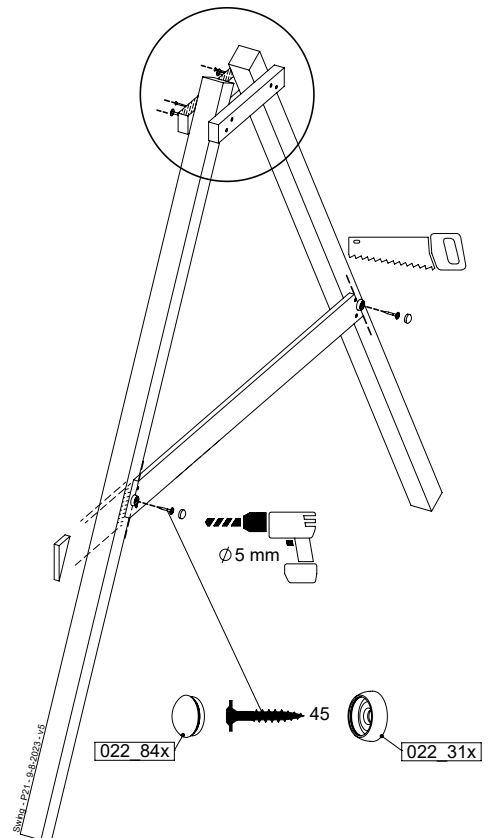
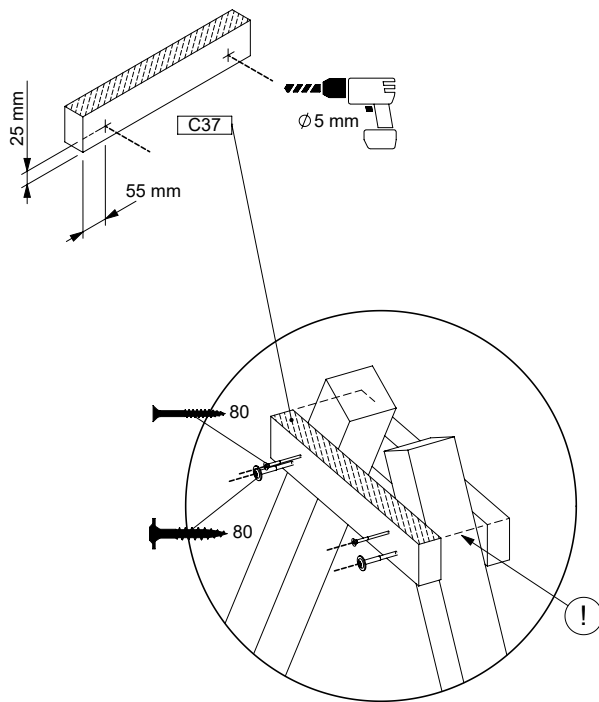
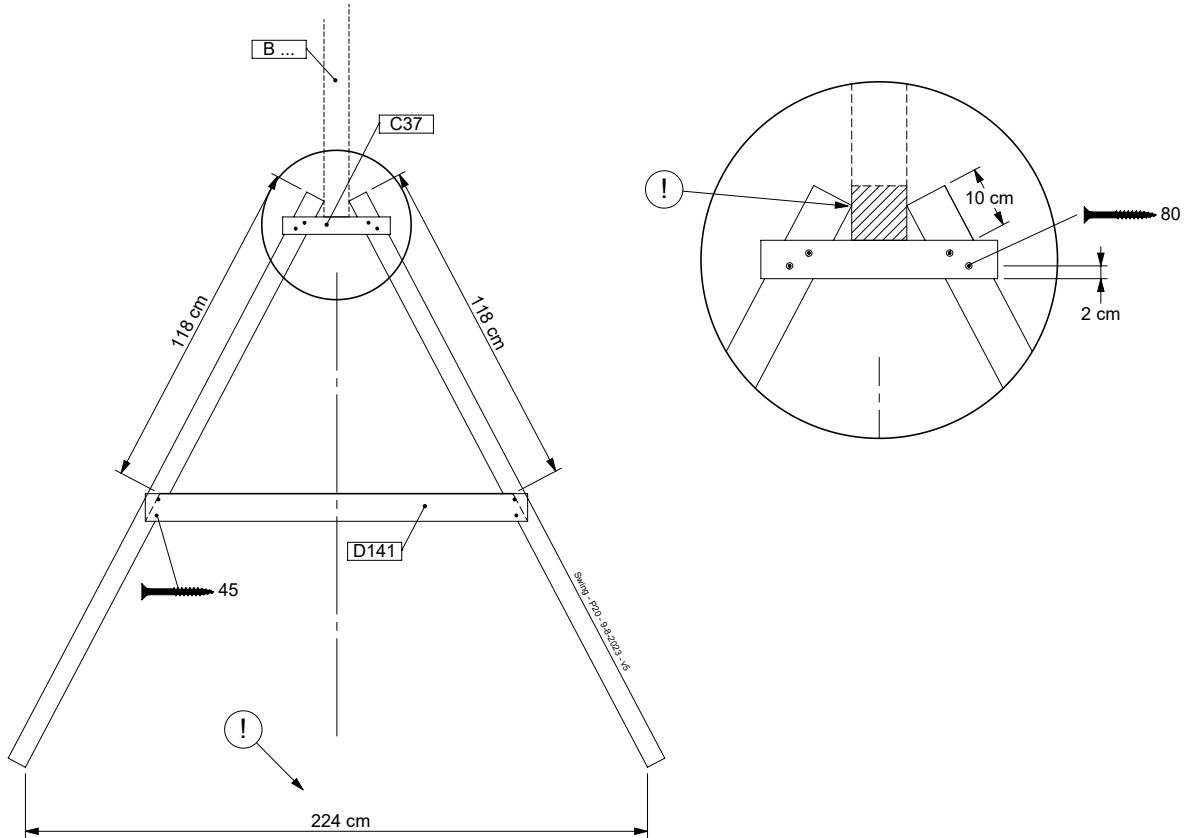
Swing - P09 - 9-B-2023 - v5

# 16.1



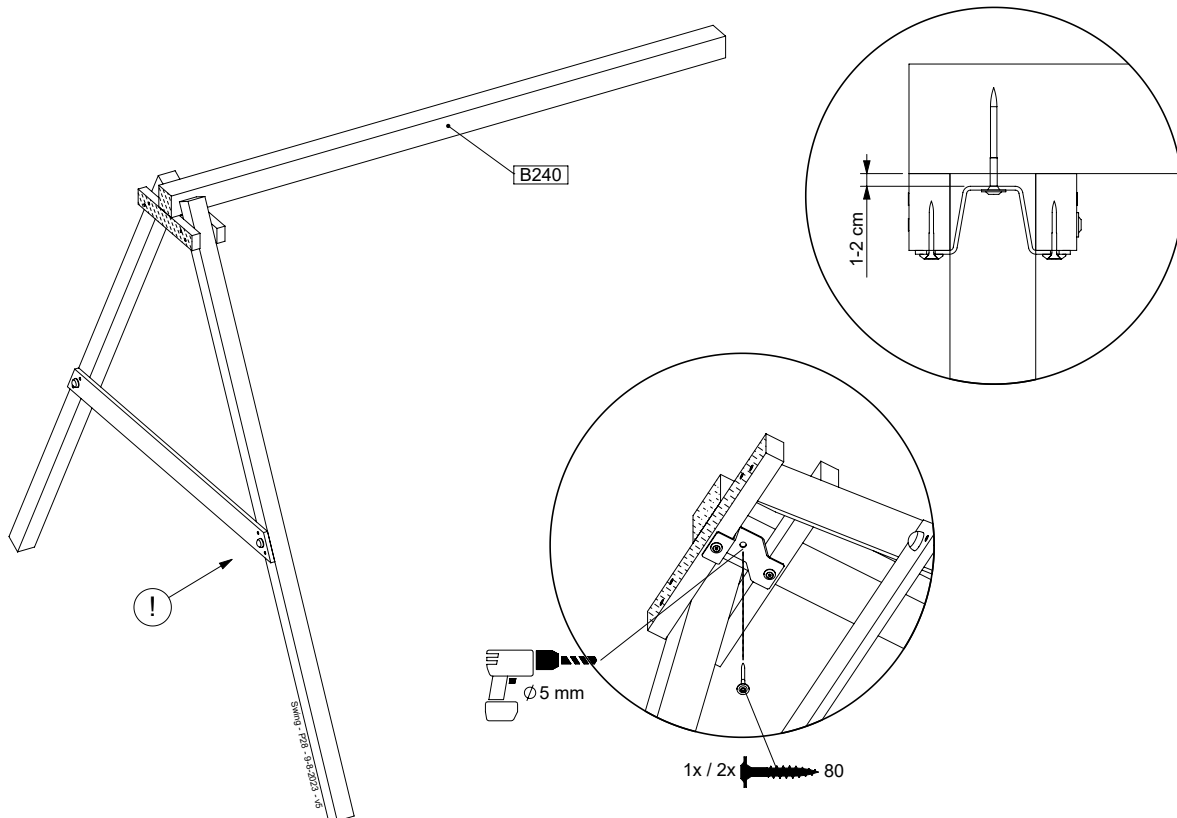
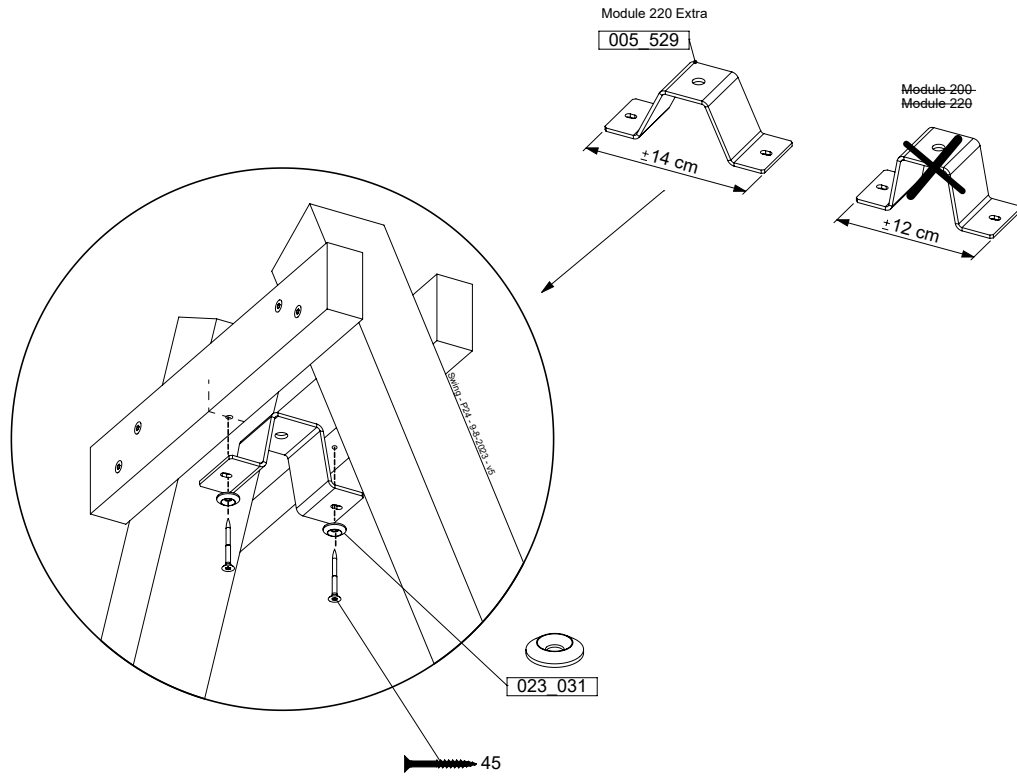
2-Swing Module 220 Extra

# 16.2

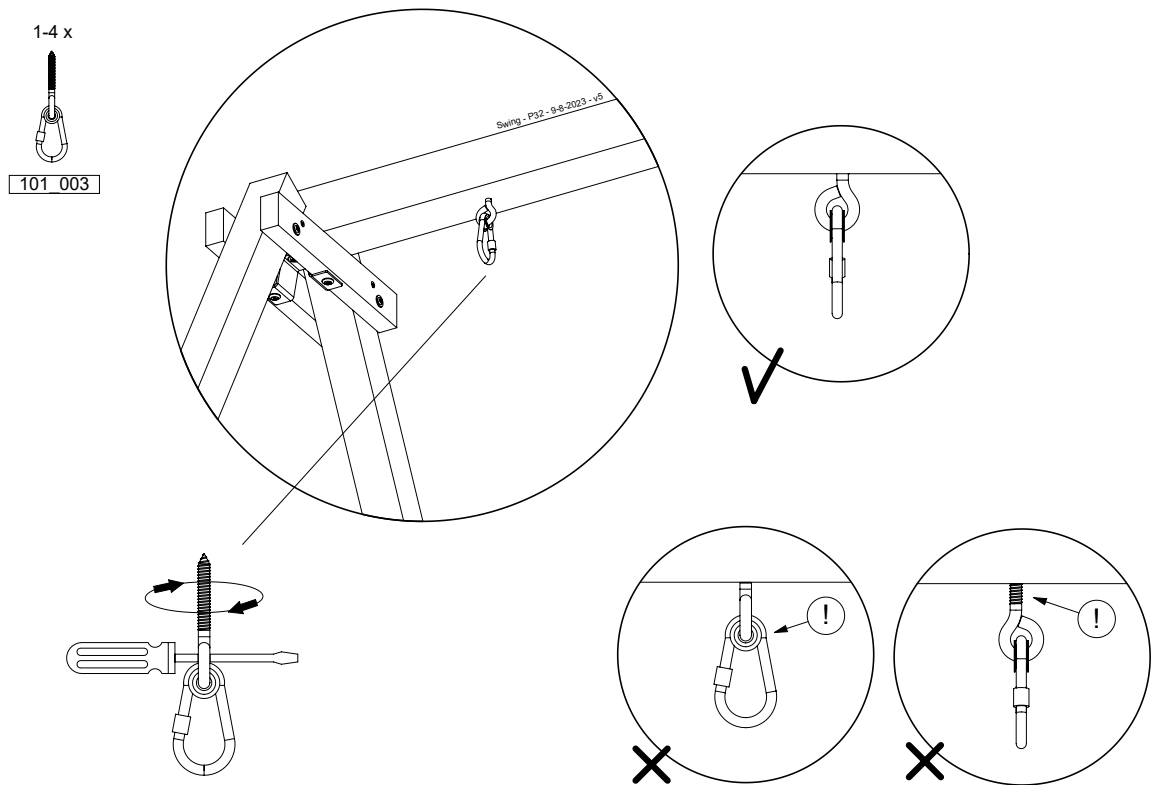
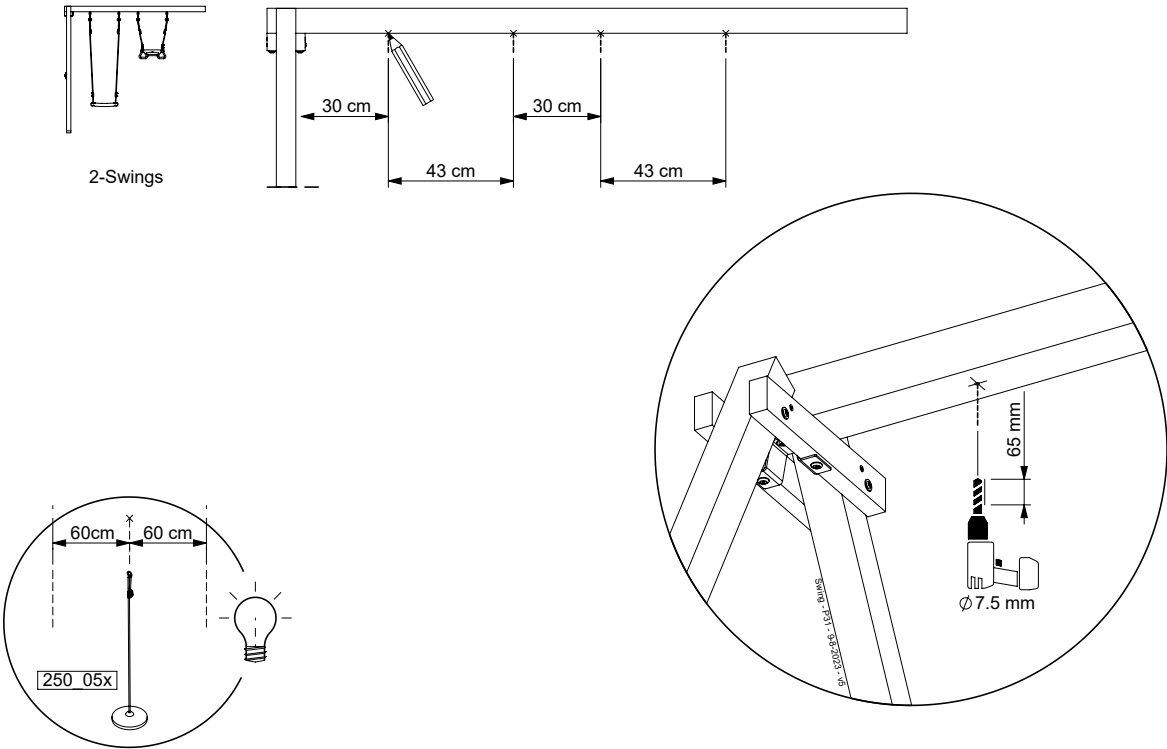




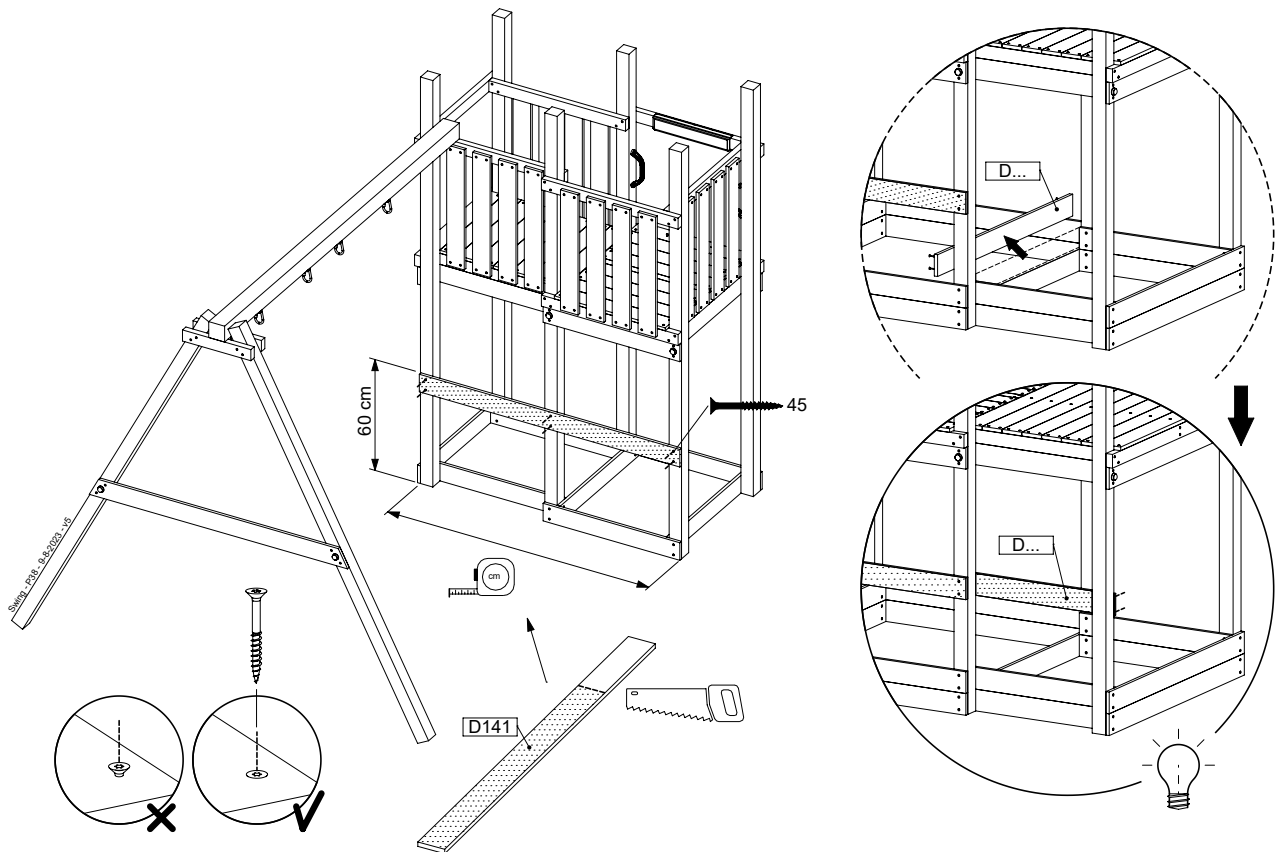
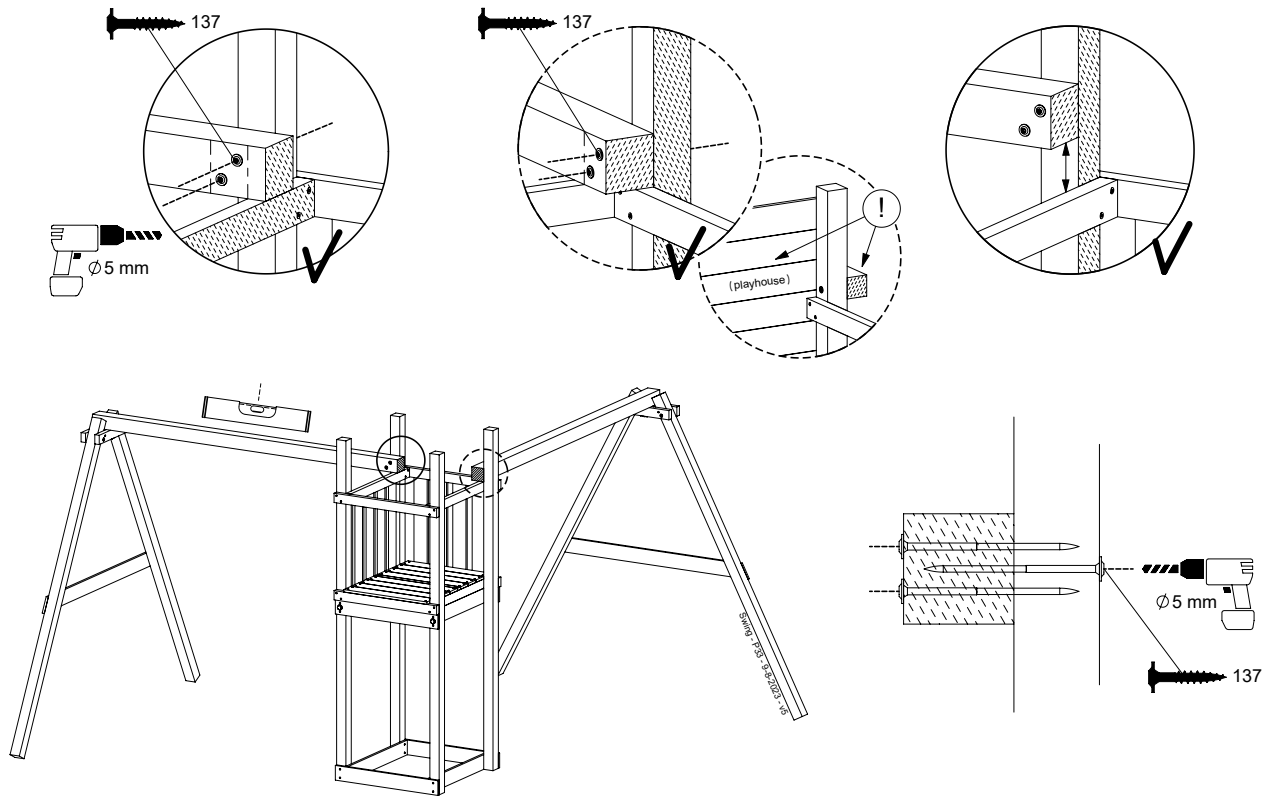
# 16.3



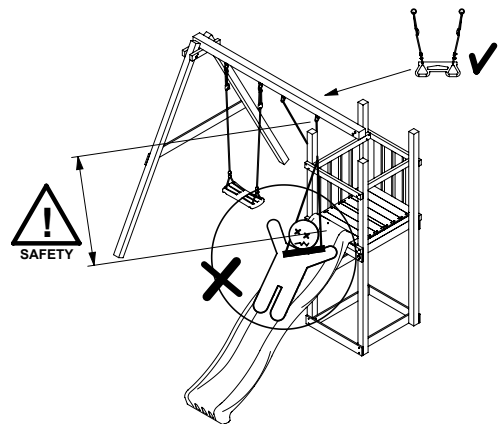
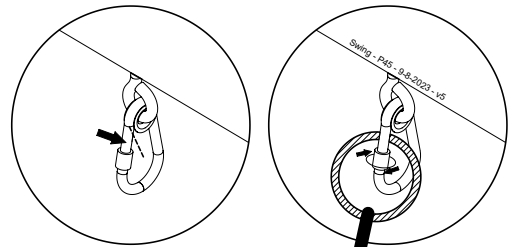
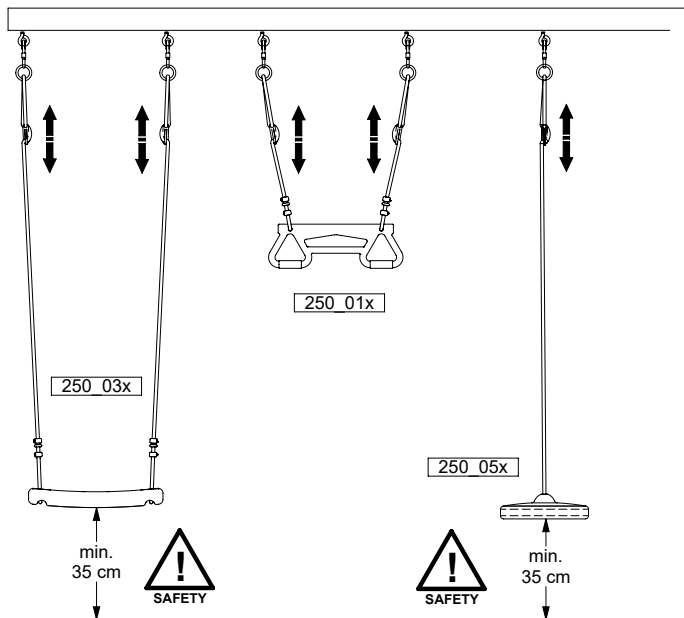
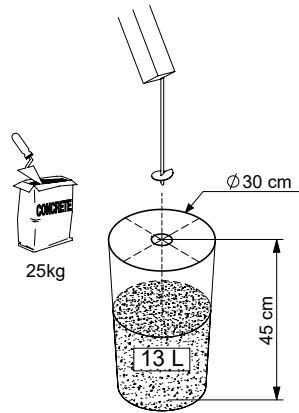
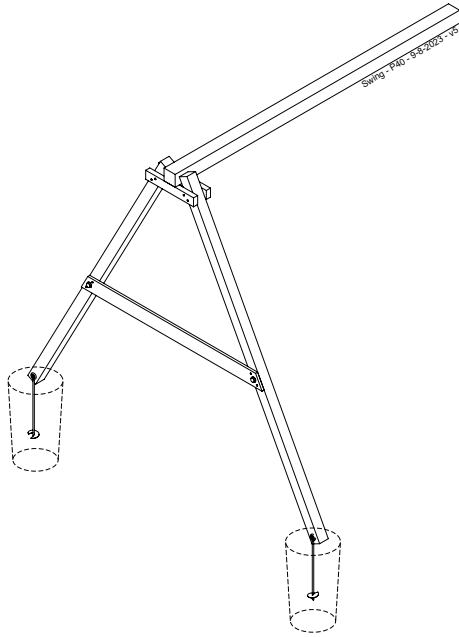
# 16.4



# 16.5



# 16.6

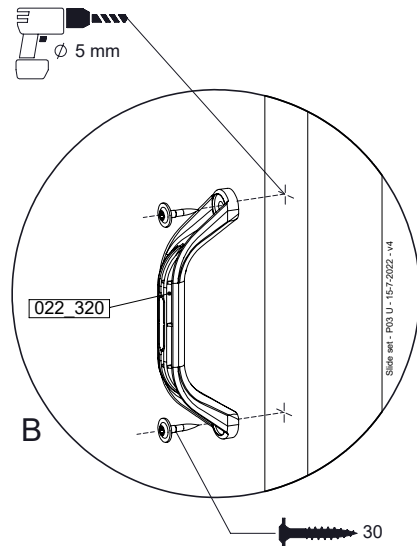
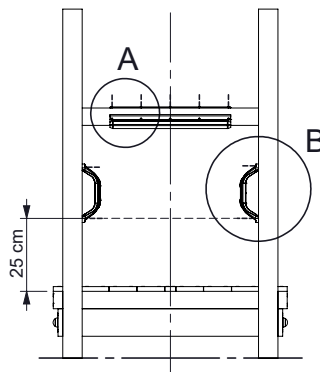
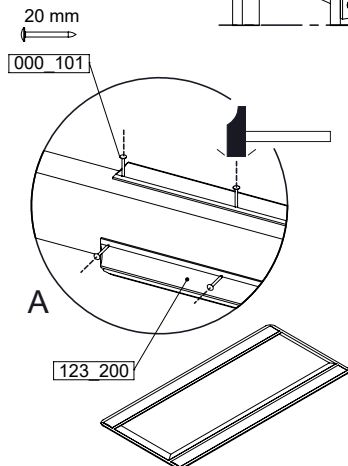
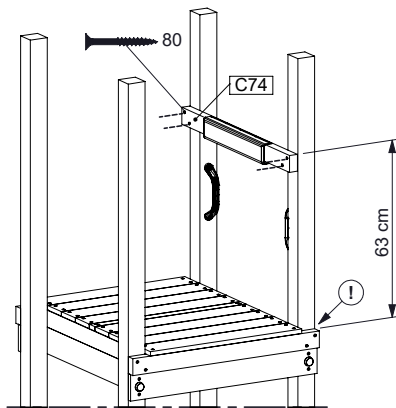
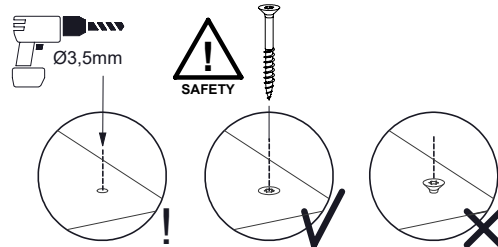
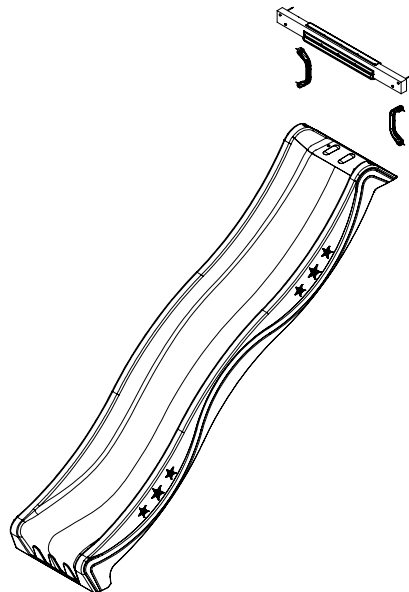


# 17 SL03a: Slide 80 145 U

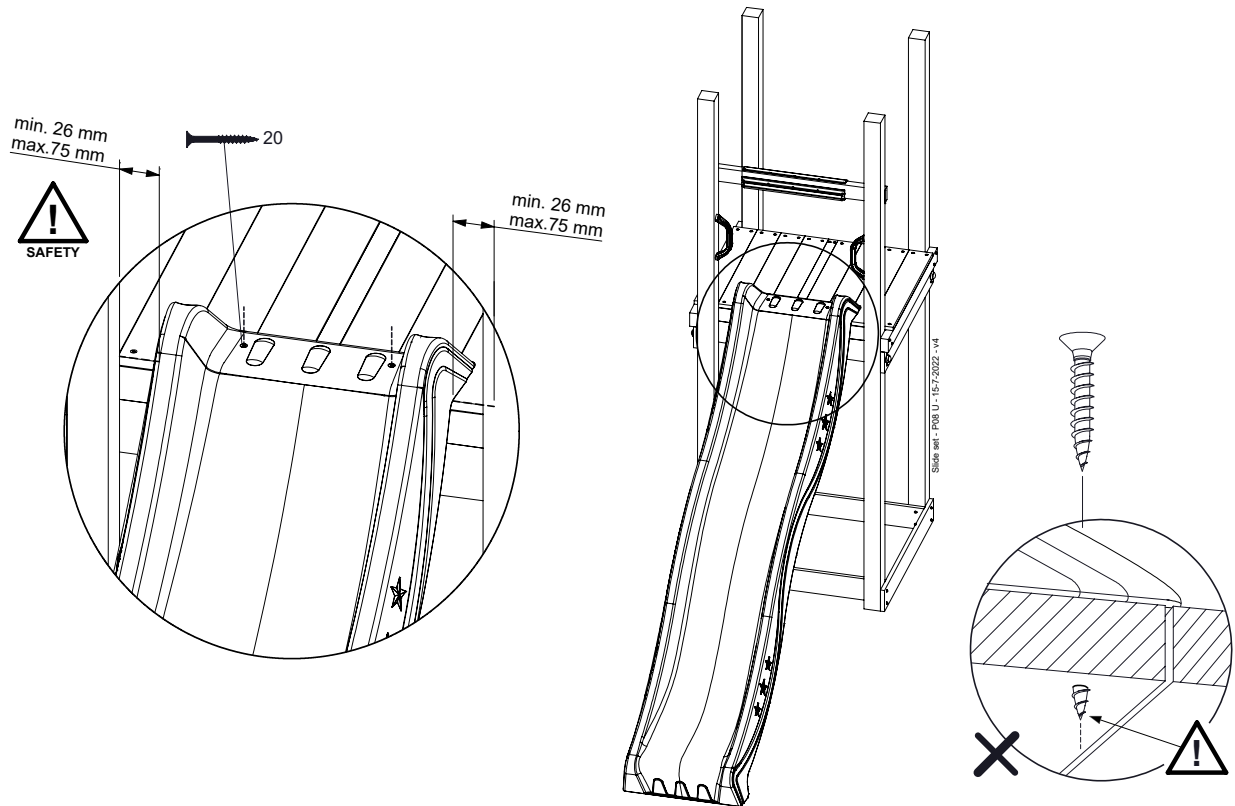
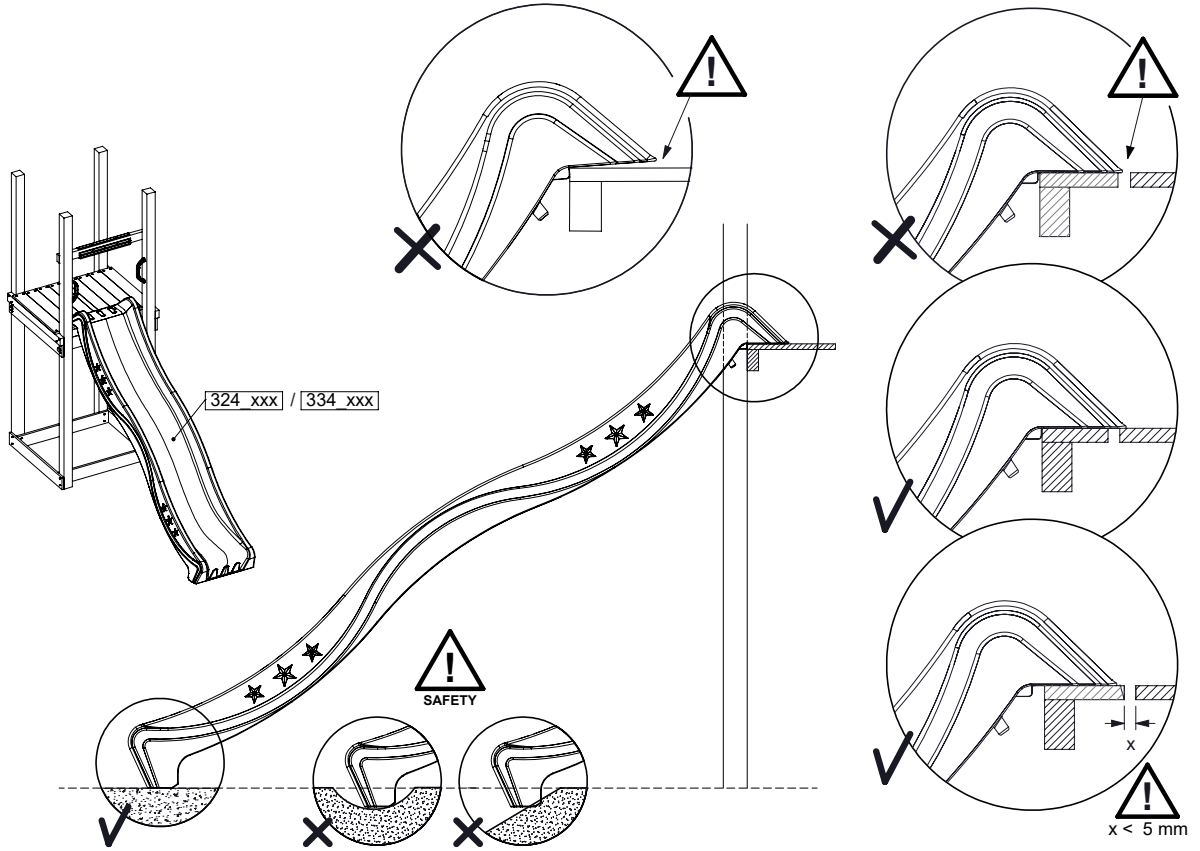
( 194\_107 )

	PartNo	PartName	QTY.
Hardware Pack 100_605	000_101	Nail Pan Head	10
	002_223	Gap Point Screw T25 - 5x80	4
	002_308	Gap Point Screw T25 - 5x20	2
Other	120_102	Handgrip set (2x Complete)	1
	123_200	Bumperpad	1
	324_xxx 334_xxx	Wavy Star Slide XL 2200 mm / Wavy Star Slide XL 2650 mm	1
Timber	C74	Beam 740 mm	1

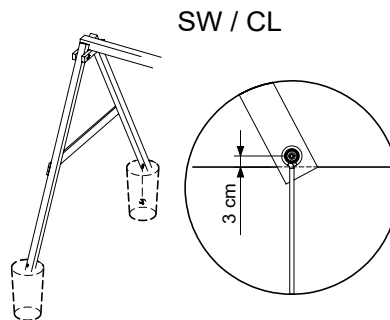
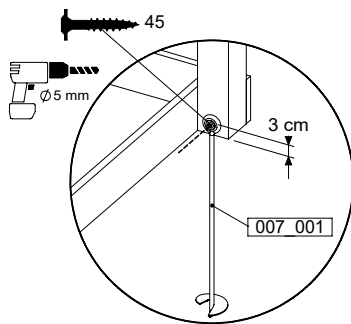
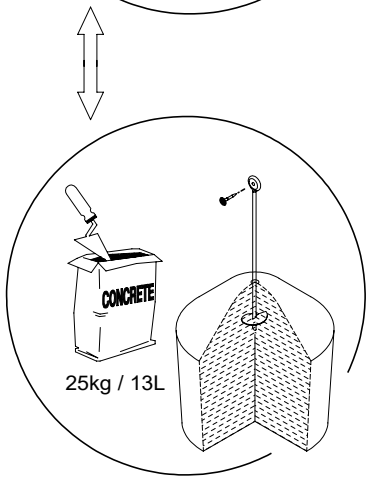
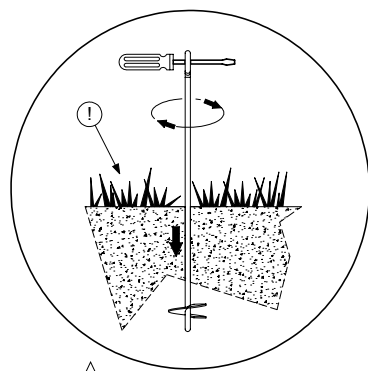
Slide set - P02 - 15-7-2022 - v4



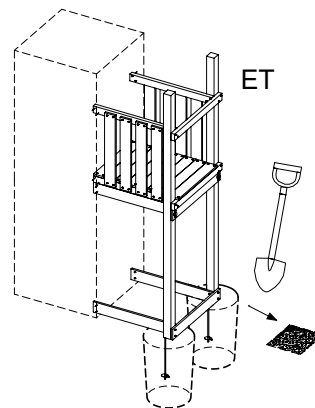
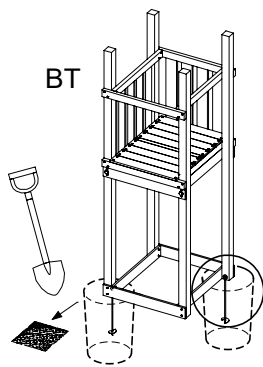
# 17.1



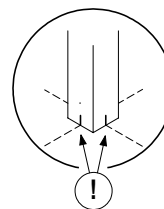
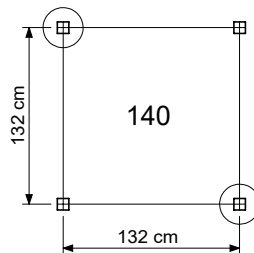
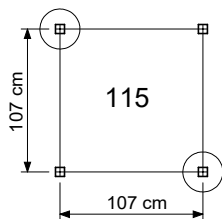
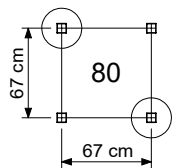
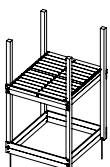
# 18 GA: Ground Anchors



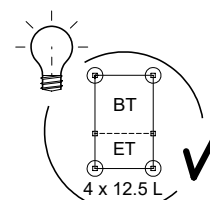
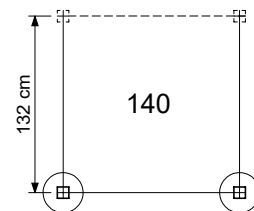
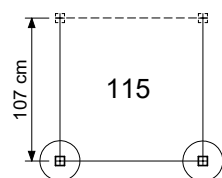
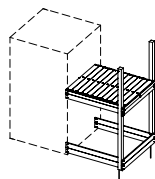
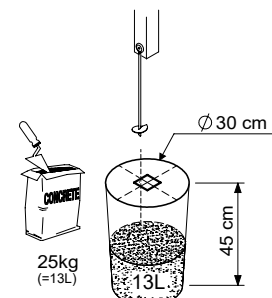
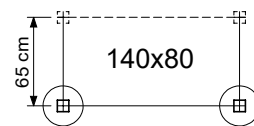
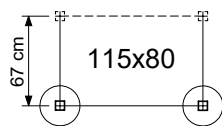
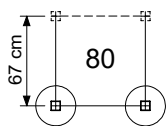
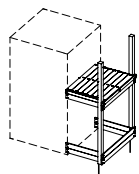
Ground Anchors Unit - P03 - 04/07/2023 - v1.2



BASE TOWERS

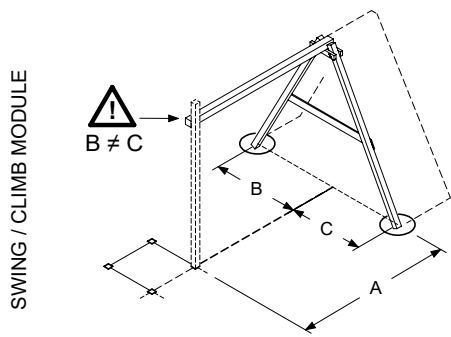
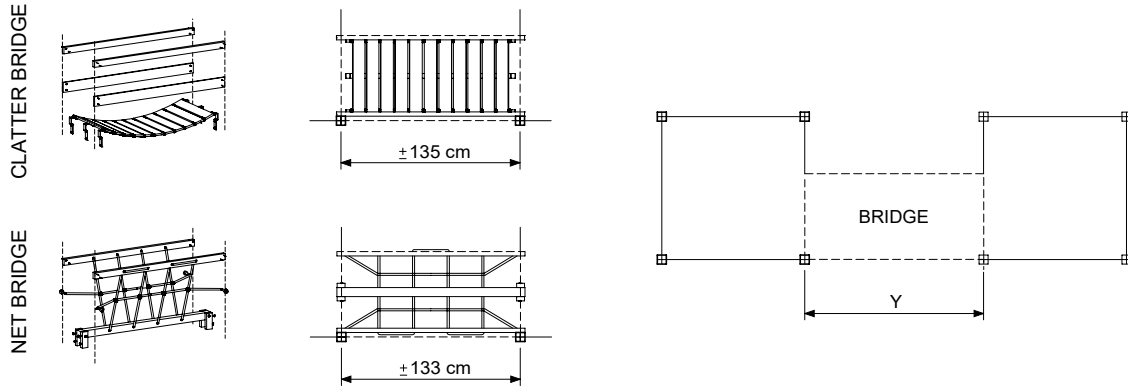


EXTENSION TOWERS



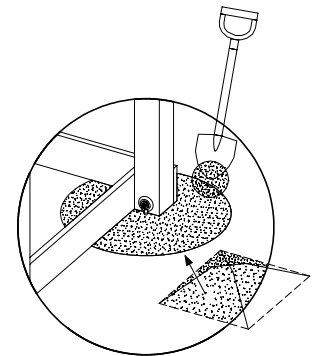
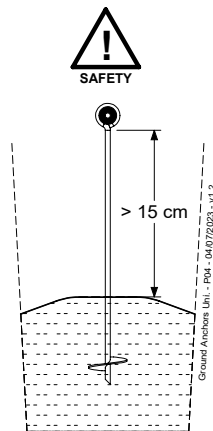
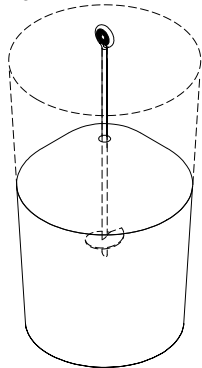
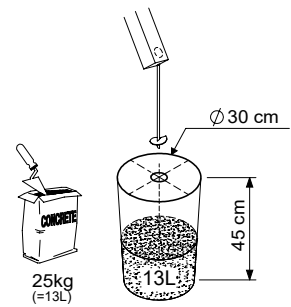
Ground Anchors Unit - P01 - 04/07/2023 - v1.2

# 18.1



Module type	A	B	C
1-Swing 200	150	115	100
1-Swing 220 / 220 Extra		120	105
2-Swing 200	210	115	100
2-Climb 200			
1-Climb 200	142	120	105
1-Climb 220 / 220 Extra			
2-Swing 220 / 220 Extra	230	120	105
2-Climb 220 / 220 Extra			

Ground Anchors Uni. - P02 - 04/07/2023 - v1.2



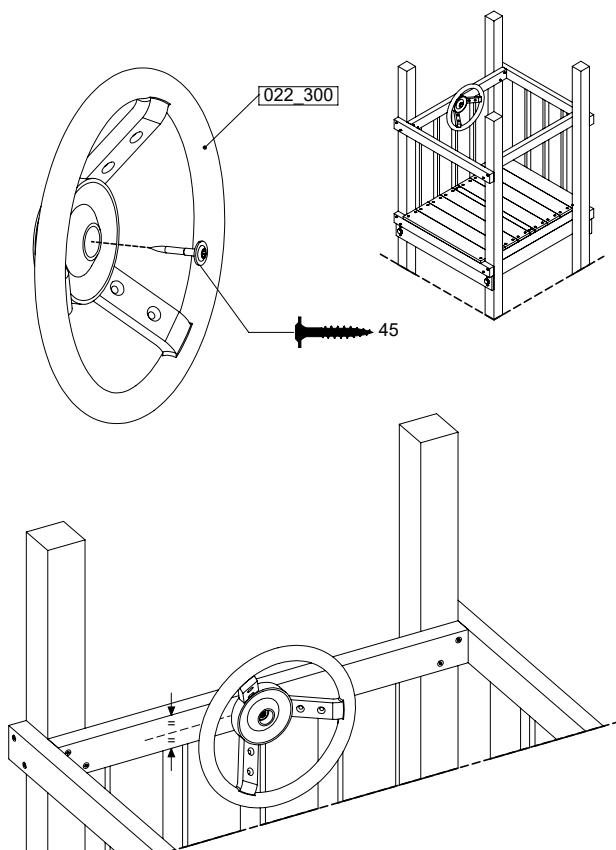
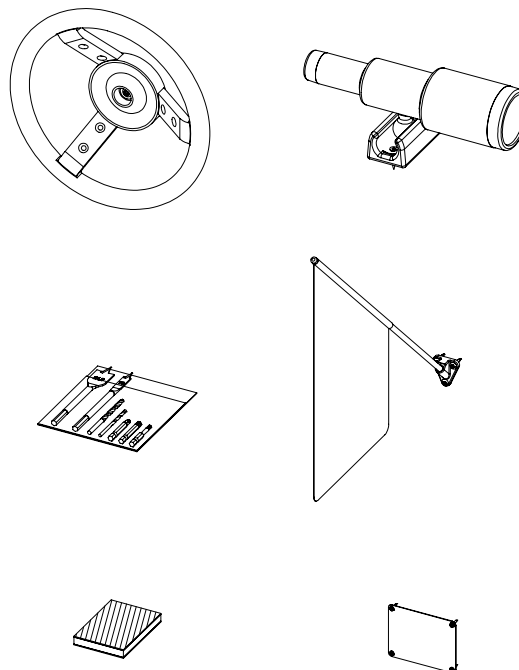


# 19 AC01a: Accessories

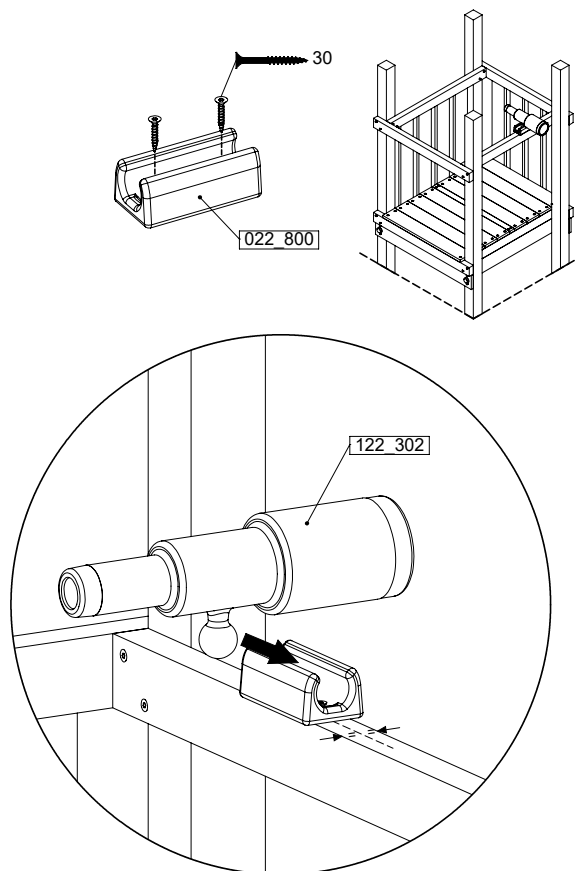
( 194\_119 )

	PartNo	PartName	QTY.
Hardware Pack 100_617	001_406	Stealth Screw 8x45	1
	002_041	Dome head screw 4.5 x 20 mm	3
	002_042	Dome head screw 3.5 x 13mm	4
	002_219	Gap Point Screw T25 - 5x30	2
Other	022_300	Steering Wheel	1
	022_800	Rail P/T 105	1
	022_910	Sandpad	1
	103_901	Logo ID Plate	1
	104_107	Tool Set Climbing Units	1
	120_024	Tower Flag	1
	122_302	Telescope	1

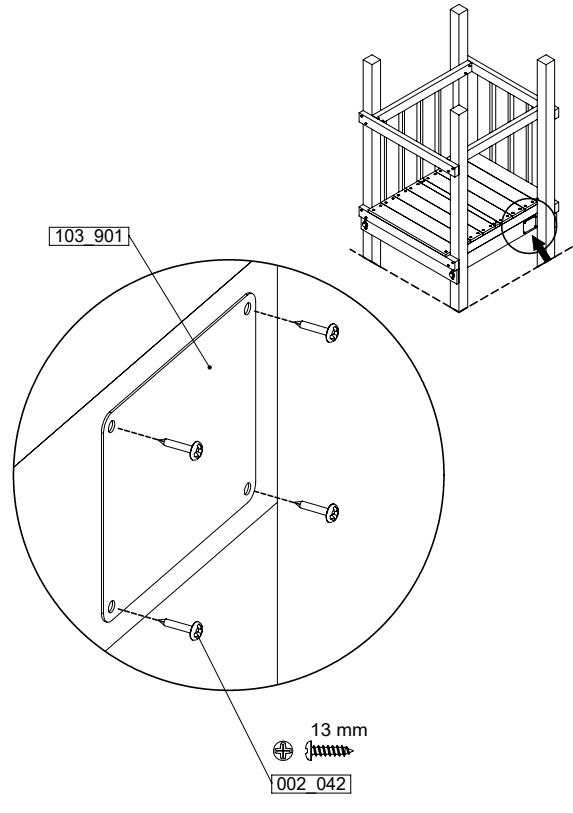
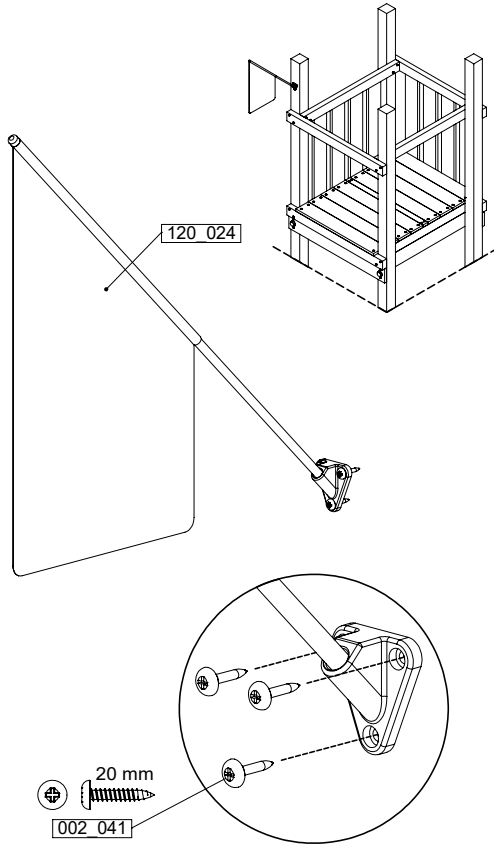
Accessory set - P102 - 06/07/2023 - v5



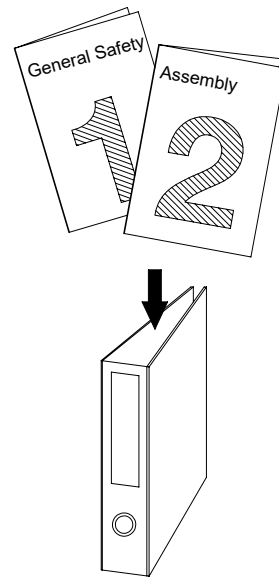
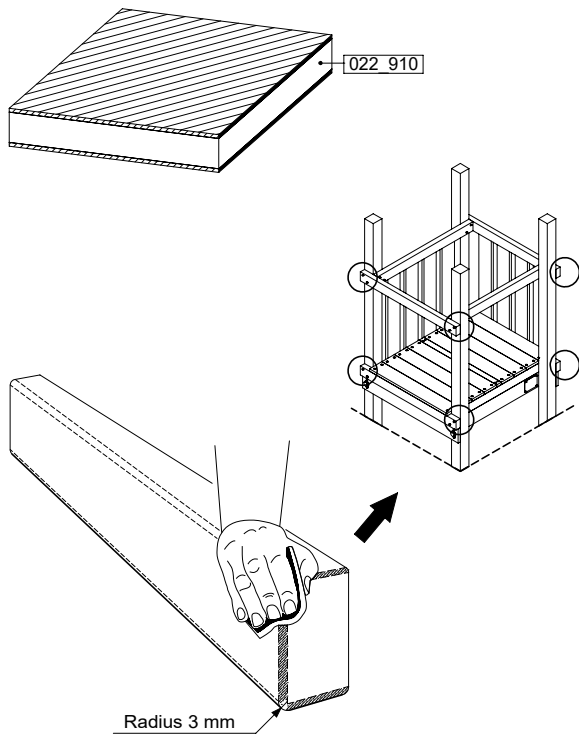
Accessory set - P103 - 06/07/2023 - v5



# 19.1



Accessory set - P04 - 06/07/2023 - v5



Accessory set - P05 - 06/07/2023 - v5

# 20 Conformity

## Declaration of Conformity

**Jungle Gym**  
BACKYARD PLAYGROUNDS  
since 1988

### Manufacturer details

Company Name	Tag-line
Jungle Gym B.V.	Backyard Playgrounds
Address	
P.O. Box 75083, 1070 AB Amsterdam, Netherlands	

### Activity toys for domestic use

#### Product Range Identification

##### Construction Packages (Sub-Assembly)

Universal Packs / Base Towers / Extension Towers / Roofs / Means of Exit/Access / Add-ons : 790\_001 ... 794\_911

##### Assembly

Playtowers : 801_005 ... 200	Links : 870_100 ... 105	Accessories : 123_220 ... 250_075
Playhouses : 830_150 ... 253, 835_251 ... 253	Swings : 801_300, _600, _601	Slides (XL) : 324_100 ... 600
Modules : 850_180 ... 415		Slides (XXL) : 334_100 ... 600
: 857_103, 857_108	Playtowers: 802_202 ... 208	
857_151, 857_158	803_202 ... 210	
	809_202 ... 804	

### Applicable EC directives and standards

#### Chemical References

1. Migration of certain elements (17x + Chr VI + tin) as required in TSD 2009/48/EC and its amendments. Scrape off toy material. Tested according to EN 71-3:2019.	5. Content of 7 Phthalates (18x) according to REACH (EG) no.1907/2006, Annex XVII. Tested according to COC-CH-C1011-09.3 and EN 15777 / QMA 2011.1300	9. Content of 3 Flame retardants according to REACH (EG) no. 1907/2006, Annex XVII. Tested according to EN 62321-6.
2. Migration of solvents, monomers and plasticizers as specified in "Safety for Toys: Organic Chemical Compounds", EN 71-9: 2005 + A1: 2007. Tested according to EN 71-10: 2005 & EN 71-11: 2005.	6. Content of Cadmium according to REACH (EG) no. 1907/2006, Annex XVII. Tested according to EN 17294-2	10. Ni release according to REACH (EG) no. 1907/2006, Annex XVII. Tested according to EN 71-3:2013+A1:2014.
3. Content of N-nitrosamines and N-nitrosatable substances as specified in EN standard 71-12: 2013. Tested according to EN 71-12: 2013.	7. Formaldehyde according to REACH (EG) no. 1907/2006, Annex XVII. Tested according to EN 14184	11. Sweat and Salvia resistance tested according to DIN 53160
4. Content of 18 PAHs (Polycyclic Aromatic Hydrocarbons) as referred in AfPS GS 2014:01 PAK (Replaced on 2019:01) Tested according to QMA 2011.1284	8. Azo dyes according to REACH (EG) no. 1907/2006, Annex XVII. Tested according to BVL B 82.02-2.	

#### Mechanical physical properties + flammability

EN 71 - 1 : 2014 + A1: 2018 EN 71 - 2 : 2011 + A1: 2014 EN 71 - 8 : 2018

### Supplementary information

Conformity to the above specified directives and standards has been frequently verified and is continuously monitored by TÜV Süd, TÜV Rheinland LGA products, DEKRA (DE), STR Ltd (UK), LNE SA (FR), LMR Ltd (US) and IPS N.V. (BE) since 1994. Jungle Gym participates in the European Commission for standardisation for the safety of activity toys ( TC52 / WG 10).

### Declaration

I hereby declare under our sole responsibility that the products mentioned above, to which this declaration relates, complies with the above mentioned directives and standards.



Name  
Mr. P. Schmit / Director

Issued date  
Januari 2<sup>nd</sup>, 2023

Signature of representative