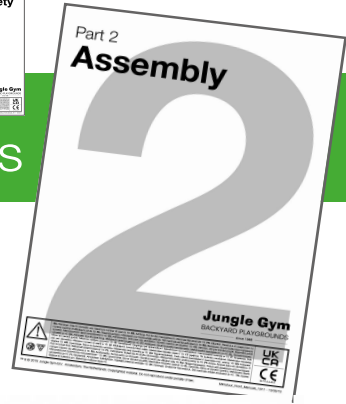


# Part 2

# Assembly

# Instructions



Config ID: bJFKty

Date: 2023-08-01



Manual Part 1



### Important

This assembly manual should always be read in conjunction with the General Safety manual part 1 as included in the hardware package of your playground equipment.

Please read these safety instructions carefully before starting the assembly work.

# Jungle Gym

## BACKYARD PLAYGROUNDS

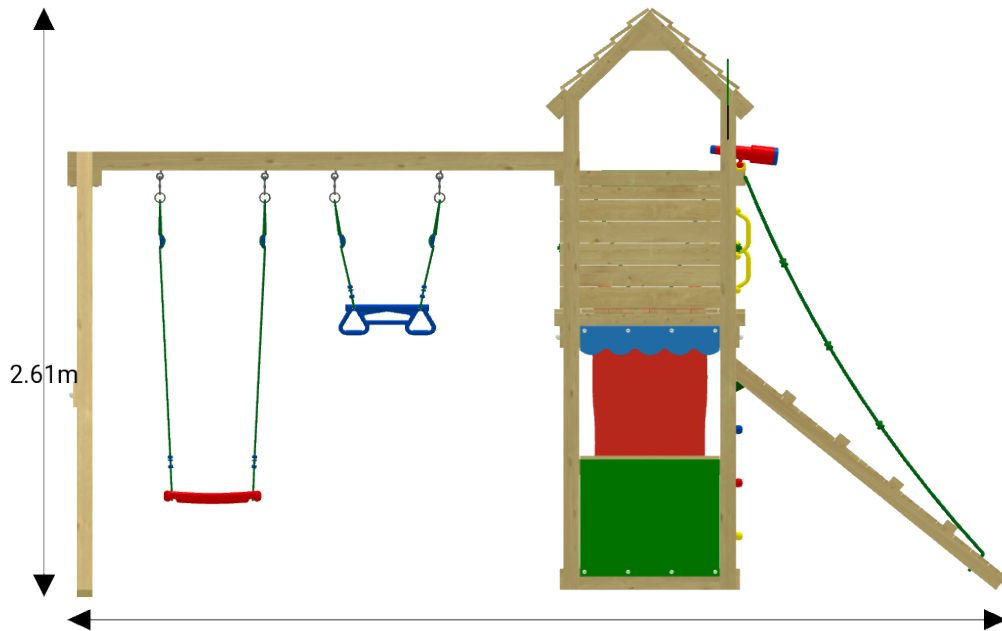
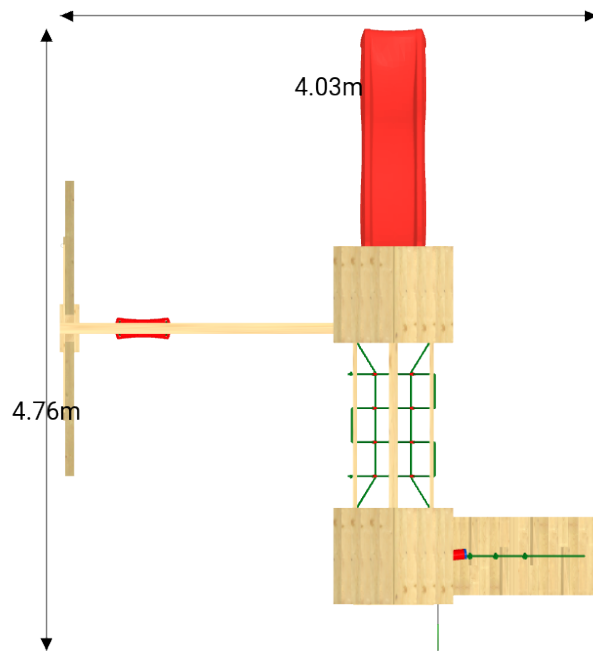
since 1988



**EN.** Warnings. Only for domestic use. Maximum number of users is **4**. **DE.** Achtung. Nur für den Hausgebrauch. Maximale Benutzerzahl: **4**. **FR.** Attention. Réserve à un usage privé. Le nombre maximal d'utilisateurs est de **4**. **NL.** Waarschuwingen. Uitsluitend voor huishoudelijk gebruik. Het maximale aantal gebruikers is **4**. **BG.** Внимание. За употреба само в домашни условия. Максималният брой потребители е **4**. **ES.** Advertencias. Sólo para uso doméstico. Número máximo de usuarios: **4**. **CS.** Varování. Jen pro domácí použití. Maximální počet uživatelů je **4**. **DA.** Advarsler. Kun til privat brug. Maksimum antal brugere er **4**. **ET.** Hoiatused. Ainult koduseks kasutamiseks. Maksimaalne kasutajate arv on **4**. **EL.** Προειδοποιήσεις. Μόνο για οικιακή χρήση. Μέγιστος αριθμός χρηστών **4**. **IS.** Varnaðarorð. Eingöngu fyrir einkanotkun í heimahúsum og á einkalóðum. Hámarksfjöldi notenda er **4**. **IT.** Avvertenze. Solo per uso domestico. Massimo numero di utenti è **4**. **LV.** Brīdinājumi. Izmantot tikai mājās. Maksimālais lietotāju skaits ir **4**. **LT.** Įspėjimai. Tik buitiniam naudojimui. Maksimalus naudotojų skaičius **4**. **HR.** Upozorenja. Samo za kućansku uporabu. Maksimalan broj korisnika je **4**. **HU.** Figyelmeztetések. Csak otthoni használatra! A használok max. száma: **4**. **NO.** Advarsler. Kun for privat bruk. Maksimalt antall brukere er **4**. **PL.** Ostrzeżenia. Wyłącznie do użytku domowego. Maksymalna liczba użytkowników to **4**. **PT.** Avisos. Apenas para uso doméstico. O número máximo de utilizadores é **4**. **RO.** Avertismente. Numai pentru uz domestic. Numărul maxim de utilizatori este **4**. **RU.** Предостережения. Только для домашнего использования. Максимальное количество пользователей - **4**. **SK.** Upozornenia. Iba na domáce použitie. Maximálne množstvo osôb je **4**. **SL.** Opozorila. Samo za domačo uporabo. Maksimalno število uporabnikov je **4**. **FI.** Varoitukset. Ainoastaan kotikäyttöön. Käyttäjää yhteensä enintään **4**. **SR.** Upozorenja. Samo za kućnu upotrebu. Maksimalan broj korisnika je **4**. **SV.** Varningar. Endast för hemmabruk. Det maximala antalet användare är **4**. **TR.** Uyarılar. Sadece ev kullanımı için. Maksimum kullanıcı sayısı **8**.



# 1 Views

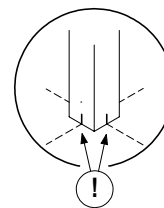
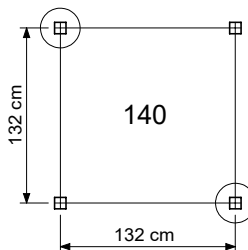
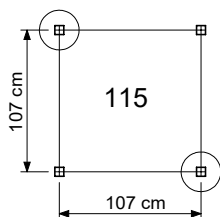
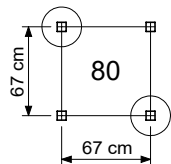
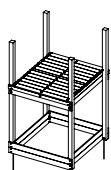


## 2 Order list

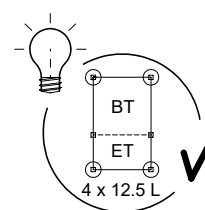
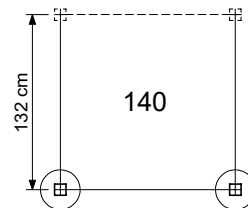
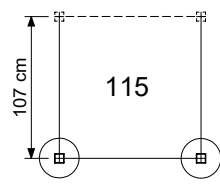
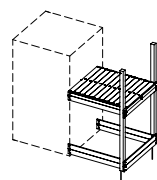
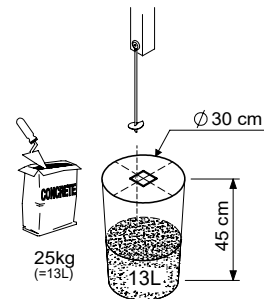
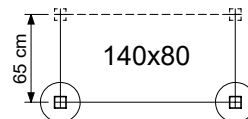
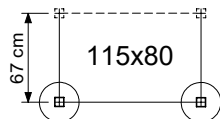
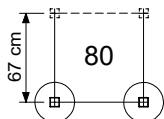
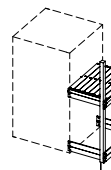
Nr.	SKU	Description	ID	Amount
1	790_003	Base Tower 80_ 220220	BT03	2
2	790_201	Roof Clapboard 80	RF01	2
3	790_313	Playhouse Window Panel 80	PH05	1
4	790_313	Playhouse Window Panel 80	PH06	2
5	790_411	TwoStep Ladder 80_125	TS02	1
6	790_441	Ramp 80_125	RA04	1
7	790_502	Market 80	MT01	1
8	790_611	Net Bridge 80	NB01	1
9	790_901	Slide 80	SL01	1
10	757_104	2- Swing Module 200	SW05	1
11	194_119	AP Accessory set	AC01	1
12	250_034	Swing Seat Kit • Red	AC21	1
13	250_013	Monkey Bar Kit • Blue	AC22	1
14	324_x00	Wavy Star Slide XL	324_x00	1

### 3 Anchor Plan

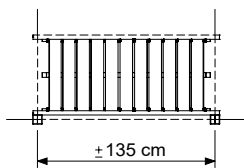
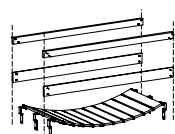
BASE TOWERS



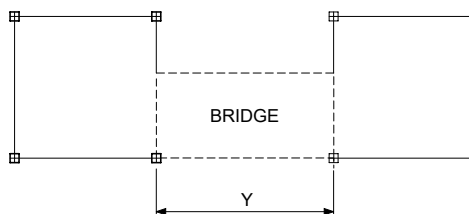
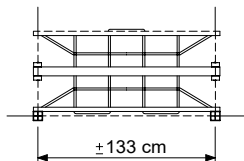
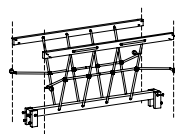
EXTENSION TOWERS



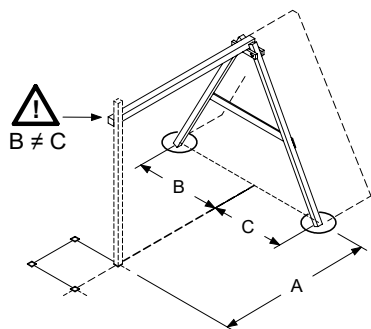
CLATTER BRIDGE



NET BRIDGE

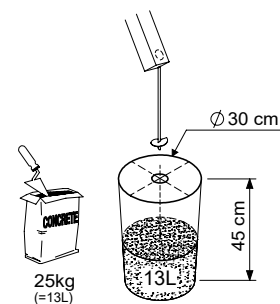


SWING / CLIMB MODULE



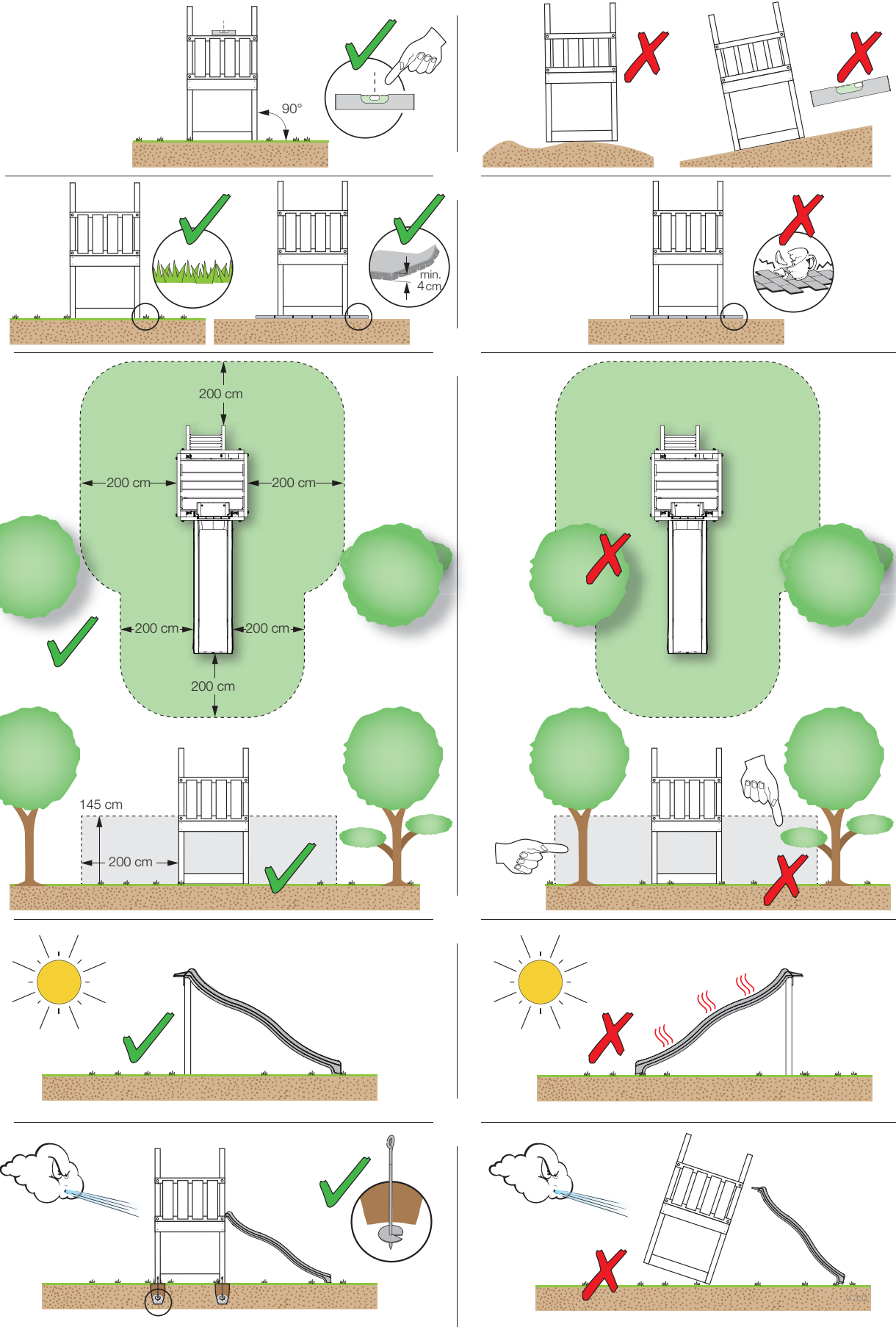
Module type	A	B	C
1-Swing 200	150	115	100
1-Swing 220 / 220 Extra		120	105
2-Swing 200	210	115	100
2-Climb 200			
1-Climb 200	142	120	105
1-Climb 220 / 220 Extra	162		
2-Swing 220 / 220 Extra	230	120	105
2-Climb 220 / 220 Extra			

Ground Anchors Unit - PO1 - 04/07/2023 - v1.2

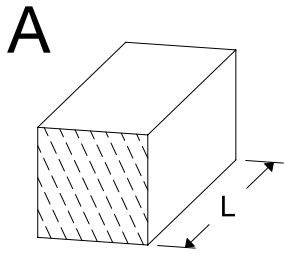


Ground Anchors Unit - PO1 - 04/07/2023 - v1.2

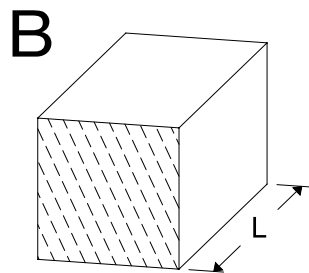
### 3.1 Safe Playground



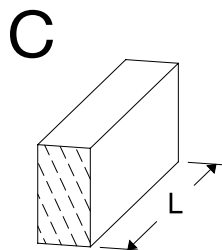
## 4 Timber parts



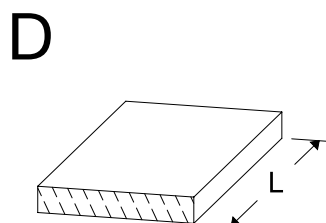
ID	L	#
A123	122 cm - 123 cm	1
A141	140 cm - 141 cm	1
A220	219 cm - 220 cm	10



B220	219 cm - 220 cm	1
------	-----------------	---


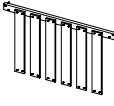
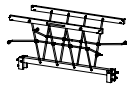
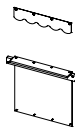
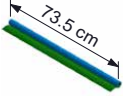
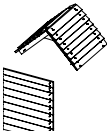
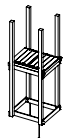



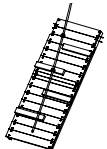
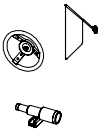
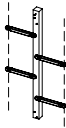



C37	36 cm - 37 cm	6
C56	55 cm - 56 cm	4
C62	61 cm - 62 cm	4
C70	69 cm - 70 cm	1
C74	73 cm - 74 cm	15
C141	140 cm - 141 cm	2
C154	153 cm - 154 cm	2



D60	59 cm - 60 cm	41
D74	73 cm - 74 cm	69
D141	140 cm - 141 cm	2

## 5 Assembly packs & accessories

<p>Slide 2.2m</p>  <p>324_x00</p> <p><b>1x</b></p>	<p>Balustrade 140</p>  <p>194_501</p> <p><b>BL</b></p> <p><b>3x</b></p>	<p>Net Bridge</p>  <p>194_009</p> <p><b>NB</b></p> <p><b>1x</b></p>	<p>Market</p>  <p>194_113</p> <p><b>MT</b></p> <p><b>1x</b></p>	<p>Canvas 136 x 74cm</p>  <p>123_220</p> <p><b>1x</b></p>
<p>Roof Timber 80 / Wall Panel</p>  <p>194_111</p> <p><b>RF</b> <b>PH</b></p> <p><b>2x</b></p>	<p>Tower 80</p>  <p>194_100</p> <p><b>BT</b> <b>ET</b></p> <p><b>2x</b></p>	<p>Swing Frame Kit</p>  <p>457_102</p> <p><b>SW</b></p> <p><b>1x</b></p>	<p>Swing Seat</p>  <p>250_034</p> <p><b>AC</b></p> <p><b>1x</b></p>	<p>Monkey Bar</p>  <p>250_013</p> <p><b>AC</b></p> <p><b>1x</b></p>
<p>Ramp</p>  <p>194_008</p> <p><b>RA</b></p> <p><b>1x</b></p>	<p>Accessory Set</p>  <p>194_119</p> <p><b>AC</b></p> <p><b>1x</b></p>	<p>Two Step Ladder 80</p>  <p>194_102</p> <p><b>TS</b></p> <p><b>1x</b></p>	<p>Slide Frame</p>  <p>194_107</p> <p><b>SL</b></p> <p><b>1x</b></p>	

## 6 Hardware Identification

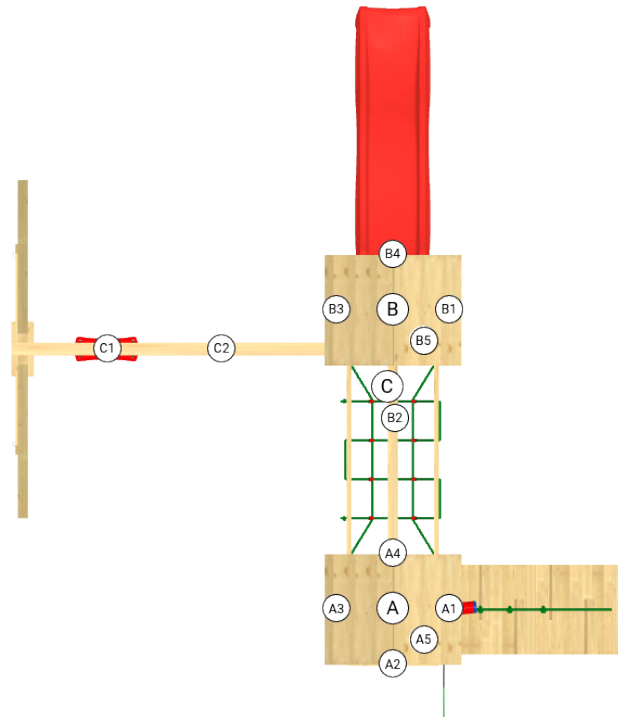
		SKU	L
		001_404	30 mm
		001_406	45 mm
		001_411	60 mm
		001_417	80 mm
		001_422	137 mm
M8			
		000_101	20 mm
ø 6.3 mm			
		002_036	16 mm
ø 4.5 mm			
		002_041	20 mm
ø 3.5 mm			
		002_042	13 mm
ø 3.9 mm			
		002_301	40 mm

		SKU	L
		002_308	20 mm
		002_219	30 mm
		002_220	45 mm
		002_223	80 mm
M8			
		003_010	
M6			
		003_034	
M8			
		004_050	22mm
ø 4.5 mm			
		022_845	Yellow
		022_846	Blue
		022_847	Green
		022_848	Red
ø 3.5 mm			
		023_031	White
ø 3.9 mm			
		120_005	White
		022_844	022_314

output: 25/05/23



## 7 Assembly Planning



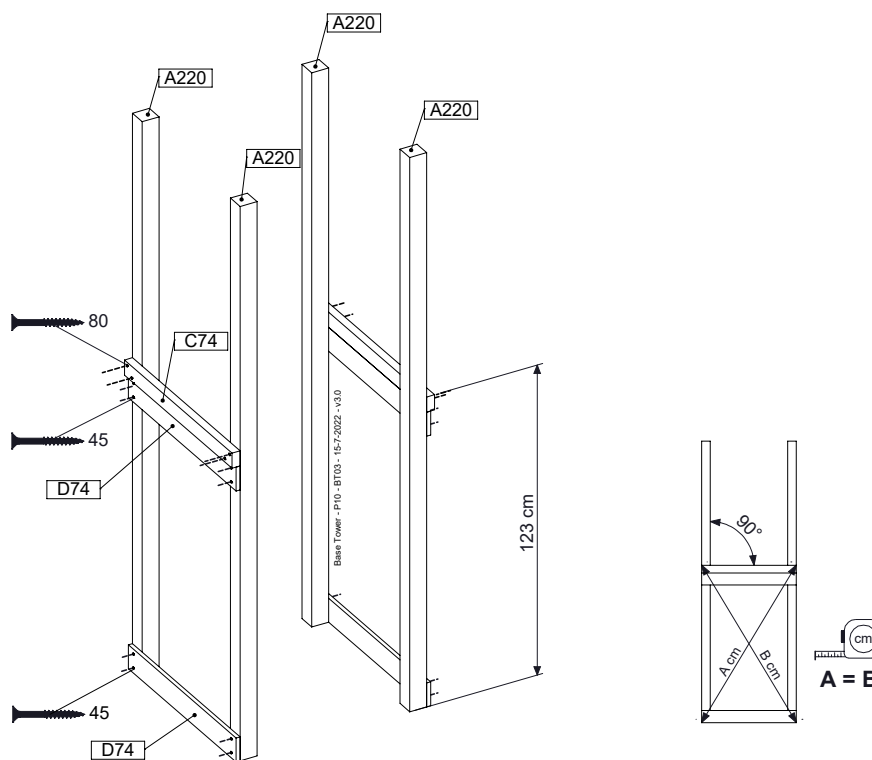
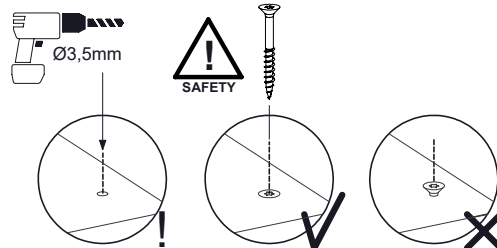
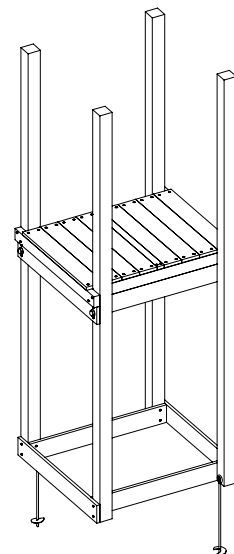
	ID			A	B	C
1	BT03		p.10	✓	✓	-
2	RF01		p.12	A5	B5	-
3	NB01		p.14	A4	B2	-
4	PH05		p.19	A2	-	-
5	PH06		p.20	A3	B3	-
6	TS02		p.21	-	B1	-
7	MT01		p.23	A2	-	-
8	RA04		p.27	A1	-	-
9	SW05		p.31	-	-	✓
10	SL01		p.38	-	B4	-
11	GA		p.40	✓	✓	✓
12	AC01		p.42	A1	-	-

# 8 BT03: Base tower 80 125cm 220220

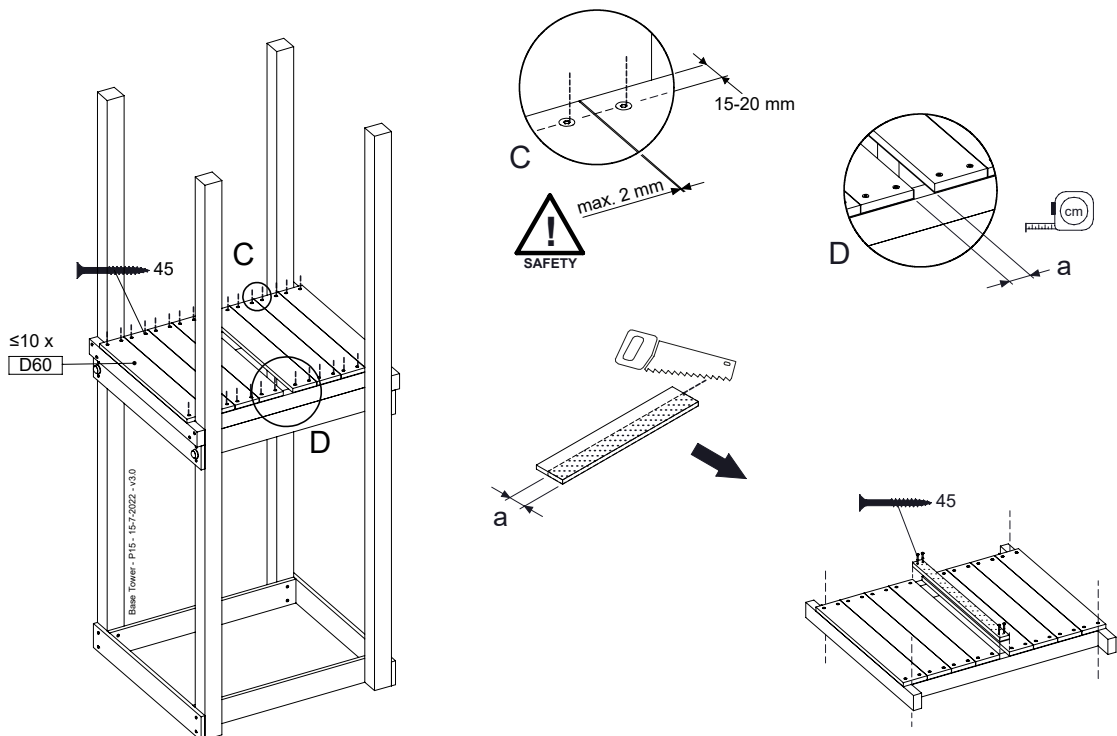
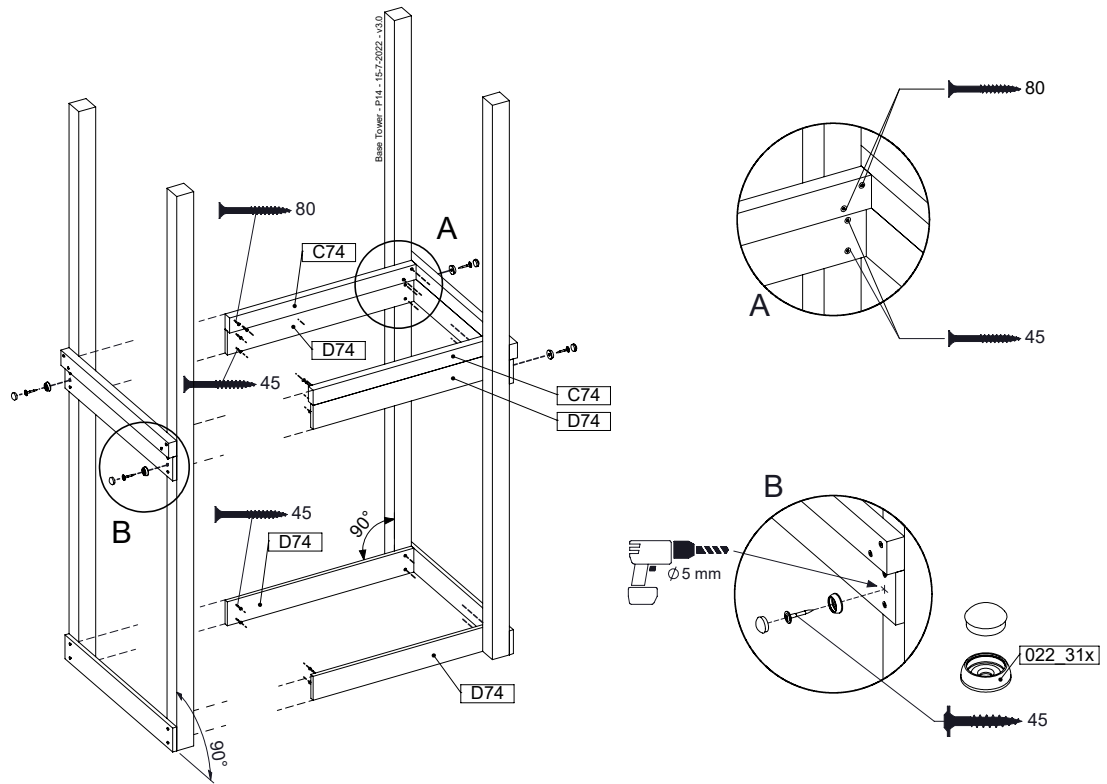
( 194\_100 )

	PartNo	PartName	QTY.
Hardware Pack 100_600	001_406	Stealth Screw 8x45	6
	002_220	Gap Point Screw T25 - 5x45	76
	002_223	Gap Point Screw T25 - 5x80	16
Other	007_001	Ground-anchor	2
Hardware Pack 100_600	022_31x	bpc-base version 3	4
	022_84x	bpc cover	4
Wood	A220	Post 70x70 L2200	4
	C74	Beam 740 mm	4
	D60	Board 600 mm	10
	D74	Board 740 mm	8

Base Tower - P04 - BT03 - 15-7-2022 - v3.0



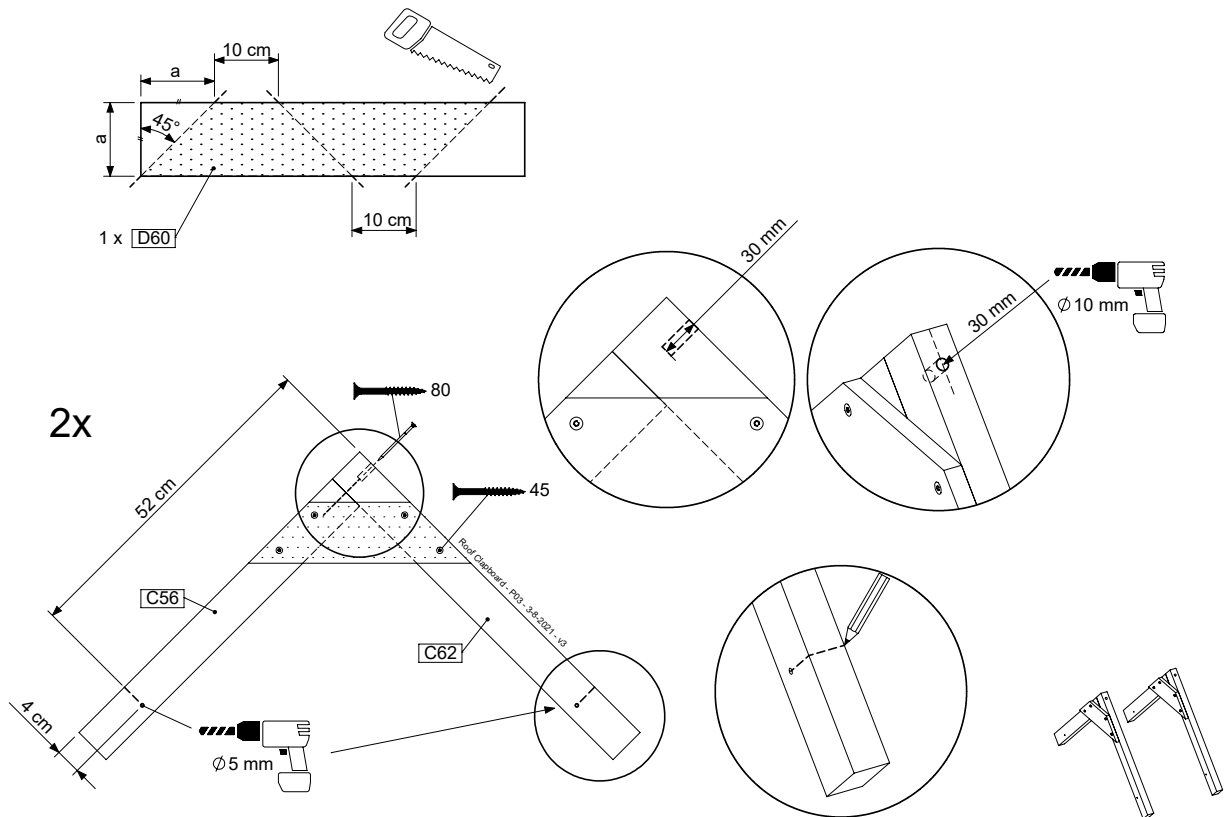
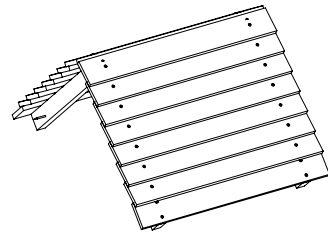
# 8.1



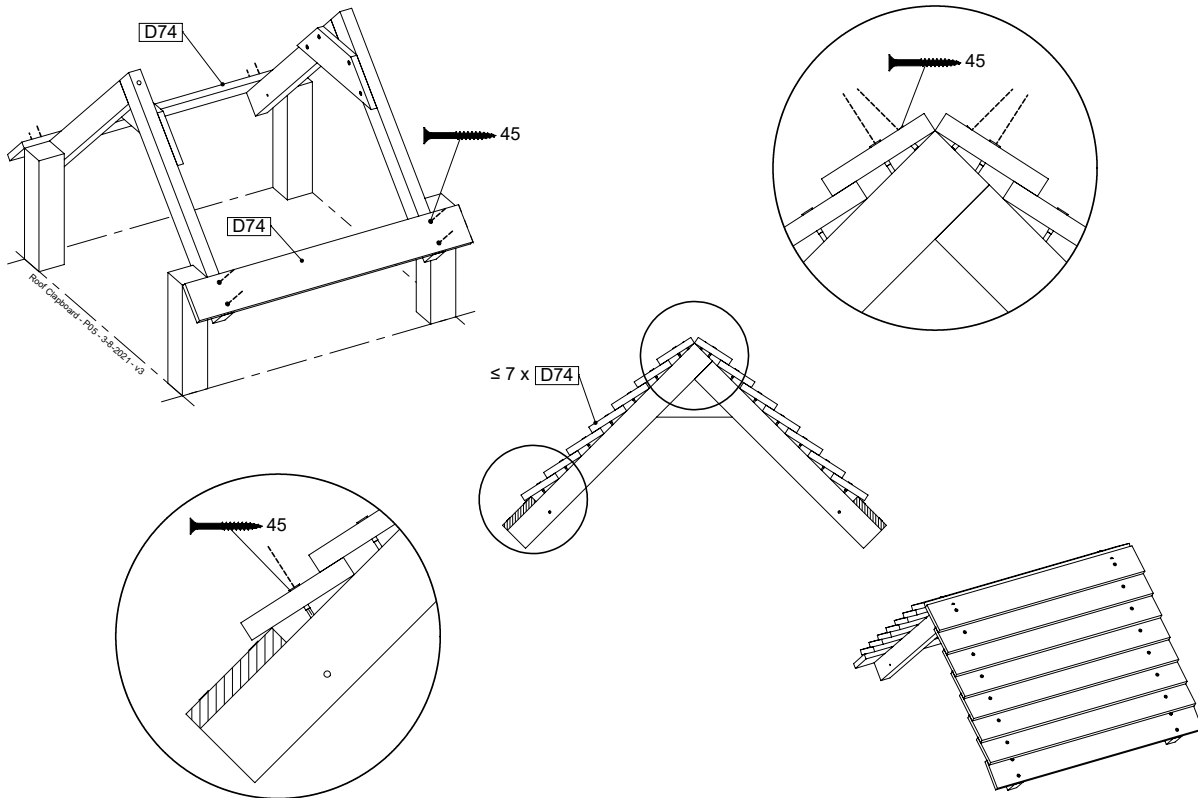
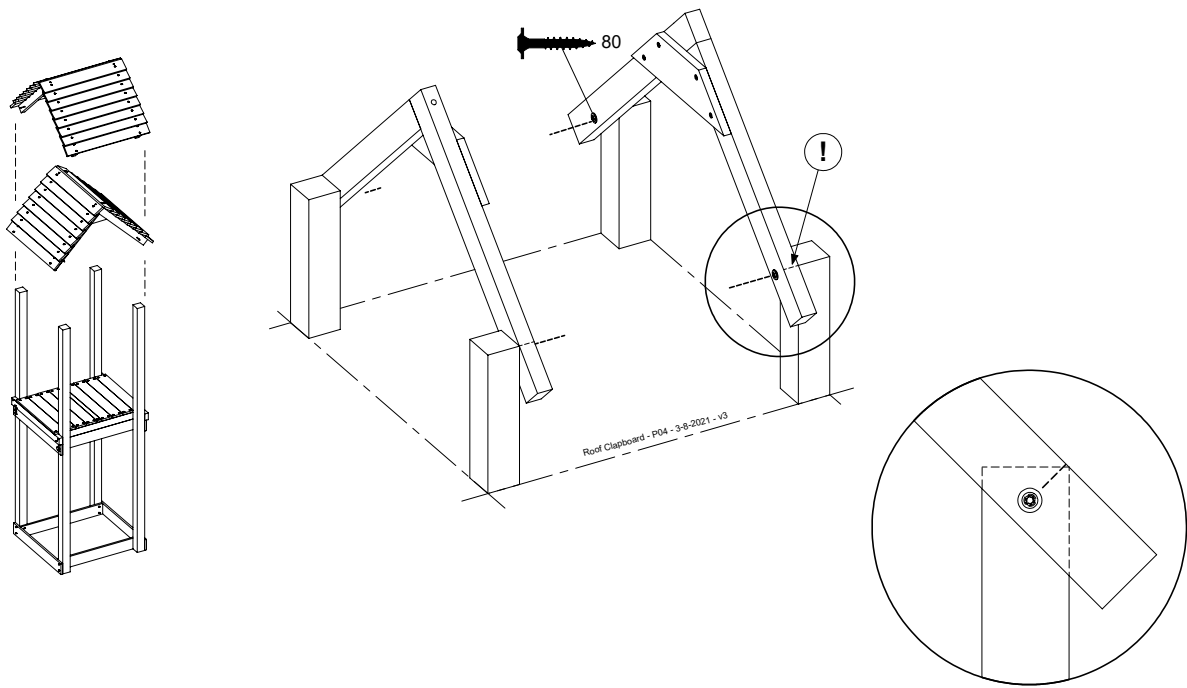
# 9 RF01: Roof Timber Clapboard 80

( 194\_111 )

	PartNo	PartName	QTY.
Hardware Pack 100_609	001_417	Stealth Screw 8x80	4
	002_220	Gap Point Screw T25 - 5x45	48
	002_223	Gap Point Screw T25 - 5x80	2
Timber	C56	Beam 550 mm	2
	C62	Beam 620 mm	2
	D60	Board 600 mm	1
	D74	Board 740 mm	16



# 9.1

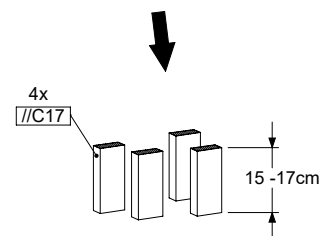
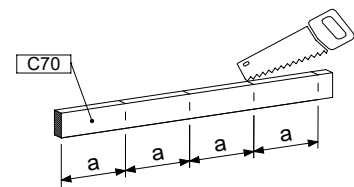
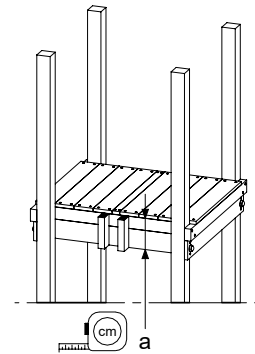
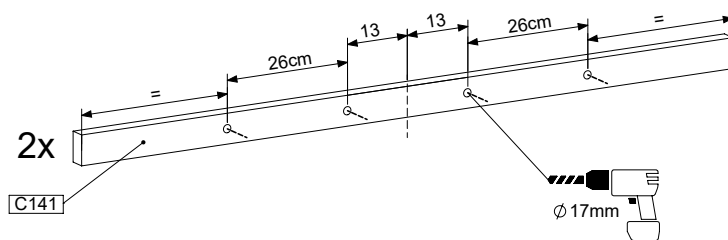
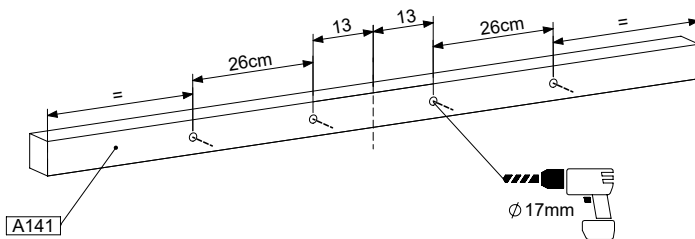
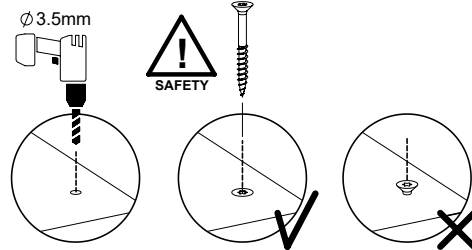
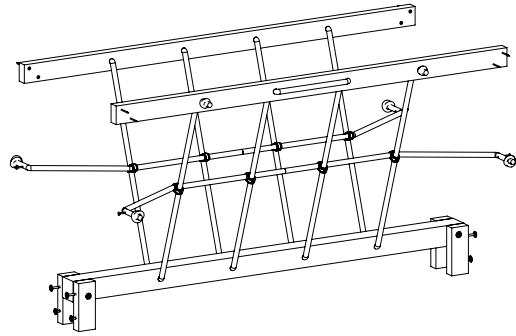


# 10 NB01: Net Bridge

(194\_009 )

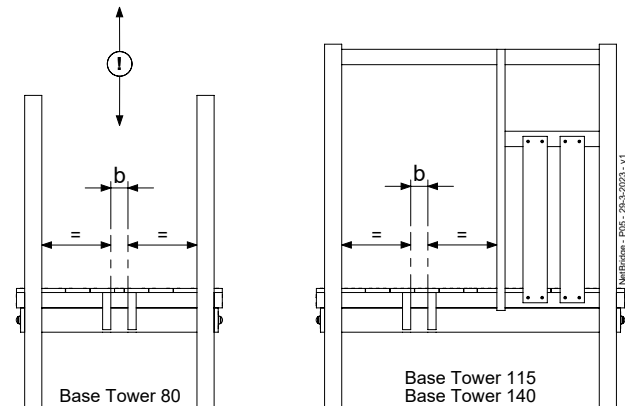
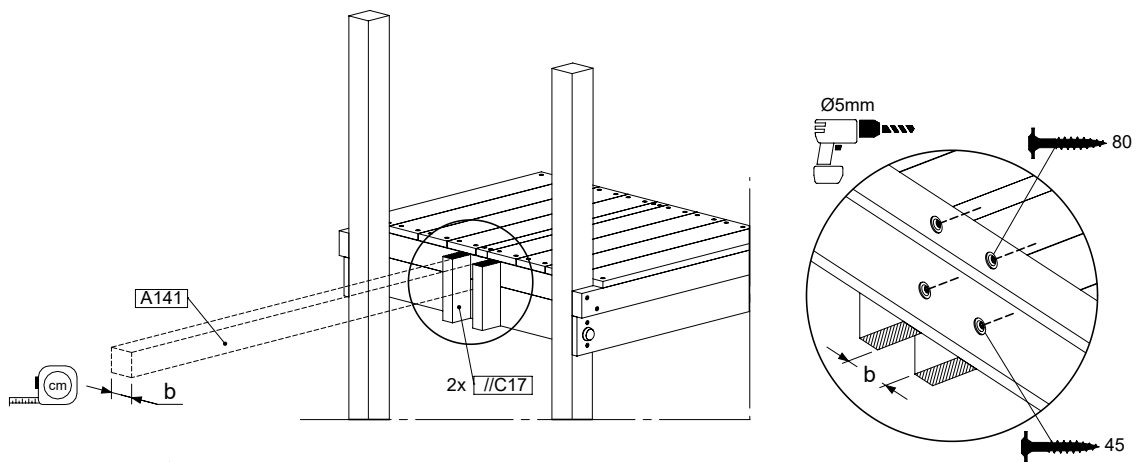
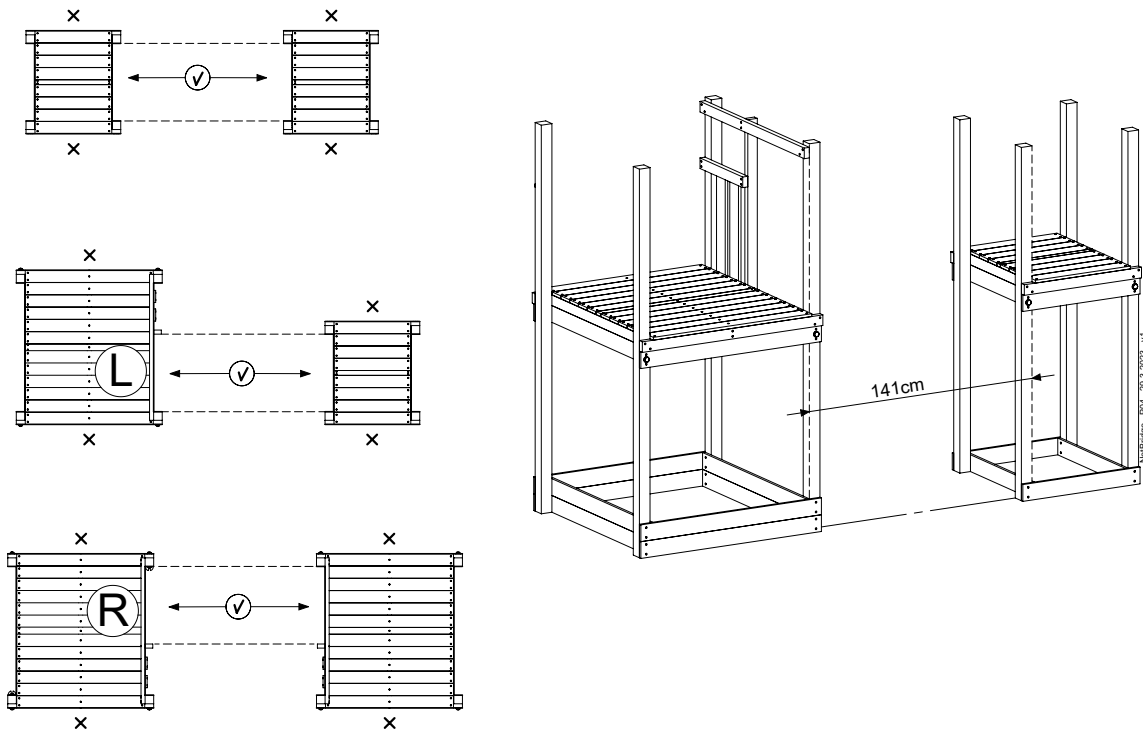
	PartNo	PartName	QTY.
Hardware Pack	001_406	Stealth Screw 8x45	4
	001_417	Stealth Screw 8x80	8
	002_220	Gap Point Screw T25 - 5x45	12
	002_223	Gap Point Screw T25 - 5x80	8
	002_301	Dry Wall Screw PH2 3.9 x 40 mm	8
Other	020_315	Rope Polyester 16mm Green 2.25m	2
	020_319	Rope Polyester 16mm Green 7.45m	1
	022_455	Rope Cross Connector Egg	8
Timber	A141	Post 70x70 L1410	1
	C70	Beam 700 mm	1
	C141	Beam 1410 mm	2

NetBridge-PO2 U-26-3-2023-v1

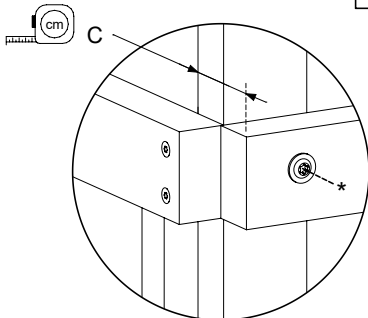
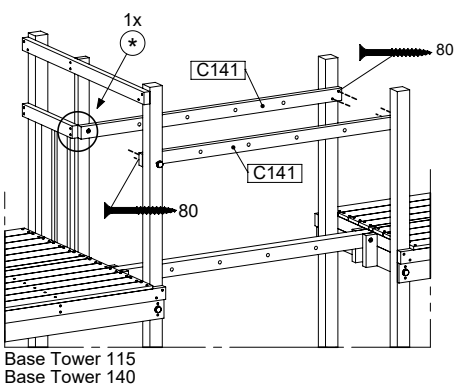
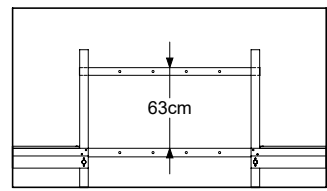
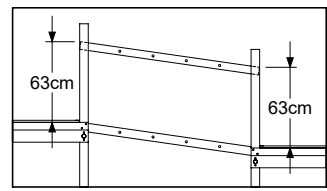
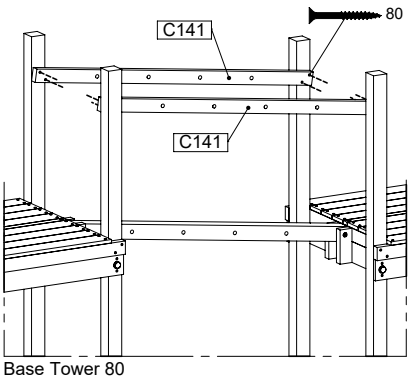
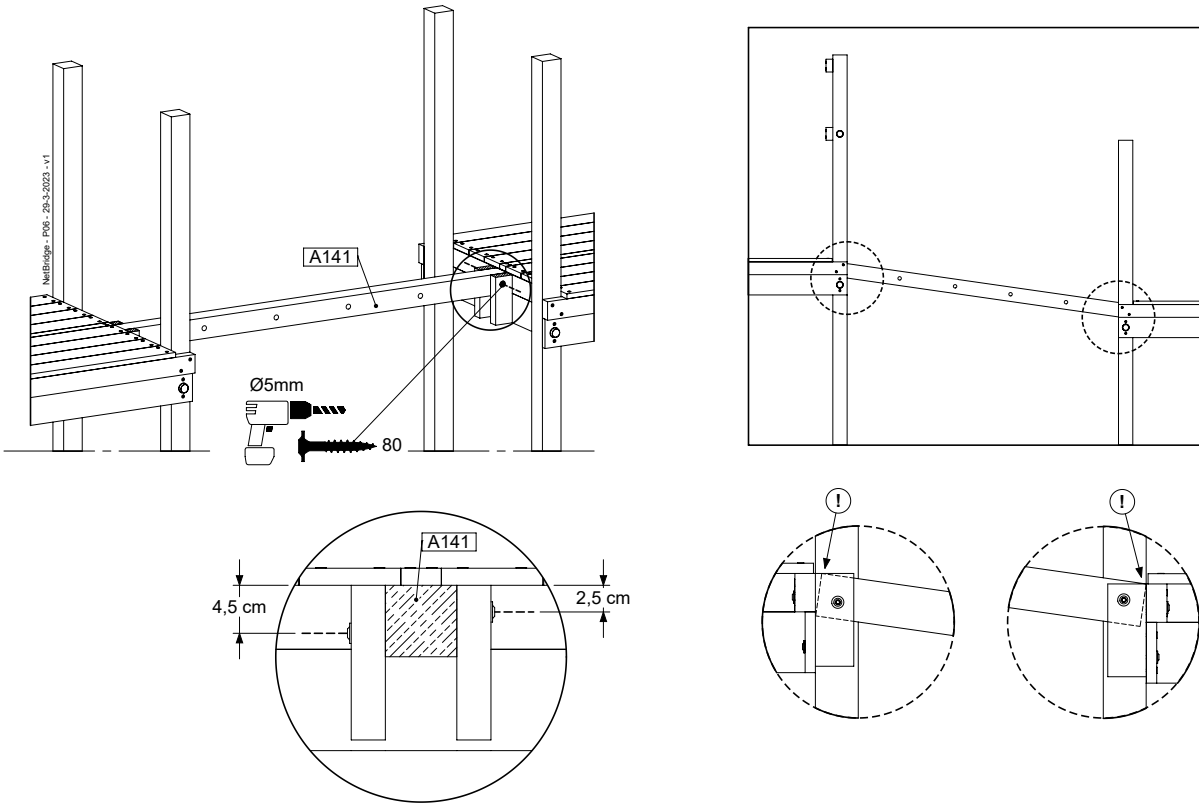


NetBridge-PO2 U-26-3-2023-v1

# 10.1



# 10.2

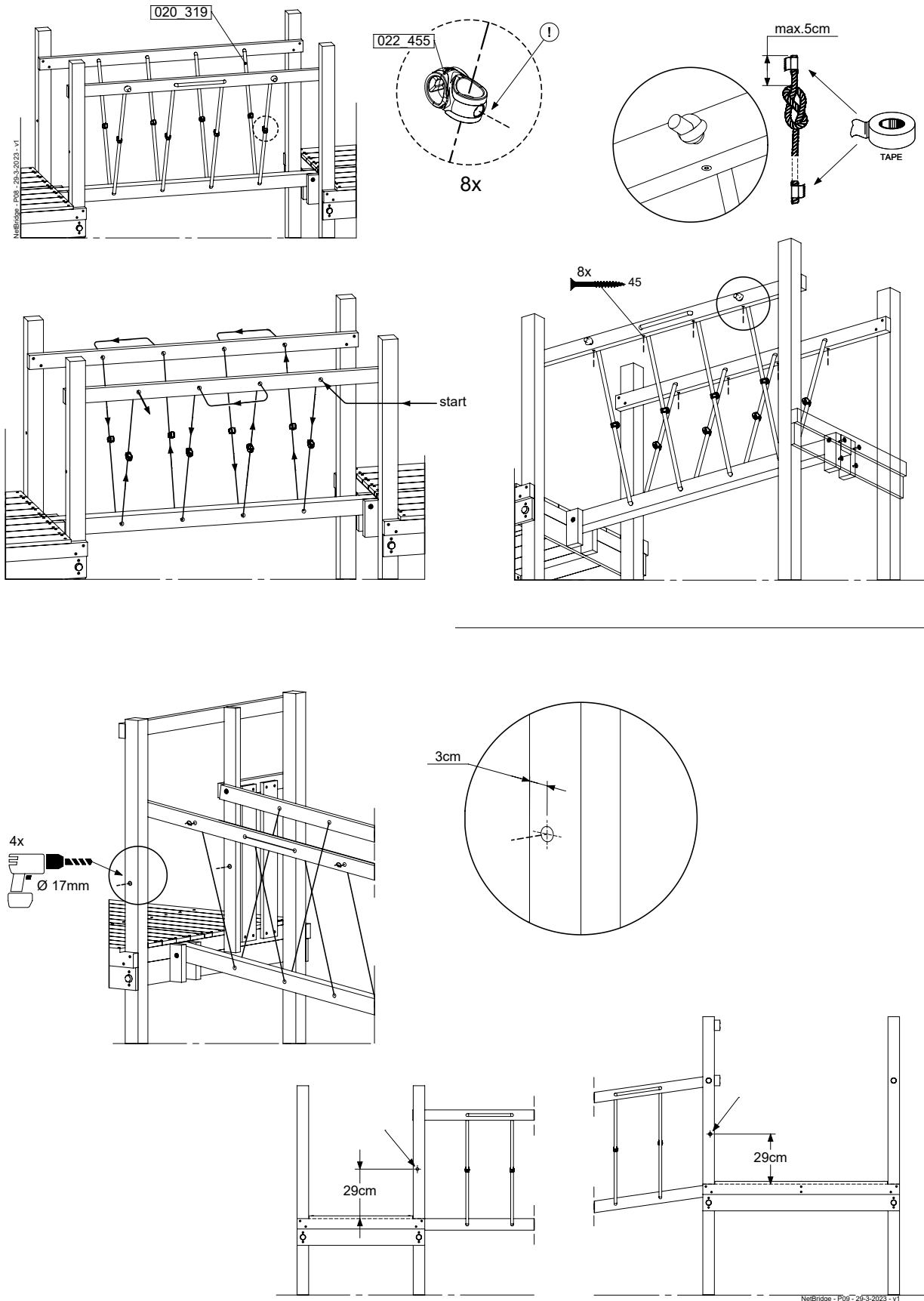


- $C \geq 8\text{cm}$  → 2x 80
  - $C < 8\text{cm}$  → 1x 60
- Ø5 mm

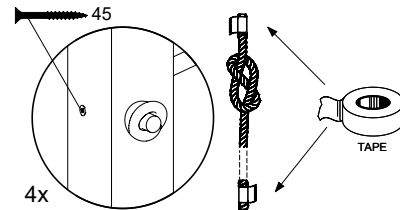
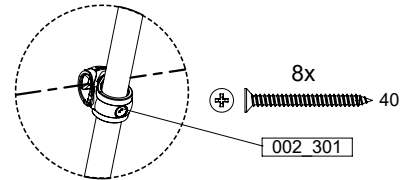
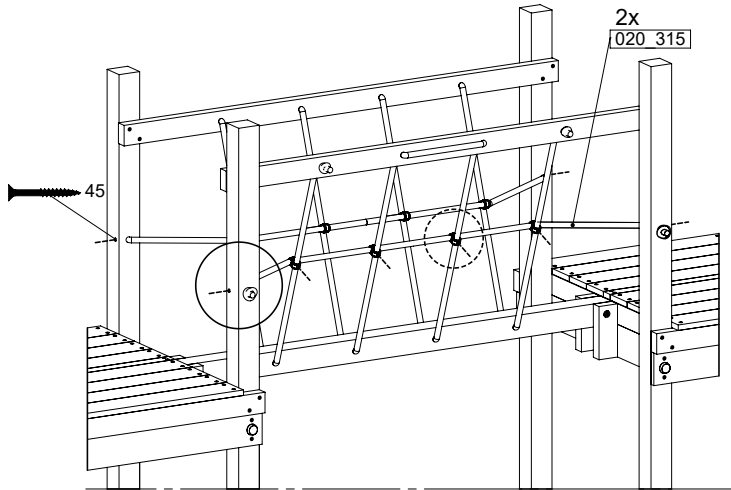
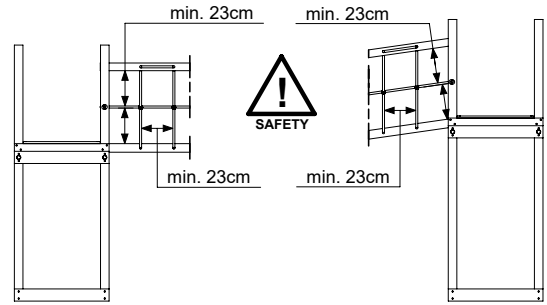
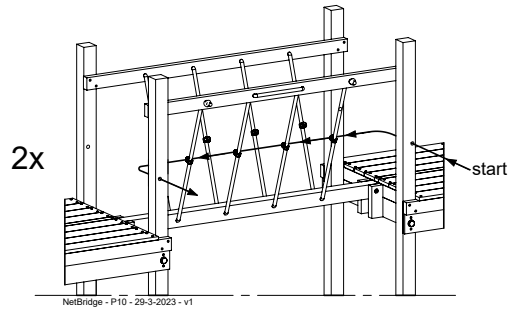
BF - Bridge Frame



# 10.3



# 10.4

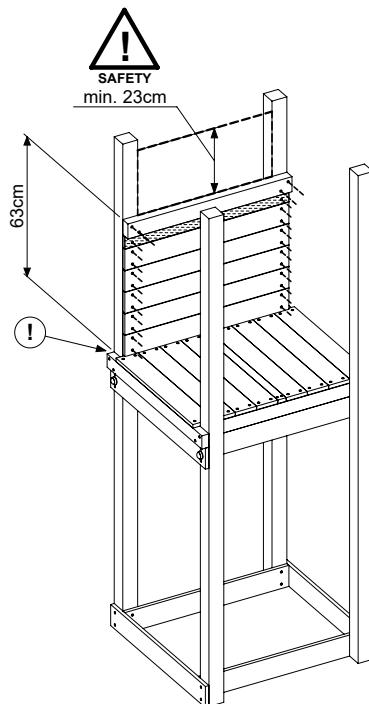
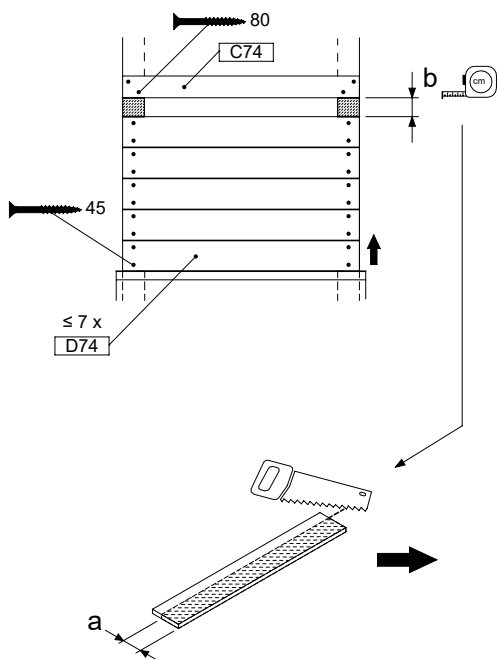
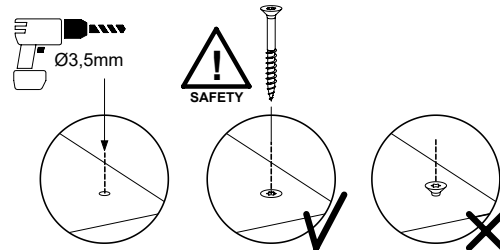
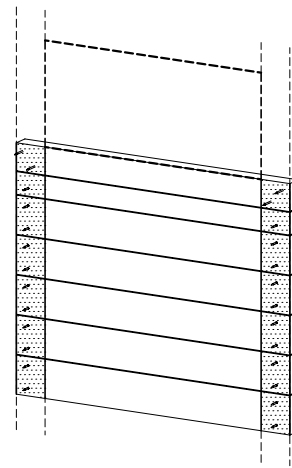


# 11 PH05: Playhouse Window Panel 80 U

( 194\_501 )

	PartNo	PartName	QTY.
Hardware Pack	002_220	Gap Point Screw T25 - 5x45	28
	002_223	Gap Point Screw T25 - 5x80	4
Timber	C74	Beam 740 mm	1
	D74	Board 740 mm	7

Playhouse Walls - P05 WINDOW U - 28-3-2023 - v3

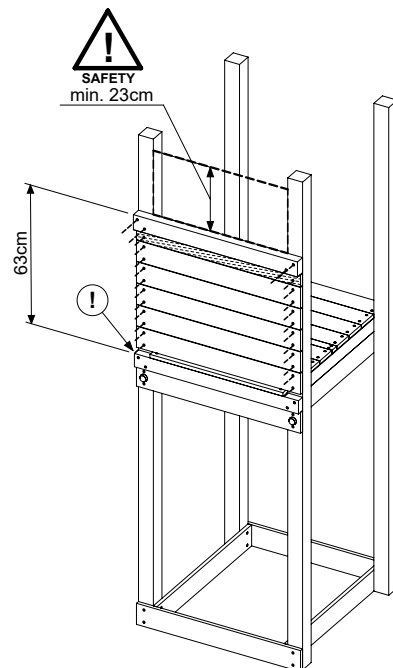
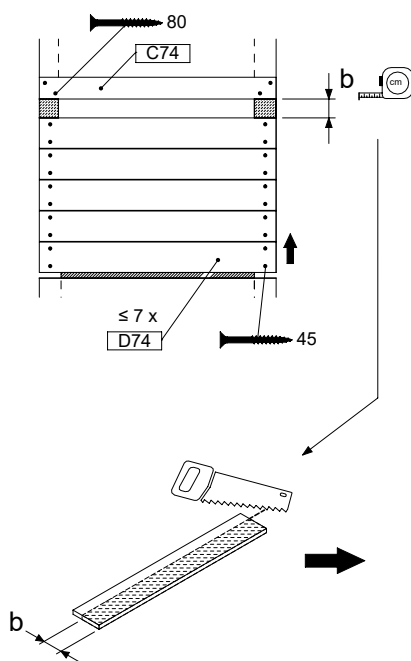
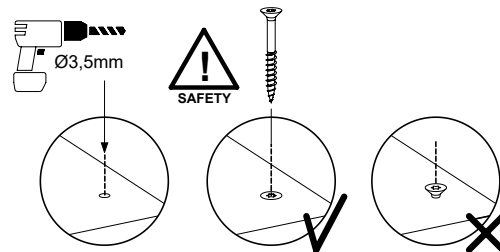
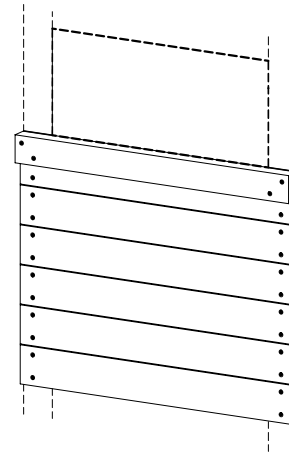


# 12 PH06: Playhouse Window Panel 80 T

( 194\_501 )

PartNo	PartName	QTY.
002_220	Gap Point Screw T25 - 5x45	28
002_223	Gap Point Screw T25 - 5x80	4
C74	Beam 740 mm	1
D74	Board 740 mm	7

Playhouse Walls - PH6 WINDOW T - 25-3-2023 - v3



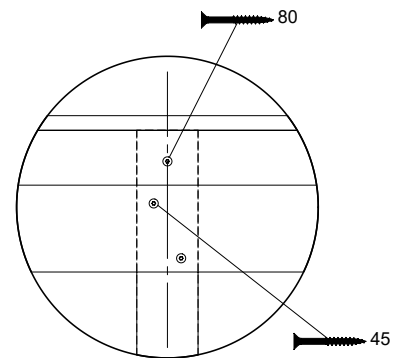
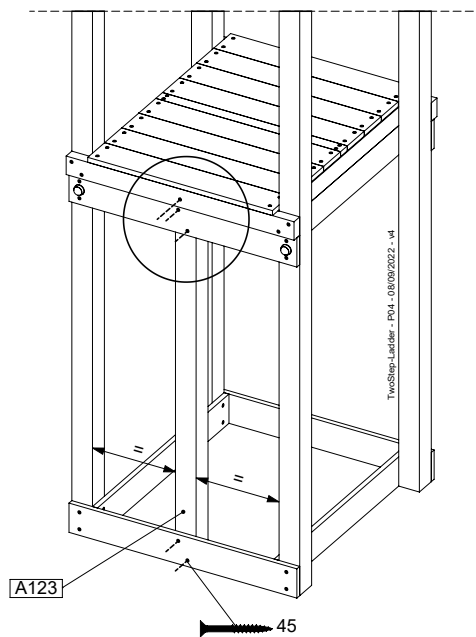
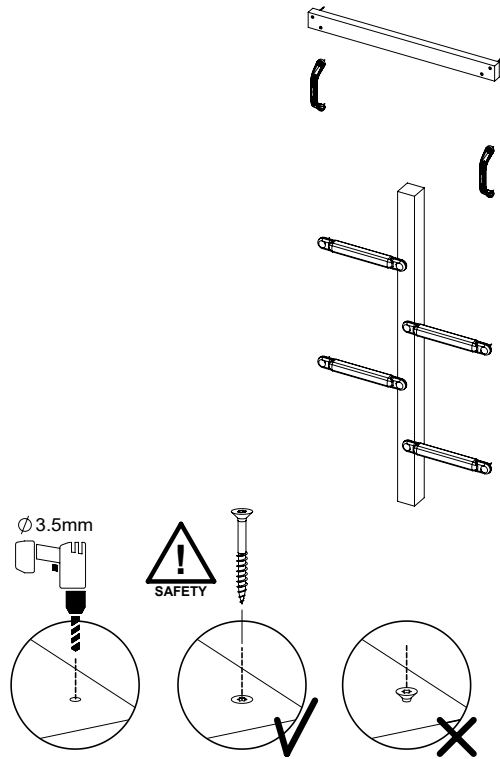
Playhouse Walls - PH6 WINDOW T - 25-3-2023 - v3

# 13 TS02: Two Step 80 125 T

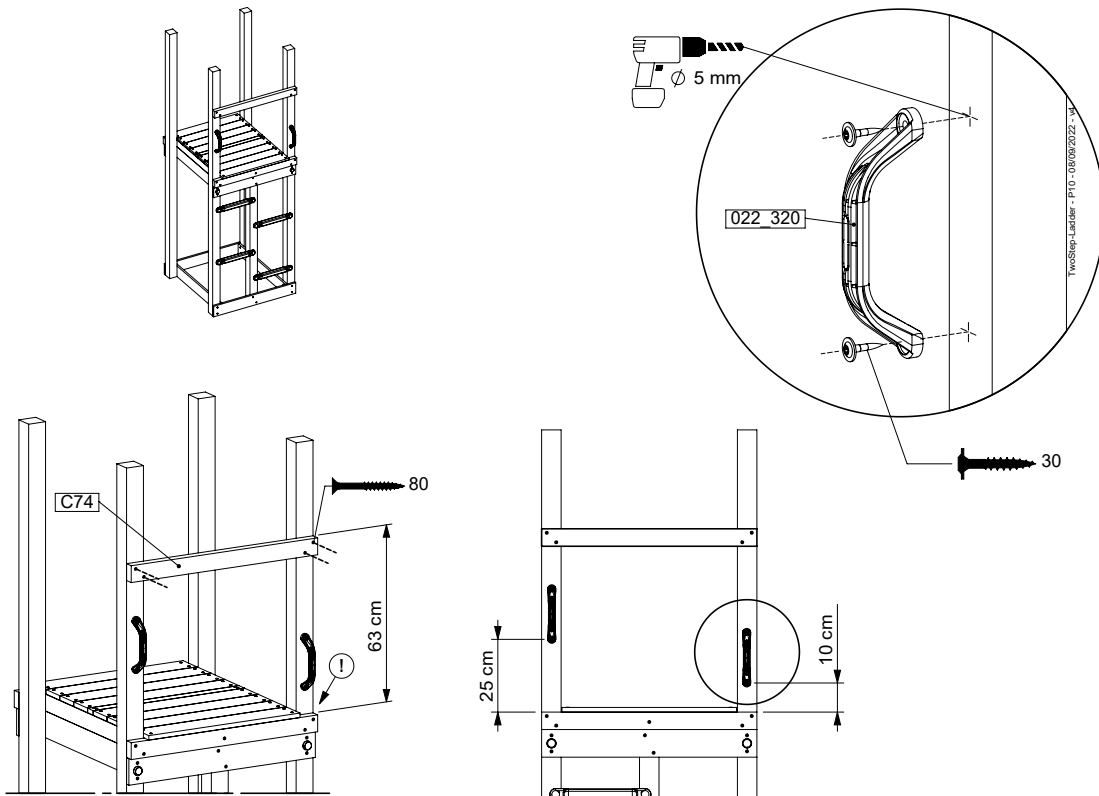
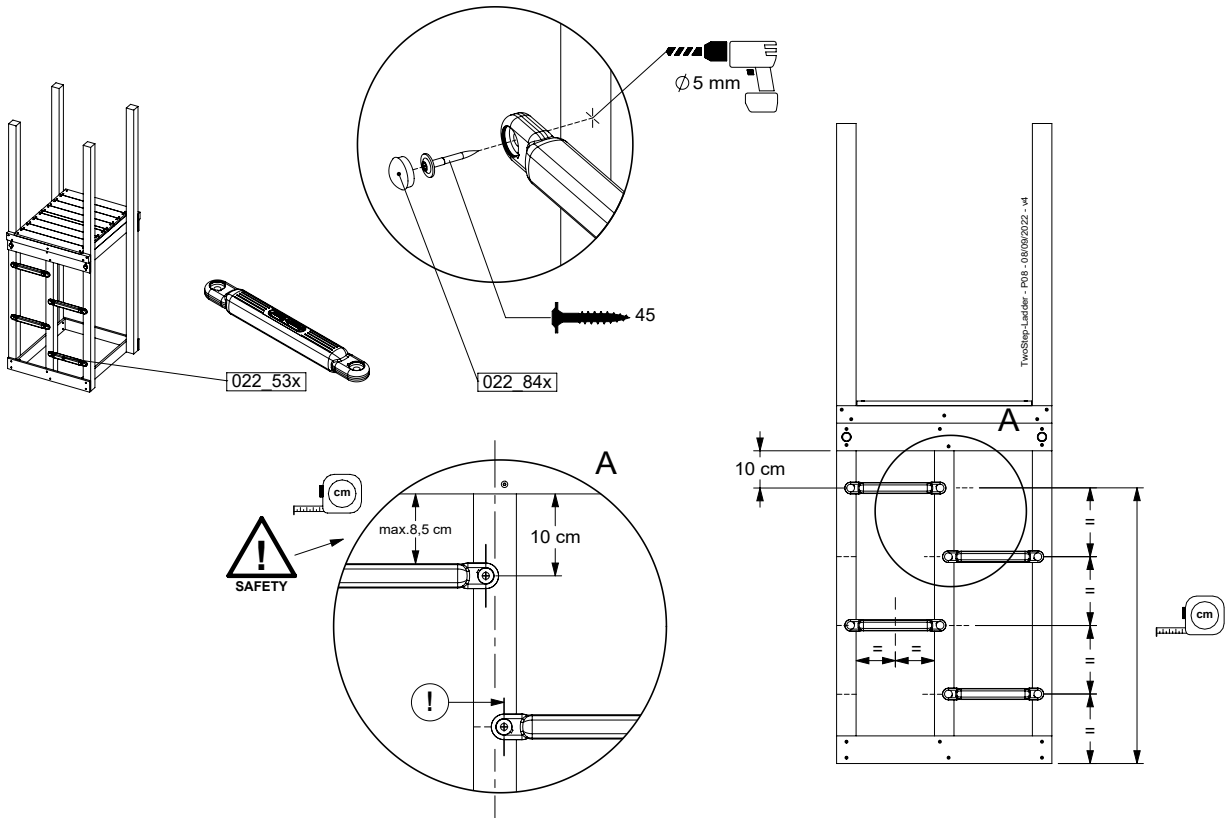
( 194\_102 / 194\_002 )

	PartNo	PartName	QTY.
Hardware Pack 100_602 /100_902	001_406	Stealth Screw 8x45	8
	002_220	Gap Point Screw T25 - 5x45	4
	002_223	Gap Point Screw T25 - 5x80	5
Other	022_53x	Ladder/ Rope Rung 30cm	4
	022_84x	bpc cover	8
	120_102	Handgrip set (2x Complete)	1
Timber	A123	Post 70x70 L1230	1
	C74	Beam 740 mm	1

TwoStep-Ladder - P02 - 08/09/2022 - v4



# 13.1

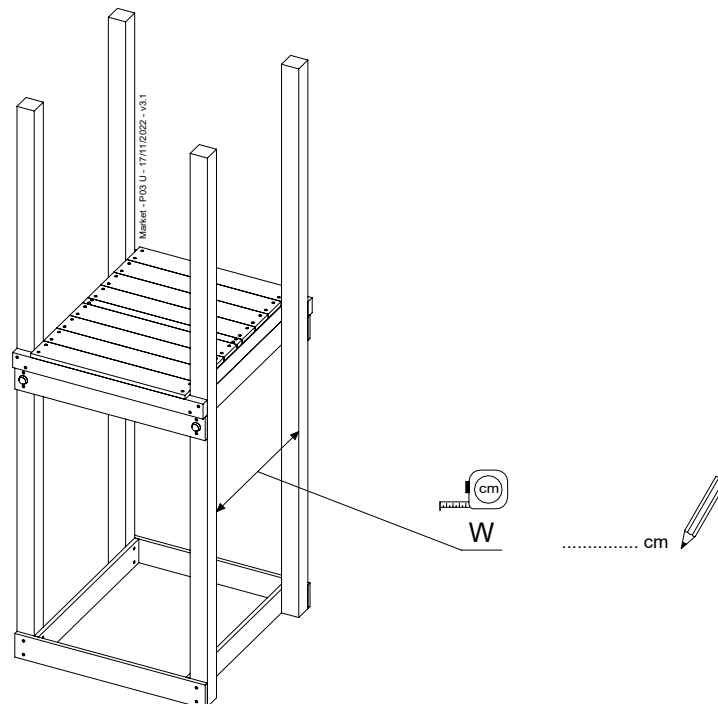
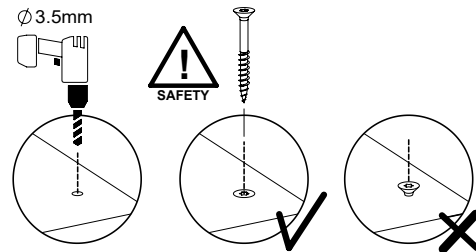
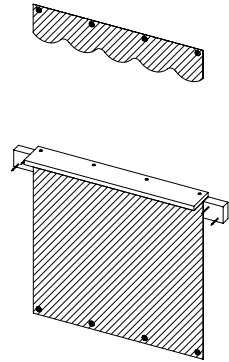


# 14 MT01: Market 80 U

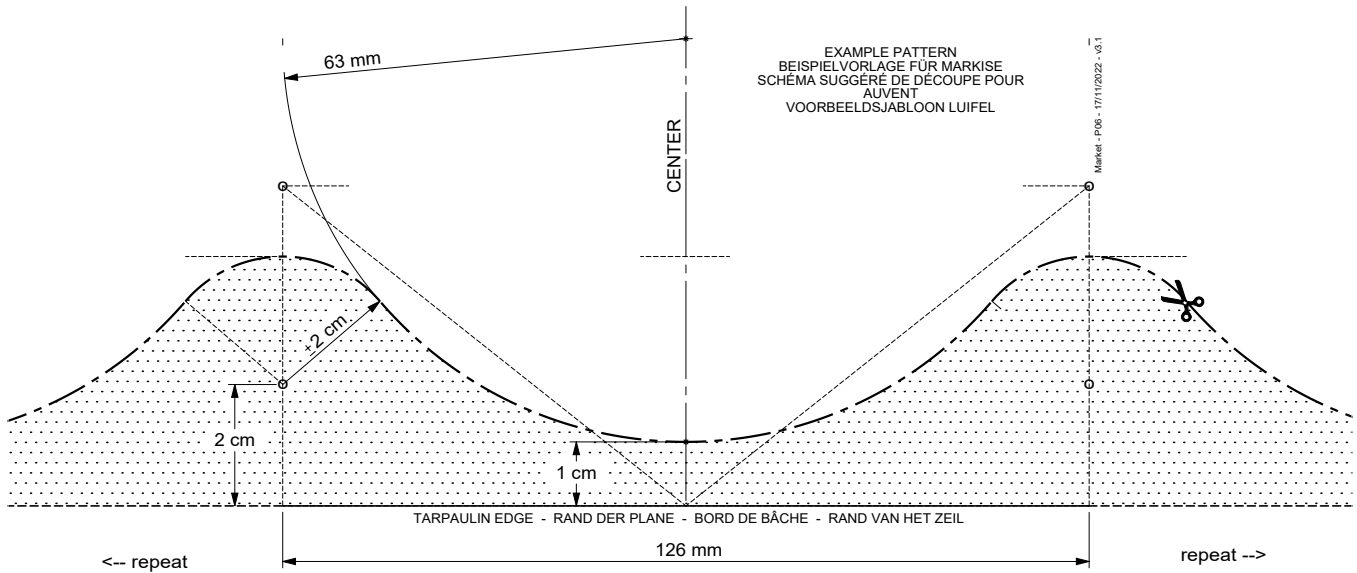
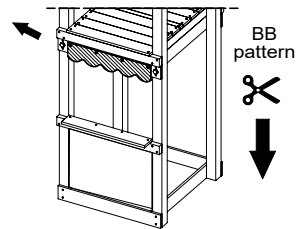
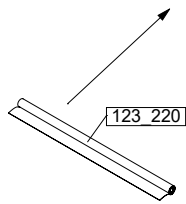
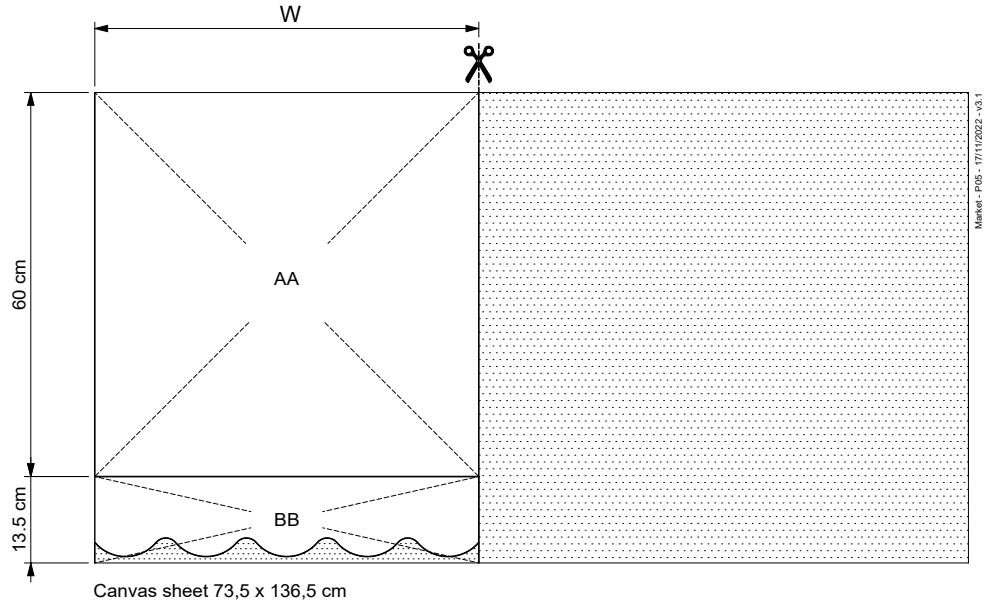
( 194\_113 )

	PartNo	PartName	QTY.
Hardware Pack 100_611	002_220	Gap Point Screw T25 - 5x45	4
	002_223	Gap Point Screw T25 - 5x80	4
	002_308	Gap Point Screw T25 - 5x20	8
	023_031	Finishing Washer GPS 5.0	8
Other	123_220	Canvas sheet 735x1365	1
Wood	C74	Beam 740 mm	1
	D60	Board 600 mm	1

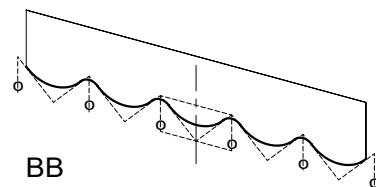
Market - P10 U - 17/11/2022 - v3.1



# 14.1

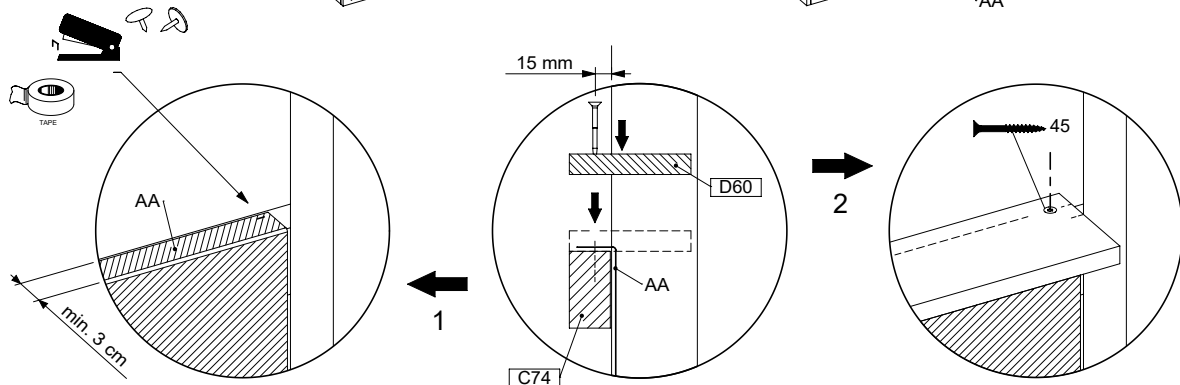
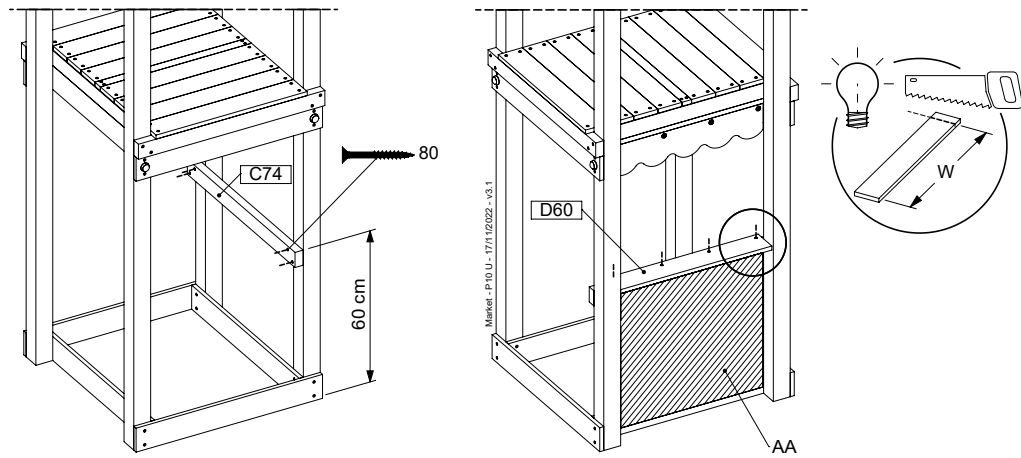
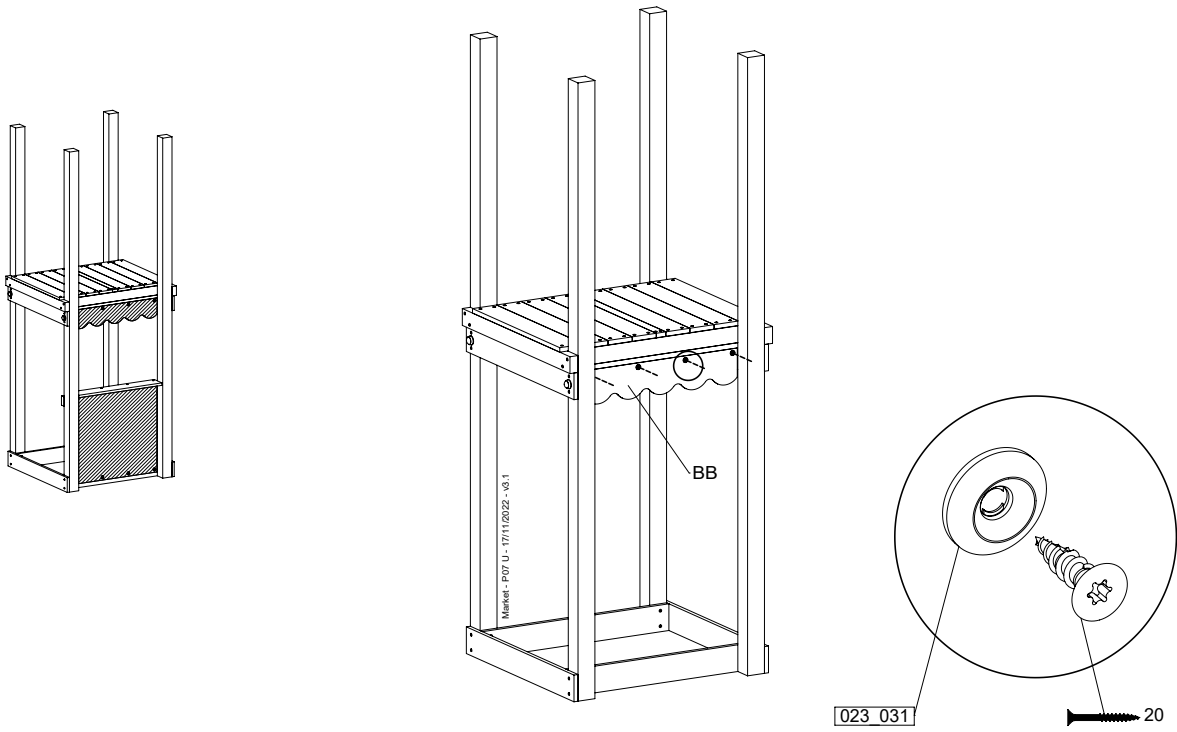


! Scale of print may not be accurate.  
Druckformat kann abweichen.  
Les tailles imprimées peuvent varier.  
Printformaat kan afwijken.

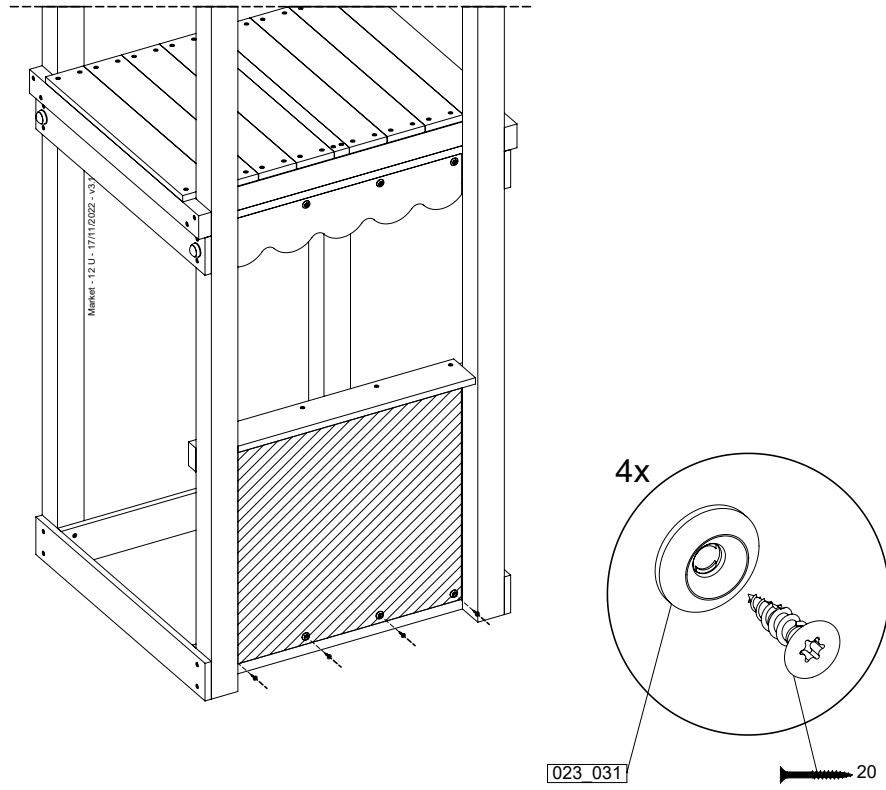




# 14.2



# 14.3

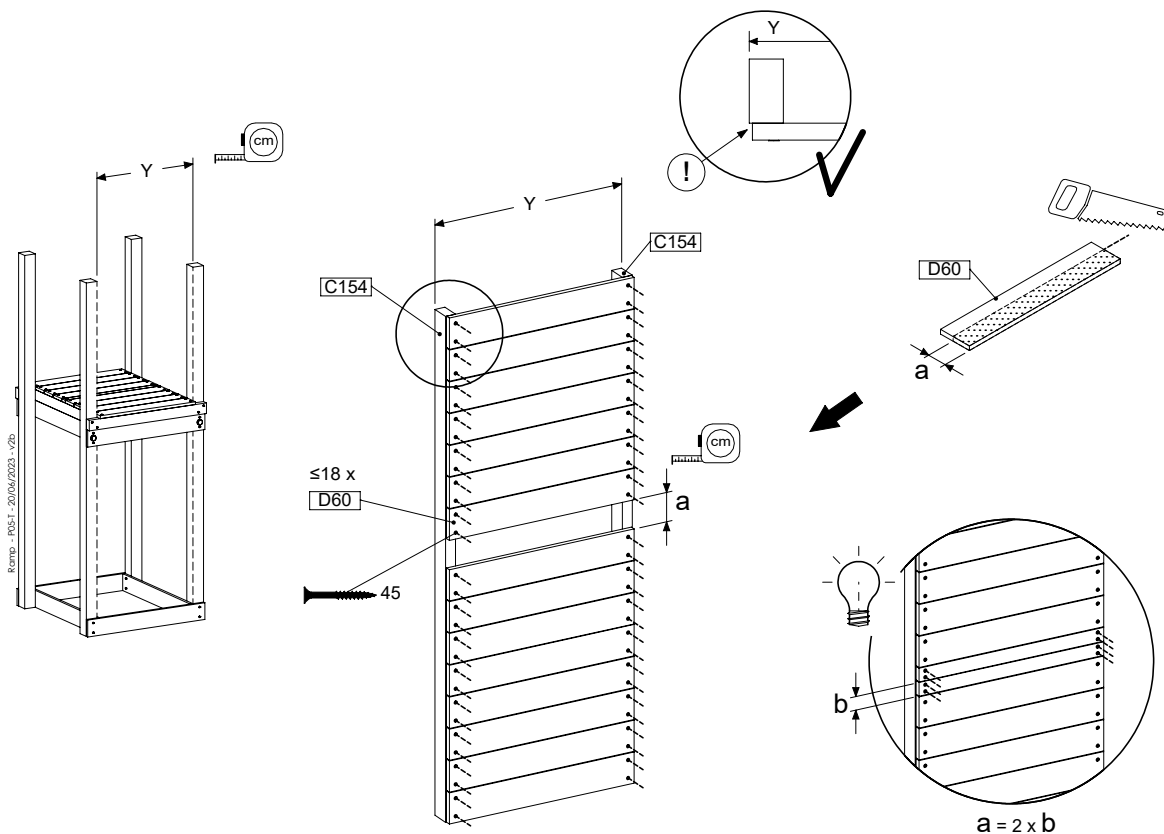
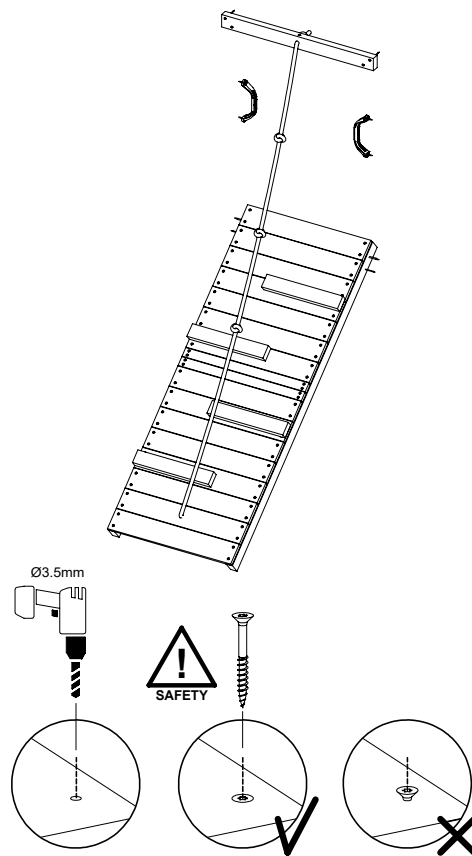


# 15 RA04: Ramp 80 125 T

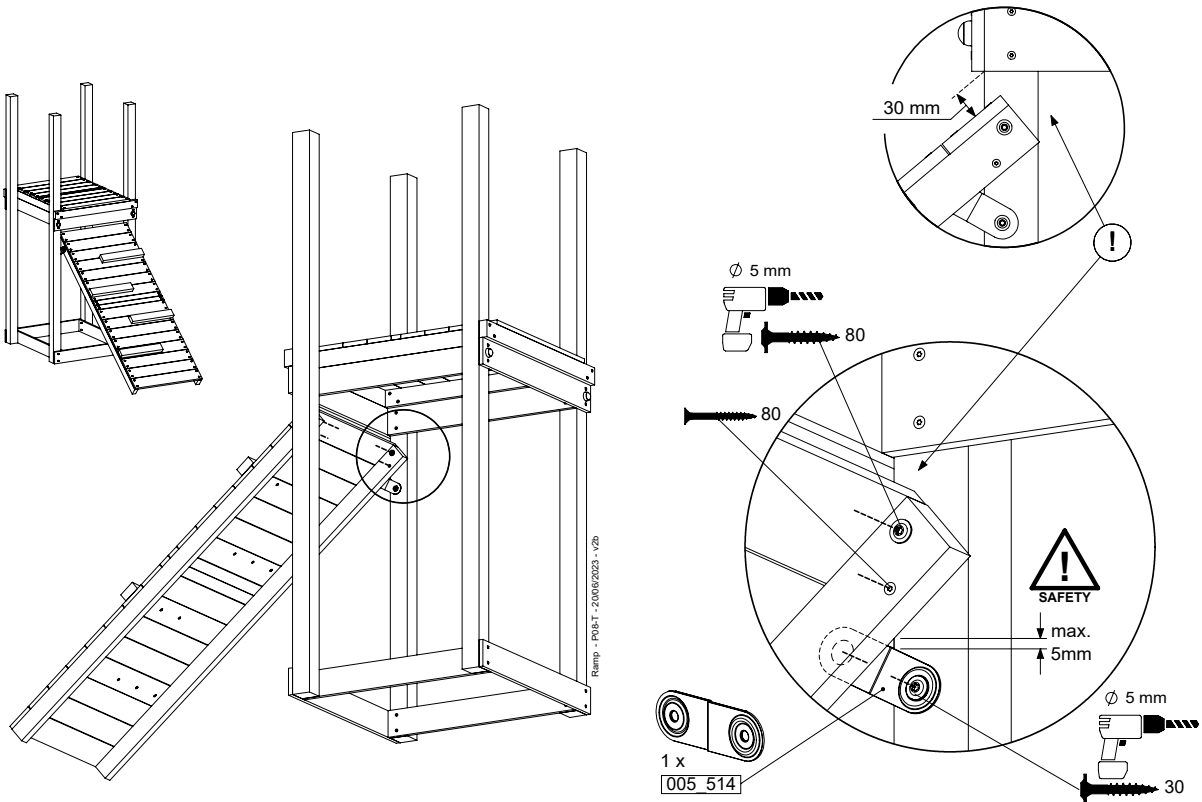
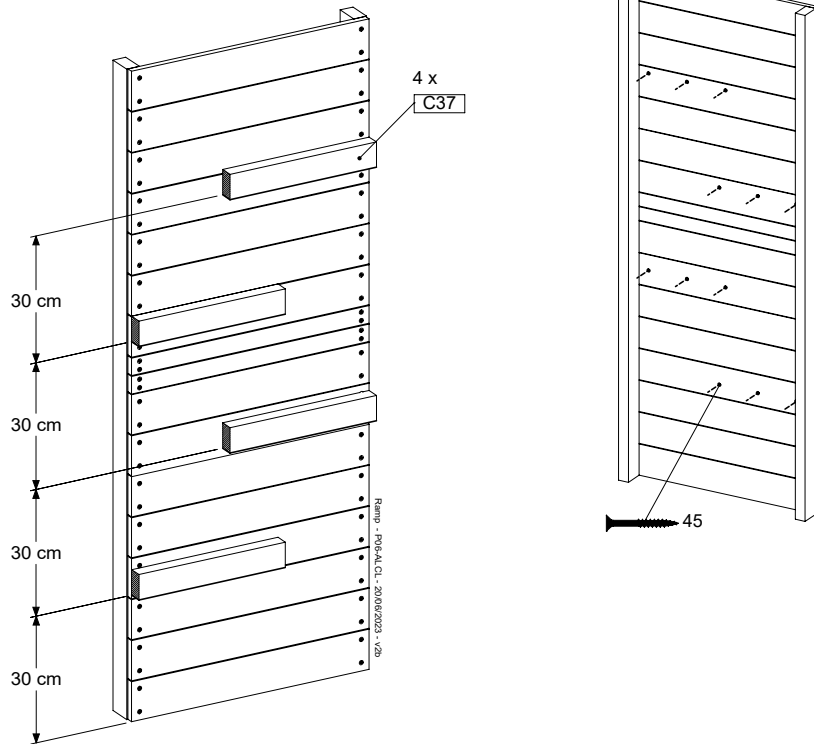
(194\_008)

	PartNo	PartName	QTY.
Hardware Pack	001_404	Stealth Screw 8x30	2
	001_417	Stealth Screw 8x80	2
	002_220	Gap Point Screw T25 - 5x45	85
	002_223	Gap Point Screw T25 - 5x80	6
Other	005_514	Ladder Bracket	1
	020_317	Rope Polyester 16mm Green 3.4m	1
	120_102	Handgrip set (2x Complete)	1
Timber	C37	Beam 370 mm	4
	C74	Beam 740 mm	1
	C154	Beam 1540 mm	2
	D60	Board 600 mm	18

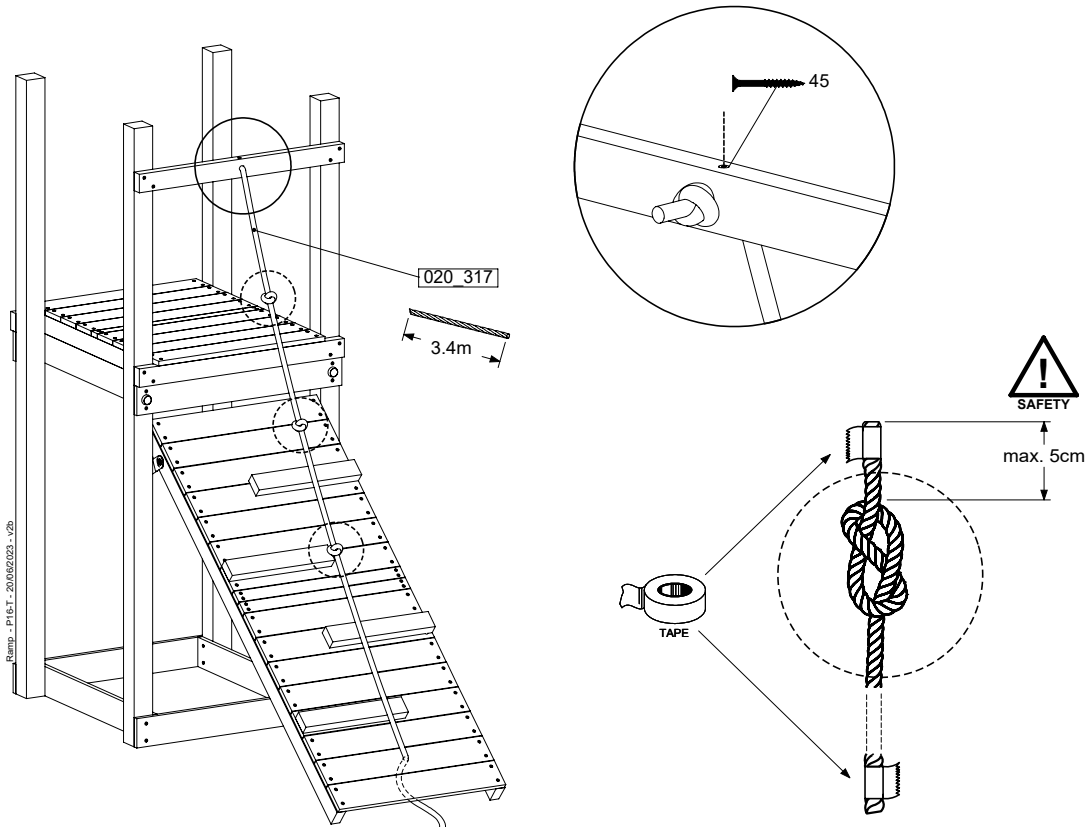
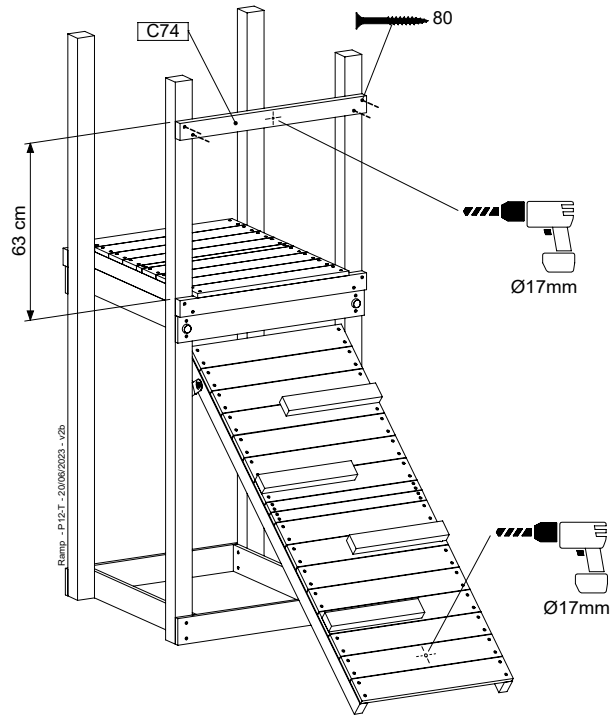
Ramp - P102-Beam - 2016/2023 - v2b



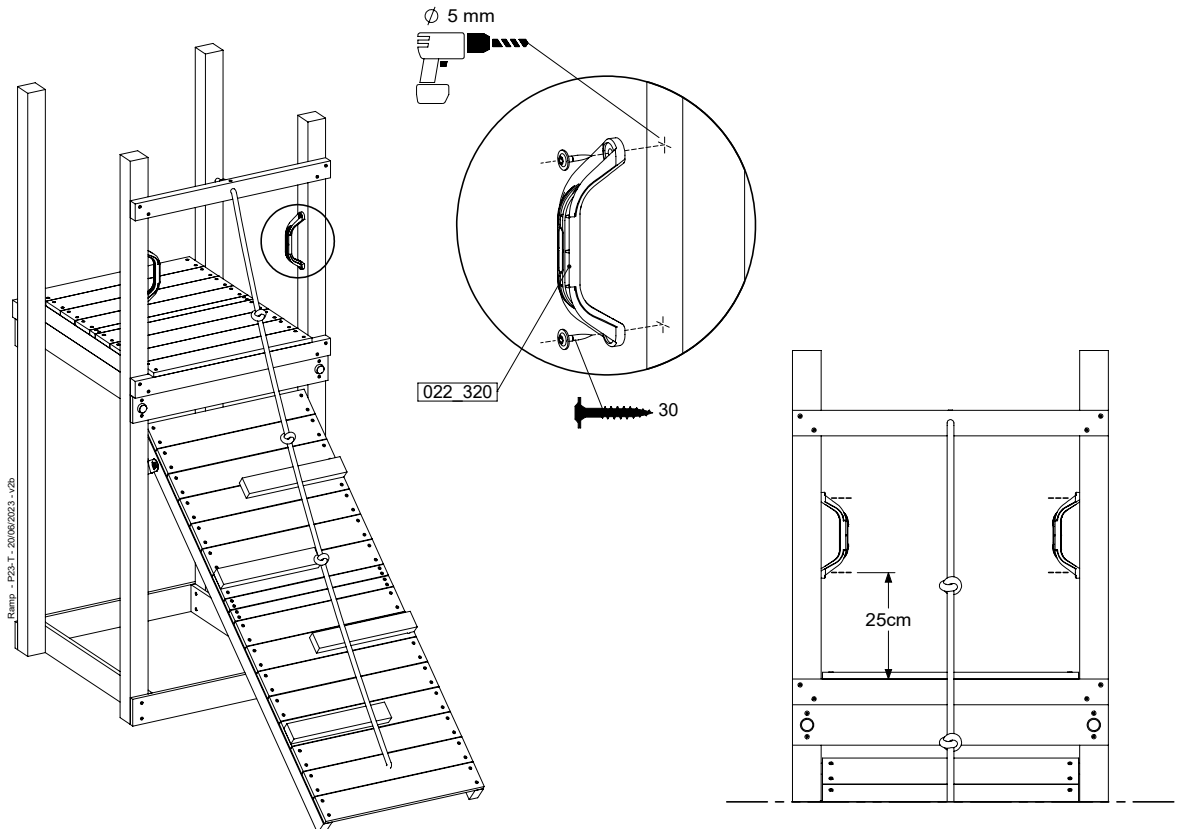
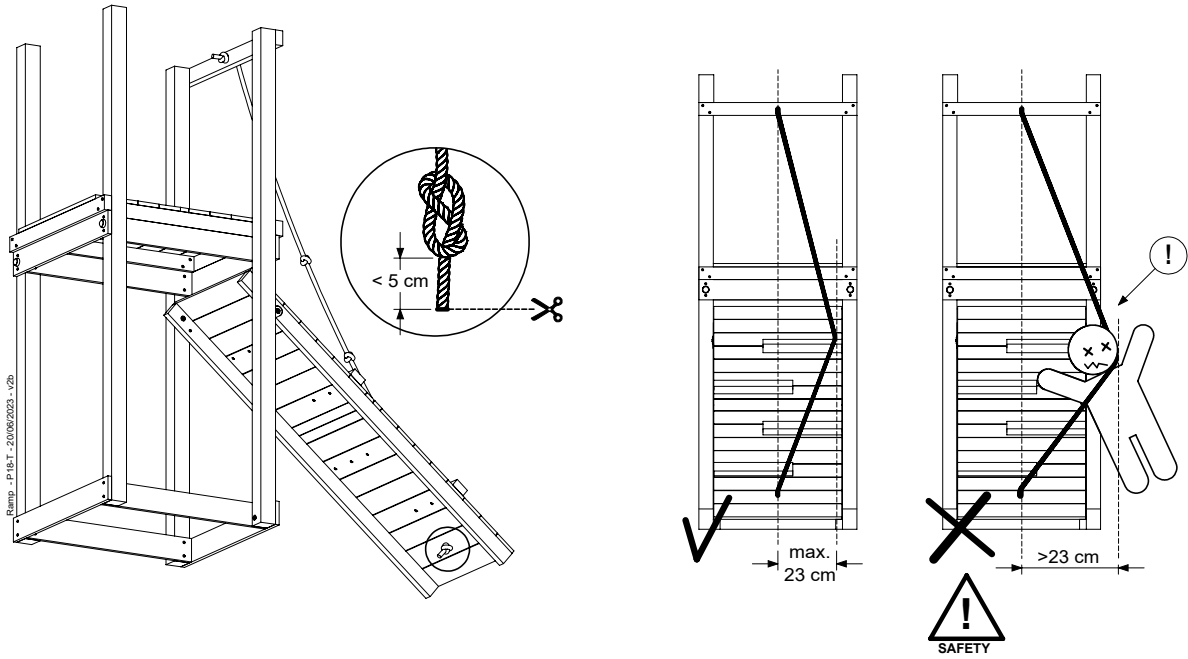
# 15.1



# 15.2



# 15.3



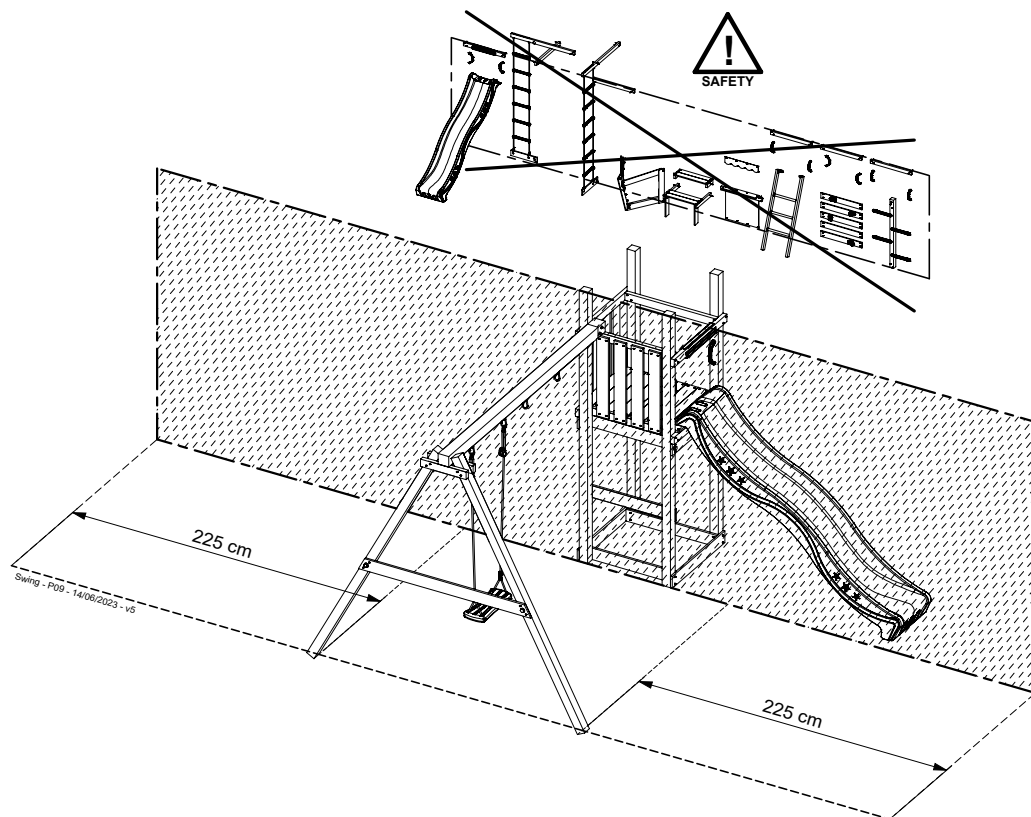
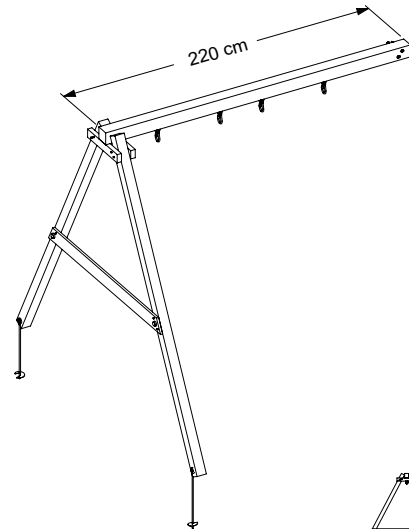
# 16 SW05: 2-Swing Module 200

(457\_102 )

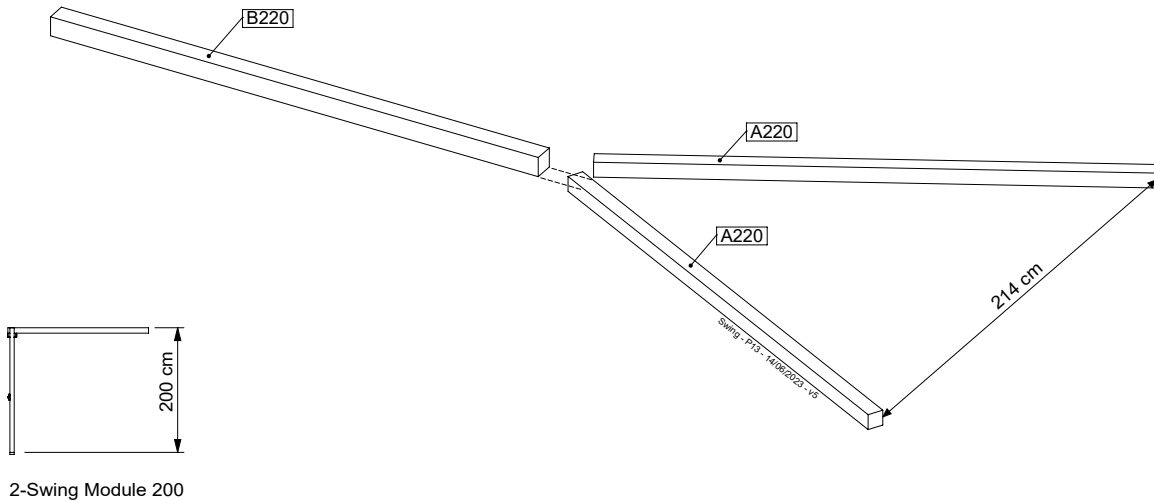
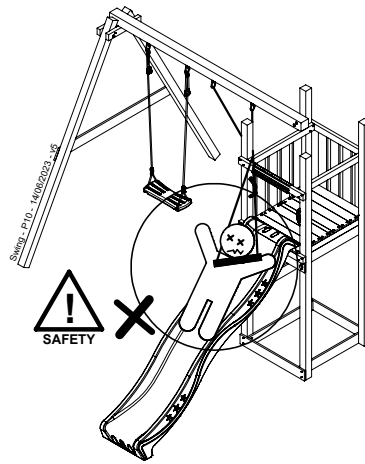
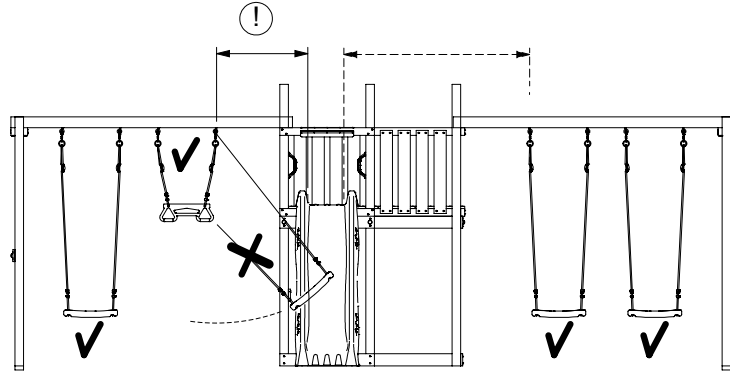
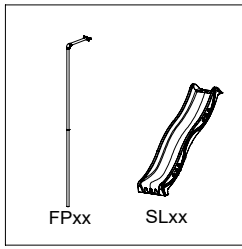
	PartNo	PartName	QTY.
Hardware Pack	001_406	Stealth Screw 8x45	4
	001_417	Stealth Screw 8x80	3 / 4
	001_422	Stealth Screw 8x137	3
	002_220	Gap Point Screw T25 - 5x45	12
	002_223	Gap Point Screw T25 - 5x80	6
Other	005_528	Swing Beam Bracket 7x7	1
	007_001	Ground-anchor	2
	022_31x	bpc-base version 3	2
	022_84x	bpc cover	2
	023_031	Finishing Washer GPS 5.0	2
Timber	101_003	Swing hook with Carabiner	4
	A220	Post 70x70 L2200	2
	B220	Post 90x90 L2200	1
	C37	Beam 370 mm	2
	D141	Board 1410 mm	2

SW-8202/0011 - P09 - BUNMS

2-Swing Module 200

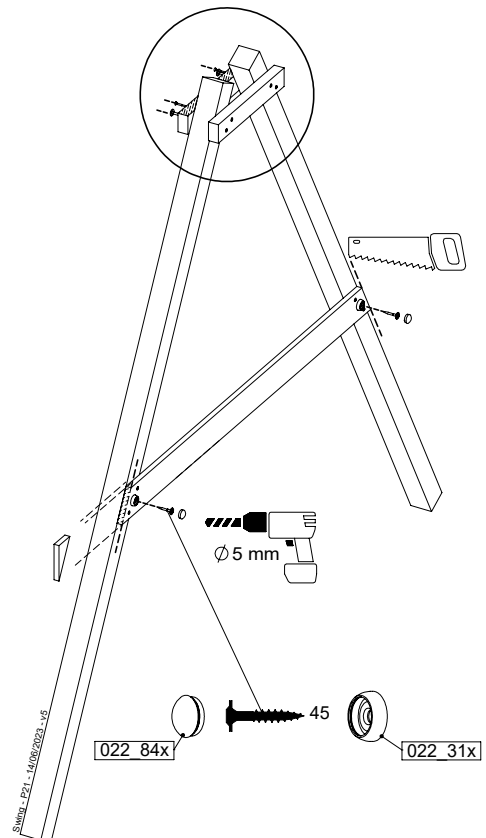
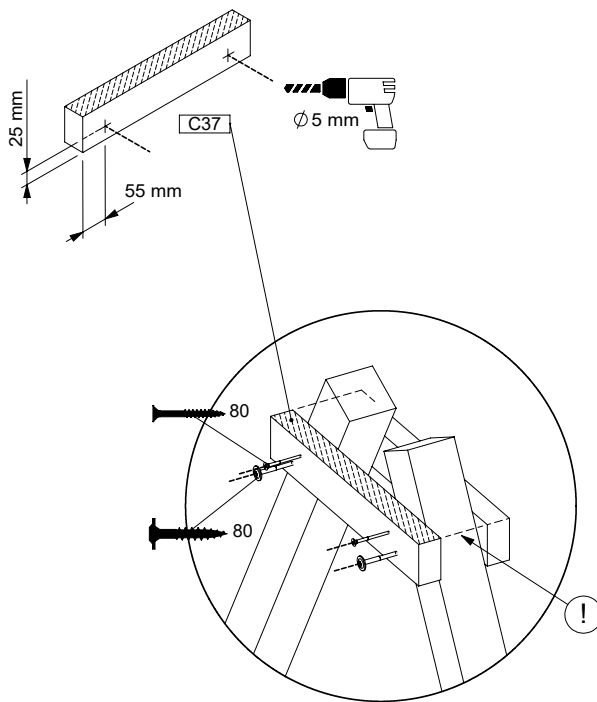
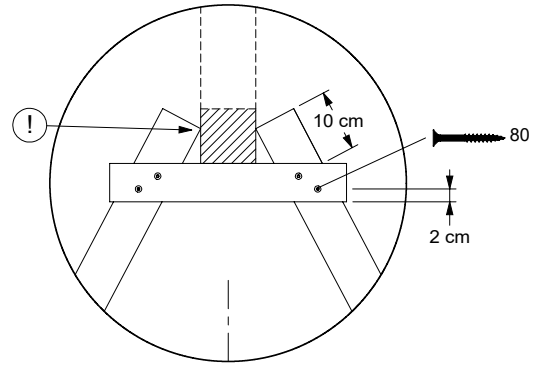
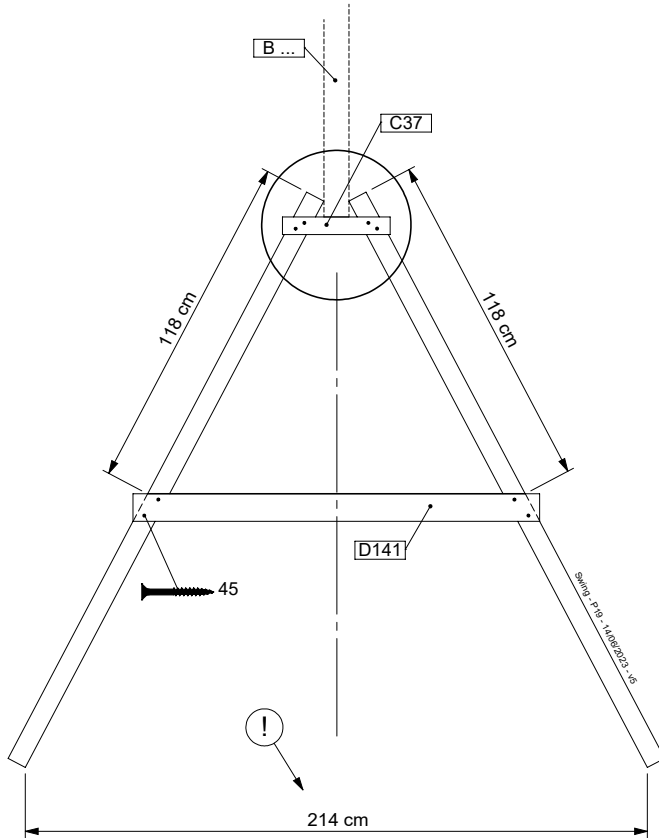


# 16.1

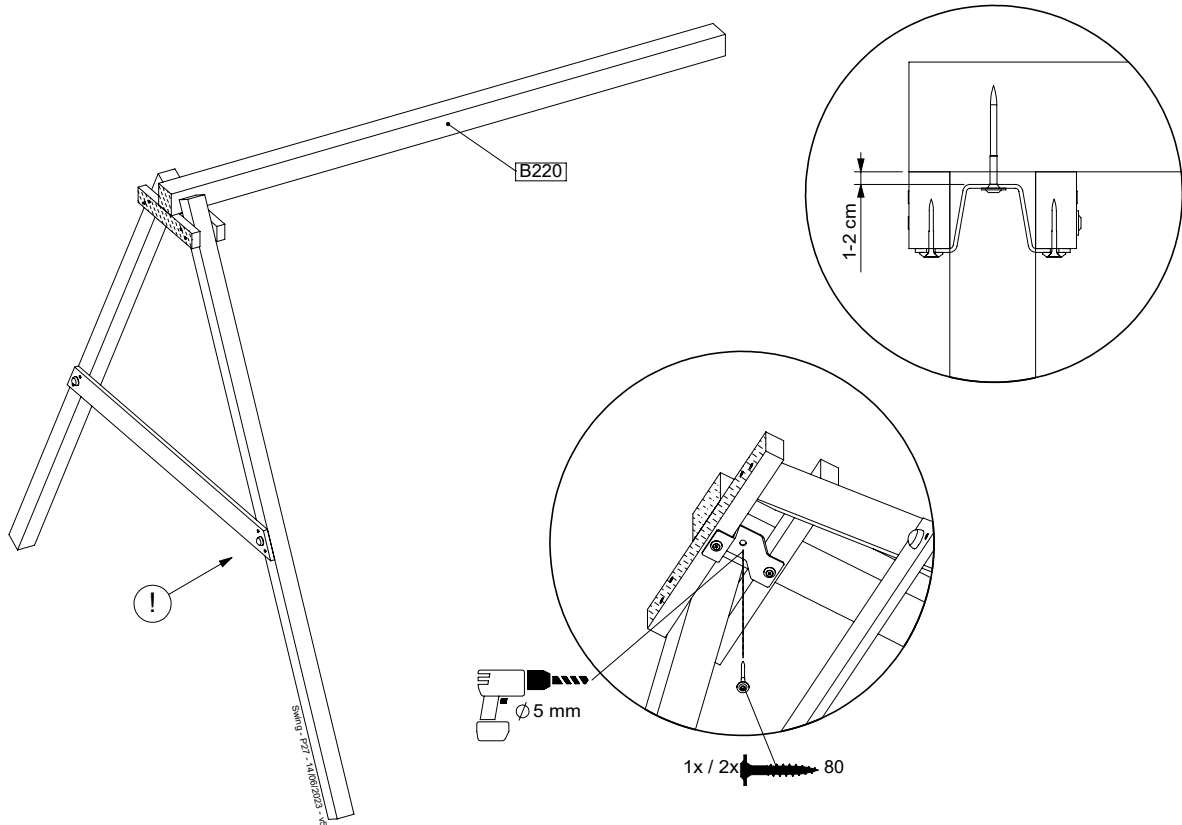
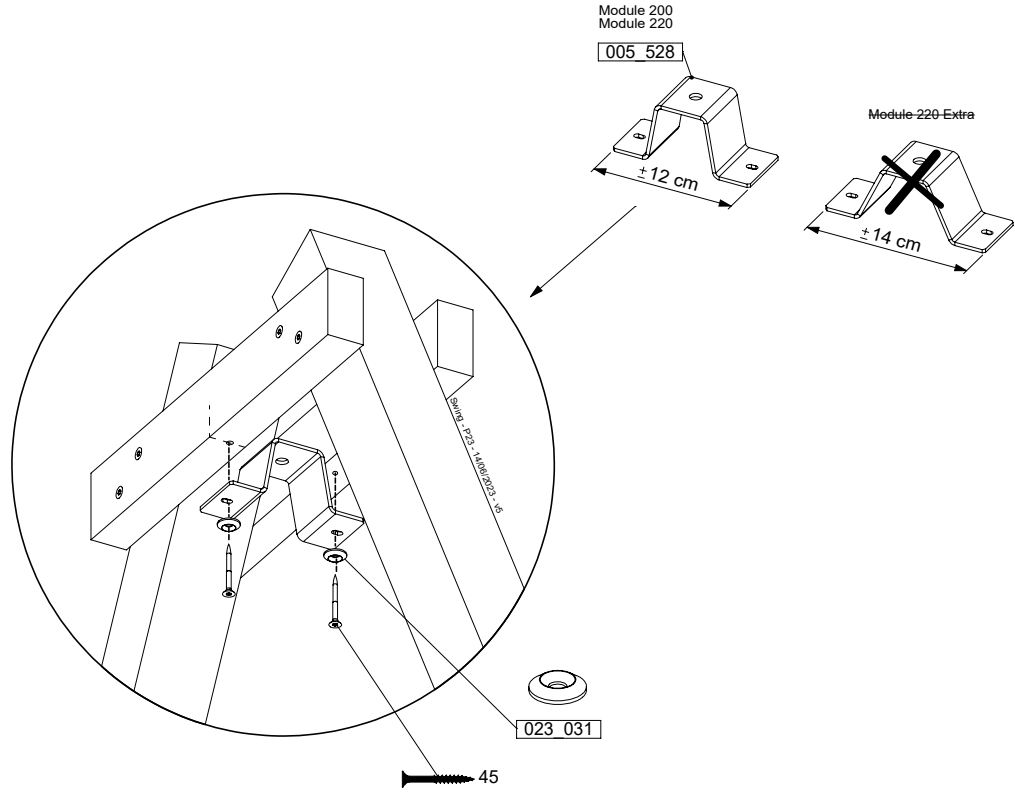




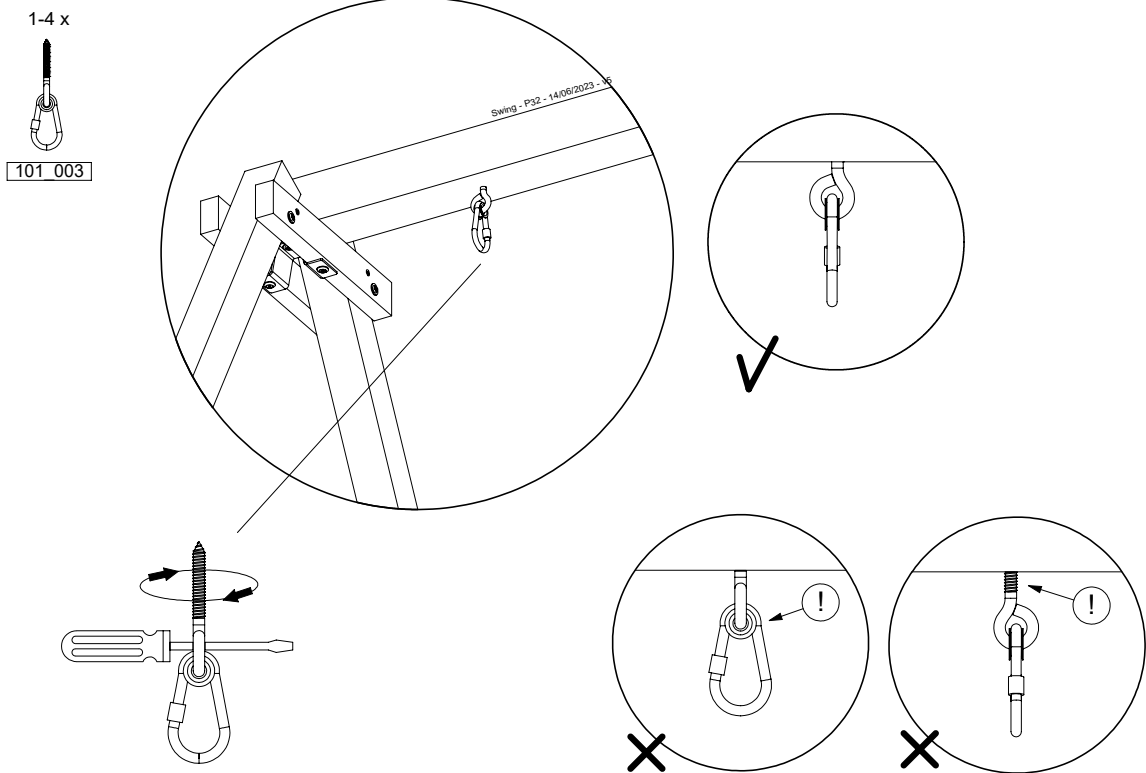
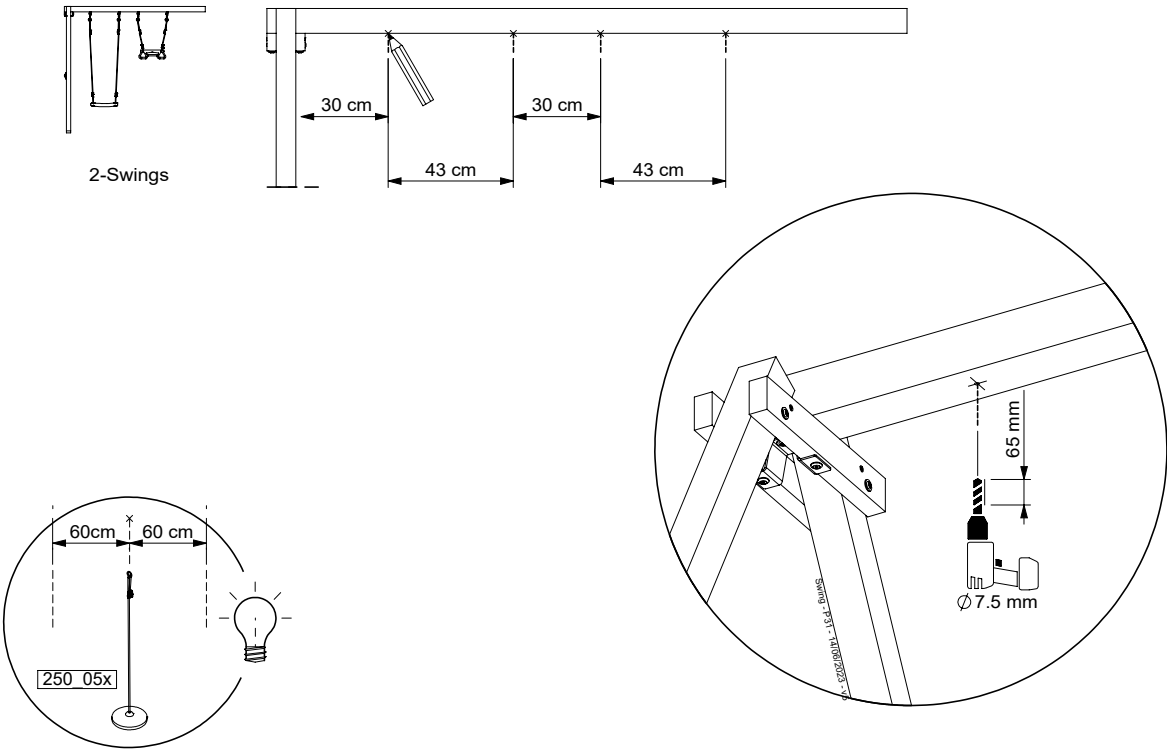
# 16.2



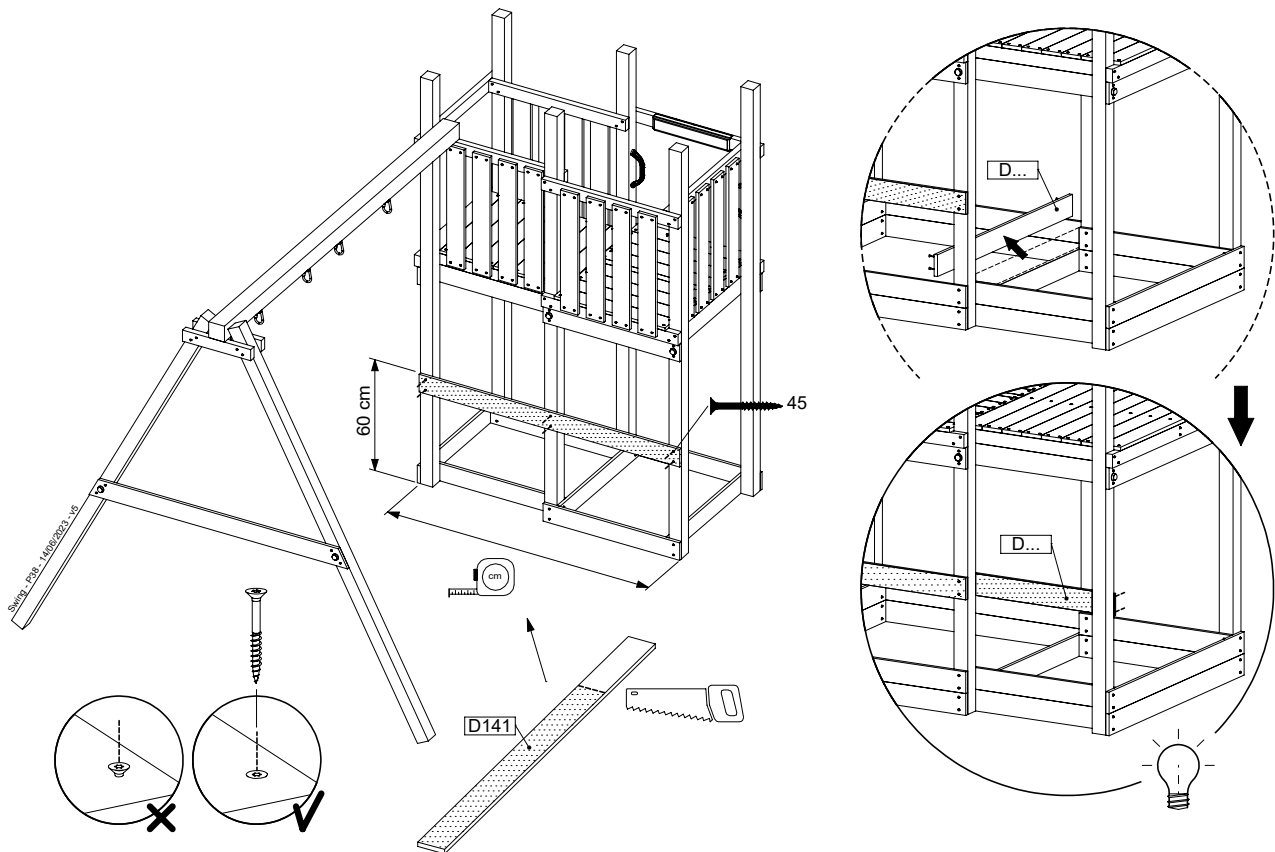
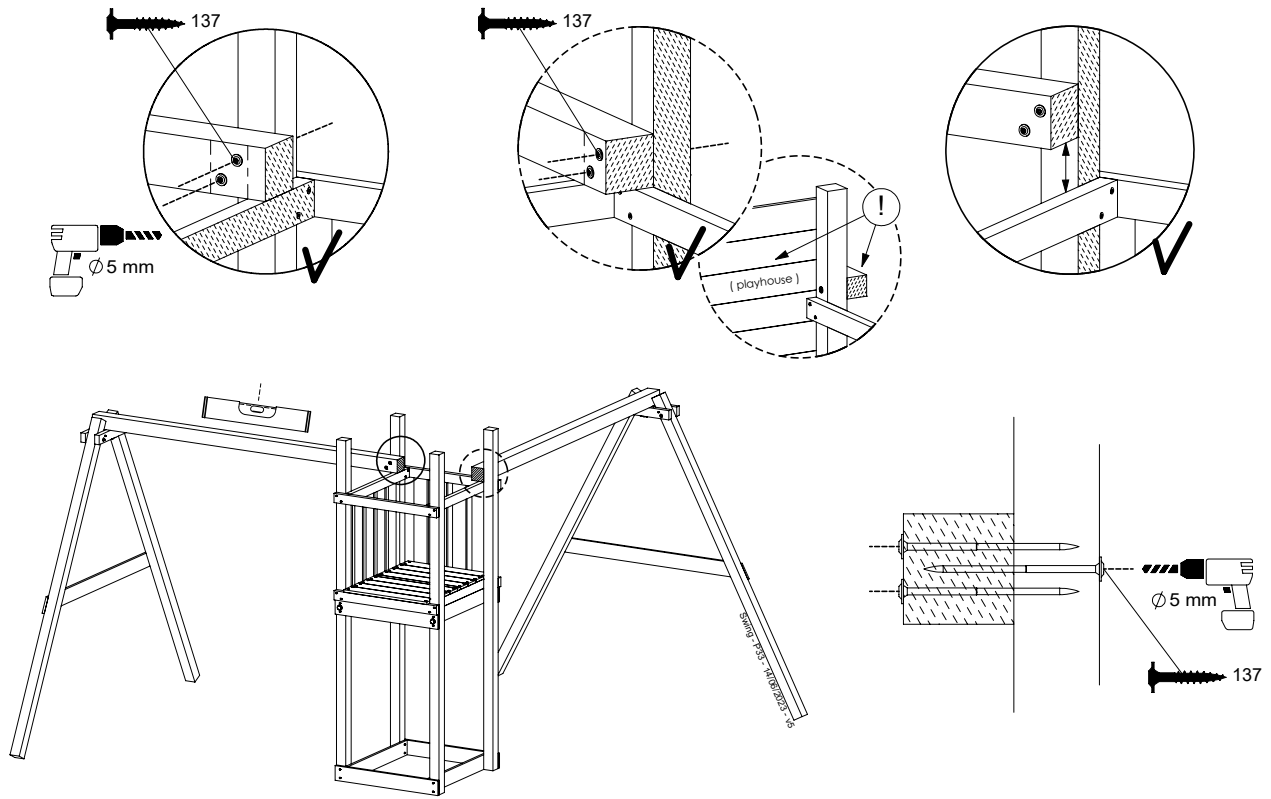
# 16.3



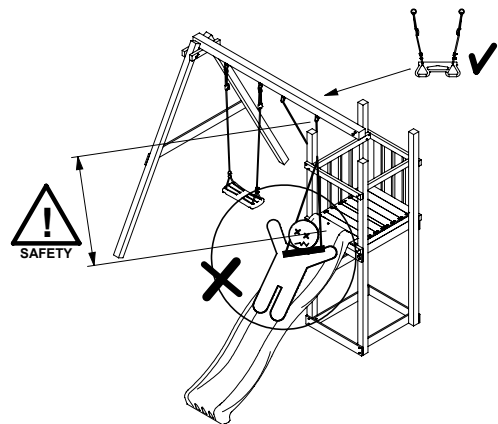
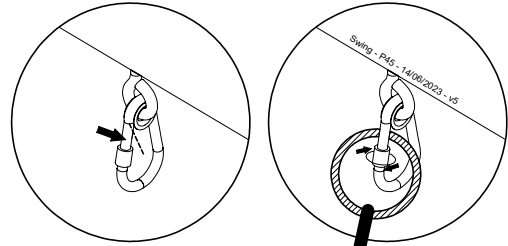
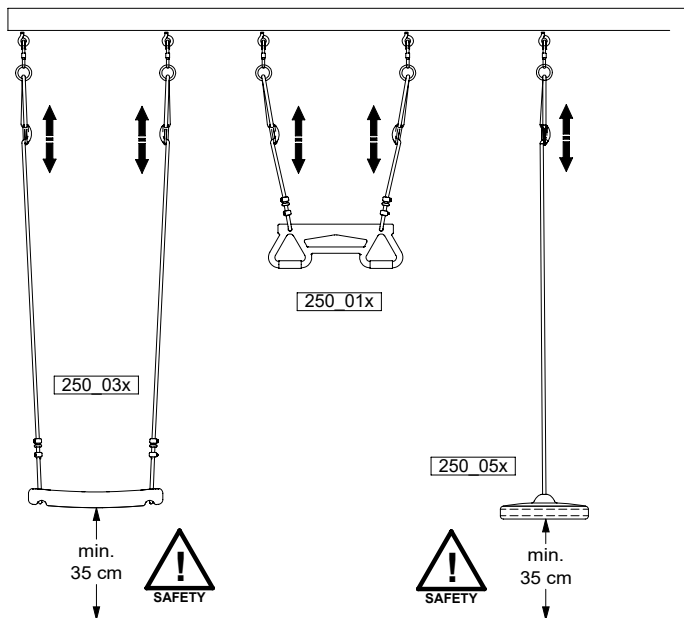
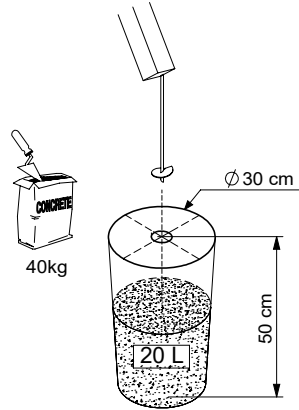
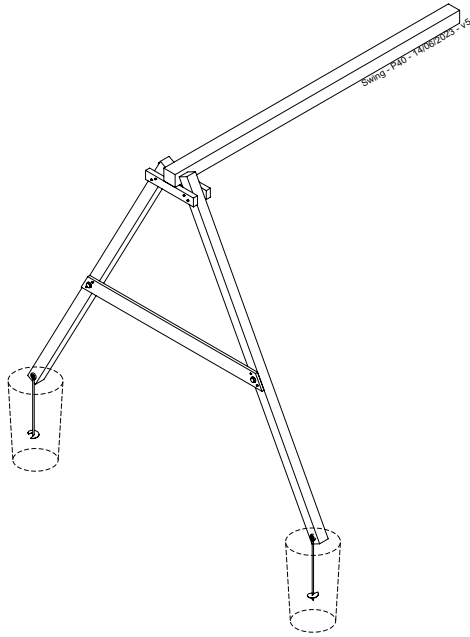
# 16.4



# 16.5



# 16.6

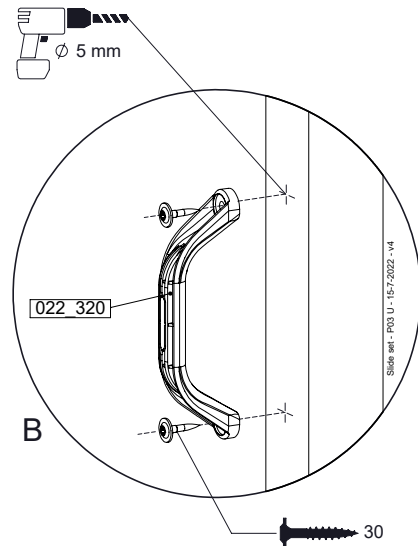
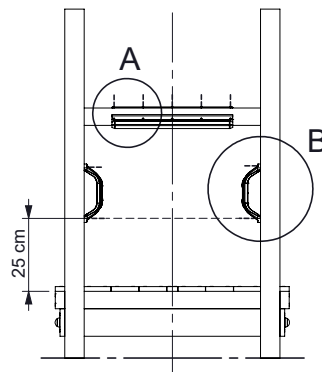
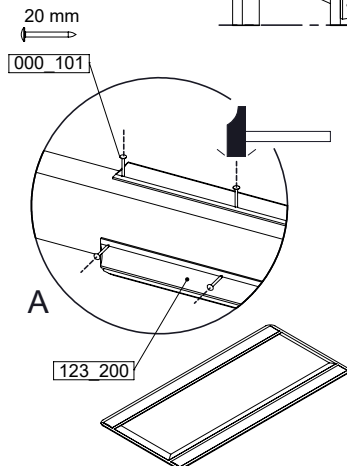
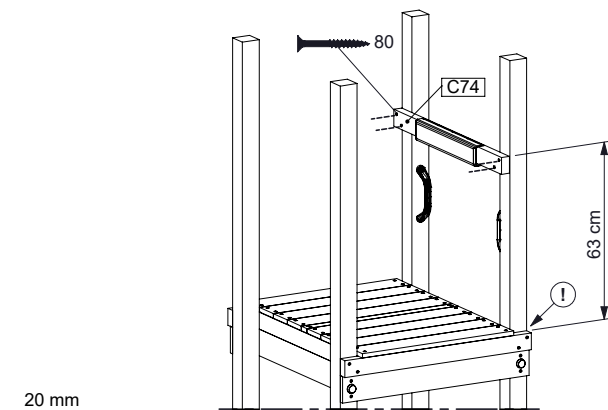
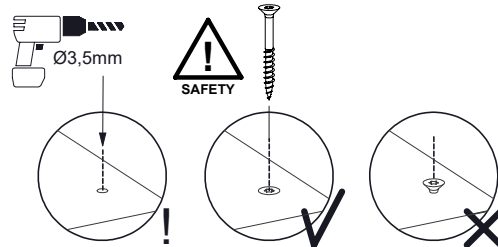
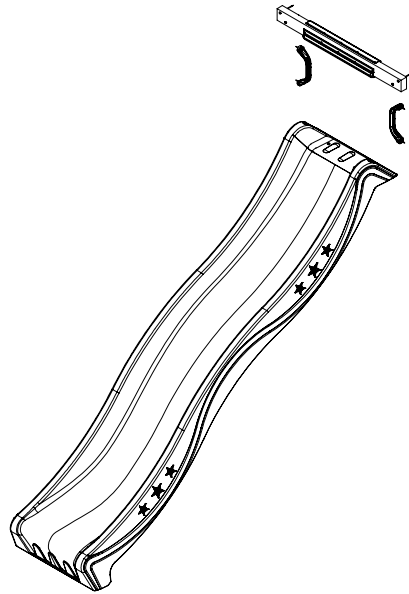


# 17 SL01: Slide 80 125 U

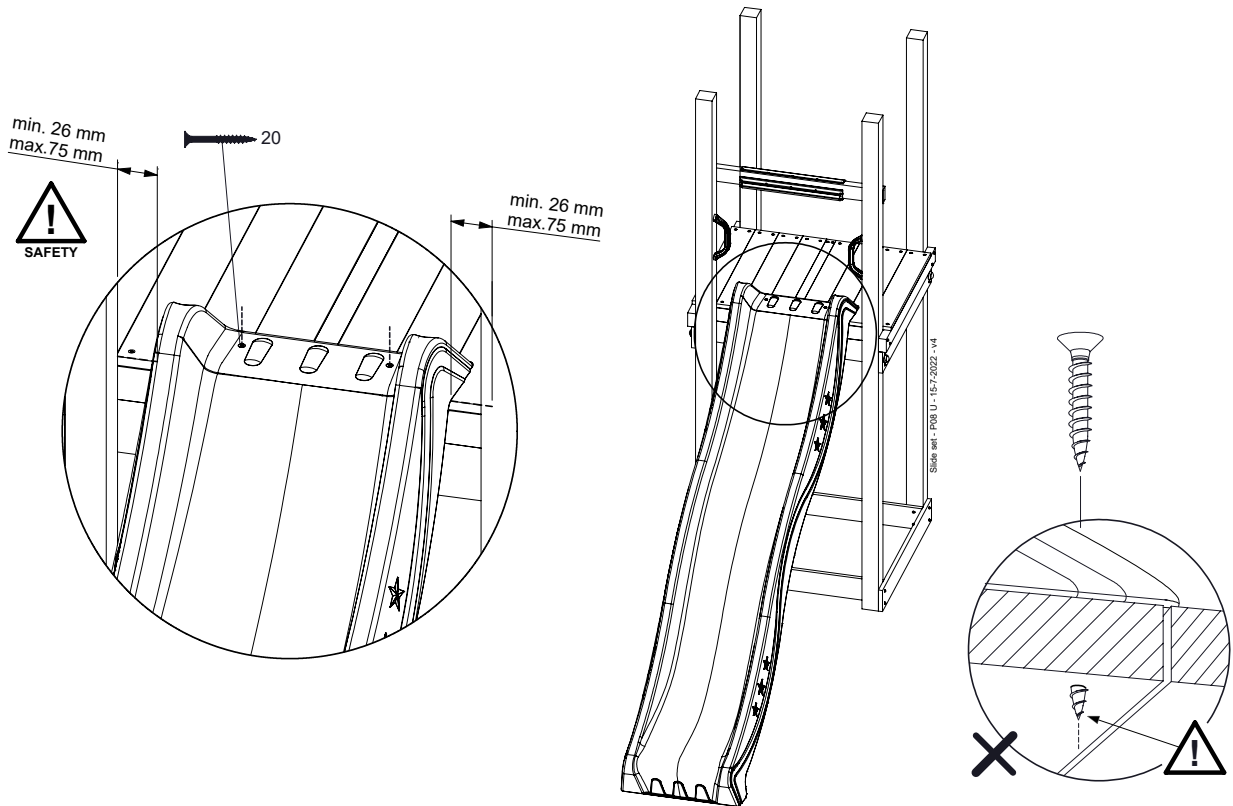
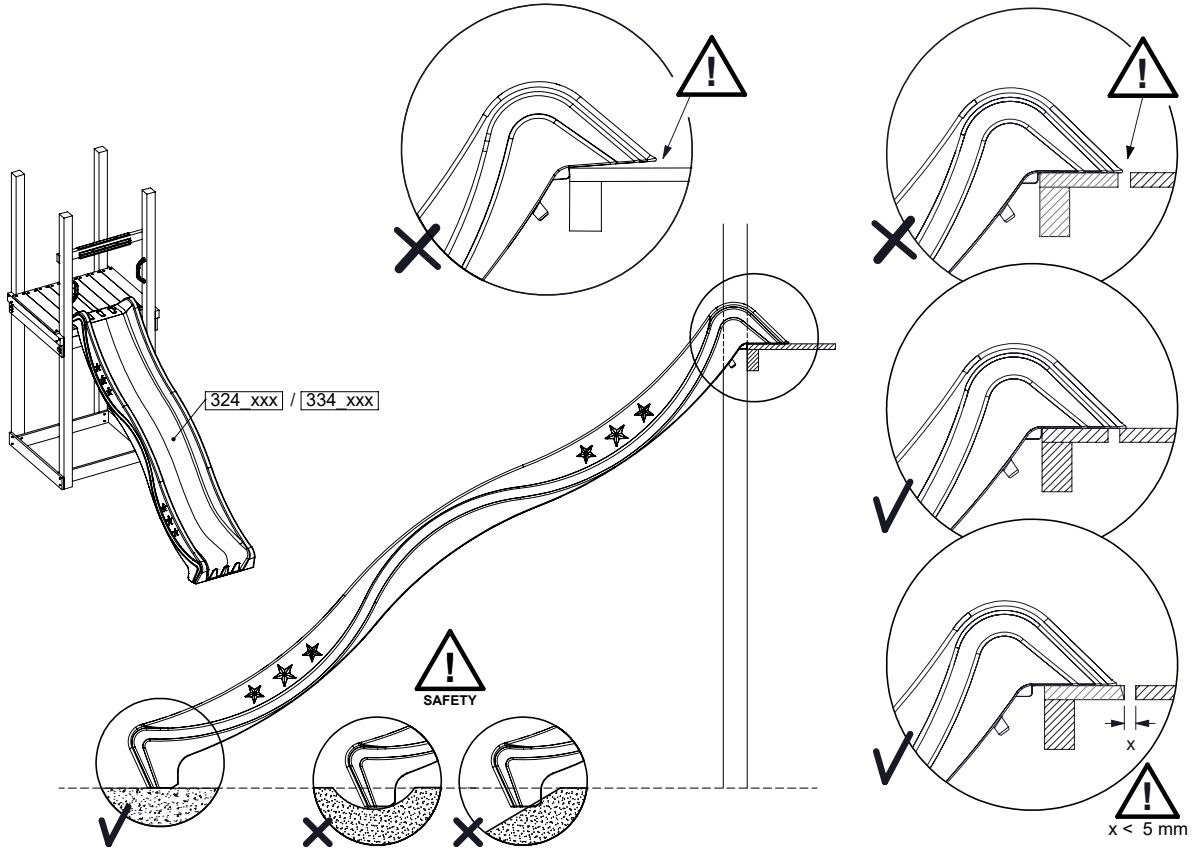
( 194\_107 )

	PartNo	PartName	QTY.
Hardware Pack 100_605	000_101	Nail Pan Head	10
	002_223	Gap Point Screw T25 - 5x80	4
	002_308	Gap Point Screw T25 - 5x20	2
Other	120_102	Handgrip set (2x Complete)	1
	123_200	Bumperpad	1
	324_xxx 334_xxx	Wavy Star Slide XL 2200 mm / Wavy Star Slide XL 2650 mm	1
Timber	C74	Beam 740 mm	1

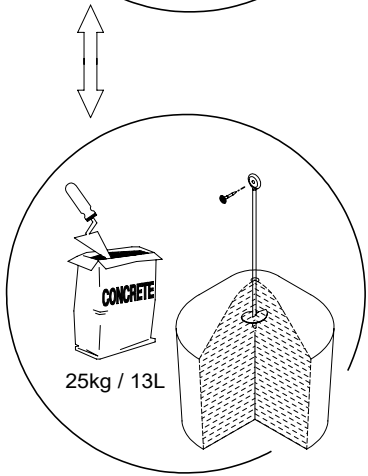
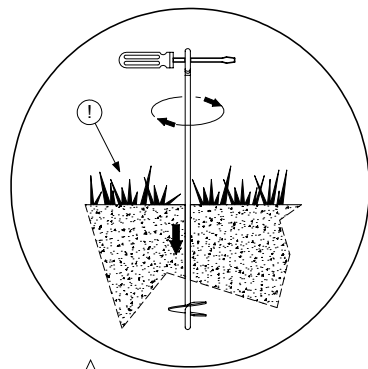
Slide set - P02 - 15-7-2022 - v4



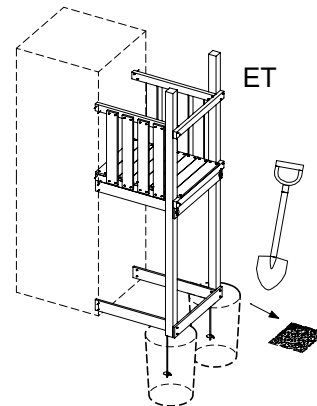
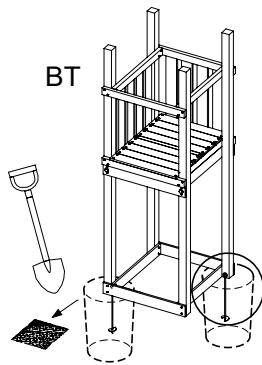
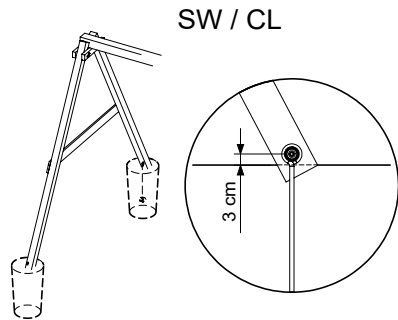
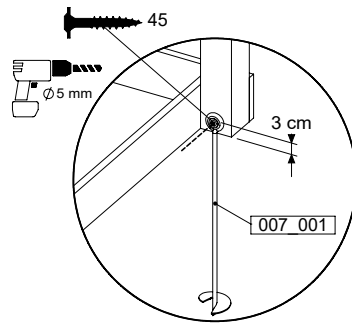
# 17.1



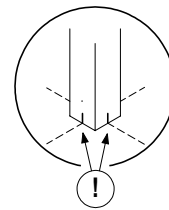
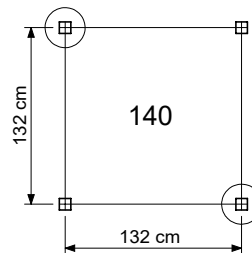
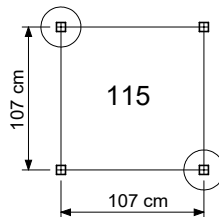
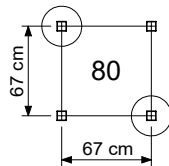
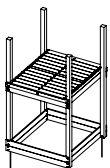
# 18 GA: Ground Anchors



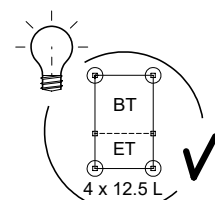
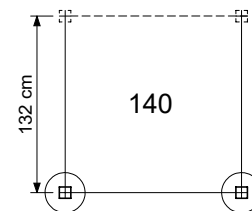
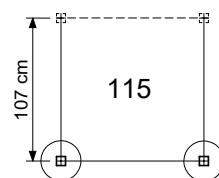
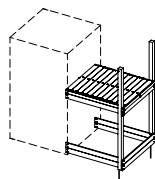
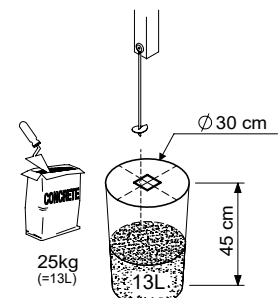
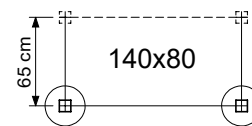
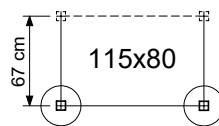
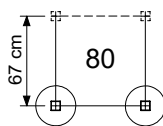
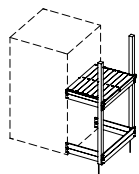
Ground Anchors Unit - P03 - 04/07/2023 - v1.2



BASE TOWERS



EXTENSION TOWERS

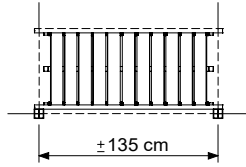
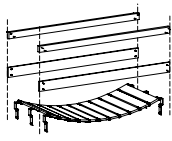


Ground Anchors Unit - P01 - 04/07/2023 - v1.2

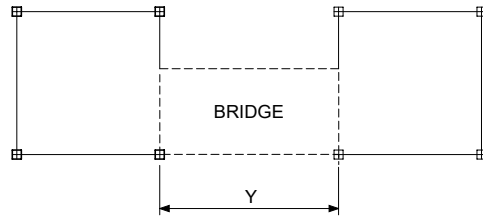
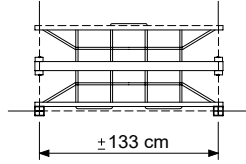
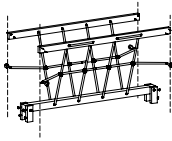


# 18.1

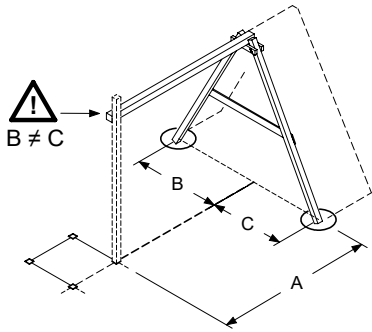
CLATTER BRIDGE



NET BRIDGE

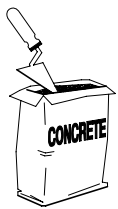
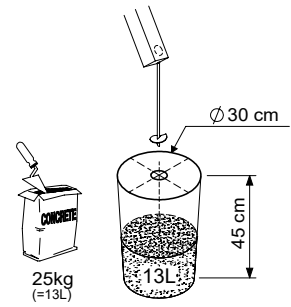


SWING / CLIMB MODULE

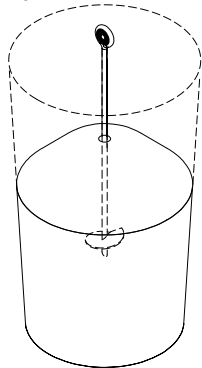


Module type	A	B	C
1-Swing 200	150	115	100
1-Swing 220 / 220 Extra		120	105
2-Swing 200	210	115	100
2-Climb 200			
1-Climb 200	142	120	105
1-Climb 220 / 220 Extra			
2-Swing 220 / 220 Extra	230	120	105
2-Climb 220 / 220 Extra			

Grand Anchers Uni. - P02 - 04/07/2023 - v1.2



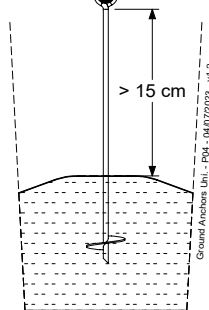
25kg / 13L



1.



SAFETY



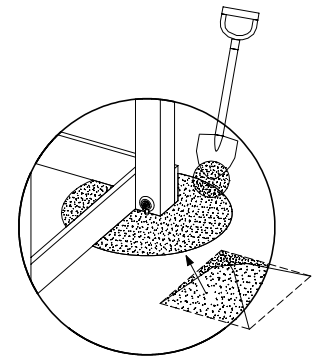
2.

Grand Anchers Uni. - P04 - 04/07/2023 - v1.2

24h



3.

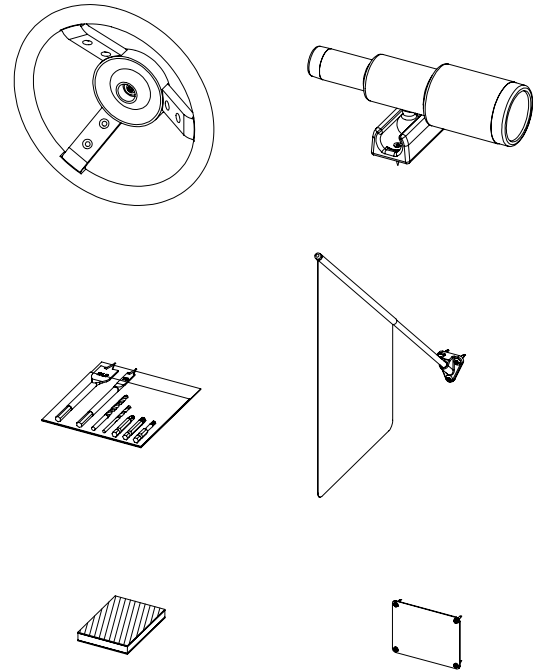


4.

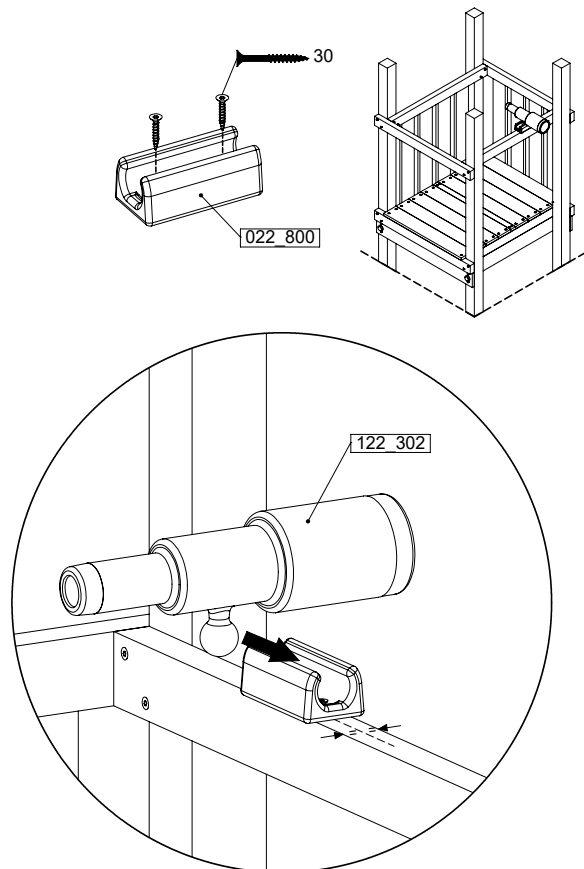
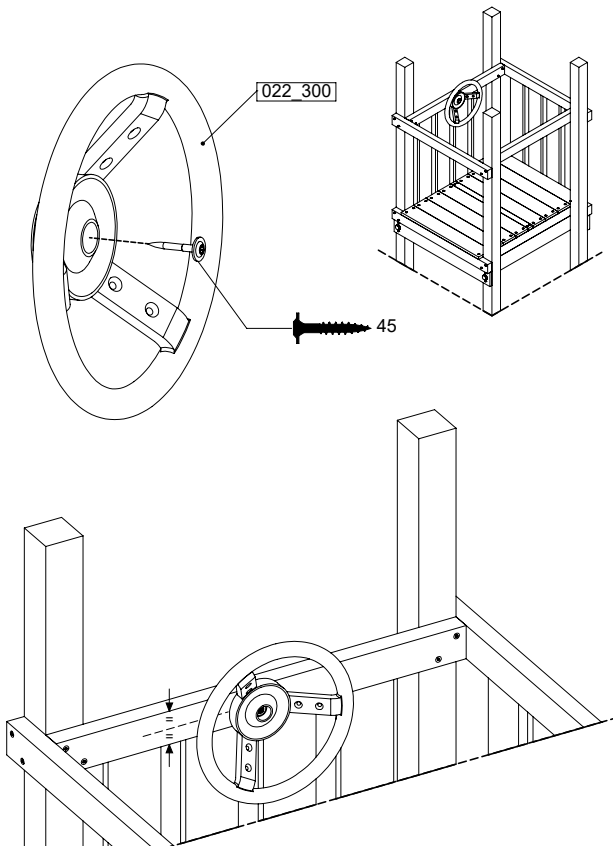
# 19 AC01: Accessories

( 194\_119 )

	PartNo	PartName	QTY.
Hardware Pack 100_617	001_406	Stealth Screw 8x45	1
	002_041	Dome head screw 4.5 x 20 mm	3
	002_042	Dome head screw 3.5 x 13mm	4
	002_219	Gap Point Screw T25 - 5x30	2
Other	022_300	Steering Wheel	1
	022_800	Rail P/T 105	1
	022_910	Sandpad	1
	103_901	Logo ID Plate	1
	104_107	Tool Set Climbing Units	1
	120_024	Tower Flag	1
	122_302	Telescope	1

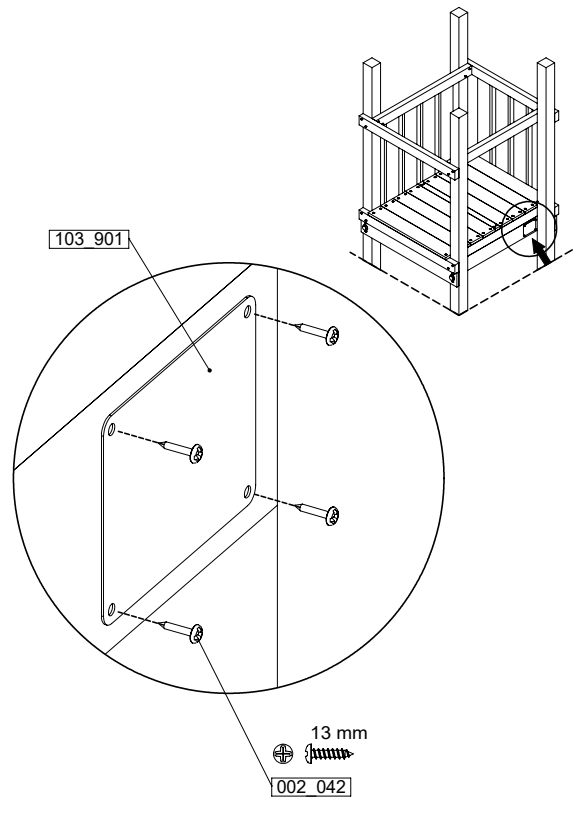
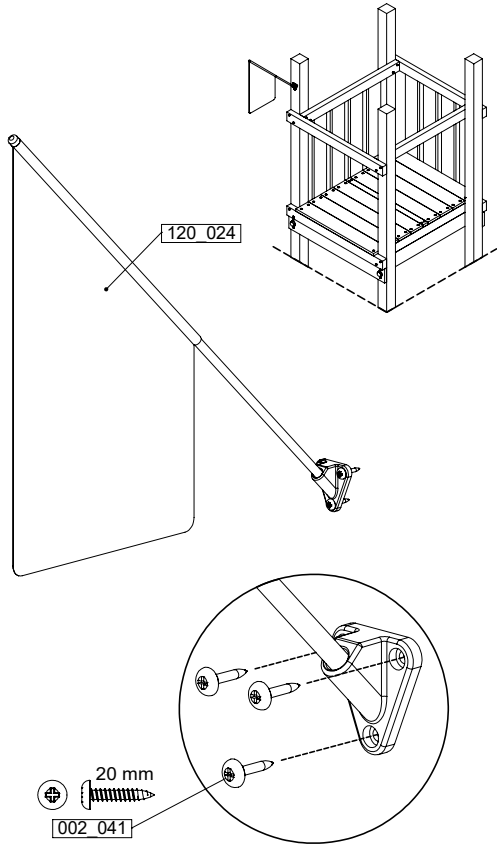


Accessory set - P102 - 06/07/2023 - v5

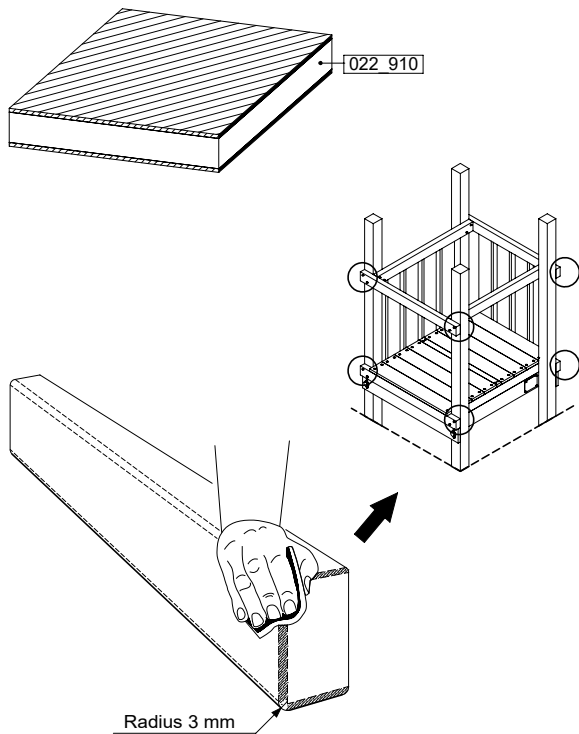


Accessory set - P103 - 06/07/2023 - v5

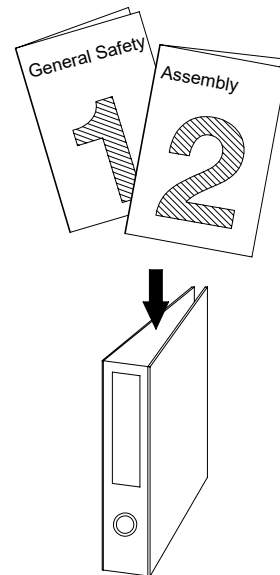
# 19.1



Accessory set - P04 - 06/07/2023 - v5



Accessory set - P05 - 06/07/2023 - v5



## Declaration of Conformity

Jungle Gym

BACKYARD PLAYGROUNDS

since 1988

## Manufacturer details

Company Name

Tag-line

Jungle Gym B.V.

Backyard Playgrounds

Address

P.O. Box 75083, 1070 AB Amsterdam, Netherlands

## Activity toys for domestic use

Product Range Identification

Construction Packages (Sub-Assembly)

Universal Packs / Base Towers / Extension Towers / Roofs / Means of Exit/Access / Add-ons : 790\_001 ... 794\_911

Assembly

Playtowers : 801\_005 ... 200

Links : 870\_100 ... 105

Accessories : 123\_220 ... 250\_075

Playhouses : 830\_150 ... 253, 835\_251 ... 253

Swings : 801\_300, \_600, \_601

Slides (XL) : 324\_100 ... 600

Modules : 850\_180 ... 415

Slides (XXL) : 334\_100 ... 600

: 857\_103, 857\_108

Playtowers: 802\_202 ... 208

857\_151, 857\_158

803\_202 ... 210

809\_202 ... 804

## Applicable EC directives and standards

Chemical References

- |   |   |   |
|---|---|---|
| 1. Migration of certain elements (17x + Chr VI + tin) as required in TSD 2009/48/EC and its amendments. Scrape off toy material. Tested according to EN 71-3:2019.                                | 5. Content of 7 Phthalates (18x) according to REACH (EG) no.1907/2006, Annex XVII. Tested according to COC-CH-C1011-09.3 and EN 15777 / QMA 2011.1300 | 9. Content of 3 Flame retardants according to REACH (EG) no. 1907/2006, Annex XVII. Tested according to EN 62321-6. |
| 2. Migration of solvents, monomers and plasticizers as specified in "Safety for Toys: Organic Chemical Compounds", EN 71-9: 2005 + A1: 2007. Tested according to EN 71-10: 2005 & EN 71-11: 2005. | 6. Content of Cadmium according to REACH (EG) no. 1907/2006, Annex XVII. Tested according to EN 17294-2   | 10. Ni release according to REACH (EG) no. 1907/2006, Annex XVII. Tested according to EN 71-3:2013+A1:2014.         |
| 3. Content of N-nitrosamines and N-nitrosatable substances as specified in EN standard 71-12: 2013. Tested according to EN 71-12: 2013.   | 7. Formaldehyde according to REACH (EG) no. 1907/2006, Annex XVII. Tested according to EN 14184   | 11. Sweat and Salvia resistance tested according to DIN 53160   |
| 4. Content of 18 PAHs (Polycyclic Aromatic Hydrocarbons) as referred in AfPS GS 2014:01 PAK (Replaced on 2019:01). Tested according to QMA 2011.1284  | 8. Azo dyes according to REACH (EG) no. 1907/2006, Annex XVII. Tested according to BVL B 82.02-2.   |   |

Mechanical physical properties + flammability

EN 71 - 1 : 2014 + A1: 2018 EN 71 - 2 : 2011 + A1: 2014 EN 71 - 8 : 2018

## Supplementary information

Conformity to the above specified directives and standards has been frequently verified and is continuously monitored by TÜV Süd, TÜV Rheinland LGA products, DEKRA (DE), STR Ltd (UK), LNE SA (FR), LMR Ltd (US) and IPS N.V. (BE) since 1994. Jungle Gym participates in the European Commission for standardisation for the safety of activity toys ( TC52 / WG 10).

## Declaration

I hereby declare under our sole responsibility that the products mentioned above, to which this declaration relates, complies with the above mentioned directives and standards.



Name

Mr. P. Schmit / Director

Issued date

Januari 2<sup>nd</sup>, 2023

Signature of representative