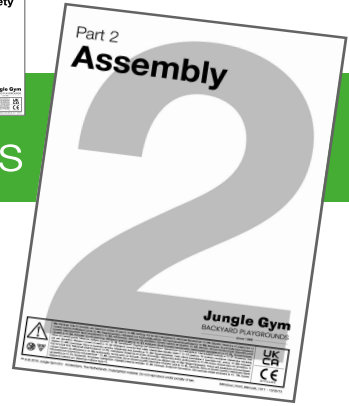


Part 2

Assembly

Instructions



Config ID: 3kGiXT

Date: 2023-10-10



Manual Part 1



Important

This assembly manual should always be read in conjunction with the General Safety manual part 1 as included in the hardware package of your playground equipment.

Please read these safety instructions carefully before starting the assembly work.

Jungle Gym

BACKYARD PLAYGROUNDS

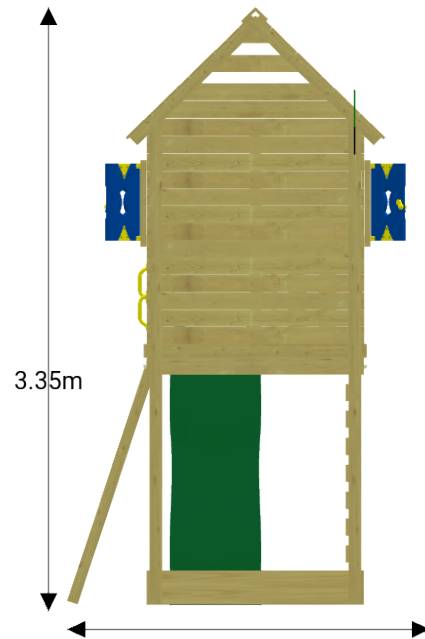
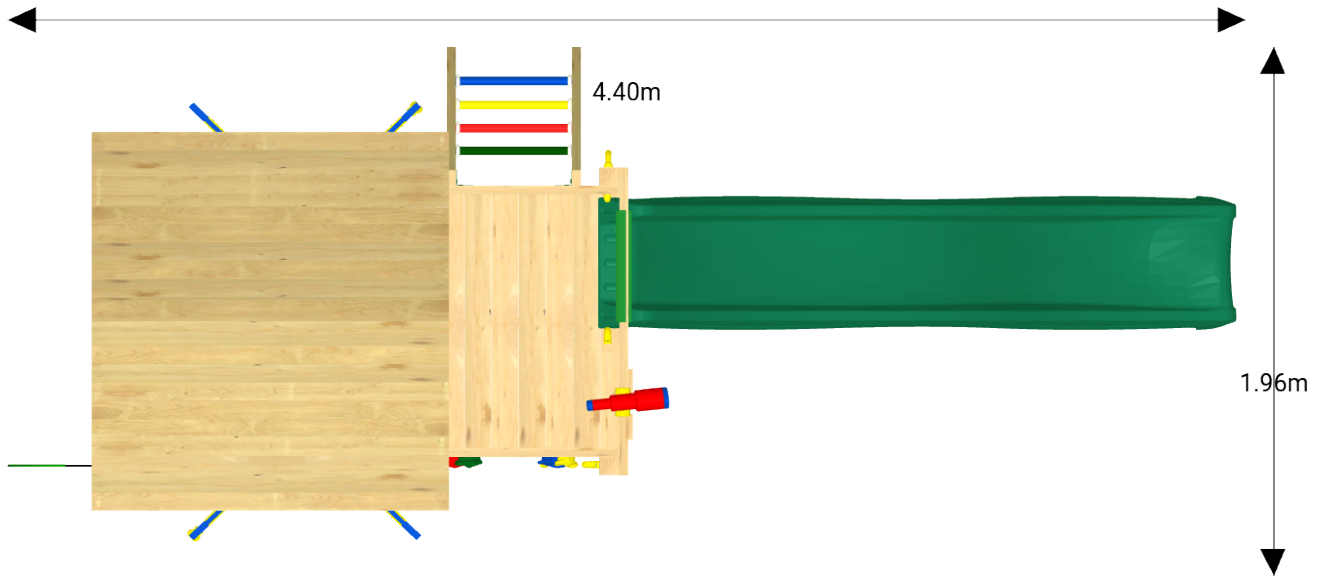
since 1988



EN. Warnings. Only for domestic use. Maximum number of users is **4**. **DE.** Achtung. Nur für den Hausgebrauch. Maximale Benutzerzahl: **4**. **FR.** Attention. Réserve à un usage privé. Le nombre maximal d'utilisateurs est de **4**. **NL.** Waarschuwingen. Uitsluitend voor huishoudelijk gebruik. Het maximale aantal gebruikers is **4**. **BG.** Внимание. За употреба само в домашни условия. Максималният брой потребители е **4**. **ES.** Advertencias. Sólo para uso doméstico. Número máximo de usuarios: **4**. **CS.** Varování. Jen pro domácí použití. Maximální počet uživatelů je **4**. **DA.** Advarsler. Kun til privat brug. Maksimum antal brugere er **4**. **ET.** Hoiatused. Ainult koduseks kasutamiseks. Maksimaalne kasutajate arv on **4**. **EL.** Προειδοποιήσεις. Μόνο για οικιακή χρήση. Μέγιστος αριθμός χρηστών **4**. **IS.** Varnaðarorð. Eingöngu fyrir einkanotkun í heimahúsum og á einkalóðum. Hámarksfjöldi notenda er **4**. **IT.** Avvertenze. Solo per uso domestico. Massimo numero di utenti è **4**. **LV.** Brīdinājumi. Izmantot tikai mājās. Maksimālais lietotāju skaits ir **4**. **LT.** Įspėjimai. Tik buitiniam naudojimui. Maksimalus naudotojų skaičius HR. Upozorenja. Samo za kućansku uporabu. Maksimalan broj korisnika je **4**. **HU.** Figyelmeztetések. Csak otthoni használatra! A használók max. száma: **4**. **NO.** Advarsler. Kun for privat bruk. Maksimalt antall brukere er **4**. **PL.** Ostrzeżenia. Wyłączanie do użytku domowego. Maksymalna liczba użytkowników to **4**. **PT.** Avisos. Apenas para uso doméstico. O número máximo de utilizadores é **4**. **RO.** Avertismente. Numai pentru uz domestic. Numărul maxim de utilizatori este **4**. **RU.** Предостережения. Только для домашнего использования. Максимальное количество пользователей - **4**. **SK.** Upozornenia. Iba na domáce použitie. Maximálne množstvo osôb je **4**. **SL.** Opozorila. Samo za domačo uporabo. Maksimalno število uporabnikov je **4**. **FI.** Varoitukset. Ainoastaan kotikäyttöön. Käyttäjää yhteensä enintään **4**. **SR.** Upozorenja. Samo za kućnu upotrebu. Maksimalan broj korisnika je **4**. **SV.** Varningar. Endast för hemmabruk. Det maximala antalet användare är **4**. **TR.** Uyarılar. Sadece ev kullanımı için. Maksimum kullanıcı sayısı **8**.



1 Views

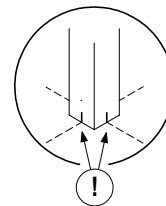
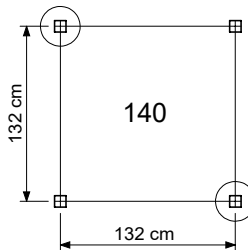
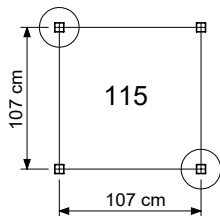
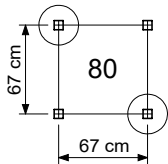
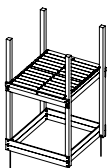


2 Order overview

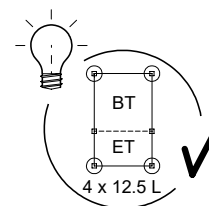
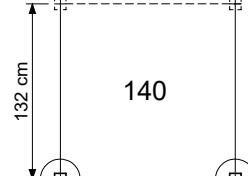
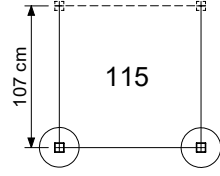
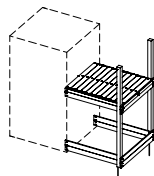
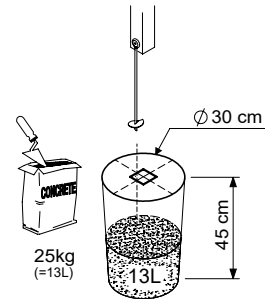
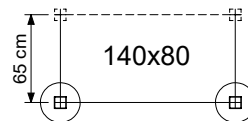
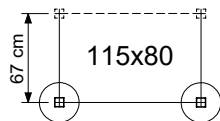
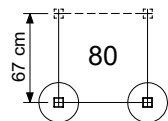
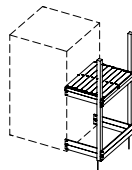
Nr.	Part ID	Part Name	Part number	Quantity
1	LA03	Ladder 80_145	790_432	1
2	BT15a	Base Tower 115_270270	792_003	1
3	ET07a	Extension Tower 11580_220	792_102	1
4	RF08a	Roof Club 115	792_202	1
5	PH10a	Playhouse Wall Panel 115	792_311	1
6	PH18a	Playhouse Window Panel 115	792_313	1
7	PH19a	Playhouse Window Panel 115	792_313	1
8	PH30a	Playhouse Roof Panels 115	792_314	1
9	RW03b	Rock wall 80_145 - 2.0	790_404	1
10	SL13a	Slide/ balustrade 115	792_901	1
11	AC01a	AP Accessory set	194_119	1
12	AC02a	Shutters 2x Blue	250_075	2
13	334_x00a	Wavy Star Slide XXL	334_x00a	1

3 Anchor Plan

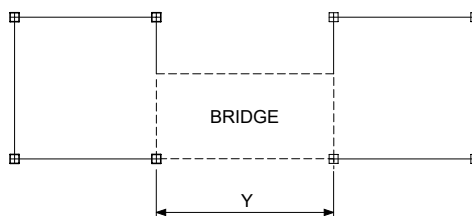
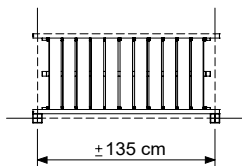
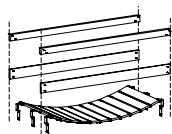
BASE TOWERS



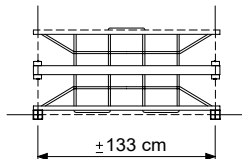
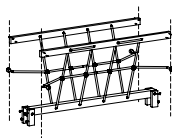
EXTENSION TOWERS



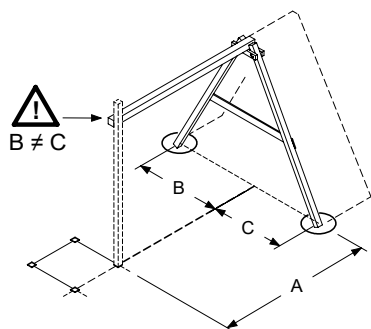
CLATTER BRIDGE



NET BRIDGE

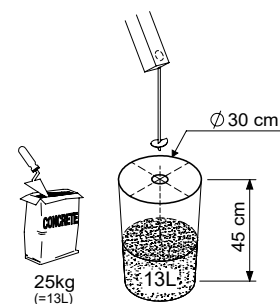


SWING / CLIMB MODULE



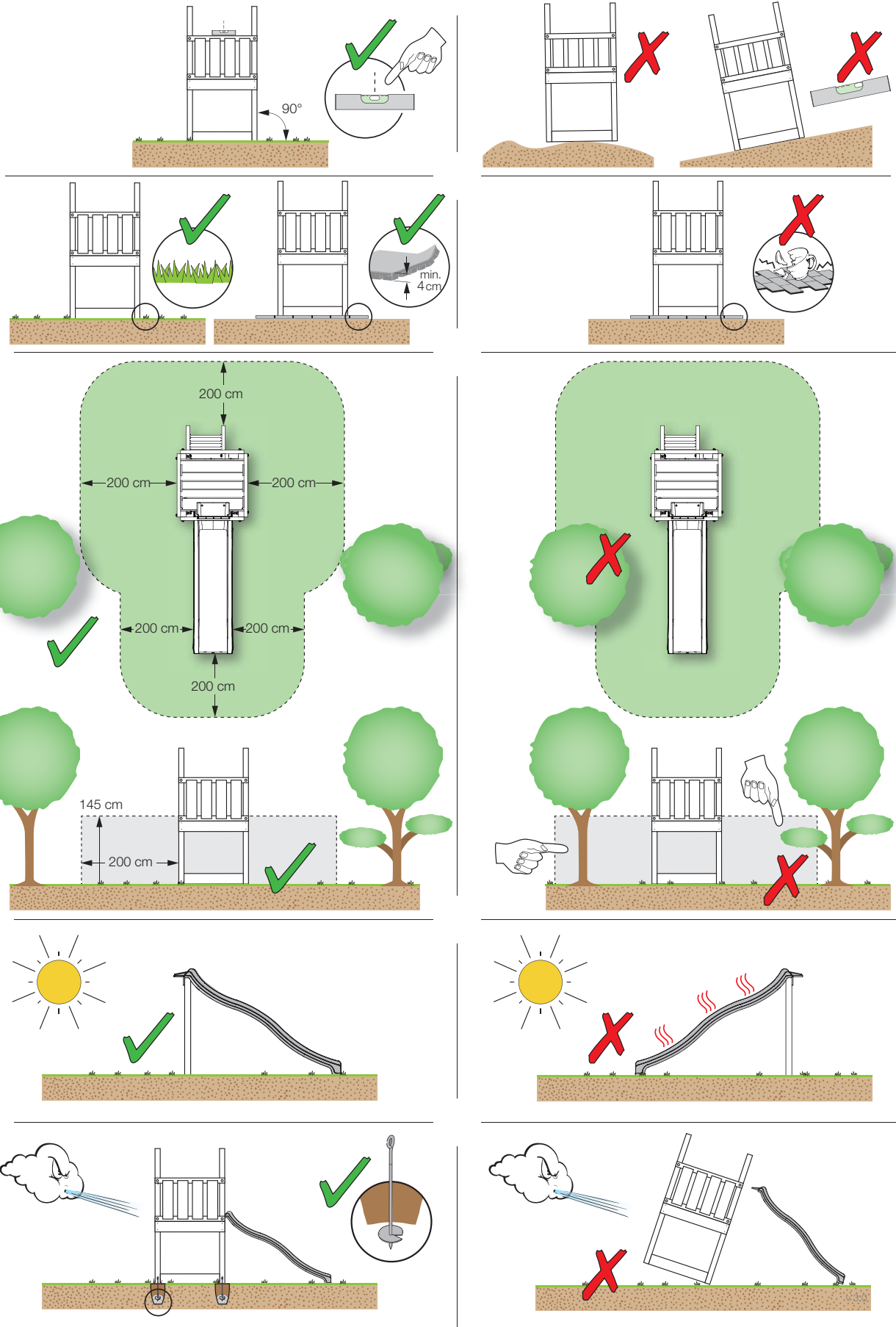
Module type	A	B	C
1-Swing 200	150	115	100
1-Swing 220 / 220 Extra		120	105
2-Swing 200	210	115	100
2-Climb 200			
1-Climb 200	142	120	105
1-Climb 220 / 220 Extra	162		
2-Swing 220 / 220 Extra	230	120	105
2-Climb 220 / 220 Extra			

Ground Anchors Unit - POZ - 04/07/2023 - v1.2

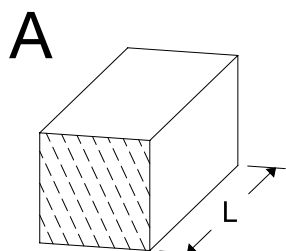


Ground Anchors Unit - POZ - 04/07/2023 - v1.2

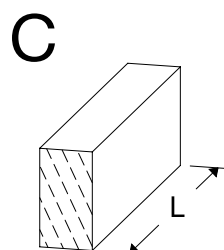
3.1 Safe Playground



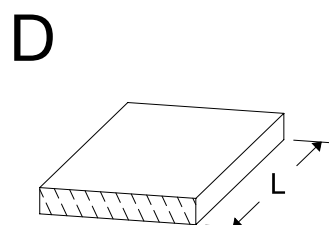
4 Timber parts



ID	L	#
A220	219 cm - 220 cm	2
A270	269 cm - 270 cm	4


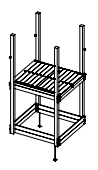
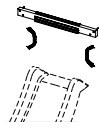

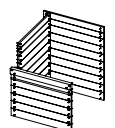
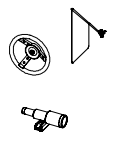

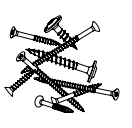
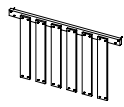
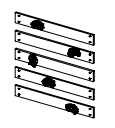
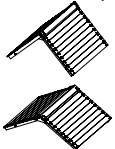



C70	69 cm - 70 cm	1
C74	73 cm - 74 cm	5
C84	83 cm - 84 cm	2
C90	89 cm - 90 cm	2
C96	85 cm - 96 cm	6
C114	113 cm - 114 cm	7
C123	122 cm - 123 cm	1
C150	149 cm - 150 cm	2

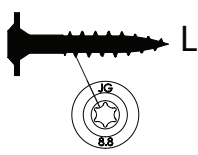
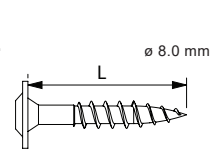
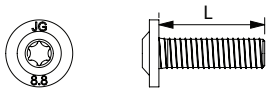
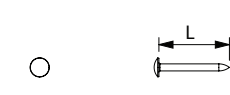
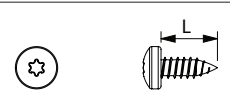
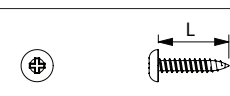
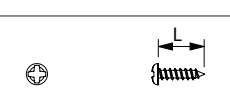


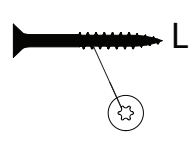
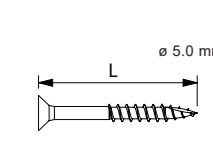
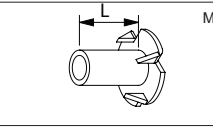

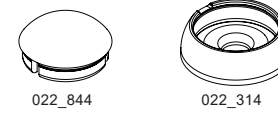
D21	20 cm - 21 cm	8
D47	46 cm - 47 cm	8
D65	64 cm - 65 cm	5
D74	73 cm - 74 cm	13
D100	99 cm - 100 cm	25
D114	113 cm - 114 cm	51
D127	126 cm - 127 cm	24

5 Assembly packs & accessories

<p>Slide 2.6m</p>  <p>334_X00</p> <p>1x</p>	<p>Tower 115</p>  <p>194_300</p> <p>BT ET</p> <p>2x</p>	<p>Slide Frame</p>  <p>194_107</p> <p>SL</p> <p>1x</p>	<p>Hardware 01</p>  <p>194_101</p> <p>BL H01</p> <p>1x</p>	<p>Playhouse Panel</p>  <p>194_118</p> <p>PH</p> <p>2x</p>
<p>Accessory Set</p>  <p>194_119</p> <p>AC</p> <p>1x</p>	<p>Ladder 80 145</p>  <p>194_104</p> <p>LA</p> <p>1x</p>	<p>Hardware 09</p>  <p>194_809</p> <p>H09</p> <p>1x</p>	<p>Balustrade 140</p>  <p>194_501</p> <p>BL</p> <p>1x</p>	<p>Rock Wall</p>  <p>194_006</p> <p>RW</p> <p>1x</p>
<p>Roof Timber 115</p>  <p>194_308</p> <p>RF</p> <p>1x</p>	<p>Shutters 2x Blue</p>  <p>250_075</p> <p>AC</p> <p>2x</p>			

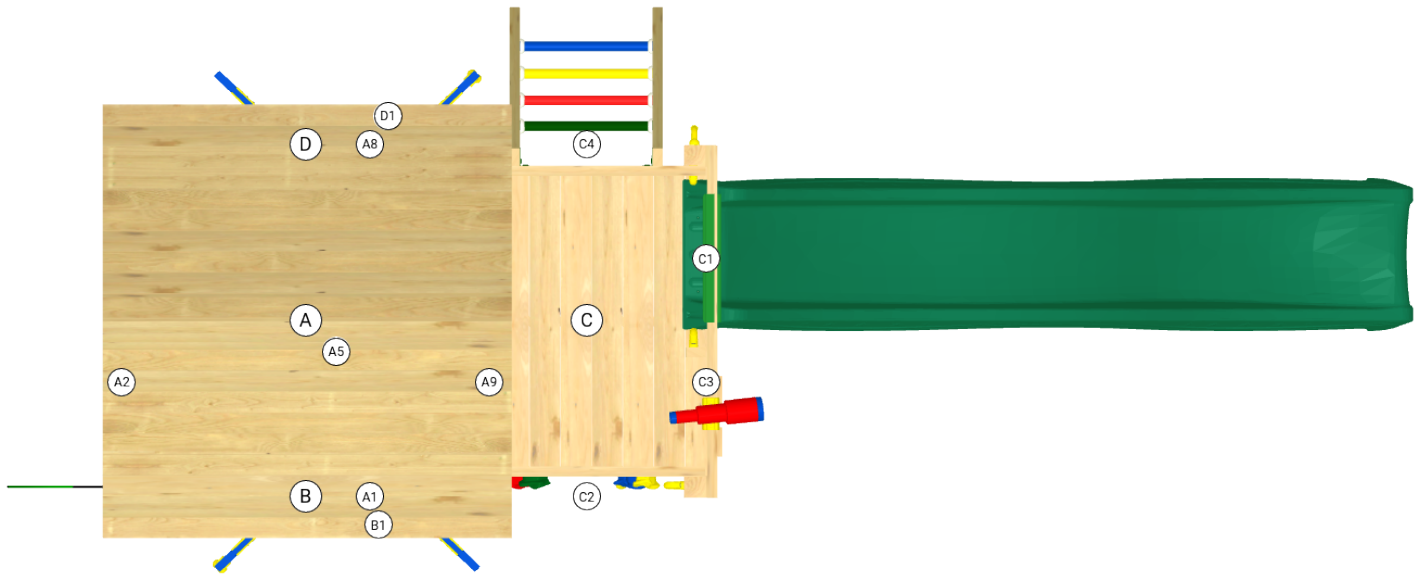
6 Hardware Identification

		SKU	L
	 \varnothing 8.0 mm	001_404	30 mm
		001_406	45 mm
		001_411	60 mm
		001_417	80 mm
		001_422	137 mm
	M8	001_102	30 mm
	 \varnothing 2.0 mm	000_101	20 mm
	 \varnothing 6.3 mm	002_036	16 mm
	 \varnothing 4.5 mm	002_041	20 mm
	 \varnothing 3.5 mm	002_042	13 mm
	 \varnothing 3.9 mm	002_301	40 mm

		SKU	L
	 \varnothing 5.0 mm	002_308	20 mm
		002_219	30 mm
		002_220	45 mm
		002_223	80 mm
	M8	003_010	
	M6	003_034	
	 \varnothing 8 mm	004_050	22mm
		022_845	Yellow
		022_846	Blue
		022_847	Green
		022_848	Red
		023_031	White
	 \varnothing 8 mm	120_005	White
	 022_844 022_314		

output: 25/05/23

7 Assembly Planning



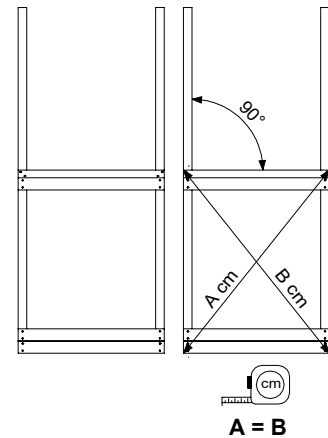
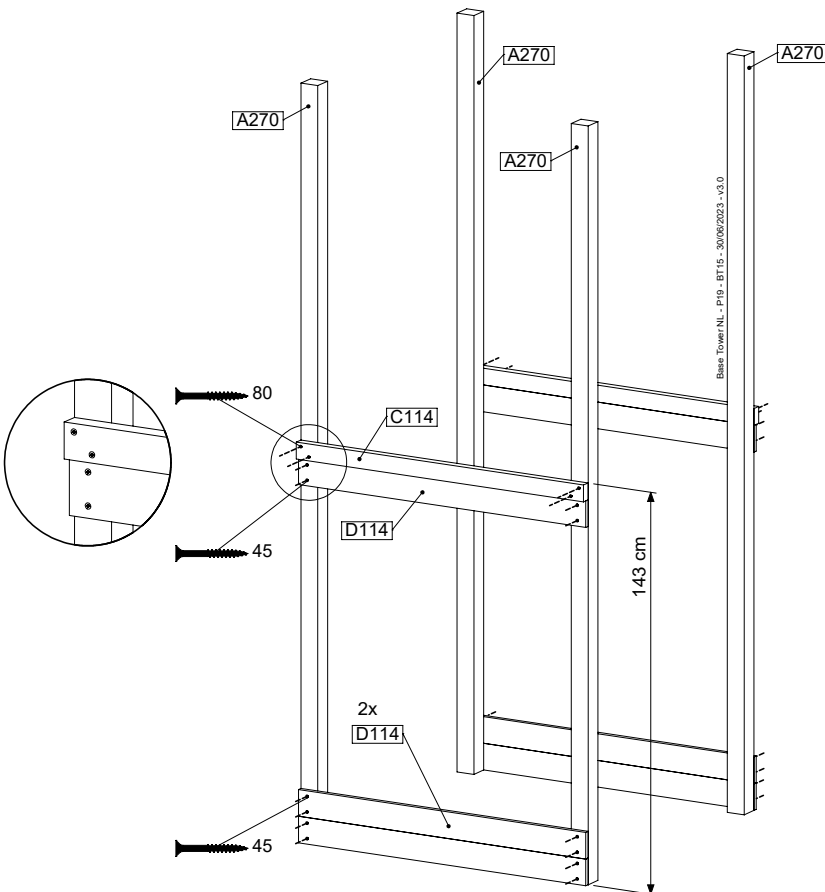
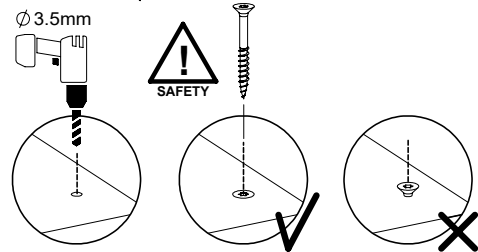
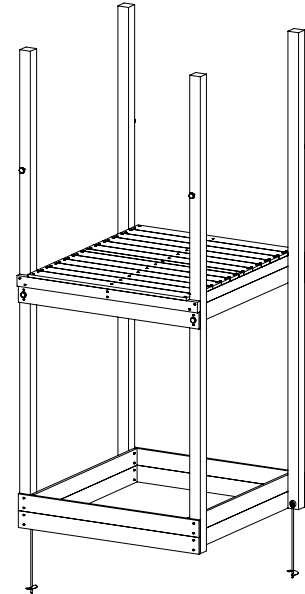
	ID			A	B	C	D
1	BT15a		p.10	✓	-	-	-
2	ET07a		p.13	-	-	✓	-
3	RW03b		p.16	-	-	C2	-
4	RF08a		p.18	A5	-	-	-
5	PH10a		p.21	A2	-	-	-
6	PH18a		p.22	-	-	-	✓
7	PH19a		p.25	-	✓	-	-
8	PH30a		p.28	A5	-	-	-
9	LA03		p.30	-	-	C4	-
10	SL13a		p.33	-	-	C1	-
11	GA		p.36	✓	-	✓	-
12	AC02a		p.38	-	B1	-	D1
13	AC01a		p.39	✓	-	-	-

8 BT15a: Base Tower 115 145cm 270270

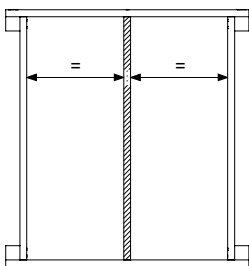
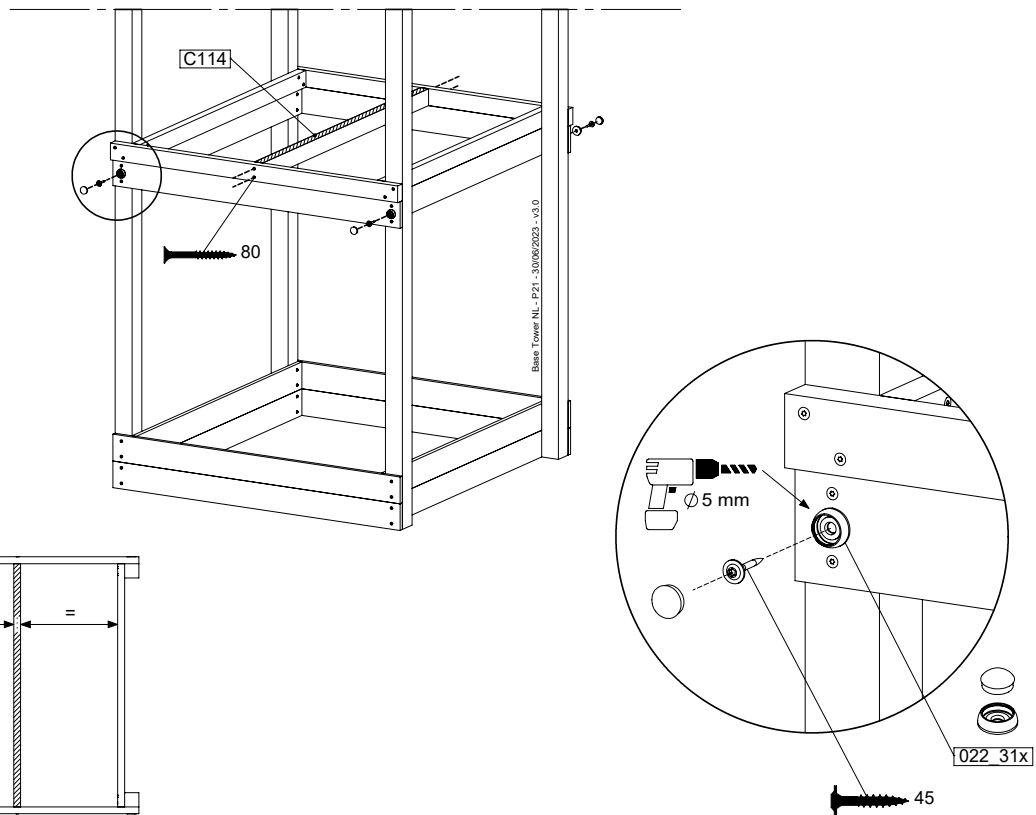
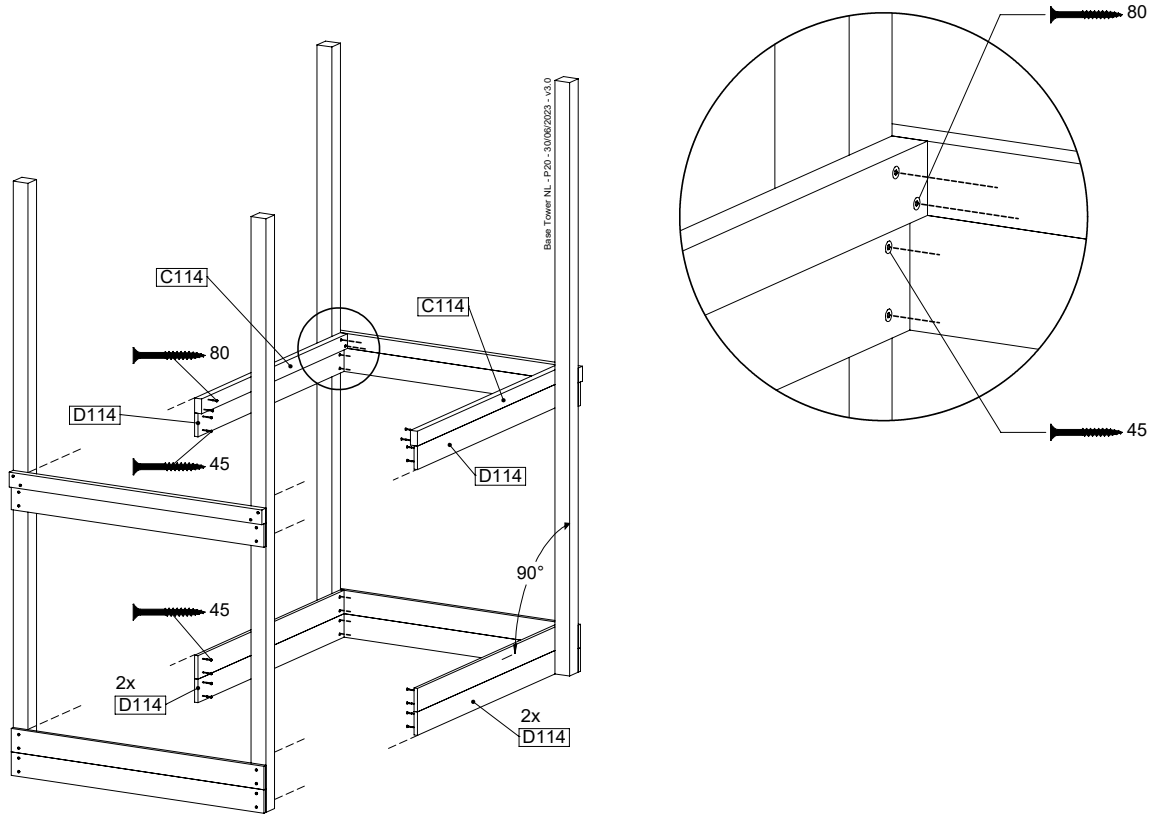
(194_300)

	PartNo	PartName	QTY.
Hardware Pack	001_406	Stealth Screw 8x45	6
	001_417	Stealth Screw 8x80	4
	002_220	Gap Point Screw T25 - 5x45	118
	002_223	Gap Point Screw T25 - 5x80	20
	022_31x	bpc-base version 3	8
	022_84x	bpc cover	8
Other	007_001	Ground-anchor	2
Timber	A270	Post 70x70 L2700	4
	C114	Beam 1140 mm	5
	D100	Board 1000 mm	14
	D114	Board 1140 mm	12

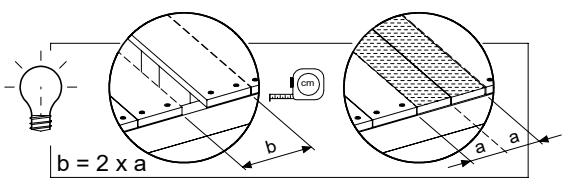
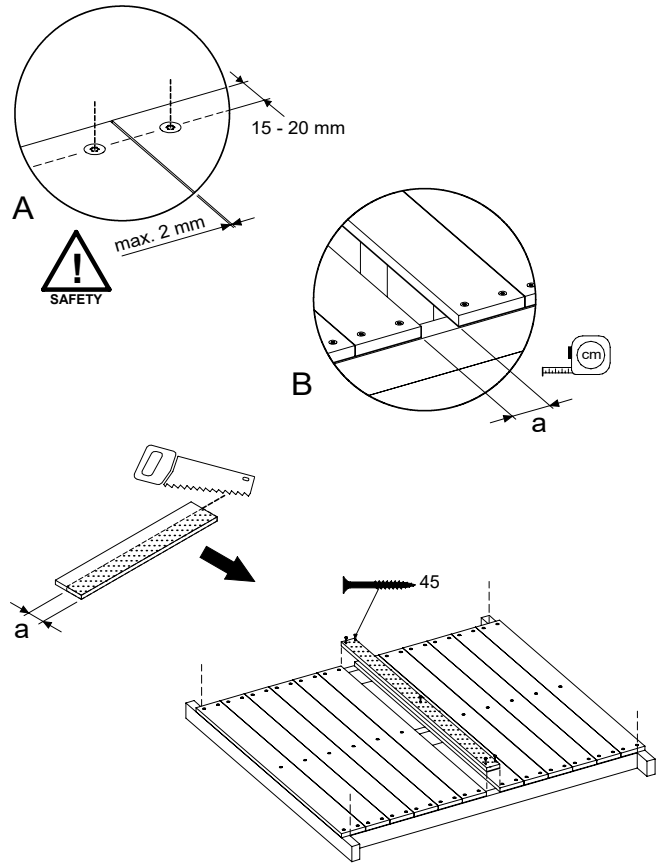
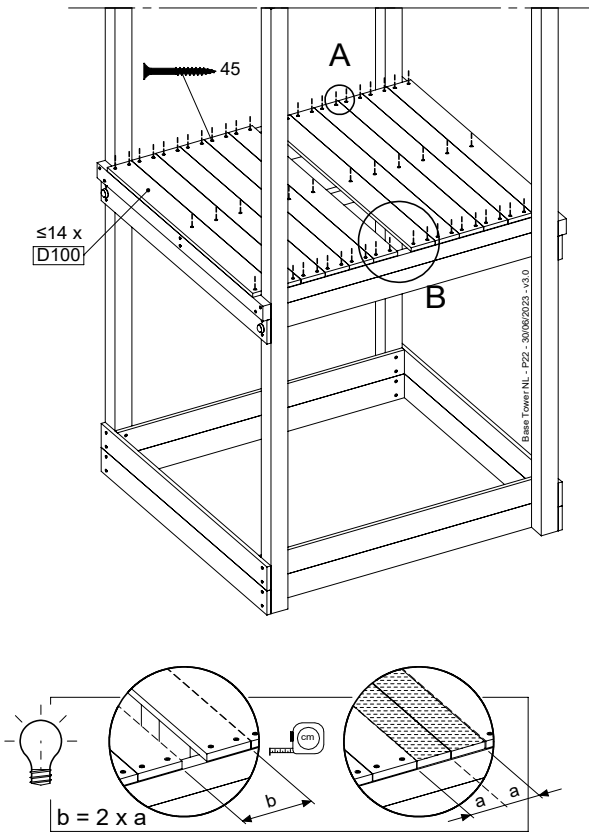
Base Tower.NL - P10 - BT15 - 300002023 - v3.0



8.1



8.2

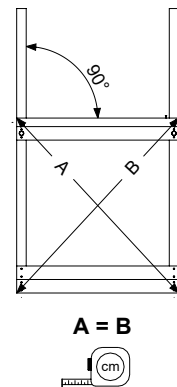
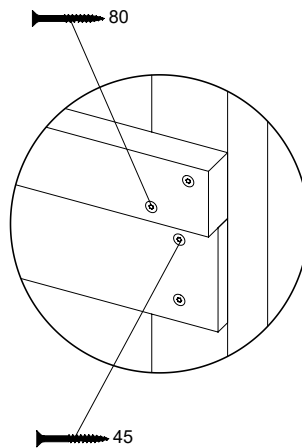
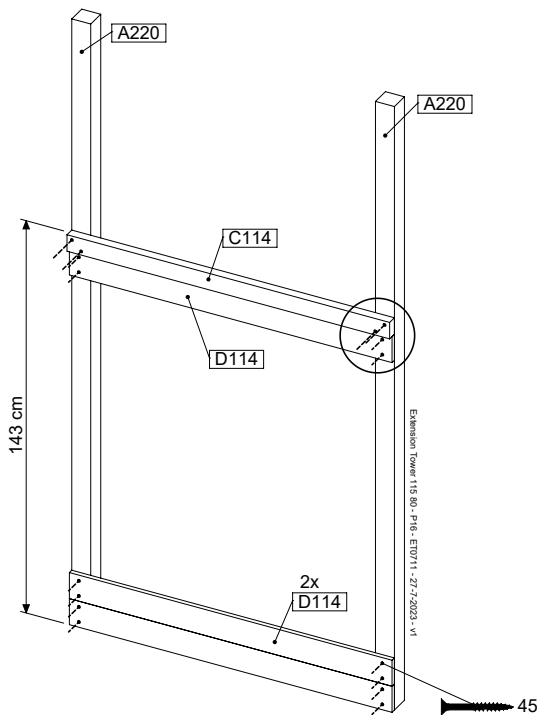
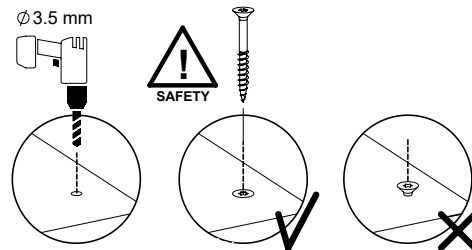
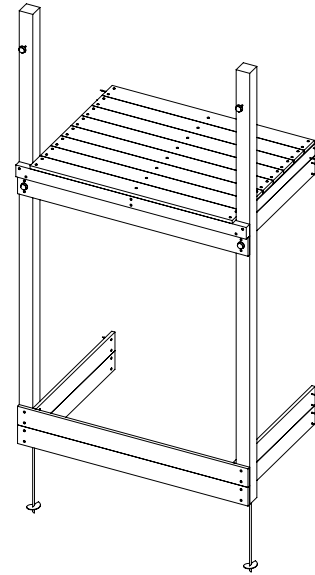


9 ET07a: Extension Tower 11580 220/145

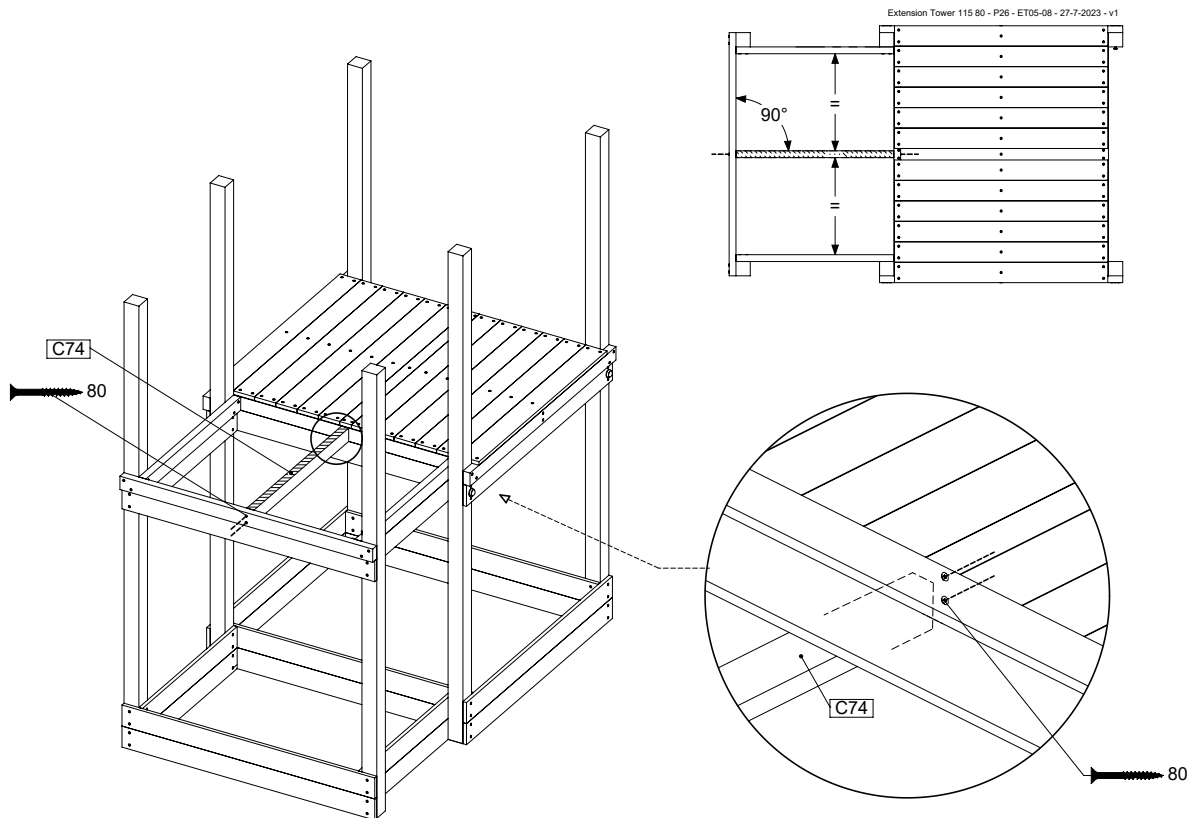
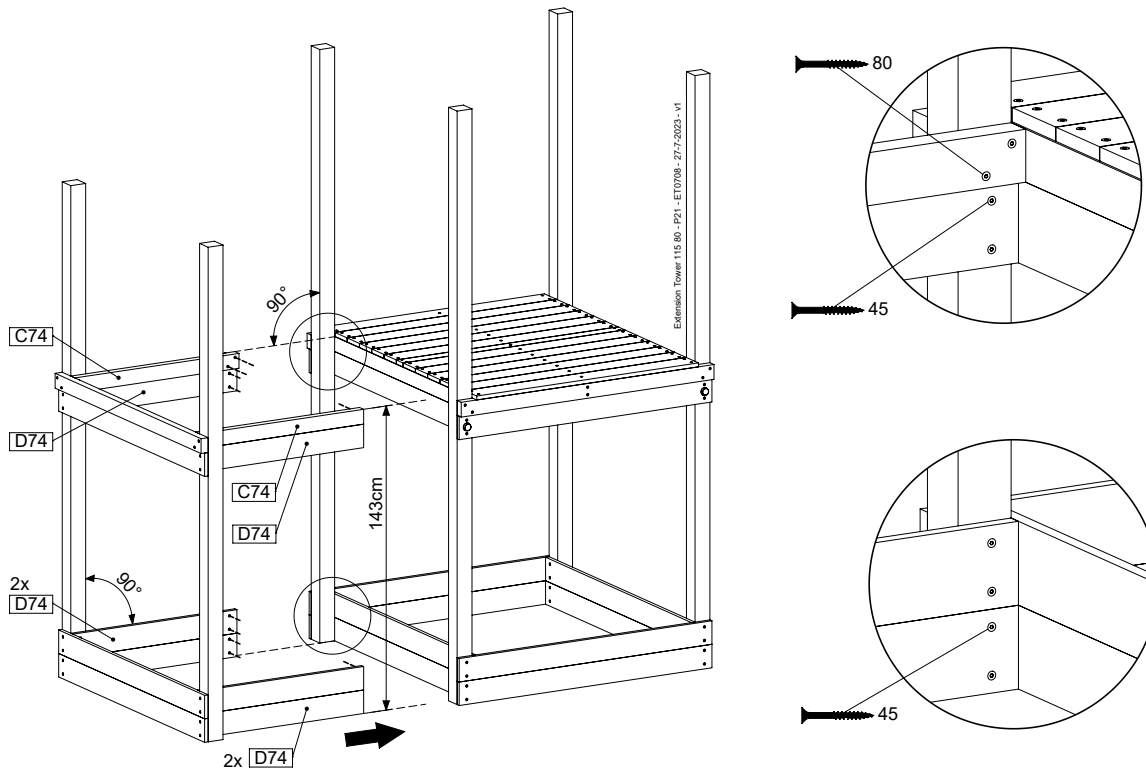
(194_300)

	PartNo	PartName	QTY.
Hardware pack	001_406	Stealth Screw 8x45	4
	001_417	Stealth Screw 8x80	2
	002_220	Gap Point Screw T25 - 5x45	81
	002_223	Gap Point Screw T25 - 5x80	16
Other	007_001	Ground-anchor	2
	022_31x	bpc-base version 3	4
	022_84x	bpc cover	4
Timber	A220	Post 70x70 L2200	2
	C74	Beam 740 mm	3
	C114	Beam 1140 mm	1
	D74	Board 740 mm	6
	D100	Board 1000 mm	9
	D114	Board 1140 mm	3

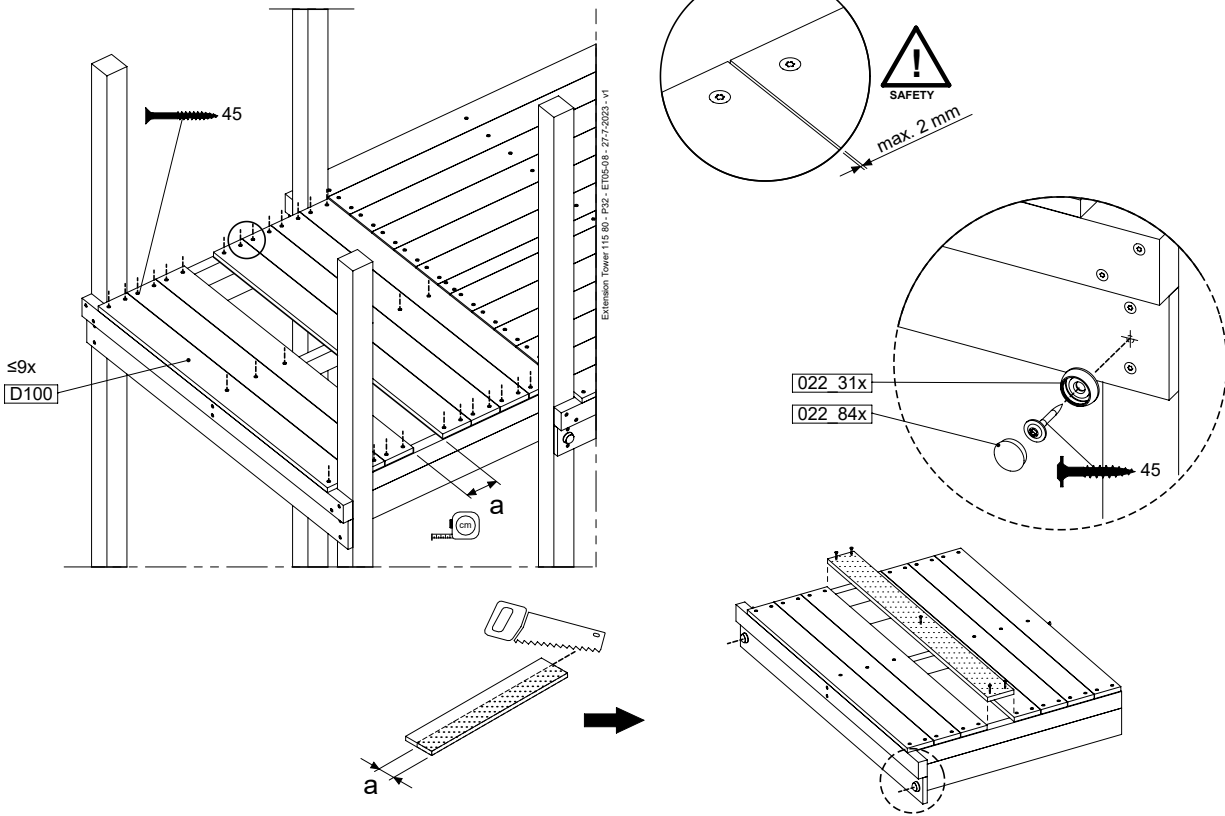
Extension Tower 11580 - P04 - ET07 - Z7-Z-2023 - v1



9.1



9.2

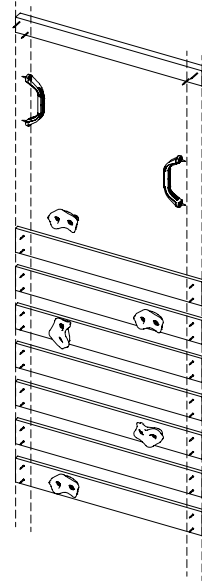


10 RW03b: Rock wall 80 145 U

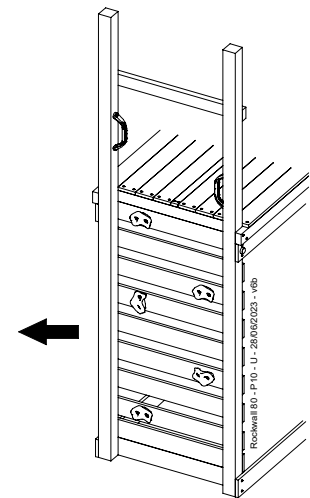
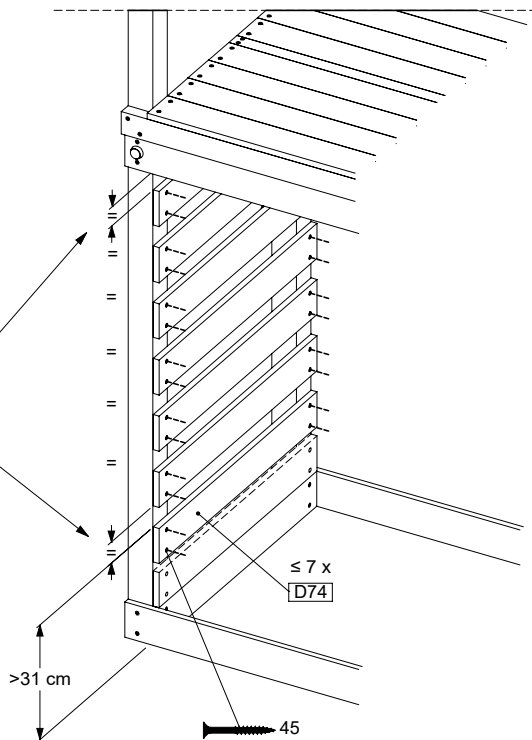
(194_006)

	PartNo	PartName	QTY.
Hardware Pack 100_904	001_102	Washer Head Screw T40 M8x30	10
	002_220	Gap Point Screw T25 - 5x45	28
	002_223	Gap Point Screw T25 - 5x80	4
	003_010	M8 spring lock washer	10
	004_050	M8 Drive-in Nut 22mm	10
Other	022_50x	Climbing Rock	5
	120_102	Handgrip set (2x Complete)	1
Timber	C74	Beam 740 mm	1
	D74	Board 740 mm	7

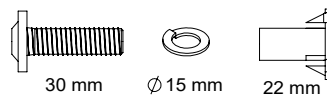
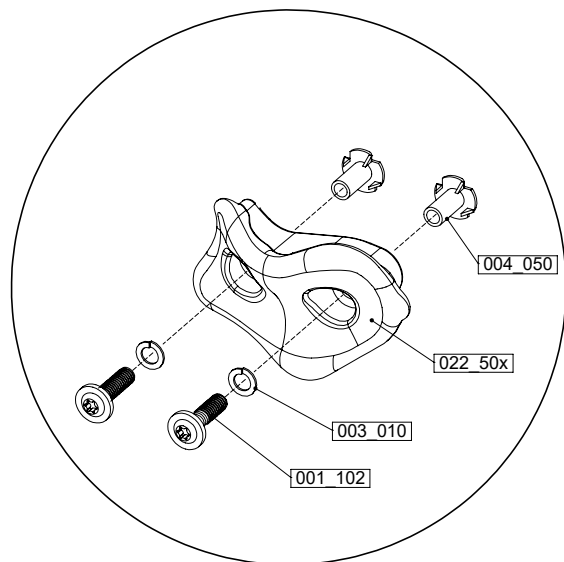
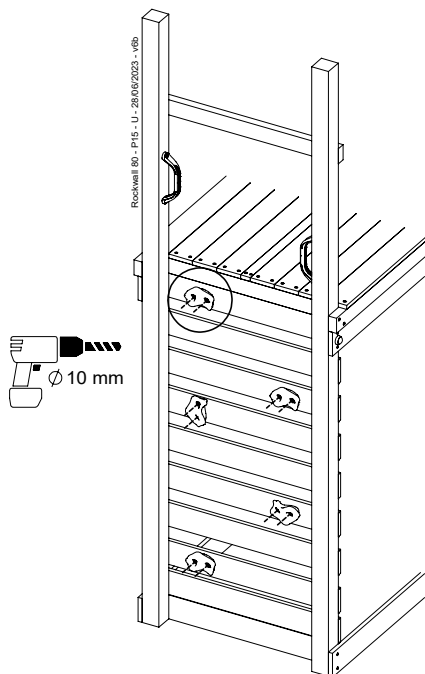
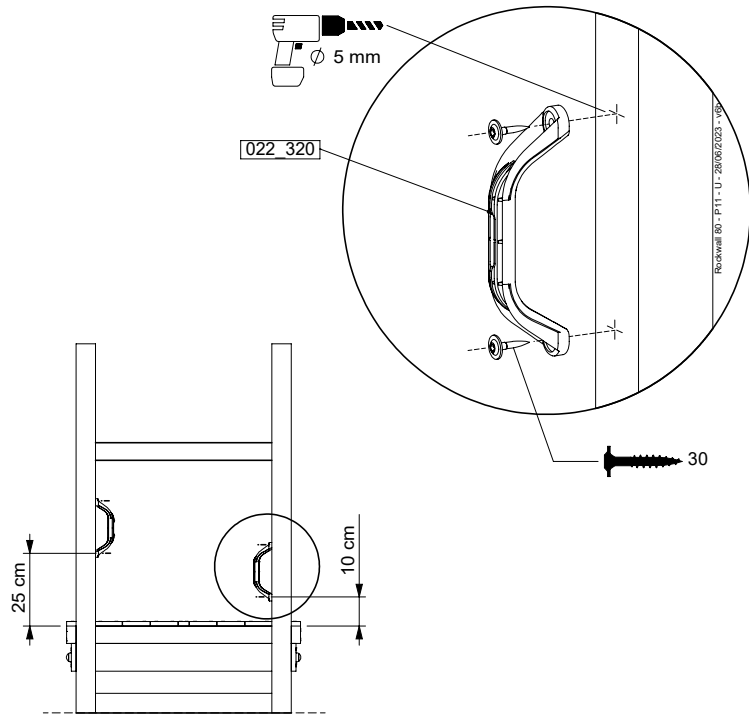
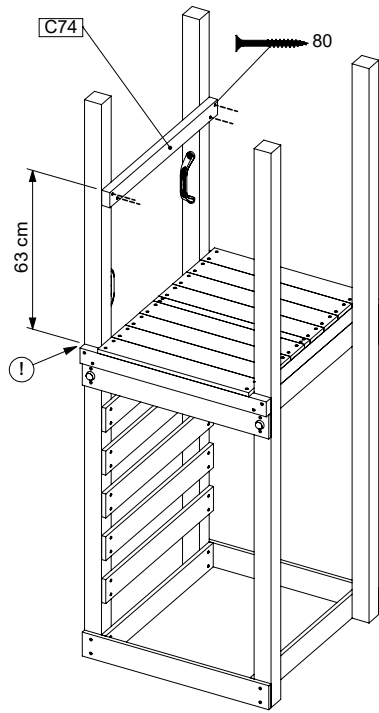
Rockwall 80 - P04 - 145U - 28/05/2023 - v0b



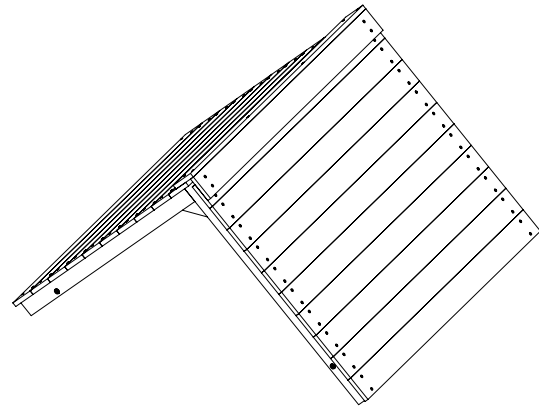
SAFETY
min. 2,6 cm
max. 8,8 cm



10.1



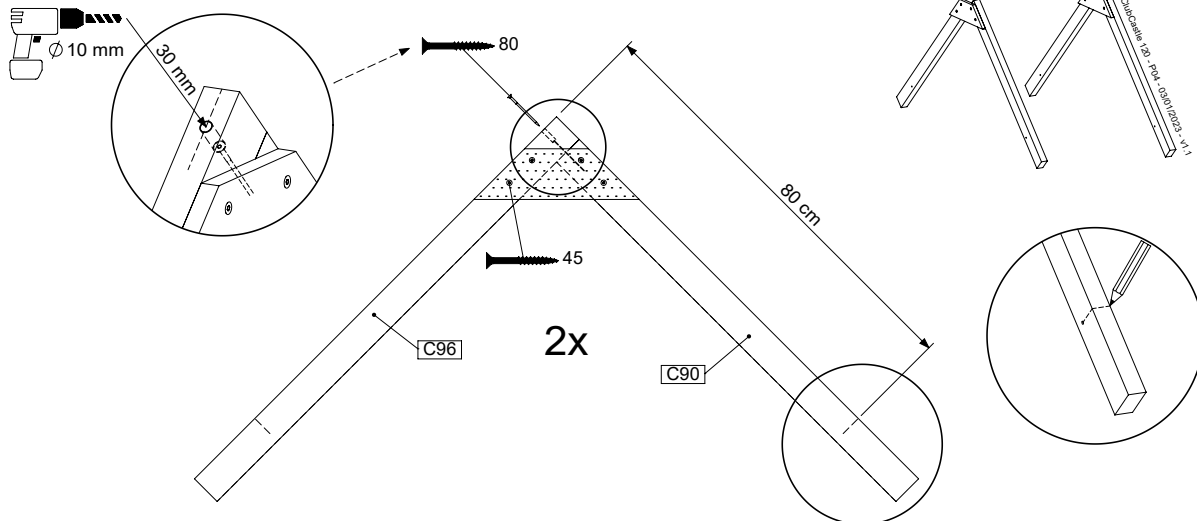
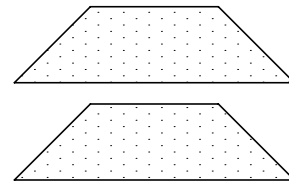
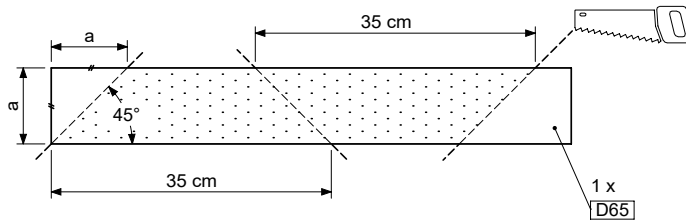
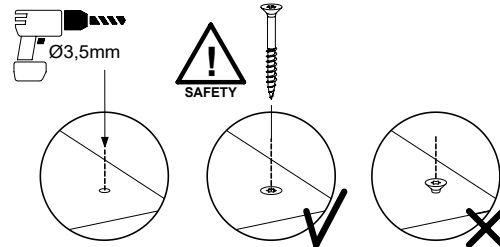
11 RF08a: Roof Timber Gable 115



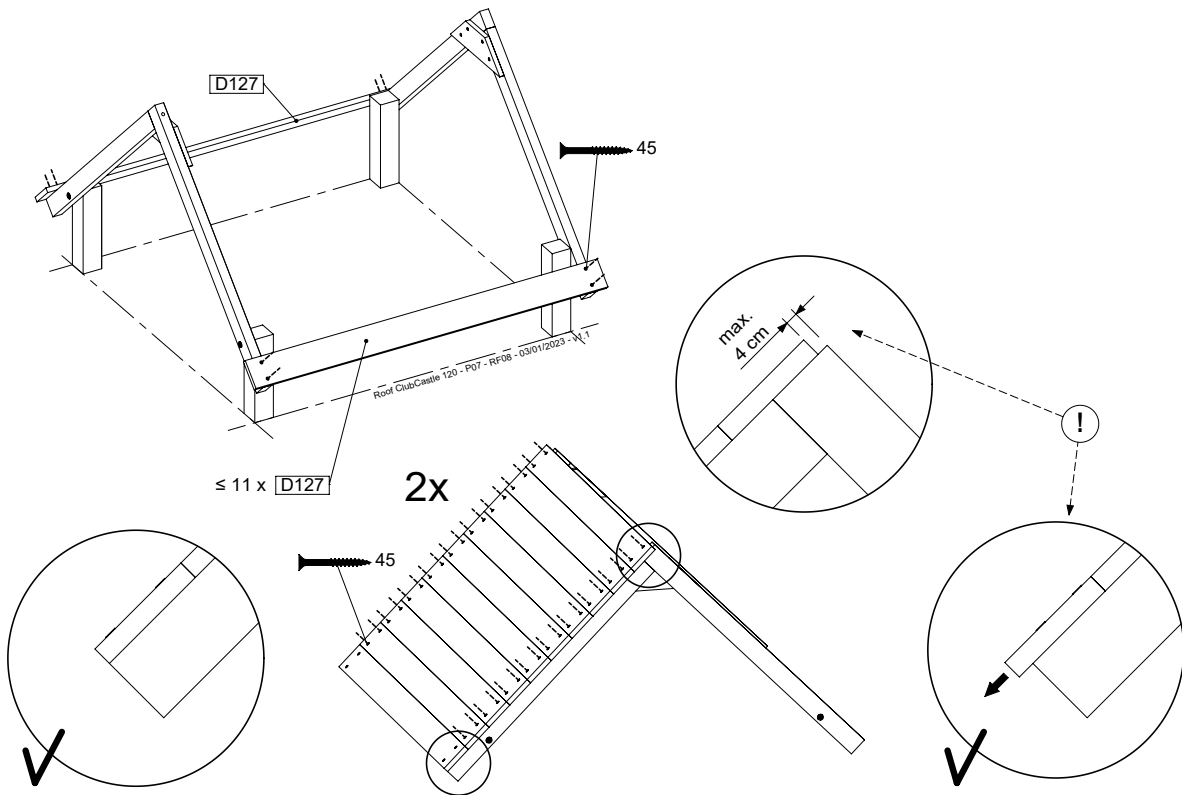
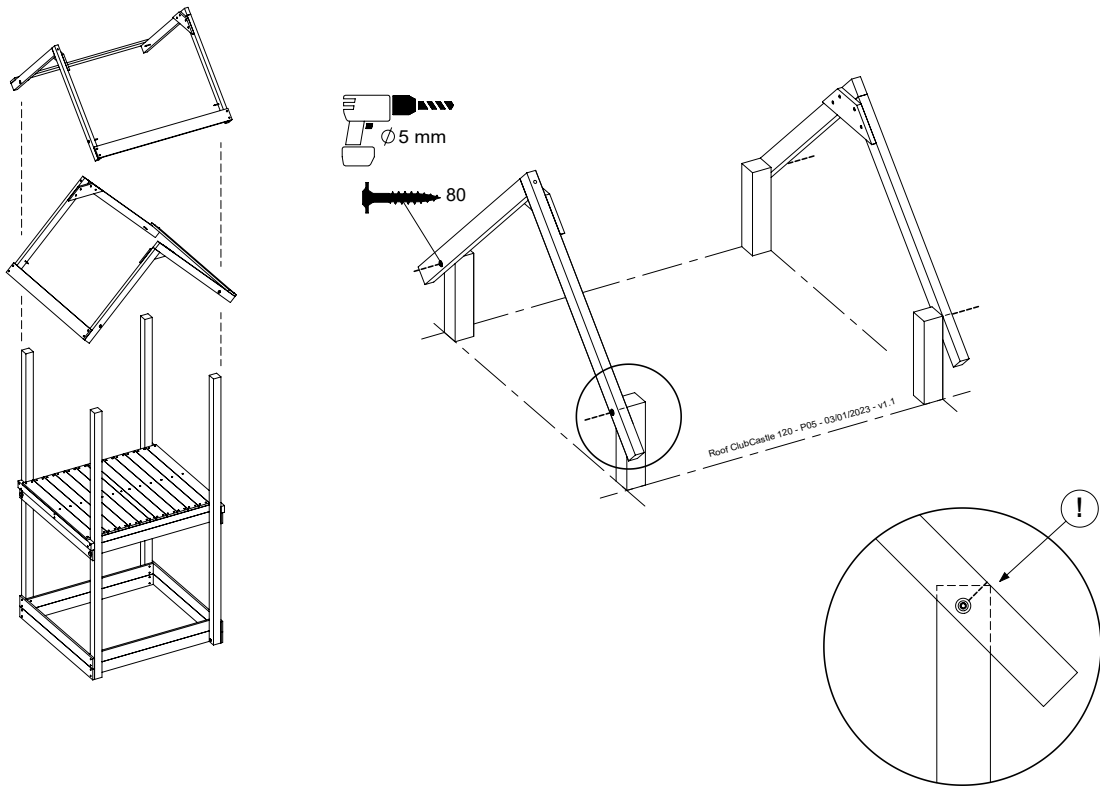
AP 194_308 / RF

	PartNo	PartName	QTY.
Hardware Pack	001_417	Stealth Screw 8x80	4
	002_220	Gap Point Screw T25 - 5x45	100
	002_223	Gap Point Screw T25 - 5x80	8
Timber	C96	Beam 960 mm	2
	D65	Board 650 mm	1
	D127	Board 1270 mm	18-24
	C90	Beam 900 mm	2

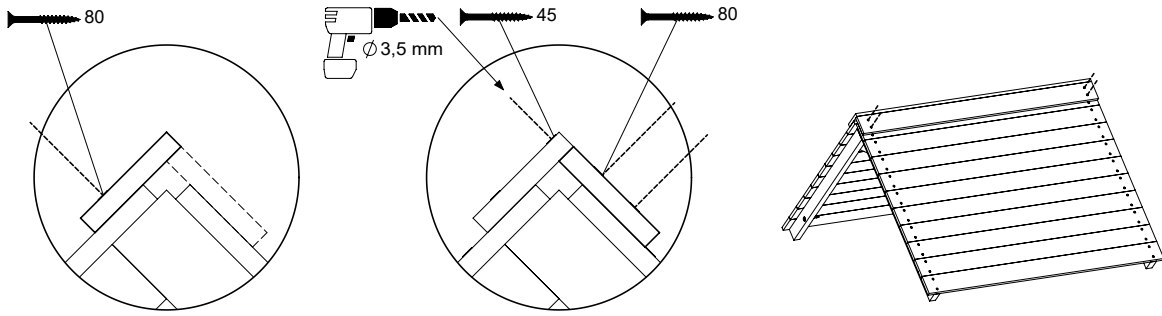
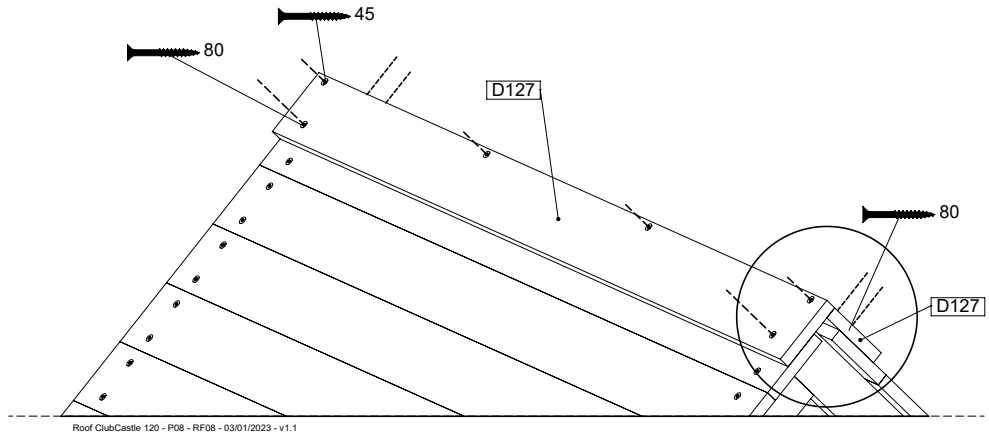
Roof ChaCastle 120 - P03 - RF08a - 03/01/2023 - v1.1



11.1



11.2

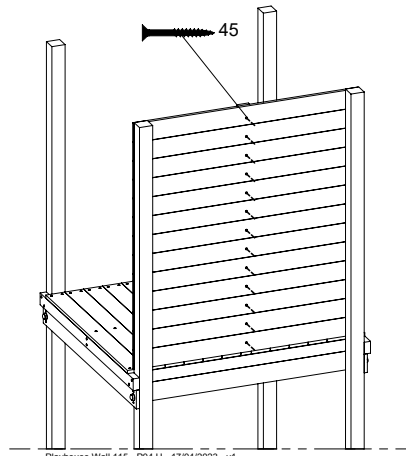
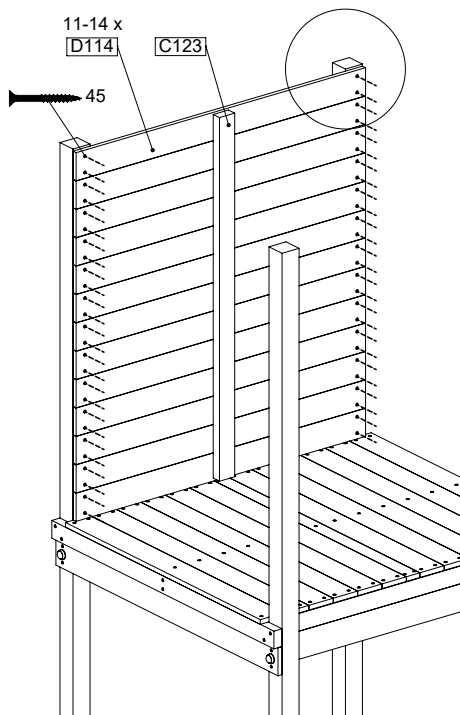
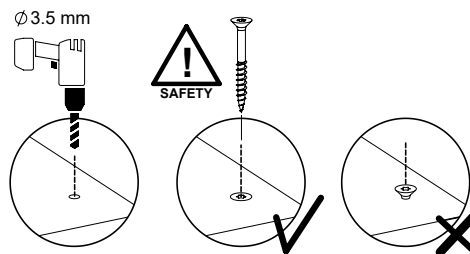
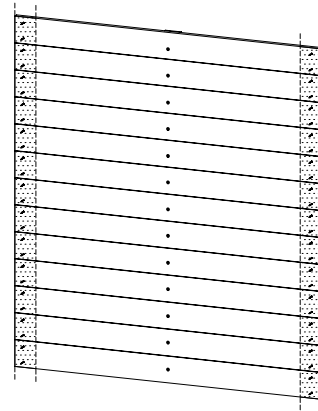


12 PH10a: Playhouse Wall Panel 115 U

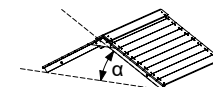
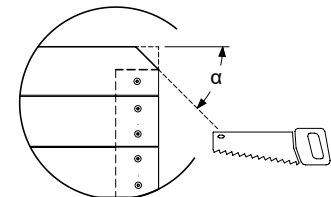
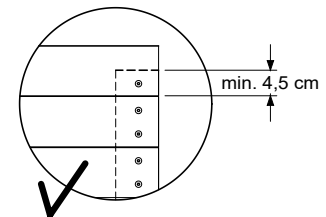
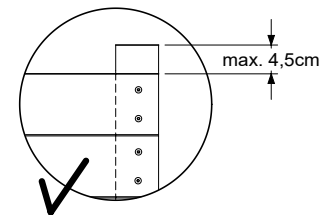
(194_809)

	PartNo	PartName	QTY.
Hardware Pack	002_220	Gap Point Screw T25 - 5x45	70
Timber	C123	Beam 1230 mm	1
	D114	Board 1140 mm	14

Playhouse Wall 115 - P02 U - 17/04/2023 - v1



Playhouse Wall 115 - P04 U - 17/04/2023 - v1



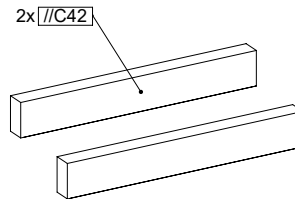
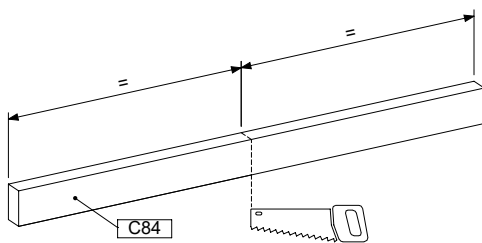
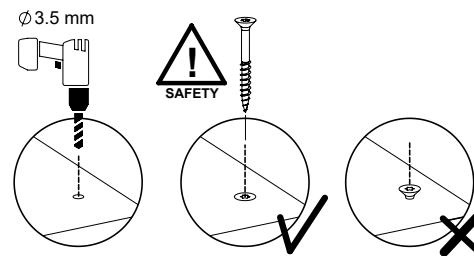
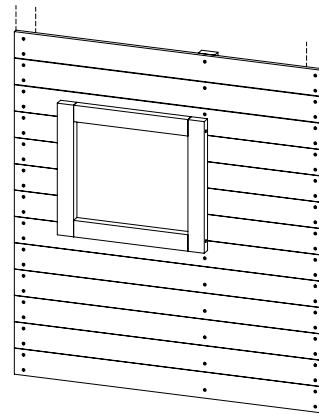
$\alpha = 30^\circ / \alpha = 45^\circ$

13 PH18a: Playhouse Window Panel 115 TL

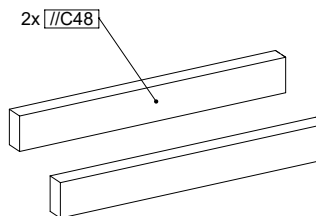
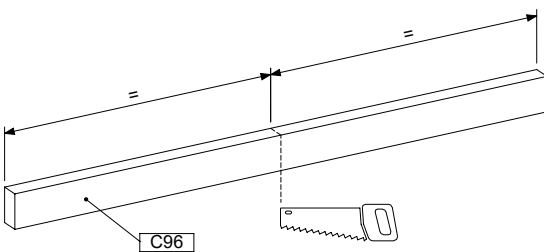
(194_118)

	PartNo	PartName	QTY.
Hardware Pack	002_220	Gap Point Screw T25 - 5x45	90
	002_223	Gap Point Screw T25 - 5x80	4
Timber	C84	Beam 840 mm	1
	C96	Beam 960 mm	2
	D21	Board 210 mm	4
	D47	Board 470 mm	4
	D114	Board 1140 mm	10

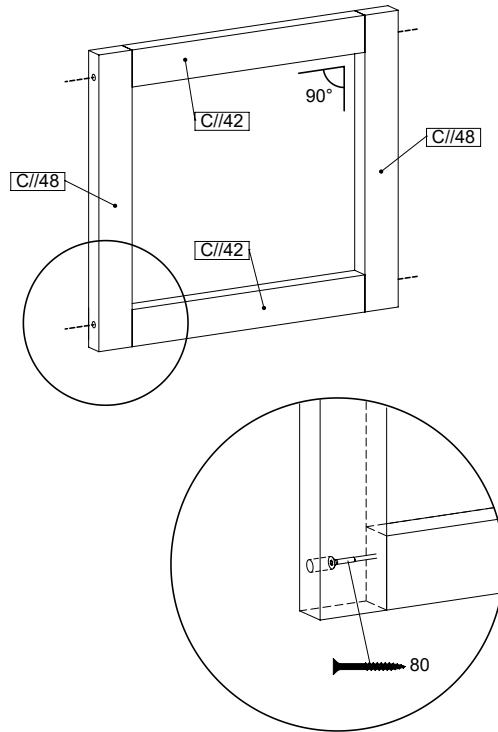
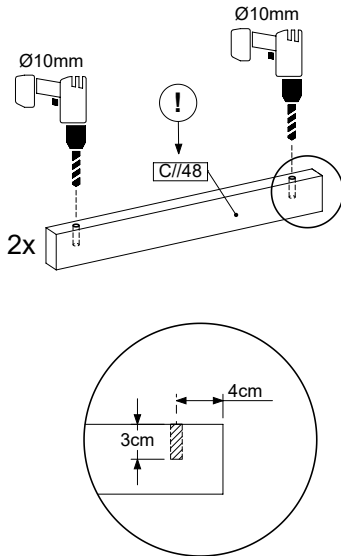
Playhouse Window 115 - P04 TL - 6-6-2023 - v1



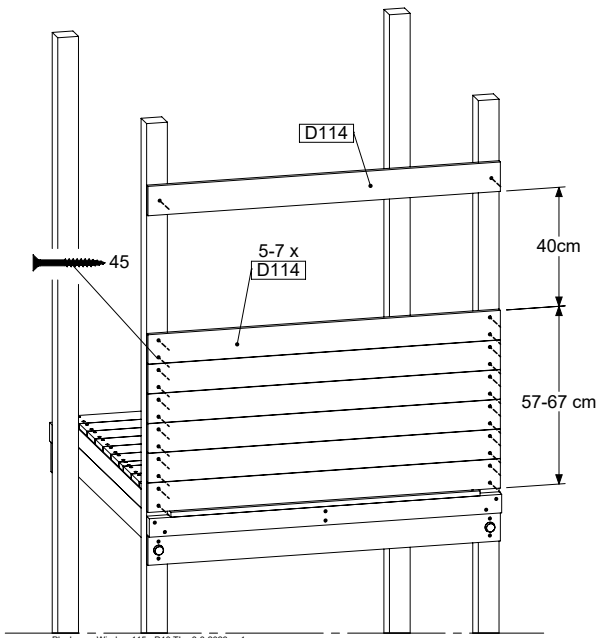
Playhouse Window 115 - P06 uni. - 6-6-2023 - v1



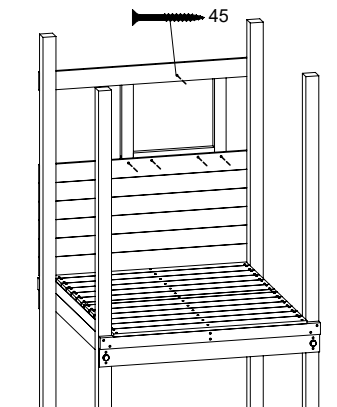
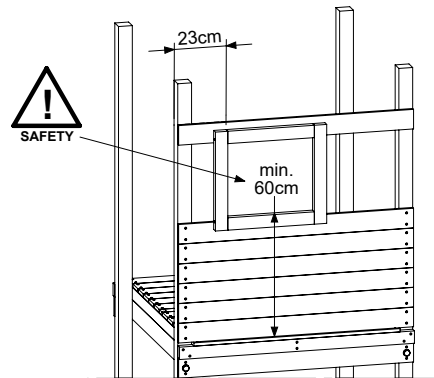
13.1



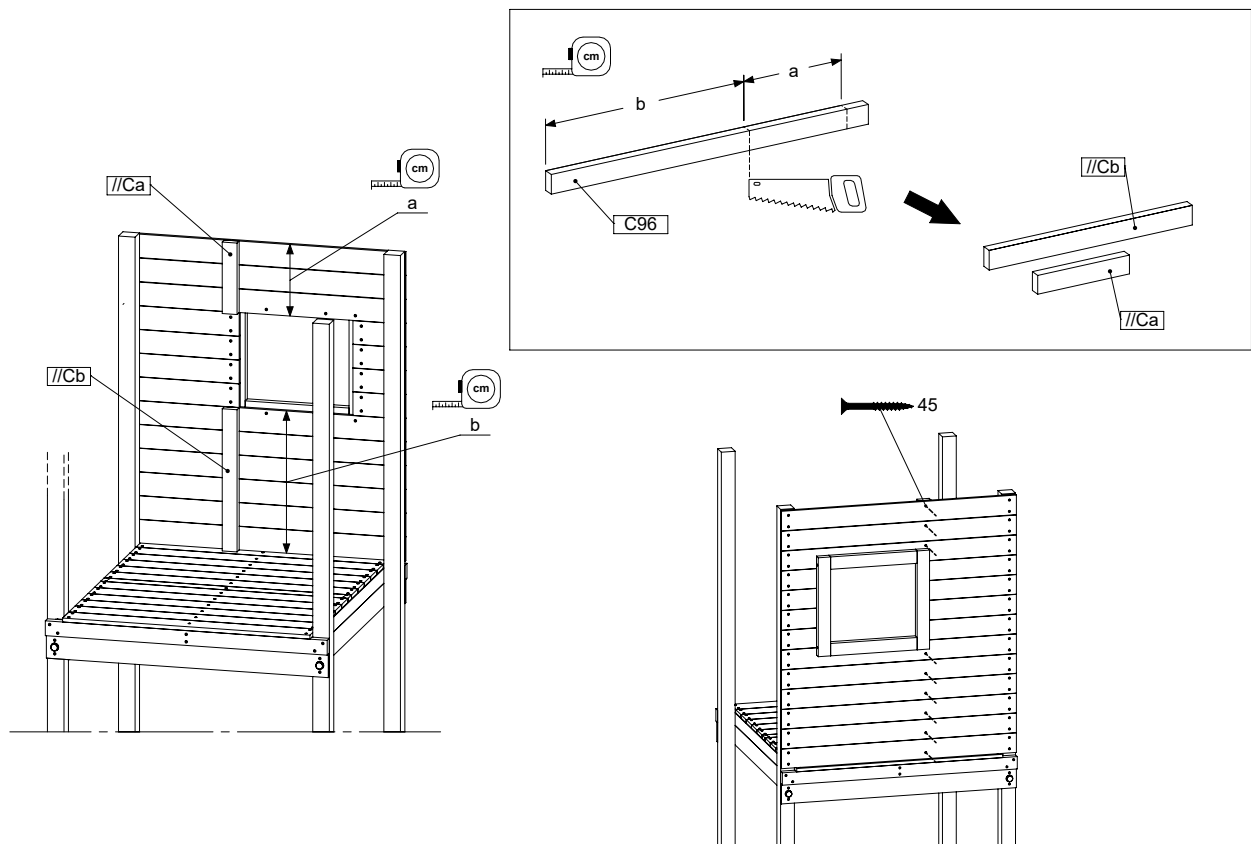
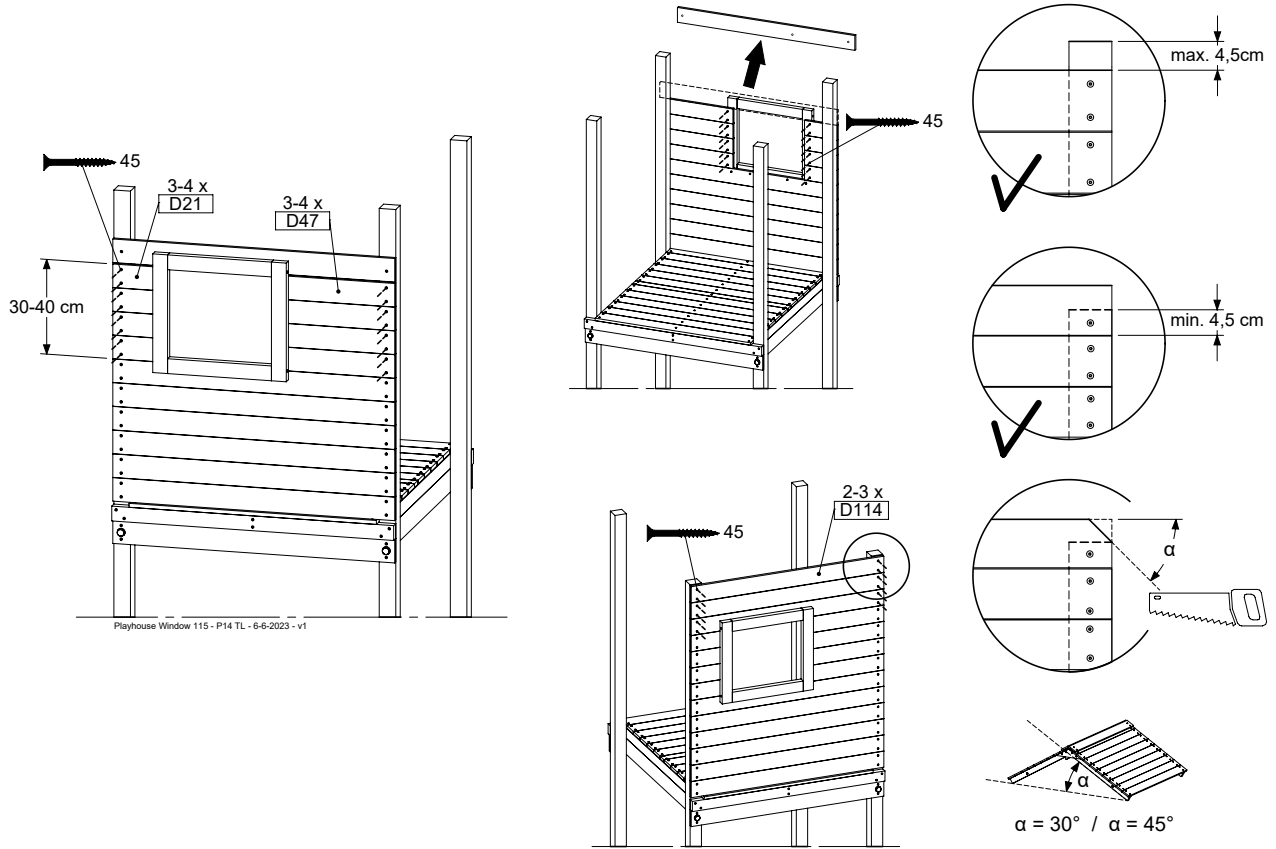
Playhouse Window 115 - P10 TL - 6-6-2023 - v1



Playhouse Window 115 - P10 TL - 6-6-2023 - v1



13.2

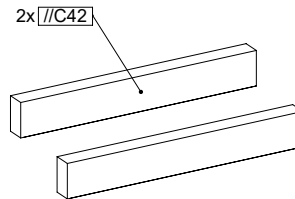
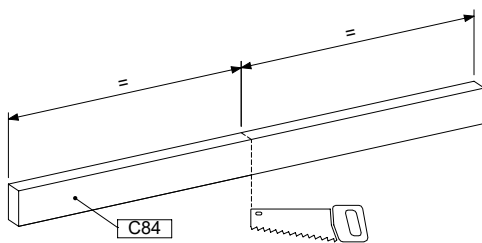
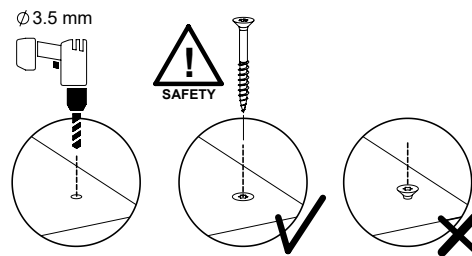
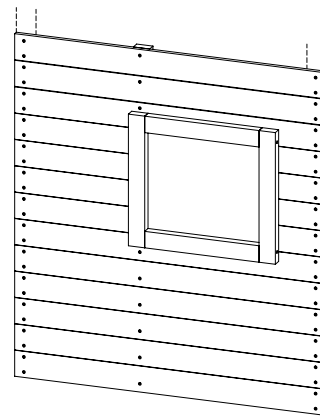


14 PH19a: Playhouse Window Panel 115 TR

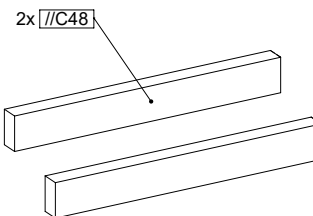
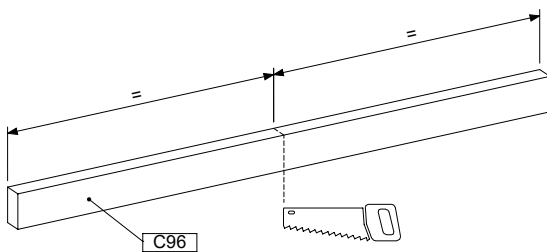
(194_118)

	PartNo	PartName	QTY.
Hardware Pack	002_220	Gap Point Screw T25 - 5x45	90
	002_223	Gap Point Screw T25 - 5x80	4
Timber	C84	Beam 840 mm	1
	C96	Beam 960 mm	2
	D21	Board 210 mm	4
	D47	Board 470 mm	4
	D114	Board 1140 mm	10

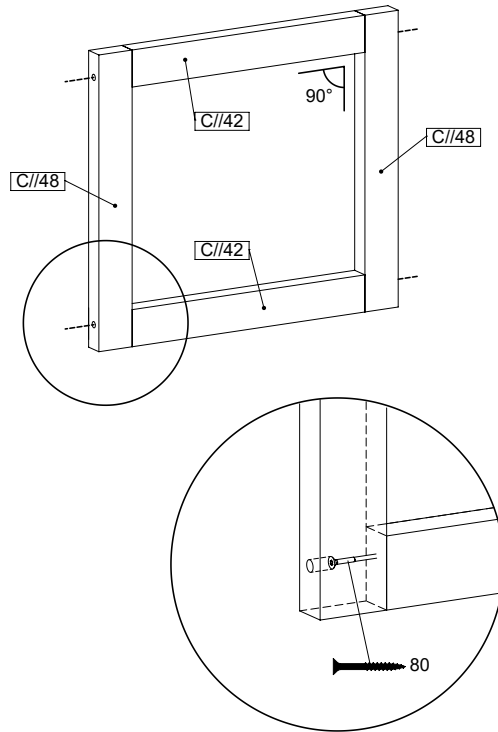
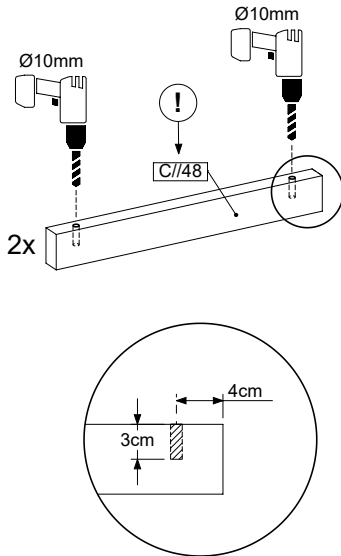
Playhouse Window 115 - P05 TR - 6-6-2023 - v1



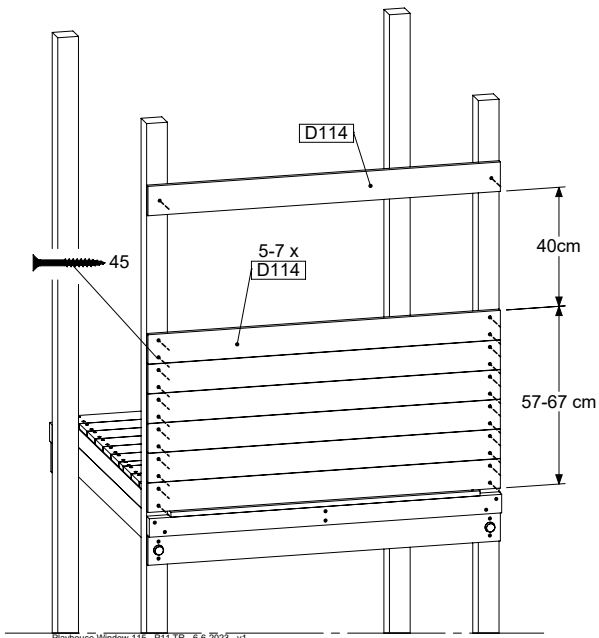
Playhouse Window 115 - P06 uni. - 6-6-2023 - v1



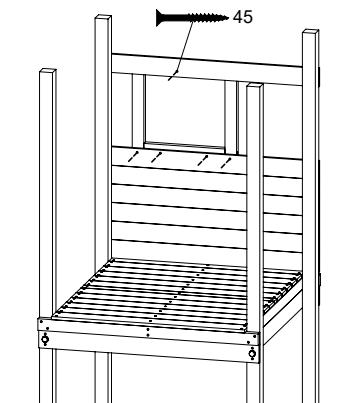
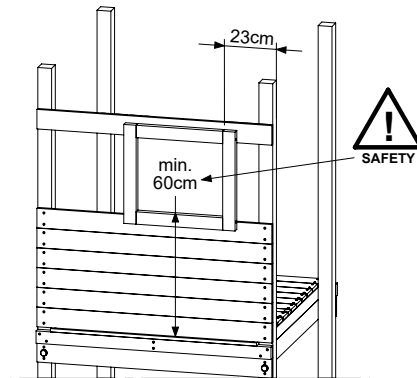
14.1



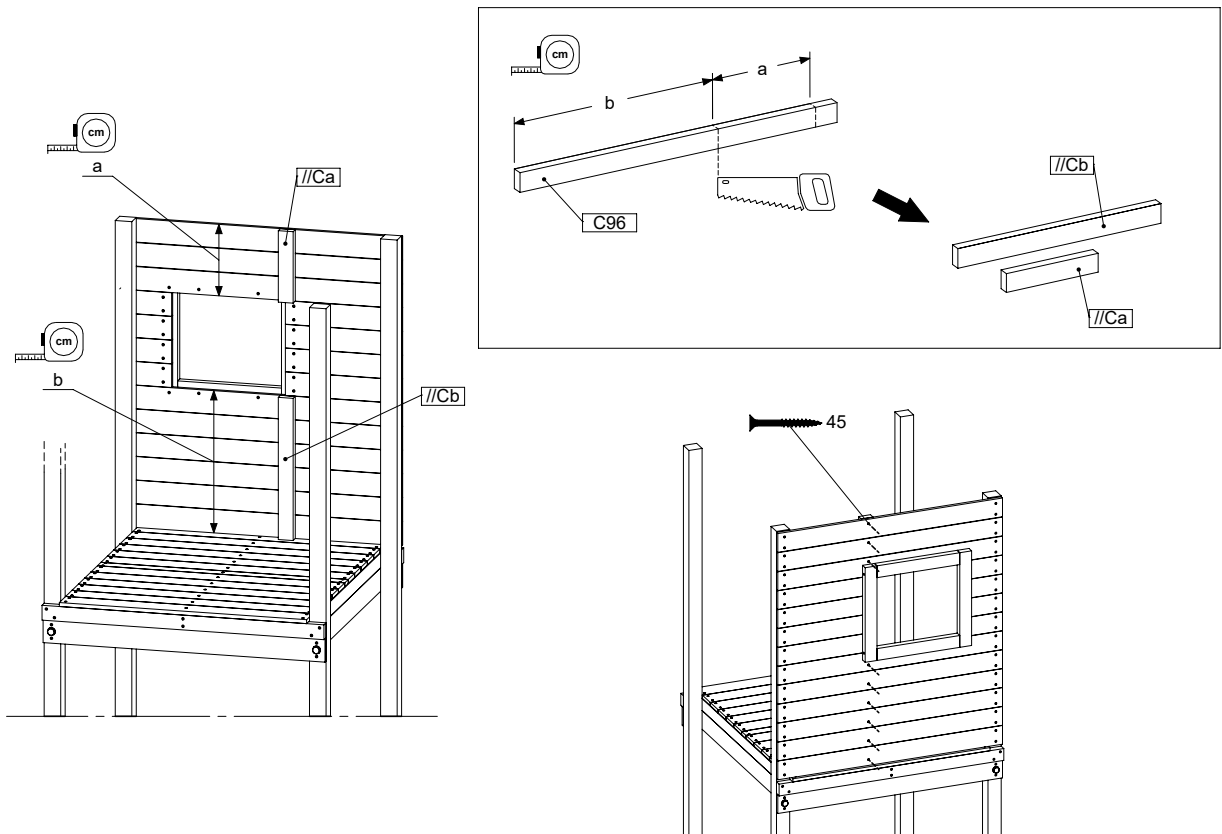
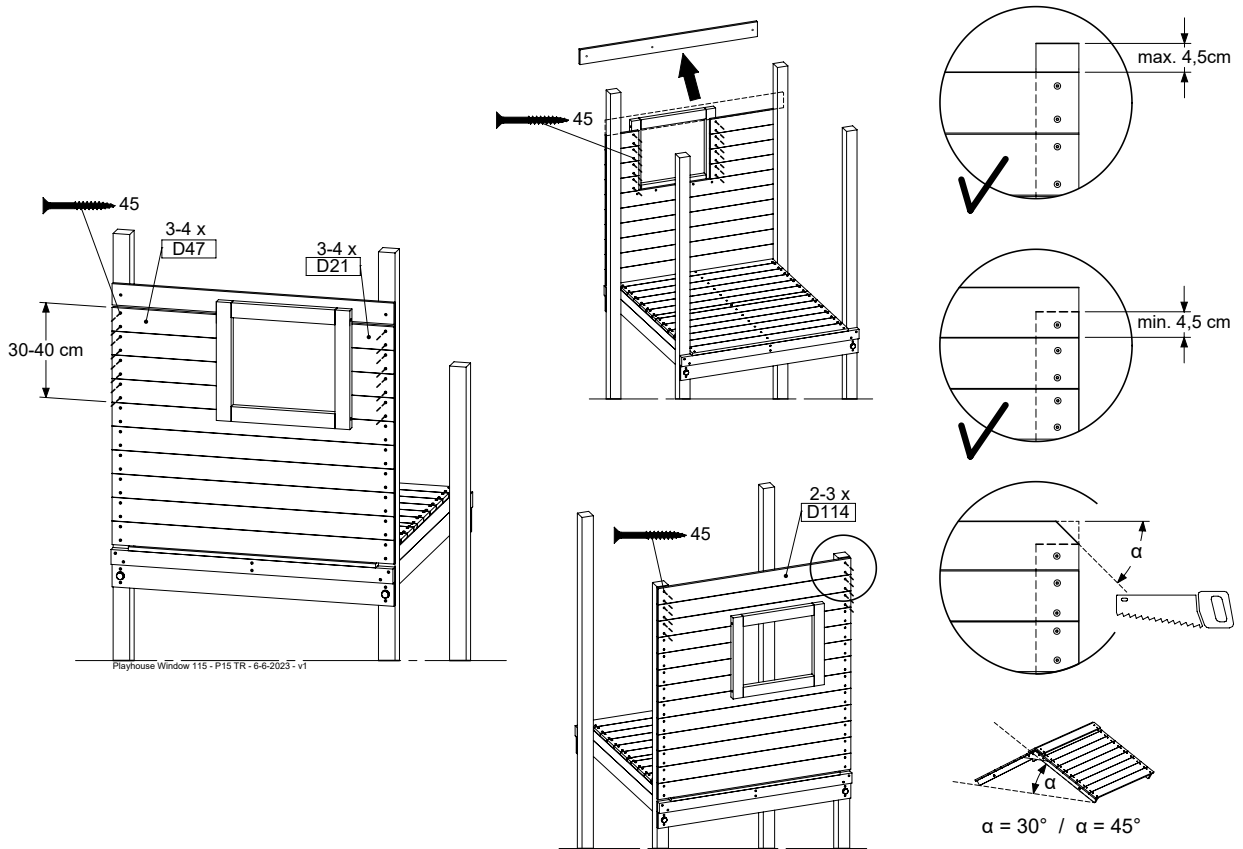
Playhouse Window 115 - P11 TR - 6-6-2023 - v1



Playhouse Window 115 - P11 TR - 6-6-2023 - v1



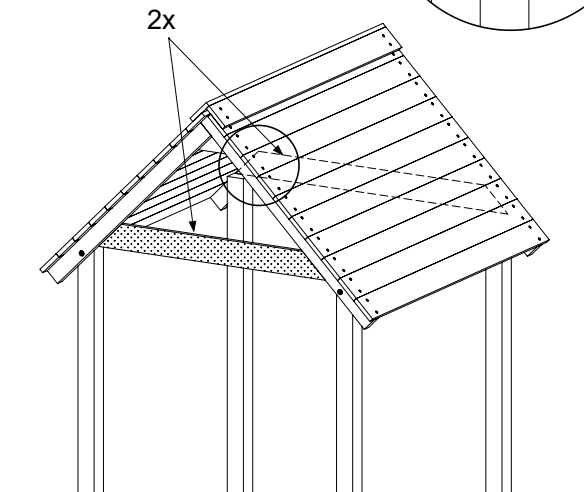
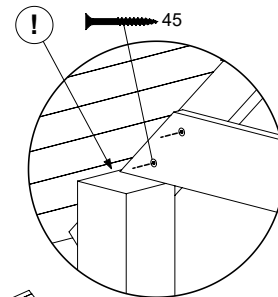
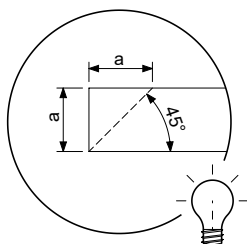
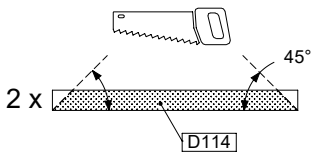
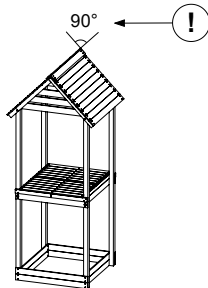
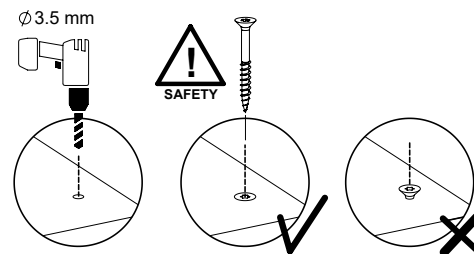
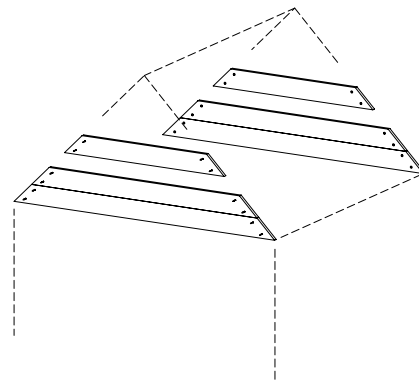
14.2



15 PH30a: Playhouse Roof Panels 115 90deg

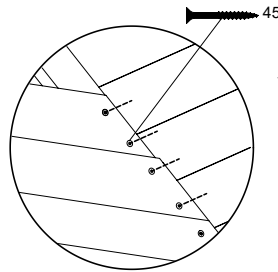
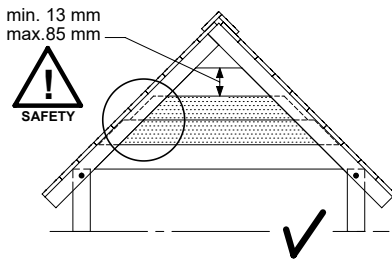
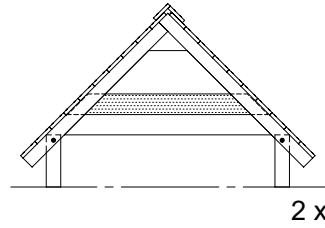
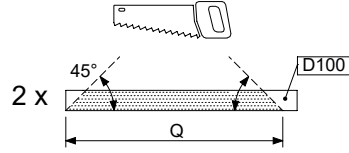
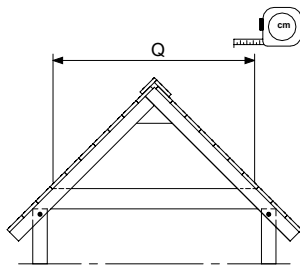
(194_501)

	PartNo	PartName	QTY.
Hardware Pack	002_220	Gap Point Screw T25 - 5x45	24
Timber	D65	Board 650 mm	2
	D100	Board 1000 mm	2
	D114	Board 1140 mm	2



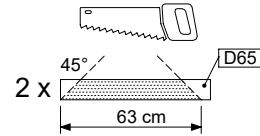
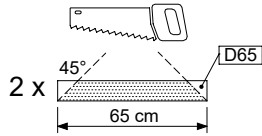
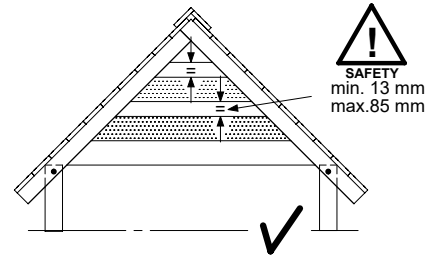
Playhouse Roof Panels - P06 CL90° - 9-10-2023 - v1

15.1



A ↔ **B**

Playhouse Roof Panels - P10 CL90° - 9-10-2023 -v1

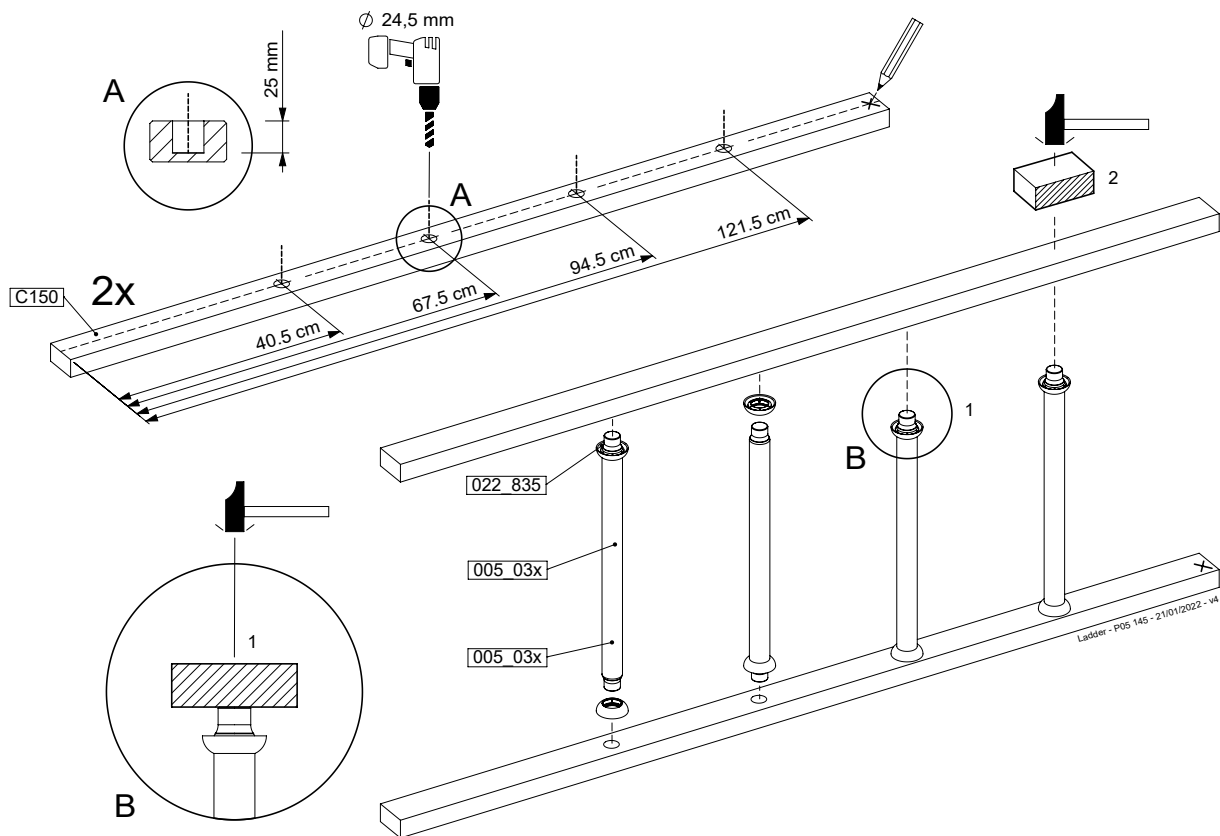
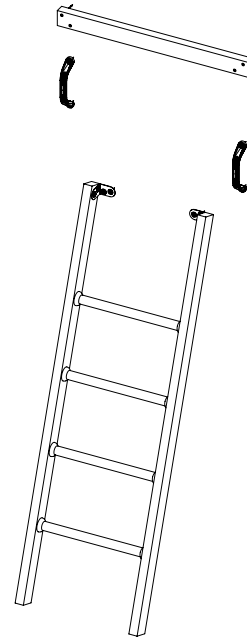


16 LA03: Ladder 80 145 U

(194_104)

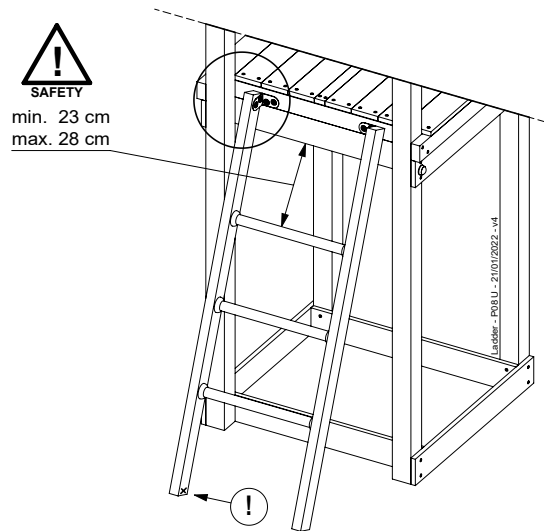
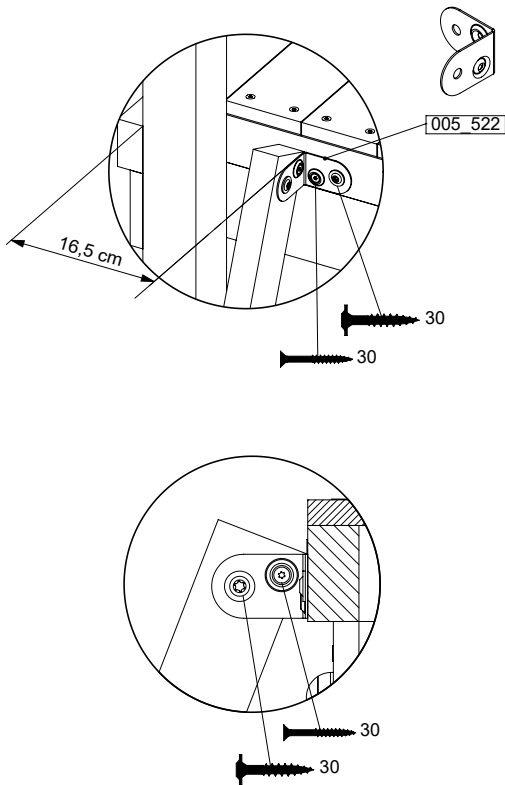
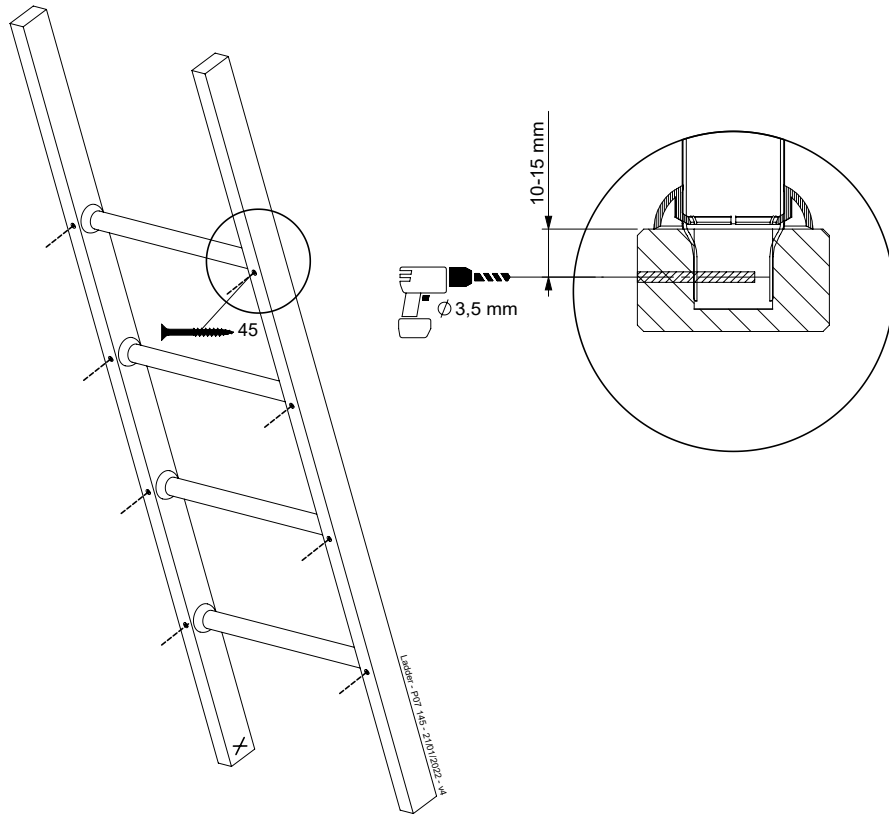
	PartNo	PartName	QTY.
Hardware Pack 100_603	001_404	Stealth Screw 8x30	4
	002_219	Gap Point Screw T25 - 5x30	4
	002_220	Gap Point Screw T25 - 5x45	8
	002_223	Gap Point Screw T25 - 5x80	4
Other	005_03x	Ladder Rung Y/B/G/R	4
	005_522	Connection Bracket Mini Market	2
	022_835	Rung Cap	8
	120_102	Handgrip set (2x Complete)	1
Timber	C74	Beam 740 mm	1
	C150	Beam 1500 mm	2

Ladder - P05 145 - 21/01/2022 - v4

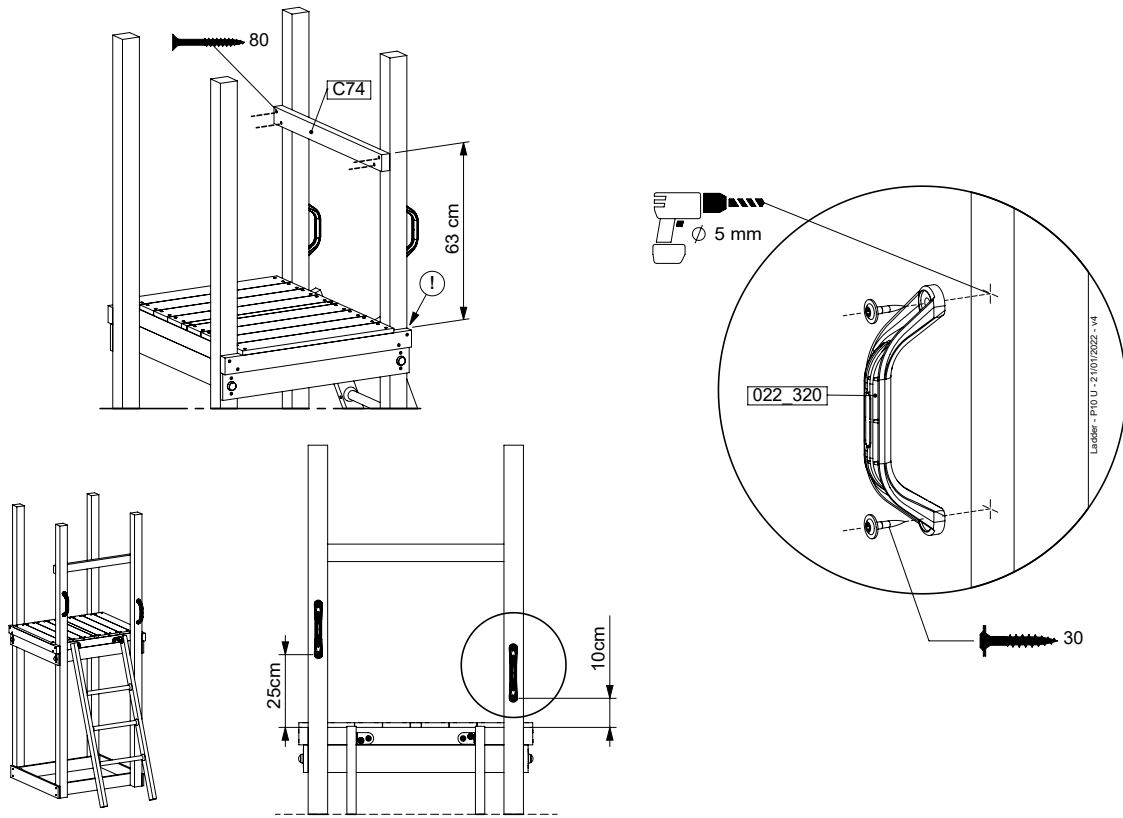


Ladder - P05 145 - 21/01/2022 - v4

16.1



16.2

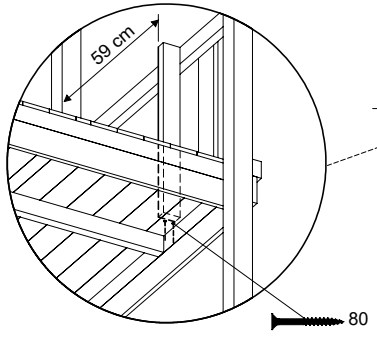
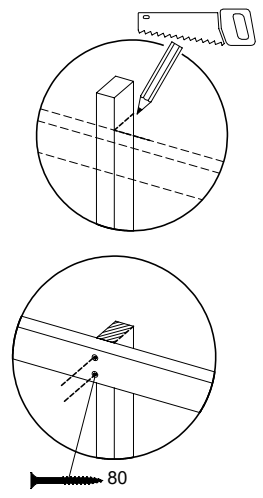
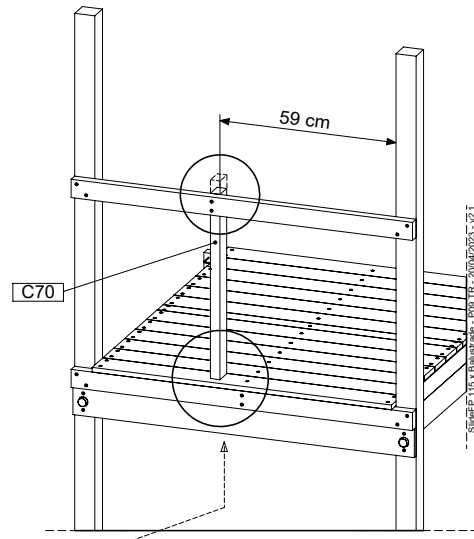
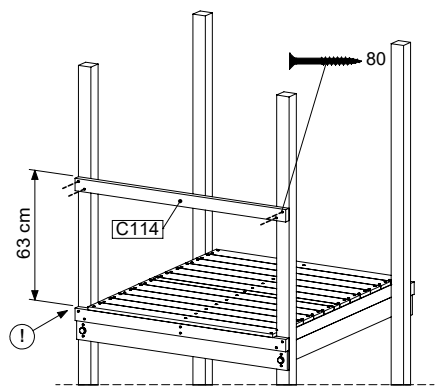
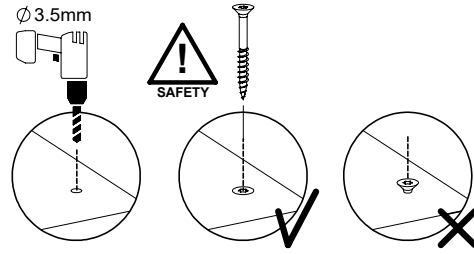
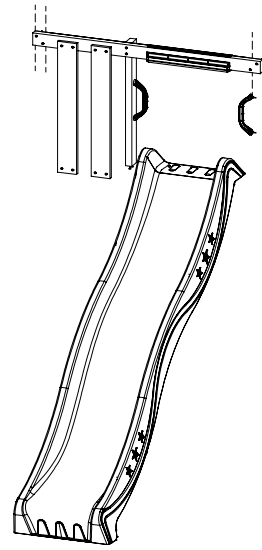


17 SL13a: Slide 115 145 T Right

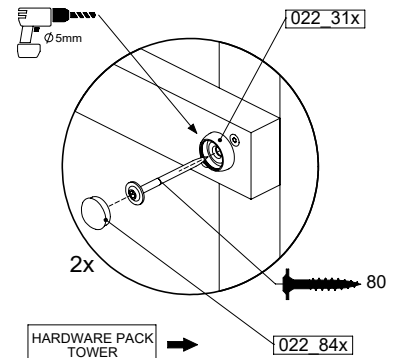
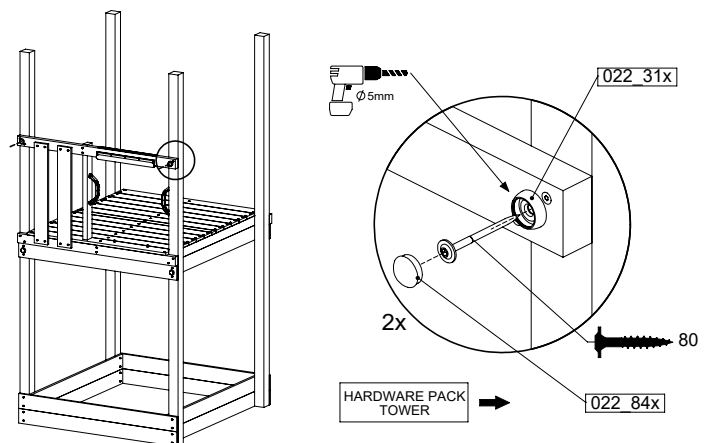
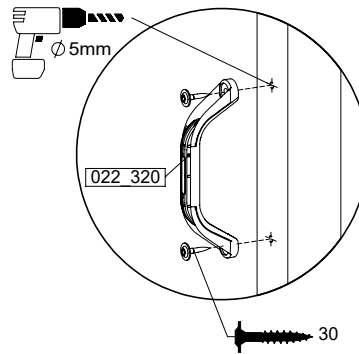
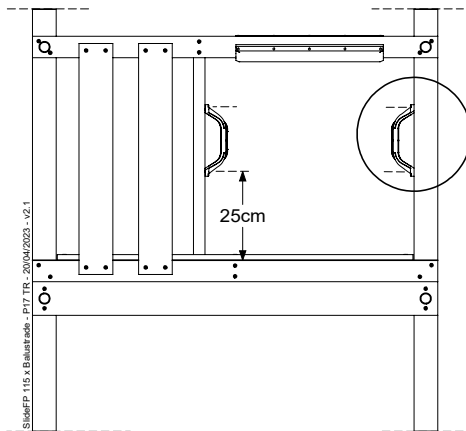
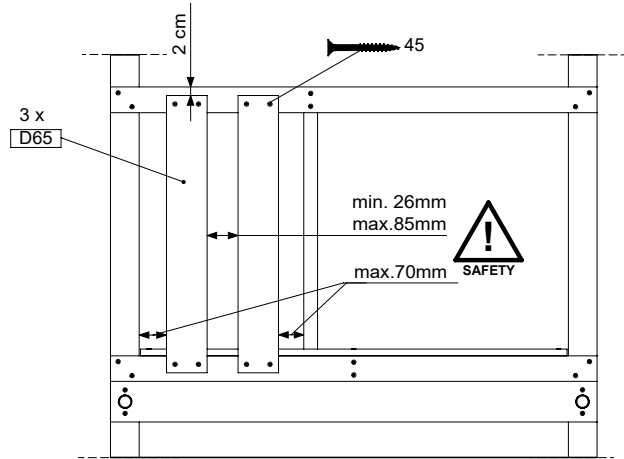
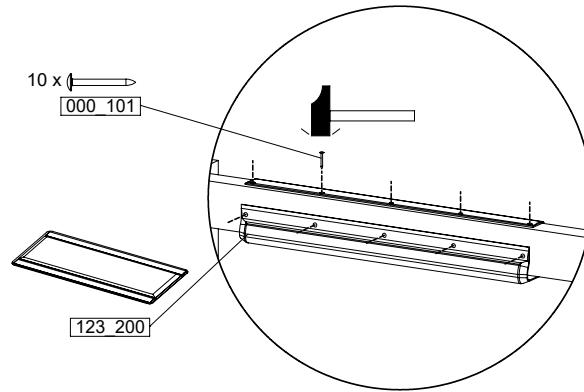
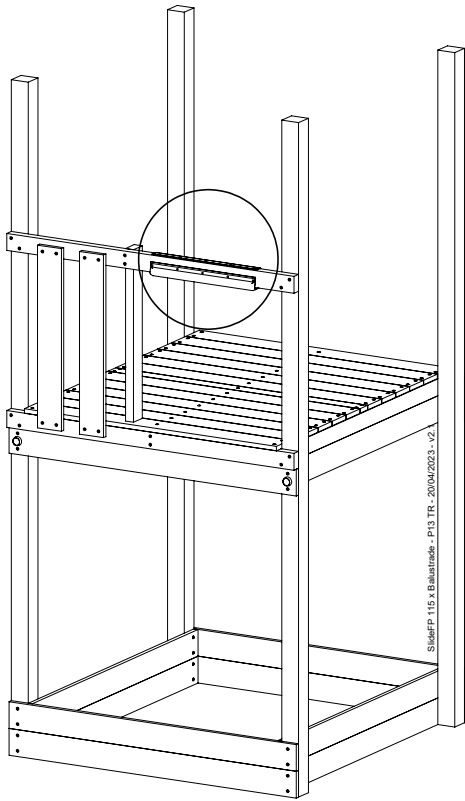
(194_107 + 194_101)

	PartNo	PartName	QTY.
Hardware Pack	000_101	Nail Pan Head	10
	002_220	Gap Point Screw T25 - 5x45	8
	002_223	Gap Point Screw T25 - 5x80	8
	002_308	Gap Point Screw T25 - 5x20	2
Other	120_102	Handgrip set (complete 2x)	1
	123_200	Bumperpad	1
	324_xxx 334_xxx	Wavy Star Slide XL 2200 mm / Wavy Star Slide XXL 2650 mm	1
Timber	C114	Beam 1140 mm	1
	C70	Beam 700 mm	1
	D65	Board 650 mm	2

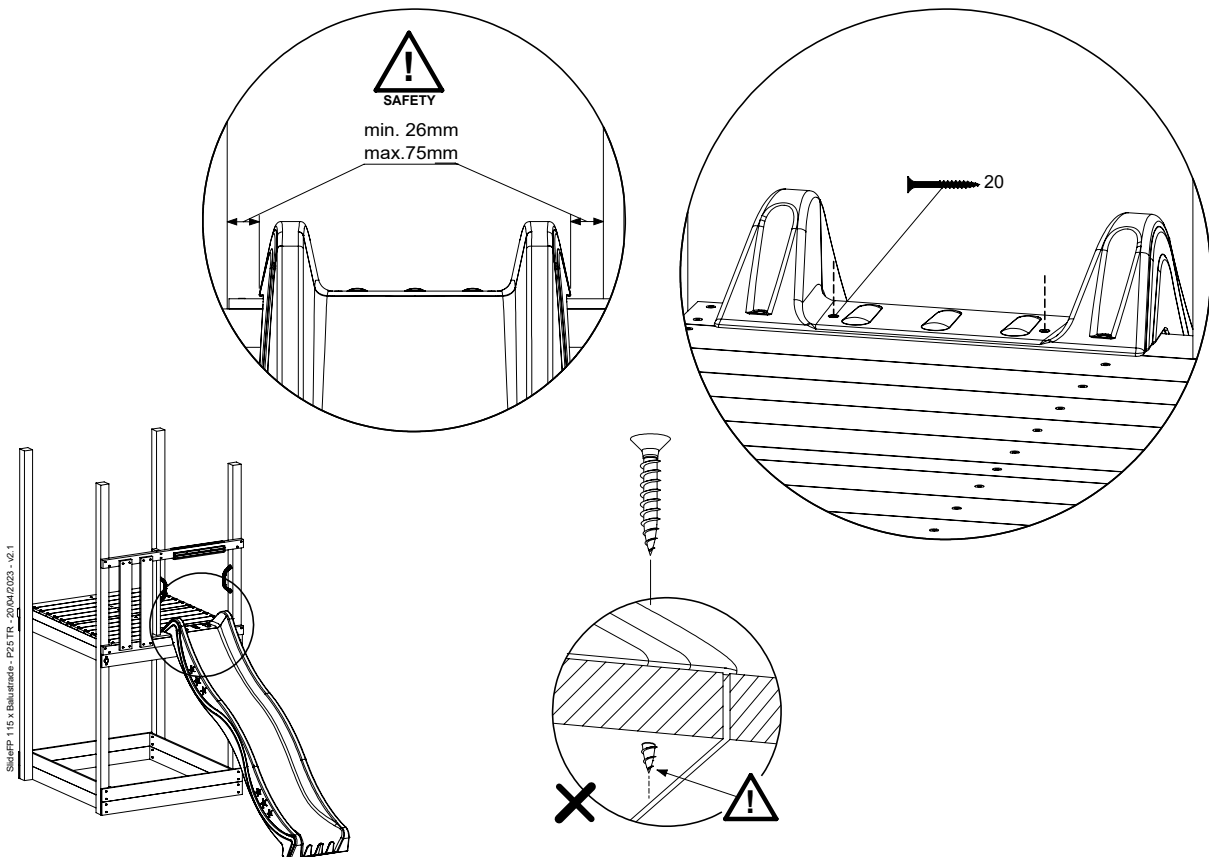
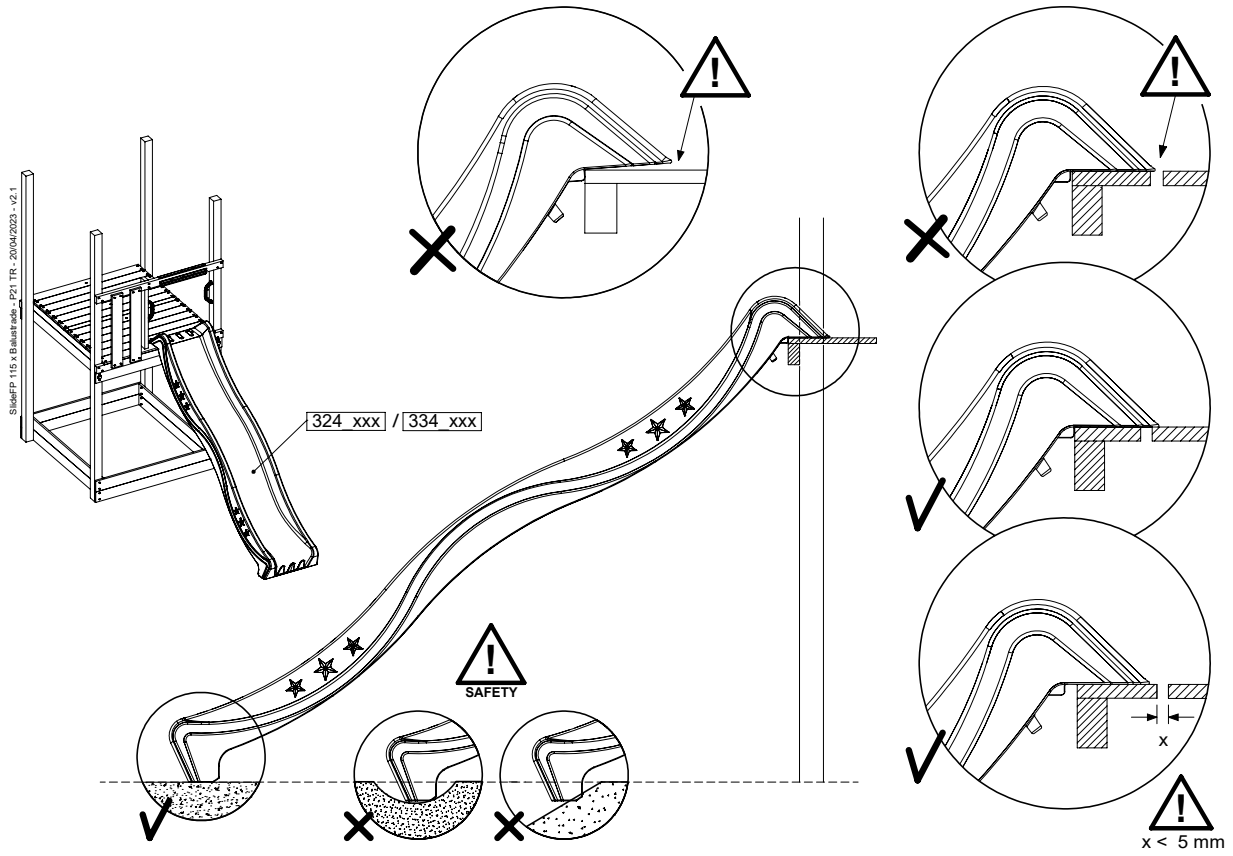
SlideFP 115 x Baumtrapez - P05 TR - 20/04/2023 - v2.1



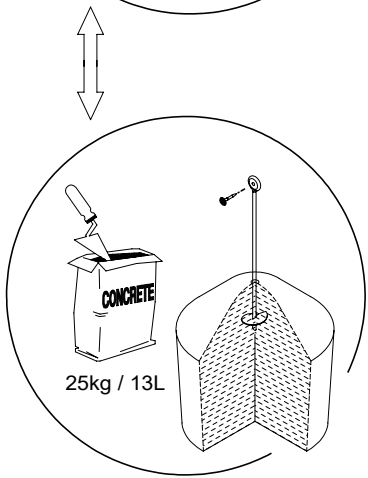
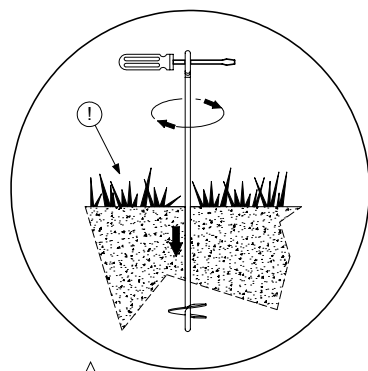
17.1



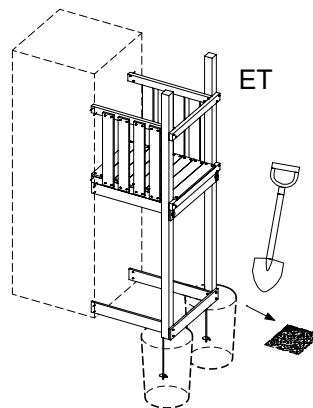
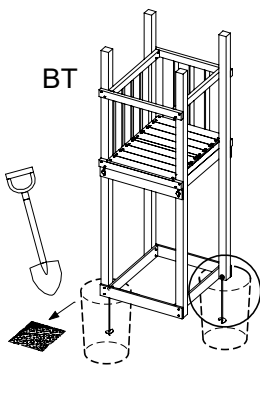
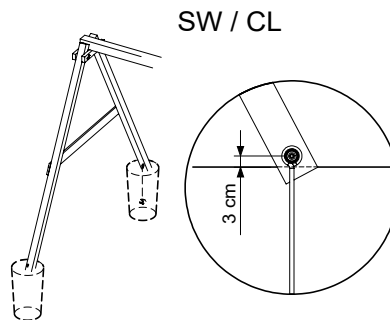
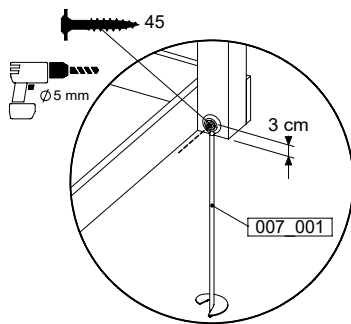
17.2



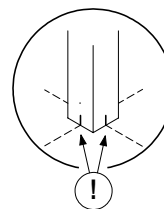
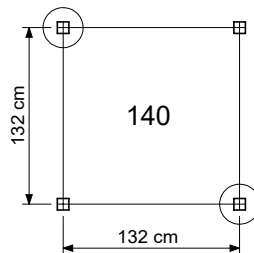
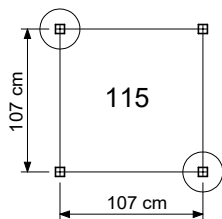
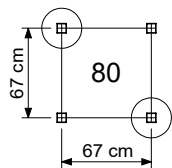
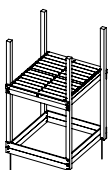
18 GA: Ground Anchors



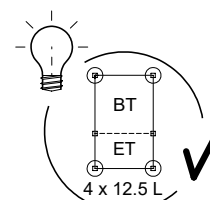
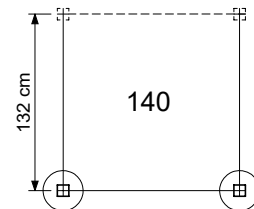
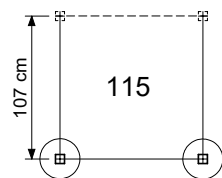
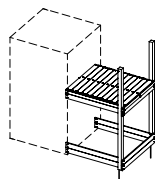
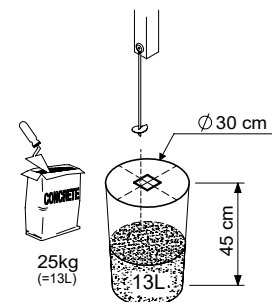
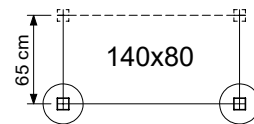
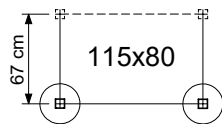
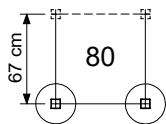
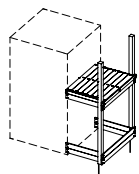
Ground Anchors Unit - P03 - 04/07/2023 - v1.2



BASE TOWERS

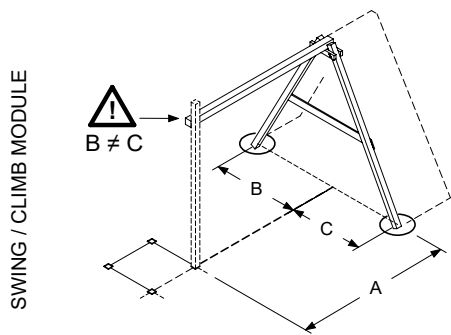
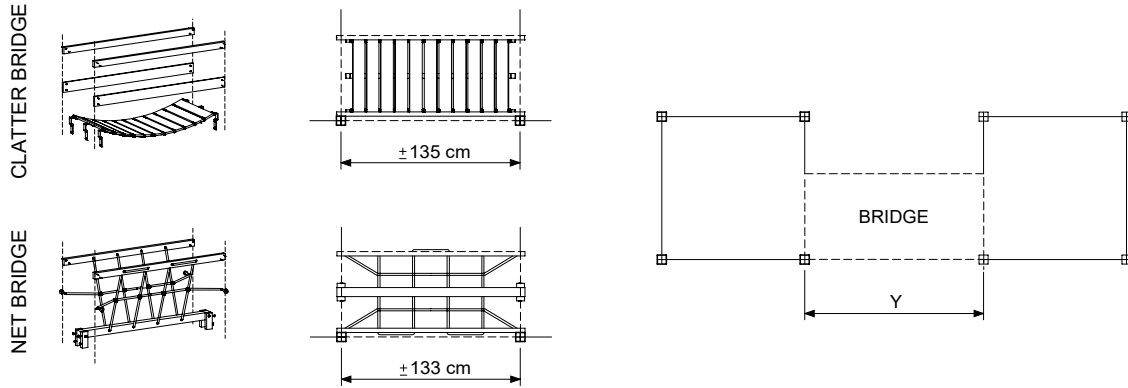


EXTENSION TOWERS



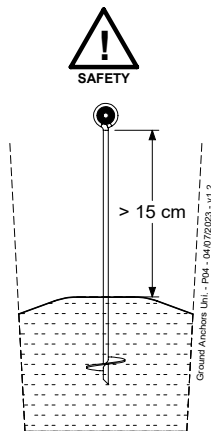
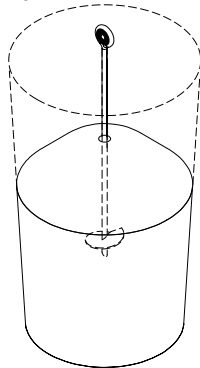
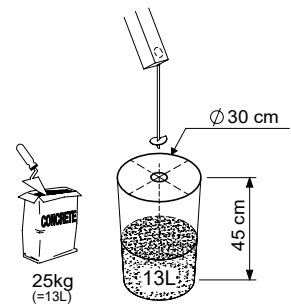
Ground Anchors Unit - P01 - 04/07/2023 - v1.2

18.1



Module type	A	B	C
1-Swing 200	150	115	100
1-Swing 220 / 220 Extra		120	105
2-Swing 200	210	115	100
2-Climb 200			
1-Climb 200	142	120	105
1-Climb 220 / 220 Extra			
2-Swing 220 / 220 Extra	230	120	105
2-Climb 220 / 220 Extra			

Ground Anchors Unit - P02 - 04/07/2023 - v1.2

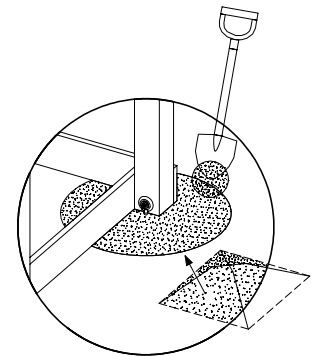


2.

24h



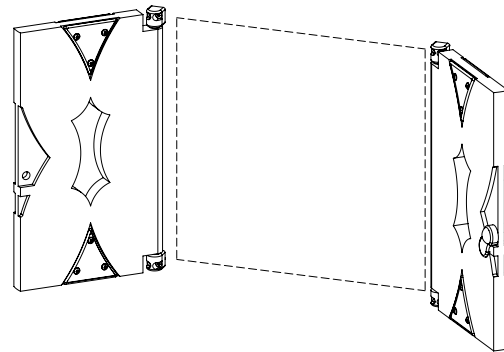
3.



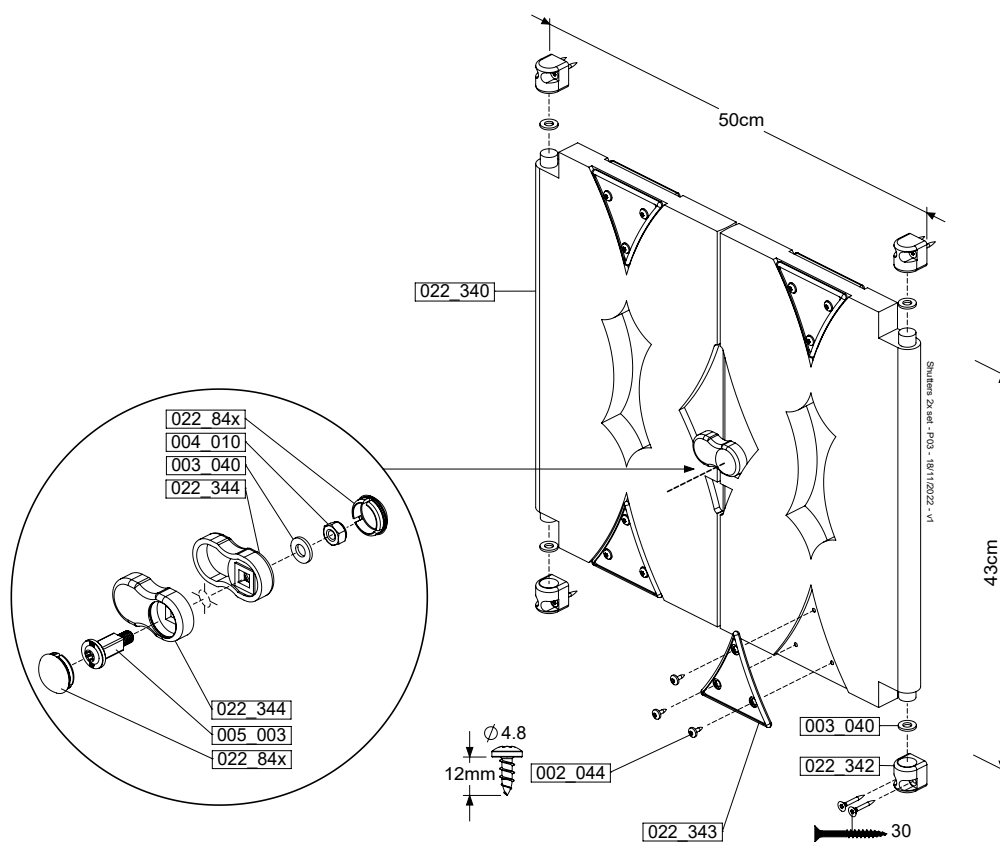
19 AC02a: Shutters

(250_075)

	PartNo	PartName	QTY.
Hardware Pack	002_044	Pan head screw - DIN 7981 - T25 - 4.8x12	24
	002_219	Gap Point Screw T25 - 5x30	8
	003_040	M8 Washer	5
	004_010	M8 Locking Nut	1
	005_003	Lock bolt	1
Other	022_84x	bpc cover	2
	022_340	Shutter	2
	022_342	Hinge	4
	022_343	Decoration plate	8
	022_344	Lock	2



Shutters 2x set - Pkg - 18/11/2022 - v1

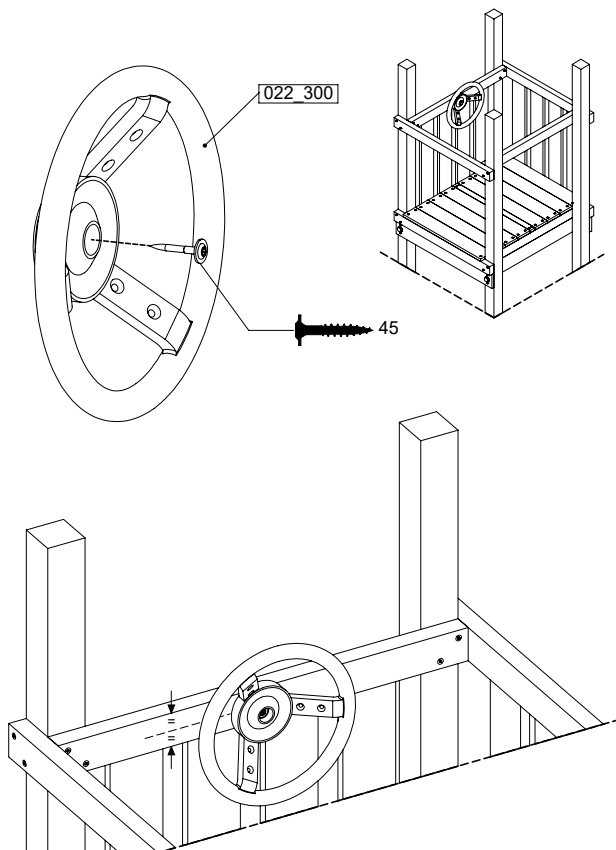
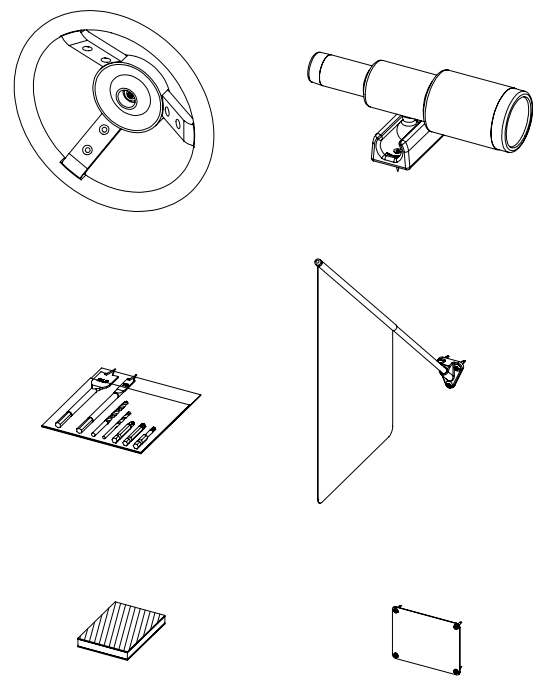


20 AC01a: Accessories

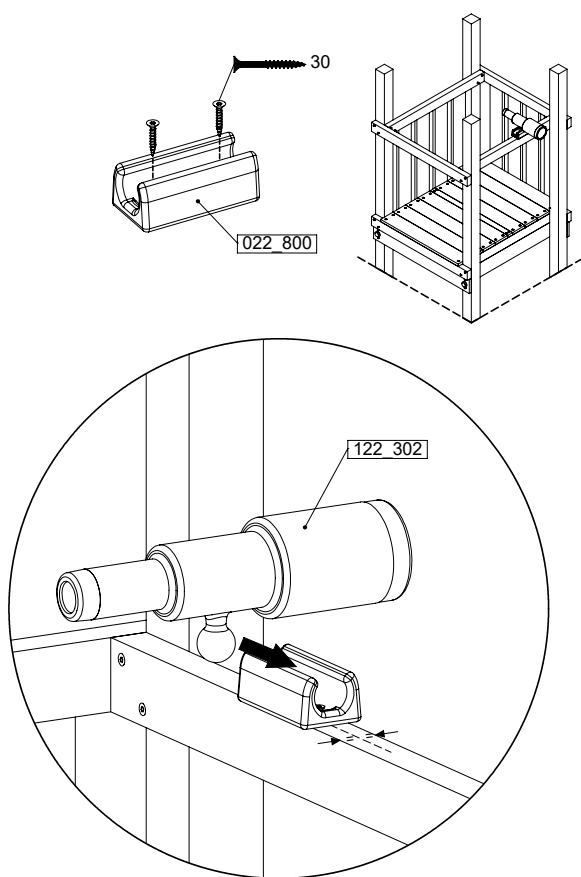
(194_119)

	PartNo	PartName	QTY.
Hardware Pack 100_617	001_406	Stealth Screw 8x45	1
	002_041	Dome head screw 4.5 x 20 mm	3
	002_042	Dome head screw 3.5 x 13mm	4
	002_219	Gap Point Screw T25 - 5x30	2
Other	022_300	Steering Wheel	1
	022_800	Rail P/T 105	1
	022_910	Sandpad	1
	103_901	Logo ID Plate	1
	104_107	Tool Set Climbing Units	1
	120_024	Tower Flag	1
	122_302	Telescope	1

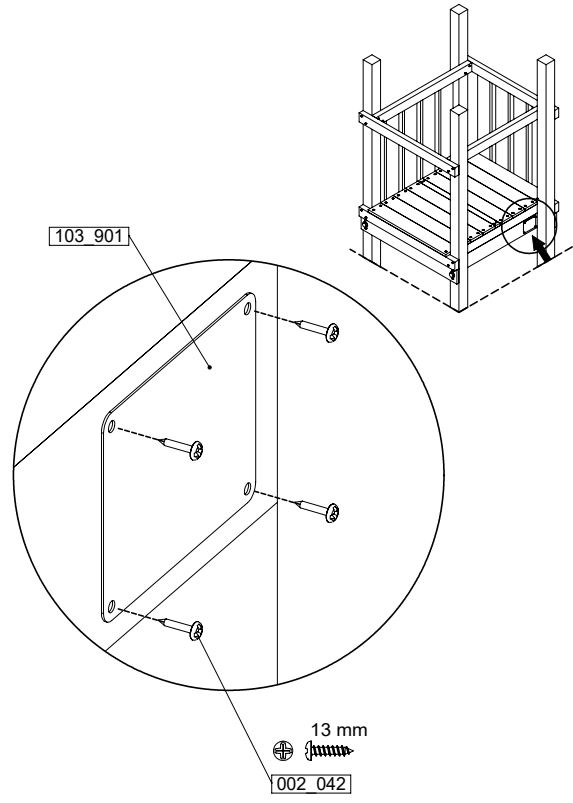
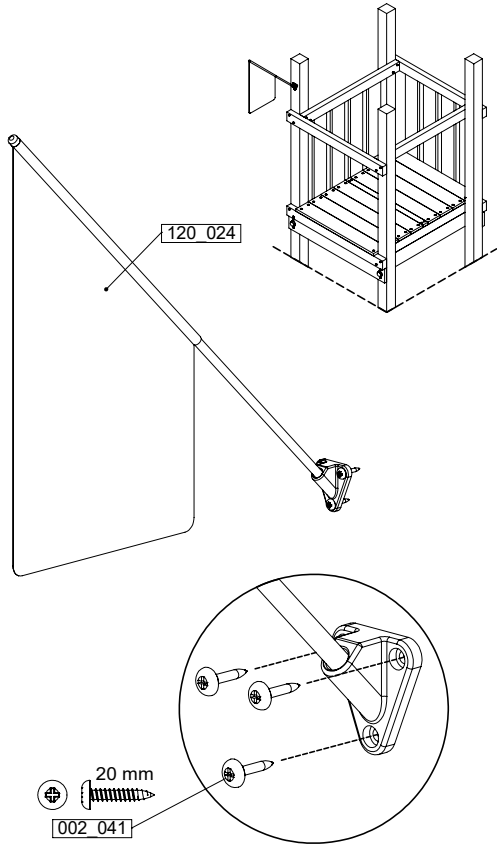
Accessory set - P102 - 06/07/2023 - v5



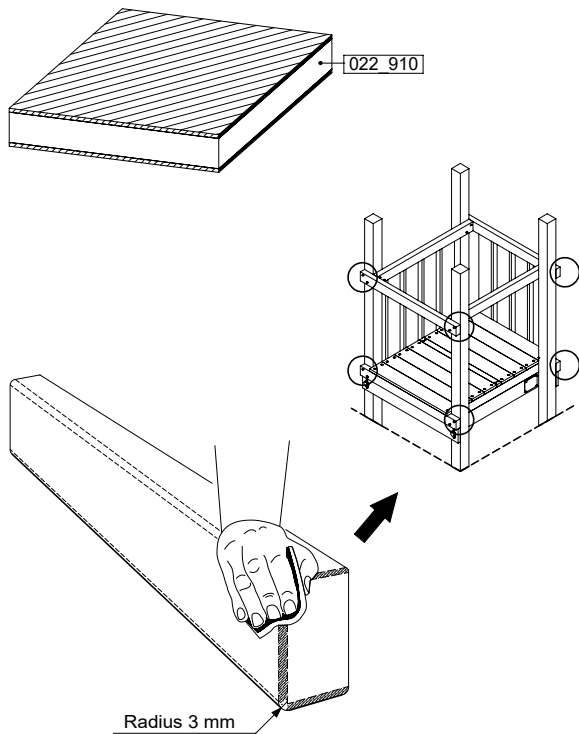
Accessory set - P103 - 06/07/2023 - v5



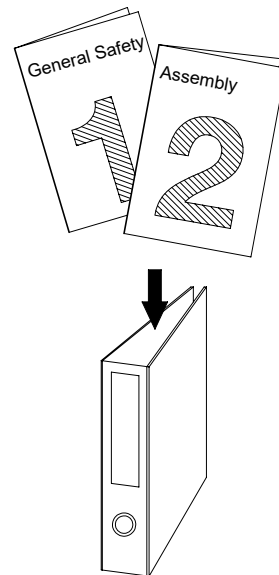
20.1



Accessory set - P04 - 06/07/2023 - v5



Accessory set - P05 - 06/07/2023 - v5



21 Conformity

Declaration of Conformity

Jungle Gym
BACKYARD PLAYGROUNDS
since 1988

Manufacturer details

Company Name	Tag-line
Jungle Gym B.V.	Backyard Playgrounds
Address	
P.O. Box 75083, 1070 AB Amsterdam, Netherlands	

Activity toys for domestic use

Product Range Identification

Construction Packages (Sub-Assembly)

Universal Packs / Base Towers / Extension Towers / Roofs / Means of Exit/Access / Add-ons : 790_001 ... 794_911

Assembly

Playtowers : 801_005 ... 200	Links : 870_100 ... 105	Accessories : 123_220 ... 250_075
Playhouses : 830_150 ... 253, 835_251 ... 253	Swings : 801_300, _600, _601	Slides (XL) : 324_100 ... 600
Modules : 850_180 ... 415		Slides (XXL) : 334_100 ... 600
: 857_103, 857_108	Playtowers: 802_202 ... 208	
857_151, 857_158	803_202 ... 210	
	809_202 ... 804	

Applicable EC directives and standards

Chemical References

1. Migration of certain elements (17x + Chr VI + tin) as required in TSD 2009/48/EC and its amendments. Scrape off toy material. Tested according to EN 71-3:2019.	5. Content of 7 Phthalates (18x) according to REACH (EG) no.1907/2006, Annex XVII. Tested according to COC-CH-C1011-09.3 and EN 15777 / QMA 2011.1300	9. Content of 3 Flame retardants according to REACH (EG) no. 1907/2006, Annex XVII. Tested according to EN 62321-6.
2. Migration of solvents, monomers and plasticizers as specified in "Safety for Toys: Organic Chemical Compounds", EN 71-9: 2005 + A1: 2007. Tested according to EN 71-10: 2005 & EN 71-11: 2005.	6. Content of Cadmium according to REACH (EG) no. 1907/2006, Annex XVII. Tested according to EN 17294-2	10. Ni release according to REACH (EG) no. 1907/2006, Annex XVII. Tested according to EN 71-3:2013+A1:2014.
3. Content of N-nitrosamines and N-nitrosatable substances as specified in EN standard 71-12: 2013. Tested according to EN 71-12: 2013.	7. Formaldehyde according to REACH (EG) no. 1907/2006, Annex XVII. Tested according to EN 14184	11. Sweat and Salvia resistance tested according to DIN 53160
4. Content of 18 PAHs (Polycyclic Aromatic Hydrocarbons) as referred in AfPS GS 2014:01 PAK (Replaced on 2019:01) Tested according to QMA 2011.1284	8. Azo dyes according to REACH (EG) no. 1907/2006, Annex XVII. Tested according to BVL B 82.02-2.	

Mechanical physical properties + flammability

EN 71 - 1 : 2014 + A1: 2018 EN 71 - 2 : 2011 + A1: 2014 EN 71 - 8 : 2018

Supplementary information

Conformity to the above specified directives and standards has been frequently verified and is continuously monitored by TÜV Süd, TÜV Rheinland LGA products, DEKRA (DE), STR Ltd (UK), LNE SA (FR), LMR Ltd (US) and IPS N.V. (BE) since 1994. Jungle Gym participates in the European Commission for standardisation for the safety of activity toys (TC52 / WG 10).


Declaration

I hereby declare under our sole responsibility that the products mentioned above, to which this declaration relates, complies with the above mentioned directives and standards.






























Name
Mr. P. Schmit / Director

Issued date
Januari 2nd, 2023



Signature of representative

Construction Packages (Assembly)

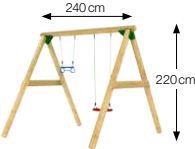
Playtowers

<p>S Single</p>  <p>Jungle Tower 802_201</p>	<p>S Single</p>  <p>Jungle Patio 802_202</p>	<p>S Single</p>  <p>Jungle Cocoon 802_204</p>	<p>S Single</p>  <p>Jungle Cirque 802_206</p>	<p>S Single</p>  <p>Jungle Totem 802_208</p>	<p>S Duo</p>  <p>Jungle Nomad 803_202</p>	<p>S Duo</p>  <p>Jungle Safari 803_204</p>
<p>S Duo</p>  <p>Jungle Viking 803_206</p>	<p>S Duo</p>  <p>Jungle Teepee 803_208</p>	<p>S Duo</p>  <p>Jungle Resort 803_210</p>	<p>S Combo</p>  <p>Jungle Explorer 809_802</p>	<p>S Combo</p>  <p>Jungle Voyager 809_804</p>	<p>M Single</p>  <p>Jungle Castle 801_120</p>	
<p>M Single</p>  <p>Jungle Club 801_110</p>	<p>M Single</p>  <p>Jungle Casa 801_105</p>	<p>M Single</p>  <p>Jungle Home 801_103</p>	<p>M Single</p>  <p>Jungle Hut 801_100</p>	<p>M Single</p>  <p>Jungle House 801_095</p>	<p>L Single</p>  <p>Jungle Cottage 801_090</p>	<p>L Single</p>  <p>Jungle Cabin 801_060</p>
<p>L Single</p>  <p>Jungle Lodge 801_040</p>	<p>L Duo</p>  <p>Jungle Cubby 801_070</p>	<p>L Duo</p>  <p>Jungle Mansion 801_009</p>	<p>XL Single</p>  <p>Jungle Sierra 801_025</p>	<p>XL Single</p>  <p>Jungle Fort 801_010</p>	<p>XL Duo</p>  <p>Jungle Chalet 801_013</p>	<p>XL Duo</p>  <p>Jungle Palace 801_005</p>

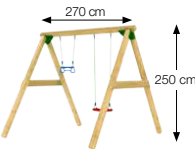
Swings



Jungle Peak
801_300




Jungle Swing
801_601




Jungle Swing
801_602


Swing Module




1-Swing Module 200
857_101




2-Swing Module 200
857_102




1-Swing Module 220
857_151



2-Swing Module 220
857_154




1-Swing Module 220 Extra
850_176




2-Swing Module 220 Extra
850_177


Climb Module




1-Climb Module 200
857_105




2-Climb Module 200
857_106




1-Climb Module 220
857_157



2-Climb Module 220
857_158




1-Climb Module 220 Extra
850_231



2-Climb Module 220 Extra
850_232

Bridge Module



Bridge Module
850_240

Construction Packages (Sub-Assembly)

Base Towers (BT)



790_001
790_002
790_003



792_002
792_003



794_001

Add-on Towers (ET)



790_101
790_102



792_101
792_102
792_103
792_104
792_105
792_106

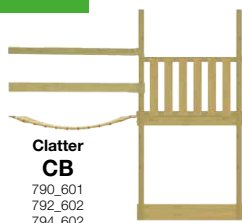


792_107 794_102
792_108 794_103
792_109 794_104
792_110 794_105
792_111 794_107
792_112 794_108
792_113 794_109
792_114

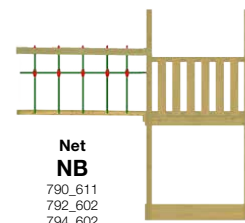


794_110

Bridges (CB + NB)



**Clatter
CB**
790_601
792_602
794_602



**Net
NB**
790_611
792_602
794_602

Swing Modules (SM)



**1-Swing Module 200
SM**
857_101



**2-Swing Module 200
SM**
857_102



**1-Swing Module 220
SM**
857_151



**2-Swing Module 220
SM**
857_152



**1-Swing Module 220
Extra
SM**
850_176



**2-Swing Module 220
Extra
SM**
850_177

Climb Modules (CM)



**1-Climb Module 200
CM**
857_105



**2-Climb Module 200
CM**
857_106



**1-Climb Module 220
CM**
857_157



**2-Climb Module 220
CM**
857_158



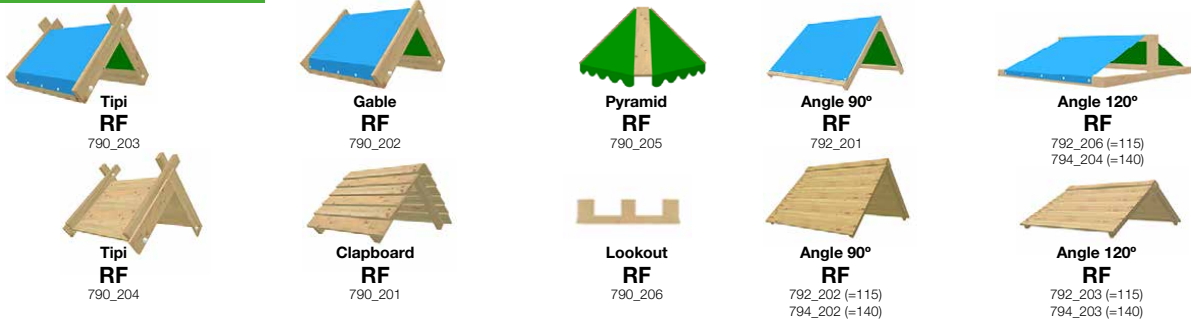
**1-Climb Module 220
Extra
CM**
850_231



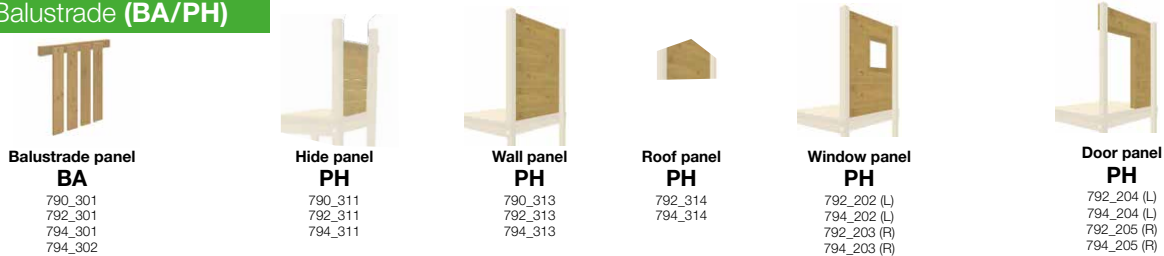
**2-Climb Module 220
Extra
CM**
850_232

Construction Packages (Sub-Assembly)

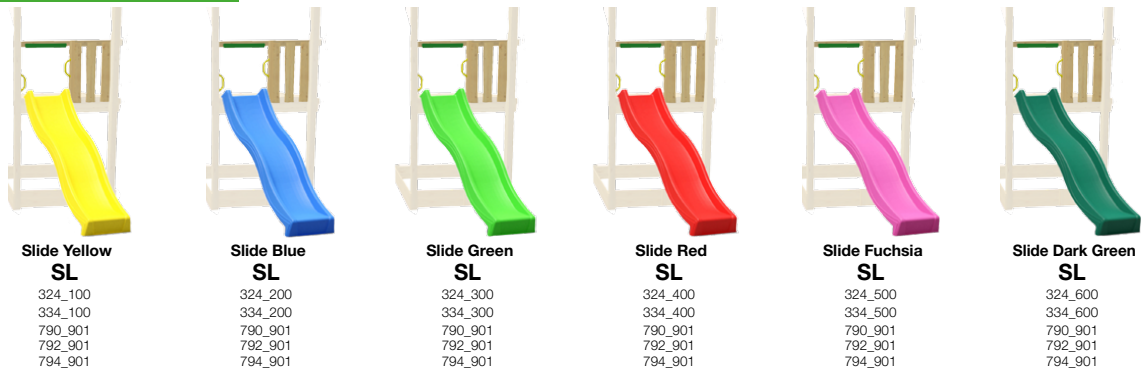
Roofs (RF)



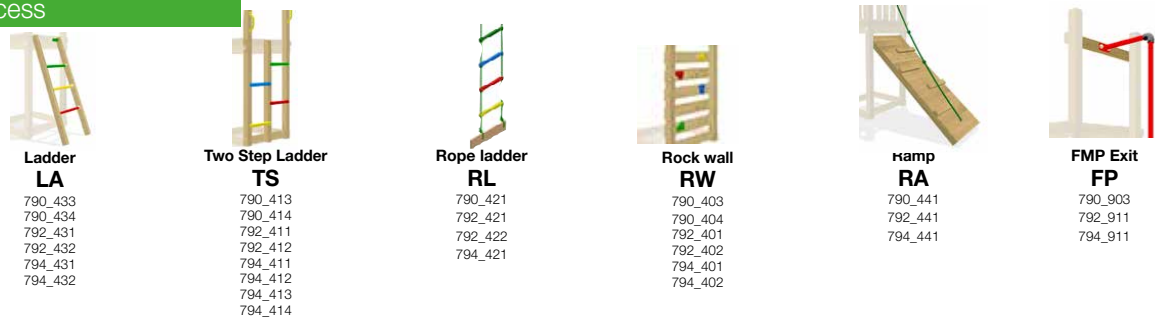
Balustrade (BA/PH)



Slides (SL)



Access



Add-ons (ADD)

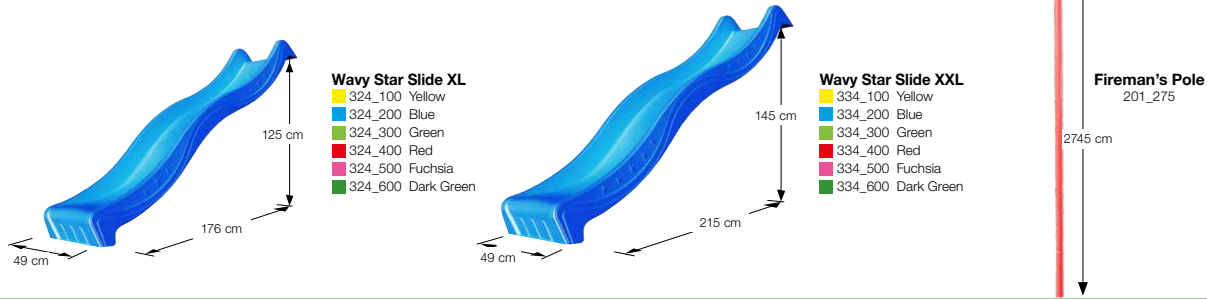


Universal Pack (AC)



Accessories

Slides (MOE)



Climbing



Imagination



Swinging



Functional



Components

