

Farsund

Date: 2023-12-14



Manual Part 1

**Important**

This assembly manual should always be read in conjunction with the General Safety manual part 1 as included in the hardware package of your playground equipment. Please read these safety instructions carefully before starting the assembly work.

Jungle Gym

BACKYARD PLAYGROUNDS

since 1988

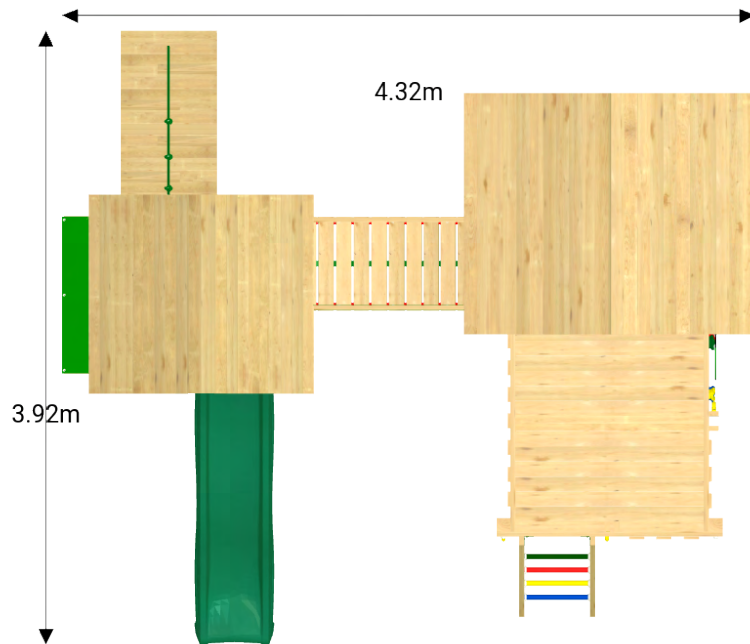


EN. Warnings. Only for domestic use. Maximum number of users is 6. **DE.** Achtung. Nur für den Hausgebrauch. Maximale Benutzerzahl: 6. **FR.** Attention. Réserve à un usage privé. Le nombre maximal d'utilisateurs est de 6. **NL.** Waarschuwingen. Uitsluitend voor huishoudelijk gebruik. Het maximale aantal gebruikers is 6. **BG.** Внимание. За употреба само в домашни условия. Максималният брой потребители е 6. **ES.** Advertencias. Solo para uso doméstico. Número máximo de usuarios: 6. **CS.** Varování. Jen pro domácí použití. Maximální počet uživatelů je 6. **DA.** Advarsler. Kun til privat brug. Maksimum antal brugere er 6. **ET.** Hoiatused. Ainult koduseks kasutamiseks. Maksimaalne kasutajate arv on 6. **EL.** Προειδοποιήσεις. Μόνο για οικιακή χρήση. Μέγιστος αριθμός χρηστών 6. **IS.** Varnaðarorð. Eingöngu fyrir einkanotkun í heimahúsum og á einkaloðum. Hámarksfjöldi notenda er 6. **IT.** Avvertenze. Solo per uso domestico. Massimo numero di utenti è 6. **LV.** Brīdinājumi. Izmantot tikai mājās. Maksimālais lietotāju skaits ir 6. **LT.** Įspėjimai. Tik buitiniam naudojimui. Maksimalus naudotojų skaičius HR. Upozorenja. Samo za kućansku uporabu. Maksimalan broj korisnika je 6. **HU.** Figyelmeztetések. Csak otthoni használatra! A használók max. száma: 6. **NO.** Advarsler. Kun for privat bruk. Maksimalt antall brukere er 6. **PL.** Ostrzeżenia. Wyłącznie do użytku domowego. Maksymalna liczba użytkowników to 6. **PT.** Avisos. Apenas para uso doméstico. O número máximo de utilizadores é 6. **RO.** Avertismente. Numai pentru uz domestic. Numărul maxim de utilizatori este 6. **RU.** Предостережения. Только для домашнего использования. Максимальное количество пользователей - 6. **SK.** Upozornenia. Iba na domáce použitie. Maximálne množstvo osôb je 6. **SL.** Opozorila. Samo za domačo uporabo. Maksimalno število uporabnikov je 6. **FI.** Varoitukset. Ainoastaan kotikäyttöön. Käyttäjia yhteensä enintään 6. **SR.** Upozorenja. Samo za kućnu upotrebu. Maksimalan broj korisnika je 6. **SV.** Varningar. Endast för hemmabruk. Det maximala antalet användare är 6. **TR.** Uyarılar. Sadece ev kullanımı için. Maksimum kullanıcı sayısı 8.

**UK
CA**
16.5

CE
EN 71-1-2-3-8&9

1 Views

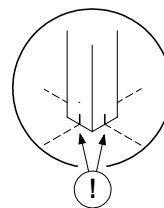
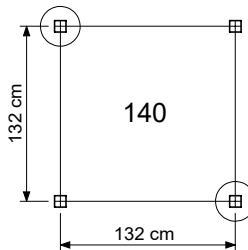
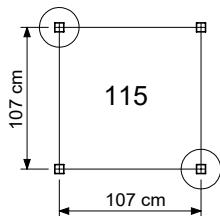
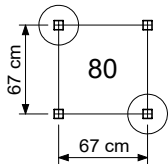
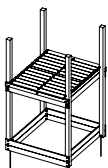


2 Order overview

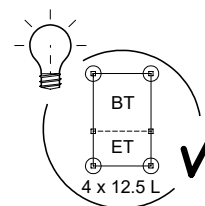
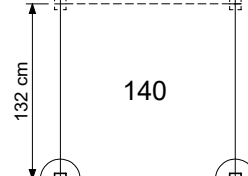
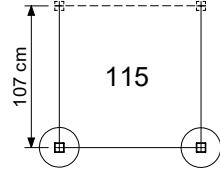
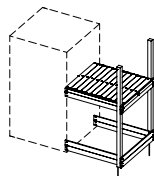
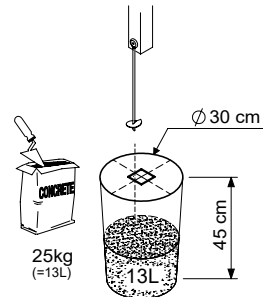
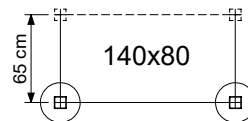
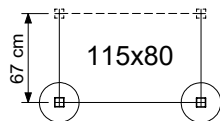
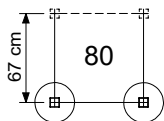
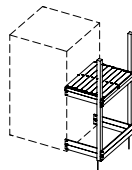
Nr.	Part ID	Part Name	Part number	Quantity
1	BT11a	Base Tower 115_ 240240	792_002	1
2	BT20a	Base Tower 140_ 270270	794_001	1
3	ET39a	Extension Tower 140140_220_145	794_107	1
4	RF08a	Roof Club 115	792_202	1
5	RF15a	Roof Chalet 140	794_203	1
6	BL04a	Balustrade 115	792_301	1
7	BL05a	Balustrade 140	794_301	1
8	BL07a	Balustrade 70/140	794_302	1
9	BL10a	Balustrade 70/140	794_302	1
10	PH20a	Playhouse Wall Panel 140	794_311	1
11	PH27a	Playhouse Window Panel 140	794_313	1
12	PH33a	Playhouse Roof Panels 140	794_314	1
13	RW18a	Rock wall 140_145	794_402	1
14	LA25a	Ladder 140_145	794_432	1
15	RA06a	Ramp 115_125	792_441	1
16	MT06a	Market 115	792_502	1
17	CB01a	Bridge 80	790_601	1
18	BF04a	Bridge Frame 115	792_602	1
19	BF24a	Bridge Frame 140	794_602	1
20	SL07a	Slide/ balustrade 115	792_901	1
21	AC01a	AP Accessory set	194_119	1
22	AC30a	Mesh green	123_230	1
23	324_600a	Wavy Star Slide XL Dark Green	324_600	1

3 Anchor Plan

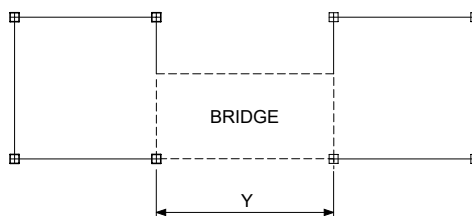
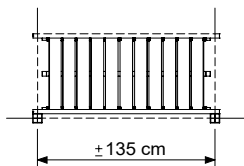
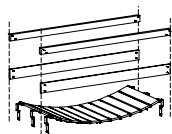
BASE TOWERS



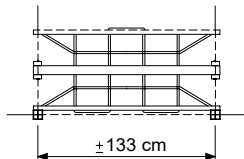
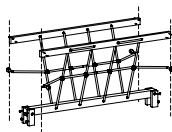
EXTENSION TOWERS



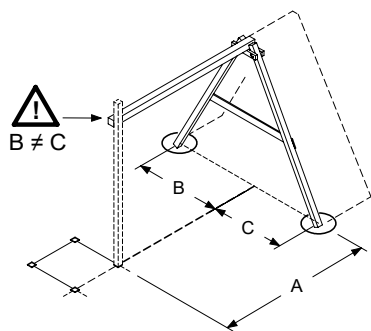
CLATTER BRIDGE



NET BRIDGE

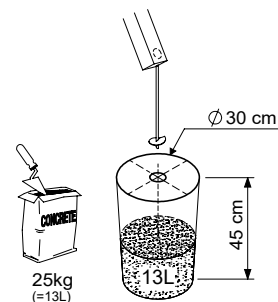


SWING / CLIMB MODULE



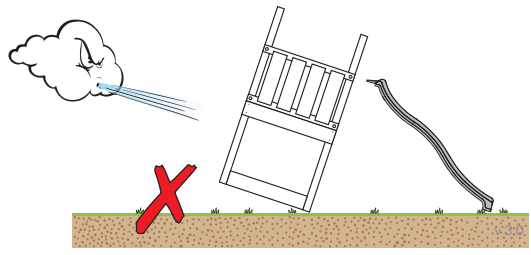
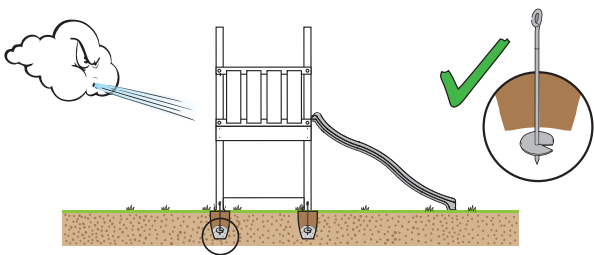
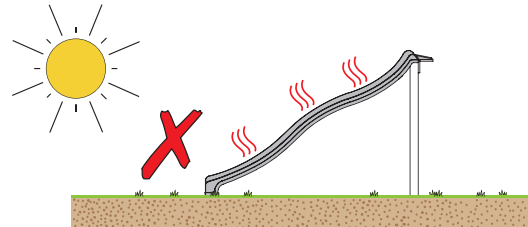
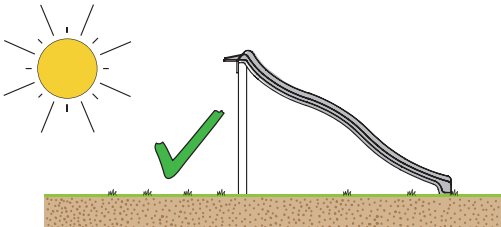
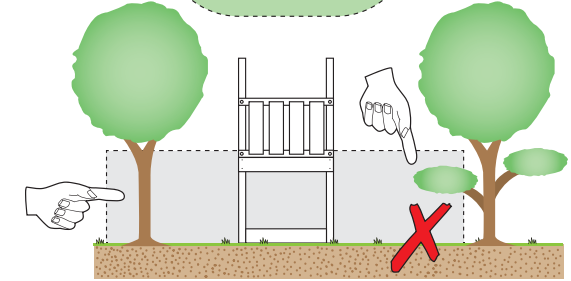
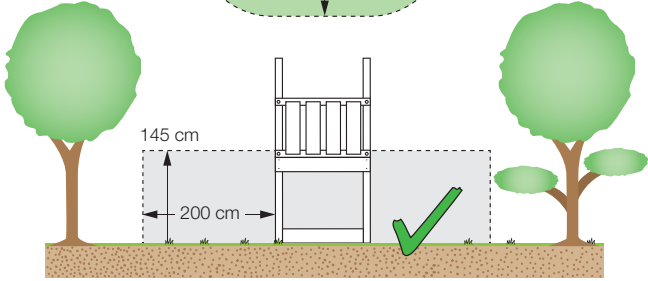
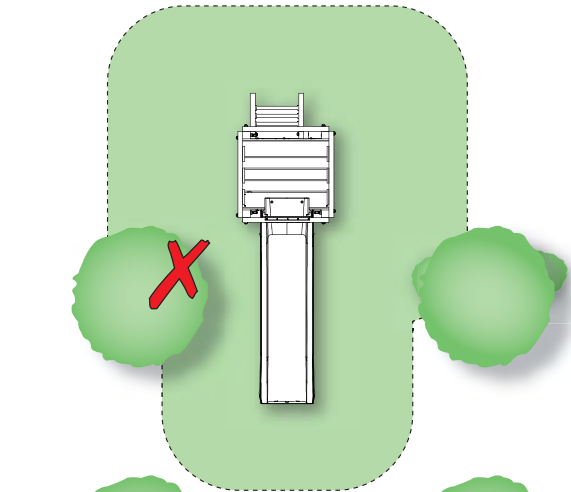
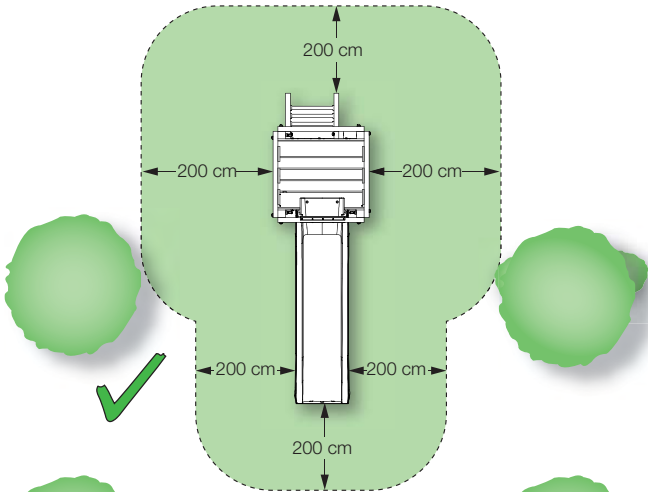
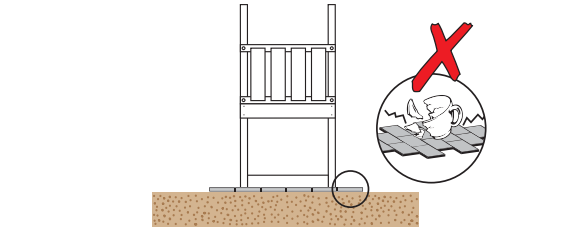
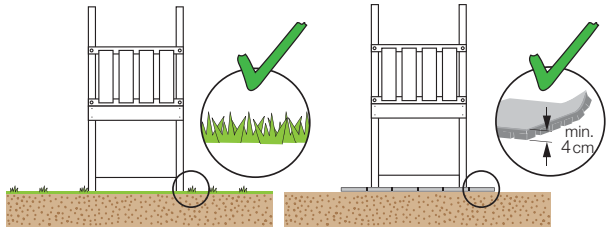
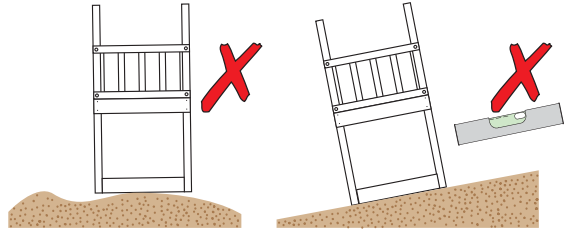
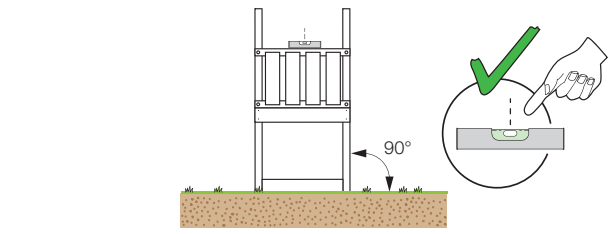
Module type	A	B	C
1-Swing 200	150	115	100
1-Swing 220 / 220 Extra		120	105
2-Swing 200	210	115	100
2-Climb 200			
1-Climb 200	142	120	105
1-Climb 220 / 220 Extra	162		
2-Swing 220 / 220 Extra	230	120	105
2-Climb 220 / 220 Extra			

Ground Anchors Unit - POZ - 04/07/2023 - v1.2

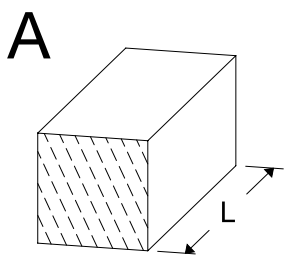


Ground Anchors Unit - POZ - 04/07/2023 - v1.2

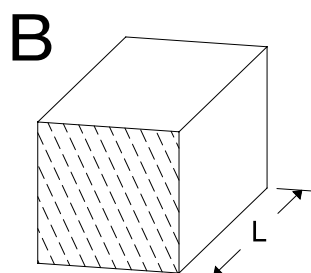
3.1 Safe Playground



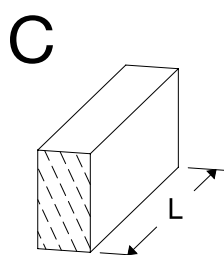
4 Timber parts



ID	L	#
A240	239 cm - 240 cm	4

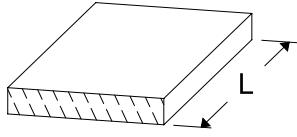


B220	219 cm - 220 cm	2
B270	269 cm - 270 cm	4





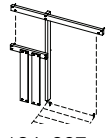
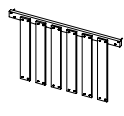
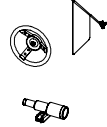

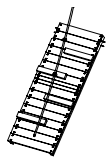
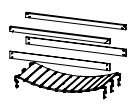
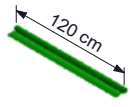


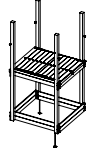
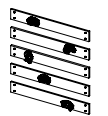

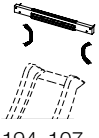


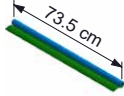
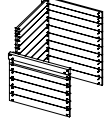
C37	36 cm - 37 cm	6
C56	55 cm - 56 cm	1
C70	69 cm - 70 cm	4
C74	73 cm - 74 cm	1
C84	83 cm - 84 cm	1
C90	89 cm - 90 cm	2
C96	95 cm - 96 cm	7
C114	113 cm - 114 cm	10
C141	140 cm - 141 cm	21
C150	149 cm - 150 cm	2
C154	153 cm - 154 cm	2
C186	185 cm - 186 cm	1
C206	205 cm - 206 cm	1

D

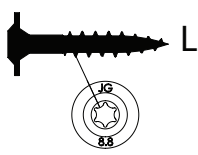
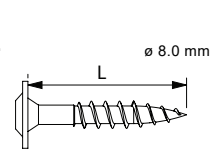
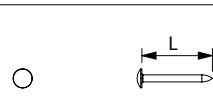
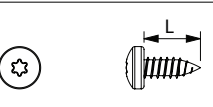
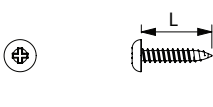
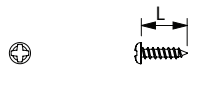
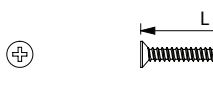


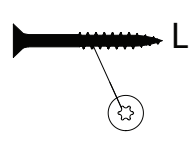
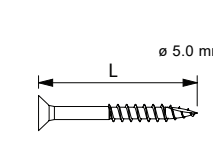


D47	46 cm - 47 cm	8
D60	59 cm - 60 cm	30
D65	64 cm - 65 cm	37
D100	99 cm - 100 cm	19
D114	113 cm - 114 cm	13
D123	122 cm - 123 cm	37
D127	126 cm - 127 cm	24
D141	140 cm - 141 cm	49
D154	153 cm - 154 cm	24

5 Assembly packs & accessories

<p>Roof Timber 115</p>  <p>RF</p> <p>194_308</p> <p>1x</p> <p>LOT:</p>	<p>Tower 140</p>  <p>BT ET</p> <p>194_500</p> <p>2x</p> <p>LOT:</p>	<p>Bridge Frame</p>  <p>BF</p> <p>194_007</p> <p>2x</p> <p>LOT:</p>	<p>Balustrade 140</p>  <p>BL</p> <p>194_501</p> <p>3x</p> <p>LOT:</p>	<p>Accessory Set</p>  <p>AC</p> <p>194_119</p> <p>1x</p> <p>LOT:</p>
<p>Slide Dark Gr 2.2m</p>  <p>324_600</p> <p>1x</p> <p>LOT:</p>	<p>Ramp</p>  <p>RA</p> <p>194_008</p> <p>1x</p> <p>LOT:</p>	<p>Clatter Bridge</p>  <p>CB</p> <p>194_116</p> <p>1x</p> <p>LOT:</p>	<p>Mesh Green 185 x 120cm</p>  <p>120 cm</p> <p>123_230</p> <p>1x</p> <p>LOT:</p>	<p>Hardware 01</p>  <p>BL H01</p> <p>194_101</p> <p>3x</p> <p>LOT:</p>
<p>Ladder 145</p>  <p>LA</p> <p>194_004</p> <p>1x</p> <p>LOT:</p>	<p>Tower 115</p>  <p>BT ET</p> <p>194_300</p> <p>1x</p> <p>LOT:</p>	<p>Rock Wall</p>  <p>RW</p> <p>194_006</p> <p>1x</p> <p>LOT:</p>	<p>Roof Timber 140</p>  <p>RF</p> <p>194_508</p> <p>1x</p> <p>LOT:</p>	<p>Slide Frame</p>  <p>SL</p> <p>194_107</p> <p>1x</p> <p>LOT:</p>
<p>Hardware 09</p>  <p>H09</p> <p>194_809</p> <p>1x</p> <p>LOT:</p>	<p>Hardware 11</p>  <p>H11</p> <p>194_811</p> <p>1x</p> <p>LOT:</p>	<p>Canvas 136 x 74cm</p>  <p>73.5 cm</p> <p>123_220</p> <p>1x</p> <p>LOT:</p>	<p>Playhouse Panel</p>  <p>PH</p> <p>194_118</p> <p>1x</p> <p>LOT:</p>	

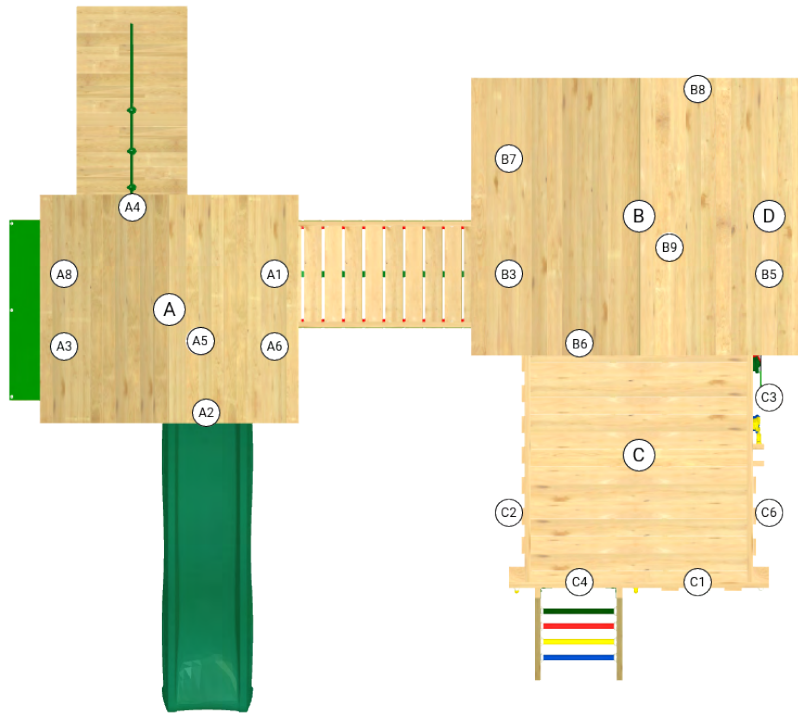
6 Hardware Identification

		SKU	L
	 \varnothing 8.0 mm	001_404 001_406 001_411 001_417 001_422	30 mm 45 mm 60 mm 80 mm 137 mm
	M8	001_102	30 mm
	 \varnothing 2.0 mm	000_101	20 mm
	 \varnothing 6.3 mm	002_036	16 mm
	 \varnothing 4.5 mm	002_041	20 mm
 \varnothing 3.5 mm	002_042	13 mm	
 \varnothing 3.9 mm	002_301	40 mm	








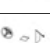
		SKU	L
	 \varnothing 5.0 mm	002_308 002_219 002_220 002_223	20 mm 30 mm 45 mm 80 mm
	M8	003_010	
	M6	003_034	
	M8	004_050	22mm
		022_845 022_846 022_847 022_848	Yellow Blue Green Red
		023_031	White
 022_844	 022_314	120_005	White

output: 25/05/23

7 Assembly Planning



	ID			A	B	C	D
1	BT11a		p.12	✓	-	-	-
2	BT20a		p.15	-	✓	-	-
3	ET39a		p.18	-	-	✓	-
4	RW18a		p.21	-	-	C3	-
5	BL04a		p.24	A3	-	-	-
6	BL05a		p.25	-	-	C2	-
7	BL07a		p.26	-	-	C6	-
8	BL10a		p.27	-	-	C1	-
9	RF08a		p.28	A5	-	-	-
10	RF15a		p.31	-	B9	-	-
11	CB01a		p.42	A1	B3	-	-
12	BF04a		p.37	A6	-	-	-
13	BF24a		p.39	-	B7	-	-
14	PH20a		p.43	-	B8	-	-
15	PH27a		p.44	-	-	-	✓

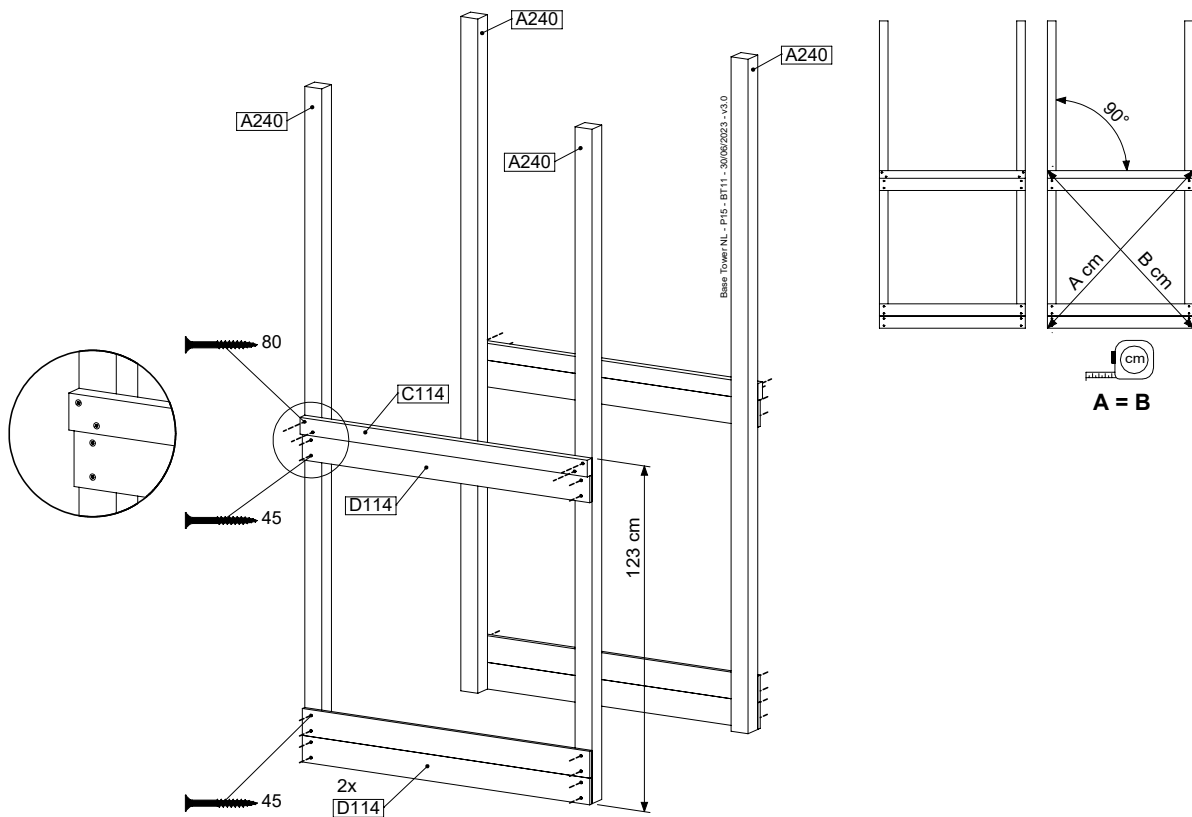
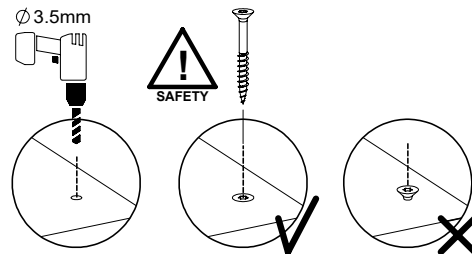
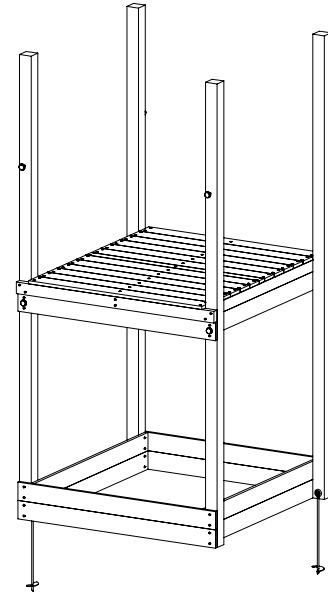
	ID			A	B	C	D
16	PH33a		p.47	-	B9	-	-
17	MT06a		p.49	A3	-	-	-
18	LA25a		p.53	-	-	C4	-
19	RA06a		p.56	A4	-	-	-
20	SL07a		p.60	A2	-	-	-
21	GA		p.63	✓	✓	✓	-
22	AC30a		p.65	A1	B3	-	-
23	AC01a		p.67	-	✓	-	-

8 BT11a: Base Tower 115 125cm 240240

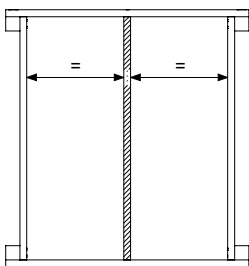
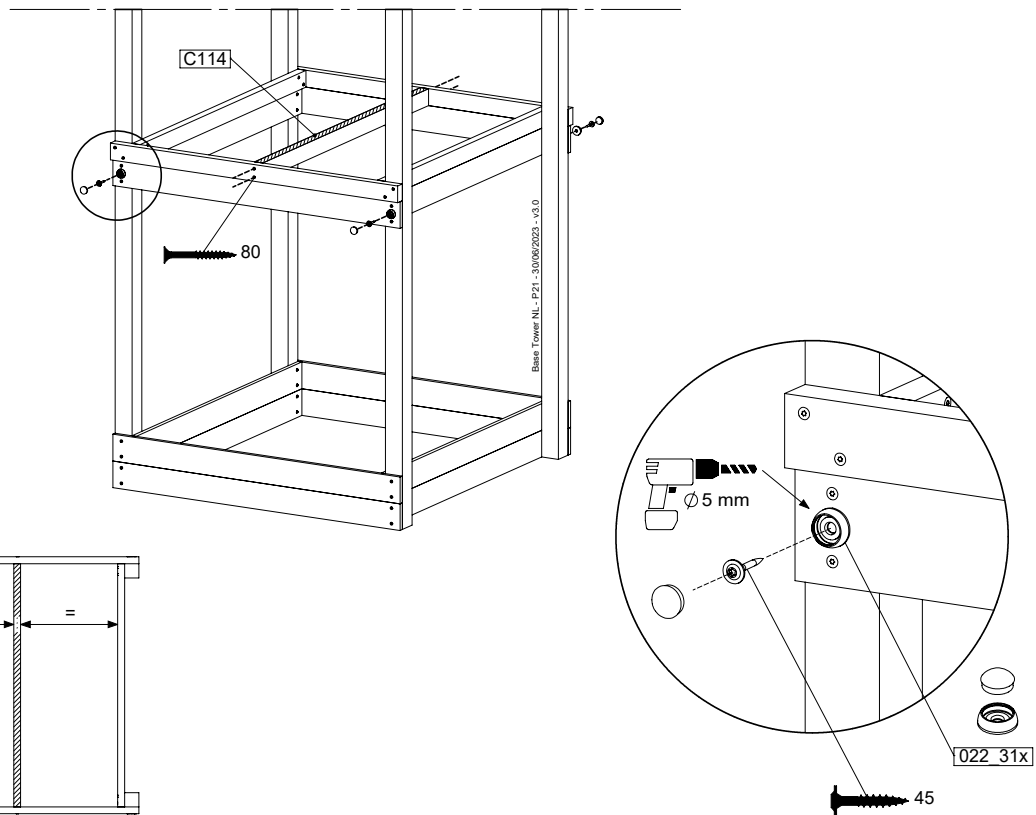
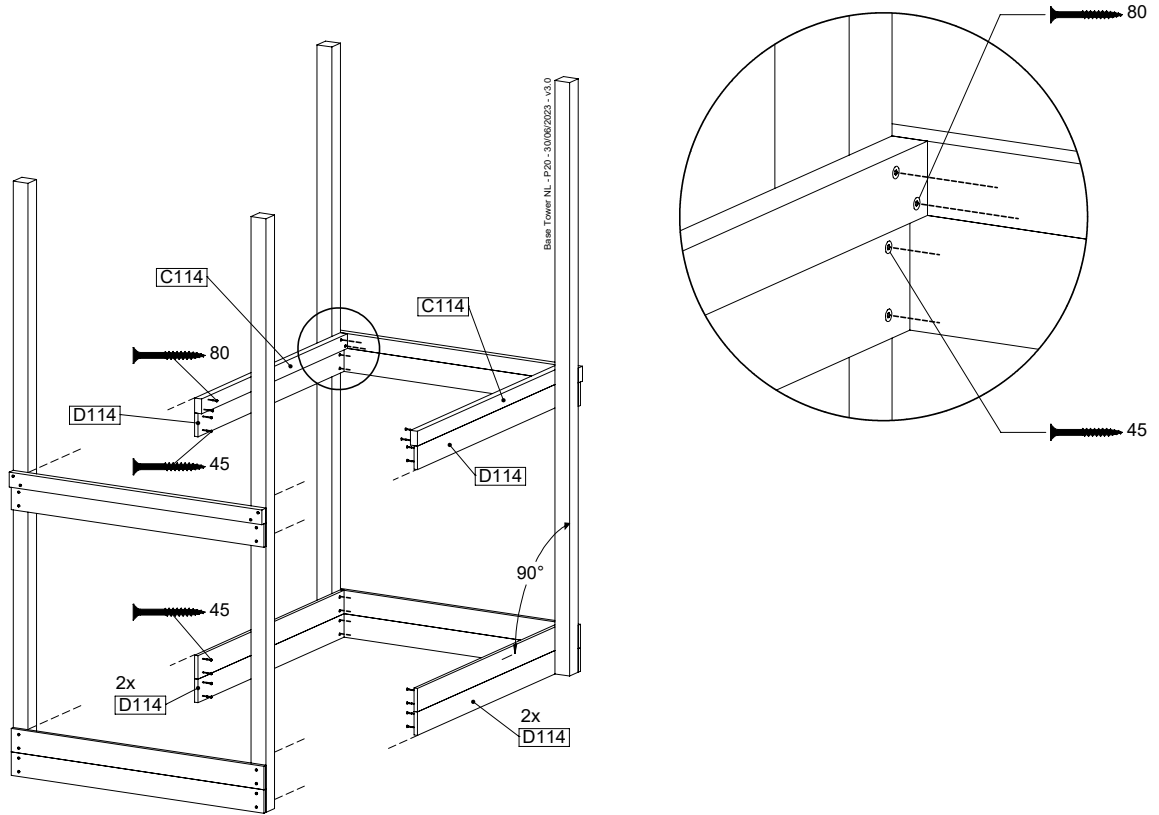
(194_300)

	PartNo	PartName	QTY.
Hardware pack	001_406	Stealth Screw 8x45	6
	001_417	Stealth Screw 8x80	4
	002_220	Gap Point Screw T25 - 5x45	118
	002_223	Gap Point Screw T25 - 5x80	20
	022_31x	bpc-base version 3	8
	022_84x	bpc cover	8
Other	007_001	Ground-anchor	2
Timber	A240	Post 70x70 L2400	4
	C114	Beam 1140 mm	5
	D100	Board 1000 mm	14
	D114	Board 1140 mm	12

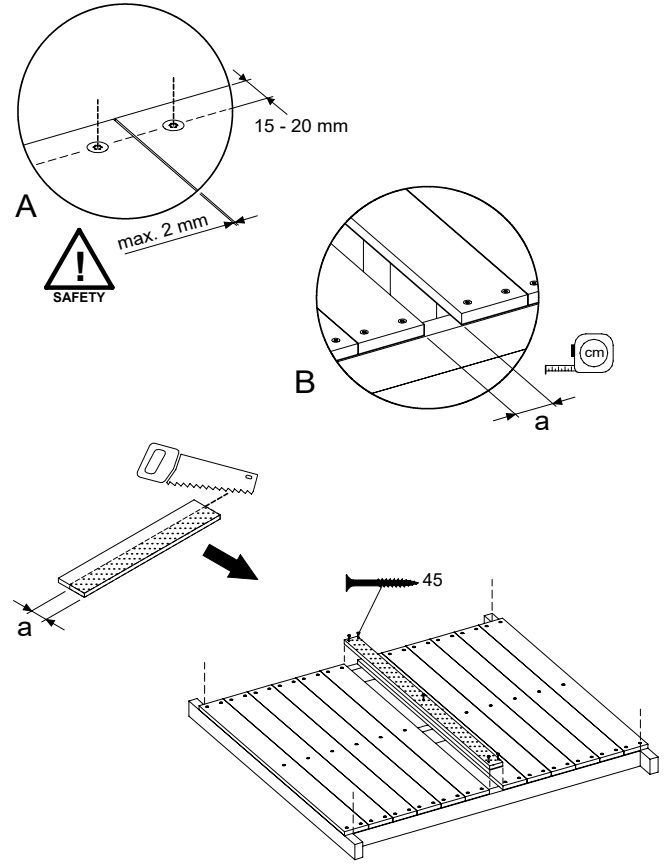
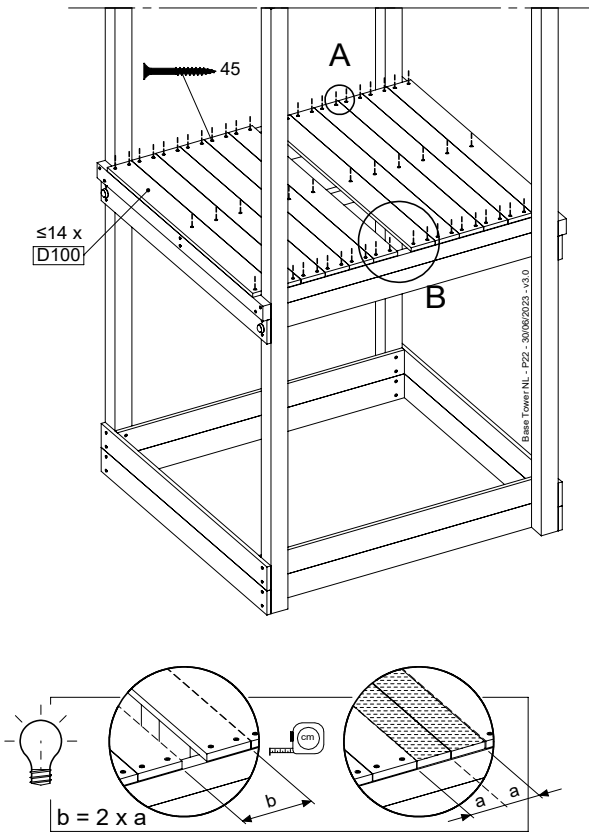
Base Tower.NL - POP - BT11 - 30/06/2023 - v3.0



8.1



8.2

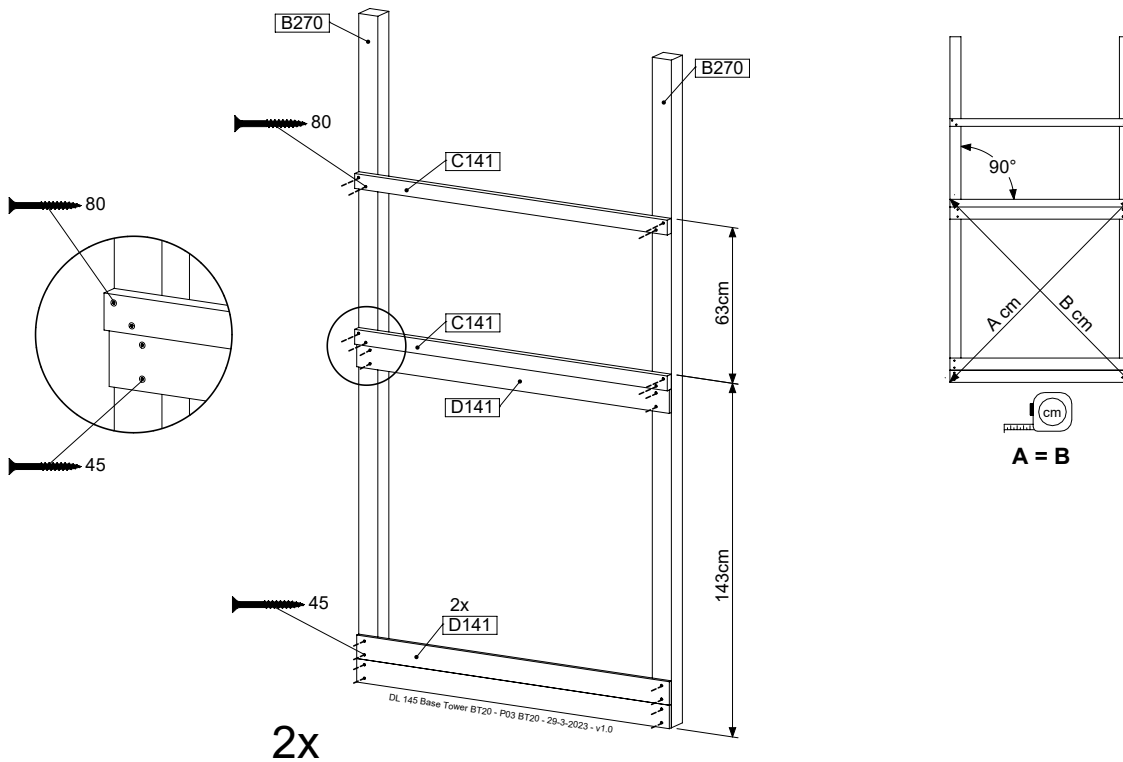
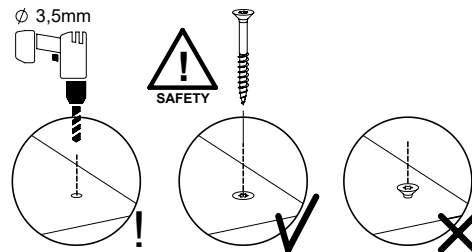
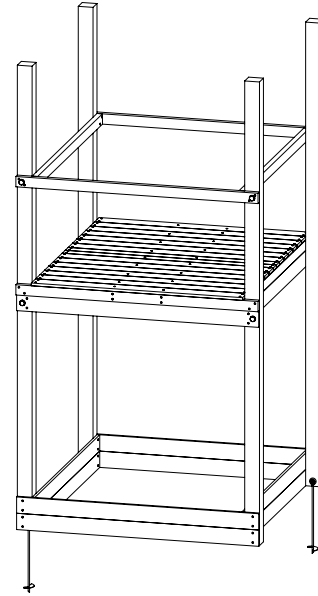


9 BT20a: Base Tower 140 145cm 270270

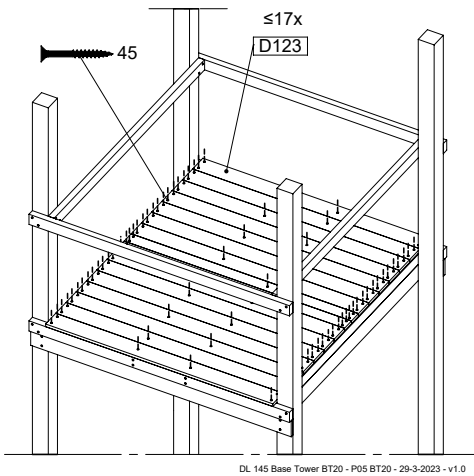
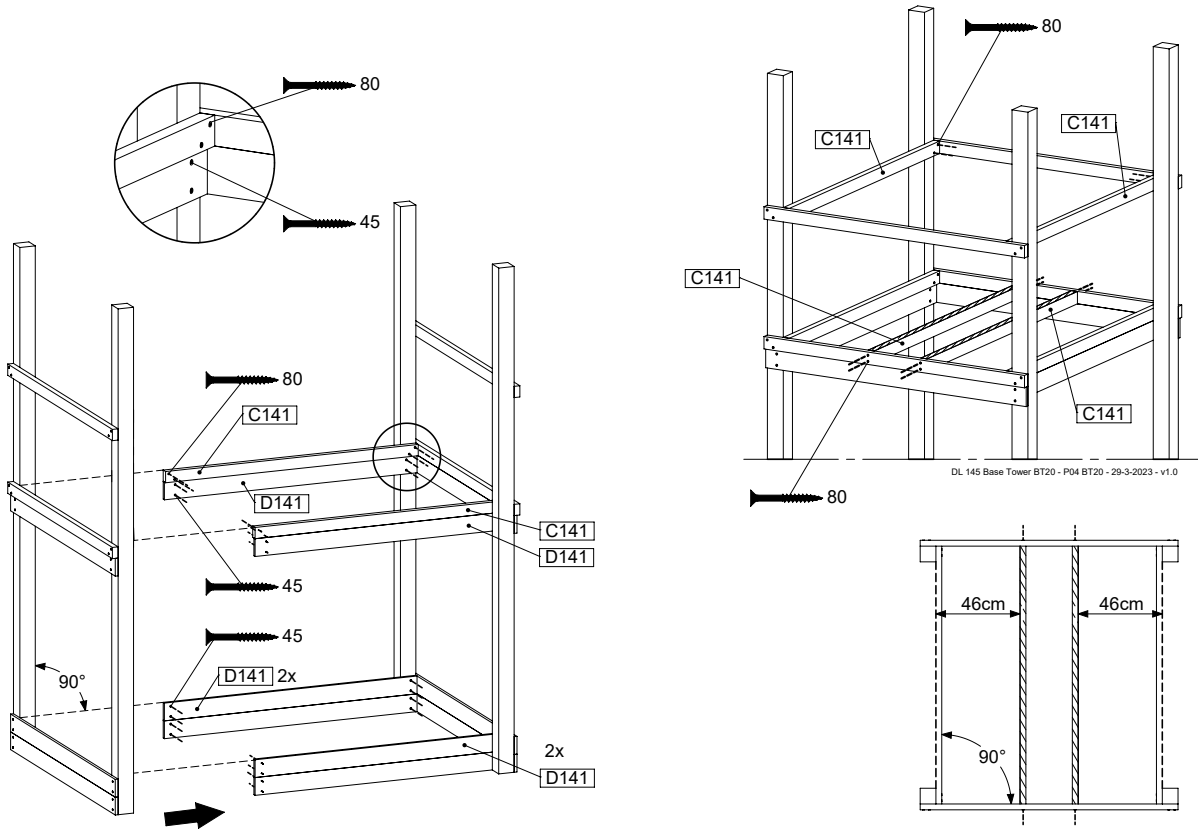
(194_500)

	PartNo	PartName	QTY.
Hardware pack	001_406	Stealth Screw 8x45	6
	001_417	Stealth Screw 8x80	4
	002_220	Gap Point Screw T25 - 5x45	135
	002_223	Gap Point Screw T25 - 5x80	40
Other	007_001	Ground-anchor	2
	022_31x	bpc-base version 3	8
	022_84x	bpc cover	8
Timber	B270	Post 90x90 L2700	4
	C141	Beam 1410 mm	10
	D123	Board 1230 mm	17
	D141	Board 1410 mm	12

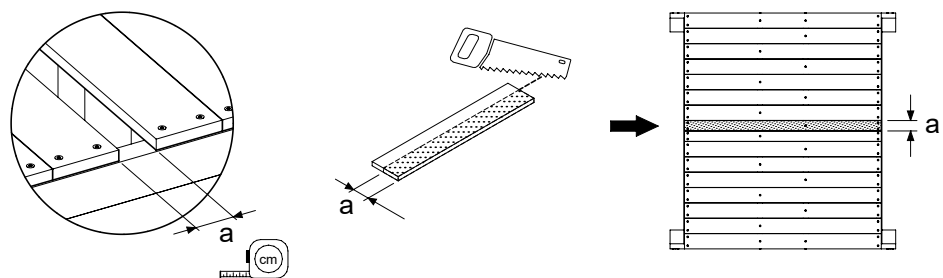
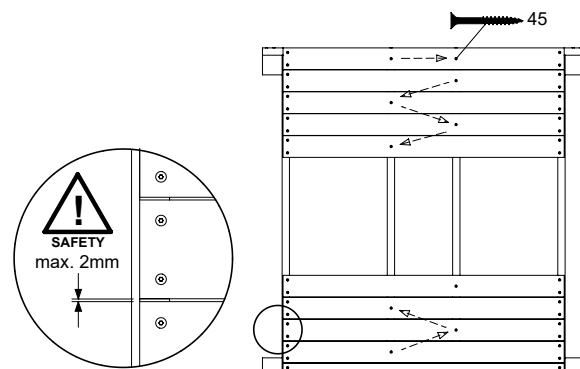
DL 145 Base Tower BT20 - P02 BT20 - 29-3-2023 - v1.0



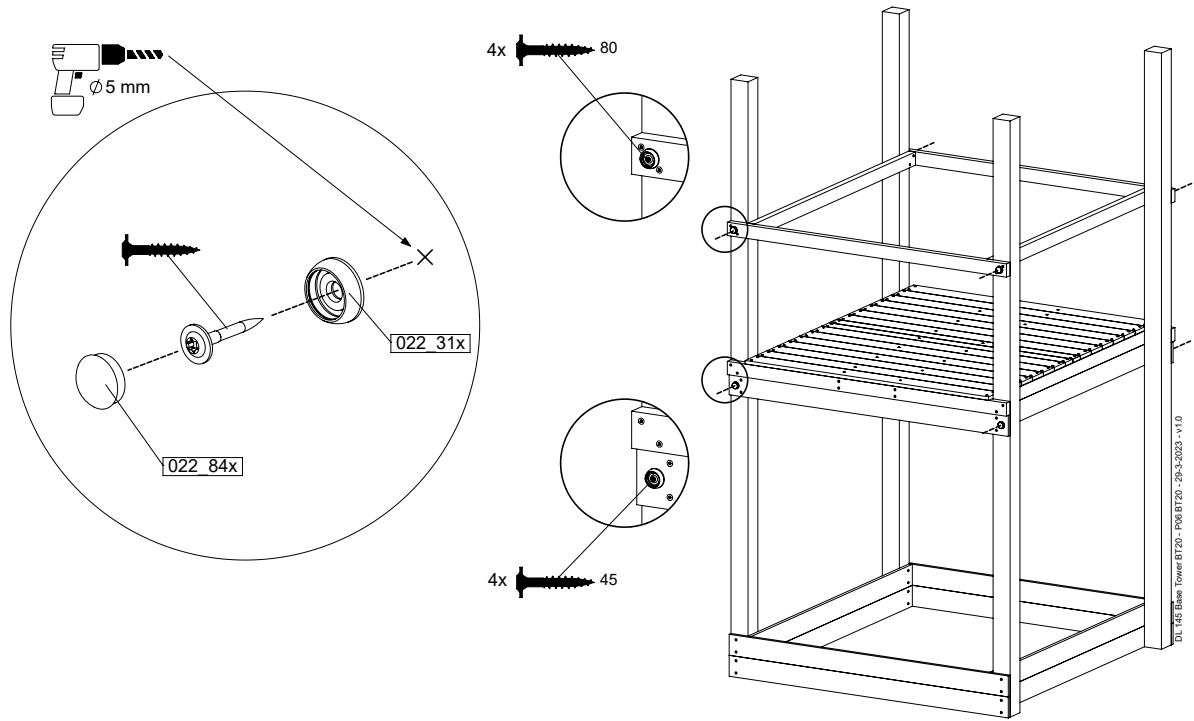
9.1



DL 145 Base Tower BT20 - P05 BT20 - 29-3-2023 - v1.0



9.2

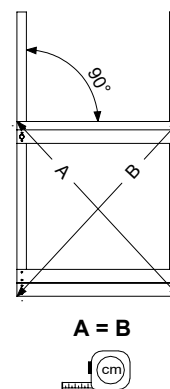
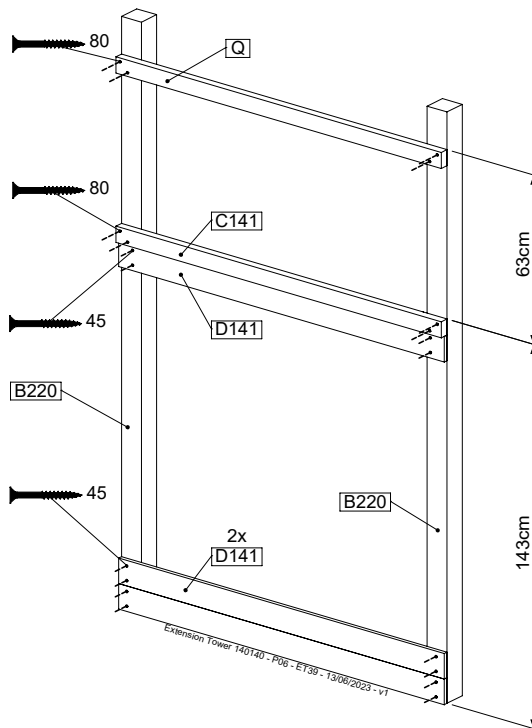
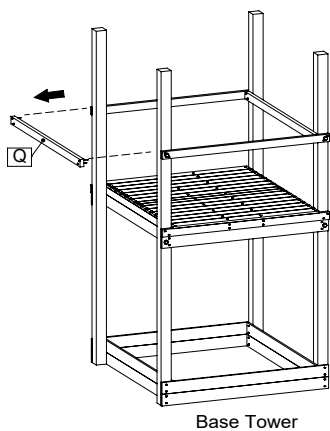
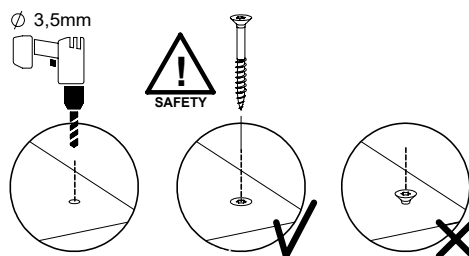
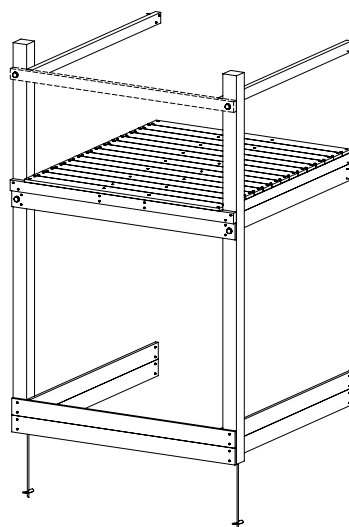


10 ET39a: Extension Tower 14080 220/145

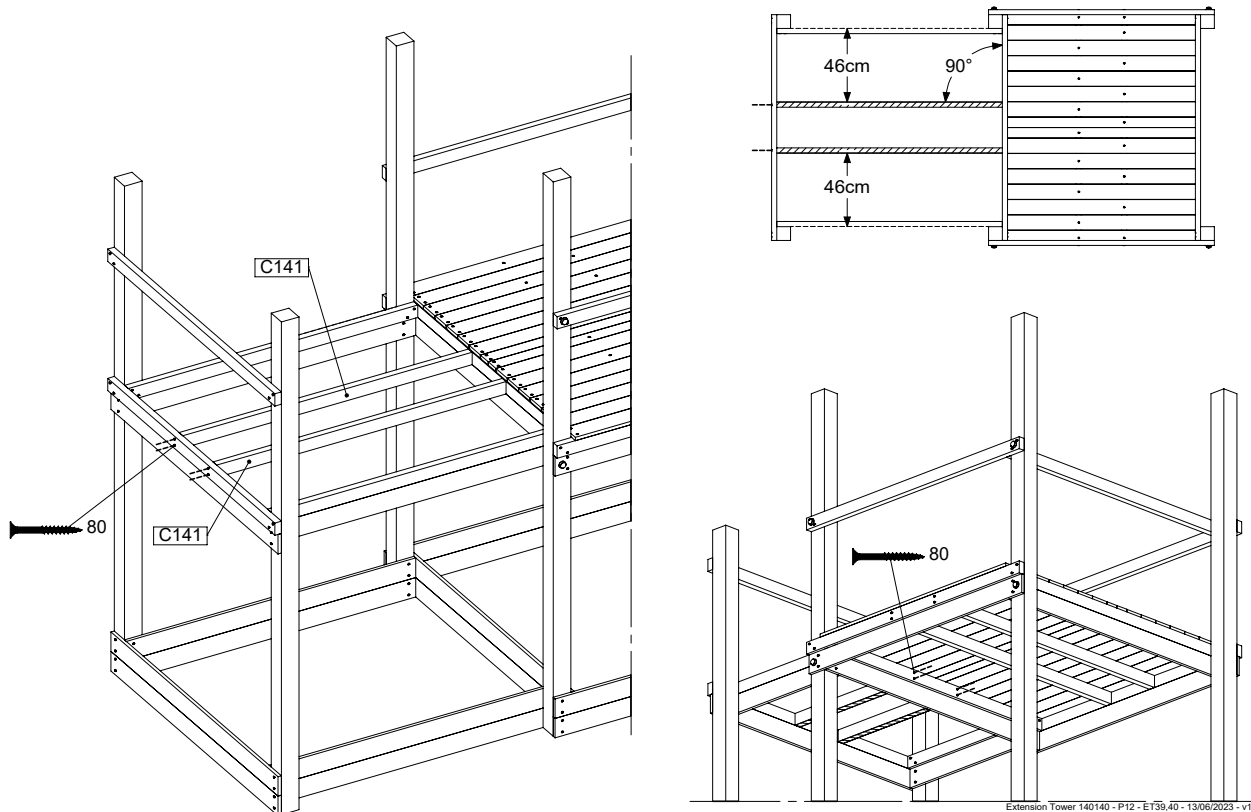
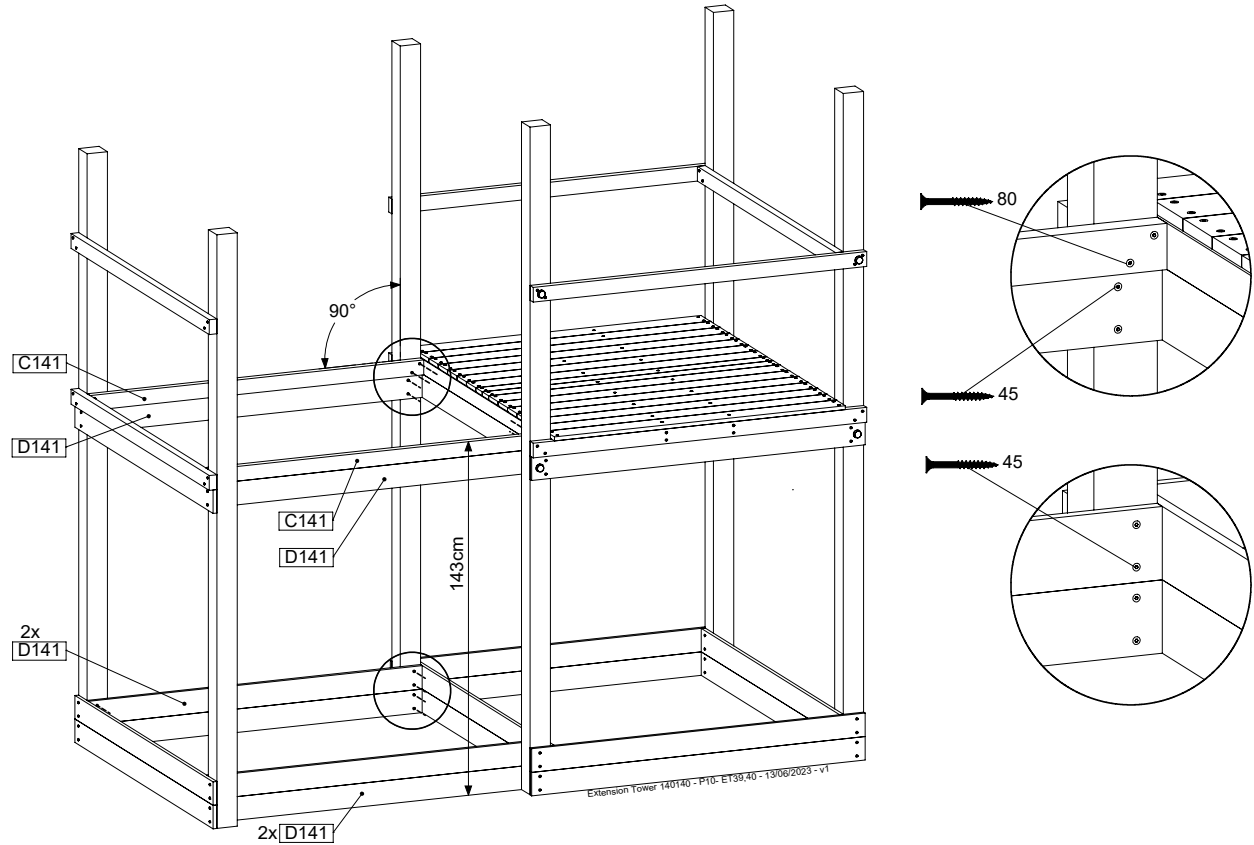
(194_500)

	PartNo	PartName	QTY.
Hardware pack	001_406	Stealth Screw 8x45	4
	001_417	Stealth Screw 8x80	2
	002_220	Gap Point Screw T25 - 5x45	123
	002_223	Gap Point Screw T25 - 5x80	28
Other	007_001	Ground-anchor	2
	022_31x	bpc-base version 3	4
	022_84x	bpc cover	4
Timber	B220	Post 90x90 L2200	2
	C141	Beam 1410 mm	7
	D123	Board 1230 mm	17
	D141	Board 1410 mm	9

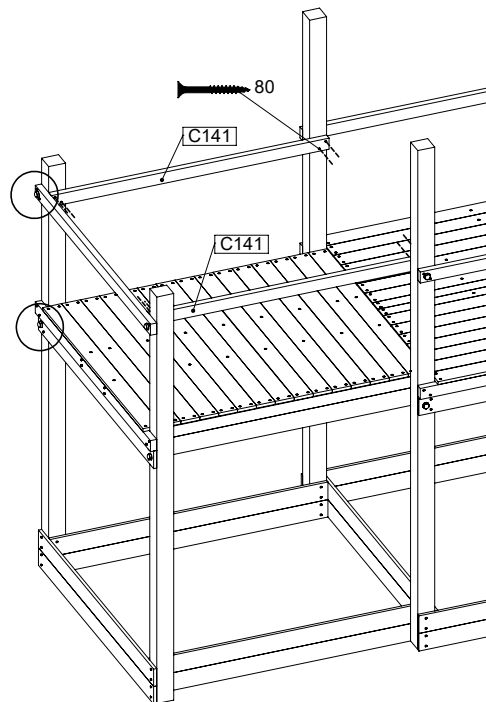
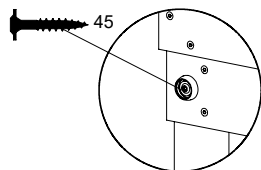
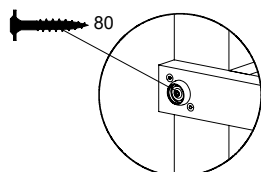
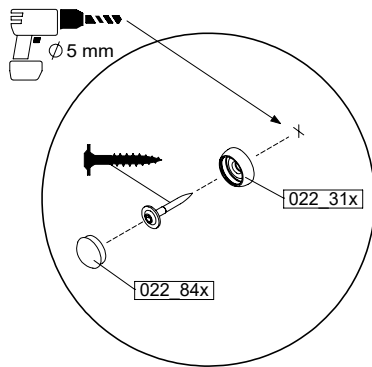
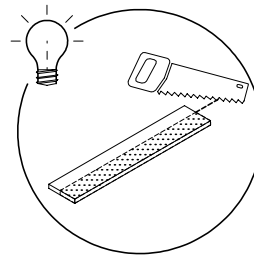
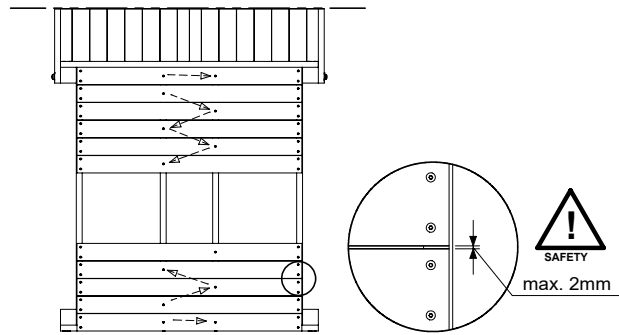
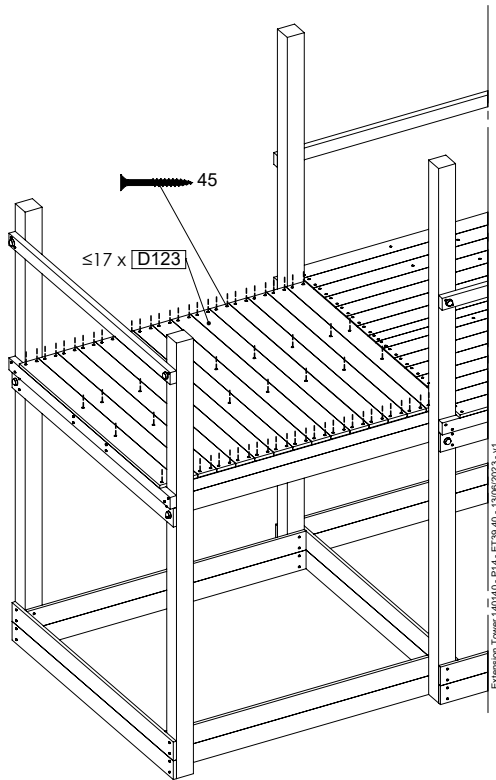
Extension Tower 140140 - P02 - ET39 - 13/06/2023 - v1



10.1



10.2

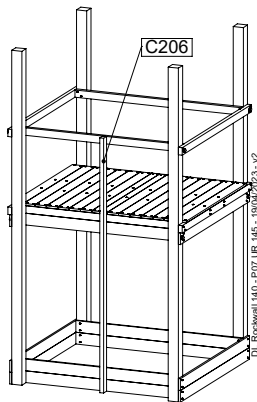
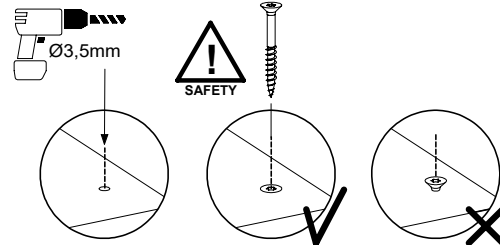
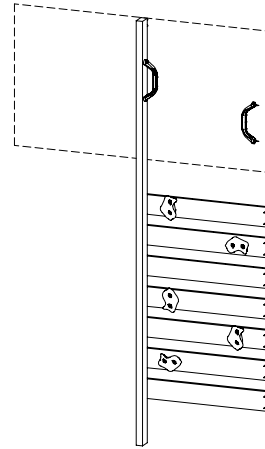


11 RW18a: Rock wall 140 145 U Right

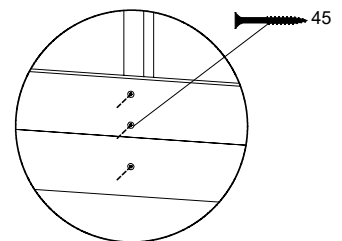
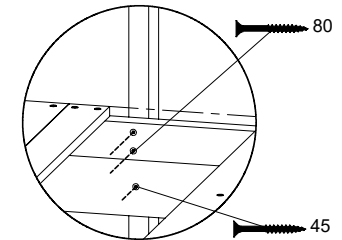
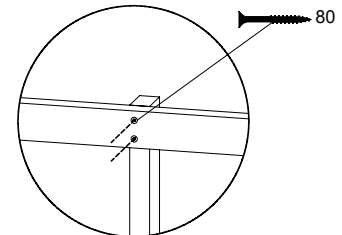
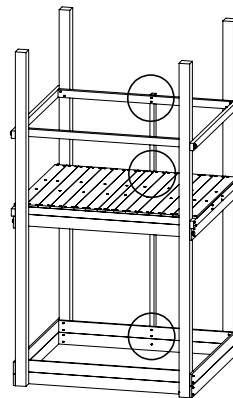
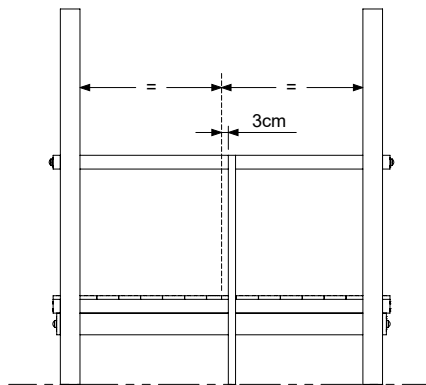
(194_006)

	PartNo	PartName	QTY.
Hardware Pack	001_102	Washer Head Screw T40 M8x30	10
	002_220	Gap Point Screw T25 - 5x45	32
	002_223	Gap Point Screw T25 - 5x80	4
	003_010	M8 spring lock washer	10
	004_050	M8 Drive-in Nut 22mm	10
Other	022_50x	Climbing Rock	5
	120_102	Handgrip set (complete 2x)	1
Timber	C206	Beam 2060 mm	1
	D65	Board 650 mm	7

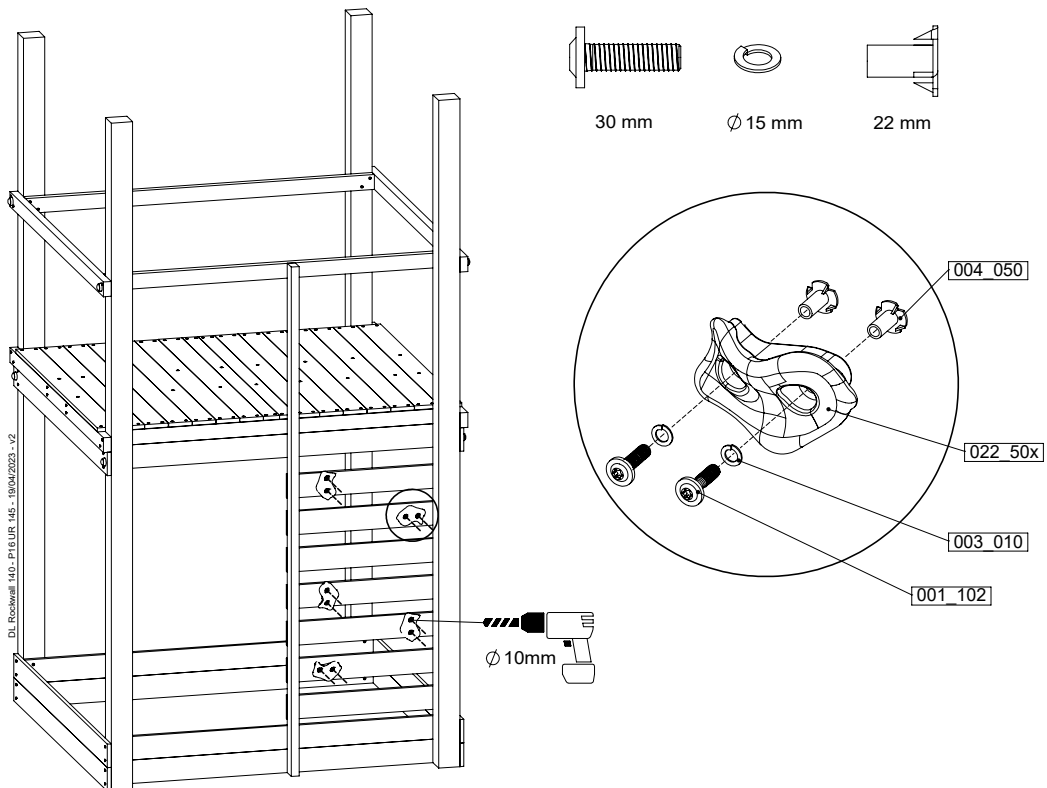
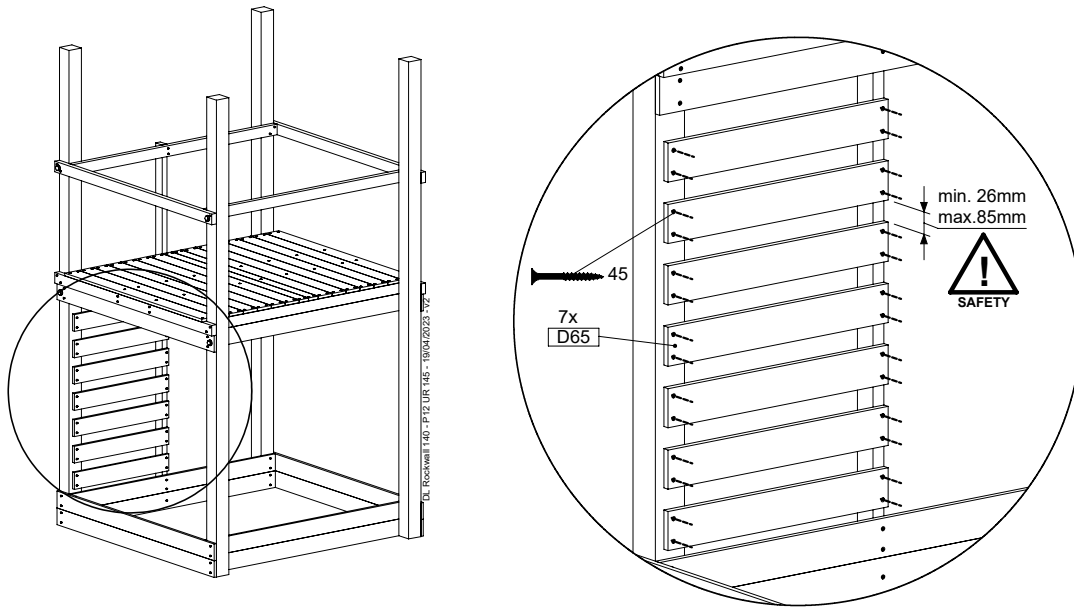
DE Rockwall 140 - P03 UR 145 - 18/07/2023 - v2



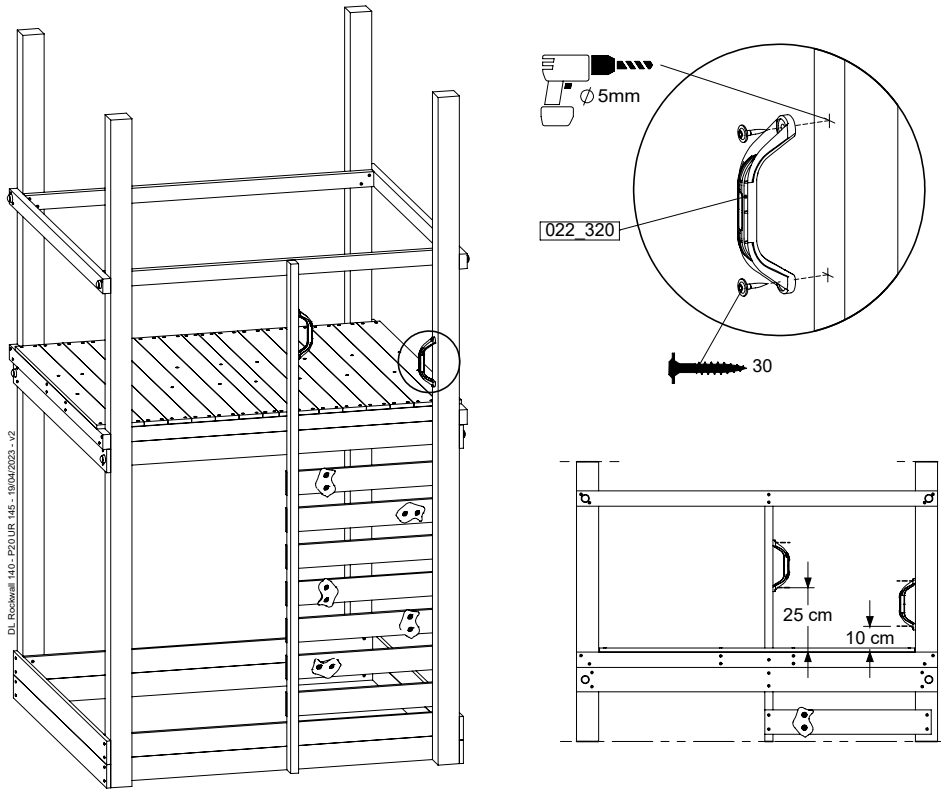
DE Rockwall 140 - P07 UR 145 - 18/07/2023 - v2



11.1



11.2

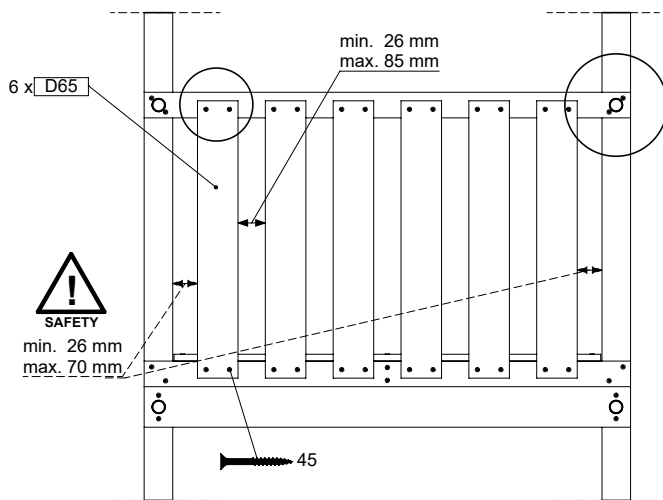
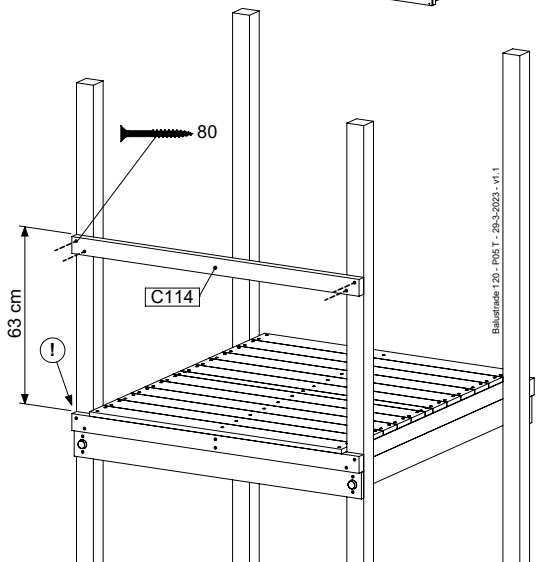
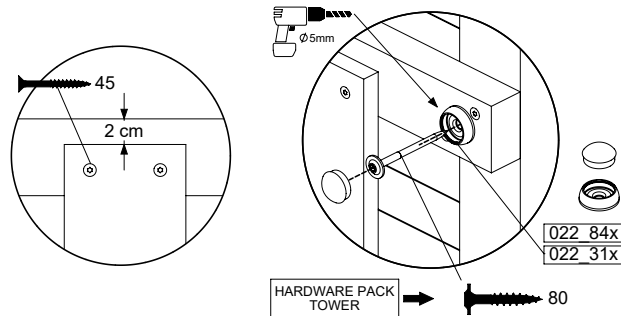
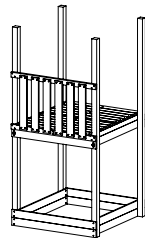
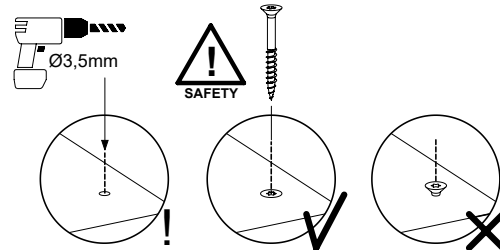
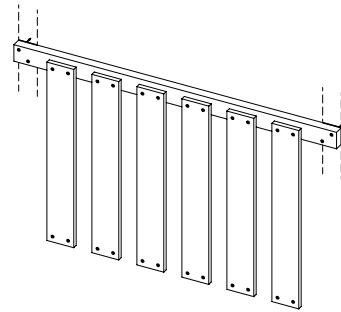


12 BL04a: Balustrade 115 T

(194_501)

	PartNo	PartName	QTY.
Hardware Pack	002_220	Gap Point Screw T25 - 5x45	24
	002_223	Gap Point Screw T25 - 5x80	4
Timber	C114	Beam 1140 mm	1
	D65	Board 650 mm	6

Balustrade 120 - P03 T - 29-3-2023 - v1.1

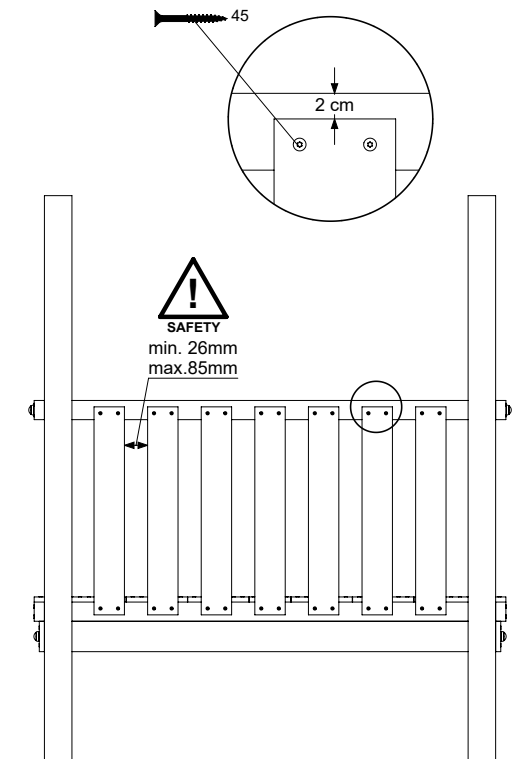
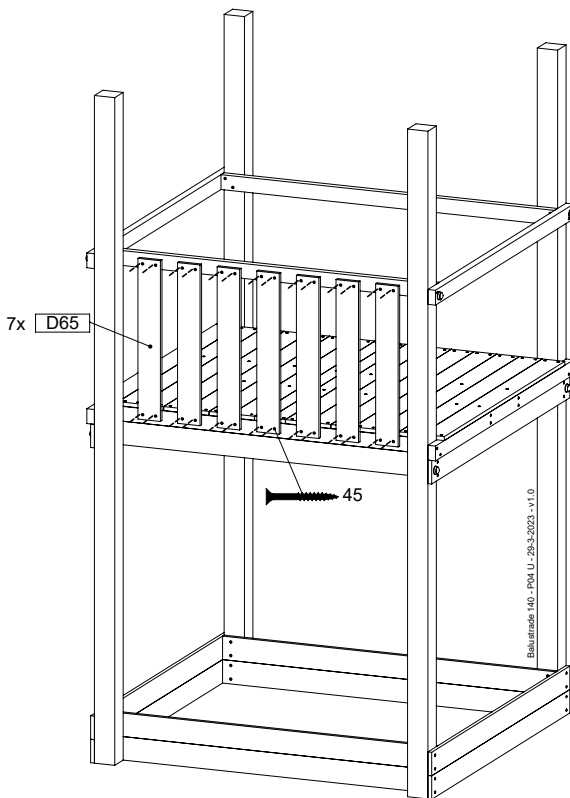
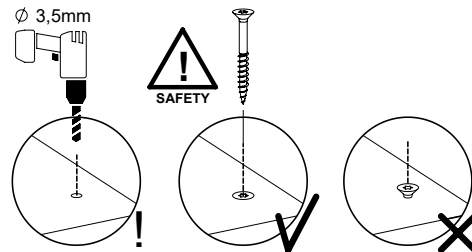
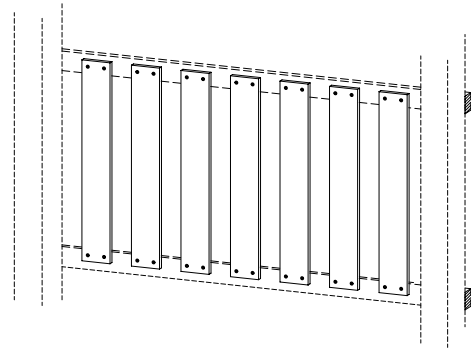


13 BL05a: Balustrade 140 U

(194_501)

	PartNo	PartName	QTY.
Hardware pack	002_220	Gap Point Screw T25 - 5x45	28
Timber	D65	Board 650 mm	7

Balustrade 140 - P02 U - 28-3-2023 - v1.0

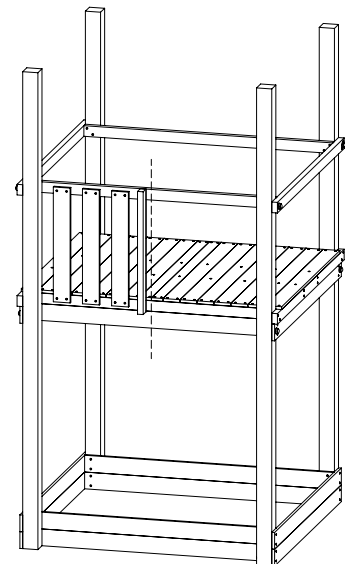
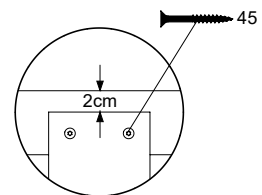
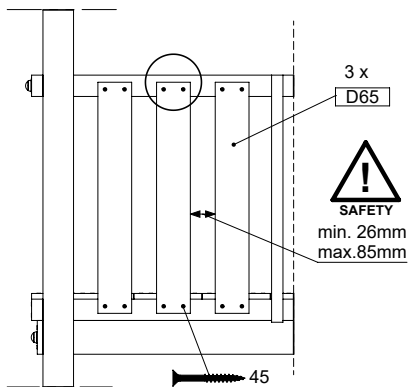
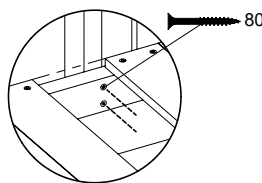
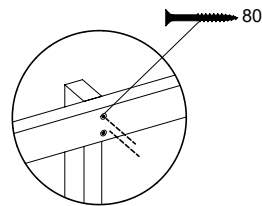
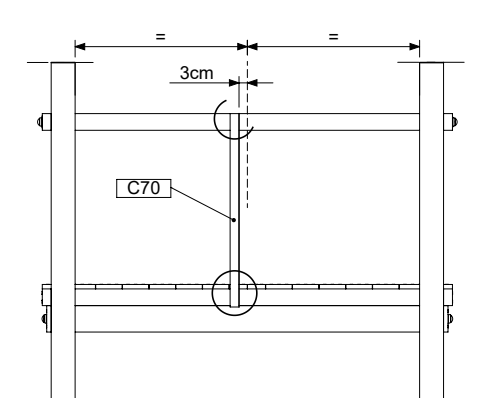
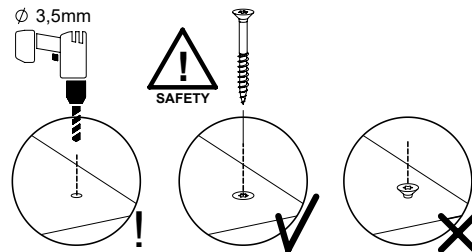
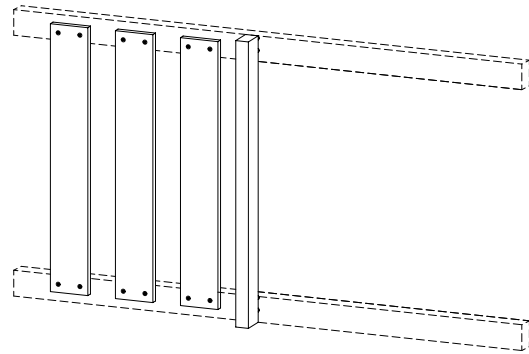


14 BL07a: Half Balustrade U Left

(194_101)

	PartNo	PartName	QTY.
Hardware pack	002_220	Gap Point Screw T25 - 5x45	12
	002_223	Gap Point Screw T25 - 5x80	4
Timber	C70	Beam 700 mm	1
	D65	Board 650 mm	3

DI: Half Balustrade 701/40 - P02 UL - 28-3-2023 - v1



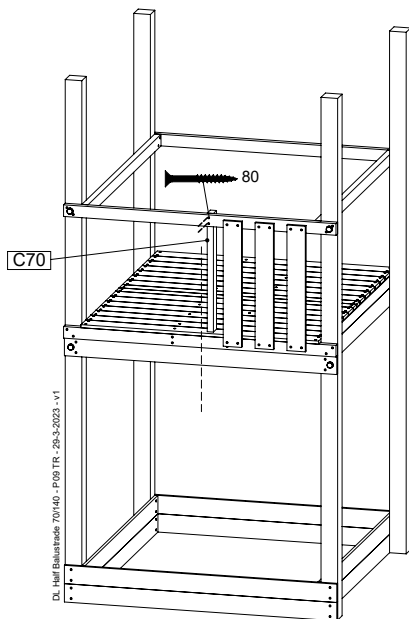
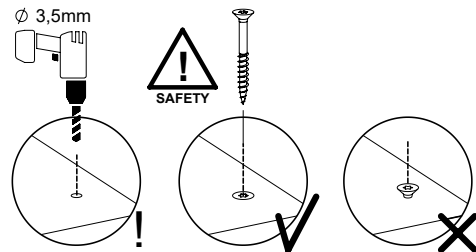
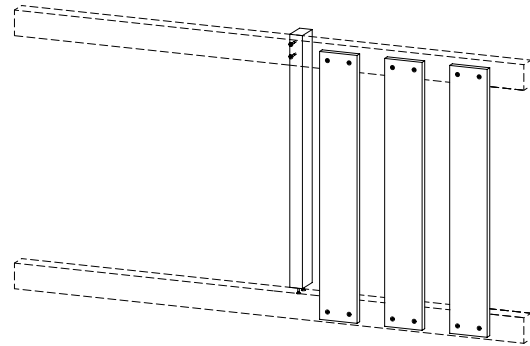
DI: Half Balustrade 701/40 - P06 UL - 28-3-2023 - v1

15 BL10a: Half Balustrade T Right

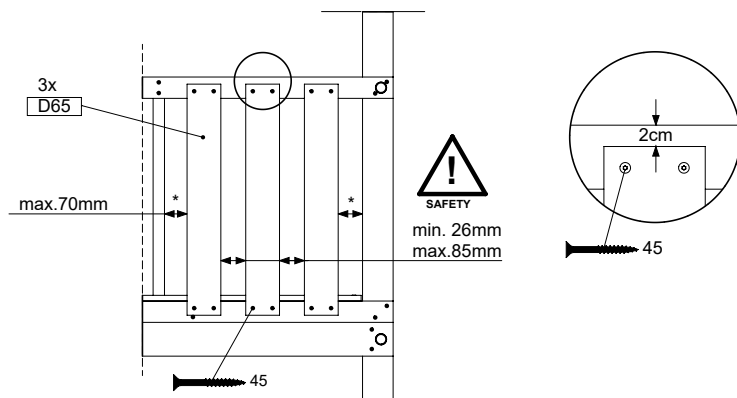
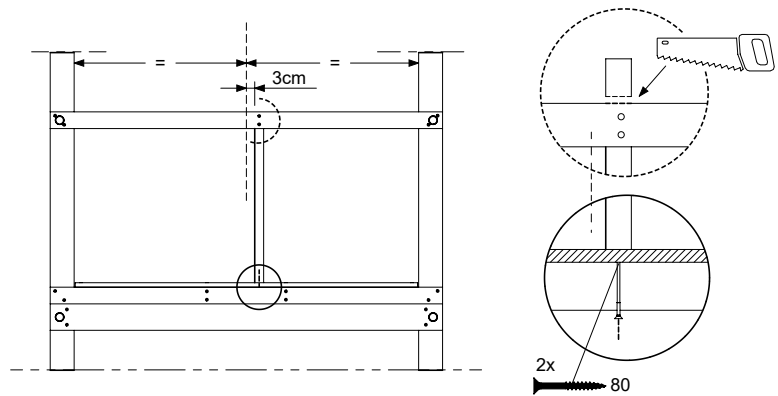
(194_101)

	PartNo	PartName	QTY.
Hardware pack	002_220	Gap Point Screw T25 - 5x45	12
	002_223	Gap Point Screw T25 - 5x80	4
Timber	C70	Beam 700 mm	1
	D65	Board 650 mm	3

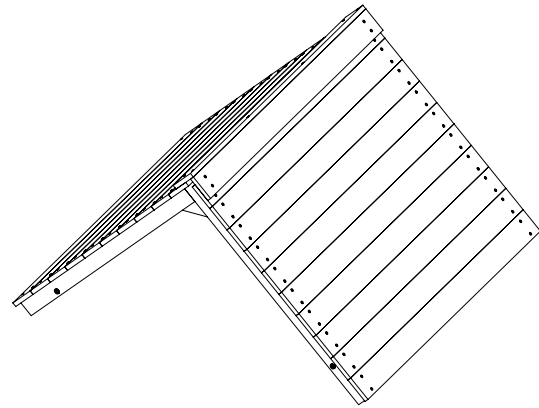
DL Half Balustrade 70140 - P05 TR - 25-3-2023 - v1



DL Half Balustrade 70140 - P05 TR - 25-3-2023 - v1



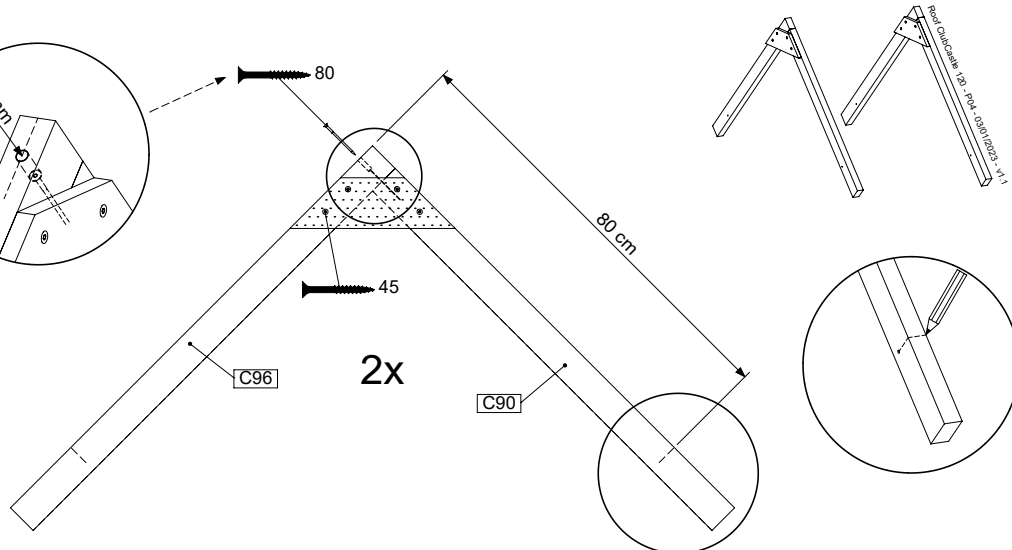
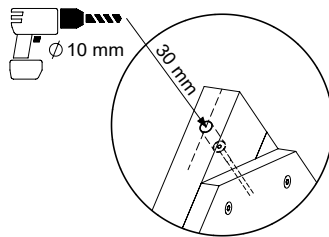
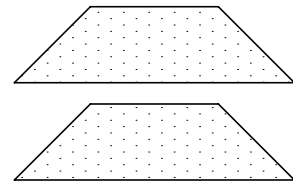
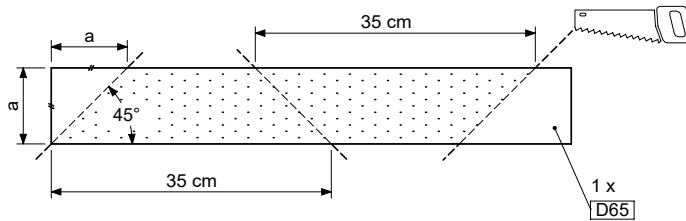
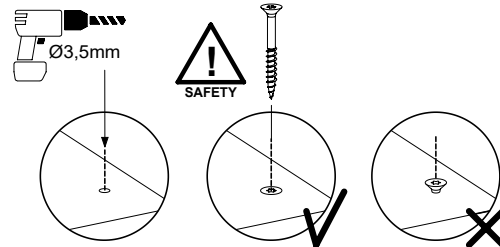
16 RF08a: Roof Timber Gable 115



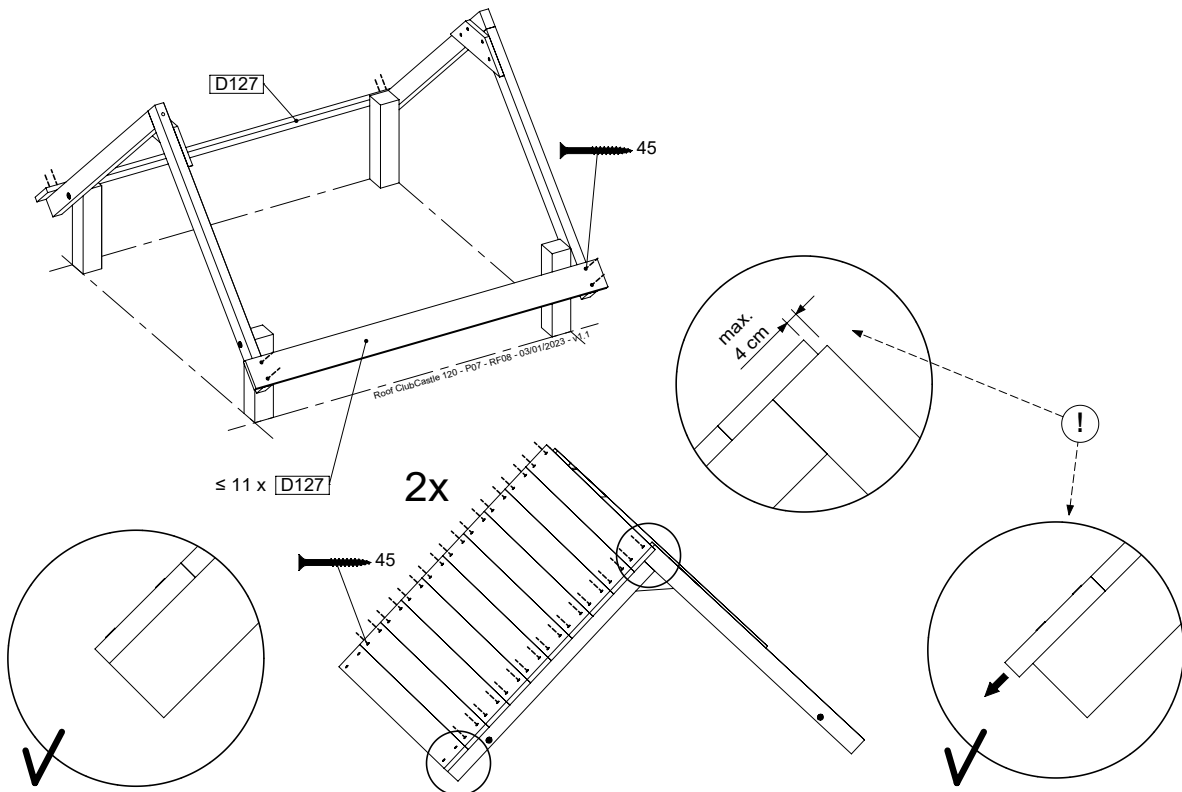
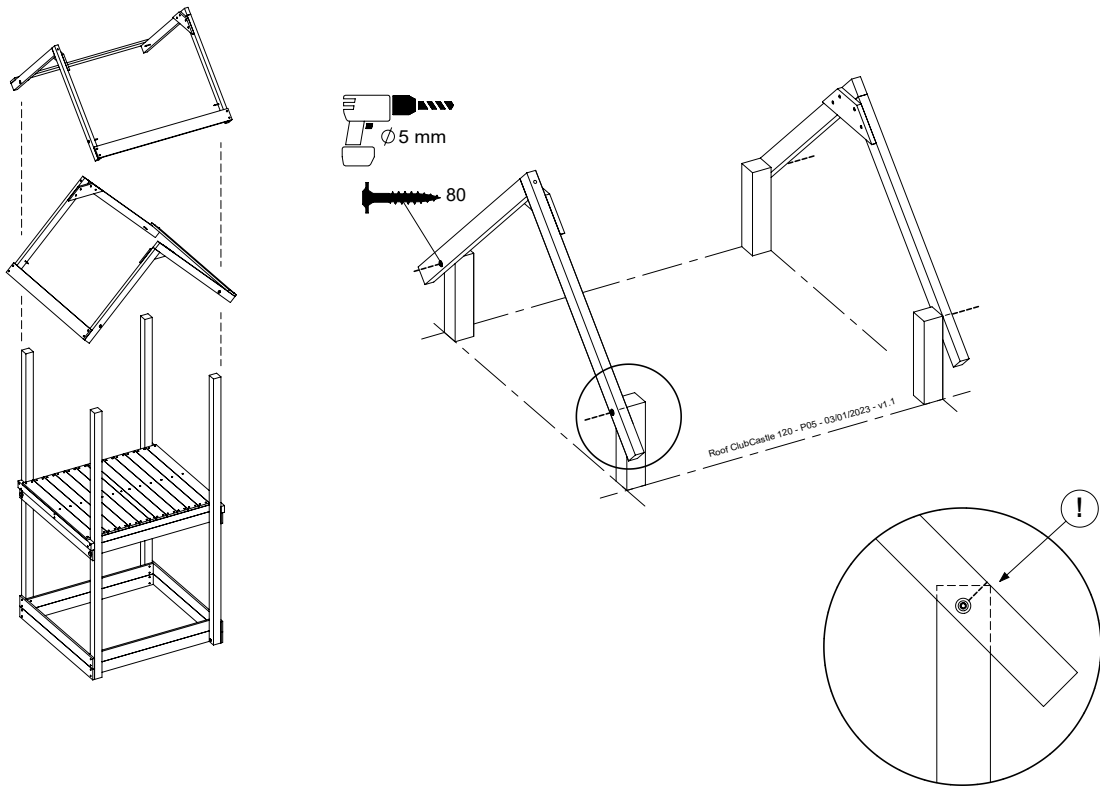
AP 194_308 / RF

	PartNo	PartName	QTY.
Hardware Pack	001_417	Stealth Screw 8x80	4
	002_220	Gap Point Screw T25 - 5x45	100
	002_223	Gap Point Screw T25 - 5x80	8
Timber	C96	Beam 960 mm	2
	D65	Board 650 mm	1
	D127	Board 1270 mm	18-24
	C90	Beam 900 mm	2

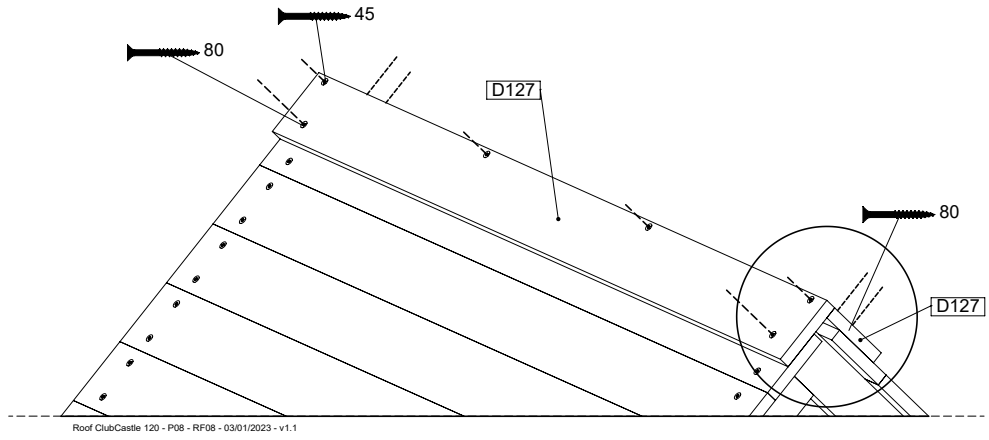
Roof ChaCastle 120 - P03 - RF08a - 03/01/2023 - v1.1



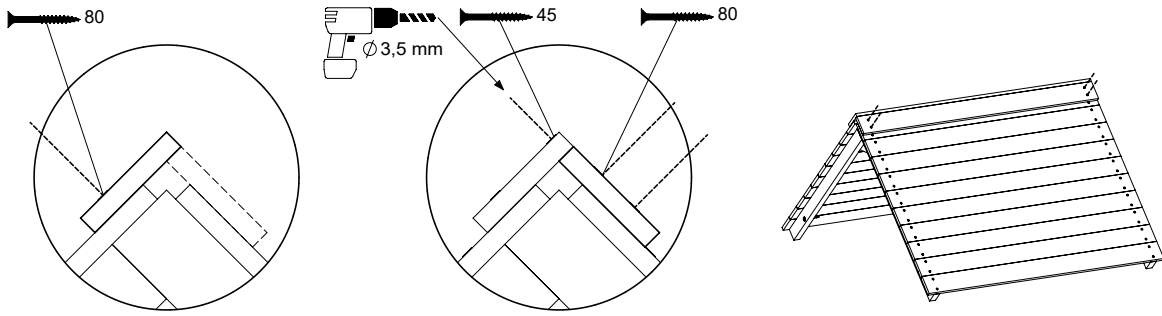
16.1



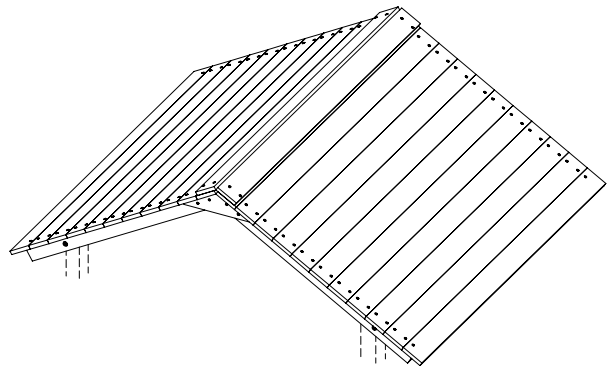
16.2



Roof ClubCastle 120 - P08 - RF08 - 03/01/2023 - v1.1



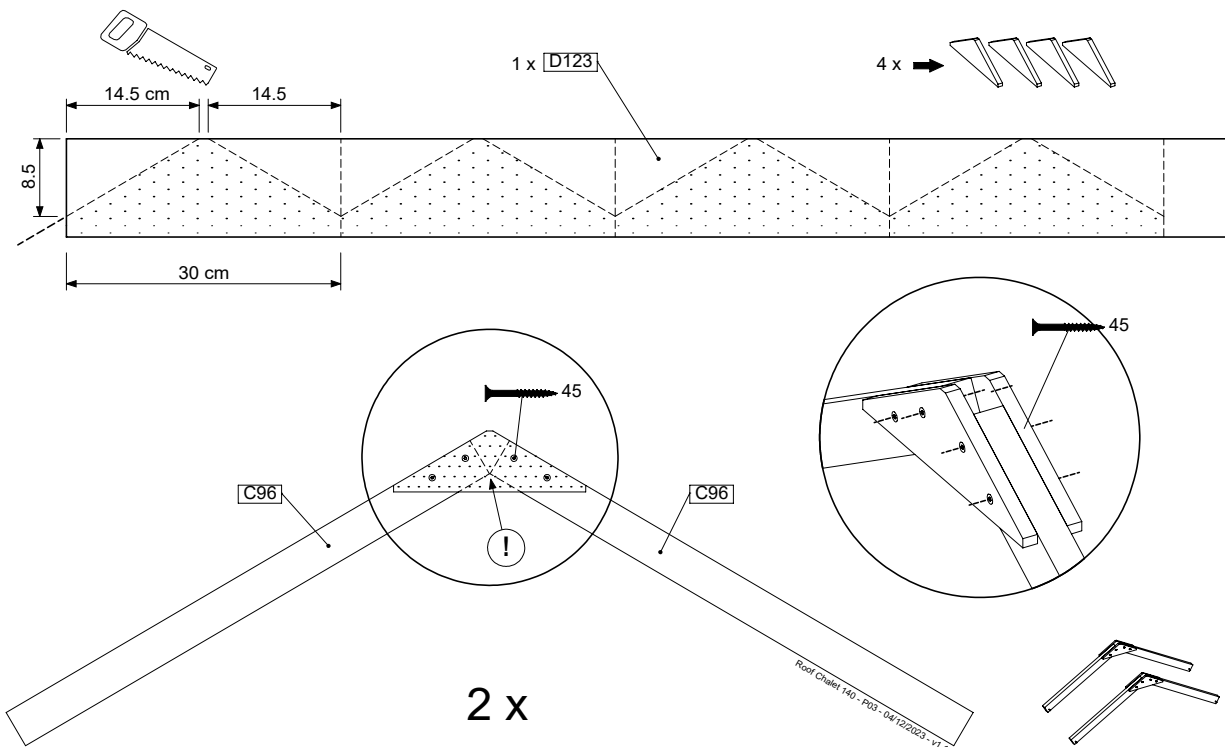
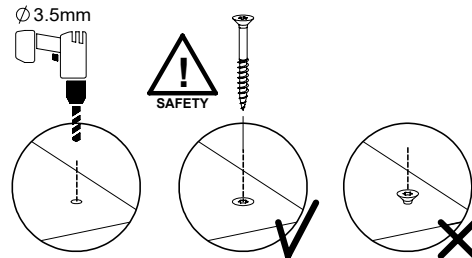
17 RF15a: Roof Timber Slope 140



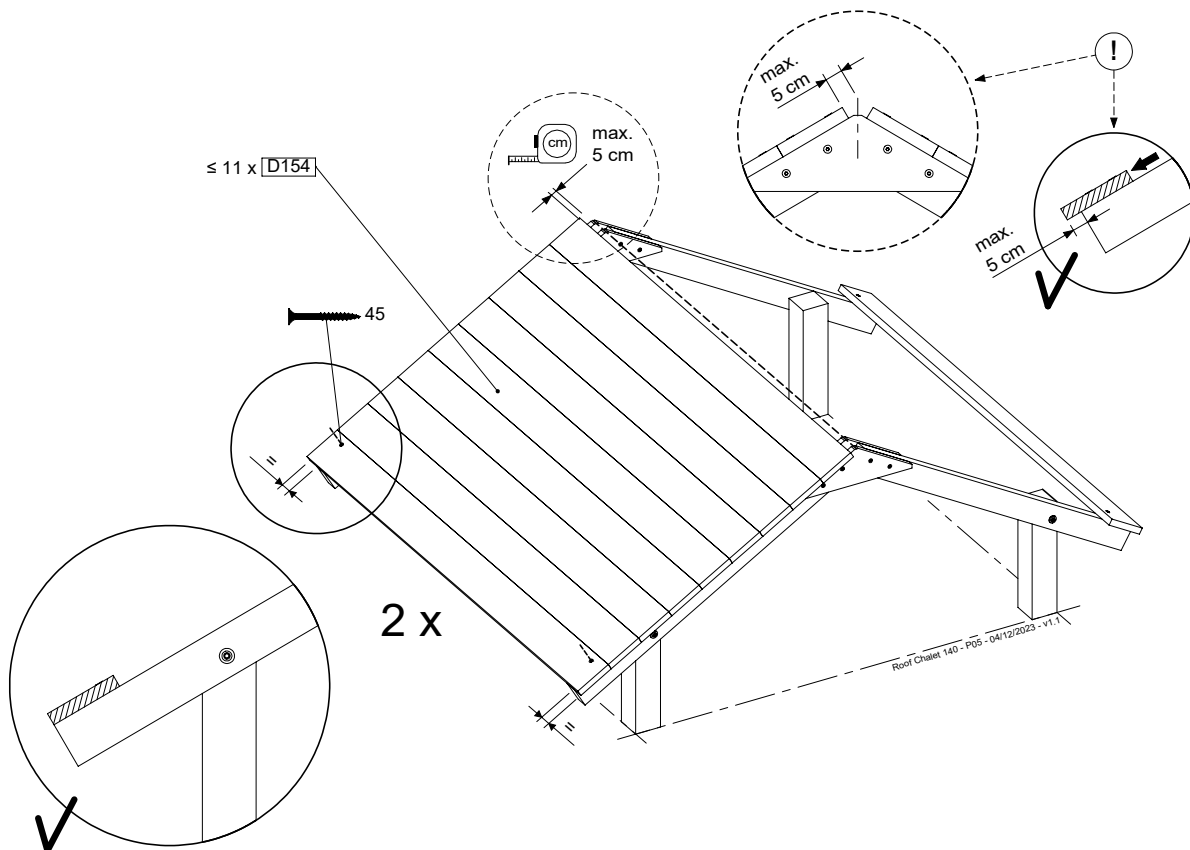
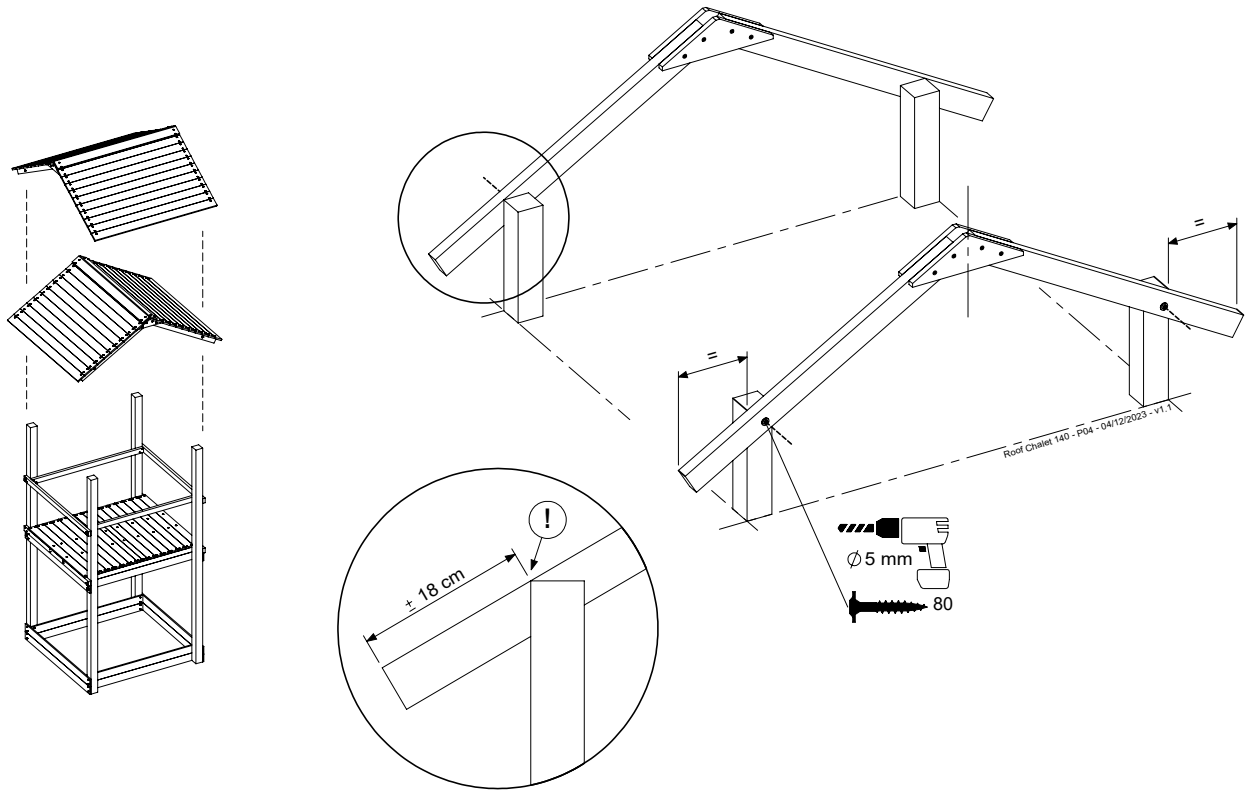
(194_508)

	PartNo	PartName	QTY.
Hardware pack	001_417	Stealth Screw 8x80	4
	002_220	Gap Point Screw T25 - 5x45	108
Timber	C96	Beam 960 mm	4
	D123	Board 1230 mm	1
	D154	Board 1540 mm	24

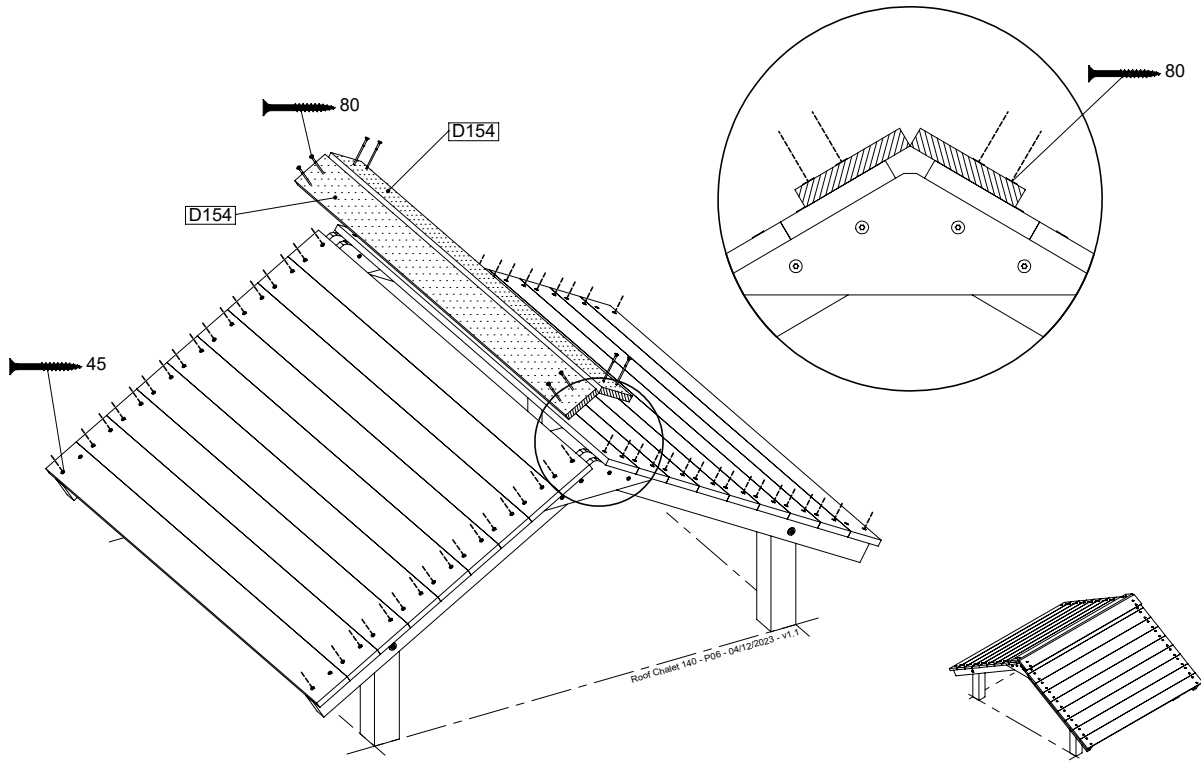
Roof Chisel 140 - P02 - 04/12/2023 - v1.1



17.1



17.2

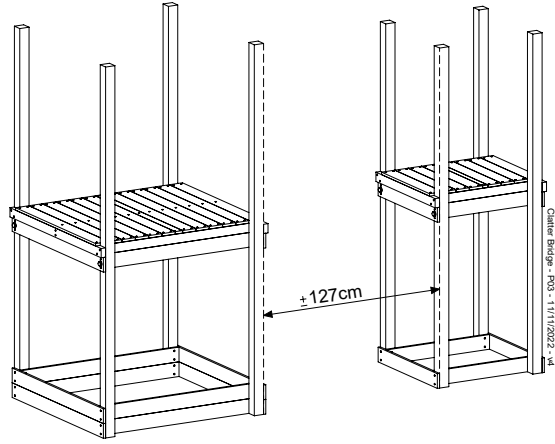
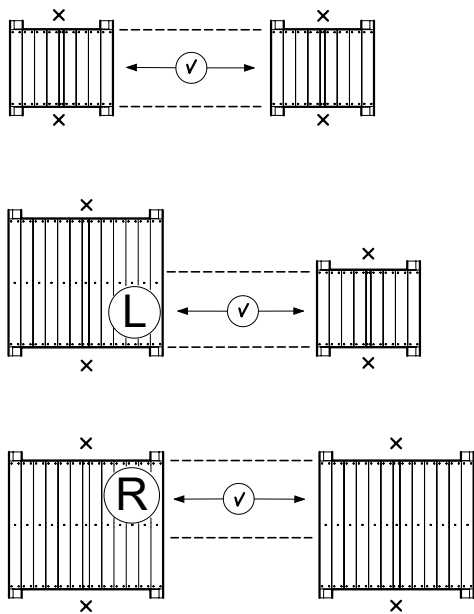
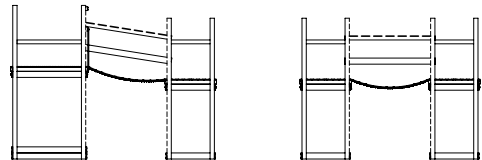
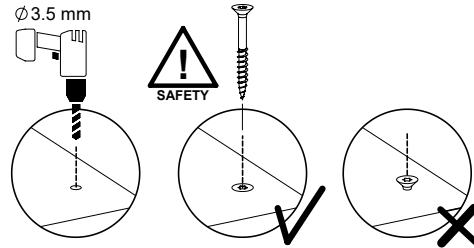
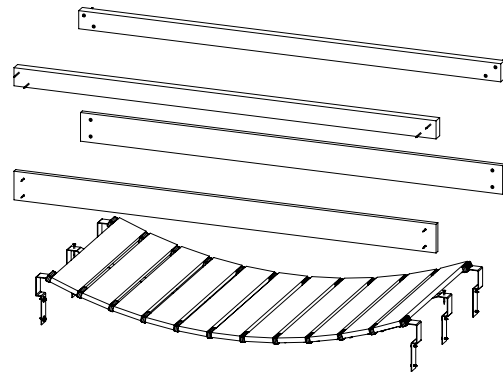


18 CB01a: Clatter Bridge - PART 1

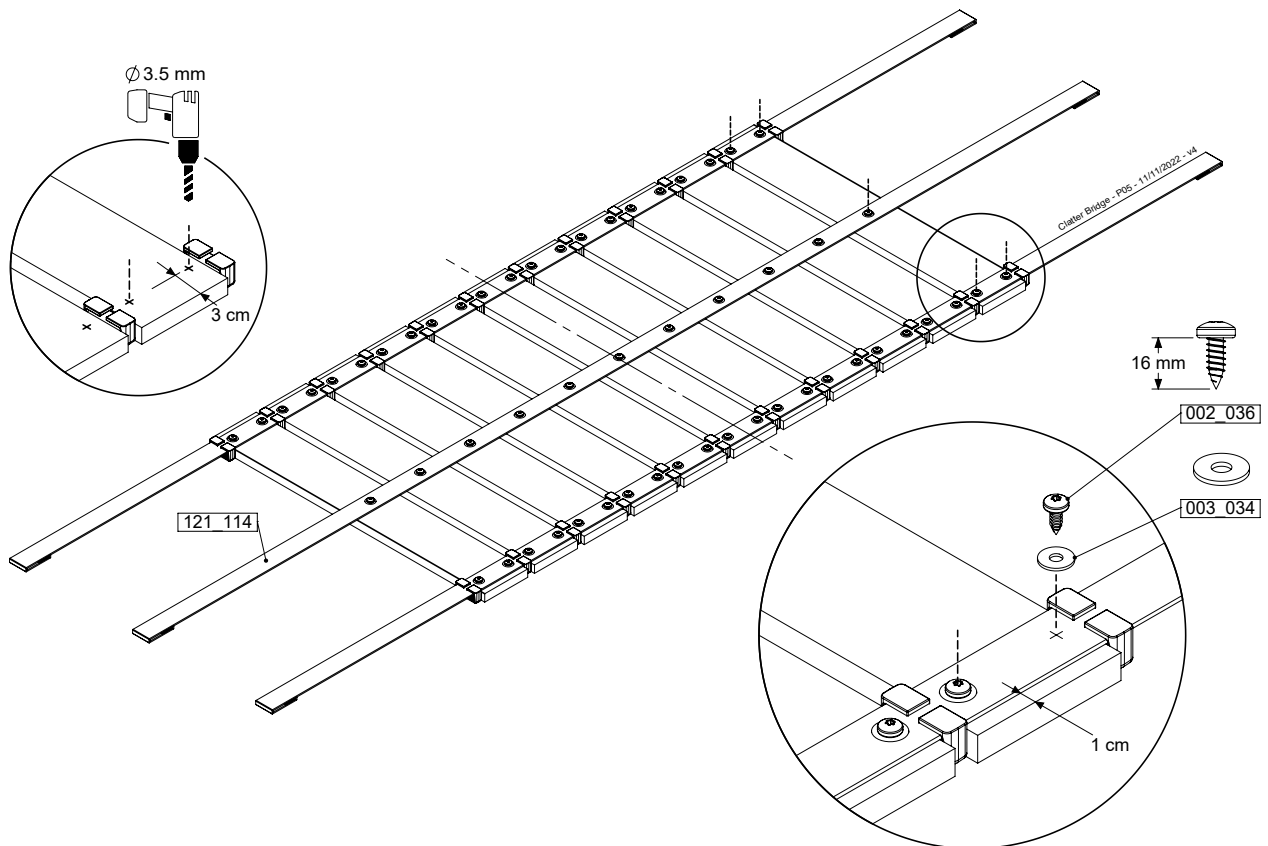
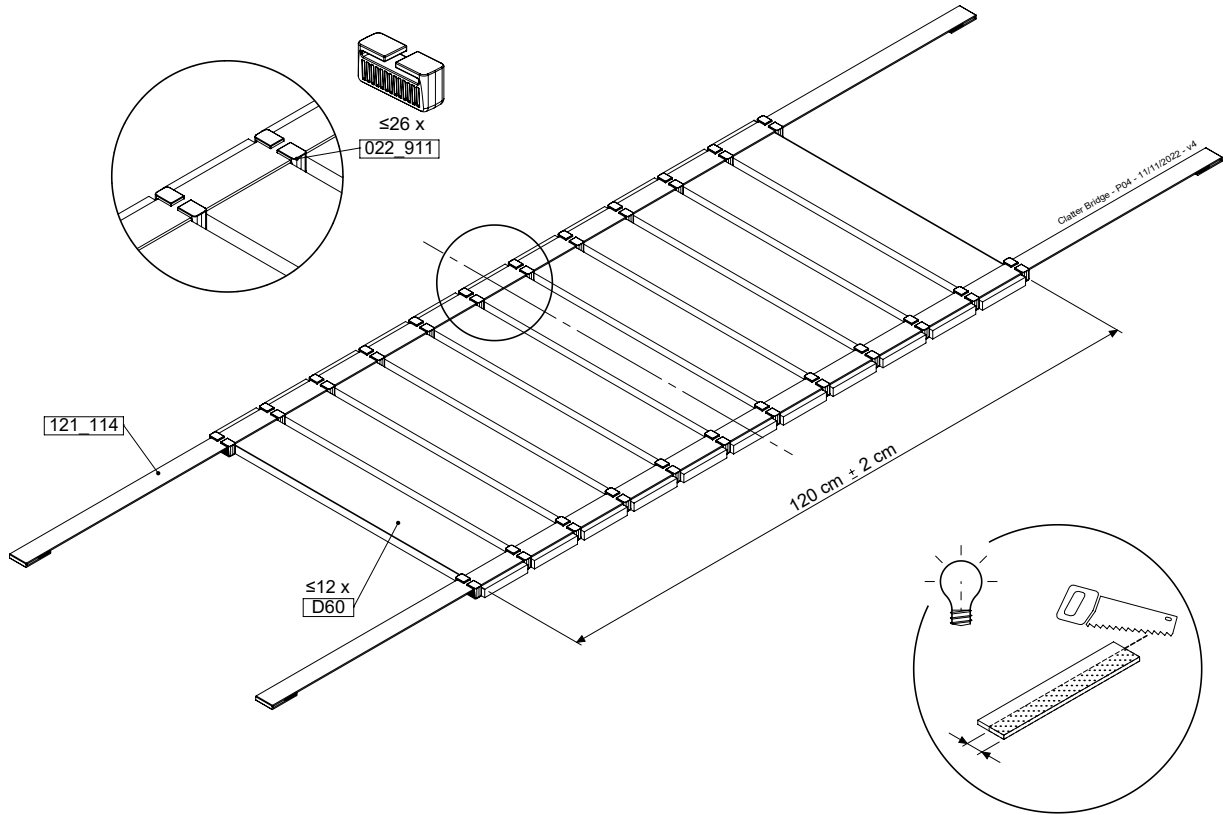
(194_116)

	PartNo	PartName	QTY.
Hardware Pack 100_614	002_036	16mm Pan Head Tapping Screw T25	72
	002_220	Gap Point Screw T25 - 5x45	10
	002_223	Gap Point Screw T25 - 5x80	12
	003_034	M6 Washer	72
Other	022_911	Bridge Spacer	26
	121_114	BridgeLink Strap 210cm	3
Wood	C141	Beam 1410 mm	2
	D60	Board 600 mm	12
	D141	Board 1410 mm	2

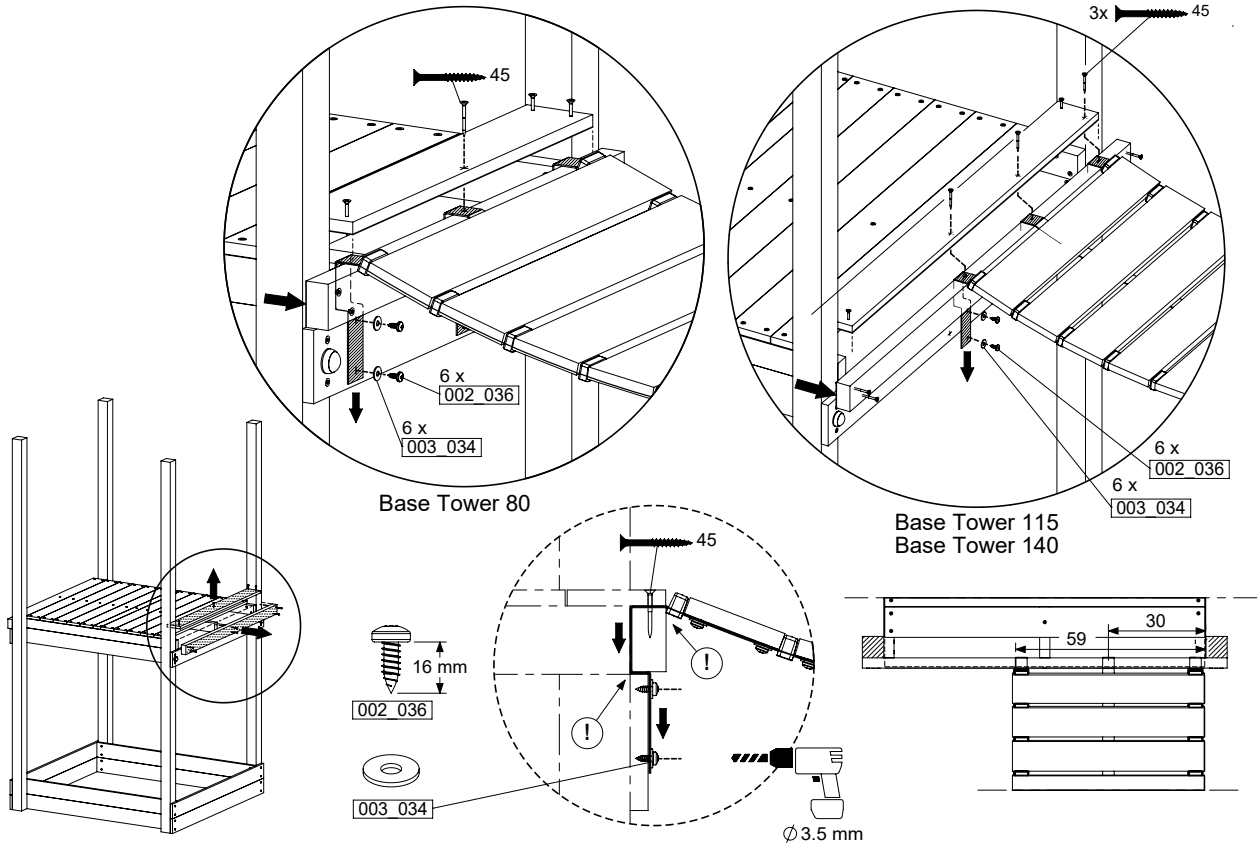
Clatter Bridge - P02 - 1/11/2022 - v4



18.1



18.2

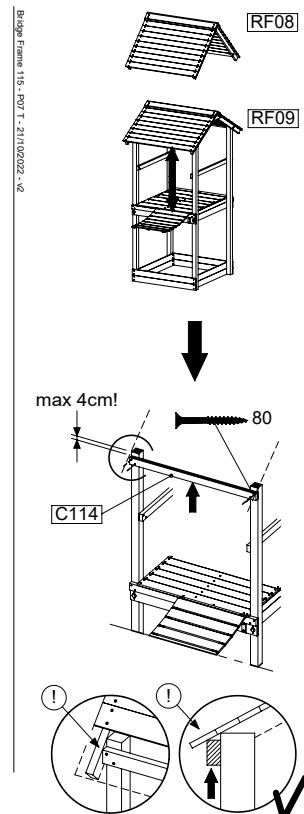
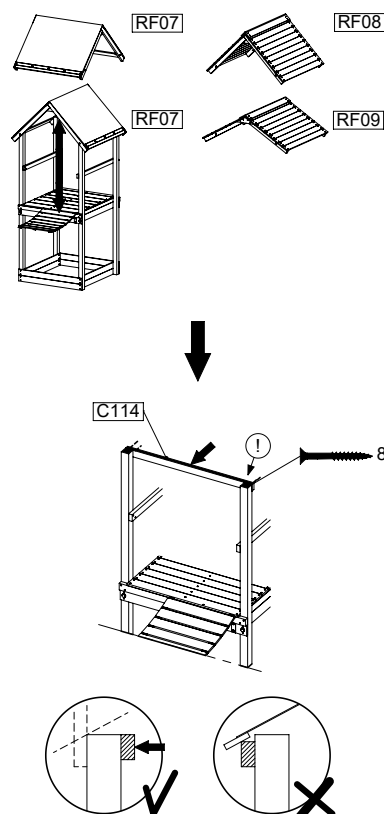
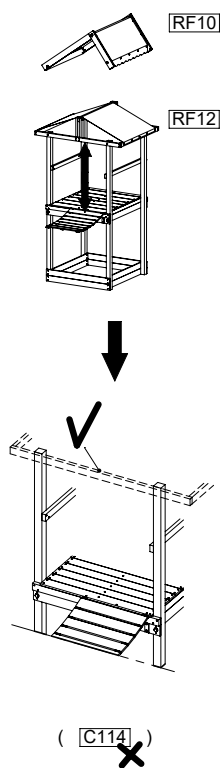
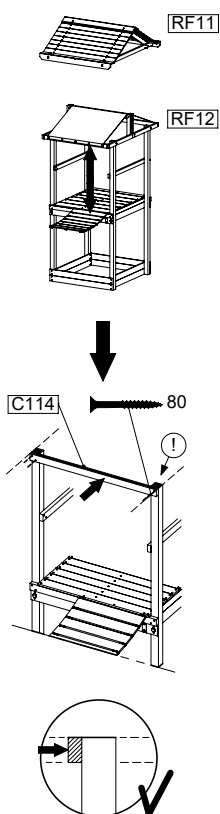
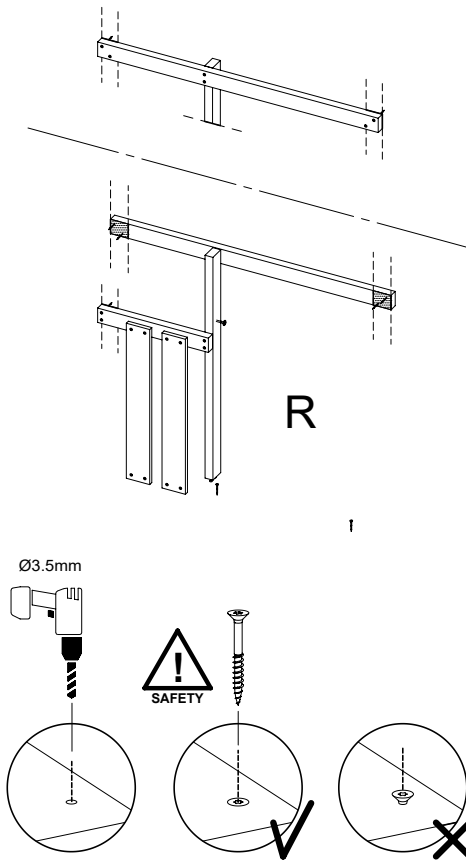


19 BF04a: Bridge Frame 115 T Right

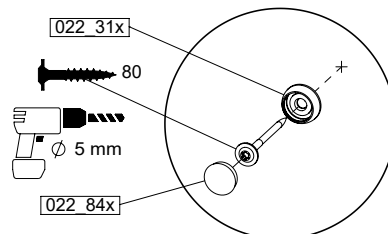
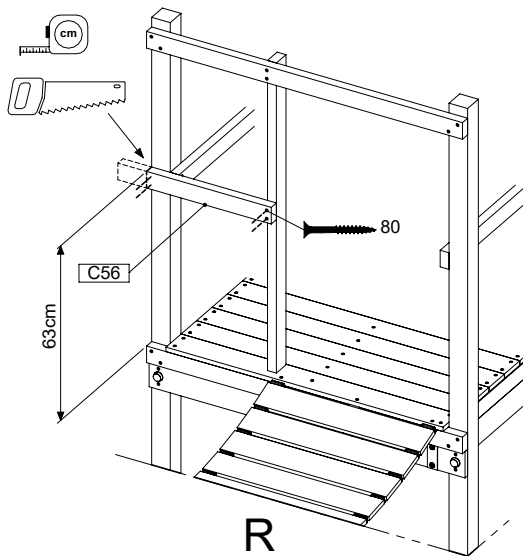
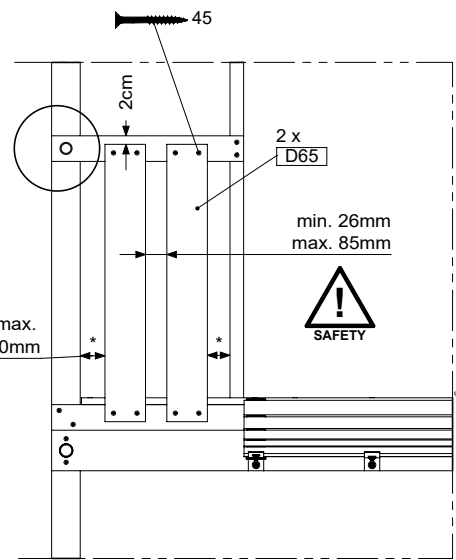
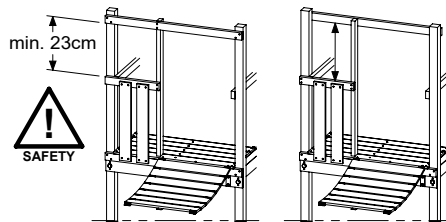
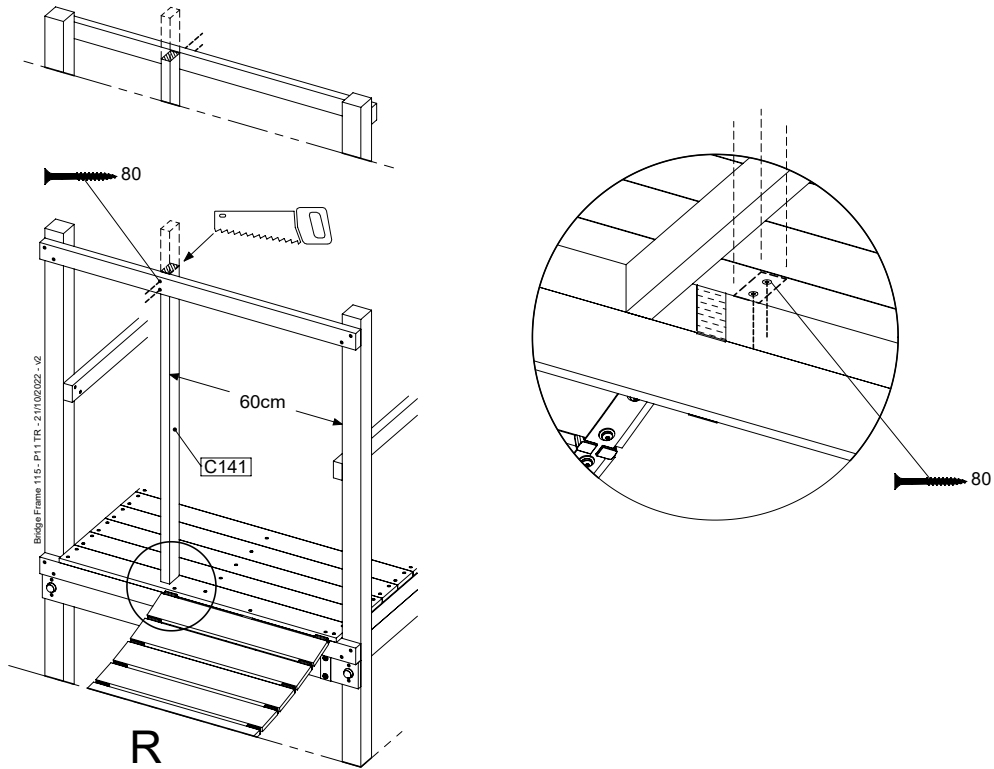
(194_007)

	PartNo	PartName	QTY.
Hardware Pack	001_411	Stealth Screw 8x60	1
	002_220	Gap Point Screw T25 - 5x45	10
	002_223	Gap Point Screw T25 - 5x80	12
Timber	C56	Beam 560 mm	1
	C114	Beam 1140 mm	1
	C141	Beam 1410 mm	1
	D65	Board 650 mm	2

Bridge Frame 115 - P03 TR - 2/11/02/022 - v2



19.1

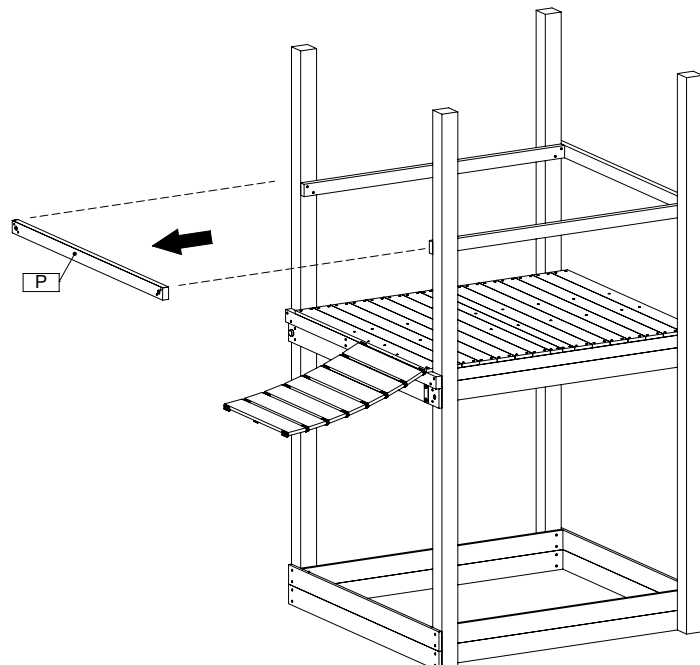
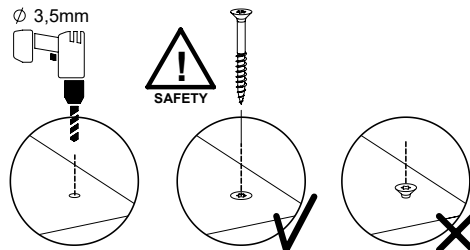
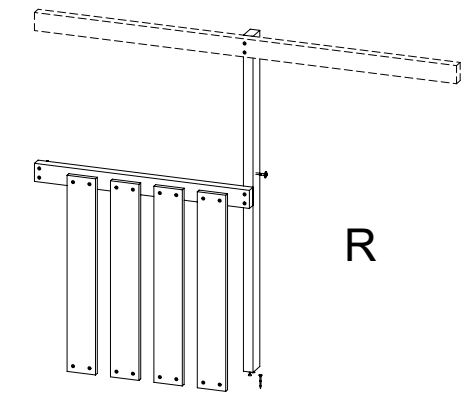


20 BF24a: Bridge Frame 140 T Right

(194_007)

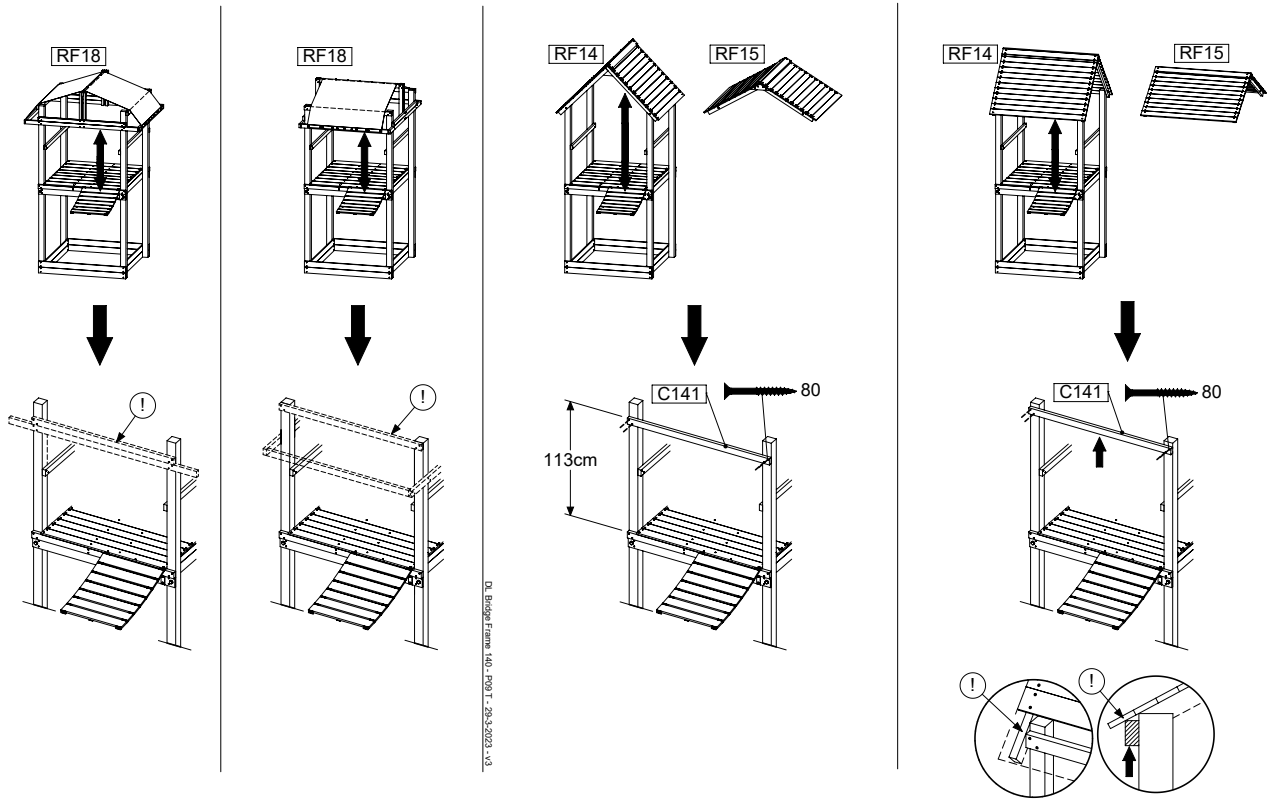
	PartNo	PartName	QTY.
Hardware Pack 100_905	001_411	Stealth Screw 8x60	1
	002_220	Gap Point Screw T25 - 5x45	18
	002_223	Gap Point Screw T25 - 5x80	8
Timber	C74	Beam 740 mm	1
	C141	Beam 1410 mm	1
	D65	Board 650 mm	4

DL Bridge Frame 140 - P05 IR - 28-3-2023 - v3

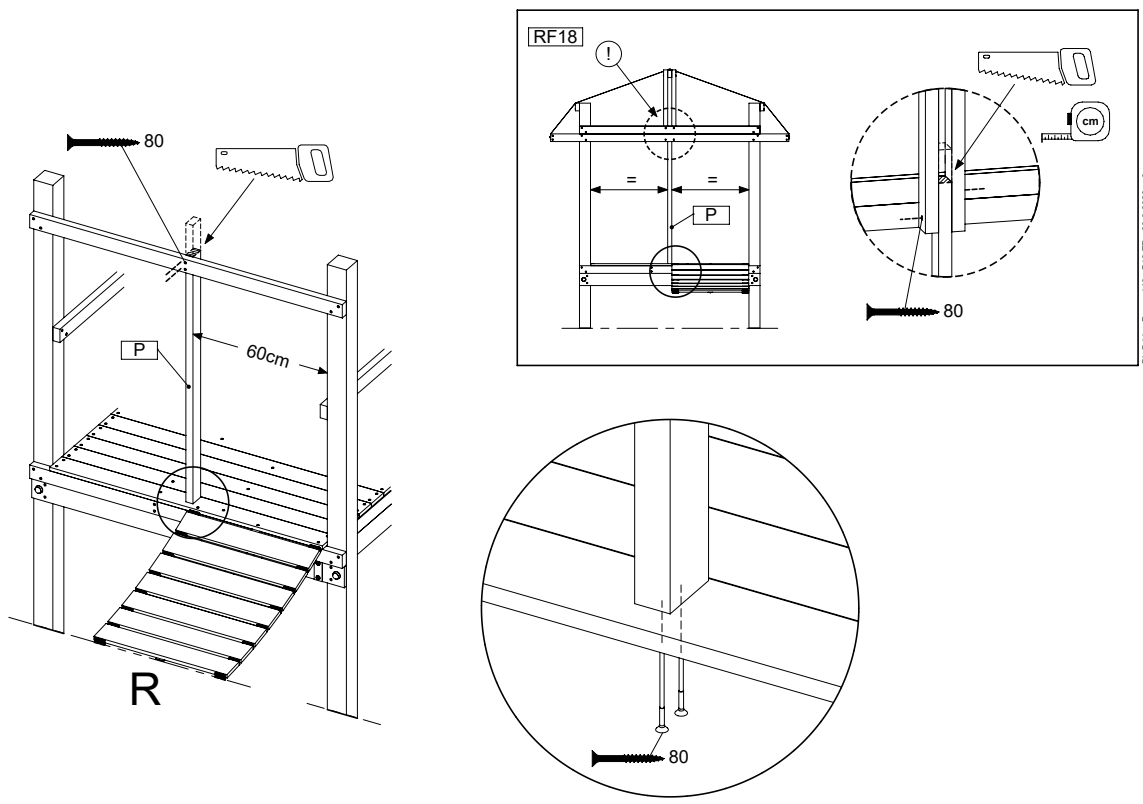


DL Bridge Frame 140 - P07 T - 28-3-2023 - v3

20.1

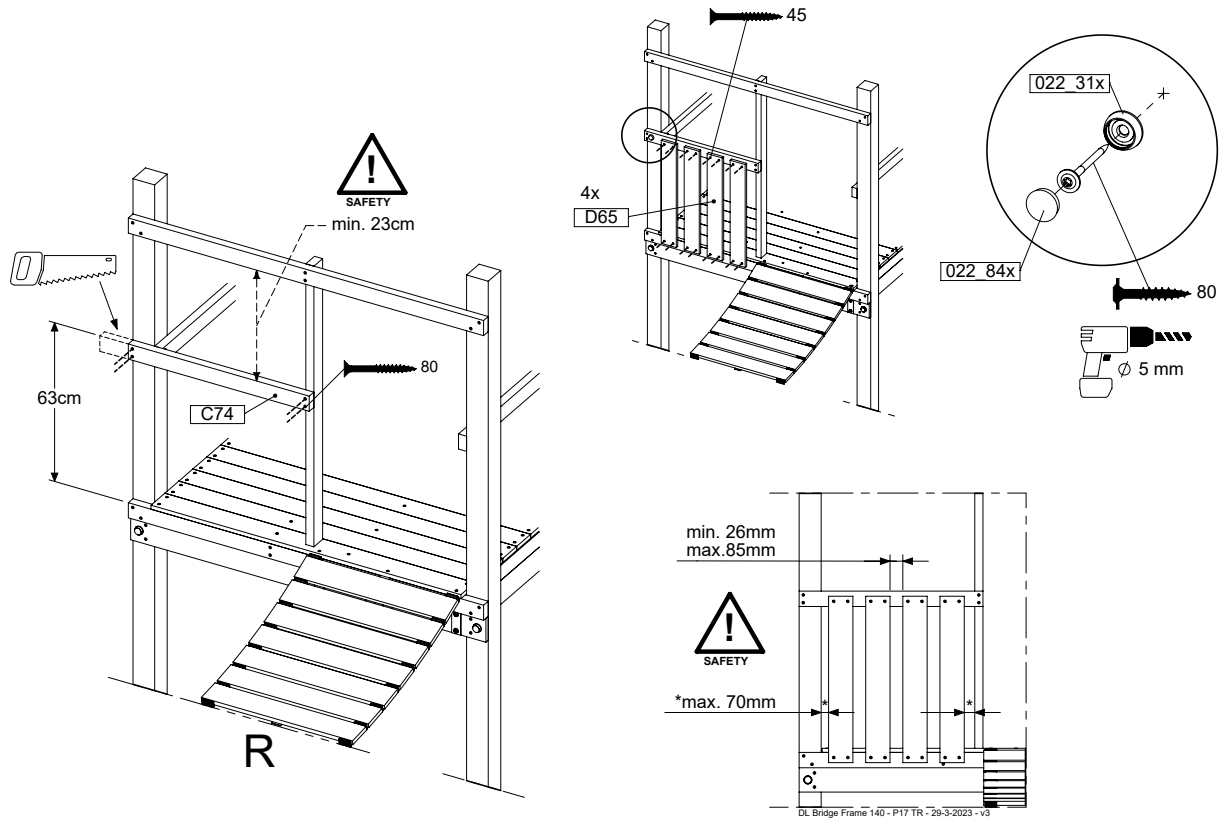


D.L. Bridge Frame 140 - P13 TR - 26.3-2023 - v3

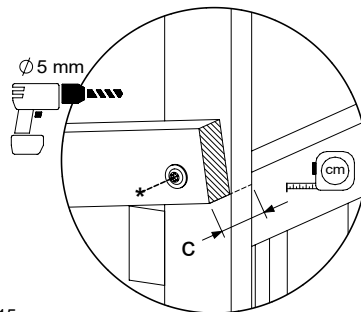
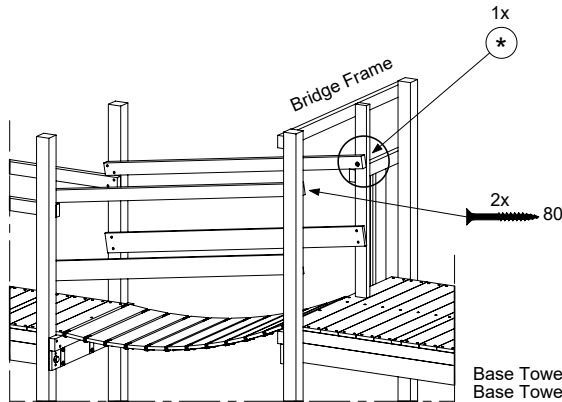
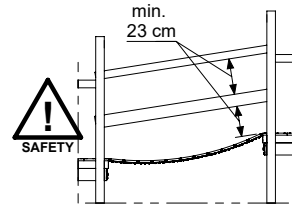
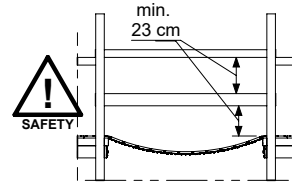
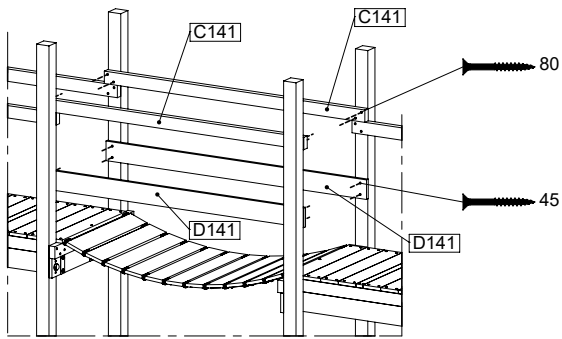


D.L. Bridge Frame 140 - P13 TR - 26.3-2023 - v3

20.2



21 CB01a: Clatter Bridge - PART 2

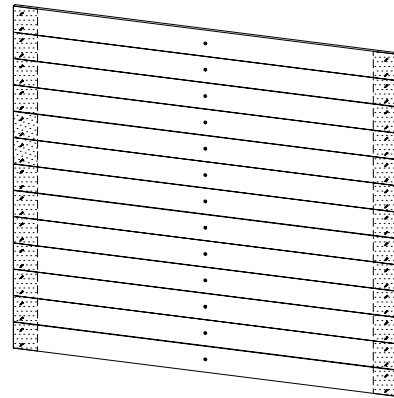
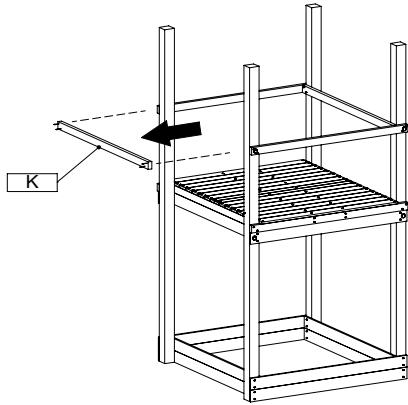


- C < 8cm 1x 60
- C > 8cm 1x 80

BF - Bridge Frame

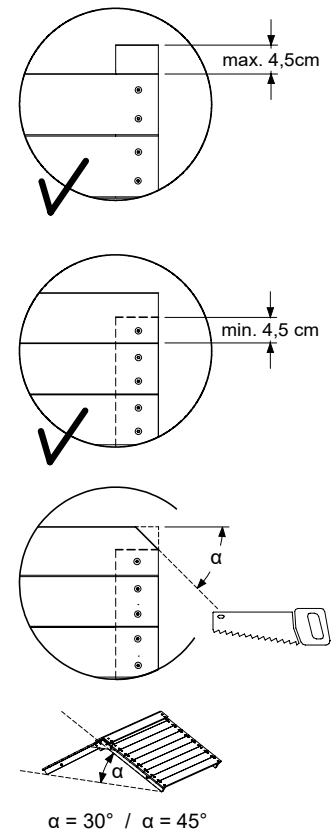
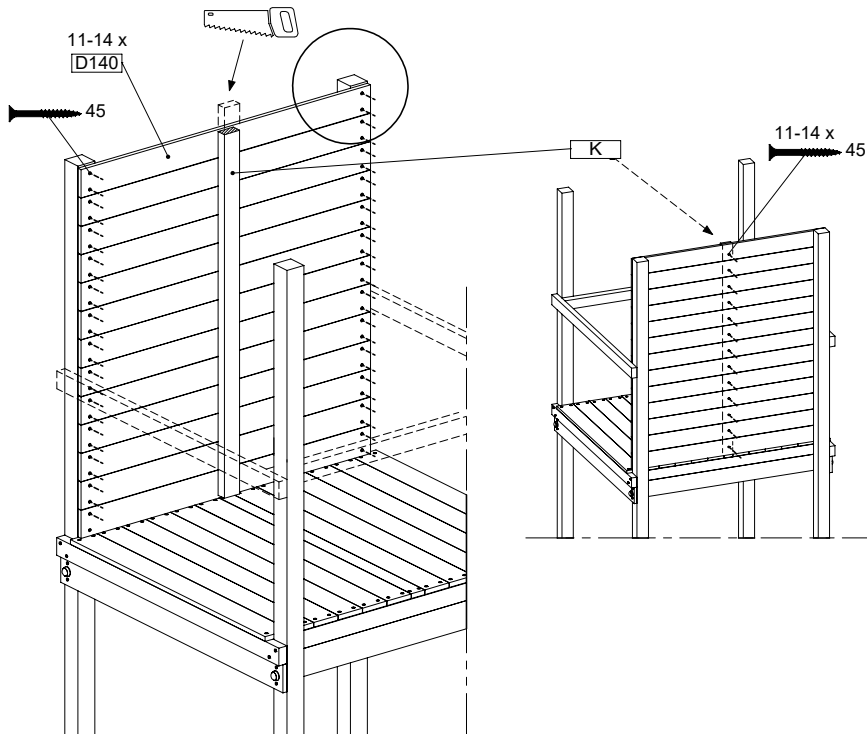
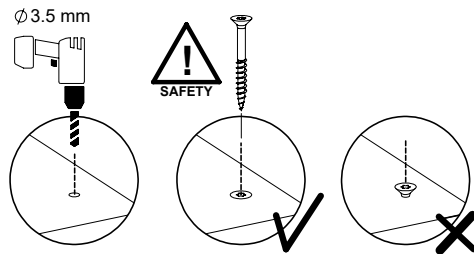
Clatter Bridge - P07 - 11/11/2022 - v4

22 PH20a: Playhouse Wall Panel 140 U



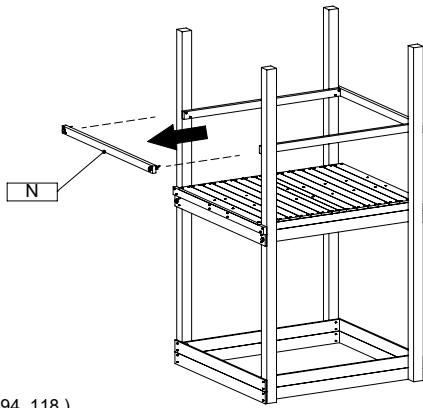
(194_809)

	PartNo	PartName	QTY.
Hardware Pack	002_220	Gap Point Screw T25 - 5x45	70
	D141	Board 1410 mm	14



$\alpha = 30^\circ / \alpha = 45^\circ$

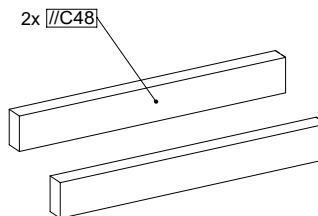
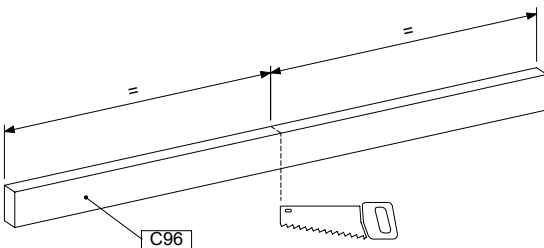
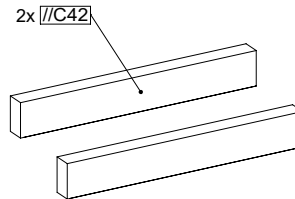
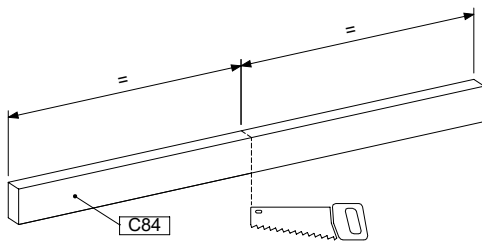
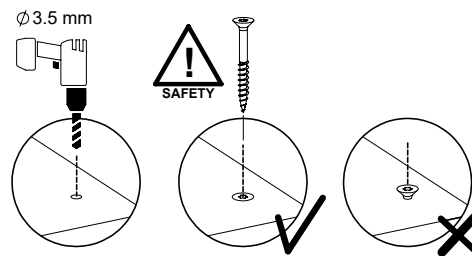
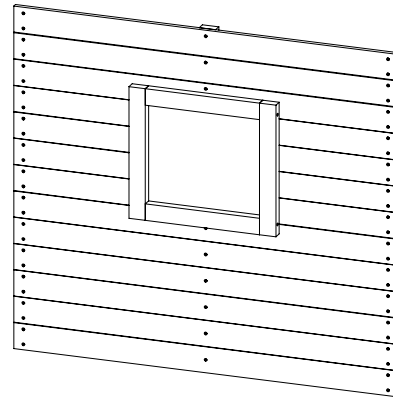
23 PH27a: Playhouse Window Panel 140 T



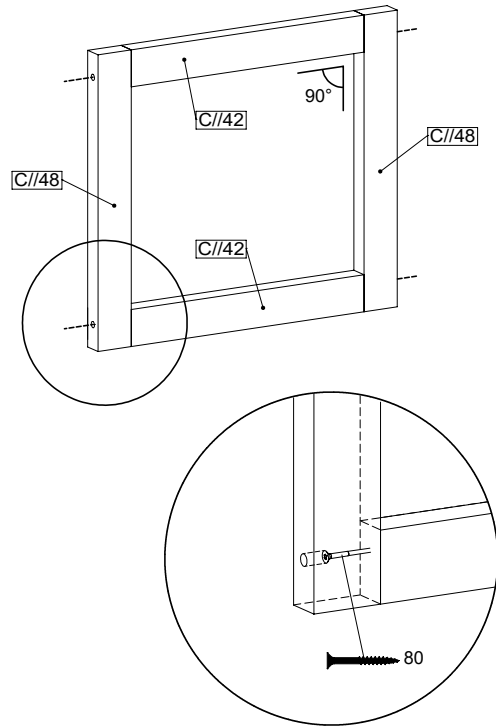
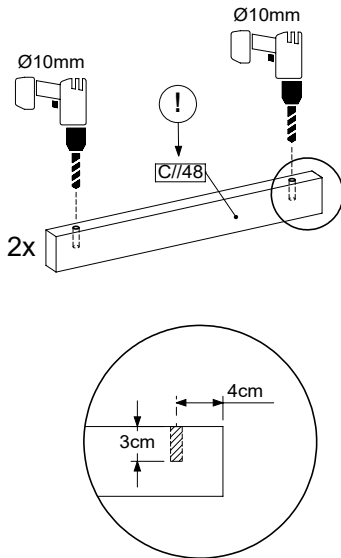
(194_118)

	PartNo	PartName	QTY.
Hardware Pack	002_220	Gap Point Screw T25 - 5x45	90
	002_223	Gap Point Screw T25 - 5x80	4
Timber	C84	Beam 840 mm	1
	C96	Beam 960 mm	1
	D47	Board 470 mm	8
	D141	Board 1410 mm	10

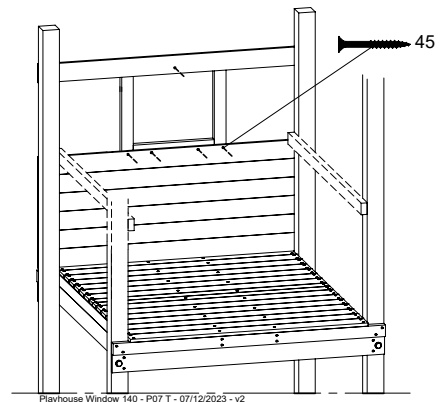
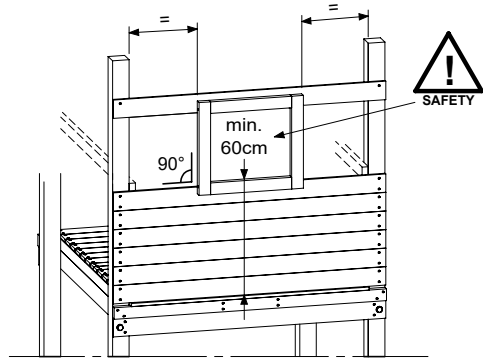
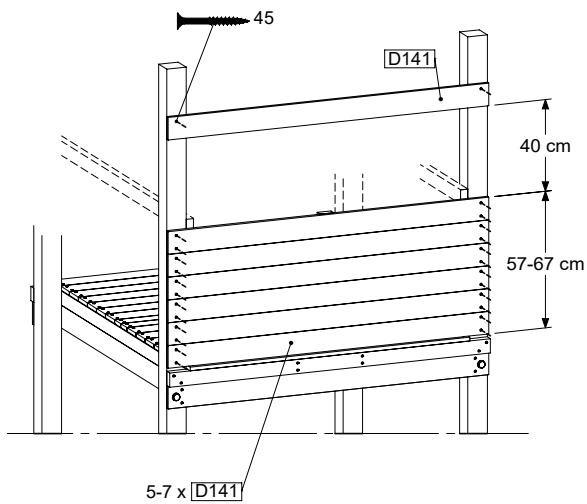
Playhouse Window 140 - P04 uni. - 07/12/2023 - v2



23.1

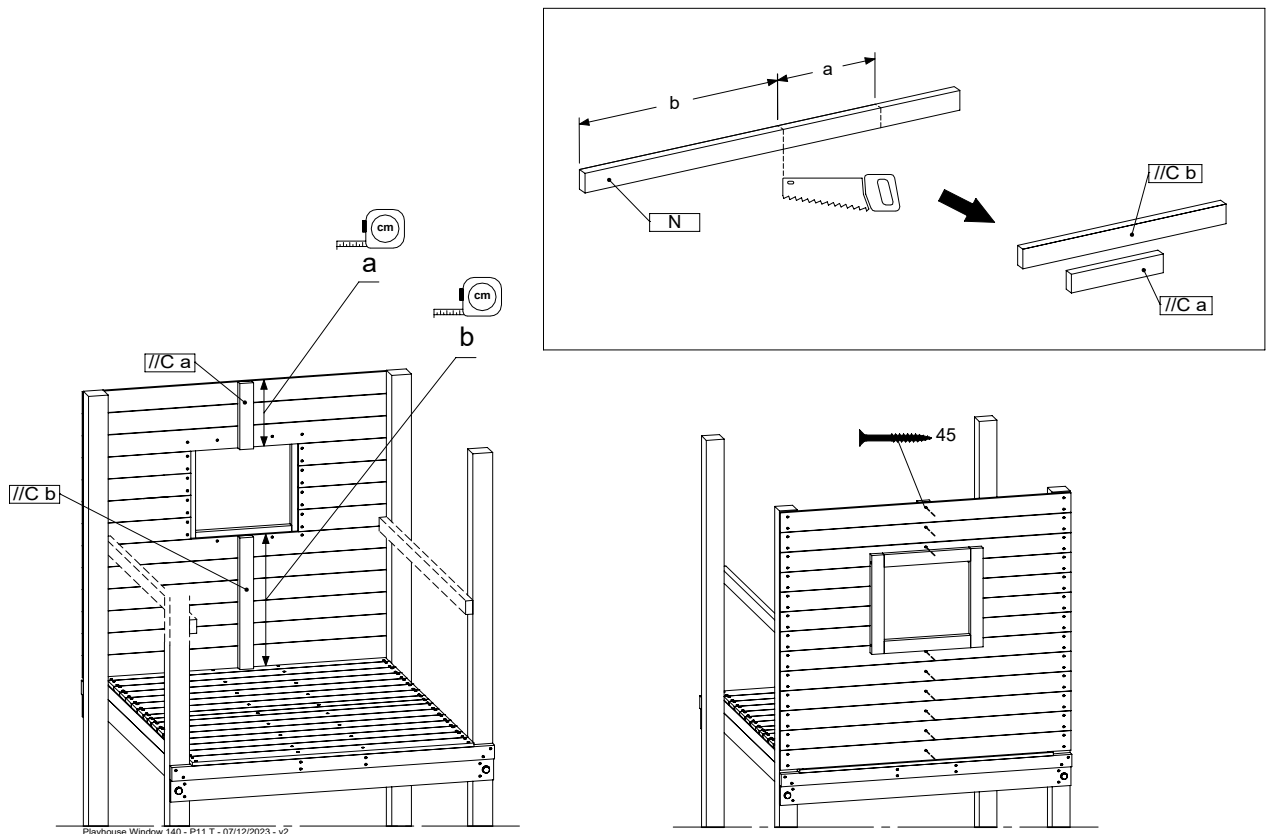
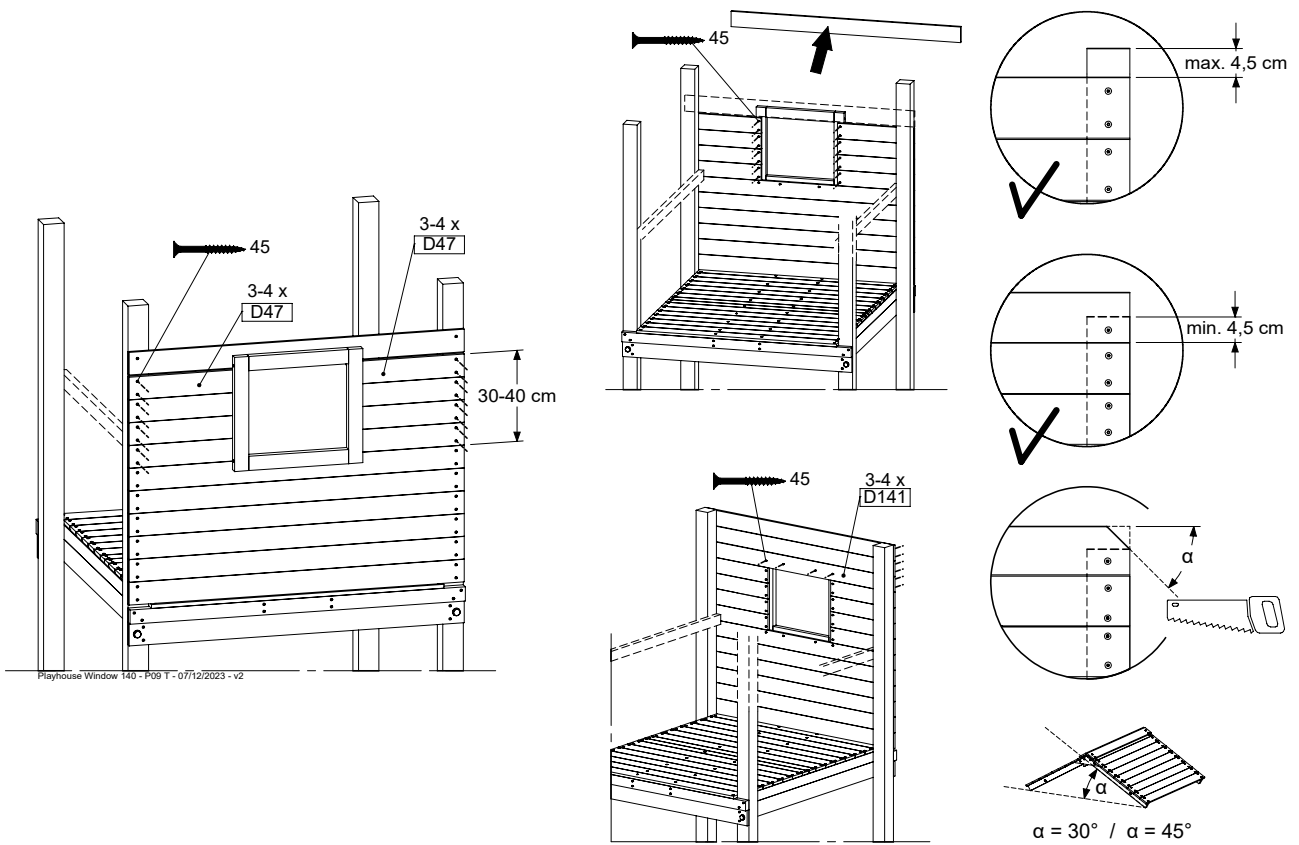


Playhouse Window 140 - P05 uni - 07/12/2023 - v2



Playhouse Window 140 - P07 T - 07/12/2023 - v2

23.2

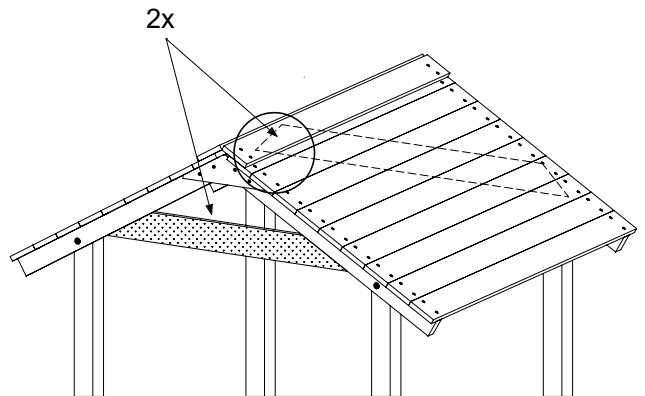
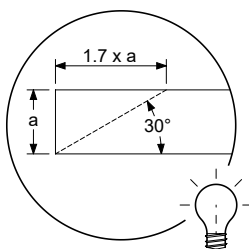
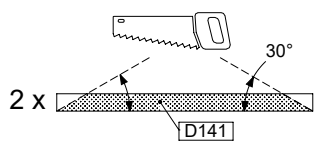
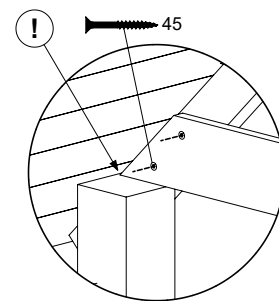
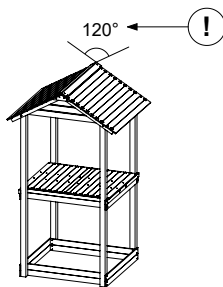
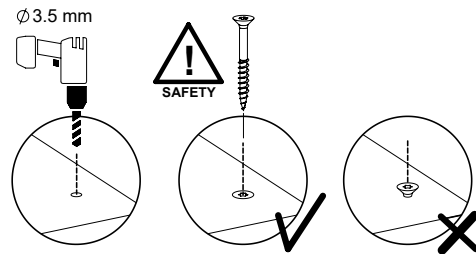
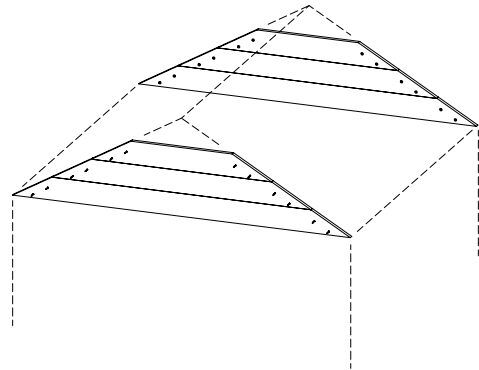


24 PH33a: Playhouse Roof Panels 140 120deg

(194_501)

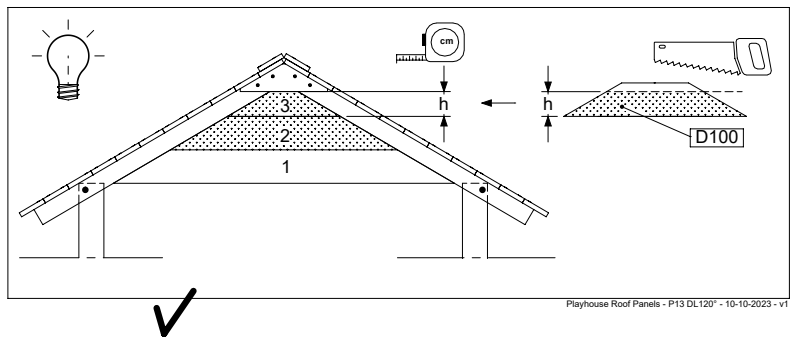
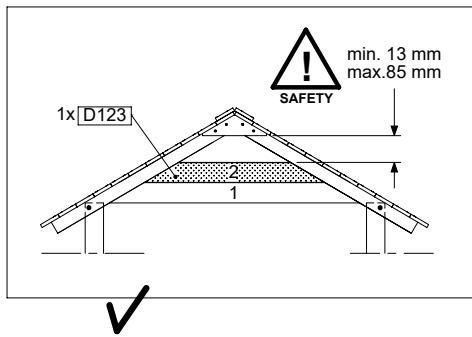
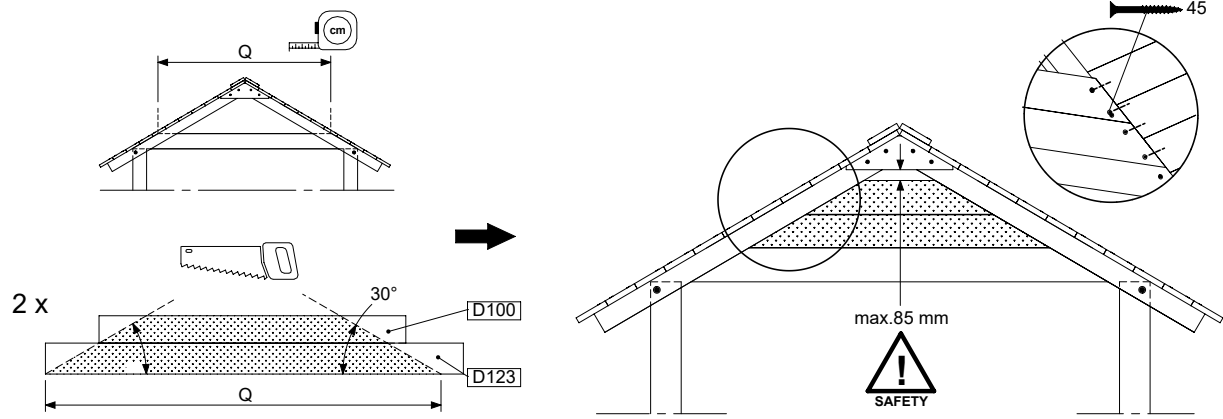
	PartNo	PartName	QTY.
Hardware Pack	002_220	Gap Point Screw T25 - 5x45	24
Timber	D100	Board 1000 mm	2
	D123	Board 1230 mm	2
	D141	Board 1410 mm	2

Playhouse Roof Panels - P09 DL120° - 10-10-2023 - v1



Playhouse Roof Panels - P09 DL120° - 10-10-2023 - v1

24.1

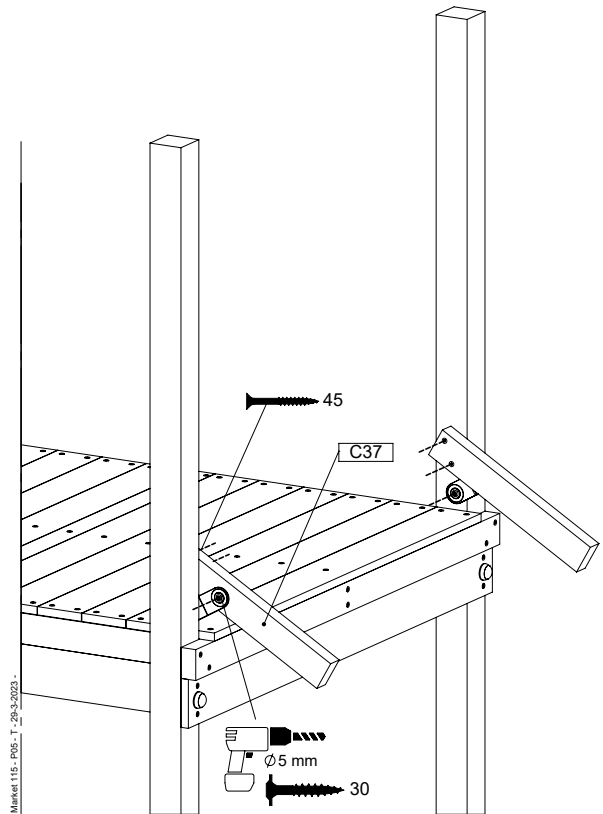
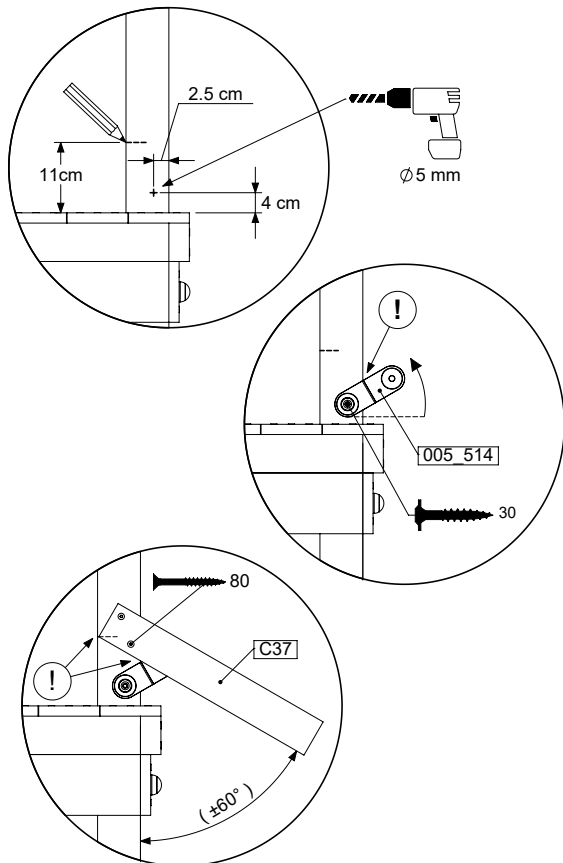
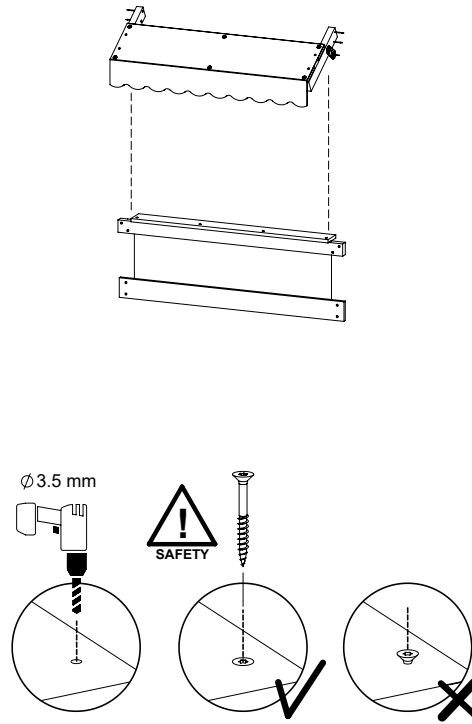


Playhouse Roof Panels - P13 DL120° - 10-10-2023 - v1

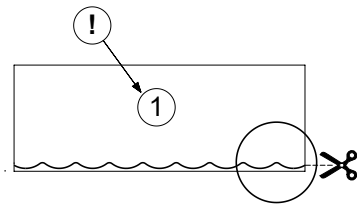
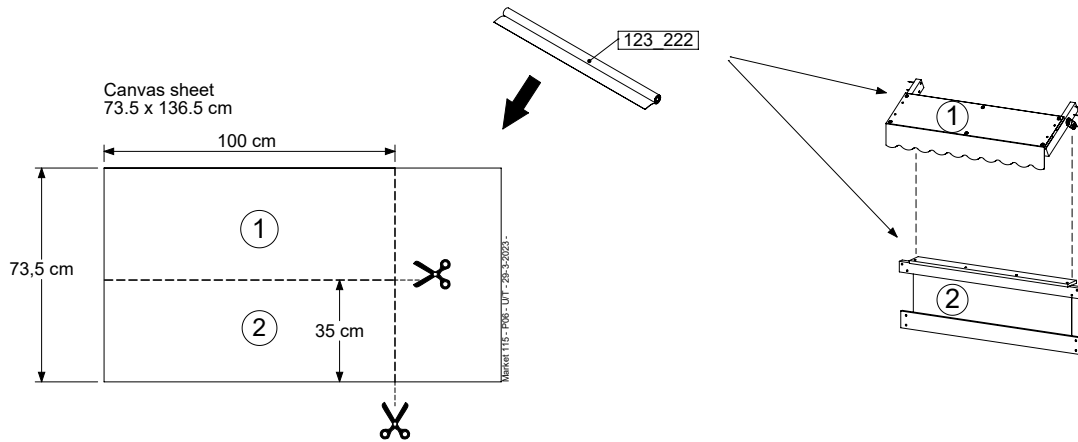
25 MT06a: Market 115 T

(194_008)

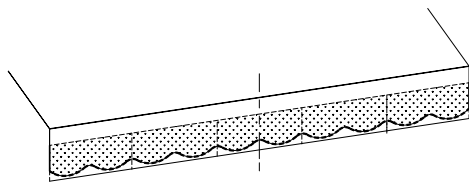
	PartNo	PartName	QTY.
Hardware Pack	001_404	Stealth Screw 8x30	4
	002_220	Gap Point Screw T25 - 5x45	16
	002_223	Gap Point Screw T25 - 5x80	8
	002_308	Gap Point Screw T25 - 5x20	10
	005_514	Ladder Bracket	2
	023_031	Finishing Washer GPS 5.0	10
Other	123_220	Canvas sheet 735x1365mm	1
Timber	C37	Beam 370 mm	2
	C114	Beam 1140 mm	1
	D100	Board 1000 mm	3
	D114	Board 1140 mm	1



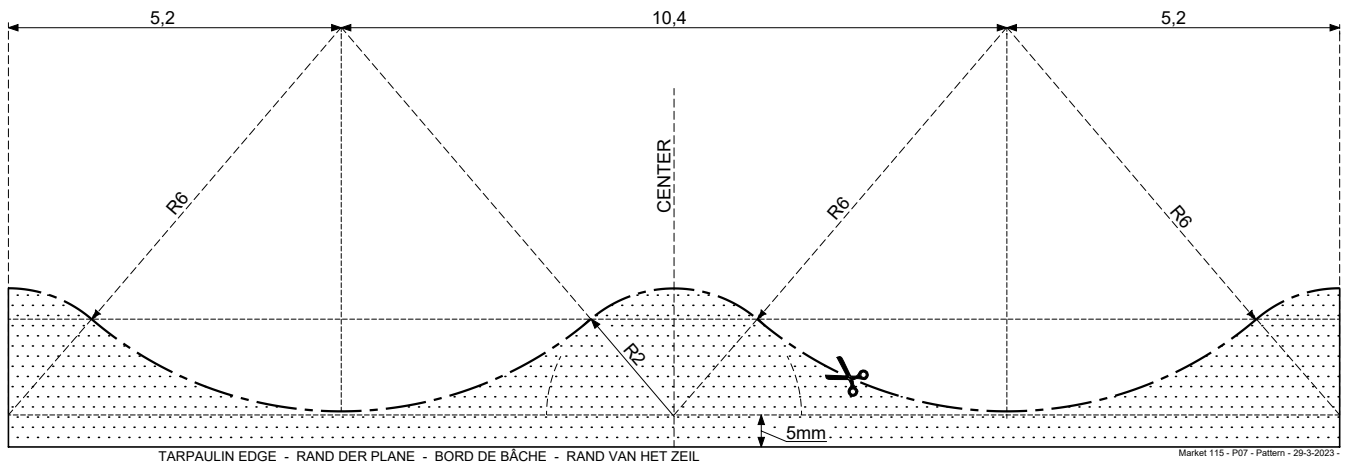
25.1



➔ Pattern



EXAMPLE PATTERN
BEISPIELVORLAGE FÜR MARKISE
SCHEMA SUGGÉRÉ DE DÉCOUPE POUR AUVENT
VOORBEELDSJABLOON LUIFEL



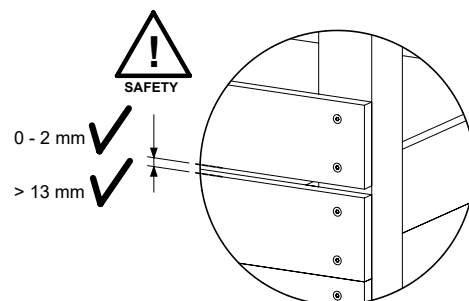
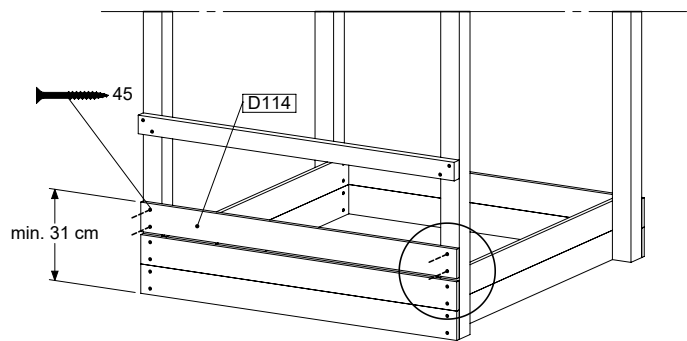
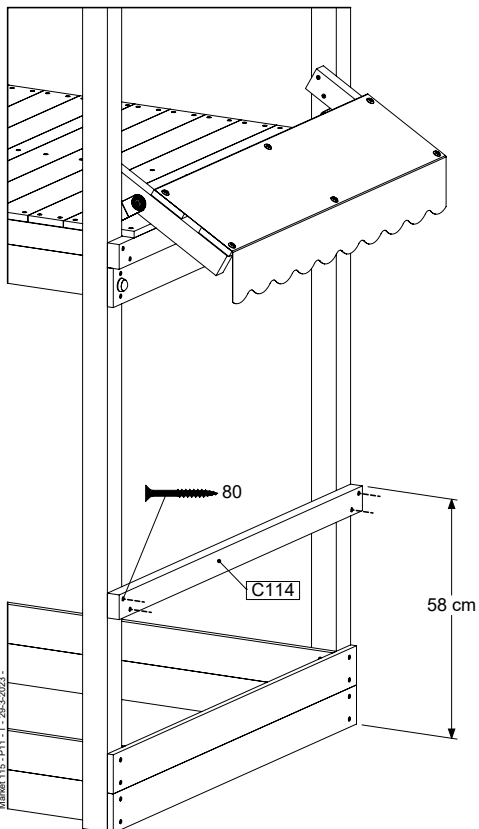
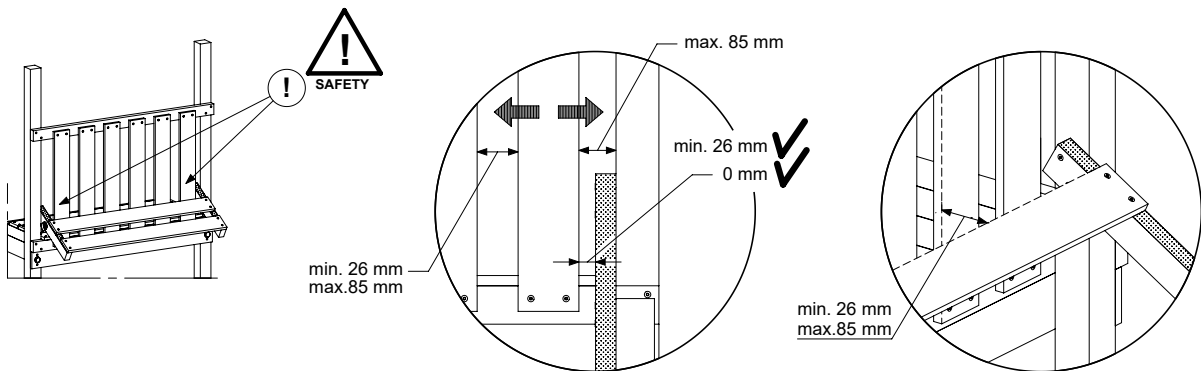
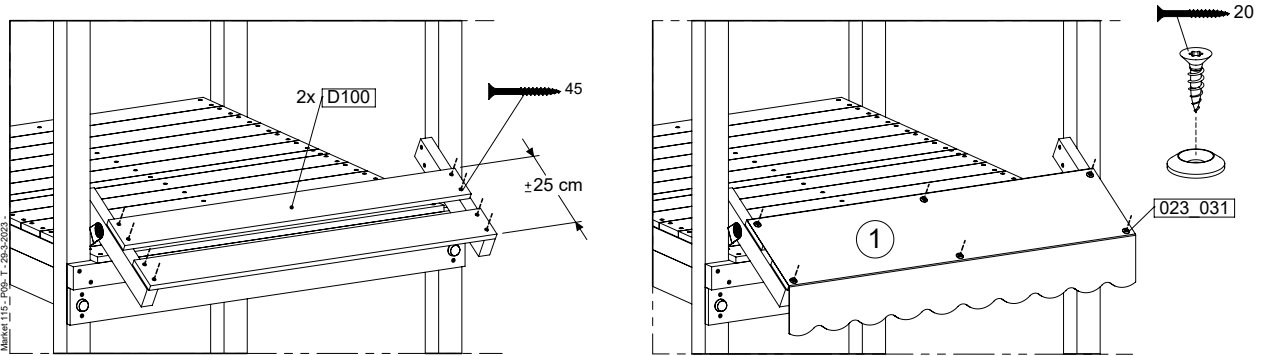
Markset 115 - P07 - Pattern - 29-3-2023

← repeat

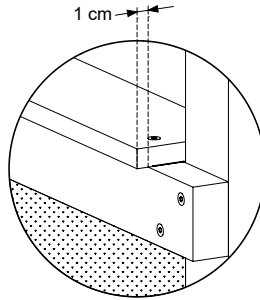
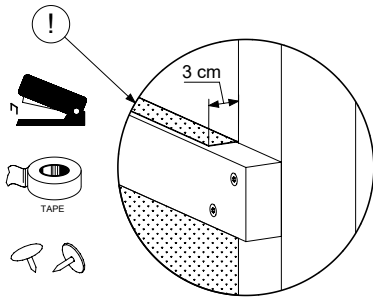
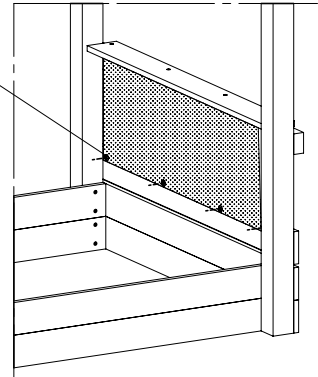
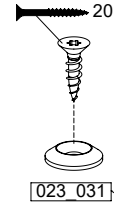
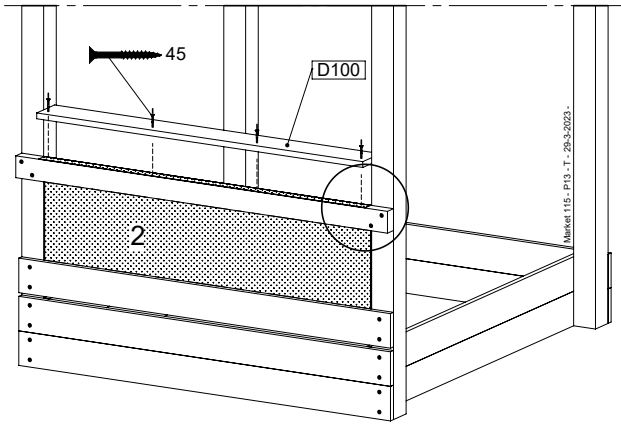
repeat →

! Scale of print may not be accurate.
Druckformat kann abweichen.
Les tailles imprimées peuvent varier.
Printformaat kan afwijken.

25.2



25.3

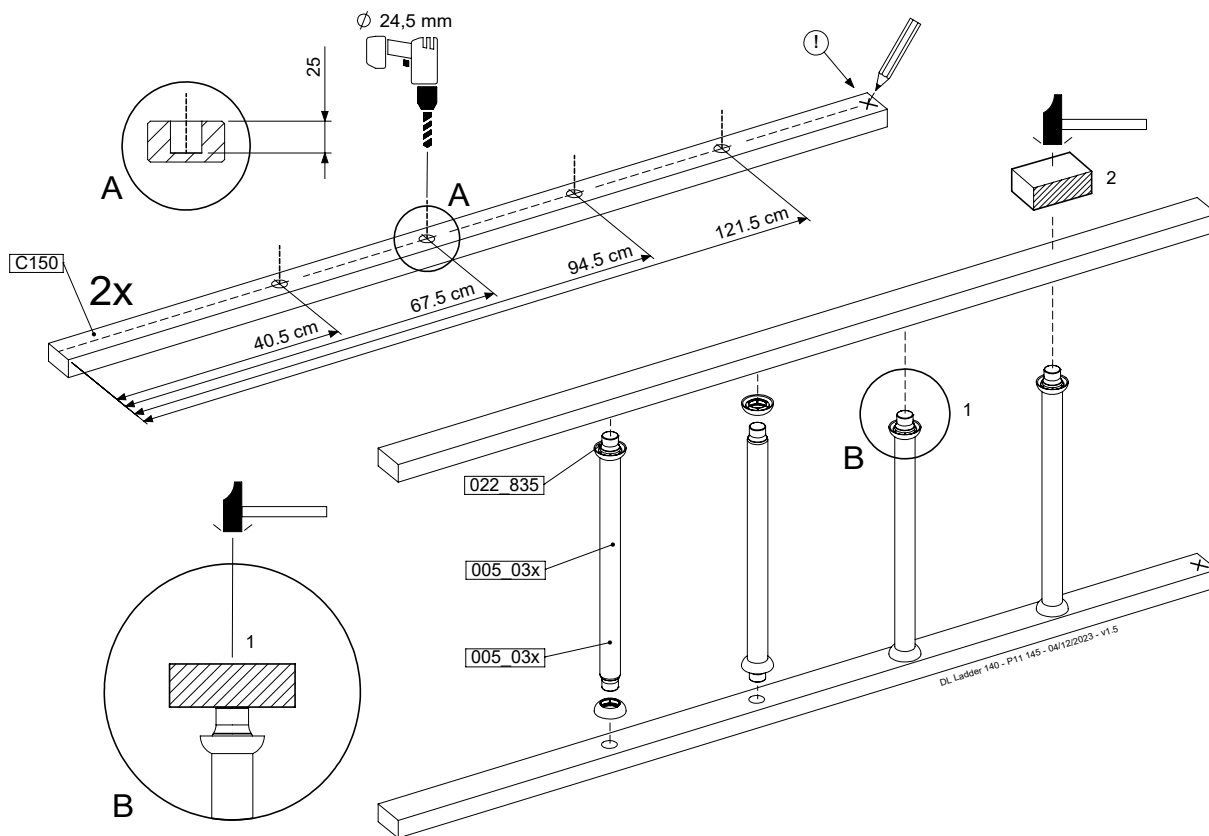
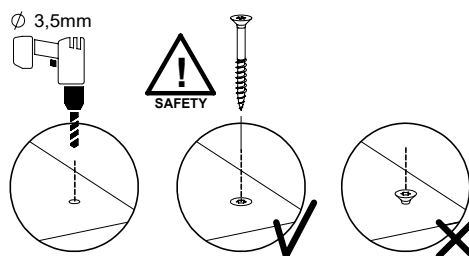
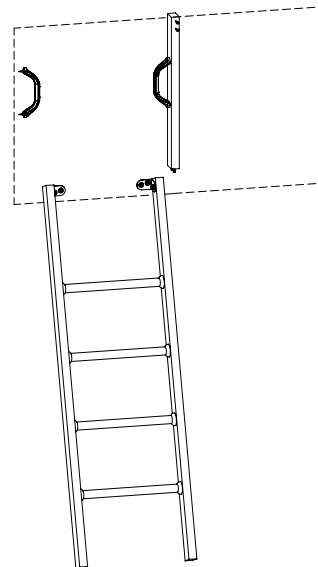


26 LA25a: Ladder 140 145 T Left

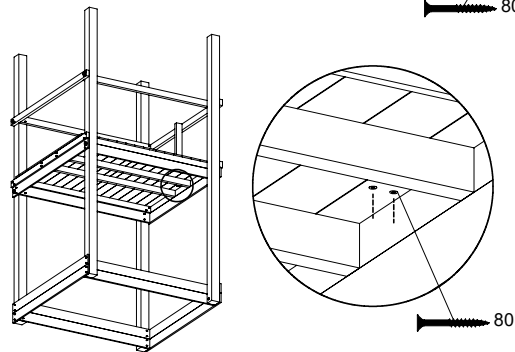
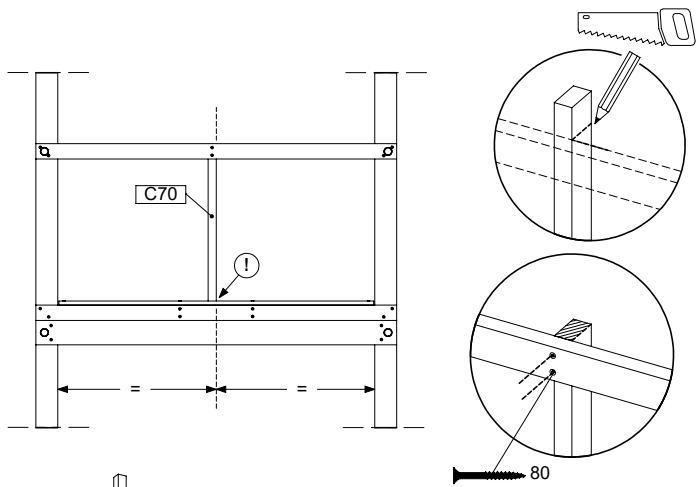
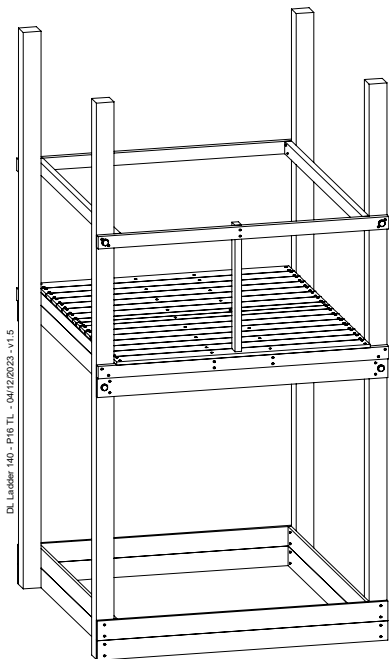
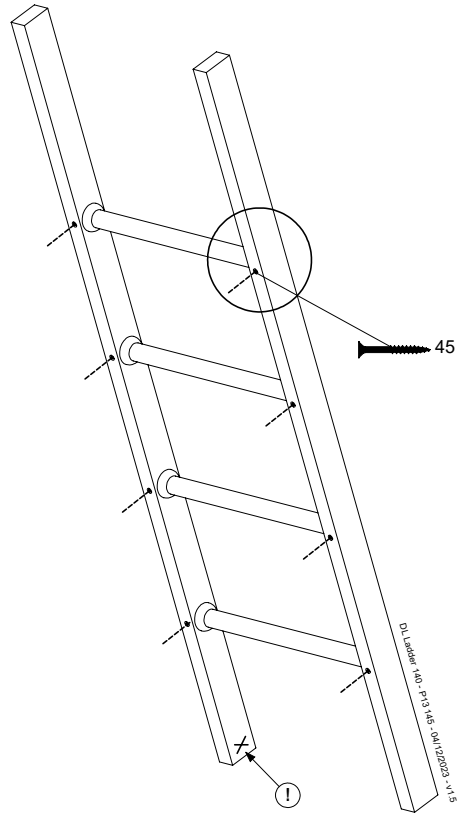
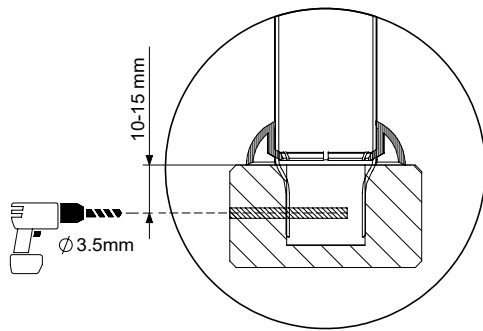
(194_004)

	PartNo	PartName	QTY.
Hardware pack	001_404	Stealth Screw 8x30	4
	002_219	Gap Point Screw T25 - 5x30	4
	002_220	Gap Point Screw T25 - 5x45	8
	002_223	Gap Point Screw T25 - 5x80	4
Other	005_03x	Ladder Rung Y/B/G/R	4
	005_522	Connection Bracket Mini Market	2
	022_835	Rung Cap	8
	120_102	Handgrip set (complete 2x)	1
Timber	C70	Beam 700 mm	1
	C150	Beam 1500 mm	2

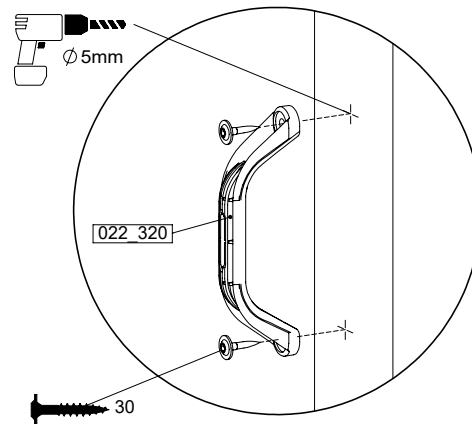
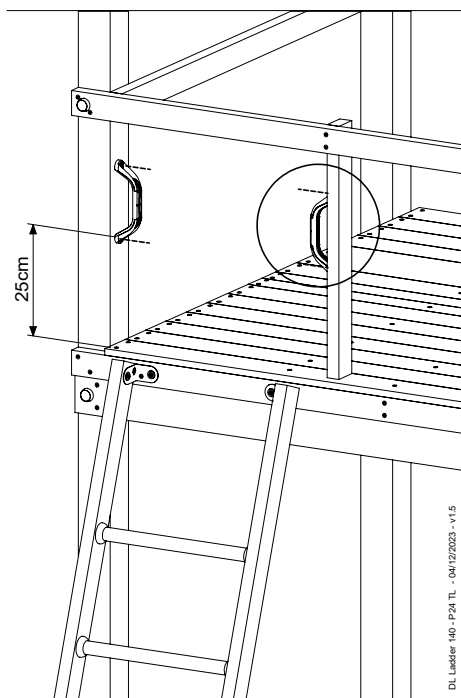
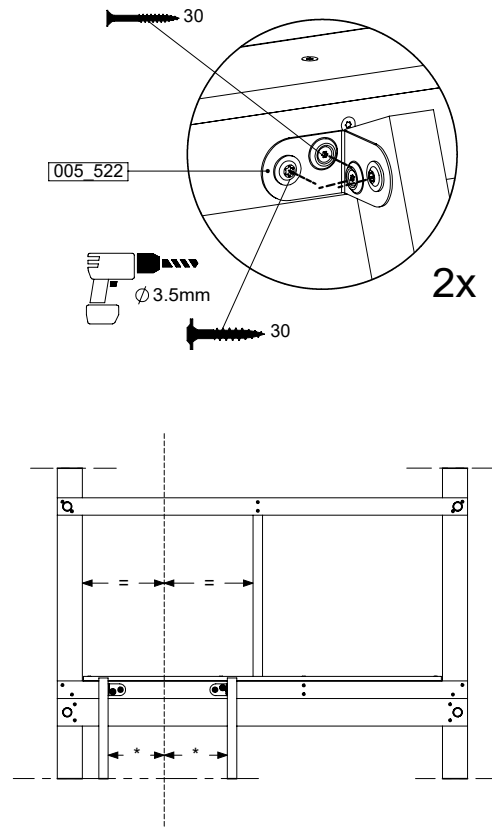
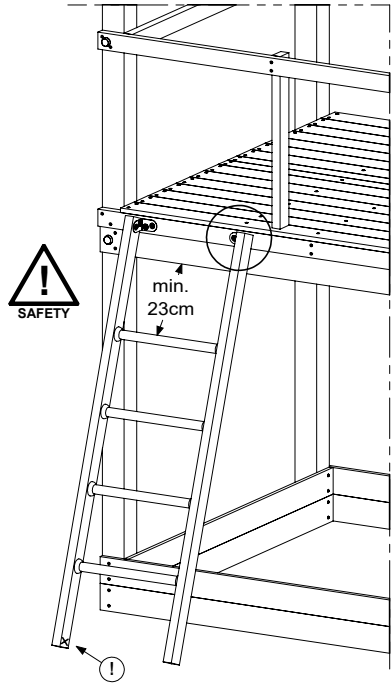
DL Ladder 140 - P108 TL 145 - 04/12/2023 - v1.5



26.1



26.2

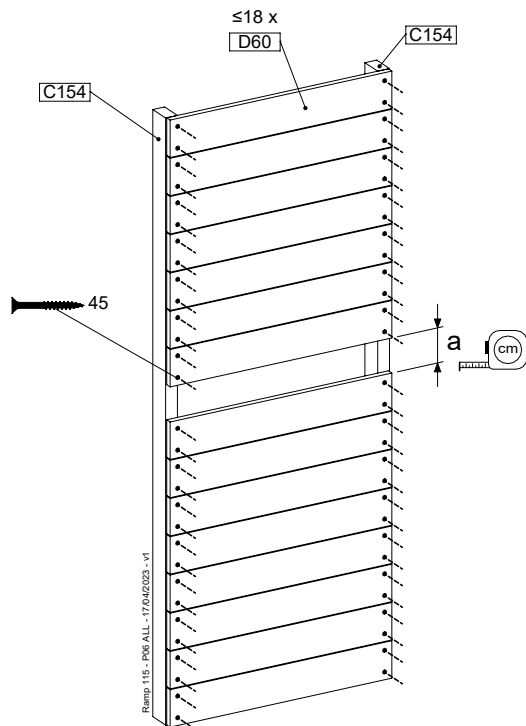
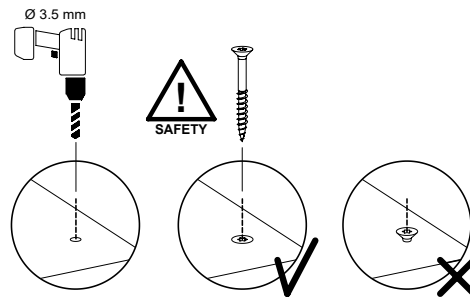
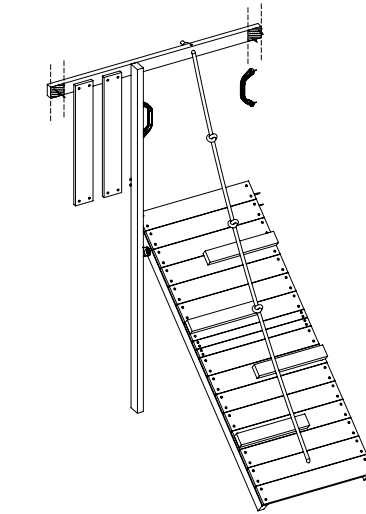


27 RA06a: Ramp 115 125 UR

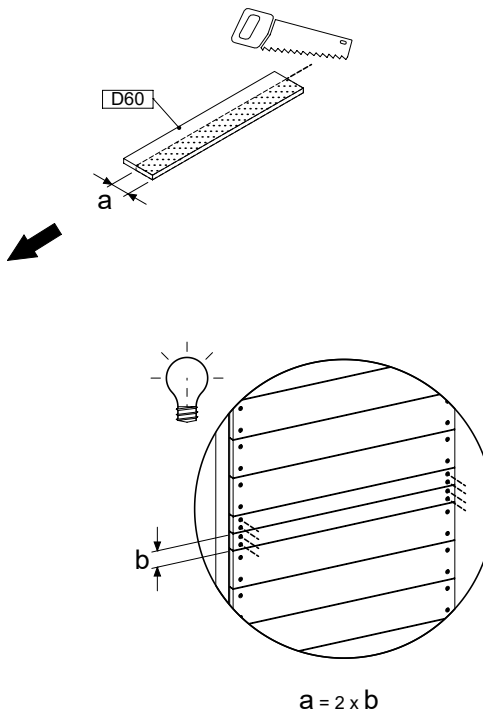
(194_008)

	PartNo	PartName	QTY.
Hardware Pack	001_404	Stealth Screw 8x30	2
	001_411	Stealth Screw 8x60	1
	001_417	Stealth Screw 8x80	2
	002_220	Gap Point Screw T25 - 5x45	97
	002_223	Gap Point Screw T25 - 5x80	9
Other	005_514	Ladder Bracket	1
	020_317	Rope Polyester 16mm Green 3.4m	1
	120_102	Handgrip set (2x Complete)	1
Timber	C37	Beam 370 mm	4
	C114	Beam 1140 mm	1
	C154	Beam 1540 mm	2
	C186	Beam 1860 mm	1
	D60	Board 600 mm	18
	D65	Board 650 mm	2

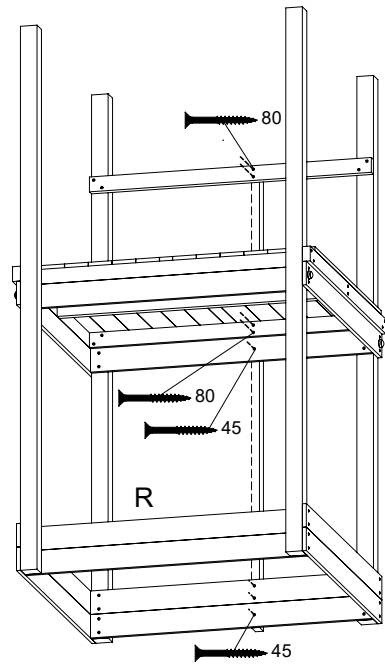
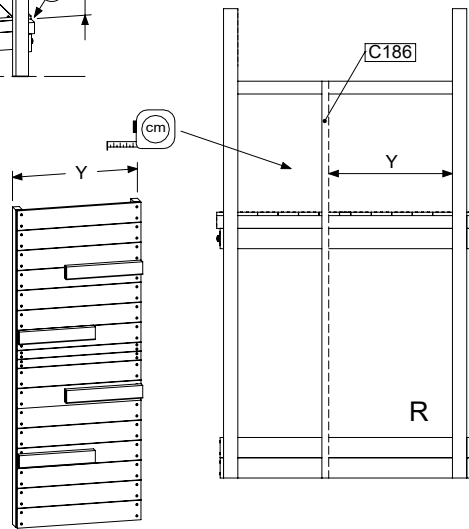
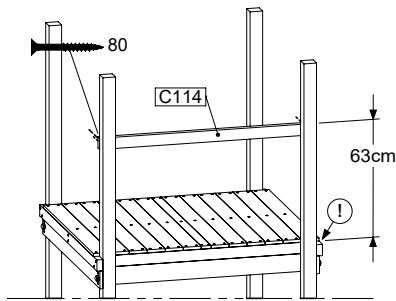
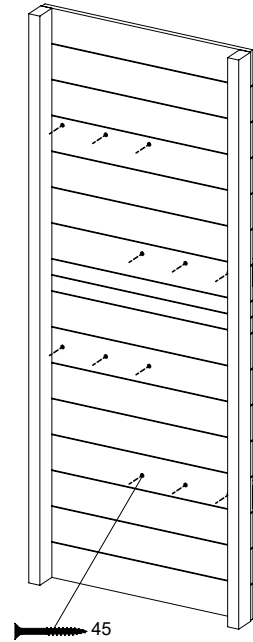
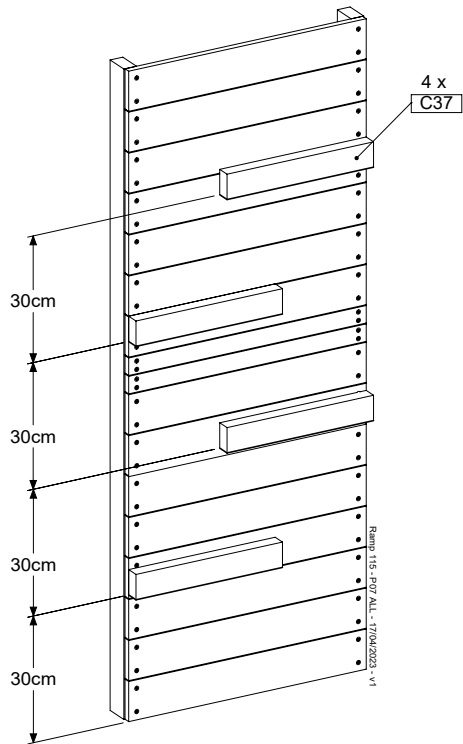
Ramp 115 - 125 UR - 17/04/2023 - v1



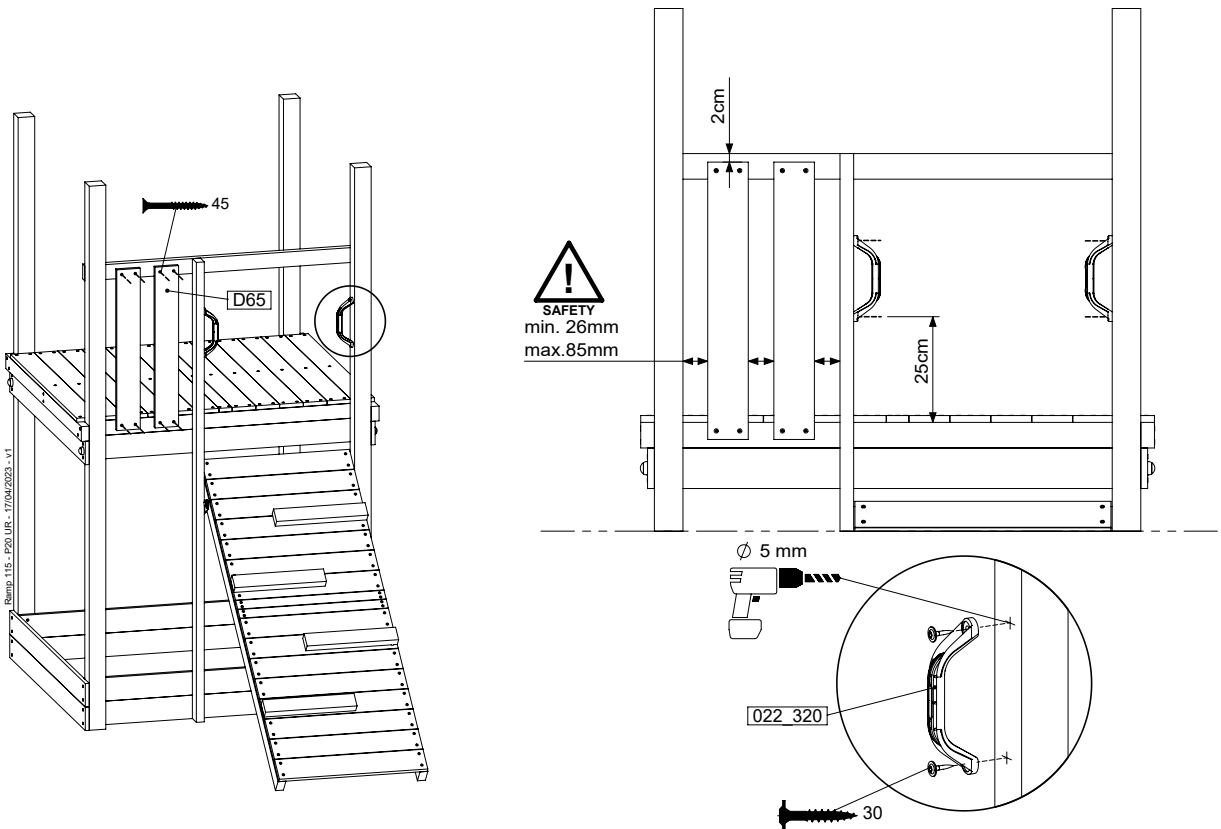
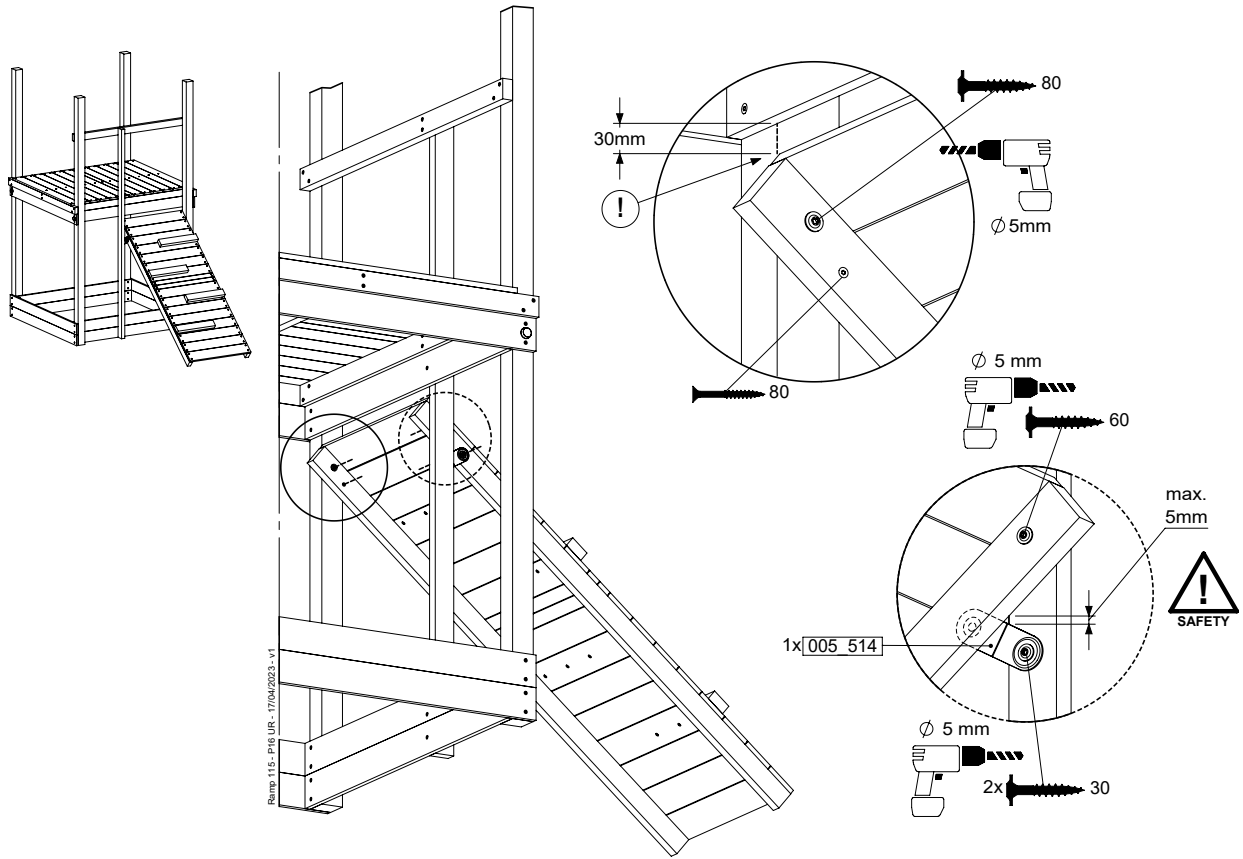
Ramp 115 - 125 UR - 17/04/2023 - v1



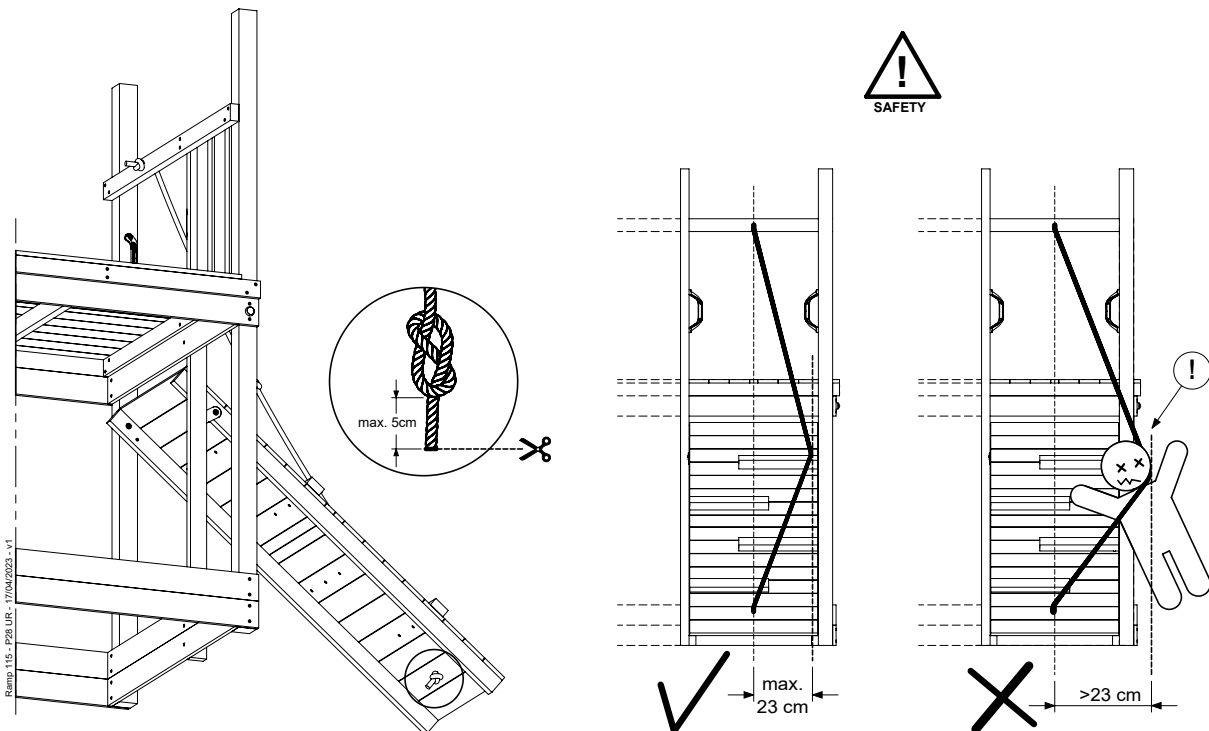
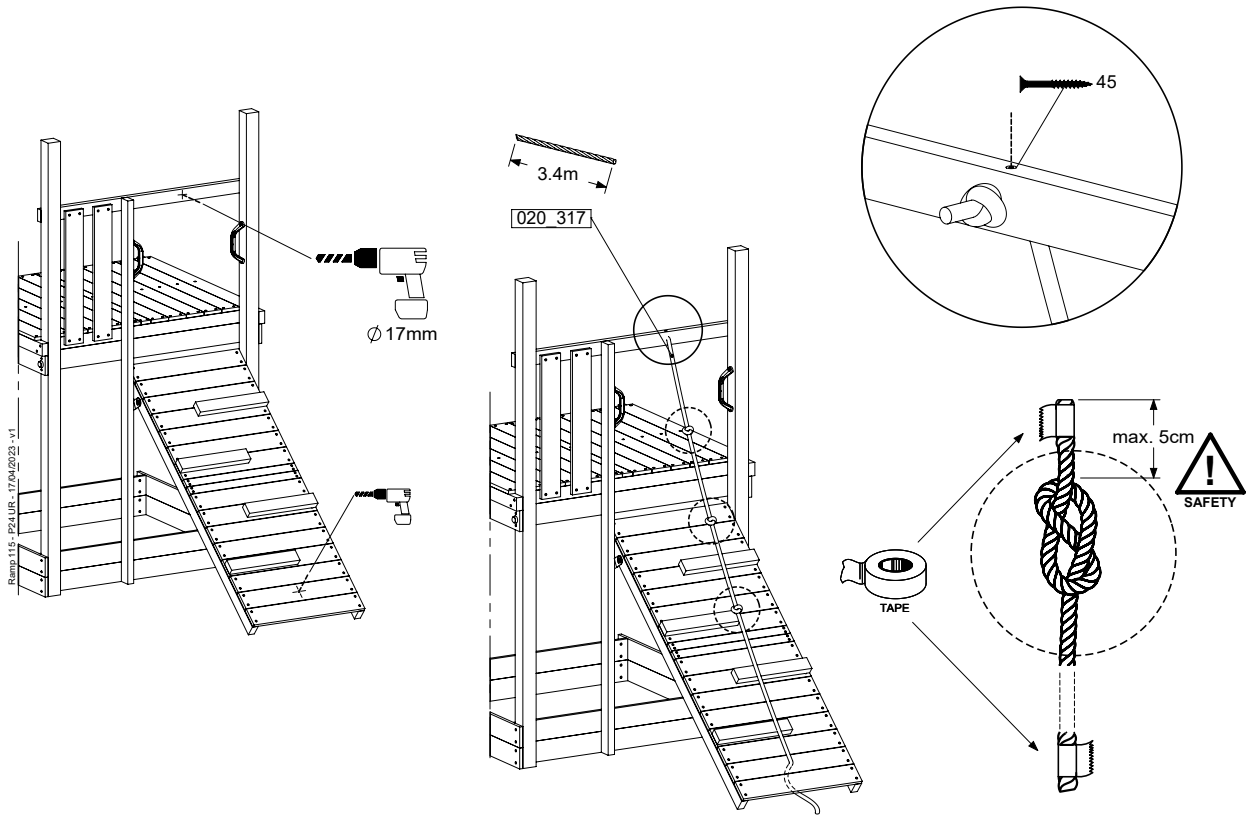
27.1



27.2



27.3

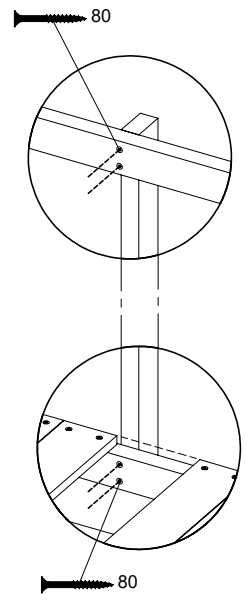
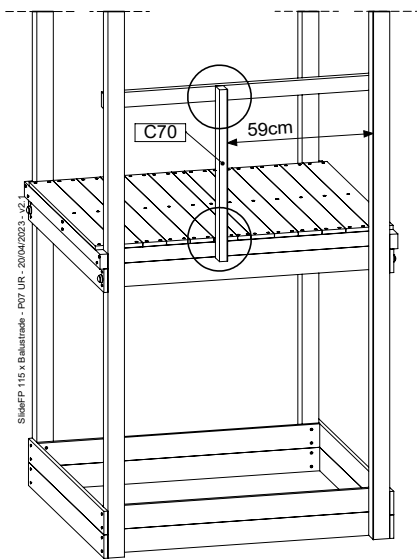
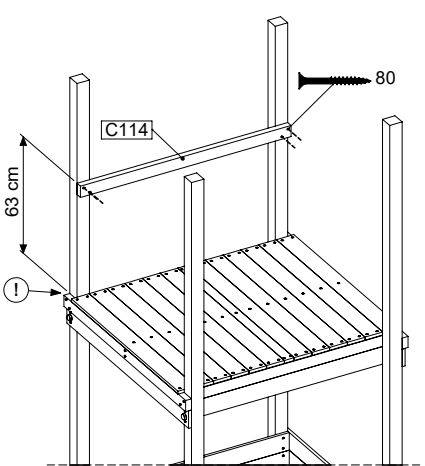
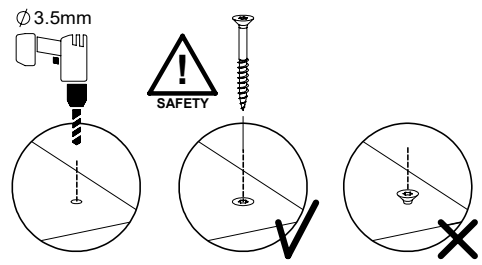
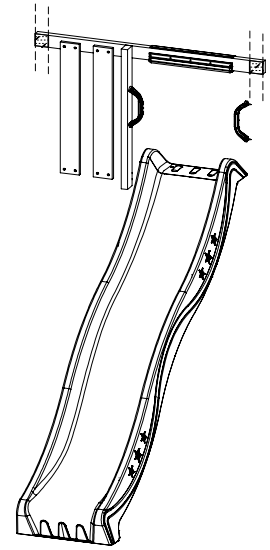


28 SL07a: Slide 115 125 U Right

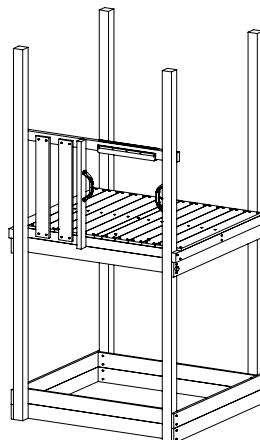
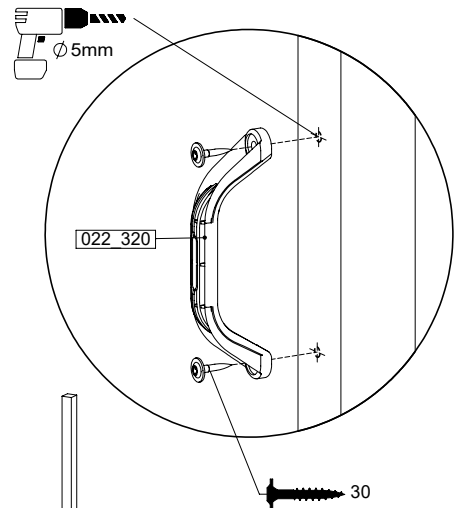
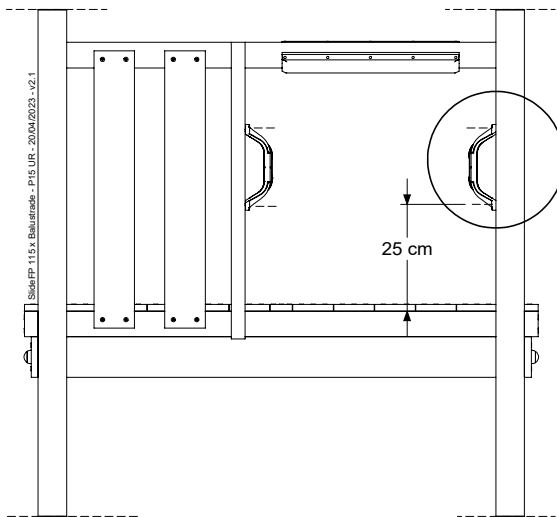
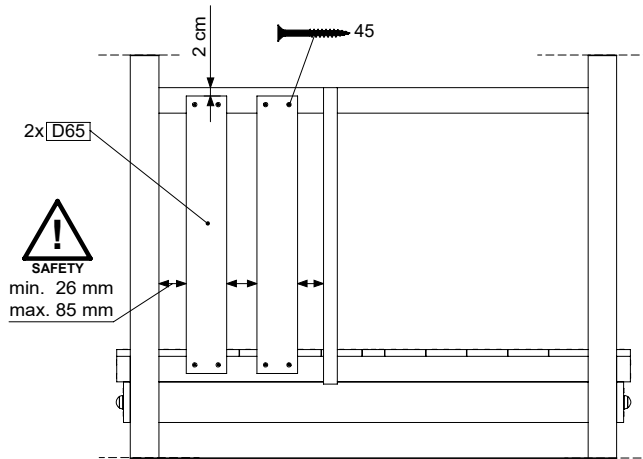
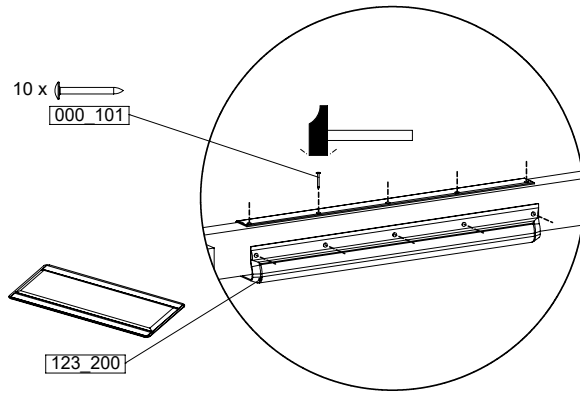
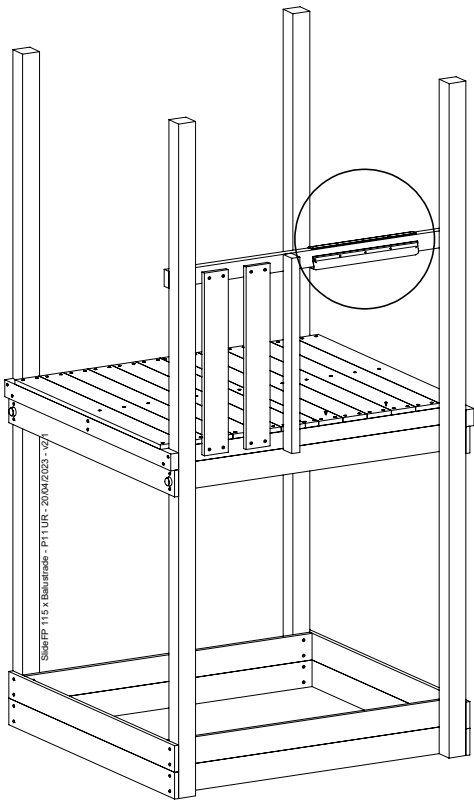
(194_107 + 194_101)

	PartNo	PartName	QTY.
Hardware Pack	000_101	Nail Pan Head	10
	002_220	Gap Point Screw T25 - 5x45	8
	002_223	Gap Point Screw T25 - 5x80	8
	002_308	Gap Point Screw T25 - 5x20	2
Other	120_102	Handgrip set (complete 2x)	1
	123_200	Bumperpad	1
	324_xxx 334_xxx	Wavy Star Slide XL 2200 mm / Wavy Star Slide XXL 2650 mm	1
Timber	C114	Beam 1140 mm	1
	C70	Beam 700 mm	1
	D65	Board 650 mm	2

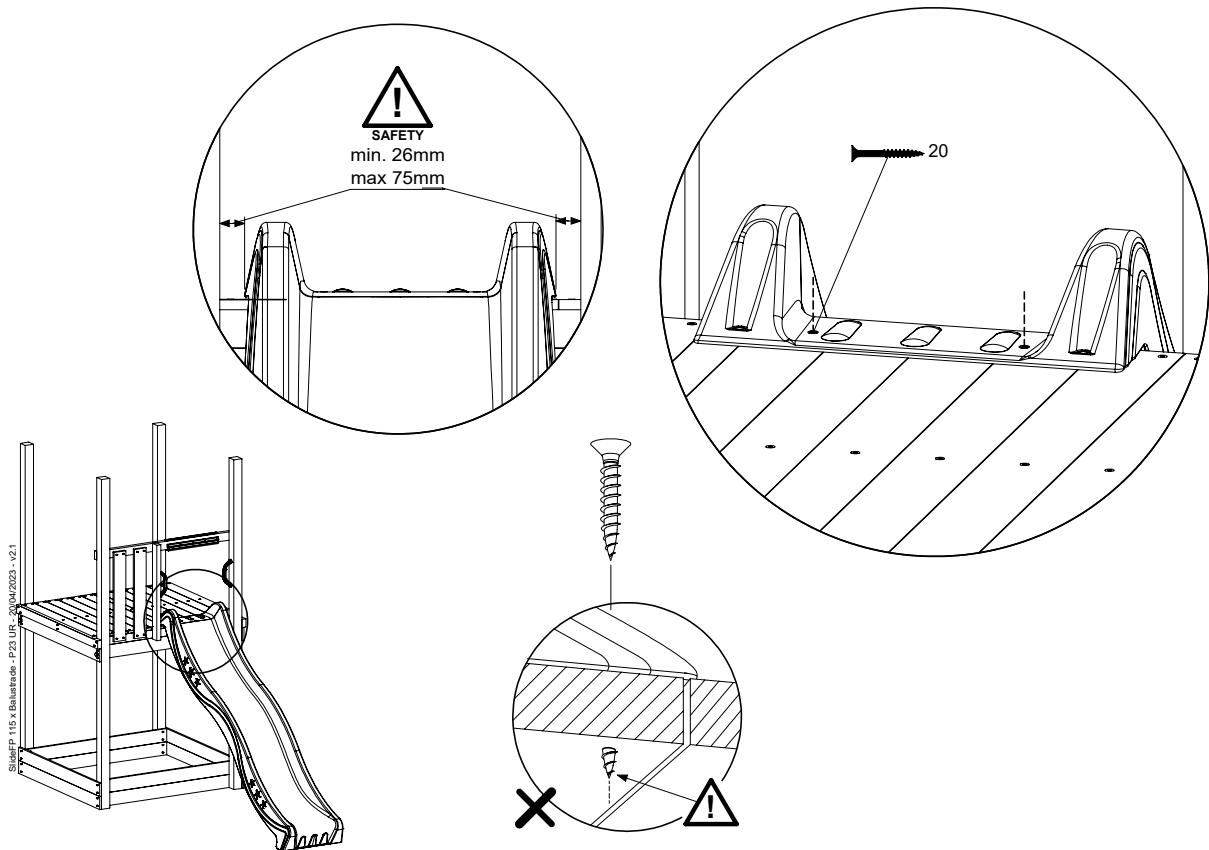
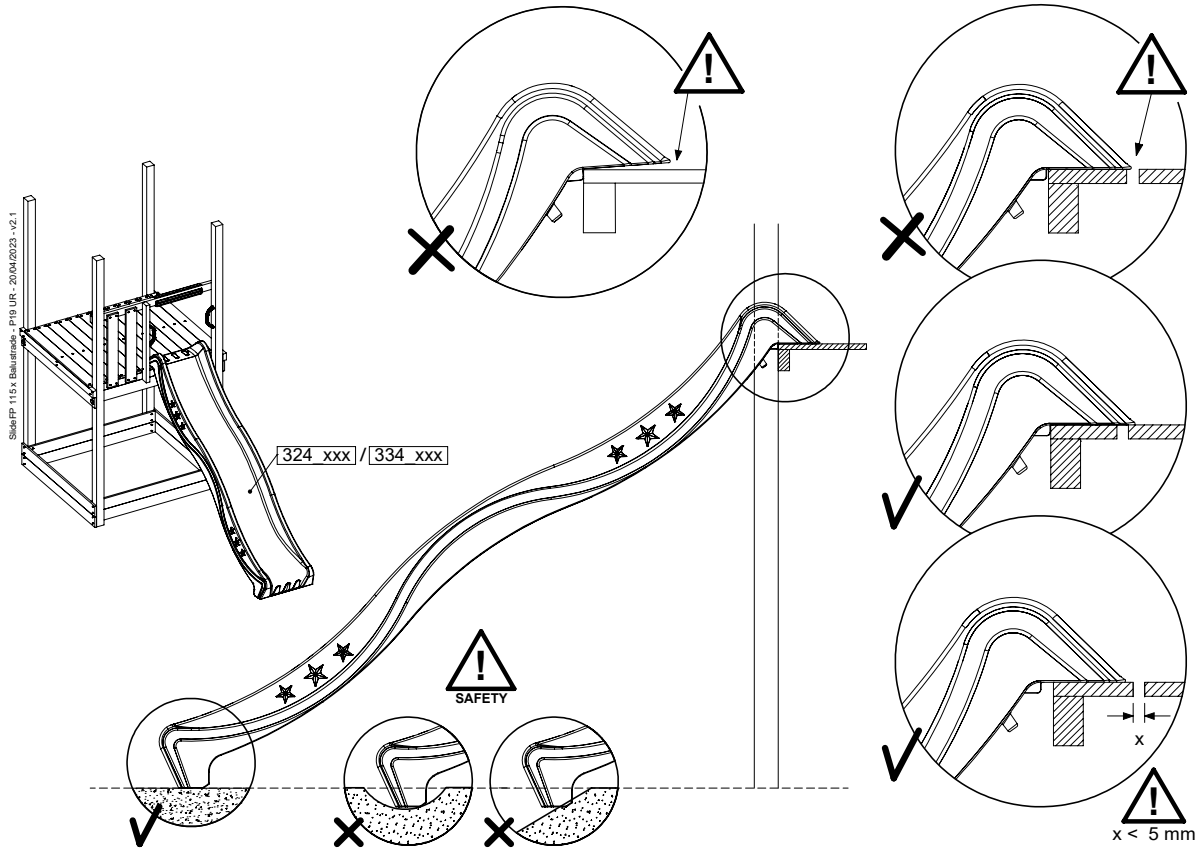
SlideFP 115 x Belemade - R03 UR - 20/04/2023 - v2.1



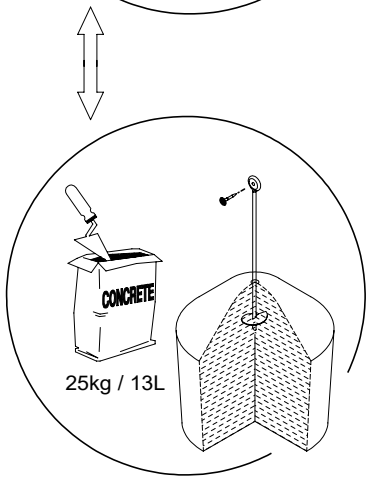
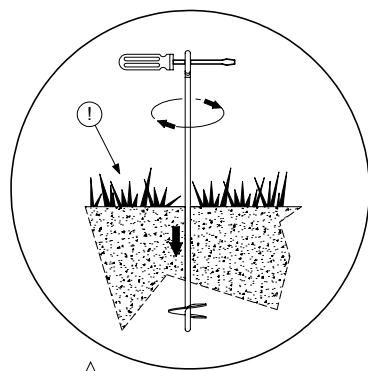
28.1



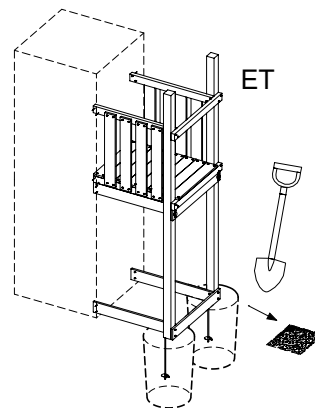
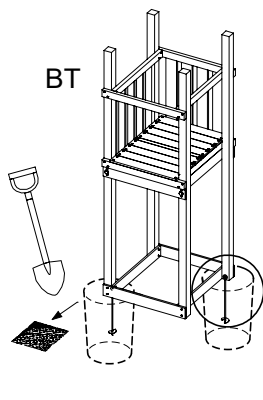
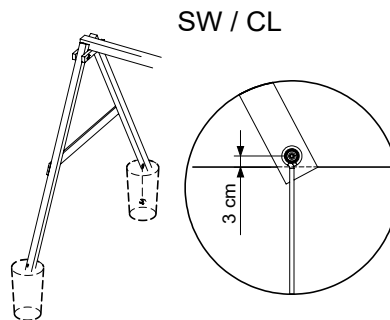
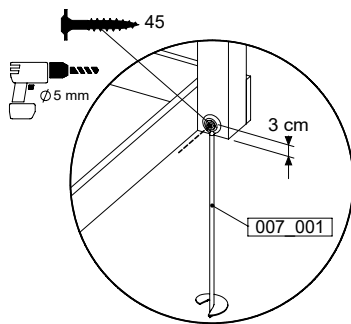
28.2



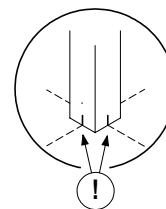
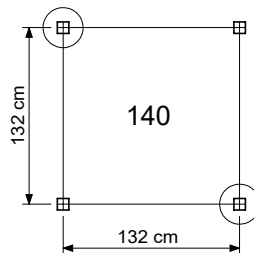
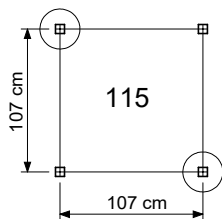
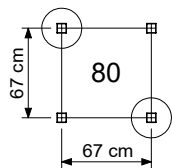
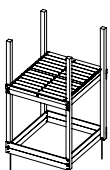
29 GA: Ground Anchors



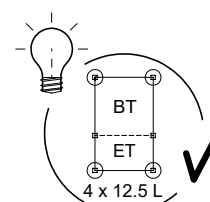
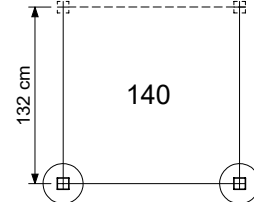
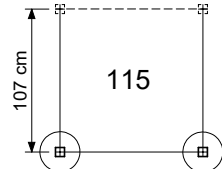
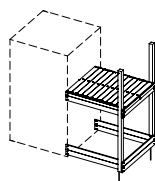
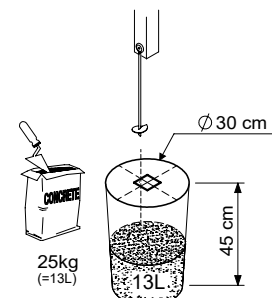
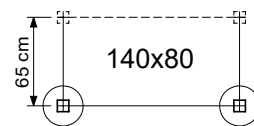
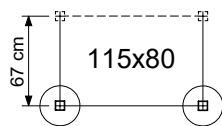
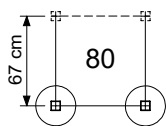
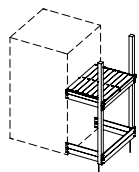
Ground Anchors Unit - P03 - 04/07/2023 - v1.2



BASE TOWERS



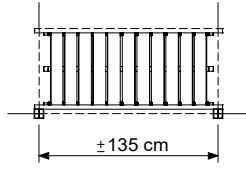
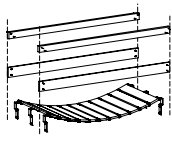
EXTENSION TOWERS



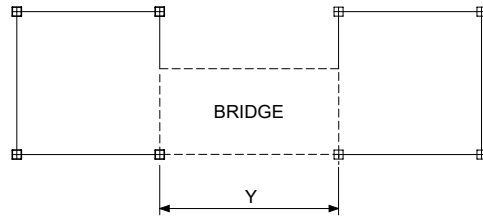
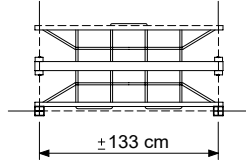
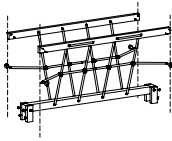
Ground Anchors Unit - P01 - 04/07/2023 - v1.2

29.1

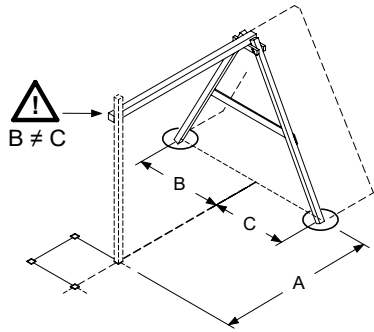
CLATTER BRIDGE



NET BRIDGE

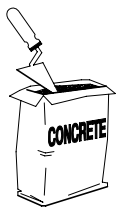
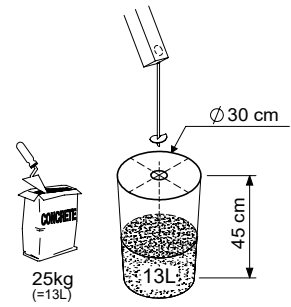


SWING / CLIMB MODULE

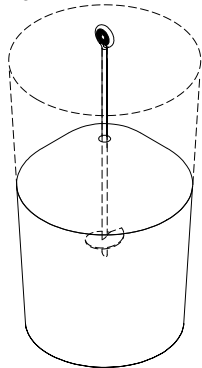


Module type	A	B	C
1-Swing 200	150	115	100
1-Swing 220 / 220 Extra		120	105
2-Swing 200	210	115	100
2-Climb 200			
1-Climb 200	142	120	105
1-Climb 220 / 220 Extra			
2-Swing 220 / 220 Extra	230	120	105
2-Climb 220 / 220 Extra			

Grand Anchers Uni. - P02 - 04/07/2023 - v1.2



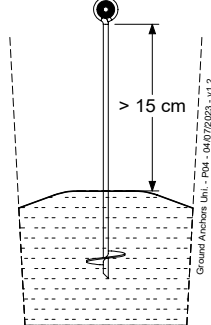
25kg / 13L



1.



SAFETY



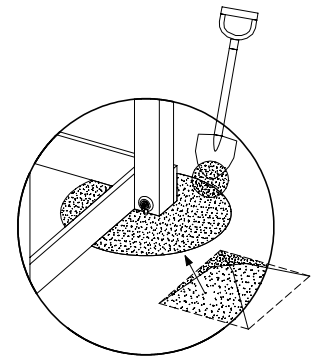
2.

Grand Anchers Uni. - P04 - 04/07/2023 - v1.2

24h



3.



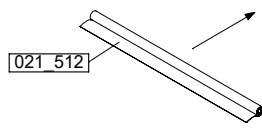
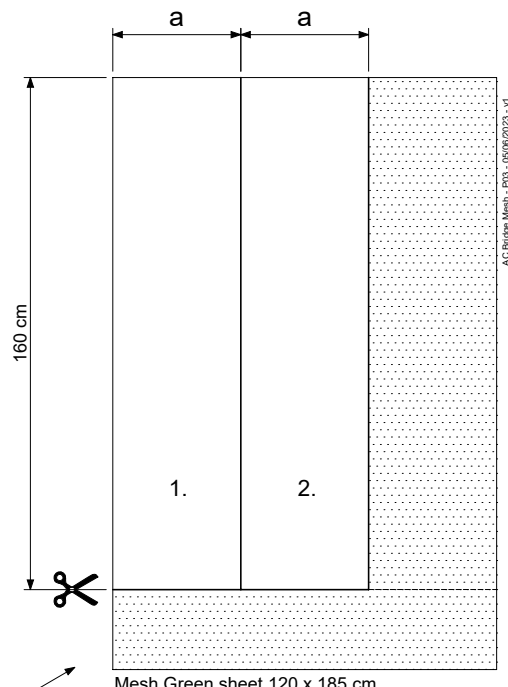
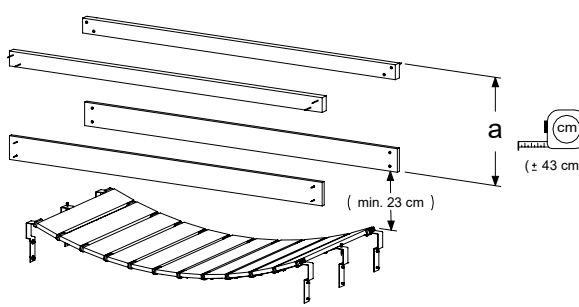
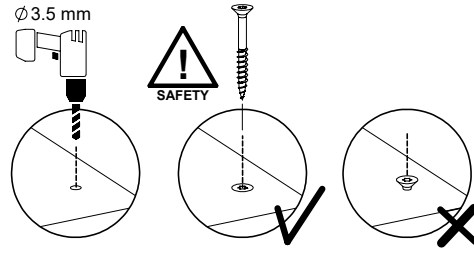
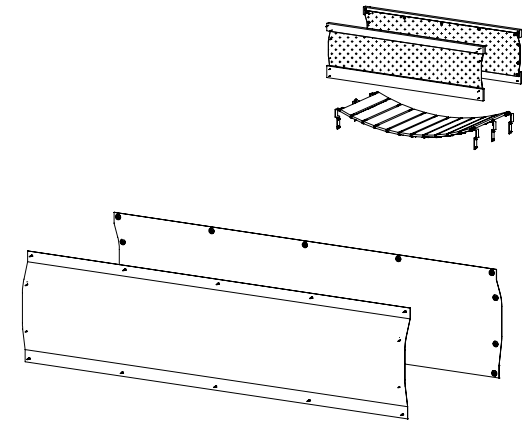
4.

30 AC30a: Bridge Mesh

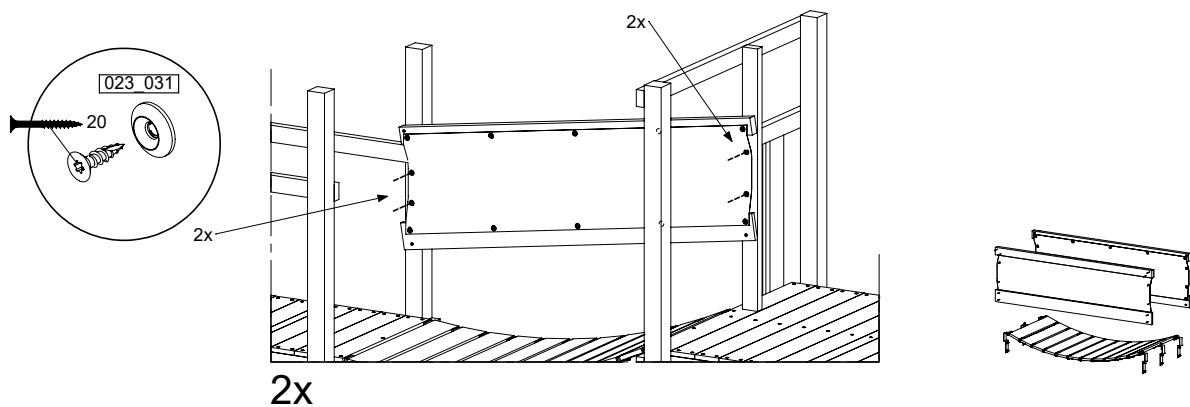
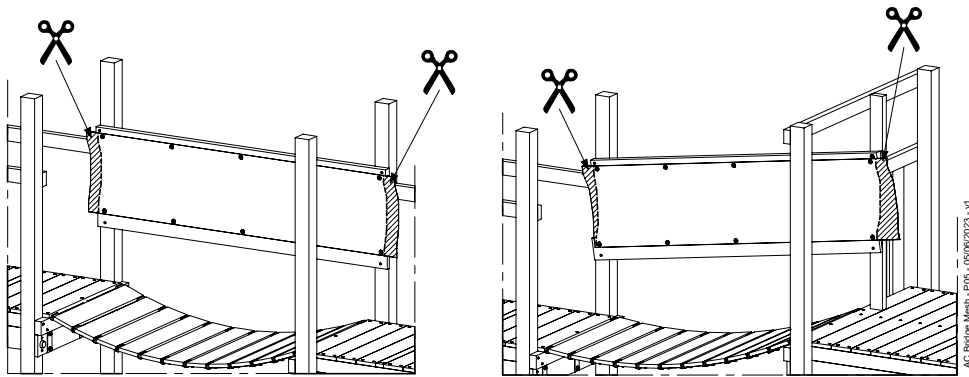
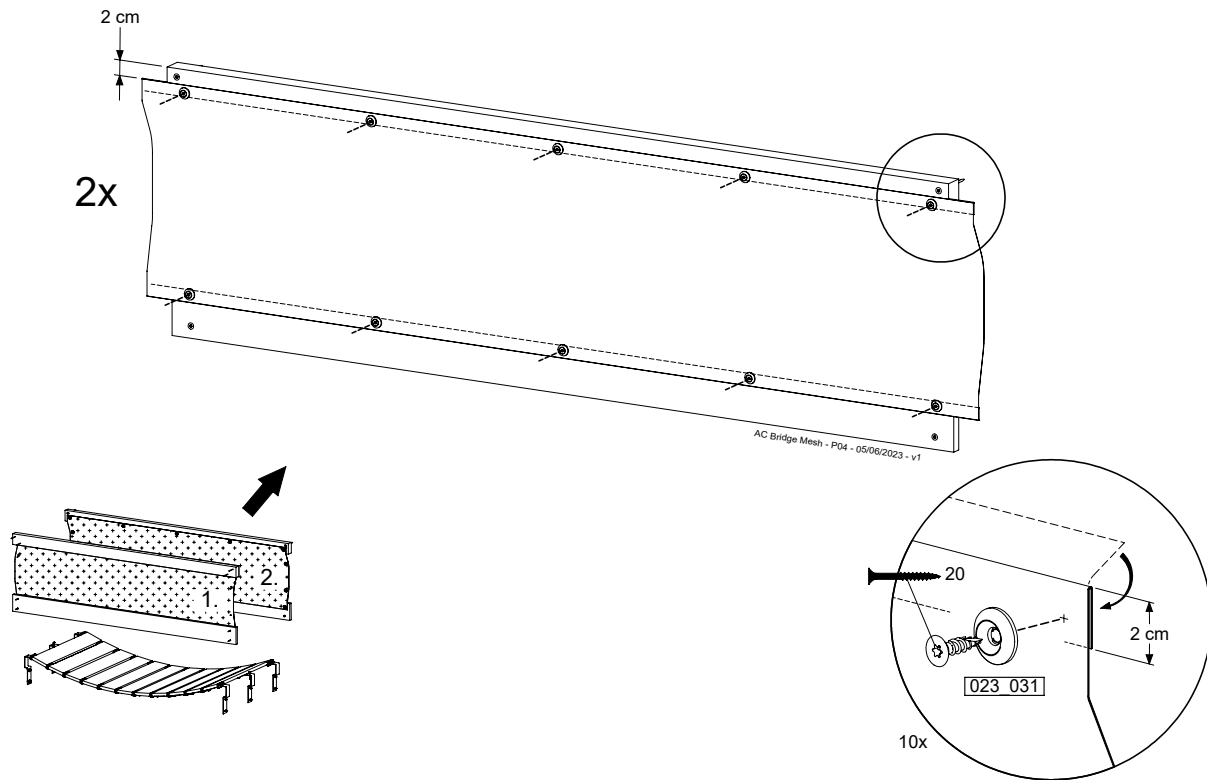
(123_230)

	PartNo	PartName	QTY.
Hardware Packs	002_308	Gap Point Screw T25 - 5x20	28
100_411	023_031	Finishing Washer GPS 5.0	28
Other	021_512	Mesh green 1.20 x 1.85m	1

AC Bridge Mesh - PGZ - 05/06/2023 - v1



30.1

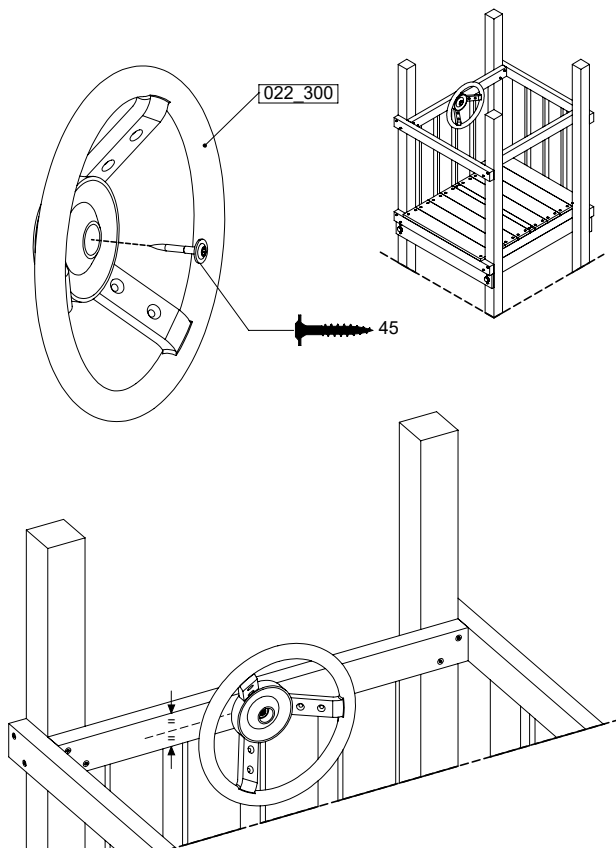
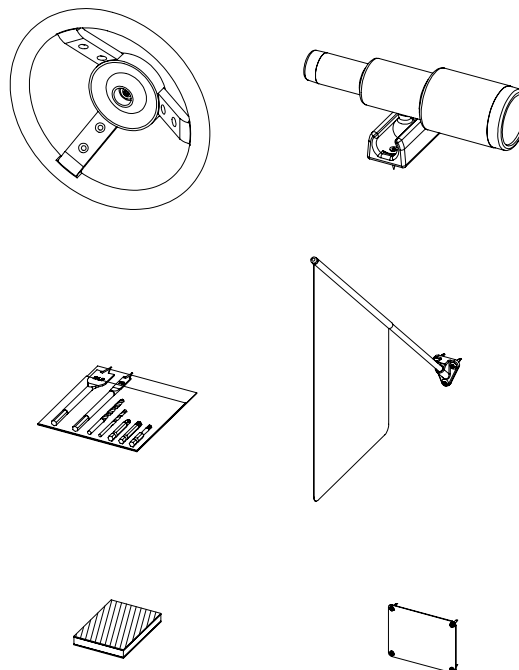


31 AC01a: Accessories

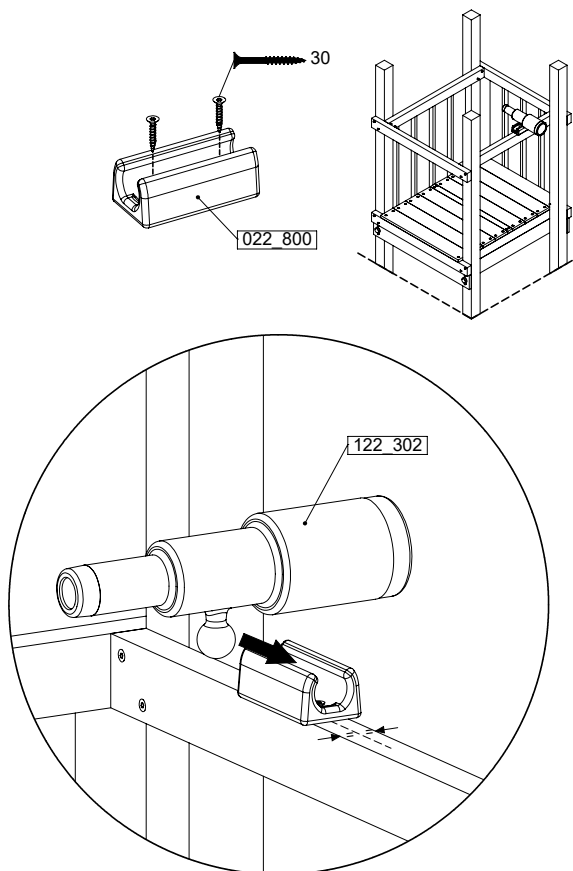
(194_119)

	PartNo	PartName	QTY.
Hardware Pack 100_617	001_406	Stealth Screw 8x45	1
	002_041	Dome head screw 4.5 x 20 mm	3
	002_042	Dome head screw 3.5 x 13mm	4
	002_219	Gap Point Screw T25 - 5x30	2
Other	022_300	Steering Wheel	1
	022_800	Rail P/T 105	1
	022_910	Sandpad	1
	103_901	Logo ID Plate	1
	104_107	Tool Set Climbing Units	1
	120_024	Tower Flag	1
	122_302	Telescope	1

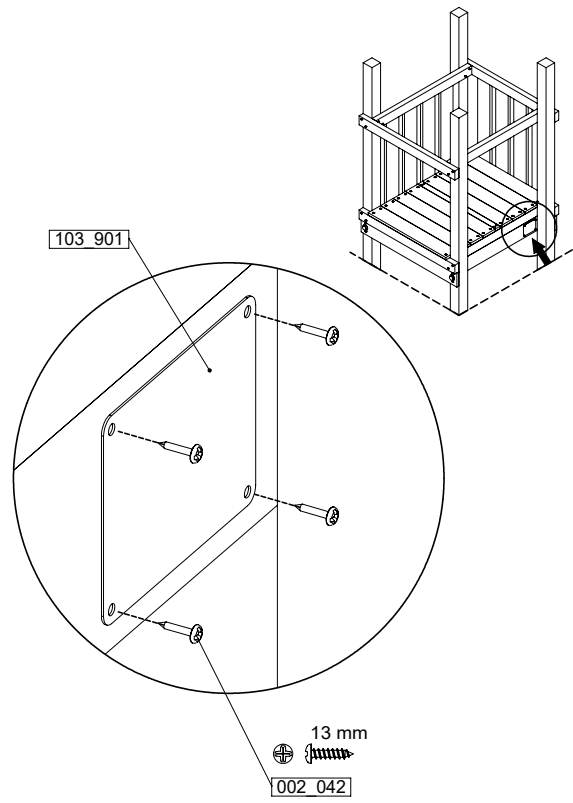
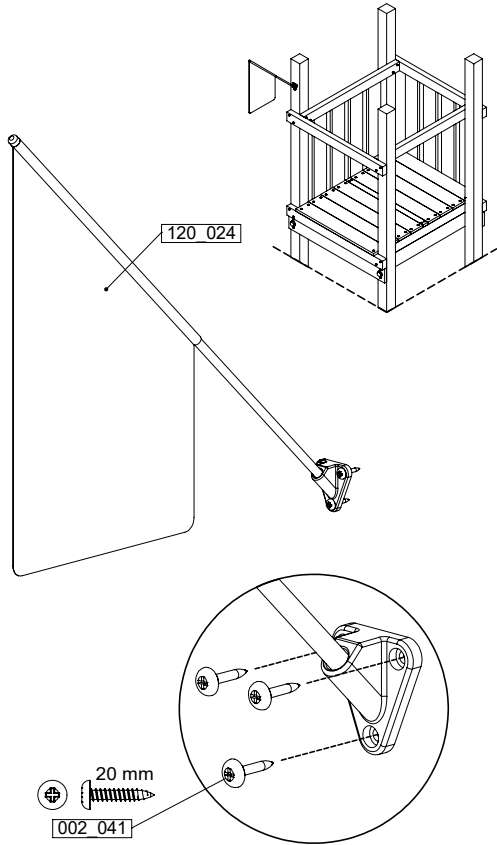
Accessory set - P102 - 06/07/2023 - v5



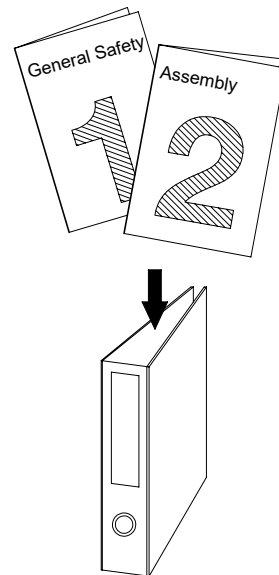
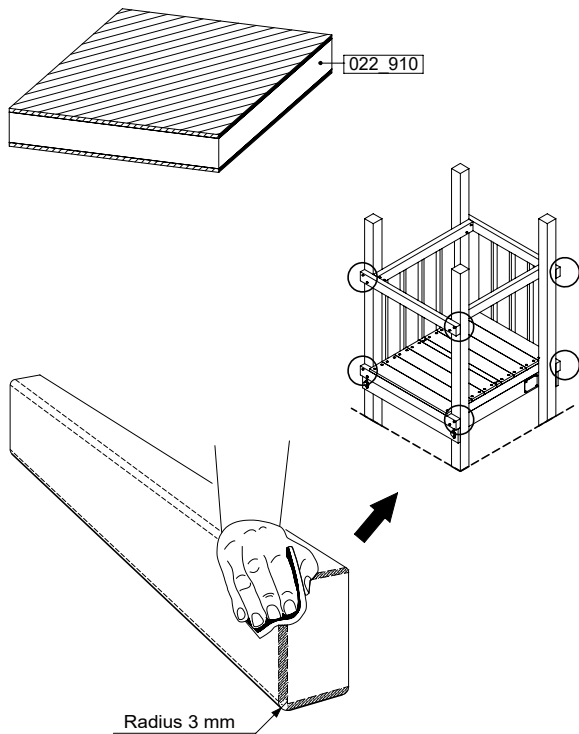
Accessory set - P103 - 06/07/2023 - v5



31.1



Accessory set - P04 - 06/07/2023 - v5



Accessory set - P05 - 06/07/2023 - v5

32 Conformity

Declaration of Conformity

Jungle Gym
BACKYARD PLAYGROUNDS
since 1988

Manufacturer details

Company Name	Tag-line
Jungle Gym B.V.	Backyard Playgrounds
Address	
P.O. Box 75083, 1070 AB Amsterdam, Netherlands	

Activity toys for domestic use

Product Range Identification

Construction Packages (Sub-Assembly)

Universal Packs / Base Towers / Extension Towers / Roofs / Means of Exit/Access / Add-ons : 790_001 ... 794_911

Assembly

Playtowers : 801_005 ... 200	Links : 870_100 ... 105	Accessories : 123_220 ... 250_075
Playhouses : 830_150 ... 253, 835_251 ... 253	Swings : 801_300, _600, _601	Slides (XL) : 324_100 ... 600
Modules : 850_180 ... 415		Slides (XXL) : 334_100 ... 600
: 857_103, 857_108	Playtowers: 802_202 ... 208	
857_151, 857_158	803_202 ... 210	
	809_202 ... 804	

Applicable EC directives and standards

Chemical References

1. Migration of certain elements (17x + Chr VI + tin) as required in TSD 2009/48/EC and its amendments. Scrape off toy material. Tested according to EN 71-3:2019.	5. Content of 7 Phthalates (18x) according to REACH (EG) no.1907/2006, Annex XVII. Tested according to COC-CH-C1011-09.3 and EN 15777 / QMA 2011.1300	9. Content of 3 Flame retardants according to REACH (EG) no. 1907/2006, Annex XVII. Tested according to EN 62321-6.
2. Migration of solvents, monomers and plasticizers as specified in "Safety for Toys: Organic Chemical Compounds", EN 71-9: 2005 + A1: 2007. Tested according to EN 71-10: 2005 & EN 71-11: 2005.	6. Content of Cadmium according to REACH (EG) no. 1907/2006, Annex XVII. Tested according to EN 17294-2	10. Ni release according to REACH (EG) no. 1907/2006, Annex XVII. Tested according to EN 71-3:2013+A1:2014.
3. Content of N-nitrosamines and N-nitrosatable substances as specified in EN standard 71-12: 2013. Tested according to EN 71-12: 2013.	7. Formaldehyde according to REACH (EG) no. 1907/2006, Annex XVII. Tested according to EN 14184	11. Sweat and Salvia resistance tested according to DIN 53160
4. Content of 18 PAHs (Polycyclic Aromatic Hydrocarbons) as referred in AfPS GS 2014:01 PAK (Replaced on 2019:01) Tested according to QMA 2011.1284	8. Azo dyes according to REACH (EG) no. 1907/2006, Annex XVII. Tested according to BVL B 82.02-2.	

Mechanical physical properties + flammability

EN 71 - 1 : 2014 + A1: 2018 EN 71 - 2 : 2011 + A1: 2014 EN 71 - 8 : 2018

Supplementary information

Conformity to the above specified directives and standards has been frequently verified and is continuously monitored by TÜV Süd, TÜV Rheinland LGA products, DEKRA (DE), STR Ltd (UK), LNE SA (FR), LMR Ltd (US) and IPS N.V. (BE) since 1994. Jungle Gym participates in the European Commission for standardisation for the safety of activity toys (TC52 / WG 10).


Declaration

I hereby declare under our sole responsibility that the products mentioned above, to which this declaration relates, complies with the above mentioned directives and standards.



Name
Mr. P. Schmit / Director

Issued date
Januari 2nd, 2023


Signature of representative