

Larvik

Date: 2023-12-13



Manual Part 1

**Important**

This assembly manual should always be read in conjunction with the General Safety manual part 1 as included in the hardware package of your playground equipment. Please read these safety instructions carefully before starting the assembly work.

Jungle Gym

BACKYARD PLAYGROUNDS

since 1988

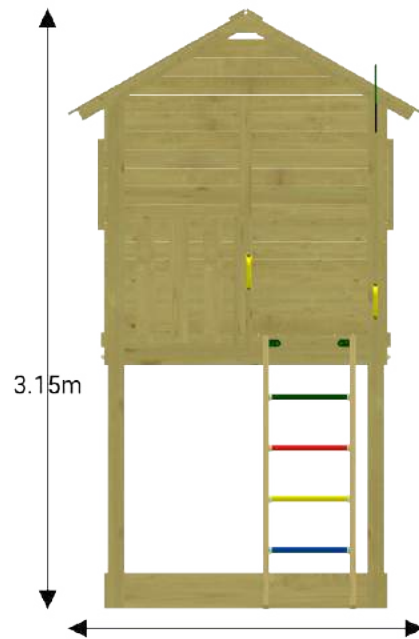
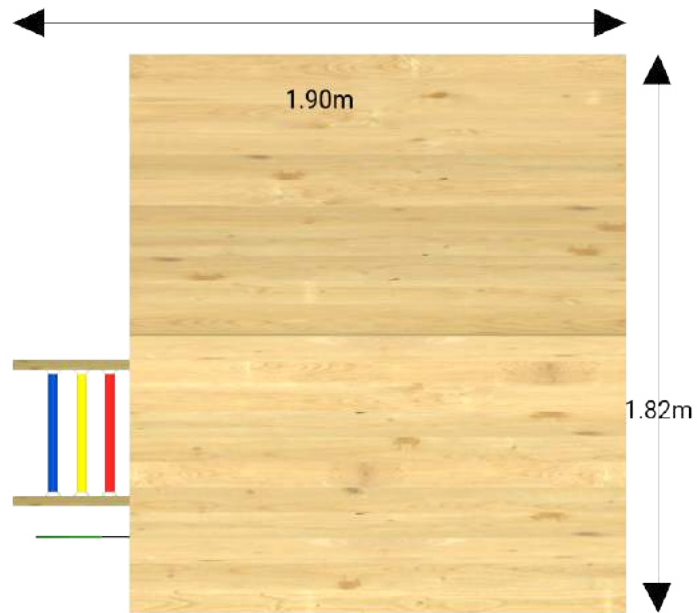


EN. Warnings. Only for domestic use. Maximum number of users is 2. **DE.** Achtung. Nur für den Hausgebrauch. Maximale Benutzerzahl: 2. **FR.** Attention. Réservé à un usage privé. Le nombre maximal d'utilisateurs est de 2. **NL.** Waarschuwingen. Uitsluitend voor huishoudelijk gebruik. Het maximale aantal gebruikers is 2. **BG.** Внимание. За употреба само в домашни условия. Максималният брой потребители е 2. **ES.** Advertencias. Sólo para uso doméstico. Número máximo de usuarios: 2. **CS.** Varování. Jen pro domácí použití. Maximální počet uživatelů je 2. **DA.** Advarsler. Kun til privat brug. Maksimum antal brugere er 2. **ET.** Hoiatused. Ainult koduseks kasutamiseks. Maksimaalne kasutajate arv on 2. **EL.** Προειδοποιήσεις. Μόνο για οικιακή χρήση. Μέγιστος αριθμός χρηστών: 2. **IS.** Varnaðarorð. Eingöngu fyrir einkanotkun í heimahúsum og á einkaloðum. Hámarksfjöldi notenda er 2. **IT.** Avvertenze. Solo per uso domestico. Massimo numero di utenti è 2. **LV.** Brīdinājumi. Izmantot tikai mājās. Maksimālais lietotāju skaits ir 2. **LT.** Įspėjimai. Tik butiniam naudojimui. Maksimalus naudotojų skaičius - 2. **RO.** Avertismente. Numai pentru uz domestic. Numărul maxim de utilizatori este 2. **RU.** Предостережения. Только для домашнего использования. Максимальное количество пользователей - 2. **SK.** Upozornenia. Iba na domáce použitie. Maximálne množstvo osôb je 2. **SL.** Opozorila. Samo za domačo uporabo. Maksimalno število uporabnikov je 2. **FI.** Varoitukset. Ainoastaan kotikäyttöön. Käyttäjää yhteensä enintään 2. **SR.** Upozorenja. Samo za kućnu upotrebu. Maksimalan broj korisnika je 2. **SV.** Varningar. Endast för hemmabruk. Det maximala antalet användare är 2. **TR.** Uyarılar. Sadece ev kullanımı için. Maksimum kullanıcı sayısı 2.

UK
CA
7.5

CE
EN 71-1-2-3-88-9

1 Views

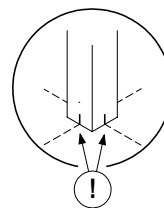
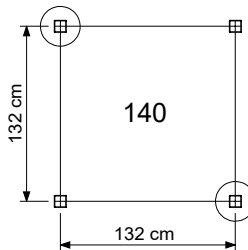
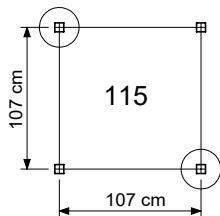
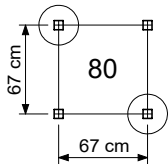
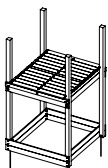


2 Order overview

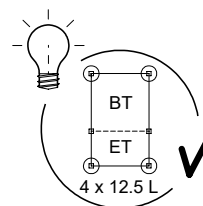
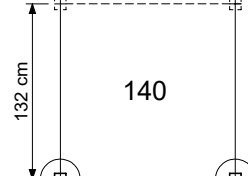
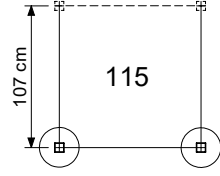
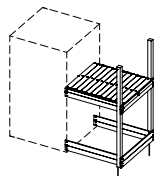
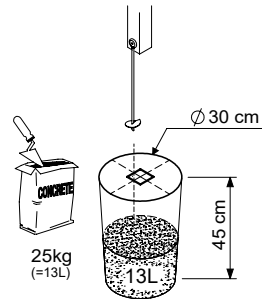
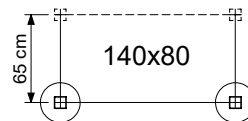
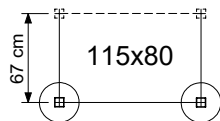
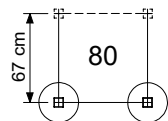
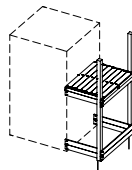
Nr.	Part ID	Part Name	Part number	Quantity
1	LA24	Ladder 140_145	794_432	1
2	BT20a	Base Tower 140_270270	794_001	1
3	RF15a	Roof Chalet 140	794_203	1
4	BL07a	Balustrade 70/140	794_302	1
5	PH20a	Playhouse Wall Panel 140	794_311	1
6	PH27a	Playhouse Window Panel 140	794_313	2
7	PH33a	Playhouse Roof Panels 140	794_314	1
8	AC01a	AP Accessory set	194_119	1

3 Anchor Plan

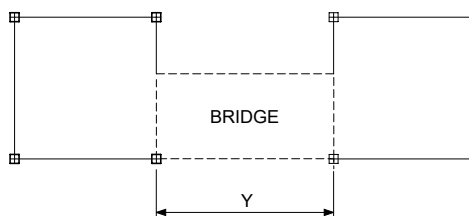
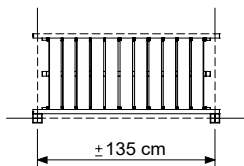
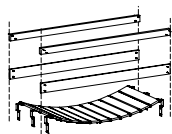
BASE TOWERS



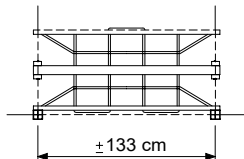
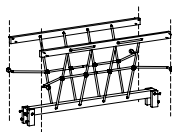
EXTENSION TOWERS



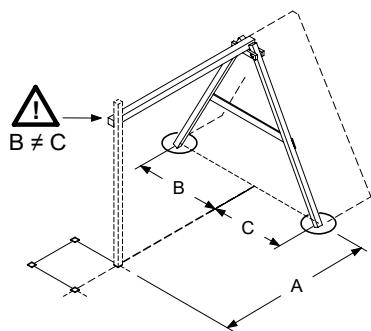
CLATTER BRIDGE



NET BRIDGE

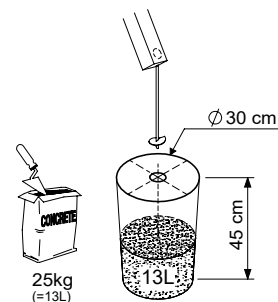


SWING / CLIMB MODULE



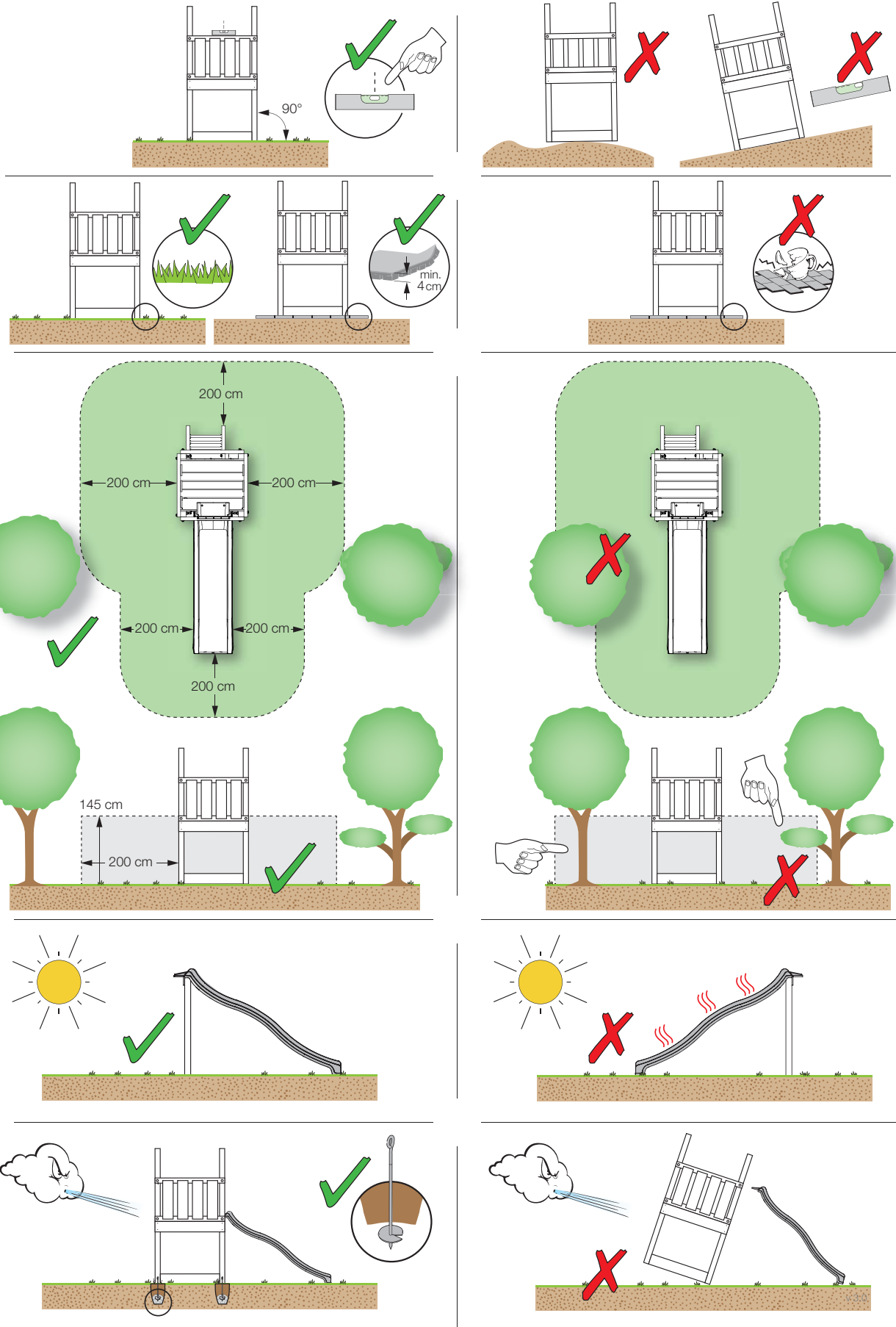
Module type	A	B	C
1-Swing 200	150	115	100
1-Swing 220 / 220 Extra		120	105
2-Swing 200	210	115	100
2-Climb 200			
1-Climb 200	142	120	105
1-Climb 220 / 220 Extra			
2-Swing 220 / 220 Extra	230	120	105
2-Climb 220 / 220 Extra			

Ground Anchors Unit - POZ - 04/07/2023 - v1.2

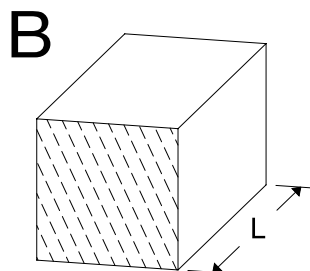


Ground Anchors Unit - POZ - 04/07/2023 - v1.2

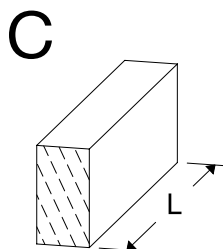
3.1 Safe Playground



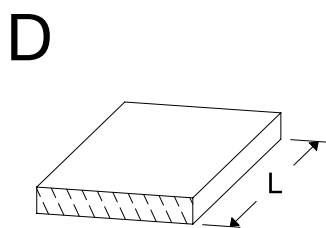
4 Timber parts



B270	269 cm - 270 cm	4
------	-----------------	---

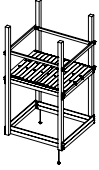
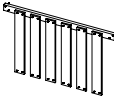

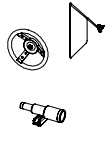


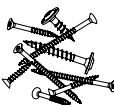
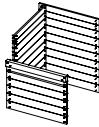


C70	69 cm - 70 cm	2
C84	83 cm - 84 cm	2
C96	95 cm - 96 cm	6
C141	140 cm - 141 cm	10
C150	149 cm - 150 cm	2

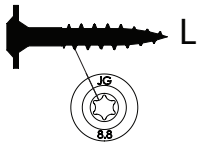
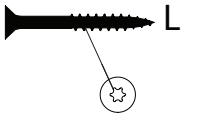
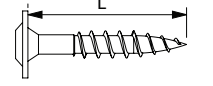
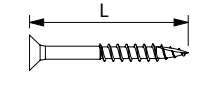
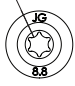
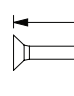
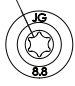
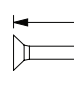
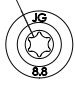
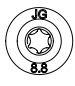
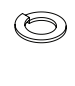
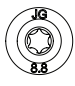

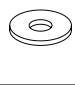
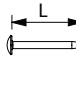

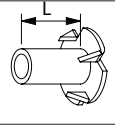
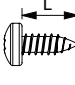


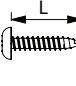



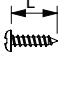



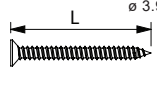



D47	46 cm - 47 cm	16
D65	64 cm - 65 cm	3
D100	99 cm - 100 cm	2
D123	122 cm - 123 cm	20
D141	140 cm - 141 cm	48
D154	153 cm - 154 cm	24

5 Assembly packs & accessories

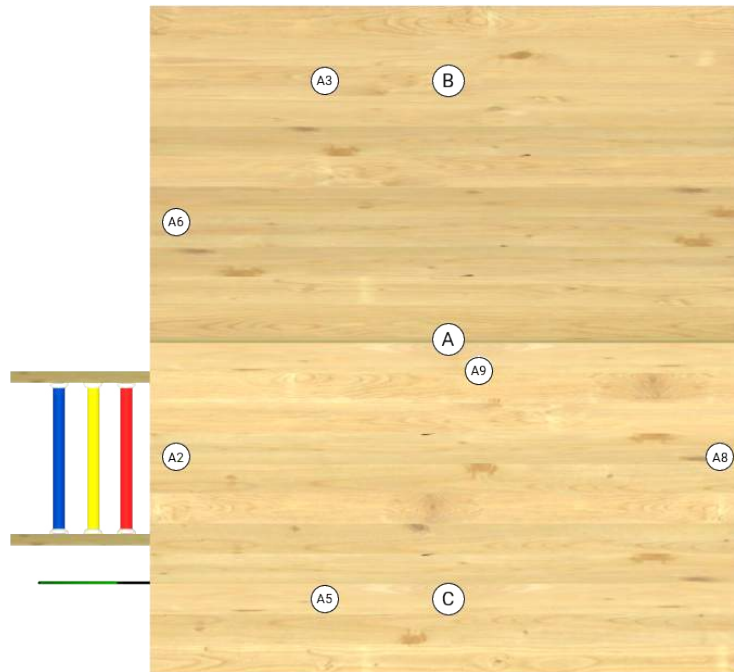
<p>Tower 140</p>  <p>BT ET</p> <p>194_500</p> <p>1x</p> <p>LOT:</p>	<p>Balustrade 140</p>  <p>BL</p> <p>194_501</p> <p>1x</p> <p>LOT:</p>	<p>Roof Timber 140</p>  <p>RF</p> <p>194_508</p> <p>1x</p> <p>LOT:</p>	<p>Accessory Set</p>  <p>AC</p> <p>194_119</p> <p>1x</p> <p>LOT:</p>	<p>Hardware 09</p>  <p>H09</p> <p>194_809</p> <p>1x</p> <p>LOT:</p>
<p>Ladder 145</p>  <p>LA</p> <p>194_004</p> <p>1x</p> <p>LOT:</p>	<p>Hardware 01</p>  <p>BL H01</p> <p>194_101</p> <p>1x</p> <p>LOT:</p>	<p>Playhouse Panel</p>  <p>PH</p> <p>194_118</p> <p>2x</p> <p>LOT:</p>		

6 Hardware Identification

Image	SKU	L	Image	SKU	L
	001_404	30 mm		002_308	20 mm
	001_406	45 mm		002_219	30 mm
	001_411	60 mm		002_220	45 mm
	001_417	80 mm		002_223	80 mm
	001_422	137 mm			
	001_102	30 mm		003_010	
					
	000_101	20 mm		003_034	
					
	002_036	16 mm		004_050	22mm
					
	002_041	20 mm		022_845	Yellow
				022_846	Blue
	002_042	13 mm		022_847	Green
				022_848	Red
	002_301	40 mm		120_005	White
				022_844	White
				022_314	

output: 25/05/23

7 Assembly Planning



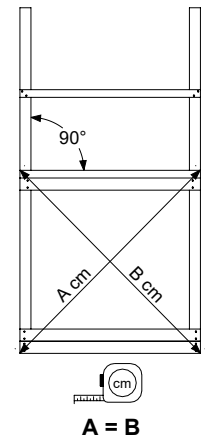
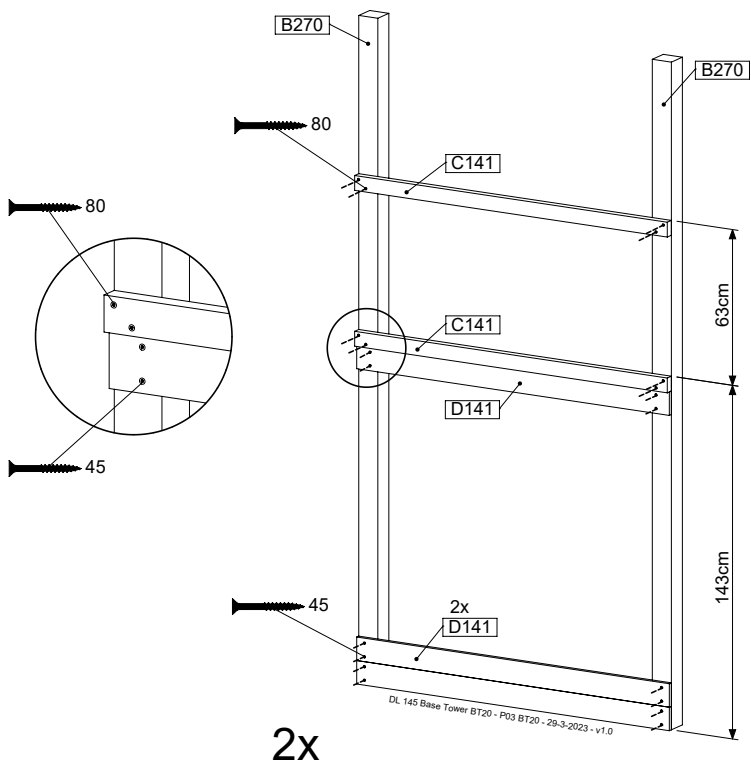
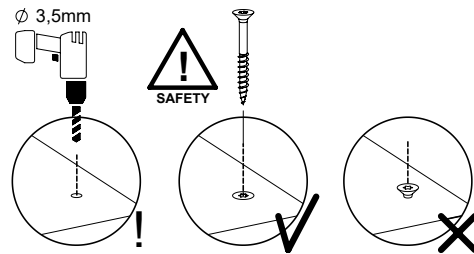
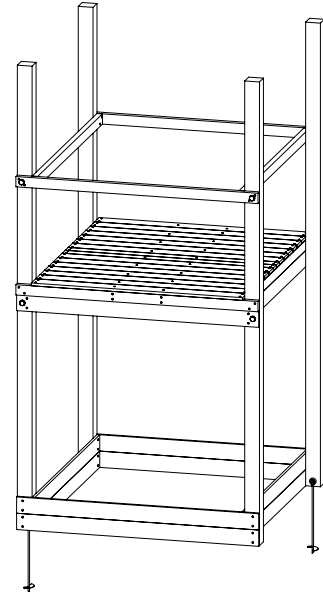
	ID			A	B	C
1	BT20a		p.9	✓	-	-
2	BL07a		p.12	A6	-	-
3	RF15a		p.13	A9	-	-
4	PH20a		p.16	A8	-	-
5	PH27a		p.17	-	✓	✓
6	PH33a		p.20	A9	-	-
7	LA24		p.22	A2	-	-
8	GA		p.25	✓	-	-
9	AC01a		p.27	✓	-	-

8 BT20a: Base Tower 140 145cm 270270

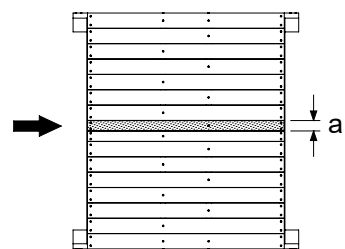
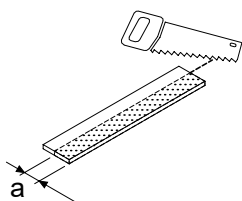
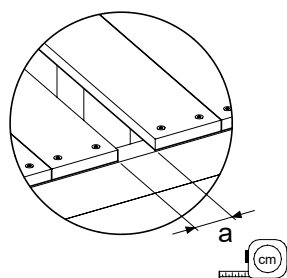
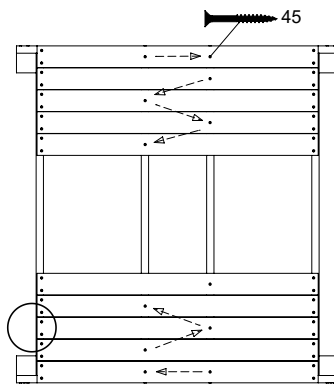
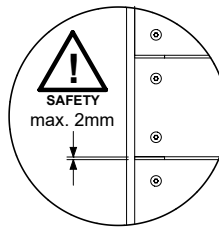
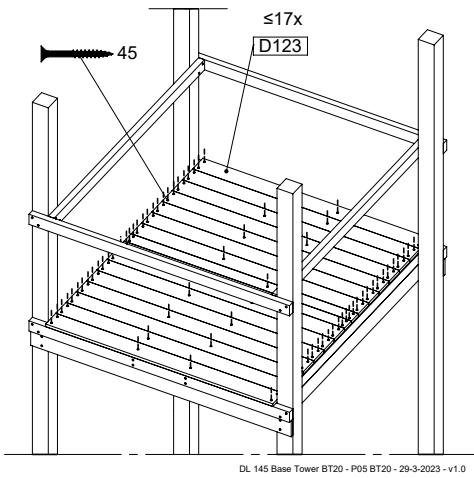
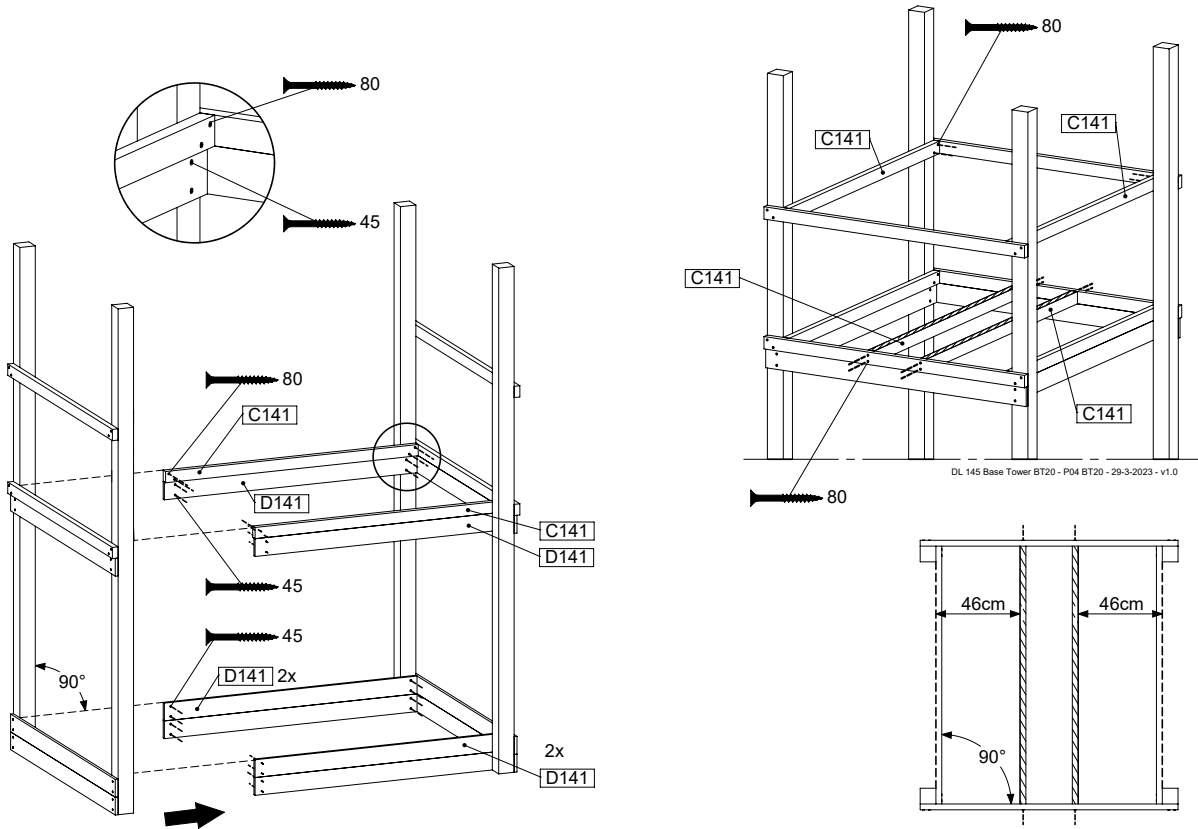
(194_500)

	PartNo	PartName	QTY.
Hardware pack	001_406	Stealth Screw 8x45	6
	001_417	Stealth Screw 8x80	4
	002_220	Gap Point Screw T25 - 5x45	135
	002_223	Gap Point Screw T25 - 5x80	40
Other	007_001	Ground-anchor	2
	022_31x	bpc-base version 3	8
	022_84x	bpc cover	8
Timber	B270	Post 90x90 L2700	4
	C141	Beam 1410 mm	10
	D123	Board 1230 mm	17
	D141	Board 1410 mm	12

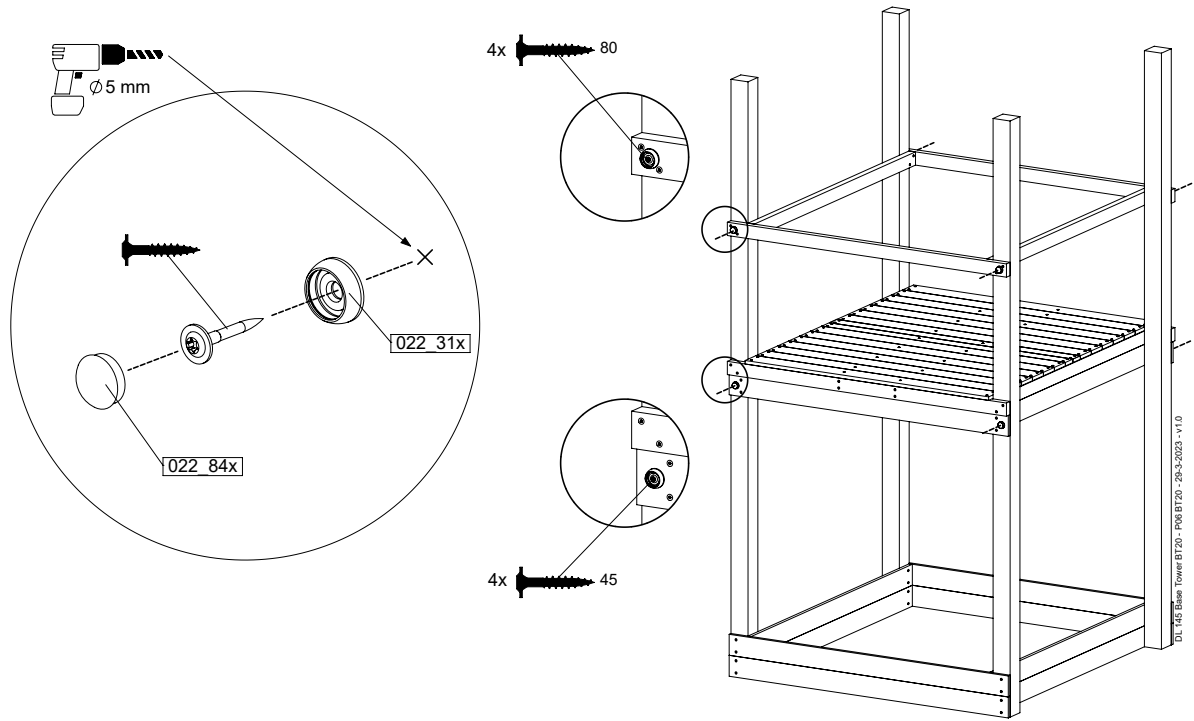
DL 145 Base Tower BT20 - P02 BT20 - 29-3-2023 - v1.0



8.1



8.2

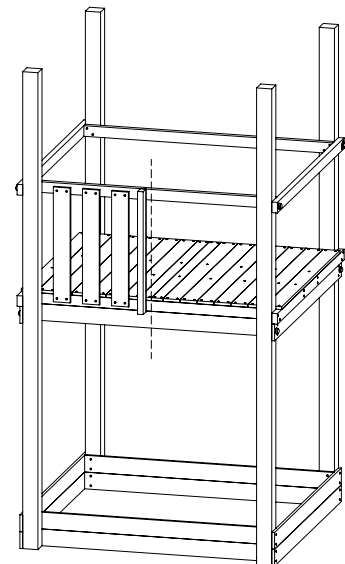
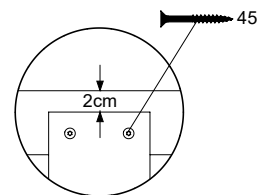
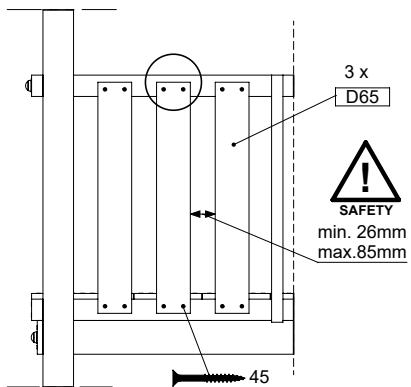
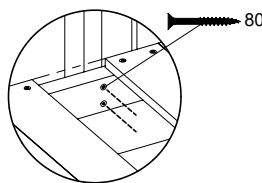
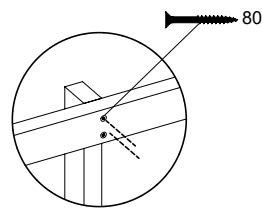
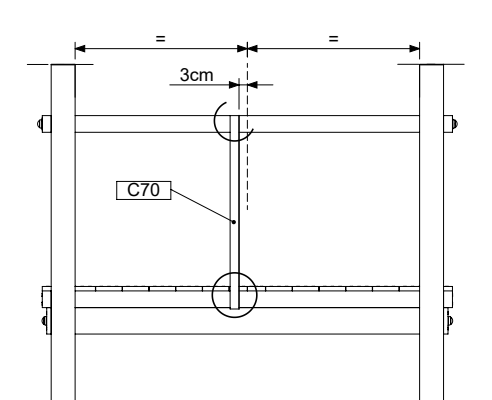
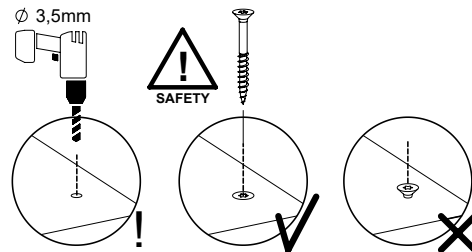
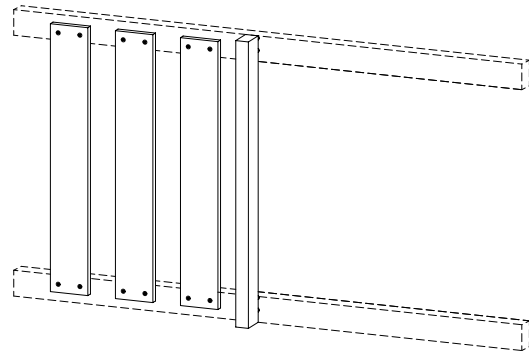


9 BL07a: Half Balustrade U Left

(194_101)

	PartNo	PartName	QTY.
Hardware pack	002_220	Gap Point Screw T25 - 5x45	12
	002_223	Gap Point Screw T25 - 5x80	4
Timber	C70	Beam 700 mm	1
	D65	Board 650 mm	3

DL Half Balustrade 701/40 - P02 UL - 28-3-2023 - v1

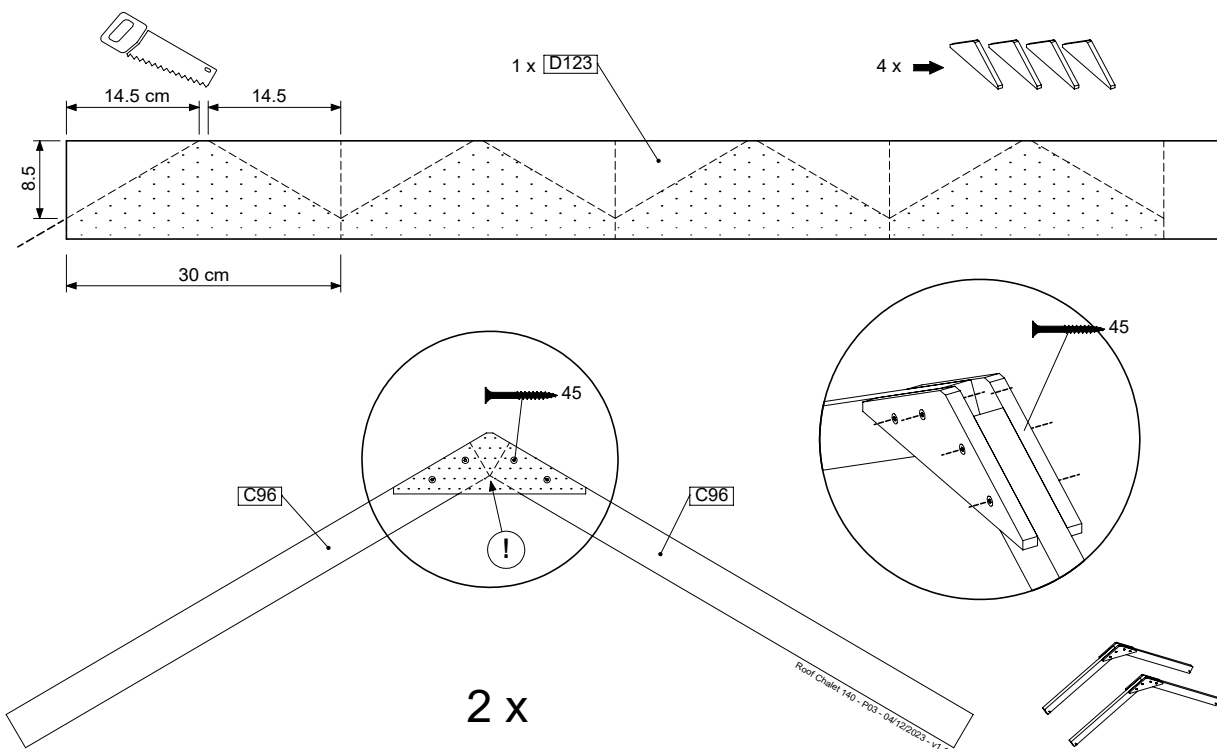
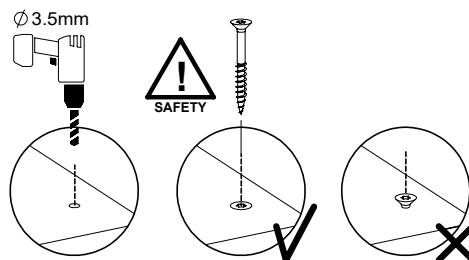
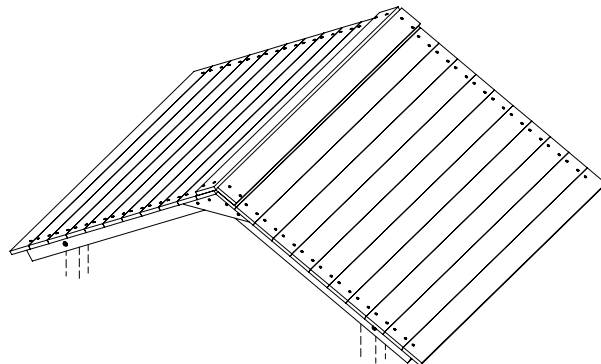


DL Half Balustrade 701/40 - P06 UL - 28-3-2023 - v1

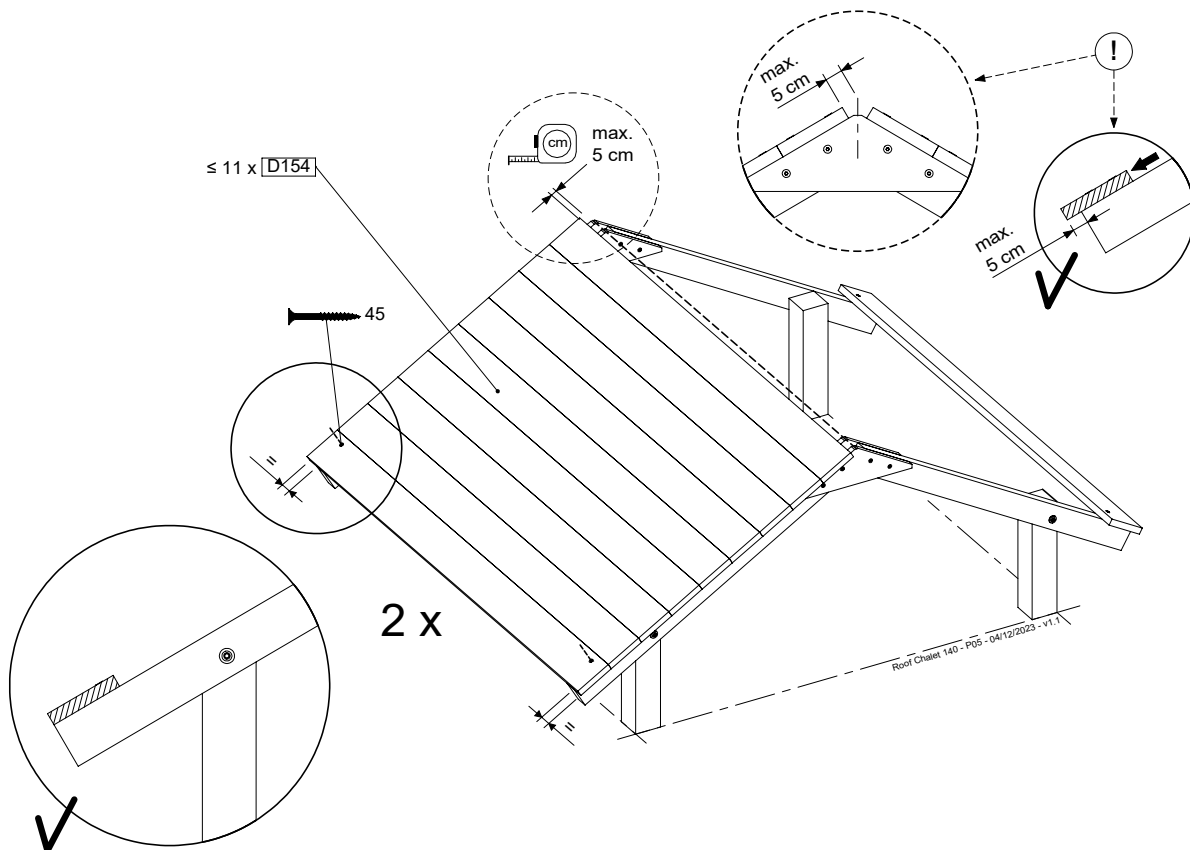
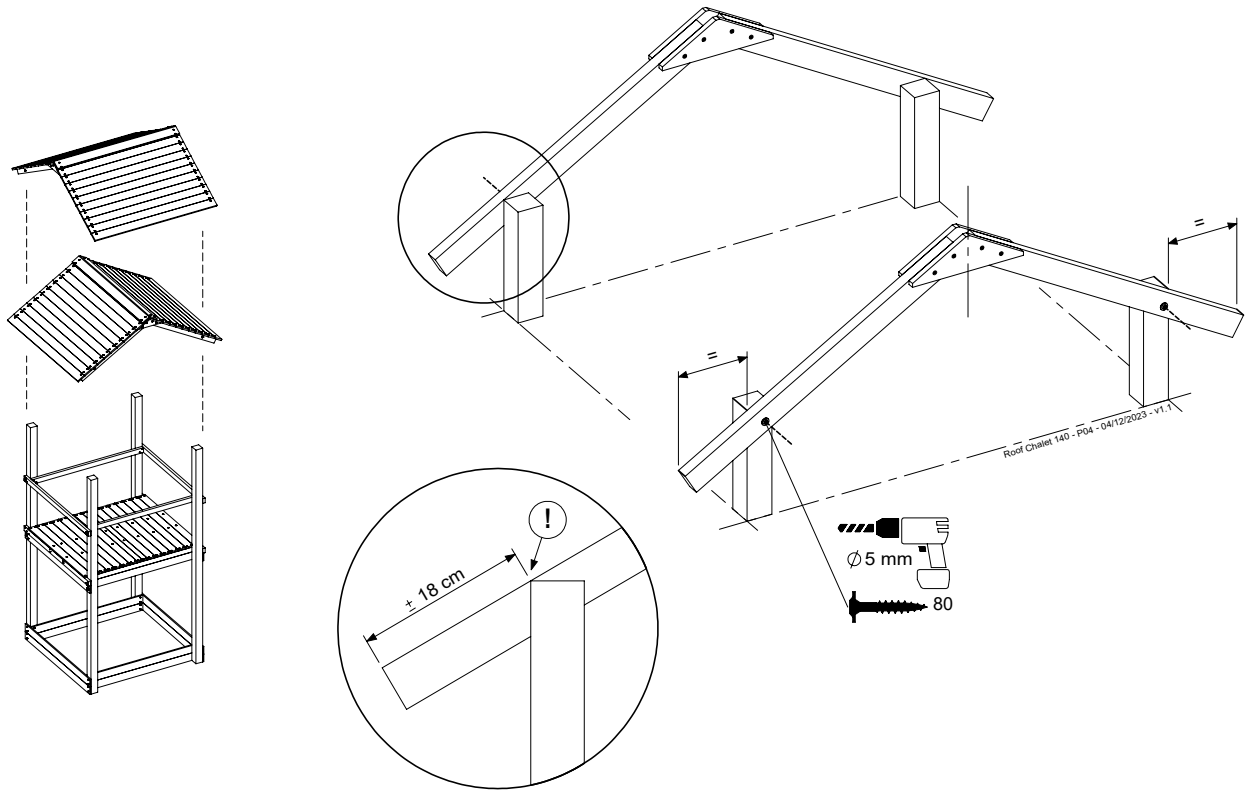
10 RF15a: Roof Timber Slope 140

(194_508)

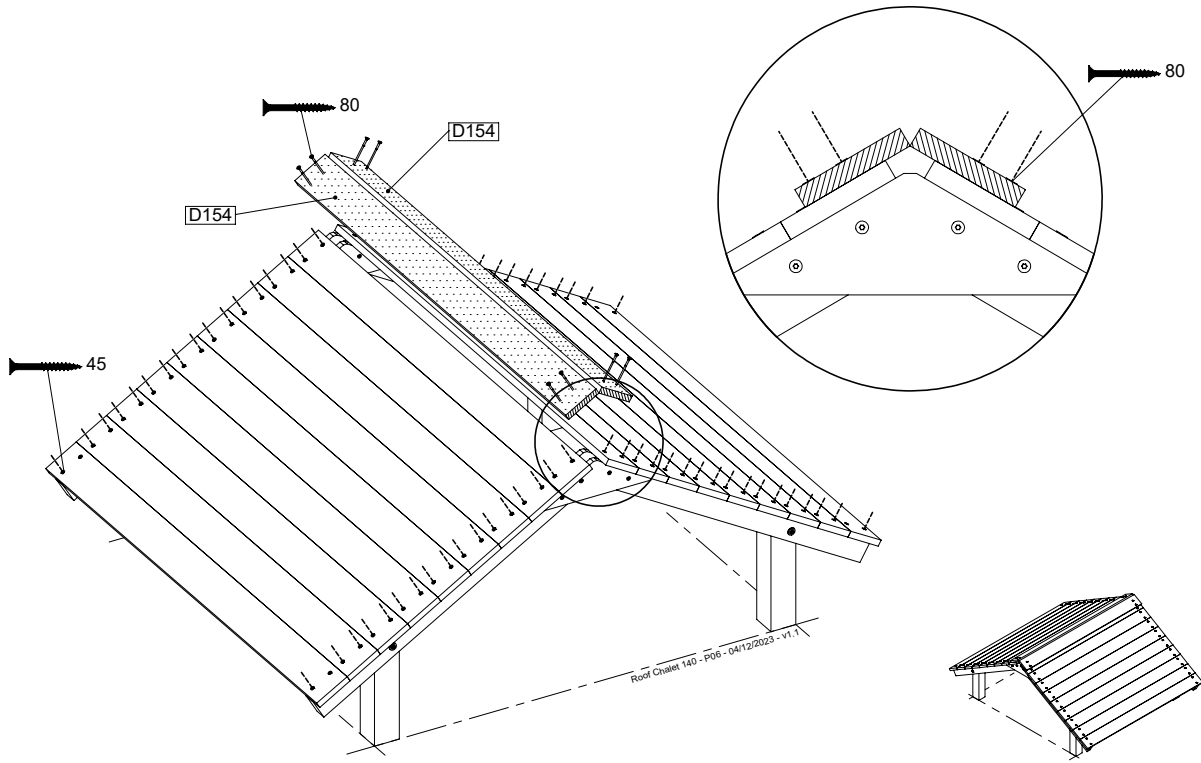
	PartNo	PartName	QTY.
Hardware pack	001_417	Stealth Screw 8x80	4
	002_220	Gap Point Screw T25 - 5x45	108
Timber	C96	Beam 960 mm	4
	D123	Board 1230 mm	1
	D154	Board 1540 mm	24



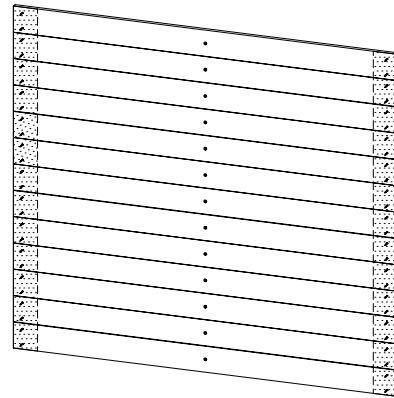
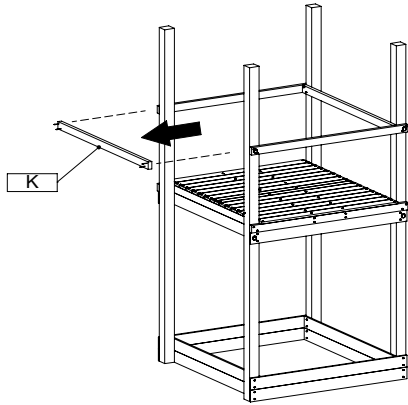
10.1



10.2

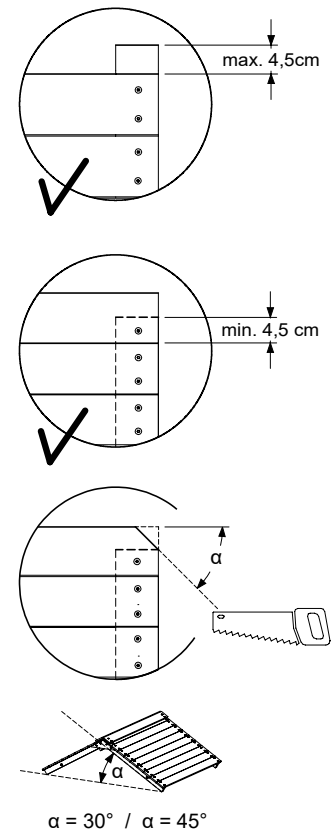
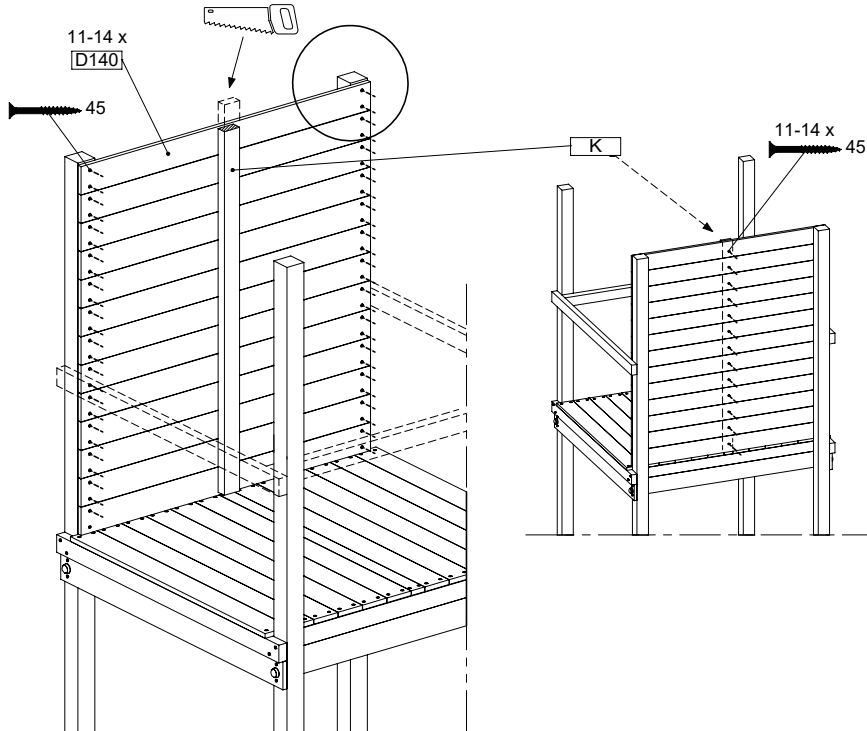
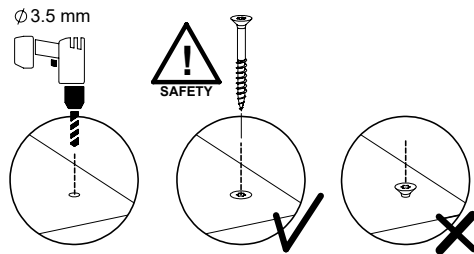


11 PH20a: Playhouse Wall Panel 140 U

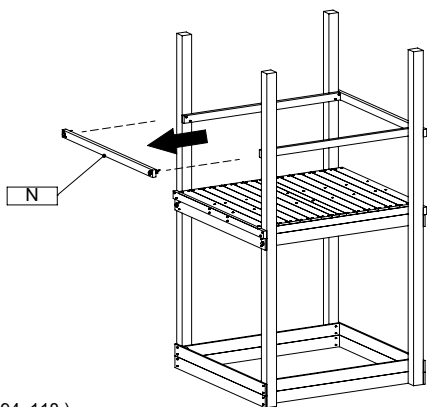


(194_809)

	PartNo	PartName	QTY.
Hardware Pack	002_220	Gap Point Screw T25 - 5x45	70
	D141	Board 1410 mm	14



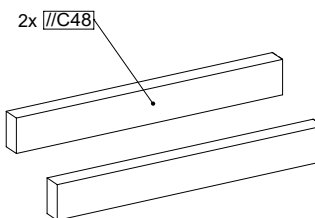
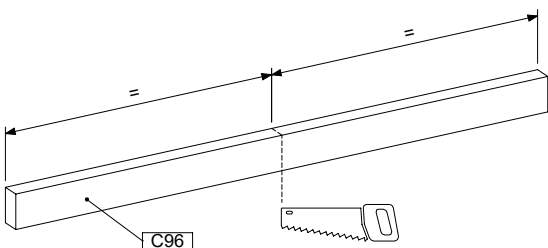
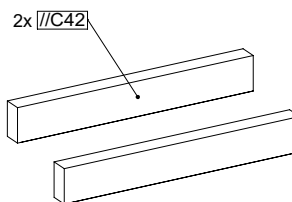
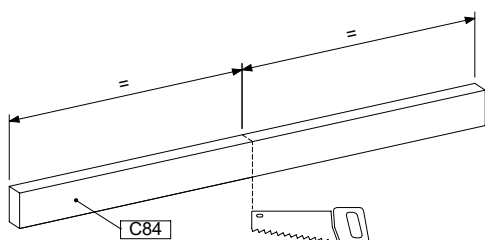
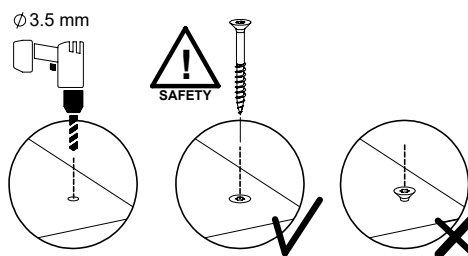
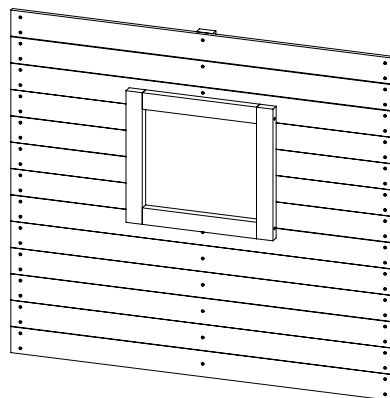
12 PH27a: Playhouse Window Panel 140 T



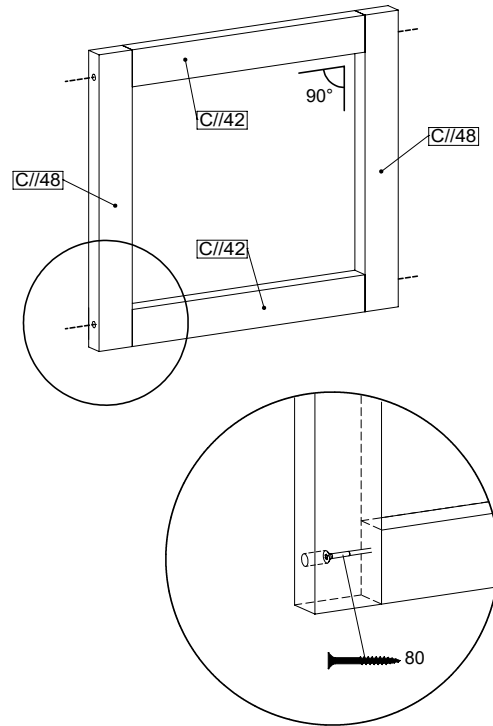
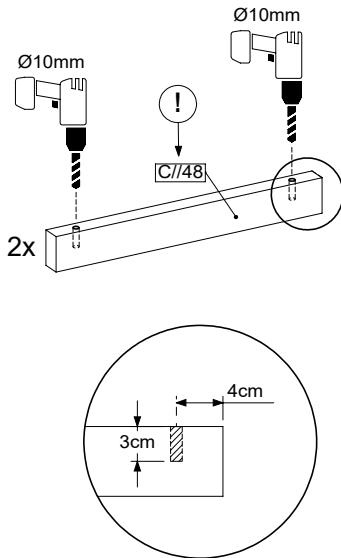
(194_118)

	PartNo	PartName	QTY.
Hardware Pack	002_220	Gap Point Screw T25 - 5x45	90
	002_223	Gap Point Screw T25 - 5x80	4
Timber	C84	Beam 840 mm	1
	C96	Beam 960 mm	1
	D47	Board 470 mm	8
	D141	Board 1410 mm	10

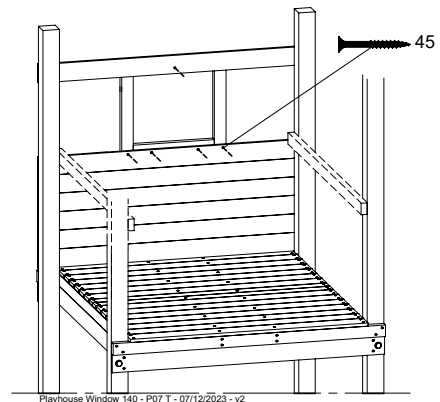
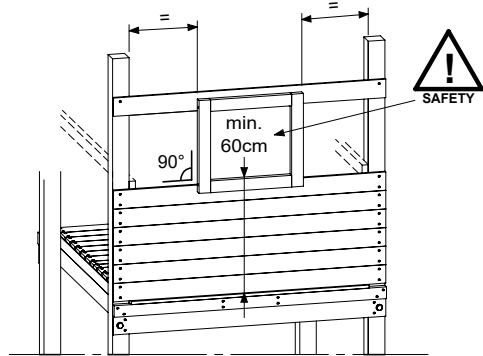
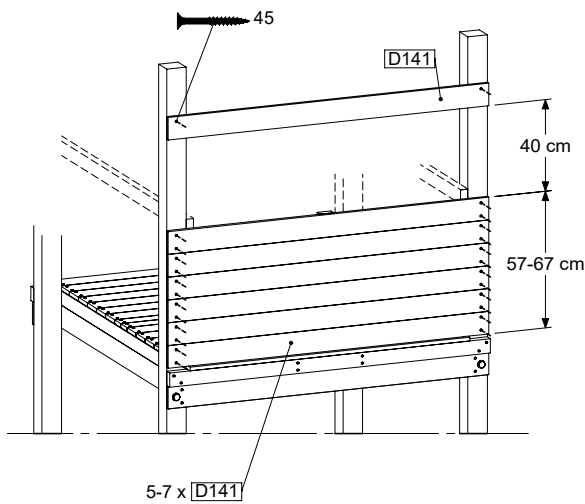
Playhouse Window 140 - P03 T - 07/12/2023 - v2



12.1

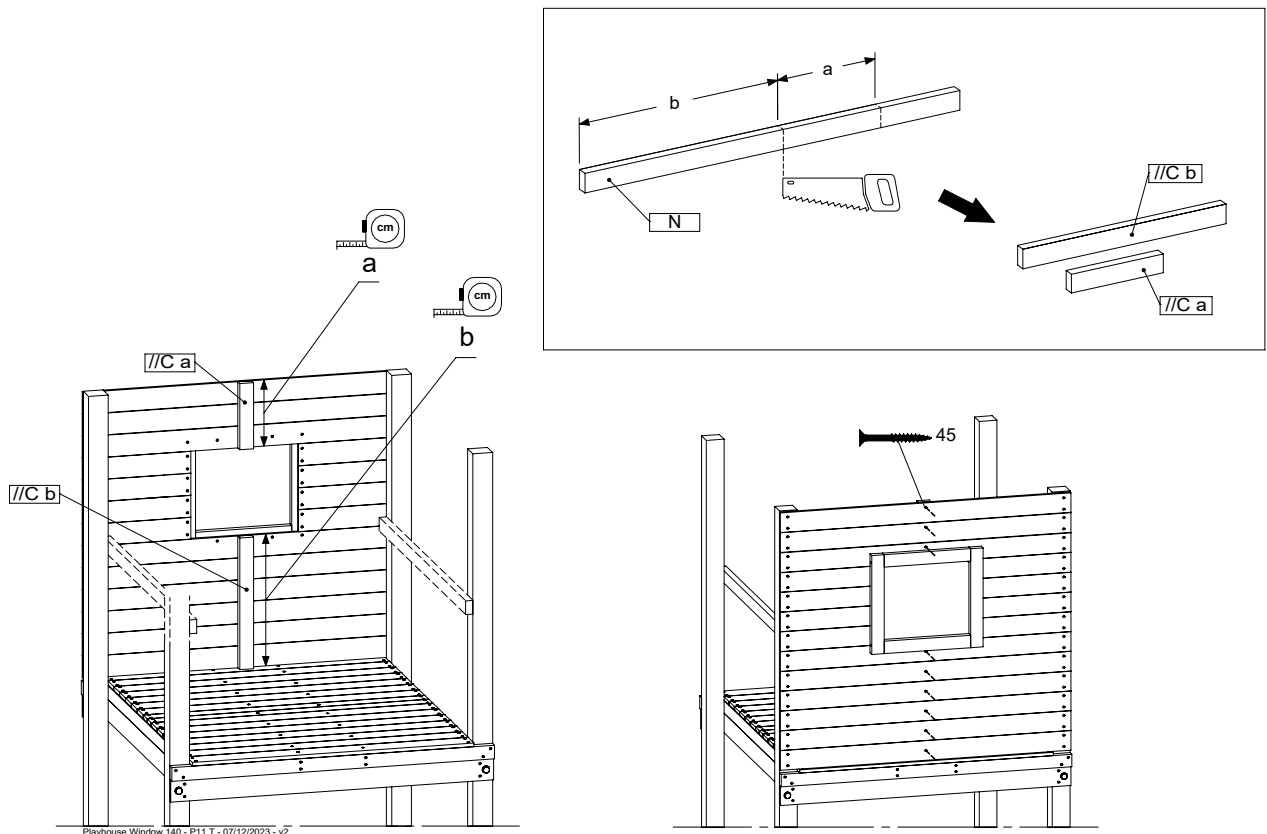
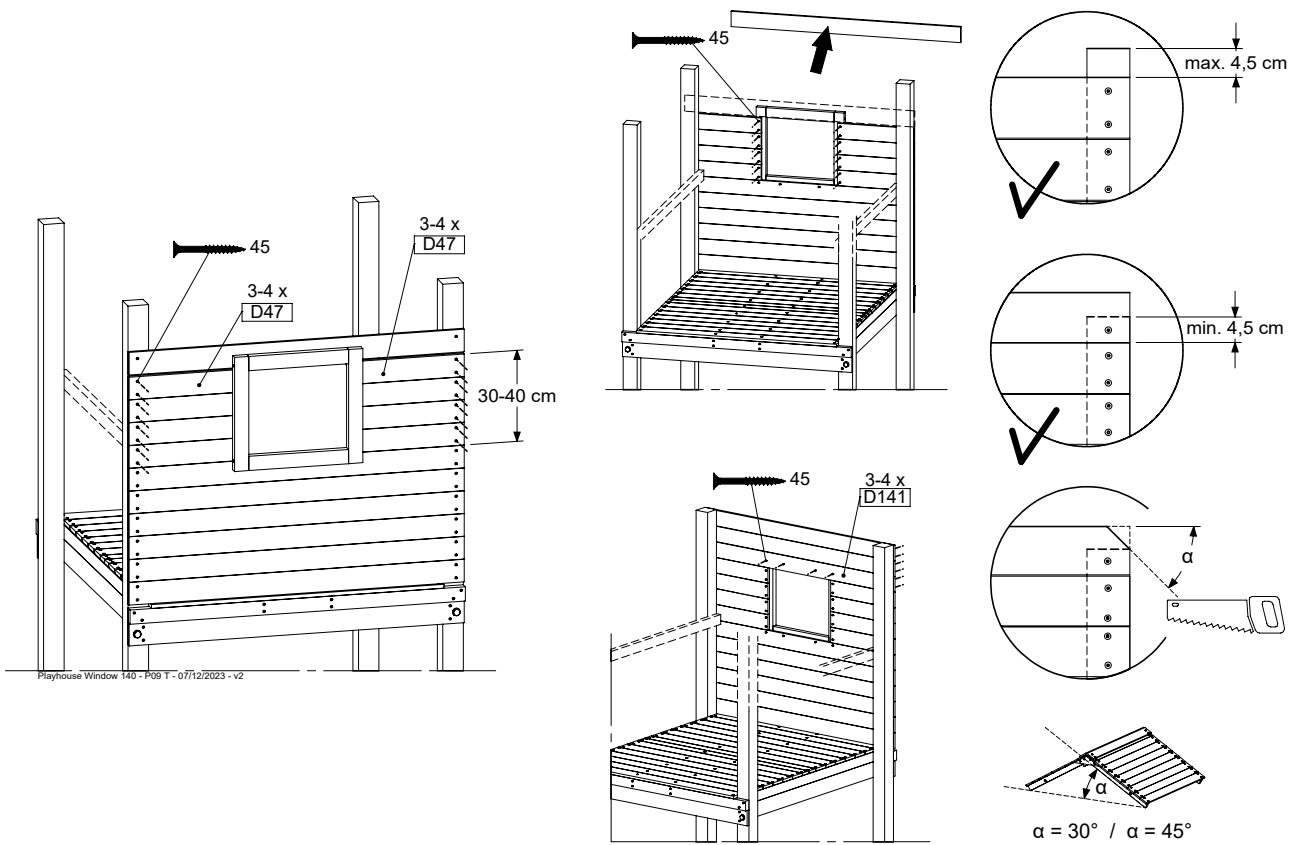


Playhouse Window 140 - P05 uni - 07/12/2023 - v2



Playhouse Window 140 - P07 T - 07/12/2023 - v2

12.2

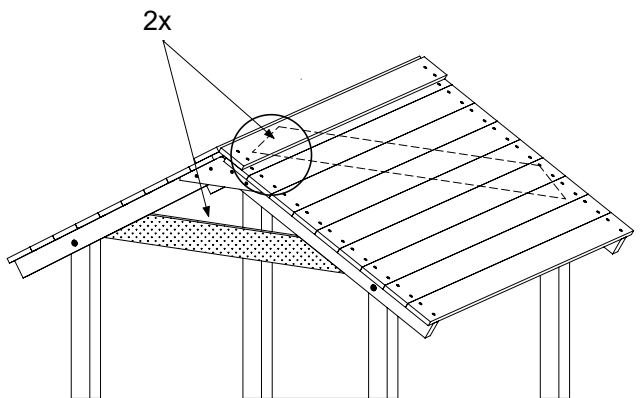
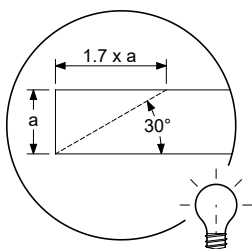
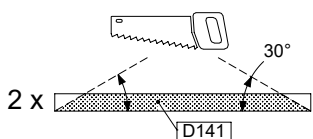
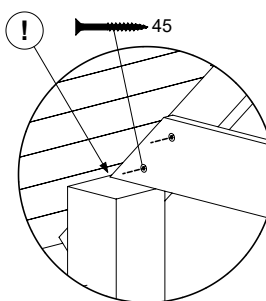
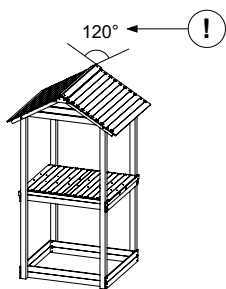
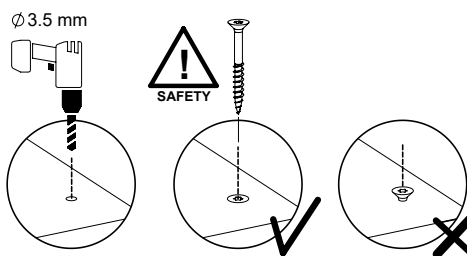
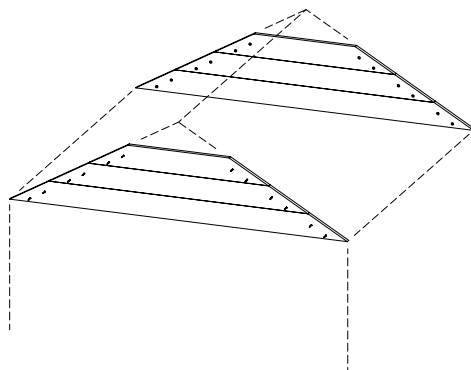


13 PH33a: Playhouse Roof Panels 140 120deg

(194_501)

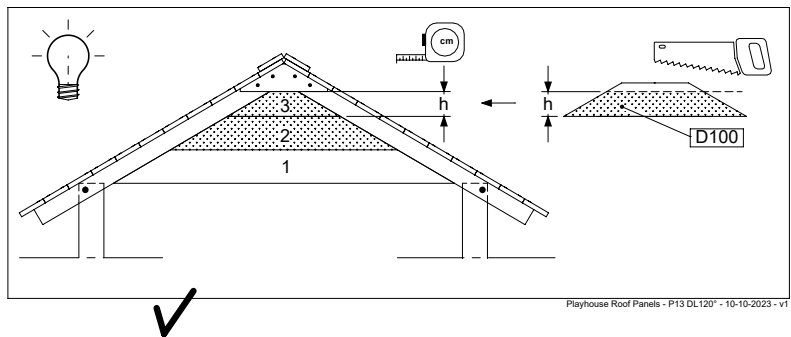
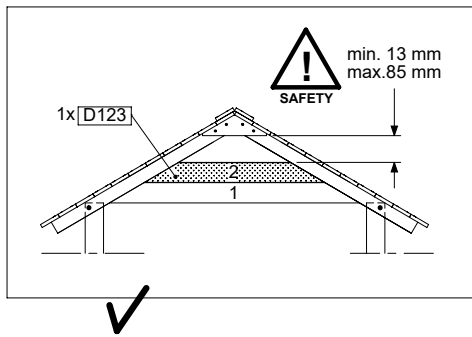
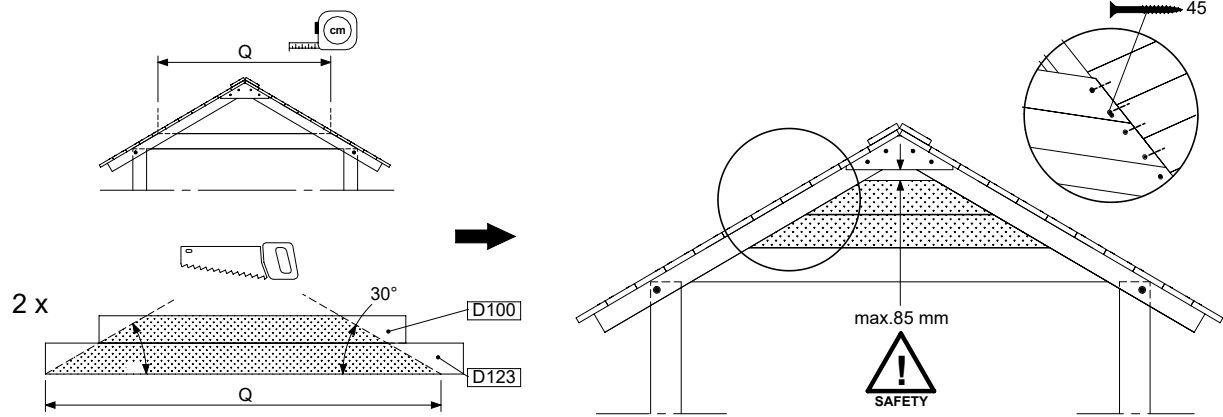
	PartNo	PartName	QTY.
Hardware Pack	002_220	Gap Point Screw T25 - 5x45	24
Timber	D100	Board 1000 mm	2
	D123	Board 1230 mm	2
	D141	Board 1410 mm	2

Playhouse Roof Panels - P09 DL120° - 10-10-2023 - v1



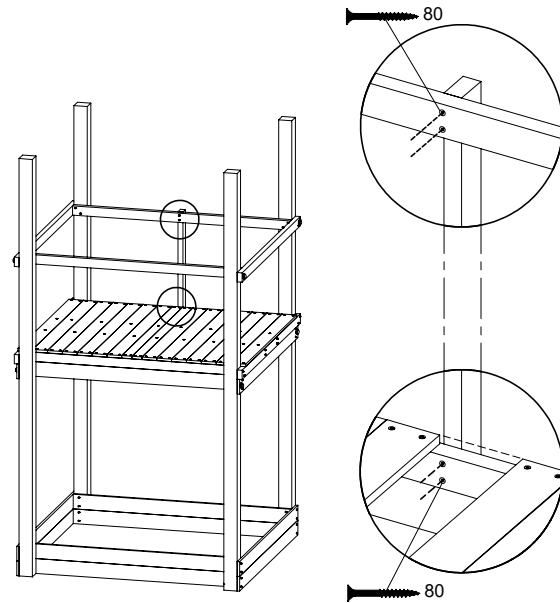
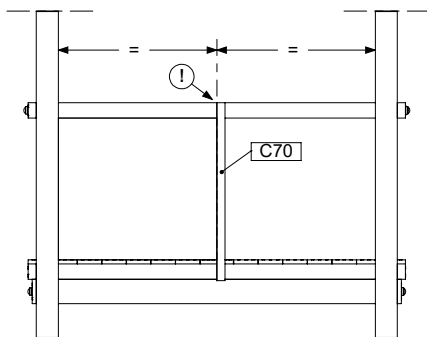
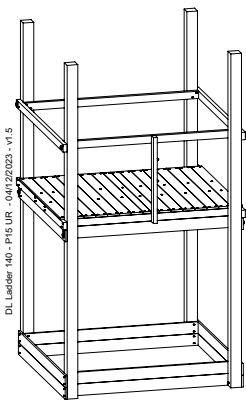
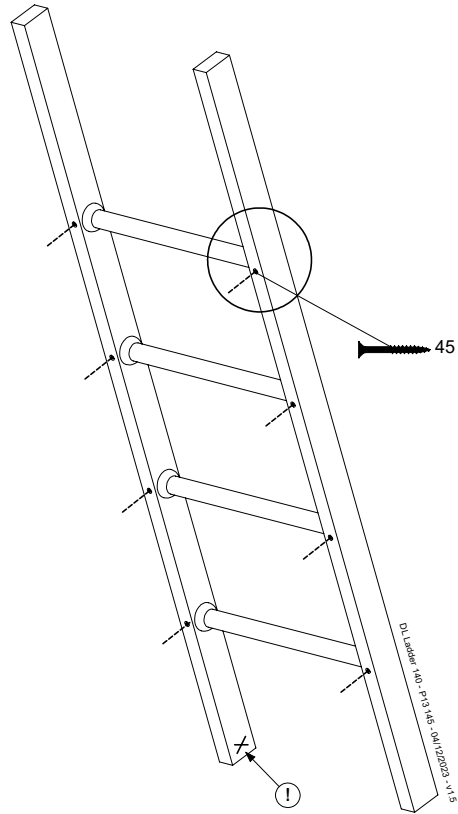
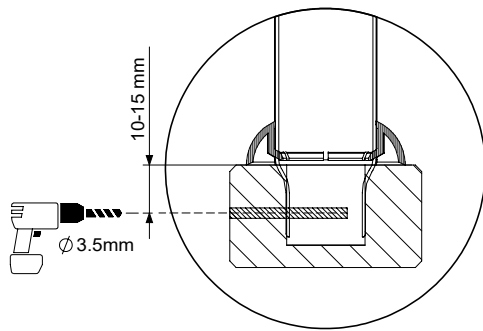
Playhouse Roof Panels - P09 DL120° - 10-10-2023 - v1

13.1

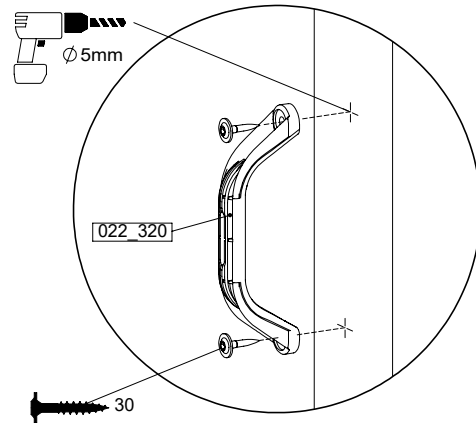
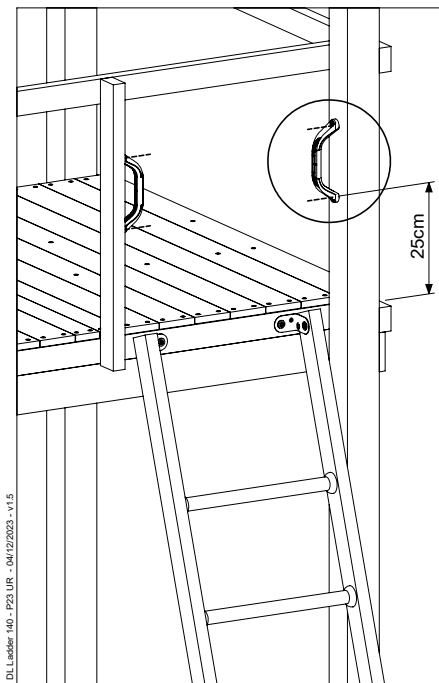
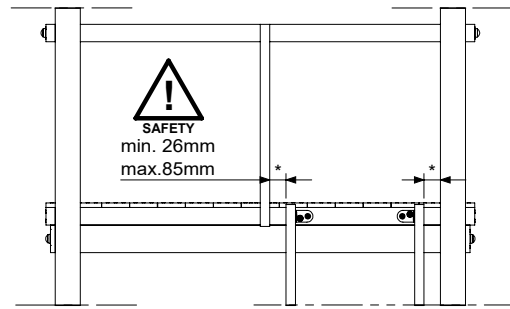
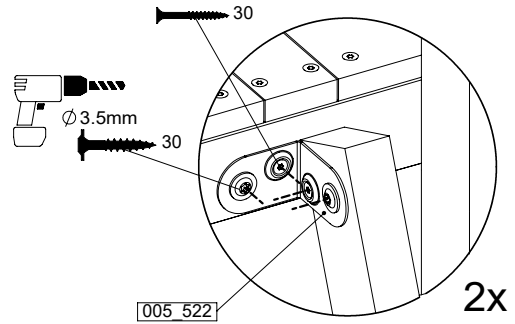
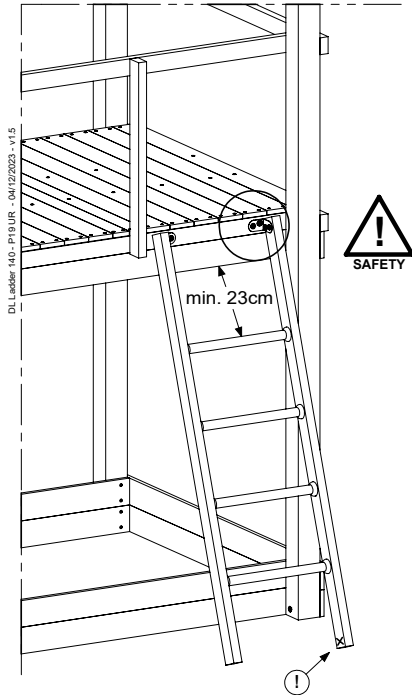


Playhouse Roof Panels - P13 DL120° - 10-10-2023 - v1

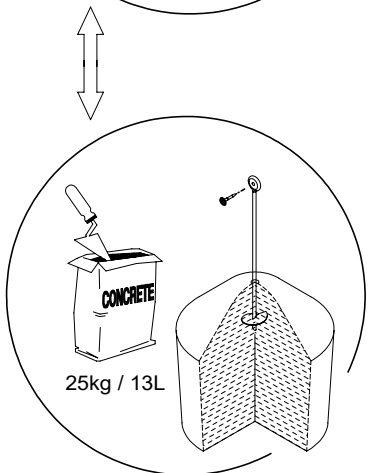
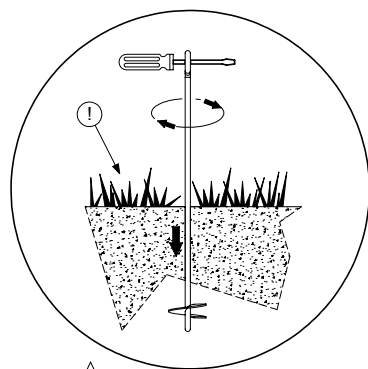
14.1



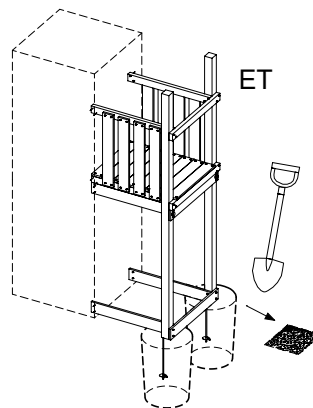
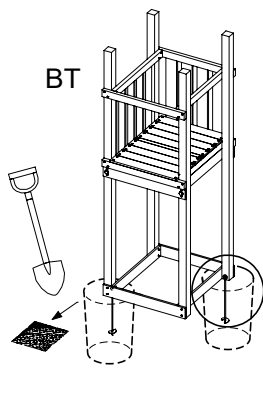
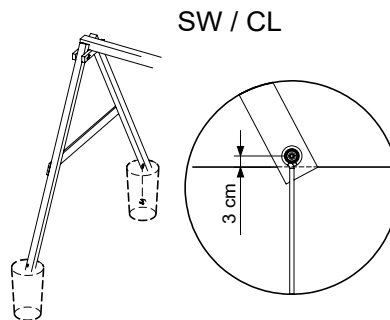
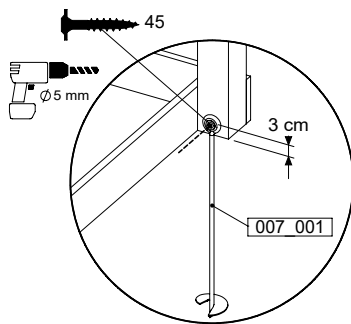
14.2



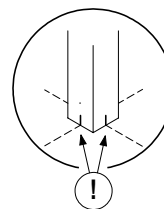
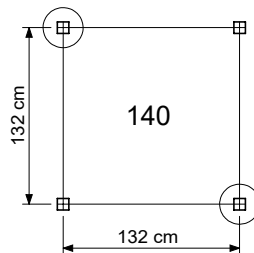
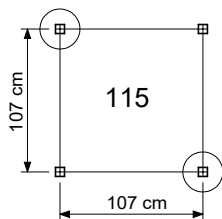
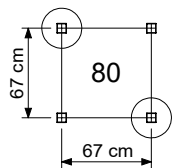
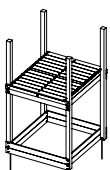
15 GA: Ground Anchors



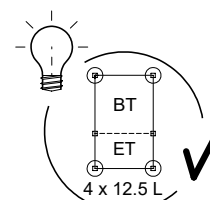
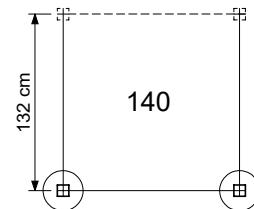
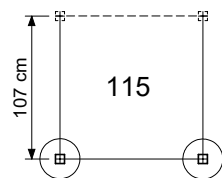
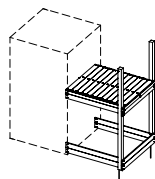
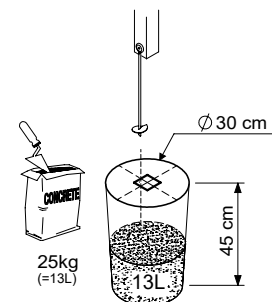
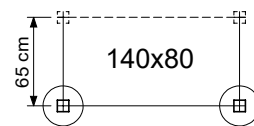
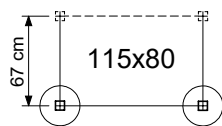
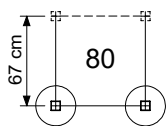
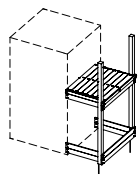
Ground Anchors Unit - P03 - 04/07/2023 - v1.2



BASE TOWERS

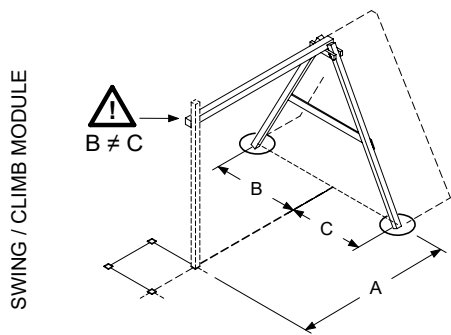
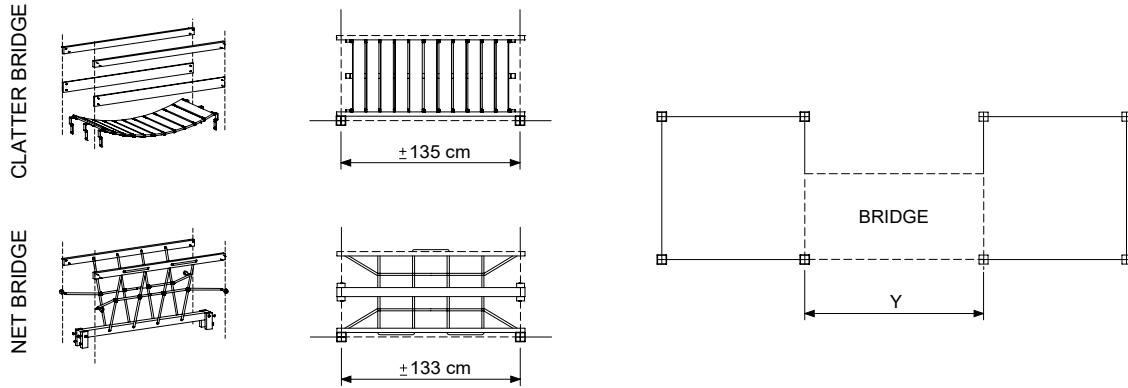


EXTENSION TOWERS



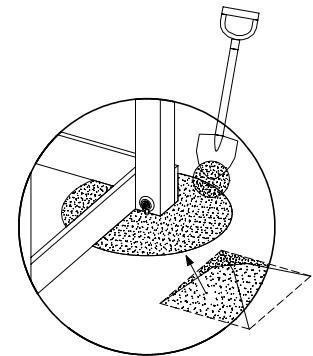
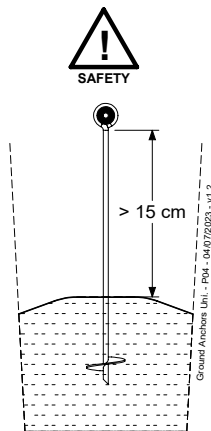
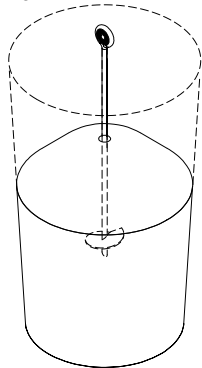
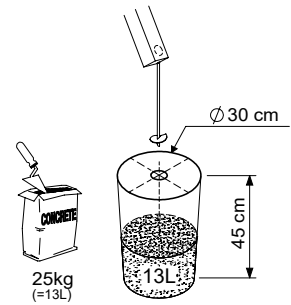
Ground Anchors Unit - P01 - 04/07/2023 - v1.2

15.1



Module type	A	B	C
1-Swing 200	150	115	100
1-Swing 220 / 220 Extra		120	105
2-Swing 200	210	115	100
2-Climb 200			
1-Climb 200	142	120	105
1-Climb 220 / 220 Extra			
2-Swing 220 / 220 Extra	230	120	105
2-Climb 220 / 220 Extra			

Ground Anchors Unit - P02 - 04/07/2023 - v1.2

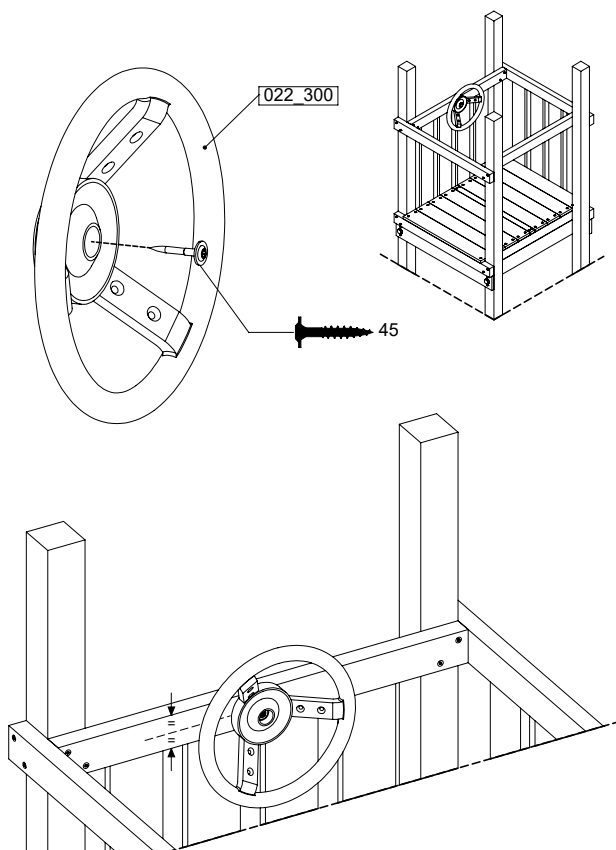
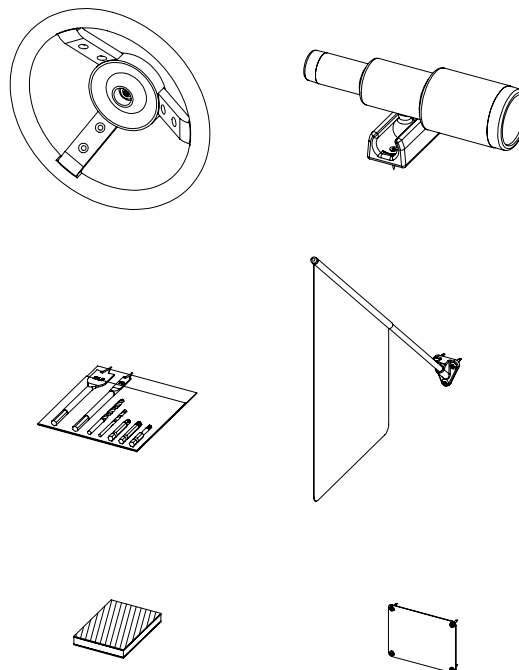


16 AC01a: Accessories

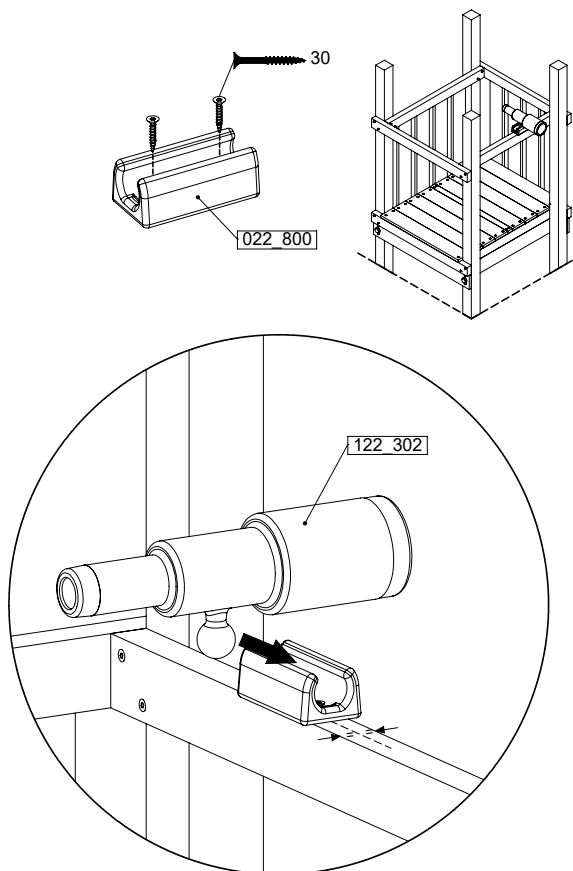
(194_119)

	PartNo	PartName	QTY.
Hardware Pack 100_617	001_406	Stealth Screw 8x45	1
	002_041	Dome head screw 4.5 x 20 mm	3
	002_042	Dome head screw 3.5 x 13mm	4
	002_219	Gap Point Screw T25 - 5x30	2
Other	022_300	Steering Wheel	1
	022_800	Rail P/T 105	1
	022_910	Sandpad	1
	103_901	Logo ID Plate	1
	104_107	Tool Set Climbing Units	1
	120_024	Tower Flag	1
	122_302	Telescope	1

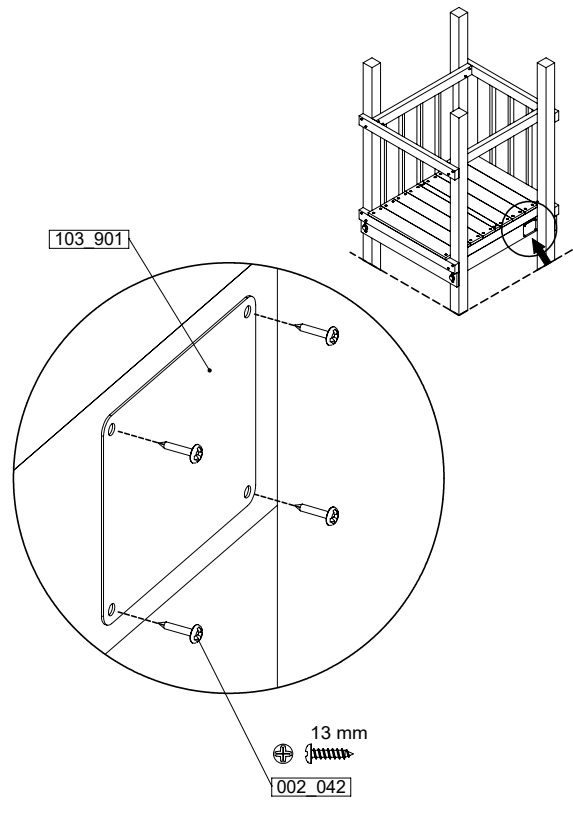
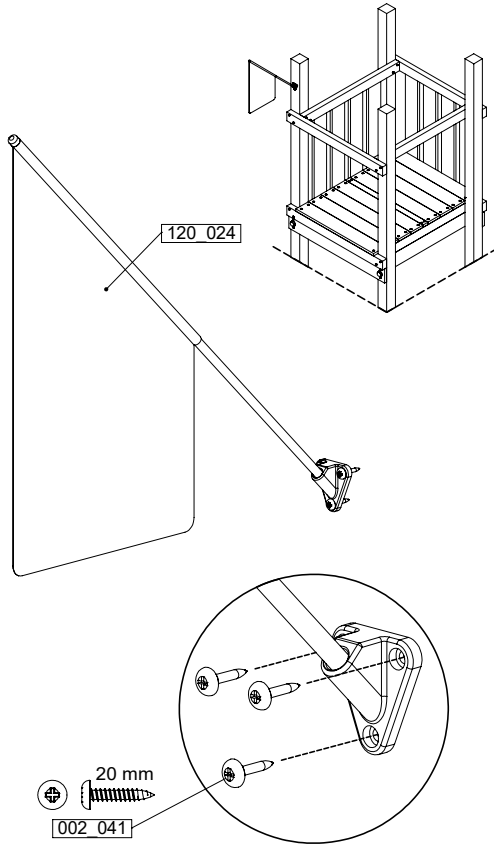
Accessory set - P102 - 06/07/2023 - v5



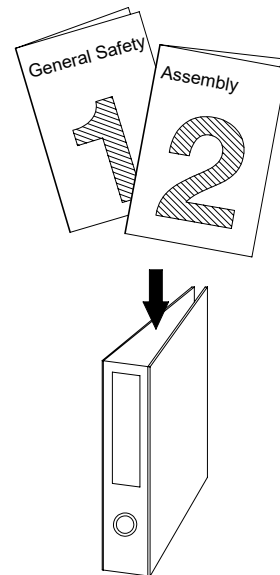
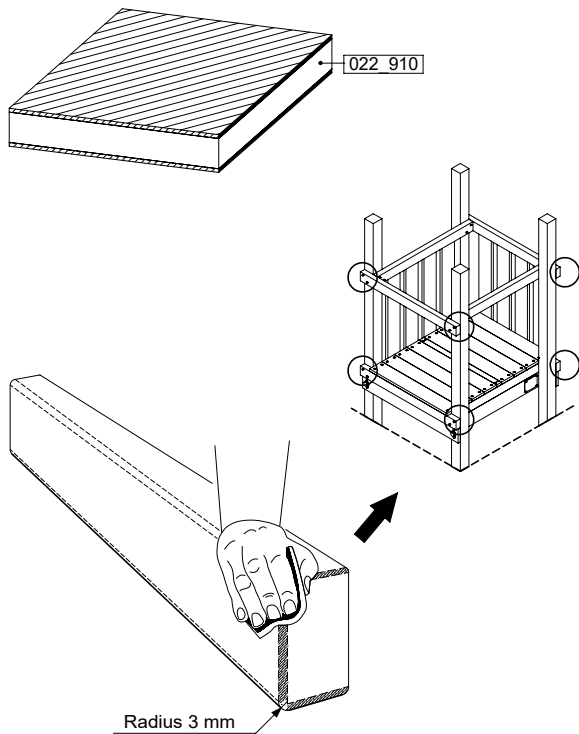
Accessory set - P103 - 06/07/2023 - v5



16.1



Accessory set - P04 - 06/07/2023 - v5



Accessory set - P05 - 06/07/2023 - v5

17 Conformity

Declaration of Conformity

Jungle Gym
BACKYARD PLAYGROUNDS
since 1988

Manufacturer details

Company Name	Tag-line
Jungle Gym B.V.	Backyard Playgrounds
Address	
P.O. Box 75083, 1070 AB Amsterdam, Netherlands	

Activity toys for domestic use

Product Range Identification

Construction Packages (Sub-Assembly)

Universal Packs / Base Towers / Extension Towers / Roofs / Means of Exit/Access / Add-ons : 790_001 ... 794_911

Assembly

Playtowers : 801_005 ... 200	Links : 870_100 ... 105	Accessories : 123_220 ... 250_075
Playhouses : 830_150 ... 253, 835_251 ... 253	Swings : 801_300, _600, _601	Slides (XL) : 324_100 ... 600
Modules : 850_180 ... 415		Slides (XXL) : 334_100 ... 600
: 857_103, 857_108	Playtowers: 802_202 ... 208	
857_151, 857_158	803_202 ... 210	
	809_202 ... 804	

Applicable EC directives and standards

Chemical References

1. Migration of certain elements (17x + Chr VI + tin) as required in TSD 2009/48/EC and its amendments. Scrape off toy material. Tested according to EN 71-3:2019.	5. Content of 7 Phthalates (18x) according to REACH (EG) no.1907/2006, Annex XVII. Tested according to COC-CH-C1011-09.3 and EN 15777 / QMA 2011.1300	9. Content of 3 Flame retardants according to REACH (EG) no. 1907/2006, Annex XVII. Tested according to EN 62321-6.
2. Migration of solvents, monomers and plasticizers as specified in "Safety for Toys: Organic Chemical Compounds", EN 71-9: 2005 + A1: 2007. Tested according to EN 71-10: 2005 & EN 71-11: 2005.	6. Content of Cadmium according to REACH (EG) no. 1907/2006, Annex XVII. Tested according to EN 17294-2	10. Ni release according to REACH (EG) no. 1907/2006, Annex XVII. Tested according to EN 71-3:2013+A1:2014.
3. Content of N-nitrosamines and N-nitrosatable substances as specified in EN standard 71-12: 2013. Tested according to EN 71-12: 2013.	7. Formaldehyde according to REACH (EG) no. 1907/2006, Annex XVII. Tested according to EN 14184	11. Sweat and Salvia resistance tested according to DIN 53160
4. Content of 18 PAHs (Polycyclic Aromatic Hydrocarbons) as referred in AfPS GS 2014:01 PAK (Replaced on 2019:01) Tested according to QMA 2011.1284	8. Azo dyes according to REACH (EG) no. 1907/2006, Annex XVII. Tested according to BVL B 82.02-2.	

Mechanical physical properties + flammability

EN 71 - 1 : 2014 + A1: 2018 EN 71 - 2 : 2011 + A1: 2014 EN 71 - 8 : 2018

Supplementary information

Conformity to the above specified directives and standards has been frequently verified and is continuously monitored by TÜV Süd, TÜV Rheinland LGA products, DEKRA (DE), STR Ltd (UK), LNE SA (FR), LMR Ltd (US) and IPS N.V. (BE) since 1994. Jungle Gym participates in the European Commission for standardisation for the safety of activity toys (TC52 / WG 10).


Declaration

I hereby declare under our sole responsibility that the products mentioned above, to which this declaration relates, complies with the above mentioned directives and standards.



Name
Mr. P. Schmit / Director

Issued date
Januari 2nd, 2023


Signature of representative