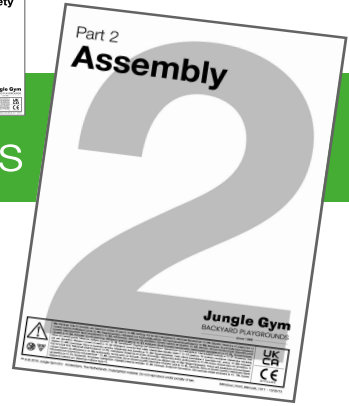


# Part 2

# Assembly

## Instructions



Config ID: 84qgLk

Date: 2023-09-28



**Important**  
 This assembly manual should always be read in conjunction with the General Safety manual part 1 as included in the hardware package of your playground equipment.  
 Please read these safety instructions carefully before starting the assembly work.

# Jungle Gym

## BACKYARD PLAYGROUNDS

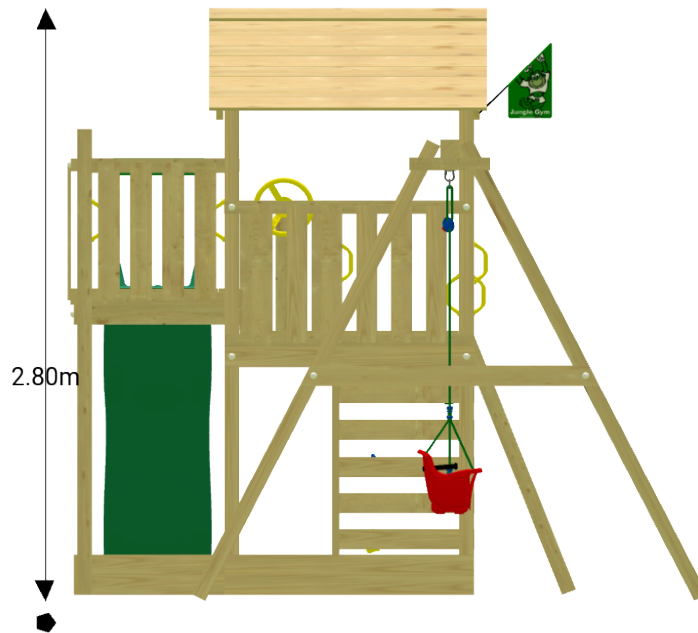
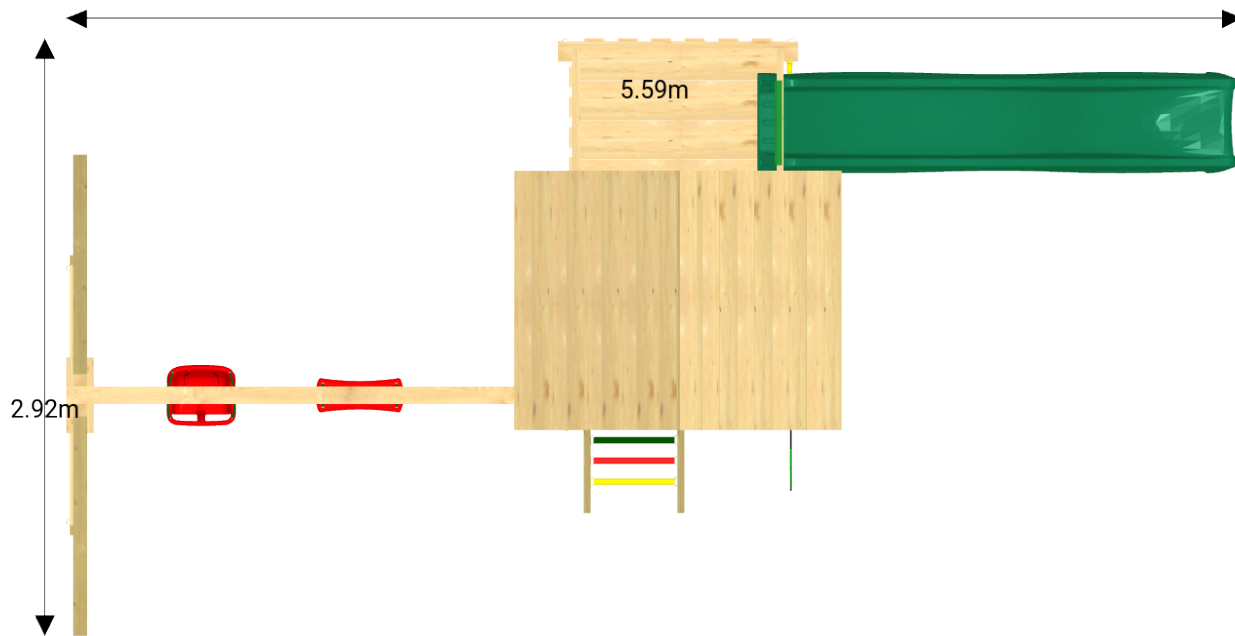
since 1988



**EN.** Warnings. Only for domestic use. Maximum number of users is 4. **DE.** Achtung. Nur für den Hausgebrauch. Maximale Benutzerzahl: 4. **FR.** Attention. Réserve à un usage privé. Le nombre maximal d'utilisateurs est de 4. **NL.** Waarschuwingen. Uitsluitend voor huishoudelijk gebruik. Het maximale aantal gebruikers is 4. **BG.** Внимание. За употреба само в домашни условия. Максималният брой потребители е 4. **ES.** Advertencias. Sólo para uso doméstico. Número máximo de usuarios: 4. **CS.** Varování. Jen pro domácí použití. Maximální počet uživatelů je 4. **DA.** Advarsler. Kun til privat brug. Maksimum antal brugere er 4. **ET.** Hoiatused. Ainult koduseks kasutamiseks. Maksimaalne kasutajate arv on 4. **EL.** Προειδοποιήσεις. Μόνο για οικιακή χρήση. Μέγιστος αριθμός χρηστών 4. **IS.** Varnaðarorð. Eingöngu fyrir einkanotkun í heimahúsum og á einkalóðum. Hámarksfjöldi notenda er 4. **IT.** Avvertenze. Solo per uso domestico. Massimo numero di utenti è 4. **LV.** Brīdinājumi. Izmanto tikai mājās. Maksimālais lietotāju skaits ir 4. **LT.** Įspėjimai. Tik buitiniam naudojimui. Maksimalus naudotojų skaičius HR. Upozorenja. Samo za kućansku uporabu. Maksimalan broj korisnika je 4. **HU.** Figyelmeztetések. Csak otthoni használatra! A használok max. száma: 4. **NO.** Advarsler. Kun for privat bruk. Maksimalt antall brukere er 4. **PL.** Ostrzeżenia. Wyłączanie do użytku domowego. Maksymalna liczba użytkowników to 4. **PT.** Avisos. Apenas para uso doméstico. O número máximo de utilizadores é 4. **RO.** Avertismente. Numai pentru uz domestic. Numărul maxim de utilizatori este 4. **RU.** Предостережения. Только для домашнего использования. Максимальное количество пользователей - 4. **SK.** Upozornenia. Iba na domáce použitie. Maximálne množstvo osôb je 4. **SL.** Opozorila. Samo za domačo uporabo. Maksimalno število uporabnikov je 4. **FI.** Varoitukset. Ainoastaan kotikäyttöön. Käyttäjää yhteensä enintään 4. **SR.** Upozorenja. Samo za kućnu upotrebu. Maksimalan broj korisnika je 4. **SV.** Varningar. Endast för hemmabruk. Det maximala antalet användare är 4. **TR.** Uyarılar. Sadece ev kullanımı için. Maksimum kullanıcı sayısı 8.



# 1 Views

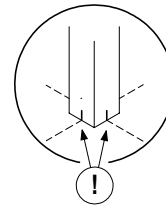
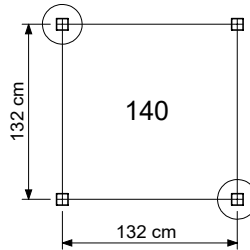
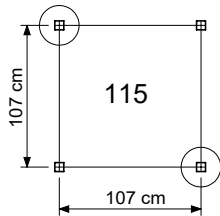
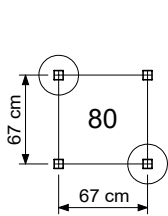
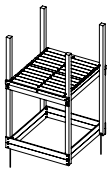


## 2 Order overview

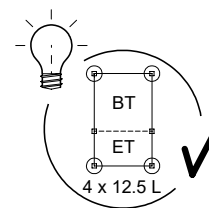
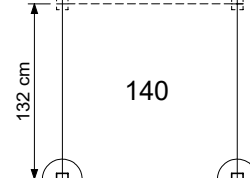
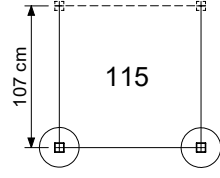
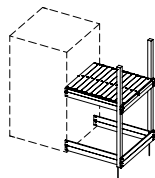
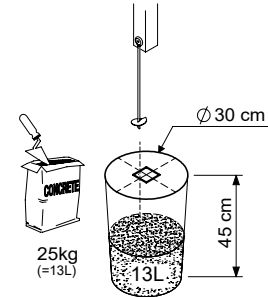
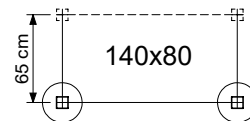
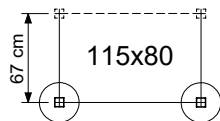
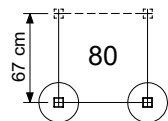
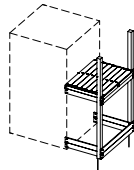
Nr.	Part ID	Part Name	Part number	Quantity
1	LA11	Ladder 115_125	792_431	1
2	BT11a	Base Tower 115_240240	792_002	1
3	ET11a	Extension Tower 11580_220_up/ down	792_105	1
4	RF09a	Roof Casa 115	792_203	1
5	BL01a	Balustrade 80	790_301	1
6	BL04a	Balustrade 115	792_301	2
7	RW07a	Rock wall 115_125	792_401	1
8	SL03a	Slide 80	790_901	1
9	SW13a	2- Swing Module 220	757_154	1
10	AC01a	AP Accessory set	194_119	1
11	AC21a	Swing Seat Kit • Red	250_034	1
12	AC24a	Baby Swing Kit • Red	250_025	1
13	334_x00a	Wavy Star Slide XXL	334_x00a	1

### 3 Anchor Plan

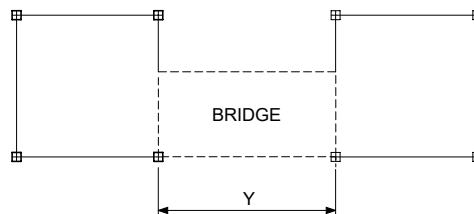
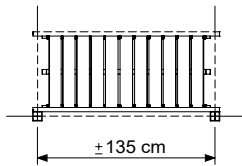
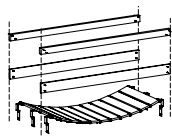
BASE TOWERS



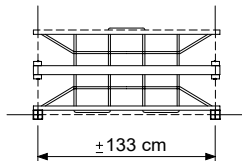
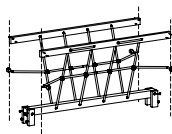
EXTENSION TOWERS



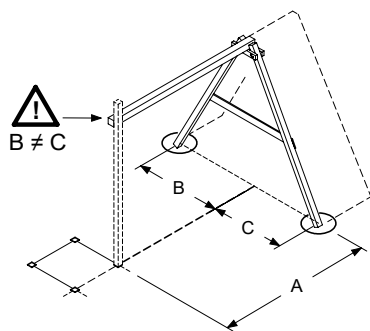
CLATTER BRIDGE



NET BRIDGE

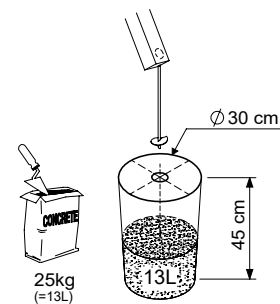


SWING / CLIMB MODULE



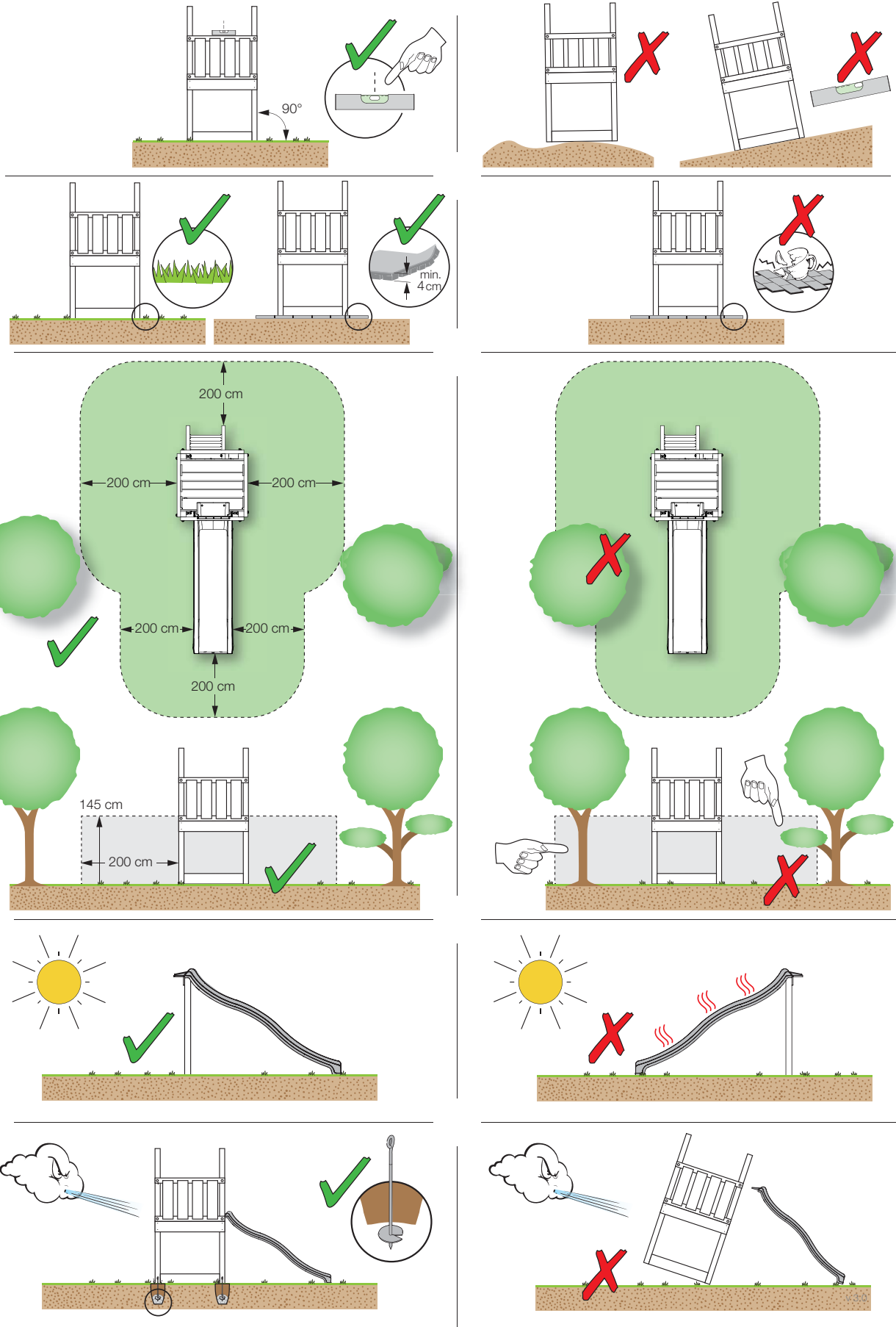
Module type	A	B	C
1-Swing 200	150	115	100
1-Swing 220 / 220 Extra		120	105
2-Swing 200	210	115	100
2-Climb 200			
1-Climb 200	142	115	100
1-Climb 220 / 220 Extra			
1-Climb 220 / 220 Extra	162	120	105
2-Swing 220 / 220 Extra			
2-Climb 220 / 220 Extra	230		

Ground Anchors Unit - POZ - 04/07/2023 - v1.2

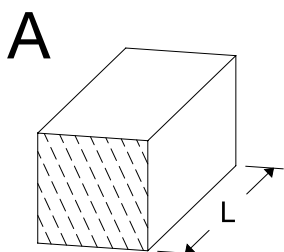


Ground Anchors Unit - POZ - 04/07/2023 - v1.2

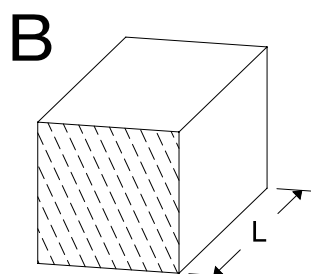
### 3.1 Safe Playground



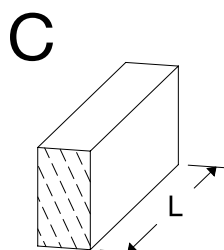
## 4 Timber parts



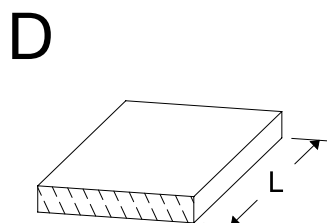
ID	L	#
A220	219 cm - 220 cm	2
A240	239 cm - 240 cm	6



B240	239 cm - 240 cm	1
------	-----------------	---

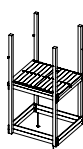
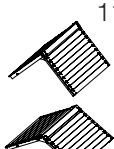

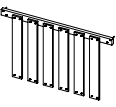
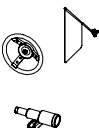


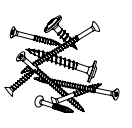
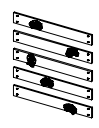

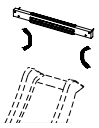



C37	36 cm - 37 cm	2
C70	69 cm - 70 cm	1
C74	73 cm - 74 cm	5
C84	83 cm - 84 cm	4
C114	113 cm - 114 cm	10
C130	129 cm - 130 cm	2
C186	185 cm - 186 cm	1

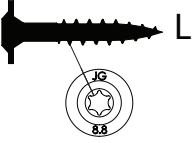
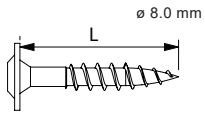


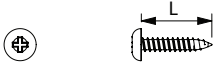

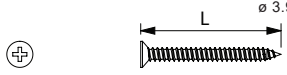


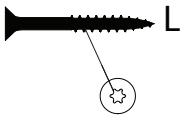
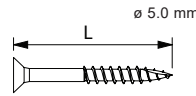


D65	64 cm - 65 cm	26
D74	73 cm - 74 cm	6
D100	99 cm - 100 cm	23
D114	113 cm - 114 cm	18
D127	126 cm - 127 cm	23
D141	140 cm - 141 cm	2

## 5 Assembly packs & accessories

<p>Tower 115</p>  <p><b>BT ET</b></p> <p>194_300</p> <p><b>2x</b></p>	<p>Roof Timber 115</p>  <p><b>RF</b></p> <p>194_308</p> <p><b>1x</b></p>	<p>Slide 2.6m</p>  <p>334_x00</p> <p><b>1x</b></p>	<p>Balustrade 140</p>  <p><b>BL</b></p> <p>194_501</p> <p><b>2x</b></p>	<p>Accessory Set</p>  <p><b>AC</b></p> <p>194_119</p> <p><b>1x</b></p>
<p>Swing Seat</p>  <p><b>AC</b></p> <p>250_034</p> <p><b>1x</b></p>	<p>Ladder 125</p>  <p><b>LA</b></p> <p>194_003</p> <p><b>1x</b></p>	<p>Hardware 01</p>  <p><b>BL H01</b></p> <p>194_101</p> <p><b>3x</b></p>	<p>Rock Wall</p>  <p><b>RW</b></p> <p>194_006</p> <p><b>1x</b></p>	<p>Swing Frame Kit</p>  <p><b>SW</b></p> <p>457_102</p> <p><b>1x</b></p>
<p>Slide Frame</p>  <p><b>SL</b></p> <p>194_107</p> <p><b>1x</b></p>	<p>Baby Swing</p>  <p><b>AC</b></p> <p>250_025</p> <p><b>1x</b></p>			

# 6 Hardware Identification

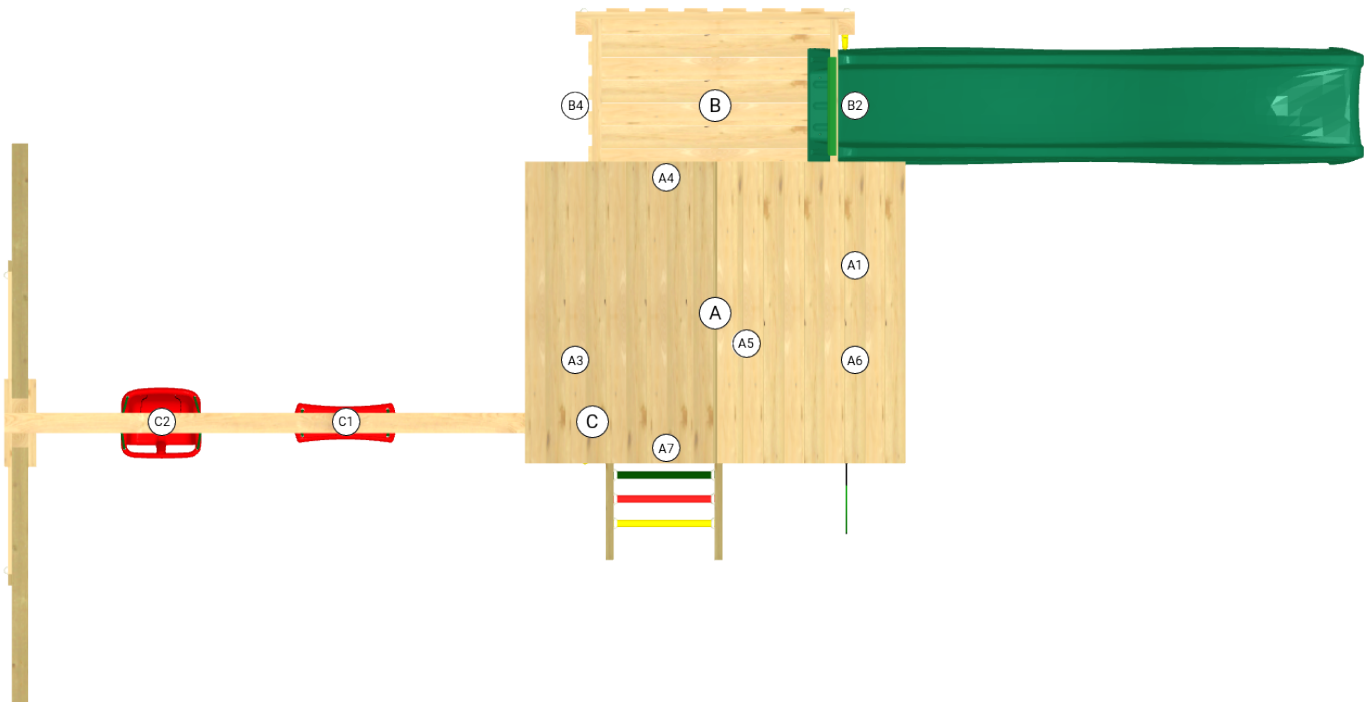
		SKU	L
	 $\varnothing 8.0 \text{ mm}$	001_404 001_406 001_411 001_417 001_422	30 mm 45 mm 60 mm 80 mm 137 mm
	M8	001_102	30 mm
	 $\varnothing 2.0 \text{ mm}$	000_101	20 mm
	 $\varnothing 6.3 \text{ mm}$	002_036	16 mm
	 $\varnothing 4.5 \text{ mm}$	002_041	20 mm
 $\varnothing 3.5 \text{ mm}$	002_042	13 mm	
 $\varnothing 3.9 \text{ mm}$	002_301	40 mm	

		SKU	L
	 $\varnothing 5.0 \text{ mm}$	002_308 002_219 002_220 002_223	20 mm 30 mm 45 mm 80 mm
	M8	003_010	
	M6	003_034	
	M8	004_050	22mm
		022_845 022_846 022_847 022_848	Yellow Blue Green Red
		023_031	White
 022_844	 022_314	120_005	White

output: 25/05/23



## 7 Assembly Planning



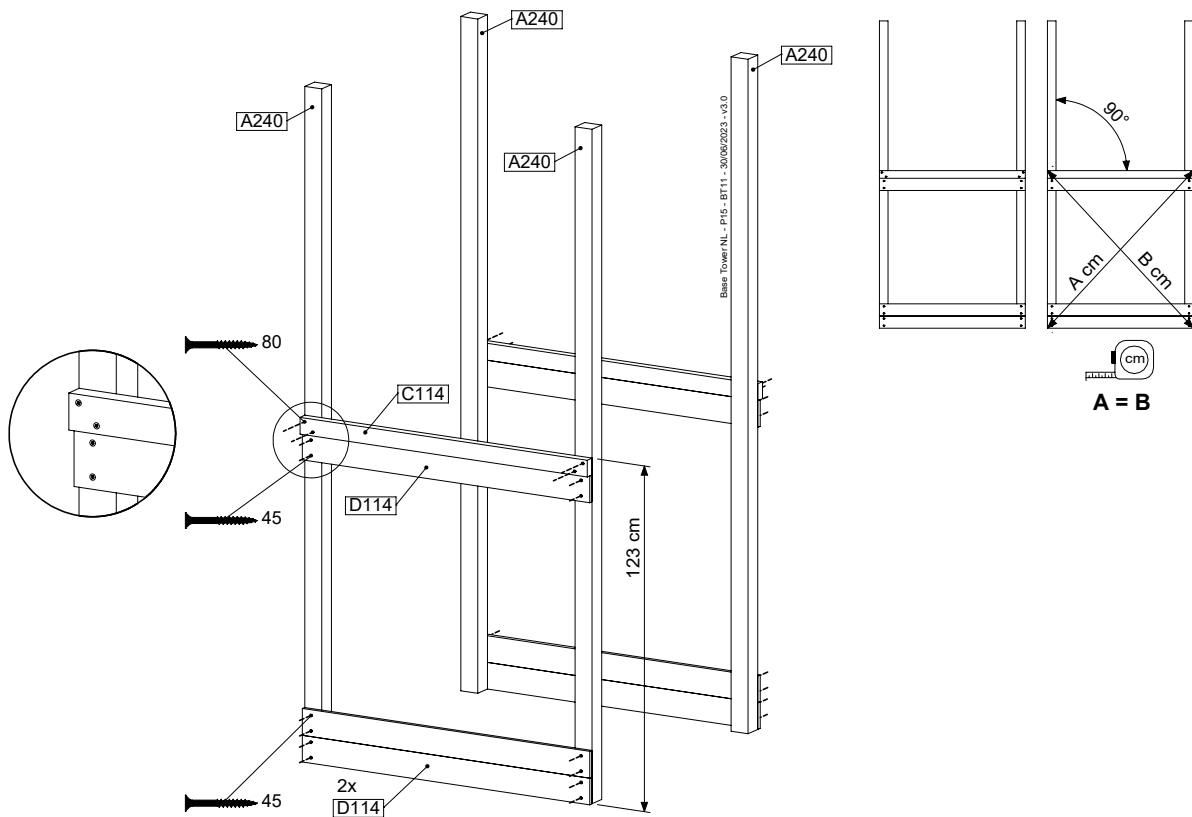
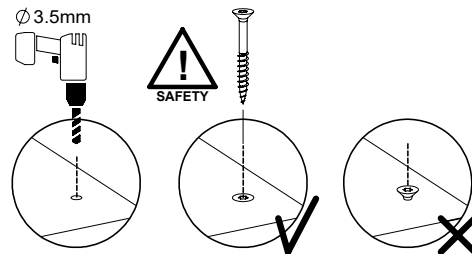
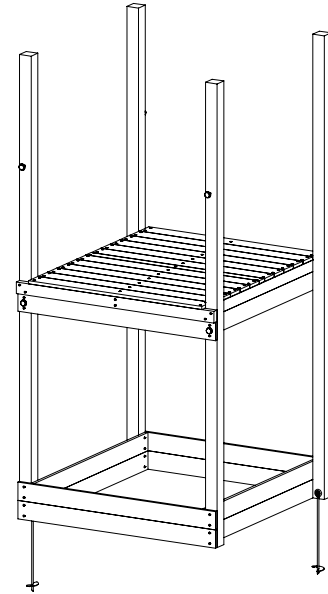
	ID			A	B	C
1	BT11a		p.10	✓	-	-
2	ET11a		p.13	-	✓	-
3	RW07a		p.16	A6	-	-
4	BL01a		p.19	-	B4	-
5	BL04a		p.20	A3	B3	-
6	RF09a		p.21	A5	-	-
7	LA11		p.24	A7	-	-
8	SW13a		p.27	-	-	✓
9	SL03a		p.34	-	B2	-
10	GA		p.36	✓	✓	✓
11	AC01a		p.38	✓	-	-

# 8 BT11a: Base Tower 115 125cm 240240

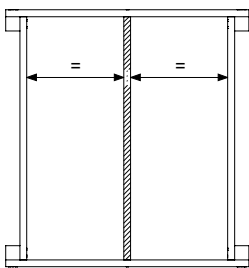
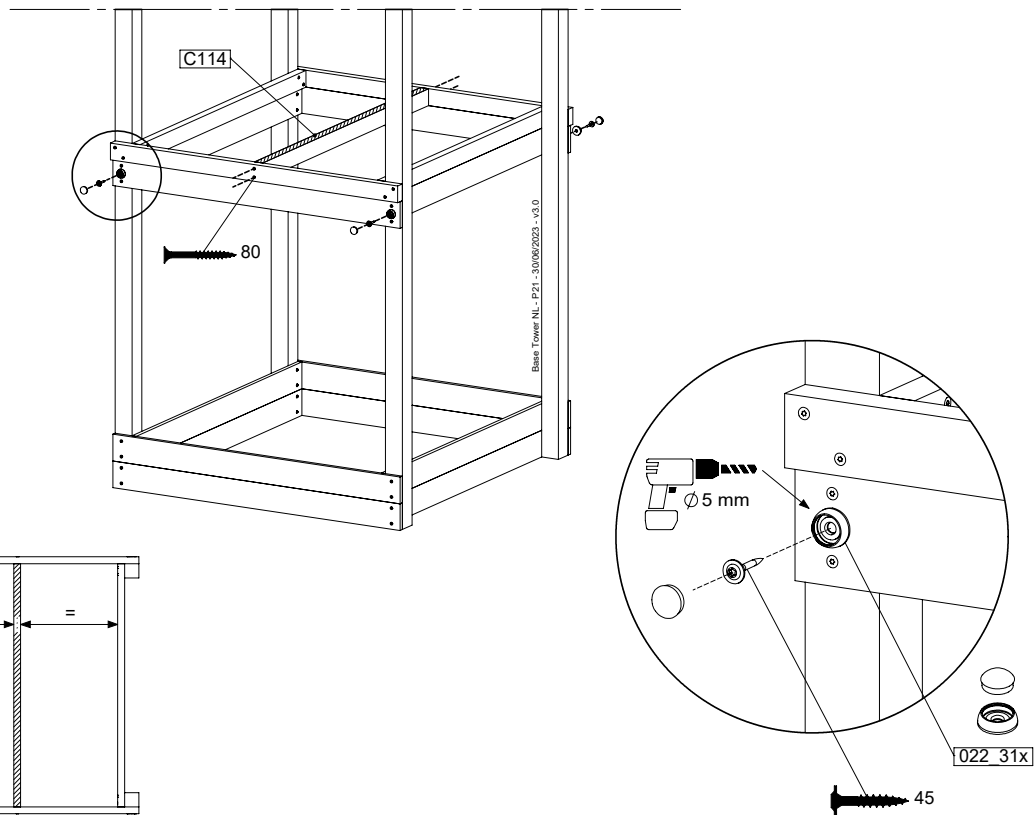
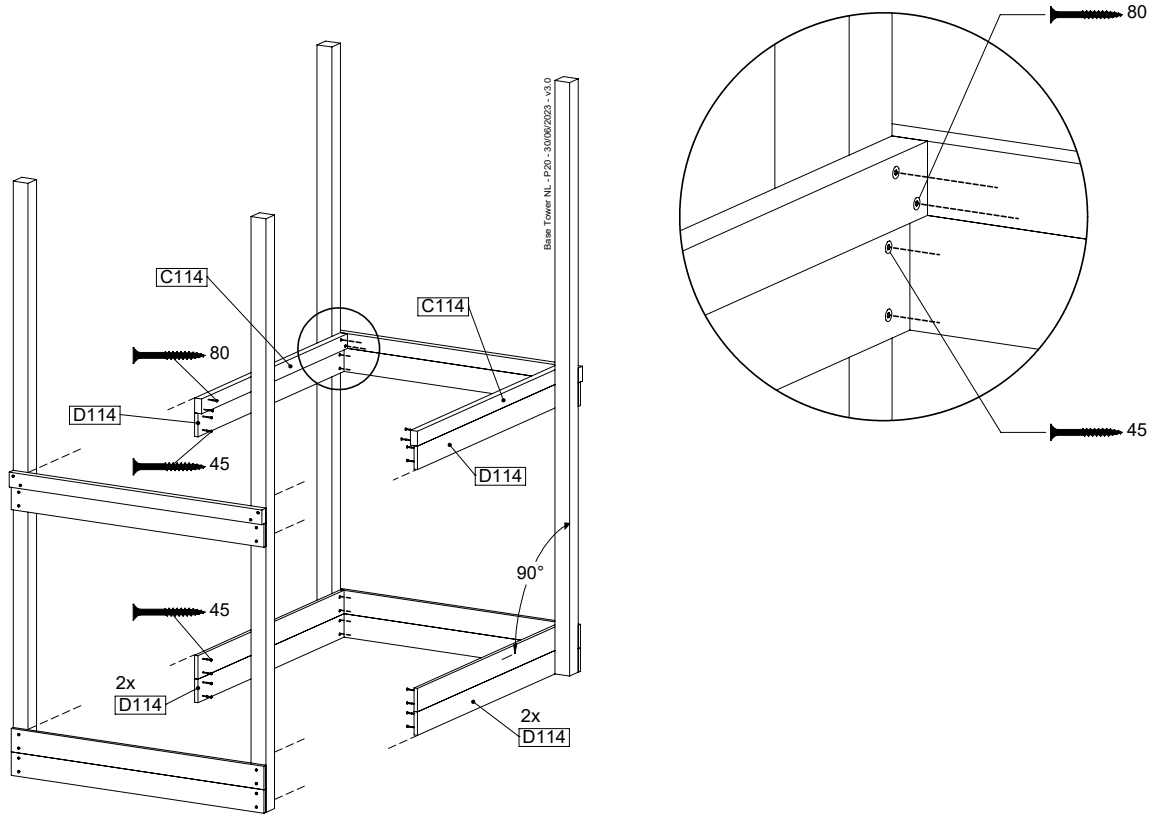
( 194\_300 )

	PartNo	PartName	QTY.
Hardware pack	001_406	Stealth Screw 8x45	6
	001_417	Stealth Screw 8x80	4
	002_220	Gap Point Screw T25 - 5x45	118
	002_223	Gap Point Screw T25 - 5x80	20
	022_31x	bpc-base version 3	8
	022_84x	bpc cover	8
Other	007_001	Ground-anchor	2
Timber	A240	Post 70x70 L2400	4
	C114	Beam 1140 mm	5
	D100	Board 1000 mm	14
	D114	Board 1140 mm	12

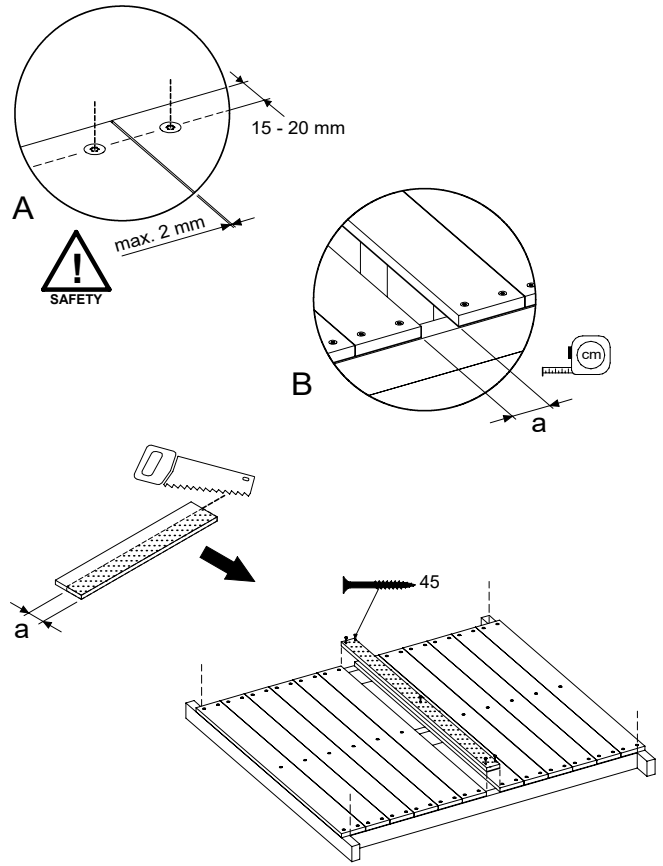
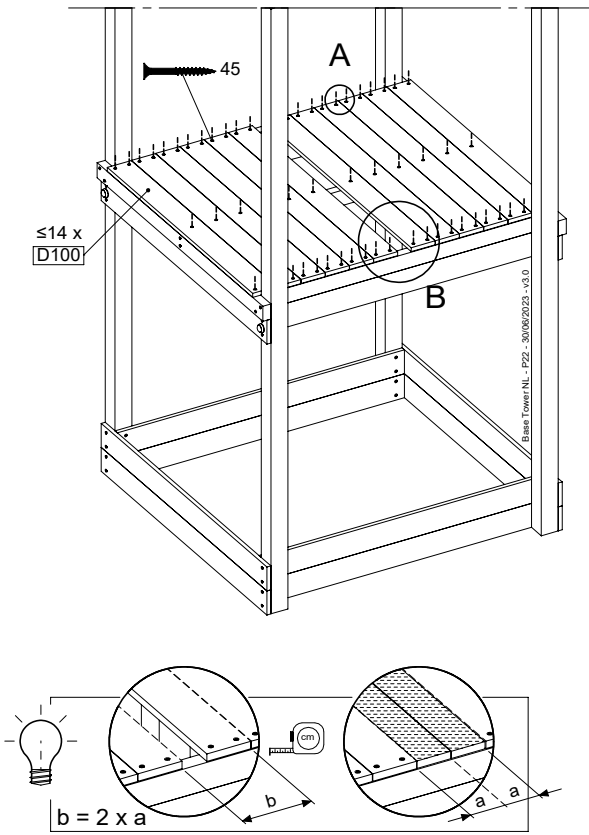
Base Tower.NL - POP - BT11 - 30/06/2023 - v3.0



# 8.1



## 8.2

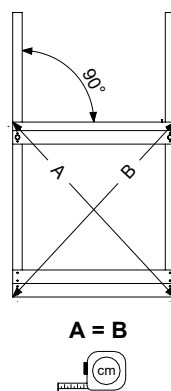
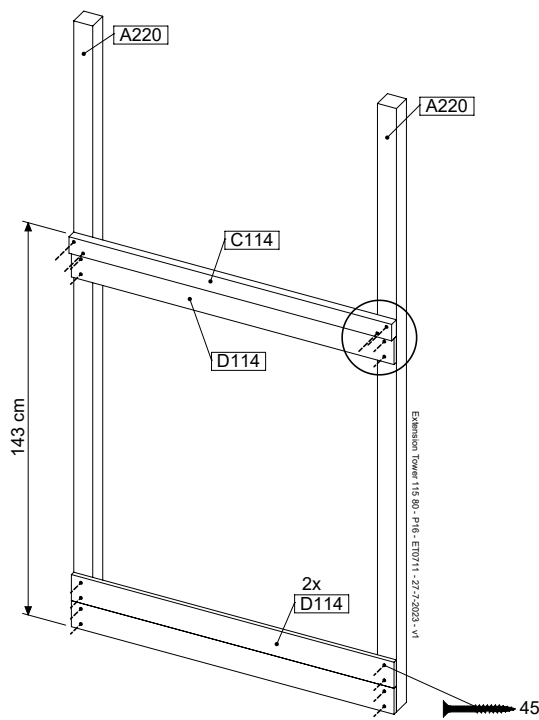
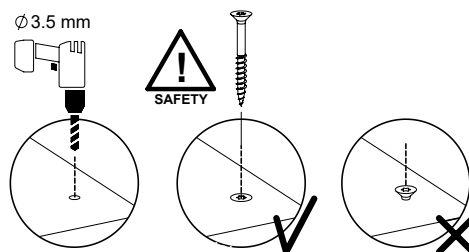
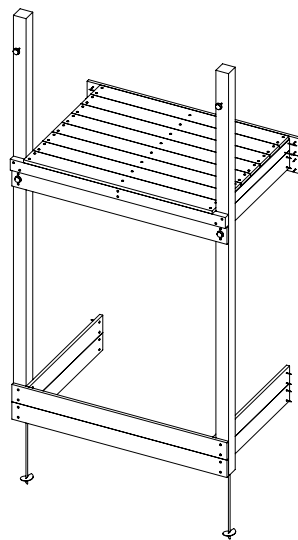


# 9 ET11a: Extension Tower 11580 220/145

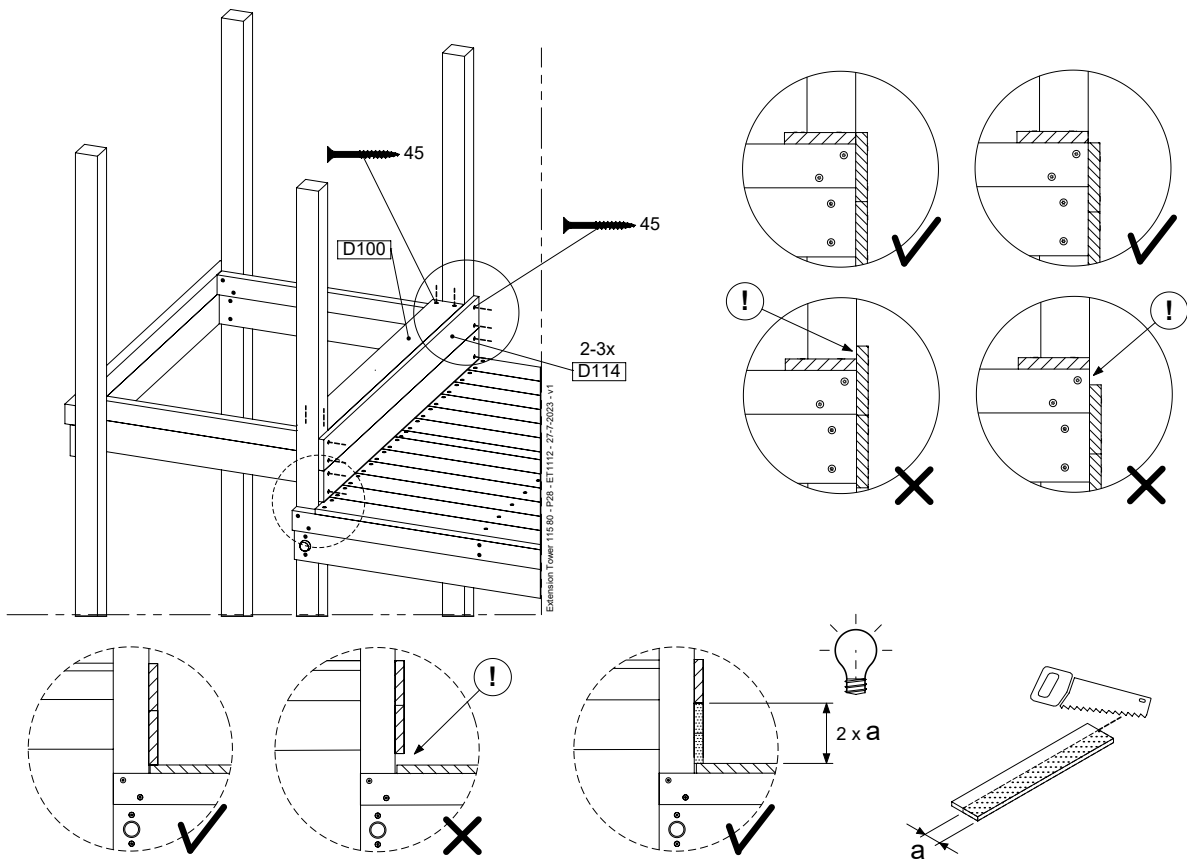
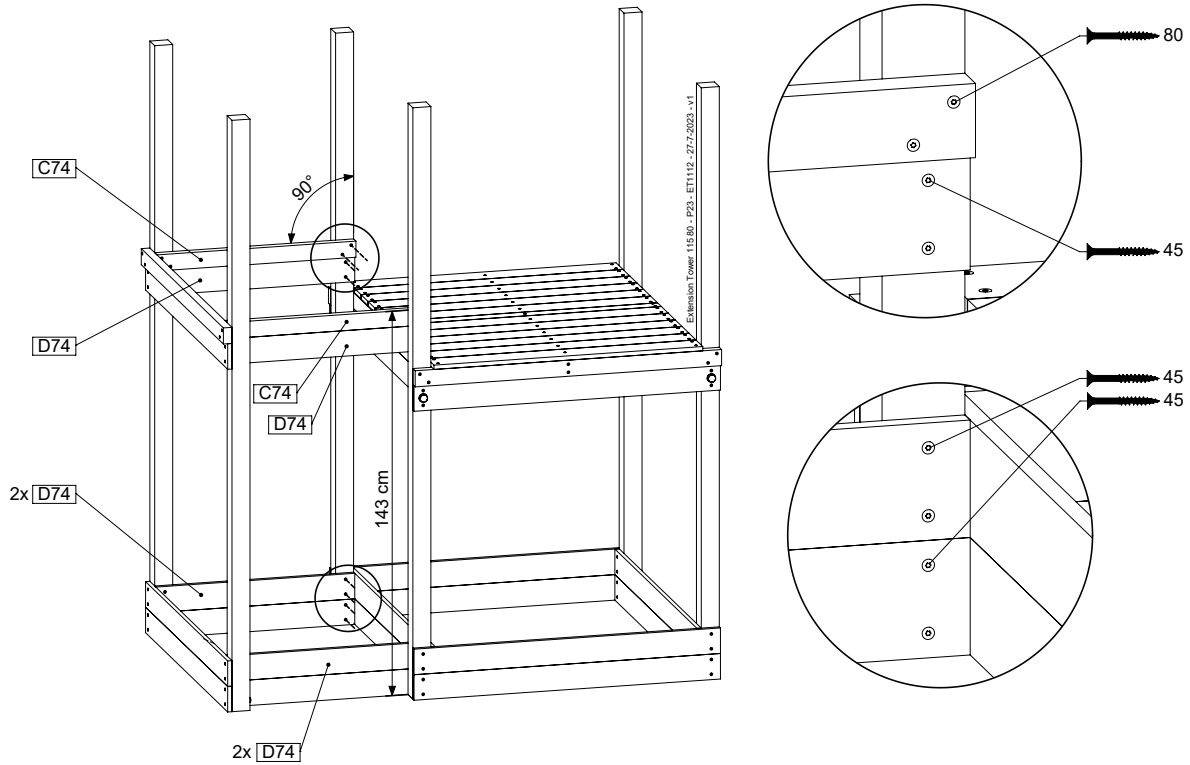
( 194\_300 )

	PartNo	PartName	QTY.
Hardware pack	001_406	Stealth Screw 8x45	4
	001_417	Stealth Screw 8x80	2
	002_220	Gap Point Screw T25 - 5x45	93
	002_223	Gap Point Screw T25 - 5x80	16
Other	007_001	Ground-anchor	2
	022_31x	bpc-base version 3	4
	022_84x	bpc cover	4
Timber	A220	Post 70x70 L2200	2
	C74	Beam 740 mm	3
	C114	Beam 1140 mm	1
	D74	Board 740 mm	6
	D100	Board 1000 mm	9
	D114	Board 1140 mm	6

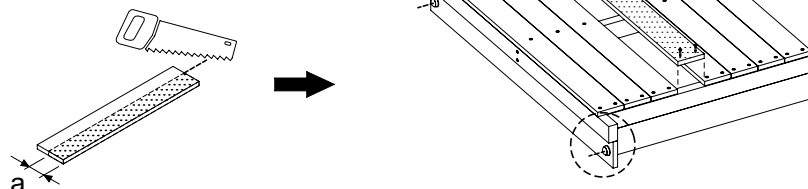
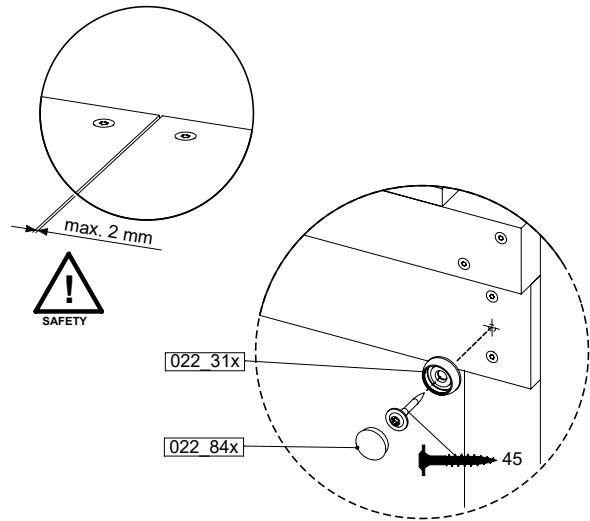
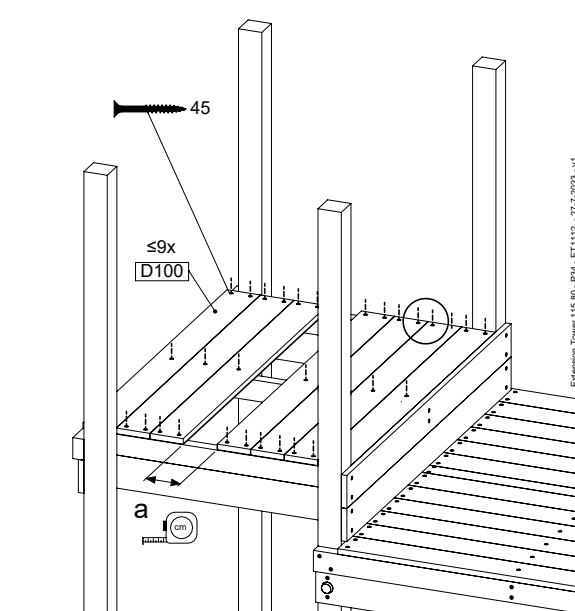
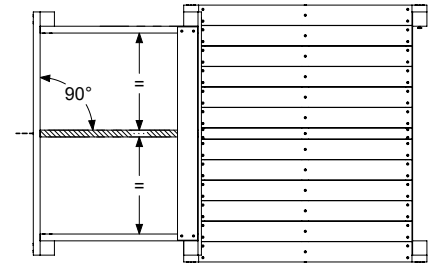
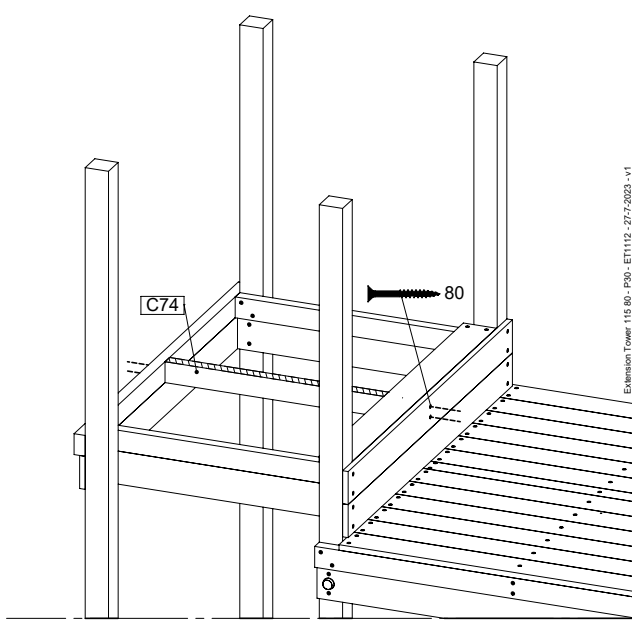
Extension Tower 11580 - P08-ET11 - Z7-Z-2023 - v1



# 9.1



# 9.2

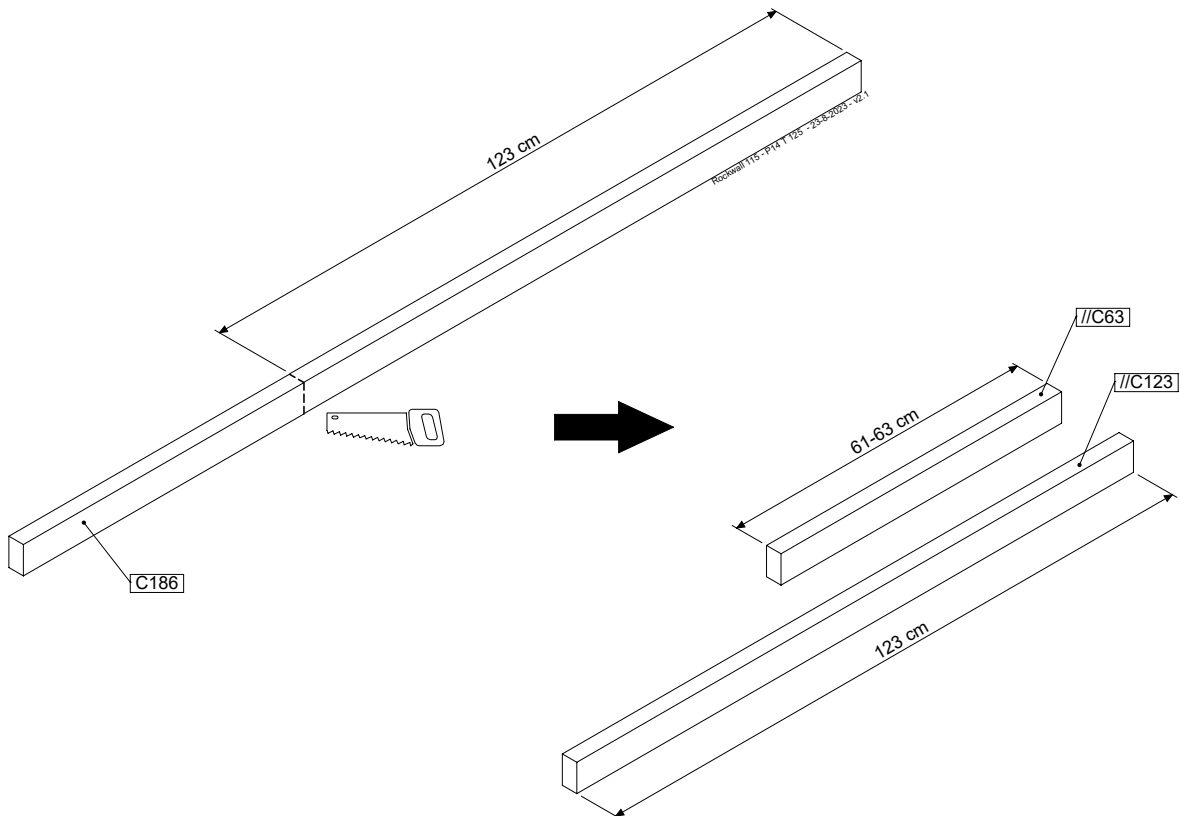
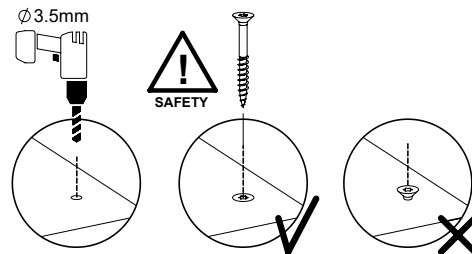
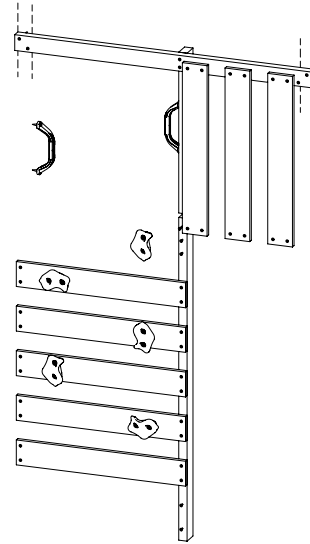


# 10 RW07a: Rock wall 115 145 U Left

( 194\_006 + 194\_101)

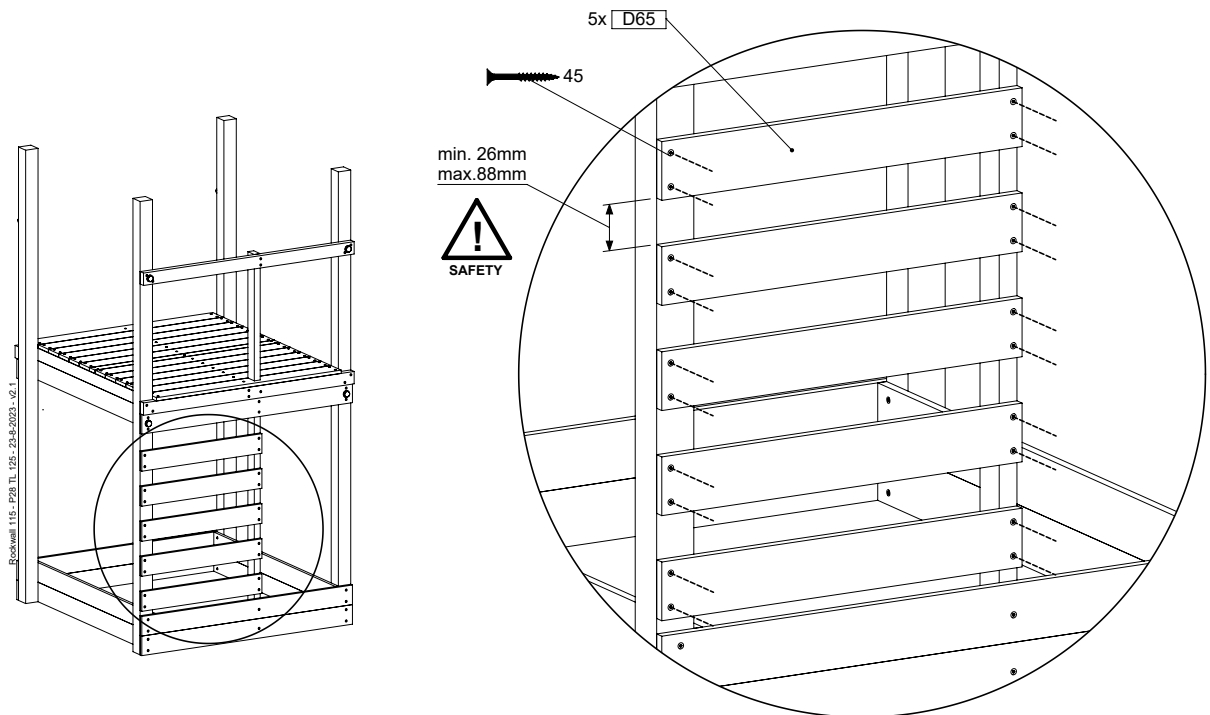
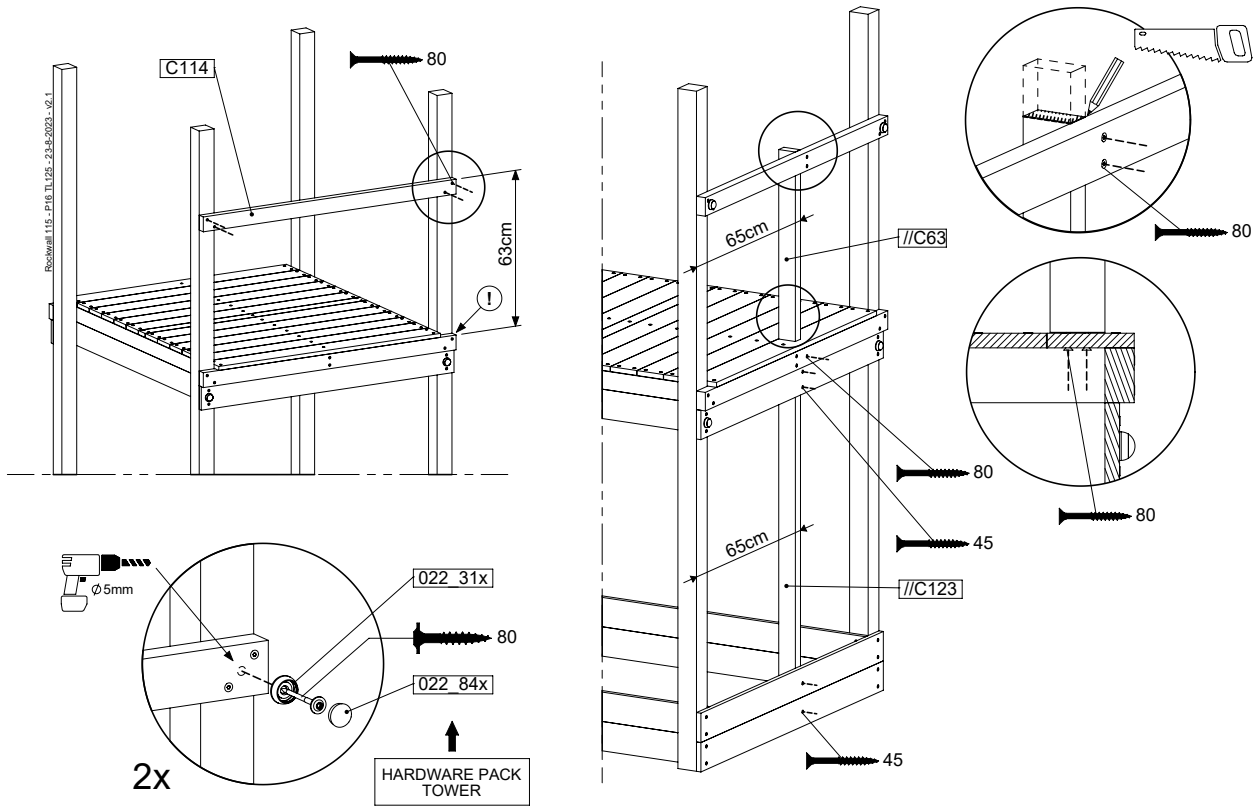
	PartNo	PartName	QTY.
Hardware Pack	001_102	Washer Head Screw T40 M8x30	10
	002_220	Gap Point Screw T25 - 5x45	36
	002_223	Gap Point Screw T25 - 5x80	9
	003_010	M8 spring lock washer	10
	004_050	M8 Drive-in Nut 22mm	10
Other	022_50x	Climbing Rock	5
	120_102	Handgrip set (complete 2x)	1
Timber	C114	Beam 1140 mm	1
	C186	Beam 1860 mm	1
	D65	Board 650 mm	8

Rockwall 115 - P06 TL 125 - 23-8-2023 - v2.1

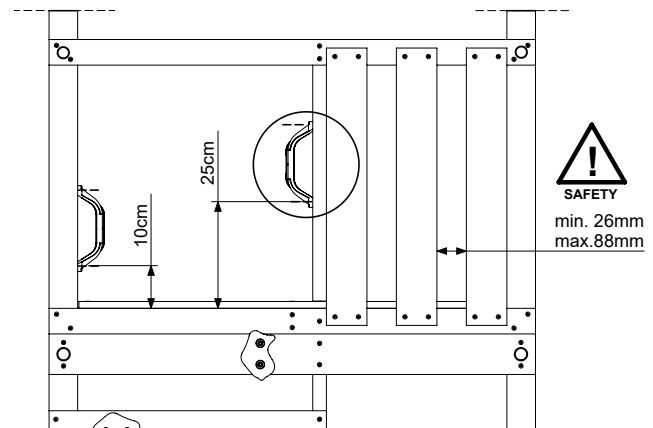
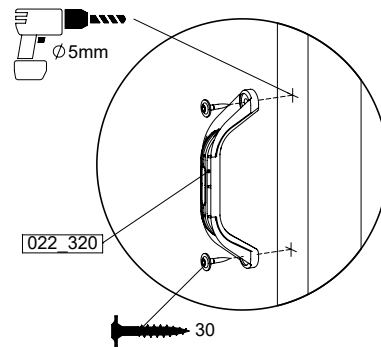
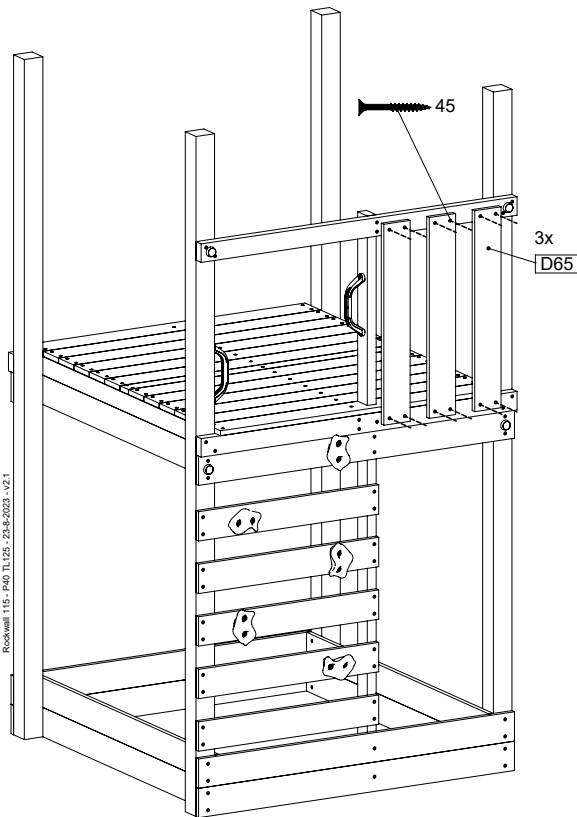
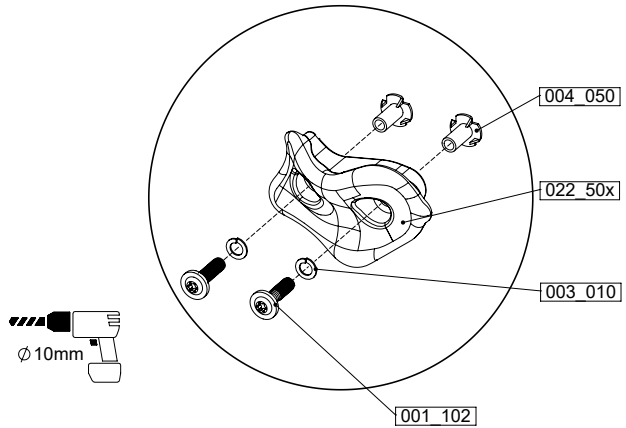
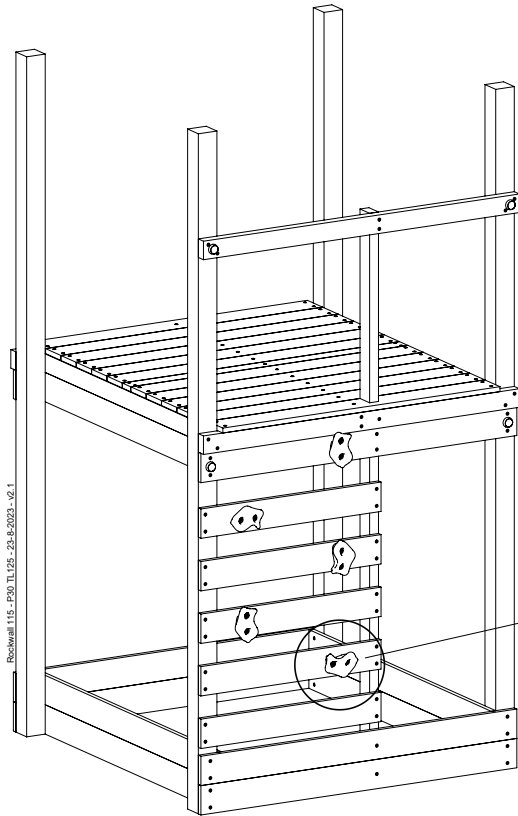




# 10.1



## 10.2

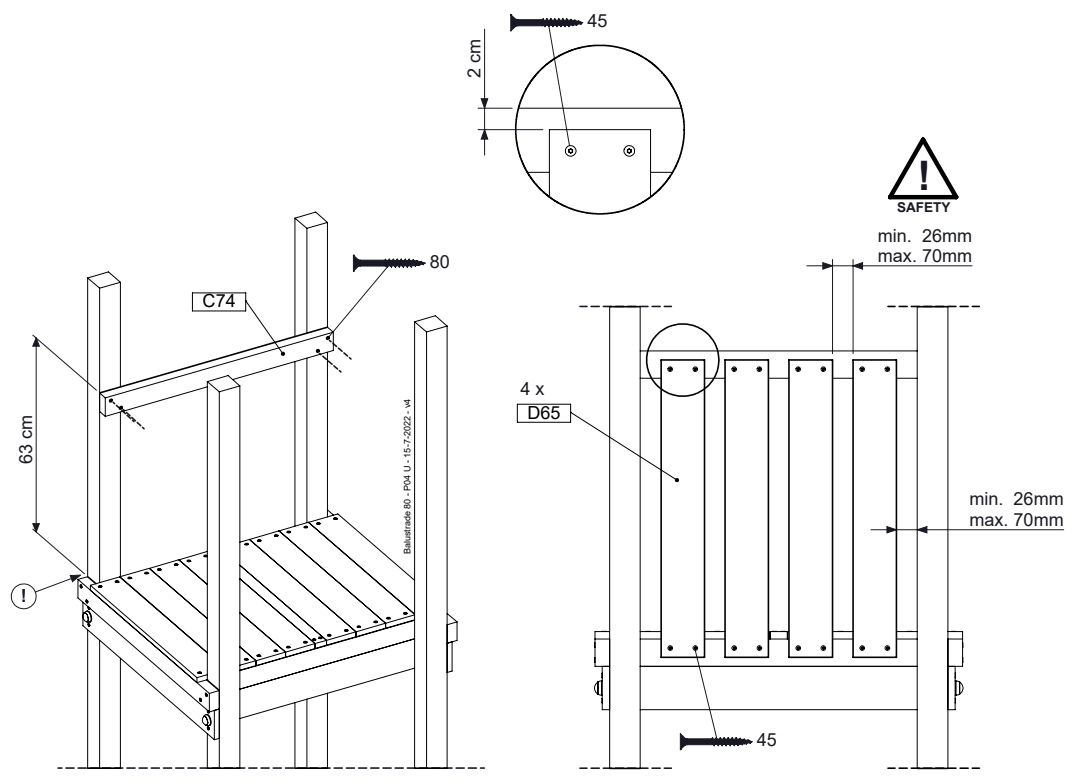
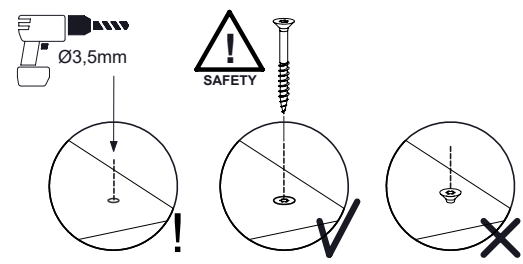
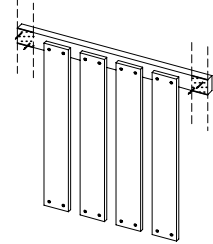


# 11 BL01a: Balustrade 80 U - 7x7 posts

(194\_101)

	PartNo	PartName	QTY.
Hardware Pack	002_220	Gap Point Screw T25 - 5x45	16
	100_601	Gap Point Screw T25 - 5x80	4
Timber	C74	Beam 740 mm	1
	D65	Board 650 mm	4

Balustrade 80 - P04 U - 15-7-2022 - v4

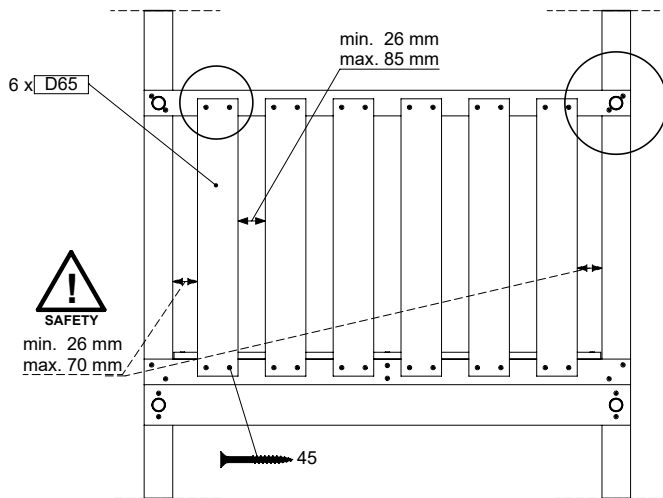
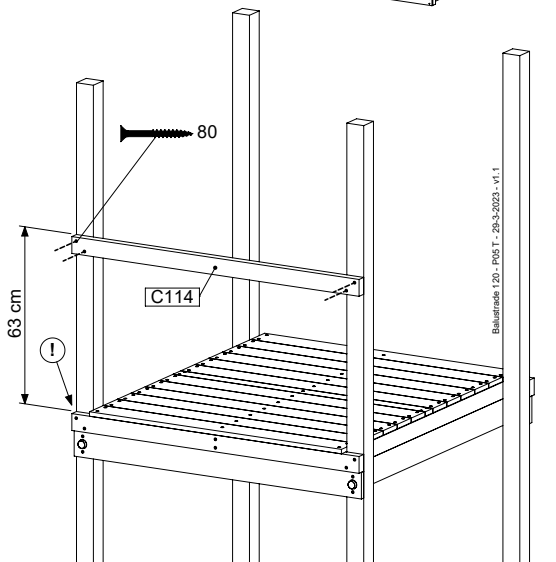
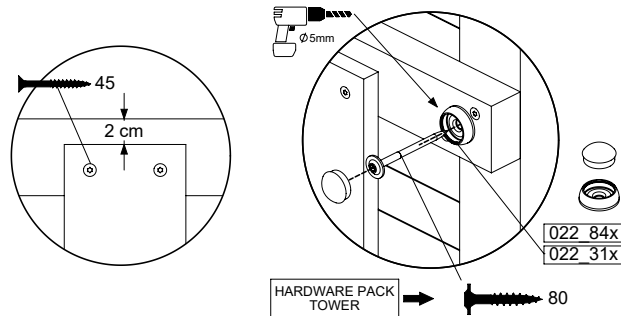
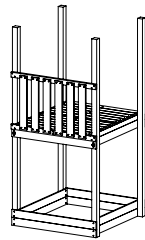
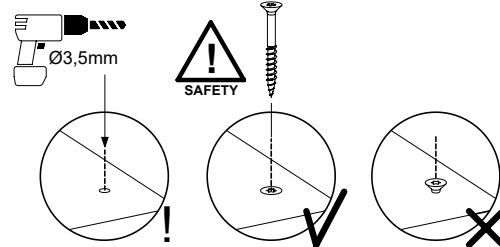
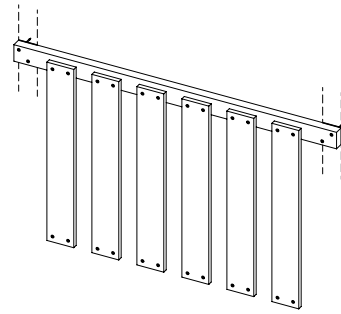


# 12 BL04a: Balustrade 115 T

( 194\_501 )

	PartNo	PartName	QTY.
Hardware Pack	002_220	Gap Point Screw T25 - 5x45	24
	002_223	Gap Point Screw T25 - 5x80	4
Timber	C114	Beam 1140 mm	1
	D65	Board 650 mm	6

Balustrade 120 - P03 T - 29-3-2023 - v1.1

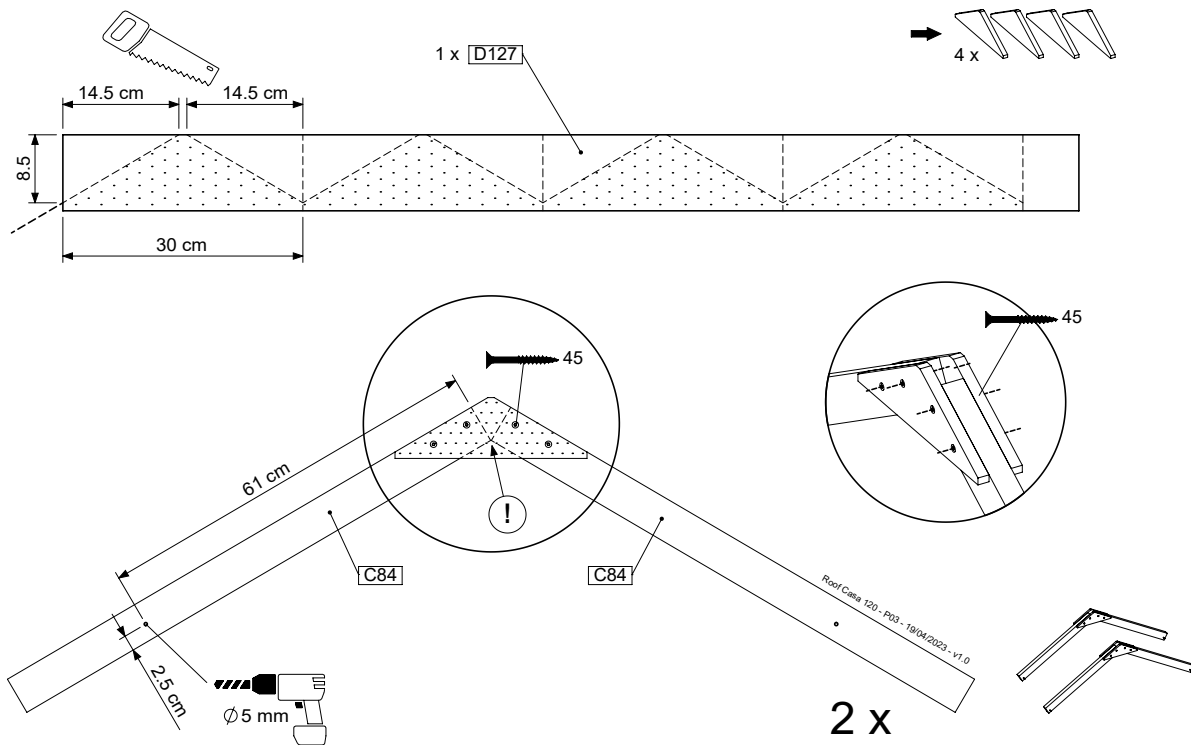
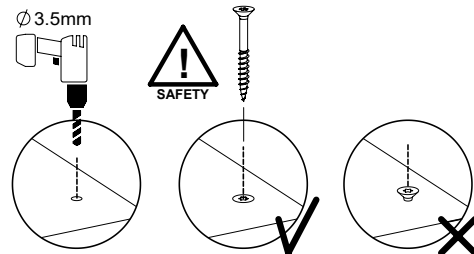
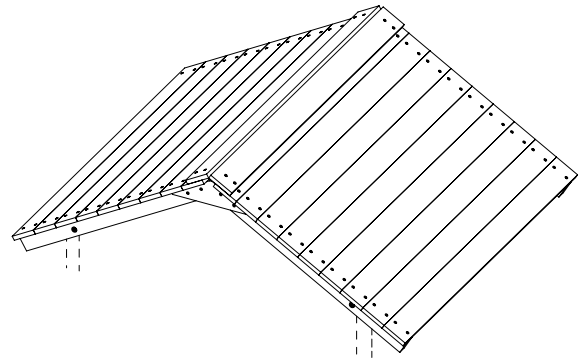


# 13 RF09a: Roof Timber Slope 115

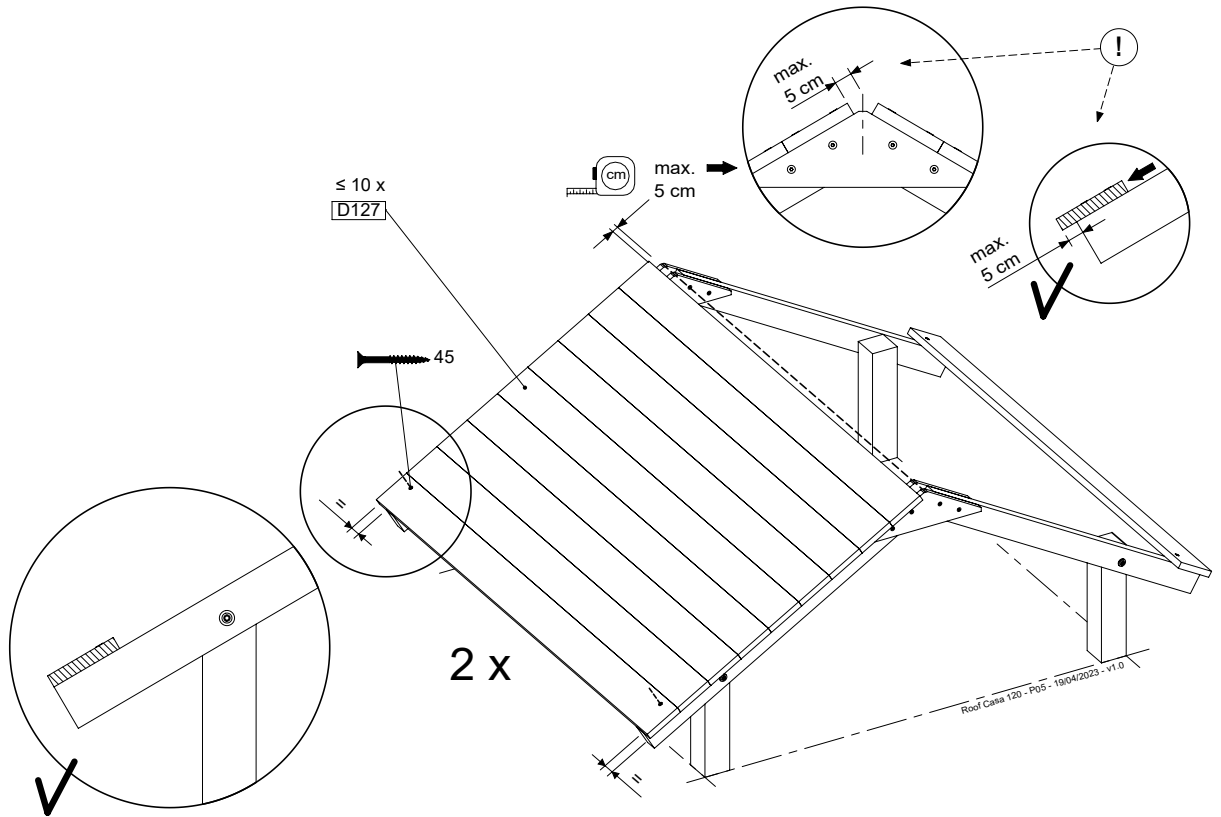
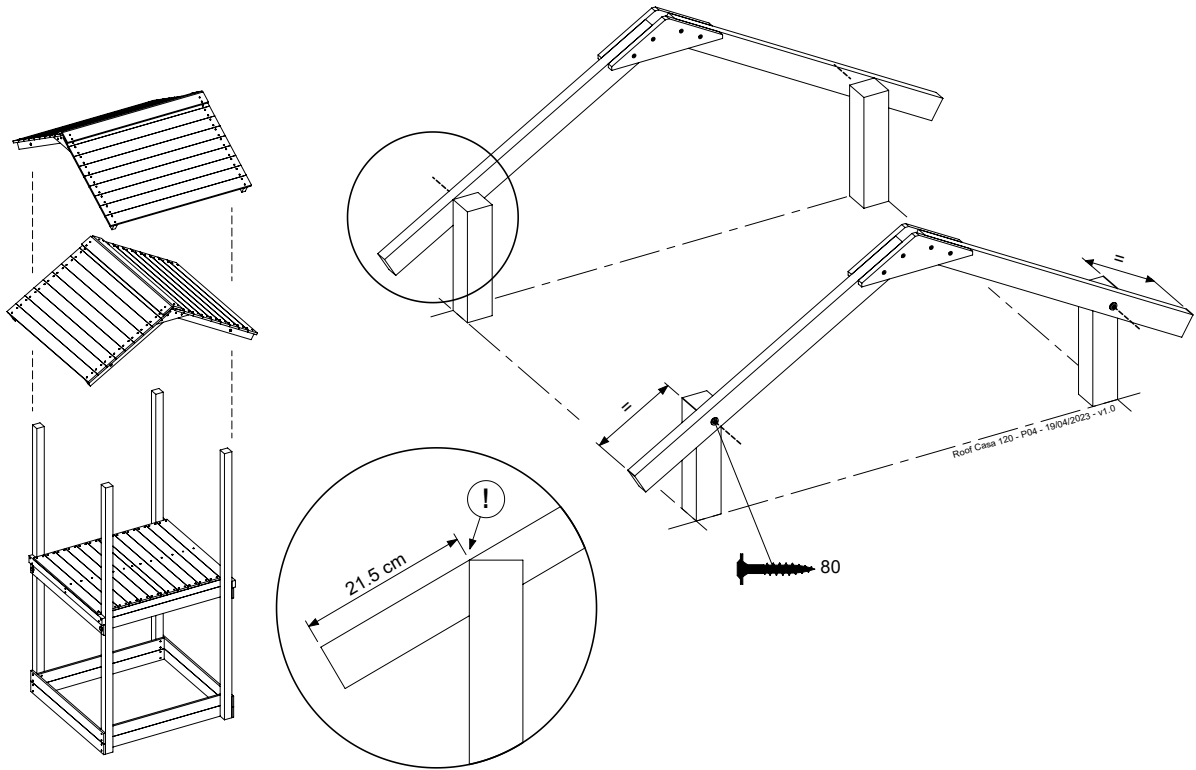
( 194\_308 )

	PartNo	PartName	QTY.
Hardware Pack	001_417	Stealth Screw 8x80	4
	002_220	Gap Point Screw T25 - 5x45	96
	002_223	Gap Point Screw T25 - 5x80	8
Timber	C84	Beam 840 mm	4
	D127	Board 1270 mm	19-23

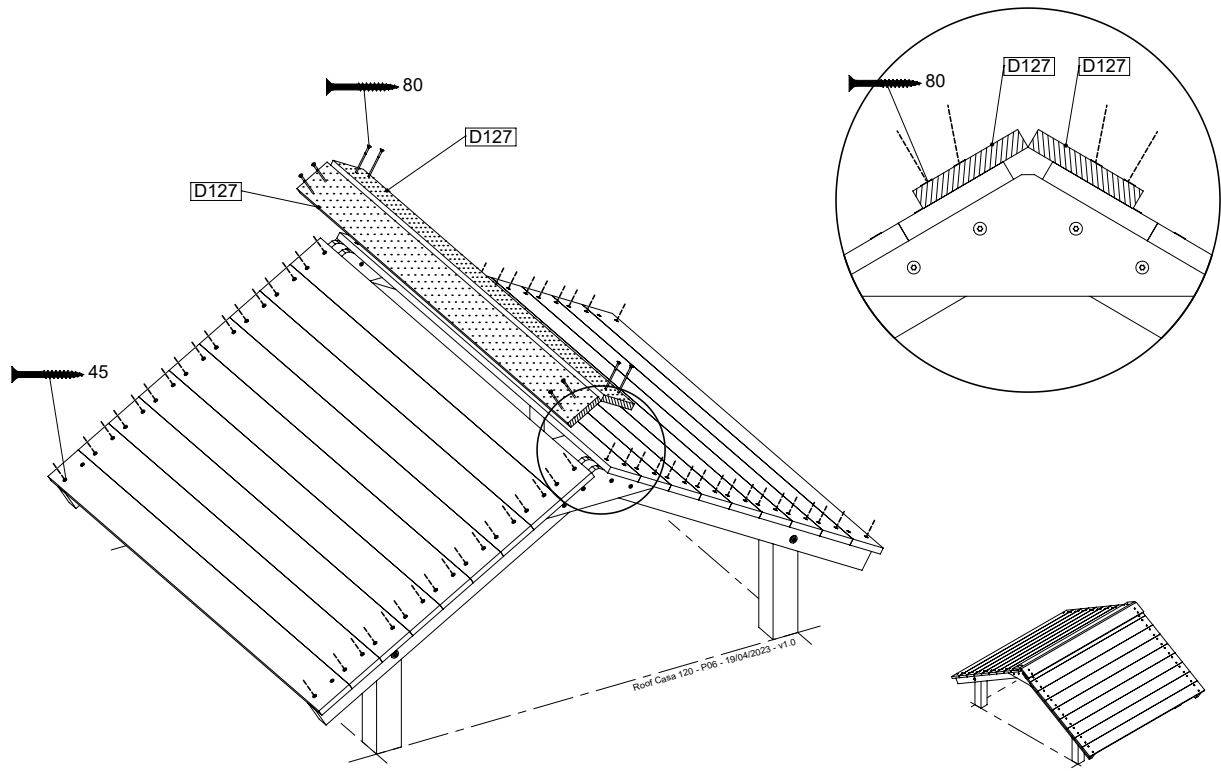
Roof Case T20 - P02 - 19/04/2023 - v1.0



# 13.1



# 13.2

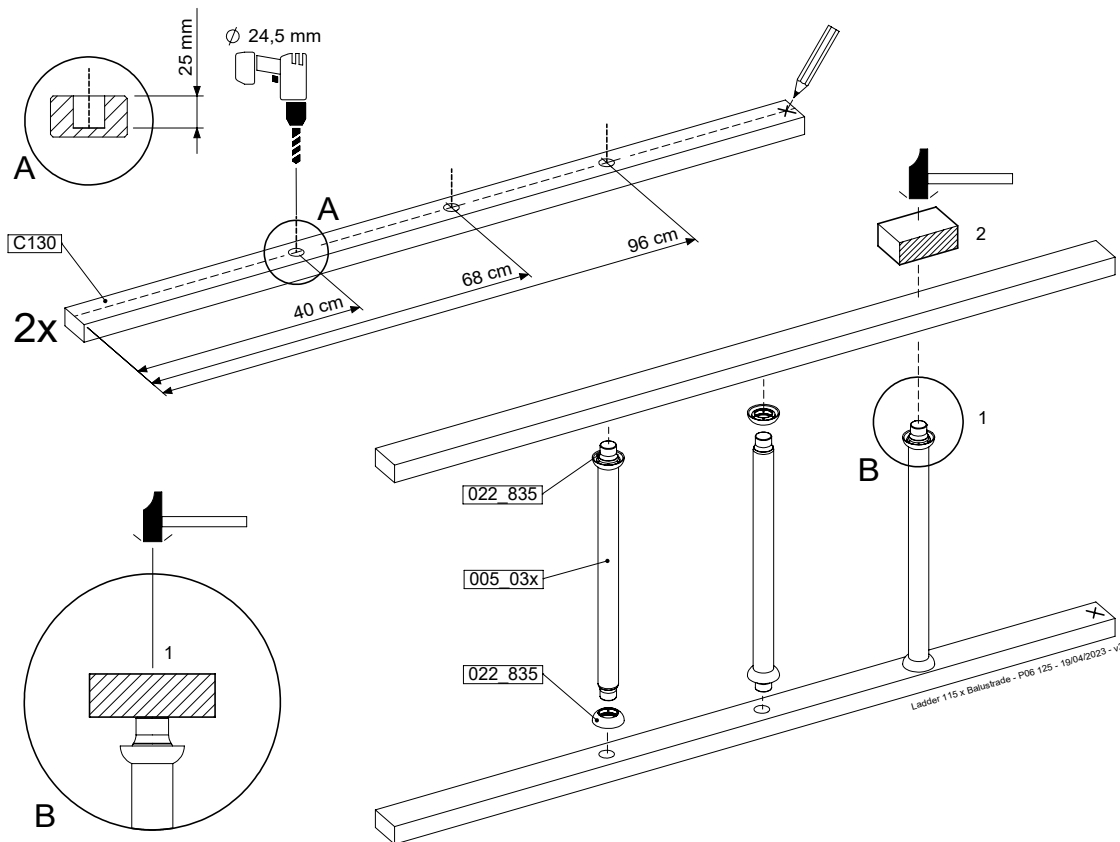
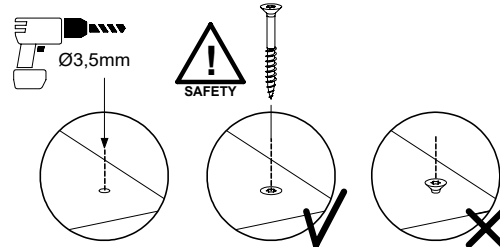
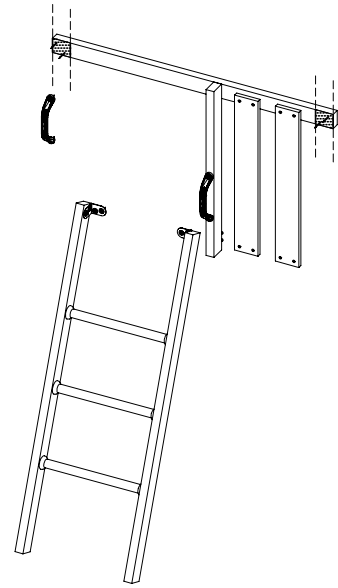


# 14 LA11: Ladder 115 125 U Left

( 194\_003 + 194\_101 )

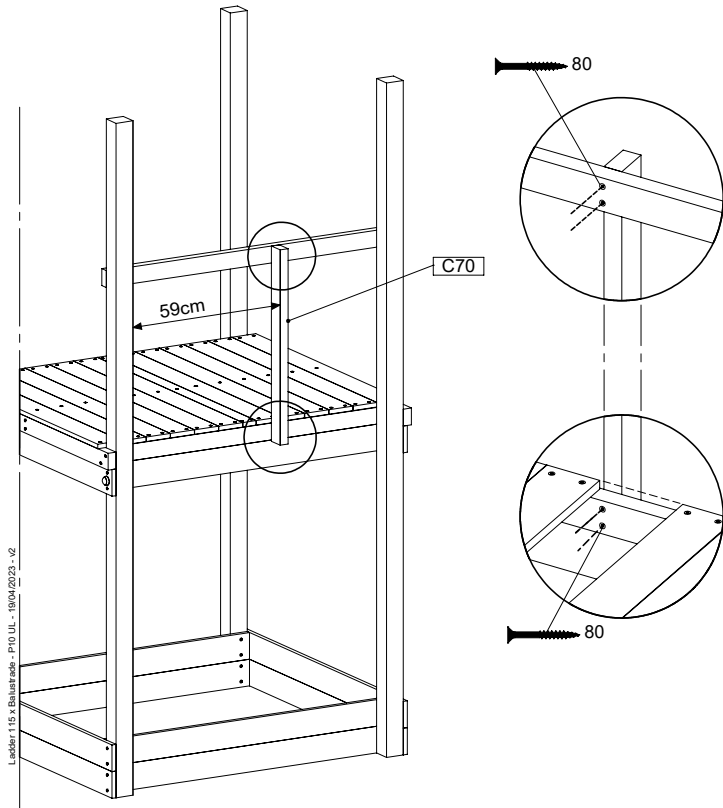
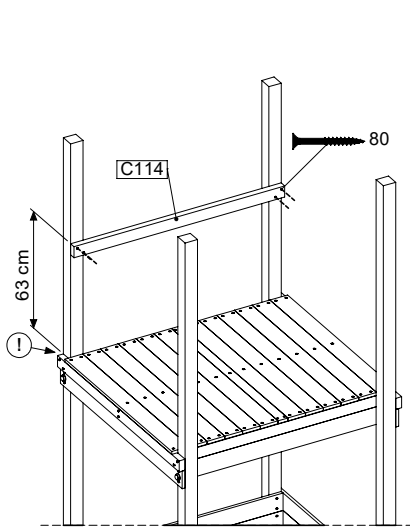
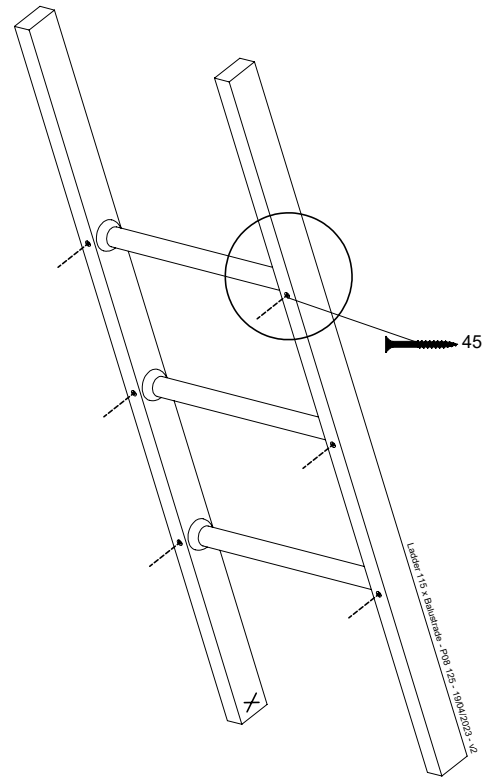
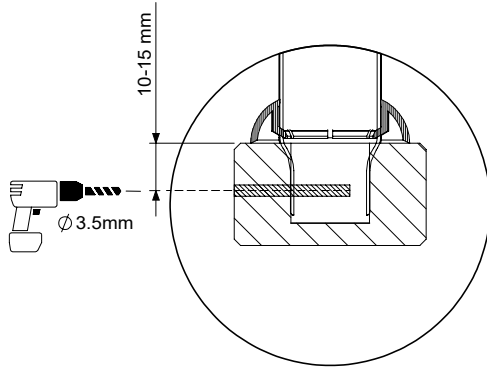
	PartNo	PartName	QTY.
Hardware Pack	001_404	Stealth Screw 8x30	4
	002_219	Gap Point Screw T25 - 5x30	4
	002_220	Gap Point Screw T25 - 5x45	14
	002_223	Gap Point Screw T25 - 5x80	8
Other	005_03x	Ladder Rung Y/B/G/R	3
	005_522	Connection Bracket Mini Market	2
	022_835	Rung Cap	6
	120_102	Handgrip set (complete 2x)	1
Timber	C70	Beam 700 mm	1
	C114	Beam 1140 mm	1
	C130	Beam 1300 mm	2
	D65	Board 650 mm	2

Ladder 115 x Balustrade - POB UL125 - 19/04/2023 - v2

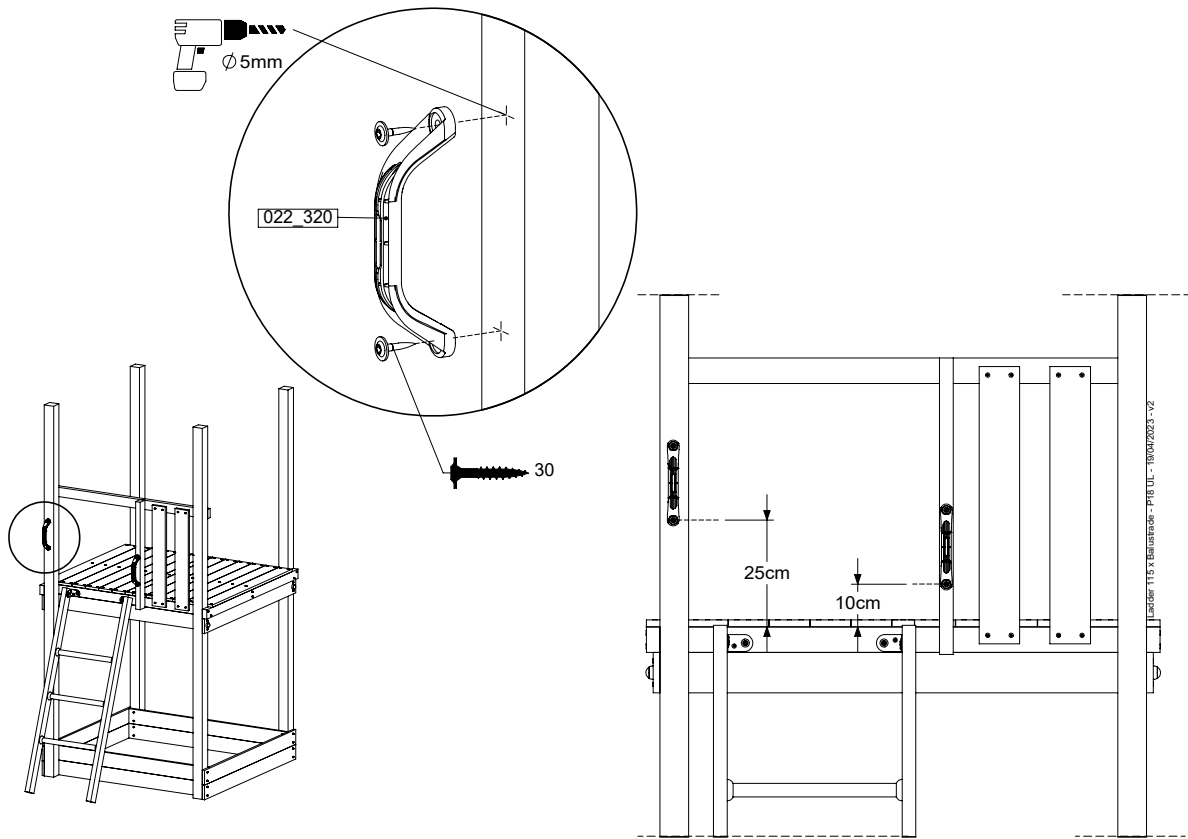
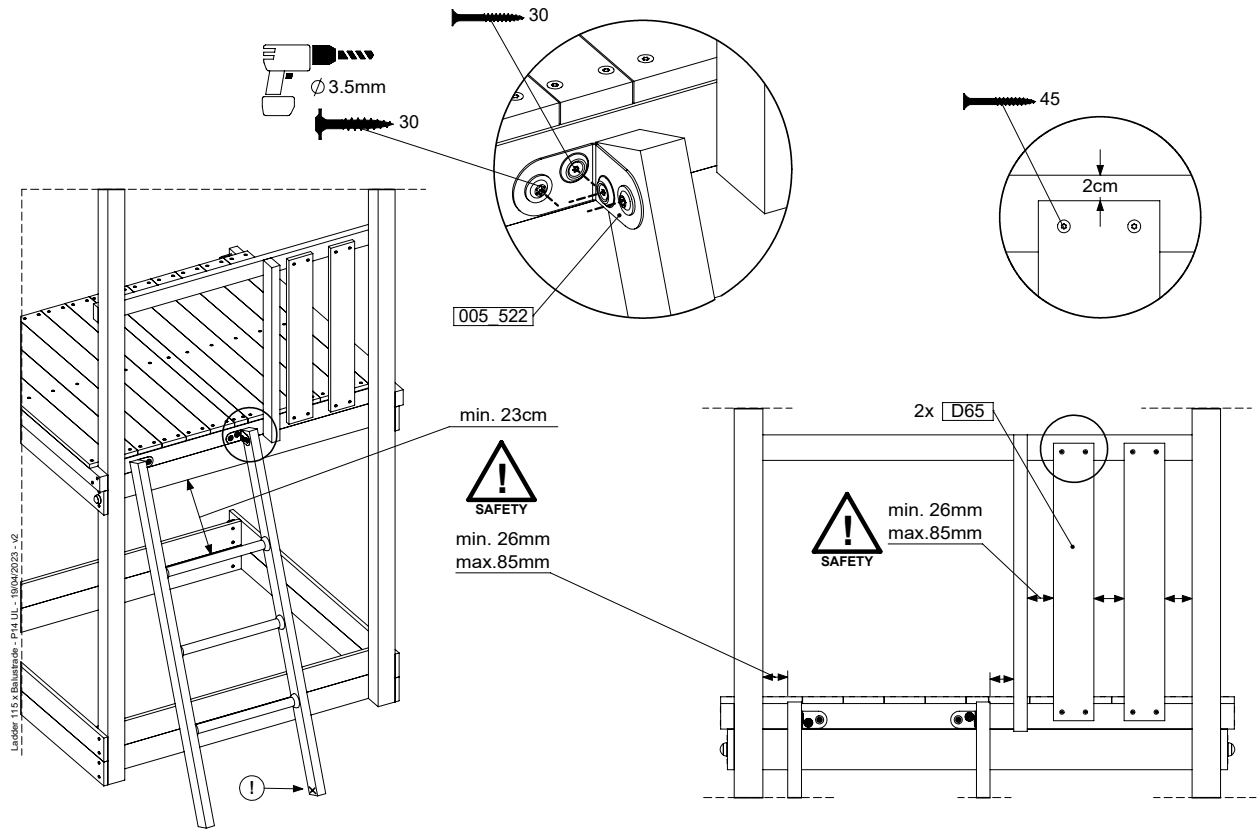




# 14.1



# 14.2



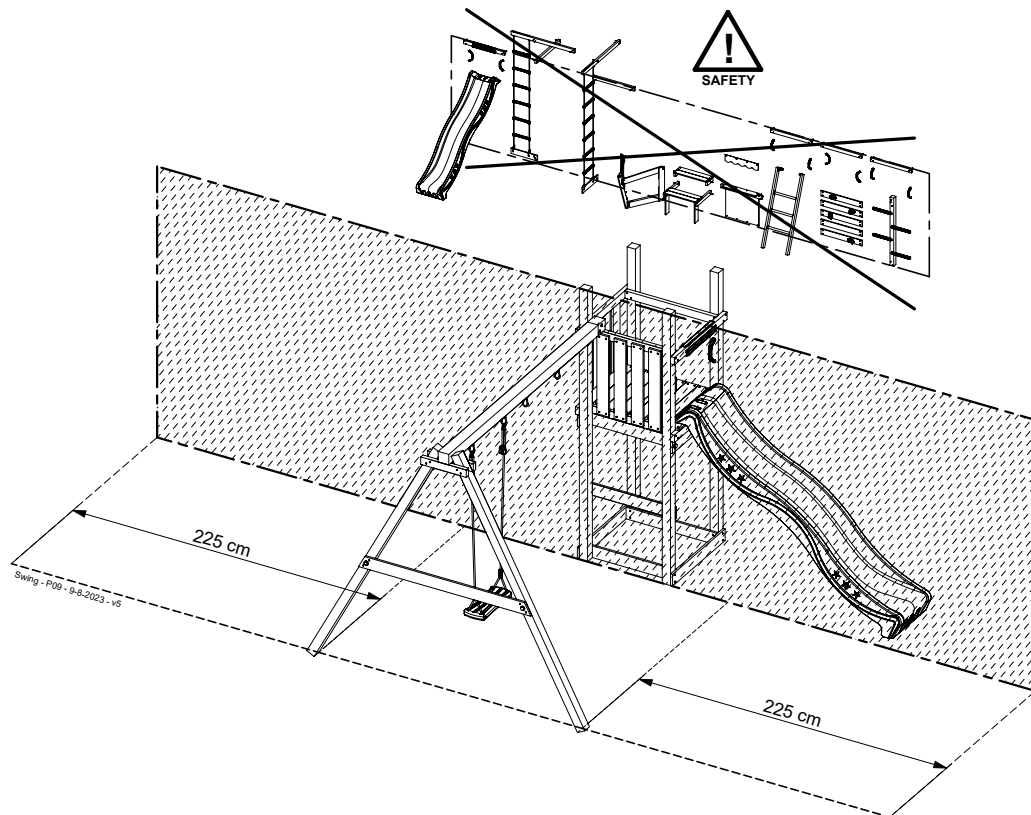
# 15 SW13a: 2-Swing Module 220

(457\_102 )

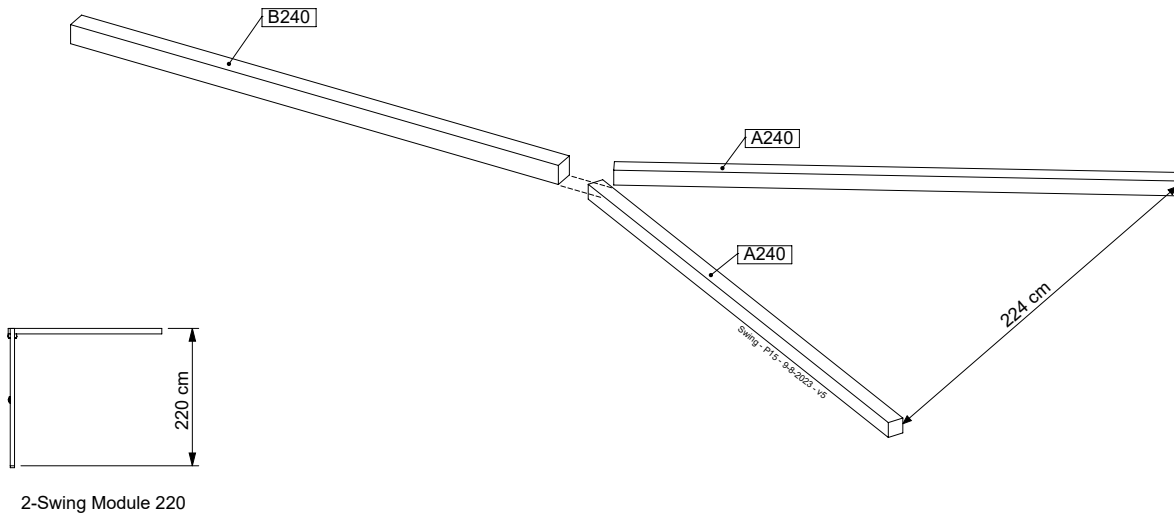
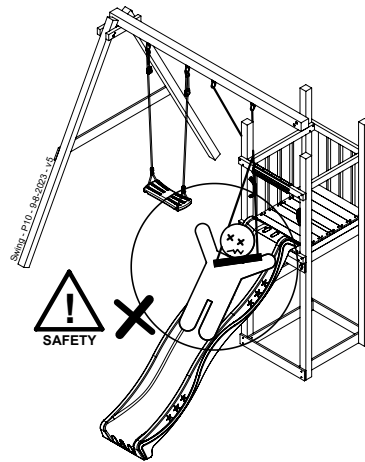
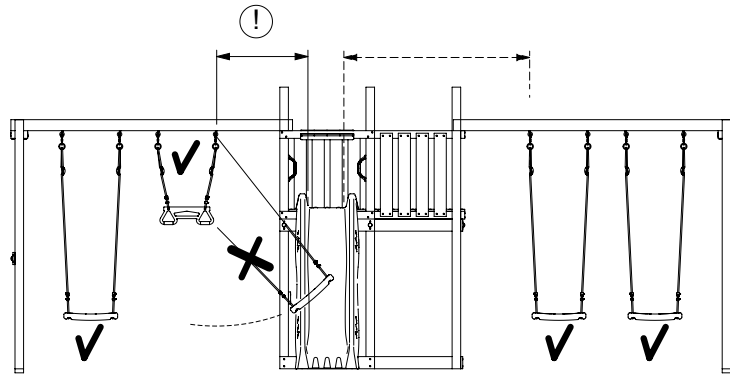
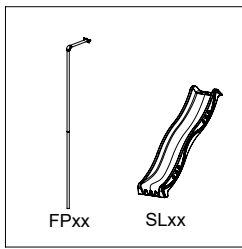
	PartNo	PartName	QTY.
Hardware Pack	001_406	Stealth Screw 8x45	4
	001_417	Stealth Screw 8x80	3 / 4
	001_422	Stealth Screw 8x137	3
	002_220	Gap Point Screw T25 - 5x45	12
	002_223	Gap Point Screw T25 - 5x80	6
Other	005_528	Swing Beam Bracket 7x7	1
	007_001	Ground-anchor	2
	022_31x	bpc-base version 3	2
	022_84x	bpc cover	2
	023_031	Finishing Washer GPS 5.0	2
	101_003	Swing hook with Carabiner	4
Timber	A240	Post 70x70 L2400	2
	B240	Post 90x90 L2400	1
	C37	Beam 370 mm	2
	D141	Board 1410 mm	2



2-Swing Module 220

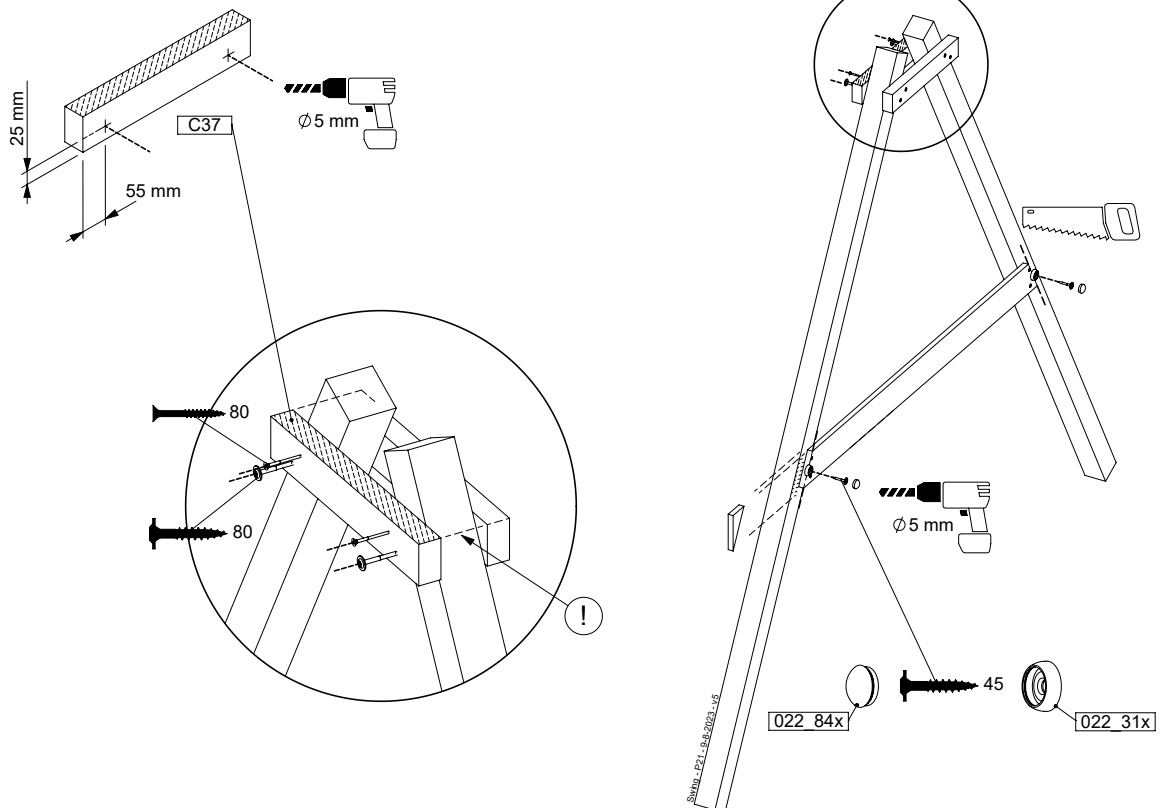
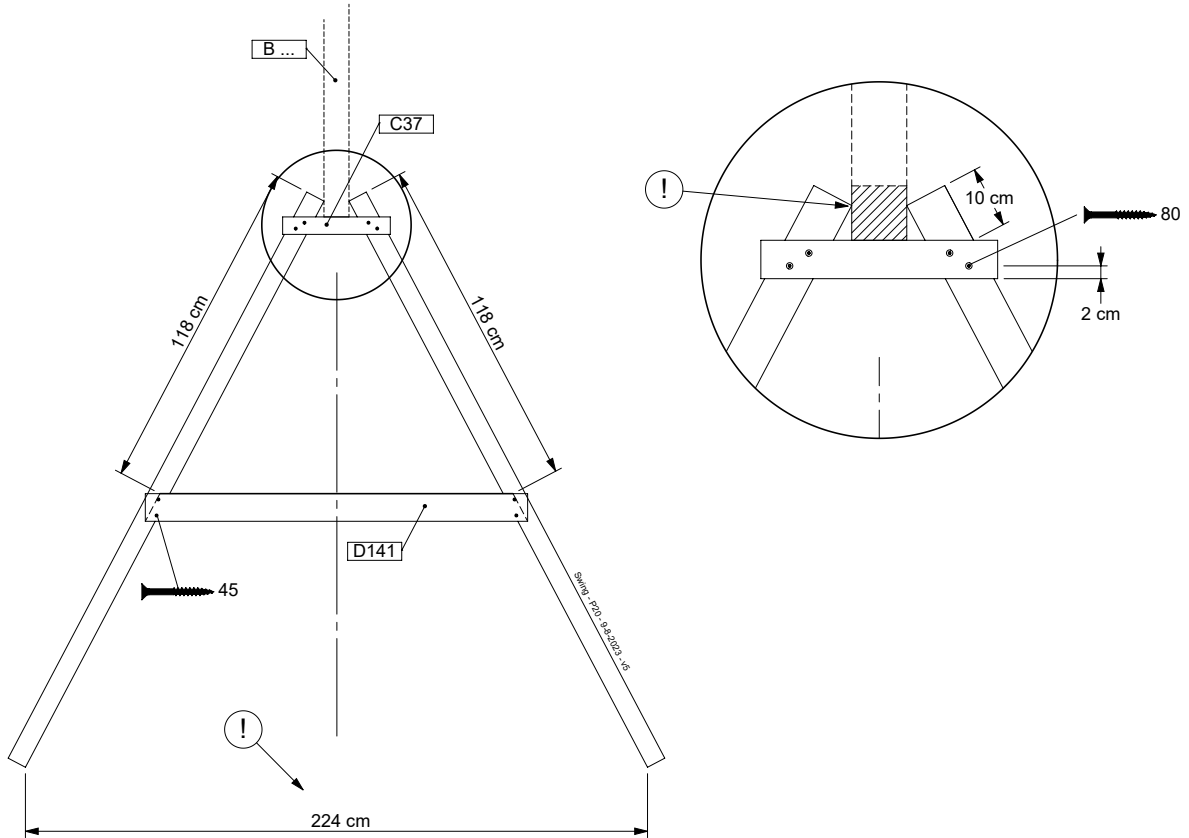


# 15.1

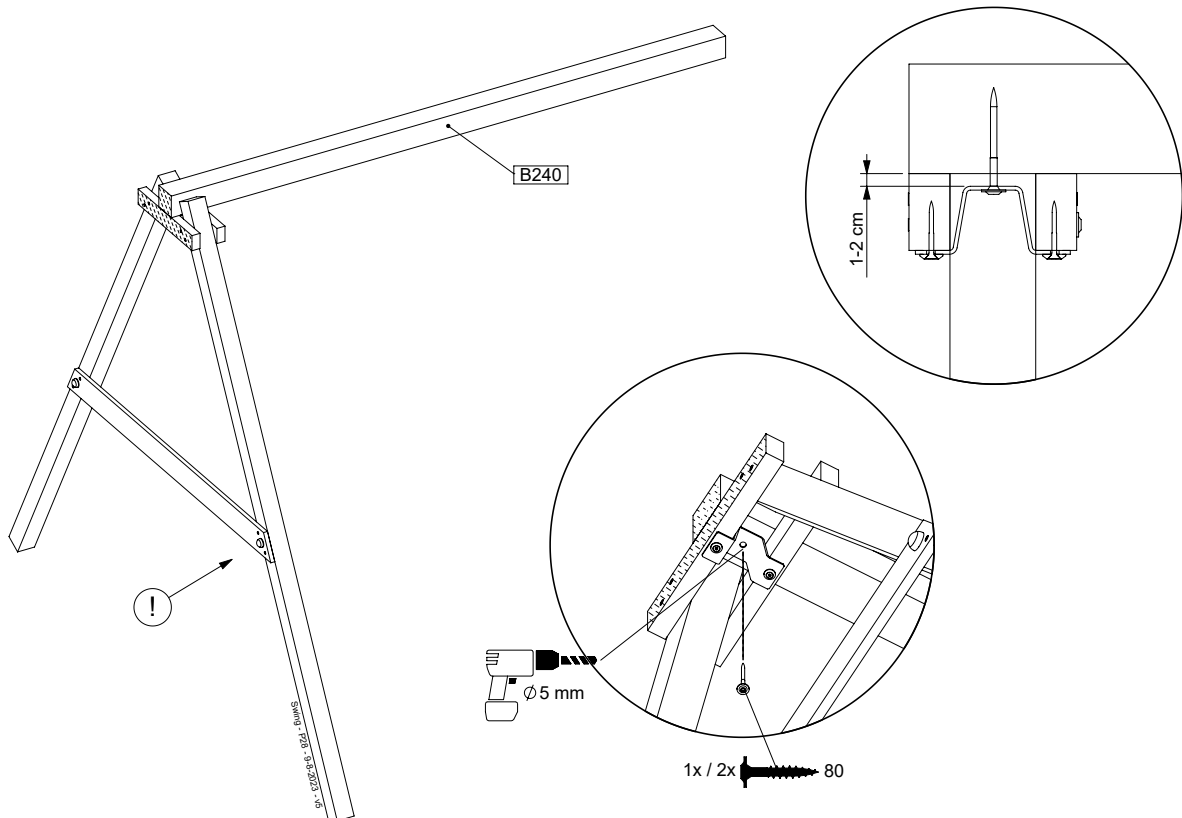
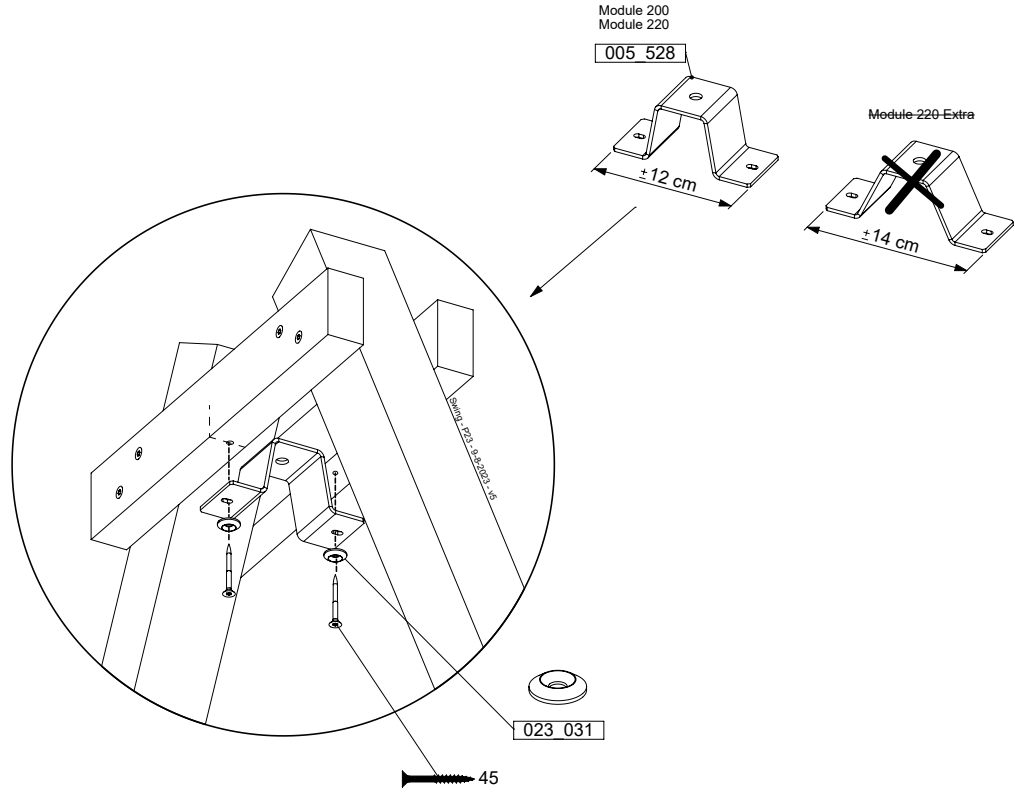


2-Swing Module 220

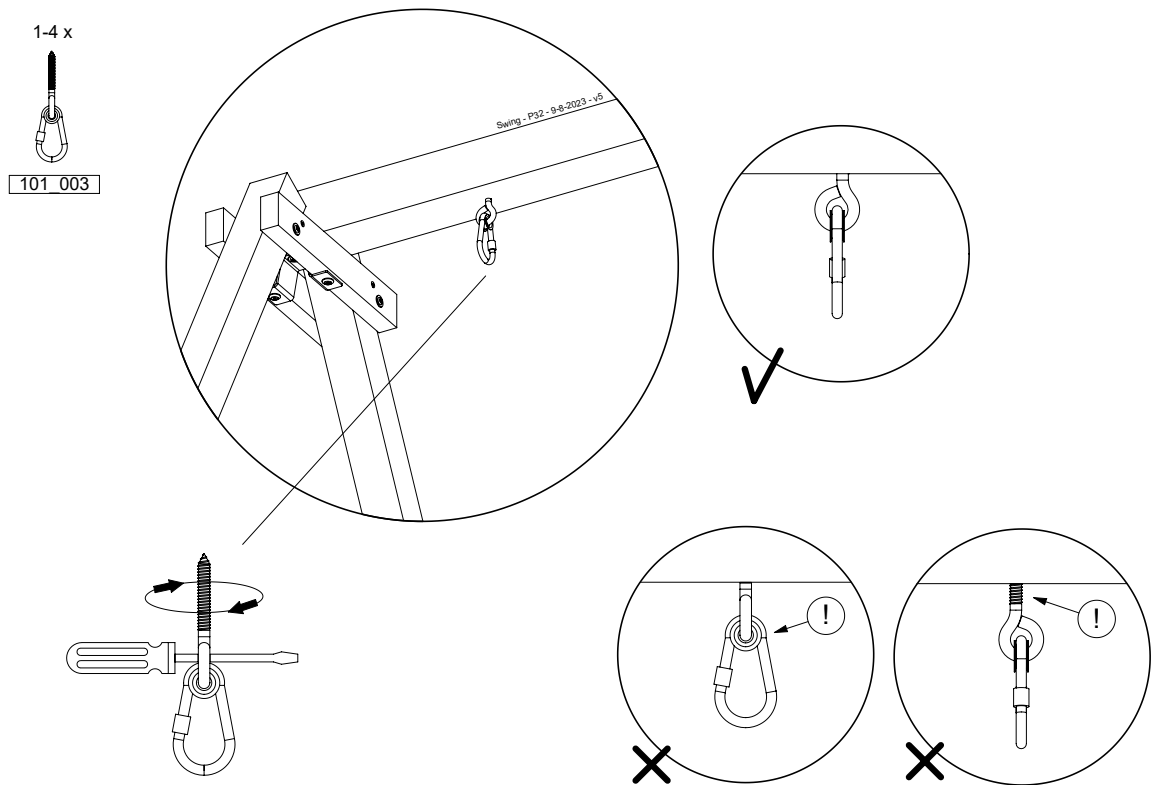
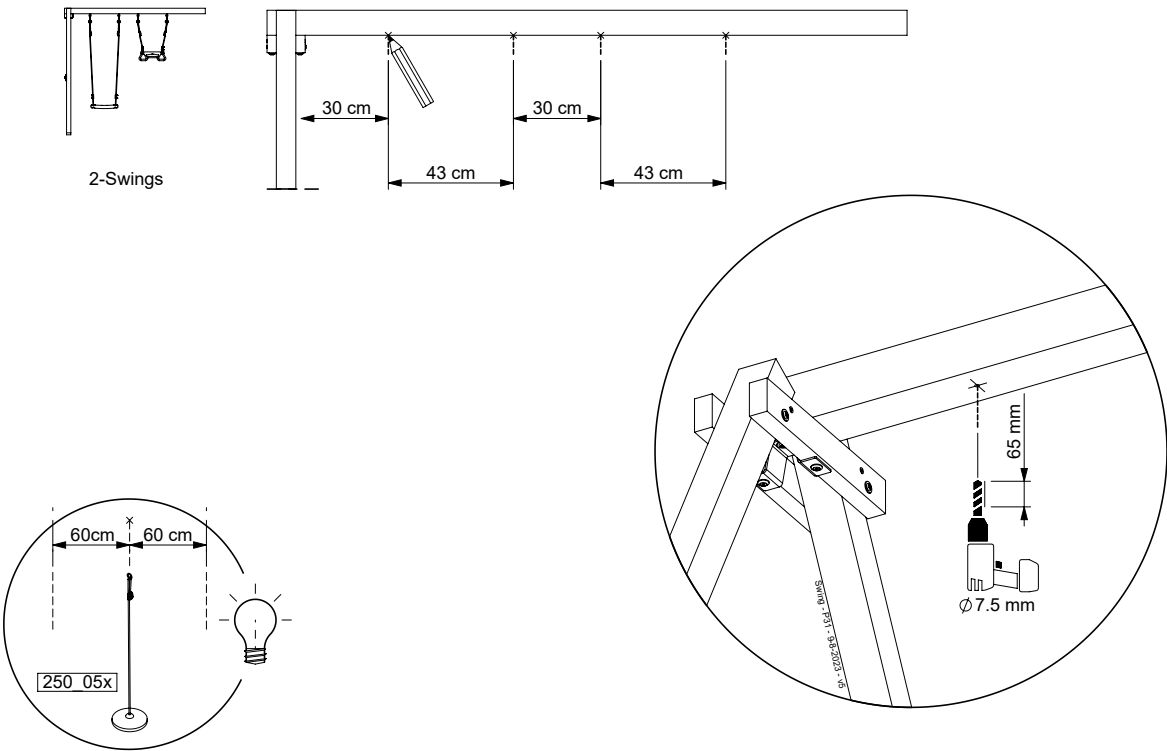
# 15.2



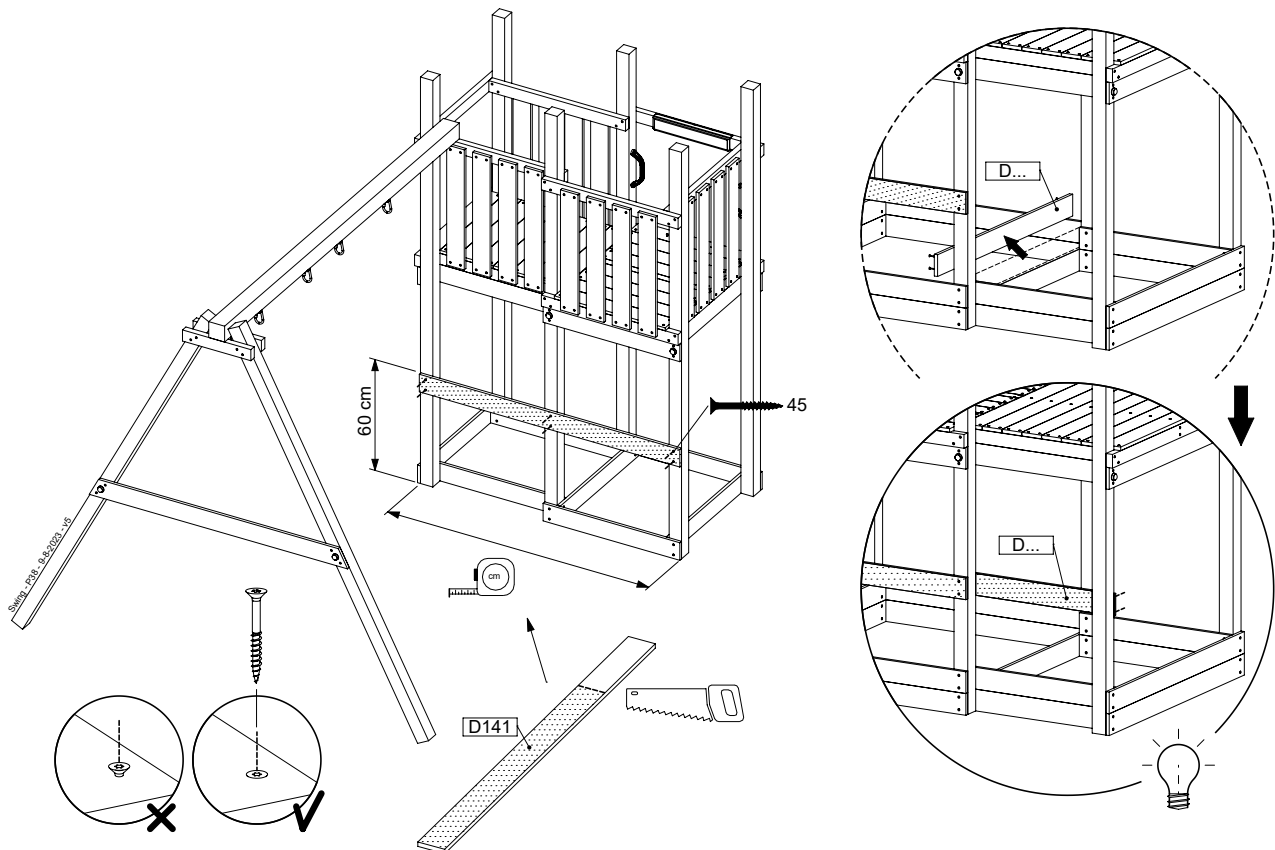
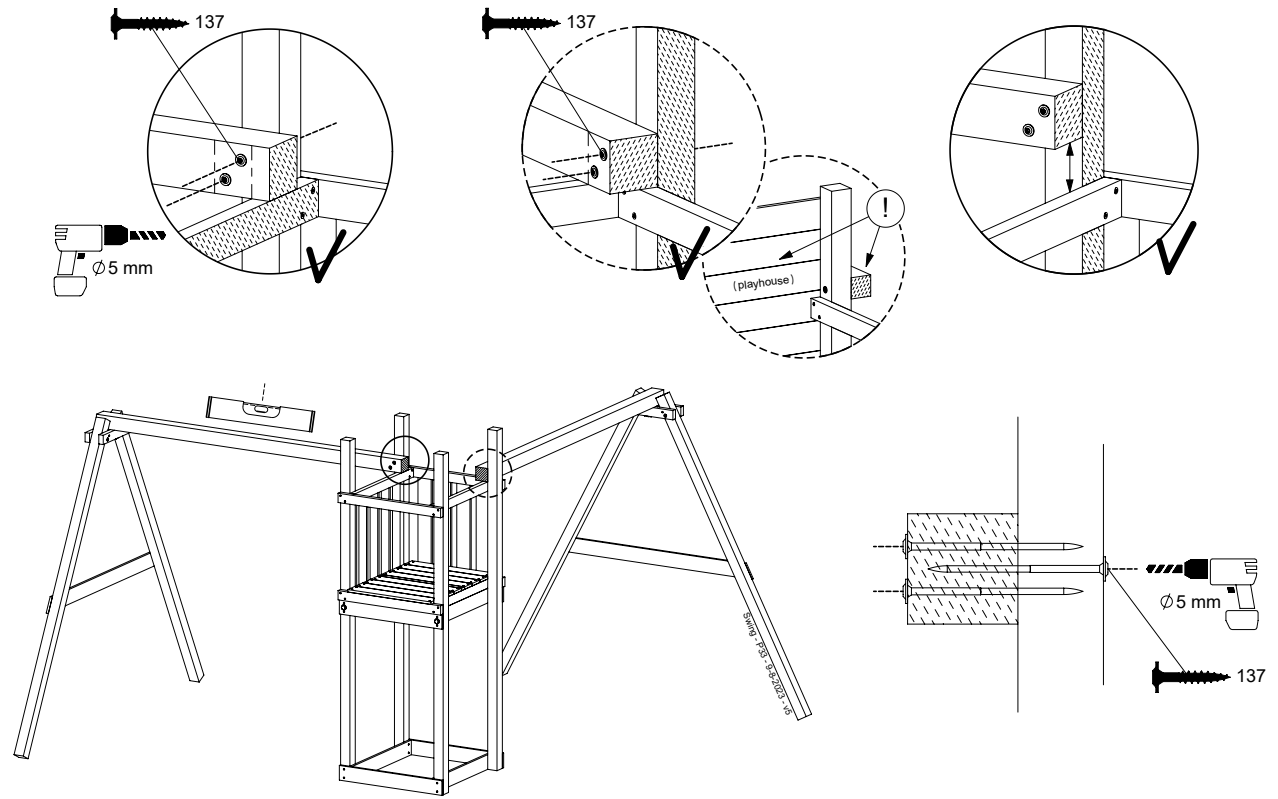
# 15.3



# 15.4

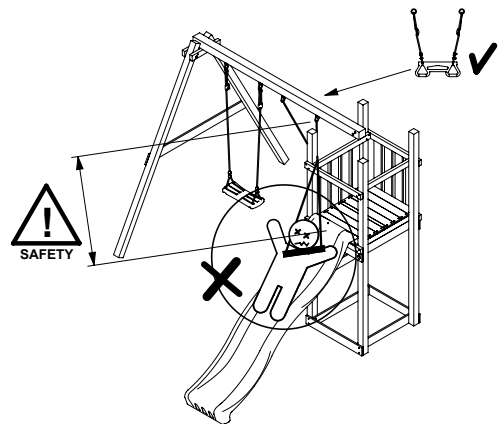
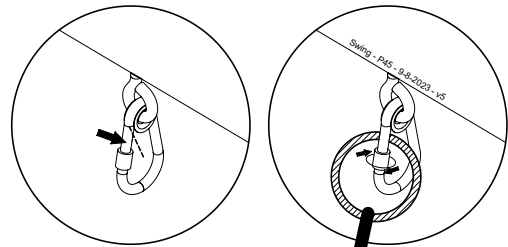
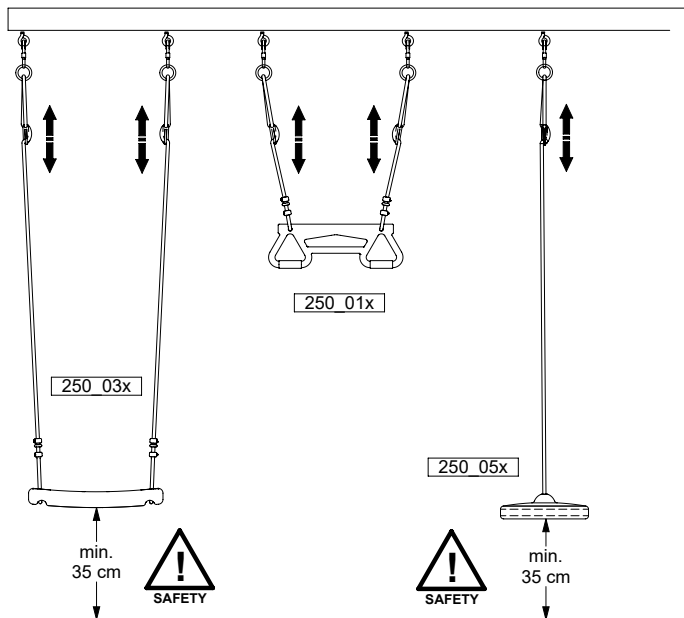
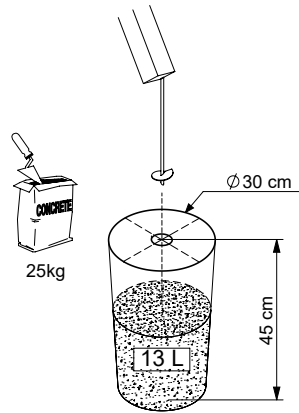
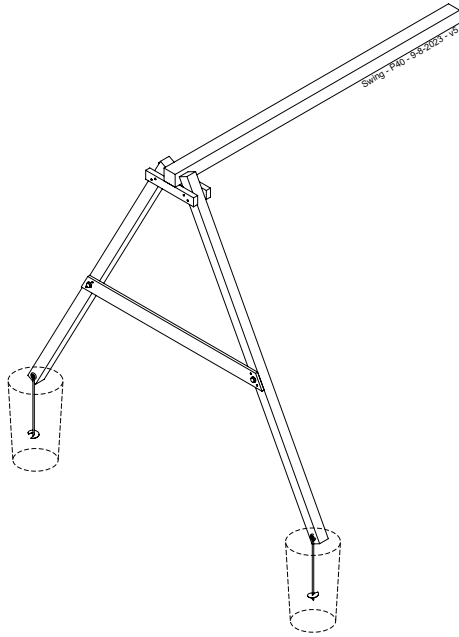


# 15.5





# 15.6

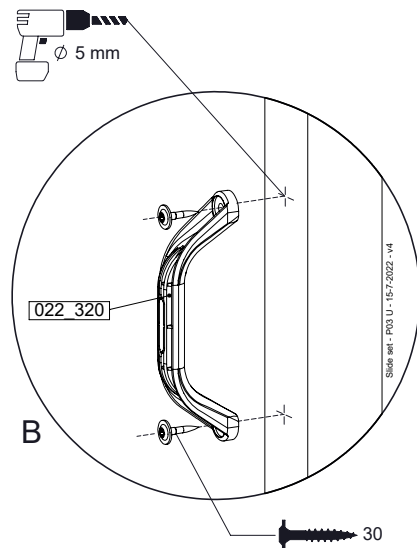
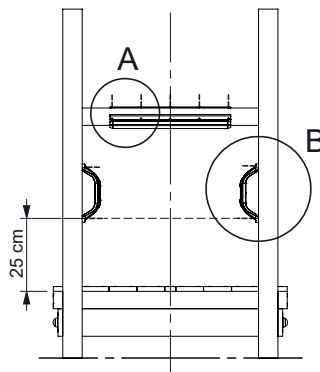
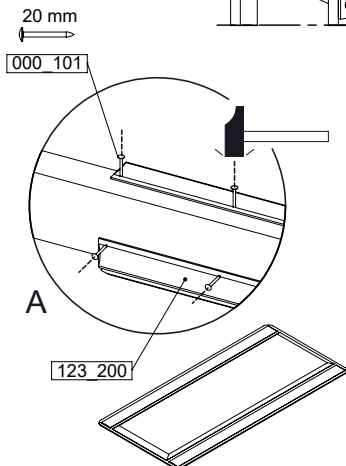
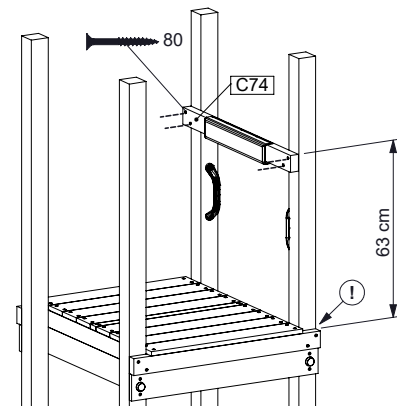
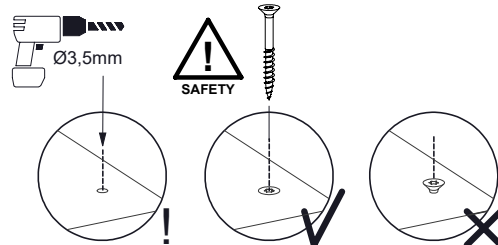
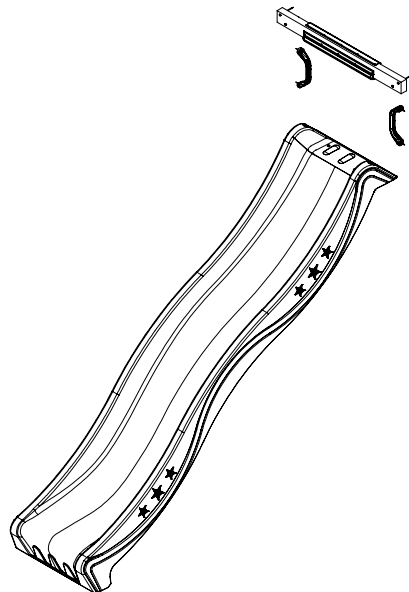


# 16 SL03a: Slide 80 145 U

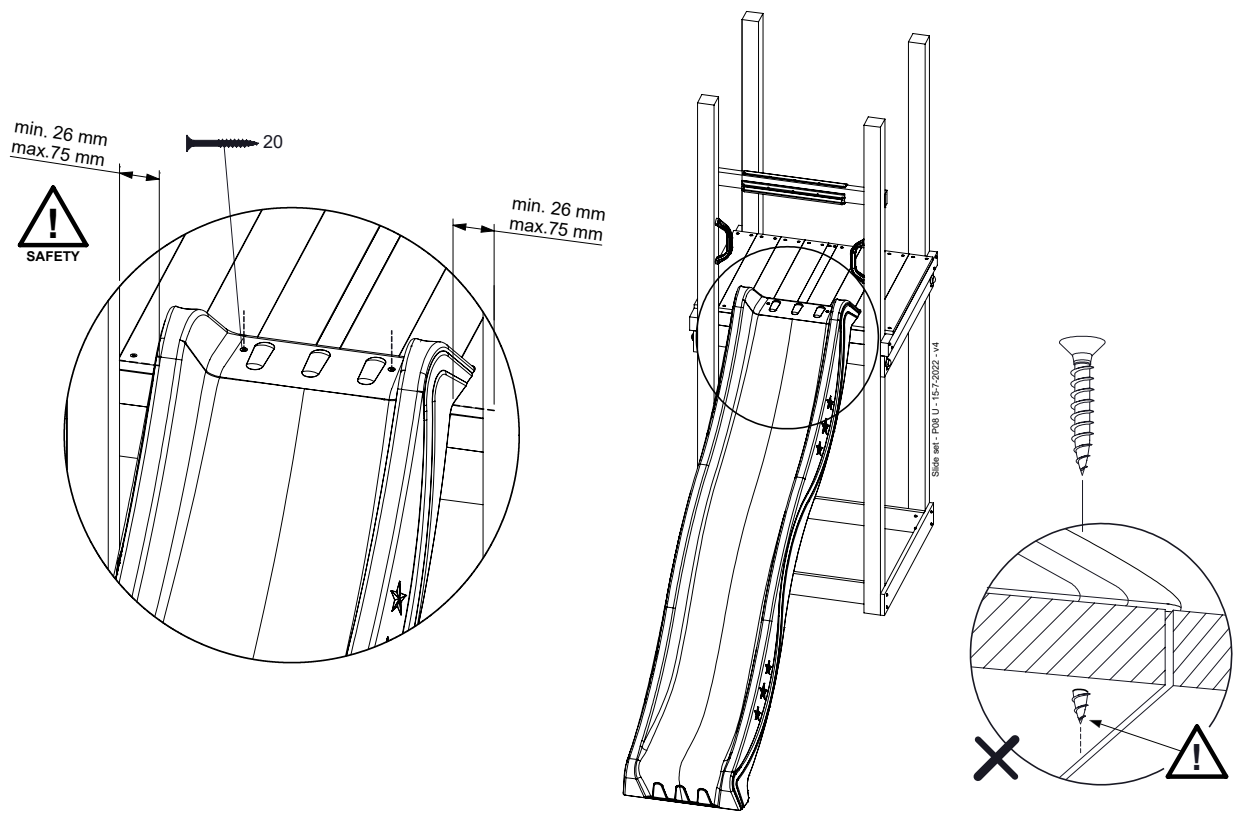
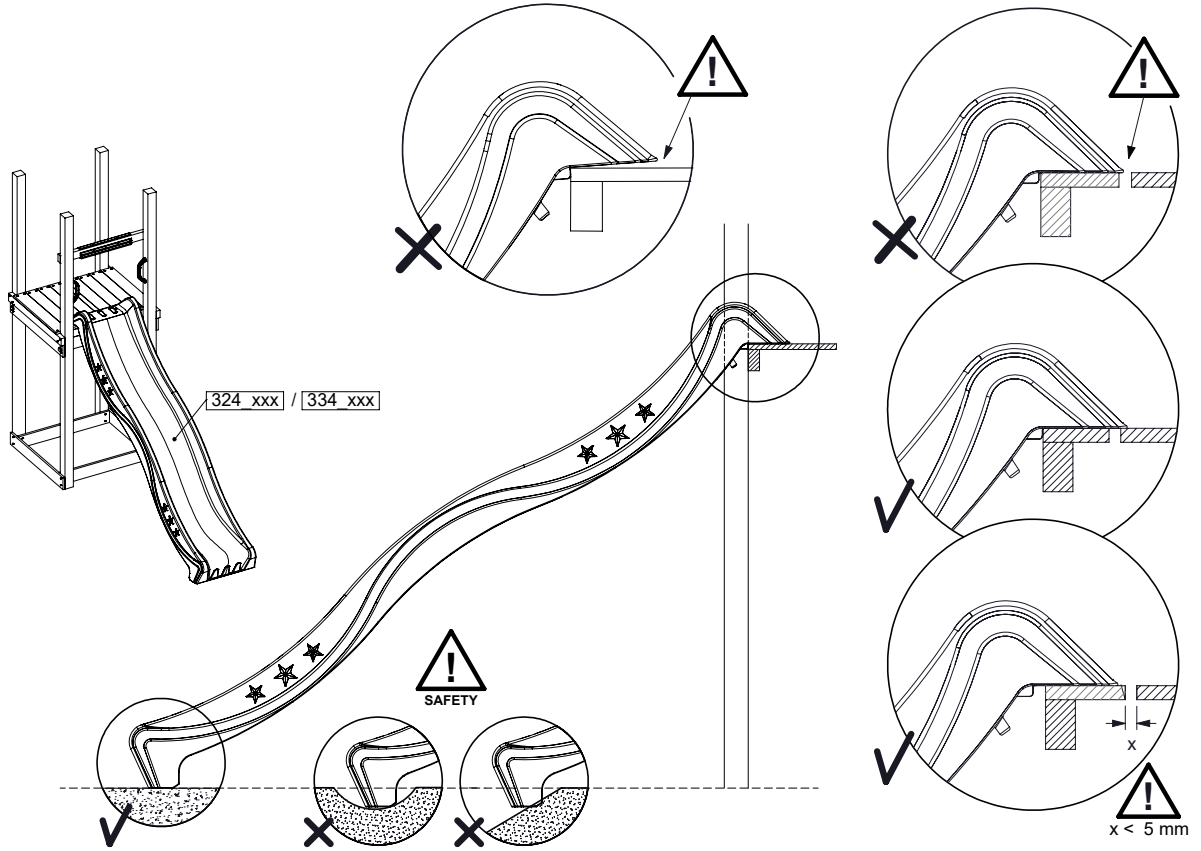
( 194\_107 )

	PartNo	PartName	QTY.
Hardware Pack 100_605	000_101	Nail Pan Head	10
	002_223	Gap Point Screw T25 - 5x80	4
	002_308	Gap Point Screw T25 - 5x20	2
Other	120_102	Handgrip set (2x Complete)	1
	123_200	Bumperpad	1
	324_xxx 334_xxx	Wavy Star Slide XL 2200 mm / Wavy Star Slide XL 2650 mm	1
Timber	C74	Beam 740 mm	1

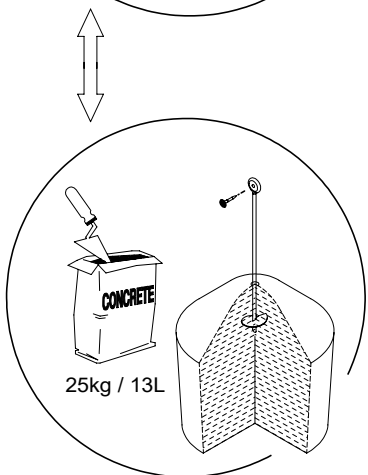
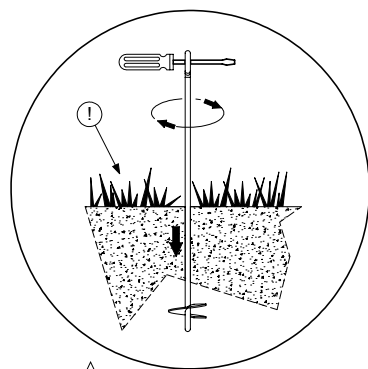
Slide set - P02 - 15-7-2022 - v4



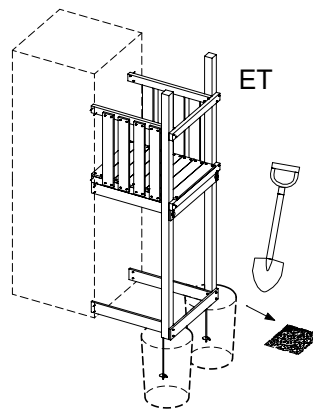
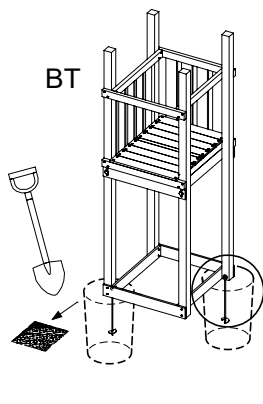
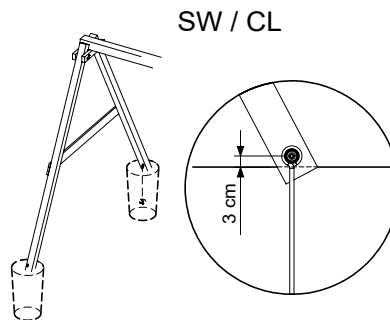
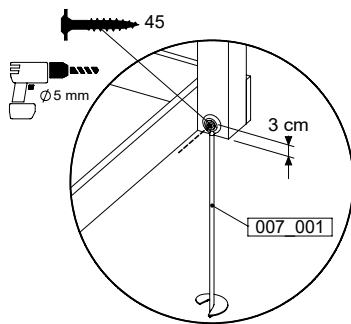
# 16.1



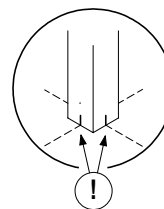
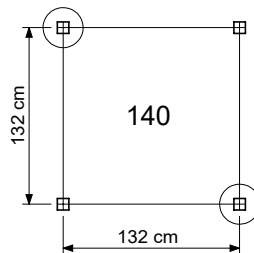
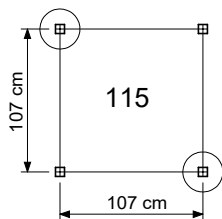
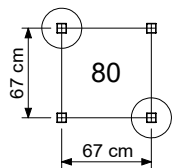
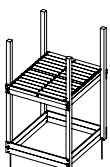
# 17 GA: Ground Anchors



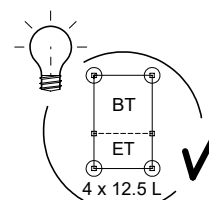
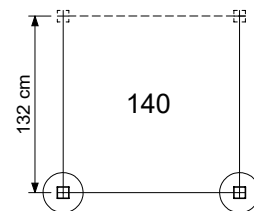
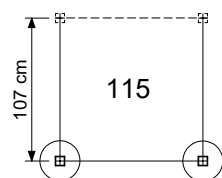
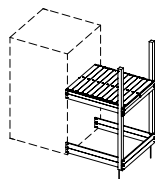
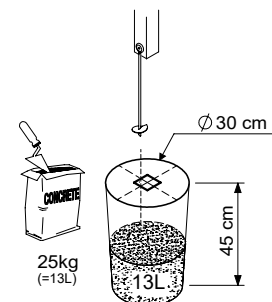
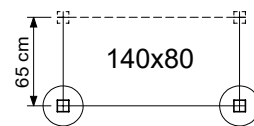
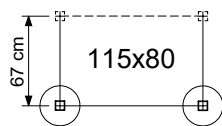
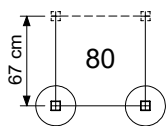
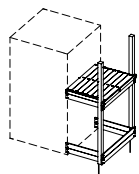
Ground Anchors Unit - P03 - 04/07/2023 - v1.2



BASE TOWERS

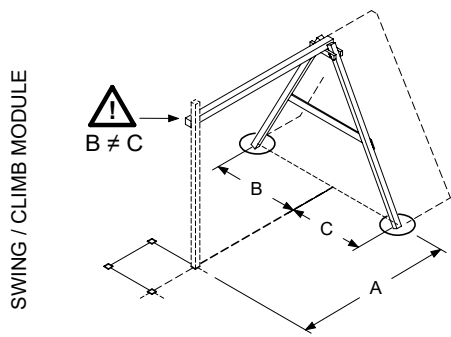
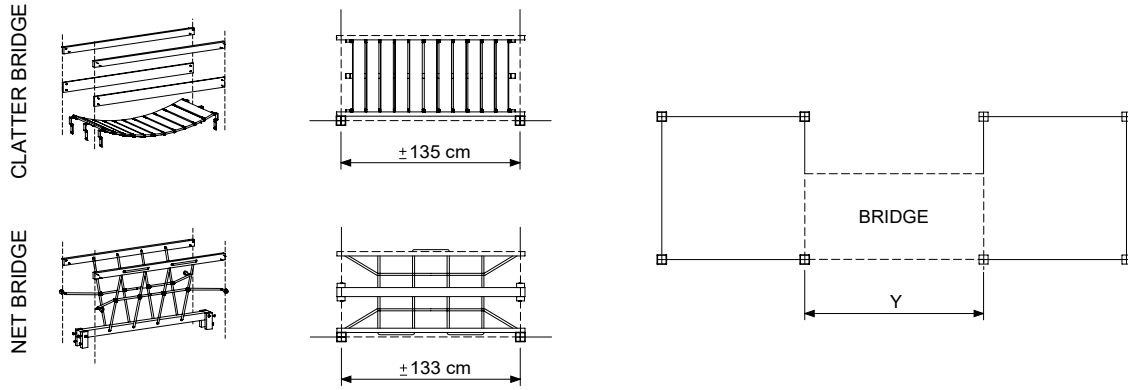


EXTENSION TOWERS



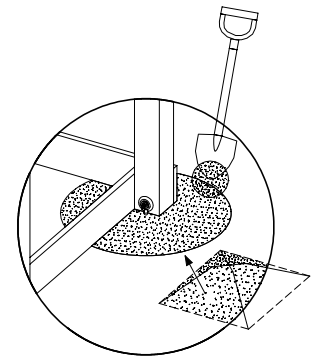
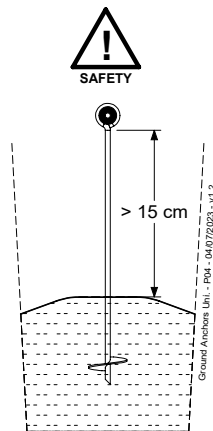
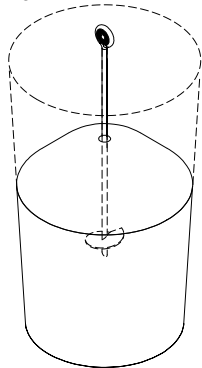
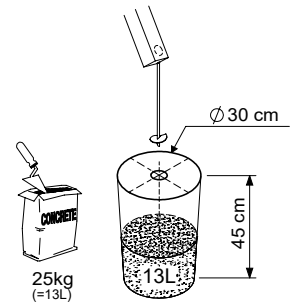
Ground Anchors Unit - P01 - 04/07/2023 - v1.2

# 17.1



Module type	A	B	C
1-Swing 200	150	115	100
1-Swing 220 / 220 Extra		120	105
2-Swing 200	210	115	100
2-Climb 200			
1-Climb 200	142	120	105
1-Climb 220 / 220 Extra			
2-Swing 220 / 220 Extra	230	120	105
2-Climb 220 / 220 Extra			

Ground Anchors Unit - P02 - 04/07/2023 - v1.2

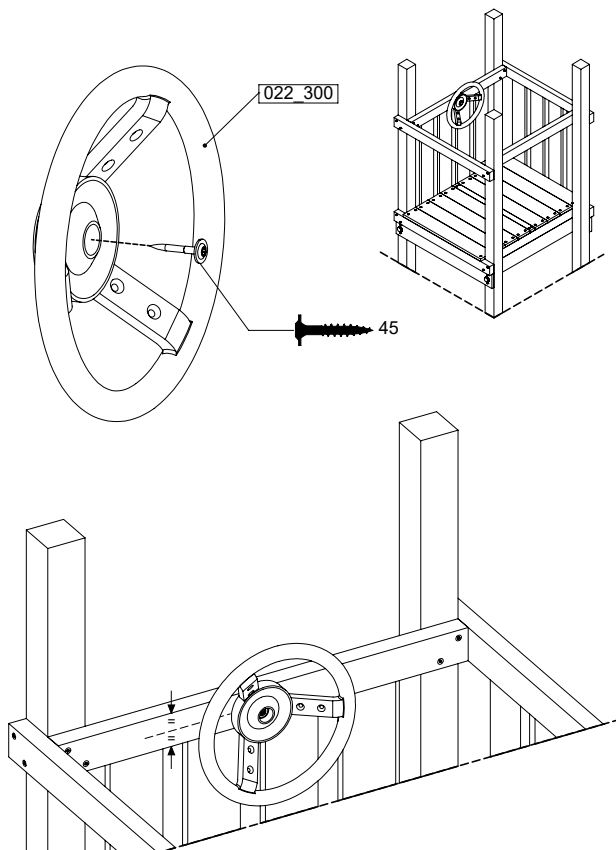
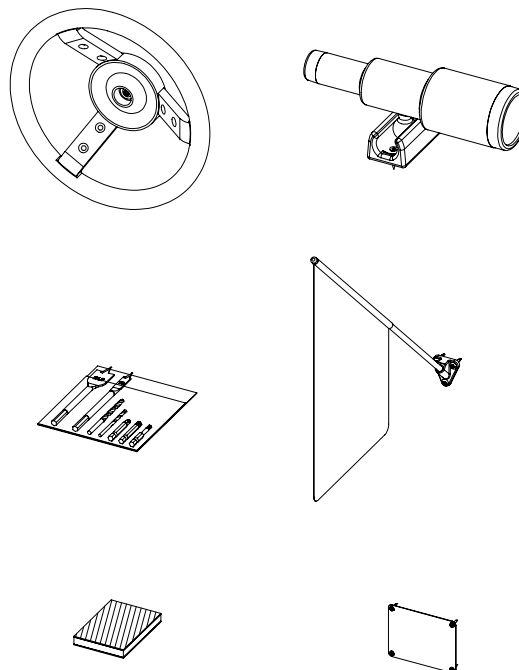


# 18 AC01a: Accessories

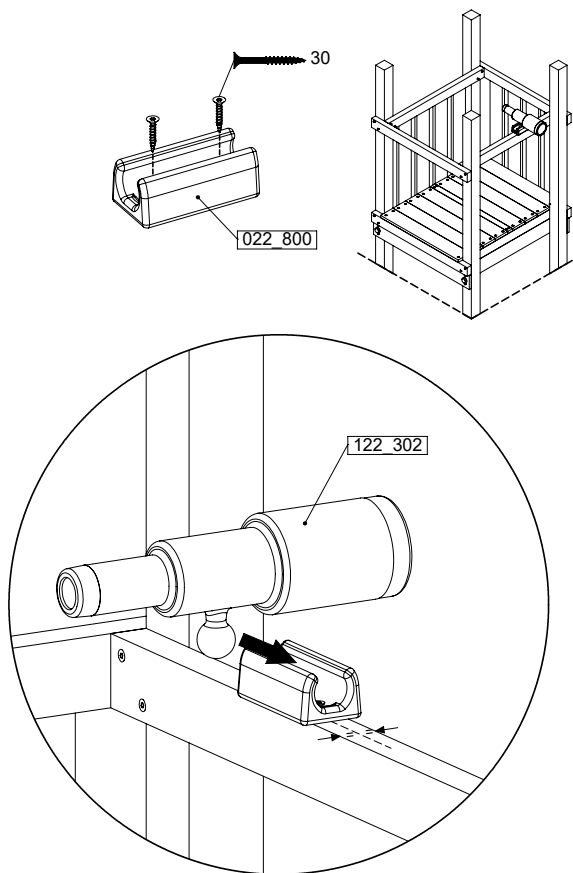
( 194\_119 )

	PartNo	PartName	QTY.
Hardware Pack 100_617	001_406	Stealth Screw 8x45	1
	002_041	Dome head screw 4.5 x 20 mm	3
	002_042	Dome head screw 3.5 x 13mm	4
	002_219	Gap Point Screw T25 - 5x30	2
Other	022_300	Steering Wheel	1
	022_800	Rail P/T 105	1
	022_910	Sandpad	1
	103_901	Logo ID Plate	1
	104_107	Tool Set Climbing Units	1
	120_024	Tower Flag	1
	122_302	Telescope	1

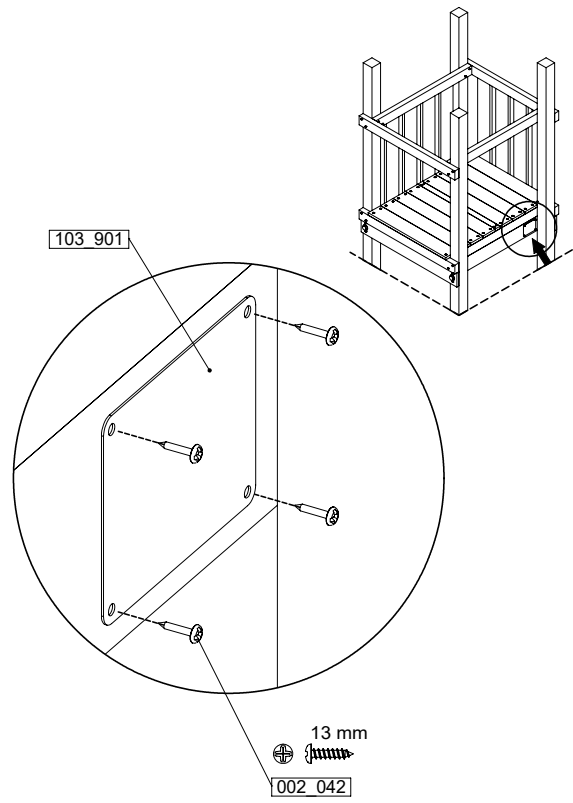
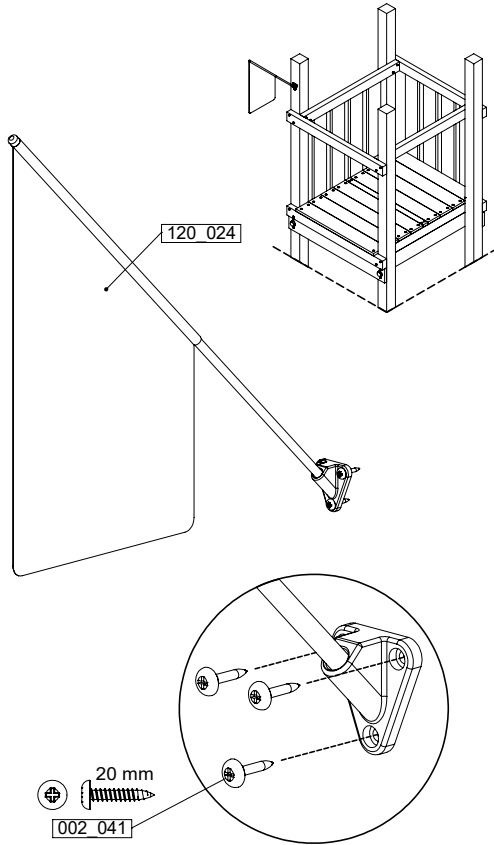
Accessory set - P102 - 06/07/2023 - v5



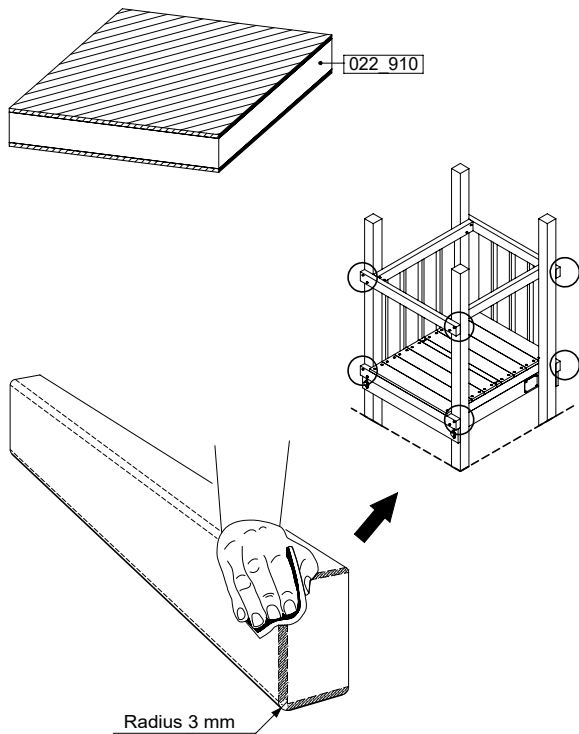
Accessory set - P103 - 06/07/2023 - v5



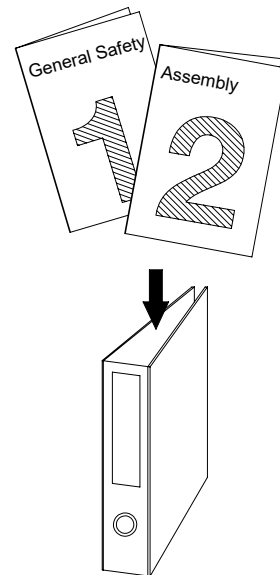
# 18.1



Accessory set - P04 - 06/07/2023 - v5



Accessory set - P05 - 06/07/2023 - v5



# 19 Conformity

## Declaration of Conformity

**Jungle Gym**  
BACKYARD PLAYGROUNDS  
since 1988

### Manufacturer details

Company Name	Tag-line
Jungle Gym B.V.	Backyard Playgrounds
Address	
P.O. Box 75083, 1070 AB Amsterdam, Netherlands	

### Activity toys for domestic use

#### Product Range Identification

##### Construction Packages (Sub-Assembly)

Universal Packs / Base Towers / Extension Towers / Roofs / Means of Exit/Access / Add-ons : 790\_001 ... 794\_911

##### Assembly

Playtowers : 801_005 ... 200	Links : 870_100 ... 105	Accessories : 123_220 ... 250_075
Playhouses : 830_150 ... 253, 835_251 ... 253	Swings : 801_300, _600, _601	Slides (XL) : 324_100 ... 600
Modules : 850_180 ... 415		Slides (XXL) : 334_100 ... 600
: 857_103, 857_108	Playtowers: 802_202 ... 208	
857_151, 857_158	803_202 ... 210	
	809_202 ... 804	

### Applicable EC directives and standards

#### Chemical References

1. Migration of certain elements (17x + Chr VI + tin) as required in TSD 2009/48/EC and its amendments. Scrape off toy material. Tested according to EN 71-3:2019.	5. Content of 7 Phthalates (18x) according to REACH (EG) no.1907/2006, Annex XVII. Tested according to COC-CH-C1011-09.3 and EN 15777 / QMA 2011.1300	9. Content of 3 Flame retardants according to REACH (EG) no. 1907/2006, Annex XVII. Tested according to EN 62321-6.
2. Migration of solvents, monomers and plasticizers as specified in "Safety for Toys: Organic Chemical Compounds", EN 71-9: 2005 + A1: 2007. Tested according to EN 71-10: 2005 & EN 71-11: 2005.	6. Content of Cadmium according to REACH (EG) no. 1907/2006, Annex XVII. Tested according to EN 17294-2	10. Ni release according to REACH (EG) no. 1907/2006, Annex XVII. Tested according to EN 71-3:2013+A1:2014.
3. Content of N-nitrosamines and N-nitrosatable substances as specified in EN standard 71-12: 2013. Tested according to EN 71-12: 2013.	7. Formaldehyde according to REACH (EG) no. 1907/2006, Annex XVII. Tested according to EN 14184	11. Sweat and Salvia resistance tested according to DIN 53160
4. Content of 18 PAHs (Polycyclic Aromatic Hydrocarbons) as referred in AfPS GS 2014:01 PAK (Replaced on 2019:01) Tested according to QMA 2011.1284	8. Azo dyes according to REACH (EG) no. 1907/2006, Annex XVII. Tested according to BVL B 82.02-2.	

#### Mechanical physical properties + flammability

EN 71 - 1 : 2014 + A1: 2018 EN 71 - 2 : 2011 + A1: 2014 EN 71 - 8 : 2018

### Supplementary information

Conformity to the above specified directives and standards has been frequently verified and is continuously monitored by TÜV Süd, TÜV Rheinland LGA products, DEKRA (DE), STR Ltd (UK), LNE SA (FR), LMR Ltd (US) and IPS N.V. (BE) since 1994. Jungle Gym participates in the European Commission for standardisation for the safety of activity toys ( TC52 / WG 10).


### Declaration

I hereby declare under our sole responsibility that the products mentioned above, to which this declaration relates, complies with the above mentioned directives and standards.



Name  
Mr. P. Schmit / Director




























Issued date  
Januari 2<sup>nd</sup>, 2023

  
Signature of representative


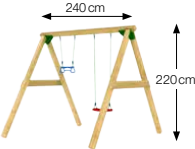
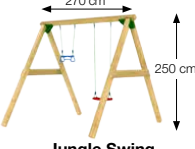


# Construction Packages (Assembly)







## Playtowers

<p><b>S</b> Single</p>  <p><b>Jungle Tower</b> 802_201</p>	<p><b>S</b> Single</p>  <p><b>Jungle Patio</b> 802_202</p>	<p><b>S</b> Single</p>  <p><b>Jungle Cocoon</b> 802_204</p>	<p><b>S</b> Single</p>  <p><b>Jungle Cirque</b> 802_206</p>	<p><b>S</b> Single</p>  <p><b>Jungle Totem</b> 802_208</p>	<p><b>S</b> Duo</p>  <p><b>Jungle Nomad</b> 803_202</p>	<p><b>S</b> Duo</p>  <p><b>Jungle Safari</b> 803_204</p>
<p><b>S</b> Duo</p>  <p><b>Jungle Viking</b> 803_206</p>	<p><b>S</b> Duo</p>  <p><b>Jungle Teepee</b> 803_208</p>	<p><b>S</b> Duo</p>  <p><b>Jungle Resort</b> 803_210</p>	<p><b>S</b> Combo</p>  <p><b>Jungle Explorer</b> 809_802</p>	<p><b>S</b> Combo</p>  <p><b>Jungle Voyager</b> 809_804</p>	<p><b>M</b> Single</p>  <p><b>Jungle Castle</b> 801_120</p>	
<p><b>M</b> Single</p>  <p><b>Jungle Club</b> 801_110</p>	<p><b>M</b> Single</p>  <p><b>Jungle Casa</b> 801_105</p>	<p><b>M</b> Single</p>  <p><b>Jungle Home</b> 801_103</p>	<p><b>M</b> Single</p>  <p><b>Jungle Hut</b> 801_100</p>	<p><b>M</b> Single</p>  <p><b>Jungle House</b> 801_095</p>	<p><b>L</b> Single</p>  <p><b>Jungle Cottage</b> 801_090</p>	<p><b>L</b> Single</p>  <p><b>Jungle Cabin</b> 801_060</p>
<p><b>L</b> Single</p>  <p><b>Jungle Lodge</b> 801_040</p>	<p><b>L</b> Duo</p>  <p><b>Jungle Cubby</b> 801_070</p>	<p><b>L</b> Duo</p>  <p><b>Jungle Mansion</b> 801_009</p>	<p><b>XL</b> Single</p>  <p><b>Jungle Sierra</b> 801_025</p>	<p><b>XL</b> Single</p>  <p><b>Jungle Fort</b> 801_010</p>	<p><b>XL</b> Duo</p>  <p><b>Jungle Chalet</b> 801_013</p>	<p><b>XL</b> Duo</p>  <p><b>Jungle Palace</b> 801_005</p>







## Swings

 <p><b>Jungle Peak</b> 801_300</p>
<p>240cm</p>  <p><b>Jungle Swing</b> 801_601</p>
<p>270cm</p>  <p><b>Jungle Swing</b> 801_602</p>

## Swing Module

 <p><b>1-Swing Module 200</b> 857_101</p>	 <p><b>2-Swing Module 200</b> 857_102</p>
 <p><b>1-Swing Module 220</b> 857_151</p>	 <p><b>2-Swing Module 220</b> 857_154</p>
 <p><b>1-Swing Module 220 Extra</b> 850_176</p>	 <p><b>2-Swing Module 220 Extra</b> 850_177</p>

## Climb Module

 <p><b>1-Climb Module 200</b> 857_105</p>	 <p><b>2-Climb Module 200</b> 857_106</p>
 <p><b>1-Climb Module 220</b> 857_157</p>	 <p><b>2-Climb Module 220</b> 857_158</p>
 <p><b>1-Climb Module 220 Extra</b> 850_231</p>	 <p><b>2-Climb Module 220 Extra</b> 850_232</p>

## Bridge Module

 <p><b>Bridge Module</b> 850_240</p>
---

# Construction Packages (Sub-Assembly)

## Base Towers (BT)



790\_001  
790\_002  
790\_003



792\_002  
792\_003



794\_001

## Add-on Towers (ET)



790\_101  
790\_102



792\_101  
792\_102  
792\_103  
792\_104  
792\_105  
792\_106

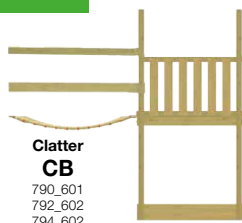


792\_107 794\_102  
792\_108 794\_103  
792\_109 794\_104  
792\_110 794\_105  
792\_111 794\_107  
792\_112 794\_108  
792\_113 794\_109  
792\_114

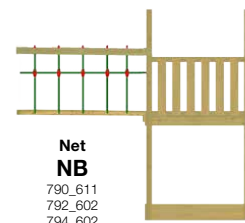


794\_110

## Bridges (CB + NB)



**Clatter  
CB**  
790\_601  
792\_602  
794\_602



**Net  
NB**  
790\_611  
792\_602  
794\_602

## Swing Modules (SM)



**1-Swing Module 200  
SM**  
857\_101



**2-Swing Module 200  
SM**  
857\_102



**1-Swing Module 220  
SM**  
857\_151



**2-Swing Module 220  
SM**  
857\_152



**1-Swing Module 220  
Extra  
SM**  
850\_176



**2-Swing Module 220  
Extra  
SM**  
850\_177

## Climb Modules (CM)



**1-Climb Module 200  
CM**  
857\_105



**2-Climb Module 200  
CM**  
857\_106



**1-Climb Module 220  
CM**  
857\_157



**2-Climb Module 220  
CM**  
857\_158



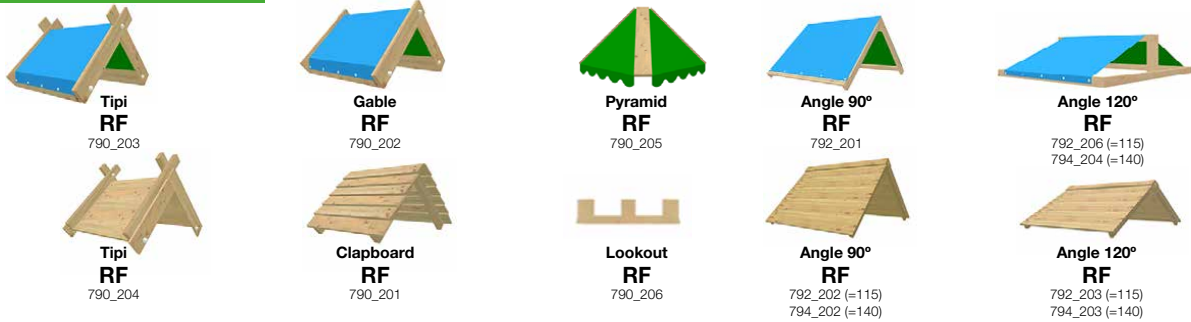
**1-Climb Module 220  
Extra  
CM**  
850\_231



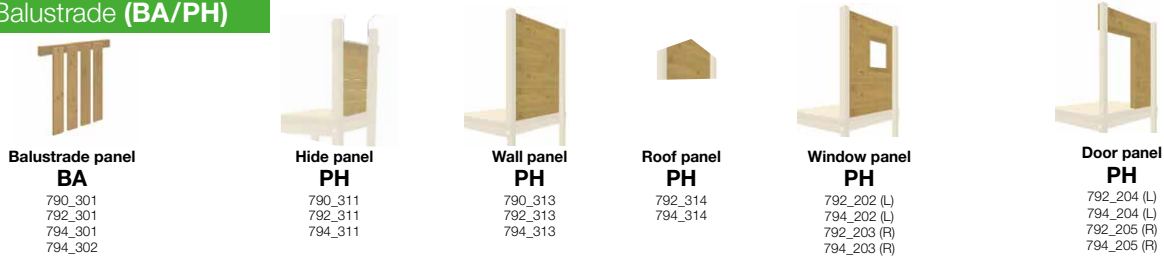
**2-Climb Module 220  
Extra  
CM**  
850\_232

# Construction Packages (Sub-Assembly)

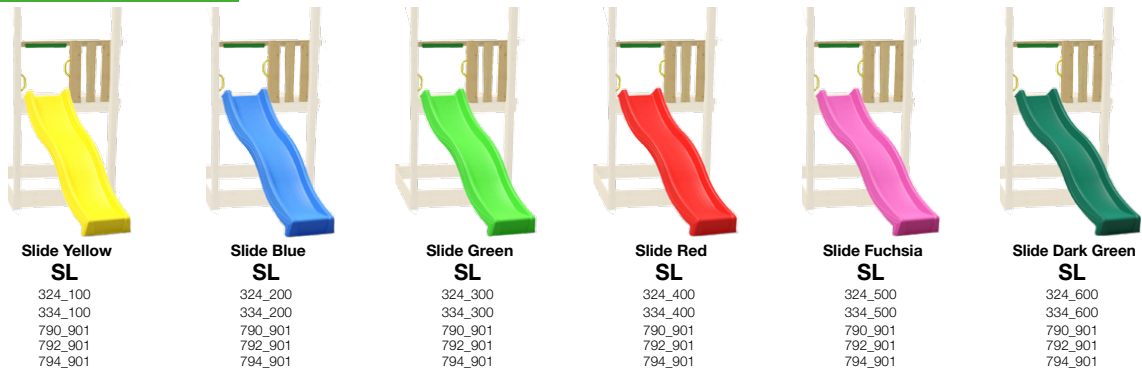
## Roofs (RF)



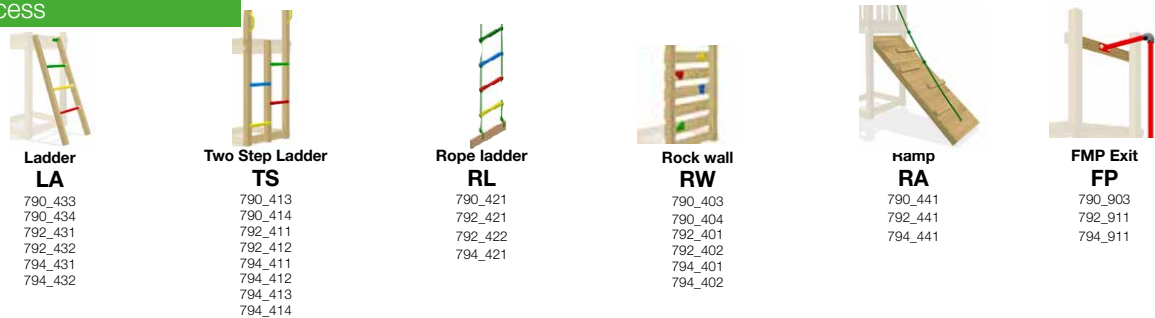
## Balustrade (BA/PH)



## Slides (SL)



## Access



## Add-ons (ADD)

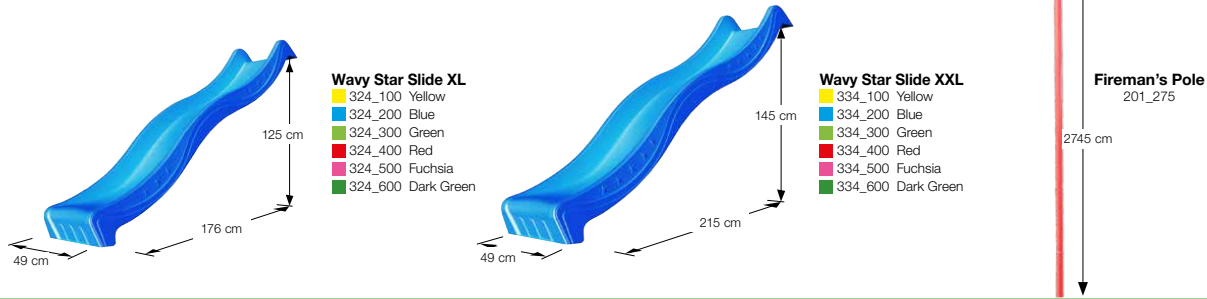


## Universal Pack (AC)

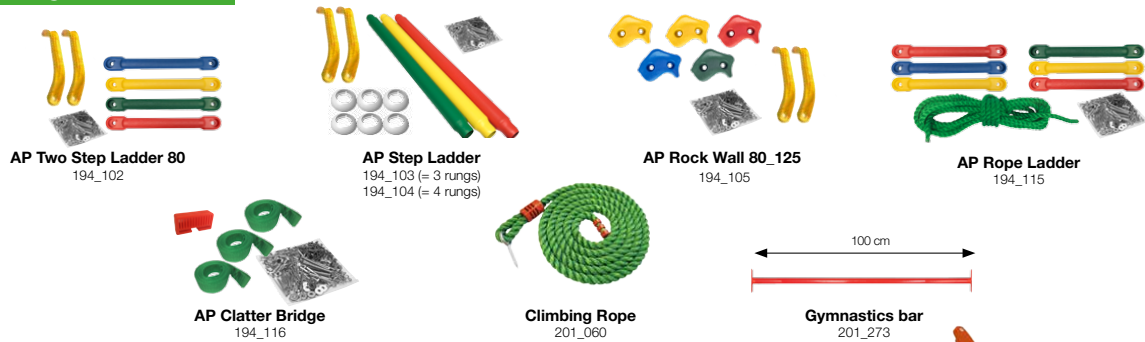


# Accessories

## Slides (MOE)



## Climbing



## Imagination



## Swinging



## Functional



## Components

