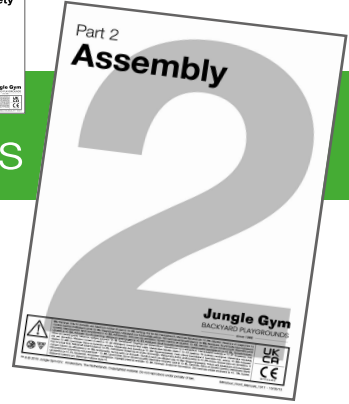
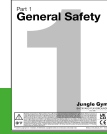


Part 2

Assembly

Instructions



Config ID: 67IPTY

Date: 2023-09-28



Manual Part 1

Important
 This assembly manual should always be read in conjunction with the General Safety manual part 1 as included in the hardware package of your playground equipment.
 Please read these safety instructions carefully before starting the assembly work.

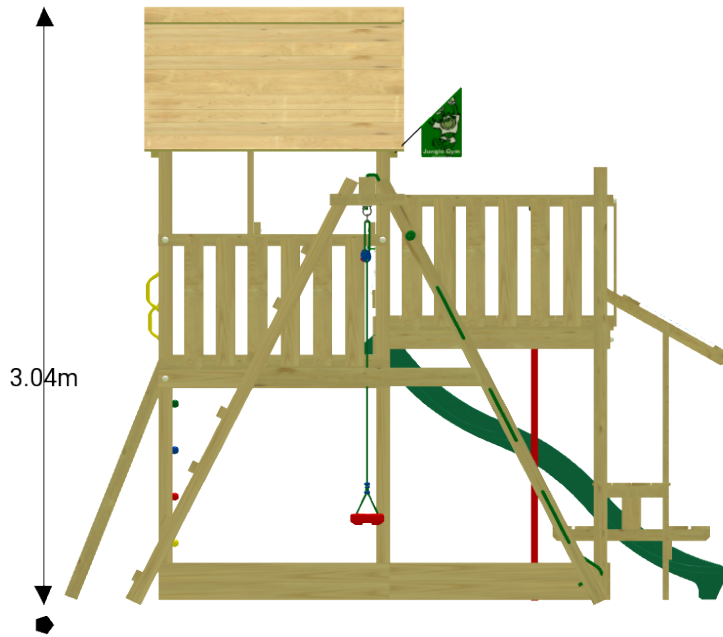
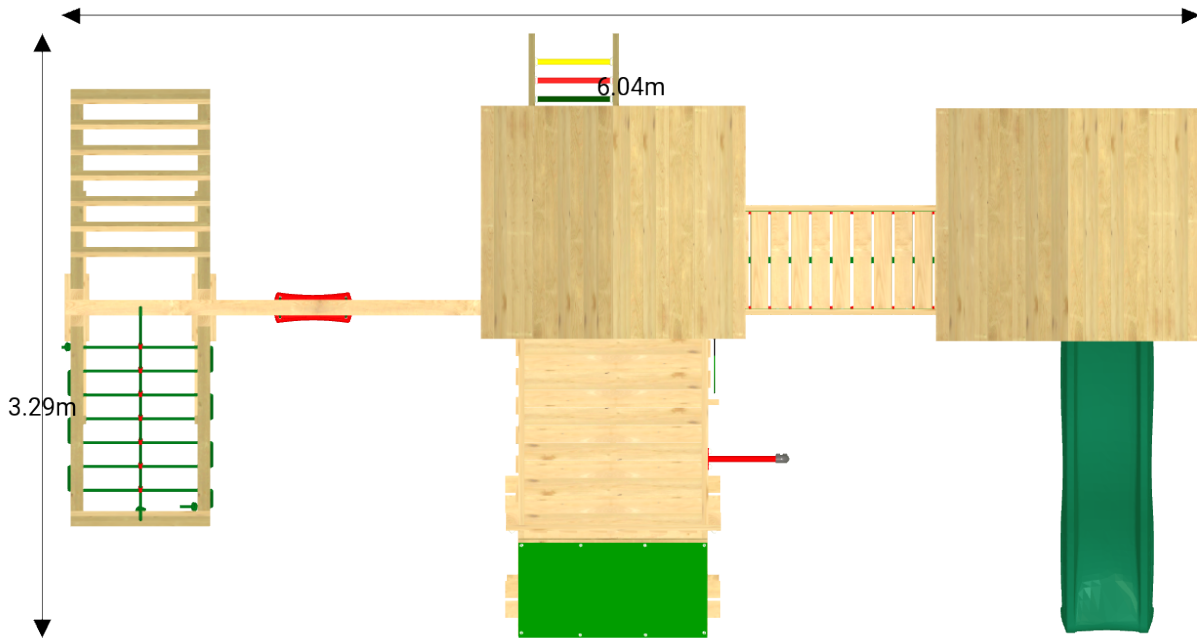
Jungle Gym

BACKYARD PLAYGROUNDS

since 1988

	<p>EN. Warnings. Only for domestic use. Maximum number of users is 6. DE. Achtung. Nur für den Hausgebrauch. Maximale Benutzerzahl: 6. FR. Attention. Réserve à un usage privé. Le nombre maximal d'utilisateurs est de 6. NL. Waarschuwingen. Uitsluitend voor huishoudelijk gebruik. Het maximale aantal gebruikers is 6. BG. Внимание. За употреба само в домашни условия. Максималният брой потребители е 6. ES. Advertencias. Sólo para uso doméstico. Número máximo de usuarios: 6. CS. Varování. Jen pro domácí použití. Maximální počet uživatelů je 6. DA. Advarsler. Kun til privat brug. Maksimum antal brugere er 6. ET. Hoiatused. Ainult koduseks kasutamiseks. Maksimaalne kasutajate arv on 6. EL. Προειδοποιήσεις. Μόνο για οικιακή χρήση. Μέγιστος αριθμός χρηστών 6. IS. Varnaðarorð. Eingöngu fyrir einkanotkun í heimahúsum og á einkaloðum. Hámarksfjöldi notenda er 6. IT. Avvertenze. Solo per uso domestico. Massimo numero di utenti è 6. LV. Brīdinājumi. Izmantot tikai mājās. Maksimālais lietotāju skaits ir 6. LT. Įspėjimai. Tik buitiniam naudojimui. Maksimalus naudotojų skaičius 6. HR. Upozorenja. Samo za kućansku uporabu. Maksimalan broj korisnika je 6. HU. Figyelmeztetések. Csak otthoni használatra! A használok max. száma: 6. NO. Advarsler. Kun for privat bruk. Maksimalt antall brukere er 6. PL. Ostrzeżenia. Wyłącznie do użytku domowego. Maksymalna liczba użytkowników to 6. PT. Avisos. Apenas para uso doméstico. O número máximo de utilizadores é 6. RO. Avertismente. Numai pentru uz domestic. Numărul maxim de utilizatori este 6. RU. Предостережения. Только для домашнего использования. Максимальное количество пользователей - 6. SK. Upozornenia. Iba na domáce použitie. Maximálne množstvo osôb je 6. SL. Opozorila. Samo za domačo uporabo. Maksimalno število uporabnikov je 6. FI. Varoitukset. Ainoastaan kotikäyttöön. Käyttäjää yhteensä enintään 6. SR. Upozorenja. Samo za kućnu upotrebu. Maksimalan broj korisnika je 6. SV. Varningar. Endast för hemmabruk. Det maximala antalet användare är 6. TR. Uyarılar. Sadece ev kullanımı için. Maksimum kullanıcı sayısı 8.</p>	

1 Views

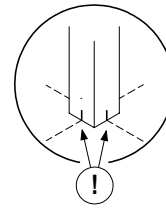
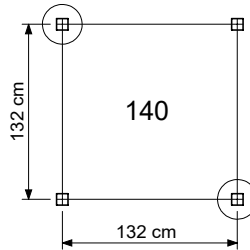
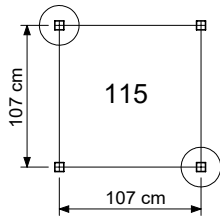
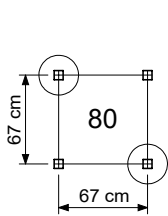
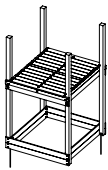


2 Order overview

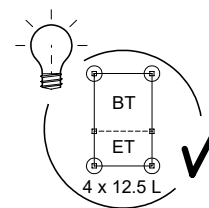
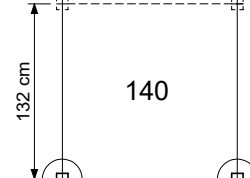
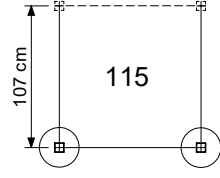
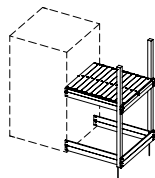
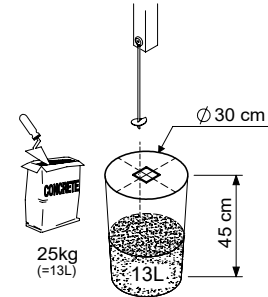
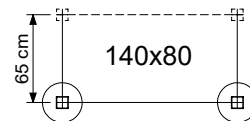
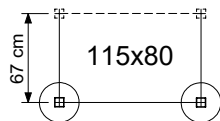
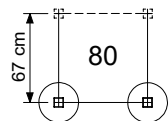
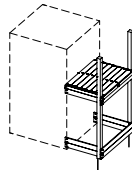
Nr.	Part ID	Part Name	Part number	Quantity
1	LA12	Ladder 115_125	792_431	1
2	BT11a	Base Tower 115_240240	792_002	2
3	ET19a	Extension Tower 115_220_up/ down	792_111	1
4	RF08a	Roof Club 115	792_202	2
5	BL03a	Balustrade 115	792_301	1
6	BL04a	Balustrade 115	792_301	3
7	TS05a	Two Step Ladder 115_125	792_411	1
8	PC06a	Picnic 115	792_503	1
9	CB01a	Bridge 80	790_601	1
10	BF03a	Bridge Frame 115	792_602	1
11	BF04a	Bridge Frame 115	792_602	1
12	SL07a	Slide/ balustrade 115	792_901	1
13	FP04a	FMP/ balustrade 115	792_911	1
14	CL09a	1- Climb Module 220	757_157	1
15	AC01a	AP Accessory set	194_119	1
16	AC21a	Swing Seat Kit • Red	250_034	1
17	AC30a	Mesh green	123_230	1
18	324_x00a	Wavy Star Slide XL	324_x00a	1

3 Anchor Plan

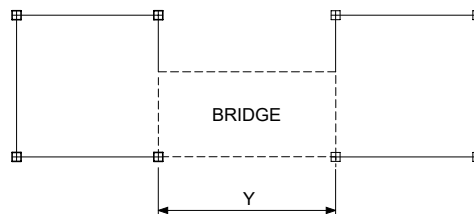
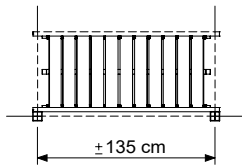
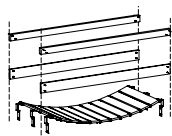
BASE TOWERS



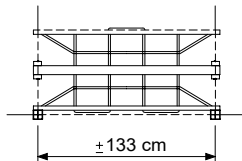
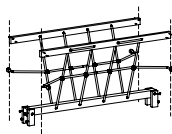
EXTENSION TOWERS



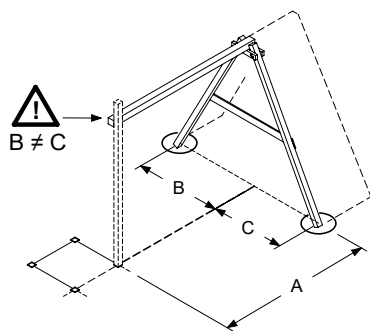
CLATTER BRIDGE



NET BRIDGE

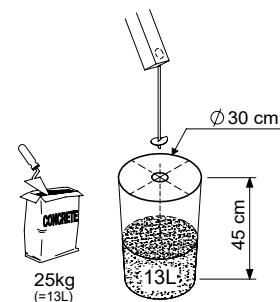


SWING / CLIMB MODULE



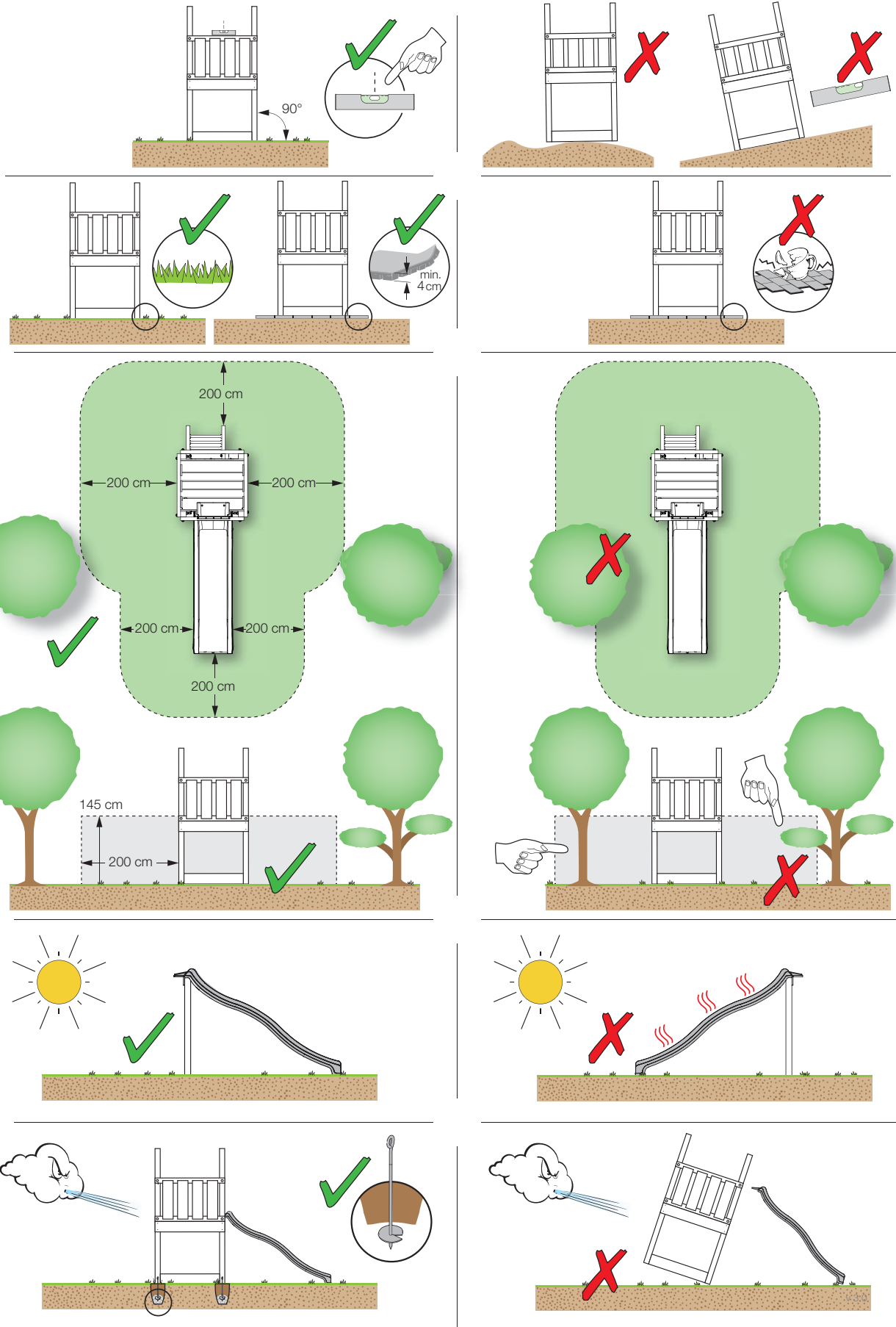
Module type	A	B	C
1-Swing 200	150	115	100
1-Swing 220 / 220 Extra		120	105
2-Swing 200	210	115	100
2-Climb 200			
1-Climb 200	142	120	105
1-Climb 220 / 220 Extra			
2-Swing 220 / 220 Extra	230	120	105
2-Climb 220 / 220 Extra			

Ground Anchors Unit - POZ - 04/07/2023 - v1.2

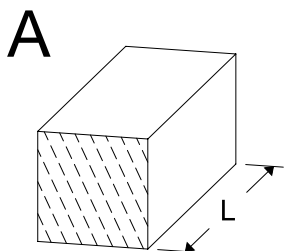


Ground Anchors Unit - POZ - 04/07/2023 - v1.2

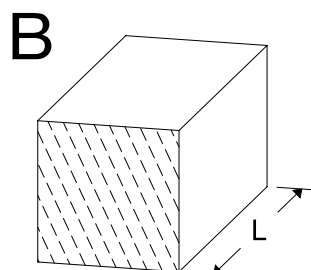
3.1 Safe Playground



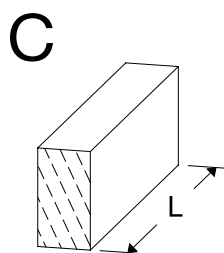
4 Timber parts



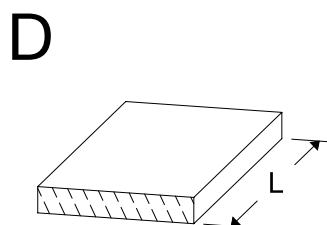
ID	L	#
A220	219 cm - 220 cm	2
A240	239 cm - 240 cm	12



B240	239 cm - 240 cm	1
------	-----------------	---


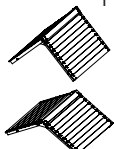
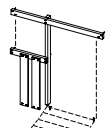


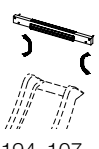
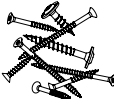
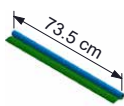
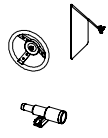

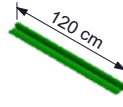



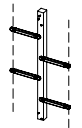

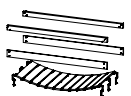


C37	36 cm - 37 cm	7
C56	55 cm - 56 cm	2
C70	69 cm - 70 cm	3
C74	73 cm - 74 cm	10
C84	83 cm - 84 cm	3
C90	89 cm - 90 cm	4
C96	85 cm - 96 cm	4
C114	113 cm - 114 cm	24
C123	122 cm - 123 cm	1
C130	129 cm - 130 cm	2
C141	140 cm - 141 cm	6
C186	185 cm - 186 cm	1

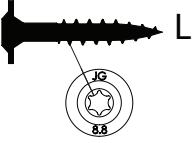
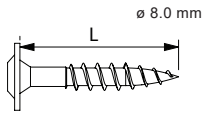


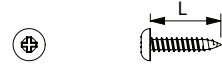
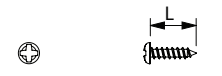
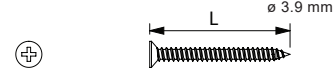


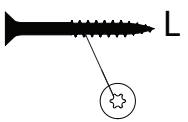
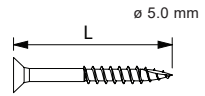


D47	46 cm - 47 cm	1
D60	59 cm - 60 cm	12
D65	64 cm - 65 cm	38
D74	73 cm - 74 cm	2
D100	99 cm - 100 cm	48
D114	113 cm - 114 cm	41
D127	126 cm - 127 cm	48
D141	140 cm - 141 cm	5

5 Assembly packs & accessories

<p>Tower 115</p>  <p>BT ET</p> <p>194_300</p> <p>3x</p>	<p>Roof Timber 115</p>  <p>RF</p> <p>194_308</p> <p>2x</p>	<p>Bridge Frame</p>  <p>BF</p> <p>194_007</p> <p>2x</p>	<p>Fireman's Pole</p>  <p>FP</p> <p>201_275</p> <p>1x</p>	<p>Hardware 01</p>  <p>BL H01</p> <p>194_101</p> <p>4x</p>
<p>Slide Frame</p>  <p>SL</p> <p>194_107</p> <p>1x</p>	<p>Hardware 10</p>  <p>H10</p> <p>194_810</p> <p>1x</p>	<p>Canvas 136 x 74cm</p>  <p>73.5 cm</p> <p>123_220</p> <p>1x</p>	<p>Accessory Set</p>  <p>AC</p> <p>194_119</p> <p>1x</p>	<p>Climb Frame Kit</p>  <p>CL</p> <p>457_106</p> <p>1x</p>
<p>Mesh Green 185 x 120cm</p>  <p>120 cm</p> <p>123_230</p> <p>1x</p>	<p>Ladder 125</p>  <p>LA</p> <p>194_003</p> <p>1x</p>	<p>Balustrade 140</p>  <p>BL</p> <p>194_501</p> <p>4x</p>	<p>Slide 2.2m</p>  <p>1x</p> <p>324_x00</p>	<p>Two Step Ladder</p>  <p>TS</p> <p>194_002</p> <p>1x</p>
<p>Swing Seat</p>  <p>AC</p> <p>250_034</p> <p>1x</p>	<p>Clatter Bridge</p>  <p>CB</p> <p>194_116</p> <p>1x</p>			

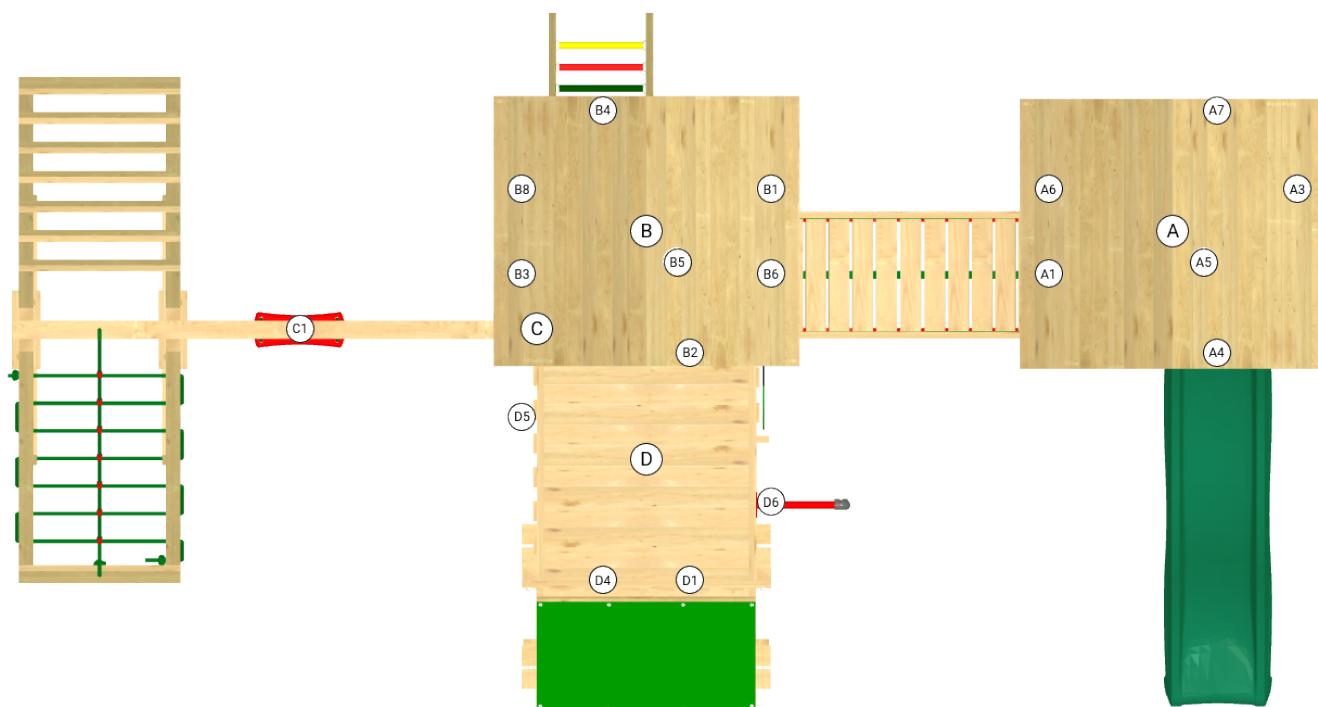
6 Hardware Identification

		SKU	L
	 $\varnothing 8.0 \text{ mm}$	001_404 001_406 001_411 001_417 001_422	30 mm 45 mm 60 mm 80 mm 137 mm
	M8	001_102	30 mm
	 $\varnothing 2.0 \text{ mm}$	000_101	20 mm
	 $\varnothing 6.3 \text{ mm}$	002_036	16 mm
	 $\varnothing 4.5 \text{ mm}$	002_041	20 mm
 $\varnothing 3.5 \text{ mm}$	002_042	13 mm	
 $\varnothing 3.9 \text{ mm}$	002_301	40 mm	



		SKU	L
	 $\varnothing 5.0 \text{ mm}$	002_308 002_219 002_220 002_223	20 mm 30 mm 45 mm 80 mm
	M8	003_010	
	M6	003_034	
	M8	004_050	22mm
		022_845 022_846 022_847 022_848	Yellow Blue Green Red
		023_031	White
 022_844	 022_314	120_005	White

output: 25/05/23

7 Assembly Planning



	ID			A	B	C	D
1	BT11a		p.11	✓	✓	-	-
2	ET19a		p.14	-	-	-	✓
3	BL03a		p.17	-	-	-	D5
4	BL04a		p.18	A3	B8	-	D4
5	RF08a		p.19	A5	B5	-	-
6	CB01a		p.29	A1	B6	-	-
7	BF03a		p.25	-	B1	-	-
8	BF04a		p.27	A6	-	-	-
9	TS05a		p.30	A7	-	-	-
10	PC06a		p.32	-	-	-	D1
11	LA12		p.36	-	B4	-	-
12	CL09a		p.43	-	-	✓	-
13	SL07a		p.48	A4	-	-	-
14	FP04a		p.51	-	-	-	D6
15	GA		p.53	✓	✓	✓	✓

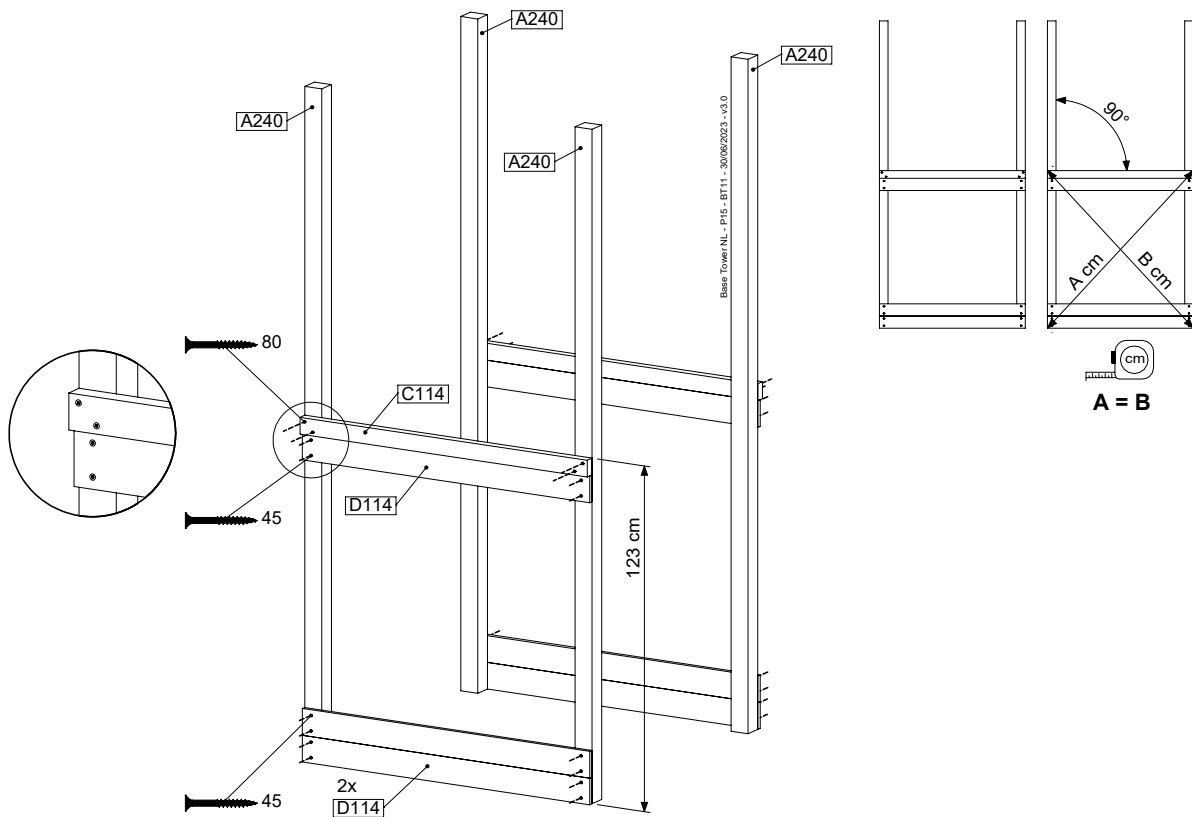
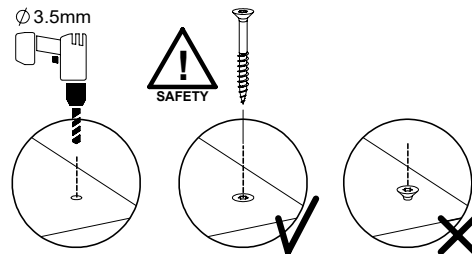
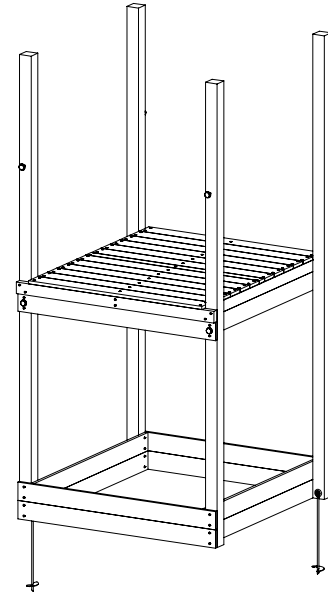
	ID			A	B	C	D
16	AC30a		p.55	A1	B6	-	-
17	AC01a		p.57	-	✓	-	-

8 BT11a: Base Tower 115 125cm 240240

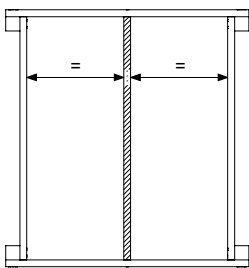
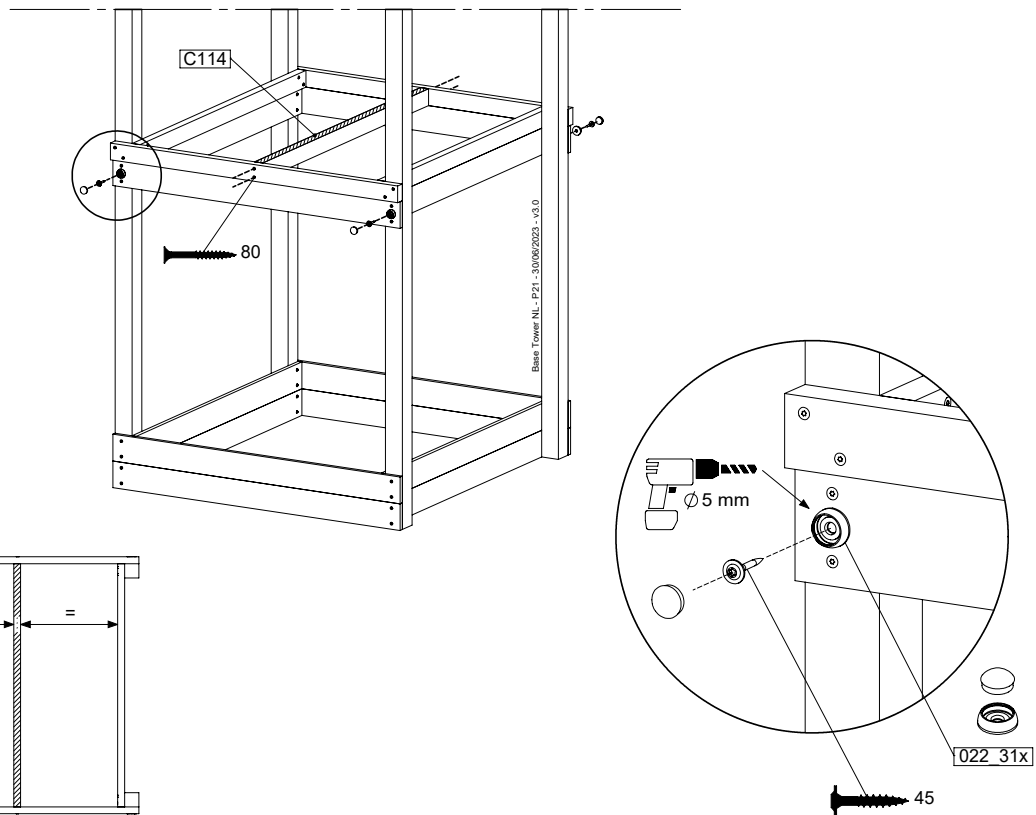
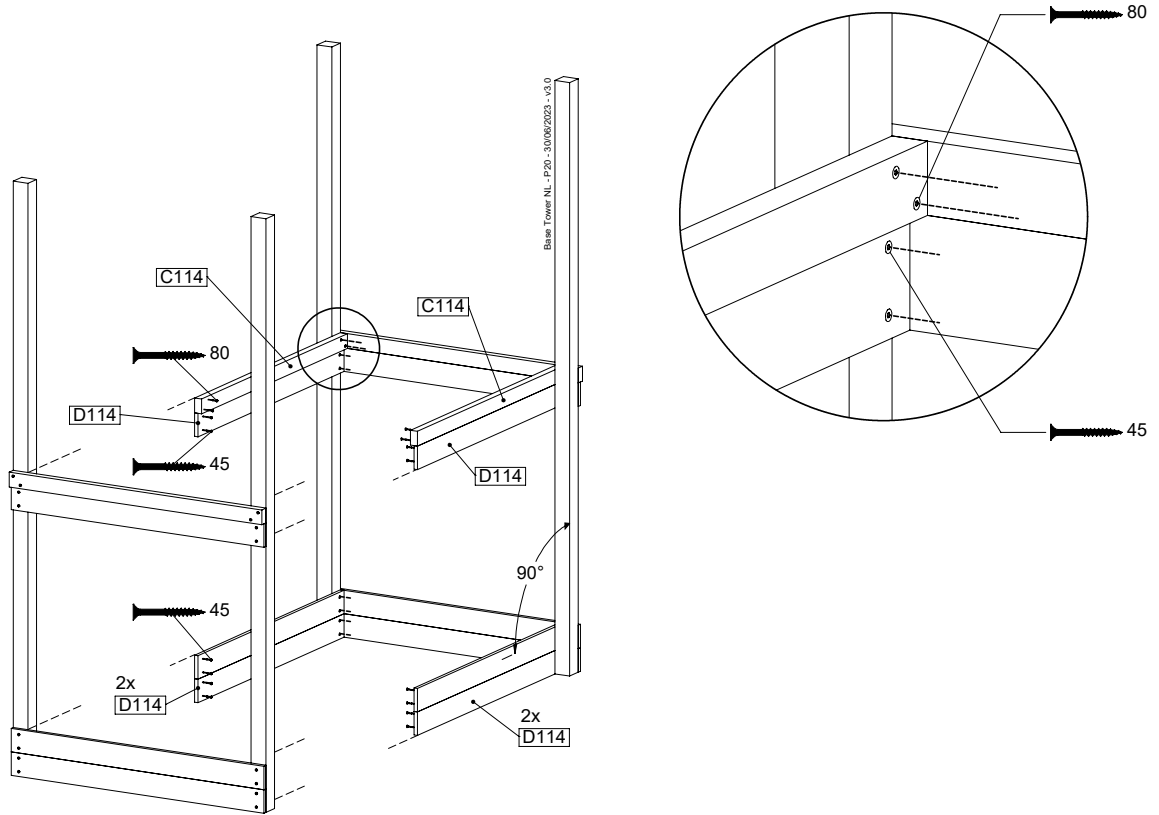
(194_300)

	PartNo	PartName	QTY.
Hardware pack	001_406	Stealth Screw 8x45	6
	001_417	Stealth Screw 8x80	4
	002_220	Gap Point Screw T25 - 5x45	118
	002_223	Gap Point Screw T25 - 5x80	20
	022_31x	bpc-base version 3	8
	022_84x	bpc cover	8
Other	007_001	Ground-anchor	2
Timber	A240	Post 70x70 L2400	4
	C114	Beam 1140 mm	5
	D100	Board 1000 mm	14
	D114	Board 1140 mm	12

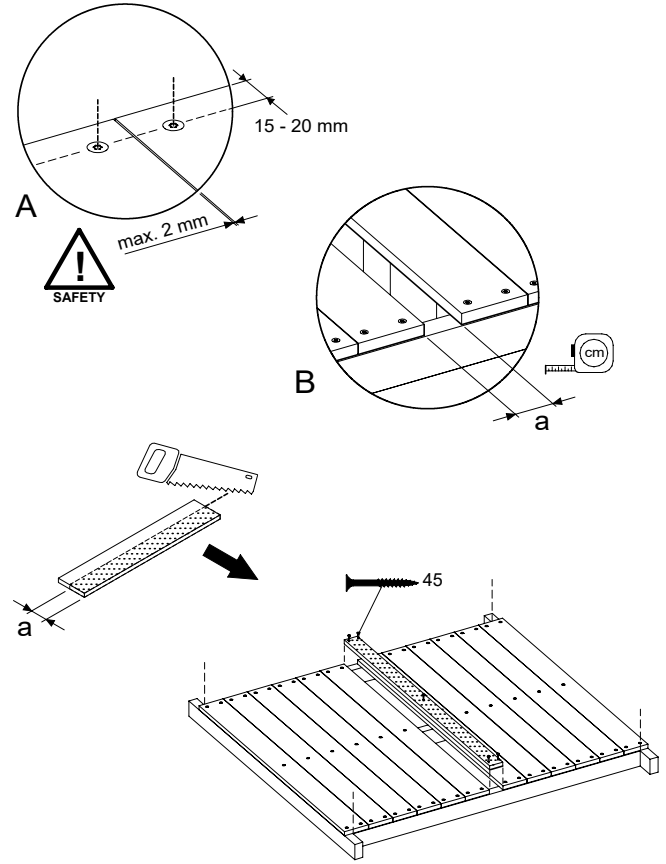
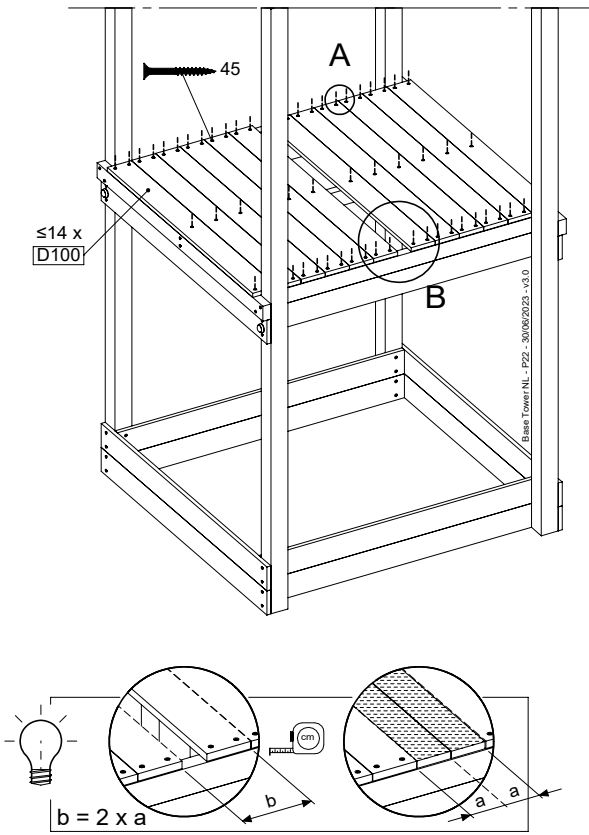
Base Tower.NL - POP - BT11 - 30/06/2023 - v3.0



8.1



8.2

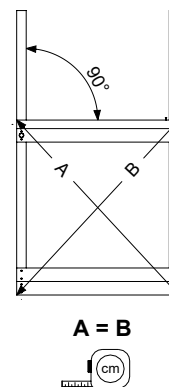
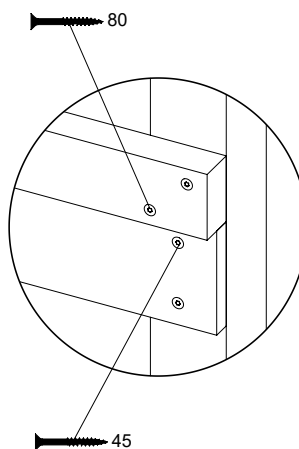
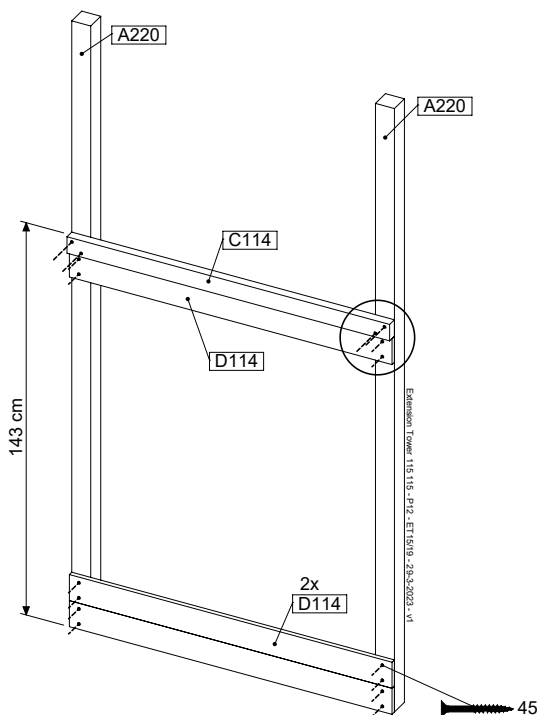
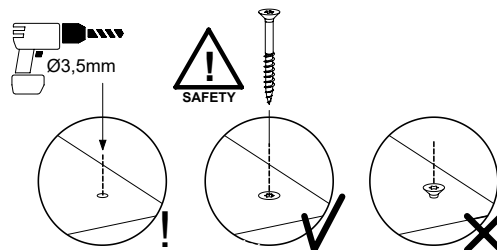
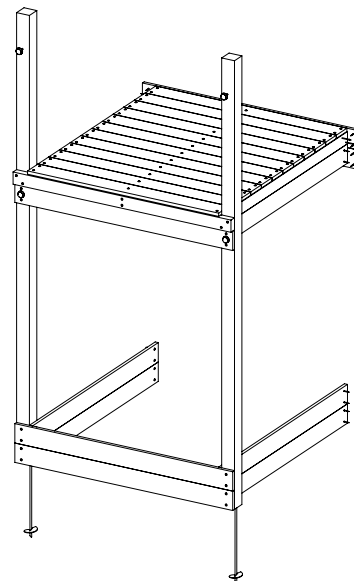


9 ET19a: Extension Tower 115 220/145

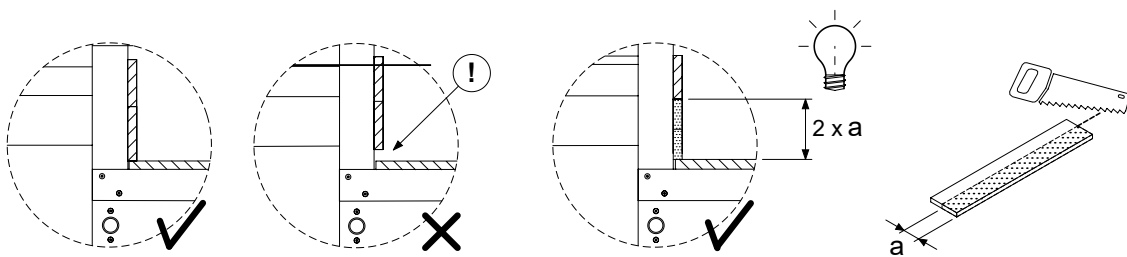
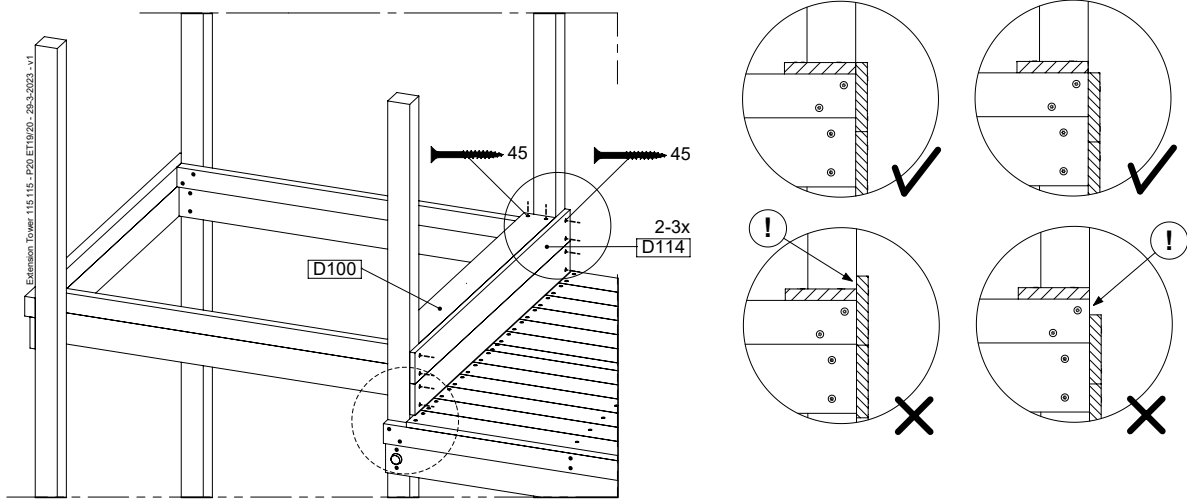
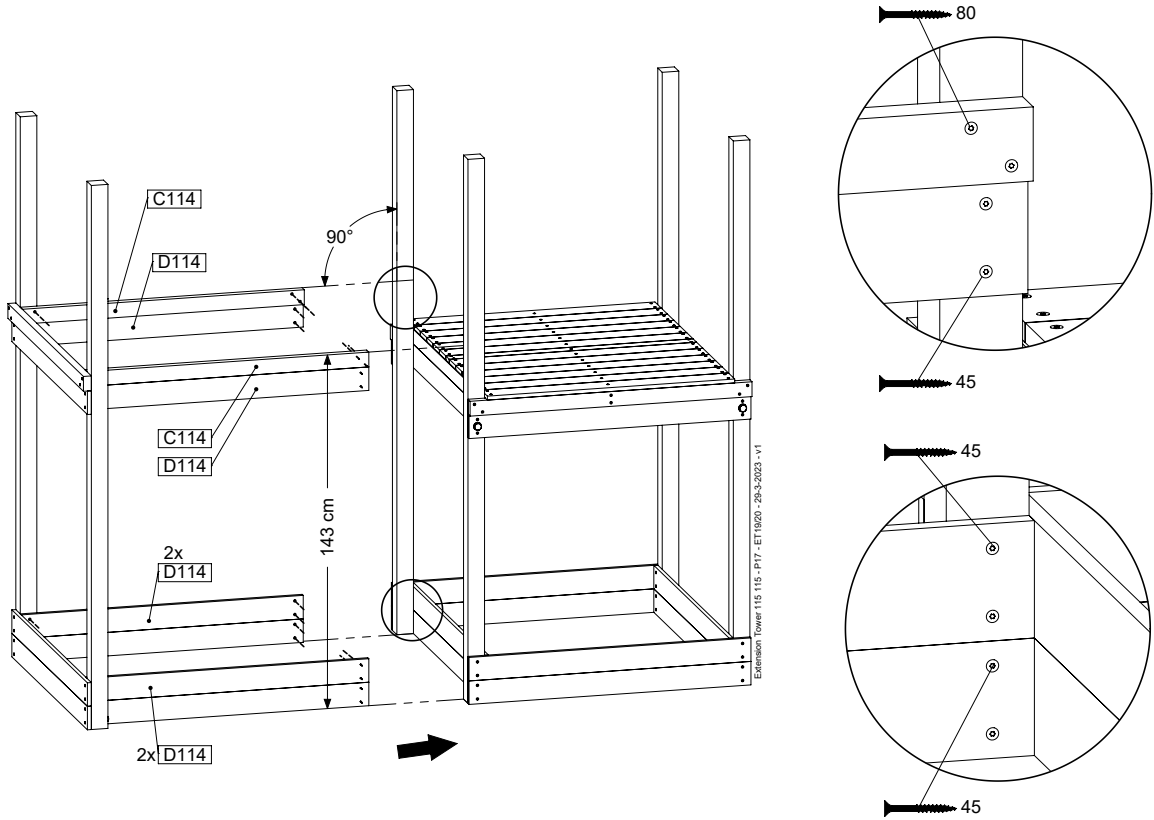
(194_300)

	PartNo	PartName	QTY.
Hardware pack	001_406	Stealth Screw 8x45	4
	001_417	Stealth Screw 8x80	2
	002_220	Gap Point Screw T25 - 5x45	118
	002_223	Gap Point Screw T25 - 5x80	16
Other	007_001	Ground-anchor	2
	022_31x	bpc-base version 3	4
	022_84x	bpc cover	4
Timber	A220	Post 70x70 L2200	2
	C114	Beam 1140 mm	4
	D100	Board 1000 mm	14
	D114	Board 1140 mm	12

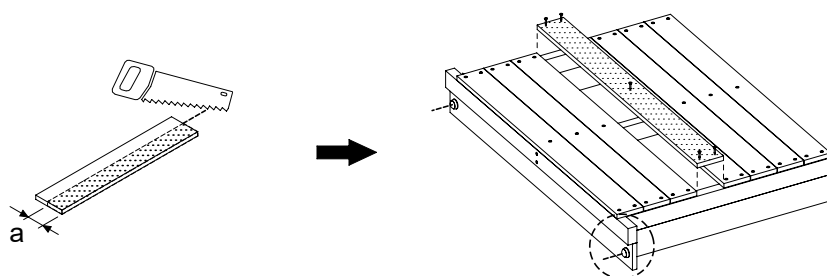
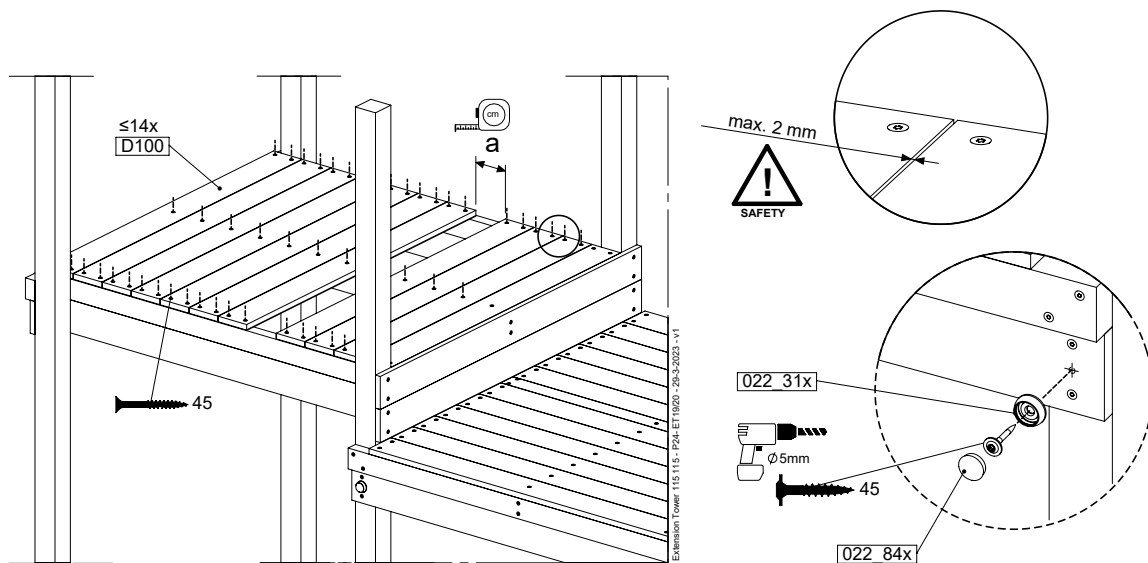
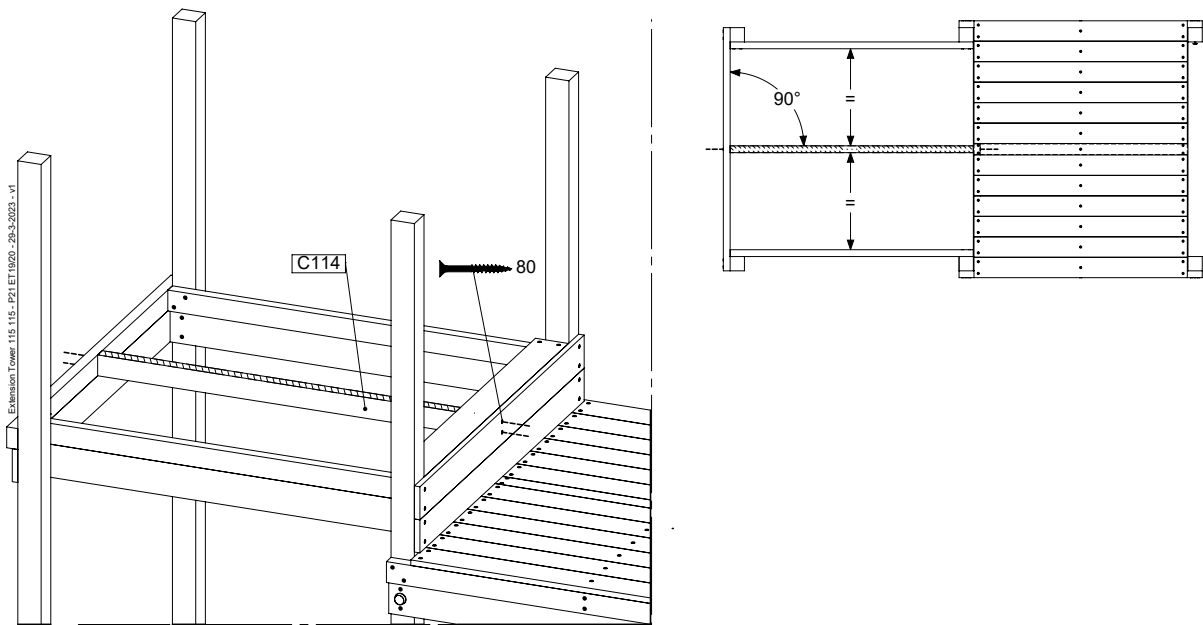
Extension Tower 115 115- P08- ET19- 20-3-2023- v1



9.1



9.2

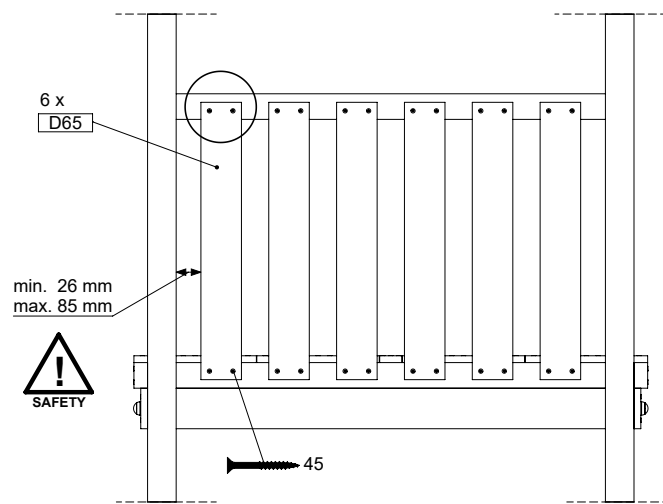
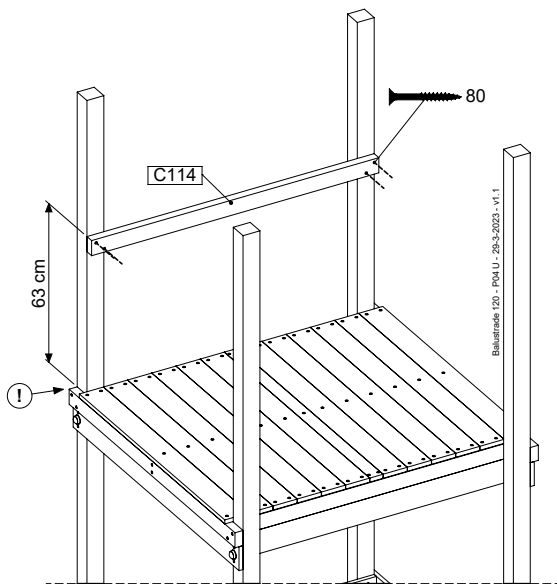
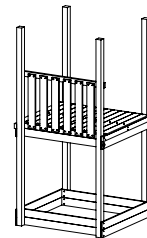
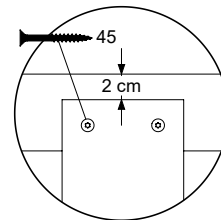
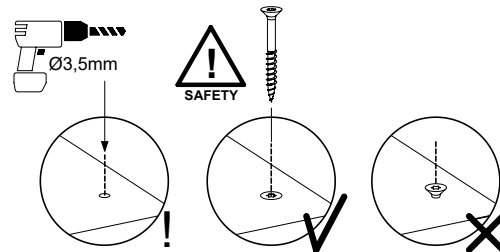
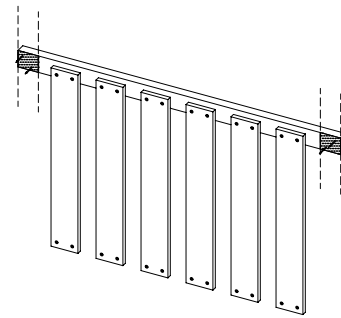


10 BL03a: Balustrade 115 U

(194_501)

	PartNo	PartName	QTY.
Hardware Pack	002_220	Gap Point Screw T25 - 5x45	24
	002_223	Gap Point Screw T25 - 5x80	4
Timber	C114	Beam 1140 mm	1
	D65	Board 650 mm	6

Balustrade 120 - POC U - 29-3-2023 - v1.1

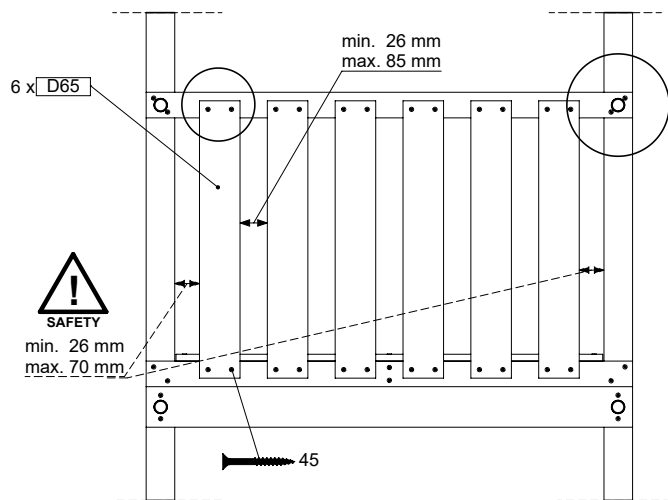
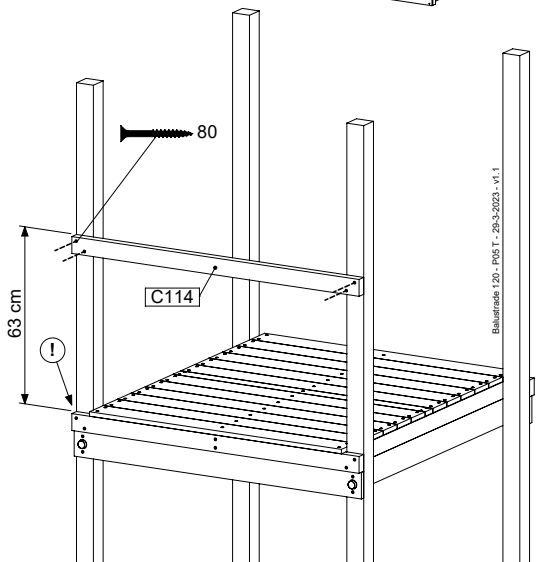
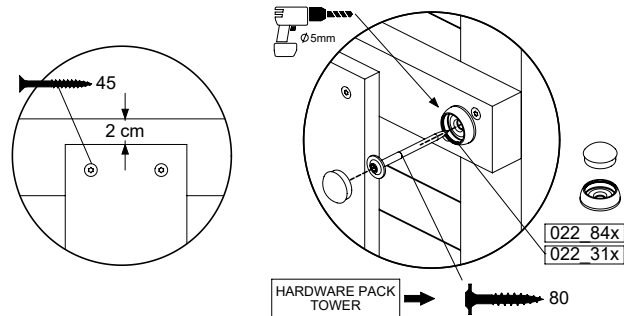
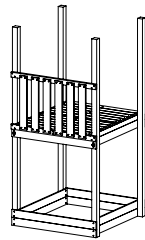
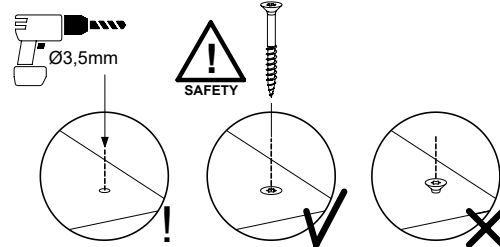
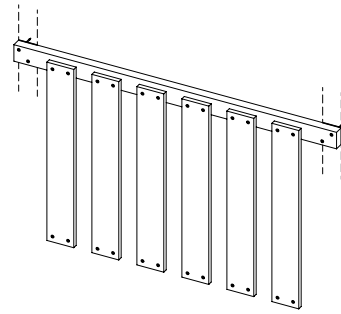


11 BL04a: Balustrade 115 T

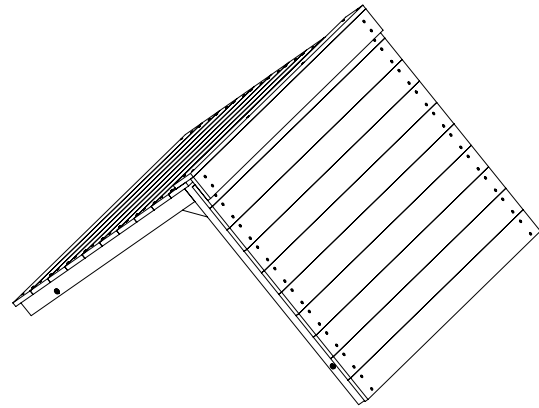
(194_501)

	PartNo	PartName	QTY.
Hardware Pack	002_220	Gap Point Screw T25 - 5x45	24
	002_223	Gap Point Screw T25 - 5x80	4
Timber	C114	Beam 1140 mm	1
	D65	Board 650 mm	6

Balustrade 120 - P03 T - 29-3-2023 - v1.1



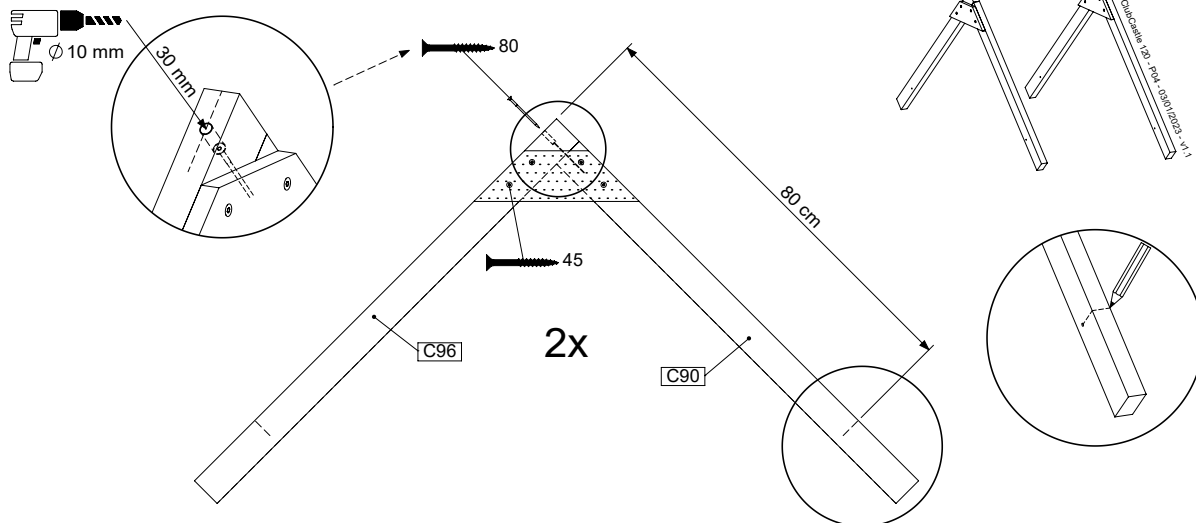
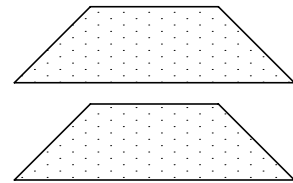
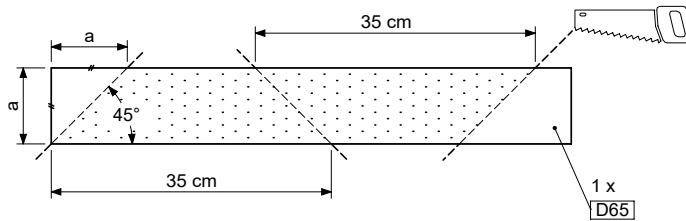
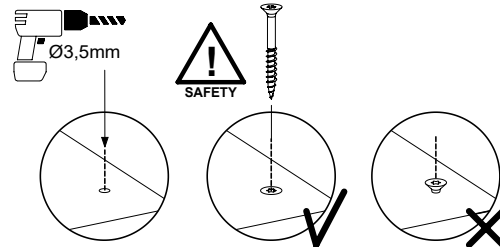
12 RF08a: Roof Timber Gable 115



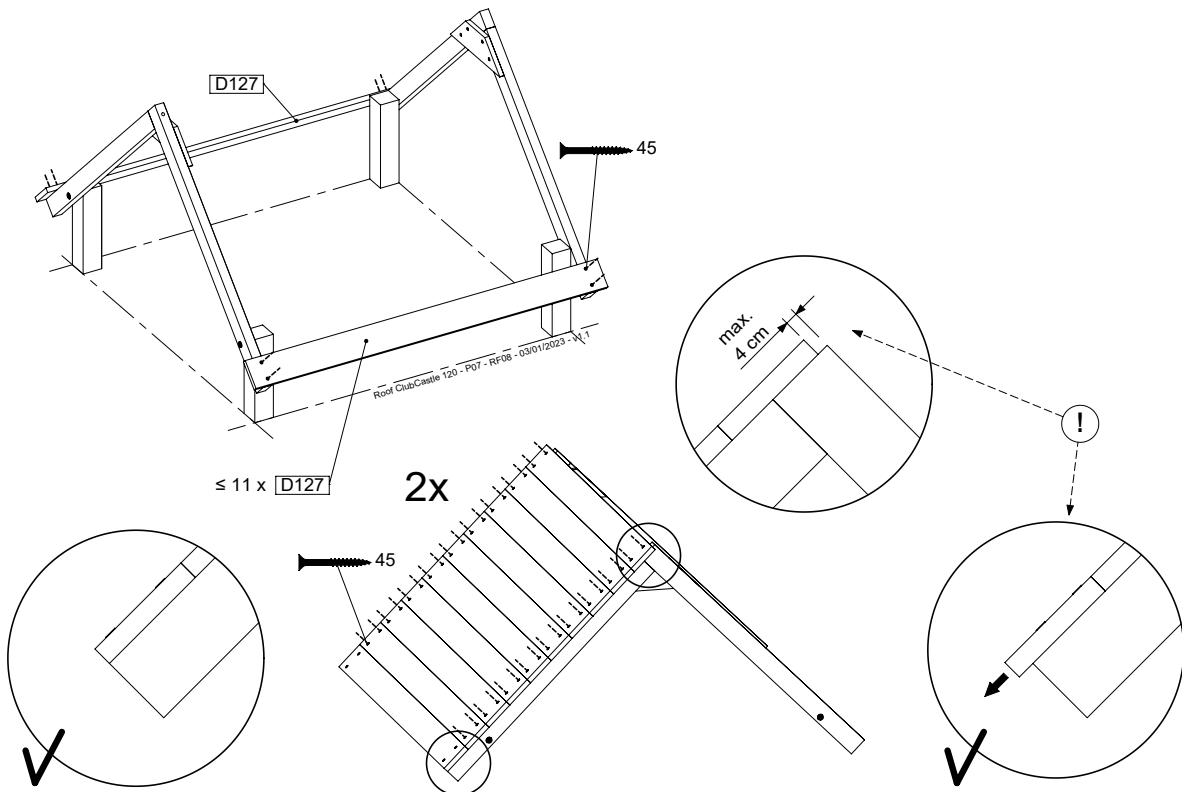
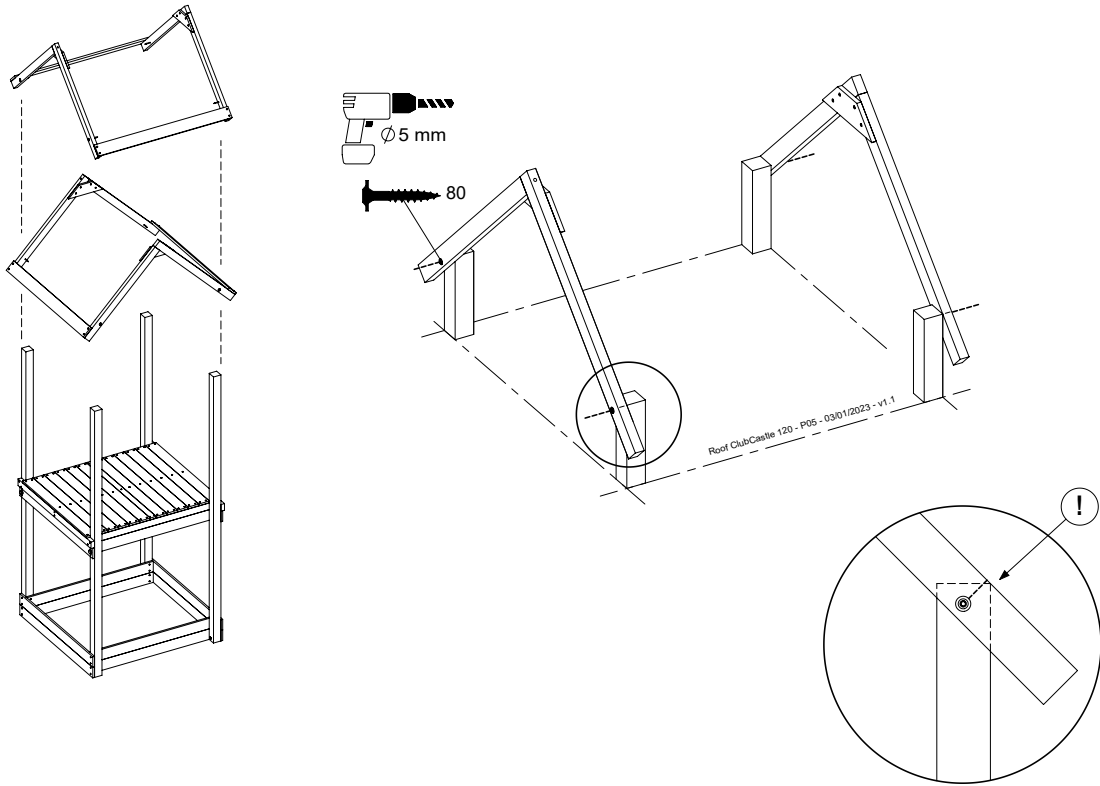
AP 194_308 / RF

	PartNo	PartName	QTY.
Hardware Pack	001_417	Stealth Screw 8x80	4
	002_220	Gap Point Screw T25 - 5x45	100
	002_223	Gap Point Screw T25 - 5x80	8
Timber	C96	Beam 960 mm	2
	D65	Board 650 mm	1
	D127	Board 1270 mm	18-24
	C90	Beam 900 mm	2

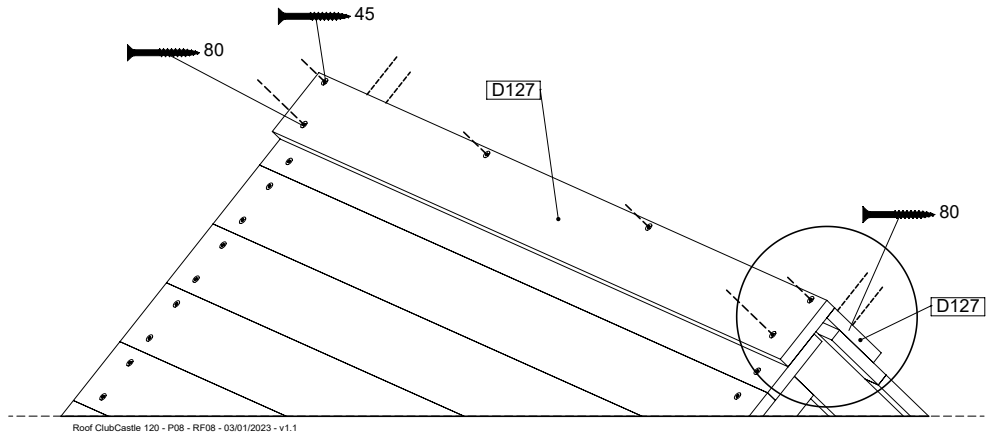
Roof ChaCastle 120 - P03 - RF08a - 03/01/2023 - v1.1



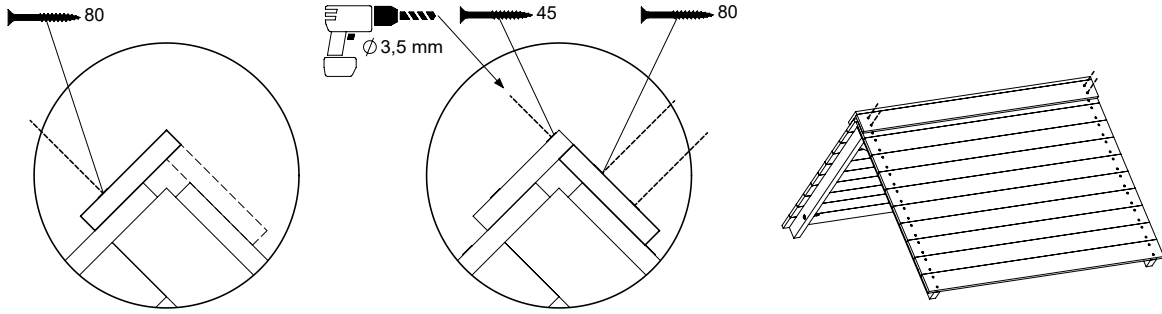
12.1



12.2



Roof ClubCastle 120 - P08 - RF08 - 03/01/2023 - v1.1

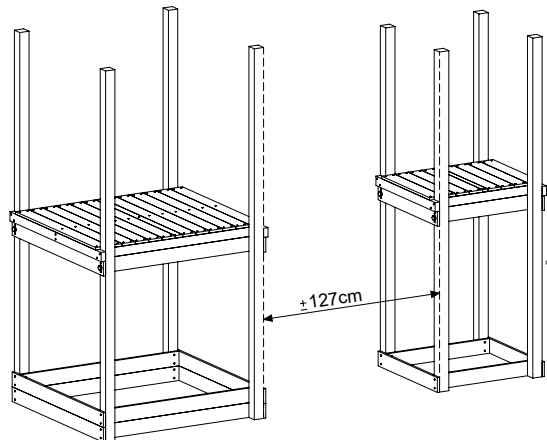
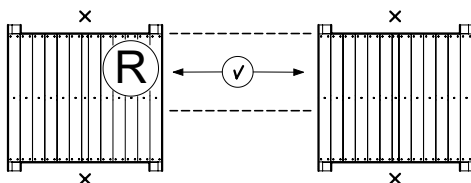
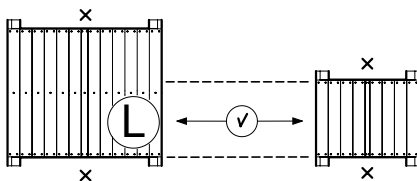
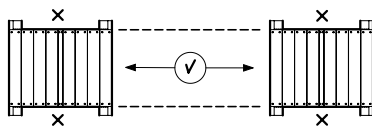
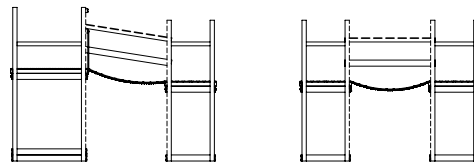
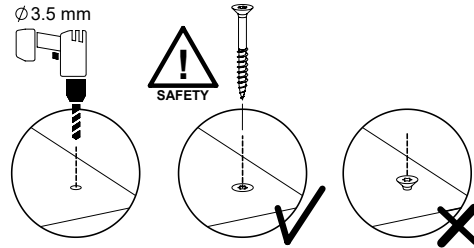
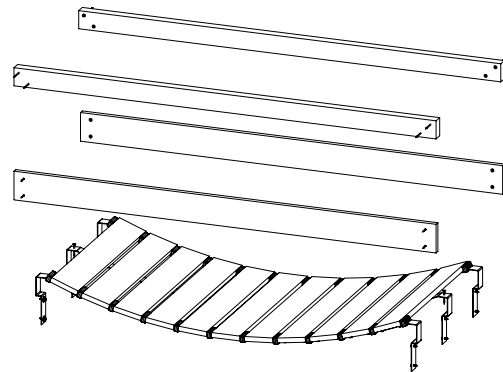


13 CB01a: Clatter Bridge - PART 1

(194_116)

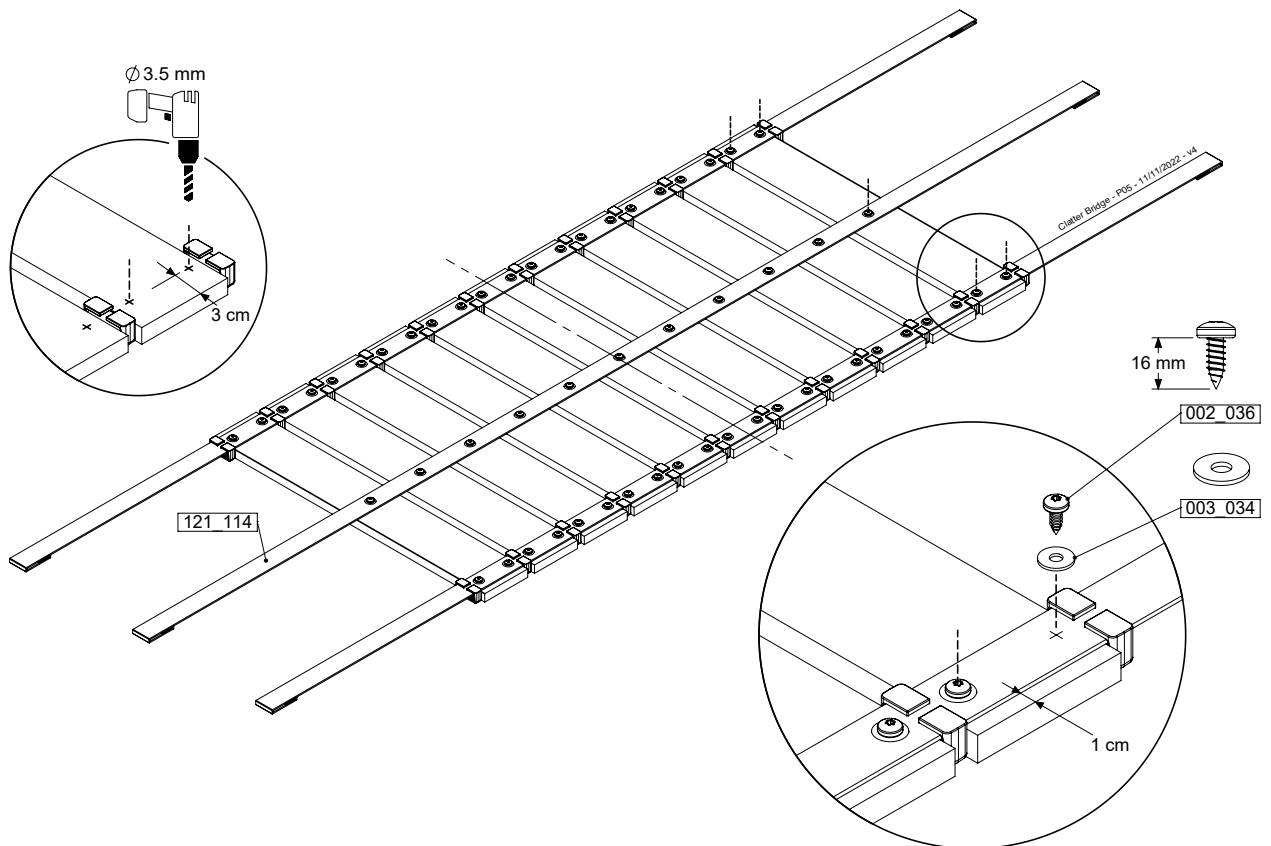
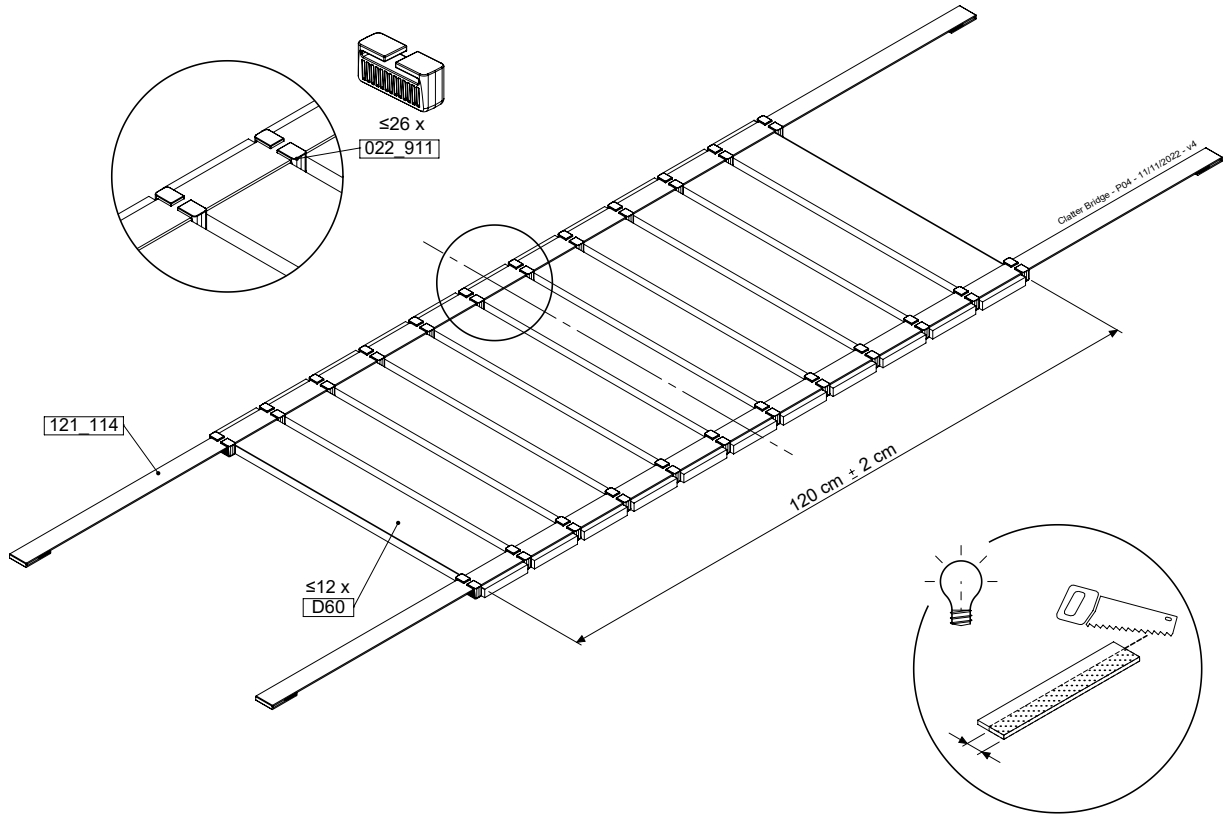
	PartNo	PartName	QTY.
Hardware Pack 100_614	002_036	16mm Pan Head Tapping Screw T25	72
	002_220	Gap Point Screw T25 - 5x45	10
	002_223	Gap Point Screw T25 - 5x80	12
	003_034	M6 Washer	72
Other	022_911	Bridge Spacer	26
	121_114	BridgeLink Strap 210cm	3
Wood	C141	Beam 1410 mm	2
	D60	Board 600 mm	12
	D141	Board 1410 mm	2

Clatter Bridge - P02 - 1/11/2022 - v4

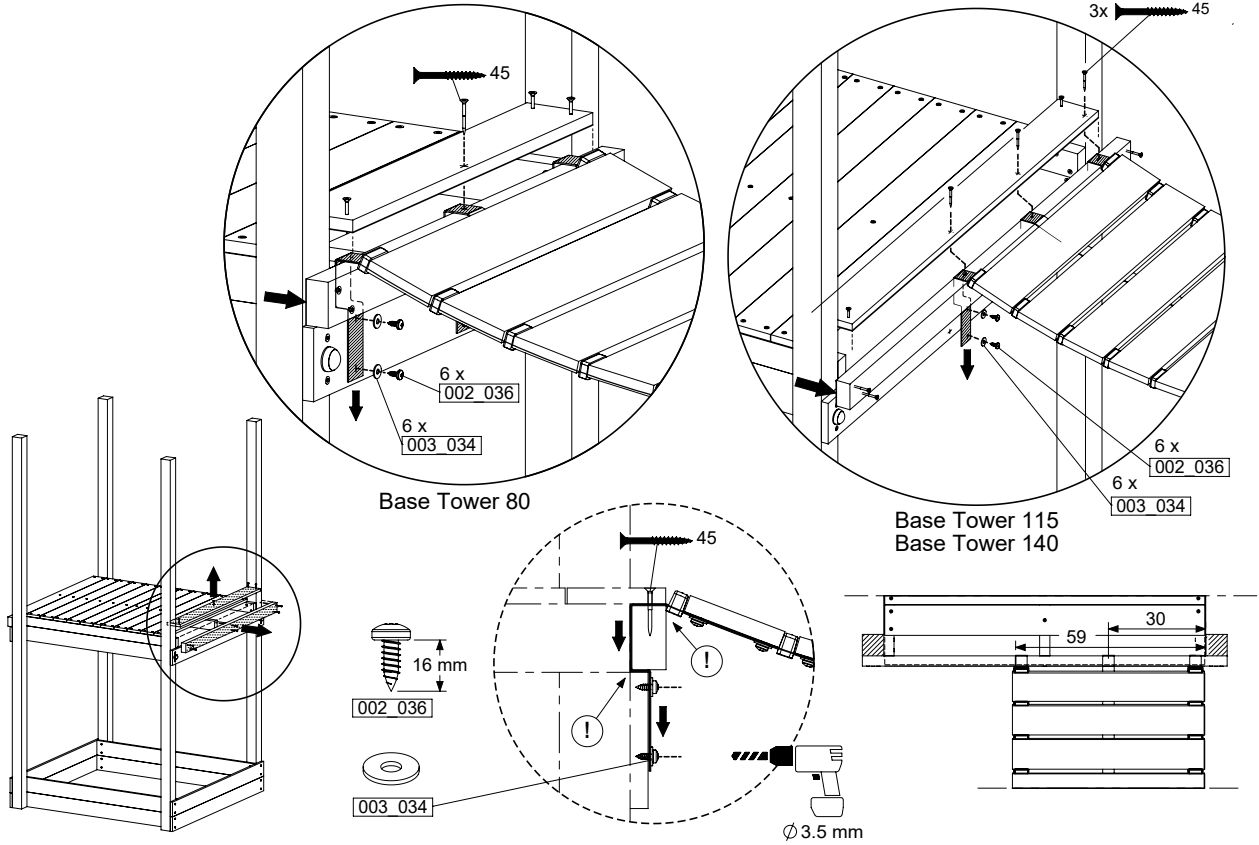


Clatter Bridge - P02 - 1/11/2022 - v4

13.1



13.2

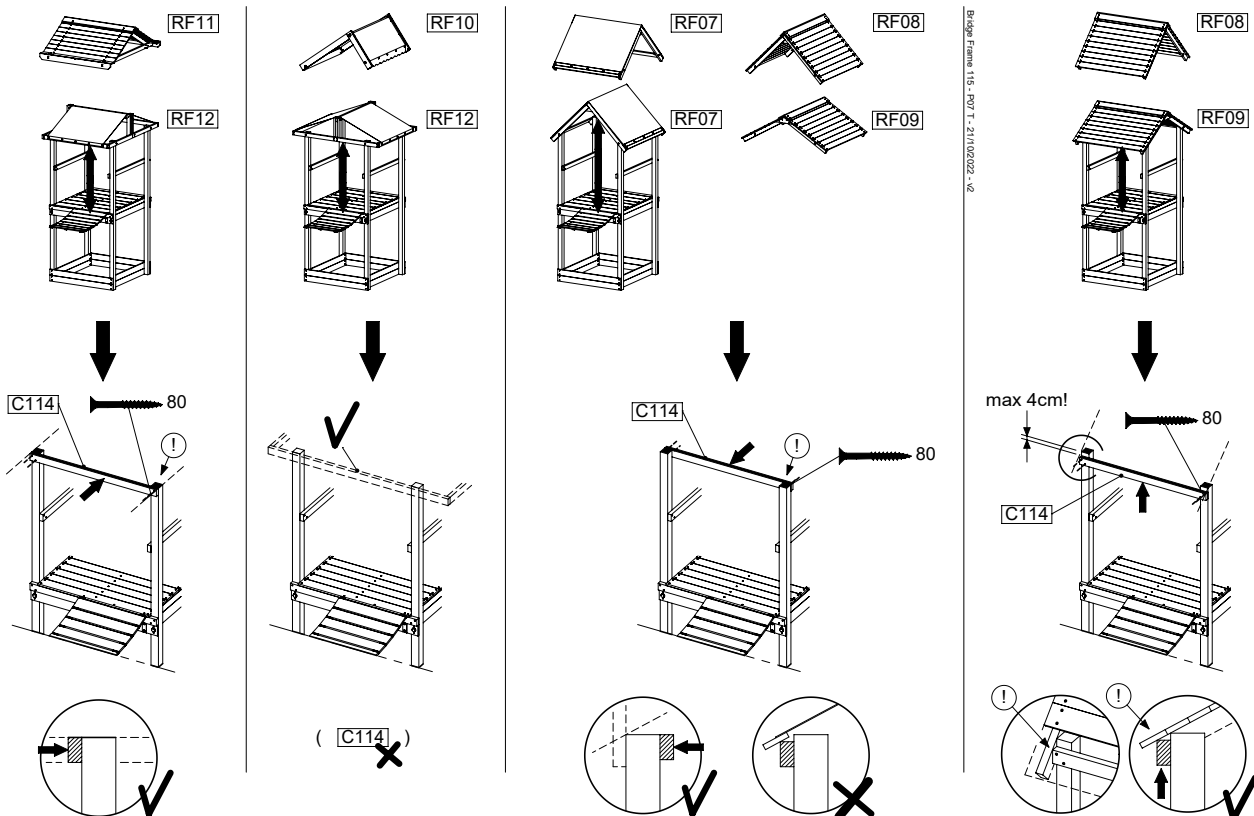
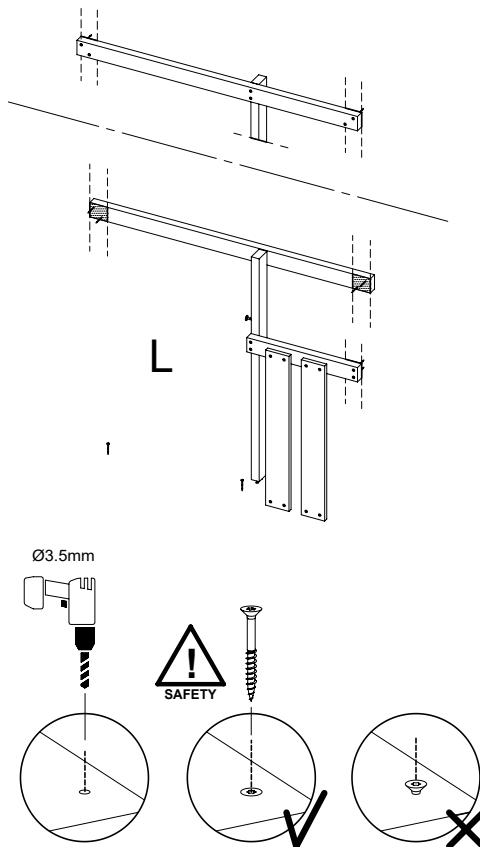


14 BF03a: Bridge Frame 115 T Left

(194_007)

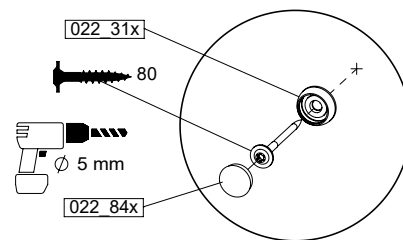
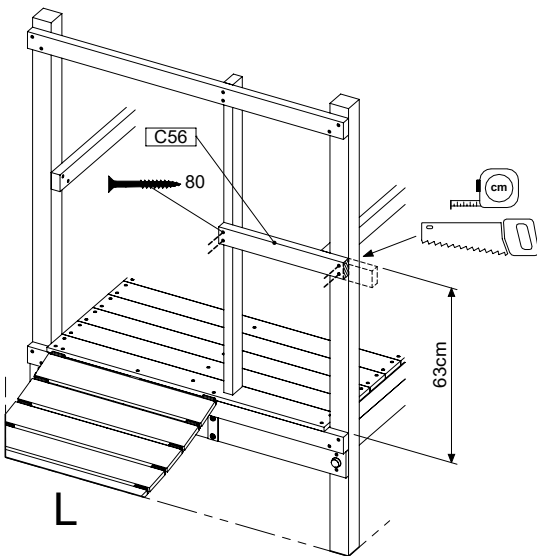
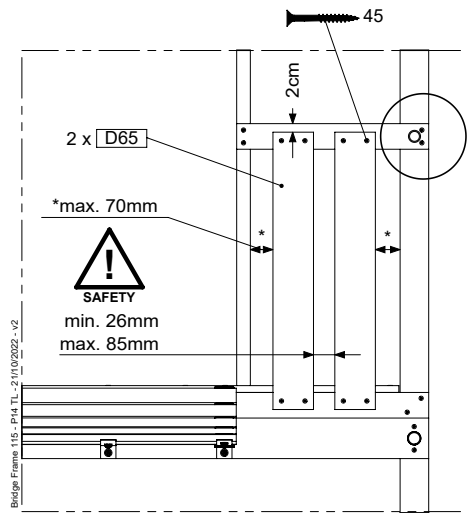
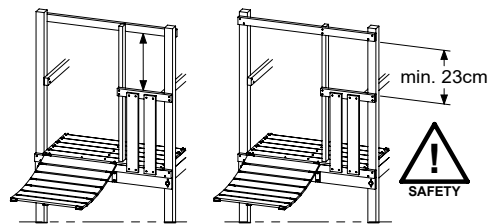
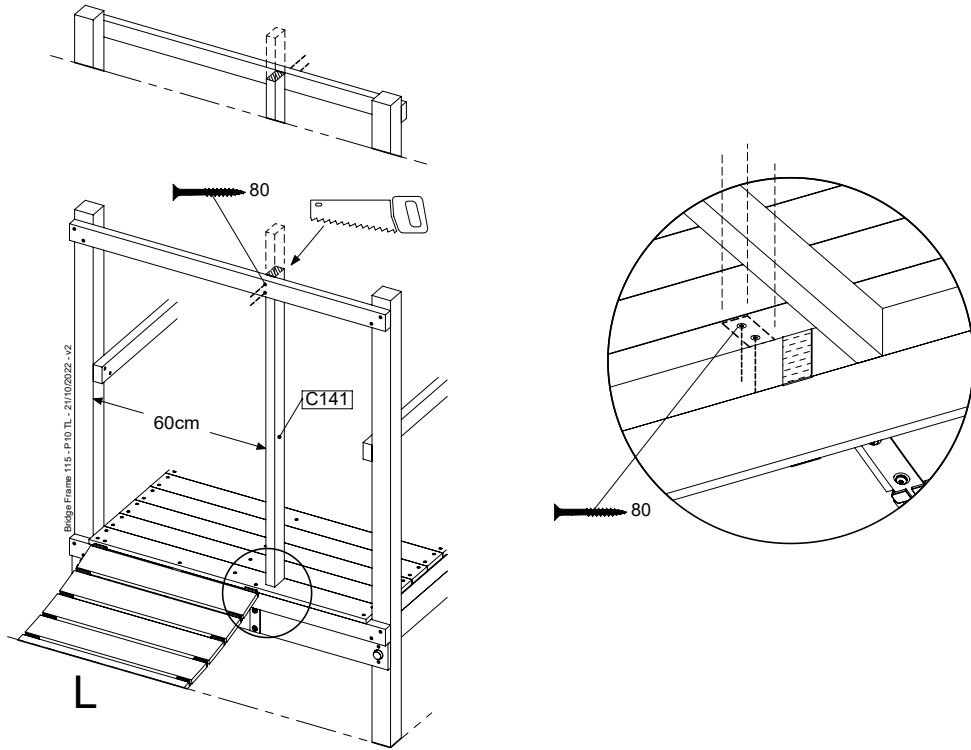
	PartNo	PartName	QTY.
Hardware Pack	001_411	Stealth Screw 8x60	1
	002_220	Gap Point Screw T25 - 5x45	10
	002_223	Gap Point Screw T25 - 5x80	12
Timber	C56	Beam 560 mm	1
	C114	Beam 1140 mm	1
	C141	Beam 1410 mm	1
	D65	Board 650 mm	2

Bridge Frame 115 - P04 TL - 2/11/02022 - v2



Bridge Frame 115 - P04 T - 2/11/02022 - v2

14.1

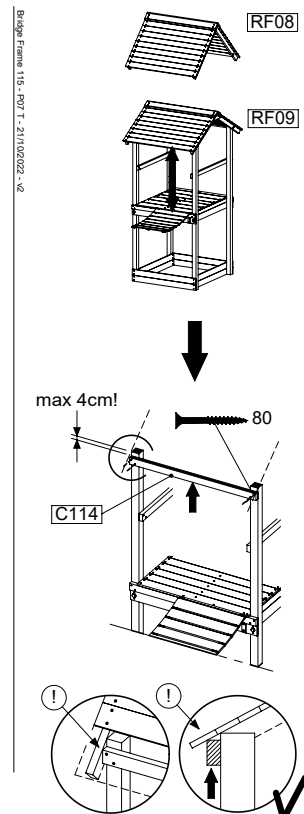
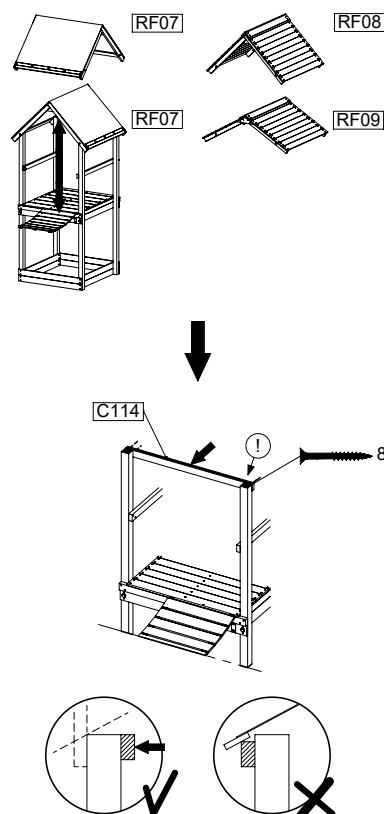
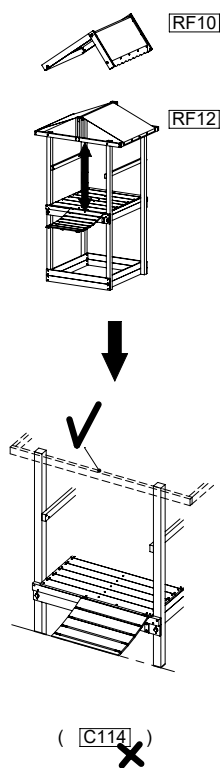
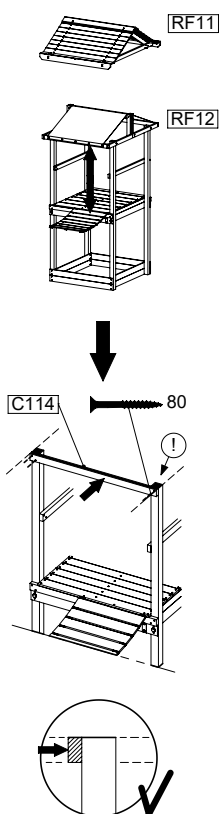
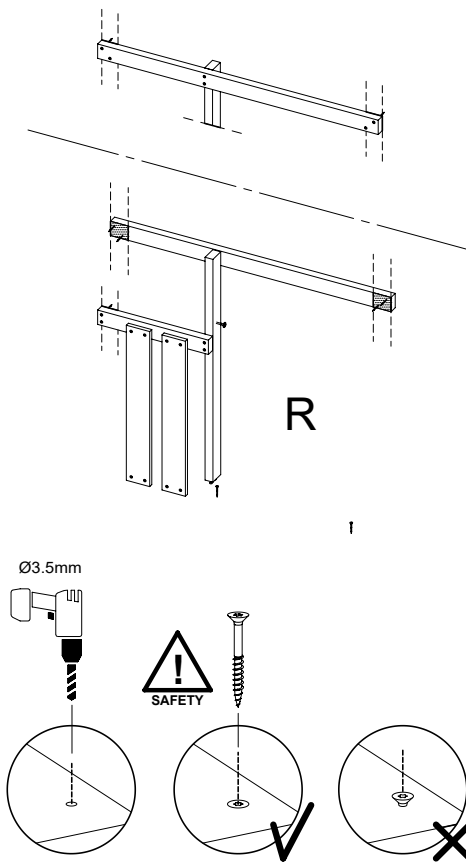


15 BF04a: Bridge Frame 115 T Right

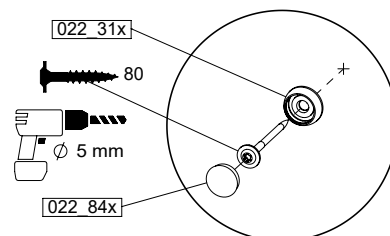
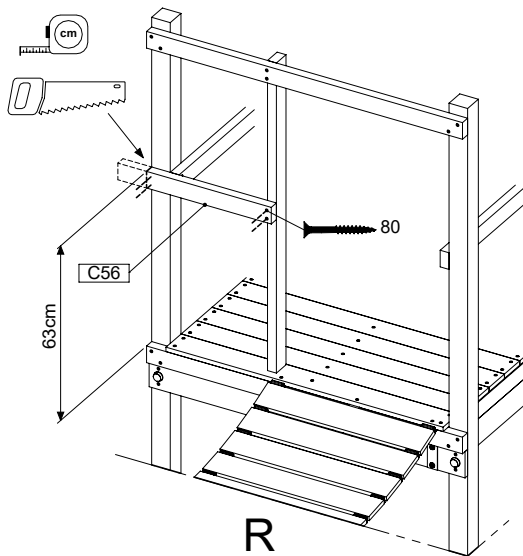
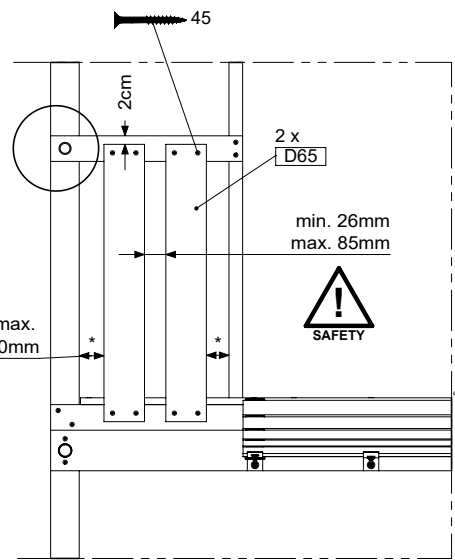
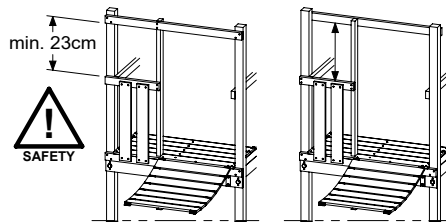
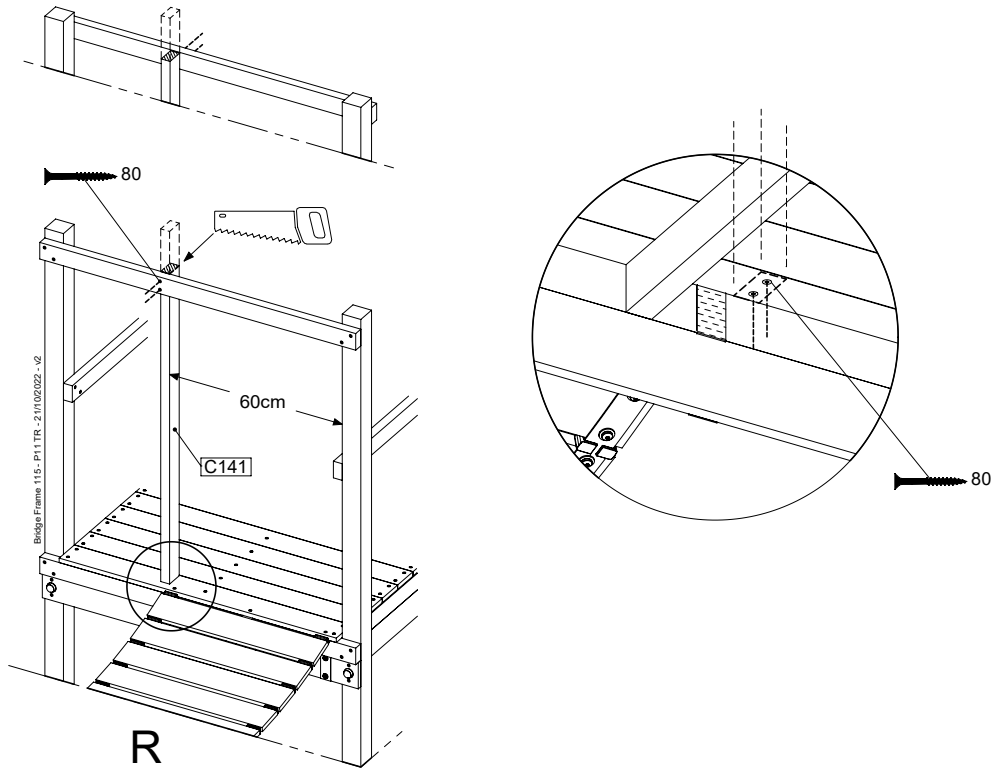
(194_007)

	PartNo	PartName	QTY.
Hardware Pack	001_411	Stealth Screw 8x60	1
	002_220	Gap Point Screw T25 - 5x45	10
	002_223	Gap Point Screw T25 - 5x80	12
Timber	C56	Beam 560 mm	1
	C114	Beam 1140 mm	1
	C141	Beam 1410 mm	1
	D65	Board 650 mm	2

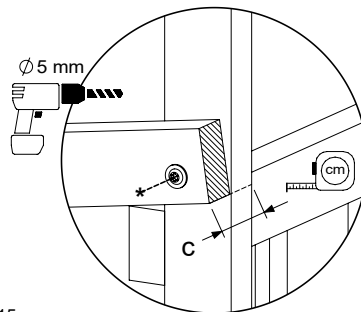
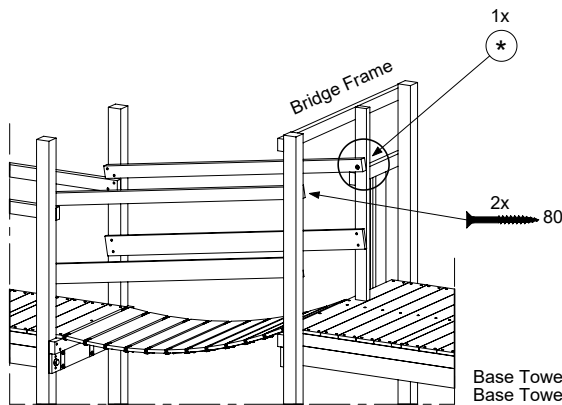
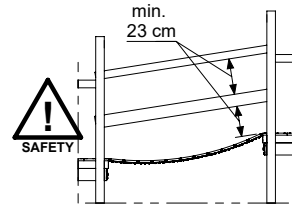
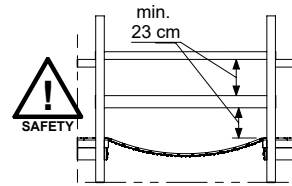
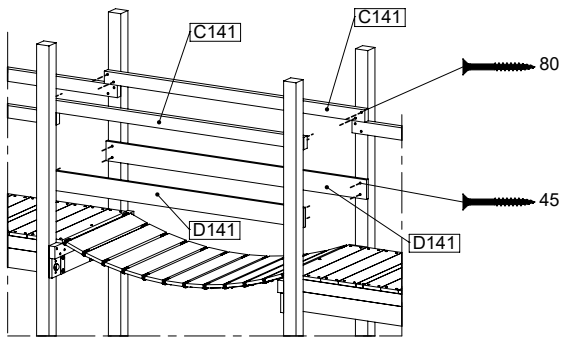
Bridge Frame 115 - P03 TR - 2/11/02/022 - v2



15.1



16 CB01a: Clatter Bridge - PART 2



- C < 8cm 1x 60
- C > 8cm 1x 80

Base Tower 115
Base Tower 140

BF - Bridge Frame

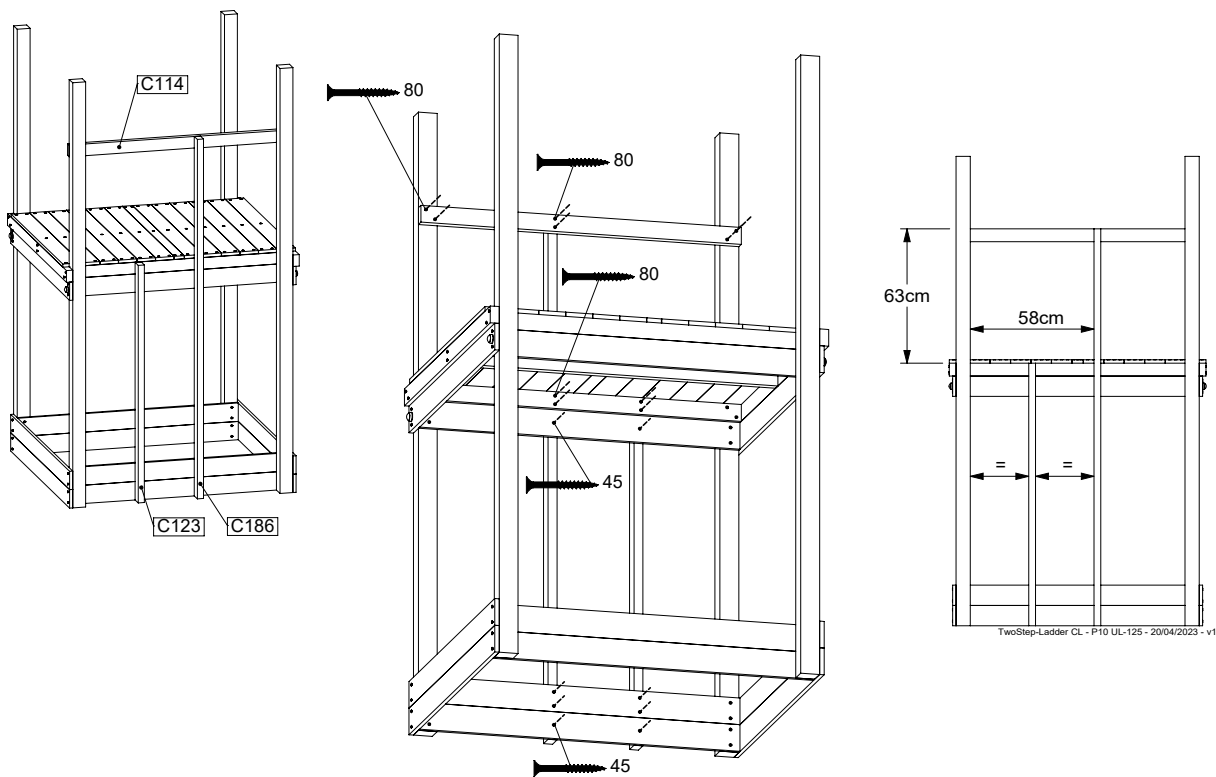
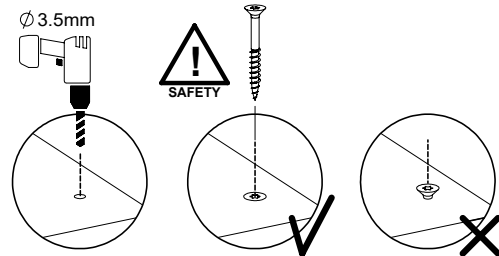
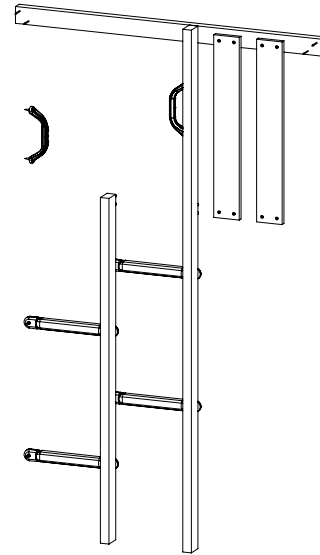
Clatter Bridge - P07 - 11/11/2022 - v4

17 TS05a: Two Step 115 125 U Left

(194_002 +194_101)

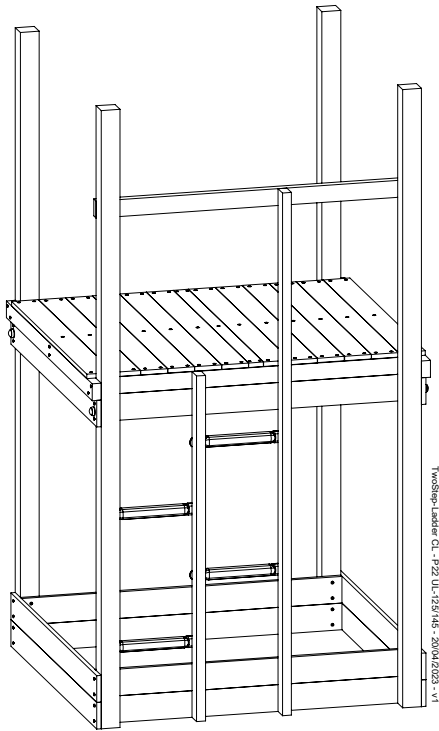
	PartNo	PartName	QTY.
Hardware pack	001_406	Stealth Screw 8x45	8
	002_220	Gap Point Screw T25 - 5x45	16
	002_223	Gap Point Screw T25 - 5x80	10
Other	022_53x	Ladder/ Rope Rung 30cm	4
	022_84x	bpc cover	8
	120_102	Handgrip set (complete 2x)	1
Timber	C114	Beam 1140 mm	1
	C123	Beam 1230 mm	1
	C186	Beam 1860 mm	1
	D65	Board 650 mm	2

TwoStep-Ladder CL - P02 UL-125 - 20/04/2023 - v1

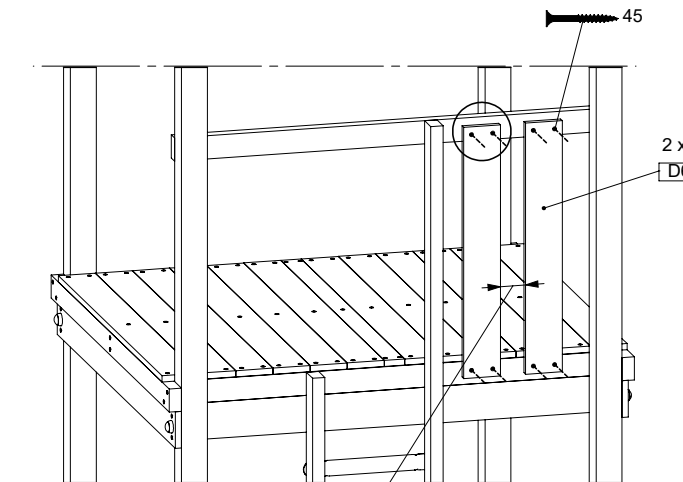
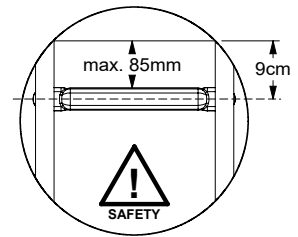
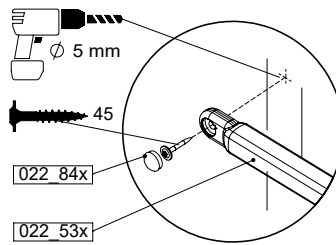
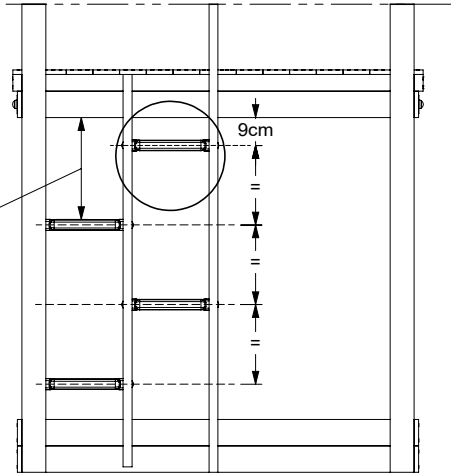


TwoStep-Ladder CL - P10 UL-125 - 20/04/2023 - v1

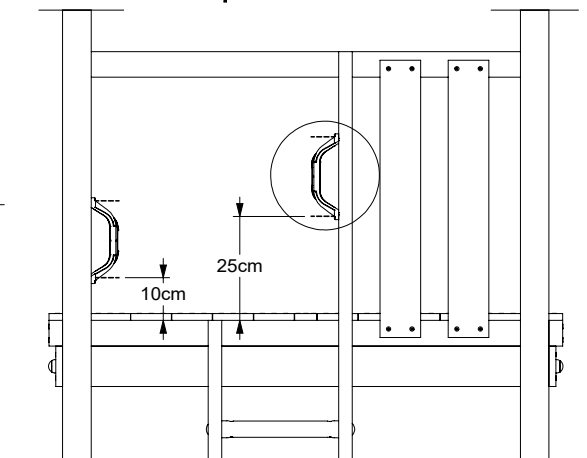
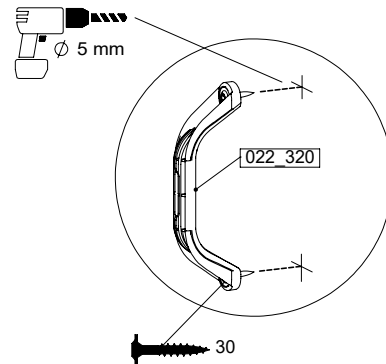
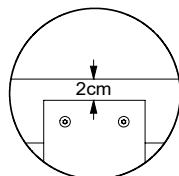
17.1



TwoStep-Ladder CL - P22 UL-125/145 - 20/04/2023 - v1



TwoStep-Ladder CL - P26 UL-125/145 - 20/04/2023 - v1

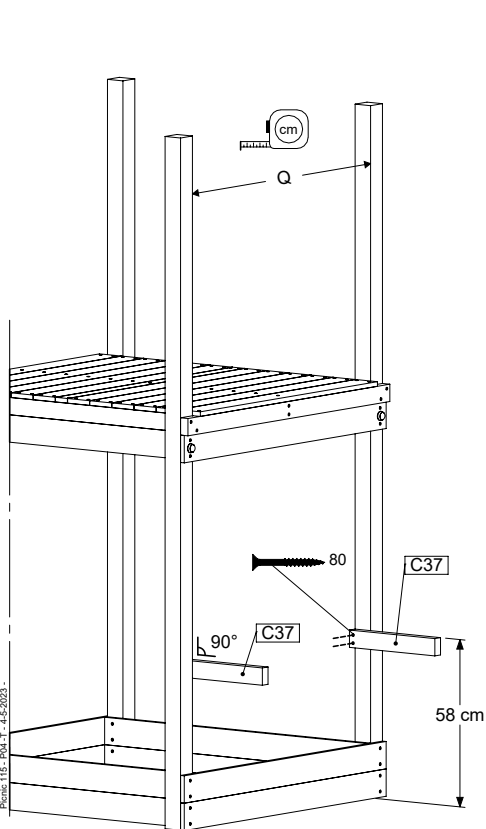
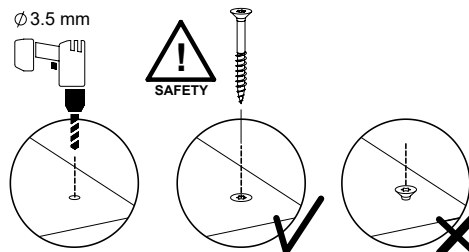
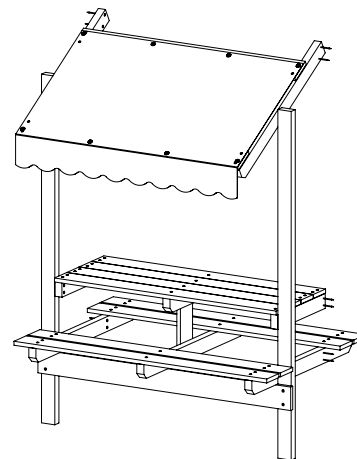


18 PC06a: Picnic 115 T

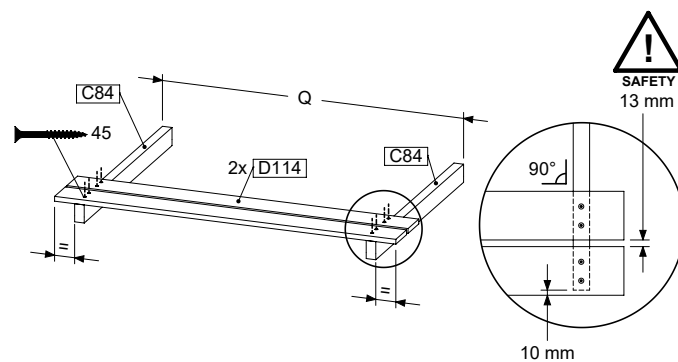
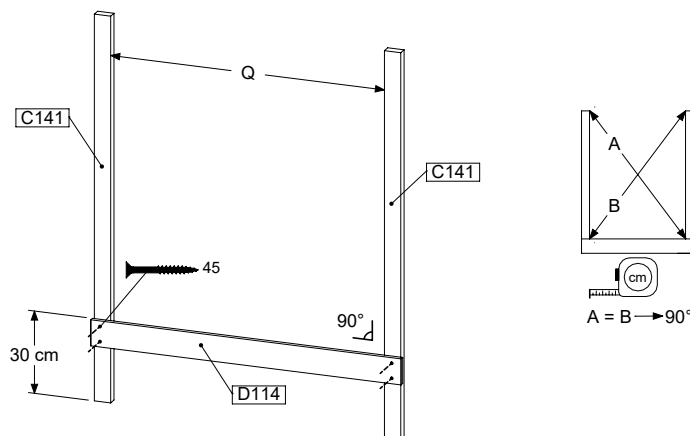
(194_810)

	PartNo	PartName	QTY.
Hardware Pack	002_220	Gap Point Screw T25 - 5x45	56
	002_223	Gap Point Screw T25 - 5x80	24
	002_308	Gap Point Screw T25 - 5x20	8
	023_031	Finishing Washer GPS 5.0	8
Other	123_220	Canvas sheet 735x1365mm	1
Timber	C37	Beam 370 mm	3
	C74	Beam 740 mm	2
	C84	Beam 840 mm	3
	C141	Beam 1410 mm	2
	D47	Board 470 mm	1
	D100	Board 1000 mm	6
	D114	Board 1140 mm	5

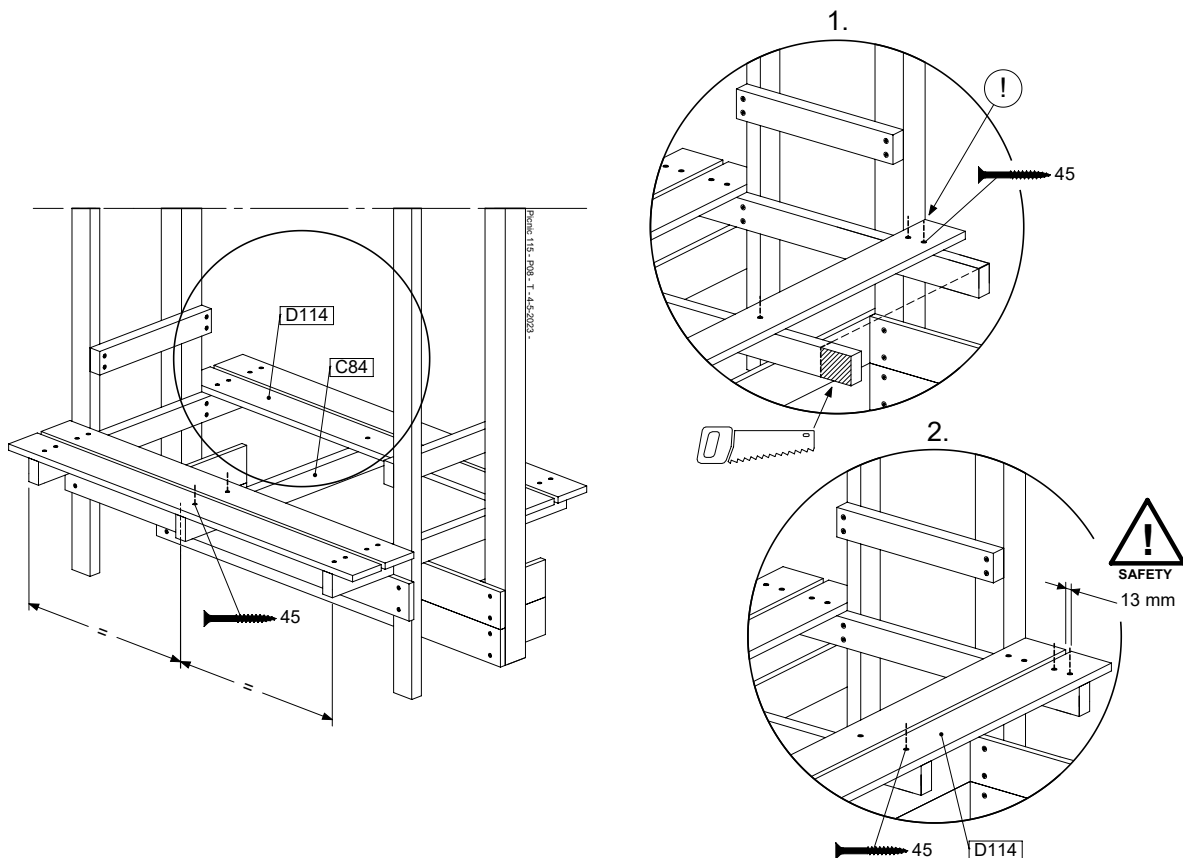
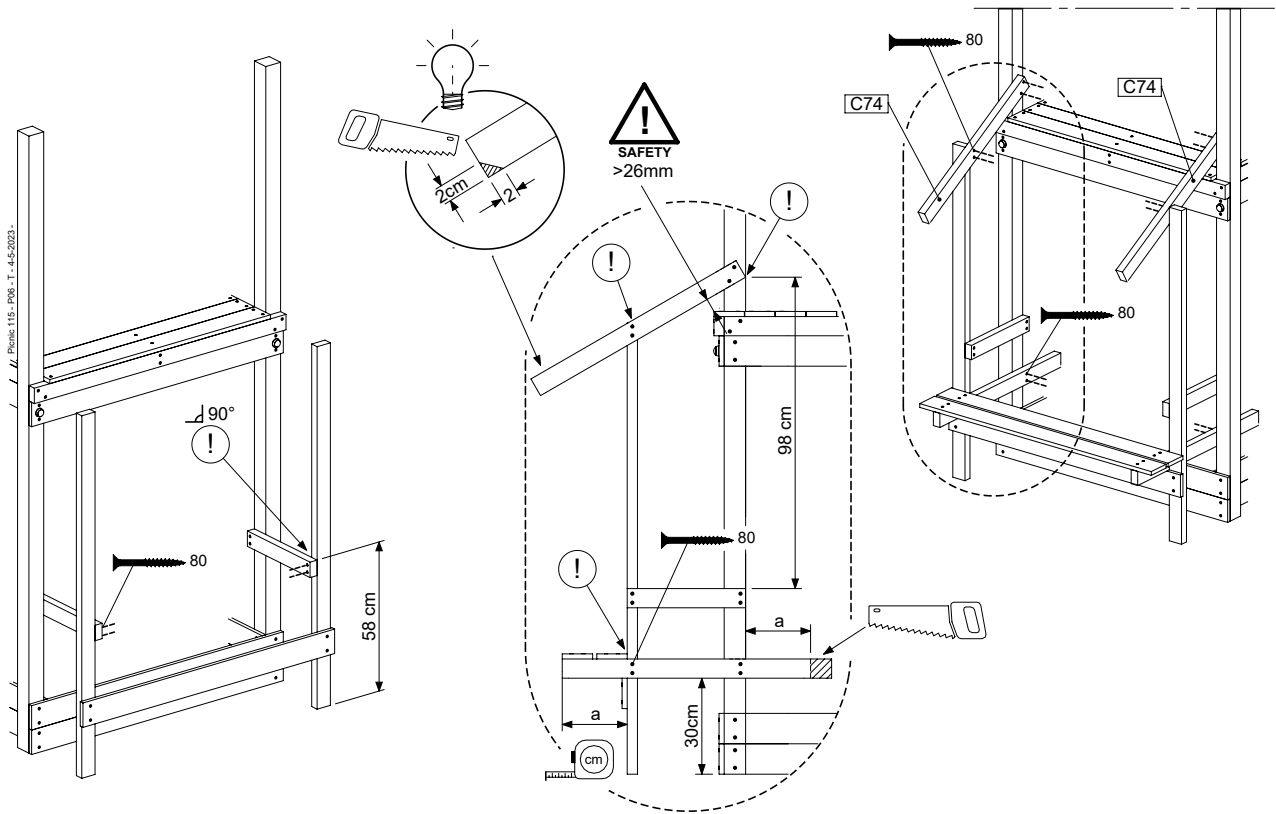
Picnic 115 - P02 - LUT - 4-5-2023



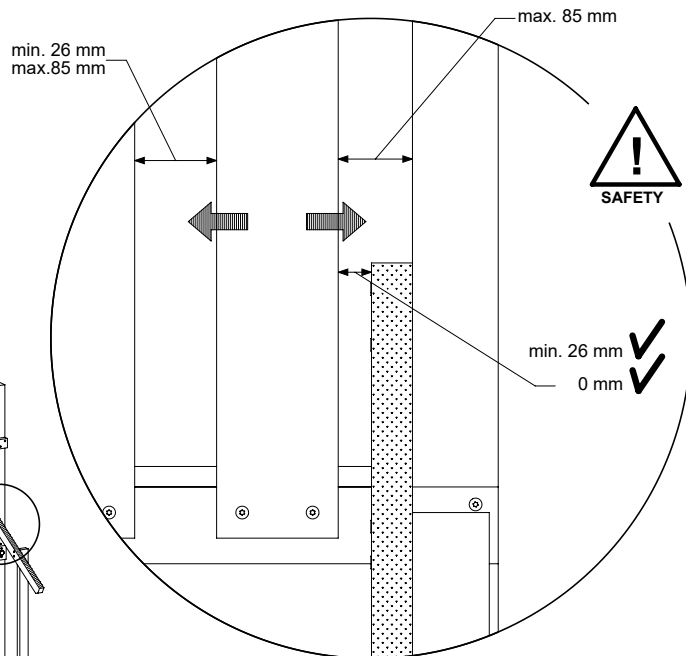
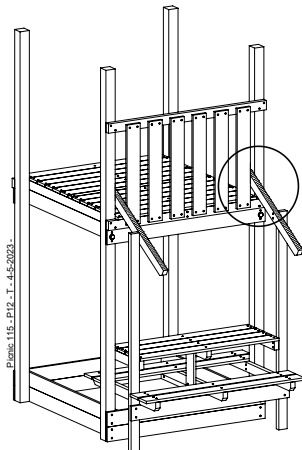
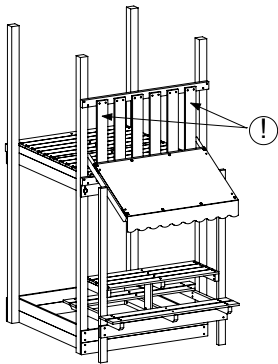
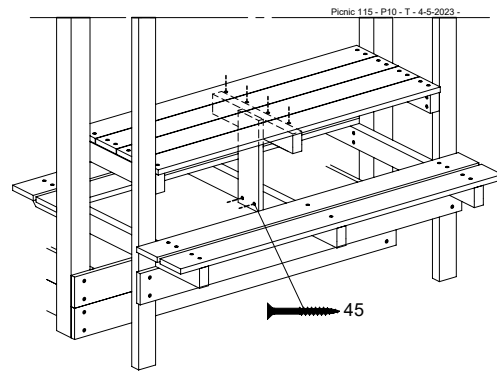
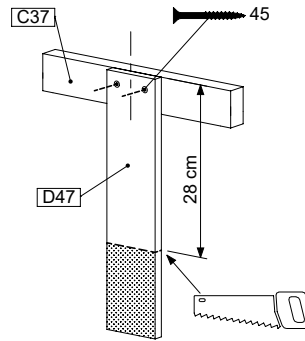
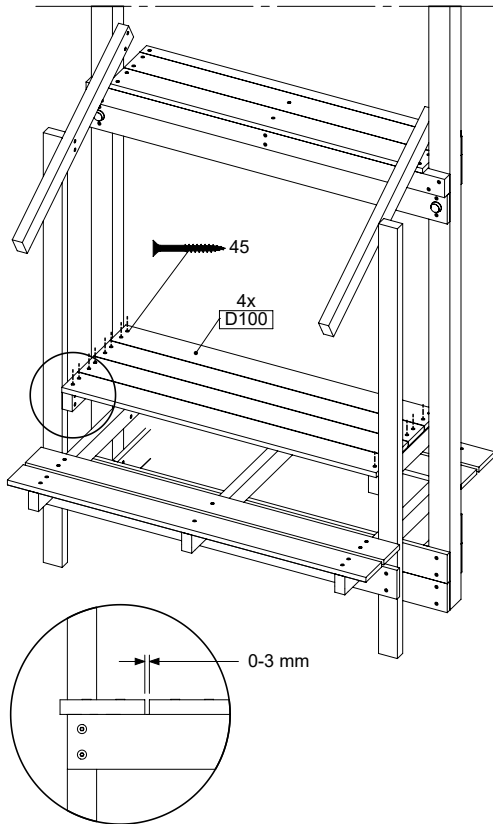
Picnic 115 - P02 - LUT - 4-5-2023



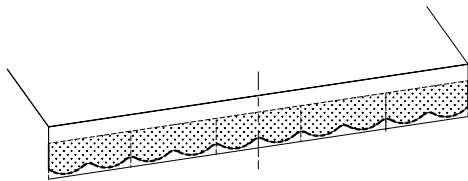
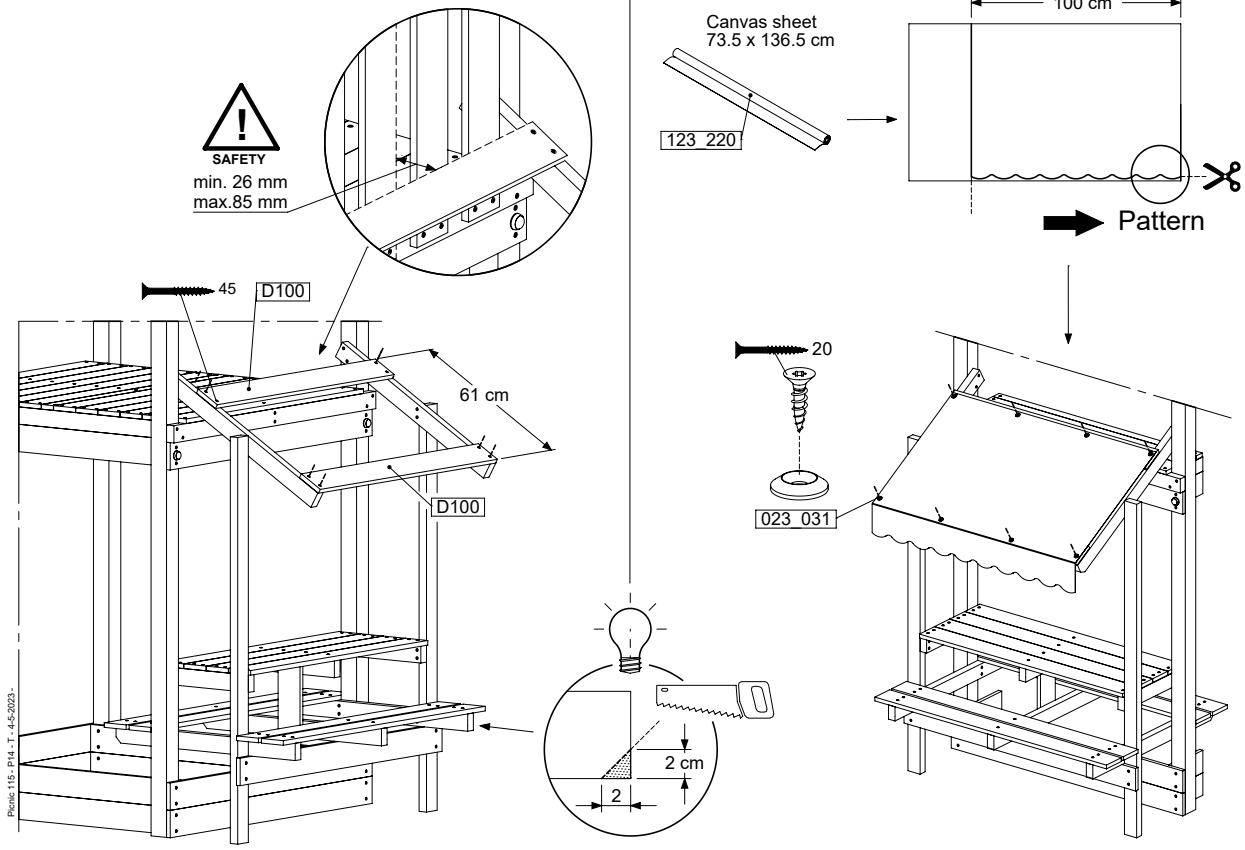
18.1



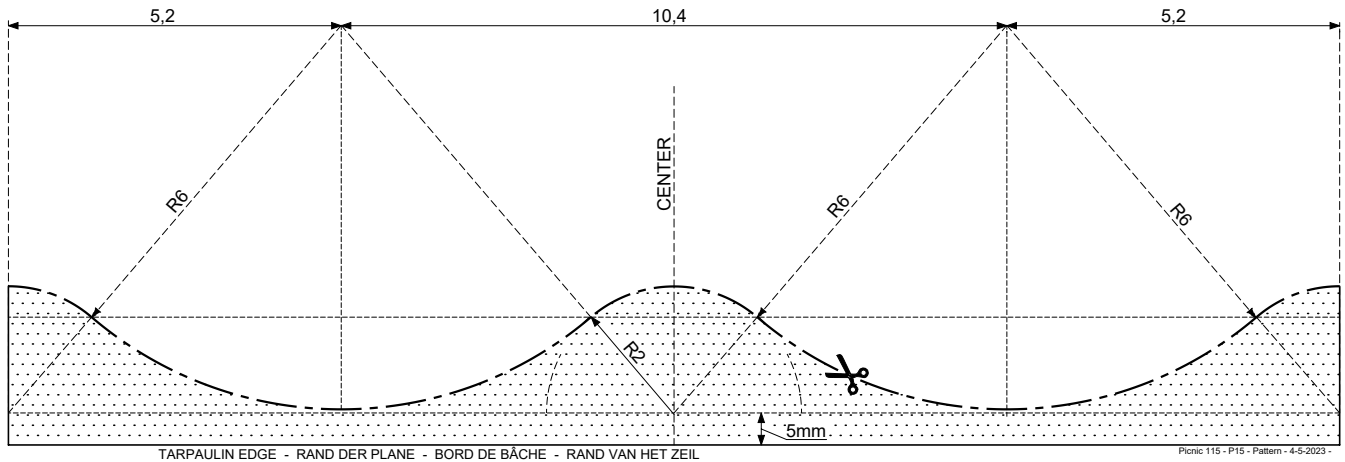
18.2



18.3



EXAMPLE PATTERN
BEISPIELVORLAGE FÜR MARKISE
SCHÉMA SUGGÉRÉ DE DÉCOUPE POUR AUVENT
VOORBEELDSJABLOON LUIFEL



Picnic 115 - P15 - Pattern - 4-5-2023

← repeat

repeat →

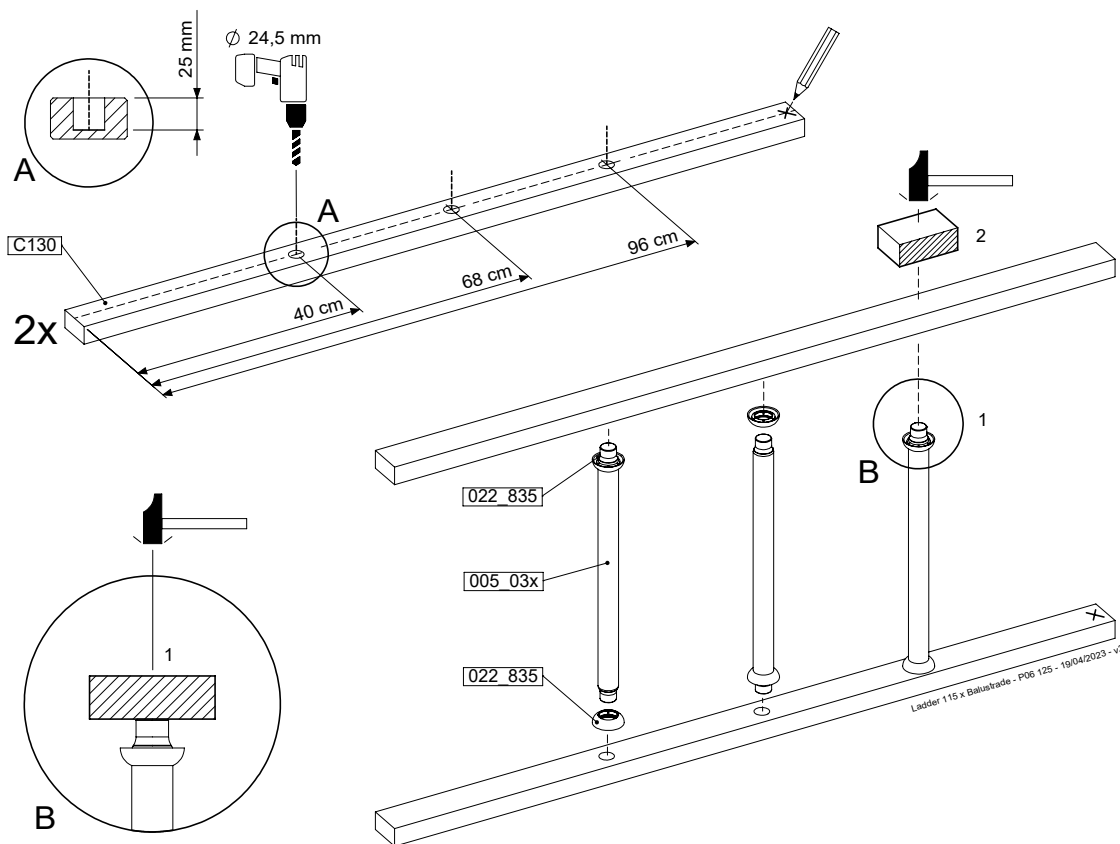
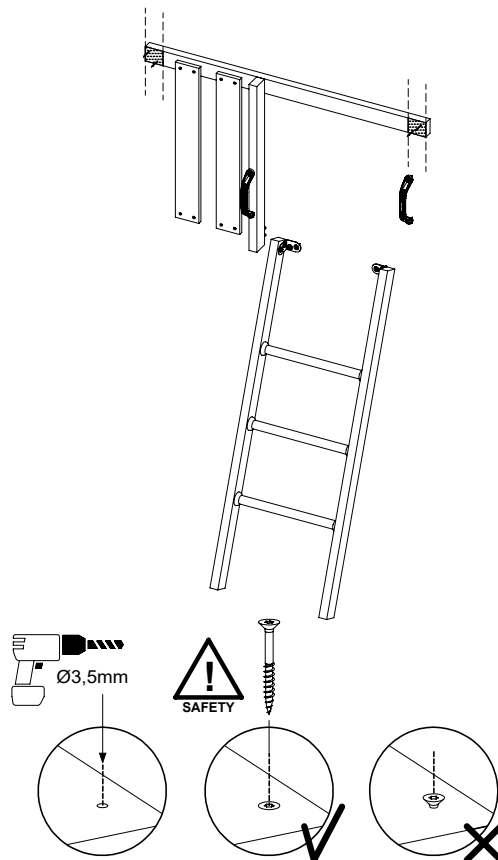
! Scale of print may not be accurate.
Druckformat kann abweichen.
Les tailles imprimées peuvent varier.
Printformaat kan afwijken.

19 LA12: Ladder 115 125 U Right

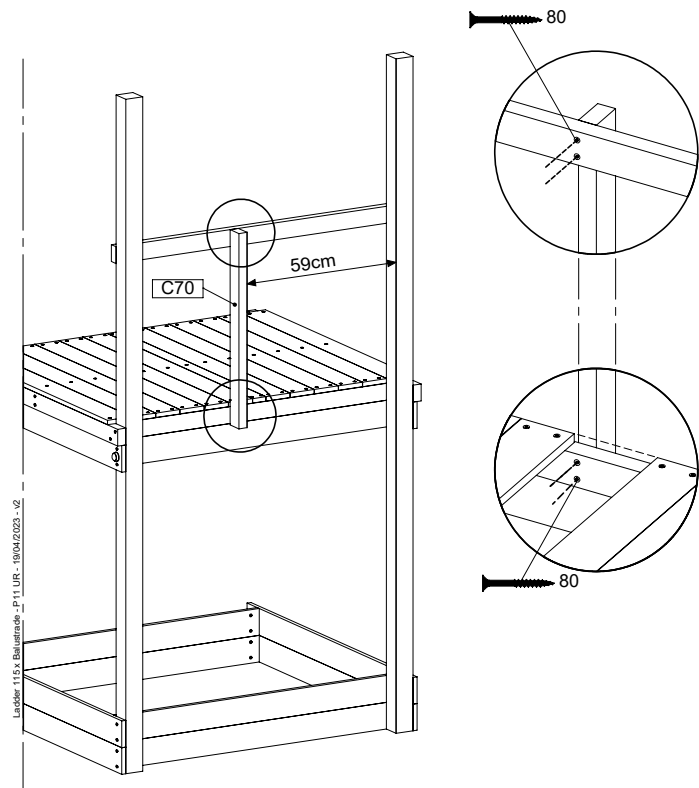
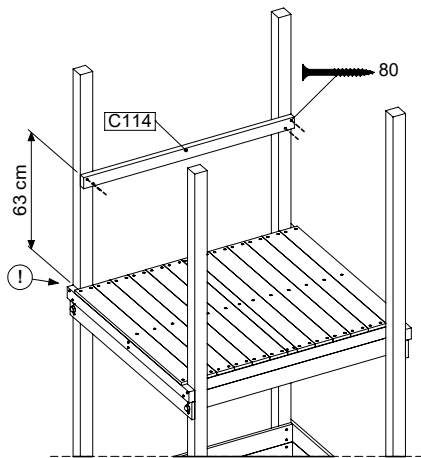
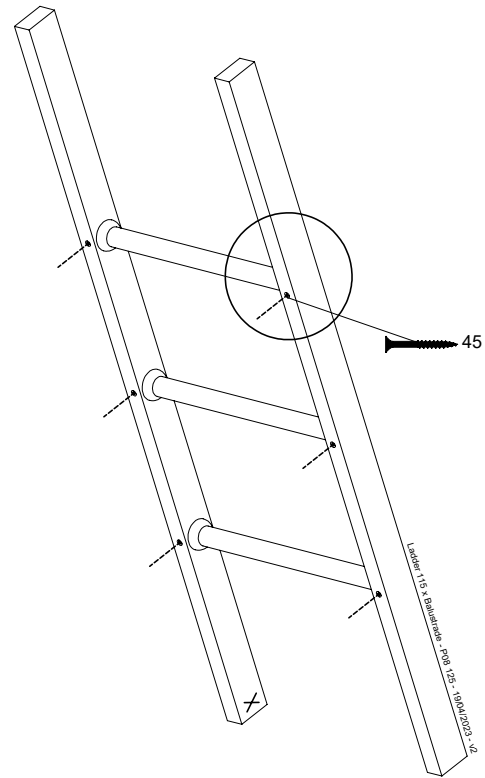
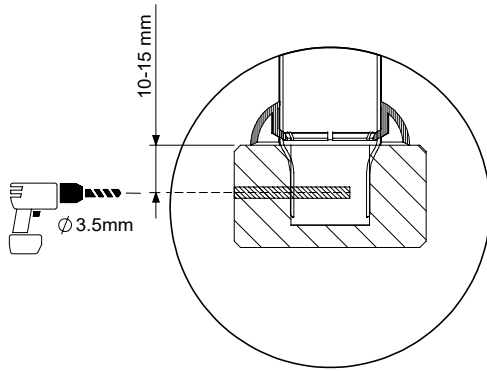
(194_003 + 194_101)

	PartNo	PartName	QTY.
Hardware Pack	001_404	Stealth Screw 8x30	4
	002_219	Gap Point Screw T25 - 5x30	4
	002_220	Gap Point Screw T25 - 5x45	14
	002_223	Gap Point Screw T25 - 5x80	8
Other	005_03x	Ladder Rung Y/B/G/R	3
	005_522	Connection Bracket Mini Market	2
	022_835	Rung Cap	6
	120_102	Handgrip set (complete 2x)	1
Timber	C114	Beam 1140 mm	1
	C130	Beam 1300 mm	2
	C70	Beam 700 mm	1
	D65	Board 650 mm	2

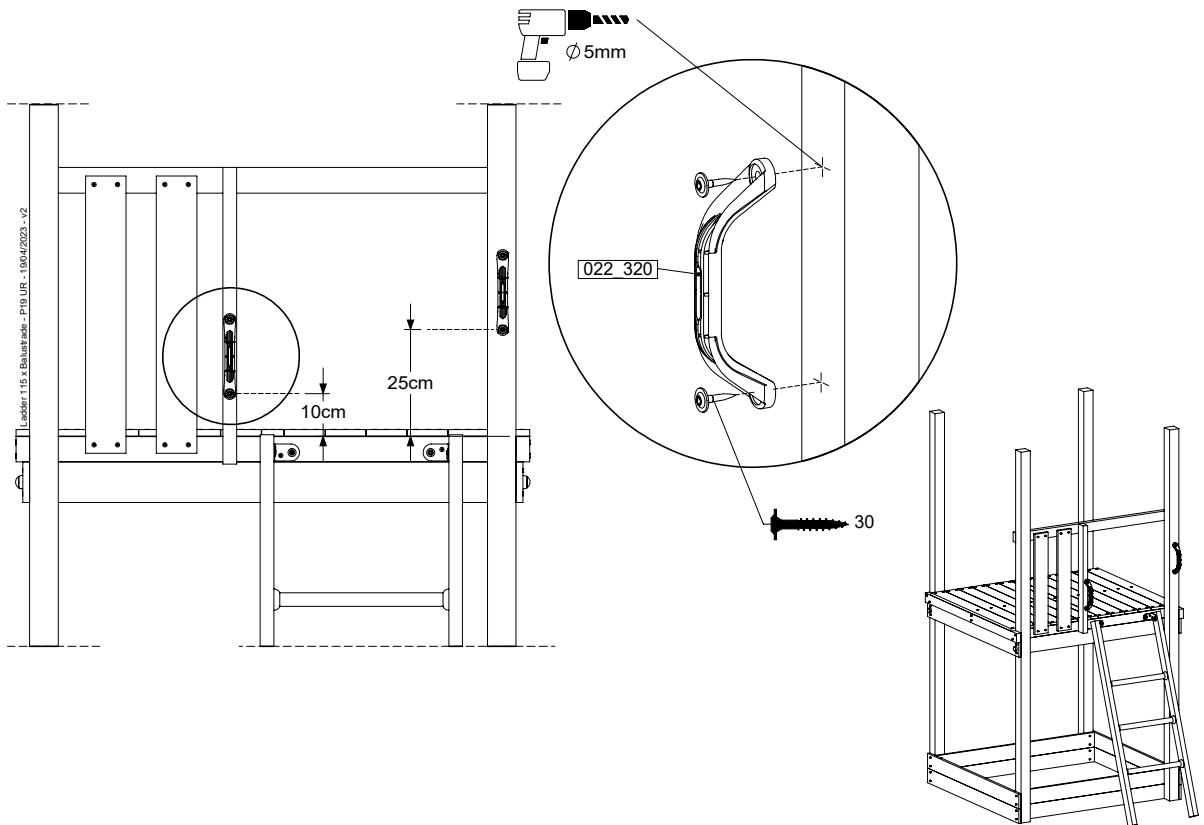
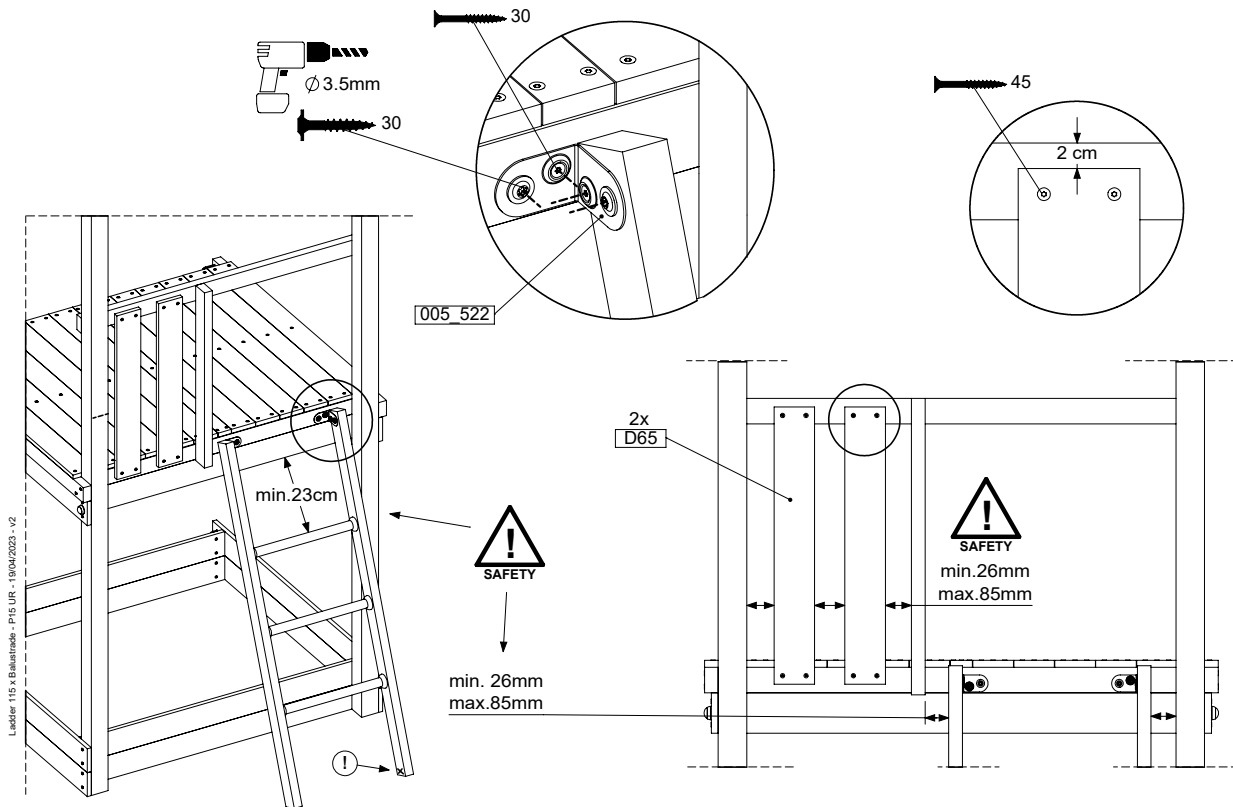
Ladder 115 x Balustrade - P03 LRT25 - 19/04/2023 - v2



19.1



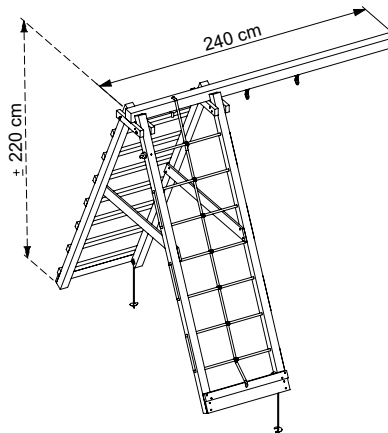
19.2



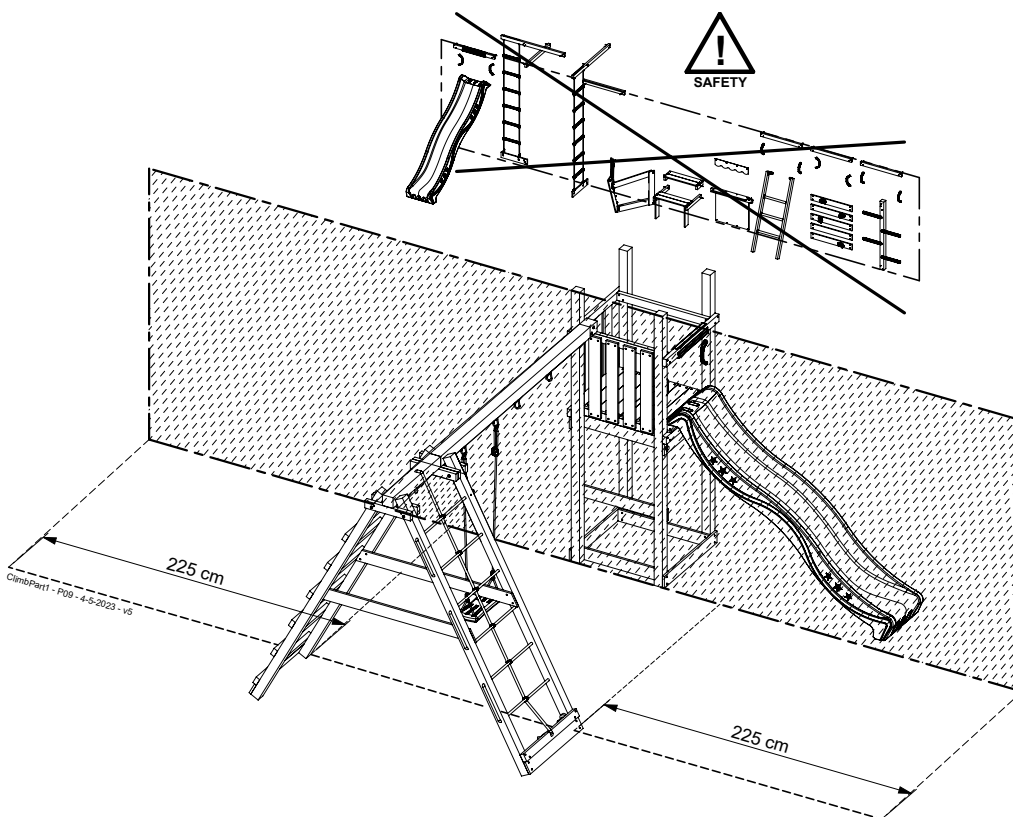
20 CL09a: 1-Climb Module 220

(457_106)

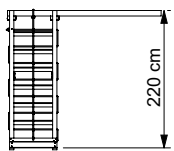
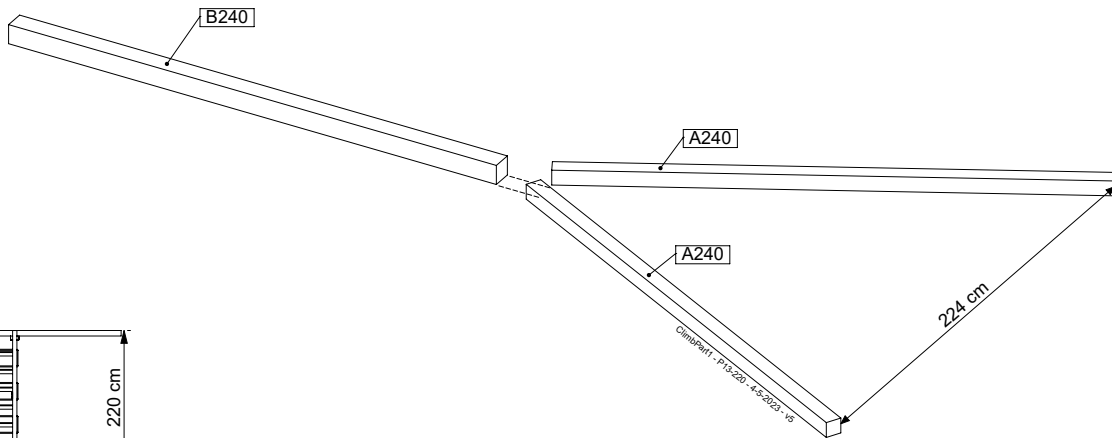
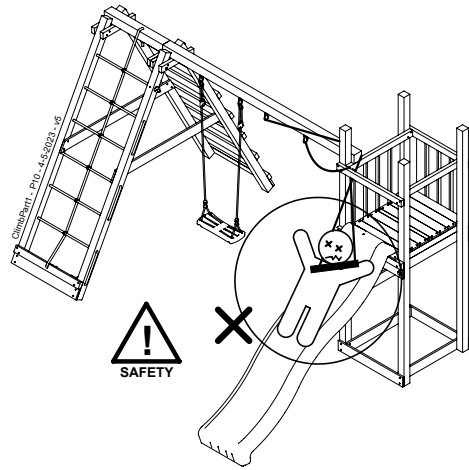
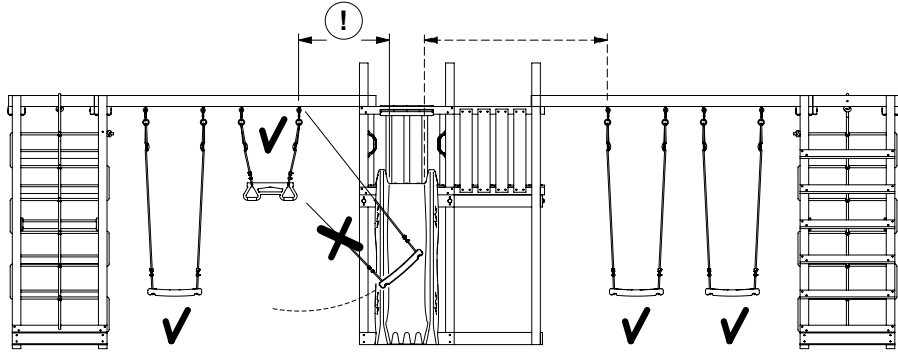
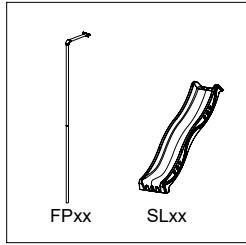
	PartNo	PartName	QTY.
Hardware Pack	001_406	Stealth Screw 8x45	2
	001_417	Stealth Screw 8x80	6 / 8
	001_422	Stealth Screw 8x137	3
	002_220	Gap Point Screw T25 - 5x45	43
	002_223	Gap Point Screw T25 - 5x80	45
	002_301	Dry Wall Screw PH2 3.9 x 40 mm	7
Other	005_528	Swing Beam Bracket 7x7	2
	007_001	Ground-anchor	2
	020_317	Rope Polyester 16mm Green 3.4m	1
	020_318	Rope Polyester 16mm Green 8.1m	1
	022_455	Rope Cross Connector Egg	7
	023_031	Finishing Washer GPS 5.0	4
	101_003	Swing hook with Carabiner	2
Timber	A240	Post 70x70 L2400	4
	B240	Post 90x90 L2400	1
	C37	Beam 370 mm	4
	C74	Beam 740 mm	8
	D74	Board 740 mm	2
	D141	Board 1410 mm	3



ClimbPart1 - P09 - 4-5-2023 - v5

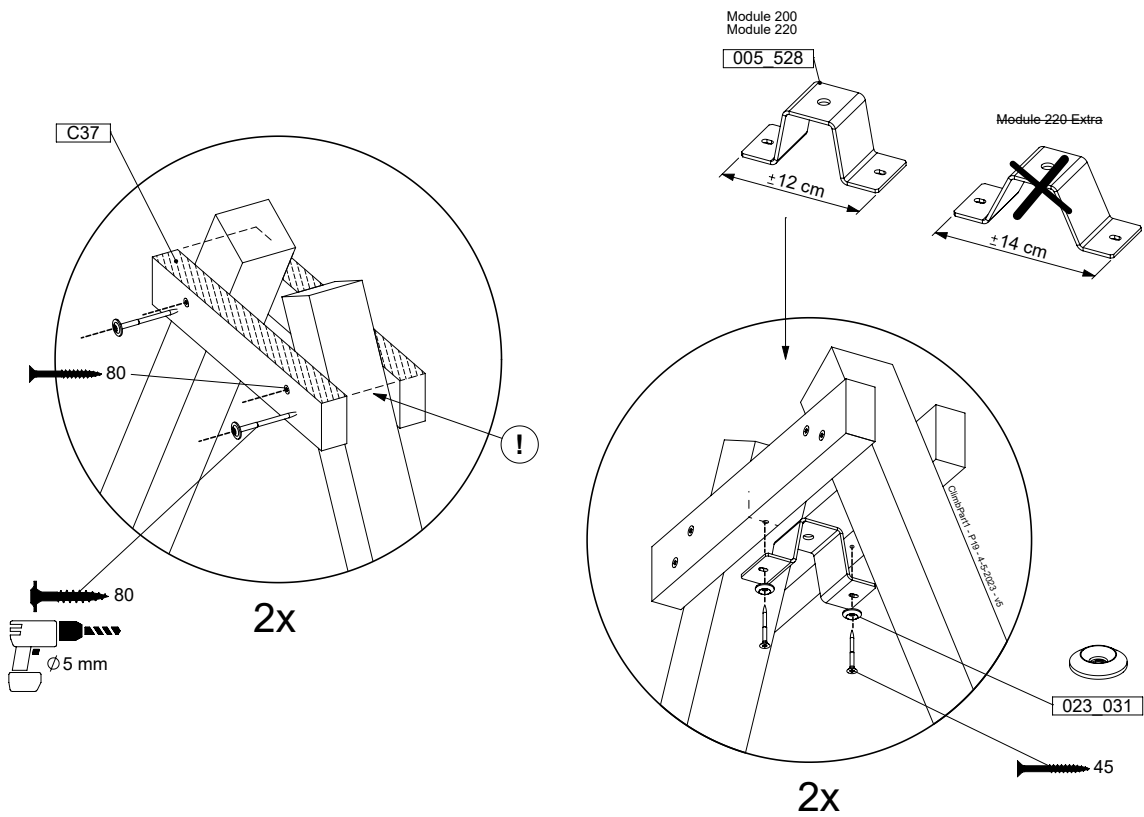
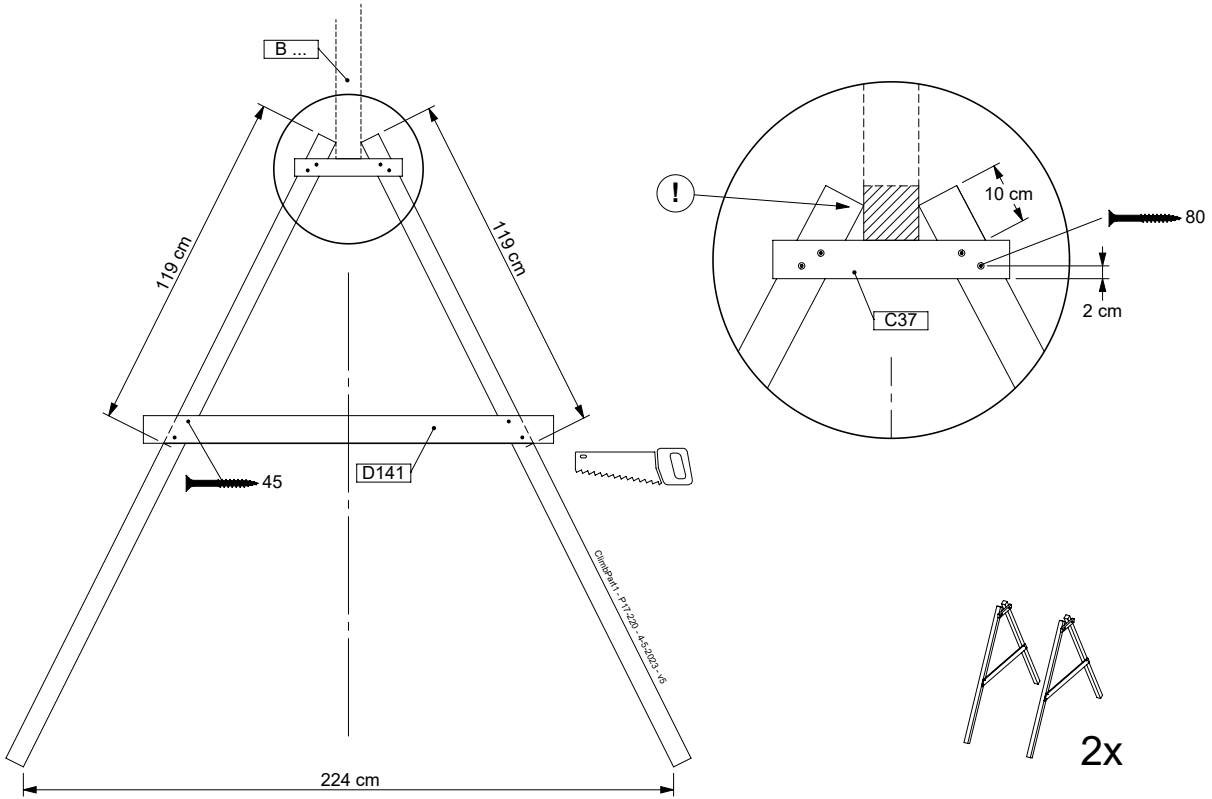


20.1

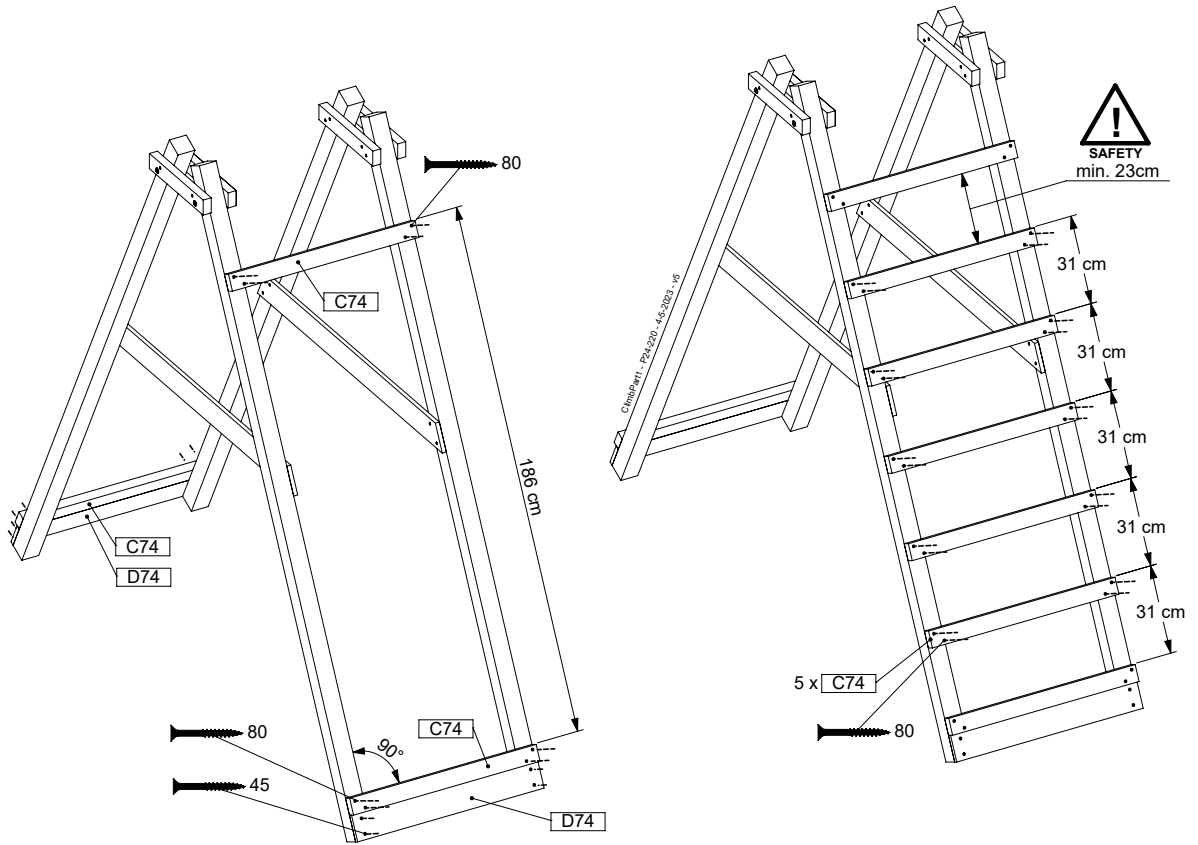


Climb Module 220

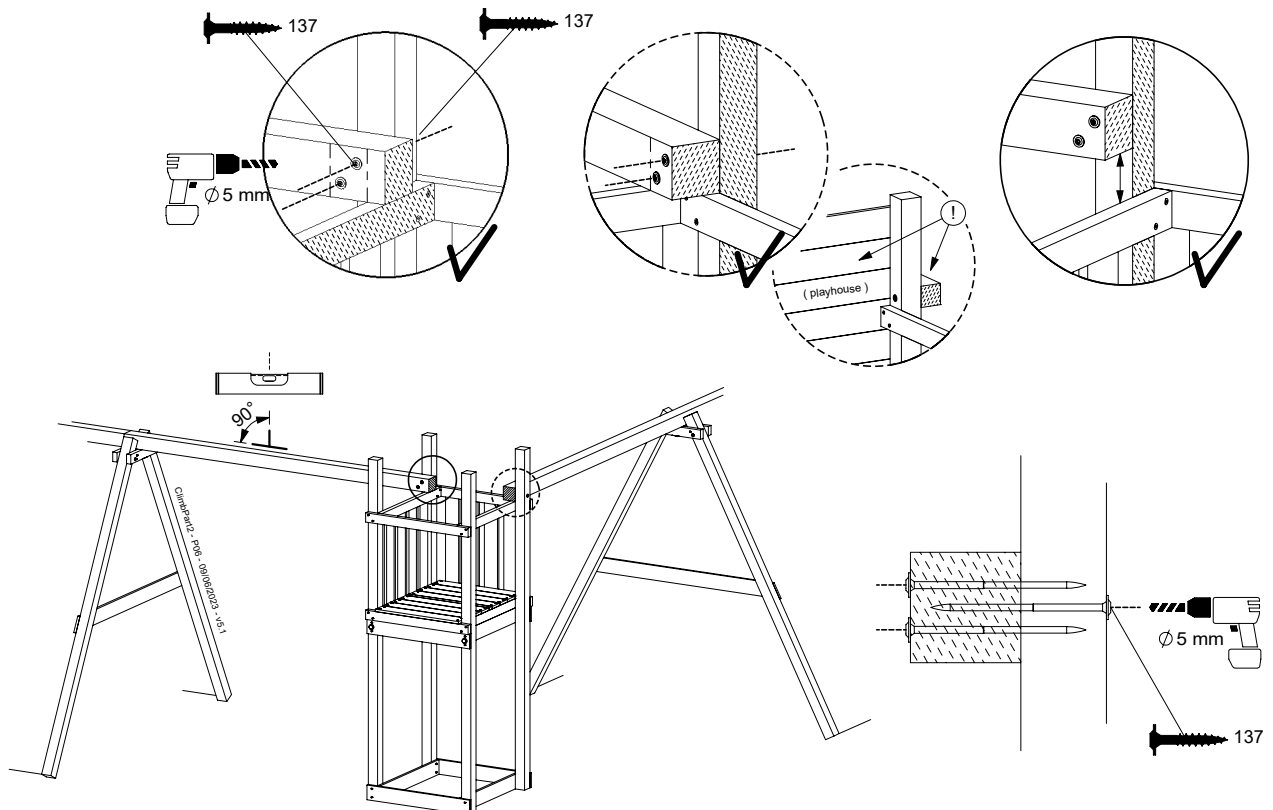
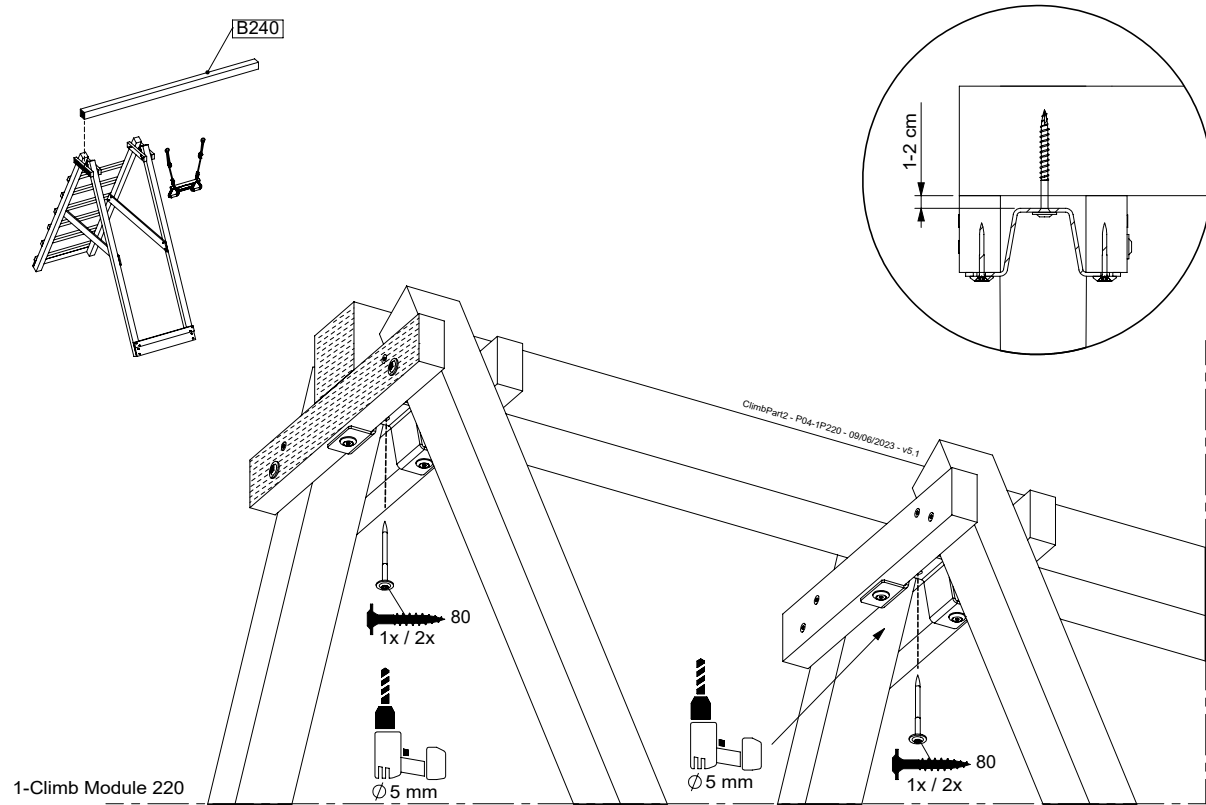
20.2



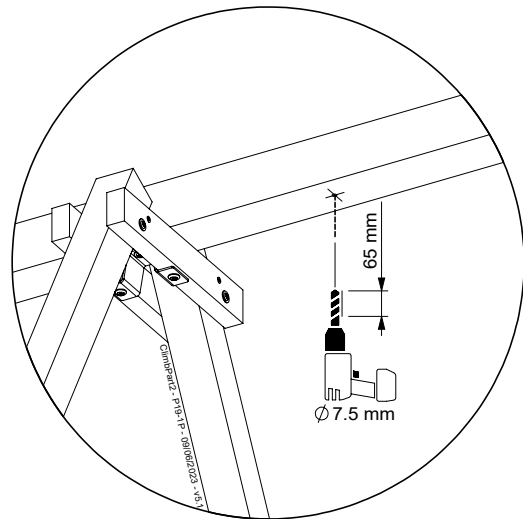
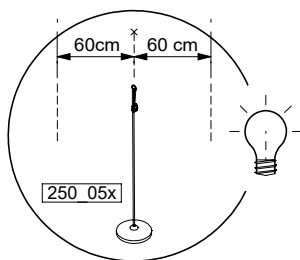
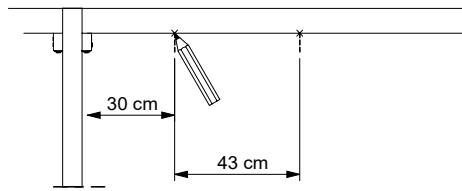
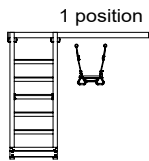
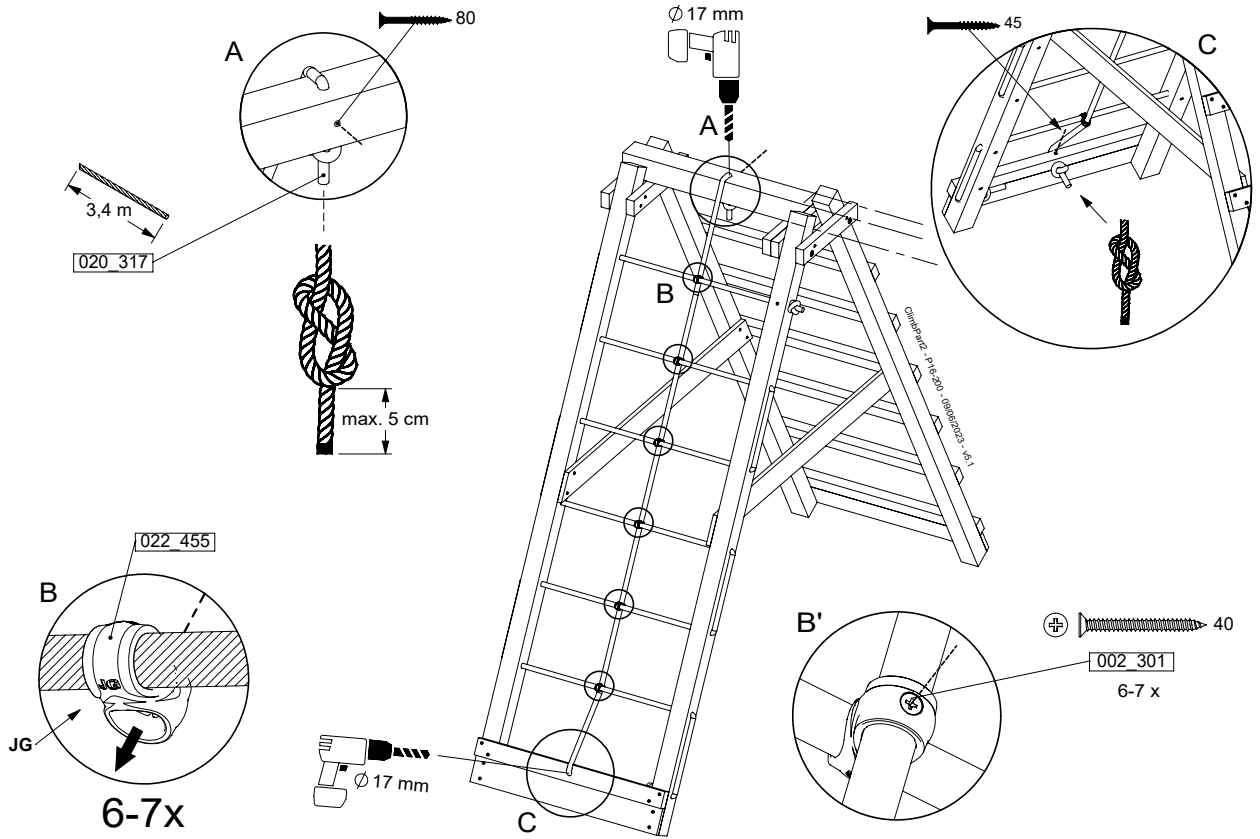
20.3



21 CL09a: 1-Climb Module 220 - Part 2

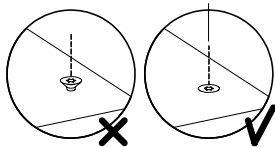
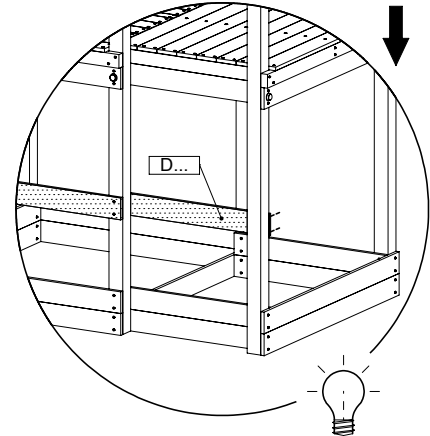
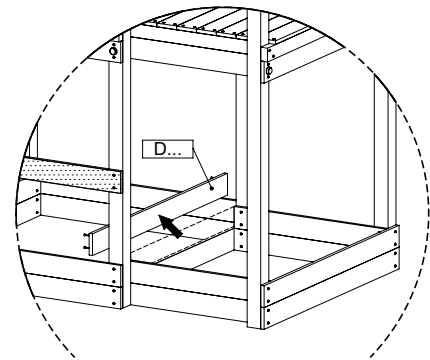
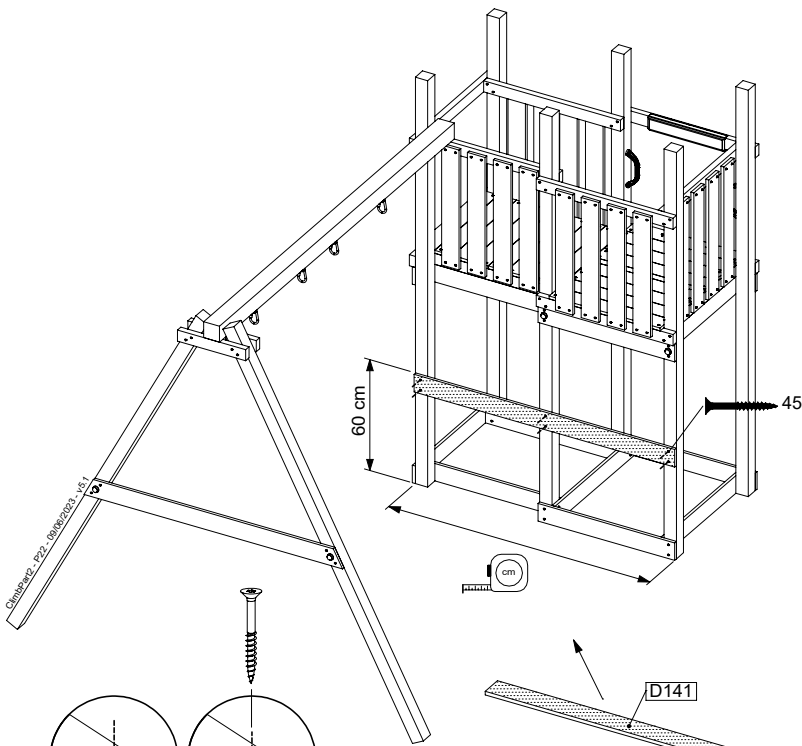
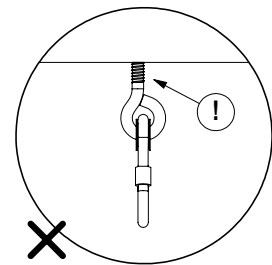
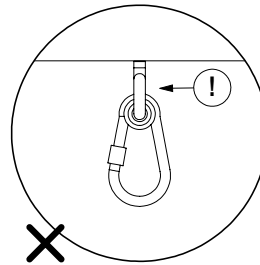
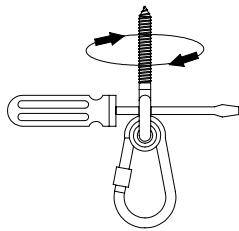
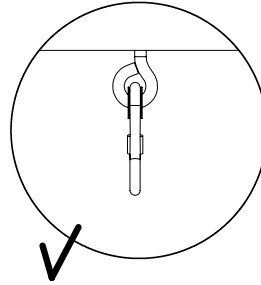
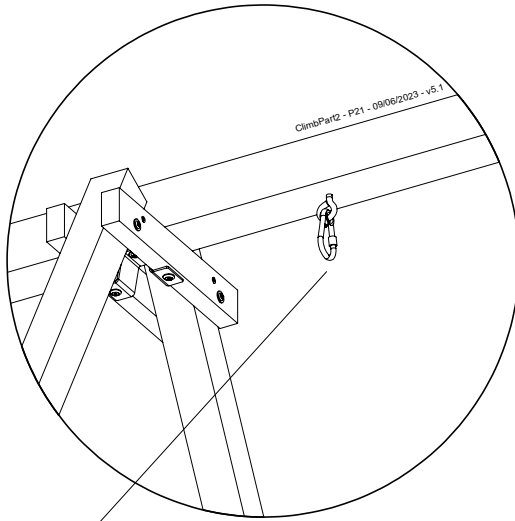


21.2

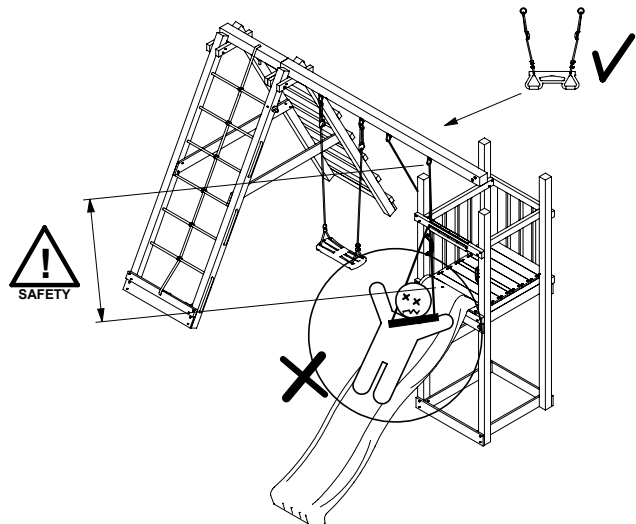
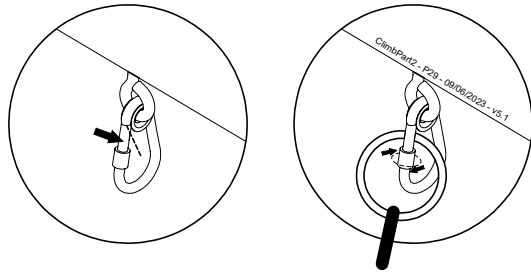
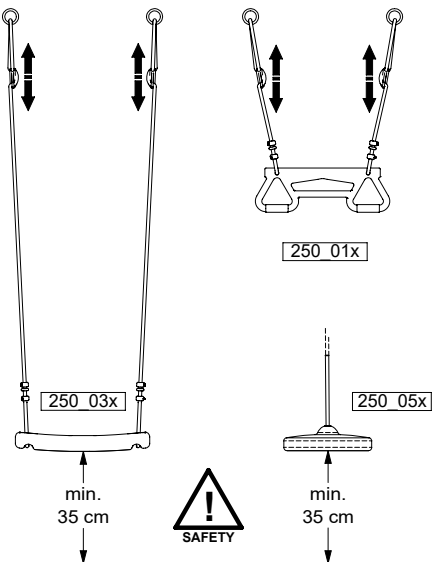
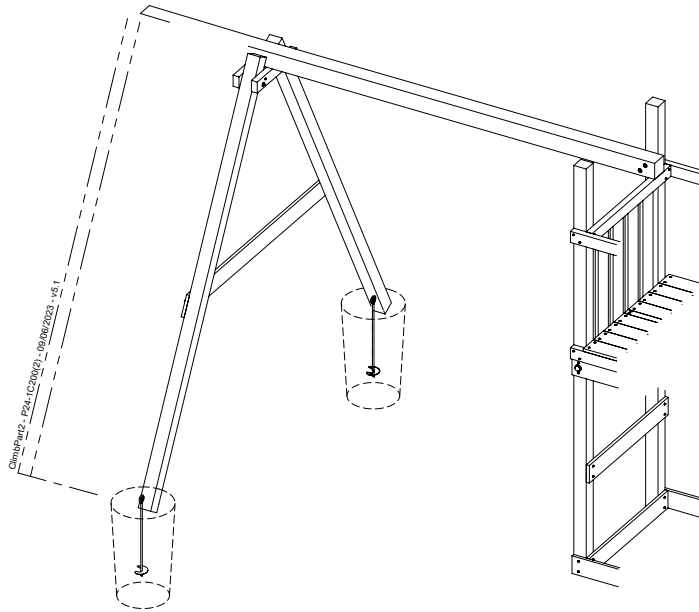
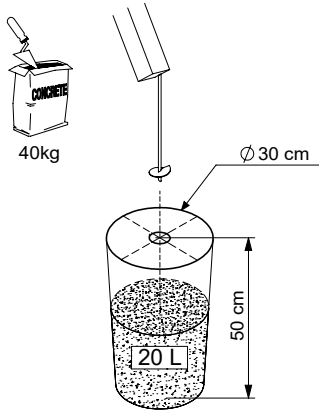


21.3

1-4 x
101 003



21.4

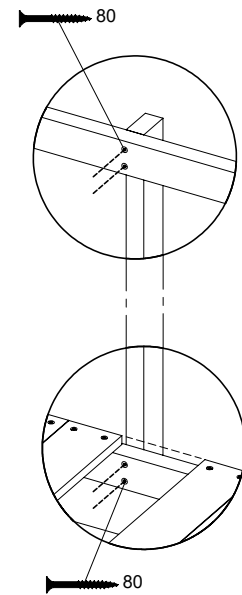
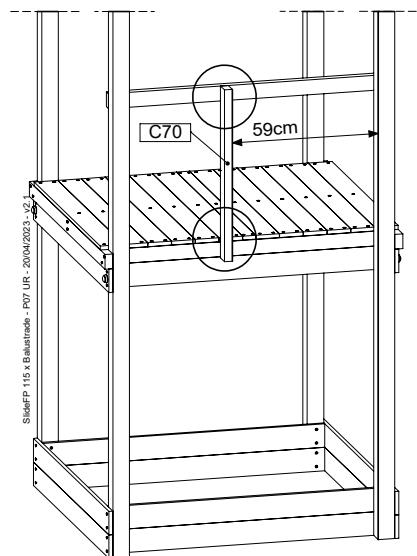
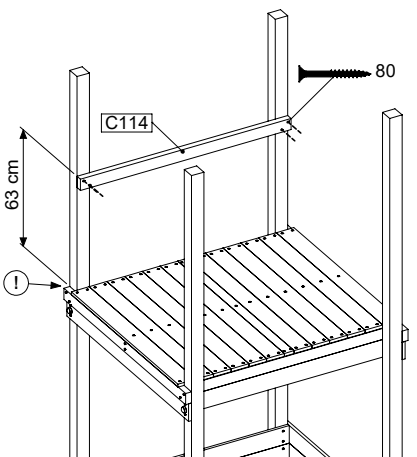
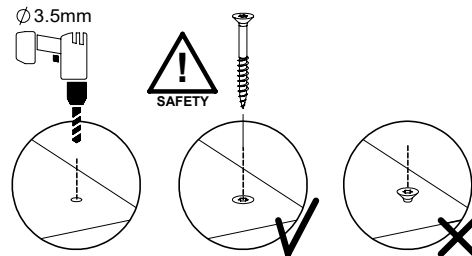
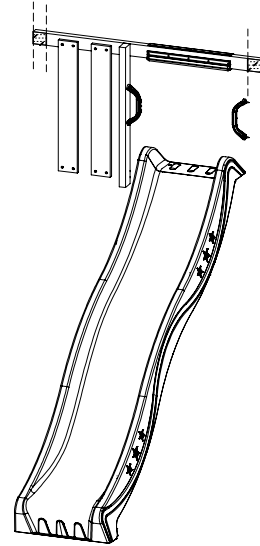


22 SL07a: Slide 115 125 U Right

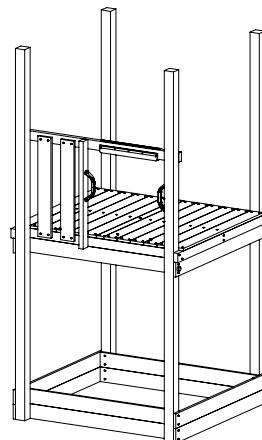
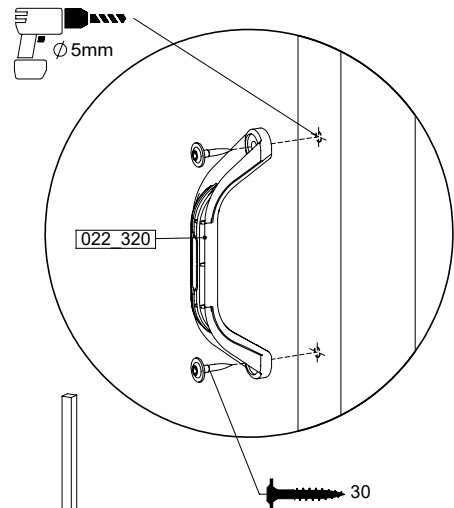
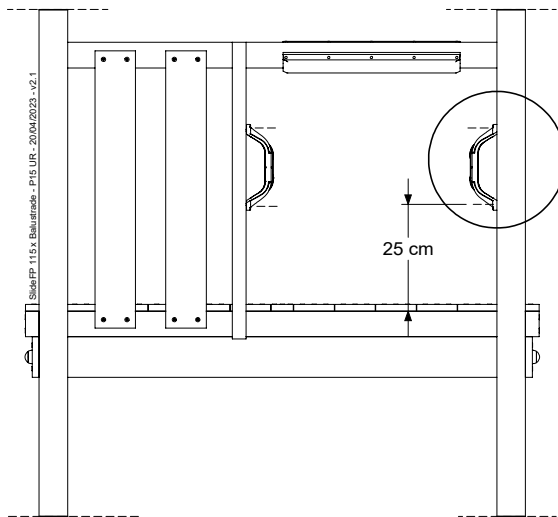
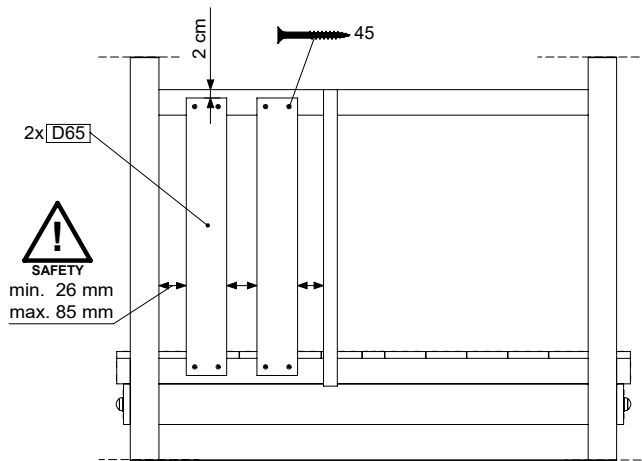
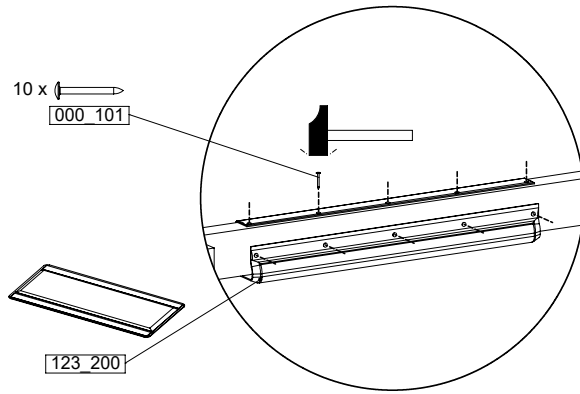
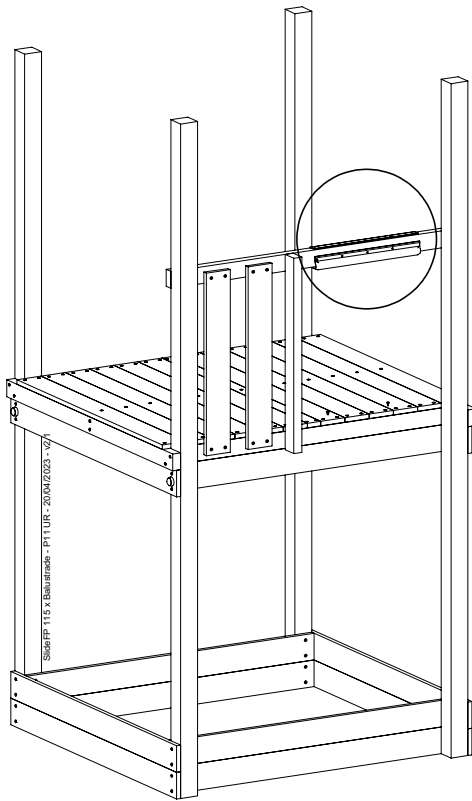
(194_107 + 194_101)

	PartNo	PartName	QTY.
Hardware Pack	000_101	Nail Pan Head	10
	002_220	Gap Point Screw T25 - 5x45	8
	002_223	Gap Point Screw T25 - 5x80	8
	002_308	Gap Point Screw T25 - 5x20	2
Other	120_102	Handgrip set (complete 2x)	1
	123_200	Bumperpad	1
	324_xxx 334_xxx	Wavy Star Slide XL 2200 mm / Wavy Star Slide XXL 2650 mm	1
Timber	C114	Beam 1140 mm	1
	C70	Beam 700 mm	1
	D65	Board 650 mm	2

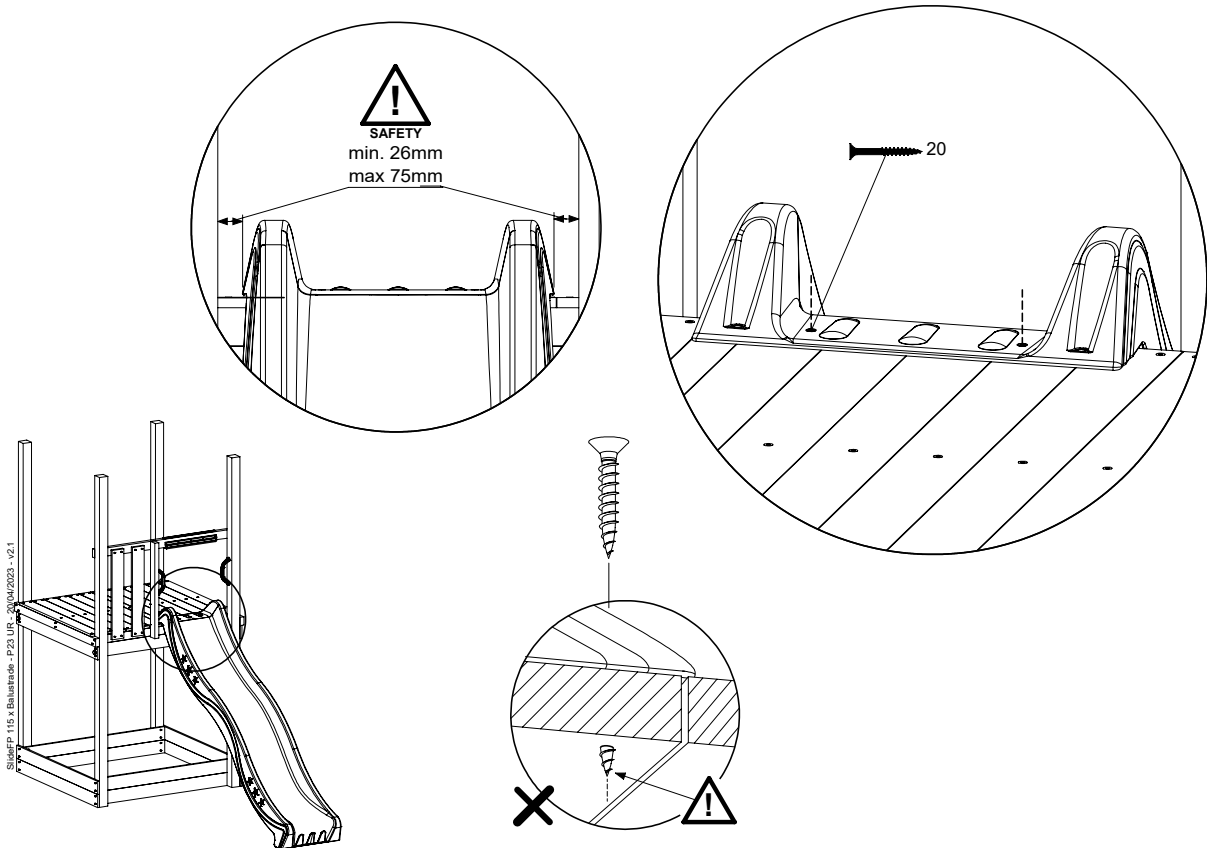
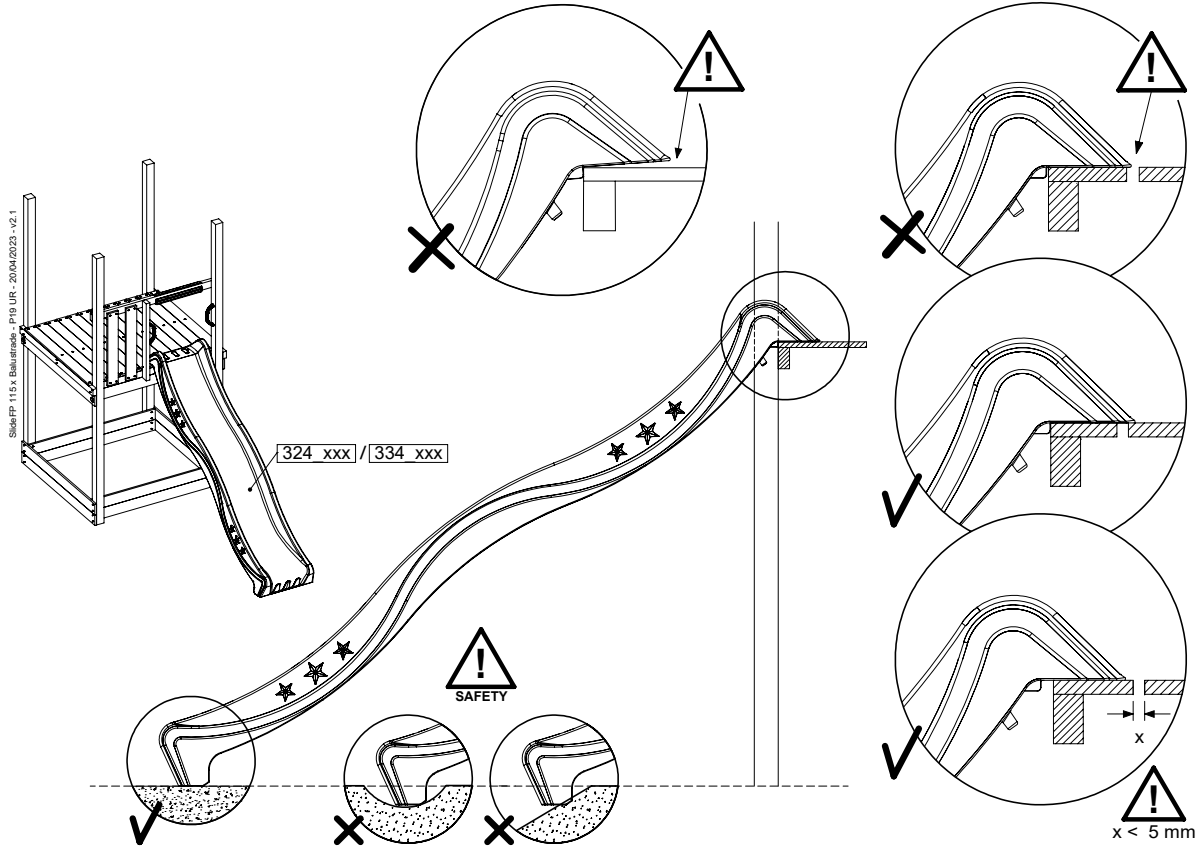
SlideFP 115 x Beamaade - R03 UR - 20/04/2023 - v2.1



22.1



22.2

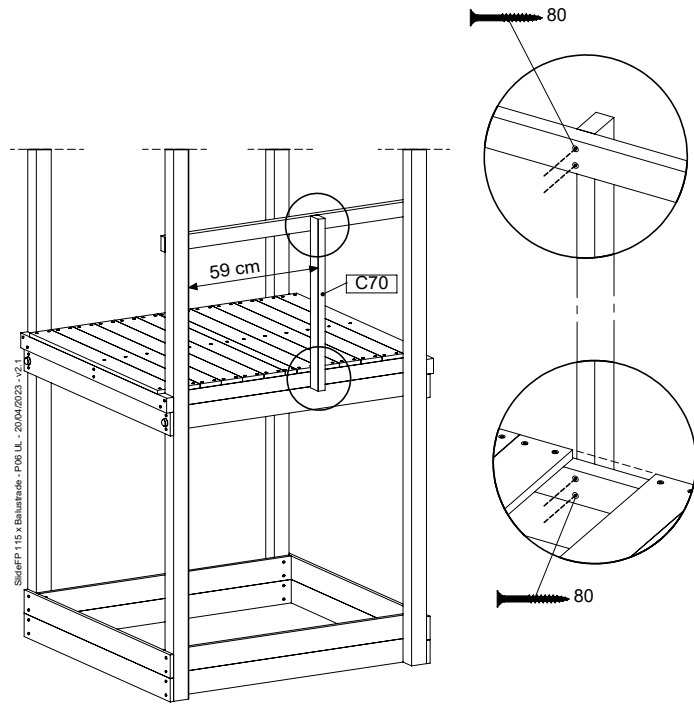
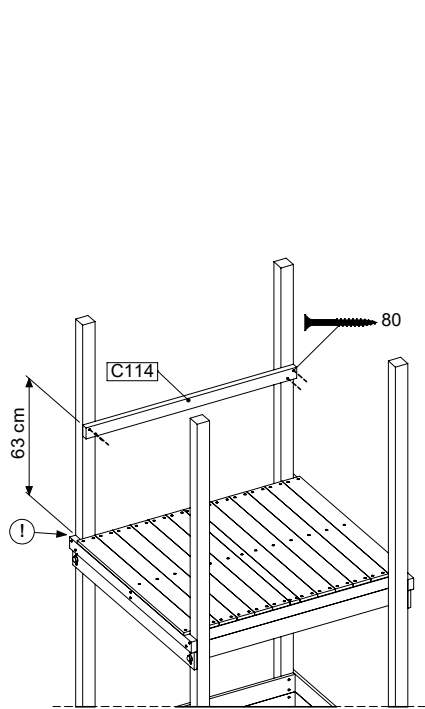
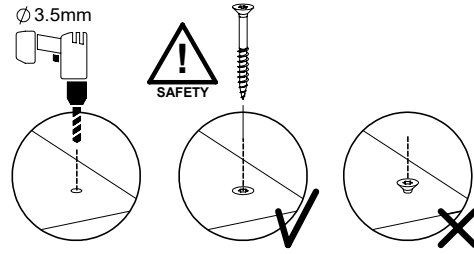
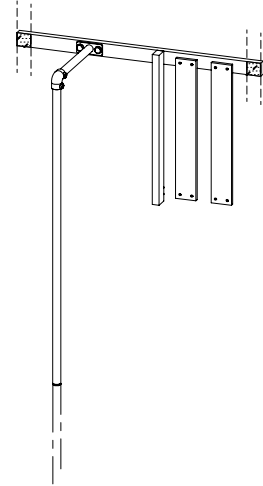


23 FP04a: Fireman's pole 115 Left U 125

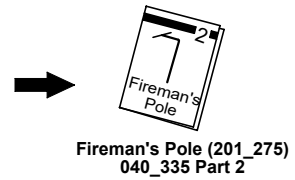
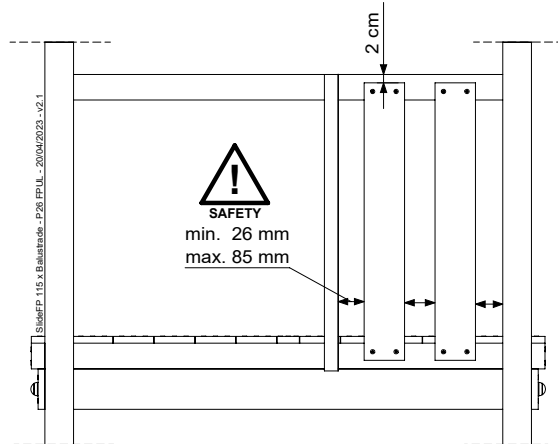
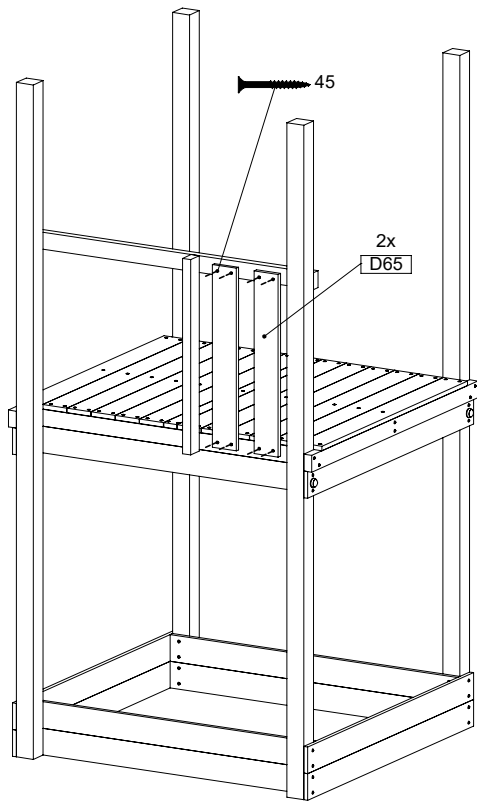
(201_275 + 194_101)

	PartNo	PartName	QTY.
Hardware Pack 194_101	002_220	Gap Point Screw T25 - 5x45	8
	002_223	Gap Point Screw T25 - 5x80	4
Other	201_275	Fireman's Pole kit (incl. 4x Screw T25 5x80)	1
Timber	C70	Beam 700 mm	1
	C114	Beam 1140 mm	1
	D65	Board 650 mm	2

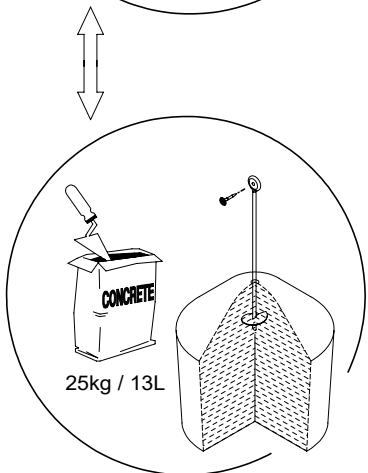
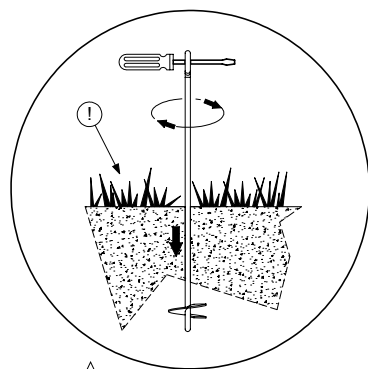
SchieFP 115 x Balkenlade - P30 I/P/L - 20/04/2023 - v2.1



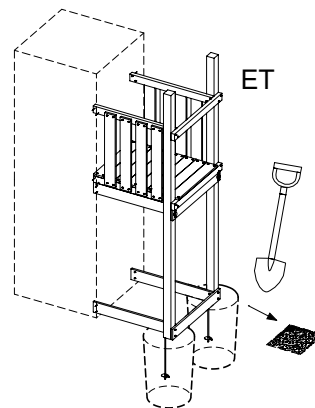
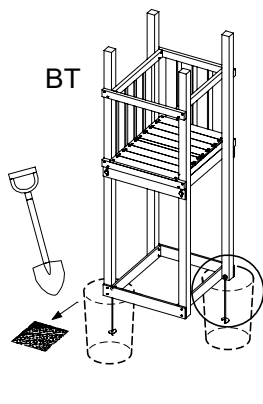
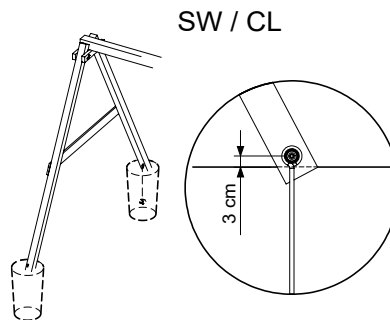
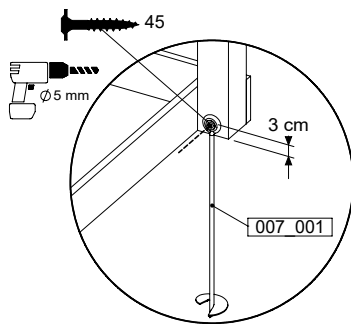
23.1



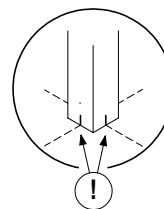
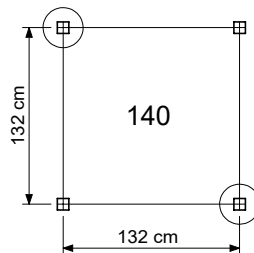
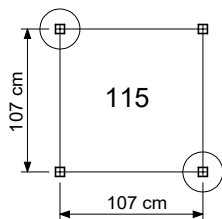
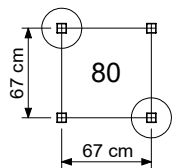
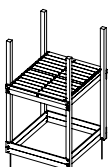
24 GA: Ground Anchors



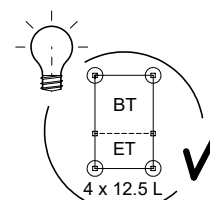
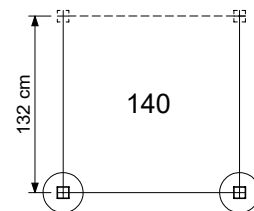
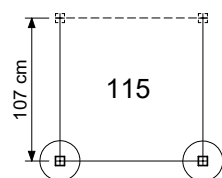
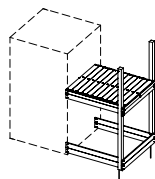
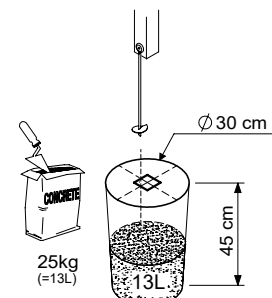
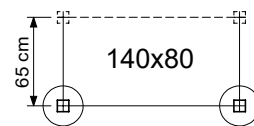
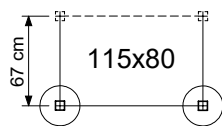
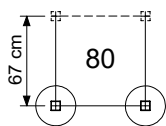
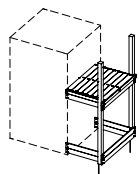
Ground Anchors Unit - P03 - 04/07/2023 - v1.2



BASE TOWERS



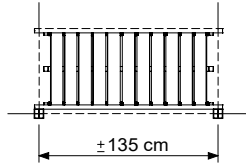
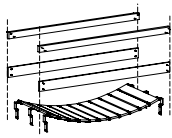
EXTENSION TOWERS



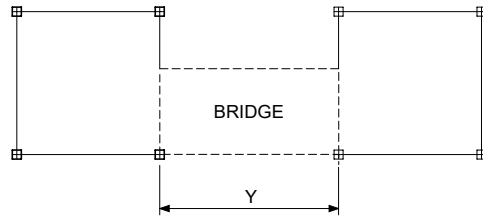
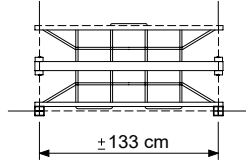
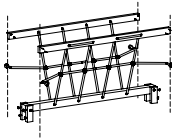
Ground Anchors Unit - P01 - 04/07/2023 - v1.2

24.1

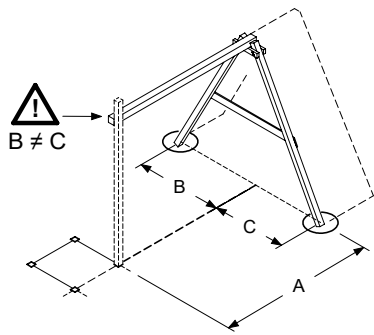
CLATTER BRIDGE



NET BRIDGE

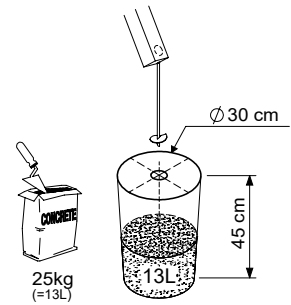


SWING / CLIMB MODULE

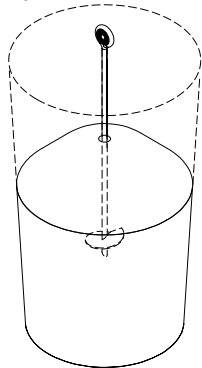


Module type	A	B	C
1-Swing 200	150	115	100
1-Swing 220 / 220 Extra		120	105
2-Swing 200	210	115	100
2-Climb 200			
1-Climb 200	142	120	105
1-Climb 220 / 220 Extra	162		
2-Swing 220 / 220 Extra	230	120	105
2-Climb 220 / 220 Extra			

Grand Anchors Uni. - P02 - 04/07/2023 - v1.2



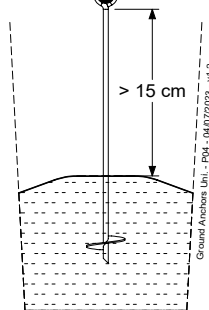
25kg / 13L



1.



SAFETY



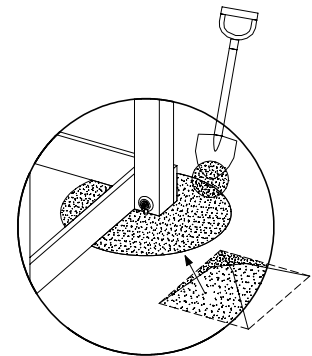
2.

Grand Anchors Uni. - P04 - 04/07/2023 - v1.2

24h



3.



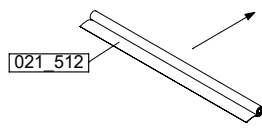
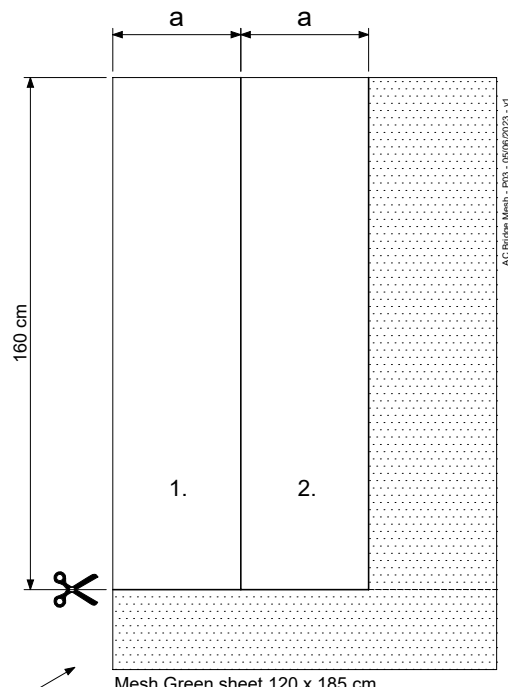
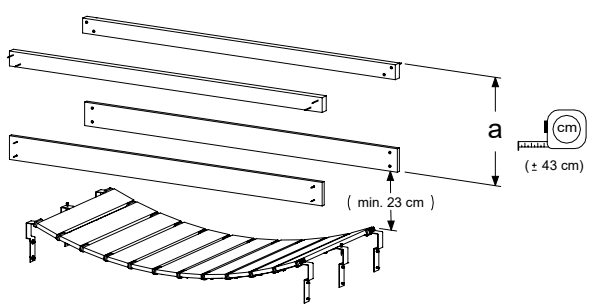
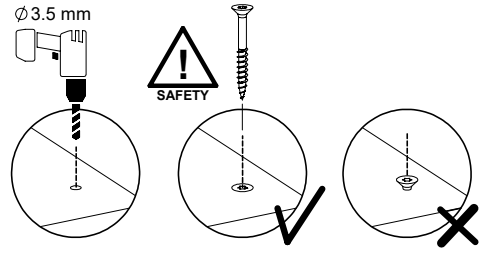
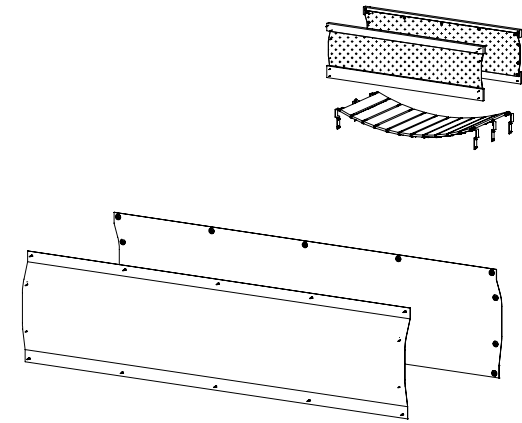
4.

25 AC30a: Bridge Mesh

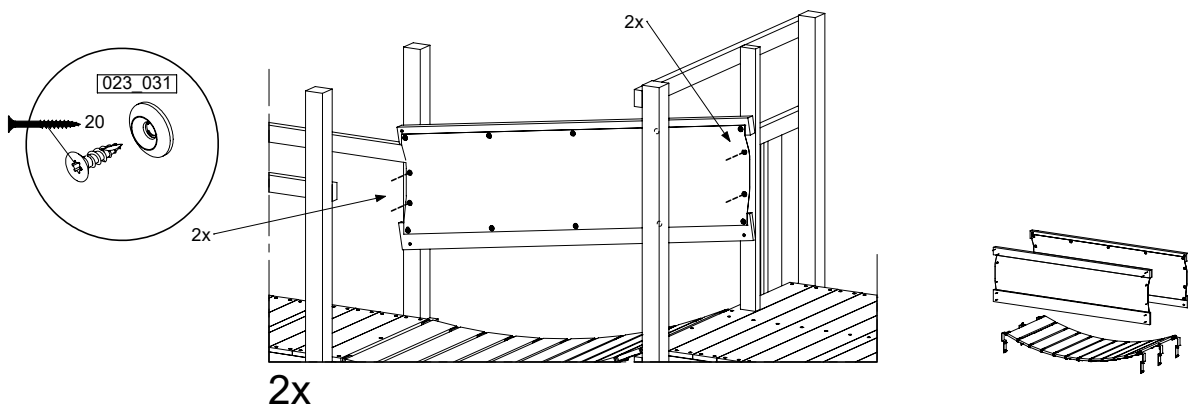
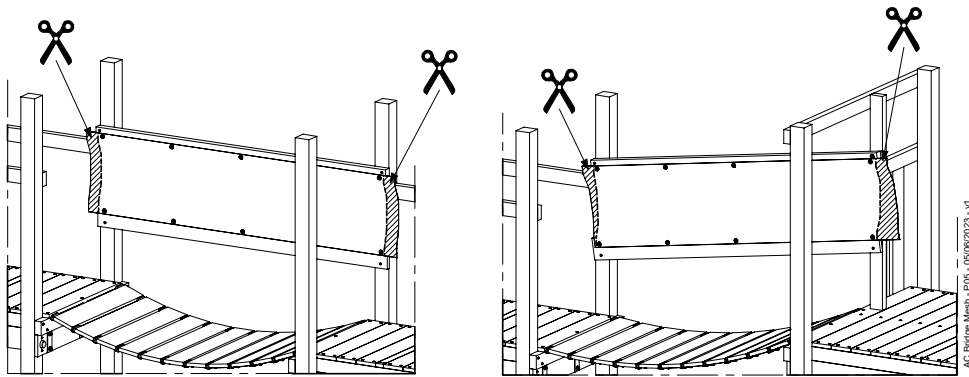
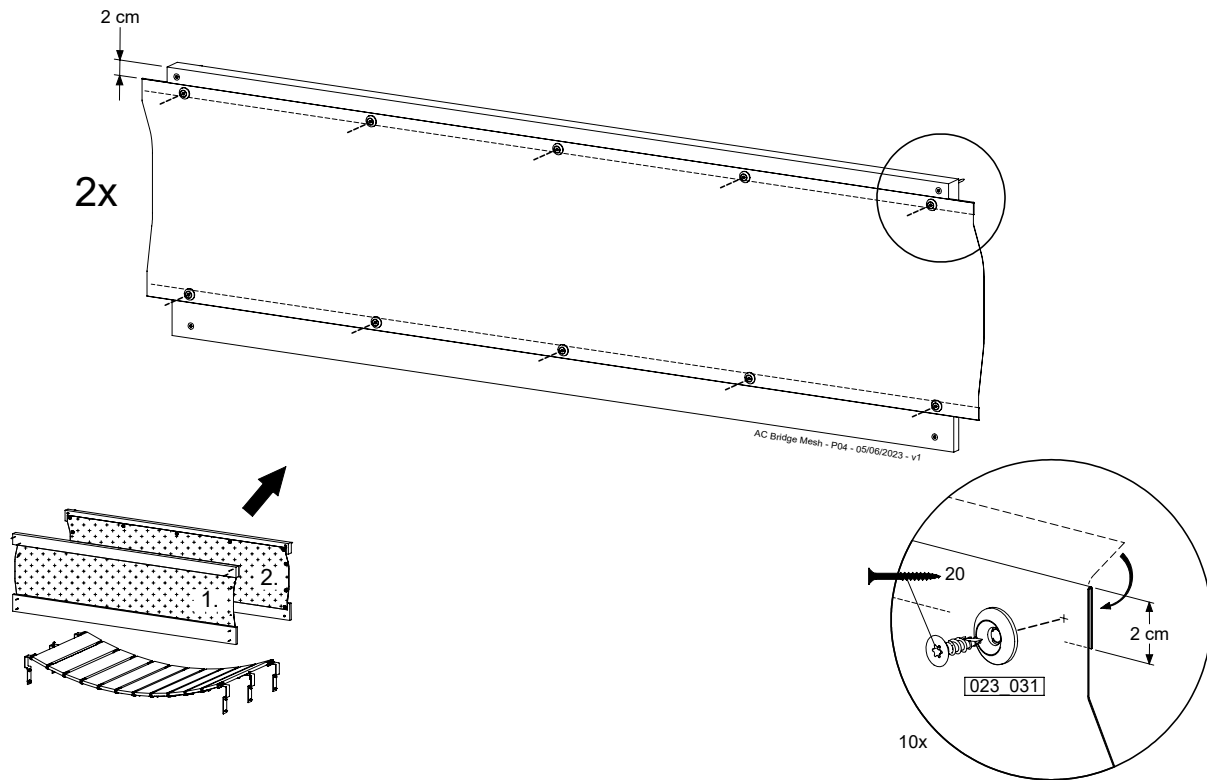
(123_230)

	PartNo	PartName	QTY.
Hardware Packs	002_308	Gap Point Screw T25 - 5x20	28
100_411	023_031	Finishing Washer GPS 5.0	28
Other	021_512	Mesh green 1.20 x 1.85m	1

AC Bridge Mesh - P02 - 05/06/2023 - v1



25.1

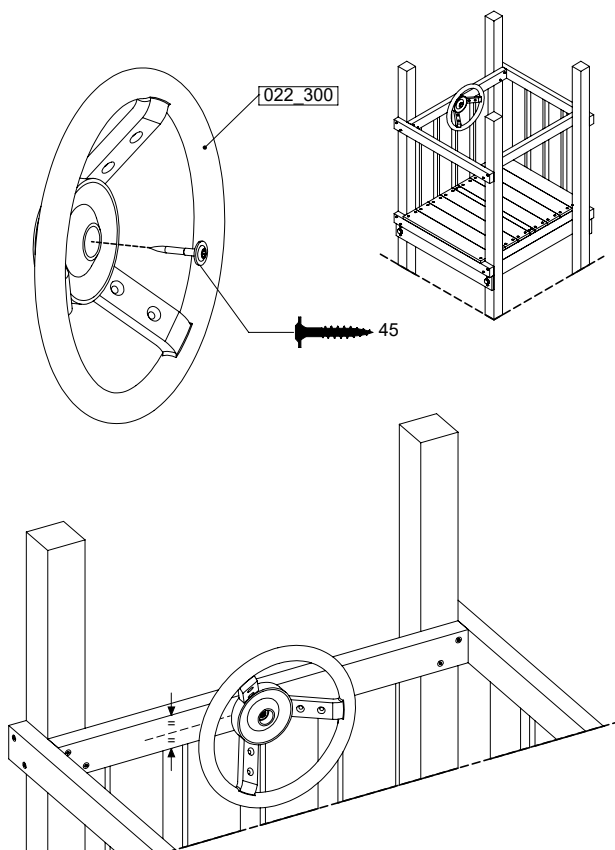
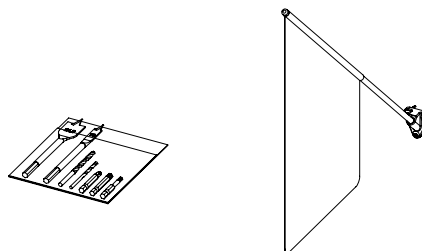
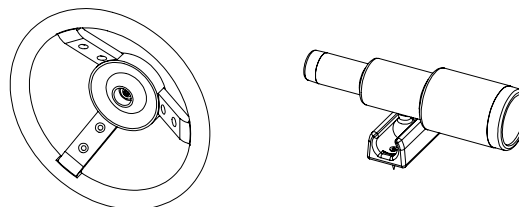


26 AC01a: Accessories

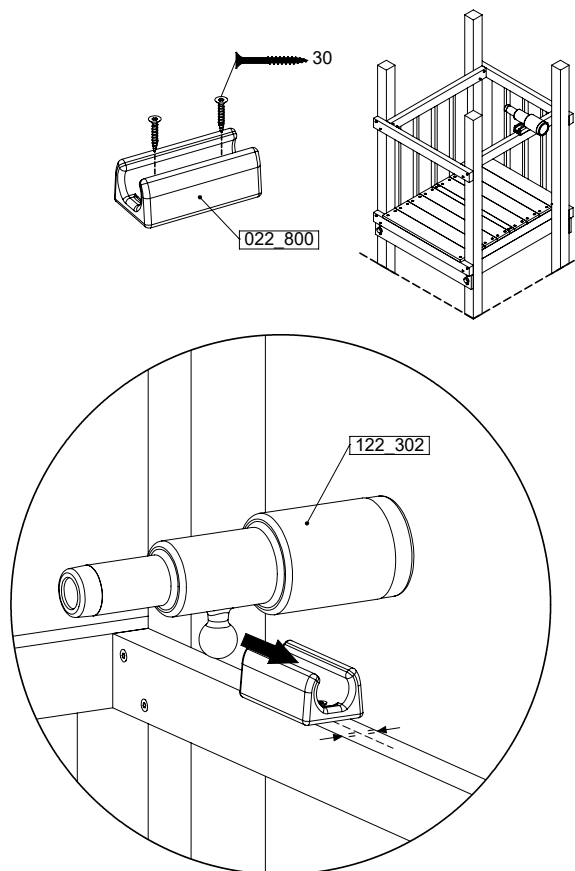
(194_119)

	PartNo	PartName	QTY.
Hardware Pack 100_617	001_406	Stealth Screw 8x45	1
	002_041	Dome head screw 4.5 x 20 mm	3
	002_042	Dome head screw 3.5 x 13mm	4
	002_219	Gap Point Screw T25 - 5x30	2
Other	022_300	Steering Wheel	1
	022_800	Rail P/T 105	1
	022_910	Sandpad	1
	103_901	Logo ID Plate	1
	104_107	Tool Set Climbing Units	1
	120_024	Tower Flag	1
	122_302	Telescope	1

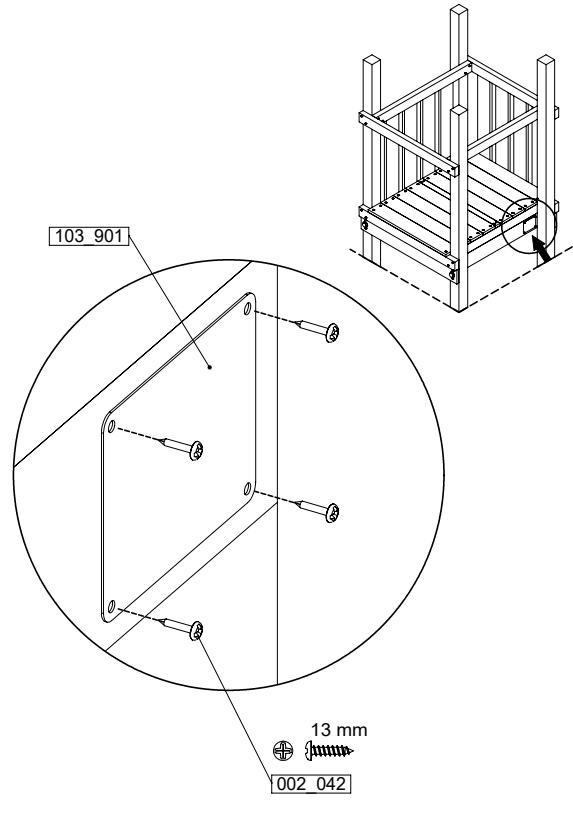
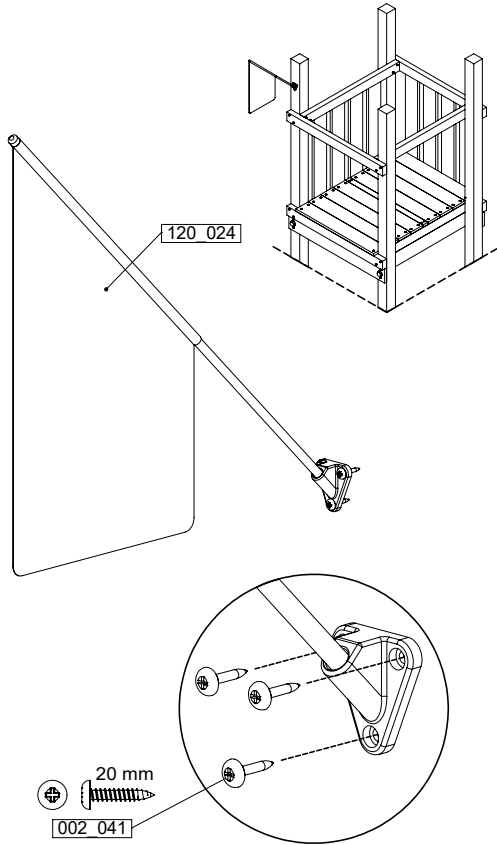
Accessory set - P102 - 06/07/2023 - v5



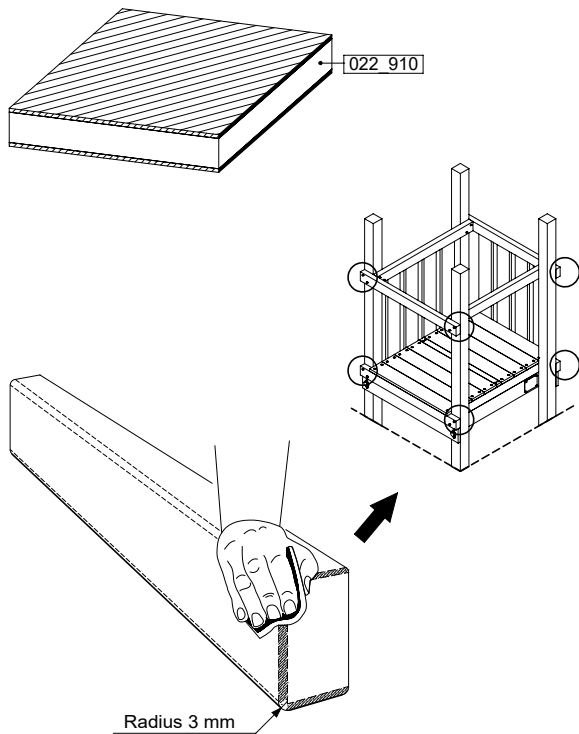
Accessory set - P103 - 06/07/2023 - v5



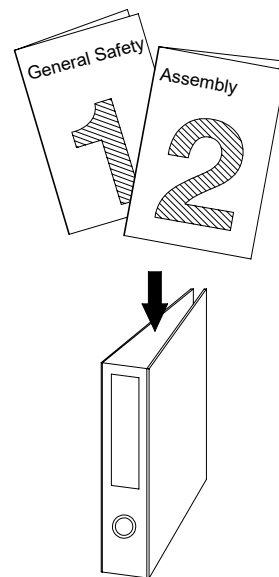
26.1



Accessory set - P04 - 06/07/2023 - v5



Accessory set - P05 - 06/07/2023 - v5



Declaration of Conformity

Jungle Gym

BACKYARD PLAYGROUNDS

since 1988

Manufacturer details

Company Name

Jungle Gym B.V.

Tag-line

Backyard Playgrounds

Address

P.O. Box 75083, 1070 AB Amsterdam, Netherlands

Activity toys for domestic use

Product Range Identification

Construction Packages (Sub-Assembly)

Universal Packs / Base Towers / Extension Towers / Roofs / Means of Exit/Access / Add-ons : 790_001 ... 794_911

Assembly

Playtowers : 801_005 ... 200

Links : 870_100 ... 105

Accessories : 123_220 ... 250_075

Playhouses : 830_150 ... 253, 835_251 ... 253

Swings : 801_300, _600, _601

Slides (XL) : 324_100 ... 600

Modules : 850_180 ... 415

Slides (XXL) : 334_100 ... 600

: 857_103, 857_108

Playtowers: 802_202 ... 208

857_151, 857_158

803_202 ... 210

809_202 ... 804

Applicable EC directives and standards

Chemical References

- | | | |
|---|---|---|
| 1. Migration of certain elements (17x + Chr VI + tin) as required in TSD 2009/48/EC and its amendments. Scrape off toy material. Tested according to EN 71-3:2019. | 5. Content of 7 Phthalates (18x) according to REACH (EG) no.1907/2006, Annex XVII. Tested according to COC-CH-C1011-09.3 and EN 15777 / QMA 2011.1300 | 9. Content of 3 Flame retardants according to REACH (EG) no. 1907/2006, Annex XVII. Tested according to EN 62321-6. |
| 2. Migration of solvents, monomers and plasticizers as specified in "Safety for Toys: Organic Chemical Compounds", EN 71-9: 2005 + A1: 2007. Tested according to EN 71-10: 2005 & EN 71-11: 2005. | 6. Content of Cadmium according to REACH (EG) no. 1907/2006, Annex XVII. Tested according to EN 17294-2 | 10. Ni release according to REACH (EG) no. 1907/2006, Annex XVII. Tested according to EN 71-3:2013+A1:2014. |
| 3. Content of N-nitrosamines and N-nitrosatable substances as specified in EN standard 71-12: 2013. Tested according to EN 71-12: 2013. | 7. Formaldehyde according to REACH (EG) no. 1907/2006, Annex XVII. Tested according to EN 14184 | 11. Sweat and Salvia resistance tested according to DIN 53160 |
| 4. Content of 18 PAHs (Polycyclic Aromatic Hydrocarbons) as referred in AfPS GS 2014:01 PAK (Replaced on 2019:01). Tested according to QMA 2011.1284 | 8. Azo dyes according to REACH (EG) no. 1907/2006, Annex XVII. Tested according to BVL B 82.02-2. | |

Mechanical physical properties + flammability

EN 71 - 1 : 2014 + A1: 2018 EN 71 - 2 : 2011 + A1: 2014 EN 71 - 8 : 2018

Supplementary information

Conformity to the above specified directives and standards has been frequently verified and is continuously monitored by TÜV Süd, TÜV Rheinland LGA products, DEKRA (DE), STR Ltd (UK), LNE SA (FR), LMR Ltd (US) and IPS N.V. (BE) since 1994. Jungle Gym participates in the European Commission for standardisation for the safety of activity toys (TC52 / WG 10).

Declaration

I hereby declare under our sole responsibility that the products mentioned above, to which this declaration relates, complies with the above mentioned directives and standards.



Name

Mr. P. Schmit / Director




























Issued date

Januari 2nd, 2023


Signature of representative

Construction Packages (Assembly)

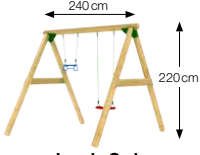
Playtowers

<p>S Single</p>  <p>Jungle Tower 802_201</p>	<p>S Single</p>  <p>Jungle Patio 802_202</p>	<p>S Single</p>  <p>Jungle Cocoon 802_204</p>	<p>S Single</p>  <p>Jungle Cirque 802_206</p>	<p>S Single</p>  <p>Jungle Totem 802_208</p>	<p>S Duo</p>  <p>Jungle Nomad 803_202</p>	<p>S Duo</p>  <p>Jungle Safari 803_204</p>
<p>S Duo</p>  <p>Jungle Viking 803_206</p>	<p>S Duo</p>  <p>Jungle Teepee 803_208</p>	<p>S Duo</p>  <p>Jungle Resort 803_210</p>	<p>S Combo</p>  <p>Jungle Explorer 809_802</p>	<p>S Combo</p>  <p>Jungle Voyager 809_804</p>	<p>M Single</p>  <p>Jungle Castle 801_120</p>	
<p>M Single</p>  <p>Jungle Club 801_110</p>	<p>M Single</p>  <p>Jungle Casa 801_105</p>	<p>M Single</p>  <p>Jungle Home 801_103</p>	<p>M Single</p>  <p>Jungle Hut 801_100</p>	<p>M Single</p>  <p>Jungle House 801_095</p>	<p>L Single</p>  <p>Jungle Cottage 801_090</p>	<p>L Single</p>  <p>Jungle Cabin 801_060</p>
<p>L Single</p>  <p>Jungle Lodge 801_040</p>	<p>L Duo</p>  <p>Jungle Cubby 801_070</p>	<p>L Duo</p>  <p>Jungle Mansion 801_009</p>	<p>XL Single</p>  <p>Jungle Sierra 801_025</p>	<p>XL Single</p>  <p>Jungle Fort 801_010</p>	<p>XL Duo</p>  <p>Jungle Chalet 801_013</p>	<p>XL Duo</p>  <p>Jungle Palace 801_005</p>

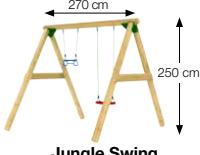
Swings



Jungle Peak
801_300




Jungle Swing
801_601




Jungle Swing
801_602


Swing Module




1-Swing Module 200
857_101




2-Swing Module 200
857_102




1-Swing Module 220
857_151



2-Swing Module 220
857_154




1-Swing Module 220 Extra
850_176




2-Swing Module 220 Extra
850_177


Climb Module




1-Climb Module 200
857_105




2-Climb Module 200
857_106




1-Climb Module 220
857_157



2-Climb Module 220
857_158



1-Climb Module 220 Extra
850_231



2-Climb Module 220 Extra
850_232

Bridge Module



Bridge Module
850_240

Construction Packages (Sub-Assembly)

Base Towers (BT)



790_001
790_002
790_003



792_002
792_003



794_001

Add-on Towers (ET)



790_101
790_102



792_101
792_102
792_103
792_104
792_105
792_106

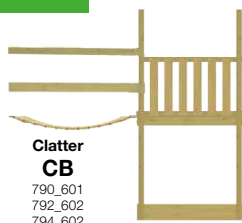


792_107 794_102
792_108 794_103
792_109 794_104
792_110 794_105
792_111 794_107
792_112 794_108
792_113 794_109
792_114

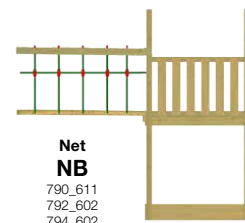


794_110

Bridges (CB + NB)



**Clatter
CB**
790_601
792_602
794_602



**Net
NB**
790_611
792_602
794_602

Swing Modules (SM)



**1-Swing Module 200
SM**
857_101



**2-Swing Module 200
SM**
857_102



**1-Swing Module 220
SM**
857_151



**2-Swing Module 220
SM**
857_152



**1-Swing Module 220
Extra
SM**
850_176



**2-Swing Module 220
Extra
SM**
850_177

Climb Modules (CM)



**1-Climb Module 200
CM**
857_105



**2-Climb Module 200
CM**
857_106



**1-Climb Module 220
CM**
857_157



**2-Climb Module 220
CM**
857_158



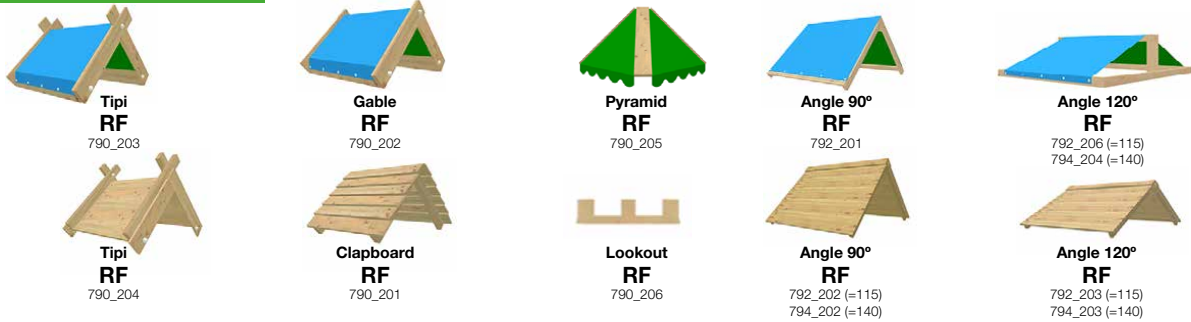
**1-Climb Module 220
Extra
CM**
850_231



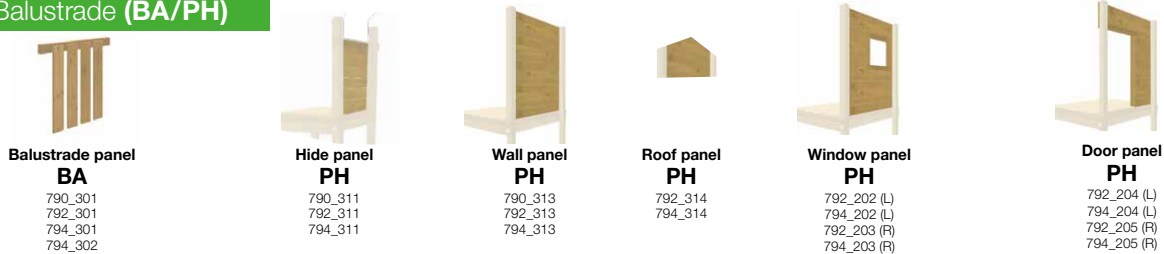
**2-Climb Module 220
Extra
CM**
850_232

Construction Packages (Sub-Assembly)

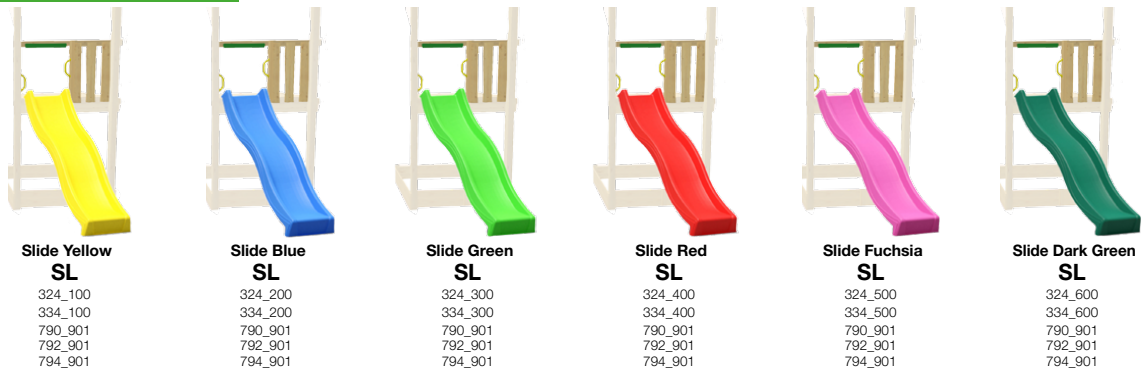
Roofs (RF)



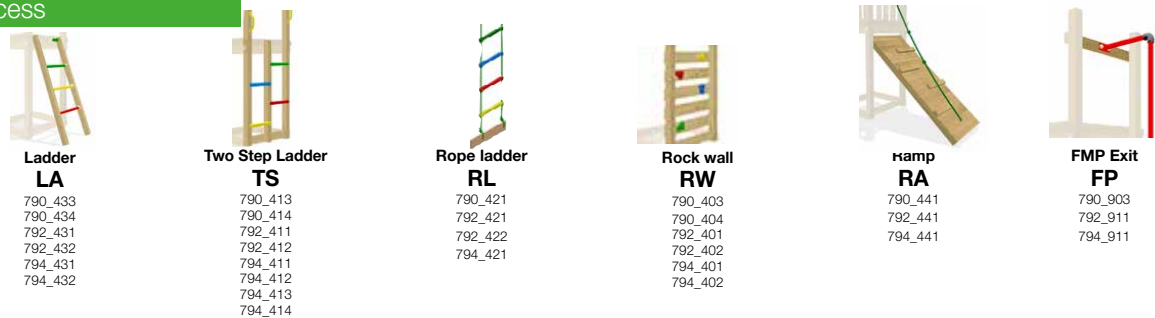
Balustrade (BA/PH)



Slides (SL)



Access



Add-ons (ADD)

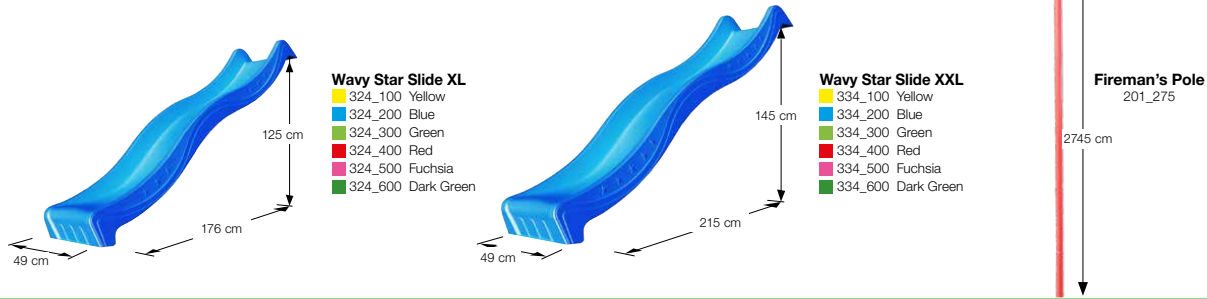


Universal Pack (AC)

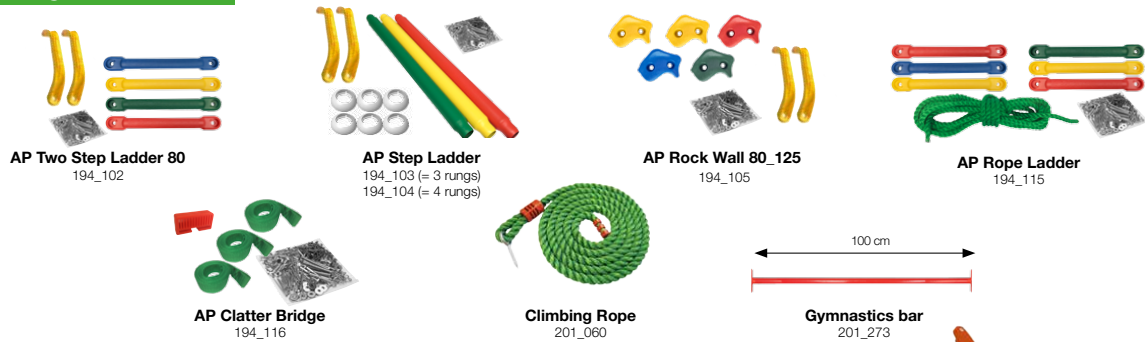


Accessories

Slides (MOE)



Climbing



Imagination



Swinging



Functional



Components

