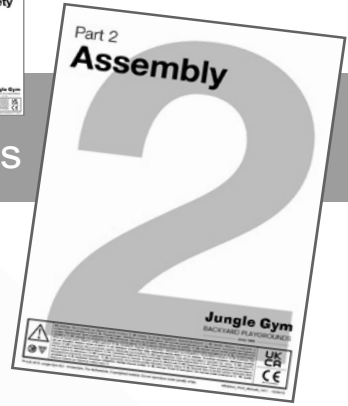
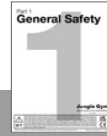


Part 2

Assembly

Instructions







Config ID: eL6wZm
Publish Date: 2024-05-02
Product Name: Atlas 2-Climb



Jungle Gym

BACKYARD PLAYGROUNDS

since 1988

<p>Assembly time 16.5 hours by 2 adults</p> 	<p> EN. Warnings. Only for domestic use. Maximum number of users is 6. DE. Achtung. Nur für den Hausgebrauch. Maximale Benutzerzahl: 6. FR. Attention. Réserve à un usage familial. Le nombre maximal d'utilisateurs est de 6. NL. Waarschuwingen. Uitsluitend voor huishoudelijk gebruik. Het maximale aantal gebruikers is 6. BG. Внимание. За употреба само в домашни условия. Максималният брой потребители е 6. CS. Varování. Jen pro domácí použití. Maximální počet uživatelů je 6. DA. Advarsler. Kun til privat brug. Maksimum antal brugere er 6. EL. Προειδοποίησης. Μόνο για οικιακή χρήση. Μέγιστος αριθμός χρηστών 6. ES. Advertencias. Sólo para uso doméstico. Número máximo de usuarios: 6. ET. Hoiatused. Ainult koduseks kasutamiseks. Maksimaalne kasutajate arv on 6. FI. Varoitukset. Ainoastaan kotikäyttöön. Käyttäjää yhteensä enintään 6. HR. Upozorenja. Samo za kućansku uporabu. Maksimalan broj korisnika je 6. HU. Figyelmeztetések. Csak otthoni használatra! A használók max. száma: 6. IS. Varnaðarorð. Eingöngu fyrir einkanotkun í heimahúsum og á einkalóðum. Hámarksfjöldi notenda er 6. IT. Avvertenze. Solo per uso domestico. Massimo numero di utenti è 6. LT. Įspėjimai. Tik buitiniam naudojimui. Maksimalus naudotojų skaičius 6. LV. Brīdinājumi. Izmantot tikai mājās. Maksimālais lietotāju skaits ir 6. NO. Advarsler. Kun for privat bruk. Maksimalt antall brukere er 6. PL. Ostrzeżenia. Wyłącznie do użytku domowego. Maksymalna liczba użytkowników to 6. PT. Avisos. Apenas para uso doméstico. O número máximo de utilizadores é 6. RO. Avertismente. Numai pentru uz domestic. Numărul maxim de utilizatori este 6. RU. Предостережения. Только для домашнего использования. Максимальное количество пользователей - 6. SK. Upozornenia. Iba na domáce použitie. Maximálne množstvo osôb je 6. SL. Opozorila. Samo za domačo uporabo. Maksimalno število uporabnikov je 6. SR. Upozorenja. Samo za kućnu upotrebu. Maksimalan broj korisnika je 6. SV. Varningar. Endast för hemmabruk. Det maximala antalet användare är 6. TR. Uyarılar. Sadece ev kullanımı için. Maksimum kullanıcı sayısı</p>	<p>UK CA CE EN 71-1, 2, 3, 8 & 9</p>  
--	---	--

1 Helpdesk JungleGym

1.1 FAQ



English



<https://helpdesk.jungle gym.com/help/en-gb>

Deutsch



<https://helpdesk.jungle gym.com/help/de-de>

Français






<https://helpdesk.jungle gym.com/help/fr-fr>


Nederlands





<https://helpdesk.jungle gym.com/help/nl-nl>

1.2 Support




info@jungle gym.com


<https://www.jungle gym.com/customersupport-chat>

 AT 0043 72 08 153 33* FR 0033 97 75 58 222*
BE 0032 78 48 16 19* IE 0035 38 1800 0300*
CH 0041 43 50 87 350* LU 0035 22 08 80 512*
DE 0049 32 22 10 98 299* NL 0031 85 44 44 102*
ES 0034 657 76 64 25* UK 0044 20 369 505 53*

EU 0031 85 44 44 100

Monday-Friday, CET 9:00am - 5:00pm
* Local phone charges may apply.

2 Start

2.1 Safety



Part 1
General Safety

Jungle Gym

<https://helpdesk.jungle gym.com/api/v1/attachments/11436>

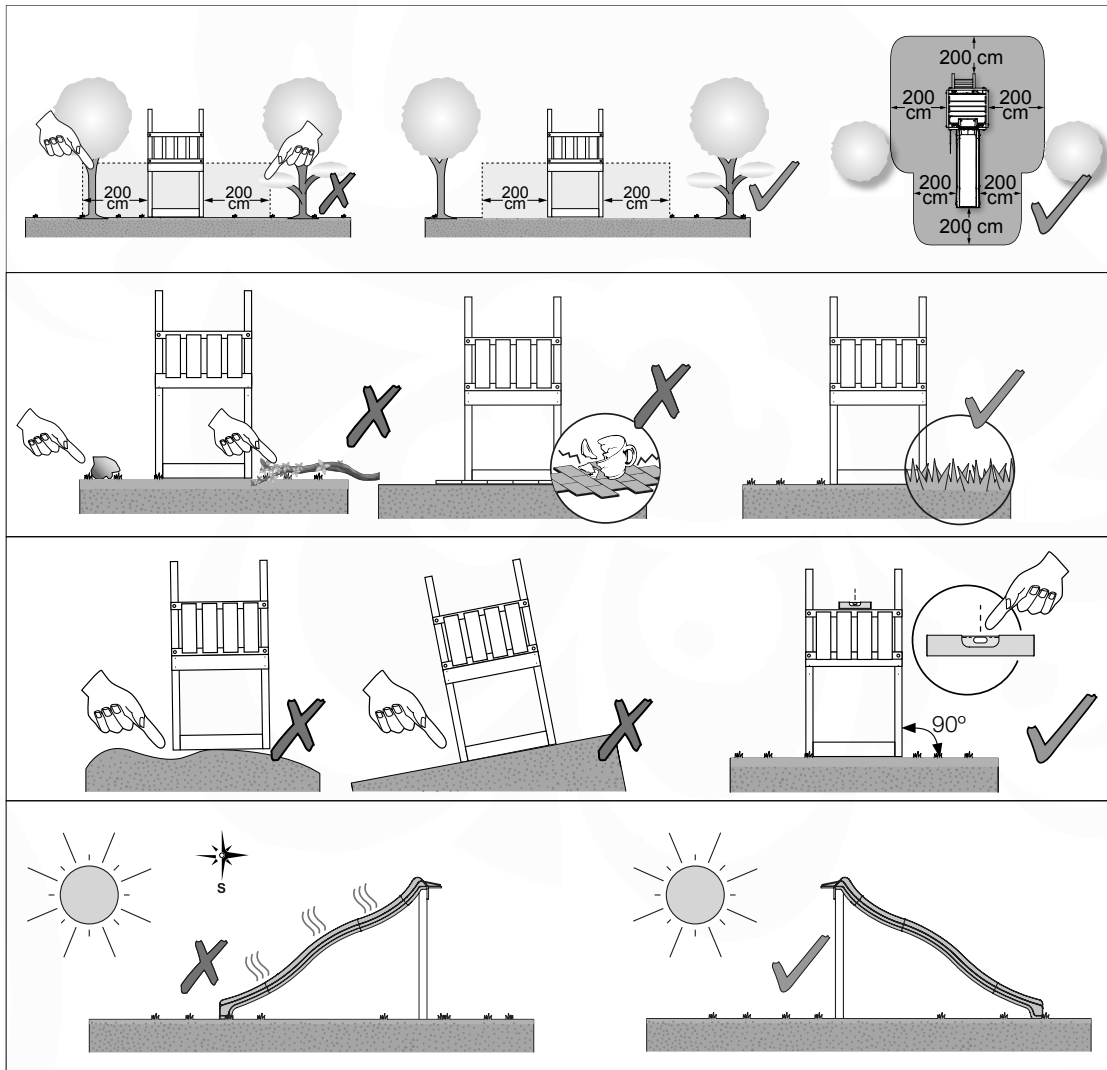
Icons illustrating safety requirements:

- Person kneeling with a crossed-out icon of a person kneeling.
- Person wearing a hard hat with a crossed-out icon.
- Person wearing safety glasses.
- Person wearing work gloves.
- Person wearing ear protection with a checkmark.

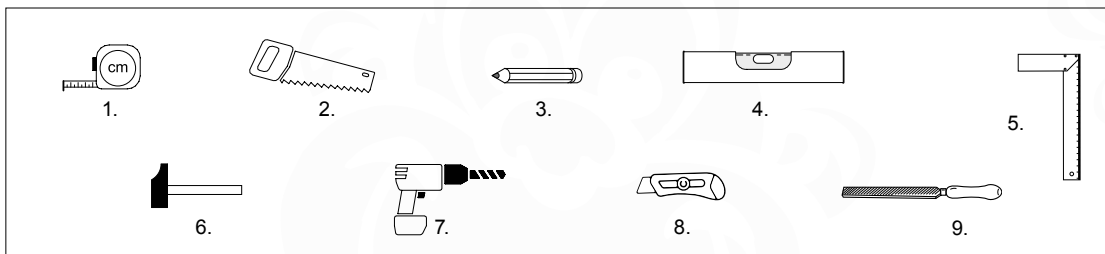
Illustrations of correct and incorrect assembly practices:

- Incorrect: Two workers are shown with a child standing between them and a crossed-out icon.
- Correct: Two workers are shown with a child standing between them and a checkmark.

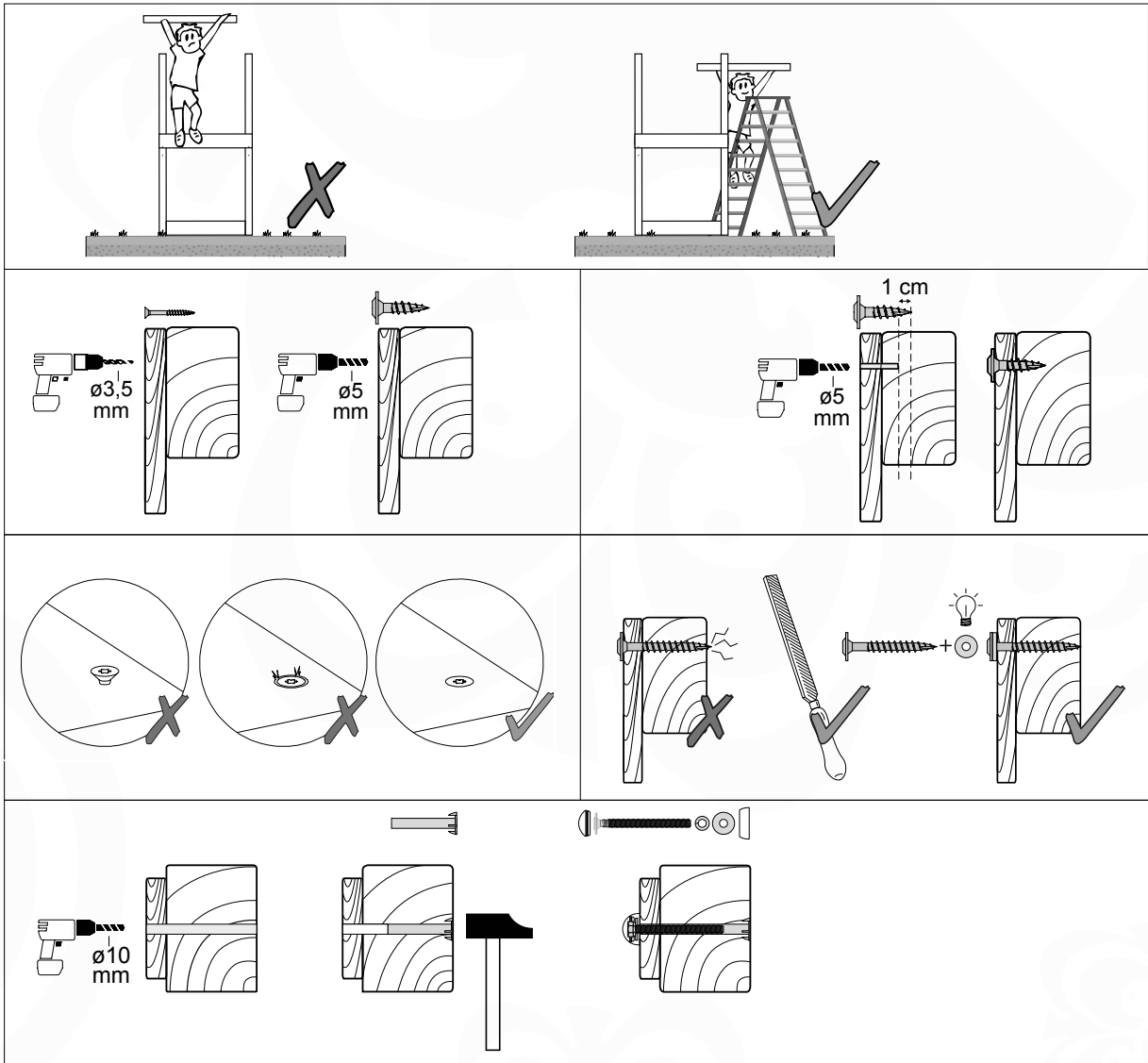
2.2 Planning



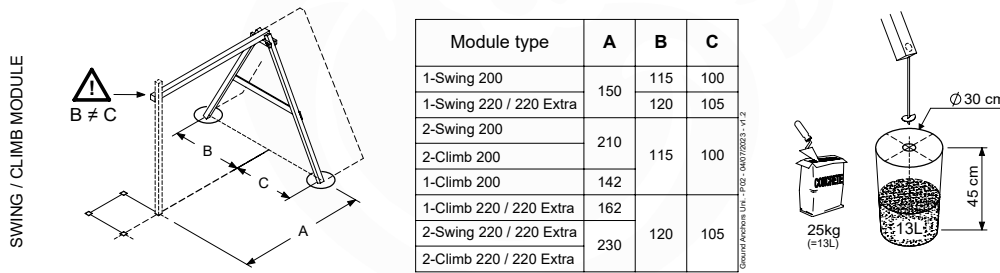
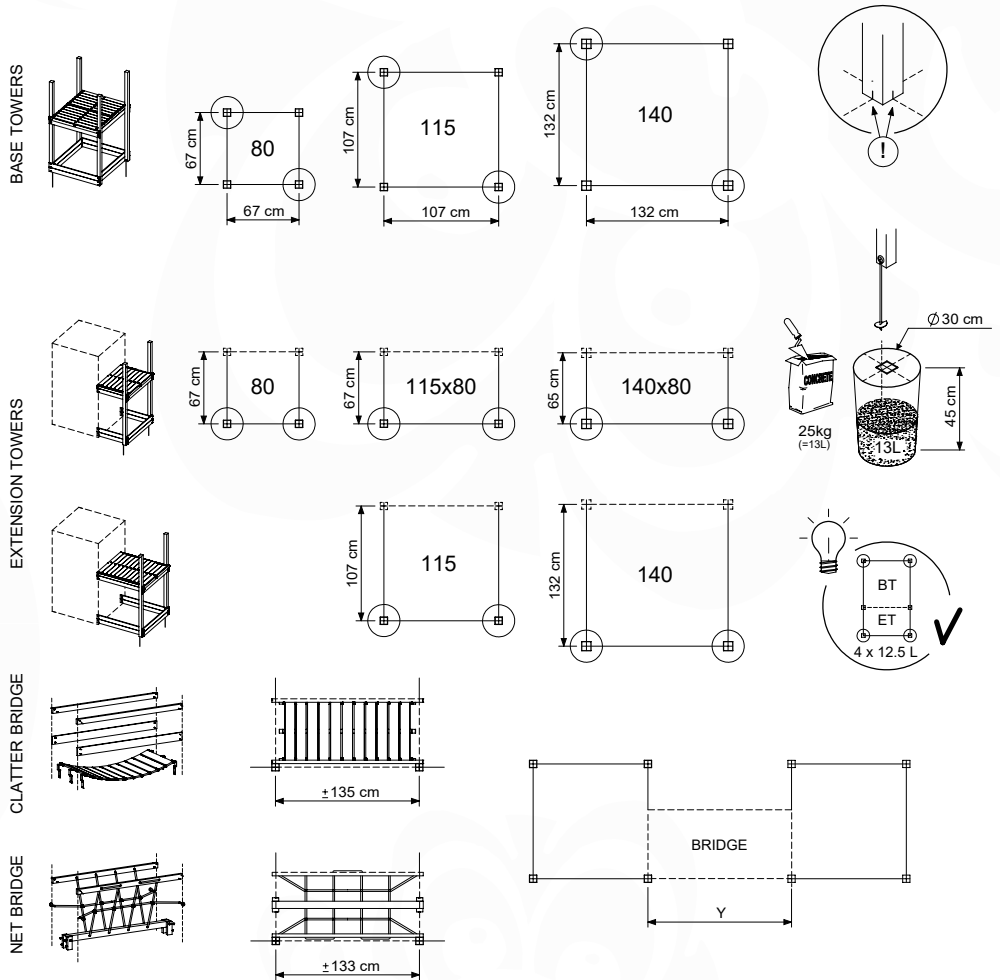
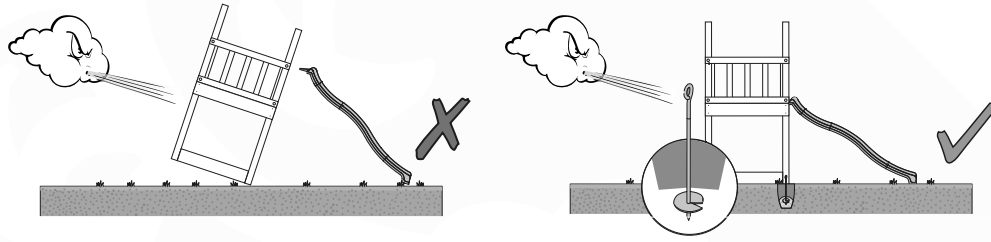
2.3 Tools



2.4 Assembly



3 Universal anchoring plan



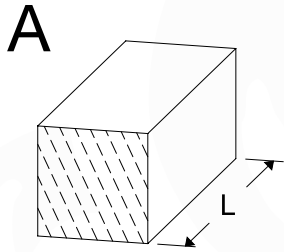
4 Overview

4.1 Order specification

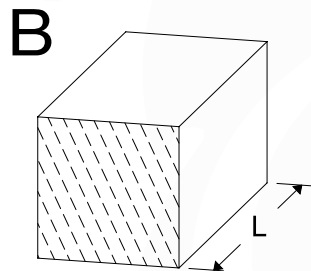


#	Description	Supplier ID	Assembly ID
1	Base Tower 80_220220_125	790_003	BT03a
1	Base Tower 115_240240_125	792_002	BT11a
1	Extension Tower 80_200_125	790_101	ET01a
1	Extension Tower 11580_220_145 down	792_105	ET11a
1	Roof Timber Gable 115	792_202	RF08a
1	Roof Timber Gable 80	790_201	RF21a
4	Balustrade 80_ U	790_301	BL01a
1	Balustrade 115_ T	792_301	BL04a
1	Playhouse 80 T Window	790_313	PH06a
1	Ladder 115_145 T L x Balustrade	792_432	LA17a
1	Ramp 80_125 U	790_441	RA03a
1	Picnic 115 T	792_503	PC06a
1	Tunnel Bridge 80 T level	790_631	TB02a
1	Bridge Frame 115 T R Crawl	792_603	BF08a
1	Slide Frame 115_125 U L x Balustrade	792_901	SL06a
1	Fireman's pole 80 T	790_903	FP02a
1	2- Climb Module 200	757_108	CL05a
1	Accessories Set	194_119	AC01a
2	Accessories Sling Swing	250_001	AC23a
1	Wavy Star Slide XL	324_x00a	324_x00a

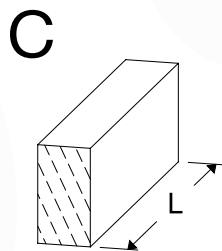
4.2 Timber parts



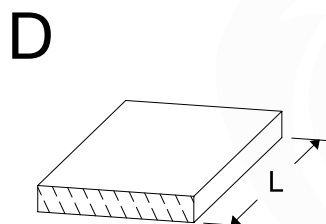
ID	L	#
A200	199 cm - 200 cm	2
A220	219 cm - 220 cm	10
A240	239 cm - 240 cm	4



B67	66 cm - 67 cm	1
B220	219 cm - 220 cm	1



C37	36 cm - 37 cm	12
C56	55 cm - 56 cm	2
C62	61 cm - 62 cm	2
C70	69 cm - 70 cm	3
C74	73 cm - 74 cm	29
C84	83 cm - 84 cm	3
C90	89 cm - 90 cm	2
C96	85 cm - 96 cm	2
C114	113 cm - 114 cm	10
C141	140 cm - 141 cm	8
C150	149 cm - 150 cm	2
C154	153 cm - 154 cm	2

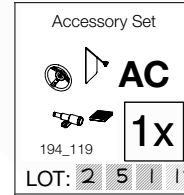


D47	46 cm - 47 cm	1
D60	59 cm - 60 cm	51
D65	64 cm - 65 cm	29
D74	73 cm - 74 cm	47
D100	99 cm - 100 cm	29
D114	113 cm - 114 cm	23
D127	126 cm - 127 cm	24
D141	140 cm - 141 cm	5

5.3 Assembly packs



Example



<p>Roof Timber 115</p> <p>RF</p> <p>194_308</p> <p>1x</p> <p>LOT: [][][][]</p>	<p>Fireman's Pole</p> <p>FP</p> <p>201_275</p> <p>1x</p> <p>LOT: [][][][]</p>	<p>Climb Frame Kit</p> <p>CL</p> <p>457_106</p> <p>1x</p> <p>LOT: [][][][]</p>	<p>Ladder 145</p> <p>LA</p> <p>194_004</p> <p>1x</p> <p>LOT: [][][][]</p>	<p>Hardware 01</p> <p>BL H01</p> <p>194_101</p> <p>6x</p> <p>LOT: [][][][]</p>
<p>Balustrade 140</p> <p>BL</p> <p>194_501</p> <p>2x</p> <p>LOT: [][][][]</p>	<p>Accessory Set</p> <p>AC</p> <p>194_119</p> <p>1x</p> <p>LOT: [][][][]</p>	<p>Sling Swing</p> <p>AC</p> <p>250_001</p> <p>2x</p> <p>LOT: [][][][]</p>	<p>Tower 80</p> <p>BT ET</p> <p>194_100</p> <p>2x</p> <p>LOT: [][][][]</p>	<p>Bridge Frame</p> <p>BF</p> <p>194_007</p> <p>1x</p> <p>LOT: [][][][]</p>
<p>Tower 115</p> <p>BT ET</p> <p>194_300</p> <p>2x</p> <p>LOT: [][][][]</p>	<p>Hardware 12</p> <p>H12</p> <p>194_812</p> <p>1x</p> <p>LOT: [][][][]</p>	<p>Mesh Green 185 x 120cm</p> <p>123_230</p> <p>1x</p> <p>LOT: [][][][]</p>	<p>Hardware 10</p> <p>H10</p> <p>194_810</p> <p>1x</p> <p>LOT: [][][][]</p>	<p>Canvas 136 x 74cm</p> <p>123_220</p> <p>1x</p> <p>LOT: [][][][]</p>
<p>Slide XL 2.2m</p> <p>324_x00</p> <p>1x</p> <p>LOT: [][][][]</p>	<p>Slide Frame</p> <p>SL</p> <p>194_107</p> <p>1x</p> <p>LOT: [][][][]</p>	<p>Ramp</p> <p>RA</p> <p>194_008</p> <p>1x</p> <p>LOT: [][][][]</p>	<p>Roof Timber 80 / Wall Panel</p> <p>RF PH</p> <p>194_111</p> <p>1x</p> <p>LOT: [][][][]</p>	

5.4 Your config ID: eL6wZm

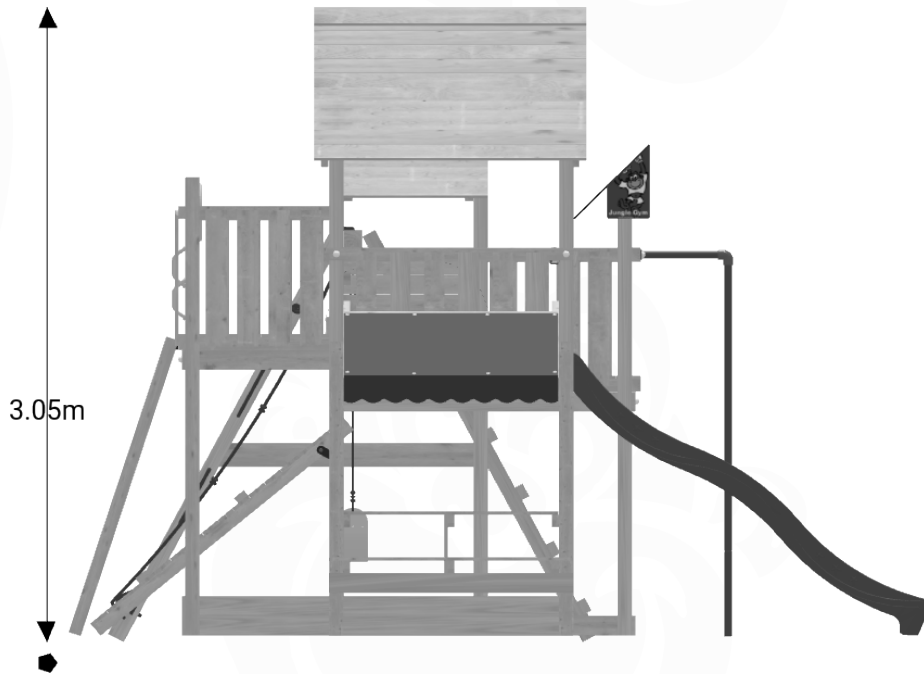
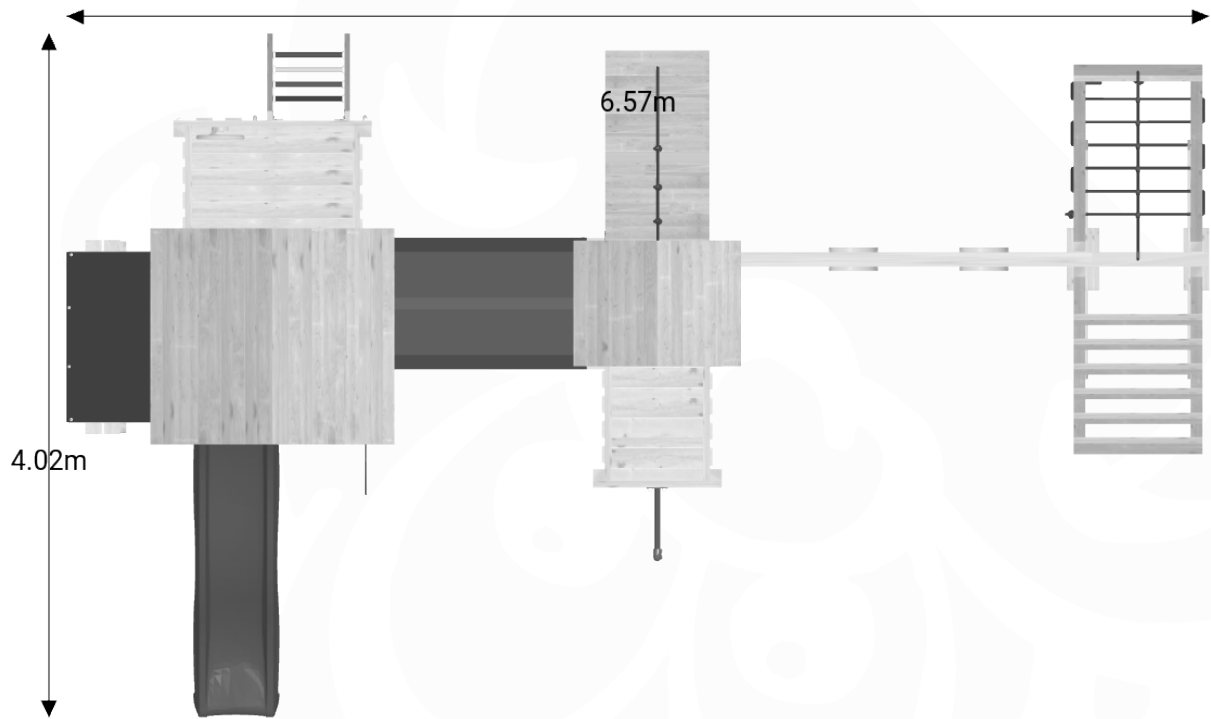


6 Hardware Identification

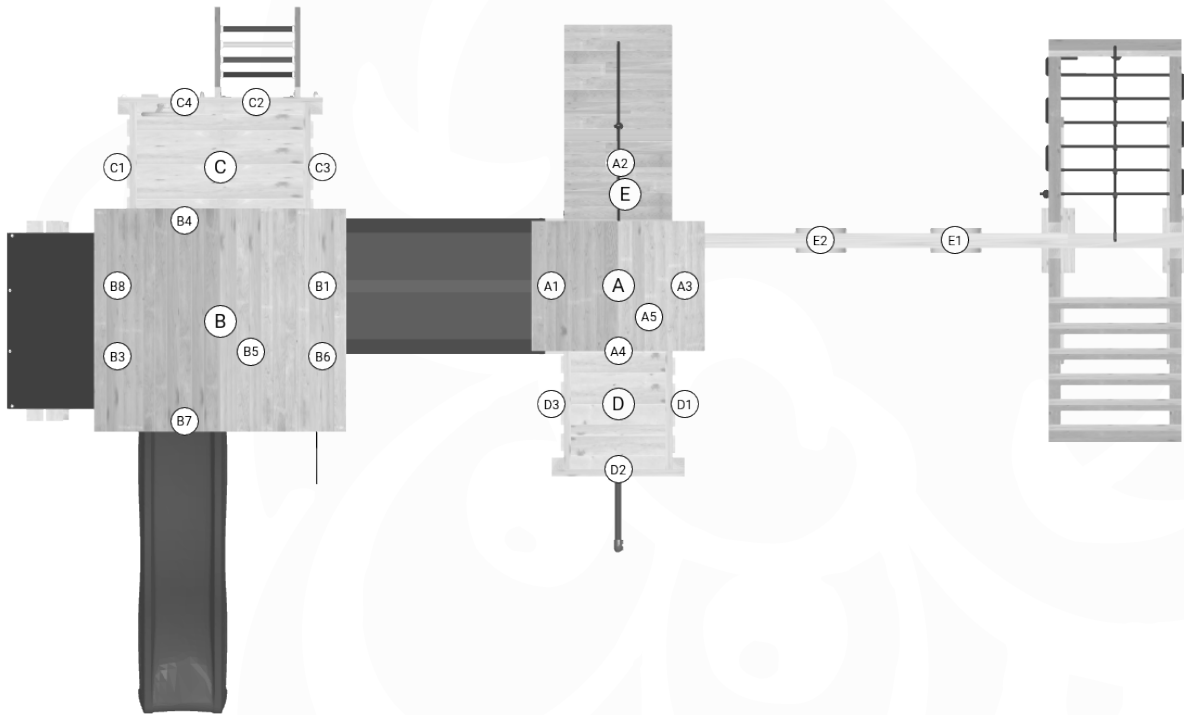
Image	SKU	L	Image	SKU	L
	001_404 001_406 001_411 001_417 001_422	30 mm 45 mm 60 mm 80 mm 137 mm		002_308 002_219 002_220 002_223	20 mm 30 mm 45 mm 80 mm
	001_102	30 mm		003_010	
	000_101	20 mm		003_034	
	002_036	16 mm		004_050	22mm
	002_041	20 mm		022_845 022_846 022_847 022_848	Yellow Blue Green Red
	002_042	13 mm		023_031	White
	002_301	40 mm		120_005	White
				022_844	
				022_314	

output: 25/05/23






7 Dimensions



8 Assembly Planning



	ID			A	B	C	D	E
1	BT03a		p.15	✓	-	-	-	-
2	BT11a		p.17	-	✓	-	-	-
3	ET01a		p.20	-	-	-	✓	-
4	ET11a		p.22	-	-	✓	-	-
5	BL01a		p.25	-	-	C1, C3	D1, D3	-
6	BL04a		p.26	-	B8	-	-	-
7	RF21a		p.27	A5	-	-	-	-
8	RF08a		p.30	-	B5	-	-	-
9	BF08a		p.33	-	B6	-	-	-
10	PH06a		p.35	A3	-	-	-	-
11	TB02a		p.36	A1	B1	-	-	-
12	PC06a		p.41	-	B3	-	-	-
13	LA17a		p.45	-	-	C2	-	-
14	RA03a		p.48	A2	-	-	-	-

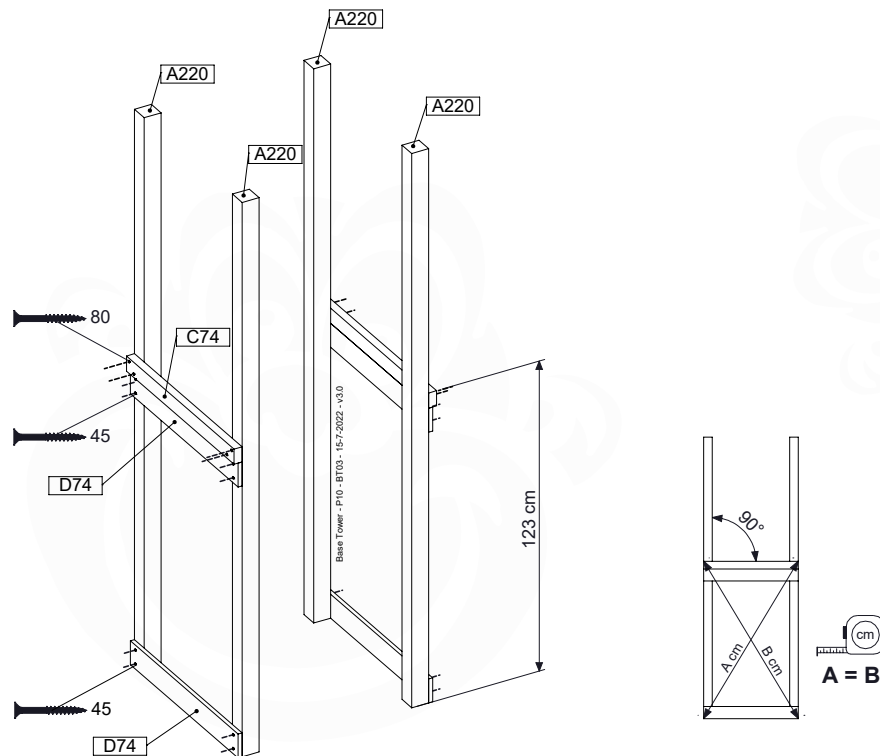
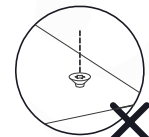
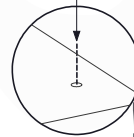
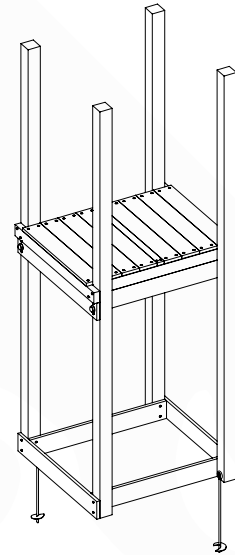
	ID			A	B	C	D	E
15	CL05a		p.52	-	-	-	-	✓
16	SL06a		p.61	-	B7	-	-	-
17	FP02a		p.65	-	-	-	D2	-
18	GA		p.66	✓	✓	✓	✓	✓
19	AC01a		p.68	-	✓	-	-	-

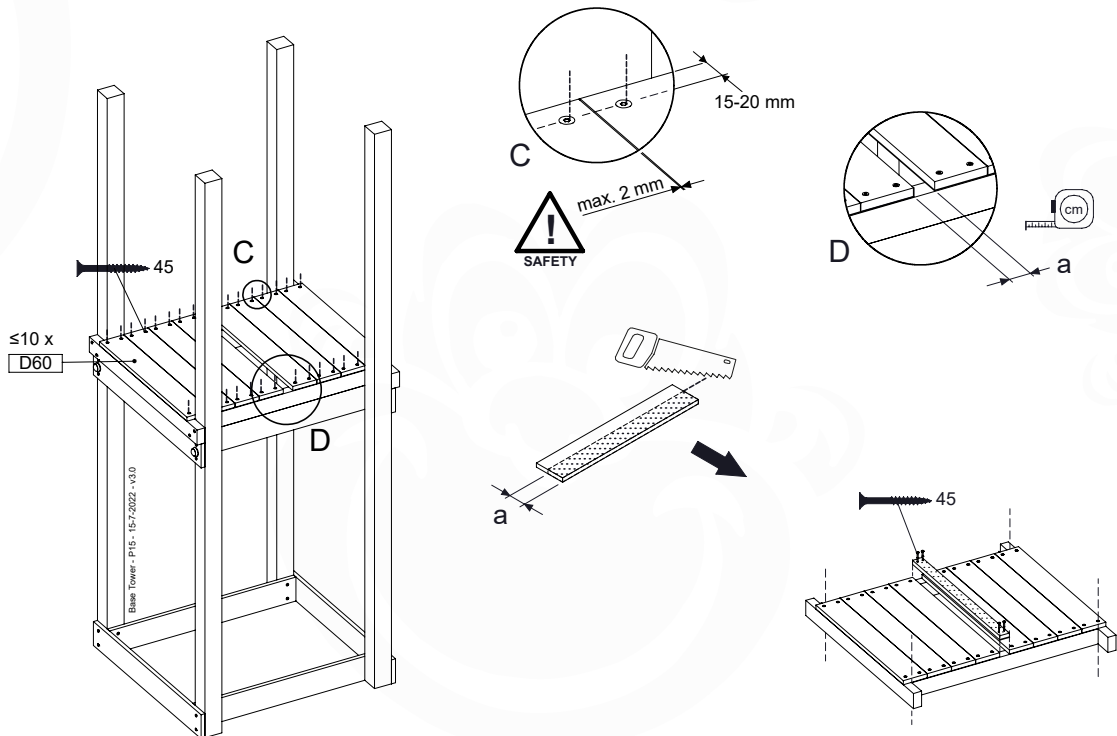
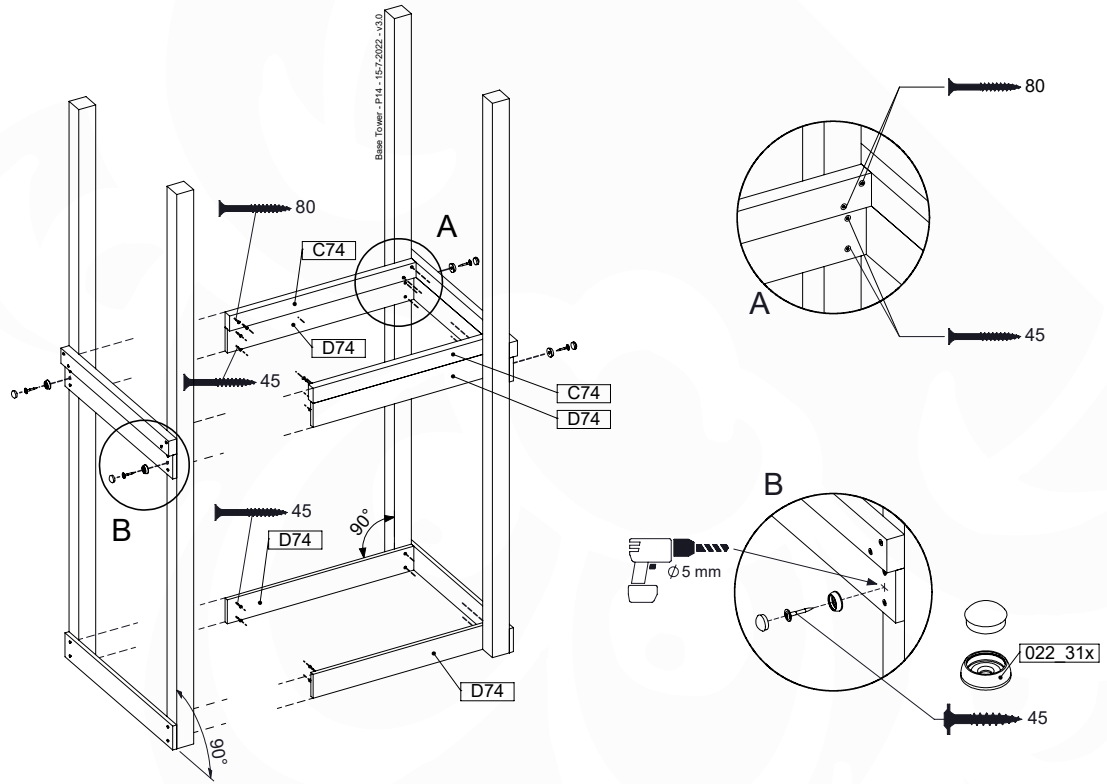
9 BT03a: Base Tower 80 125cm 220220

(194_100)

	PartNo	PartName	QTY.
Hardware Pack 100_600	001_406	Stealth Screw 8x45	6
	002_220	Gap Point Screw T25 - 5x45	76
	002_223	Gap Point Screw T25 - 5x80	16
Other	007_001	Ground-anchor	2
Hardware Pack 100_600	022_31x	bpc-base version 3	4
	022_84x	bpc cover	4
Wood	A220	Post 70x70 L2200	4
	C74	Beam 740 mm	4
	D60	Board 600 mm	10
	D74	Board 740 mm	8

Base Tower - P04 - BT03 - 15-7-2022 - v3.0



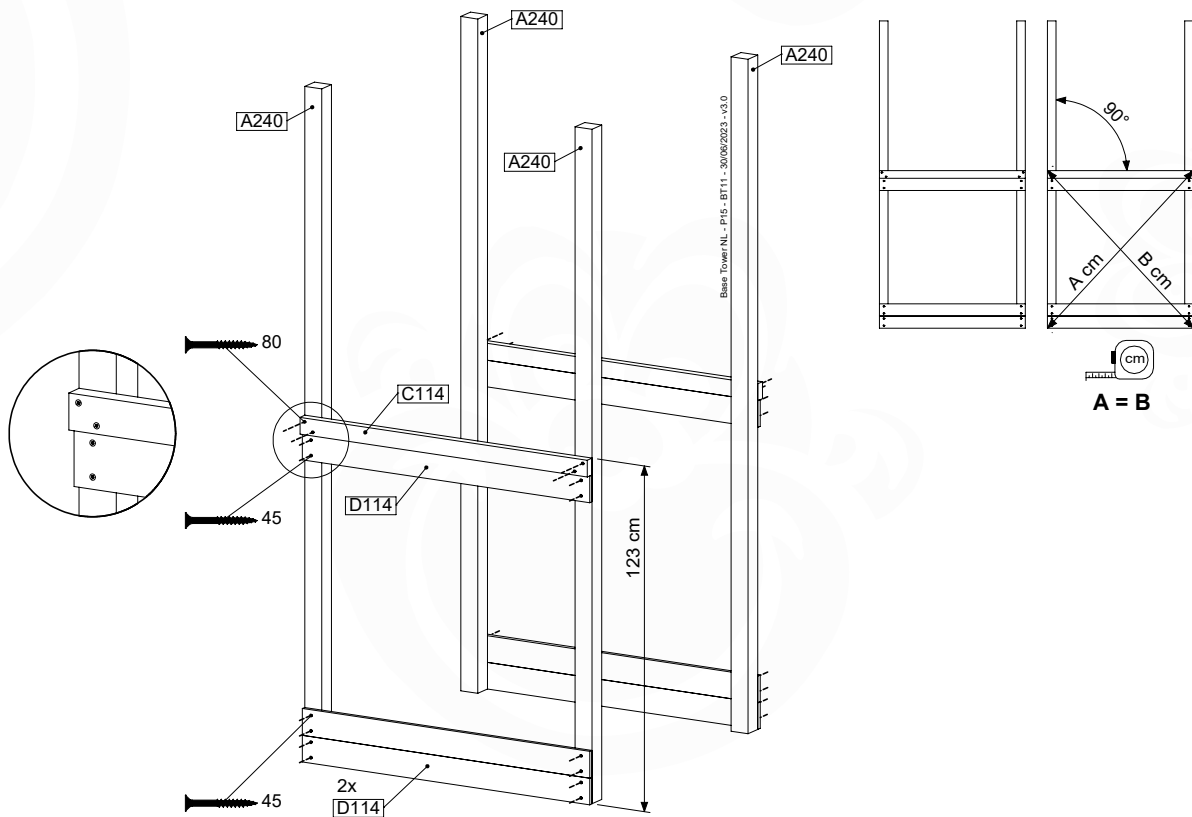
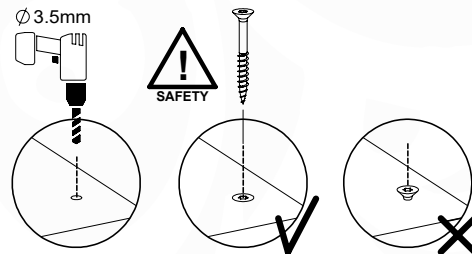
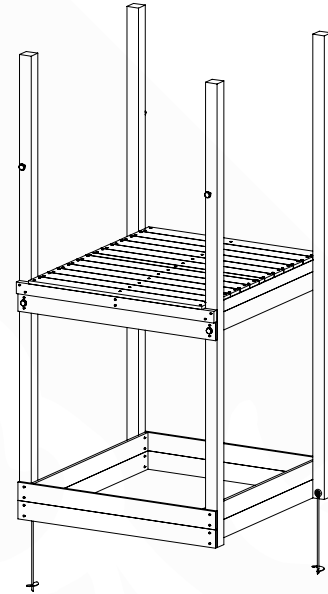


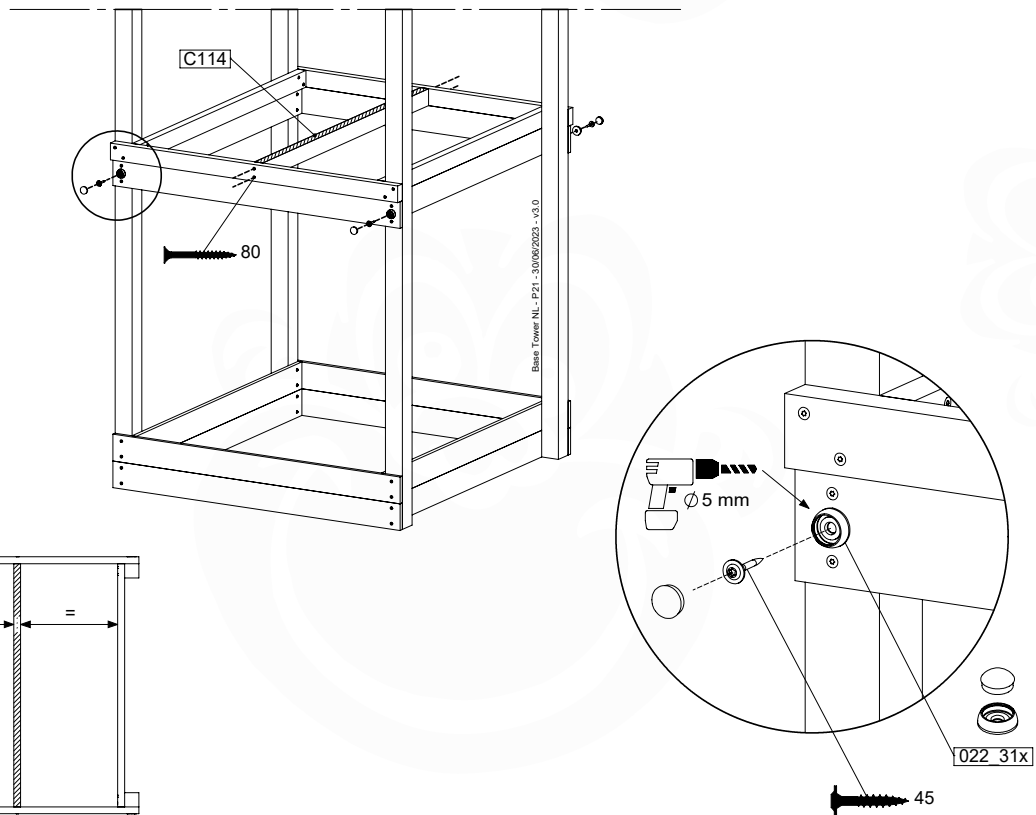
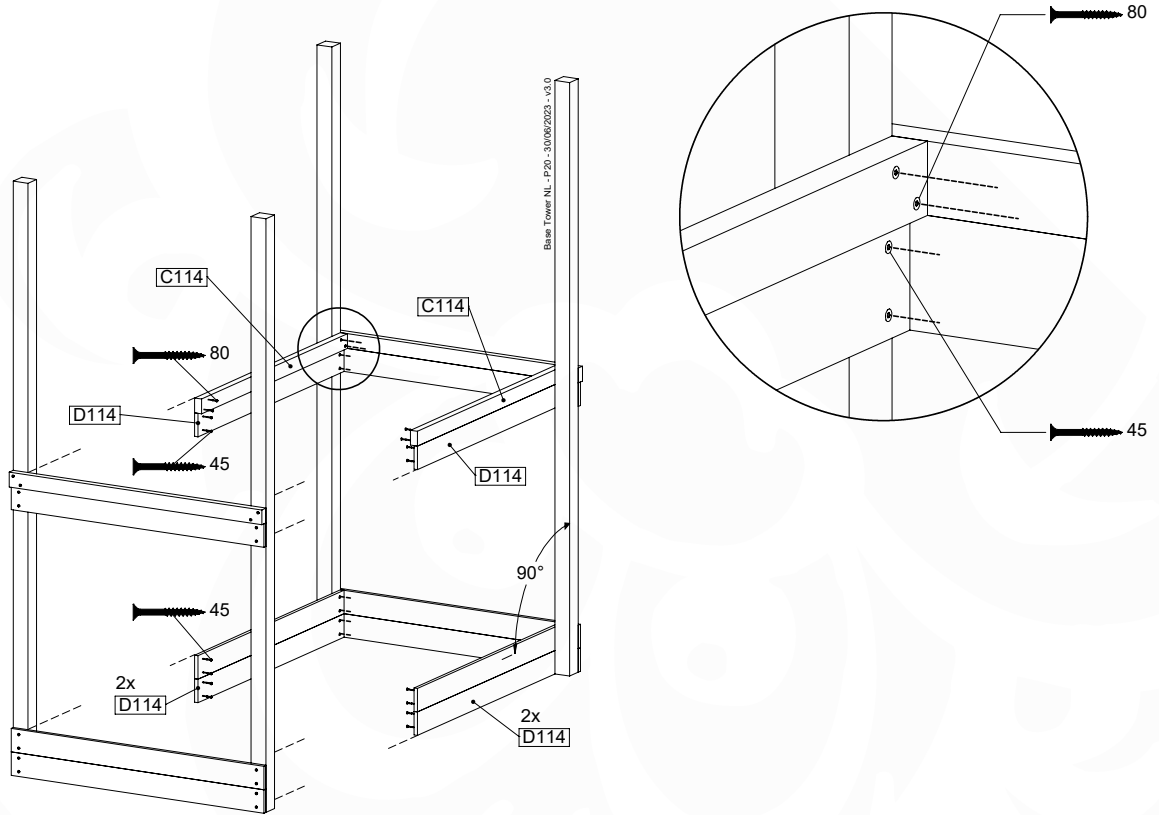
10 BT11a: Base Tower 115 125cm 240240

(194_300)

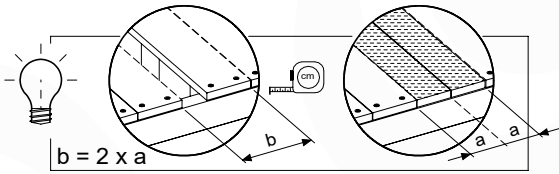
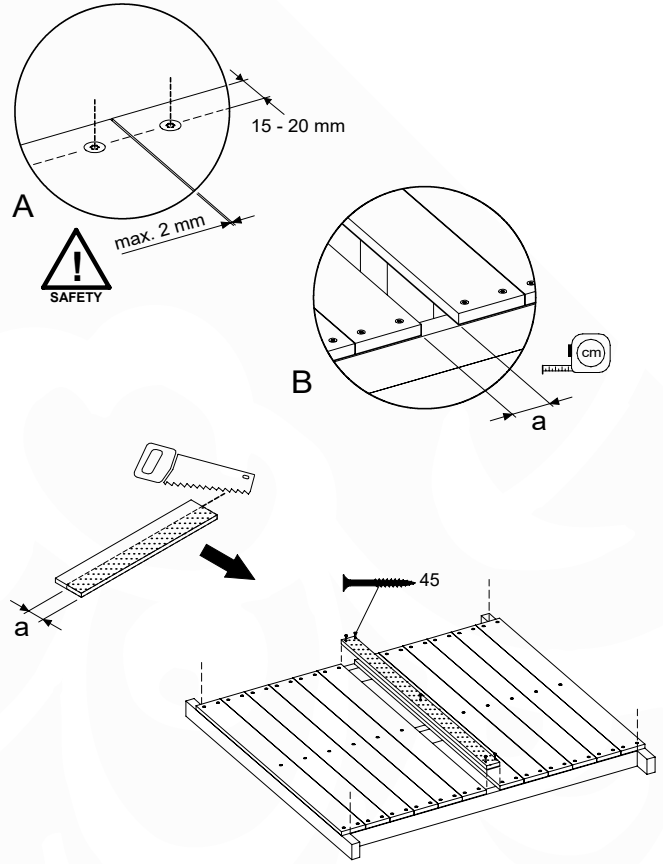
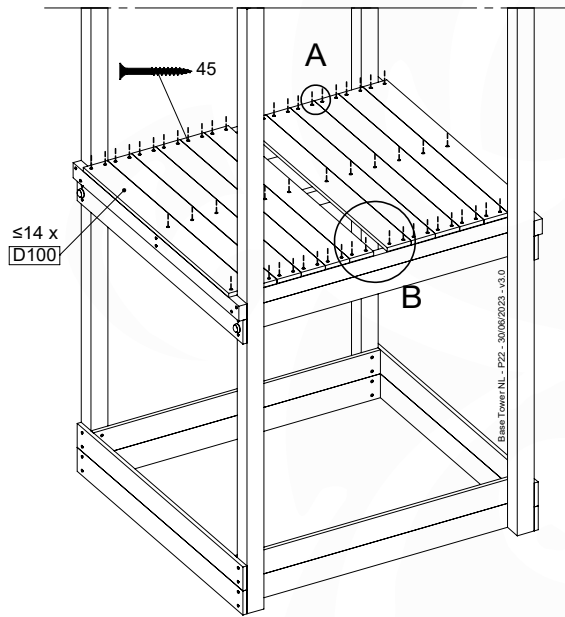
	PartNo	PartName	QTY.
Hardware pack	001_406	Stealth Screw 8x45	6
	001_417	Stealth Screw 8x80	4
	002_220	Gap Point Screw T25 - 5x45	118
	002_223	Gap Point Screw T25 - 5x80	20
	022_31x	bpc-base version 3	8
	022_84x	bpc cover	8
Other	007_001	Ground-anchor	2
Timber	A240	Post 70x70 L2400	4
	C114	Beam 1140 mm	5
	D100	Board 1000 mm	14
	D114	Board 1140 mm	12

Base Tower.NL - POP - BT11 - 30/06/2023 - v3.0





10.2

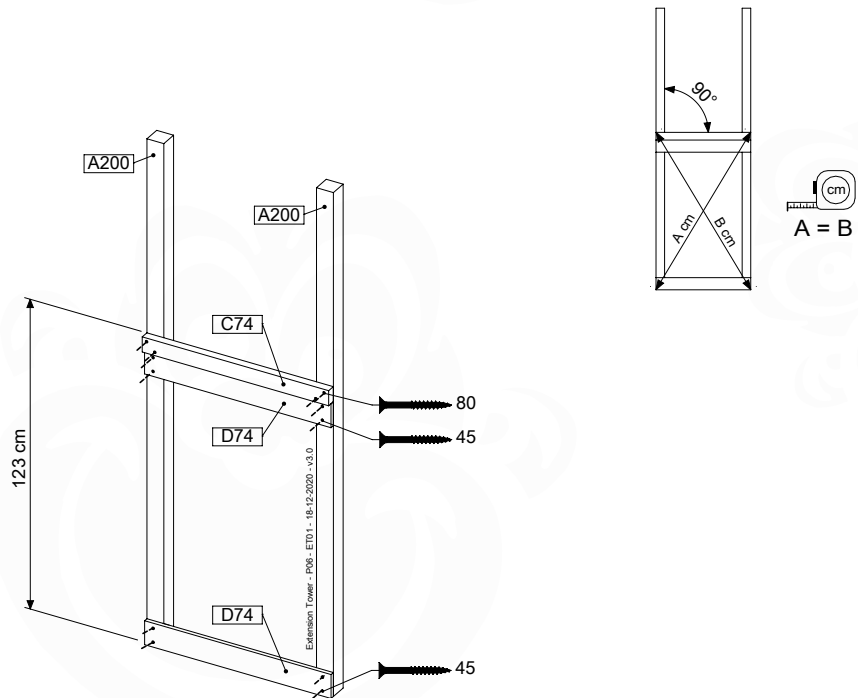
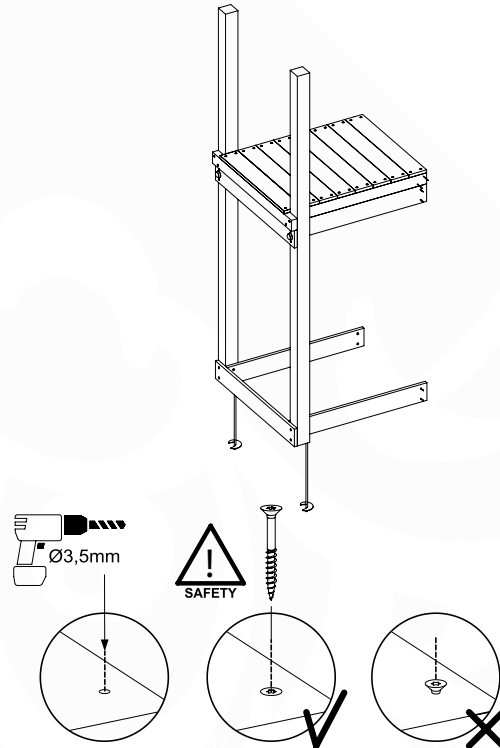


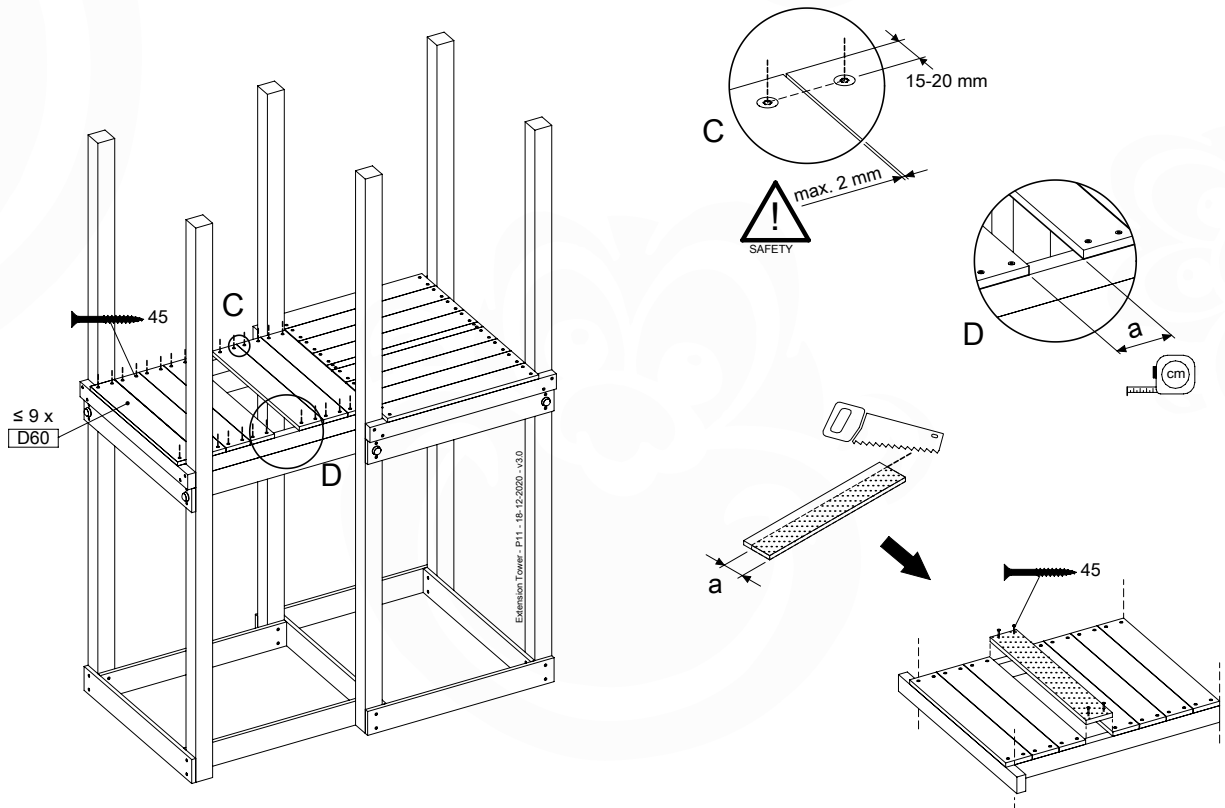
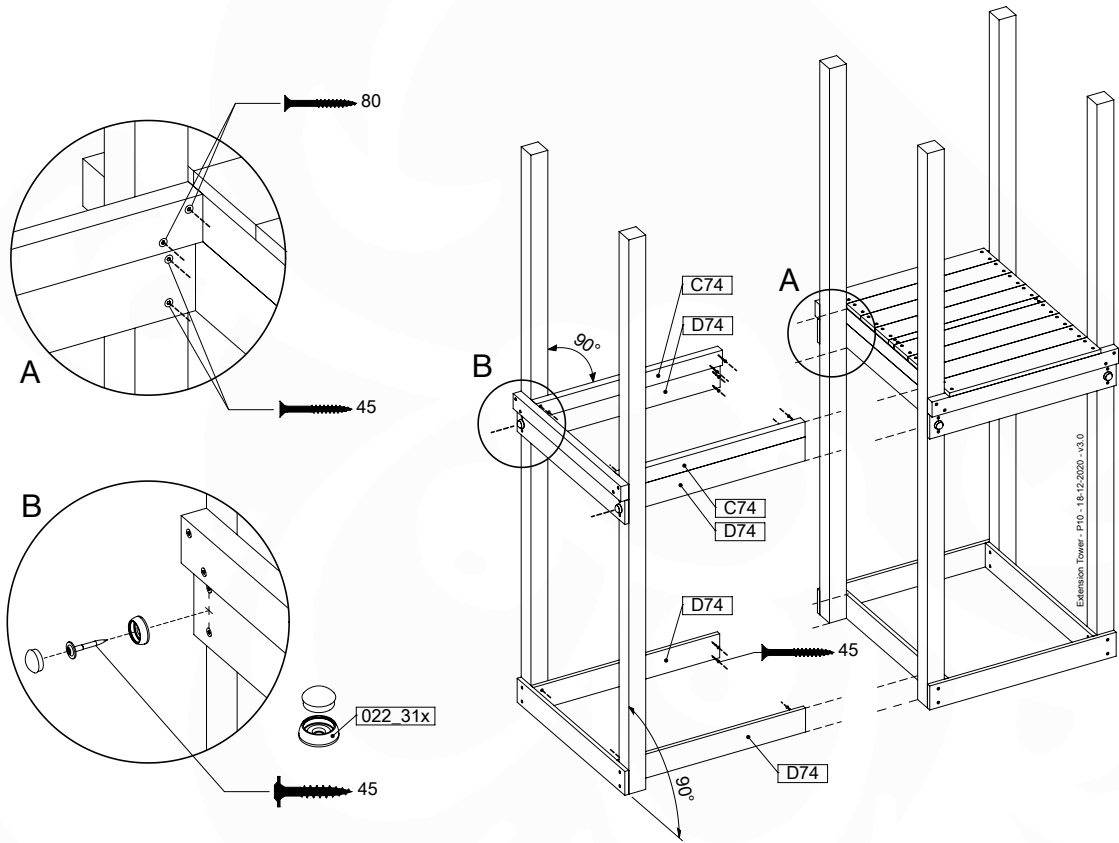
11 ET01a: Extension Tower 80 200/125

(194_100)

	PartNo	PartName	QTY.
Hardware Pack 100_600	001_406	Stealth Screw 8x45	4
	002_220	Gap Point Screw T25 - 5x45	60
	002_223	Gap Point Screw T25 - 5x80	12
Other	007_001	Ground-anchor	2
Hardware Pack 100_600	022_31x	bpc-base version 3	2
	022_84x	bpc cover	2
Wood	A200	Post 70x70 L2000	2
	C74	Beam 740 mm	3
	D60	Board 600 mm	9
	D74	Board 740 mm	6

Extension Tower - P02 - ET01 - 18-12-2020 - v3.0



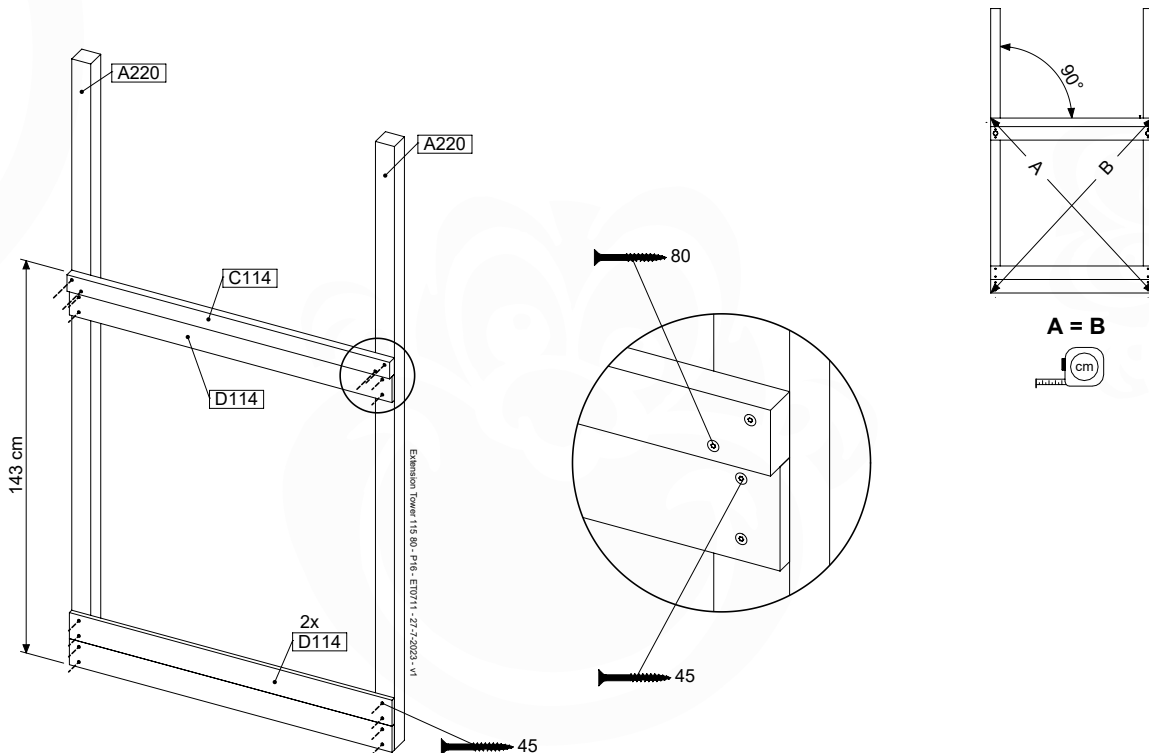
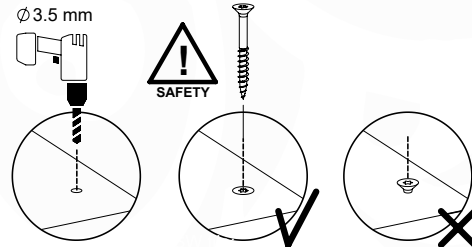
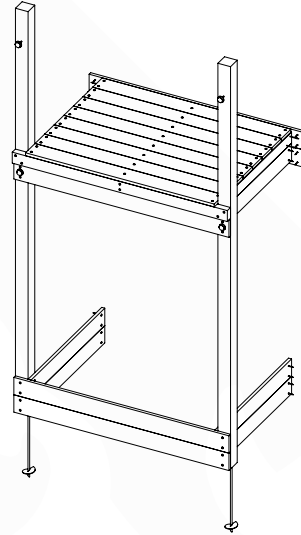


12 ET11a: Extension Tower 11580 220/145

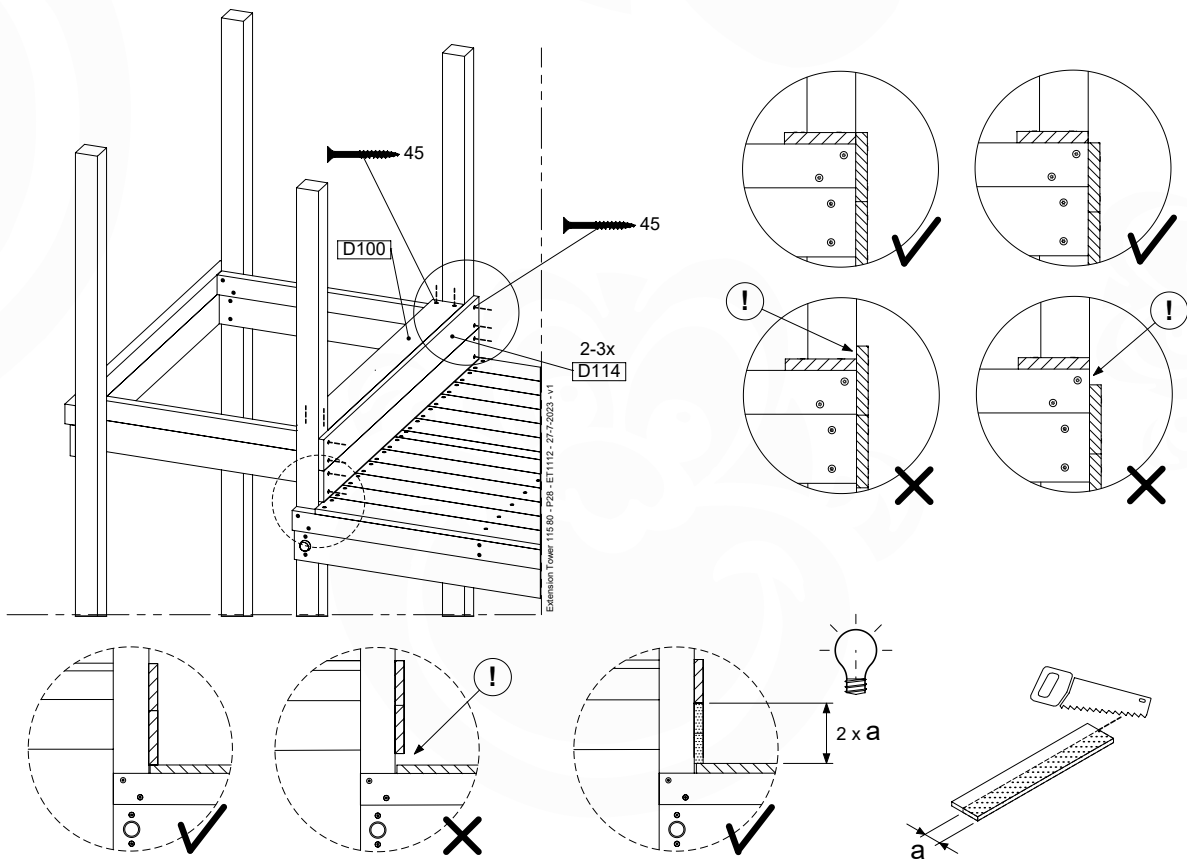
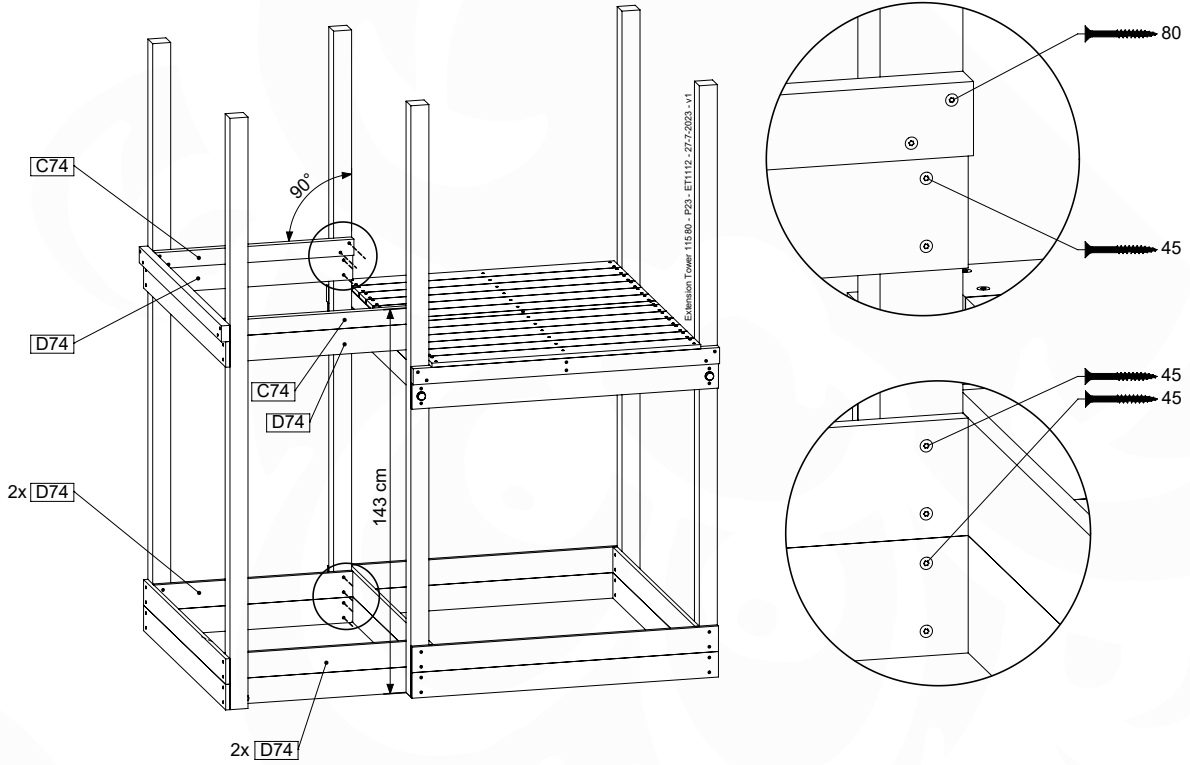
(194_300)

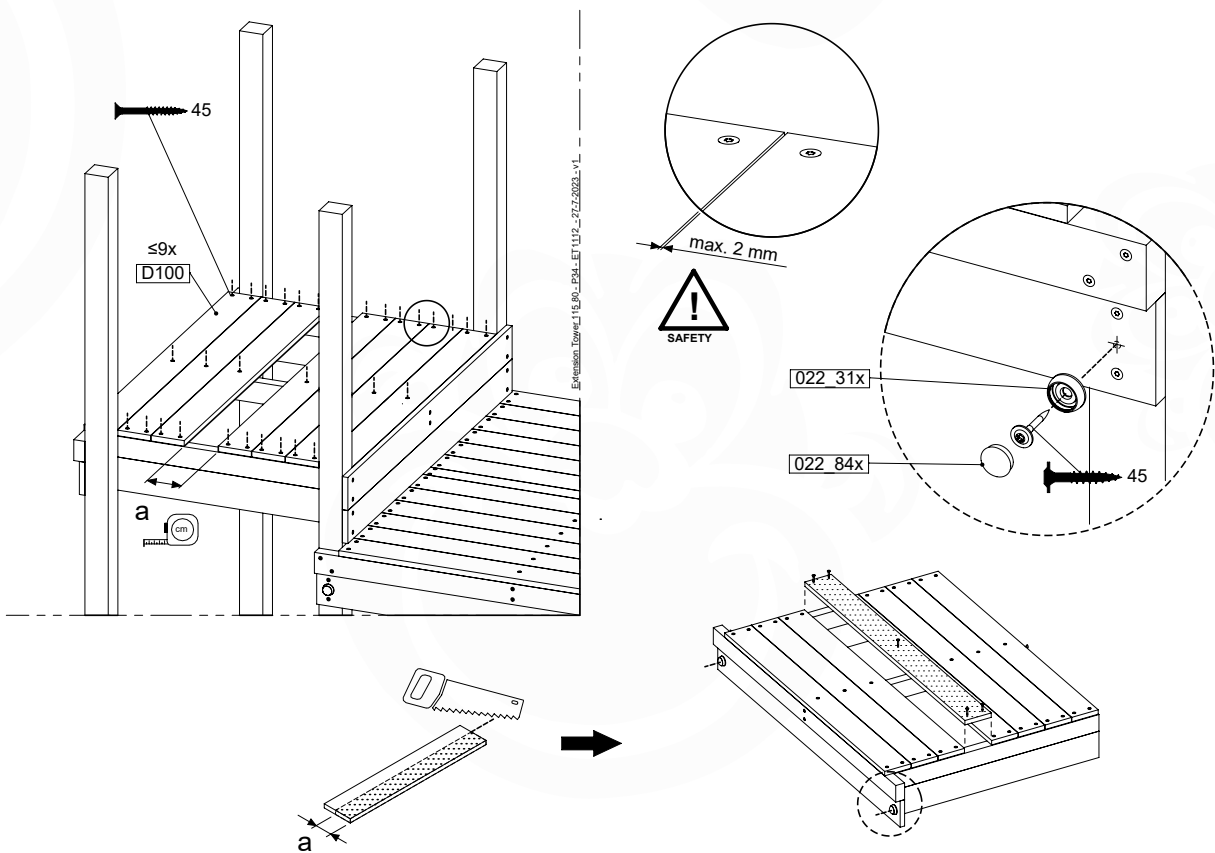
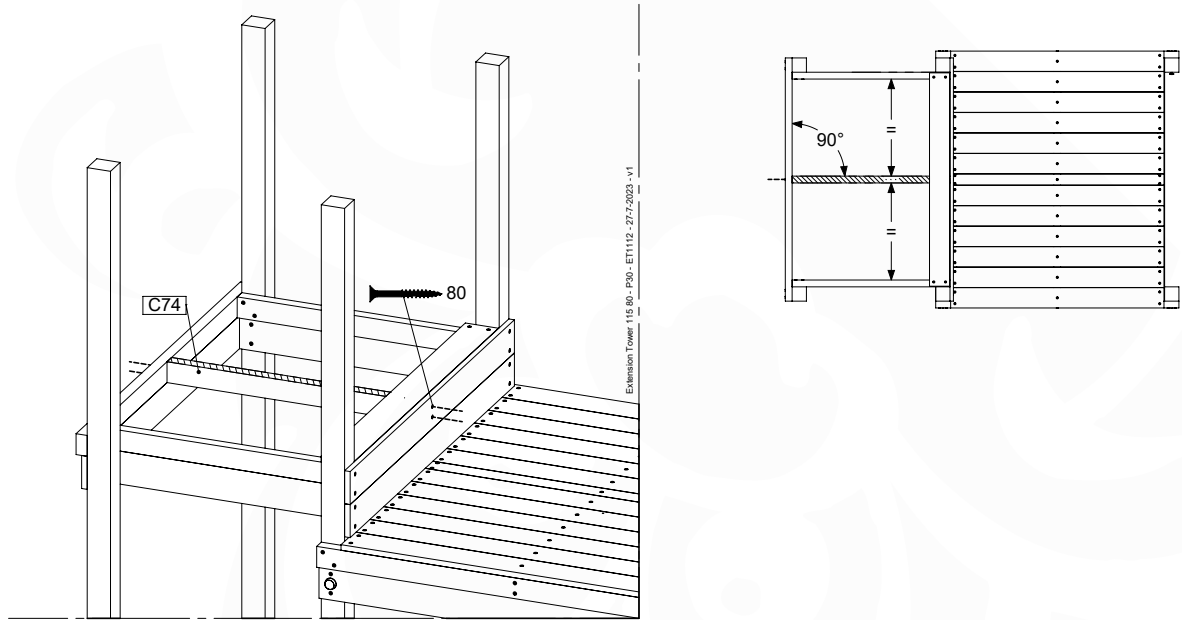
	PartNo	PartName	QTY.
Hardware pack	001_406	Stealth Screw 8x45	4
	001_417	Stealth Screw 8x80	2
	002_220	Gap Point Screw T25 - 5x45	93
	002_223	Gap Point Screw T25 - 5x80	16
Other	007_001	Ground-anchor	2
	022_31x	bpc-base version 3	4
	022_84x	bpc cover	4
Timber	A220	Post 70x70 L2200	2
	C74	Beam 740 mm	3
	C114	Beam 1140 mm	1
	D74	Board 740 mm	6
	D100	Board 1000 mm	9
	D114	Board 1140 mm	6

Extension Tower 11580 - P08 - ET11 - 27-7-2023 - v1



12.1



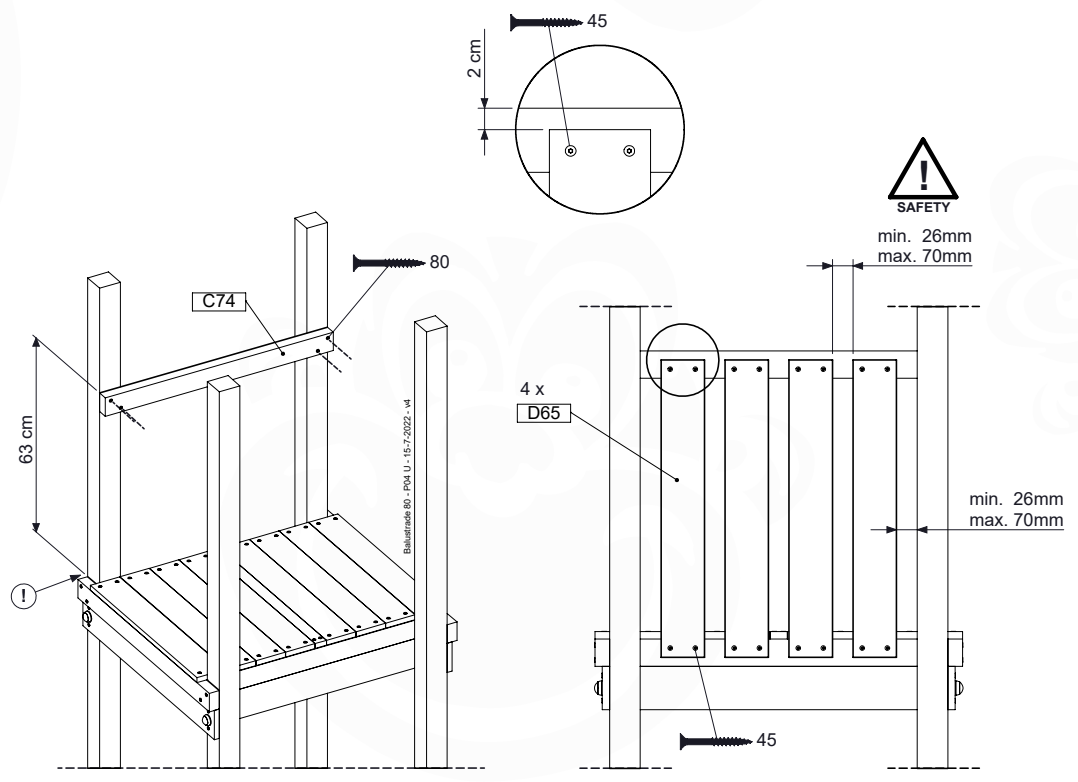
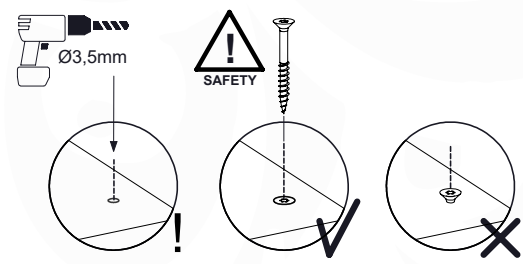
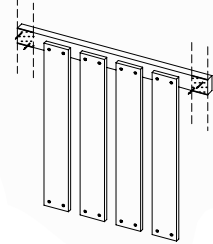


13 BL01a: Balustrade 80 U - 7x7 posts

(194_101)

	PartNo	PartName	QTY.
Hardware Pack	002_220	Gap Point Screw T25 - 5x45	16
	100_601	002_223	Gap Point Screw T25 - 5x80
Timber	C74	Beam 740 mm	1
	D65	Board 650 mm	4

Balustrade 80 - P02 U - 15-7-2022 - v4

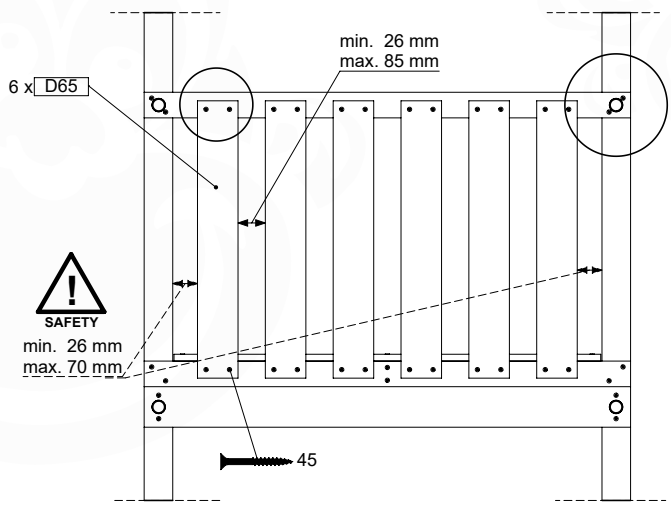
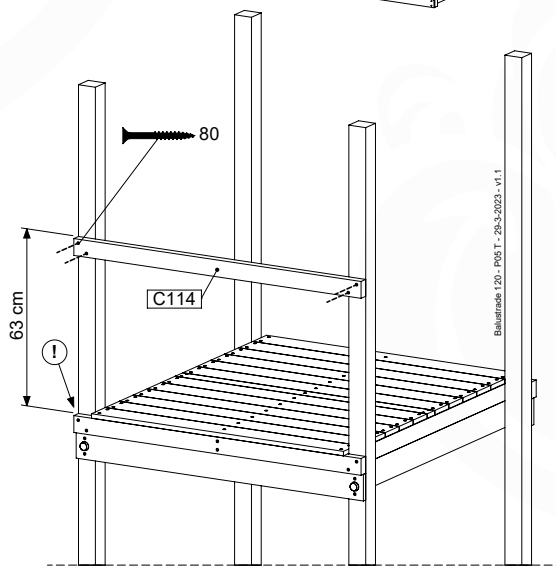
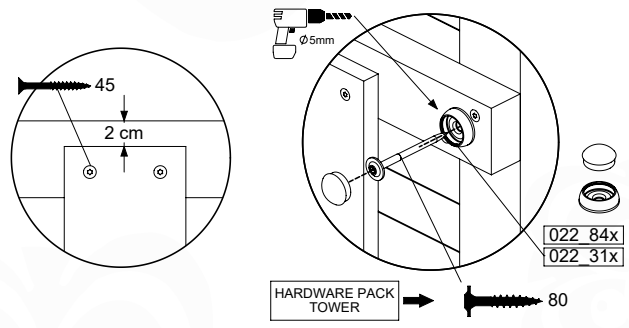
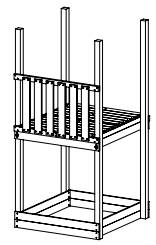
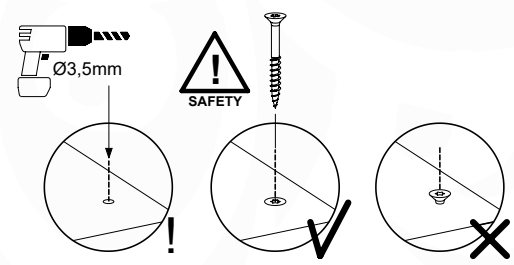
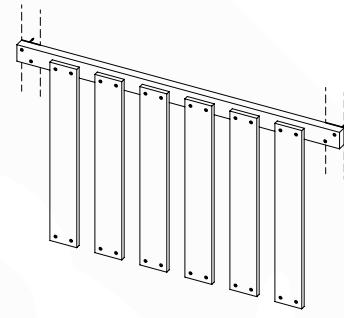


14 BL04a: Balustrade 115 T

(194_501)

	PartNo	PartName	QTY.
Hardware Pack	002_220	Gap Point Screw T25 - 5x45	24
	002_223	Gap Point Screw T25 - 5x80	4
Timber	C114	Beam 1140 mm	1
	D65	Board 650 mm	6

Balustrade 120 - P03 T - 29-3-2023 - v1.1

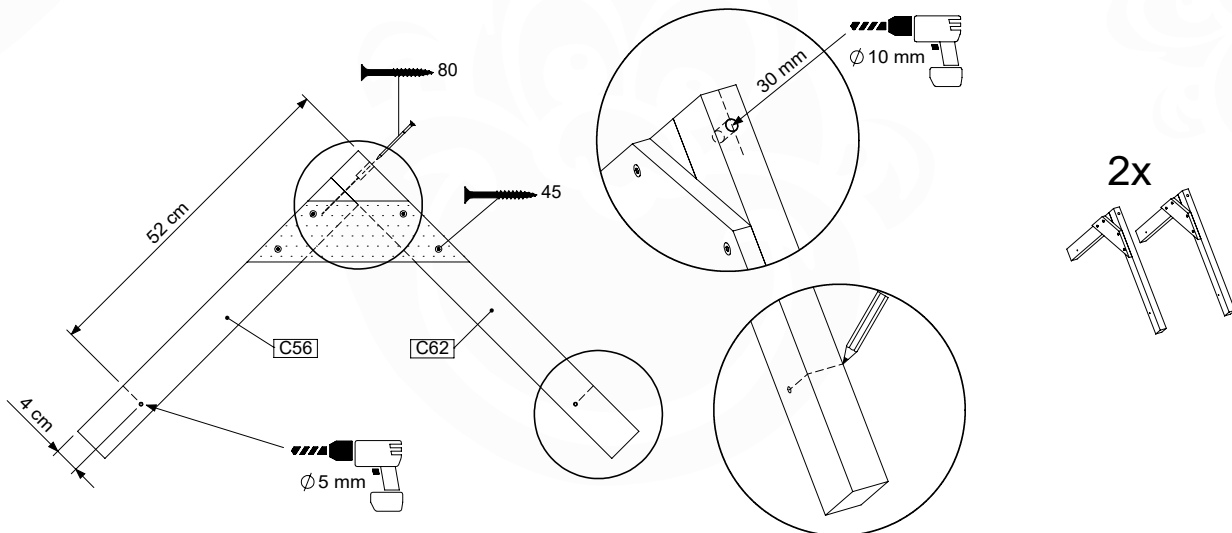
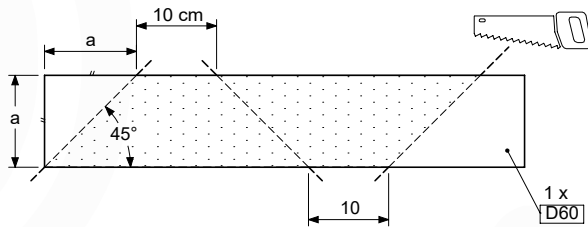
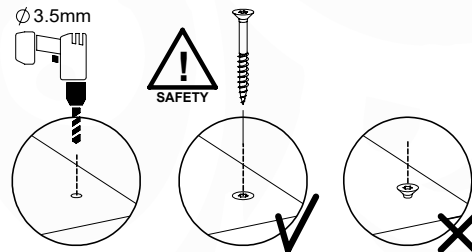
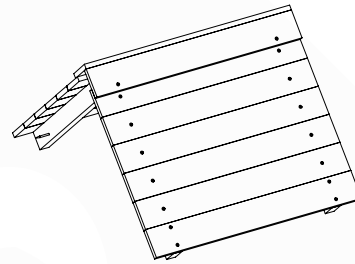


15 RF21a: Roof Timber Gable 80

(194_111)

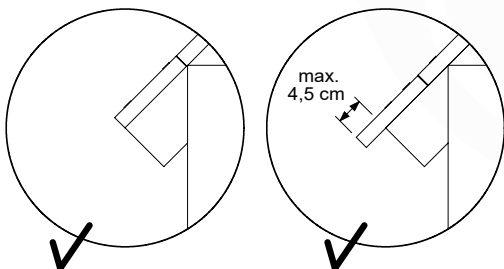
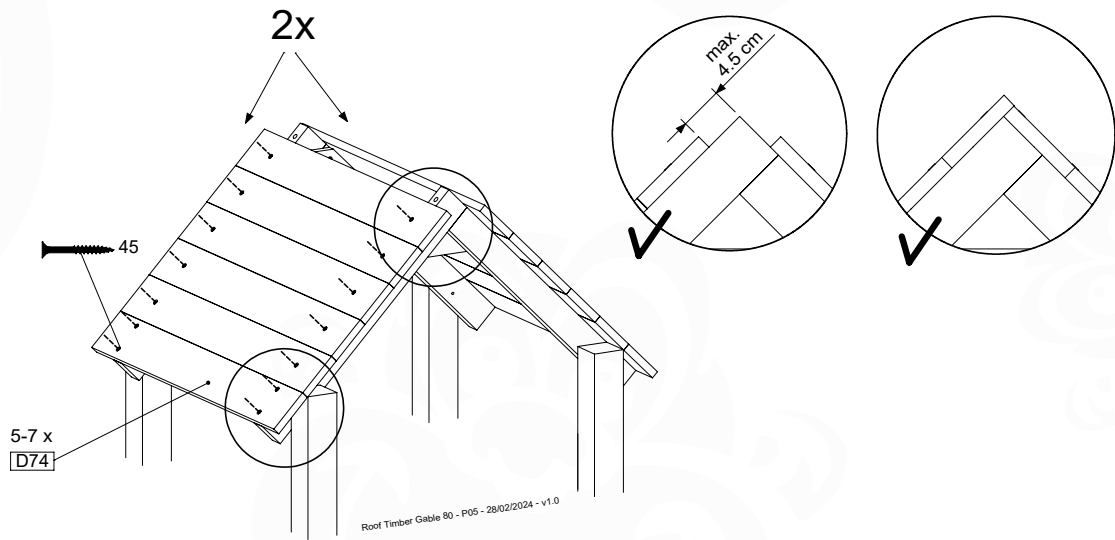
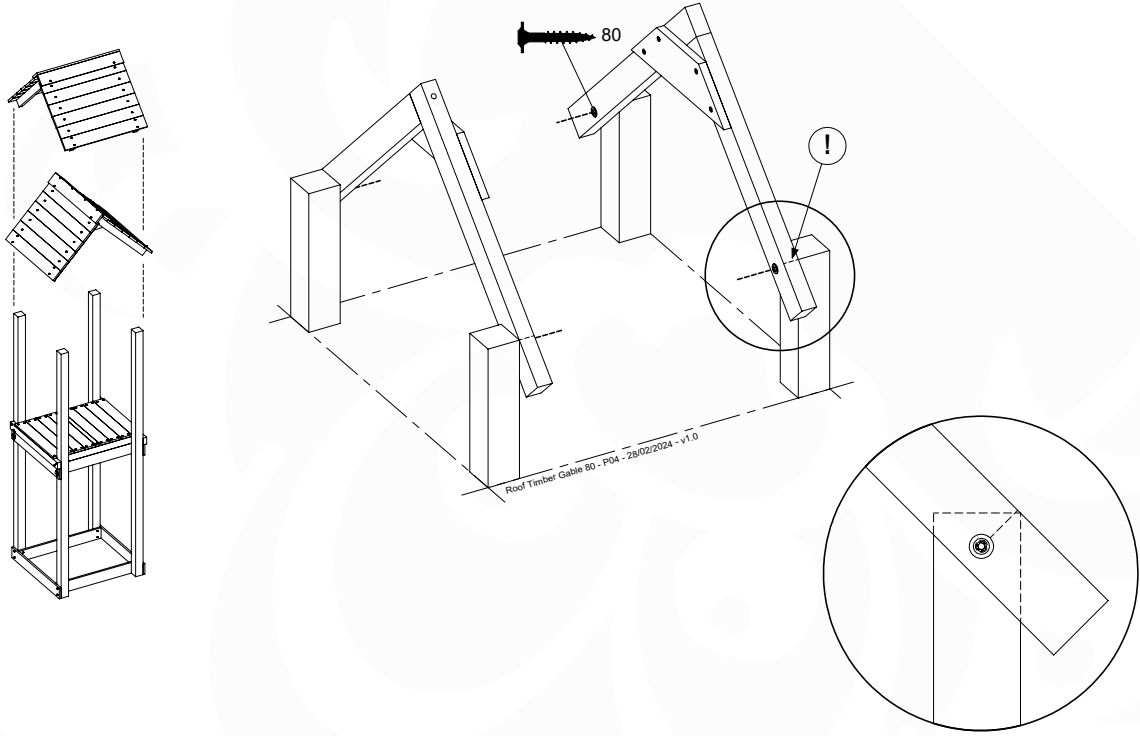
	PartNo	PartName	QTY.
Hardware Pack 100_609	001_417	Stealth Screw 8x80	4
	002_220	Gap Point Screw T25 - 5x45	48
	002_223	Gap Point Screw T25 - 5x80	2
Timber	C56	Beam 560 mm	2
	C62	Beam 620 mm	2
	D60	Board 600 mm	1
	D74	Board 740 mm	16

Roof Timber Gable 80 - P03 - 26/02/2024 - v1.0

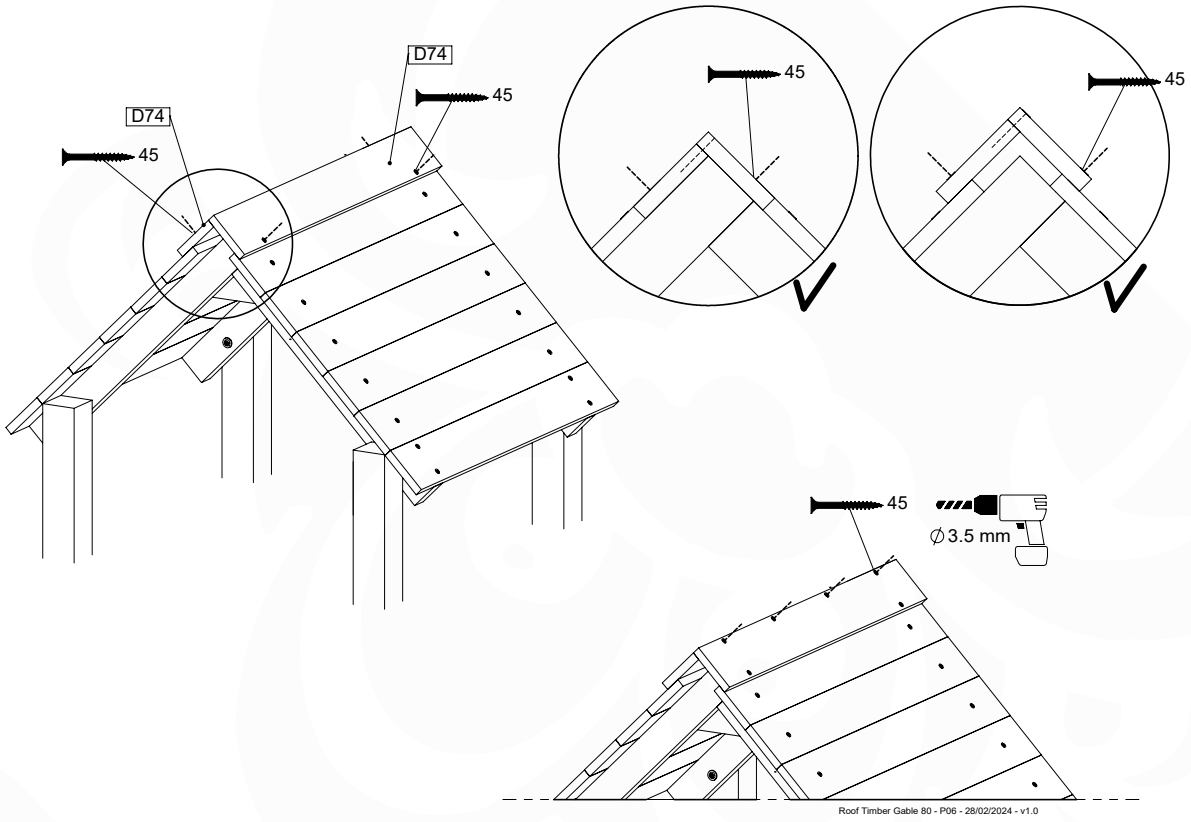


Roof Timber Gable 80 - P03 - 26/02/2024 - v1.0

15.1



15.2



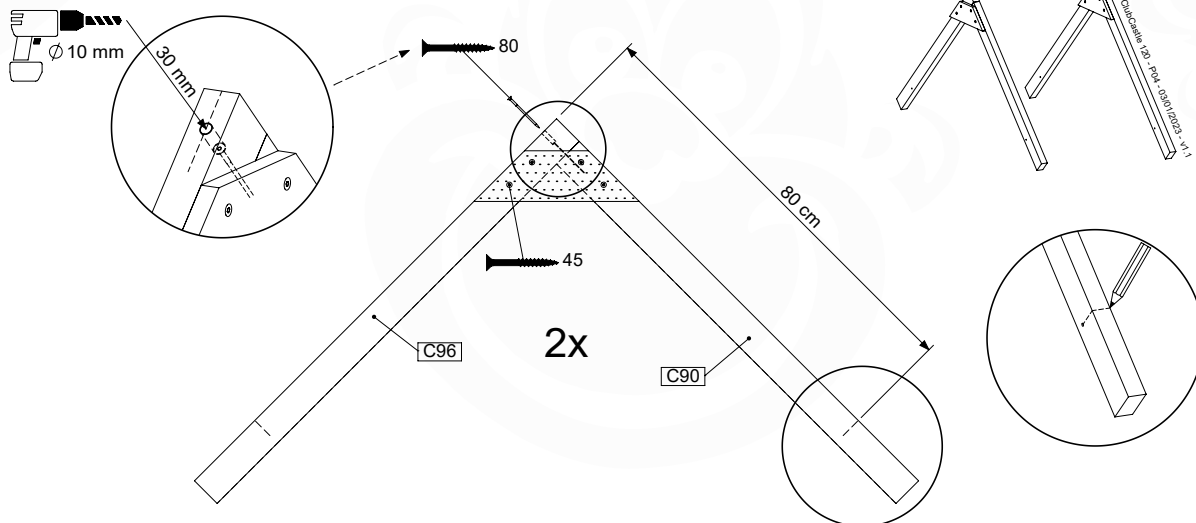
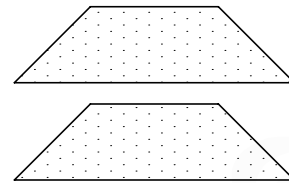
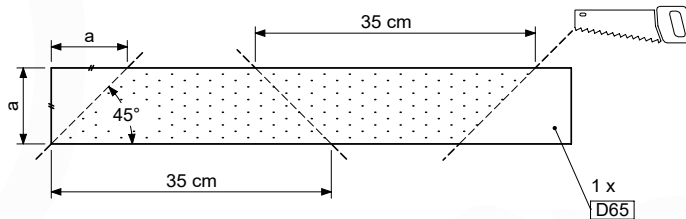
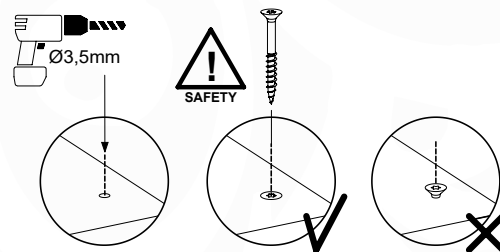
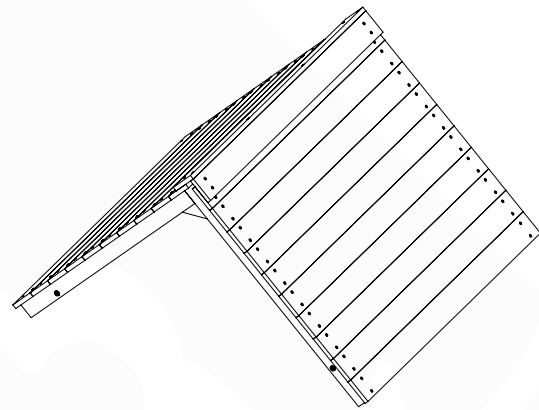
Roof Timber Gable 80 - P06 - 28/02/2024 - v1.0

16 RF08a: Roof Timber Gable 115

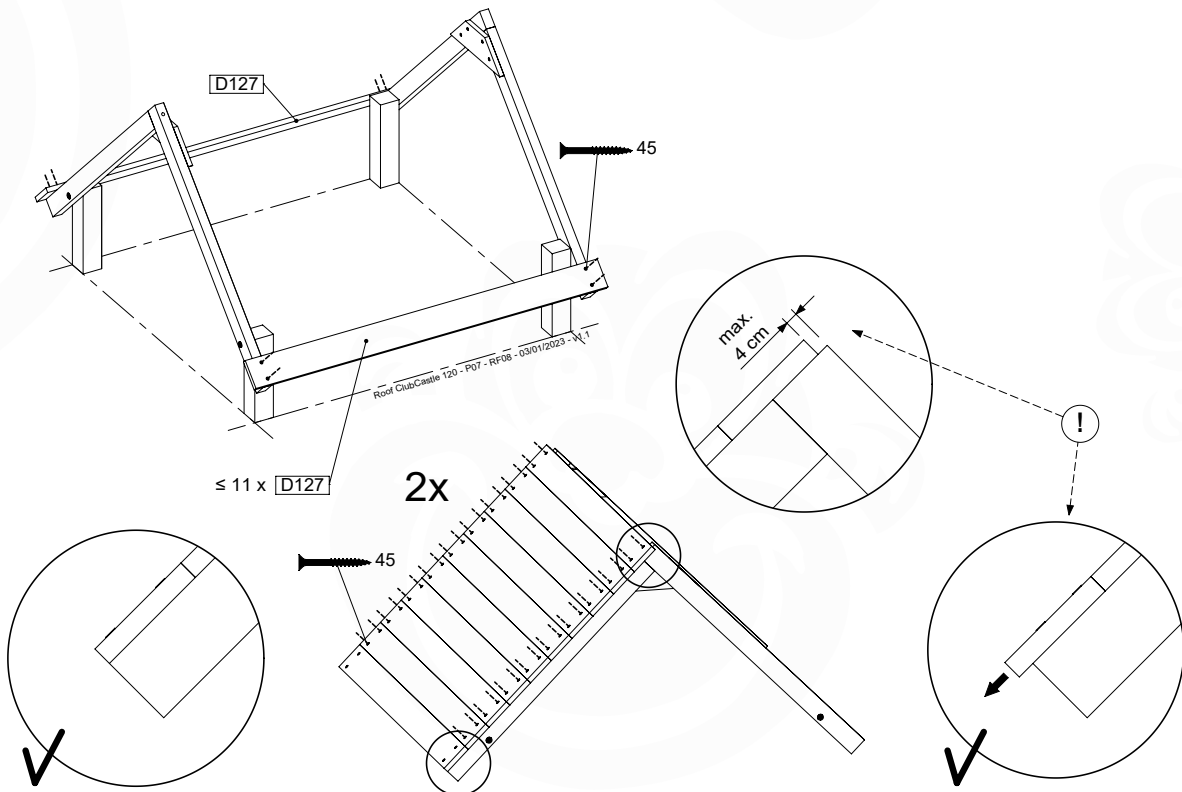
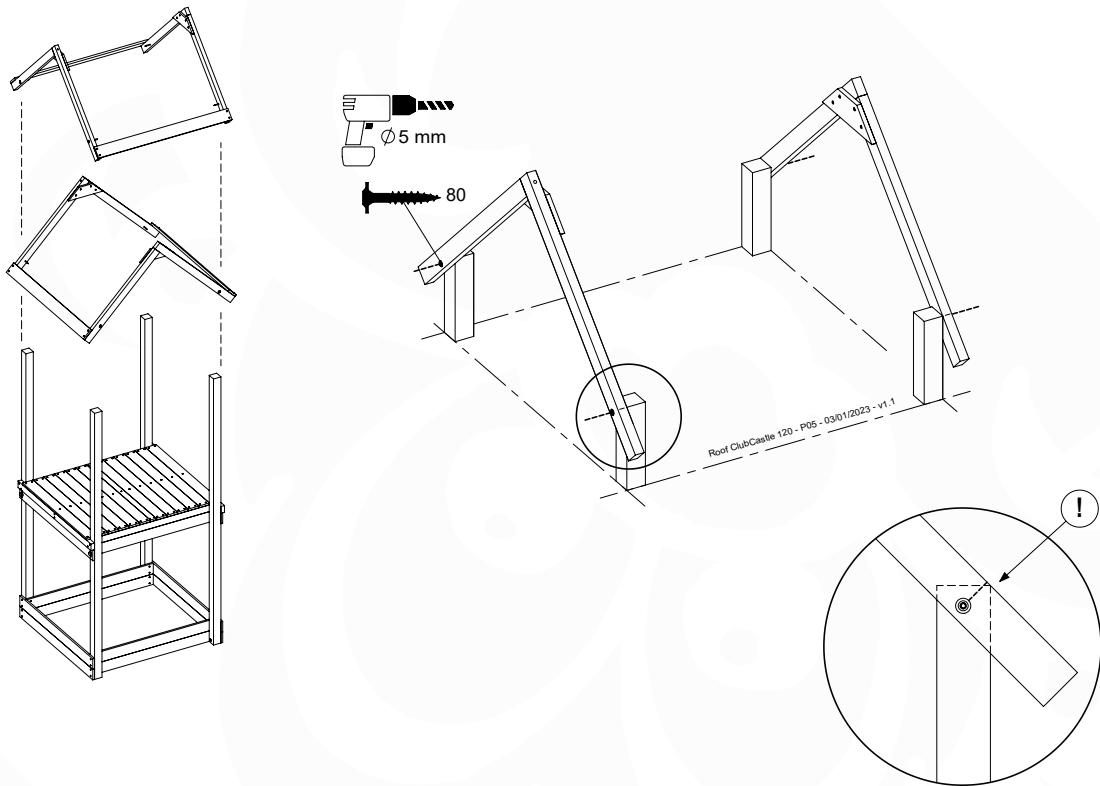
AP 194_308 / RF

	PartNo	PartName	QTY.
Hardware Pack	001_417	Stealth Screw 8x80	4
	002_220	Gap Point Screw T25 - 5x45	100
	002_223	Gap Point Screw T25 - 5x80	8
Timber	C96	Beam 960 mm	2
	D65	Board 650 mm	1
	D127	Board 1270 mm	18-24
	C90	Beam 900 mm	2

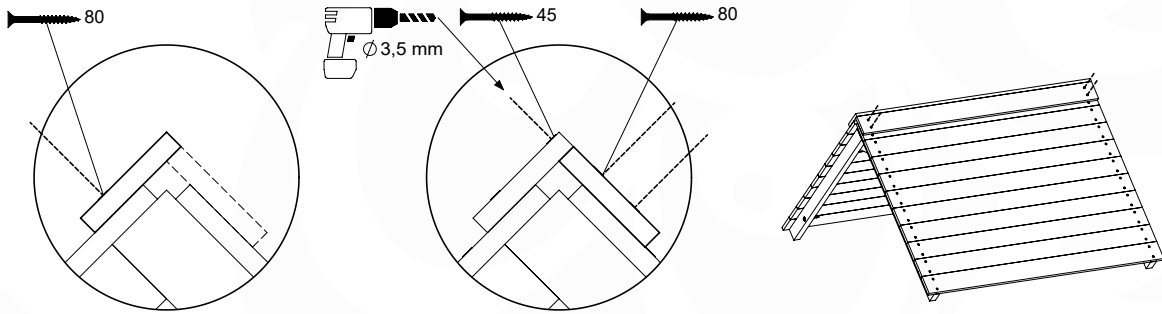
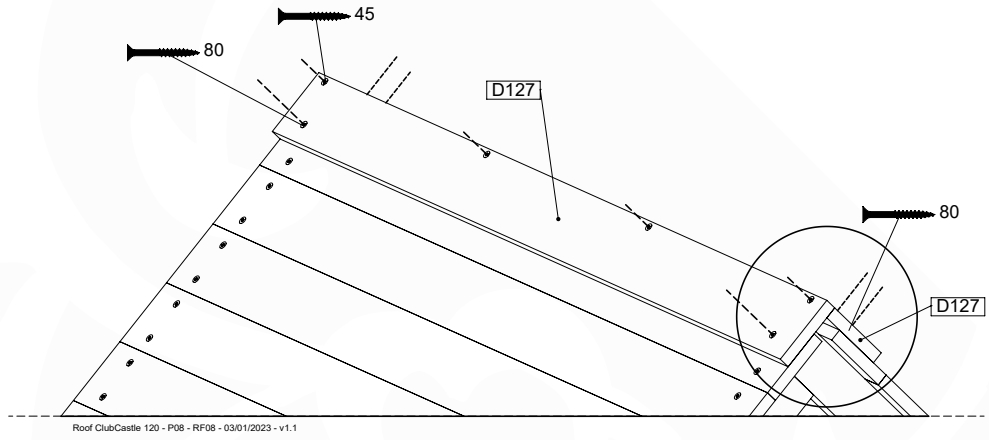
Roof Cha/Carline 120 - P03 - RF08a - 03/01/2023 - v1.1



16.1



16.2

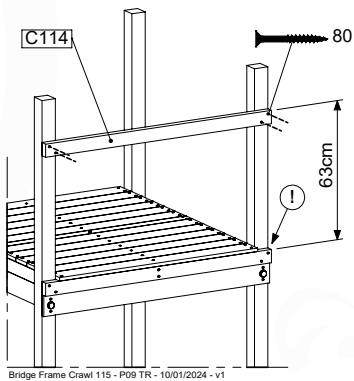
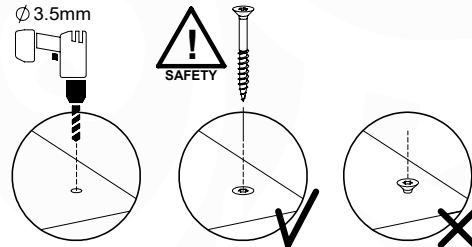
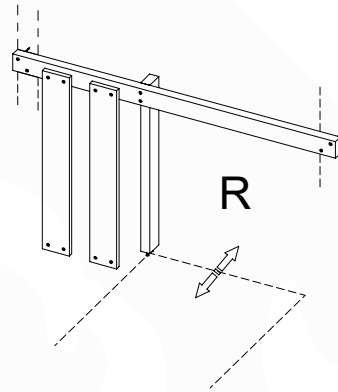


17 BF08a: Bridge Frame Crawl 115 T Right

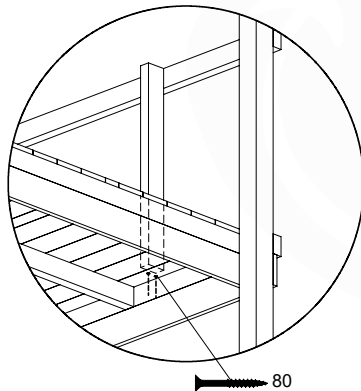
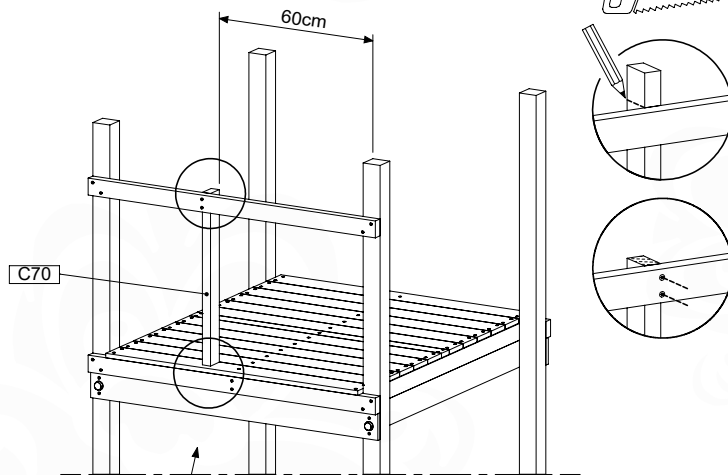
(194_007)

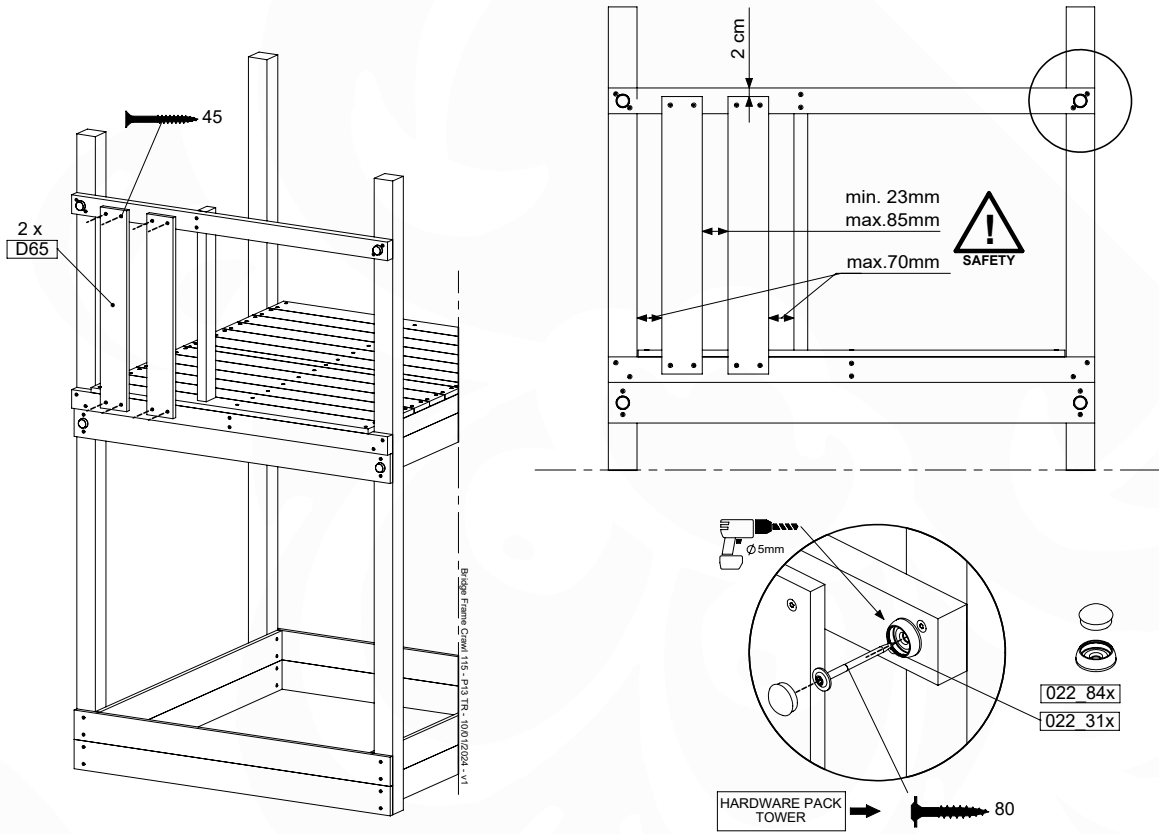
	PartNo	PartName	QTY.
Hardware Pack	002_220	Gap Point Screw T25 - 5x45	8
	002_223	Gap Point Screw T25 - 5x80	8
Timber	C70	Beam 700 mm	1
	C114	Beam 1140 mm	1
	D65	Board 650 mm	2

Bridge Frame Crawl 115 - P09 TR - 10/01/2024 - v1



Bridge Frame Crawl 115 - P09 TR - 10/01/2024 - v1



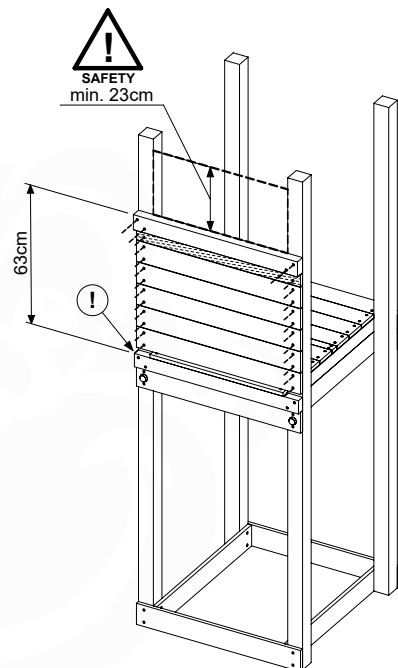
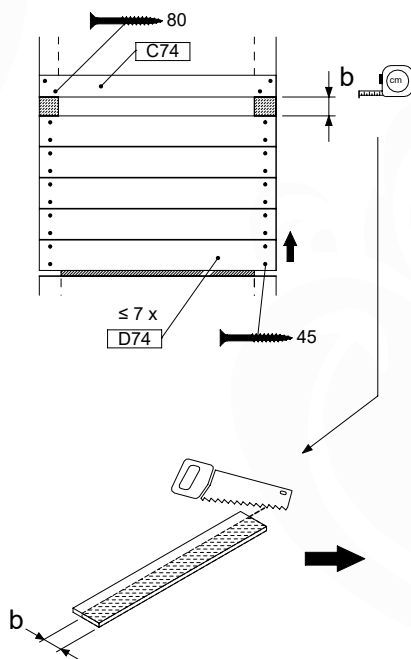
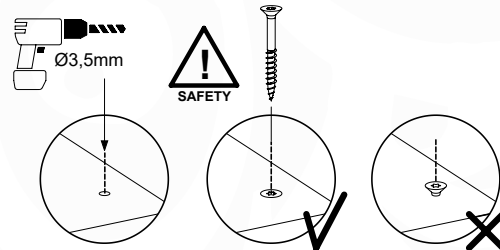
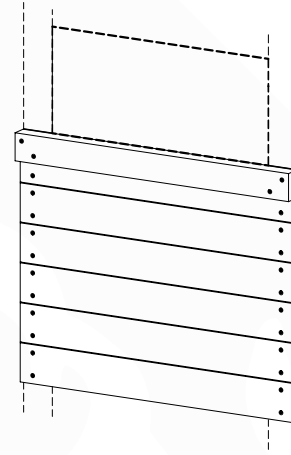


18 PH06a: Playhouse Window Panel 80 T

(194_501)

PartNo	PartName	QTY.
002_220	Gap Point Screw T25 - 5x45	28
002_223	Gap Point Screw T25 - 5x80	4
C74	Beam 740 mm	1
D74	Board 740 mm	7

Playhouse Walls - PH06 WINDOW T - 25-3-2023 - v3



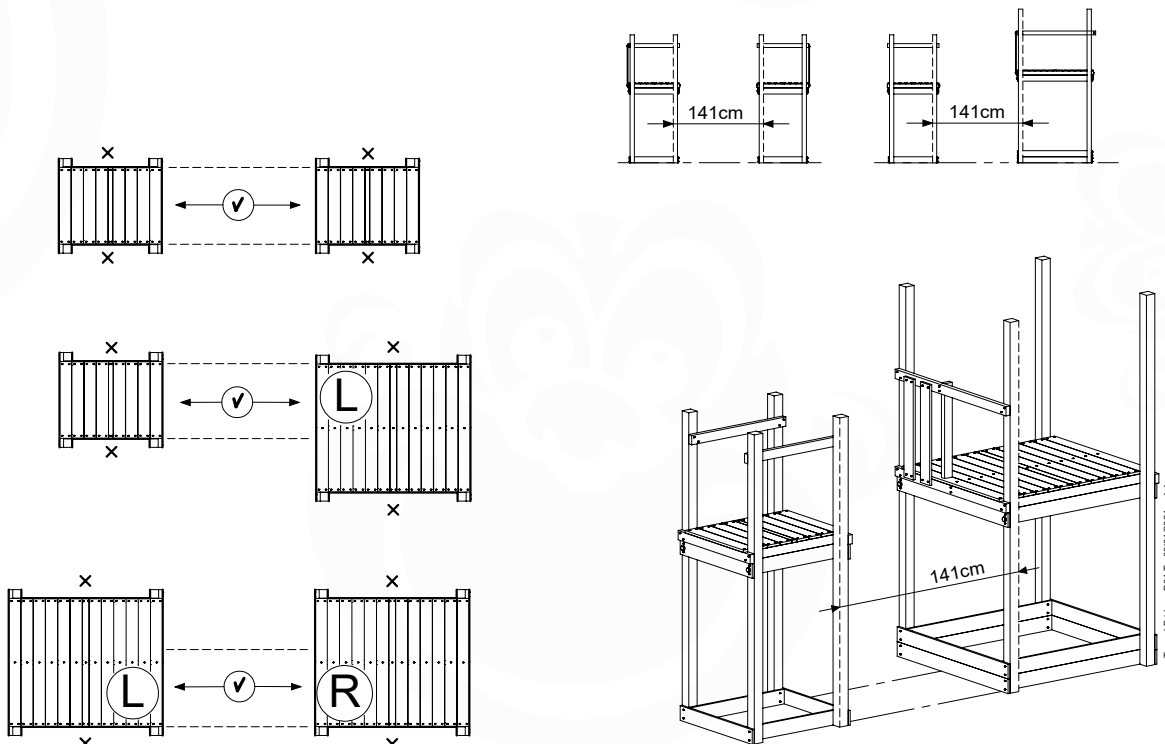
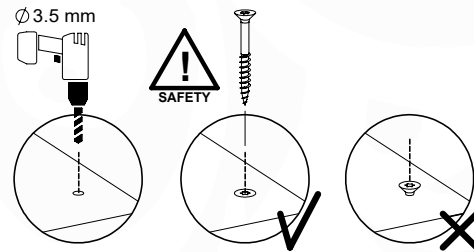
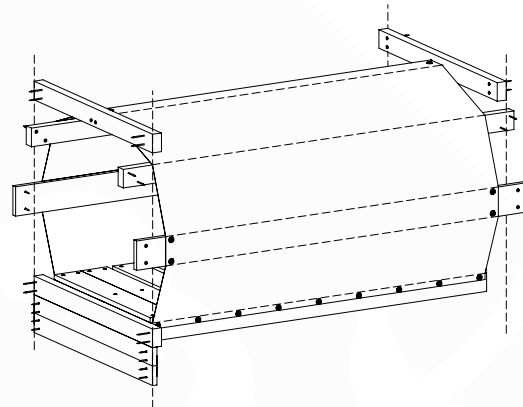
Playhouse Walls - PH06 WINDOW T - 25-3-2023 - v3

19 TB02a: Tunnel Bridge T Level

Assembly Pack: 194_812

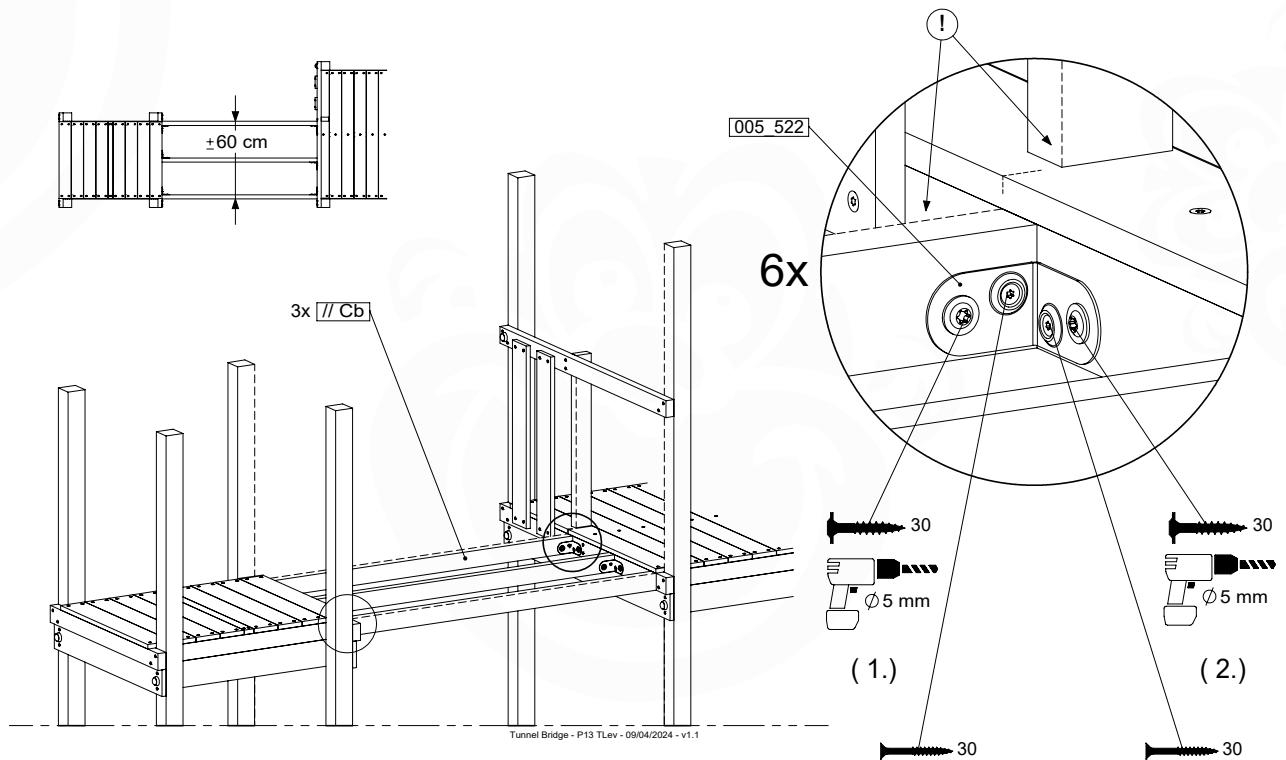
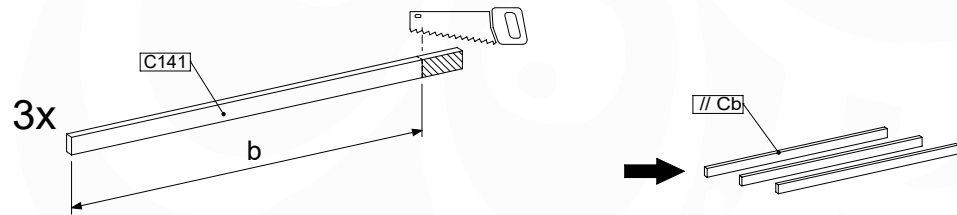
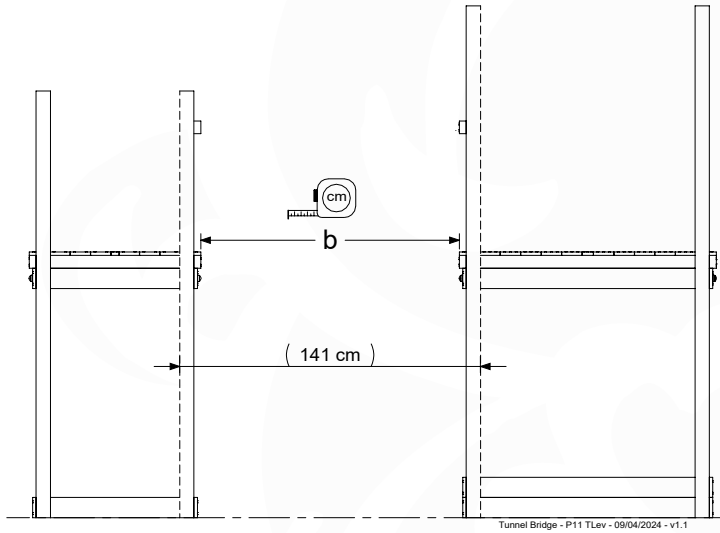
	PartNo	PartName	QTY.
Hardware Pack	001_404	Stealth Screw 8x30	12
	001_411	Stealth Screw 8x60	2
	001_417	Stealth Screw 8x80	4
	002_219	Gap Point Screw T25 - 5x30	12
	002_220	Gap Point Screw T25 - 5x45	81
	002_222	Gap Point Screw T25 - 5x60	4
	002_223	Gap Point Screw T25 - 5x80	24
	002_308	Gap Point Screw T25 - 5x20	28
	023_031	Finishing Washer GPS 5.0	28
Other	005_522	Connection Bracket Mini Market	6
	021_512	Mesh green 1.20 x 1.85m	1
Timber	C74	Beam 740 mm	3
	C141	Beam 1410 mm	6
	D60	Board 600 mm	13
	D74	Board 740 mm	2
	D141	Board 1410 mm	2

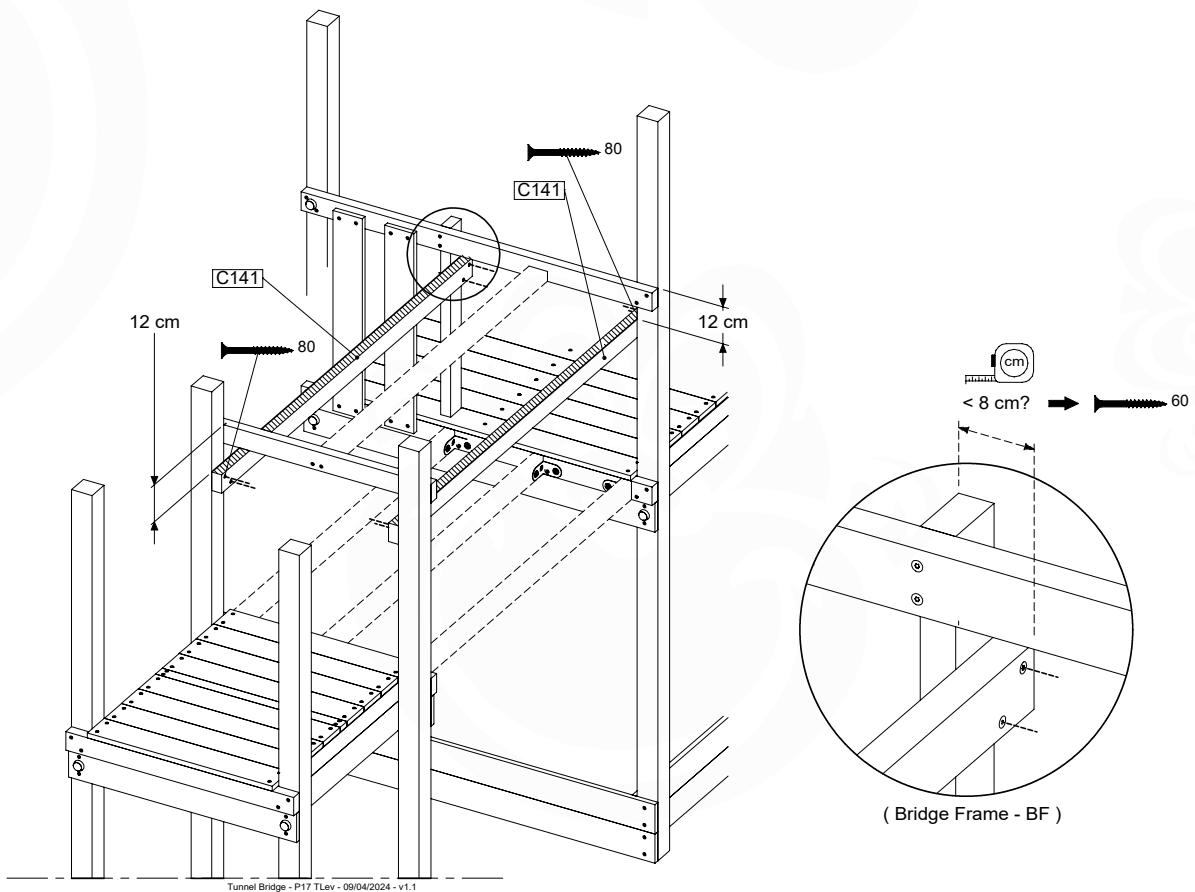
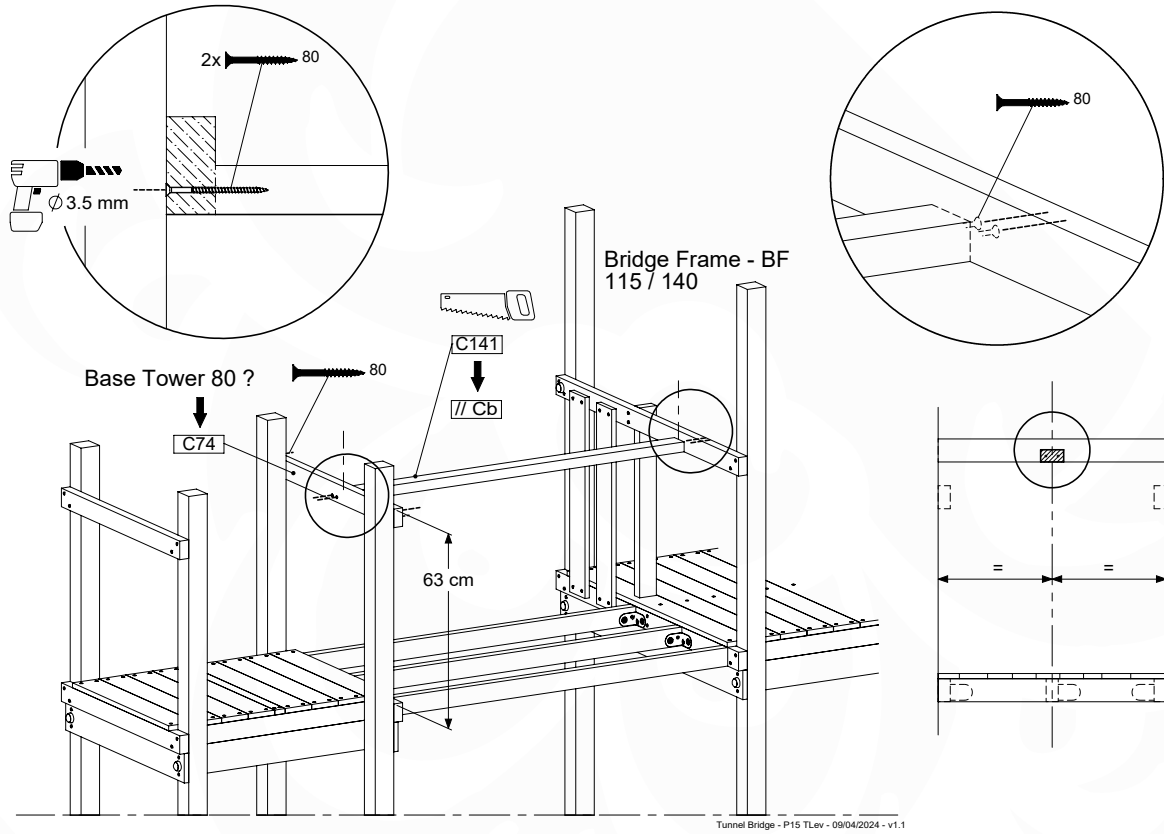
Tunnel Bridge - P02 - 09/04/2024 - v1.1



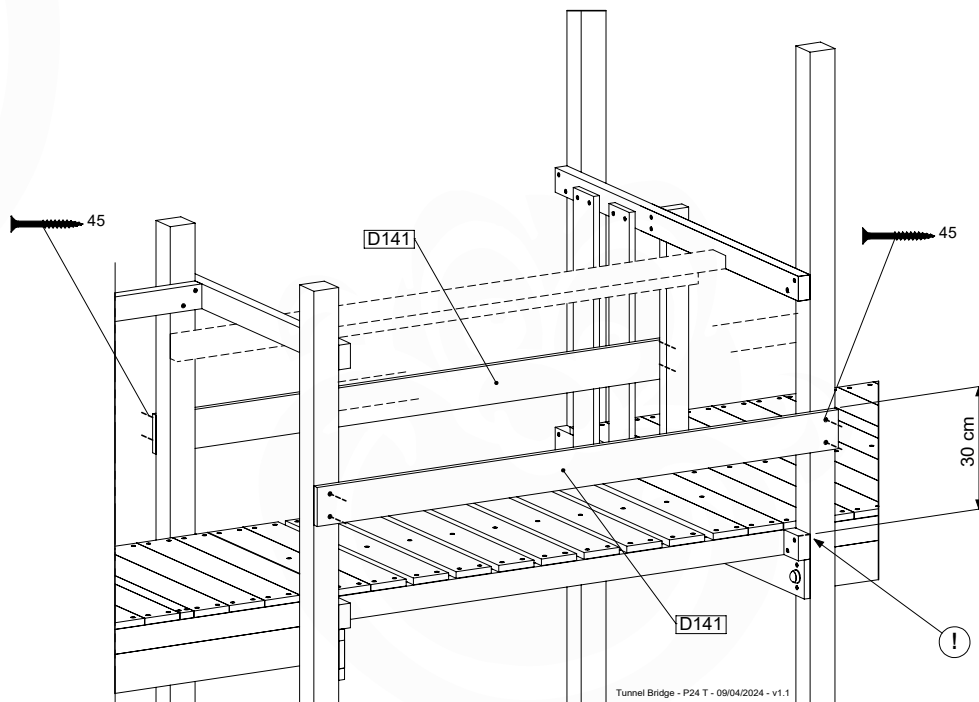
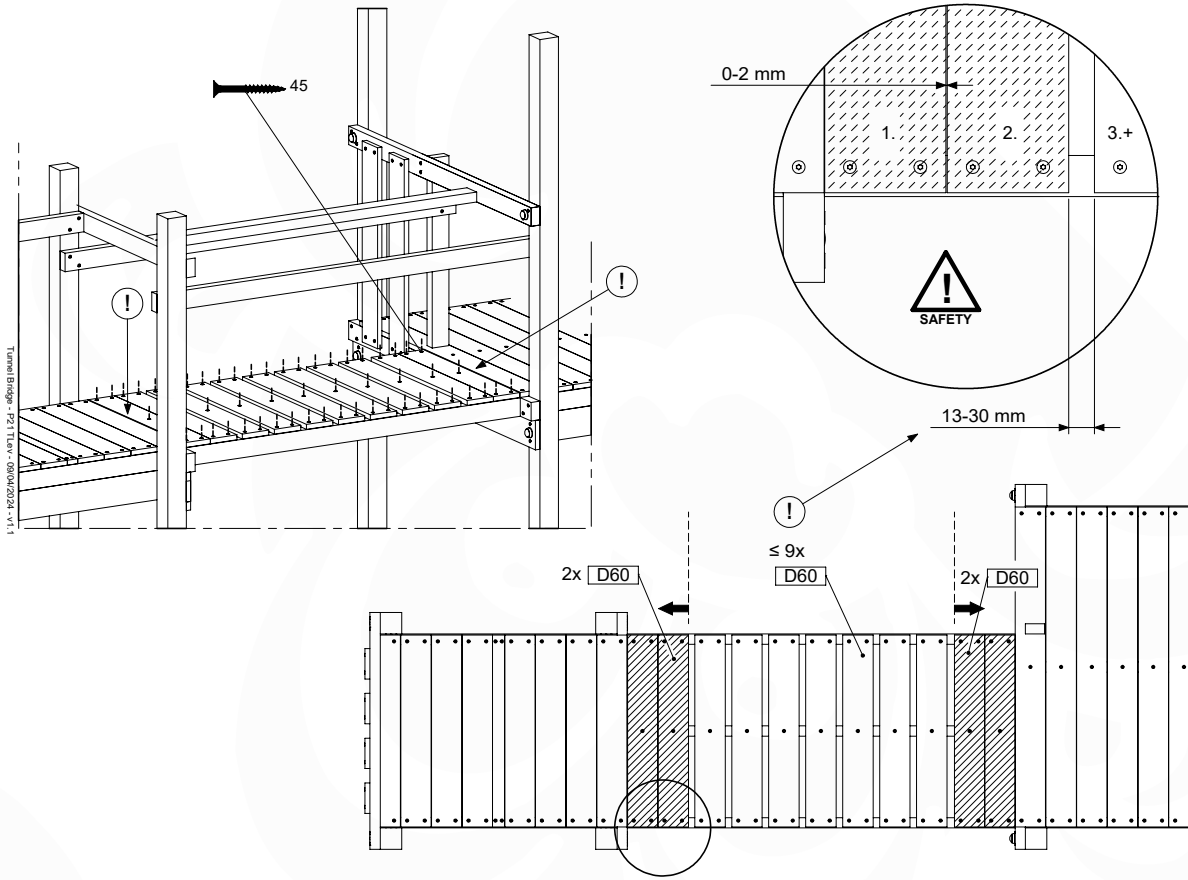
Tunnel Bridge - P04 - T - 09/04/2024 - v1.1

19.1

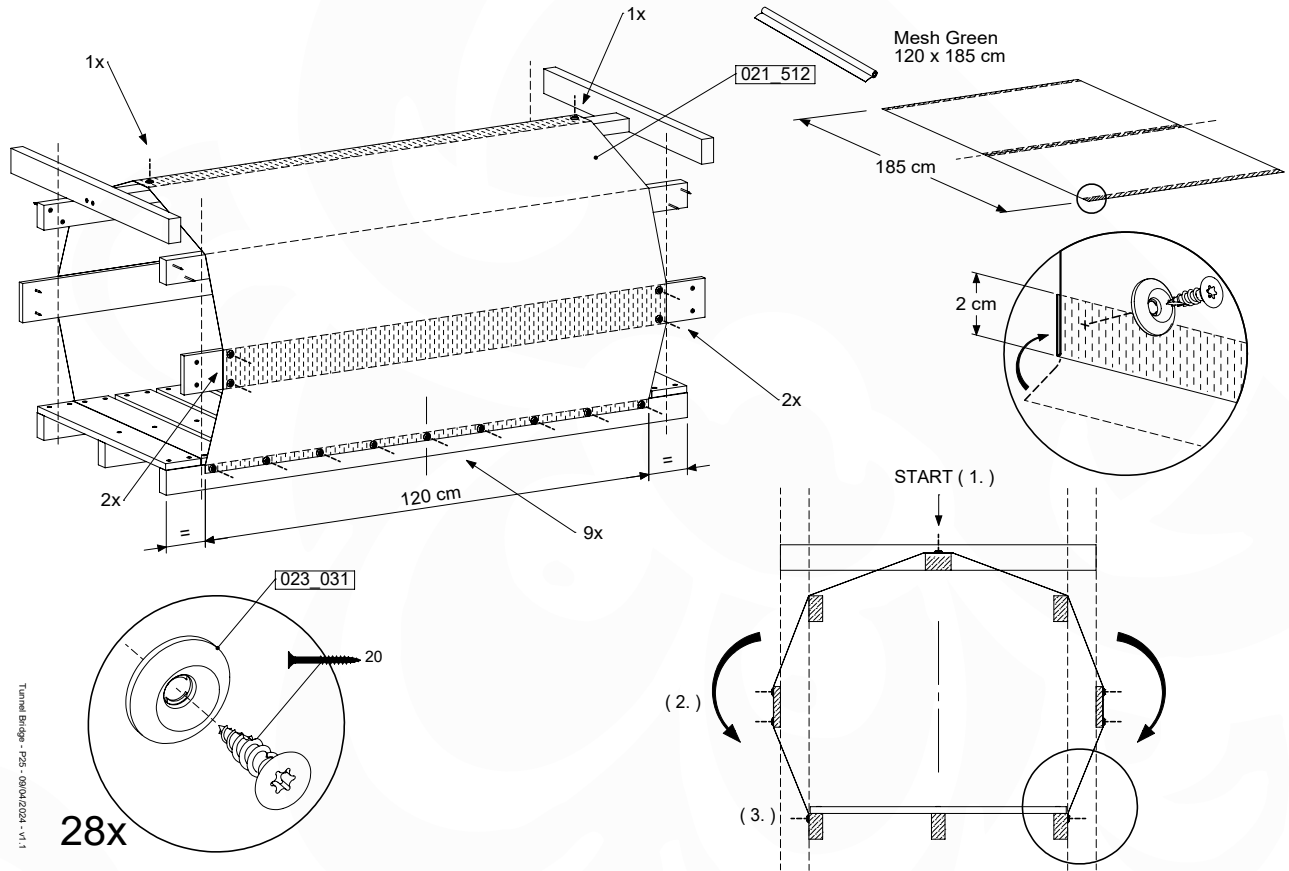




19.3



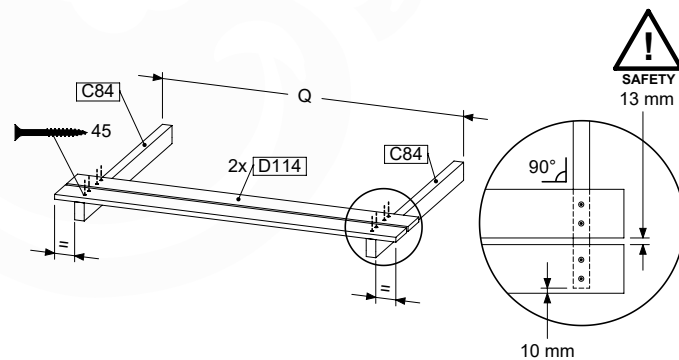
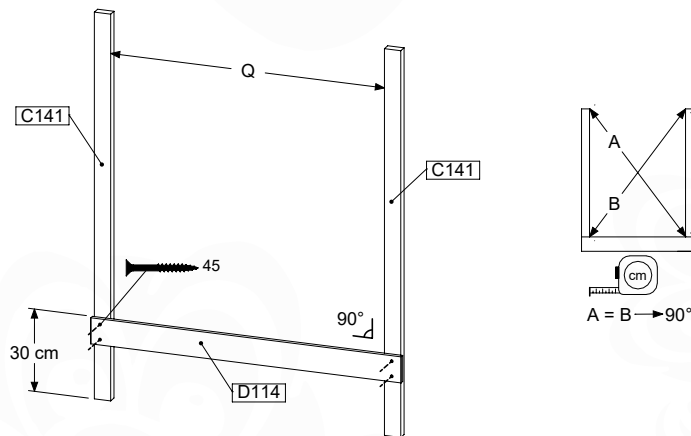
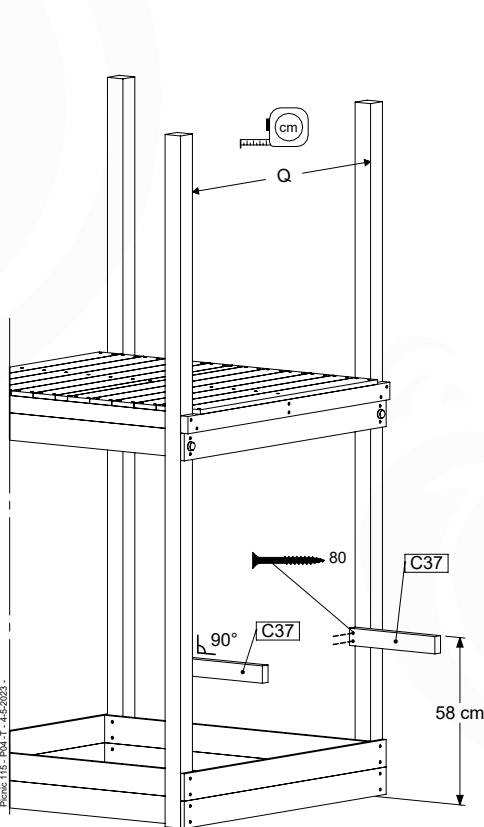
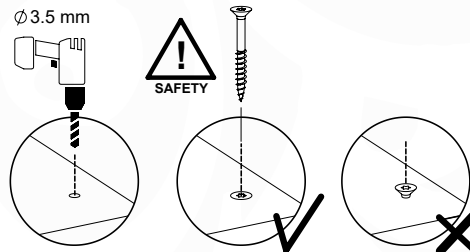
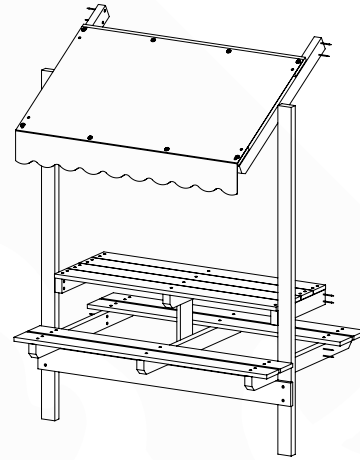
19.4

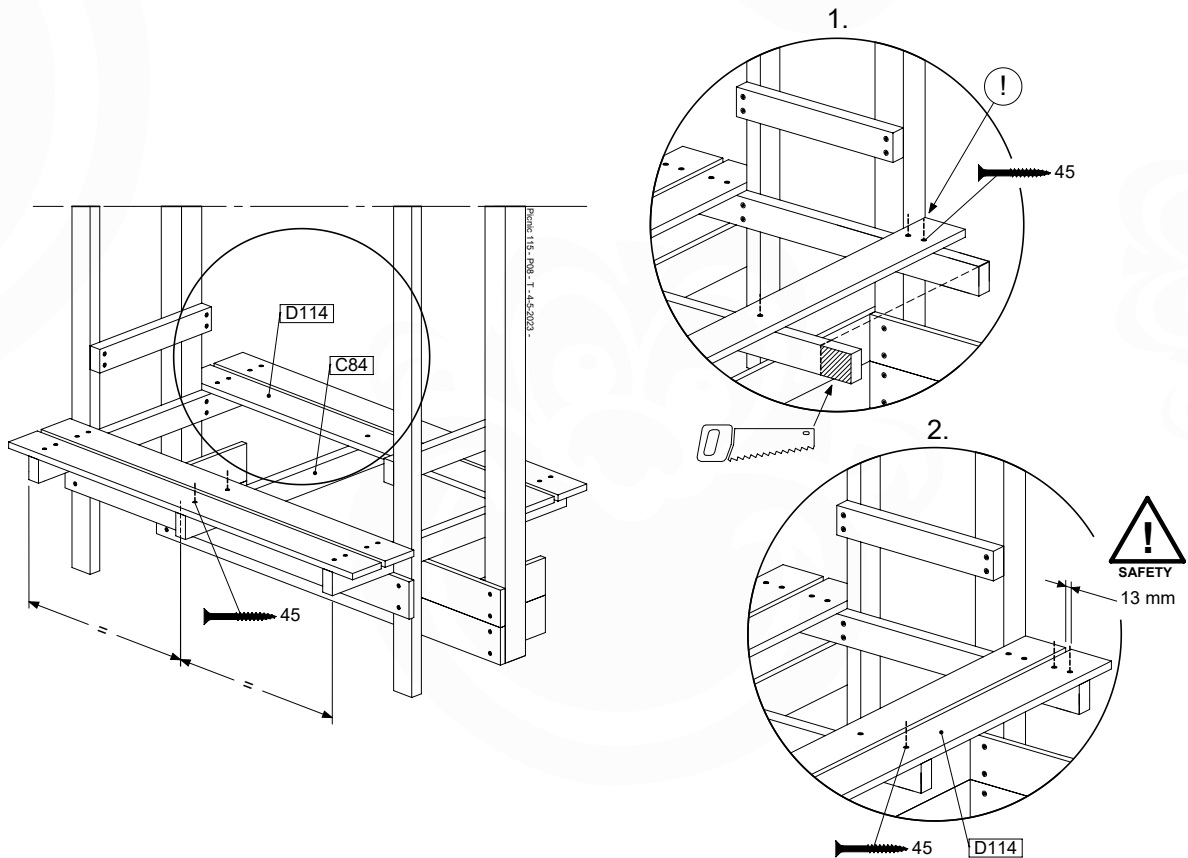
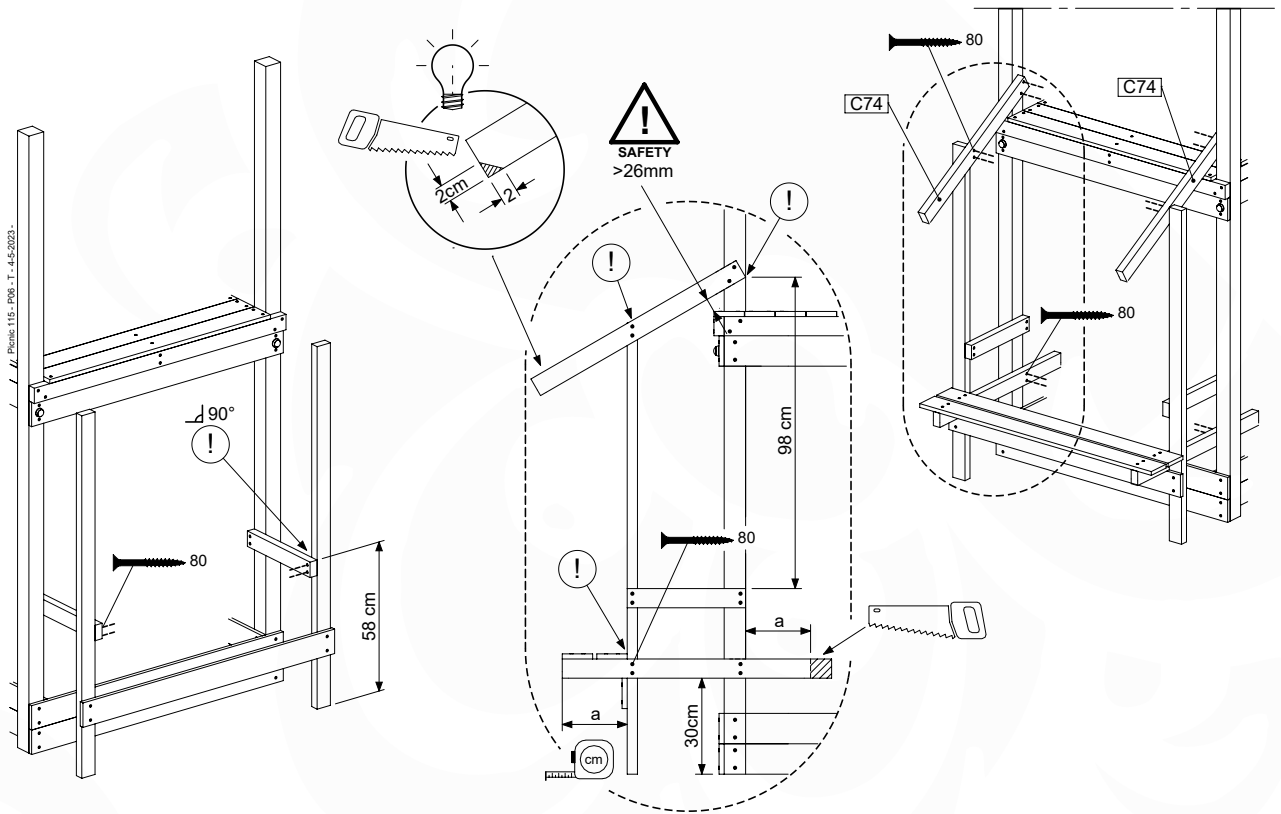


20 PC06a: Picnic 115 T

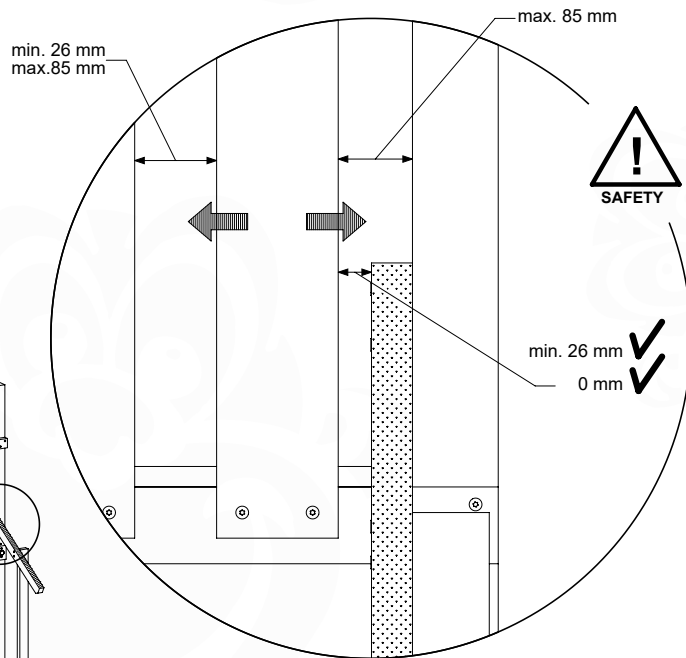
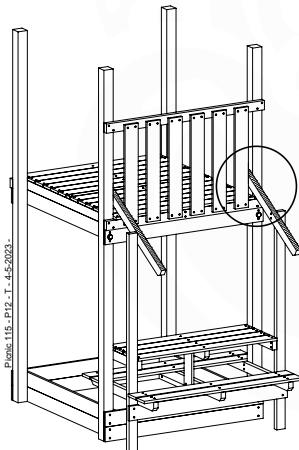
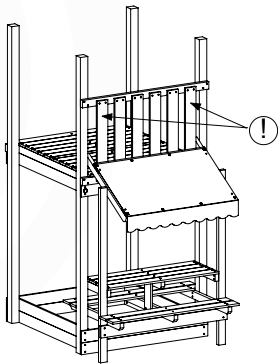
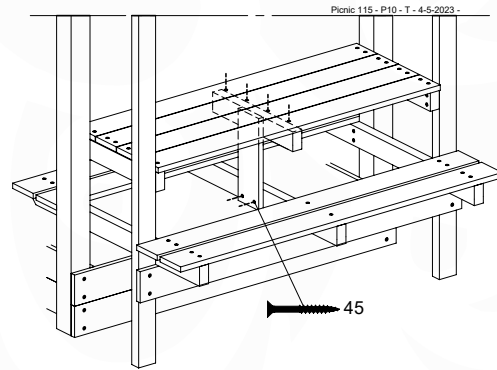
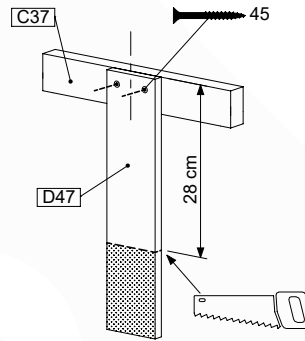
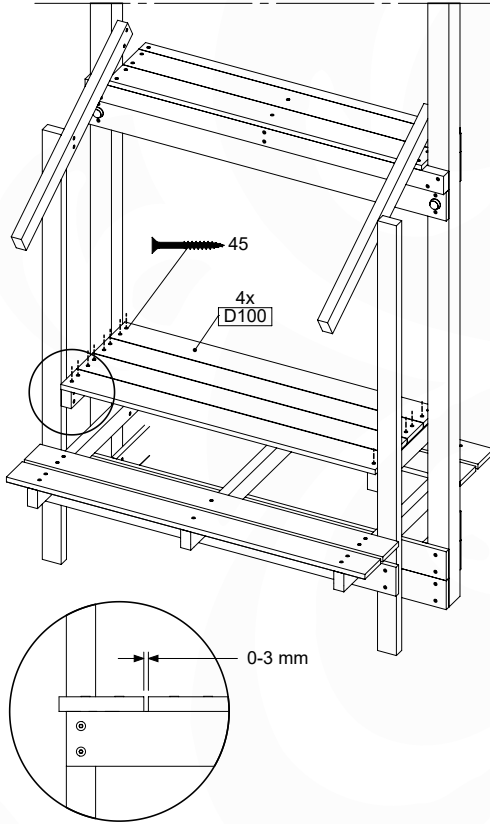
(194_810)

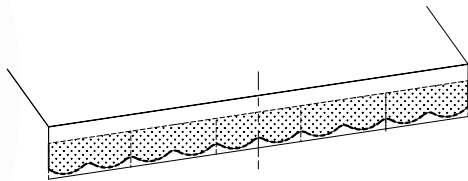
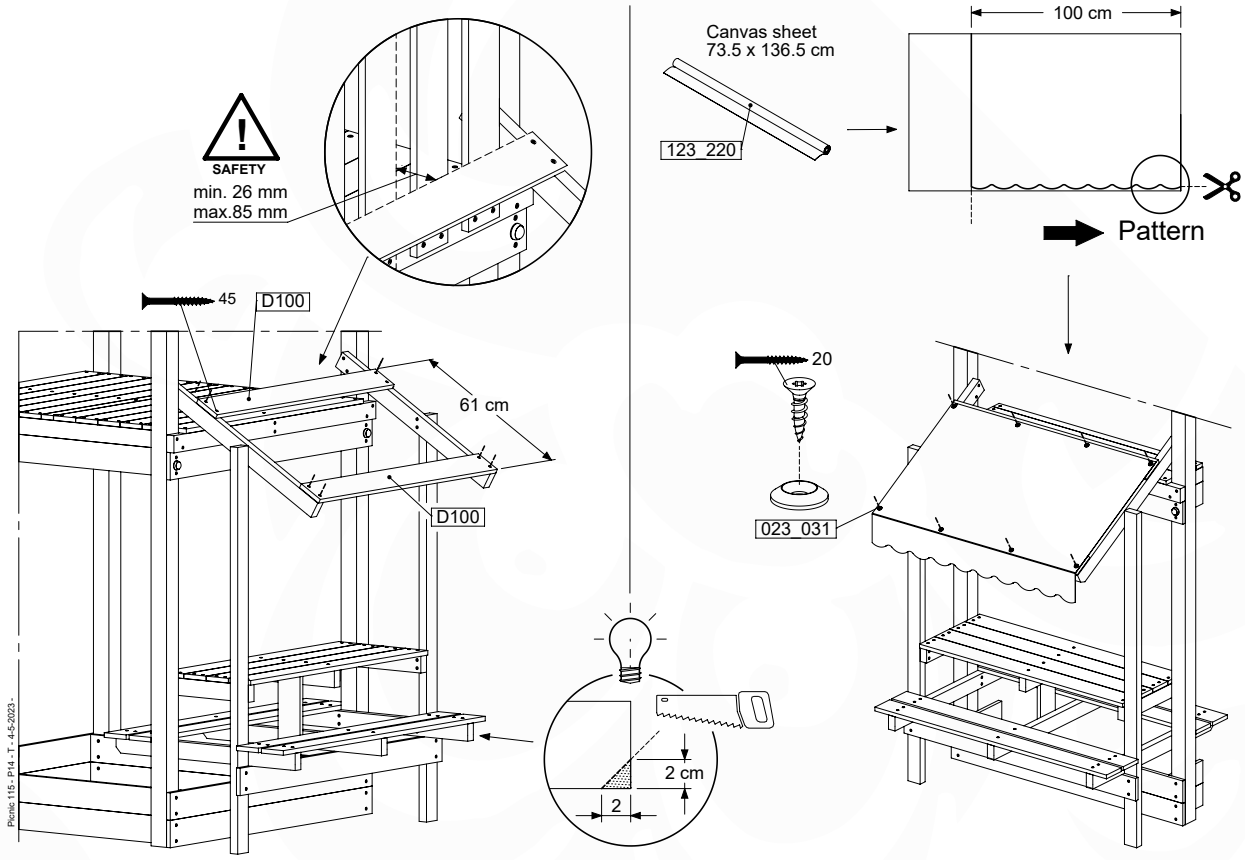
	PartNo	PartName	QTY.
Hardware Pack	002_220	Gap Point Screw T25 - 5x45	56
	002_223	Gap Point Screw T25 - 5x80	24
	002_308	Gap Point Screw T25 - 5x20	8
	023_031	Finishing Washer GPS 5.0	8
Other	123_220	Canvas sheet 735x1365mm	1
Timber	C37	Beam 370 mm	3
	C74	Beam 740 mm	2
	C84	Beam 840 mm	3
	C141	Beam 1410 mm	2
	D47	Board 470 mm	1
	D100	Board 1000 mm	6
	D114	Board 1140 mm	5



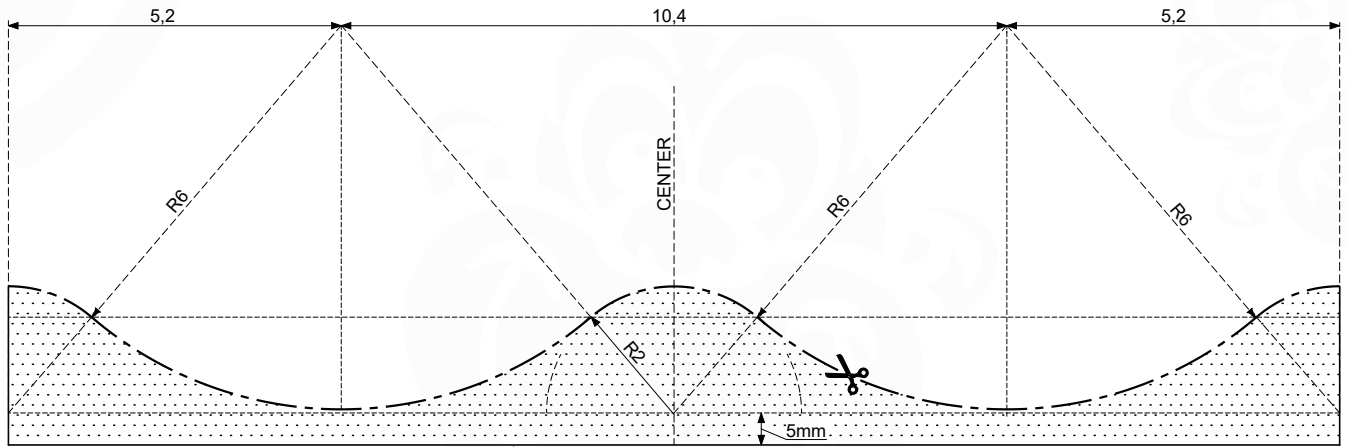


20.2





EXAMPLE PATTERN
 BEISPIELVORLAGE FÜR MARKISE
 SCHÉMA SUGGÉRÉ DE DÉCOUPE POUR AUVENT
 VOORBEELDSJABLOON LUIFEL



Picnic 115 - P15 - Pattern - 4-5-2023

← repeat →

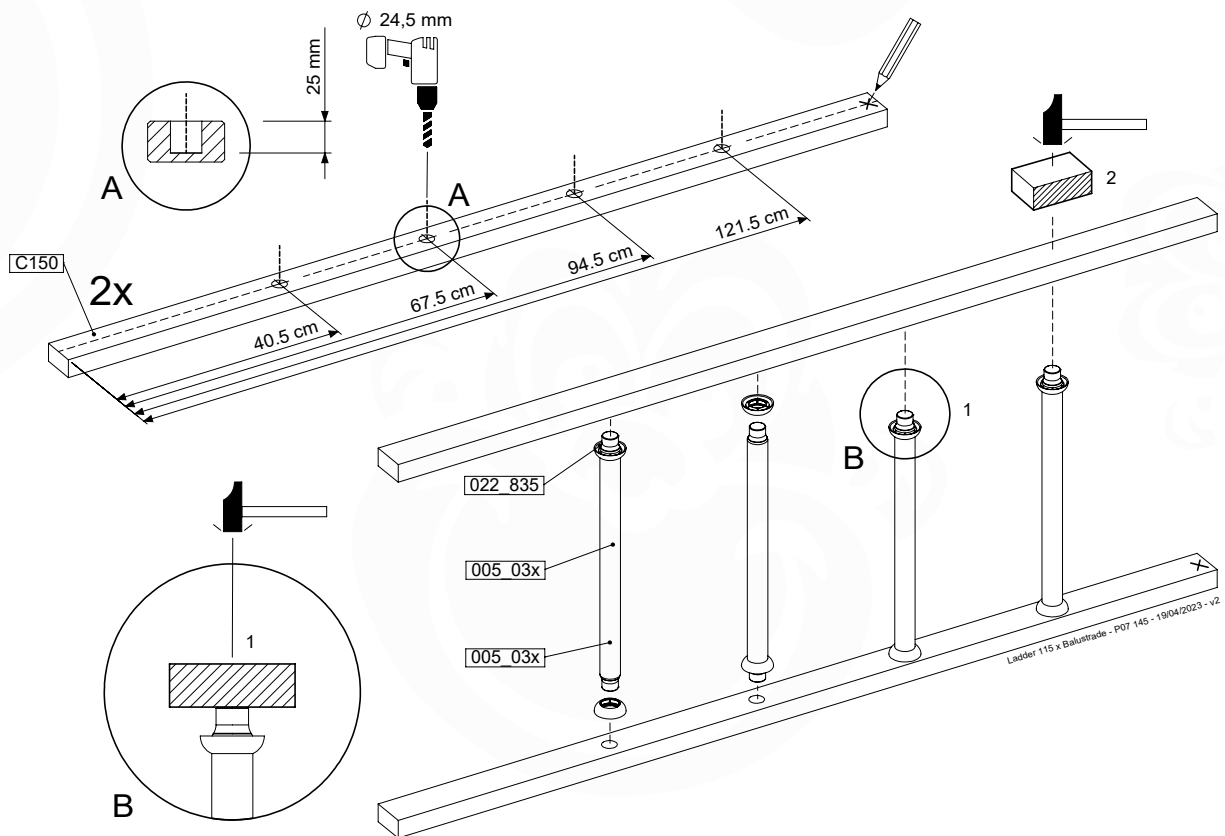
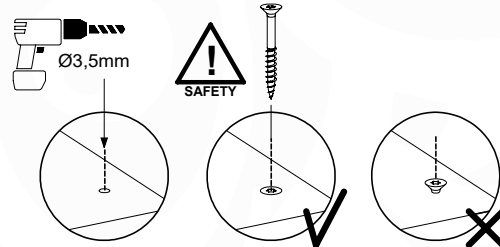
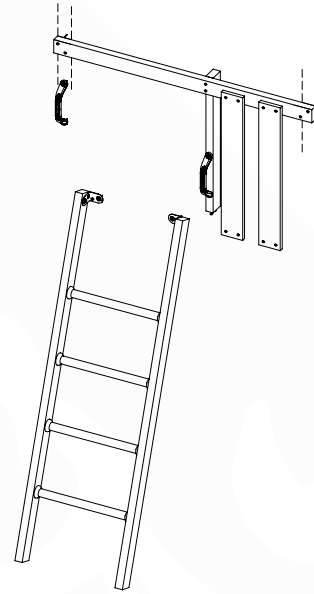
! Scale of print may not be accurate.
 Druckformat kann abweichen.
 Les tailles imprimées peuvent varier.
 Printformaat kan afwijken.

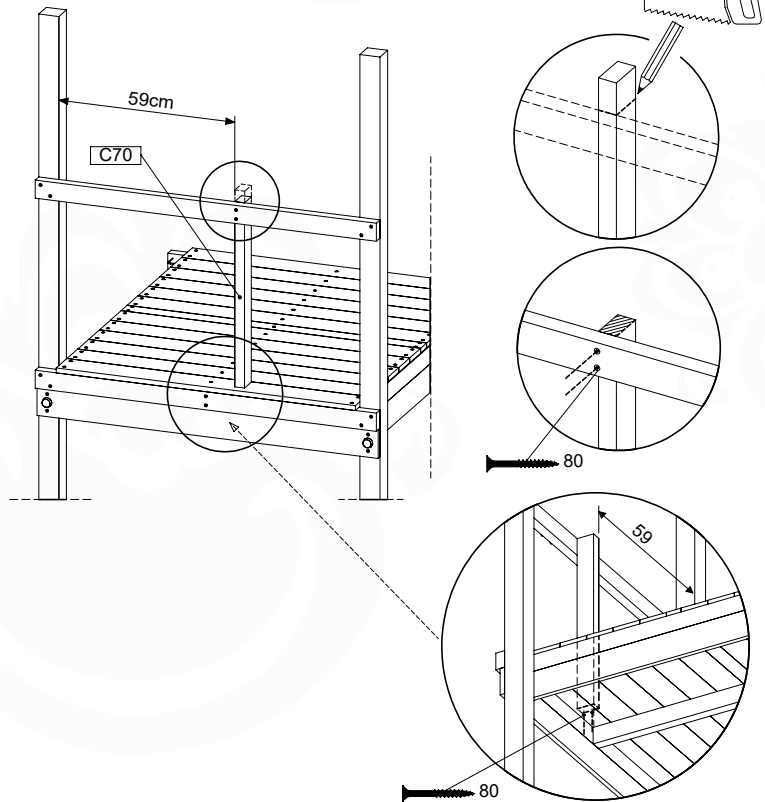
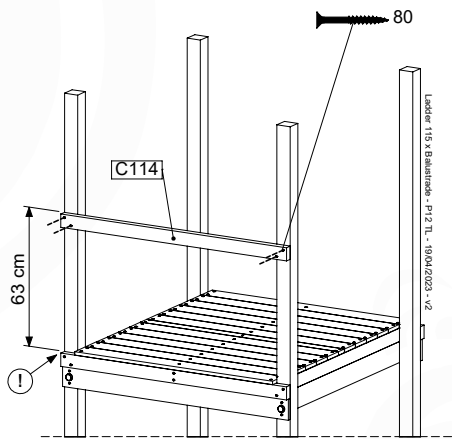
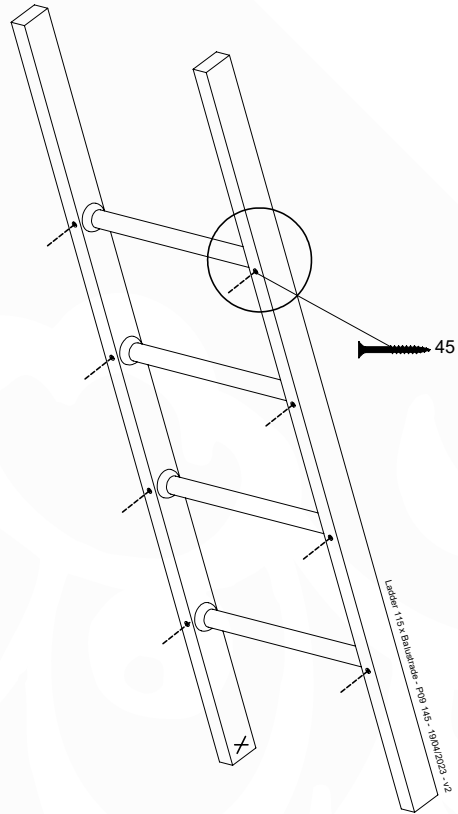
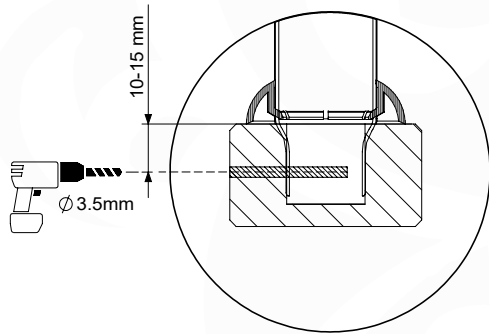
21 LA17a: Ladder 115 145 T Left

(194_004 + 194_101)

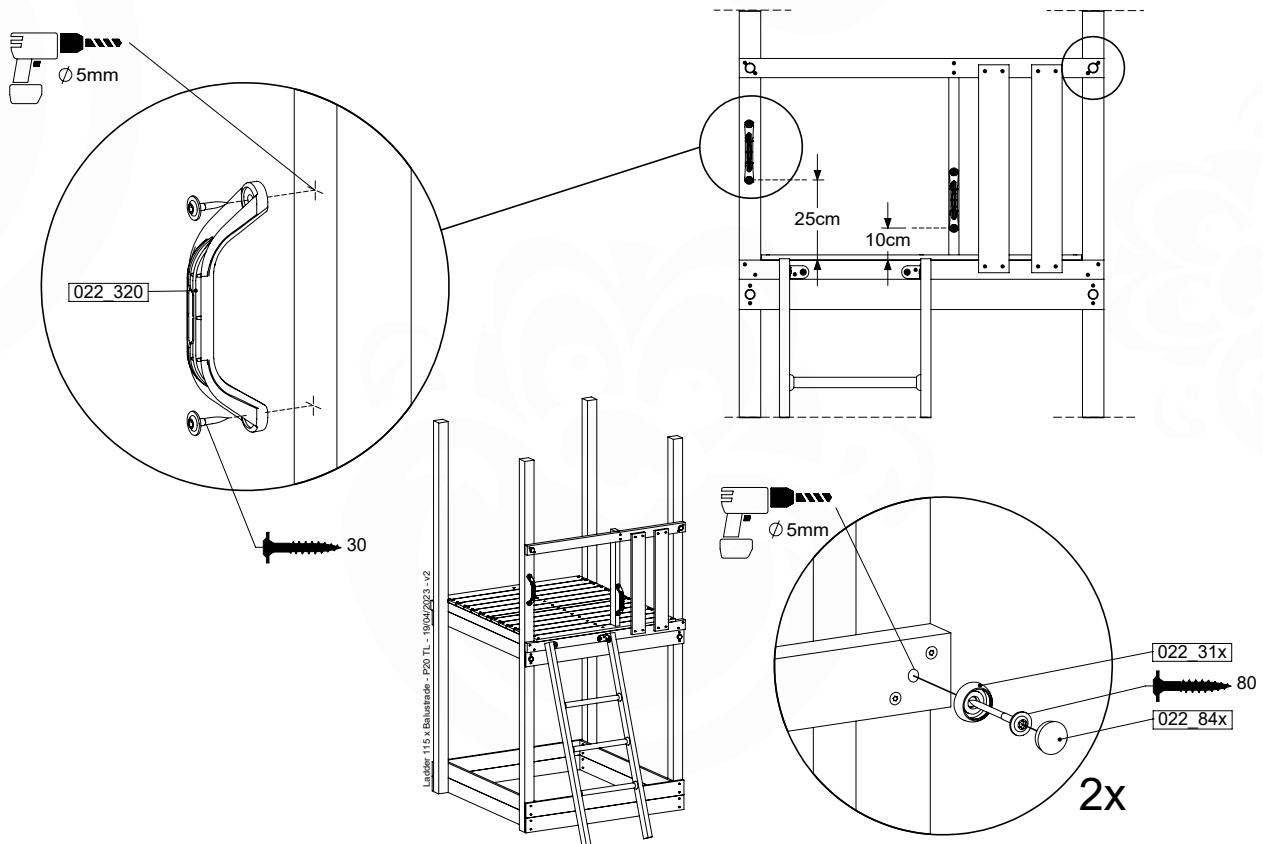
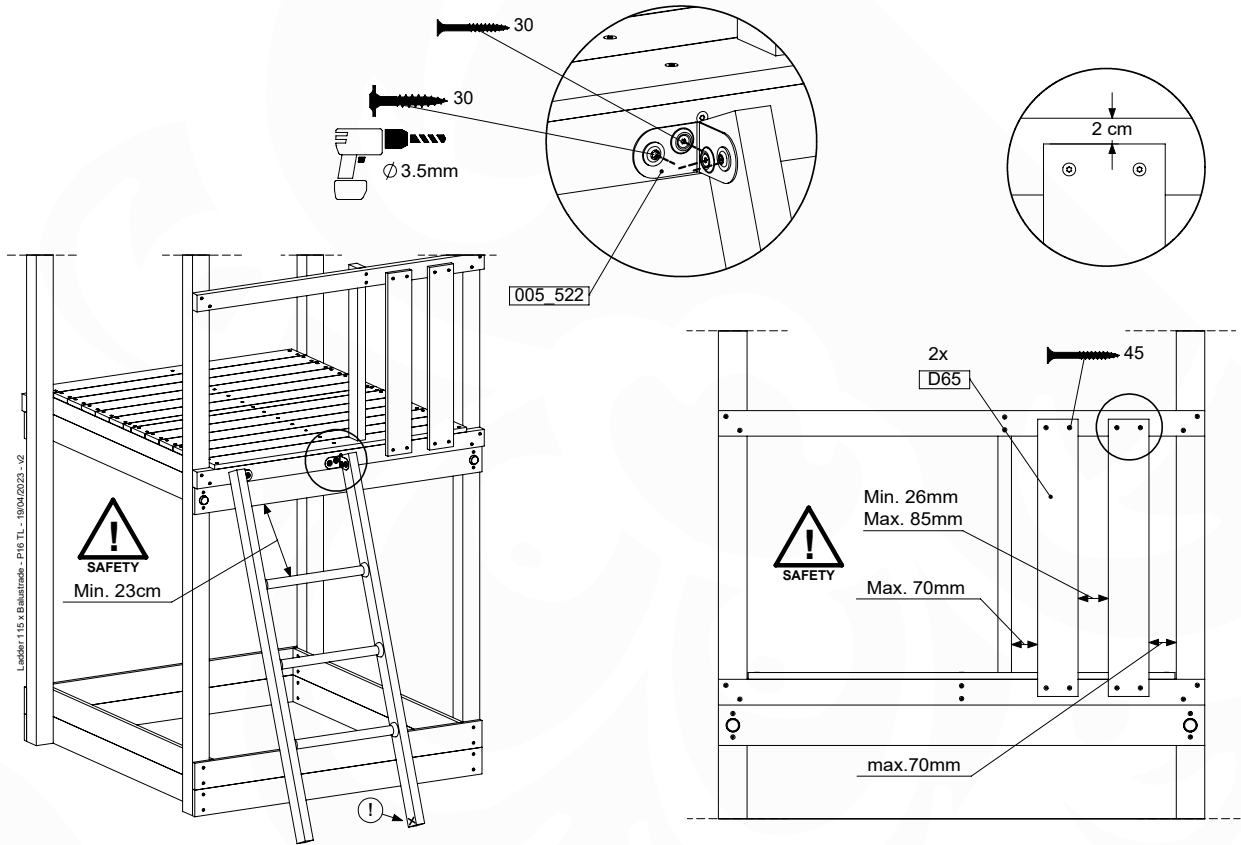
	PartNo	PartName	QTY.
Hardware Pack	001_404	Stealth Screw 8x30	4
	002_219	Gap Point Screw T25 - 5x30	4
	002_220	Gap Point Screw T25 - 5x45	16
	002_223	Gap Point Screw T25 - 5x80	8
Other	005_03x	Ladder Rung Y/B/G/R	4
	005_522	Connection Bracket Mini Market	2
	022_835	Rung Cap	8
	120_102	Handgrip set (complete 2x)	1
Timber	C114	Beam 1140 mm	1
	C150	Beam 1500 mm	2
	C70	Beam 700 mm	1
	D65	Board 650 mm	2

Ladder 115 x Balustrade - PO7 145 - 19/04/2023 - v2





21.2

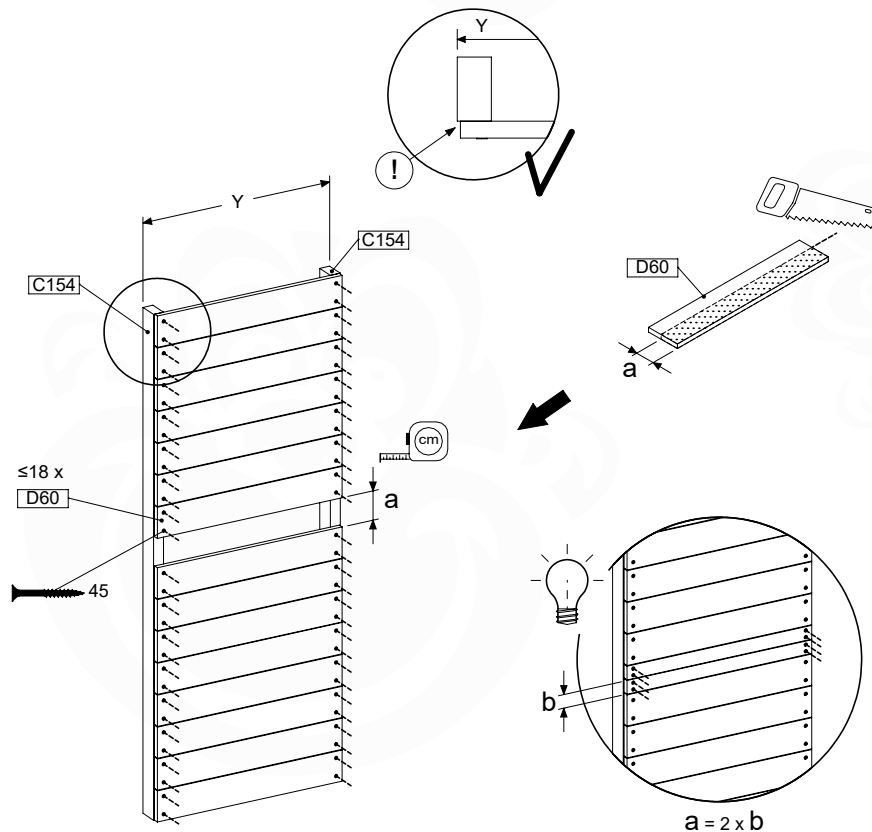
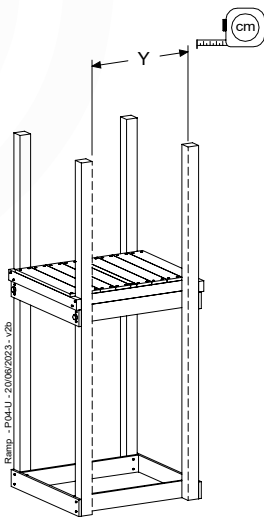
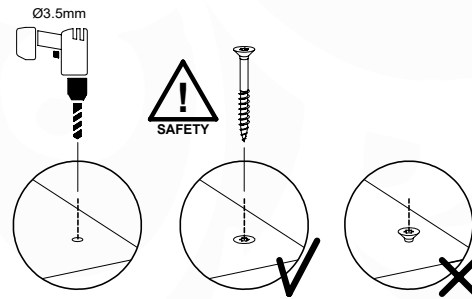
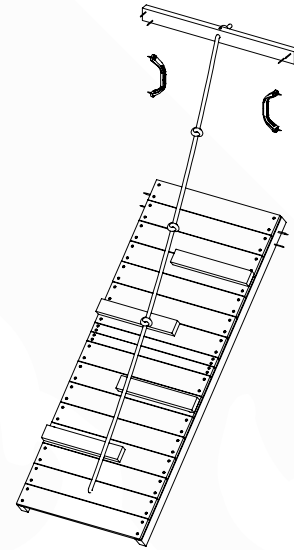


22 RA03a: Ramp 80 125 U

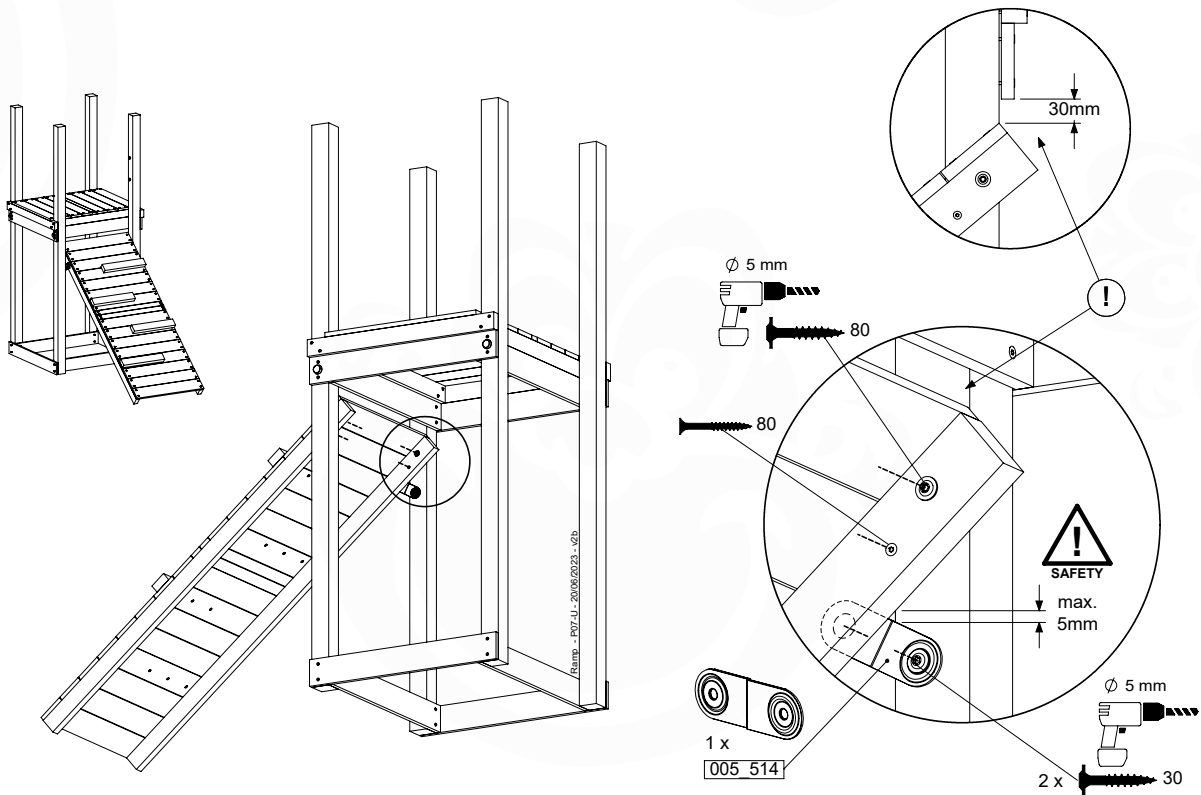
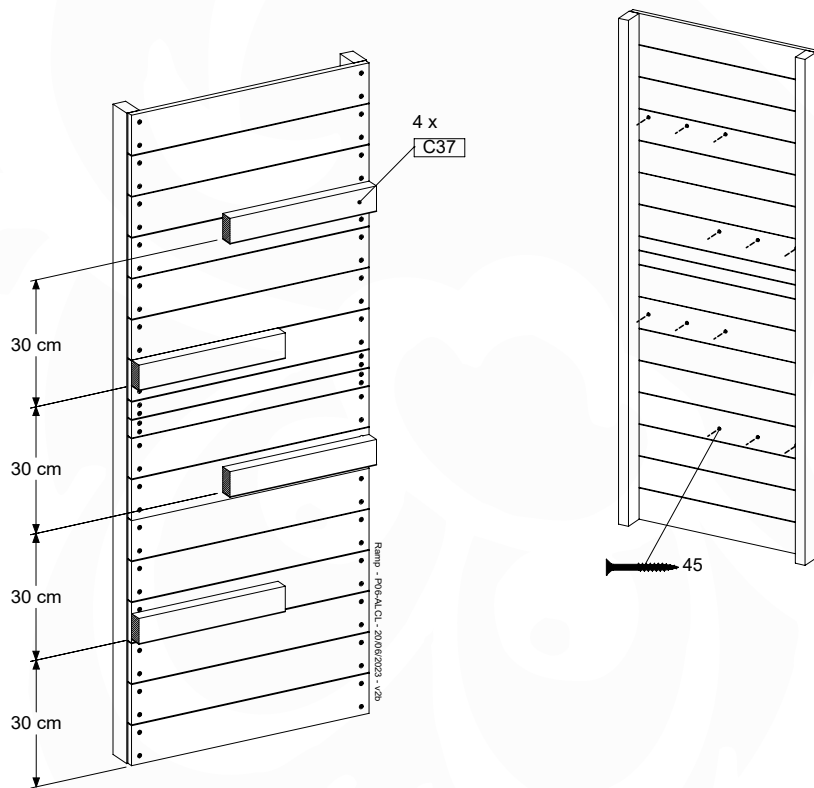
(194_008)

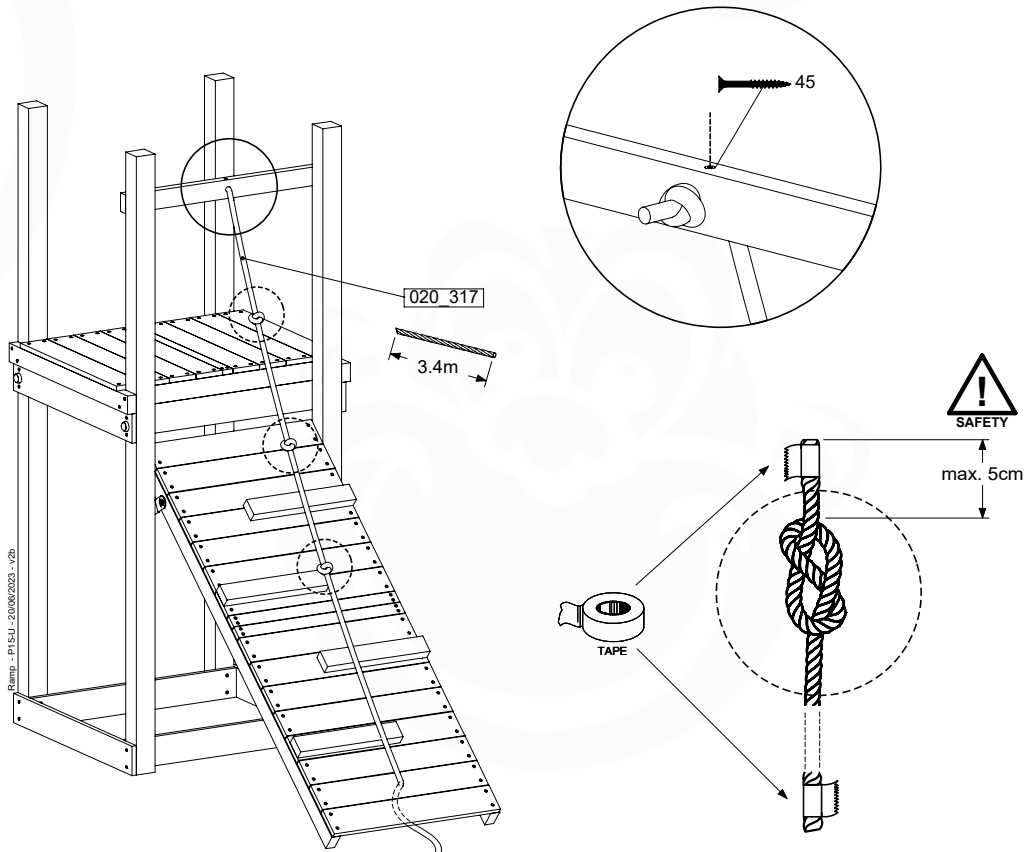
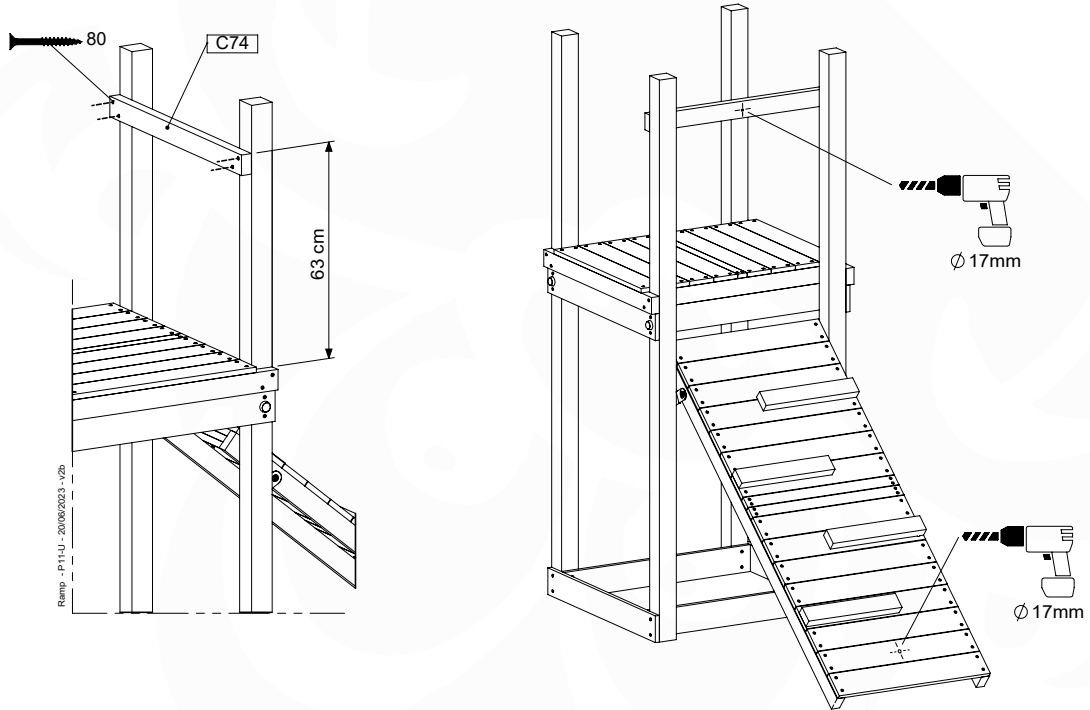
	PartNo	PartName	QTY.
Hardware Pack	001_404	Stealth Screw 8x30	2
	001_417	Stealth Screw 8x80	2
	002_220	Gap Point Screw T25 - 5x45	85
	002_223	Gap Point Screw T25 - 5x80	6
Other	005_514	Ladder Bracket	1
	020_317	Rope Polyester 16mm Green 3.4m	1
	120_102	Handgrip set (2x Complete)	1
Timber	C37	Beam 370 mm	4
	C74	Beam 740 mm	1
	C154	Beam 1540 mm	2
	D60	Board 600 mm	18

Ramp - P034U - 2010072023 - v2b

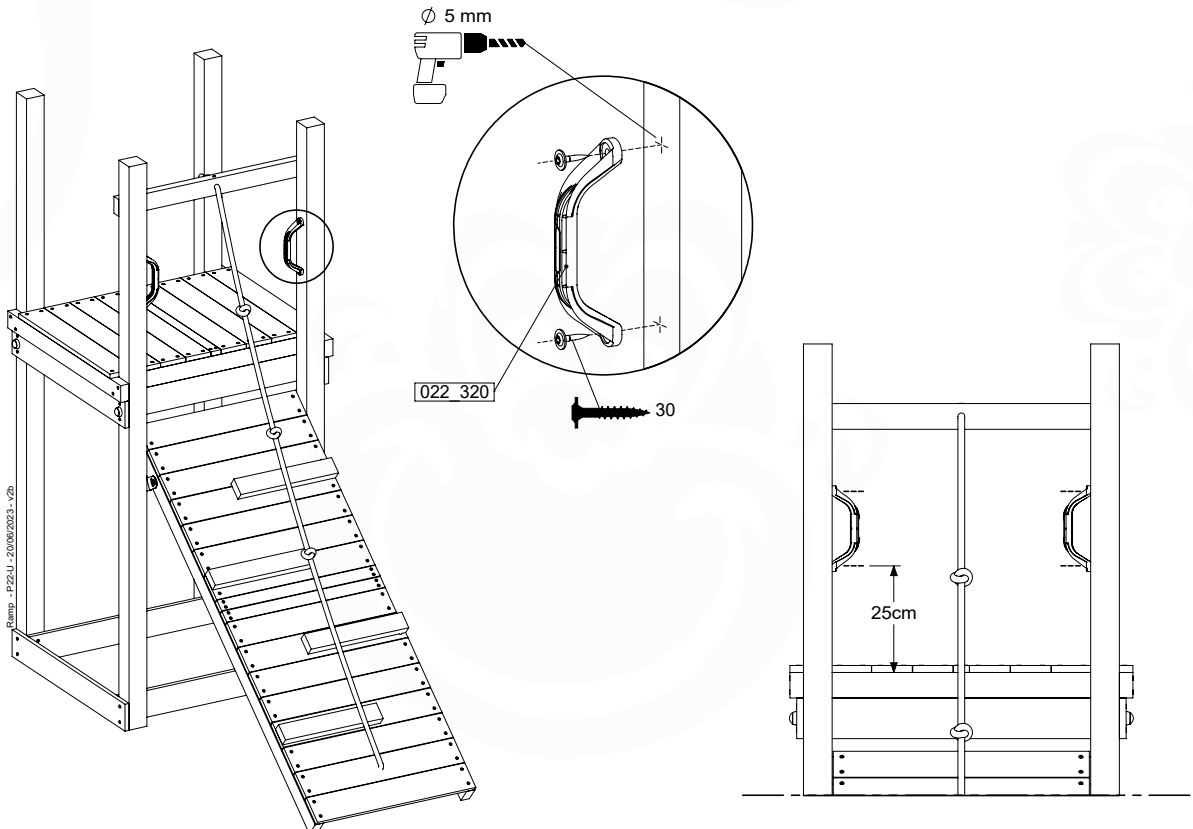
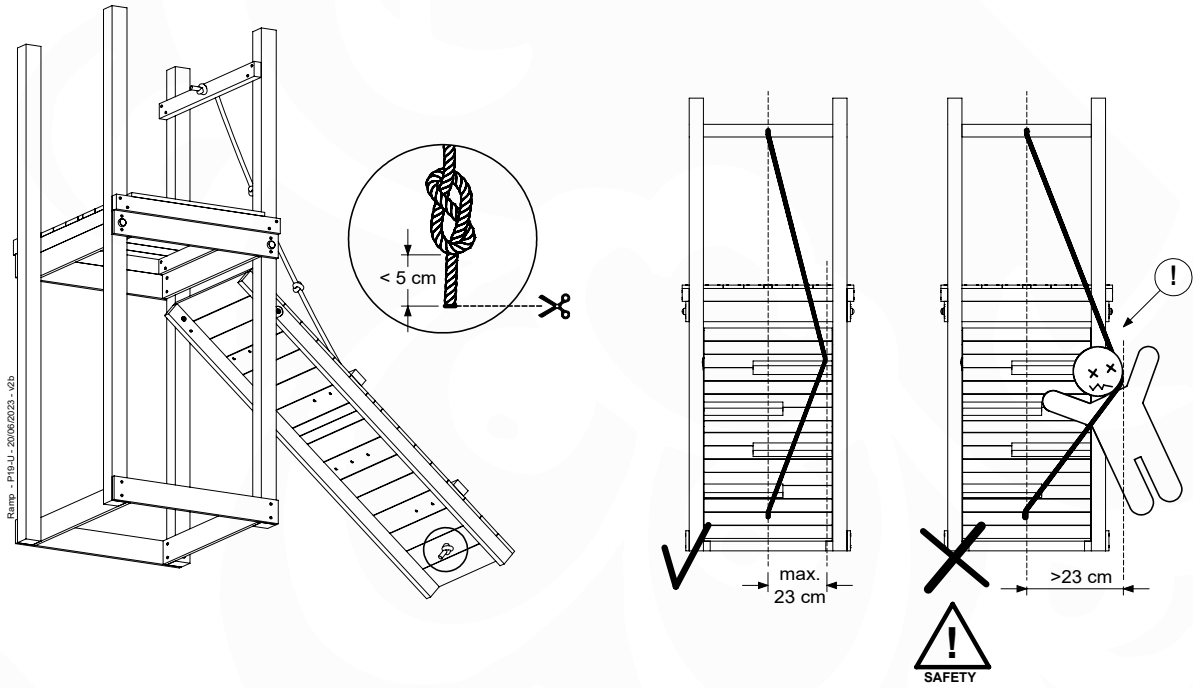


22.1





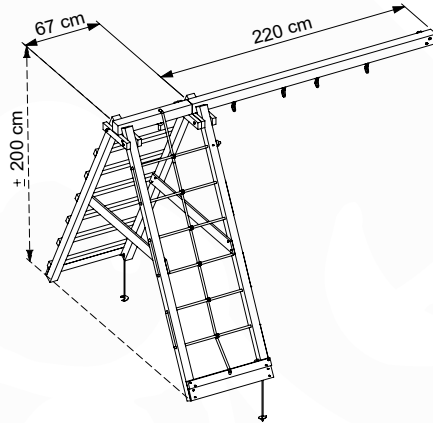
22.3



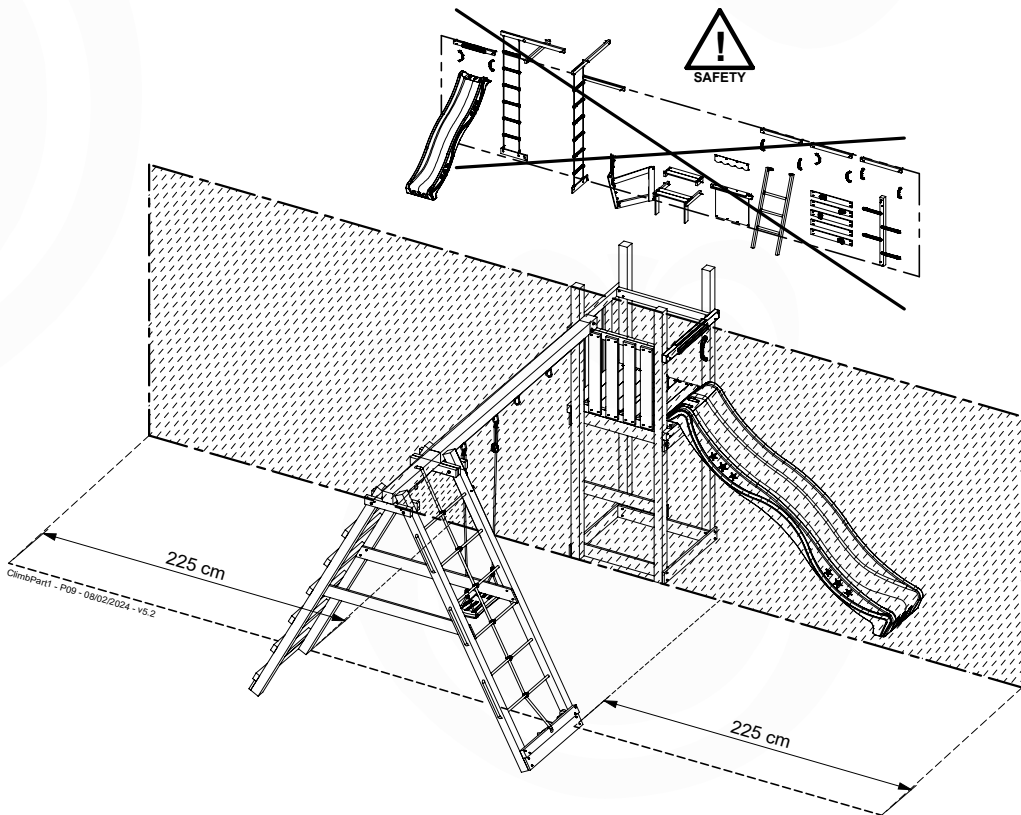
23 CL05a: 2-Climb Module 200

(457_106)

	PartNo	PartName	QTY.
Hardware Pack	001_406	Stealth Screw 8x45	2
	001_417	Stealth Screw 8x80	6 / 8
	001_422	Stealth Screw 8x137	6
	002_220	Gap Point Screw T25 - 5x45	41
	002_223	Gap Point Screw T25 - 5x80	41
	002_301	Dry Wall Screw PH2 3.9 x 40 mm	6
Other	005_528	Swing Beam Bracket 7x7	2
	007_001	Ground-anchor	2
	020_317	Rope Polyester 16mm Green 3.4m	1
	020_318	Rope Polyester 16mm Green 8.1m	1
	022_455	Rope Cross Connector Egg	6
	023_031	Finishing Washer GPS 5.0	4
	101_003	Swing hook with Carabiner	4
Timber	A220	Post 70x70 L2200	4
	B67	Post 90x90 L670	1
	B220	Post 90x90 L2200	1
	C37	Beam 370 mm	5
	C74	Beam 740 mm	7
	D74	Board 740 mm	2
	D141	Board 1410 mm	3

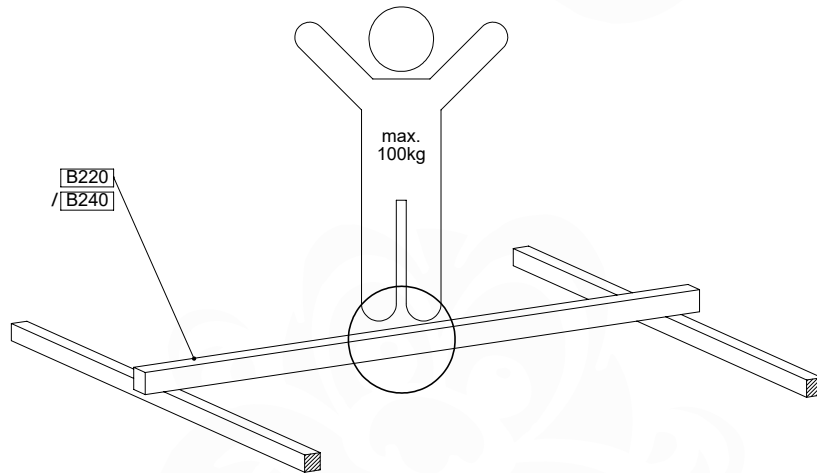
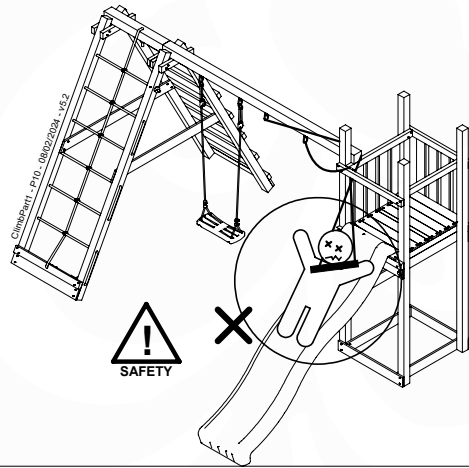
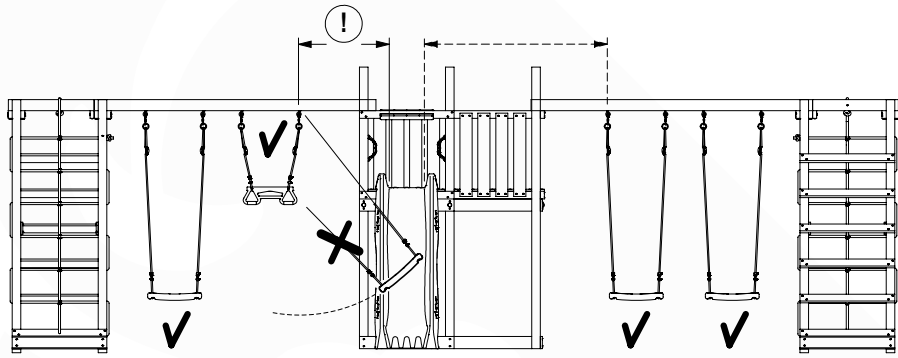
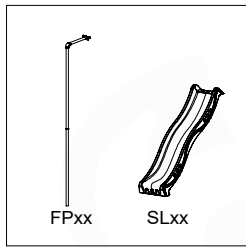


ClimbPart1 - P04-Z/2/00 - 08/02/2024 - v5.2

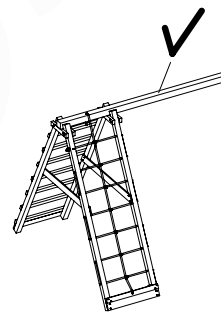
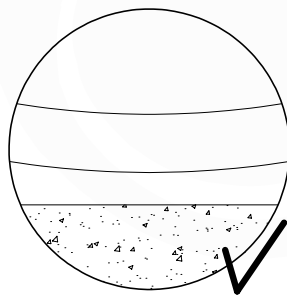
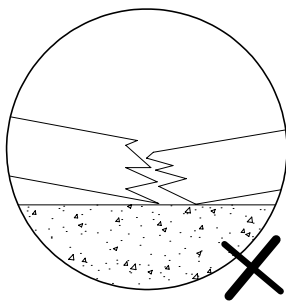


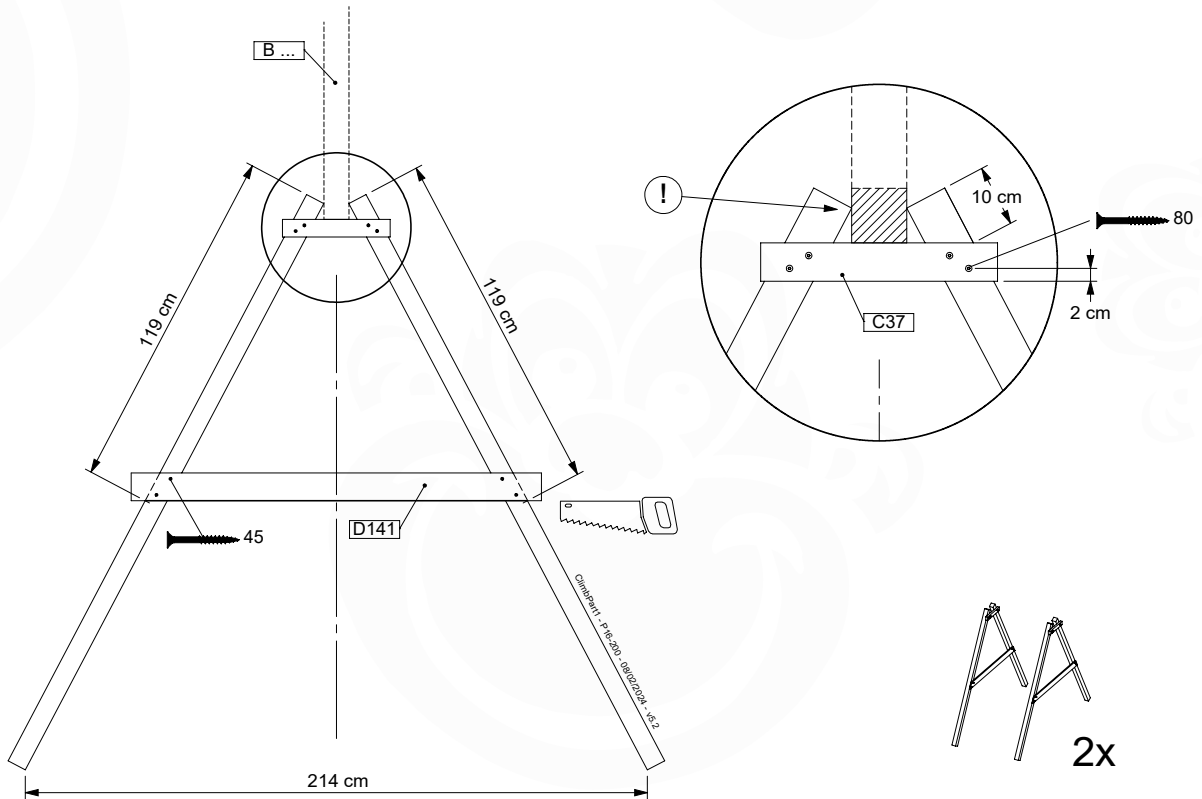
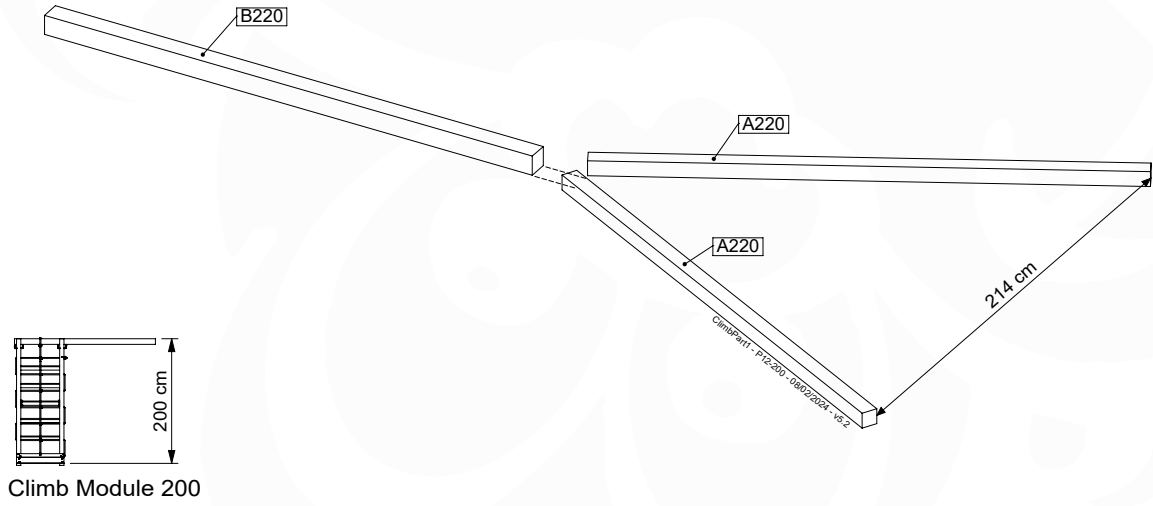
ClimbPart1 - P09 - 08/02/2024 - v5.2

23.1

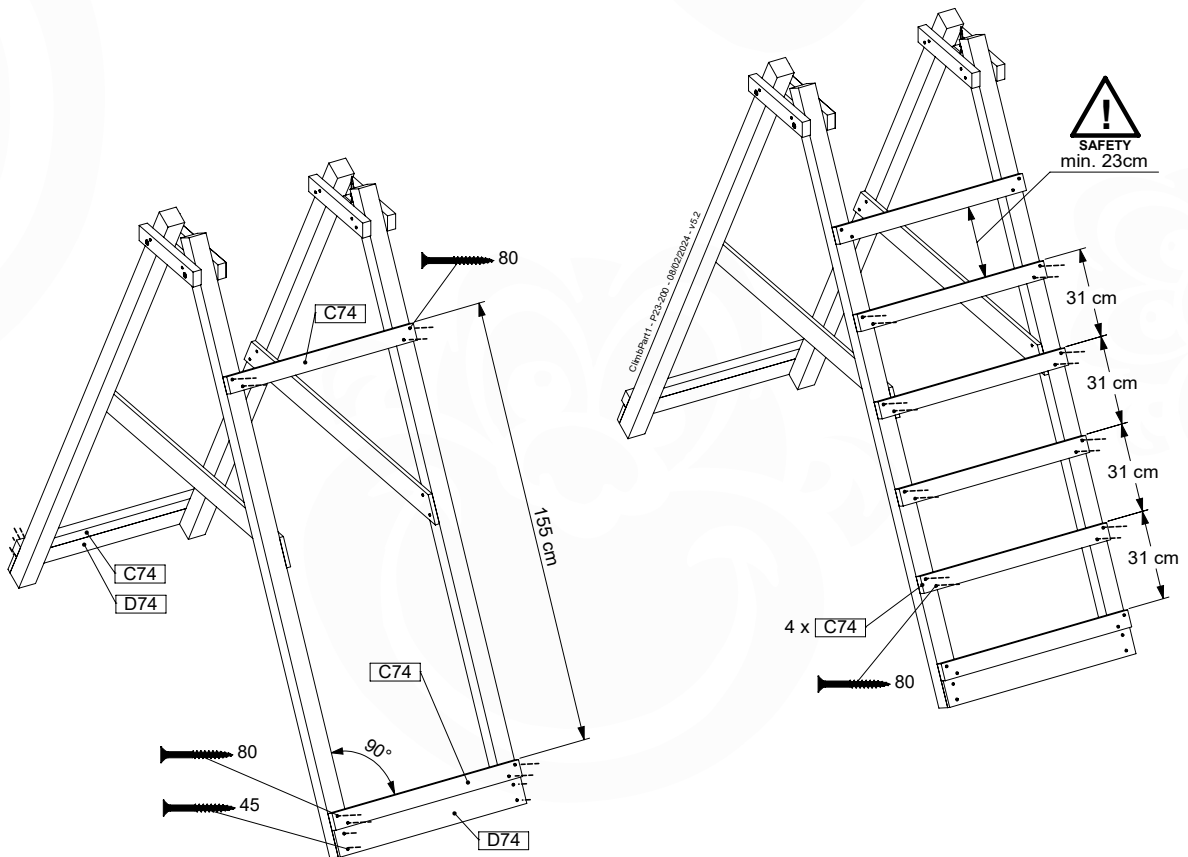
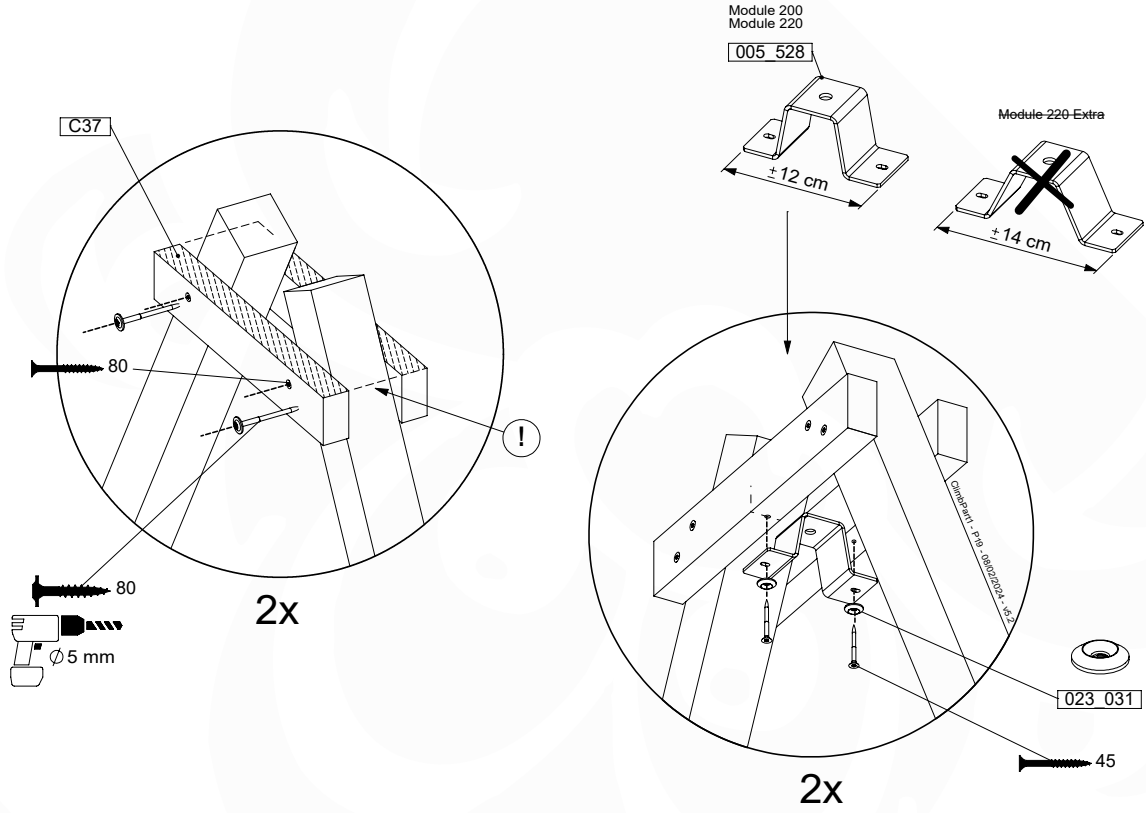


ClimbPart1 - P25-200 - 08/02/2024 - v5.2

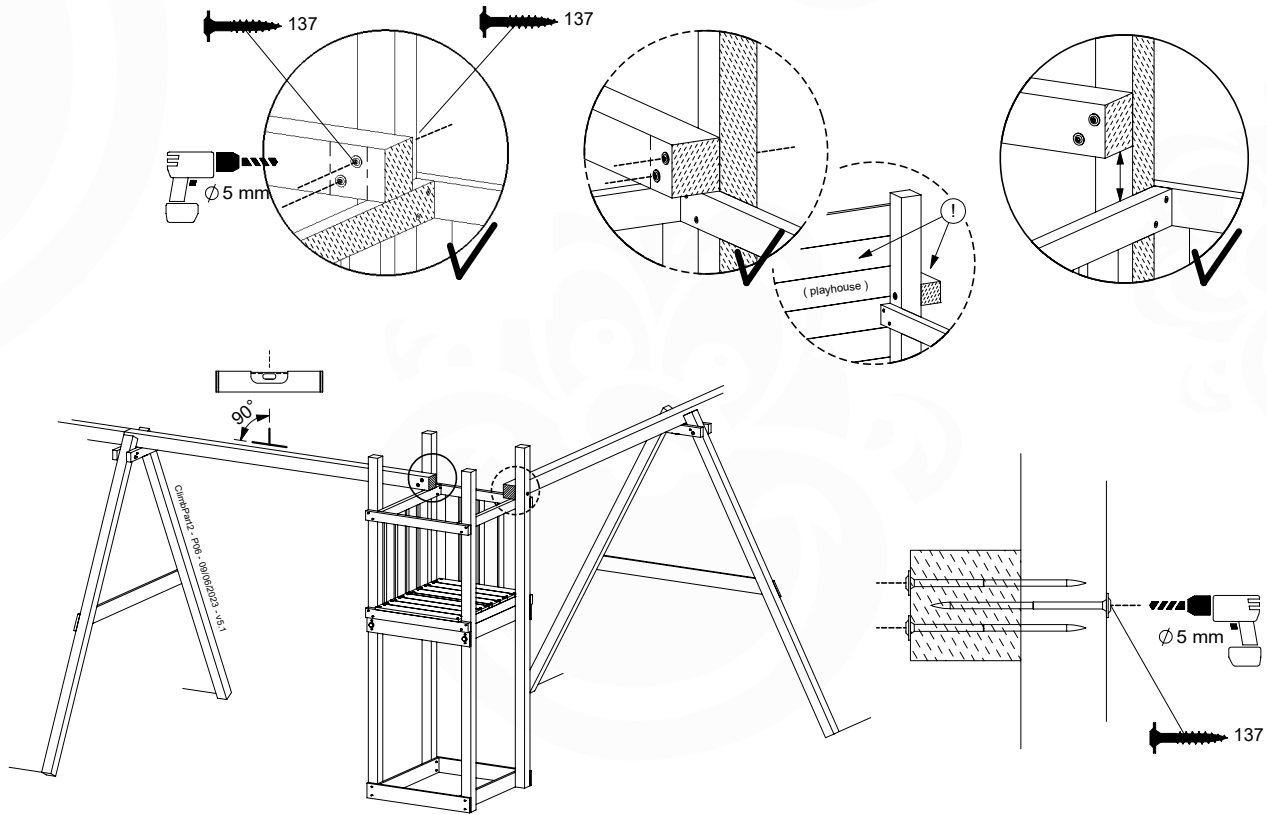
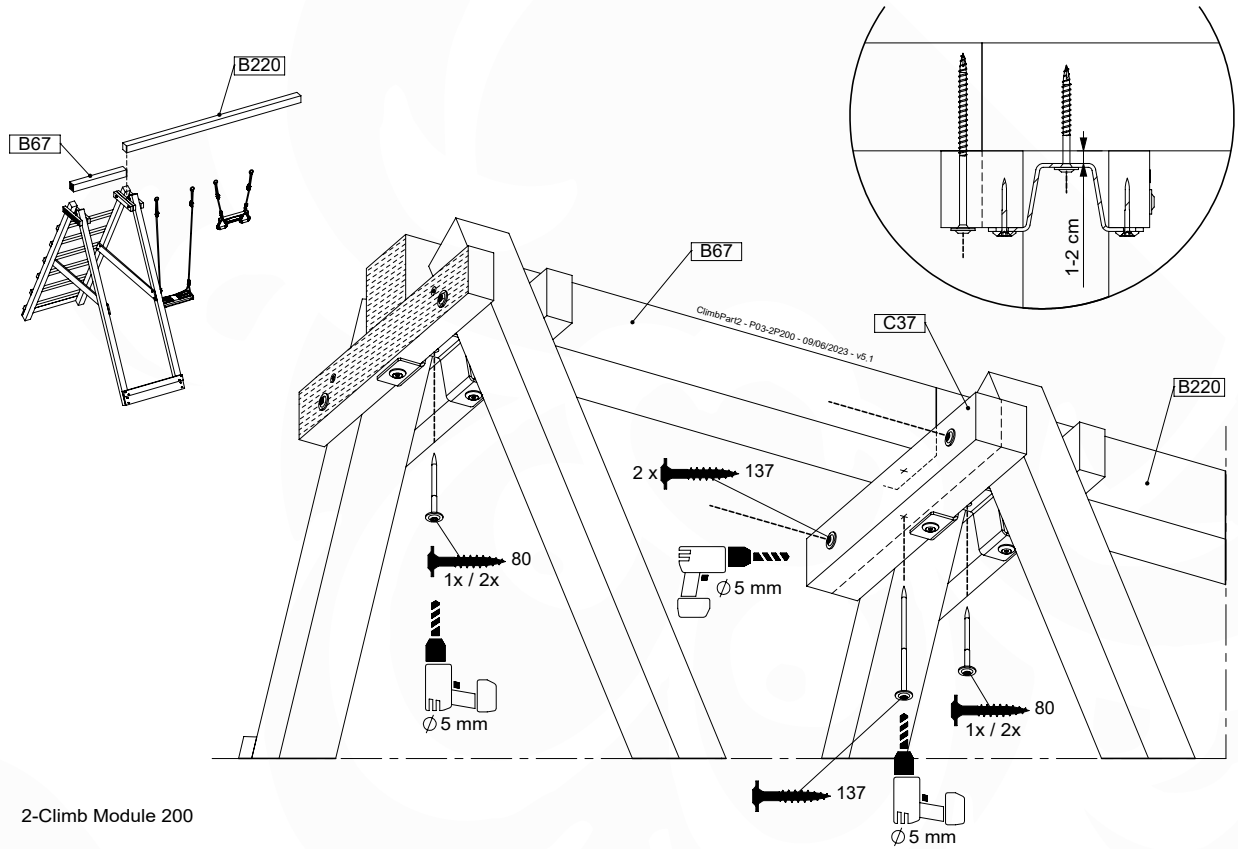




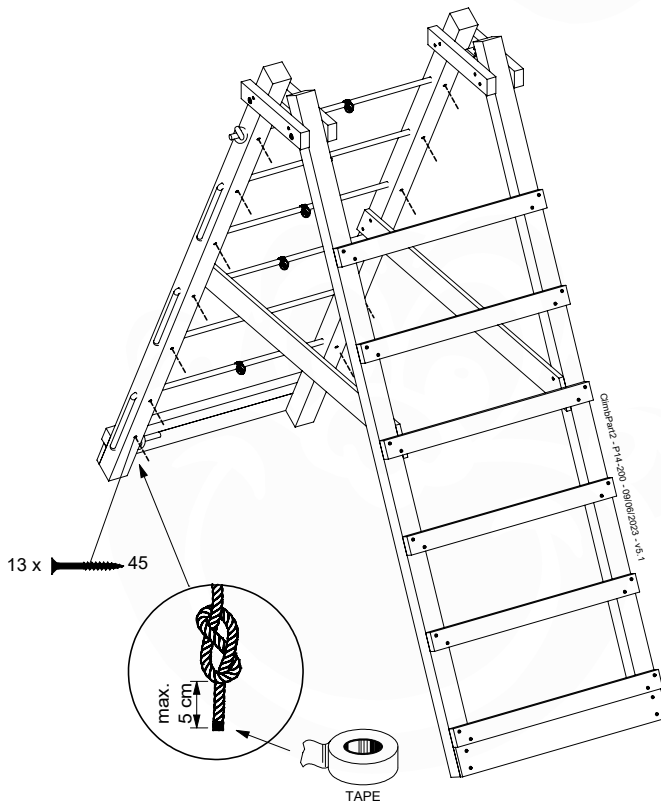
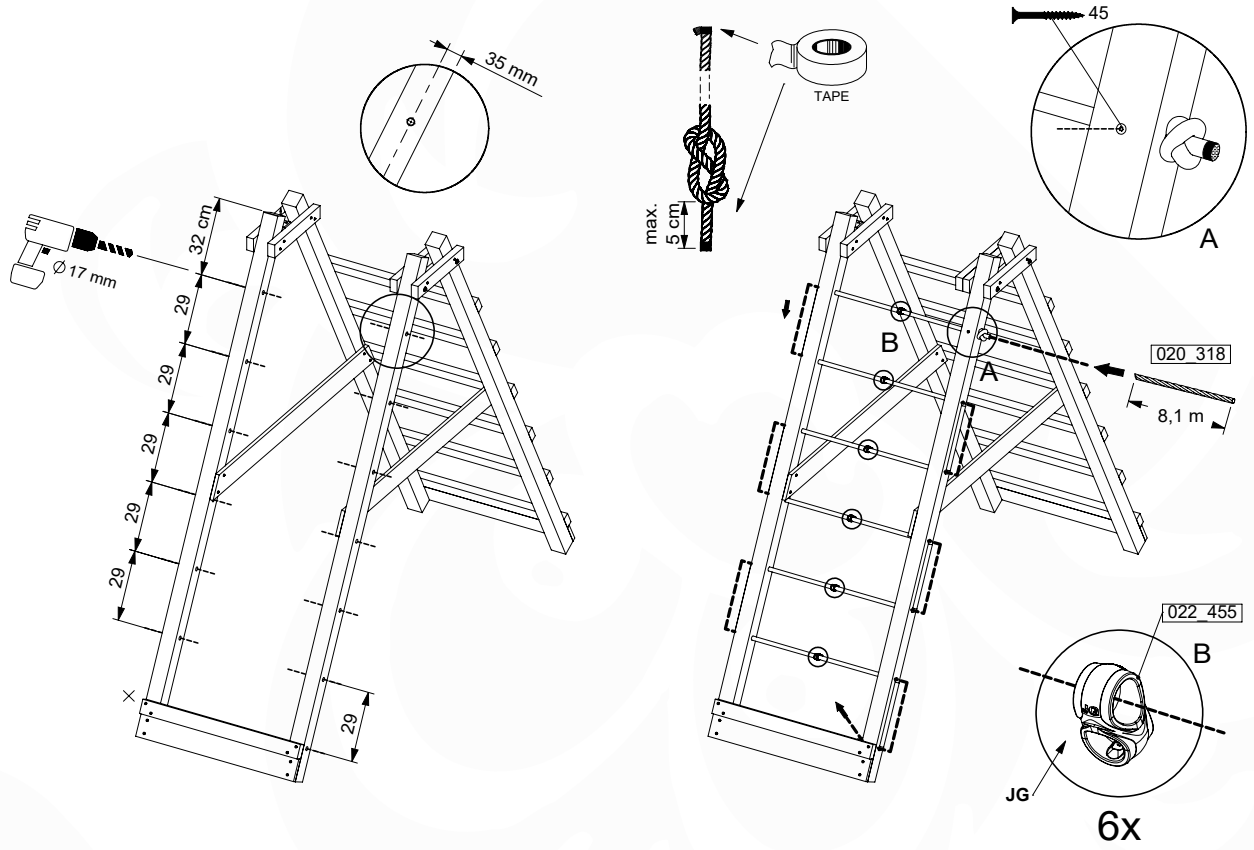
23.3



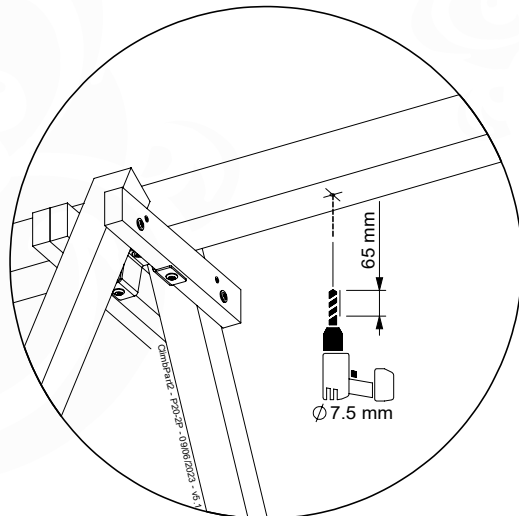
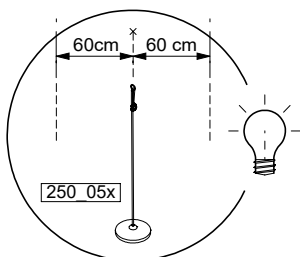
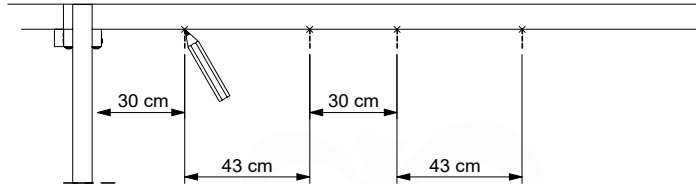
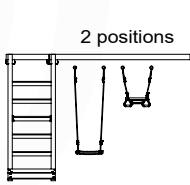
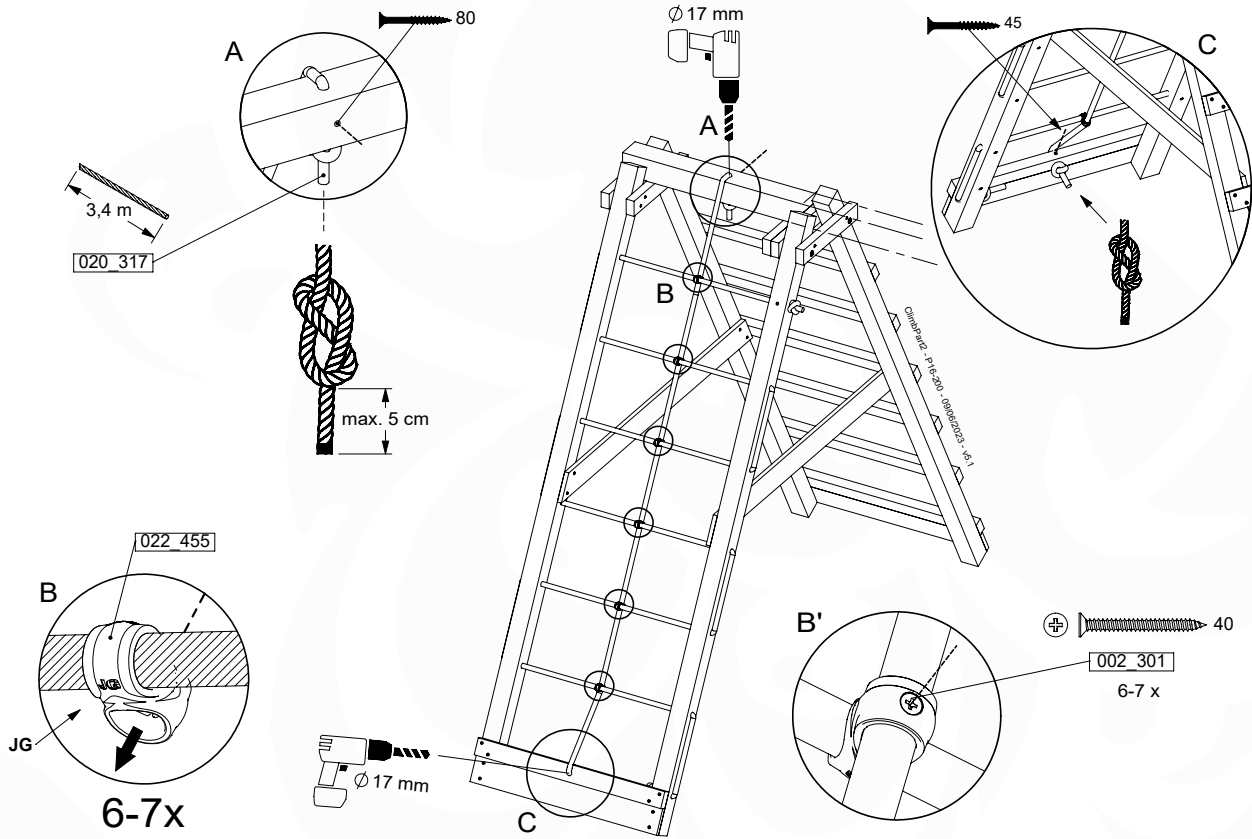
24 CL05a: 2-Climb Module 200 - Part 2



24.1

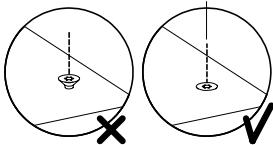
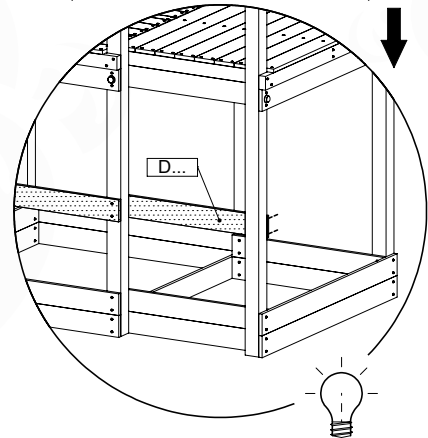
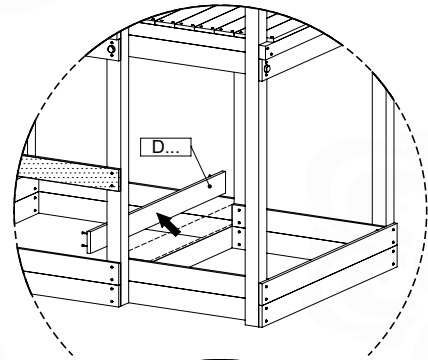
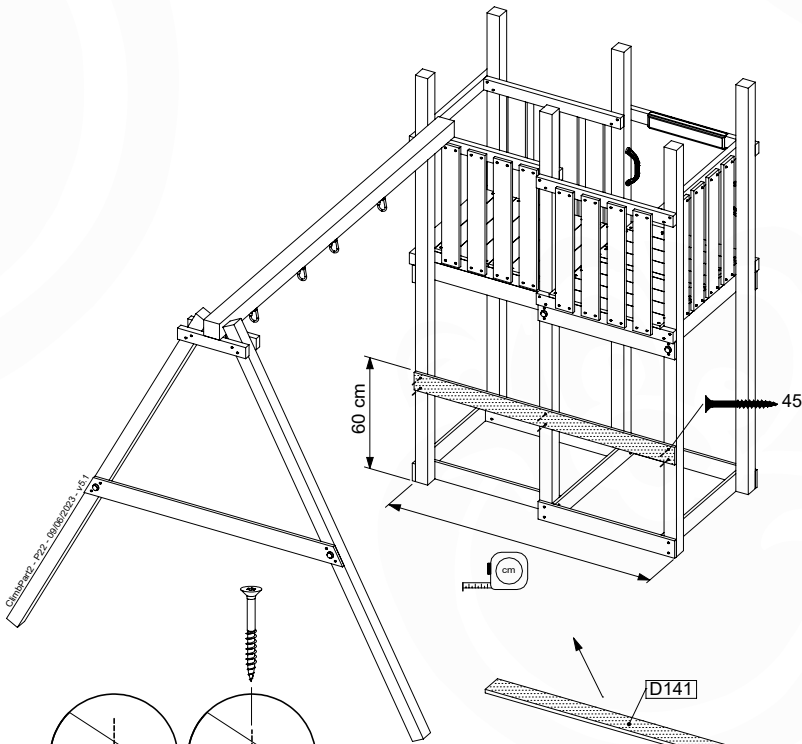
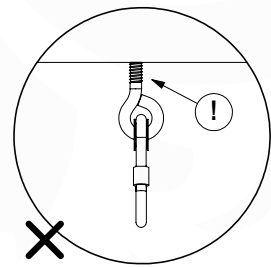
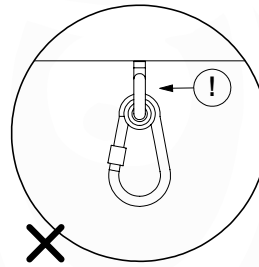
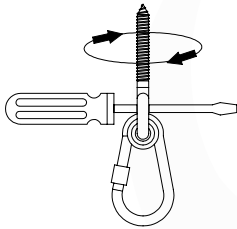
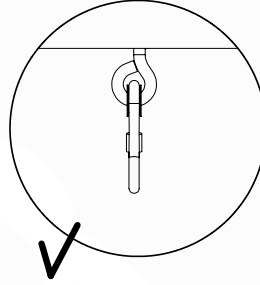
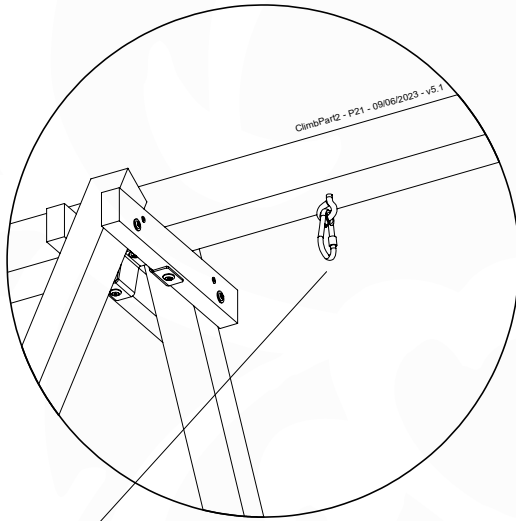


24.2

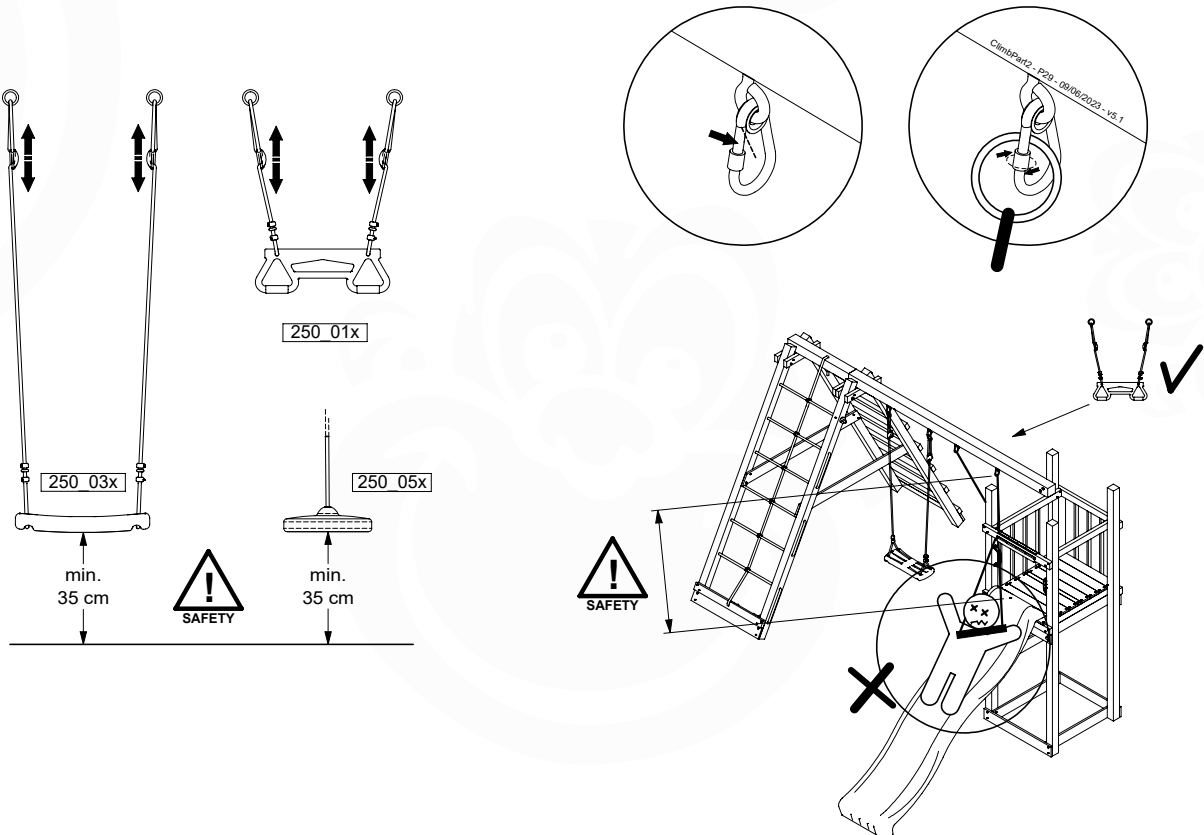
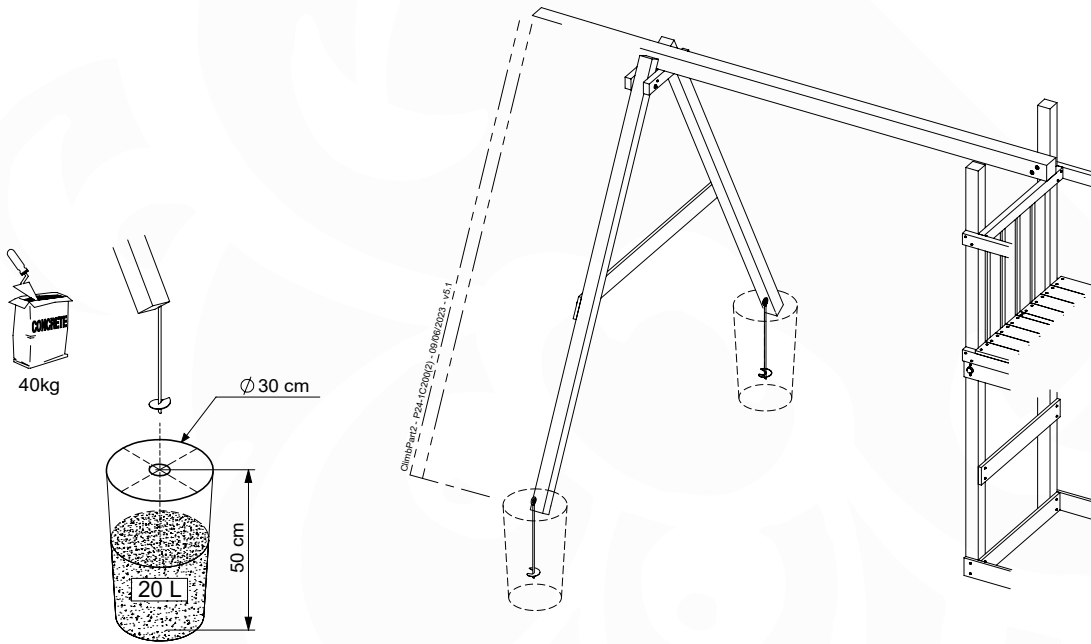


24.3

1-4 x
101 003



24.4

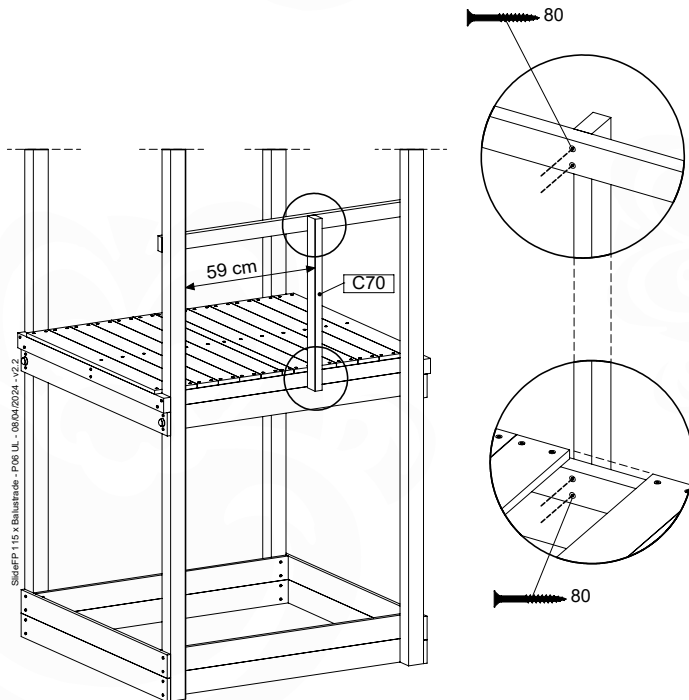
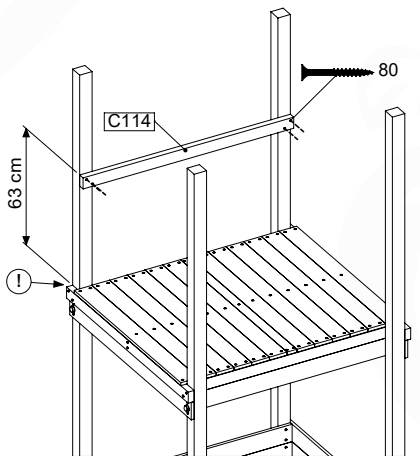
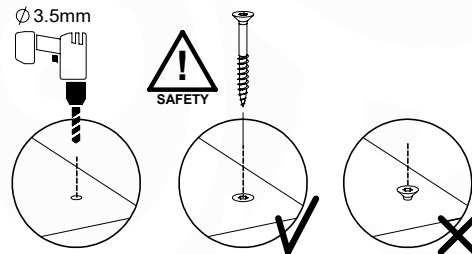
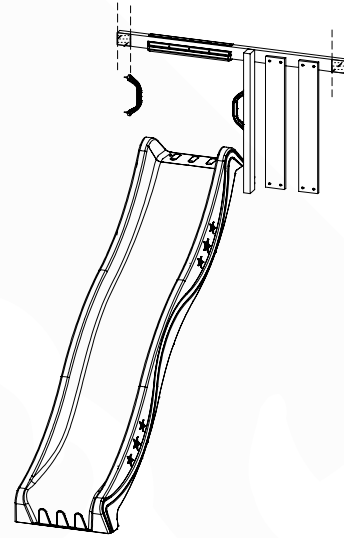


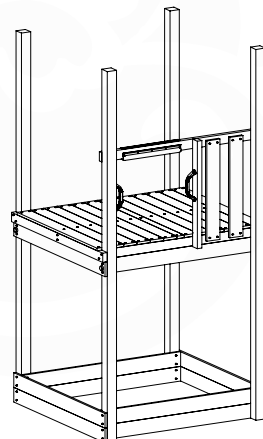
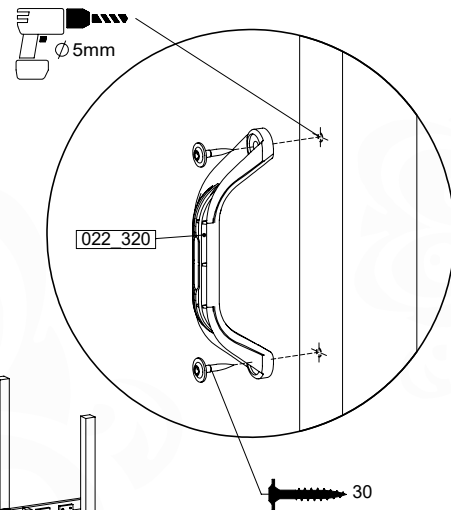
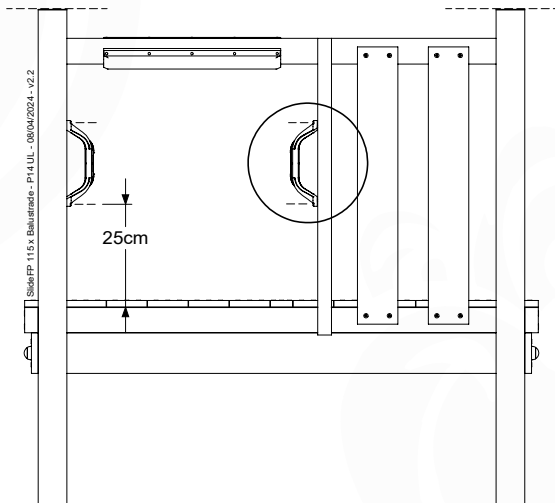
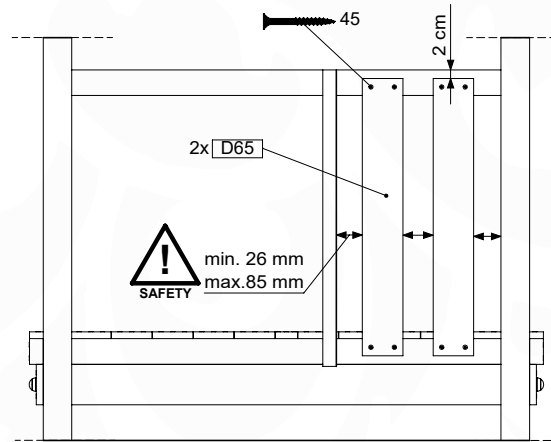
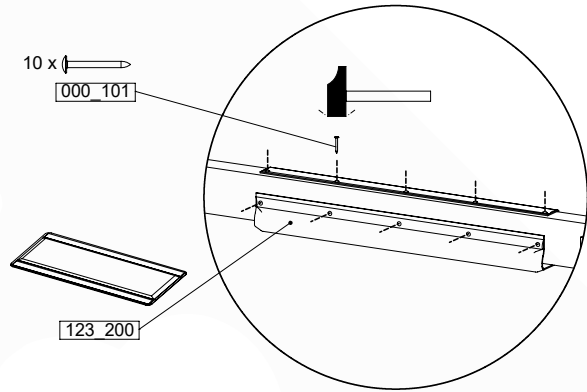
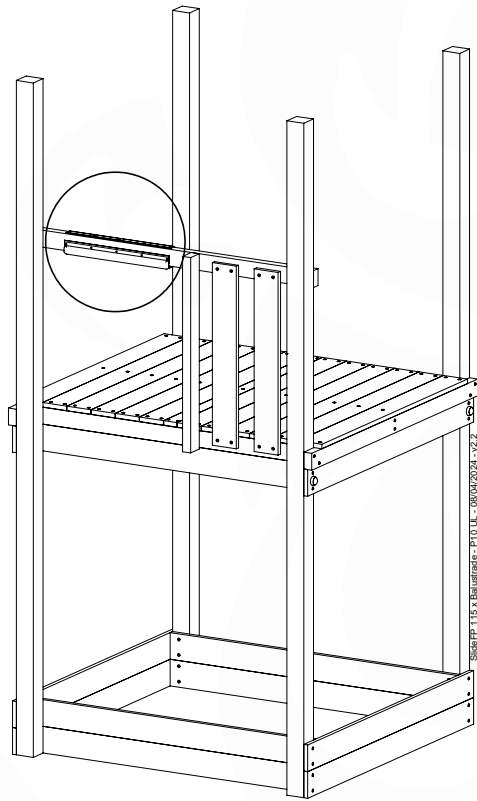
25 SL06a: Slide 115 125 U Left

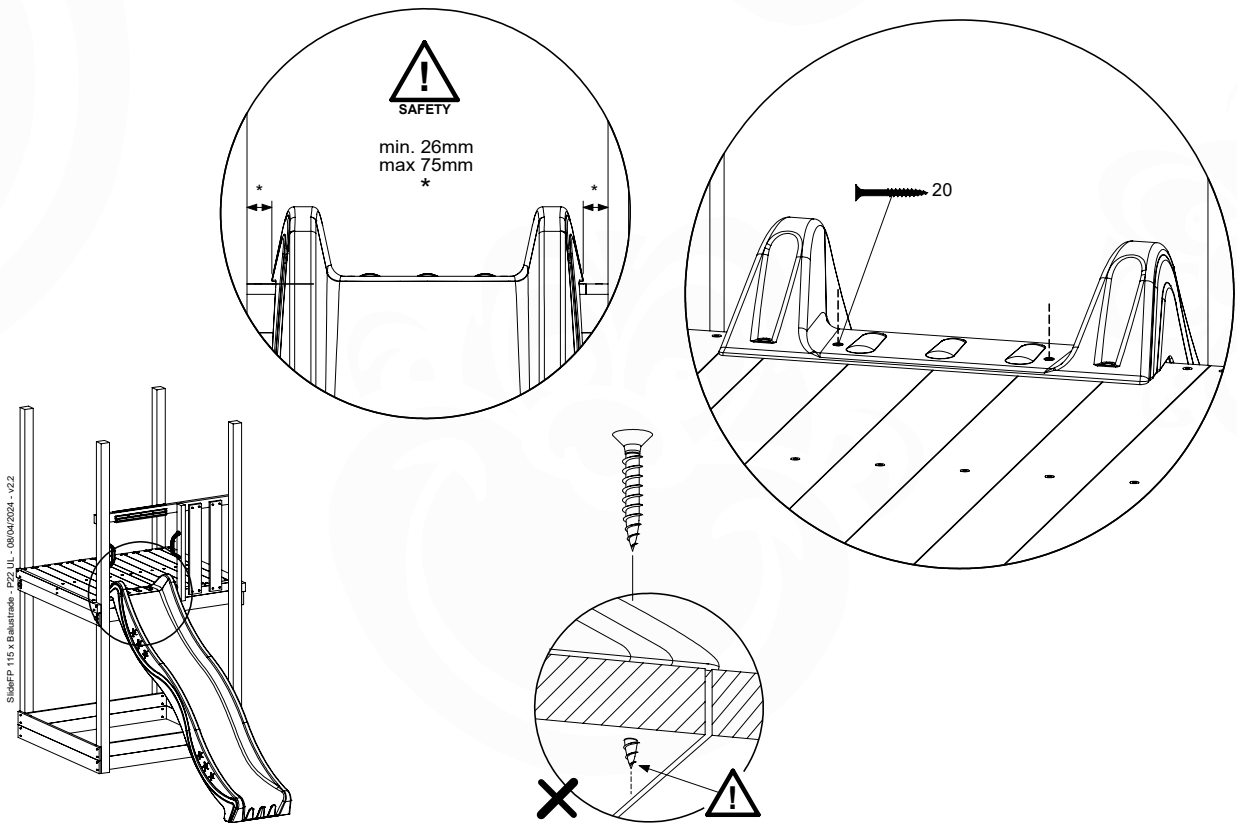
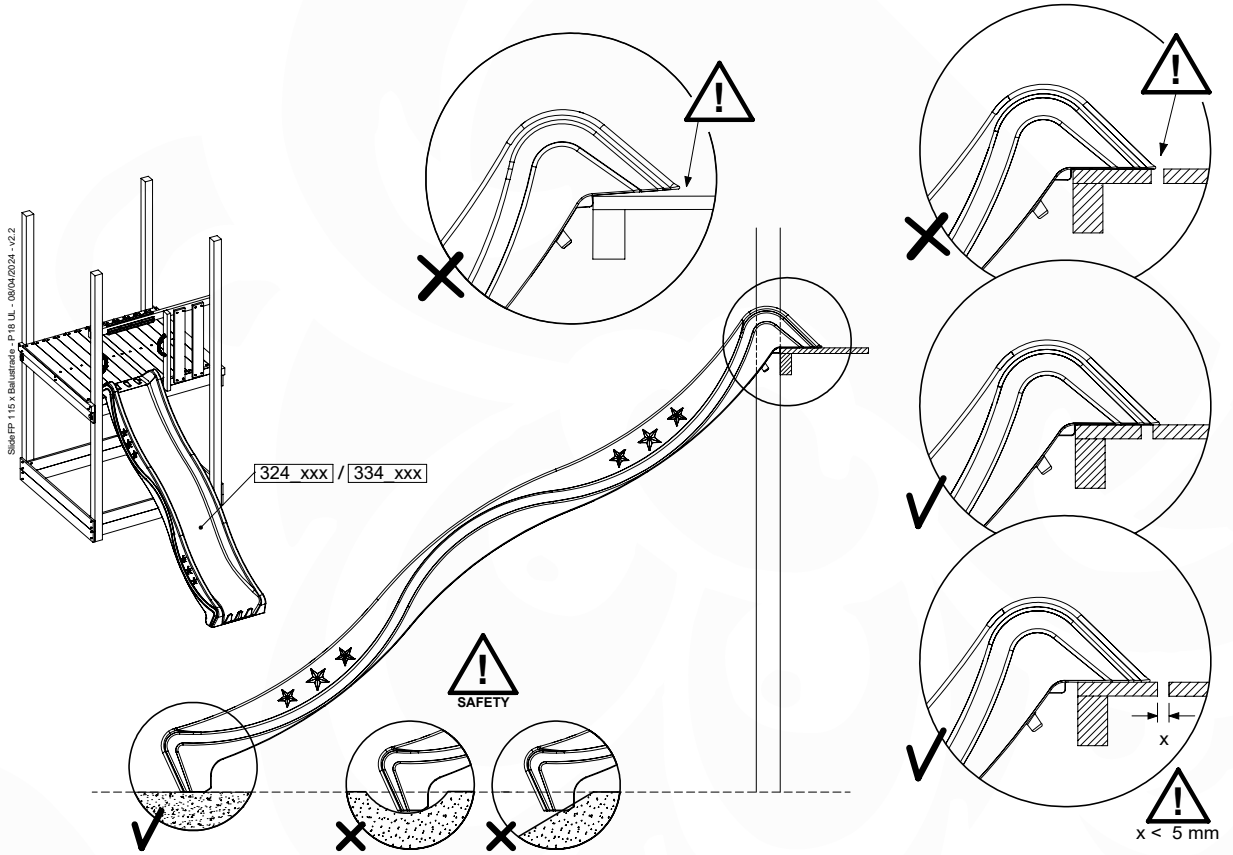
Assembly Packs: 194_107 + 194_101

	PartNo	PartName	QTY.
Hardware + Parts	000_101	Nail Pan Head	10
	002_220	Gap Point Screw T25 - 5x45	8
	002_223	Gap Point Screw T25 - 5x80	8
	002_308	Gap Point Screw T25 - 5x20	2
	120_102	Handgrip set (complete 2x)	1
	123_200	Bumperpad	1
	324_xxx 334_xxx	Wavy Star Slide XL 2200 mm / Wavy Star Slide XXL 2650 mm	1
Timber	C114	Beam 1140 mm	1
	C70	Beam 700 mm	1
	D65	Board 650 mm	2

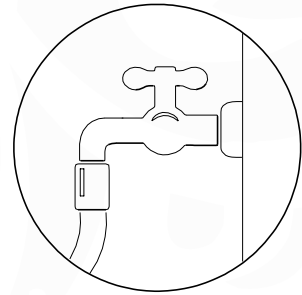
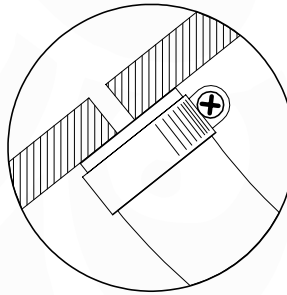
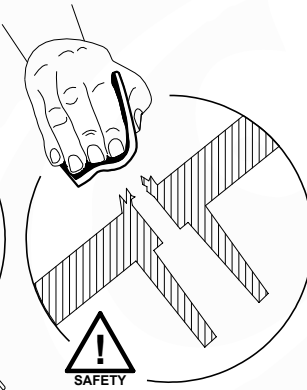
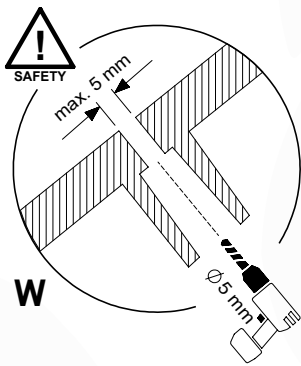
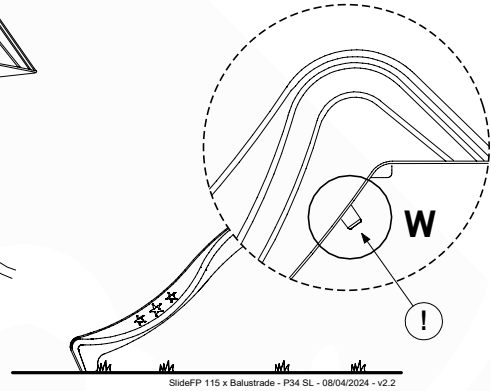
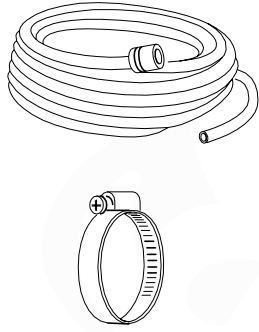
SlideFP 115 x Behuurde - POZ UL - 08/01/2024 - v2.2







25.3

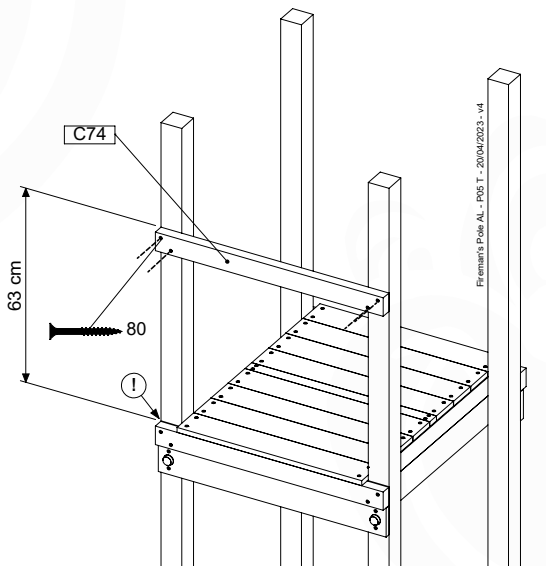
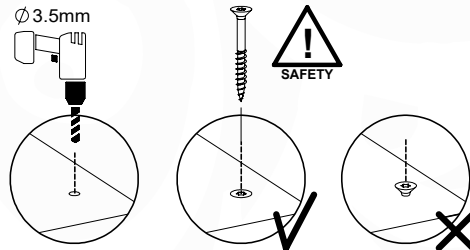
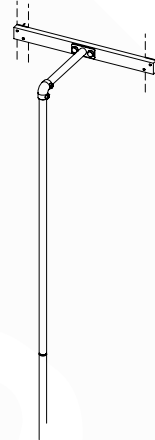


26 FP02a: Fireman's pole 80 T

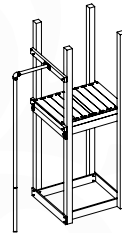
(201_275)

	PartNo	PartName	QTY.
Kit	201_275	Fireman's Pole kit (incl. 4x Screw T25 5x80)	1
Timber	C74	Beam 740 mm	1

Fireman's Pole AL - P03 T - 20/04/2023 - v4

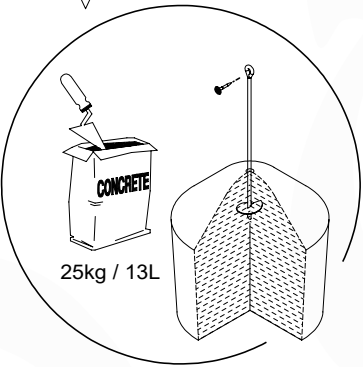
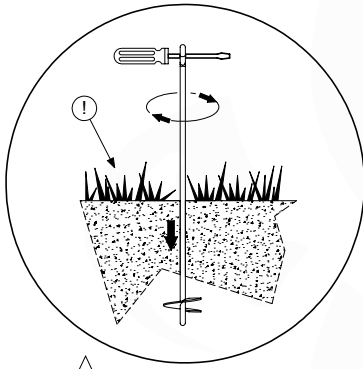


Fireman's Pole AL - P03 T - 20/04/2023 - v4

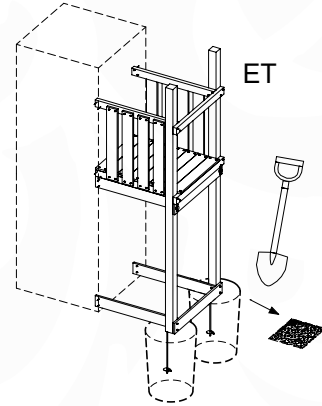
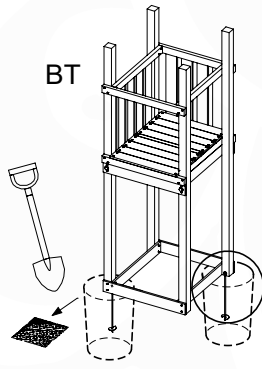
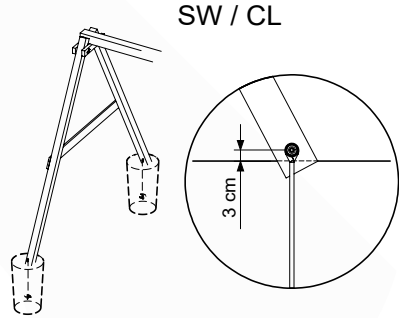
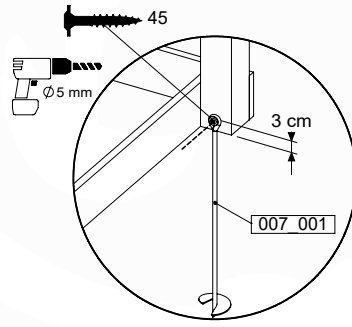


**Fireman's Pole (201_275)
040_335 Part 2**

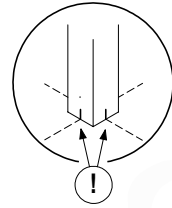
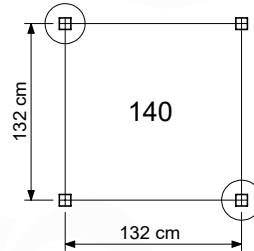
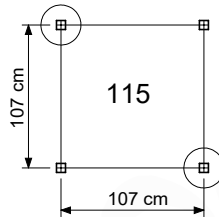
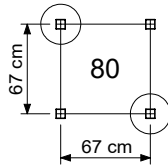
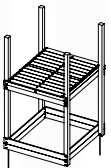
27 GA: Ground Anchors



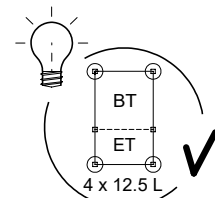
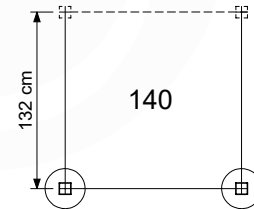
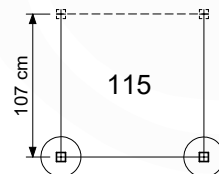
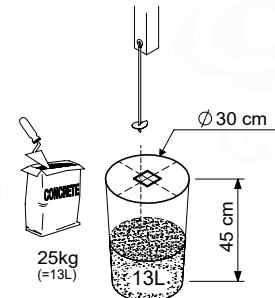
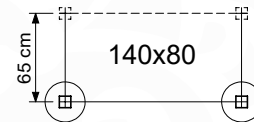
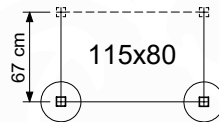
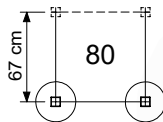
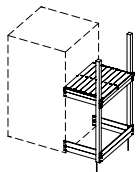
Ground Anchors Unit - P03 - 06/03/2024 - v1.3



BASE TOWERS



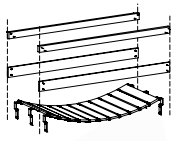
EXTENSION TOWERS



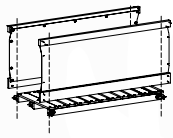
Ground Anchors Unit - P03 - 06/03/2024 - v1.3

27.1

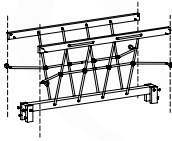
CLATTER BRIDGE



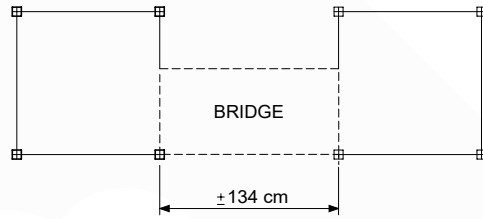
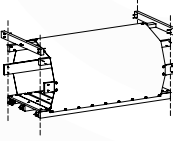
BOARDWALK BR.



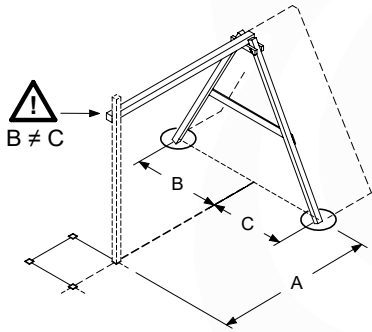
NET BRIDGE



TUNNEL BRIDGE

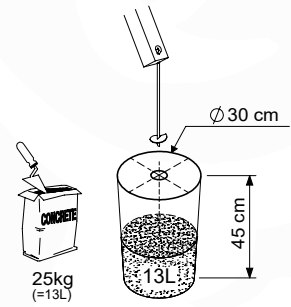


SWING / CLIMB MODULE

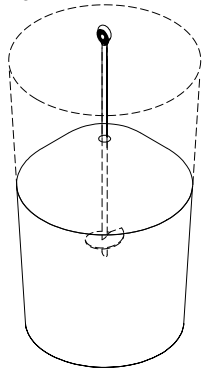


Module type	A	B	C
1-Swing 200	150	115	100
1-Swing 220 / 220 Extra		120	105
2-Swing 200	210	115	100
2-Climb 200			
1-Climb 200	142	120	105
1-Climb 220 / 220 Extra			
2-Swing 220 / 220 Extra	230	120	105
2-Climb 220 / 220 Extra			

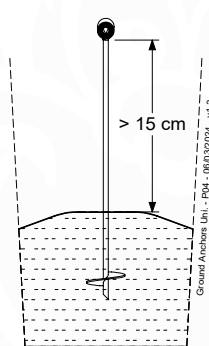
Grand Anchers Uni. - P02 - 06/03/2024 - v1.3



25kg / 13L



1.

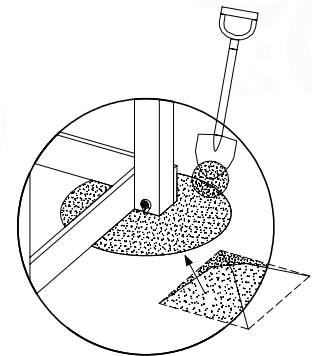


2.

24h



3.



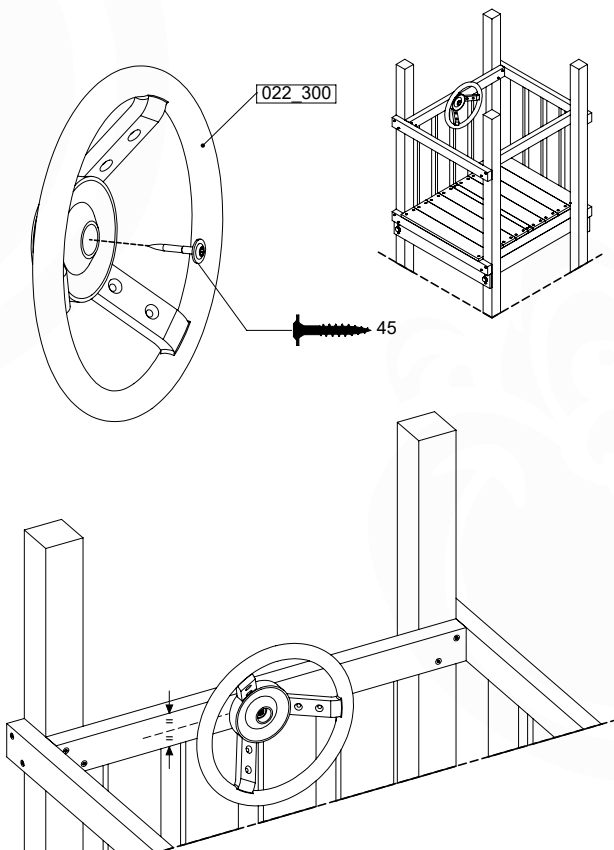
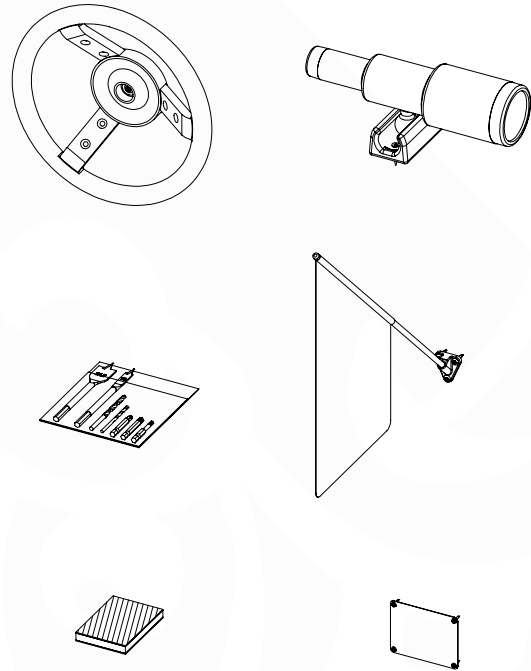
4.

28 AC01a: Accessories

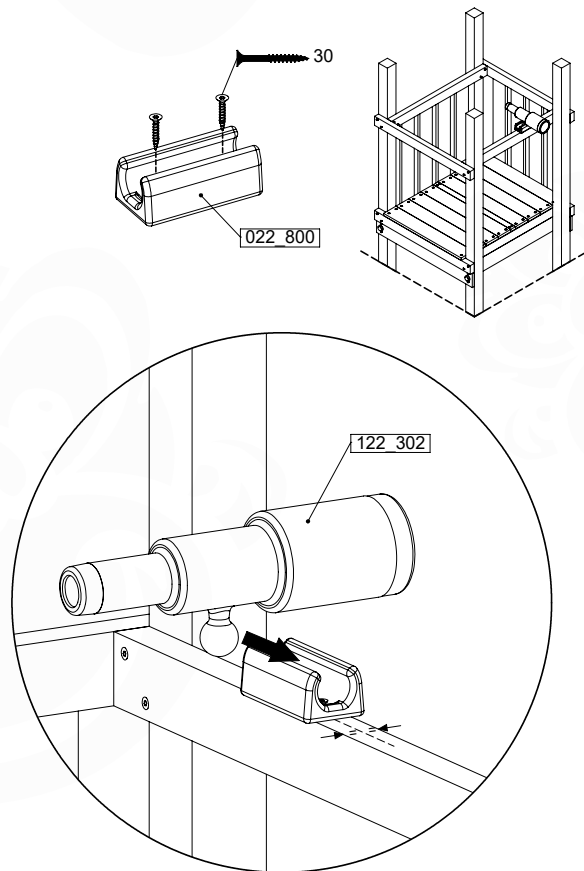
(194_119)

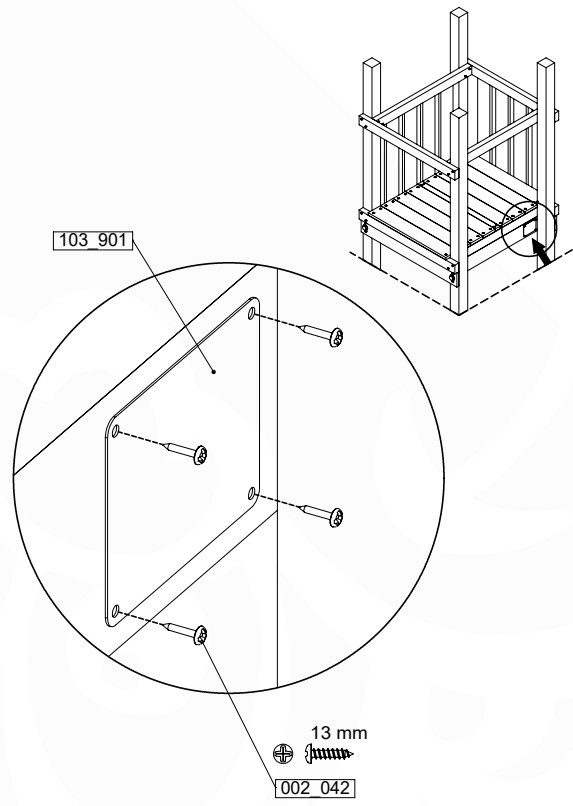
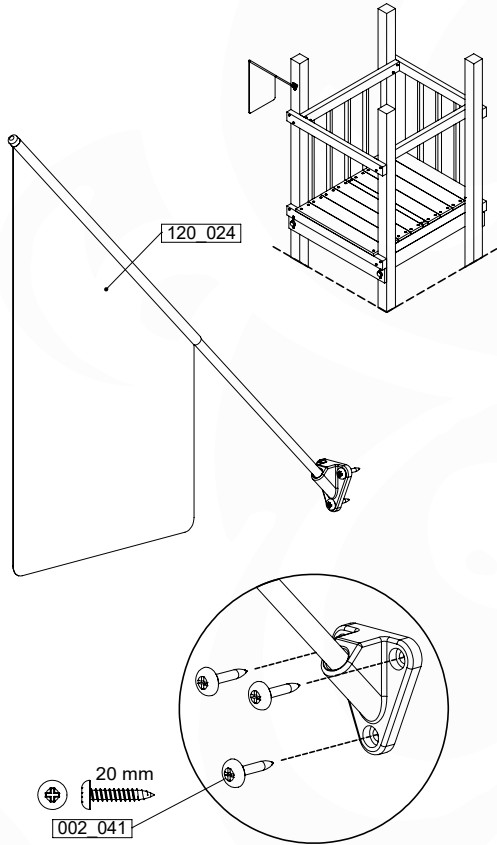
	PartNo	PartName	QTY.
Hardware Pack 100_617	001_406	Stealth Screw 8x45	1
	002_041	Dome head screw 4.5 x 20 mm	3
	002_042	Dome head screw 3.5 x 13mm	4
	002_219	Gap Point Screw T25 - 5x30	2
Other	022_300	Steering Wheel	1
	022_800	Rail P/T 105	1
	022_910	Sandpad	1
	103_901	Logo ID Plate	1
	104_107	Tool Set Climbing Units	1
	120_024	Tower Flag	1
	122_302	Telescope	1

Accessory set - P102 - 28/01/2024 - v5

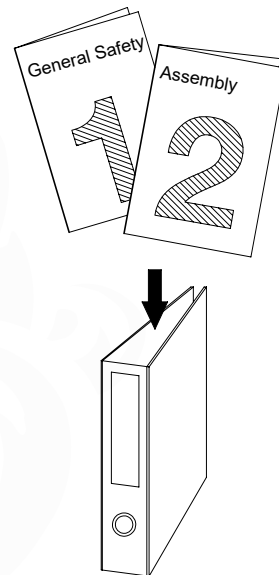
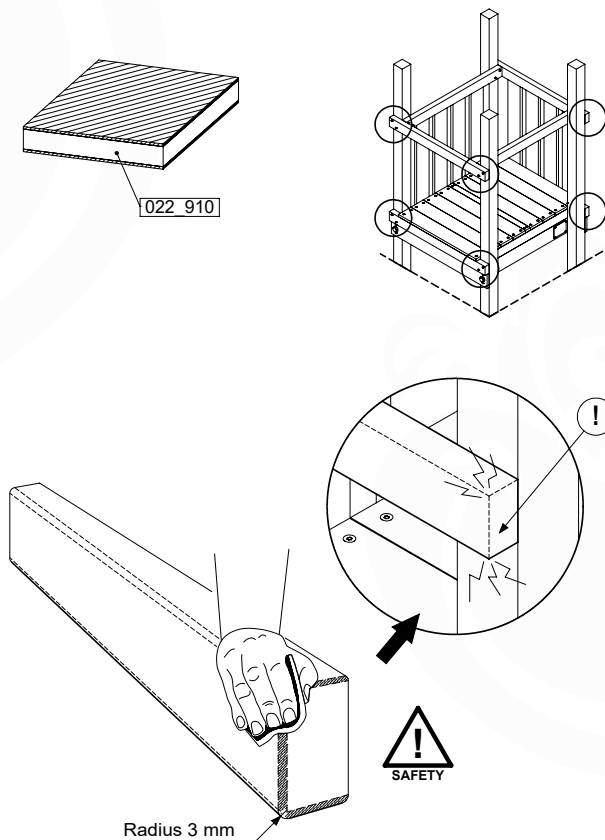


Accessory set - P103 - 28/01/2024 - v5





Accessory set - P04 - 24.01/2024 - v5



Accessory set - P05 - 24.01/2024 - v5

29 Declaration of conformity

Activity toys for domestic use Aktivitätsspielzeug für den häuslichen Gebrauch Jouets d'activité à usage familial

1. Wooden climbing frames

20240416_v3

1.1. Assemblies

Playtowers	801_005, 801_009, 801_010, 801_013, 801_025, 801_040, 801_060, 801_070, 801_090, 801_095, 801_100, 801_103, 801_105, 801_110, 801_120, 801_200, 802_202, 802_204, 802_206, 802_208, 803_202, 803_204, 803_206, 803_208, 803_210, 809_802, 809_804
Swings	801_300, 801_601, 801_602
Modules	850_176, 850_177, 850_231, 850_232, 857_101, 857_102, 857_105, 857_106, 857_151, 857_152, 857_157, 857_158, 850_240

1.2. Sub assemblies

Base towers (BT)	BT01a, BT02a, BT03a, BT11a, BT14a, BT15a, BT20a
Extension towers (ET)	ET01a, ET02a, ET05a, ET06a, ET07a, ET08a, ET09a, ET10a, ET11a, ET12a, ET13a, ET14a, ET15a, ET16a, ET17a, ET18a, ET19a, ET20a, ET22a, ET23a, ET27a, ET28a, ET35a, ET29a, ET39a, ET40a
Bridges (CB, NB, BB, TB)	CB01a, NB01a, BB01a, BB02a, TB01a, TB02a, TB03a, TB04a
Roofs (RF)	RF01a, RF21a, RF02a, RF03a, RF04a, RF05a, RF06a, RF20a, RF02b, RF03b, RF07a, RF08a, RF22a, RF09a, RF23a, RF11a, RF12a, RF07b, RF12b, RF08b, RF22b, RF09b, RF23b, RF11b, RF14a, RF24a, RF15a, RF25a, RF18a, RF18b, RF14b, RF24b, RF15b, RF25b
Balustrade (BL, BF)	BL01a, BL02a, BL21a, BF25a, BF26a, BF27a, BF28a, BF01a, BF02a, BF03a, BF04a, BF05a, BF06a, BF07a, BF08a, BF01b, BF02b, BF03b, BF04b, BF05b, BF06b, BF07b, BF08b, BF21a, BF22a, BF23a, BF24a, BF21b, BF22b, BF23b, BF24b
Playhouse (PH)	PH03a, PH04a, PH05a, PH06a, PH10a, PH11a, PH40a, PH41a, PH12a, PH13a, PH14a, PH15a, PH42a, PH43a, PH44a, PH45a, PH16a, PH17a, PH18a, PH19a, PH30a, PH31a, PH16b, PH17b, PH18b, PH19b, PH46a, PH47a, PH48a, PH49a, PH16c, PH17c, PH18c, PH19c, PH46b, PH47b, PH48b, PH49b, PH20a, PH21a, PH22a, PH23a, PH24a, PH25a, PH26a, PH27a, PH32a, PH33a, PH52a, PH53a, PH54a, PH55a, PH56a, PH57a, PH50a, PH51a, PH26b, PH27b, PH26c, PH27c, PH56b, PH57b
Ladder (LA)	LA05a, LA06a, LA01a, LA02a, LA03a, LA01b, LA02b, LA03b, LA11a, LA12a, LA13a, LA14a, LA15a, LA16a, LA17a, LA18a, LA31a, LA32a, LA33a, LA34a, LA35a, LA36a, LA37a, LA38a, LA21a, LA22a, LA23a, LA24a, LA25a, LA26a, LA43a, LA44a, LA45a, LA46a
Two Step Ladder (TS)	TS01a, TS01b, TS02a, TS02b, TS03b, TS22a, TS05a, TS06a, TS07a, TS08a, TS09a, TS10a, TS11a, TS12a, TS15a, TS16a, TS17a, TS18a, TS19a, TS20a, TS21a, TS22a
Rope Ladder (RL)	RL01a, RL02a, RL05a, RL06a, RL07a, RL08a, RL09a, RL10a, RL11a, RL12a, RL15a, RL16a, RL19a, RL20a
Rock wall (RW)	RW01a, RW02a, RW01b, RW02b, RW03b, RW31a, RW32a, RW33a, RW05a, RW06a, RW07a, RW08a, RW09a, RW10a, RW11a, RW12a, RW40a, RW41a, RW15a, RW16a, RW17a, RW18a, RW19a, RW20a, RW46a, RW47a
Ramp (RA)	RA03a, RA04a, RA05a, RA06a, RA07a, RA08a, RA11a, RA12a, RA21a
Net (NA, NS)	NA01a, NA02a, NS01a, NS02a, NS03a, NS21a, NA04a, NA05a, NS04a, NS05a, NS06a, NS07a, NA08a, NA09a, NS08a, NS09a
Boat (BO)	BO01a
Market (MT)	MT01a, MT02a, MT05a, MT06a, MT11a, MT12a
Picnic (PC)	PC01a, PC01b, PC05a, PC06a, PC09a, PC10a
Gymnastics bar (GY)	GY01a
Fireman's pole (FP)	FP01a, FP02a, FP04a, FP05a, FP06a, FP07a, FP23a, FP24a, FP25a, FP26a, FP27a, FP28a
Slides (SL)	SL01a, SL02a, SL03a, SL06a, SL07a, SL08a, SL09a, SL10a, SL11a, SL12a, SL13a, SL26a, SL27a, SL28a, SL29a
Swing (SM)	SW17a, SW21a, SW18a, SW22a, SW01a, SW05a, SW02a, SW06a, SW09a, SW13a, SW10a, SW14a
Climb (CL)	CL17a, CL21a, CL18a, CL22a, CL01a, CL05a, CL02a, CL06a, CL09a, CL13a, CL10a, CL14a
Universal Beam (UB)	UB01a, UB04a, UB02a, UB05a, UB03a, UB06a
Accessories (AC)	AC30a, AC31a, AC32a, AC33a, AC01a, AC05a, AC07a, AC03a, AC04a, AC06a, AC23a, AC22a, AC24a, AC21a, AC25a, AC02a, AC09a, AC08a, AC10a

2. Construction packages

2.1 Assembly Kits

Playtowers	401_015, 401_080, 401_125, 402_201, 402_202, 402_204, 402_206, 402_208, 403_202, 403_204, 403_206, 403_208, 403_210, 409_802, 409_804
Swings	401_300, 401_600
Modules	457_005, 457_102, 457_103, 457_106, 457_107, 457_205

2.2 Assembly Packs

Sub assemblies	194_002, 194_003, 194_004, 194_006, 194_007, 194_008, 194_009, 194_010, 194_100, 194_101, 194_102, 194_103, 194_104, 194_105, 194_107, 194_108, 194_109, 194_110, 194_111, 194_112, 194_113, 194_114, 194_115, 194_116, 194_117, 194_118, 194_119, 194_300, 194_308, 194_312, 194_500, 194_501, 194_508, 194_510, 194_802, 194_804, 194_809, 194_810, 194_811, 194_812
----------------	--

3. Accessories and components

Slides XL	324_100, 324_200, 324_300, 324_400, 324_500, 324_600
Slides XXL	334_100, 334_200, 334_300, 334_400, 334_500, 334_600
Fireman's pole	201_275
Climbing	201_060, 201_273
Imagination	201_280, 201_285, 201_290, 201_295, 202_473, 450_310, 450_320, 450_330
Swinging	250_001, 250_013, 250_025, 250_034, 250_053
Functional	123_220, 123_222, 123_230, 201_115, 201_220, 201_250, 201_260, 201_270, 202_620, 202_621, 202_622, 202_623, 202_624, 202_625, 202_626, 202_627, 202_628, 202_629, 202_824, 250_065, 250_070, 250_075

Applicable EU directives and standards

General

- General Product Safety Directive (GPSD) 2001\48\EG
- Reach directive 1907\2006
- AfPS GS 2019:01 PAK

Activity Toys

- Toy Safety Directive (TSD) 2009\48\EG
- EN Standard 71 Safety of Toys
 - EN 71-1:2014 + A1:2018 Safety of toys Mechanical and physical properties
 - EN 71-2:2020 Flammability
 - EN 71-3:2019 + A1:2021 Migration of certain elements
 - EN 71-8:2018 Safety of toys Activity toys for domestic use

Supplementary information

Conformity to the above specified directives and standards has been frequently verified by TÜV Rheinland LGA products, DEKRA, LNE SA, since 1994. Jungle Gym participates in the European Commission for standardisation for the safety of activity toys (TC52/WG10).



EN 71-1,-2, -3, -8 & -9

Manufacturer details

Company Name: Jungle Gym B.V.
Address: Valscherkade 18, 1059 CD Amsterdam, Netherlands
Email: info@junglegym.com

Declaration

I hereby declare under our sole responsibility that the products mentioned above, to which this declaration relates, comply with the above mentioned directives and standards when the installation, assembly, and maintenance instructions are strictly followed.

Name
Mr. P. Schmit / Director

Issued date
Thursday 2nd May, 2024

A handwritten signature in blue ink, appearing to read 'P. Schmit', is written over a horizontal line.

Signature of representative

Jungle Gym B.V. | P.O. Box 75083 | 1070 AB Amsterdam | Netherlands | Phone: +31 85 444 41 00 | e-mail: info@junglegym.com | www.junglegym.com