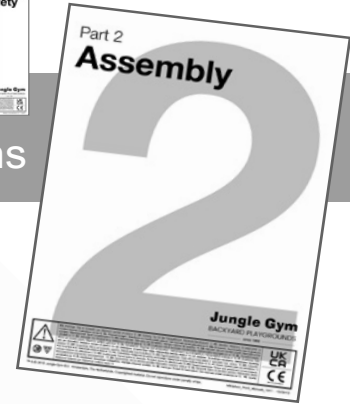


Part 2

Assembly

Instructions







Config ID: c0jdxK
 Publish Date: 2024-05-02
 Product Name: Darwin 2-Swing



Jungle Gym

BACKYARD PLAYGROUNDS

since 1988

<p>Assembly time 12.0 hours by 2 adults</p> 	<p>EN. Warnings. Only for domestic use. Maximum number of users is 4. DE. Achtung. Nur für den Hausgebrauch. Maximale Benutzerzahl: 4. FR. Attention. Réservé à un usage familial. Le nombre maximal d'utilisateurs est de 4. NL. Waarschuwingen. Uitsluitend voor huishoudelijk gebruik. Het maximale aantal gebruikers is 4. BG. Внимание. За употреба само в домашни условия. Максималният брой потребители е 4. CS. Varování. Jen pro domácí použití. Maximální počet uživatelů je 4. DA. Advarsler. Kun til privat brug. Maksimum antal brugere er 4. EL. Προειδοποιήσεις. Μόνο για οικιακή χρήση. Μέγιστος αριθμός χρηστών 4. ES. Advertencias. Sólo para uso doméstico. Número máximo de usuarios: 4. ET. Hoiatused. Ainult koduseks kasutamiseks. Maksimaalne kasutajate arv on 4. FI. Varoitukset. Ainoastaan kotikäyttöön. Käyttäjää yhteensä enintään 4. HR. Upozorenja. Samo za kućansku uporabu. Maksimalan broj korisnika je 4. HU. Figyelmeztetések. Csak otthoni használatra! A használók max. száma: 4. IS. Varnaðarorð. Eingöngu fyrir einkanotkun í heimahúsum og á einkalóðum. Hámarksfjöldi notenda er 4. IT. Avvertenze. Solo per uso domestico. Massimo numero di utenti è 4. LT. Įspėjimai. Tik buitiniam naudojimui. Maksimalus naudotojų skaičius 4. LV. Brīdinājumi. Izmantot tikai mājās. Maksimālais lietotāju skaits ir 4. NO. Advarsler. Kun for privat bruk. Maksimalt antall brukere er 4. PL. Ostrzeżenia. Wyłącznie do użytku domowego. Maksymalna liczba użytkowników to 4. PT. Avisos. Apenas para uso doméstico. O número máximo de utilizadores é 4. RO. Avertismente. Numai pentru uz domestic. Numărul maxim de utilizatori este 4. RU. Предостережения. Только для домашнего использования. Максимальное количество пользователей - 4. SK. Upozornenia. Iba na domáce použitie. Maximálne množstvo osôb je 4. SL. Opozorila. Samo za domačo uporabo. Maksimalno število uporabnikov je 4. SR. Upozorenja. Samo za kućnu upotrebu. Maksimalan broj korisnika je 4. SV. Varningar. Endast för hemmabruk. Det maximala antalet användare är 4. TR. Uyarılar. Sadece ev kullanımı için. Maksimum kullanıcı sayısı</p>	  
--	--	---

1 Helpdesk JungleGym

1.1 FAQ



English



<https://helpdesk.jungle gym.com/help/en-gb>

Deutsch



<https://helpdesk.jungle gym.com/help/de-de>

Français






<https://helpdesk.jungle gym.com/help/fr-fr>


Nederlands





<https://helpdesk.jungle gym.com/help/nl-nl>

1.2 Support




info@jungle gym.com


<https://www.jungle gym.com/customersupport-chat>

 AT 0043 72 08 153 33* FR 0033 97 75 58 222*
BE 0032 78 48 16 19* IE 0035 38 1800 0300*
CH 0041 43 50 87 350* LU 0035 22 08 80 512*
DE 0049 32 22 10 98 299* NL 0031 85 44 44 102*
ES 0034 657 76 64 25* UK 0044 20 369 505 53*

EU 0031 85 44 44 100

Monday-Friday, CET 9:00am - 5:00pm
* Local phone charges may apply.

2 Start

2.1 Safety

Part 1
General Safety

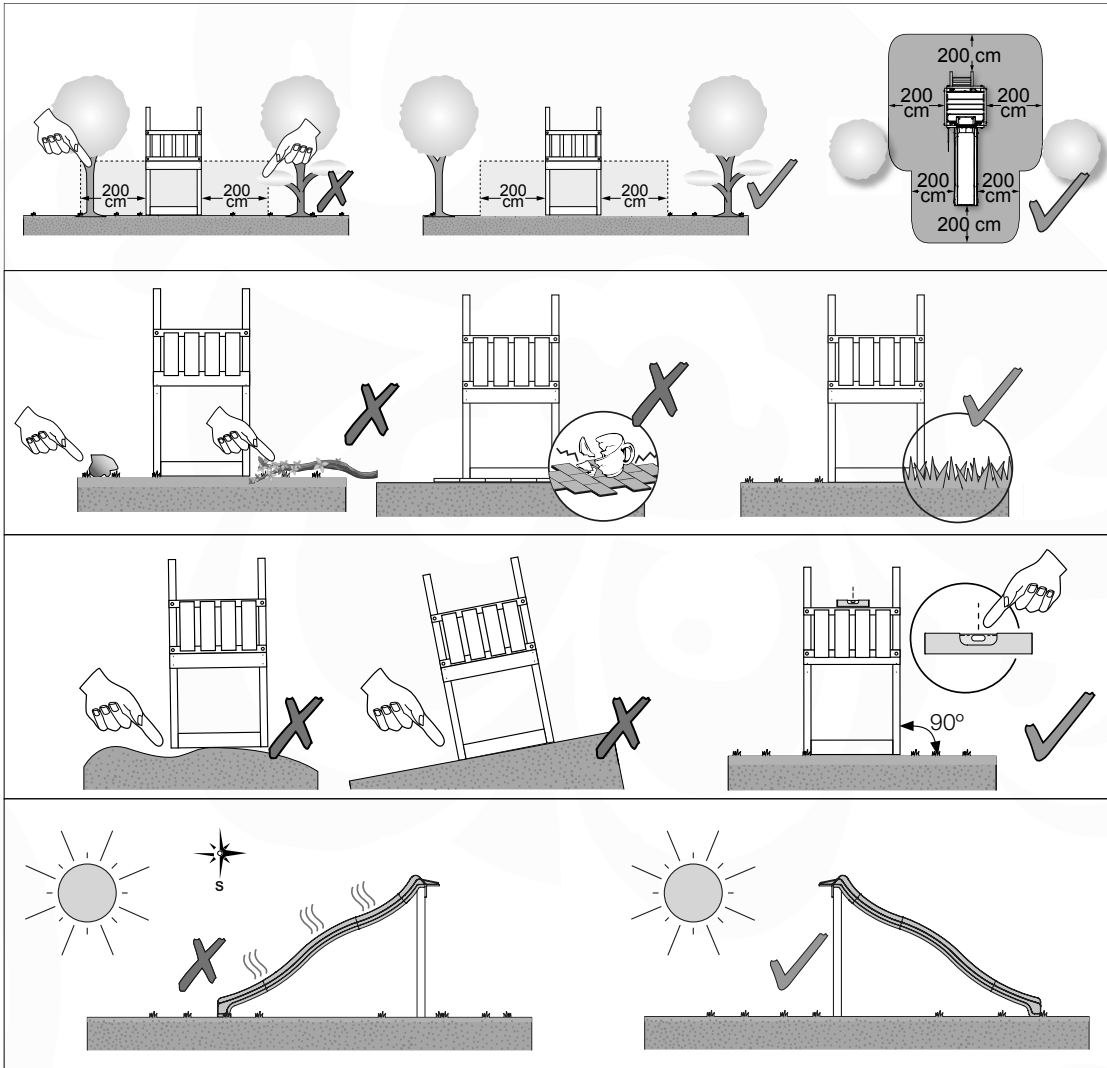
Jungle Gym

<https://helpdesk.jungle gym.com/api/v1/attachments/11436>

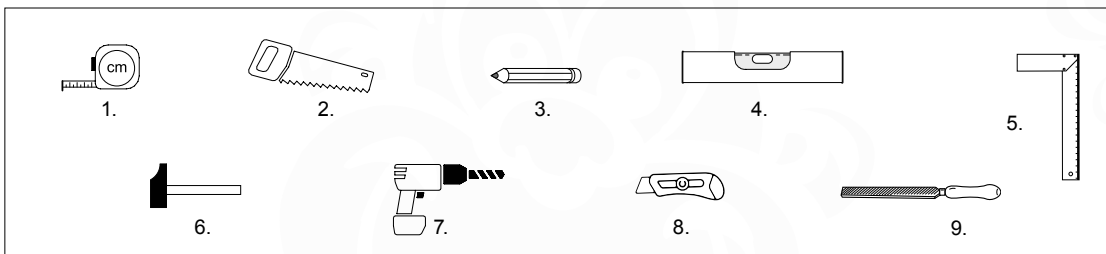
Icons illustrating safety requirements:
- Kneeling: A person kneeling with a large 'X' over the action, indicating it is prohibited.
- Mobile phone use: A person holding a phone with a large 'X' over the action, indicating it is prohibited.
- Safety glasses: A person wearing safety glasses, indicating they are required.
- Gloves: A pair of work gloves, indicating they are required.
- Ear protection: A person wearing ear protection with a checkmark, indicating it is required.

Assembly diagrams:
- Left diagram: Shows two workers assembling a platform. One worker is kneeling, which is marked with a large 'X', indicating this is an incorrect and unsafe method.
- Right diagram: Shows two workers assembling a platform. One worker is standing, which is marked with a checkmark, indicating this is the correct and safe method.

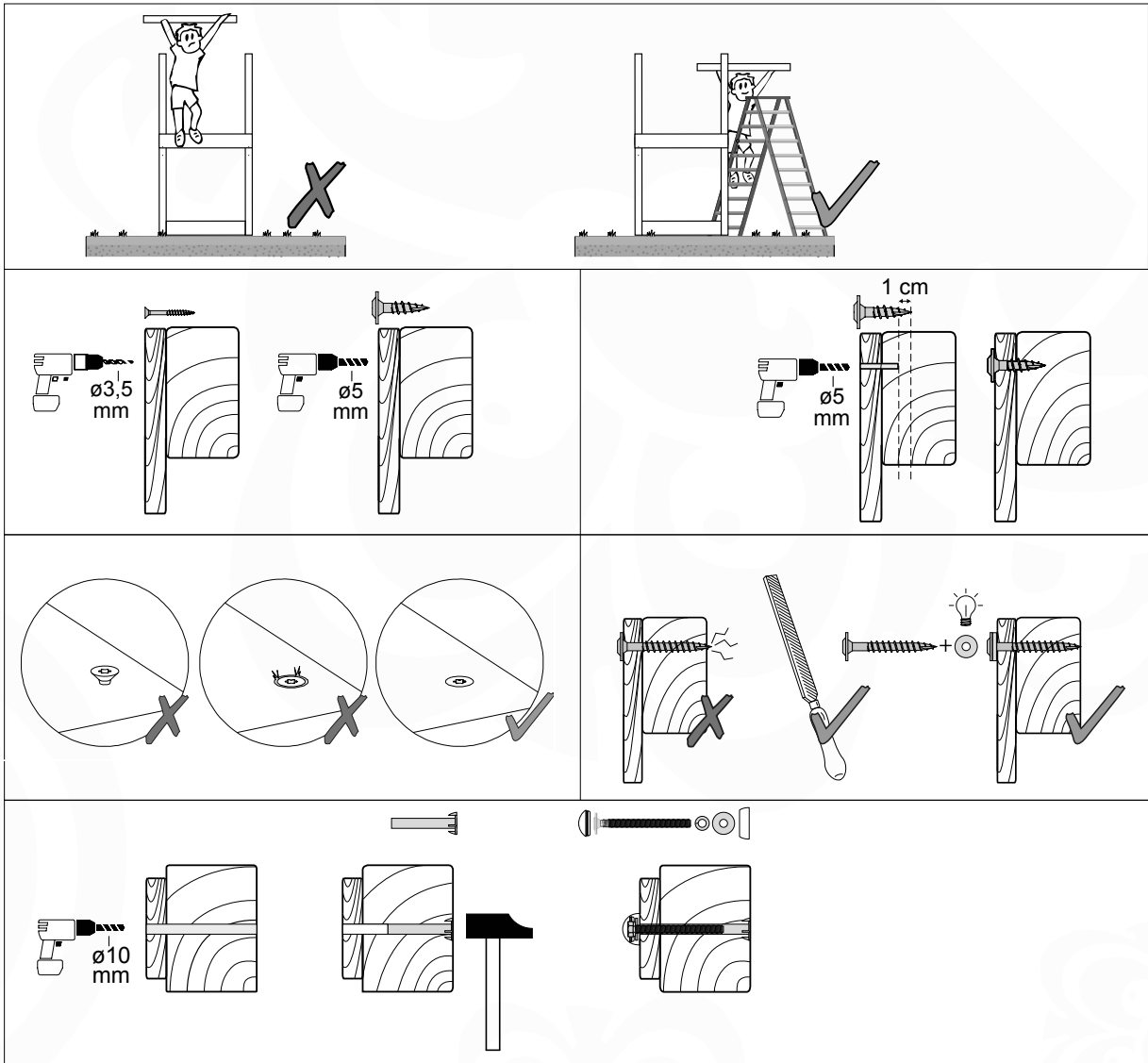
2.2 Planning



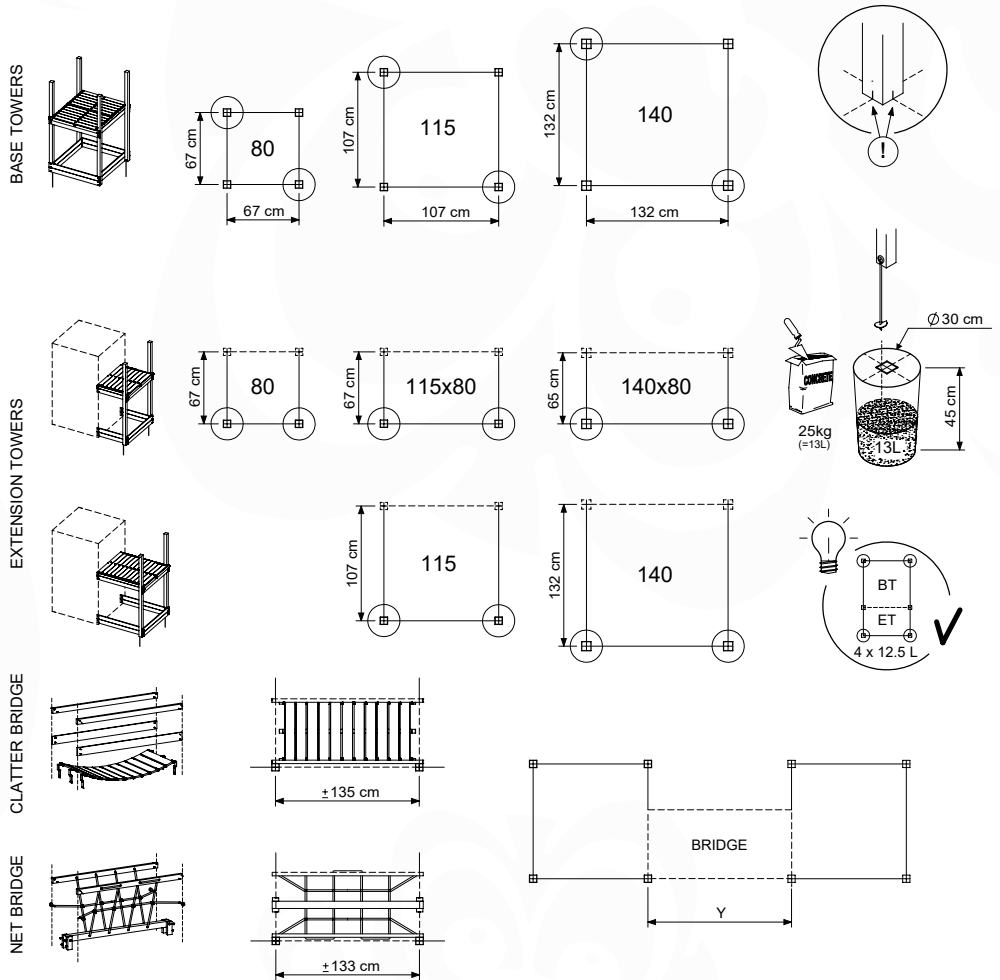
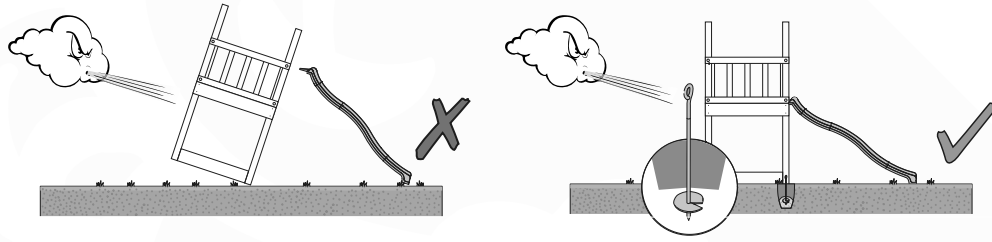
2.3 Tools



2.4 Assembly



3 Universal anchoring plan



Ground Anchors Ltd. - P01 - 04/07/2023 - v1.2

SWING / CLIMB MODULE

Module type	A	B	C
1-Swing 200		115	100
1-Swing 220 / 220 Extra	150	120	105
2-Swing 200	210		
2-Climb 200		115	100
1-Climb 200	142		
1-Climb 220 / 220 Extra	162		
2-Swing 220 / 220 Extra	230	120	105
2-Climb 220 / 220 Extra			

Ground Anchors Ltd. - P02 - 04/07/2023 - v1.2

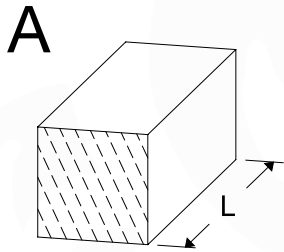
4 Overview

4.1 Order specification

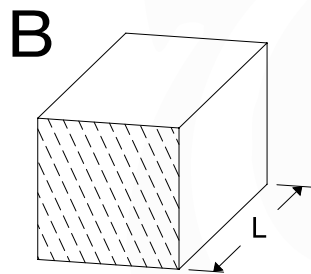


#	Description	Supplier ID	Assembly ID
2	Base Tower 80_220220_125	790_003	BT03a
2	Roof Timber Gable 80	790_201	RF21a
1	Balustrade 80_ T	790_301	BL02a
1	Playhouse 80 U Window	790_313	PH05a
1	Playhouse 80 T Window	790_313	PH06a
1	Ramp 80_125 U	790_441	RA03a
1	Net Access 80 U	790_451	NA01a
1	Market 80_125 U	790_502	MT01a
1	Tunnel Bridge 80 T level	790_631	TB02a
1	Slide Frame 80_125 U	790_901	SL01a
1	2- Swing Module 200	757_104	SW05a
1	Accessories Set	194_119	AC01a
1	Accessories Swing Seat	250_034	AC21a
1	Accessories Baby Seat	250_025	AC24a
1	Wavy Star Slide XL	324_x00a	324_x00a

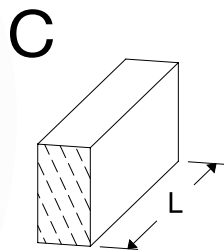
4.2 Timber parts



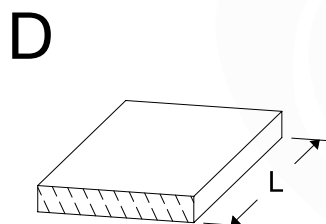
ID	L	#
A220	219 cm - 220 cm	10



B220	219 cm - 220 cm	1
------	-----------------	---



C37	36 cm - 37 cm	6
C56	55 cm - 56 cm	4
C62	61 cm - 62 cm	4
C74	73 cm - 74 cm	18
C141	140 cm - 141 cm	6
C154	153 cm - 154 cm	2

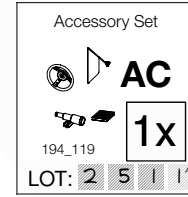


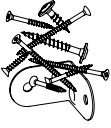
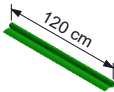


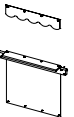
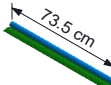



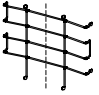


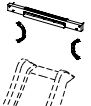


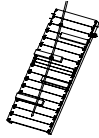
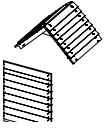
D60	59 cm - 60 cm	54
D65	64 cm - 65 cm	4
D74	73 cm - 74 cm	64
D141	140 cm - 141 cm	4

5.3 Assembly packs



Example



<p>Hardware 12</p>  <p>H12</p> <p>194_812</p> <p>1x</p> <p>LOT: █ █ █ █</p>	<p>Mesh Green 185 x 120cm</p>  <p>120 cm</p> <p>123_230</p> <p>1x</p> <p>LOT: █ █ █ █</p>	<p>Balustrade 140</p>  <p>BL</p> <p>194_501</p> <p>2x</p> <p>LOT: █ █ █ █</p>	<p>Baby Swing</p>  <p>AC</p> <p>250_025</p> <p>1x</p> <p>LOT: █ █ █ █</p>	<p>Market</p>  <p>MT</p> <p>194_113</p> <p>1x</p> <p>LOT: █ █ █ █</p>
<p>Canvas 136 x 74cm</p>  <p>73.5 cm</p> <p>123_220</p> <p>1x</p> <p>LOT: █ █ █ █</p>	<p>Accessory Set</p>  <p>AC</p> <p>194_119</p> <p>1x</p> <p>LOT: █ █ █ █</p>	<p>Slide XL 2.2m</p>  <p>324_x00</p> <p>1x</p> <p>LOT: █ █ █ █</p>	<p>Swing Seat</p>  <p>AC</p> <p>250_034</p> <p>1x</p> <p>LOT: █ █ █ █</p>	<p>Net Pack</p>  <p>NB NA</p> <p>194_009</p> <p>1x</p> <p>LOT: █ █ █ █</p>
<p>Handles set - Y</p>  <p>AC</p> <p>201_250</p> <p>1x</p> <p>LOT: █ █ █ █</p>	<p>Swing Frame Kit</p>  <p>SW</p> <p>457_102</p> <p>1x</p> <p>LOT: █ █ █ █</p>	<p>Slide Frame</p>  <p>SL</p> <p>194_107</p> <p>1x</p> <p>LOT: █ █ █ █</p>	<p>Tower 80</p>  <p>BT ET</p> <p>194_100</p> <p>2x</p> <p>LOT: █ █ █ █</p>	<p>Hardware 01</p>  <p>BL H01</p> <p>194_101</p> <p>1x</p> <p>LOT: █ █ █ █</p>
<p>Ramp</p>  <p>RA</p> <p>194_008</p> <p>1x</p> <p>LOT: █ █ █ █</p>	<p>Roof Timber 80 / Wall Panel</p>  <p>RF PH</p> <p>194_111</p> <p>2x</p> <p>LOT: █ █ █ █</p>			

5.4 Your config ID: c0jdxK

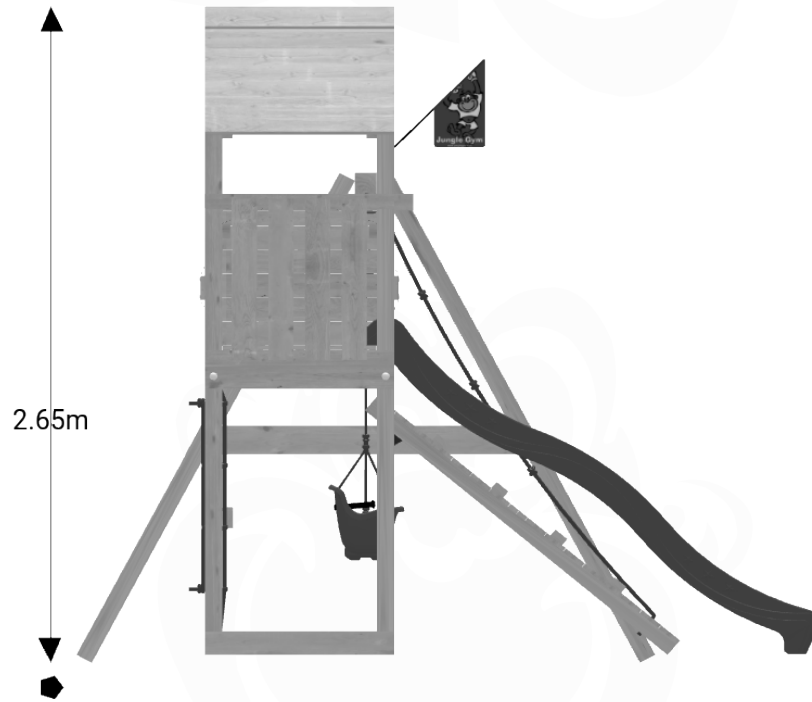
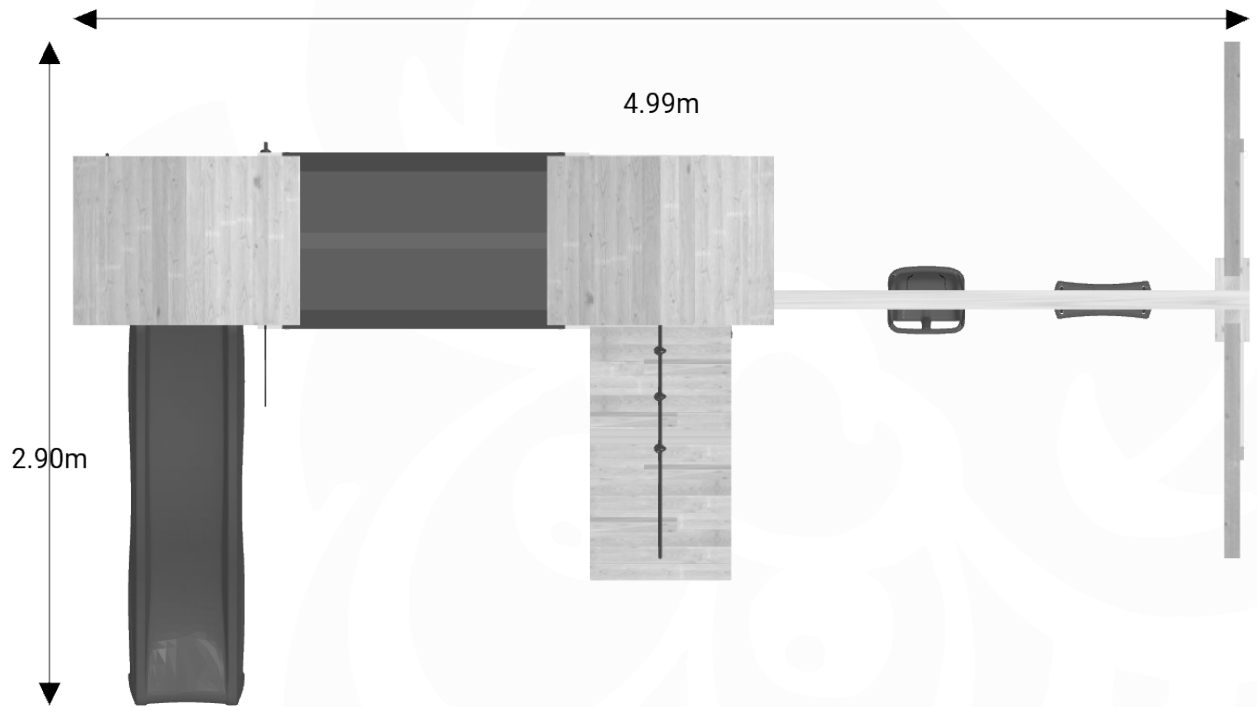


6 Hardware Identification

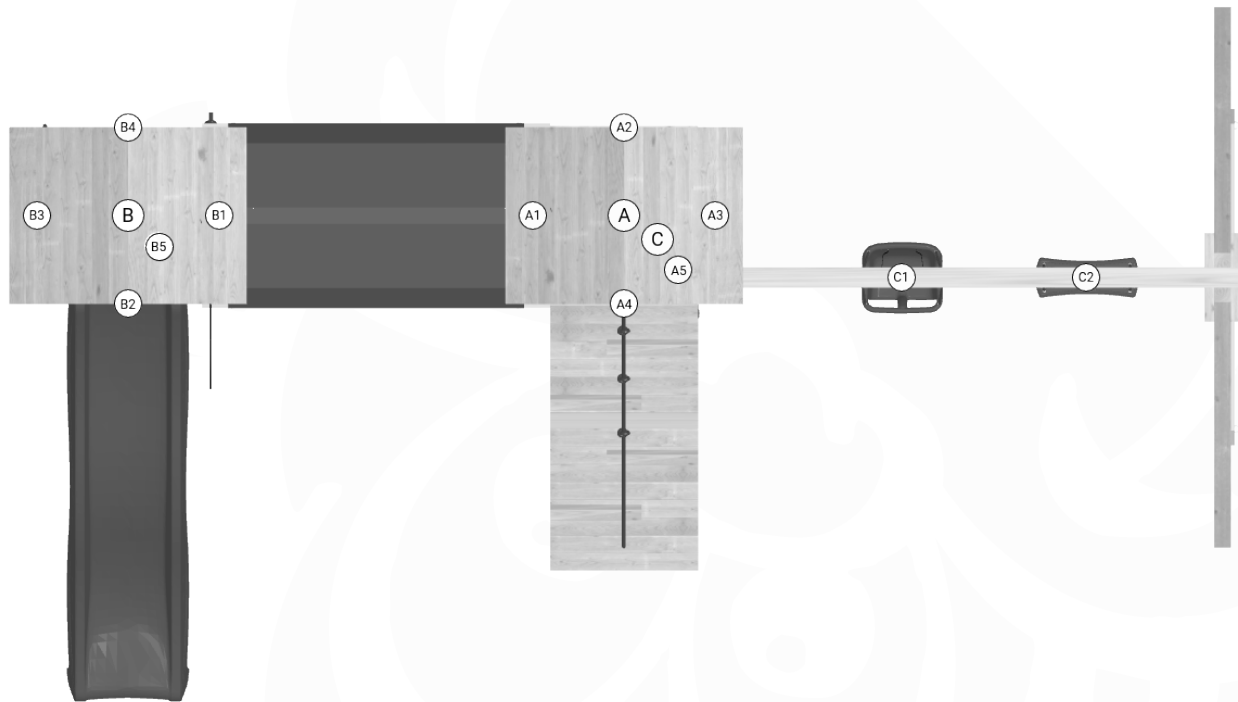
		SKU	L			SKU	L
	ø 8.0 mm	001_404	30 mm		ø 5.0 mm	002_308	20 mm
		001_406	45 mm			002_219	30 mm
		001_411	60 mm			002_220	45 mm
		001_417	80 mm			002_223	80 mm
		001_422	137 mm				
	M8				M8		
		001_102	30 mm			003_010	
	ø 2.0 mm				M6		
		000_101	20 mm			003_034	
	ø 6.3 mm				M8		
		002_036	16 mm			004_050	22mm
	ø 4.5 mm					022_845	Yellow
		002_041	20 mm			022_846	Blue
	ø 3.5 mm					022_847	Green
		002_042	13 mm			022_848	Red
	ø 3.9 mm					023_031	White
		002_301	40 mm			120_005	White
				022_844	022_314		

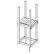


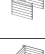









output: 25/05/23

7 Dimensions



8 Assembly Planning



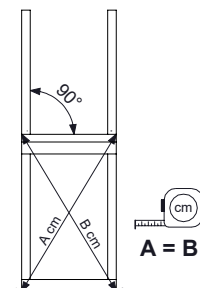
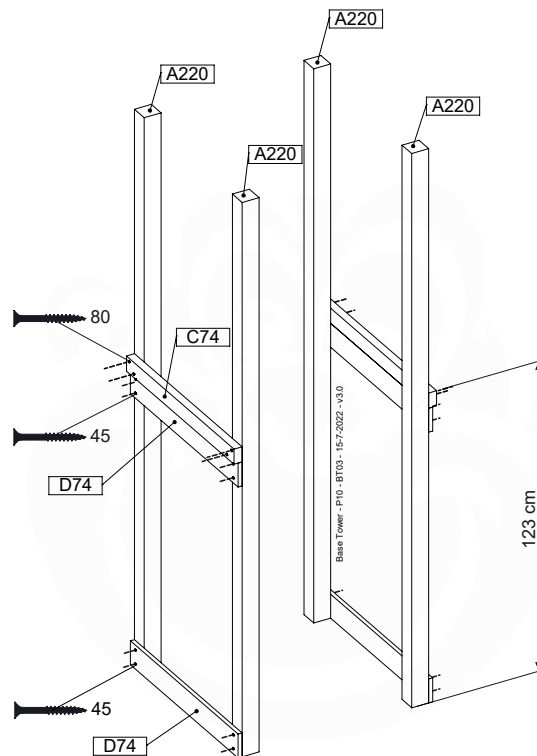
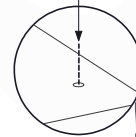
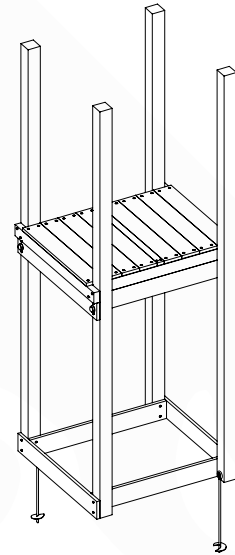
	ID			A	B	C
1	BT03a		p.14	✓	✓	-
2	BL02a		p.16	-	B3	-
3	RF21a		p.17	A5	B5	-
4	PH05a		p.20	A2	-	-
5	PH06a		p.21	A3	-	-
6	TB02a		p.22	A1	B1	-
7	MT01a		p.27	A2	-	-
8	NA01a		p.31	-	B4	-
9	RA03a		p.34	A4	-	-
10	SW05a		p.38	-	-	✓
11	SL01a		p.53	-	B2	-
12	GA		p.56	✓	✓	✓
13	AC01a		p.58	-	B1	-

9 BT03a: Base Tower 80 125cm 220220

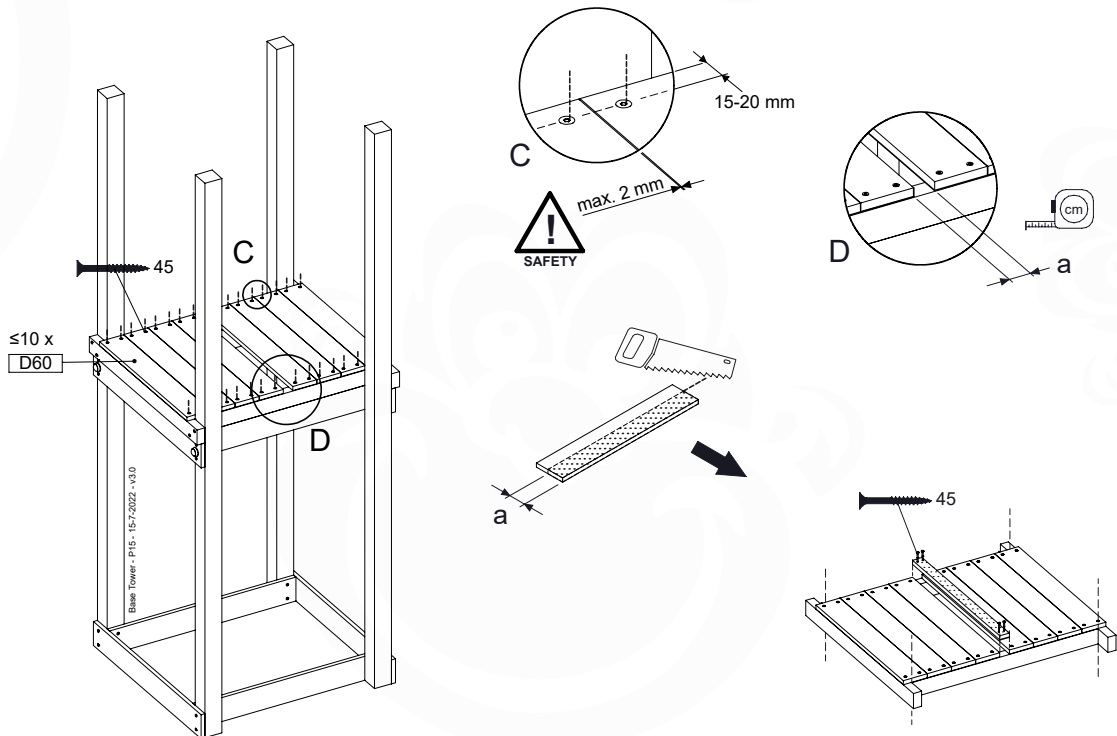
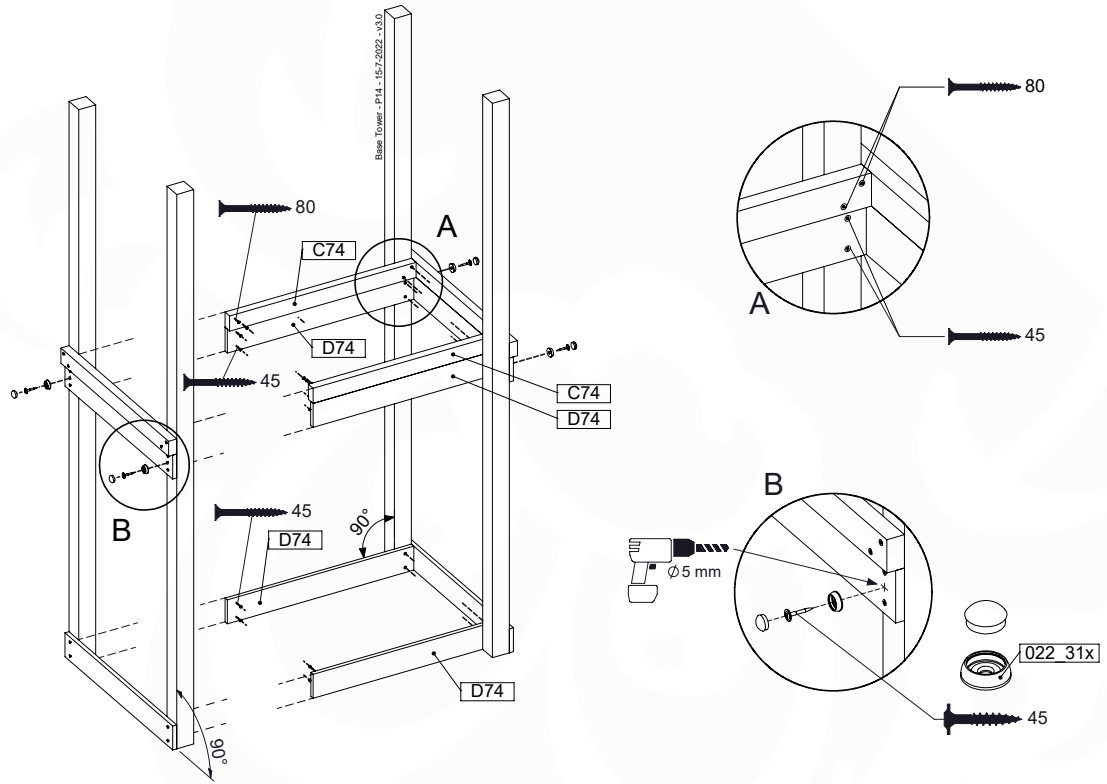
(194_100)

	PartNo	PartName	QTY.
Hardware Pack 100_600	001_406	Stealth Screw 8x45	6
	002_220	Gap Point Screw T25 - 5x45	76
	002_223	Gap Point Screw T25 - 5x80	16
Other	007_001	Ground-anchor	2
Hardware Pack 100_600	022_31x	bpc-base version 3	4
	022_84x	bpc cover	4
Wood	A220	Post 70x70 L2200	4
	C74	Beam 740 mm	4
	D60	Board 600 mm	10
	D74	Board 740 mm	8

Base Tower - P04 - BT03 - 15-7-2022 - v3.0



9.1

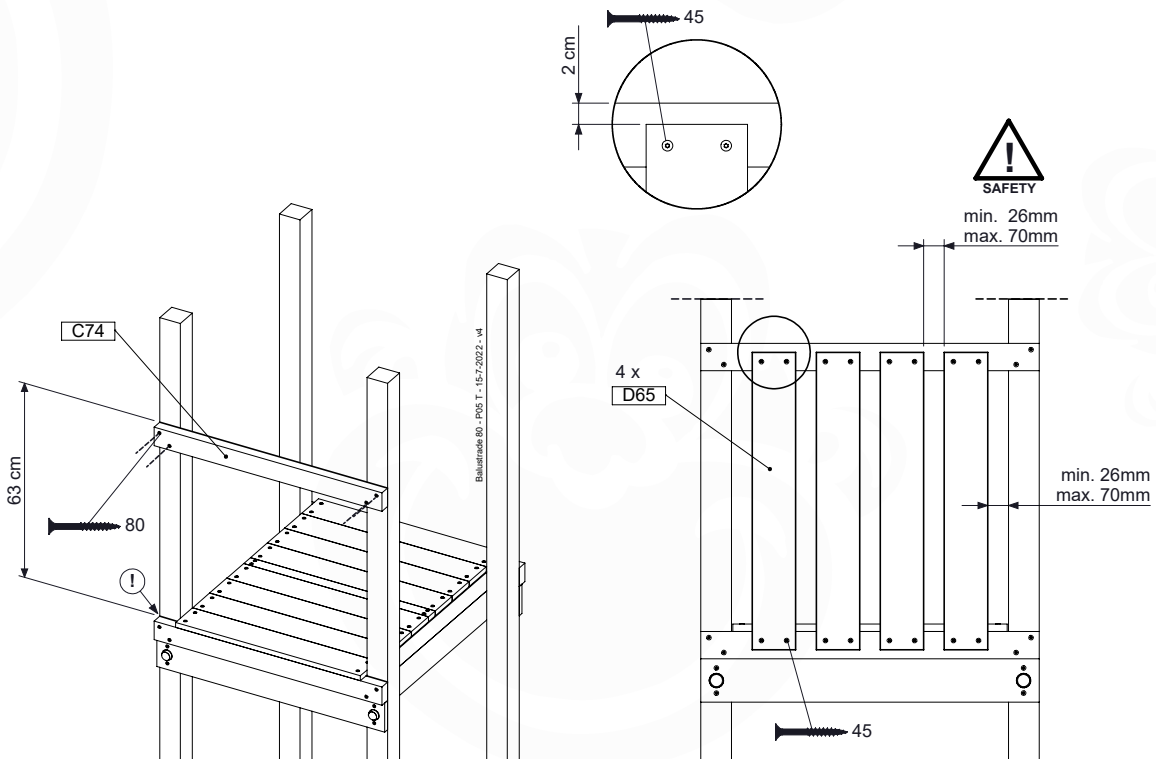
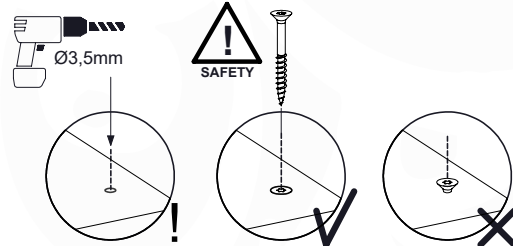
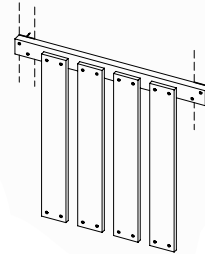


10 BL02a: Balustrade 80 T

(194_101)

	PartNo	PartName	QTY.
Hardware Pack	002_220	Gap Point Screw T25 - 5x45	16
	100_601	002_223	Gap Point Screw T25 - 5x80
Timber	C74	Beam 740 mm	1
	D65	Board 650 mm	4

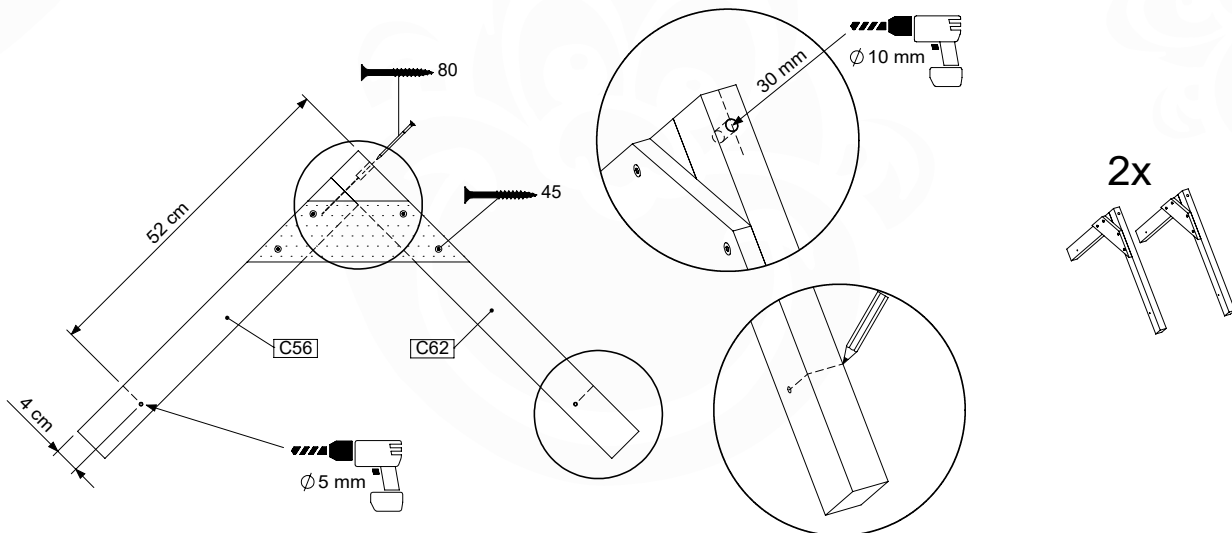
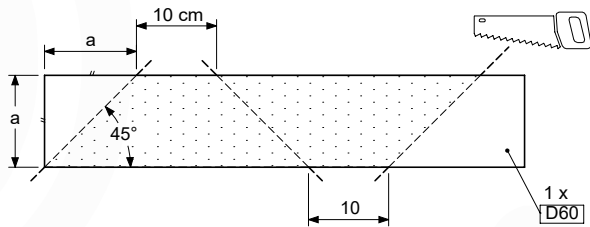
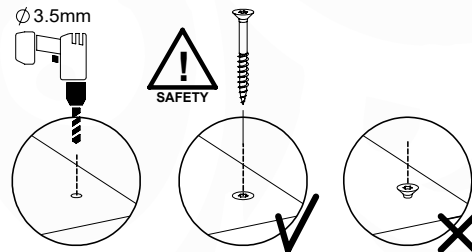
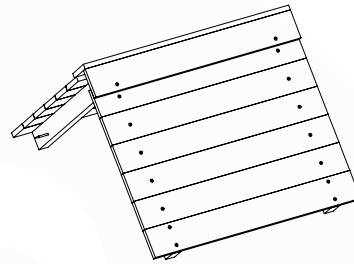
Balustrade 80 - P03 T - 15-7-2022 - vt



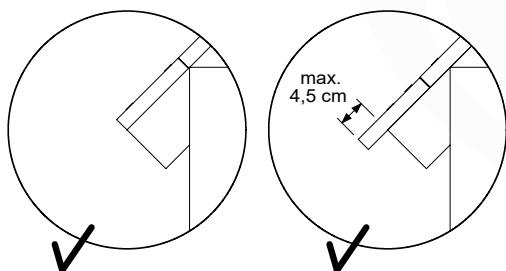
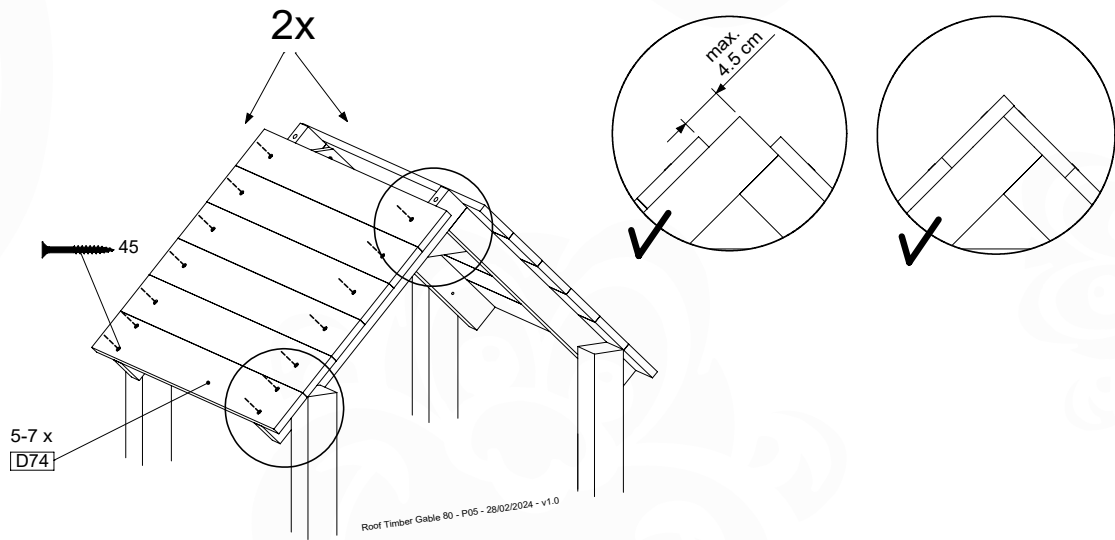
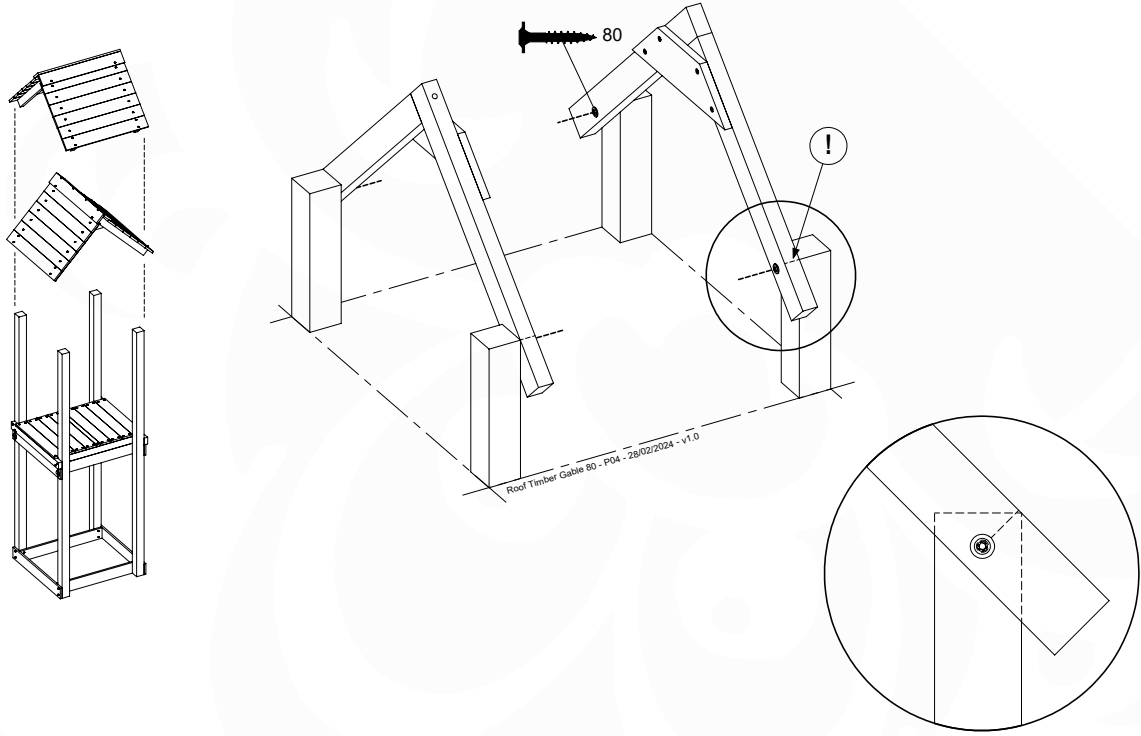
11 RF21a: Roof Timber Gable 80

(194_111)

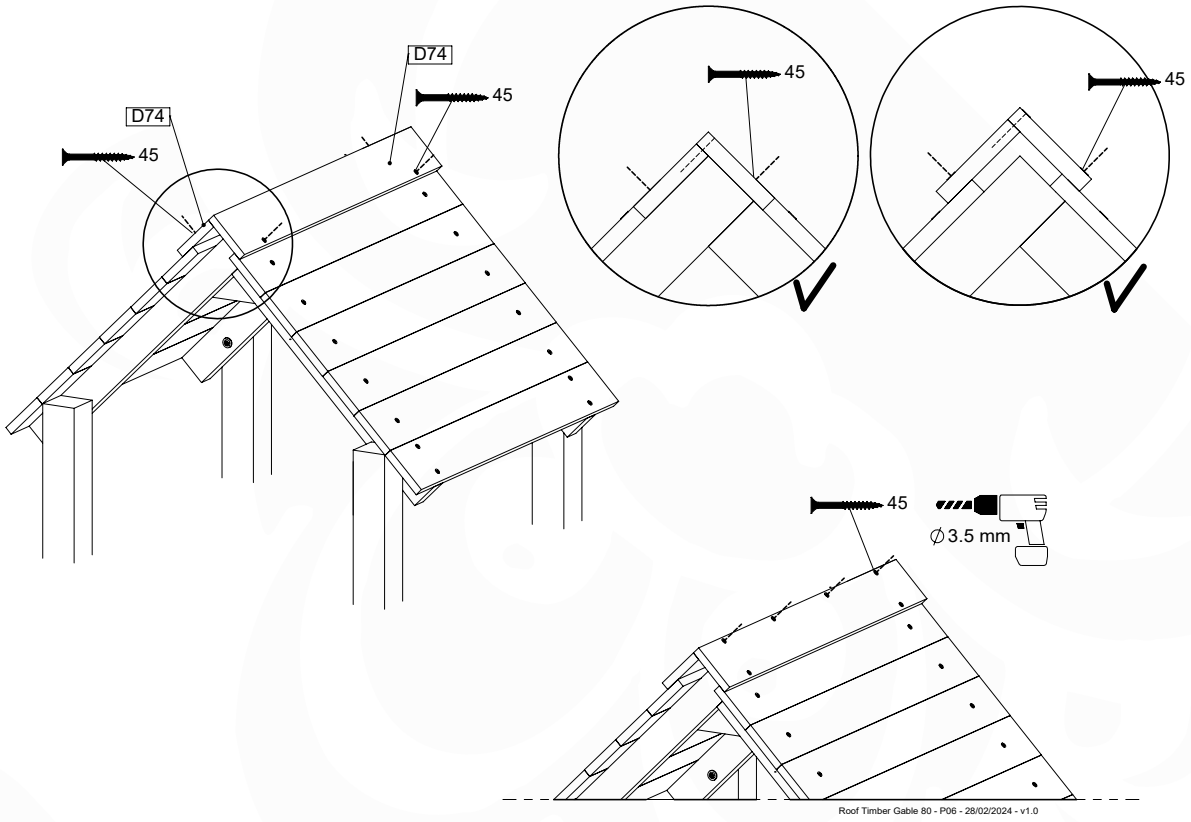
	PartNo	PartName	QTY.
Hardware Pack 100_609	001_417	Stealth Screw 8x80	4
	002_220	Gap Point Screw T25 - 5x45	48
	002_223	Gap Point Screw T25 - 5x80	2
Timber	C56	Beam 560 mm	2
	C62	Beam 620 mm	2
	D60	Board 600 mm	1
	D74	Board 740 mm	16



Roof Timber Gable 80 - P03 - 26/02/2024 - v1.0



11.2

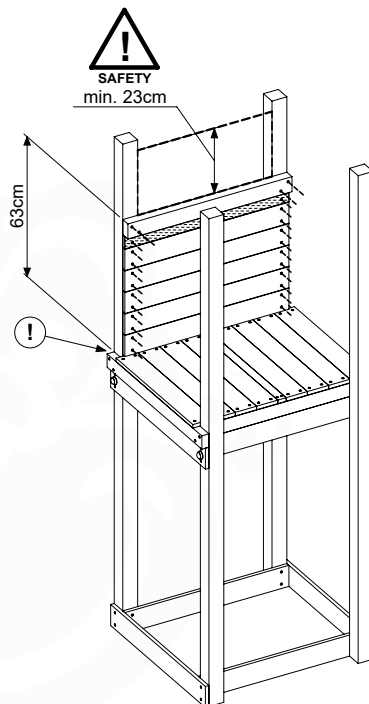
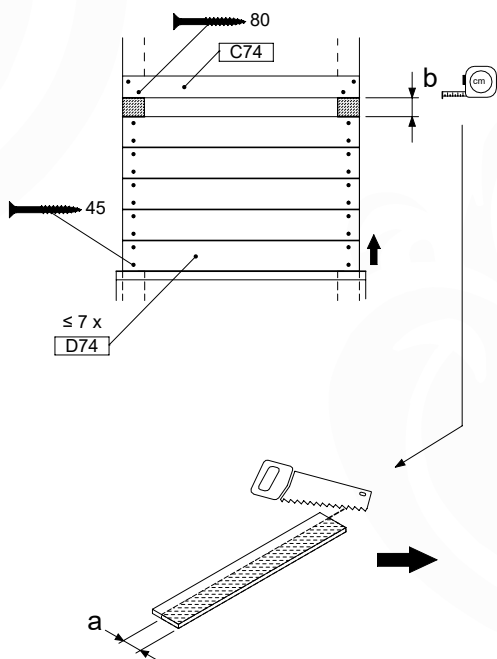
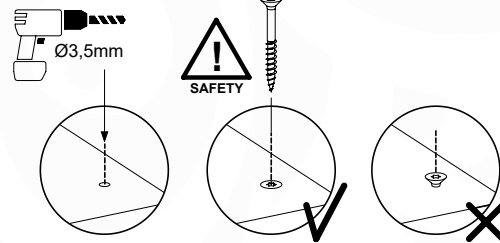
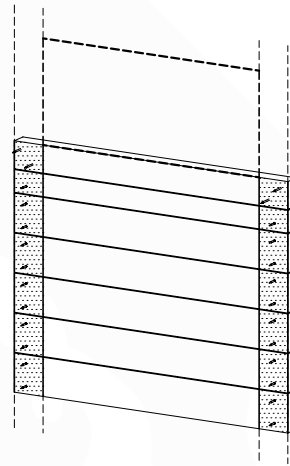


12 PH05a: Playhouse Window Panel 80 U

(194_501)

	PartNo	PartName	QTY.
Hardware Pack	002_220	Gap Point Screw T25 - 5x45	28
	002_223	Gap Point Screw T25 - 5x80	4
Timber	C74	Beam 740 mm	1
	D74	Board 740 mm	7

Playhouse Walls - P05 WINDOW U - 28-3-2023 - v3

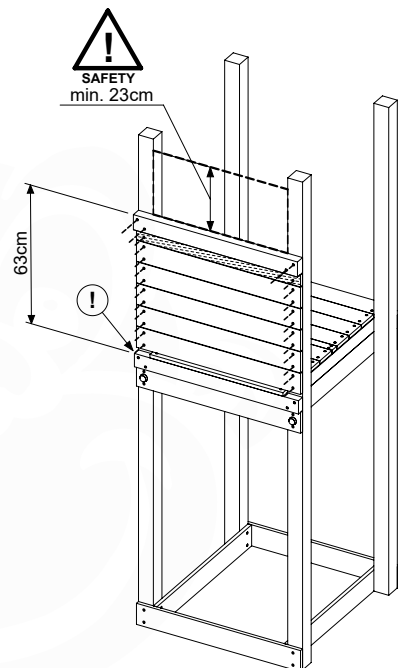
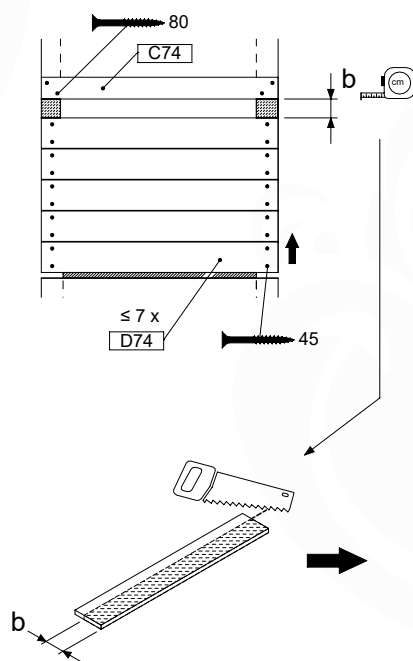
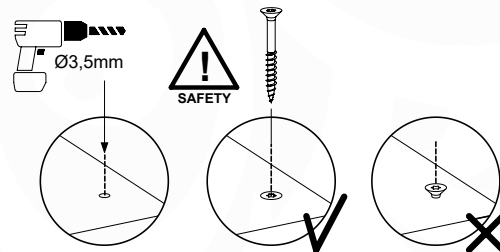
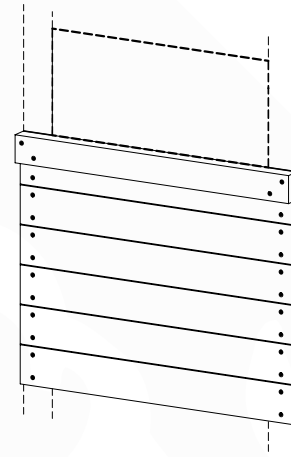


13 PH06a: Playhouse Window Panel 80 T

(194_501)

PartNo	PartName	QTY.
002_220	Gap Point Screw T25 - 5x45	28
002_223	Gap Point Screw T25 - 5x80	4
C74	Beam 740 mm	1
D74	Board 740 mm	7

Playhouse Walls - PH06 WINDOW T - 25-3-2023 - v3



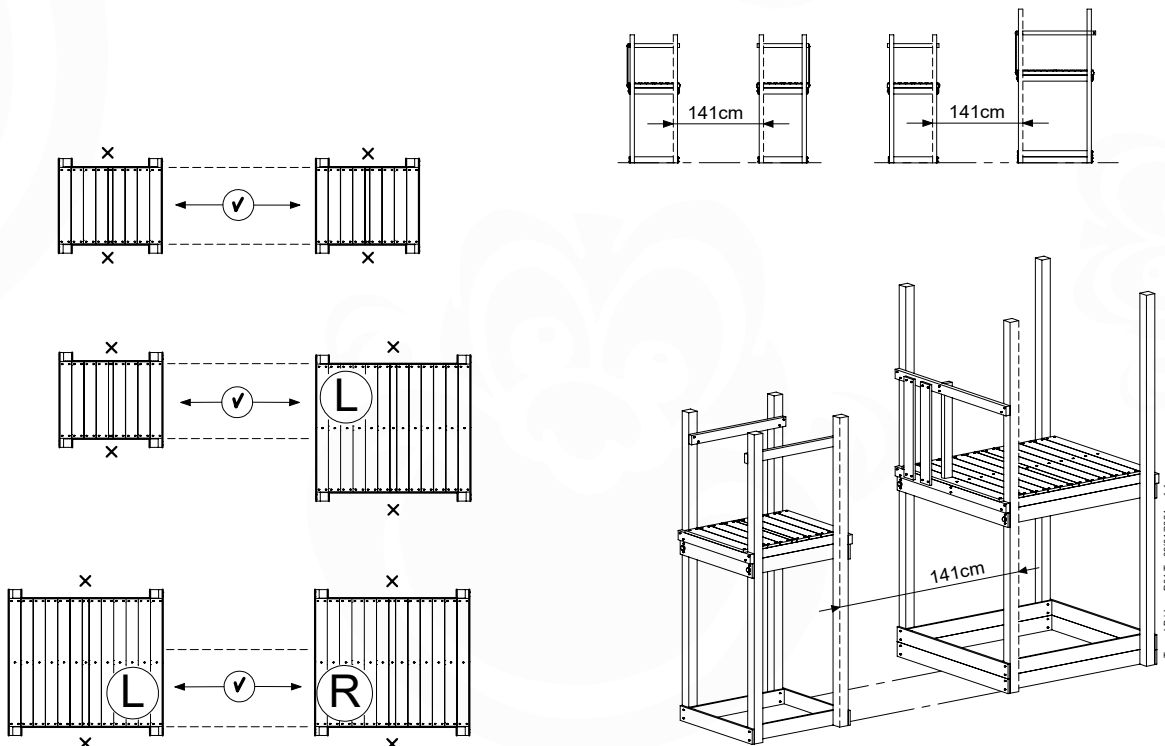
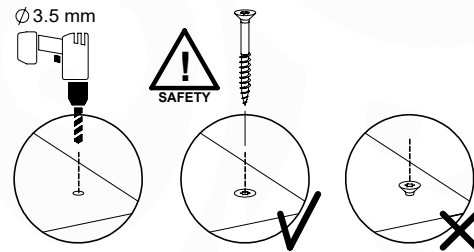
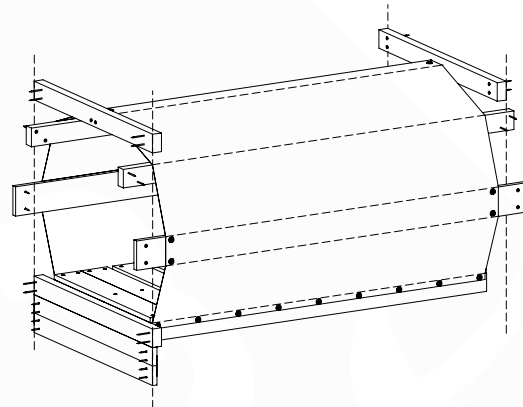
Playhouse Walls - PH06 WINDOW T - 25-3-2023 - v3

14 TB02a: Tunnel Bridge T Level

Assembly Pack: 194_812

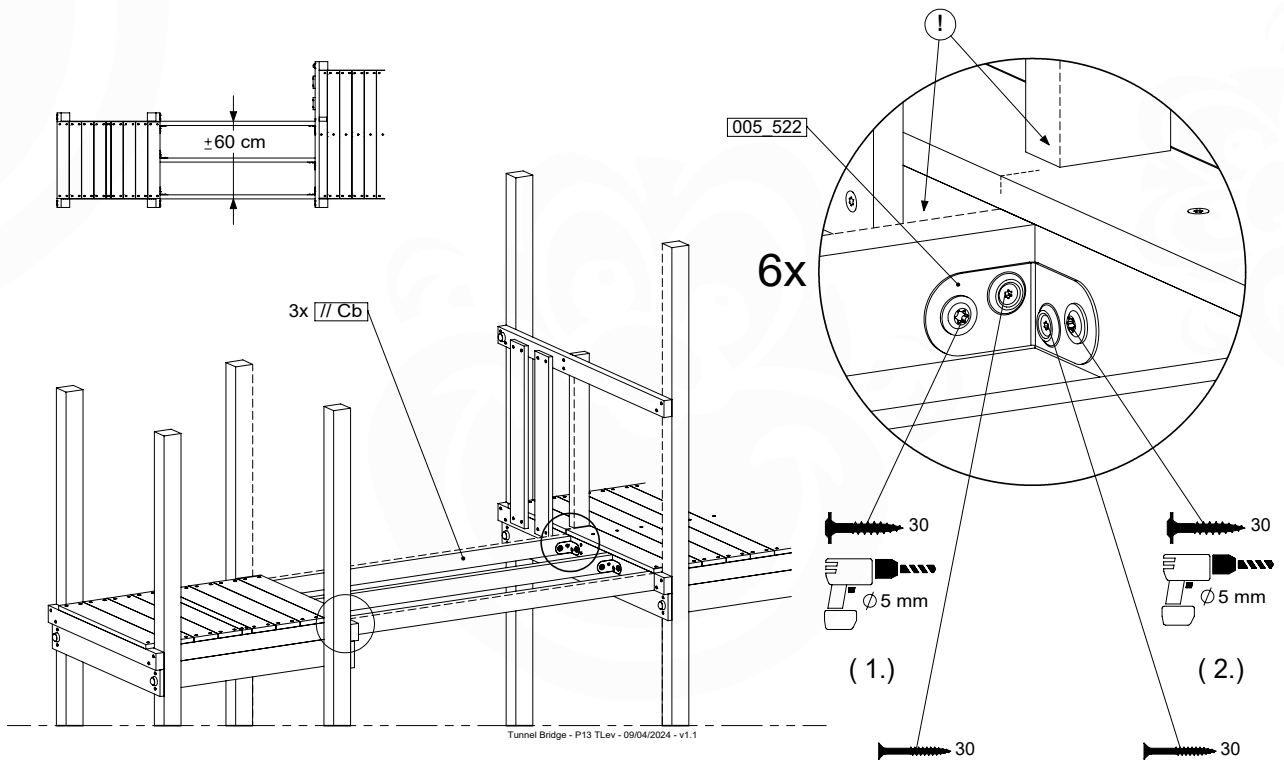
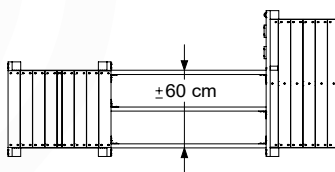
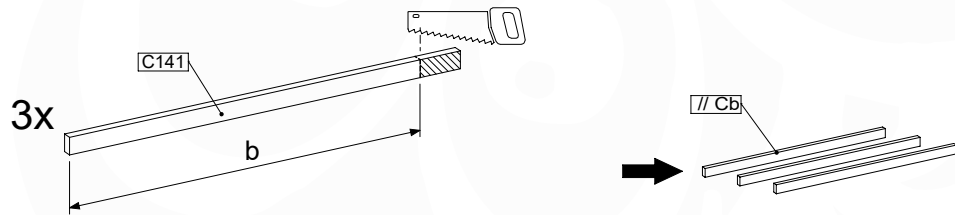
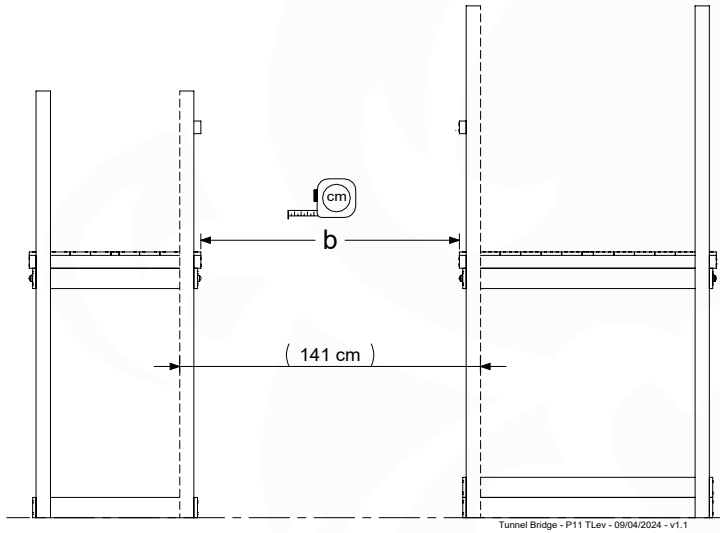
	PartNo	PartName	QTY.
Hardware Pack	001_404	Stealth Screw 8x30	12
	001_411	Stealth Screw 8x60	2
	001_417	Stealth Screw 8x80	4
	002_219	Gap Point Screw T25 - 5x30	12
	002_220	Gap Point Screw T25 - 5x45	81
	002_222	Gap Point Screw T25 - 5x60	4
	002_223	Gap Point Screw T25 - 5x80	24
	002_308	Gap Point Screw T25 - 5x20	28
	023_031	Finishing Washer GPS 5.0	28
Other	005_522	Connection Bracket Mini Market	6
	021_512	Mesh green 1.20 x 1.85m	1
Timber	C74	Beam 740 mm	3
	C141	Beam 1410 mm	6
	D60	Board 600 mm	13
	D74	Board 740 mm	2
	D141	Board 1410 mm	2

Tunnel Bridge - P02 - 09/04/2024 - v1.1

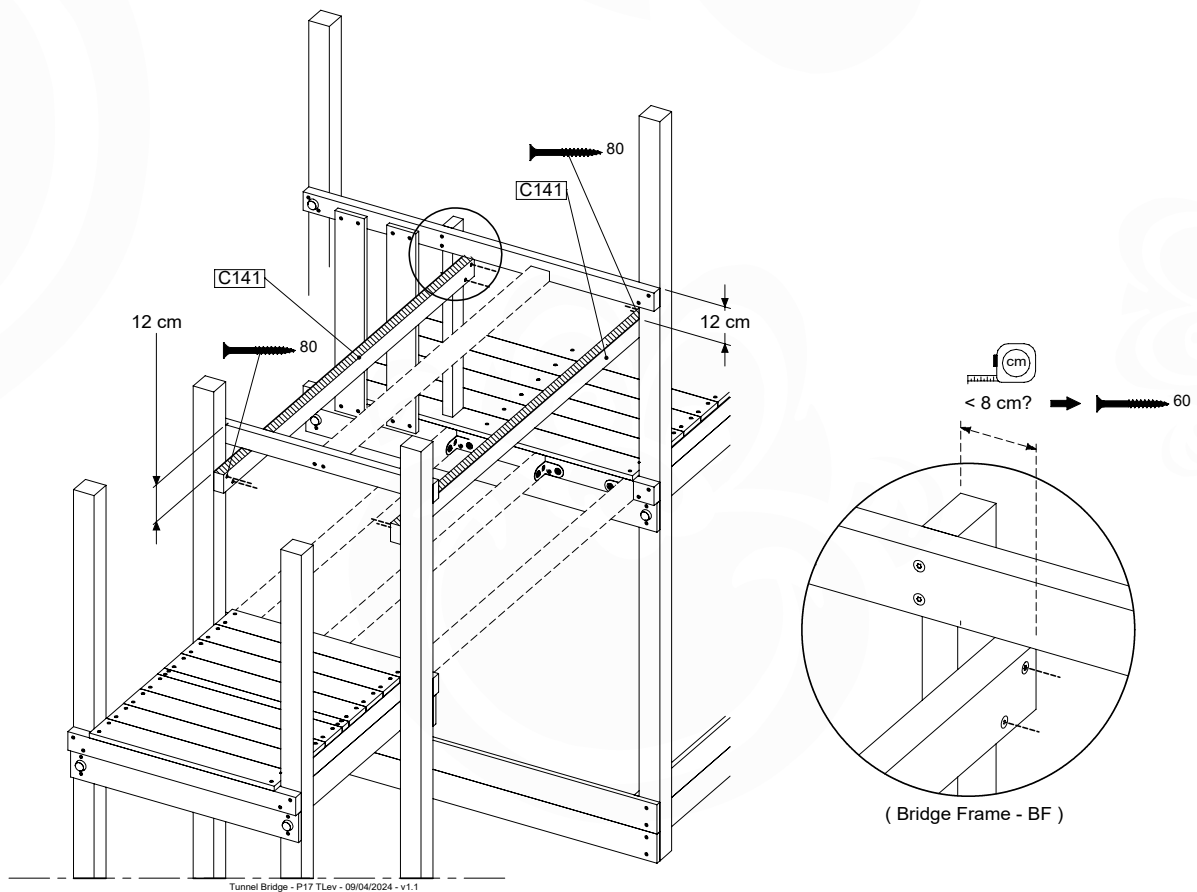
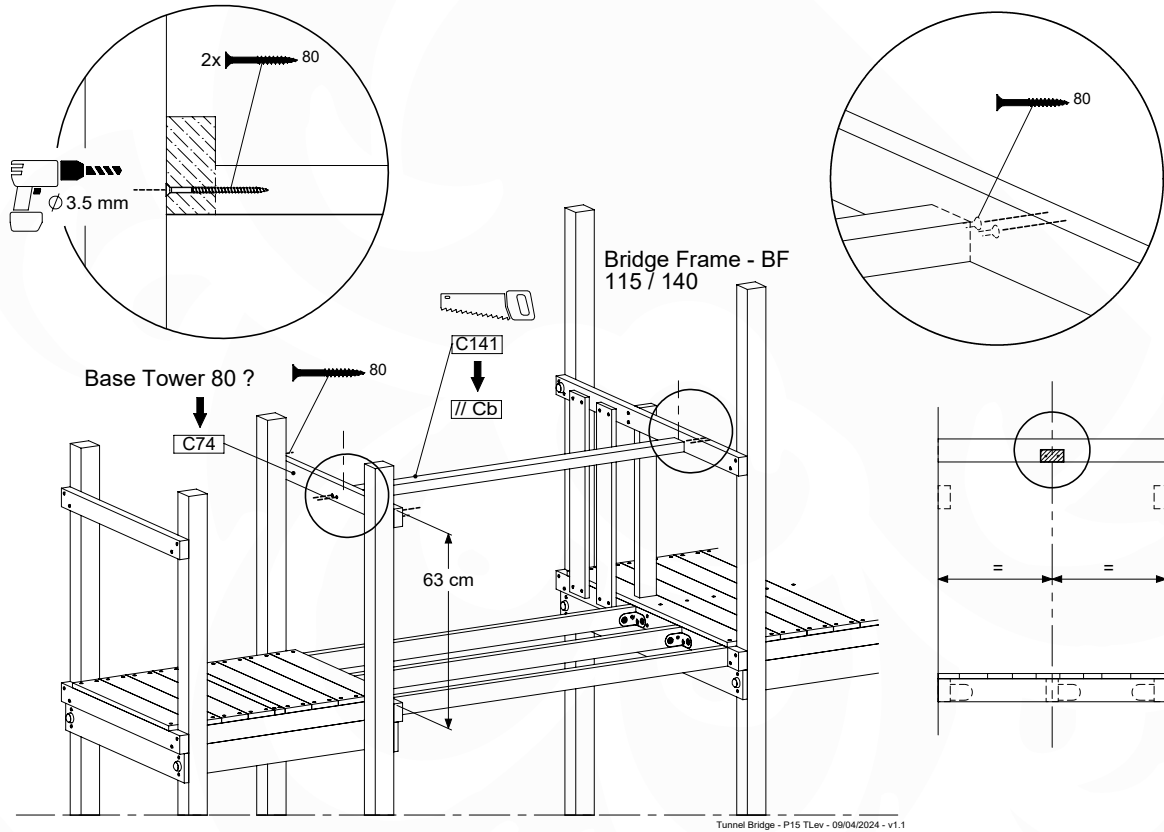


Tunnel Bridge - P04 - T - 09/04/2024 - v1.1

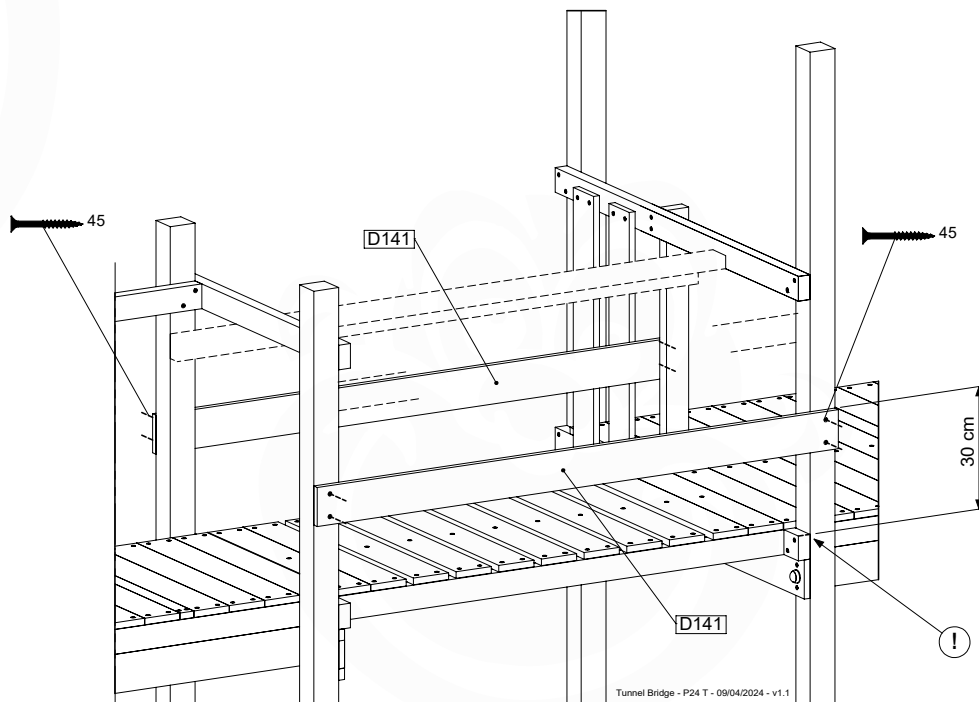
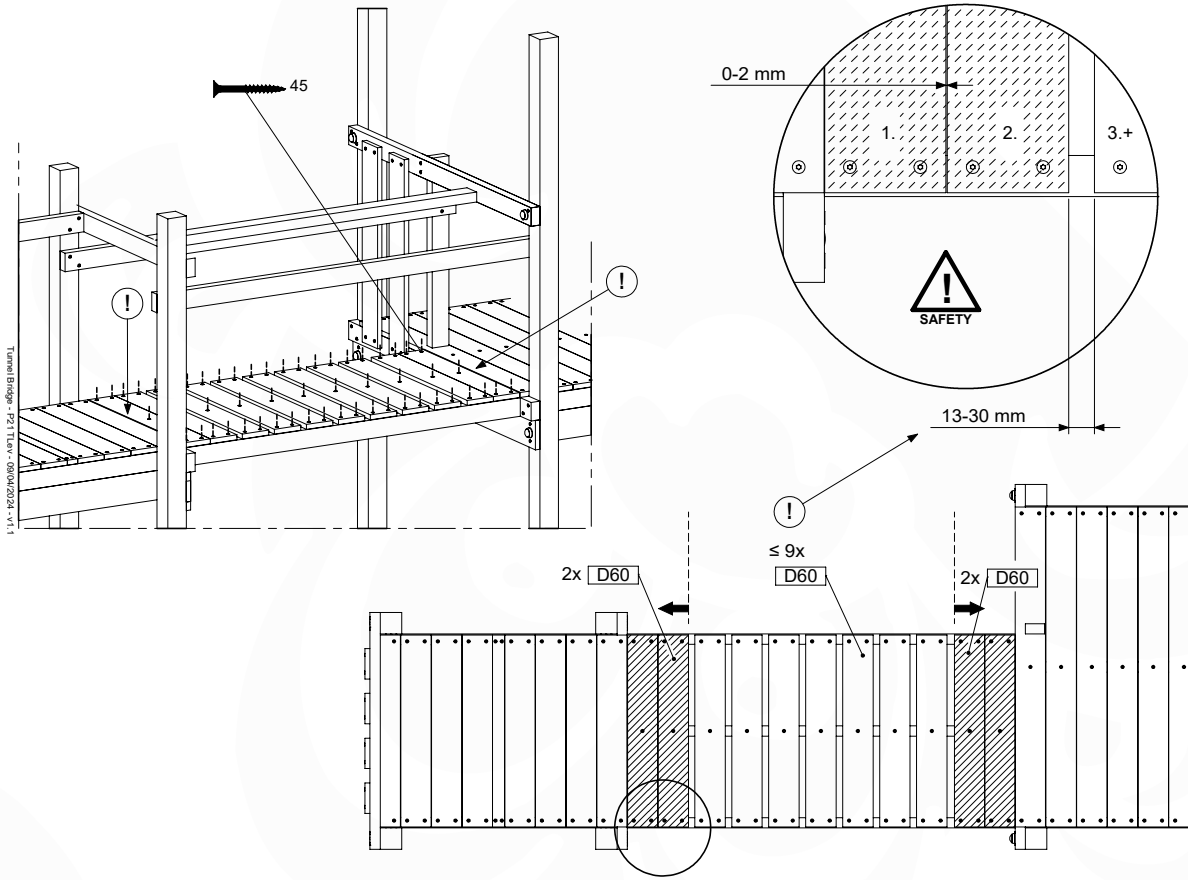
14.1



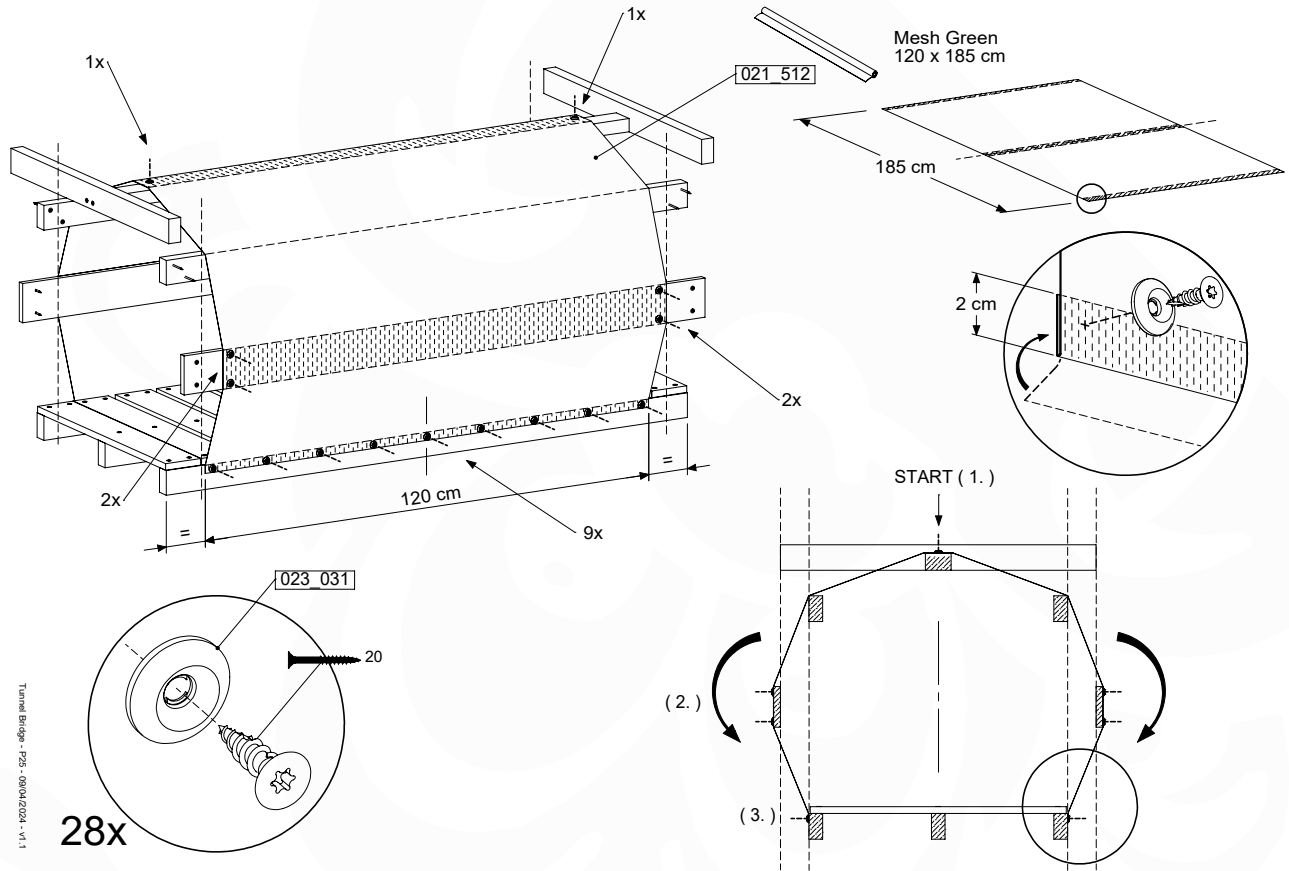
14.2



14.3



14.4



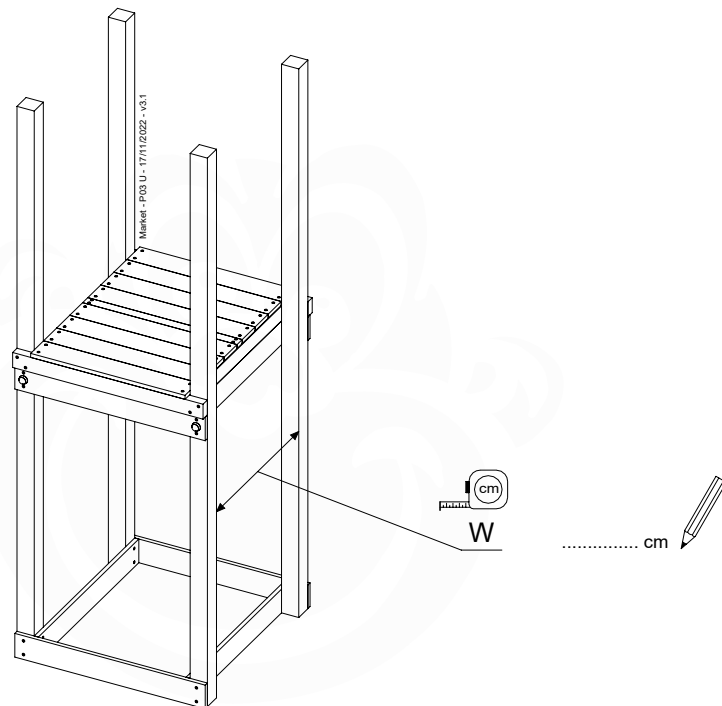
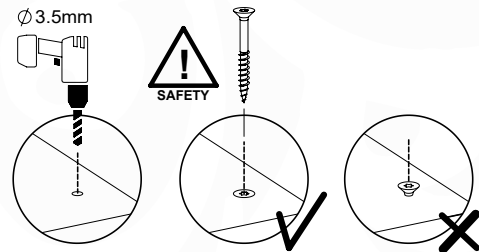
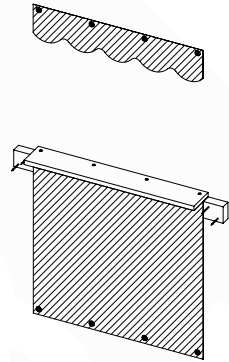
Tunnel Bridge - P25 - 08/13/2024 - v1.1

15 MT01a: Market 80 U

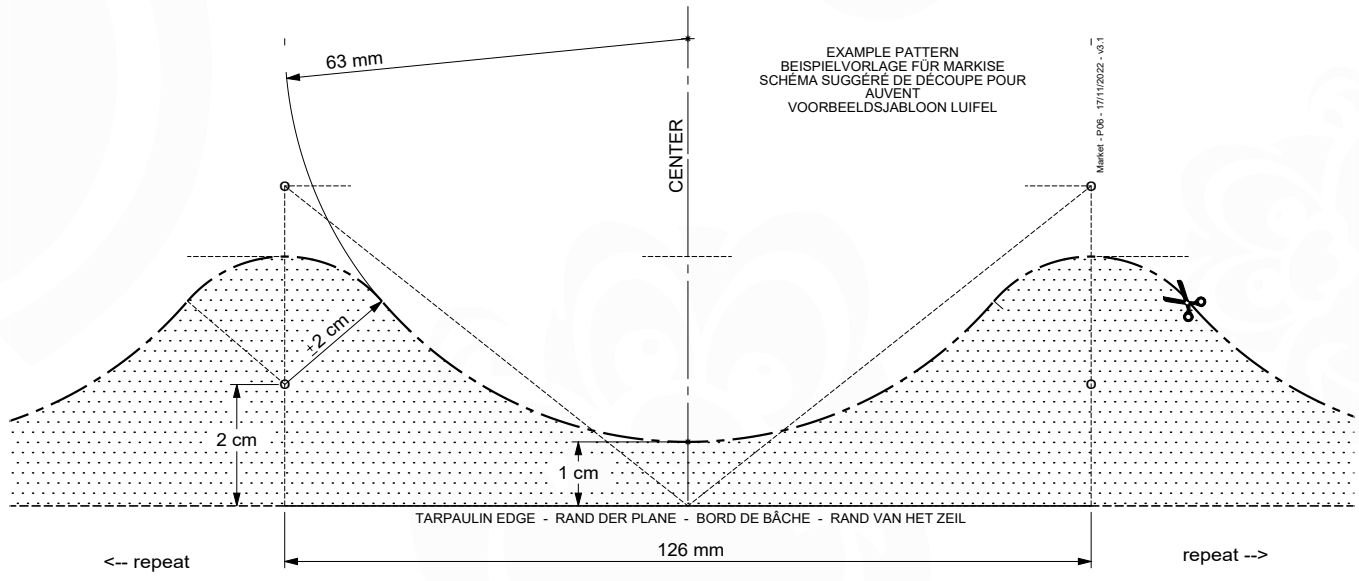
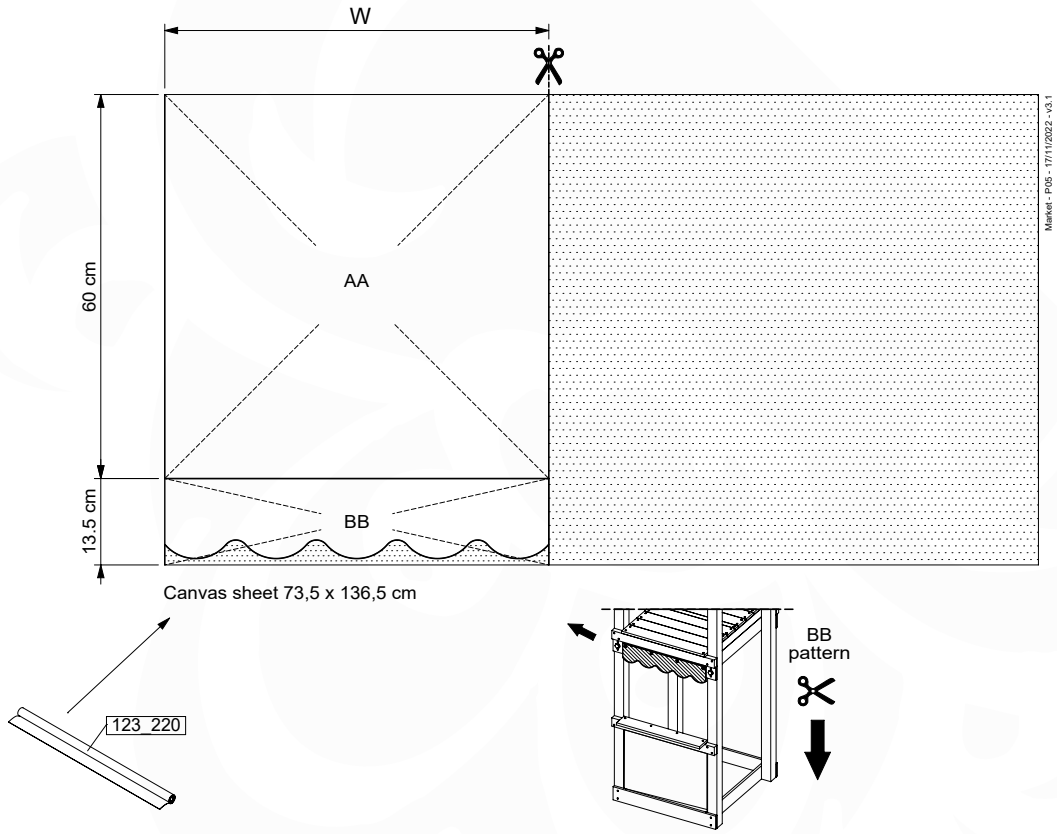
(194_113)

	PartNo	PartName	QTY.
Hardware Pack 100_611	002_220	Gap Point Screw T25 - 5x45	4
	002_223	Gap Point Screw T25 - 5x80	4
	002_308	Gap Point Screw T25 - 5x20	8
	023_031	Finishing Washer GPS 5.0	8
Other	123_220	Canvas sheet 735x1365	1
Wood	C74	Beam 740 mm	1
	D60	Board 600 mm	1

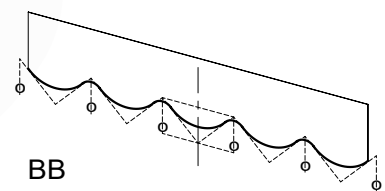
Market - P10 U - 17/11/2022 - v3.1



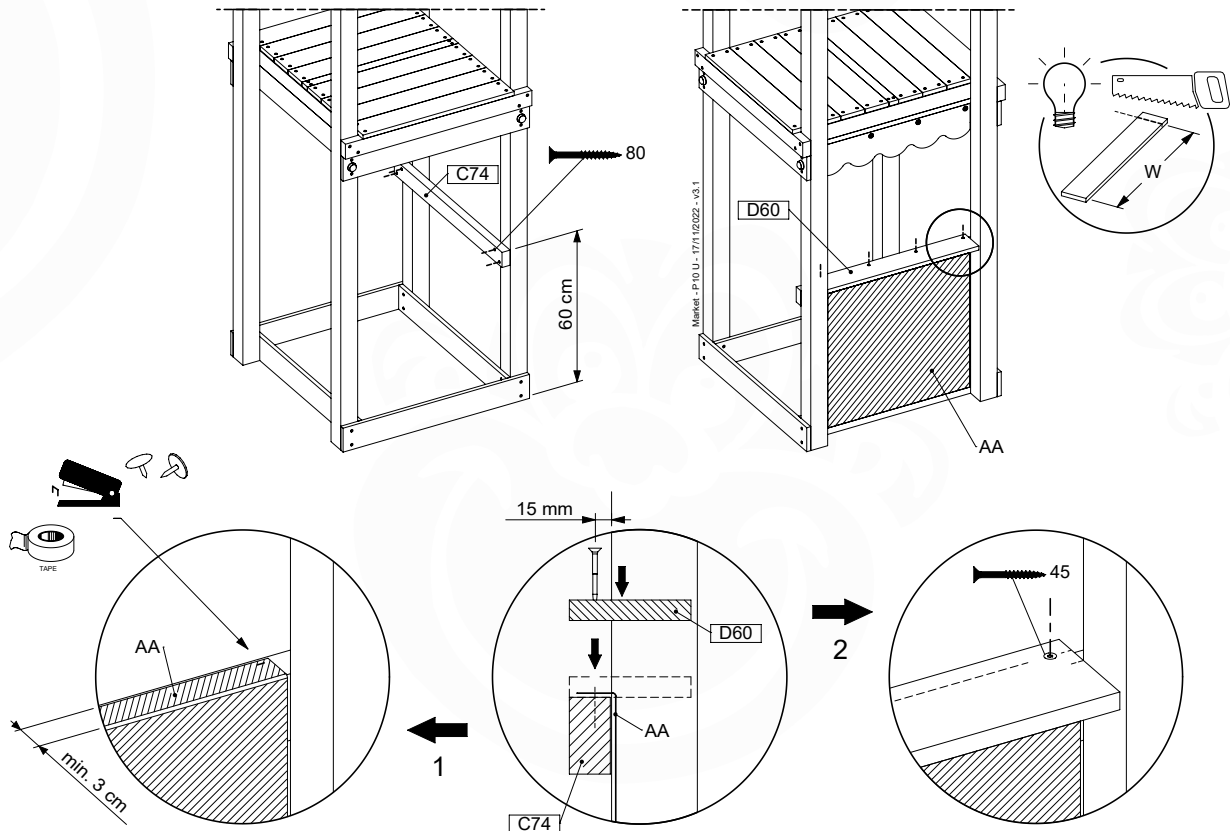
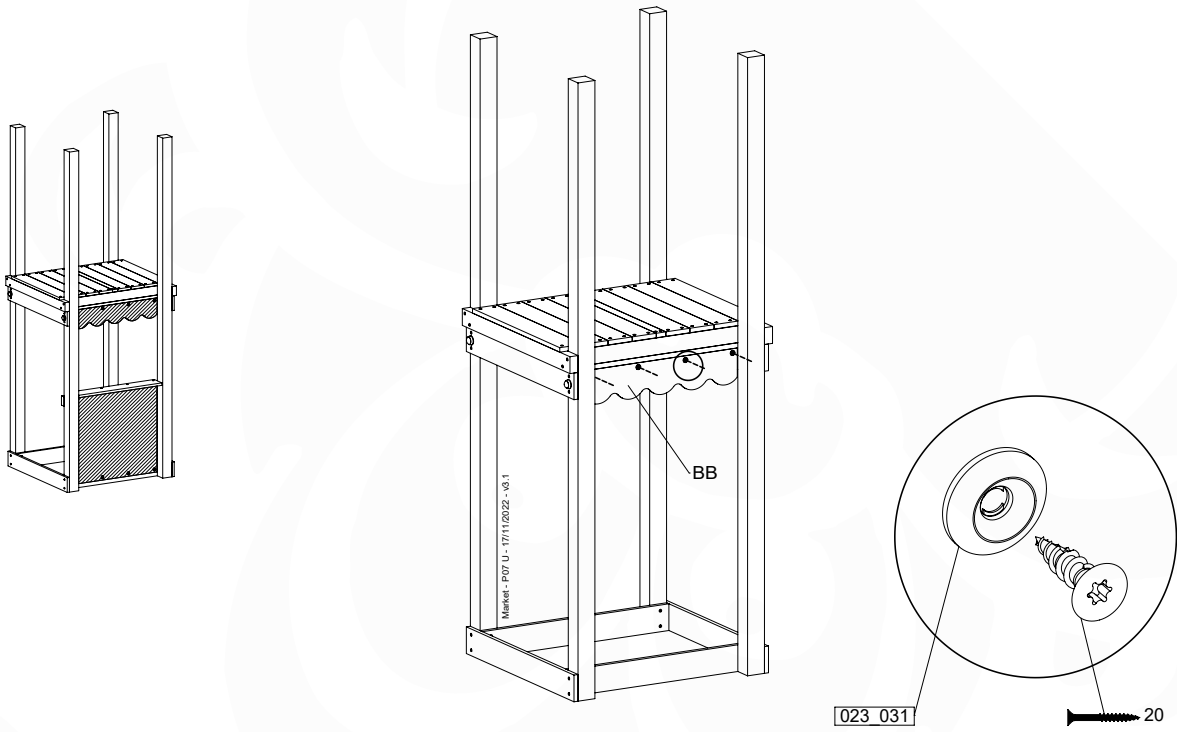
15.1



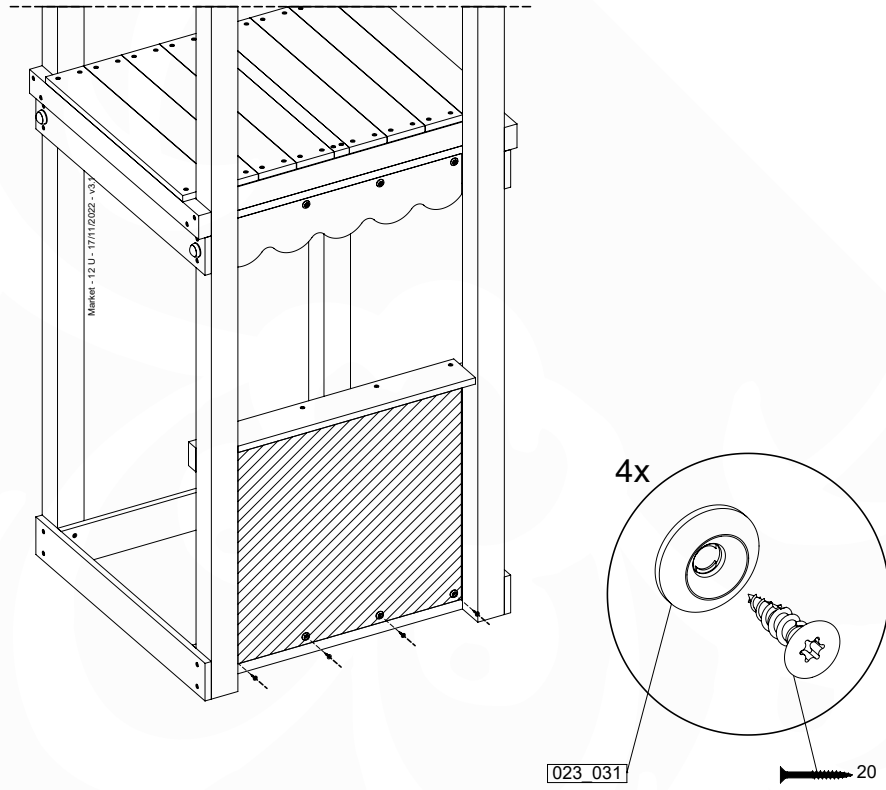
! Scale of print may not be accurate.
Druckformat kann abweichen.
Les tailles imprimées peuvent varier.
Printformaat kan afwijken.



15.2



15.3

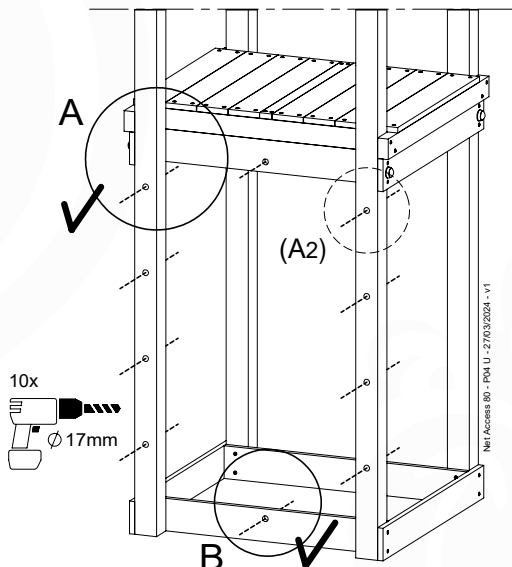
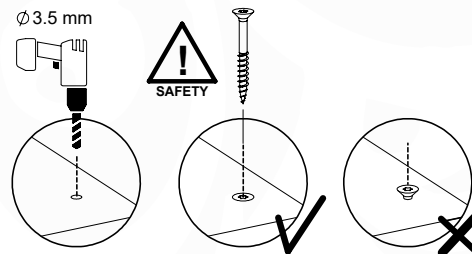
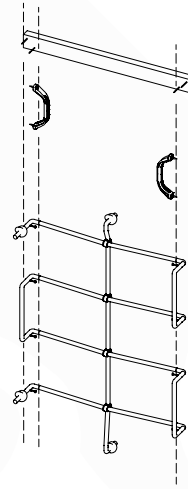


16 NA01a: Net Access 80 U

Assembly Packs: 194_009 + 201_250

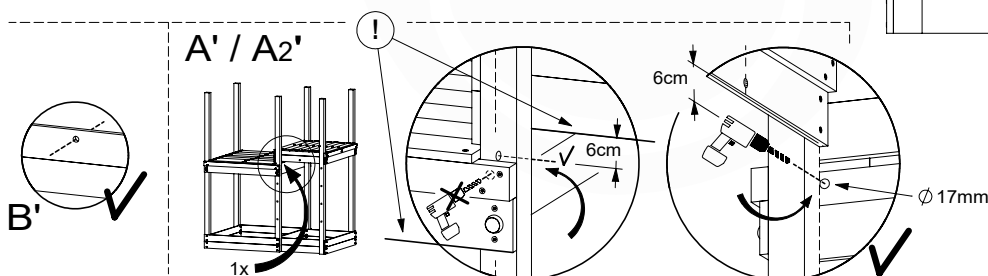
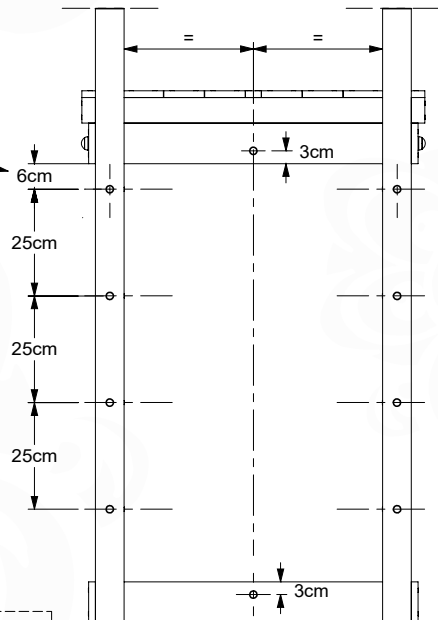
	PartNo	PartName	QTY.
Hardware + Parts	002_220	Gap Point Screw T25 - 5x45	8
	002_223	Gap Point Screw T25 - 5x80	4
	002_301	Dry Wall Screw PH2 3.9 x 40 mm	4
	020_315	Rope Polyester 16mm Green 2.25m	1
	020_319	Rope Polyester 16mm Green 7.45m	1
	022_455	Rope Cross Connector Egg	4
	120_102	Handgrip set (2x Complete)	1
Timber	C74	Beam 740 mm	1

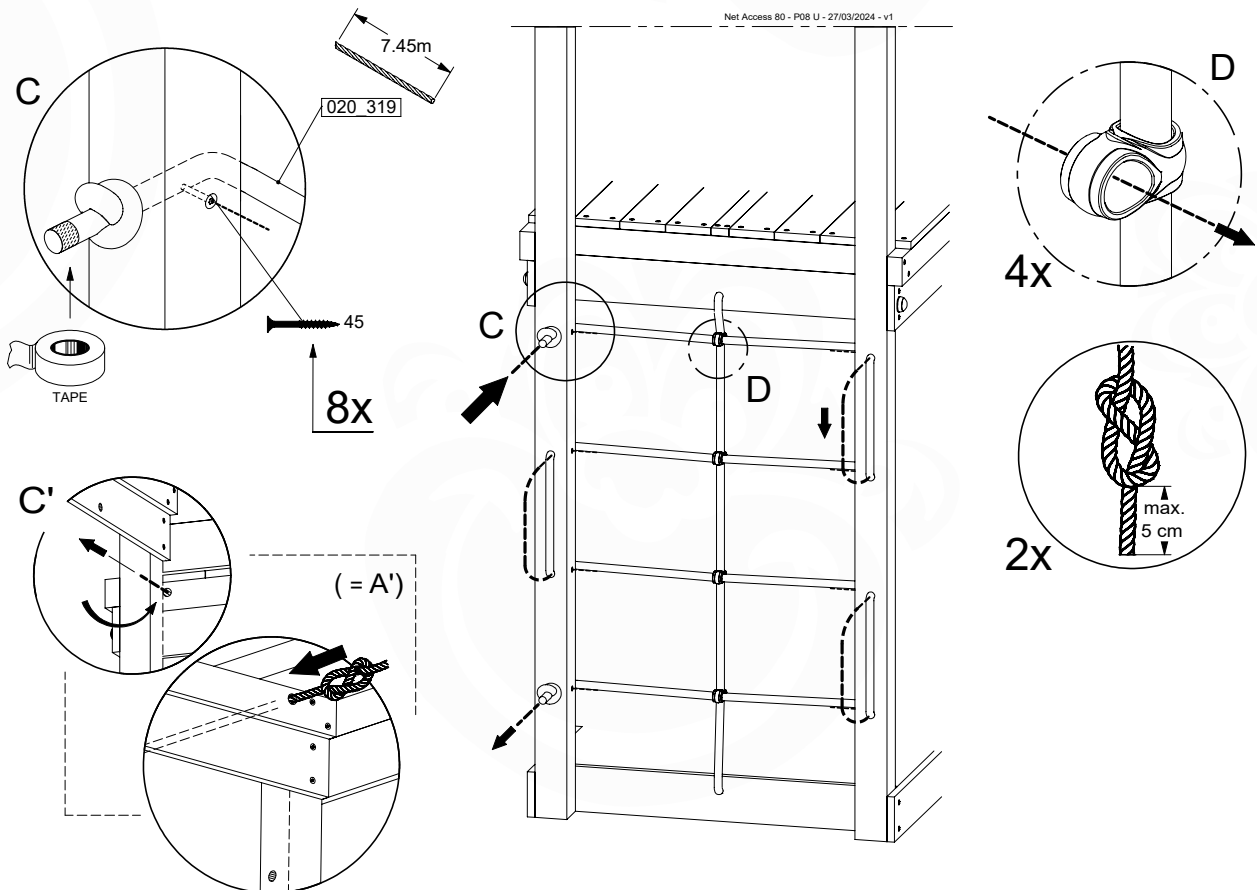
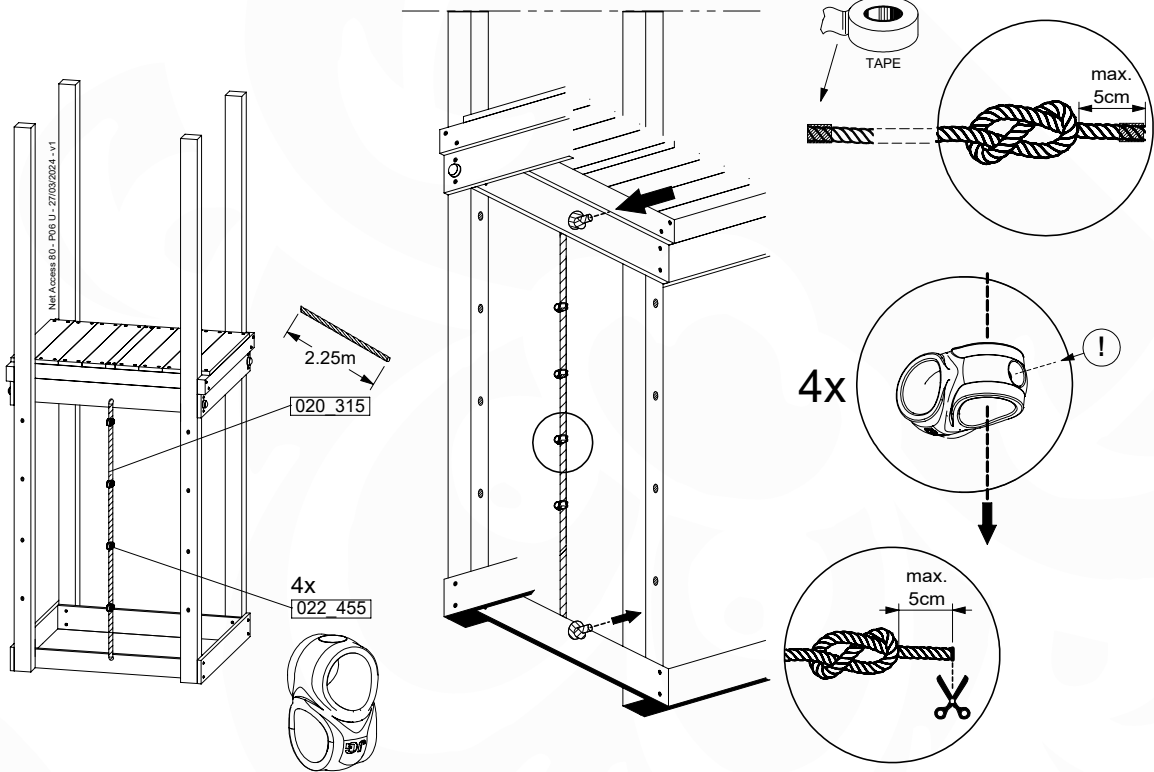
Net Access 80 - P02 U - 27/03/2024 - v1



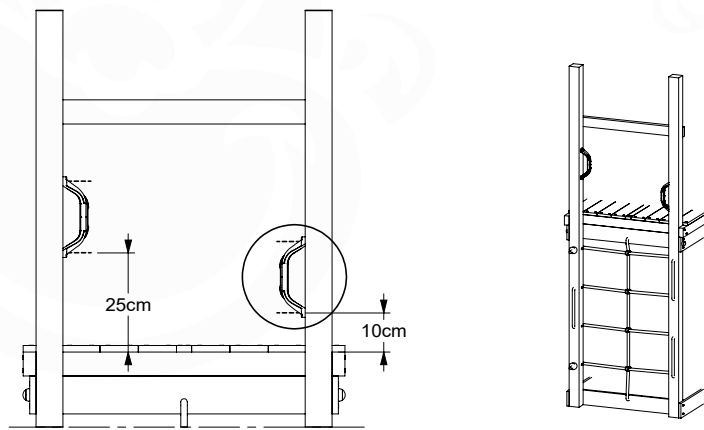
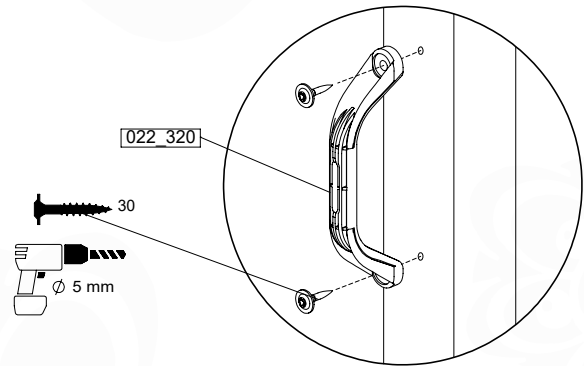
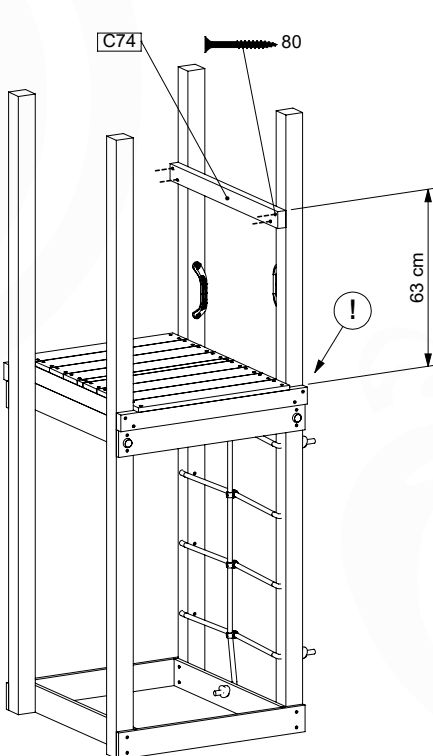
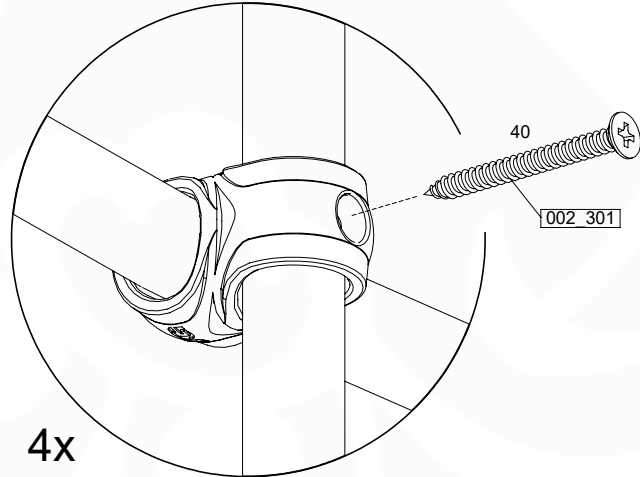
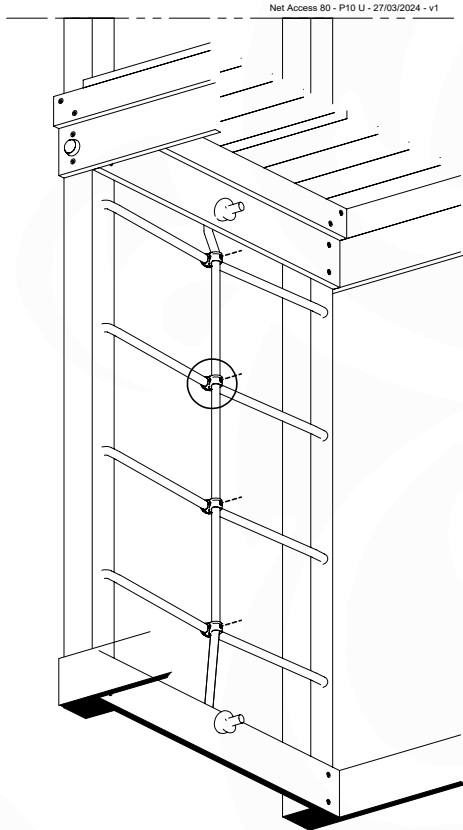
Net Access 80 - P04 U - 27/03/2024 - v1

min. 5.5cm
max. 6.5cm
(2x)





16.2



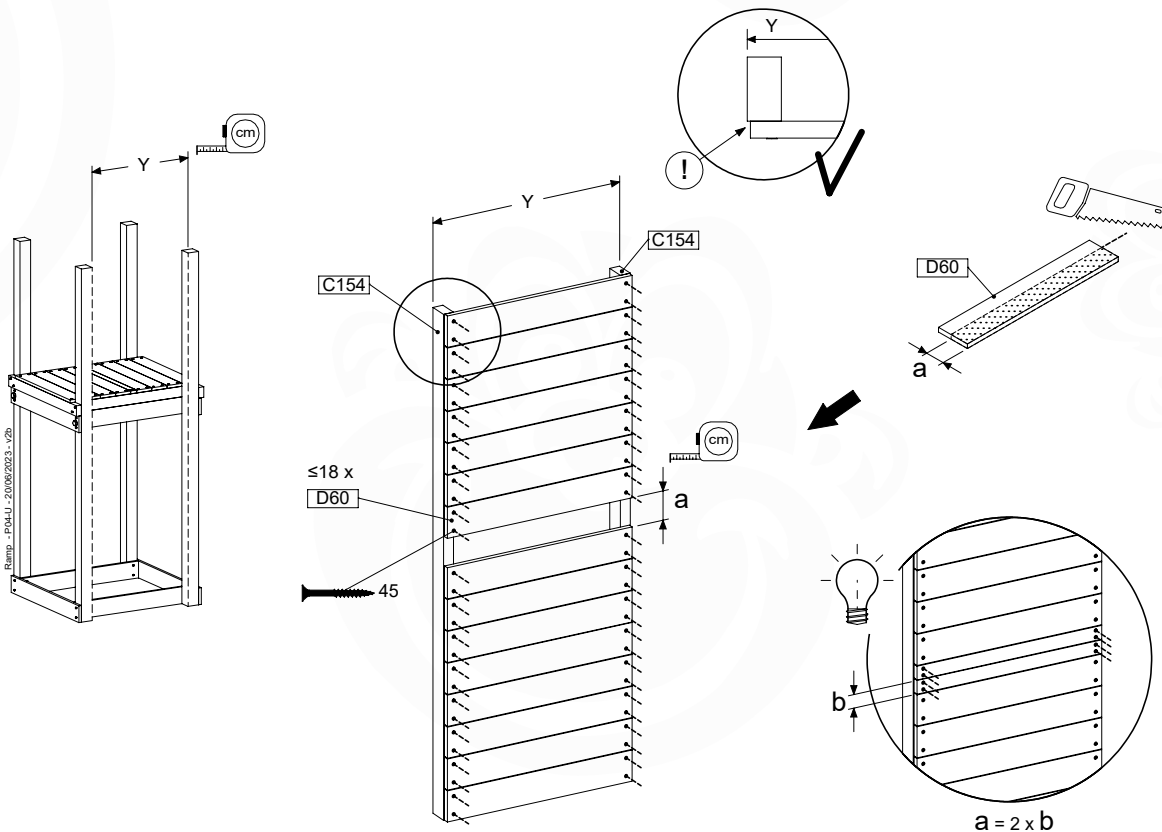
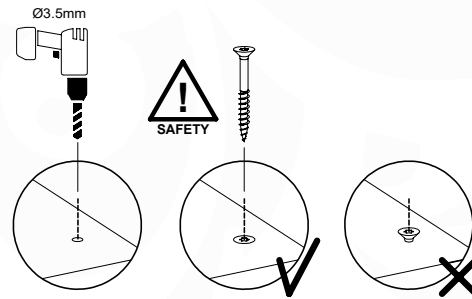
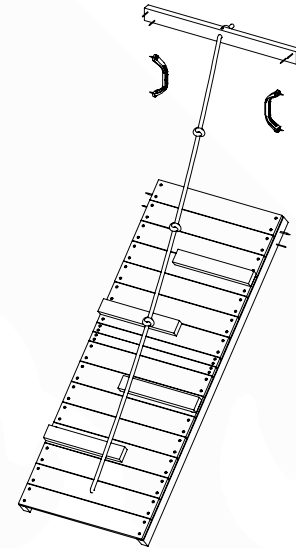
Net Access 80 - P12 U - 27/03/2024 - v1

17 RA03a: Ramp 80 125 U

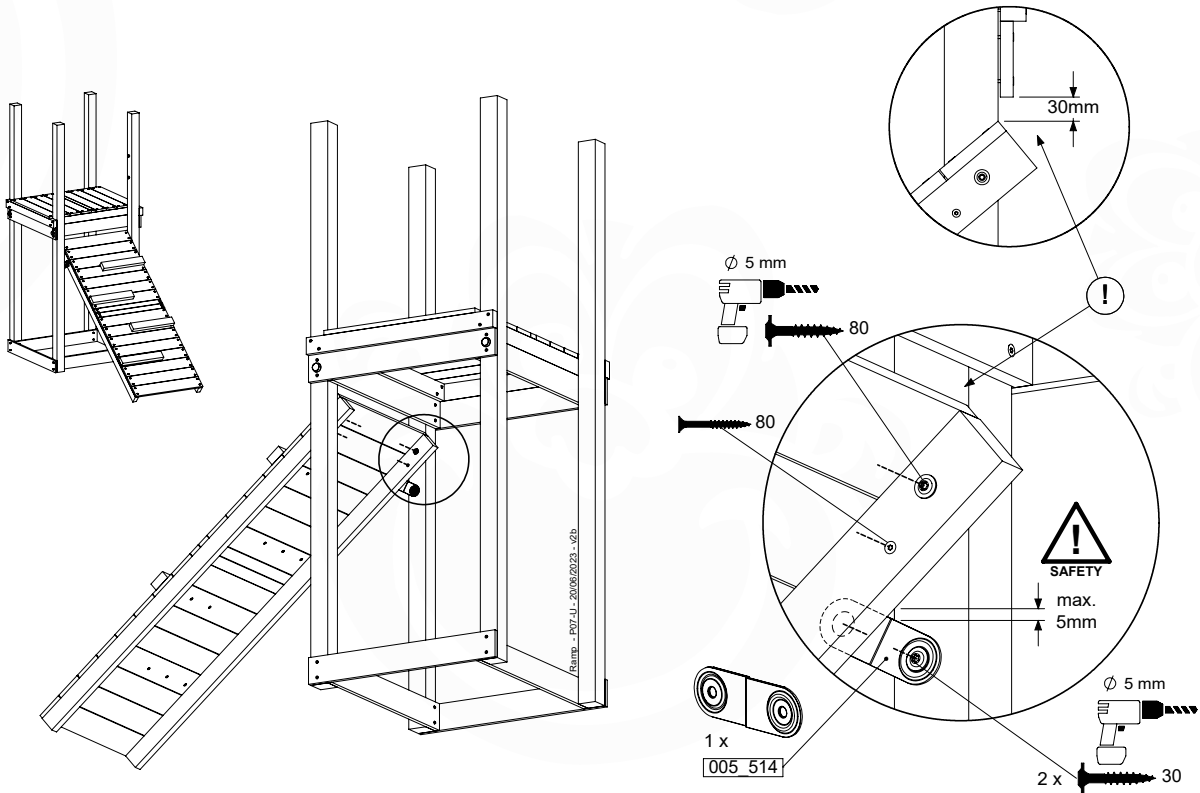
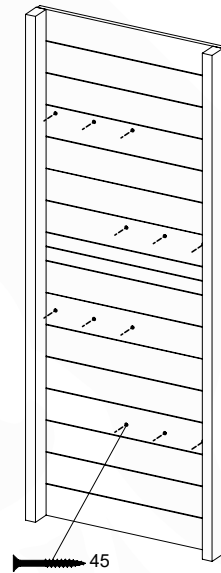
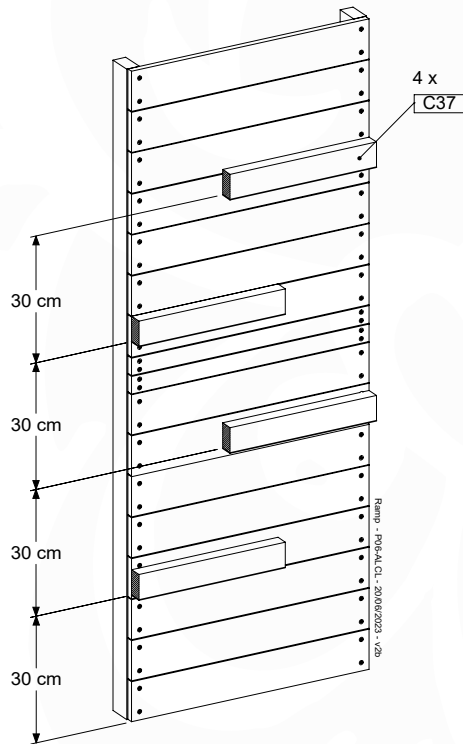
(194_008)

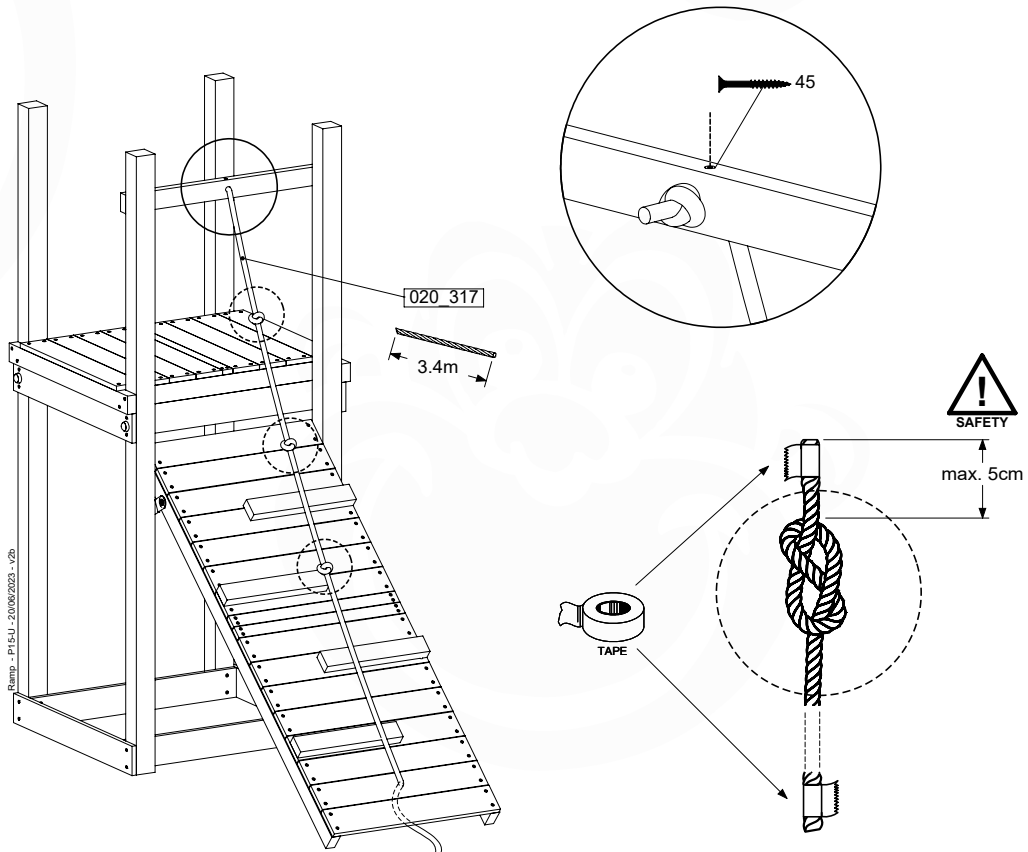
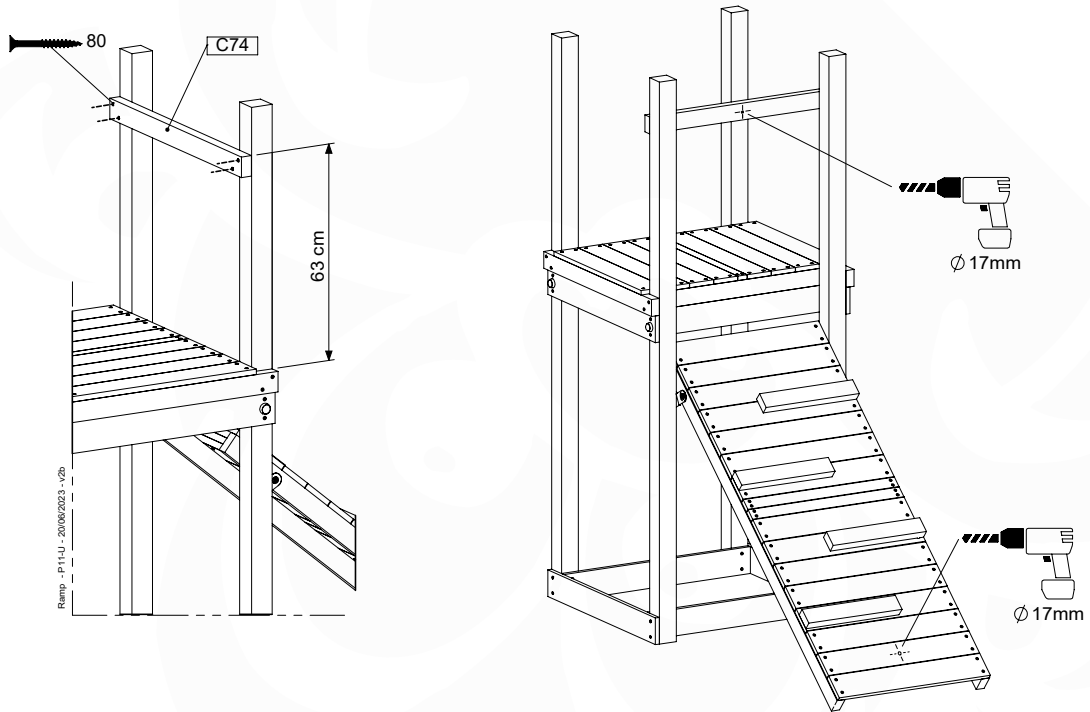
	PartNo	PartName	QTY.
Hardware Pack	001_404	Stealth Screw 8x30	2
	001_417	Stealth Screw 8x80	2
	002_220	Gap Point Screw T25 - 5x45	85
	002_223	Gap Point Screw T25 - 5x80	6
Other	005_514	Ladder Bracket	1
	020_317	Rope Polyester 16mm Green 3.4m	1
	120_102	Handgrip set (2x Complete)	1
Timber	C37	Beam 370 mm	4
	C74	Beam 740 mm	1
	C154	Beam 1540 mm	2
	D60	Board 600 mm	18

Ramp - P034U - 2010/02/2023 - v2b

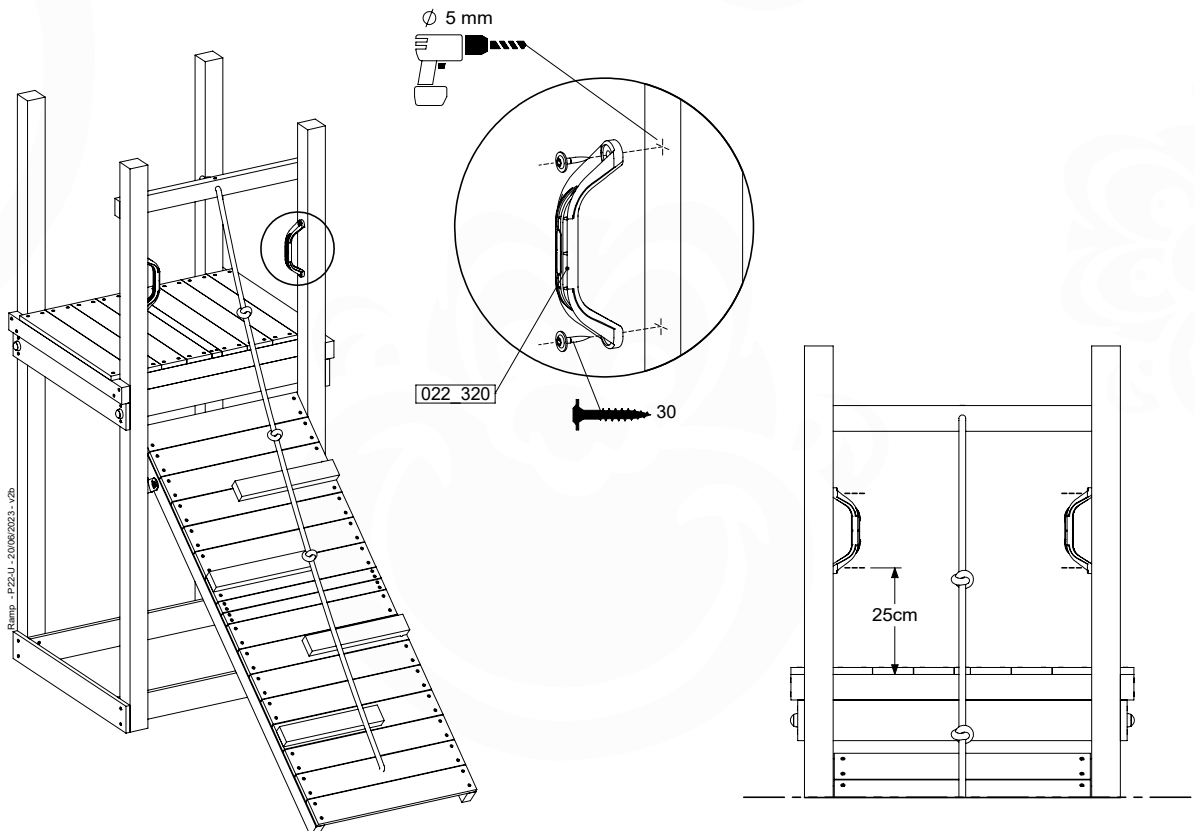
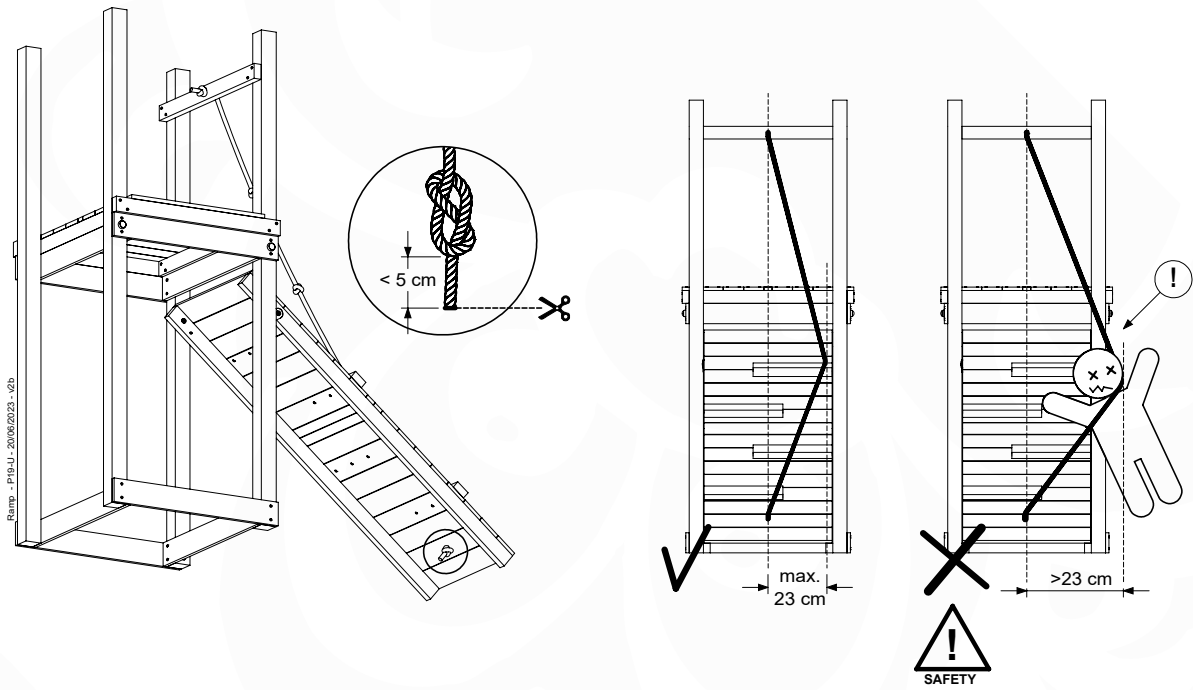


17.1





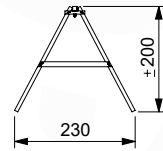
17.3



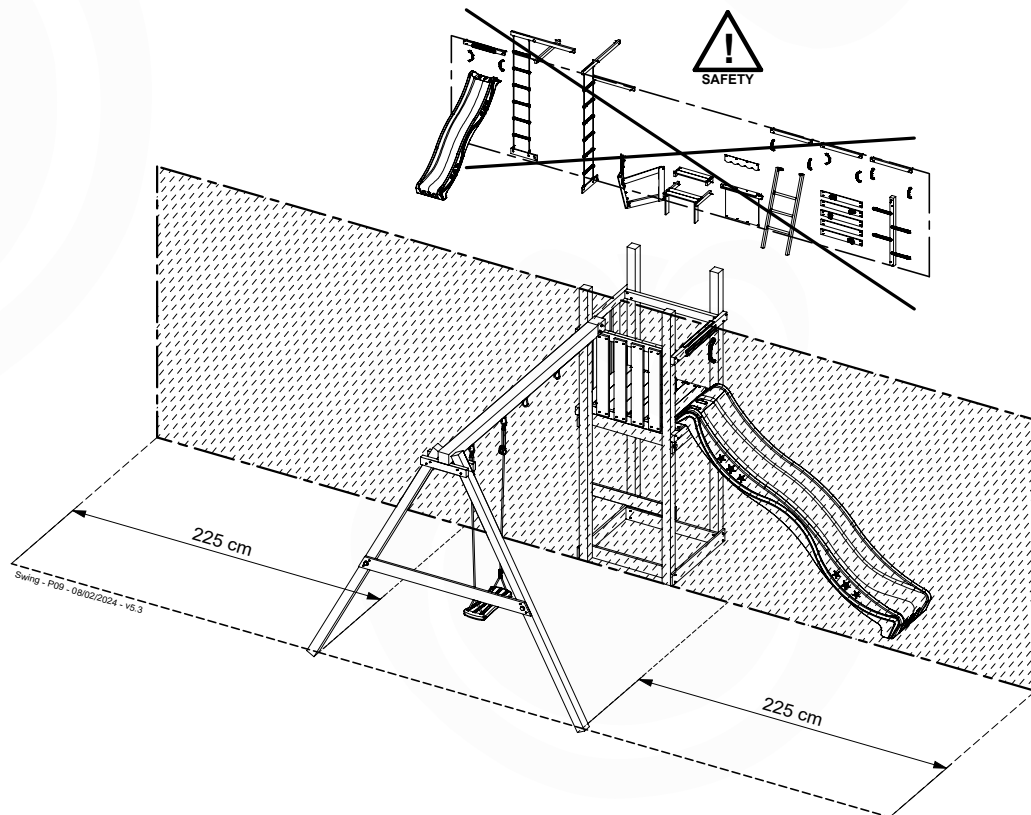
18 SW05a: 2-Swing Module 200

(457_102)

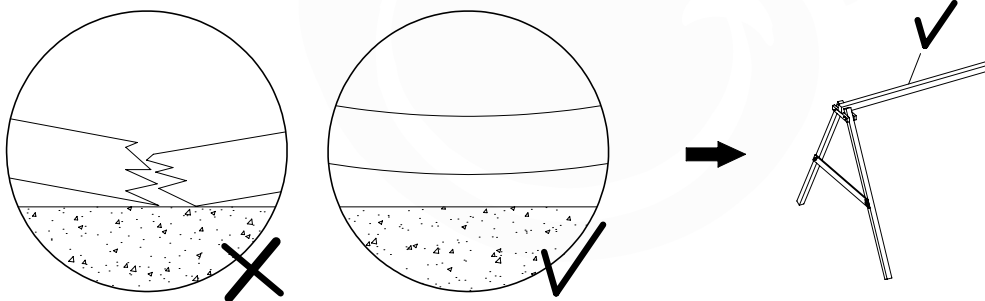
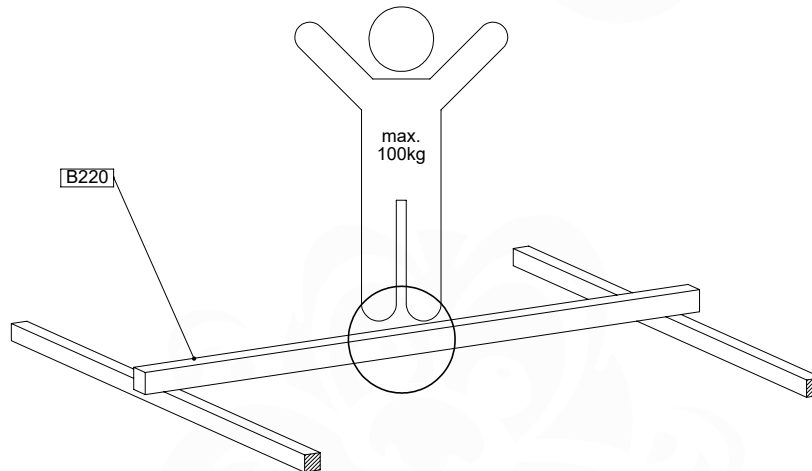
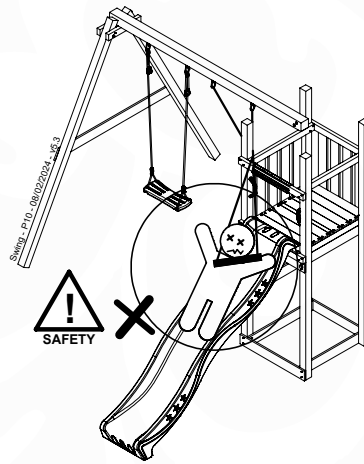
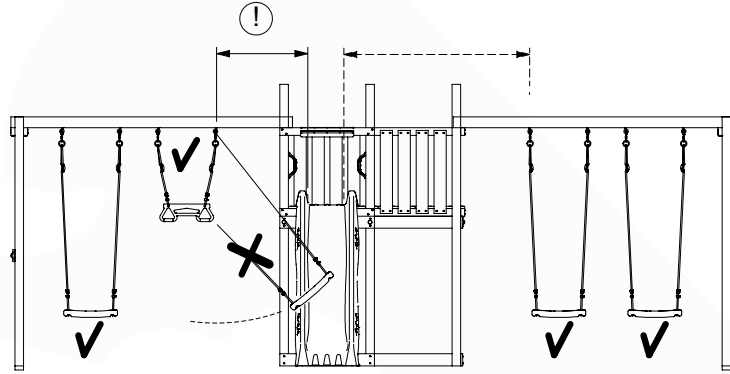
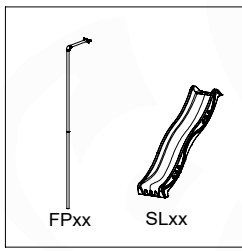
	PartNo	PartName	QTY.
Hardware Pack	001_406	Stealth Screw 8x45	4
	001_417	Stealth Screw 8x80	3 / 4
	001_422	Stealth Screw 8x137	3
	002_220	Gap Point Screw T25 - 5x45	12
	002_223	Gap Point Screw T25 - 5x80	6
Other	005_528	Swing Beam Bracket 7x7	1
	007_001	Ground-anchor	2
	022_31x	bpc-base version 3	2
	022_84x	bpc cover	2
	023_031	Finishing Washer GPS 5.0	2
Timber	101_003	Swing hook with Carabiner	4
	A220	Post 70x70 L2200	2
	B220	Post 90x90 L2200	1
	C37	Beam 370 mm	2
	D141	Board 1410 mm	2



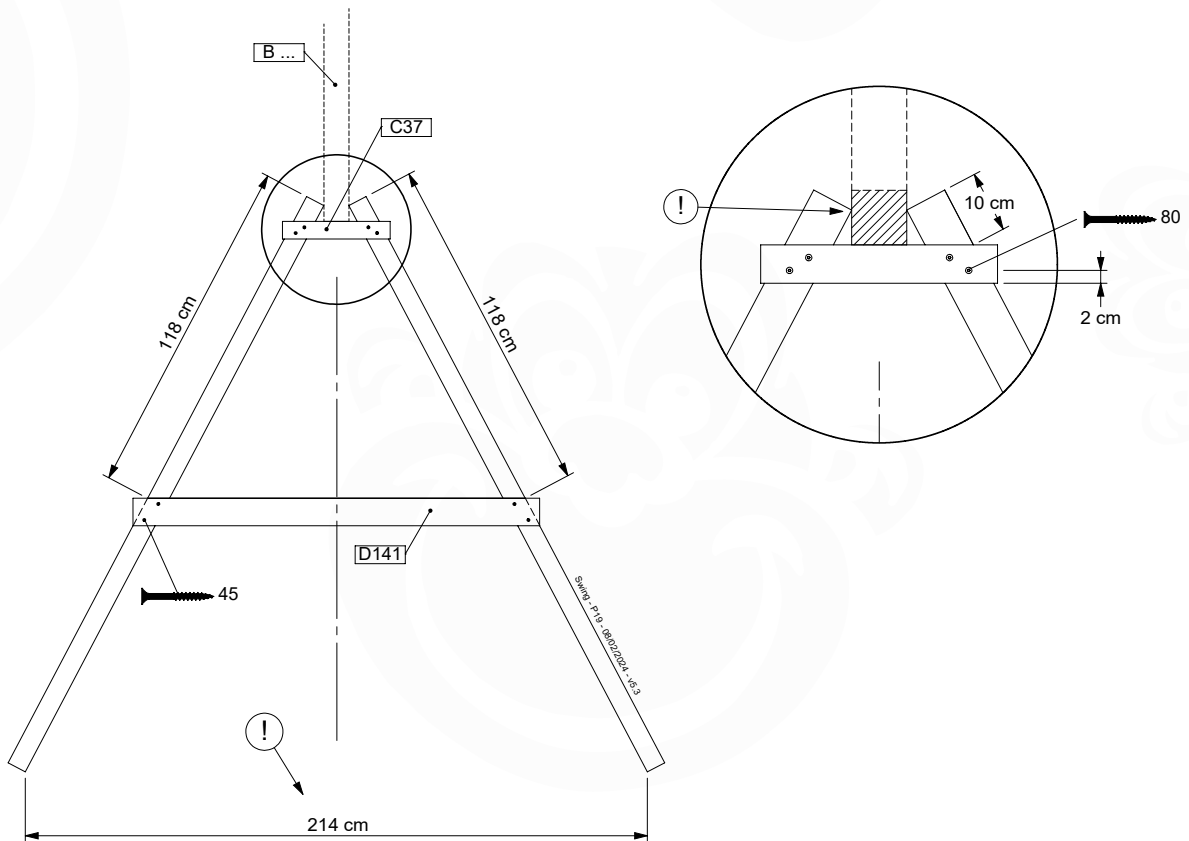
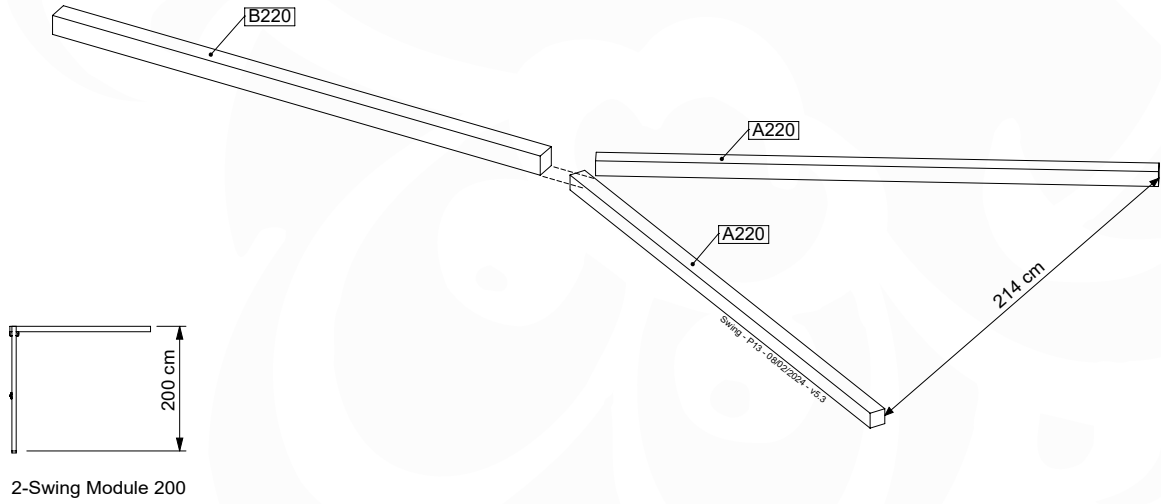
2-Swing Module 200



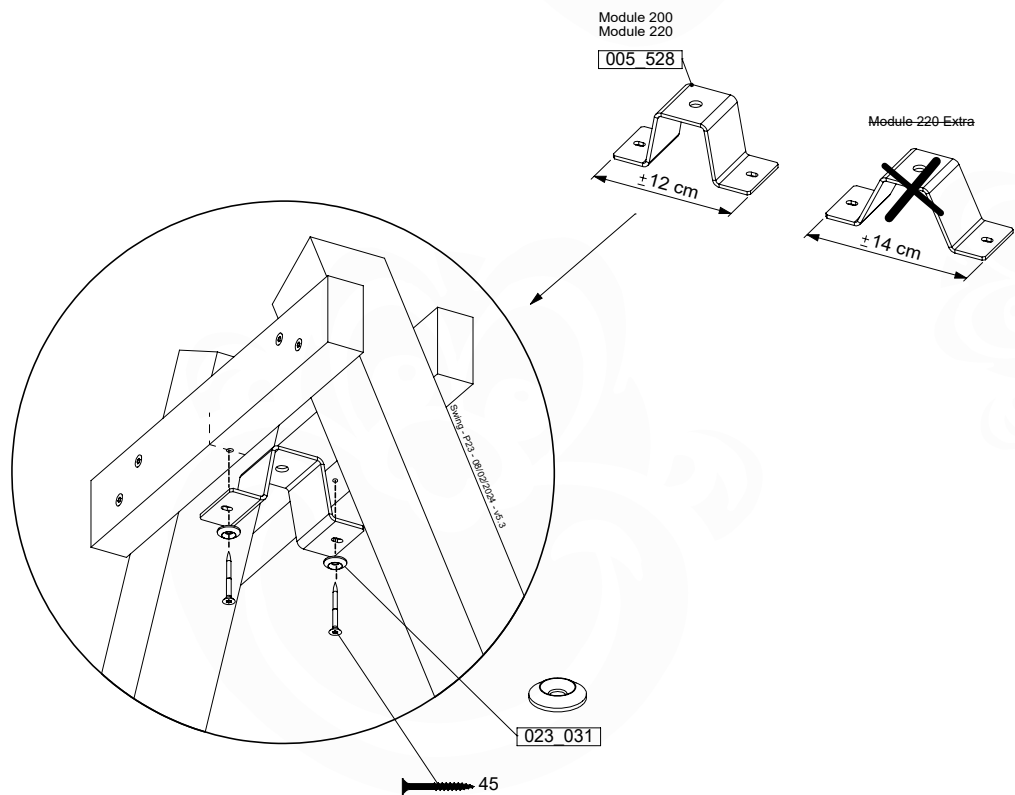
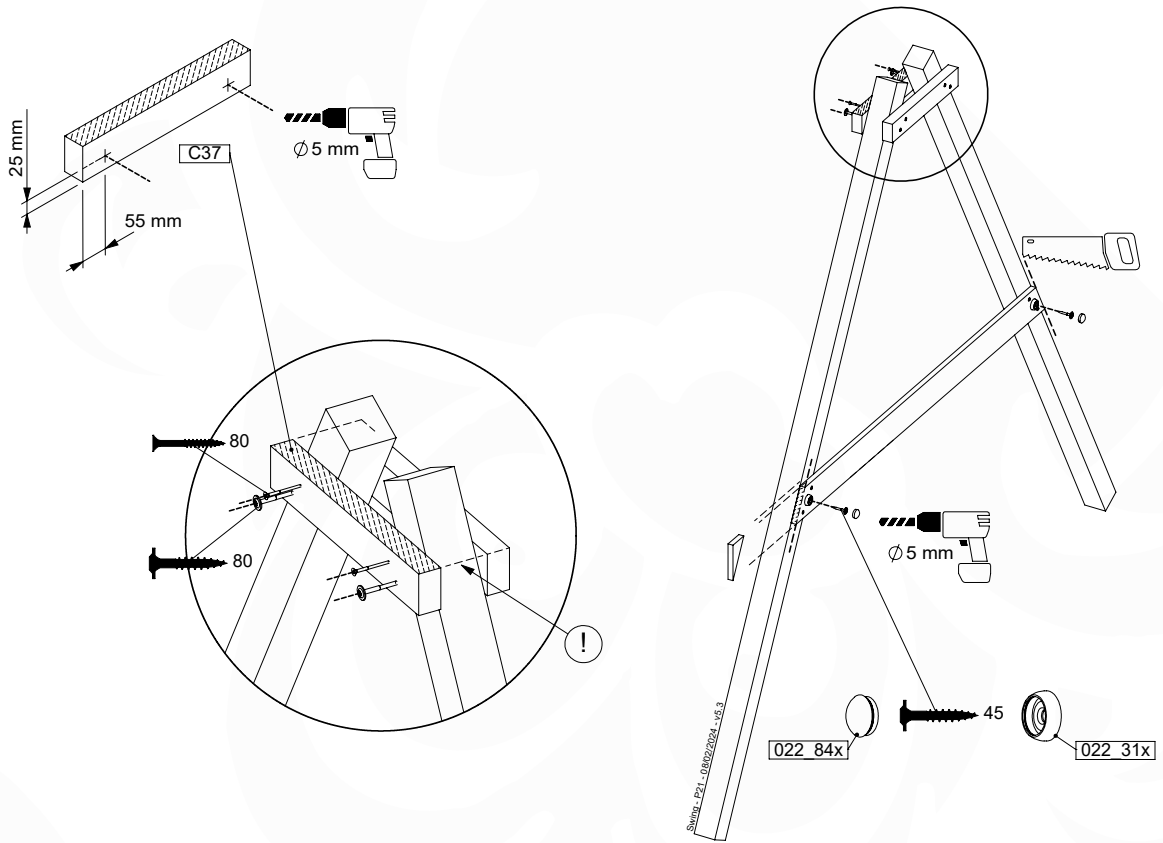
18.1

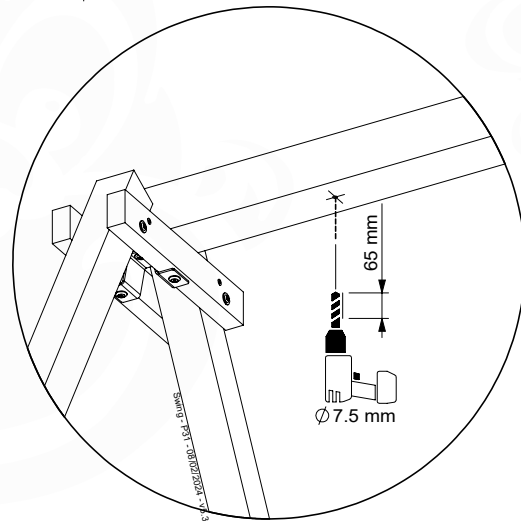
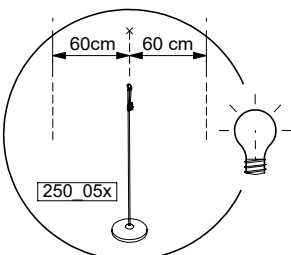
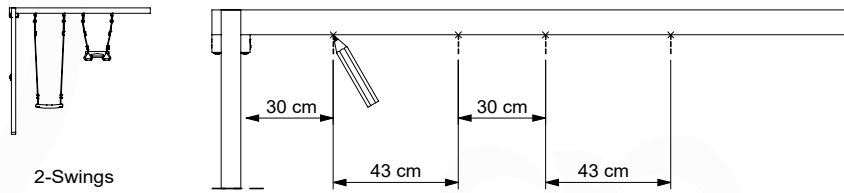
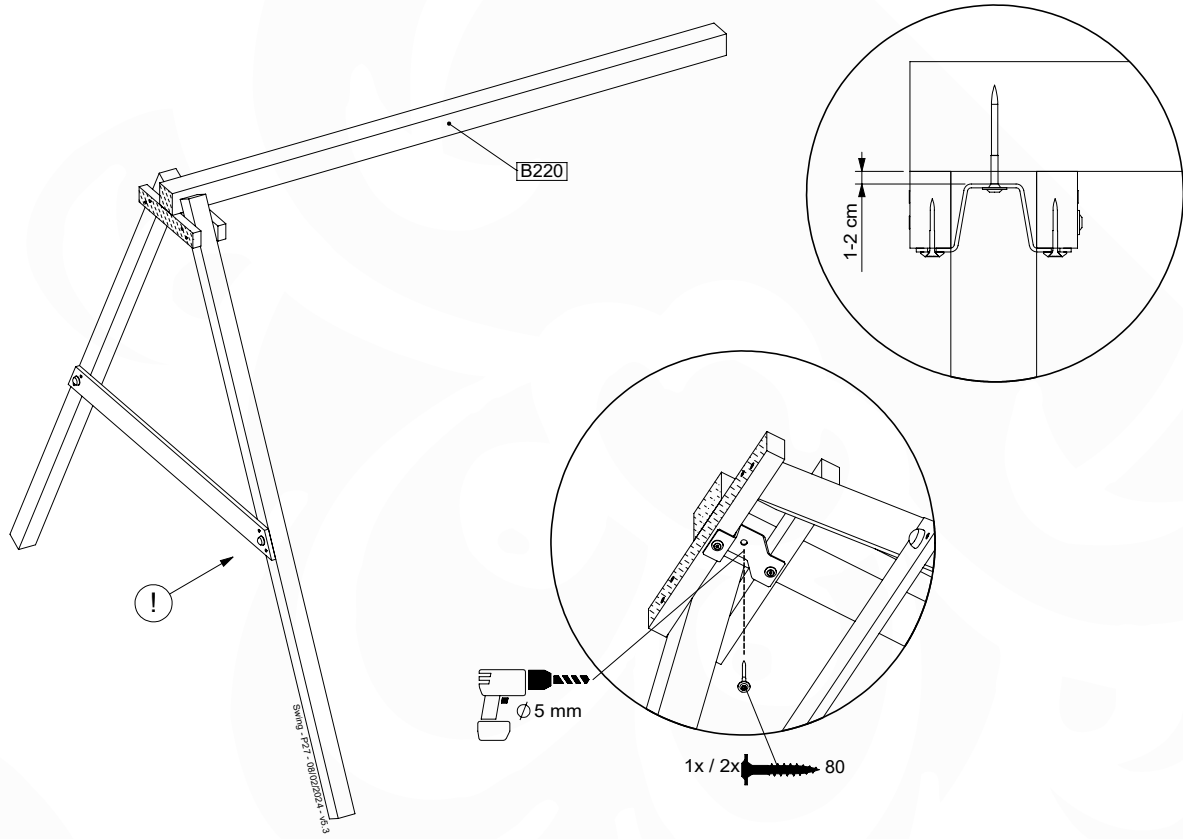


Swing - F12 - 08/02/2024 - v5.3

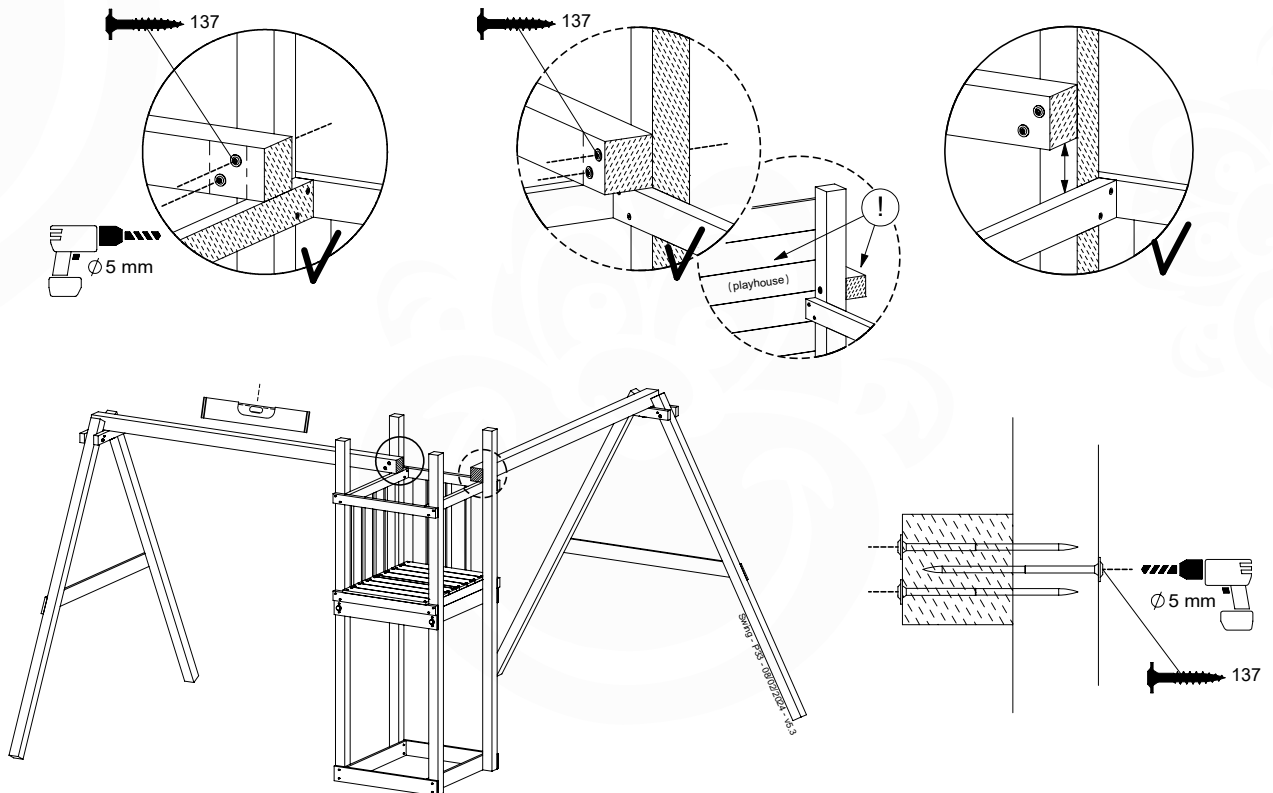
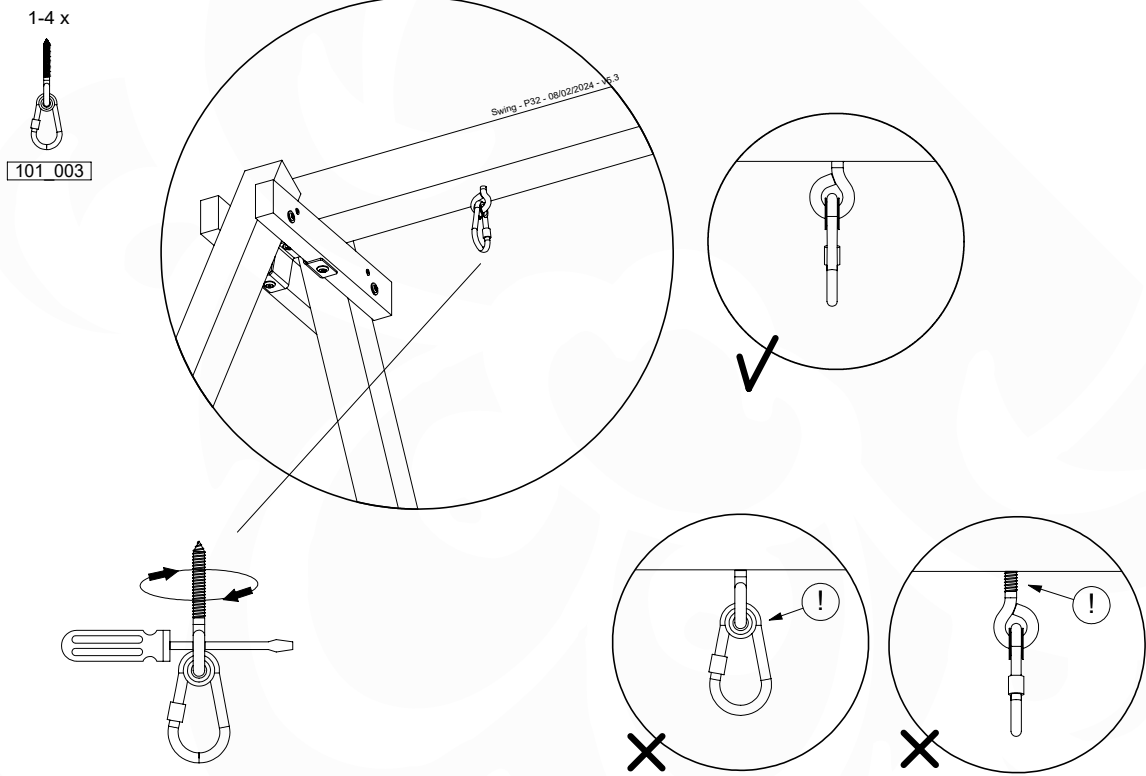


18.3

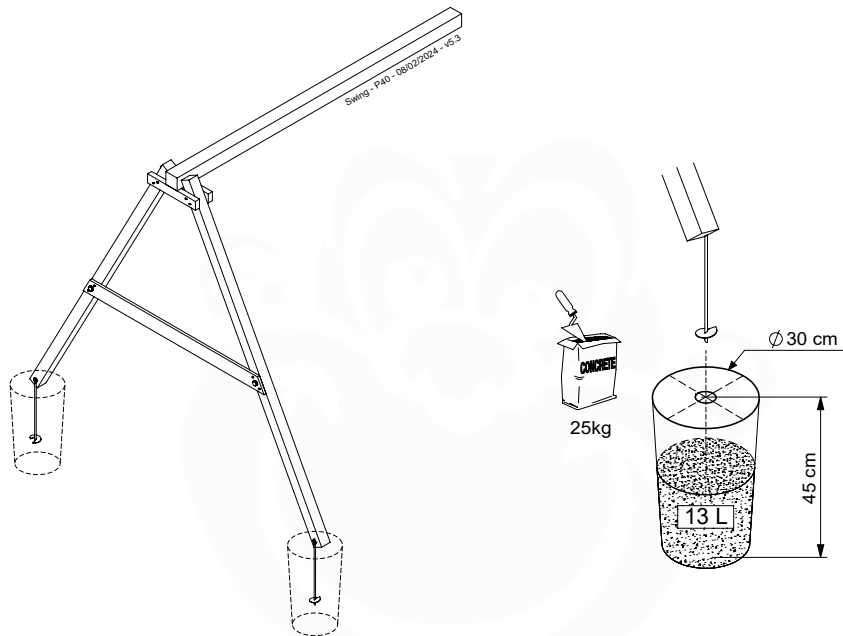
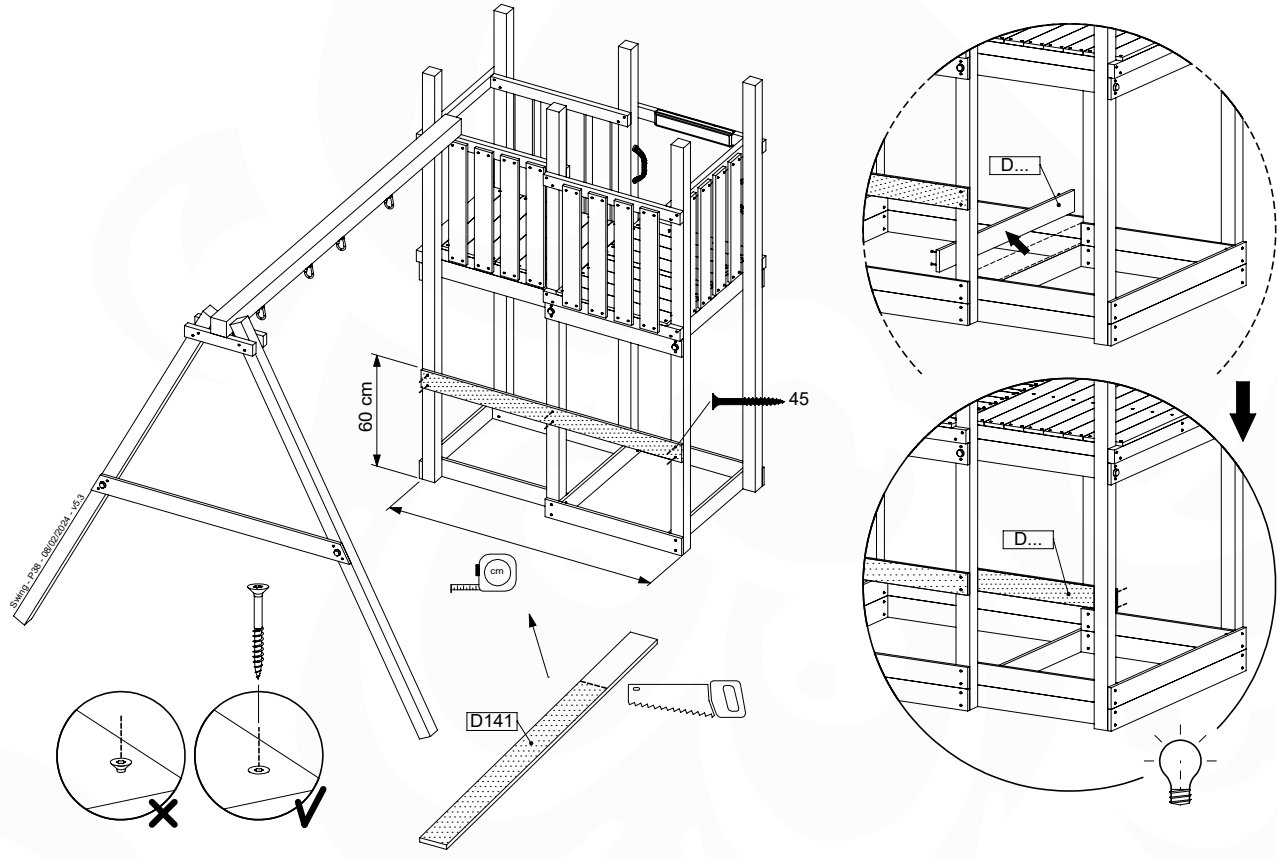




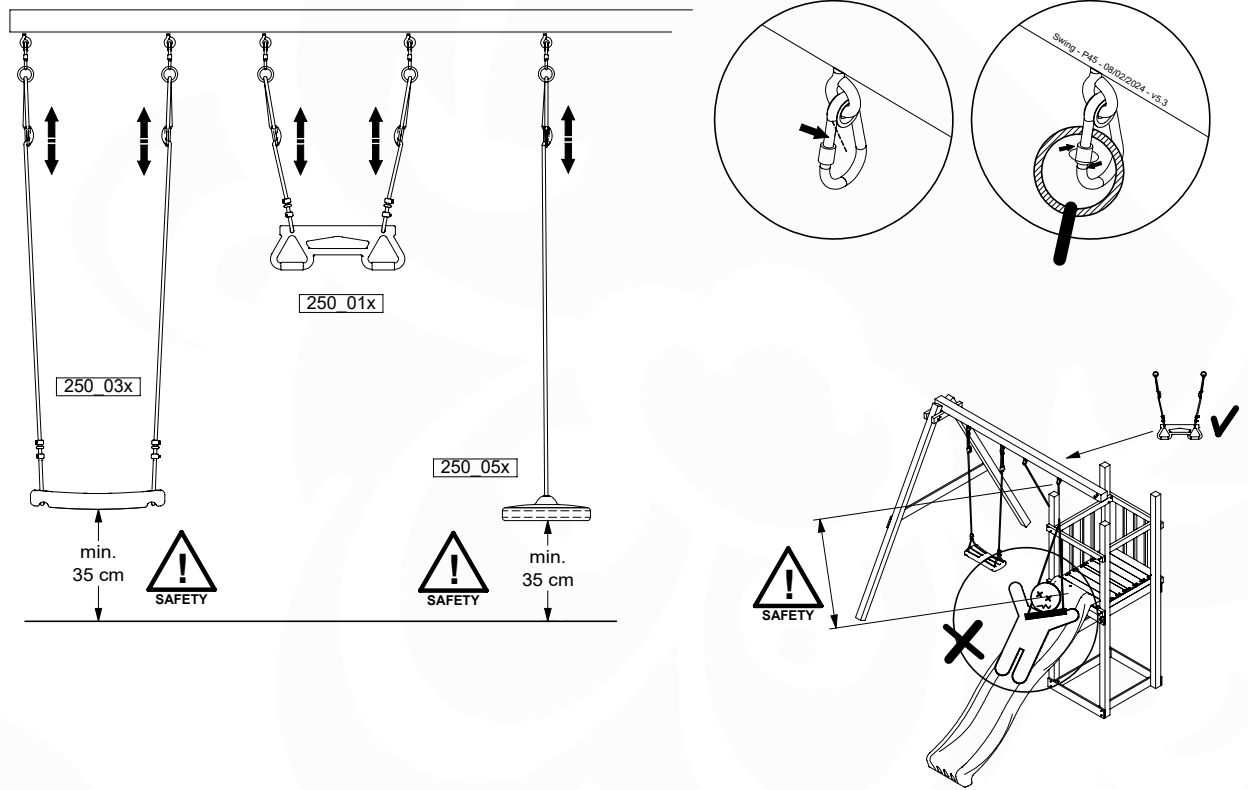
18.5



18.6



18.7

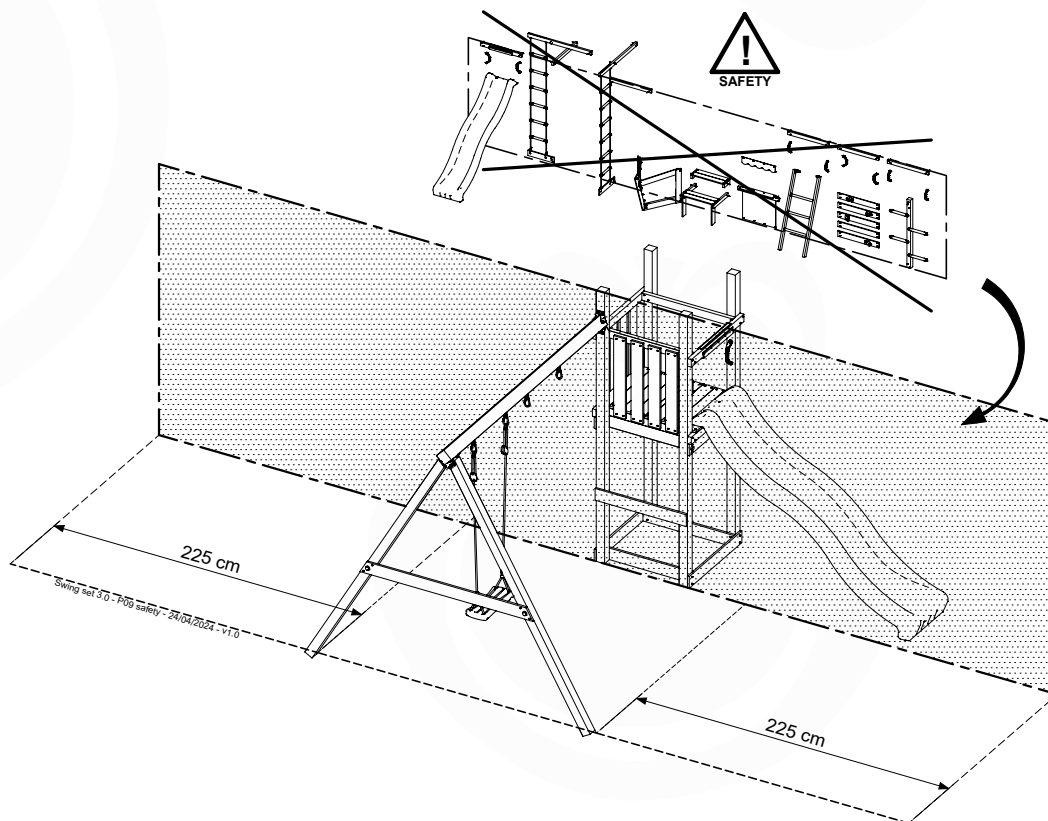
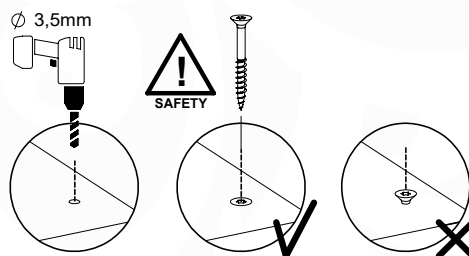
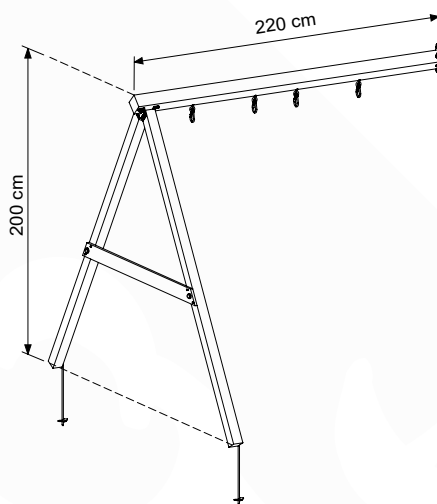


19 SW05a: 2- Swing Module 200 3.0

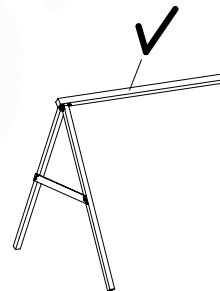
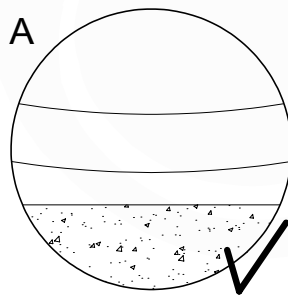
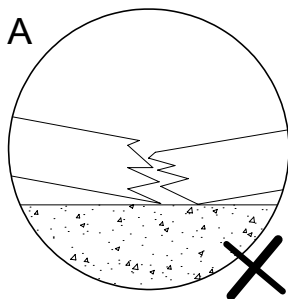
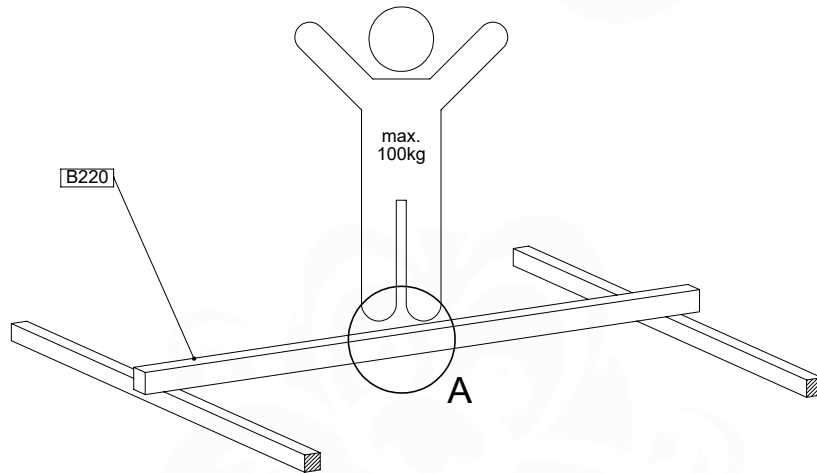
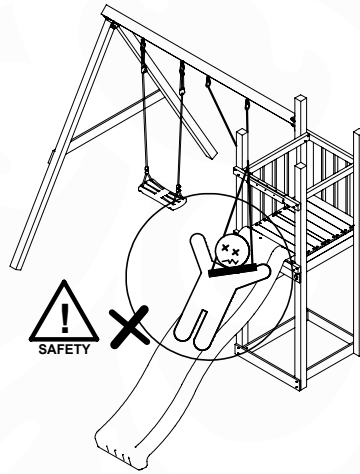
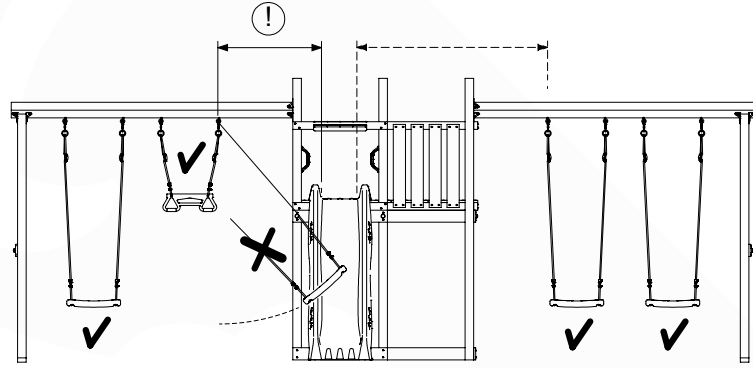
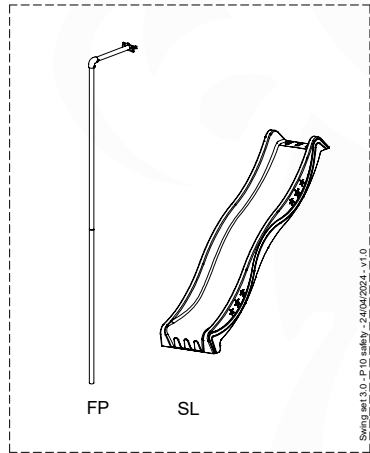
Assembly Kit: 457_103

	PartNo	PartName	QTY.
Hardware + Parts	001_404	Stealth Screw 8x30	4
	001_406	Stealth Screw 8x45	22
	001_411	Stealth Screw 8x60	2
	001_417	Stealth Screw 8x80	2
	002_220	Gap Point Screw T25 - 5x45	8
	002_223	Gap Point Screw T25 - 5x80	2
	022_31x	bpc-base version 3	2
	022_84x	bpc cover	2
	023_042	Nylon washer 9x19x1.5	20
	005_096	A-Frame V-Connector	2
	005_097	Swing V-Connector	2
	007_001	Ground-anchor	2
	101_003	Swing hook with Carabiner	4
Timber	A220	Post 70x70 L2200	2
	B220	Post 90x90 L2200	1
	D141	Board 1410 mm	2

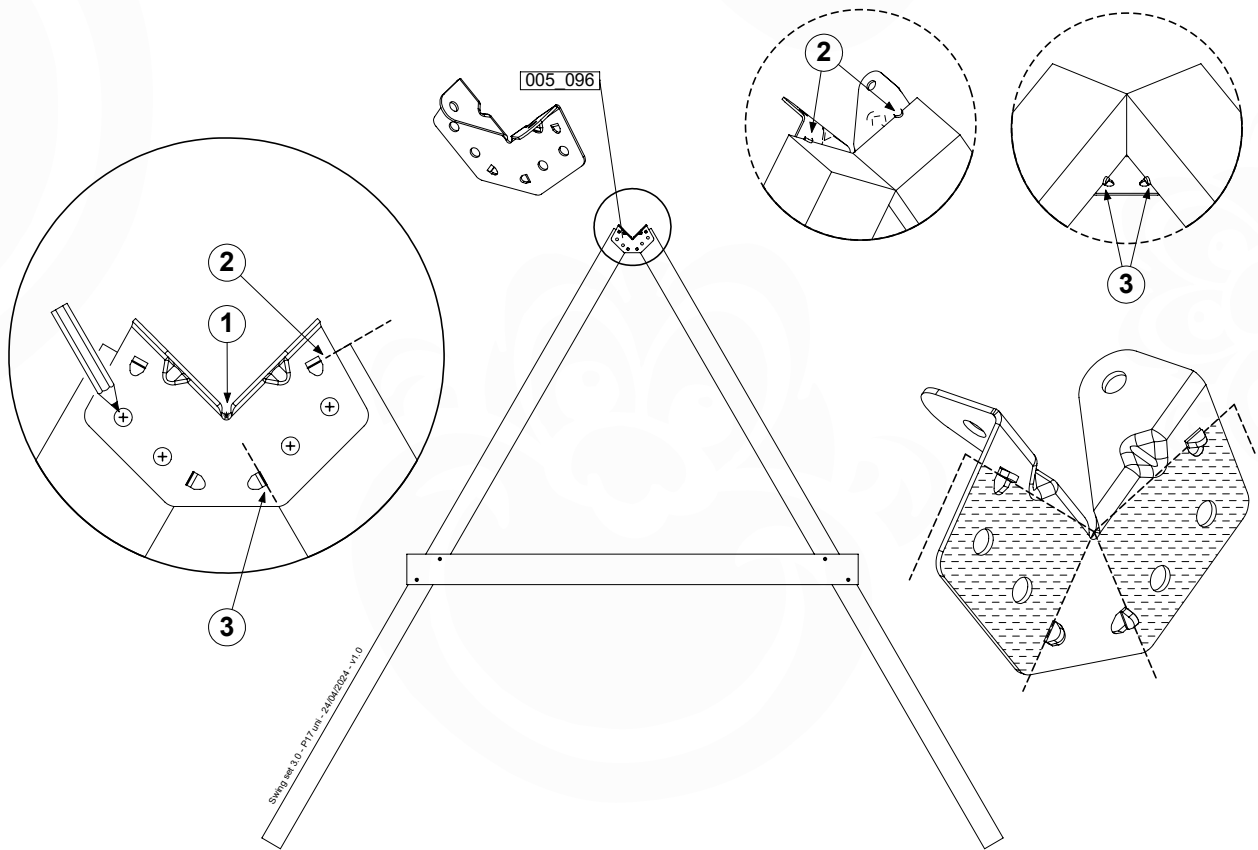
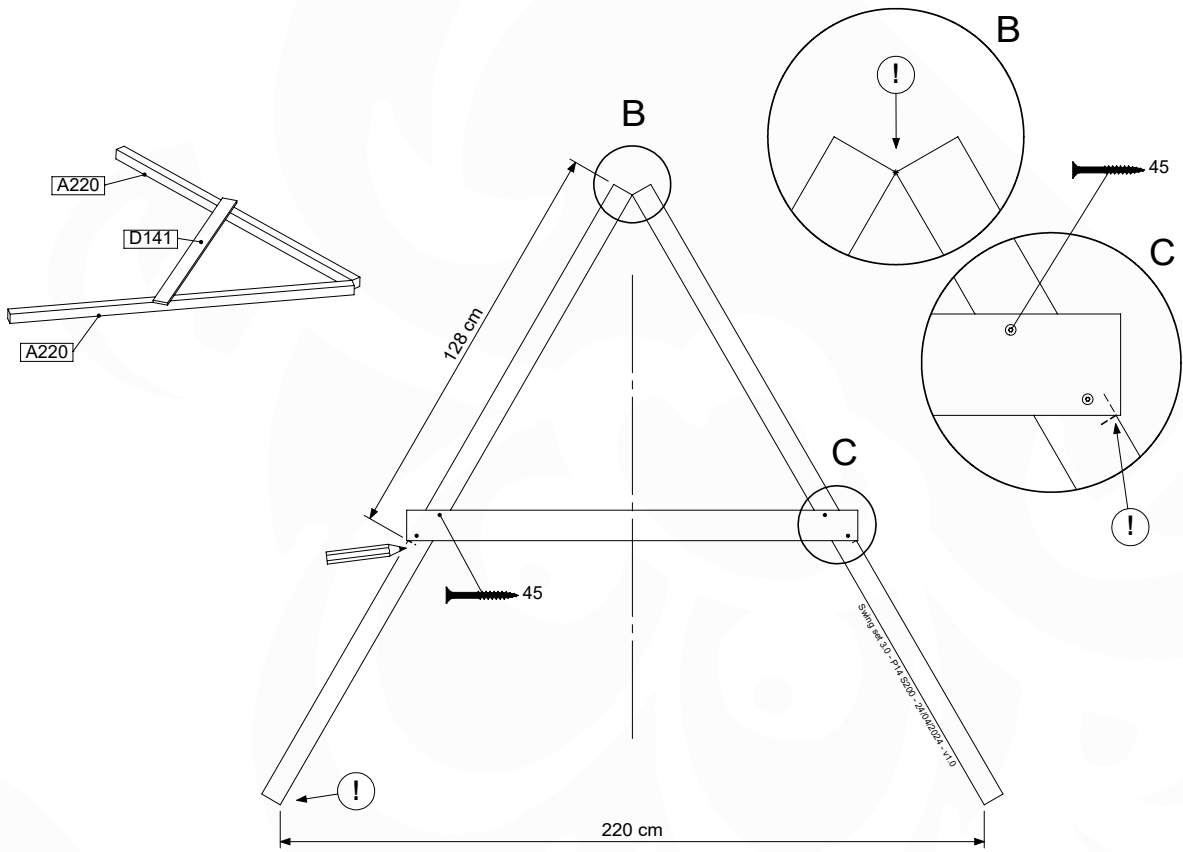
Swing set 3.0 - PMA 85200 - 24/04/2024 - v1.0



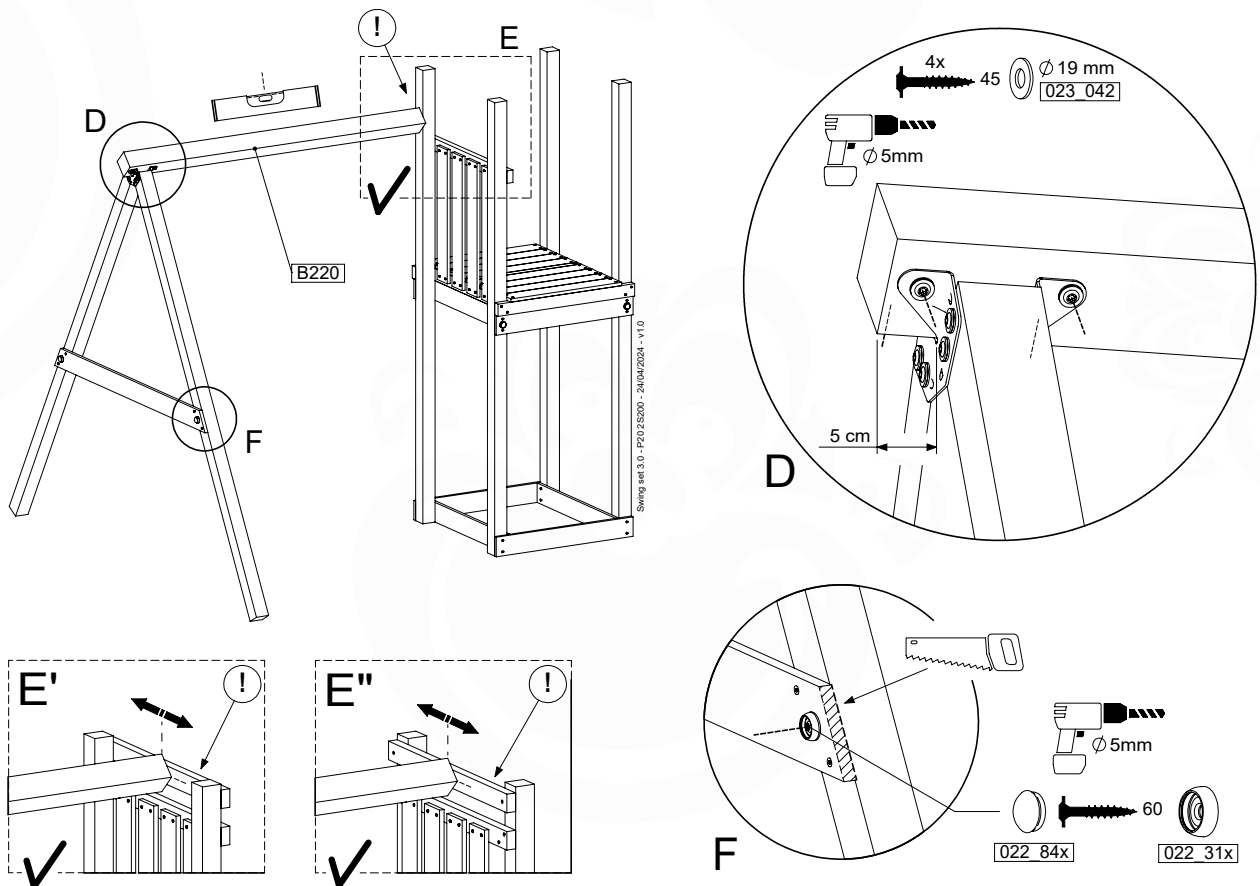
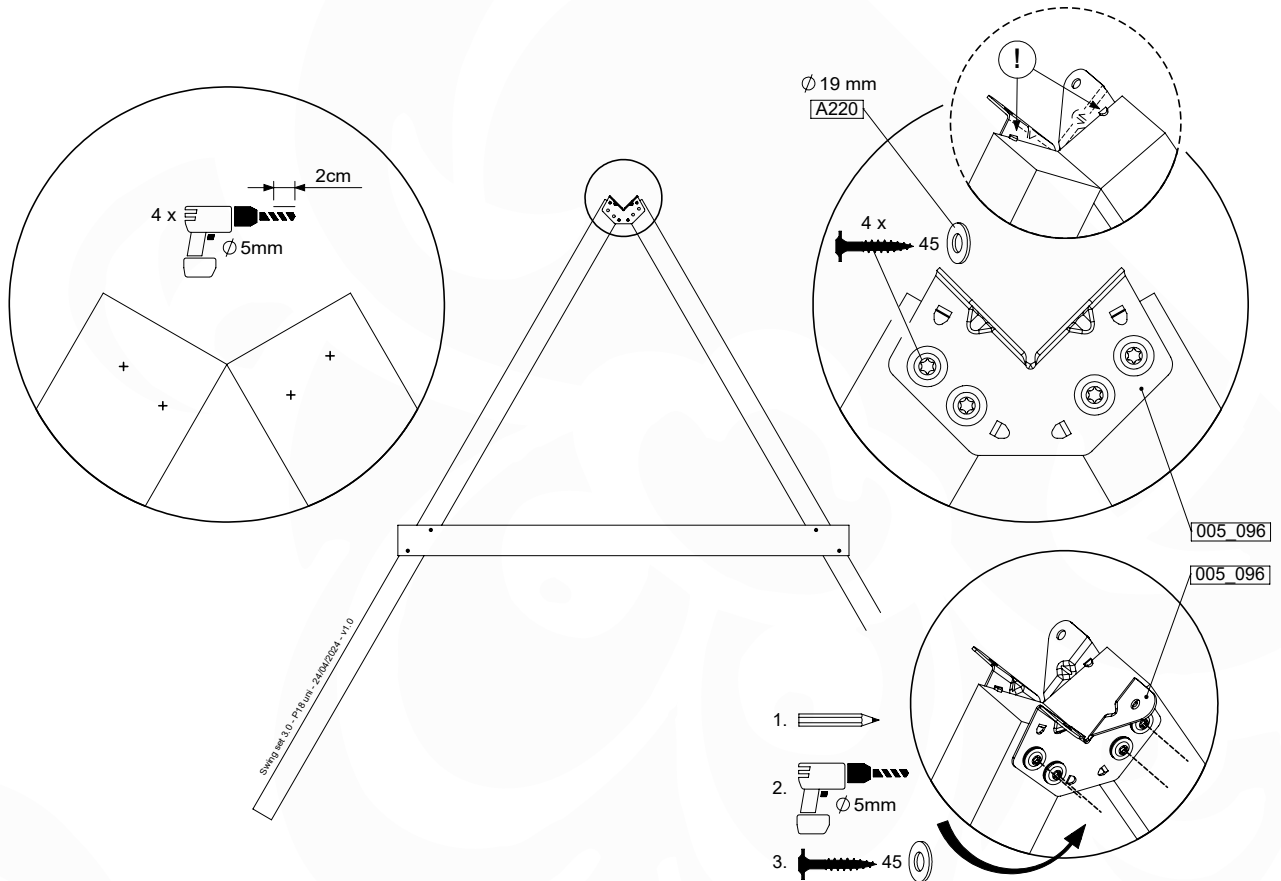
19.1



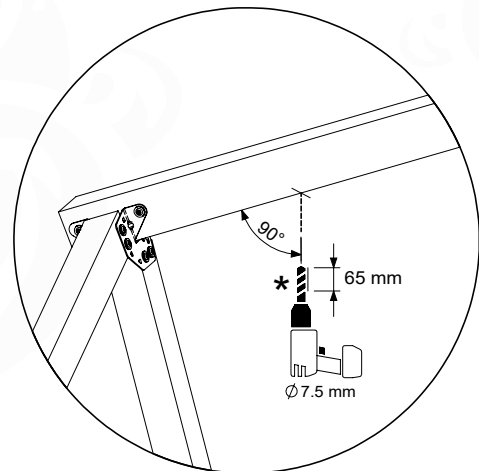
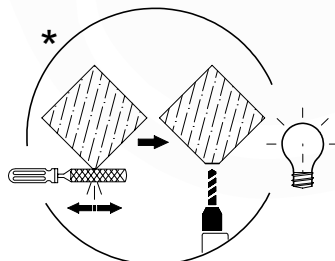
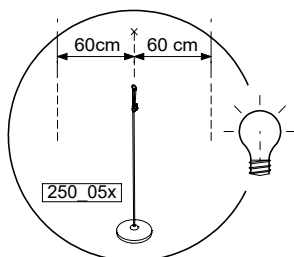
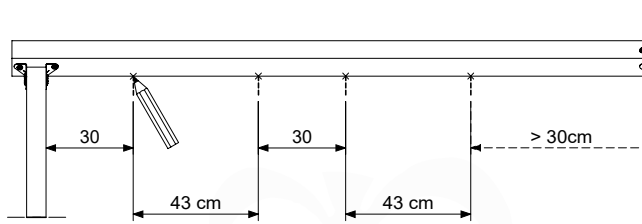
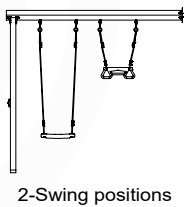
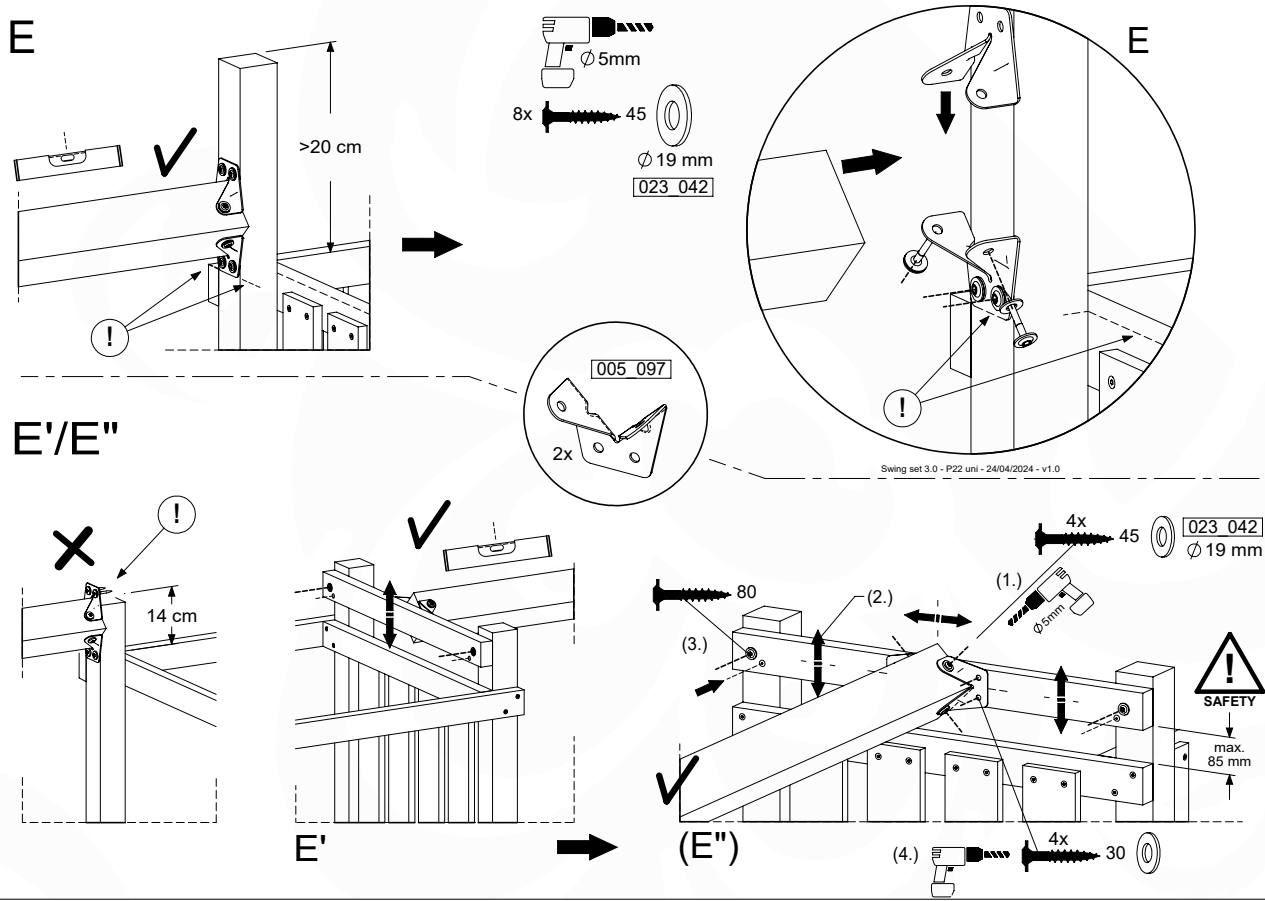
Swing set 3.0 - P12 25200 - 24/04/2024 - V1.0



19.3

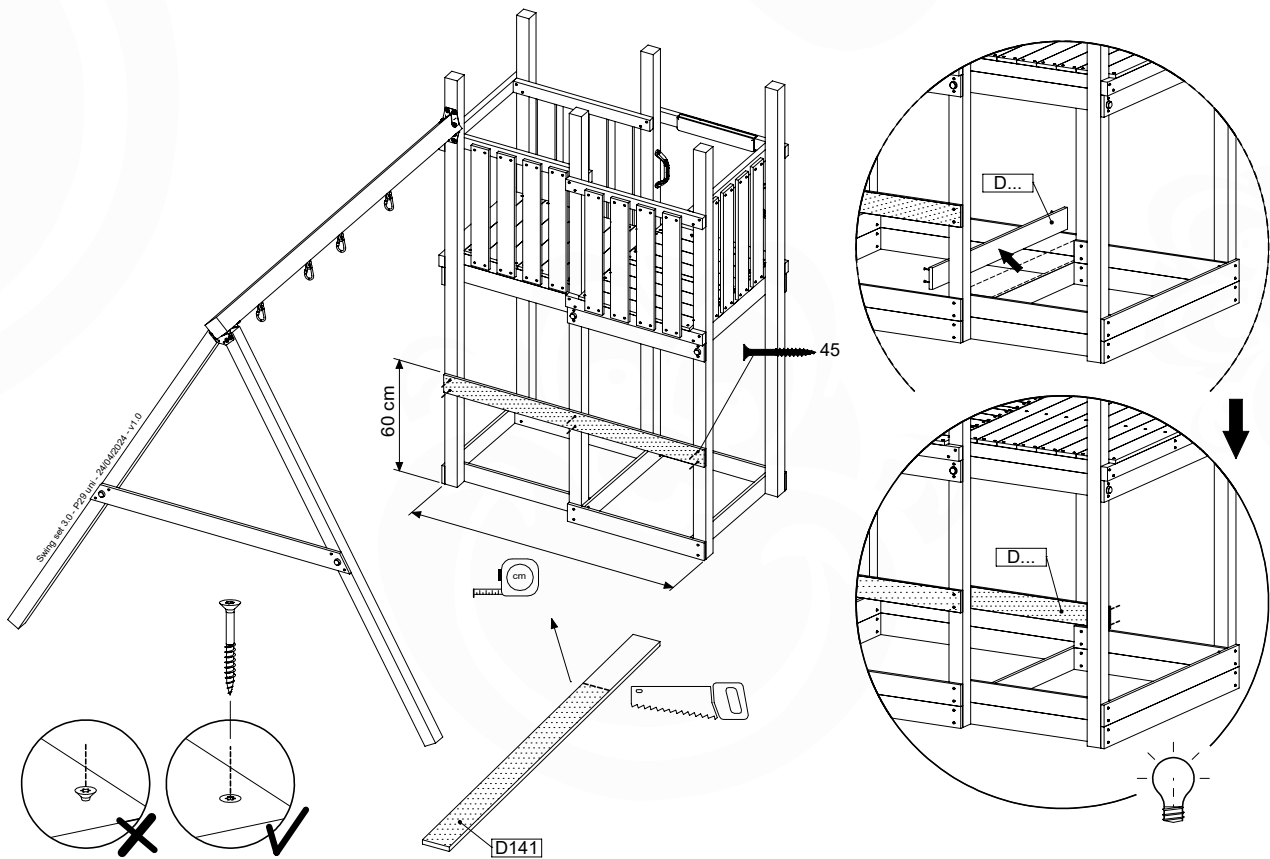
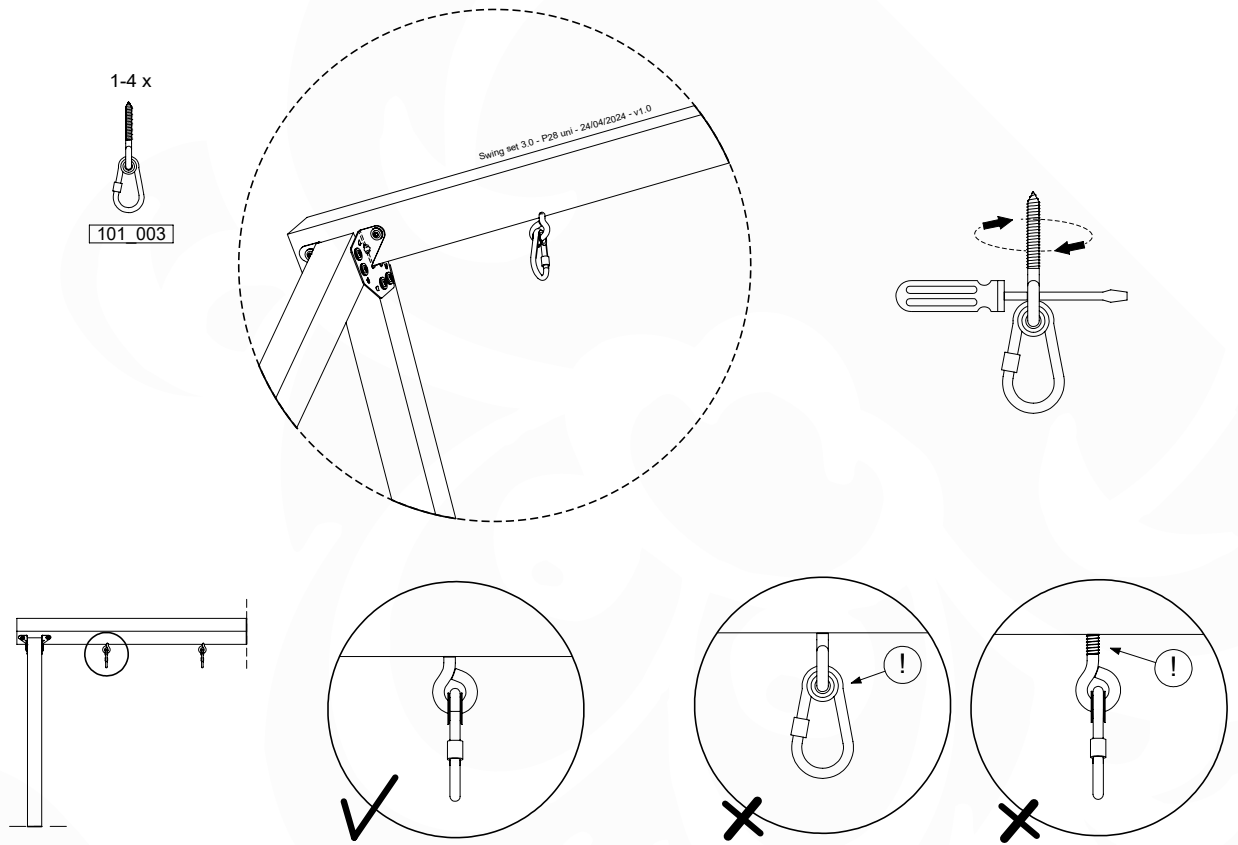


19.4

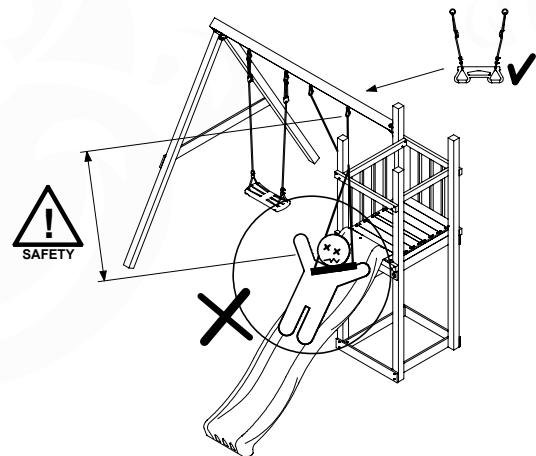
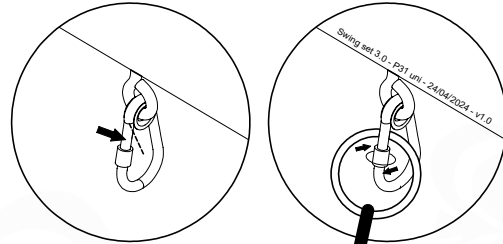
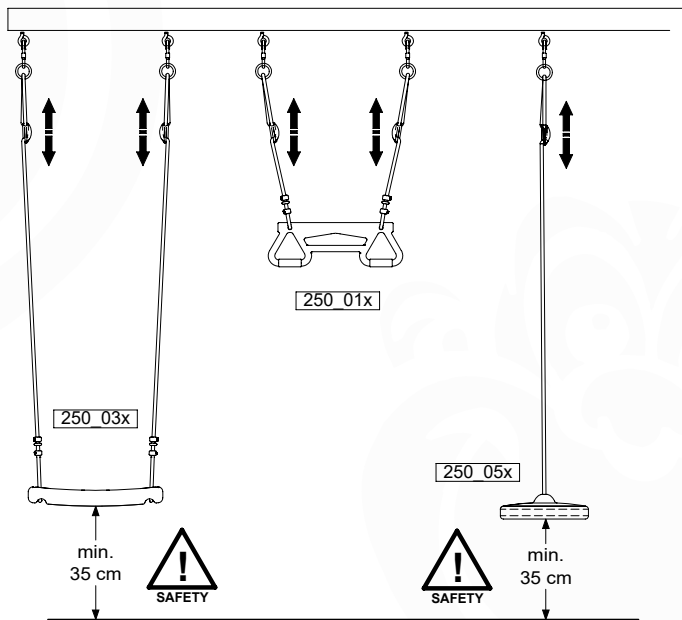
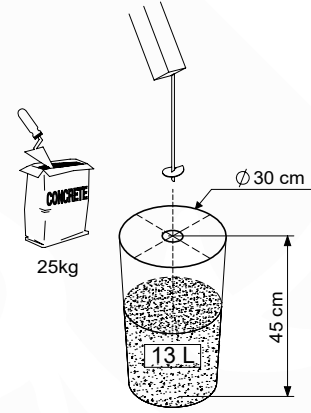
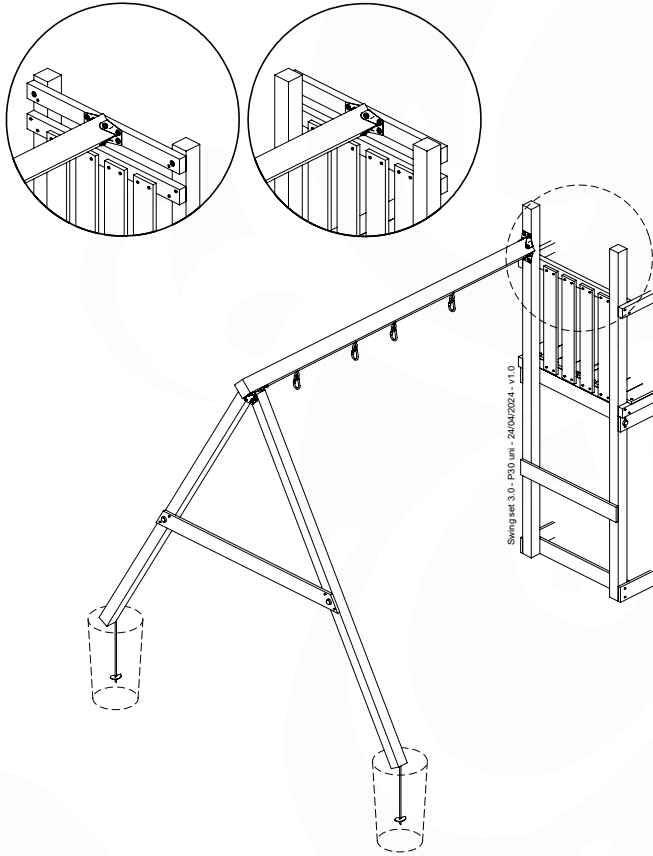


Swing set 3.0 - P26 25300 - 24/04/2024 - v1.0

19.5



19.6

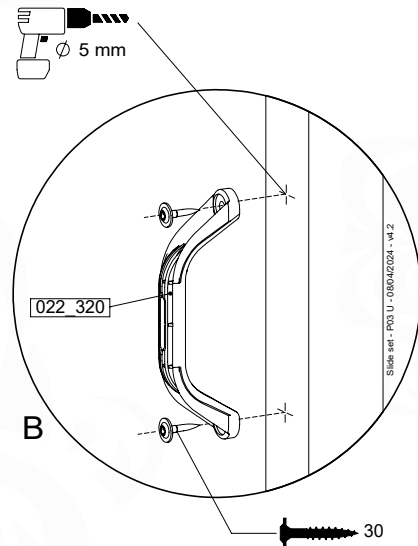
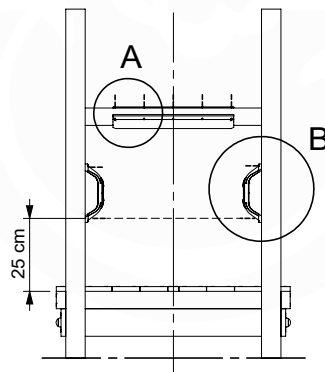
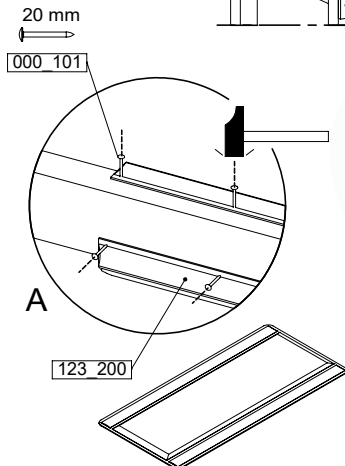
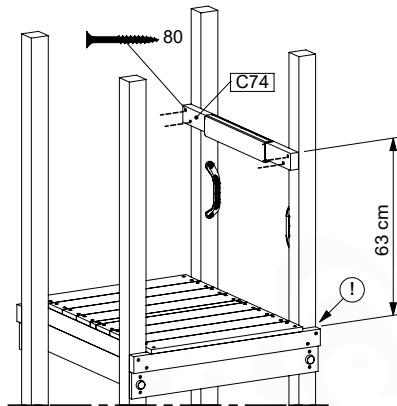
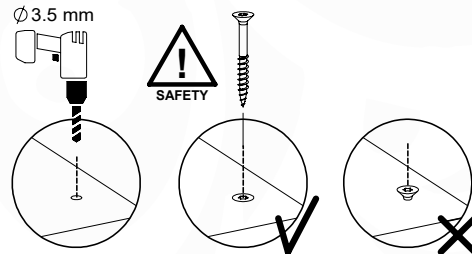
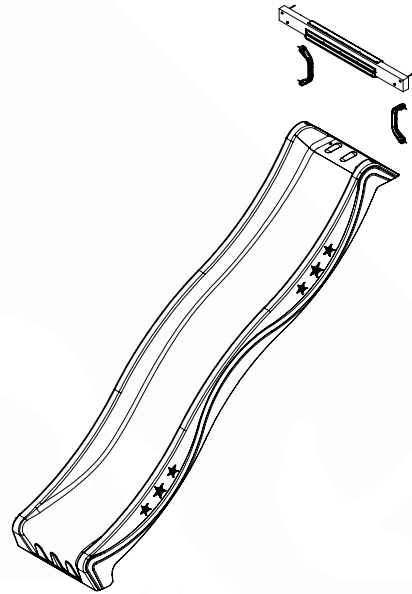


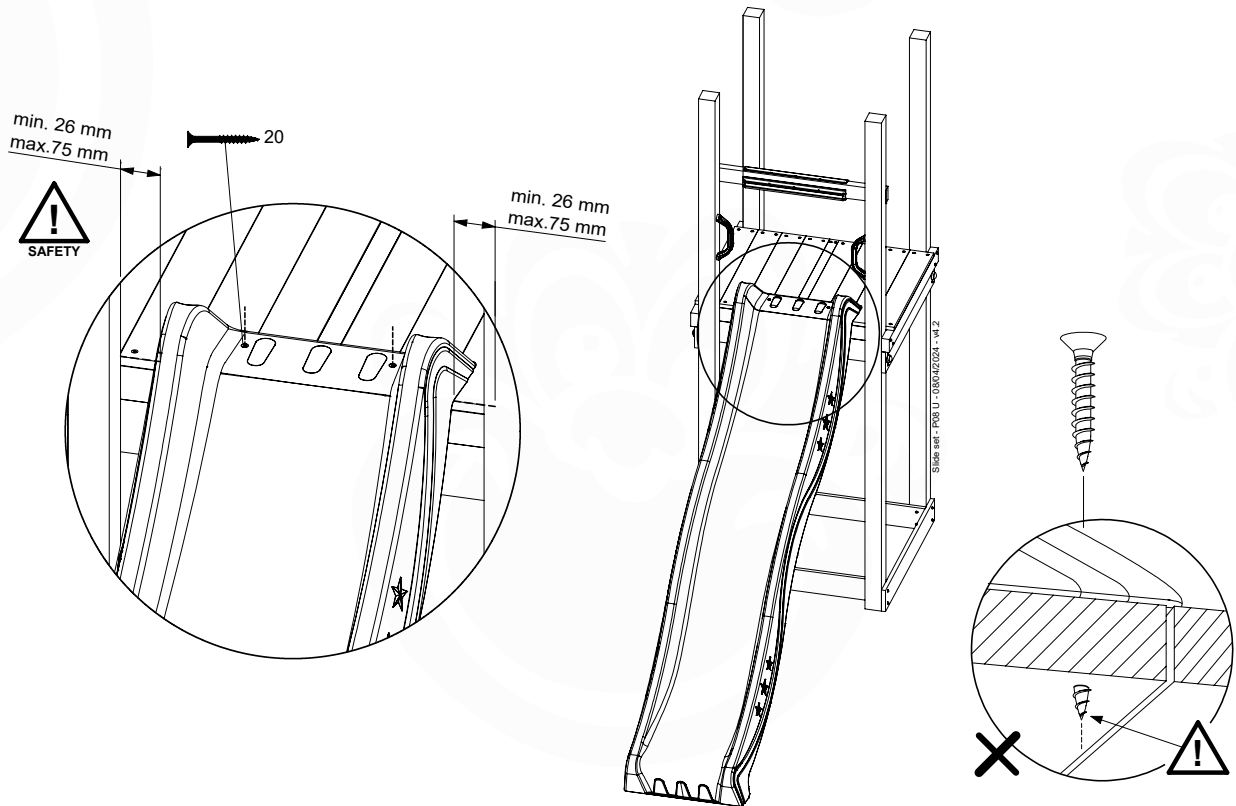
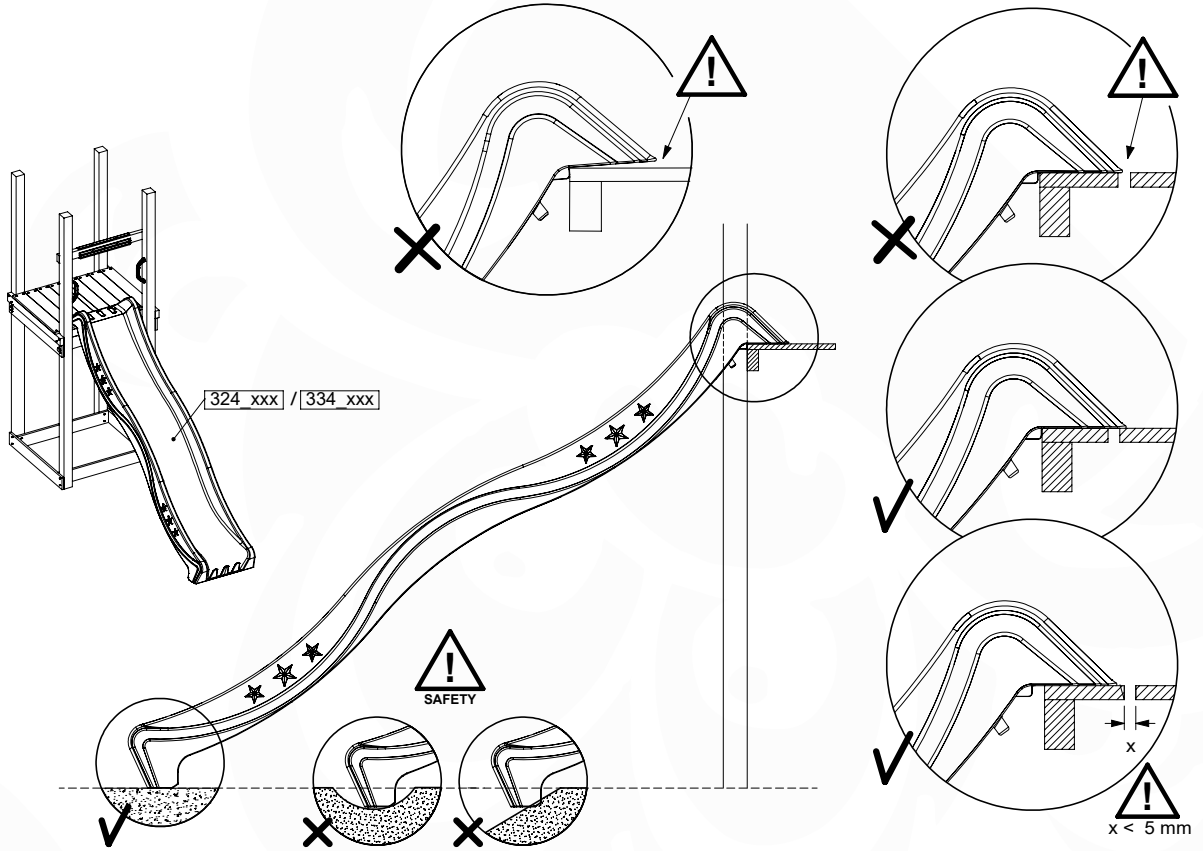
20 SL01a: Slide 80 125 U

Assembly Pack: 194_107

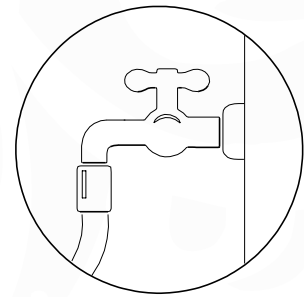
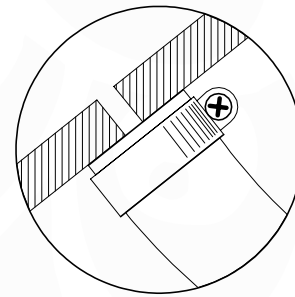
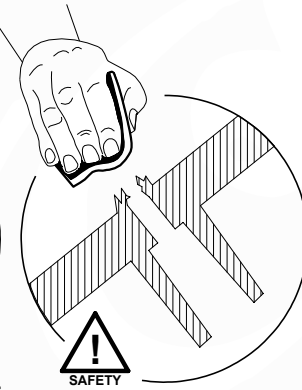
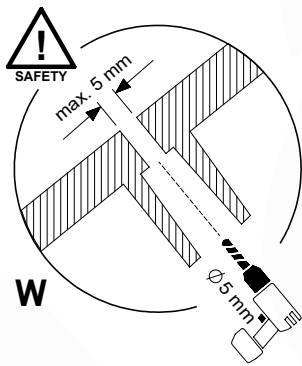
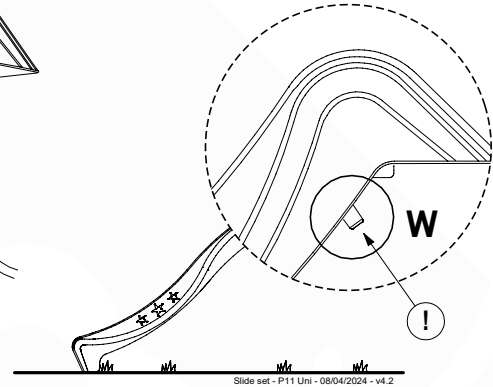
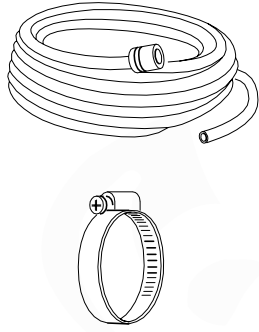
	PartNo	PartName	QTY.
Hardware Pack 100_605	000_101	Nail Pan Head	10
	002_223	Gap Point Screw T25 - 5x80	4
	002_308	Gap Point Screw T25 - 5x20	2
Other	120_102	Handgrip set (2x Complete)	1
	123_200	Bumperpad	1
	324_xxx 334_xxx	Wavy Star Slide XL 2200 mm / Wavy Star Slide XL 2650 mm	1
Timber	C74	Beam 740 mm	1

Slide set - P02 - 06/04/2024 - v4.2

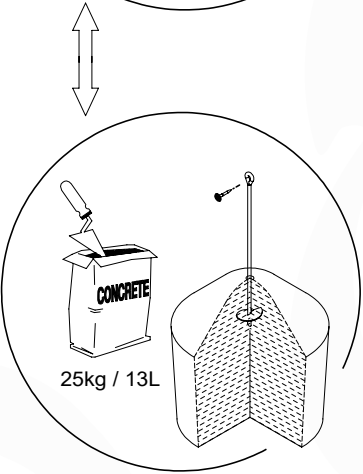
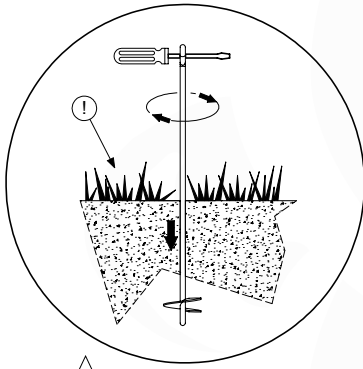




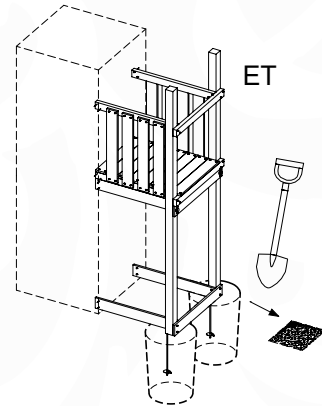
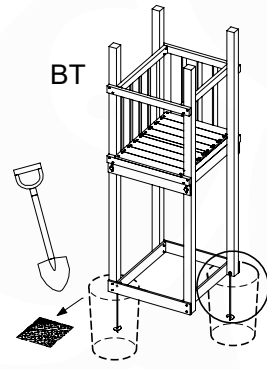
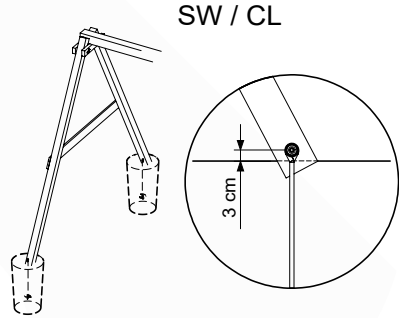
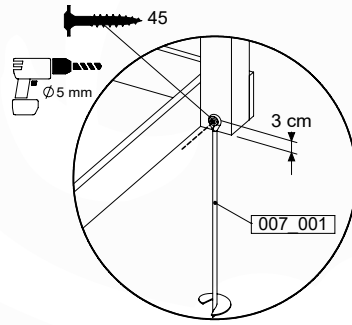
20.2



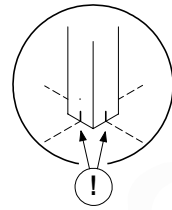
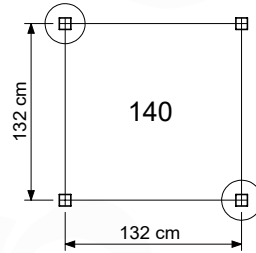
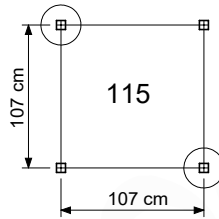
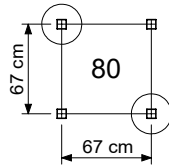
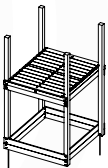
21 GA: Ground Anchors



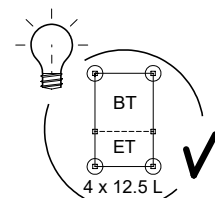
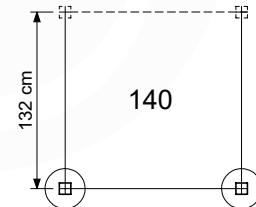
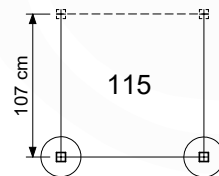
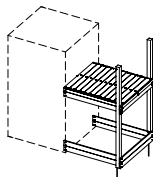
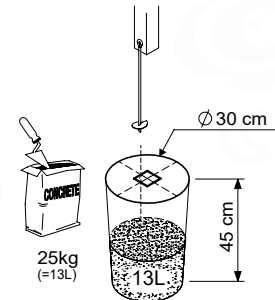
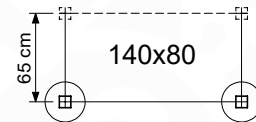
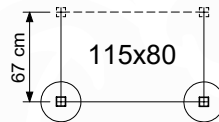
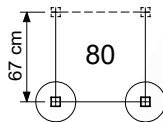
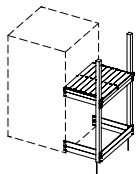
Ground Anchors Unit - P03 - 06/03/2024 - v1.3



BASE TOWERS



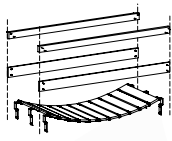
EXTENSION TOWERS



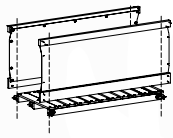
Ground Anchors Unit - P03 - 06/03/2024 - v1.3

21.1

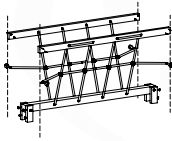
CLATTER BRIDGE



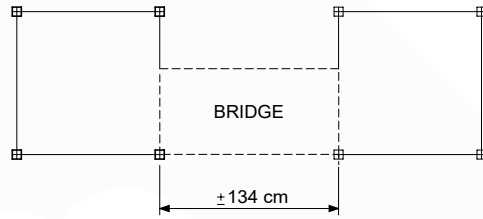
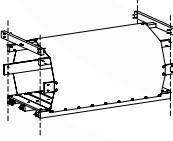
BOARDWALK BR.



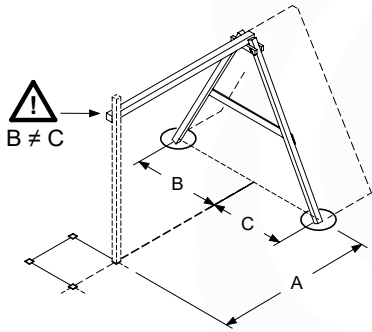
NET BRIDGE



TUNNEL BRIDGE

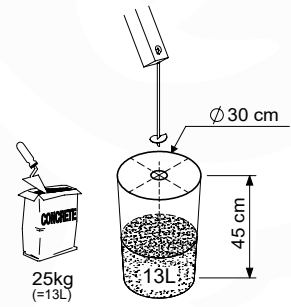


SWING / CLIMB MODULE

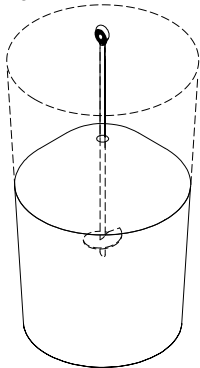


Module type	A	B	C
1-Swing 200	150	115	100
1-Swing 220 / 220 Extra		120	105
2-Swing 200	210	115	100
2-Climb 200			
1-Climb 200	142	120	105
1-Climb 220 / 220 Extra			
2-Swing 220 / 220 Extra	230	120	105
2-Climb 220 / 220 Extra			

Grand Anchors Uni. - P02 - 06/03/2024 - v1.3



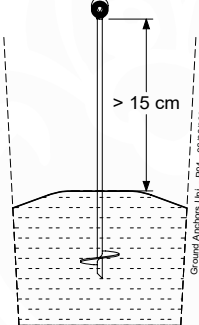
25kg / 13L



1.

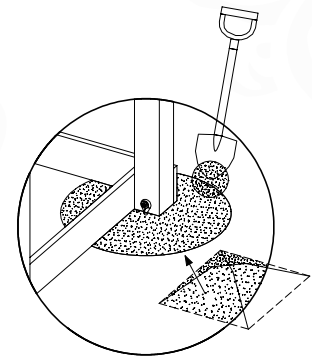


SAFETY



2.

24h



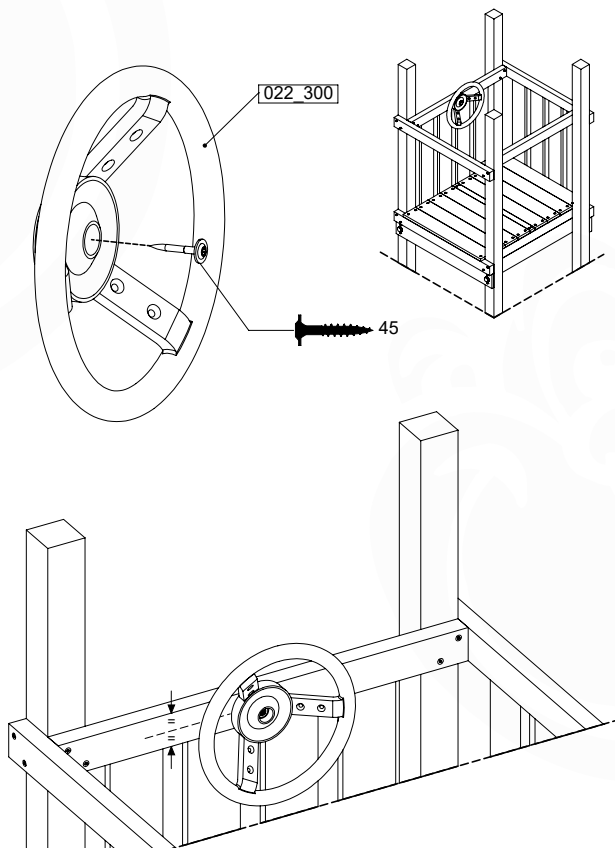
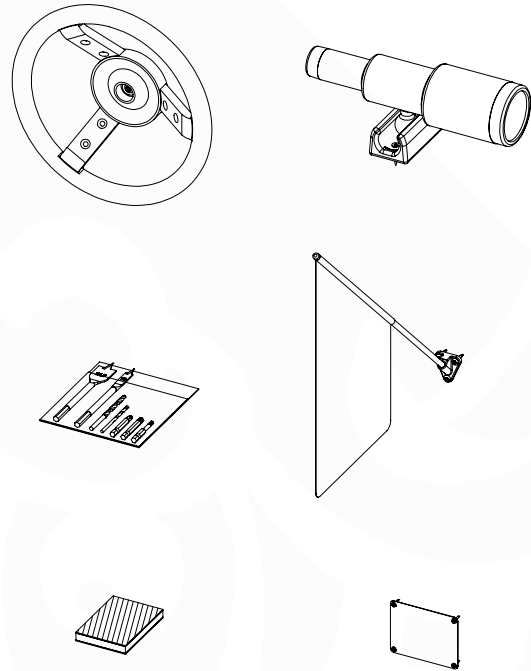
4.

22 AC01a: Accessories

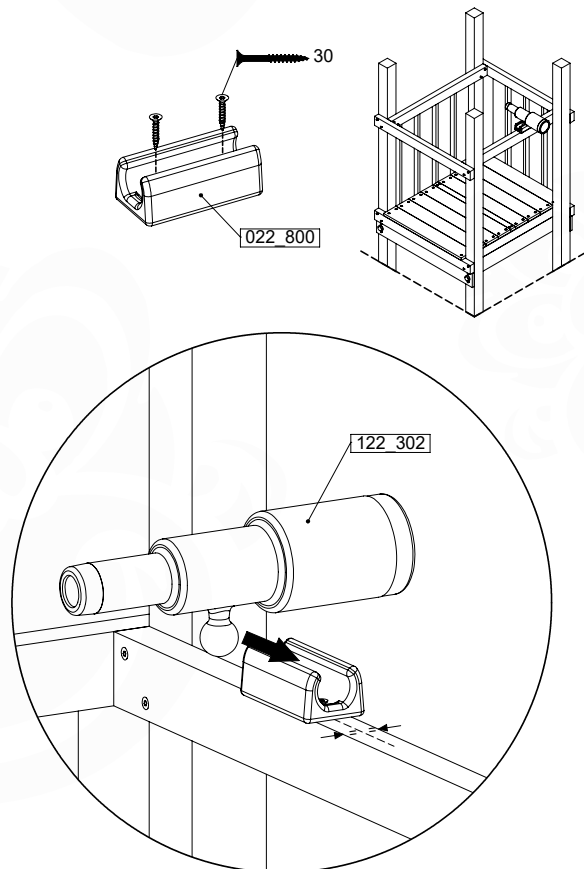
(194_119)

	PartNo	PartName	QTY.
Hardware Pack 100_617	001_406	Stealth Screw 8x45	1
	002_041	Dome head screw 4.5 x 20 mm	3
	002_042	Dome head screw 3.5 x 13mm	4
	002_219	Gap Point Screw T25 - 5x30	2
Other	022_300	Steering Wheel	1
	022_800	Rail P/T 105	1
	022_910	Sandpad	1
	103_901	Logo ID Plate	1
	104_107	Tool Set Climbing Units	1
	120_024	Tower Flag	1
	122_302	Telescope	1

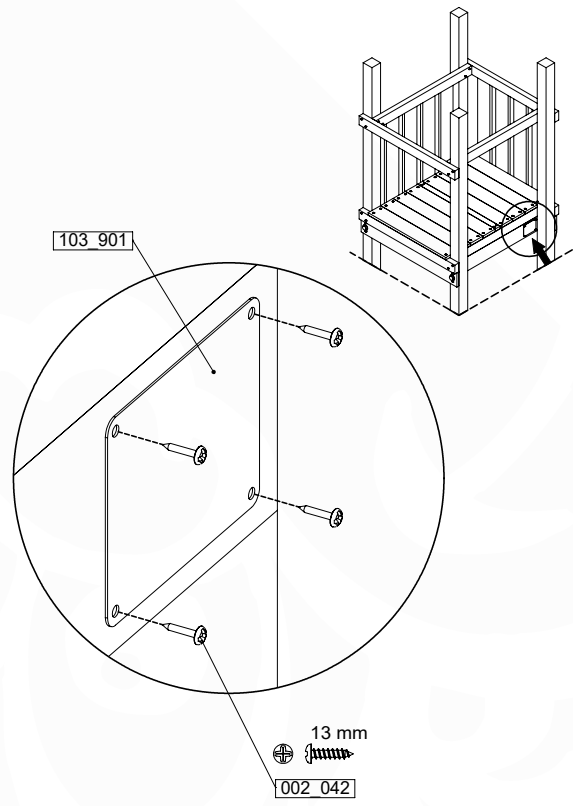
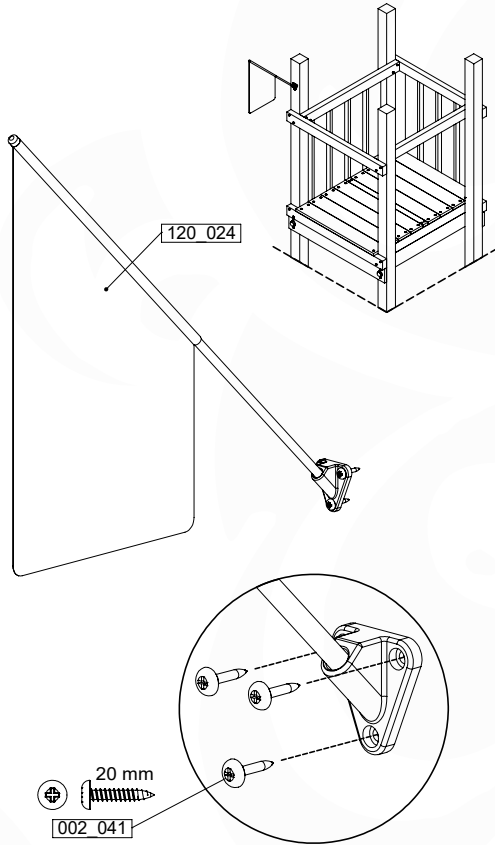
Accessory set - P102 - 24/01/2024 - v5



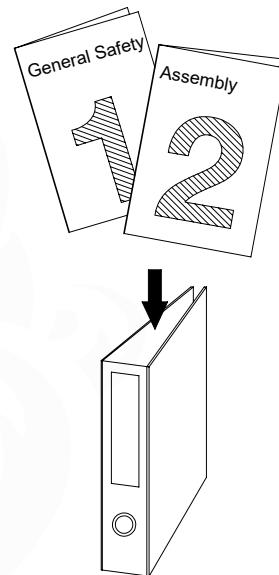
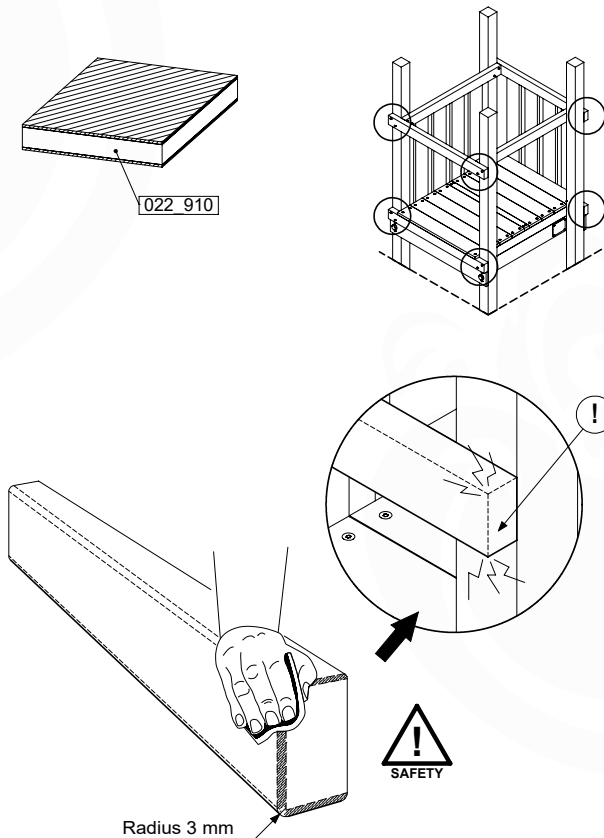
Accessory set - P103 - 24/01/2024 - v5



22.1



Accessory set - P04 - 24.01/2024 - v5



Accessory set - P05 - 24.01/2024 - v5

23 Declaration of conformity

Activity toys for domestic use Aktivitätsspielzeug für den häuslichen Gebrauch Jouets d'activité à usage familial

1. Wooden climbing frames

20240416_v3

1.1. Assemblies

Playtowers	801_005, 801_009, 801_010, 801_013, 801_025, 801_040, 801_060, 801_070, 801_090, 801_095, 801_100, 801_103, 801_105, 801_110, 801_120, 801_200, 802_202, 802_204, 802_206, 802_208, 803_202, 803_204, 803_206, 803_208, 803_210, 809_802, 809_804
Swings	801_300, 801_601, 801_602
Modules	850_176, 850_177, 850_231, 850_232, 857_101, 857_102, 857_105, 857_106, 857_151, 857_152, 857_157, 857_158, 850_240

1.2. Sub assemblies

Base towers (BT)	BT01a, BT02a, BT03a, BT11a, BT14a, BT15a, BT20a
Extension towers (ET)	ET01a, ET02a, ET05a, ET06a, ET07a, ET08a, ET09a, ET10a, ET11a, ET12a, ET13a, ET14a, ET15a, ET16a, ET17a, ET18a, ET19a, ET20a, ET22a, ET23a, ET27a, ET28a, ET35a, ET29a, ET39a, ET40a
Bridges (CB, NB, BB, TB)	CB01a, NB01a, BB01a, BB02a, TB01a, TB02a, TB03a, TB04a
Roofs (RF)	RF01a, RF21a, RF02a, RF03a, RF04a, RF05a, RF06a, RF20a, RF02b, RF03b, RF07a, RF08a, RF22a, RF09a, RF23a, RF11a, RF12a, RF07b, RF12b, RF08b, RF22b, RF09b, RF23b, RF11b, RF14a, RF24a, RF15a, RF25a, RF18a, RF18b, RF14b, RF24b, RF15b, RF25b
Balustrade (BL, BF)	BL01a, BL02a, BL21a, BF25a, BF26a, BF27a, BF28a, BF01a, BF02a, BF03a, BF04a, BF05a, BF06a, BF07a, BF08a, BF01b, BF02b, BF03b, BF04b, BF05b, BF06b, BF07b, BF08b, BF21a, BF22a, BF23a, BF24a, BF21b, BF22b, BF23b, BF24b
Playhouse (PH)	PH03a, PH04a, PH05a, PH06a, PH10a, PH11a, PH40a, PH41a, PH12a, PH13a, PH14a, PH15a, PH42a, PH43a, PH44a, PH45a, PH16a, PH17a, PH18a, PH19a, PH30a, PH31a, PH16b, PH17b, PH18b, PH19b, PH46a, PH47a, PH48a, PH49a, PH16c, PH17c, PH18c, PH19c, PH46b, PH47b, PH48b, PH49b, PH20a, PH21a, PH22a, PH23a, PH24a, PH25a, PH26a, PH27a, PH32a, PH33a, PH52a, PH53a, PH54a, PH55a, PH56a, PH57a, PH50a, PH51a, PH26b, PH27b, PH26c, PH27c, PH56b, PH57b
Ladder (LA)	LA05a, LA06a, LA01a, LA02a, LA03a, LA01b, LA02b, LA03b, LA11a, LA12a, LA13a, LA14a, LA15a, LA16a, LA17a, LA18a, LA31a, LA32a, LA33a, LA34a, LA35a, LA36a, LA37a, LA38a, LA21a, LA22a, LA23a, LA24a, LA25a, LA26a, LA43a, LA44a, LA45a, LA46a
Two Step Ladder (TS)	TS01a, TS01b, TS02a, TS02b, TS03b, TS22a, TS05a, TS06a, TS07a, TS08a, TS09a, TS10a, TS11a, TS12a, TS15a, TS16a, TS17a, TS18a, TS19a, TS20a, TS21a, TS22a
Rope Ladder (RL)	RL01a, RL02a, RL05a, RL06a, RL07a, RL08a, RL09a, RL10a, RL11a, RL12a, RL15a, RL16a, RL19a, RL20a
Rock wall (RW)	RW01a, RW02a, RW01b, RW02b, RW03b, RW31a, RW32a, RW33a, RW05a, RW06a, RW07a, RW08a, RW09a, RW10a, RW11a, RW12a, RW40a, RW41a, RW15a, RW16a, RW17a, RW18a, RW19a, RW20a, RW46a, RW47a
Ramp (RA)	RA03a, RA04a, RA05a, RA06a, RA07a, RA08a, RA11a, RA12a, RA21a
Net (NA, NS)	NA01a, NA02a, NS01a, NS02a, NS03a, NS21a, NA04a, NA05a, NS04a, NS05a, NS06a, NS07a, NA08a, NA09a, NS08a, NS09a
Boat (BO)	BO01a
Market (MT)	MT01a, MT02a, MT05a, MT06a, MT11a, MT12a
Picnic (PC)	PC01a, PC01b, PC05a, PC06a, PC09a, PC10a
Gymnastics bar (GY)	GY01a
Fireman's pole (FP)	FP01a, FP02a, FP04a, FP05a, FP06a, FP07a, FP23a, FP24a, FP25a, FP26a, FP27a, FP28a
Slides (SL)	SL01a, SL02a, SL03a, SL06a, SL07a, SL08a, SL09a, SL10a, SL11a, SL12a, SL13a, SL26a, SL27a, SL28a, SL29a
Swing (SM)	SW17a, SW21a, SW18a, SW22a, SW01a, SW05a, SW02a, SW06a, SW09a, SW13a, SW10a, SW14a
Climb (CL)	CL17a, CL21a, CL18a, CL22a, CL01a, CL05a, CL02a, CL06a, CL09a, CL13a, CL10a, CL14a
Universal Beam (UB)	UB01a, UB04a, UB02a, UB05a, UB03a, UB06a
Accessories (AC)	AC30a, AC31a, AC32a, AC33a, AC01a, AC05a, AC07a, AC03a, AC04a, AC06a, AC23a, AC22a, AC24a, AC21a, AC25a, AC02a, AC09a, AC08a, AC10a

2. Construction packages

2.1 Assembly Kits

Playtowers	401_015, 401_080, 401_125, 402_201, 402_202, 402_204, 402_206, 402_208, 403_202, 403_204, 403_206, 403_208, 403_210, 409_802, 409_804
Swings	401_300, 401_600
Modules	457_005, 457_102, 457_103, 457_106, 457_107, 457_205

2.2 Assembly Packs

Sub assemblies	194_002, 194_003, 194_004, 194_006, 194_007, 194_008, 194_009, 194_010, 194_100, 194_101, 194_102, 194_103, 194_104, 194_105, 194_107, 194_108, 194_109, 194_110, 194_111, 194_112, 194_113, 194_114, 194_115, 194_116, 194_117, 194_118, 194_119, 194_300, 194_308, 194_312, 194_500, 194_501, 194_508, 194_510, 194_802, 194_804, 194_809, 194_810, 194_811, 194_812
----------------	--

3. Accessories and components

Slides XL	324_100, 324_200, 324_300, 324_400, 324_500, 324_600
Slides XXL	334_100, 334_200, 334_300, 334_400, 334_500, 334_600
Fireman's pole	201_275
Climbing	201_060, 201_273
Imagination	201_280, 201_285, 201_290, 201_295, 202_473, 450_310, 450_320, 450_330
Swinging	250_001, 250_013, 250_025, 250_034, 250_053
Functional	123_220, 123_222, 123_230, 201_115, 201_220, 201_250, 201_260, 201_270, 202_620, 202_621, 202_622, 202_623, 202_624, 202_625, 202_626, 202_627, 202_628, 202_629, 202_824, 250_065, 250_070, 250_075

Applicable EU directives and standards

General

- General Product Safety Directive (GPSD) 2001\48\EG
- Reach directive 1907\2006
- AfPS GS 2019:01 PAK

Activity Toys

- Toy Safety Directive (TSD) 2009\48\EG
- EN Standard 71 Safety of Toys
 - EN 71-1:2014 + A1:2018 Safety of toys Mechanical and physical properties
 - EN 71-2:2020 Flammability
 - EN 71-3:2019 + A1:2021 Migration of certain elements
 - EN 71-8:2018 Safety of toys Activity toys for domestic use

Supplementary information

Conformity to the above specified directives and standards has been frequently verified by TÜV Rheinland LGA products, DEKRA, LNE SA, since 1994. Jungle Gym participates in the European Commission for standardisation for the safety of activity toys (TC52/WG10).



EN 71-1,-2, -3, -8 & -9

Manufacturer details

Company Name: Jungle Gym B.V.
Address: Valscherkade 18, 1059 CD Amsterdam, Netherlands
Email: info@junglegym.com

Declaration

I hereby declare under our sole responsibility that the products mentioned above, to which this declaration relates, comply with the above mentioned directives and standards when the installation, assembly, and maintenance instructions are strictly followed.

Name
Mr. P. Schmit / Director

Issued date
Thursday 2nd May, 2024

A handwritten signature in blue ink, appearing to read 'P. Schmit', is written over a horizontal line.

Signature of representative

Jungle Gym B.V. | P.O. Box 75083 | 1070 AB Amsterdam | Netherlands | Phone: +31 85 444 41 00 | e-mail: info@junglegym.com | www.junglegym.com