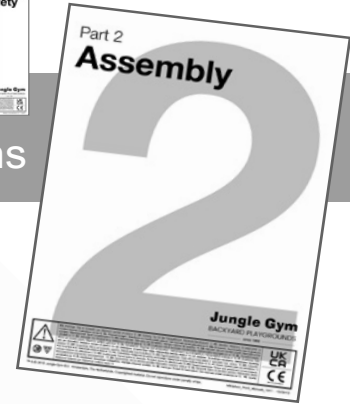


# Part 2

# Assembly

Instructions







Config ID: K0pIDz  
 Publish Date: 2024-05-02  
 Product Name: Cavern 2-Swing



# Jungle Gym


BACKYARD PLAYGROUNDS

since 1988


<p><b>Assembly time</b> 10.5 hours by 2 adults</p> 	<p><b>EN.</b> Warnings. Only for domestic use. Maximum number of users is 4. <b>DE.</b> Achtung. Nur für den Hausgebrauch. Maximale Benutzerzahl: 4. <b>FR.</b> Attention. Réserve à un usage familial. Le nombre maximal d'utilisateurs est de 4. <b>NL.</b> Waarschuwingen. Uitsluitend voor huishoudelijk gebruik. Het maximale aantal gebruikers is 4. <b>BG.</b> Внимание. За употреба само в домашни условия. Максималният брой потребители е 4. <b>CS.</b> Varování. Jen pro domácí použití. Maximální počet uživatelů je 4. <b>DA.</b> Advarsler. Kun til privat brug. Maksimum antal brugere er 4. <b>EL.</b> Προειδοποιήσεις. Μόνο για οικιακή χρήση. Μέγιστος αριθμός χρηστών 4. <b>ES.</b> Advertencias. Sólo para uso doméstico. Número máximo de usuarios: 4. <b>ET.</b> Hoiatused. Ainult koduseks kasutamiseks. Maksimaalne kasutajate arv on 4. <b>FI.</b> Varoitukset. Ainoastaan kotikäyttöön. Käyttäjää yhteensä enintään 4. <b>HR.</b> Upozorenja. Samo za kućansku uporabu. Maksimalan broj korisnika je 4. <b>HU.</b> Figyelmeztetések. Csak otthoni használatra! A használók max. száma: 4. <b>IS.</b> Varnaðarorð. Eingöngu fyrir einkanotkun í heimahúsum og á einkalóðum. Hámarksfjöldi notenda er 4. <b>IT.</b> Avvertenze. Solo per uso domestico. Massimo numero di utenti è 4. <b>LT.</b> Įspėjimai. Tik buitiniam naudojimui. Maksimalus naudotojų skaičius 4. <b>LV.</b> Brīdinājumi. Izmantot tikai mājās. Maksimālais lietotāju skaits ir 4. <b>NO.</b> Advarsler. Kun for privat bruk. Maksimalt antall brukere er 4. <b>PL.</b> Ostrzeżenia. Wyłącznie do użytku domowego. Maksymalna liczba użytkowników to 4. <b>PT.</b> Avisos. Apenas para uso doméstico. O número máximo de utilizadores é 4. <b>RO.</b> Avertismente. Numai pentru uz domestic. Numărul maxim de utilizatori este 4. <b>RU.</b> Предостережения. Только для домашнего использования. Максимальное количество пользователей - 4. <b>SK.</b> Upozornenia. Iba na domáce použitie. Maximálne množstvo osôb je 4. <b>SL.</b> Opozorila. Samo za domačo uporabo. Maksimalno število uporabnikov je 4. <b>SR.</b> Upozorenja. Samo za kućnu upotrebu. Maksimalan broj korisnika je 4. <b>SV.</b> Varningar. Endast för hemmabruk. Det maximala antalet användare är 4. <b>TR.</b> Uyarılar. Sadece ev kullanımı için. Maksimum kullanıcı sayısı</p>	  
--	--	---

# 1 Helpdesk JungleGym

## 1.1 FAQ




**English**



<https://helpdesk.jungle gym.com/help/en-gb>

**Deutsch**




<https://helpdesk.jungle gym.com/help/de-de>

**Français**






<https://helpdesk.jungle gym.com/help/fr-fr>


**Nederlands**





<https://helpdesk.jungle gym.com/help/nl-nl>

## 1.2 Support



  
[info@jungle gym.com](mailto:info@jungle gym.com)

  
<https://www.jungle gym.com/customersupport-chat>

 AT 0043 72 08 153 33\*      FR 0033 97 75 58 222\*  
BE 0032 78 48 16 19\*      IE 0035 38 1800 0300\*  
CH 0041 43 50 87 350\*      LU 0035 22 08 80 512\*  
DE 0049 32 22 10 98 299\*      NL 0031 85 44 44 102\*  
ES 0034 657 76 64 25\*      UK 0044 20 369 505 53\*

EU 0031 85 44 44 100

Monday-Friday, CET 9:00am - 5:00pm  
\* Local phone charges may apply.

## 2 Start

### 2.1 Safety

Part 1  
**General Safety**

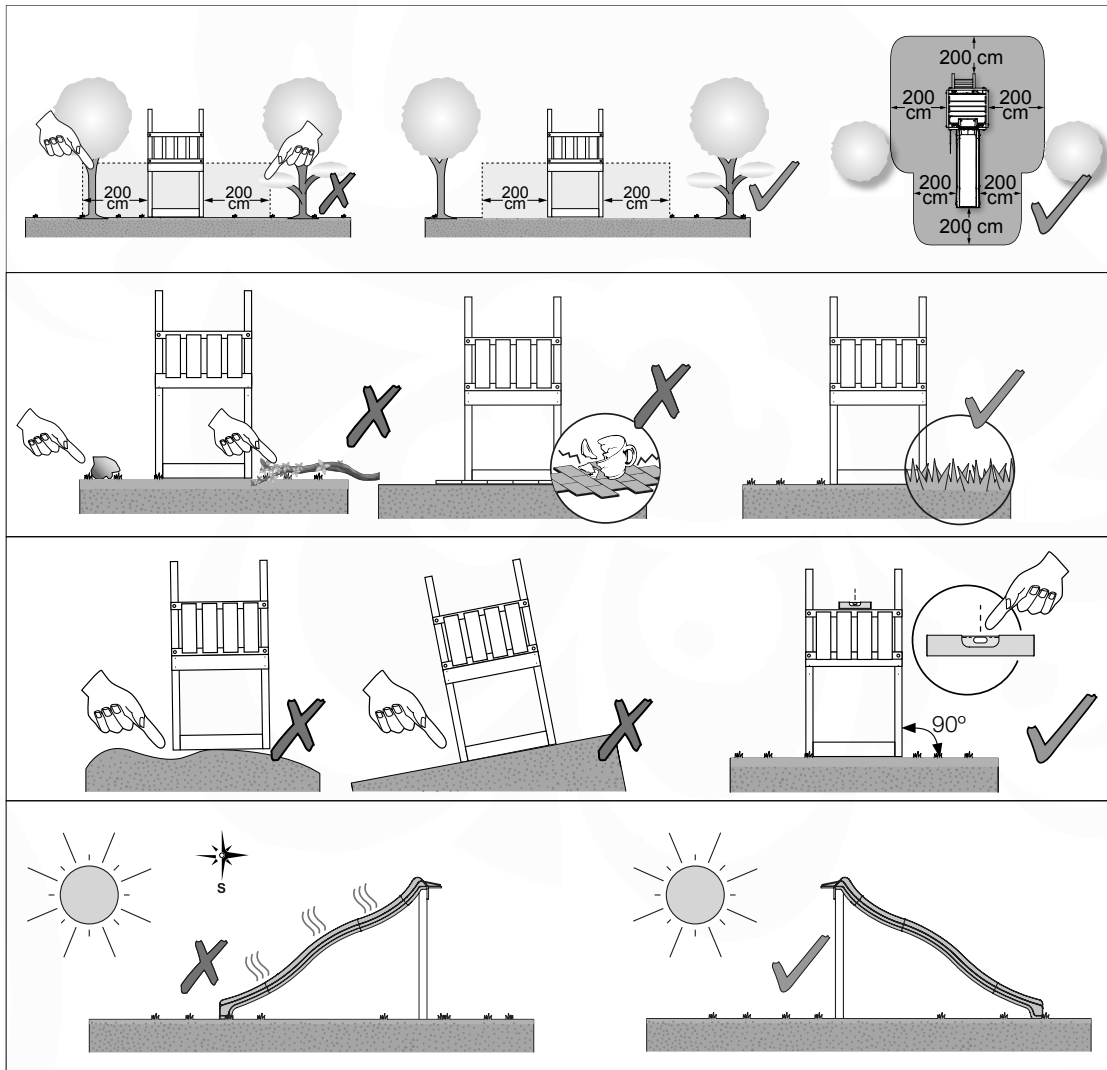
Jungle Gym

<https://helpdesk.jungle gym.com/api/v1/attachments/11436>

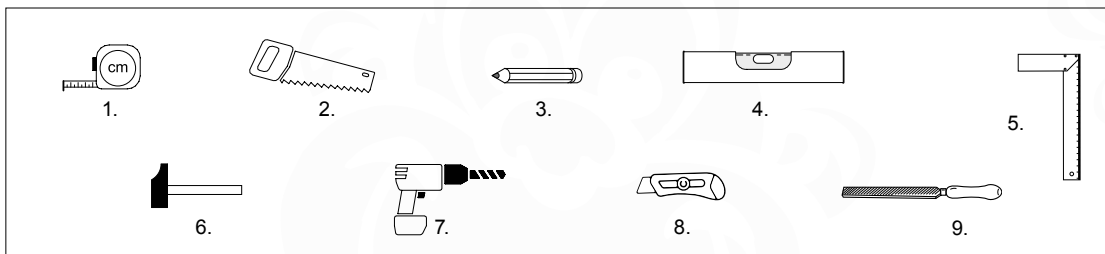
Icons illustrating safety requirements:  
- Kneeling: A person kneeling with a large 'X' over the action.  
- No mobile phone use: A person holding a phone with a large 'X' over the phone.  
- Safety glasses: A person wearing safety glasses.  
- Gloves: A pair of work gloves.  
- Ear protection: A person wearing ear protection with a checkmark.

Diagrams illustrating correct assembly practices:  
- Left diagram: Two workers are shown assembling a structure. One worker is kneeling, and the other is standing. A large 'X' is placed over the kneeling worker, indicating that kneeling is not allowed.  
- Right diagram: Two workers are shown assembling a structure. One worker is standing, and the other is standing. A checkmark is placed over the standing worker, indicating that standing is the correct practice.

## 2.2 Planning

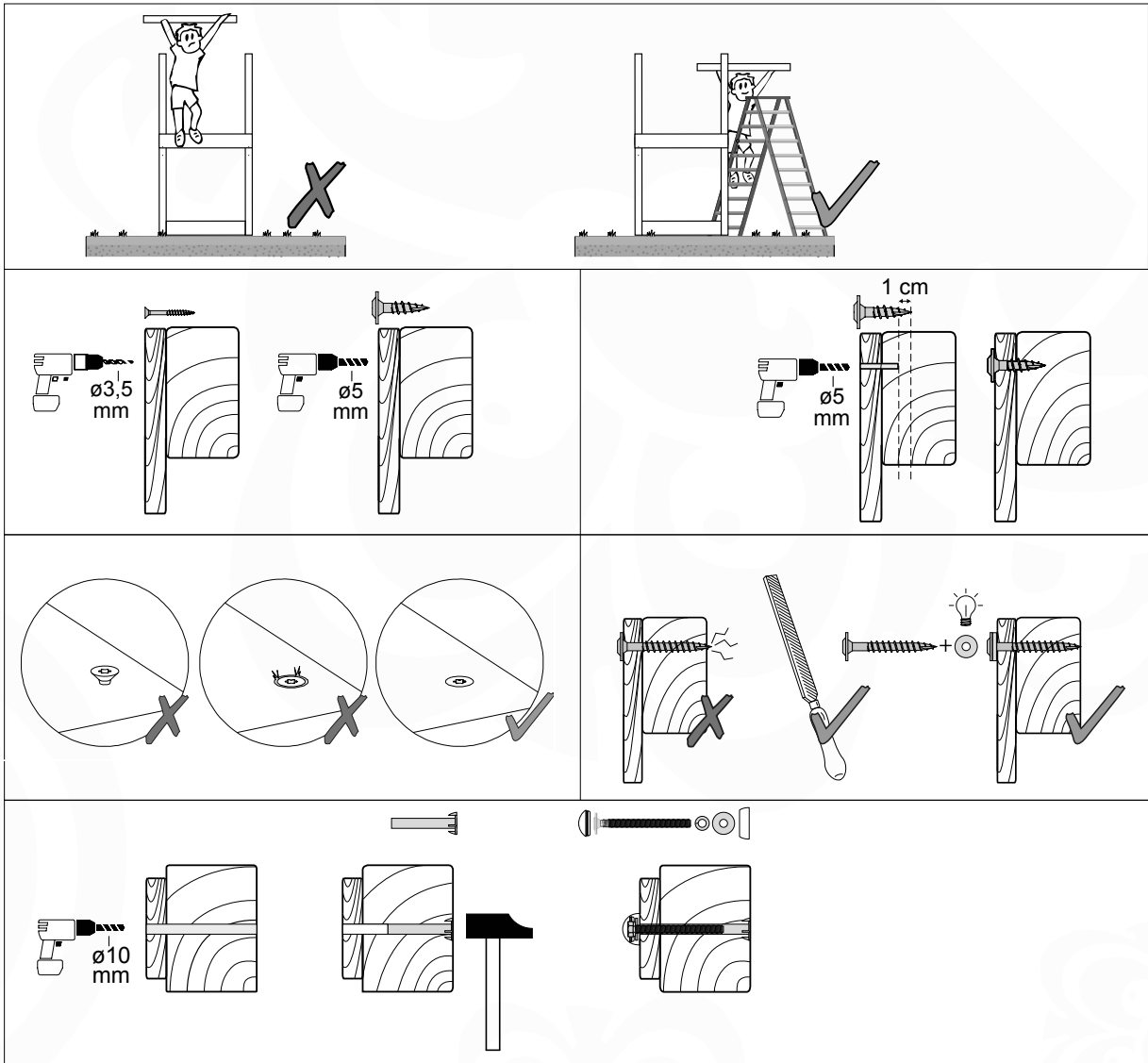


## 2.3 Tools

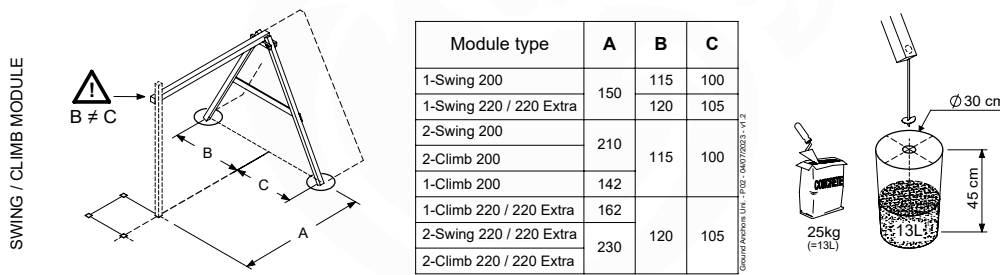
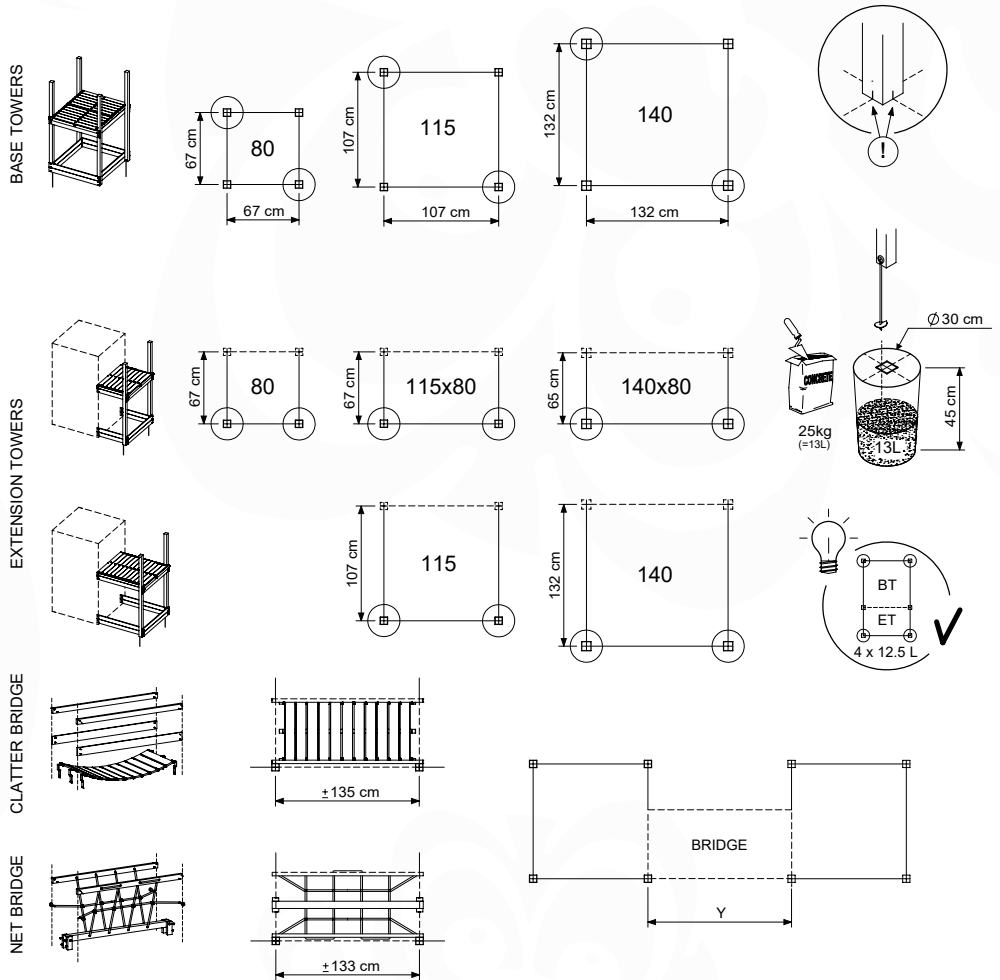
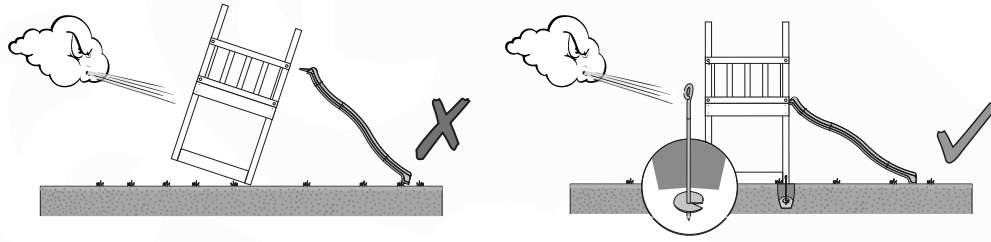




## 2.4 Assembly



# 3 Universal anchoring plan



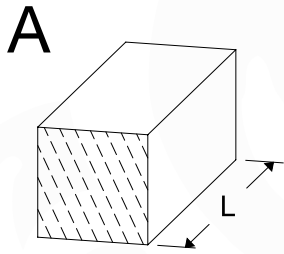
## 4 Overview

### 4.1 Order specification

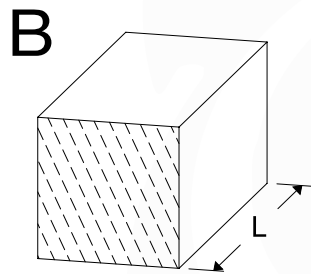


#	Description	Supplier ID	Assembly ID
1	Base Tower 115_240240_125	792_002	BT11a
1	Extension Tower 11580_200_125	792_101	ET05a
1	Roof Timber Ridge 115	792_205	RF11a
1	Balustrade 115_ U	792_301	BL03a
1	Balustrade 115_ T	792_301	BL04a
1	Playhouse 115 U L-Low Window	792_315	PH46a
1	Rock wall 115_145 T Playhouse	792_407	RW41a
1	Ladder 80_125 U	790_431	LA01a
1	Net Access 115 T	792_451	NA05a
1	Slide Frame 80_125 U	790_901	SL01a
1	2- Swing Module 220	757_154	SW13a
1	Accessories Set	194_119	AC01a
1	Accessories Swing Seat	250_034	AC21a
1	Accessories Baby Seat	250_025	AC24a
1	Wavy Star Slide XL	324_x00a	324_x00a

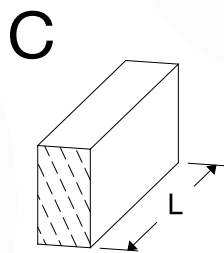
## 4.2 Timber parts



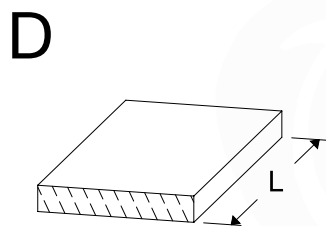
ID	L	#
A200	199 cm - 200 cm	2
A240	239 cm - 240 cm	6



B240	239 cm - 240 cm	1
------	-----------------	---



C37	36 cm - 37 cm	2
C70	69 cm - 70 cm	2
C74	73 cm - 74 cm	9
C84	83 cm - 84 cm	1
C96	85 cm - 96 cm	2
C114	113 cm - 114 cm	10
C130	129 cm - 130 cm	3
C154	153 cm - 154 cm	2

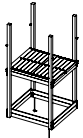






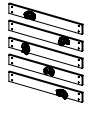
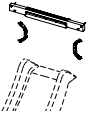


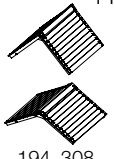
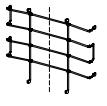
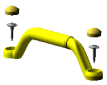


D21	20 cm - 21 cm	4
D47	46 cm - 47 cm	4
D65	64 cm - 65 cm	12
D74	73 cm - 74 cm	6
D100	99 cm - 100 cm	23
D114	113 cm - 114 cm	37
D127	126 cm - 127 cm	25
D141	140 cm - 141 cm	2



### 5.3 Assembly packs



<p>Tower 115</p>  <p><b>BT</b> <b>ET</b></p> <p>194_300</p> <p><b>2X</b></p> <p>LOT: <input type="text"/></p>	<p>Ladder 80 125</p>  <p><b>LA</b></p> <p>194_103</p> <p><b>1X</b></p> <p>LOT: <input type="text"/></p>	<p>Window Hardware / Roof 140</p>  <p><b>RF</b> <b>PH</b></p> <p>194_508</p> <p><b>1X</b></p> <p>LOT: <input type="text"/></p>	<p>Baby Swing</p>  <p><b>AC</b></p> <p>250_025</p> <p><b>1X</b></p> <p>LOT: <input type="text"/></p>	<p>Balustrade 140</p>  <p><b>BL</b></p> <p>194_501</p> <p><b>2X</b></p> <p>LOT: <input type="text"/></p>
<p>Accessory Set</p>  <p><b>AC</b></p> <p>194_119</p> <p><b>1X</b></p> <p>LOT: <input type="text"/></p>	<p>Slide XL 2.2m</p>  <p><b>1X</b></p> <p>324_x00</p> <p>LOT: <input type="text"/></p>	<p>Rock Wall</p>  <p><b>RW</b></p> <p>194_006</p> <p><b>2X</b></p> <p>LOT: <input type="text"/></p>	<p>Slide Frame</p>  <p><b>SL</b></p> <p>194_107</p> <p><b>1X</b></p> <p>LOT: <input type="text"/></p>	<p>Swing Frame Kit</p>  <p><b>SW</b></p> <p>457_102</p> <p><b>1X</b></p> <p>LOT: <input type="text"/></p>
<p>Swing Seat</p>  <p><b>AC</b></p> <p>250_034</p> <p><b>1X</b></p> <p>LOT: <input type="text"/></p>	<p>Roof Timber 115</p>  <p><b>RF</b></p> <p>194_308</p> <p><b>1X</b></p> <p>LOT: <input type="text"/></p>	<p>Net Pack</p>  <p><b>NB</b> <b>NA</b></p> <p>194_009</p> <p><b>1X</b></p> <p>LOT: <input type="text"/></p>	<p>Handles set - Y</p>  <p><b>AC</b></p> <p>201_250</p> <p><b>2X</b></p> <p>LOT: <input type="text"/></p>	

## 5.4 Your config ID: **K0pIDz**

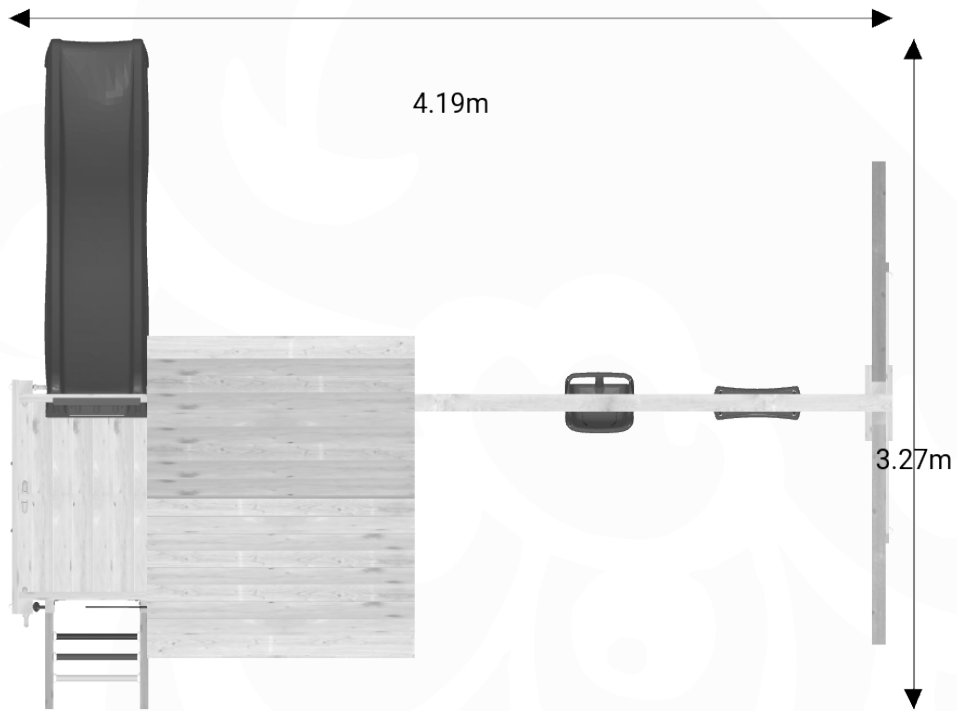


## 6 Hardware Identification

Image	SKU	L	Image	SKU	L
	001_404 001_406 001_411 001_417 001_422	30 mm 45 mm 60 mm 80 mm 137 mm		002_308 002_219 002_220 002_223	20 mm 30 mm 45 mm 80 mm
	001_102	30 mm		003_010	
	000_101	20 mm		003_034	
	002_036	16 mm		004_050	22mm
	002_041	20 mm		022_845 022_846 022_847 022_848	Yellow Blue Green Red
	002_042	13 mm		023_031	White
	002_301	40 mm		120_005	White
				022_844	
				022_314	

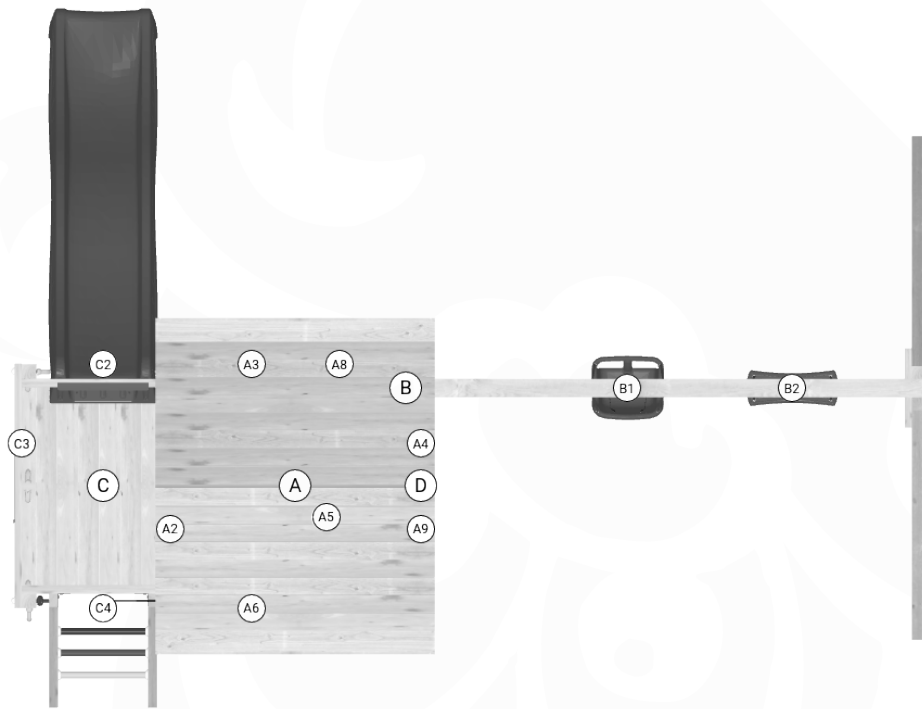
output: 25/05/23

## 7 Dimensions





## 8 Assembly Planning



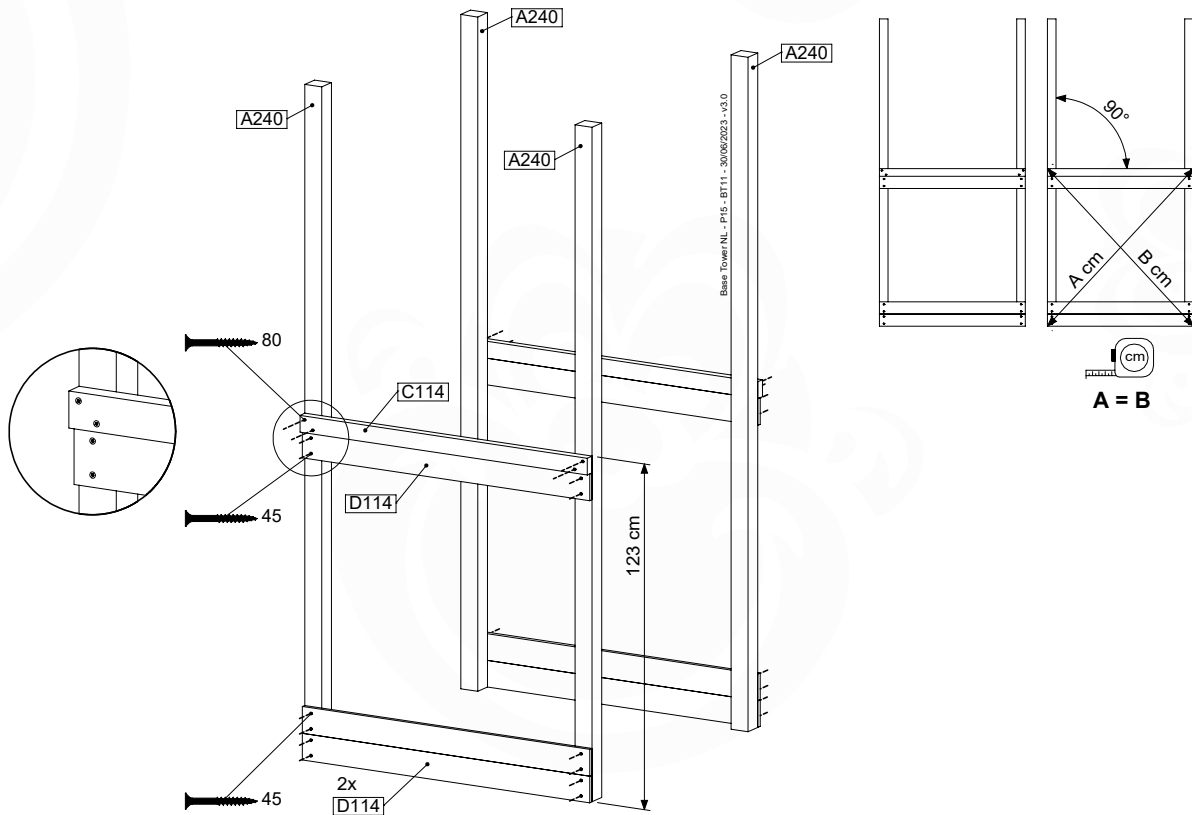
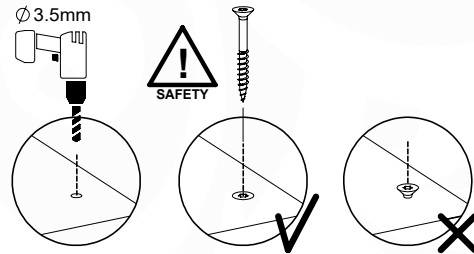
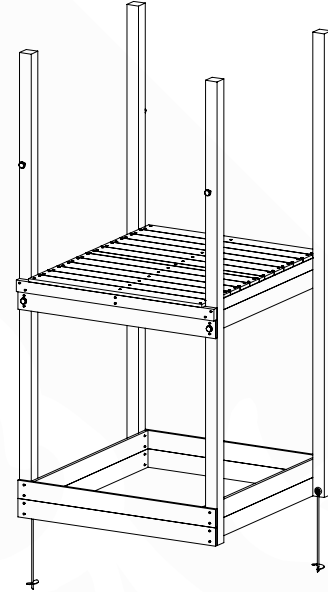
	ID			A	B	C	D
1	BT11a		p.14	✓	-	-	-
2	ET05a		p.17	-	-	✓	-
3	BL03a		p.20	A9	-	-	-
4	BL04a		p.21	A8	-	-	-
5	RF11a		p.22	A5	-	-	-
6	RW41a		p.26	A6	-	-	-
7	NA05a		p.28	-	-	C3	-
8	LA01a		p.31	-	-	C4	-
9	PH46a		p.34	-	-	-	✓
10	SW13a		p.38	-	✓	-	-
11	SL01a		p.46	-	-	C2	-
12	GA		p.49	✓	✓	✓	-
13	AC01a		p.51	✓	-	-	-

# 9 BT11a: Base Tower 115 125cm 240240

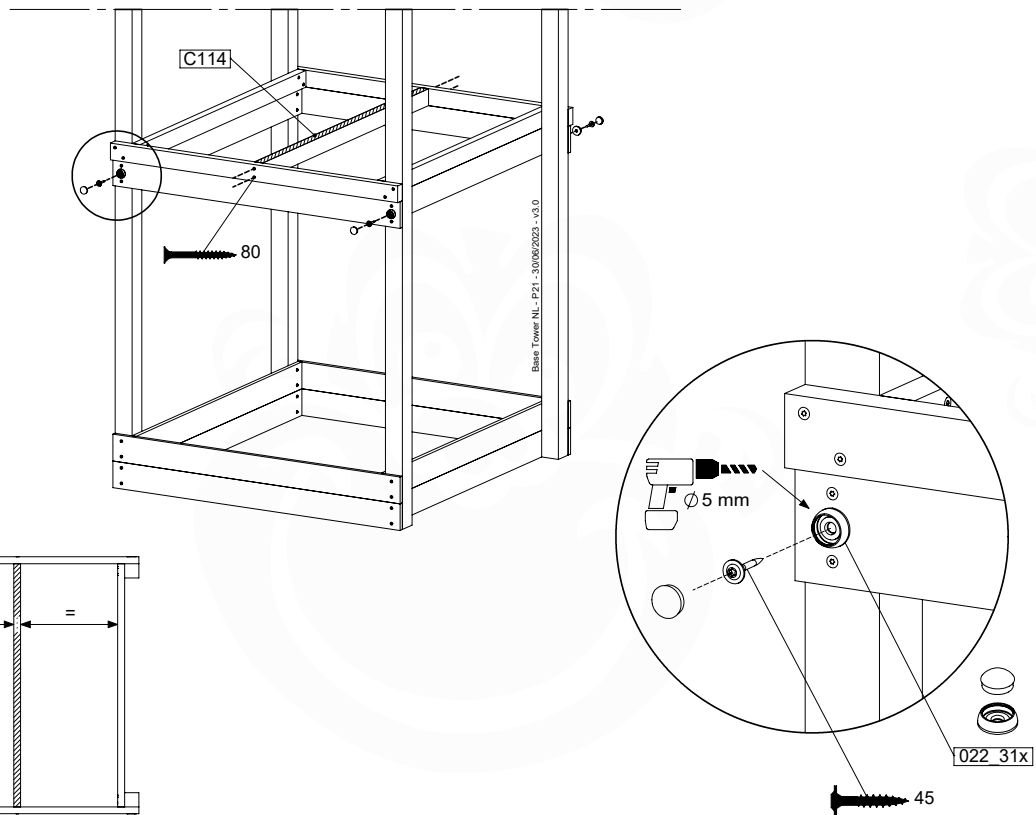
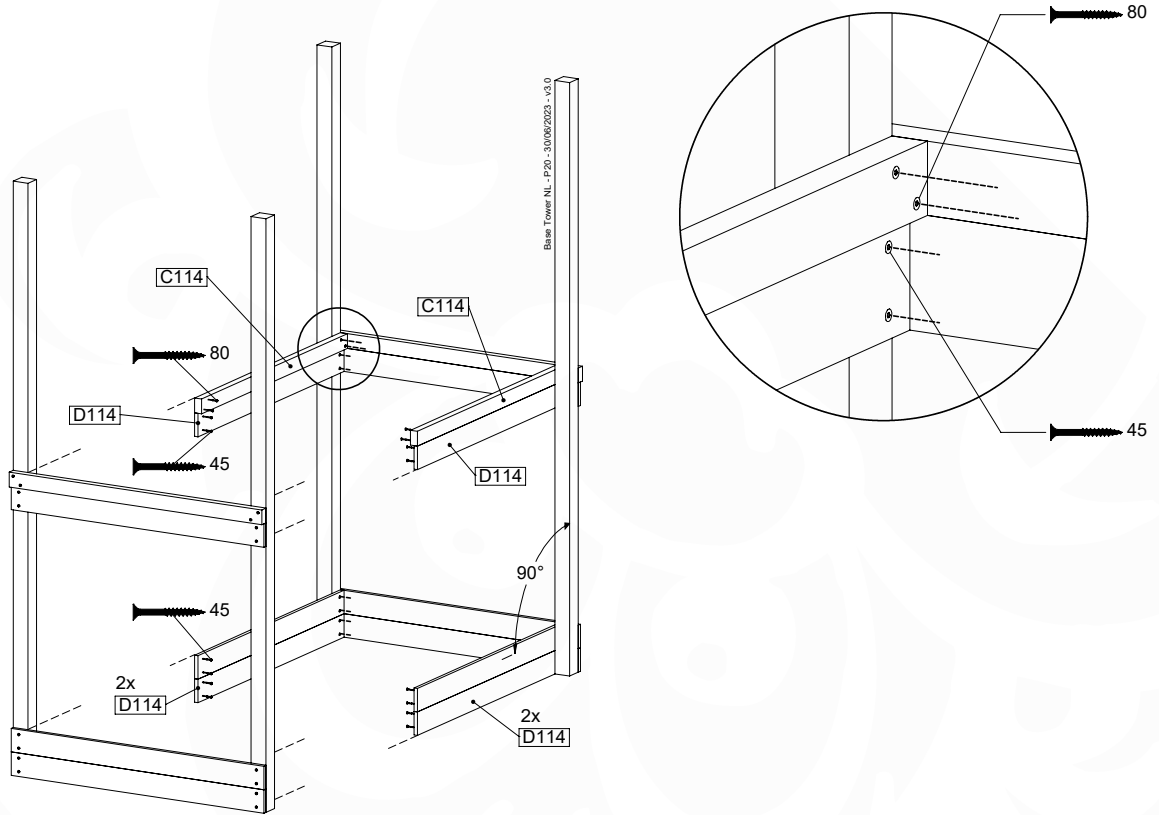
( 194\_300 )

	PartNo	PartName	QTY.
Hardware pack	001_406	Stealth Screw 8x45	6
	001_417	Stealth Screw 8x80	4
	002_220	Gap Point Screw T25 - 5x45	118
	002_223	Gap Point Screw T25 - 5x80	20
	022_31x	bpc-base version 3	8
	022_84x	bpc cover	8
Other	007_001	Ground-anchor	2
Timber	A240	Post 70x70 L2400	4
	C114	Beam 1140 mm	5
	D100	Board 1000 mm	14
	D114	Board 1140 mm	12

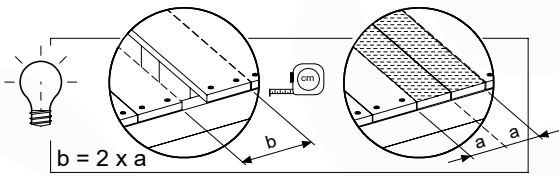
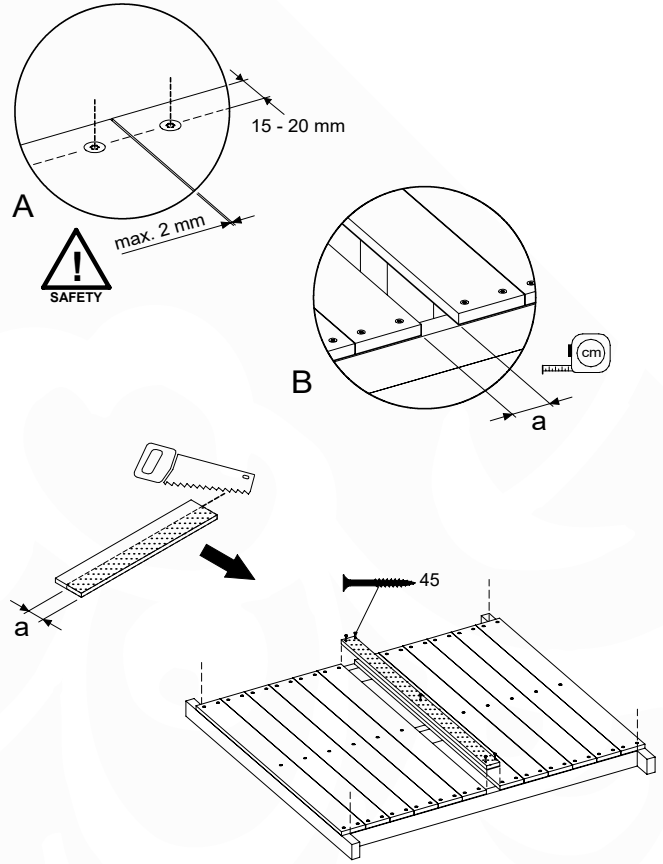
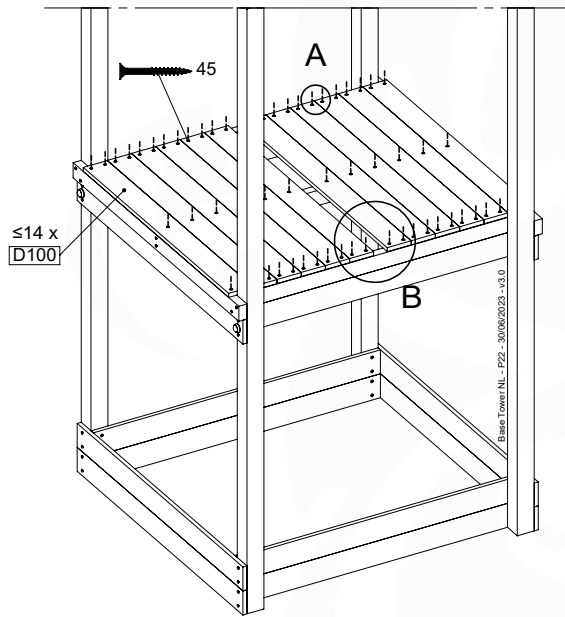
Base Tower.NL - POP - BT11 - 30/06/2023 - v3.0



# 9.1



# 9.2

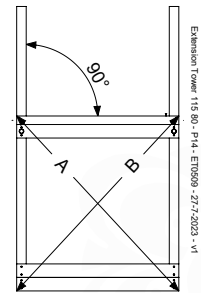
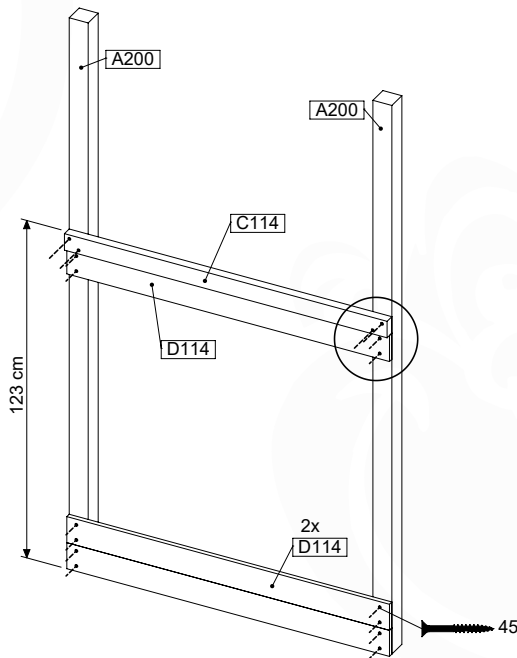
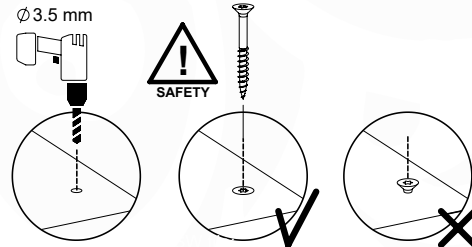
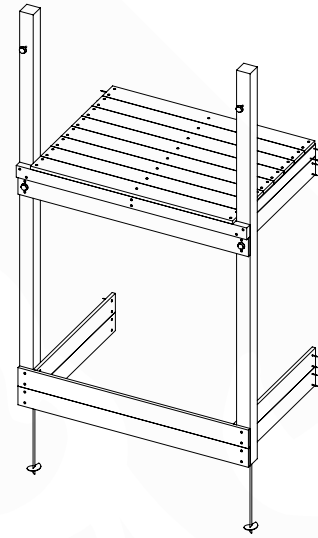


# 10 ET05a: Extension Tower 11580 200/125

( 194\_300 )

	PartNo	PartName	QTY.
Hardware pack	001_406	Stealth Screw 8x45	4
	001_417	Stealth Screw 8x80	2
	002_220	Gap Point Screw T25 - 5x45	81
	002_223	Gap Point Screw T25 - 5x80	16
Other	007_001	Ground-anchor	2
	022_31x	bpc-base version 3	4
	022_84x	bpc cover	4
Timber	A200	Post 70x70 L2000	2
	C74	Beam 740 mm	3
	C114	Beam 1140 mm	1
	D74	Board 740 mm	6
	D100	Board 1000 mm	9
	D114	Board 1140 mm	3

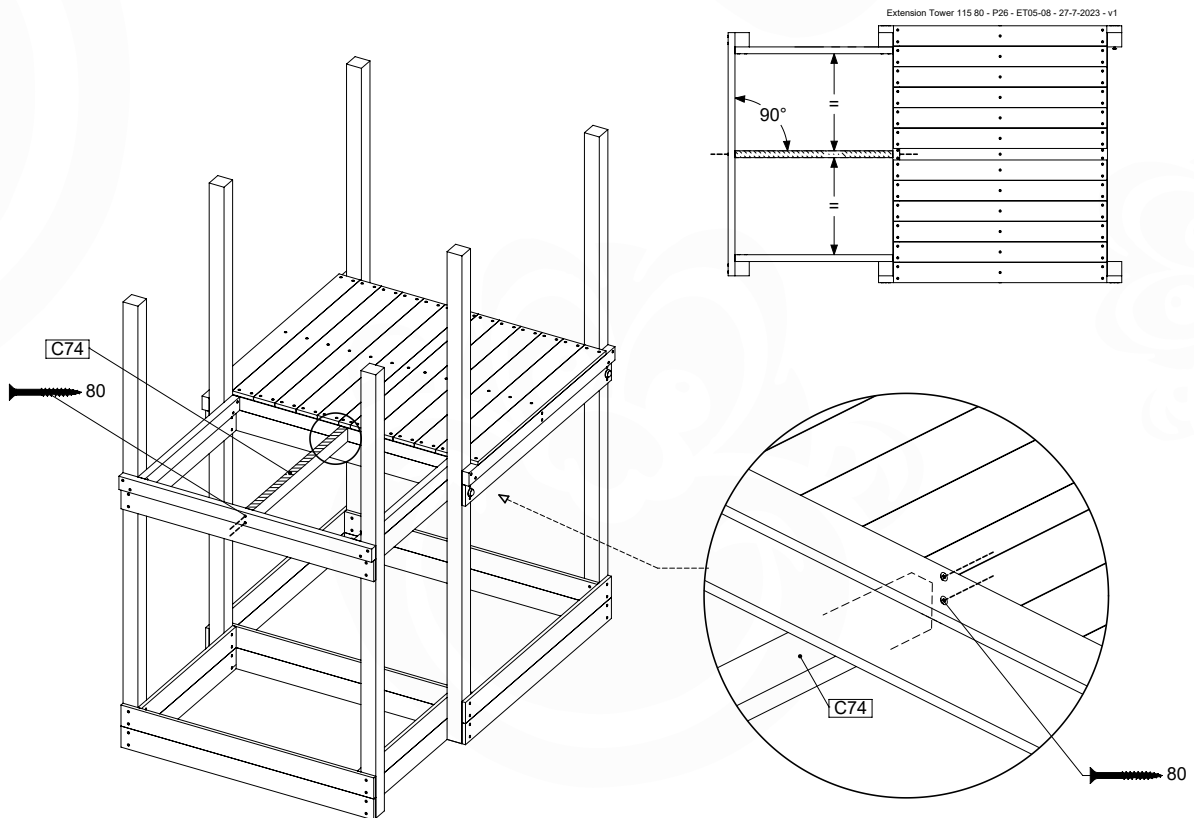
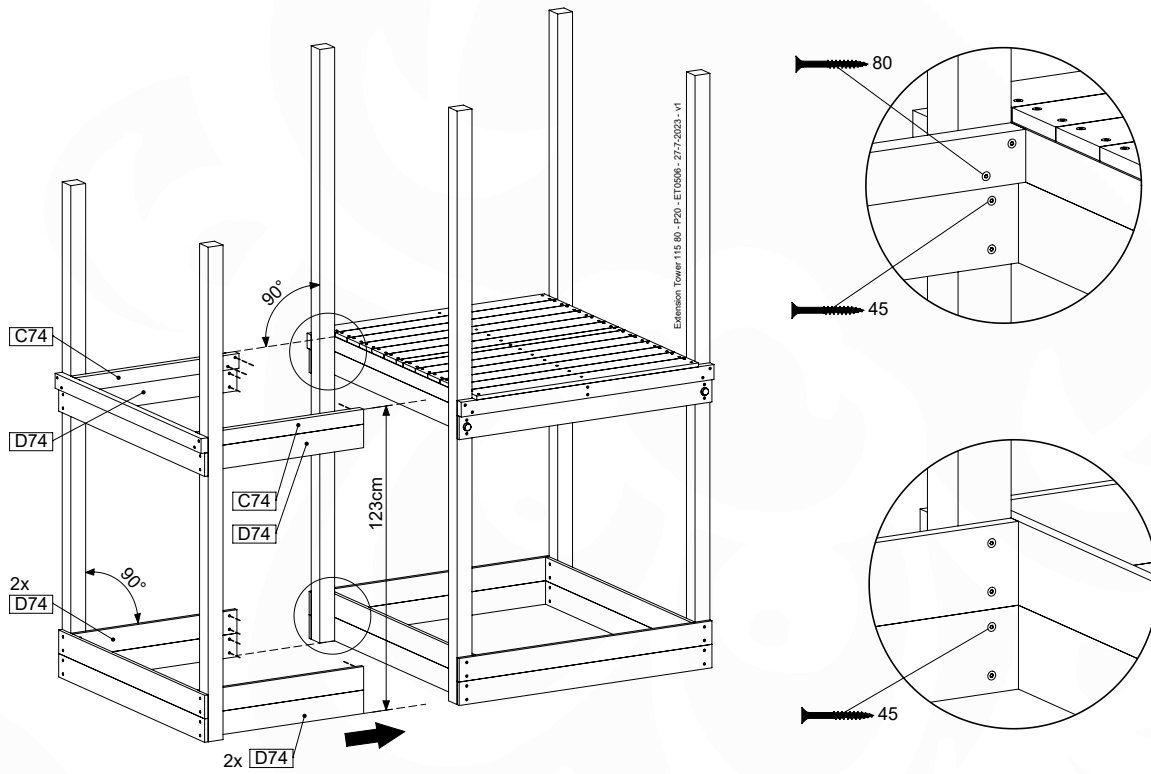
Extension Tower 115 80 - P14 - ET05a - 27-7-2023 - v1



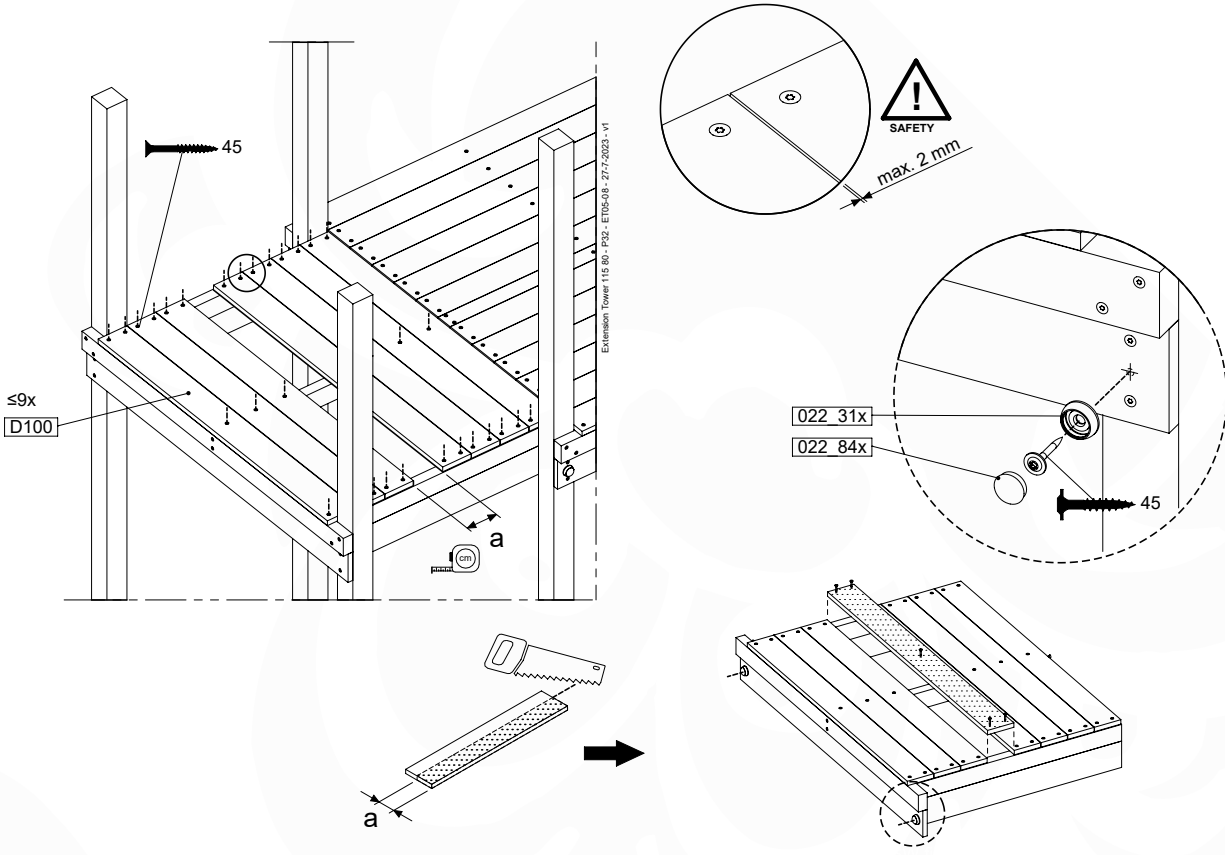
**A = B**



Extension Tower 115 80 - P14 - ET05a - 27-7-2023 - v1



# 10.2

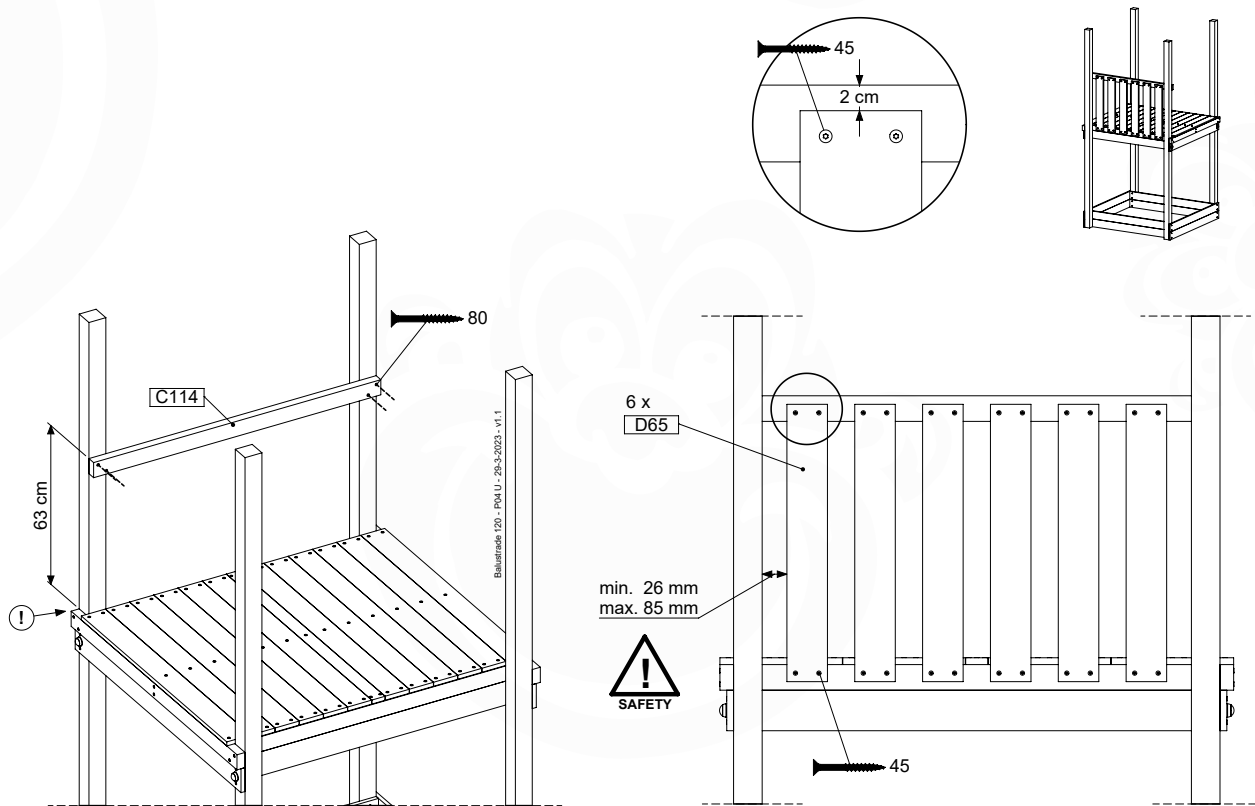
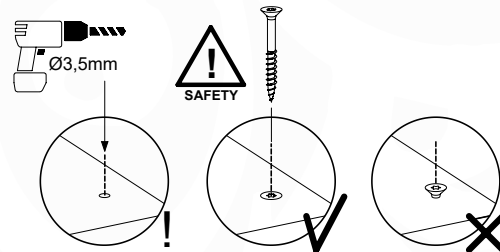
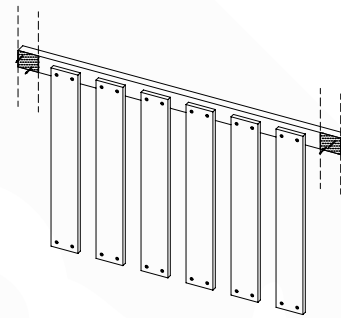


# 11 BL03a: Balustrade 115 U

( 194\_501 )

	PartNo	PartName	QTY.
Hardware Pack	002_220	Gap Point Screw T25 - 5x45	24
	002_223	Gap Point Screw T25 - 5x80	4
Timber	C114	Beam 1140 mm	1
	D65	Board 650 mm	6

Balustrade 120 - P04 U - 29-3-2023 - v1.1



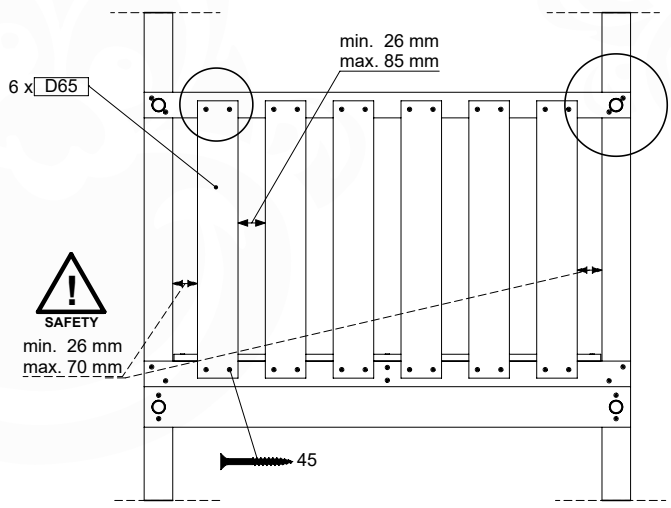
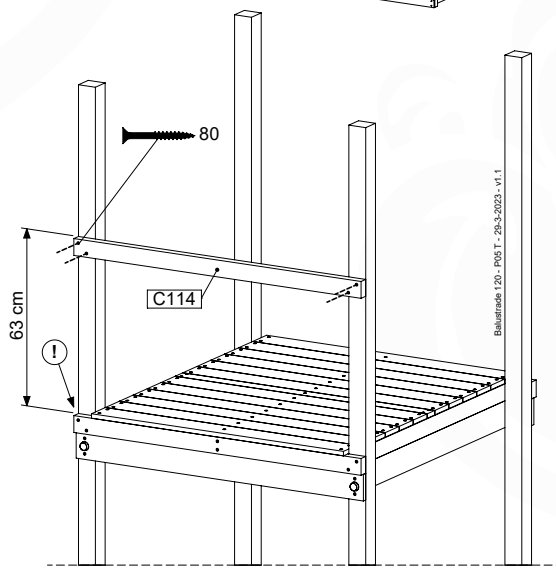
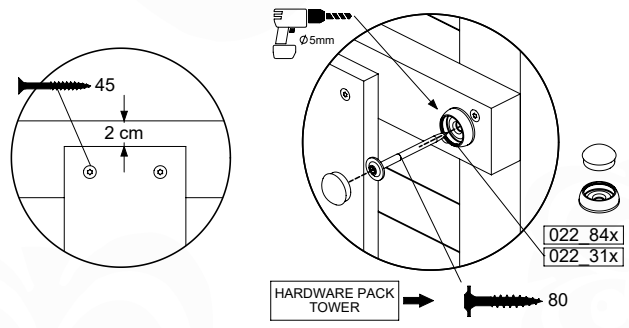
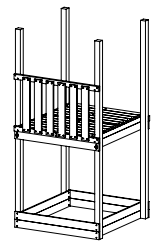
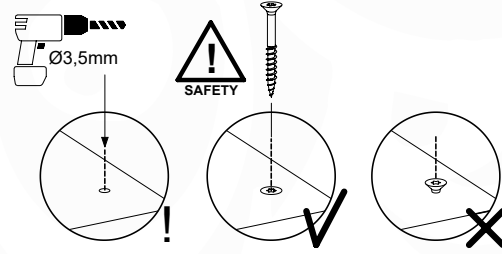
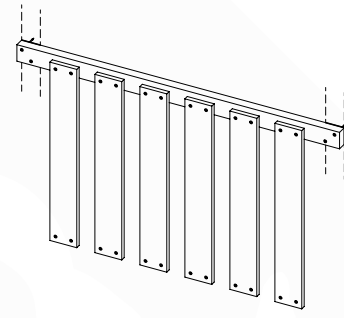


# 12 BL04a: Balustrade 115 T

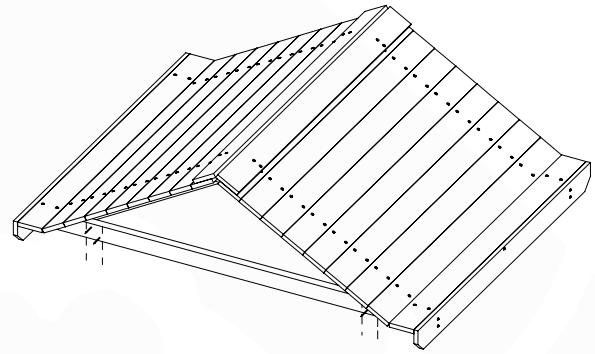
( 194\_501 )

	PartNo	PartName	QTY.
Hardware Pack	002_220	Gap Point Screw T25 - 5x45	24
	002_223	Gap Point Screw T25 - 5x80	4
Timber	C114	Beam 1140 mm	1
	D65	Board 650 mm	6

Balustrade 120 - P03 T - 29-3-2023 - v1.1



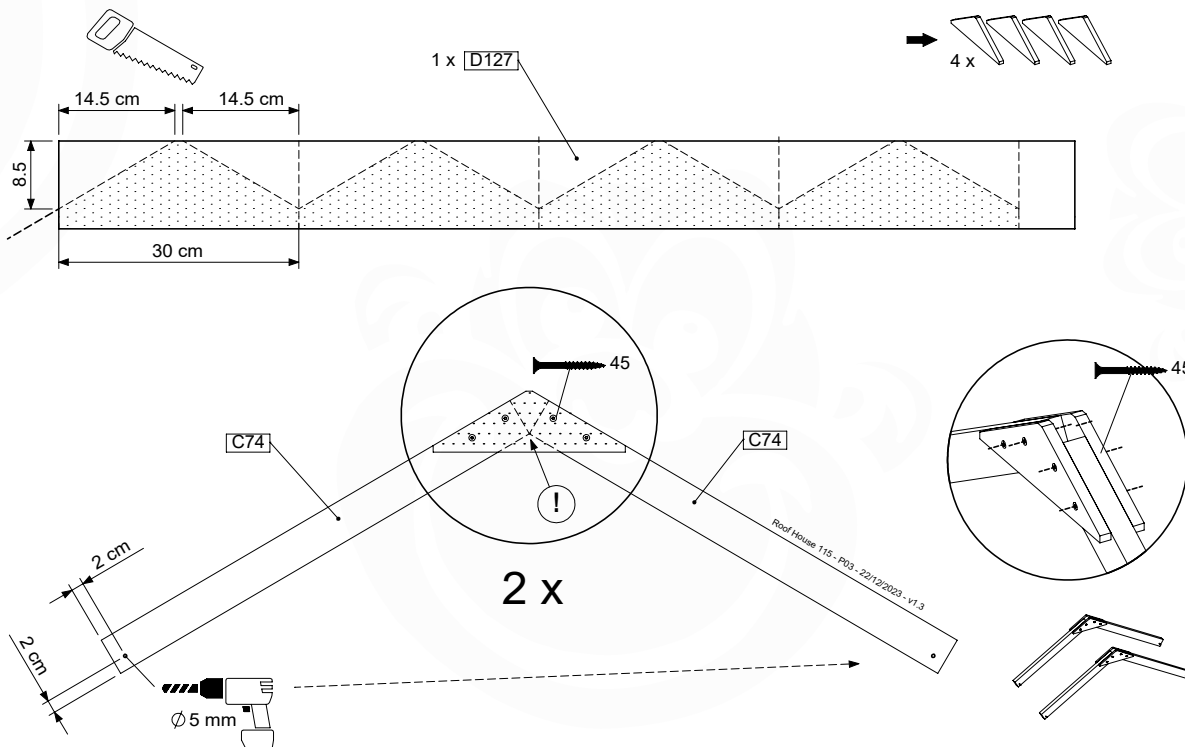
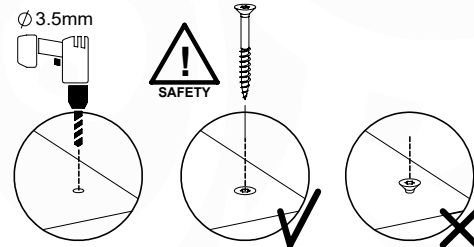
# 13 RF11a: Roof Timber Ridge 115



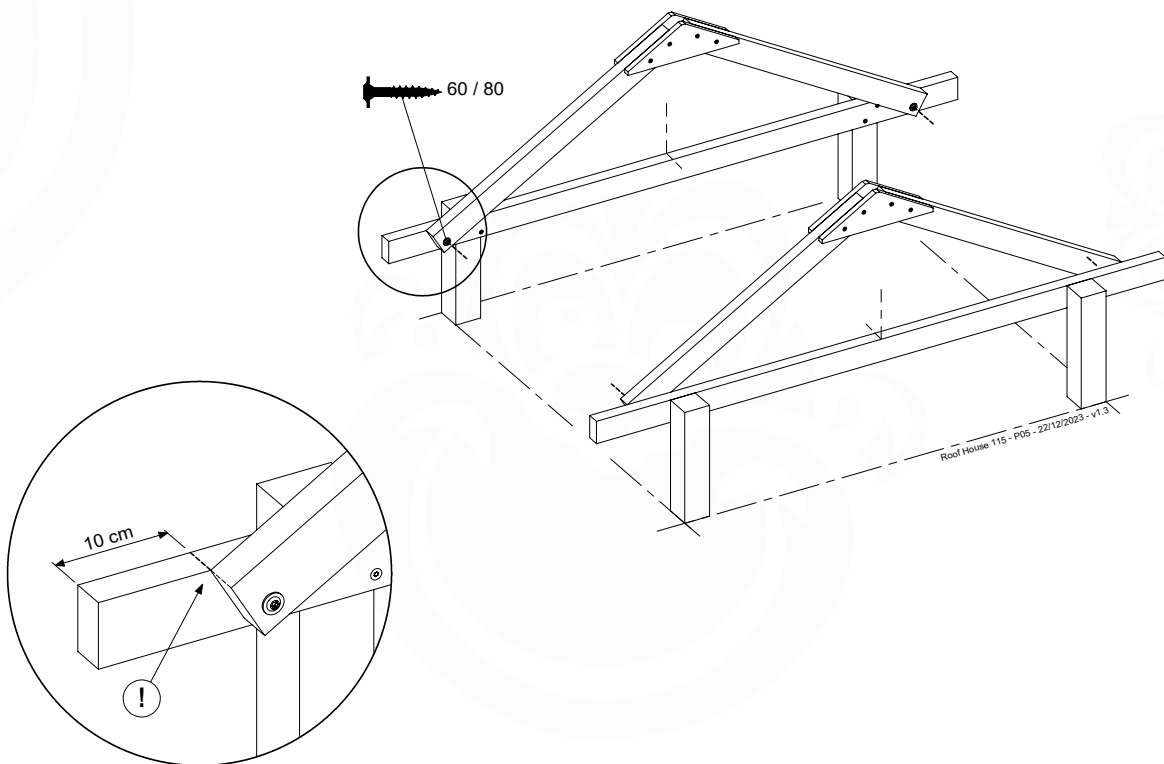
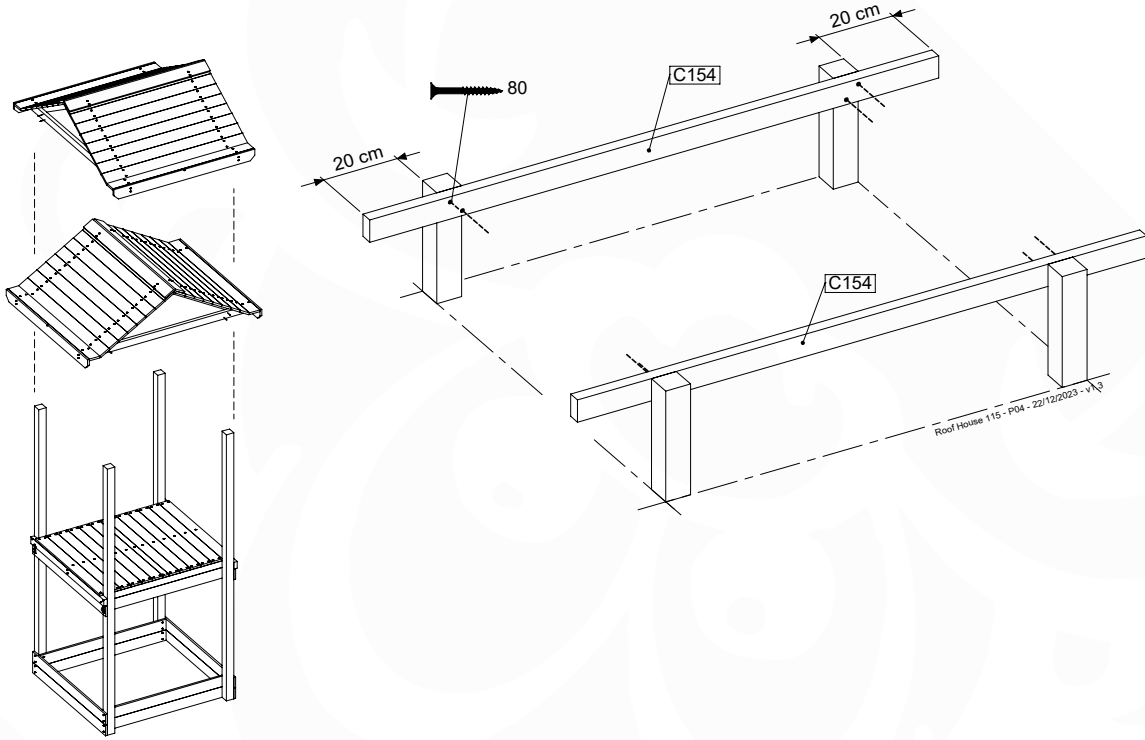
( 194\_308 )

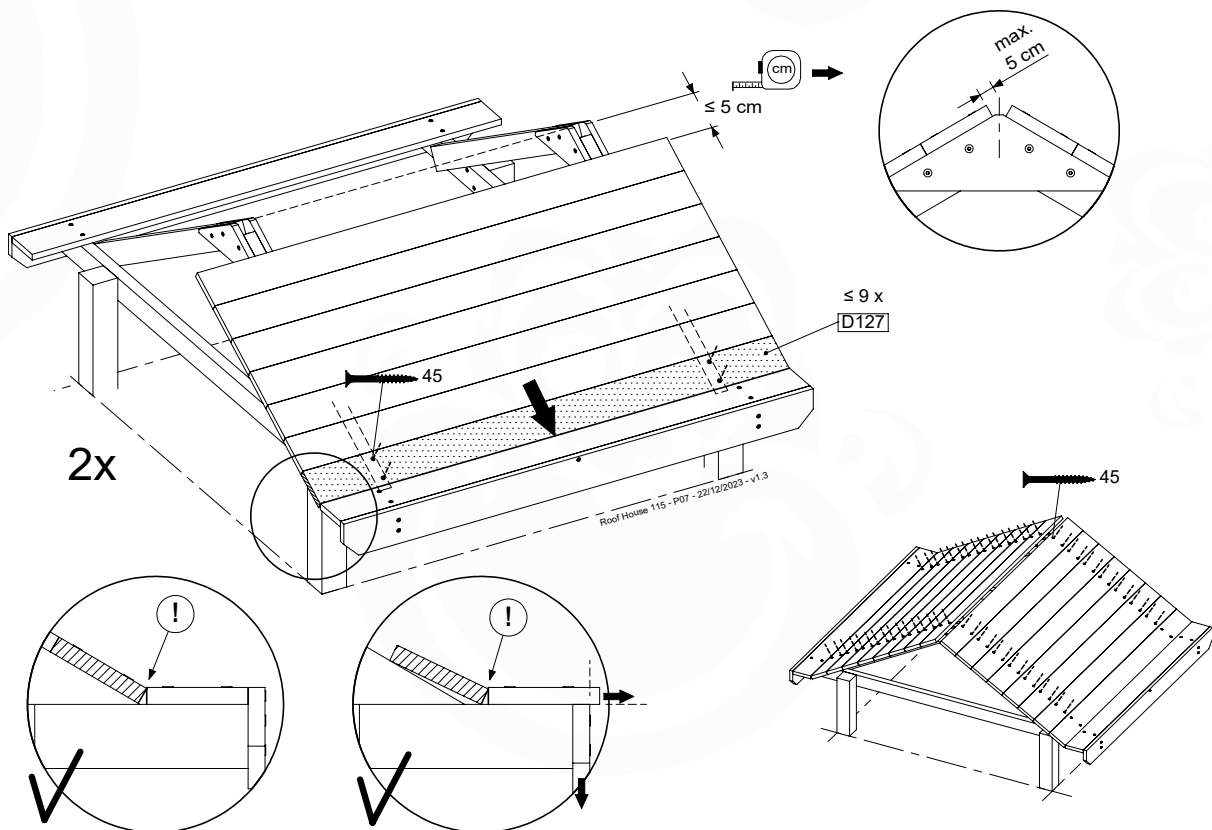
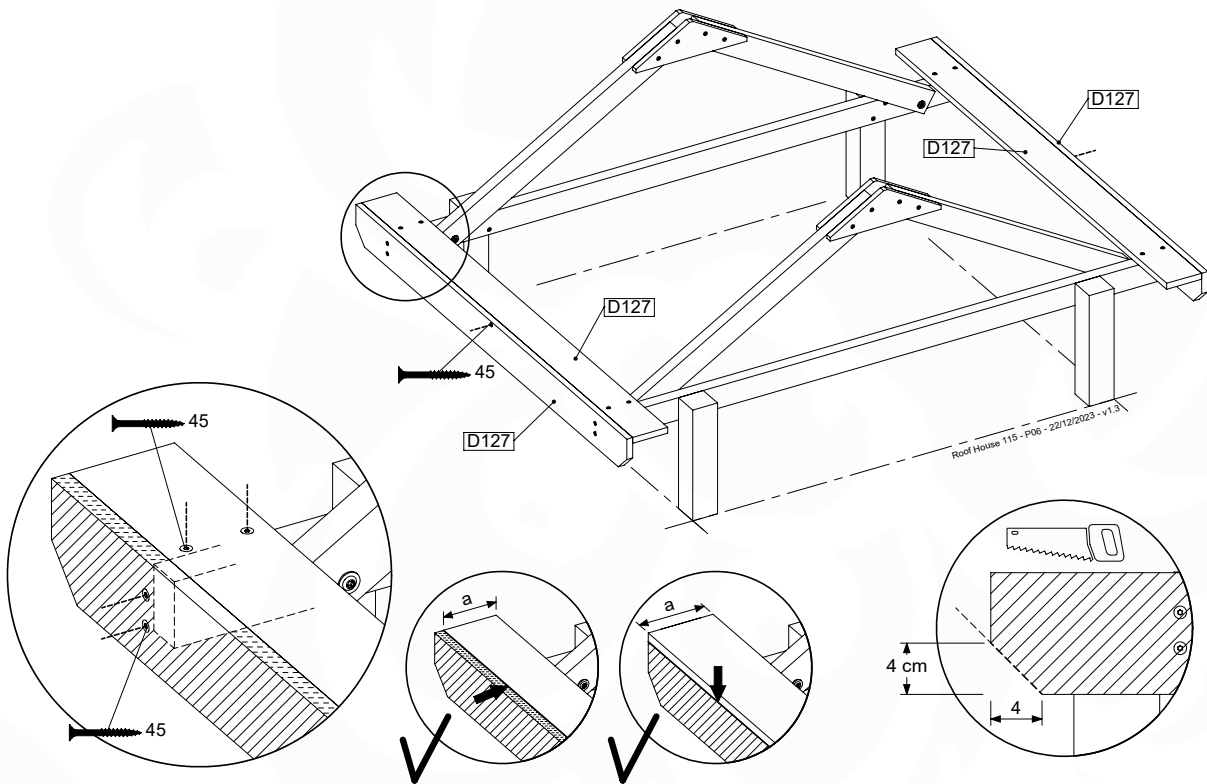
	PartNo	PartName	QTY.
Hardware Pack	001_411	Stealth Screw 8x60	4
	001_417	Stealth Screw 8x80	4
	002_220	Gap Point Screw T25 - 5x45	106
	002_223	Gap Point Screw T25 - 5x80	16
Timber	C74	Beam 740 mm	4
	C154	Beam 1540 mm	2
	D127	Board 1270 mm	21-25

Roof House 115 - P02 - 22/12/2023 - v1.3

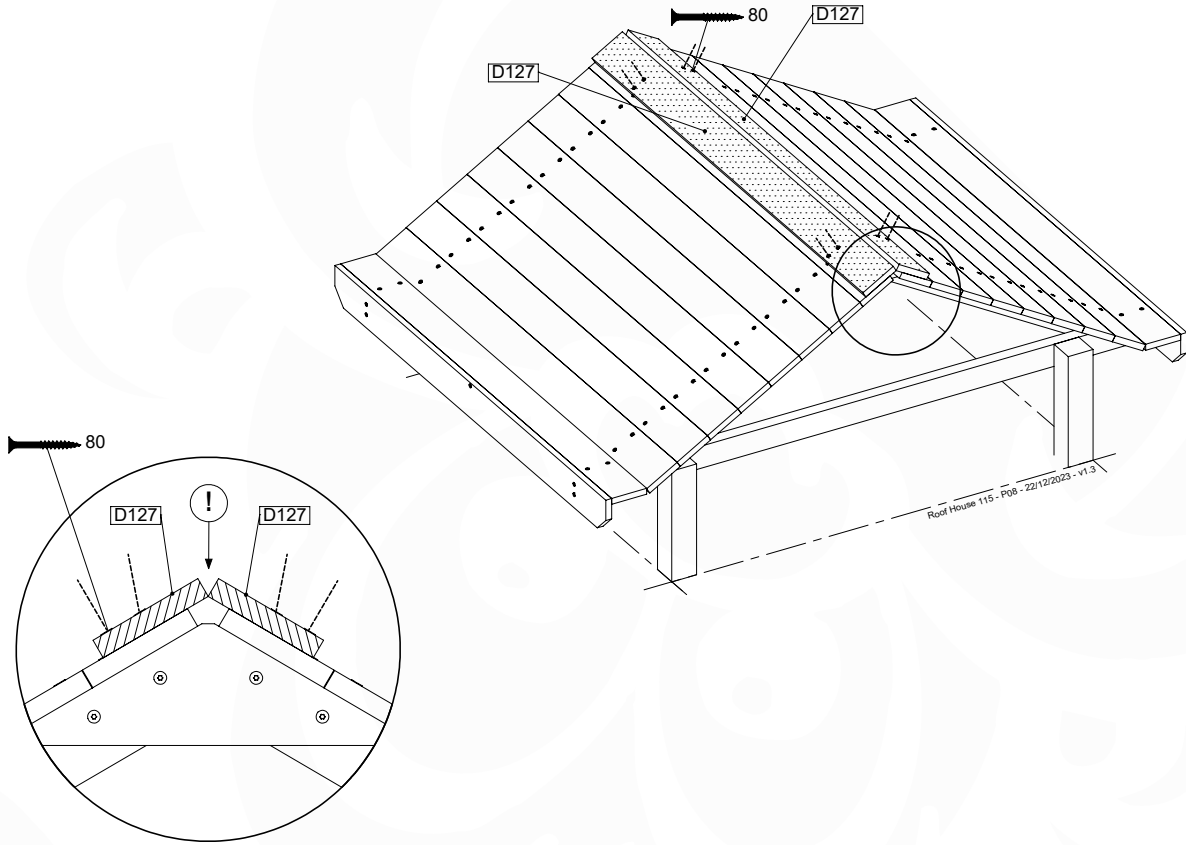


# 13.1





# 13.3

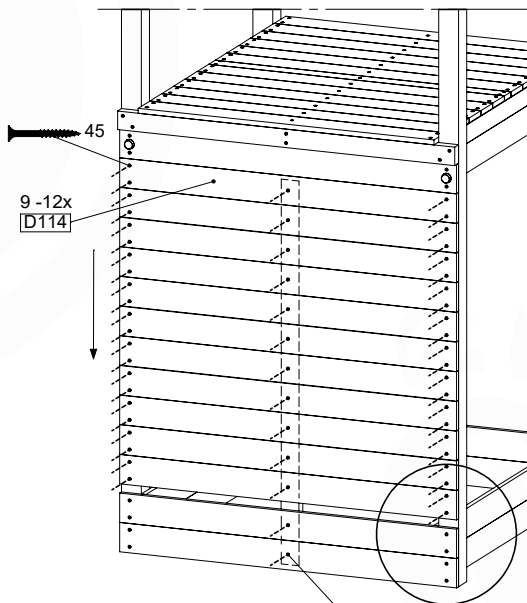
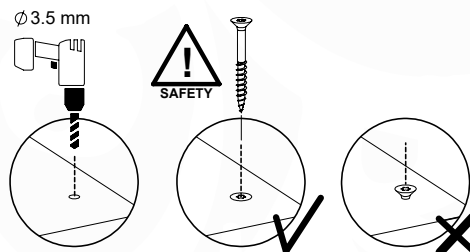
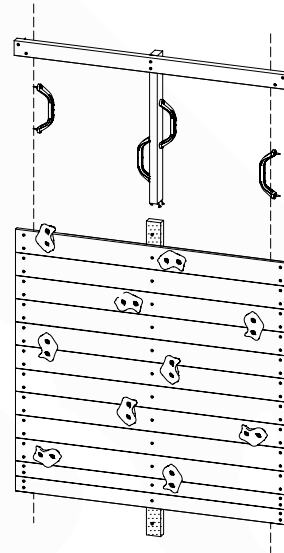


# 14 RW41a: Rock wall 115 Playhouse T

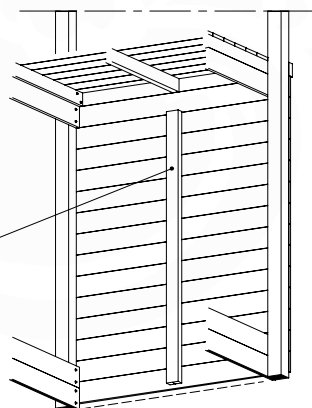
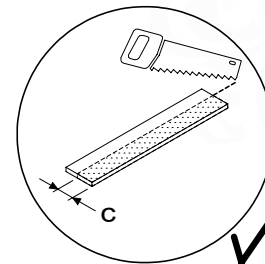
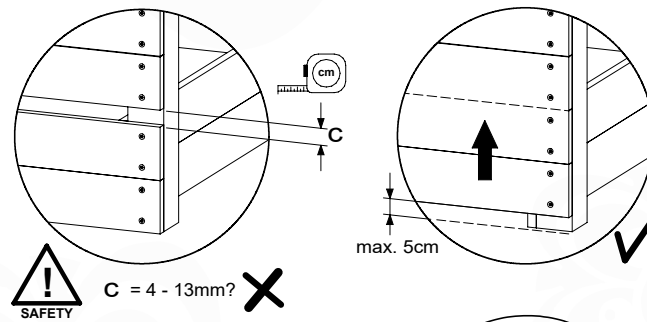
Assembly Packs: 194\_006 (2x)

	PartNo	PartName	QTY.
Hardware + Parts	001_102	Washer Head Screw T40 M8x30	20
	002_220	Gap Point Screw T25 - 5x45	64
	002_223	Gap Point Screw T25 - 5x80	7
	003_010	M8 spring lock washer	20
	004_050	M8 Drive-in Nut 22mm	20
	022_50x	Climbing Rock	10
	120_102	Handgrip set (complete 2x)	2
Timber	C70	Beam 700 mm	1
	C114	Beam 1140 mm	1
	C130	Beam 1300 mm	1
	D114	Board 1140 mm	12

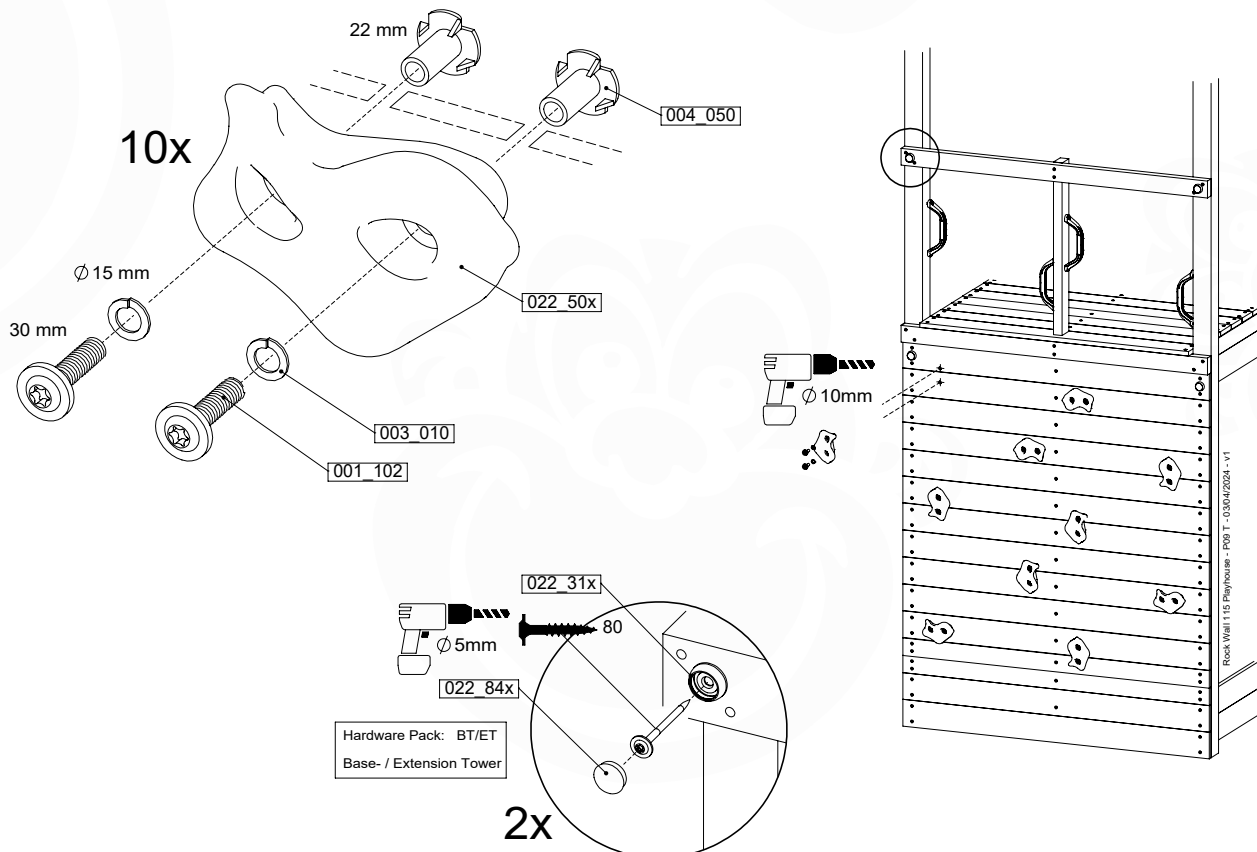
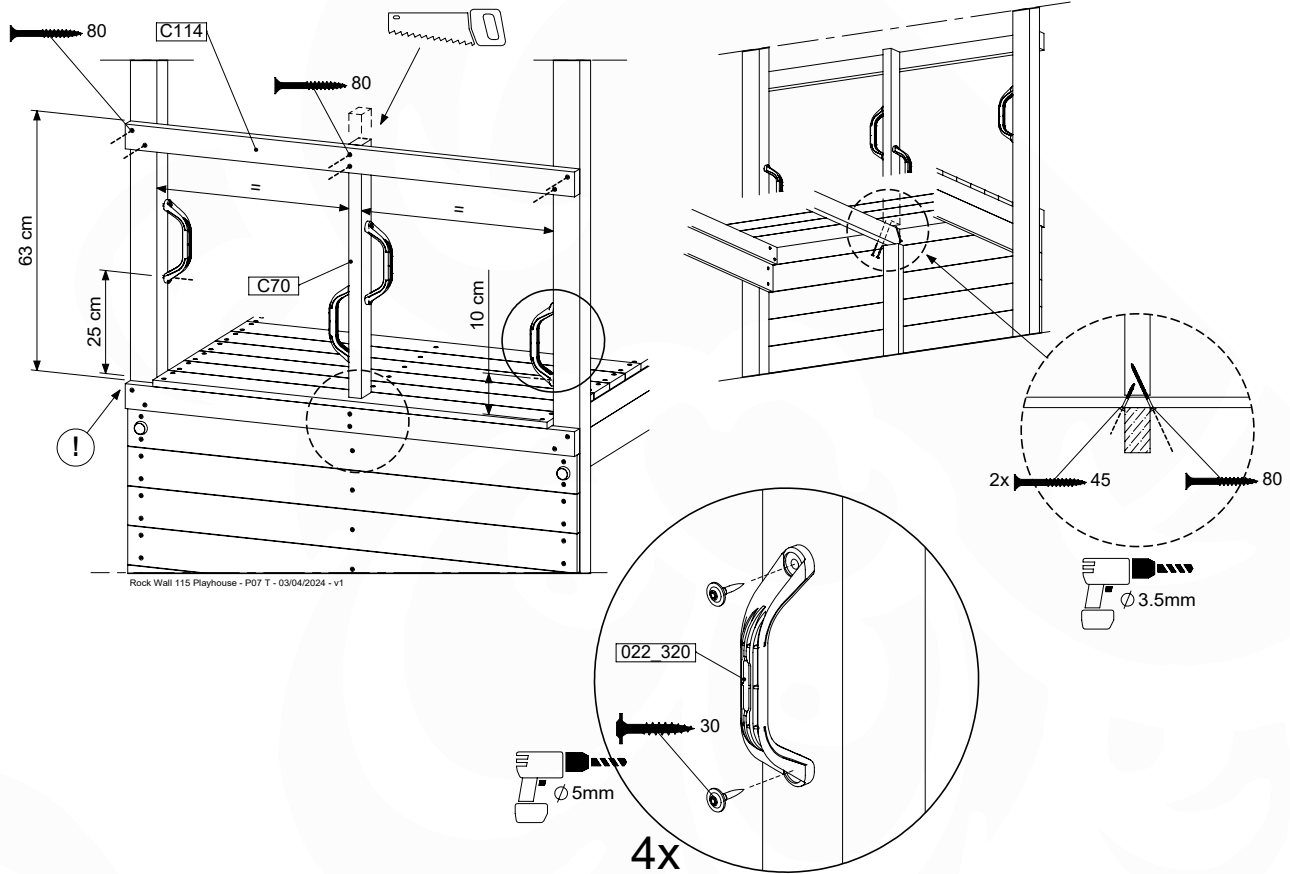
Rock Wall 115 Playhouse - P03 T - 03/04/2024 - v1



Rock Wall 115 Playhouse - P03 T - 03/04/2024 - v1



# 14.1

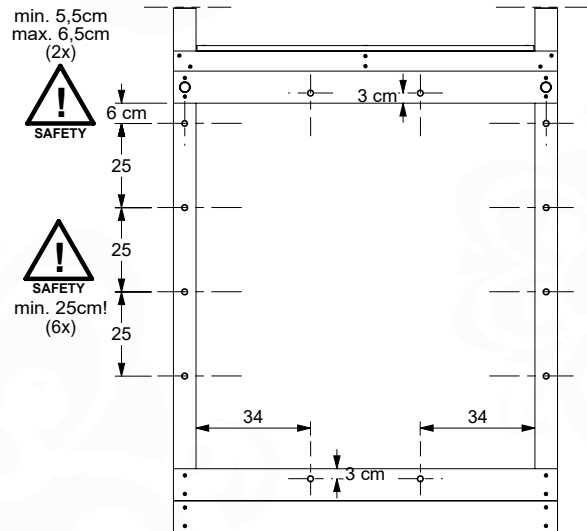
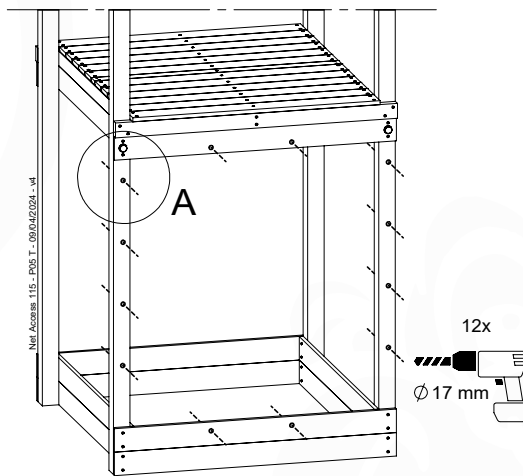
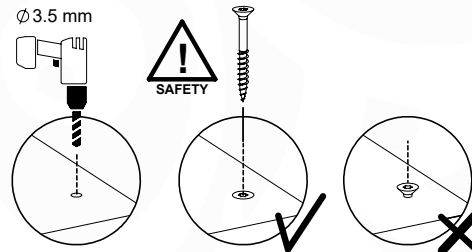
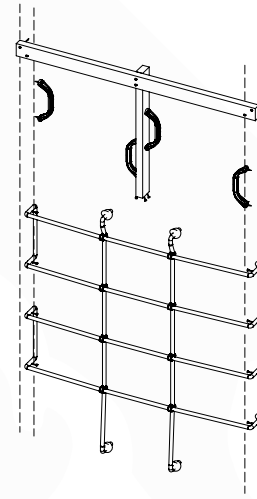


# 15 NA05a: Net Access 115 T

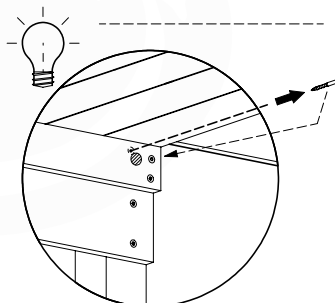
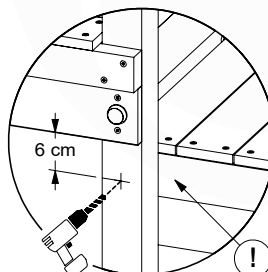
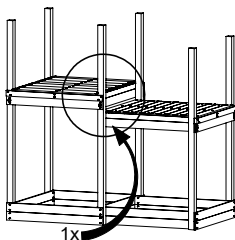
Assembly Packs: 194\_009 (1x) + 201\_250 (2x)

	PartNo	PartName	QTY.
Hardware + Parts	002_220	Gap Point Screw T25 - 5x45	12
	002_223	Gap Point Screw T25 - 5x80	6
	002_301	Dry Wall Screw PH2 3.9 x 40 mm	8
	020_315	Rope Polyester 16mm Green 2.25m	2
	020_319	Rope Polyester 16mm Green 7.45m	1
	022_455	Rope Cross Connector Egg	8
	120_102	Handgrip set (complete 2x)	2
Timber	C70	Beam 700 mm	1
	C114	Beam 1140 mm	1

Net Access 115 - F03 T - 09/04/2024 - v4

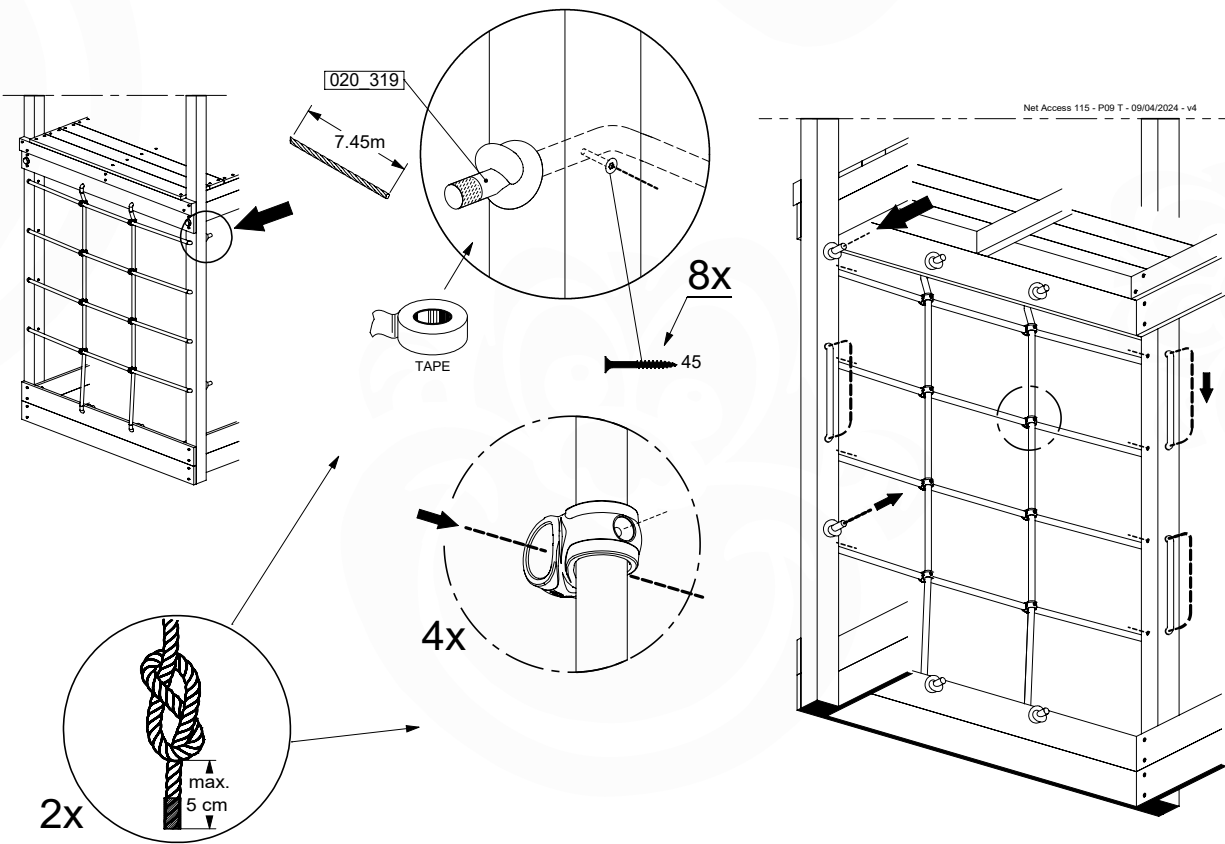
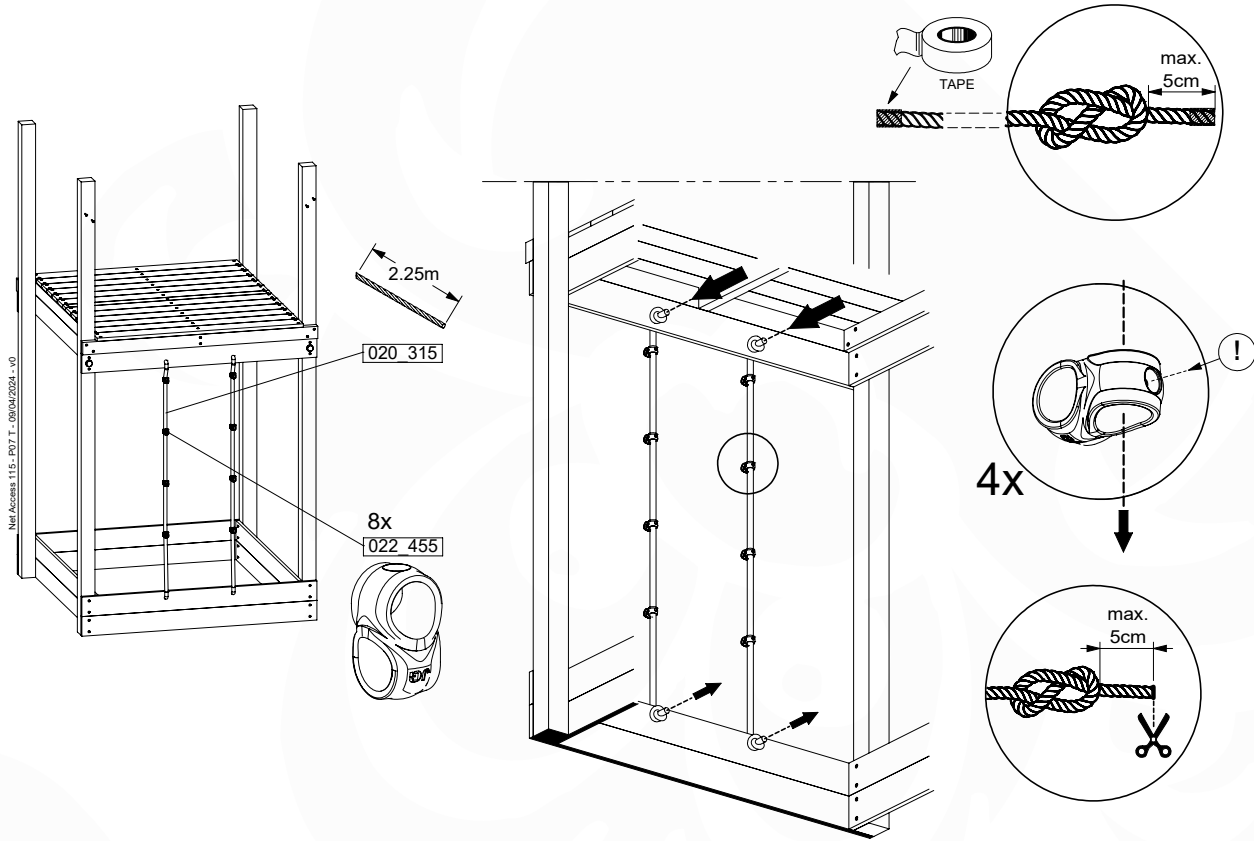


A'

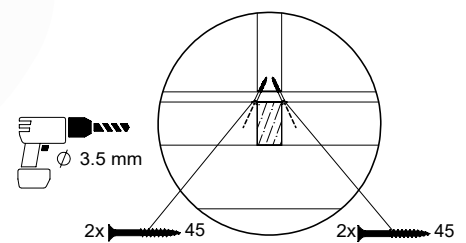
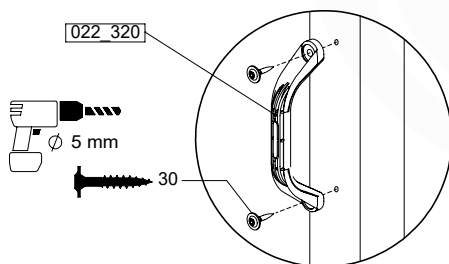
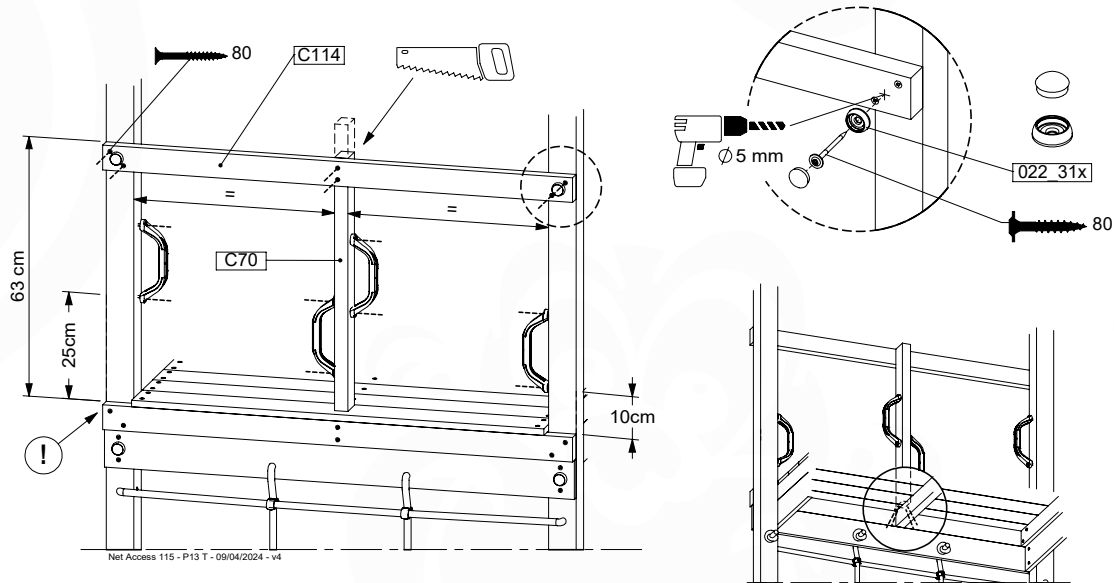
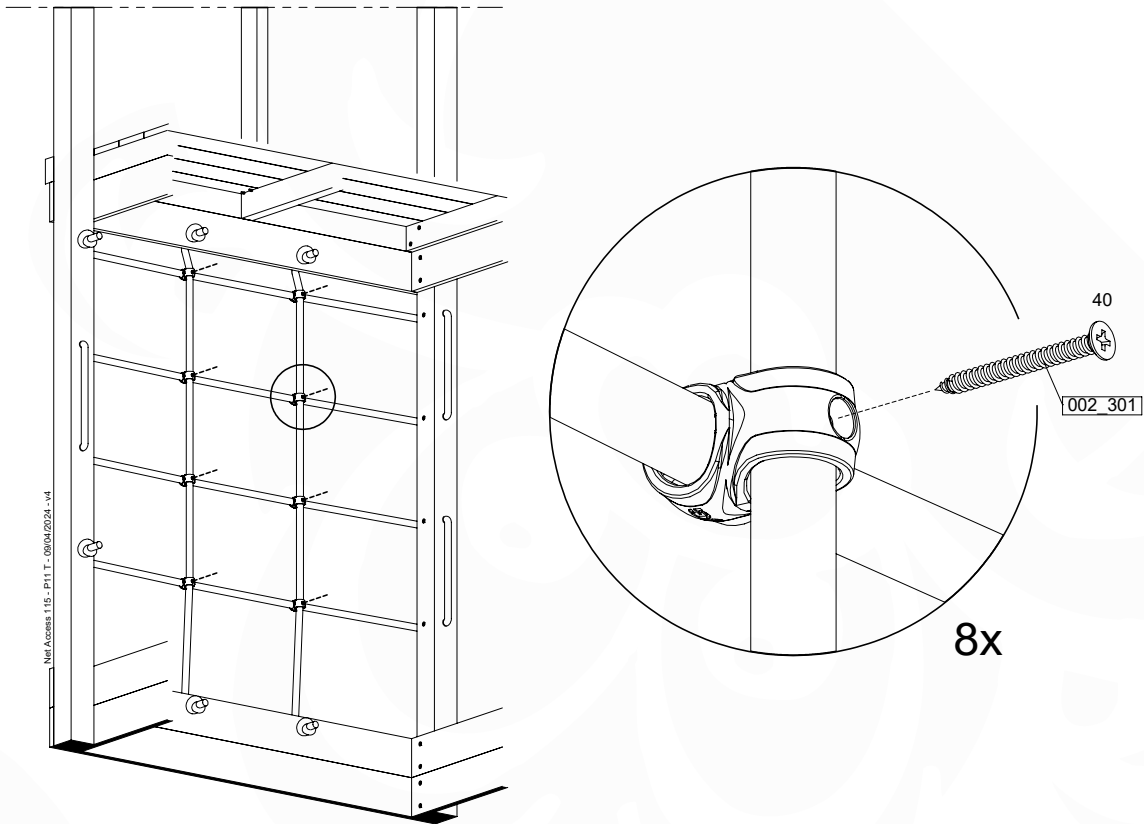




# 15.1



# 15.2

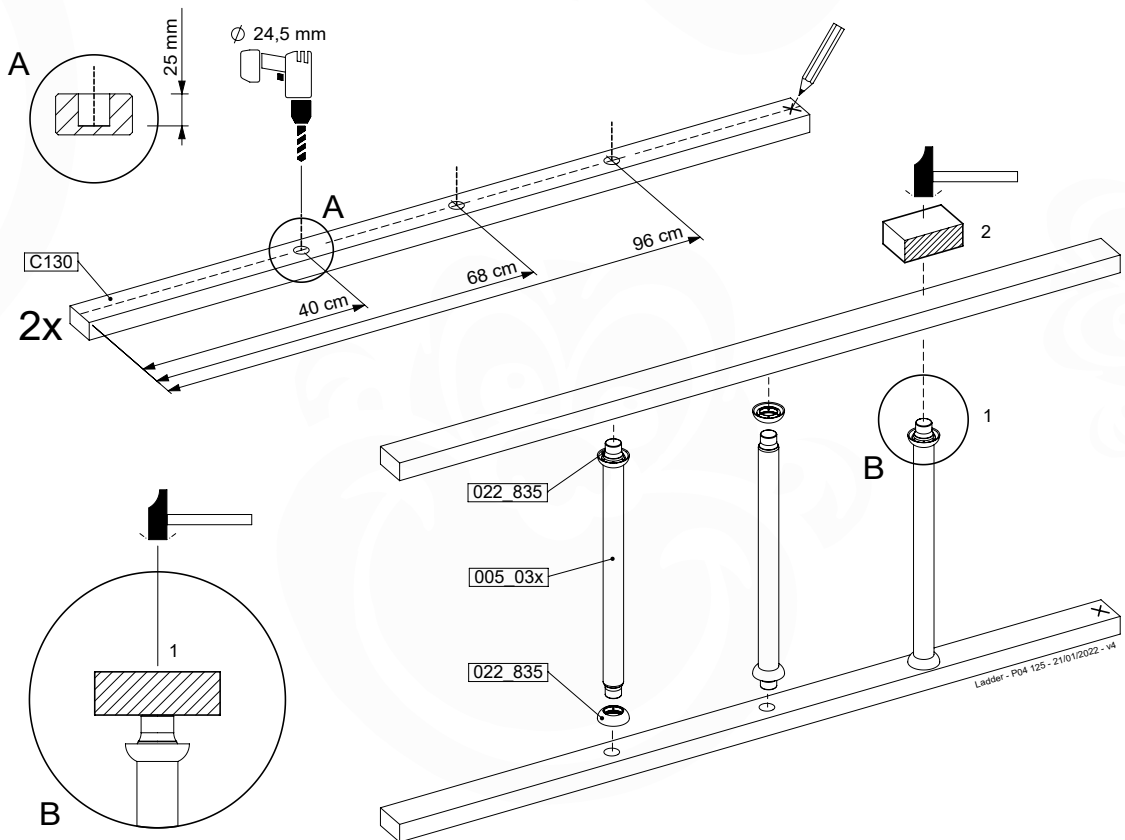


# 16 LA01a: Ladder 80 125 U

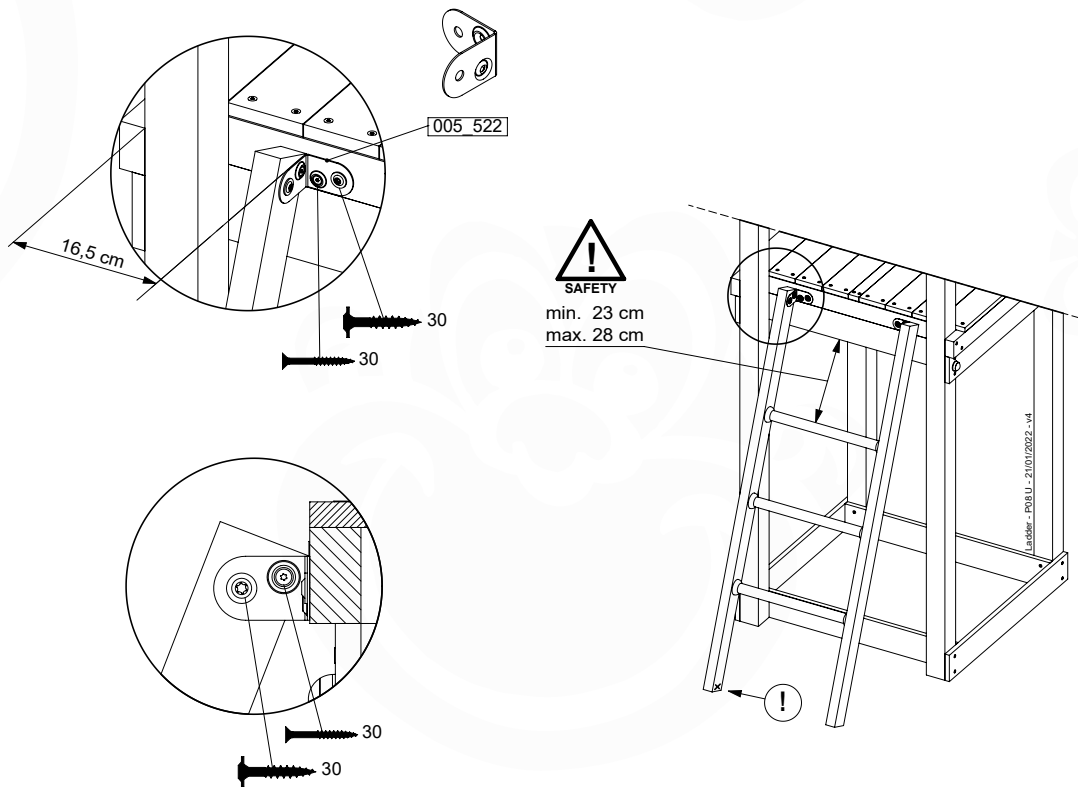
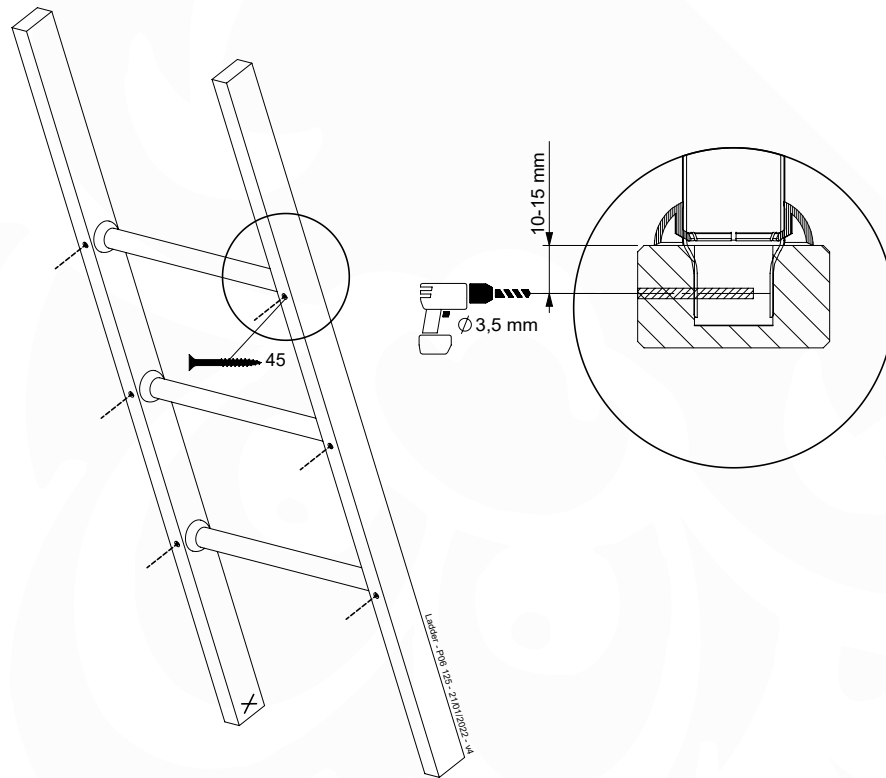
( 194\_103 )

	PartNo	PartName	QTY.
Hardware Pack 100_603	001_404	Stealth Screw 8x30	4
	002_219	Gap Point Screw T25 - 5x30	4
	002_220	Gap Point Screw T25 - 5x45	6
	002_223	Gap Point Screw T25 - 5x80	4
Other	005_03x	Ladder Rung Y/B/G/R	3
	005_522	Connection Bracket Mini Market	2
	022_835	Rung Cap	6
	120_102	Handgrip set (2x Complete)	1
Timber	C74	Beam 740 mm	1
	C130	Beam 1300 mm	2

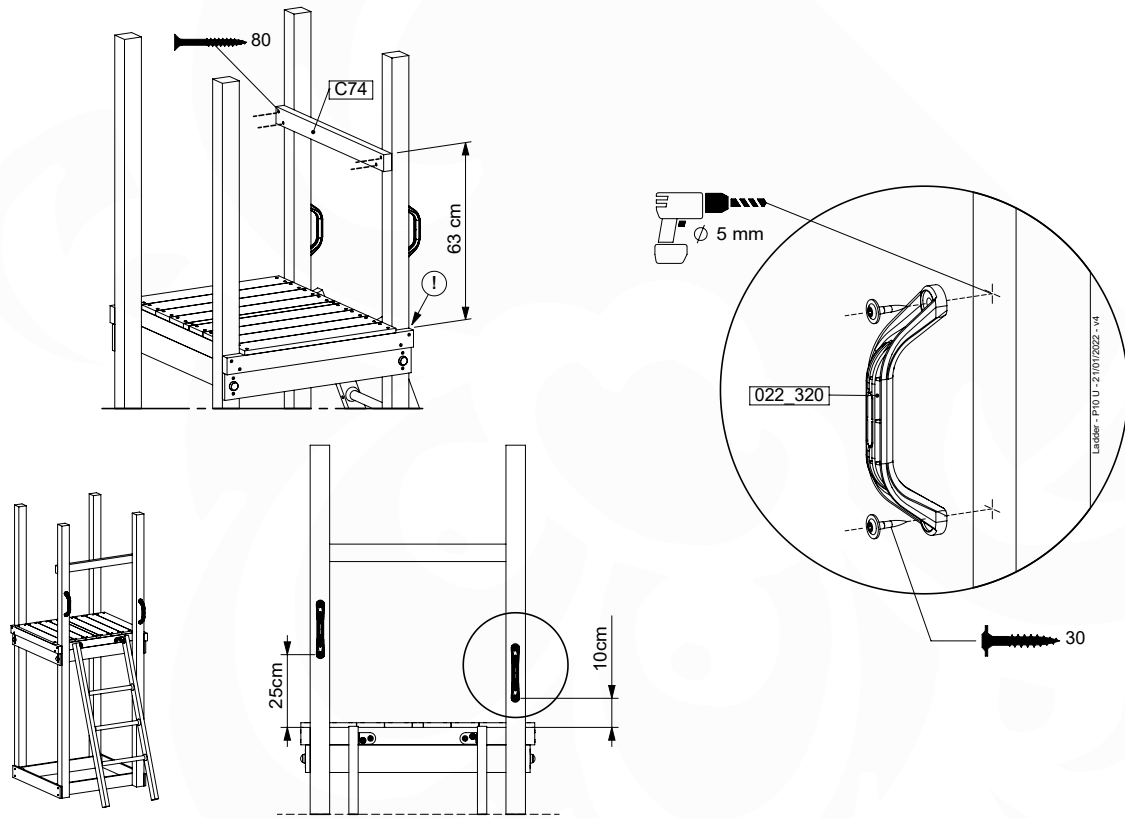
Ladder - P04 125 - 21/01/2022 - v4



Ladder - P04 125 - 21/01/2022 - v4



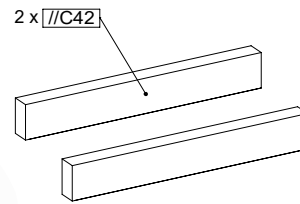
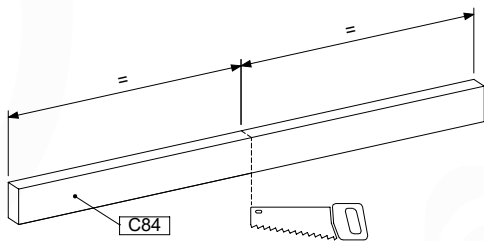
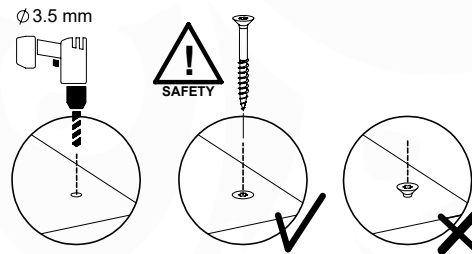
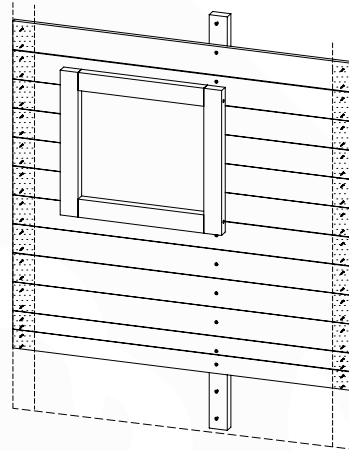
# 16.2



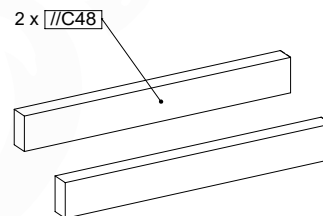
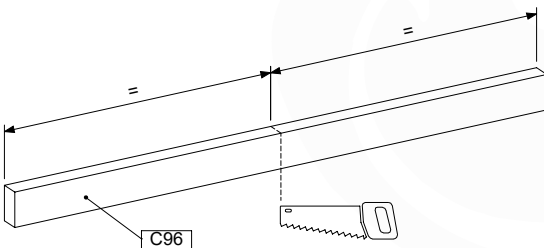
# 17 PH46a: Playhouse Window 115 UL Low

Assembly Pack: 194\_508 / 194\_804

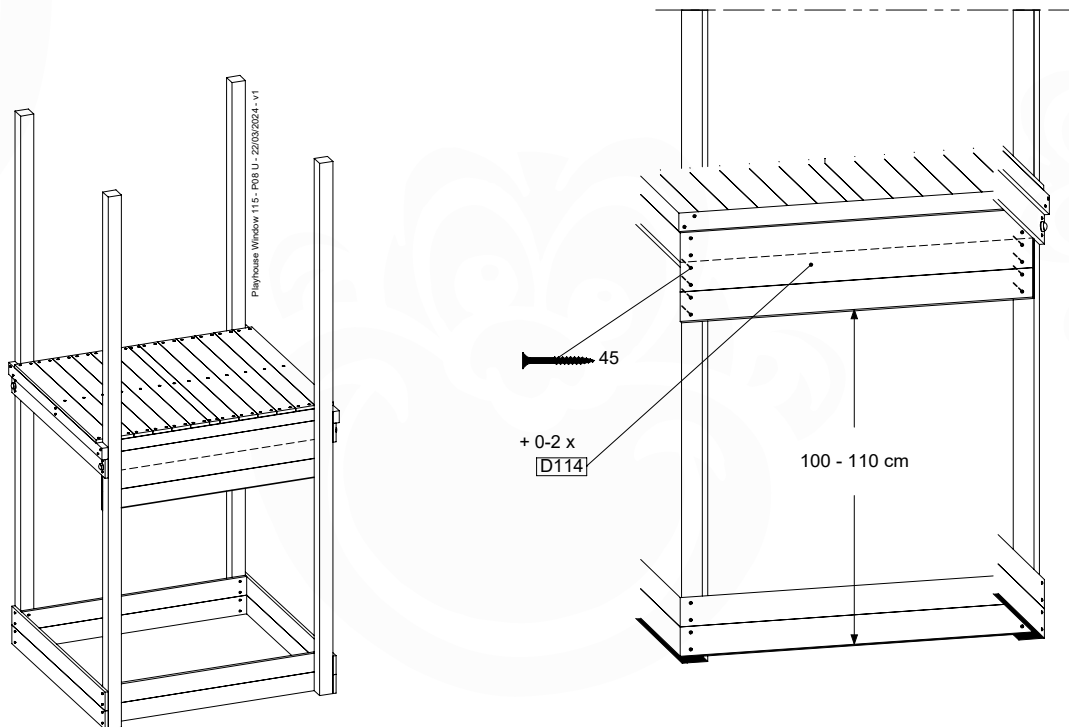
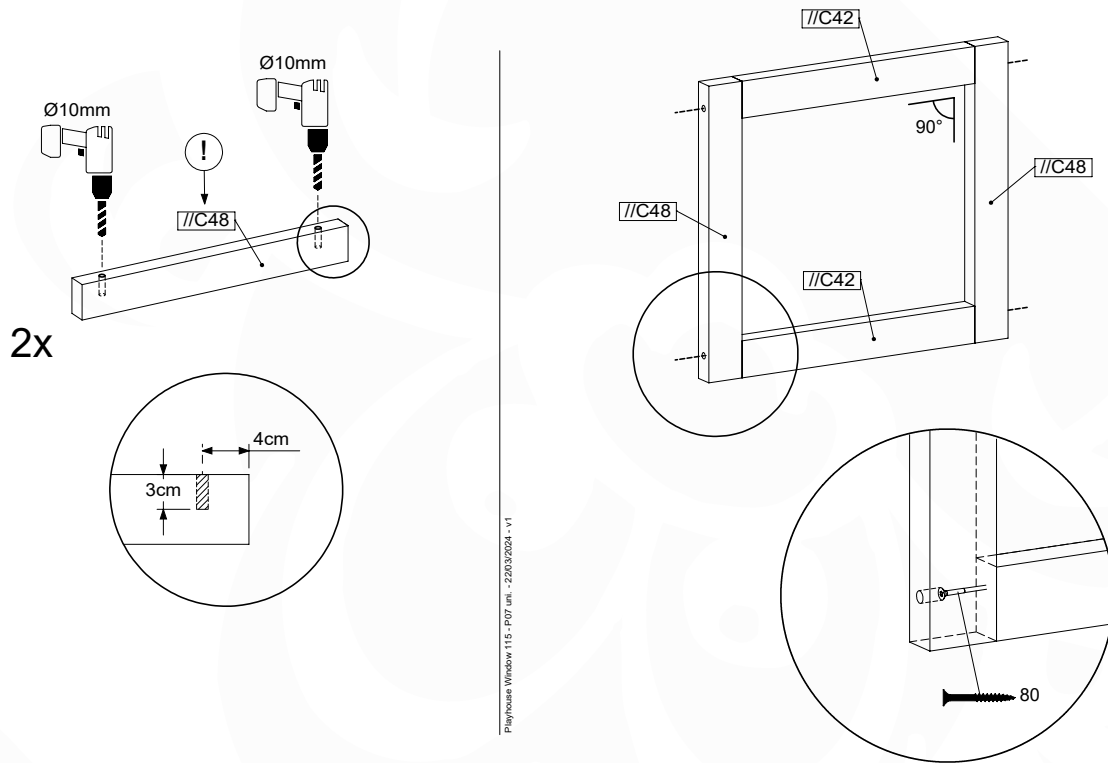
	PartNo	PartName	QTY.
Hardware Pack	002_220	Gap Point Screw T25 - 5x45	90
	002_223	Gap Point Screw T25 - 5x80	4
Timber	C84	Beam 840 mm	1
	C96	Beam 960 mm	2
	D21	Board 210 mm	4
	D47	Board 470 mm	4
	D114	Board 1140 mm	10



Playhouse Window 115 - P06 uni. - 22/03/2024 - v1



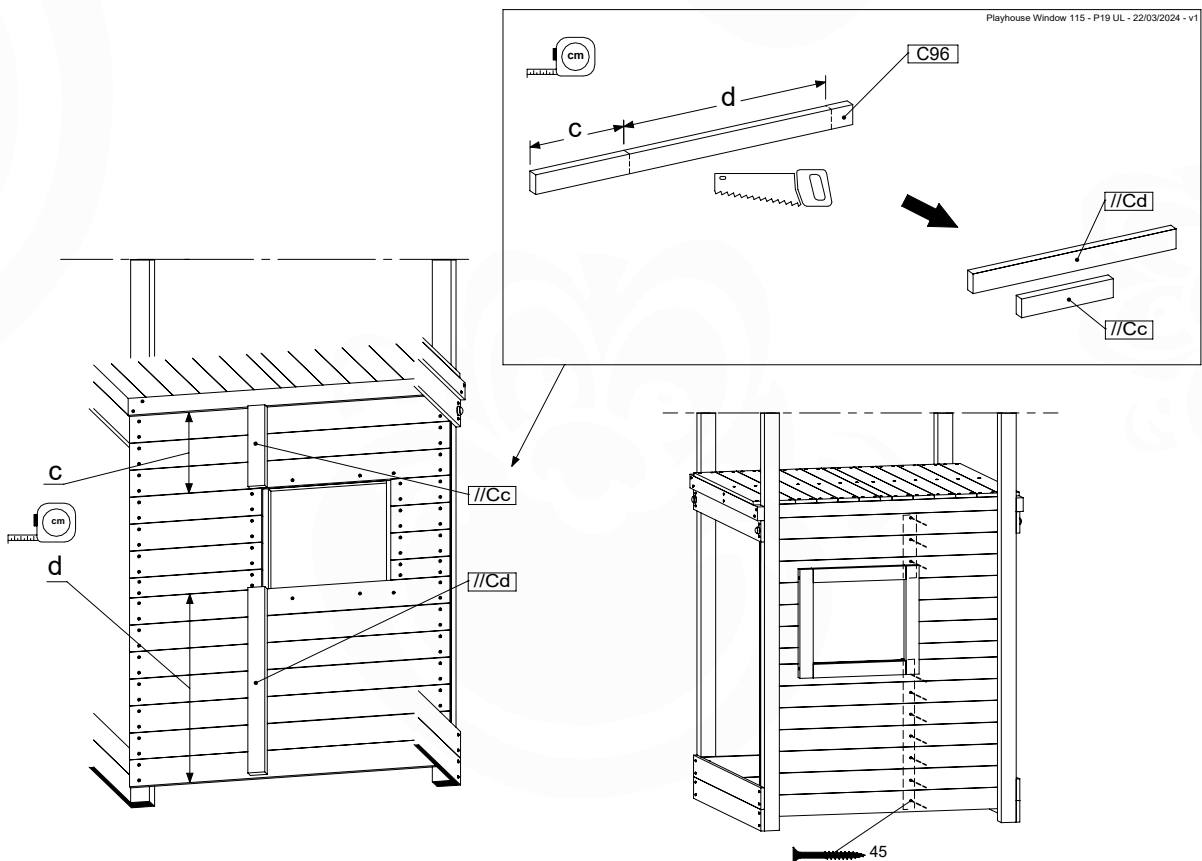
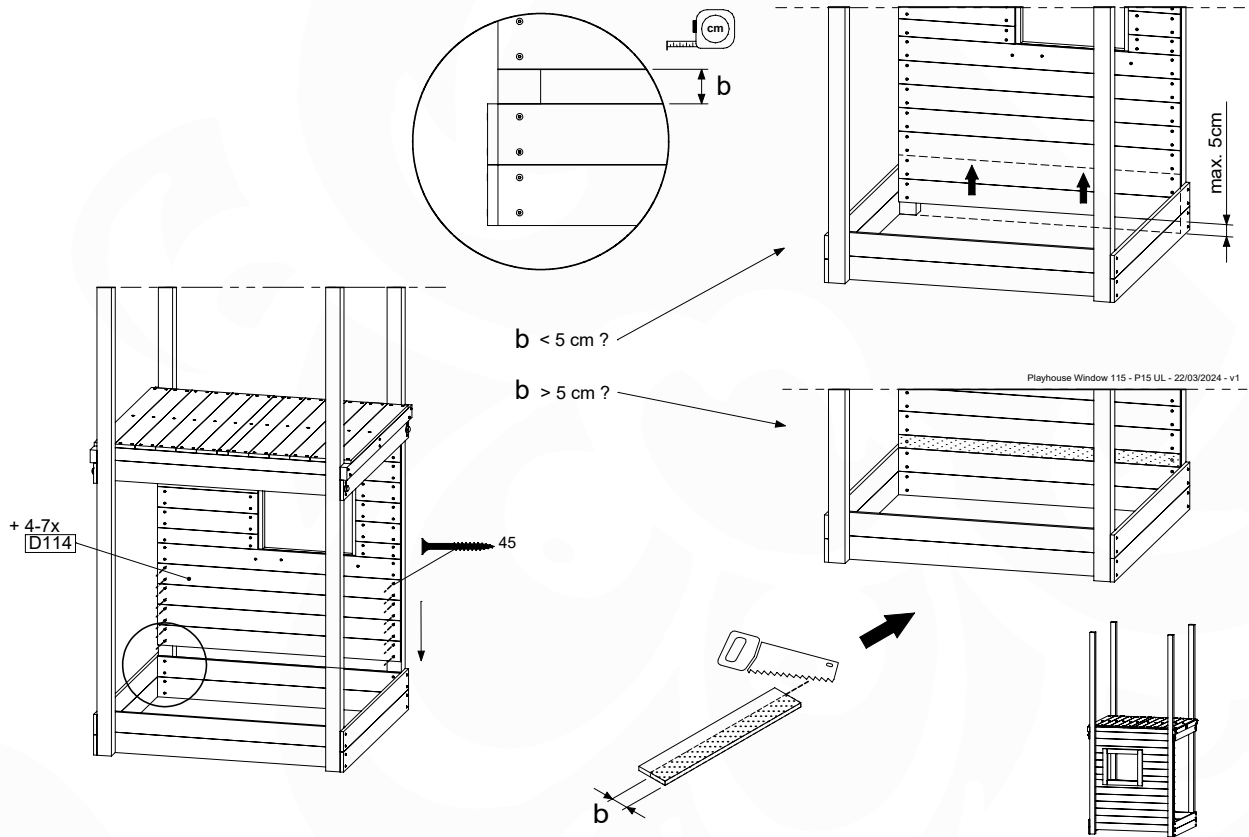
# 17.1







# 17.3



# 18 SW13a: 2-Swing Module 220

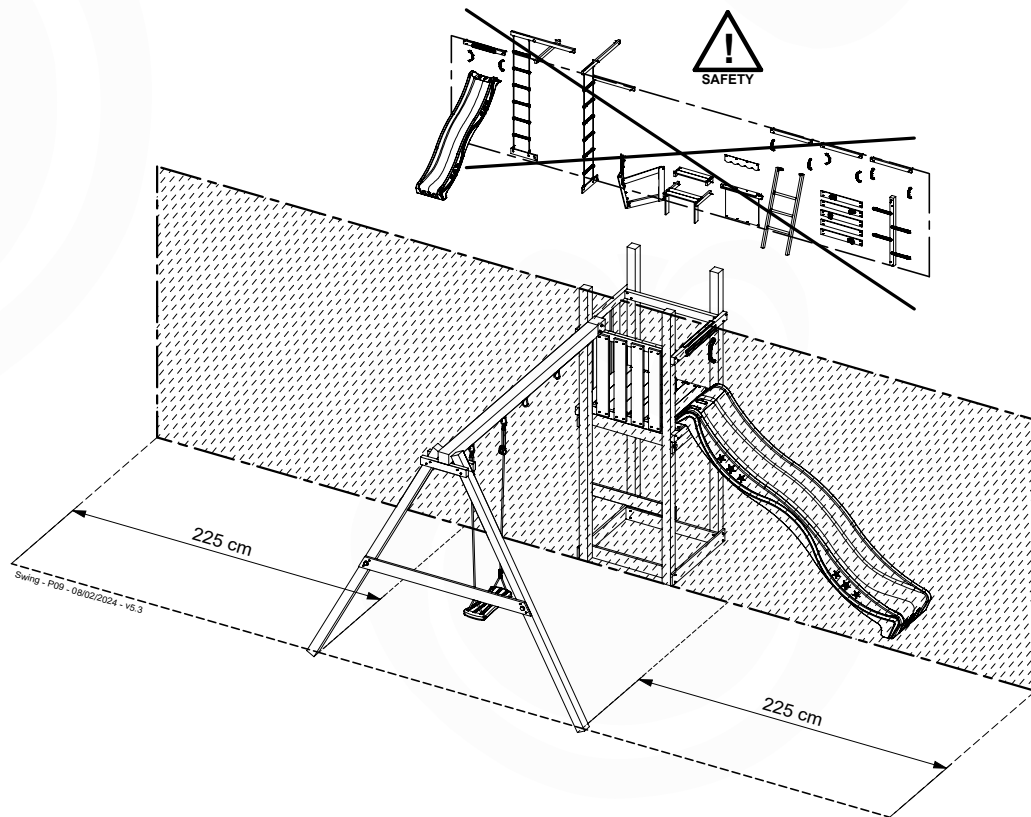
(457\_102)

	PartNo	PartName	QTY.
Hardware Pack	001_406	Stealth Screw 8x45	4
	001_417	Stealth Screw 8x80	3 / 4
	001_422	Stealth Screw 8x137	3
	002_220	Gap Point Screw T25 - 5x45	12
	002_223	Gap Point Screw T25 - 5x80	6
Other	005_528	Swing Beam Bracket 7x7	1
	007_001	Ground-anchor	2
	022_31x	bpc-base version 3	2
	022_84x	bpc cover	2
	023_031	Finishing Washer GPS 5.0	2
	101_003	Swing hook with Carabiner	4
Timber	A240	Post 70x70 L2400	2
	B240	Post 90x90 L2400	1
	C37	Beam 370 mm	2
	D141	Board 1410 mm	2

E 91 - 10202/20101 - 9041 - BUNMS

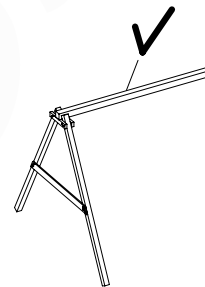
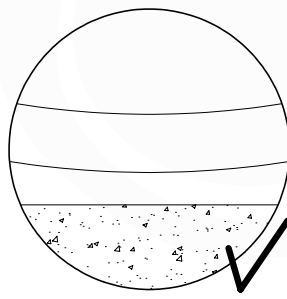
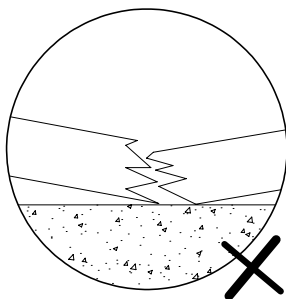
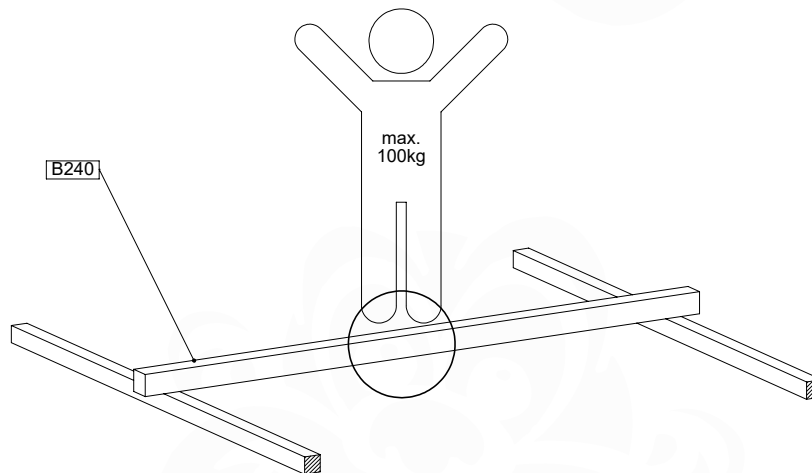
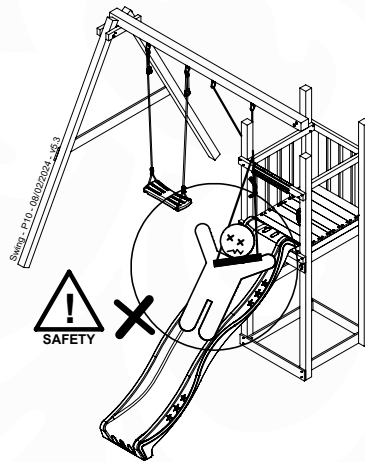
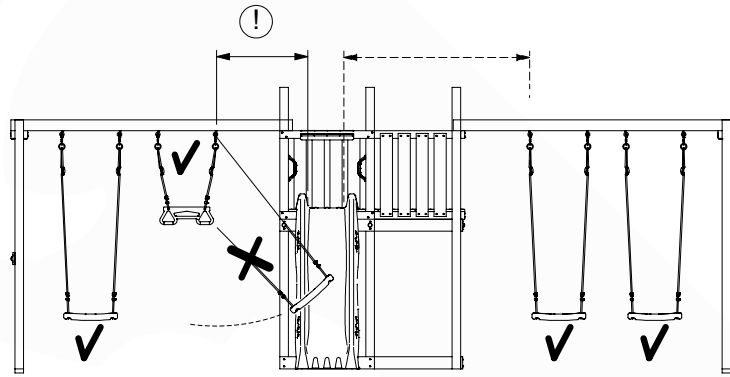
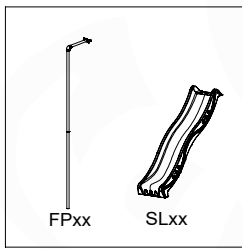


2-Swing Module 220



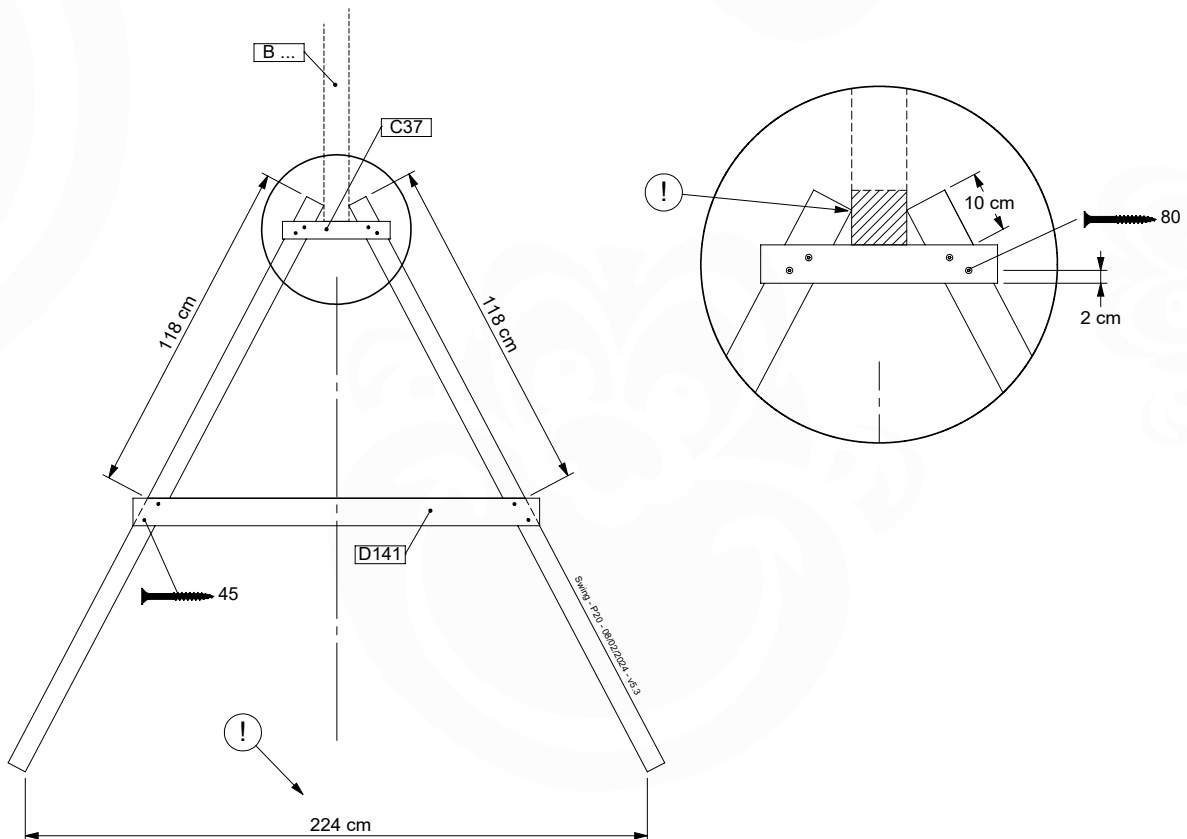
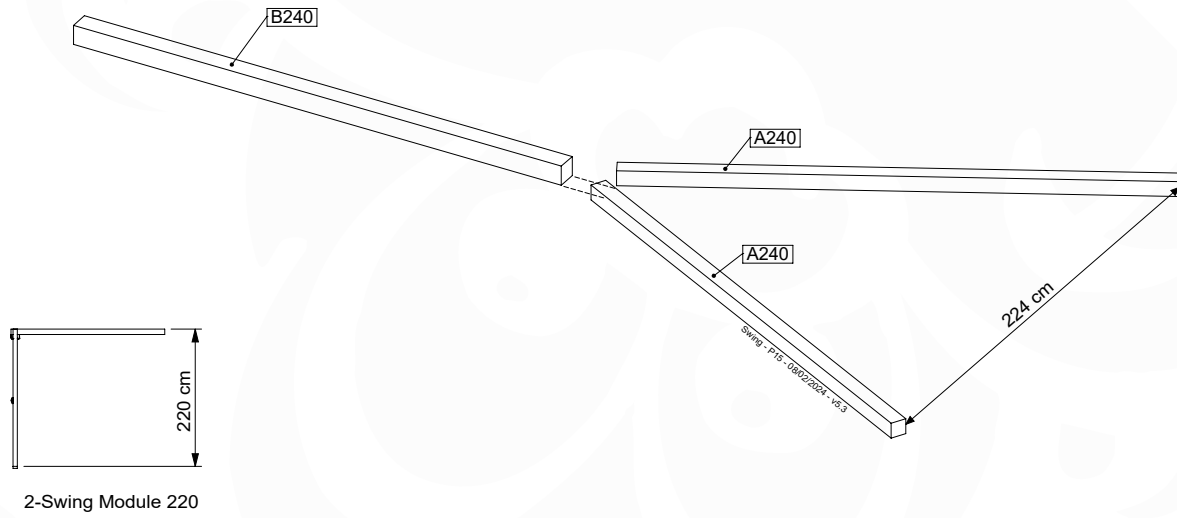
Swing - P09 - 09102/2024 - vs.3

# 18.1

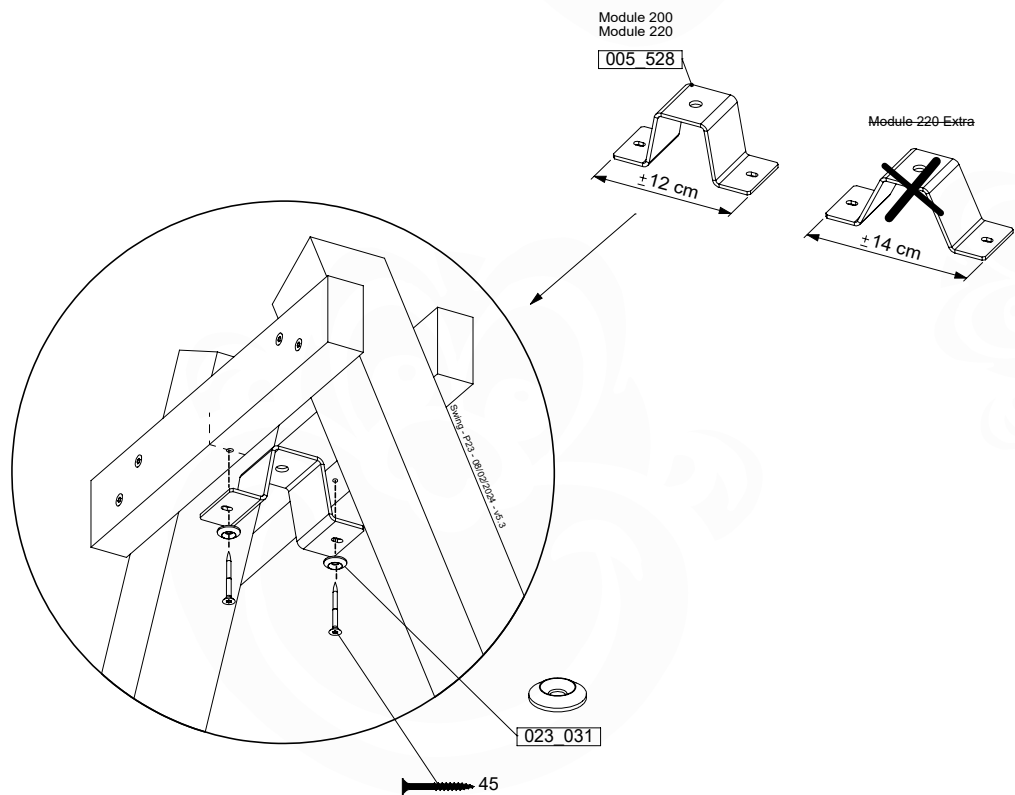
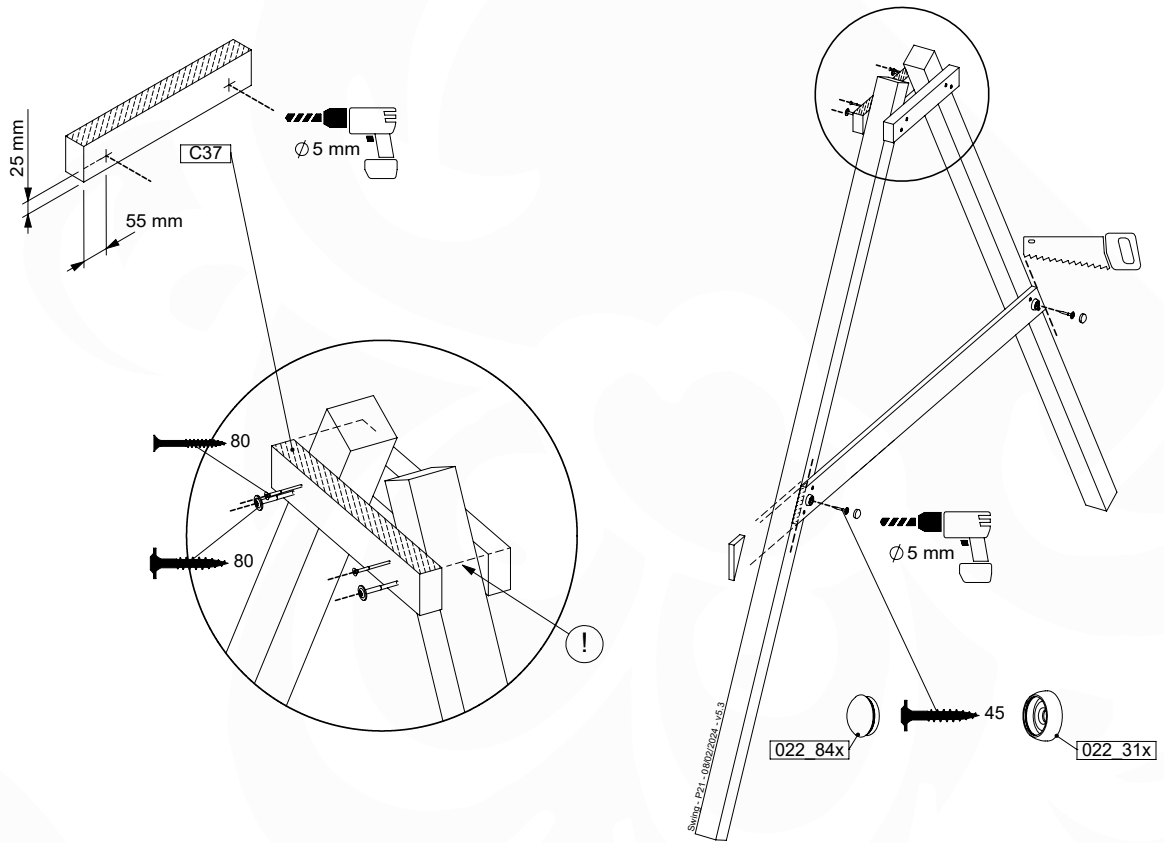


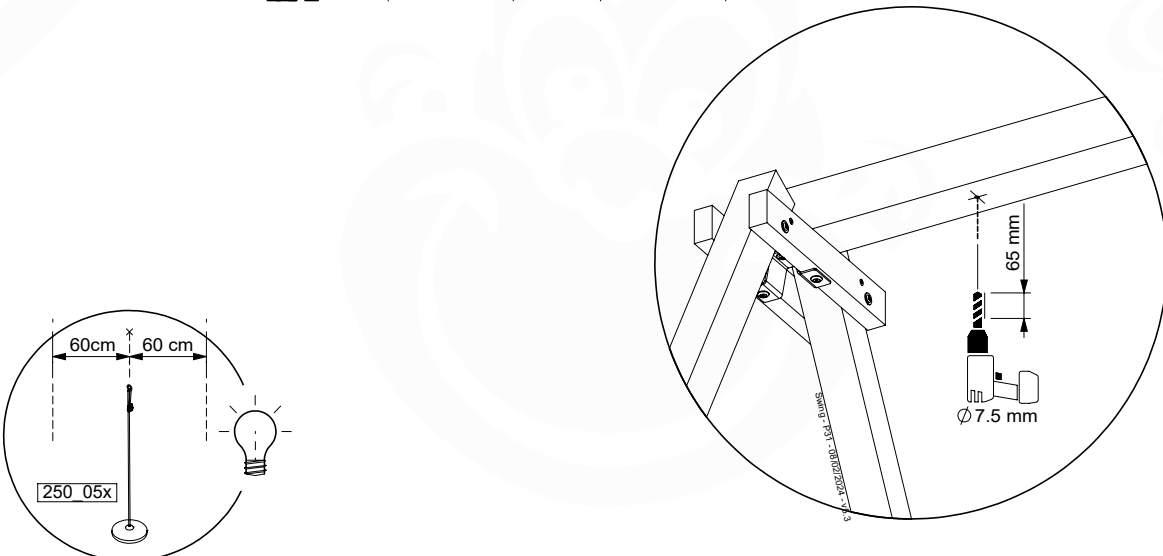
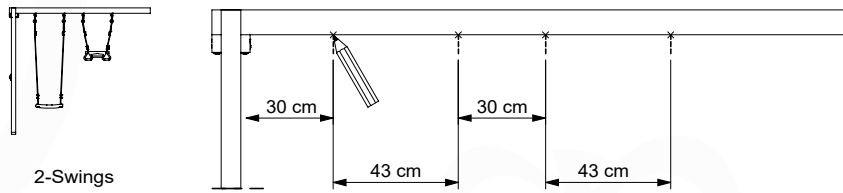
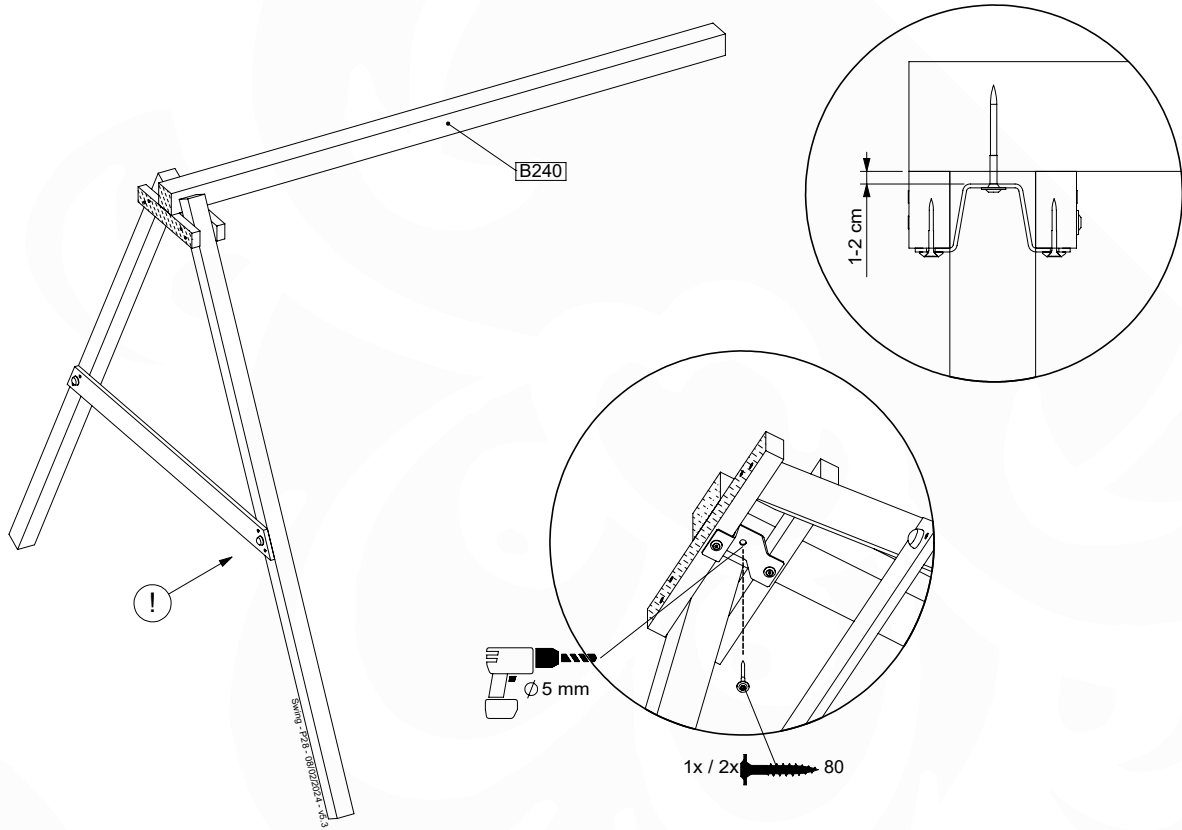
Swing - F10 - 08/02/2024 - v5.3

# 18.2

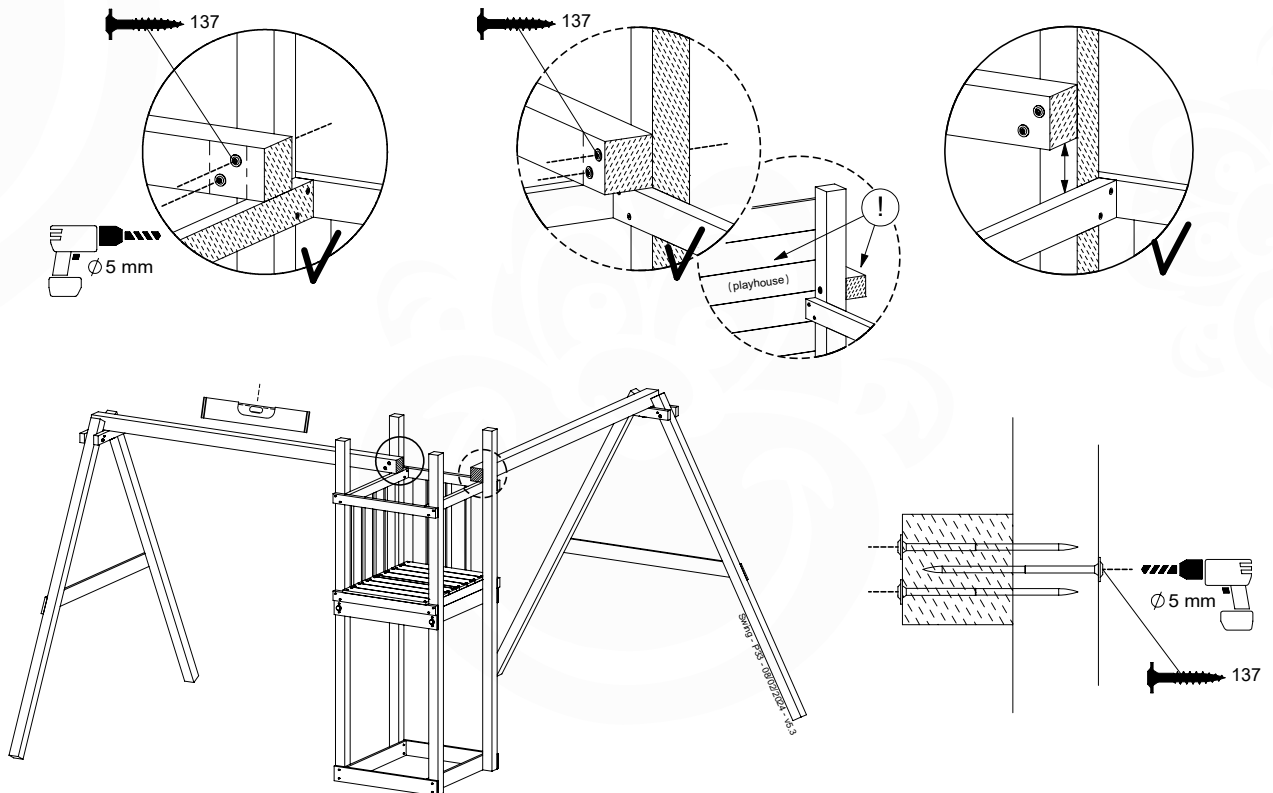
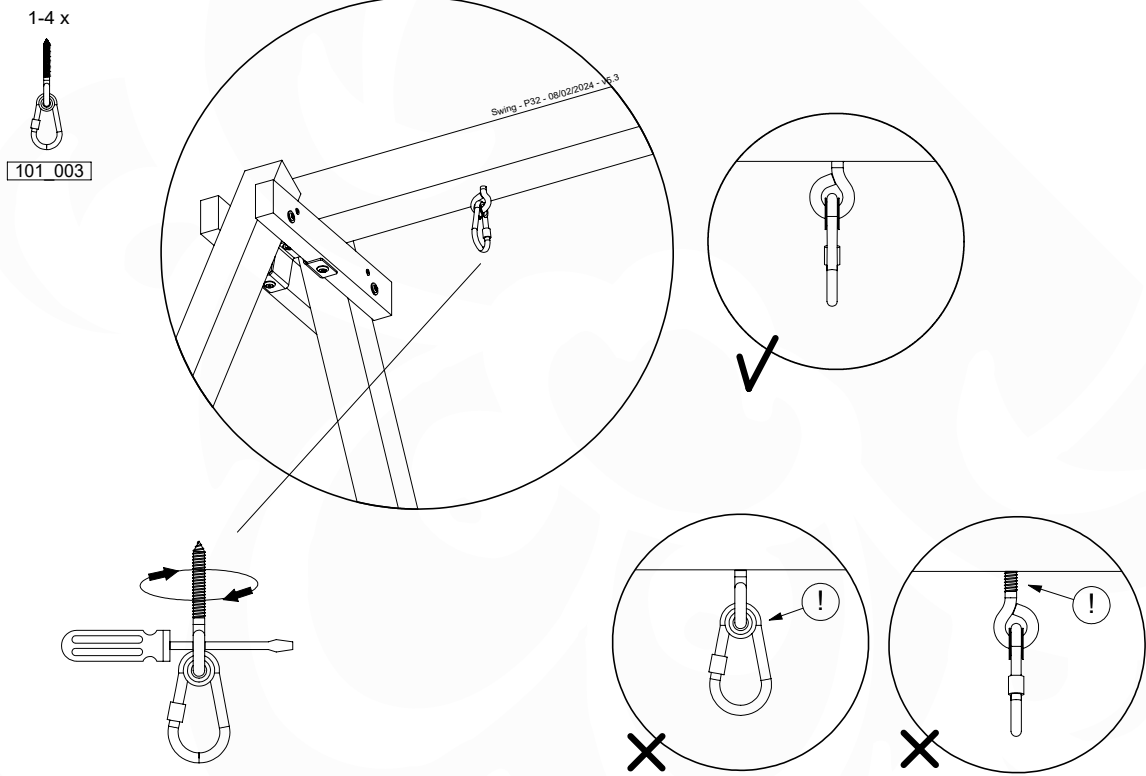


# 18.3

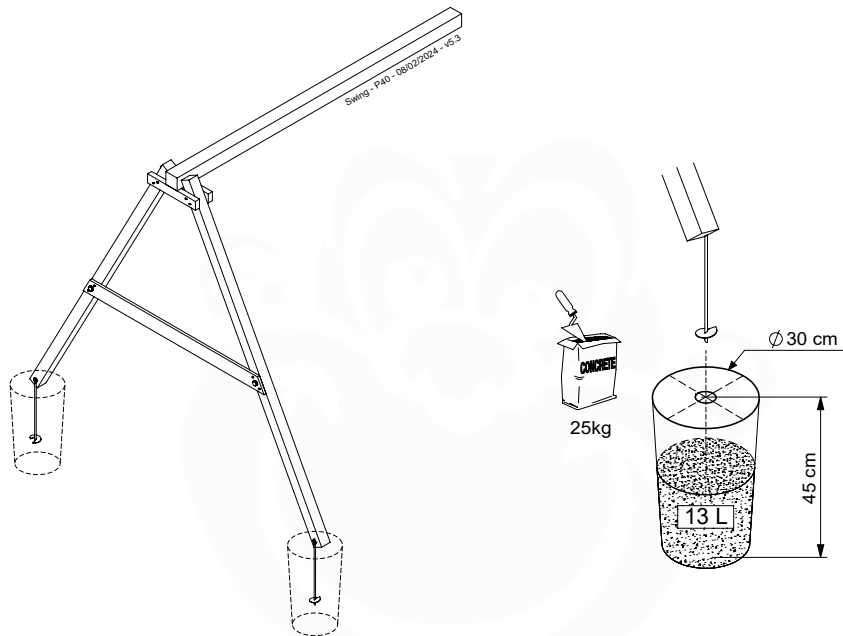
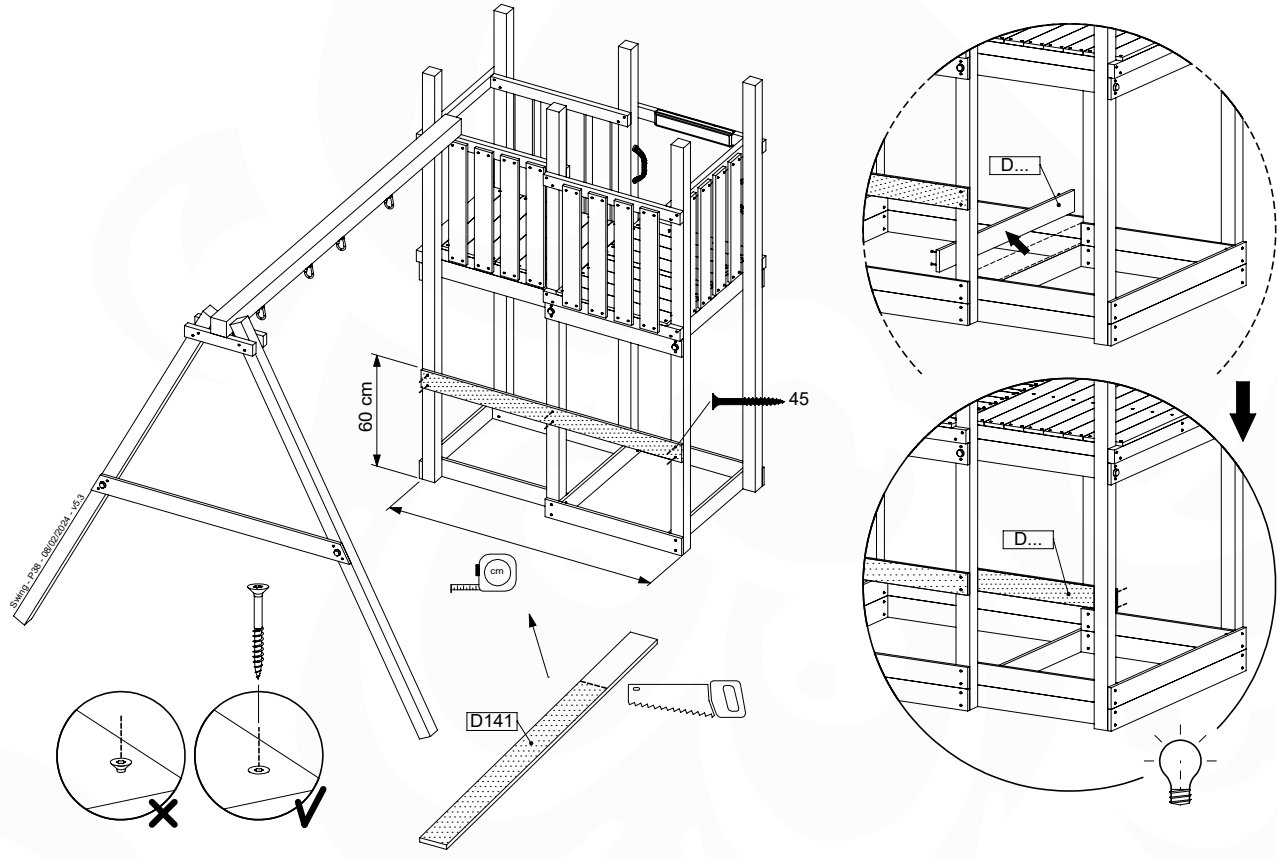




# 18.5

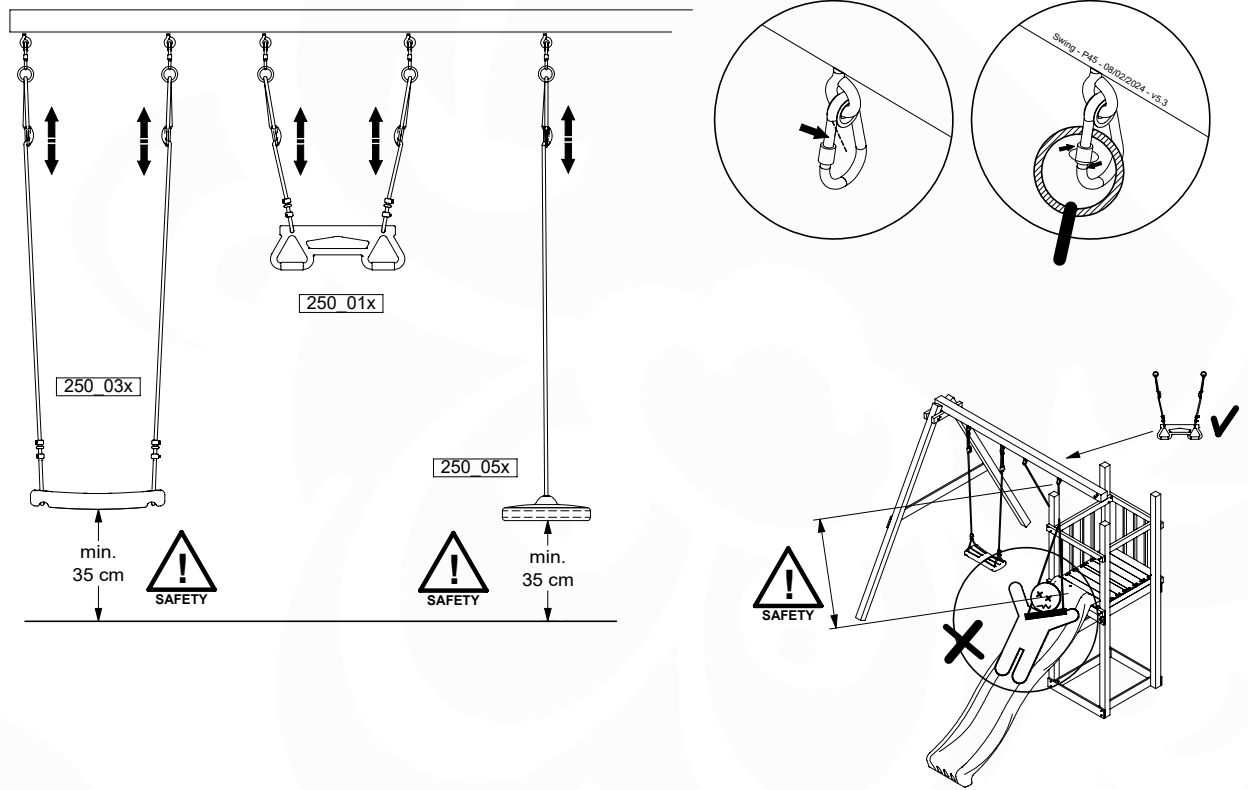


# 18.6





# 18.7

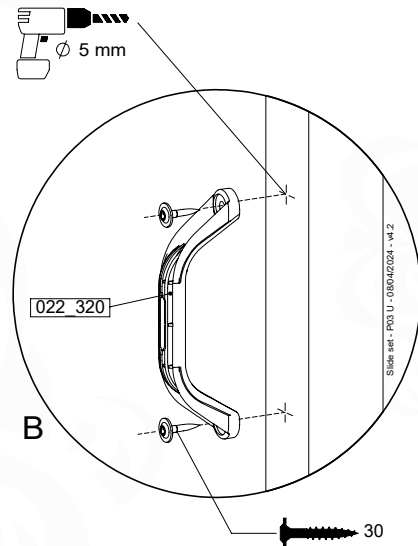
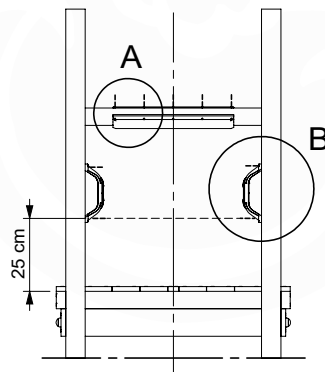
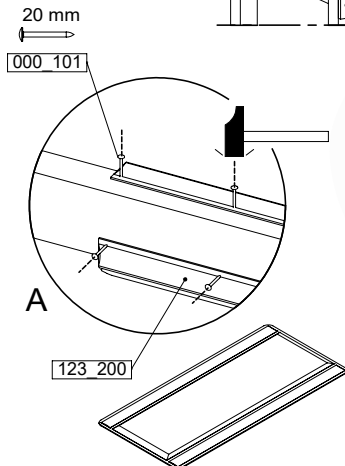
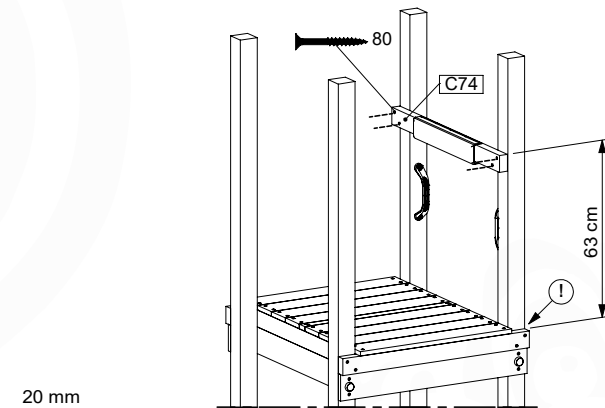
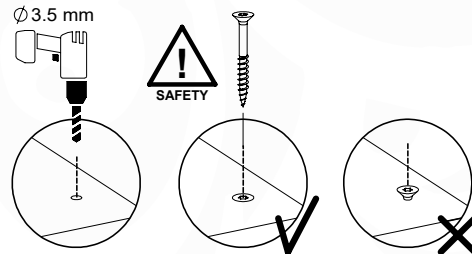
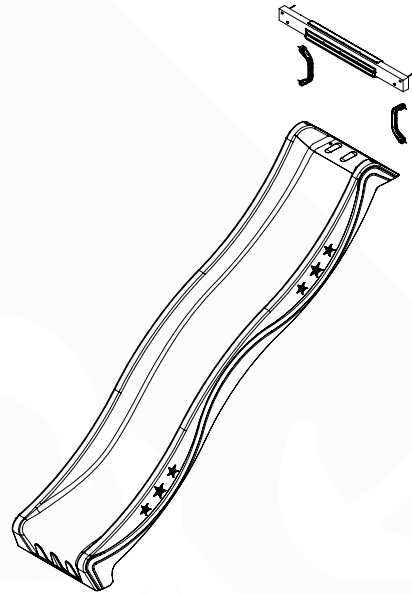


# 19 SL01a: Slide 80 125 U

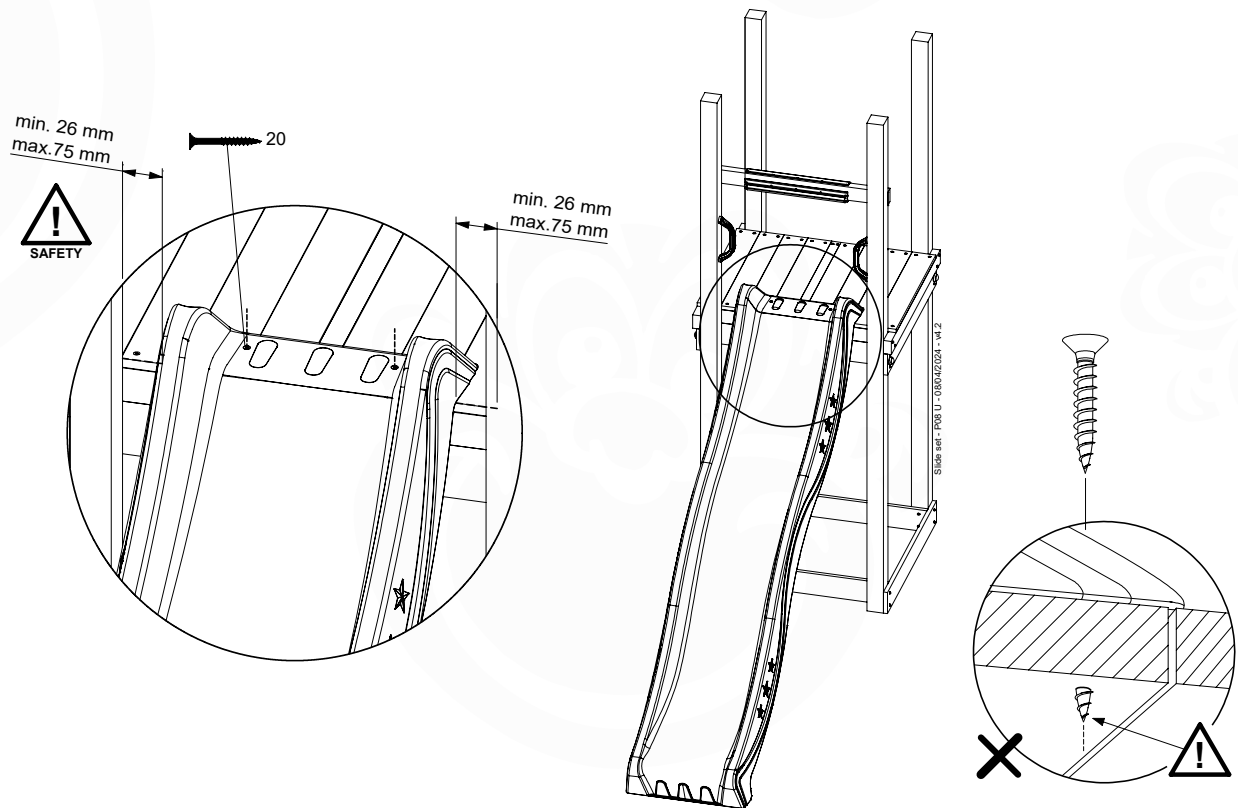
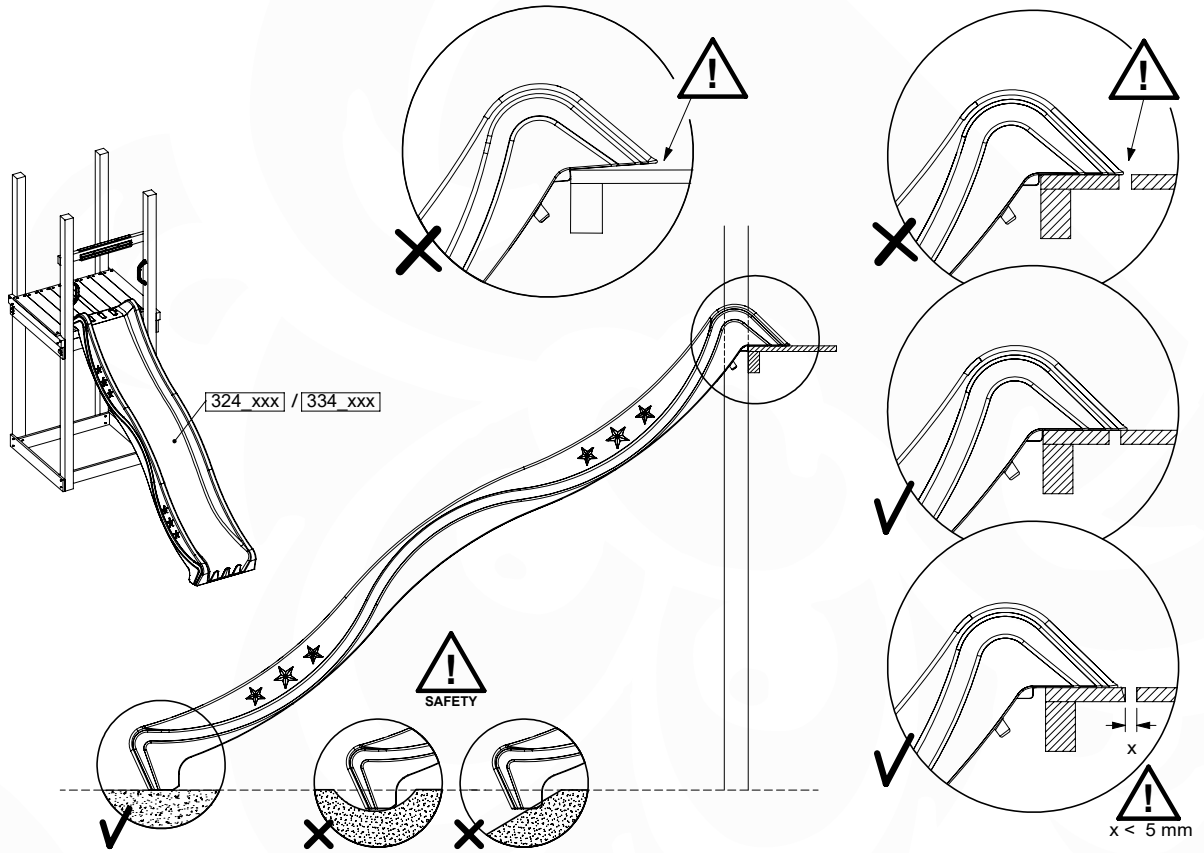
Assembly Pack: 194\_107

	PartNo	PartName	QTY.
Hardware Pack 100_605	000_101	Nail Pan Head	10
	002_223	Gap Point Screw T25 - 5x80	4
	002_308	Gap Point Screw T25 - 5x20	2
Other	120_102	Handgrip set (2x Complete)	1
	123_200	Bumperpad	1
	324_xxx 334_xxx	Wavy Star Slide XL 2200 mm / Wavy Star Slide XL 2650 mm	1
Timber	C74	Beam 740 mm	1

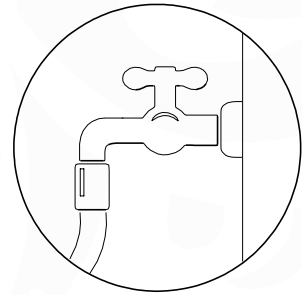
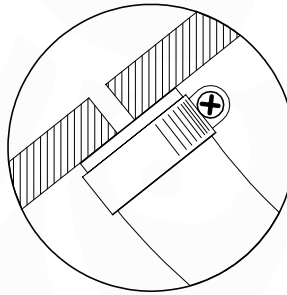
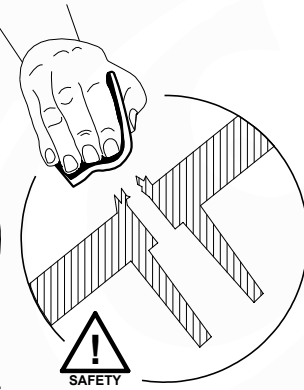
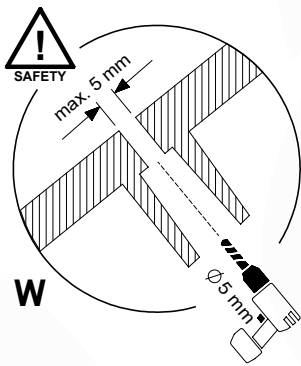
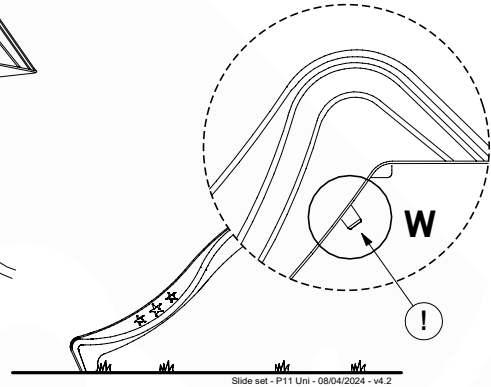
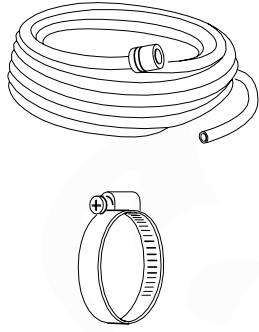
Slide set - P02 - 08/04/2024 - v4.2



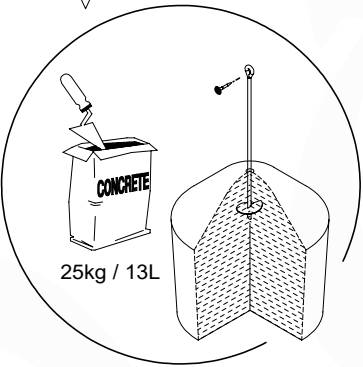
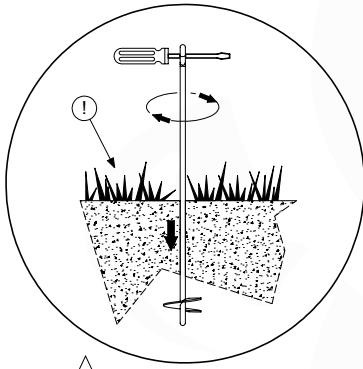
Slide set - P03 U - 08/04/2024 - v4.2



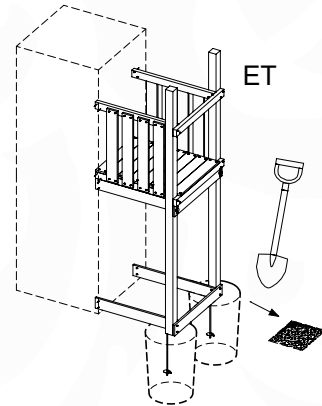
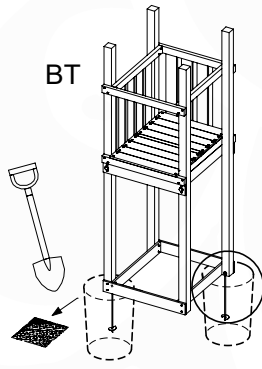
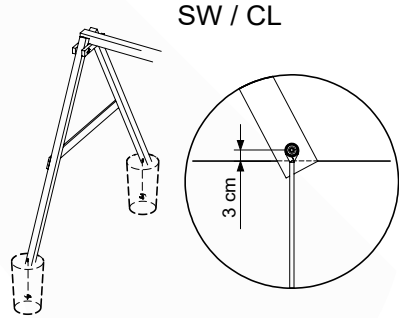
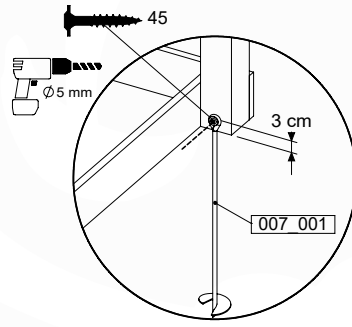
# 19.2



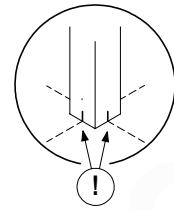
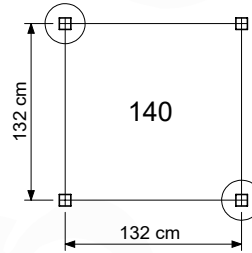
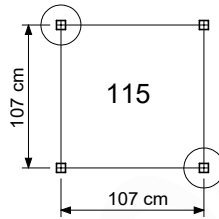
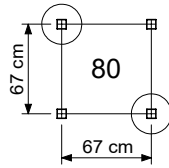
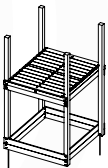
# 20 GA: Ground Anchors



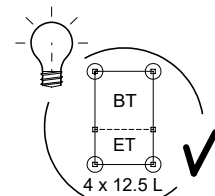
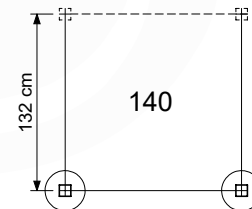
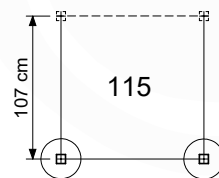
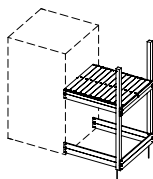
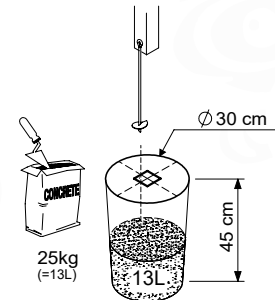
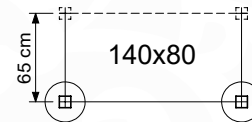
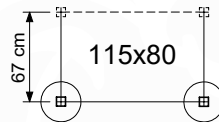
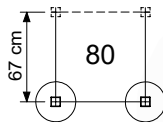
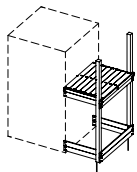
Ground Anchors Unit - P03 - 06/03/2024 - v1.3



BASE TOWERS



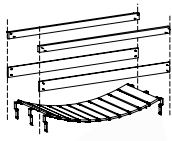
EXTENSION TOWERS



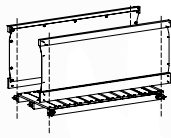
Ground Anchors Unit - P03 - 06/03/2024 - v1.3

# 20.1

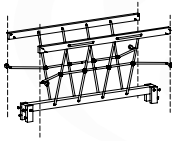
CLATTER BRIDGE



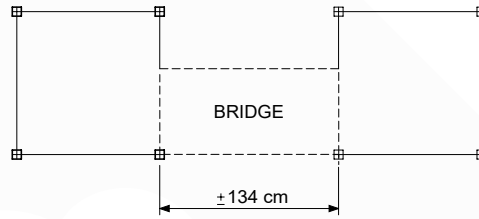
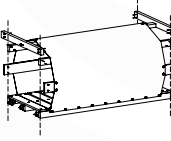
BOARDWALK BR.



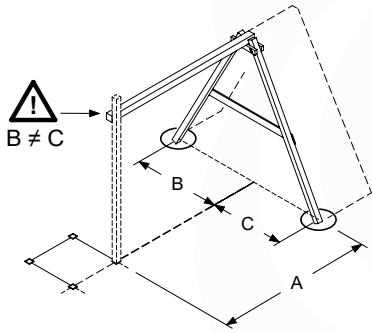
NET BRIDGE



TUNNEL BRIDGE

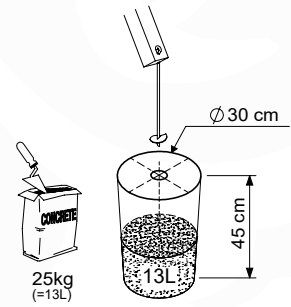


SWING / CLIMB MODULE

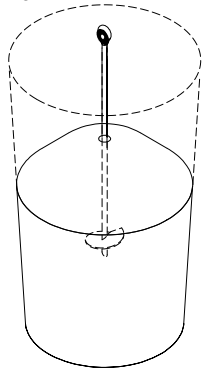


Module type	A	B	C
1-Swing 200	150	115	100
1-Swing 220 / 220 Extra		120	105
2-Swing 200	210	115	100
2-Climb 200			
1-Climb 200	142	120	105
1-Climb 220 / 220 Extra			
2-Swing 220 / 220 Extra	230	120	105
2-Climb 220 / 220 Extra			

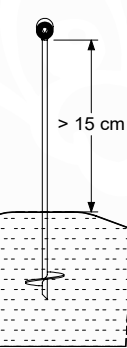
Grand Anchers Uni. - P02 - 06/03/2024 - v1.3



25kg / 13L

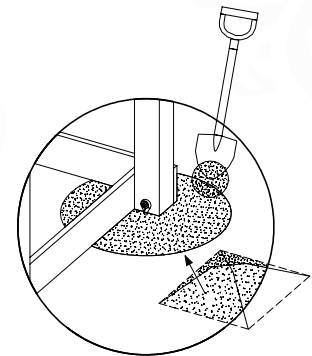


1.



2.

24h



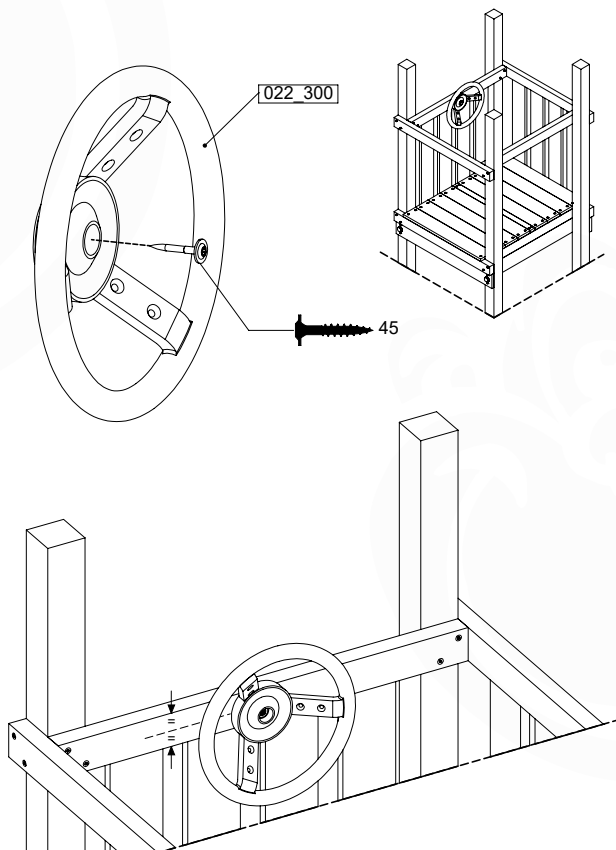
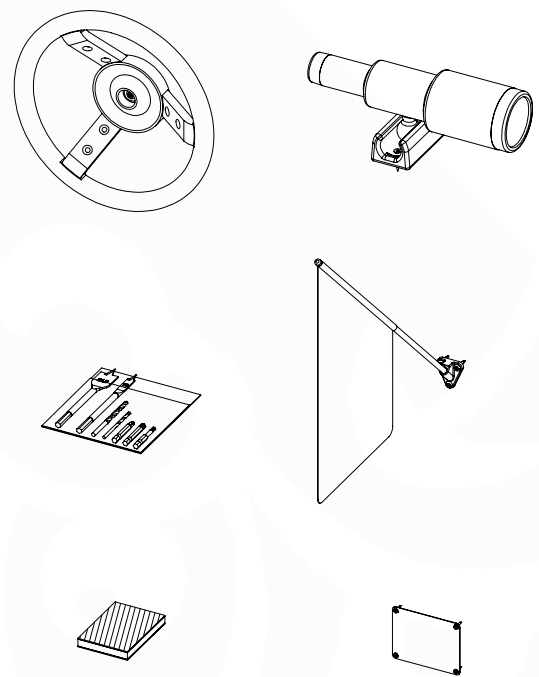
4.

# 21 AC01a: Accessories

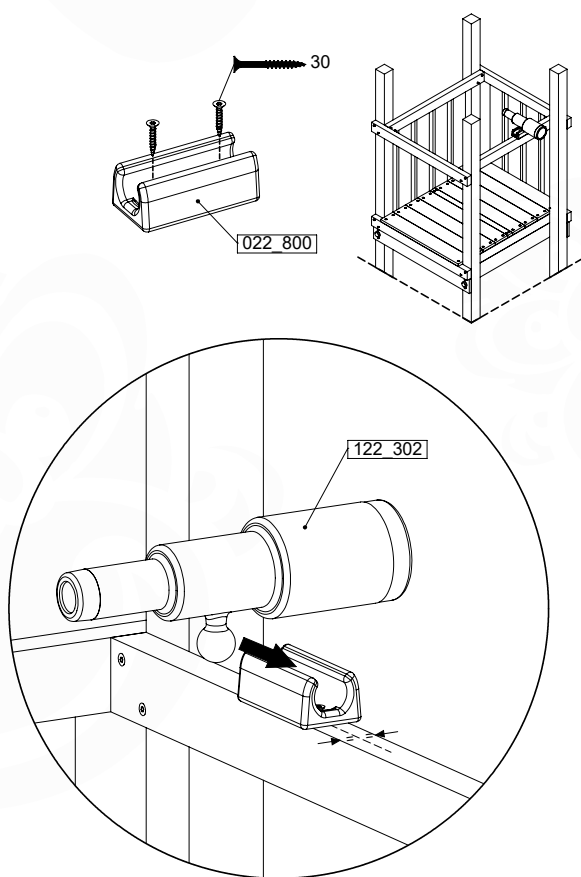
( 194\_119 )

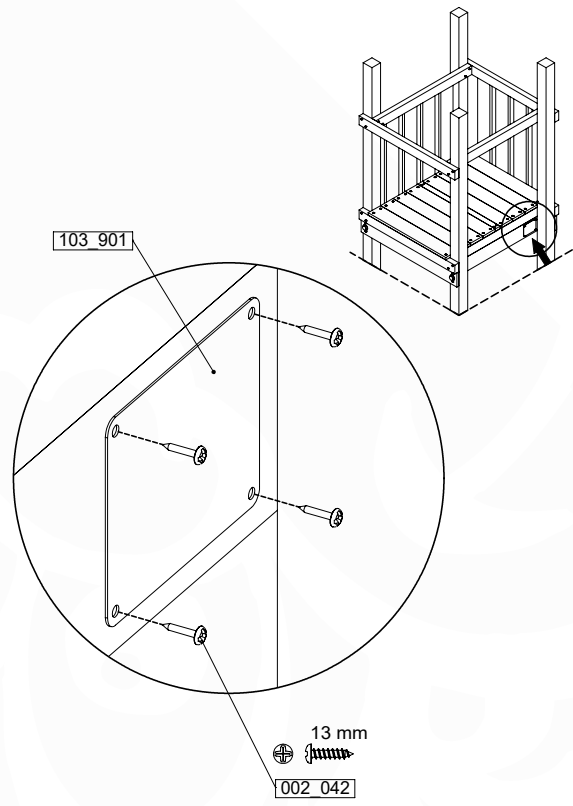
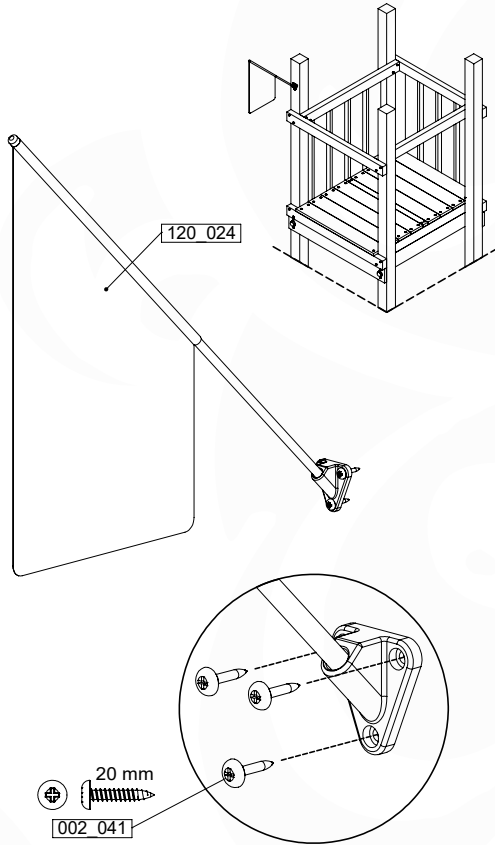
	PartNo	PartName	QTY.
Hardware Pack 100_617	001_406	Stealth Screw 8x45	1
	002_041	Dome head screw 4.5 x 20 mm	3
	002_042	Dome head screw 3.5 x 13mm	4
	002_219	Gap Point Screw T25 - 5x30	2
Other	022_300	Steering Wheel	1
	022_800	Rail P/T 105	1
	022_910	Sandpad	1
	103_901	Logo ID Plate	1
	104_107	Tool Set Climbing Units	1
	120_024	Tower Flag	1
	122_302	Telescope	1

Accessory set - P102 - 24/01/2024 - v5

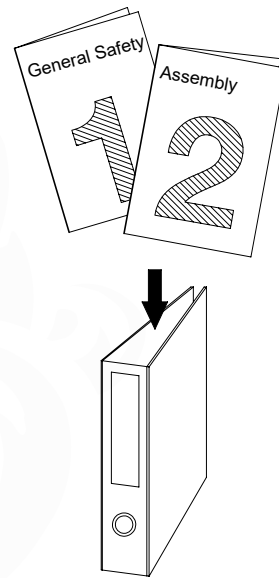
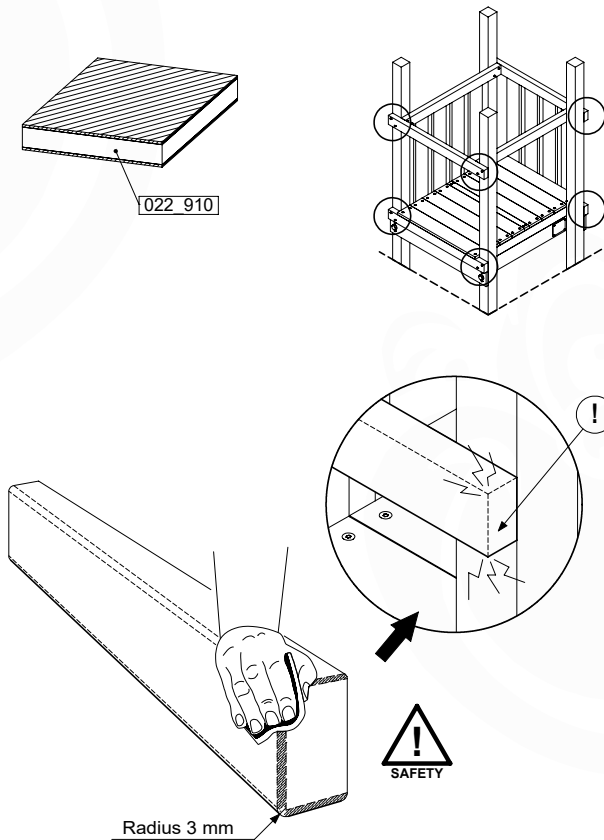


Accessory set - P103 - 24/01/2024 - v5





Accessory set - P04 - 24.01/2024 - v5



Accessory set - P05 - 24.01/2024 - v5



# 22 Declaration of conformity

## Activity toys for domestic use Aktivitätsspielzeug für den häuslichen Gebrauch Jouets d'activité à usage familial

### 1. Wooden climbing frames

20240416\_v3

#### 1.1. Assemblies

Playtowers	801_005, 801_009, 801_010, 801_013, 801_025, 801_040, 801_060, 801_070, 801_090, 801_095, 801_100, 801_103, 801_105, 801_110, 801_120, 801_200, 802_202, 802_204, 802_206, 802_208, 803_202, 803_204, 803_206, 803_208, 803_210, 809_802, 809_804
Swings	801_300, 801_601, 801_602
Modules	850_176, 850_177, 850_231, 850_232, 857_101, 857_102, 857_105, 857_106, 857_151, 857_152, 857_157, 857_158, 850_240

#### 1.2. Sub assemblies

Base towers (BT)	BT01a, BT02a, BT03a, BT11a, BT14a, BT15a, BT20a
Extension towers (ET)	ET01a, ET02a, ET05a, ET06a, ET07a, ET08a, ET09a, ET10a, ET11a, ET12a, ET13a, ET14a, ET15a, ET16a, ET17a, ET18a, ET19a, ET20a, ET22a, ET23a, ET27a, ET28a, ET35a, ET29a, ET39a, ET40a
Bridges (CB, NB, BB, TB)	CB01a, NB01a, BB01a, BB02a, TB01a, TB02a, TB03a, TB04a
Roofs (RF)	RF01a, RF21a, RF02a, RF03a, RF04a, RF05a, RF06a, RF20a, RF02b, RF03b, RF07a, RF08a, RF22a, RF09a, RF23a, RF11a, RF12a, RF07b, RF12b, RF08b, RF22b, RF09b, RF23b, RF11b, RF14a, RF24a, RF15a, RF25a, RF18a, RF18b, RF14b, RF24b, RF15b, RF25b
Balustrade (BL, BF)	BL01a, BL02a, BL21a, BF25a, BF26a, BF27a, BF28a, BF01a, BF02a, BF03a, BF04a, BF05a, BF06a, BF07a, BF08a, BF01b, BF02b, BF03b, BF04b, BF05b, BF06b, BF07b, BF08b, BF21a, BF22a, BF23a, BF24a, BF21b, BF22b, BF23b, BF24b
Playhouse (PH)	PH03a, PH04a, PH05a, PH06a, PH10a, PH11a, PH40a, PH41a, PH12a, PH13a, PH14a, PH15a, PH42a, PH43a, PH44a, PH45a, PH16a, PH17a, PH18a, PH19a, PH30a, PH31a, PH16b, PH17b, PH18b, PH19b, PH46a, PH47a, PH48a, PH49a, PH16c, PH17c, PH18c, PH19c, PH46b, PH47b, PH48b, PH49b, PH20a, PH21a, PH22a, PH23a, PH24a, PH25a, PH26a, PH27a, PH32a, PH33a, PH52a, PH53a, PH54a, PH55a, PH56a, PH57a, PH50a, PH51a, PH26b, PH27b, PH26c, PH27c, PH56b, PH57b
Ladder (LA)	LA05a, LA06a, LA01a, LA02a, LA03a, LA01b, LA02b, LA03b, LA11a, LA12a, LA13a, LA14a, LA15a, LA16a, LA17a, LA18a, LA31a, LA32a, LA33a, LA34a, LA35a, LA36a, LA37a, LA38a, LA21a, LA22a, LA23a, LA24a, LA25a, LA26a, LA43a, LA44a, LA45a, LA46a
Two Step Ladder (TS)	TS01a, TS01b, TS02a, TS02b, TS03b, TS22a, TS05a, TS06a, TS07a, TS08a, TS09a, TS10a, TS11a, TS12a, TS15a, TS16a, TS17a, TS18a, TS19a, TS20a, TS21a, TS22a
Rope Ladder (RL)	RL01a, RL02a, RL05a, RL06a, RL07a, RL08a, RL09a, RL10a, RL11a, RL12a, RL15a, RL16a, RL19a, RL20a
Rock wall (RW)	RW01a, RW02a, RW01b, RW02b, RW03b, RW31a, RW32a, RW33a, RW05a, RW06a, RW07a, RW08a, RW09a, RW10a, RW11a, RW12a, RW40a, RW41a, RW15a, RW16a, RW17a, RW18a, RW19a, RW20a, RW46a, RW47a
Ramp (RA)	RA03a, RA04a, RA05a, RA06a, RA07a, RA08a, RA11a, RA12a, RA21a
Net (NA, NS)	NA01a, NA02a, NS01a, NS02a, NS03a, NS21a, NA04a, NA05a, NS04a, NS05a, NS06a, NS07a, NA08a, NA09a, NS08a, NS09a
Boat (BO)	BO01a
Market (MT)	MT01a, MT02a, MT05a, MT06a, MT11a, MT12a
Picnic (PC)	PC01a, PC01b, PC05a, PC06a, PC09a, PC10a
Gymnastics bar (GY)	GY01a
Fireman's pole (FP)	FP01a, FP02a, FP04a, FP05a, FP06a, FP07a, FP23a, FP24a, FP25a, FP26a, FP27a, FP28a
Slides (SL)	SL01a, SL02a, SL03a, SL06a, SL07a, SL08a, SL09a, SL10a, SL11a, SL12a, SL13a, SL26a, SL27a, SL28a, SL29a
Swing (SM)	SW17a, SW21a, SW18a, SW22a, SW01a, SW05a, SW02a, SW06a, SW09a, SW13a, SW10a, SW14a
Climb (CL)	CL17a, CL21a, CL18a, CL22a, CL01a, CL05a, CL02a, CL06a, CL09a, CL13a, CL10a, CL14a
Universal Beam (UB)	UB01a, UB04a, UB02a, UB05a, UB03a, UB06a
Accessories (AC)	AC30a, AC31a, AC32a, AC33a, AC01a, AC05a, AC07a, AC03a, AC04a, AC06a, AC23a, AC22a, AC24a, AC21a, AC25a, AC02a, AC09a, AC08a, AC10a

### 2. Construction packages

#### 2.1 Assembly Kits

Playtowers	401_015, 401_080, 401_125, 402_201, 402_202, 402_204, 402_206, 402_208, 403_202, 403_204, 403_206, 403_208, 403_210, 409_802, 409_804
Swings	401_300, 401_600
Modules	457_005, 457_102, 457_103, 457_106, 457_107, 457_205

#### 2.2 Assembly Packs

Sub assemblies	194_002, 194_003, 194_004, 194_006, 194_007, 194_008, 194_009, 194_010, 194_100, 194_101, 194_102, 194_103, 194_104, 194_105, 194_107, 194_108, 194_109, 194_110, 194_111, 194_112, 194_113, 194_114, 194_115, 194_116, 194_117, 194_118, 194_119, 194_300, 194_308, 194_312, 194_500, 194_501, 194_508, 194_510, 194_802, 194_804, 194_809, 194_810, 194_811, 194_812
----------------	--

### 3. Accessories and components

Slides XL	324_100, 324_200, 324_300, 324_400, 324_500, 324_600
Slides XXL	334_100, 334_200, 334_300, 334_400, 334_500, 334_600
Fireman's pole	201_275
Climbing	201_060, 201_273
Imagination	201_280, 201_285, 201_290, 201_295, 202_473, 450_310, 450_320, 450_330
Swinging	250_001, 250_013, 250_025, 250_034, 250_053
Functional	123_220, 123_222, 123_230, 201_115, 201_220, 201_250, 201_260, 201_270, 202_620, 202_621, 202_622, 202_623, 202_624, 202_625, 202_626, 202_627, 202_628, 202_629, 202_824, 250_065, 250_070, 250_075

## Applicable EU directives and standards

### General

- General Product Safety Directive (GPSD) 2001\48\EG
- Reach directive 1907\2006
- AfPS GS 2019:01 PAK

## Activity Toys

- Toy Safety Directive (TSD) 2009\48\EG
- EN Standard 71 Safety of Toys
  - EN 71-1:2014 + A1:2018 Safety of toys Mechanical and physical properties
  - EN 71-2:2020 Flammability
  - EN 71-3:2019 + A1:2021 Migration of certain elements
  - EN 71-8:2018 Safety of toys Activity toys for domestic use

## Supplementary information

Conformity to the above specified directives and standards has been frequently verified by TÜV Rheinland LGA products, DEKRA, LNE SA, since 1994. Jungle Gym participates in the European Commission for standardisation for the safety of activity toys (TC52/WG10).



EN 71-1,-2, -3, -8 & -9

## Manufacturer details

Company Name: Jungle Gym B.V.  
Address: Valscherkade 18, 1059 CD Amsterdam, Netherlands  
Email: info@junglegym.com

## Declaration

I hereby declare under our sole responsibility that the products mentioned above, to which this declaration relates, comply with the above mentioned directives and standards when the installation, assembly, and maintenance instructions are strictly followed.

Name  
Mr. P. Schmit / Director

Issued date  
Thursday 2<sup>nd</sup> May, 2024

Signature of representative

Jungle Gym B.V. | P.O. Box 75083 | 1070 AB Amsterdam | Netherlands | Phone: +31 85 444 41 00 | e-mail: info@junglegym.com | www.junglegym.com