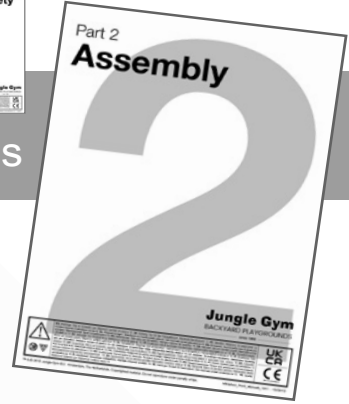
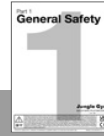


Part 2

Assembly

Instructions



Config ID: fcS8ZW
Publish Date: 2024-05-02
Product Name: Titan 2-Climb



Jungle Gym


BACKYARD PLAYGROUNDS

since 1988


Assembly time 24.5 hours by 2 adults		<p>EN. Warnings. Only for domestic use. Maximum number of users is 9. DE. Achtung. Nur für den Hausgebrauch. Maximale Benutzerzahl: 9. FR. Attention. Réserve à un usage familial. Le nombre maximal d'utilisateurs est de 9. NL. Waarschuwingen. Uitsluitend voor huishoudelijk gebruik. Het maximale aantal gebruikers is 9. BG. Внимание. За употреба само в домашни условия. Максималният брой потребители е 9. CS. Varování. Jen pro domácí použití. Maximální počet uživatelů je 9. DA. Advarsler. Kun til privat brug. Maksimum antal brugere er 9. EL. Προειδοποιήσεις. Μόνο για οικιακή χρήση. Μέγιστος αριθμός χρηστών 9. ES. Advertencias. Sólo para uso doméstico. Número máximo de usuarios: 9. ET. Hoiatused. Ainult koduseks kasutamiseks. Maksimaalne kasutajate arv on 9. FI. Varoitukset. Ainoastaan kotikäyttöön. Käyttäjää yhteensä enintään 9. HR. Upozorenja. Samo za kućansku uporabu. Maksimalan broj korisnika je 9. HU. Figyelmeztetések. Csak otthoni használatra! A használók max. száma: 9. IS. Varnaðarorð. Eingöngu fyrir einkanotkun í heimahúsum og á einkalóðum. Hámarksfjöldi notenda er 9. IT. Avvertenze. Solo per uso domestico. Massimo numero di utenti è 9. LT. Įspėjimai. Tik buitiniam naudojimui. Maksimalus naudotojų skaičius 9. LV. Brīdinājumi. Izmantot tikai mājās. Maksimālais lietotāju skaits ir 9. NO. Advarsler. Kun for privat bruk. Maksimalt antall brukere er 9. PL. Ostrzeżenia. Wyłącznie do użytku domowego. Maksymalna liczba użytkowników to 9. PT. Avisos. Apenas para uso doméstico. O número máximo de utilizadores é 9. RO. Avertismente. Numai pentru uz domestic. Numărul maxim de utilizatori este 9. RU. Предостережения. Только для домашнего использования. Максимальное количество пользователей - 9. SK. Upozornenia. Iba na domáce použitie. Maximálne množstvo osôb je 9. SL. Opozorila. Samo za domačo uporabo. Maksimalno število uporabnikov je 9. SR. Upozorenja. Samo za kućnu upotrebu. Maksimalan broj korisnika je 9. SV. Varningar. Endast för hemmabruk. Det maximala antalet användare är 9. TR. Uyarılar. Sadece ev kullanımı için. Maksimum kullanıcı sayısı</p>	

1 Helpdesk JungleGym

1.1 FAQ




English



<https://helpdesk.jungle gym.com/help/en-gb>

Deutsch




<https://helpdesk.jungle gym.com/help/de-de>

Français






<https://helpdesk.jungle gym.com/help/fr-fr>

Nederlands



<https://helpdesk.jungle gym.com/help/nl-nl>

1.2 Support



info@jungle gym.com

<https://www.jungle gym.com/customersupport-chat>

AT 0043 72 08 153 33* **FR** 0033 97 75 58 222*

BE 0032 78 48 16 19* **IE** 0035 38 1800 0300*

CH 0041 43 50 87 350* **LU** 0035 22 08 80 512*

DE 0049 32 22 10 98 299* **NL** 0031 85 44 44 102*

ES 0034 657 76 64 25* **UK** 0044 20 369 505 53*

EU 0031 85 44 44 100

Monday-Friday, CET 9:00am - 5:00pm
* Local phone charges may apply.

2 Start

2.1 Safety

Part 1
General Safety

Jungle Gym

<https://helpdesk.jungle gym.com/api/v1/attachments/11436>

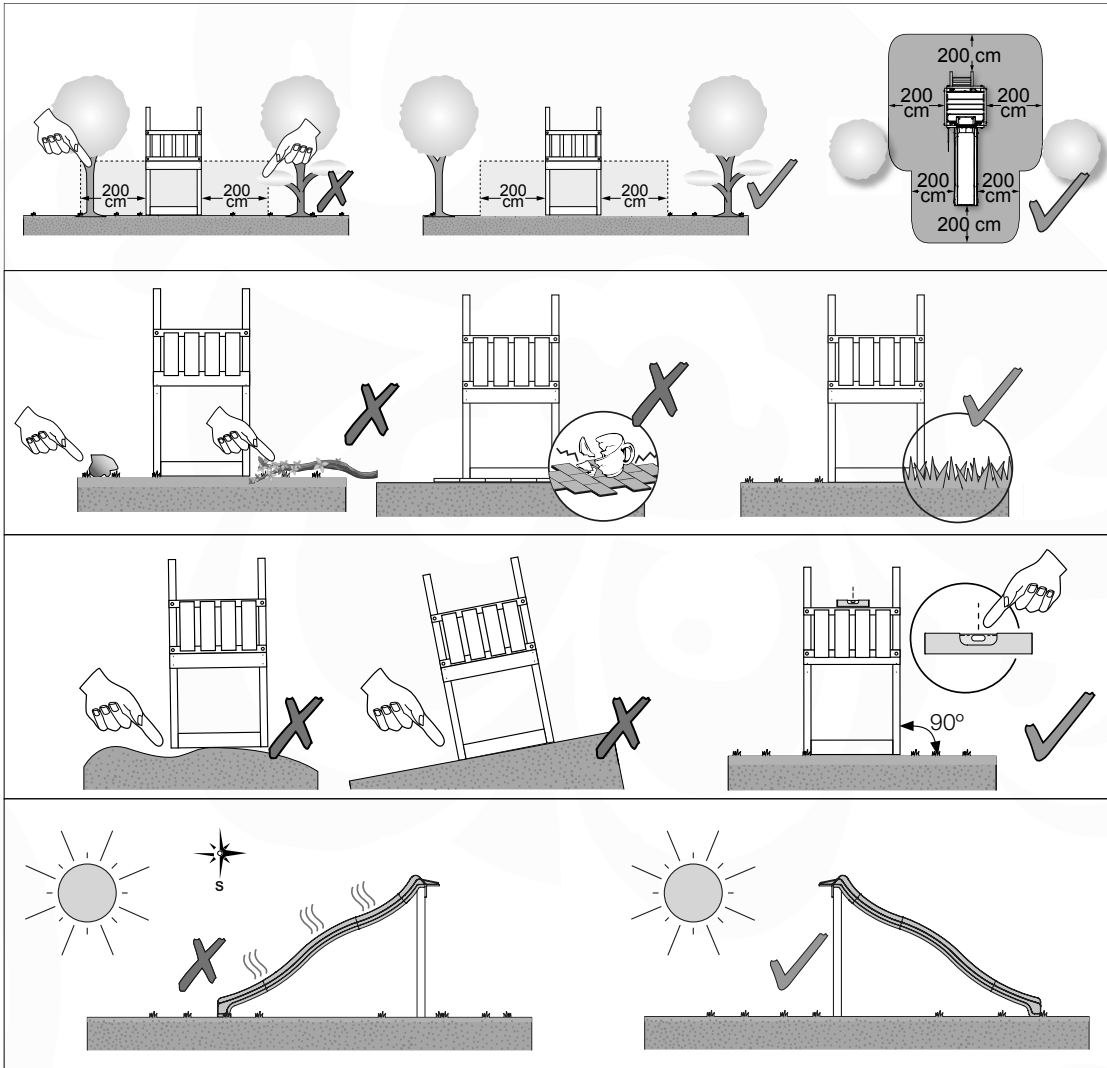
Icons illustrating safety requirements:

- Kneeling (with a checkmark)
- No mobile phone use (with a prohibition sign)
- Safety glasses (with a checkmark)
- Gloves (with a checkmark)
- Ear protection (with a checkmark)

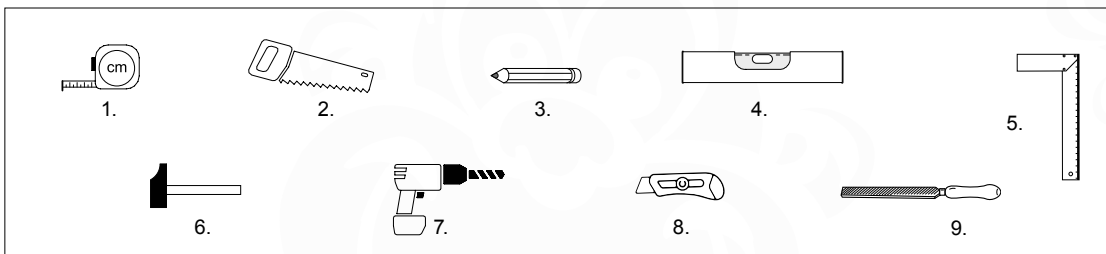
Diagrams illustrating correct assembly methods:

- Left diagram: Two workers are shown assembling a platform. One worker is kneeling and holding a board, while the other stands. A checkmark is present.
- Right diagram: Two workers are shown assembling a platform. One worker is kneeling and holding a board, while the other stands. A checkmark is present.

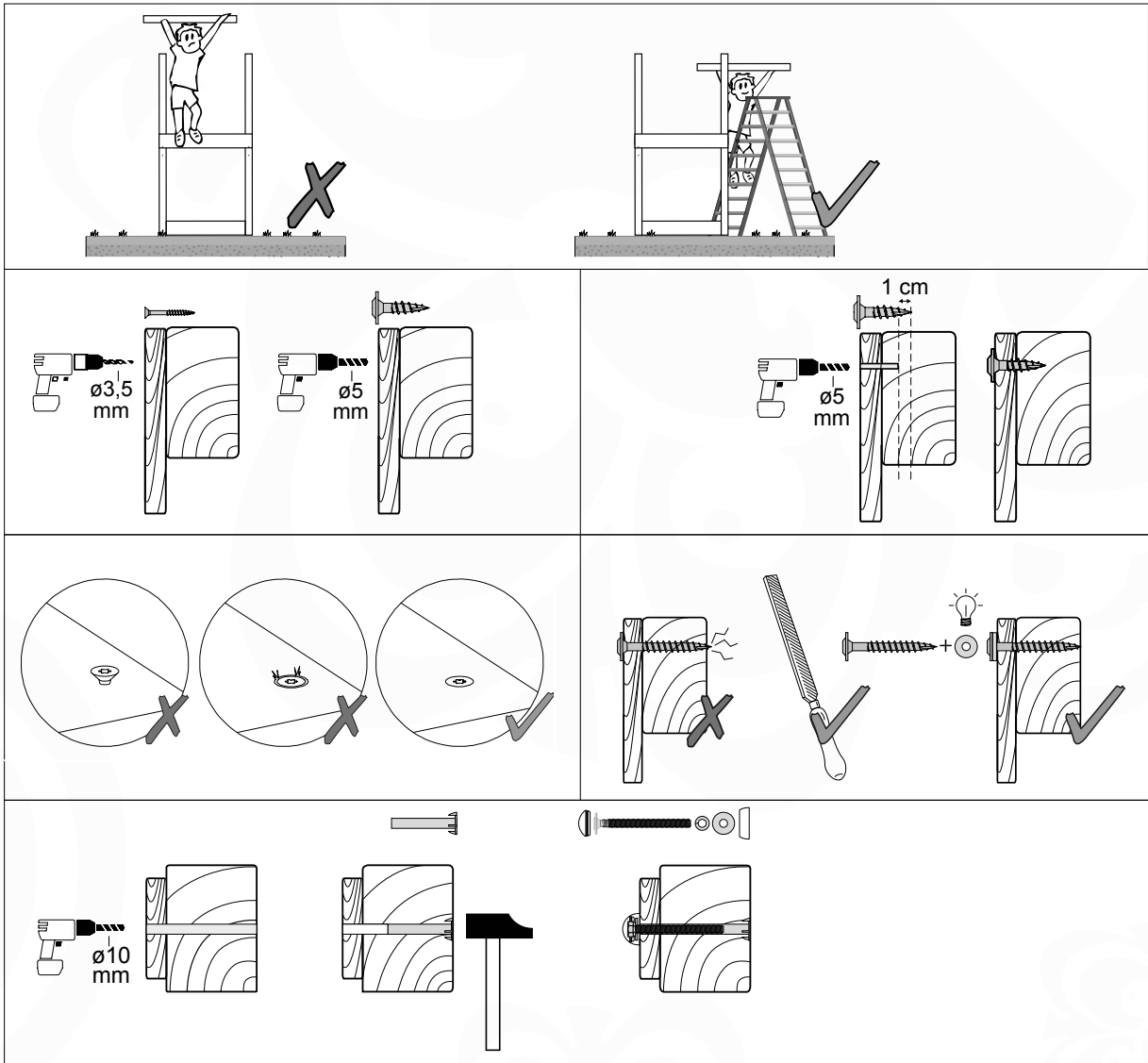
2.2 Planning



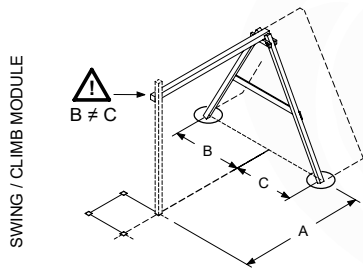
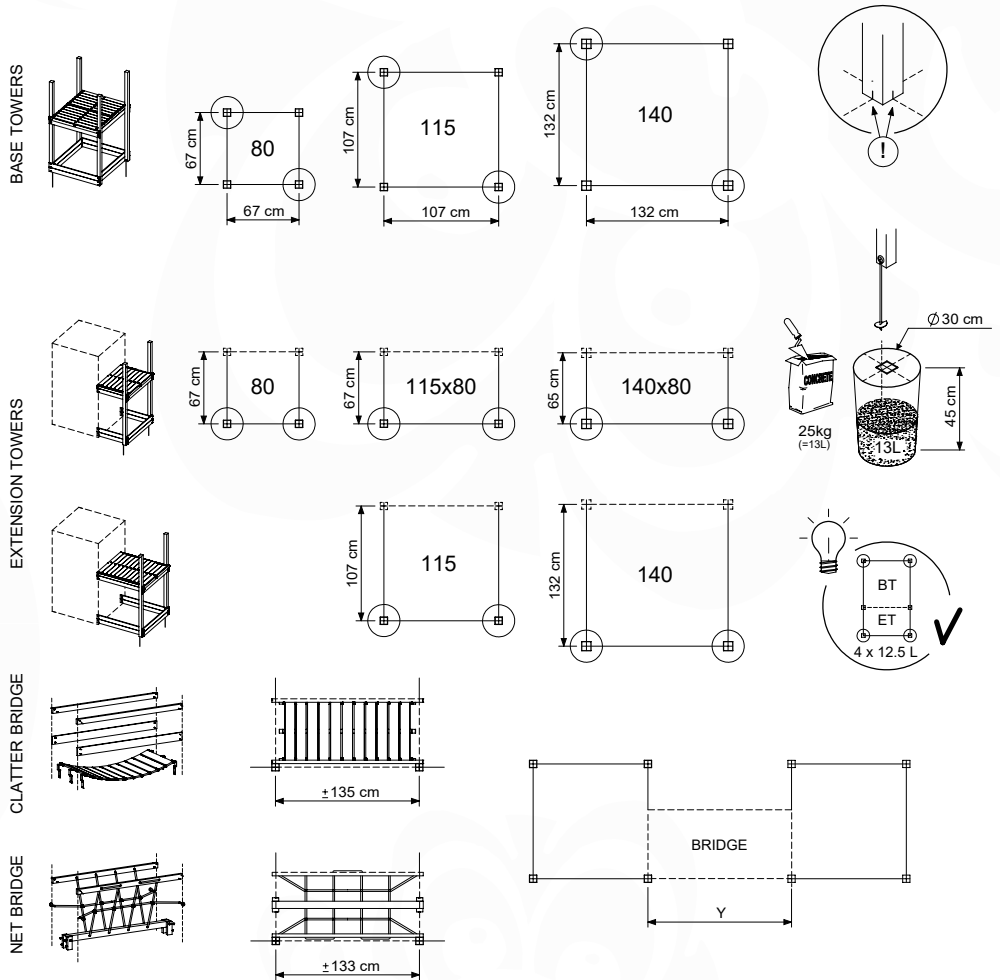
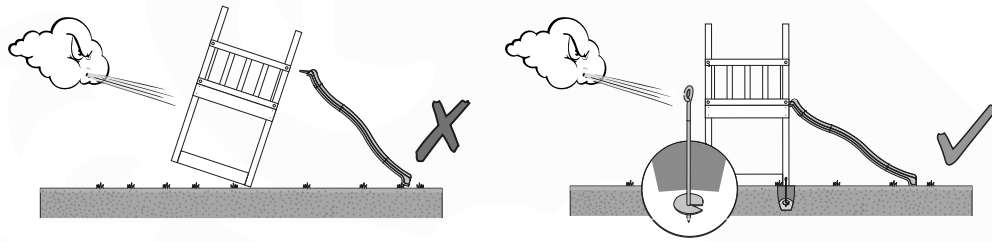
2.3 Tools



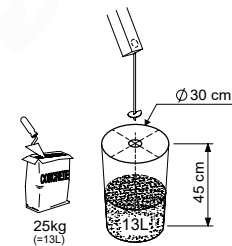
2.4 Assembly



3 Universal anchoring plan



Module type	A	B	C
1-Swing 200		115	100
1-Swing 220 / 220 Extra	150	120	105
2-Swing 200	210		
2-Climb 200		115	100
1-Climb 200	142		
1-Climb 220 / 220 Extra	162		
2-Swing 220 / 220 Extra	230	120	105
2-Climb 220 / 220 Extra			



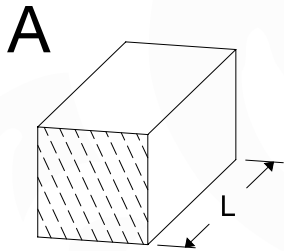
4 Overview

4.1 Order specification

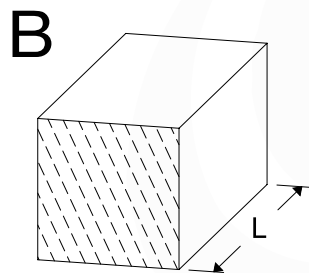


#	Description	Supplier ID	Assembly ID
2	Base Tower 115_240240_145	792_002	BT14a
1	Extension Tower 11580_220_145	792_102	ET07a
1	Extension Tower 115_220_145	792_108	ET15a
2	Roof Timber Gable 115	792_202	RF08a
1	Balustrade 80_ U	790_301	BL01a
1	Balustrade 115_ U	792_301	BL03a
4	Balustrade 115_ T	792_301	BL04a
1	Playhouse 115 U-Low Wall	792_311	PH40a
2	Playhouse 115 U R-Low Entrance	792_312	PH43a
2	Playhouse 115 T L-Low Window	792_315	PH48a
2	Playhouse 115 T R-Low Window	792_315	PH49a
1	Rock wall 115_145 U Playhouse	792_407	RW40a
1	Ladder 80_145 U	790_434	LA03b
1	Picnic 115 T	792_503	PC06a
1	Boardwalk Bridge 80 T	790_621	BB02a
1	Bridge Frame 115 T L	792_602	BF03a
1	Bridge Frame 115 T R	792_602	BF04a
1	Slide Frame 115_145 U R x Balustrade	792_901	SL11a
1	Fireman's pole 115 U L x balustrade	792_911	FP04a
1	2- Climb Module 220	757_158	CL13a
1	Accessories Set	194_119	AC01a
4	Accessories Blue Shutters	250_075	AC02a
2	Accessories Swing Seat	250_034	AC21a
1	Wavy Star Slide XXL	334_x00a	334_x00a

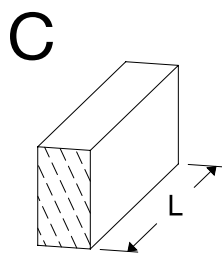
4.2 Timber parts



ID	L	#
A220	219 cm - 220 cm	4
A240	239 cm - 240 cm	12

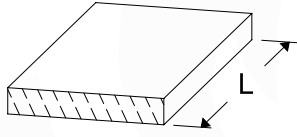


B67	66 cm - 67 cm	1
B240	239 cm - 240 cm	1



C37	36 cm - 37 cm	8
C56	55 cm - 56 cm	2
C62	61 cm - 62 cm	2
C70	69 cm - 70 cm	3
C74	73 cm - 74 cm	15
C84	83 cm - 84 cm	7
C90	89 cm - 90 cm	4
C96	85 cm - 96 cm	12
C114	113 cm - 114 cm	25
C123	122 cm - 123 cm	3
C130	129 cm - 130 cm	1
C141	140 cm - 141 cm	9
C150	149 cm - 150 cm	2

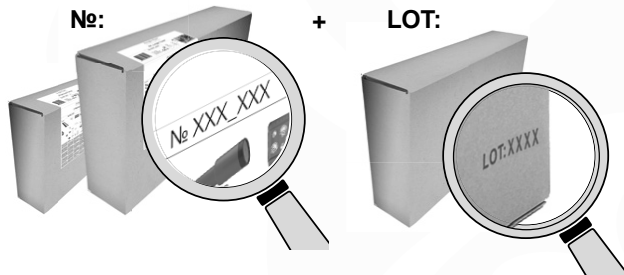
D



D21	20 cm - 21 cm	16
D47	46 cm - 47 cm	39
D60	59 cm - 60 cm	13
D65	64 cm - 65 cm	44
D74	73 cm - 74 cm	8
D100	99 cm - 100 cm	57
D114	113 cm - 114 cm	113
D127	126 cm - 127 cm	48
D141	140 cm - 141 cm	5

5 Product registration

5.1 Assembly kits



Example

№: X X X _ X X X _ X X X X
LOT

№: LOT

1.	■	■	■	■	■	■	■	■	■	■	■	■	■	■	■	■	■	■	■
2.	■	■	■	■	■	■	■	■	■	■	■	■	■	■	■	■	■	■	■
3.	■	■	■	■	■	■	■	■	■	■	■	■	■	■	■	■	■	■	■
4.	■	■	■	■	■	■	■	■	■	■	■	■	■	■	■	■	■	■	■
5.	■	■	■	■	■	■	■	■	■	■	■	■	■	■	■	■	■	■	■

№: LOT

6.	■	■	■	■	■	■	■	■	■	■	■	■	■	■	■	■	■	■	■
7.	■	■	■	■	■	■	■	■	■	■	■	■	■	■	■	■	■	■	■
8.	■	■	■	■	■	■	■	■	■	■	■	■	■	■	■	■	■	■	■
9.	■	■	■	■	■	■	■	■	■	■	■	■	■	■	■	■	■	■	■
10.	■	■	■	■	■	■	■	■	■	■	■	■	■	■	■	■	■	■	■

5.2 Slide



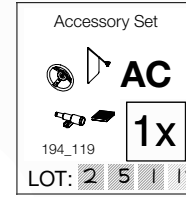
Example

2 2 0 2 2 3
■ ■ ■ ■ ■

5.3 Assembly packs



Example



<p>Window Hardware / Roof 140</p> <p>RF PH</p> <p>194_508</p> <p>4x</p> <p>LOT: [][][][]</p>	<p>Slide XXL 2.6m</p> <p>334_x00</p> <p>1x</p> <p>LOT: [][][][]</p>	<p>Bridge Frame</p> <p>BF</p> <p>194_007</p> <p>2x</p> <p>LOT: [][][][]</p>	<p>Accessory Set</p> <p>AC</p> <p>194_119</p> <p>1x</p> <p>LOT: [][][][]</p>	<p>Tower 115</p> <p>BT ET</p> <p>194_300</p> <p>4x</p> <p>LOT: [][][][]</p>
<p>Hardware 09</p> <p>H09</p> <p>194_809</p> <p>3x</p> <p>LOT: [][][][]</p>	<p>Hardware 12</p> <p>H12</p> <p>194_812</p> <p>1x</p> <p>LOT: [][][][]</p>	<p>Mesh Green 185 x 120cm</p> <p>123_230</p> <p>1x</p> <p>LOT: [][][][]</p>	<p>Rock Wall</p> <p>RW</p> <p>194_006</p> <p>2x</p> <p>LOT: [][][][]</p>	<p>Climb Frame Kit</p> <p>CL</p> <p>457_106</p> <p>1x</p> <p>LOT: [][][][]</p>
<p>Roof Timber 115</p> <p>RF</p> <p>194_308</p> <p>2x</p> <p>LOT: [][][][]</p>	<p>Shutters 2x Blue</p> <p>AC</p> <p>250_075</p> <p>4x</p> <p>LOT: [][][][]</p>	<p>Fireman's Pole</p> <p>FP</p> <p>201_275</p> <p>1x</p> <p>LOT: [][][][]</p>	<p>Hardware 01</p> <p>BL H01</p> <p>194_101</p> <p>3x</p> <p>LOT: [][][][]</p>	<p>Slide Frame</p> <p>SL</p> <p>194_107</p> <p>1x</p> <p>LOT: [][][][]</p>
<p>Ladder 145</p> <p>LA</p> <p>194_004</p> <p>1x</p> <p>LOT: [][][][]</p>	<p>Hardware 10</p> <p>H10</p> <p>194_810</p> <p>1x</p> <p>LOT: [][][][]</p>	<p>Canvas 136 x 74cm</p> <p>123_220</p> <p>1x</p> <p>LOT: [][][][]</p>	<p>Balustrade 140</p> <p>BL</p> <p>194_501</p> <p>5x</p> <p>LOT: [][][][]</p>	<p>Swing Seat</p> <p>AC</p> <p>250_034</p> <p>2x</p> <p>LOT: [][][][]</p>

5.4 Your config ID: **fcS8ZW**

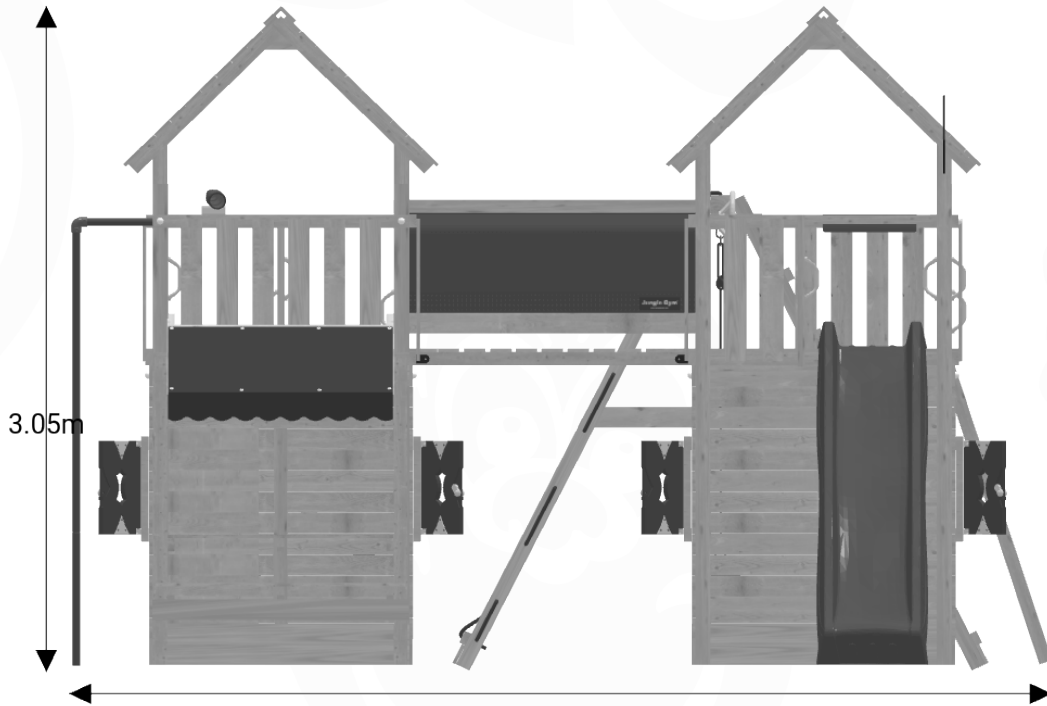
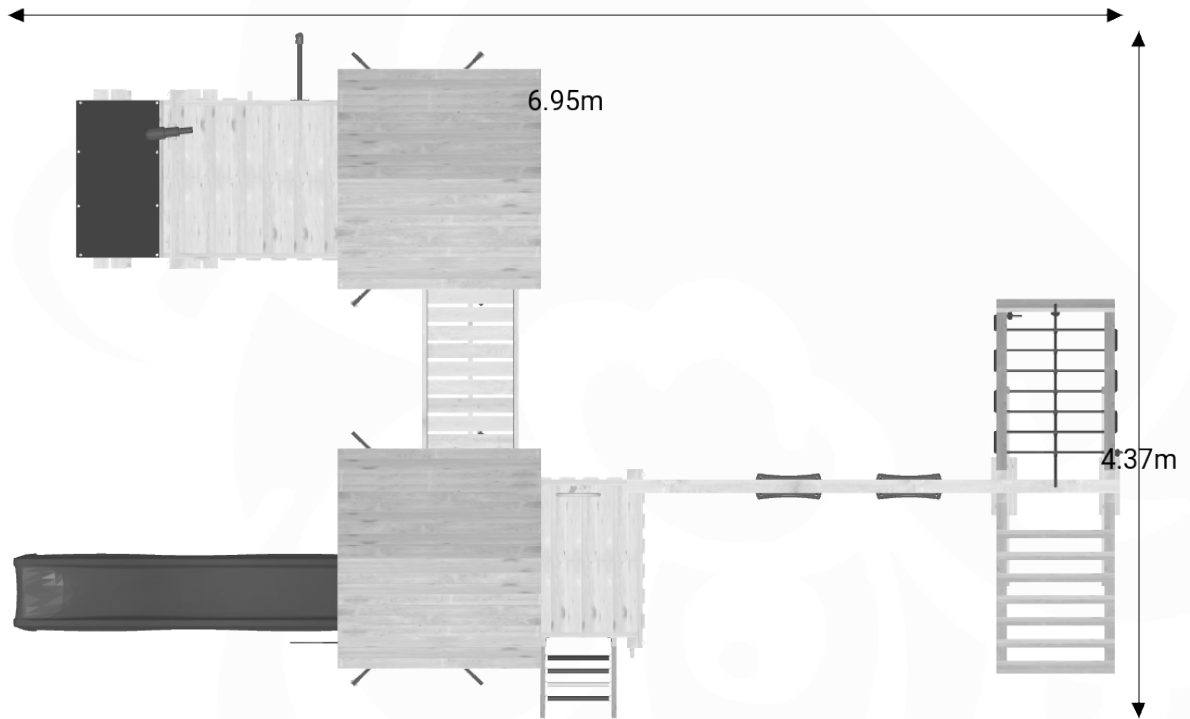


6 Hardware Identification

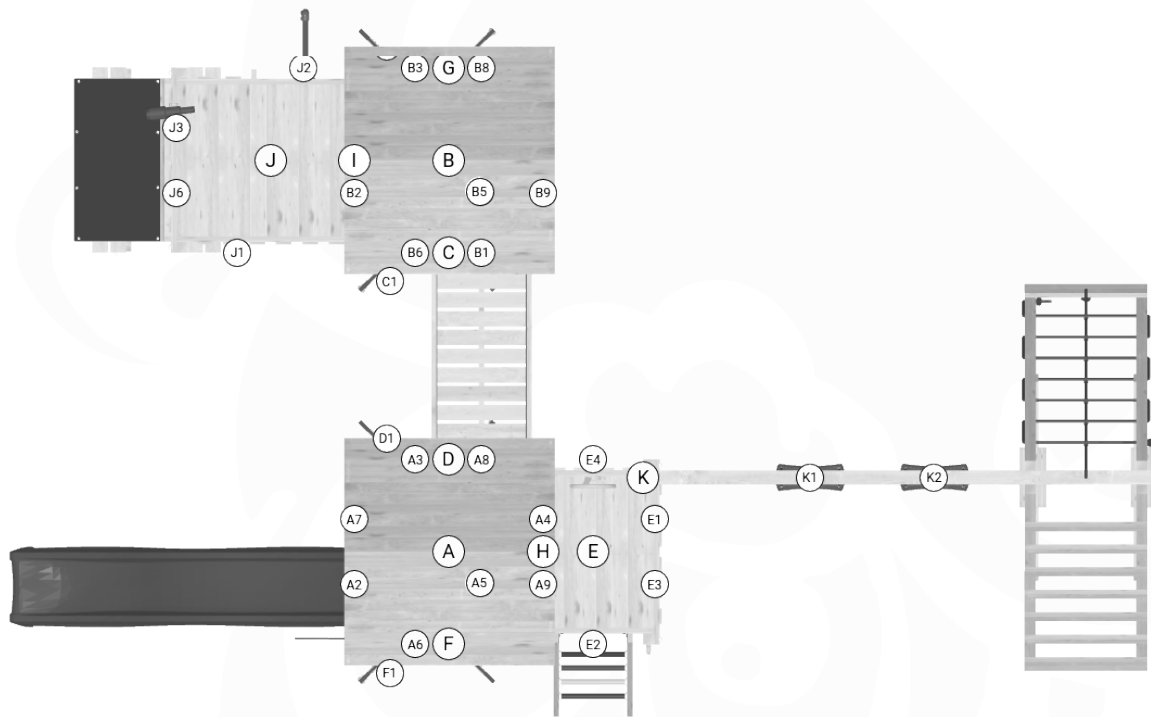
Image	SKU	L	Image	SKU	L
	001_404 001_406 001_411 001_417 001_422	30 mm 45 mm 60 mm 80 mm 137 mm		002_308 002_219 002_220 002_223	20 mm 30 mm 45 mm 80 mm
	001_102	30 mm		003_010	
	000_101	20 mm		003_034	
	002_036	16 mm		004_050	22mm
	002_041	20 mm		022_845 022_846 022_847 022_848	Yellow Blue Green Red
	002_042	13 mm		023_031	White
	002_301	40 mm		120_005	White
				022_844	
				022_314	

output: 25/05/23







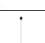


7 Dimensions



8 Assembly Planning



	ID			A	B	C	D	E	F	G	H	I	J	K
1	BT14a		p.16	✓	✓	-	-	-	-	-	-	-	-	-
2	ET07a		p.19	-	-	-	-	✓	-	-	-	-	-	-
3	ET15a		p.22	-	-	-	-	-	-	-	-	-	✓	-
4	BL01a		p.25	-	-	-	-	E4	-	-	-	-	-	-
5	BL03a		p.26	-	-	-	-	-	-	-	-	-	J1	-
6	BL04a		p.27	A6	B8	-	-	E3	-	-	-	-	J3	-
7	RF08a		p.28	A5	B5	-	-	-	-	-	-	-	-	-
8	BF03a		p.31	A3	-	-	-	-	-	-	-	-	-	-
9	BF04a		p.33	-	B6	-	-	-	-	-	-	-	-	-
10	BB02a		p.35	A8	B1	-	-	-	-	-	-	-	-	-
11	RW40a		p.40	-	B9	-	-	-	-	-	-	-	-	-
12	PC06a		p.42	-	-	-	-	-	-	-	-	-	J3	-
13	LA03b		p.46	-	-	-	-	E2	-	-	-	-	-	-
14	PH40a		p.49	A2	-	-	-	-	-	-	-	-	-	-

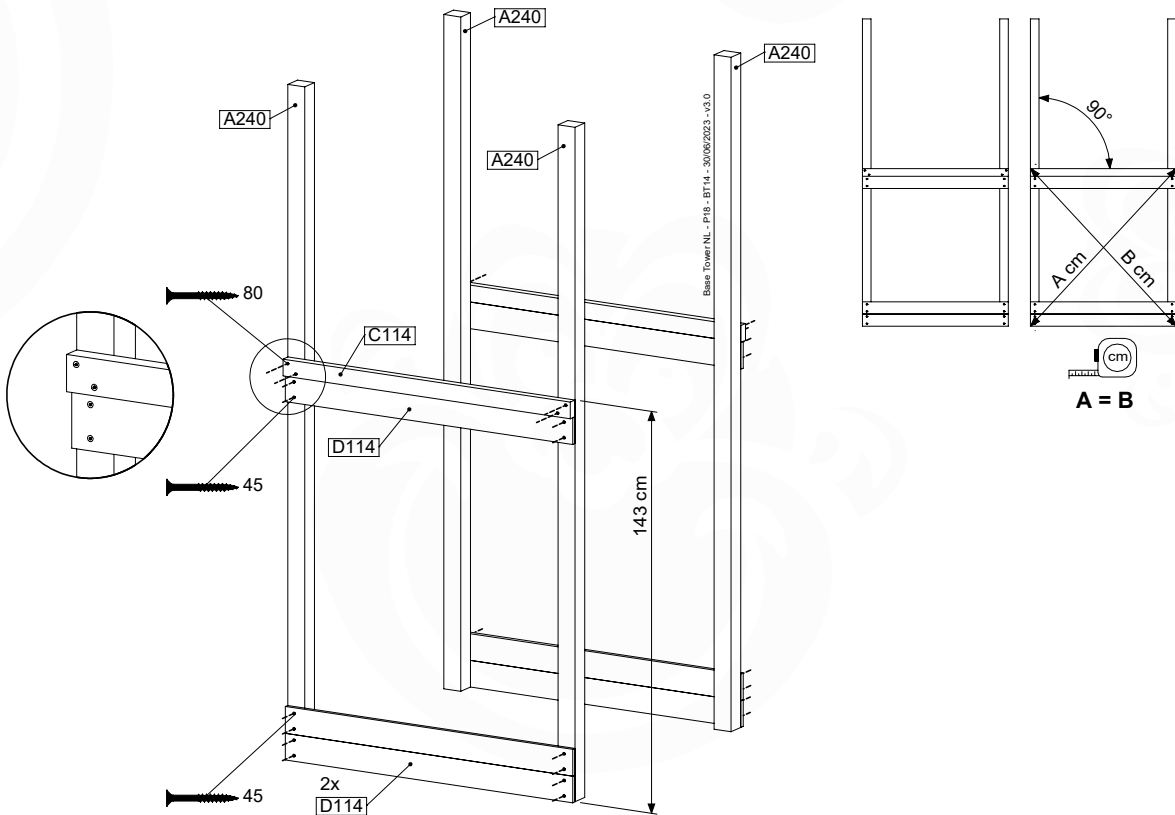
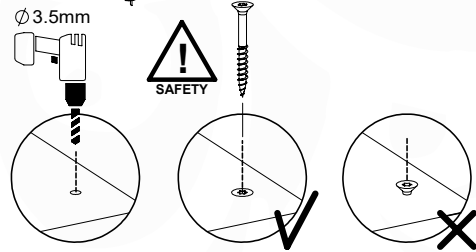
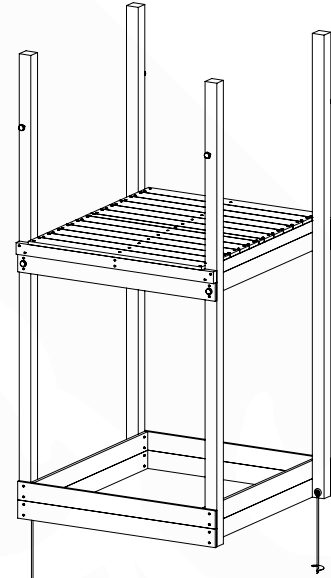
	ID			A	B	C	D	E	F	G	H	I	J	K
15	PH43a		p.50	-	-	-	-	-	-	-	✓	✓	-	-
16	PH48a		p.52	-	-	✓	-	-	✓	-	-	-	-	-
17	PH49a		p.56	-	-	-	✓	-	-	✓	-	-	-	-
18	CL13a		p.60	-	-	-	-	-	-	-	-	-	-	✓
19	SL11a		p.69	A2	-	-	-	-	-	-	-	-	-	-
20	FP04a		p.73	-	-	-	-	-	-	-	-	-	J2	-
21	GA		p.75	✓	✓	-	-	✓	-	-	-	-	✓	✓
22	AC02a		p.77	-	-	C1	D1	-	F1	G1	-	-	-	-
23	AC01a		p.78	✓	-	-	-	-	-	-	-	-	-	-

9 BT14a: Base Tower 115 145cm 240240

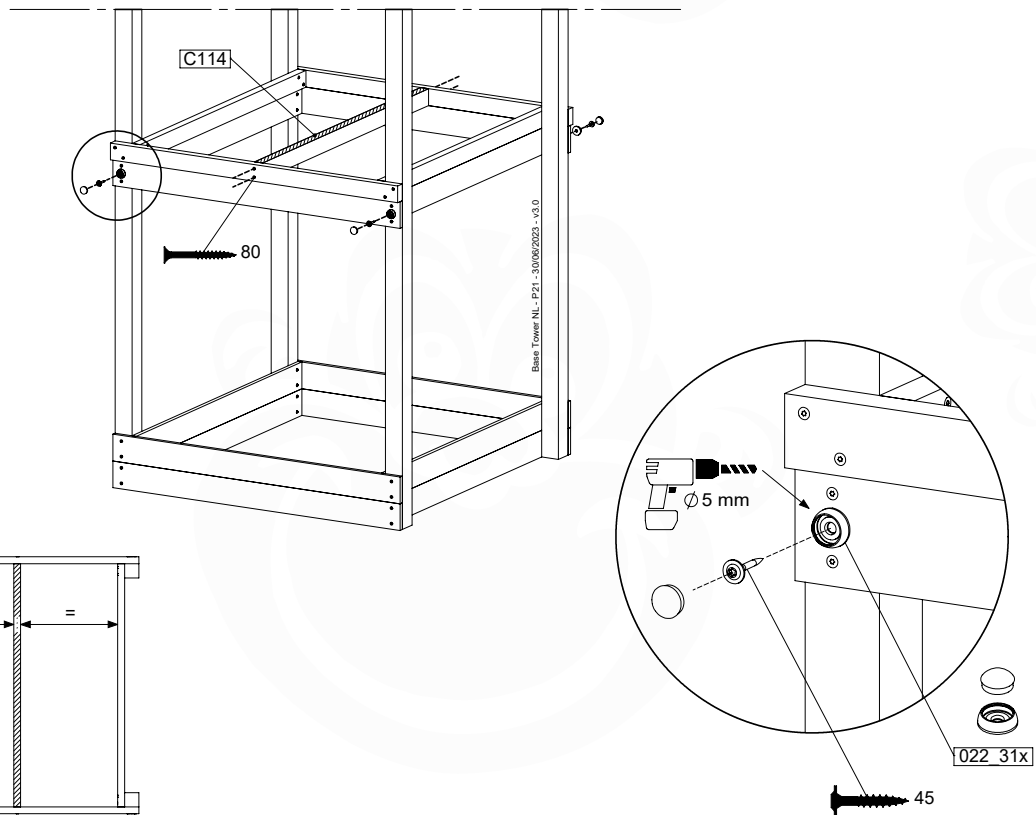
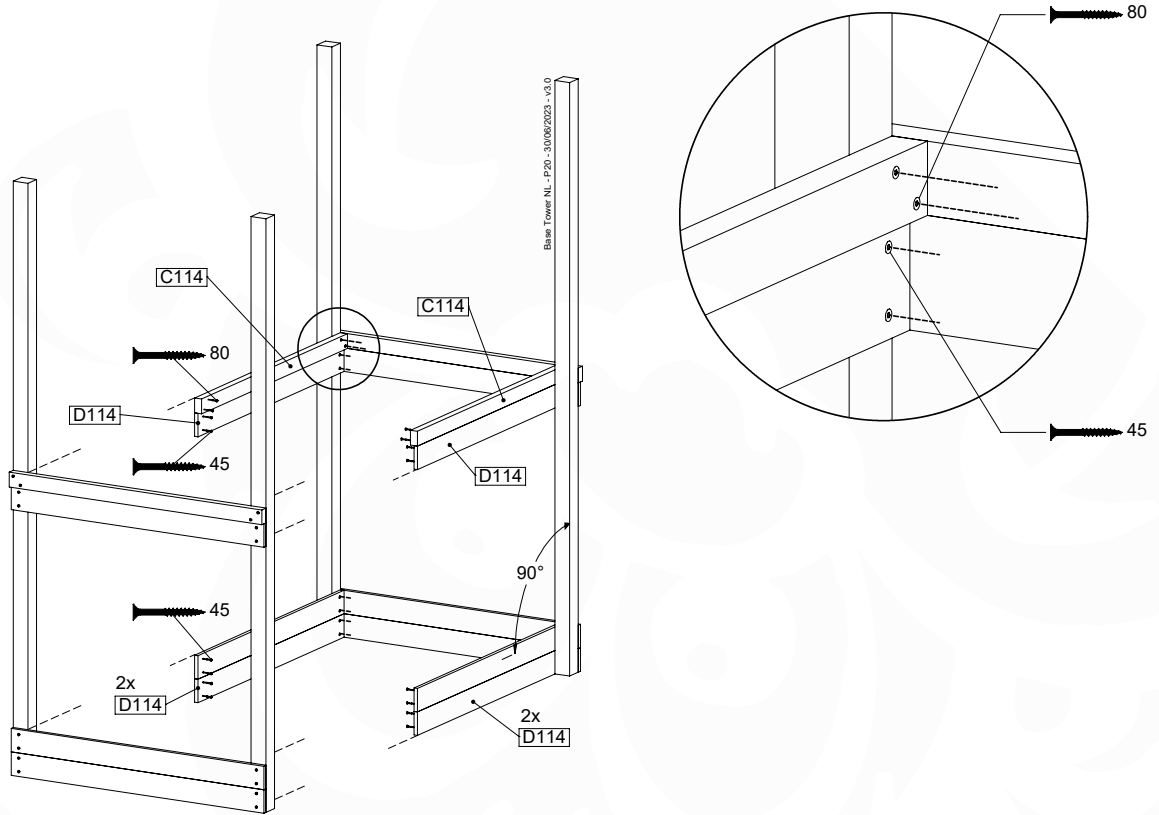
(194_300)

	PartNo	PartName	QTY.
Hardware pack	001_406	Stealth Screw 8x45	6
	001_417	Stealth Screw 8x80	4
	002_220	Gap Point Screw T25 - 5x45	118
	002_223	Gap Point Screw T25 - 5x80	20
	022_31x	bpc-base version 3	8
	022_84x	bpc cover	8
Other	007_001	Ground-anchor	2
Timber	A240	Post 70x70 L2400	4
	C114	Beam 1140 mm	5
	D100	Board 1000 mm	14
	D114	Board 1140 mm	12

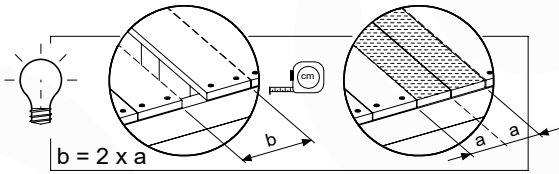
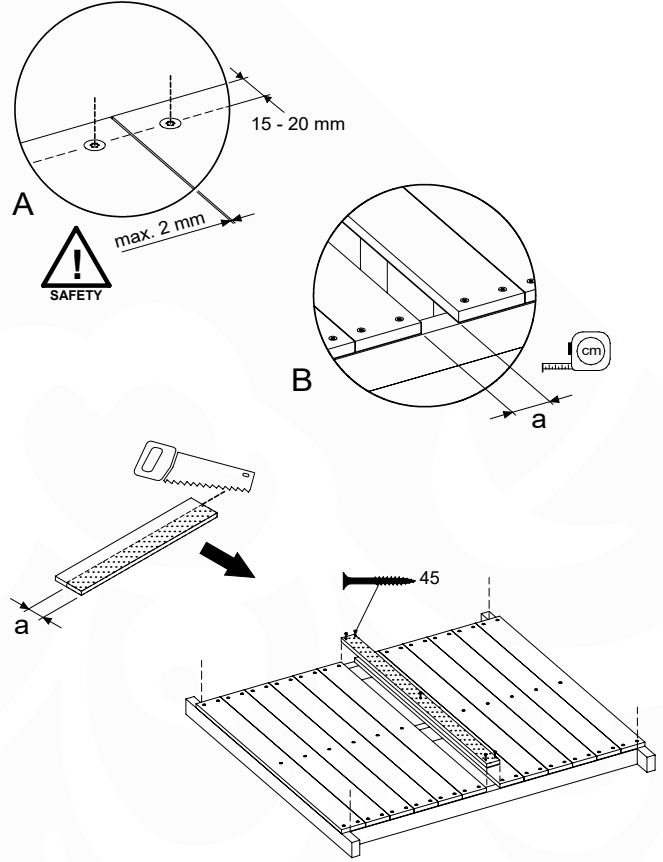
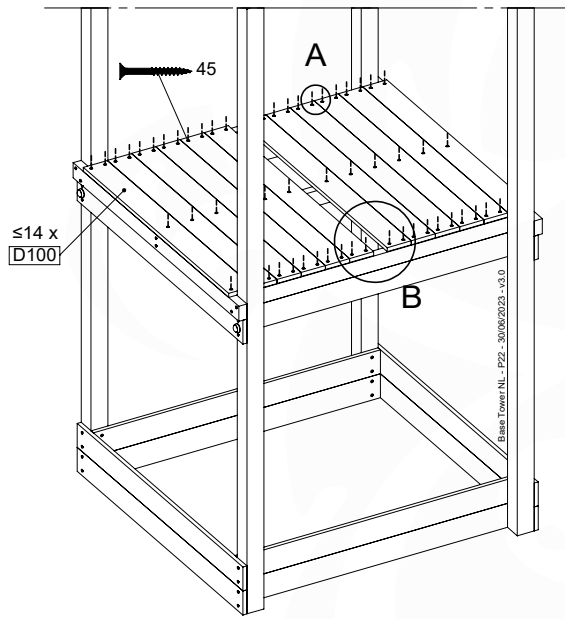
Base Tower.NL - POP - BT14 - 30/06/2023 - v3.0



9.1



9.2

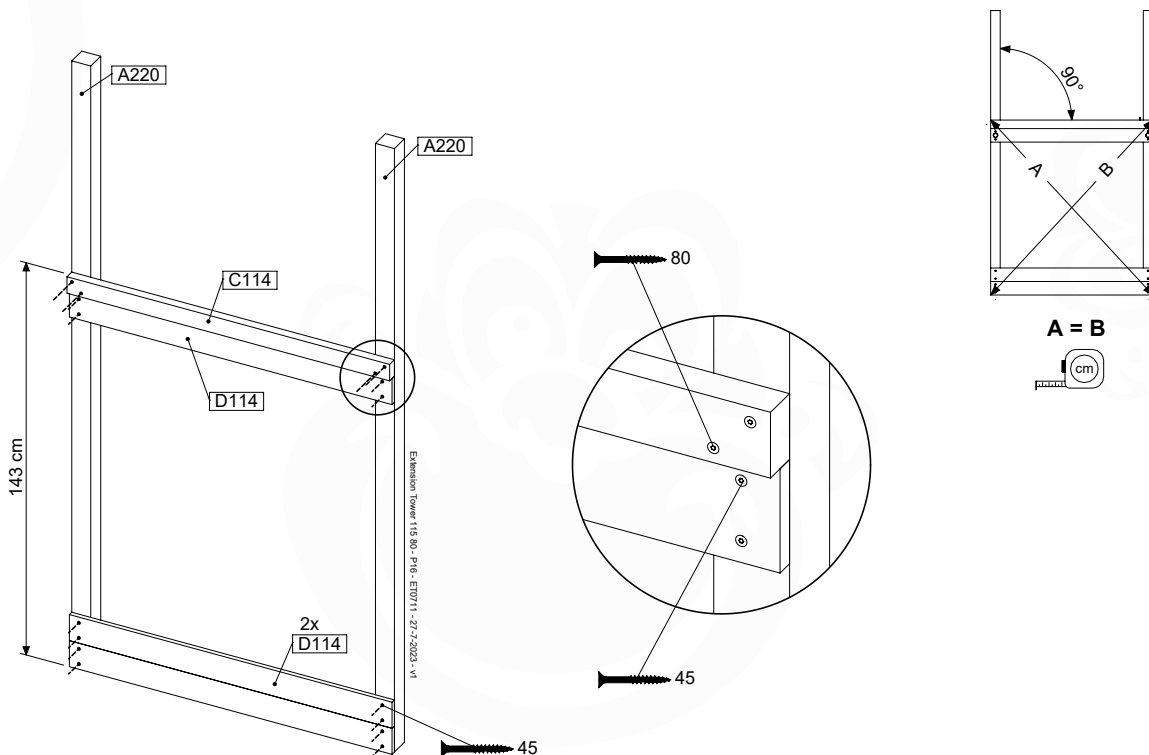
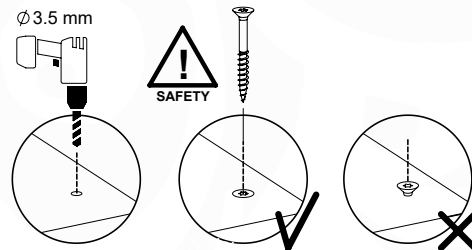
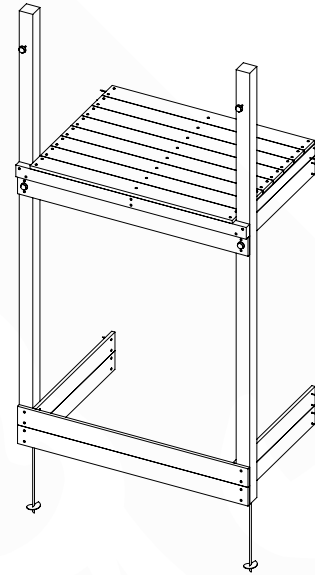


10 ET07a: Extension Tower 11580 220/145

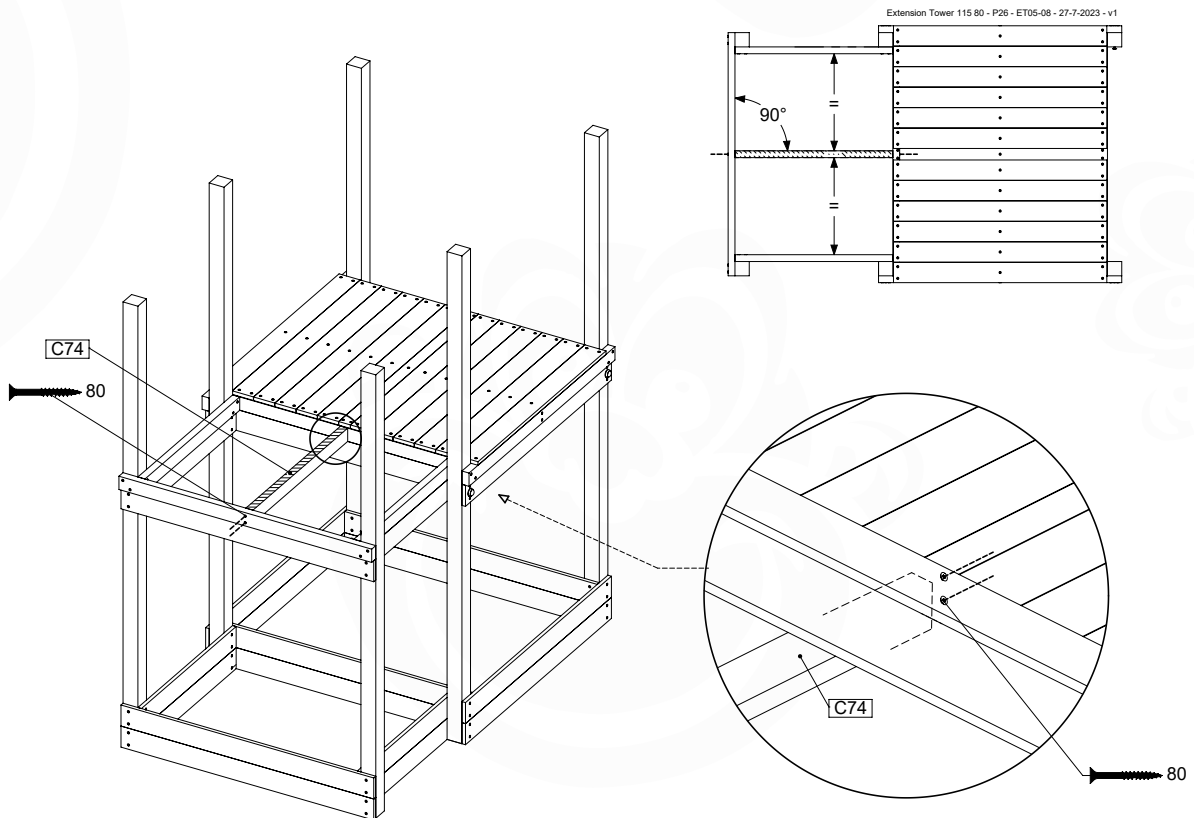
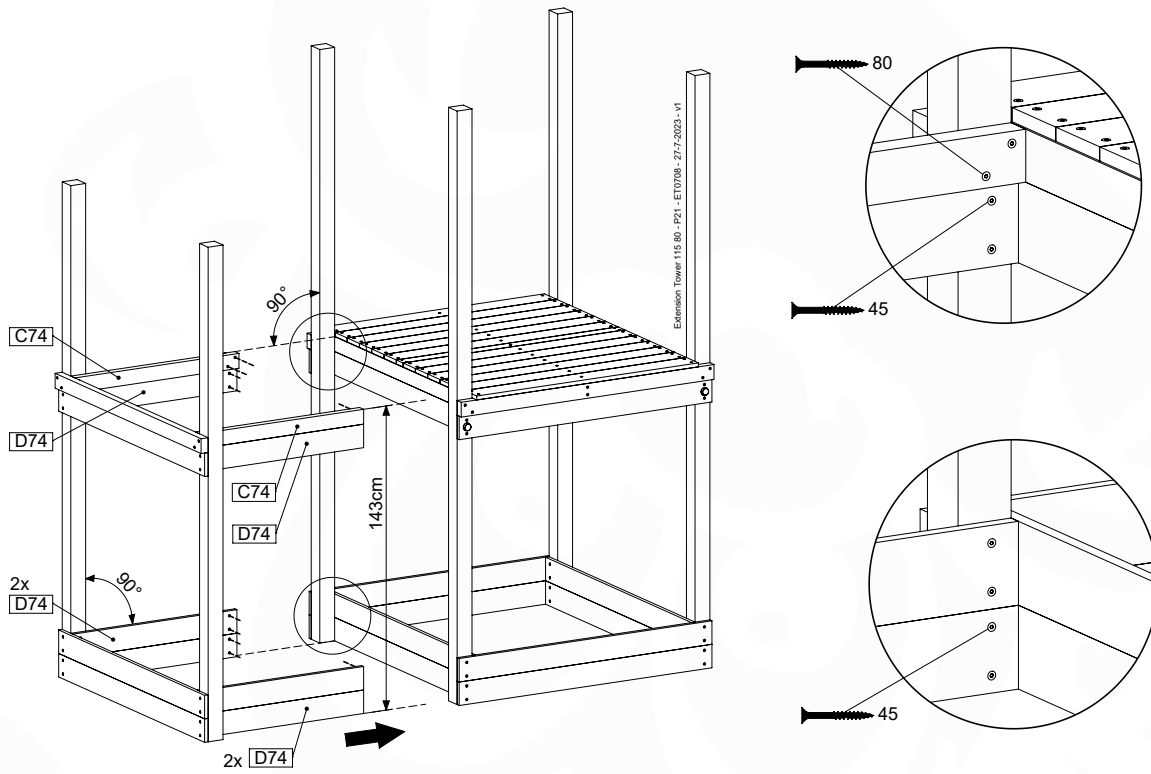
(194_300)

	PartNo	PartName	QTY.
Hardware pack	001_406	Stealth Screw 8x45	4
	001_417	Stealth Screw 8x80	2
	002_220	Gap Point Screw T25 - 5x45	81
	002_223	Gap Point Screw T25 - 5x80	16
Other	007_001	Ground-anchor	2
	022_31x	bpc-base version 3	4
	022_84x	bpc cover	4
Timber	A220	Post 70x70 L2200	2
	C74	Beam 740 mm	3
	C114	Beam 1140 mm	1
	D74	Board 740 mm	6
	D100	Board 1000 mm	9
	D114	Board 1140 mm	3

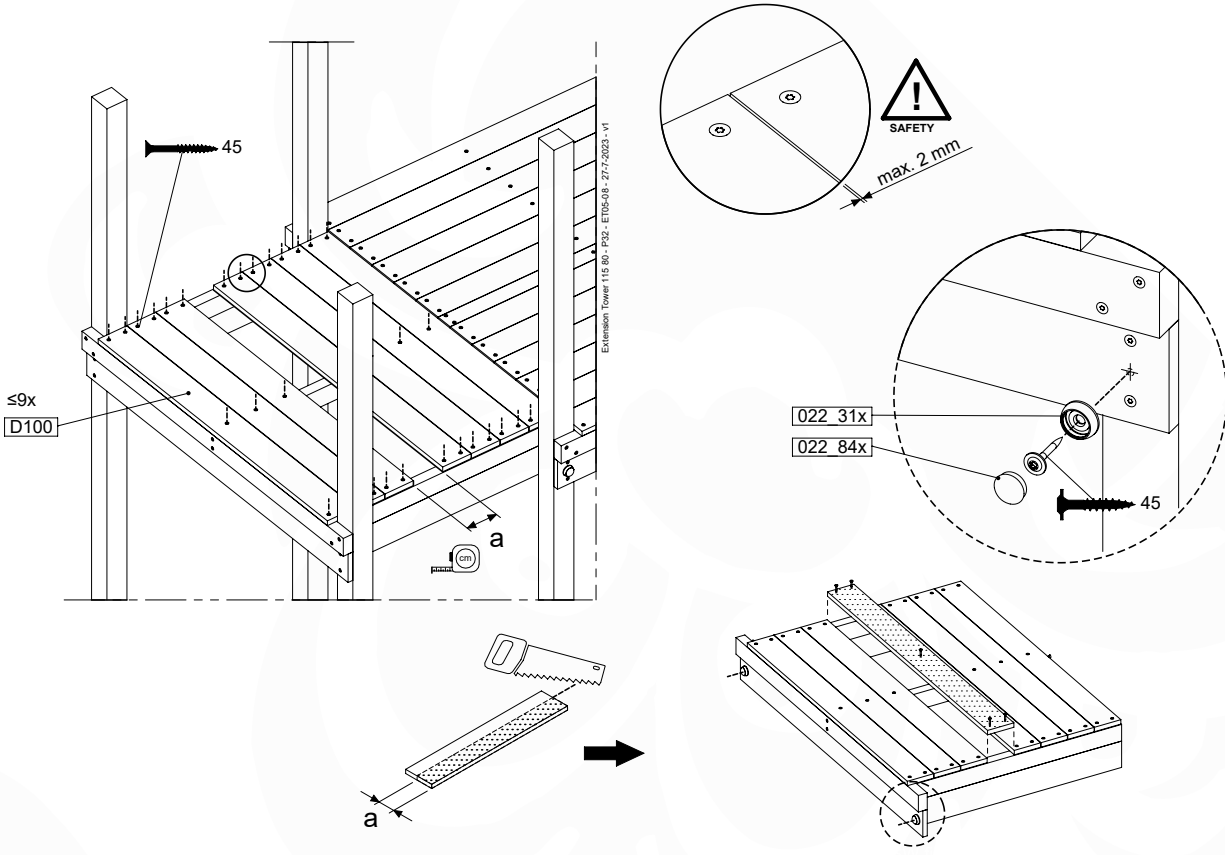
Extension Tower 11580 - P04 - ET07 - Z7-Z-2023 - v1



10.1



10.2

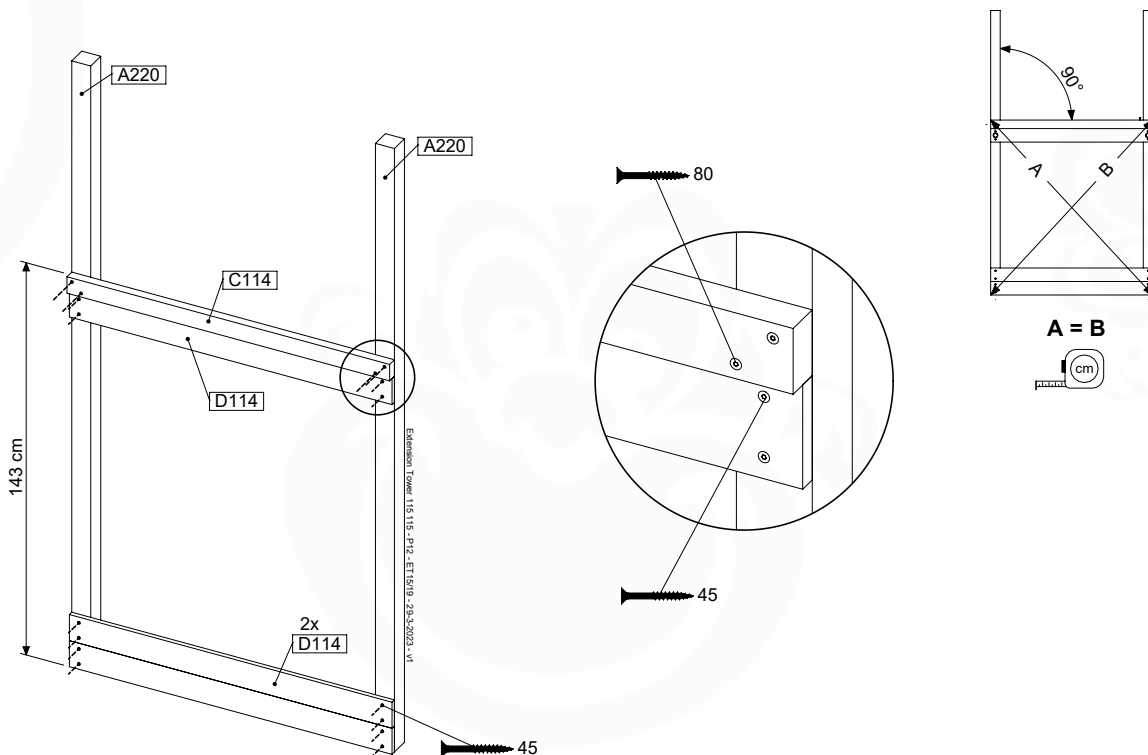
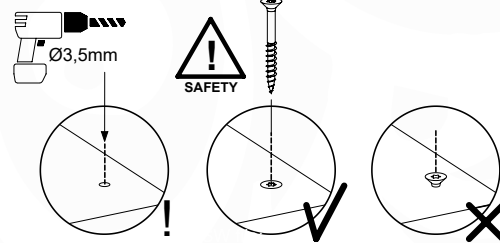
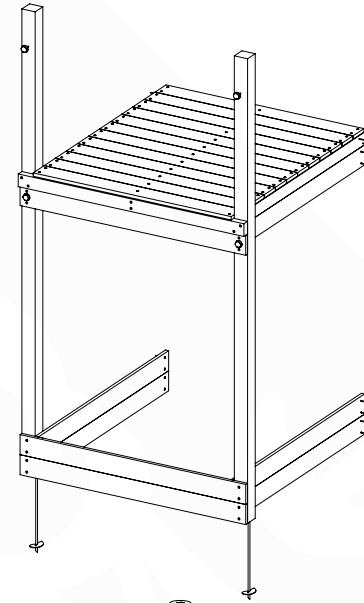


11 ET15a: Extension Tower 115 220/145

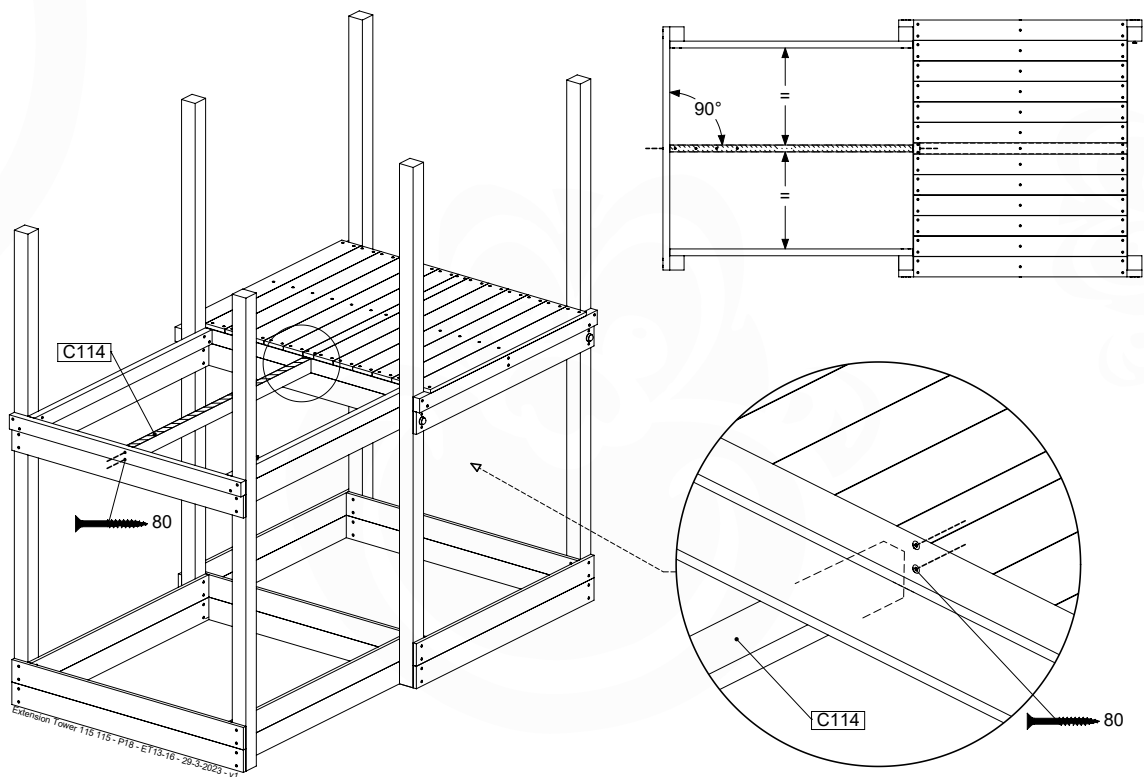
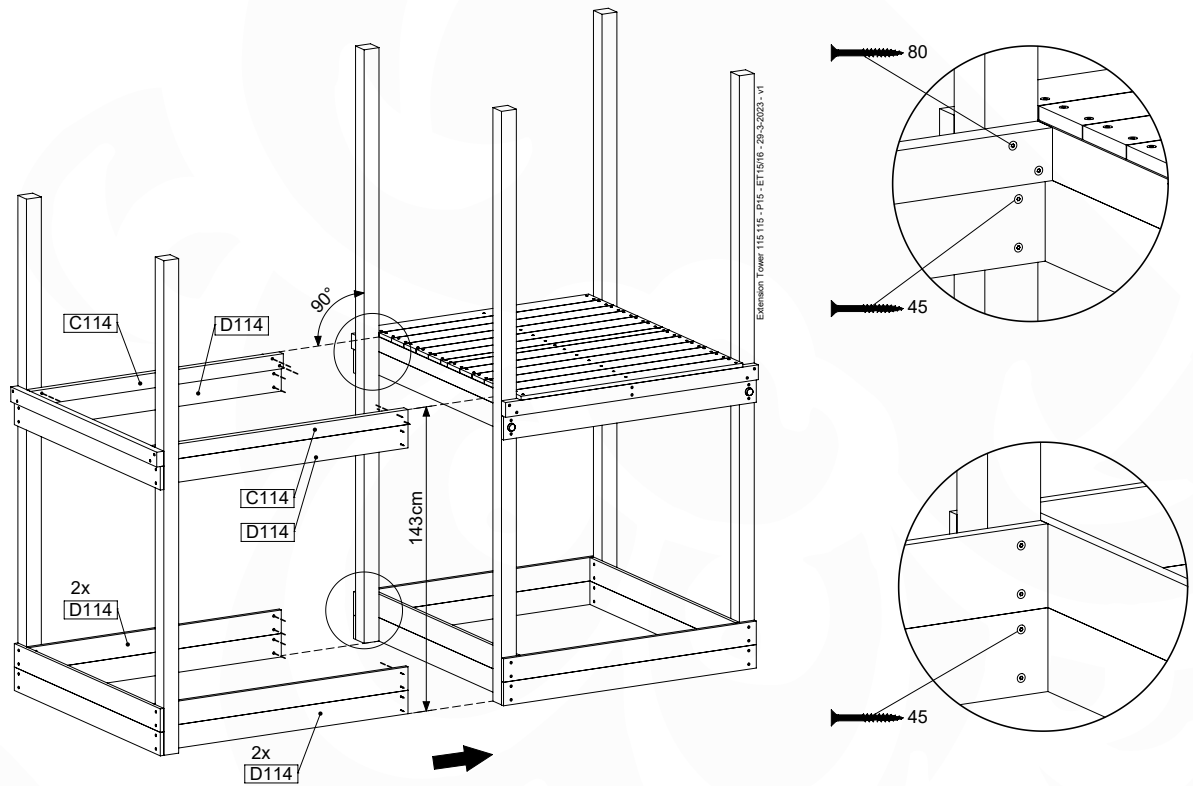
(194_300)

	PartNo	PartName	QTY.
Hardware pack	001_406	Stealth Screw 8x45	4
	001_417	Stealth Screw 8x80	2
	002_220	Gap Point Screw T25 - 5x45	106
	002_223	Gap Point Screw T25 - 5x80	16
Other	007_001	Ground-anchor	2
	022_31x	bpc-base version 3	4
	022_84x	bpc cover	4
Timber	A220	Post 70x70 L2200	2
	C114	Beam 1140 mm	4
	D100	Board 1000 mm	14
	D114	Board 1140 mm	9

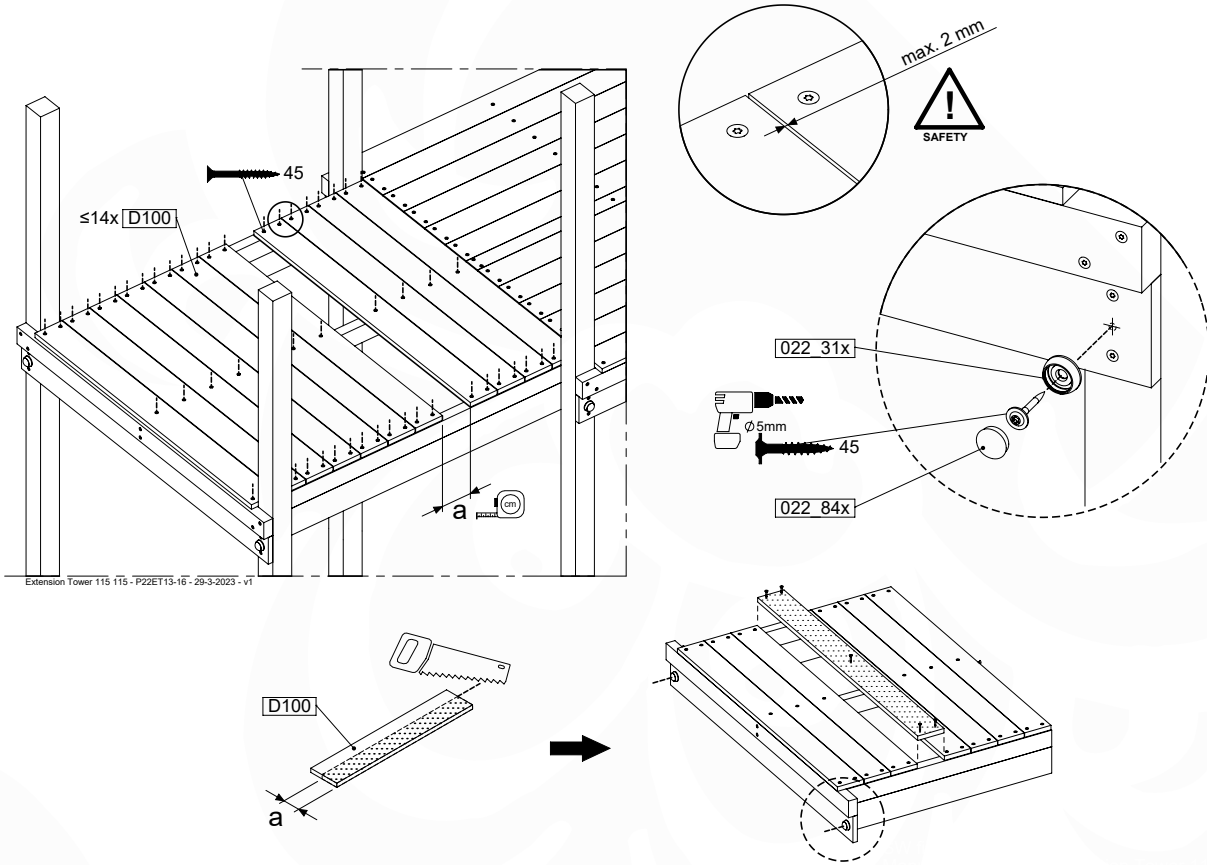
Extension Tower 115 - P04 - ET15 - 203-2023 - v1



11.1



11.2

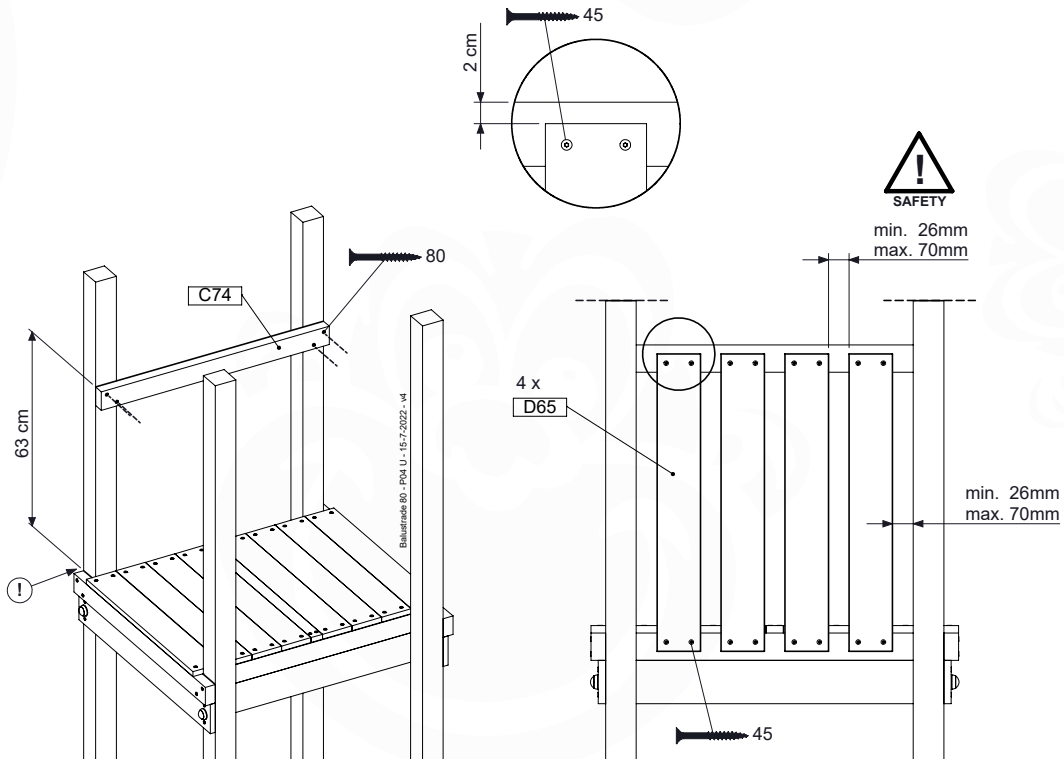
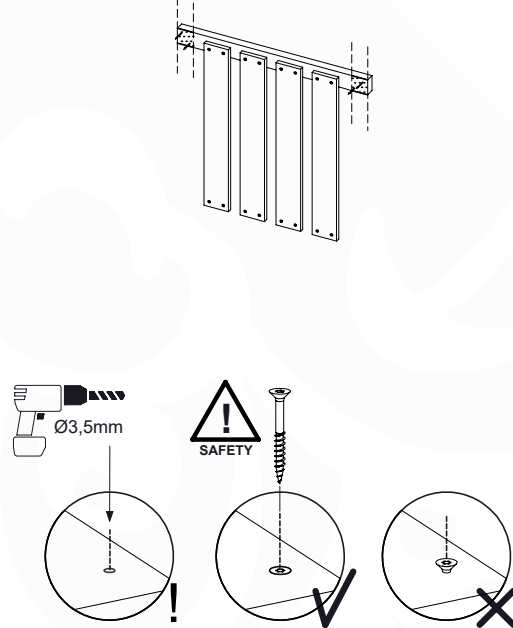


12 BL01a: Balustrade 80 U - 7x7 posts

(194_101)

	PartNo	PartName	QTY.
Hardware Pack	002_220	Gap Point Screw T25 - 5x45	16
	100_601	Gap Point Screw T25 - 5x80	4
Timber	C74	Beam 740 mm	1
	D65	Board 650 mm	4

Balustrade 80 - P04 U - 15-7-2022 - v4

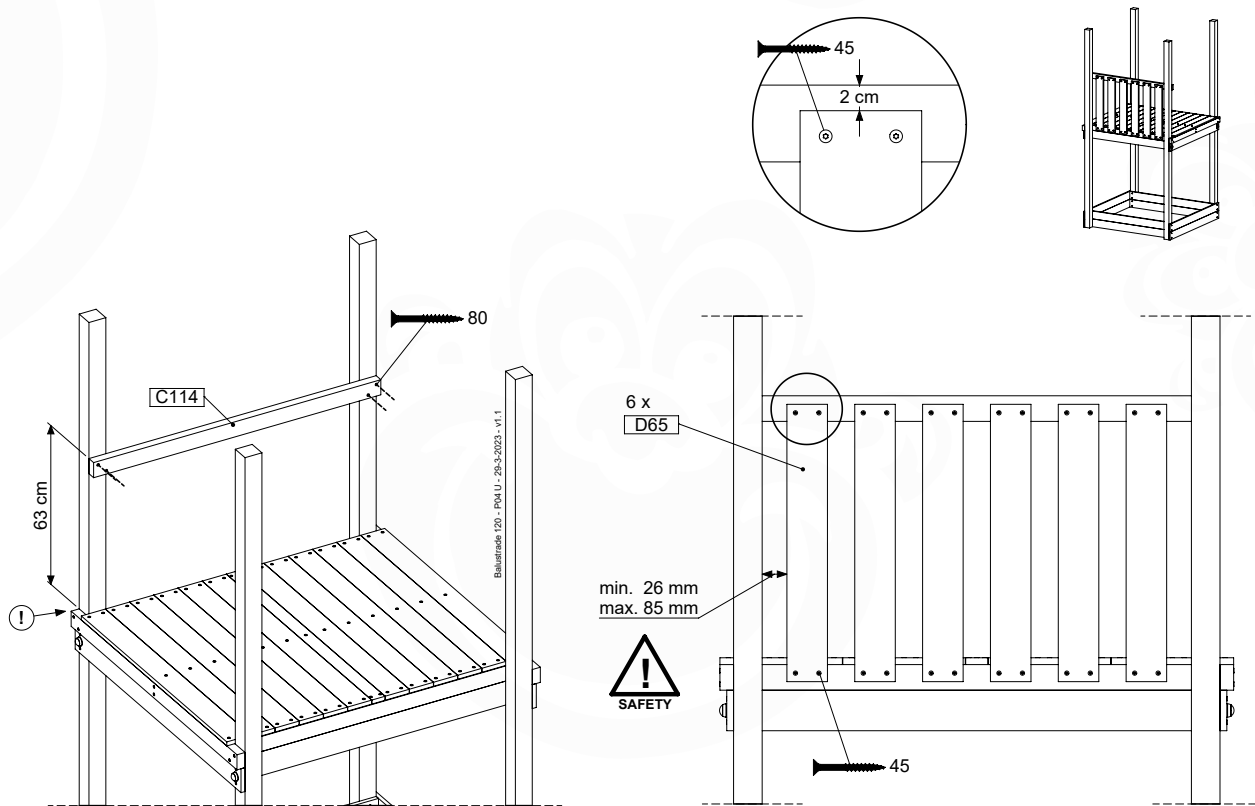
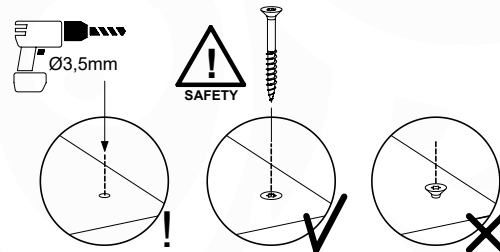
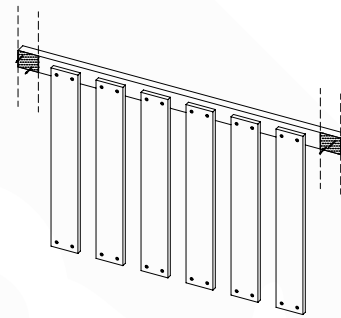


13 BL03a: Balustrade 115 U

(194_501)

	PartNo	PartName	QTY.
Hardware Pack	002_220	Gap Point Screw T25 - 5x45	24
	002_223	Gap Point Screw T25 - 5x80	4
Timber	C114	Beam 1140 mm	1
	D65	Board 650 mm	6

Balustrade 120 - POC U - 29-3-2023 - v1.1

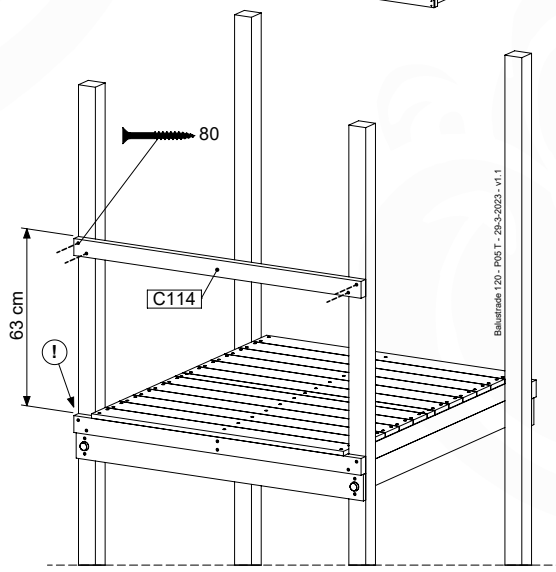
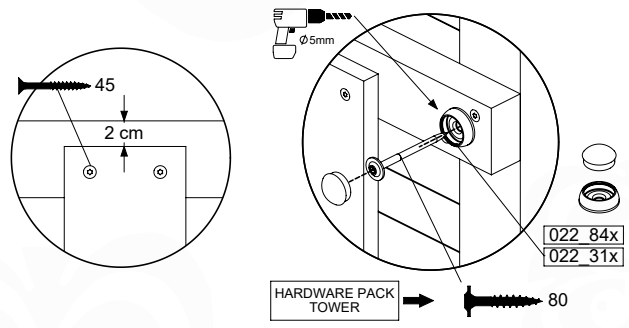
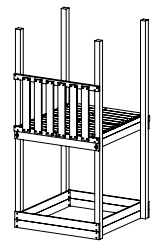
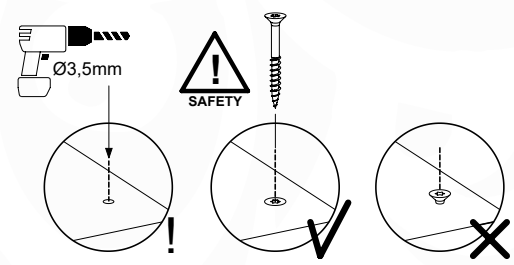
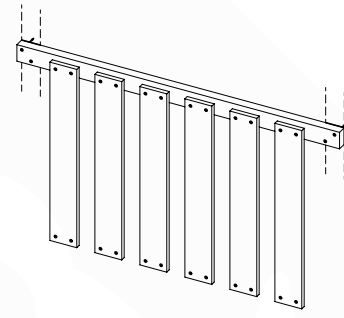


14 BL04a: Balustrade 115 T

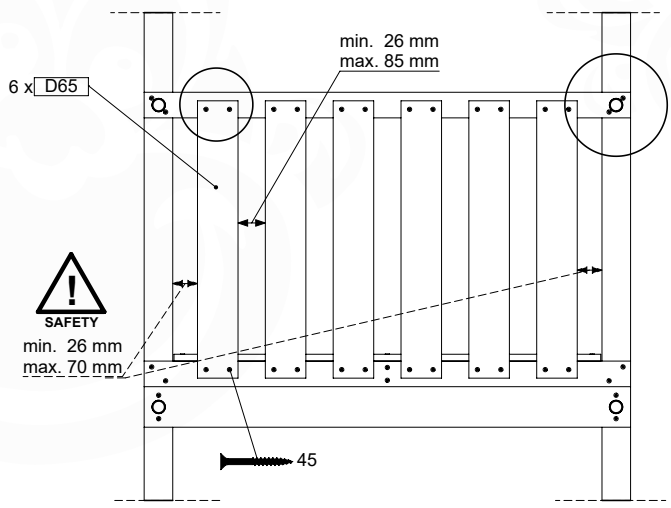
(194_501)

	PartNo	PartName	QTY.
Hardware Pack	002_220	Gap Point Screw T25 - 5x45	24
	002_223	Gap Point Screw T25 - 5x80	4
Timber	C114	Beam 1140 mm	1
	D65	Board 650 mm	6

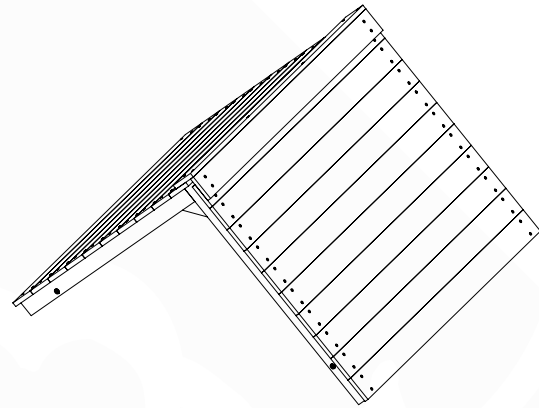
Balustrade 120 - P03 T - 29-3-2023 - v1.1



Balustrade 120 - P05 T - 29-3-2023 - v1.1



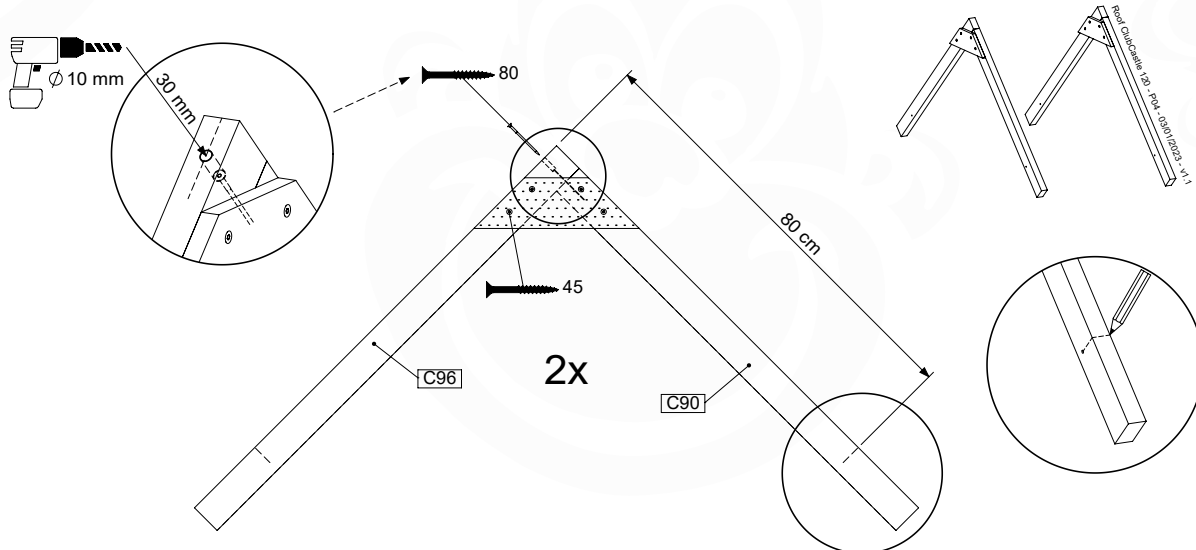
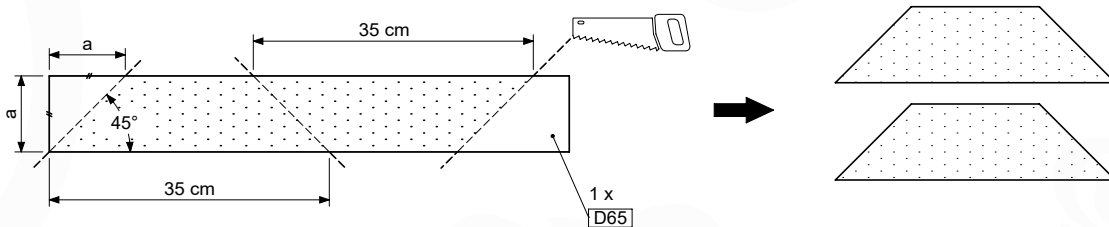
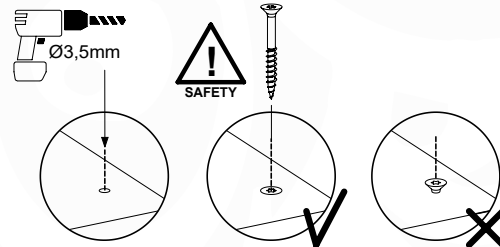
15 RF08a: Roof Timber Gable 115



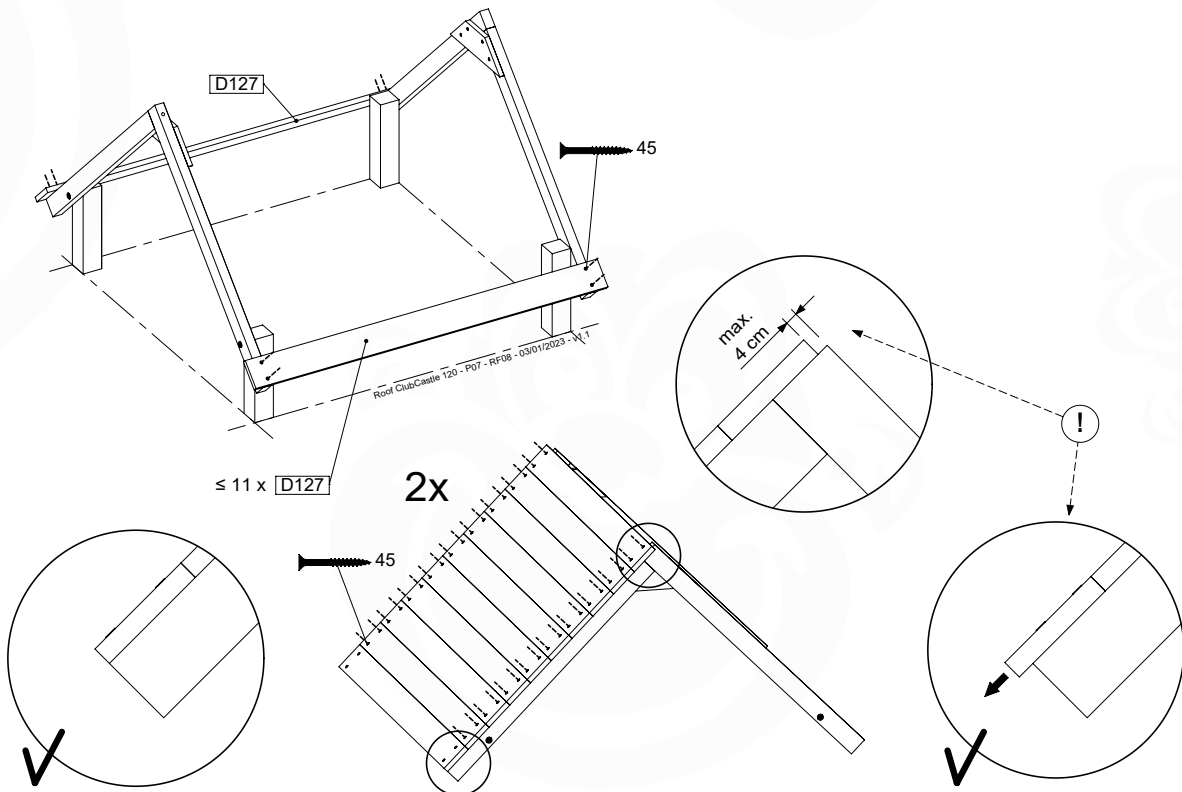
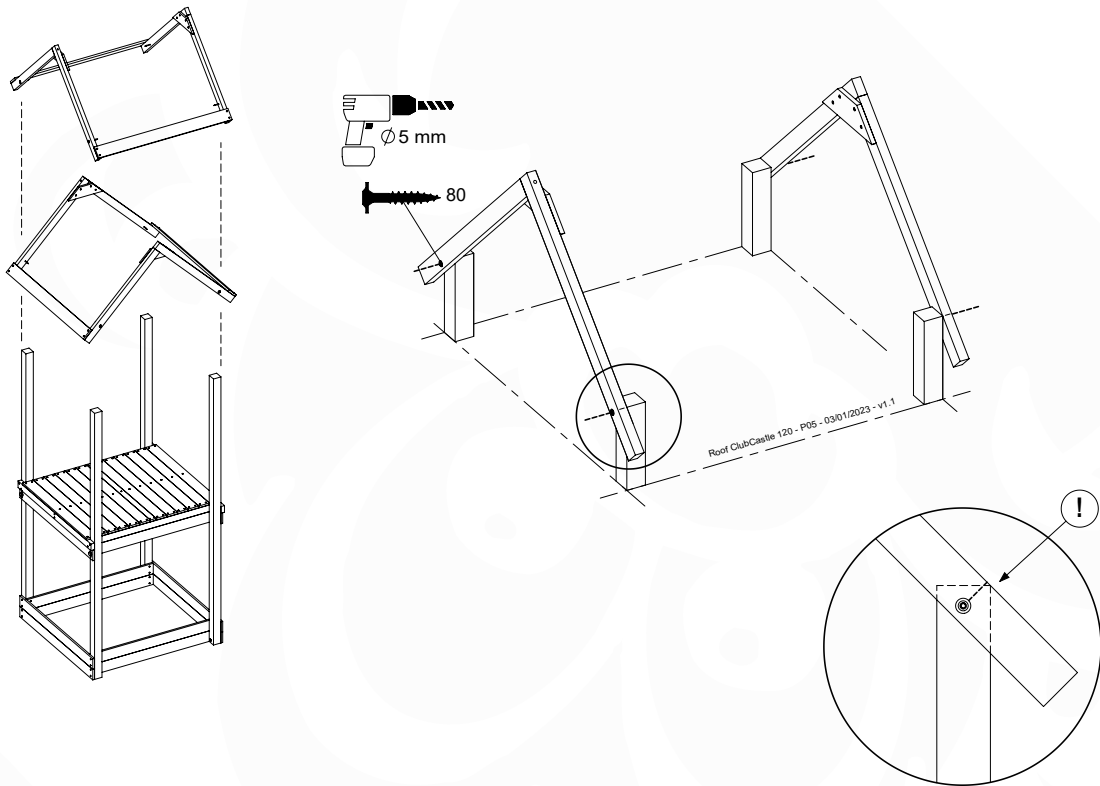
AP 194_308 / RF

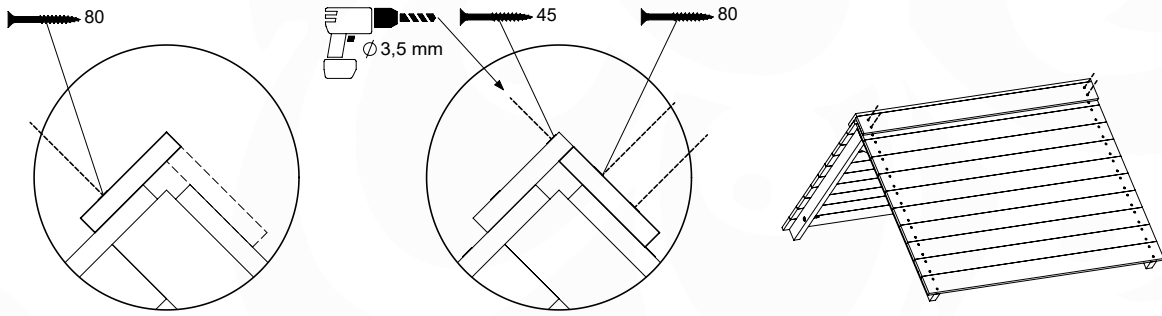
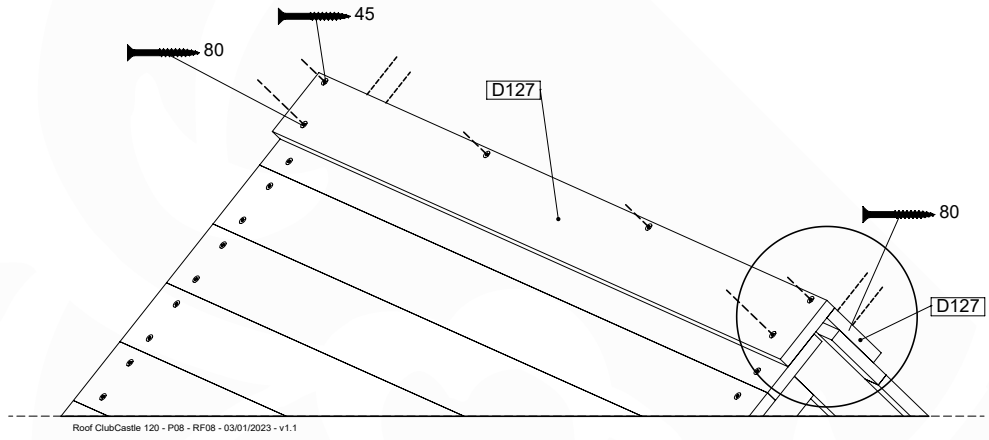
	PartNo	PartName	QTY.
Hardware Pack	001_417	Stealth Screw 8x80	4
	002_220	Gap Point Screw T25 - 5x45	100
	002_223	Gap Point Screw T25 - 5x80	8
Timber	C96	Beam 960 mm	2
	D65	Board 650 mm	1
	D127	Board 1270 mm	18-24
	C90	Beam 900 mm	2

Roof Cha/Carille 120 - P03 - RF08a - 03/01/2023 - v1.1



15.1



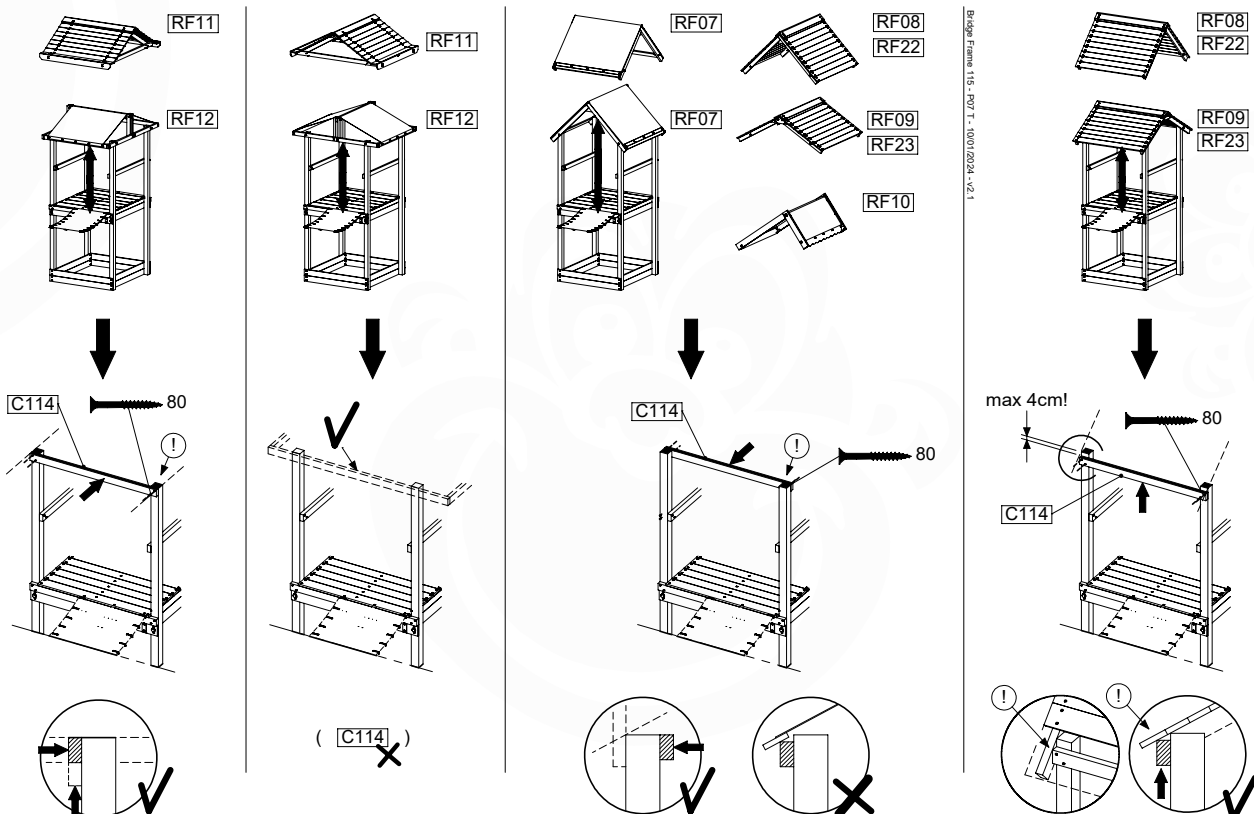
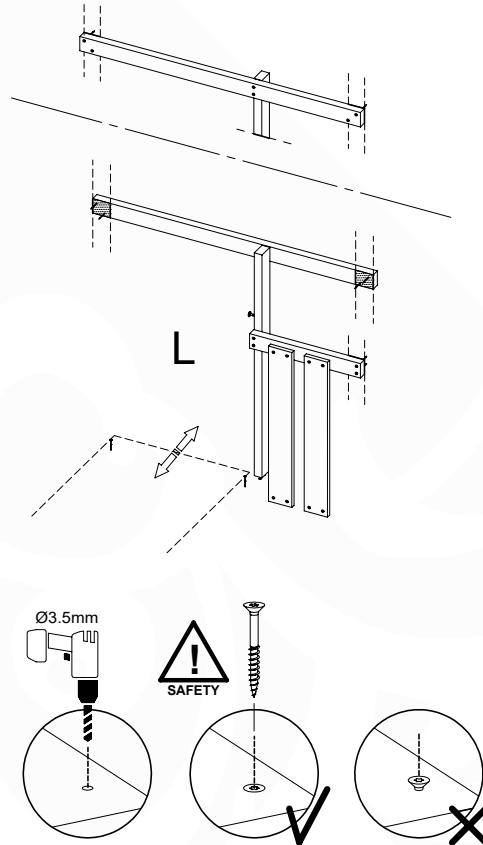


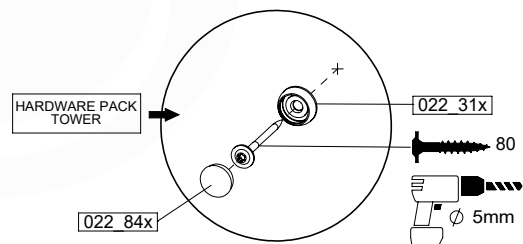
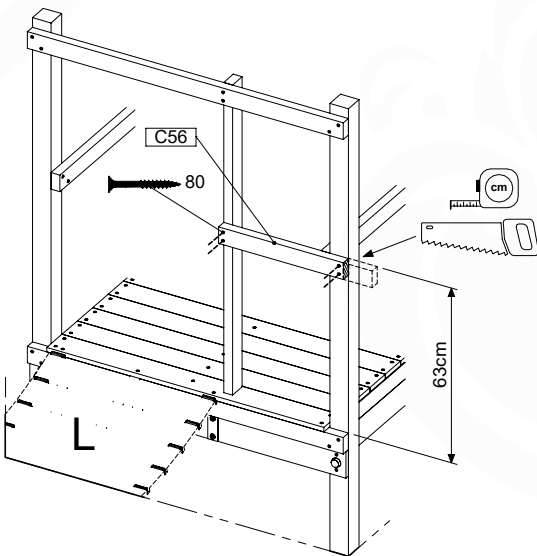
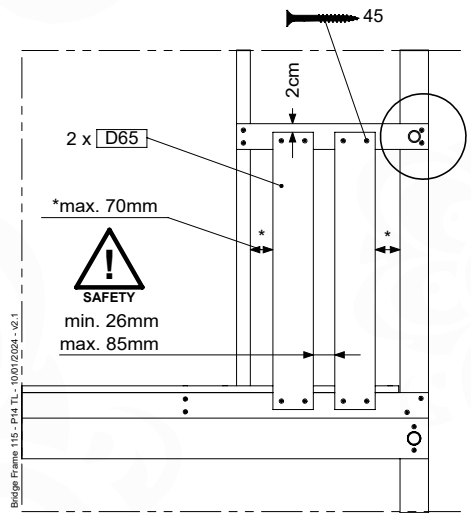
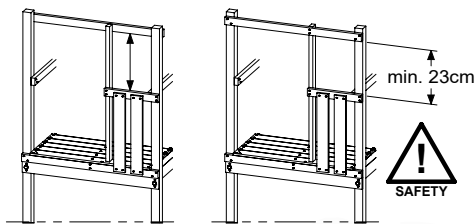
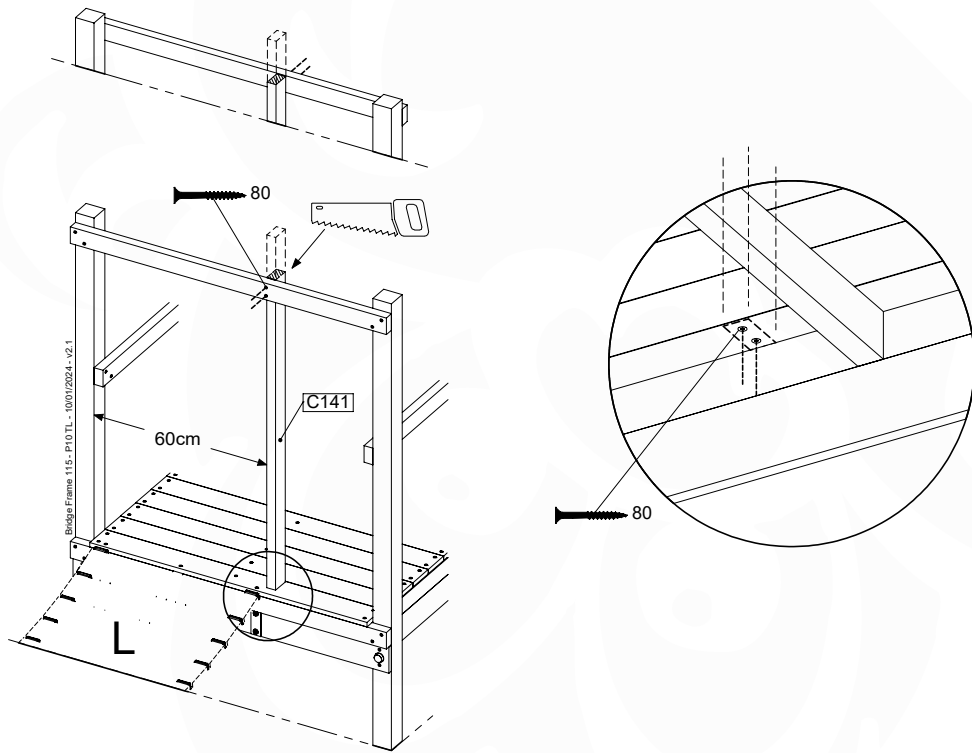
16 BF03a: Bridge Frame 115 T Left

(194_007)

	PartNo	PartName	QTY.
Hardware Pack	001_411	Stealth Screw 8x60	1
	002_220	Gap Point Screw T25 - 5x45	10
	002_223	Gap Point Screw T25 - 5x80	12
Timber	C56	Beam 560 mm	1
	C114	Beam 1140 mm	1
	C141	Beam 1410 mm	1
	D65	Board 650 mm	2

Bridge Frame 115 - P04 TL - 10/01/2024 - v2.1



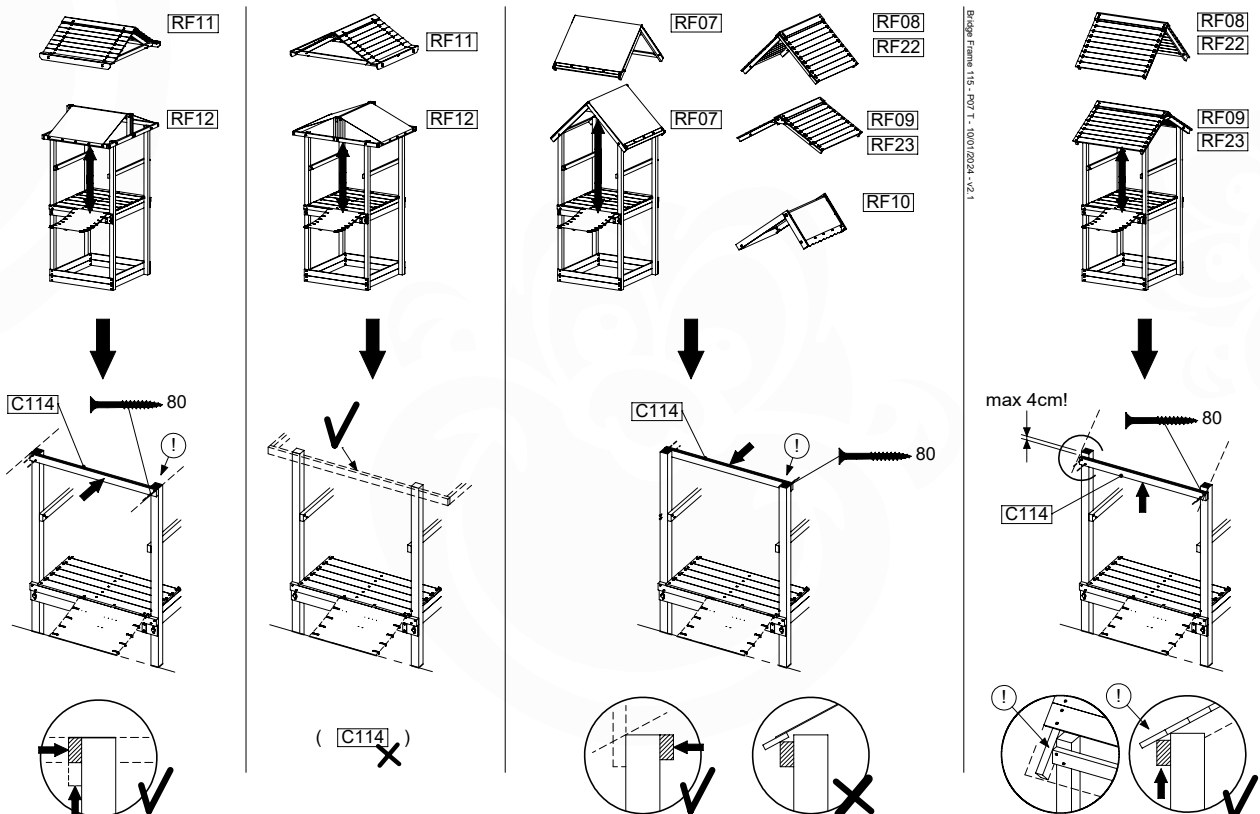
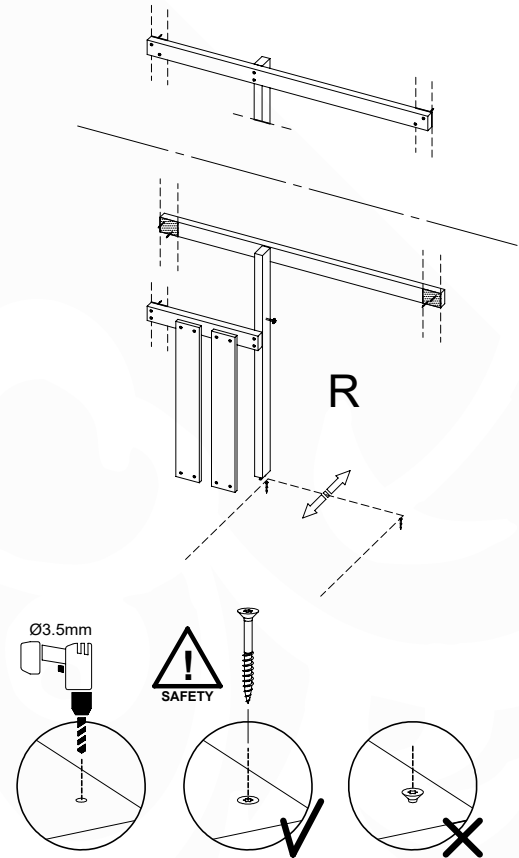


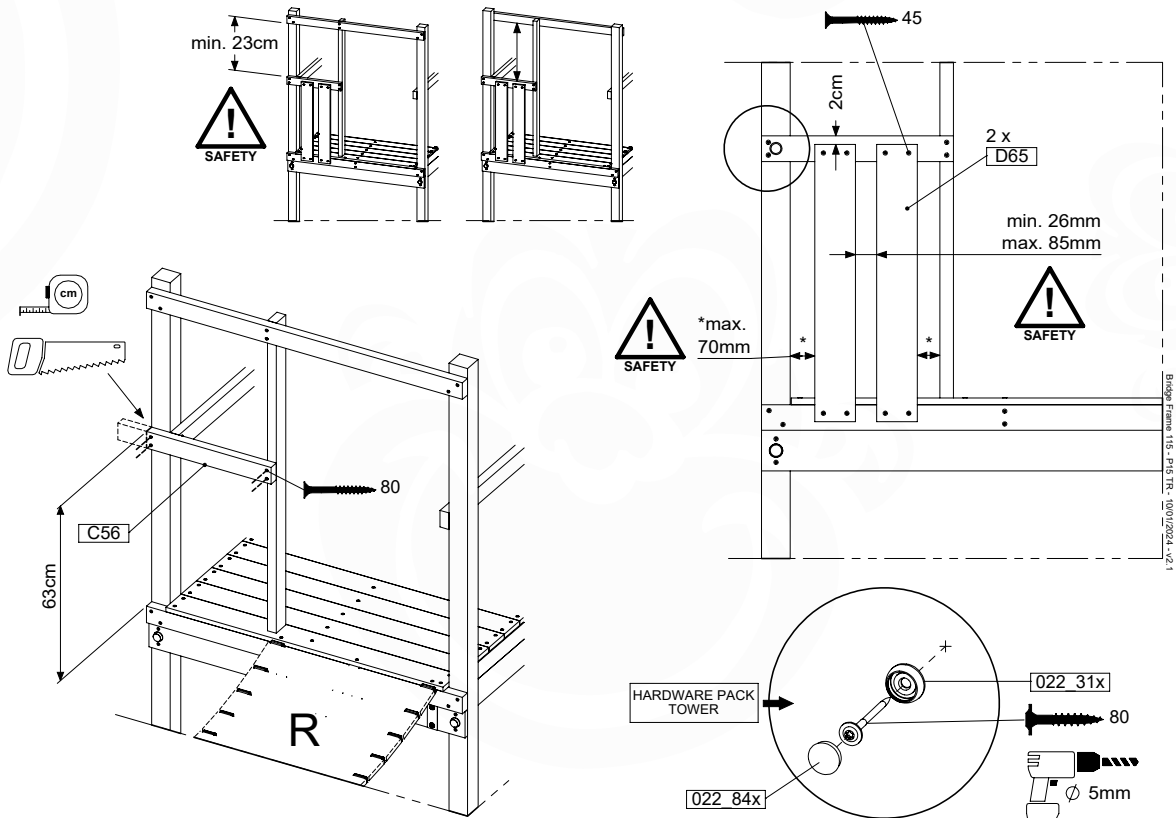
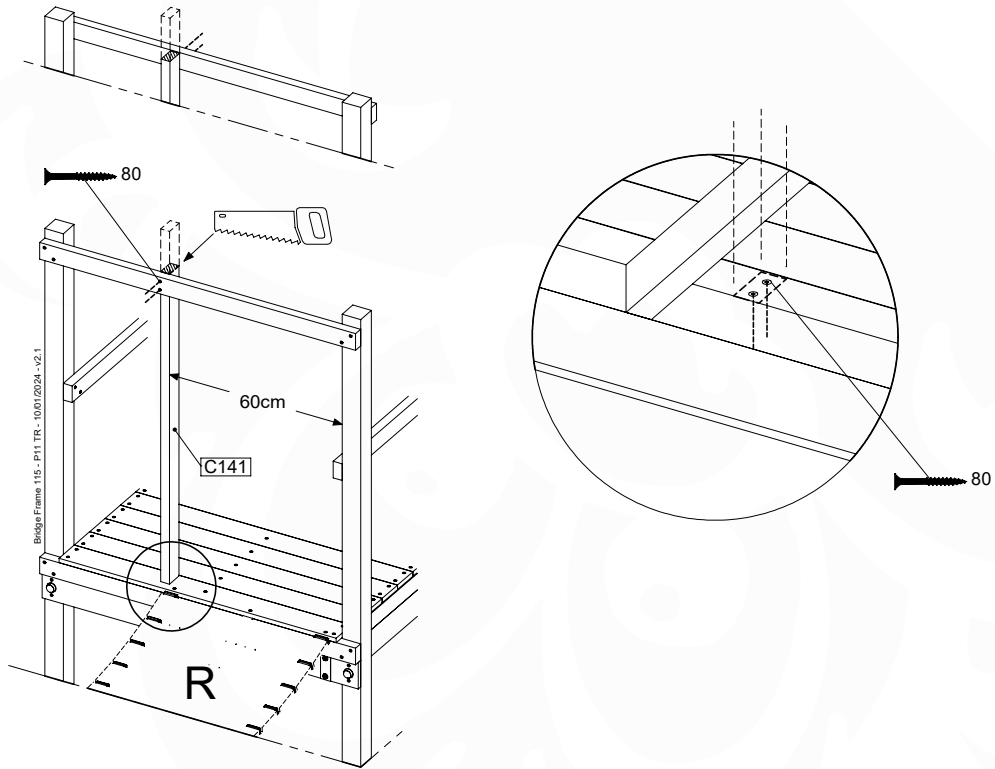
17 BF04a: Bridge Frame 115 T Right

(194_007)

	PartNo	PartName	QTY.
Hardware Pack	001_411	Stealth Screw 8x60	1
	002_220	Gap Point Screw T25 - 5x45	10
	002_223	Gap Point Screw T25 - 5x80	12
Timber	C56	Beam 560 mm	1
	C114	Beam 1140 mm	1
	C141	Beam 1410 mm	1
	D65	Board 650 mm	2

Bridge Frame 115 - P02 TR - 1007/2024 - v2.1



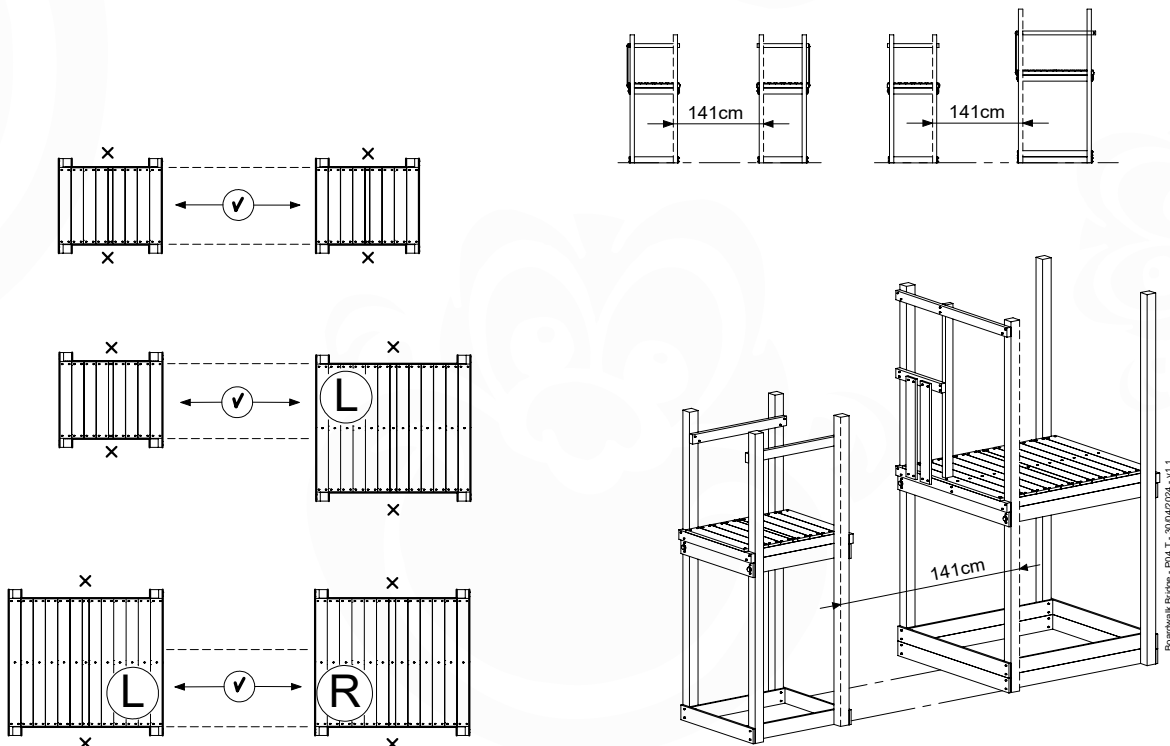
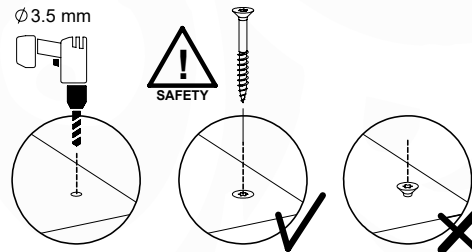
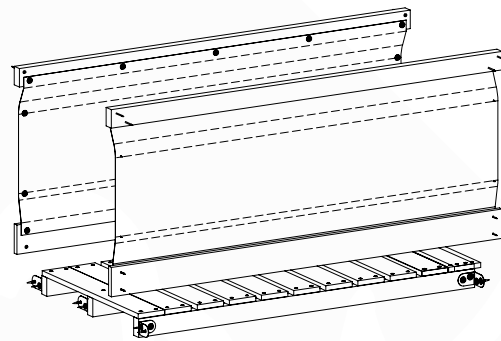


18 BB02a: Boardwalk Bridge 80 T

Assembly Pack: 194_812

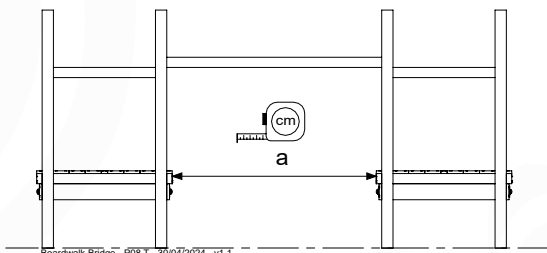
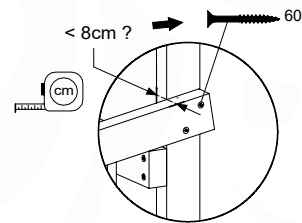
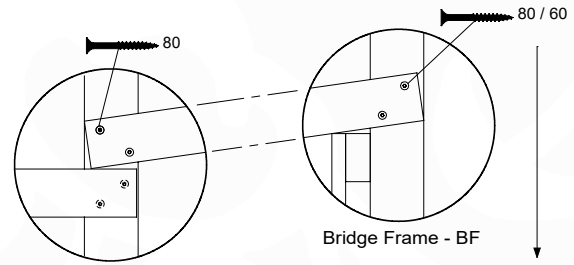
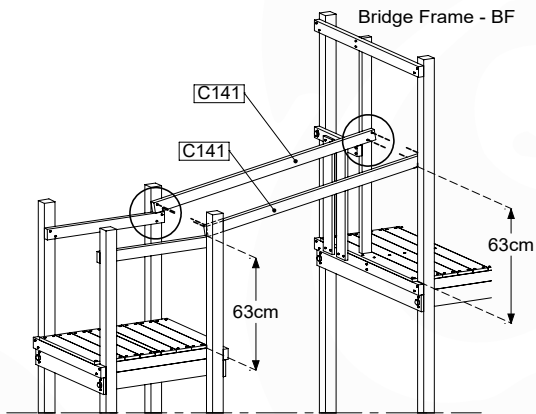
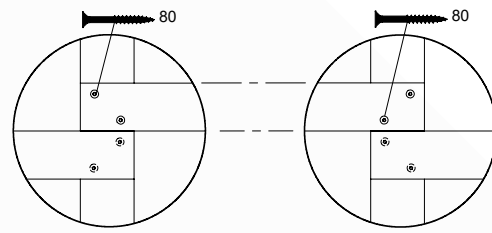
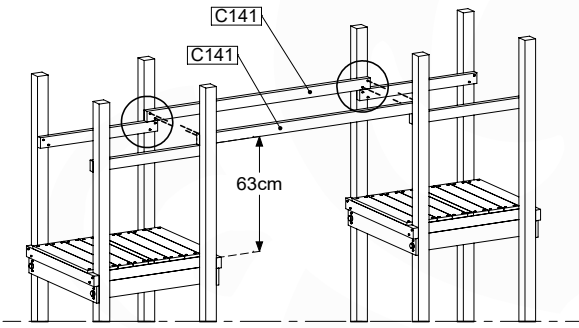
	PartNo	PartName	QTY.
Hardware + Parts	001_404	Stealth Screw 8x30	12
	001_411	Stealth Screw 8x60	2
	001_417	Stealth Screw 8x80	4
	002_219	Gap Point Screw T25 - 5x30	12
	002_220	Gap Point Screw T25 - 5x45	73
	002_222	Gap Point Screw T25 - 5x60	4
	002_223	Gap Point Screw T25 - 5x80	8
	002_308	Gap Point Screw T25 - 5x20	28
	023_031	Finishing Washer GPS 5.0	28
	005_522	Connection Bracket Mini Market	6
	021_512	Mesh green 1.20 x 1.85m	1
Timber	C141	Beam 1410 mm	5
	D60	Board 600 mm	13
	D141	Board 1410 mm	2

Boardwalk Bridge - POZ uni - 30/04/2024 - v1.1

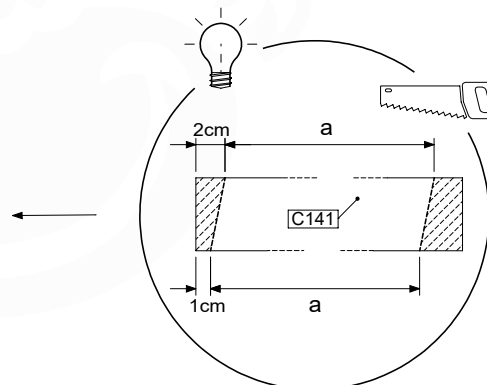
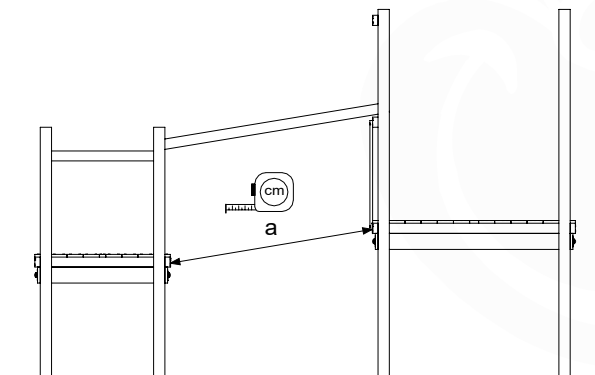
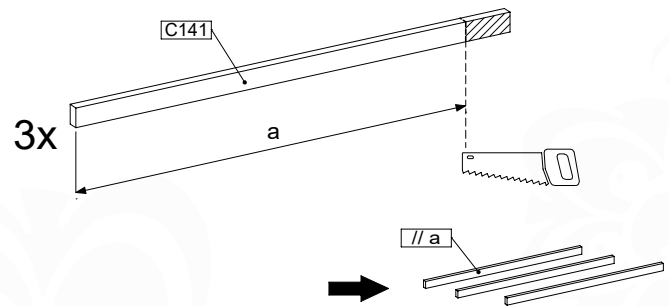


Boardwalk Bridge - POZ uni - 30/04/2024 - v1.1

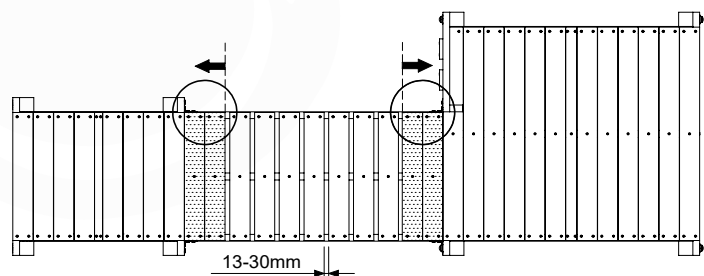
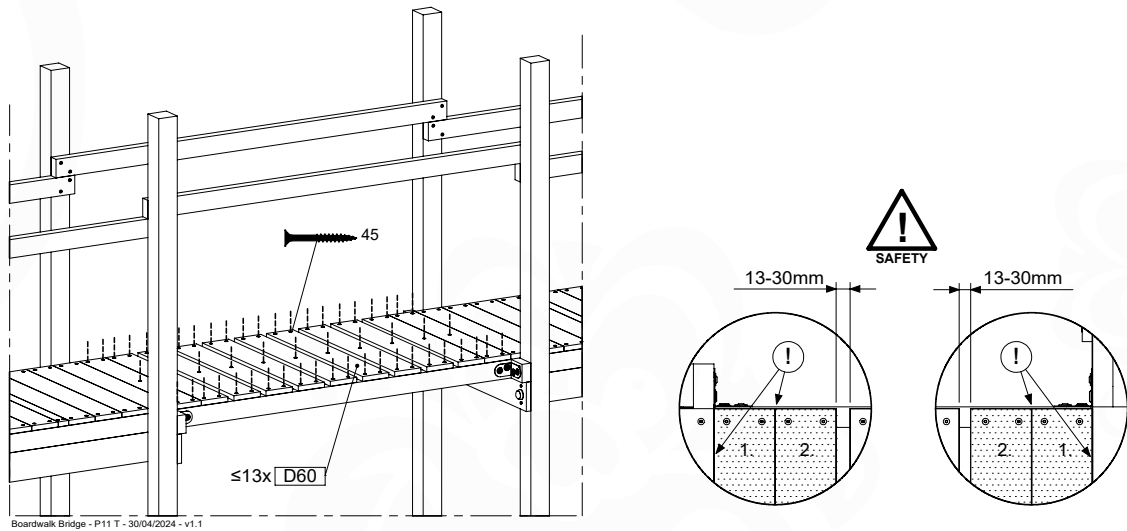
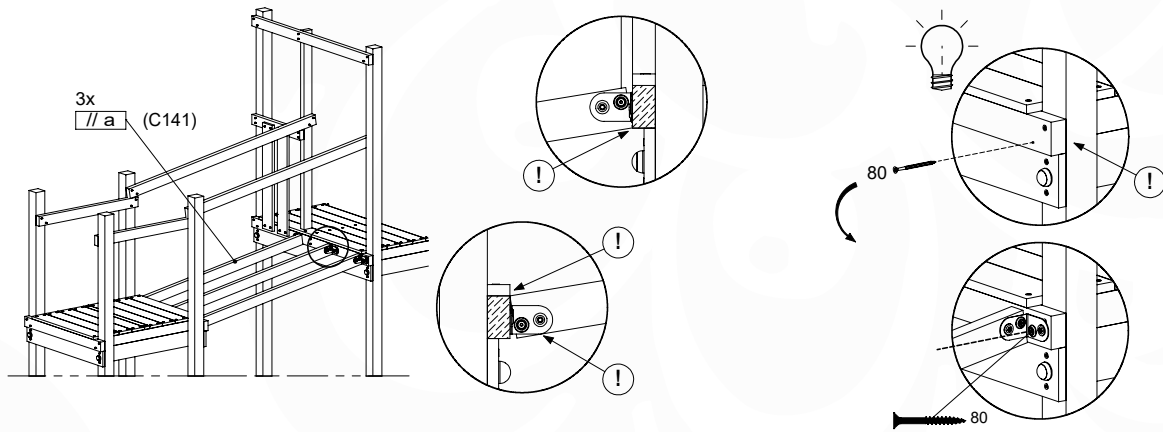
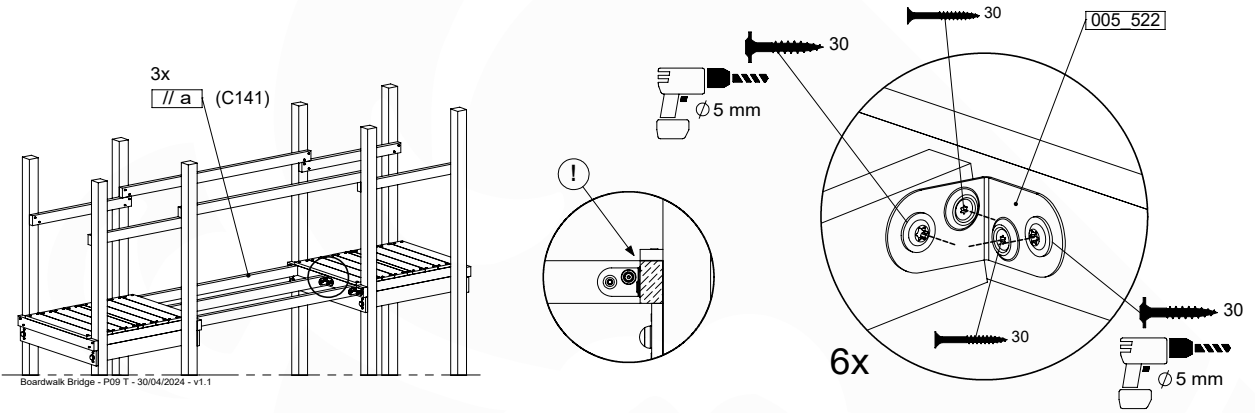
18.1



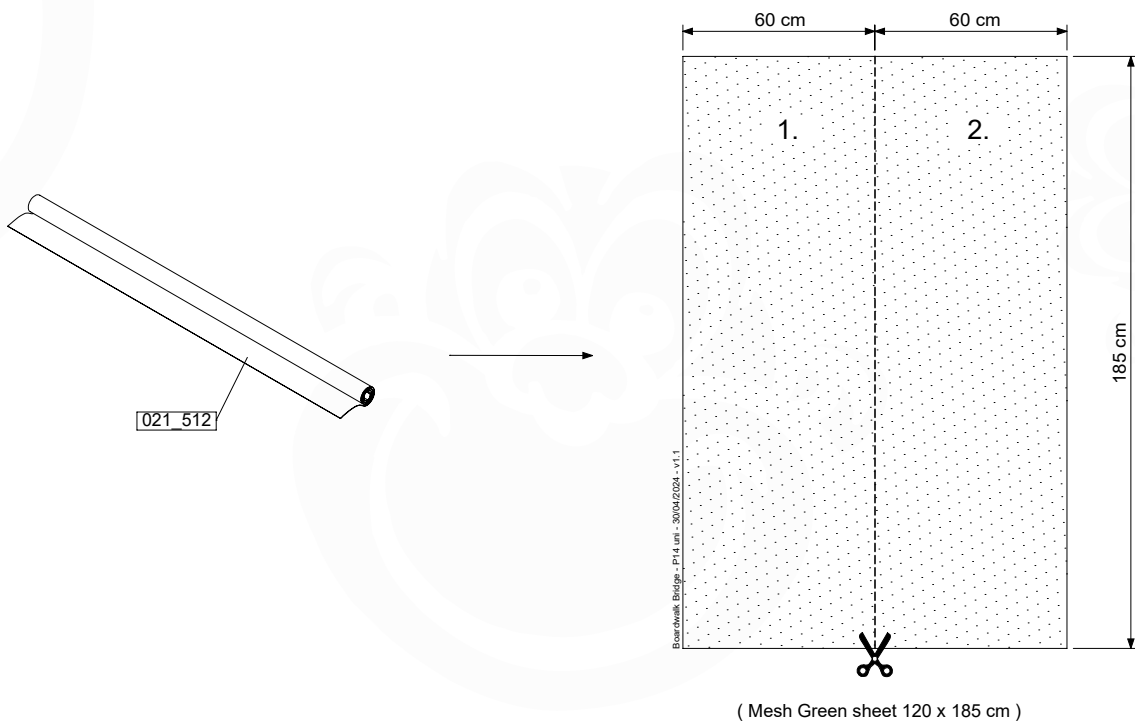
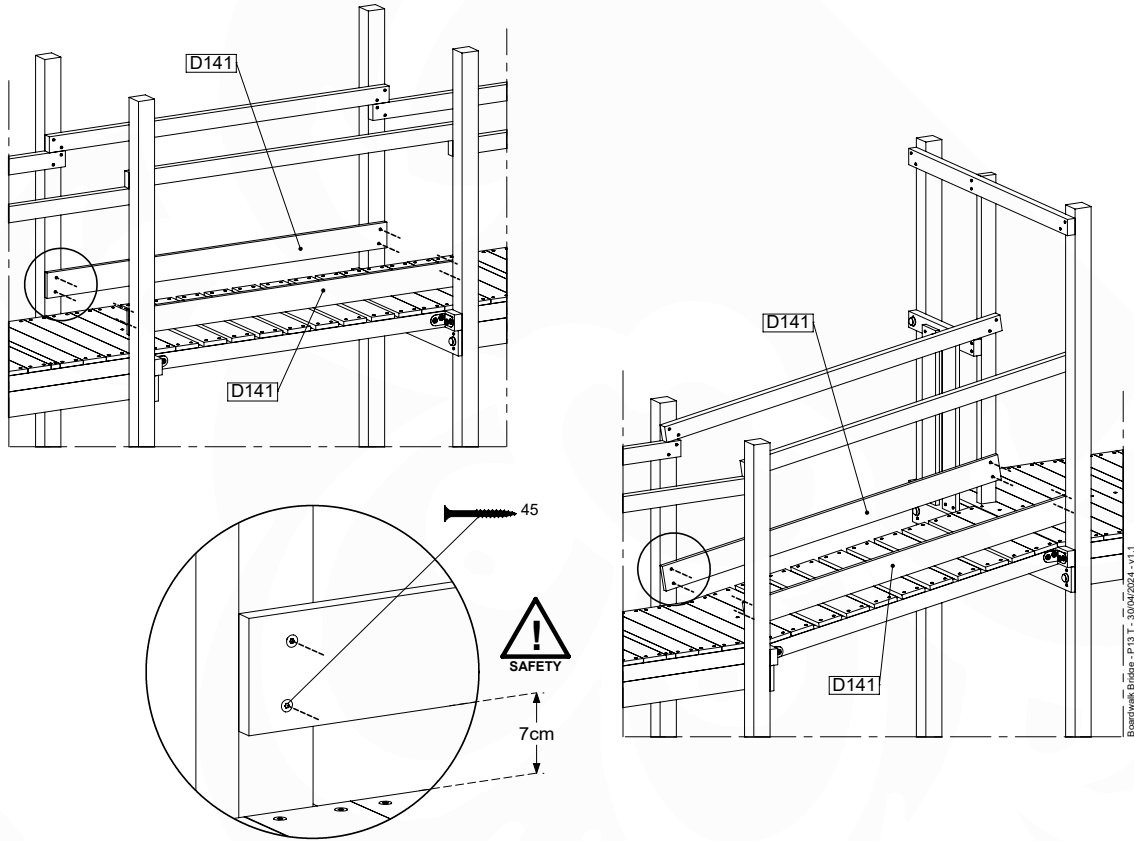
Boardwalk Bridge - P08 T - 30/04/2024 - v1.1



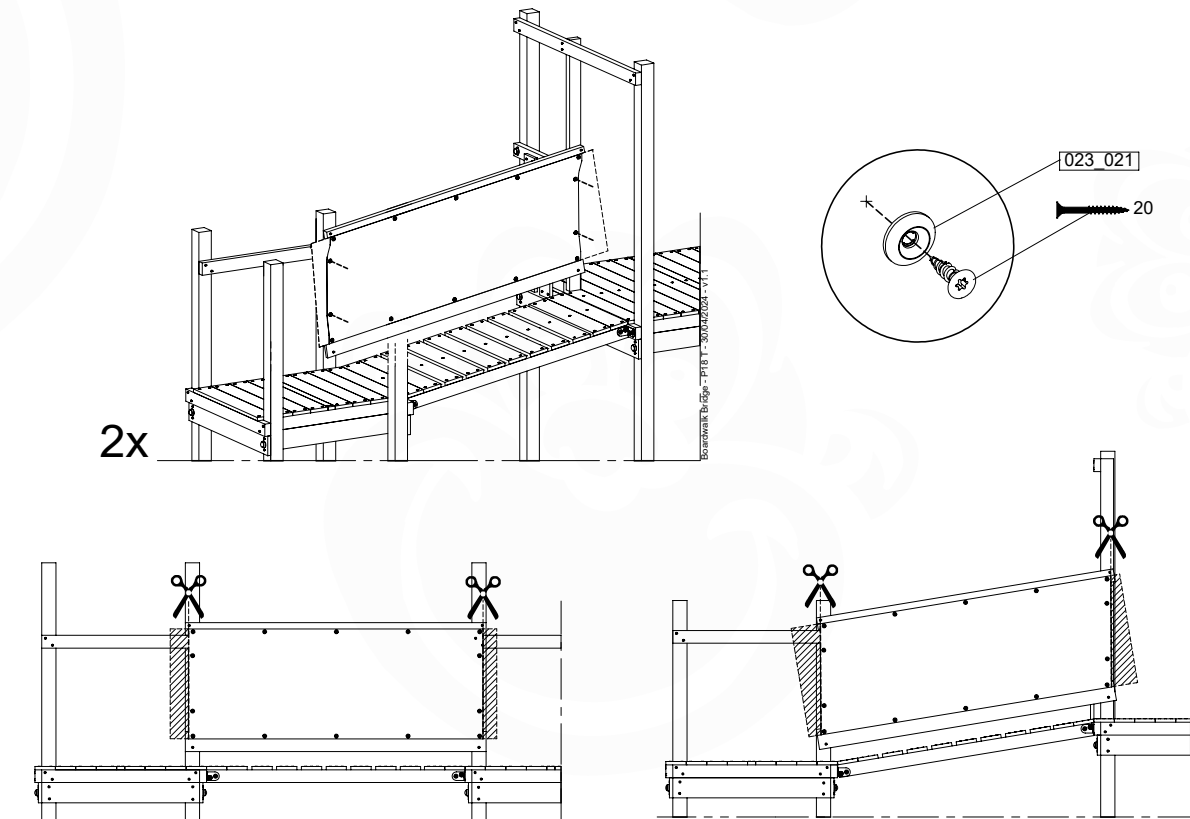
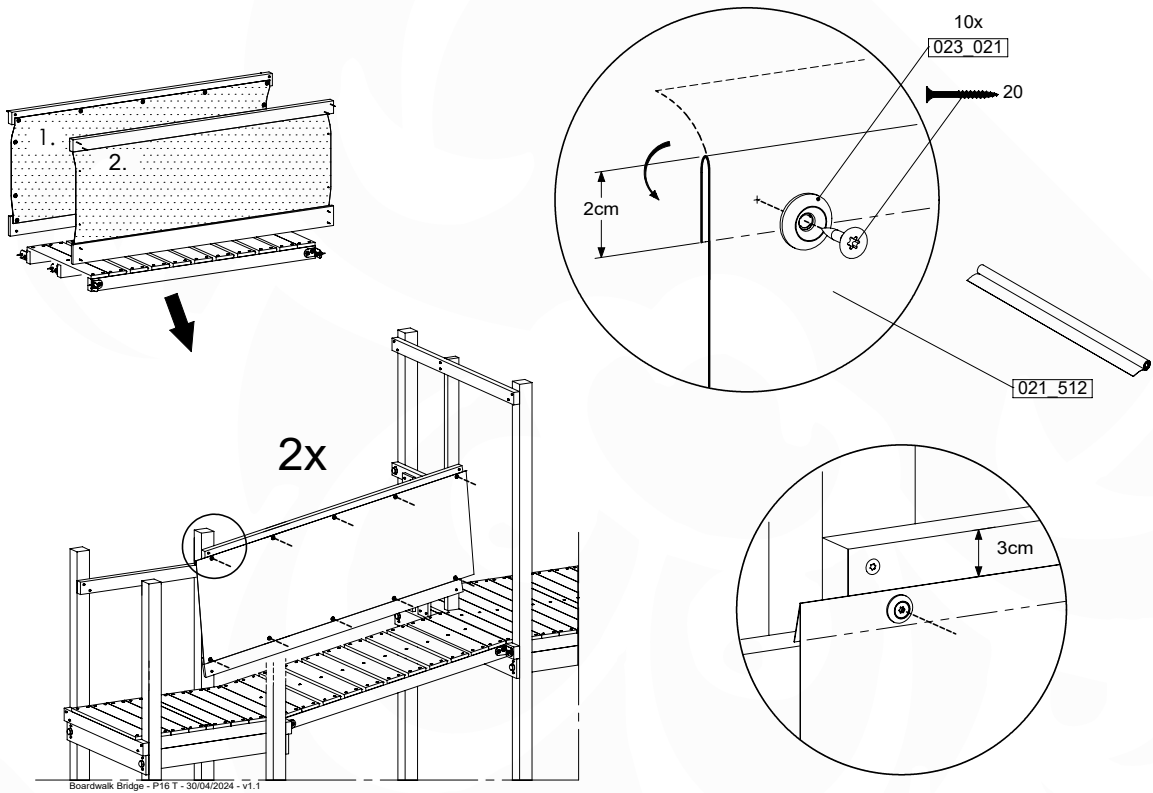
18.2



18.3



18.4

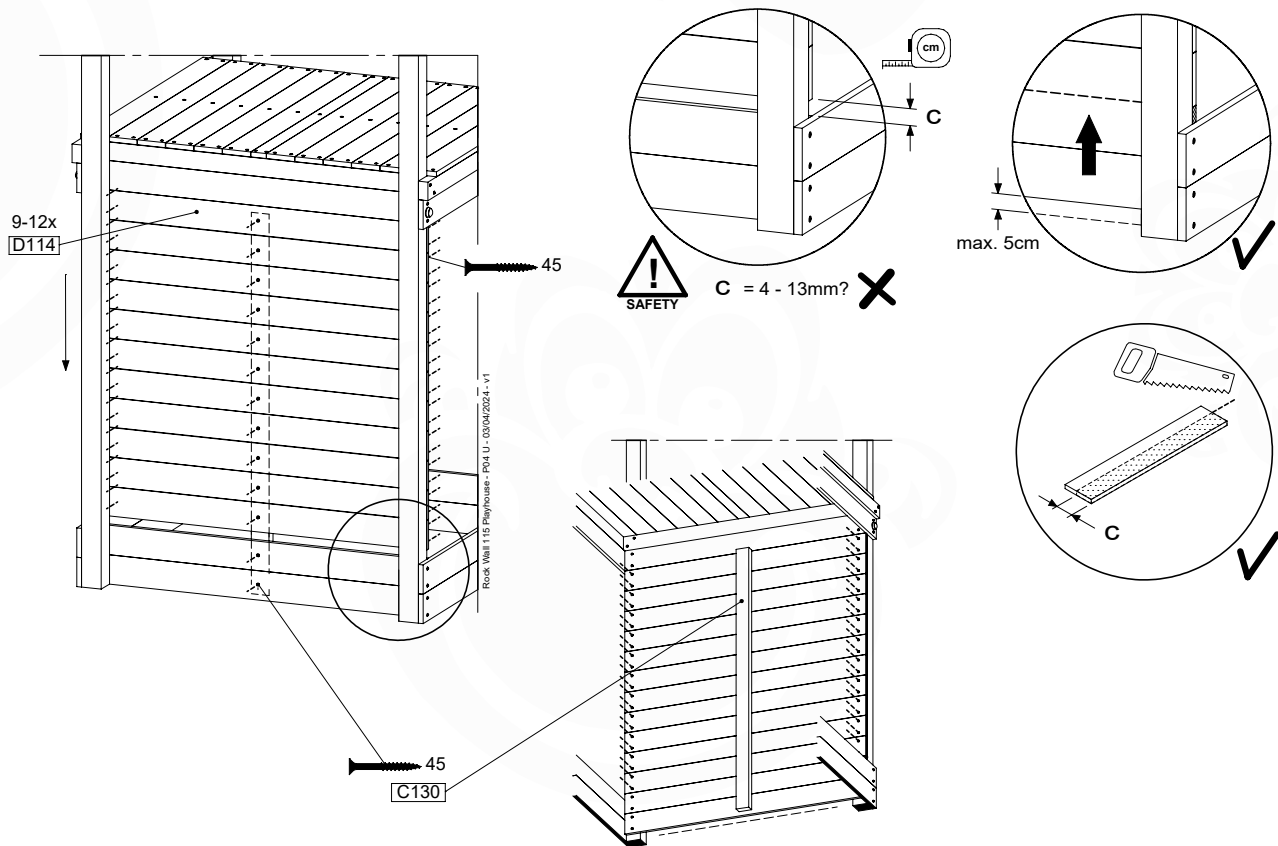
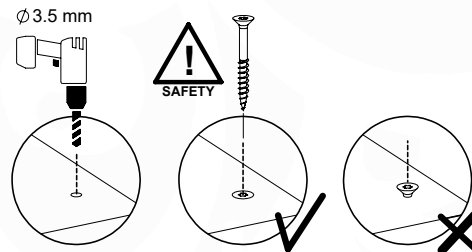
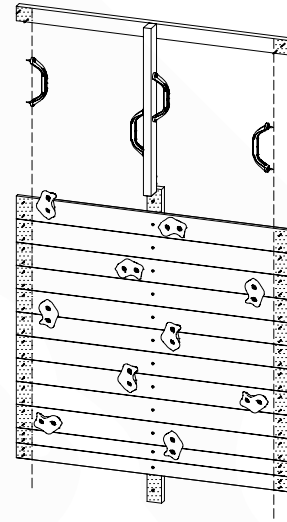


19 RW40a: Rock wall 115 Playhouse U

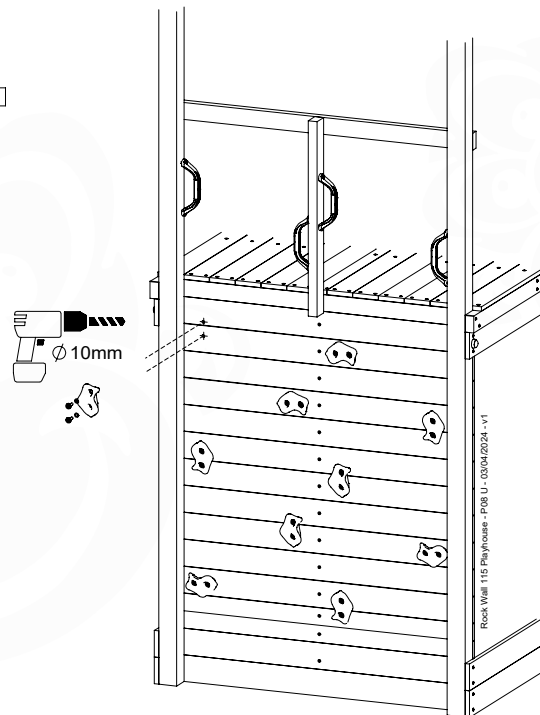
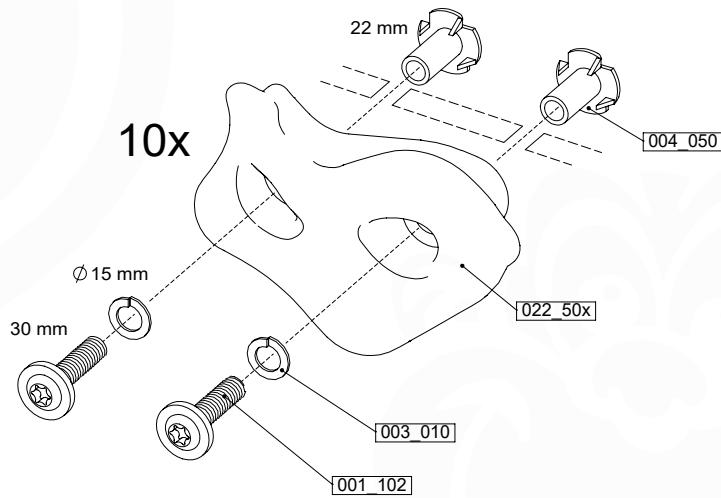
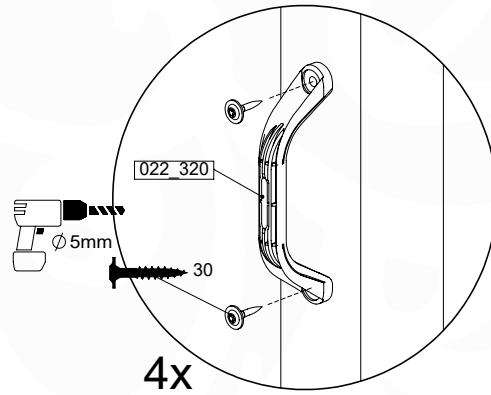
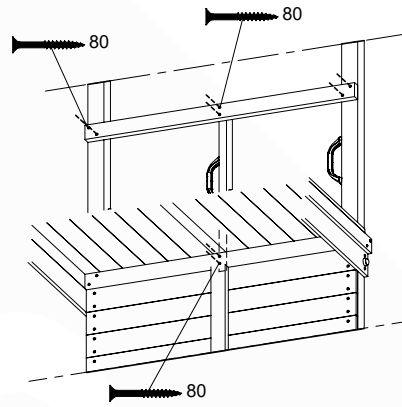
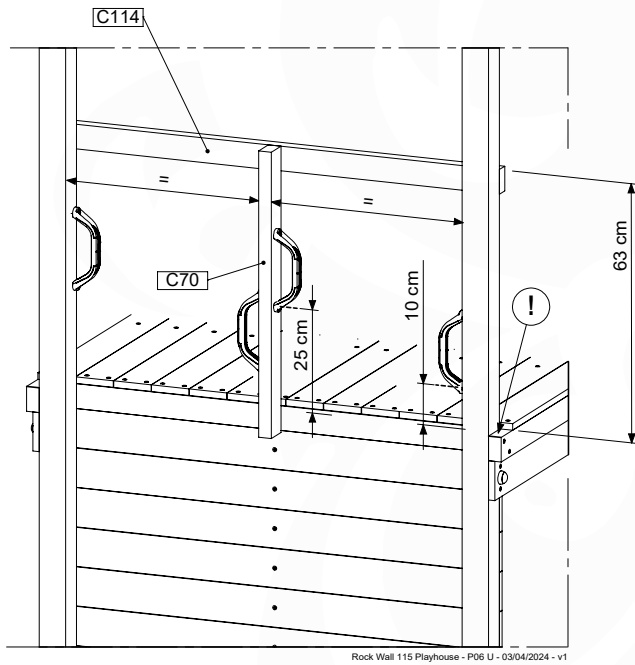
Assembly Packs: 194_006 (2x)

	PartNo	PartName	QTY.
Hardware + Parts	001_102	Washer Head Screw T40 M8x30	20
	002_220	Gap Point Screw T25 - 5x45	62
	002_223	Gap Point Screw T25 - 5x80	8
	003_010	M8 spring lock washer	20
	004_050	M8 Drive-in Nut 22mm	20
	022_50x	Climbing Rock	10
	120_102	Handgrip set (complete 2x)	2
Timber	C70	Beam 700 mm	1
	C114	Beam 1140 mm	1
	C130	Beam 1300 mm	1
	D114	Board 1140 mm	12

Rock Wall 115 Playhouse - P02 U - 03/04/2024 - v1



19.1

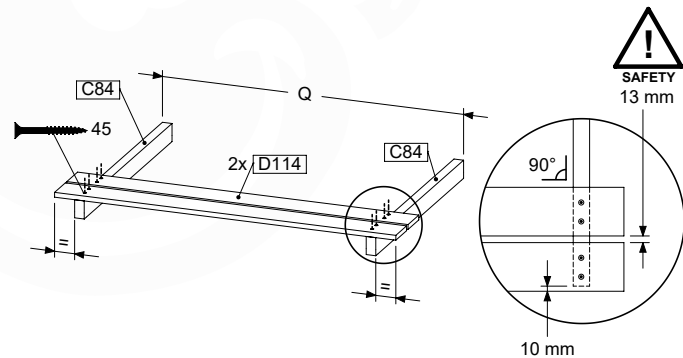
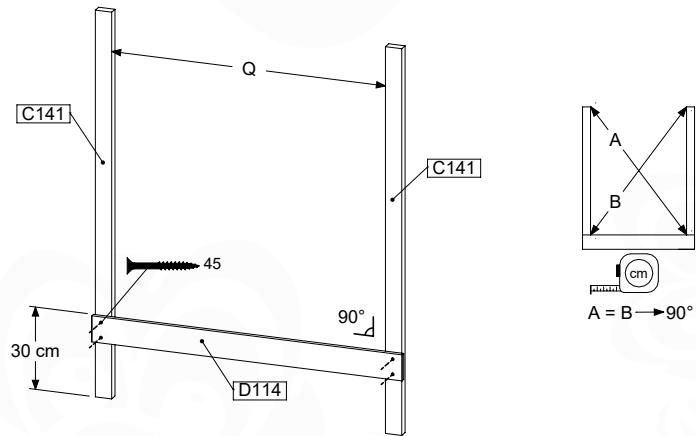
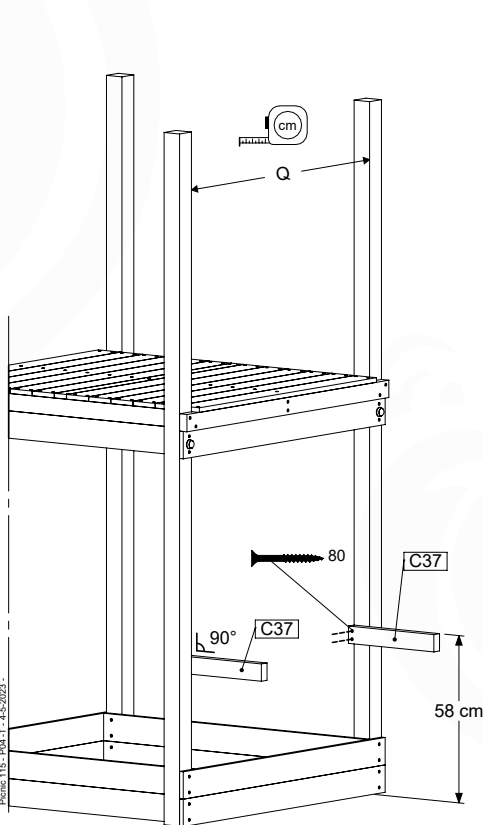
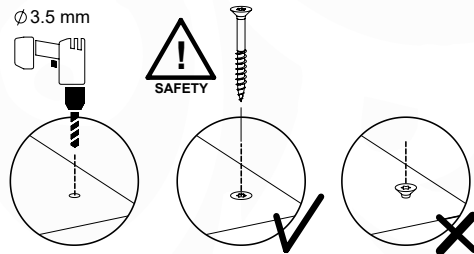
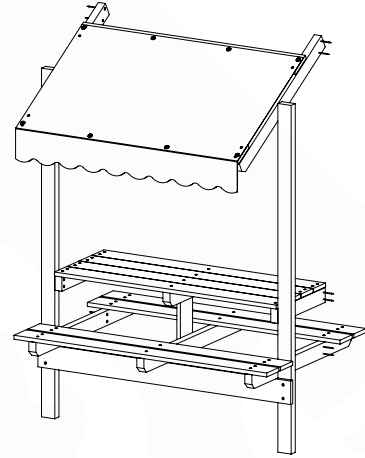


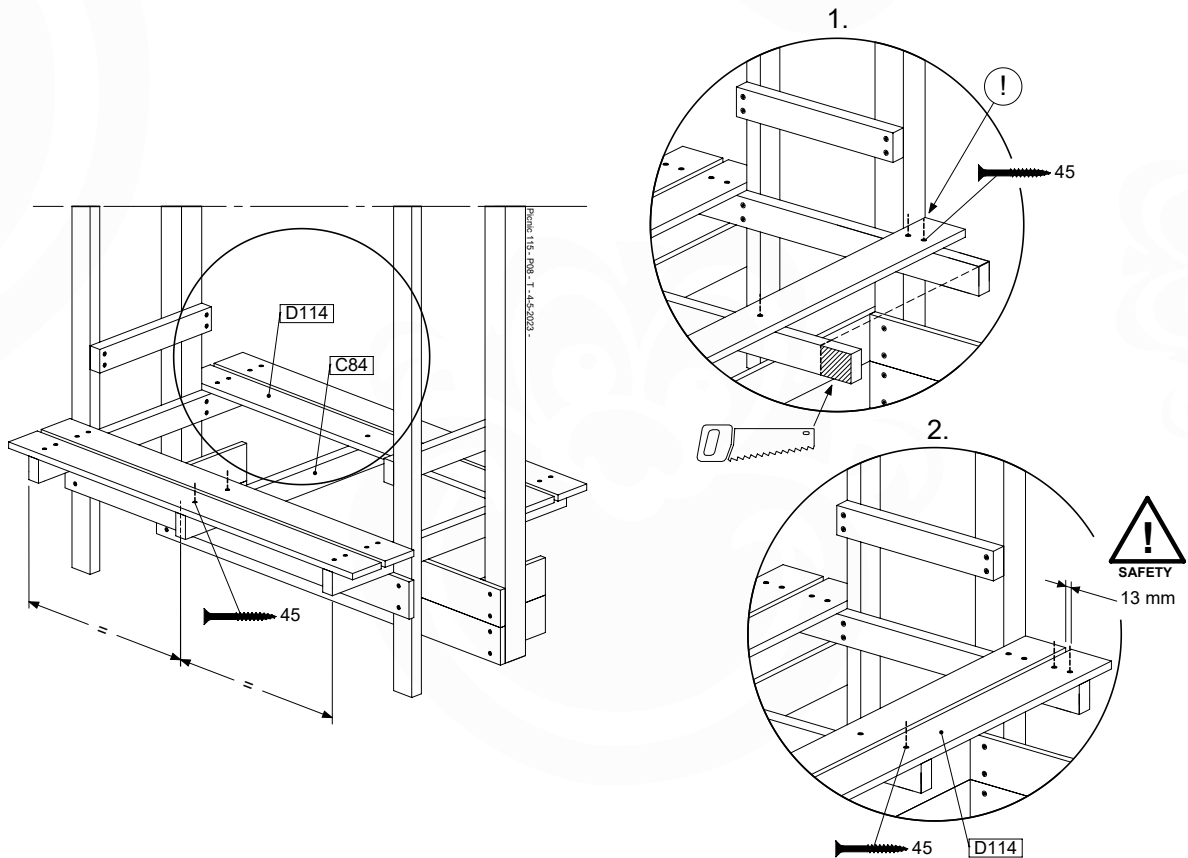
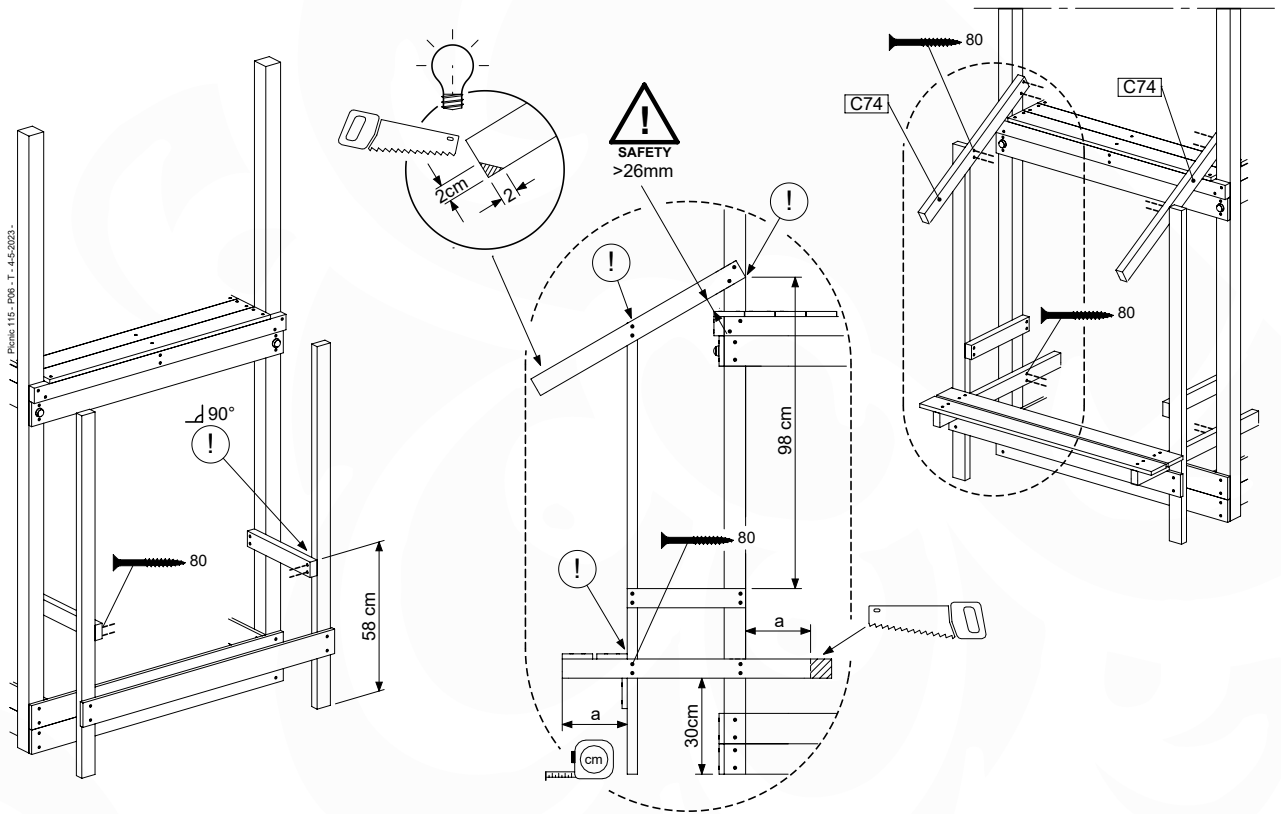
20 PC06a: Picnic 115 T

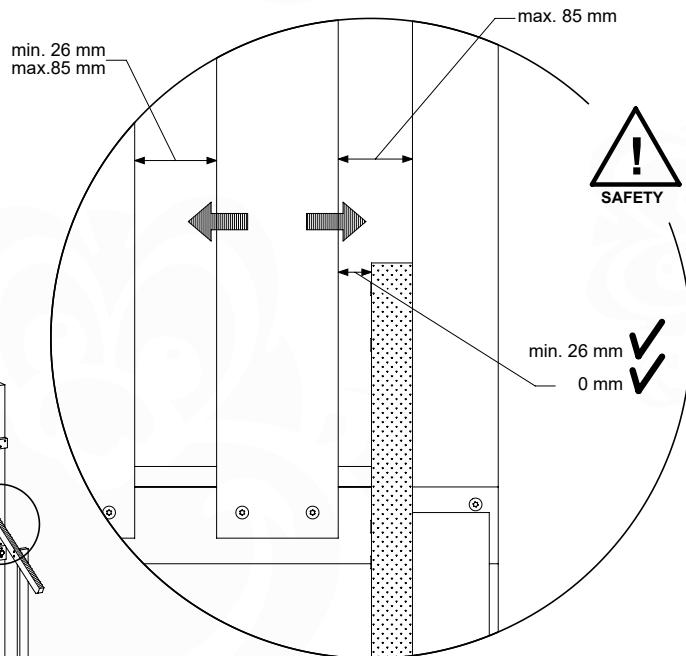
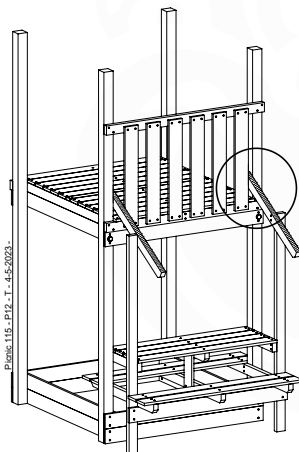
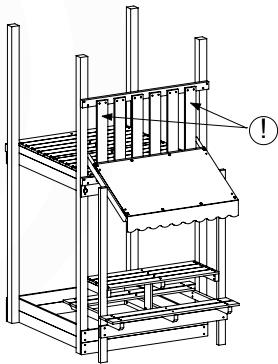
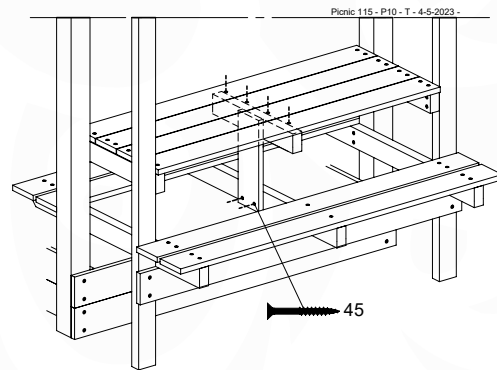
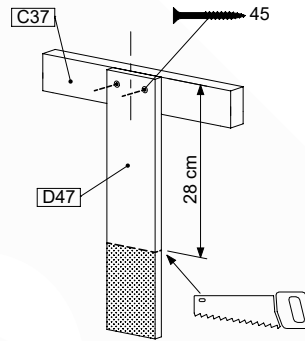
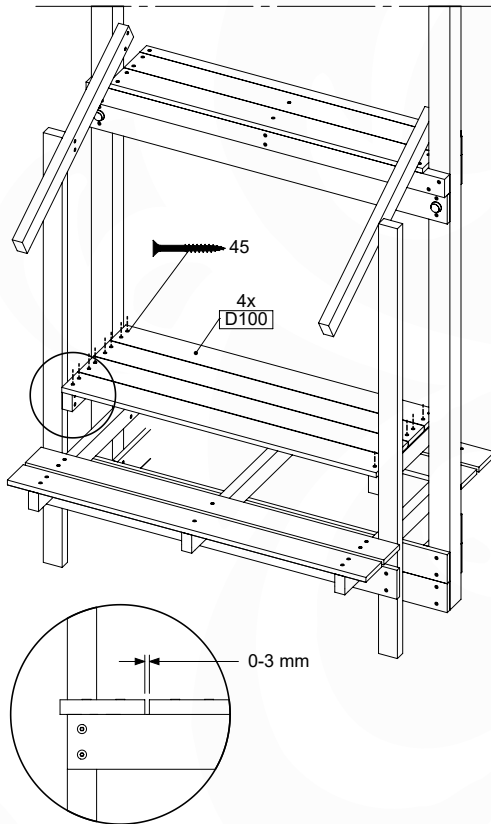
(194_810)

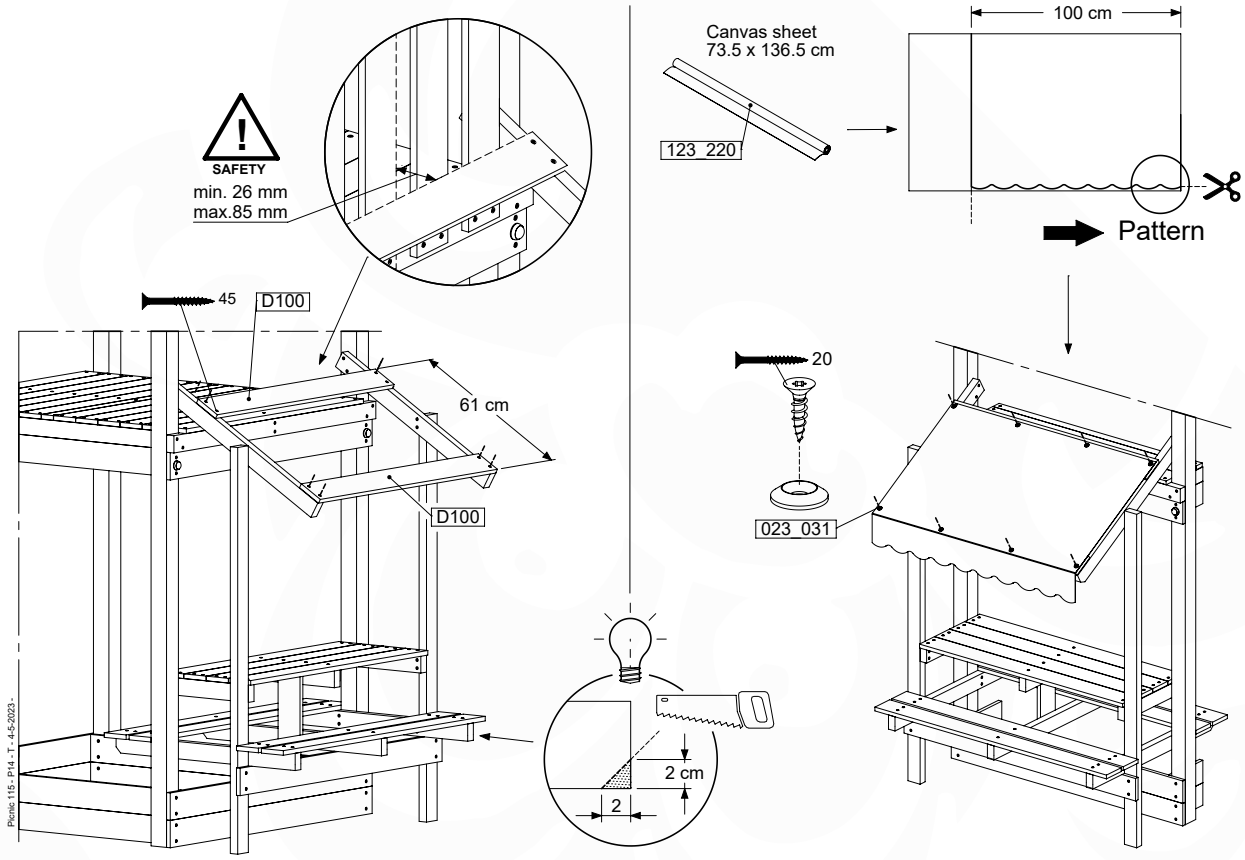
	PartNo	PartName	QTY.
Hardware Pack	002_220	Gap Point Screw T25 - 5x45	56
	002_223	Gap Point Screw T25 - 5x80	24
	002_308	Gap Point Screw T25 - 5x20	8
	023_031	Finishing Washer GPS 5.0	8
Other	123_220	Canvas sheet 735x1365mm	1
Timber	C37	Beam 370 mm	3
	C74	Beam 740 mm	2
	C84	Beam 840 mm	3
	C141	Beam 1410 mm	2
	D47	Board 470 mm	1
	D100	Board 1000 mm	6
	D114	Board 1140 mm	5

Picnic 115 - P02 - LUT - 4-5-2023



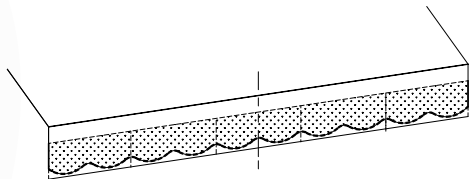




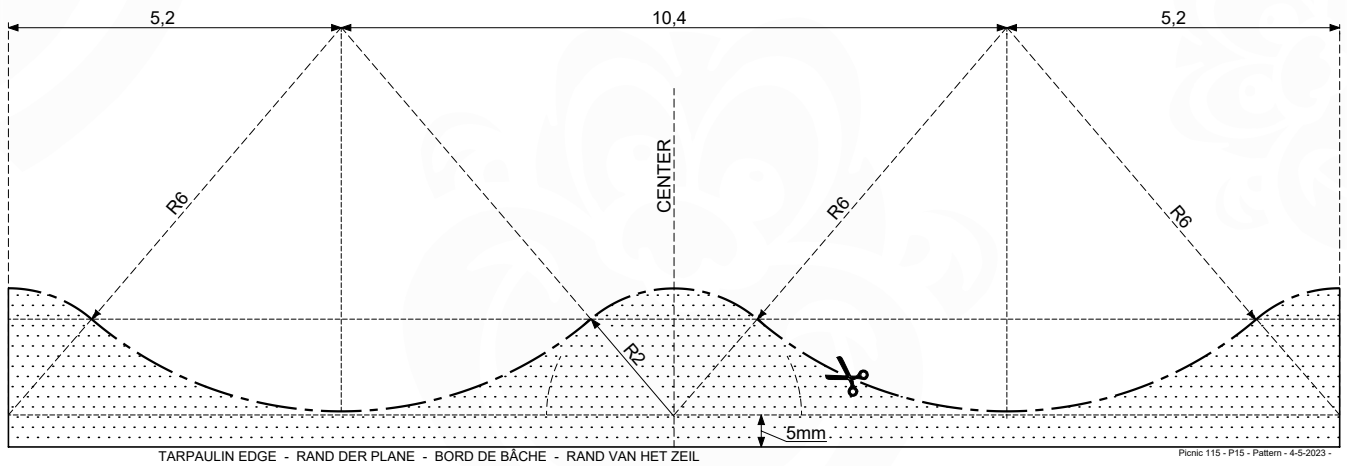


Picnic 115 - P14 - TT - 4-5-2023 -

Picnic 115 - P15 - Pattern - 4-5-2023 -



EXAMPLE PATTERN
 BEISPIELVORLAGE FÜR MARKISE
 SCHEMA SUGGÉRÉ DE DÉCOUPE POUR AUVENT
 VOORBEELDSJABLOON LUIFEL



← repeat

repeat →

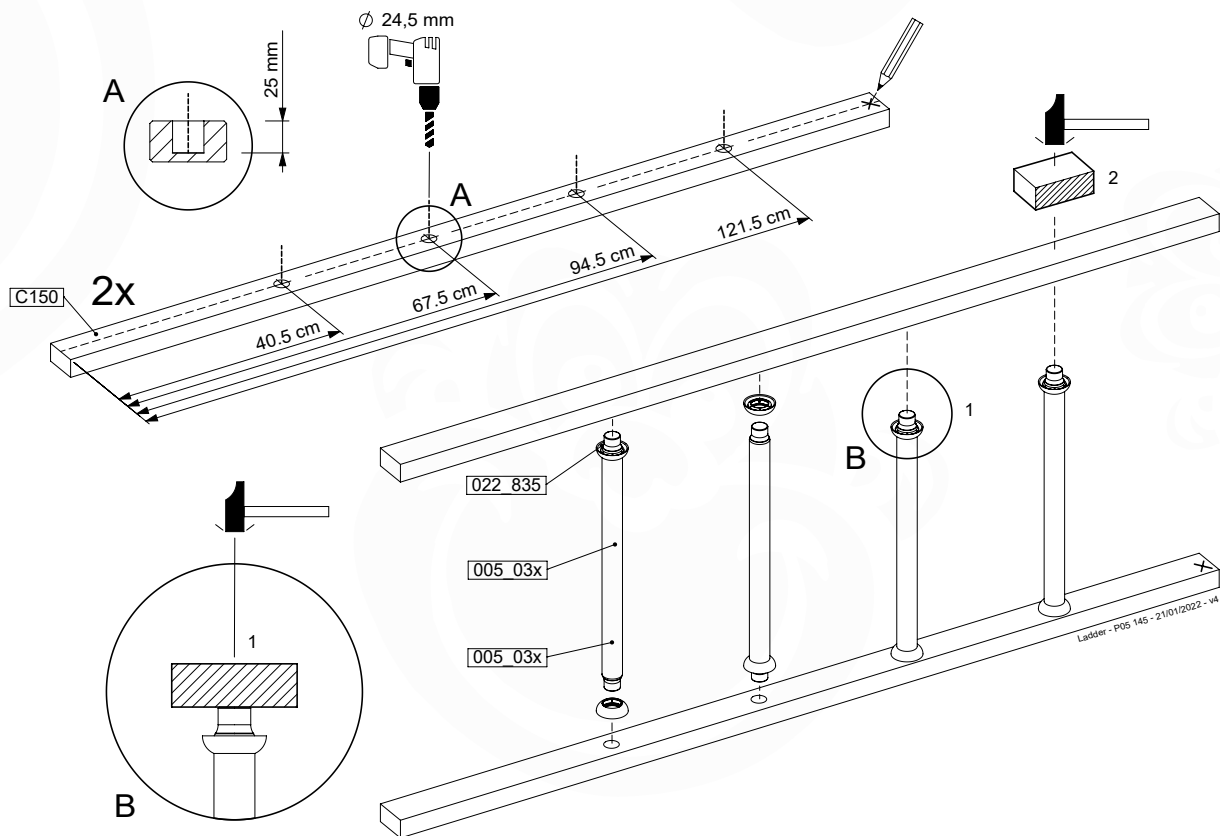
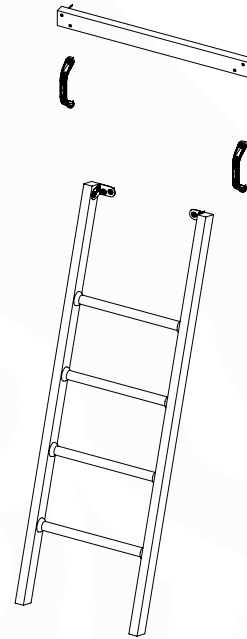
! Scale of print may not be accurate.
 Druckformat kann abweichen.
 Les tailles imprimées peuvent varier.
 Printformaat kan afwijken.

21 LA03b: Ladder 80 145 U

(194_104)

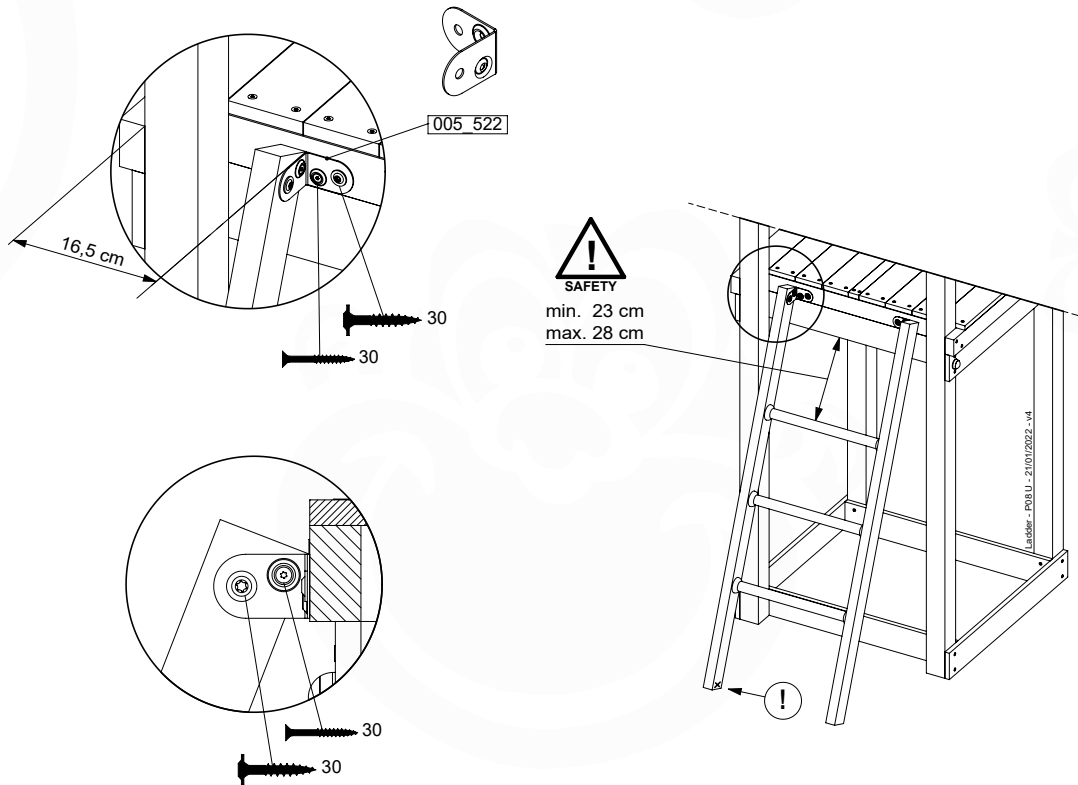
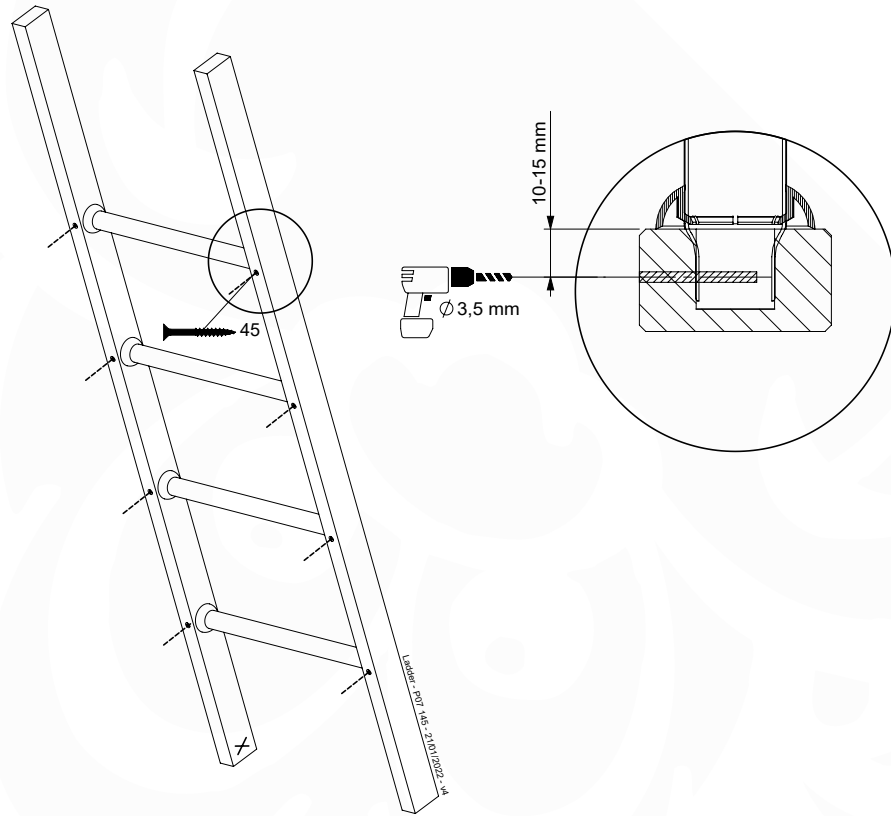
	PartNo	PartName	QTY.
Hardware Pack 100_603	001_404	Stealth Screw 8x30	4
	002_219	Gap Point Screw T25 - 5x30	4
	002_220	Gap Point Screw T25 - 5x45	8
	002_223	Gap Point Screw T25 - 5x80	4
Other	005_03x	Ladder Rung Y/B/G/R	4
	005_522	Connection Bracket Mini Market	2
	022_835	Rung Cap	8
	120_102	Handgrip set (2x Complete)	1
Timber	C74	Beam 740 mm	1
	C150	Beam 1500 mm	2

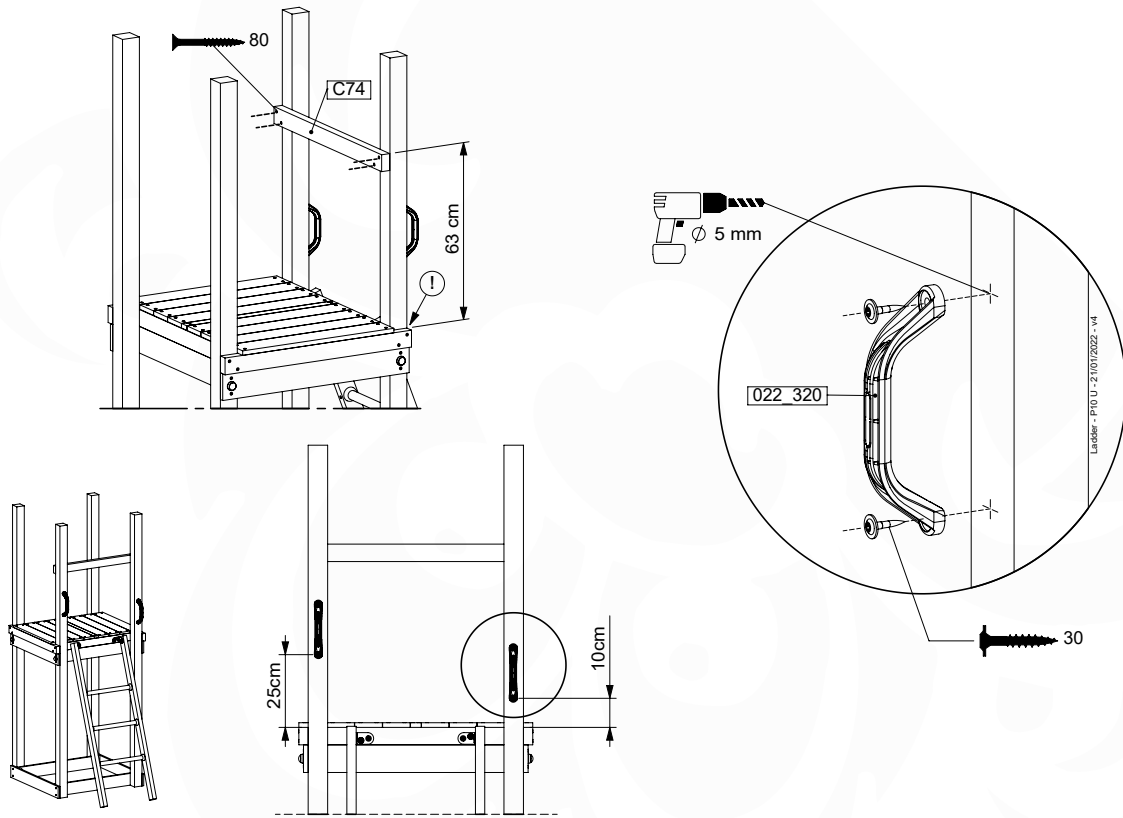
Ladder - P05 145 - 21/01/2022 - v4



Ladder - P05 145 - 21/01/2022 - v4

21.1



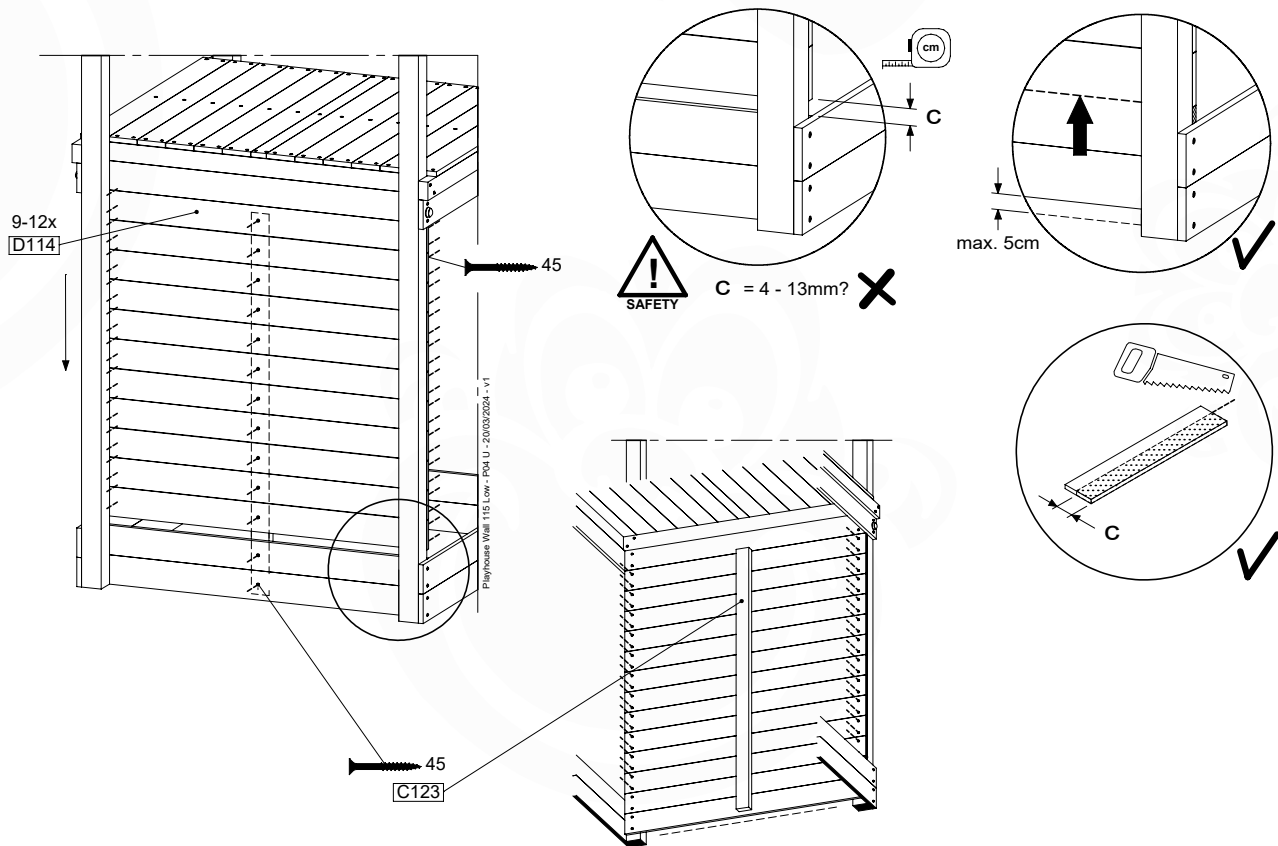
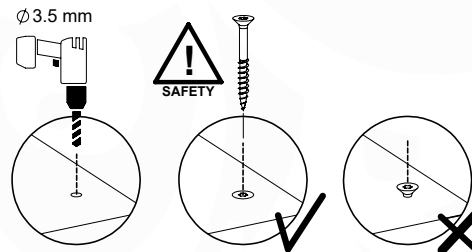
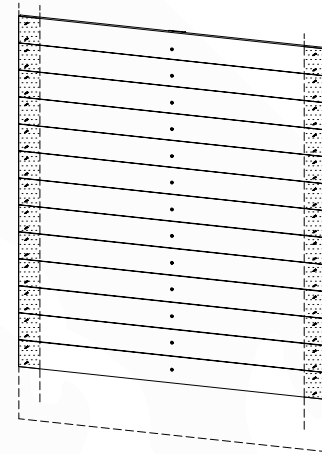


22 PH40a: Playhouse Wall 115 U Low

Assembly pack: 194_809

	PartNo	PartName	QTY.
Hardware Pack	002_220	Gap Point Screw T25 - 5x45	70
Timber	C123	Beam 1230 mm	1
	D114	Board 1140 mm	14

Playhouse Wall 115 Low - P02 U - 20/09/2024 - v1

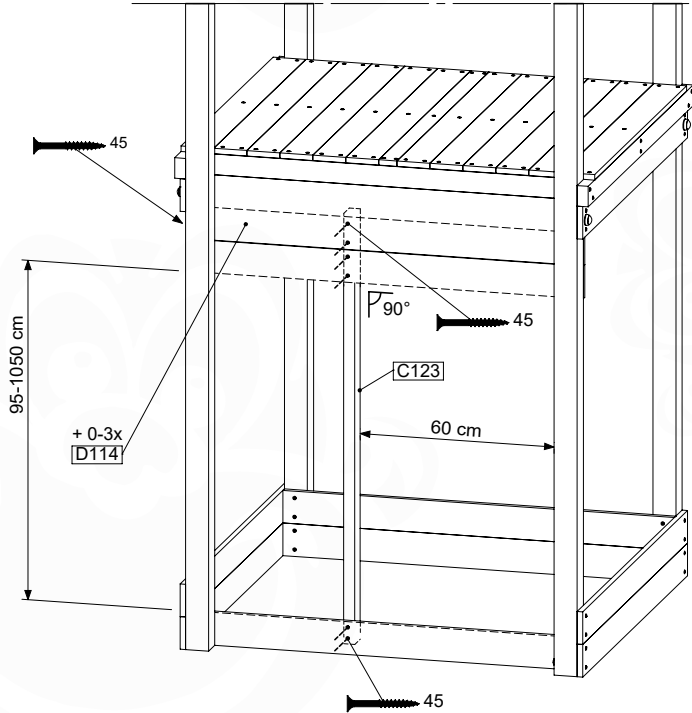
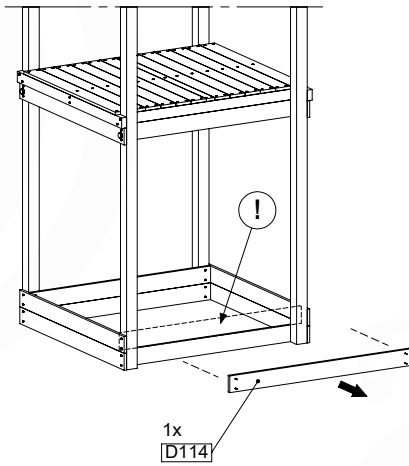
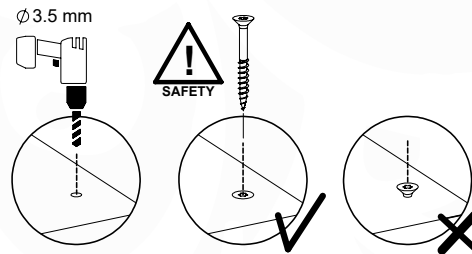
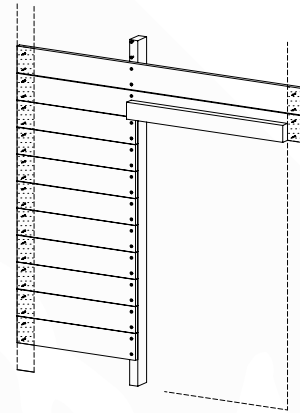


23 PH43a: Playhouse Entrance 115 UR Low

Assembly Pack: 194_809

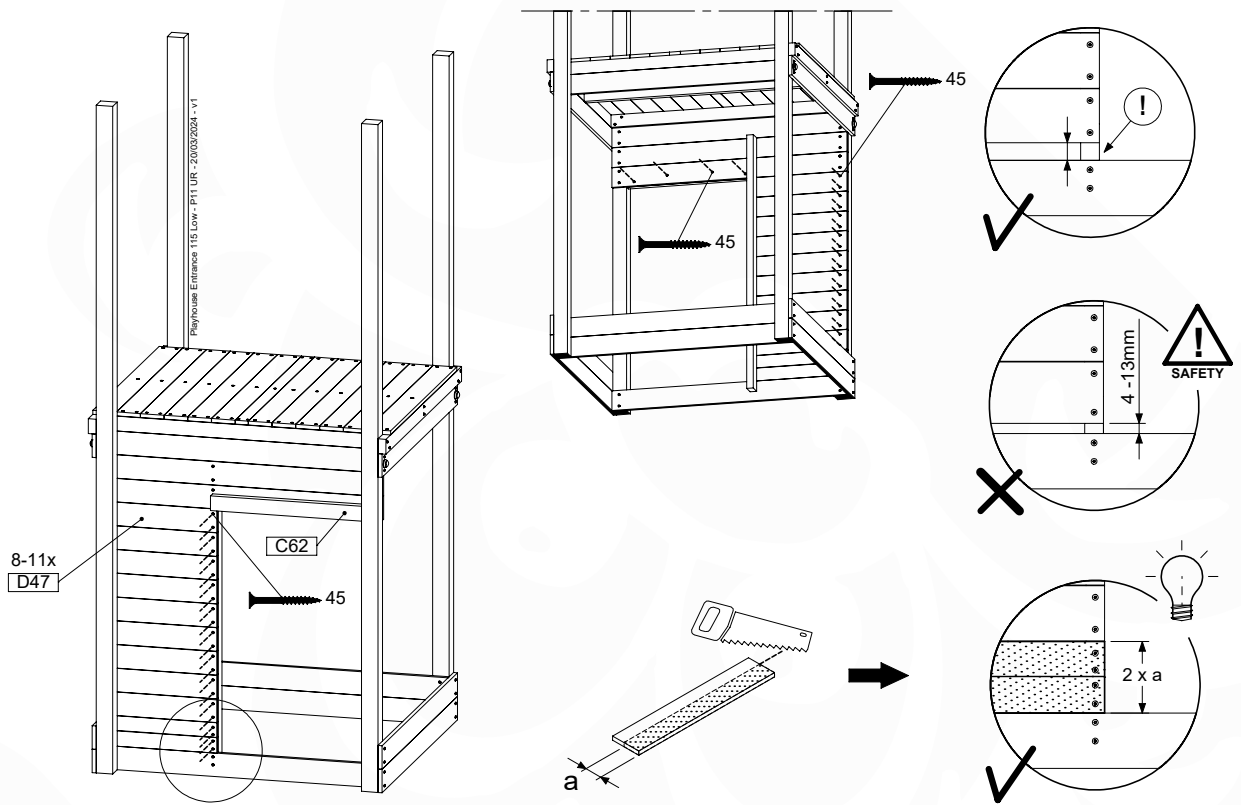
	PartNo	PartName	QTY.
Hardware Pack	002_220	Gap Point Screw T25 - 5x45	66
Timber	C62	Beam 620 mm	1
	C123	Beam 1230 mm	1
	D47	Board 470 mm	11
	D114	Board 1140 mm	3

Playhouse Entrance 115 Low - P03 UR - 20/03/2024 - v1



Playhouse Entrance 115 Low - P07 UR - 20/03/2024 - v1

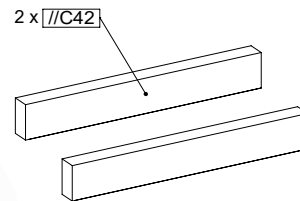
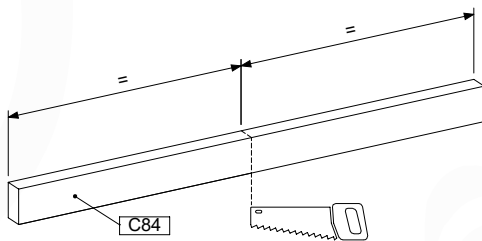
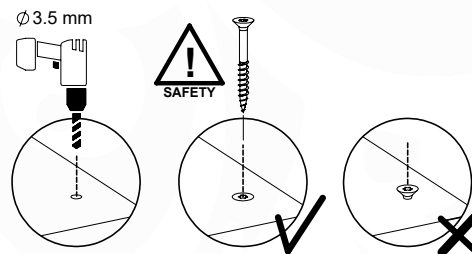
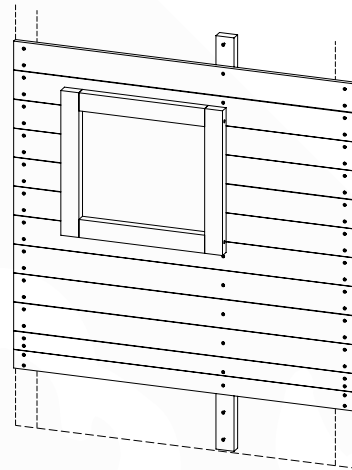
23.1



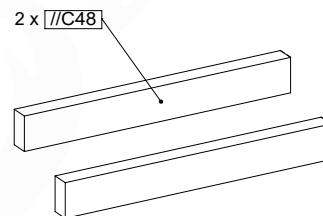
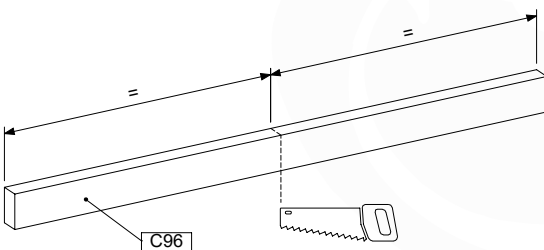
24 PH48a: Playhouse Window 115 TL Low

Assembly Pack: 194_508 / 194_804

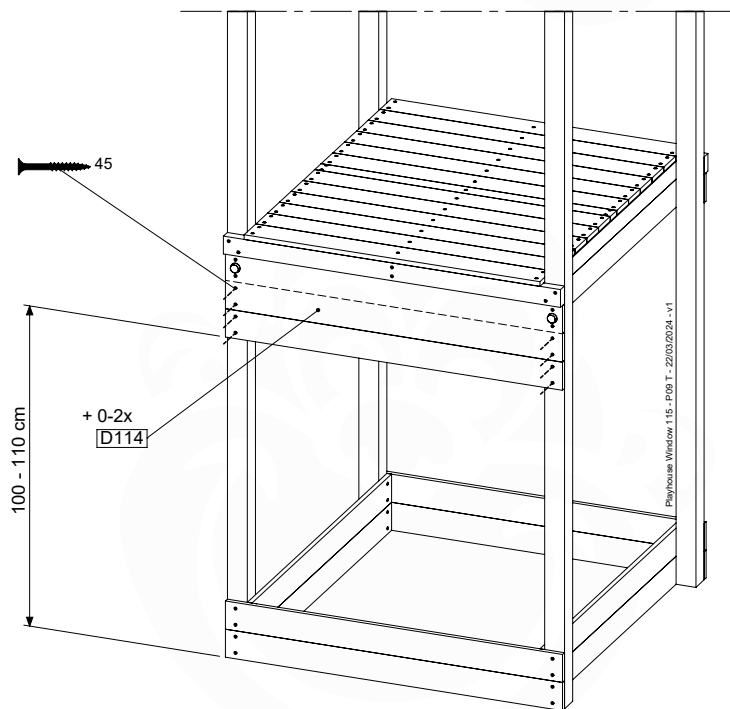
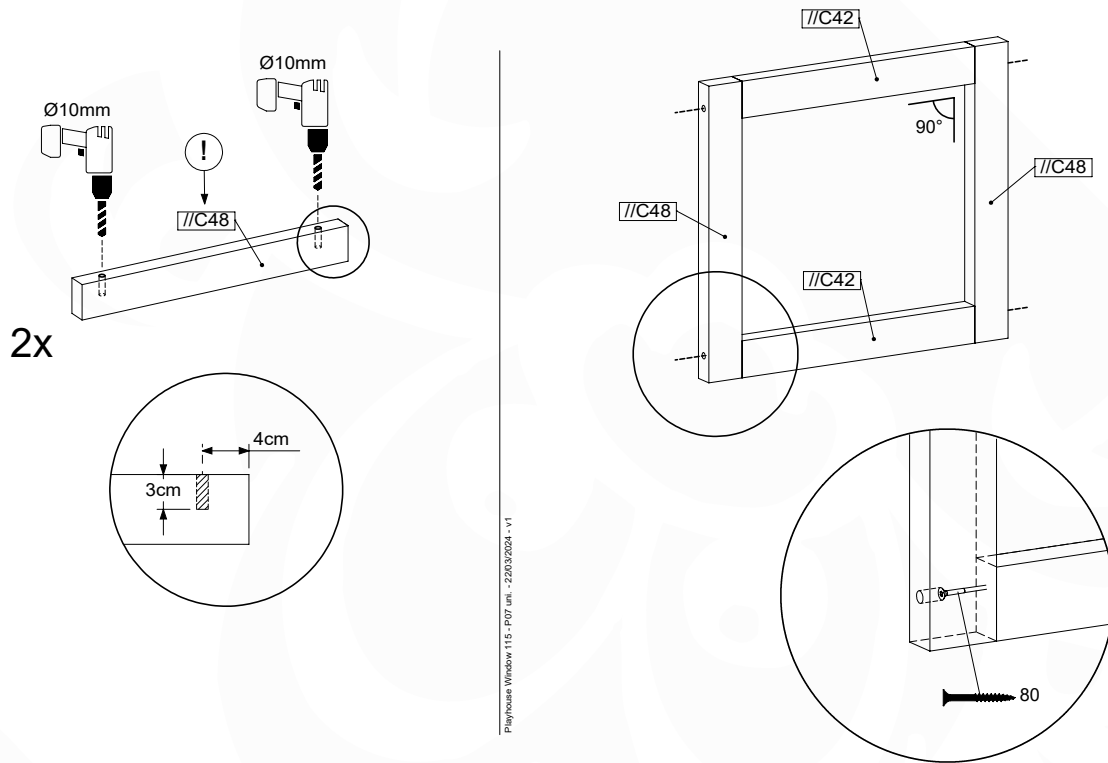
	PartNo	PartName	QTY.
Hardware Pack	002_220	Gap Point Screw T25 - 5x45	90
	002_223	Gap Point Screw T25 - 5x80	4
Timber	C84	Beam 840 mm	1
	C96	Beam 960 mm	2
	D21	Board 210 mm	4
	D47	Board 470 mm	4
	D114	Board 1140 mm	10

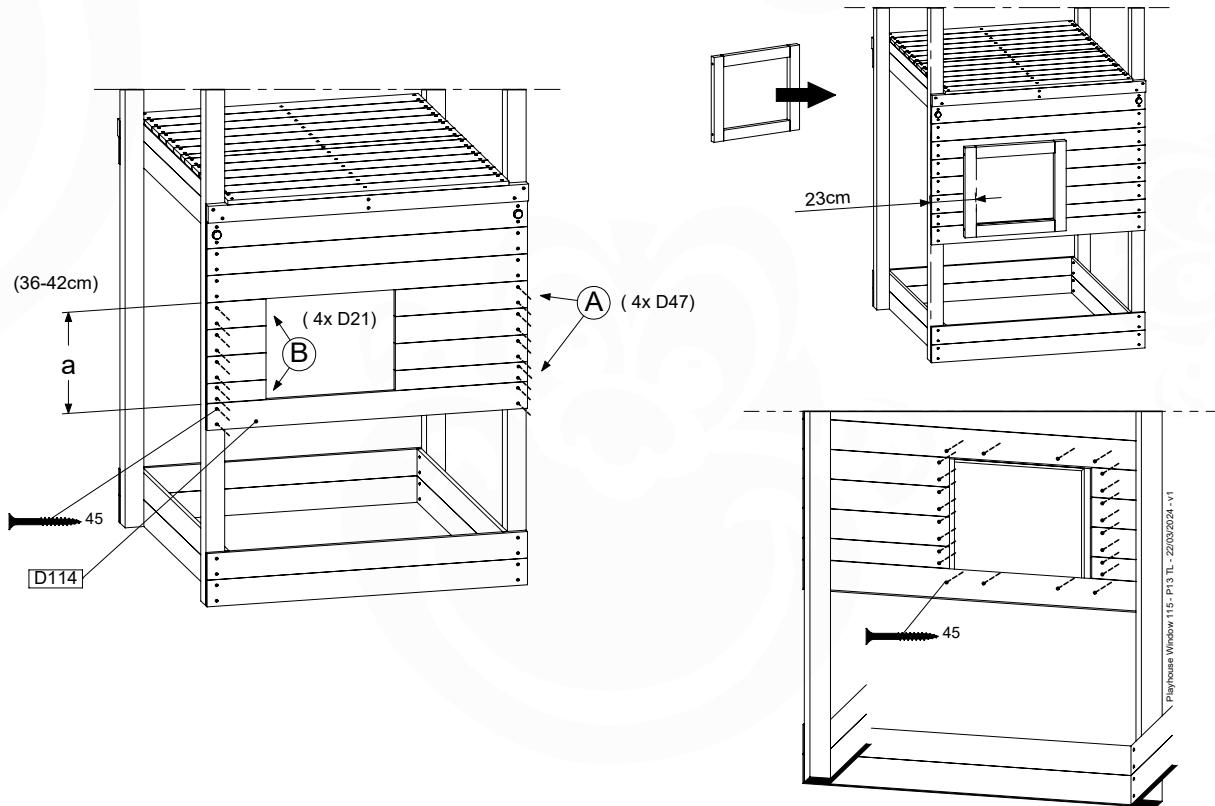
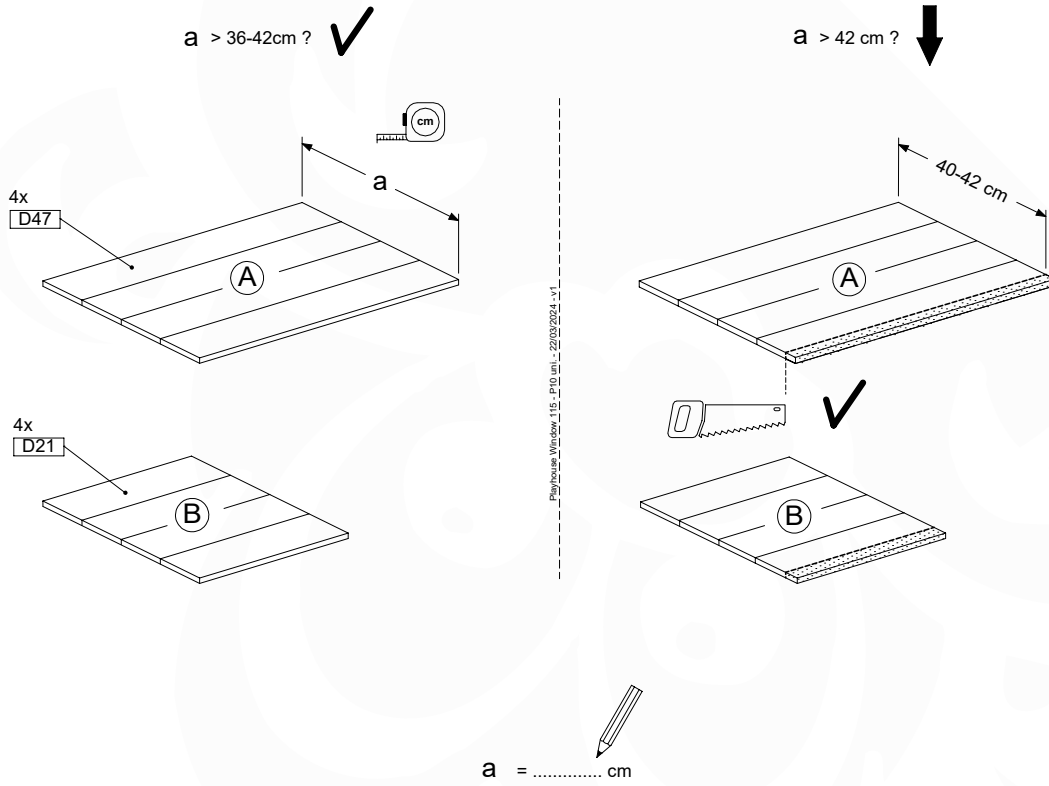


Playhouse Window 115 - P06 uni. - 22/03/2024 - v1

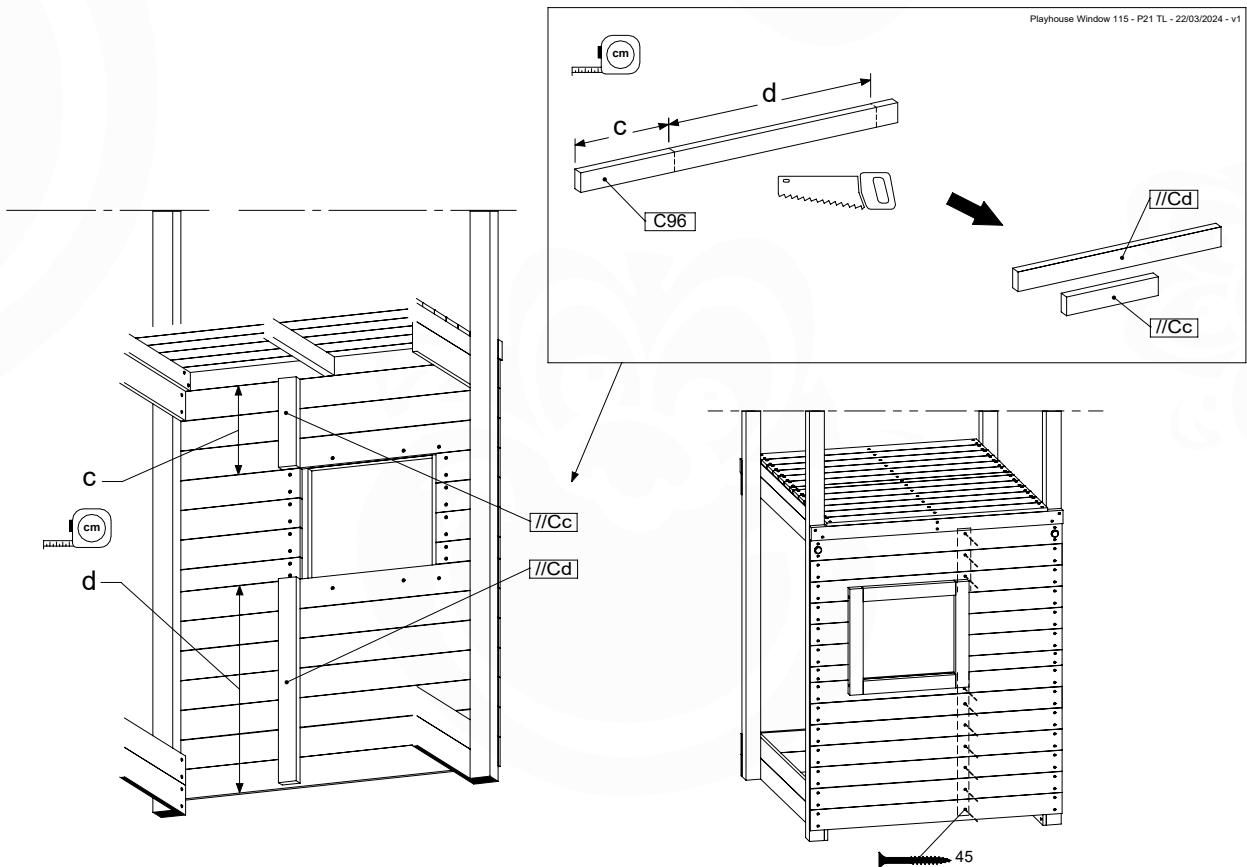
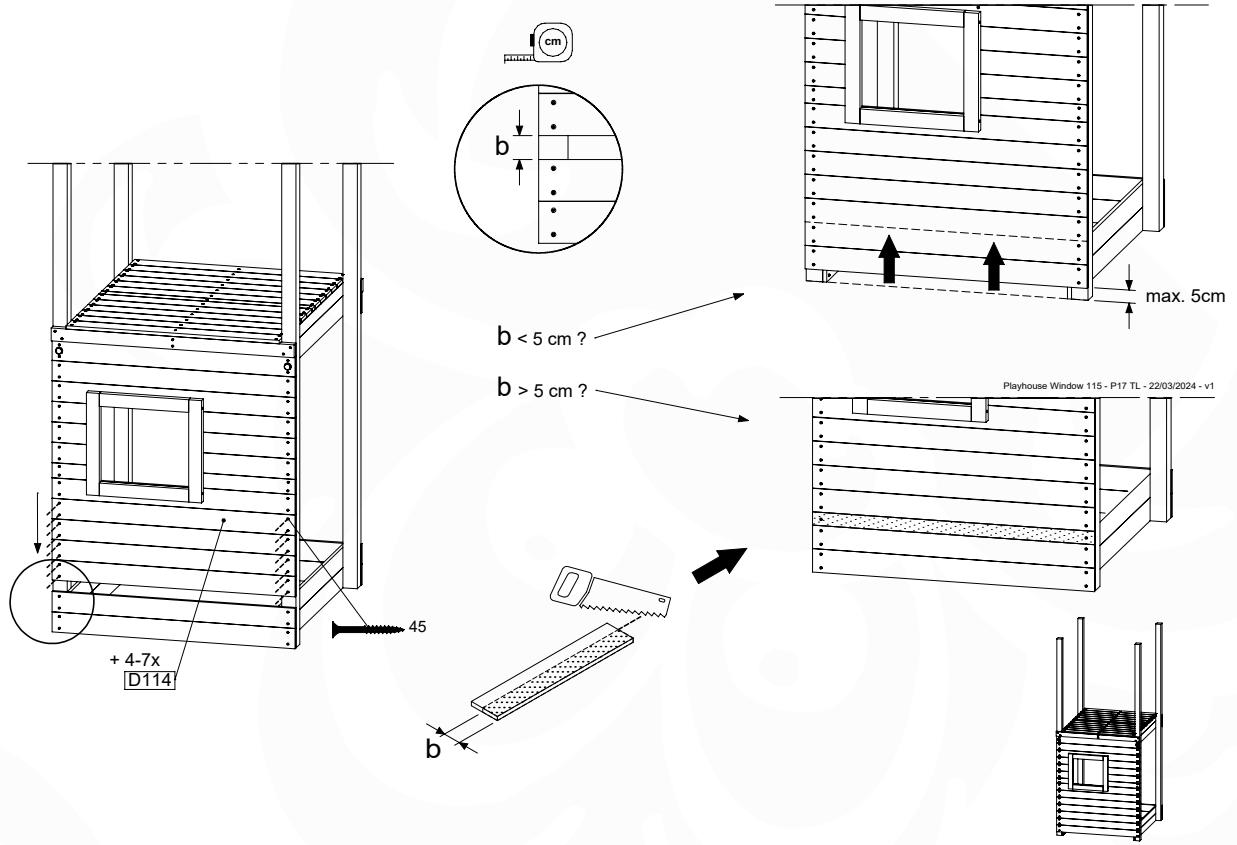


24.1





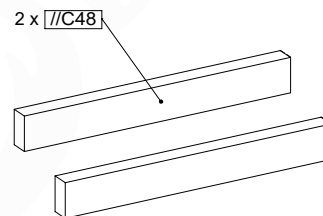
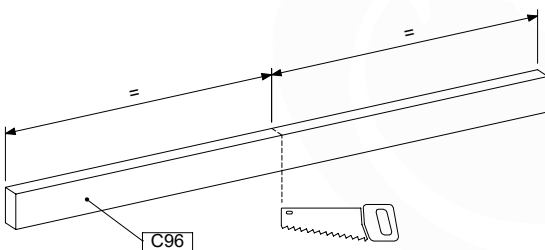
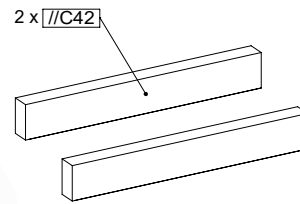
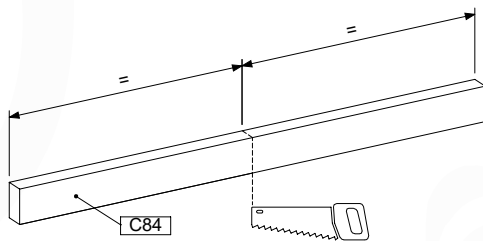
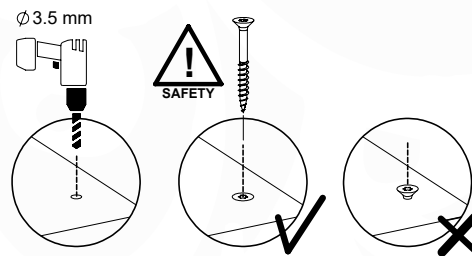
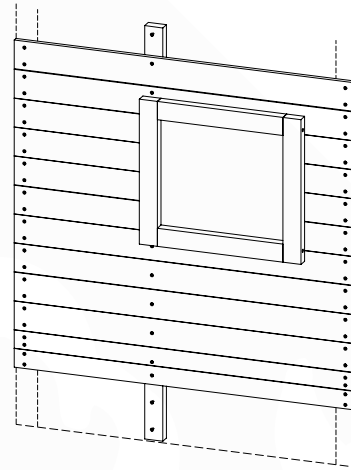
24.3



25 PH49a: Playhouse Window 115 TR Low

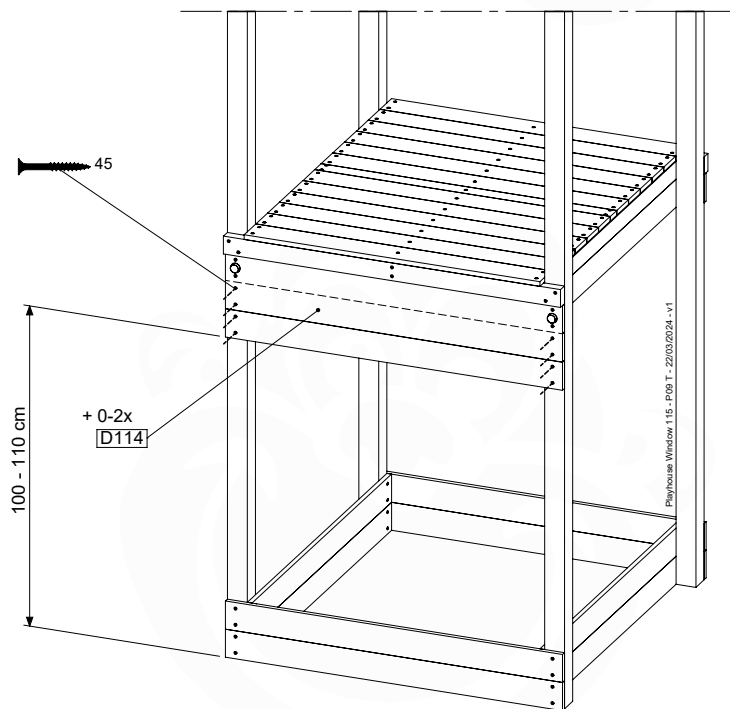
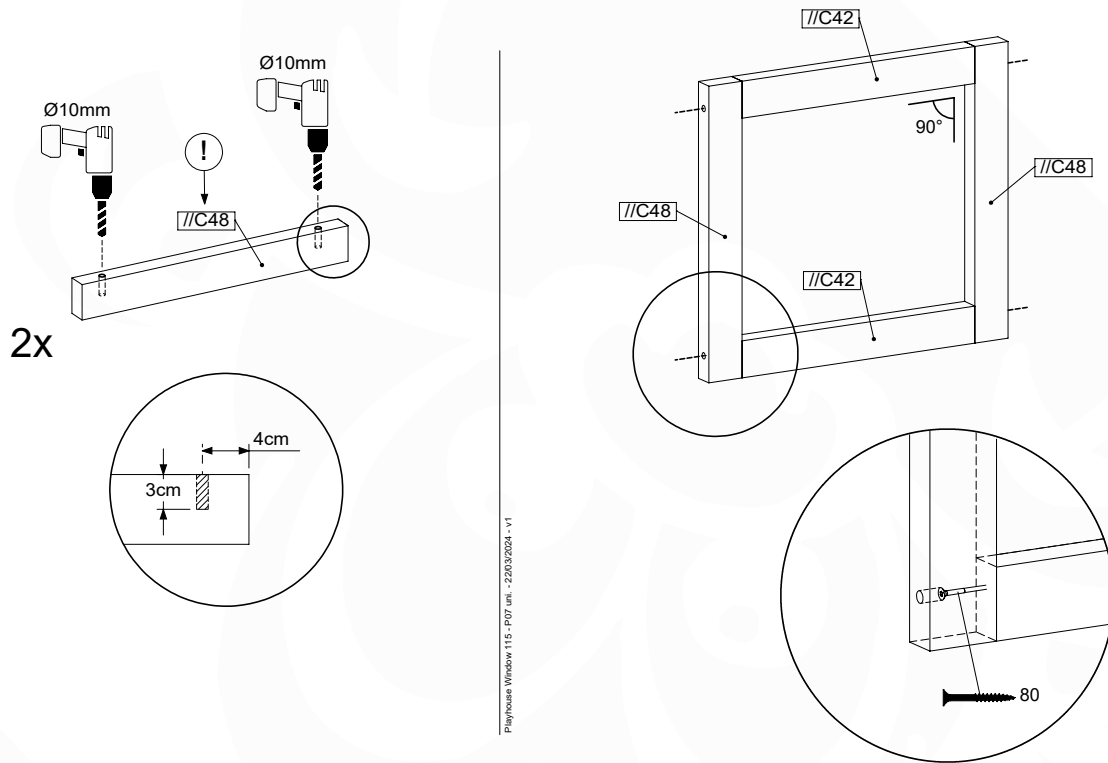
Assembly Pack: 194_508 / 194_804

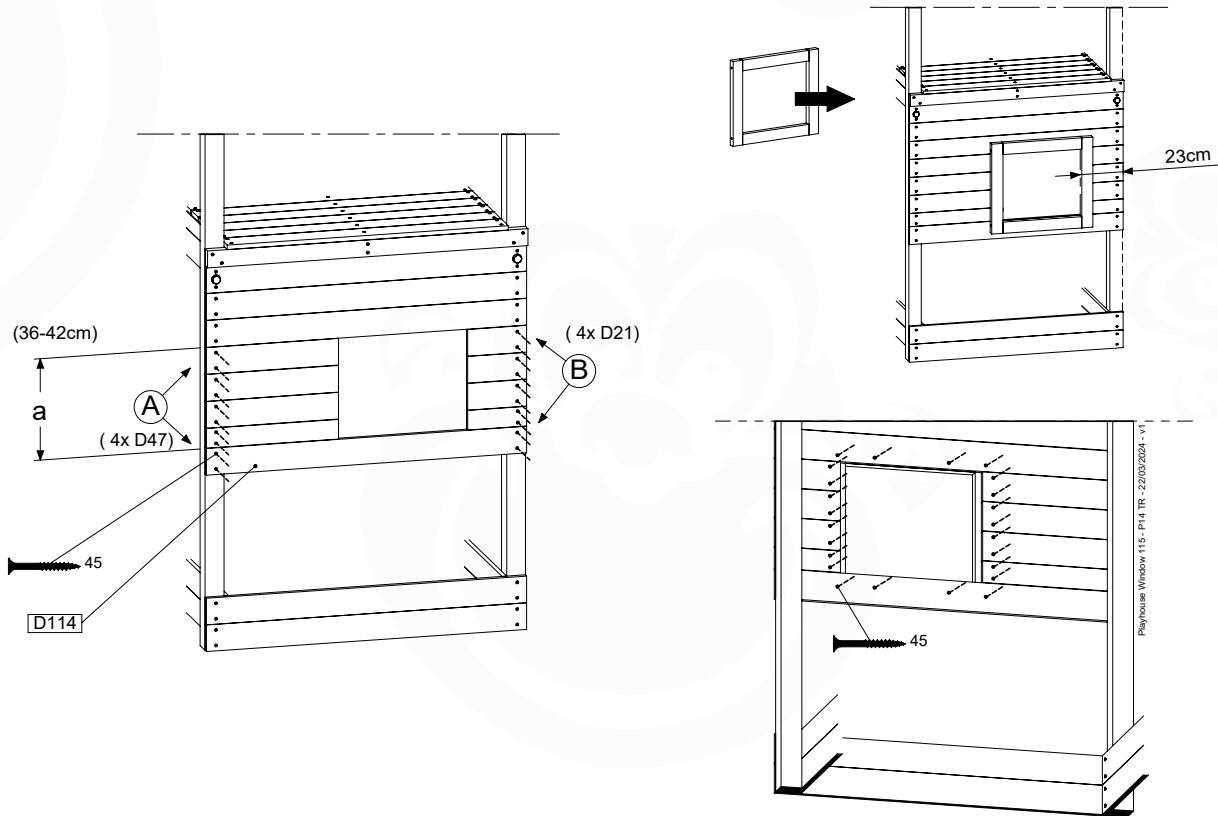
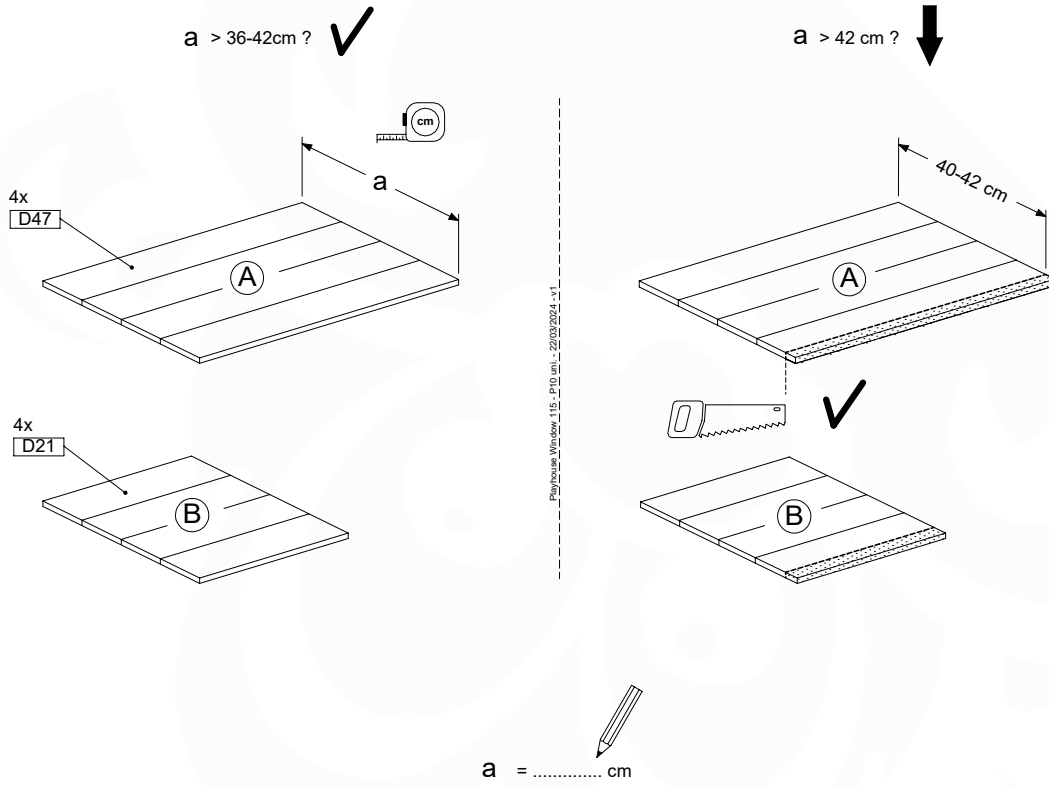
	PartNo	PartName	QTY.
Hardware Pack	002_220	Gap Point Screw T25 - 5x45	90
	002_223	Gap Point Screw T25 - 5x80	4
Timber	C84	Beam 840 mm	1
	C96	Beam 960 mm	2
	D21	Board 210 mm	4
	D47	Board 470 mm	4
	D114	Board 1140 mm	10



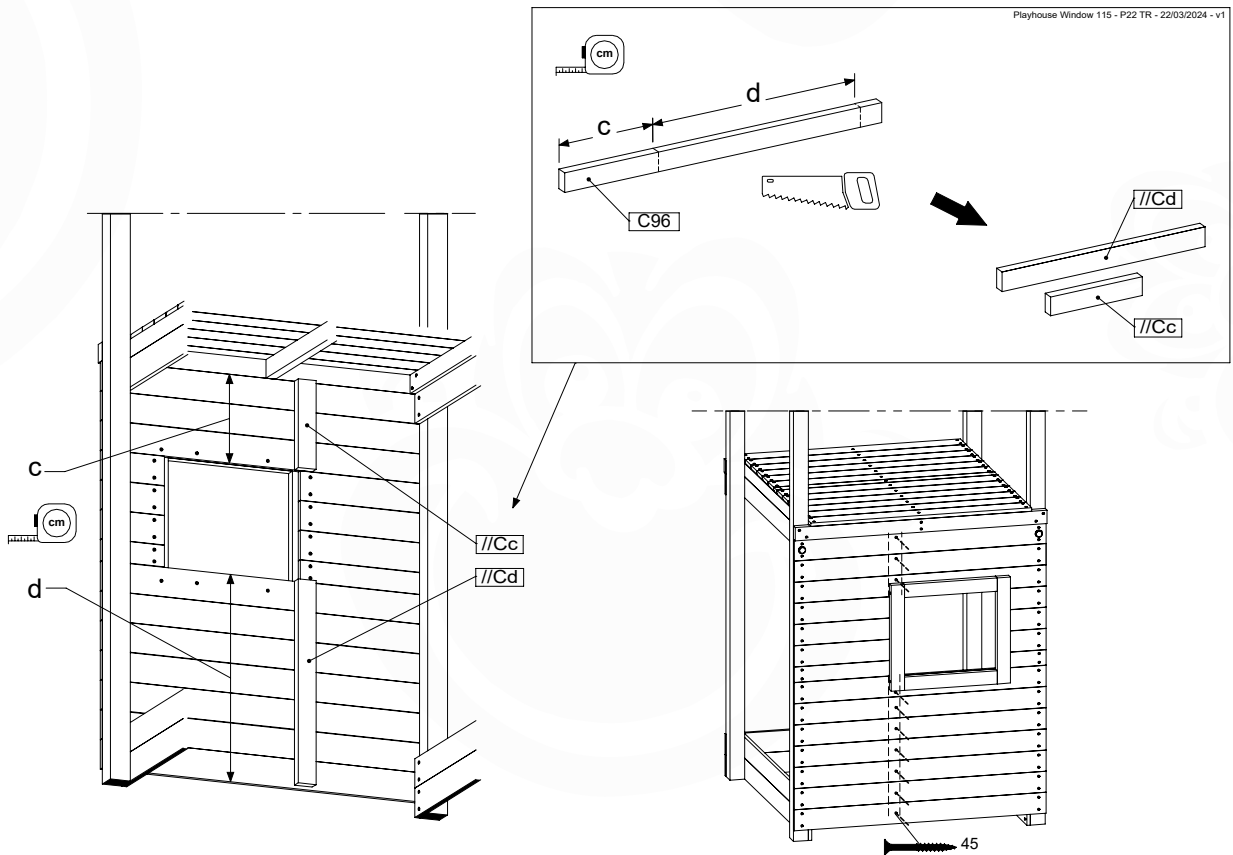
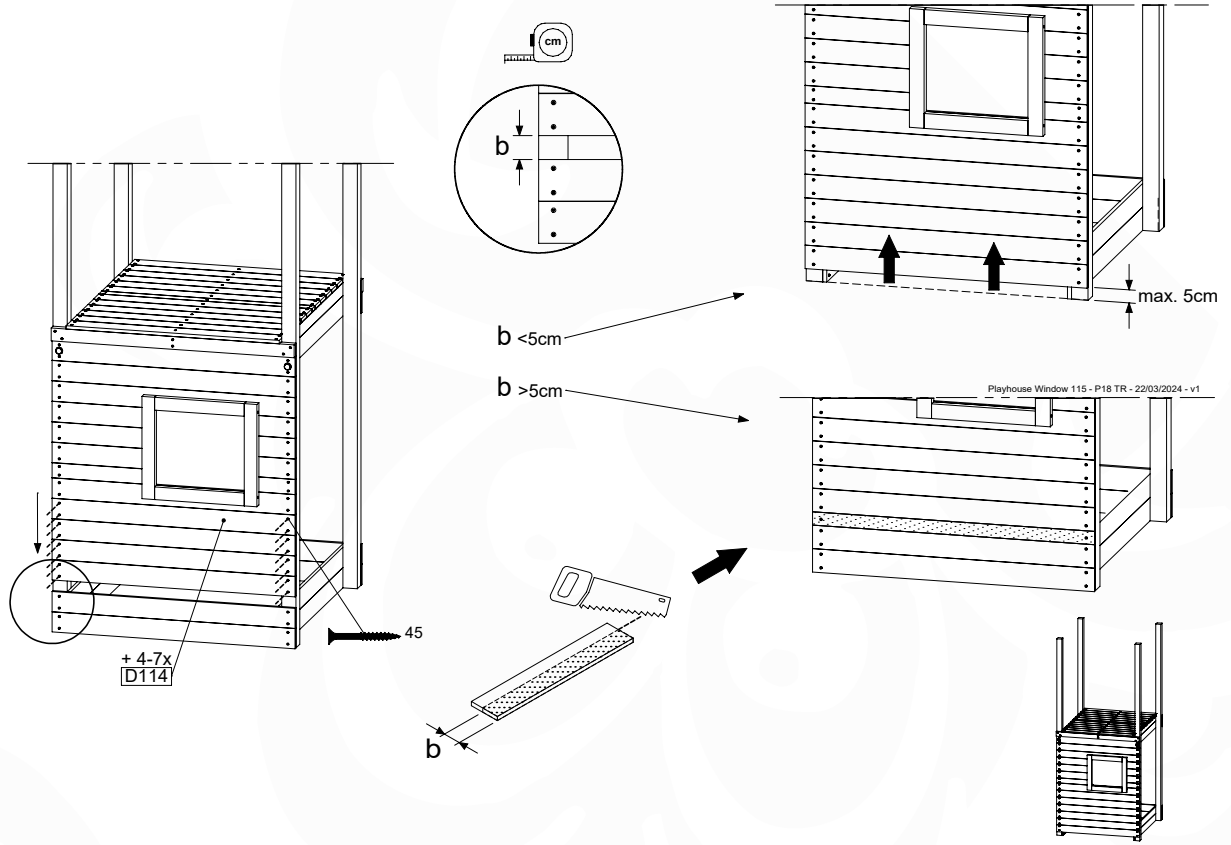
Playhouse Window 115 - P06 uni. - 22/03/2024 - v1

25.1





25.3

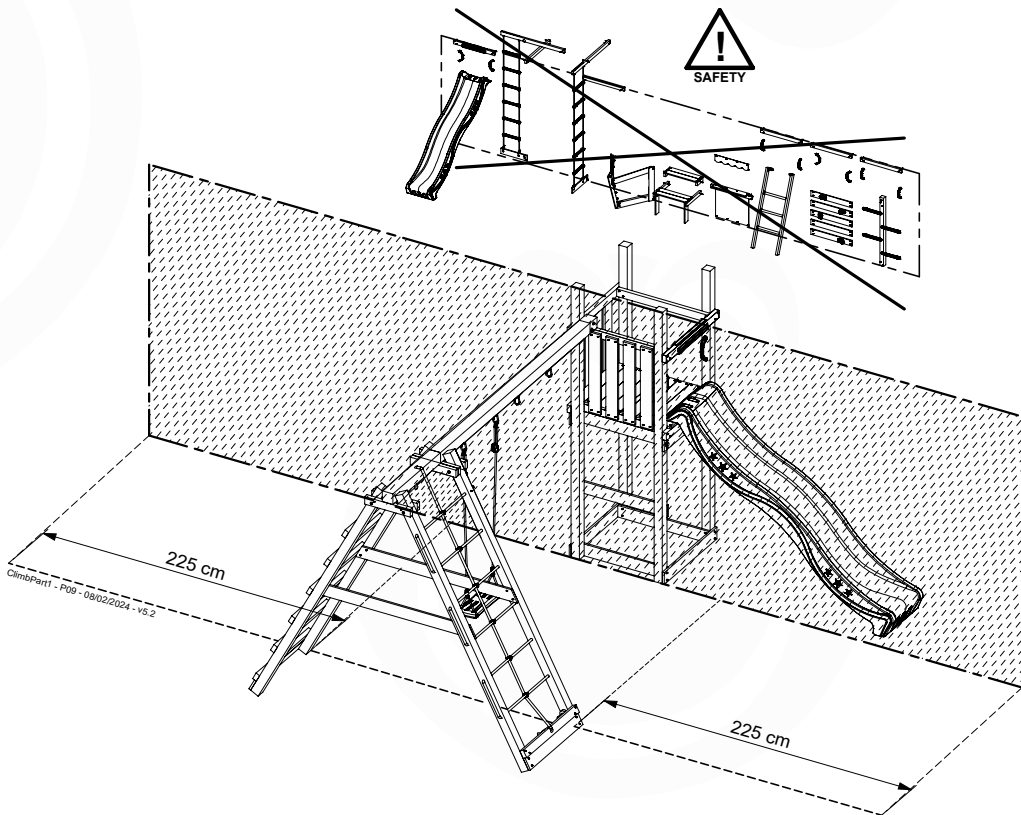
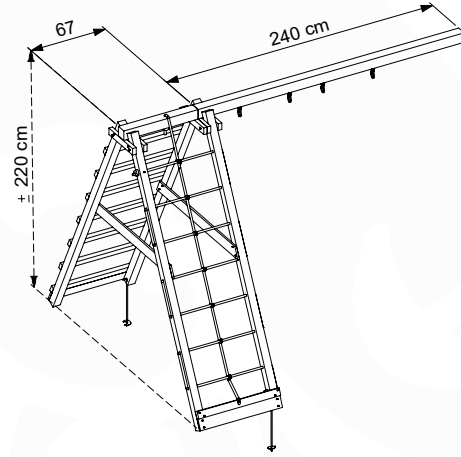


26 CL13a: 2-Climb Module 220

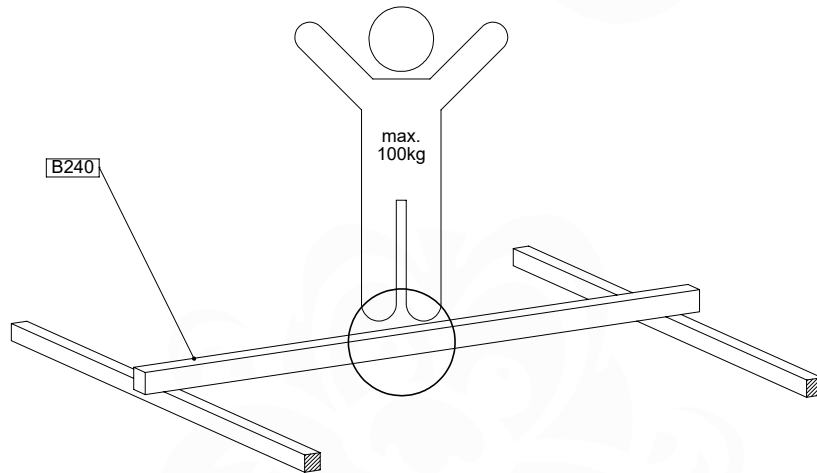
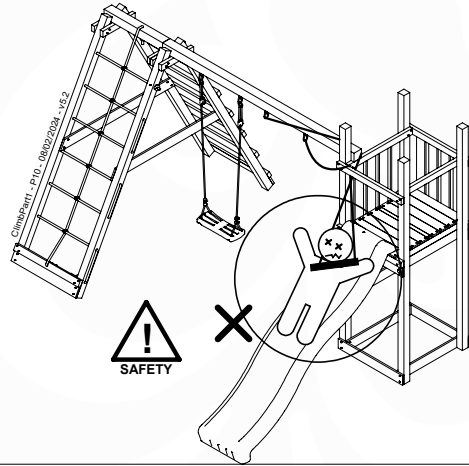
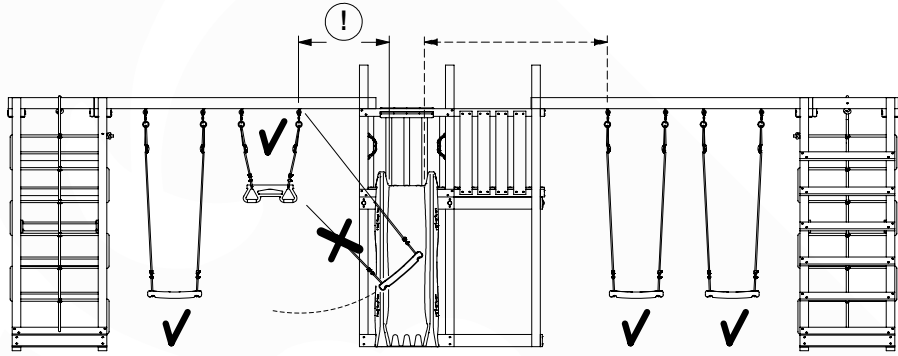
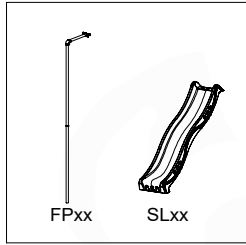
(457_106)

	PartNo	PartName	QTY.
Hardware Pack	001_406	Stealth Screw 8x45	2
	001_417	Stealth Screw 8x80	6 / 8
	001_422	Stealth Screw 8x137	6
	002_220	Gap Point Screw T25 - 5x45	43
	002_223	Gap Point Screw T25 - 5x80	45
	002_301	Dry Wall Screw PH2 3.9 x 40 mm	7
Other	005_528	Swing Beam Bracket 7x7	2
	007_001	Ground-anchor	2
	020_317	Rope Polyester 16mm Green 3.4m	1
	020_318	Rope Polyester 16mm Green 8.1m	1
	022_455	Rope Cross Connector Egg	7
	023_031	Finishing Washer GPS 5.0	4
	101_003	Swing hook with Carabiner	4
Timber	A240	Post 70x70 L2400	4
	B67	Post 90x90 L670	1
	B240	Post 90x90 L2400	1
	C37	Beam 370 mm	5
	C74	Beam 740 mm	8
	D74	Board 740 mm	2
	D141	Board 1410 mm	3

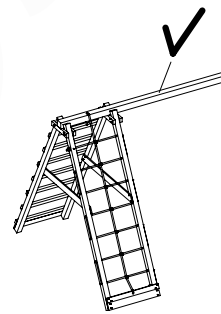
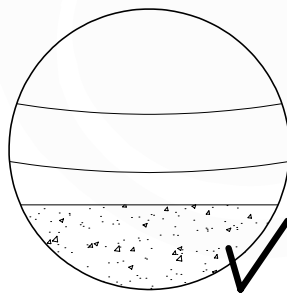
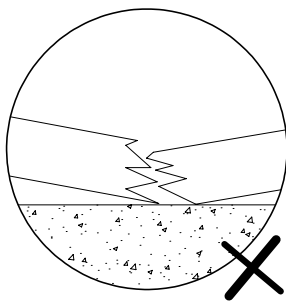
ClimbPart1 - P09-Z/20 - 08/02/2024 - v5.2

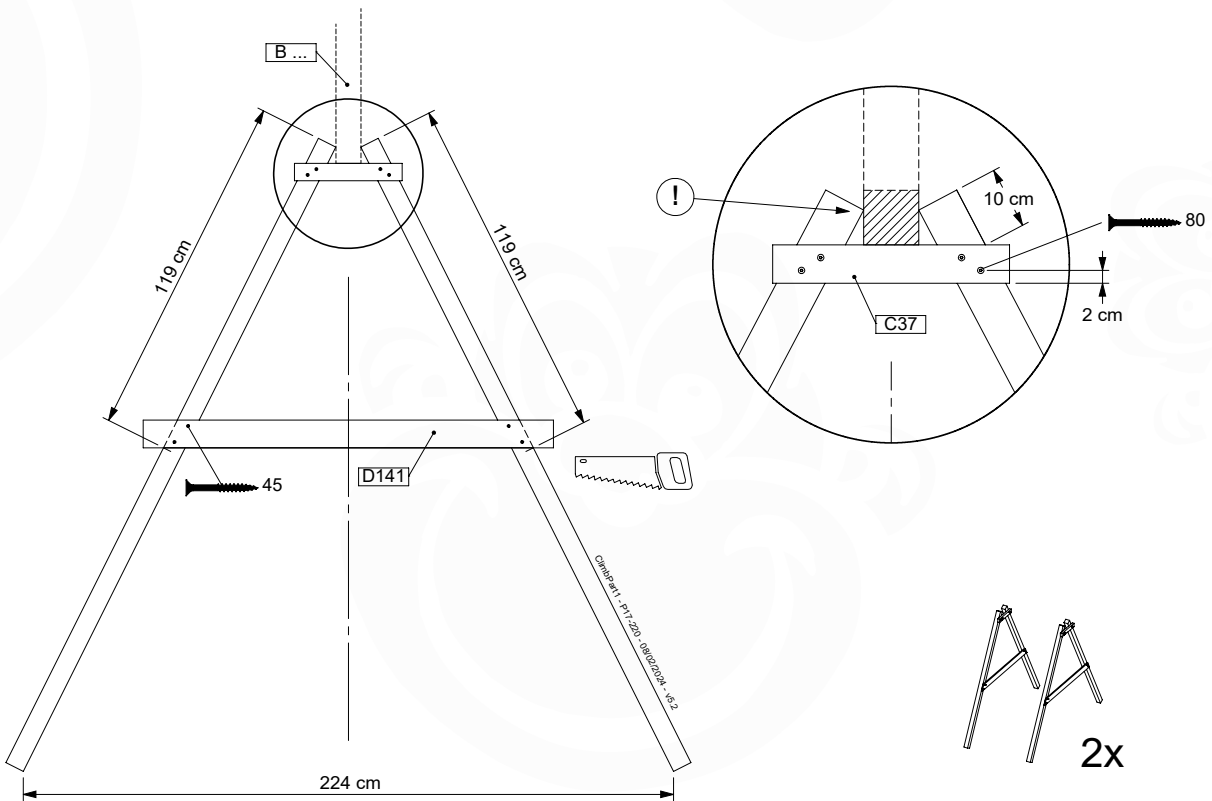
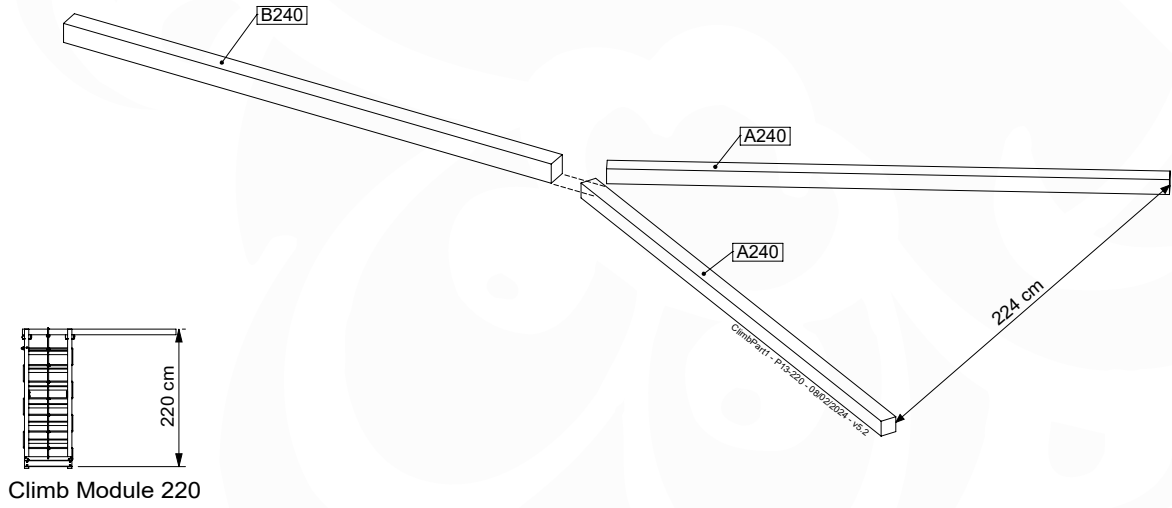


26.1

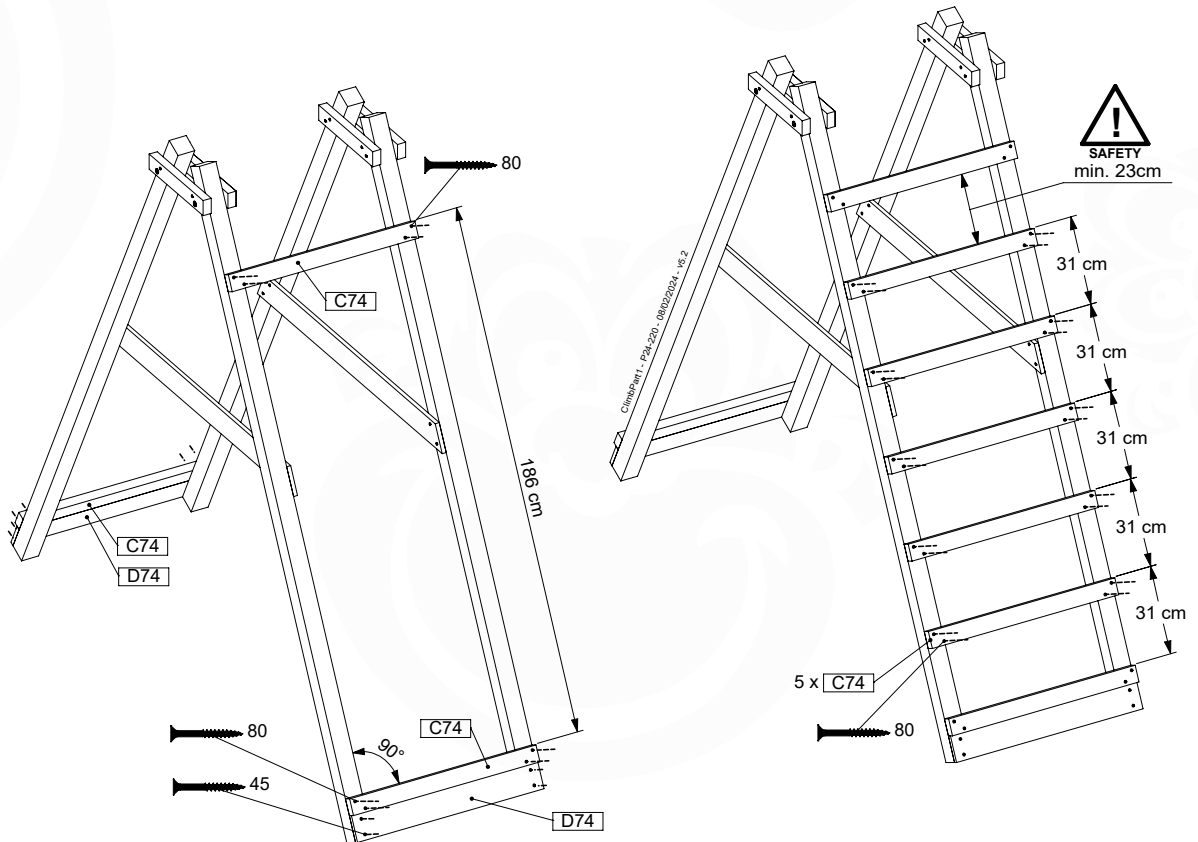
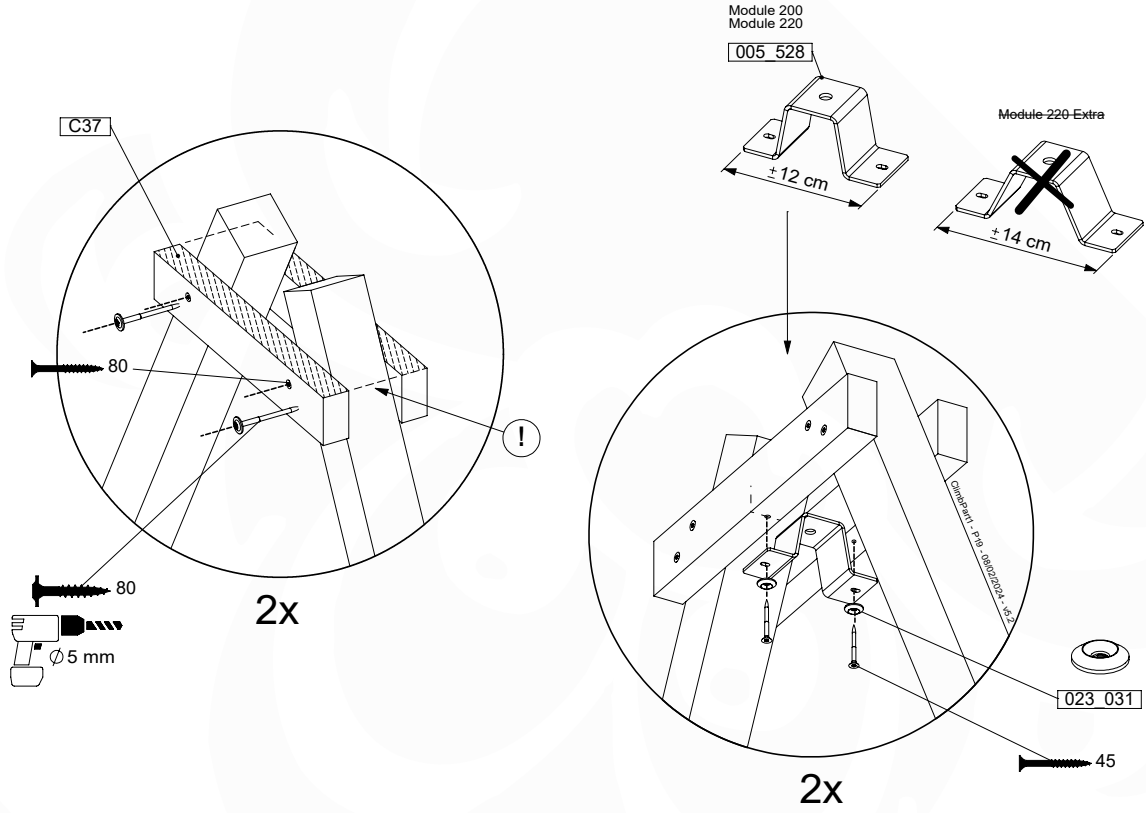


ClimbPart1 - P26-220 - 08/07/2024 - v5.2

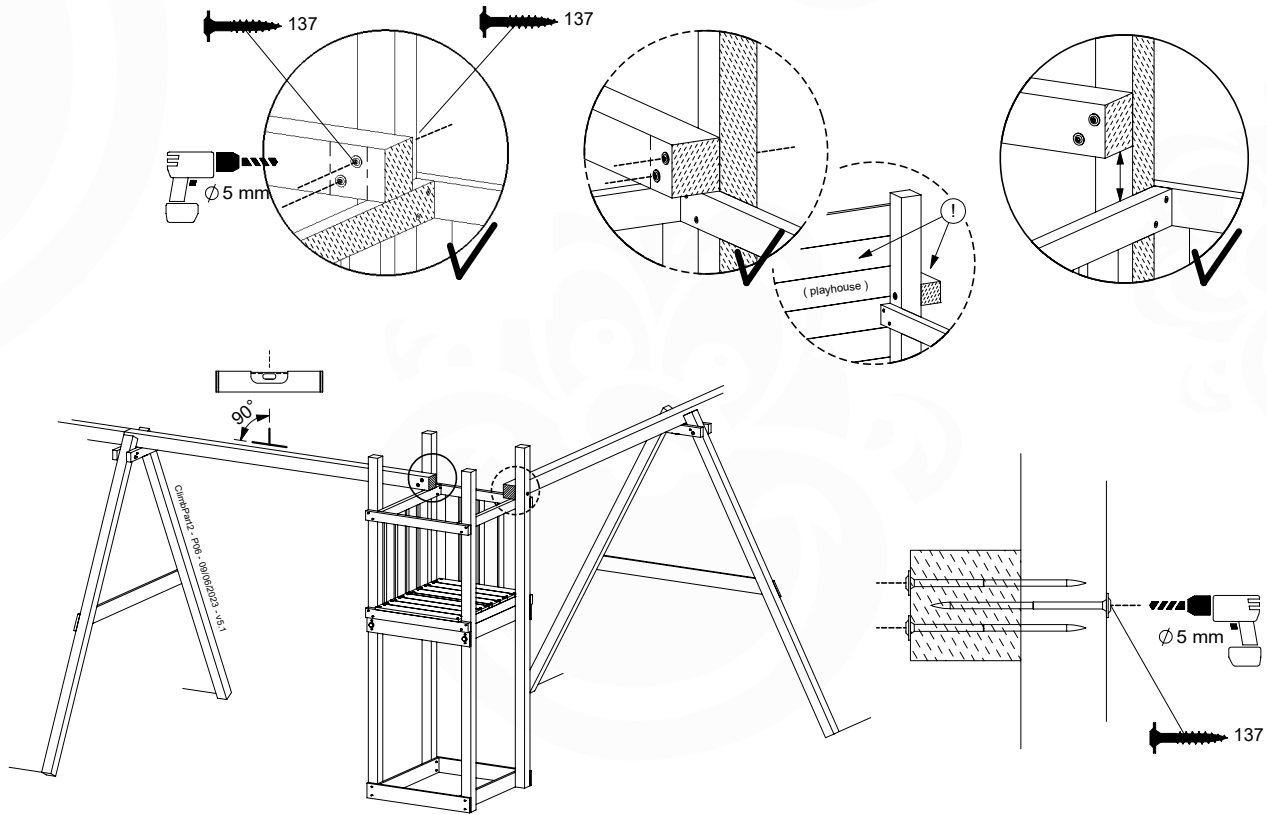
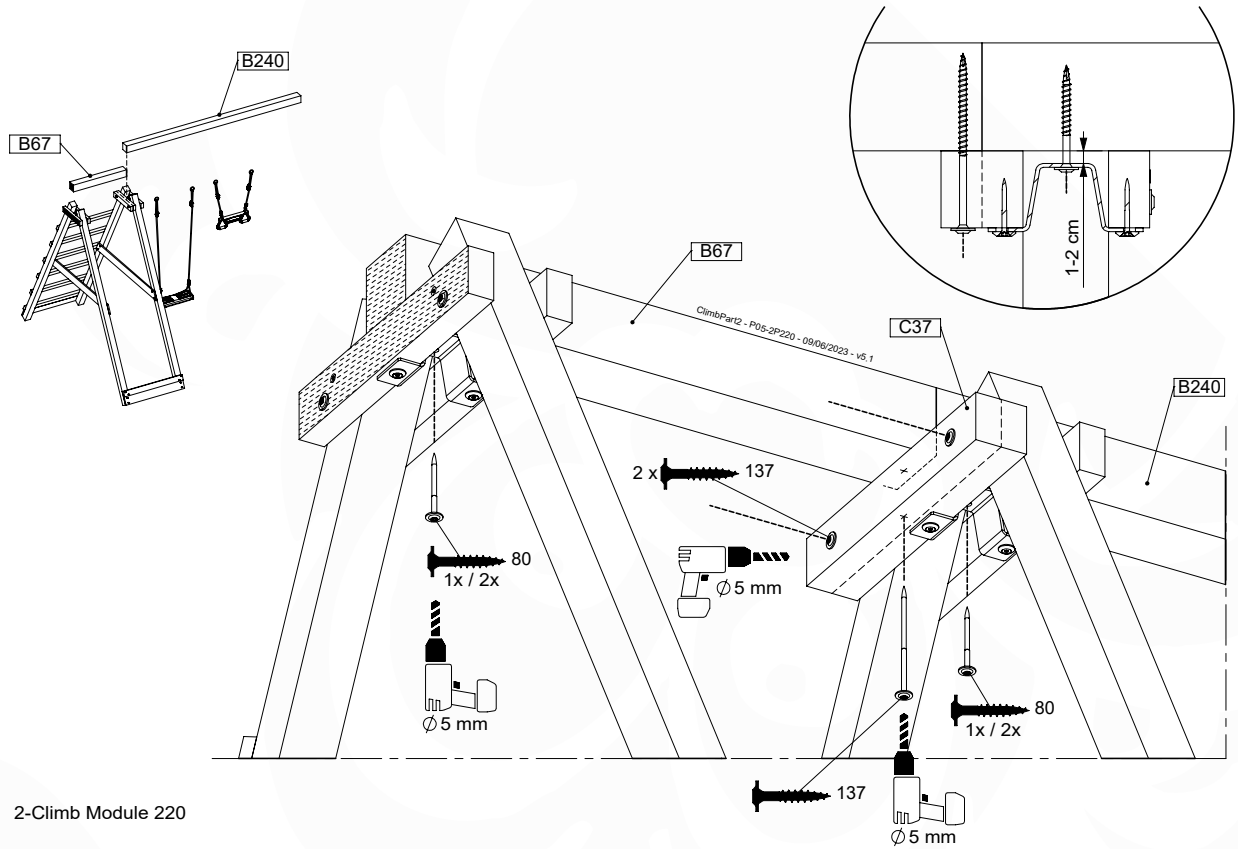




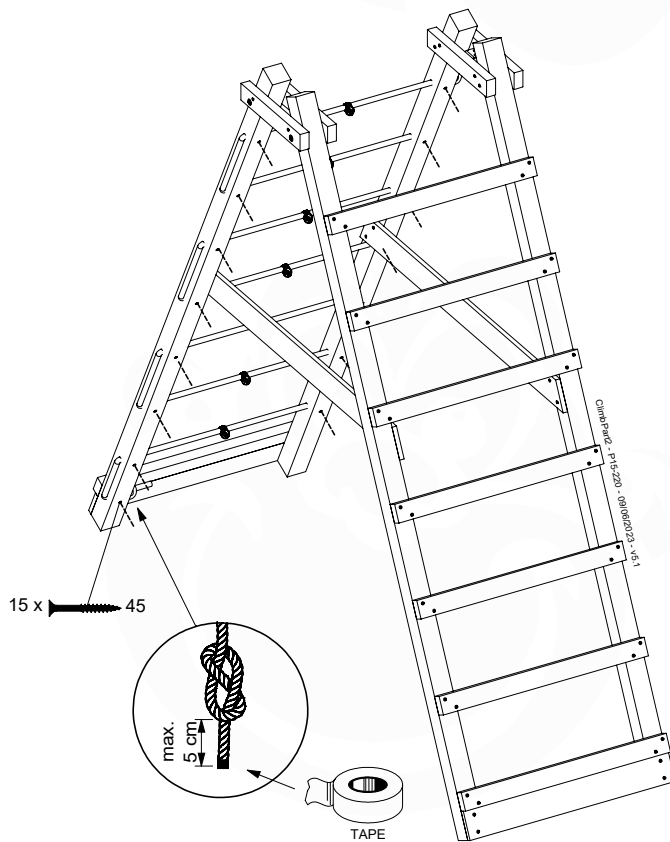
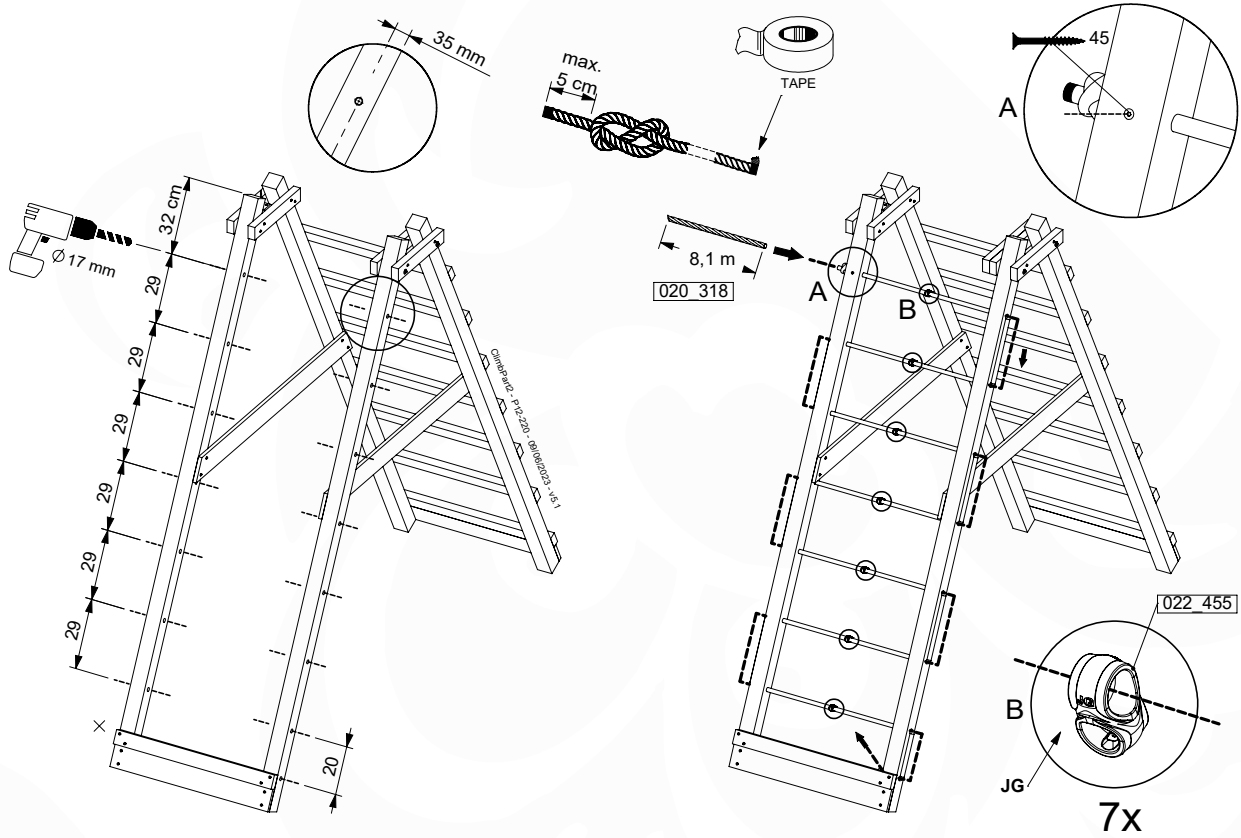
26.3

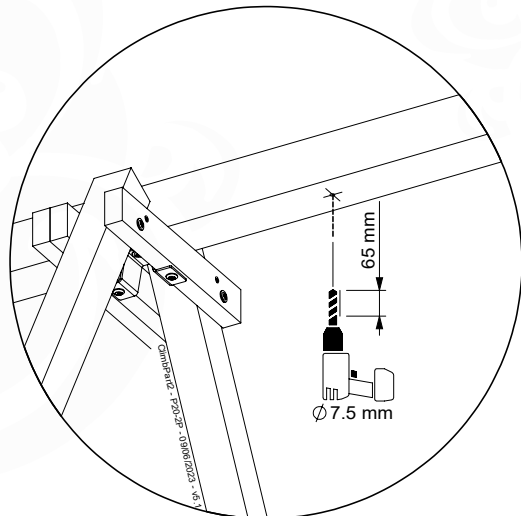
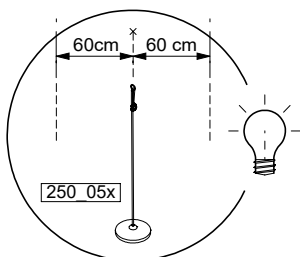
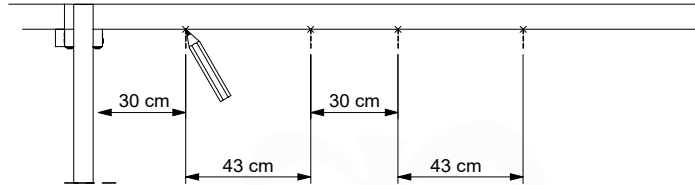
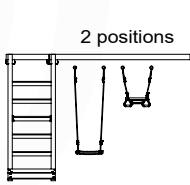
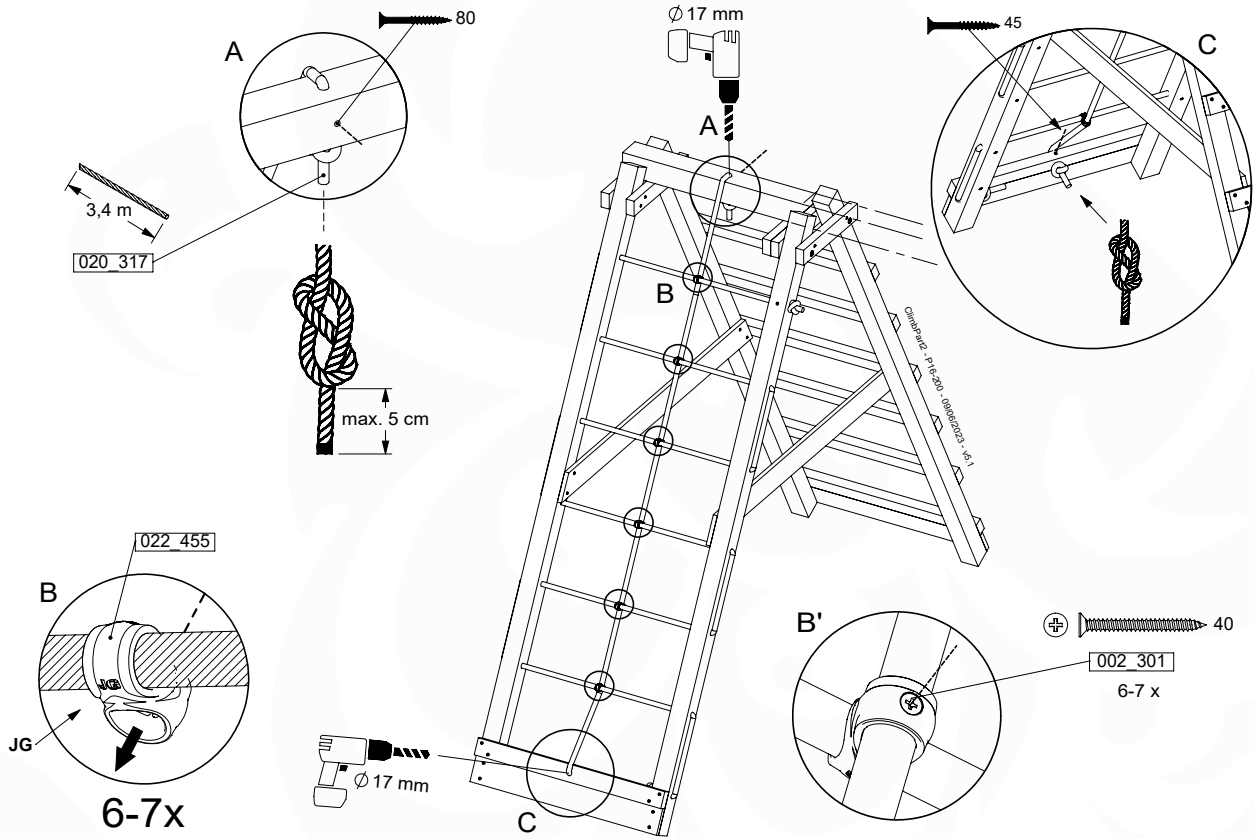


27 CL13a: 2-Climb Module 220 - Part 2



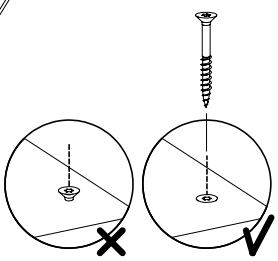
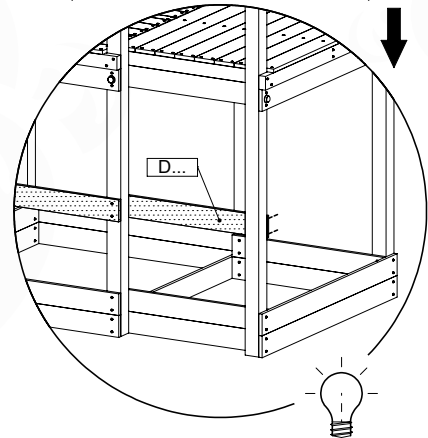
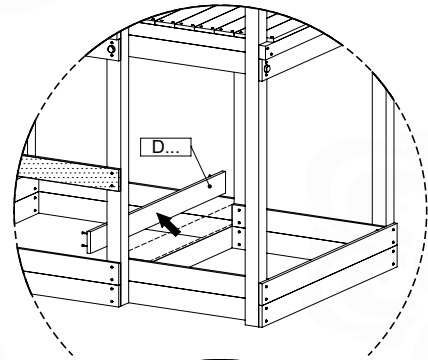
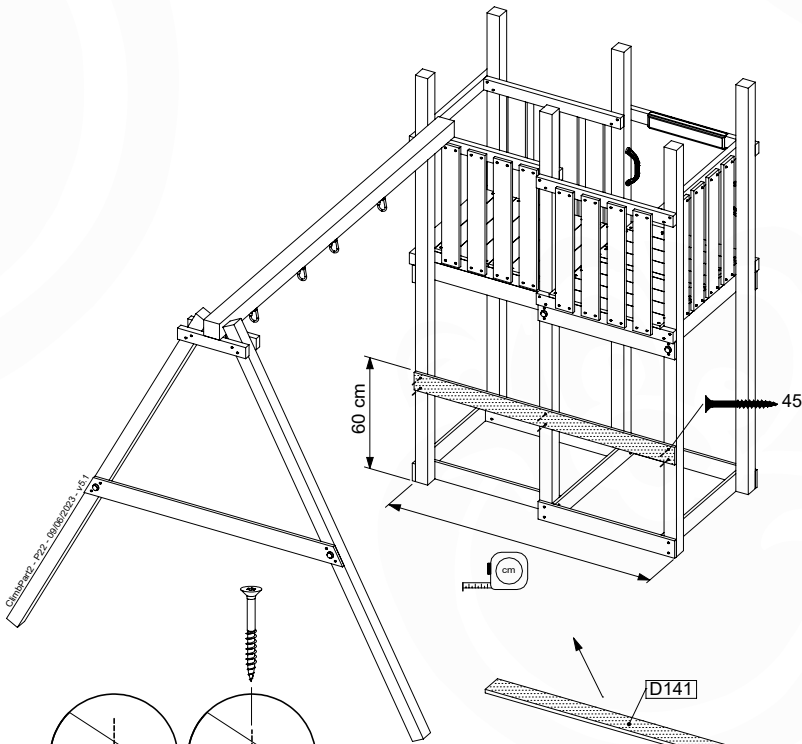
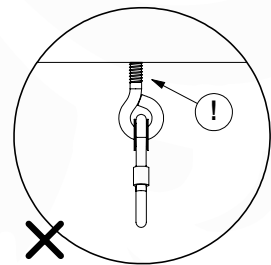
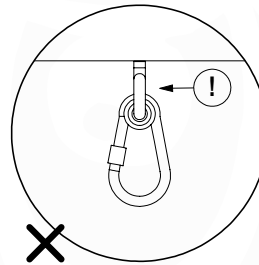
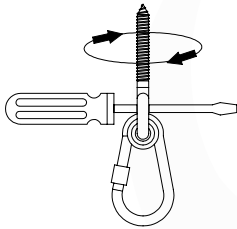
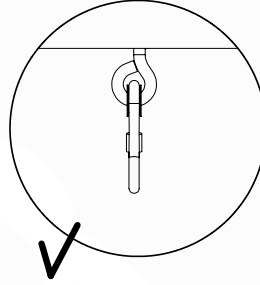
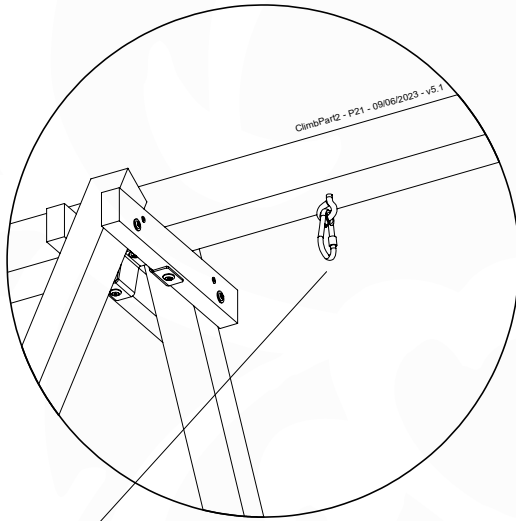
27.1

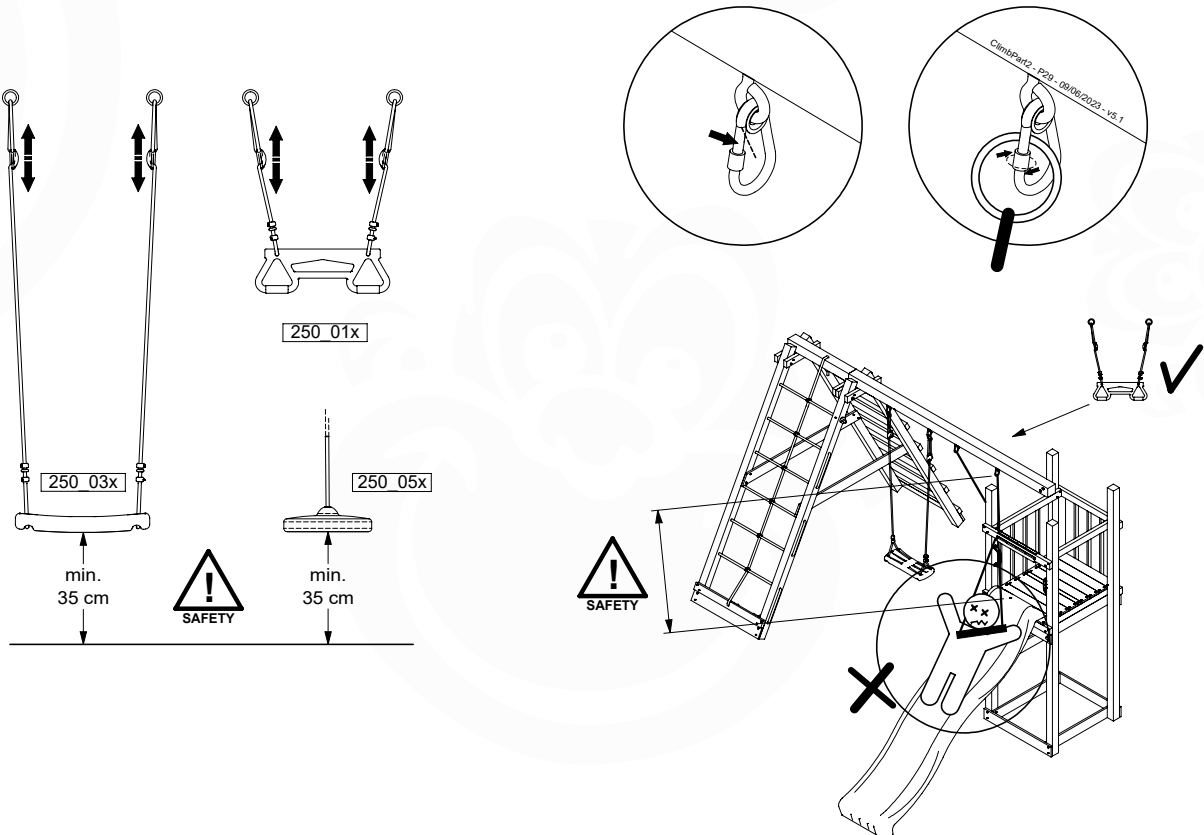
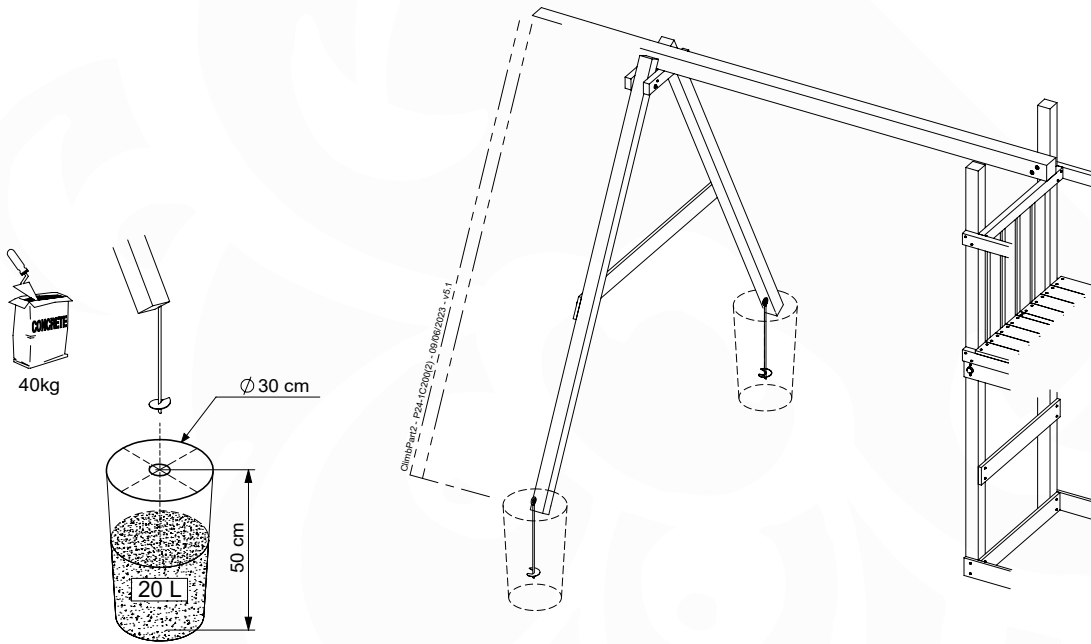




27.3

1-4 x
101 003



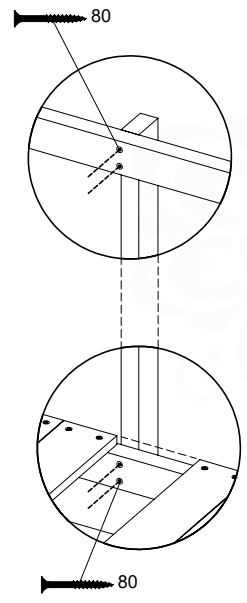
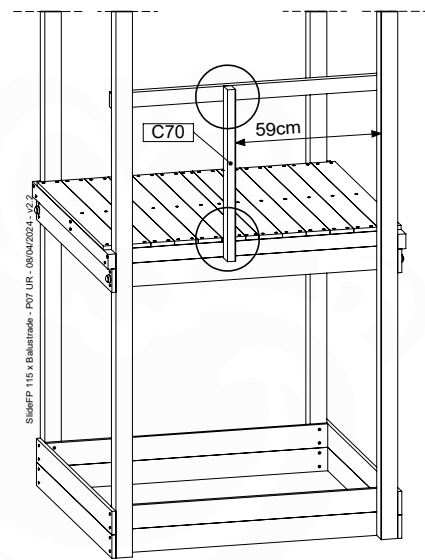
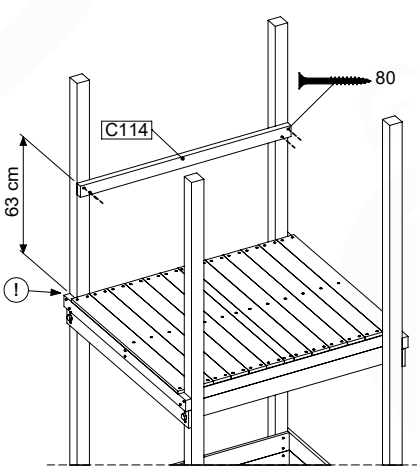
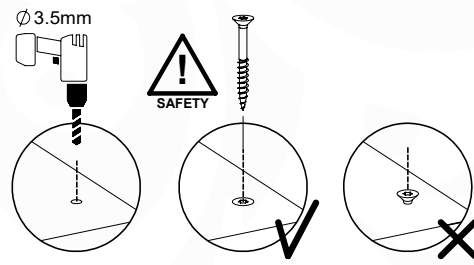
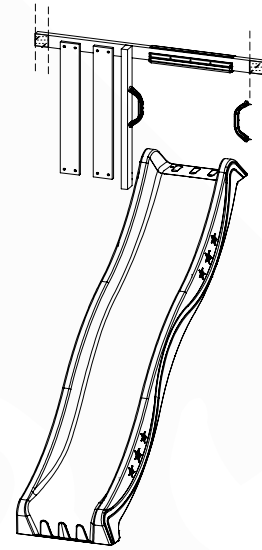


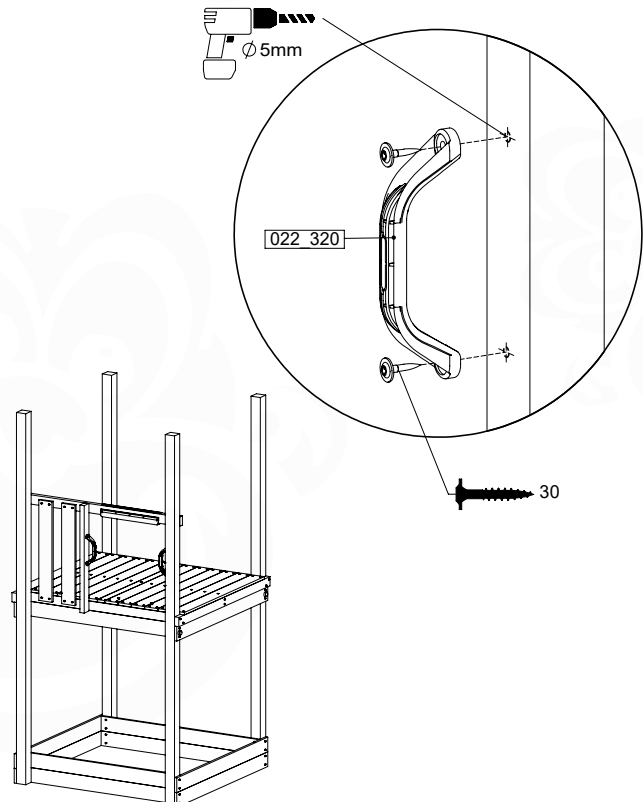
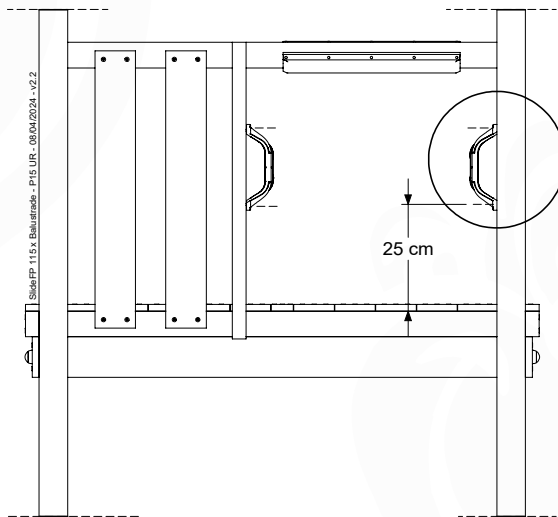
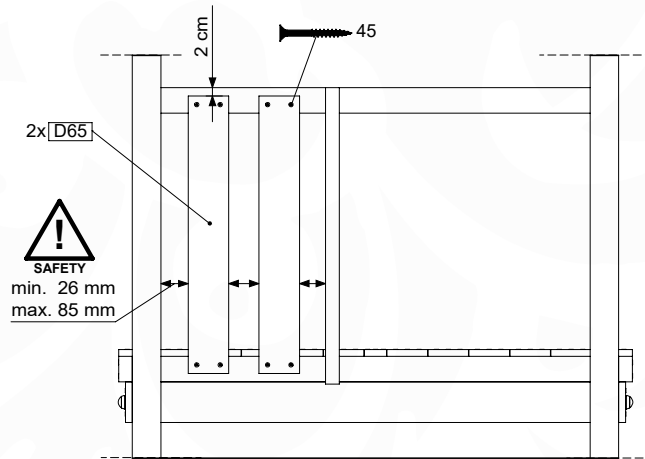
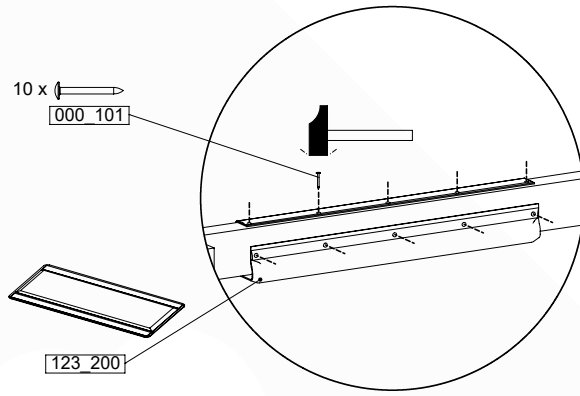
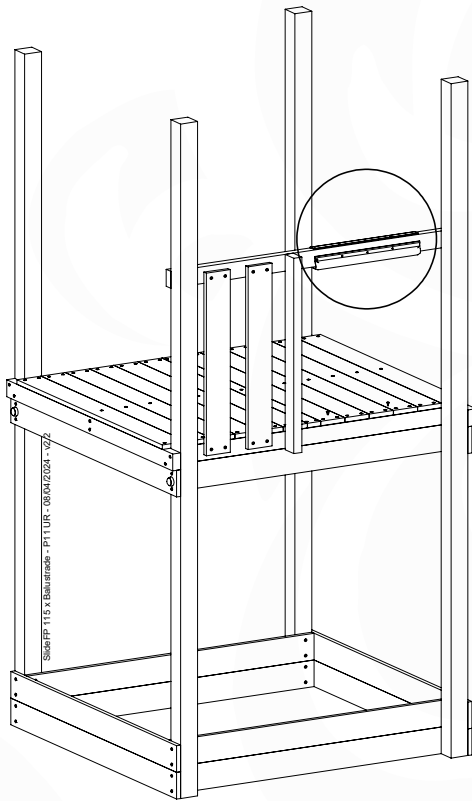
28 SL11a: Slide 115 145 U Right

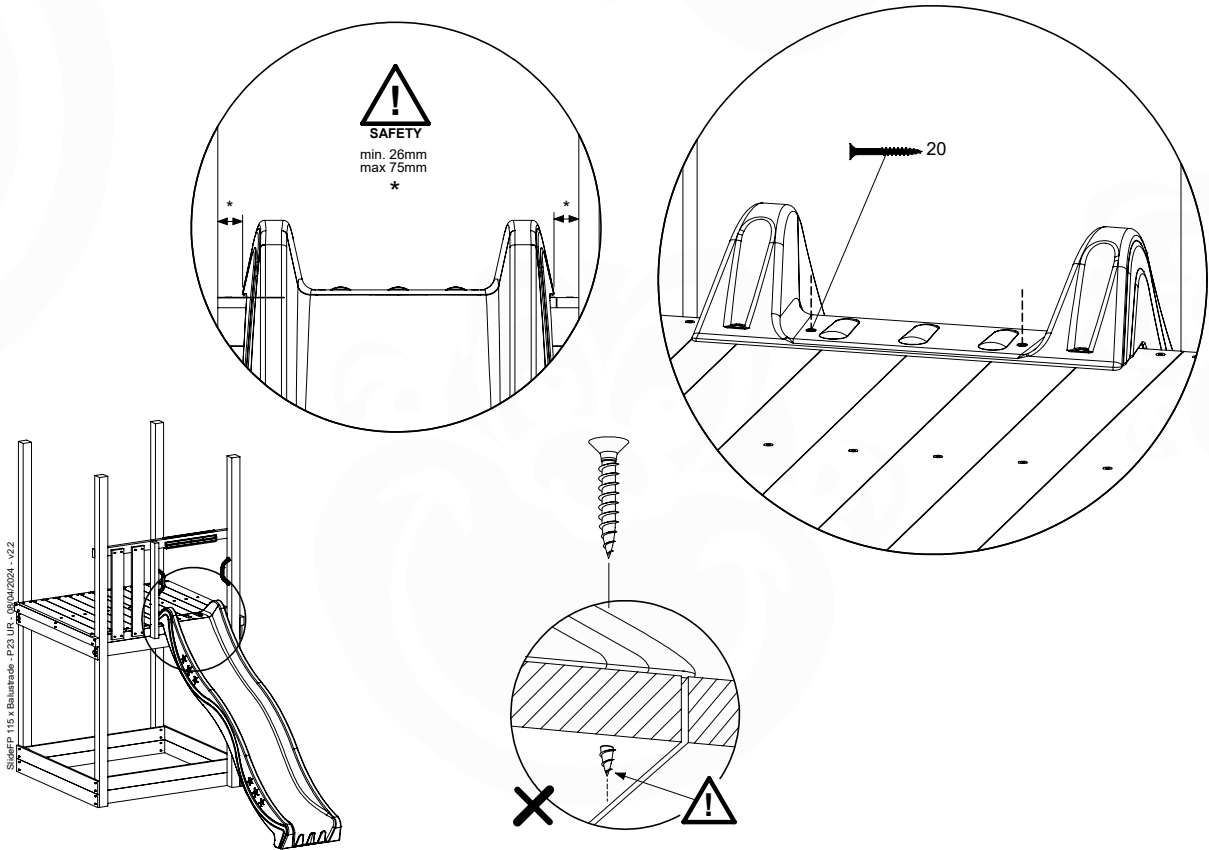
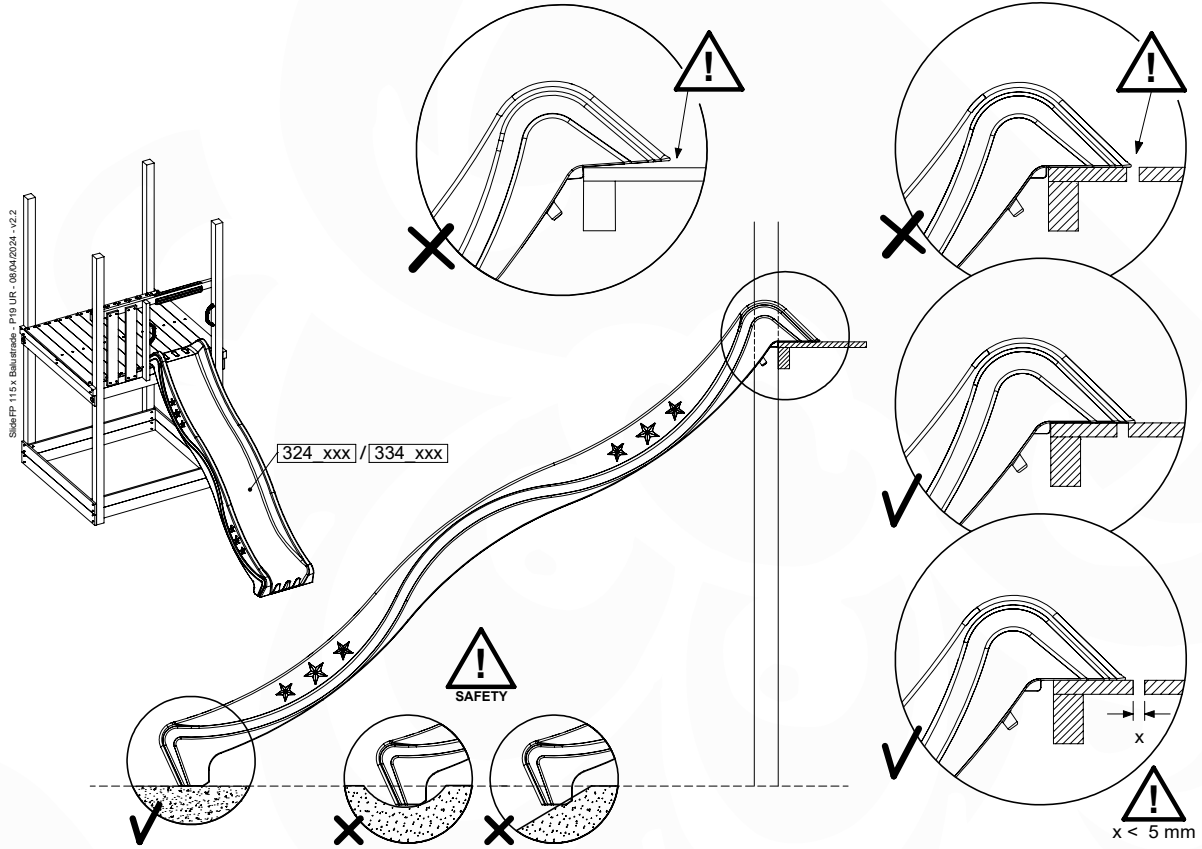
Assembly Packs: 194_107 + 194_101

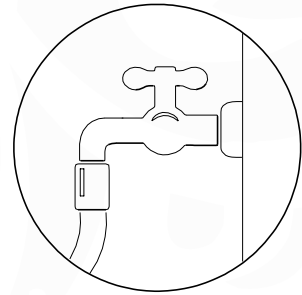
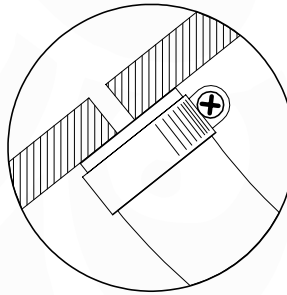
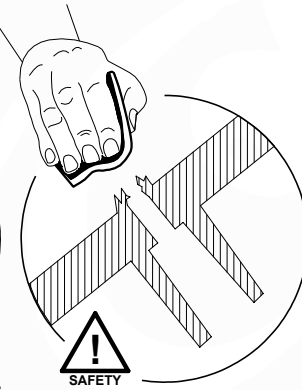
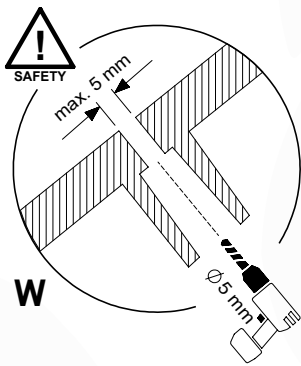
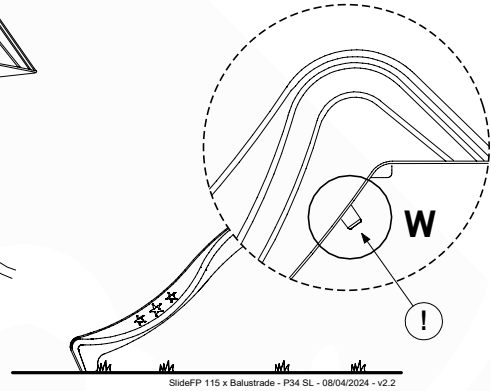
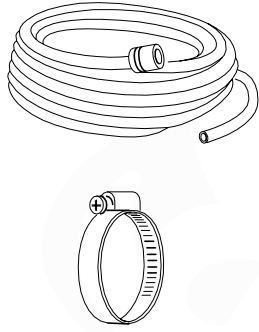
	PartNo	PartName	QTY.
Hardware + Parts	000_101	Nail Pan Head	10
	002_220	Gap Point Screw T25 - 5x45	8
	002_223	Gap Point Screw T25 - 5x80	8
	002_308	Gap Point Screw T25 - 5x20	2
	120_102	Handgrip set (complete 2x)	1
	123_200	Bumperpad	1
	324_xxx 334_xxx	Wavy Star Slide XL 2200 mm / Wavy Star Slide XXL 2650 mm	1
Timber	C114	Beam 1140 mm	1
	C70	Beam 700 mm	1
	D65	Board 650 mm	2

SlideP 115 x Beamaade - R07 UR - 06/04/2024 - v2.2







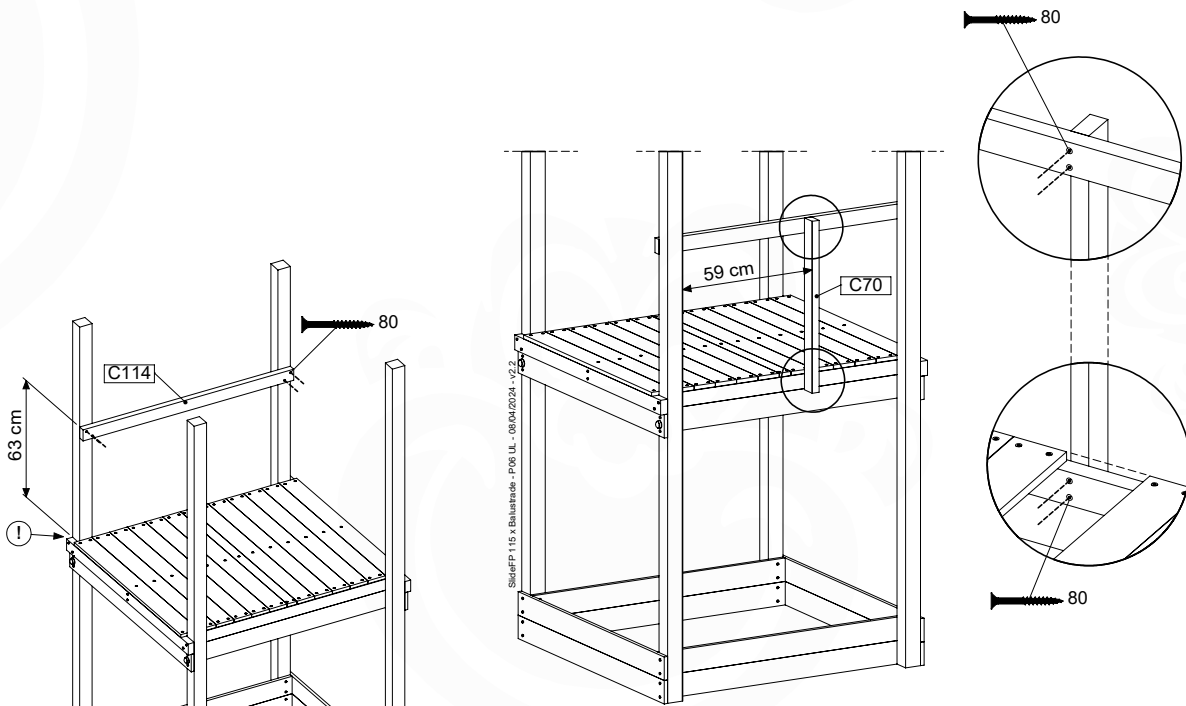
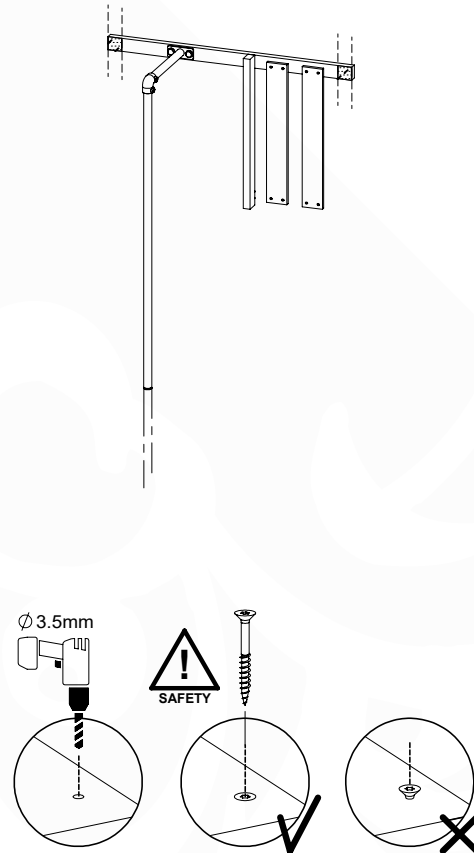


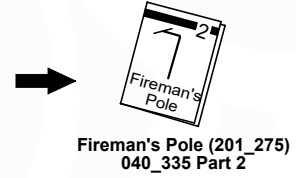
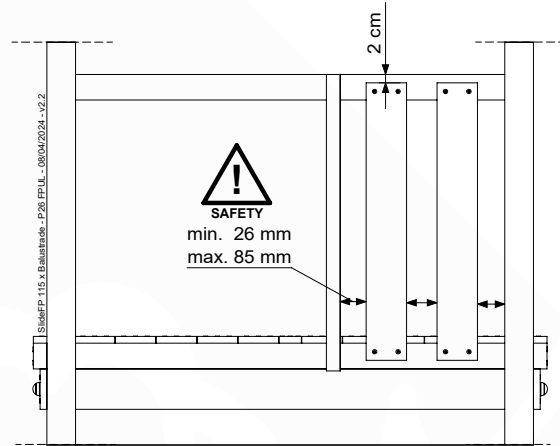
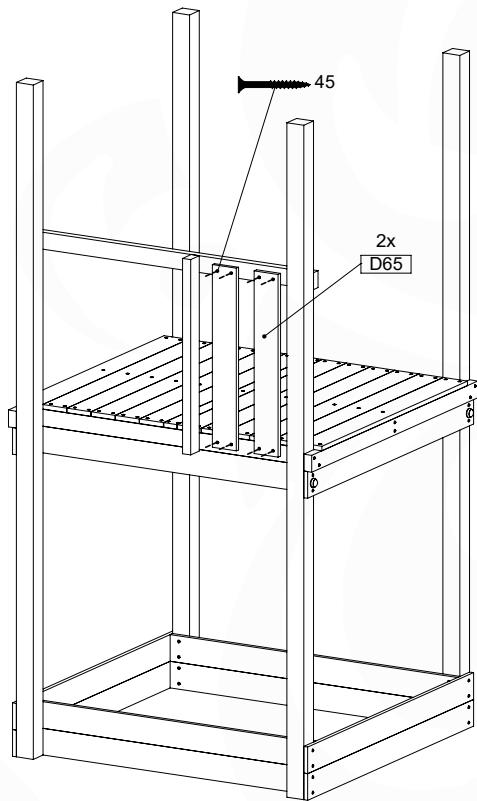
29 FP04a: Fireman's pole 115 Left U 125

Assembly Packs: 201_275 + 194_101

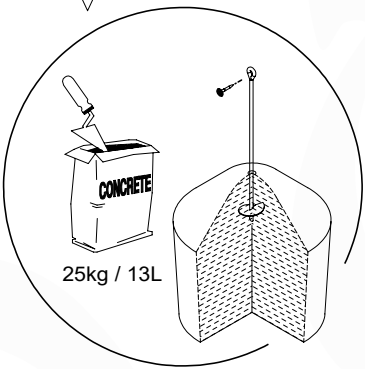
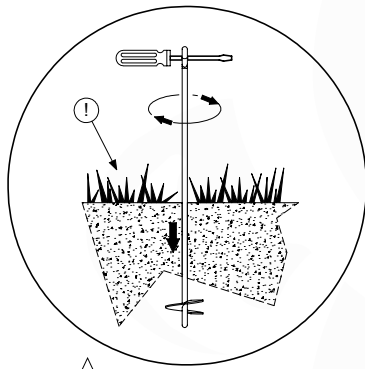
	PartNo	PartName	QTY.
Hardware Pack 194_101	002_220	Gap Point Screw T25 - 5x45	8
	002_223	Gap Point Screw T25 - 5x80	4
Other	201_275	Fireman's Pole kit (incl. 4x Screw T25 5x80)	1
Timber	C70	Beam 700 mm	1
	C114	Beam 1140 mm	1
	D65	Board 650 mm	2

SchieFP 115 x Balkenlade - P30 I/P.L. - 08/04/2024 - v2.2

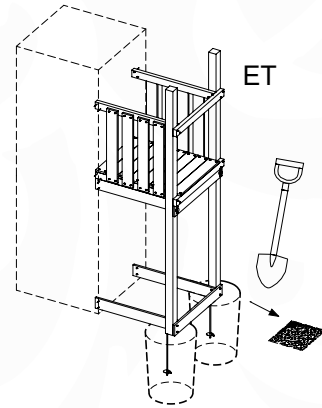
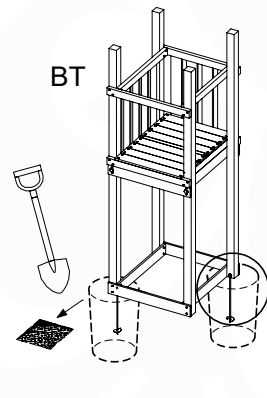
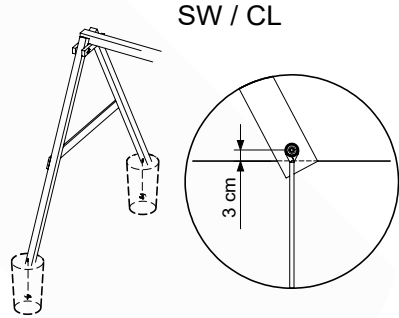
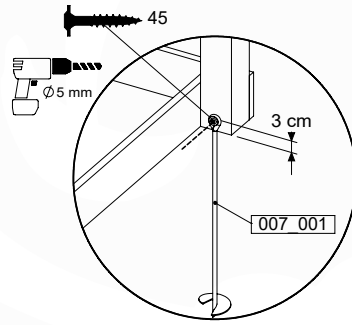




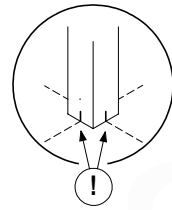
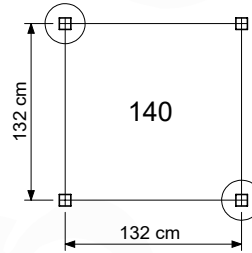
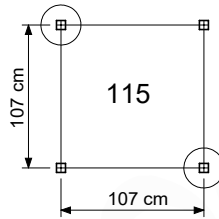
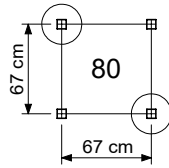
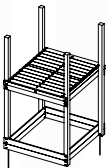
30 GA: Ground Anchors



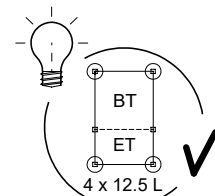
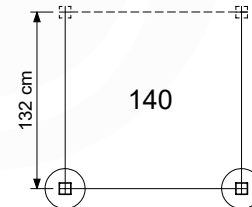
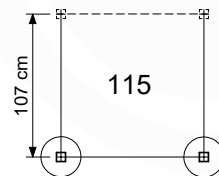
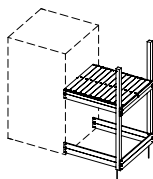
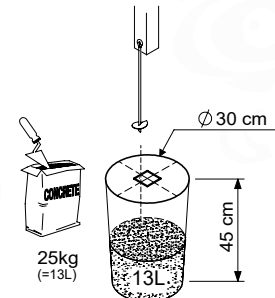
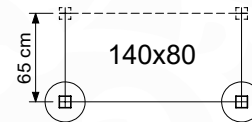
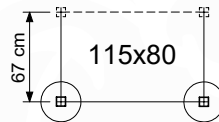
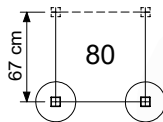
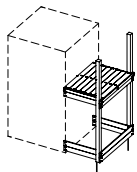
Ground Anchors Unit - P03 - 06/03/2024 - v1.3



BASE TOWERS



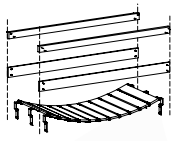
EXTENSION TOWERS



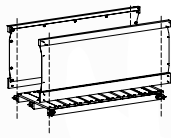
Ground Anchors Unit - P03 - 06/03/2024 - v1.3

30.1

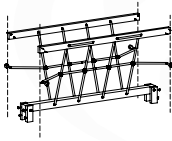
CLATTER BRIDGE



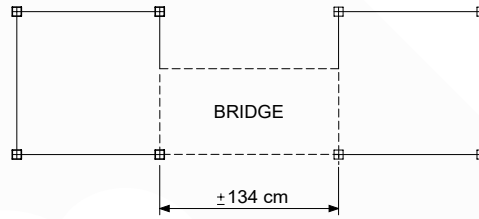
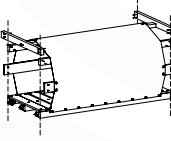
BOARDWALK BR.



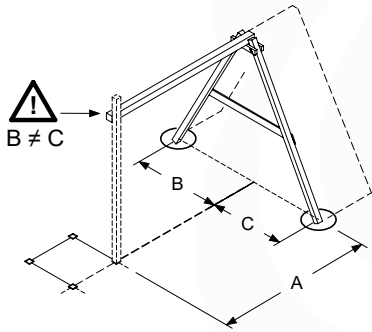
NET BRIDGE



TUNNEL BRIDGE

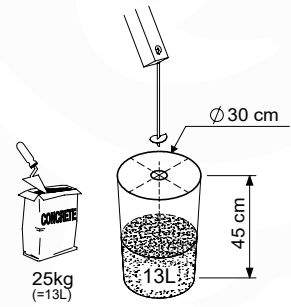


SWING / CLIMB MODULE

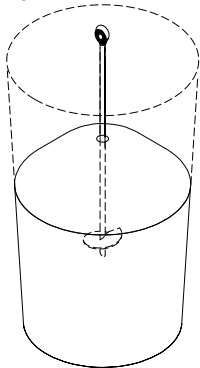


Module type	A	B	C
1-Swing 200	150	115	100
1-Swing 220 / 220 Extra		120	105
2-Swing 200	210	115	100
2-Climb 200			
1-Climb 200	142	120	105
1-Climb 220 / 220 Extra			
2-Swing 220 / 220 Extra	230	120	105
2-Climb 220 / 220 Extra			

Grand Anchers Uni. - P02 - 06/03/2024 - v1.3



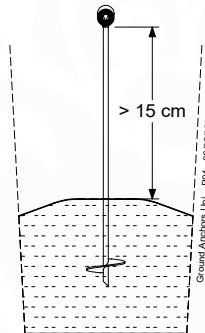
25kg / 13L



1.



SAFETY

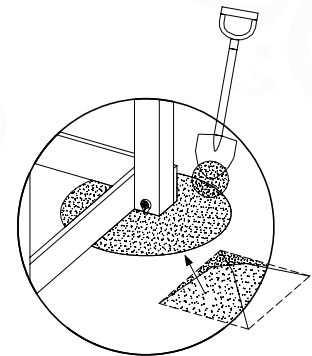


2.

24h



3.



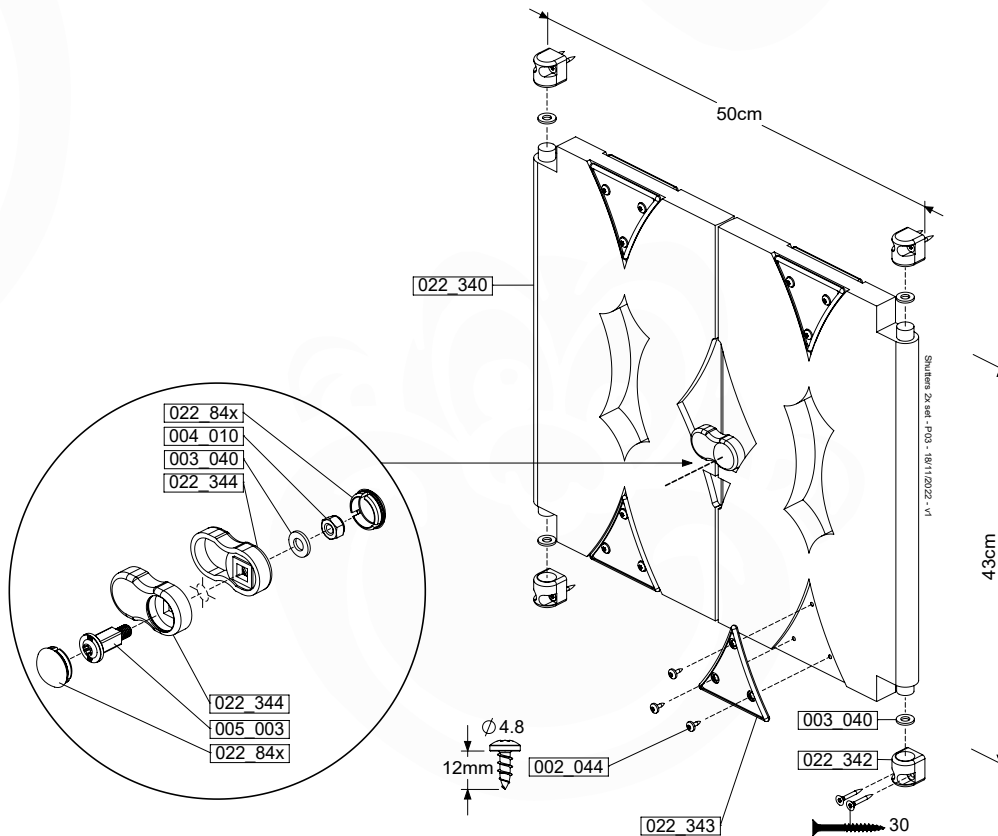
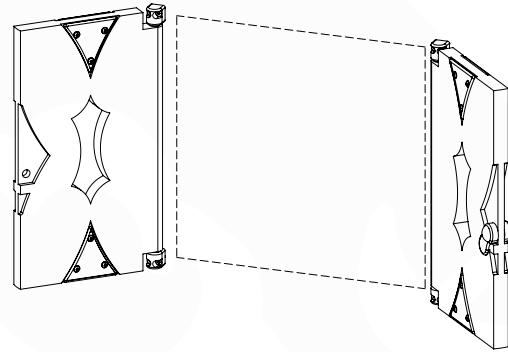
4.

31 AC02a: Shutters

(250_075)

	PartNo	PartName	QTY.
Hardware Pack	002_044	Pan head screw - DIN 7981 - T25 - 4.8x12	24
	002_219	Gap Point Screw T25 - 5x30	8
	003_040	M8 Washer	5
	004_010	M8 Locking Nut	1
	005_003	Lock bolt	1
Other	022_84x	bpc cover	2
	022_340	Shutter	2
	022_342	Hinge	4
	022_343	Decoration plate	8
	022_344	Lock	2

Shutters 2x set - Pkg - 18/11/2022 - v1

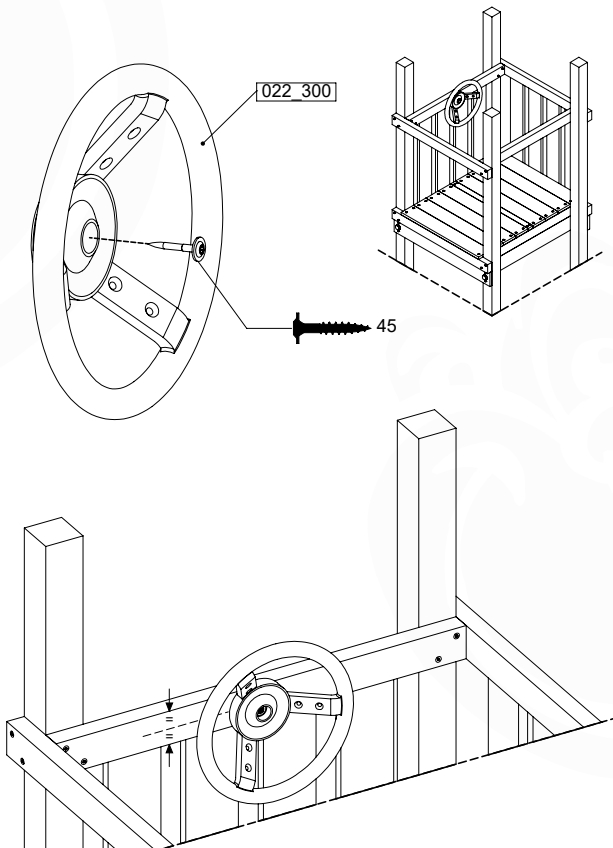
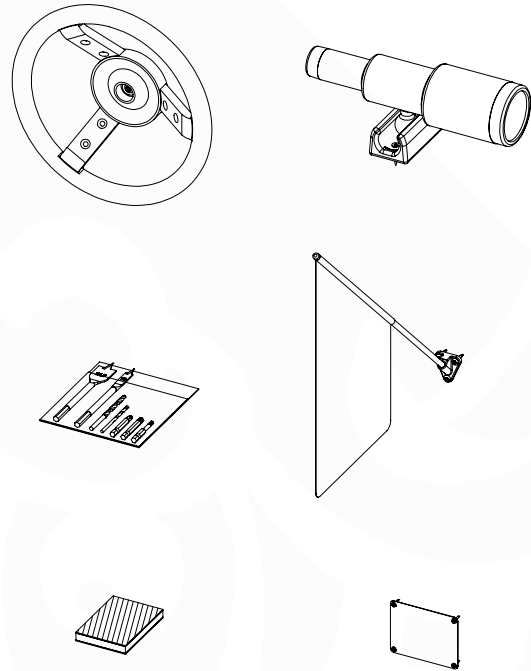


32 AC01a: Accessories

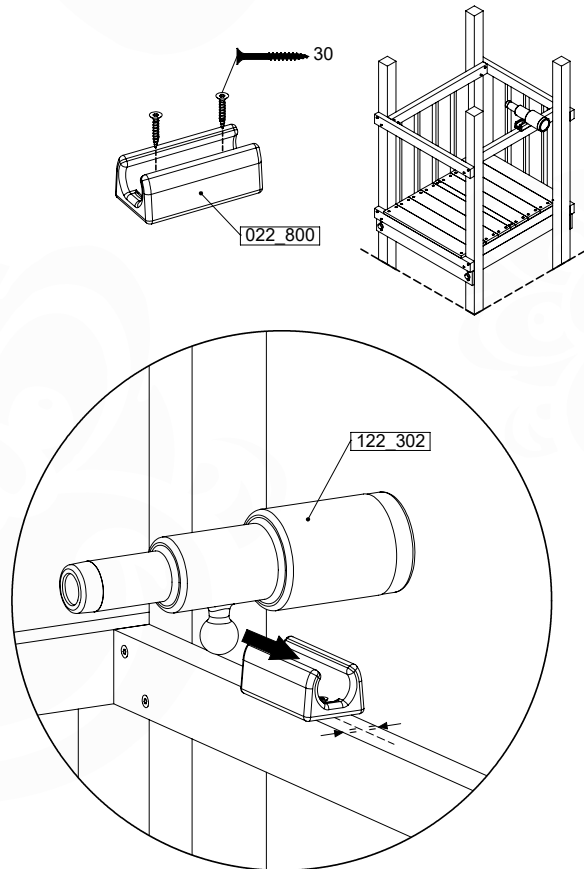
(194_119)

	PartNo	PartName	QTY.
Hardware Pack 100_617	001_406	Stealth Screw 8x45	1
	002_041	Dome head screw 4.5 x 20 mm	3
	002_042	Dome head screw 3.5 x 13mm	4
	002_219	Gap Point Screw T25 - 5x30	2
Other	022_300	Steering Wheel	1
	022_800	Rail P/T 105	1
	022_910	Sandpad	1
	103_901	Logo ID Plate	1
	104_107	Tool Set Climbing Units	1
	120_024	Tower Flag	1
	122_302	Telescope	1

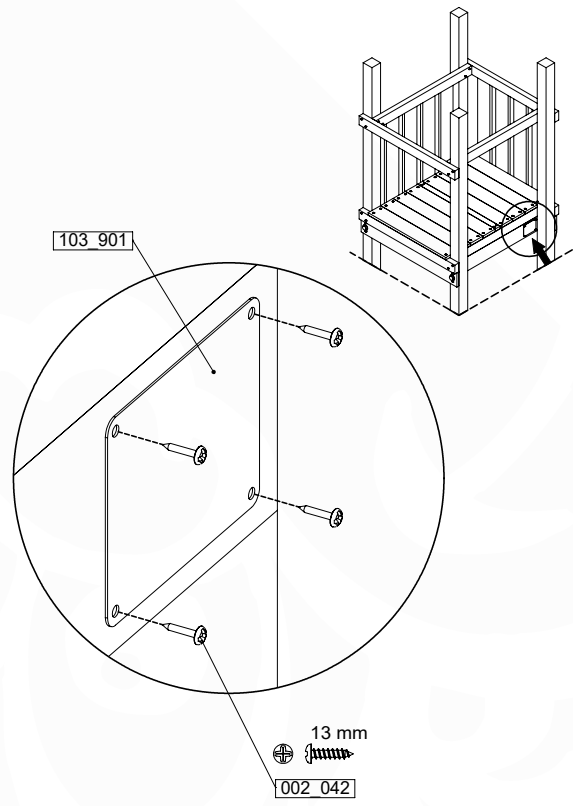
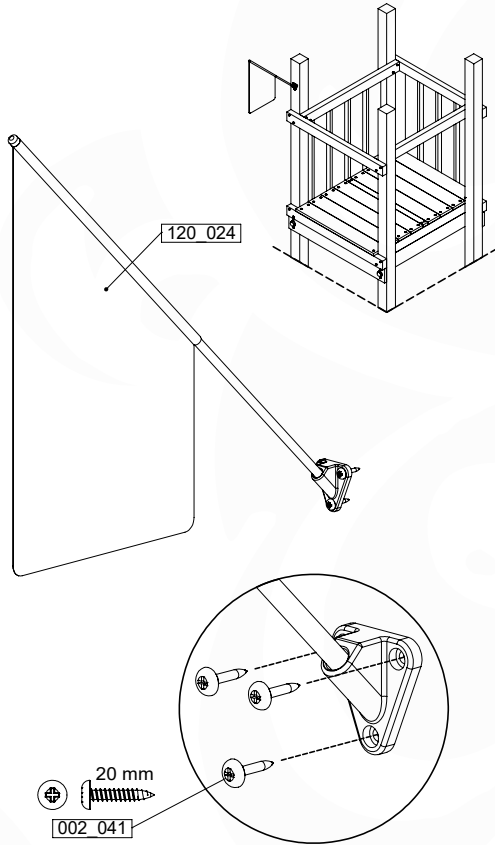
Accessory set - P102 - 24/01/2024 - v5



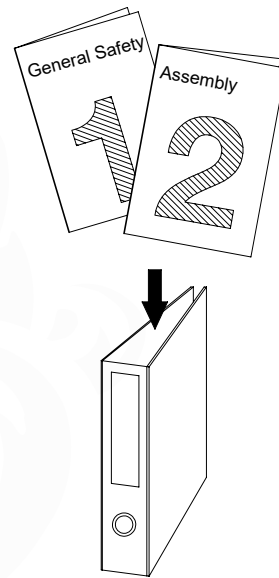
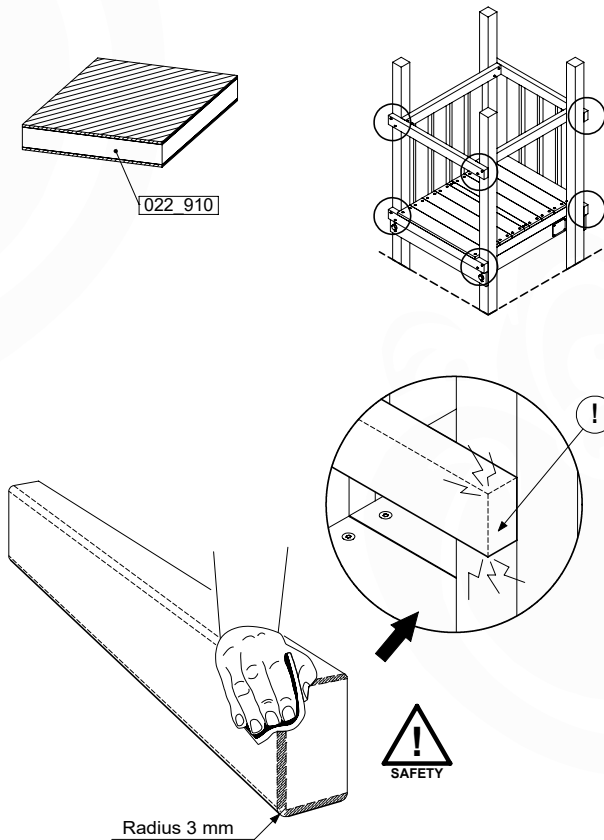
Accessory set - P103 - 24/01/2024 - v5



32.1



Accessory set - P04 - 24.01/2024 - v5



Accessory set - P05 - 24.01/2024 - v5

33 Declaration of conformity

Activity toys for domestic use Aktivitätsspielzeug für den häuslichen Gebrauch Jouets d'activité à usage familial

1. Wooden climbing frames

20240416_v3

1.1. Assemblies

Playtowers	801_005, 801_009, 801_010, 801_013, 801_025, 801_040, 801_060, 801_070, 801_090, 801_095, 801_100, 801_103, 801_105, 801_110, 801_120, 801_200, 802_202, 802_204, 802_206, 802_208, 803_202, 803_204, 803_206, 803_208, 803_210, 809_802, 809_804
Swings	801_300, 801_601, 801_602
Modules	850_176, 850_177, 850_231, 850_232, 857_101, 857_102, 857_105, 857_106, 857_151, 857_152, 857_157, 857_158, 850_240

1.2. Sub assemblies

Base towers (BT)	BT01a, BT02a, BT03a, BT11a, BT14a, BT15a, BT20a
Extension towers (ET)	ET01a, ET02a, ET05a, ET06a, ET07a, ET08a, ET09a, ET10a, ET11a, ET12a, ET13a, ET14a, ET15a, ET16a, ET17a, ET18a, ET19a, ET20a, ET22a, ET23a, ET27a, ET28a, ET35a, ET29a, ET39a, ET40a
Bridges (CB, NB, BB, TB)	CB01a, NB01a, BB01a, BB02a, TB01a, TB02a, TB03a, TB04a
Roofs (RF)	RF01a, RF21a, RF02a, RF03a, RF04a, RF05a, RF06a, RF20a, RF02b, RF03b, RF07a, RF08a, RF22a, RF09a, RF23a, RF11a, RF12a, RF07b, RF12b, RF08b, RF22b, RF09b, RF23b, RF11b, RF14a, RF24a, RF15a, RF25a, RF18a, RF18b, RF14b, RF24b, RF15b, RF25b
Balustrade (BL, BF)	BL01a, BL02a, BL21a, BF25a, BF26a, BF27a, BF28a, BF01a, BF02a, BF03a, BF04a, BF05a, BF06a, BF07a, BF08a, BF01b, BF02b, BF03b, BF04b, BF05b, BF06b, BF07b, BF08b, BF21a, BF22a, BF23a, BF24a, BF21b, BF22b, BF23b, BF24b
Playhouse (PH)	PH03a, PH04a, PH05a, PH06a, PH10a, PH11a, PH40a, PH41a, PH12a, PH13a, PH14a, PH15a, PH42a, PH43a, PH44a, PH45a, PH16a, PH17a, PH18a, PH19a, PH30a, PH31a, PH16b, PH17b, PH18b, PH19b, PH46a, PH47a, PH48a, PH49a, PH16c, PH17c, PH18c, PH19c, PH46b, PH47b, PH48b, PH49b, PH20a, PH21a, PH22a, PH23a, PH24a, PH25a, PH26a, PH27a, PH32a, PH33a, PH52a, PH53a, PH54a, PH55a, PH56a, PH57a, PH50a, PH51a, PH26b, PH27b, PH26c, PH27c, PH56b, PH57b
Ladder (LA)	LA05a, LA06a, LA01a, LA02a, LA03a, LA01b, LA02b, LA03b, LA11a, LA12a, LA13a, LA14a, LA15a, LA16a, LA17a, LA18a, LA31a, LA32a, LA33a, LA34a, LA35a, LA36a, LA37a, LA38a, LA21a, LA22a, LA23a, LA24a, LA25a, LA26a, LA43a, LA44a, LA45a, LA46a
Two Step Ladder (TS)	TS01a, TS01b, TS02a, TS02b, TS03b, TS22a, TS05a, TS06a, TS07a, TS08a, TS09a, TS10a, TS11a, TS12a, TS15a, TS16a, TS17a, TS18a, TS19a, TS20a, TS21a, TS22a
Rope Ladder (RL)	RL01a, RL02a, RL05a, RL06a, RL07a, RL08a, RL09a, RL10a, RL11a, RL12a, RL15a, RL16a, RL19a, RL20a
Rock wall (RW)	RW01a, RW02a, RW01b, RW02b, RW03b, RW31a, RW32a, RW33a, RW05a, RW06a, RW07a, RW08a, RW09a, RW10a, RW11a, RW12a, RW40a, RW41a, RW15a, RW16a, RW17a, RW18a, RW19a, RW20a, RW46a, RW47a
Ramp (RA)	RA03a, RA04a, RA05a, RA06a, RA07a, RA08a, RA11a, RA12a, RA21a
Net (NA, NS)	NA01a, NA02a, NS01a, NS02a, NS03a, NS21a, NA04a, NA05a, NS04a, NS05a, NS06a, NS07a, NA08a, NA09a, NS08a, NS09a
Boat (BO)	BO01a
Market (MT)	MT01a, MT02a, MT05a, MT06a, MT11a, MT12a
Picnic (PC)	PC01a, PC01b, PC05a, PC06a, PC09a, PC10a
Gymnastics bar (GY)	GY01a
Fireman's pole (FP)	FP01a, FP02a, FP04a, FP05a, FP06a, FP07a, FP23a, FP24a, FP25a, FP26a, FP27a, FP28a
Slides (SL)	SL01a, SL02a, SL03a, SL06a, SL07a, SL08a, SL09a, SL10a, SL11a, SL12a, SL13a, SL26a, SL27a, SL28a, SL29a
Swing (SM)	SW17a, SW21a, SW18a, SW22a, SW01a, SW05a, SW02a, SW06a, SW09a, SW13a, SW10a, SW14a
Climb (CL)	CL17a, CL21a, CL18a, CL22a, CL01a, CL05a, CL02a, CL06a, CL09a, CL13a, CL10a, CL14a
Universal Beam (UB)	UB01a, UB04a, UB02a, UB05a, UB03a, UB06a
Accessories (AC)	AC30a, AC31a, AC32a, AC33a, AC01a, AC05a, AC07a, AC03a, AC04a, AC06a, AC23a, AC22a, AC24a, AC21a, AC25a, AC02a, AC09a, AC08a, AC10a

2. Construction packages

2.1 Assembly Kits

Playtowers	401_015, 401_080, 401_125, 402_201, 402_202, 402_204, 402_206, 402_208, 403_202, 403_204, 403_206, 403_208, 403_210, 409_802, 409_804
Swings	401_300, 401_600
Modules	457_005, 457_102, 457_103, 457_106, 457_107, 457_205

2.2 Assembly Packs

Sub assemblies	194_002, 194_003, 194_004, 194_006, 194_007, 194_008, 194_009, 194_010, 194_100, 194_101, 194_102, 194_103, 194_104, 194_105, 194_107, 194_108, 194_109, 194_110, 194_111, 194_112, 194_113, 194_114, 194_115, 194_116, 194_117, 194_118, 194_119, 194_300, 194_308, 194_312, 194_500, 194_501, 194_508, 194_510, 194_802, 194_804, 194_809, 194_810, 194_811, 194_812
----------------	--

3. Accessories and components

Slides XL	324_100, 324_200, 324_300, 324_400, 324_500, 324_600
Slides XXL	334_100, 334_200, 334_300, 334_400, 334_500, 334_600
Fireman's pole	201_275
Climbing	201_060, 201_273
Imagination	201_280, 201_285, 201_290, 201_295, 202_473, 450_310, 450_320, 450_330
Swinging	250_001, 250_013, 250_025, 250_034, 250_053
Functional	123_220, 123_222, 123_230, 201_115, 201_220, 201_250, 201_260, 201_270, 202_620, 202_621, 202_622, 202_623, 202_624, 202_625, 202_626, 202_627, 202_628, 202_629, 202_824, 250_065, 250_070, 250_075

Applicable EU directives and standards

General

- General Product Safety Directive (GPSD) 2001\48\EG
- Reach directive 1907\2006
- AfPS GS 2019:01 PAK

Activity Toys

- Toy Safety Directive (TSD) 2009\48\EG
- EN Standard 71 Safety of Toys
 - EN 71-1:2014 + A1:2018 Safety of toys Mechanical and physical properties
 - EN 71-2:2020 Flammability
 - EN 71-3:2019 + A1:2021 Migration of certain elements
 - EN 71-8:2018 Safety of toys Activity toys for domestic use

Supplementary information

Conformity to the above specified directives and standards has been frequently verified by TÜV Rheinland LGA products, DEKRA, LNE SA, since 1994. Jungle Gym participates in the European Commission for standardisation for the safety of activity toys (TC52/WG10).



EN 71-1,-2, -3, -8 & -9

Manufacturer details

Company Name: Jungle Gym B.V.
Address: Valscherkade 18, 1059 CD Amsterdam, Netherlands
Email: info@junglegym.com

Declaration

I hereby declare under our sole responsibility that the products mentioned above, to which this declaration relates, comply with the above mentioned directives and standards when the installation, assembly, and maintenance instructions are strictly followed.

Name
Mr. P. Schmit / Director

Issued date
Thursday 2nd May, 2024

Signature of representative

Jungle Gym B.V. | P.O. Box 75083 | 1070 AB Amsterdam | Netherlands | Phone: +31 85 444 41 00 | e-mail: info@junglegym.com | www.junglegym.com