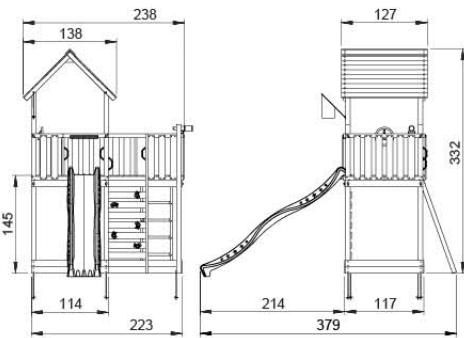
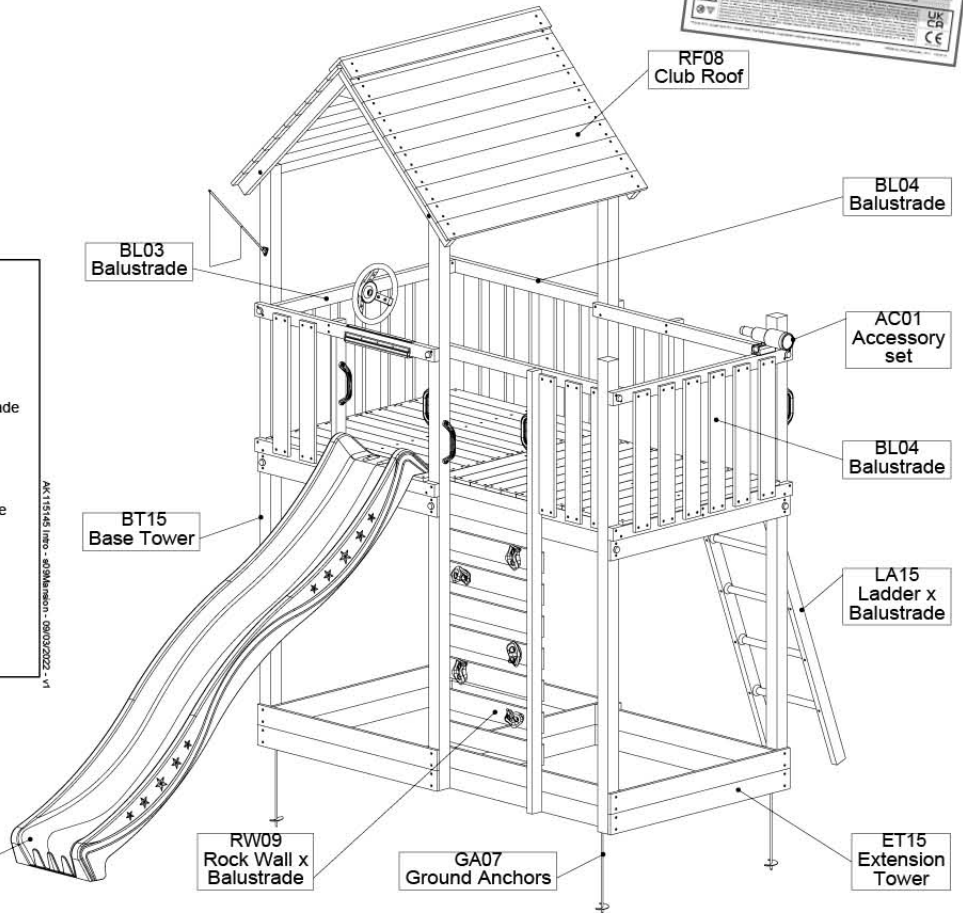
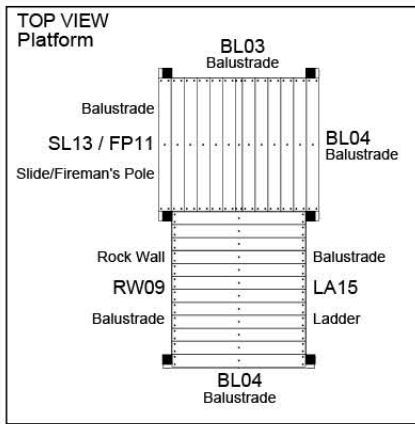
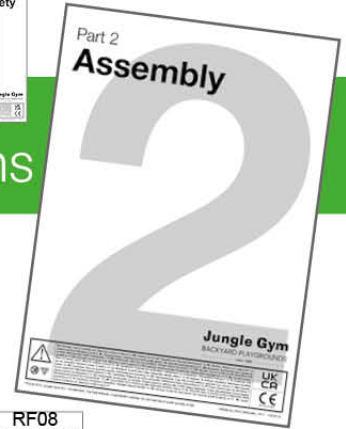


Assembly

Jungle Mansion 2.1

801_009



Manual Part 1



Important

This assembly manual should always be read in conjunction with the General Safety manual part as included in the hardware package of your playground equipment. Please read these safety instructions carefully before starting the assembly work.

Jungle Gym

BACKYARD PLAYGROUNDS

since 1988

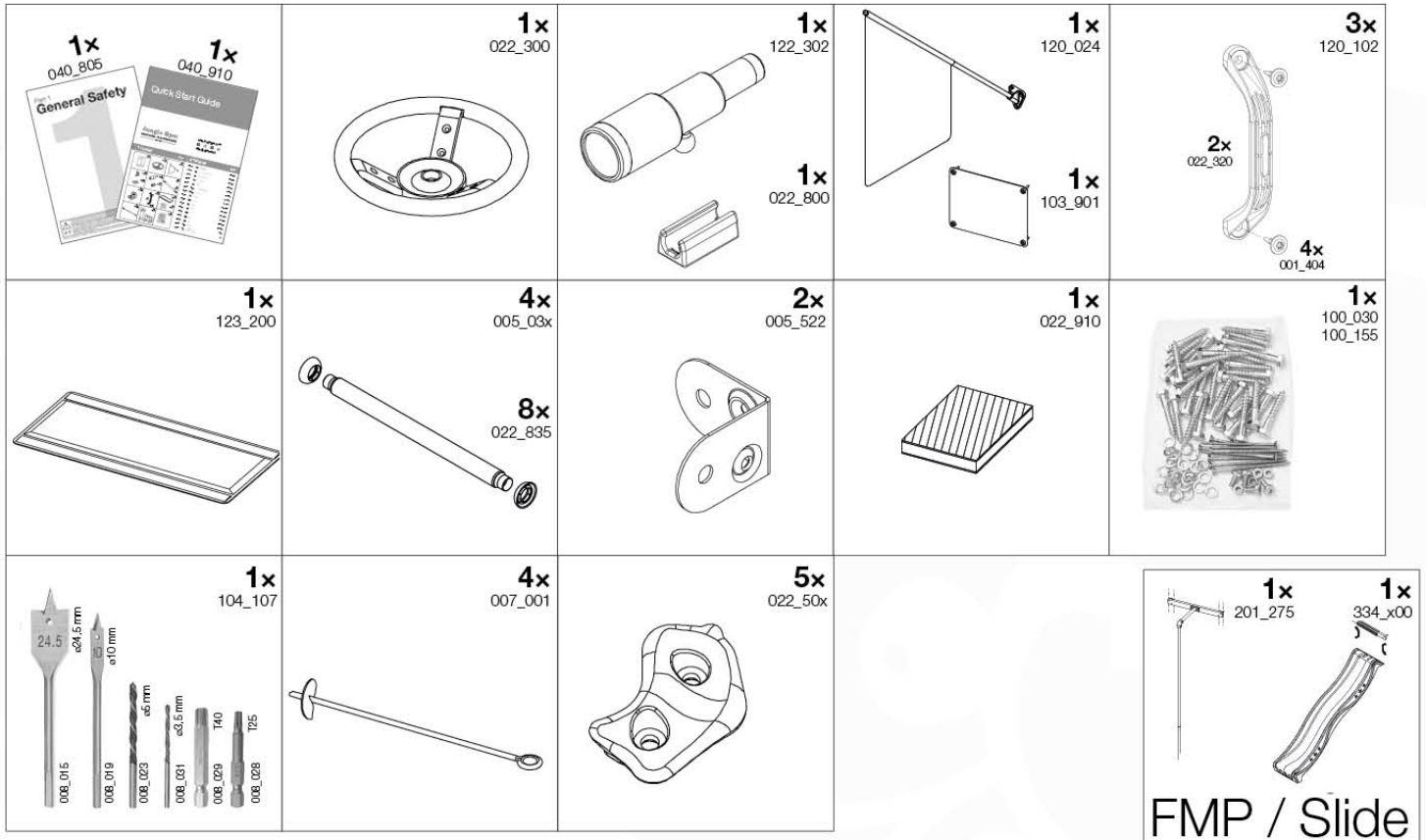


EN. Warnings. Only for domestic use. Maximum number of users is 9. **DE.** Achtung. Nur für den Hausgebrauch. Maximale Benutzerzahl: 9. **FR.** Attention. Réserve à un usage familial. Le nombre maximal d'utilisateurs est de 9. **NL.** Waarschuwingen. Uitsluitend voor huishoudelijk gebruik. Het maximale aantal gebruikers is 9. **BG.** Внимание. За употреба само в домашни условия. Максималният брой потребители е 9. **CS.** Varování. Jen pro domácí použití. Maximální počet uživatelů je 9. **DA.** Advarsel. Kun til privat brug. Maksimum antal brugere er 9. **EL.** Προειδοποίησης. Μόνο για οικιακή χρήση. Μέγιστος αριθμός χρηστών 9. **ES.** Advertencias. Solo para uso doméstico. Número máximo de usuarios: 9. **ET.** Hoiatused. Ainult koduseks kasutamiseks. Maksimaalne kasutajate arv on 9. **FI.** Varoitukset. Ainoastaan kotikäyttöön. Käyttäjää yhteensä enintään 9. **HR.** Upozorenja. Samo za kućansku uporabu. Maksimalan broj korisnika je 9. **HU.** Figyelmeztetések. Csak otthoni használatra! A használok max. száma: 9. **IS.** Varnaðarorð. Eingöngu fyrir einkanotkun í heimahúsum og á einkalóðum. Hámarksfjöldi notenda er 9. **IT.** Avvertenze. Solo per uso domestico. Massimo numero di utenti è 9. **LT.** Įspėjimai. Tik buitiniam naudojimui. Maksimalus naudotojų skaičius 9. **LV.** Brīdinājumi. Izmantoj tikai mājās. Maksimālais lietotāju skaits ir 9. **NO.** Advarsel. Kun for privat bruk. Maksimalt antal brukere er 9. **PL.** Ostrzeżenia. Wyłącznie do użytku domowego. Maksymalna liczba użytkowników to 9. **PT.** Avisos. Apenas para uso doméstico. O número máximo de utilizadores é 9. **RO.** Avertismente. Numai pentru uz domestic. Numărul maxim de utilizatori este 9. **RU.** Предостережения. Только для домашнего использования. Максимальное количество пользователей - 9. **SK.** Upozornenia. Iba na domáce použitie. Maximálne množstvo osôb je 9. **SL.** Opozorila. Samo za domačo uporabo. Maksimalno število uporabnikov je 9. **SR.** Upozorenja. Samo za kućnu upotrebu. Maksimalan broj korisnika je 9. **SV.** Varningar. Endast för hemmabruk. Det maximala antalet användare är 9. **TR.** Uyarılar. Sadece ev kullanımı için. Maksimum kullanıcı sayısı 9.



01 What's in the Delivery?

401_080 + 457_005



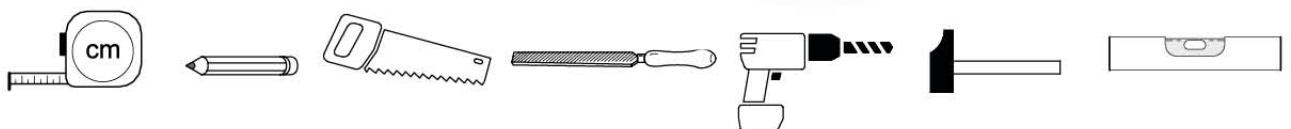
FMP / Slide

02a Hardware

Total HWP 100_030 + 100_155 Jungle Mansion 2.1

001_102	10x		M8 x 30mm	000_101	10x		ø2 x 20mm	20220222
001_417	12x		ø8 x 80mm	003_010	10x		M8x14.2mm	
001_411	4x		ø8 x 60mm	004_050	10x		M8 x 22mm	
001_406	13x		ø8 x 45mm	120_005	16x		M8	
001_404	4x		ø8 x 30mm					
002_223	90x		ø5 x 80mm					
002_220	518x		ø5 x 45mm					
002_219	6x		ø5 x 30mm					
002_308	2x		ø5.0 x 20mm					
002_041	3x		ø4.5 x 20mm					
002_042	4x		ø3.5 x 13mm					

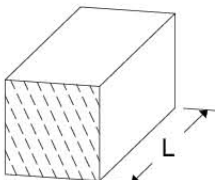
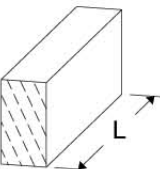
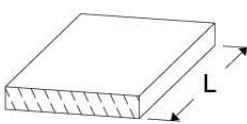
02b Necessary tools



03 Timber

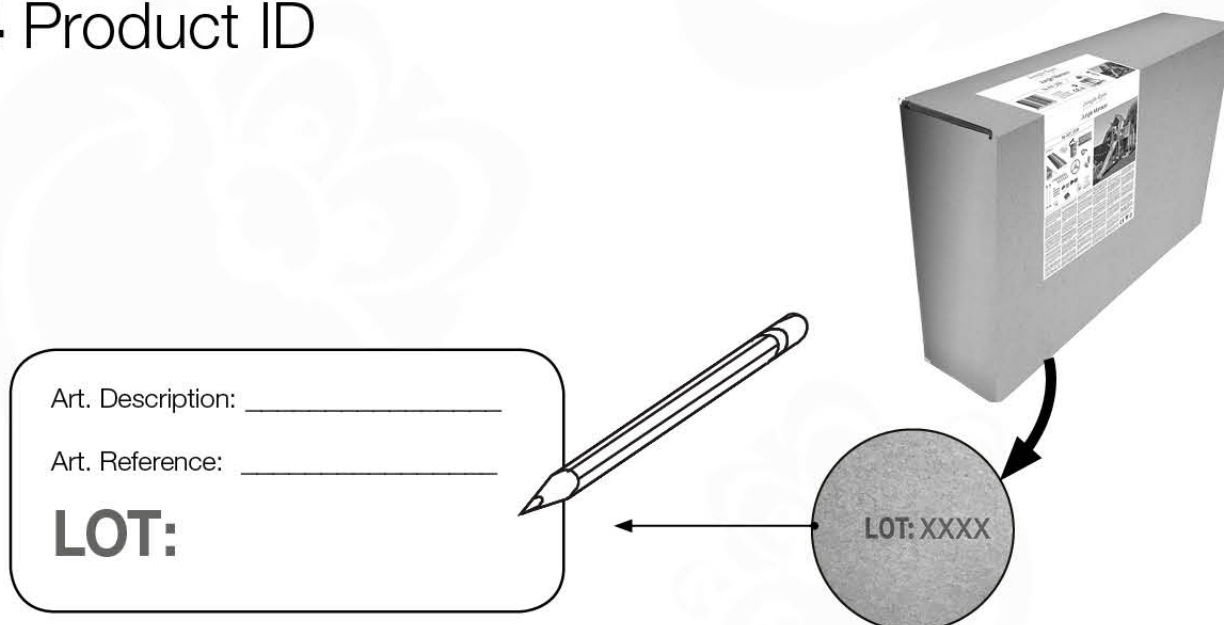
601_011 Timber pack Jungle Mansion 2.1

L

A 	A270	269cm - 270cm	4x
	A220	219cm - 220cm	2x
C 	C206	205cm - 206cm	1x
	C150	149cm - 150cm	2x
	C114	113cm - 114cm	15x
	C96	95cm - 96cm	2x
	C90	89cm - 90cm	2x
	C70	69cm - 70cm	2x
D 	D127	126cm - 127cm	24x
	D114	113cm - 114cm	21x
	D100	99cm - 100cm	28x
	D65	64cm - 65cm	33x

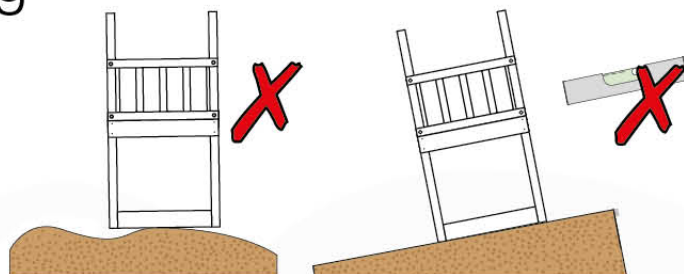
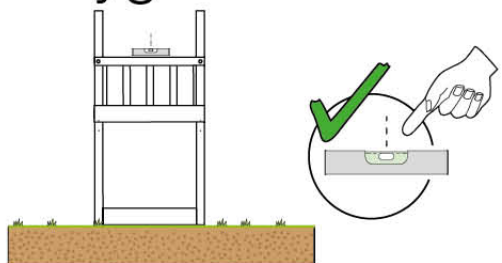
21-Oct-2021

04 Product ID

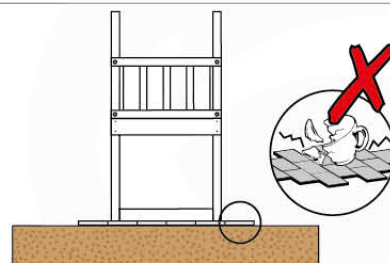
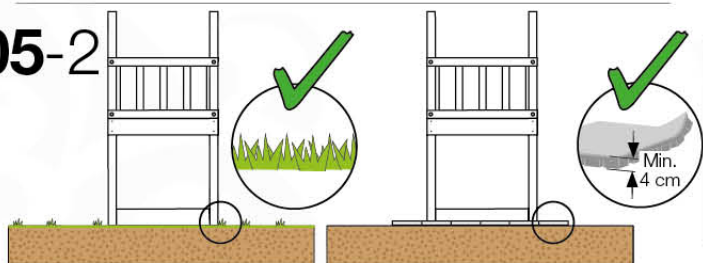


05 Safe Playground Planning

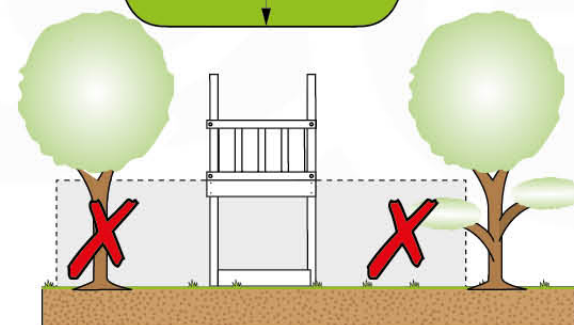
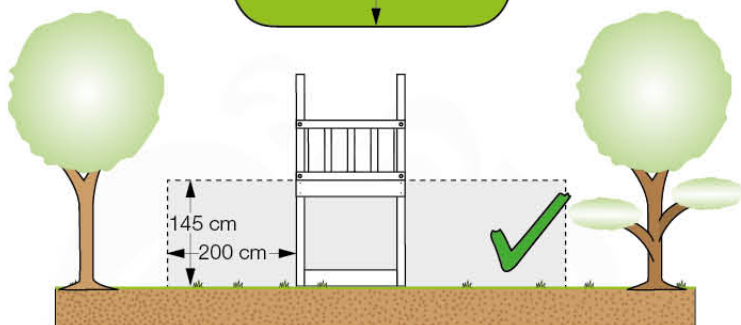
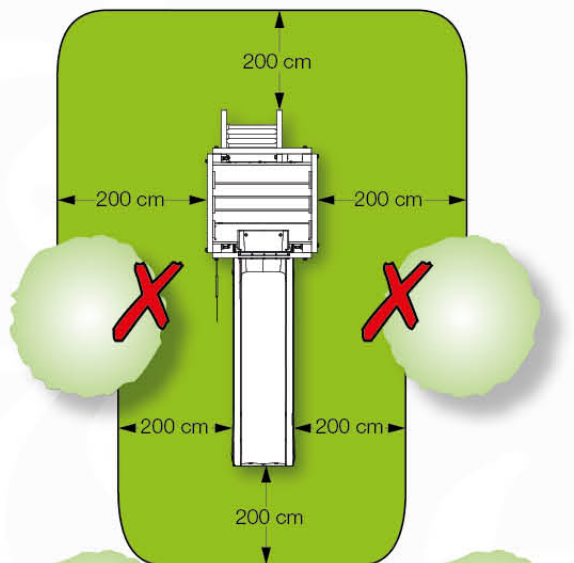
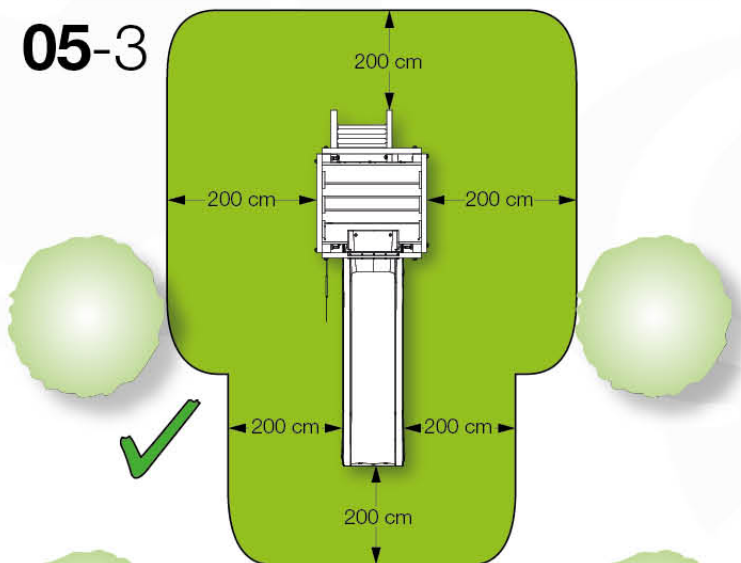
05-1



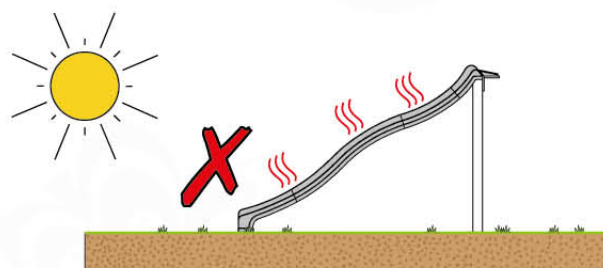
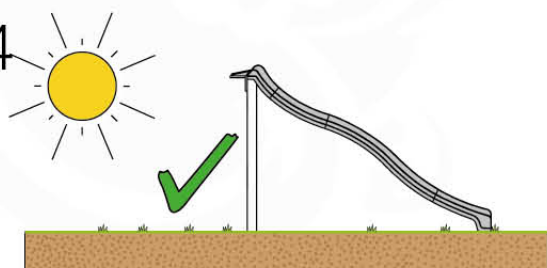
05-2



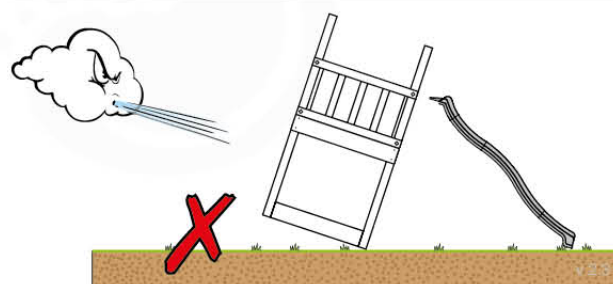
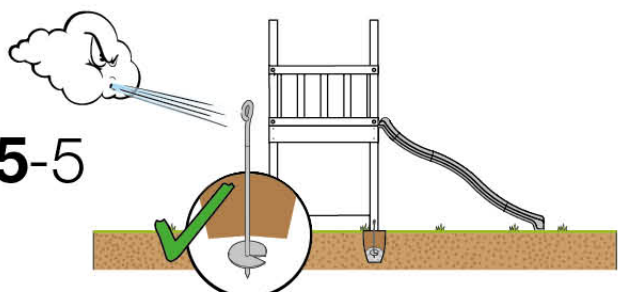
05-3



05-4

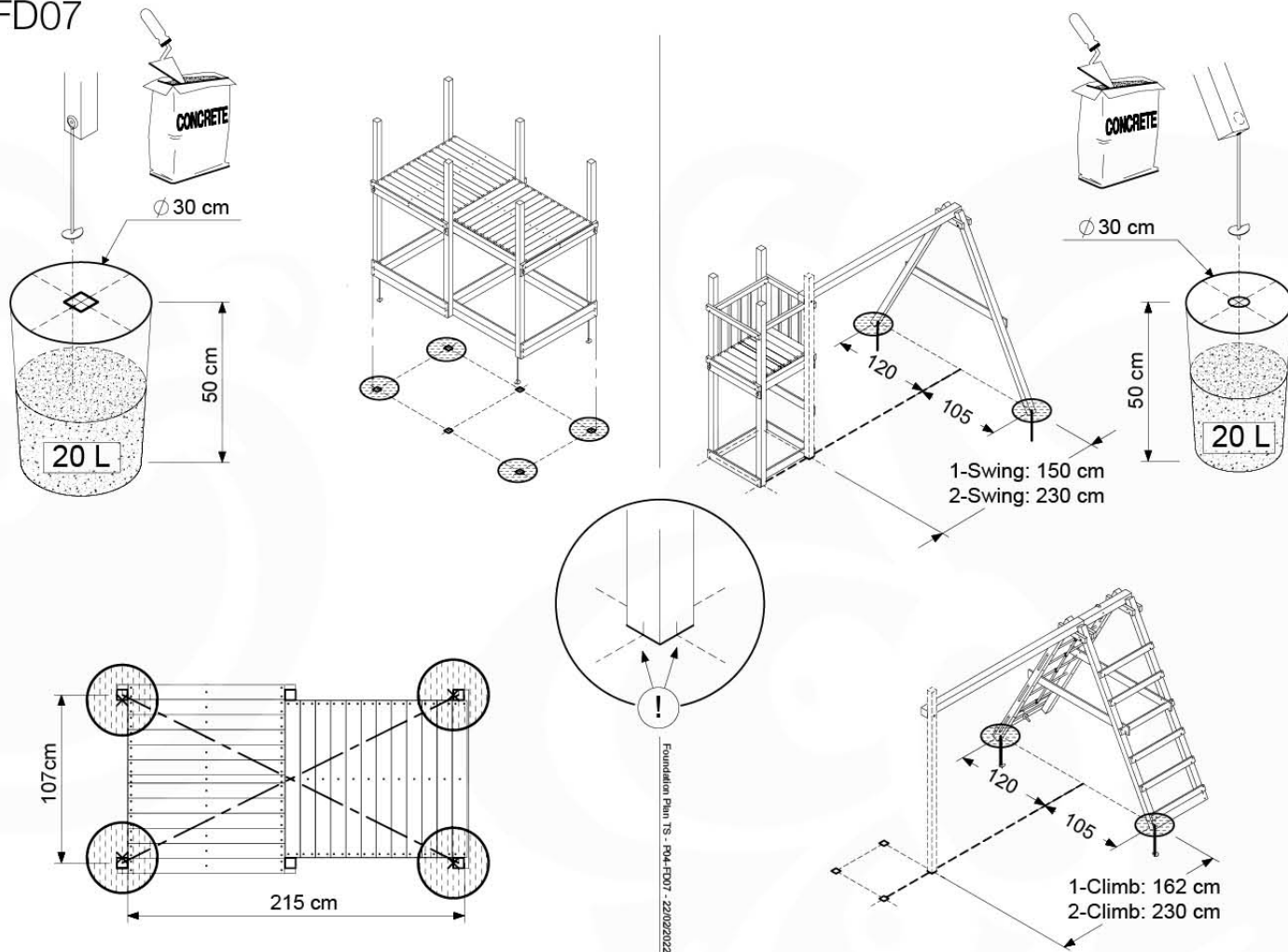


05-5



06 Playground Foundation

FD07



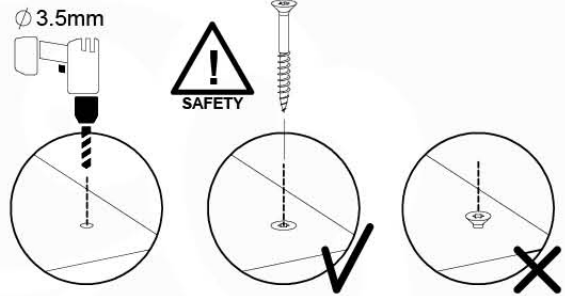
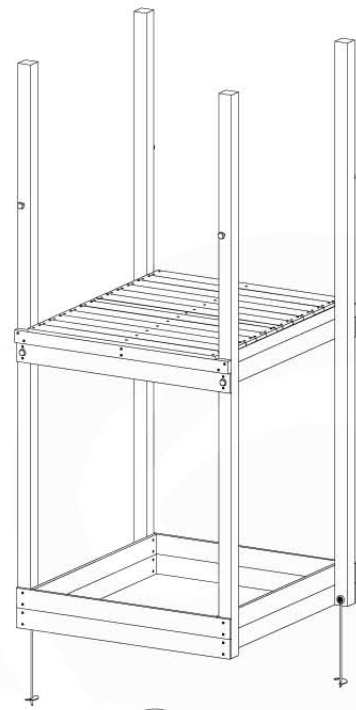
07 Base Tower

BT15

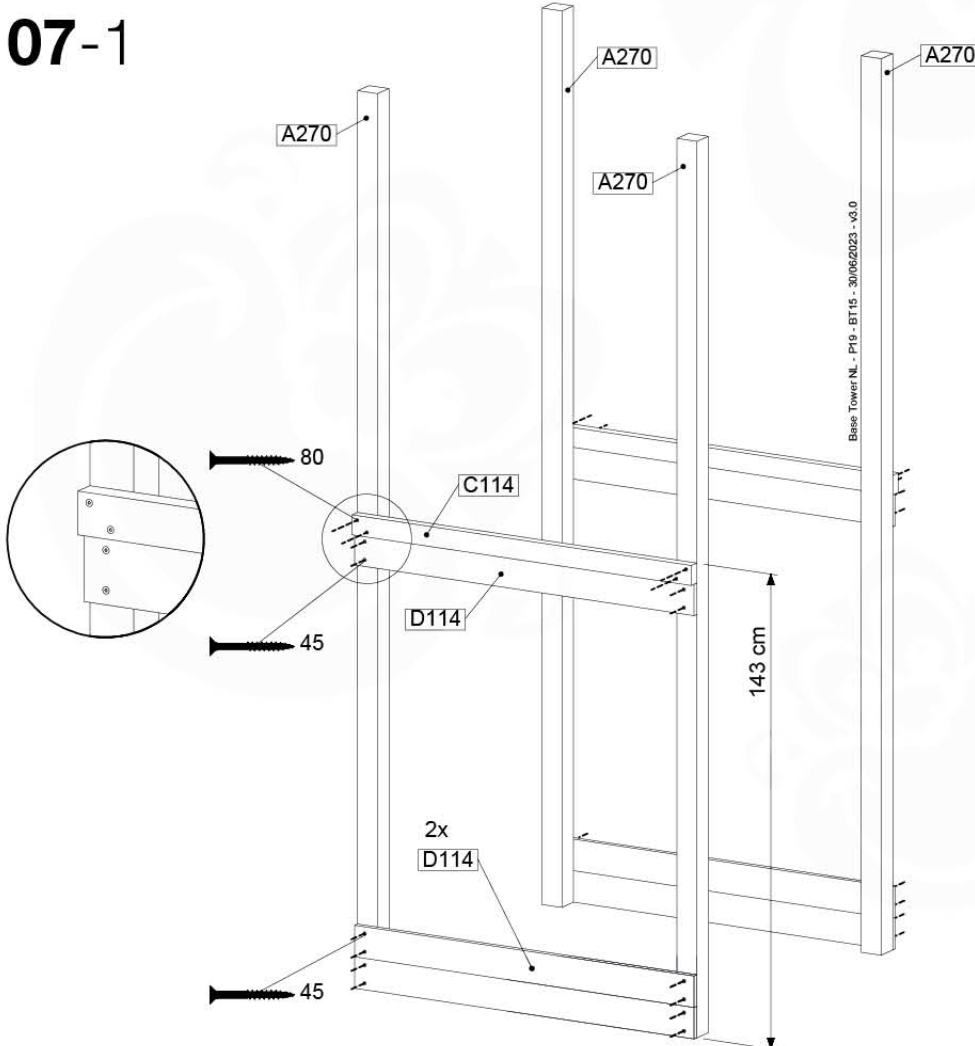
(194_300)

	PartNo	PartName	QTY.
Hardware Pack	001_406	Stealth Screw 8x45	6
	001_417	Stealth Screw 8x80	4
	002_220	Gap Point Screw T25 - 5x45	118
	002_223	Gap Point Screw T25 - 5x80	20
	022_31x	bpc-base version 3	8
	022_84x	bpc cover	8
Other	007_001	Ground-anchor	2
Timber	A270	Post 70x70 L2700	4
	C114	Beam 1140 mm	5
	D100	Board 1000 mm	14
	D114	Board 1140 mm	12

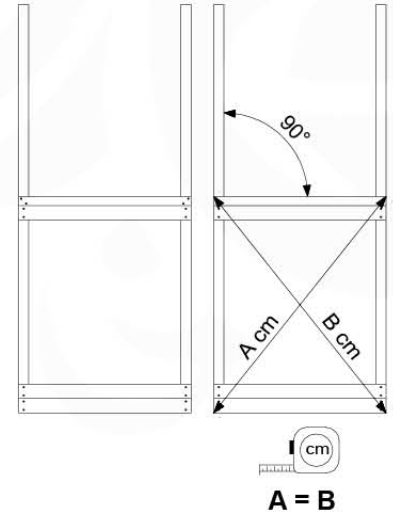
Base Tower.NL - P10 - BT15 - 30/06/2023 - v3.0



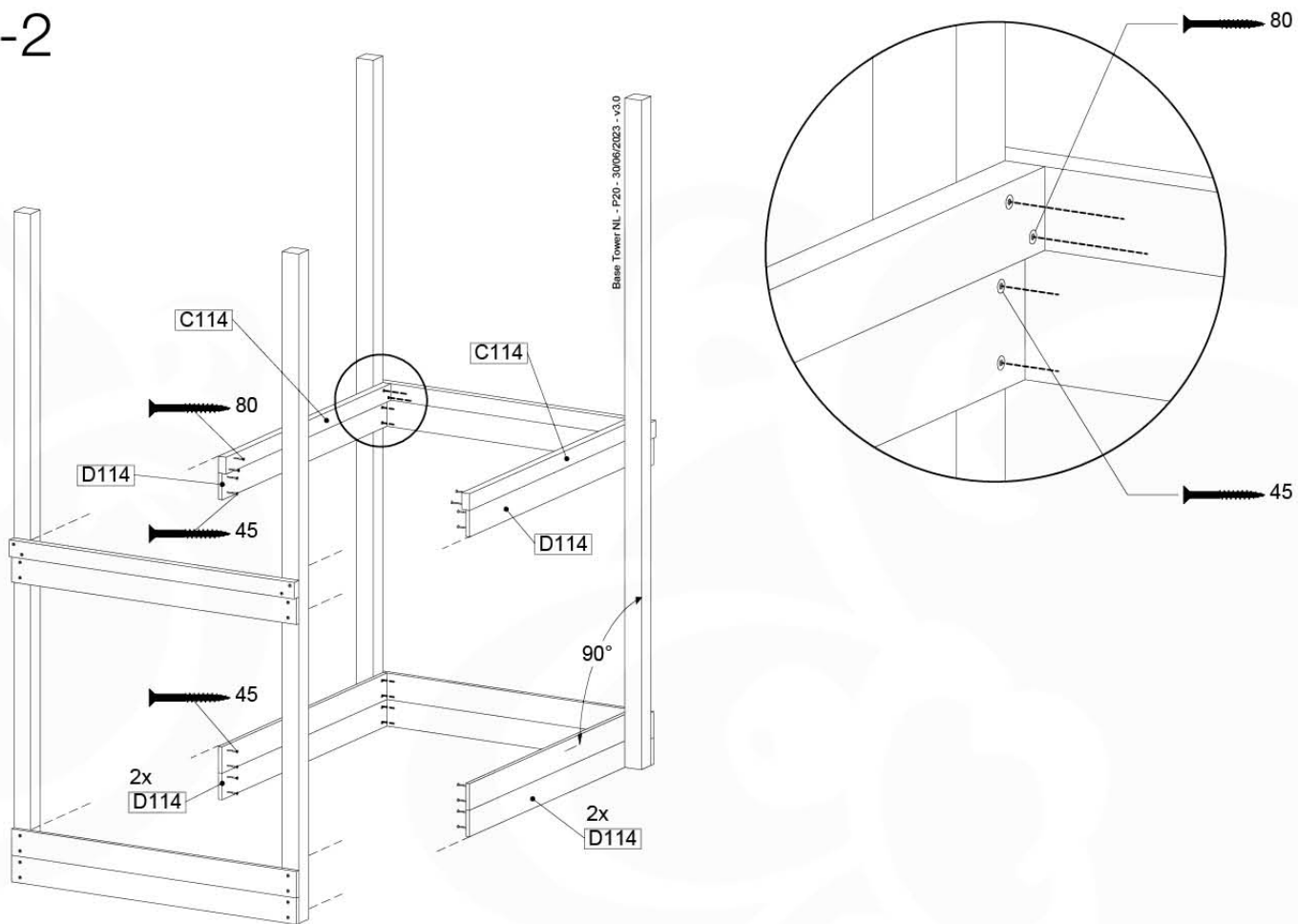
07-1



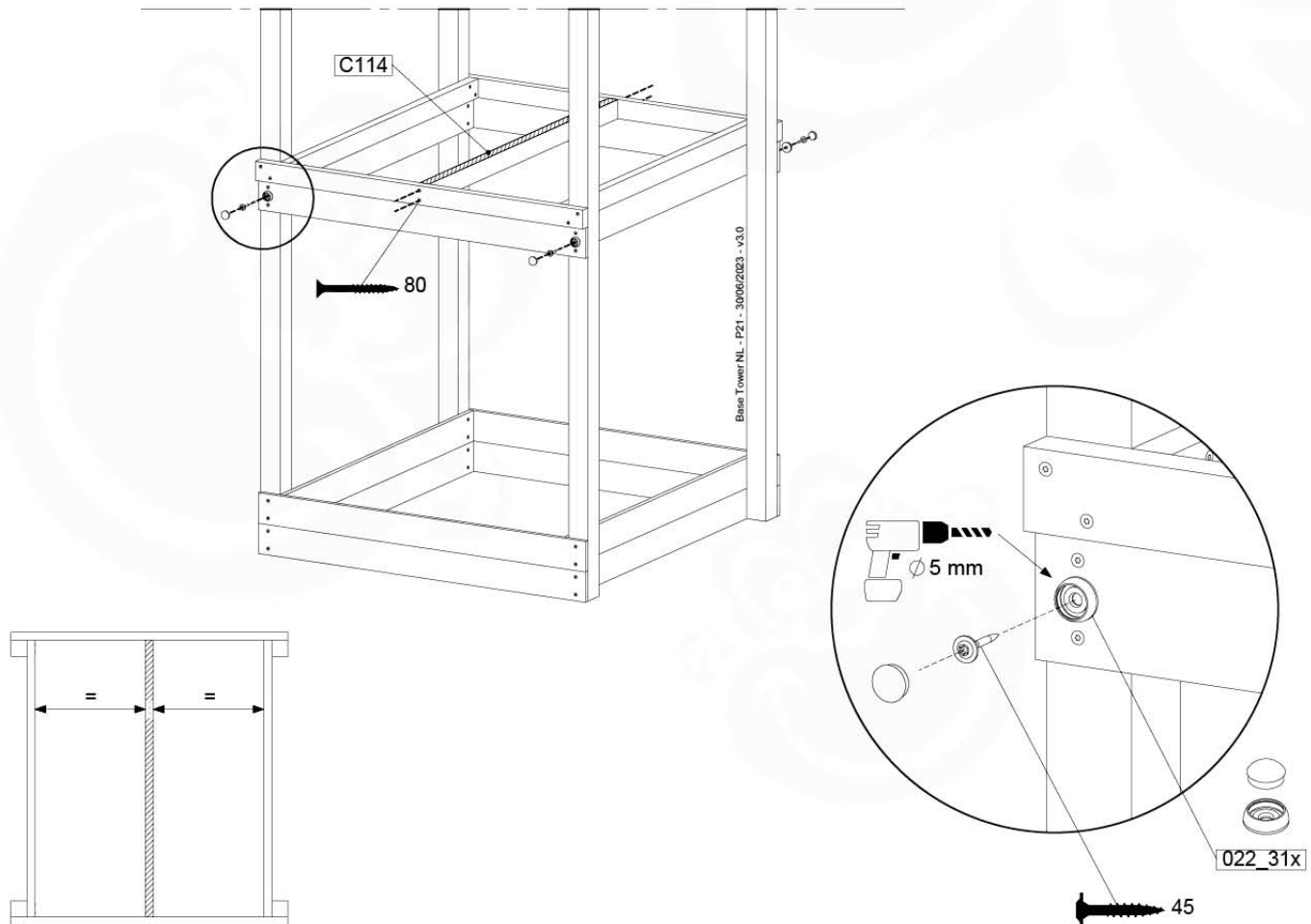
Base Tower.NL - P10 - BT15 - 30/06/2023 - v3.0



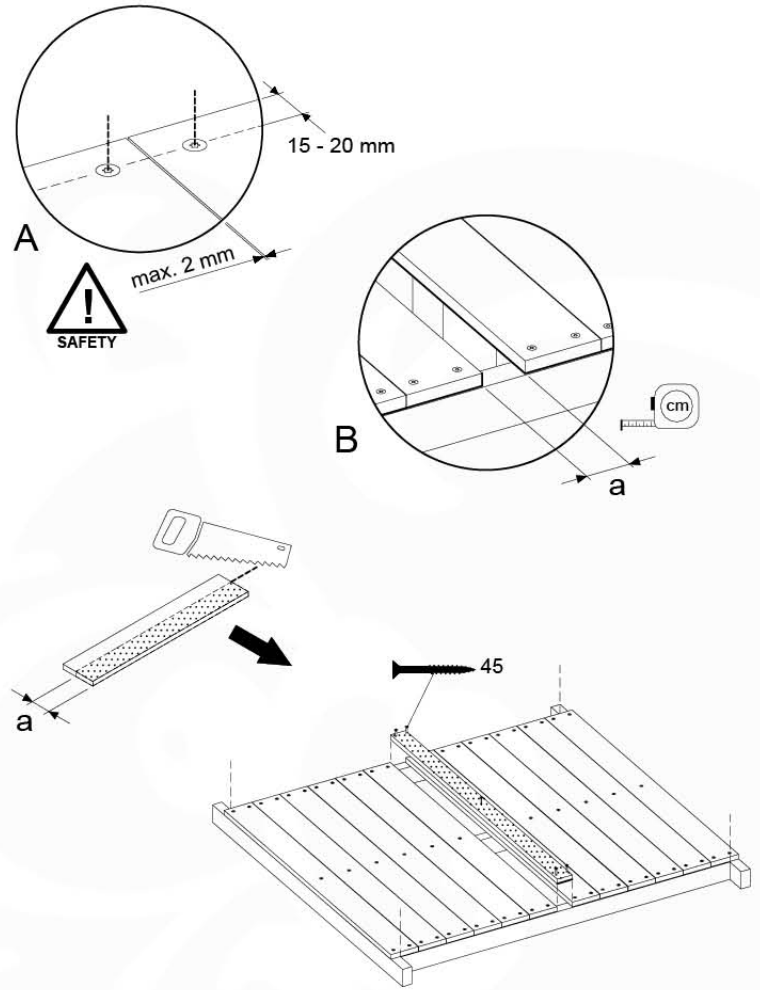
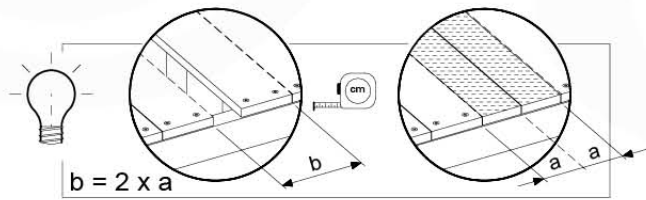
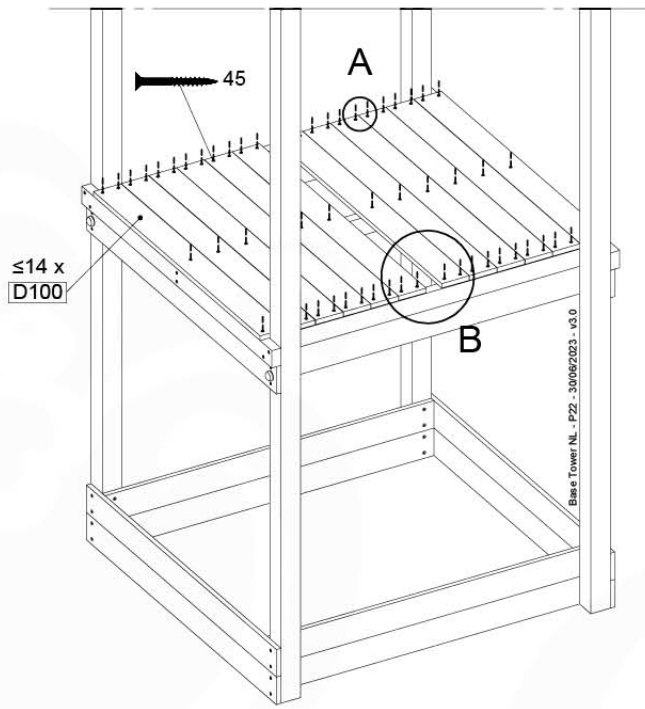
07-2



07-3



07-4



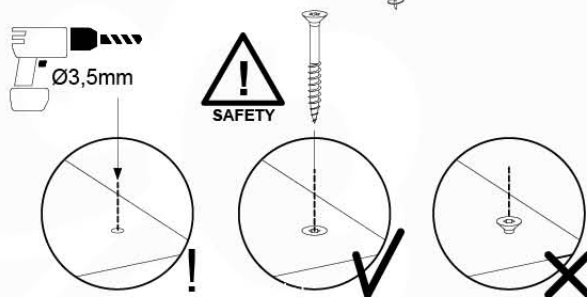
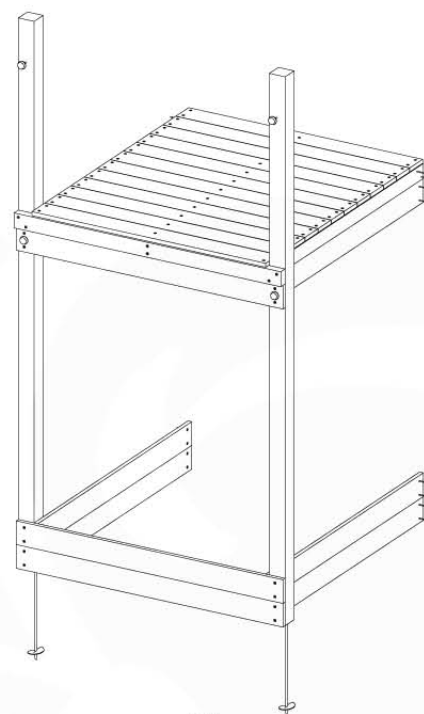
08 Extended Tower

ET15

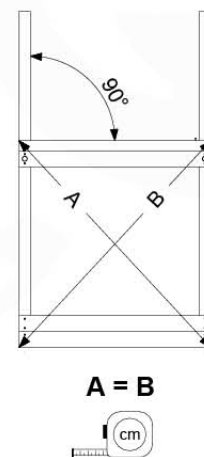
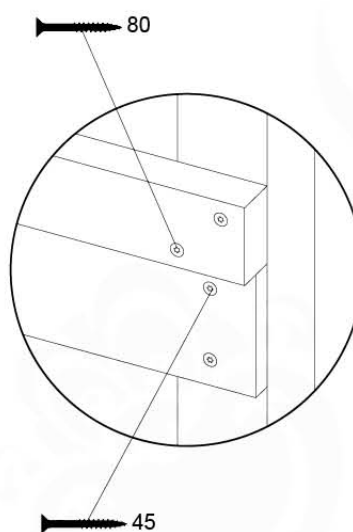
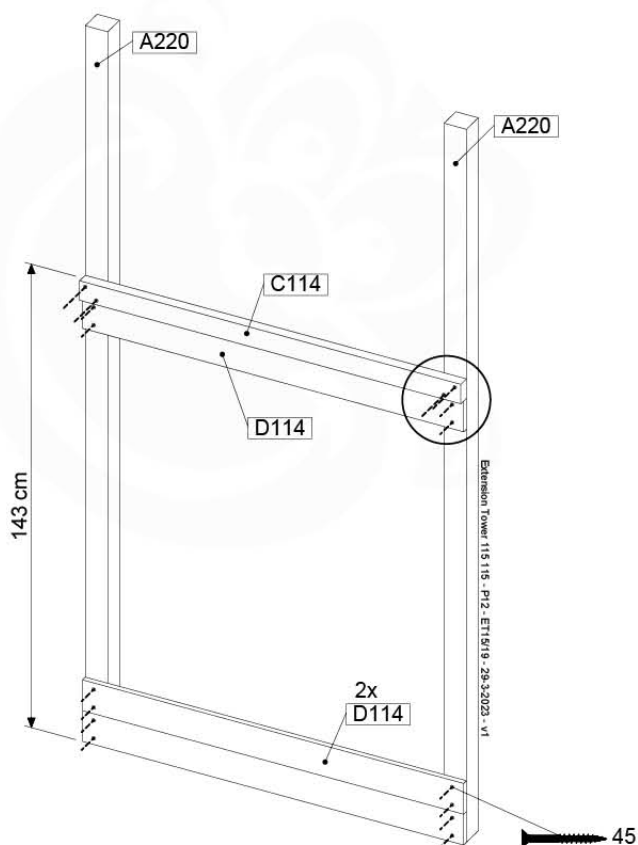
(194_300)

	PartNo	PartName	QTY.
Hardware pack	001_406	Stealth Screw 8x45	4
	001_417	Stealth Screw 8x80	2
	002_220	Gap Point Screw T25 - 5x45	106
	002_223	Gap Point Screw T25 - 5x80	16
Other	007_001	Ground-anchor	2
	022_31x	bpc-base version 3	4
	022_84x	bpc cover	4
Timber	A220	Post 70x70 L2200	2
	C114	Beam 1140 mm	4
	D100	Board 1000 mm	14
	D114	Board 1140 mm	9

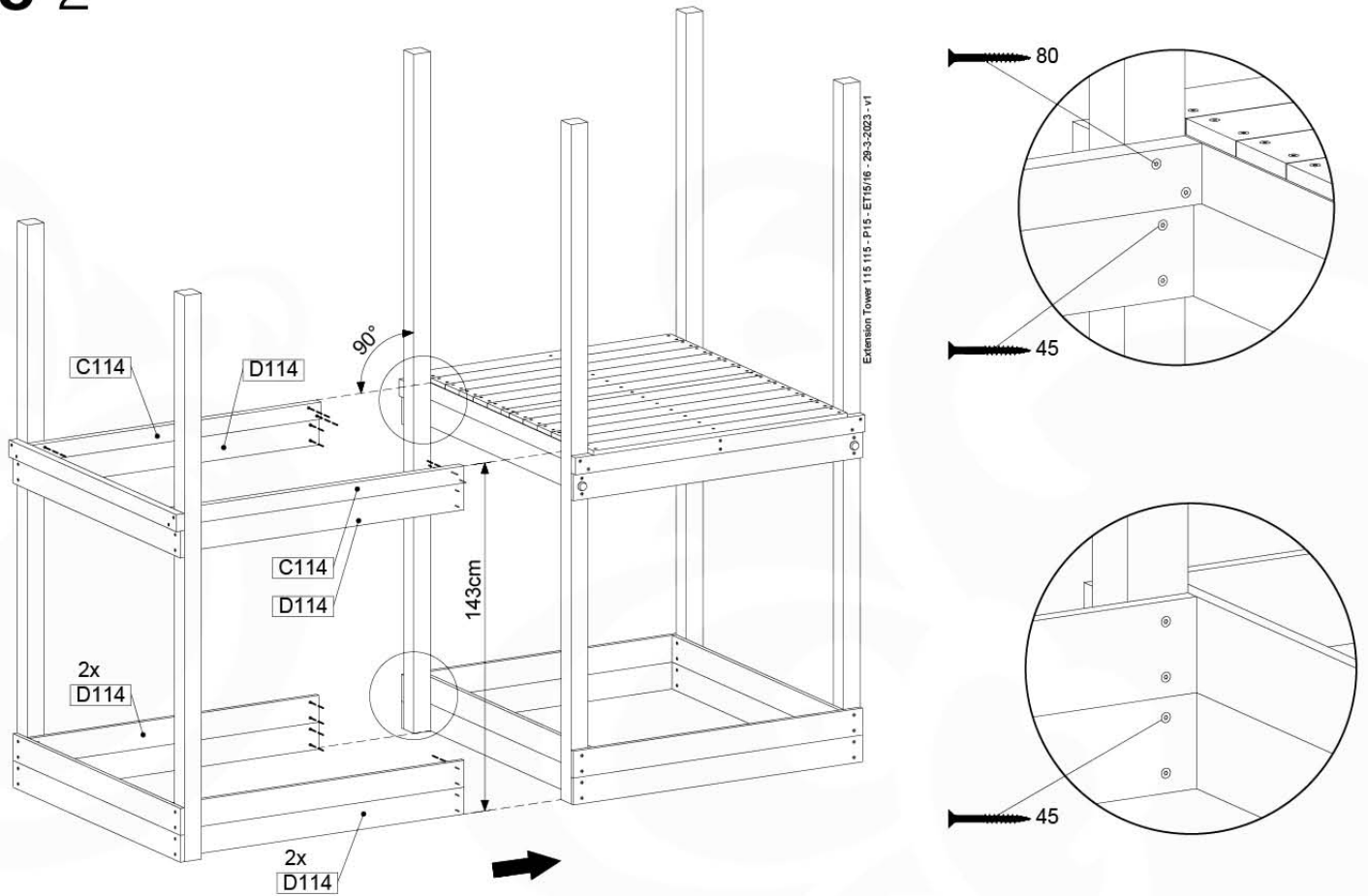
Extension Tower 115 115 - P04 - ET15 - 20-3-2023 - v1



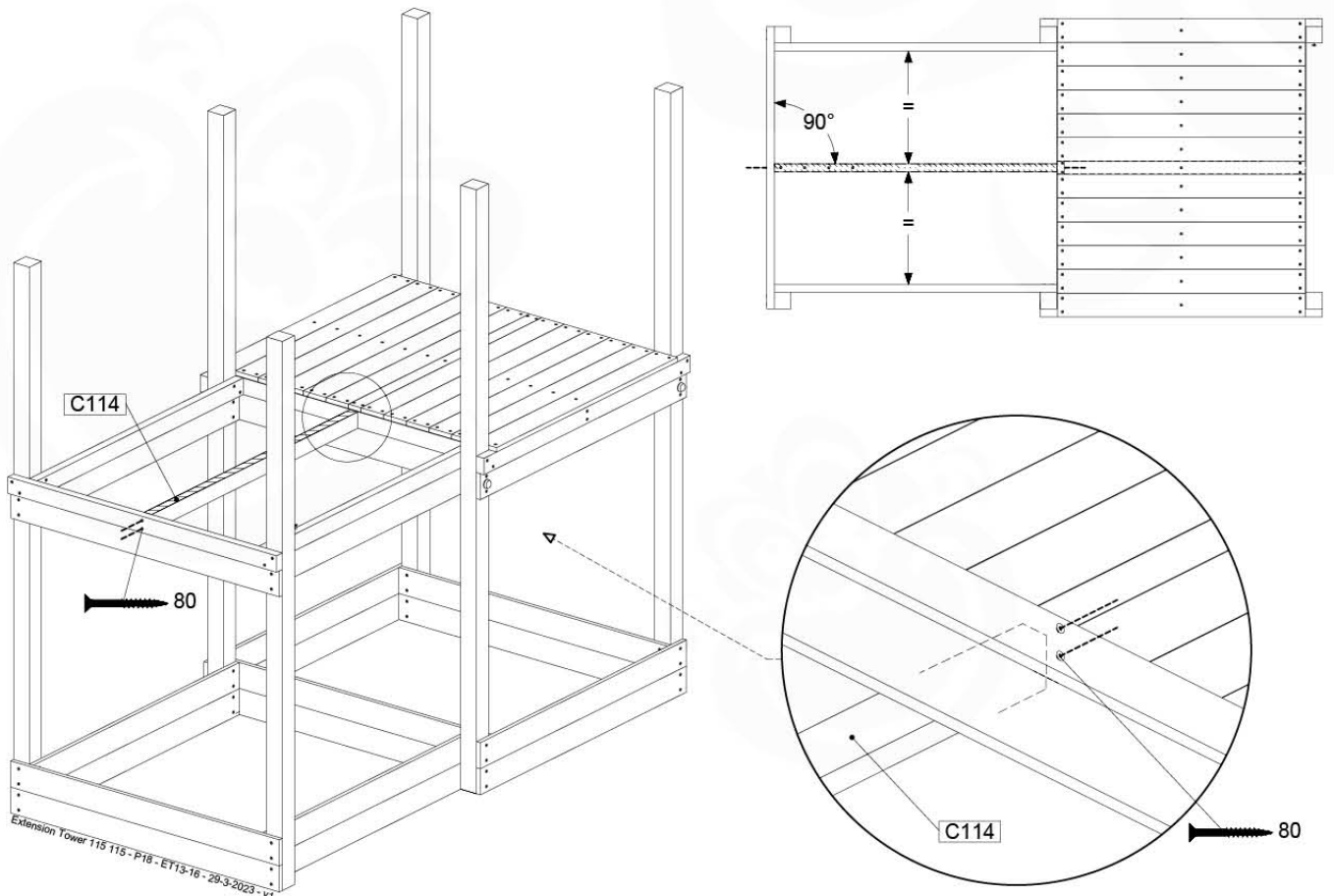
08-1



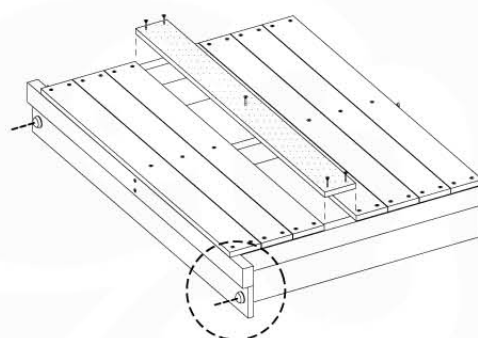
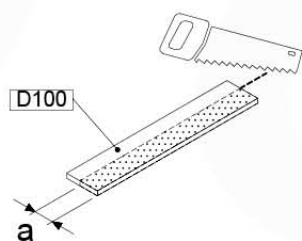
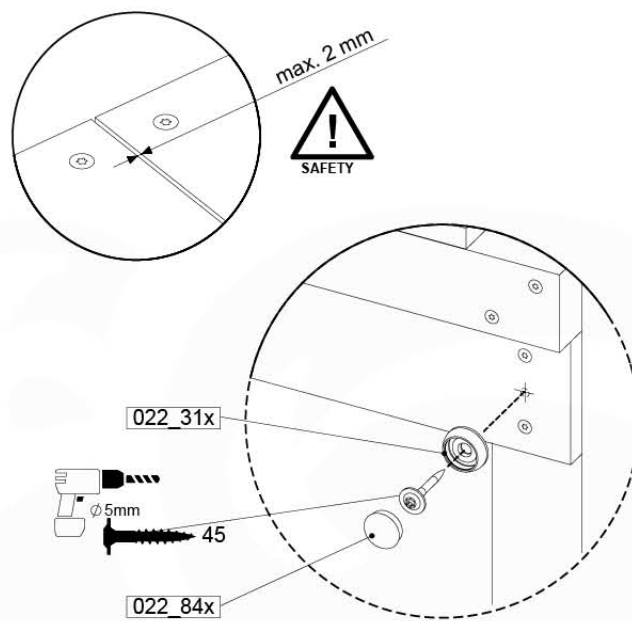
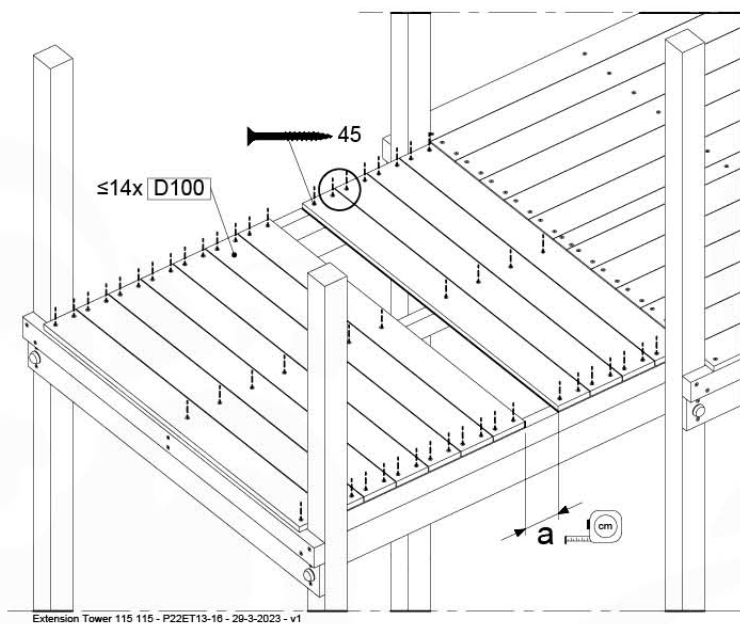
08-2



08-3



08-4



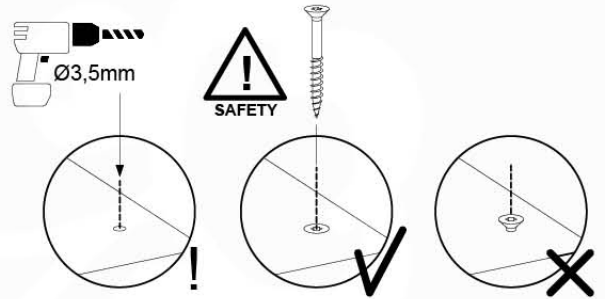
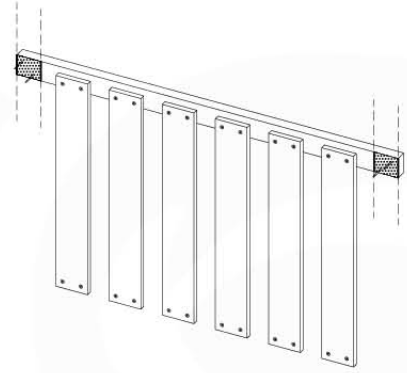
09 Balustrade (1x)

BL03

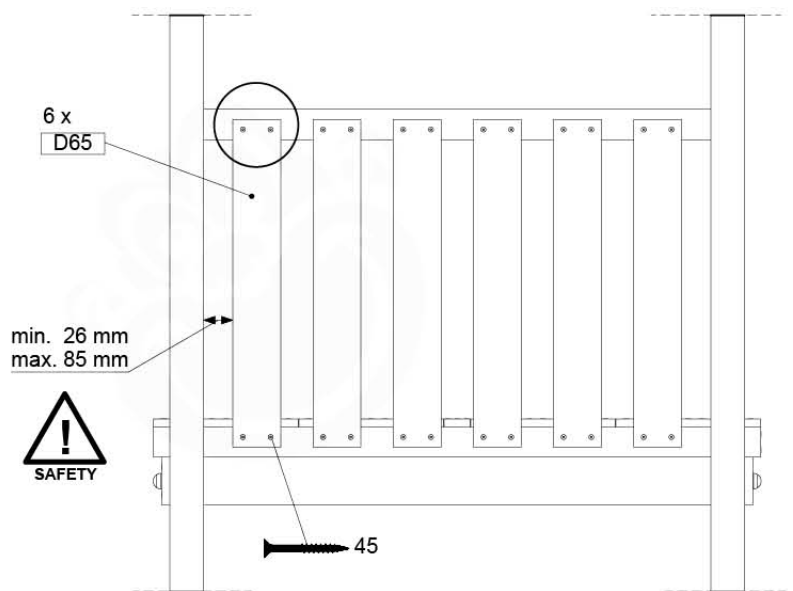
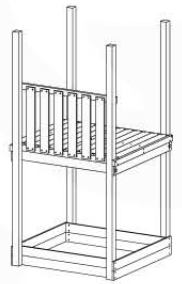
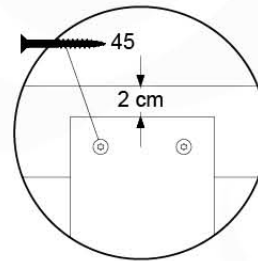
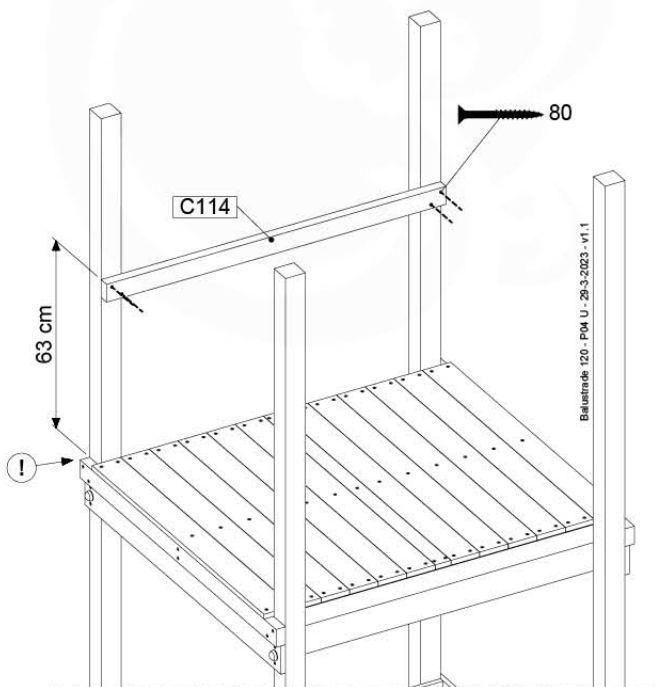
(194_501)

	PartNo	PartName	QTY.
Hardware Pack	002_220	Gap Point Screw T25 - 5x45	24
	002_223	Gap Point Screw T25 - 5x80	4
Timber	C114	Beam 1140 mm	1
	D65	Board 650 mm	6

Balustrade 120 - P04 U - 29-3-2023 - v1.1



09-1



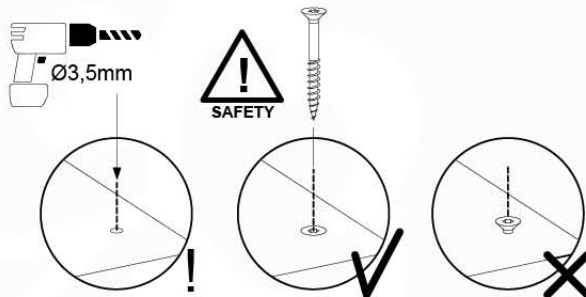
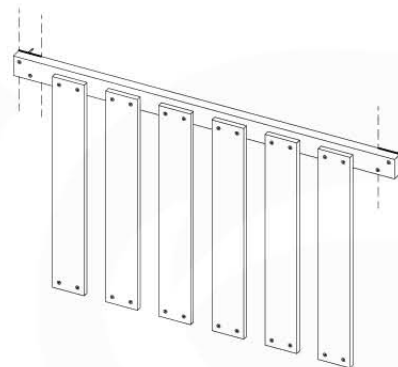
10 Balustrade (2x)

BL04

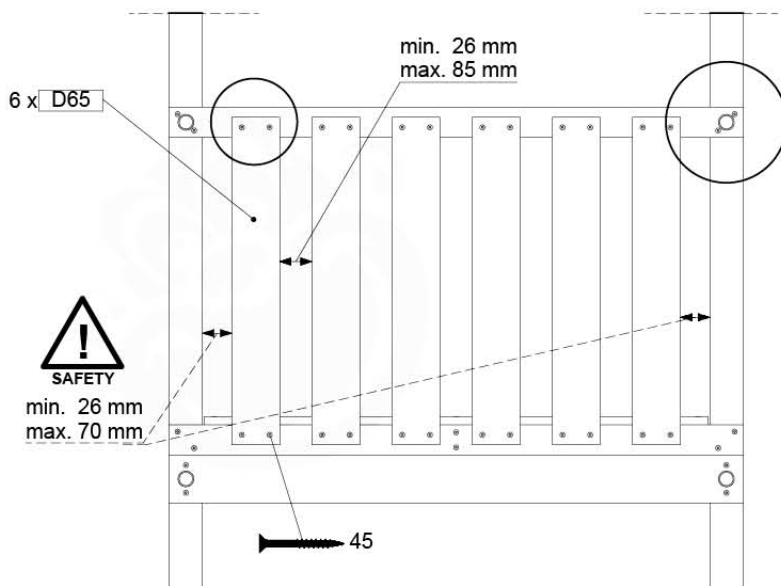
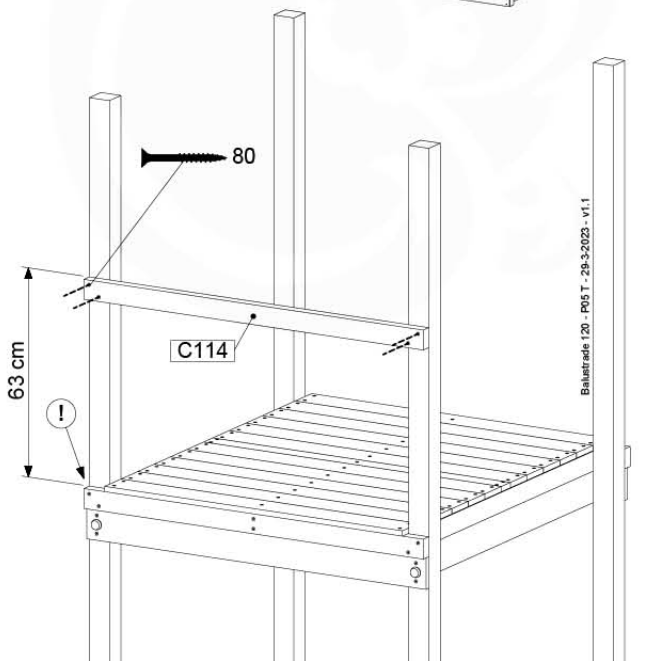
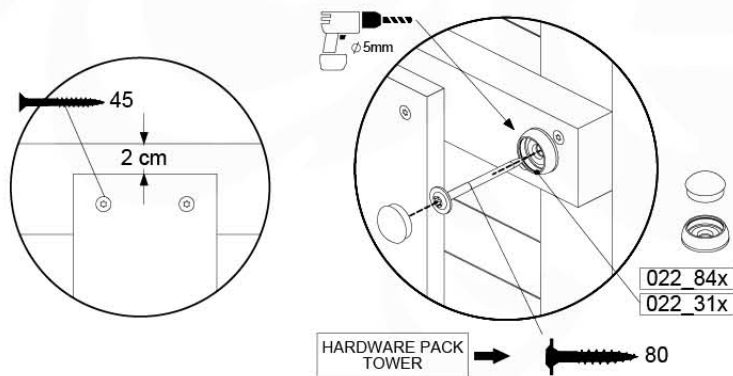
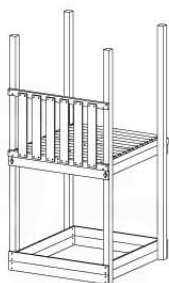
(194_501)

	PartNo	PartName	QTY.
Hardware Pack	002_220	Gap Point Screw T25 - 5x45	24
	002_223	Gap Point Screw T25 - 5x80	4
Timber	C114	Beam 1140 mm	1
	D65	Board 650 mm	6

Balustrade 120 - P03 T - 29-3-2023 - v1.1



10-1



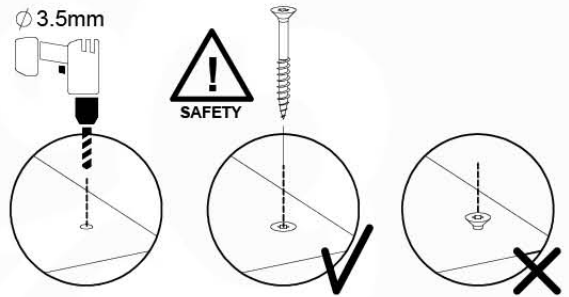
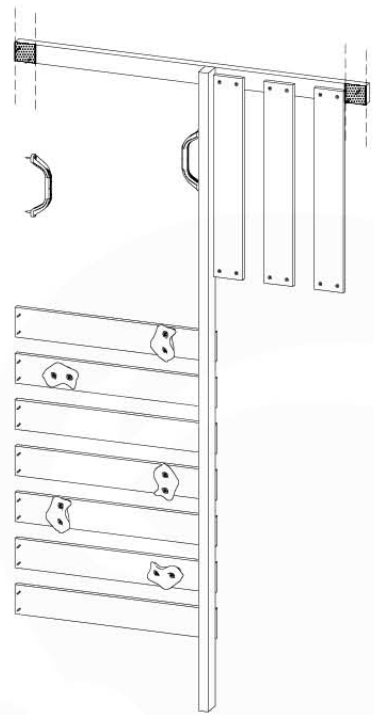
11 Rock Wall

RW09

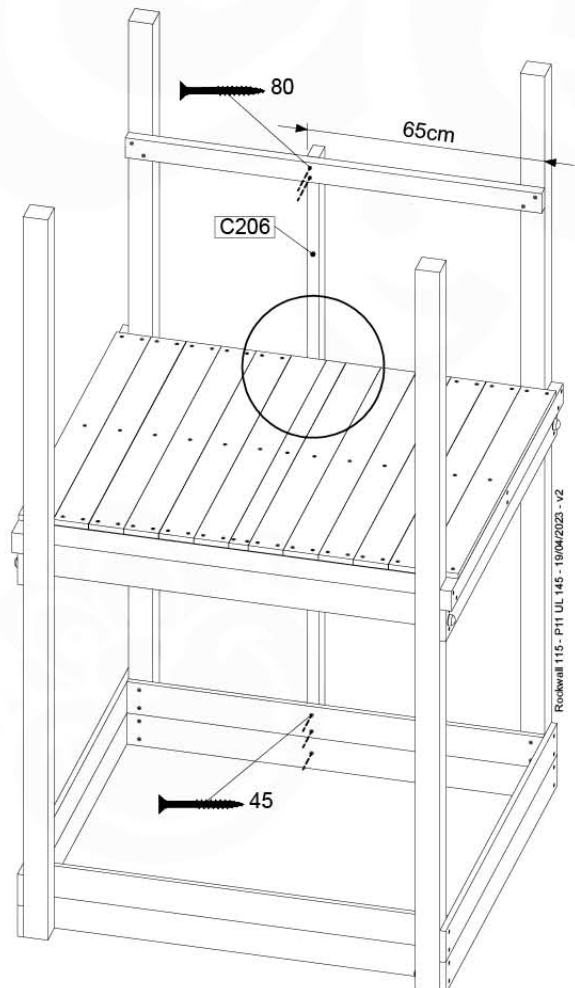
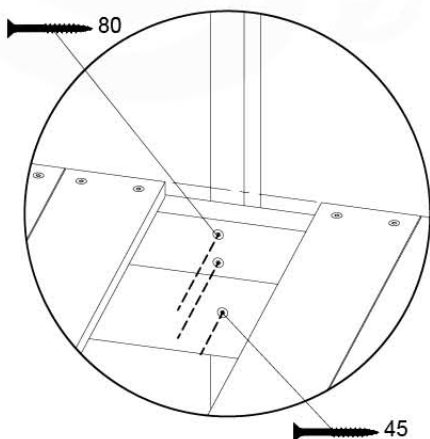
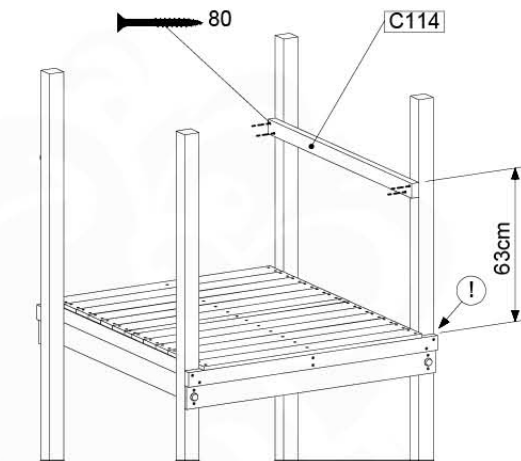
(194_006 + 194_101)

	PartNo	PartName	QTY.
Hardware Pack	001_102	Washer Head Screw T40 M8x30	10
	002_220	Gap Point Screw T25 - 5x45	44
	002_223	Gap Point Screw T25 - 5x80	8
	003_010	M8 spring lock washer	10
	004_050	M8 Drive-in Nut 22mm	10
Other	022_50x	Climbing Rock	5
	120_102	Handgrip set (complete 2x)	1
Timber	C114	Beam 1140 mm	1
	C206	Beam 2060 mm	1
	D65	Board 650 mm	10

Rockwall 115 - POM UL 145 - 19/04/2023 - v2

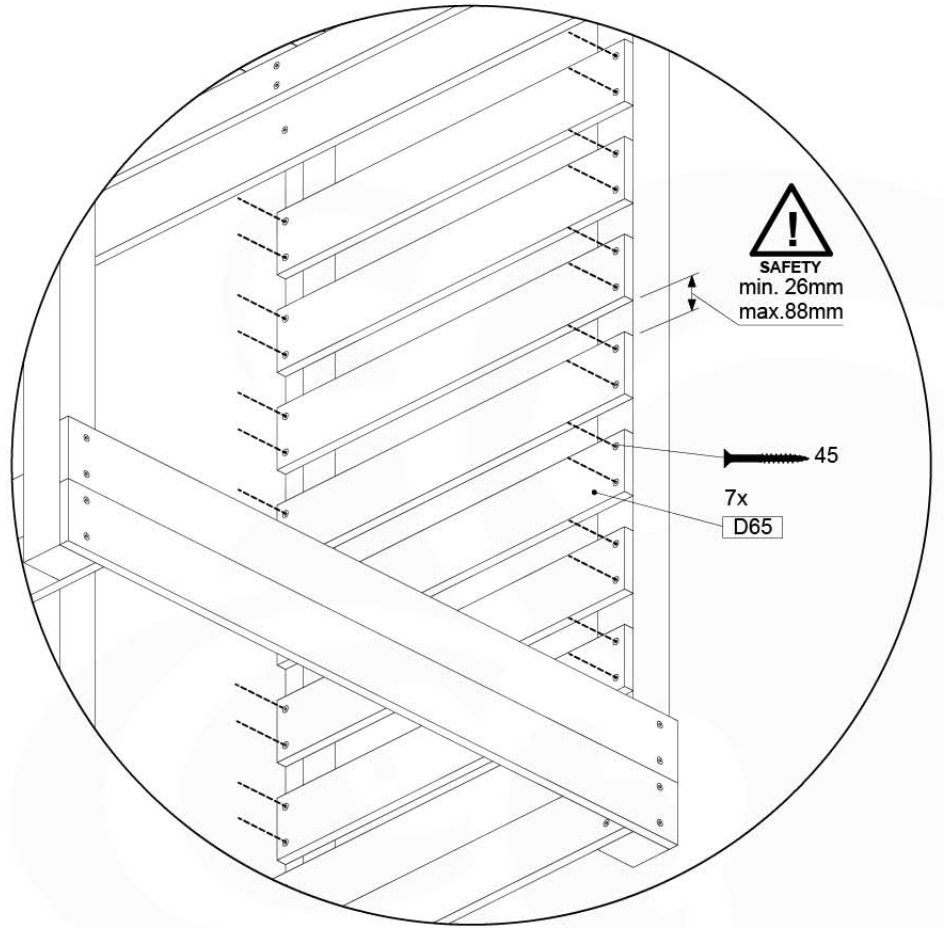
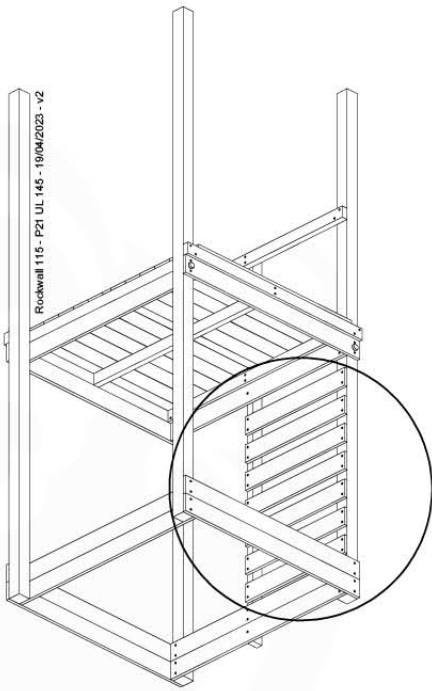


11-1

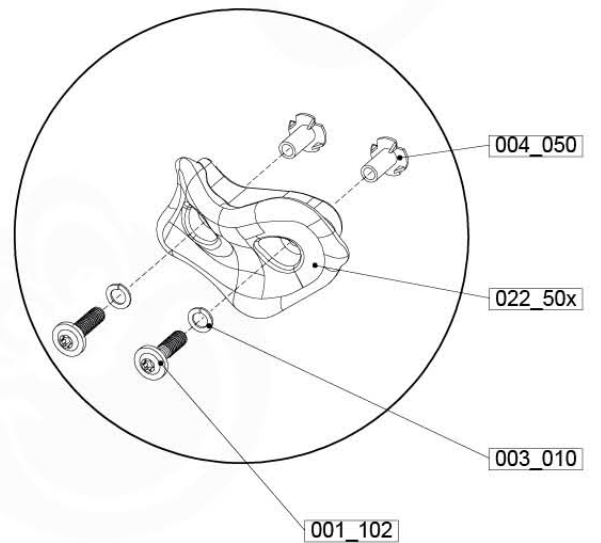
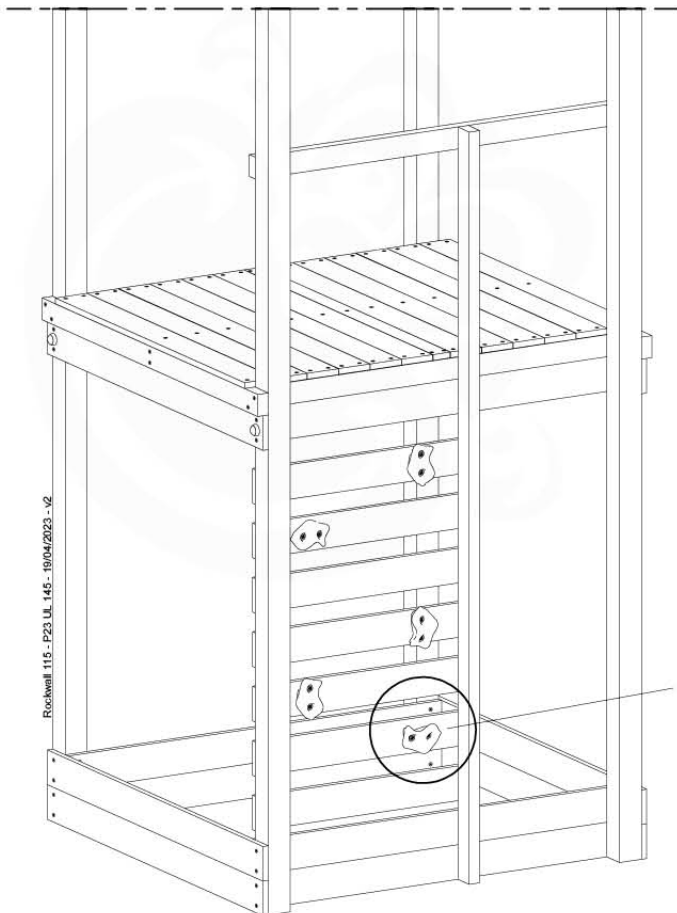


Rockwall 115 - P11 UL 145 - 19/04/2023 - v2

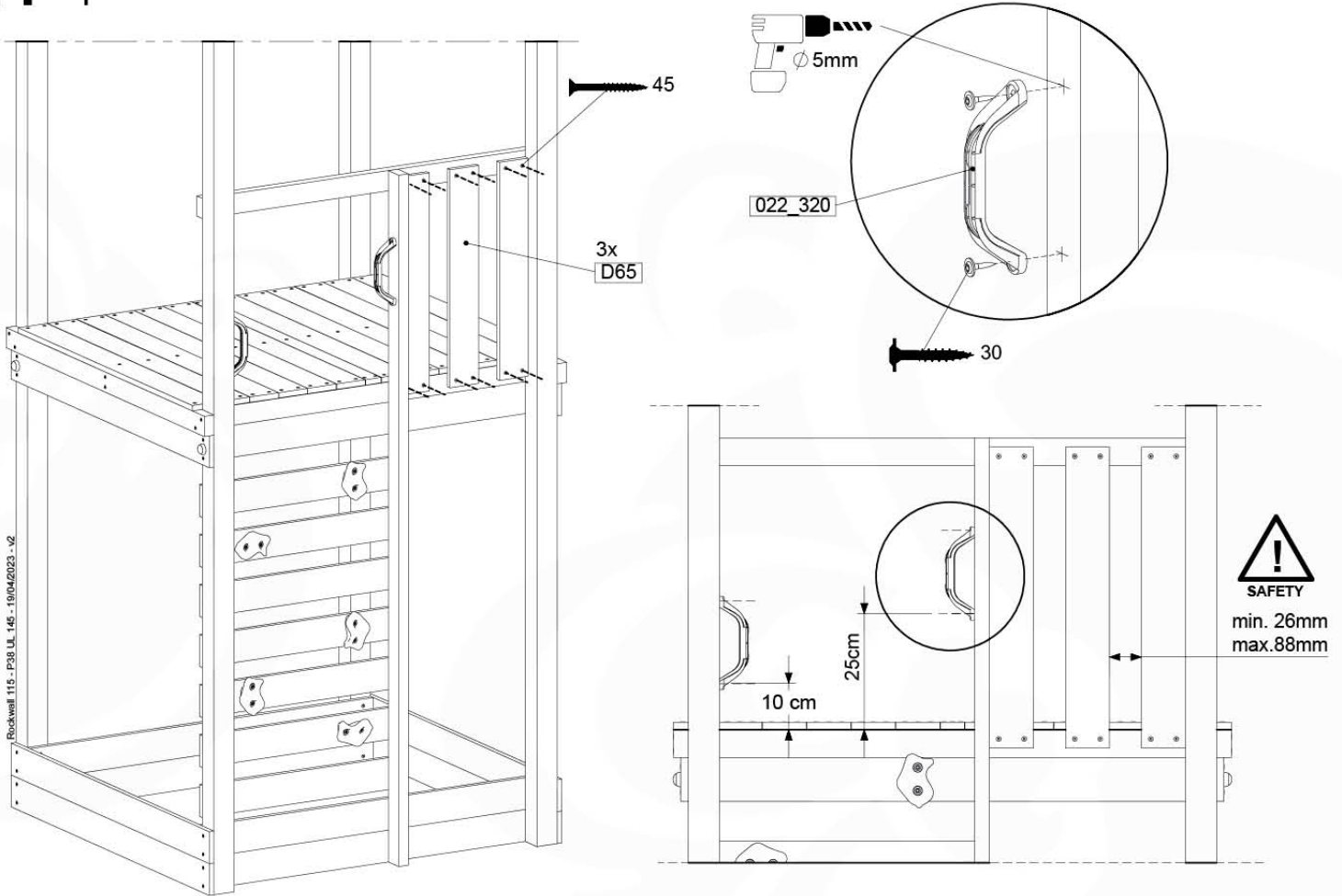
11-2



11-3

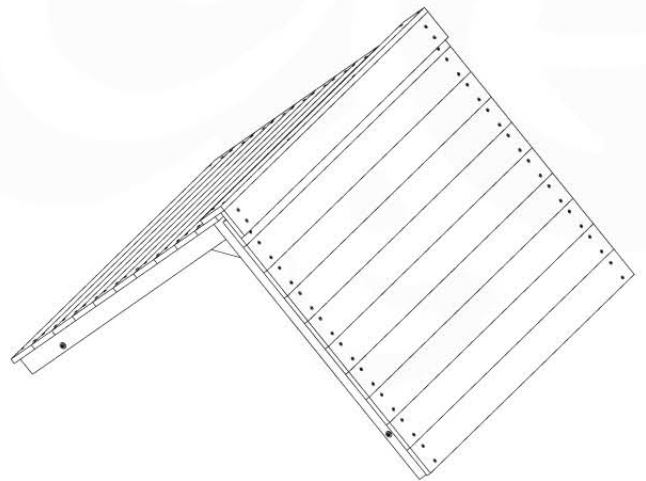


11-4



12 Roof

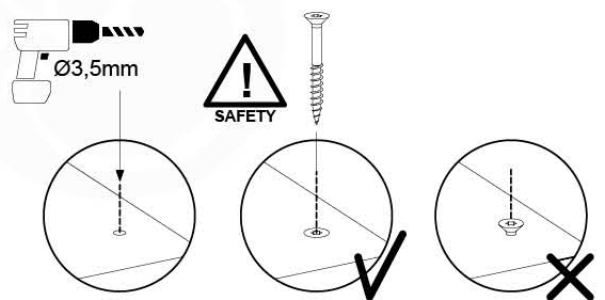
RF08



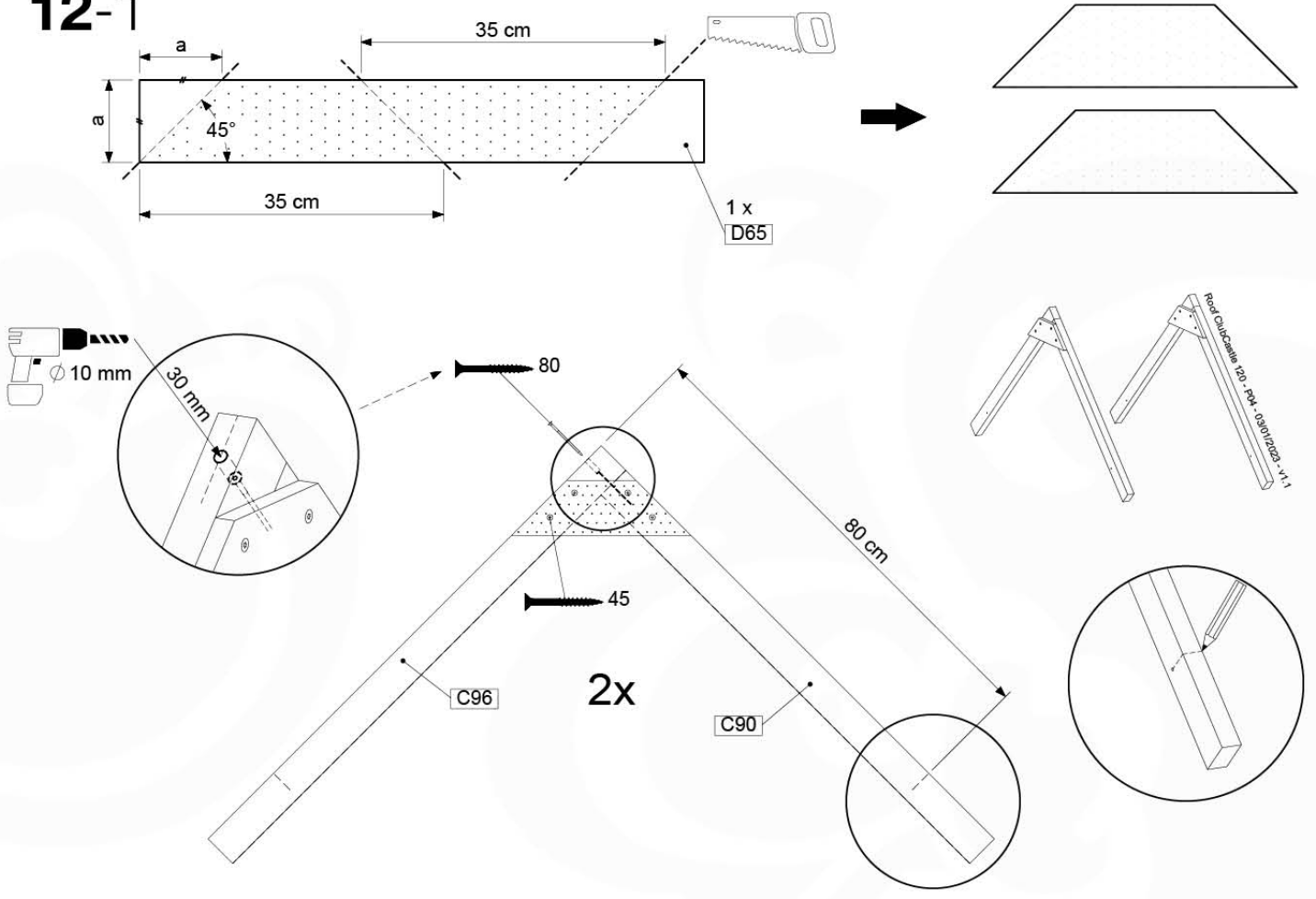
AP 194_308 / RF

	PartNo	PartName	QTY.
Hardware Pack	001_417	Stealth Screw 8x80	4
	002_220	Gap Point Screw T25 - 5x45	100
	002_223	Gap Point Screw T25 - 5x80	8
Timber	C96	Beam 960 mm	2
	D65	Board 650 mm	1
	D127	Board 1270 mm	18-24
	C90	Beam 900 mm	2

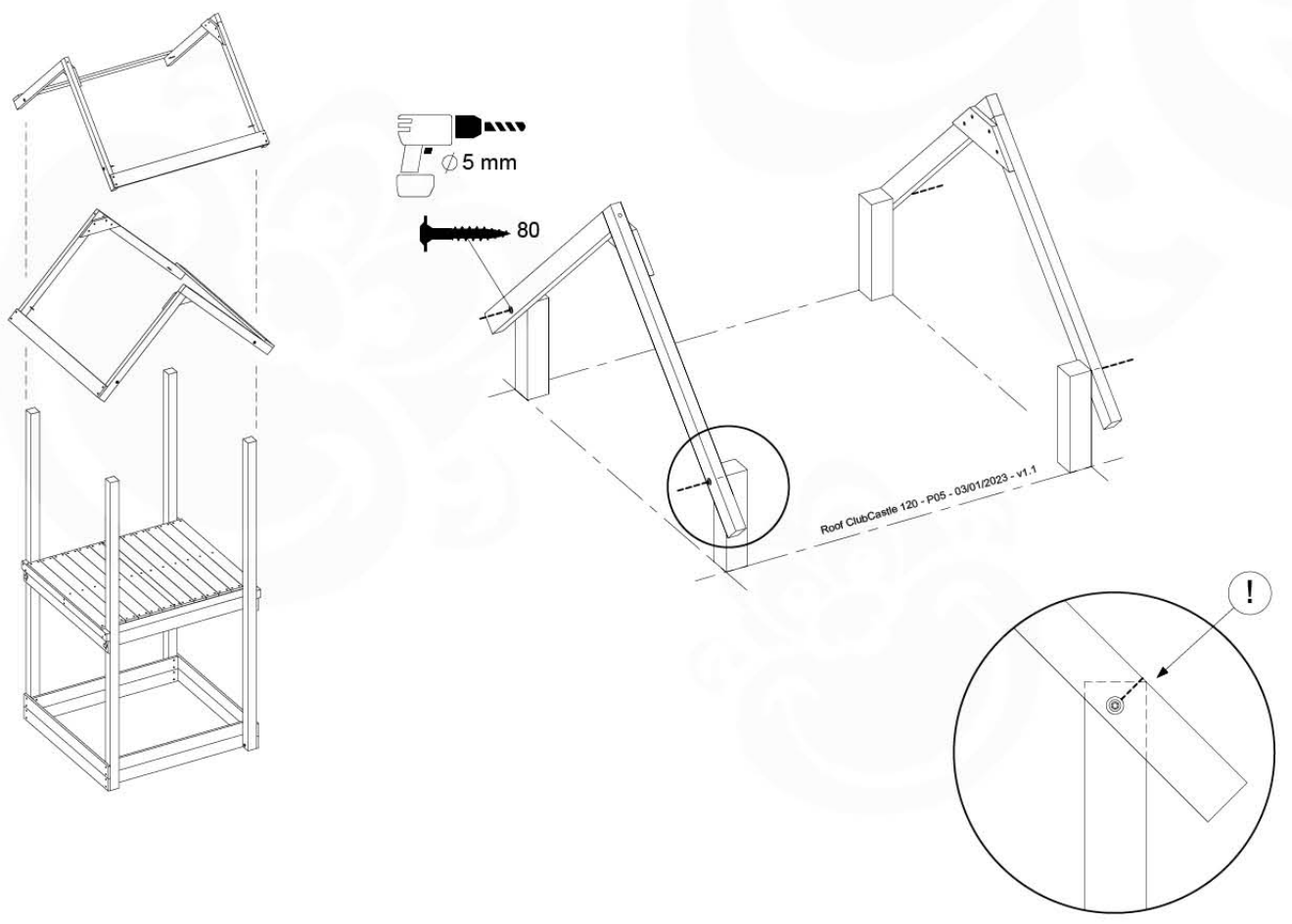
Roof/CubCastle 120 - P03 - RF08 - 03/01/2023 - v1.1



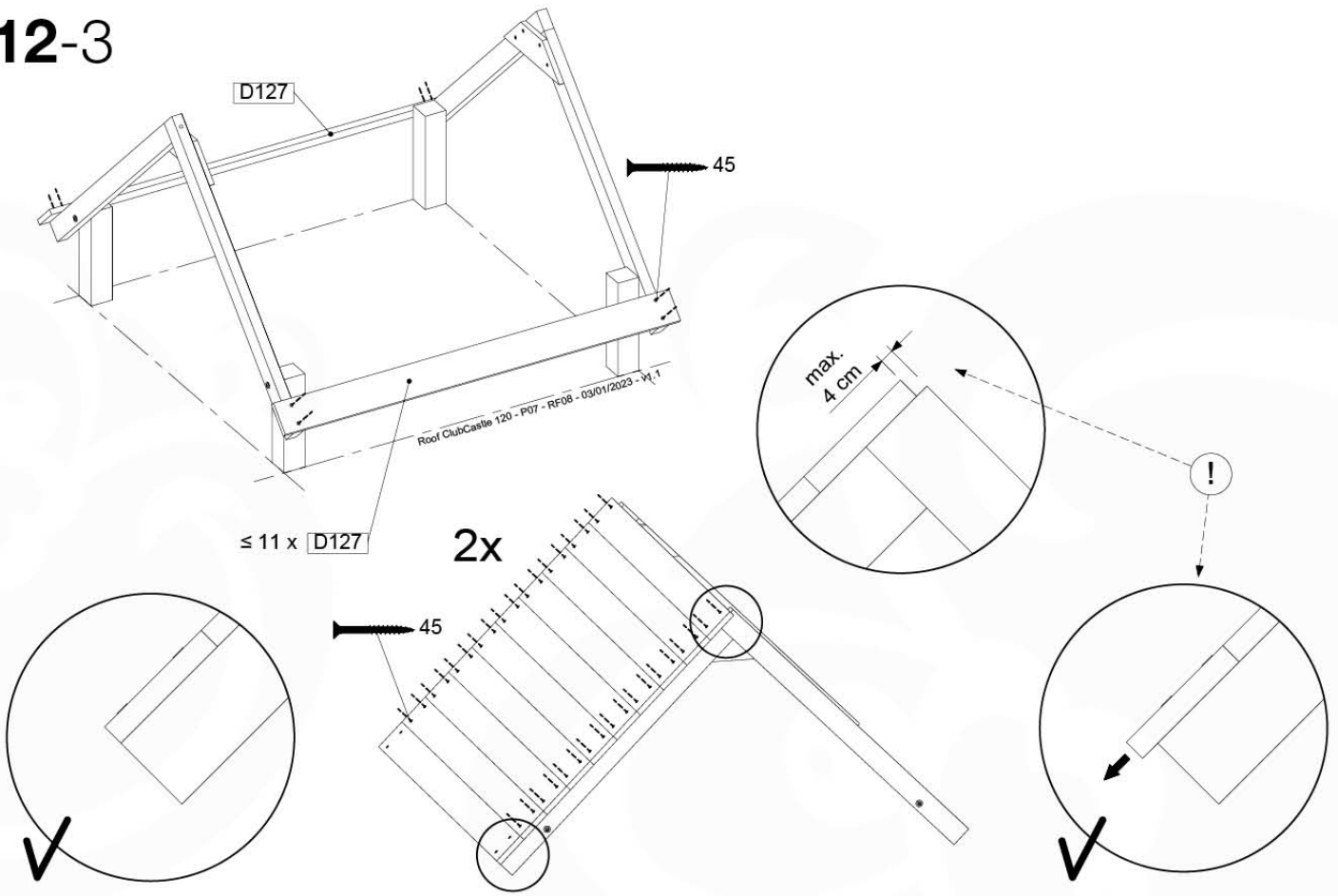
12-1



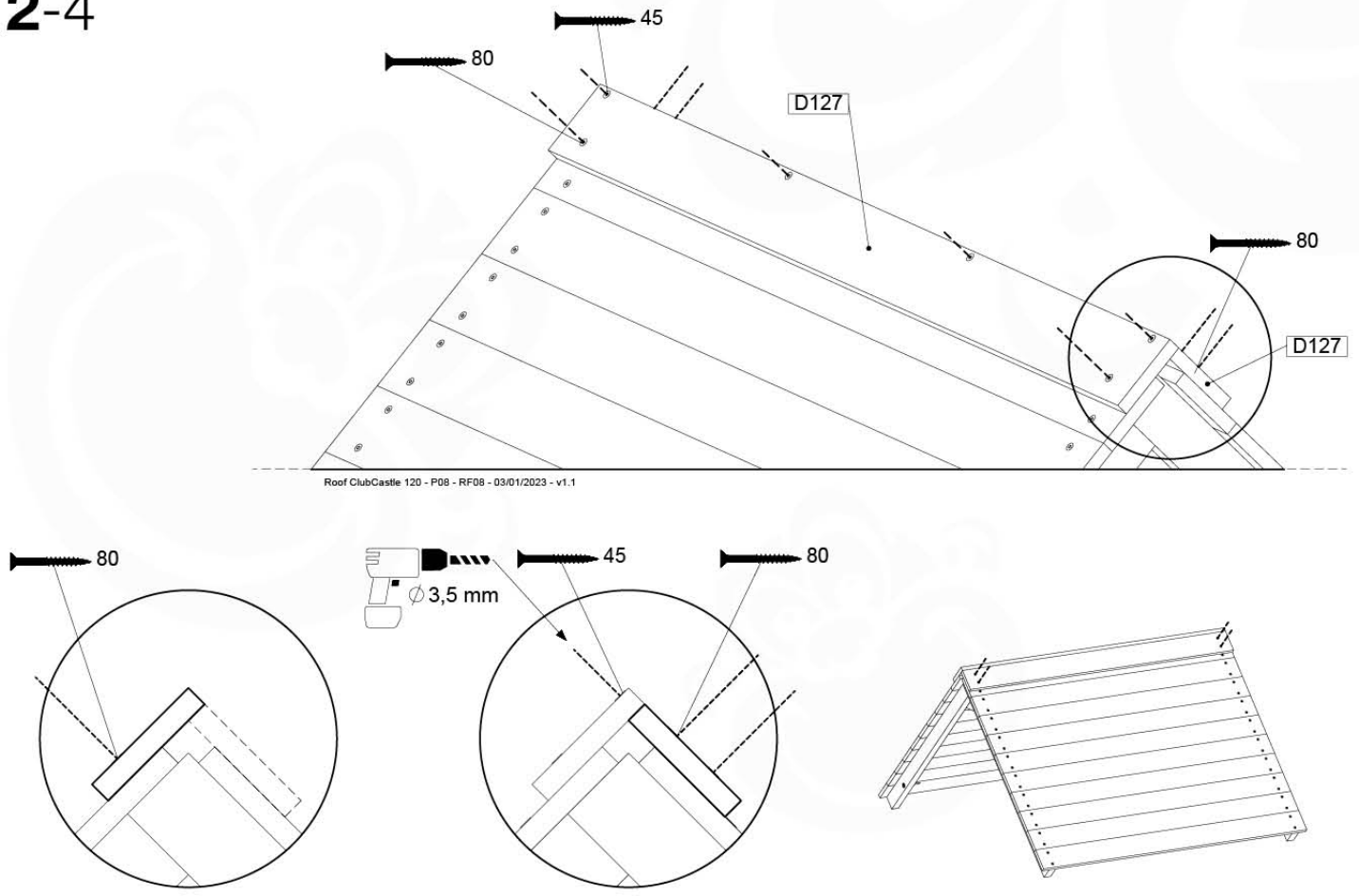
12-2



12-3



12-4



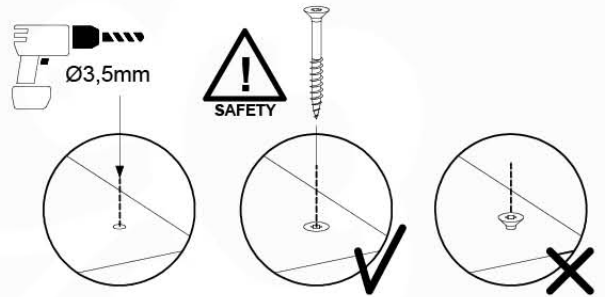
13 Ladder

LA15

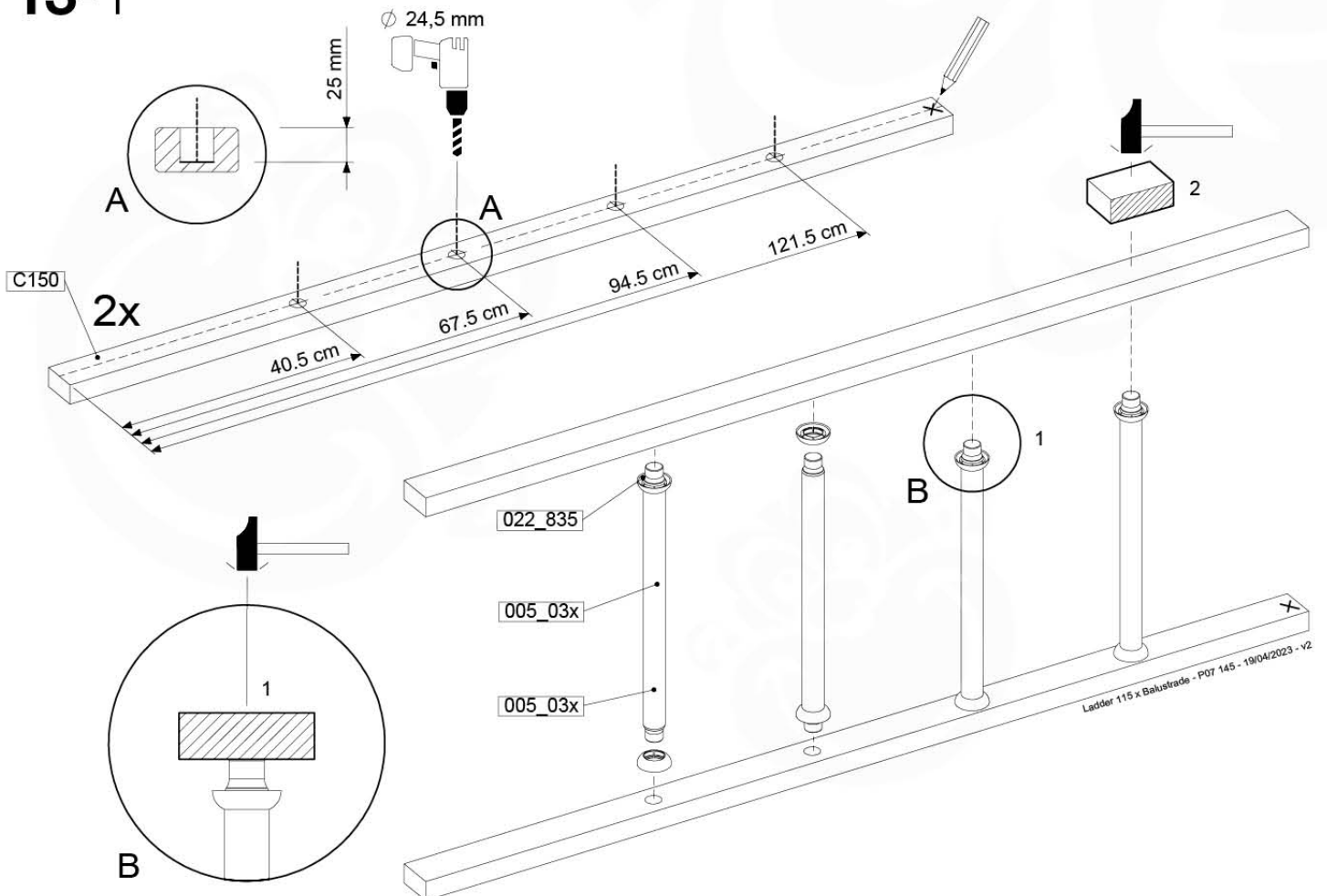
(194_004 + 194_101)

	PartNo	PartName	QTY.
Hardware Pack	001_404	Stealth Screw 8x30	4
	002_219	Gap Point Screw T25 - 5x30	4
	002_220	Gap Point Screw T25 - 5x45	16
	002_223	Gap Point Screw T25 - 5x80	8
Other	005_03x	Ladder Rung Y/B/G/R	4
	005_522	Connection Bracket Mini Market	2
	022_835	Rung Cap	8
	120_102	Handgrip set (complete 2x)	1
Timber	C114	Beam 1140 mm	1
	C150	Beam 1500 mm	2
	C70	Beam 700 mm	1
	D65	Board 650 mm	2

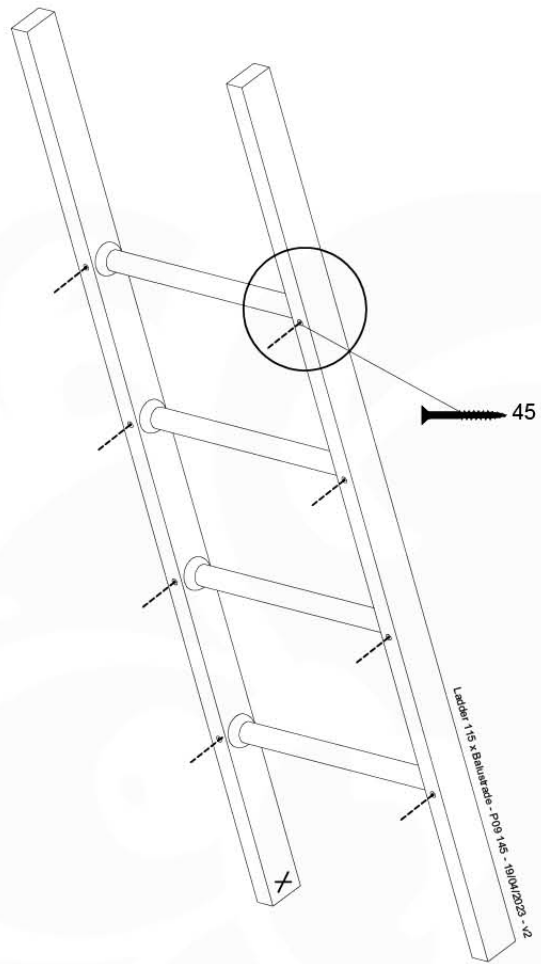
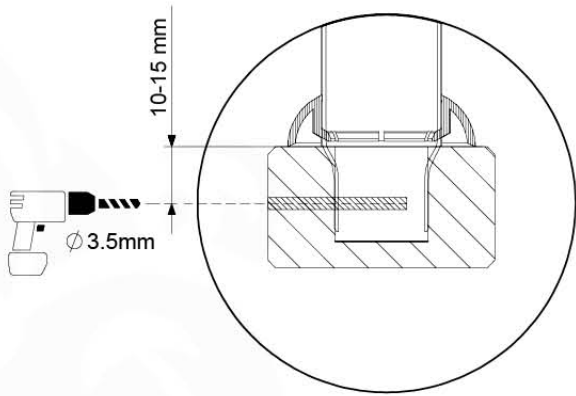
Ladder 115 x Balustrade - P22 UL 145 - 19/04/2023 - v2



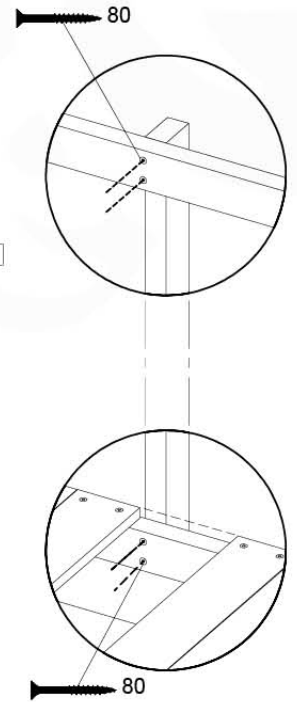
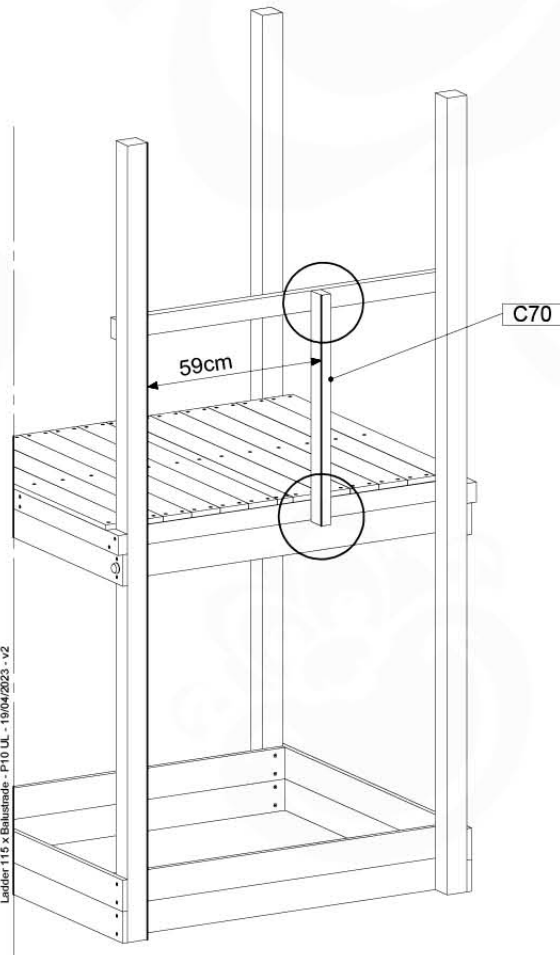
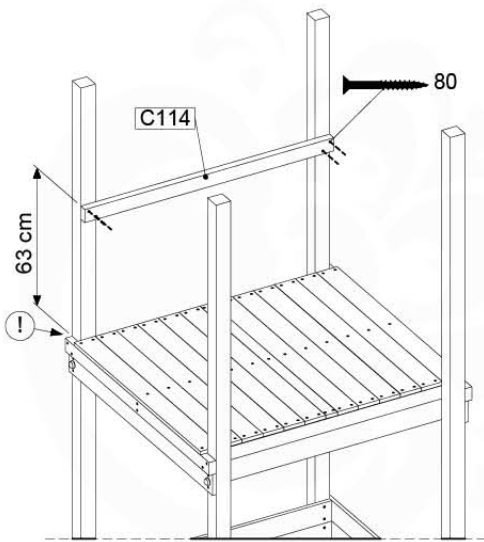
13-1



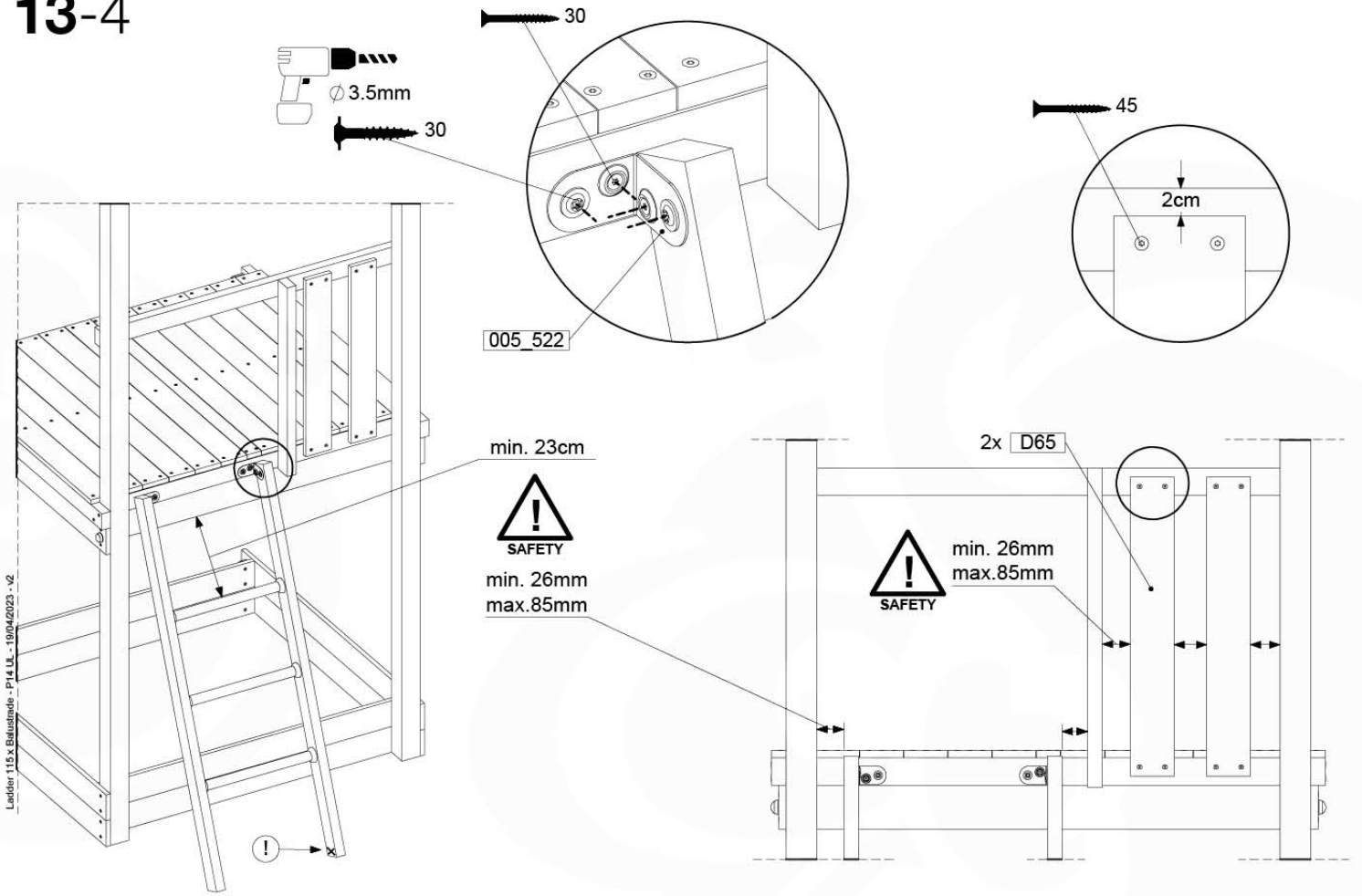
13-2



13-3



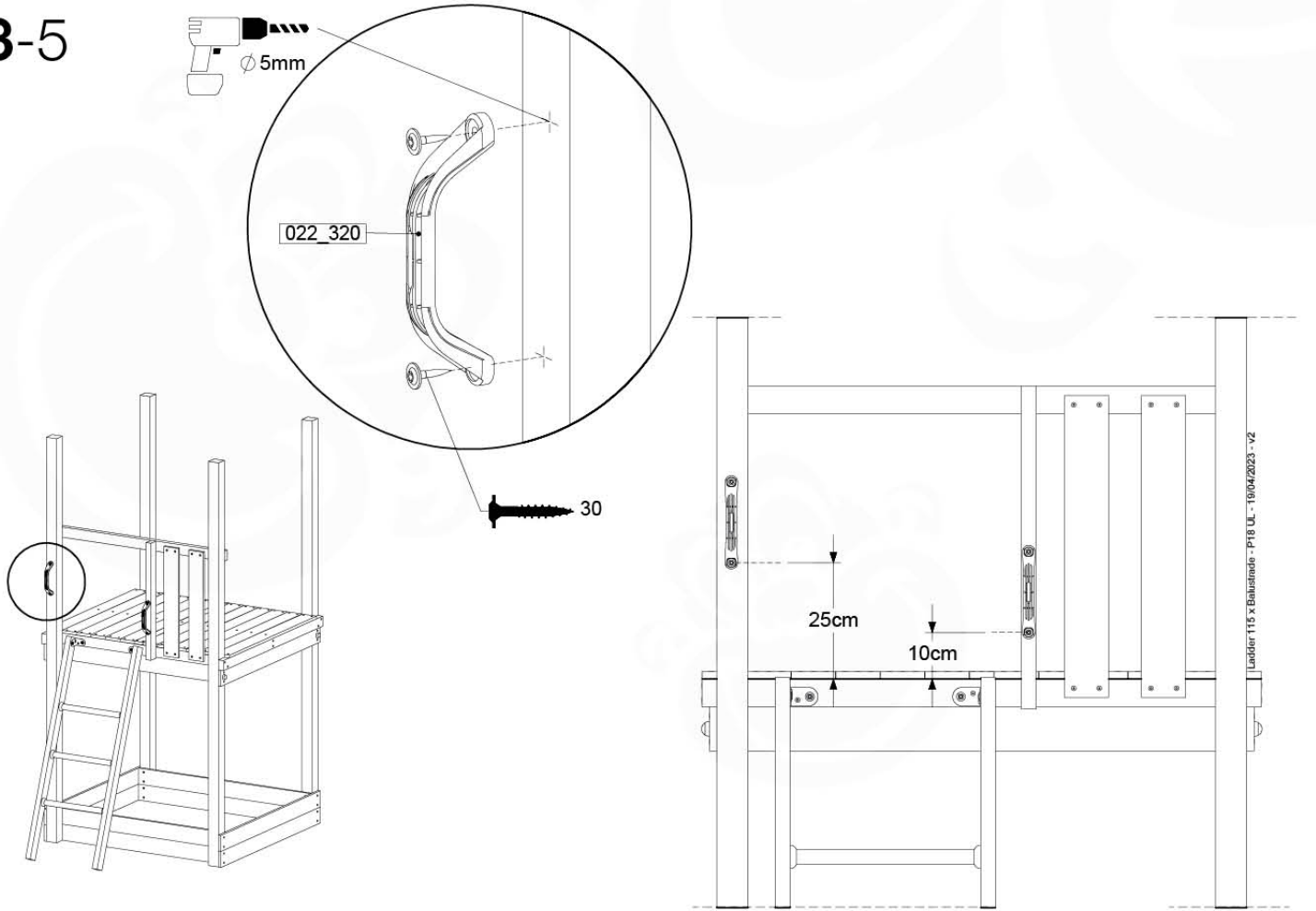
13-4



Ladder 115 x Balustrade - P14 UL - 19/04/2023 - v2

Ladder 115 x Balustrade - P18 UL - 19/04/2023 - v2

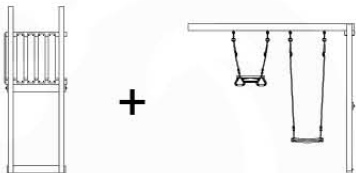
13-5



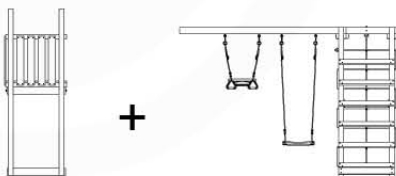
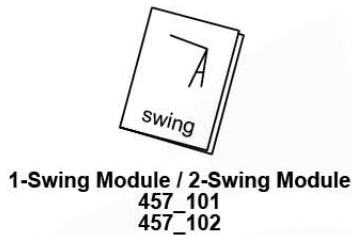
14 Swing Module / Climb Module



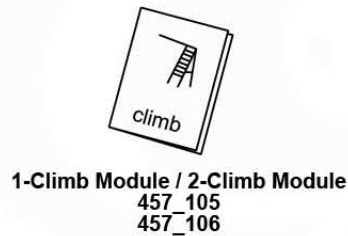
➔ **15**



➔ **15**



➔ **15**

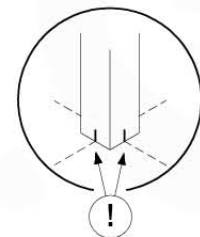
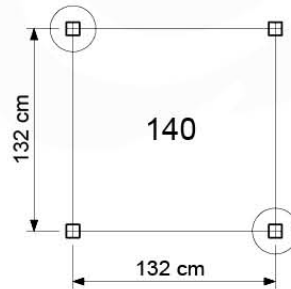
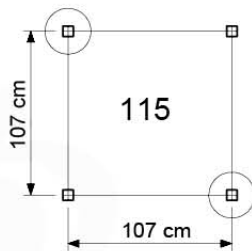
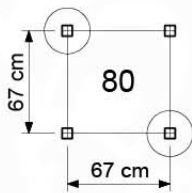


15 Ground Anchors

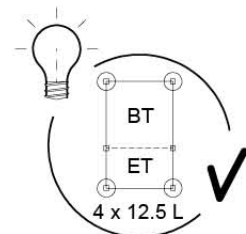
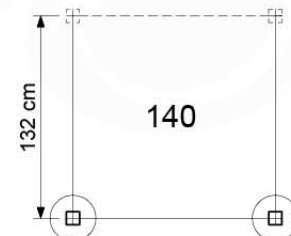
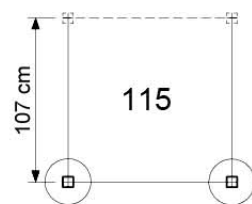
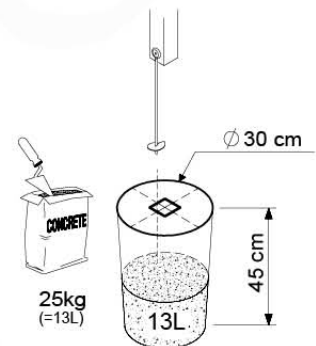
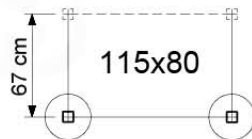
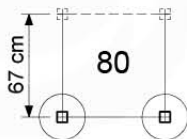
GA07



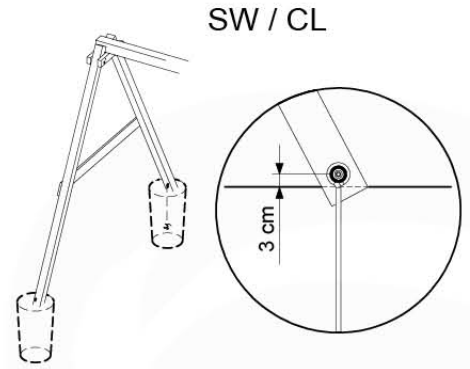
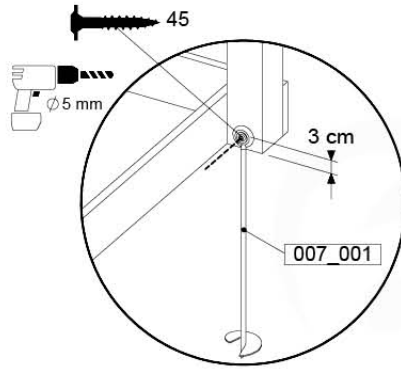
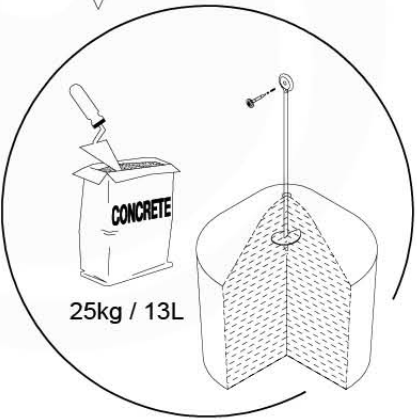
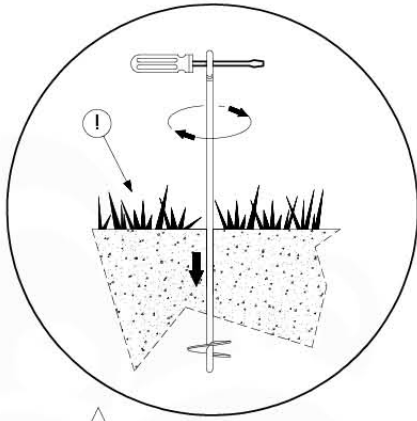
BASE TOWERS



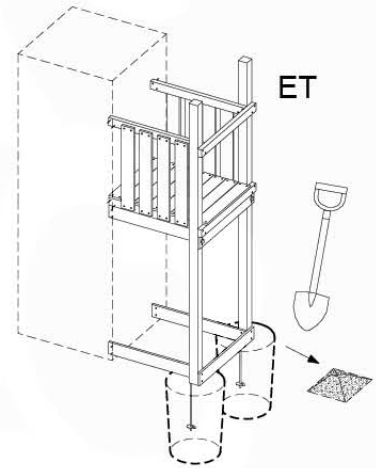
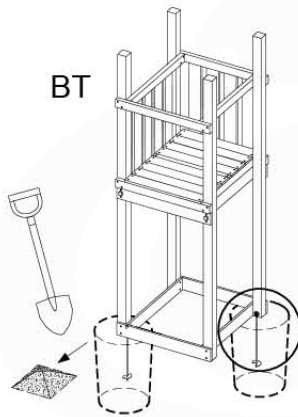
EXTENSION TOWERS



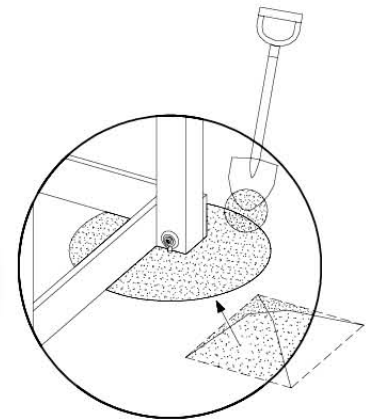
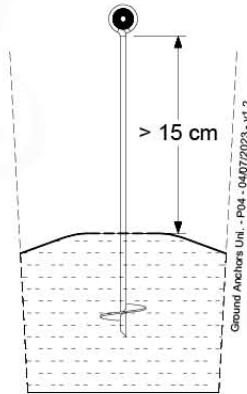
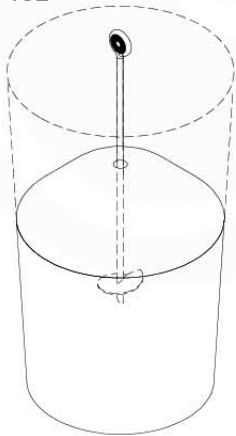
15-1



Ground Anchors Uni. - PD3 - 04/07/2023 - v1.2



15-2



1.

2.

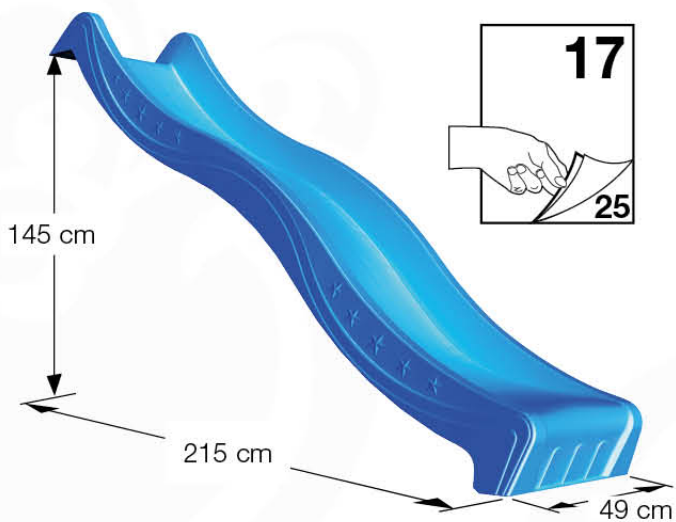
3.

4.

16 Add-on

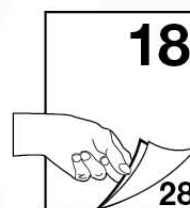
Wavy Star Slide XXL

- 334_100 Yellow
- 334_200 Blue
- 334_300 Green
- 334_400 Red
- 334_500 Fuchsia
- 334_600 Dark Green



Fireman's Pole

201_275



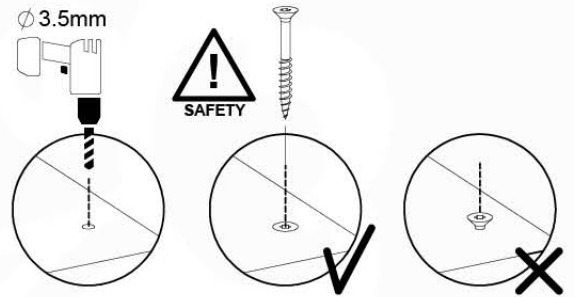
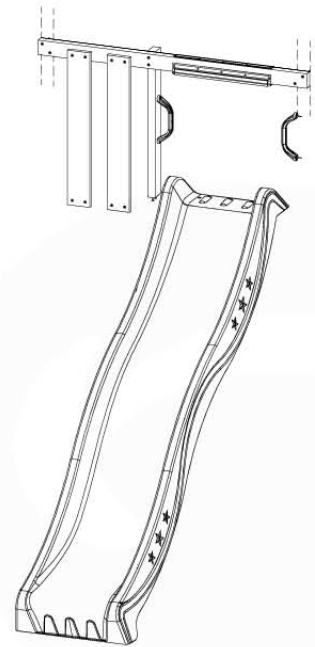
17 Slide Set

SL13

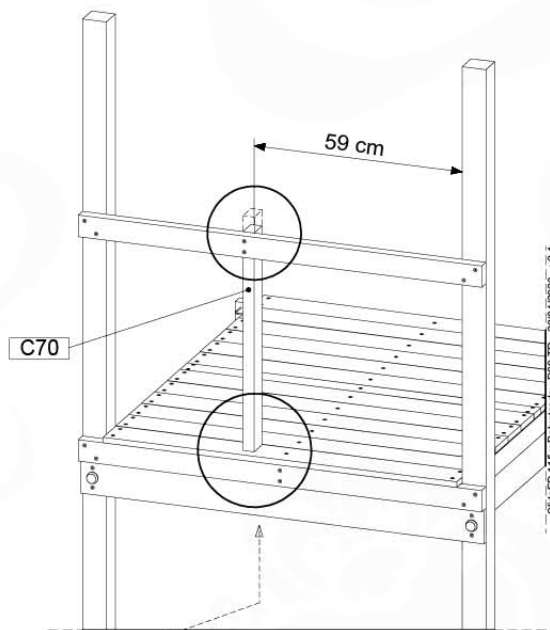
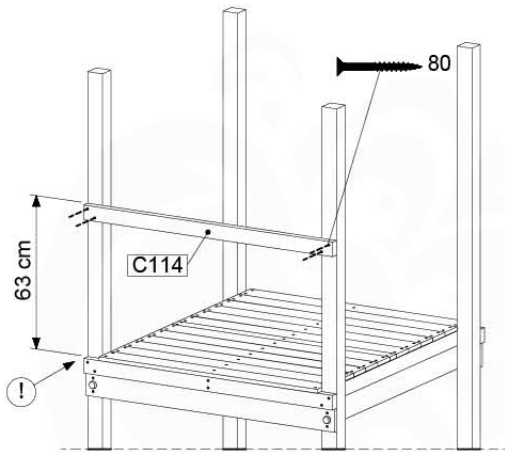
(194_107 + 194_101)

	PartNo	PartName	QTY.
Hardware Pack	000_101	Nail Pan Head	10
	002_220	Gap Point Screw T25 - 5x45	8
	002_223	Gap Point Screw T25 - 5x80	8
	002_308	Gap Point Screw T25 - 5x20	2
Other	120_102	Handgrip set (complete 2x)	1
	123_200	Bumperpad	1
	324_xxx 334_xxx	Wavy Star Slide XL 2200 mm / Wavy Star Slide XXL 2650 mm	1
Timber	C114	Beam 1140 mm	1
	C70	Beam 700 mm	1
	D65	Board 650 mm	2

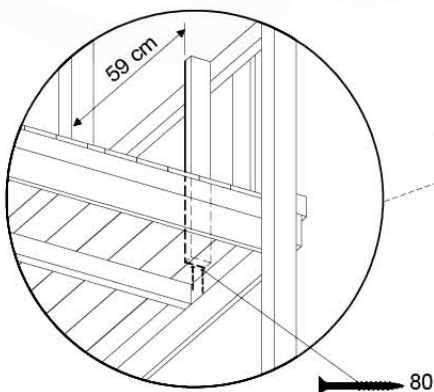
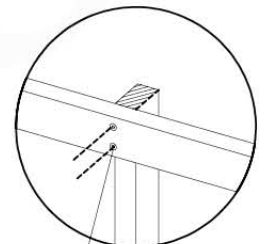
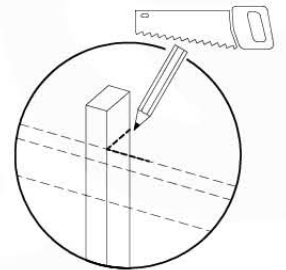
SlideFP 115 x Baustab - P05 TR - 2004/2023 - v2.1



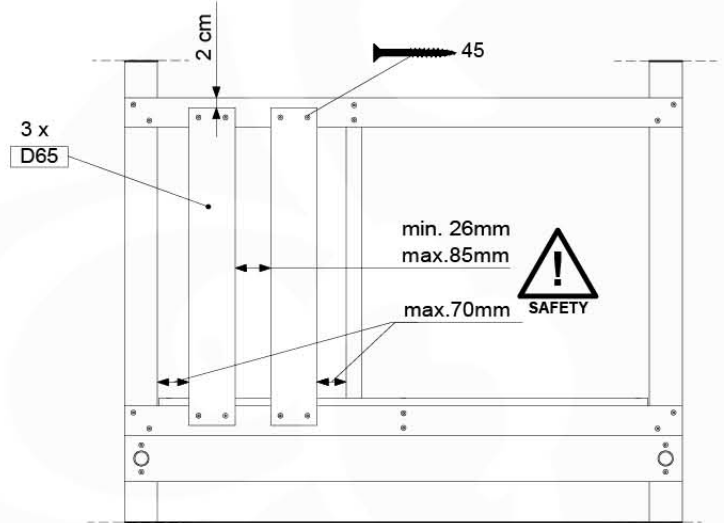
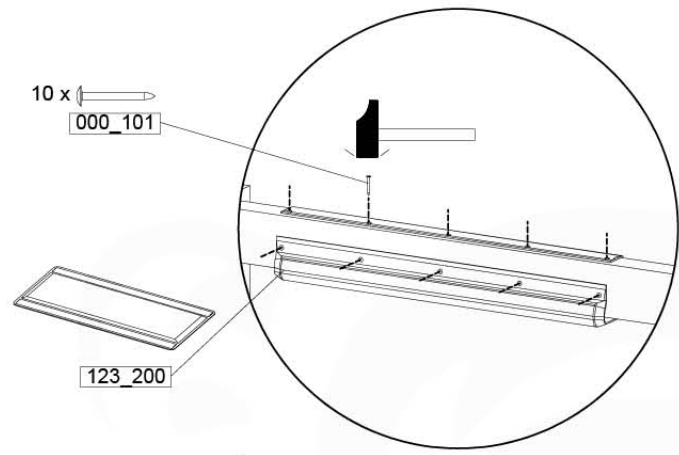
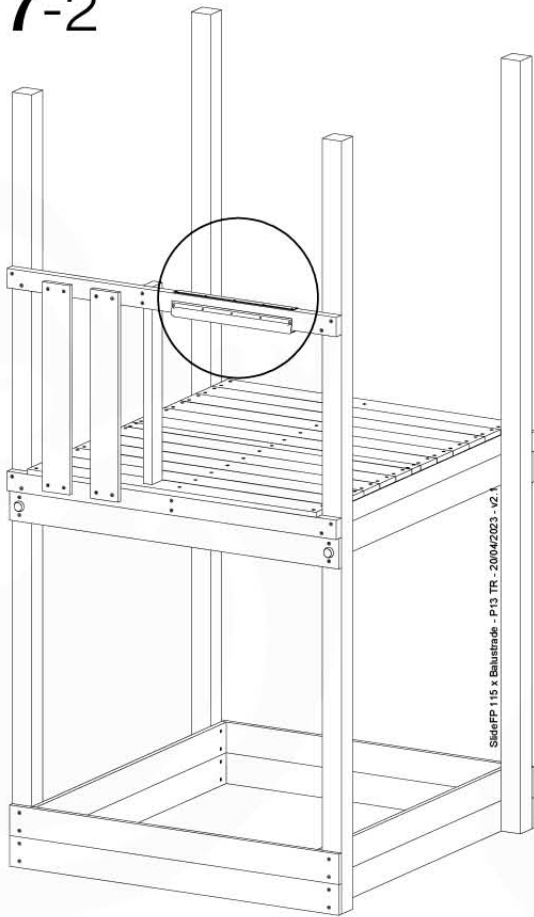
17-1



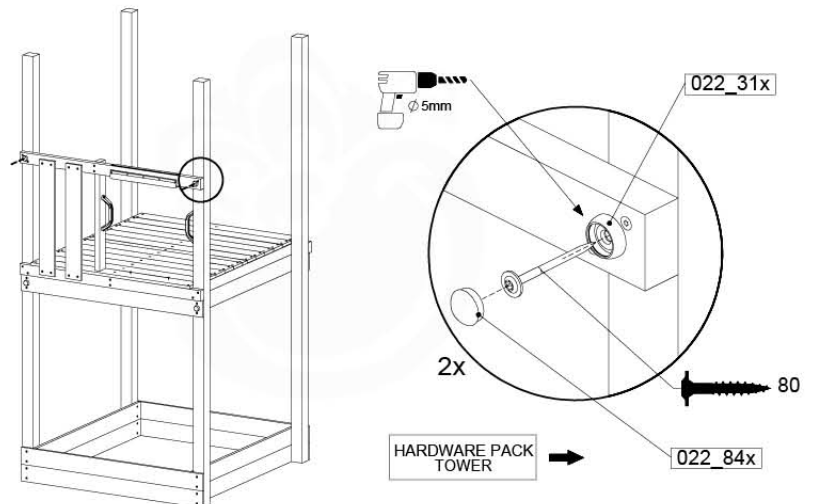
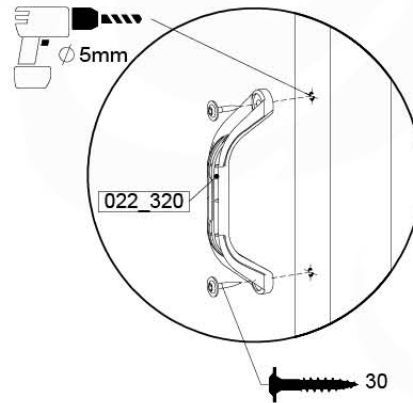
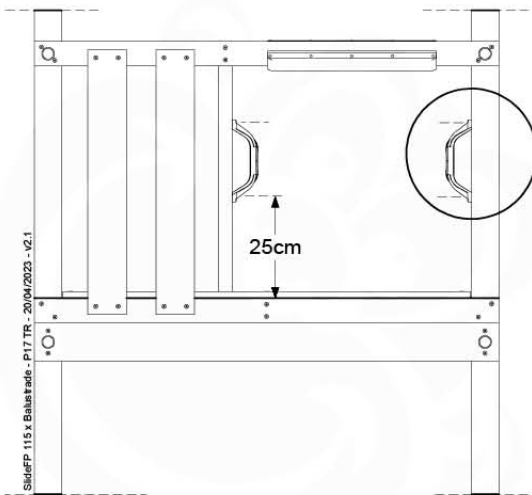
SlideFP 115 x Baustab - P05 TR - 2004/2023 - v2.1



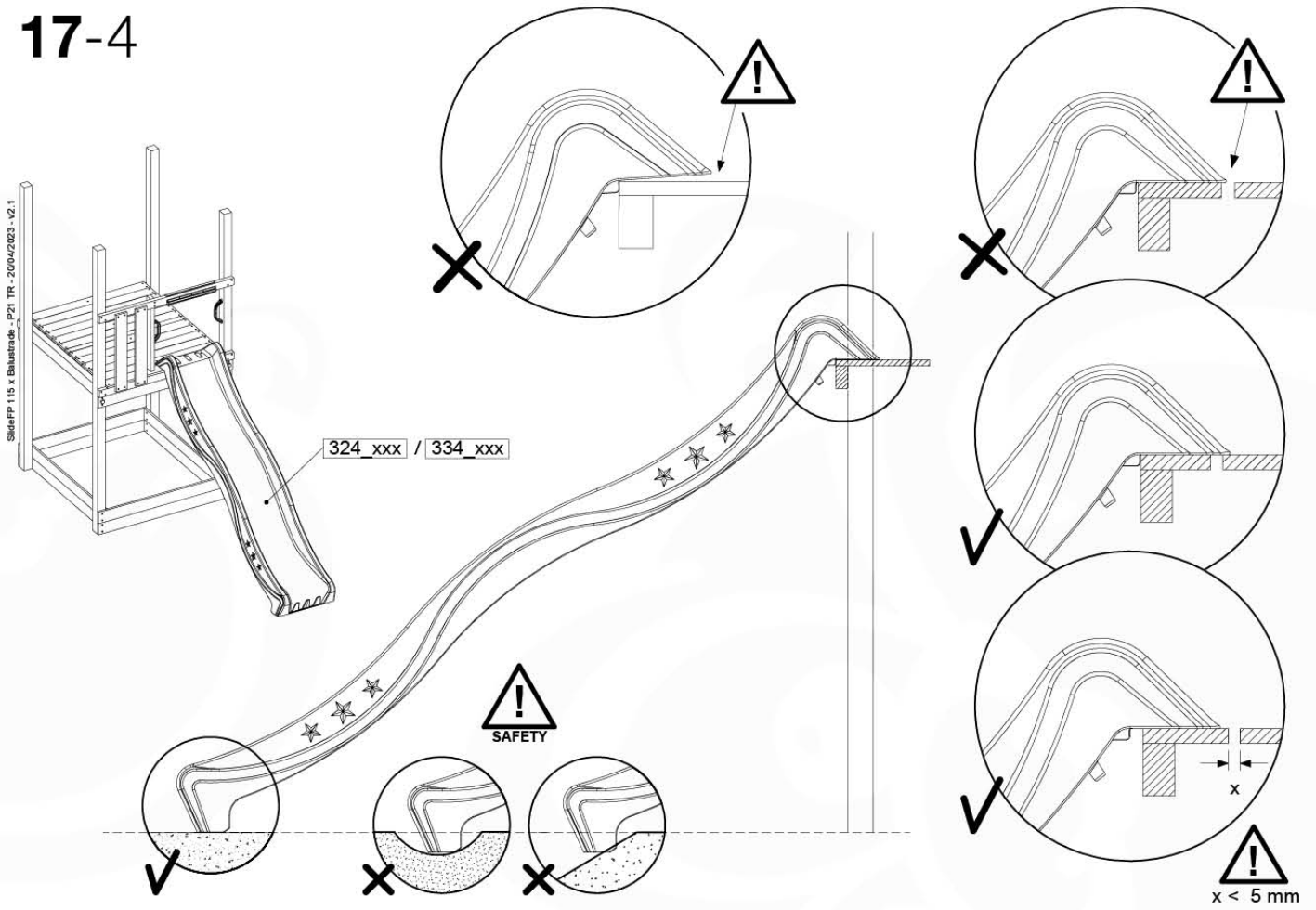
17-2



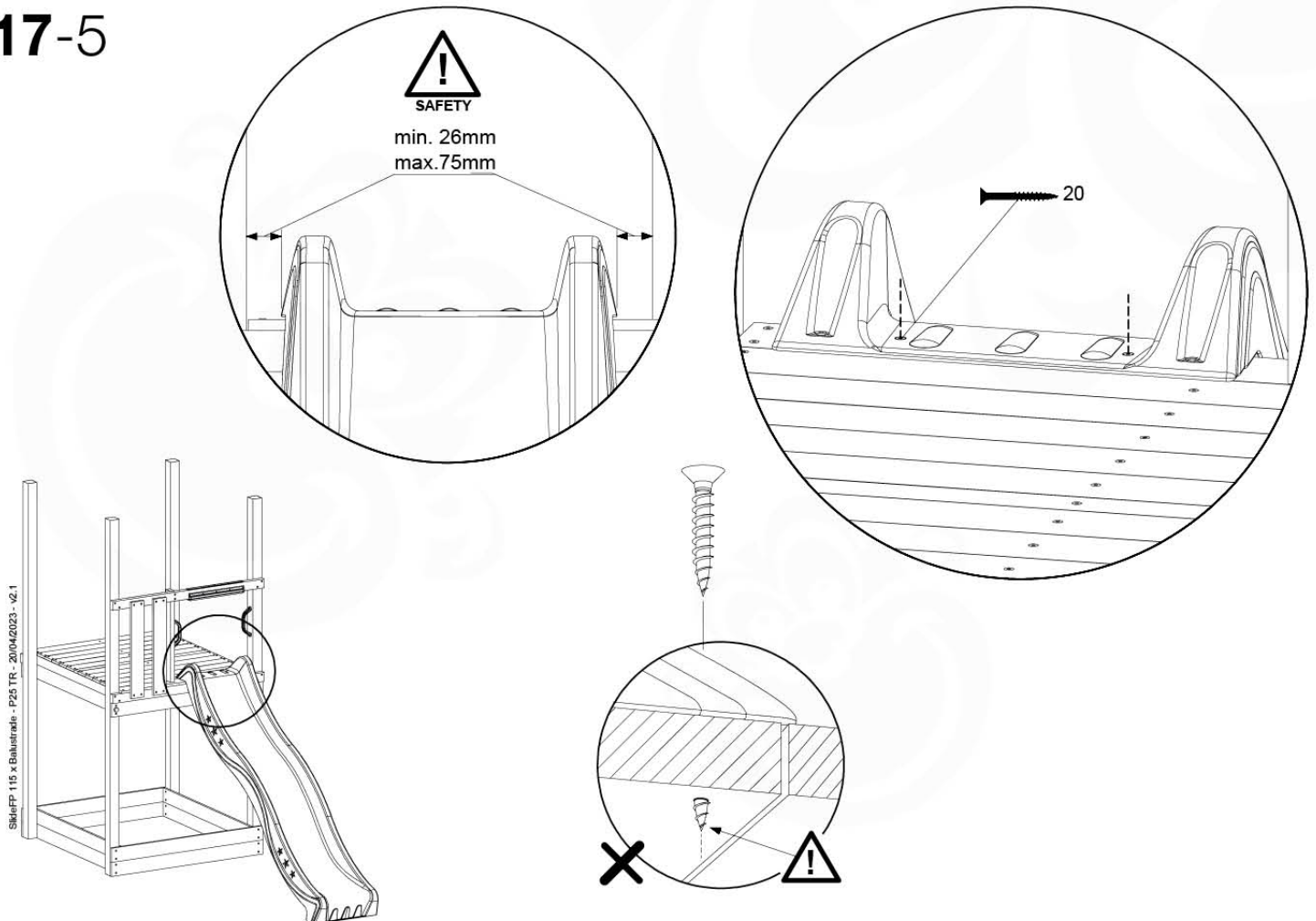
17-3



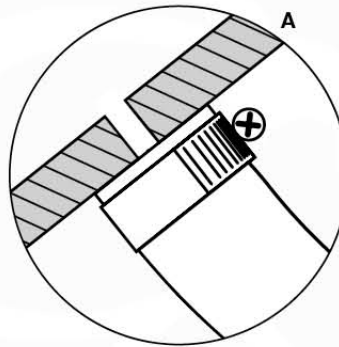
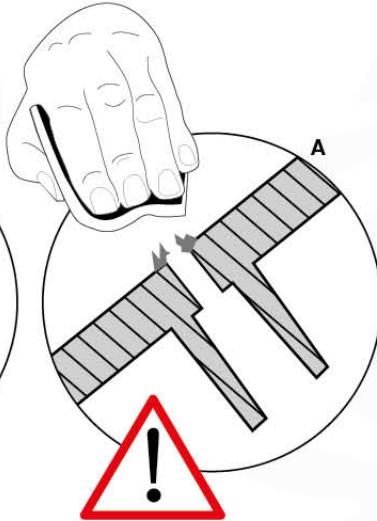
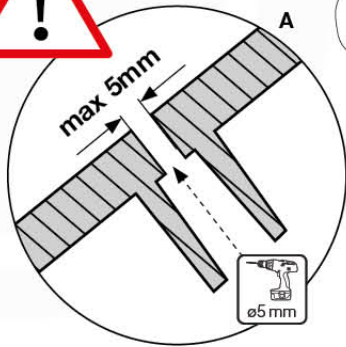
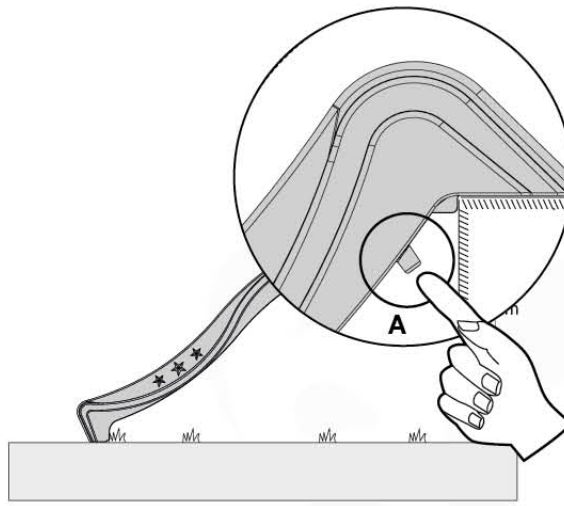
17-4



17-5

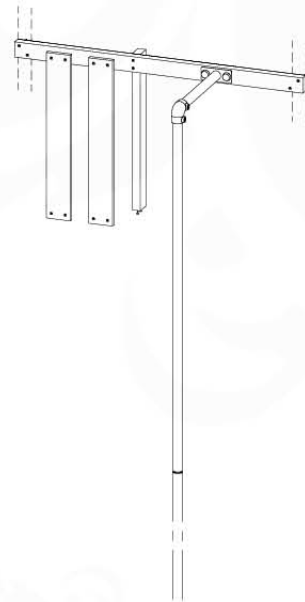


17-6



18 Firemans Pole

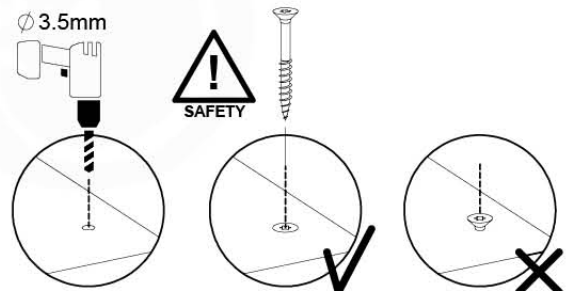
FP11



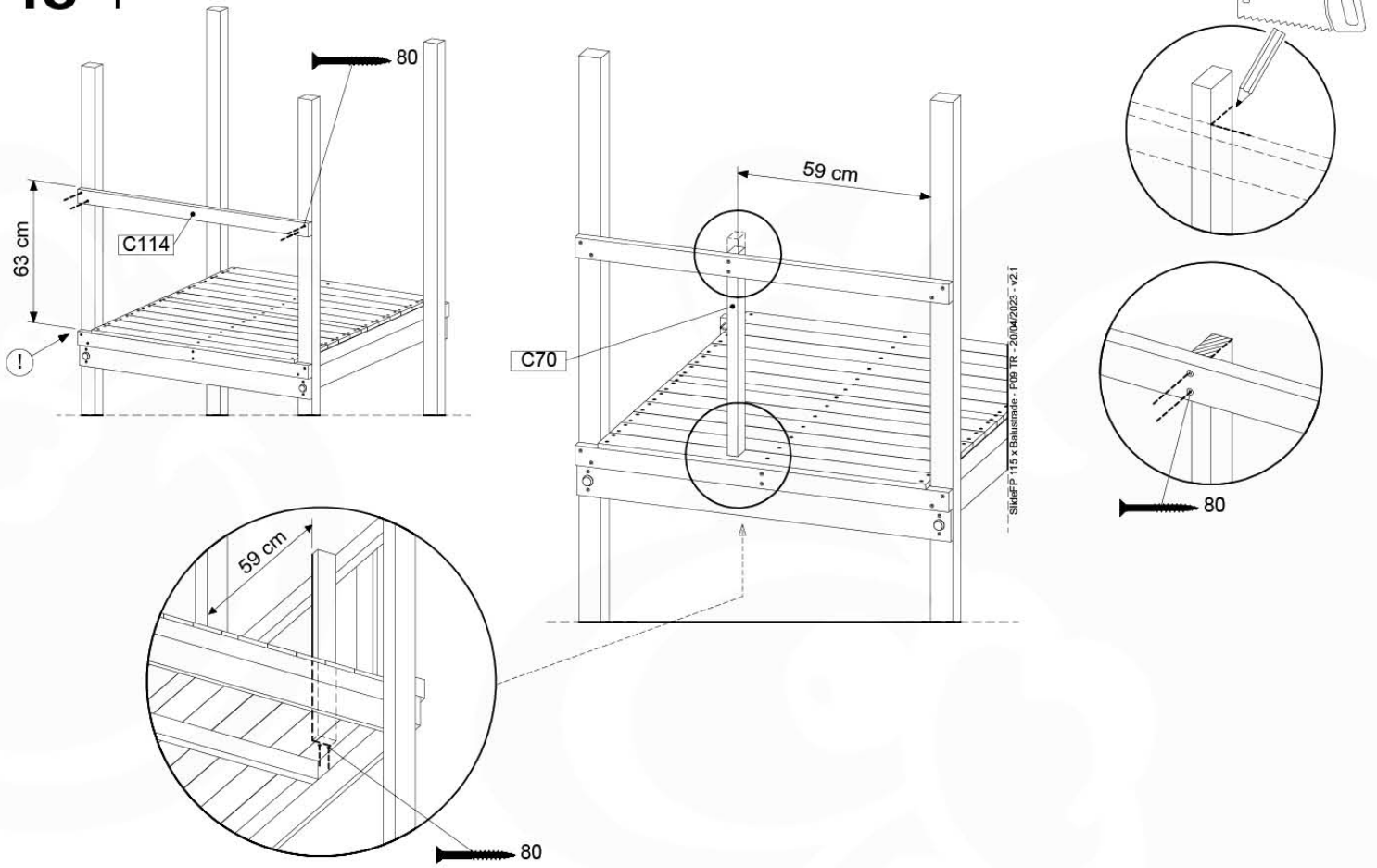
(201_275 + 194_101)

	PartNo	PartName	QTY.
Hardware Pack 194_101	002_220	Gap Point Screw T25 - 5x45	8
	002_223	Gap Point Screw T25 - 5x80	4
Other	201_275	Fireman's Pole kit (incl. 4x Screw T25 5x80)	1
Timber	C70	Beam 700 mm	1
	C114	Beam 1140 mm	1
	D65	Board 650 mm	2

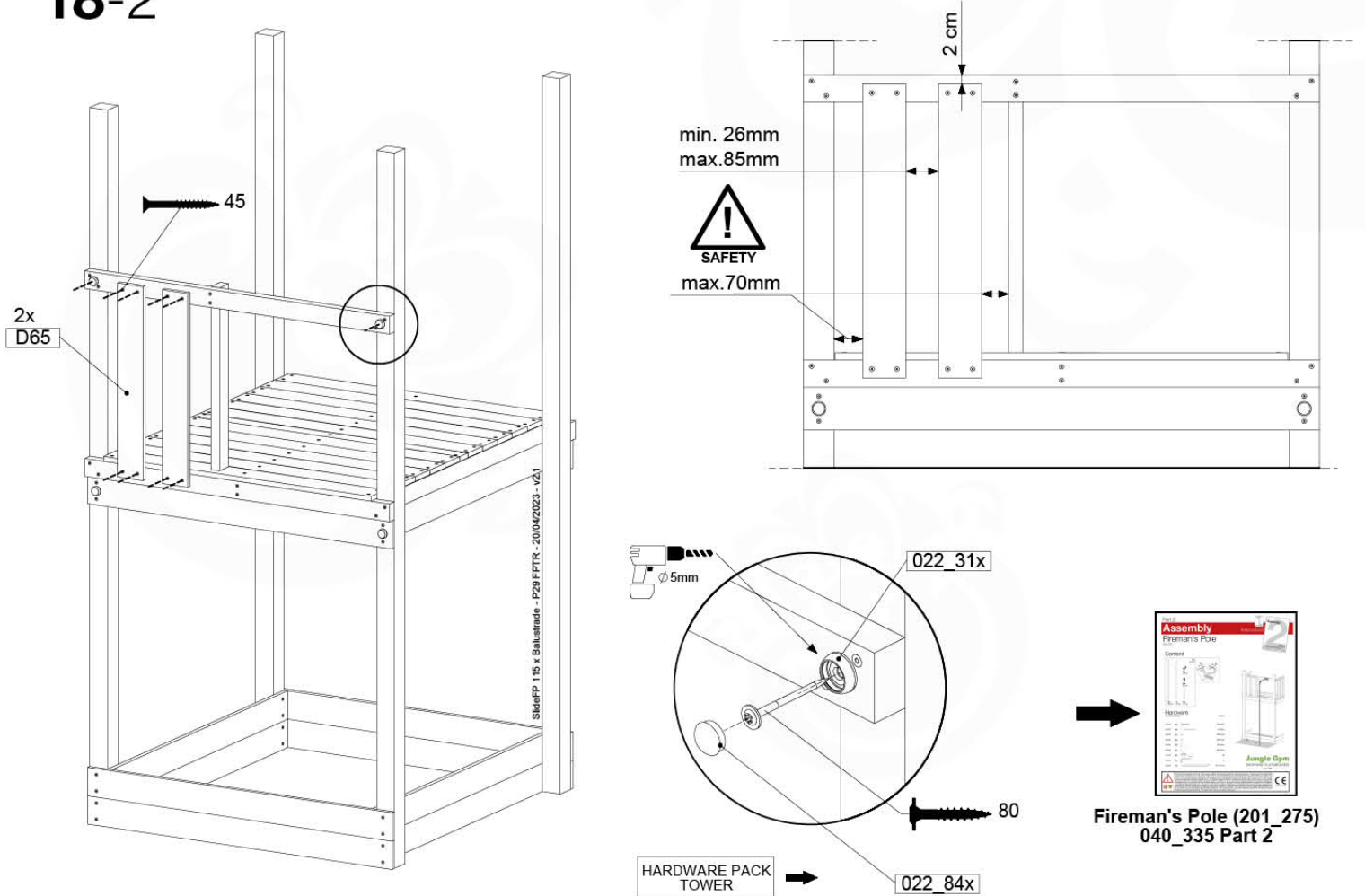
SideFP 115 x Ballerode - P33 FPTR - 20/04/2023 - v2.1



18-1



18-2



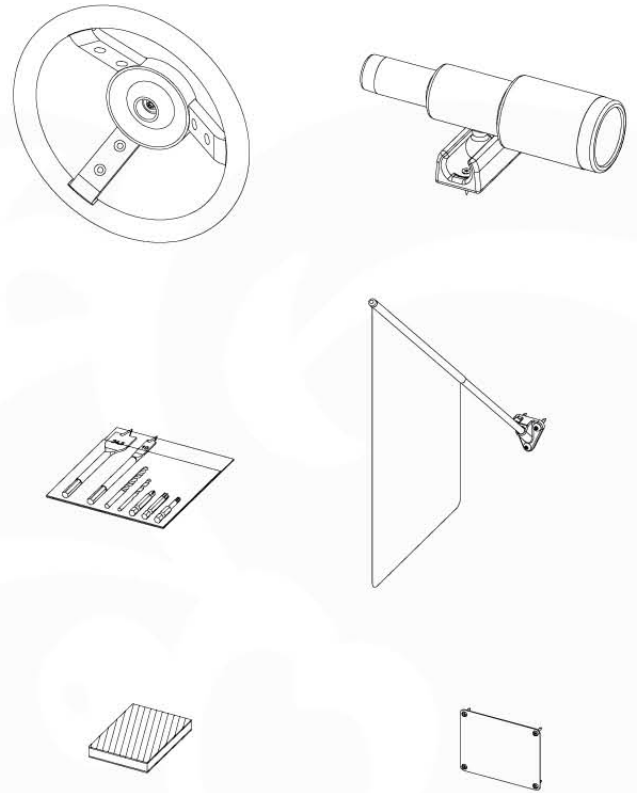
19 Accessories

AC01

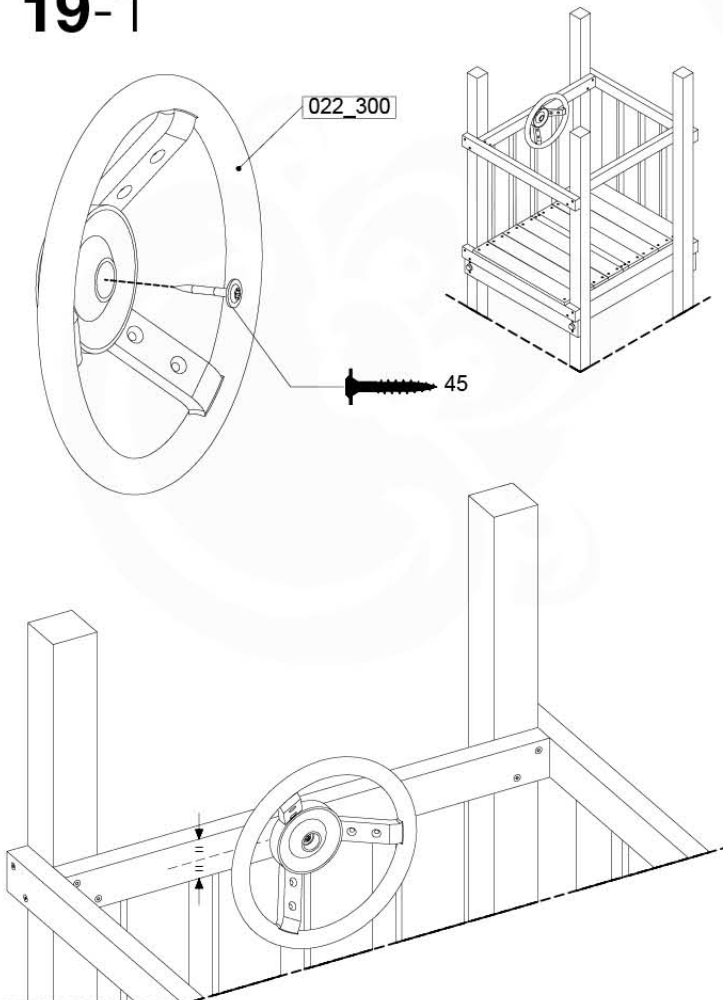
(194_119)

	PartNo	PartName	QTY.
Hardware Pack 100_617	001_406	Stealth Screw 8x45	1
	002_041	Dome head screw 4.5 x 20 mm	3
	002_042	Dome head screw 3.5 x 13mm	4
	002_219	Gap Point Screw T25 - 5x30	2
Other	022_300	Steering Wheel	1
	022_800	Rail P/T 105	1
	022_910	Sandpad	1
	103_901	Logo ID Plate	1
	104_107	Tool Set Climbing Units	1
	120_024	Tower Flag	1
	122_302	Telescope	1

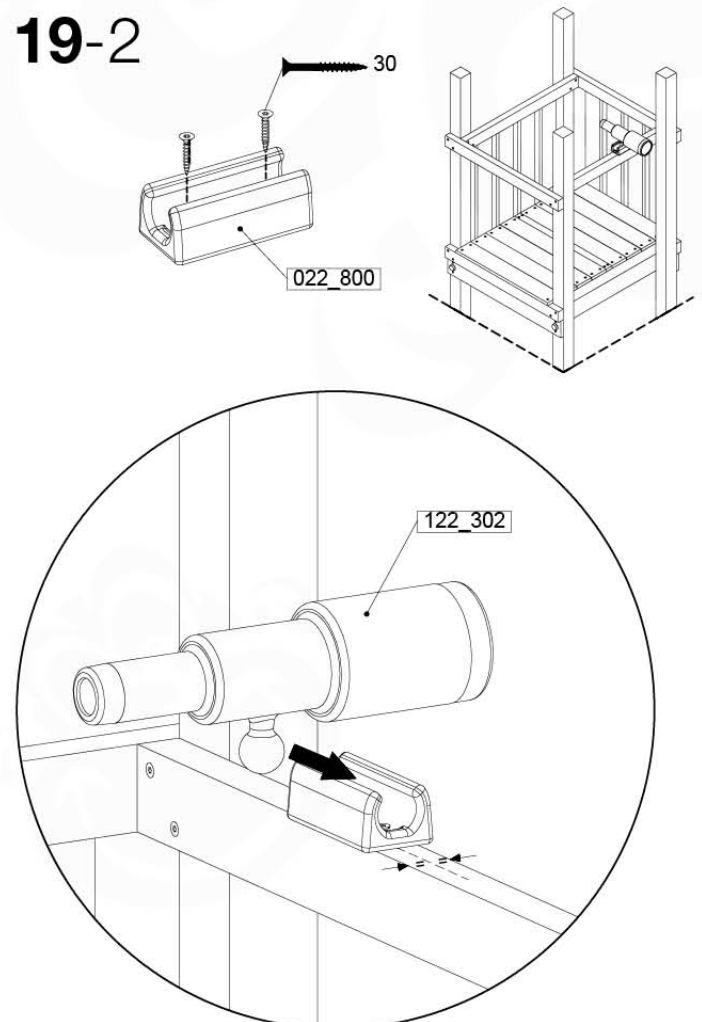
Accessory set - P02 - 06/07/2023 - v5



19-1

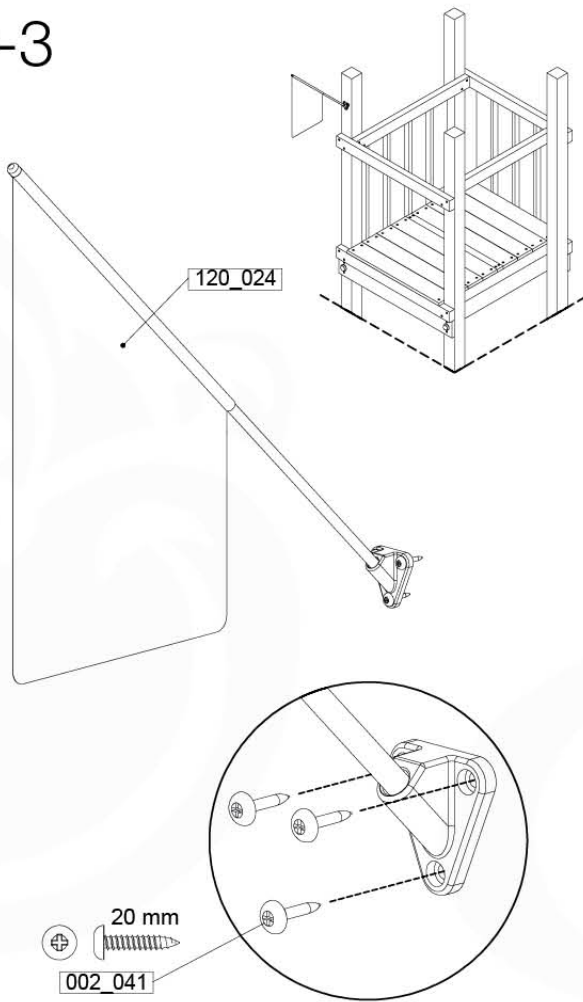


19-2

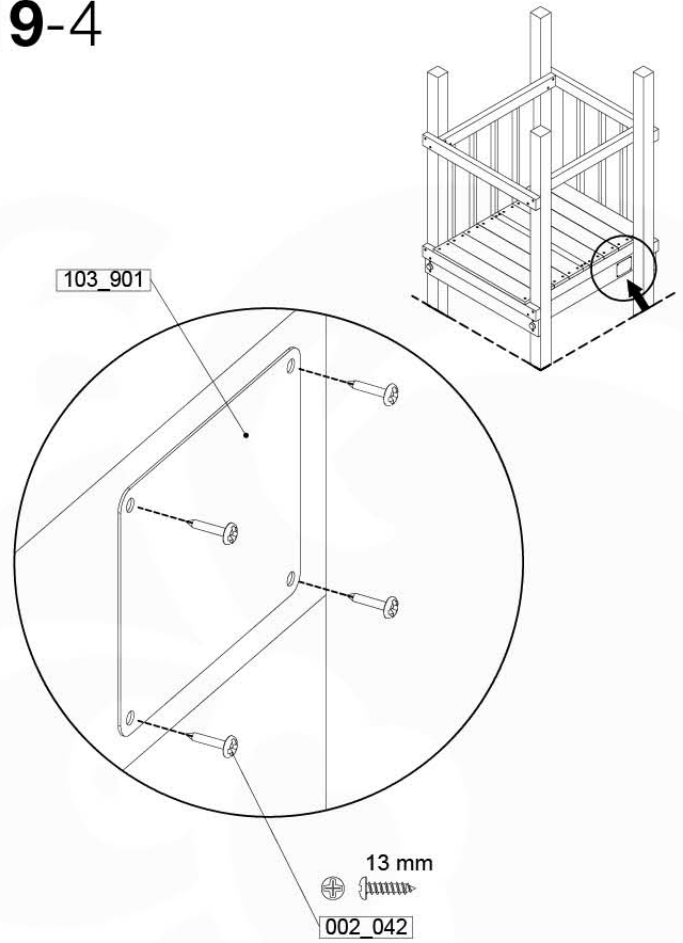


Accessory set - P03 - 06/07/2023 - v5

19-3

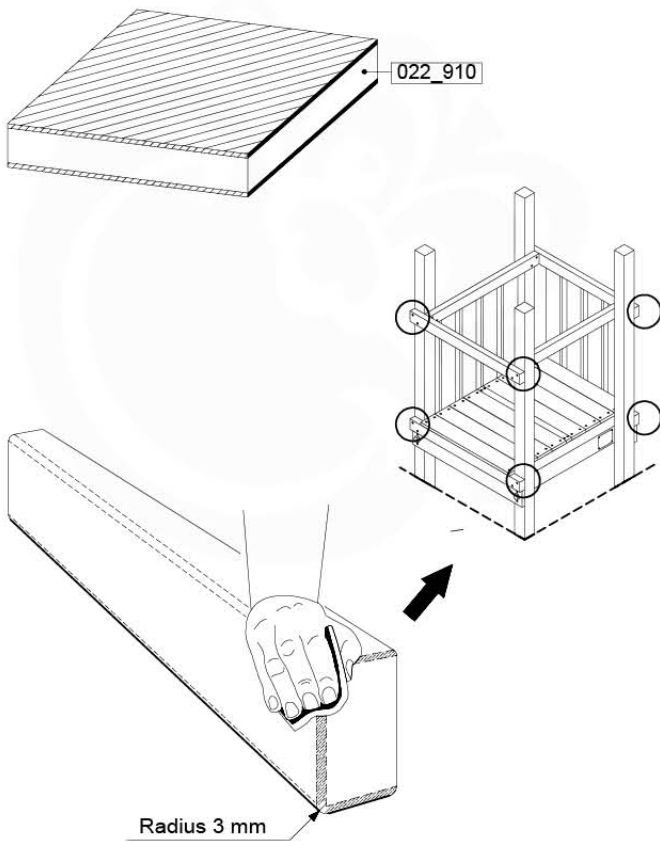


19-4



Accessory set - P04 - 05/07/2023 - v5

19-5 Safety check

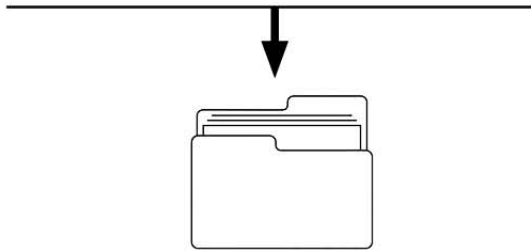


Accessory set - P05 - 05/07/2023 - v5

23 Download and Saving



Manual Part 1



Activity toys for domestic use Aktivitätsspielzeug für den häuslichen Gebrauch Jouets d'activité à usage familial

Product Range Identification

Activity toys for domestic use Aktivitätsspielzeug für den häuslichen Gebrauch Jouets d'activité à usage familial

1. Wooden climbing frames

20240311_v2

1.1. Assemblies

Playtowers	801_005, 801_009, 801_010, 801_013, 801_025, 801_040, 801_060, 801_070, 801_090, 801_095, 801_100, 801_103, 801_105, 801_110, 801_120, 801_200, 802_202, 802_204, 802_206, 802_208, 803_202, 803_204, 803_206, 803_208, 803_210, 809_802, 809_804
Swings	801_300, 801_601, 801_602
Modules	850_176, 850_177, 850_231, 850_232, 857_101, 857_102, 857_105, 857_106, 857_151, 857_152, 857_157, 857_158, 850_240

1.2. Sub assemblies

Base towers (BT)	BT01a, BT02a, BT03a, BT11a, BT14a, BT15a, BT20a
Extension towers (ET)	ET01a, ET02a, ET05a, ET06a, ET07a, ET08a, ET09a, ET10a, ET11a, ET12a, ET13a, ET14a, ET15a, ET16a, ET17a, ET18a, ET19a, ET20a, ET22a, ET23a, ET27a, ET28a, ET35a, ET29a, ET39a, ET40a
Bridges (CB, NB, BB, TB)	CB01a, NB01a, BB01a, BB02a, TB01a, TB02a, TB03a, TB04a
Roofs (RF)	RF01a, RF21a, RF02a, RF03a, RF04a, RF05a, RF06a, RF20a, RF02b, RF03b, RF07a, RF08a, RF22a, RF09a, RF23a, RF11a, RF12a, RF07b, RF12b, RF14a, RF24a, RF15a, RF25a, RF18a, RF18b
Balustrade (BL, BF)	BL01a, BL02a, BL21a, BF25a, BF26a, BF27a, BF28a, BF01a, BF02a, BF03a, BF04a, BF05a, BF06a, BF07a, BF08a, BF21a, BF22a, BF23a, BF24a
Playhouse (PH)	PH03a, PH04a, PH05a, PH06a, PH10a, PH11a, PH40a, PH41a, PH12a, PH13a, PH14a, PH15a, PH42a, PH43a, PH44a, PH45a, PH16a, PH17a, PH18a, PH19a, PH30a, PH31a, PH16b, PH17b, PH18b, PH19b, PH46a, PH47a, PH48a, PH49a, PH20a, PH21a, PH22a, PH23a, PH24a, PH25a, PH26a, PH27a, PH32a, PH33a, PH52a, PH53a, PH54a, PH55a, PH56a, PH57a, PH50a, PH51a, PH26b, PH27b
Ladder (LA)	LA05a, LA06a, LA01a, LA02a, LA03a, LA01b, LA02b, LA03b, LA11a, LA12a, LA13a, LA14a, LA15a, LA16a, LA17a, LA18a, LA31a, LA32a, LA33a, LA34a, LA35a, LA36a, LA37a, LA38a, LA21a, LA22a, LA23a, LA24a, LA25a, LA26a, LA43a, LA44a, LA45a, LA46a
Two Step Ladder (TS)	TS01a, TS01b, TS02a, TS02b, TS03b, TS22a, TS05a, TS06a, TS07a, TS08a, TS09a, TS10a, TS11a, TS12a, TS15a, TS16a, TS17a, TS18a, TS19a, TS20a, TS21a, TS22a
Rope Ladder (RL)	RL01a, RL02a, RL05a, RL06a, RL07a, RL08a, RL09a, RL10a, RL11a, RL12a, RL15a, RL16a, RL19a, RL20a
Rock wall (RW)	RW01a, RW02a, RW01b, RW02b, RW03b, RW31a, RW32a, RW33a, RW05a, RW06a, RW07a, RW08a, RW09a, RW10a, RW11a, RW12a, RW40a, RW41a, RW15a, RW16a, RW17a, RW18a, RW19a, RW20a, RW46a, RW47a
Ramp (RA)	RA03a, RA04a, RA05a, RA06a, RA07a, RA08a, RA11a, RA12a, RA21a
Net (NA, NS)	NA01a, NA02a, NS01a, NS02a, NS03a, NS21a, NA04a, NA05a, NS04a, NS05a, NS06a, NS07a, NA08a, NA09a, NS08a, NS09a
Boat (BO)	BO01a
Market (MT)	MT01a, MT02a, MT05a, MT06a, MT11a, MT12a
Picnic (PC)	PC01a, PC05a, PC06a, PC09a, PC10a
Gymnastics bar (GY)	GY01a
Fireman's pole (FP)	FP01a, FP02a, FP04a, FP05a, FP06a, FP07a, FP23a, FP24a, FP25a, FP26a, FP27a, FP28a
Slides (SL)	SL01a, SL02a, SL03a, SL06a, SL07a, SL08a, SL09a, SL10a, SL11a, SL12a, SL13a, SL26a, SL27a, SL28a, SL29a
Swing (SM)	SW17a, SW21a, SW18a, SW22a, SW01a, SW05a, SW02a, SW06a, SW09a, SW13a, SW10a, SW14a
Climb (CL)	CL17a, CL21a, CL18a, CL22a, CL01a, CL05a, CL02a, CL06a, CL09a, CL13a, CL10a, CL14a
Accessories (AC)	

2. Construction packages

2.1 Assembly Kits

Playtowers	401_015, 401_080, 401_125, 402_201, 402_202, 402_204, 402_206, 402_208, 403_202, 403_204, 403_206, 403_208, 403_210, 409_802, 409_804
Swings	401_300, 401_600
Modules	457_005, 457_102, 457_103, 457_106, 457_107, 457_205

2.2 Assembly Packs

Sub assemblies	194_002, 194_003, 194_004, 194_006, 194_007, 194_008, 194_009, 194_010, 194_100, 194_101, 194_102, 194_103, 194_104, 194_105, 194_107, 194_108, 194_109, 194_110, 194_111, 194_112, 194_113, 194_114, 194_115, 194_116, 194_117, 194_118, 194_119, 194_300, 194_308, 194_312, 194_500, 194_501, 194_508, 194_510, 194_809, 194_810, 194_811, 194_812
----------------	--

3. Accessories and components

Slides XL	324_100, 324_200, 324_300, 324_400, 324_500, 324_600
Slides XXL	334_100, 334_200, 334_300, 334_400, 334_500, 334_600
Fireman's pole	201_275
Climbing	201_060, 201_273
Imagination	201_280, 201_285, 201_290, 201_295, 202_473, 450_310, 450_320, 450_330
Swinging	250_001, 250_013, 250_025, 250_034, 250_053
Functional	123_220, 123_222, 123_230, 201_115, 201_220, 201_250, 201_260, 201_270, 202_620, 202_621, 202_622, 202_623, 202_624, 202_625, 202_626, 202_627, 202_628, 202_629, 202_824, 250_065, 250_070, 250_075

Declaration of Conformity

Jungle Gym

BACKYARD PLAYGROUNDS

since 1988

Applicable EC directives and standards

General

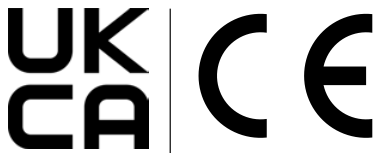
- General Product Safety Directive (GPSD) 2001/95/EG
- Reach directive 1907/2006
- AfPS GS 2019:01 PAK

Activity Toys

- Toy Safety Directive (TSD) 2009/48/EG
- EN Standard 71 Safety of Toys
 - EN 71-1:2014 + A1:2018 Safety of toys Mechanical and physical properties
 - EN 71-2:2020 Flammability
 - EN 71-3:2019 + A1:2021 Migration of certain elements
 - EN 71-8:2018 Safety of toys Activity toys for domestic use

Supplementary information

Conformity to the above specified directives and standards has been frequently verified by TÜV Rheinland LGA products, DEKRA, LNE SA, since 1994. Jungle Gym participates in the European Commission for standardisation for the safety of activity toys (TC52 / WG 10).



Manufacturer details

Company Name: Jungle Gym B.V.
Address : Valschermkade 18, 1059 CD Amsterdam, Netherlands
Email: info@junglegym.com

Declaration

I hereby declare under our sole responsibility that the products mentioned above, to which this declaration relates, comply with the above mentioned directives and standards when the installation, assembly, and maintenance instructions are strictly followed.

Name
Jungle Gym B.V.
Paul Schmit / Director

Januari 4th, 2024

A handwritten signature in black ink, appearing to read 'Paul Schmit', is written over a horizontal line.

Signature of representative