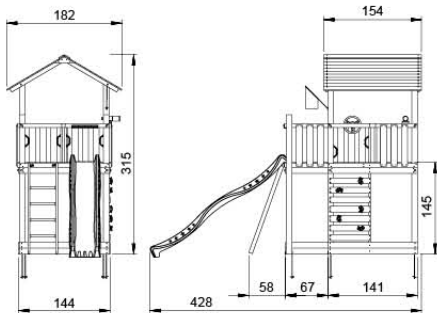
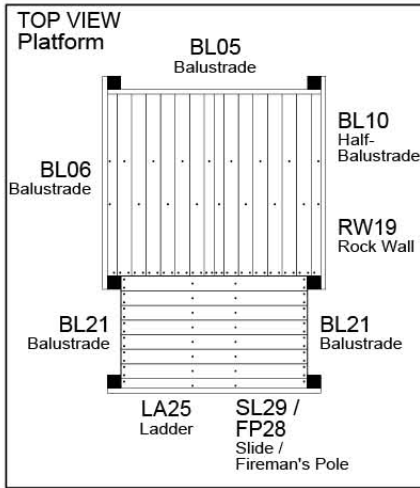
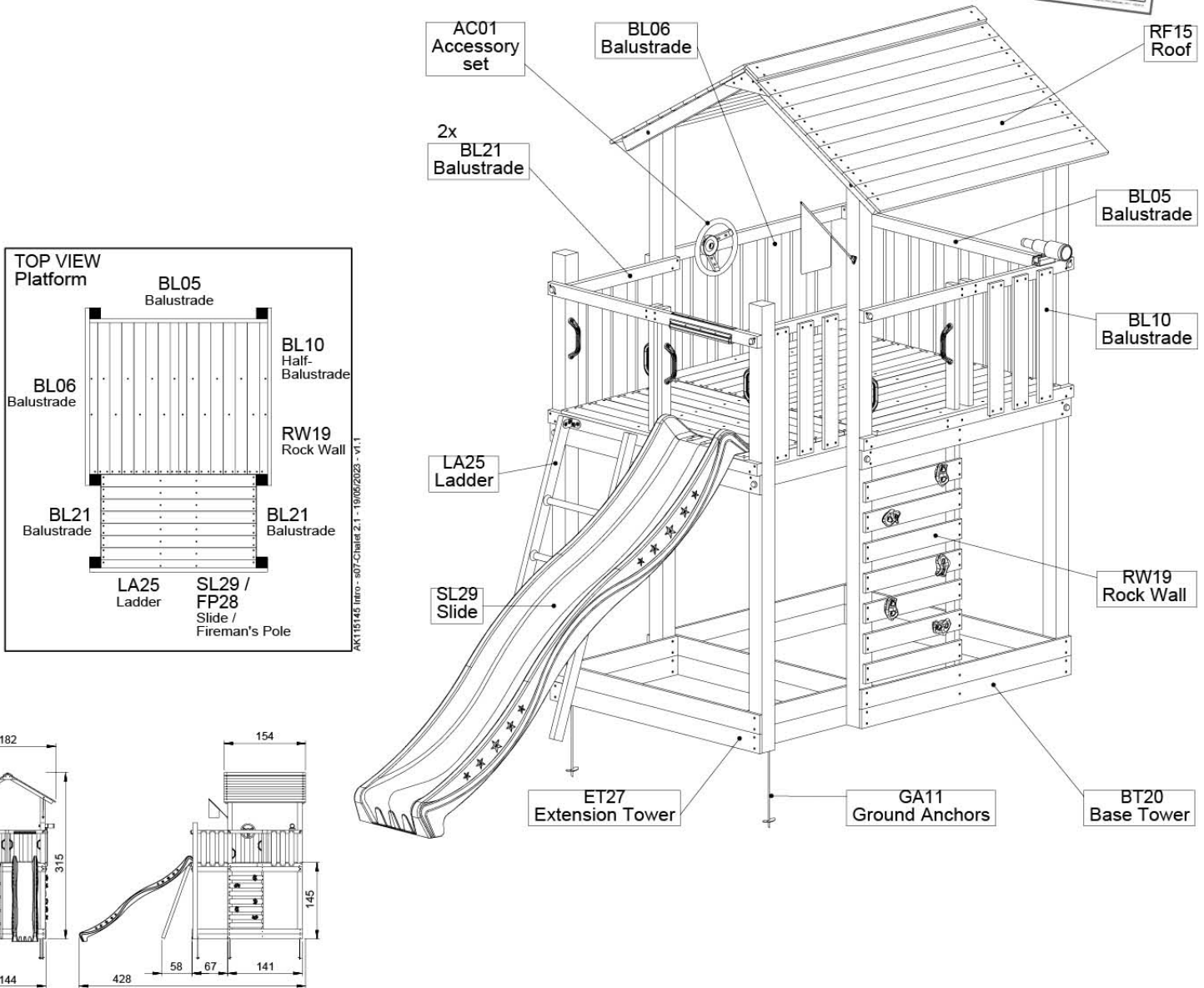
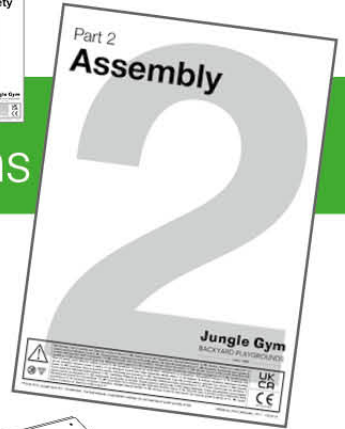


# Assembly

Instructions

## Jungle Chalet 2.1

801\_013



Manual Part 1



**Important**

This assembly manual should always be read in conjunction with the General Safety manual part as included in the hardware package of your playground equipment. Please read these safety instructions carefully before starting the assembly work.

# Jungle Gym

BACKYARD PLAYGROUNDS

since 1988

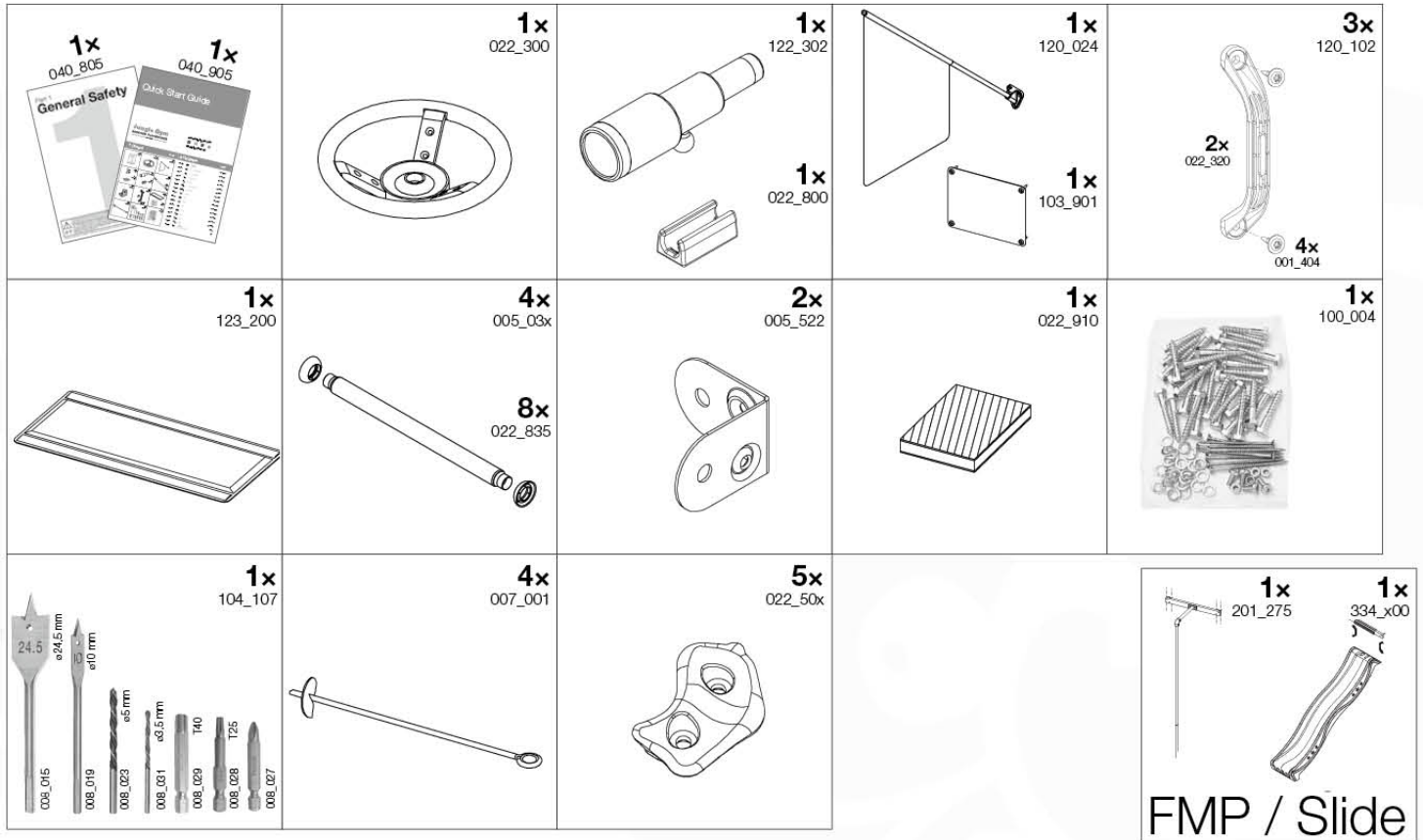


**EN.** Warnings. Only for domestic use. Maximum number of users is 9. **DE.** Achtung. Nur für den Hausgebrauch. Maxmale Benutzerzahl: 9. **FR.** Attention. Réserve à un usage familial. Le nombre maximal d'utilisateurs est de 9. **NL.** Waarschuwingen. Uitsluitend voor huishoudelijk gebruik. Het maximale aantal gebruikers is 9. **BG.** Внимание. За употреба само в домашни условия. Максималният брой потребители е 9. **CS.** Varování. Jen pro domácí použití. Maximální počet uživatelů je 9. **DA.** Advarsel. Kun til privat brug. Maksimum antal brugere er 9. **EL.** Προειδοποίησης. Μόνο για οικιακή χρήση. Μέγιστος αριθμός χρηστών 9. **ES.** Advertencias. Solo para uso doméstico. Número máximo de usuarios: 9. **ET.** Hoiatused. Ainult koduseks kasutamiseks. Maksimaalne kasutajate arv on 9. **FI.** Varoitukset. Ainoastaan kotikäyttöön. Käyttäjää yhteensä enintään 9. **HR.** Upozorenja. Samo za kućansku uporabu. Maksimalan broj korisnika je 9. **HU.** Figyelmeztetések. Csak otthoni használatra! A használok max. száma: 9. **IS.** Varnaðarorð. Eingöngu fyrir einkanothun í heimahúsum og á einkalóðum. Hámarksfjöldi notenda er 9. **IT.** Avvertenze. Solo per uso domestico. Massimo numero di utenti è 9. **LT.** Įspėjimai. Tik buitiniam naudojimui. Maksimalus naudotojų skaičius 9. **LV.** Brīdinājumi. Izmantot tikai mājās. Maksimālais lietotāju skaits ir 9. **NO.** Advarsel. Kun for privat bruk. Maksimalt antal brukere er 9. **PL.** Ostrzeżenia. Wyłącznie do użytku domowego. Maksymalna liczba użytkowników to 9. **PT.** Avisos. Apenas para uso doméstico. O número máximo de utilizadores é 9. **RO.** Avertismente. Numal pentru uz domestic. Numărul maxim de utilizatori este 9. **RU.** Предостережения. Только для домашнего использования. Максимальное количество пользователей - 9. **SK.** Upozomenia. Iba na domáce použitie. Maximálne množstvo osôb je 9. **SL.** Opozorila. Samo za domačo uporabo. Maksimalno število uporabnikov je 9. **SR.** Upozorenja. Samo za kućnu upotrebu. Maksimalan broj korisnika je 9. **SV.** Varningar. Endast för hemmabruk. Det maximala antalet användare är 9. **TR.** Uyarılar. Sadece ev kullanımı için. Maksimum kullanıcı sayısı 9.



# 01 What's in the Delivery?

401\_015



FMP / Slide

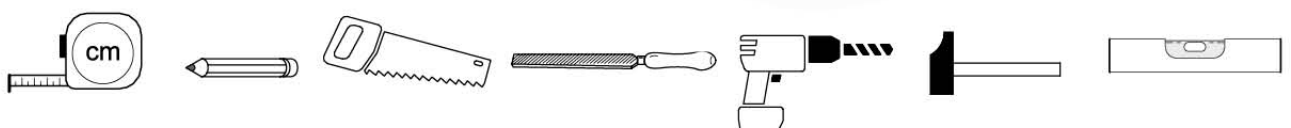
## 02a Hardware

Total HWP 100\_004 + 100\_155 Jungle Chalet 2.1

20220331

001_102	10x		M8 x 30mm	000_101	10x		ø2 x 20mm
001_417	12x		ø8 x 80mm	003_010	10x		M8x14.2mm
001_406	13x		ø8 x 45mm	004_050	10x		M8 x 22mm
001_404	4x		ø8 x 30mm	120_005	16x		M8
002_223	98x		ø5 x 80mm				
002_220	521x		ø5 x 45mm				
002_219	6x		ø5 x 30mm				
002_308	2x		ø5.0 x 20mm				
002_041	3x		ø4.5 x 20mm				
002_042	4x		ø3.5 x 13mm				

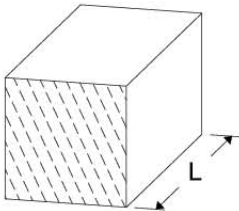
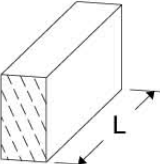
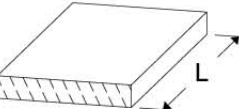
## 02b Necessary tools



# 03 Timber

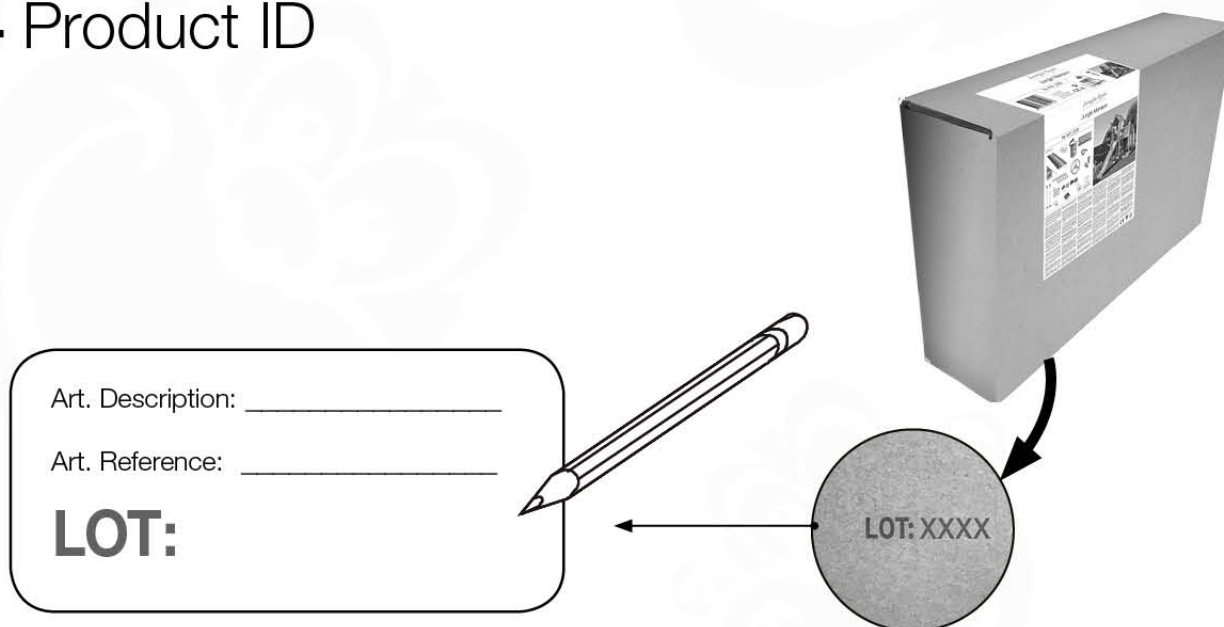
601\_015 Timber pack Jungle Chalet 2.1

L

<b>B</b> 	B270	269cm - 270cm	<b>4x</b>
	B220	219cm - 220cm	<b>2x</b>
<b>C</b> 	C206	205cm - 206cm	<b>1x</b>
	C150	149cm - 150cm	<b>2x</b>
	C141	140cm - 141cm	<b>11x</b>
	C96	95cm - 96cm	<b>4x</b>
	C74	73cm - 74cm	<b>6x</b>
	C70	69cm - 70cm	<b>3x</b>
<b>D</b> 	D154	153cm - 154cm	<b>24x</b>
	D141	140cm - 141cm	<b>15x</b>
	D123	122cm - 123cm	<b>27x</b>
	D74	73cm - 74cm	<b>6x</b>
	D65	64cm - 65cm	<b>32x</b>

31-Mar-2022

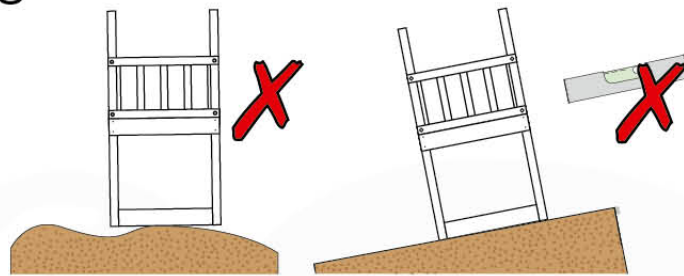
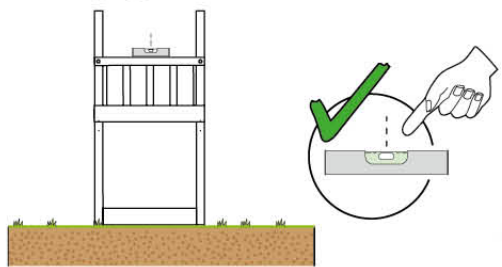
# 04 Product ID



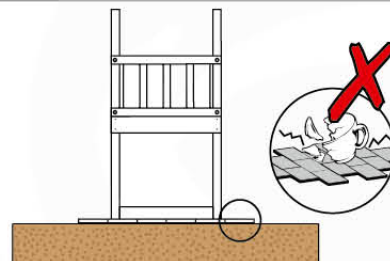
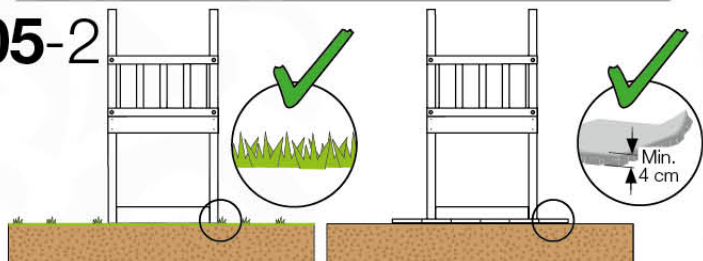


# 05 Safe Playground Planning

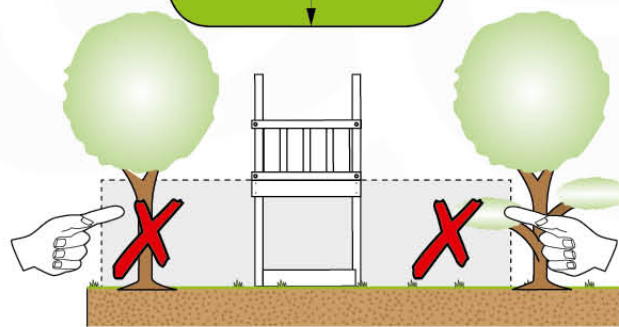
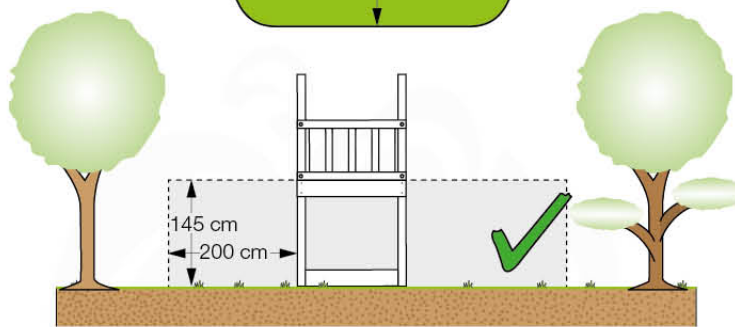
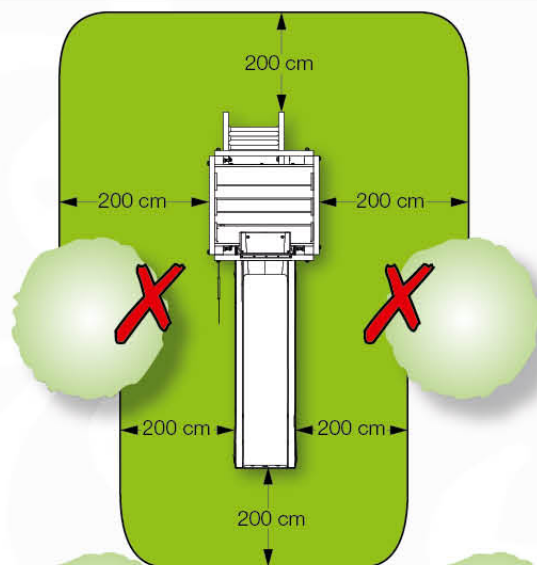
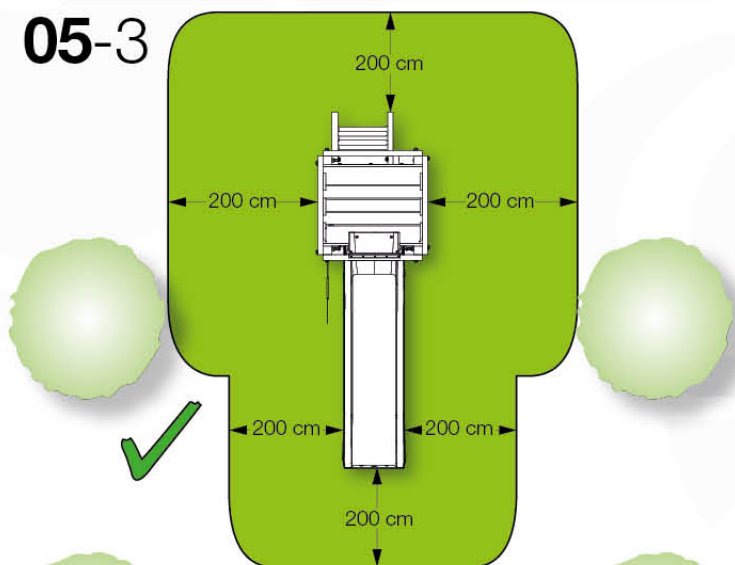
05-1



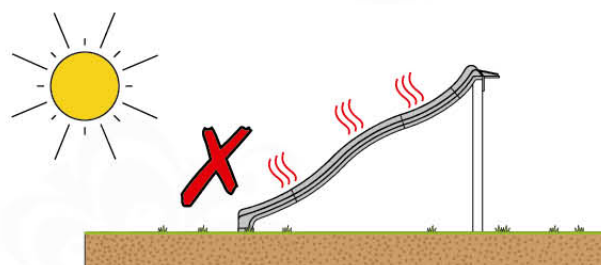
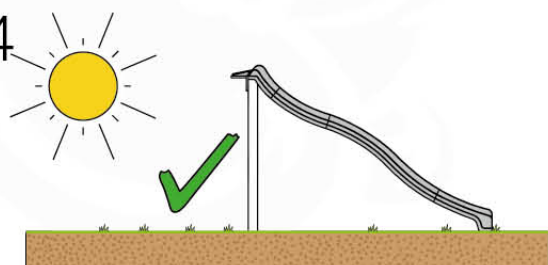
05-2



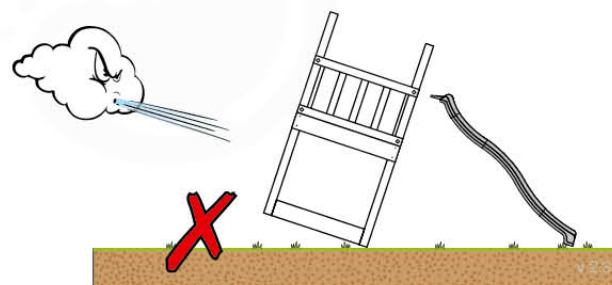
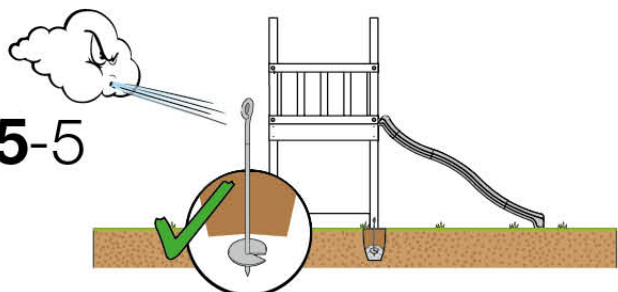
05-3



05-4

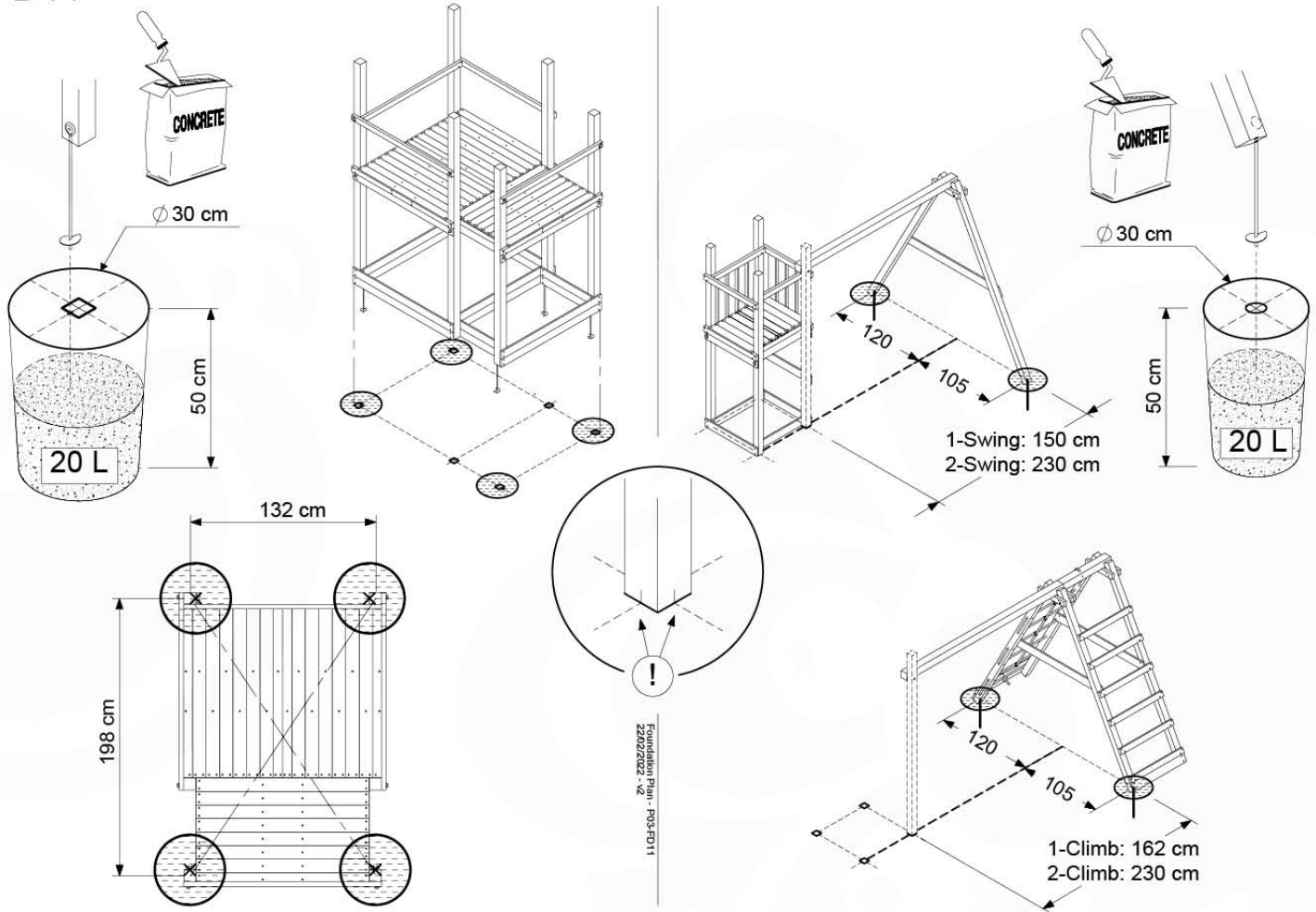


05-5



# 06 Playground Foundation

FD11



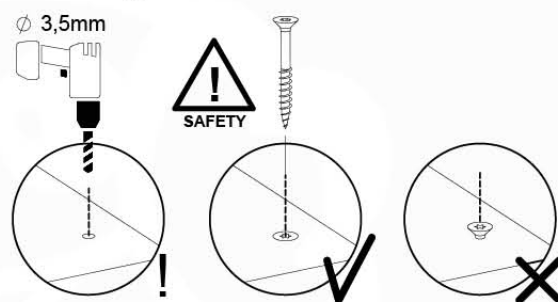
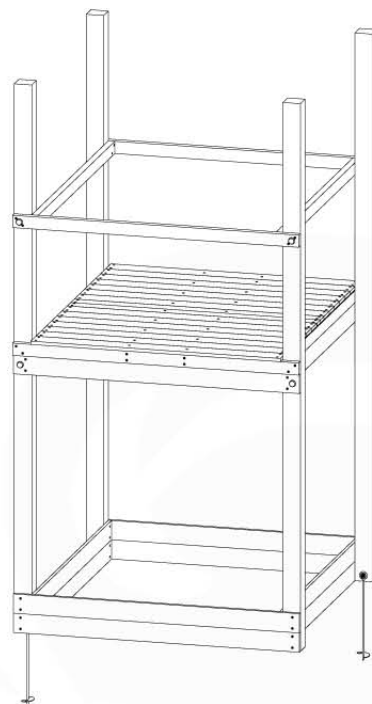
# 07 Base Tower

BT20

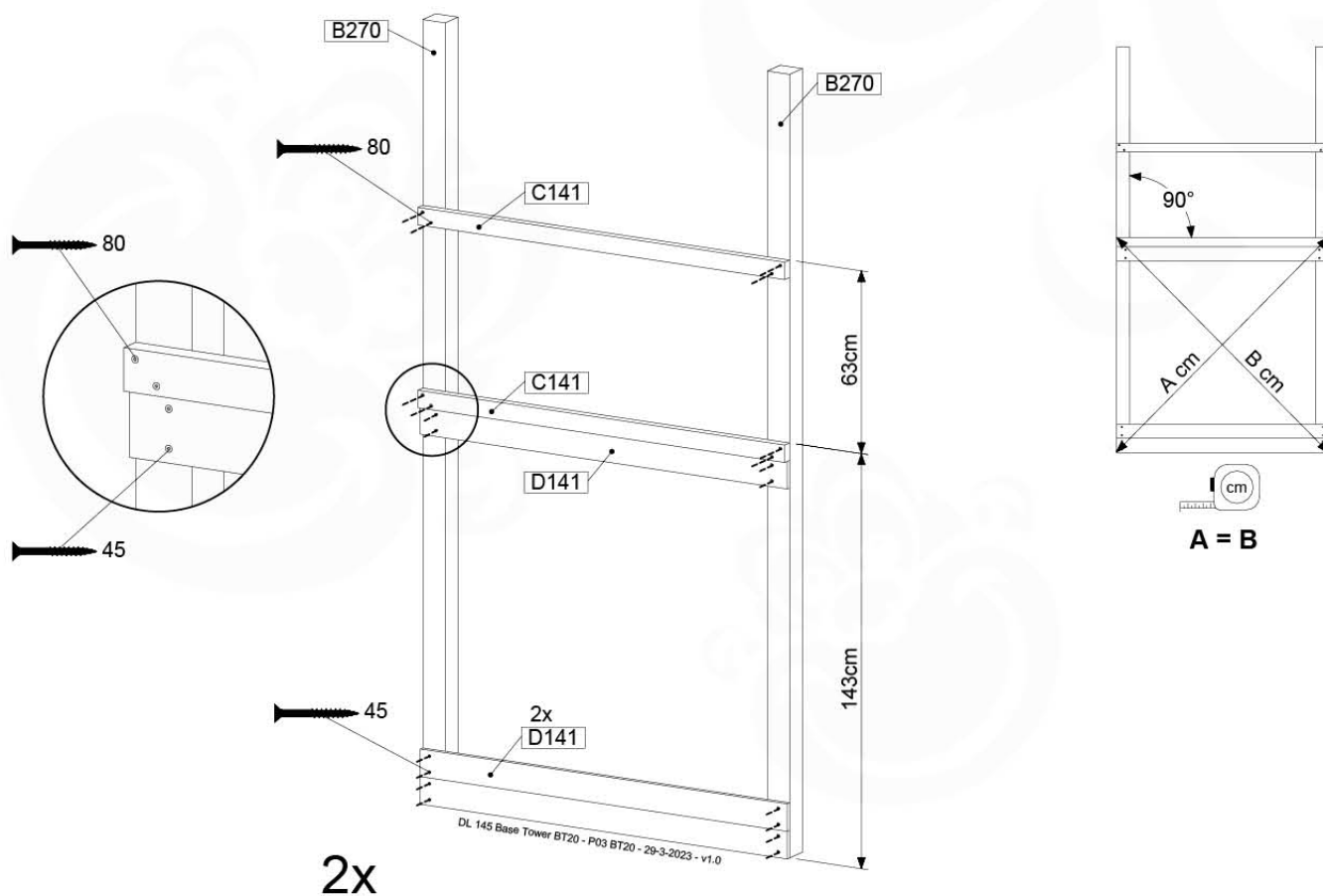
( 194\_500 )

	PartNo	PartName	QTY.
Hardware pack	001_406	Stealth Screw 8x45	6
	001_417	Stealth Screw 8x80	4
	002_220	Gap Point Screw T25 - 5x45	135
	002_223	Gap Point Screw T25 - 5x80	40
Other	007_001	Ground-anchor	2
	022_31x	bpc-base version 3	8
	022_84x	bpc cover	8
Timber	B270	Post 90x90 L2700	4
	C141	Beam 1410 mm	10
	D123	Board 1230 mm	17
	D141	Board 1410 mm	12

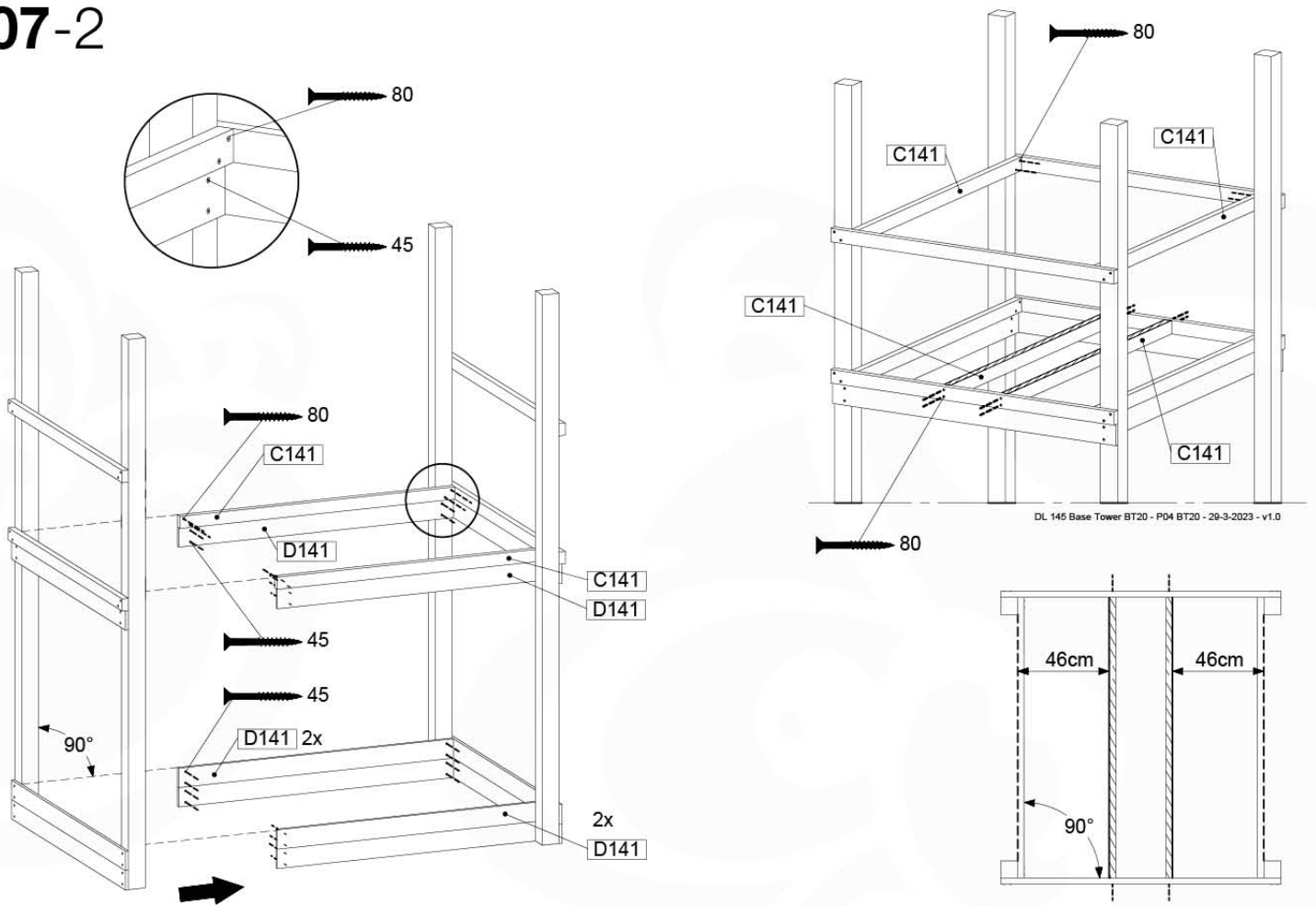
DL 145 Base Tower BT20 - P102 BT20 - 29-3-2023 - v1.0



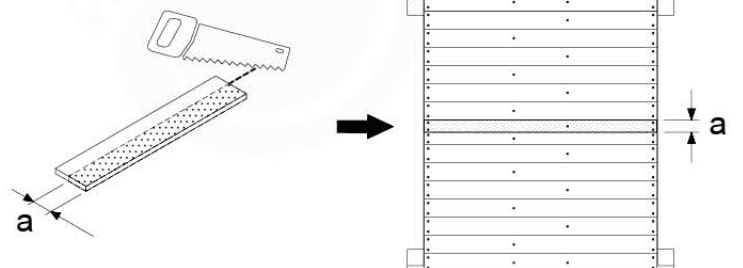
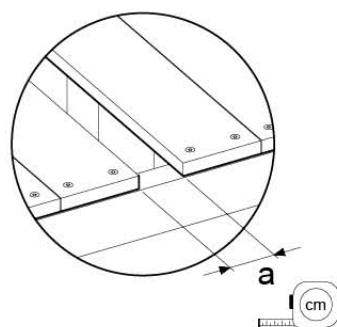
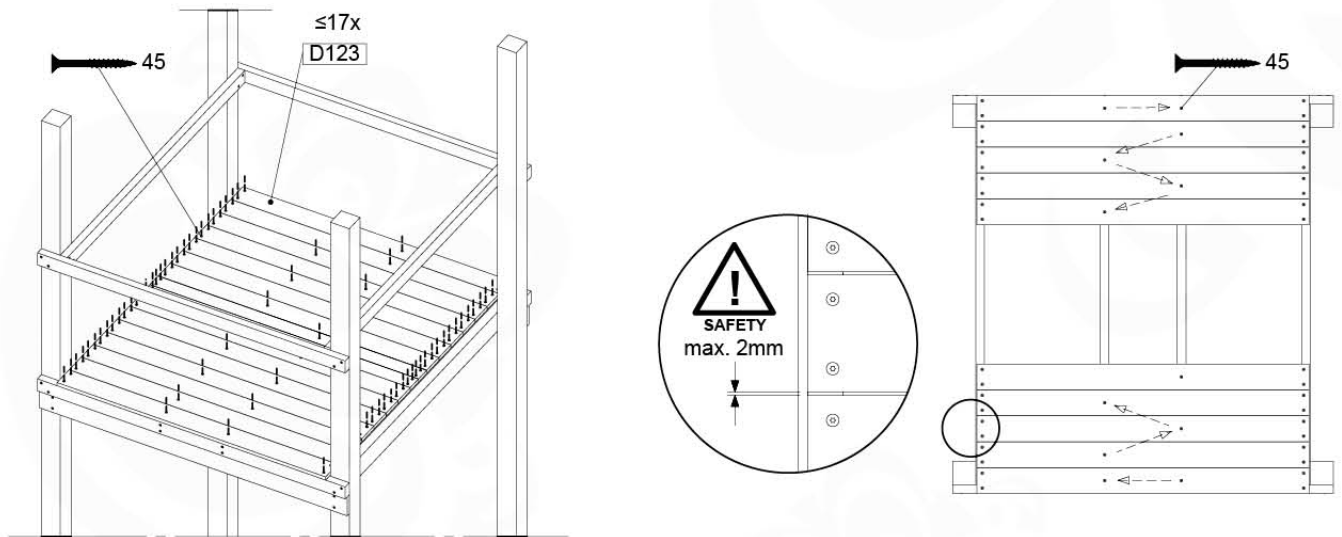
## 07-1



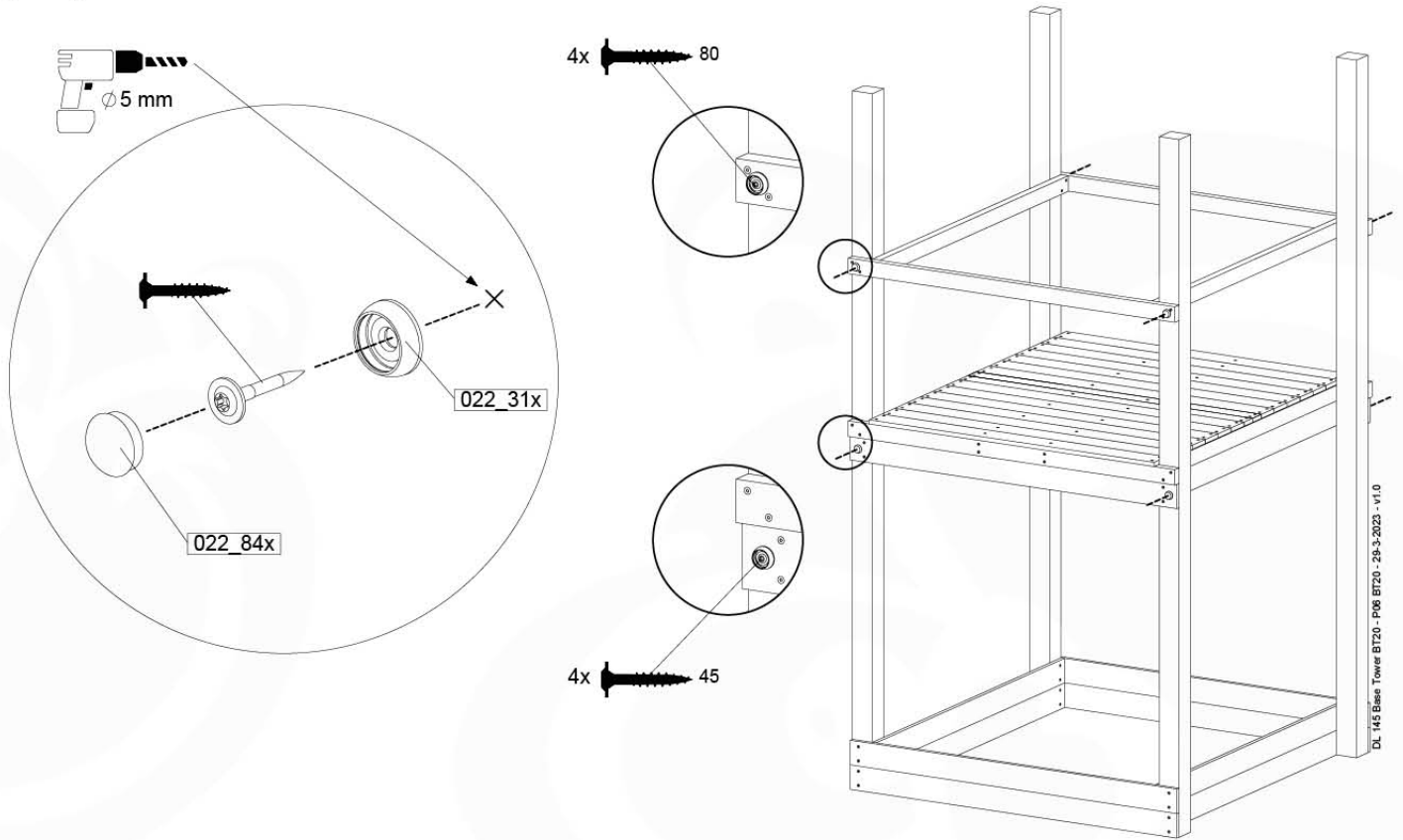
# 07-2



# 07-3



# 07-4

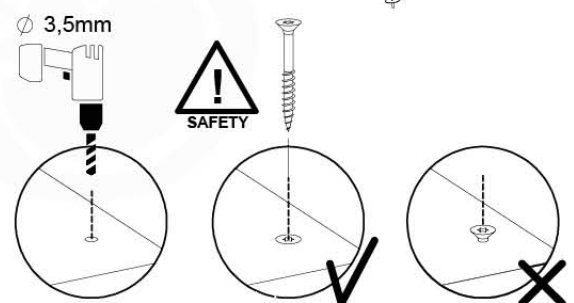
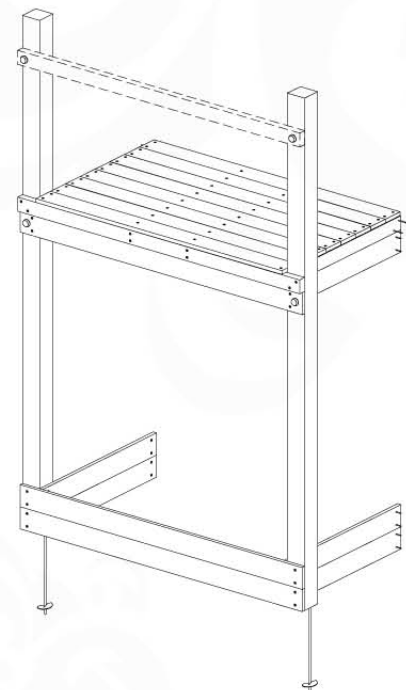


# 08 Extended Tower ET27

( 194\_300 )

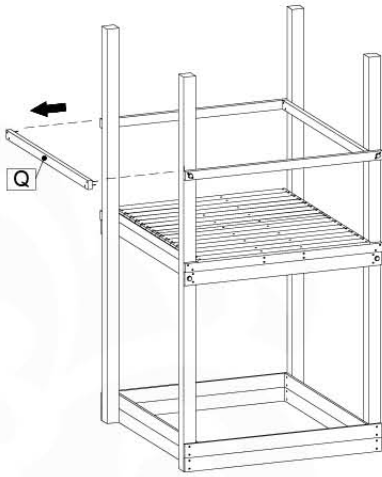
	PartNo	PartName	QTY.
Hardware pack	001_406	Stealth Screw 8x45	4
	001_417	Stealth Screw 8x80	2
	002_220	Gap Point Screw T25 - 5x45	90
	002_223	Gap Point Screw T25 - 5x80	20
Other	007_001	Ground-anchor	2
	022_31x	bpc-base version 3	4
	022_84x	bpc cover	4
Timber	B220	Post 90x90 L2200	2
	C74	Beam 740 mm	4
	C141	Beam 1410 mm	1
	D74	Board 740 mm	6
	D123	Board 1230 mm	9
	D141	Board 1410 mm	3

Extension Tower 14080 - P02 - ET27 - 13/06/2023 - v1

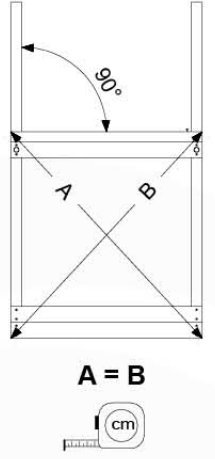
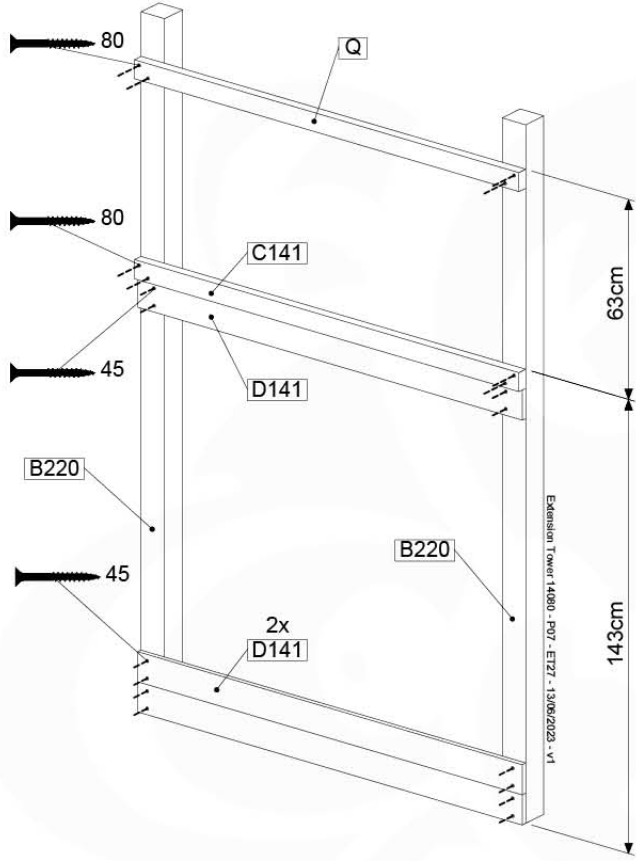




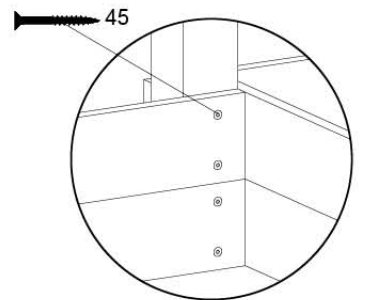
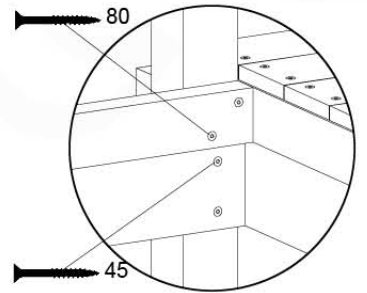
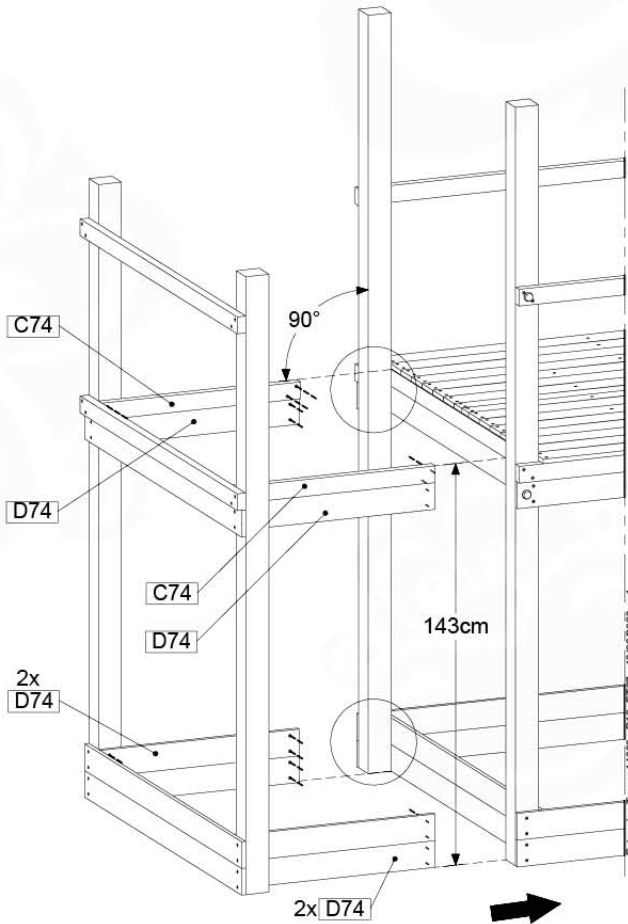
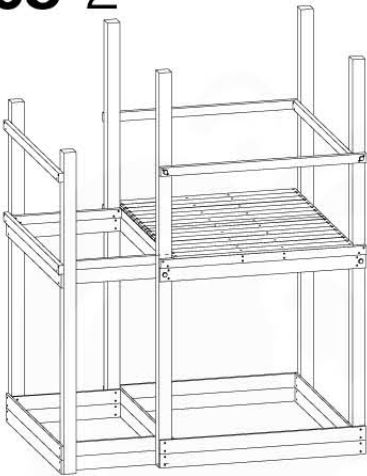
# 08-1



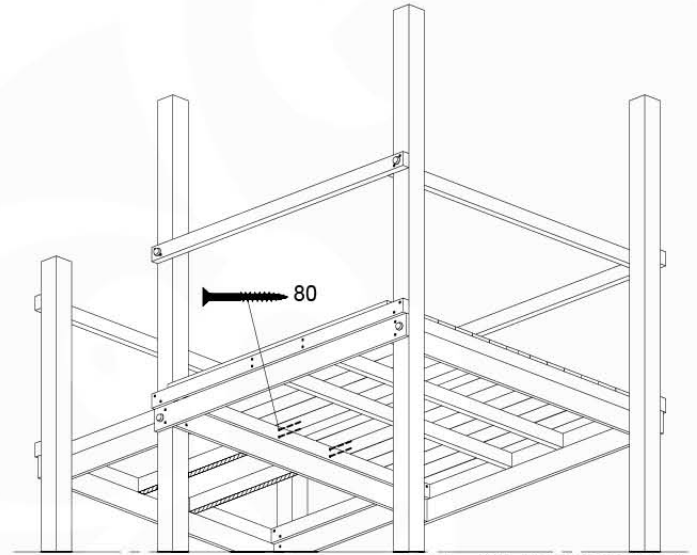
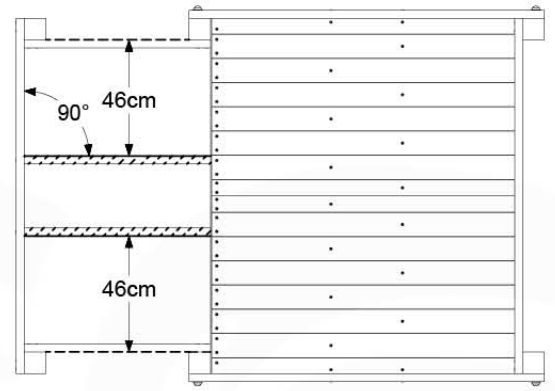
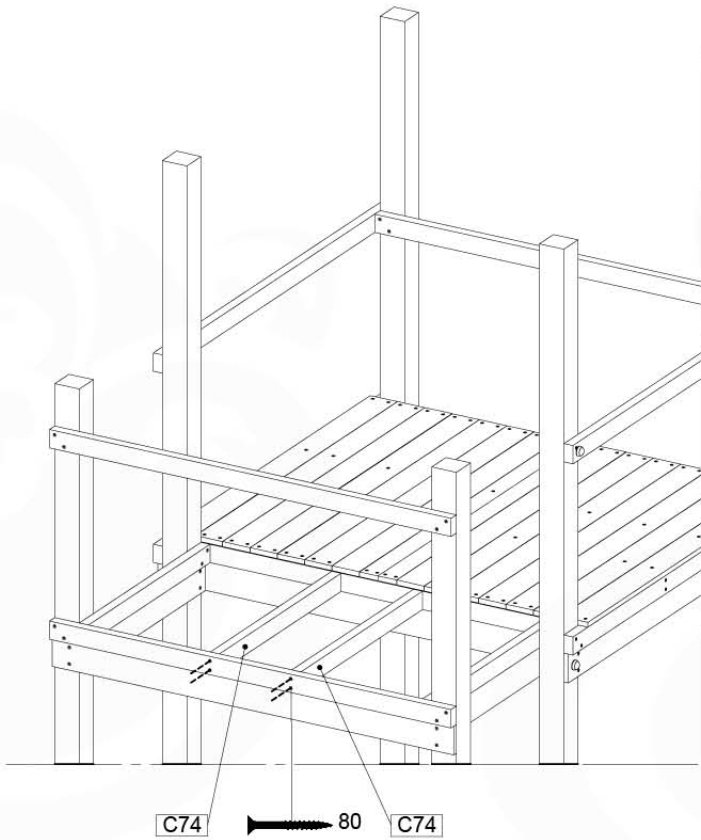
Base Tower



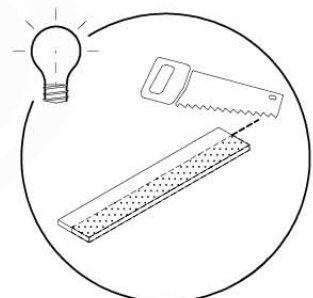
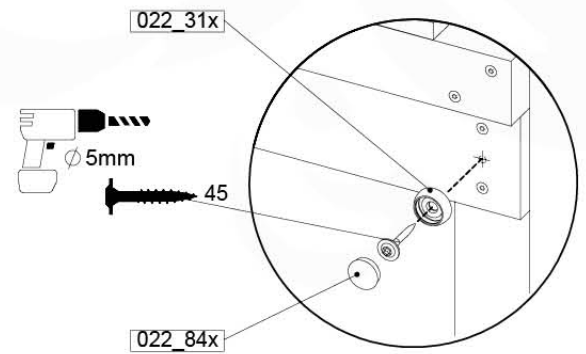
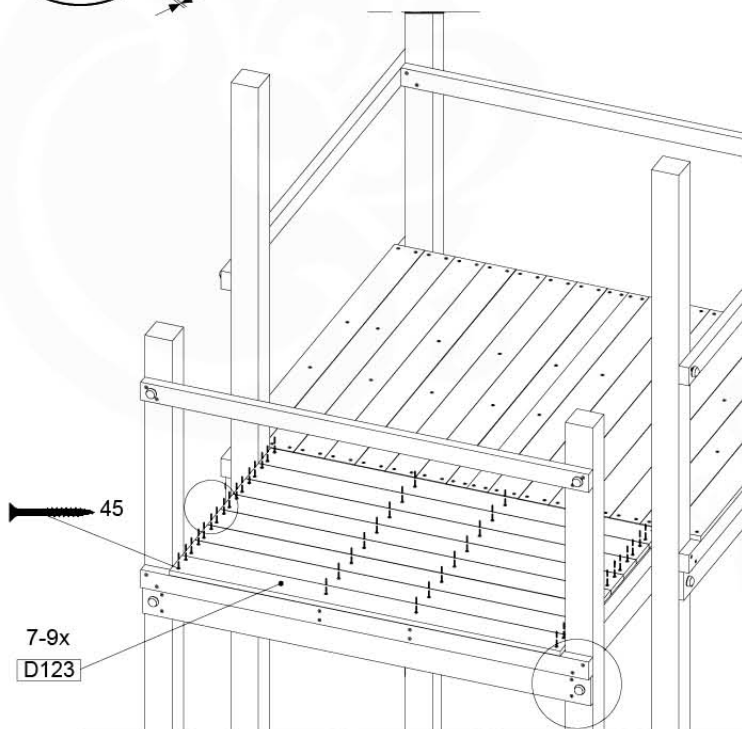
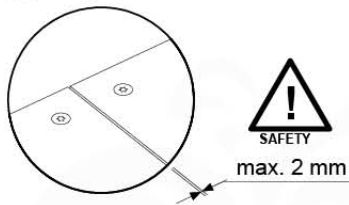
# 08-2



# 08-3



# 08-4



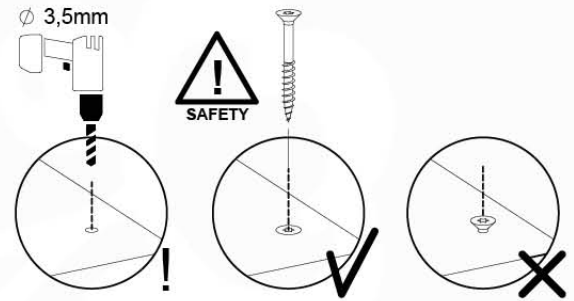
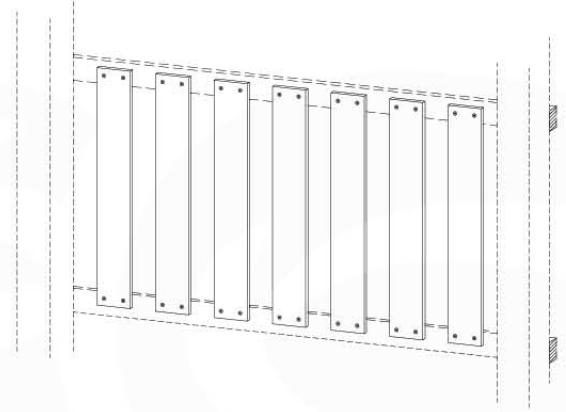
# 09 Balustrade (1x)

BL05

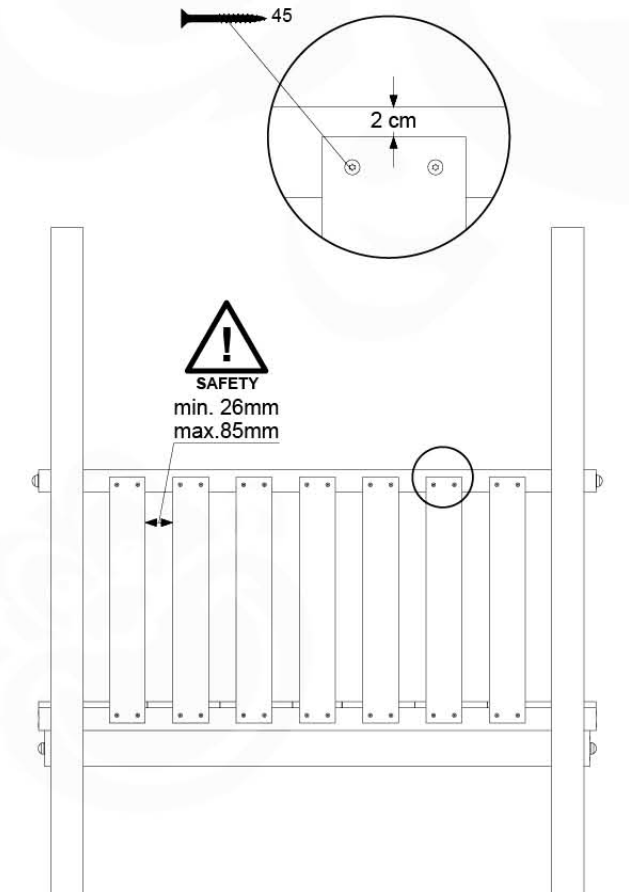
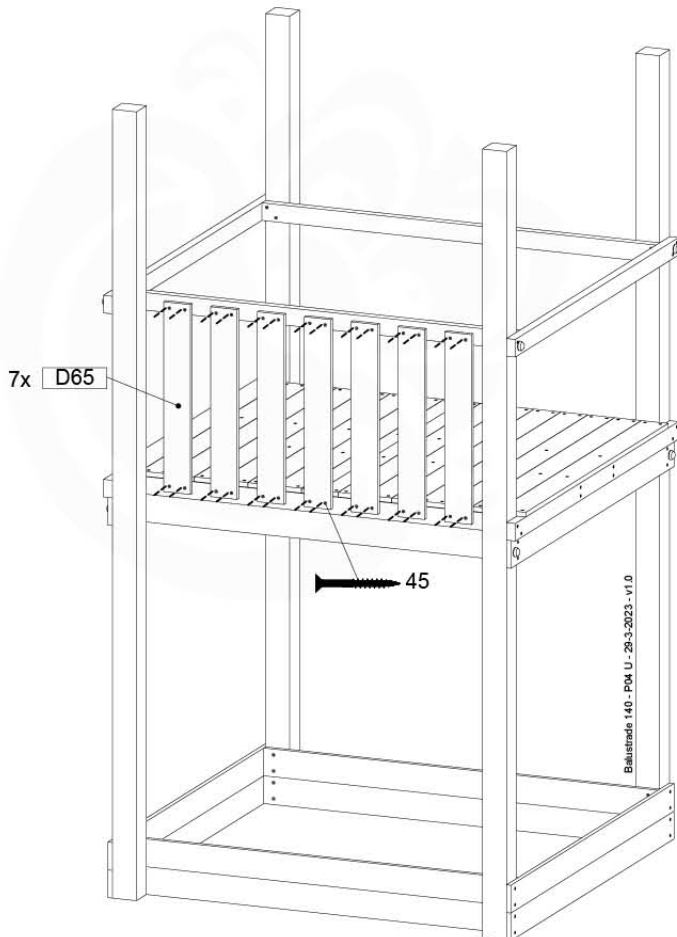
( 194\_501 )

	PartNo	PartName	QTY.
Hardware pack	002_220	Gap Point Screw T25 - 5x45	28
Timber	D65	Board 650 mm	7

Balustrade 140 - P02 U - 29-3-2023 - v1.0



## 09-1



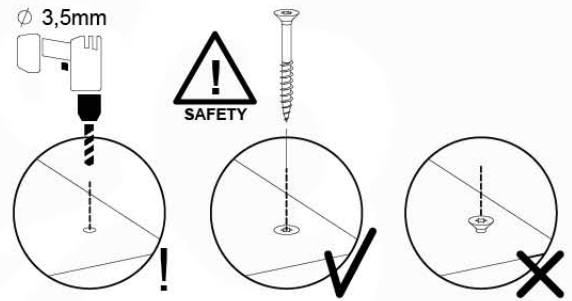
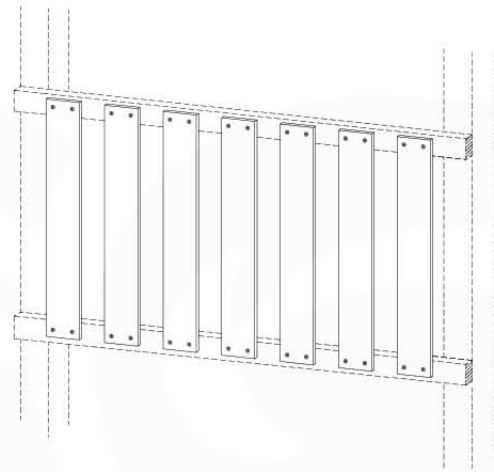
# 10 Balustrade (1x)

BL06

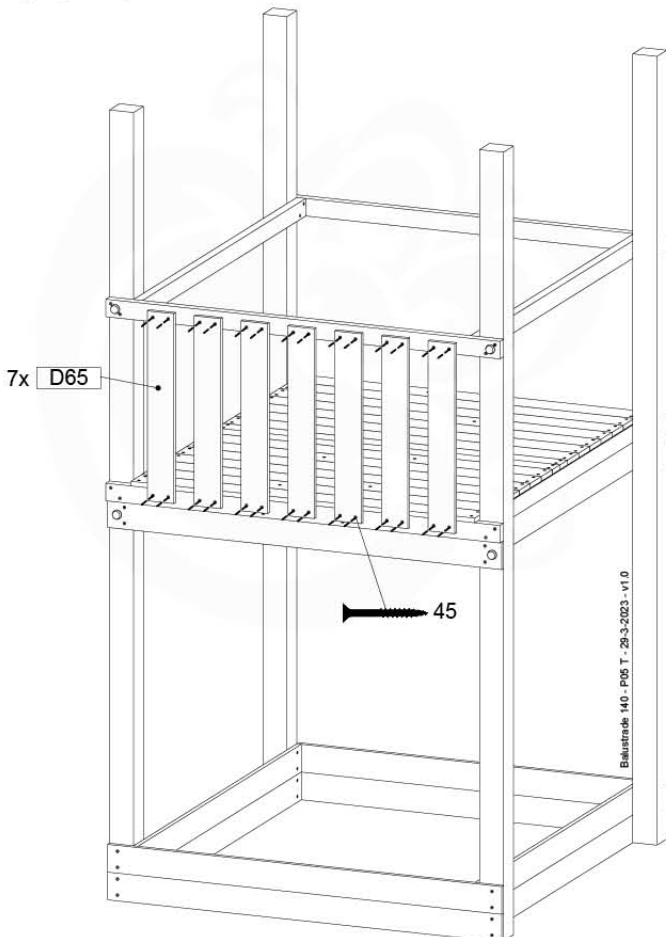
( 194\_501 )

	PartNo	PartName	QTY.
Hardware pack	002_220	Gap Point Screw T25 - 5x45	28
Timber	D65	Board 650 mm	7

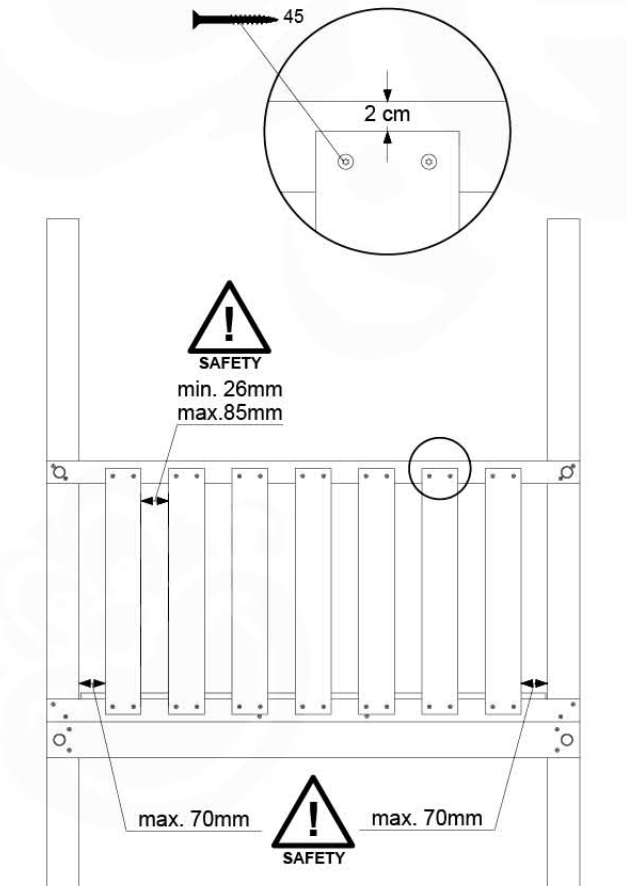
Balustrade 140 - P03 T - 29-3-2023 - v1.0



## 10-1

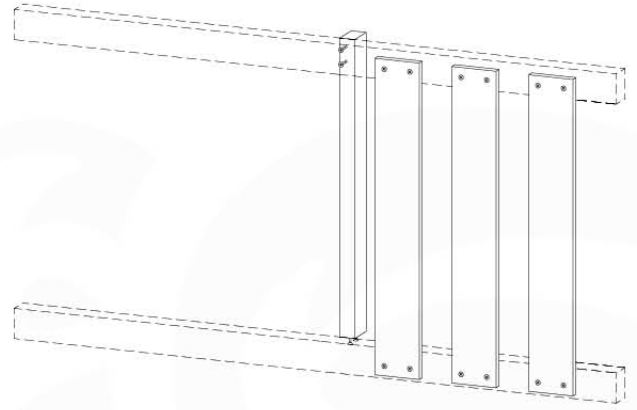


Balustrade 140 - P05 T - 29-3-2023 - v1.0



# 11 Balustrade (1x)

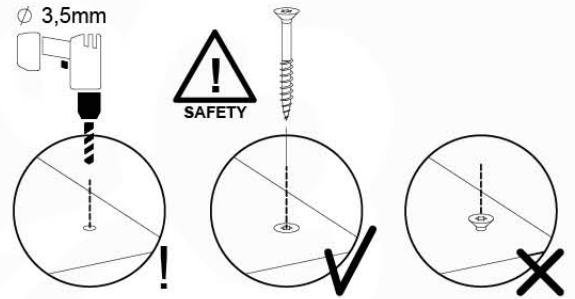
BL10



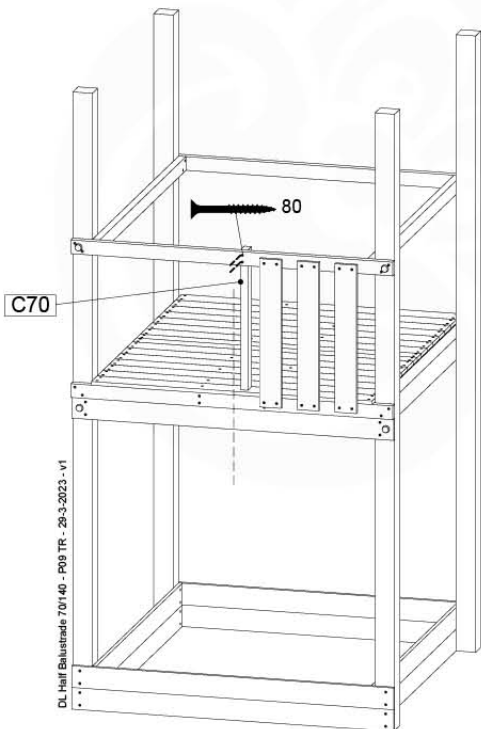
( 194\_101 )

	PartNo	PartName	QTY.
Hardware pack	002_220	Gap Point Screw T25 - 5x45	12
	002_223	Gap Point Screw T25 - 5x80	4
Timber	C70	Beam 700 mm	1
	D65	Board 650 mm	3

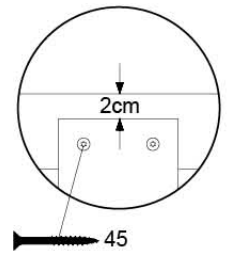
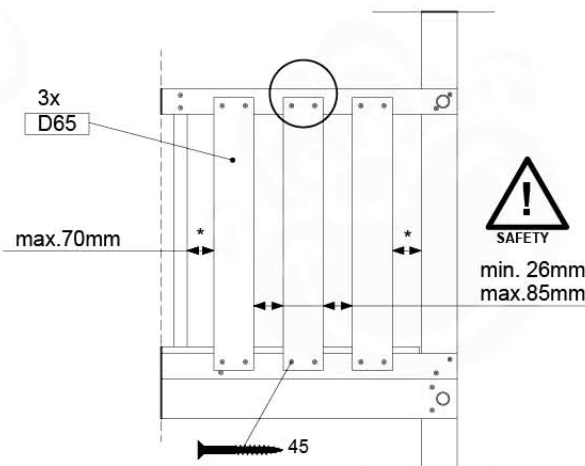
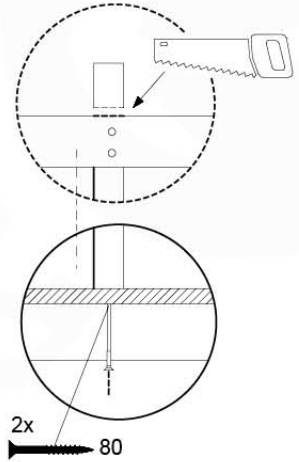
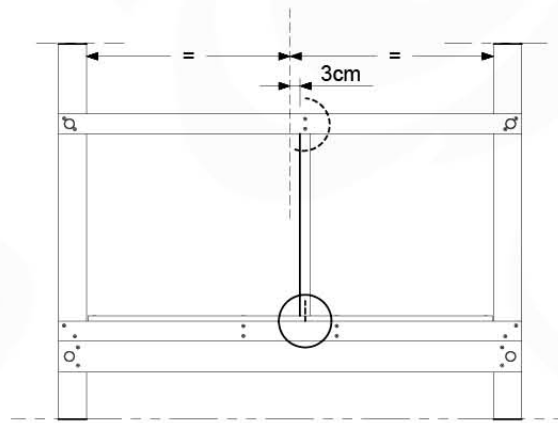
DL Half Balustrade 701/40 - P09 TR - 29-5-2023 - v1



## 11-1



DL Half Balustrade 701/40 - P09 TR - 29-5-2023 - v1





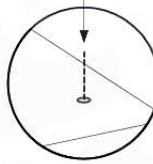
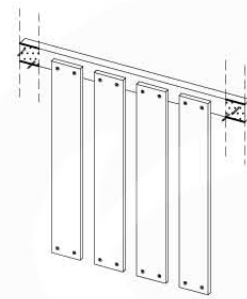
# 12 Balustrade (2x)

BL21

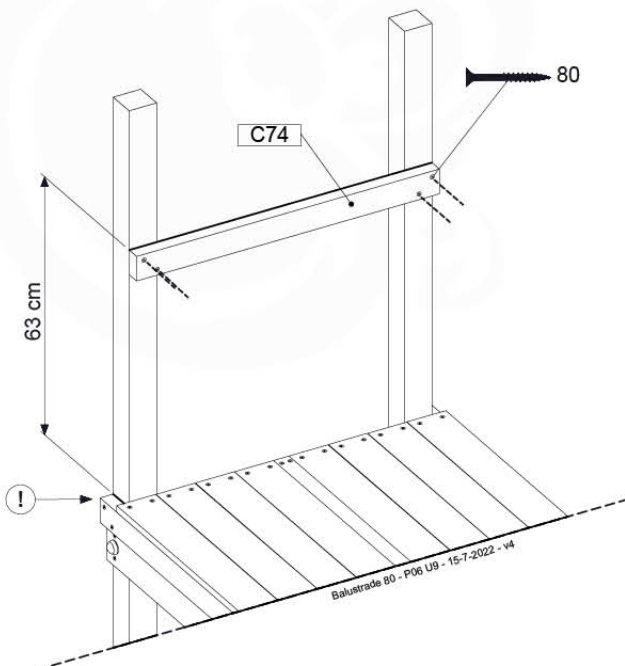
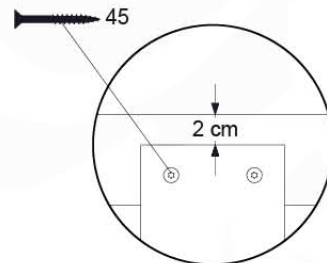
( 194\_101 )

	PartNo	PartName	QTY.
Hardware Pack	002_220	Gap Point Screw T25 - 5x45	16
	100_601	Gap Point Screw T25 - 5x80	4
Timber	C74	Beam 740 mm	1
	D65	Board 650 mm	4

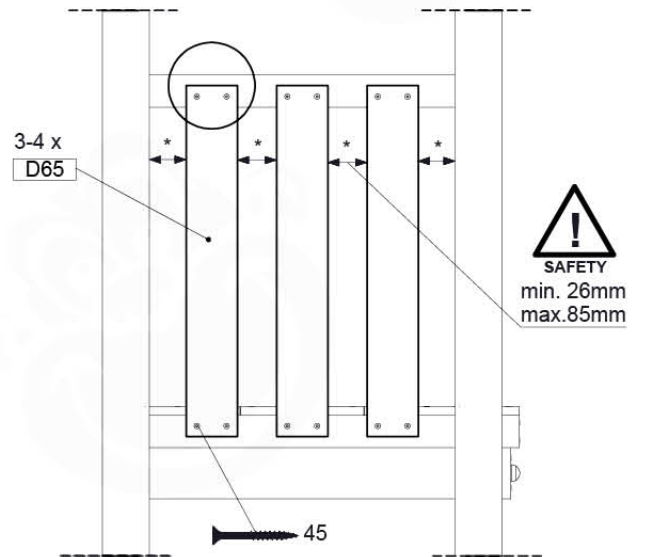
Balustrade 80 - P02 UJ - 15-7-2022 - v4



## 12-1



Balustrade 80 - P06 U9 - 15-7-2022 - v4



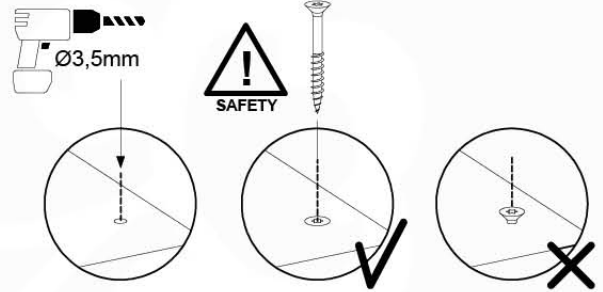
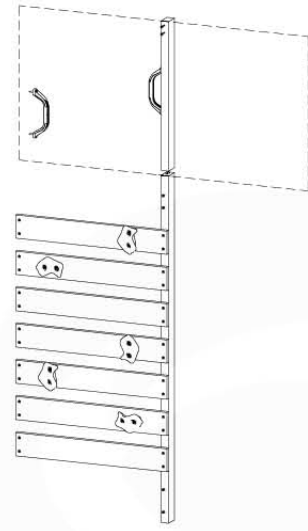
# 13 Rock Wall

RW19

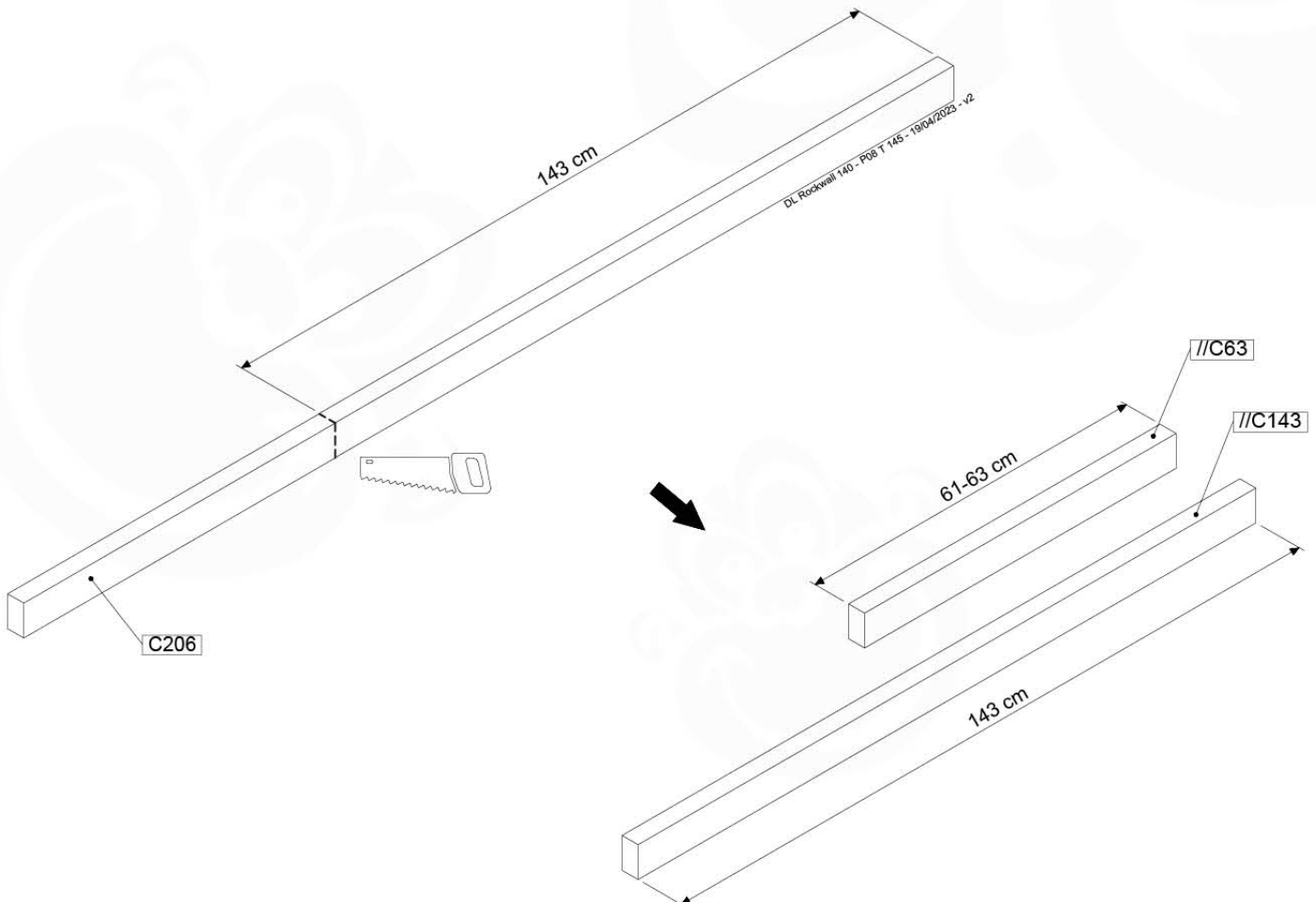
( 194\_006 )

	PartNo	PartName	QTY.
Hardware pack	001_102	Washer Head Screw T40 M8x30	10
	002_220	Gap Point Screw T25 - 5x45	32
	002_223	Gap Point Screw T25 - 5x80	5
	003_010	M8 spring lock washer	10
	004_050	M8 Drive-in Nut 22mm	10
Other	022_50x	Climbing Rock	5
	120_102	Handgrip set (complete 2x)	1
Timber	C206	Beam 2060 mm	1
	D65	Board 650 mm	7

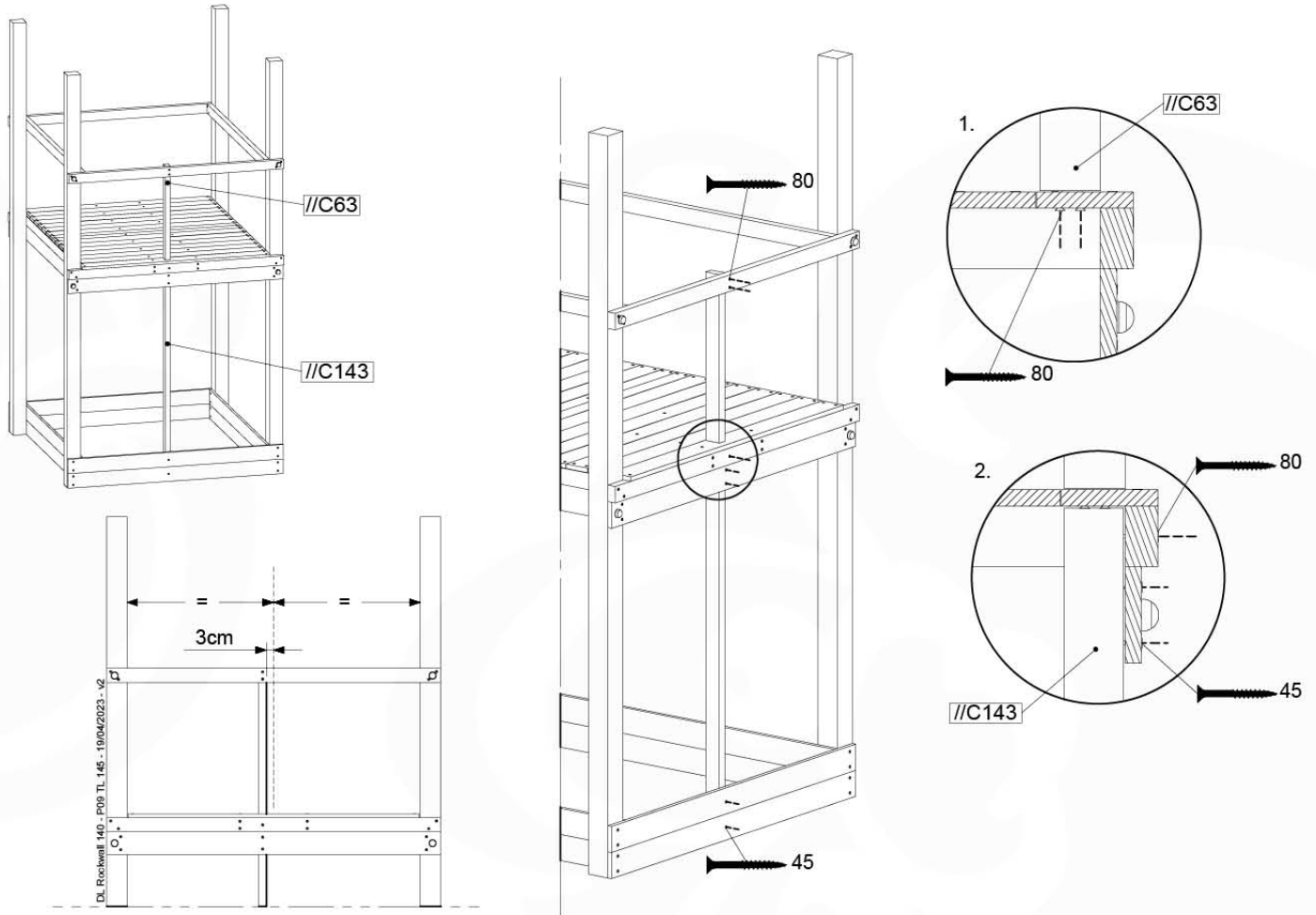
DL Rockwall 140 - P04 TL 145 - 19/04/2023 - v2



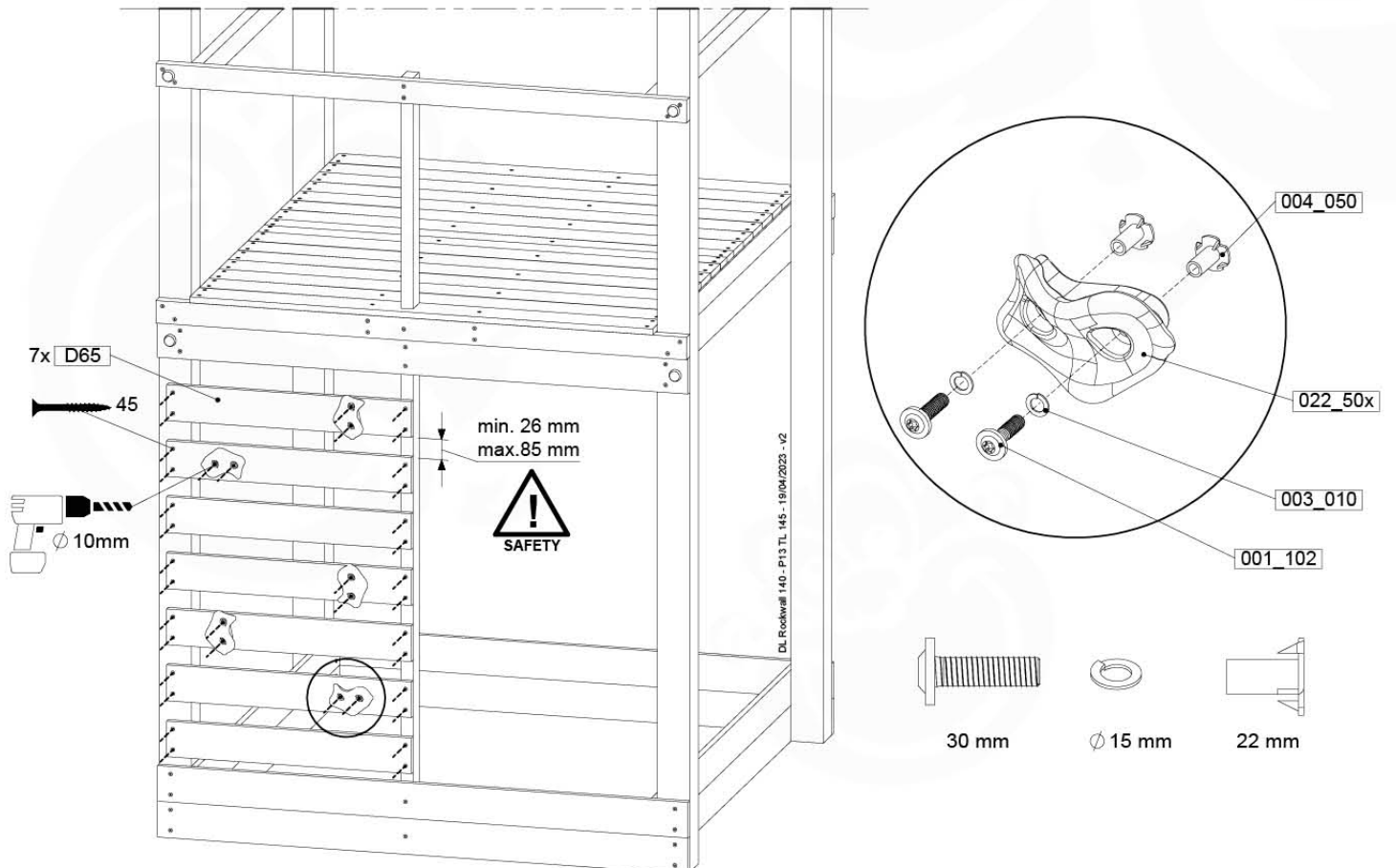
## 13-1



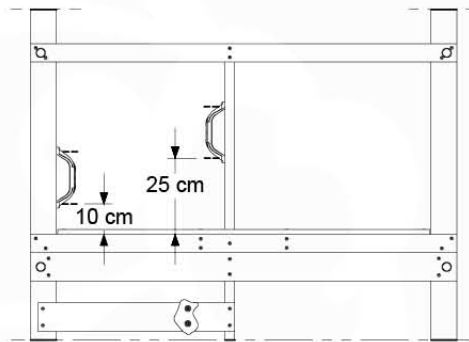
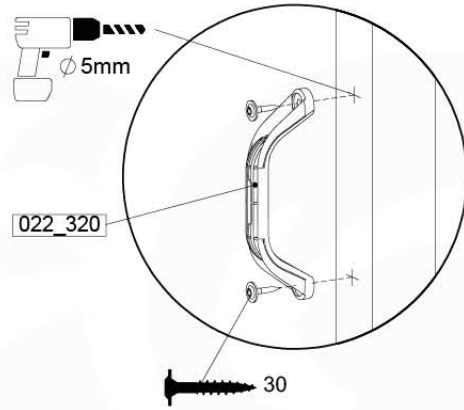
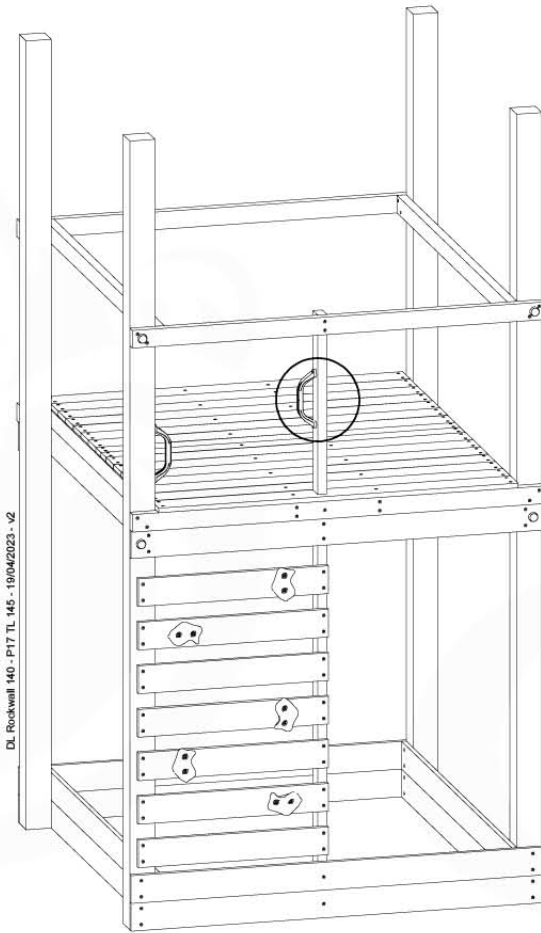
# 13-2



# 13-3

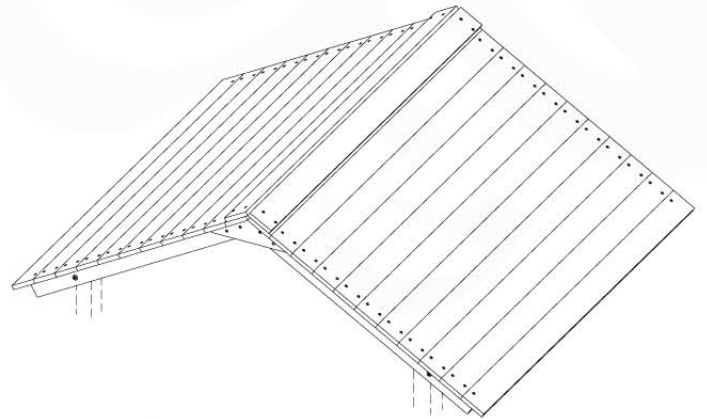


# 13-4



# 14 Roof

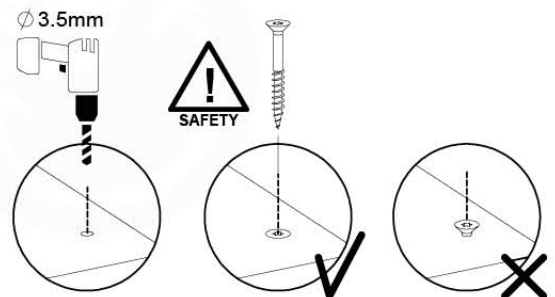
## RF15



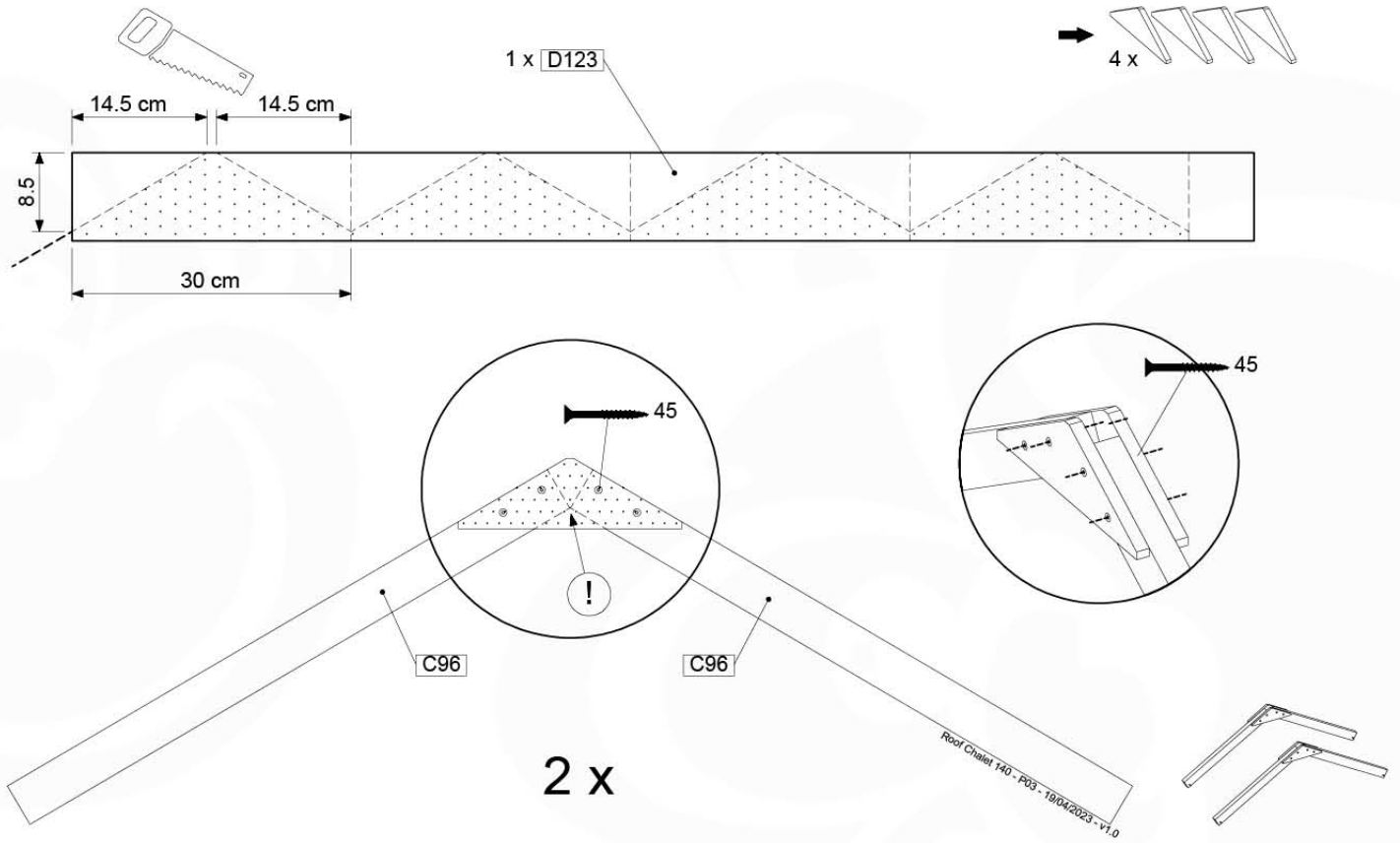
( 194\_508 )

	PartNo	PartName	QTY.
Hardware pack	001_417	Stealth Screw 8x80	4
	002_220	Gap Point Screw T25 - 5x45	108
Timber	C96	Beam 960 mm	4
	D123	Board 1230 mm	1
	D154	Board 1540 mm	24

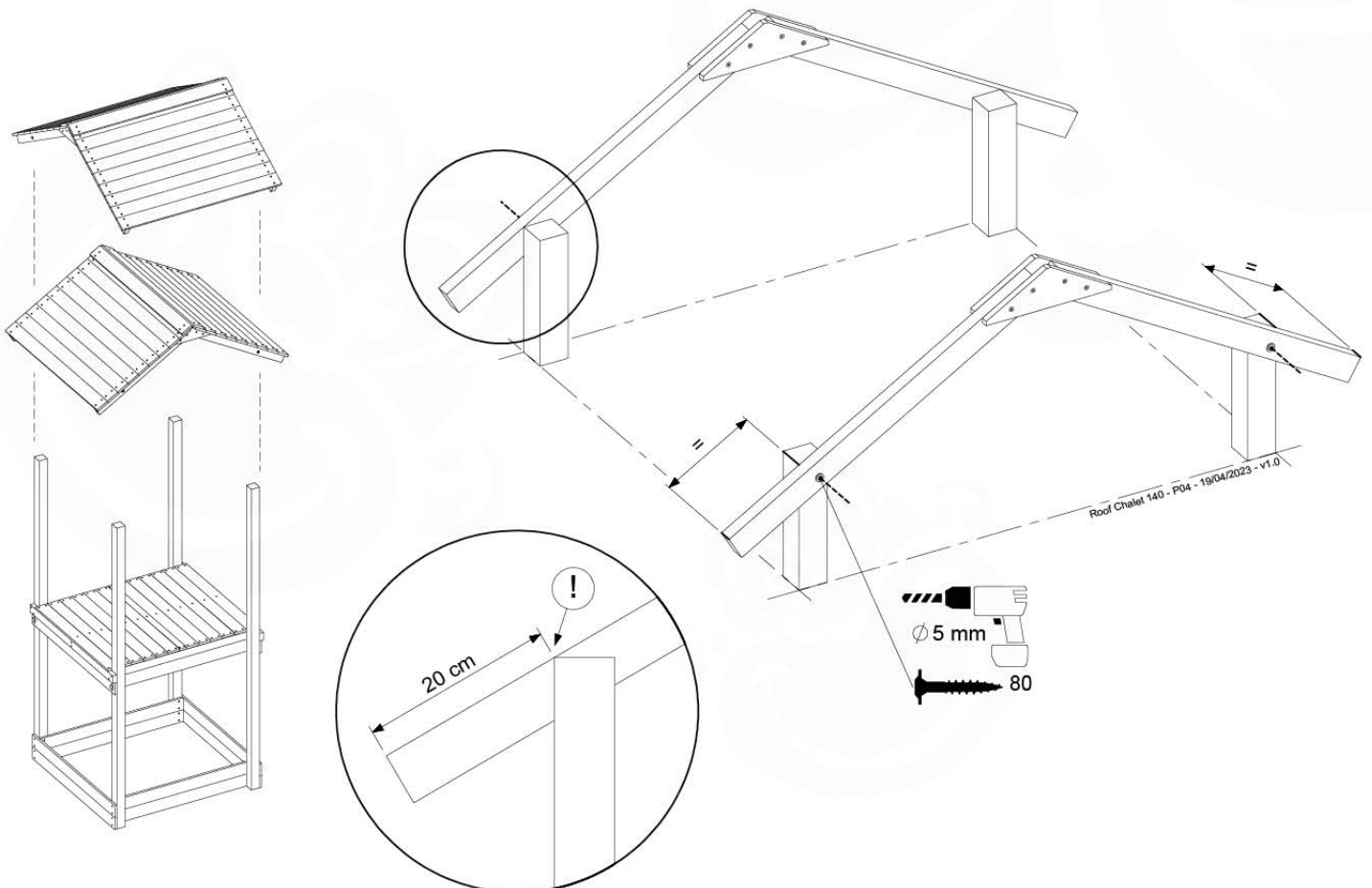
Roof Chalet 140 - P02 - 19/04/2023 - v1.0



# 14-1

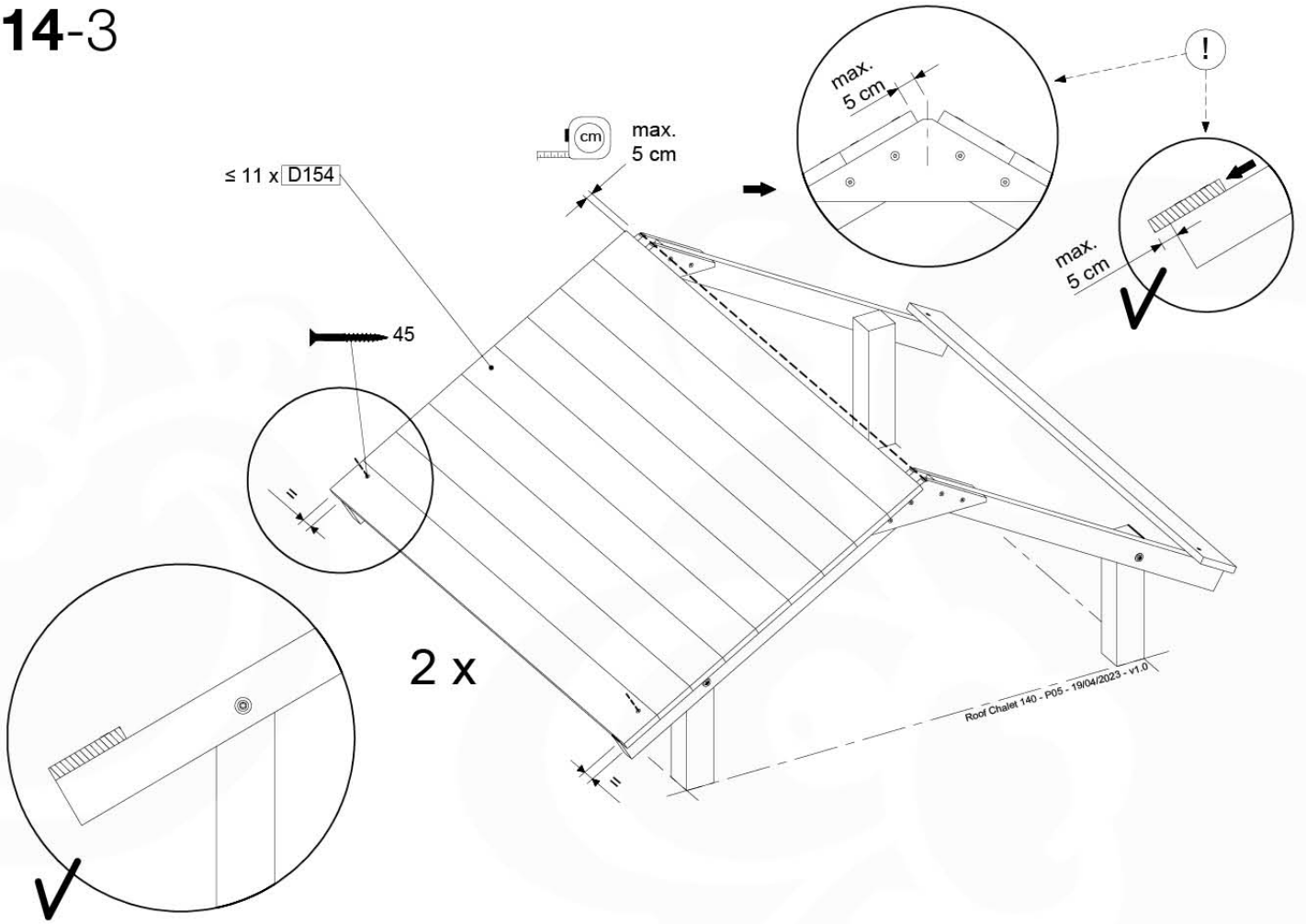


# 14-2

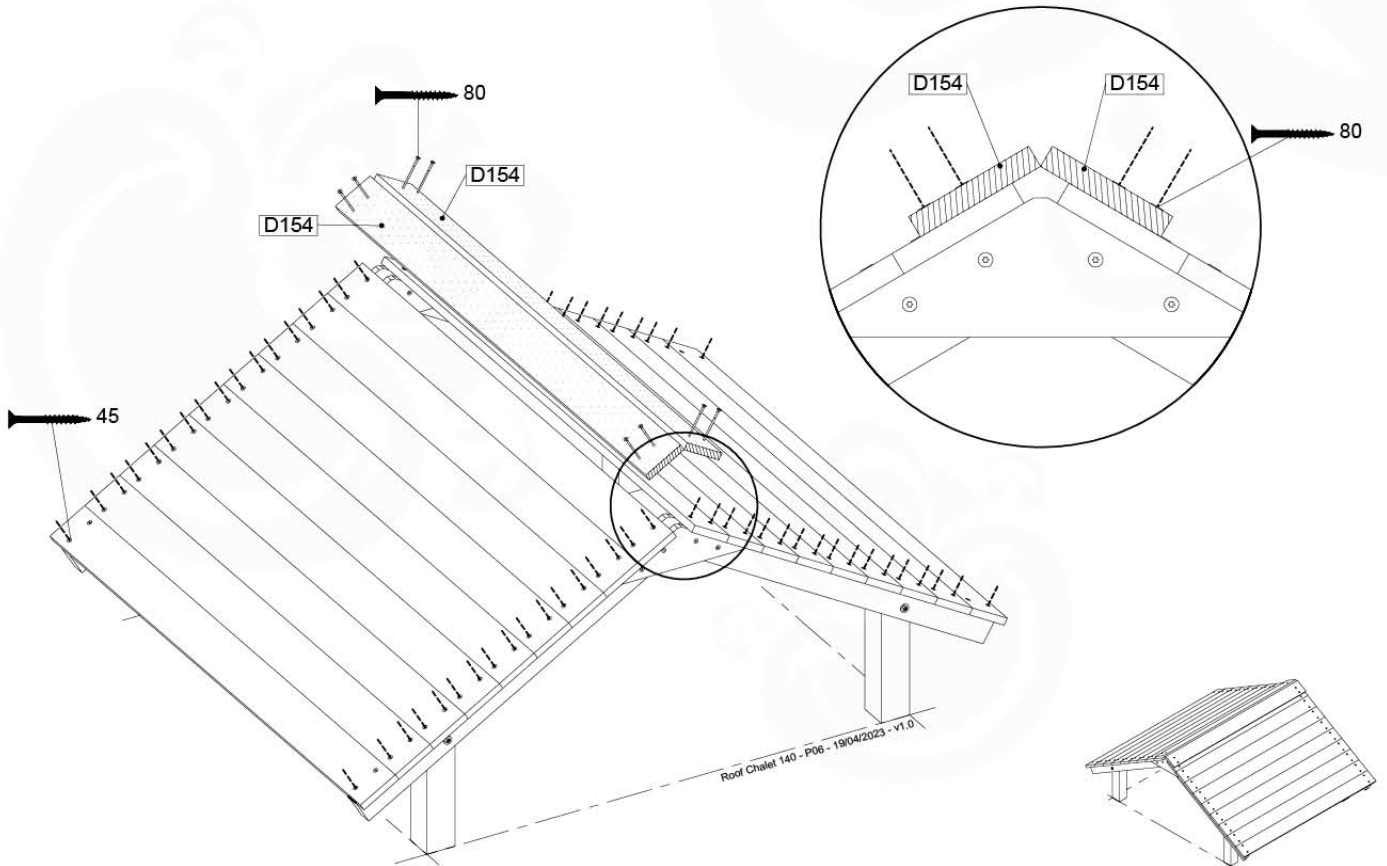




# 14-3



# 14-4



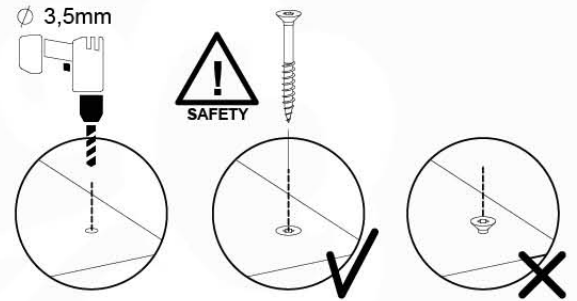
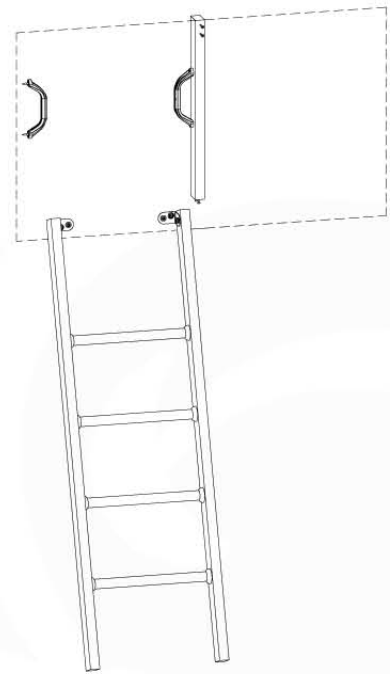
# 15 Ladder

LA25

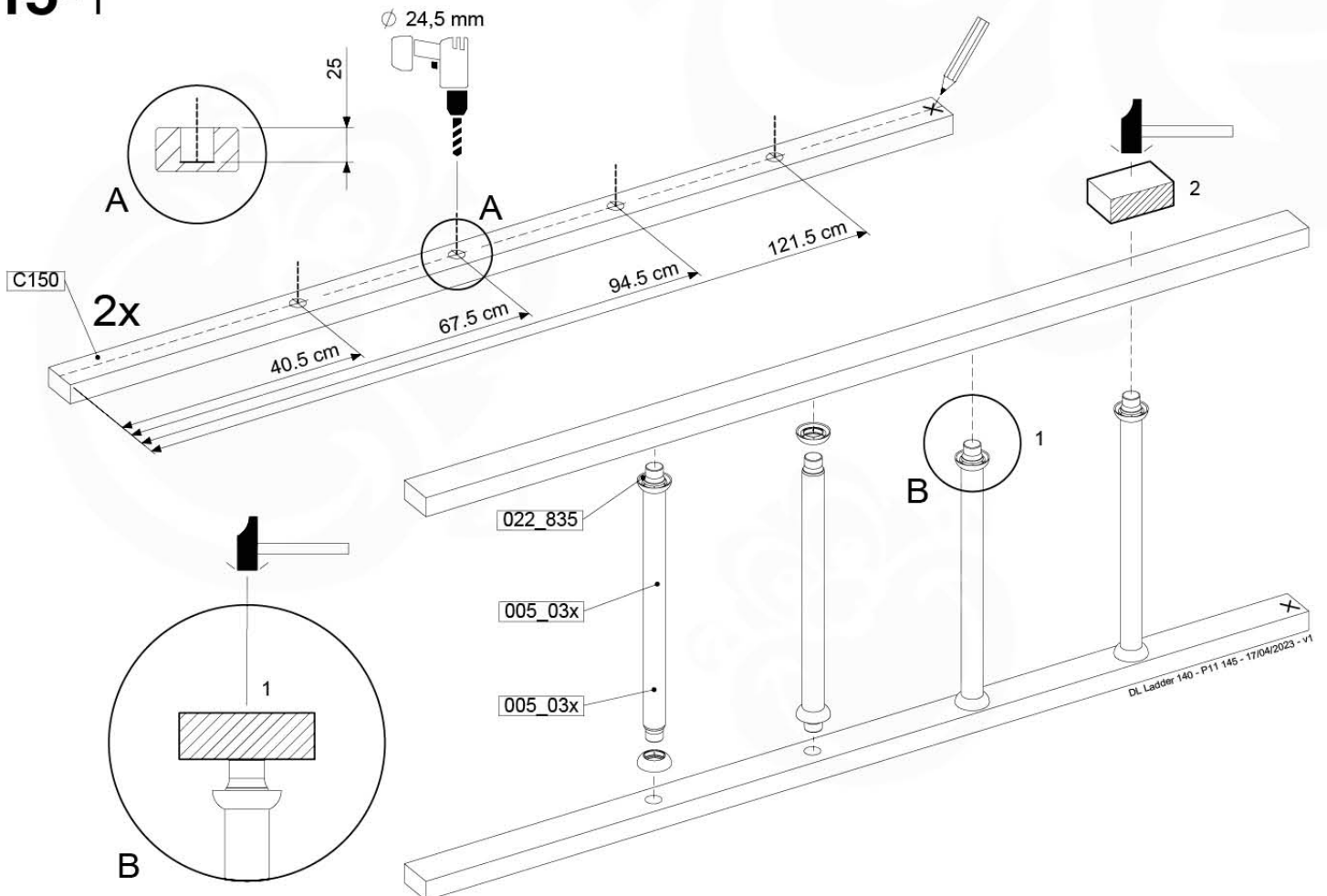
( 194\_004 )

	PartNo	PartName	QTY.
Hardware pack	001_404	Stealth Screw 8x30	4
	002_219	Gap Point Screw T25 - 5x30	4
	002_220	Gap Point Screw T25 - 5x45	8
	002_223	Gap Point Screw T25 - 5x80	4
Other	005_03x	Ladder Rung Y/B/G/R	4
	005_522	Connection Bracket Mini Market	2
	022_835	Rung Cap	8
	120_102	Handgrip set (complete 2x)	1
Timber	C70	Beam 700 mm	1
	C150	Beam 1500 mm	2

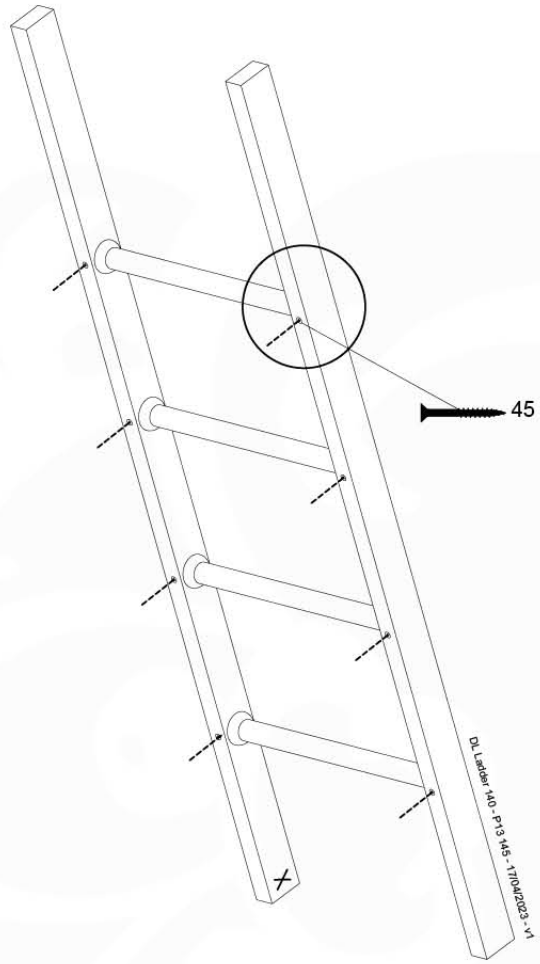
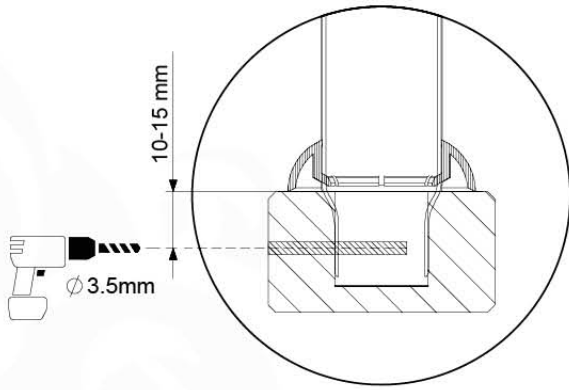
DL Ladder 140 - P08 TL 145 - 17/04/2023 - v1



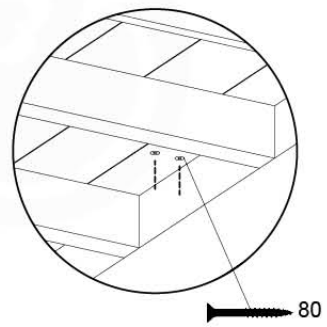
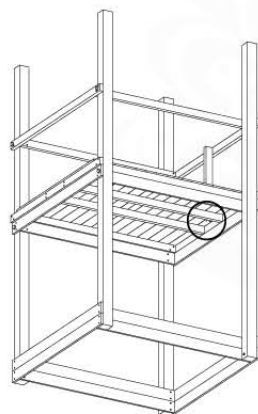
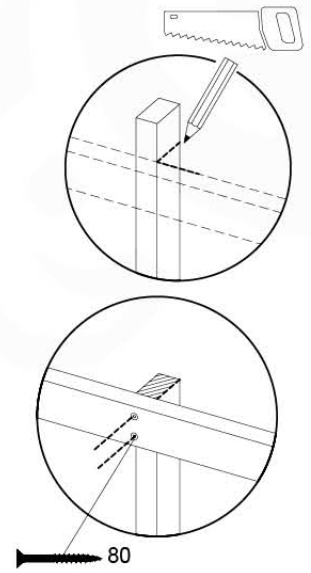
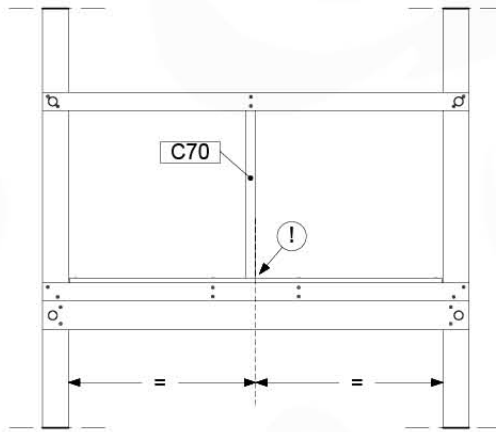
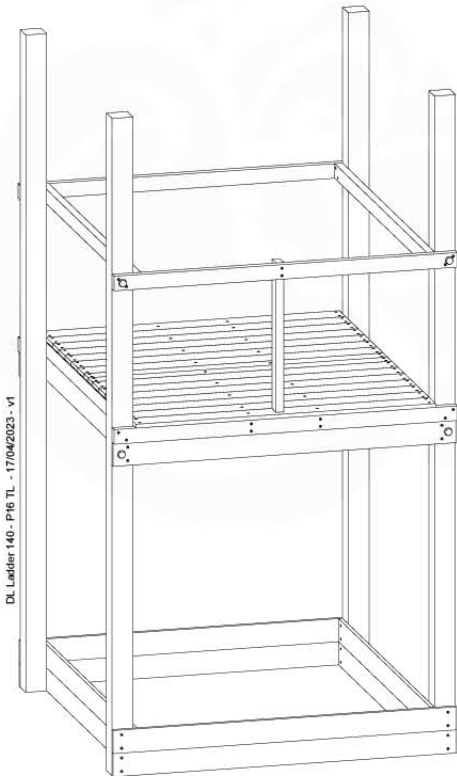
## 15-1



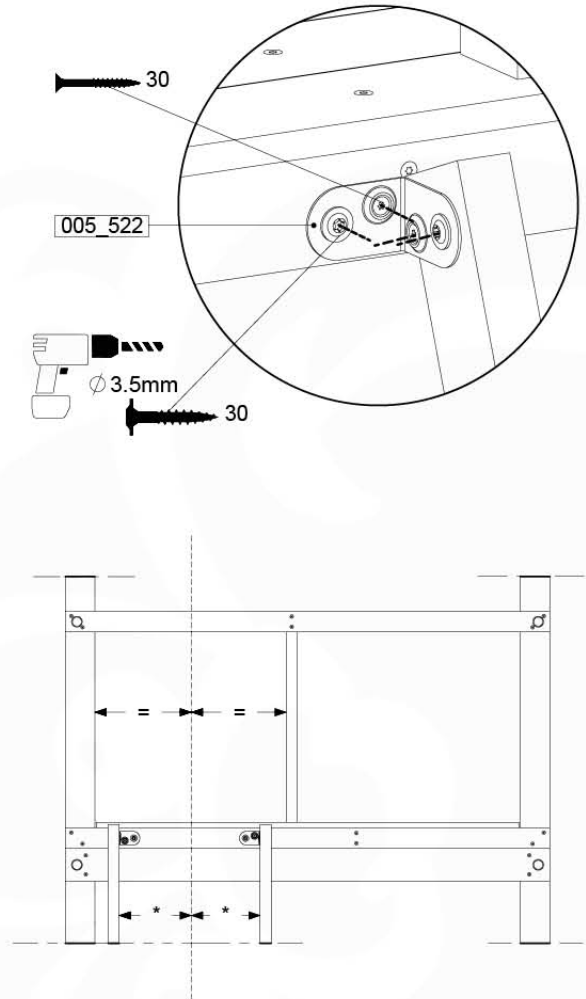
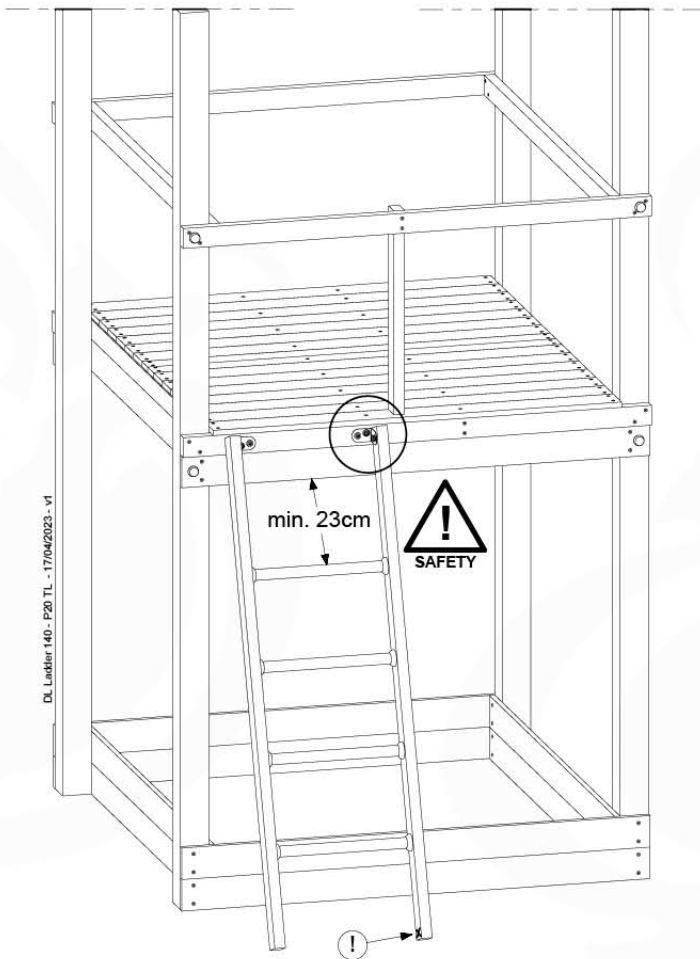
# 15-2



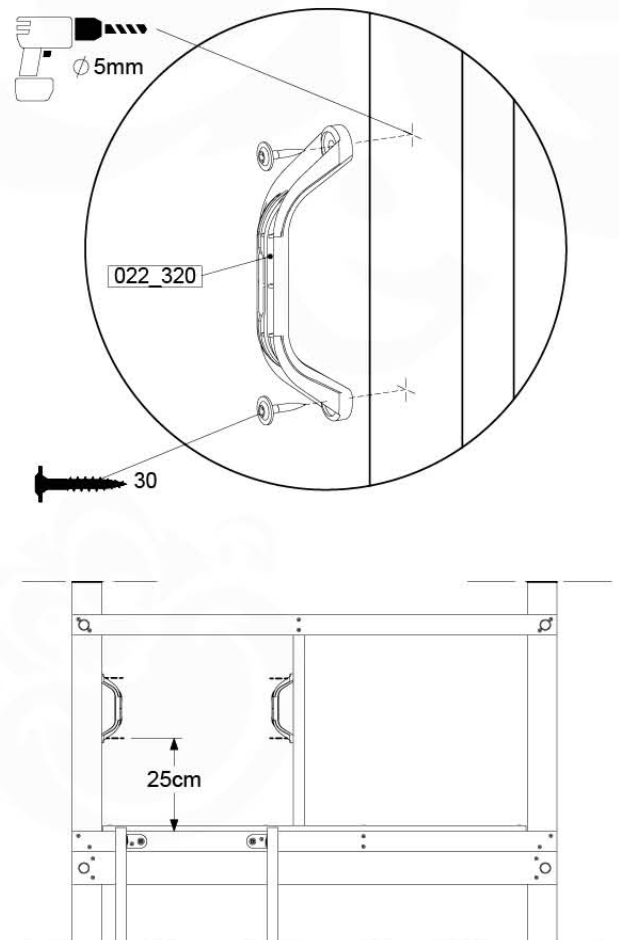
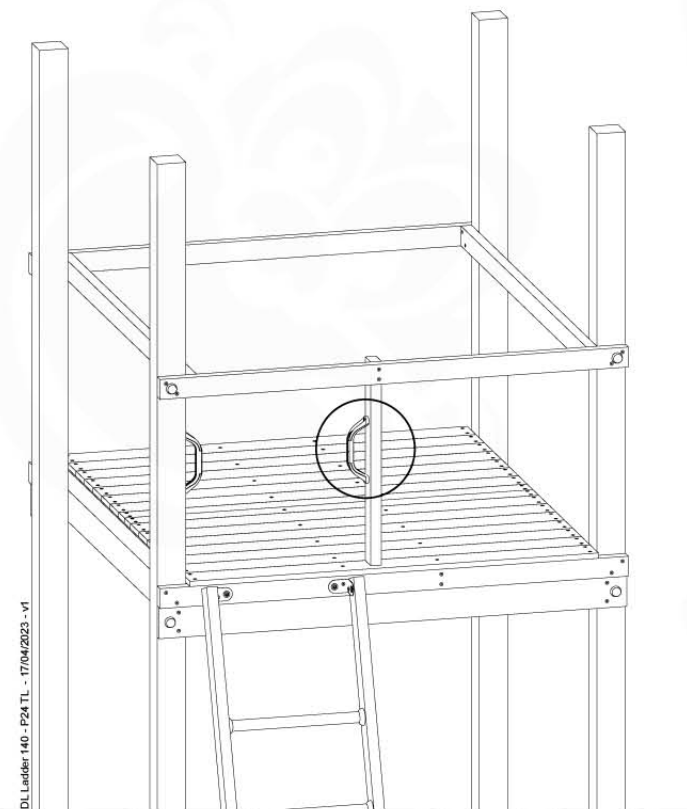
# 15-3



# 15-4



# 15-5



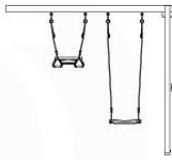
# 16 Swing Module / Climb Module



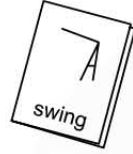
➔ 17



+



➔



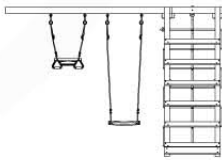
➔

17

1-Swing Module / 2-Swing Module  
457\_101  
457\_102



+



➔



➔

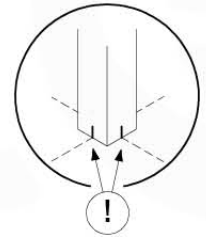
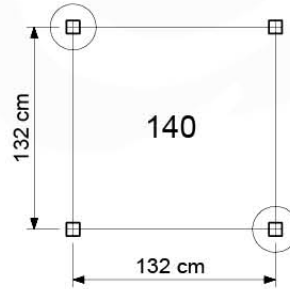
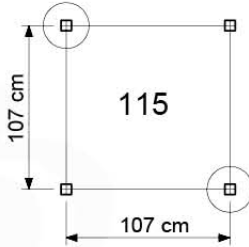
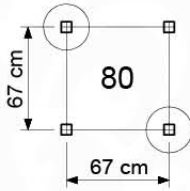
17

1-Climb Module / 2-Climb Module  
457\_105  
457\_106

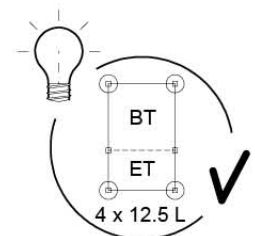
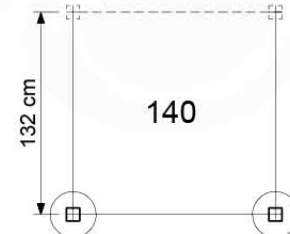
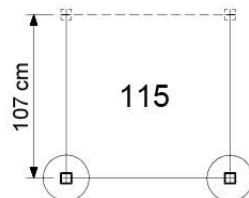
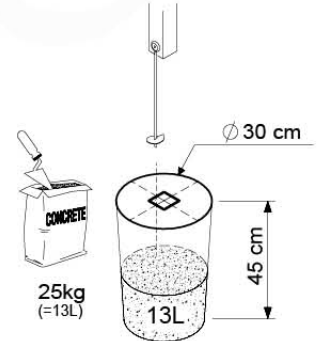
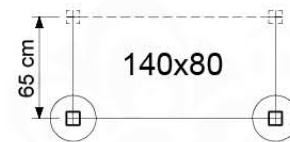
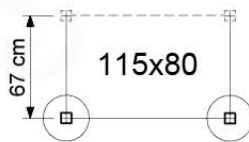
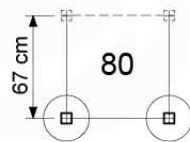
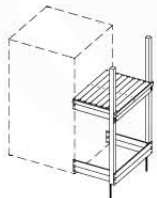
# 17 Ground Anchors

GA11

BASE TOWERS

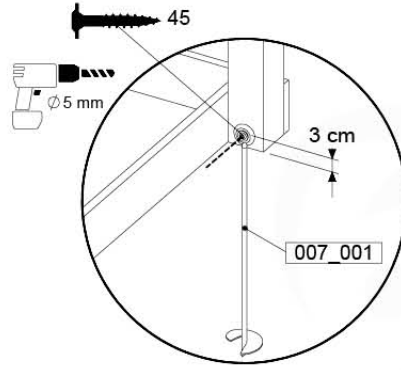
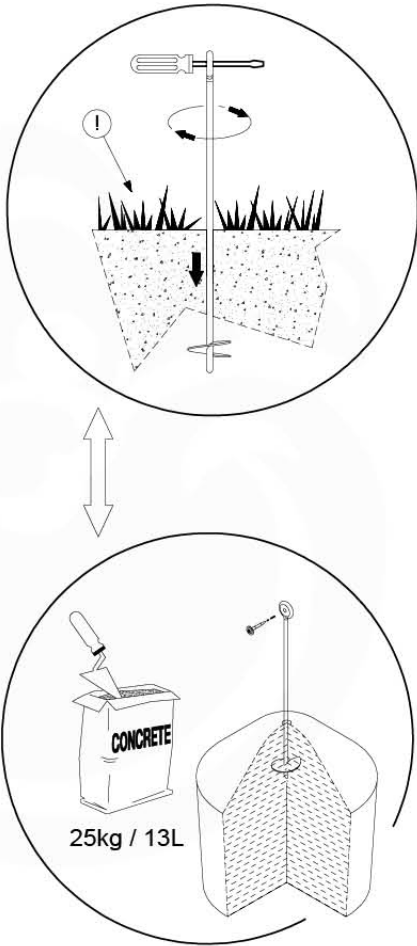


EXTENSION TOWERS

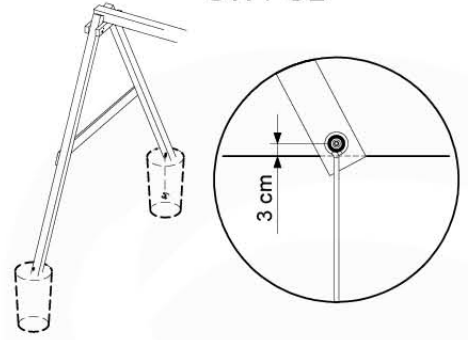




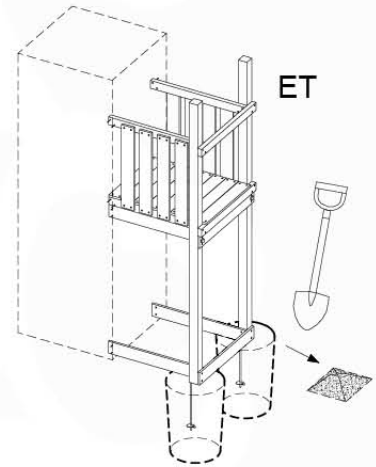
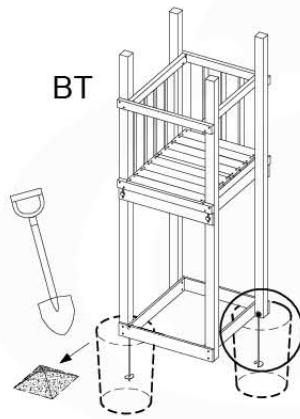
# 17-1



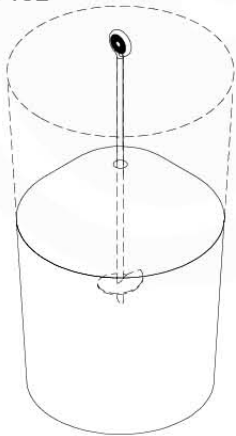
SW / CL



Ground Anchors Uni. - P03 - 04/07/2023 - v1.2



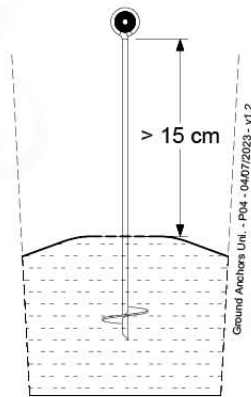
# 17-2



1.



SAFETY

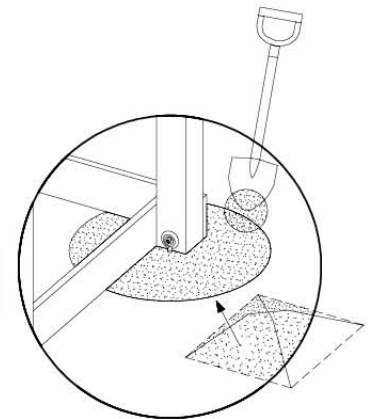


2.

24h



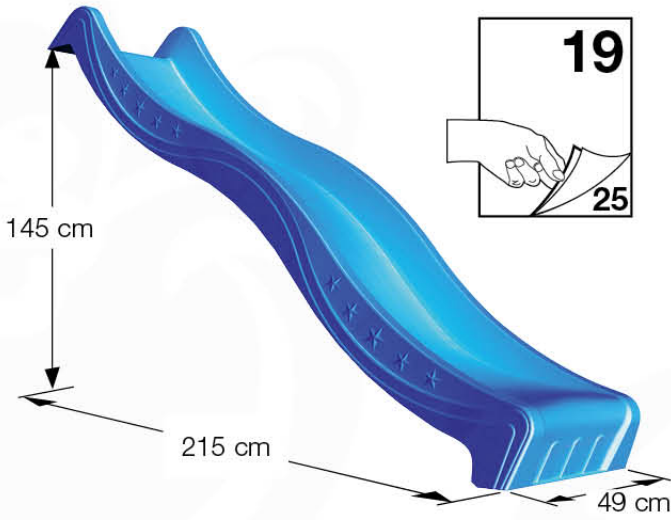
3.



4.

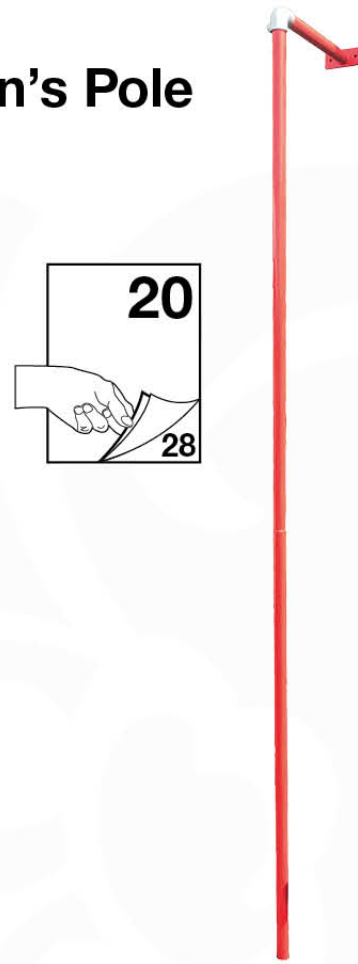
# 18 Add-on Wavy Star Slide XXL

- 334\_100 Yellow
- 334\_200 Blue
- 334\_300 Green
- 334\_400 Red
- 334\_500 Fuchsia
- 334\_600 Dark Green



# Fireman's Pole

201\_275

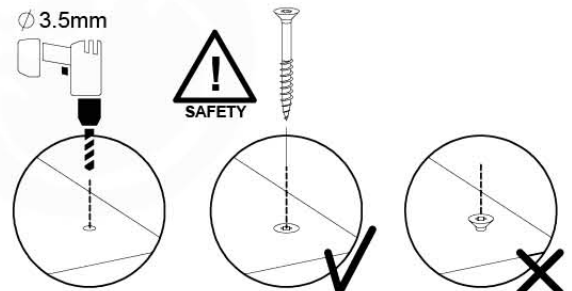
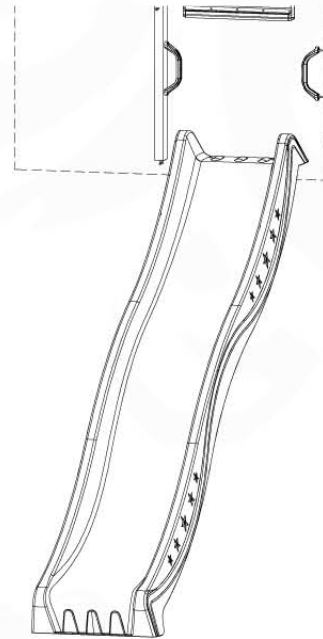


# 19 Slide SL29

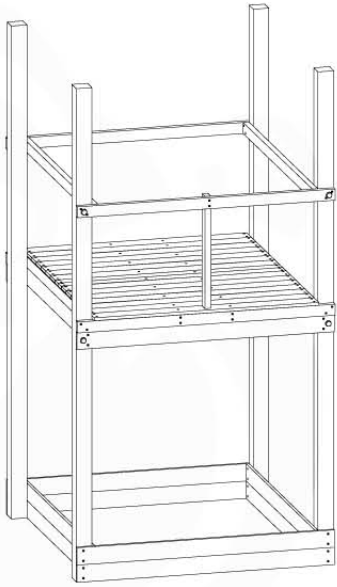
( 194\_107 )

	PartNo	PartName	QTY.
Hardware pack	000_101	Nail Pan Head	10
	002_223	Gap Point Screw T25 - 5x80	4
	002_308	Gap Point Screw T25 - 5x20	2
Other	120_102	Handgrip set (complete 2x)	1
	123_200	Bumperpad	1
	334_xxx / 324_xxx	Wavy Star Slide XXL 2650 mm / Wavy Star Slide XL 2200 mm	1
Timber	C70	Beam 700 mm	1

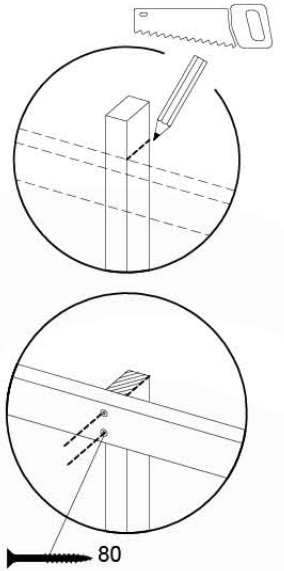
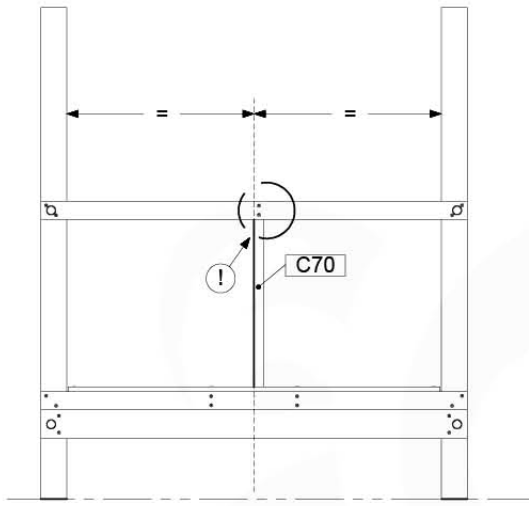
DL SLIDE 7/01/140 - P06 TR - 2004/2023 - v1



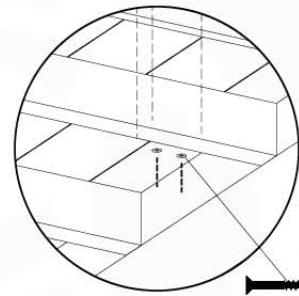
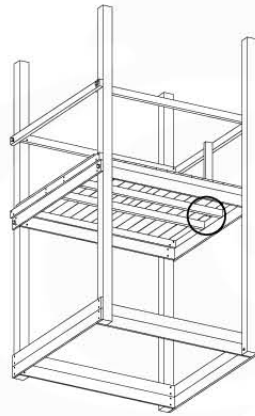
# 19-1



DL SLIDE 70140 - P08 TR - 20/04/2023 - v1

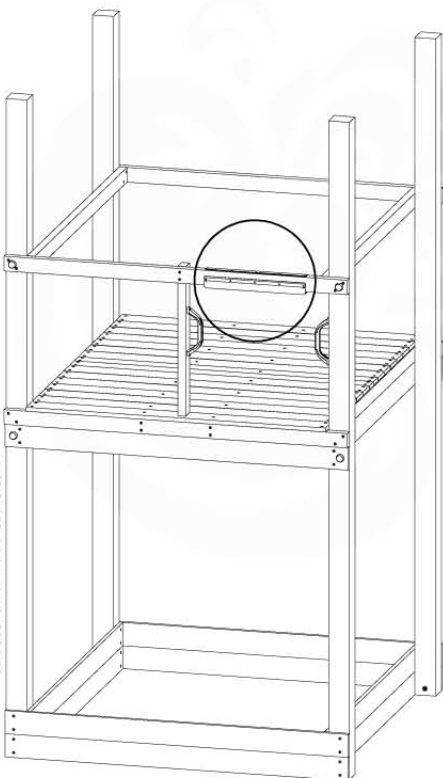


80

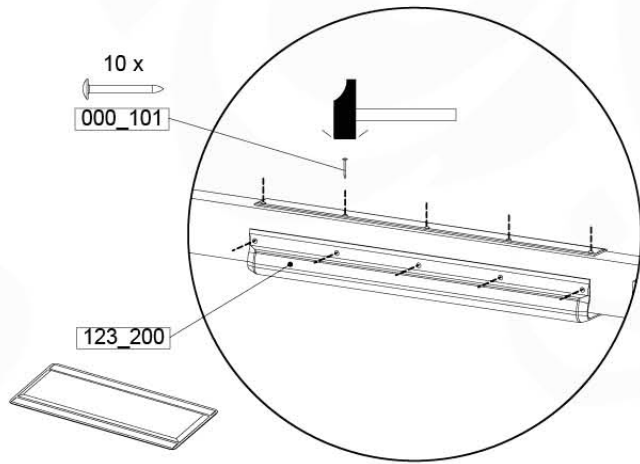


80

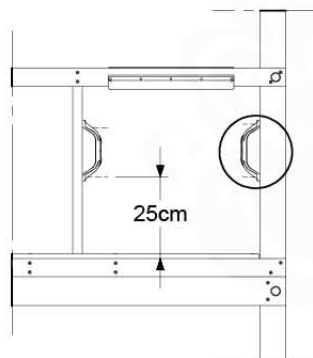
# 19-2



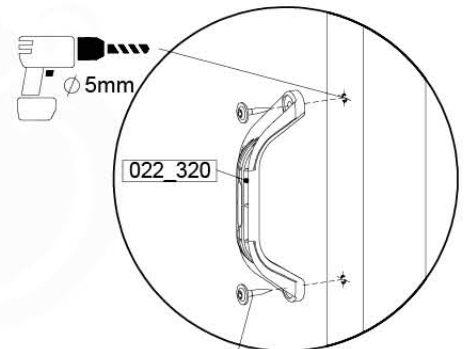
DL SLIDE 70140 - P13 TR - 20/04/2023 - v1



123\_200



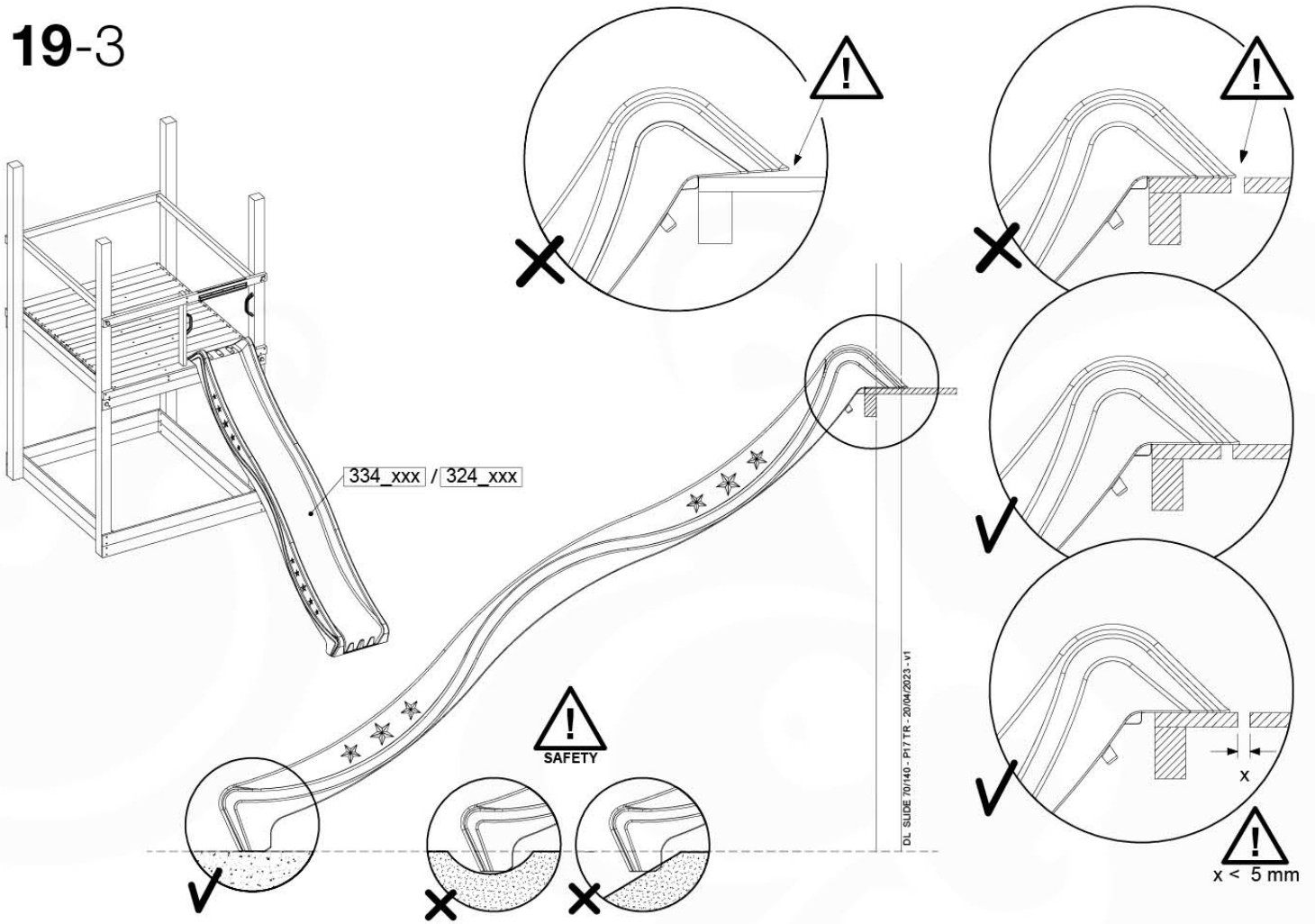
25cm



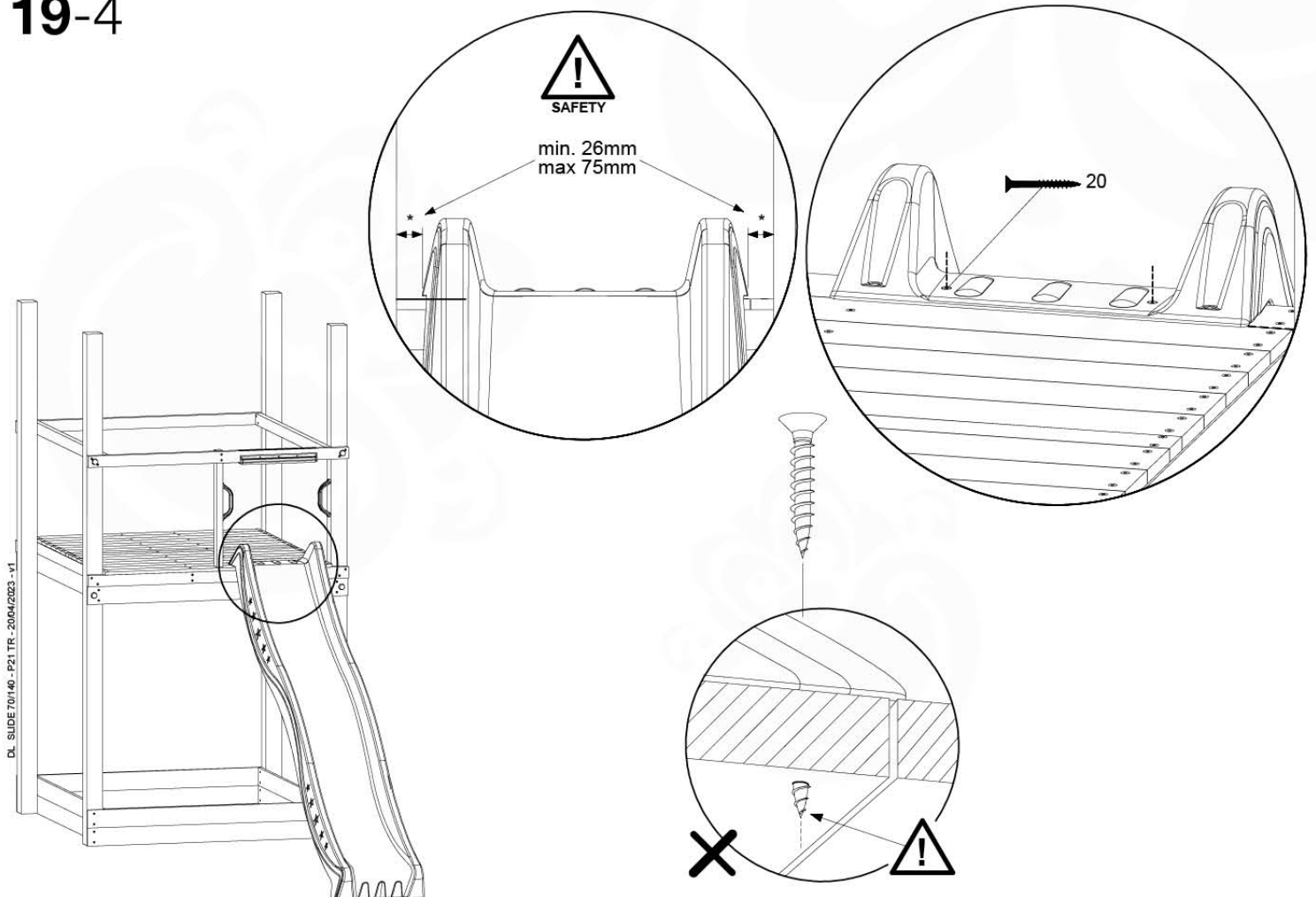
022\_320

30

# 19-3

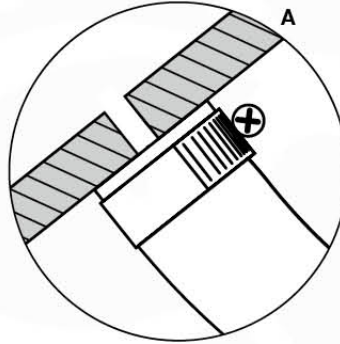
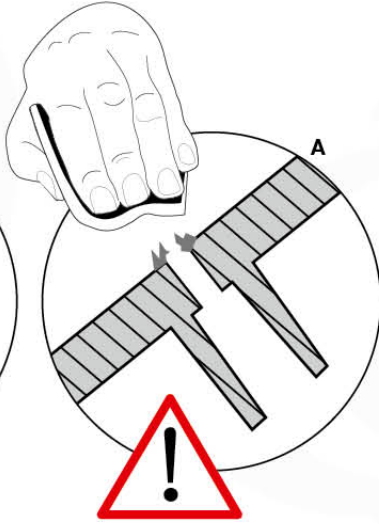
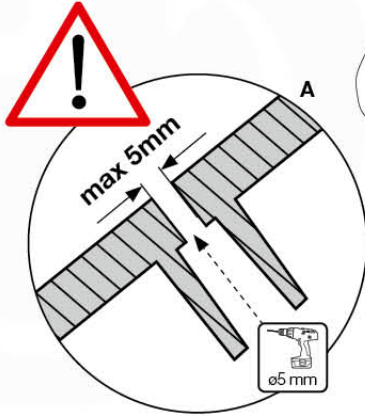
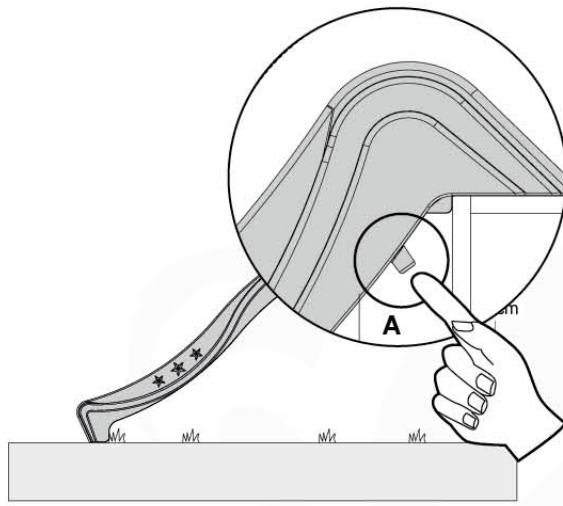


# 19-4



DL SLIDE 70/140 - P21 TR - 20/04/2023 - V1

# 19-5

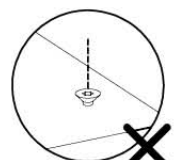
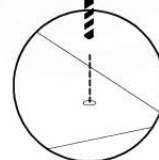
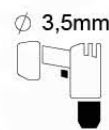
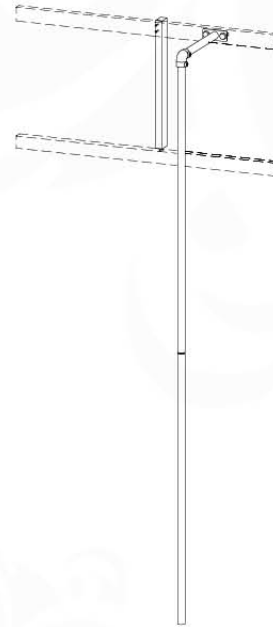


# 20 Firemans Pole FP28

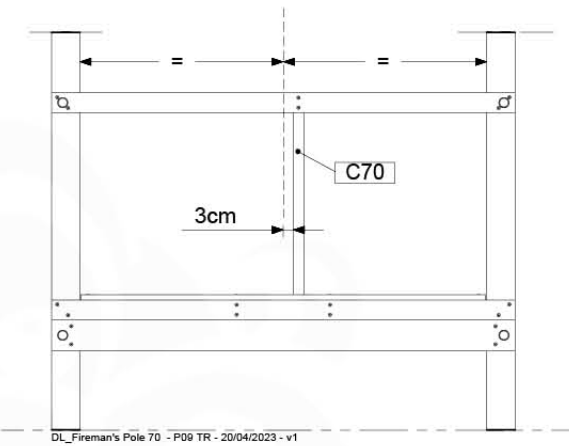
( 201\_275 )

	PartNo	PartName	QTY.
Other	201_275	Fireman's Pole kit (incl. 4x Screw T25 5x80)	1
Timber	C70	Beam 700 mm	1

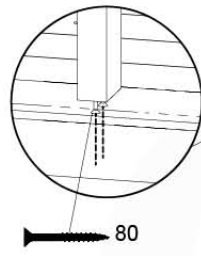
DL\_Fireman's Pole 70 - P05 TR - 20/04/2023 - v1



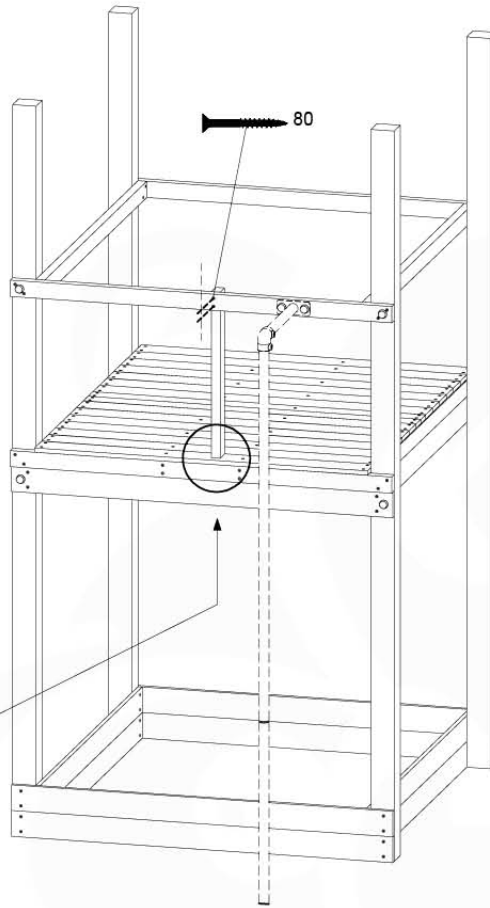
# 20-1



DL\_Fireman's Pole 70 - P09 TR - 20/04/2023 - v1



80



Fireman's Pole (201\_275)  
040\_335 Part 2

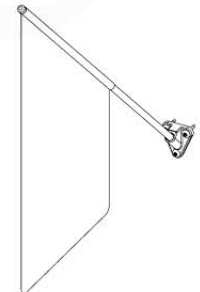
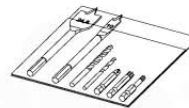
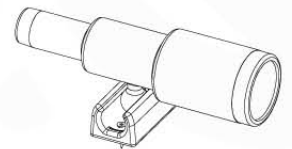
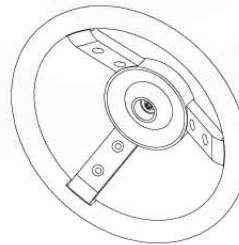
# 21 Accessories

AC01

( 194\_119 )

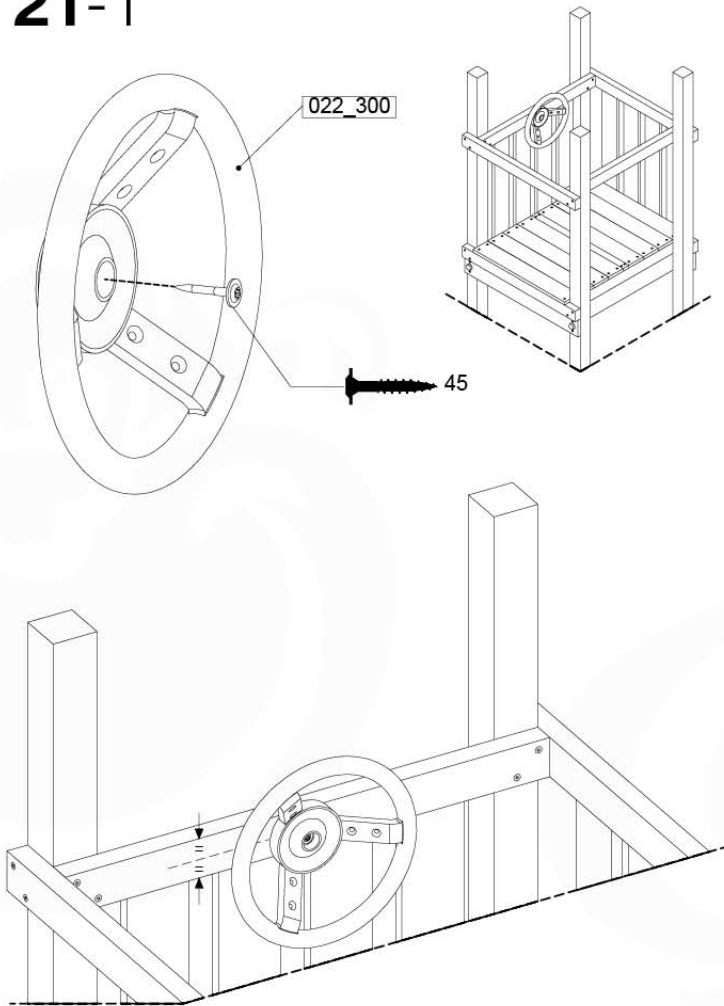
	PartNo	PartName	QTY.
Hardware Pack 100_617	001_406	Stealth Screw 8x45	1
	002_041	Dome head screw 4.5 x 20 mm	3
	002_042	Dome head screw 3.5 x 13mm	4
	002_219	Gap Point Screw T25 - 5x30	2
Other	022_300	Steering Wheel	1
	022_800	Rail P/T 105	1
	022_910	Sandpad	1
	103_901	Logo ID Plate	1
	104_107	Tool Set Climbing Units	1
	120_024	Tower Flag	1
	122_302	Telescope	1

Accessories set - P02 - 05/07/2023 - v5

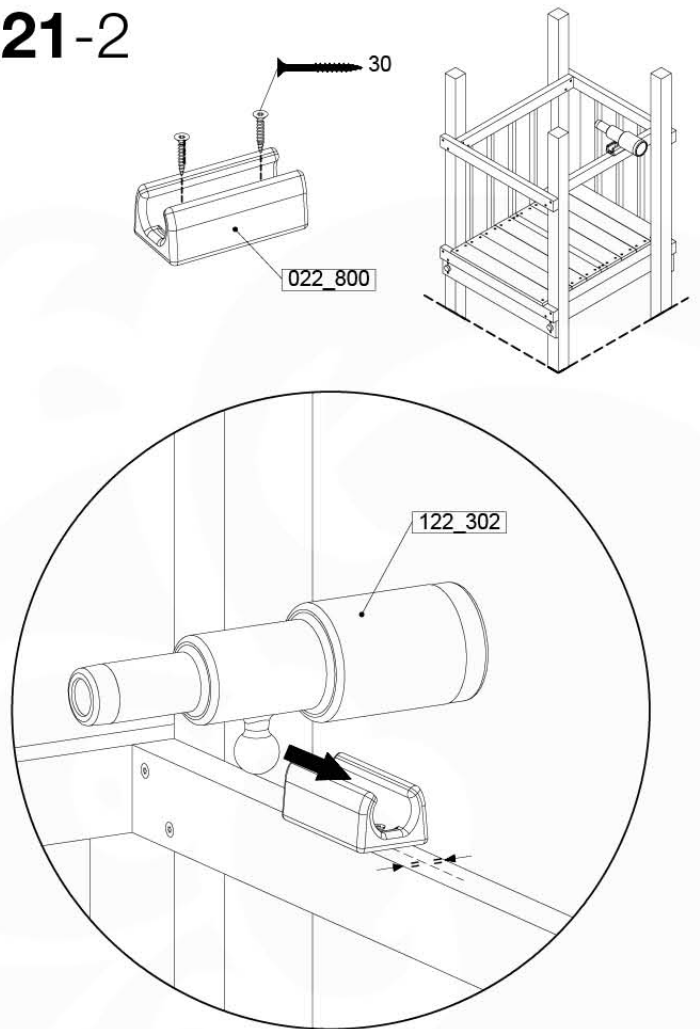




# 21-1

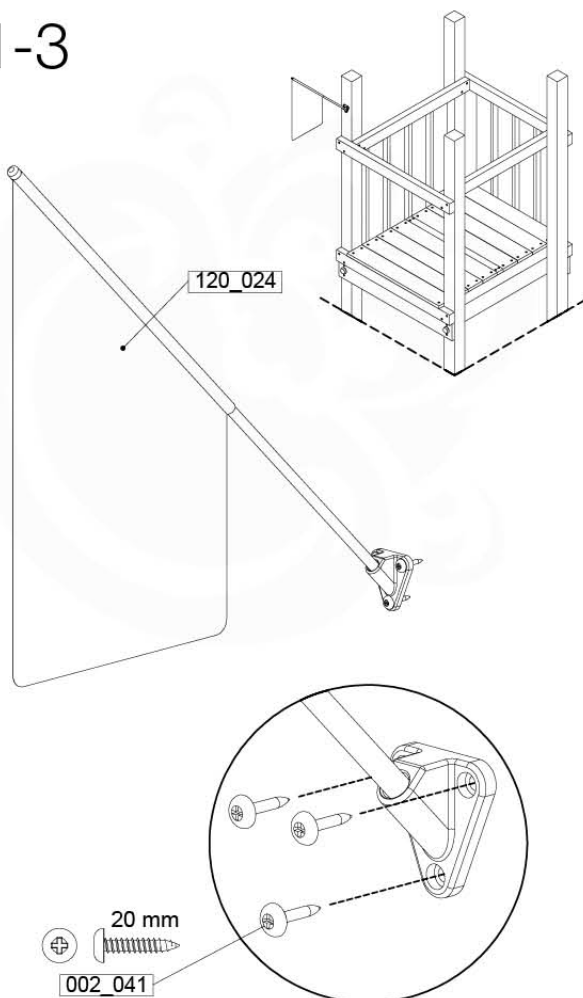


# 21-2

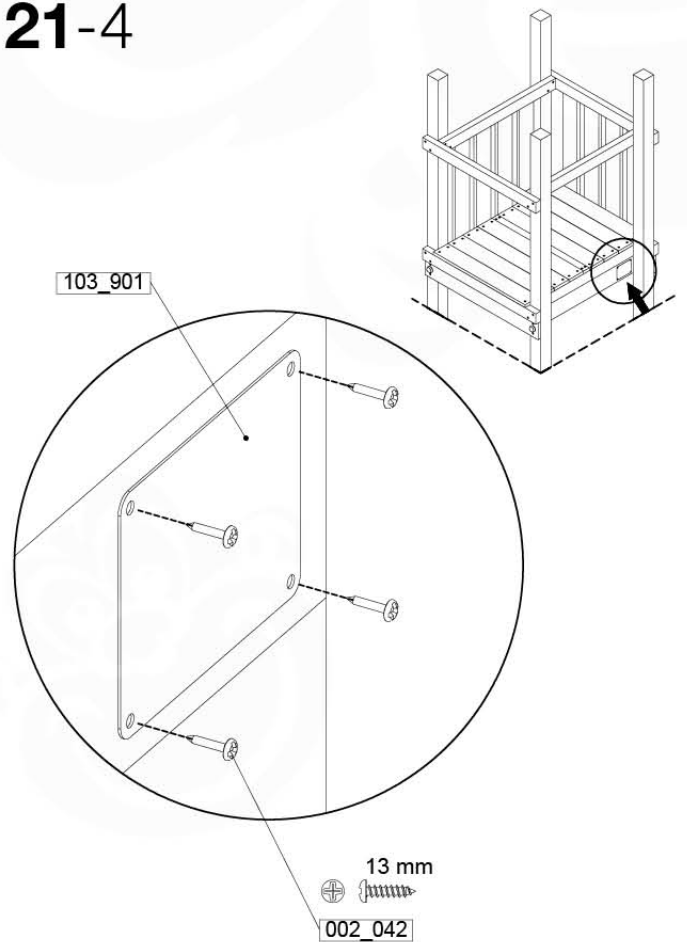


Accessory set - P13 - 05/07/2023 - v5

# 21-3



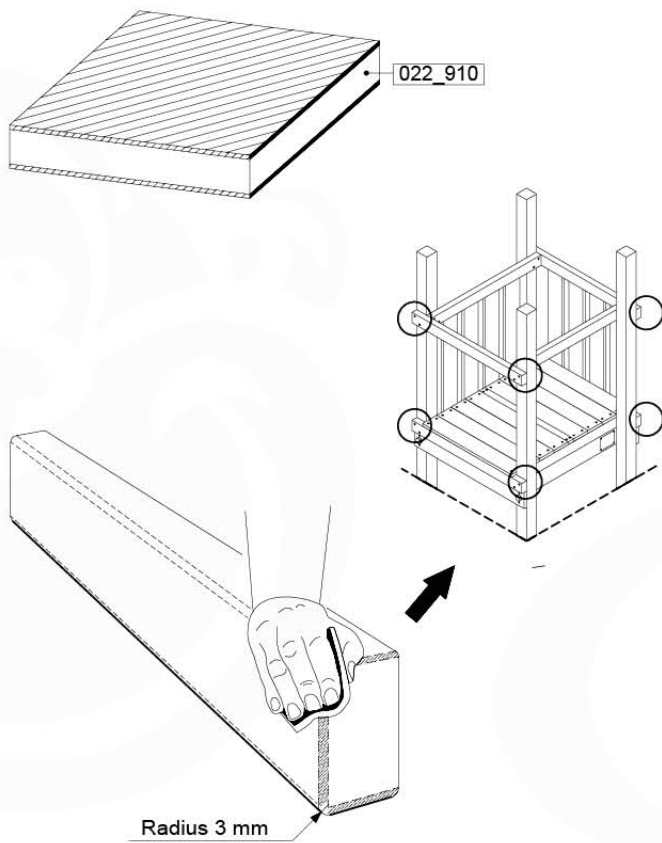
# 21-4



Accessory set - P04 - 05/07/2023 - v5

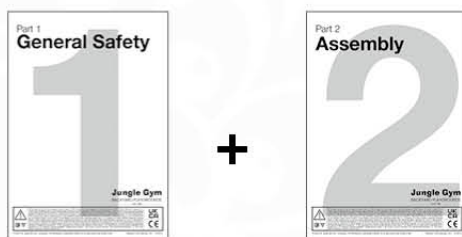


## 21-5 Safety check



Accessory set - P05 - 09/07/2023 - v5

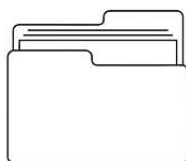
## 22 Download and Saving

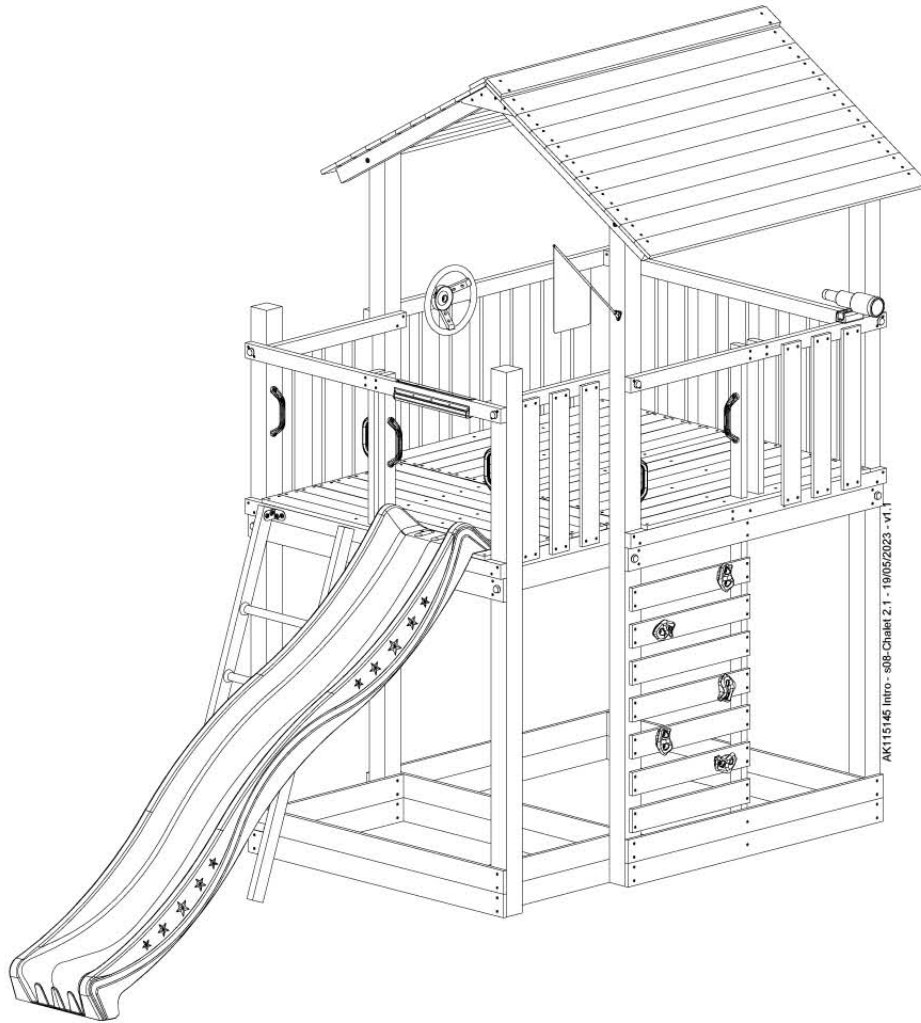


Manual Part 1



+





AK115145 Intro - s08-Charakt 2.1 - 19/05/2023 - v1.1

## Activity toys for domestic use Aktivitätsspielzeug für den häuslichen Gebrauch Jouets d'activité à usage familial

### Product Range Identification

#### Activity toys for domestic use Aktivitätsspielzeug für den häuslichen Gebrauch Jouets d'activité à usage familial

#### 1. Wooden climbing frames

20240311\_v2

##### 1.1. Assemblies

Playtowers	801_005, 801_009, 801_010, 801_013, 801_025, 801_040, 801_060, 801_070, 801_090, 801_095, 801_100, 801_103, 801_105, 801_110, 801_120, 801_200, 802_202, 802_204, 802_206, 802_208, 803_202, 803_204, 803_206, 803_208, 803_210, 809_802, 809_804
Swings	801_300, 801_601, 801_602
Modules	850_176, 850_177, 850_231, 850_232, 857_101, 857_102, 857_105, 857_106, 857_151, 857_152, 857_157, 857_158, 850_240

##### 1.2. Sub assemblies

Base towers (BT)	BT01a, BT02a, BT03a, BT11a, BT14a, BT15a, BT20a
Extension towers (ET)	ET01a, ET02a, ET05a, ET06a, ET07a, ET08a, ET09a, ET10a, ET11a, ET12a, ET13a, ET14a, ET15a, ET16a, ET17a, ET18a, ET19a, ET20a, ET22a, ET23a, ET27a, ET28a, ET35a, ET29a, ET39a, ET40a
Bridges (CB, NB, BB, TB)	CB01a, NB01a, BB01a, BB02a, TB01a, TB02a, TB03a, TB04a
Roofs (RF)	RF01a, RF21a, RF02a, RF03a, RF04a, RF05a, RF06a, RF20a, RF02b, RF03b, RF07a, RF08a, RF22a, RF09a, RF23a, RF11a, RF12a, RF07b, RF12b, RF14a, RF24a, RF15a, RF25a, RF18a, RF18b
Balustrade (BL, BF)	BL01a, BL02a, BL21a, BF25a, BF26a, BF27a, BF28a, BF01a, BF02a, BF03a, BF04a, BF05a, BF06a, BF07a, BF08a, BF21a, BF22a, BF23a, BF24a
Playhouse (PH)	PH03a, PH04a, PH05a, PH06a, PH10a, PH11a, PH40a, PH41a, PH12a, PH13a, PH14a, PH15a, PH42a, PH43a, PH44a, PH45a, PH16a, PH17a, PH18a, PH19a, PH30a, PH31a, PH16b, PH17b, PH18b, PH19b, PH46a, PH47a, PH48a, PH49a, PH20a, PH21a, PH22a, PH23a, PH24a, PH25a, PH26a, PH27a, PH32a, PH33a, PH52a, PH53a, PH54a, PH55a, PH56a, PH57a, PH50a, PH51a, PH26b, PH27b
Ladder (LA)	LA05a, LA06a, LA01a, LA02a, LA03a, LA01b, LA02b, LA03b, LA11a, LA12a, LA13a, LA14a, LA15a, LA16a, LA17a, LA18a, LA31a, LA32a, LA33a, LA34a, LA35a, LA36a, LA37a, LA38a, LA21a, LA22a, LA23a, LA24a, LA25a, LA26a, LA43a, LA44a, LA45a, LA46a
Two Step Ladder (TS)	TS01a, TS01b, TS02a, TS02b, TS03b, TS22a, TS05a, TS06a, TS07a, TS08a, TS09a, TS10a, TS11a, TS12a, TS15a, TS16a, TS17a, TS18a, TS19a, TS20a, TS21a, TS22a
Rope Ladder (RL)	RL01a, RL02a, RL05a, RL06a, RL07a, RL08a, RL09a, RL10a, RL11a, RL12a, RL15a, RL16a, RL19a, RL20a
Rock wall (RW)	RW01a, RW02a, RW01b, RW02b, RW03b, RW31a, RW32a, RW33a, RW05a, RW06a, RW07a, RW08a, RW09a, RW10a, RW11a, RW12a, RW40a, RW41a, RW15a, RW16a, RW17a, RW18a, RW19a, RW20a, RW46a, RW47a
Ramp (RA)	RA03a, RA04a, RA05a, RA06a, RA07a, RA08a, RA11a, RA12a, RA21a
Net (NA, NS)	NA01a, NA02a, NS01a, NS02a, NS03a, NS21a, NA04a, NA05a, NS04a, NS05a, NS06a, NS07a, NA08a, NA09a, NS08a, NS09a
Boat (BO)	BO01a
Market (MT)	MT01a, MT02a, MT05a, MT06a, MT11a, MT12a
Picnic (PC)	PC01a, PC05a, PC06a, PC09a, PC10a
Gymnastics bar (GY)	GY01a
Fireman's pole (FP)	FP01a, FP02a, FP04a, FP05a, FP06a, FP07a, FP23a, FP24a, FP25a, FP26a, FP27a, FP28a
Slides (SL)	SL01a, SL02a, SL03a, SL06a, SL07a, SL08a, SL09a, SL10a, SL11a, SL12a, SL13a, SL26a, SL27a, SL28a, SL29a
Swing (SM)	SW17a, SW21a, SW18a, SW22a, SW01a, SW05a, SW02a, SW06a, SW09a, SW13a, SW10a, SW14a
Climb (CL)	CL17a, CL21a, CL18a, CL22a, CL01a, CL05a, CL02a, CL06a, CL09a, CL13a, CL10a, CL14a
Accessories (AC)	

#### 2. Construction packages

##### 2.1 Assembly Kits

Playtowers	401_015, 401_080, 401_125, 402_201, 402_202, 402_204, 402_206, 402_208, 403_202, 403_204, 403_206, 403_208, 403_210, 409_802, 409_804
Swings	401_300, 401_600
Modules	457_005, 457_102, 457_103, 457_106, 457_107, 457_205

##### 2.2 Assembly Packs

Sub assemblies	194_002, 194_003, 194_004, 194_006, 194_007, 194_008, 194_009, 194_010, 194_100, 194_101, 194_102, 194_103, 194_104, 194_105, 194_107, 194_108, 194_109, 194_110, 194_111, 194_112, 194_113, 194_114, 194_115, 194_116, 194_117, 194_118, 194_119, 194_300, 194_308, 194_312, 194_500, 194_501, 194_508, 194_510, 194_809, 194_810, 194_811, 194_812
----------------	--

#### 3. Accessories and components

Slides XL	324_100, 324_200, 324_300, 324_400, 324_500, 324_600
Slides XXL	334_100, 334_200, 334_300, 334_400, 334_500, 334_600
Fireman's pole	201_275
Climbing	201_060, 201_273
Imagination	201_280, 201_285, 201_290, 201_295, 202_473, 450_310, 450_320, 450_330
Swinging	250_001, 250_013, 250_025, 250_034, 250_053
Functional	123_220, 123_222, 123_230, 201_115, 201_220, 201_250, 201_260, 201_270, 202_620, 202_621, 202_622, 202_623, 202_624, 202_625, 202_626, 202_627, 202_628, 202_629, 202_824, 250_065, 250_070, 250_075

# Declaration of Conformity

# Jungle Gym

## BACKYARD PLAYGROUNDS

since 1988

### Applicable EC directives and standards

#### General

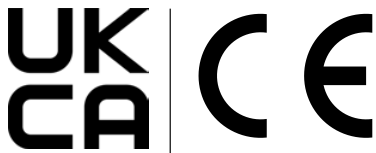
- General Product Safety Directive (GPSD) 2001/95/EG
- Reach directive 1907/2006
- AfPS GS 2019:01 PAK

#### Activity Toys

- Toy Safety Directive (TSD) 2009/48/EG
- EN Standard 71 Safety of Toys
  - EN 71-1:2014 + A1:2018 Safety of toys Mechanical and physical properties
  - EN 71-2:2020 Flammability
  - EN 71-3:2019 + A1:2021 Migration of certain elements
  - EN 71-8:2018 Safety of toys Activity toys for domestic use

### Supplementary information

Conformity to the above specified directives and standards has been frequently verified by TÜV Rheinland LGA products, DEKRA, LNE SA, since 1994. Jungle Gym participates in the European Commission for standardisation for the safety of activity toys ( TC52 / WG 10).



### Manufacturer details

Company Name: Jungle Gym B.V.  
Address : Valschermkade 18, 1059 CD Amsterdam, Netherlands  
Email: info@junglegym.com

### Declaration

I hereby declare under our sole responsibility that the products mentioned above, to which this declaration relates, comply with the above mentioned directives and standards when the installation, assembly, and maintenance instructions are strictly followed.

Name  
Jungle Gym B.V.  
Paul Schmit / Director

Januari 4<sup>th</sup>, 2024

A handwritten signature in black ink, appearing to read 'Paul Schmit', is written over a horizontal line.

Signature of representative