

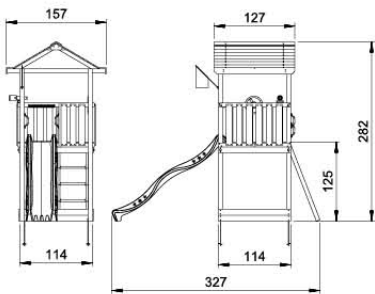
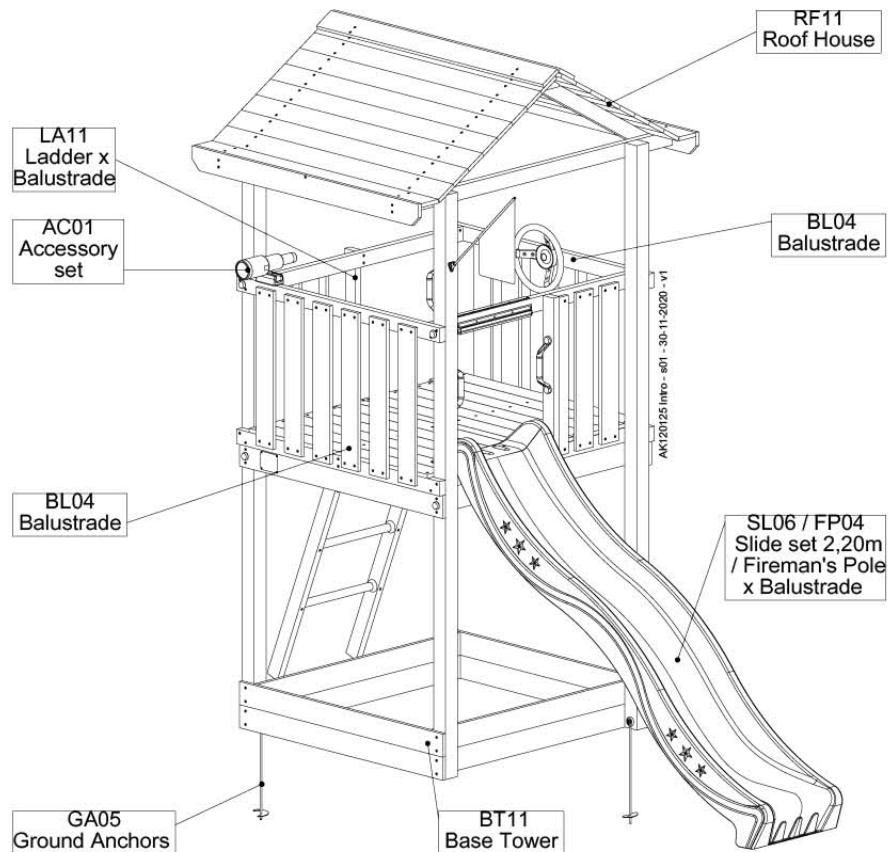
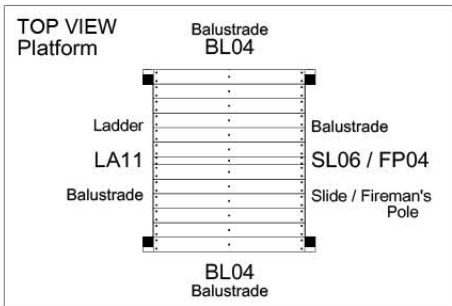
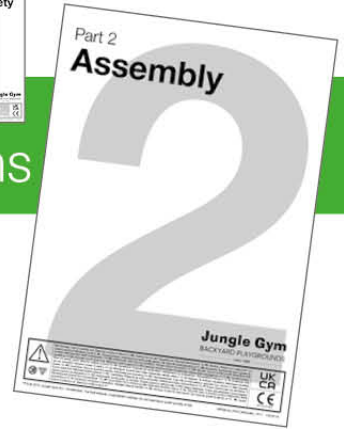
Part 2

Assembly

Instructions

Jungle House 2.1

801_095



Manual Part 1



Important

This assembly manual should always be read in conjunction with the General Safety manual part as included in the hardware package of your playground equipment. Please read these safety instructions carefully before starting the assembly work.

Jungle Gym

BACKYARD PLAYGROUNDS

since 1988



4.5h

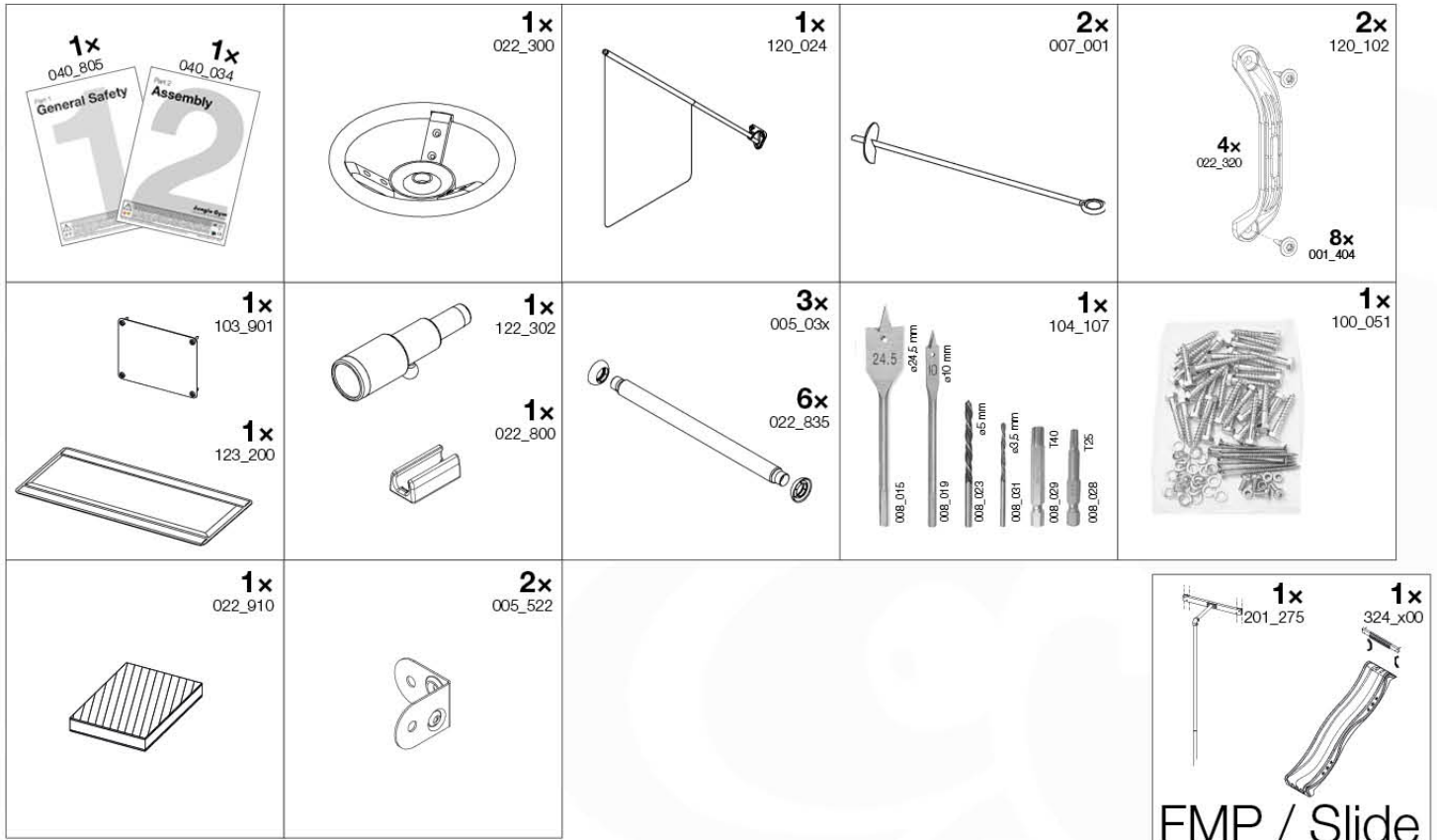


EN. Warnings. Only for domestic use. Maximum number of users is 6. **DE.** Achtung. Nur für den Hausgebrauch. Maxmale Benutzerzahl: 6. **FR.** Attention. Réserve à un usage familial. Le nombre maximal d'utilisateurs est de 6. **NL.** Waarschuwingen. Uitsluitend voor huishoudelijk gebruik. Het maximale aantal gebruikers is 6. **BG.** Внимание. За употреба само в домашни условия. Максималният брой потребители е 6. **CS.** Varování. Jen pro domácí použití. Maximální počet uživatelů je 6. **DA.** Advarsler. Kun til privat brug. Maksimum antal brugere er 6. **EL.** Προειδοποίησης. Μόνο για οικιακή χρήση. Μέγιστος αριθμός χρηστών 6. **ES.** Advertencias. Solo para uso doméstico. Número máximo de usuarios: 6. **ET.** Hoiatused. Ainult koduseks kasutamiseks. Maksimaalne kasutajate arv on 6. **FI.** Varoitukset. Ainoastaan kotikäyttöön. Käyttäjää yhteensä enintään 6. **HR.** Upozorenja. Samo za kućansku uporabu. Maksimalan broj korisnika je 6. **HU.** Figyelmeztetések. Csak otthoni használatra! A használok max. száma: 6. **IS.** Varnaðarorð. Eingöngu fyrir einkanothun í heimahúsum og á einkalóðum. Hámarksfjöldi notenda er 6. **IT.** Avvertenze. Solo per uso domestico. Massimo numero di utenti è 6. **LT.** Įspėjimai. Tik buitiniam naudojimui. Maksimalus naudotojų skaičius 6. **LV.** Brīdinājumi. Izmantoj tikai mājās. Maksimālais lietotāju skaits ir 6. **NO.** Advarsler. Kun for privat bruk. Maksimalt antal brukere er 6. **PL.** Ostrzeżenia. Wyłącznie do użytku domowego. Maksymalna liczba użytkowników to 6. **PT.** Avisos. Apenas para uso doméstico. O número máximo de utilizadores é 6. **RO.** Avertismente. Numai pentru uz domestic. Numărul maxim de utilizatori este 6. **RU.** Предостережения. Только для домашнего использования. Максимальное количество пользователей - 6. **SK.** Upozornenia. Iba na domáce použitie. Maximálne množstvo osôb je 6. **SL.** Opozorila. Samo za domačo uporabo. Maksimalno število uporabnikov je 6. **SR.** Upozorenja. Samo za kućnu upotrebu. Maksimalan broj korisnika je 6. **SV.** Varningar. Endast för hemmabruk. Det maximala antalet användare är 6. **TR.** Uyarılar. Sadece ev kullanımı için. Maksimum kullanıcı sayısı 6.



01 What's in the delivery?

401_125



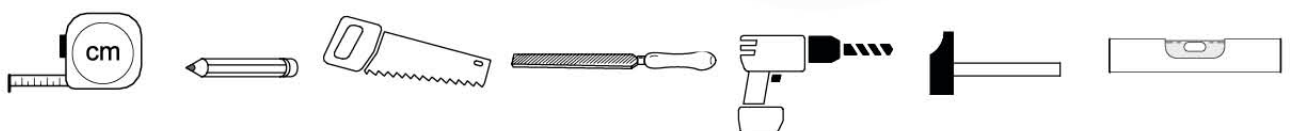
FMP / Slide

02a Hardware

Total HWP 100_xxx Jungle House

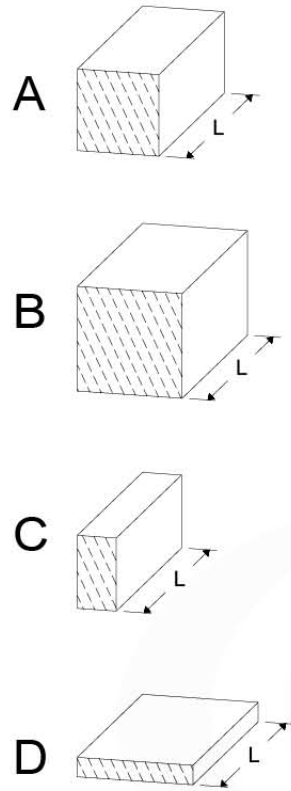
001_417	8x		ø8 x 80mm	000_101	10x		20211004	ø2 x 20mm
001_411	4x		ø8 x 60mm	120_005	8x			M8
001_406	7x		ø8 x 45mm					
001_404	4x		ø8 x 30mm					
002_223	57x		ø5 x 80mm					
002_220	324x		ø5 x 45mm					
002_219	6x		ø5 x 30mm					
002_308	2x		ø5.0 x 20mm					
002_041	3x		ø4.5 x 20mm					
002_042	4x		ø3.5 x 13mm					

02b Necessary tools



03 Timber

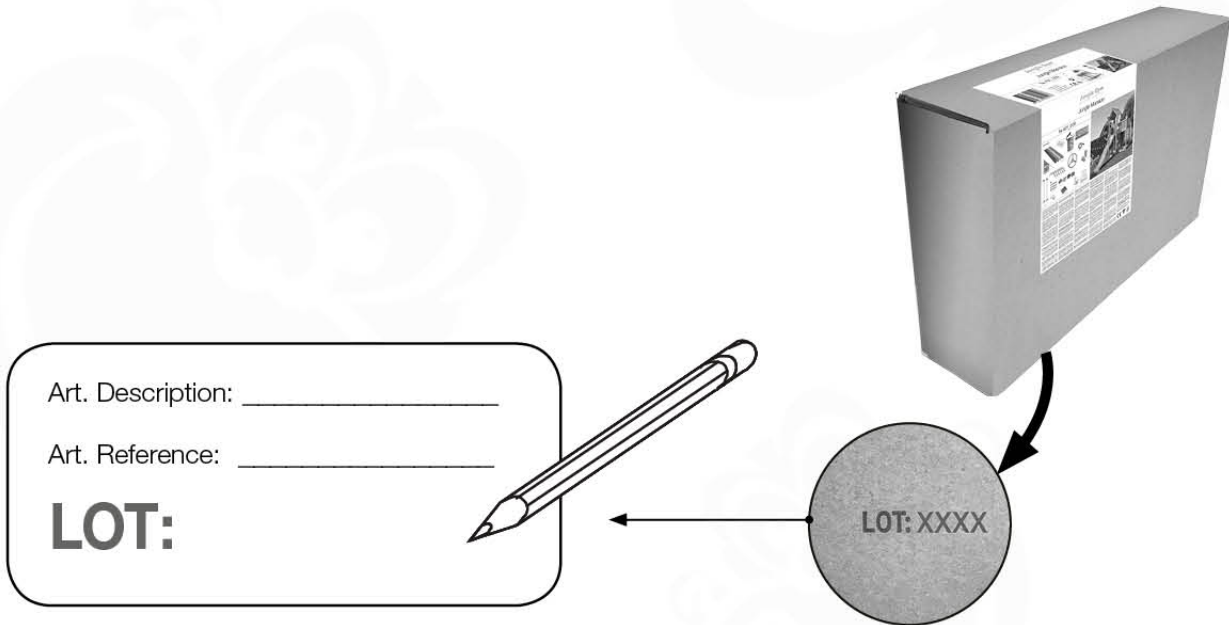
601_126 Jungle House 2.1



	L	
A240	239cm - 240cm	4 x
-	-	-
C154 C130 C114 C74 C70	153cm - 154cm 129cm - 130cm 113cm - 114cm 73cm - 74cm 69cm - 70cm	2 x 2 x 9 x 4 x 2 x
D127 D114 D100 D65	126cm - 127cm 113cm - 114cm 99cm - 100cm 64cm - 65cm	21 - 25 x 12 x 11 - 14 x 18 x

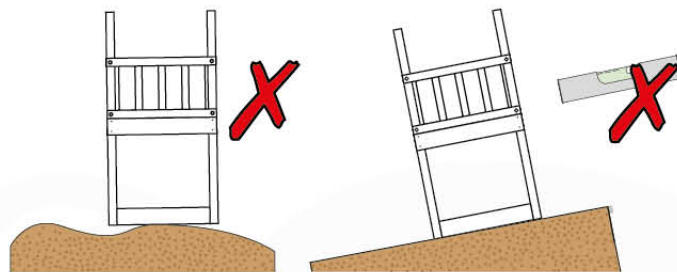
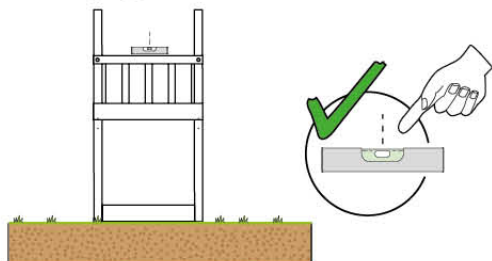
output: 31/05/21

04 Product Identification

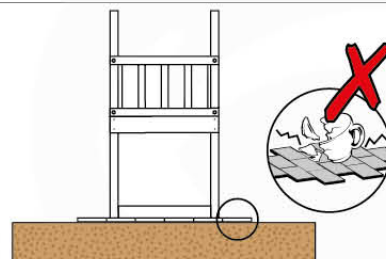
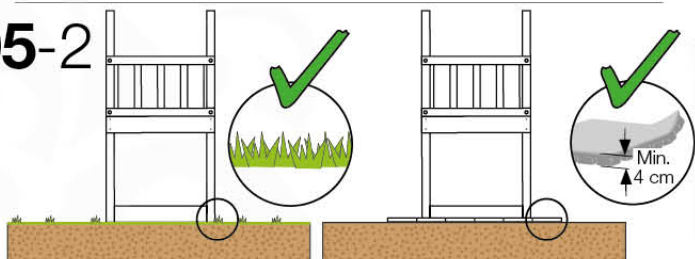


05 Safe Playground

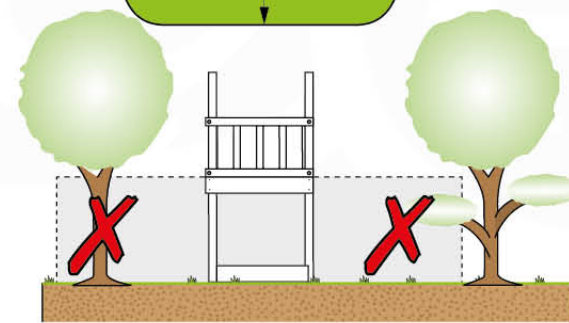
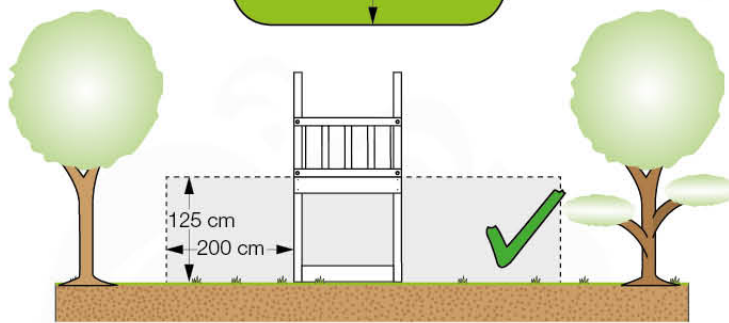
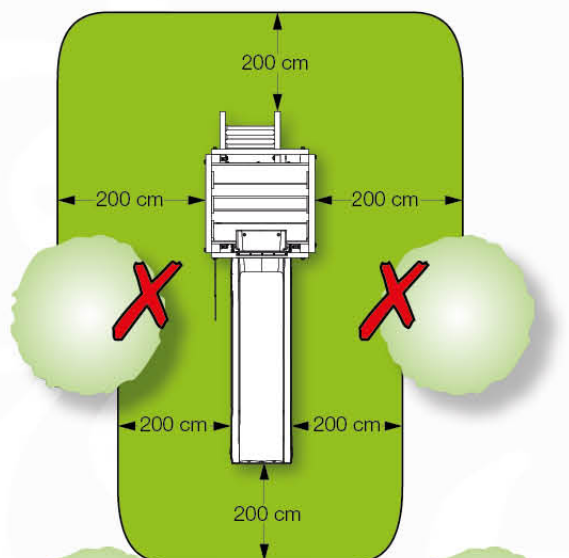
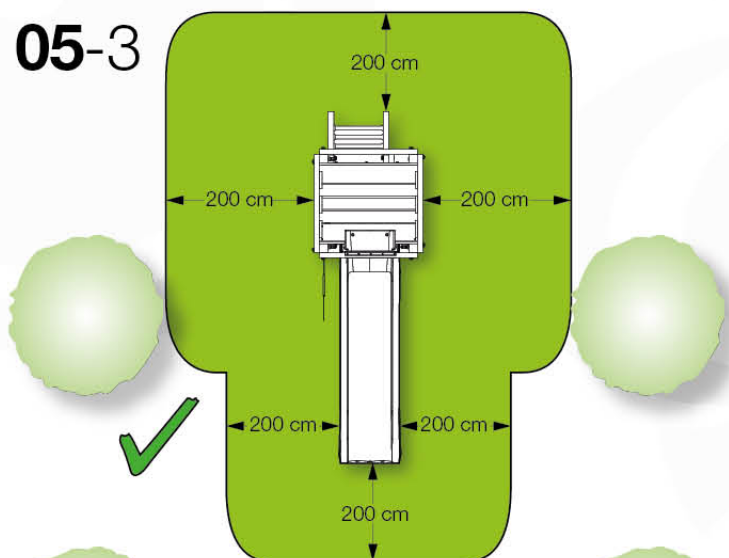
05-1



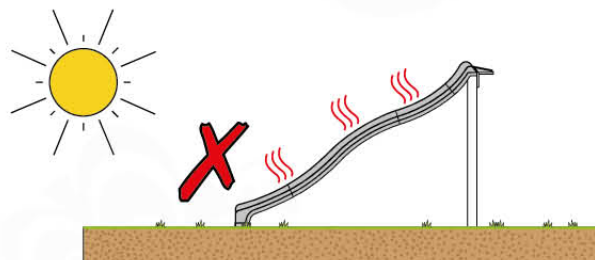
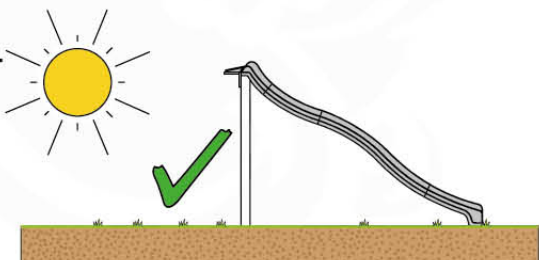
05-2



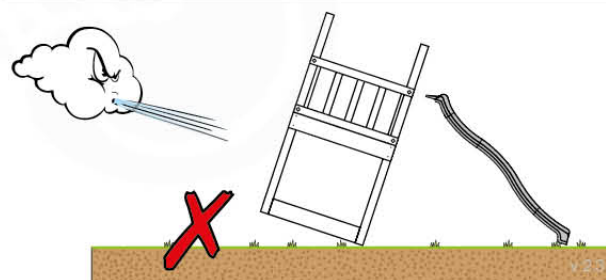
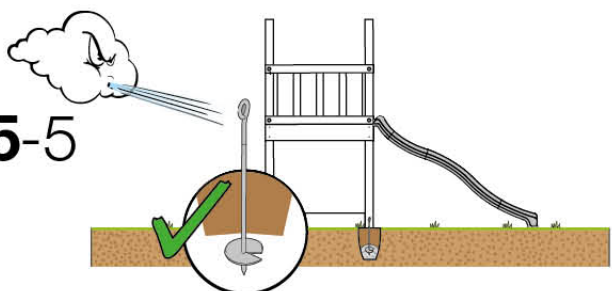
05-3



05-4



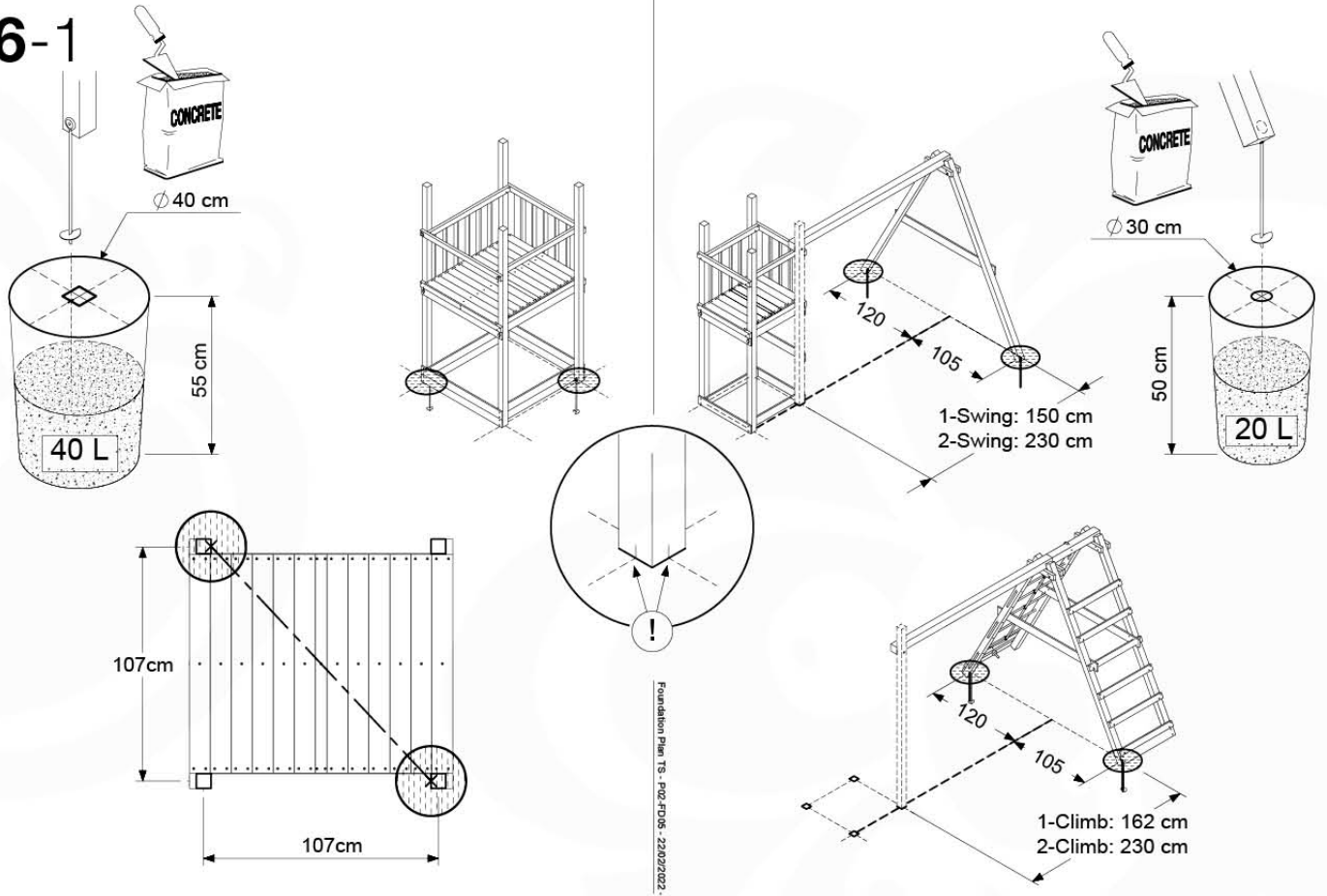
05-5



06 Playground Foundation

FD05

06-1



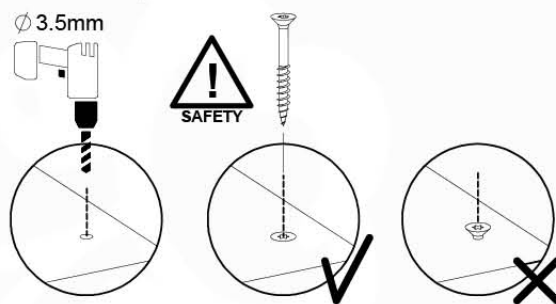
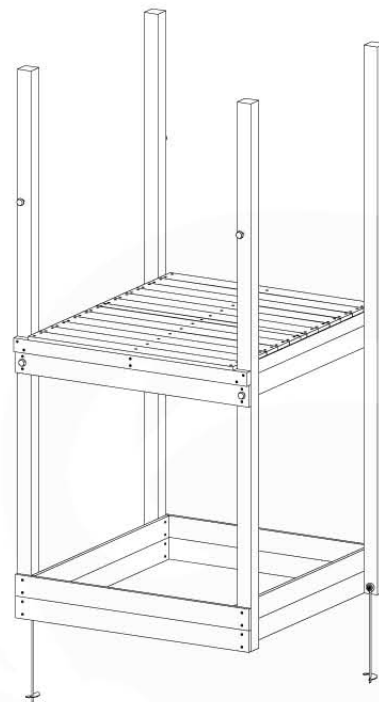
07 Base Tower

BT11

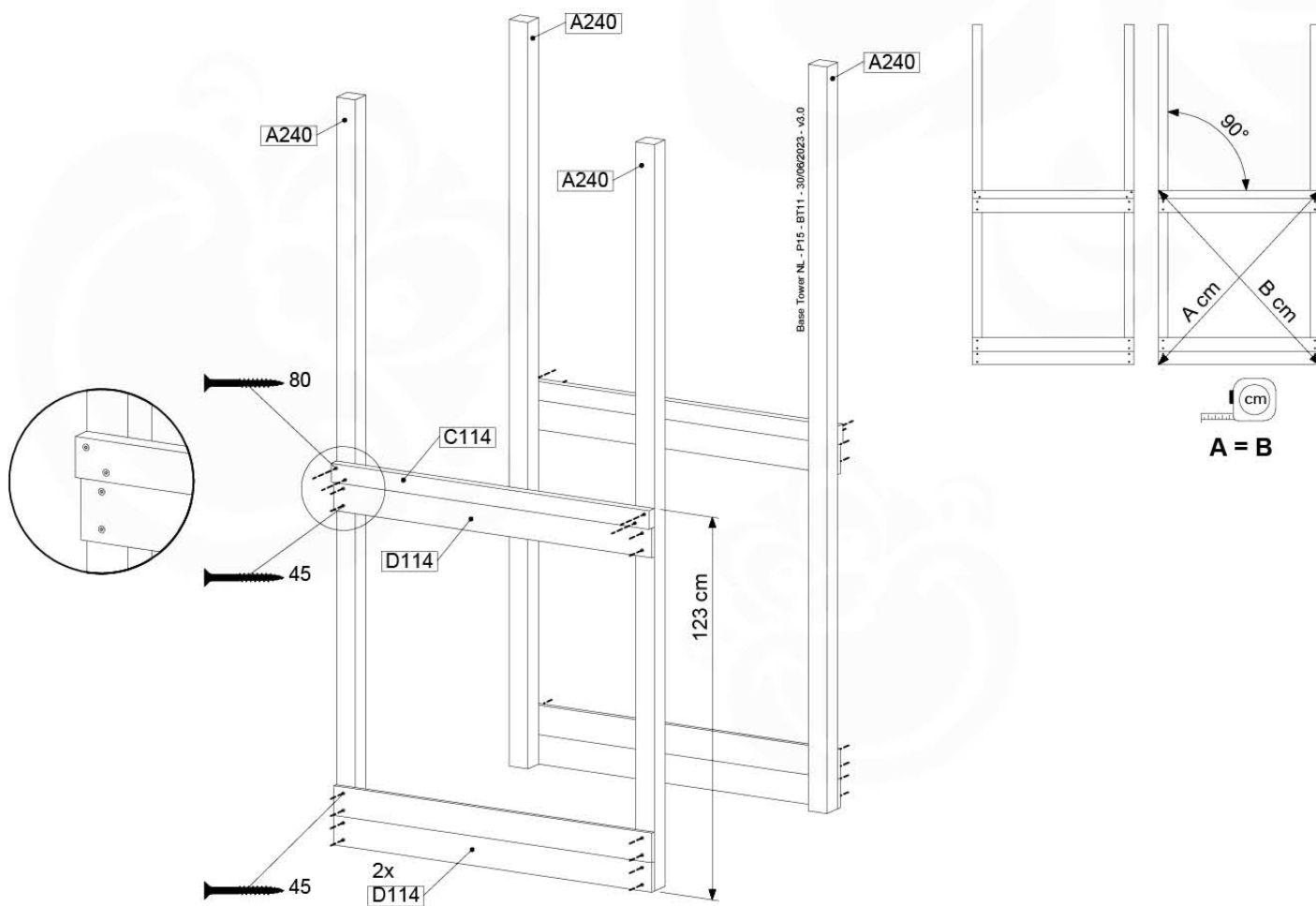
(194_300)

	PartNo	PartName	QTY.
Hardware pack	001_406	Stealth Screw 8x45	6
	001_417	Stealth Screw 8x80	4
	002_220	Gap Point Screw T25 - 5x45	118
	002_223	Gap Point Screw T25 - 5x80	20
	022_31x	bpc-base version 3	8
	022_84x	bpc cover	8
Other	007_001	Ground-anchor	2
Timber	A240	Post 70x70 L2400	4
	C114	Beam 1140 mm	5
	D100	Board 1000 mm	14
	D114	Board 1140 mm	12

Base Tower NL - P06 - BT11 - 30/06/2023 - v2.0

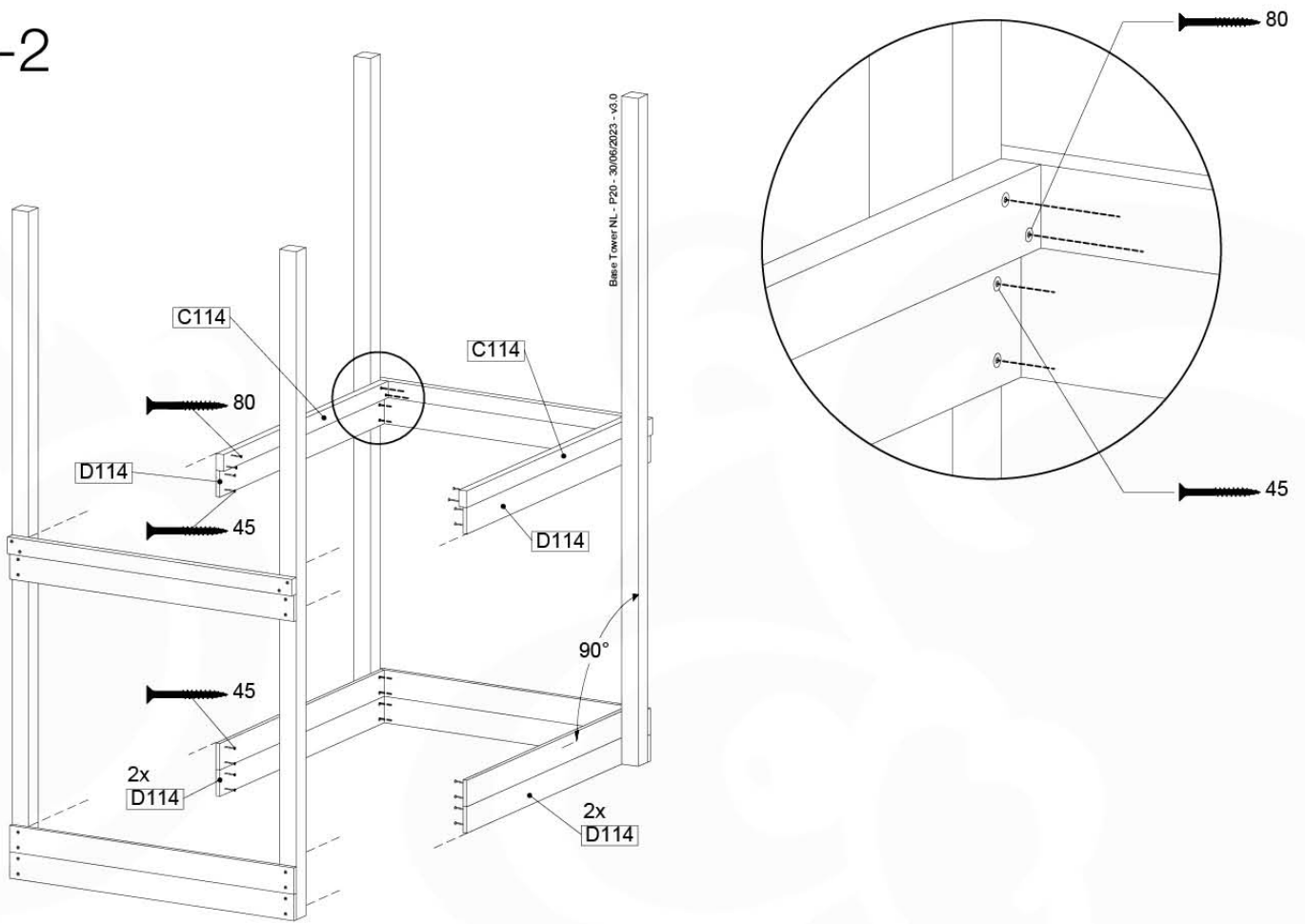


07-1

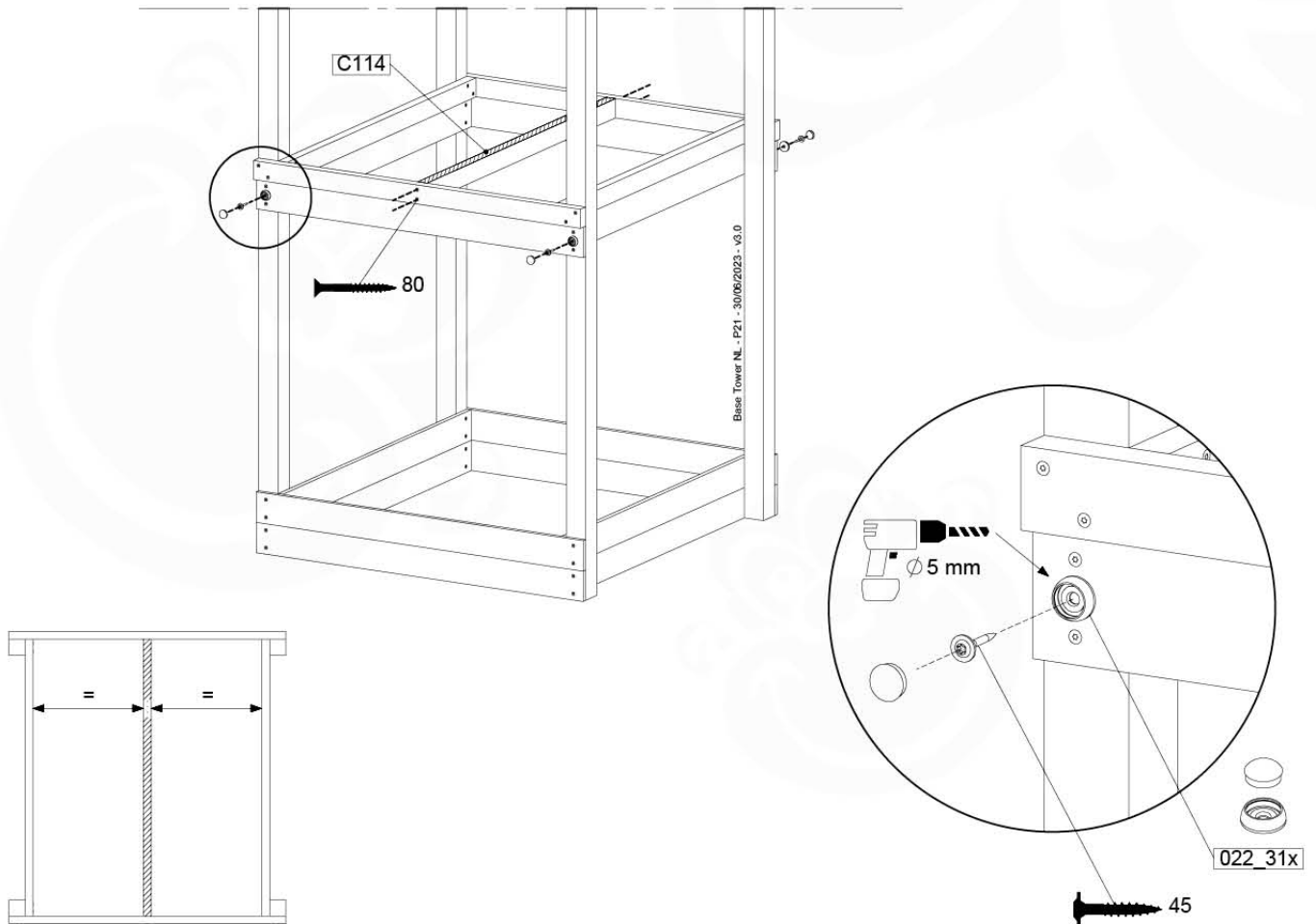


Base Tower NL - P15 - BT11 - 30/06/2023 - v2.0

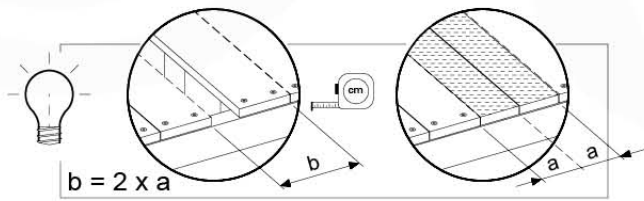
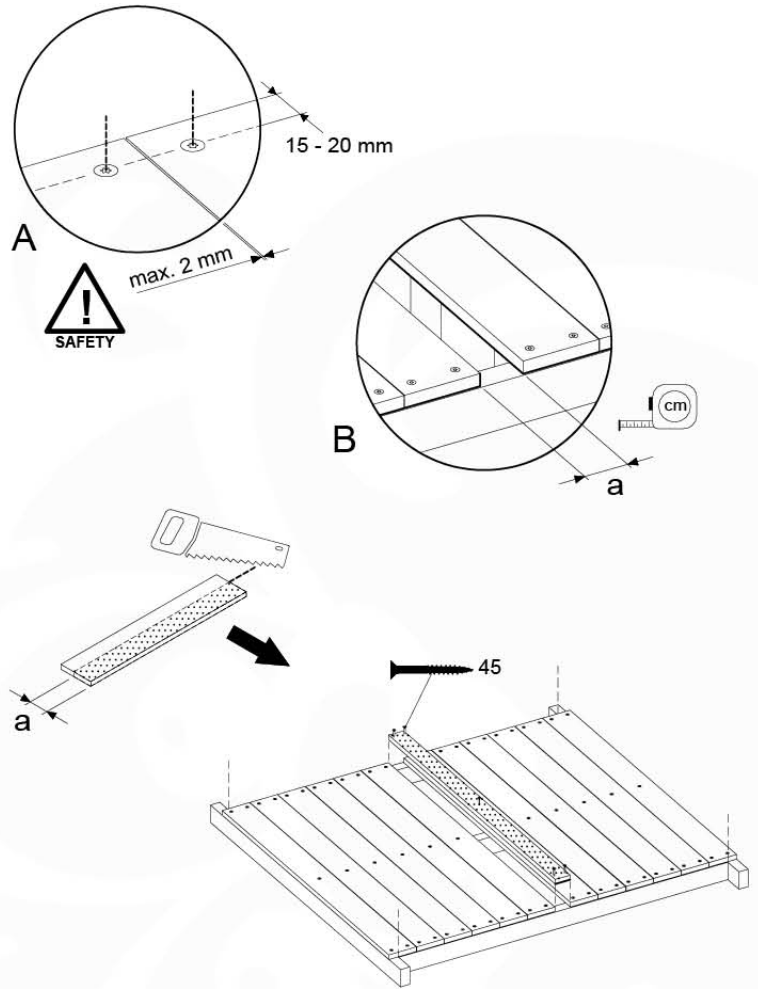
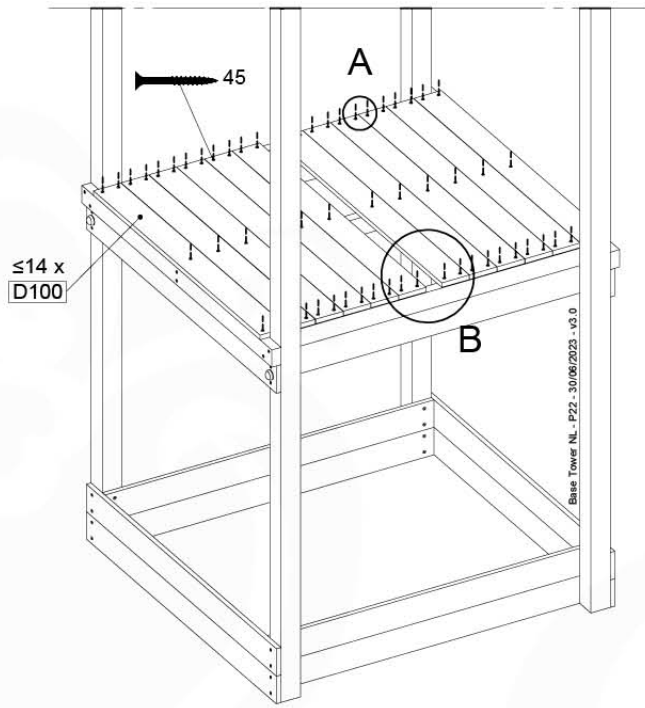
07-2



07-3



07-4



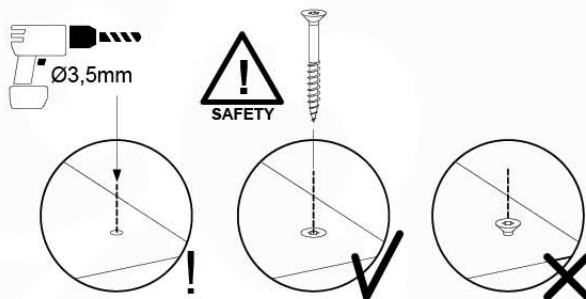
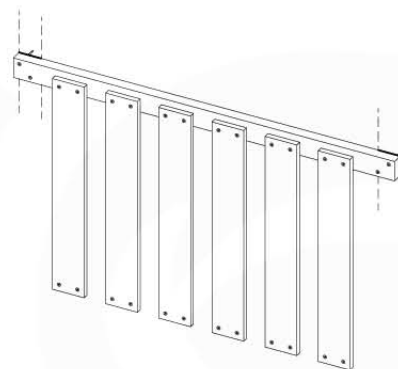
08 Balustrade (2x)

BL04

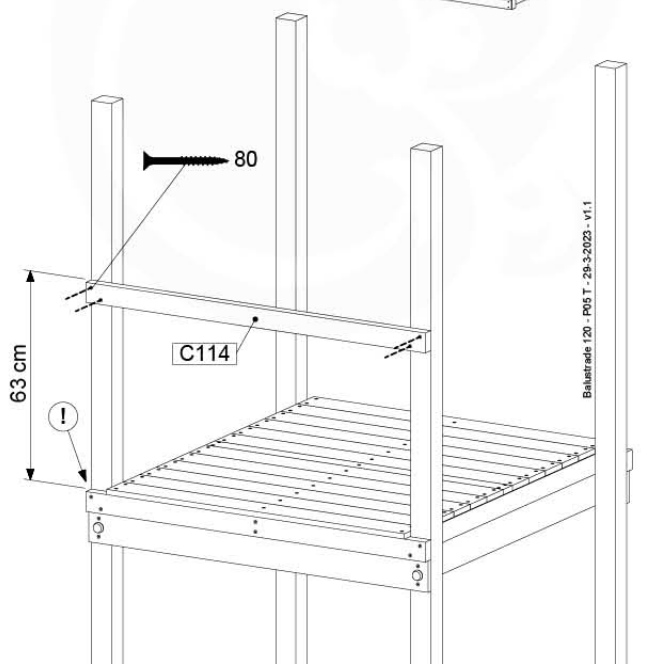
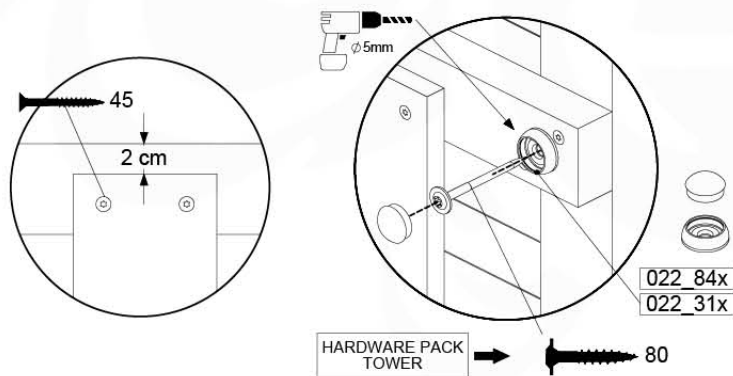
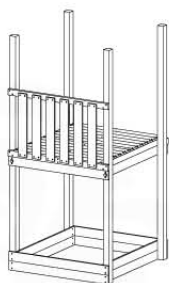
(194_501)

	PartNo	PartName	QTY.
Hardware Pack	002_220	Gap Point Screw T25 - 5x45	24
	002_223	Gap Point Screw T25 - 5x80	4
Timber	C114	Beam 1140 mm	1
	D65	Board 650 mm	6

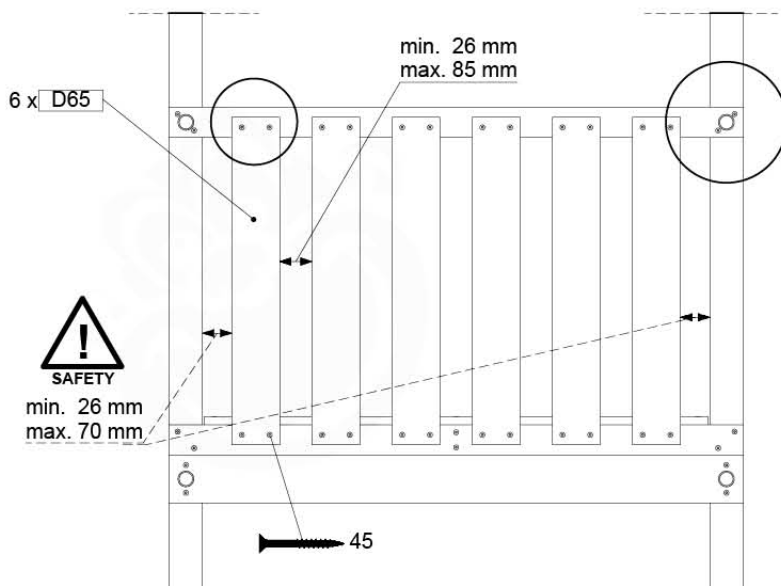
Balustrade 120 - P03 T - 29-3-2023 - v1.1



08-1

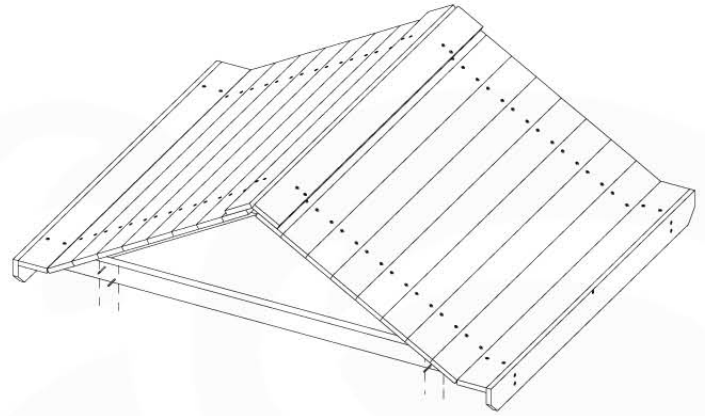


Balustrade 120 - P05 T - 29-3-2023 - v1.1



09 Roof House

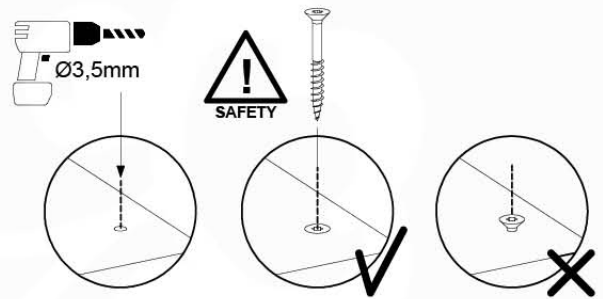
RF11



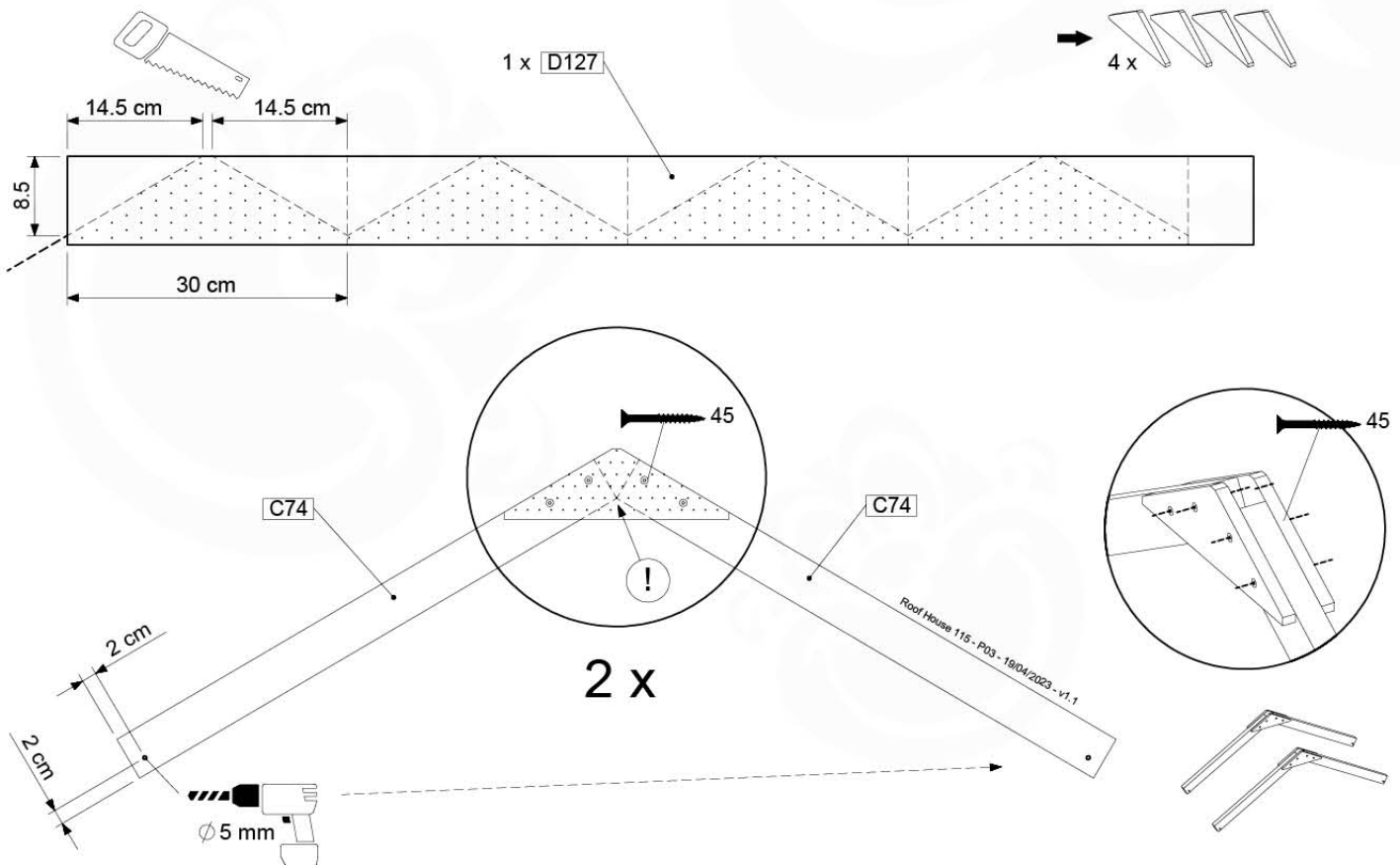
(194_308)

	PartNo	PartName	QTY.
Hardware Pack	001_411	Stealth Screw 8x60	4
	001_417	Stealth Screw 8x80	4
	002_220	Gap Point Screw T25 - 5x45	106
	002_223	Gap Point Screw T25 - 5x80	16
Timber	C74	Beam 740 mm	4
	C154	Beam 1540 mm	2
	D127	Board 1270 mm	21-25

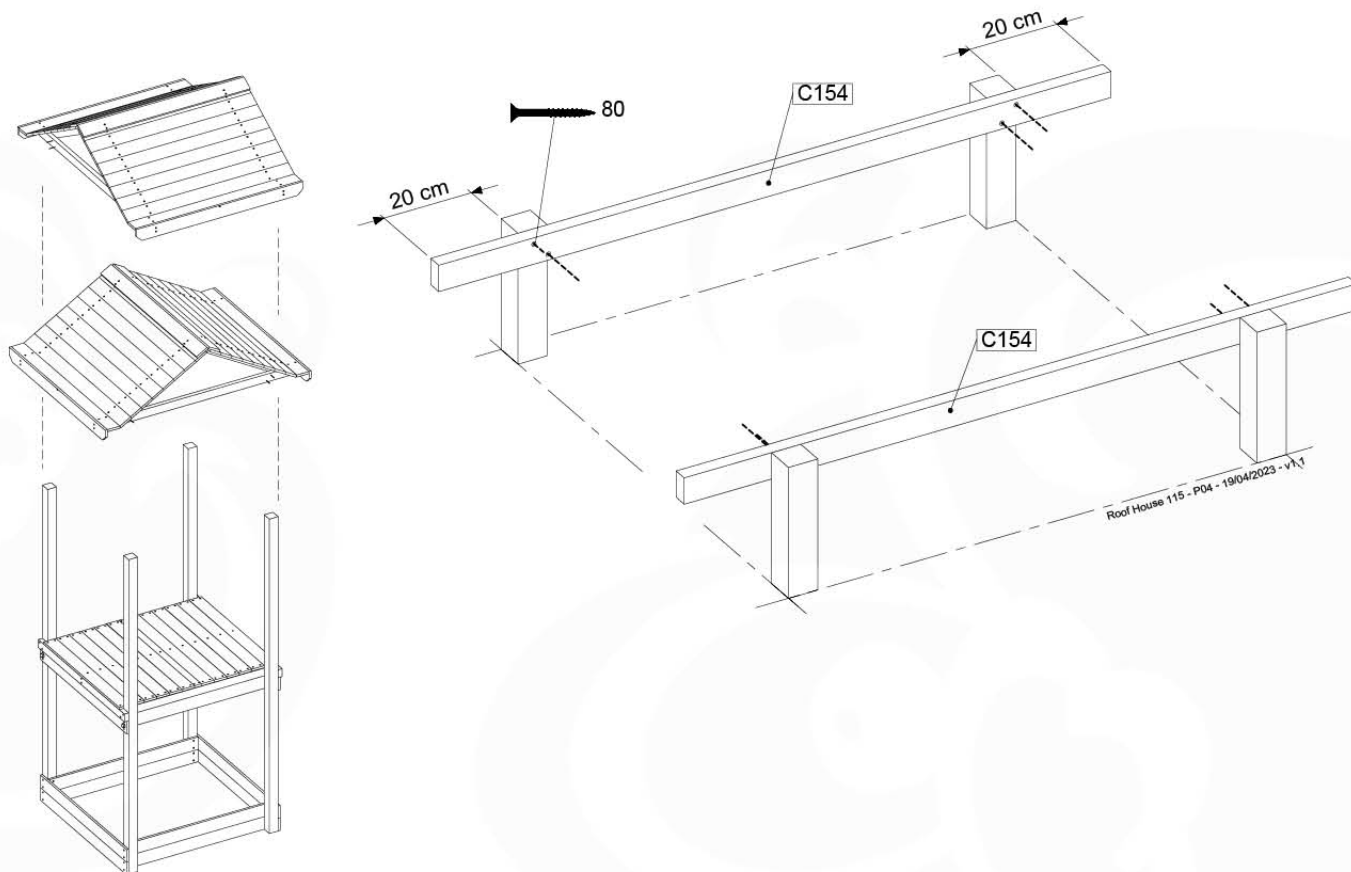
Roof House 115 - P03 - 19/04/2023 - v1.1



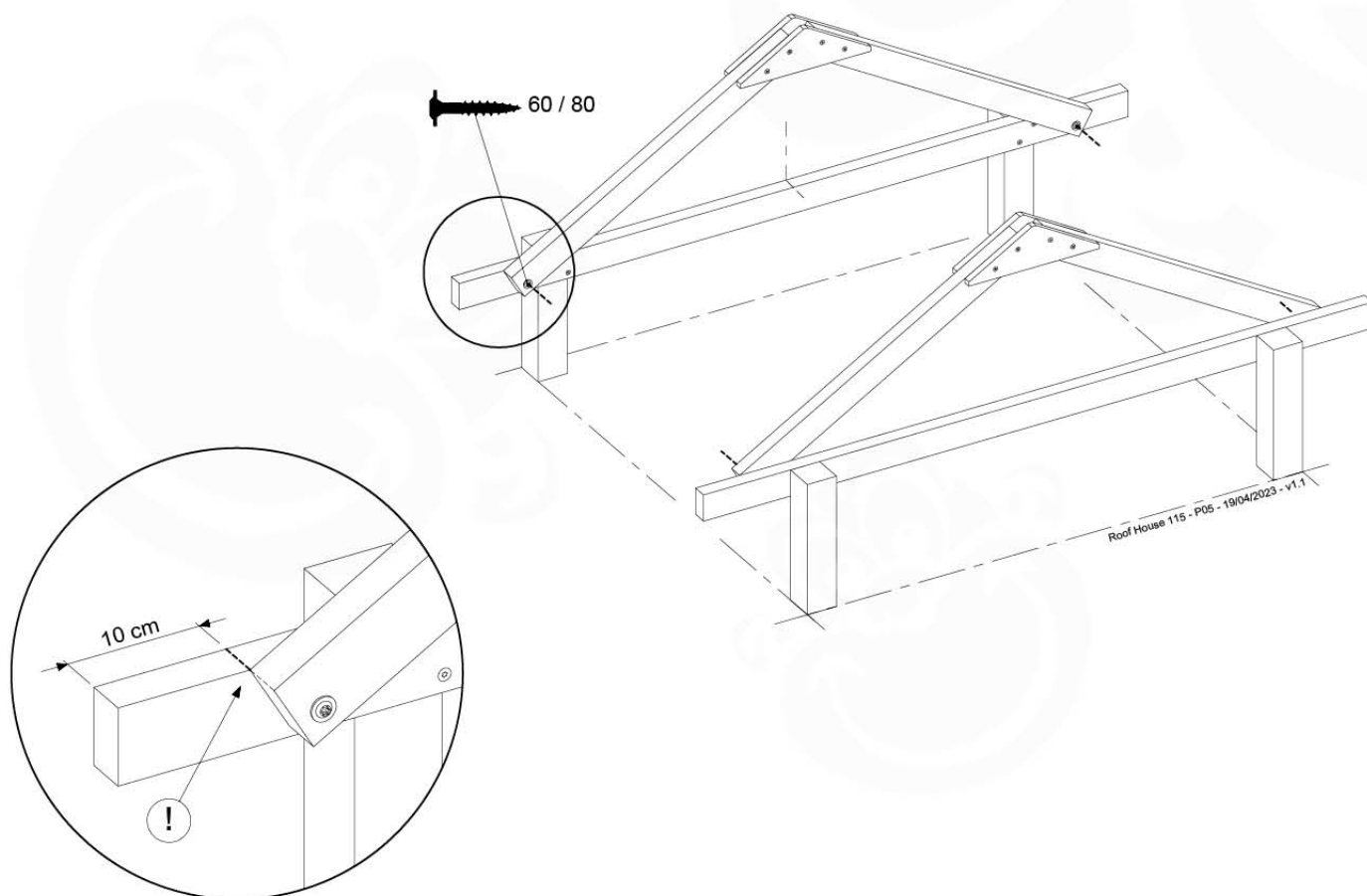
09-1



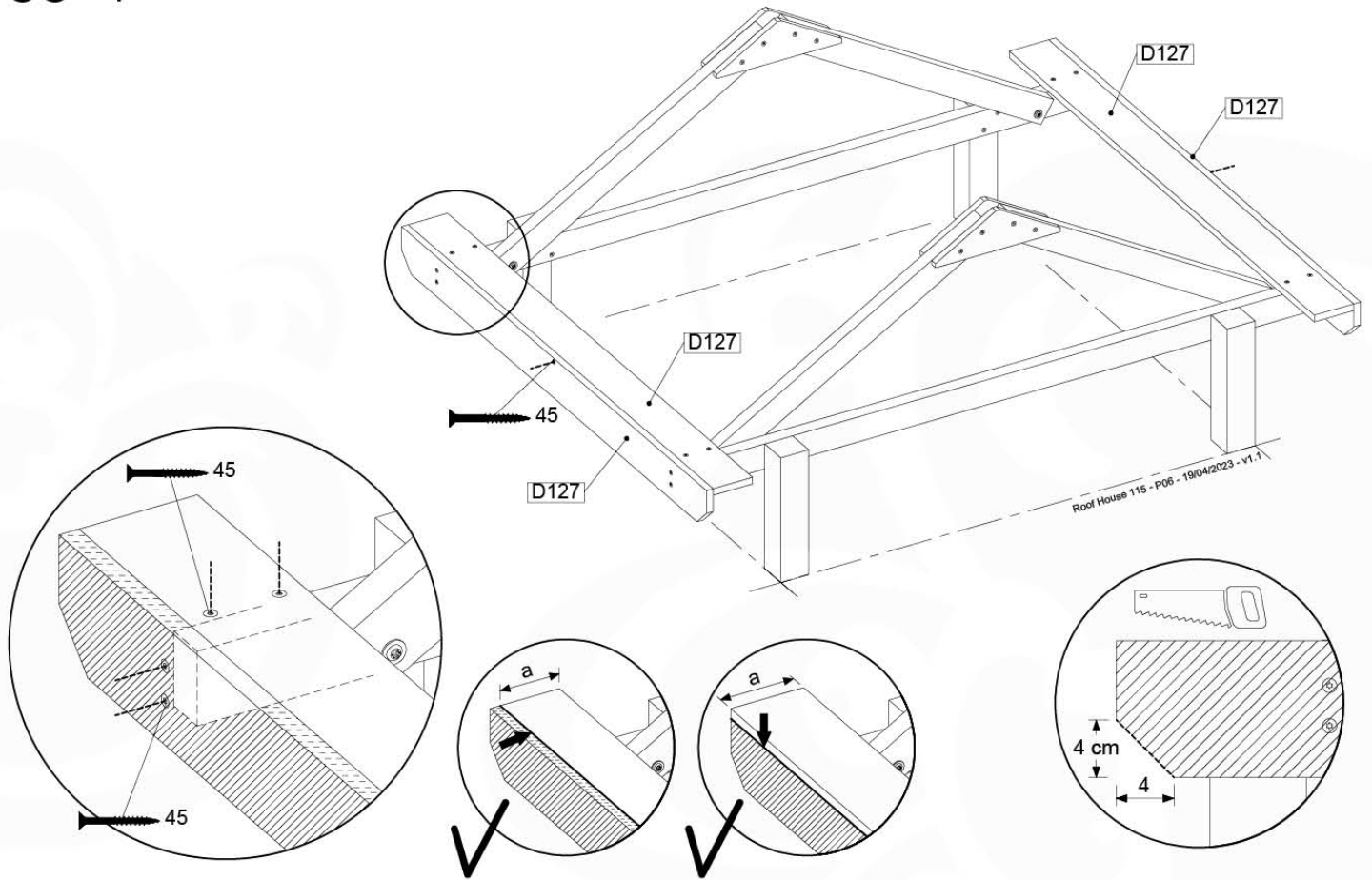
09-2



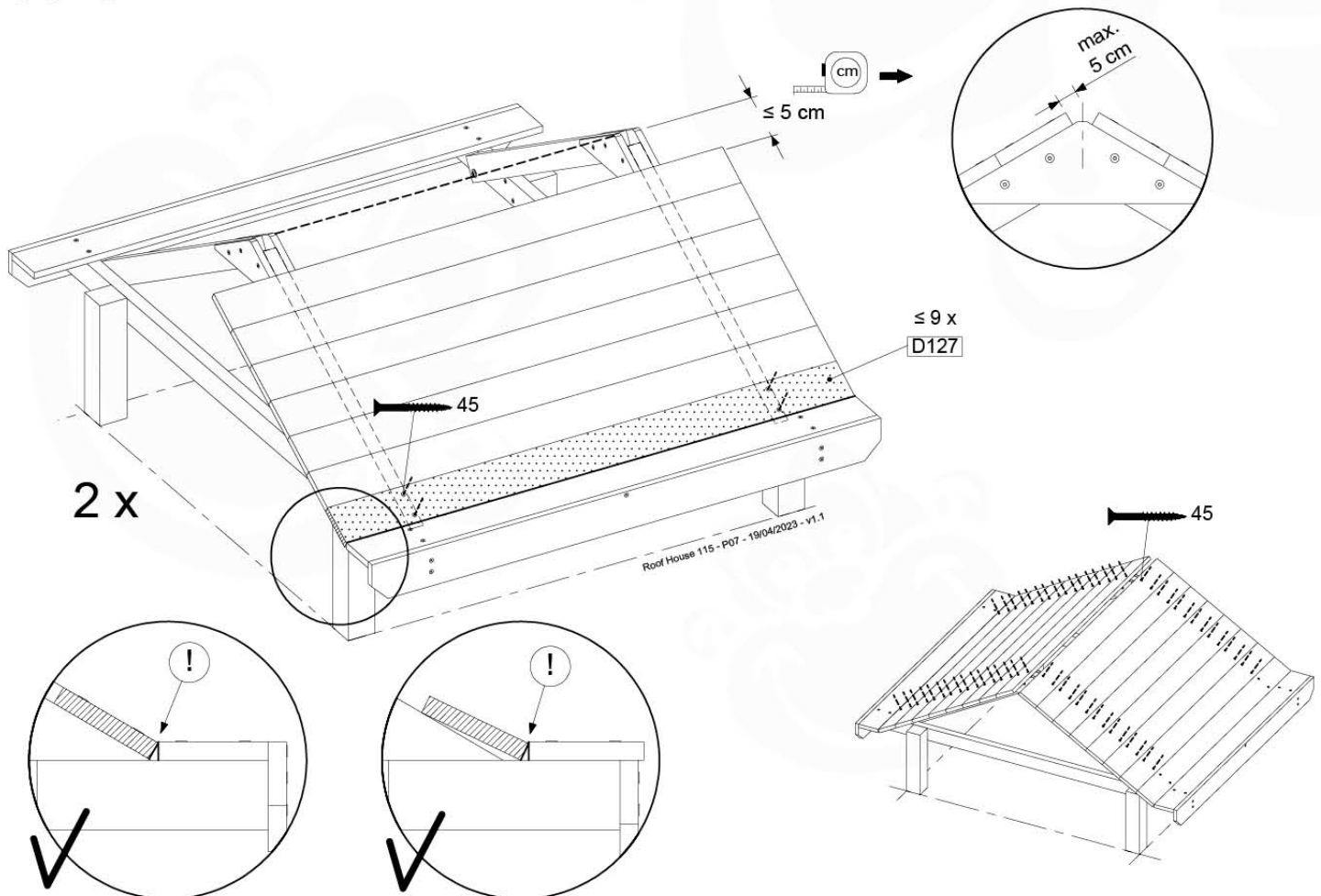
09-3



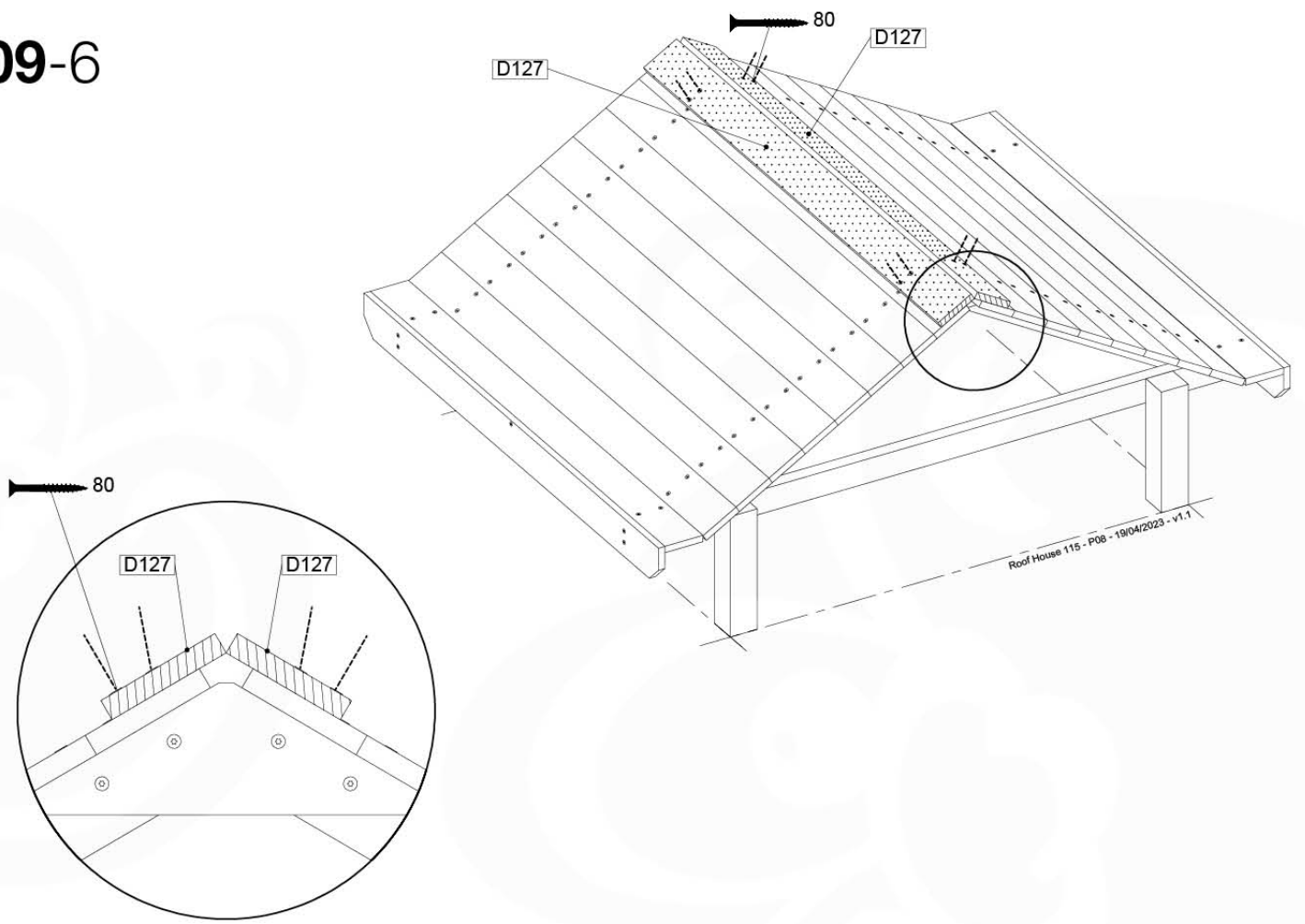
09-4



09-5



09-6



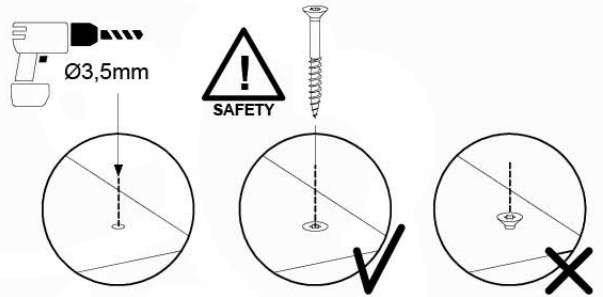
10 Ladder

LA11

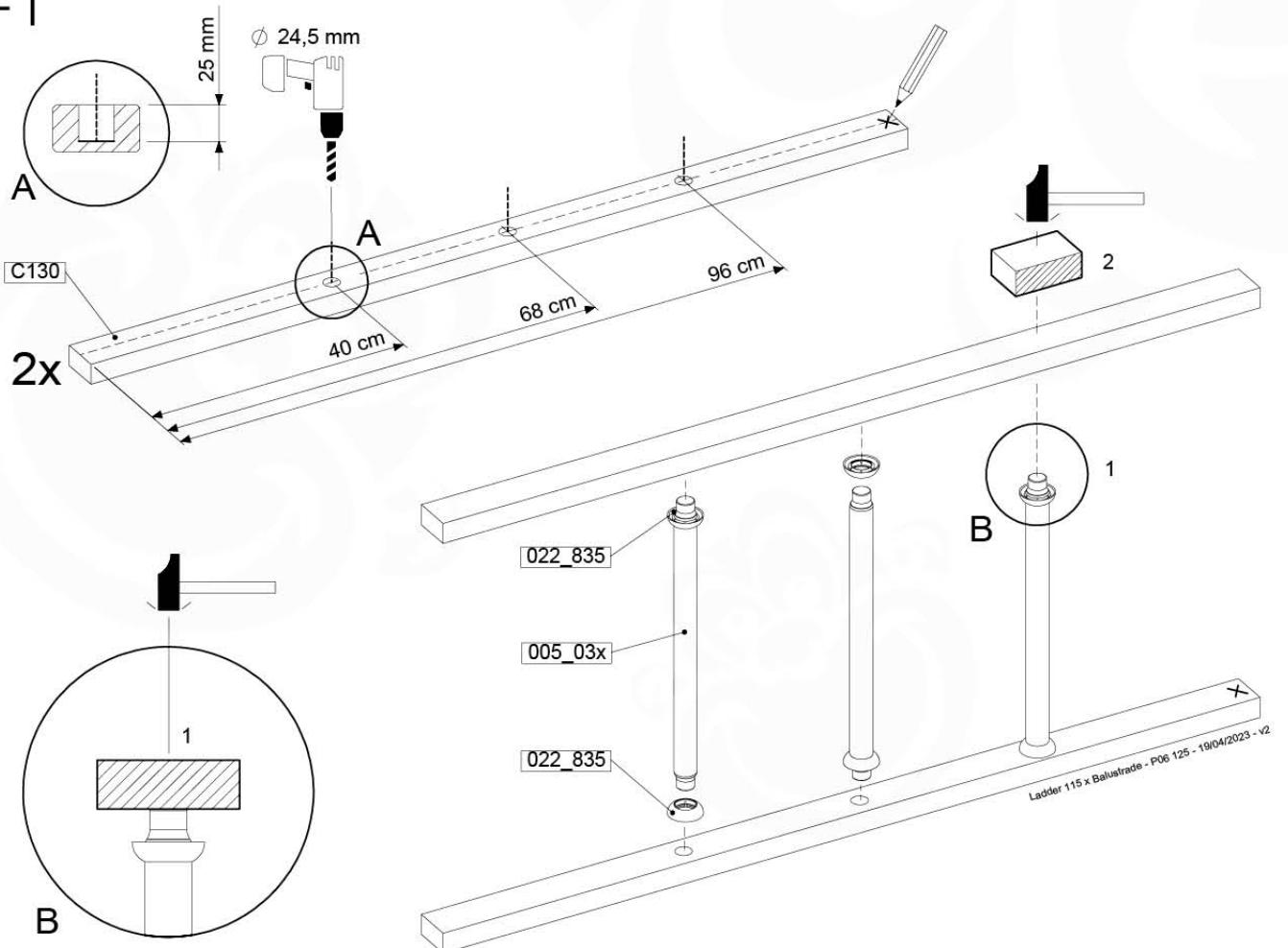
(194_003 + 194_101)

	PartNo	PartName	QTY.
Hardware Pack	001_404	Stealth Screw 8x30	4
	002_219	Gap Point Screw T25 - 5x30	4
	002_220	Gap Point Screw T25 - 5x45	14
	002_223	Gap Point Screw T25 - 5x80	8
Other	005_03x	Ladder Rung Y/B/G/R	3
	005_522	Connection Bracket Mini Market	2
	022_835	Rung Cap	6
	120_102	Handgrip set (complete 2x)	1
Timber	C70	Beam 700 mm	1
	C114	Beam 1140 mm	1
	C130	Beam 1300 mm	2
	D65	Board 650 mm	2

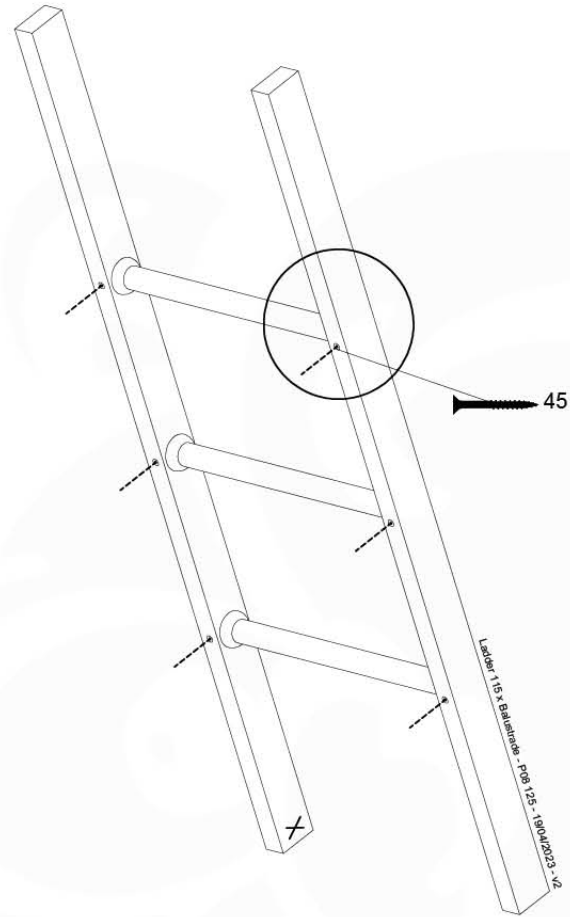
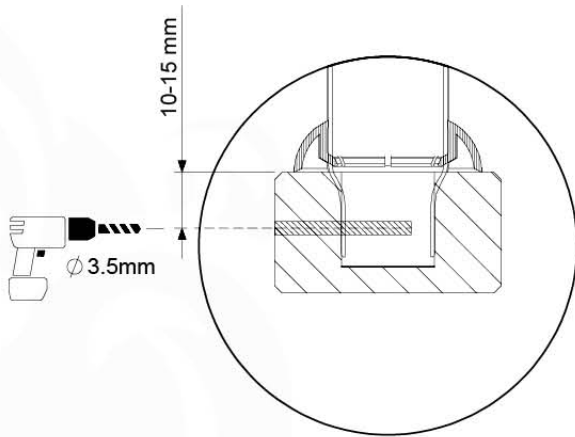
Ladder 115 x Balustrade - P02 UL125 - 19/04/2023 - v2



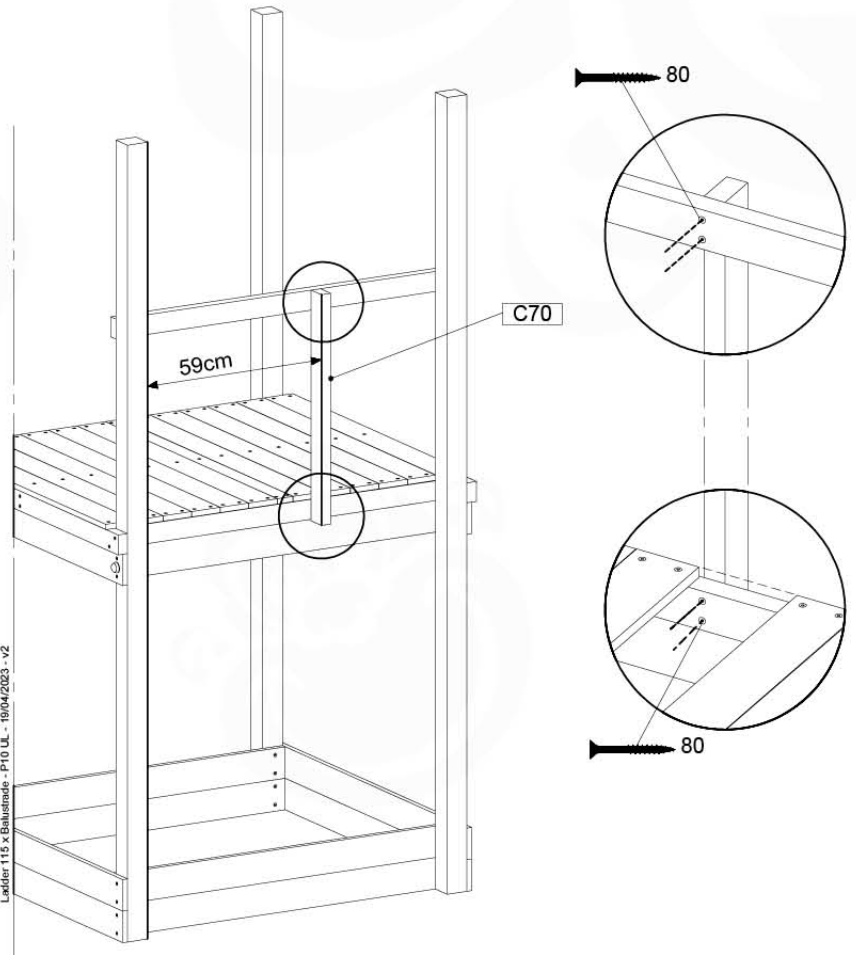
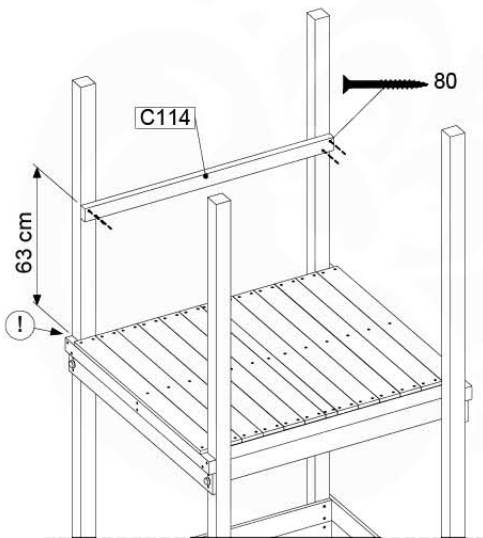
10-1



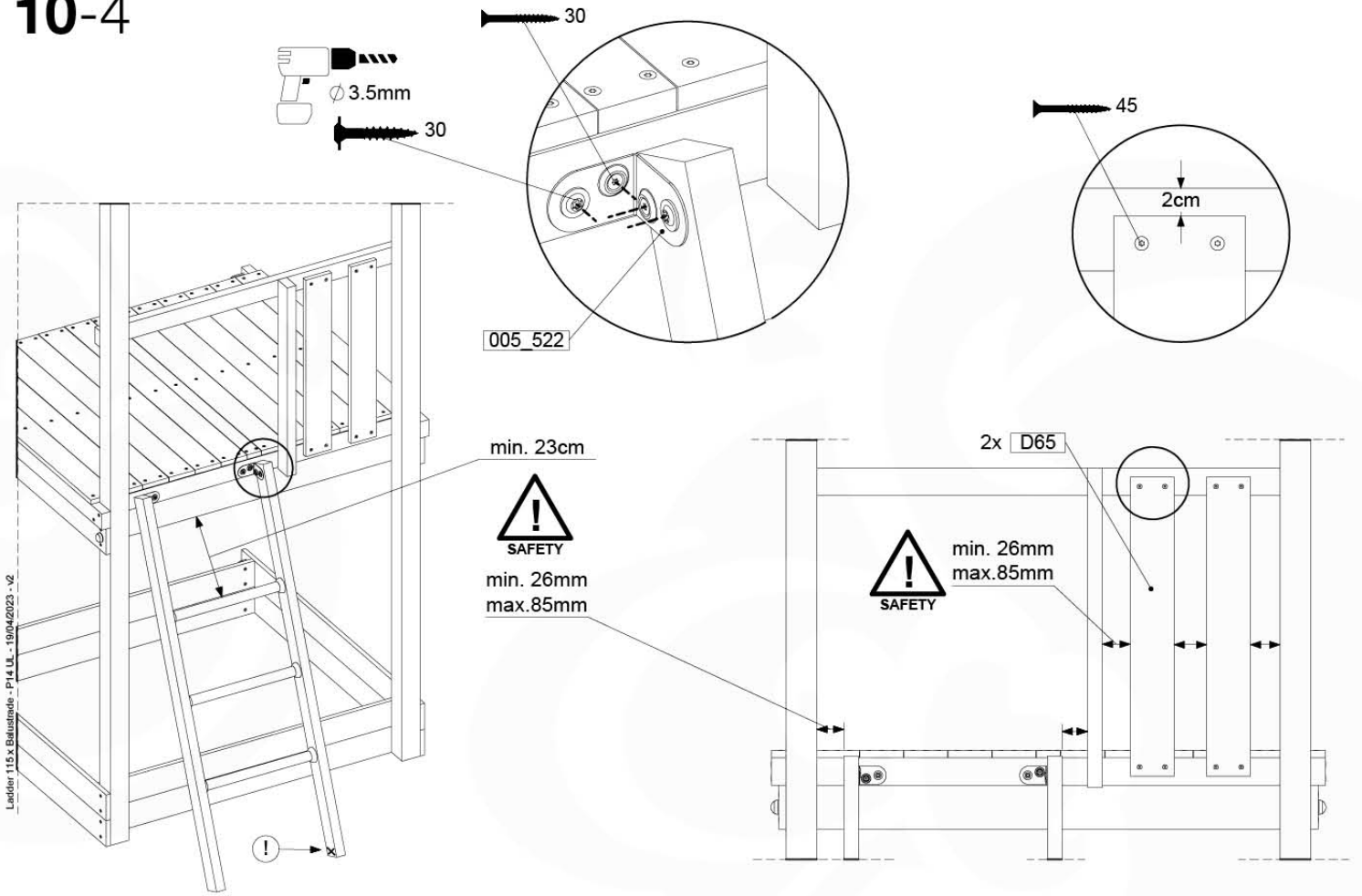
10-2



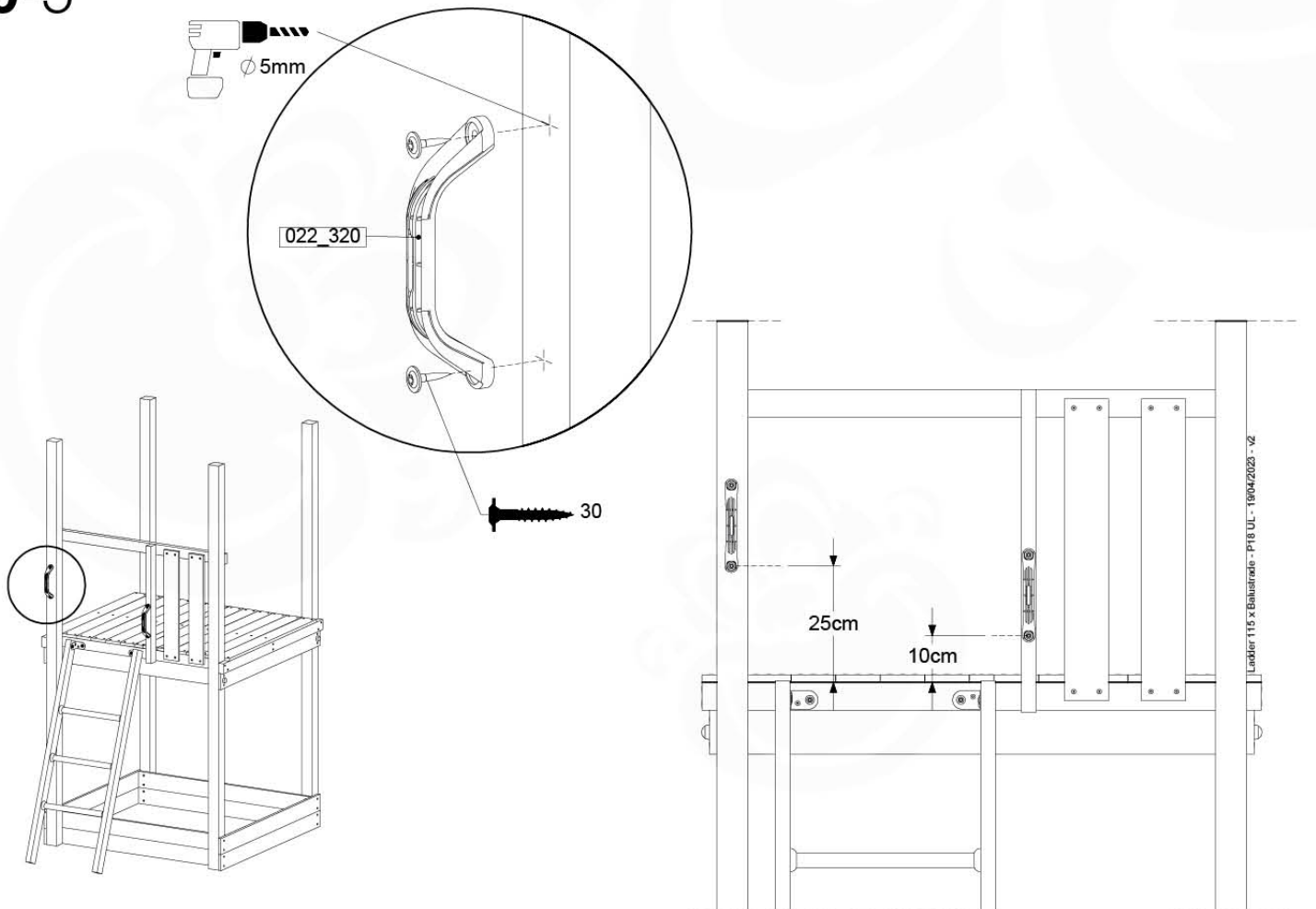
10-3



10-4



10-5



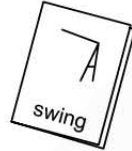
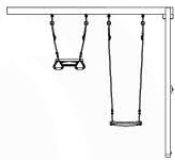
11 Swing Frame / Climb Frame



12



+

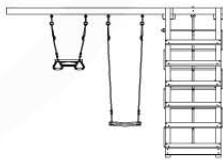


12

1-Swing Module / 2-Swing Module
457_101
457_102



+



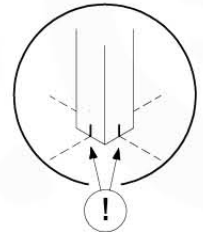
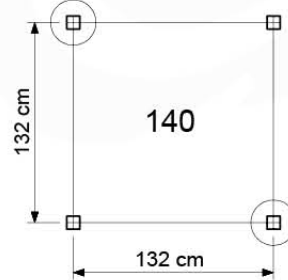
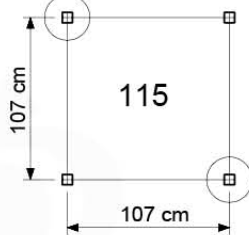
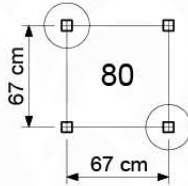
12

1-Climb Module / 2-Climb Module
457_105
457_106

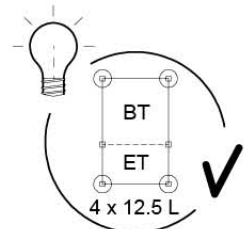
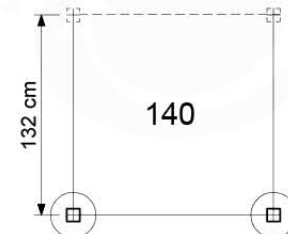
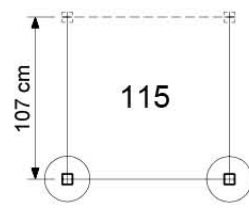
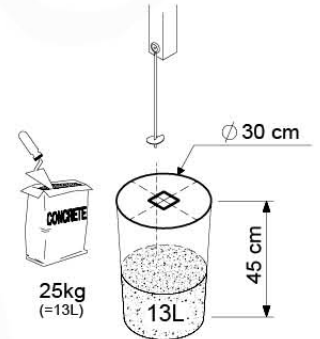
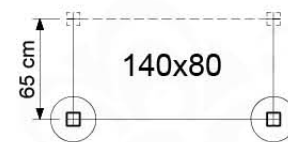
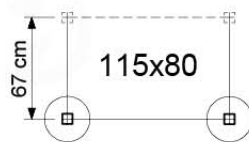
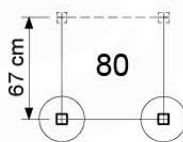
12 Ground Anchors

GA05

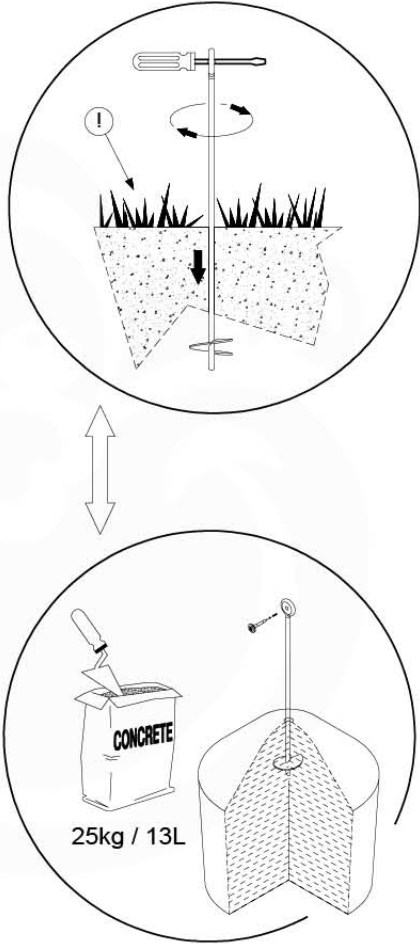
BASE TOWERS



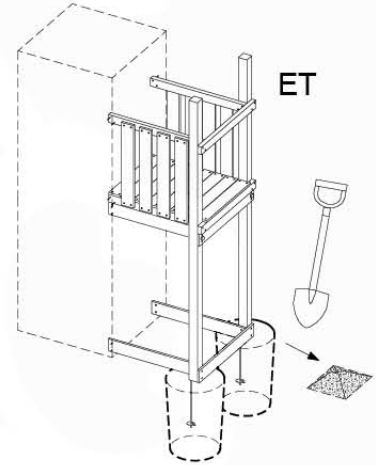
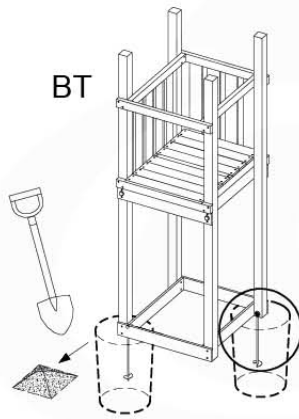
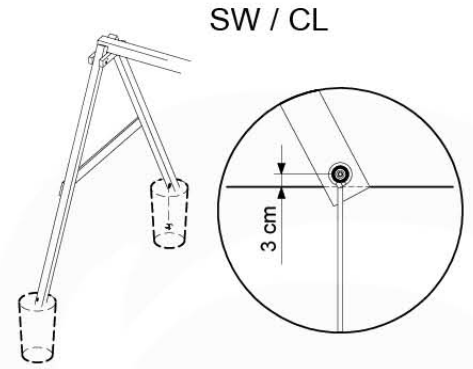
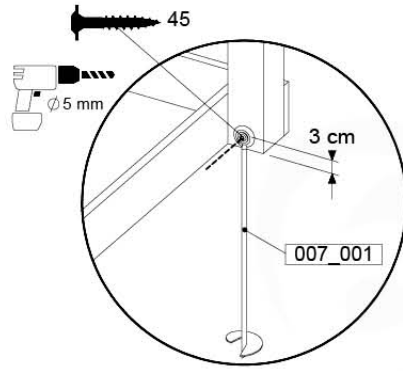
EXTENSION TOWERS



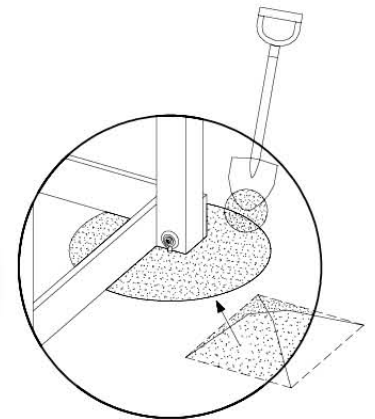
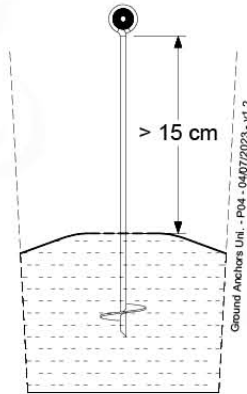
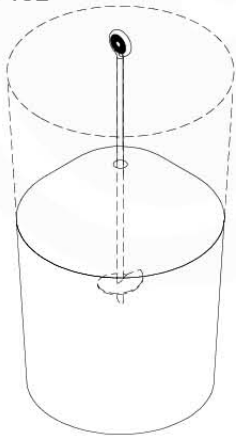
12-1



Ground Anchors Uni. - PD3 - 0407/2023 - v1.2



12-2



1.

2.

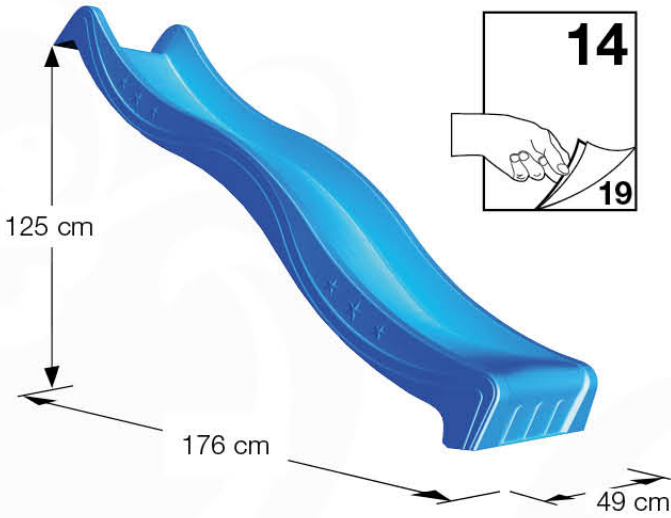
3.

4.

13 Add-on

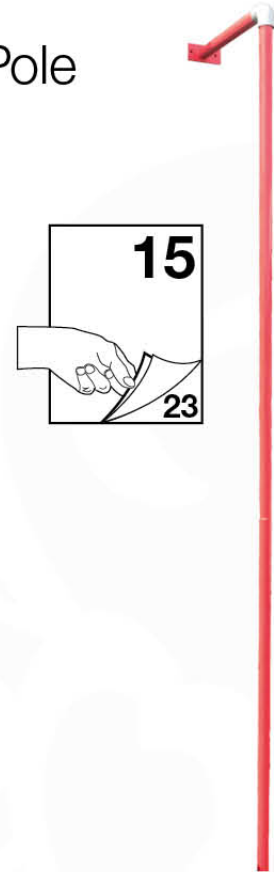
Wavy Star Slide XL

- 324_100 Yellow
- 324_200 Blue
- 324_300 Green
- 324_400 Red
- 324_500 Fuchsia
- 324_600 Dark Green



Fireman's Pole

201_275



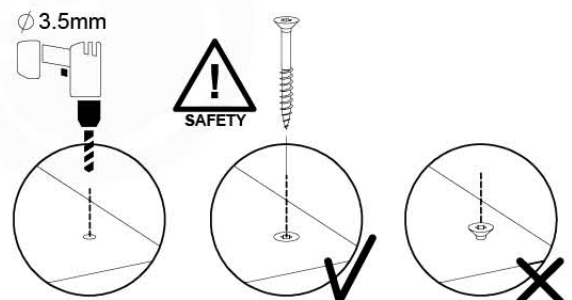
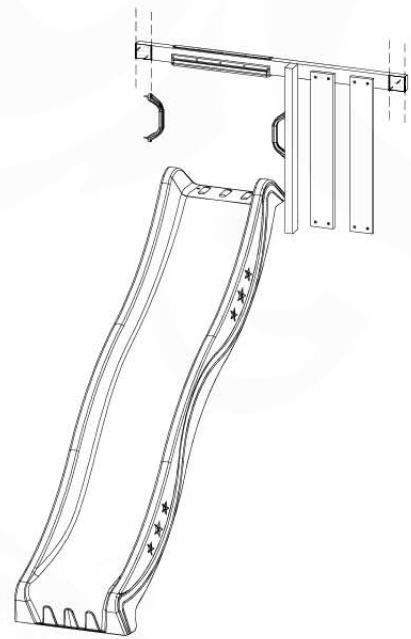
14 Slide Set

SL06

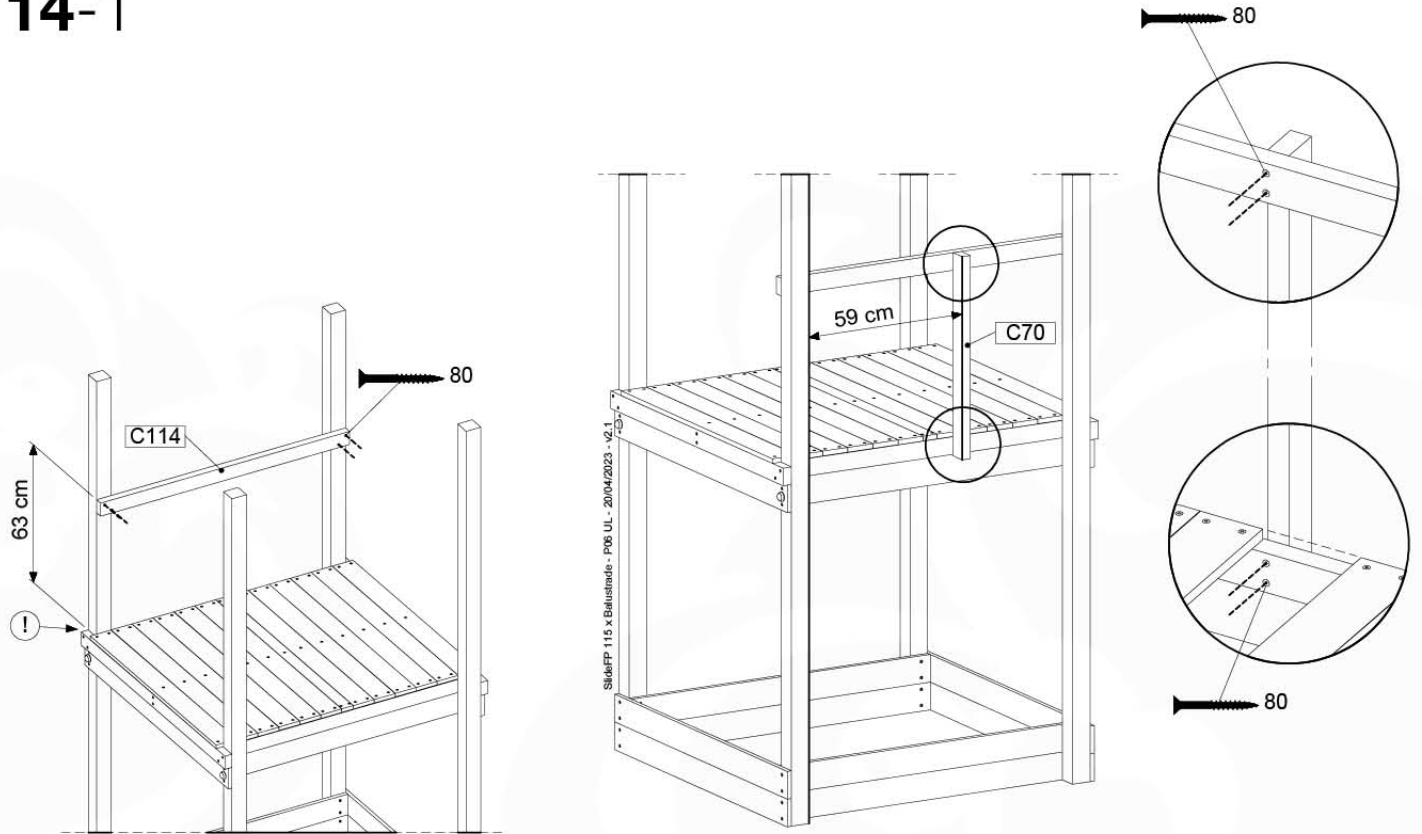
(194_107 + 194_101)

	PartNo	PartName	QTY.
Hardware Pack	000_101	Nail Pan Head	10
	002_220	Gap Point Screw T25 - 5x45	8
	002_223	Gap Point Screw T25 - 5x80	8
	002_308	Gap Point Screw T25 - 5x20	2
Other	120_102	Handgrip set (complete 2x)	1
	123_200	Bumperpad	1
	324_xxx 334_xxx	Wavy Star Slide XL 2200 mm / Wavy Star Slide XXL 2650 mm	1
Timber	C114	Beam 1140 mm	1
	C70	Beam 700 mm	1
	D65	Board 650 mm	2

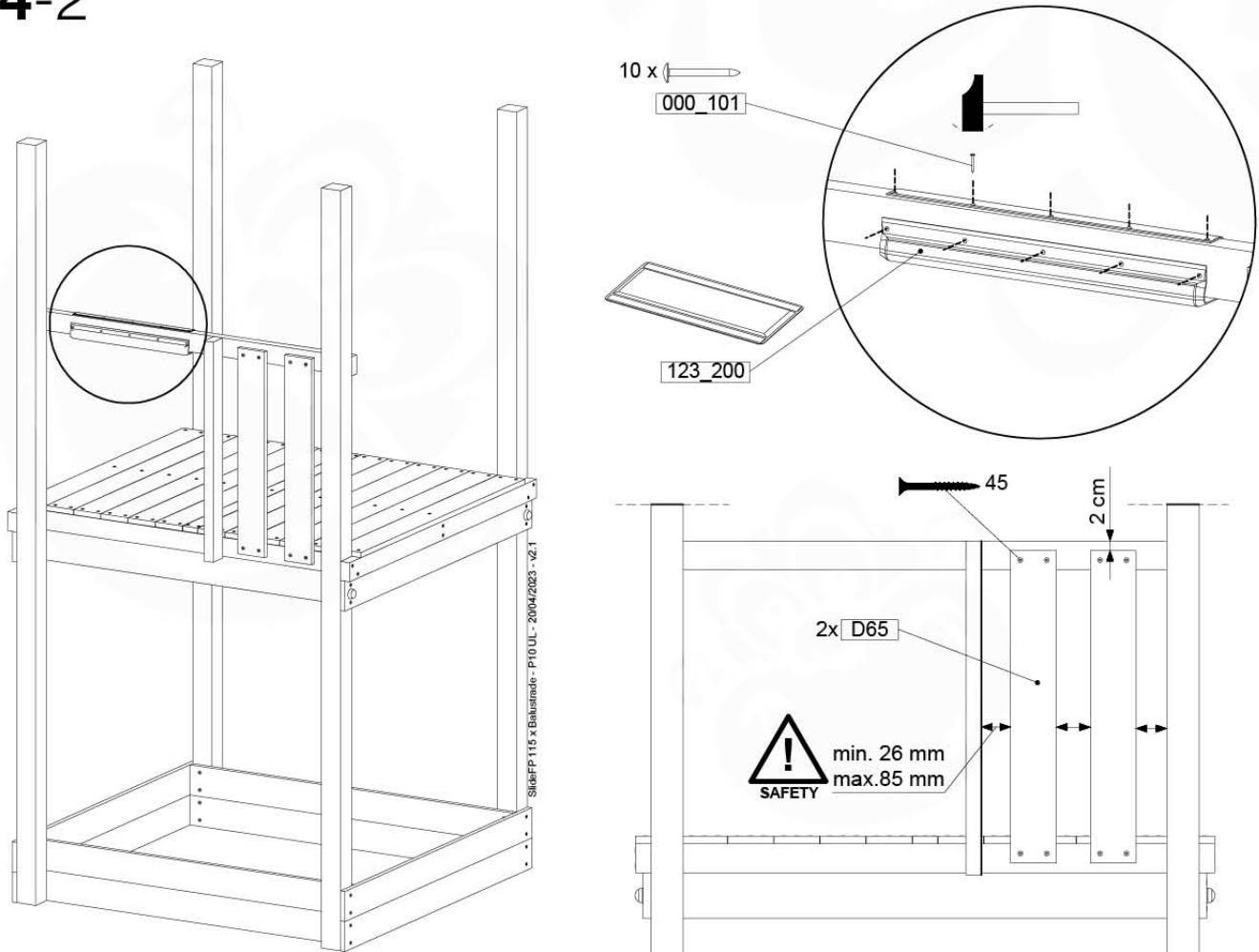
SlideFP 115 x Balustrade - PO2-UL - 2004/2023 - v2.1



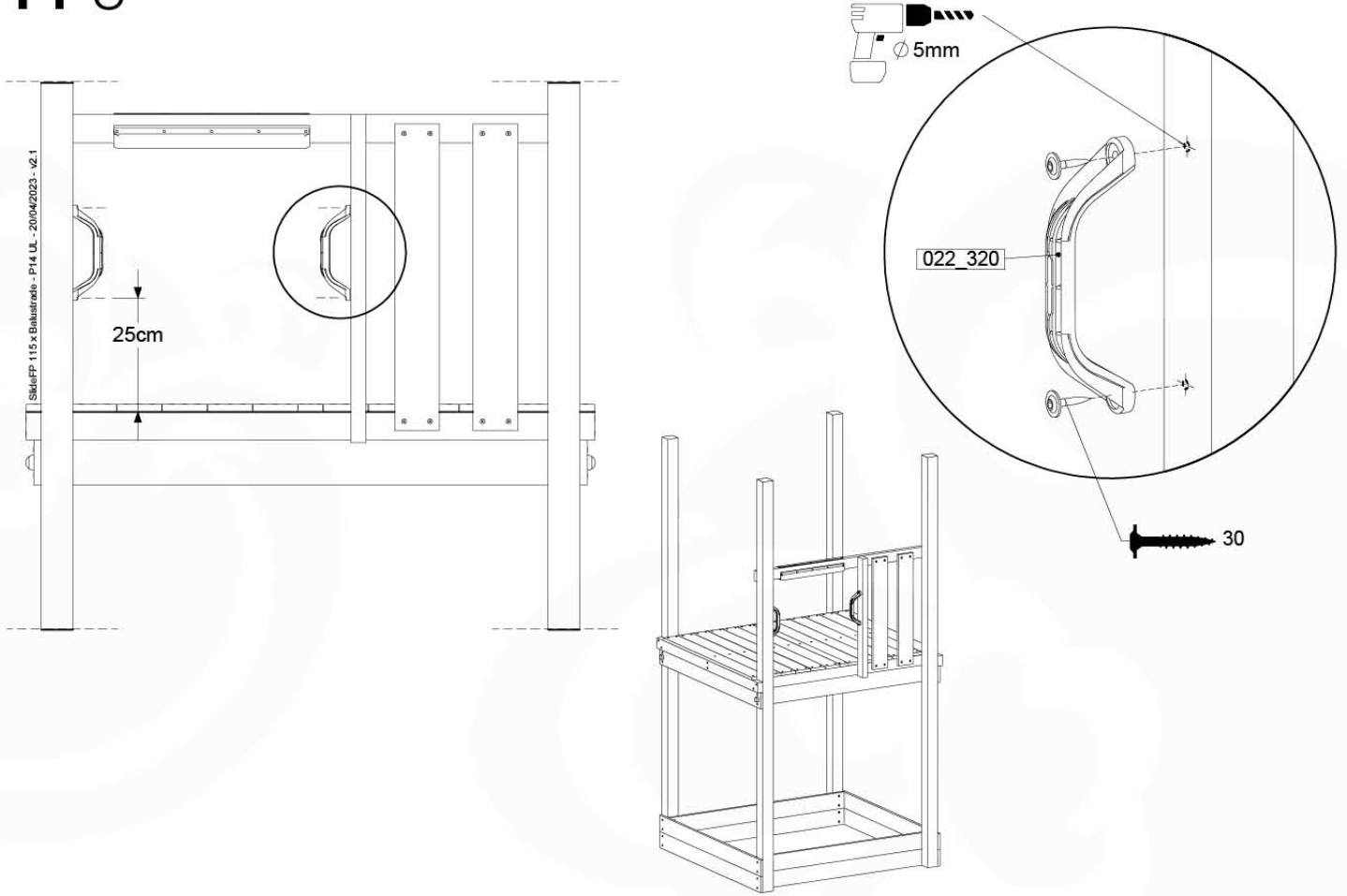
14-1



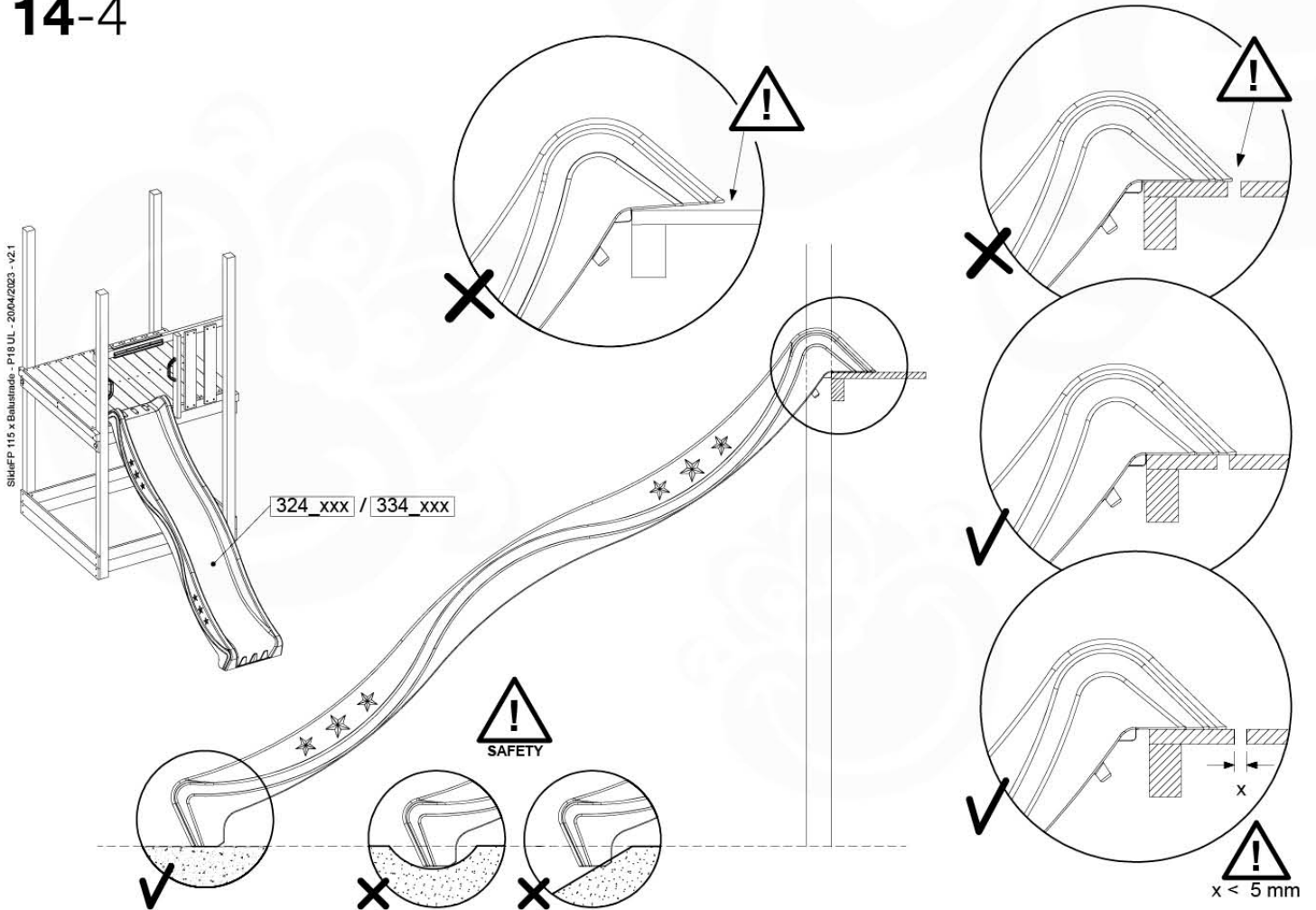
14-2



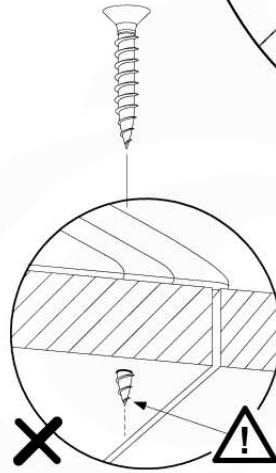
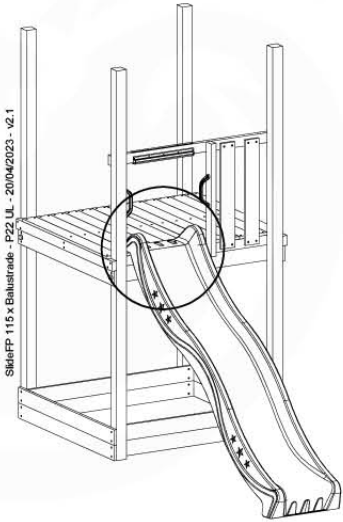
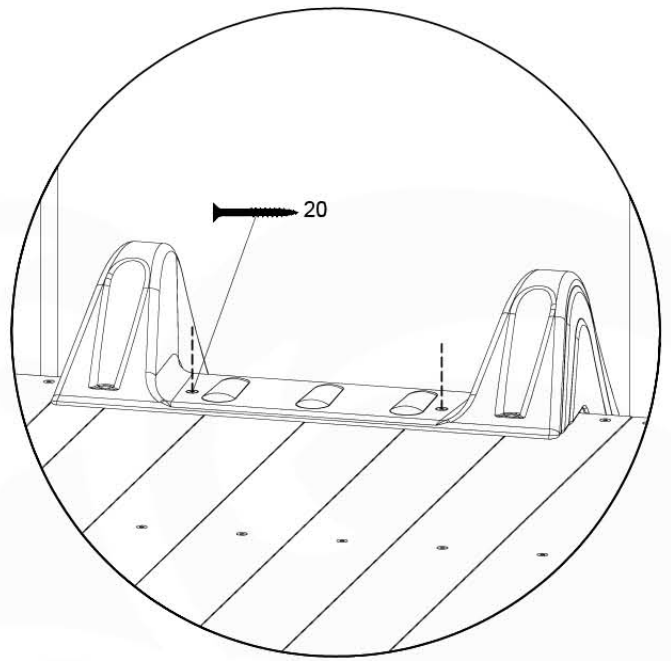
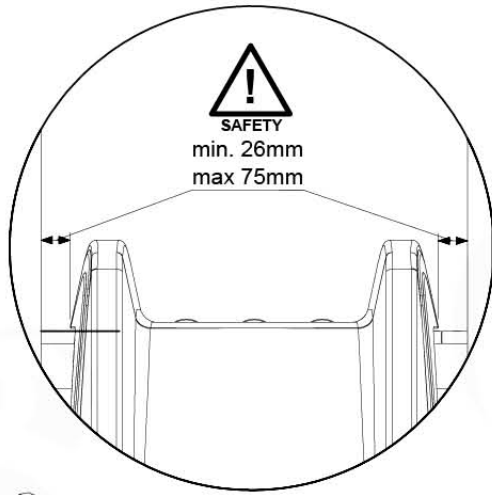
14-3



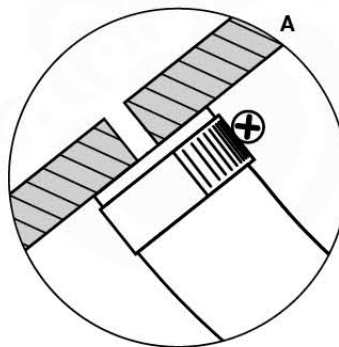
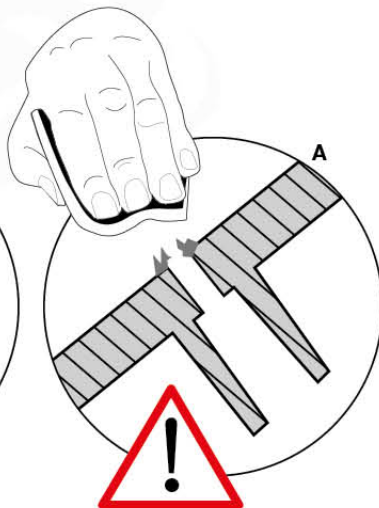
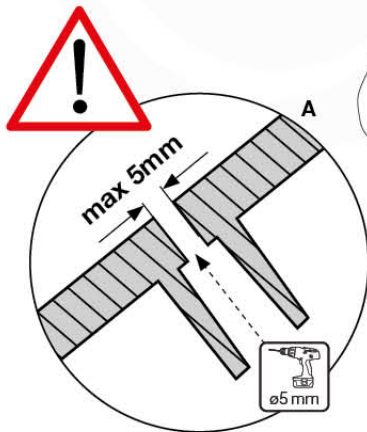
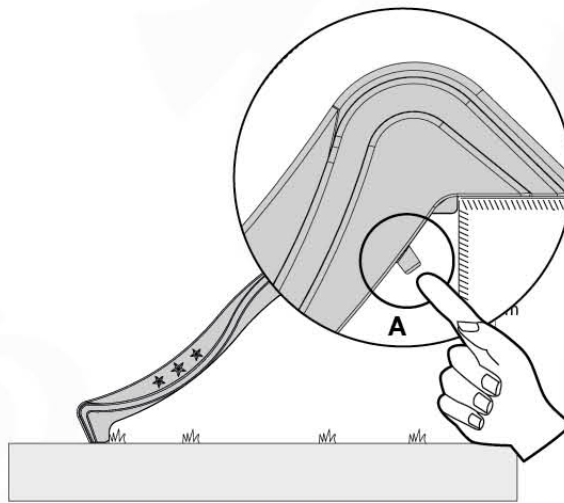
14-4



14-5



14-6



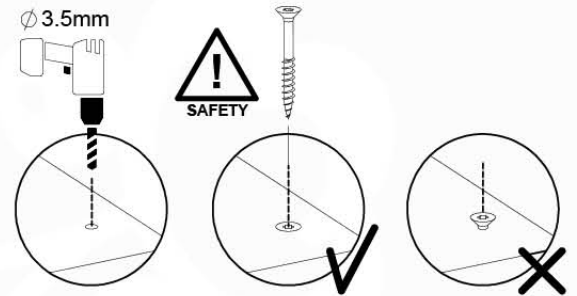
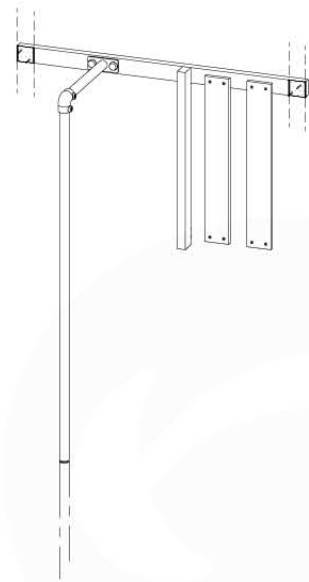
15 Firemans Pole

FP04

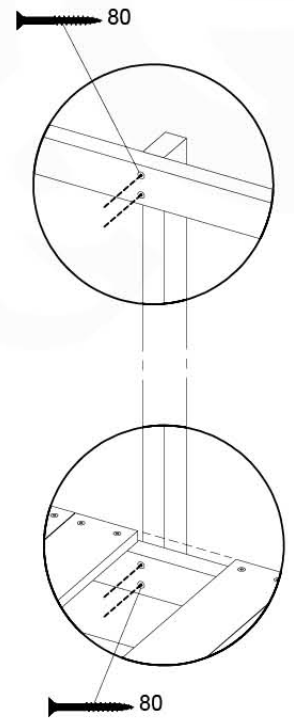
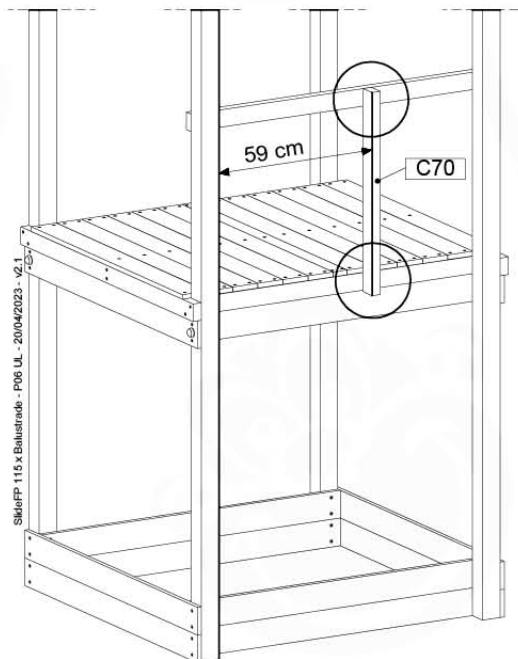
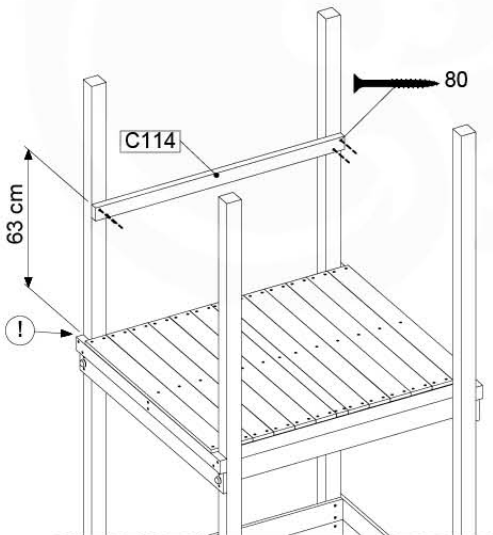
(201_275 + 194_101)

	PartNo	PartName	QTY.
Hardware Pack 194_101	002_220	Gap Point Screw T25 - 5x45	8
	002_223	Gap Point Screw T25 - 5x80	4
Other	201_275	Fireman's Pole kit (incl. 4x Screw T25 5x80)	1
Timber	C70	Beam 700 mm	1
	C114	Beam 1140 mm	1
	D65	Board 650 mm	2

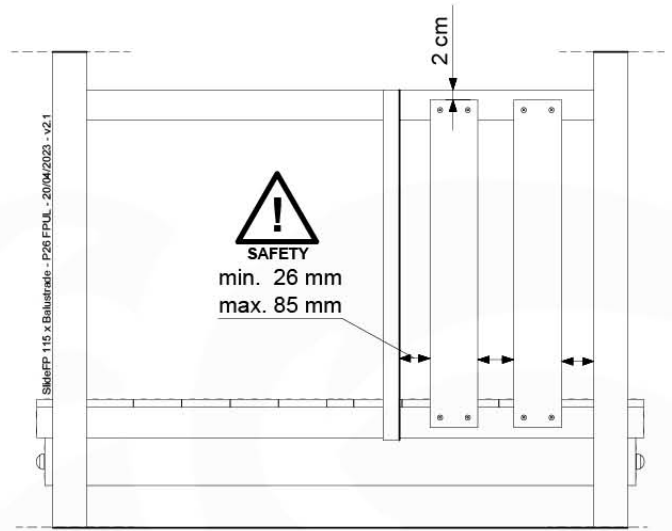
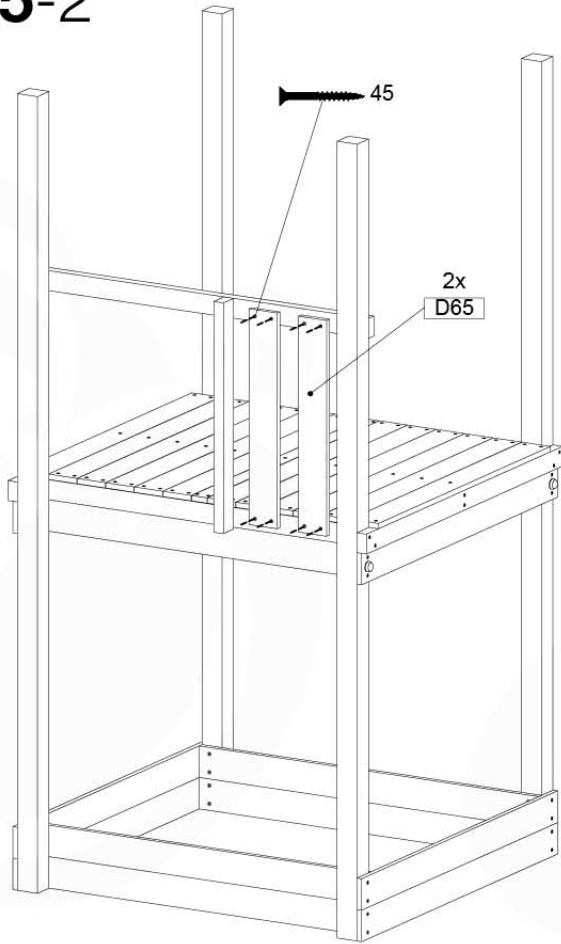
SlideFP 115 x Balustrade - P30 FPUL - 201042023 - v2.1



15-1



15-2



**Fireman's Pole (201_275)
040_335 Part 2**

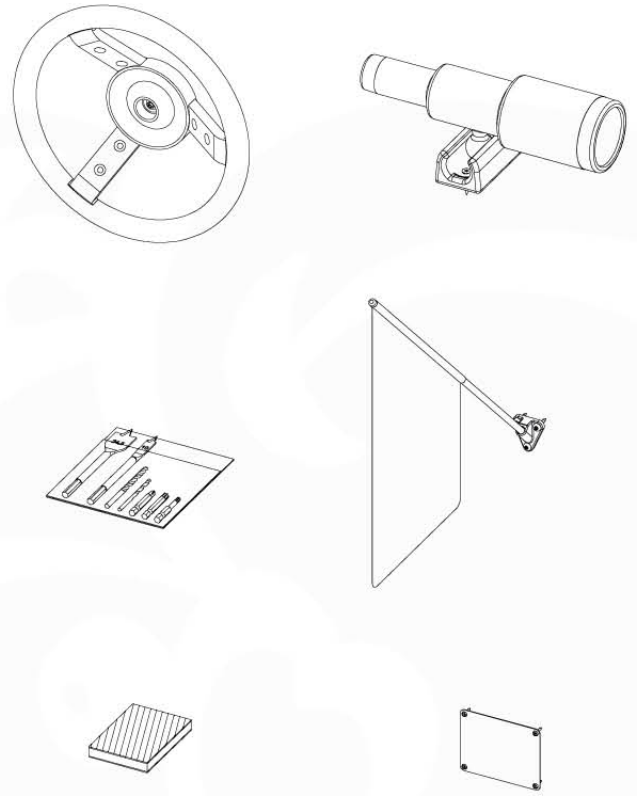
16 Accessories

AC01

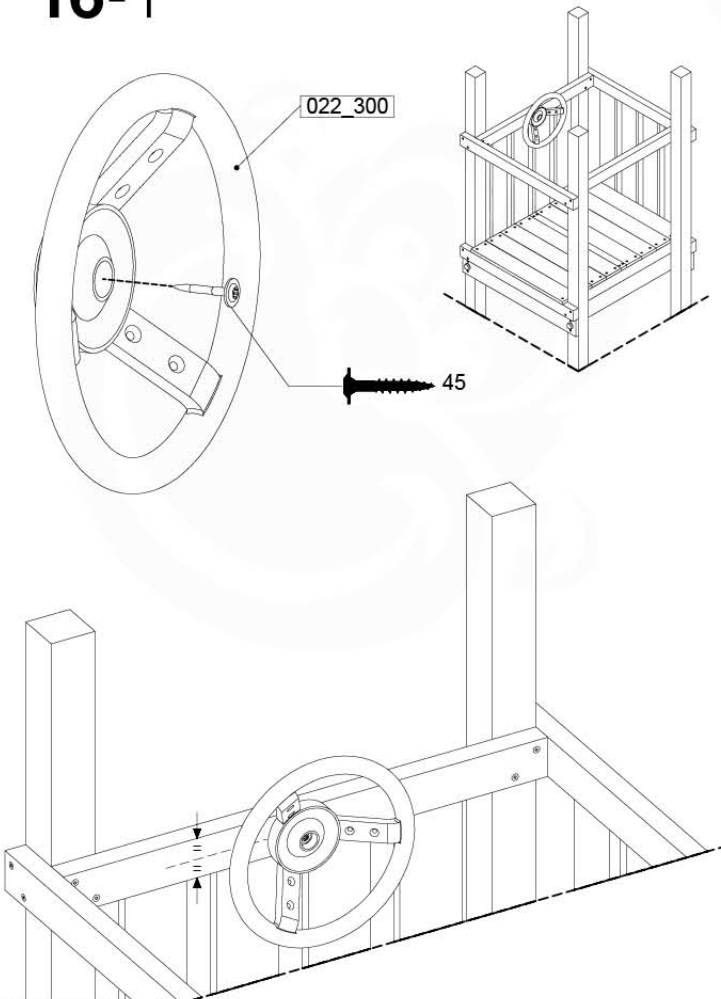
(194_119)

	PartNo	PartName	QTY.
Hardware	001_406	Stealth Screw 8x45	1
	002_041	Dome head screw 4.5 x 20 mm	3
	002_042	Dome head screw 3.5 x 13mm	4
	002_219	Gap Point Screw T25 - 5x30	2
Other	022_300	Steering Wheel	1
	022_800	Rail P/T 105	1
	022_910	Sandpad	1
	103_901	Logo ID Plate	1
	104_107	Tool Set Climbing Units	1
	120_024	Tower Flag	1
	122_302	Telescope	1

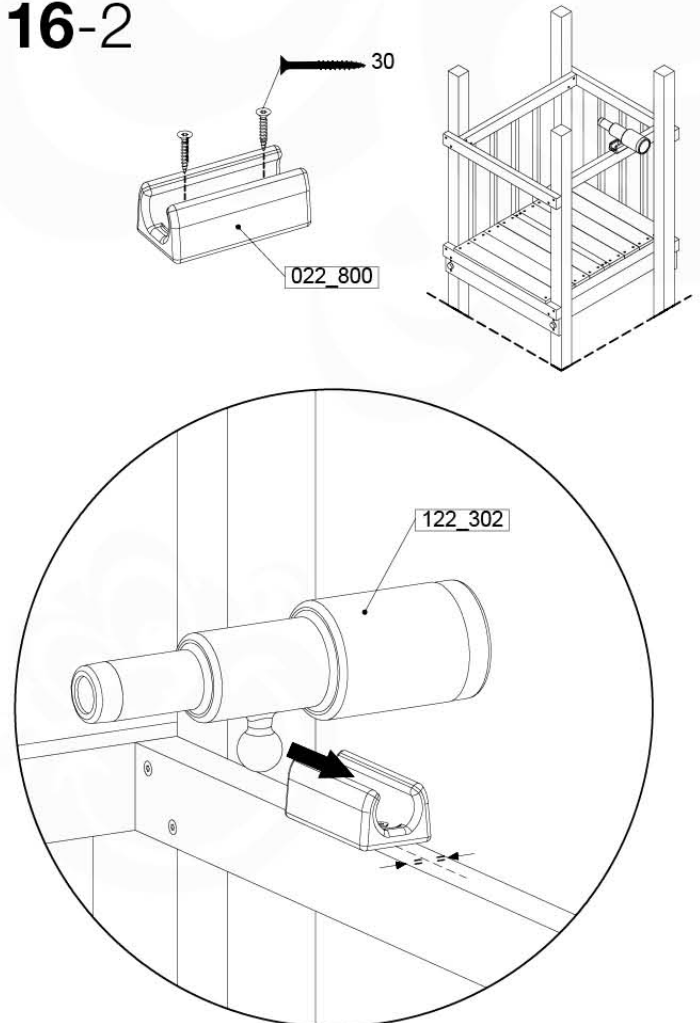
Accessory set - P02 - 09/07/2023 - v5



16-1

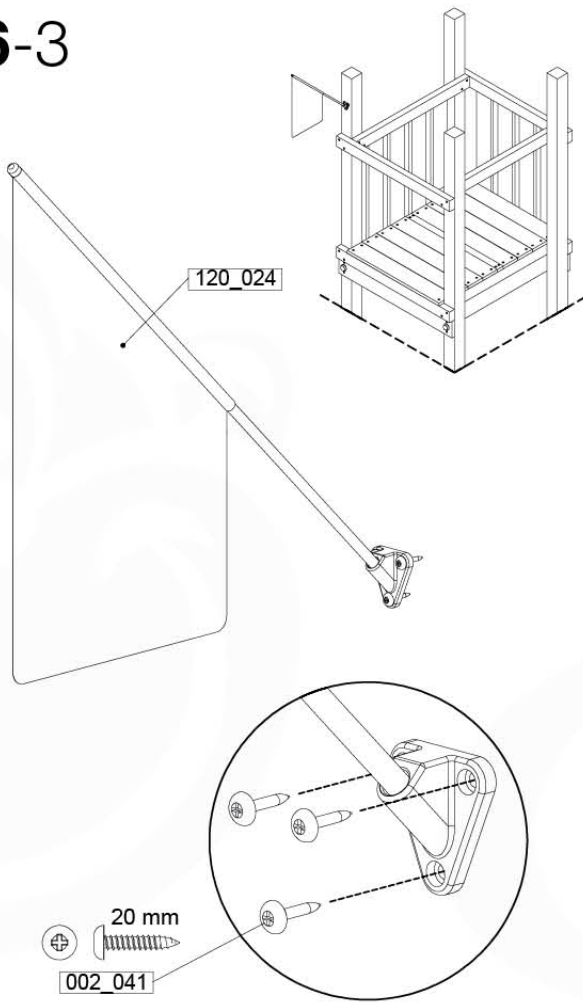


16-2

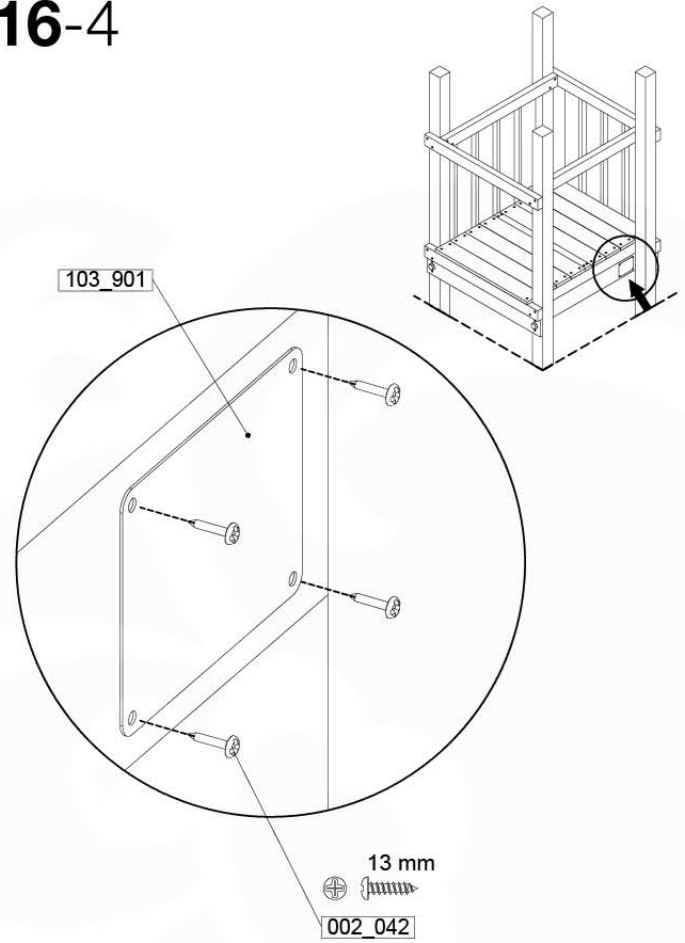


Accessory set - P03 - 09/07/2023 - v5

16-3

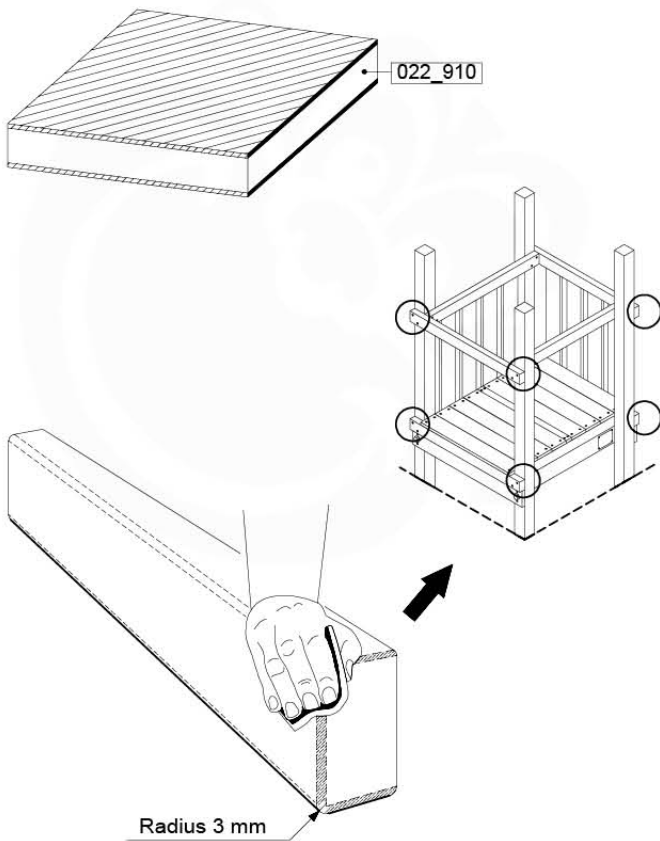


16-4



Accessory set - P04 - 05/07/2023 - v5

16-5 Safety check



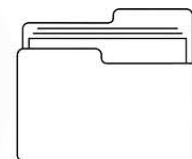
17 Download and Saving



+



Manual Part 1



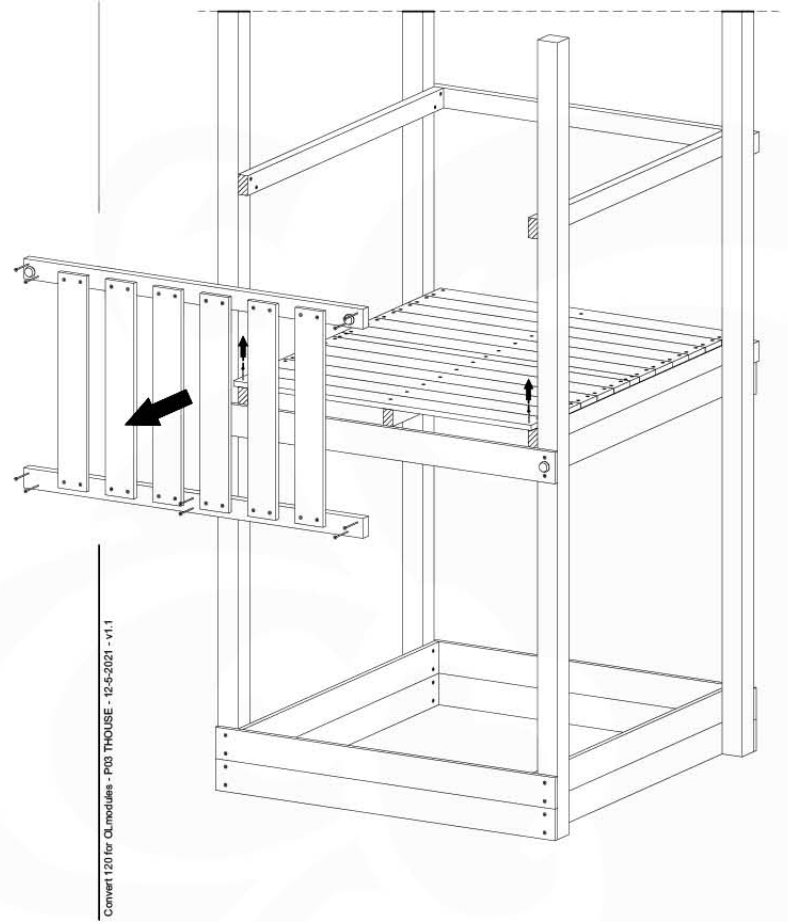
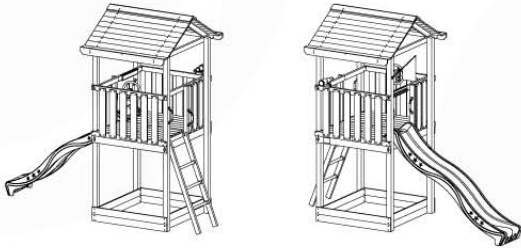
Accessory set - P05 - 05/07/2023 - v5

18 Tower preparation for Modules/ links

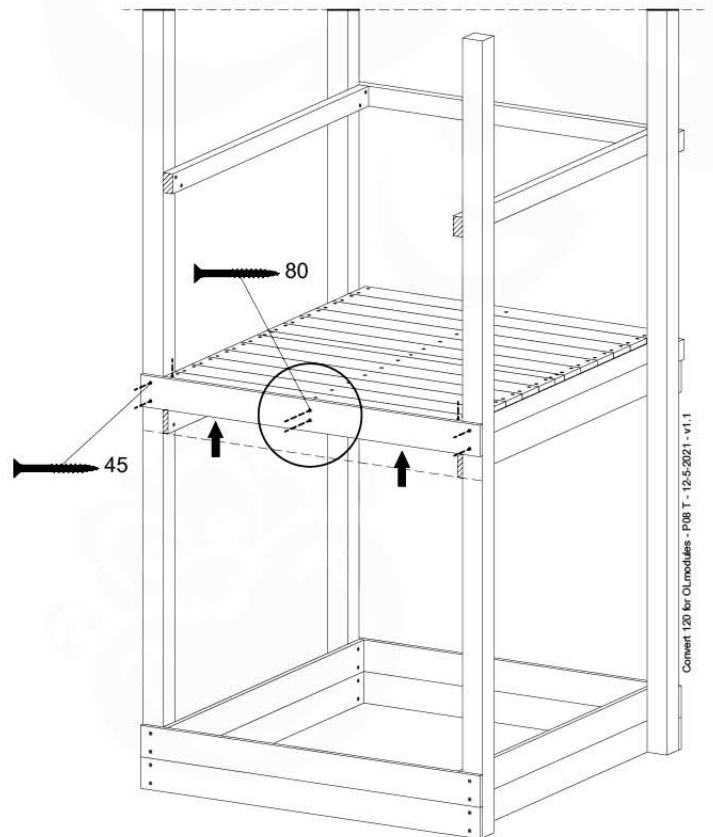
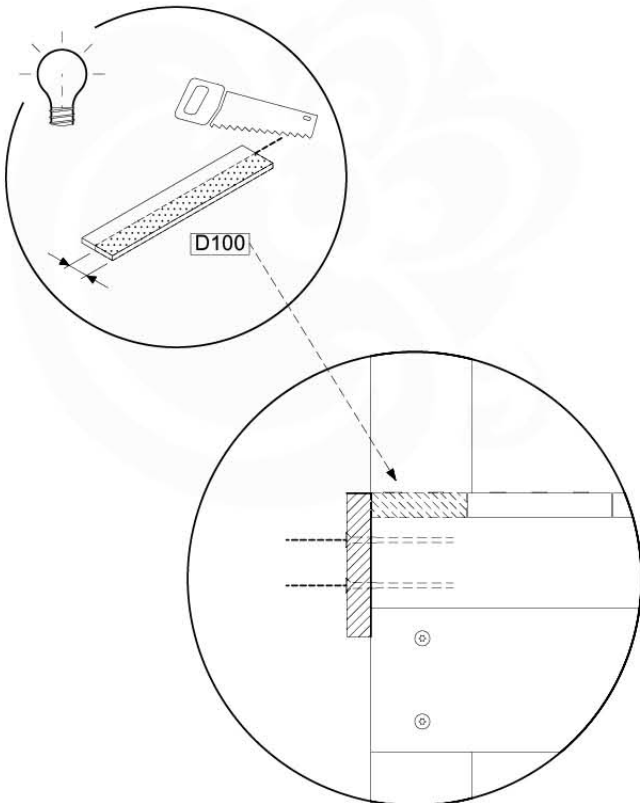
450_240 / 850_240 Bridge Module

470_100 / 870_100 Bridge Link

470_105 / 870_105 Net Link



18-1



Activity toys for domestic use Aktivitätsspielzeug für den häuslichen Gebrauch Jouets d'activité à usage familial

Product Range Identification

Activity toys for domestic use Aktivitätsspielzeug für den häuslichen Gebrauch Jouets d'activité à usage familial

1. Wooden climbing frames

20240311_v2

1.1. Assemblies

Playtowers	801_005, 801_009, 801_010, 801_013, 801_025, 801_040, 801_060, 801_070, 801_090, 801_095, 801_100, 801_103, 801_105, 801_110, 801_120, 801_200, 802_202, 802_204, 802_206, 802_208, 803_202, 803_204, 803_206, 803_208, 803_210, 809_802, 809_804
Swings	801_300, 801_601, 801_602
Modules	850_176, 850_177, 850_231, 850_232, 857_101, 857_102, 857_105, 857_106, 857_151, 857_152, 857_157, 857_158, 850_240

1.2. Sub assemblies

Base towers (BT)	BT01a, BT02a, BT03a, BT11a, BT14a, BT15a, BT20a
Extension towers (ET)	ET01a, ET02a, ET05a, ET06a, ET07a, ET08a, ET09a, ET10a, ET11a, ET12a, ET13a, ET14a, ET15a, ET16a, ET17a, ET18a, ET19a, ET20a, ET22a, ET23a, ET27a, ET28a, ET35a, ET29a, ET39a, ET40a
Bridges (CB, NB, BB, TB)	CB01a, NB01a, BB01a, BB02a, TB01a, TB02a, TB03a, TB04a
Roofs (RF)	RF01a, RF21a, RF02a, RF03a, RF04a, RF05a, RF06a, RF20a, RF02b, RF03b, RF07a, RF08a, RF22a, RF09a, RF23a, RF11a, RF12a, RF07b, RF12b, RF14a, RF24a, RF15a, RF25a, RF18a, RF18b
Balustrade (BL, BF)	BL01a, BL02a, BL21a, BF25a, BF26a, BF27a, BF28a, BF01a, BF02a, BF03a, BF04a, BF05a, BF06a, BF07a, BF08a, BF21a, BF22a, BF23a, BF24a
Playhouse (PH)	PH03a, PH04a, PH05a, PH06a, PH10a, PH11a, PH40a, PH41a, PH12a, PH13a, PH14a, PH15a, PH42a, PH43a, PH44a, PH45a, PH16a, PH17a, PH18a, PH19a, PH30a, PH31a, PH16b, PH17b, PH18b, PH19b, PH46a, PH47a, PH48a, PH49a, PH20a, PH21a, PH22a, PH23a, PH24a, PH25a, PH26a, PH27a, PH32a, PH33a, PH52a, PH53a, PH54a, PH55a, PH56a, PH57a, PH50a, PH51a, PH26b, PH27b
Ladder (LA)	LA05a, LA06a, LA01a, LA02a, LA03a, LA01b, LA02b, LA03b, LA11a, LA12a, LA13a, LA14a, LA15a, LA16a, LA17a, LA18a, LA31a, LA32a, LA33a, LA34a, LA35a, LA36a, LA37a, LA38a, LA21a, LA22a, LA23a, LA24a, LA25a, LA26a, LA43a, LA44a, LA45a, LA46a
Two Step Ladder (TS)	TS01a, TS01b, TS02a, TS02b, TS03b, TS22a, TS05a, TS06a, TS07a, TS08a, TS09a, TS10a, TS11a, TS12a, TS15a, TS16a, TS17a, TS18a, TS19a, TS20a, TS21a, TS22a
Rope Ladder (RL)	RL01a, RL02a, RL05a, RL06a, RL07a, RL08a, RL09a, RL10a, RL11a, RL12a, RL15a, RL16a, RL19a, RL20a
Rock wall (RW)	RW01a, RW02a, RW01b, RW02b, RW03b, RW31a, RW32a, RW33a, RW05a, RW06a, RW07a, RW08a, RW09a, RW10a, RW11a, RW12a, RW40a, RW41a, RW15a, RW16a, RW17a, RW18a, RW19a, RW20a, RW46a, RW47a
Ramp (RA)	RA03a, RA04a, RA05a, RA06a, RA07a, RA08a, RA11a, RA12a, RA21a
Net (NA, NS)	NA01a, NA02a, NS01a, NS02a, NS03a, NS21a, NA04a, NA05a, NS04a, NS05a, NS06a, NS07a, NA08a, NA09a, NS08a, NS09a
Boat (BO)	BO01a
Market (MT)	MT01a, MT02a, MT05a, MT06a, MT11a, MT12a
Picnic (PC)	PC01a, PC05a, PC06a, PC09a, PC10a
Gymnastics bar (GY)	GY01a
Fireman's pole (FP)	FP01a, FP02a, FP04a, FP05a, FP06a, FP07a, FP23a, FP24a, FP25a, FP26a, FP27a, FP28a
Slides (SL)	SL01a, SL02a, SL03a, SL06a, SL07a, SL08a, SL09a, SL10a, SL11a, SL12a, SL13a, SL26a, SL27a, SL28a, SL29a
Swing (SM)	SW17a, SW21a, SW18a, SW22a, SW01a, SW05a, SW02a, SW06a, SW09a, SW13a, SW10a, SW14a
Climb (CL)	CL17a, CL21a, CL18a, CL22a, CL01a, CL05a, CL02a, CL06a, CL09a, CL13a, CL10a, CL14a
Accessories (AC)	

2. Construction packages

2.1 Assembly Kits

Playtowers	401_015, 401_080, 401_125, 402_201, 402_202, 402_204, 402_206, 402_208, 403_202, 403_204, 403_206, 403_208, 403_210, 409_802, 409_804
Swings	401_300, 401_600
Modules	457_005, 457_102, 457_103, 457_106, 457_107, 457_205

2.2 Assembly Packs

Sub assemblies	194_002, 194_003, 194_004, 194_006, 194_007, 194_008, 194_009, 194_010, 194_100, 194_101, 194_102, 194_103, 194_104, 194_105, 194_107, 194_108, 194_109, 194_110, 194_111, 194_112, 194_113, 194_114, 194_115, 194_116, 194_117, 194_118, 194_119, 194_300, 194_308, 194_312, 194_500, 194_501, 194_508, 194_510, 194_809, 194_810, 194_811, 194_812
----------------	--

3. Accessories and components

Slides XL	324_100, 324_200, 324_300, 324_400, 324_500, 324_600
Slides XXL	334_100, 334_200, 334_300, 334_400, 334_500, 334_600
Fireman's pole	201_275
Climbing	201_060, 201_273
Imagination	201_280, 201_285, 201_290, 201_295, 202_473, 450_310, 450_320, 450_330
Swinging	250_001, 250_013, 250_025, 250_034, 250_053
Functional	123_220, 123_222, 123_230, 201_115, 201_220, 201_250, 201_260, 201_270, 202_620, 202_621, 202_622, 202_623, 202_624, 202_625, 202_626, 202_627, 202_628, 202_629, 202_824, 250_065, 250_070, 250_075

Declaration of Conformity

Jungle Gym

BACKYARD PLAYGROUNDS

since 1988

Applicable EC directives and standards

General

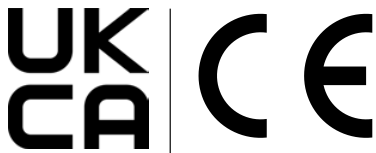
- General Product Safety Directive (GPSD) 2001/95/EG
- Reach directive 1907/2006
- AfPS GS 2019:01 PAK

Activity Toys

- Toy Safety Directive (TSD) 2009/48/EG
- EN Standard 71 Safety of Toys
 - EN 71-1:2014 + A1:2018 Safety of toys Mechanical and physical properties
 - EN 71-2:2020 Flammability
 - EN 71-3:2019 + A1:2021 Migration of certain elements
 - EN 71-8:2018 Safety of toys Activity toys for domestic use

Supplementary information

Conformity to the above specified directives and standards has been frequently verified by TÜV Rheinland LGA products, DEKRA, LNE SA, since 1994. Jungle Gym participates in the European Commission for standardisation for the safety of activity toys (TC52 / WG 10).



Manufacturer details

Company Name: Jungle Gym B.V.
Address : Valschermkade 18, 1059 CD Amsterdam, Netherlands
Email: info@junglegym.com

Declaration

I hereby declare under our sole responsibility that the products mentioned above, to which this declaration relates, comply with the above mentioned directives and standards when the installation, assembly, and maintenance instructions are strictly followed.

Name
Jungle Gym B.V.
Paul Schmit / Director

Januari 4th, 2024

A handwritten signature in black ink, appearing to read 'Paul Schmit', is written over a horizontal line.

Signature of representative