

Jessheim

Date: 2023-11-22



Manual Part 1



**Important**

This assembly manual should always be read in conjunction with the General Safety manual part 1 as included in the hardware package of your playground equipment. Please read these safety instructions carefully before starting the assembly work.

# Jungle Gym

BACKYARD PLAYGROUNDS

since 1988




**EN.** Warnings. Only for domestic use. Maximum number of users is 5. **DE.** Achtung. Nur für den Hausgebrauch. Maximale Benutzerszahl: 5. **FR.** Attention. Réservé à un usage privé. Le nombre maximal d'utilisateurs est de 5. **NL.** Waarschuwingen. Uitsluitend voor huishoudelijk gebruik. Het maximale aantal gebruikers is 5. **BG.** Внимание. За употреба само в домашни условия. Максималният брой потребители е 5. **ES.** Advertencias. Sólo para uso doméstico. Número máximo de usuarios: 5. **CS.** Varování. Jen pro domácí použití. Maximální počet uživatelů je 5. **DA.** Advarsler. Kun til privat brug. Maksimum antal brugere er 5. **ET.** Hoiatused. Ainult koduseks kasutamiseks. Maksimaalne kasutajate arv on 5. **EL.** Προειδοποιήσεις. Μόνο για οικιακή χρήση. Μέγιστος αριθμός χρηστών 5. **IS.** Varnaðarorð. Engöngu fyrir einhnanotkun í heimahúsum og á einaklóðum. Hámarksfjöldi notanda er 5. **IT.** Avvertenze. Solo per uso domestico. Massimo numero di utenti è 5. **LV.** Brīdinājumi. Izmantoj tikai mājās. Maksimālais lietotāju skaits ir 5. **LT.** Įspėjimai. Tik butiniam naudojimui. Maksimalus naudotojų skaičius HR. Upozorenja. Samo za kućansku uporabu. Maksimalan broj korisnika je 5. **HU.** Figyelmeztetések. Csak otthoni használatra! A használok max. száma: 5. **NO.** Advarsler. Kun for privat bruk. Maksimalt antall brukere er 5. **PL.** Ostrzeżenia. Wyłącznie do użytku domowego. Maksymalna liczba użytkowników to 5. **PT.** Avisos. Apenas para uso doméstico. O número máximo de utilizadores é 5. **RO.** Avertismente. Numai pentru uz domestic. Numărul maxim de utilizatori este 5. **RU.** Предостережения. Только для домашнего использования. Максимальное количество пользователей - 5. **SK.** Upozornenia. Iba na domáce použitie. Maximálne množstvo osôb je 5. **SL.** Opozorila. Samo za domačo uporabo. Maksimalno število uporabnikov je 5. **FI.** Varoitukset. Ainoastaan kotikäyttöön. Käyttäjää yhteensä enintään 5. **SR.** Upozorenja. Samo za kućnu upotrebu. Maksimalan broj korisnika je 5. **SV.** Varningar. Endast för hemmabruk. Det maximala antalet användare är 5. **TR.** Uyarılar. Sadece ev kullanımı için. Maksimum kullanıcı sayısı 5.




EN 71-1,2,3,8,9

# 1 Helpdesk JungleGym

## 1.1 FAQ




**English**




<https://helpdesk.jungle gym.com/help/en-gb>

**Deutsch**




<https://helpdesk.jungle gym.com/help/de-de>

**Français**






<https://helpdesk.jungle gym.com/help/fr-fr>


**Nederlands**





<https://helpdesk.jungle gym.com/help/nl-nl>

## 1.2 Support



  
[info@jungle gym.com](mailto:info@jungle gym.com)

  
<https://www.jungle gym.com/customersupport-chat>

 AT 0043 72 08 153 33\*      FR 0033 97 75 58 222\*  
BE 0032 78 48 16 19\*      IE 0035 38 1800 0300\*  
CH 0041 43 50 87 350\*      LU 0035 22 08 80 512\*  
DE 0049 32 22 10 98 299\*      NL 0031 85 44 44 102\*  
ES 0034 657 76 64 25\*      UK 0044 20 369 505 53\*

EU 0031 85 44 44 100

Monday-Friday, CET 9:00am - 5:00pm  
\* Local phone charges may apply.

## 2 Start

### 2.1 Safety

Part 1  
**General Safety**

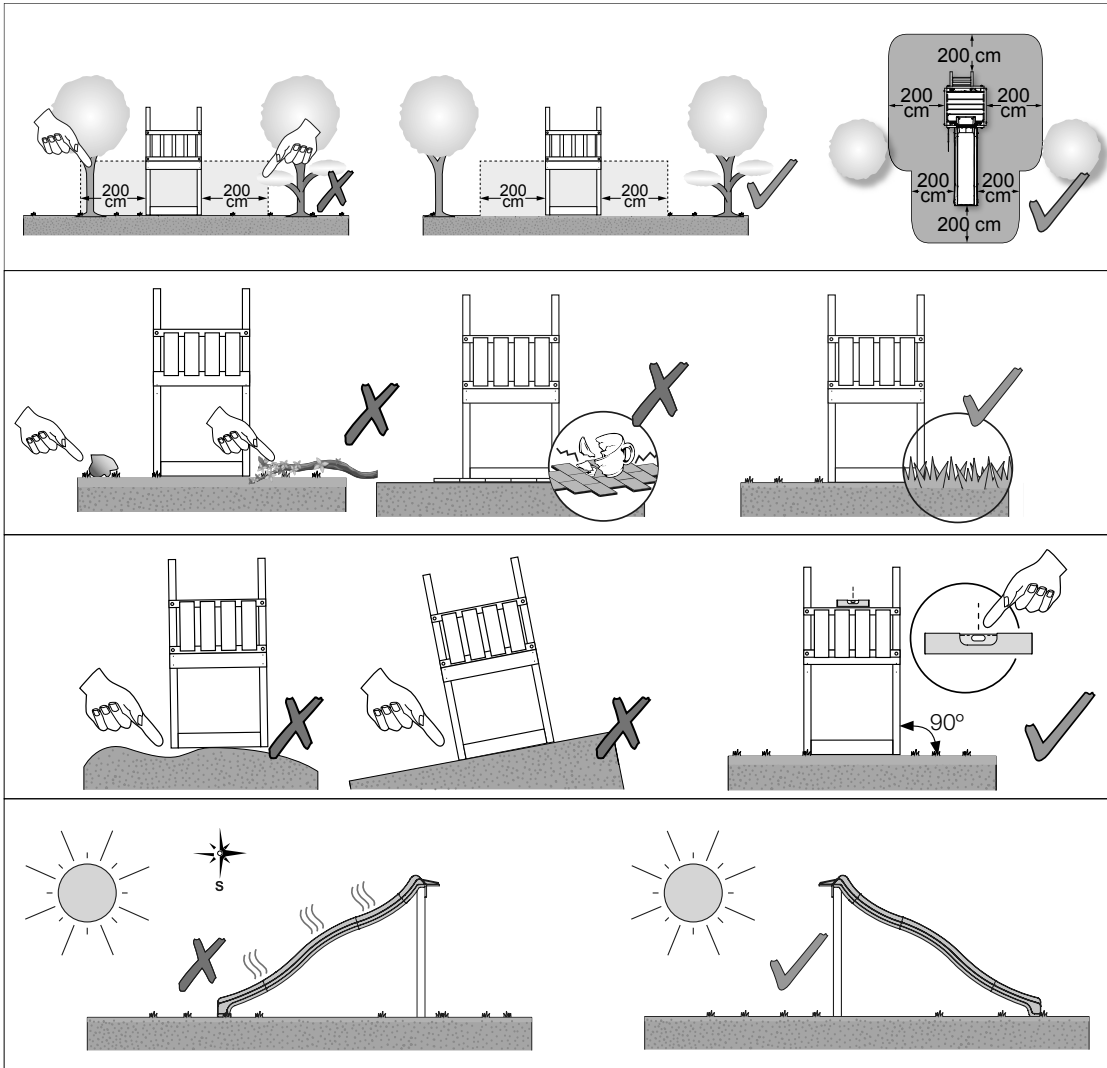
Jungle Gym

<https://helpdesk.jungle gym.com/api/v1/attachments/11436>

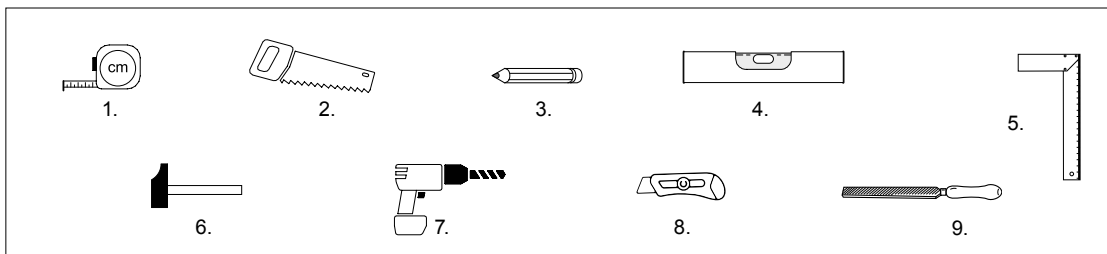
Icons: Kneeling (prohibited), No kneeling, Safety glasses, Gloves, Ear protection (checked).

Diagrams: Left shows workers assembling a platform with a child nearby and a warning sign. Right shows workers assembling a platform with a checkmark and a warning sign.

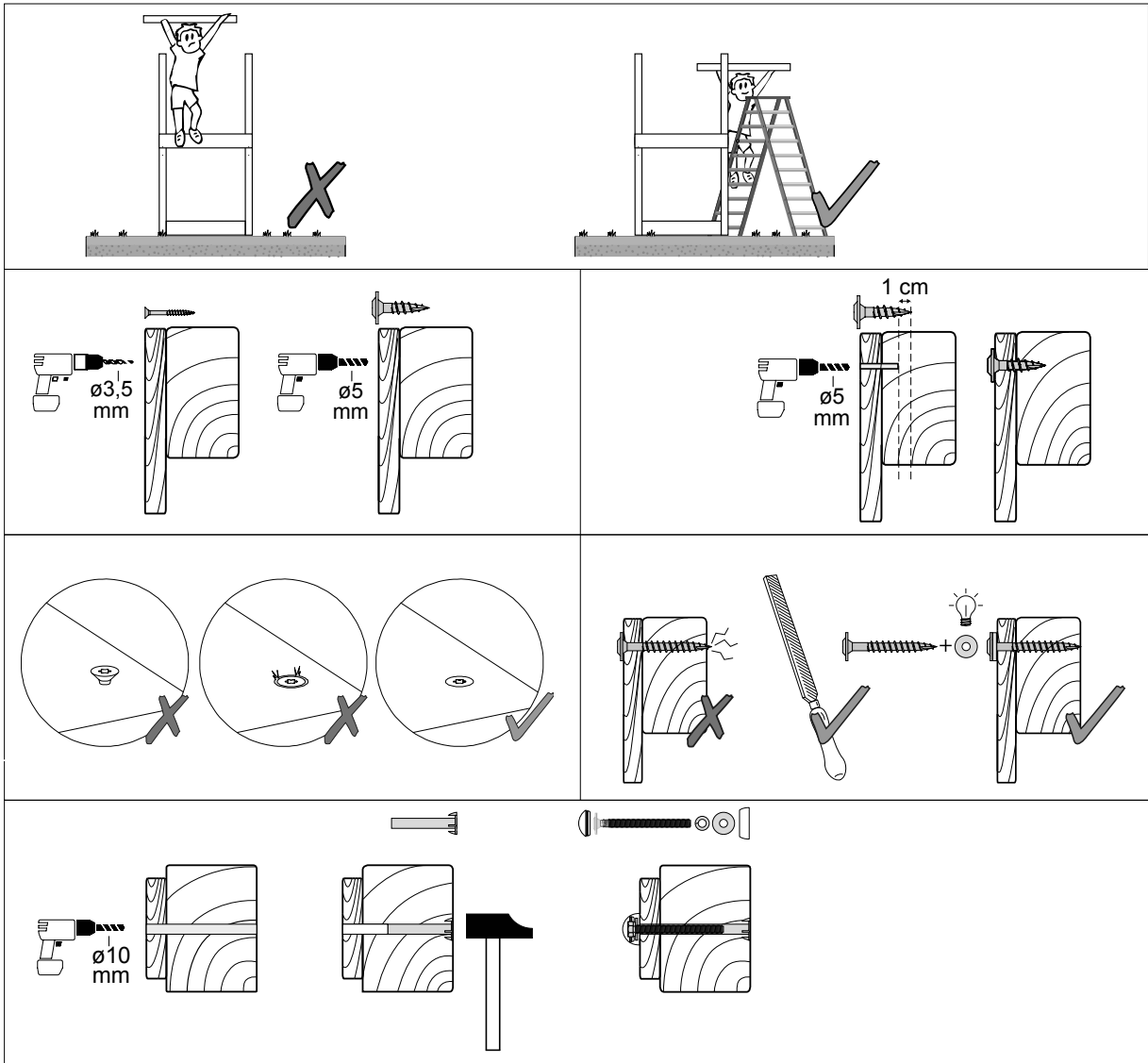
## 2.2 Planning



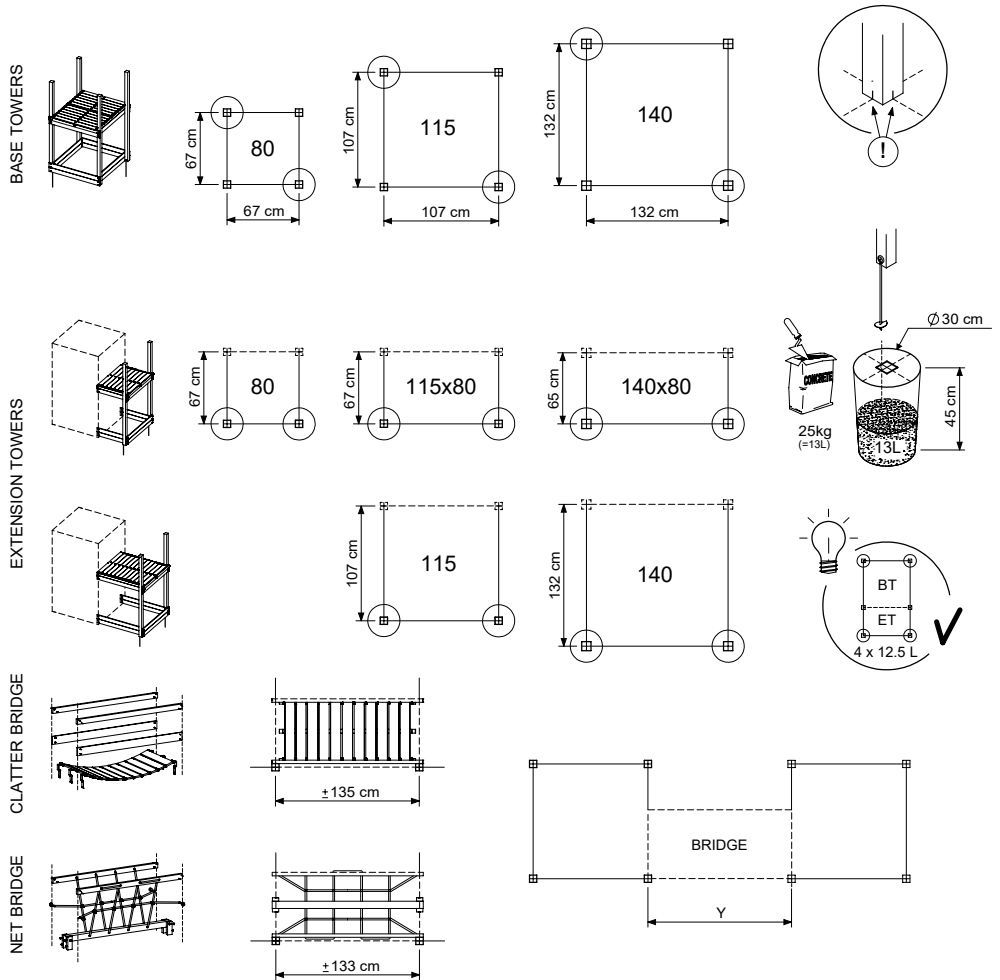
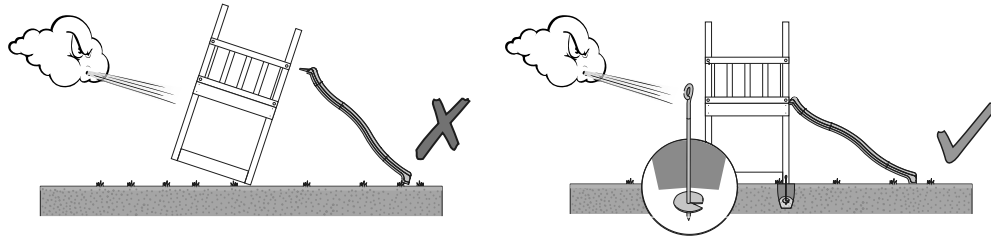
## 2.3 Tools



## 2.4 Assembly



# 3 Universal anchoring plan



**SWING / CLIMB MODULE**

Module type	A	B	C
1-Swing 200		115	100
1-Swing 220 / 220 Extra	150	120	105
2-Swing 200	210		
2-Climb 200		115	100
1-Climb 200	142		
1-Climb 220 / 220 Extra	162		
2-Swing 220 / 220 Extra	230	120	105
2-Climb 220 / 220 Extra			

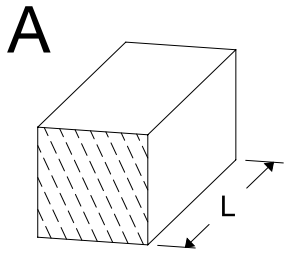
## 4 Overview

### 4.1 Order specification

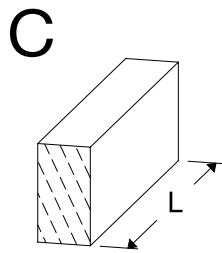


	Supplier ID	Assembly ID	Description	#
1	BT01a	790_001	Base Tower 80_ 200200	1
2	BT11a	792_002	Base Tower 115_ 240240	1
3	ET11a	792_105	Extension Tower 11580_220_up/ down	1
4	RF06a	790_206	Roof Lookout 80	1
5	RF08a	792_202	Roof Club 115	1
6	BL01a	790_301	Balustrade 80	2
7	BL03a	792_301	Balustrade 115	1
8	BL04a	792_301	Balustrade 115	1
9	RW02a	790_401	Rock wall 80_125	1
10	LA03a	790_432	Ladder 80_145	1
11	RA03a	790_441	Ramp 80_125	1
12	CB01a	790_601	Bridge 80	1
13	BF03a	792_602	Bridge Frame 115	1
14	SL13a	792_901	Slide/ balustrade 115	1
15	AC01a	194_119	AP Accessory set	1
16	AC09a	450_310	Tic Tac Toe	1
17	AC30a	123_230	Mesh green	1
18	334_x00a	334_x00a	Wavy Star Slide XXL	1

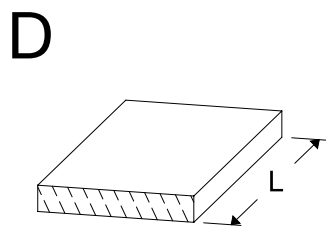
## 4.2 Timber parts



ID	L	#
A200	199 cm - 200 cm	4
A220	219 cm - 220 cm	2
A240	239 cm - 240 cm	4



C37	36 cm - 37 cm	4
C56	55 cm - 56 cm	1
C70	69 cm - 70 cm	1
C74	73 cm - 74 cm	12
C90	89 cm - 90 cm	2
C96	95 cm - 96 cm	2
C114	113 cm - 114 cm	10
C141	140 cm - 141 cm	3
C150	149 cm - 150 cm	2
C154	153 cm - 154 cm	2



D21	20 cm - 21 cm	10
D60	59 cm - 60 cm	42
D65	64 cm - 65 cm	25
D74	73 cm - 74 cm	19
D100	99 cm - 100 cm	23
D114	113 cm - 114 cm	18
D127	126 cm - 127 cm	24
D141	140 cm - 141 cm	2

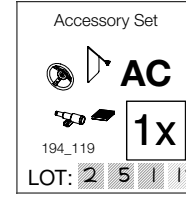



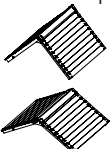




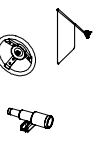
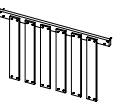
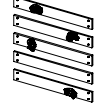

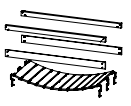
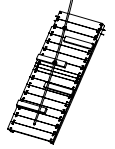
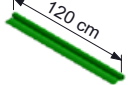
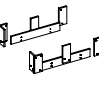

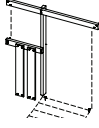


### 5.3 Assembly packs

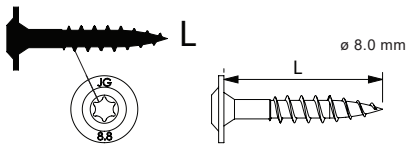
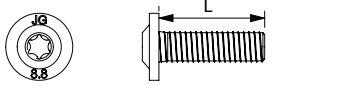

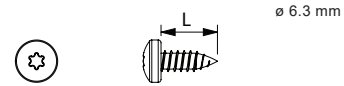
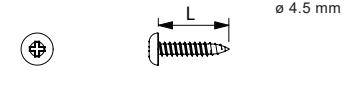
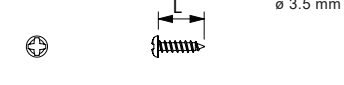
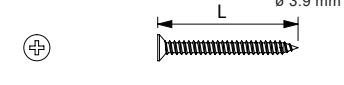


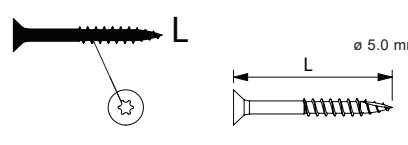


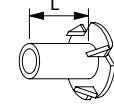
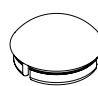


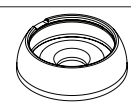
Example



<p>Tower 115</p>  <p><b>BT</b> <b>ET</b></p> <p>194_300</p> <p><b>2x</b></p> <p>LOT: .....</p>	<p>Roof Timber 115</p>  <p><b>RF</b></p> <p>194_308</p> <p><b>1x</b></p> <p>LOT: .....</p>	<p>Slide 2.6m</p>  <p>334_x00</p> <p><b>1x</b></p> <p>LOT: .....</p>	<p>Slide Frame</p>  <p><b>SL</b></p> <p>194_107</p> <p><b>1x</b></p> <p>LOT: .....</p>	<p>Hardware 01</p>  <p><b>BL</b> <b>H01</b></p> <p>194_101</p> <p><b>3x</b></p> <p>LOT: .....</p>
<p>Tic Tac Toe</p>  <p><b>AC</b></p> <p>450_310</p> <p><b>1x</b></p> <p>LOT: .....</p>	<p>Accessory Set</p>  <p><b>AC</b></p> <p>194_119</p> <p><b>1x</b></p> <p>LOT: .....</p>	<p>Balustrade 140</p>  <p><b>BL</b></p> <p>194_501</p> <p><b>2x</b></p> <p>LOT: .....</p>	<p>Rock Wall 80</p>  <p><b>RW</b></p> <p>194_105</p> <p><b>1x</b></p> <p>LOT: .....</p>	<p>Tower 80</p>  <p><b>BT</b> <b>ET</b></p> <p>194_100</p> <p><b>1x</b></p> <p>LOT: .....</p>
<p>Clatter Bridge</p>  <p><b>CB</b></p> <p>194_116</p> <p><b>1x</b></p> <p>LOT: .....</p>	<p>Ramp</p>  <p><b>RA</b></p> <p>194_008</p> <p><b>1x</b></p> <p>LOT: .....</p>	<p>Mesh Green 185 x 120cm</p>  <p>120 cm</p> <p>123_230</p> <p><b>1x</b></p> <p>LOT: .....</p>	<p>Roof Timber Lookout 80</p>  <p><b>RF</b></p> <p>194_112</p> <p><b>1x</b></p> <p>LOT: .....</p>	<p>Ladder 80 145</p>  <p><b>LA</b></p> <p>194_104</p> <p><b>1x</b></p> <p>LOT: .....</p>
<p>Bridge Frame</p>  <p><b>BF</b></p> <p>194_007</p> <p><b>1x</b></p> <p>LOT: .....</p>				

# 6 Hardware Identification

		SKU	L
		001_404	30 mm
		001_406	45 mm
		001_411	60 mm
		001_417	80 mm
		001_422	137 mm
M8			
		001_102	30 mm
ø 2.0 mm			
		000_101	20 mm
ø 6.3 mm			
		002_036	16 mm
ø 4.5 mm			
		002_041	20 mm
ø 3.5 mm			
		002_042	13 mm
ø 3.9 mm			
		002_301	40 mm

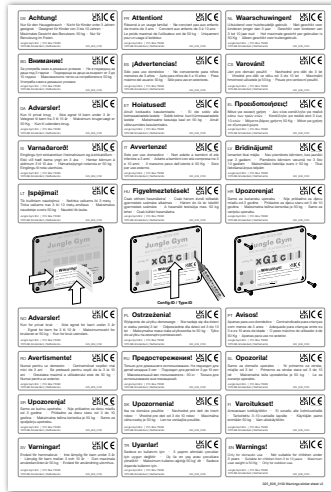
		SKU	L
		002_308	20 mm
		002_219	30 mm
		002_220	45 mm
		002_223	80 mm
M8			
		003_010	
M6			
		003_034	
M8			
		004_050	22mm
ø 3.9 mm			
		022_845 022_846 022_847 022_848	Yellow Blue Green Red
ø 3.5 mm			
		023_031	White
ø 3.9 mm			
		120_005	White
022_844	022_314		

output: 25/05/23

# 7 Product ID



103\_901



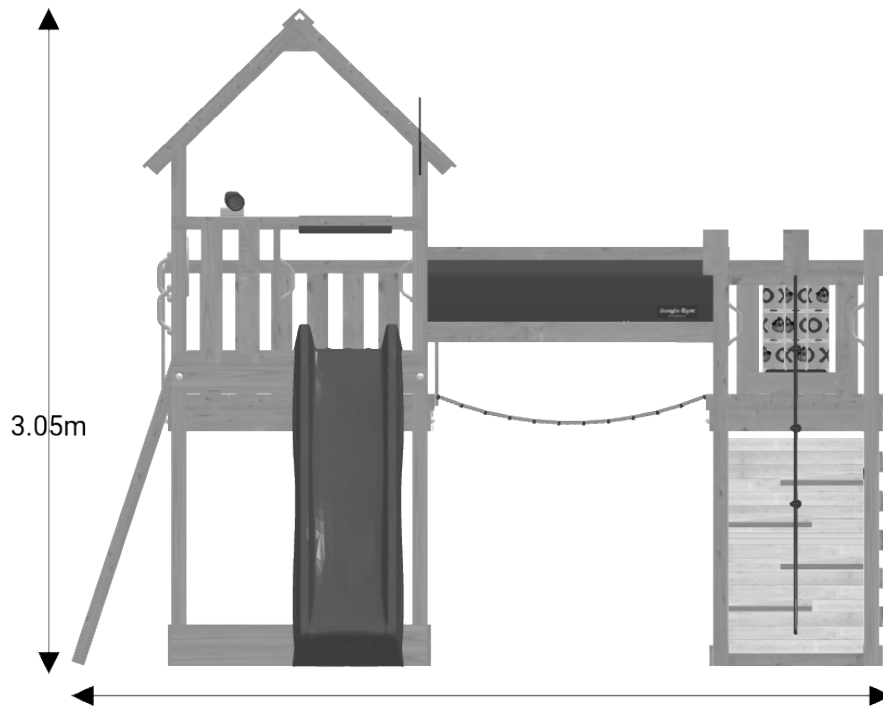
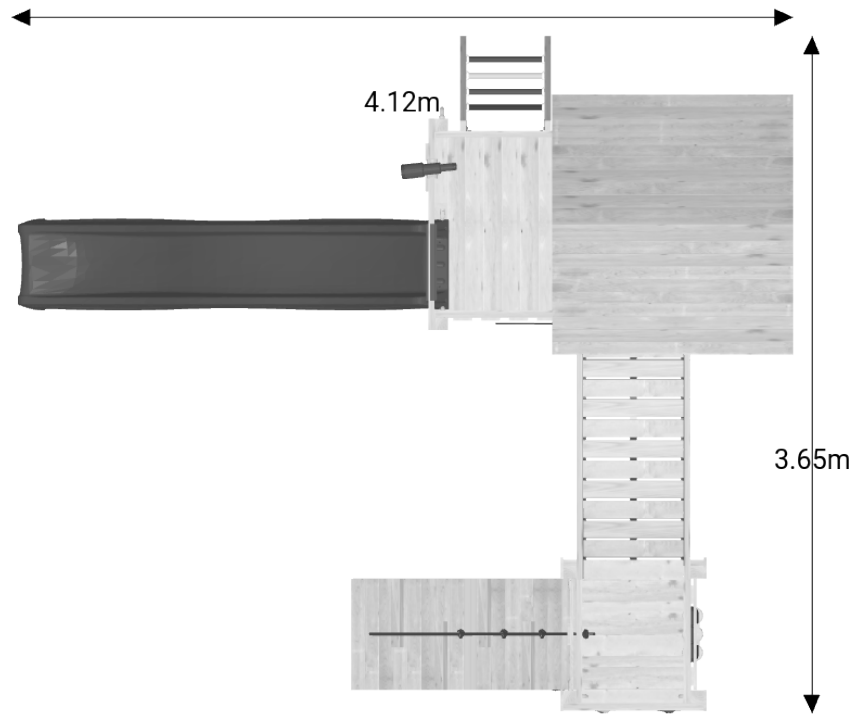
025\_806



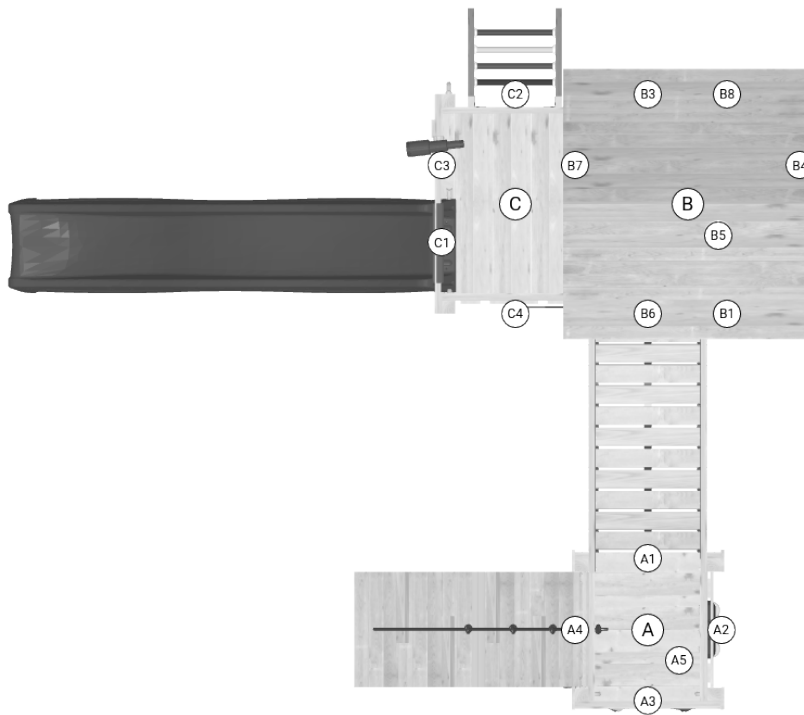
## 7.1 Your config ID: fYpUCv






## 8 Dimensions



## 9 Assembly Planning



	ID			A	B	C
1	BT01a		p.16	✓	-	-
2	BT11a		p.18	-	✓	-
3	ET11a		p.21	-	-	✓
4	BL01a		p.24	A2	-	C4
5	BL03a		p.25	-	B4	-
6	BL04a		p.26	-	B8	-
7	RF06a		p.27	A5	-	-
8	RF08a		p.28	-	B5	-
9	CB01a		p.31	A1	B6	-
10	BF03a		p.34	-	B1	-
11	RW02a		p.37	A3	-	-
12	LA03a		p.39	-	-	C2
13	RA03a		p.42	A4	-	-
14	SL13a		p.46	-	-	C1

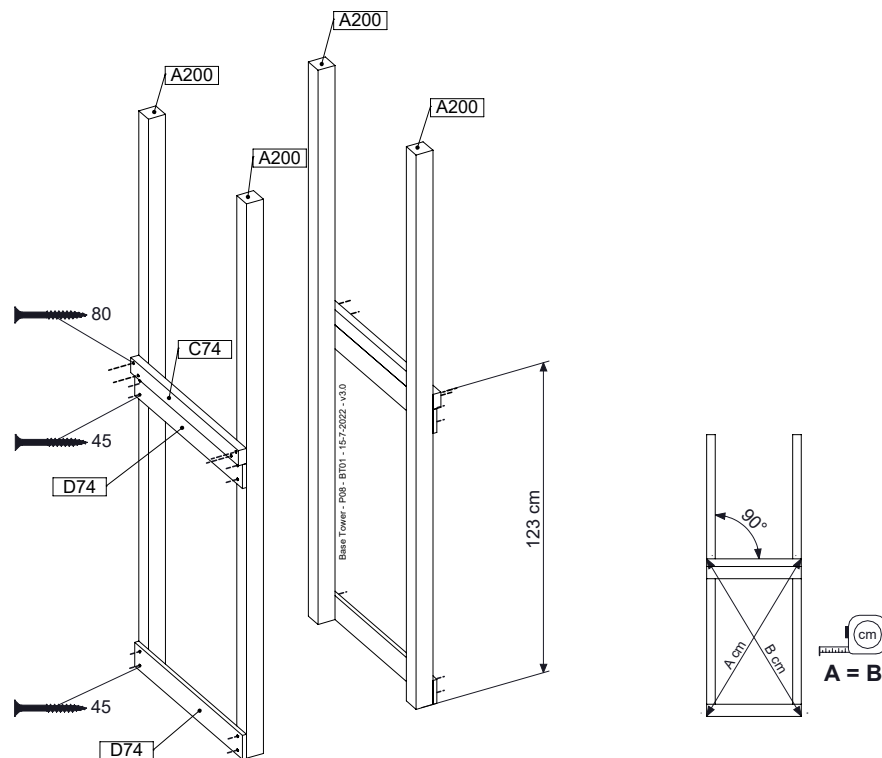
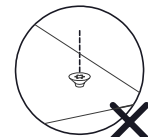
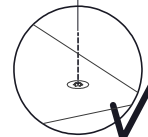
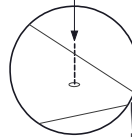
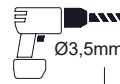
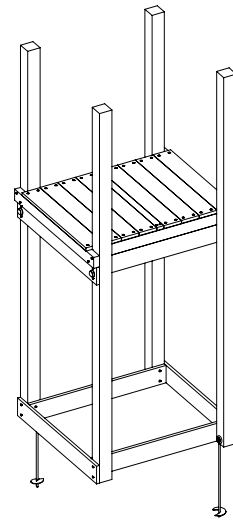
	ID			A	B	C
15	GA		p.49	✓	✓	✓
16	AC30a		p.51	A1	B6	-
17	AC01a		p.53	-	✓	-

# 10 BT01a: Base tower 80 125cm 200200

( 194\_100 )

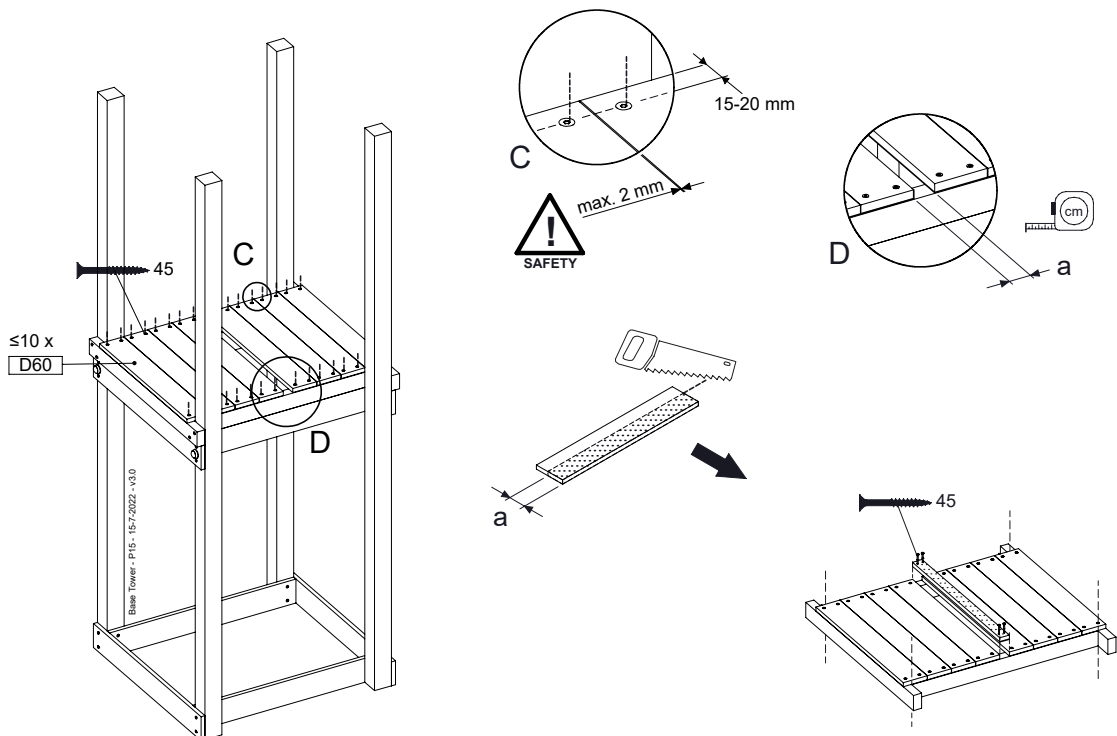
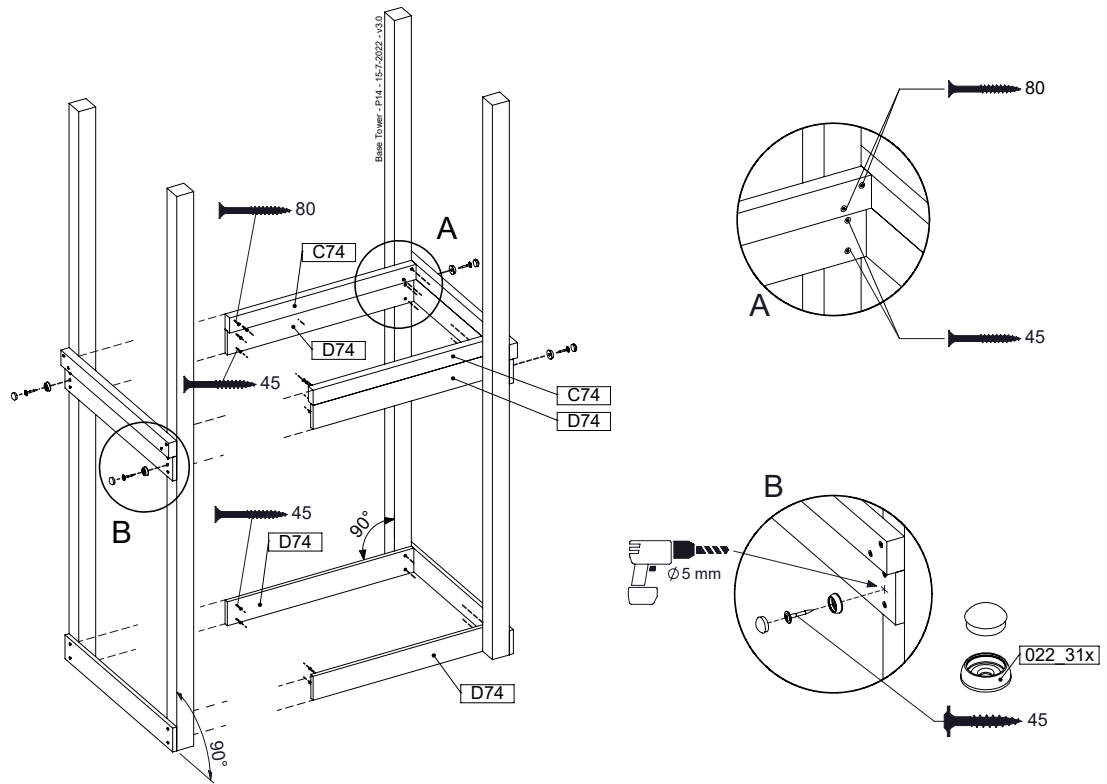
	PartNo	PartName	QTY.
Hardware Pack 100_600	001_406	Stealth Screw 8x45	6
	002_220	Gap Point Screw T25 - 5x45	76
	002_223	Gap Point Screw T25 - 5x80	16
Other	007_001	Ground-anchor	2
Hardware Pack 100_600	022_31x	bpc-base version 3	4
	022_84x	bpc cover	4
Wood	A200	Post 70x70 L2000	4
	C74	Beam 740 mm	4
	D60	Board 600 mm	10
	D74	Board 740 mm	8

Base Tower - P02 - BT01 - 15-7-2022 - v3.0





# 10.1

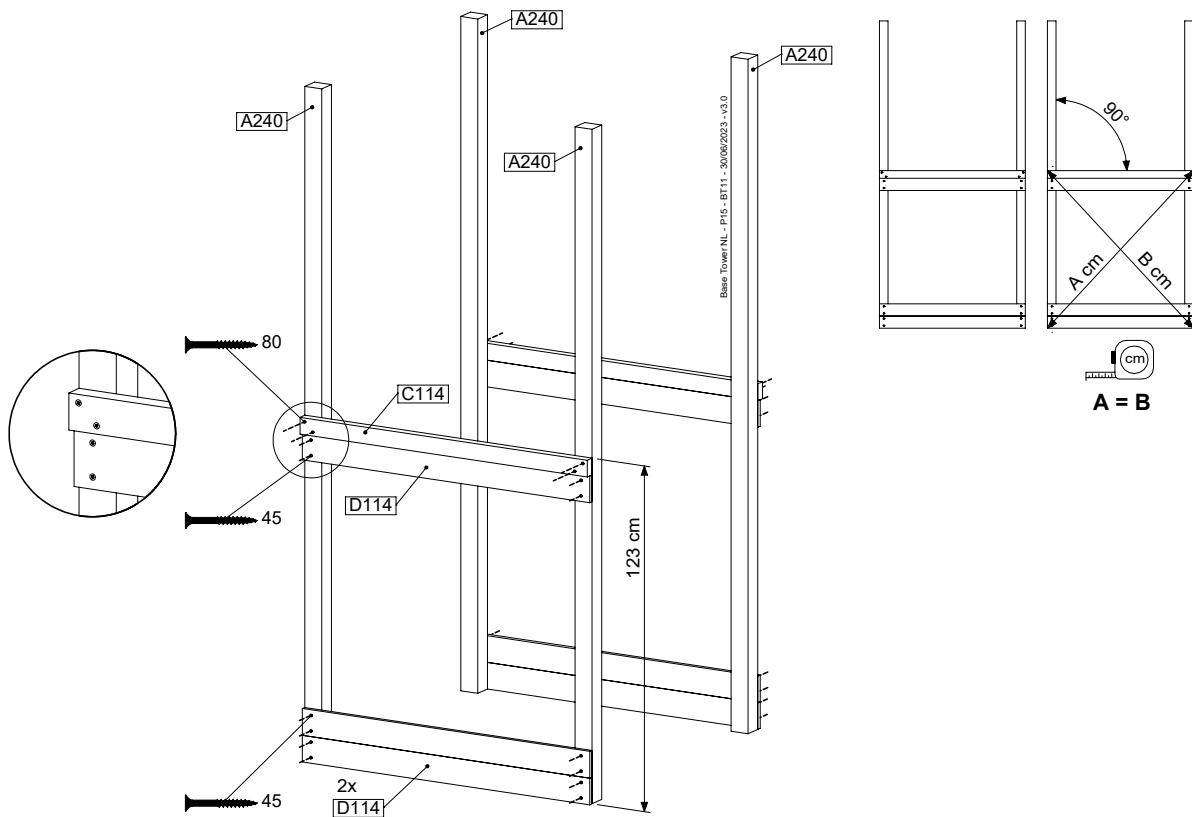
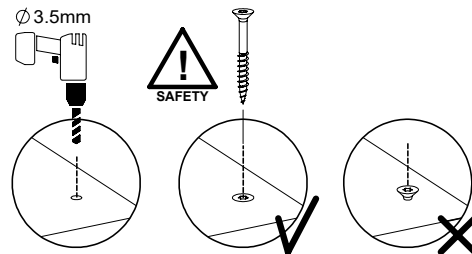
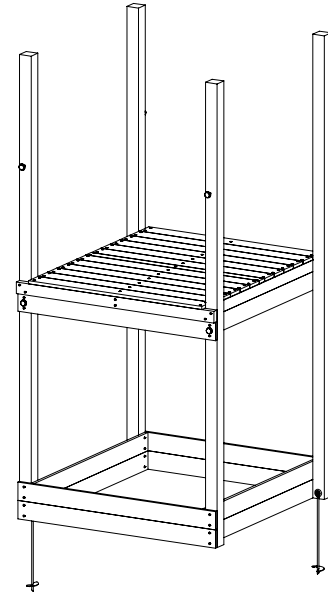


# 11 BT11a: Base Tower 115 125cm 240240

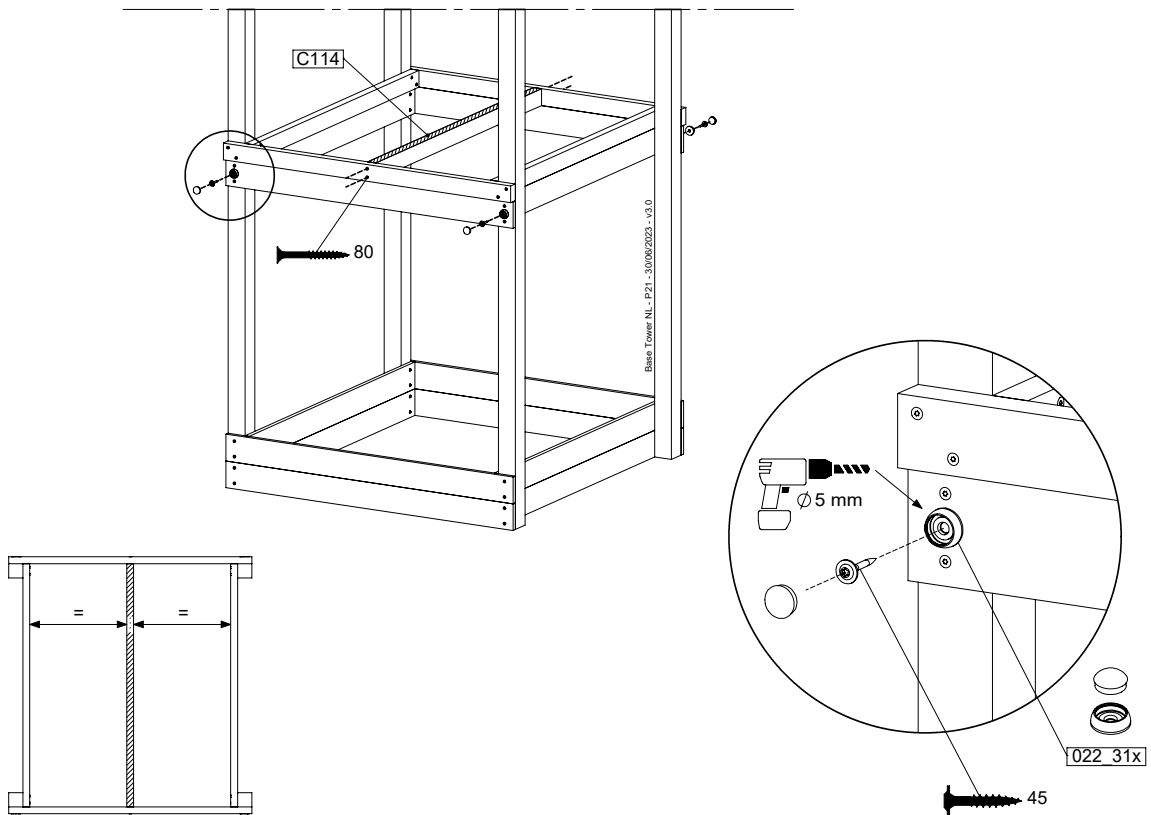
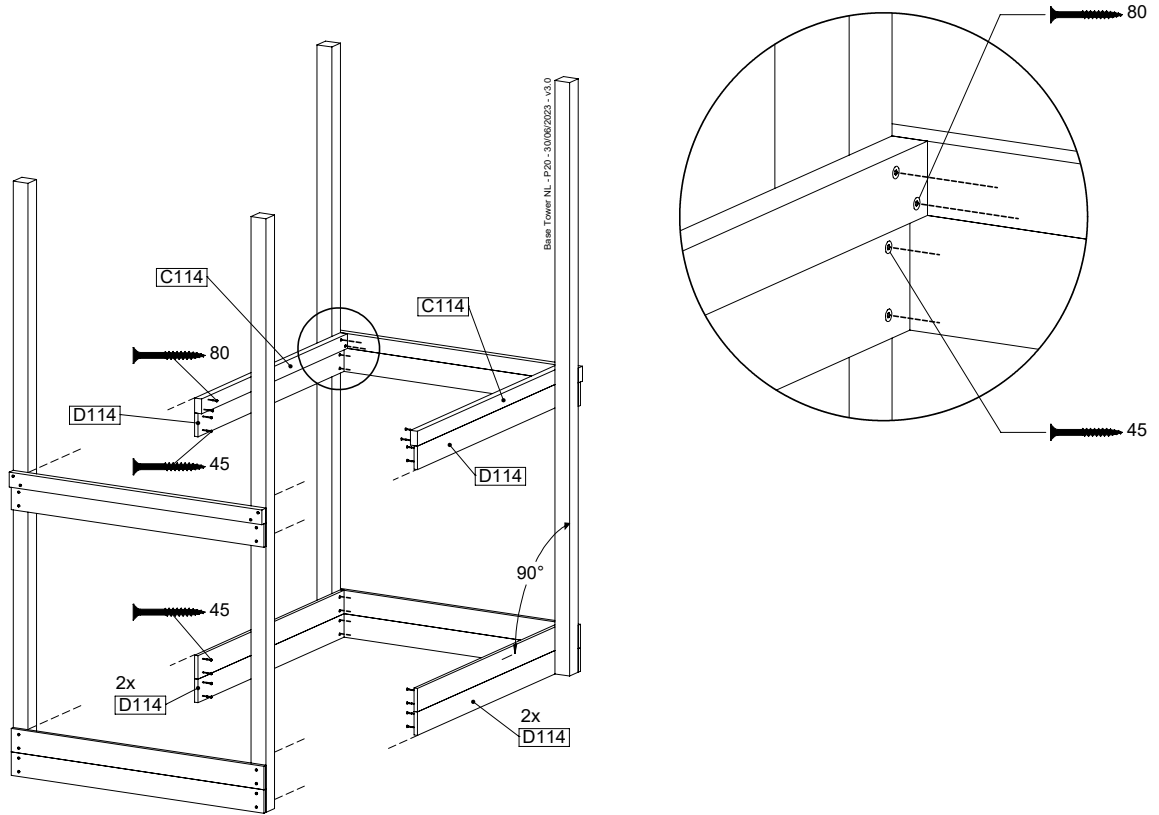
( 194\_300 )

	PartNo	PartName	QTY.
Hardware pack	001_406	Stealth Screw 8x45	6
	001_417	Stealth Screw 8x80	4
	002_220	Gap Point Screw T25 - 5x45	118
	002_223	Gap Point Screw T25 - 5x80	20
	022_31x	bpc-base version 3	8
	022_84x	bpc cover	8
Other	007_001	Ground-anchor	2
Timber	A240	Post 70x70 L2400	4
	C114	Beam 1140 mm	5
	D100	Board 1000 mm	14
	D114	Board 1140 mm	12

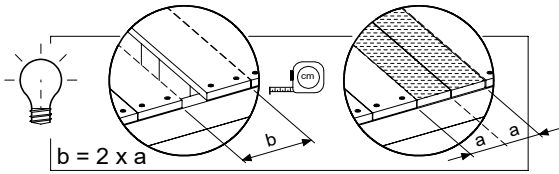
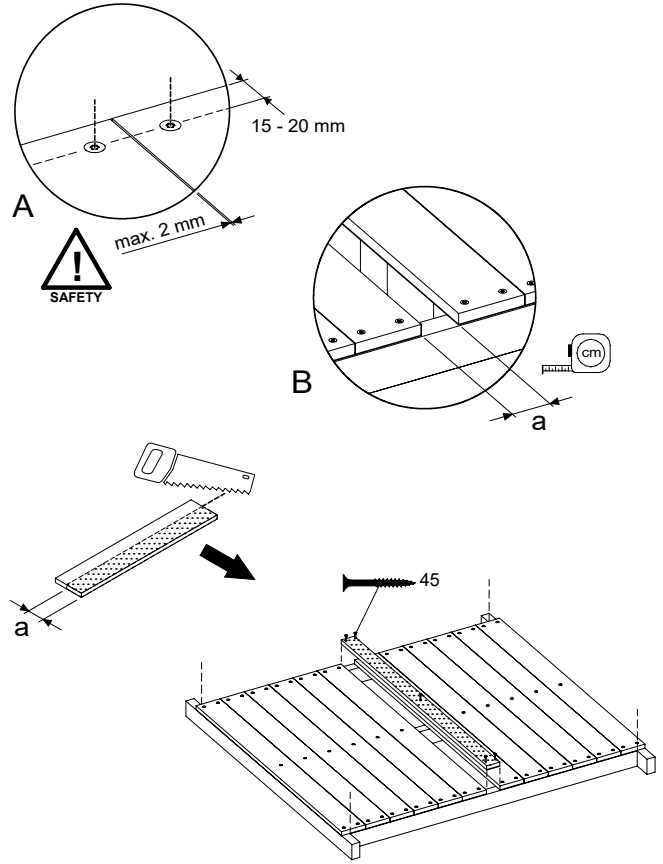
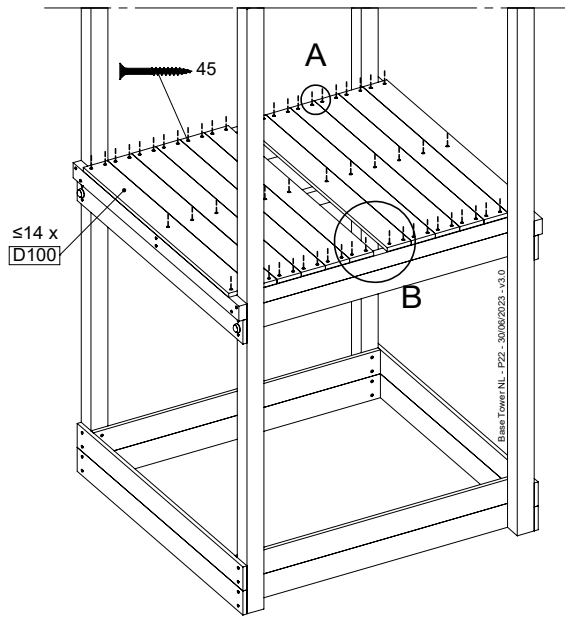
Base Tower.NL - POP - BT11 - 30/06/2023 - v3.0



# 11.1



# 11.2

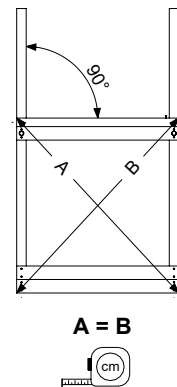
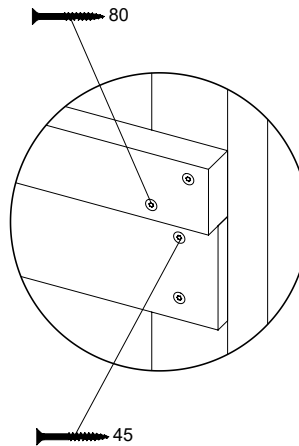
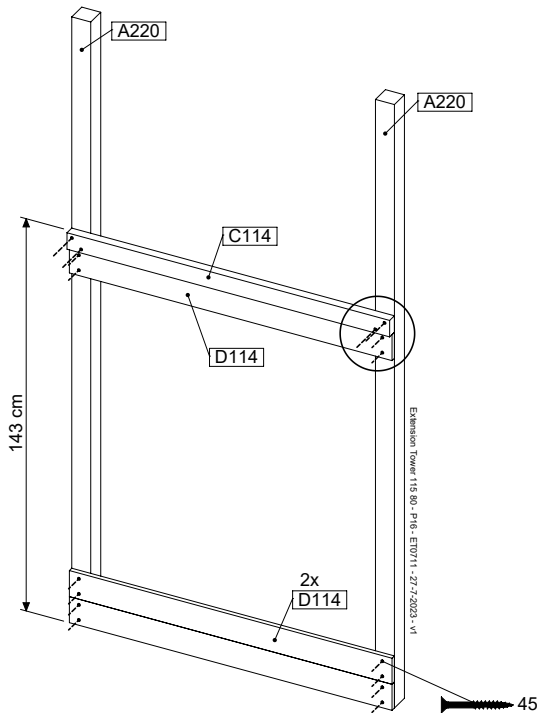
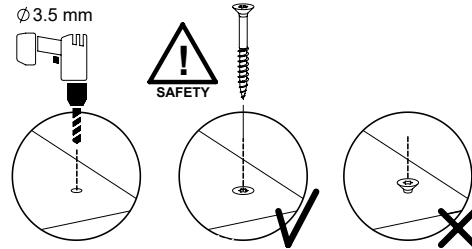
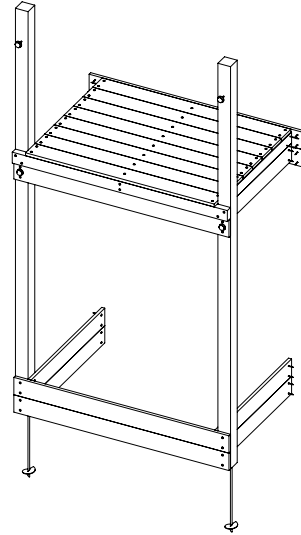


# 12 ET11a: Extension Tower 11580 220/145

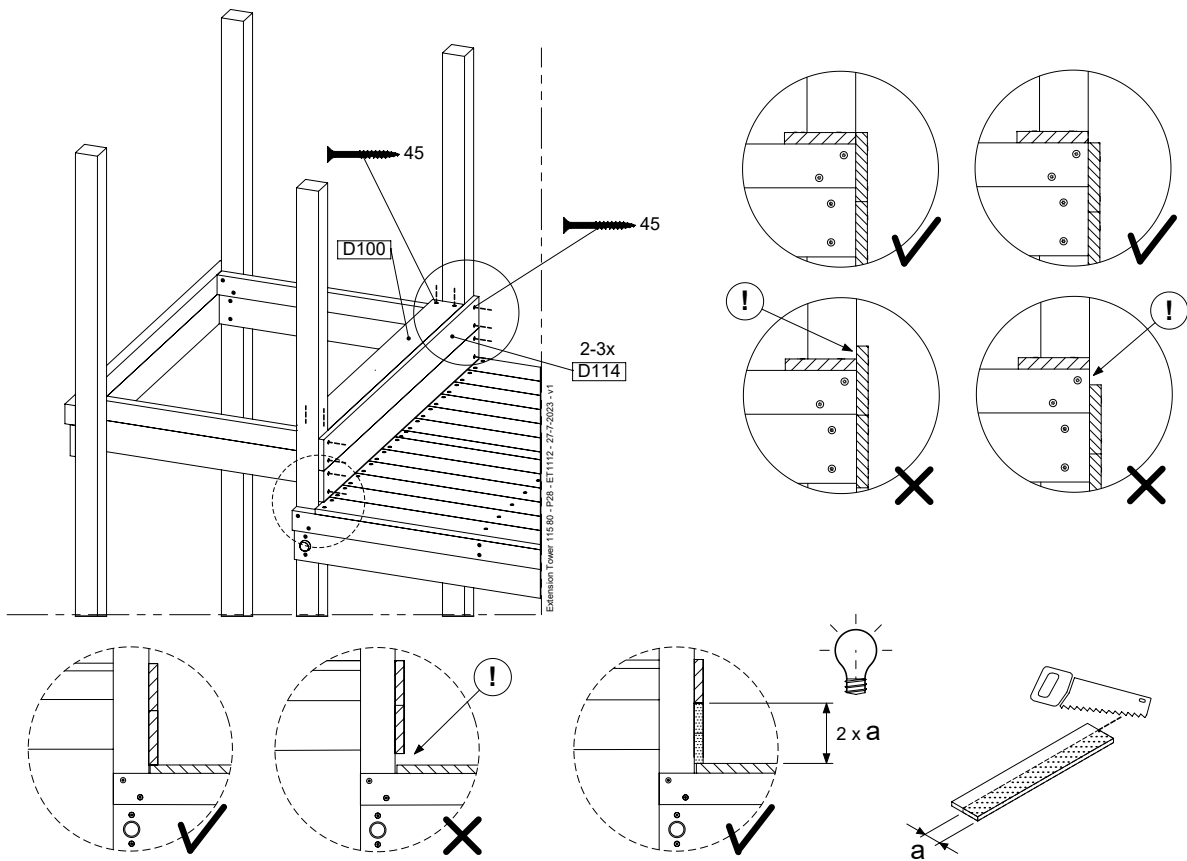
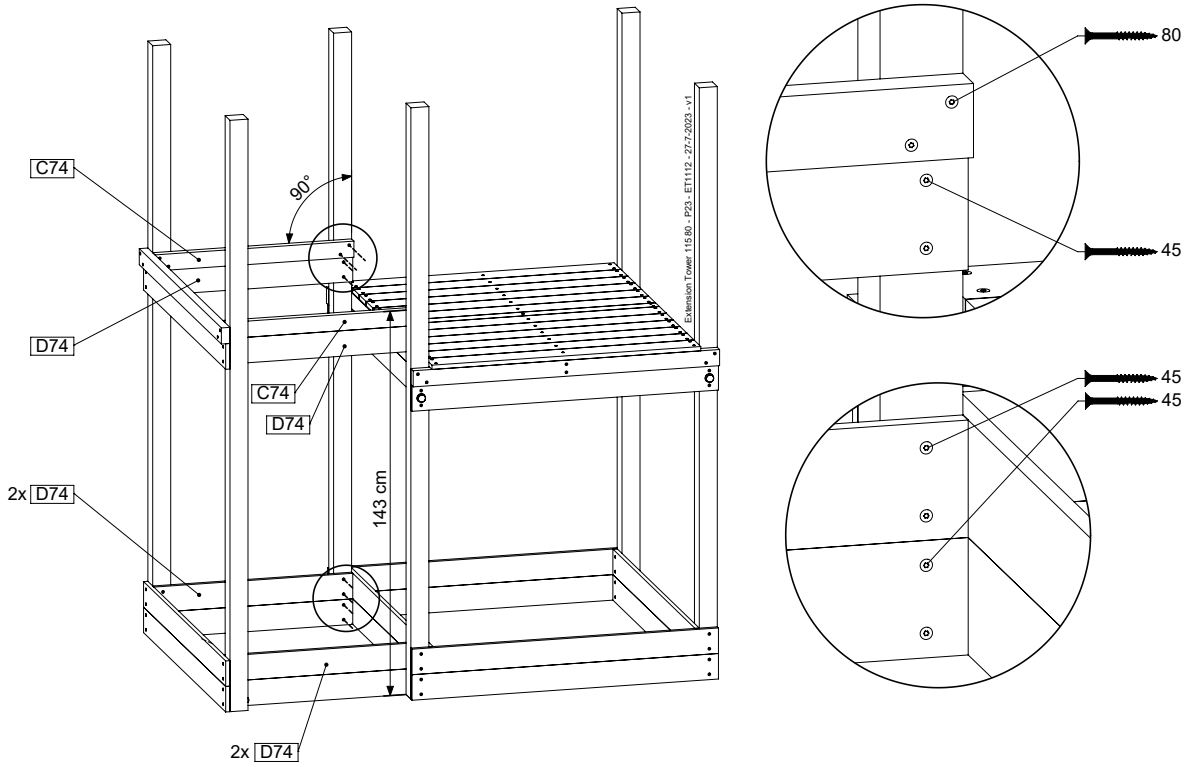
( 194\_300 )

	PartNo	PartName	QTY.
Hardware pack	001_406	Stealth Screw 8x45	4
	001_417	Stealth Screw 8x80	2
	002_220	Gap Point Screw T25 - 5x45	93
	002_223	Gap Point Screw T25 - 5x80	16
Other	007_001	Ground-anchor	2
	022_31x	bpc-base version 3	4
	022_84x	bpc cover	4
Timber	A220	Post 70x70 L2200	2
	C74	Beam 740 mm	3
	C114	Beam 1140 mm	1
	D74	Board 740 mm	6
	D100	Board 1000 mm	9
	D114	Board 1140 mm	6

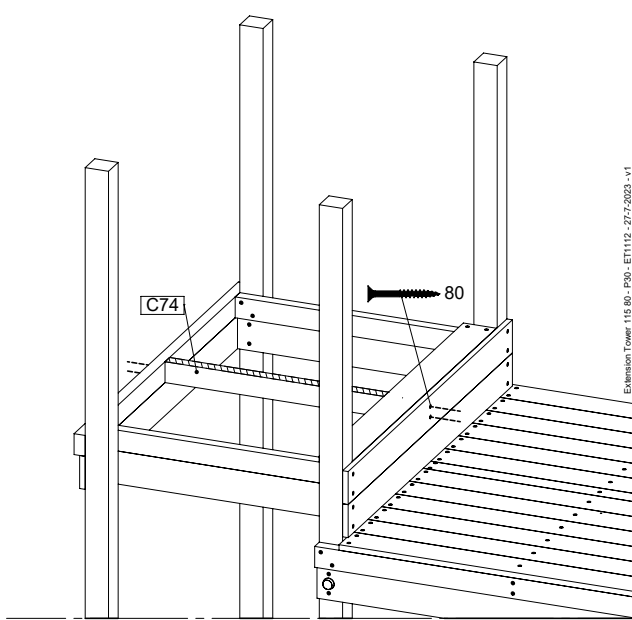
Extension Tower 11580 - P08-ET11 - Z7-Z-2023 - v1



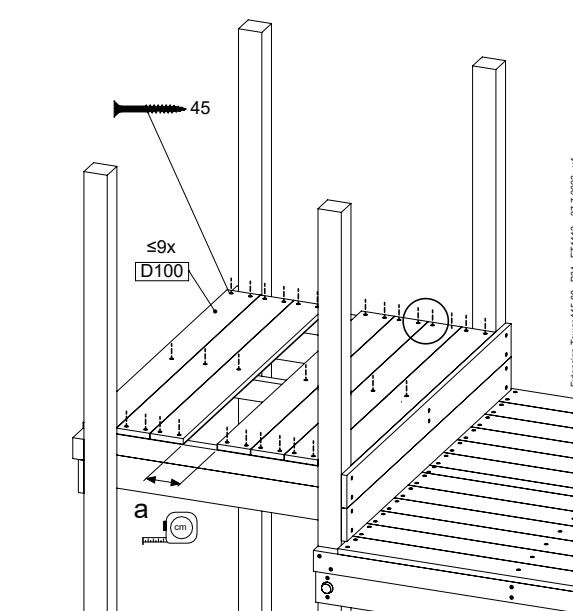
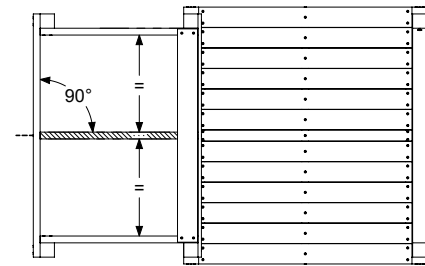
# 12.1



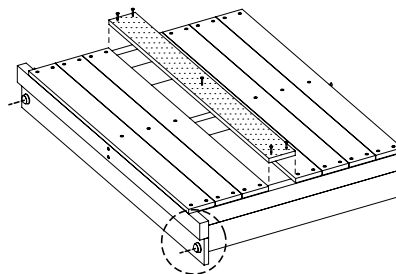
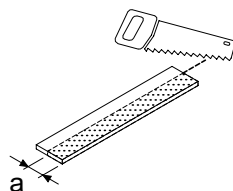
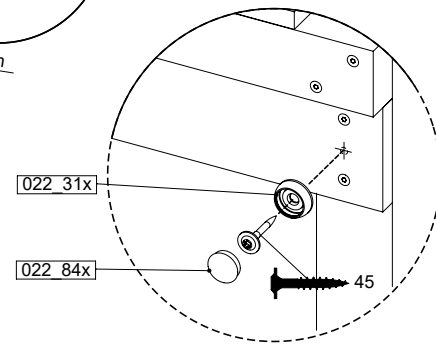
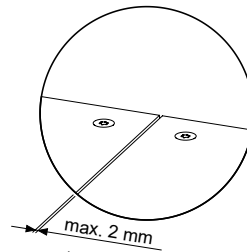
# 12.2



Extension Tower 118\_80\_P30\_ET1112\_277\_2023\_v1



Extension Tower 118\_80\_P34\_ET1112\_277\_2023\_v1

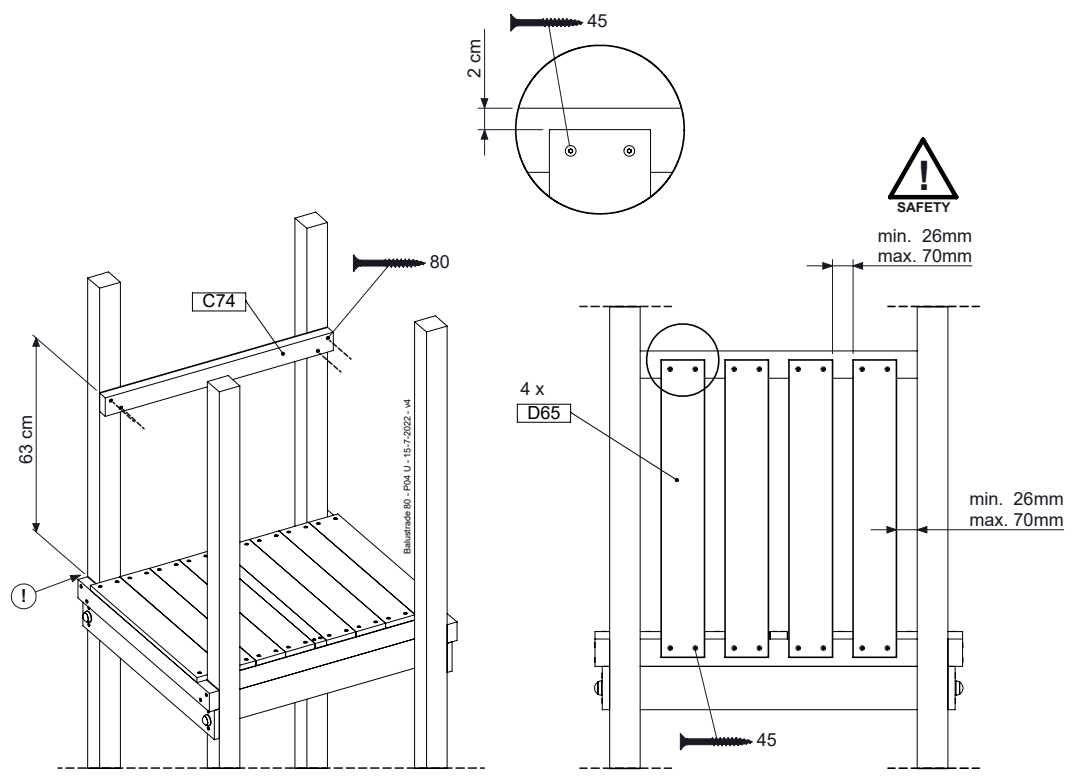
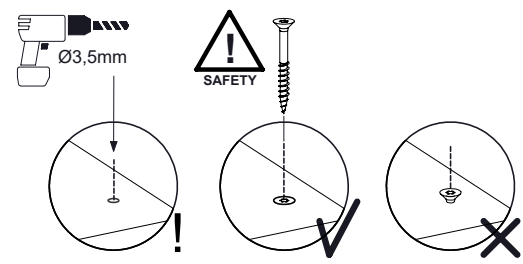
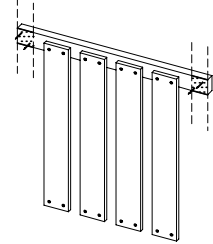


# 13 BL01a: Balustrade 80 U - 7x7 posts

(194\_101)

	PartNo	PartName	QTY.
Hardware Pack	002_220	Gap Point Screw T25 - 5x45	16
	100_601	Gap Point Screw T25 - 5x80	4
Timber	C74	Beam 740 mm	1
	D65	Board 650 mm	4

Balustrade 80 - P04 U - 15-7-2022 - v4



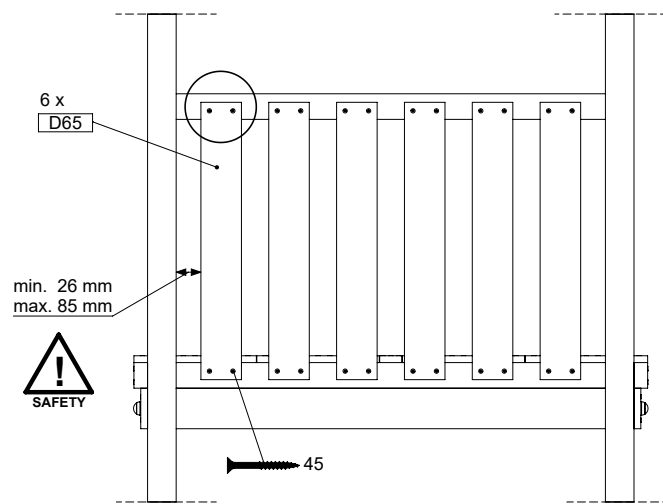
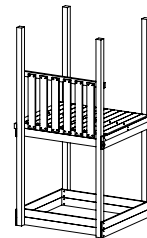
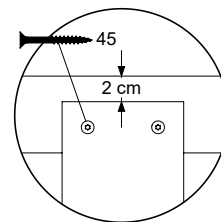
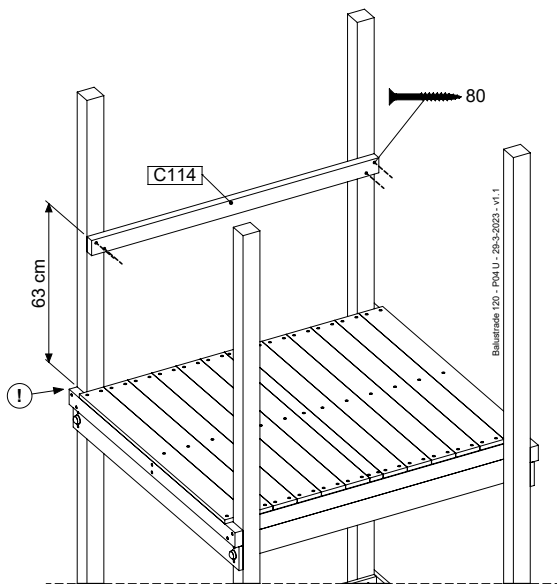
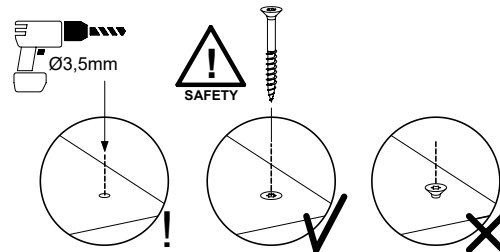
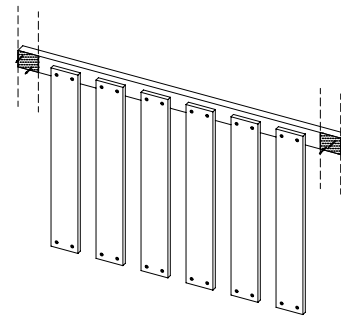


# 14 BL03a: Balustrade 115 U

( 194\_501 )

	PartNo	PartName	QTY.
Hardware Pack	002_220	Gap Point Screw T25 - 5x45	24
	002_223	Gap Point Screw T25 - 5x80	4
Timber	C114	Beam 1140 mm	1
	D65	Board 650 mm	6

Balustrade 120 - POC U - 29-3-2023 - v1.1

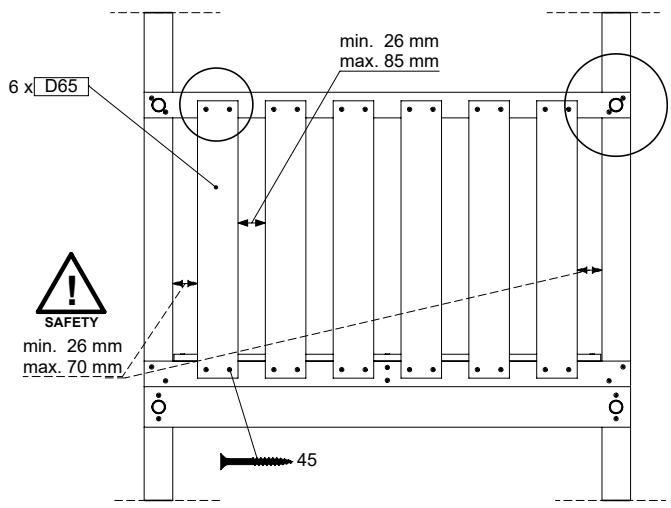
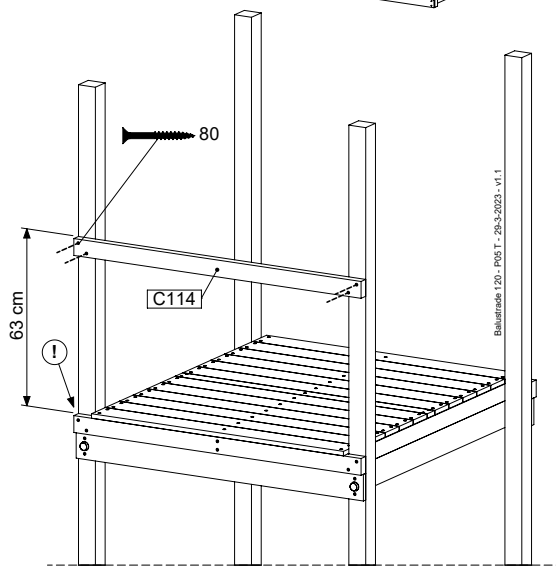
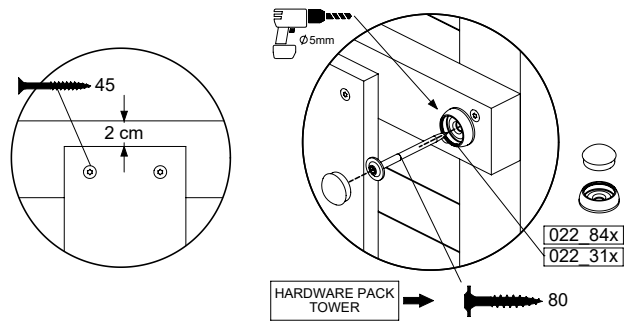
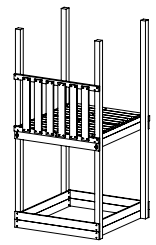
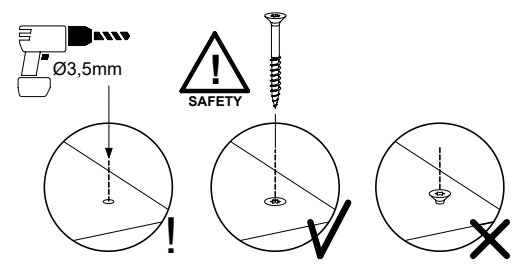
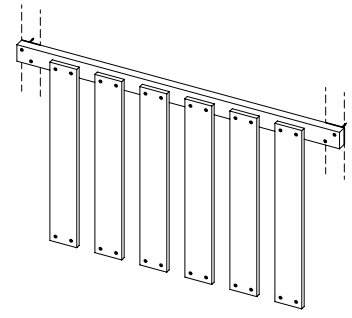


# 15 BL04a: Balustrade 115 T

( 194\_501 )

	PartNo	PartName	QTY.
Hardware Pack	002_220	Gap Point Screw T25 - 5x45	24
	002_223	Gap Point Screw T25 - 5x80	4
Timber	C114	Beam 1140 mm	1
	D65	Board 650 mm	6

Balustrade 120 - P03 T - 29-3-2023 - v1.1

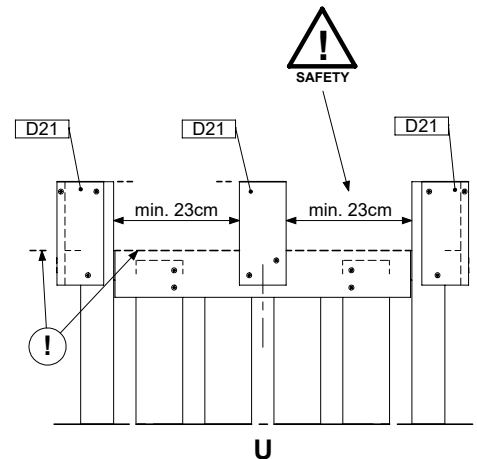
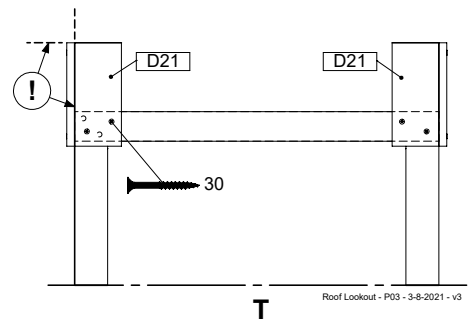
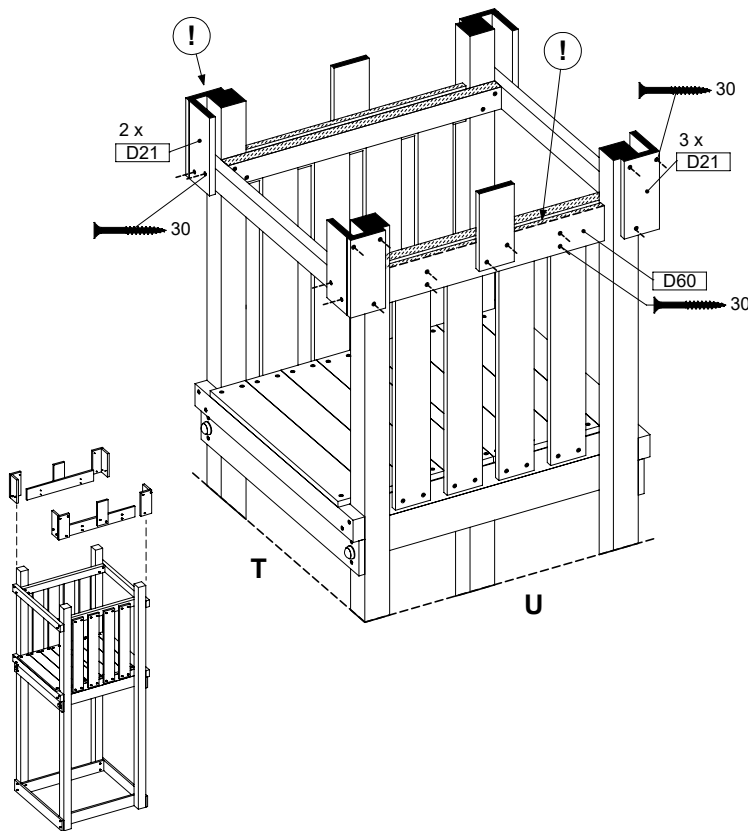
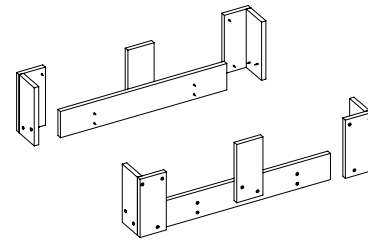


# 16 RF06a: Roof Timber Lookout 80

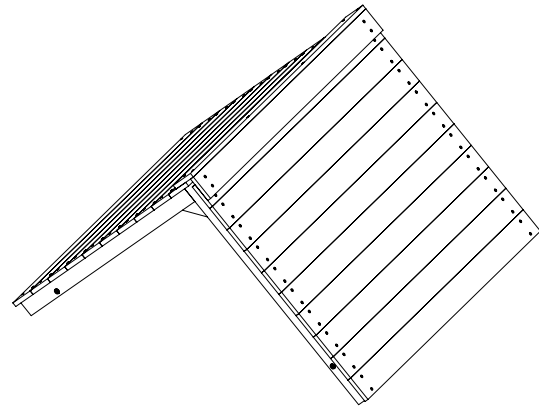
( 194\_112 )

	PartNo	PartName	QTY.
Hardware Pack 100_610	002_219	Gap Point Screw T25 - 5x30	32
Wood	D21	Board 210 mm	10
	D60	Board 600 mm	2

Roof Lookout - P02 - 3-8-2021 - v3



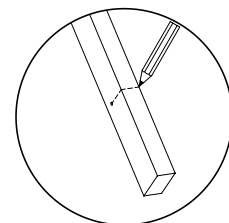
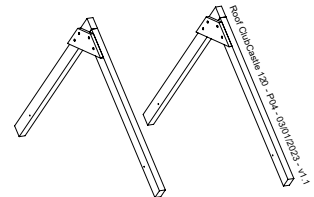
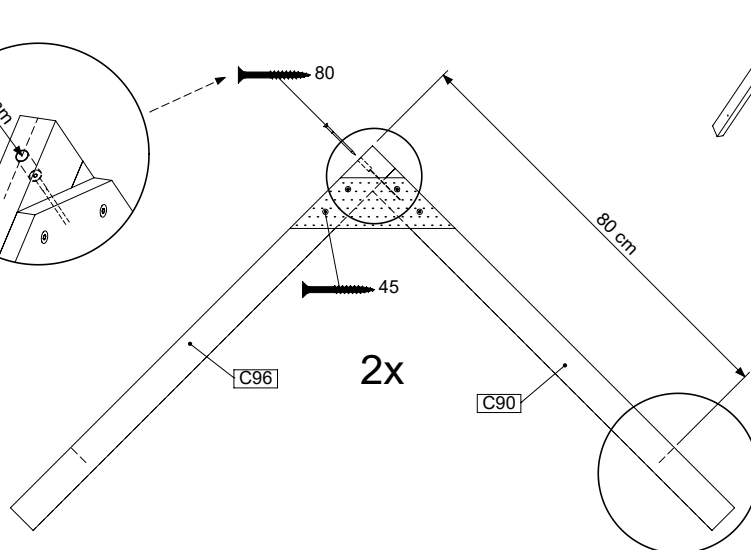
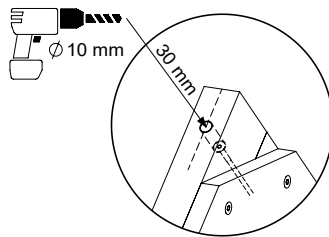
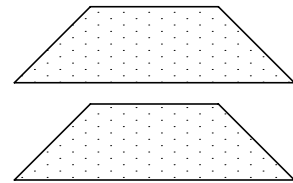
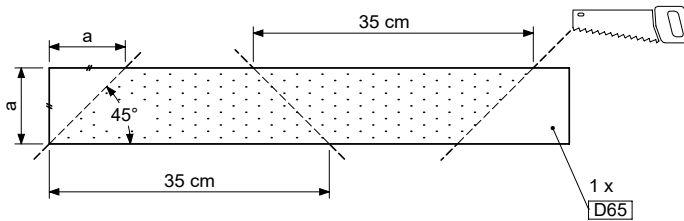
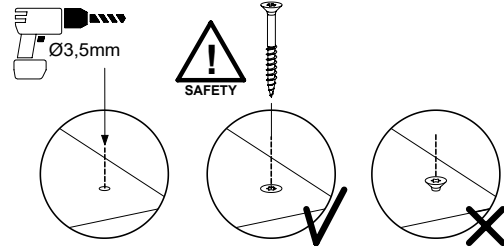
# 17 RF08a: Roof Timber Gable 115



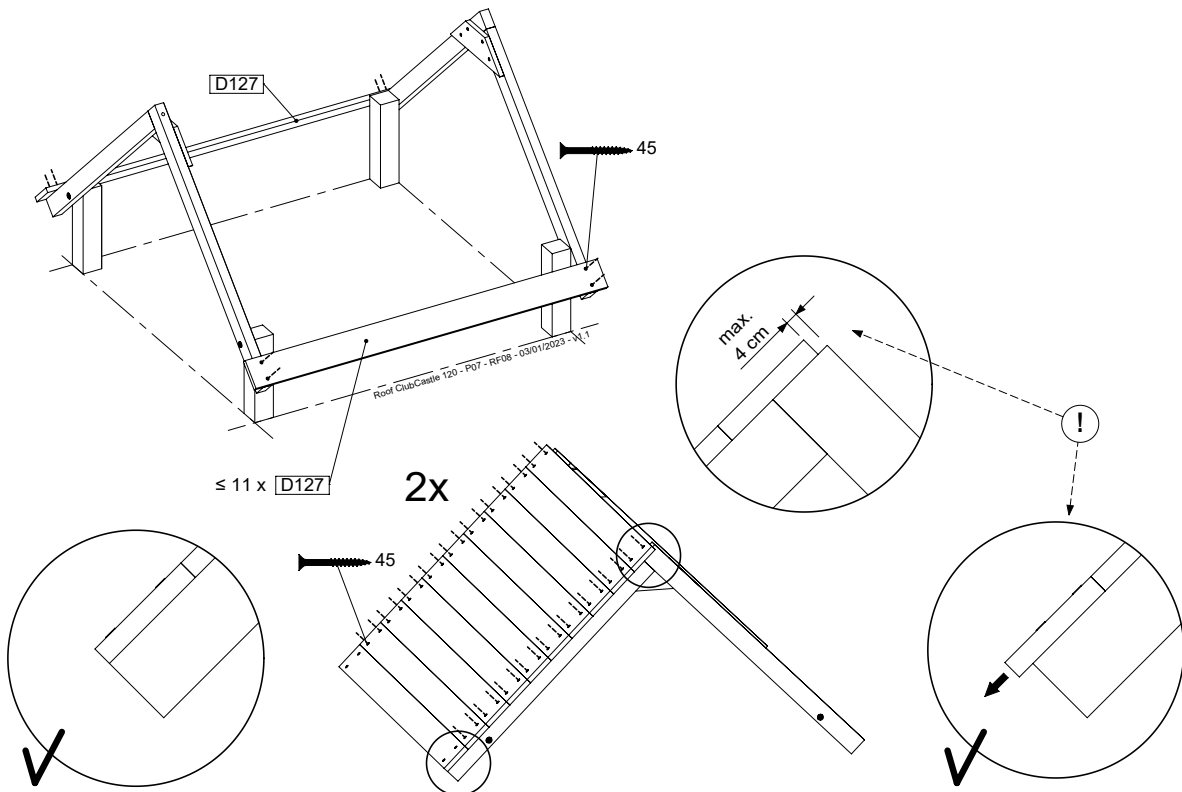
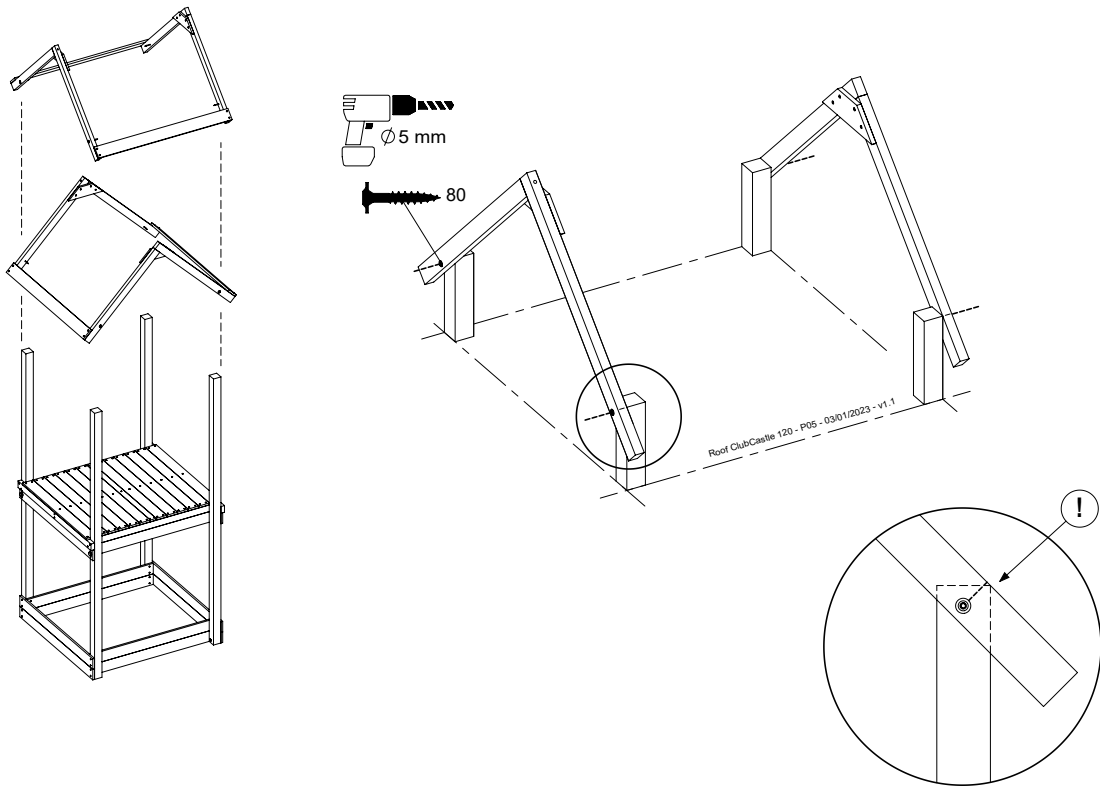
AP 194\_308 / RF

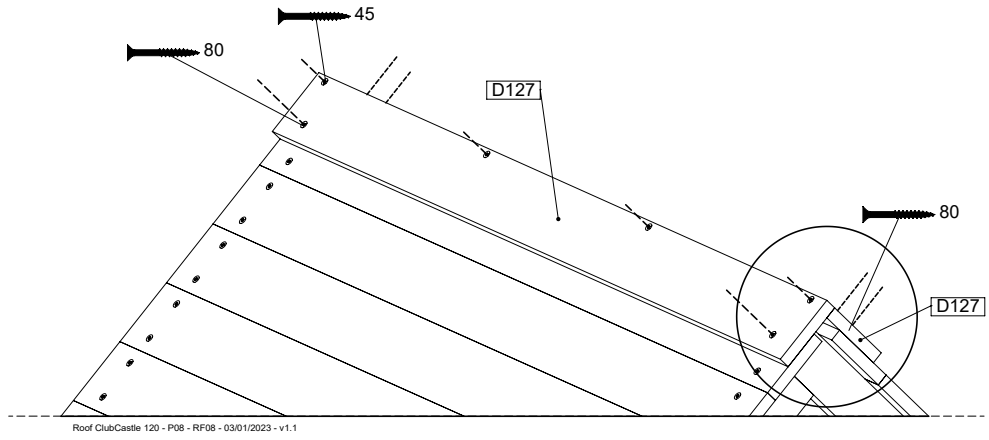
	PartNo	PartName	QTY.
Hardware Pack	001_417	Stealth Screw 8x80	4
	002_220	Gap Point Screw T25 - 5x45	100
	002_223	Gap Point Screw T25 - 5x80	8
Timber	C96	Beam 960 mm	2
	D65	Board 650 mm	1
	D127	Board 1270 mm	18-24
	C90	Beam 900 mm	2

Roof Cha/Carline 120 - P03 - RF08a - 03/01/2023 - v1.1

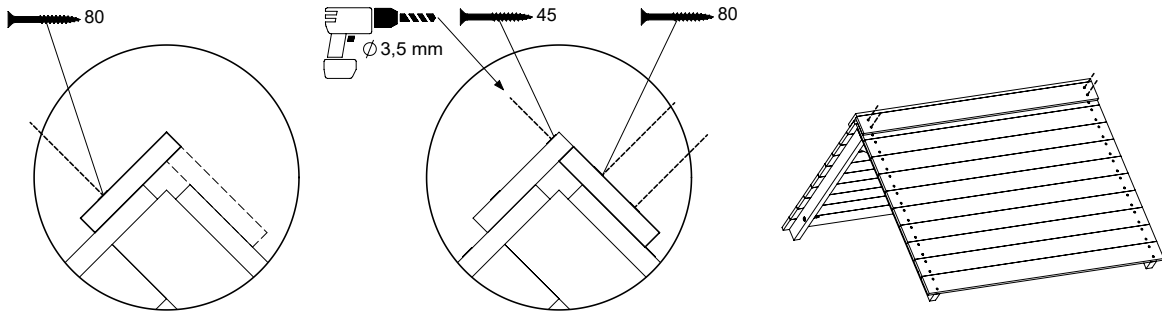


# 17.1





Roof ClubCastle 120 - P08 - RF08 - 03/01/2023 - v1.1

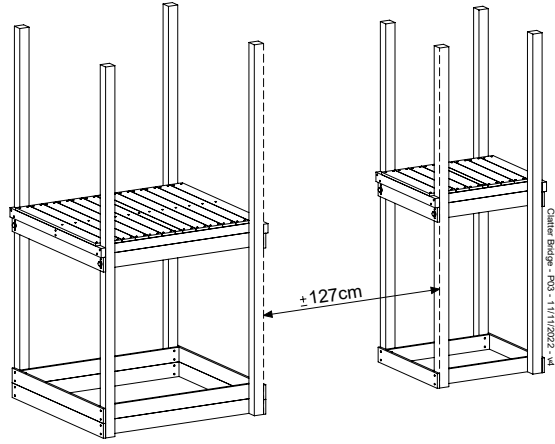
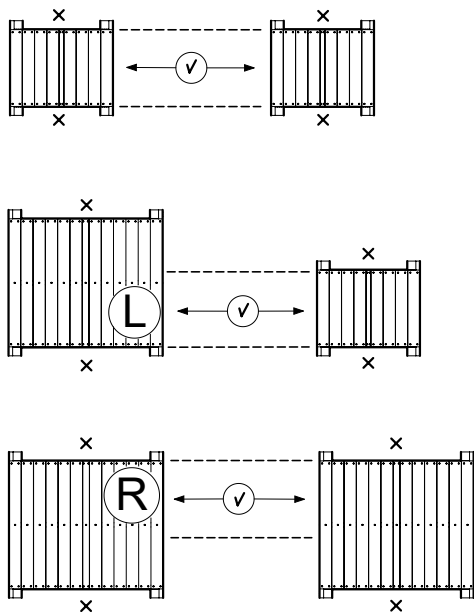
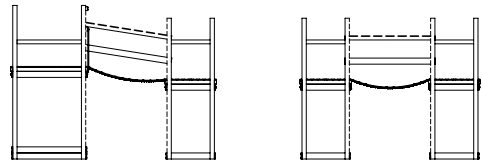
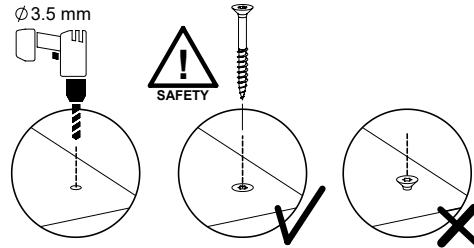
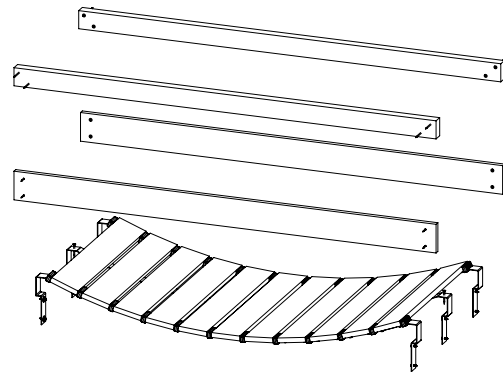


# 18 CB01a: Clatter Bridge - PART 1

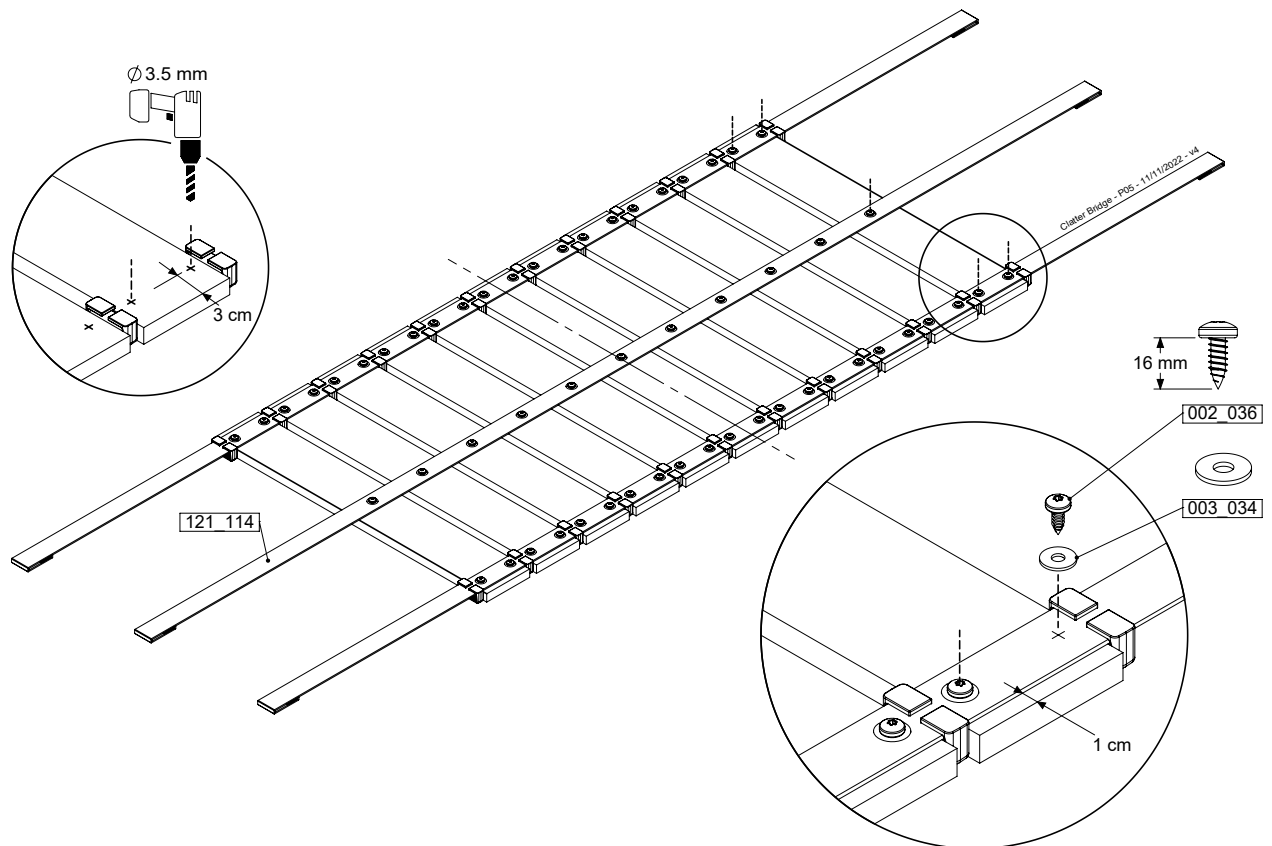
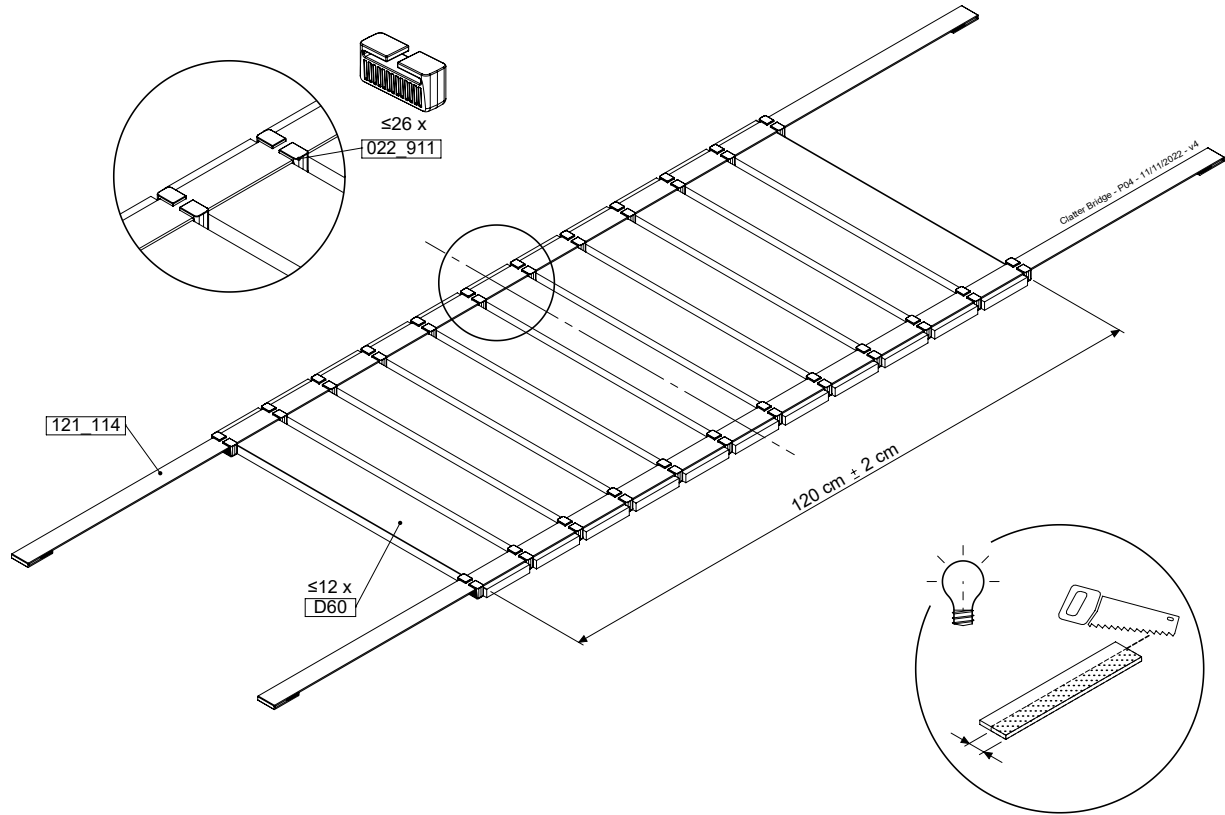
( 194\_116 )

	PartNo	PartName	QTY.
Hardware Pack 100_614	002_036	16mm Pan Head Tapping Screw T25	72
	002_220	Gap Point Screw T25 - 5x45	10
	002_223	Gap Point Screw T25 - 5x80	12
	003_034	M6 Washer	72
Other	022_911	Bridge Spacer	26
	121_114	BridgeLink Strap 210cm	3
Wood	C141	Beam 1410 mm	2
	D60	Board 600 mm	12
	D141	Board 1410 mm	2

Clatter Bridge - P02 - 1/11/2022 - v4

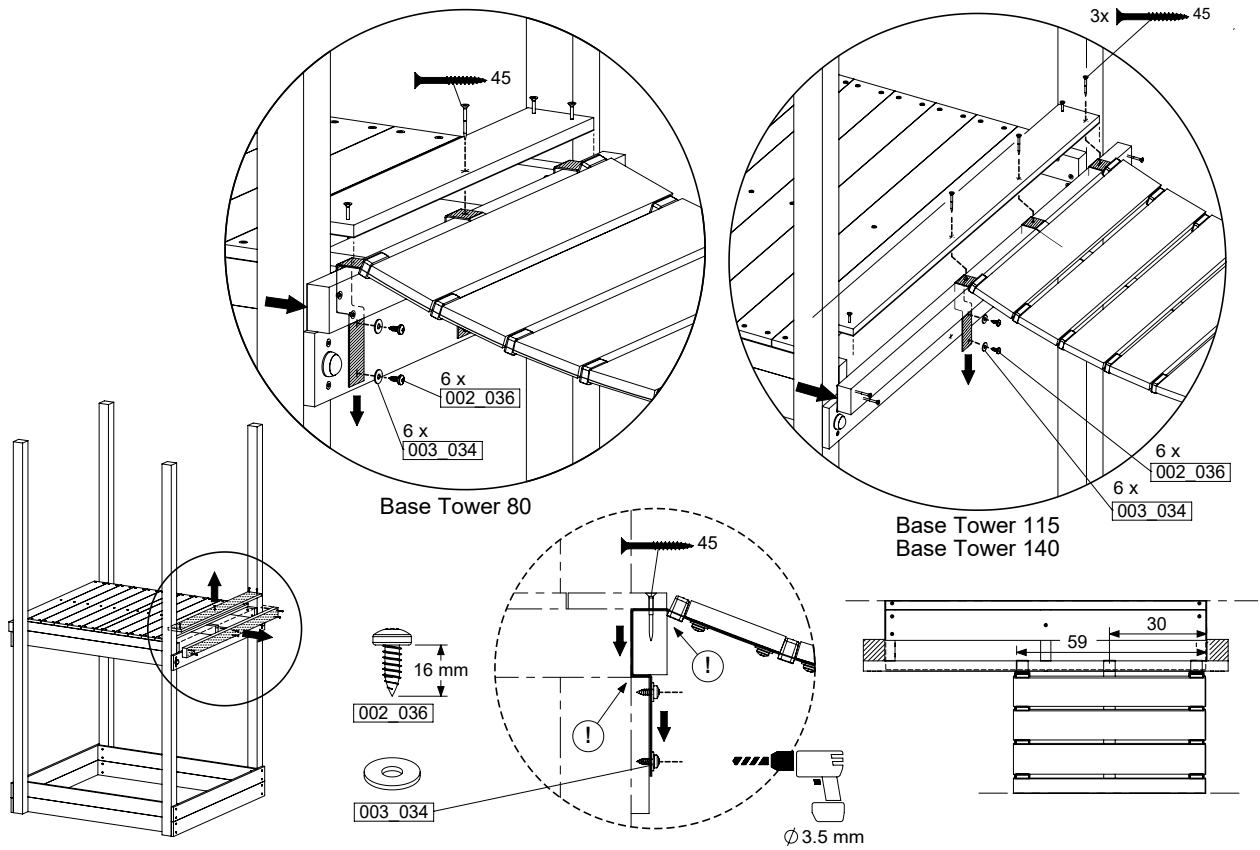


# 18.1





# 18.2

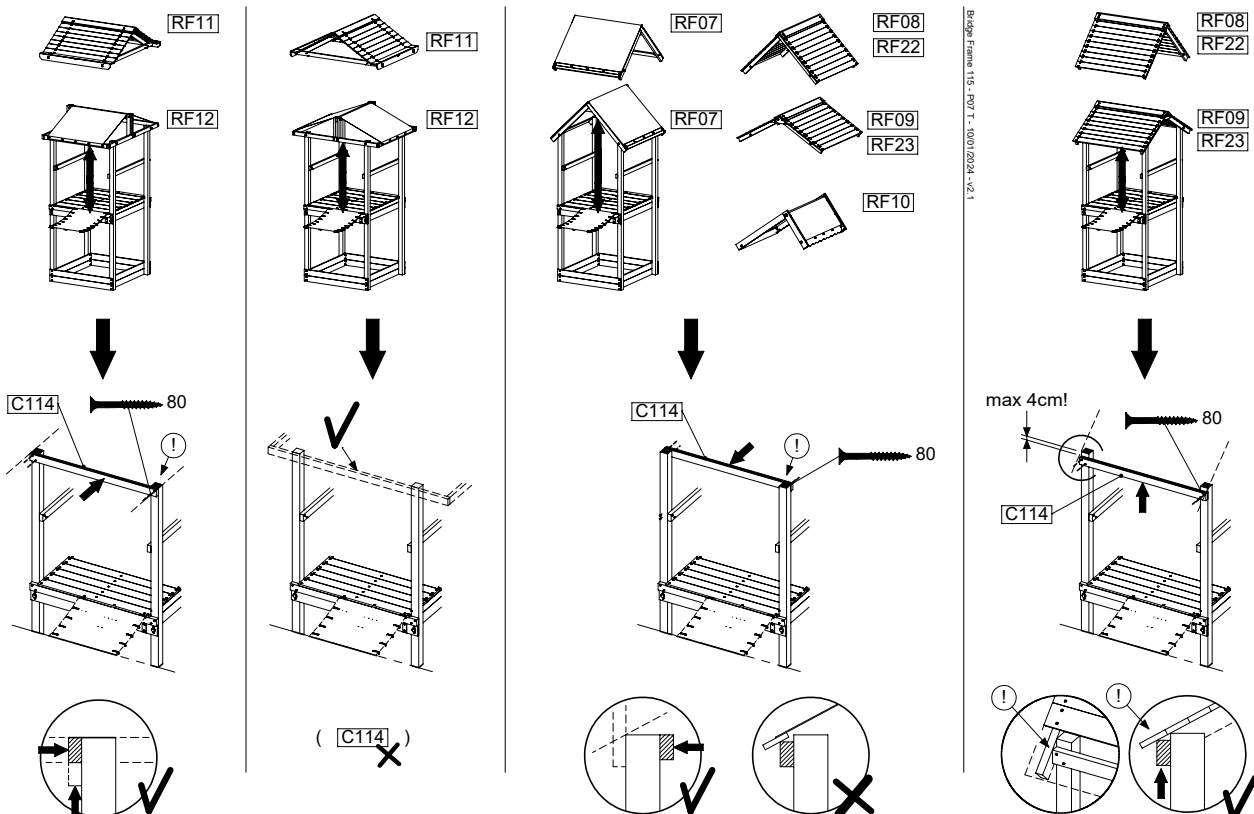
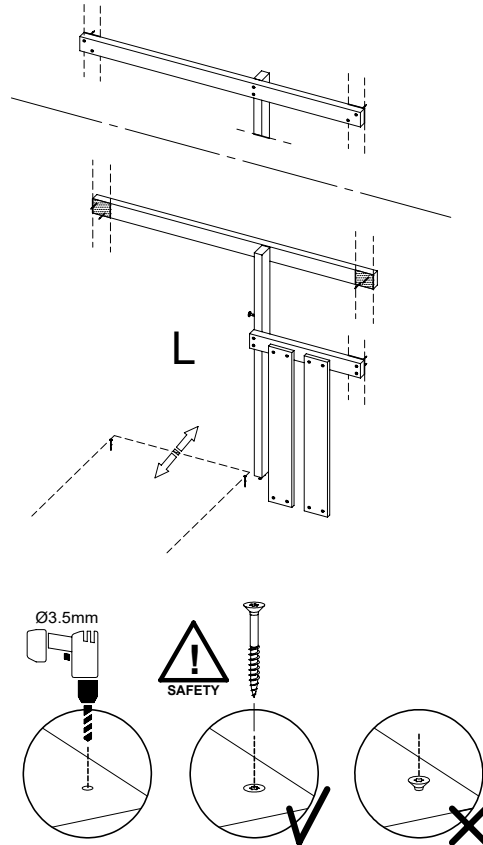


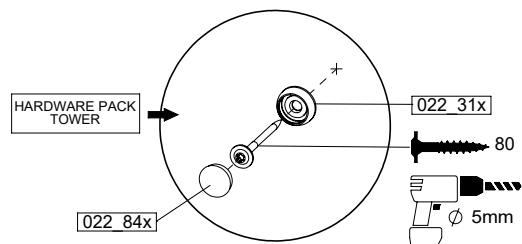
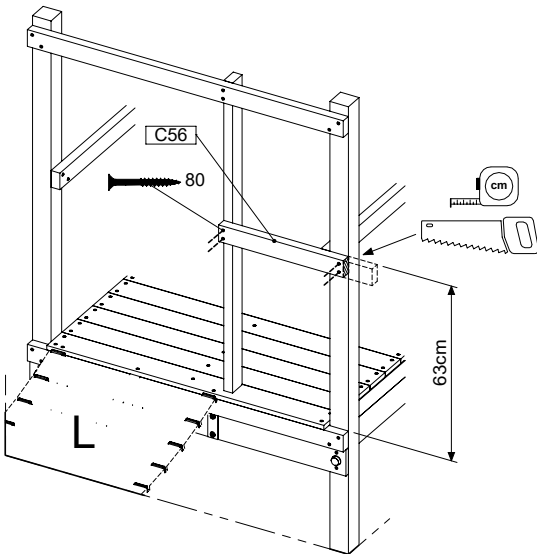
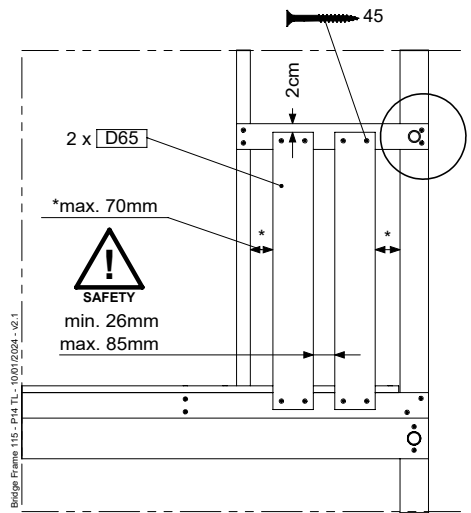
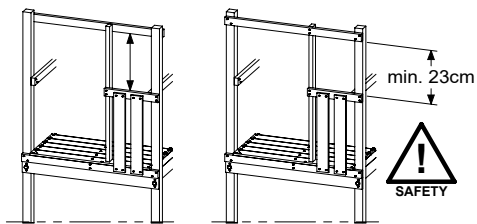
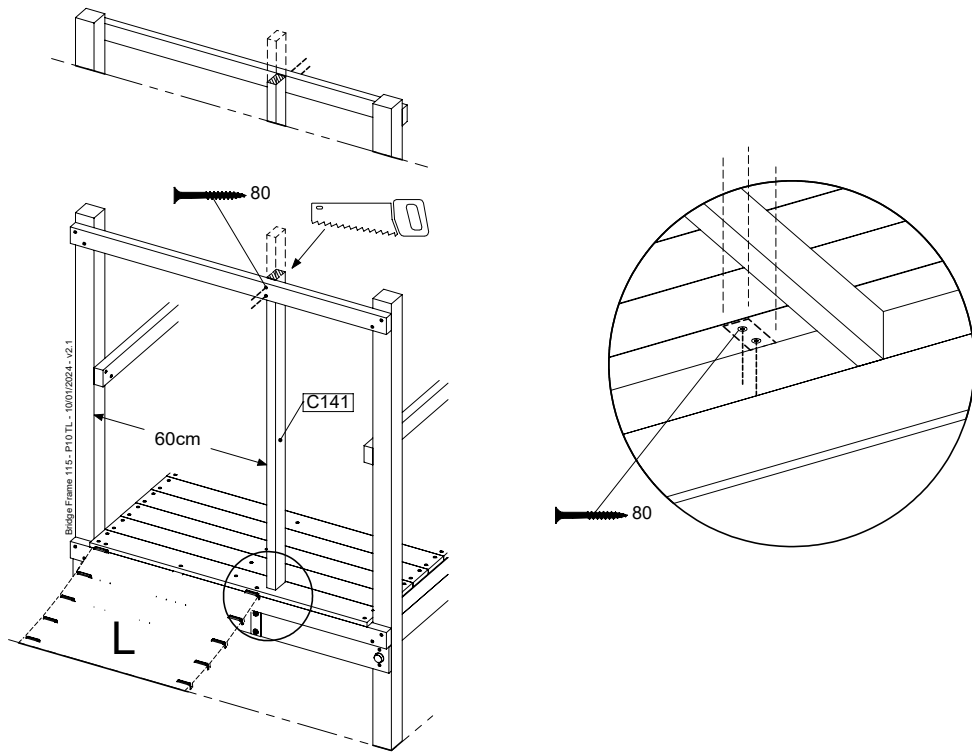
# 19 BF03a: Bridge Frame 115 T Left

( 194\_007 )

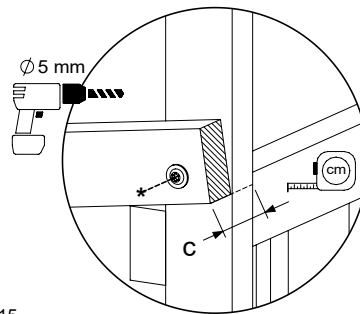
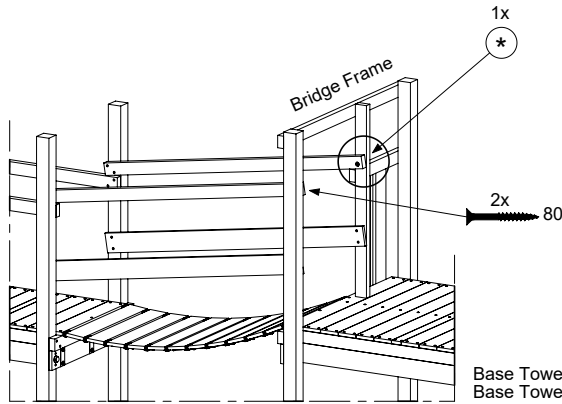
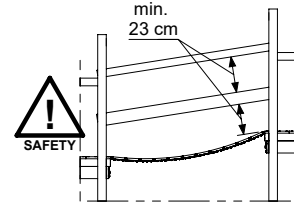
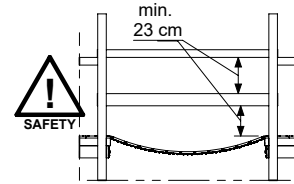
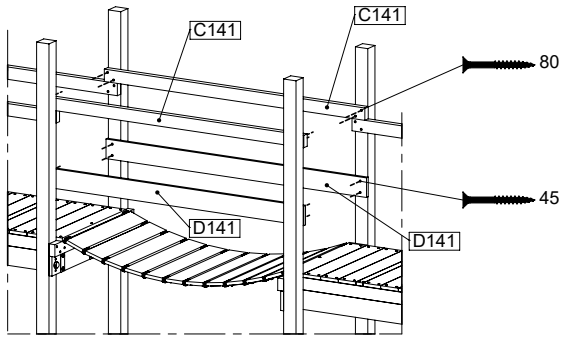
	PartNo	PartName	QTY.
Hardware Pack	001_411	Stealth Screw 8x60	1
	002_220	Gap Point Screw T25 - 5x45	10
	002_223	Gap Point Screw T25 - 5x80	12
Timber	C56	Beam 560 mm	1
	C114	Beam 1140 mm	1
	C141	Beam 1410 mm	1
	D65	Board 650 mm	2

Bridge Frame 115 - P04 TL - 10/01/2024 - v2.1





# 20 CB01a: Clatter Bridge - PART 2



C < 8cm 1x 60

C > 8cm 1x 80

BF - Bridge Frame

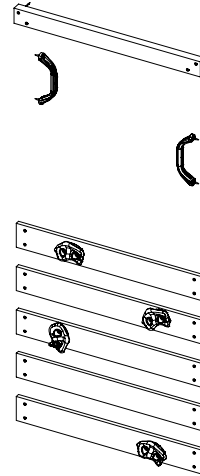
Clatter Bridge - P07 - 11/11/2022 - v4

# 21 RW02a: Rock wall 80 125 T

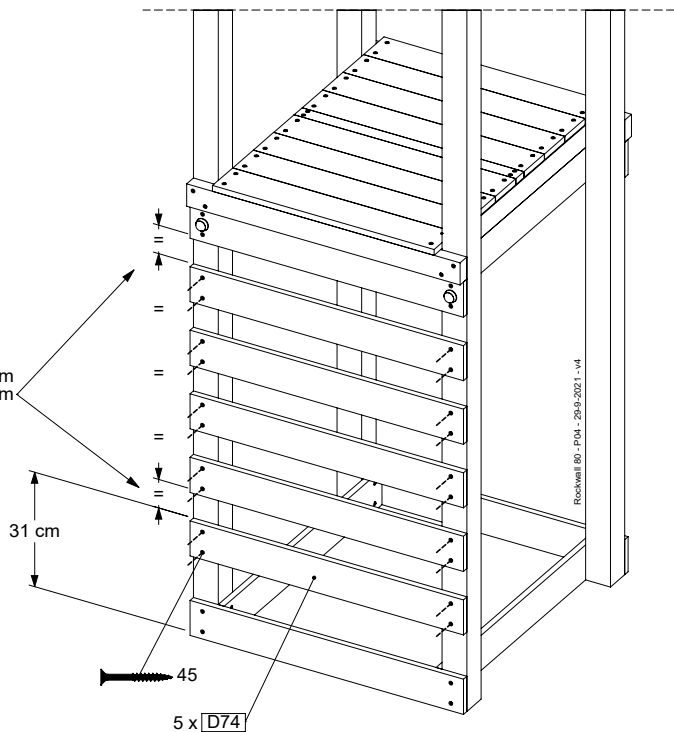
( 194\_105 )

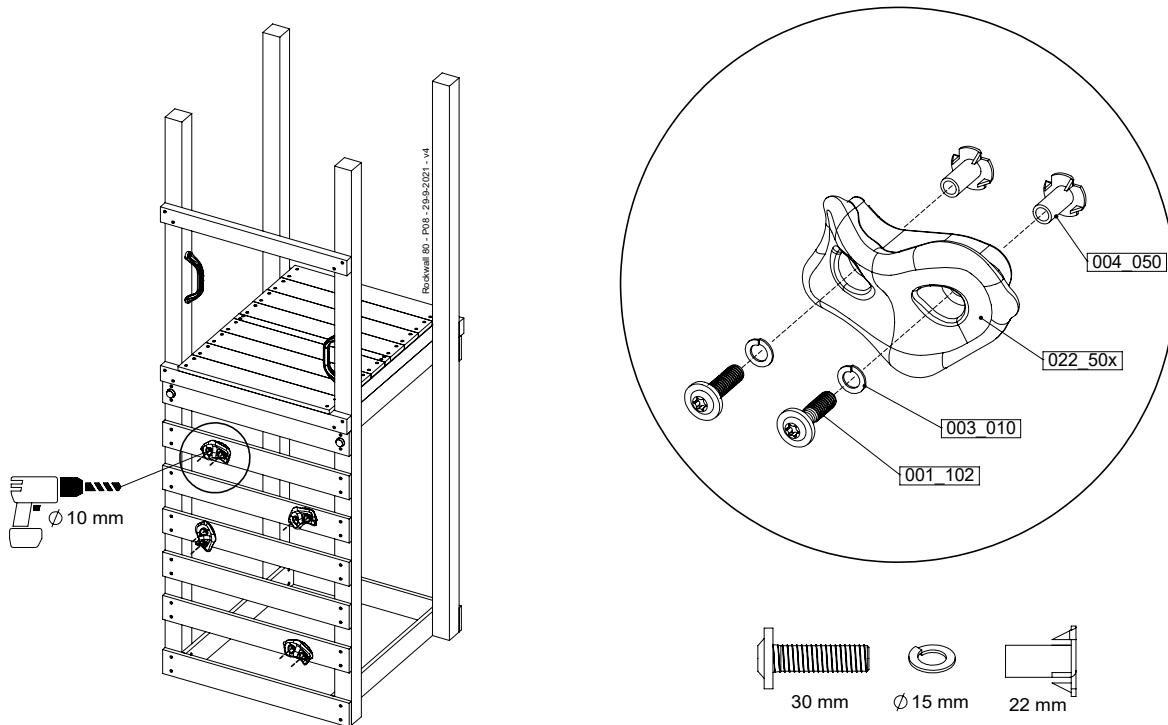
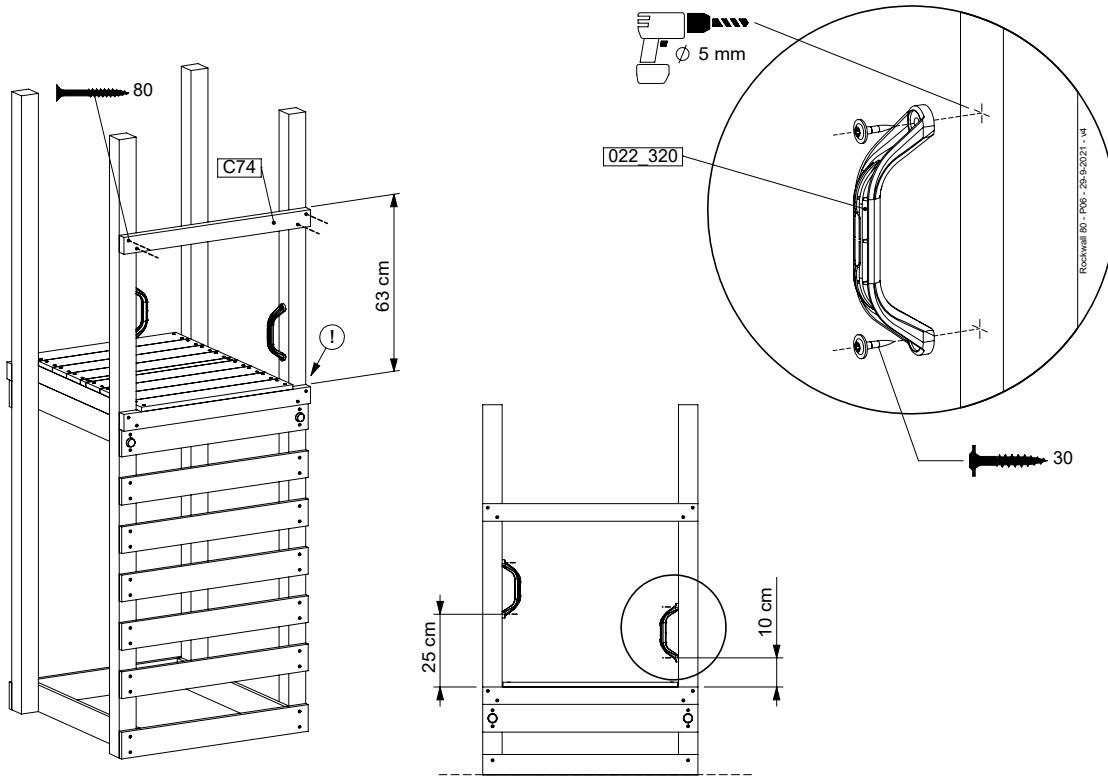
	PartNo	PartName	QTY.
Hardware pack 100_604	001_102	Washer Head Screw T40 M8x30	8
	002_220	Gap Point Screw T25 - 5x45	24
	002_223	Gap Point Screw T25 - 5x80	4
	003_010	M8 spring lock washer	8
	004_050	M8 22mm Drive in Nut	8
Other	022_50x	Climbing Rock	4
	120_102	Handgrip set (2x Complete)	1
Timber	C74	Beam 740 mm	1
	D74	Board 740 mm	5

Rockwall 80 - PD2 - 29-9-2021 - v4



min. 2,6 cm  
max. 8,8 cm



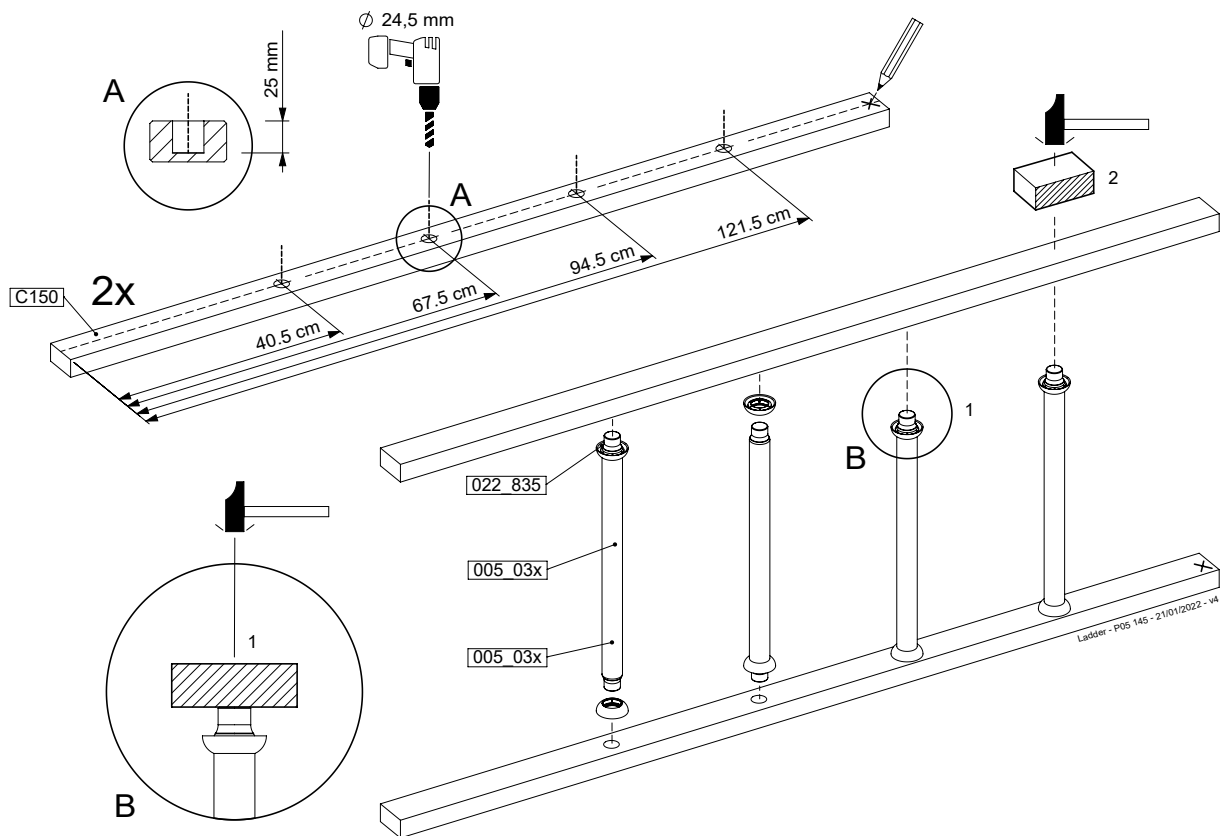
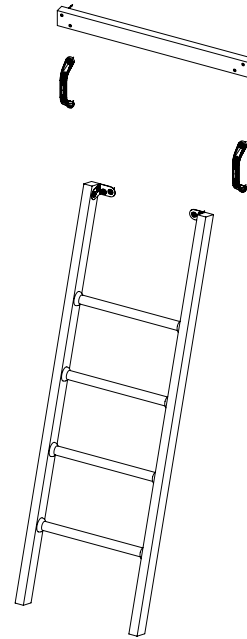


## 22 LA03a: Ladder 80 145 U

( 194\_104 )

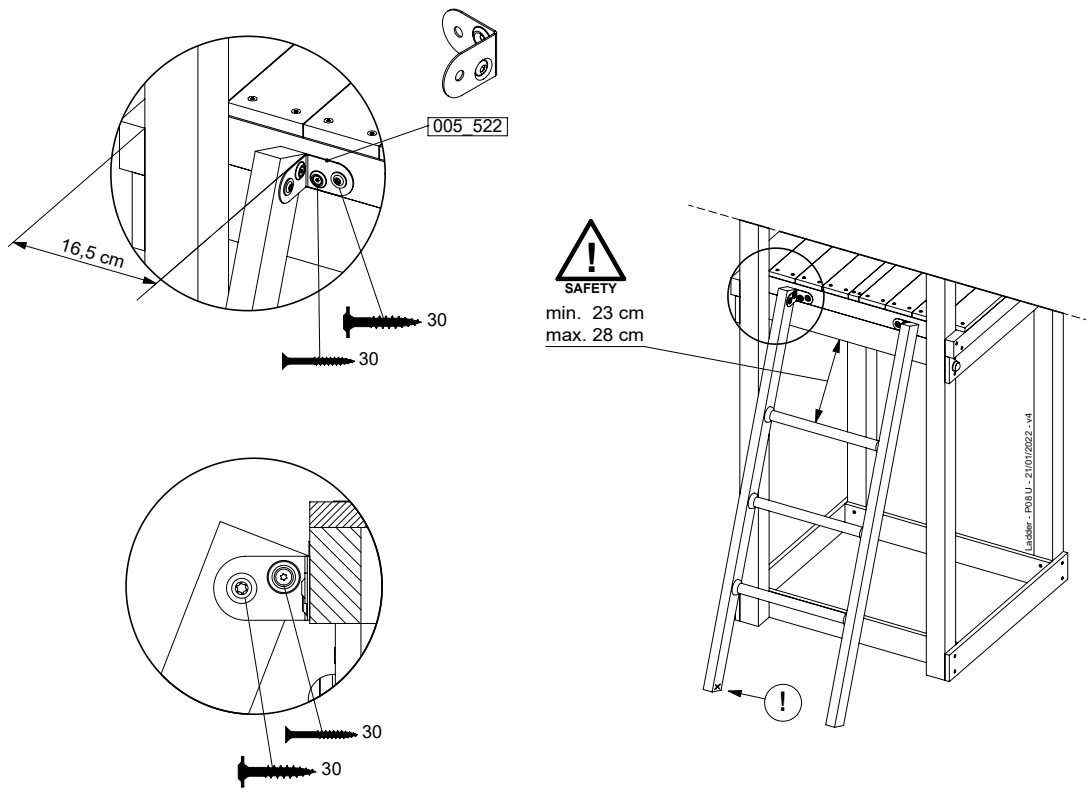
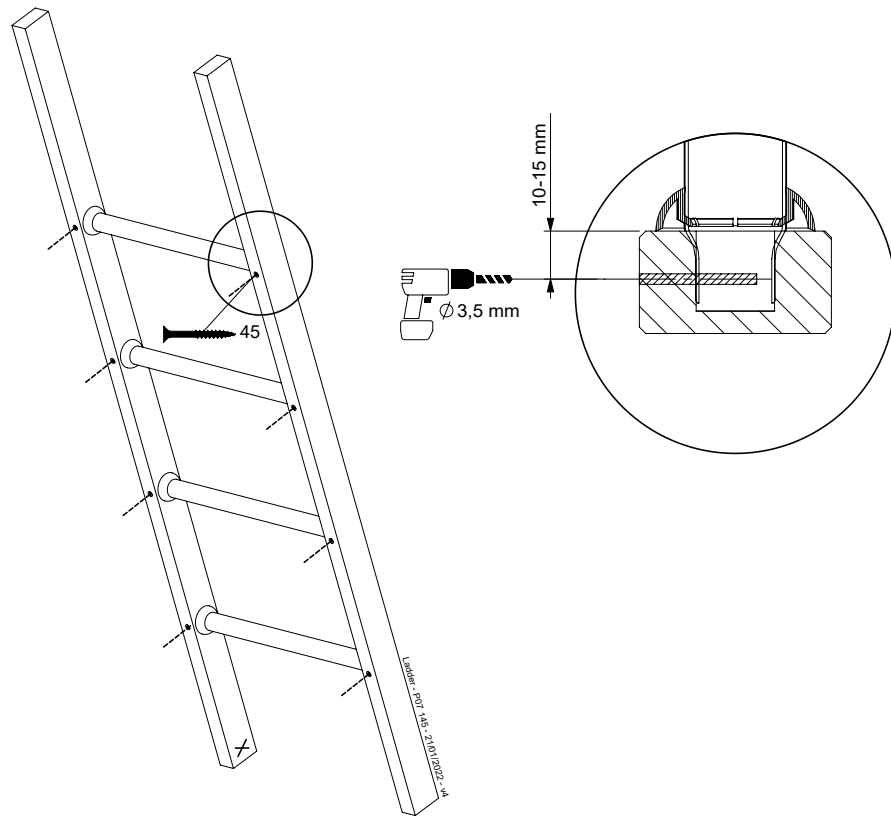
	PartNo	PartName	QTY.
Hardware Pack 100_603	001_404	Stealth Screw 8x30	4
	002_219	Gap Point Screw T25 - 5x30	4
	002_220	Gap Point Screw T25 - 5x45	8
	002_223	Gap Point Screw T25 - 5x80	4
Other	005_03x	Ladder Rung Y/B/G/R	4
	005_522	Connection Bracket Mini Market	2
	022_835	Rung Cap	8
	120_102	Handgrip set (2x Complete)	1
Timber	C74	Beam 740 mm	1
	C150	Beam 1500 mm	2

Ladder - P05 145 - 21/01/2022 - v4



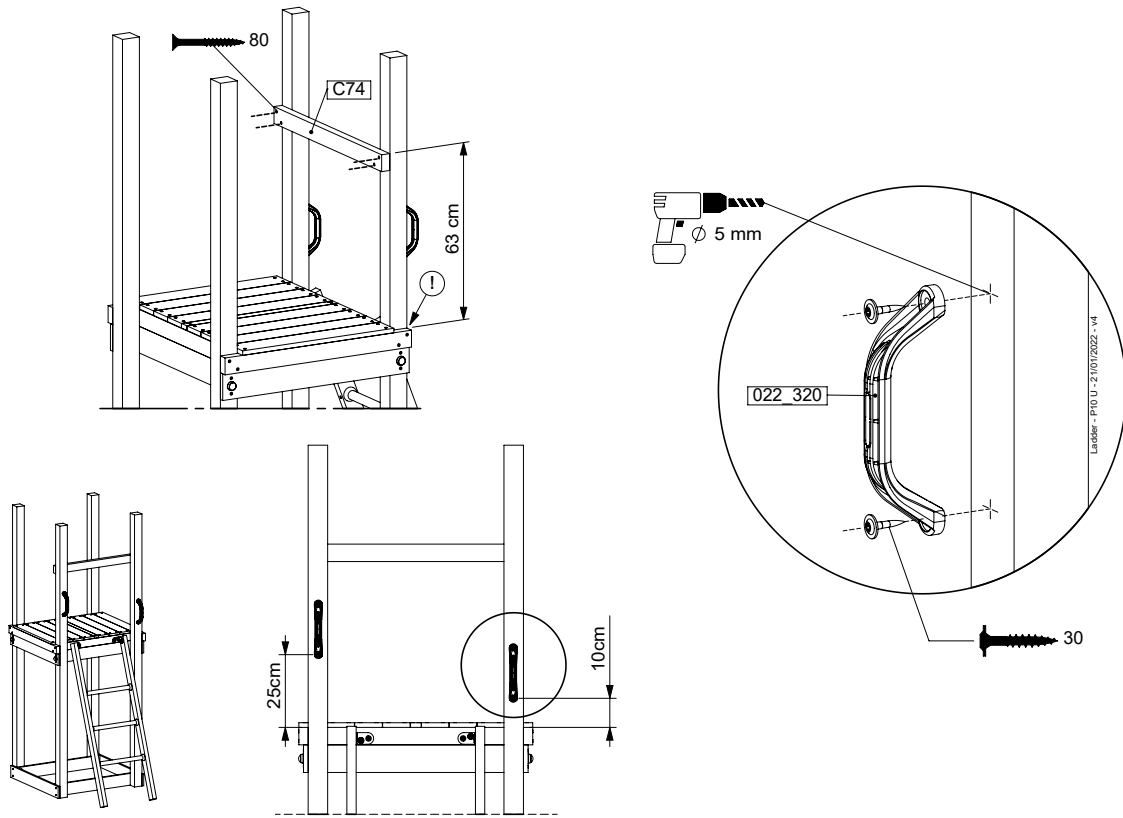
Ladder - P05 145 - 21/01/2022 - v4

# 22.1





# 22.2

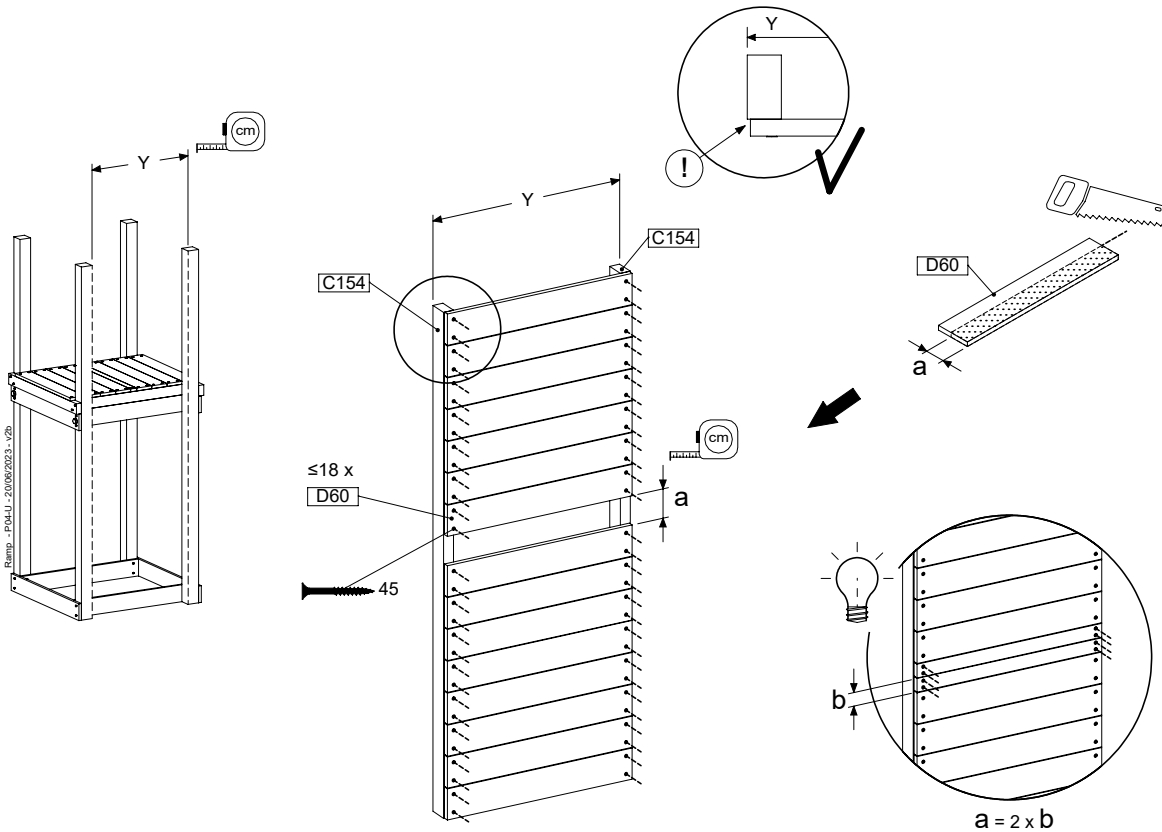
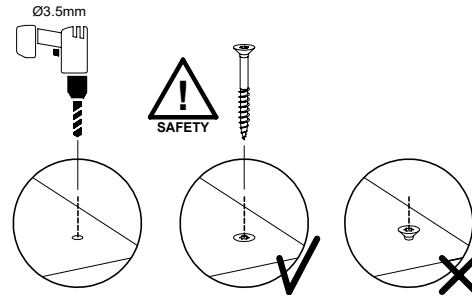
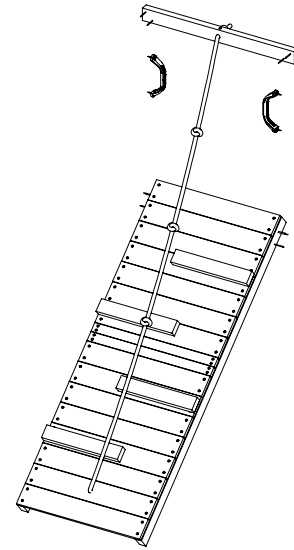


# 23 RA03a: Ramp 80 125 U

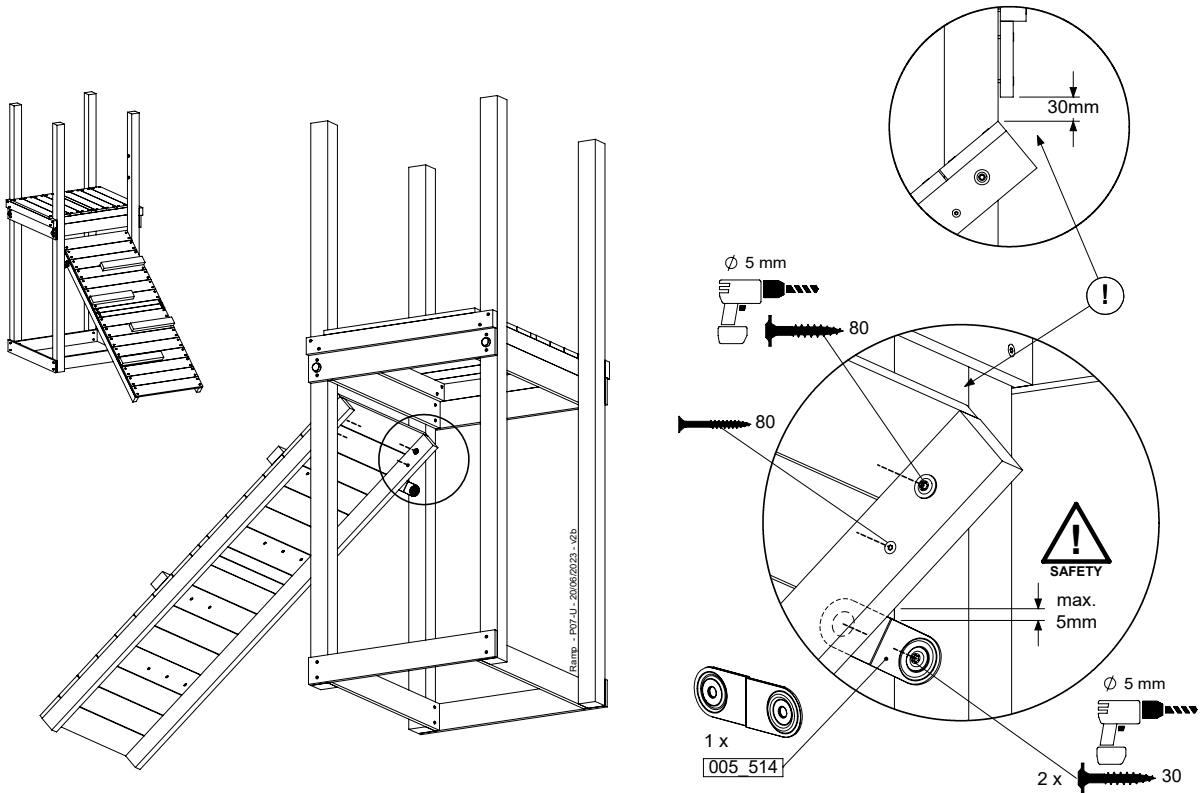
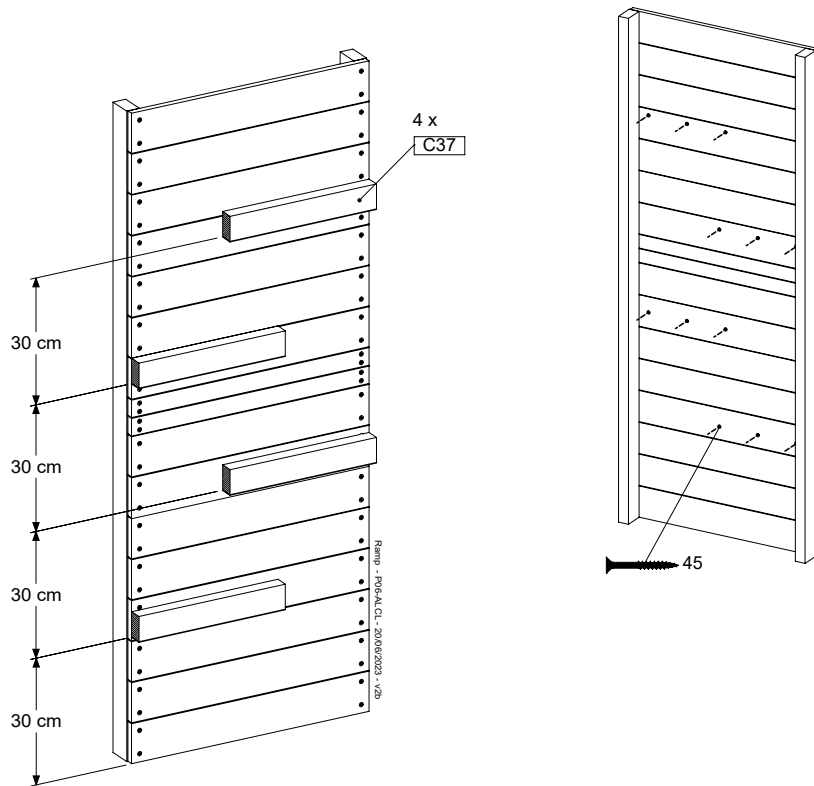
(194\_008)

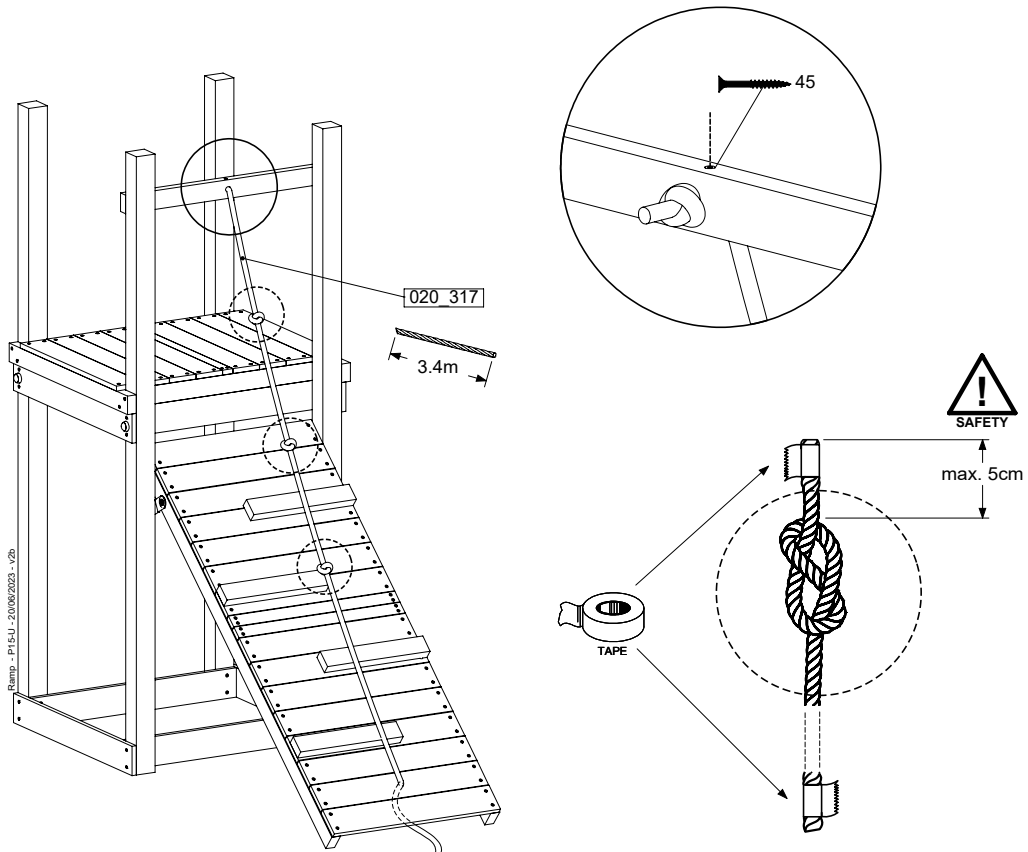
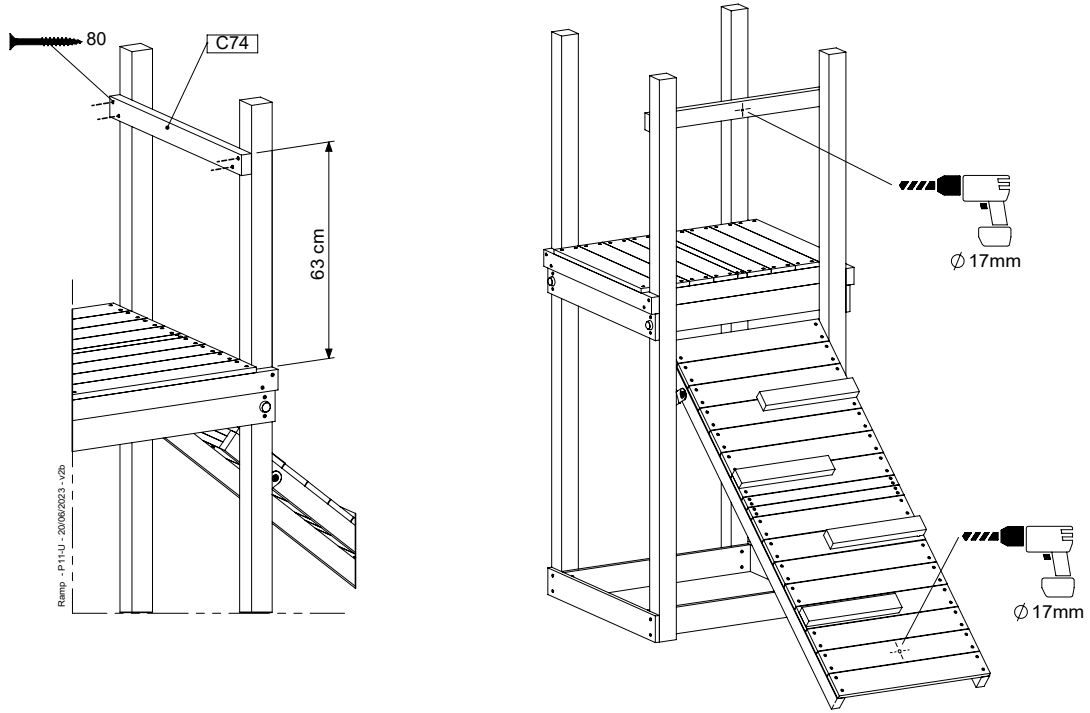
	PartNo	PartName	QTY.
Hardware Pack	001_404	Stealth Screw 8x30	2
	001_417	Stealth Screw 8x80	2
	002_220	Gap Point Screw T25 - 5x45	85
	002_223	Gap Point Screw T25 - 5x80	6
Other	005_514	Ladder Bracket	1
	020_317	Rope Polyester 16mm Green 3.4m	1
	120_102	Handgrip set (2x Complete)	1
Timber	C37	Beam 370 mm	4
	C74	Beam 740 mm	1
	C154	Beam 1540 mm	2
	D60	Board 600 mm	18

Ramp - P03U - 2010/2023 - v2b

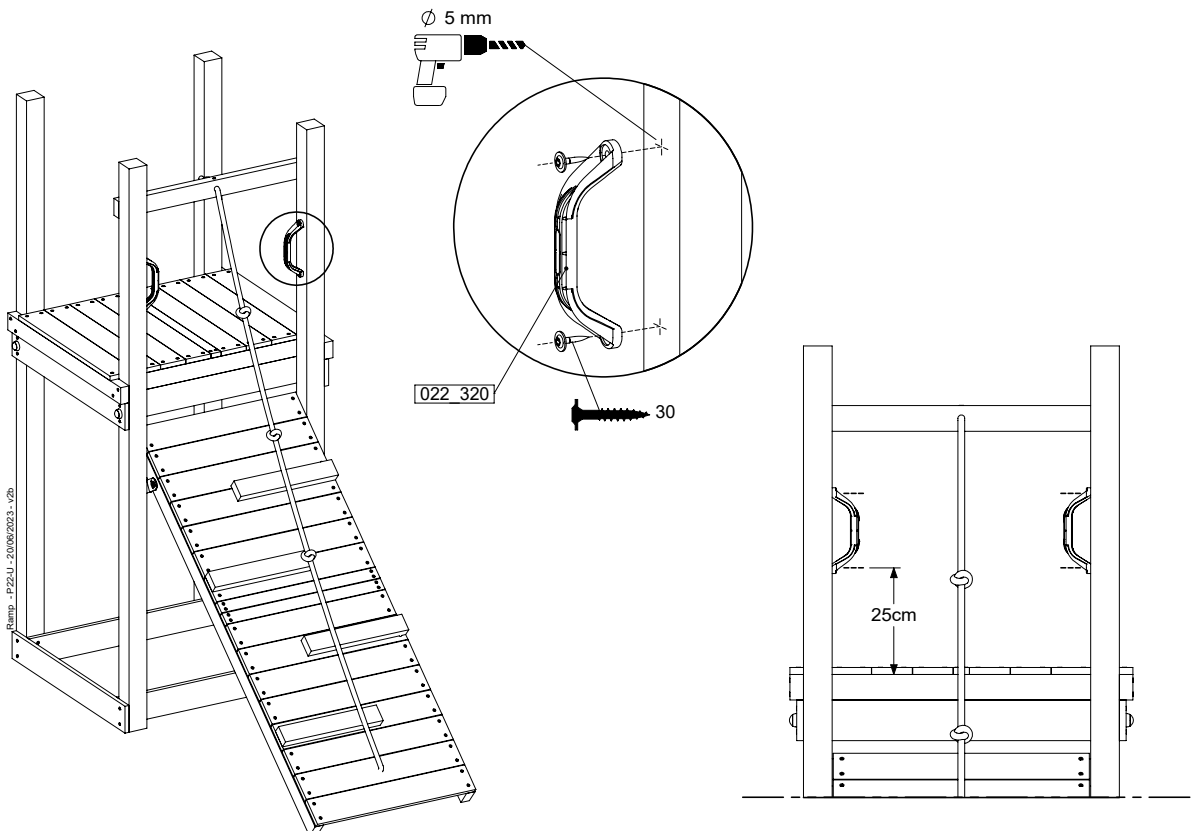
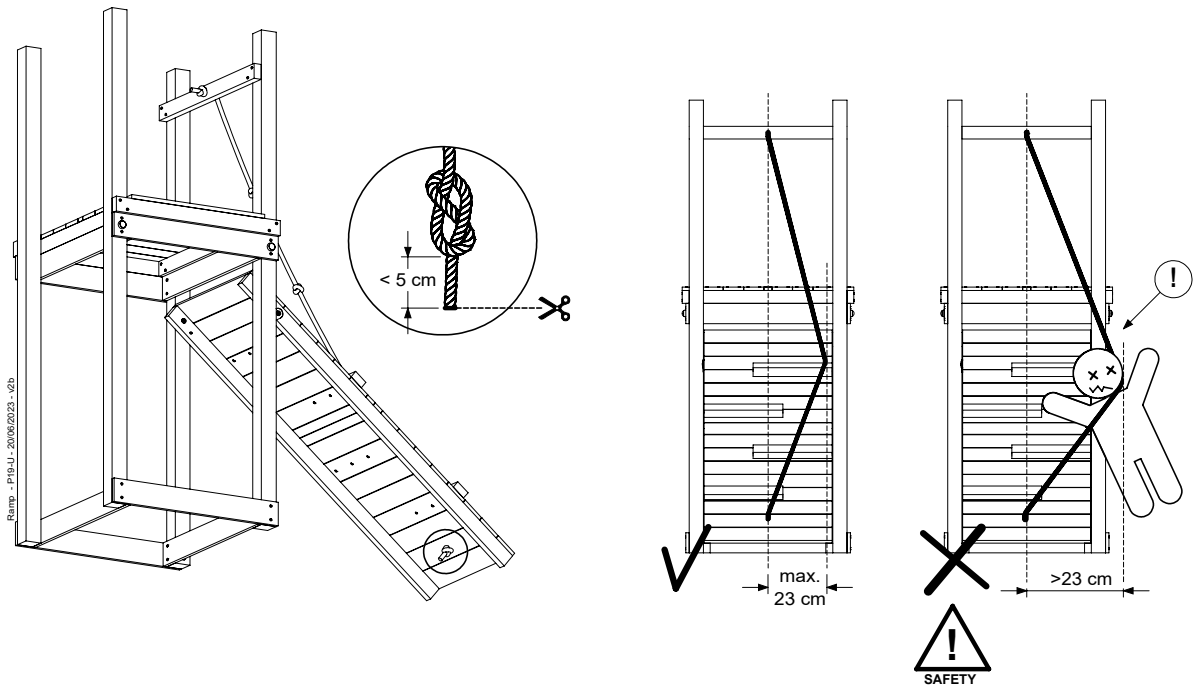


# 23.1





# 23.3

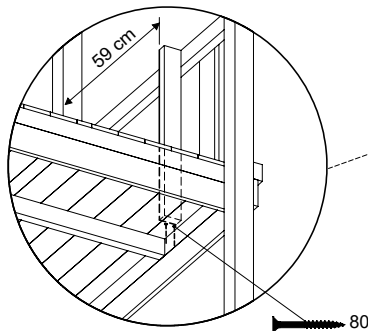
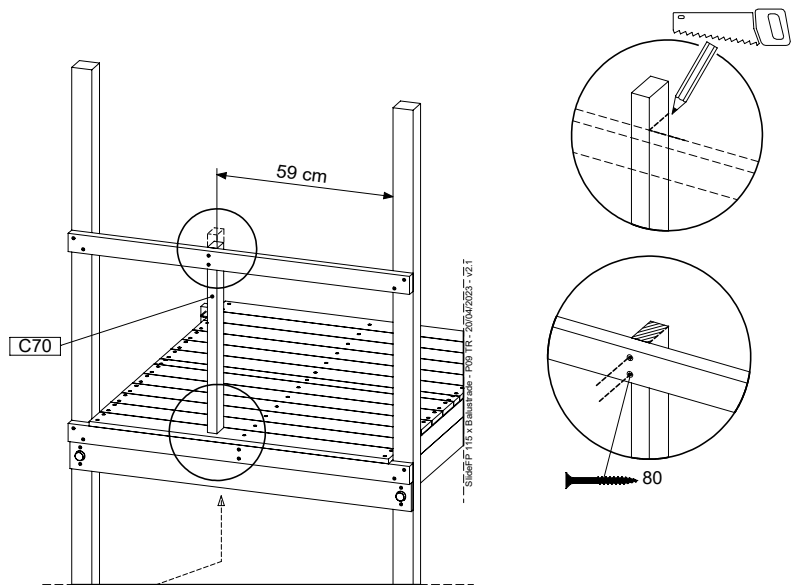
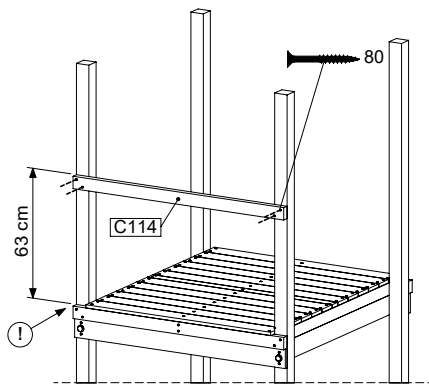
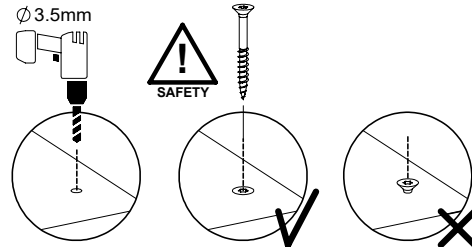
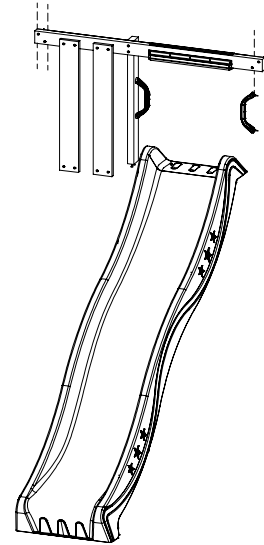


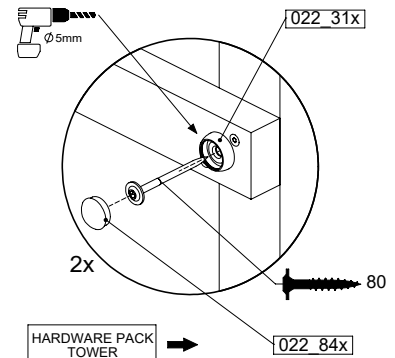
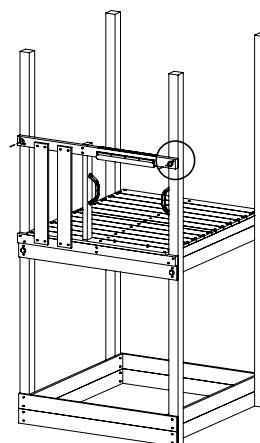
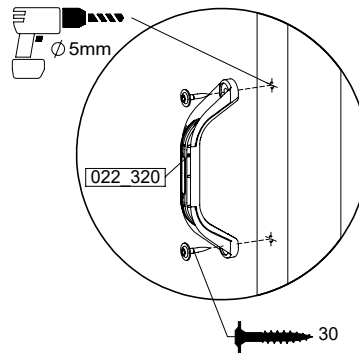
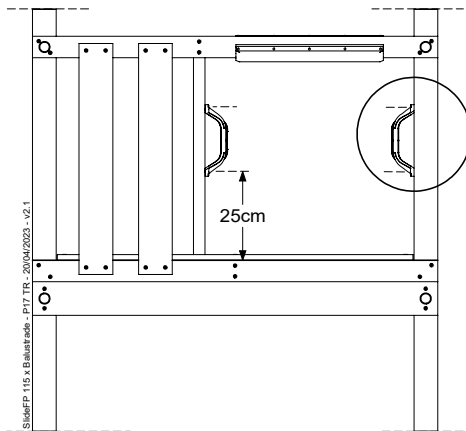
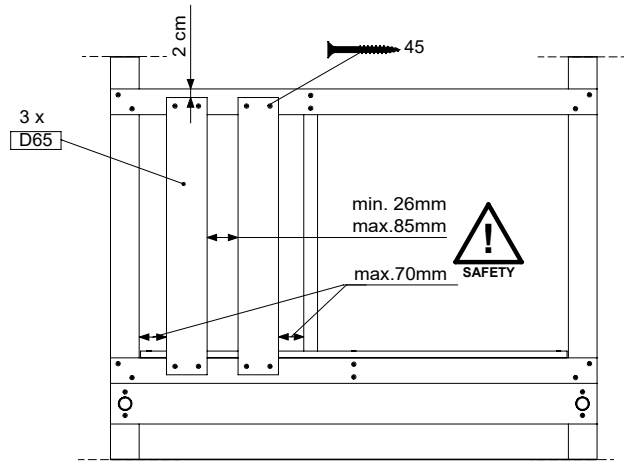
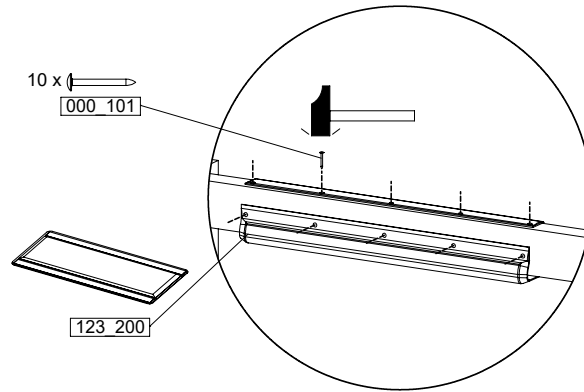
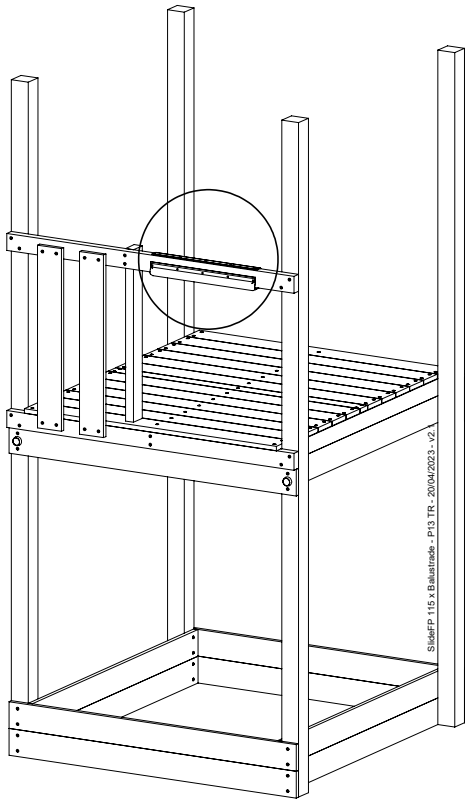
# 24 SL13a: Slide 115 145 T Right

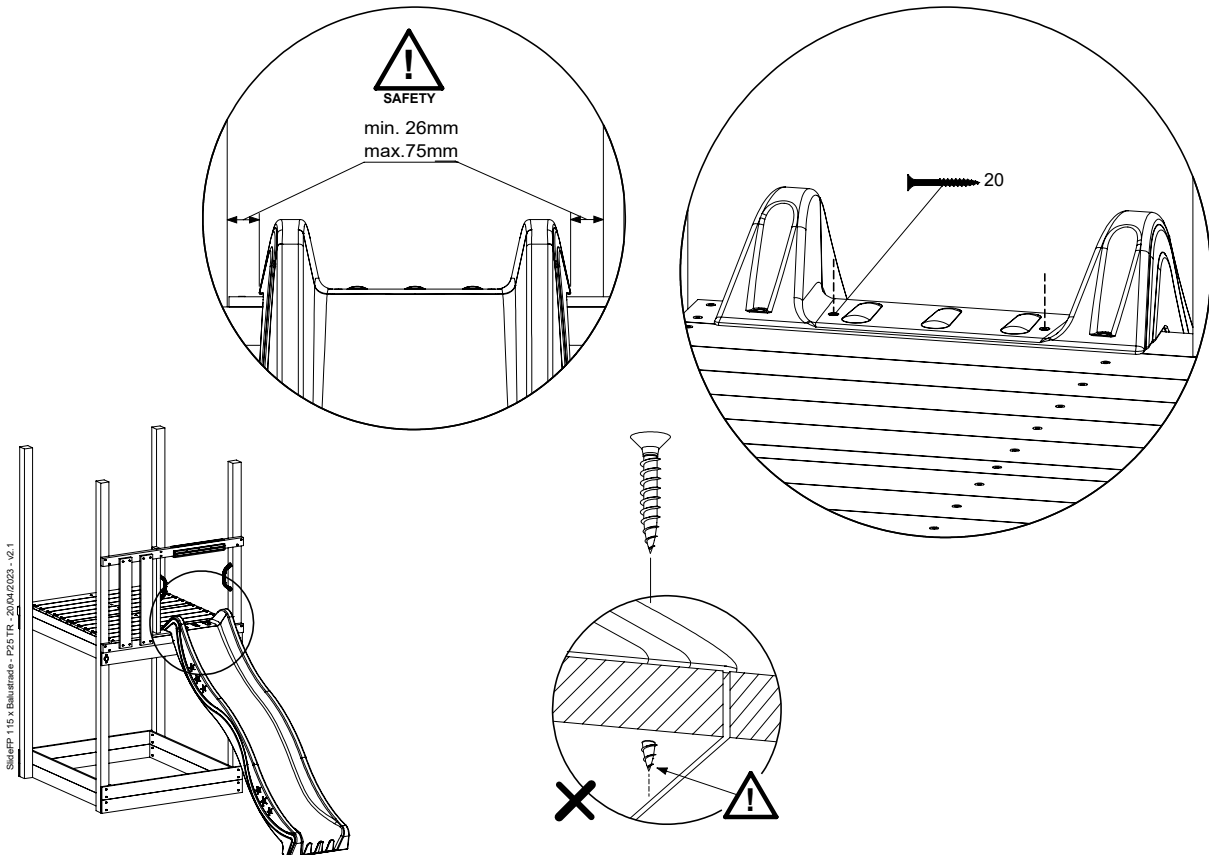
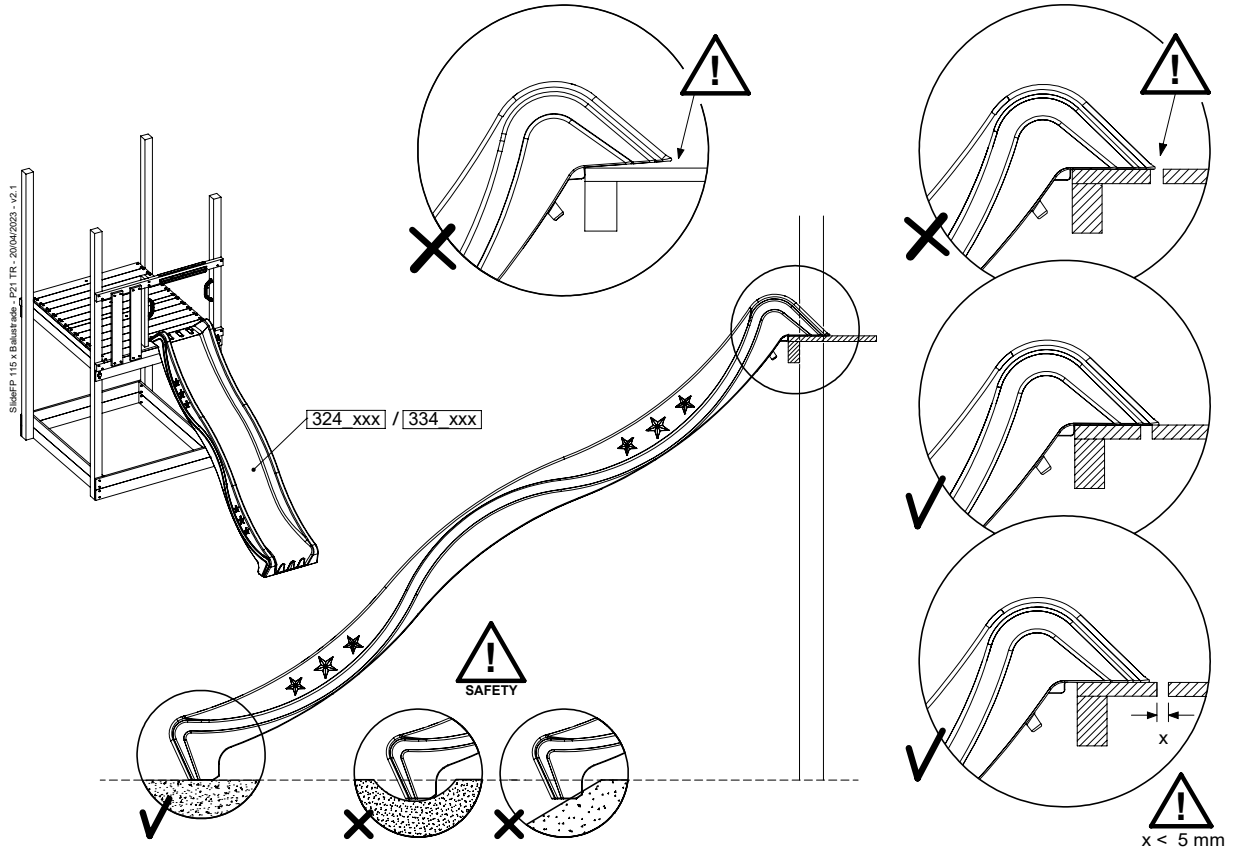
( 194\_107 + 194\_101 )

	PartNo	PartName	QTY.
Hardware Pack	000_101	Nail Pan Head	10
	002_220	Gap Point Screw T25 - 5x45	8
	002_223	Gap Point Screw T25 - 5x80	8
	002_308	Gap Point Screw T25 - 5x20	2
Other	120_102	Handgrip set (complete 2x)	1
	123_200	Bumperpad	1
	324_xxx 334_xxx	Wavy Star Slide XL 2200 mm / Wavy Star Slide XXL 2650 mm	1
Timber	C114	Beam 1140 mm	1
	C70	Beam 700 mm	1
	D65	Board 650 mm	2

SlideFP 115 x Baumtrapez - P05 TR - 20/04/2023 - v2.1

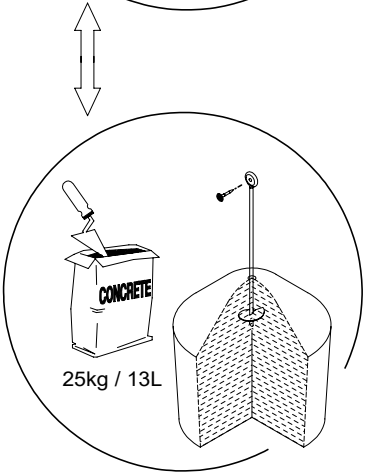
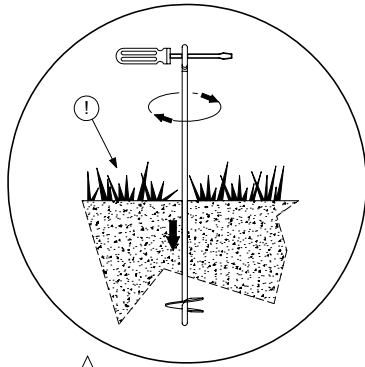




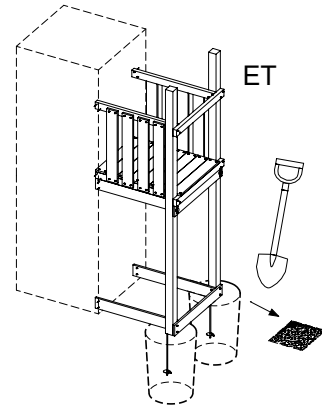
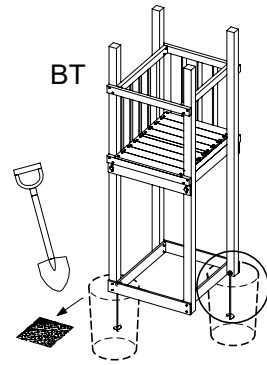
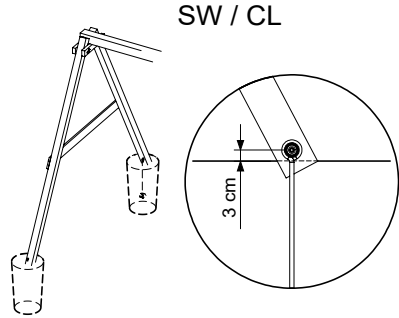
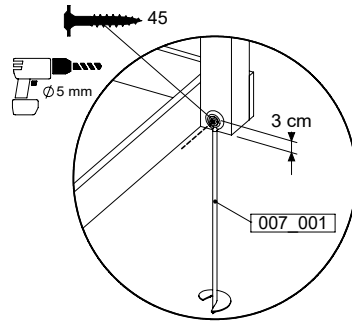




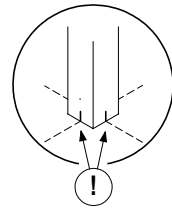
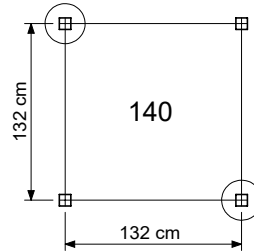
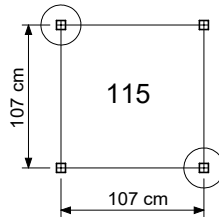
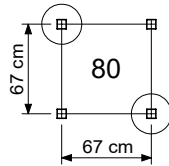
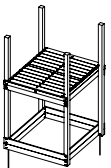
# 25 GA: Ground Anchors



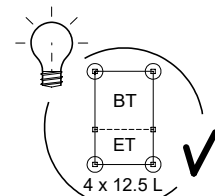
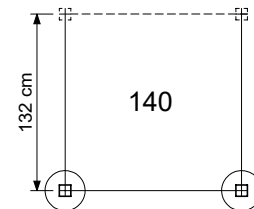
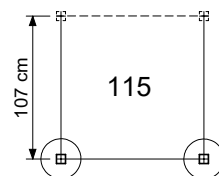
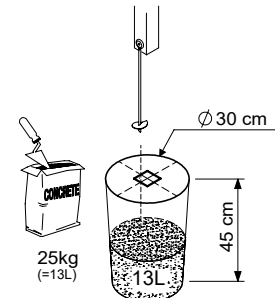
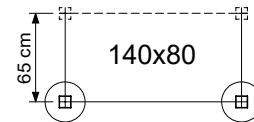
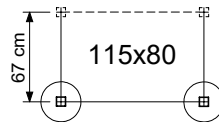
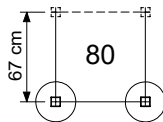
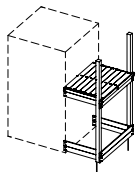
Ground Anchors Unit - P03 - 04/07/2023 - v1.2



BASE TOWERS



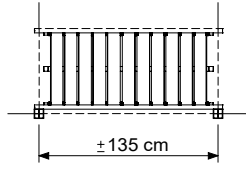
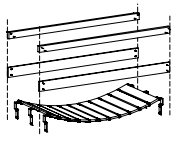
EXTENSION TOWERS



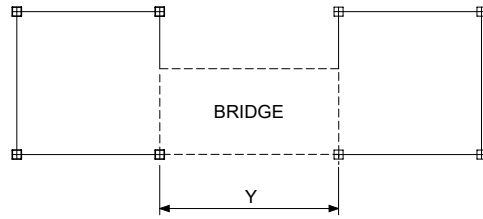
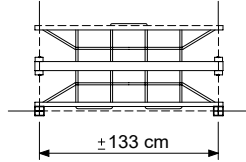
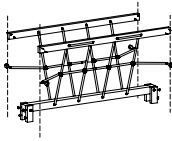
Ground Anchors Unit - P01 - 04/07/2023 - v1.2

# 25.1

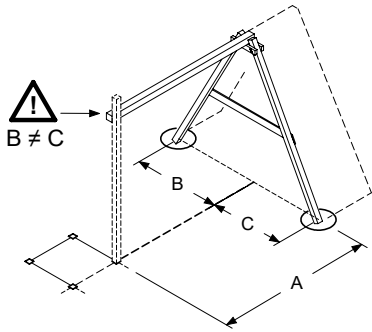
CLATTER BRIDGE



NET BRIDGE

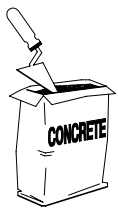
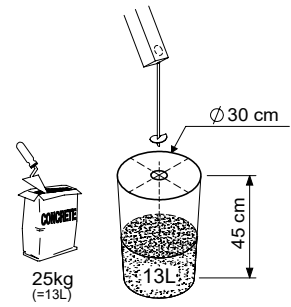


SWING / CLIMB MODULE

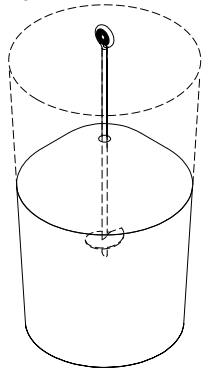


Module type	A	B	C
1-Swing 200	150	115	100
1-Swing 220 / 220 Extra		120	105
2-Swing 200	210	115	100
2-Climb 200			
1-Climb 200	142	120	105
1-Climb 220 / 220 Extra			
2-Swing 220 / 220 Extra	230	120	105
2-Climb 220 / 220 Extra			

Grand Anchers Uni. - P02 - 04/07/2023 - v1.2



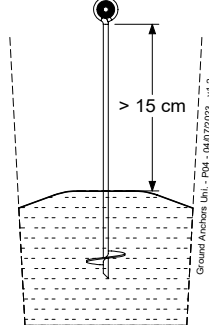
25kg / 13L



1.

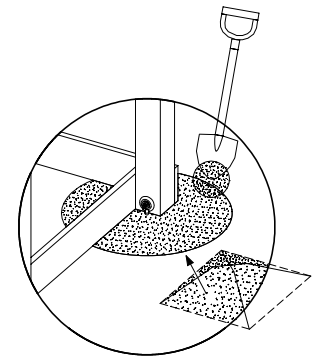


SAFETY



2.

24h



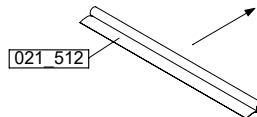
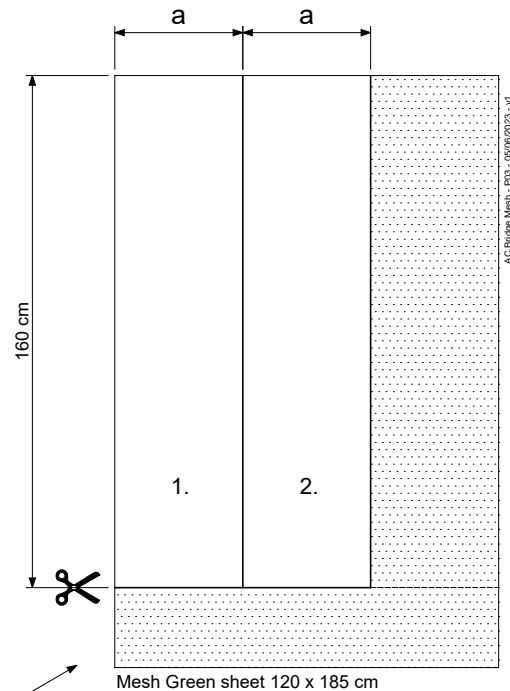
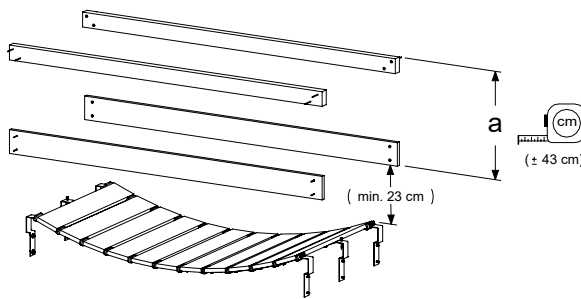
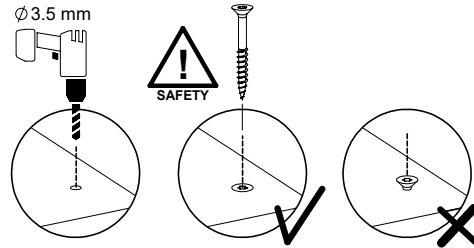
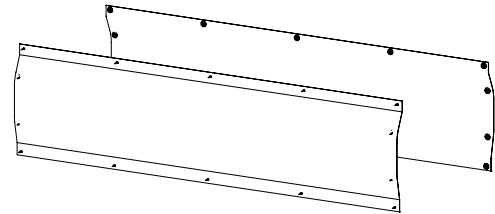
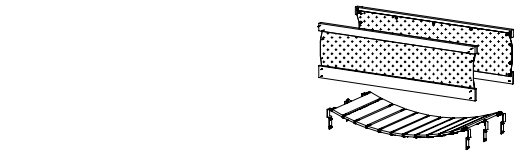
4.

# 26 AC30a: Bridge Mesh

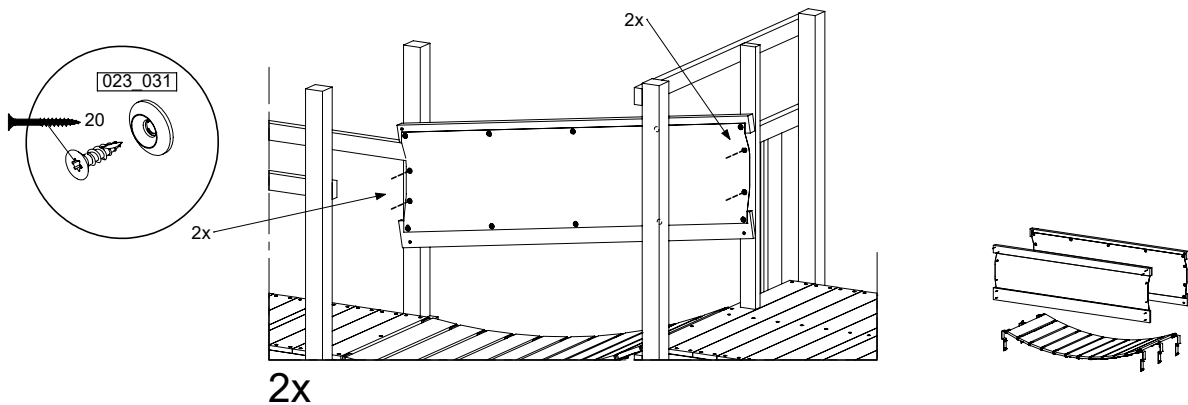
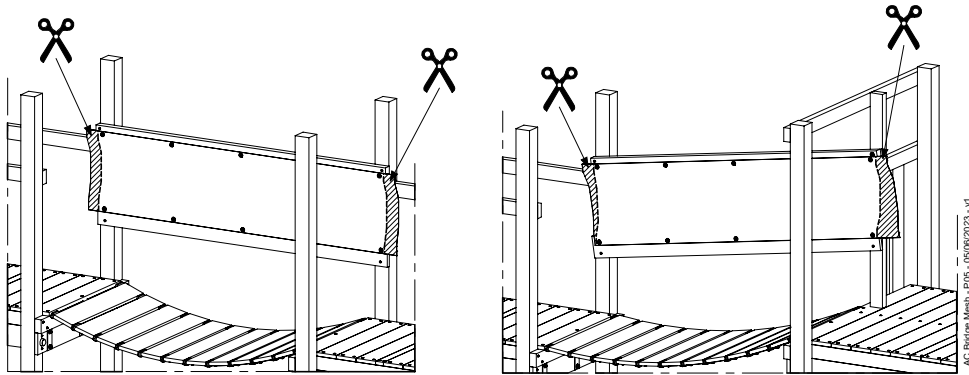
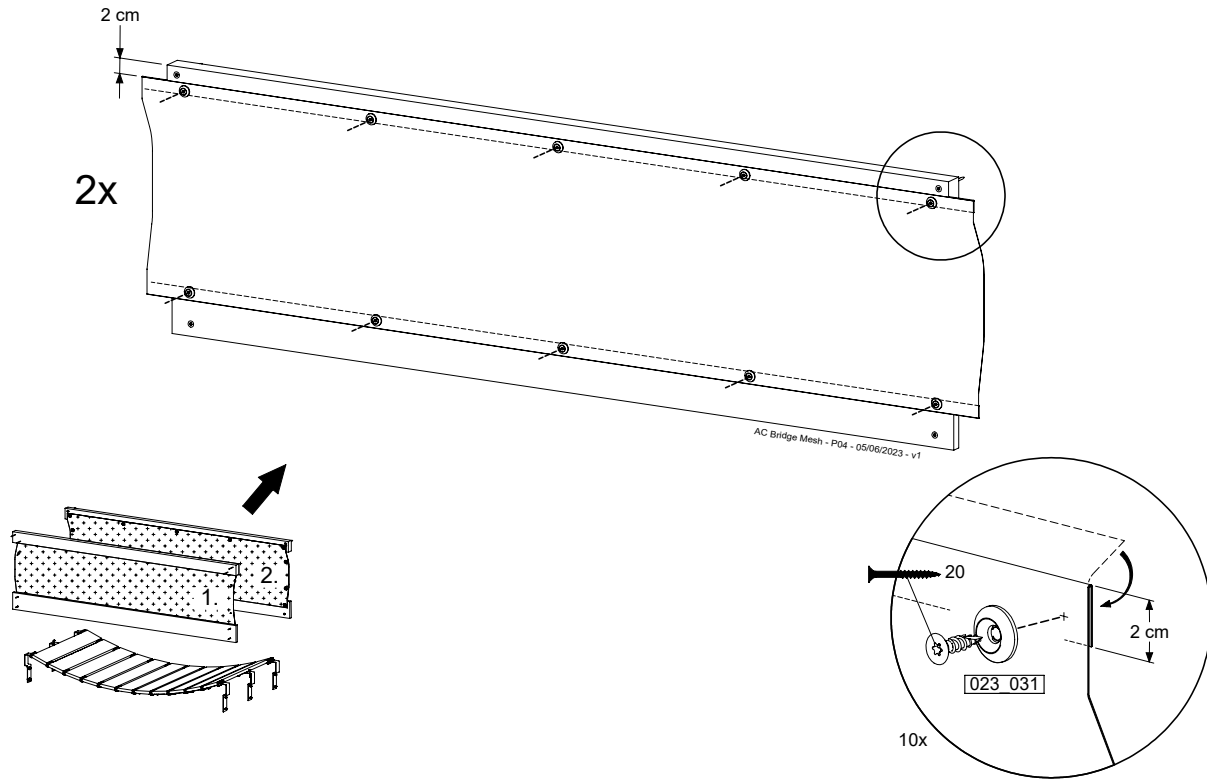
( 123\_230 )

	PartNo	PartName	QTY.
Hardware Packs	002_308	Gap Point Screw T25 - 5x20	28
100_411	023_031	Finishing Washer GPS 5.0	28
Other	021_512	Mesh green 1.20 x 1.85m	1

AC Bridge Mesh - P02 - 05/06/2023 - v1



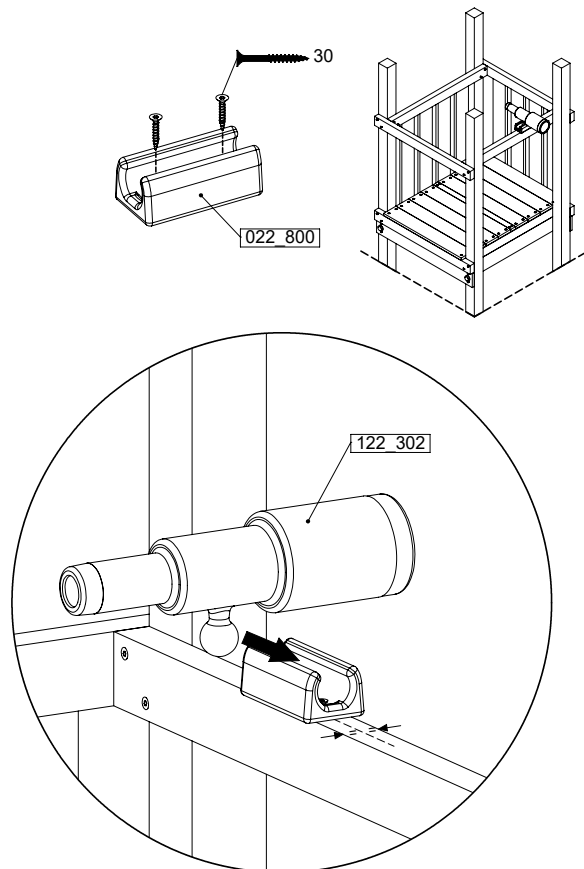
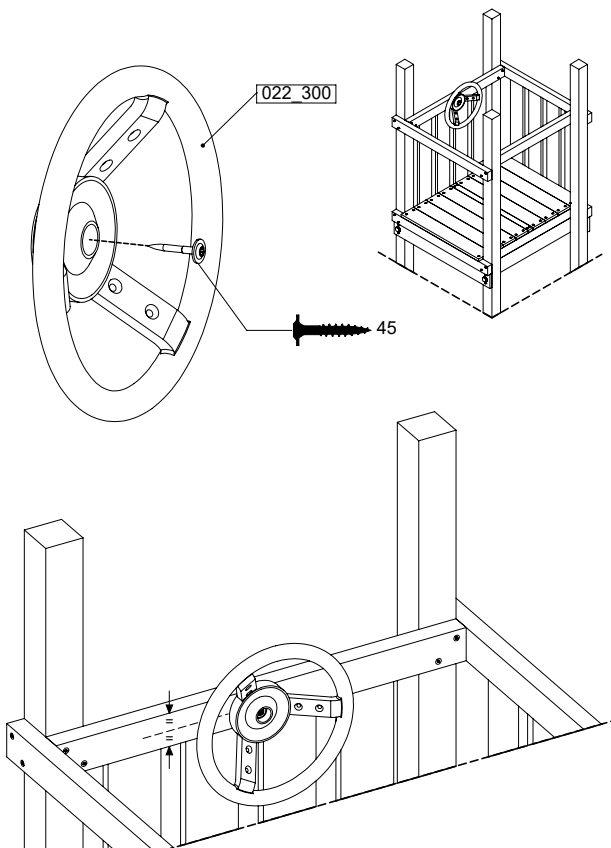
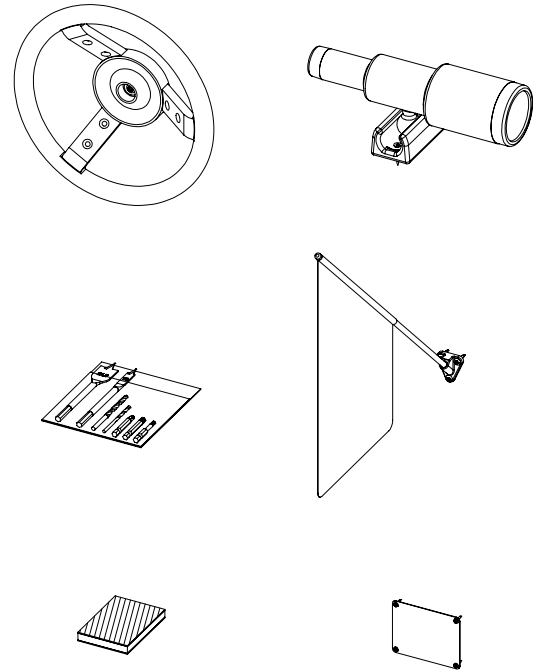
# 26.1

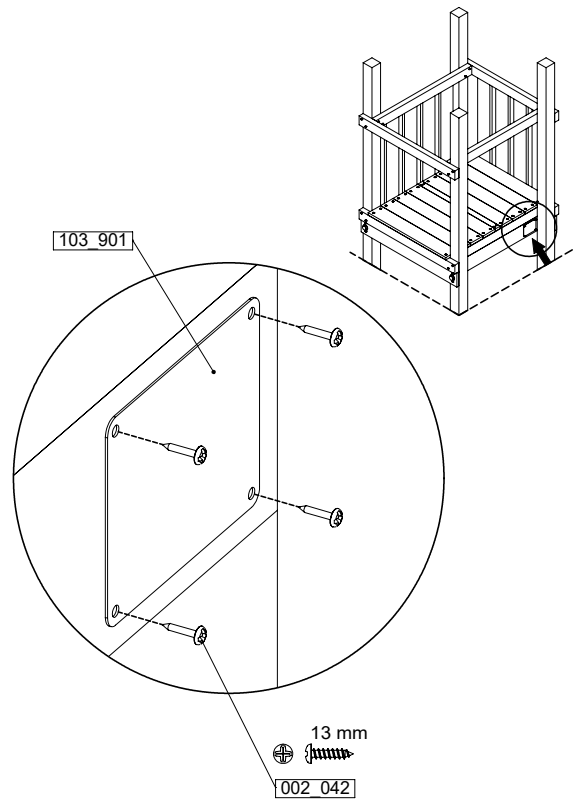
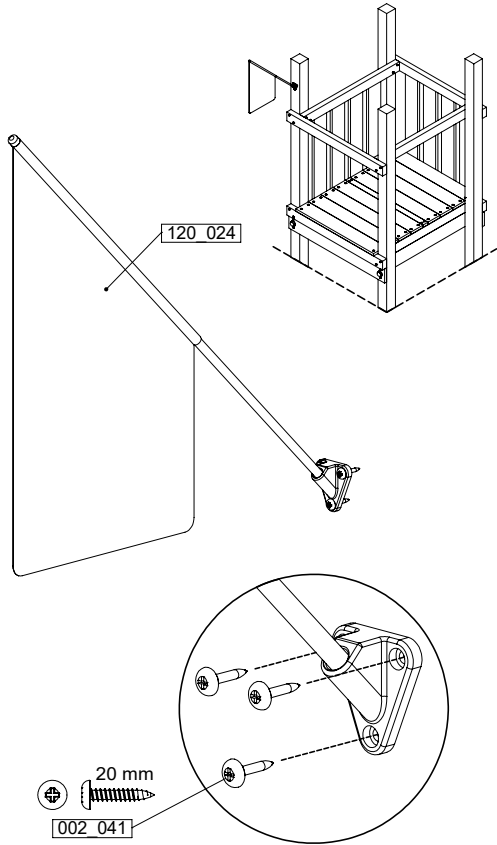


# 27 AC01a: Accessories

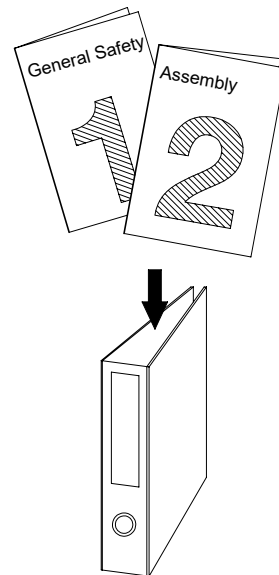
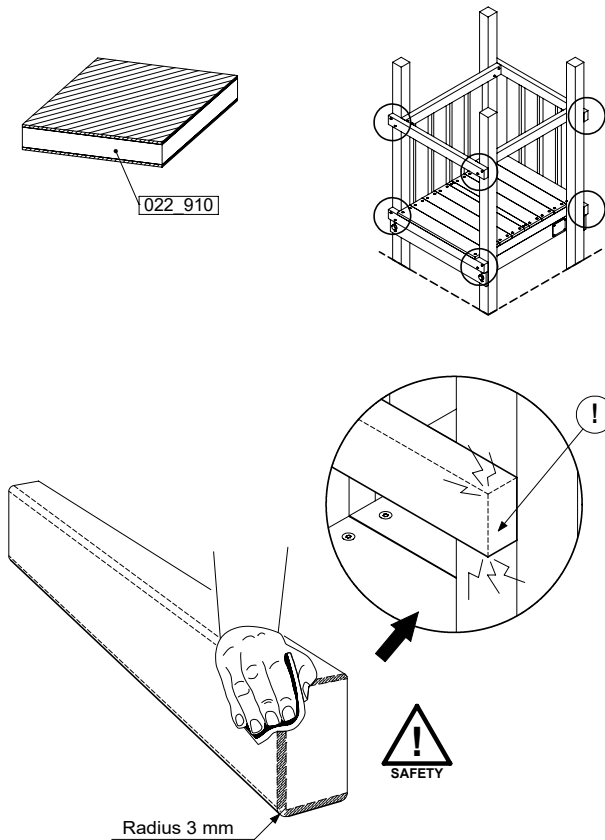
( 194\_119 )

	PartNo	PartName	QTY.
Hardware Pack 100_617	001_406	Stealth Screw 8x45	1
	002_041	Dome head screw 4.5 x 20 mm	3
	002_042	Dome head screw 3.5 x 13mm	4
	002_219	Gap Point Screw T25 - 5x30	2
Other	022_300	Steering Wheel	1
	022_800	Rail P/T 105	1
	022_910	Sandpad	1
	103_901	Logo ID Plate	1
	104_107	Tool Set Climbing Units	1
	120_024	Tower Flag	1
	122_302	Telescope	1





Accessory set - P04 - 24.01/2024 - v5



Accessory set - P05 - 24.01/2024 - v5

# 28 Declaration of conformity

Activity toys for domestic use  
Aktivitätsspielzeug für den häuslichen Gebrauch  
Jouets d'activité à usage familial



## ID's

### 1. Wooden climbing frames

20232912\_v1

#### 1.1. Assemblies

Playtowers	801_005, 801_009, 801_010, 801_013, 801_025, 801_040, 801_060, 801_070, 801_090, 801_095, 801_100, 801_103, 801_105, 801_110, 801_120, 801_200, 802_202, 802_204, 802_206, 802_208, 803_202, 803_204, 803_206, 803_208, 803_210, 809_802, 809_804
Swings	801_300, 801_601, 801_602
Modules	850_176, 850_177, 857_101, 857_102, 857_151, 857_152, 850_231, 850_232, 857_105, 857_106, 857_157, 857_158, 850_240

#### 1.2. Sub assemblies

Base towers (BT)	BT01a, BT02a, BT03a, BT11a, BT14a, BT15a, BT20a
Extension towers (ET)	ET01a, ET02a, ET05a, ET06a, ET07a, ET08a, ET09a, ET10a, ET11a, ET12a, ET13a, ET14a, ET15a, ET16a, ET17a, ET18a, ET19a, ET20a, ET22a, ET23a, ET27a, ET28a, ET29a, ET35a, ET39a, ET40a
Bridges (CB, NB, BB, TB, BF)	CB01a, NB01a, BB01a, BB02a, TB01a, TB02a, TB03a, TB04a, BF01a, BF02a, BF03a, BF04a, BF05a, BF06a, BF07a, BF08a, BF21a, BF22a, BF23a, BF24a, BF25a, BF26a, BF27a, BF28a
Roofs (RF)	RF01a, RF02a, RF02b, RF03a, RF03b, RF04a, RF05a, RF06a, RF07a, RF07b, RF08a, RF09a, RF11a, RF12a, RF12b, RF14a, RF15a, RF16a, RF17a, RF18a, RF18b, RF20a, RF21a, RF22a, RF23a, RF24a, RF25a, RF26a
Balustrade (BL)	BL01a, BL02a, BL03a, BL04a, BL05a, BL06a, BL07a, BL08a, BL09a, BL10a, BL21a
Playhouse (PH)	PH03a, PH04a, PH05a, PH06a, PH10a, PH11a, PH12a, PH13a, PH16a, PH17a, PH18a, PH19a, PH40a, PH41a, PH42a, PH43a, PH44a, PH45a, PH46a, PH47a, PH48a, PH49a, PH30a, PH31a, PH20a, PH21a, PH22a, PH23a, PH24a, PH25a, PH26a, PH27a, PH50a, PH51a, PH52a, PH53a, PH54a, PH55a, PH56a, PH57a, PH32a, PH33a
Ladder (LA)	LA01a, LA01b, LA02a, LA02b, LA03a, LA03b, LA11a, LA12a, LA13a, LA14a, LA15a, LA16a, LA17a, LA18a, LA21a, LA22a, LA23a, LA24a, LA25a, LA26a
Two Step Ladder (TS)	TS01a, TS01b, TS02a, TS02b, TS03b, TS05a, TS06a, TS07a, TS08a, TS09a, TS10a, TS11a, TS12a, TS15a, TS16a, TS17a, TS18a, TS19a, TS20a, TS21a, TS22a
Rope Ladder (RL)	RL01a, RL02a, RL05a, RL06a, RL07a, RL08a, RL09a, RL10a, RL11a, RL12a, RL15a, RL16a, RL19a, RL20a
Rock wall (RW)	RW01a, RW01b, RW02a, RW02b, RW03b, RW05a, RW06a, RW07a, RW08a, RW09a, RW10a, RW11a, RW12a, RW15a, RW16a, RW17a, RW18a, RW19a, RW20a, RW31a, RW32a
Ramp (RA)	RA03a, RA04a, RA05a, RA06a, RA07a, RA08a, RA11a, RA12a, RA21a
Net (NA, NS)	NA01a, NS01a
Boat (BO)	BO01a
Market (MT)	MT01a, MT02a, MT05a, MT06a, MT11a, MT12a
Picnic (PC)	PC01a, PC05a, PC06a, PC09a, PC10a
Fireman's pole (FP)	FP01a, FP02a, FP04a, FP05a, FP06a, FP07a, FP23a, FP24a, FP25a, FP26a, FP27a, FP28a
Slides (SL)	SL01a, SL02a, SL03a, SL06a, SL07a, SL08a, SL09a, SL10a, SL11a, SL12a, SL13a, SL26a, SL27a, SL28a, SL29a
Swing (SM)	SW01a, SW02a, SW05a, SW06a, SW09a, SW10a, SW13a, SW14a, SW17a, SW18a, SW21a, SW22a
Climb (CM)	CL01a, CL02a, CL05a, CL06a, CL09a, CL10a, CL13a, CL14a, CL17a, CL18a, CL21a, CL22a
Accessories (AC)	AC01a, AC02a, AC03a, AC04a, AC05a, AC06a, AC07a, AC08a, AC09a, AC10a, AC21a, AC22a, AC23a, AC24a, AC25a, AC30a, AC50a, AC51a, AC52a, AC53a

### 2. Construction packages

#### 2.1 Assembly Kits

Playtowers	401_015, 401_080, 401_125, 402_201, 402_202, 402_204, 402_206, 402_208, 403_202, 403_204, 403_206, 403_208, 403_210, 409_802, 409_804
Swings	401_300, 401_600
Modules	457_005, 457_102, 457_103, 457_106, 457_107, 457_205

#### 2.2 Assembly Packs

Sub assemblies	194_002, 194_003, 194_004, 194_006, 194_007, 194_008, 194_009, 194_010, 194_100, 194_101, 194_102, 194_103, 194_104, 194_105, 194_107, 194_108, 194_109, 194_110, 194_111, 194_112, 194_113, 194_114, 194_115, 194_116, 194_117, 194_118, 194_119, 194_300, 194_308, 194_312, 194_500, 194_501, 194_508, 194_510, 194_809, 194_810, 194_811, 194_812
----------------	--

### 3. Accessories and components

Slides XL	324_100, 324_200, 324_300, 324_400, 324_500, 324_600
Slides XXL	334_100, 334_200, 334_300, 334_400, 334_500, 334_600
Fireman's pole	201_275
Climbing	201_060, 201_273
Imagination	201_280, 201_285, 201_290, 201_295, 202_473, 450_310, 450_320, 450_330
Swinging	250_001, 250_013, 250_025, 250_034, 250_053
Functional	123_220, 123_222, 123_230, 201_115, 201_220, 201_250, 201_260, 201_270, 202_620, 202_621, 202_622, 202_623, 202_624, 202_625, 202_626, 202_627, 202_628, 202_629, 202_824, 250_065, 250_070, 250_075

## Applicable EC directives and standards

### General

- General Product Safety Directive (GPSD) 2001/95/EG
- Reach directive 1907/2006
- AfPS GS 2019:01 PAK

### Activity Toys

- Toy Safety Directive (TSD) 2009/48/EG
- EN Standard 71 Safety of Toys
  - EN 71-1:2014 + A1:2018 Safety of toys Mechanical and physical properties
  - EN 71-2:2020 Flammability
  - EN 71-3:2019 + A1:2021 Migration of certain elements
  - EN 71-8:2018 Safety of toys Activity toys for domestic use

## Supplementary information

Conformity to the above specified directives and standards has been frequently verified by TÜV Rheinland LGA products, DEKRA, LNE SA, since 1994. Jungle Gym participates in the European Commission for standardisation for the safety of activity toys ( TC52 / WG 10).



## Manufacturer details

Company Name: Jungle Gym B.V.  
Address : Valschermkade 18, 1059 CD Amsterdam, Netherlands  
Email: info@junglegym.com

## Declaration

I hereby declare under our sole responsibility that the products mentioned above, to which this declaration relates, comply with the above mentioned directives and standards when the installation, assembly, and maintenance instructions are strictly followed.

Name	Issued date
Mr. P. Schmit / Director	
	
Signature of representative	

Jungle Gym B.V. | P.O. Box 75083 | 1070 AB Amsterdam | Netherlands  
Phone: +31 85 444 41 00 | e-mail: info@junglegym.com | [www.junglegym.com](http://www.junglegym.com)