

Namsos
Date: 2023-11-22



Manual Part 1

**Important**

This assembly manual should always be read in conjunction with the General Safety manual part 1 as included in the hardware package of your playground equipment. Please read these safety instructions carefully before starting the assembly work.

Jungle Gym
BACKYARD PLAYGROUNDS

since 1988




EN. Warnings. Only for domestic use. Maximum number of users is 3. **DE.** Achtung. Nur für den Hausgebrauch. Maximale Benutzerzahl: 3. **FR.** Attention. Réservé à un usage privé. Le nombre maximal d'utilisateurs est de 3. **NL.** Waarschuwingen. Uitsluitend voor huishoudelijk gebruik. Het maximale aantal gebruikers is 3. **BG.** Внимание. За употреба само в домашни условия. Максималният брой потребители е 3. **ES.** Advertencias. Sólo para uso doméstico. Número máximo de usuarios: 3. **CS.** Varování. Jen pro domácí použití. Maximální počet uživatelů je 3. **DA.** Advarsler. Kun til privat brug. Maksimum antal brugere er 3. **ET.** Hoiatused. Ainult koduseks kasutamiseks. Maksimaalne kasutajate arv on 3. **EL.** Προειδοποιήσεις. Μόνο για οικιακή χρήση. Μέγιστος αριθμός χρηστών 3. **IS.** Varnaðarorð. Engöngu fyrir einhnanotkun í heimahúsum og á einaklóðum. Hámarksfjöldi notenda er 3. **IT.** Avvertenze. Solo per uso domestico. Massimo numero di utenti è 3. **LV.** Brīdinājumi. Izmantoj tikai mājās. Maksimālais lietotāju skaits ir 3. **LT.** Įspėjimai. Tik butiniam naudojimui. Maksimalus naudotojų skaičius HR. Upozorenia. Samo za kućansku uporabu. Maksimalan broj korisnika je 3. **HU.** Figyelmeztetések. Csak otthoni használatra! A használok max. száma: 3. **NO.** Advarsler. Kun for privat bruk. Maksimalt antall brukere er 3. **PL.** Ostrzeżenia. Wyłącznie do użytku domowego. Maksymalna liczba użytkowników to 3. **PT.** Avisos. Apenas para uso doméstico. O número máximo de utilizadores é 3. **RO.** Avertismente. Numai pentru uz domestic. Numărul maxim de utilizatori este 3. **RU.** Предостережения. Только для домашнего использования. Максимальное количество пользователей - 3. **SK.** Upozornenia. Iba na domáce použitie. Maximálne množstvo osôb je 3. **SL.** Opozorila. Samo za domačo uporabo. Maksimalno število uporabnikov je 3. **FI.** Varoitukset. Ainoastaan kotikäyttöön. Käyttäjää yhteensä enintään 3. **SR.** Upozorenja. Samo za kućnu upotrebu. Maksimalan broj korisnika je 3. **SV.** Varningar. Endast för hemmabruk. Det maximala antalet användare är 3. **TR.** Uyarılar. Sadece ev kullanımı için. Maksimum kullanıcı sayısı 3.

UK
CA
10.0


CE
EN 71-1,2,3-8,8-9

1 Helpdesk JungleGym

1.1 FAQ




English




<https://helpdesk.jungle gym.com/help/en-gb>

Deutsch




<https://helpdesk.jungle gym.com/help/de-de>

Français






<https://helpdesk.jungle gym.com/help/fr-fr>


Nederlands





<https://helpdesk.jungle gym.com/help/nl-nl>

1.2 Support




info@jungle gym.com


<https://www.jungle gym.com/customersupport-chat>

 AT 0043 72 08 153 33* FR 0033 97 75 58 222*
BE 0032 78 48 16 19* IE 0035 38 1800 0300*
CH 0041 43 50 87 350* LU 0035 22 08 80 512*
DE 0049 32 22 10 98 299* NL 0031 85 44 44 102*
ES 0034 657 76 64 25* UK 0044 20 369 505 53*

EU 0031 85 44 44 100

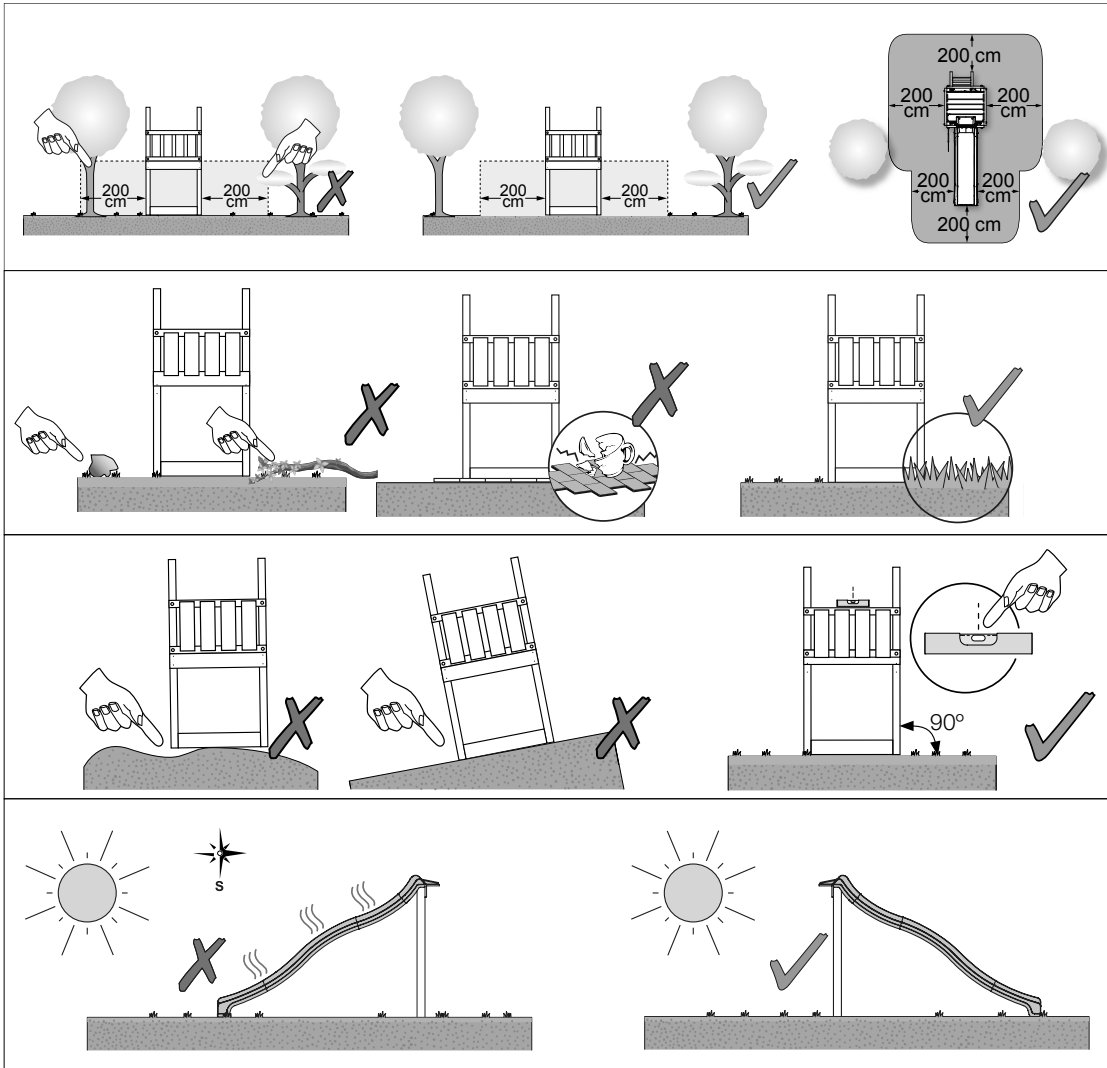
Monday-Friday, CET 9:00am - 5:00pm
* Local phone charges may apply.

2 Start

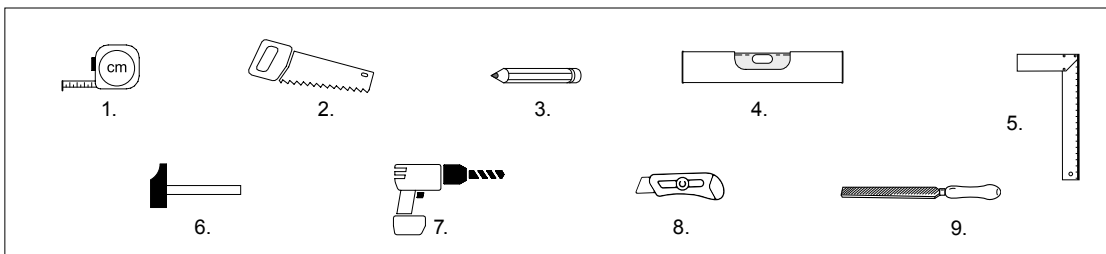
2.1 Safety

	  <p>https://helpdesk.jungle gym.com/api/v1/attachments/11436</p>			
				
				

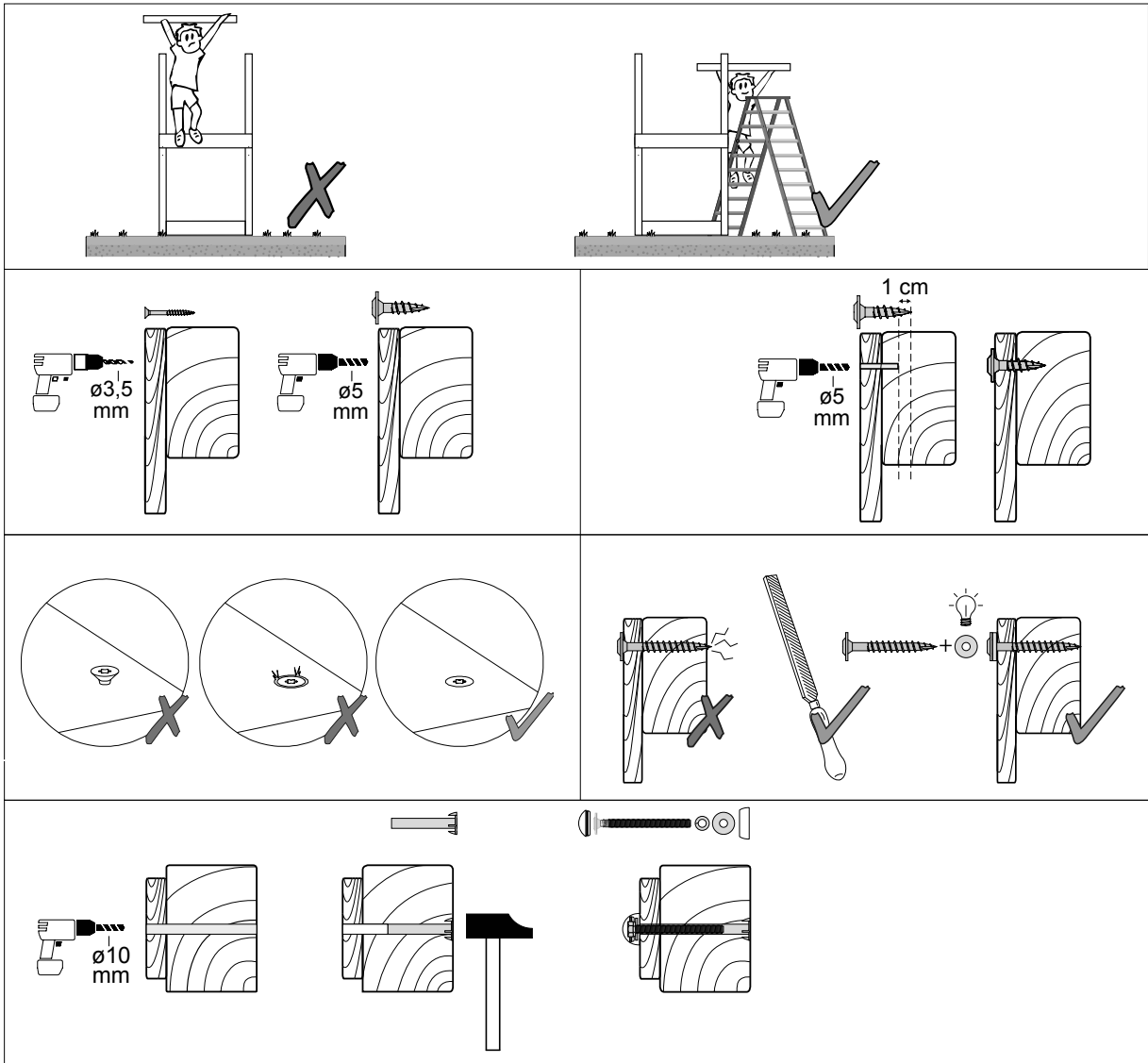
2.2 Planning



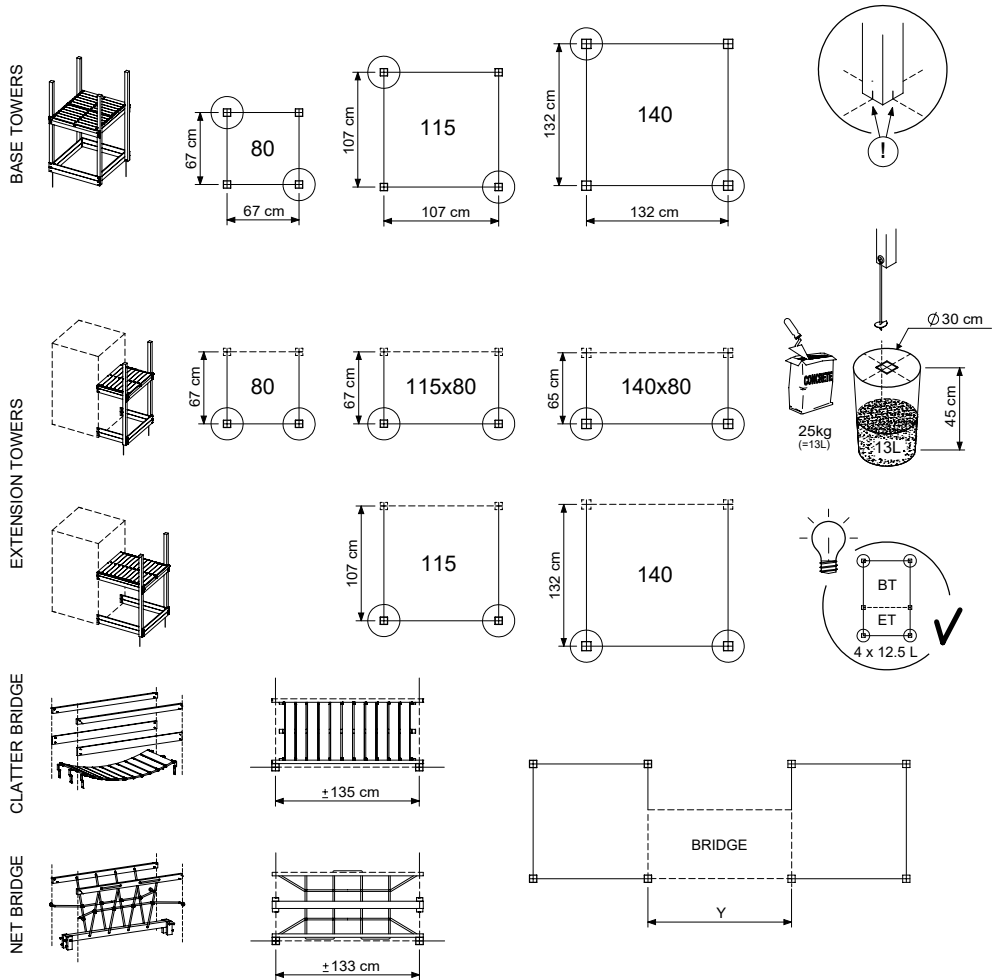
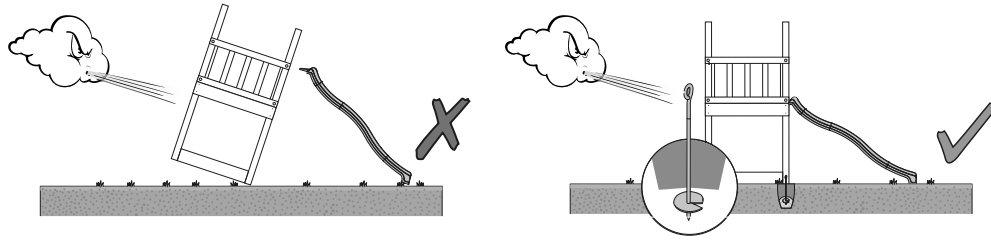
2.3 Tools



2.4 Assembly



3 Universal anchoring plan



SWING / CLIMB MODULE

Module type	A	B	C
1-Swing 200		115	100
1-Swing 220 / 220 Extra	150	120	105
2-Swing 200	210		
2-Climb 200		115	100
1-Climb 200	142		
1-Climb 220 / 220 Extra	162		
2-Swing 220 / 220 Extra	230	120	105
2-Climb 220 / 220 Extra			

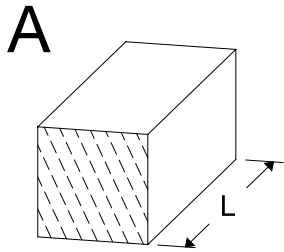
4 Overview

4.1 Order specification

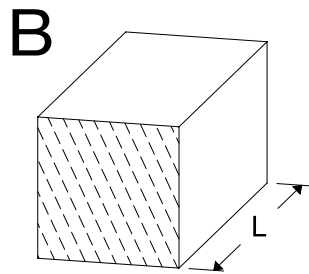


	Supplier ID	Assembly ID	Description	#
1	BT03a	790_003	Base Tower 80_ 220220	1
2	ET01a	790_101	Extension Tower 80_ 200	1
3	RF01a	790_201	Roof Clapboard 80	1
4	BL01a	790_301	Balustrade 80	1
5	PH05a	790_313	Playhouse Window Panel 80	1
6	PH06a	790_313	Playhouse Window Panel 80	1
7	LA02a	790_431	Ladder 80_125	1
8	RA04a	790_441	Ramp 80_125	1
9	SL01a	790_901	Slide 80	1
10	SW01a	757_103	1- Swing Module 200	1
11	AC01a	194_119	AP Accessory set	1
12	AC21a	250_034	Swing Seat Kit • Red	1
13	324_x00a	324_x00a	Wavy Star Slide XL	1

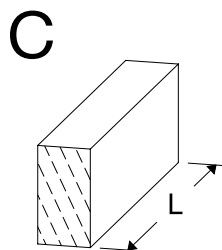
4.2 Timber parts



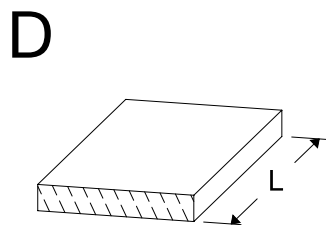
ID	L	#
A200	199 cm - 200 cm	2
A220	219 cm - 220 cm	6



B160	159 cm - 160 cm	1
------	-----------------	---



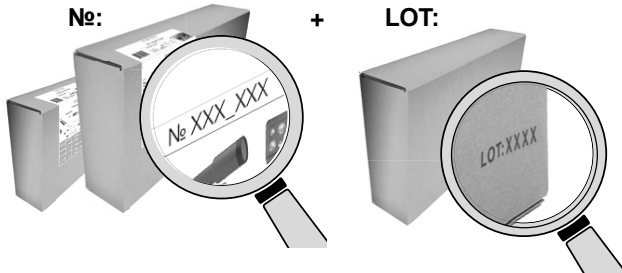
C37	36 cm - 37 cm	6
C56	55 cm - 56 cm	2
C62	61 cm - 62 cm	2
C74	73 cm - 74 cm	13
C130	129 cm - 130 cm	2
C154	153 cm - 154 cm	2



D60	59 cm - 60 cm	38
D65	64 cm - 65 cm	4
D74	73 cm - 74 cm	44
D141	140 cm - 141 cm	2

5 Product registration

5.1 Assembly kits



Example

№: X X X _ X X X _ X X X X
 LOT

	№:				LOT		
1.	▒	▒	▒	_	▒	▒	▒
2.	▒	▒	▒	_	▒	▒	▒
3.	▒	▒	▒	_	▒	▒	▒
4.	▒	▒	▒	_	▒	▒	▒
5.	▒	▒	▒	_	▒	▒	▒

	№:				LOT		
6.	▒	▒	▒	_	▒	▒	▒
7.	▒	▒	▒	_	▒	▒	▒
8.	▒	▒	▒	_	▒	▒	▒
9.	▒	▒	▒	_	▒	▒	▒
10.	▒	▒	▒	_	▒	▒	▒

5.2 Slide



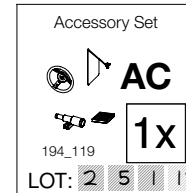
Example



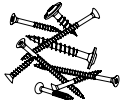
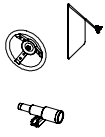

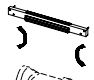


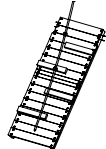

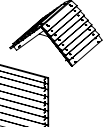
2 2 0 2 2 3
 ▒ ▒ ▒ ▒ ▒ ▒

5.3 Assembly packs



Example



<p>Swing Frame Kit</p>  <p>SW</p> <p>457_102</p> <p>1x</p> <p>LOT:</p>	<p>Balustrade 140</p>  <p>BL</p> <p>194_501</p> <p>2x</p> <p>LOT:</p>	<p>Hardware 01</p>  <p>BL H01</p> <p>194_101</p> <p>1x</p> <p>LOT:</p>	<p>Accessory Set</p>  <p>AC</p> <p>194_119</p> <p>1x</p> <p>LOT:</p>	<p>Slide 2.2m</p>  <p>324_x00</p> <p>1x</p> <p>LOT:</p>
<p>Slide Frame</p>  <p>SL</p> <p>194_107</p> <p>1x</p> <p>LOT:</p>	<p>Tower 80</p>  <p>BT ET</p> <p>194_100</p> <p>2x</p> <p>LOT:</p>	<p>Swing Seat</p>  <p>AC</p> <p>250_034</p> <p>1x</p> <p>LOT:</p>	<p>Ramp</p>  <p>RA</p> <p>194_008</p> <p>1x</p> <p>LOT:</p>	<p>Ladder 80 125</p>  <p>LA</p> <p>194_103</p> <p>1x</p> <p>LOT:</p>
<p>Roof Timber 80 / Wall Panel</p>  <p>RF PH</p> <p>194_111</p> <p>1x</p> <p>LOT:</p>				

6 Hardware Identification

Image	SKU	L
	001_404 001_406 001_411 001_417 001_422	30 mm 45 mm 60 mm 80 mm 137 mm
	M8 001_102	30 mm
	000_101	20 mm
	002_036	16 mm
	002_041	20 mm
	002_042	13 mm
	002_301	40 mm

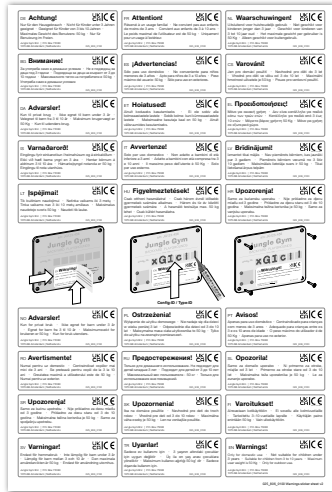
Image	SKU	L
	002_308 002_219 002_220 002_223	20 mm 30 mm 45 mm 80 mm
	M8 003_010	
	M6 003_034	
	M8 004_050	22mm
	022_845 022_846 022_847 022_848	Yellow Blue Green Red
	023_031	White
	022_844 022_314	White

output: 25/05/23

7 Product ID



103_901



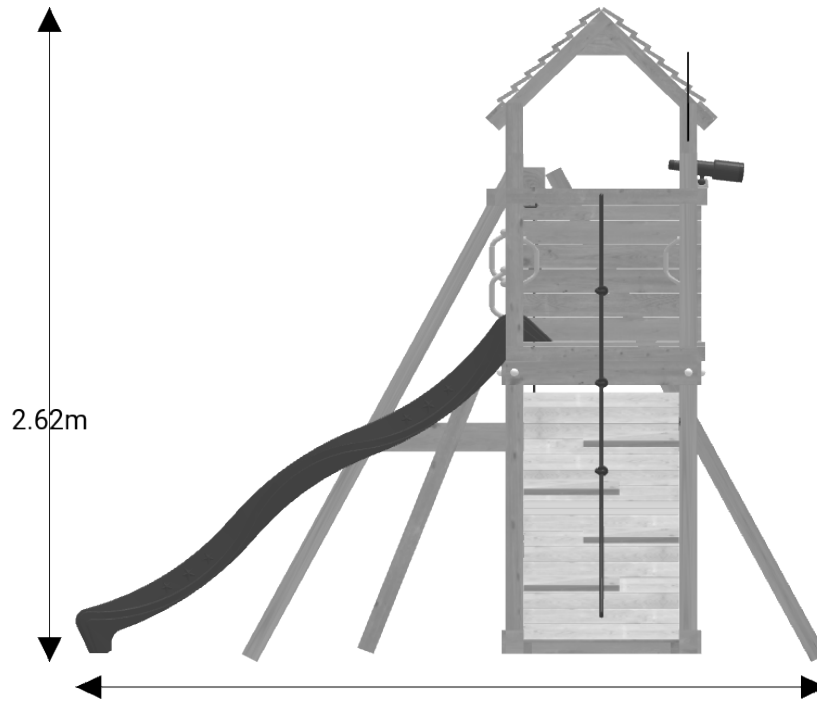
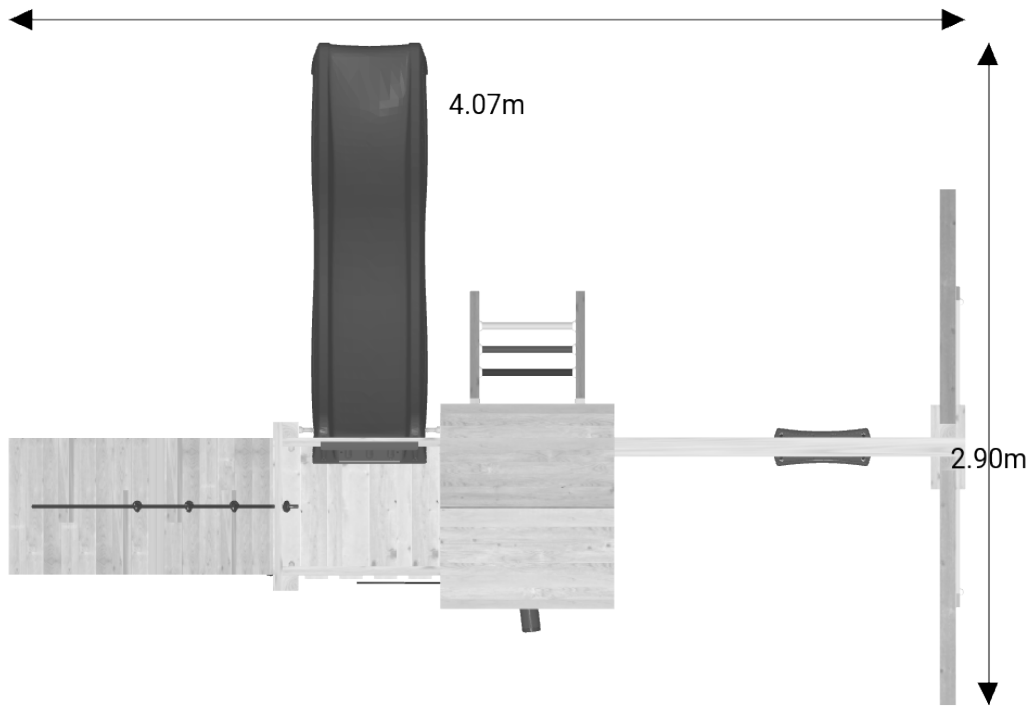
025_806



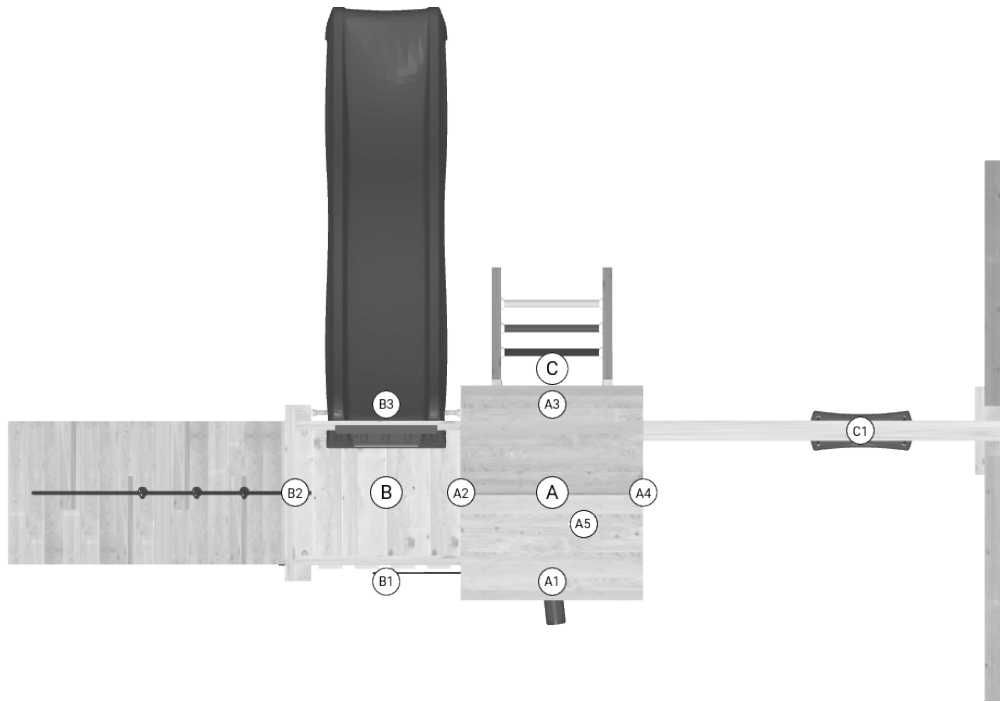
7.1 Your config ID: 8iZPZ9



8 Dimensions



9 Assembly Planning



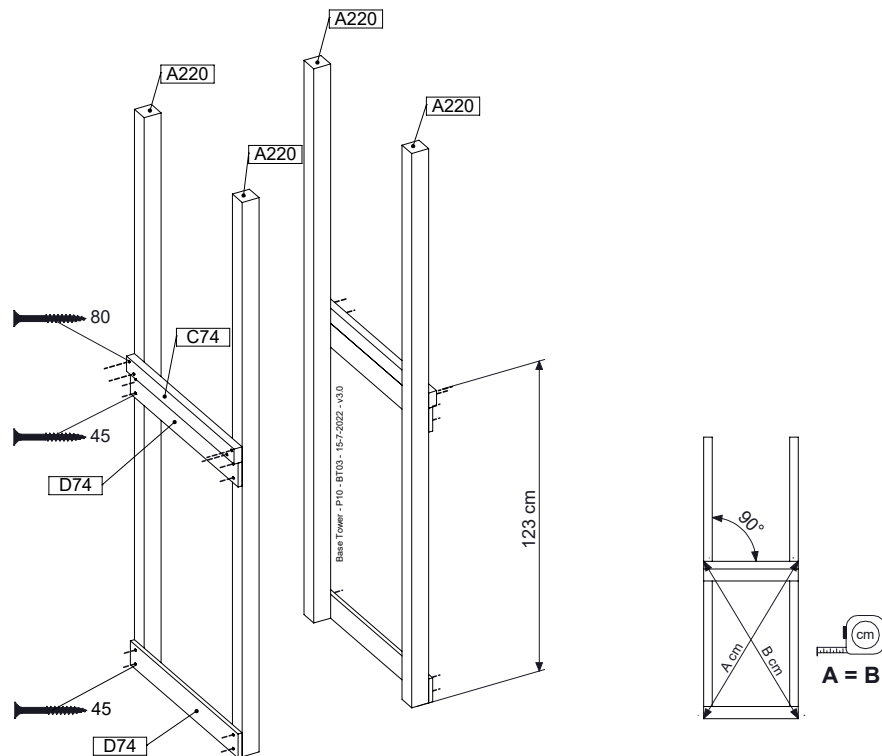
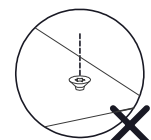
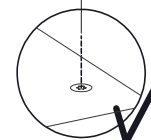
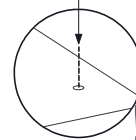
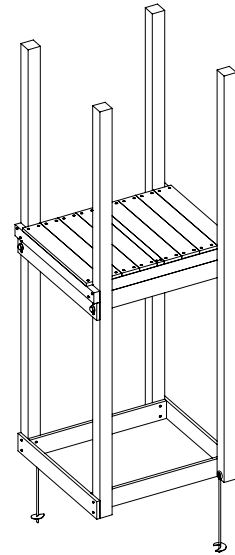
	ID			A	B	C
1	BT03a		p.15	✓	-	-
2	ET01a		p.17	-	✓	-
3	BL01a		p.19	-	B1	-
4	RF01a		p.20	A5	-	-
5	PH05a		p.22	A4	-	-
6	PH06a		p.23	A1	-	-
7	LA02a		p.24	A3	-	-
8	RA04a		p.27	-	B2	-
9	SW01a		p.31	-	-	✓
10	SL01a		p.39	-	B3	-
11	GA		p.41	✓	✓	✓
12	AC01a		p.43	A1	-	-

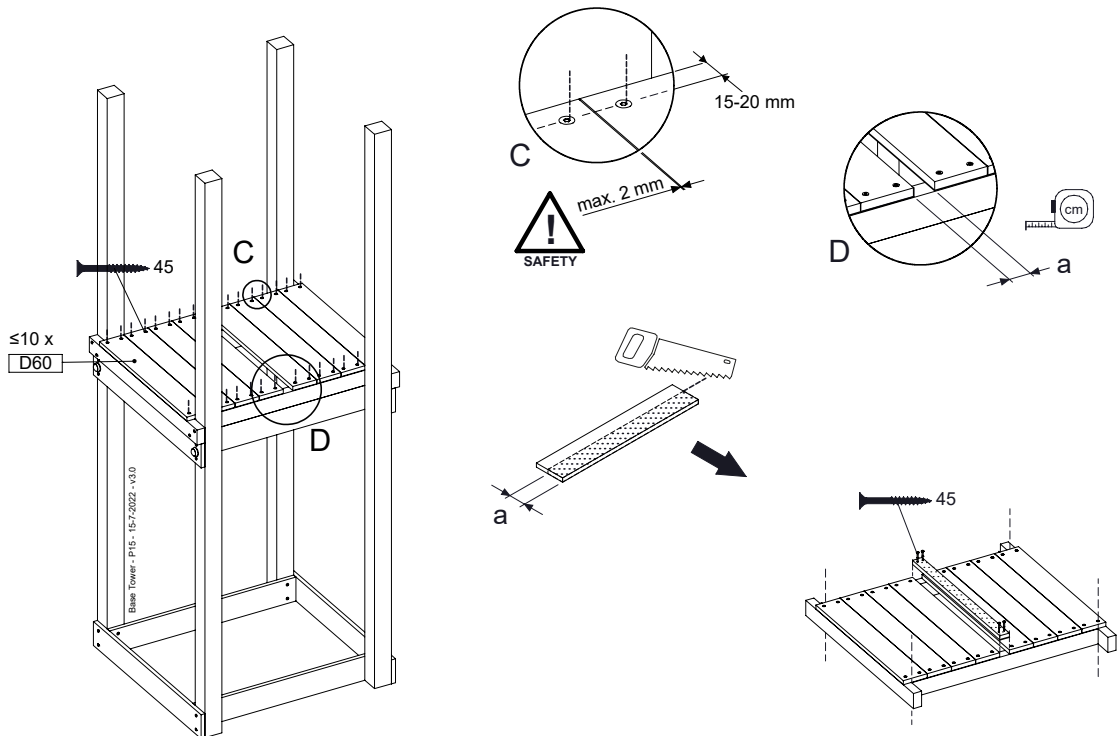
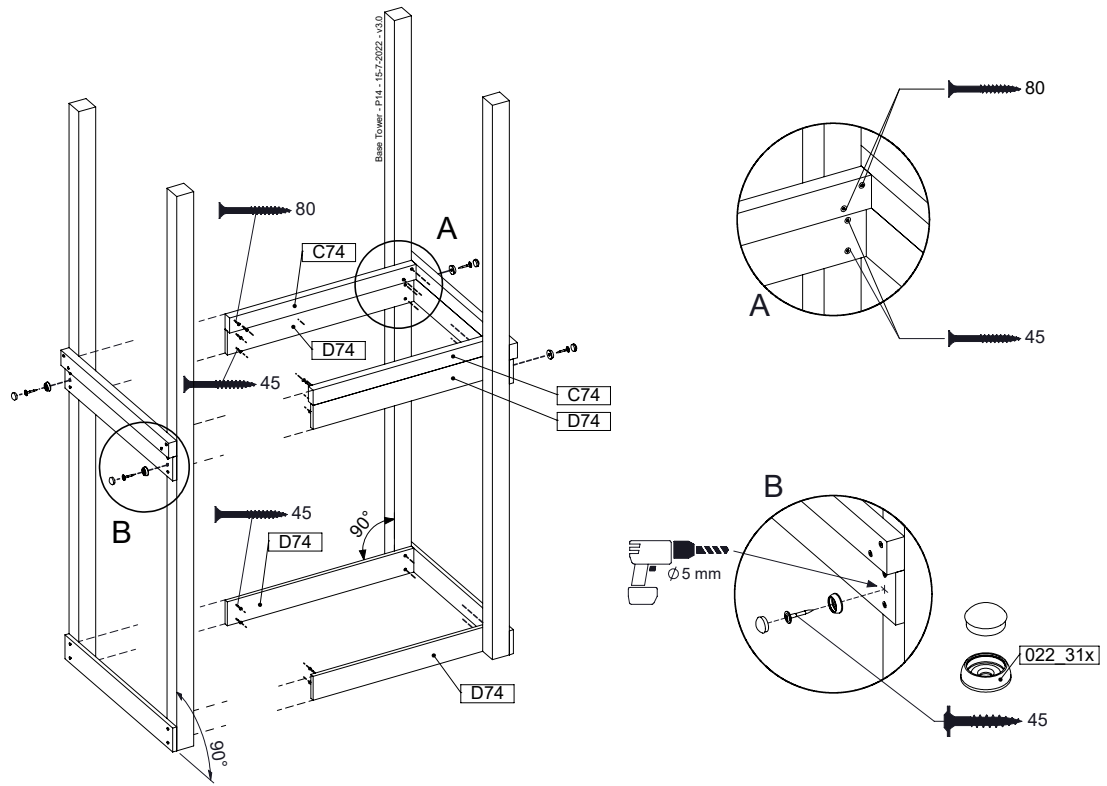
10 BT03a: Base tower 80 125cm 220220

(194_100)

	PartNo	PartName	QTY.
Hardware Pack 100_600	001_406	Stealth Screw 8x45	6
	002_220	Gap Point Screw T25 - 5x45	76
	002_223	Gap Point Screw T25 - 5x80	16
Other	007_001	Ground-anchor	2
Hardware Pack 100_600	022_31x	bpc-base version 3	4
	022_84x	bpc cover	4
Wood	A220	Post 70x70 L2200	4
	C74	Beam 740 mm	4
	D60	Board 600 mm	10
	D74	Board 740 mm	8

Base Tower - P04 - BT03 - 15-7-2022 - v3.0



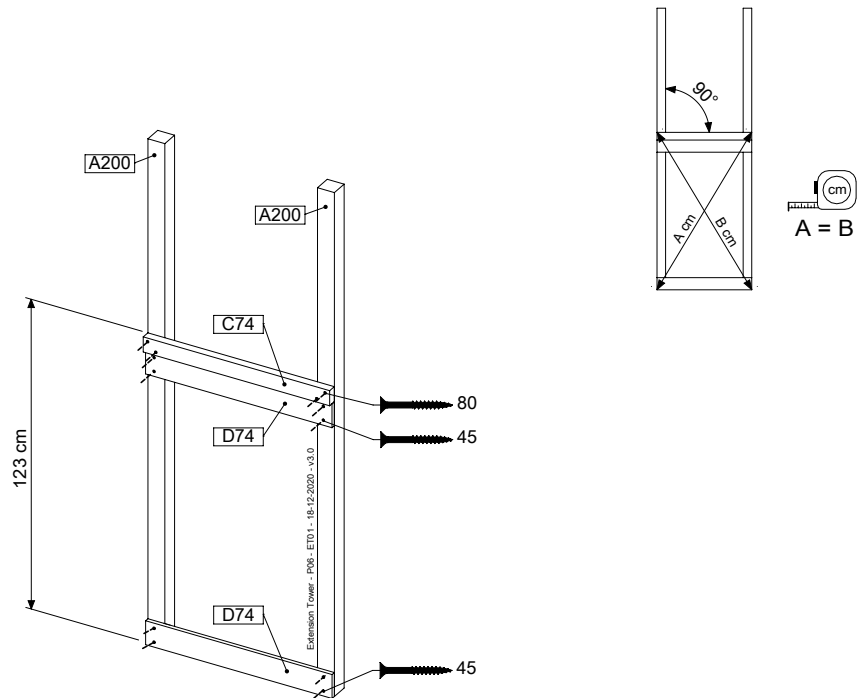
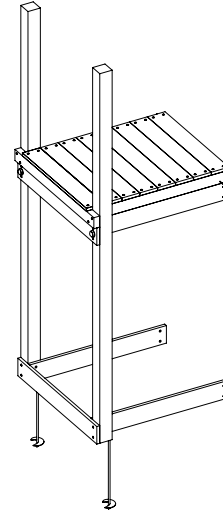


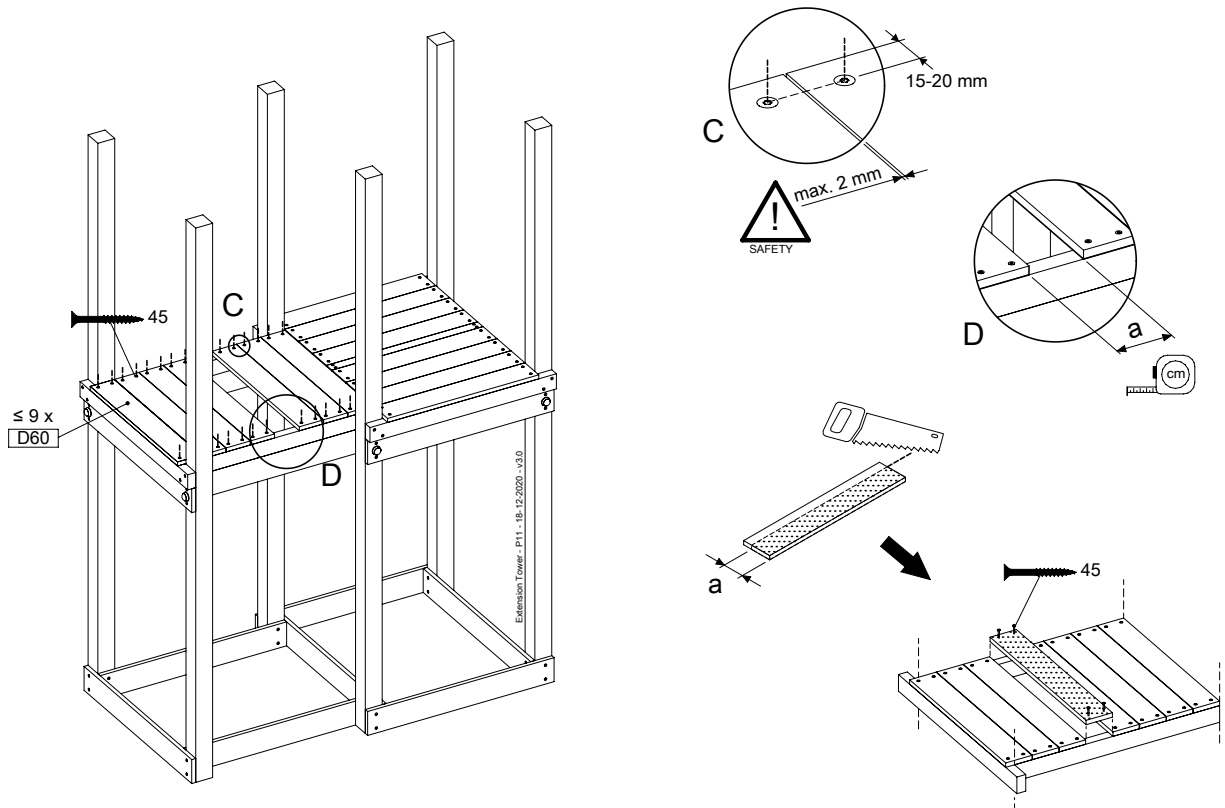
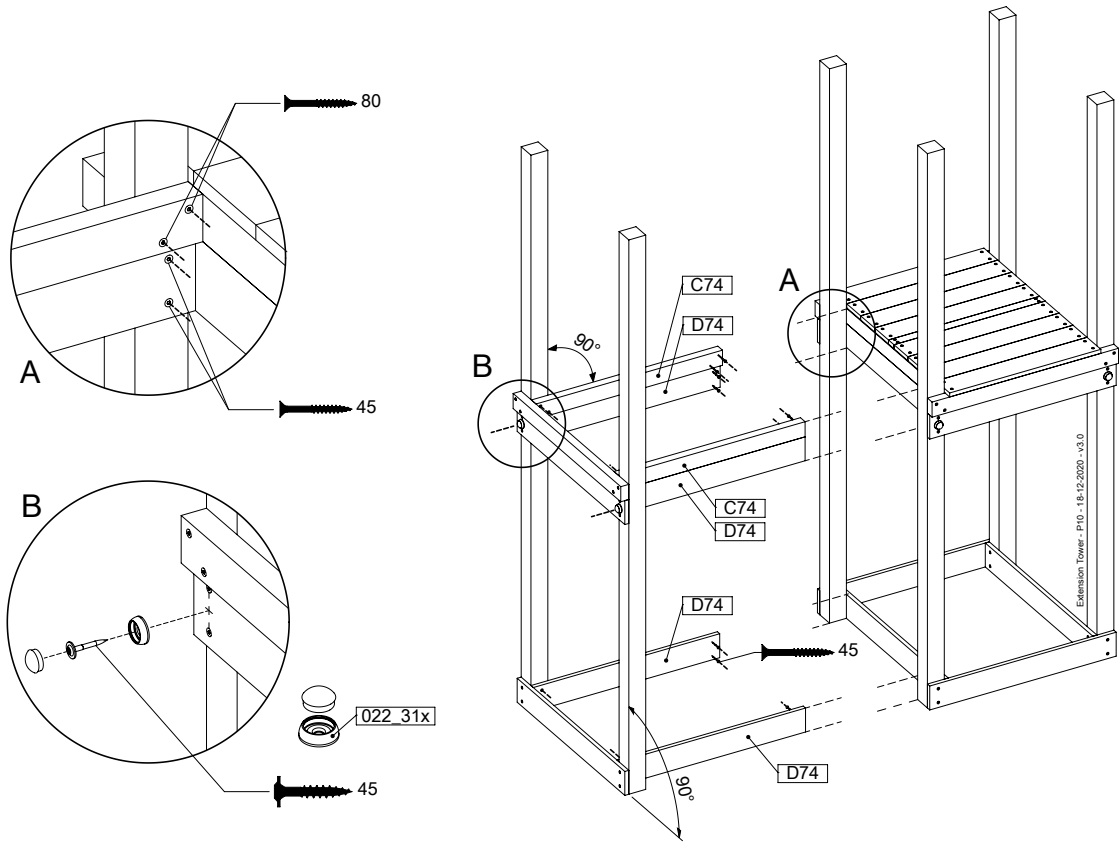
11 ET01a: Extension Tower 80 200/125

(194_100)

	PartNo	PartName	QTY.
Hardware Pack 100_600	001_406	Stealth Screw 8x45	4
	002_220	Gap Point Screw T25 - 5x45	60
	002_223	Gap Point Screw T25 - 5x80	12
Other	007_001	Ground-anchor	2
Hardware Pack 100_600	022_31x	bpc-base version 3	2
	022_84x	bpc cover	2
Wood	A200	Post 70x70 L2000	2
	C74	Beam 740 mm	3
	D60	Board 600 mm	9
	D74	Board 740 mm	6

Extension Tower - P02 - ET01 - 18-12-2020 - v3.0



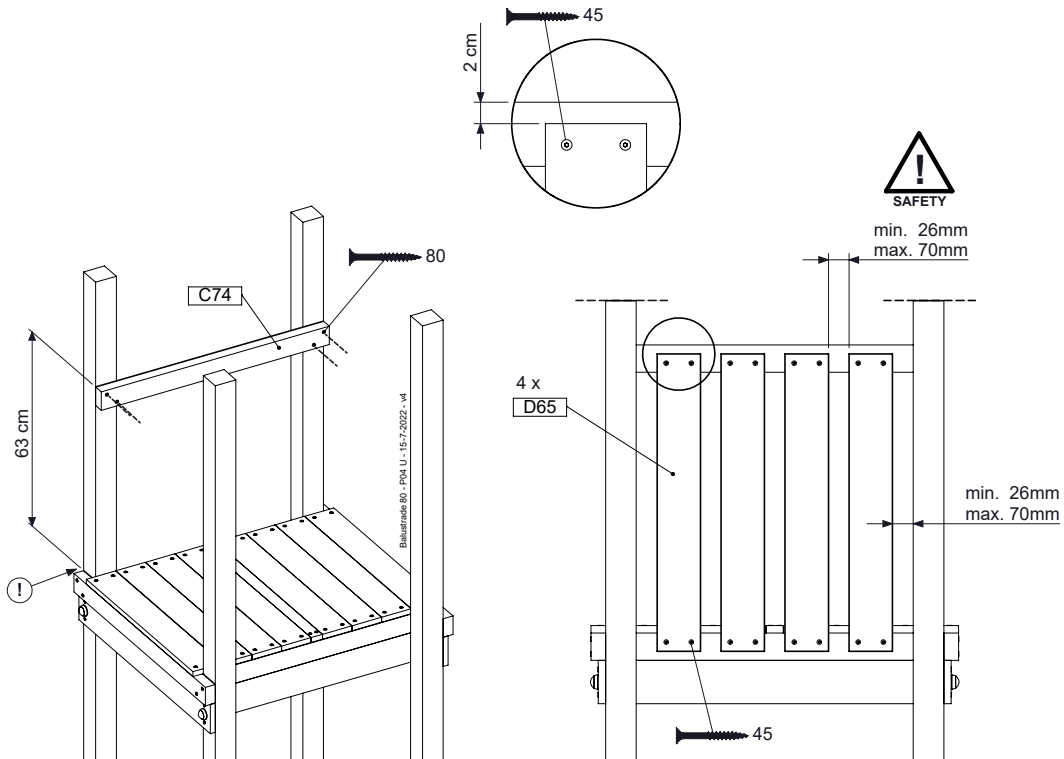
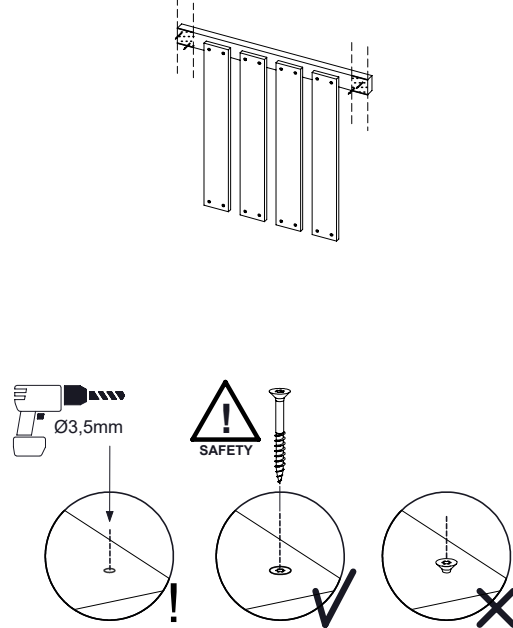


12 BL01a: Balustrade 80 U - 7x7 posts

(194_101)

	PartNo	PartName	QTY.
Hardware Pack	002_220	Gap Point Screw T25 - 5x45	16
	100_601	Gap Point Screw T25 - 5x80	4
Timber	C74	Beam 740 mm	1
	D65	Board 650 mm	4

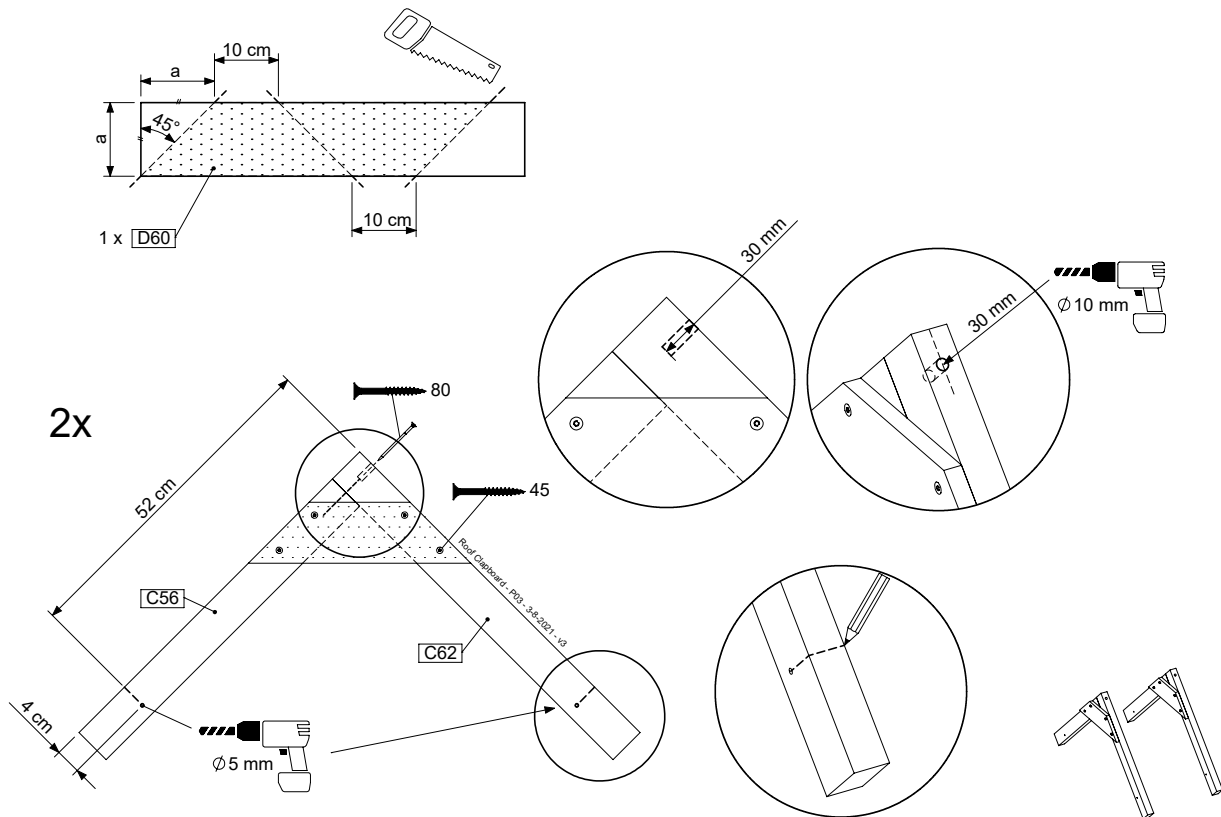
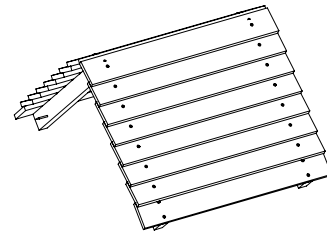
Balustrade 80 - P04 U - 15-7-2022 - v4



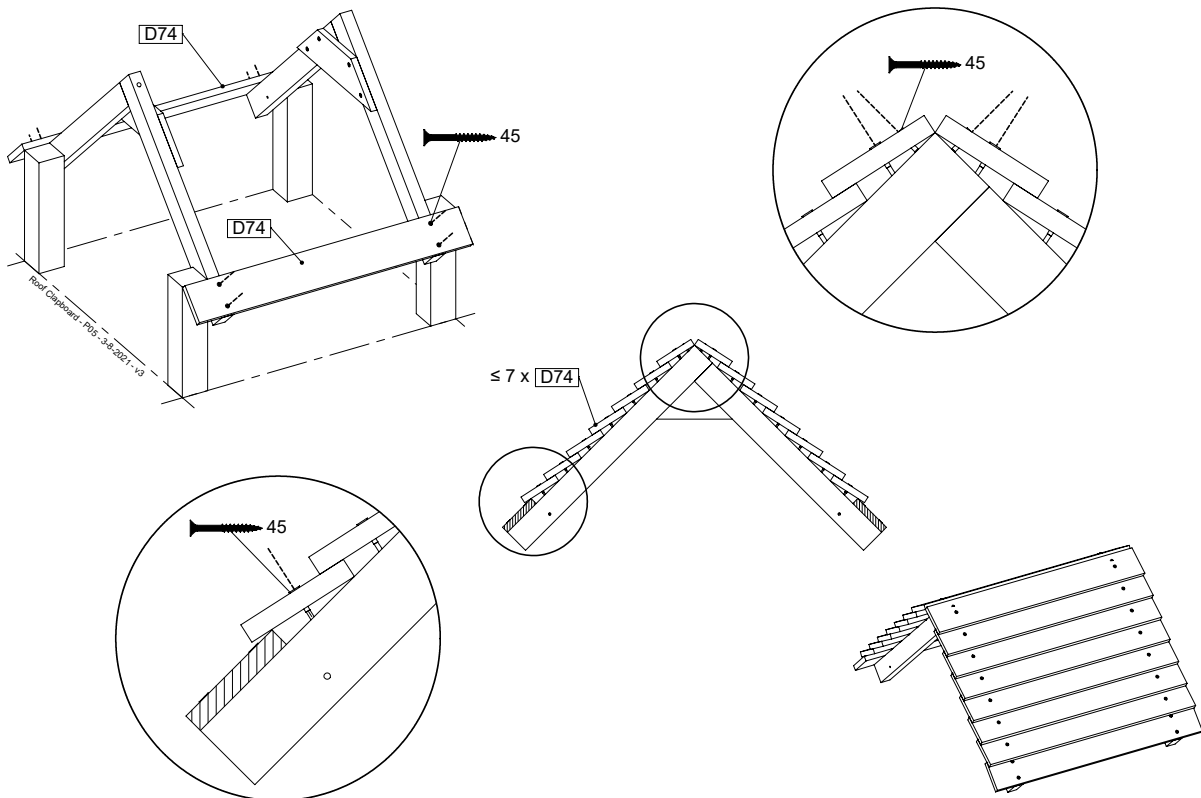
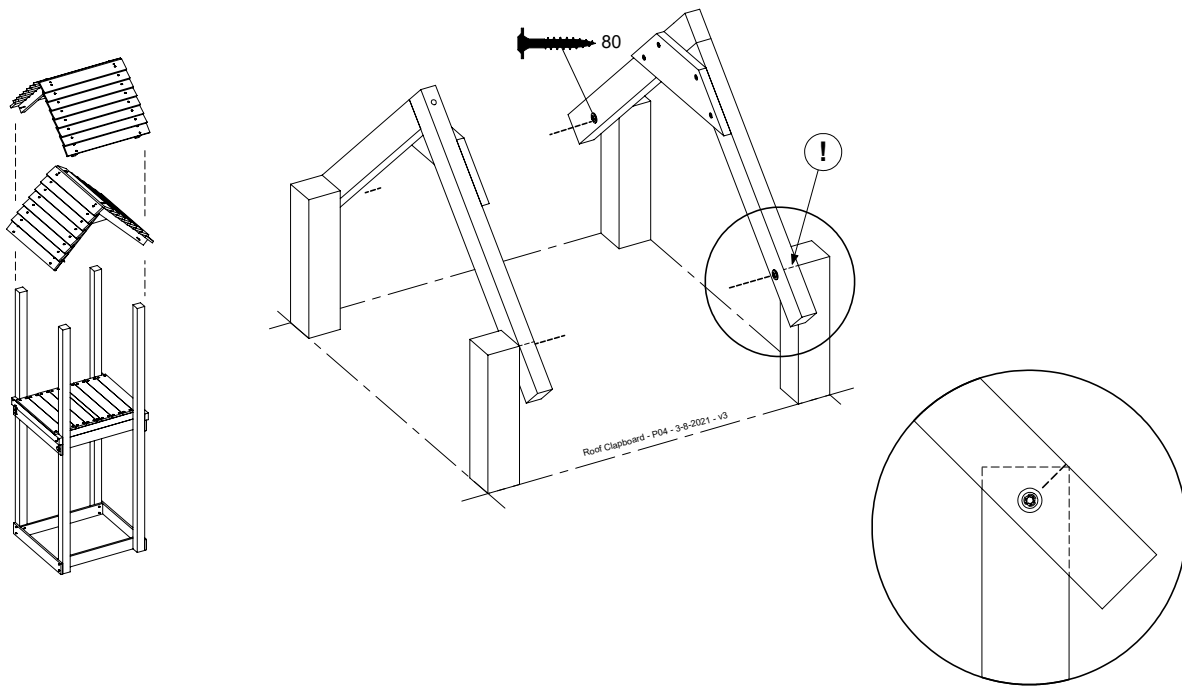
13 RF01a: Roof Timber Clapboard 80

(194_111)

	PartNo	PartName	QTY.
Hardware Pack 100_609	001_417	Stealth Screw 8x80	4
	002_220	Gap Point Screw T25 - 5x45	48
	002_223	Gap Point Screw T25 - 5x80	2
Timber	C56	Beam 550 mm	2
	C62	Beam 620 mm	2
	D60	Board 600 mm	1
	D74	Board 740 mm	16



13.1

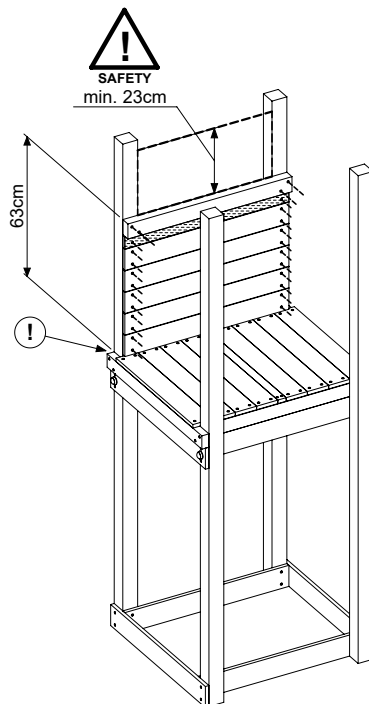
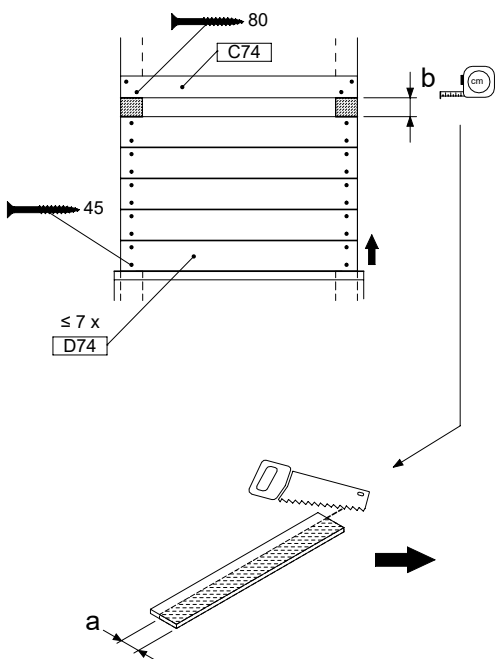
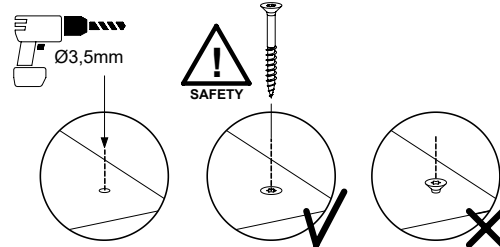
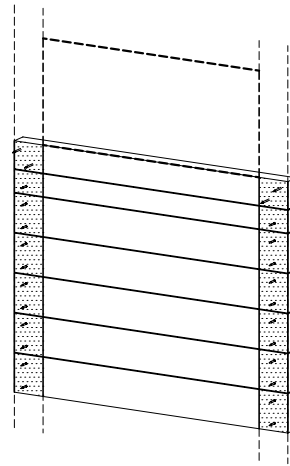


14 PH05a: Playhouse Window Panel 80 U

(194_501)

	PartNo	PartName	QTY.
Hardware Pack	002_220	Gap Point Screw T25 - 5x45	28
	002_223	Gap Point Screw T25 - 5x80	4
Timber	C74	Beam 740 mm	1
	D74	Board 740 mm	7

Playhouse Walls - P05 WINDOW U - 28-3-2023 - v3

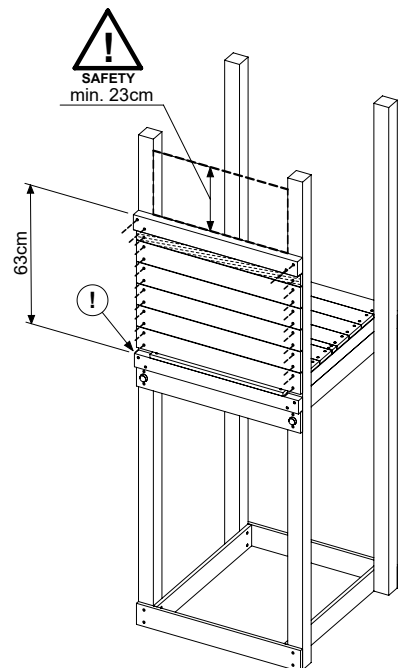
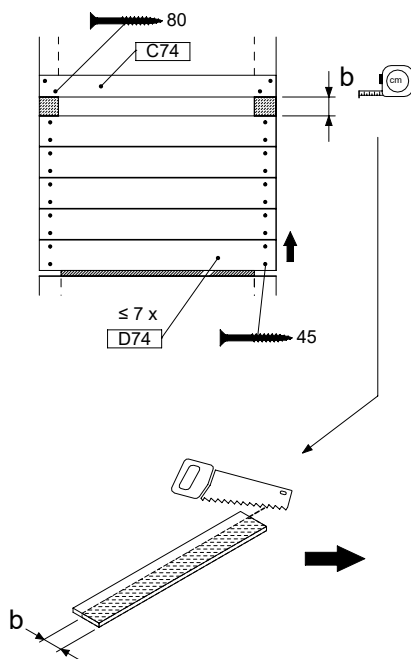
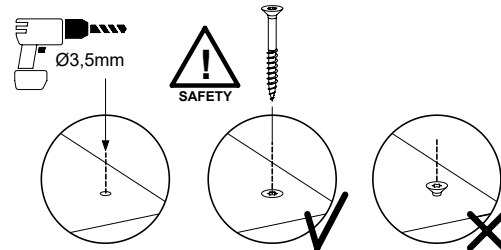
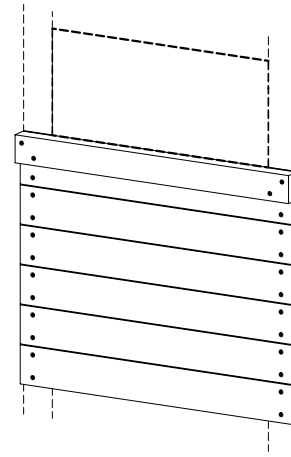


15 PH06a: Playhouse Window Panel 80 T

(194_501)

PartNo	PartName	QTY.
002_220	Gap Point Screw T25 - 5x45	28
002_223	Gap Point Screw T25 - 5x80	4
C74	Beam 740 mm	1
D74	Board 740 mm	7

Playhouse Walls - PH06 WINDOW T - 25-3-2023 - v3



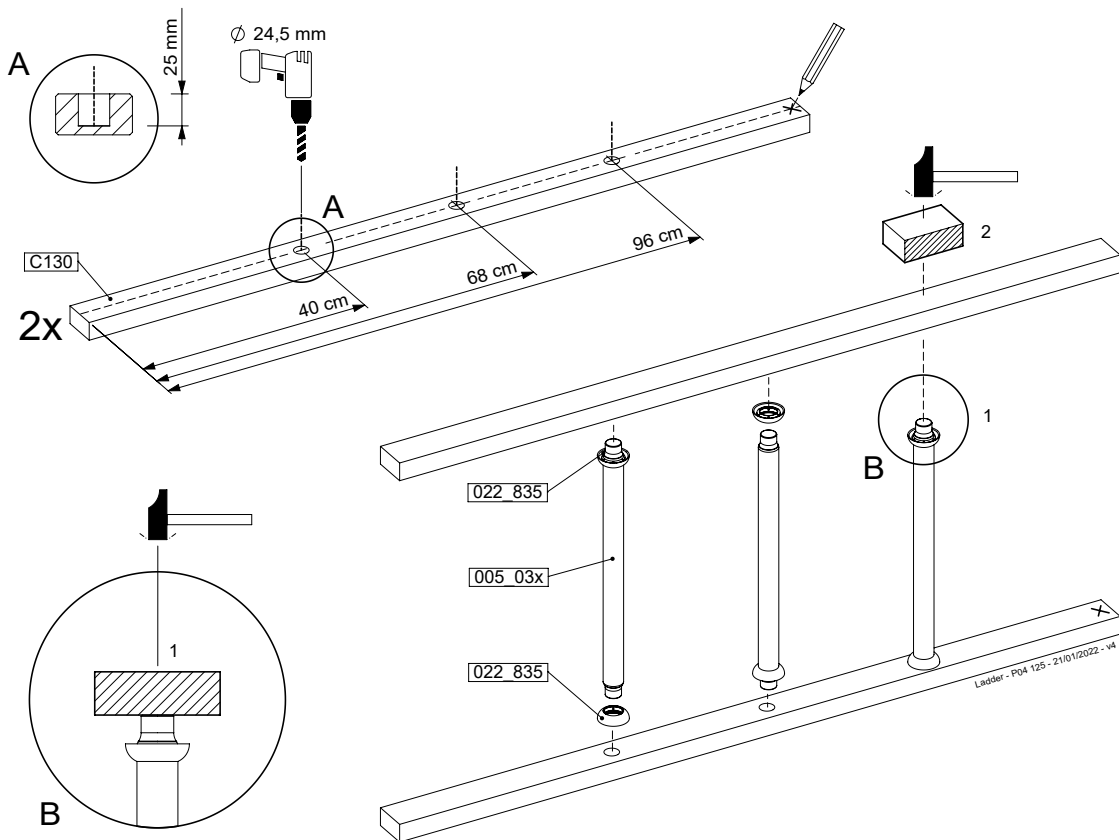
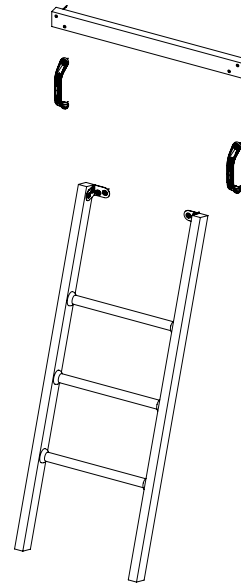
Playhouse Walls - PH06 WINDOW T - 25-3-2023 - v3

16 LA02a: Ladder 80 125 T

(194_103)

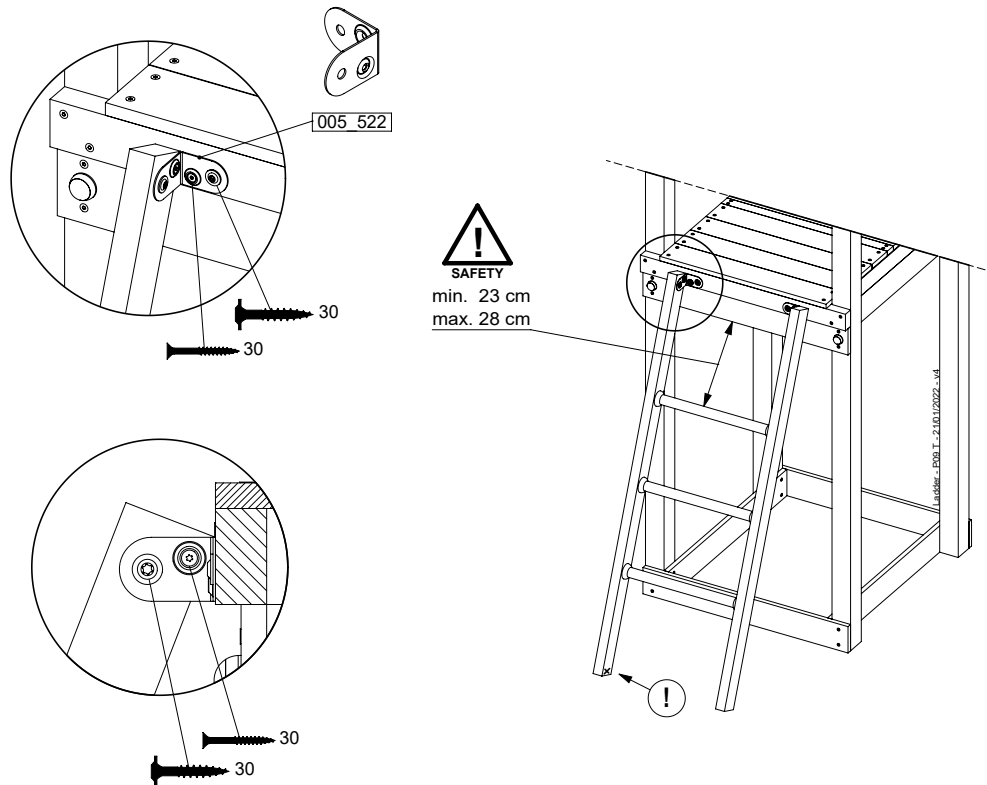
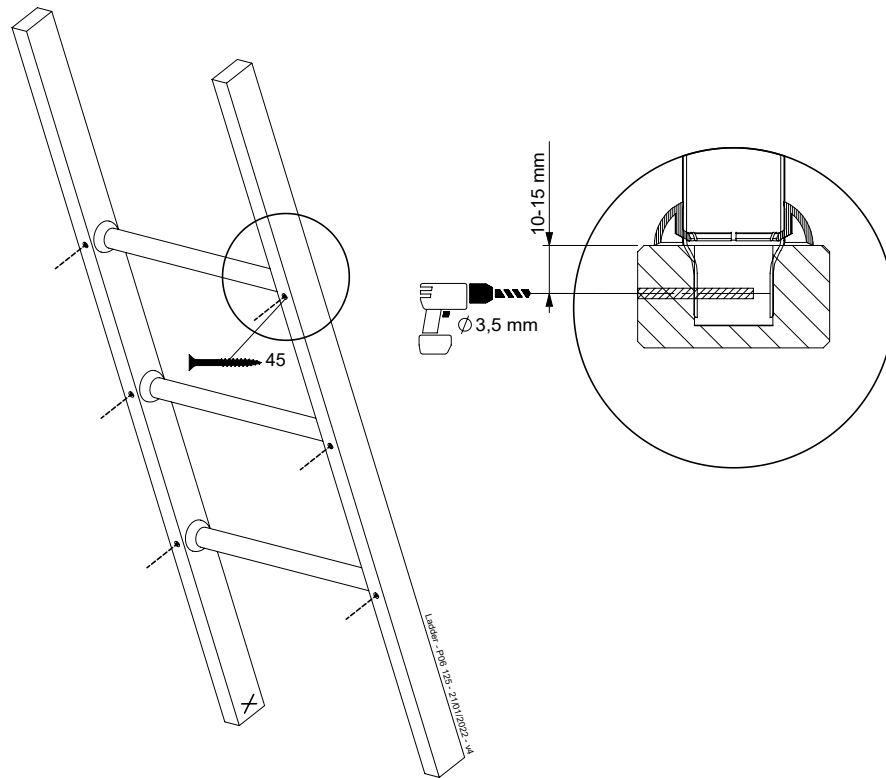
	PartNo	PartName	QTY.
Hardware Pack 100_603	001_404	Stealth Screw 8x30	4
	002_219	Gap Point Screw T25 - 5x30	4
	002_220	Gap Point Screw T25 - 5x45	6
	002_223	Gap Point Screw T25 - 5x80	4
Other	005_03x	Ladder Rung Y/B/G/R	3
	005_522	Connection Bracket Mini Market	2
	022_835	Rung Cap	6
	120_102	Handgrip set (2x Complete)	1
Timber	C74	Beam 740 mm	1
	C130	Beam 1300 mm	2

Ladder - P04 125 - 21/01/2022 - v4

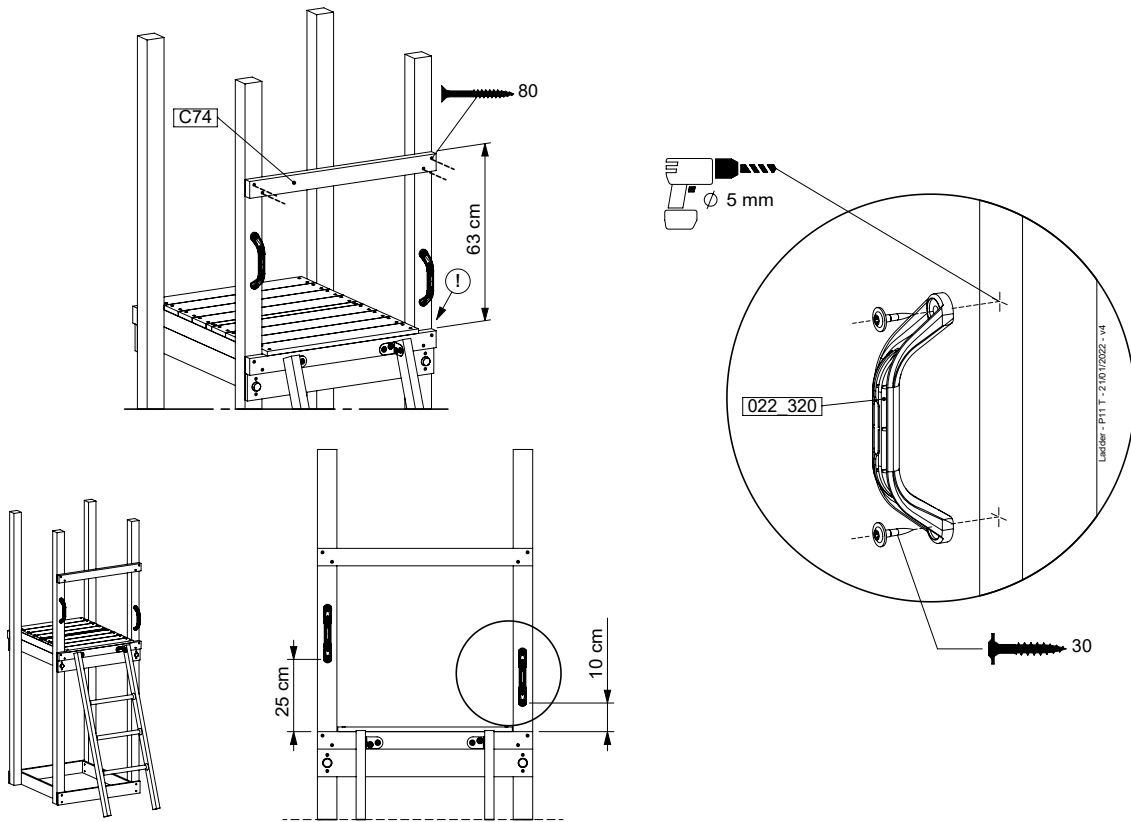


Ladder - P04 125 - 21/01/2022 - v4

16.1



16.2

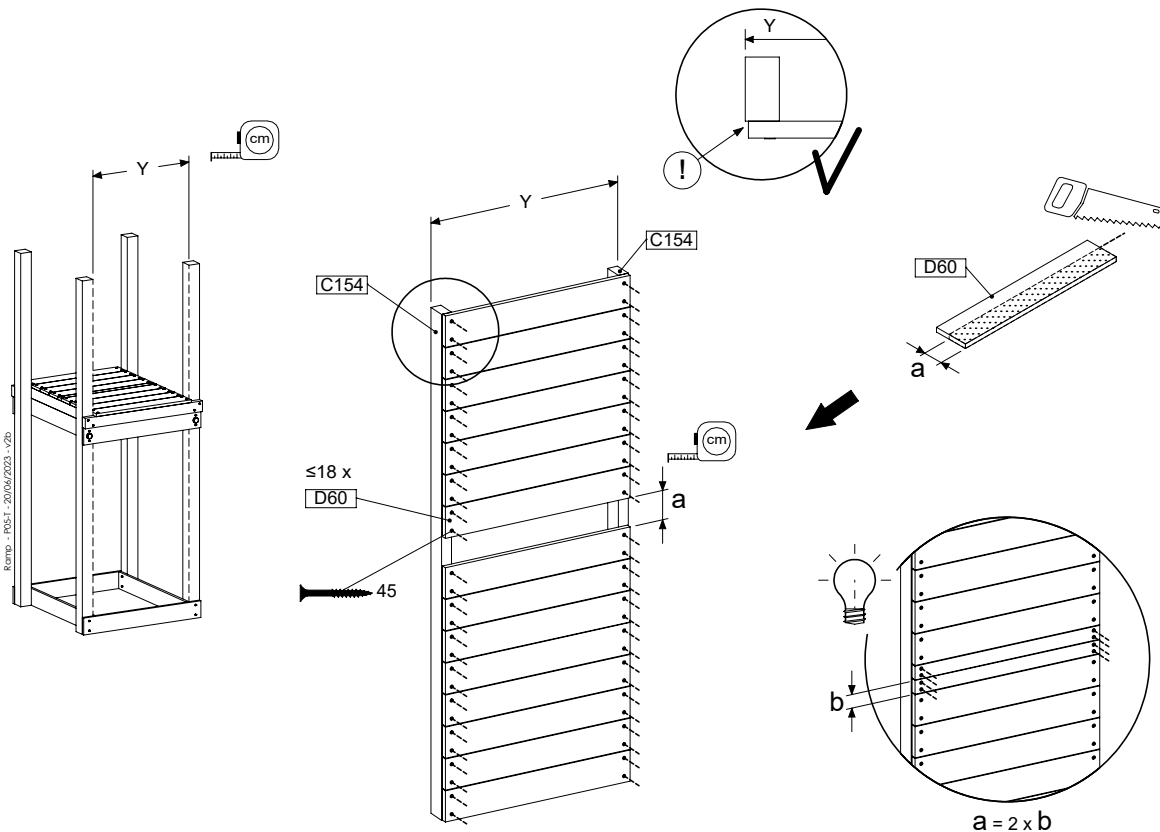
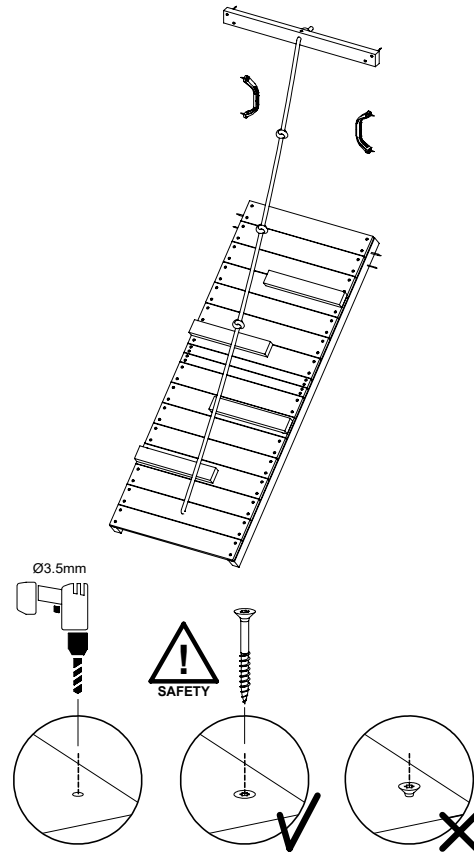


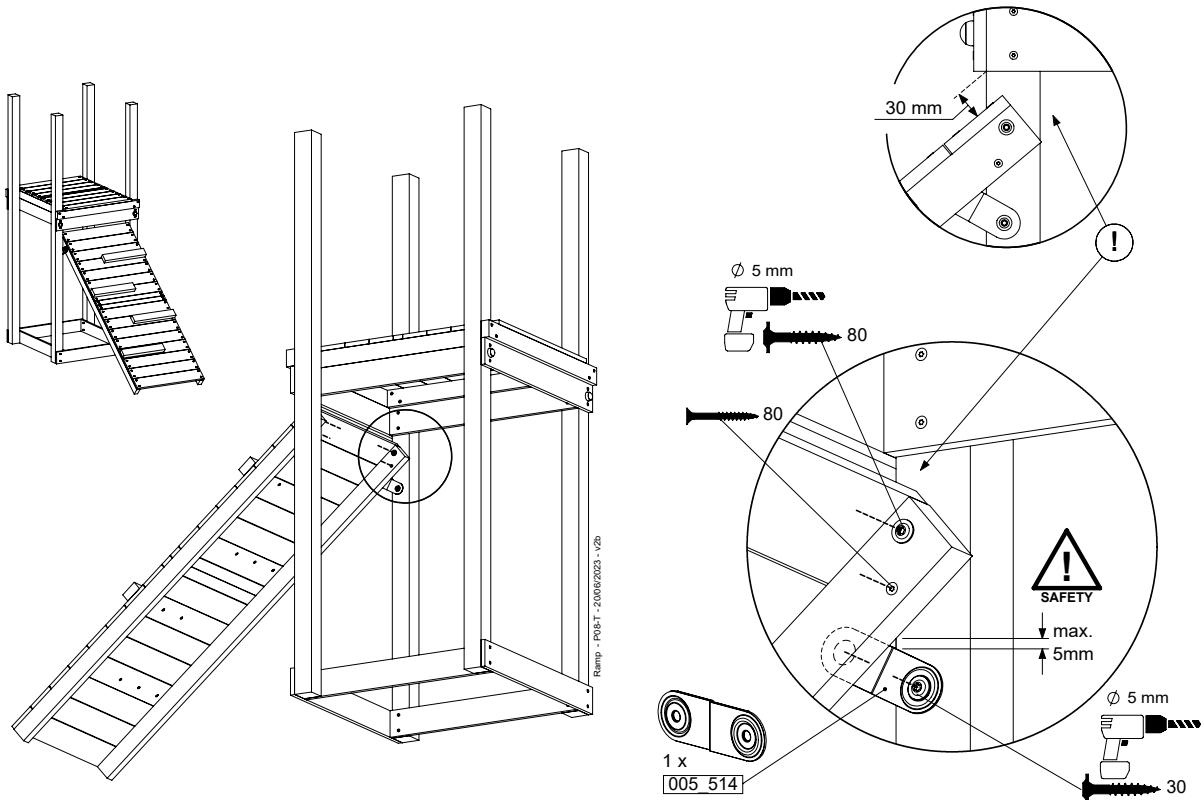
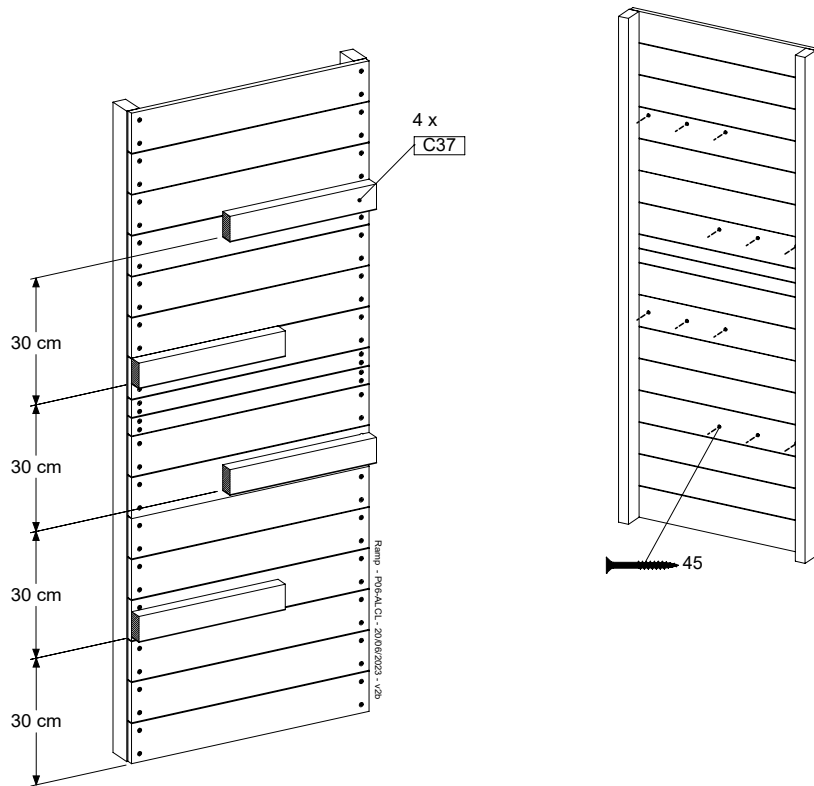
17 RA04a: Ramp 80 125 T

(194_008)

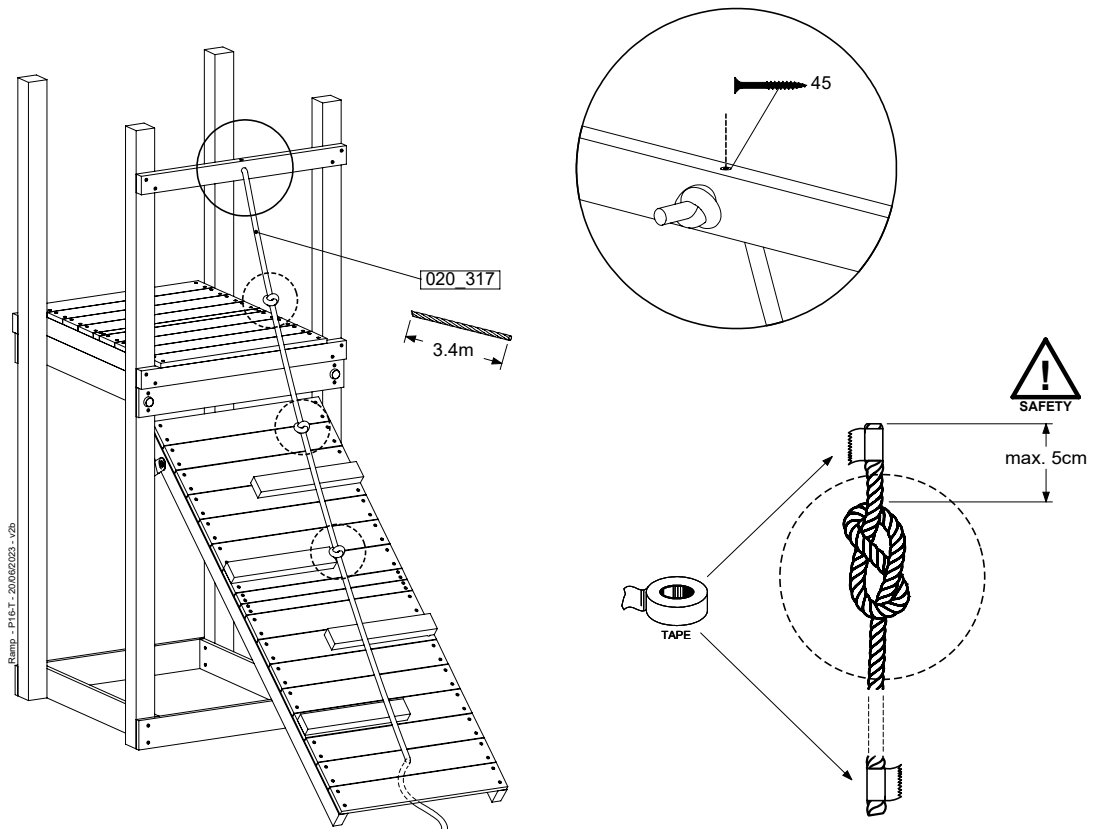
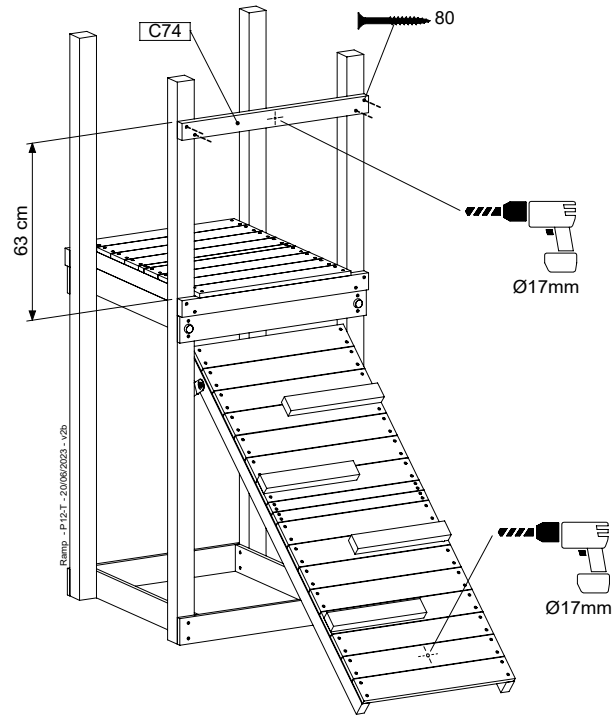
	PartNo	PartName	QTY.
Hardware Pack	001_404	Stealth Screw 8x30	2
	001_417	Stealth Screw 8x80	2
	002_220	Gap Point Screw T25 - 5x45	85
	002_223	Gap Point Screw T25 - 5x80	6
Other	005_514	Ladder Bracket	1
	020_317	Rope Polyester 16mm Green 3.4m	1
	120_102	Handgrip set (2x Complete)	1
Timber	C37	Beam 370 mm	4
	C74	Beam 740 mm	1
	C154	Beam 1540 mm	2
	D60	Board 600 mm	18

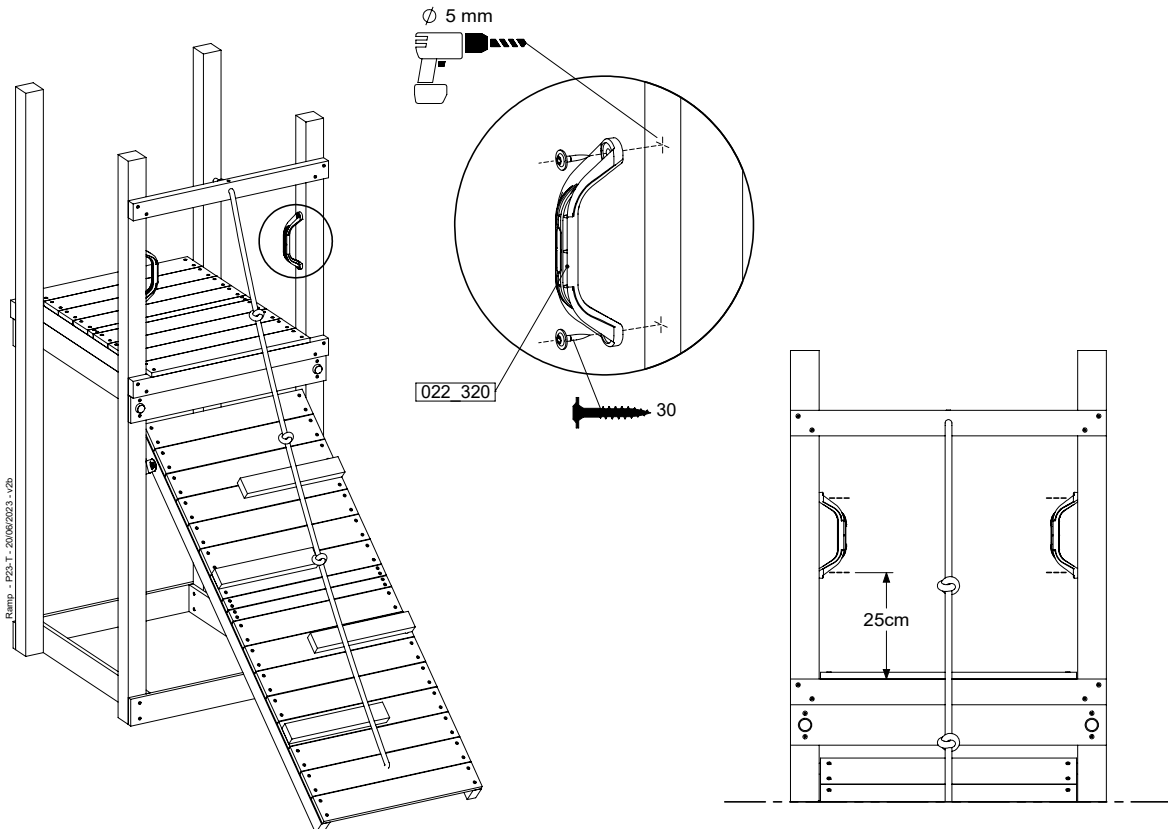
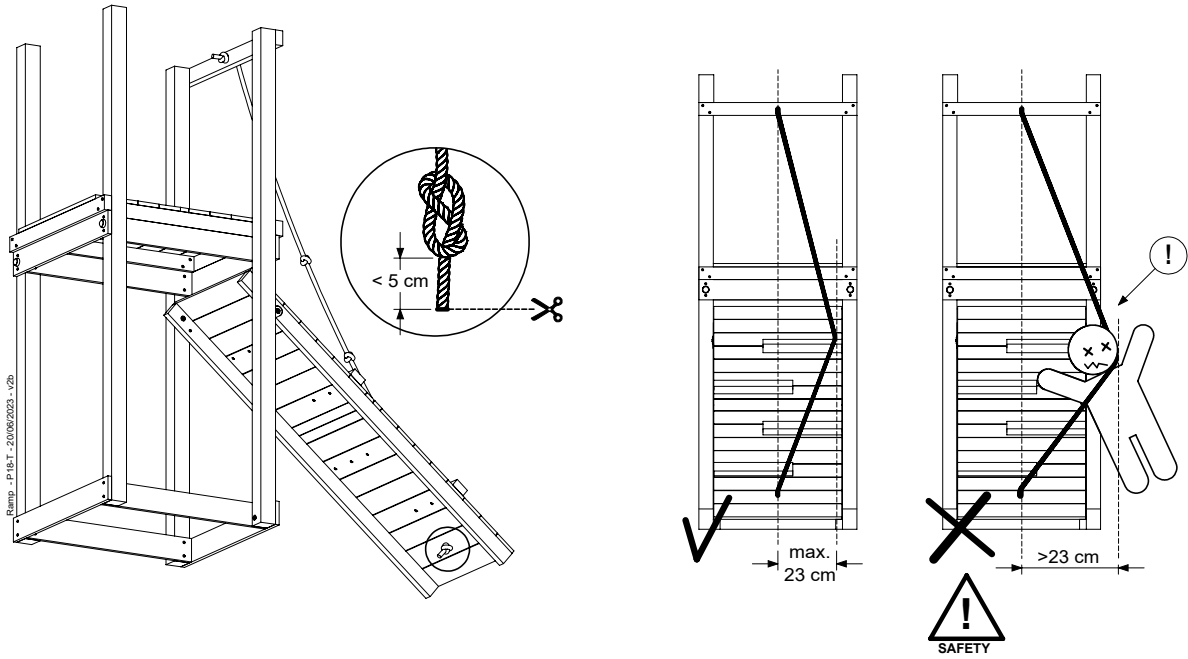
Ramp - P102-Beam - 2016/2023 - v2b





17.2

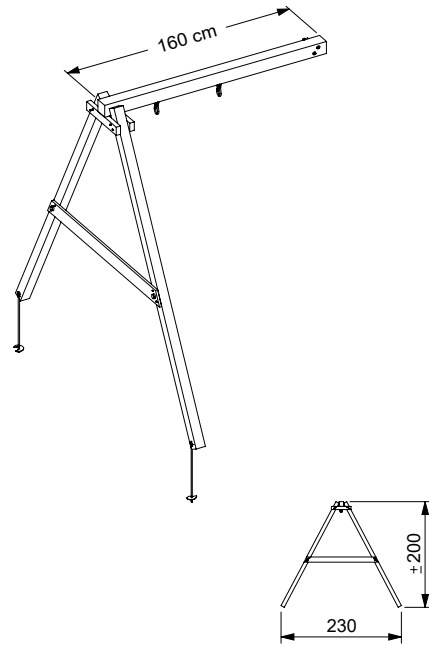




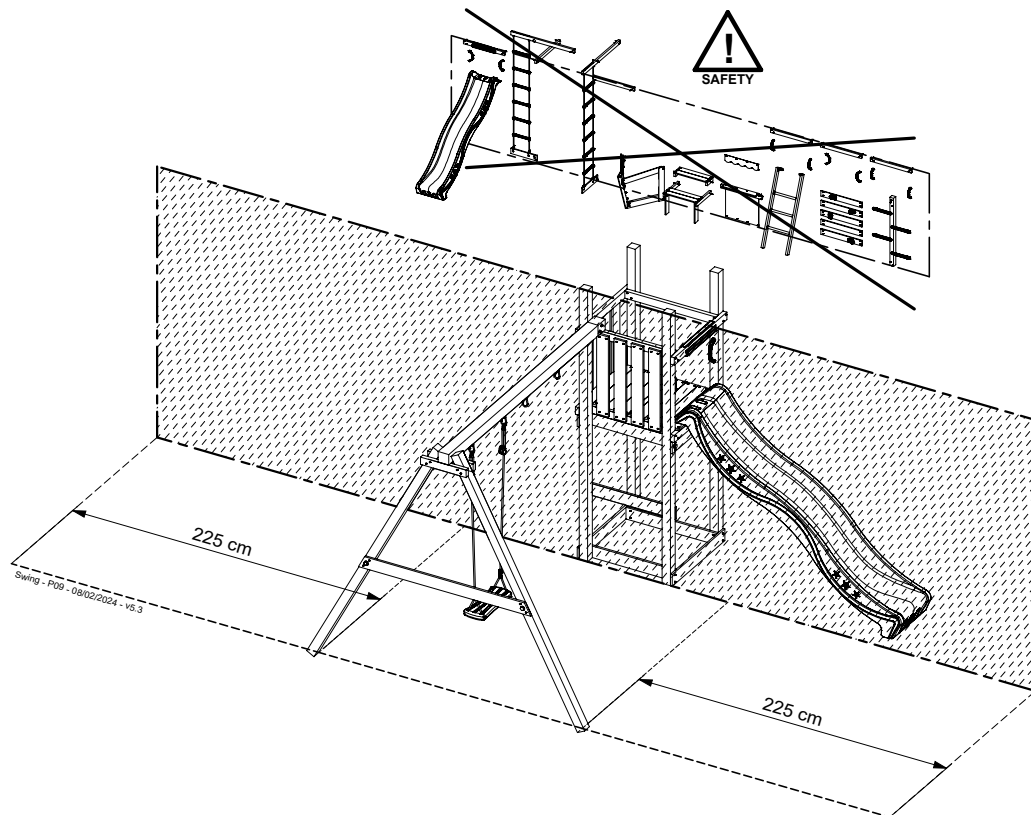
18 SW01a: 1-Swing Module 200

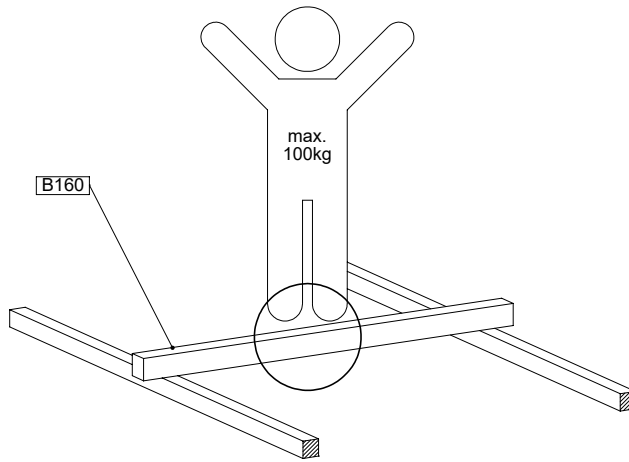
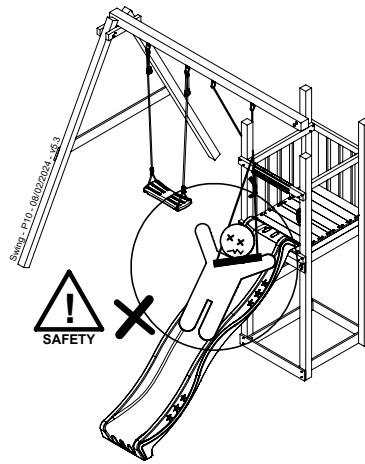
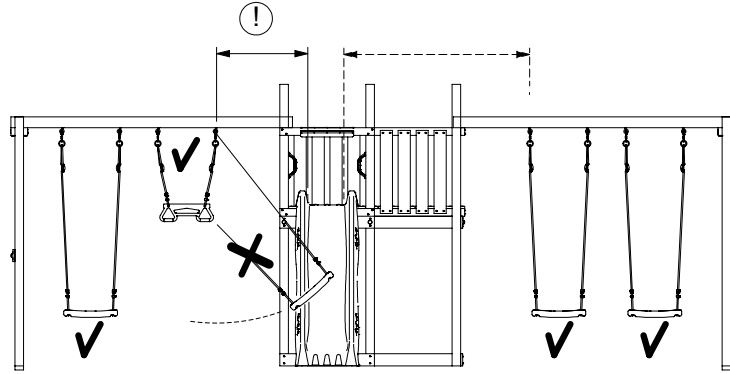
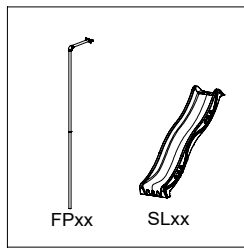
(457_102)

	PartNo	PartName	QTY.
Hardware Pack	001_406	Stealth Screw 8x45	4
	001_417	Stealth Screw 8x80	3 / 4
	001_422	Stealth Screw 8x137	3
	002_220	Gap Point Screw T25 - 5x45	12
	002_223	Gap Point Screw T25 - 5x80	6
Other	005_528	Swing Beam Bracket 7x7	1
	007_001	Ground-anchor	2
	022_31x	bpc-base version 3	2
	022_84x	bpc cover	2
	023_031	Finishing Washer GPS 5.0	2
	101_003	Swing hook with Carabiner	2
Timber	A220	Post 70x70 L2200	2
	B160	Post 90x90 L1600	1
	C37	Beam 370 mm	2
	D141	Board 1410 mm	2

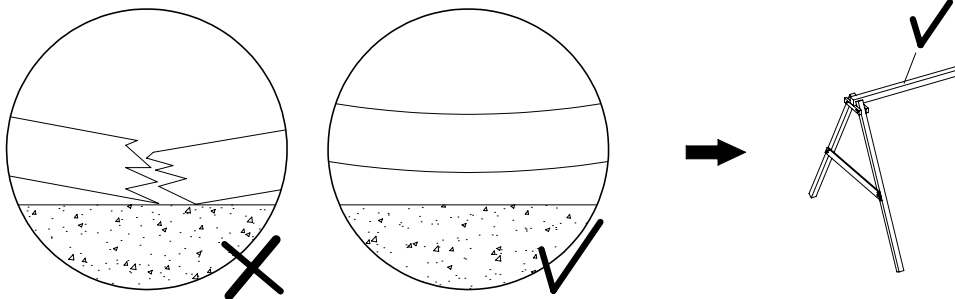


1-Swing Module 200

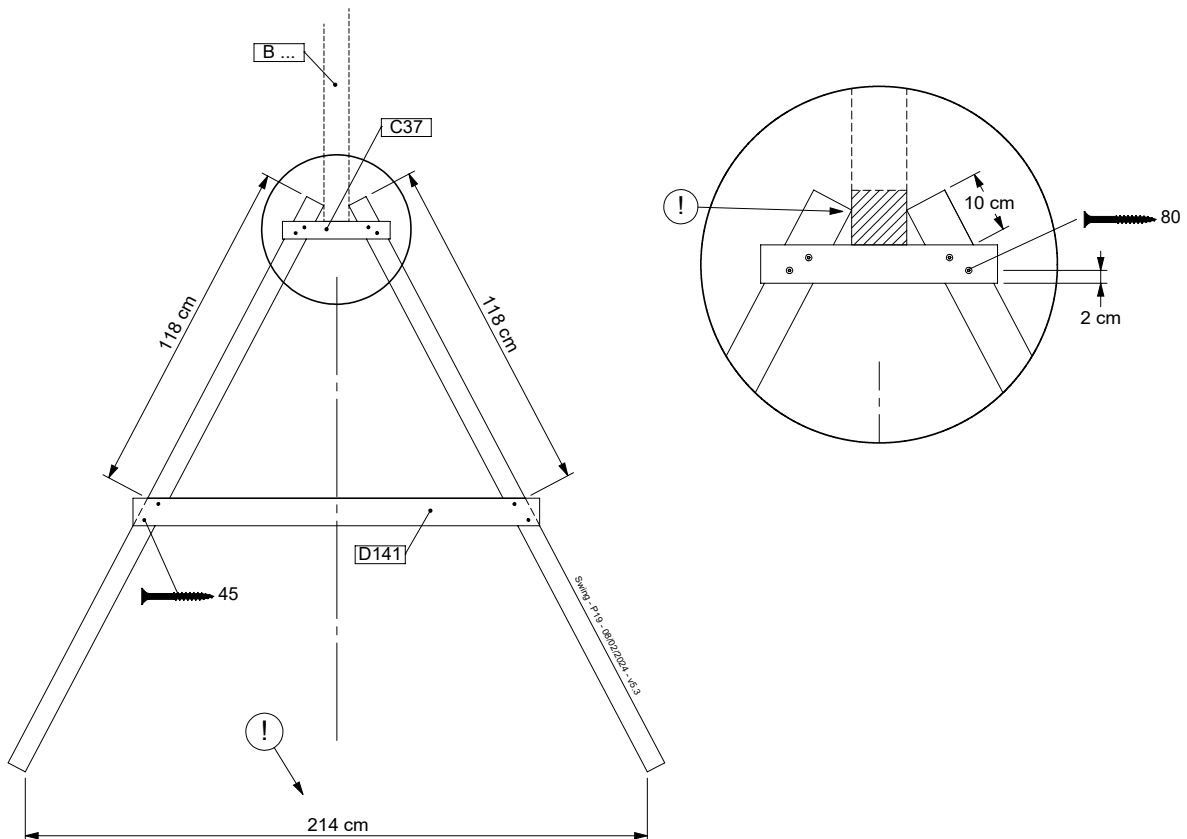
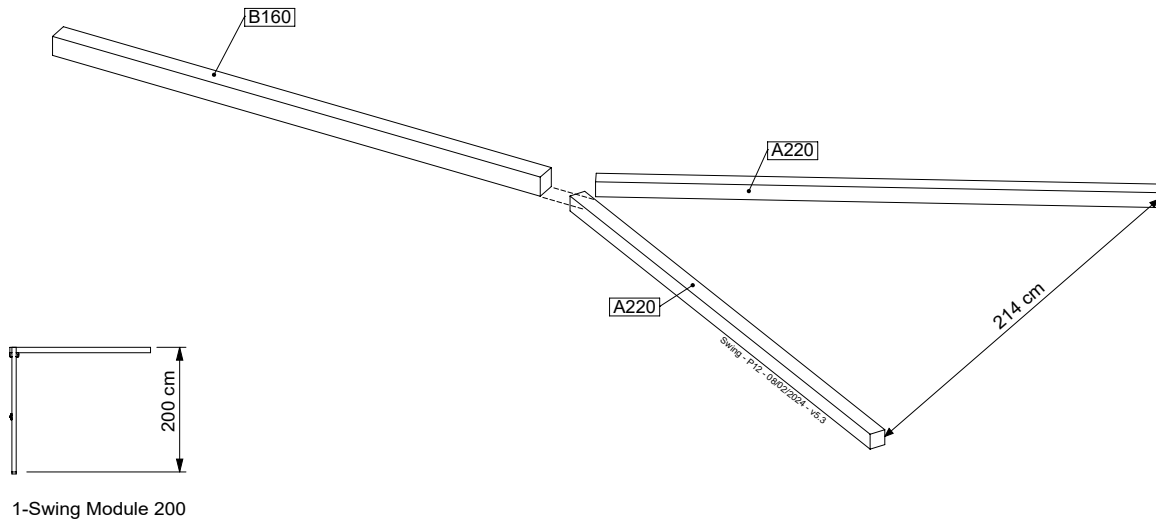




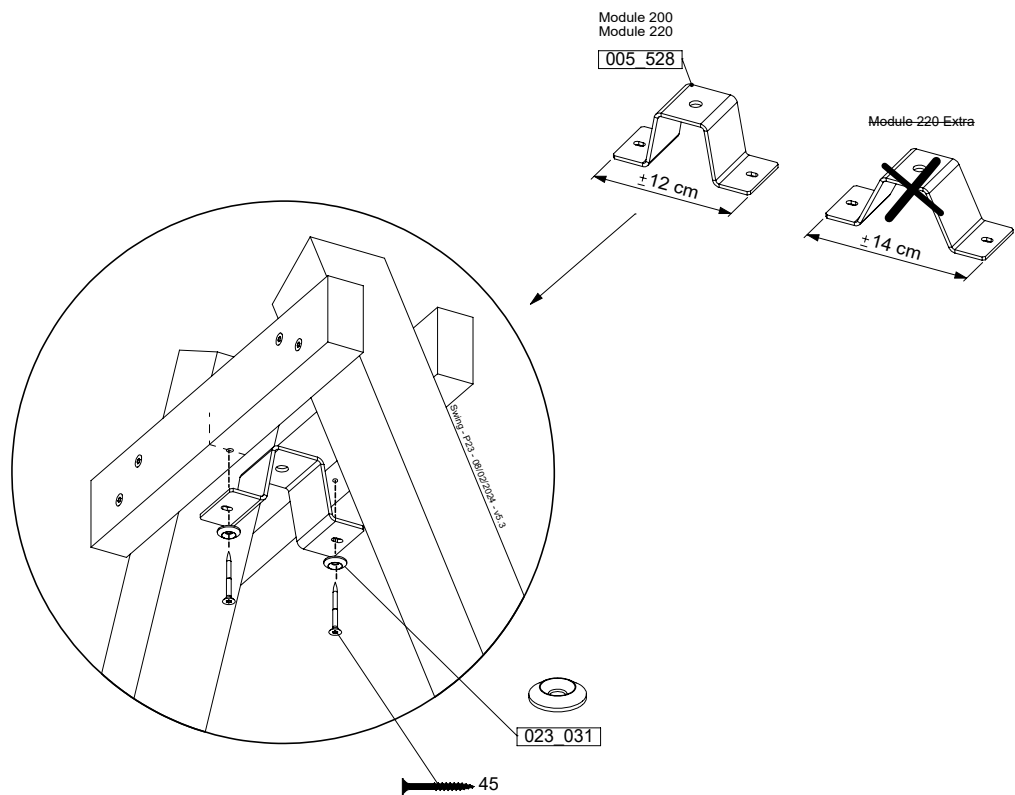
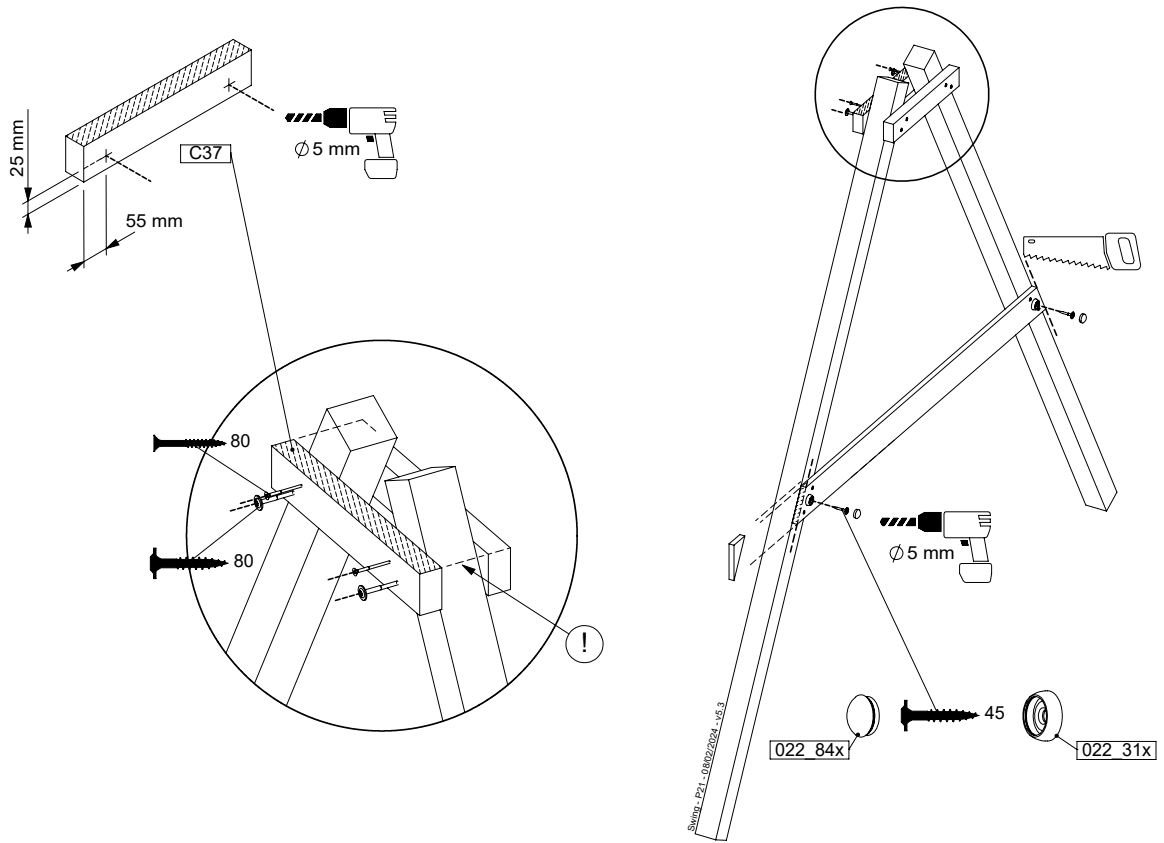
Swing - F10 - 08/02/2024 - v5.3



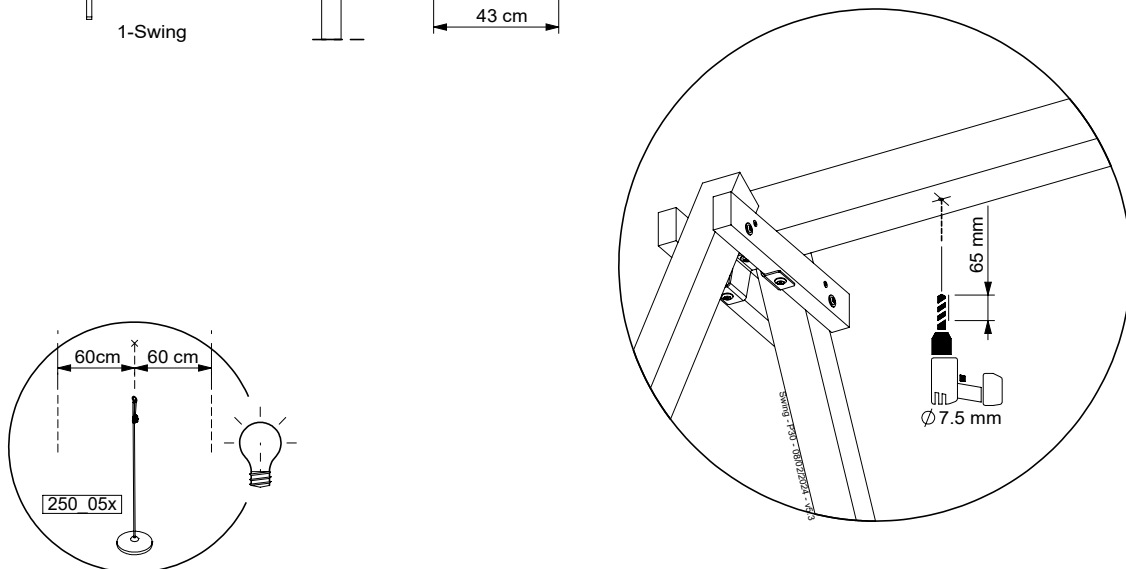
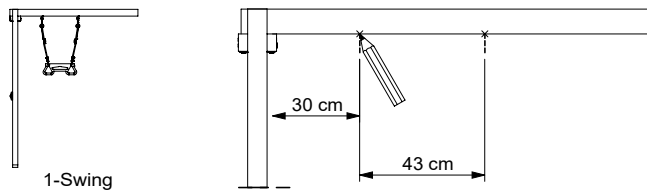
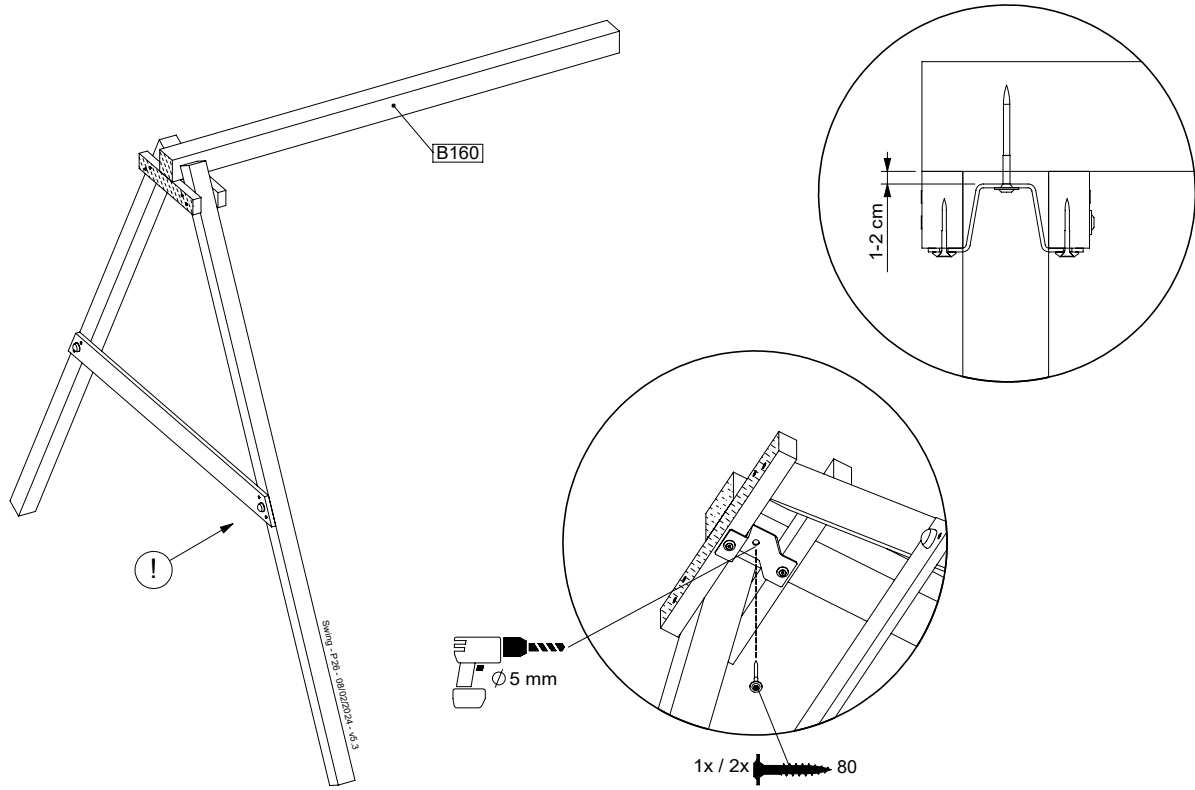
18.2



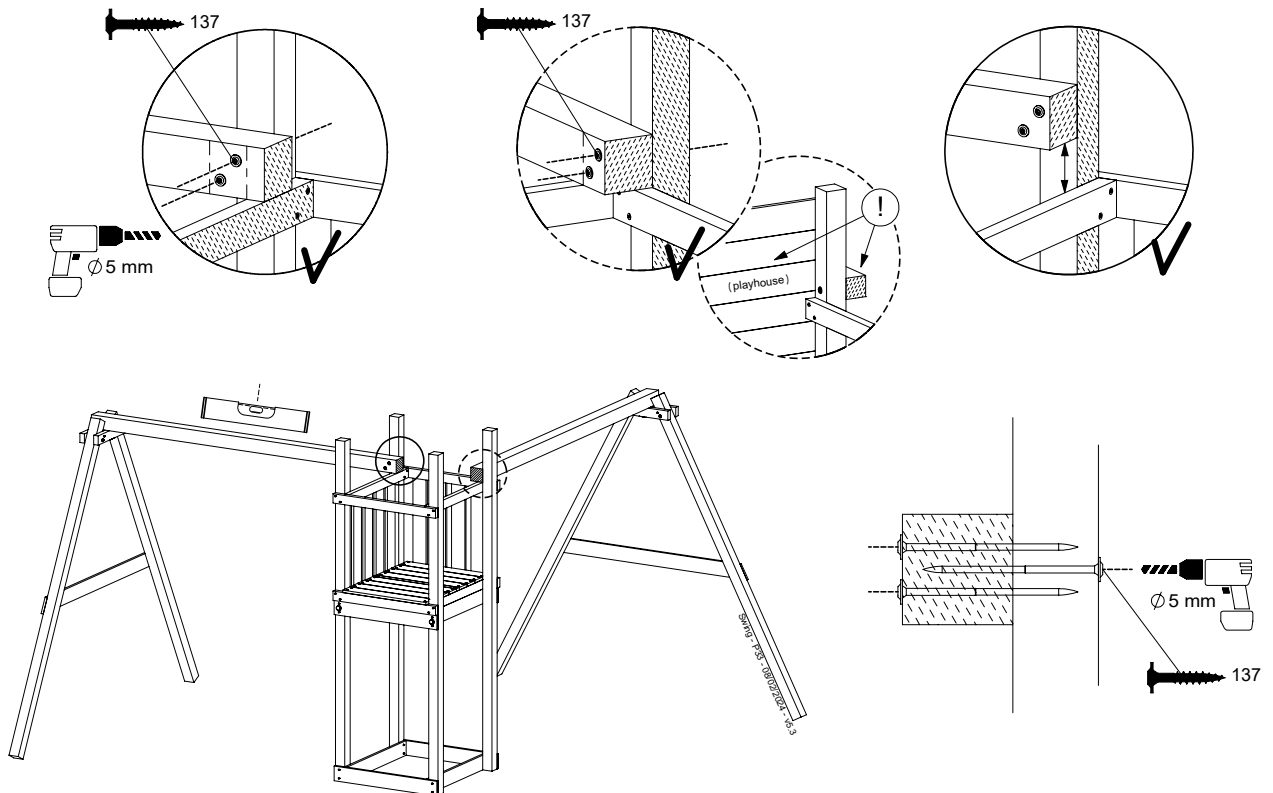
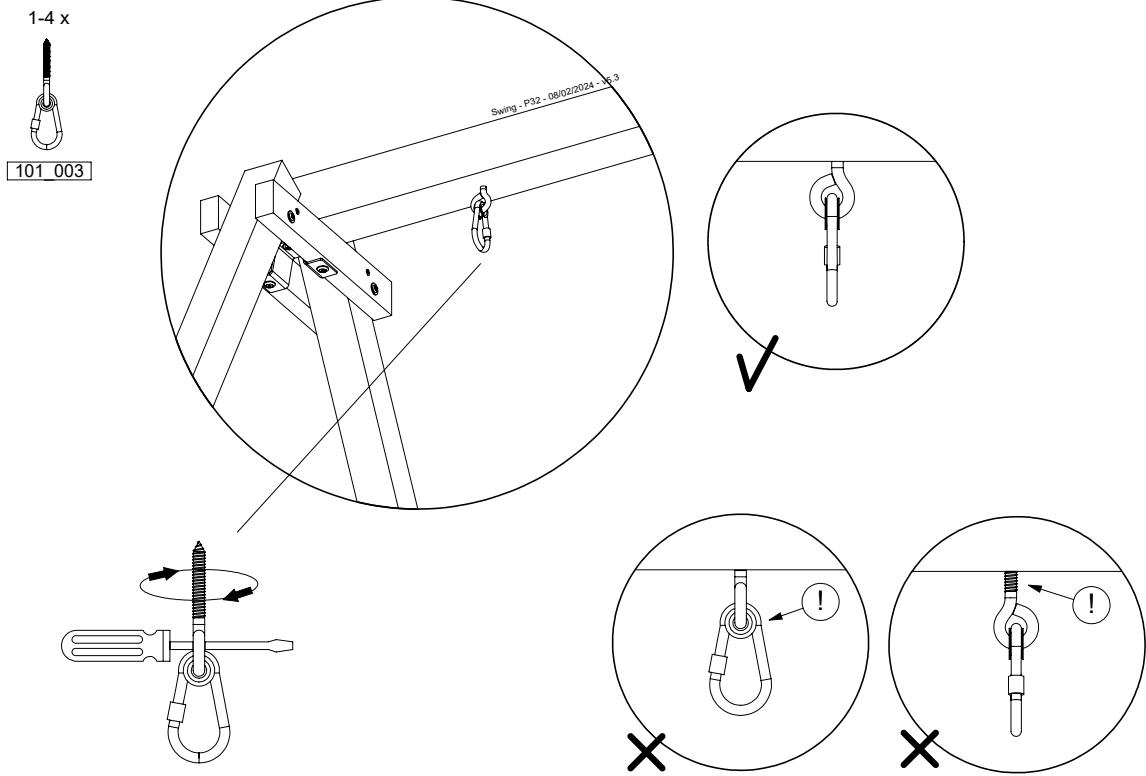
18.3



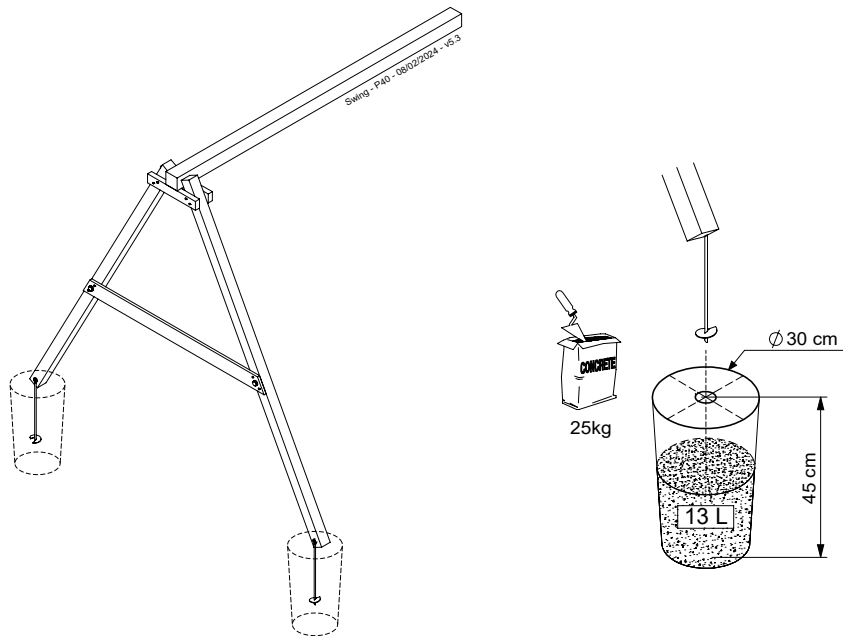
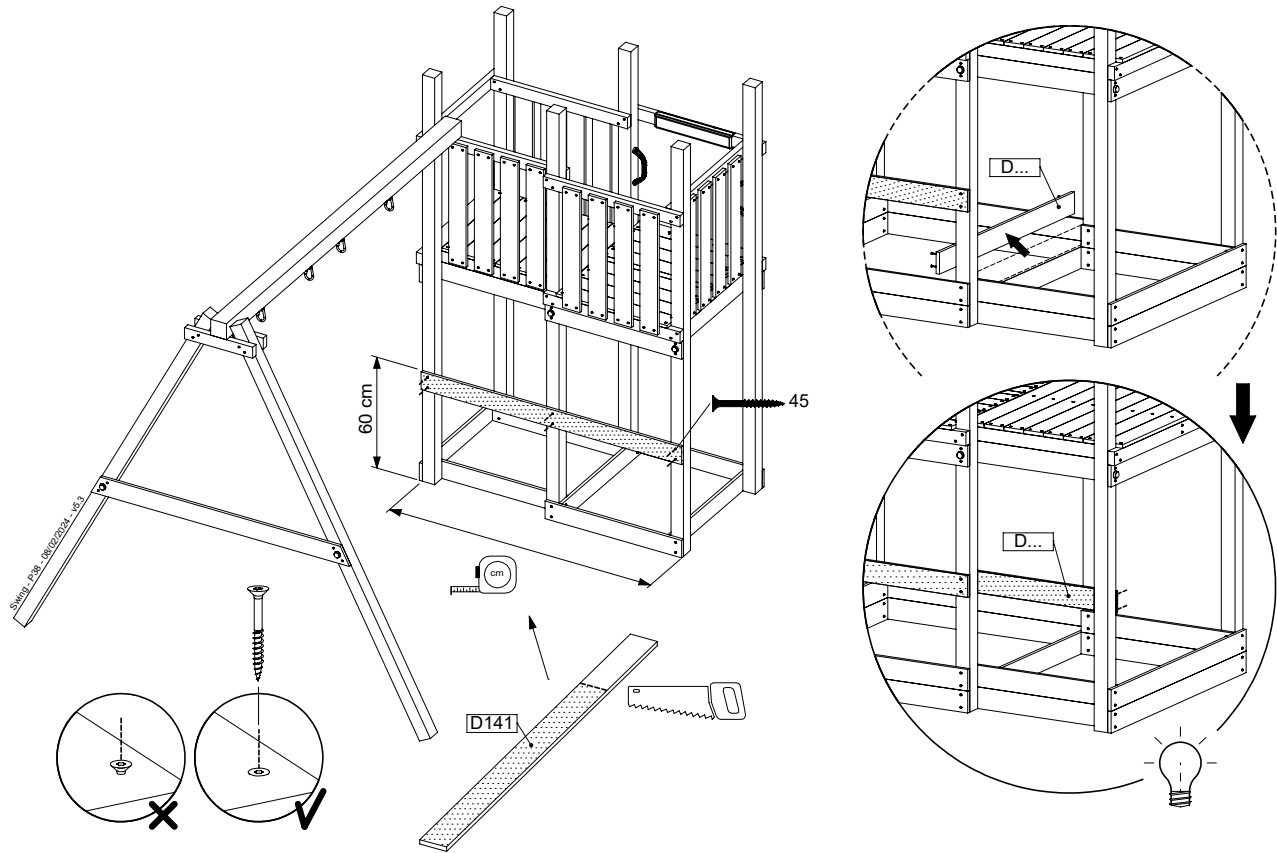
18.4



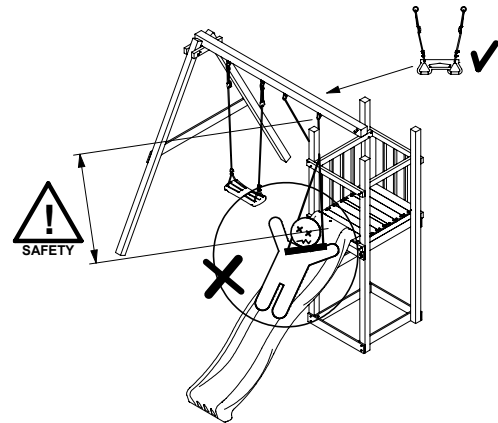
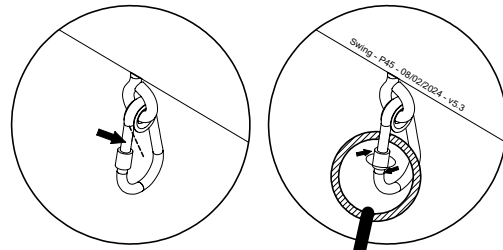
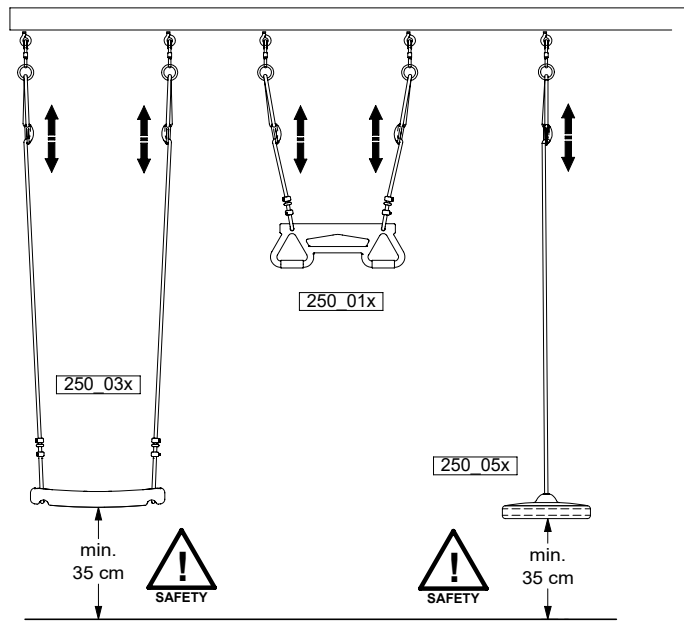
18.5



18.6



18.7

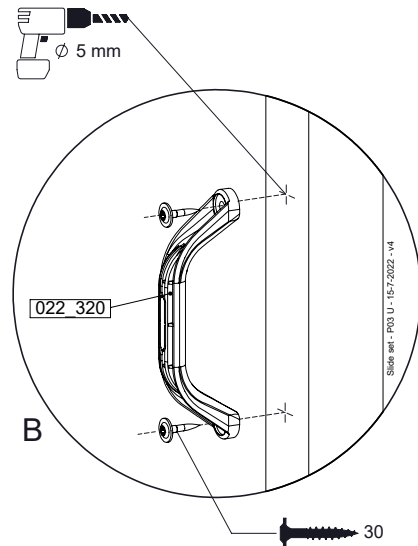
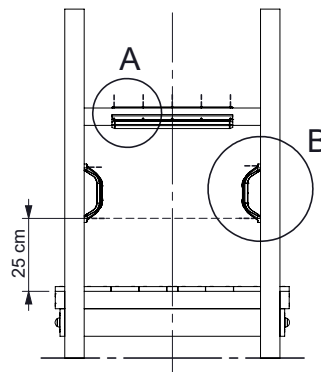
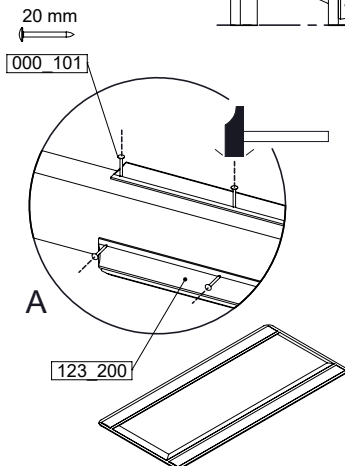
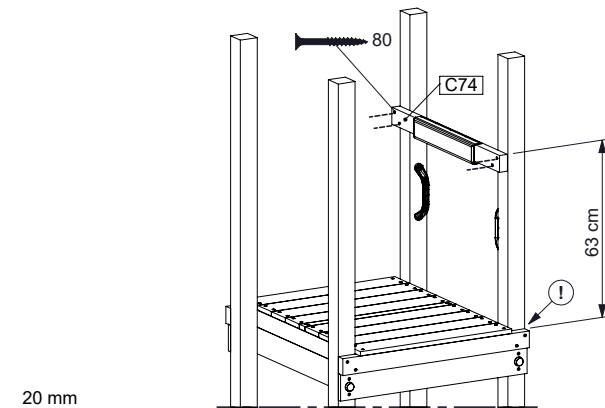
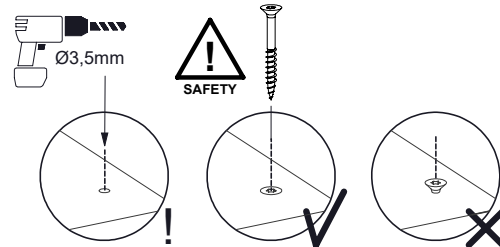
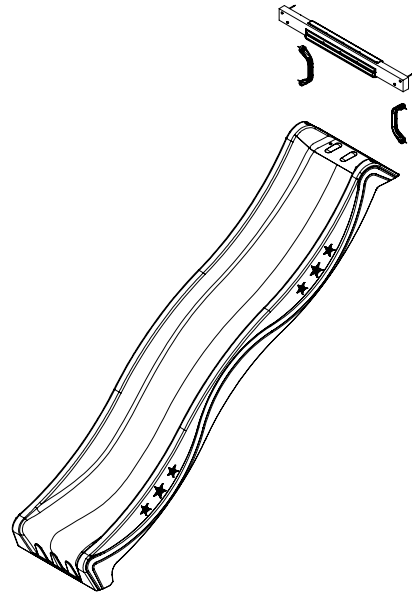


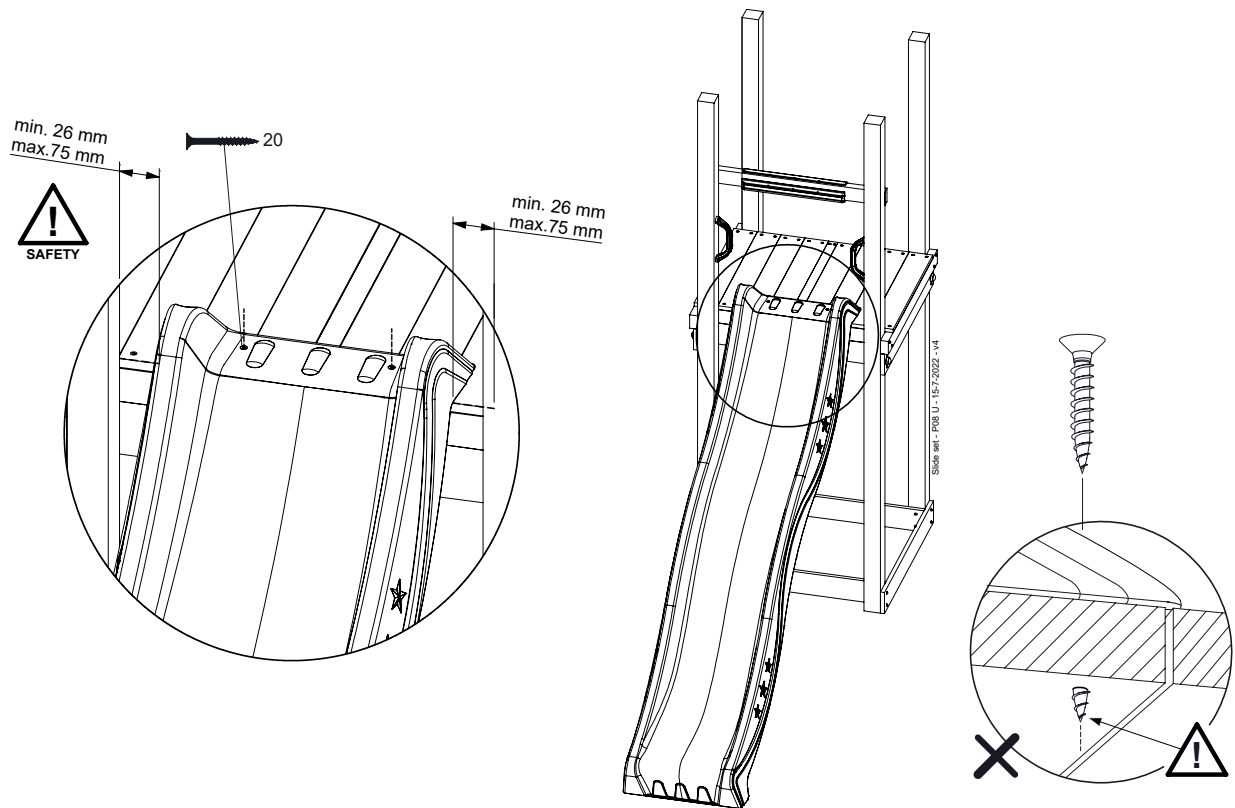
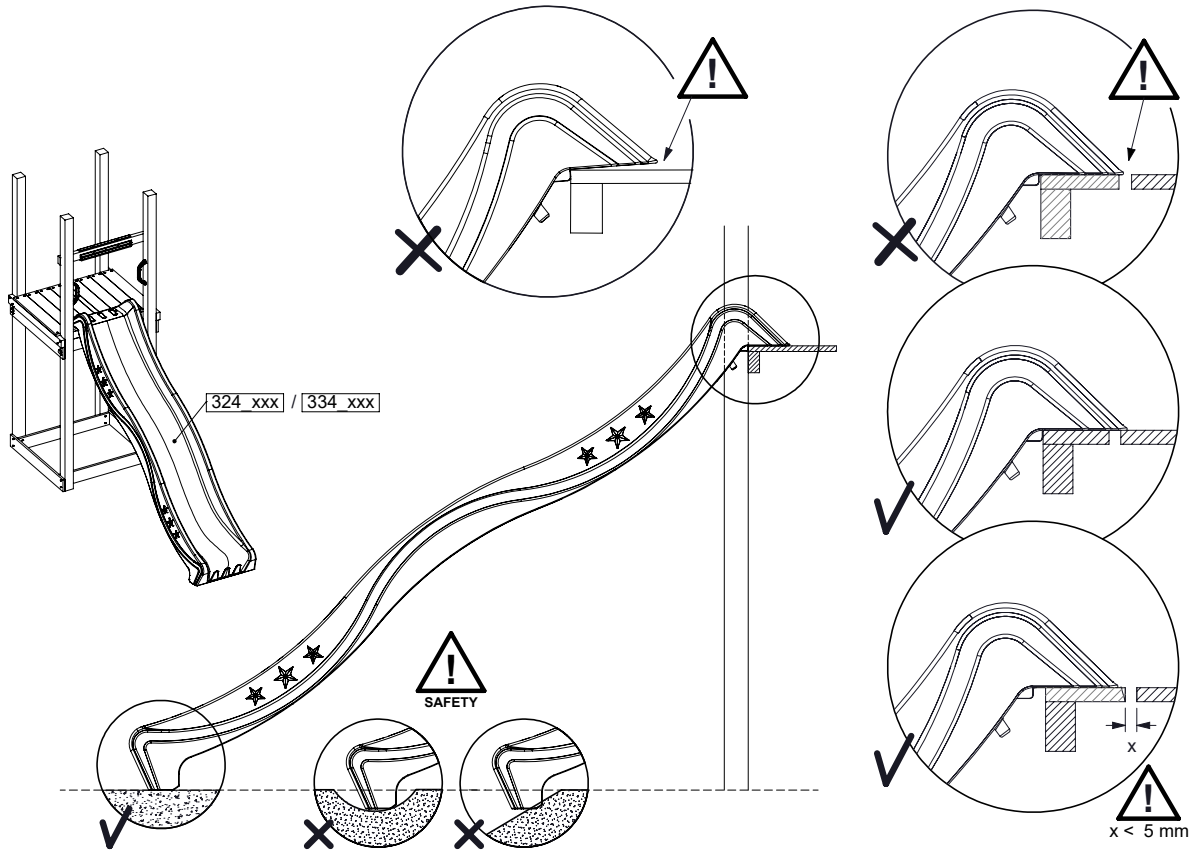
19 SL01a: Slide 80 125 U

(194_107)

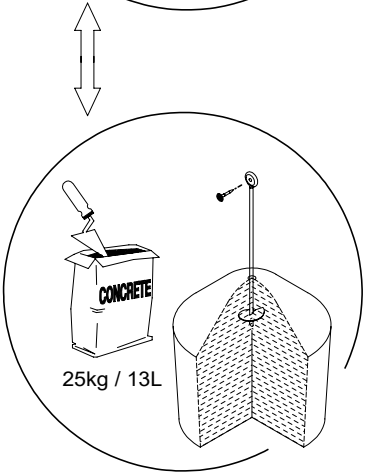
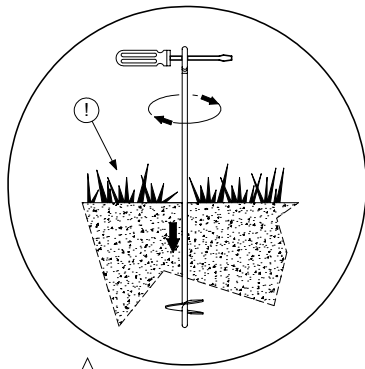
	PartNo	PartName	QTY.
Hardware Pack 100_605	000_101	Nail Pan Head	10
	002_223	Gap Point Screw T25 - 5x80	4
	002_308	Gap Point Screw T25 - 5x20	2
Other	120_102	Handgrip set (2x Complete)	1
	123_200	Bumperpad	1
	324_xxx 334_xxx	Wavy Star Slide XL 2200 mm / Wavy Star Slide XL 2650 mm	1
Timber	C74	Beam 740 mm	1

Slide set - P02 - 15-7-2022 - v4

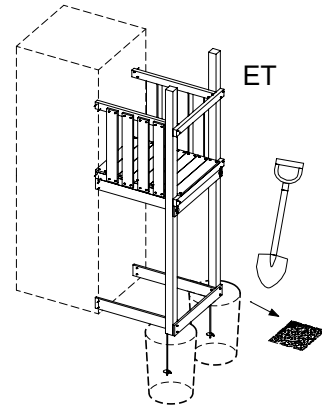
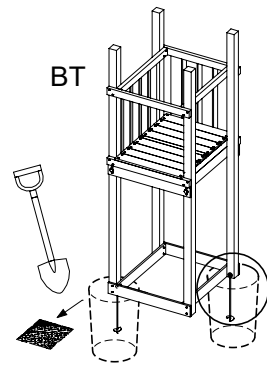
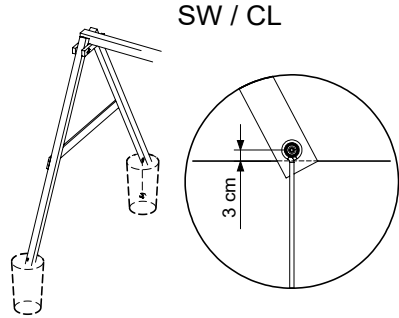
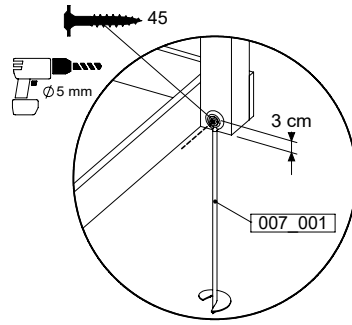




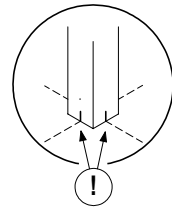
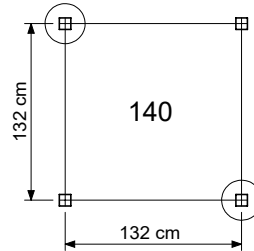
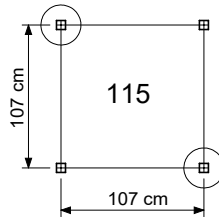
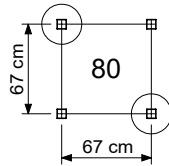
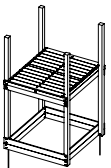
20 GA: Ground Anchors



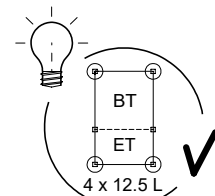
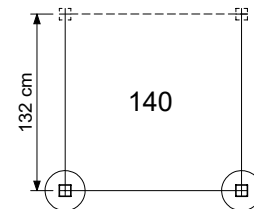
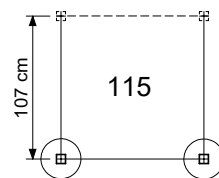
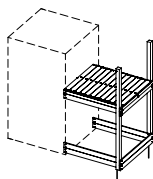
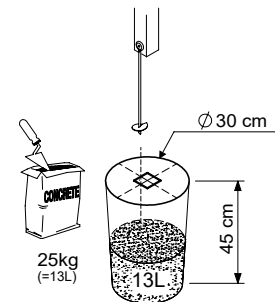
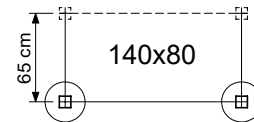
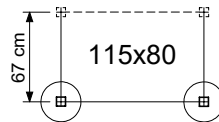
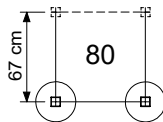
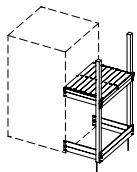
Ground Anchors Unit - P03 - 04/07/2023 - v1.2



BASE TOWERS



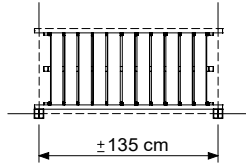
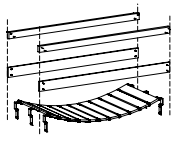
EXTENSION TOWERS



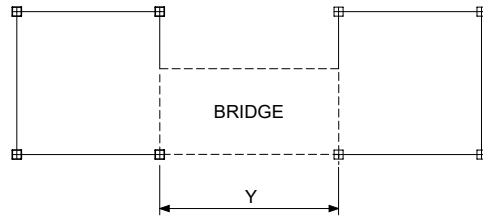
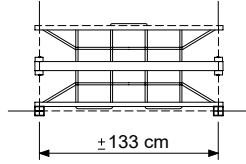
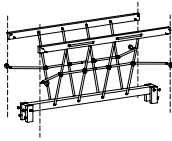
Ground Anchors Unit - P01 - 04/07/2023 - v1.2

20.1

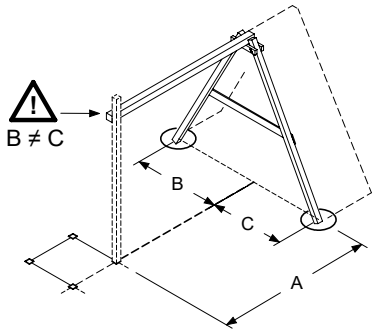
CLATTER BRIDGE



NET BRIDGE

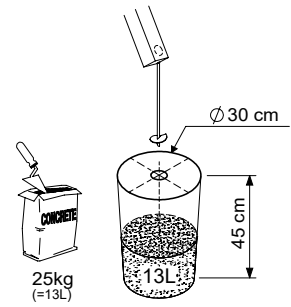


SWING / CLIMB MODULE

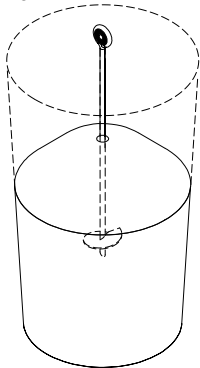


Module type	A	B	C
1-Swing 200	150	115	100
1-Swing 220 / 220 Extra		120	105
2-Swing 200	210	115	100
2-Climb 200			
1-Climb 200	142	120	105
1-Climb 220 / 220 Extra			
2-Swing 220 / 220 Extra	230	120	105
2-Climb 220 / 220 Extra			

Grand Anchoas Uni. - P02 - 04/07/2023 - v1.2



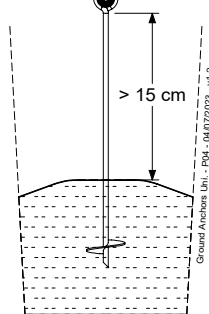
25kg / 13L



1.



SAFETY

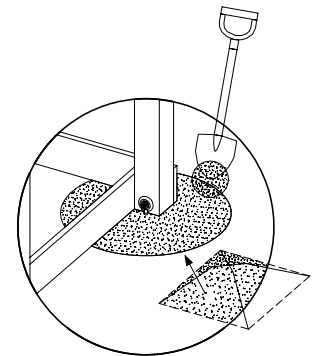


2.

24h



3.



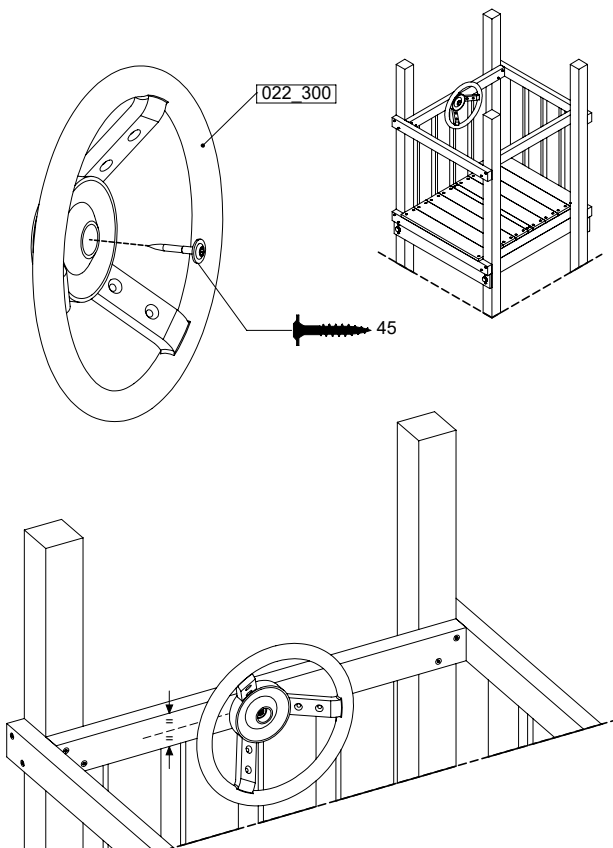
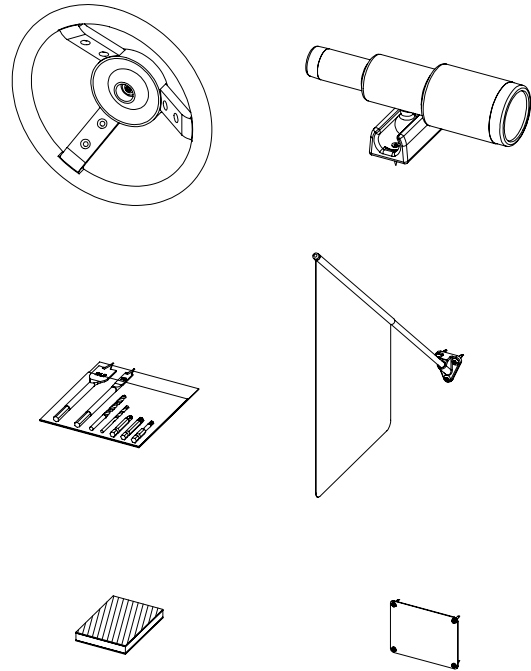
4.

21 AC01a: Accessories

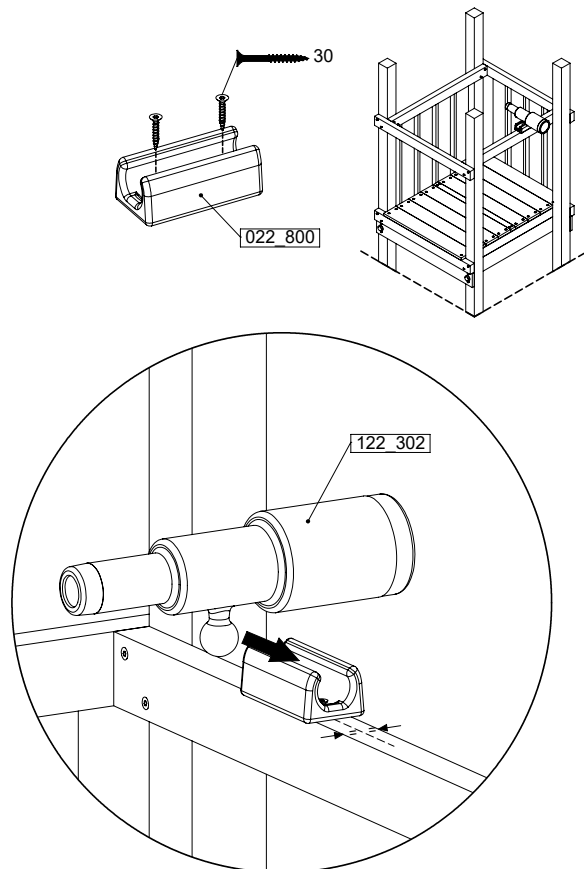
(194_119)

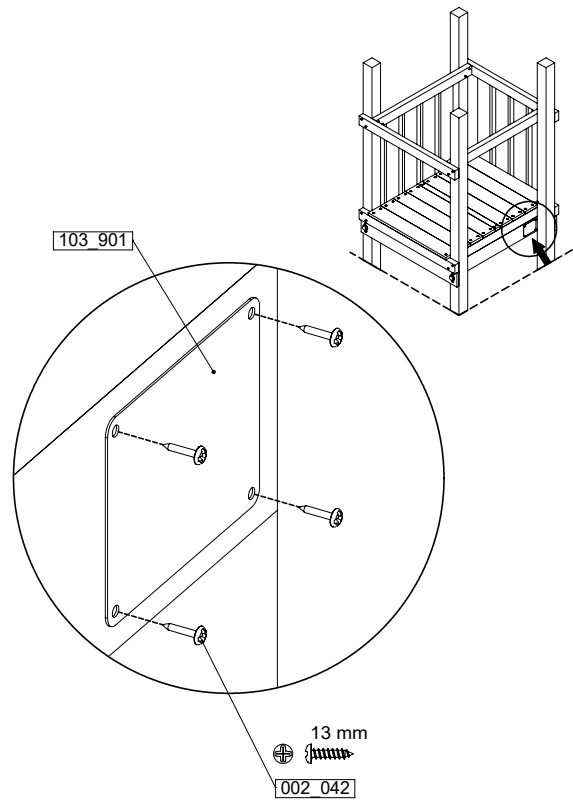
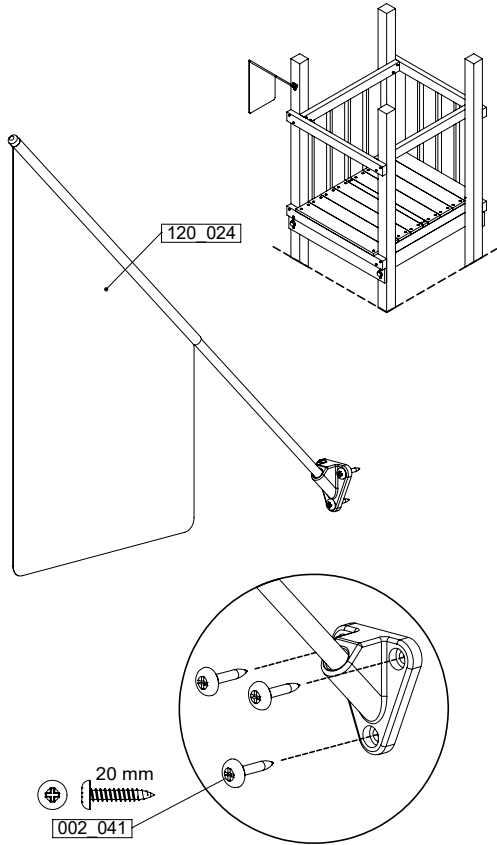
	PartNo	PartName	QTY.
Hardware Pack 100_617	001_406	Stealth Screw 8x45	1
	002_041	Dome head screw 4.5 x 20 mm	3
	002_042	Dome head screw 3.5 x 13mm	4
	002_219	Gap Point Screw T25 - 5x30	2
Other	022_300	Steering Wheel	1
	022_800	Rail P/T 105	1
	022_910	Sandpad	1
	103_901	Logo ID Plate	1
	104_107	Tool Set Climbing Units	1
	120_024	Tower Flag	1
	122_302	Telescope	1

Accessory set - P102 - 24/01/2024 - v5

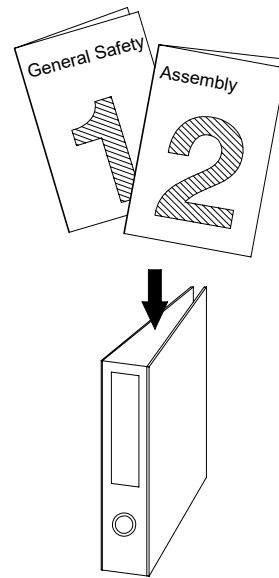
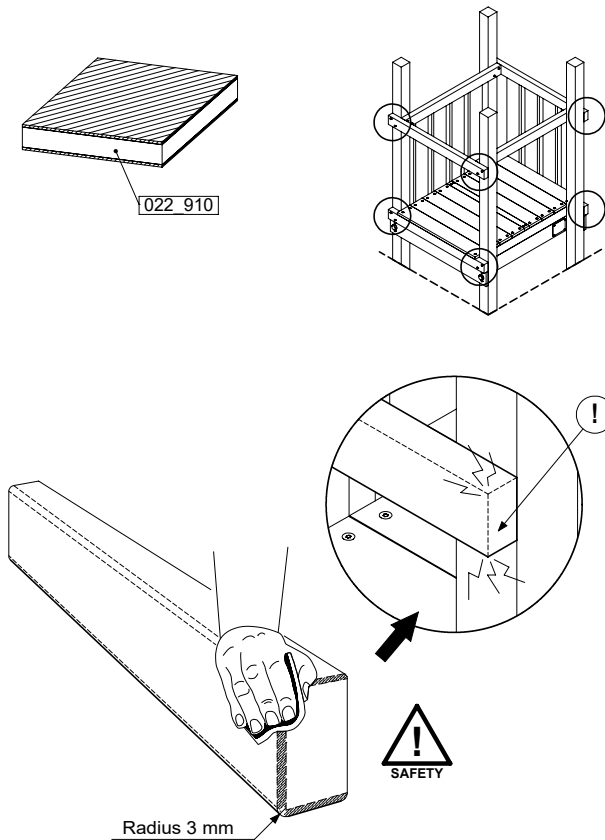


Accessory set - P103 - 24/01/2024 - v5





Accessory set - P04 - 24.01/2024 - v5



Accessory set - P05 - 24.01/2024 - v5

22 Declaration of conformity

Activity toys for domestic use
Aktivitätsspielzeug für den häuslichen Gebrauch
Jouets d'activité à usage familial



ID's

1. Wooden climbing frames

20232912_v1

1.1. Assemblies

Playtowers	801_005, 801_009, 801_010, 801_013, 801_025, 801_040, 801_060, 801_070, 801_090, 801_095, 801_100, 801_103, 801_105, 801_110, 801_120, 801_200, 802_202, 802_204, 802_206, 802_208, 803_202, 803_204, 803_206, 803_208, 803_210, 809_802, 809_804
Swings	801_300, 801_601, 801_602
Modules	850_176, 850_177, 857_101, 857_102, 857_151, 857_152, 850_231, 850_232, 857_105, 857_106, 857_157, 857_158, 850_240

1.2. Sub assemblies

Base towers (BT)	BT01a, BT02a, BT03a, BT11a, BT14a, BT15a, BT20a
Extension towers (ET)	ET01a, ET02a, ET05a, ET06a, ET07a, ET08a, ET09a, ET10a, ET11a, ET12a, ET13a, ET14a, ET15a, ET16a, ET17a, ET18a, ET19a, ET20a, ET22a, ET23a, ET27a, ET28a, ET29a, ET35a, ET39a, ET40a
Bridges (CB, NB, BB, TB, BF)	CB01a, NB01a, BB01a, BB02a, TB01a, TB02a, TB03a, TB04a, BF01a, BF02a, BF03a, BF04a, BF05a, BF06a, BF07a, BF08a, BF21a, BF22a, BF23a, BF24a, BF25a, BF26a, BF27a, BF28a
Roofs (RF)	RF01a, RF02a, RF02b, RF03a, RF03b, RF04a, RF05a, RF06a, RF07a, RF07b, RF08a, RF09a, RF11a, RF12a, RF12b, RF14a, RF15a, RF16a, RF17a, RF18a, RF18b, RF20a, RF21a, RF22a, RF23a, RF24a, RF25a, RF26a
Balustrade (BL)	BL01a, BL02a, BL03a, BL04a, BL05a, BL06a, BL07a, BL08a, BL09a, BL10a, BL21a
Playhouse (PH)	PH03a, PH04a, PH05a, PH06a, PH10a, PH11a, PH12a, PH13a, PH16a, PH17a, PH18a, PH19a, PH40a, PH41a, PH42a, PH43a, PH44a, PH45a, PH46a, PH47a, PH48a, PH49a, PH30a, PH31a, PH20a, PH21a, PH22a, PH23a, PH24a, PH25a, PH26a, PH27a, PH50a, PH51a, PH52a, PH53a, PH54a, PH55a, PH56a, PH57a, PH32a, PH33a
Ladder (LA)	LA01a, LA01b, LA02a, LA02b, LA03a, LA03b, LA11a, LA12a, LA13a, LA14a, LA15a, LA16a, LA17a, LA18a, LA21a, LA22a, LA23a, LA24a, LA25a, LA26a
Two Step Ladder (TS)	TS01a, TS01b, TS02a, TS02b, TS03b, TS05a, TS06a, TS07a, TS08a, TS09a, TS10a, TS11a, TS12a, TS15a, TS16a, TS17a, TS18a, TS19a, TS20a, TS21a, TS22a
Rope Ladder (RL)	RL01a, RL02a, RL05a, RL06a, RL07a, RL08a, RL09a, RL10a, RL11a, RL12a, RL15a, RL16a, RL19a, RL20a
Rock wall (RW)	RW01a, RW01b, RW02a, RW02b, RW03b, RW05a, RW06a, RW07a, RW08a, RW09a, RW10a, RW11a, RW12a, RW15a, RW16a, RW17a, RW18a, RW19a, RW20a, RW31a, RW32a
Ramp (RA)	RA03a, RA04a, RA05a, RA06a, RA07a, RA08a, RA11a, RA12a, RA21a
Net (NA, NS)	NA01a, NS01a
Boat (BO)	BO01a
Market (MT)	MT01a, MT02a, MT05a, MT06a, MT11a, MT12a
Picnic (PC)	PC01a, PC05a, PC06a, PC09a, PC10a
Fireman's pole (FP)	FP01a, FP02a, FP04a, FP05a, FP06a, FP07a, FP23a, FP24a, FP25a, FP26a, FP27a, FP28a
Slides (SL)	SL01a, SL02a, SL03a, SL06a, SL07a, SL08a, SL09a, SL10a, SL11a, SL12a, SL13a, SL26a, SL27a, SL28a, SL29a
Swing (SM)	SW01a, SW02a, SW05a, SW06a, SW09a, SW10a, SW13a, SW14a, SW17a, SW18a, SW21a, SW22a
Climb (CM)	CL01a, CL02a, CL05a, CL06a, CL09a, CL10a, CL13a, CL14a, CL17a, CL18a, CL21a, CL22a
Accessories (AC)	AC01a, AC02a, AC03a, AC04a, AC05a, AC06a, AC07a, AC08a, AC09a, AC10a, AC21a, AC22a, AC23a, AC24a, AC25a, AC30a, AC50a, AC51a, AC52a, AC53a

2. Construction packages

2.1 Assembly Kits

Playtowers	401_015, 401_080, 401_125, 402_201, 402_202, 402_204, 402_206, 402_208, 403_202, 403_204, 403_206, 403_208, 403_210, 409_802, 409_804
Swings	401_300, 401_600
Modules	457_005, 457_102, 457_103, 457_106, 457_107, 457_205

2.2 Assembly Packs

Sub assemblies	194_002, 194_003, 194_004, 194_006, 194_007, 194_008, 194_009, 194_010, 194_100, 194_101, 194_102, 194_103, 194_104, 194_105, 194_107, 194_108, 194_109, 194_110, 194_111, 194_112, 194_113, 194_114, 194_115, 194_116, 194_117, 194_118, 194_119, 194_300, 194_308, 194_312, 194_500, 194_501, 194_508, 194_510, 194_809, 194_810, 194_811, 194_812
----------------	--

3. Accessories and components

Slides XL	324_100, 324_200, 324_300, 324_400, 324_500, 324_600
Slides XXL	334_100, 334_200, 334_300, 334_400, 334_500, 334_600
Fireman's pole	201_275
Climbing	201_060, 201_273
Imagination	201_280, 201_285, 201_290, 201_295, 202_473, 450_310, 450_320, 450_330
Swinging	250_001, 250_013, 250_025, 250_034, 250_053
Functional	123_220, 123_222, 123_230, 201_115, 201_220, 201_250, 201_260, 201_270, 202_620, 202_621, 202_622, 202_623, 202_624, 202_625, 202_626, 202_627, 202_628, 202_629, 202_824, 250_065, 250_070, 250_075

Applicable EC directives and standards

General

- General Product Safety Directive (GPSD) 2001/95/EG
- Reach directive 1907/2006
- AfPS GS 2019:01 PAK

Activity Toys

- Toy Safety Directive (TSD) 2009/48/EG
- EN Standard 71 Safety of Toys
 - EN 71-1:2014 + A1:2018 Safety of toys Mechanical and physical properties
 - EN 71-2:2020 Flammability
 - EN 71-3:2019 + A1:2021 Migration of certain elements
 - EN 71-8:2018 Safety of toys Activity toys for domestic use

Supplementary information

Conformity to the above specified directives and standards has been frequently verified by TÜV Rheinland LGA products, DEKRA, LNE SA, since 1994. Jungle Gym participates in the European Commission for standardisation for the safety of activity toys (TC52 / WG 10).



Manufacturer details

Company Name: Jungle Gym B.V.
Address : Valschermkade 18, 1059 CD Amsterdam, Netherlands
Email: info@junglegym.com

Declaration

I hereby declare under our sole responsibility that the products mentioned above, to which this declaration relates, comply with the above mentioned directives and standards when the installation, assembly, and maintenance instructions are strictly followed.

Name Issued date
Mr. P. Schmit / Director

Signature of representative