

Notodden

Date: 2023-11-22



Manual Part 1



Important

This assembly manual should always be read in conjunction with the General Safety manual part 1 as included in the hardware package of your playground equipment. Please read these safety instructions carefully before starting the assembly work.

Jungle Gym

BACKYARD PLAYGROUNDS

since 1988




EN. Warnings. Only for domestic use. Maximum number of users is 3. **DE.** Achtung. Nur für den Hausgebrauch. Maximale Benutzerzahl: 3. **FR.** Attention. Réservé à un usage privé. Le nombre maximal d'utilisateurs est de 3. **NL.** Waarschuwingen. Uitsluitend voor huishoudelijk gebruik. Het maximale aantal gebruikers is 3. **BG.** Внимание. За употреба само в домашни условия. Максималният брой потребители е 3. **ES.** Advertencias. Sólo para uso doméstico. Número máximo de usuarios: 3. **CS.** Varování. Jen pro domácí použití. Maximální počet uživatelů je 3. **DA.** Advarsler. Kun til privat brug. Maksimum antal brugere er 3. **ET.** Hoiatused. Ainult koduseks kasutamiseks. Maksimaalne kasutajate arv on 3. **EL.** Προειδοποιήσεις. Μόνο για οικιακή χρήση. Μέγιστος αριθμός χρηστών 3. **IS.** Varnaðarorð. Engöngu fyrir einhnanotkun í heimahúsum og á einaklóðum. Hámarksfjöldi notenda er 3. **IT.** Avvertenze. Solo per uso domestico. Massimo numero di utenti è 3. **LV.** Brīdinājumi. Izmantoj tikai mājās. Maksimālais lietotāju skaits ir 3. **LT.** Įspėjimai. Tik butiniam naudojimui. Maksimalus naudotojų skaičius HR. Upozorenia. Samo za kućansku uporabu. Maksimalan broj korisnika je 3. **HU.** Figyelmeztetések. Csak otthoni használatra! A használok max. száma: 3. **NO.** Advarsler. Kun for privat bruk. Maksimallt antall brukere er 3. **PL.** Ostrzeżenia. Wyłącznie do użytku domowego. Maksymalna liczba użytkowników to 3. **PT.** Avisos. Apenas para uso doméstico. O número máximo de utilizadores é 3. **RO.** Avertismente. Numai pentru uz domestic. Numărul maxim de utilizatori este 3. **RU.** Предостережения. Только для домашнего использования. Максимальное количество пользователей - 3. **SK.** Upozornenia. Iba na domáce použitie. Maximálne množstvo osôb je 3. **SL.** Opozorila. Samo za domačo uporabo. Maksimalno število uporabnikov je 3. **FI.** Varoitukset. Ainoastaan kotikäyttöön. Käyttäjää yhteensä enintään 3. **SR.** Upozorenja. Samo za kućnu upotrebu. Maksimalan broj korisnika je 3. **SV.** Varningar. Endast för hemmabruk. Det maximala antalet användare är 3. **TR.** Uyarılar. Sadece ev kullanımı için. Maksimum kullanıcı sayısı 3.




EN 71-1,2,3,8,9

1 Helpdesk JungleGym

1.1 FAQ




English




<https://helpdesk.jungle gym.com/help/en-gb>

Deutsch




<https://helpdesk.jungle gym.com/help/de-de>

Français






<https://helpdesk.jungle gym.com/help/fr-fr>


Nederlands





<https://helpdesk.jungle gym.com/help/nl-nl>

1.2 Support




info@jungle gym.com


<https://www.jungle gym.com/customersupport-chat>

 AT 0043 72 08 153 33* FR 0033 97 75 58 222*
BE 0032 78 48 16 19* IE 0035 38 1800 0300*
CH 0041 43 50 87 350* LU 0035 22 08 80 512*
DE 0049 32 22 10 98 299* NL 0031 85 44 44 102*
ES 0034 657 76 64 25* UK 0044 20 369 505 53*

EU 0031 85 44 44 100

Monday-Friday, CET 9:00am - 5:00pm
* Local phone charges may apply.

2 Start

2.1 Safety

Part 1
General Safety

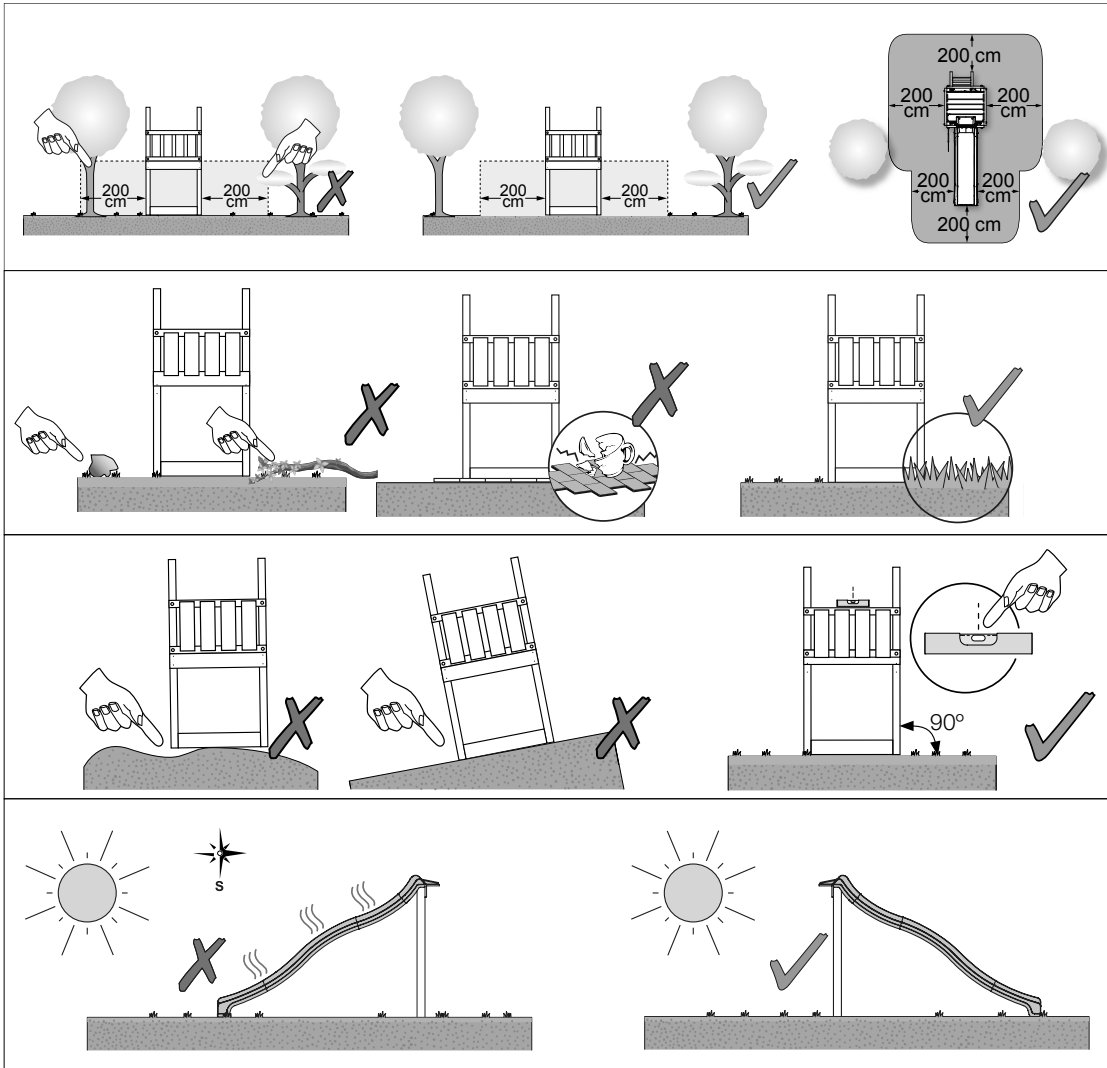
Jungle Gym

<https://helpdesk.jungle gym.com/api/v1/attachments/11436>

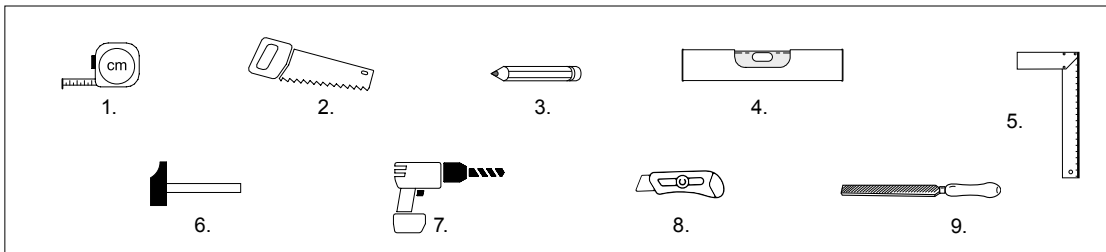
Icons illustrating safety requirements:
- Prohibited: Kneeling on the ground, using mobile devices.
- Required: Wearing safety glasses, work gloves, and ear protection (indicated by a checkmark).

Illustrations of correct site setup:
- Left: Worker with a crossed-out tool, indicating that tools should not be left on the ground.
- Right: Worker with a checkmark, indicating correct site preparation.

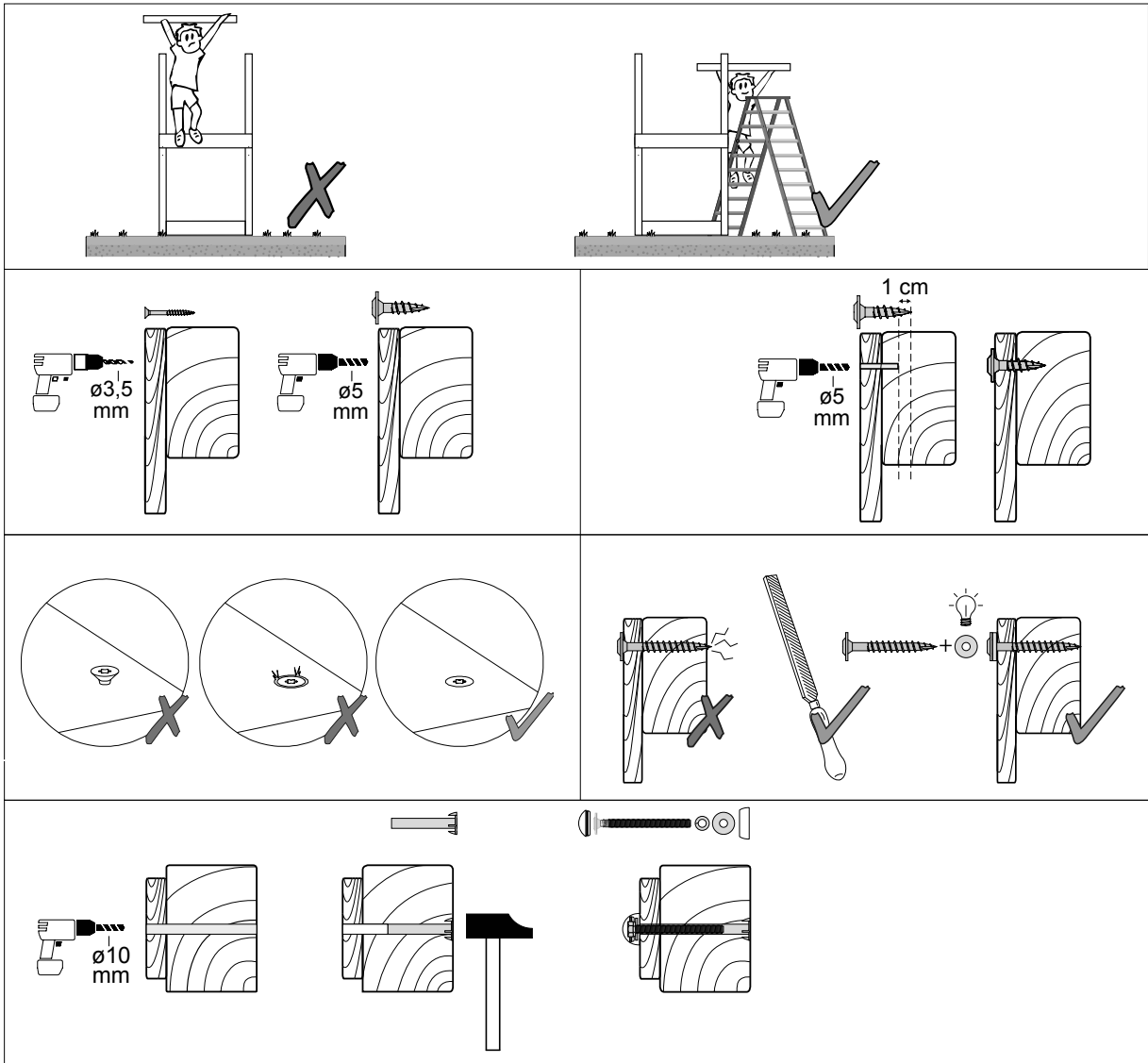
2.2 Planning



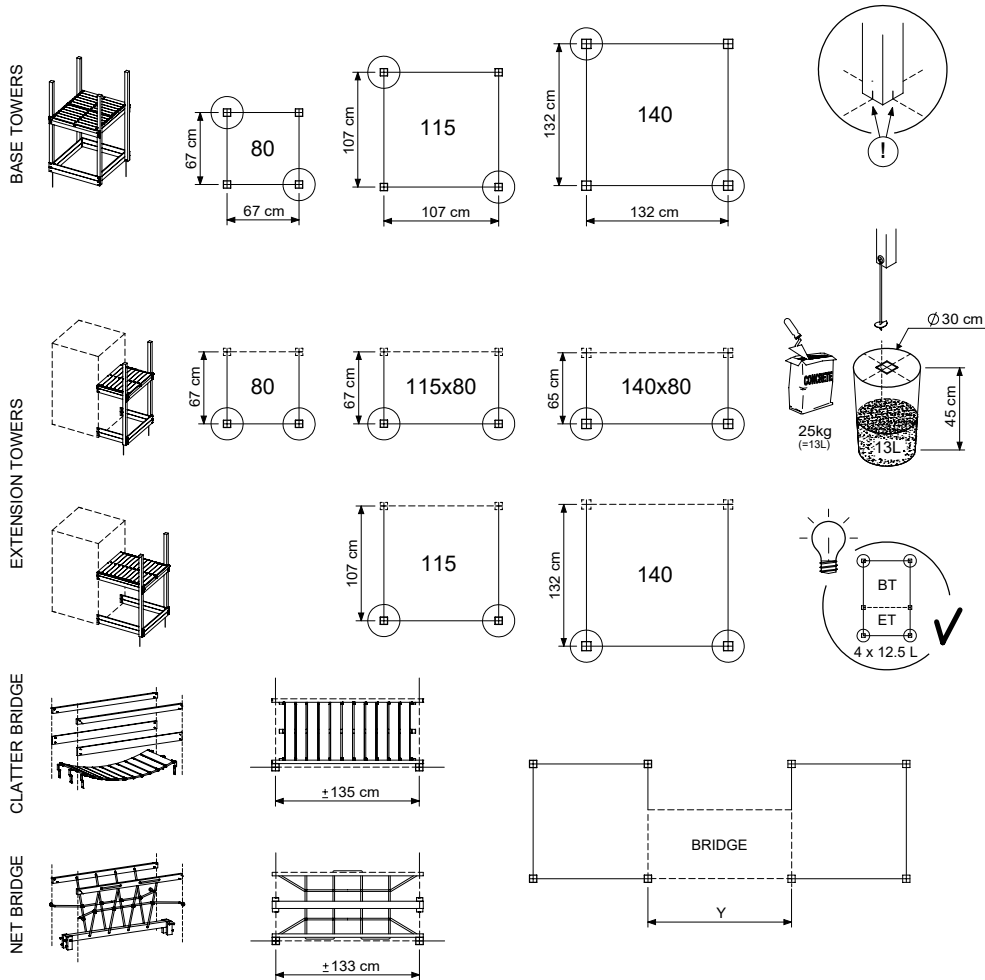
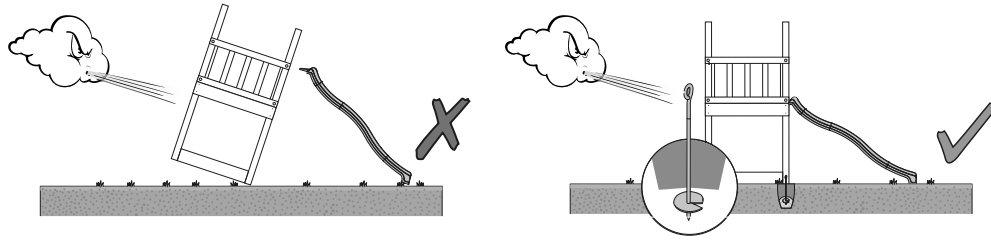
2.3 Tools



2.4 Assembly

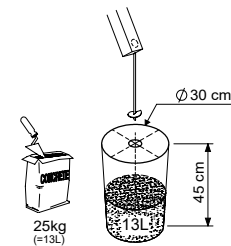


3 Universal anchoring plan



Module type	A	B	C
1-Swing 200		115	100
1-Swing 220 / 220 Extra	150	120	105
2-Swing 200	210		
2-Climb 200		115	100
1-Climb 200	142		
1-Climb 220 / 220 Extra	162		
2-Swing 220 / 220 Extra	230	120	105
2-Climb 220 / 220 Extra			

Ground Anchors Ltd. - P02 - 04/07/2023 - v1.2



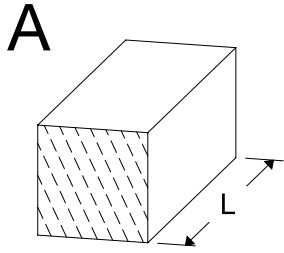
4 Overview

4.1 Order specification

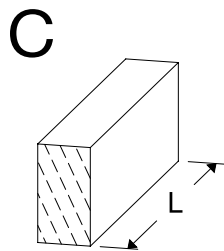


	Supplier ID	Assembly ID	Description	#
1	BT15a	792_003	Base Tower 115_ 270270	1
2	ET07a	792_102	Extension Tower 11580_220	1
3	RF09a	792_203	Roof Casa 115	1
4	BL01a	790_301	Balustrade 80	2
5	PH10a	792_311	Playhouse Wall Panel 115	1
6	PH11a	792_311	Playhouse Wall Panel 115	1
7	PH19a	792_313	Playhouse Window Panel 115	1
8	PH31a	792_314	Playhouse Roof Panels 115	1
9	TS12a	792_412	Two Step Ladder 115_145	1
10	AC01a	194_119	AP Accessory set	1

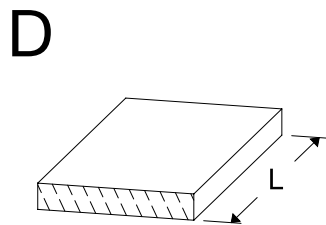
4.2 Timber parts



ID	L	#
A220	219 cm - 220 cm	2
A270	269 cm - 270 cm	4



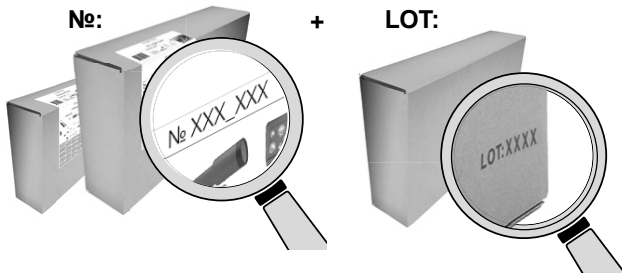
C74	73 cm - 74 cm	5
C84	83 cm - 84 cm	5
C96	95 cm - 96 cm	2
C114	113 cm - 114 cm	7
C123	122 cm - 123 cm	2
C141	140 cm - 141 cm	1
C206	205 cm - 206 cm	1



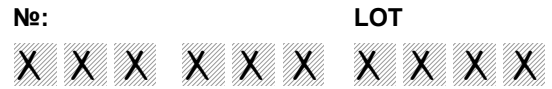
D21	20 cm - 21 cm	4
D47	46 cm - 47 cm	4
D65	64 cm - 65 cm	12
D74	73 cm - 74 cm	6
D100	99 cm - 100 cm	25
D114	113 cm - 114 cm	55
D127	126 cm - 127 cm	23

5 Product registration

5.1 Assembly kits



Example



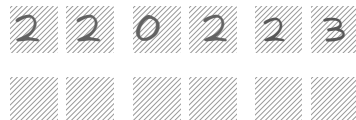
	№:		LOT
1.	■ ■ ■ ■	_	■ ■ ■ ■ ■ ■ ■ ■
2.	■ ■ ■ ■	_	■ ■ ■ ■ ■ ■ ■ ■
3.	■ ■ ■ ■	_	■ ■ ■ ■ ■ ■ ■ ■
4.	■ ■ ■ ■	_	■ ■ ■ ■ ■ ■ ■ ■
5.	■ ■ ■ ■	_	■ ■ ■ ■ ■ ■ ■ ■

	№:		LOT
6.	■ ■ ■ ■	_	■ ■ ■ ■ ■ ■ ■ ■
7.	■ ■ ■ ■	_	■ ■ ■ ■ ■ ■ ■ ■
8.	■ ■ ■ ■	_	■ ■ ■ ■ ■ ■ ■ ■
9.	■ ■ ■ ■	_	■ ■ ■ ■ ■ ■ ■ ■
10.	■ ■ ■ ■	_	■ ■ ■ ■ ■ ■ ■ ■

5.2 Slide



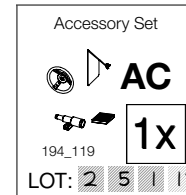
Example

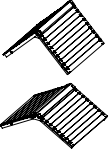
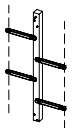
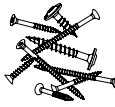
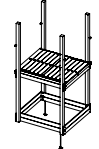
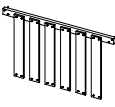
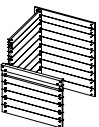
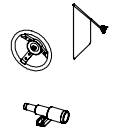
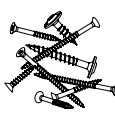


5.3 Assembly packs



Example



<p>Roof Timber 115</p>  <p>RF</p> <p>194_308</p> <div style="border: 1px solid black; padding: 5px; display: inline-block;">1x</div> <p>LOT:</p>	<p>Two Step Ladder</p>  <p>TS</p> <p>194_002</p> <div style="border: 1px solid black; padding: 5px; display: inline-block;">1x</div> <p>LOT:</p>	<p>Hardware 01</p>  <p>BL H01</p> <p>194_101</p> <div style="border: 1px solid black; padding: 5px; display: inline-block;">3x</div> <p>LOT:</p>	<p>Tower 115</p>  <p>BT ET</p> <p>194_300</p> <div style="border: 1px solid black; padding: 5px; display: inline-block;">2x</div> <p>LOT:</p>	<p>Balustrade 140</p>  <p>BL</p> <p>194_501</p> <div style="border: 1px solid black; padding: 5px; display: inline-block;">1x</div> <p>LOT:</p>
<p>Playhouse Panel</p>  <p>PH</p> <p>194_118</p> <div style="border: 1px solid black; padding: 5px; display: inline-block;">1x</div> <p>LOT:</p>	<p>Accessory Set</p>  <p>AC</p> <p>194_119</p> <div style="border: 1px solid black; padding: 5px; display: inline-block;">1x</div> <p>LOT:</p>	<p>Hardware 09</p>  <p>H09</p> <p>194_809</p> <div style="border: 1px solid black; padding: 5px; display: inline-block;">2x</div> <p>LOT:</p>		

6 Hardware Identification

Image	SKU	L
	001_404 001_406 001_411 001_417 001_422	30 mm 45 mm 60 mm 80 mm 137 mm
	001_102	30 mm
	000_101	20 mm
	002_036	16 mm
	002_041	20 mm
	002_042	13 mm
	002_301	40 mm

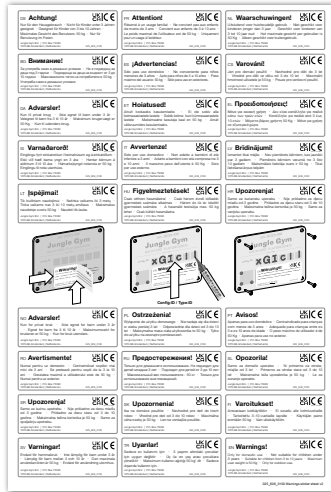
Image	SKU	L
	002_308 002_219 002_220 002_223	20 mm 30 mm 45 mm 80 mm
	003_010	
	003_034	
	004_050	22mm
	022_845 022_846 022_847 022_848	Yellow Blue Green Red
	023_031	White
	022_844	
	022_314	
	120_005	White

output: 25/05/23

7 Product ID



103_901



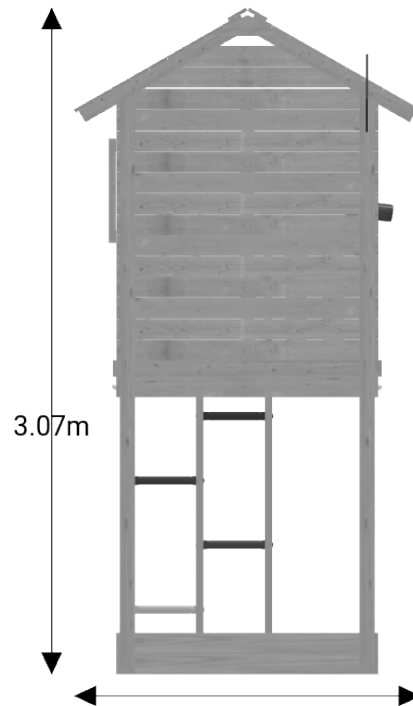
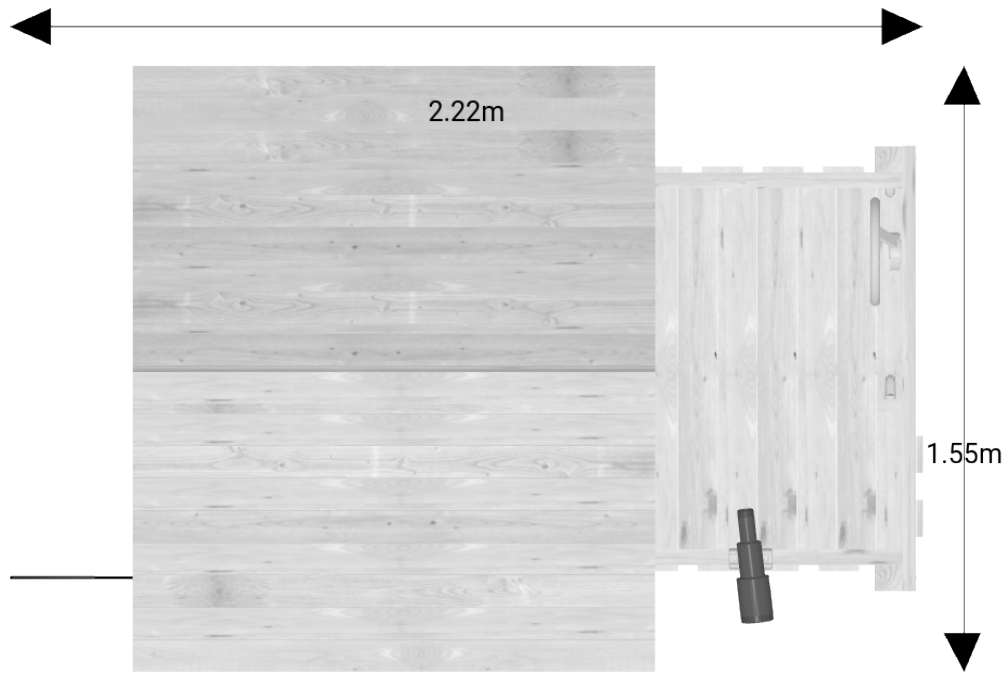
025_806



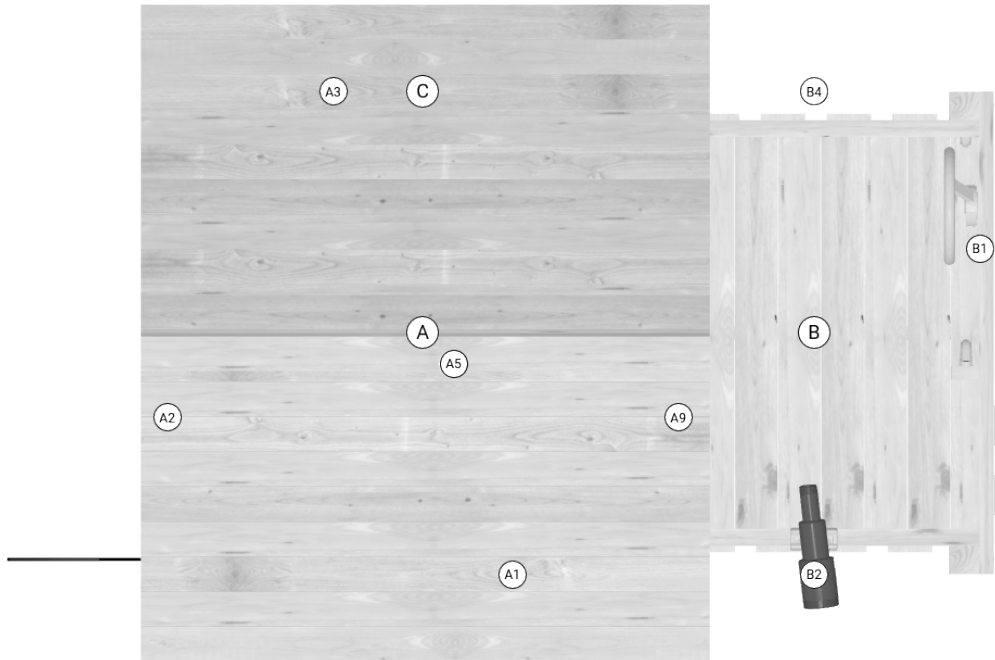
7.1 Your config ID: 5FkZrQ



8 Dimensions



9 Assembly Planning



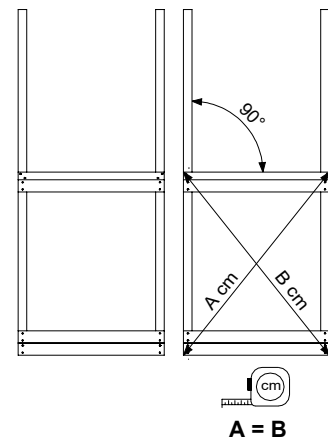
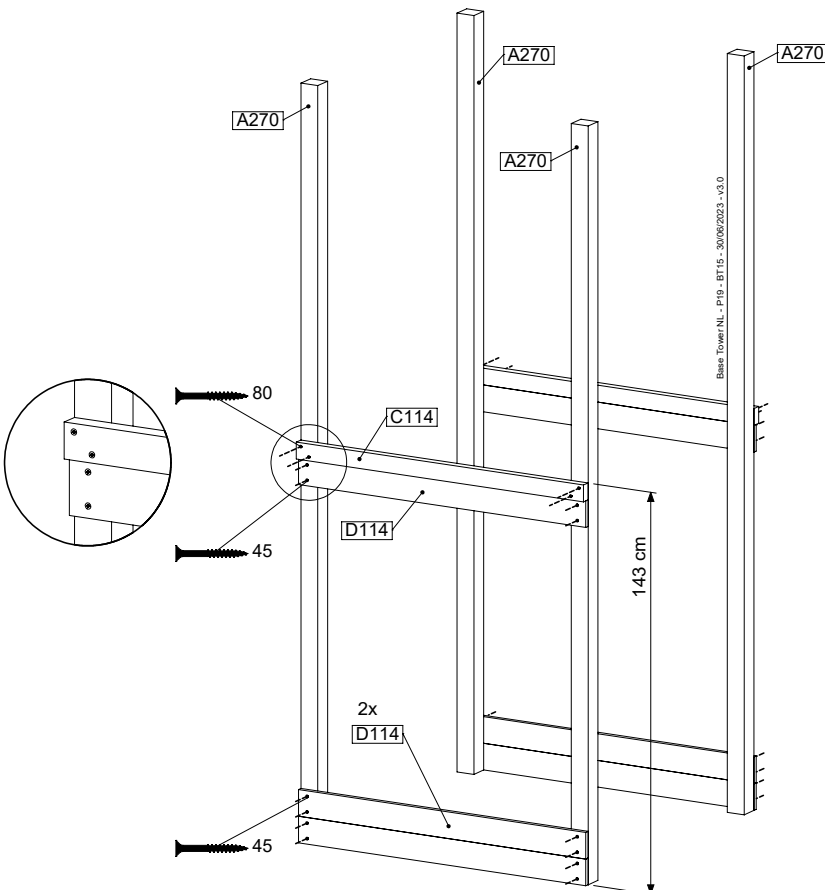
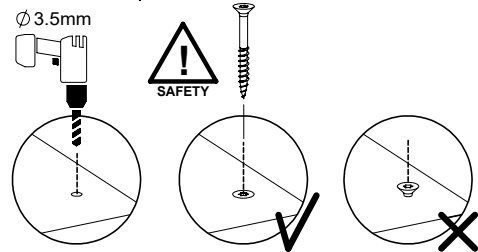
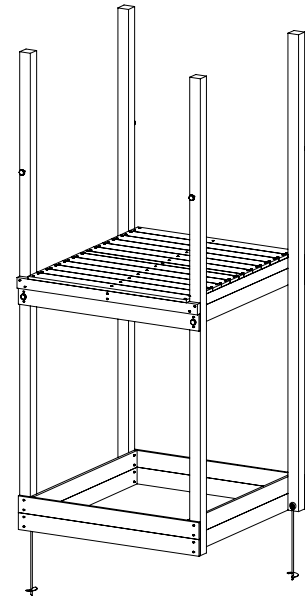
	ID			A	B	C
1	BT15a		p.15	✓	-	-
2	ET07a		p.18	-	✓	-
3	BL01a		p.21	-	B2, B4	-
4	RF09a		p.22	A5	-	-
5	PH10a		p.25	A2	-	-
6	PH11a		p.26	A1	-	-
7	PH19a		p.27	-	-	✓
8	PH31a		p.30	A5	-	-
9	TS12a		p.32	-	B1	-
10	GA		p.36	✓	✓	-
11	AC01a		p.38	✓	-	-

10 BT15a: Base Tower 115 145cm 270270

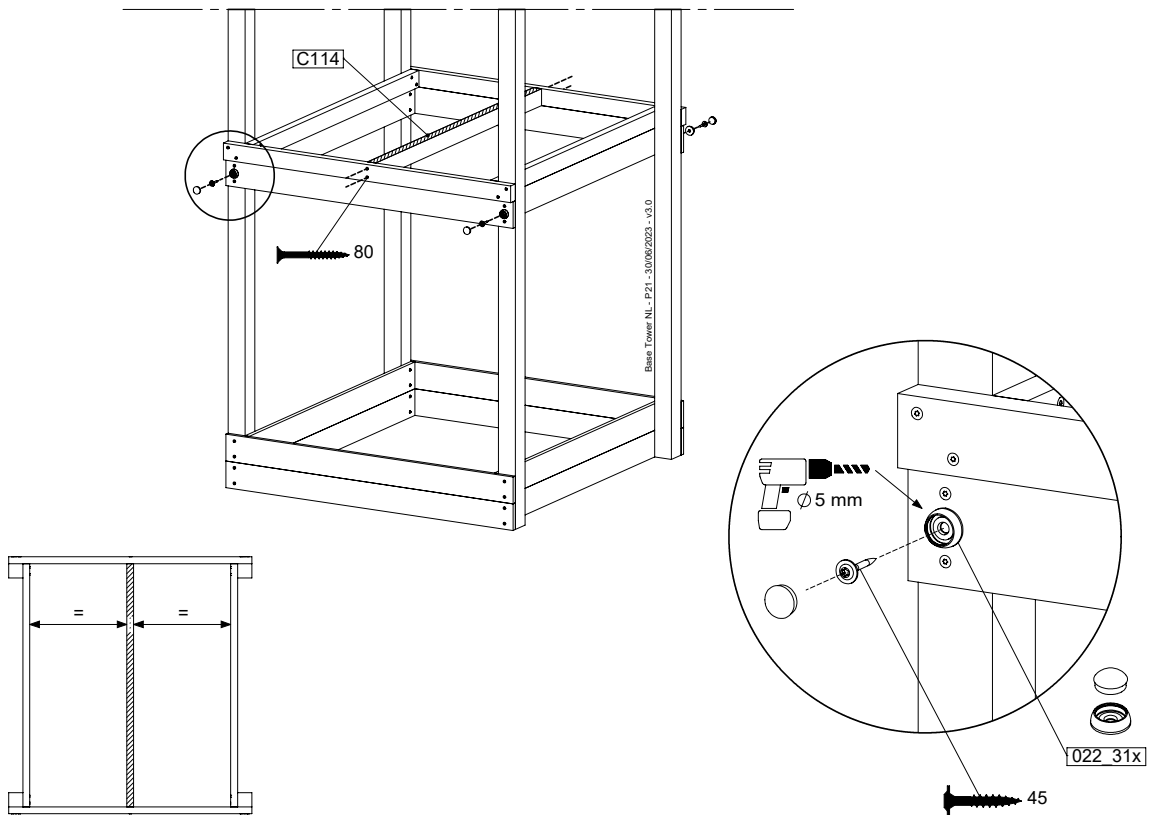
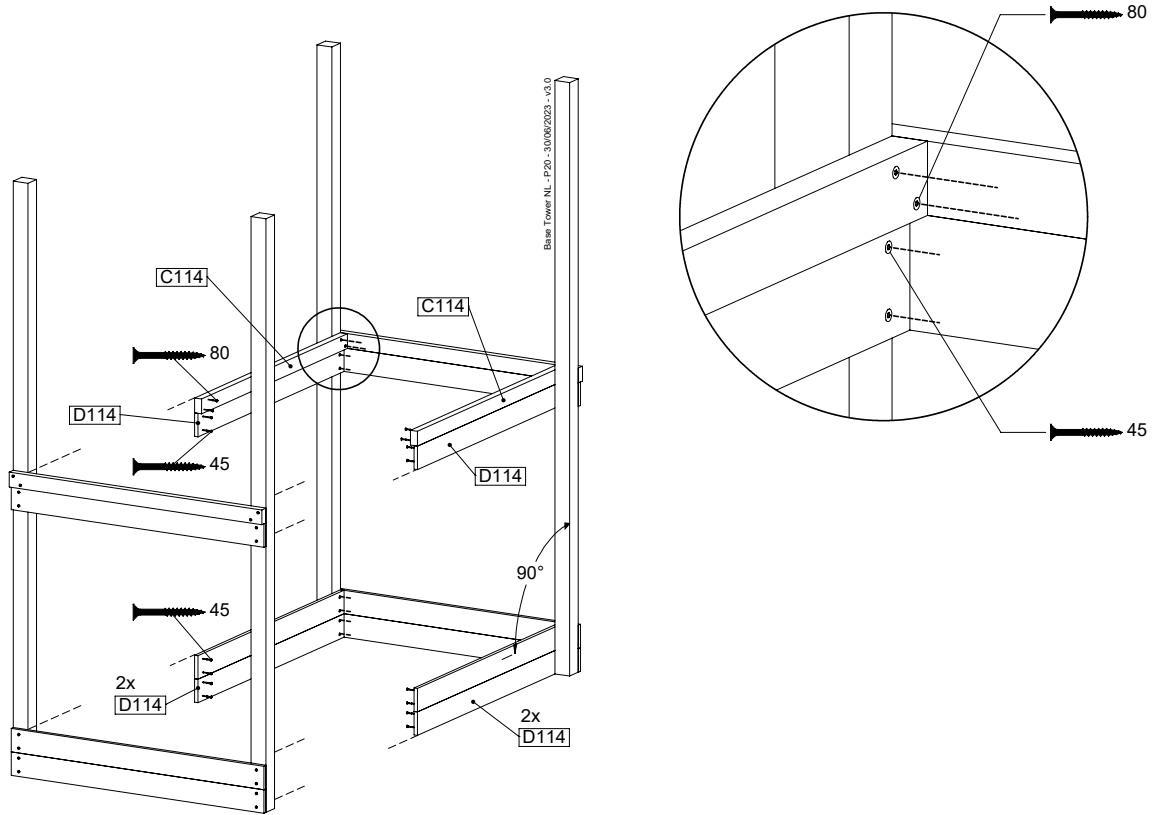
(194_300)

	PartNo	PartName	QTY.
Hardware Pack	001_406	Stealth Screw 8x45	6
	001_417	Stealth Screw 8x80	4
	002_220	Gap Point Screw T25 - 5x45	118
	002_223	Gap Point Screw T25 - 5x80	20
	022_31x	bpc-base version 3	8
	022_84x	bpc cover	8
Other	007_001	Ground-anchor	2
Timber	A270	Post 70x70 L2700	4
	C114	Beam 1140 mm	5
	D100	Board 1000 mm	14
	D114	Board 1140 mm	12

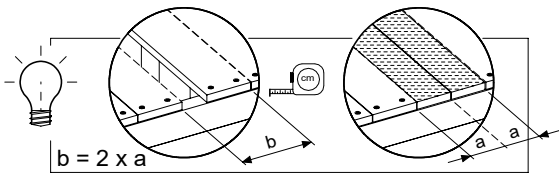
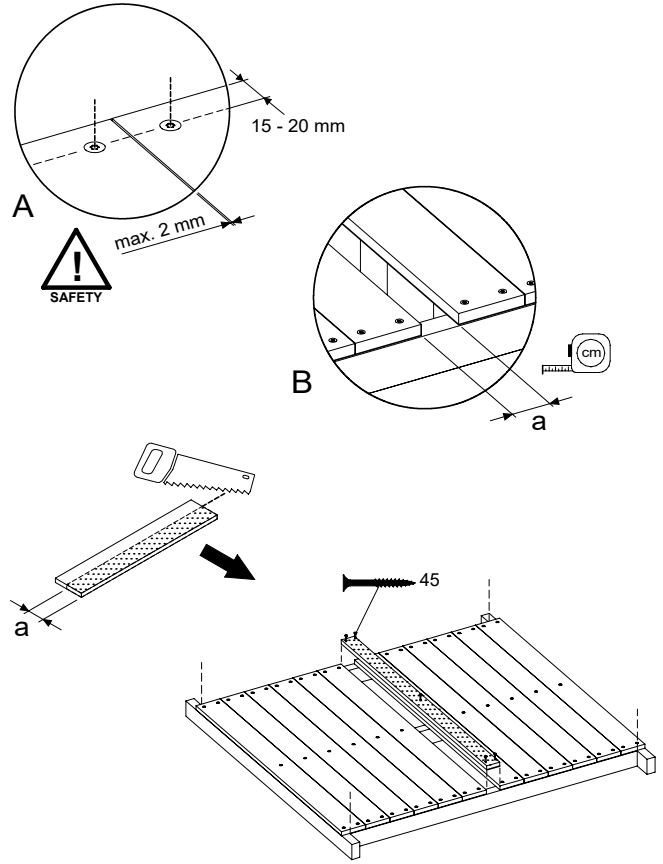
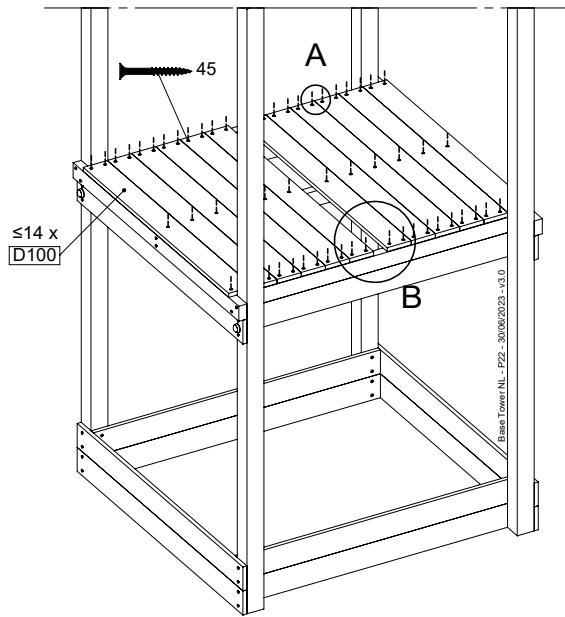
Base Tower.NL - P10 - BT15 - 300002023 - v3.0



10.1



10.2

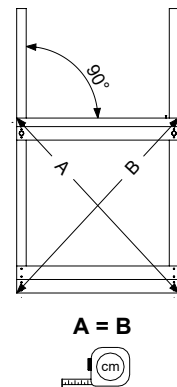
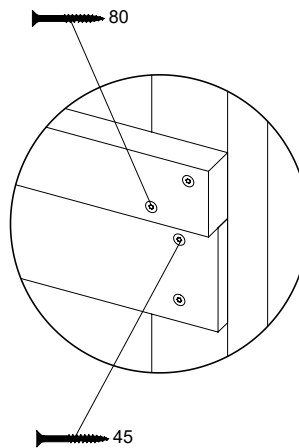
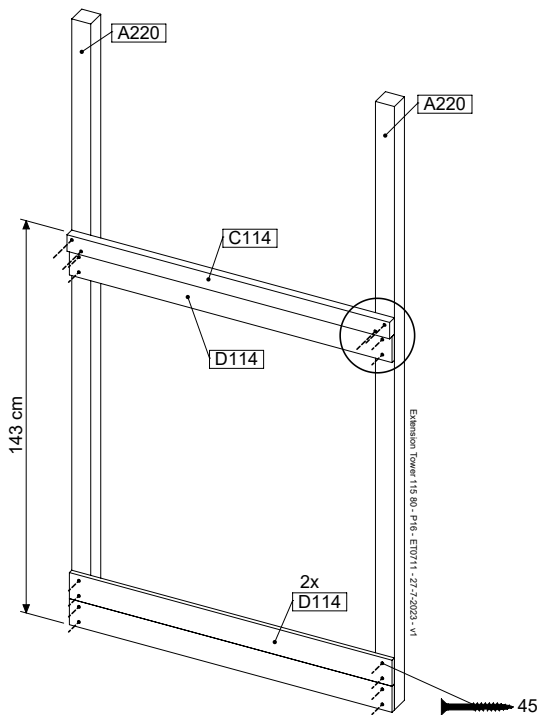
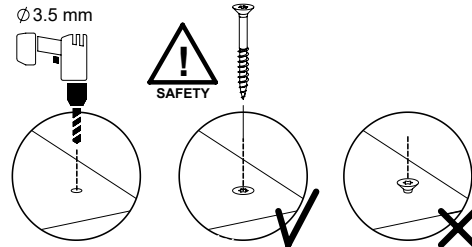
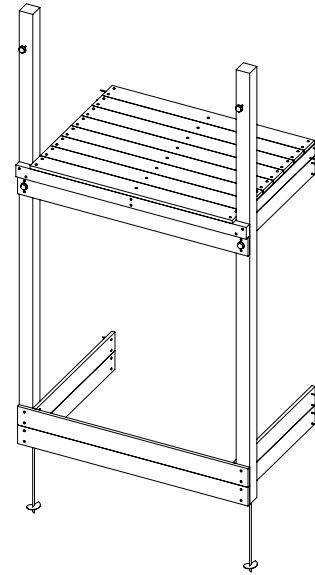


11 ET07a: Extension Tower 11580 220/145

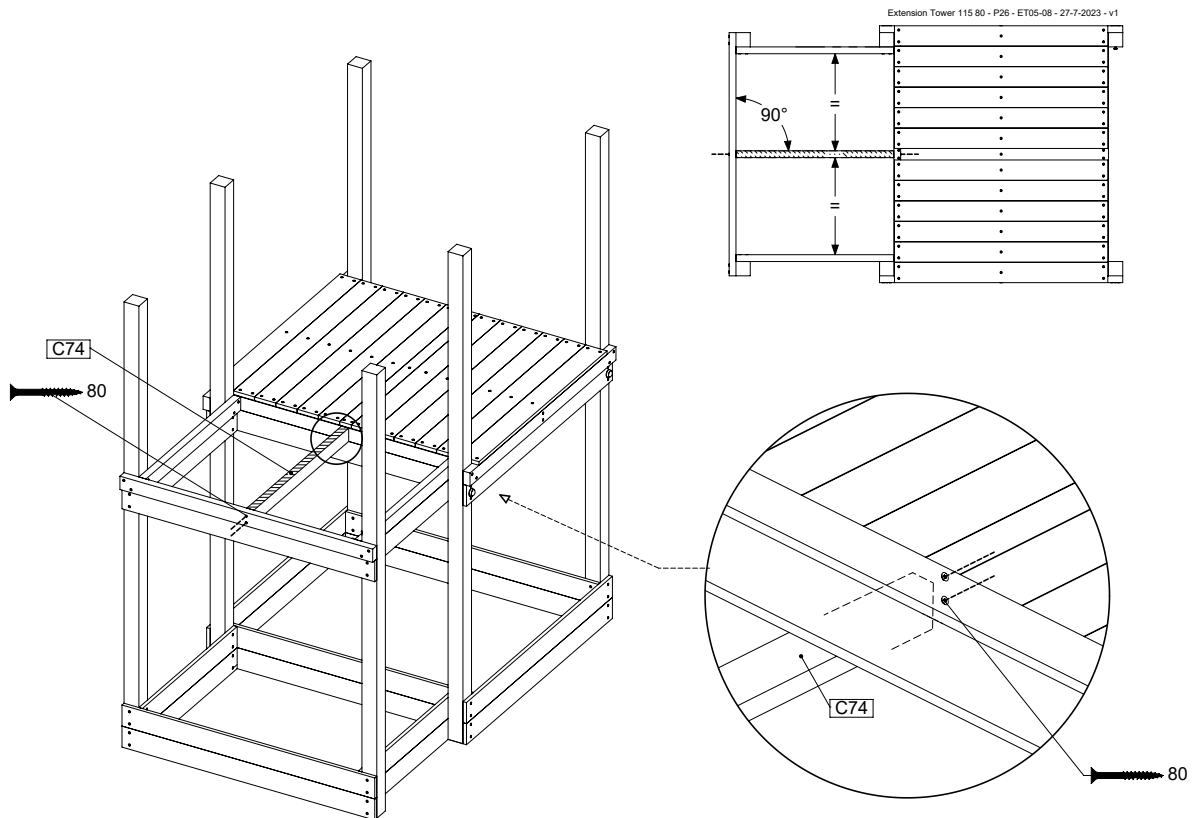
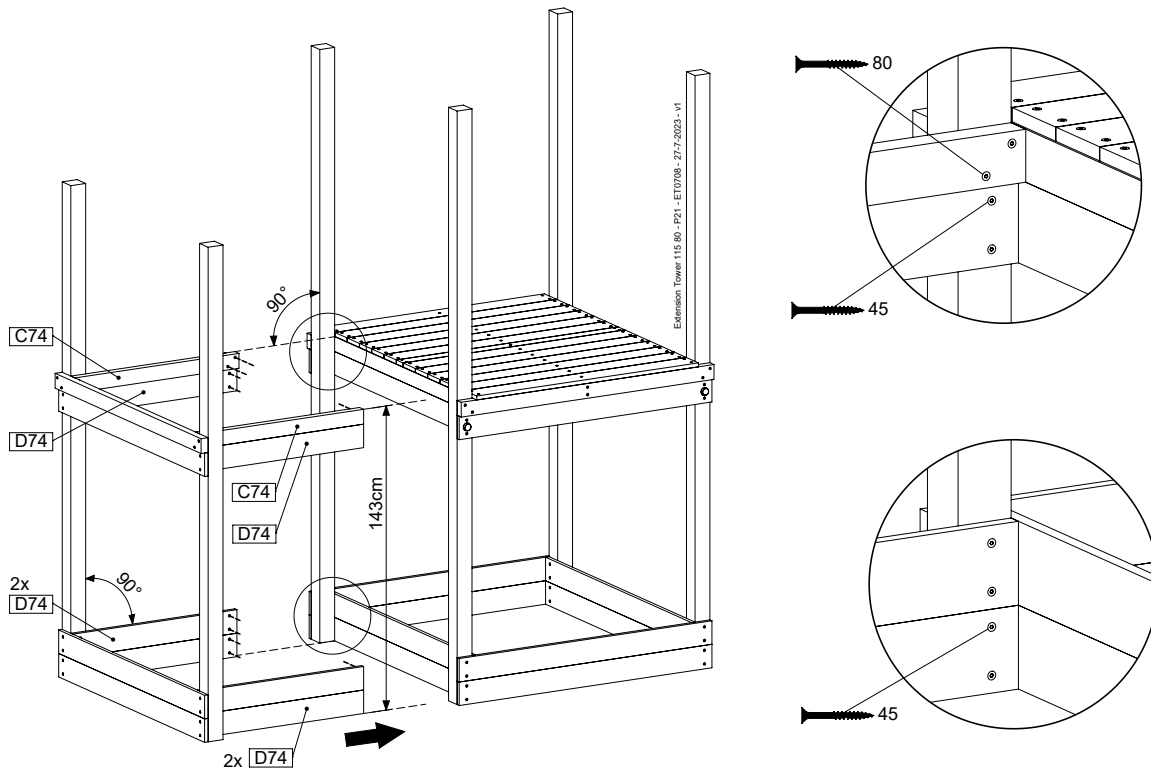
(194_300)

	PartNo	PartName	QTY.
Hardware pack	001_406	Stealth Screw 8x45	4
	001_417	Stealth Screw 8x80	2
	002_220	Gap Point Screw T25 - 5x45	81
	002_223	Gap Point Screw T25 - 5x80	16
Other	007_001	Ground-anchor	2
	022_31x	bpc-base version 3	4
	022_84x	bpc cover	4
Timber	A220	Post 70x70 L2200	2
	C74	Beam 740 mm	3
	C114	Beam 1140 mm	1
	D74	Board 740 mm	6
	D100	Board 1000 mm	9
	D114	Board 1140 mm	3

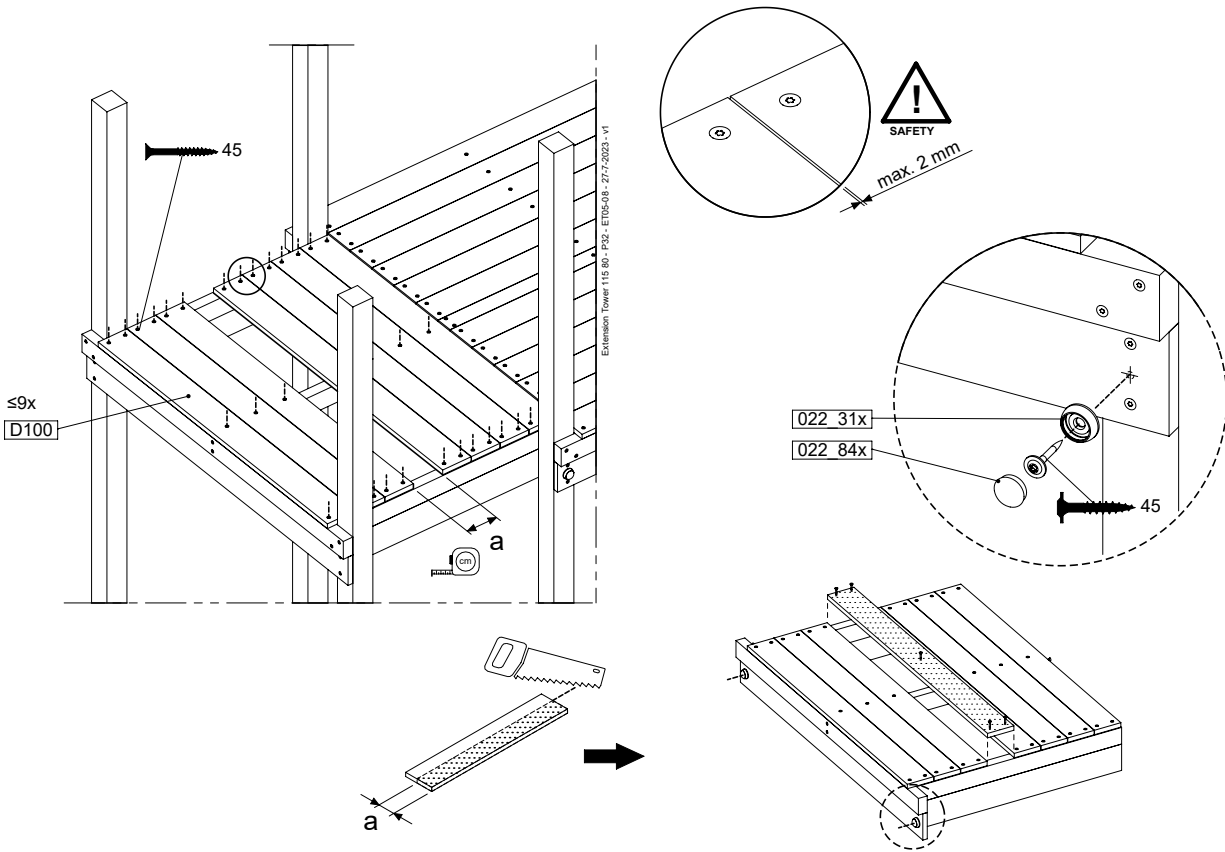
Extension Tower 11580 - POM+ ET07 - Z7-Z-2023 - v1



11.1



11.2

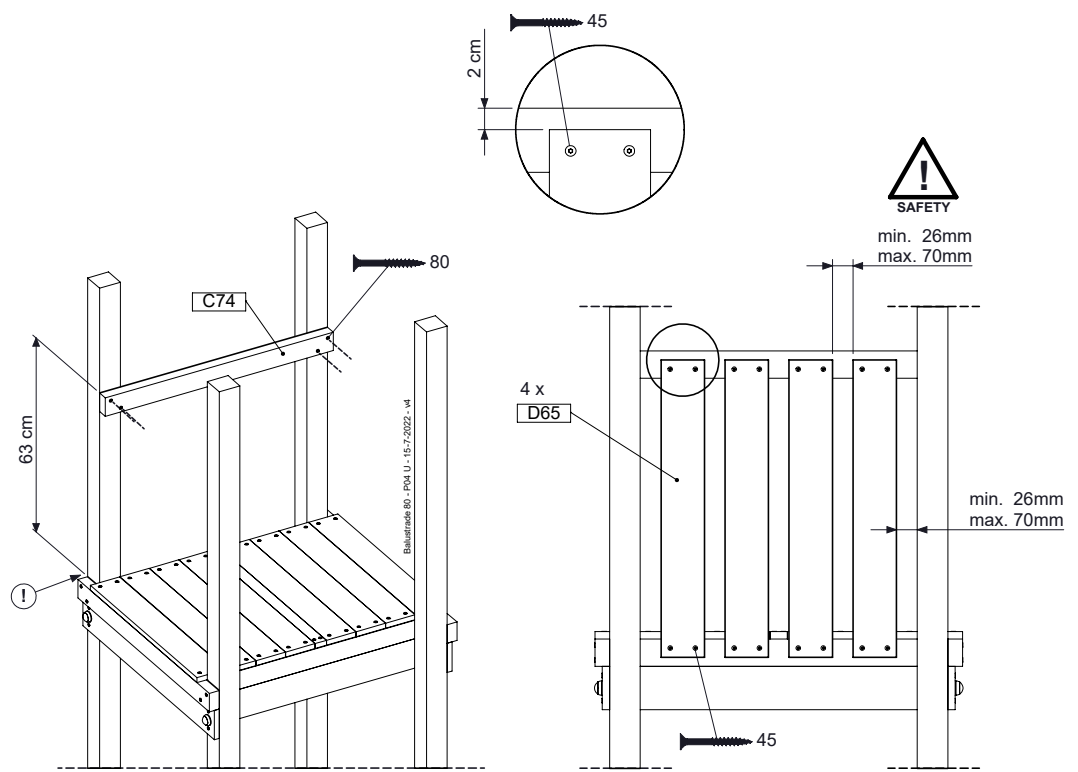
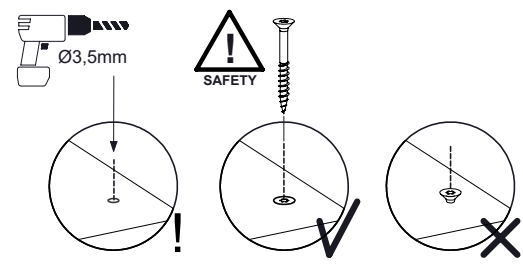
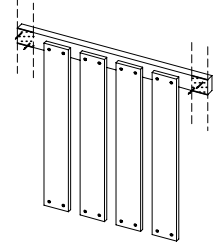


12 BL01a: Balustrade 80 U - 7x7 posts

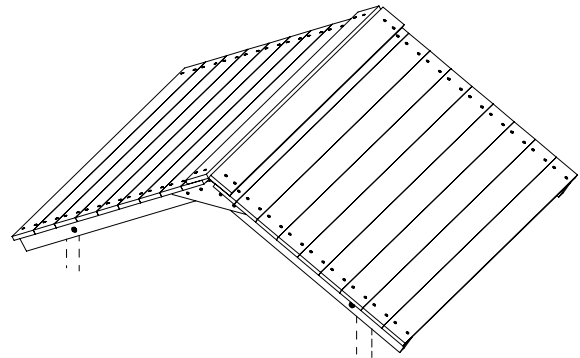
(194_101)

	PartNo	PartName	QTY.
Hardware Pack	002_220	Gap Point Screw T25 - 5x45	16
	100_601	Gap Point Screw T25 - 5x80	4
Timber	C74	Beam 740 mm	1
	D65	Board 650 mm	4

Balustrade 80 - P04 U - 15-7-2022 - v4



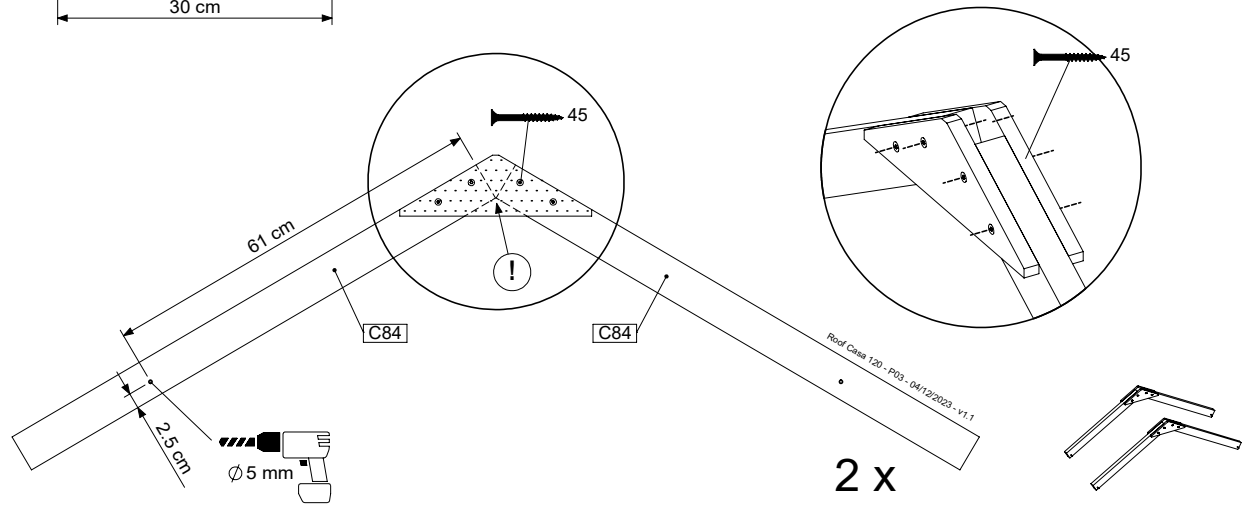
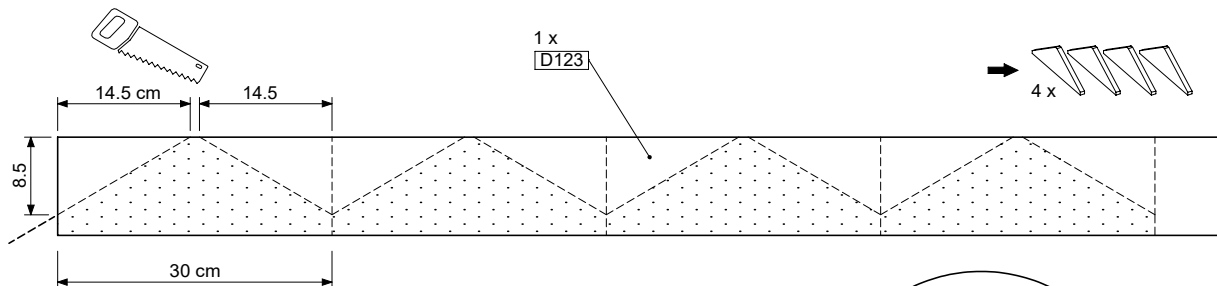
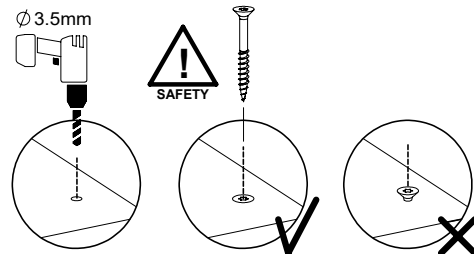
13 RF09a: Roof Timber Slope 115



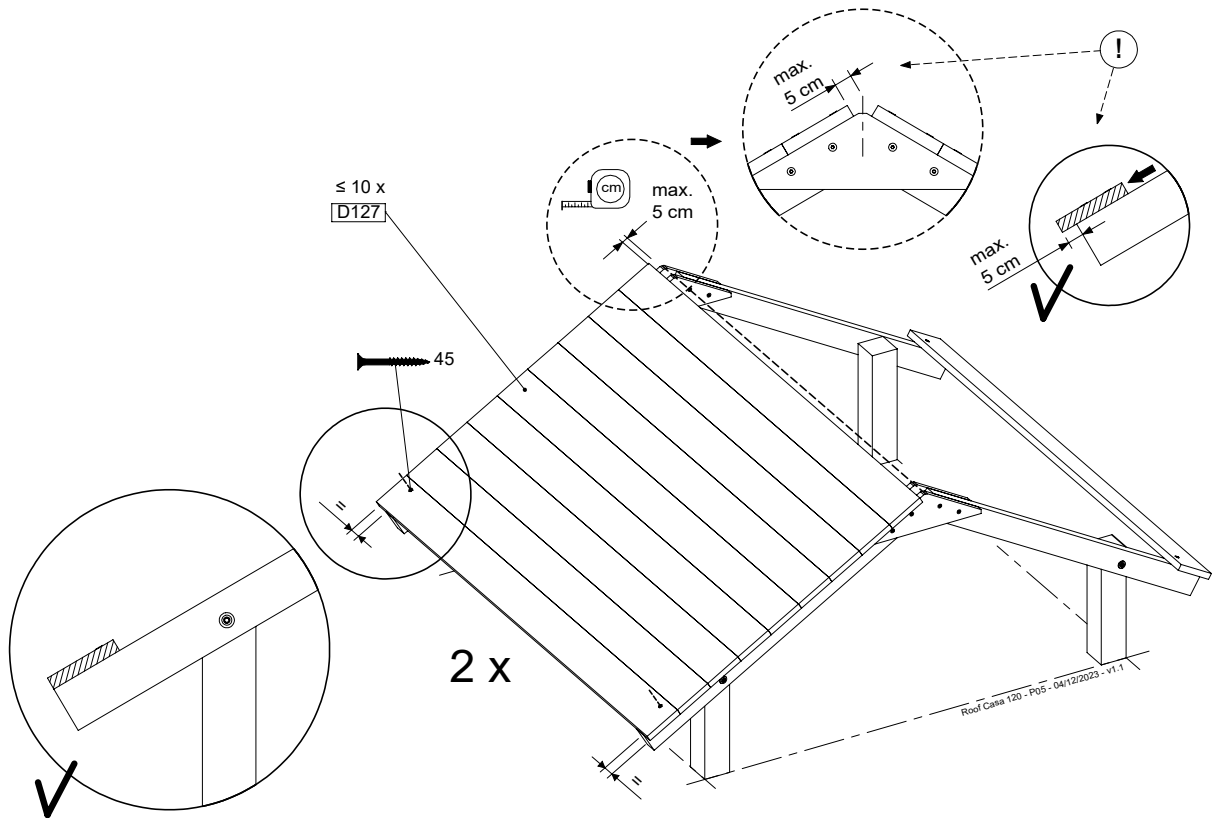
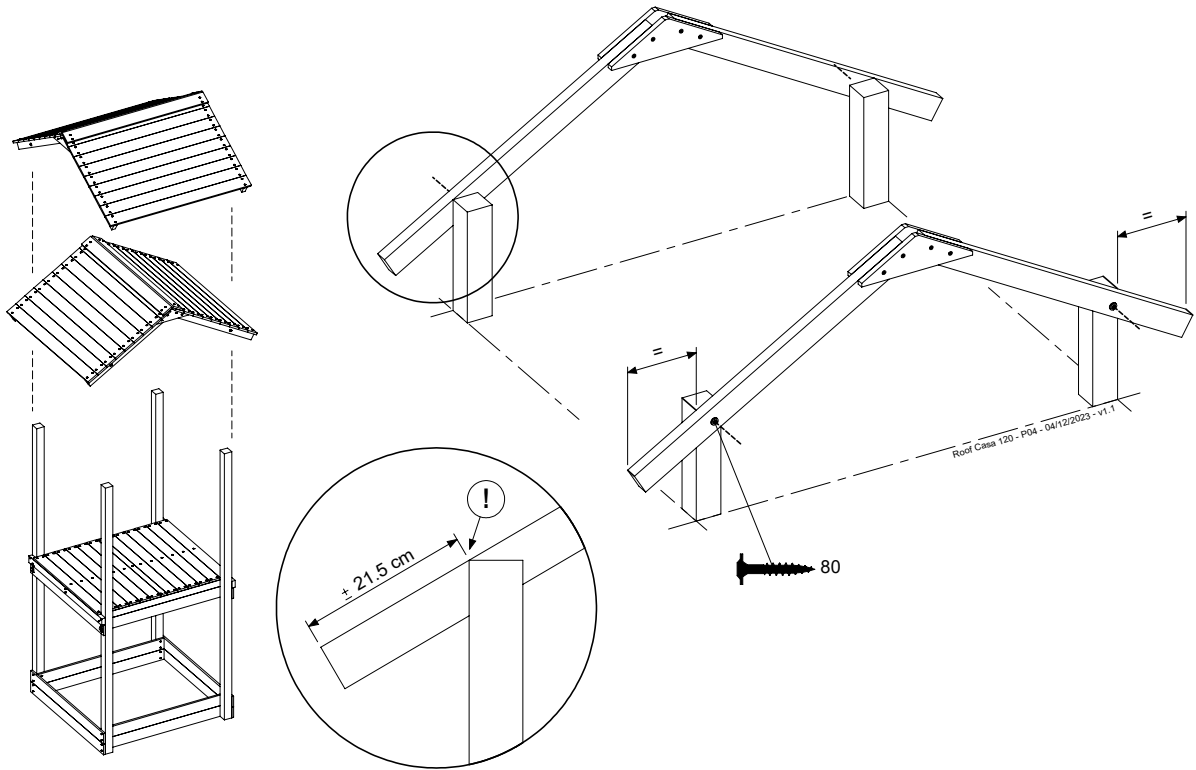
(194_308)

	PartNo	PartName	QTY.
Hardware Pack	001_417	Stealth Screw 8x80	4
	002_220	Gap Point Screw T25 - 5x45	96
	002_223	Gap Point Screw T25 - 5x80	8
Timber	C84	Beam 840 mm	4
	D127	Board 1270 mm	19-23

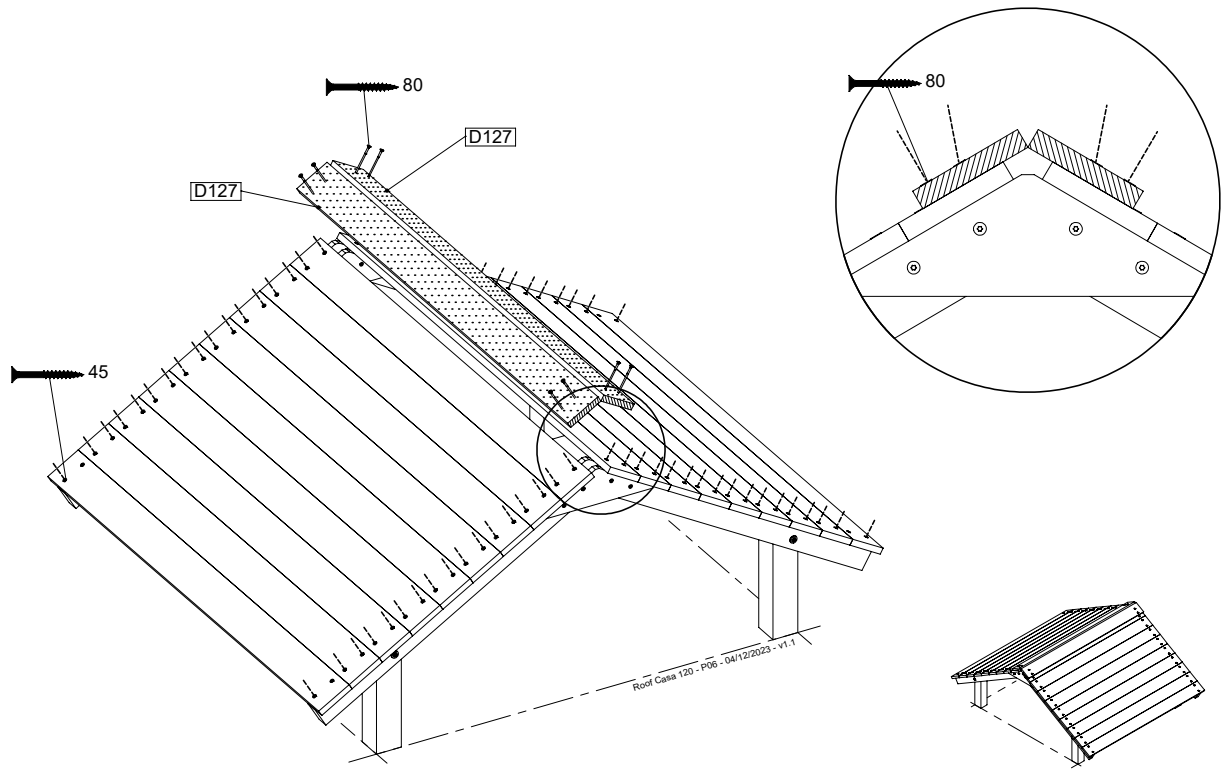
Roof Case 120 - P102 - 04/12/2023 - v1.1



13.1



13.2

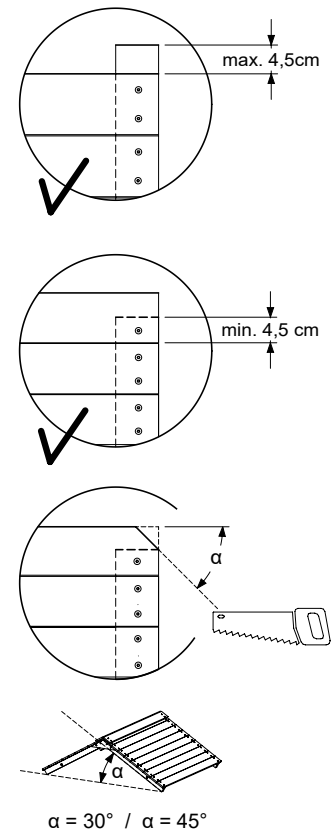
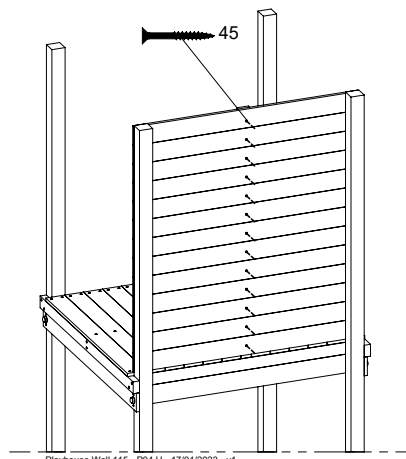
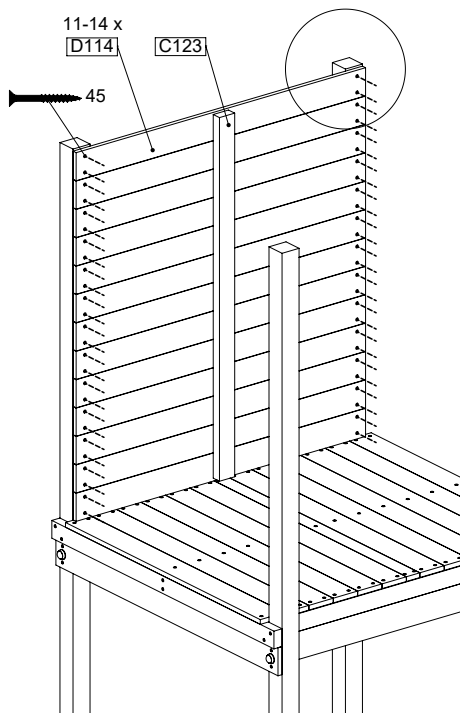
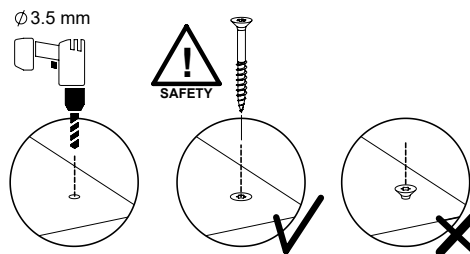
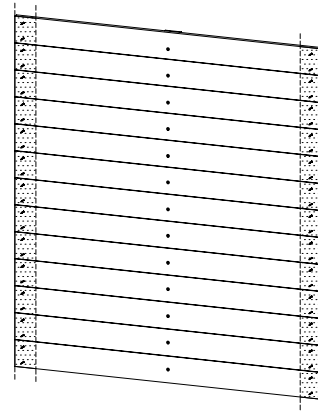


14 PH10a: Playhouse Wall Panel 115 U

(194_809)

	PartNo	PartName	QTY.
Hardware Pack	002_220	Gap Point Screw T25 - 5x45	70
Timber	C123	Beam 1230 mm	1
	D114	Board 1140 mm	14

Playhouse Wall 115 - P04 U - 17/04/2023 - v1

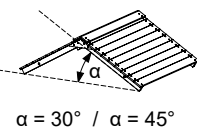
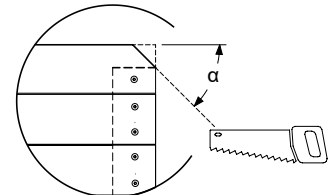
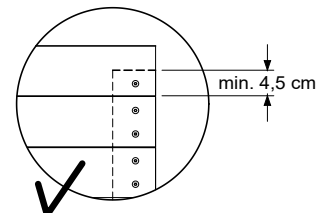
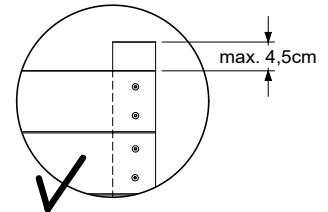
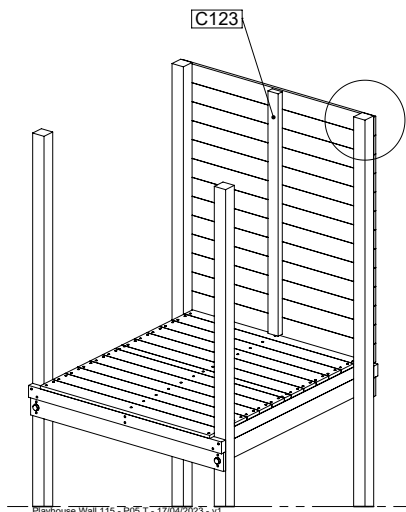
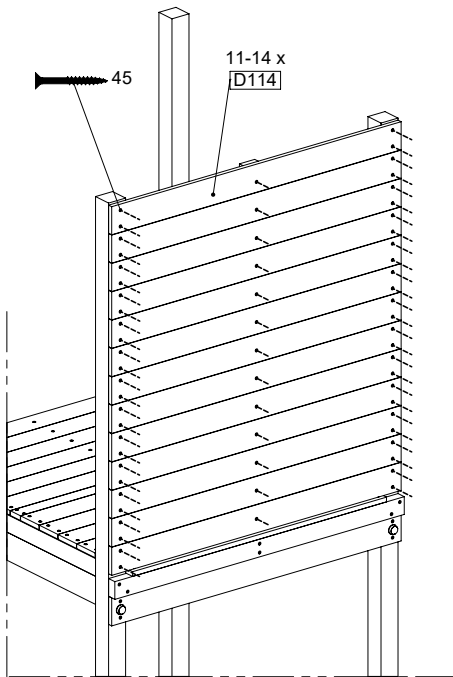
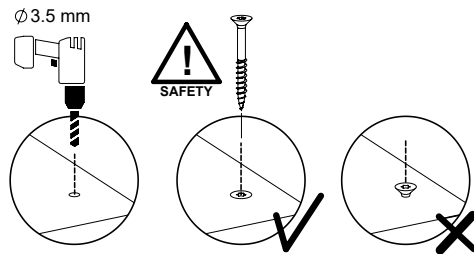
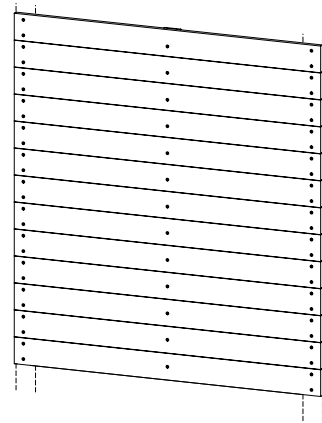


15 PH11a: Playhouse Wall Panel 115 T

(194_809)

	PartNo	PartName	QTY.
Hardware Pack	002_220	Gap Point Screw T25 - 5x45	70
Timber	C123	Beam 1230 mm	1
	D114	Board 1140 mm	14

Playhouse Wall 115 - P03 T - 17/04/2023 - v1



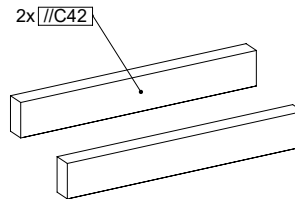
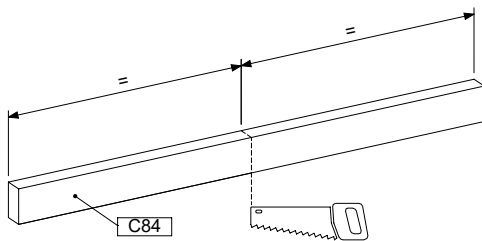
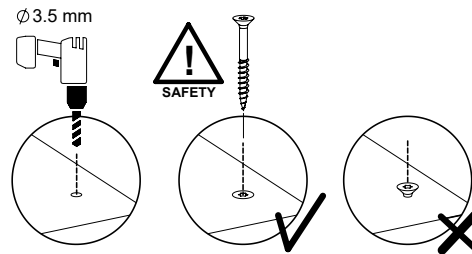
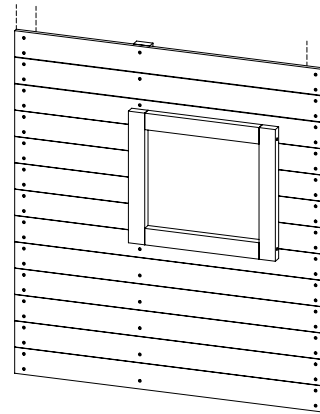
$\alpha = 30^\circ / \alpha = 45^\circ$

16 PH19a: Playhouse Window Panel 115 TR

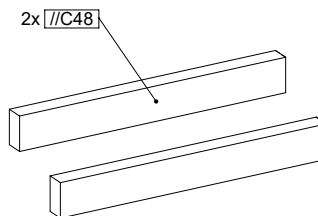
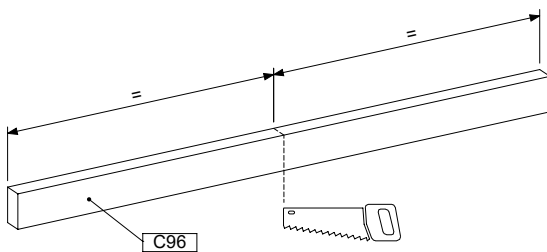
(194_118)

	PartNo	PartName	QTY.
Hardware Pack	002_220	Gap Point Screw T25 - 5x45	90
	002_223	Gap Point Screw T25 - 5x80	4
Timber	C84	Beam 840 mm	1
	C96	Beam 960 mm	2
	D21	Board 210 mm	4
	D47	Board 470 mm	4
	D114	Board 1140 mm	10

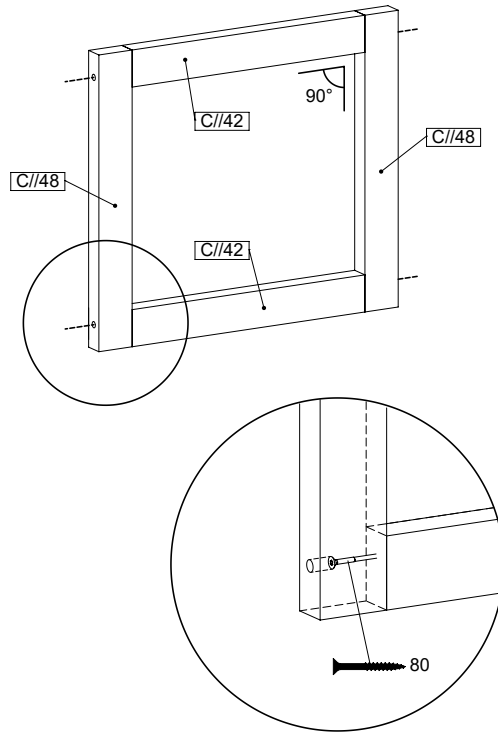
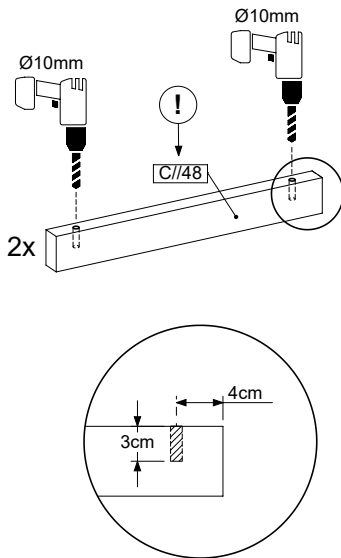
Playhouse Window 115 - P05 TR - 6-6-2023 - v1



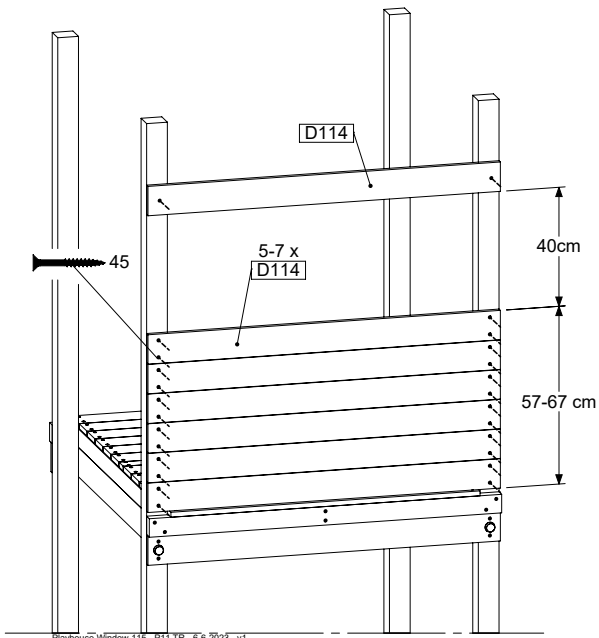
Playhouse Window 115 - P06 uni. - 6-6-2023 - v1



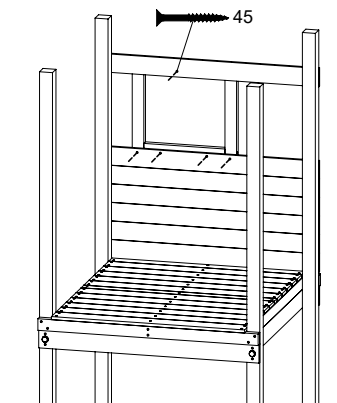
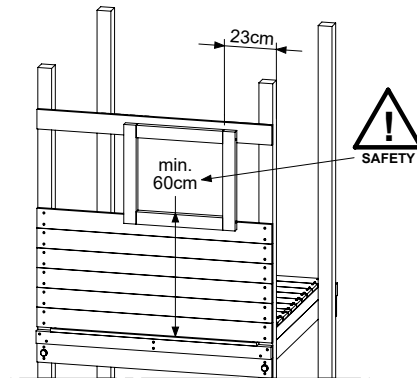
16.1



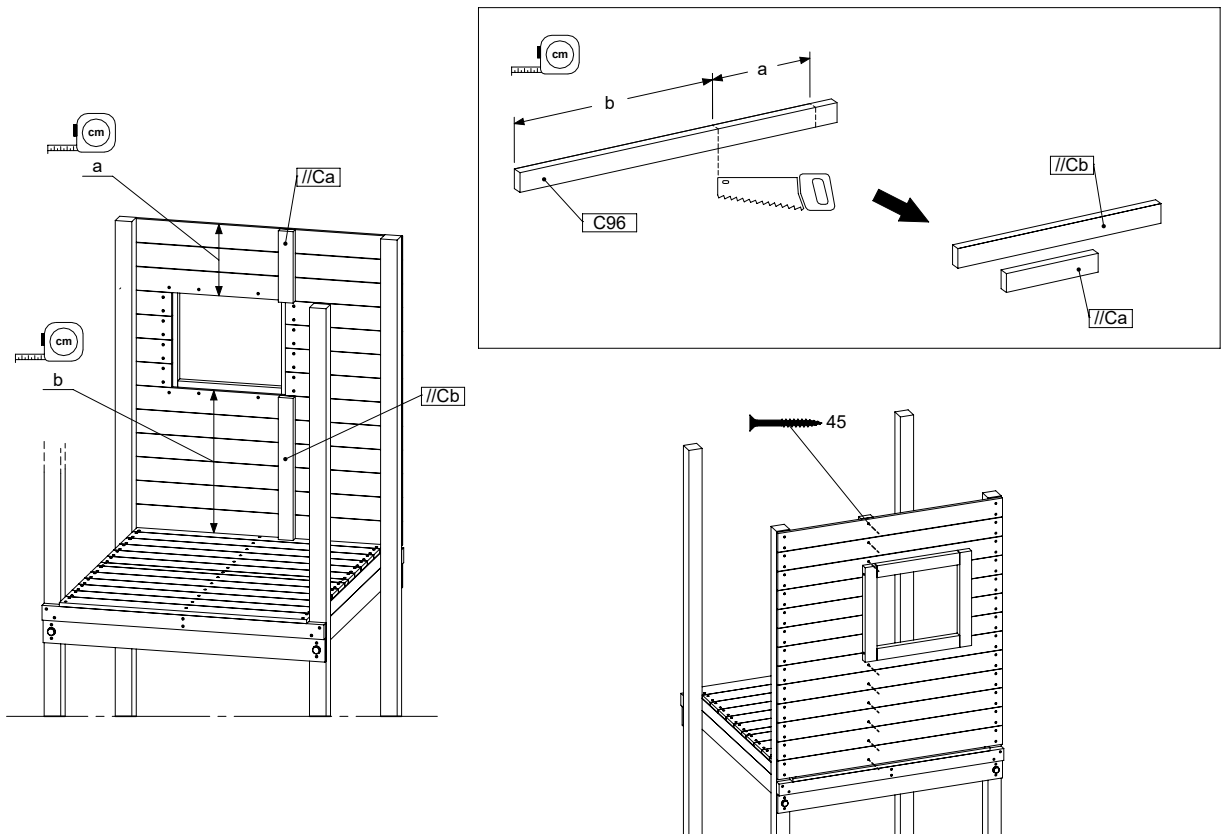
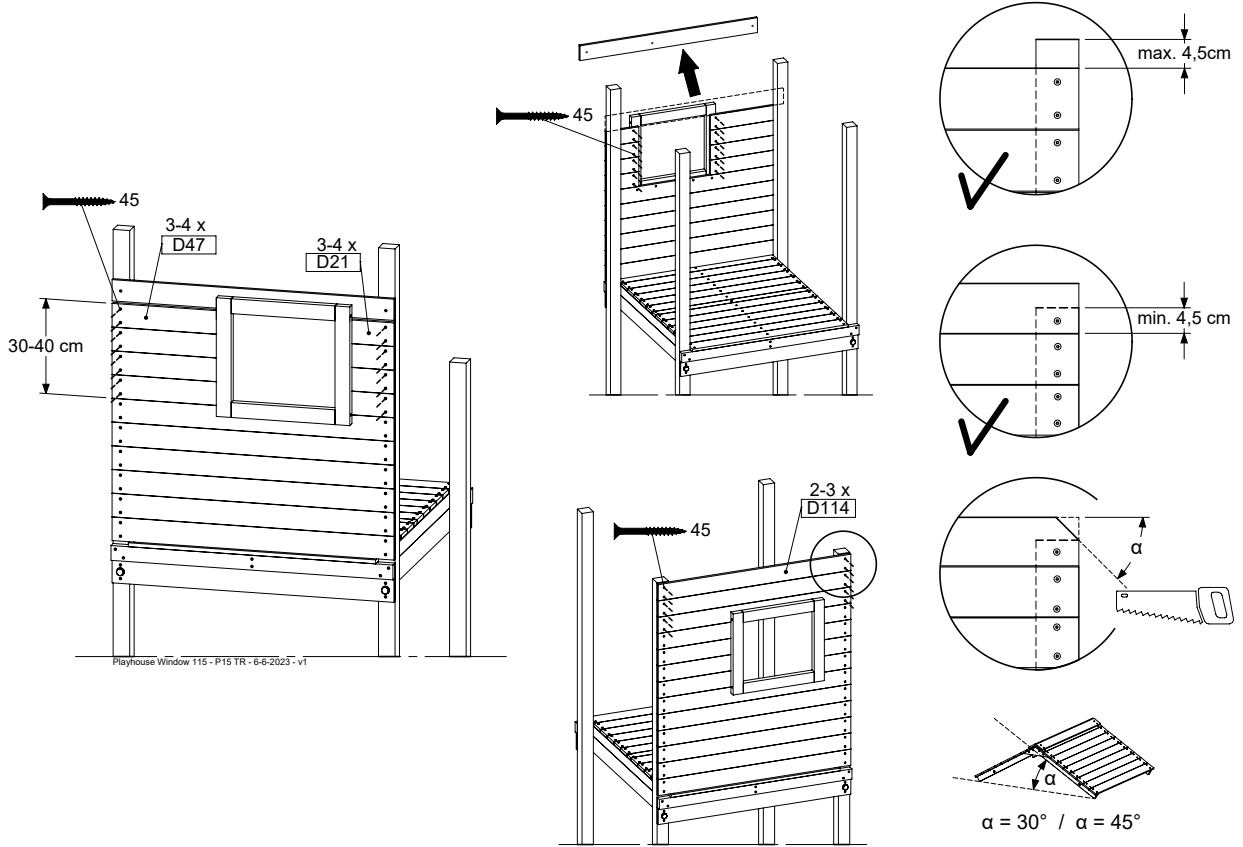
Playhouse Window 115 - P11 TR - 6-6-2023 - v1



Playhouse Window 115 - P11 TR - 6-6-2023 - v1



16.2

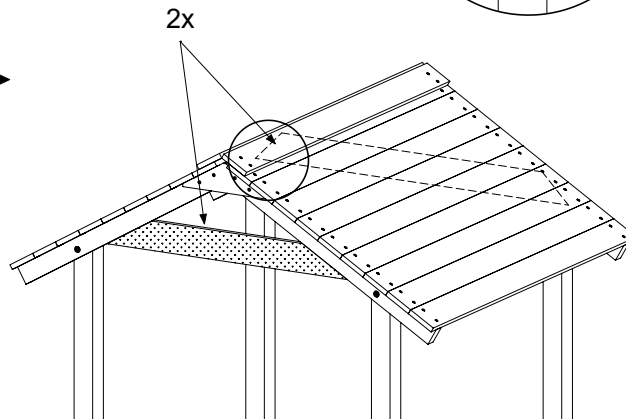
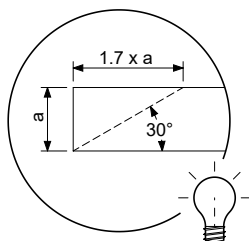
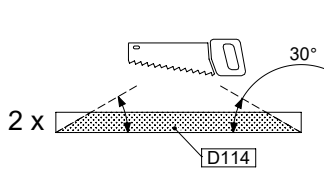
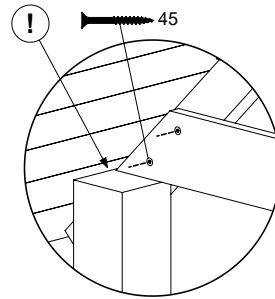
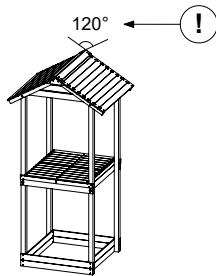
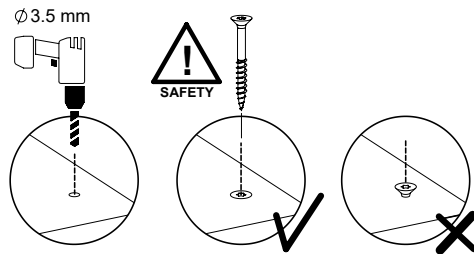
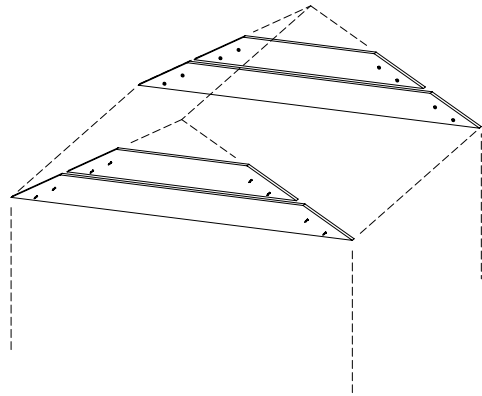


17 PH31a: Playhouse Roof Panels 115 120deg

(194_501)

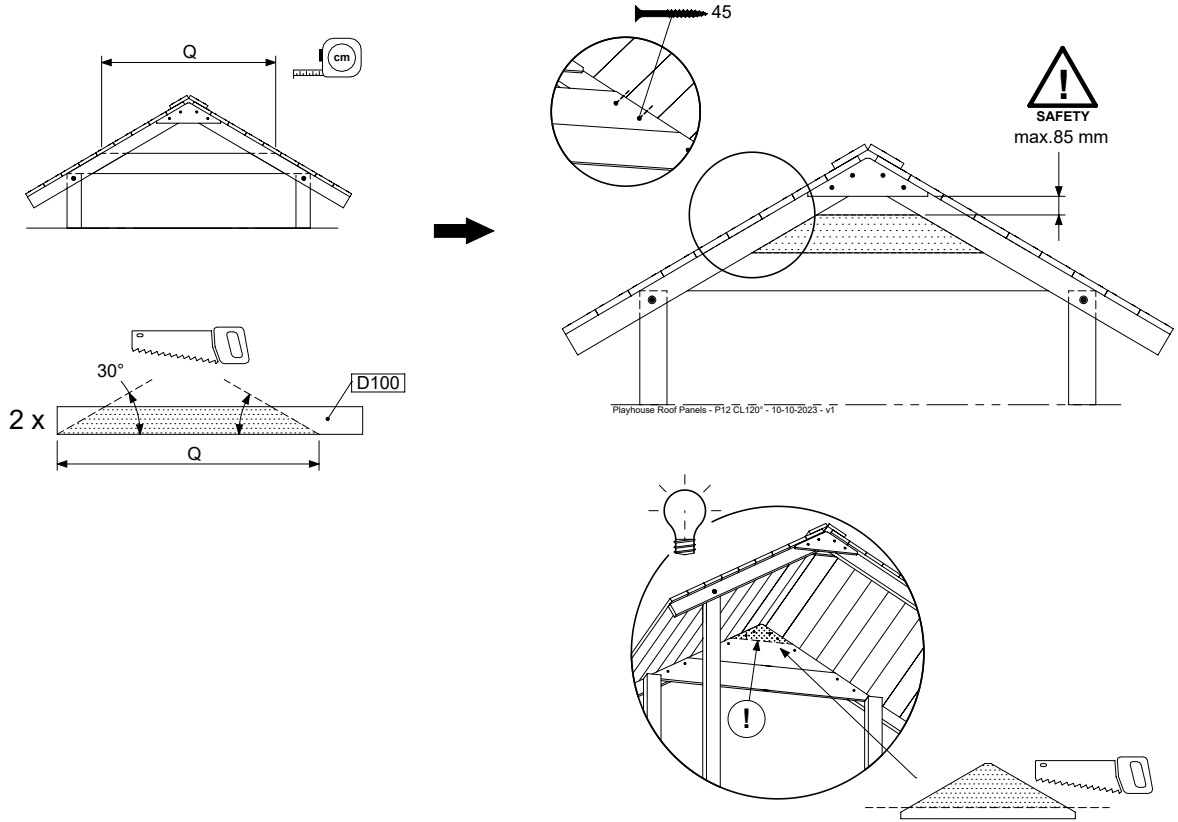
	PartNo	PartName	QTY.
Hardware Pack	002_220	Gap Point Screw T25 - 5x45	24
Timber	D65	Board 650 mm	2
	D100	Board 1000 mm	2
	D114	Board 1140 mm	2

Playhouse Roof Panels - PH31 CL120° - 10-10-2023 - v1



Playhouse Roof Panels - PH31 CL120° - 10-10-2023 - v1

17.1

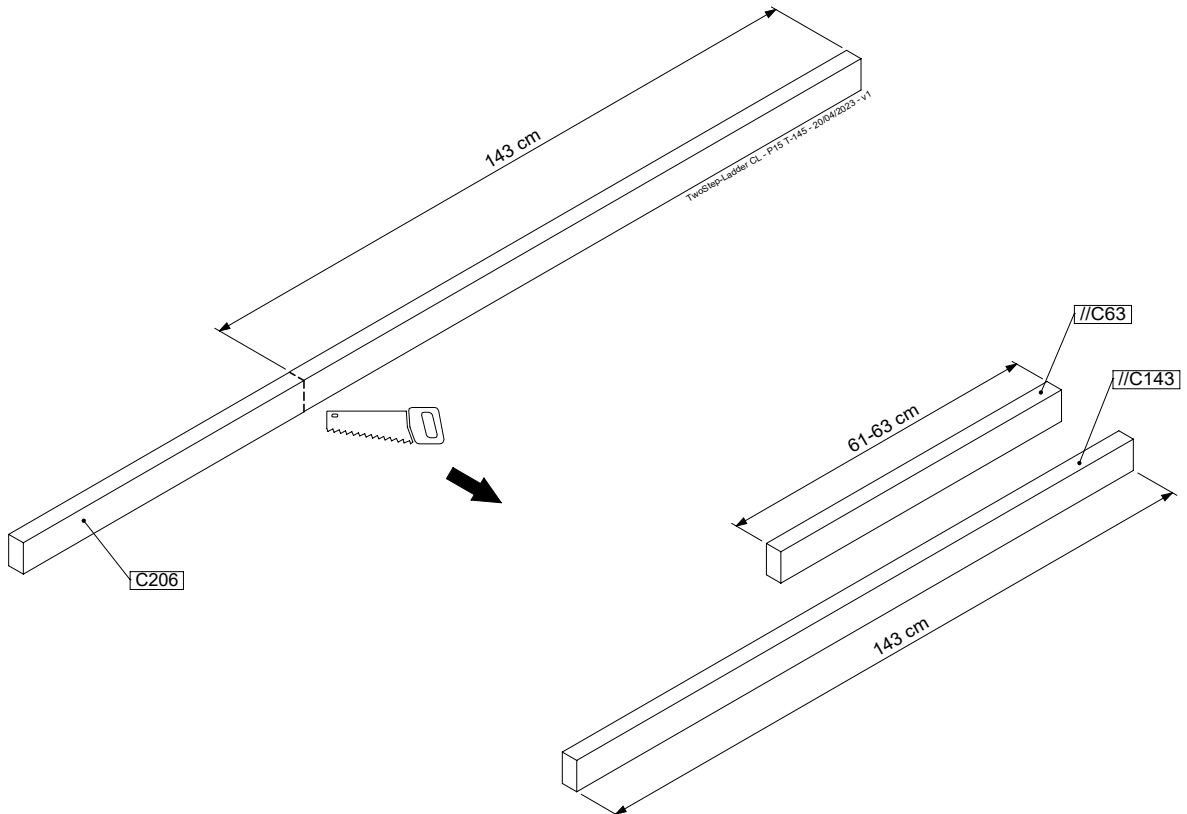
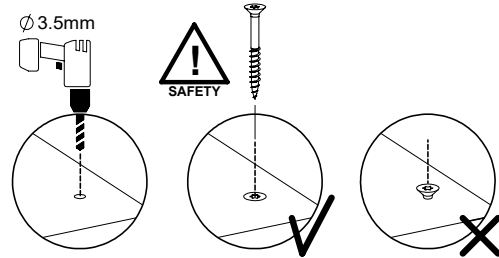
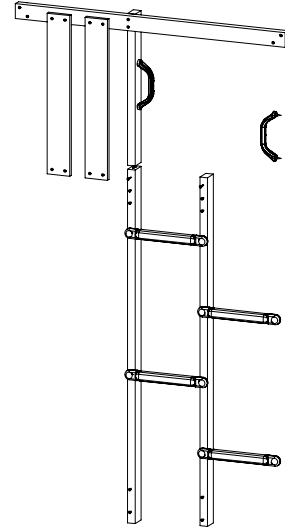


18 TS12a: Two Step 115 145 T Right

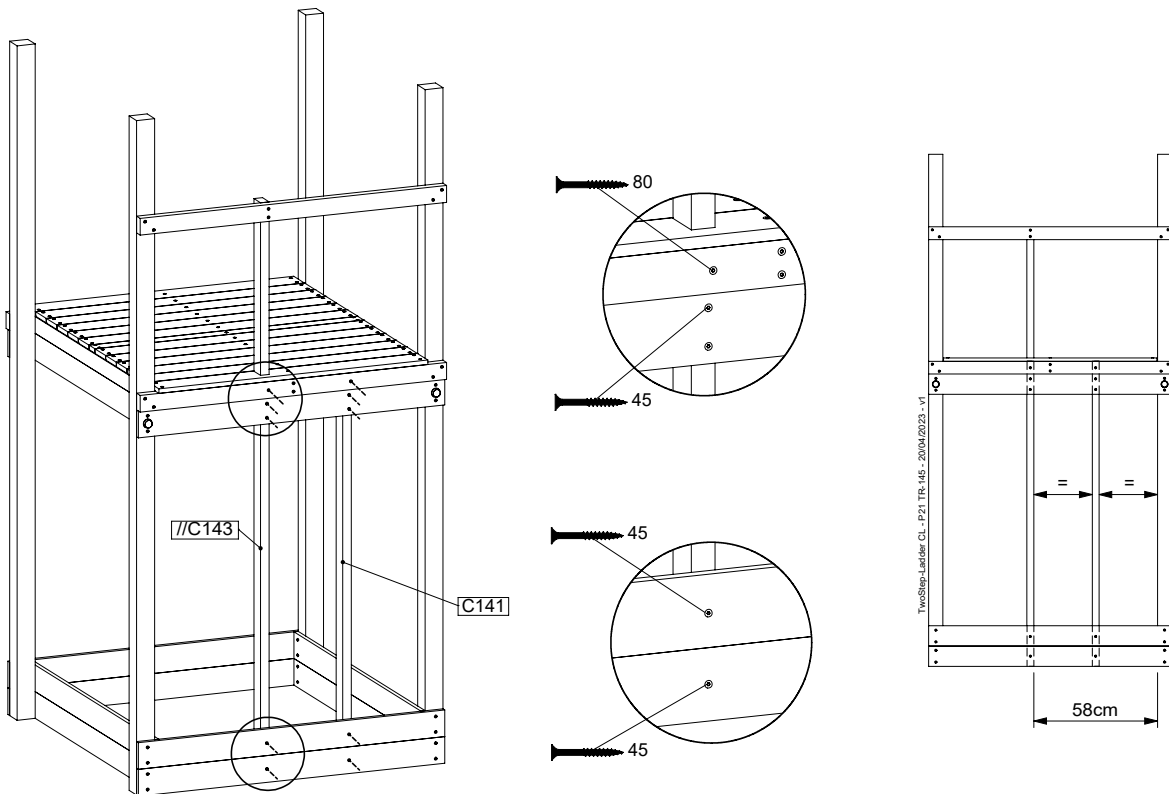
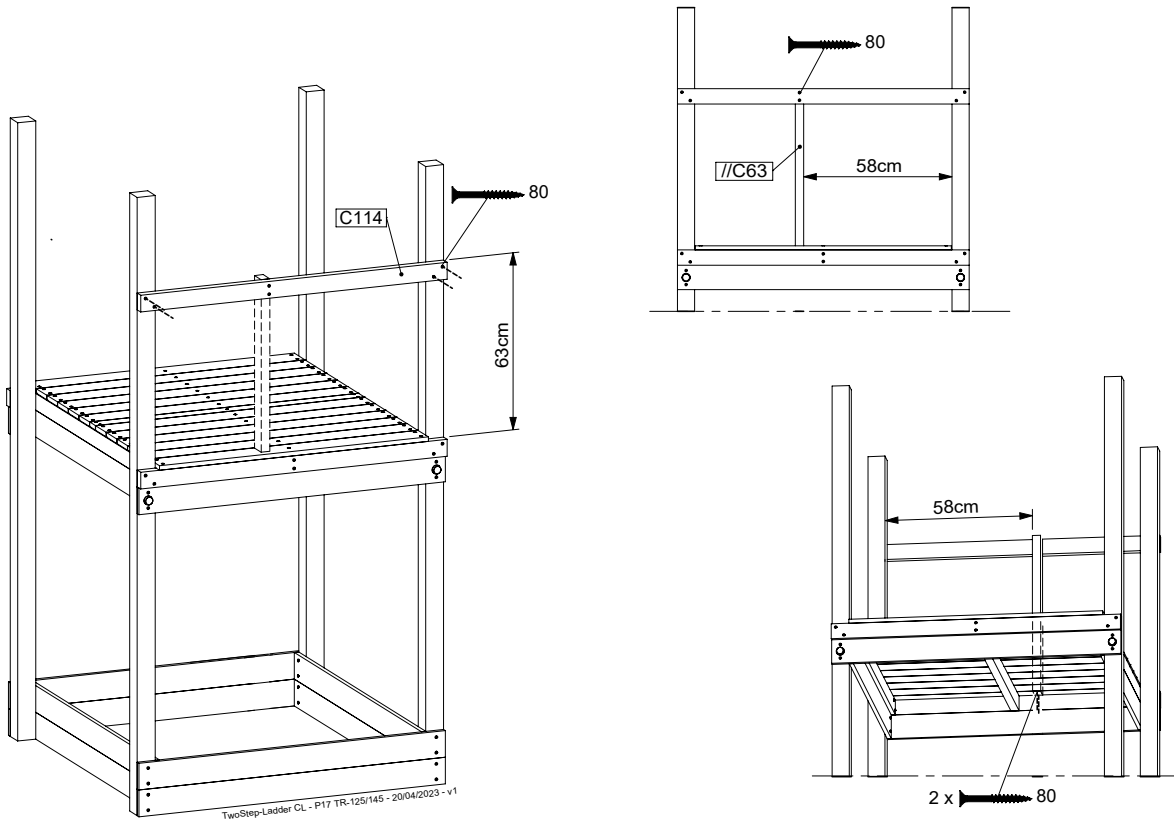
(194_002 + 194_101)

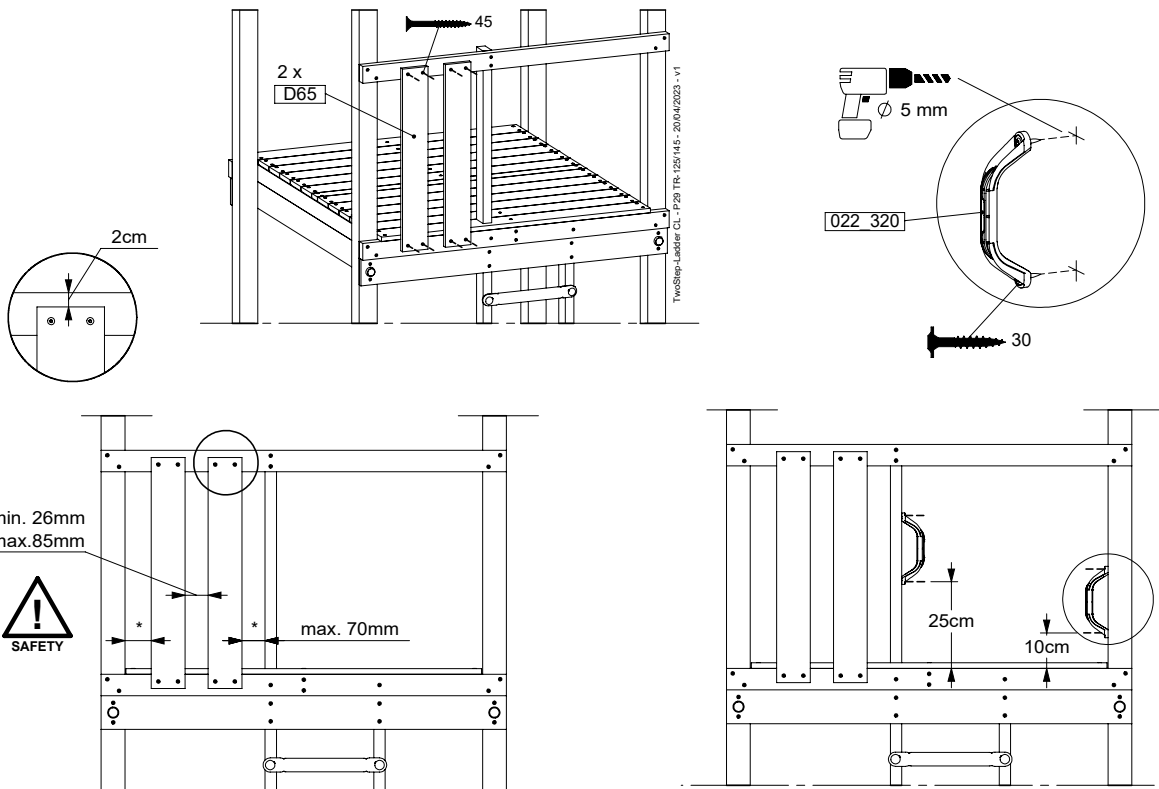
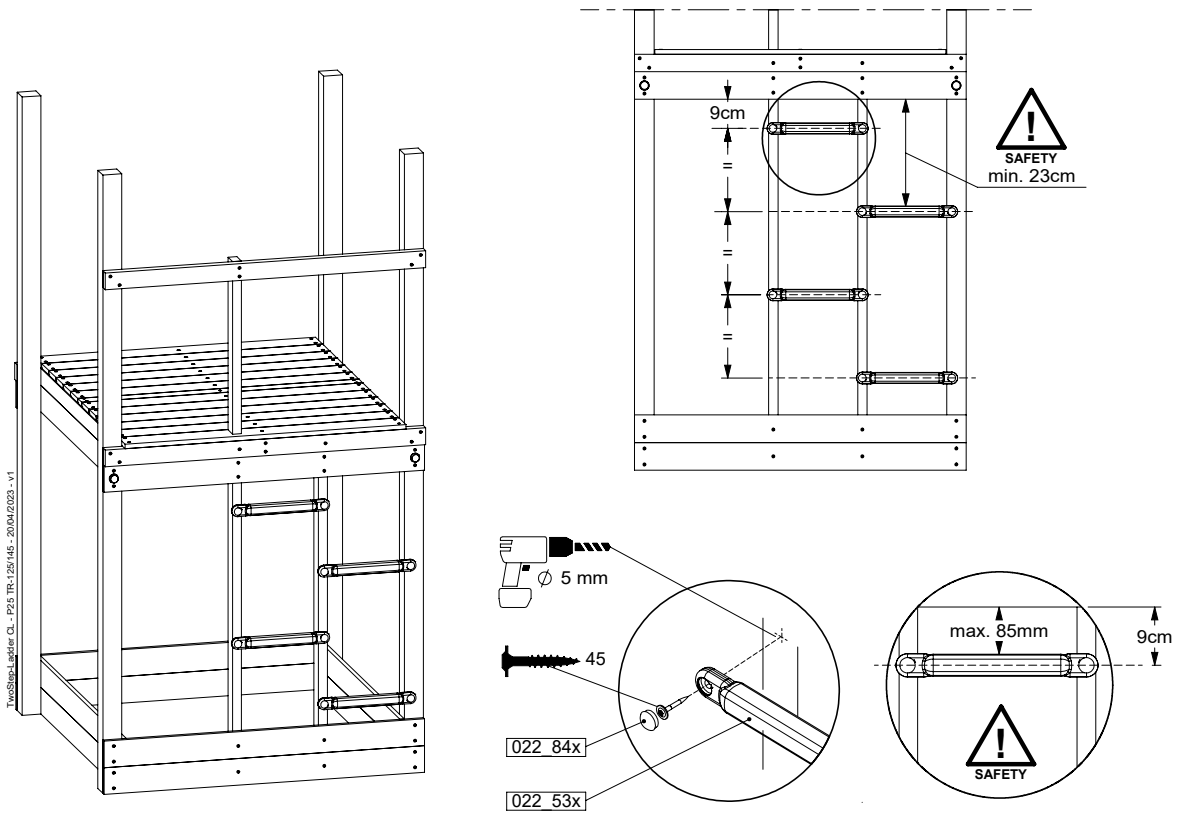
	PartNo	PartName	QTY.
Hardware pack	001_406	Stealth Screw 8x45	8
	002_220	Gap Point Screw T25 - 5x45	16
	002_223	Gap Point Screw T25 - 5x80	10
Other	022_53x	Ladder/ Rope Rung 30cm	4
	022_84x	bpc cover	8
	120_102	Handgrip set (complete 2x)	1
Timber	C114	Beam 1140 mm	1
	C141	Beam 1410 mm	1
	C206	Beam 2060 mm	1
	D65	Board 650 mm	2

TwoStepLadder.CL - P09 TR-145 - 2004/2023 - v1

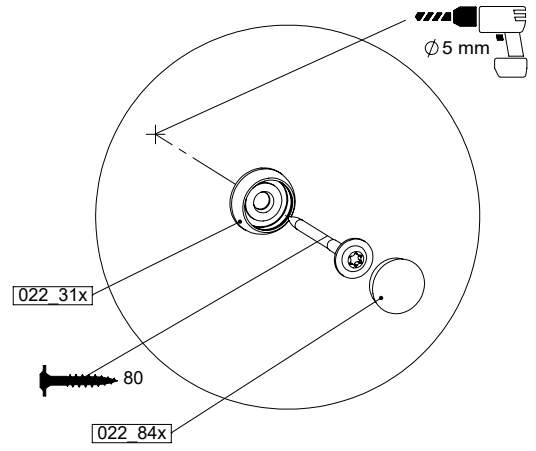
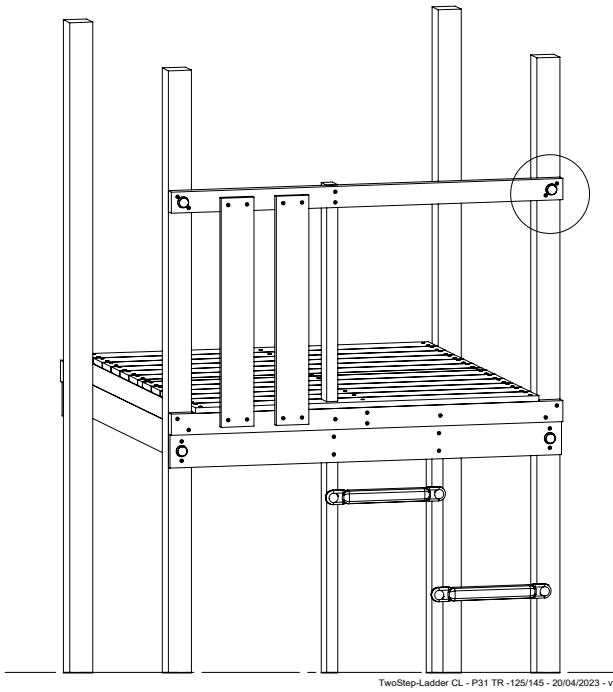


18.1



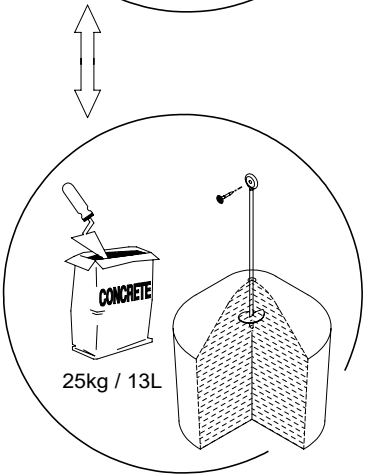
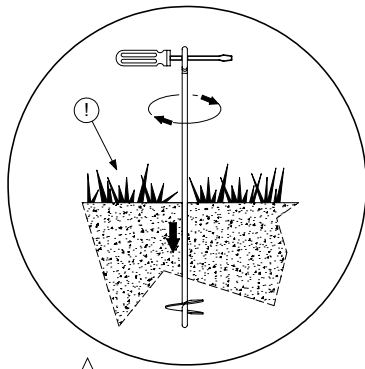


18.3

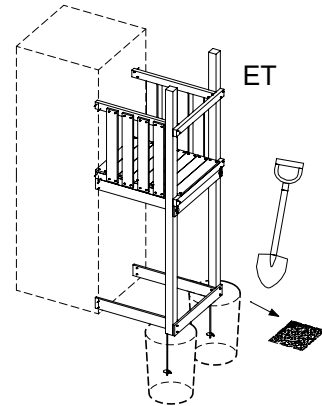
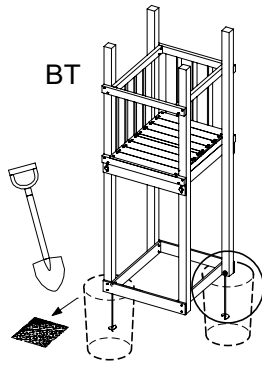
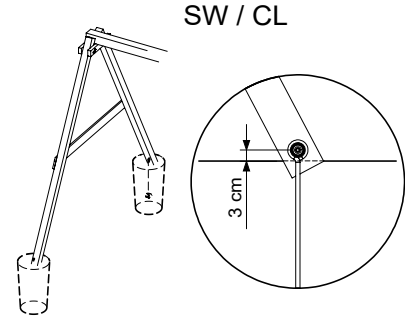
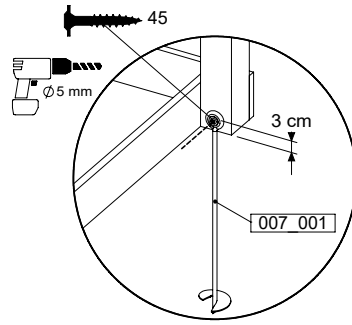


TwoStep-Ladder CL - P31 TR -125/145 - 20/04/2023 - v1

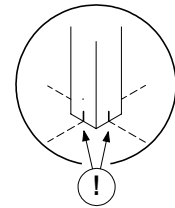
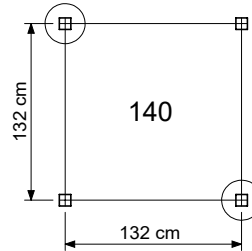
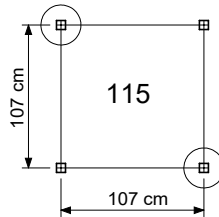
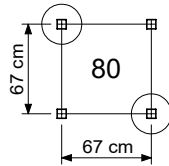
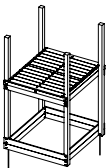
19 GA: Ground Anchors



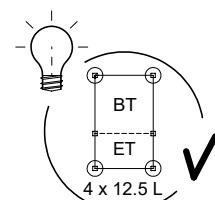
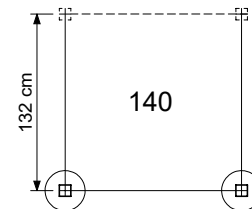
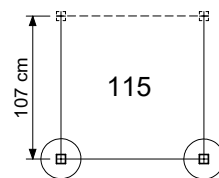
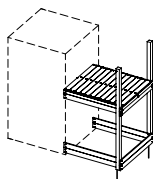
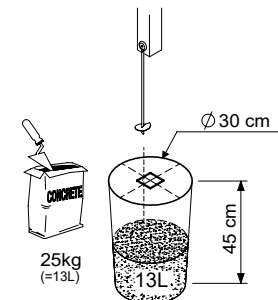
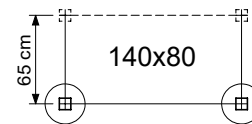
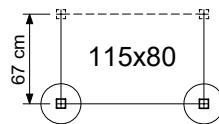
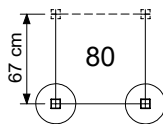
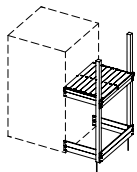
Ground Anchors Unit - P03 - 04/07/2023 - v1.2



BASE TOWERS



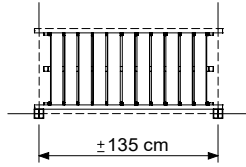
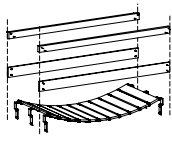
EXTENSION TOWERS



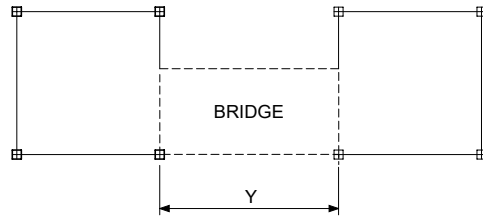
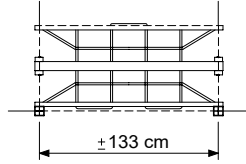
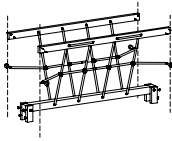
Ground Anchors Unit - P01 - 04/07/2023 - v1.2

19.1

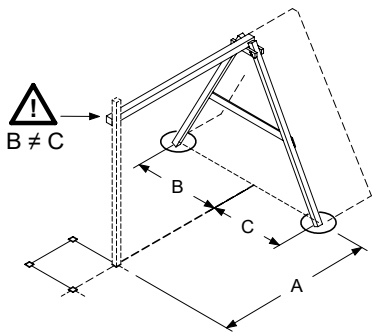
CLATTER BRIDGE



NET BRIDGE

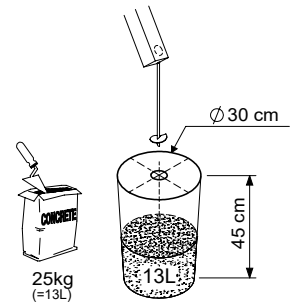


SWING / CLIMB MODULE

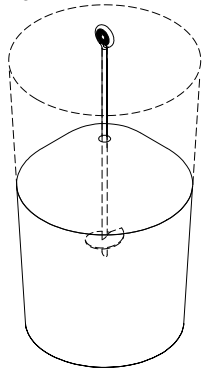


Module type	A	B	C
1-Swing 200	150	115	100
1-Swing 220 / 220 Extra		120	105
2-Swing 200	210	115	100
2-Climb 200			
1-Climb 200	142	120	105
1-Climb 220 / 220 Extra			
2-Swing 220 / 220 Extra	230	120	105
2-Climb 220 / 220 Extra			

Grand Anchoas Uni. - P02 - 04/07/2023 - v1.2



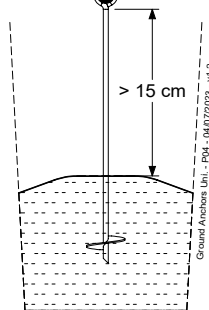
25kg / 13L



1.

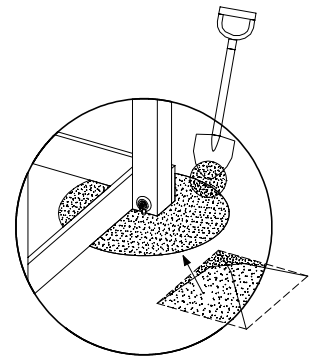


SAFETY



2.

24h

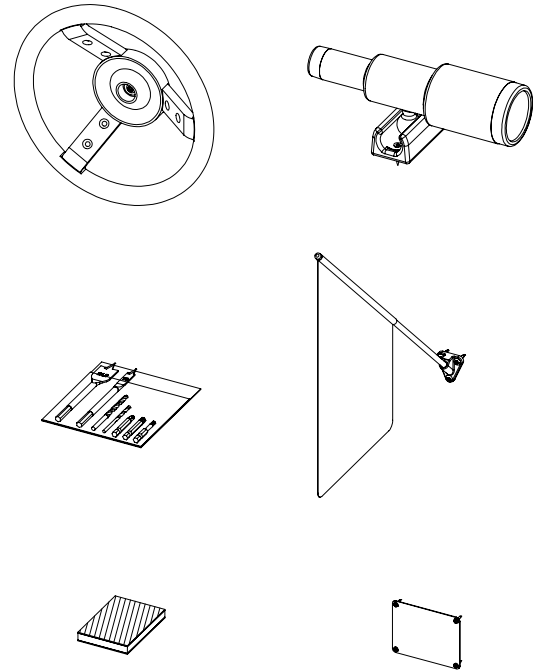


4.

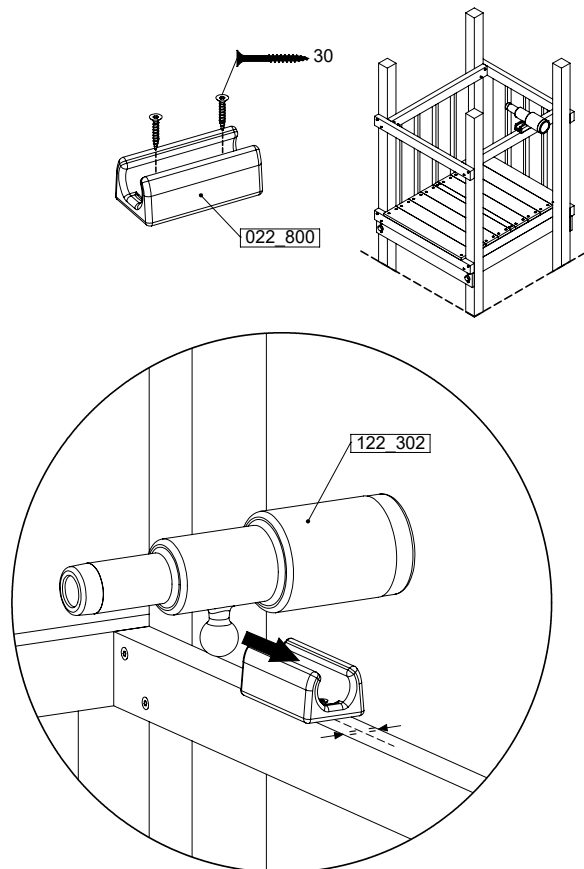
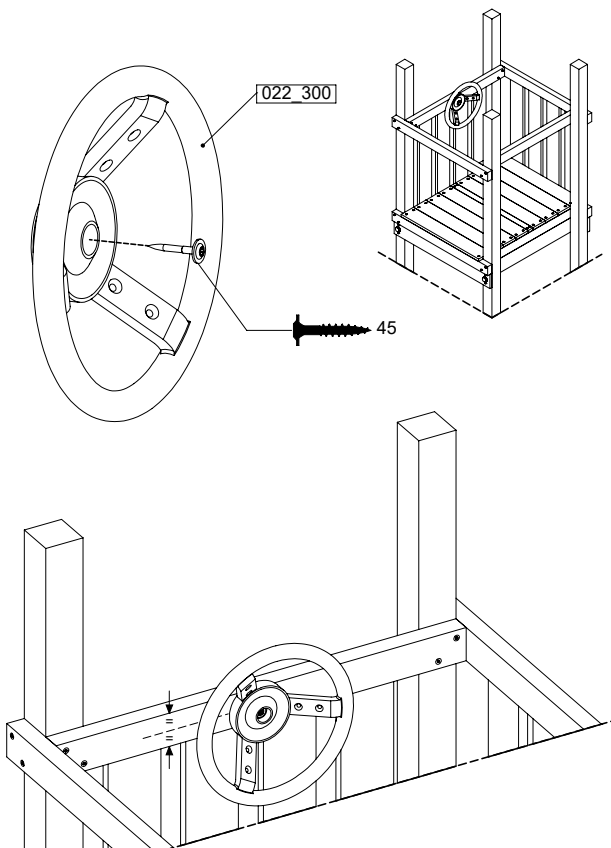
20 AC01a: Accessories

(194_119)

	PartNo	PartName	QTY.
Hardware Pack 100_617	001_406	Stealth Screw 8x45	1
	002_041	Dome head screw 4.5 x 20 mm	3
	002_042	Dome head screw 3.5 x 13mm	4
	002_219	Gap Point Screw T25 - 5x30	2
Other	022_300	Steering Wheel	1
	022_800	Rail P/T 105	1
	022_910	Sandpad	1
	103_901	Logo ID Plate	1
	104_107	Tool Set Climbing Units	1
	120_024	Tower Flag	1
	122_302	Telescope	1

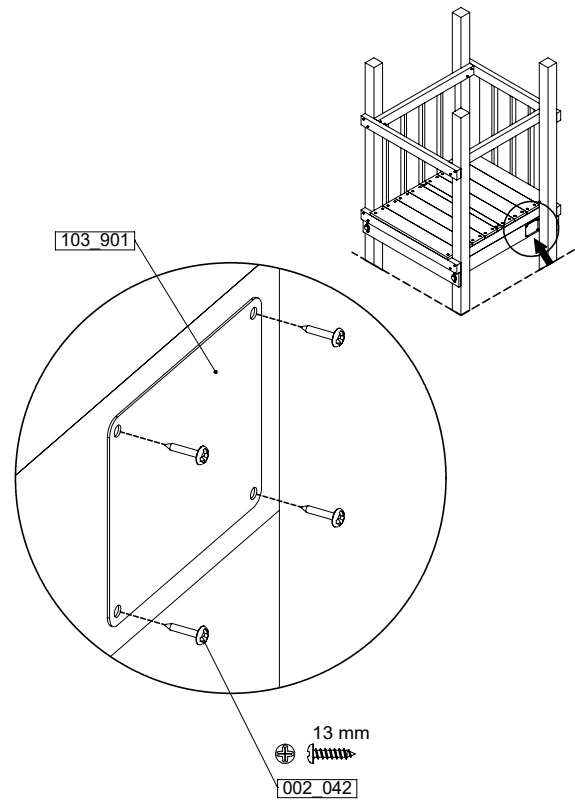
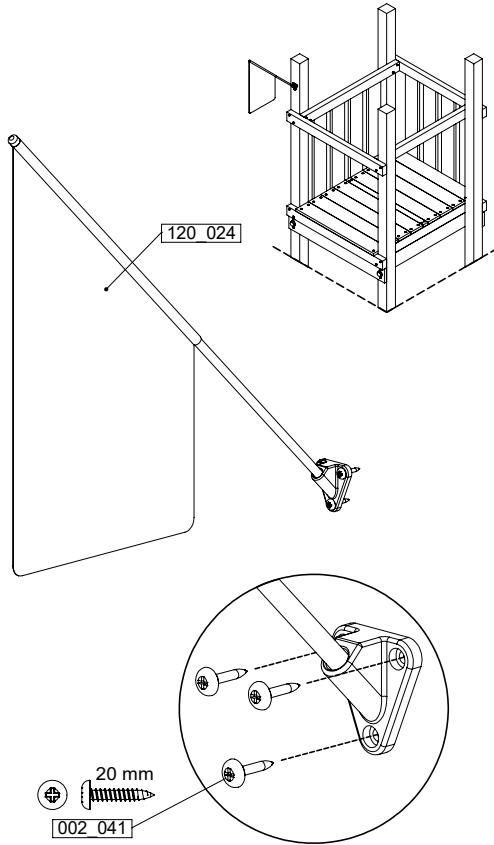


Accessory set - P102 - 24/01/2024 - v5

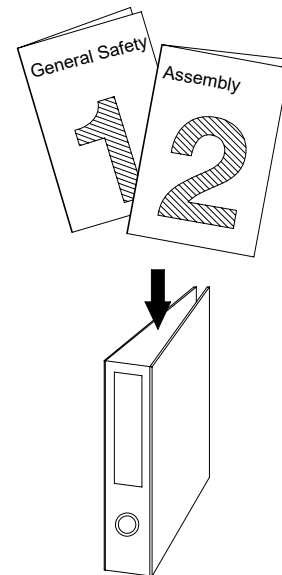
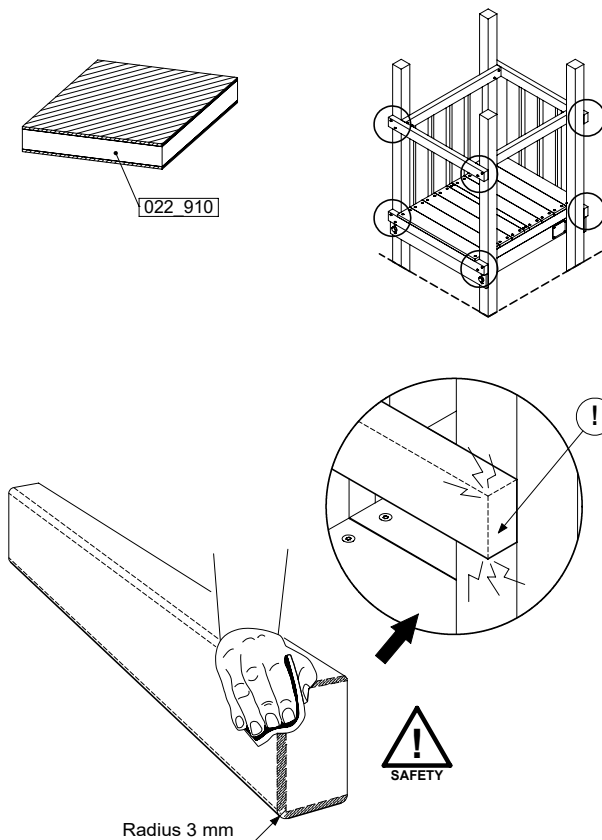


Accessory set - P103 - 24/01/2024 - v5

20.1



Accessory set - P04 - 24.01/2024 - v5



Accessory set - P05 - 24.01/2024 - v5

21 Declaration of conformity

Activity toys for domestic use
Aktivitätsspielzeug für den häuslichen Gebrauch
Jouets d'activité à usage familial

Jungle Gym
BACKYARD PLAYGROUNDS
since 1988

ID's

1. Wooden climbing frames

20232912_v1

1.1. Assemblies

Playtowers	801_005, 801_009, 801_010, 801_013, 801_025, 801_040, 801_060, 801_070, 801_090, 801_095, 801_100, 801_103, 801_105, 801_110, 801_120, 801_200, 802_202, 802_204, 802_206, 802_208, 803_202, 803_204, 803_206, 803_208, 803_210, 809_802, 809_804
Swings	801_300, 801_601, 801_602
Modules	850_176, 850_177, 857_101, 857_102, 857_151, 857_152, 850_231, 850_232, 857_105, 857_106, 857_157, 857_158, 850_240

1.2. Sub assemblies

Base towers (BT)	BT01a, BT02a, BT03a, BT11a, BT14a, BT15a, BT20a
Extension towers (ET)	ET01a, ET02a, ET05a, ET06a, ET07a, ET08a, ET09a, ET10a, ET11a, ET12a, ET13a, ET14a, ET15a, ET16a, ET17a, ET18a, ET19a, ET20a, ET22a, ET23a, ET27a, ET28a, ET29a, ET35a, ET39a, ET40a
Bridges (CB, NB, BB, TB, BF)	CB01a, NB01a, BB01a, BB02a, TB01a, TB02a, TB03a, TB04a, BF01a, BF02a, BF03a, BF04a, BF05a, BF06a, BF07a, BF08a, BF21a, BF22a, BF23a, BF24a, BF25a, BF26a, BF27a, BF28a
Roofs (RF)	RF01a, RF02a, RF02b, RF03a, RF03b, RF04a, RF05a, RF06a, RF07a, RF07b, RF08a, RF09a, RF11a, RF12a, RF12b, RF14a, RF15a, RF16a, RF17a, RF18a, RF18b, RF20a, RF21a, RF22a, RF23a, RF24a, RF25a, RF26a
Balustrade (BL)	BL01a, BL02a, BL03a, BL04a, BL05a, BL06a, BL07a, BL08a, BL09a, BL10a, BL21a
Playhouse (PH)	PH03a, PH04a, PH05a, PH06a, PH10a, PH11a, PH12a, PH13a, PH16a, PH17a, PH18a, PH19a, PH40a, PH41a, PH42a, PH43a, PH44a, PH45a, PH46a, PH47a, PH48a, PH49a, PH30a, PH31a, PH20a, PH21a, PH22a, PH23a, PH24a, PH25a, PH26a, PH27a, PH50a, PH51a, PH52a, PH53a, PH54a, PH55a, PH56a, PH57a, PH32a, PH33a
Ladder (LA)	LA01a, LA01b, LA02a, LA02b, LA03a, LA03b, LA11a, LA12a, LA13a, LA14a, LA15a, LA16a, LA17a, LA18a, LA21a, LA22a, LA23a, LA24a, LA25a, LA26a
Two Step Ladder (TS)	TS01a, TS01b, TS02a, TS02b, TS03b, TS05a, TS06a, TS07a, TS08a, TS09a, TS10a, TS11a, TS12a, TS15a, TS16a, TS17a, TS18a, TS19a, TS20a, TS21a, TS22a
Rope Ladder (RL)	RL01a, RL02a, RL05a, RL06a, RL07a, RL08a, RL09a, RL10a, RL11a, RL12a, RL15a, RL16a, RL19a, RL20a
Rock wall (RW)	RW01a, RW01b, RW02a, RW02b, RW03b, RW05a, RW06a, RW07a, RW08a, RW09a, RW10a, RW11a, RW12a, RW15a, RW16a, RW17a, RW18a, RW19a, RW20a, RW31a, RW32a
Ramp (RA)	RA03a, RA04a, RA05a, RA06a, RA07a, RA08a, RA11a, RA12a, RA21a
Net (NA, NS)	NA01a, NS01a
Boat (BO)	BO01a
Market (MT)	MT01a, MT02a, MT05a, MT06a, MT11a, MT12a
Picnic (PC)	PC01a, PC05a, PC06a, PC09a, PC10a
Fireman's pole (FP)	FP01a, FP02a, FP04a, FP05a, FP06a, FP07a, FP23a, FP24a, FP25a, FP26a, FP27a, FP28a
Slides (SL)	SL01a, SL02a, SL03a, SL06a, SL07a, SL08a, SL09a, SL10a, SL11a, SL12a, SL13a, SL26a, SL27a, SL28a, SL29a
Swing (SM)	SW01a, SW02a, SW05a, SW06a, SW09a, SW10a, SW13a, SW14a, SW17a, SW18a, SW21a, SW22a
Climb (CM)	CL01a, CL02a, CL05a, CL06a, CL09a, CL10a, CL13a, CL14a, CL17a, CL18a, CL21a, CL22a
Accessories (AC)	AC01a, AC02a, AC03a, AC04a, AC05a, AC06a, AC07a, AC08a, AC09a, AC10a, AC21a, AC22a, AC23a, AC24a, AC25a, AC30a, AC50a, AC51a, AC52a, AC53a

2. Construction packages

2.1 Assembly Kits

Playtowers	401_015, 401_080, 401_125, 402_201, 402_202, 402_204, 402_206, 402_208, 403_202, 403_204, 403_206, 403_208, 403_210, 409_802, 409_804
Swings	401_300, 401_600
Modules	457_005, 457_102, 457_103, 457_106, 457_107, 457_205

2.2 Assembly Packs

Sub assemblies	194_002, 194_003, 194_004, 194_006, 194_007, 194_008, 194_009, 194_010, 194_100, 194_101, 194_102, 194_103, 194_104, 194_105, 194_107, 194_108, 194_109, 194_110, 194_111, 194_112, 194_113, 194_114, 194_115, 194_116, 194_117, 194_118, 194_119, 194_300, 194_308, 194_312, 194_500, 194_501, 194_508, 194_510, 194_809, 194_810, 194_811, 194_812
----------------	--

3. Accessories and components

Slides XL	324_100, 324_200, 324_300, 324_400, 324_500, 324_600
Slides XXL	334_100, 334_200, 334_300, 334_400, 334_500, 334_600
Fireman's pole	201_275
Climbing	201_060, 201_273
Imagination	201_280, 201_285, 201_290, 201_295, 202_473, 450_310, 450_320, 450_330
Swinging	250_001, 250_013, 250_025, 250_034, 250_053
Functional	123_220, 123_222, 123_230, 201_115, 201_220, 201_250, 201_260, 201_270, 202_620, 202_621, 202_622, 202_623, 202_624, 202_625, 202_626, 202_627, 202_628, 202_629, 202_824, 250_065, 250_070, 250_075

Applicable EC directives and standards

General

- General Product Safety Directive (GPSD) 2001/95/EG
- Reach directive 1907/2006
- AfPS GS 2019:01 PAK

Activity Toys

- Toy Safety Directive (TSD) 2009/48/EG
- EN Standard 71 Safety of Toys
 - EN 71-1:2014 + A1:2018 Safety of toys Mechanical and physical properties
 - EN 71-2:2020 Flammability
 - EN 71-3:2019 + A1:2021 Migration of certain elements
 - EN 71-8:2018 Safety of toys Activity toys for domestic use

Supplementary information

Conformity to the above specified directives and standards has been frequently verified by TÜV Rheinland LGA products, DEKRA, LNE SA, since 1994. Jungle Gym participates in the European Commission for standardisation for the safety of activity toys (TC52 / WG 10).



Manufacturer details

Company Name: Jungle Gym B.V.
Address : Valschermkade 18, 1059 CD Amsterdam, Netherlands
Email: info@junglegym.com

Declaration

I hereby declare under our sole responsibility that the products mentioned above, to which this declaration relates, comply with the above mentioned directives and standards when the installation, assembly, and maintenance instructions are strictly followed.

Name Issued date
Mr. P. Schmit / Director

Signature of representative