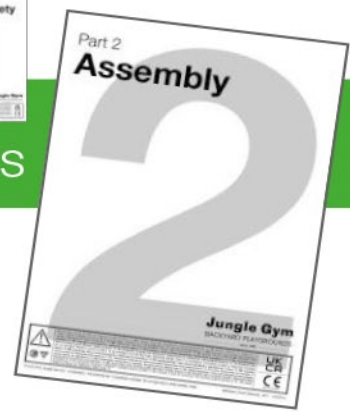


# Assembly

Instructions



Otta

Date: 2023-11-22



Manual Part 1



**Important**

This assembly manual should always be read in conjunction with the General Safety manual part 1 as included in the hardware package of your playground equipment. Please read these safety instructions carefully before starting the assembly work.

**Jungle Gym**  
BACKYARD PLAYGROUNDS

since 1988




**EN.** Warnings. Only for domestic use. Maximum number of users is 3. **DE.** Achtung. Nur für den Hausgebrauch. Maximale Benutzerzahl: 3. **FR.** Attention. Réservé à un usage privé. Le nombre maximal d'utilisateurs est de 3. **NL.** Waarschuwingen. Uitsluitend voor huishoudelijk gebruik. Het maximale aantal gebruikers is 3. **BG.** Внимание. За употреба само в домашни условия. Максималният брой потребители е 3. **ES.** Advertencias. Sólo para uso doméstico. Número máximo de usuarios: 3. **CS.** Varování. Jen pro domácí použití. Maximální počet uživatelů je 3. **DA.** Advarsler. Kun til privat brug. Maksimum antal brugere er 3. **ET.** Hoiatused. Ainult koduseks kasutamiseks. Maksimaalne kasutajate arv on 3. **EL.** Προειδοποιήσεις. Μόνο για οικιακή χρήση. Μέγιστος αριθμός χρηστών 3. **IS.** Varnaðarorð. Engöngu fyrir einhnanotkun í heimahúsum og á einaklötum. Hámarksfjöldi notanda er 3. **IT.** Avvertenze. Solo per uso domestico. Massimo numero di utenti è 3. **LV.** Brīdinājumi. Izmantoj tikai mājās. Maksimālais lietotāju skaits ir 3. **LT.** Įspėjimai. Tik butiniam naudojimui. Maksimalus naudotojų skaičius HR. Upozorenja. Samo za kućansku uporabu. Maksimalan broj korisnika je 3. **HU.** Figyelmeztetések. Csak otthoni használatra! A használók max. száma: 3. **NO.** Advarsler. Kun for privat bruk. Maksimalt antall brukere er 3. **PL.** Ostrzeżenia. Wyłącznie do użytku domowego. Maksymalna liczba użytkowników to 3. **PT.** Avisos. Apenas para uso doméstico. O número máximo de utilizadores é 3. **RO.** Avertismente. Numai pentru uz. domestic. Numărul maxm de utilizatori este 3. **RU.** Предостережения. Только для домашнего использования. Максимальное количество пользователей - 3. **SK.** Upozornenia. Iba na domáce použitie. Maximálne množstvo osôb je 3. **SL.** Opozorila. Samo za domačo uporabo. Maksimalno število uporabnikov je 3. **FI.** Varoitukset. Ainoastaan kotikäyttöön. Käyttäjää yhteensä enintään 3. **SR.** Upozorenja. Samo za kućnu upotrebu. Maksimalan broj korisnika je 3. **SV.** Varningar. Endast för hemmabruk. Det maximala antalet användare är 3. **TR.** Uyarılar. Sadece ev kullanımı için. Maksimum kullanıcı sayısı 3.




EN 71-1,2,3-8,9

# 1 Helpdesk JungleGym

## 1.1 FAQ




**English**




<https://helpdesk.jungle gym.com/help/en-gb>

**Deutsch**




<https://helpdesk.jungle gym.com/help/de-de>

**Français**






<https://helpdesk.jungle gym.com/help/fr-fr>


**Nederlands**





<https://helpdesk.jungle gym.com/help/nl-nl>

## 1.2 Support



  
[info@jungle gym.com](mailto:info@jungle gym.com)

  
<https://www.jungle gym.com/customersupport-chat>

 AT 0043 72 08 153 33\*      FR 0033 97 75 58 222\*  
BE 0032 78 48 16 19\*      IE 0035 38 1800 0300\*  
CH 0041 43 50 87 350\*      LU 0035 22 08 80 512\*  
DE 0049 32 22 10 98 299\*      NL 0031 85 44 44 102\*  
ES 0034 657 76 64 25\*      UK 0044 20 369 505 53\*

EU 0031 85 44 44 100

Monday-Friday, CET 9:00am - 5:00pm  
\* Local phone charges may apply.

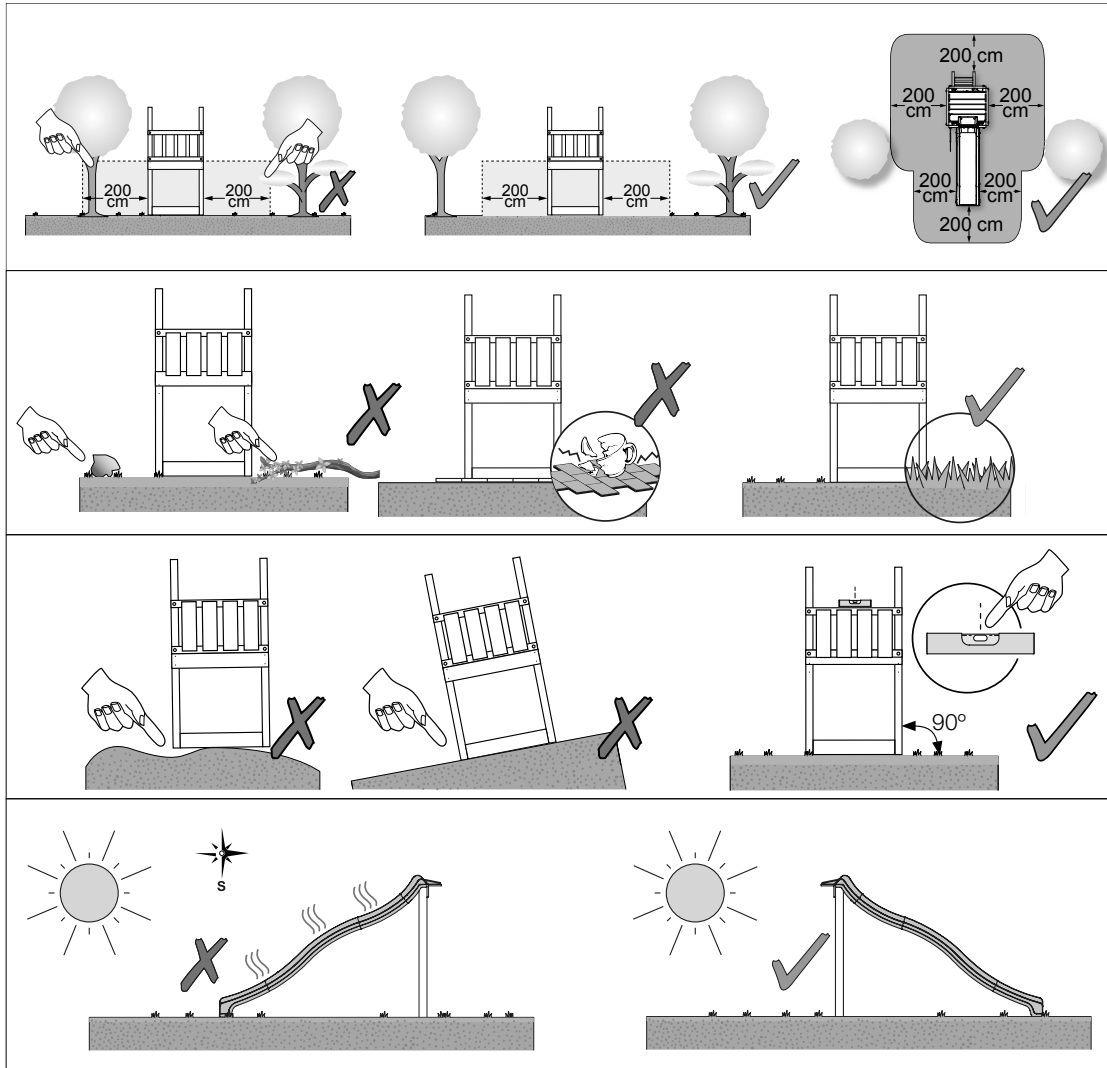
## 2 Start

### 2.1 Safety

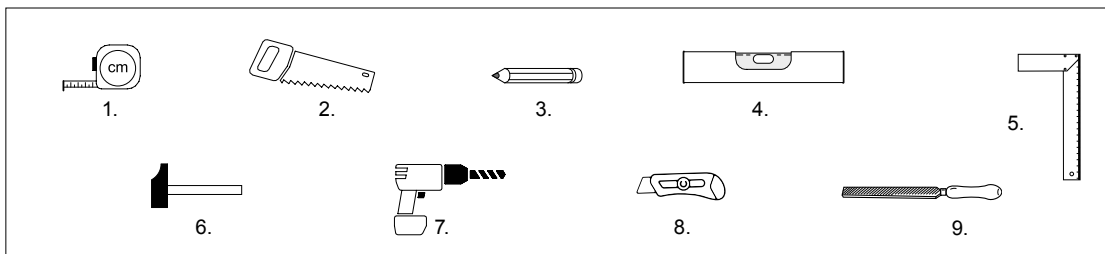


The panel is divided into three horizontal sections. The top section features an icon of a person reading a document titled "Part 1 General Safety" with a large number "1" and the Jungle Gym logo. To the right is a QR code and a worker icon, with the URL <https://helpdesk.jungle gym.com/api/v1/attachments/11436> below. The middle section contains five circular icons: a person kneeling with a crossed-out warning sign, a person with a crossed-out warning sign, a person wearing safety glasses, a pair of work gloves, and a person wearing ear protection with a checkmark. The bottom section shows two side-by-side illustrations of workers at a construction site. The left illustration shows a worker with a crossed-out warning sign, while the right illustration shows a worker with a checkmark, indicating correct safety practices.

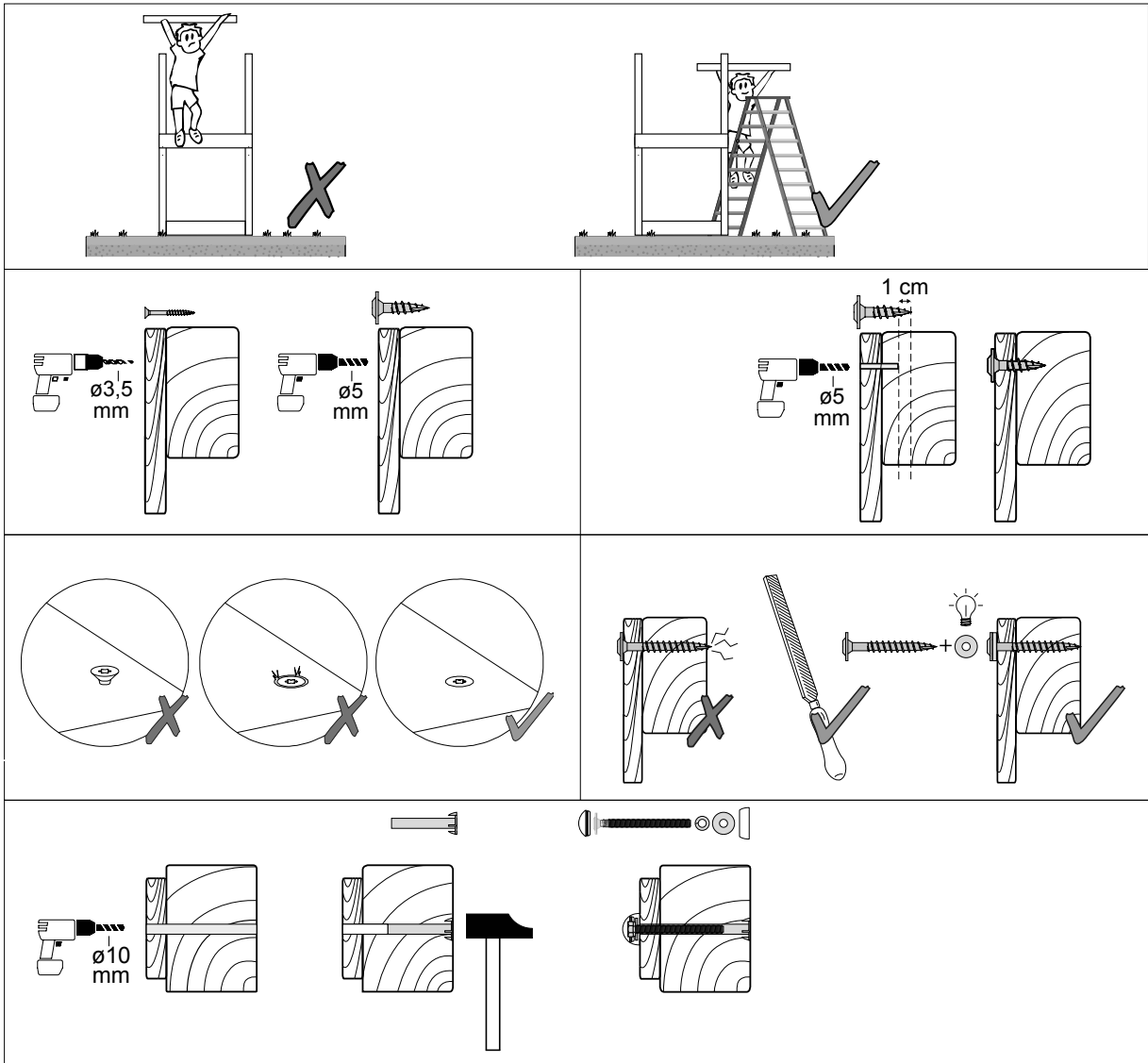
## 2.2 Planning



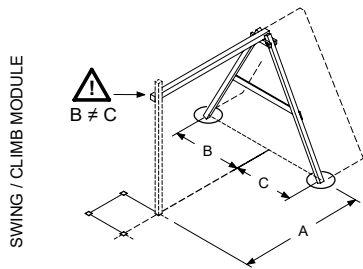
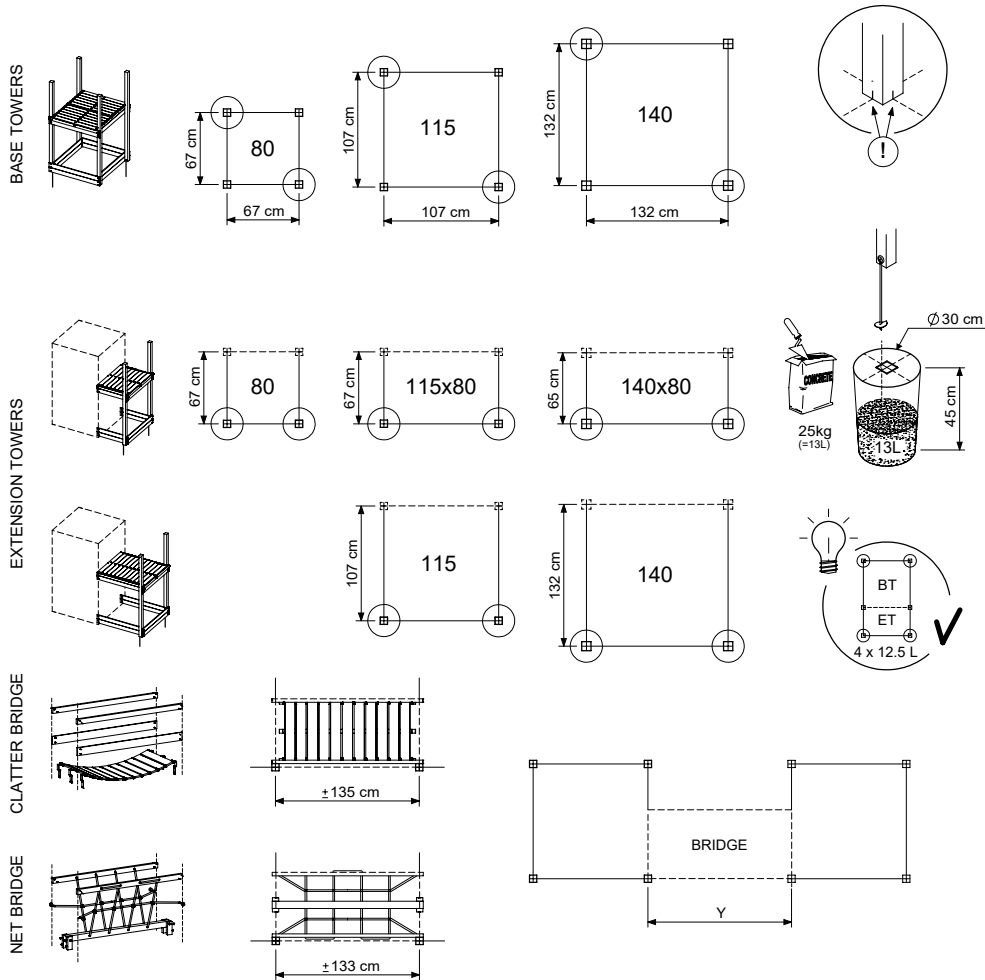
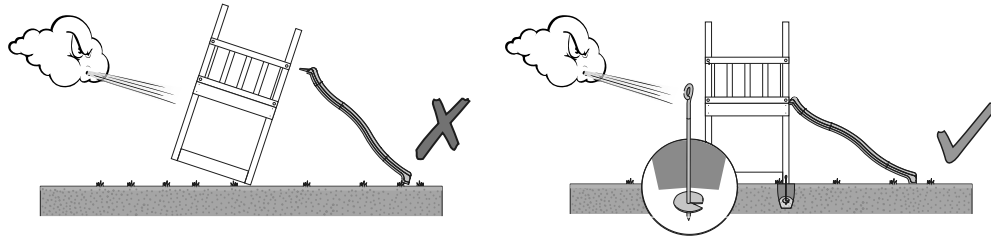
## 2.3 Tools



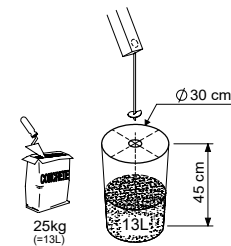
## 2.4 Assembly



# 3 Universal anchoring plan



Module type	A	B	C
1-Swing 200		115	100
1-Swing 220 / 220 Extra	150	120	105
2-Swing 200		210	100
2-Climb 200		115	100
1-Climb 200	142		
1-Climb 220 / 220 Extra	162		
2-Swing 220 / 220 Extra		120	105
2-Climb 220 / 220 Extra	230		



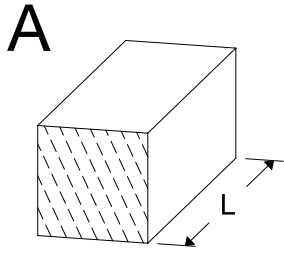
## 4 Overview

### 4.1 Order specification

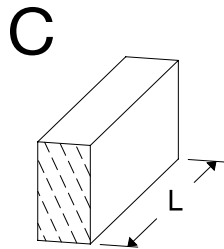


	Supplier ID	Assembly ID	Description	#
1	BT03a	790_003	Base Tower 80_ 220220	1
2	ET01a	790_101	Extension Tower 80_ 200	1
3	RF04a	790_204	Roof Wooden Tipi 80	1
4	BL01a	790_301	Balustrade 80	1
5	BL02a	790_301	Balustrade 80	1
6	PH06a	790_313	Playhouse Window Panel 80	1
7	LA02a	790_431	Ladder 80_125	1
8	SL01a	790_901	Slide 80	1
9	FP01a	790_903	Fireman's pole 80	1
10	AC01a	194_119	AP Accessory set	1
11	324_x00a	324_x00a	Wavy Star Slide XL	1

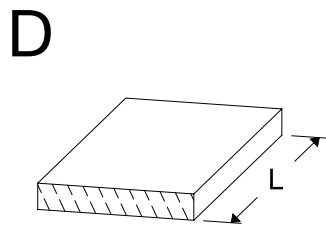
## 4.2 Timber parts



ID	L	#
A200	199 cm - 200 cm	2
A220	219 cm - 220 cm	4



C74	73 cm - 74 cm	17
C130	129 cm - 130 cm	2



D56	53,5 cm - 56 cm	2
D60	59 cm - 60 cm	19
D65	64 cm - 65 cm	10
D74	73 cm - 74 cm	35

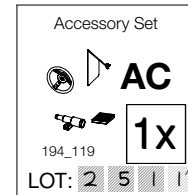


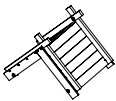

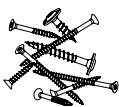
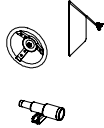

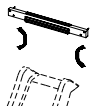

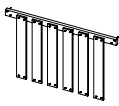



## 5.3 Assembly packs



Example



<p>Roof Timber Tipi 80</p>  <p><b>RF</b></p> <p>194_110</p> <p><b>1x</b></p> <p>LOT: .....</p>	<p>Fireman's Pole</p>  <p><b>FP</b></p> <p>201_275</p> <p><b>1x</b></p> <p>LOT: .....</p>	<p>Hardware 01</p>  <p><b>BL H01</b></p> <p>194_101</p> <p><b>2x</b></p> <p>LOT: .....</p>	<p>Accessory Set</p>  <p><b>AC</b></p> <p>194_119</p> <p><b>1x</b></p> <p>LOT: .....</p>	<p>Slide 2.2m</p>  <p><b>1x</b></p> <p>324_X00</p> <p>LOT: .....</p>
<p>Slide Frame</p>  <p><b>SL</b></p> <p>194_107</p> <p><b>1x</b></p> <p>LOT: .....</p>	<p>Tower 80</p>  <p><b>BT ET</b></p> <p>194_100</p> <p><b>2x</b></p> <p>LOT: .....</p>	<p>Balustrade 140</p>  <p><b>BL</b></p> <p>194_501</p> <p><b>1x</b></p> <p>LOT: .....</p>	<p>Ladder 80 125</p>  <p><b>LA</b></p> <p>194_103</p> <p><b>1x</b></p> <p>LOT: .....</p>	

# 6 Hardware Identification

Image	SKU	L
<p>     <math>\varnothing 8.0 \text{ mm}</math> </p>	001_404 001_406 001_411 001_417 001_422	30 mm 45 mm 60 mm 80 mm 137 mm
<p>     <math>\varnothing 8.0 \text{ mm}</math> </p>	001_102	30 mm
<p>     <math>\varnothing 2.0 \text{ mm}</math> </p>	000_101	20 mm
<p>     <math>\varnothing 6.3 \text{ mm}</math> </p>	002_036	16 mm
<p>     <math>\varnothing 4.5 \text{ mm}</math> </p>	002_041	20 mm
<p>     <math>\varnothing 3.5 \text{ mm}</math> </p>	002_042	13 mm
<p>     <math>\varnothing 3.9 \text{ mm}</math> </p>	002_301	40 mm

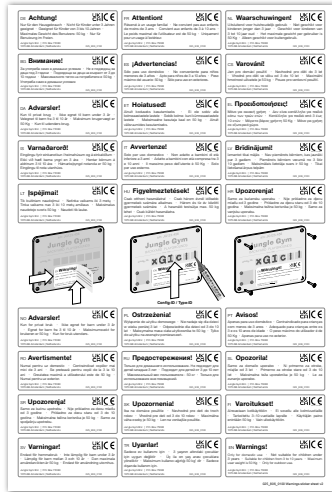
Image	SKU	L
<p>     <math>\varnothing 5.0 \text{ mm}</math> </p>	002_308 002_219 002_220 002_223	20 mm 30 mm 45 mm 80 mm
<p>   <math>\varnothing 8.0 \text{ mm}</math> </p>	003_010	
<p>   <math>\varnothing 6.0 \text{ mm}</math> </p>	003_034	
<p>   <math>\varnothing 8.0 \text{ mm}</math> </p>	004_050	22mm
<p>   <math>\varnothing 8.0 \text{ mm}</math> </p>	022_845 022_846 022_847 022_848	Yellow Blue Green Red
<p>   <math>\varnothing 8.0 \text{ mm}</math> </p>	023_031	White
<p>   <math>\varnothing 8.0 \text{ mm}</math> </p>	022_844 022_314	White

output: 25/05/23

# 7 Product ID



103\_901



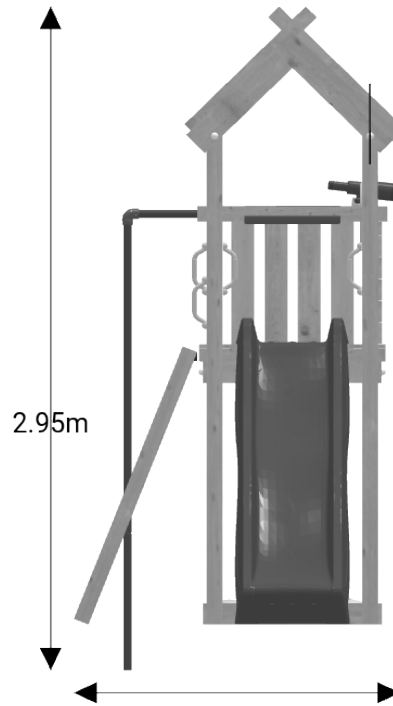
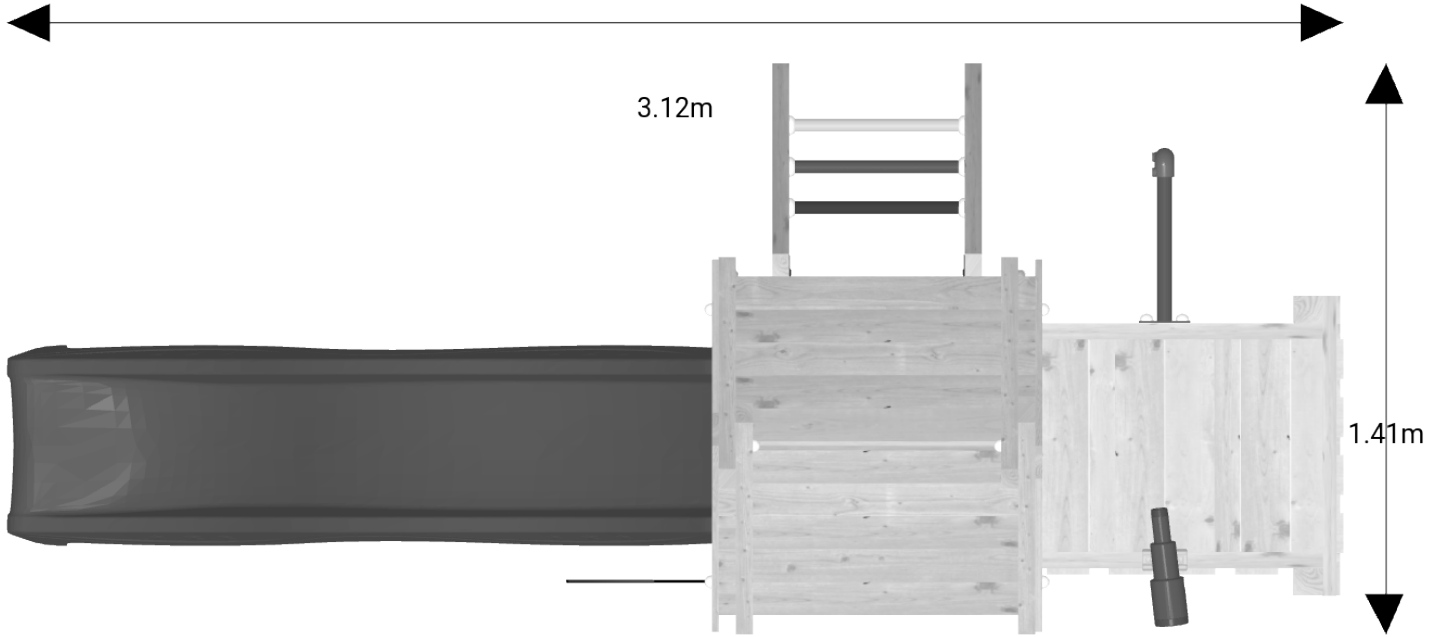
025\_806



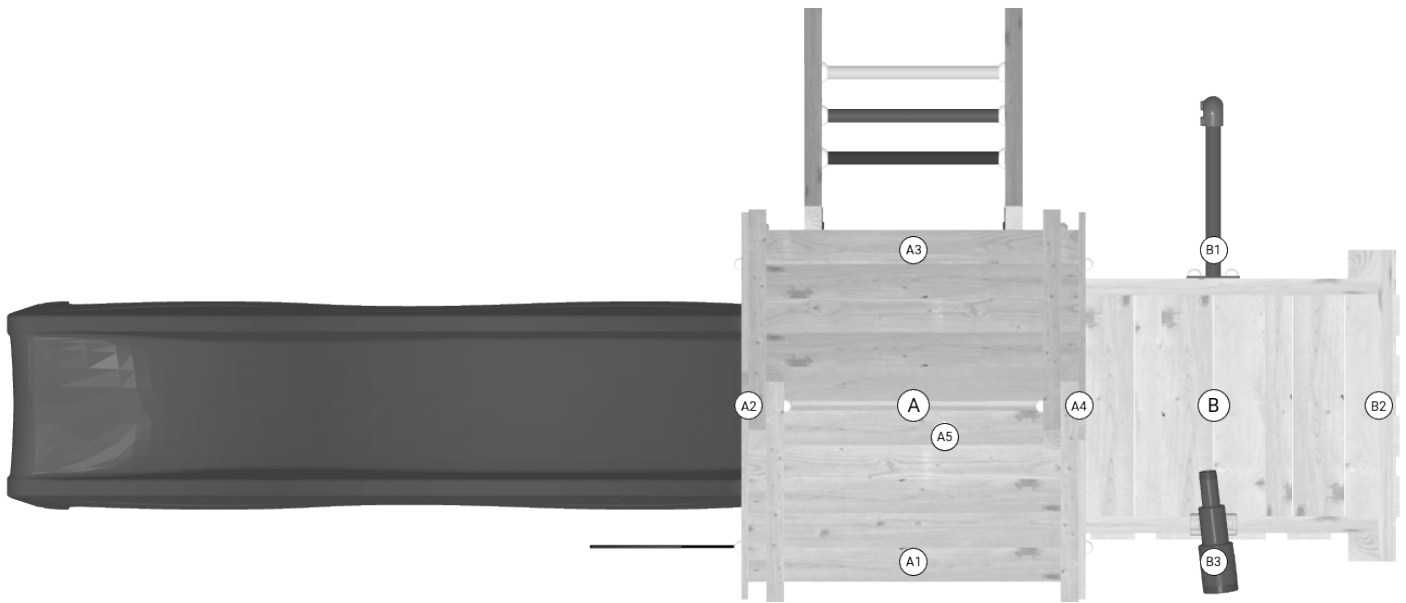
## 7.1 Your config ID: DTKFXh



## 8 Dimensions



## 9 Assembly Planning



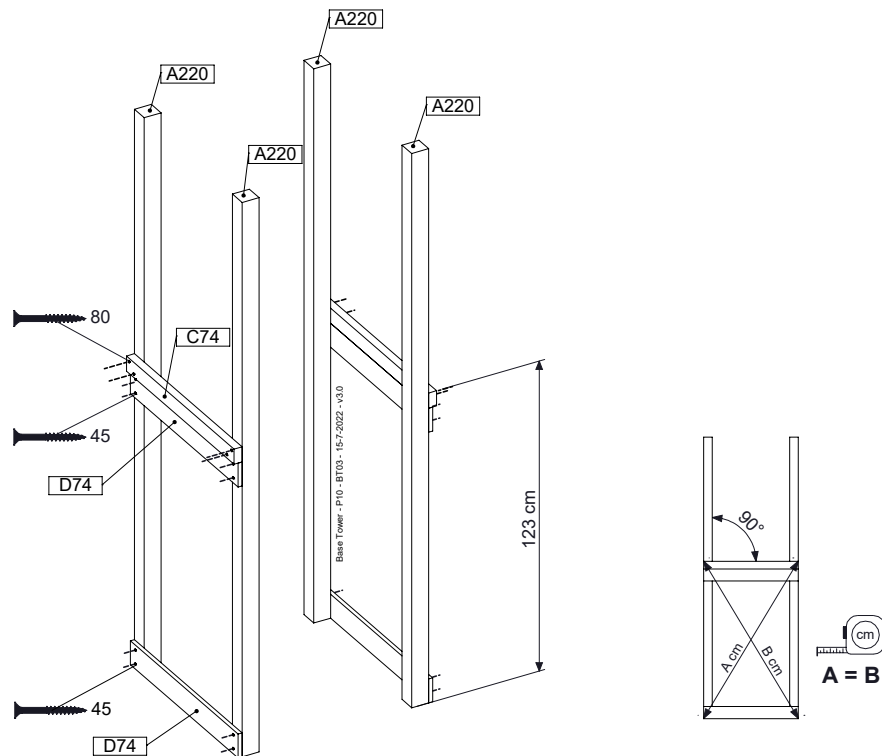
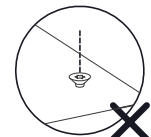
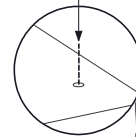
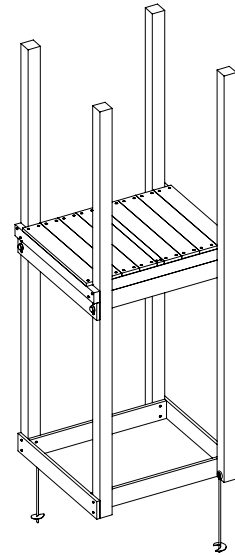
	ID			A	B
1	BT03a		p.15	✓	-
2	ET01a		p.17	-	✓
3	BL01a		p.19	-	B3
4	BL02a		p.20	-	B2
5	RF04a		p.21	A5	-
6	PH06a		p.24	A1	-
7	LA02a		p.25	A3	-
8	SL01a		p.28	A2	-
9	FP01a		p.30	-	B1
10	GA		p.31	✓	✓
11	AC01a		p.33	A1	-

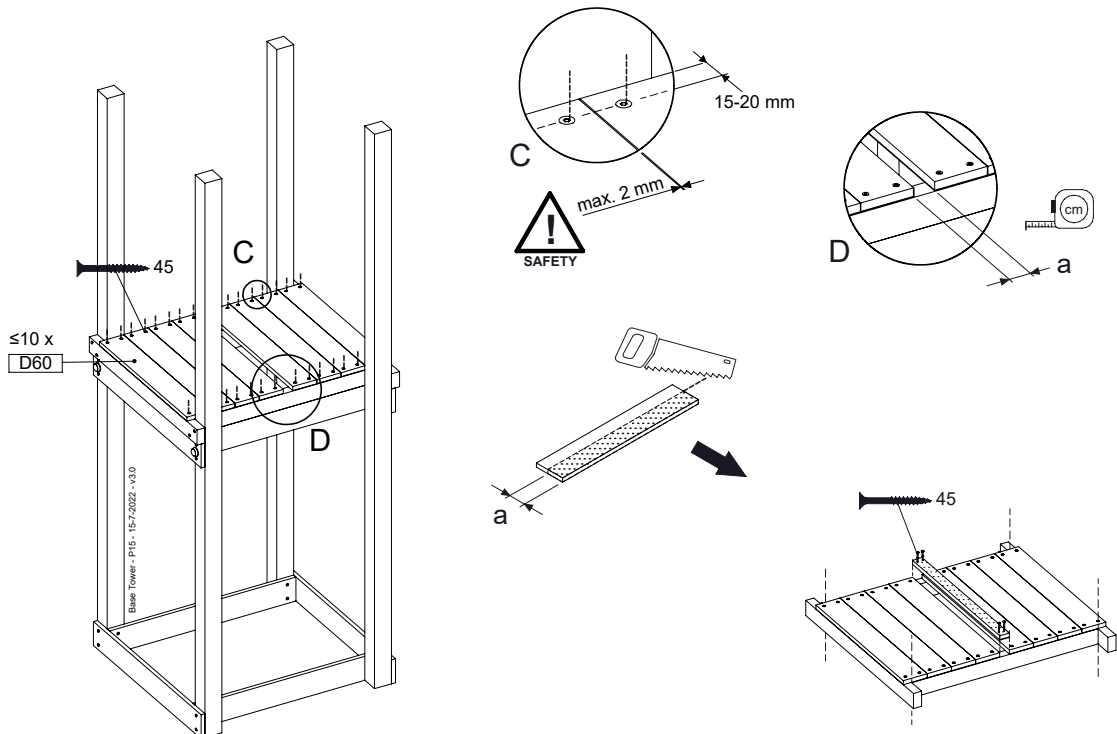
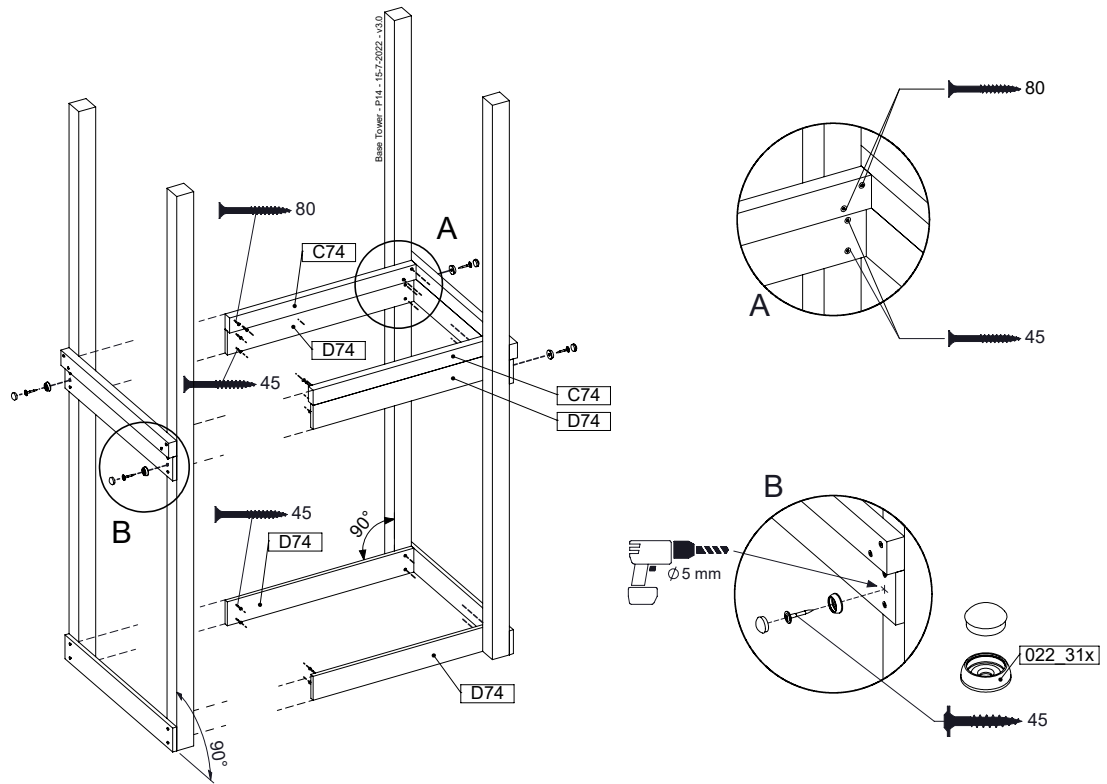
# 10 BT03a: Base tower 80 125cm 220220

( 194\_100 )

	PartNo	PartName	QTY.
Hardware Pack 100_600	001_406	Stealth Screw 8x45	6
	002_220	Gap Point Screw T25 - 5x45	76
	002_223	Gap Point Screw T25 - 5x80	16
Other	007_001	Ground-anchor	2
Hardware Pack 100_600	022_31x	bpc-base version 3	4
	022_84x	bpc cover	4
Wood	A220	Post 70x70 L2200	4
	C74	Beam 740 mm	4
	D60	Board 600 mm	10
	D74	Board 740 mm	8

Base Tower - P04 - BT03 - 15-7-2022 - v3.0





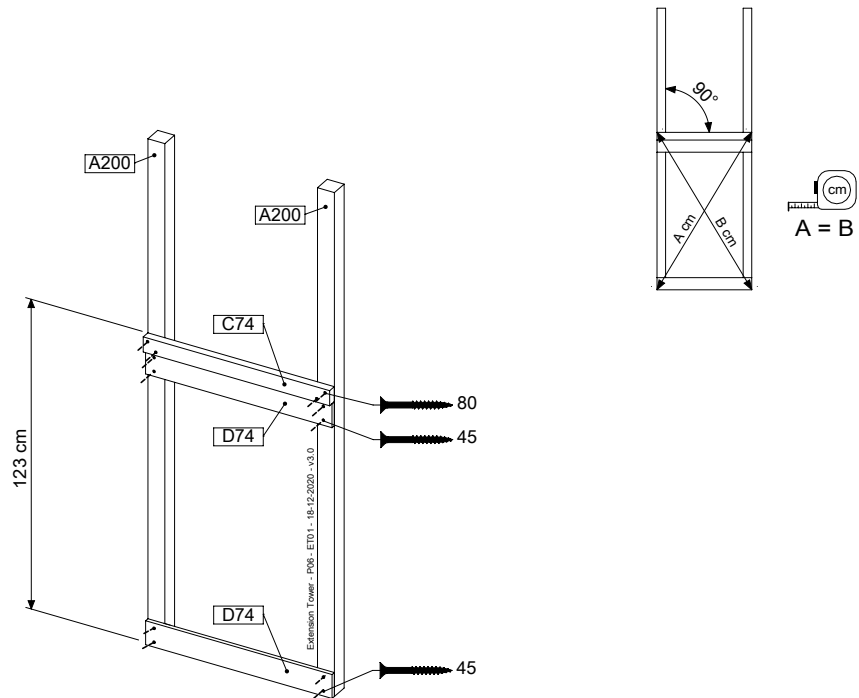
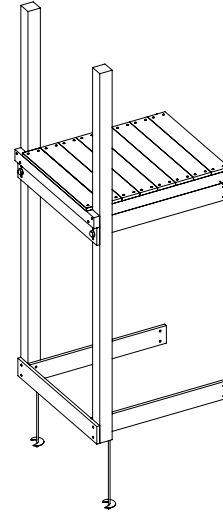


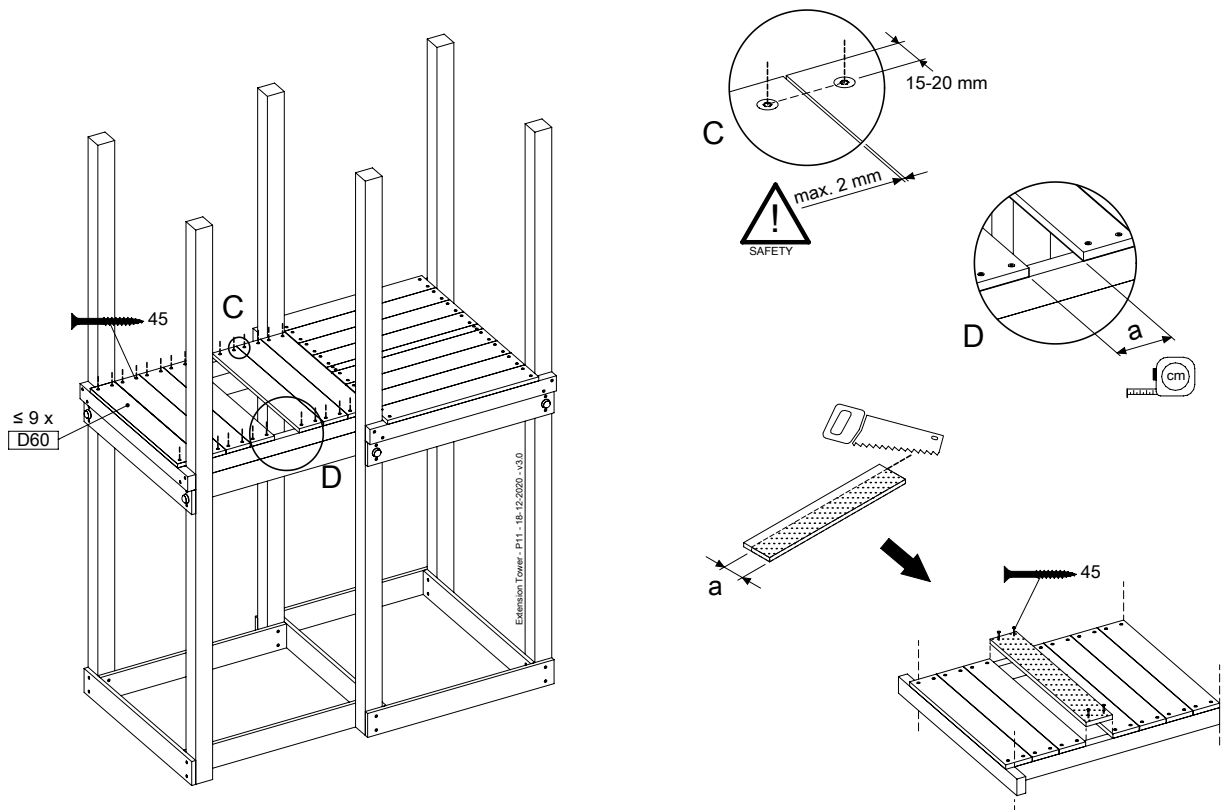
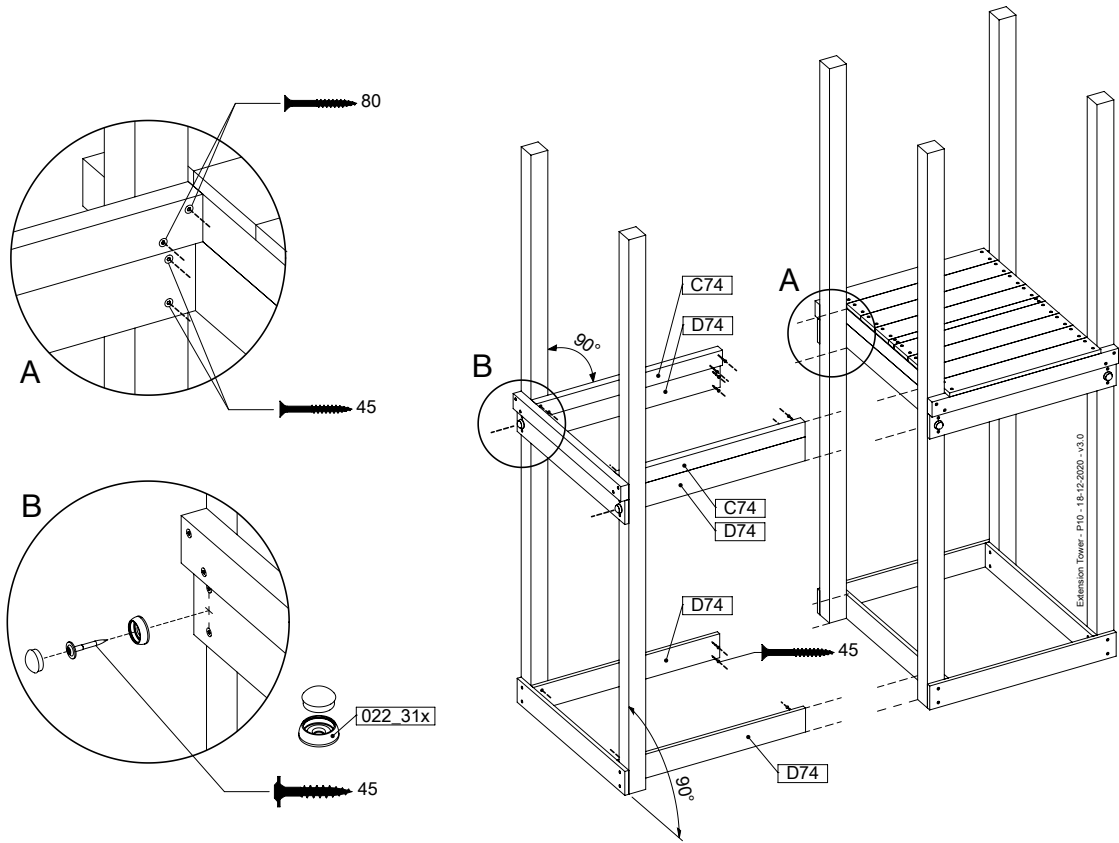
# 11 ET01a: Extension Tower 80 200/125

( 194\_100 )

	PartNo	PartName	QTY.
Hardware Pack 100_600	001_406	Stealth Screw 8x45	4
	002_220	Gap Point Screw T25 - 5x45	60
	002_223	Gap Point Screw T25 - 5x80	12
Other	007_001	Ground-anchor	2
Hardware Pack 100_600	022_31x	bpc-base version 3	2
	022_84x	bpc cover	2
Wood	A200	Post 70x70 L2000	2
	C74	Beam 740 mm	3
	D60	Board 600 mm	9
	D74	Board 740 mm	6

Extension Tower - P02 - ET01 - 18-12-2020 - v3.0



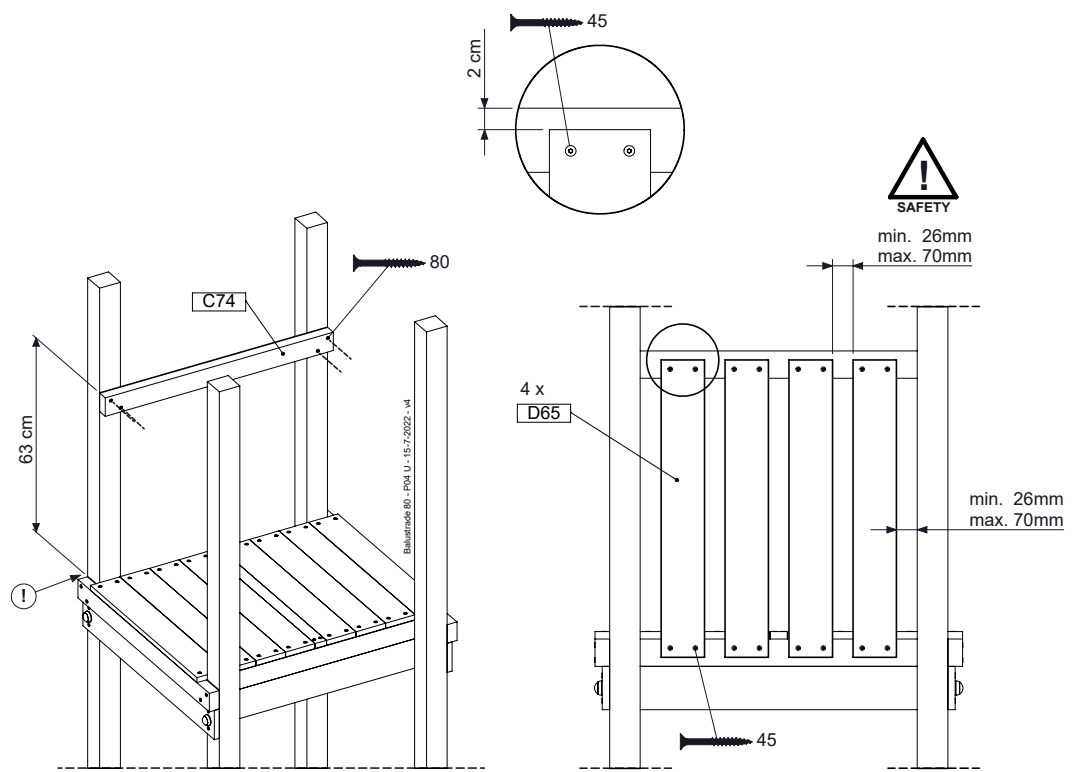
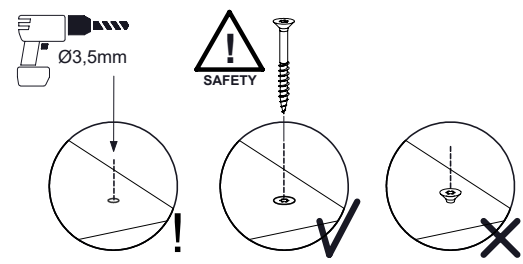
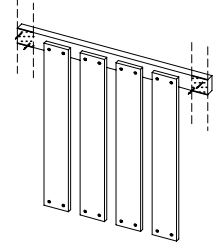


# 12 BL01a: Balustrade 80 U - 7x7 posts

( 194\_101 )

	PartNo	PartName	QTY.
Hardware Pack	002_220	Gap Point Screw T25 - 5x45	16
	100_601	Gap Point Screw T25 - 5x80	4
Timber	C74	Beam 740 mm	1
	D65	Board 650 mm	4

Balustrade 80 - P04 U - 15-7-2022 - v4

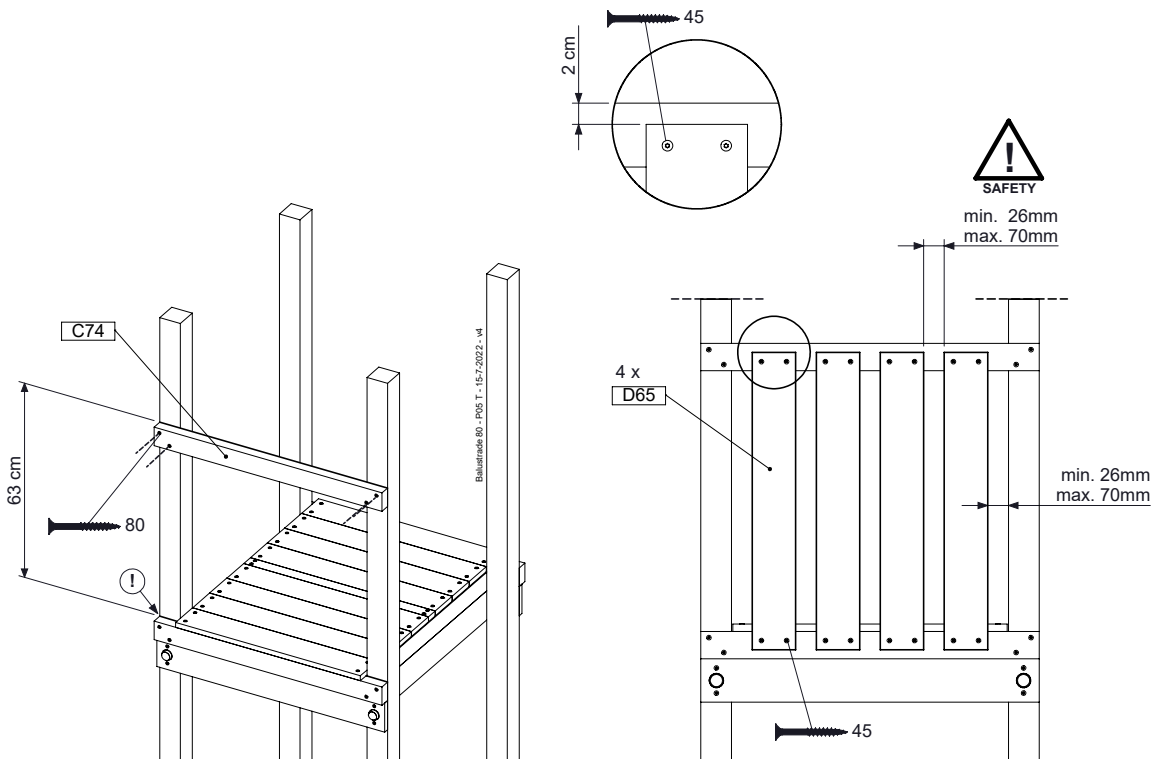
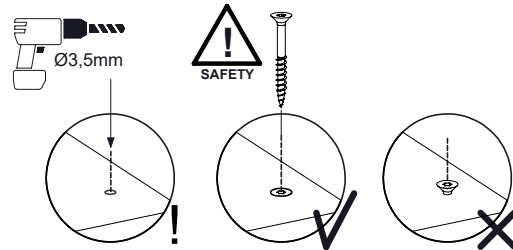
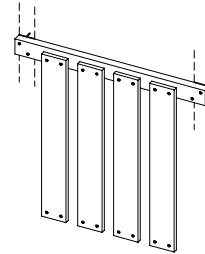


# 13 BL02a: Balustrade 80 T

(194\_101)

	PartNo	PartName	QTY.
Hardware Pack	002_220	Gap Point Screw T25 - 5x45	16
	100_601	Gap Point Screw T25 - 5x80	4
Timber	C74	Beam 740 mm	1
	D65	Board 650 mm	4

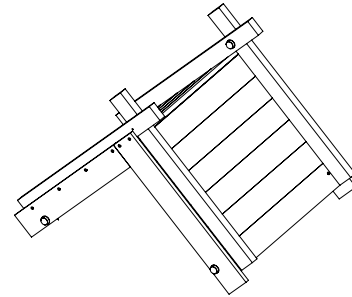
Balustrade 80 - P03 T - 15-7-2022 - vt



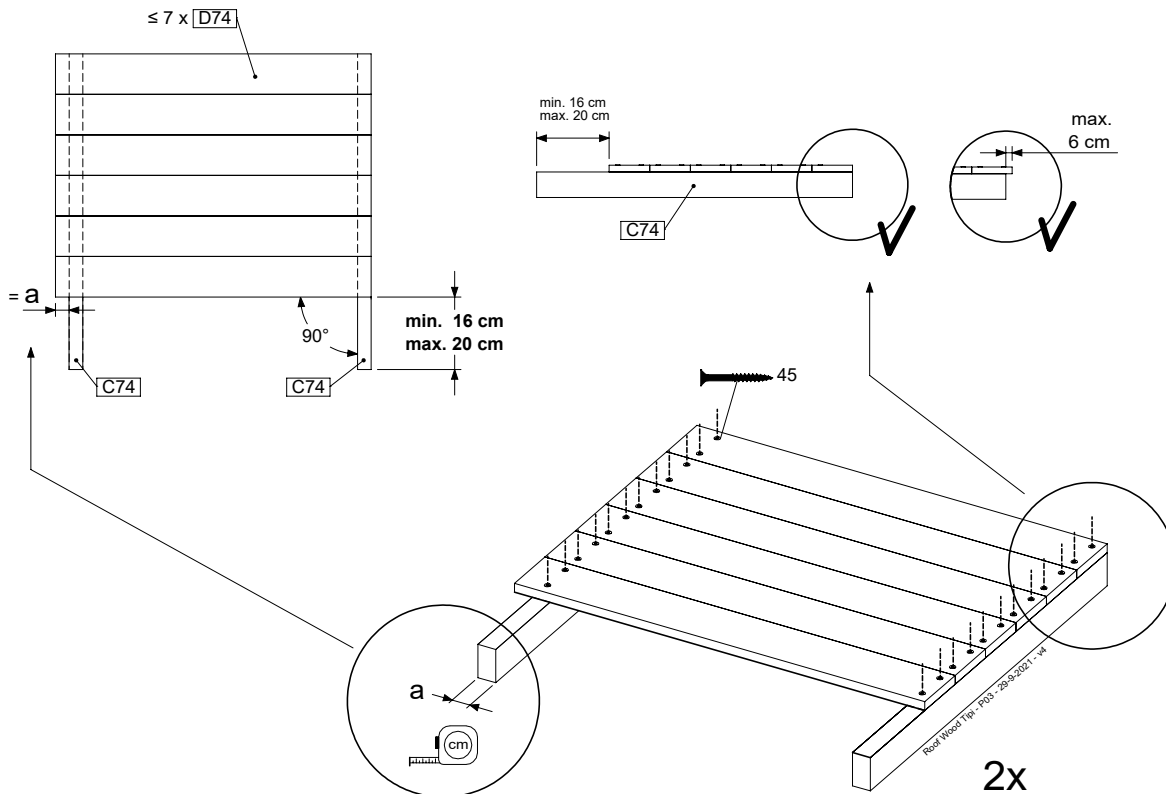
# 14 RF04a: Roof Wooden Tipi 80

(194\_110)

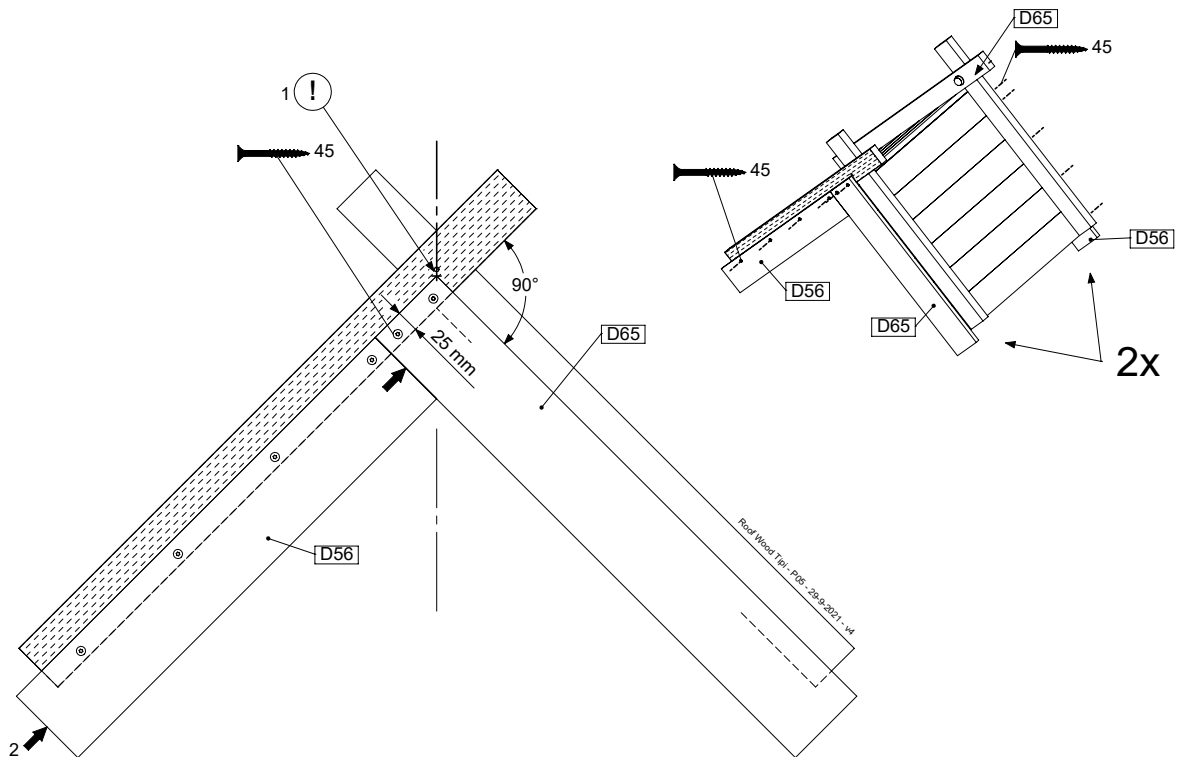
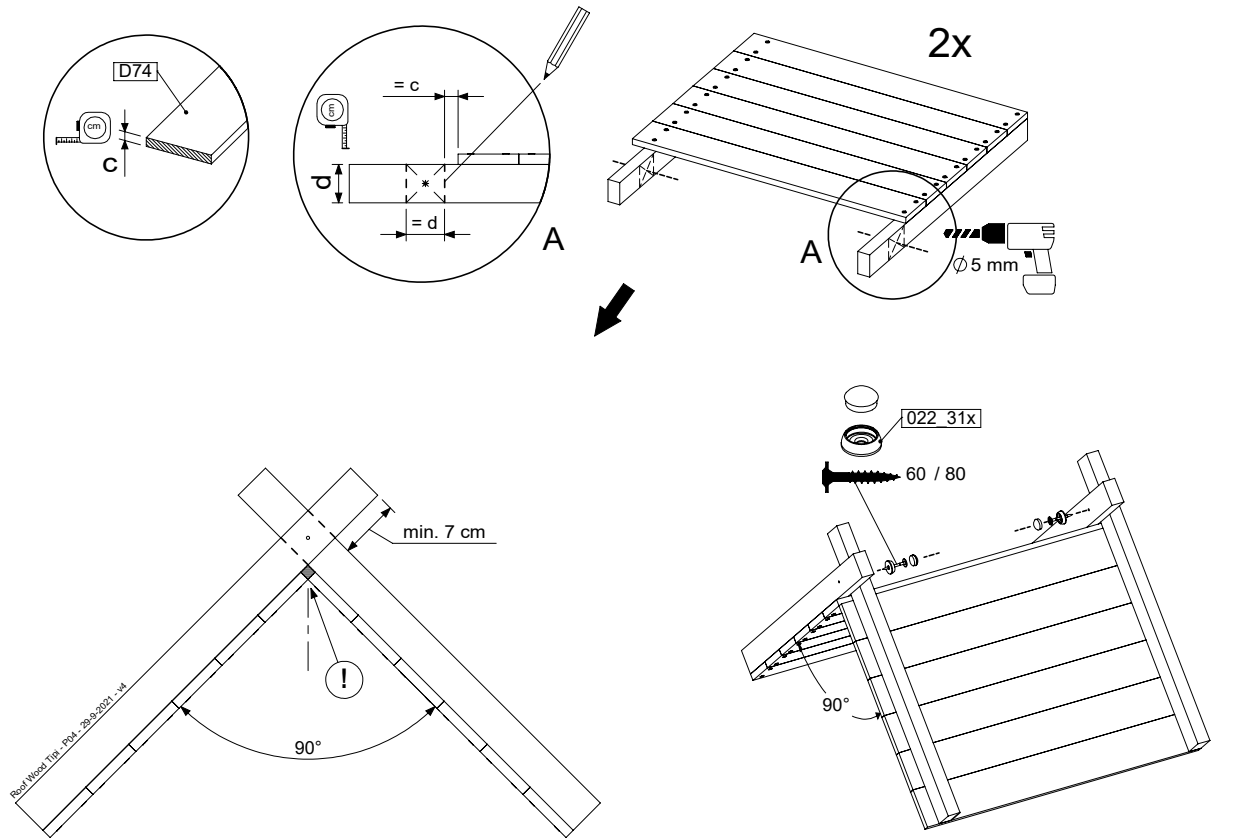
	PartNo	PartName	QTY.
Hardware Pack 100_608	001_411	Stealth Screw 8x60	6
	001_417	Stealth Screw 8x80	2
	002_220	Gap Point Screw T25 - 5x45	68
	002_223	Gap Point Screw T25 - 5x80	4
Other	022_31x	bpc-base version 3	6
	022_84x	bpc cover	6
Timber	C74	Beam 740 mm	4
	D56	Board L=(650 - board width) mm	2
	D65	Board 650 mm	2
	D74	Board 740 mm	14



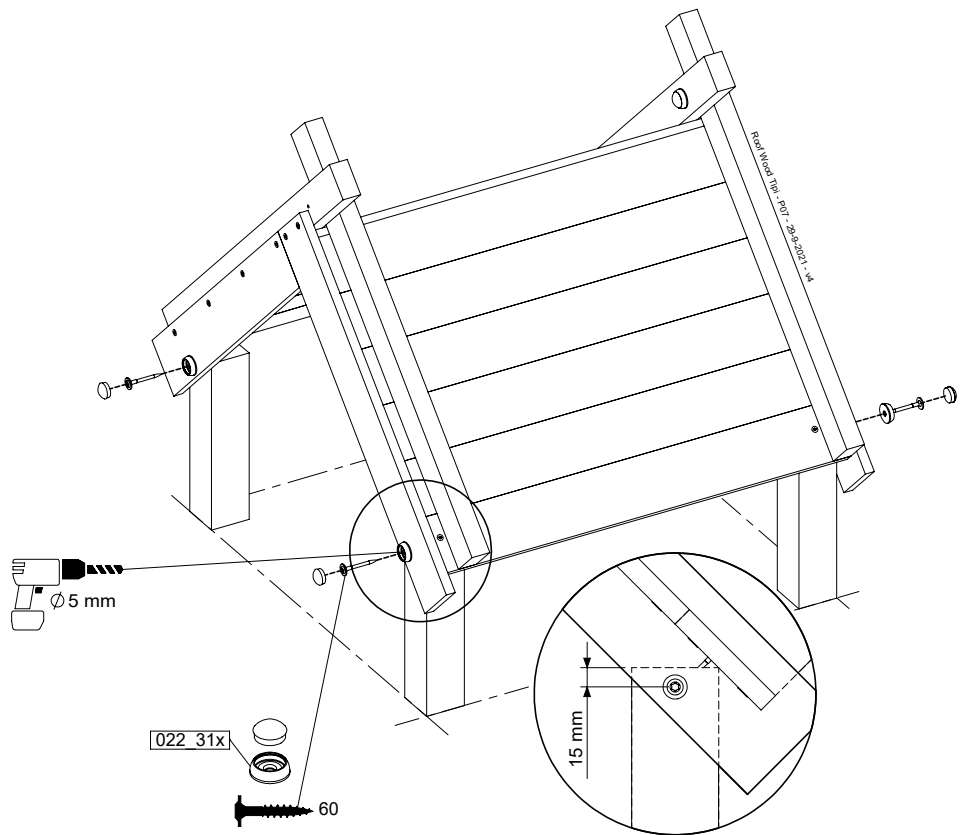
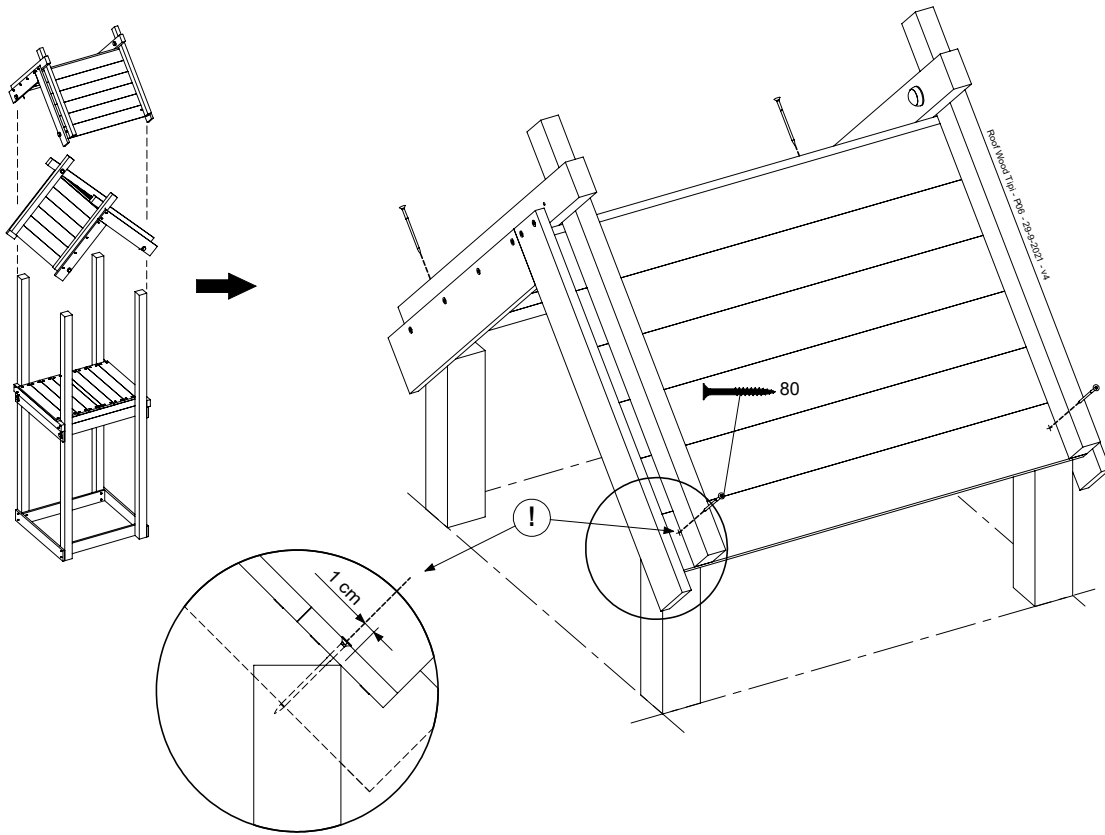
Roof Wood Tipi - P02 - 20-9-2021 - v4



# 14.1



# 14.2

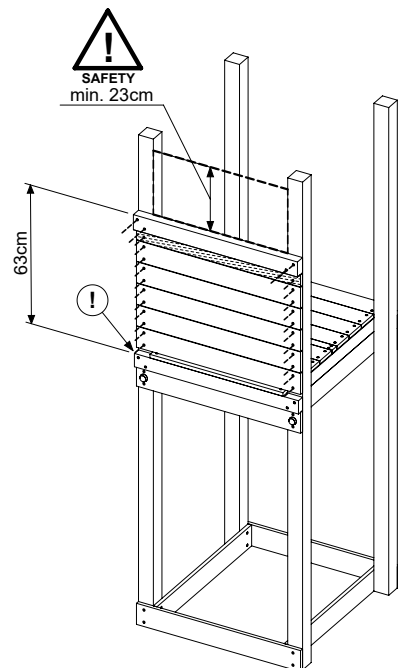
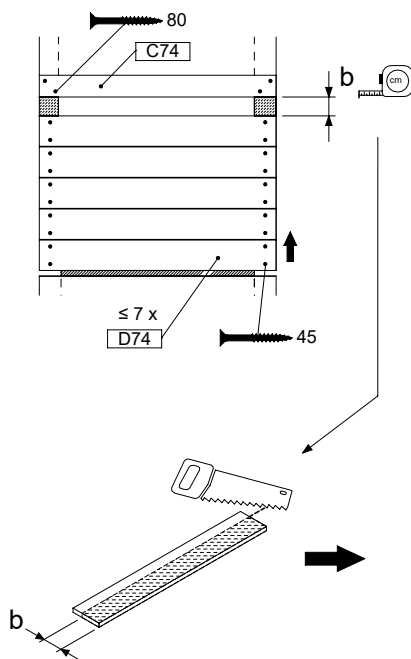
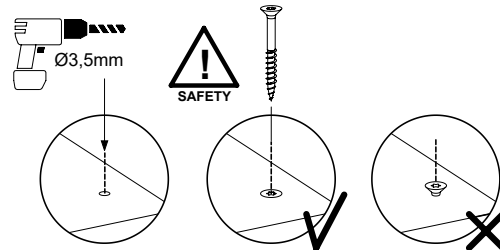
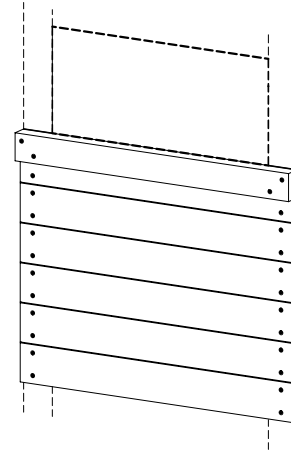


# 15 PH06a: Playhouse Window Panel 80 T

( 194\_501 )

PartNo	PartName	QTY.
002_220	Gap Point Screw T25 - 5x45	28
002_223	Gap Point Screw T25 - 5x80	4
C74	Beam 740 mm	1
D74	Board 740 mm	7

Playhouse Walls - PH06 WINDOW T - 25-3-2023 - v3



Playhouse Walls - PH06 WINDOW T - 25-3-2023 - v3

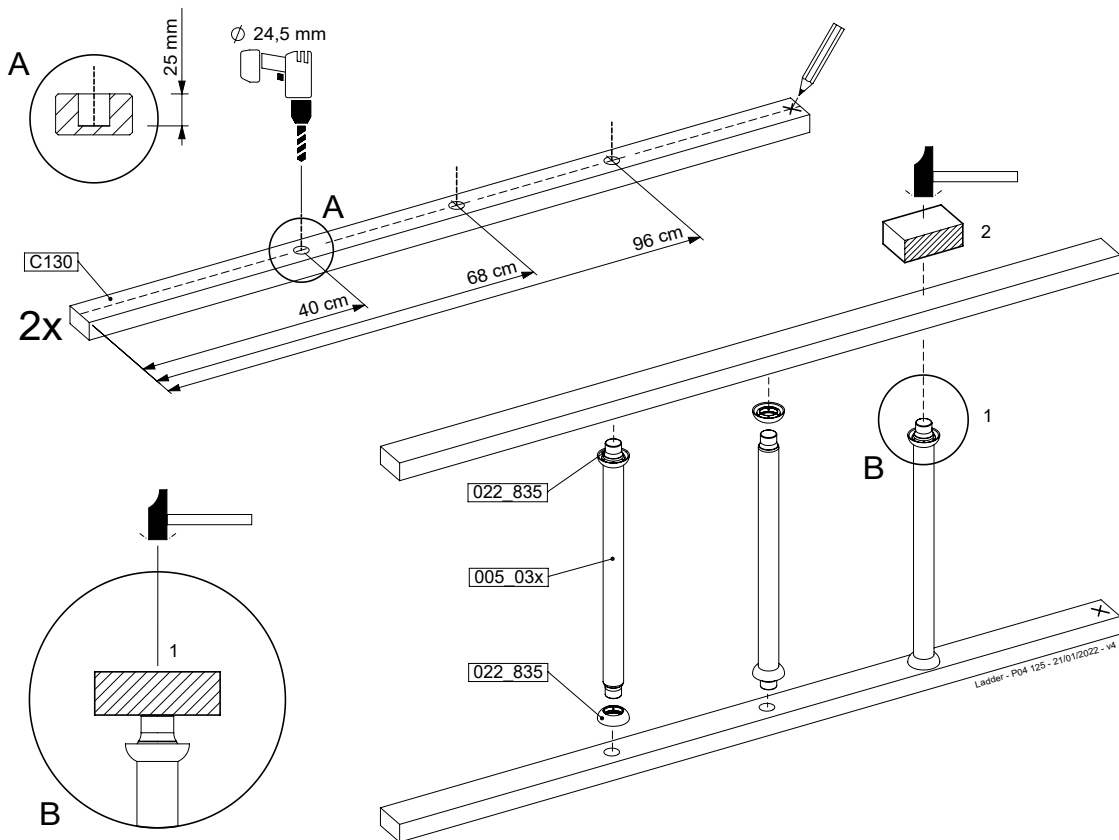
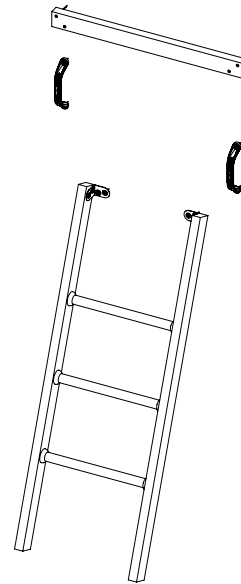


# 16 LA02a: Ladder 80 125 T

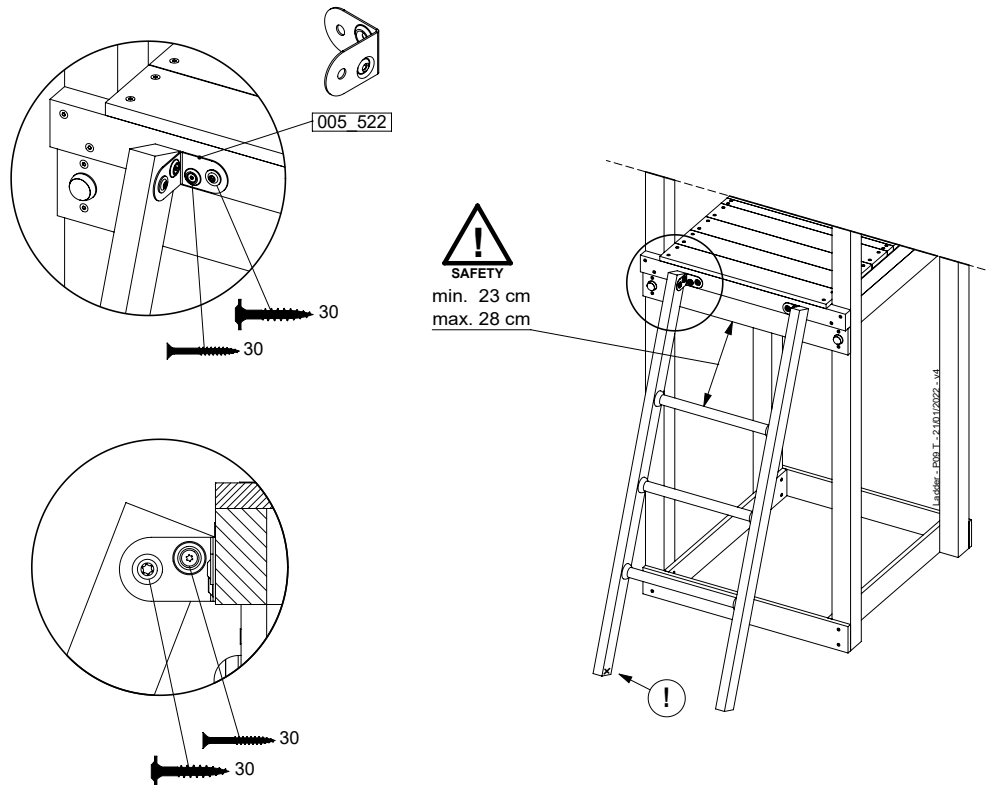
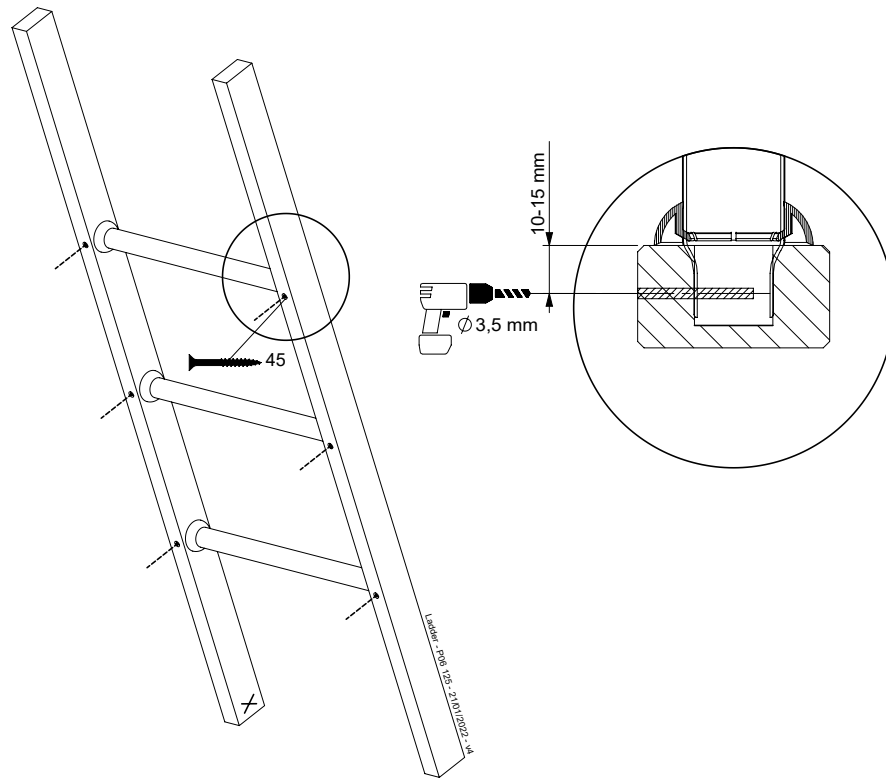
( 194\_103 )

	PartNo	PartName	QTY.
Hardware Pack 100_603	001_404	Stealth Screw 8x30	4
	002_219	Gap Point Screw T25 - 5x30	4
	002_220	Gap Point Screw T25 - 5x45	6
	002_223	Gap Point Screw T25 - 5x80	4
Other	005_03x	Ladder Rung Y/B/G/R	3
	005_522	Connection Bracket Mini Market	2
	022_835	Rung Cap	6
	120_102	Handgrip set (2x Complete)	1
Timber	C74	Beam 740 mm	1
	C130	Beam 1300 mm	2

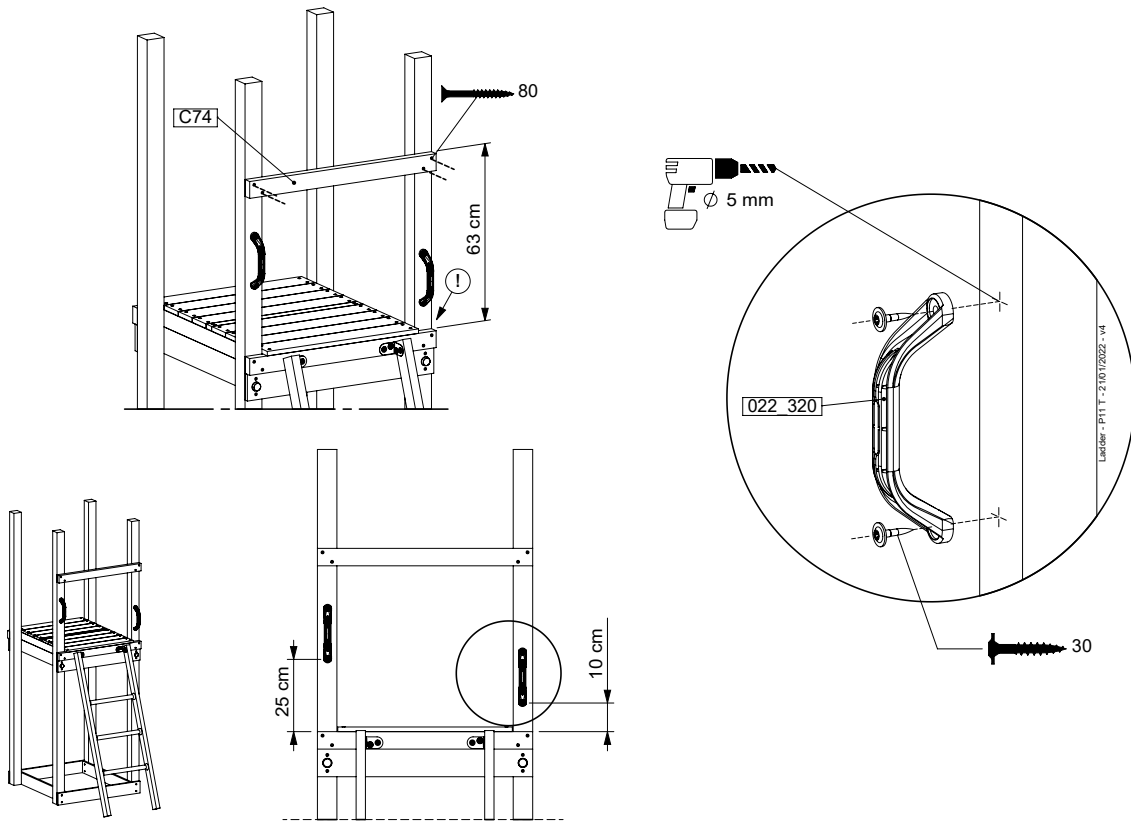
Ladder - P04 125 - 21/01/2022 - v4



Ladder - P04 125 - 21/01/2022 - v4



# 16.2

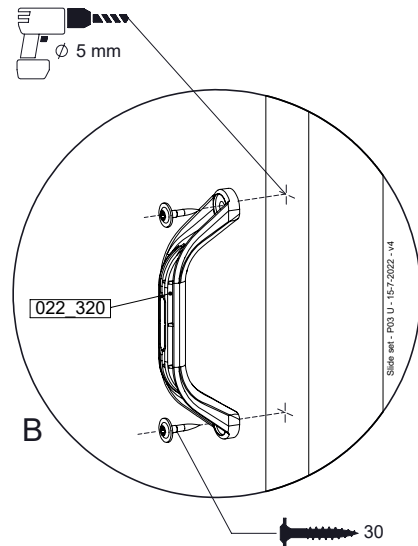
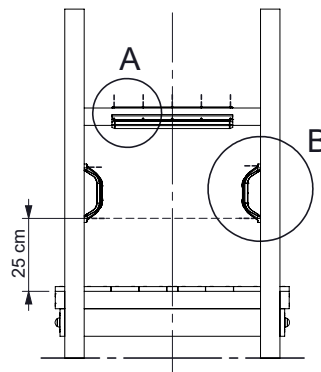
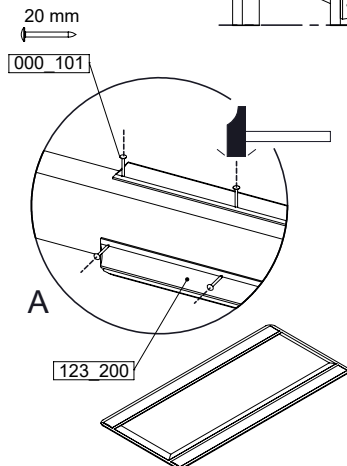
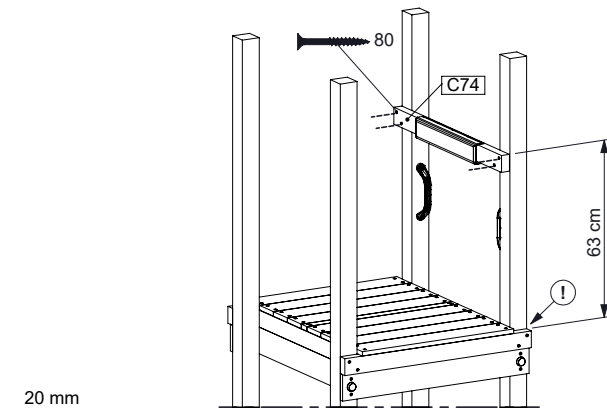
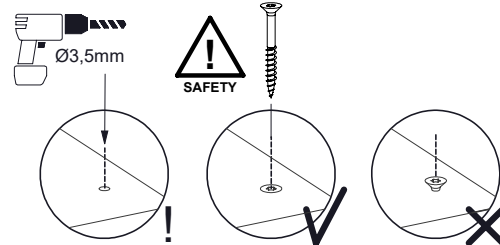
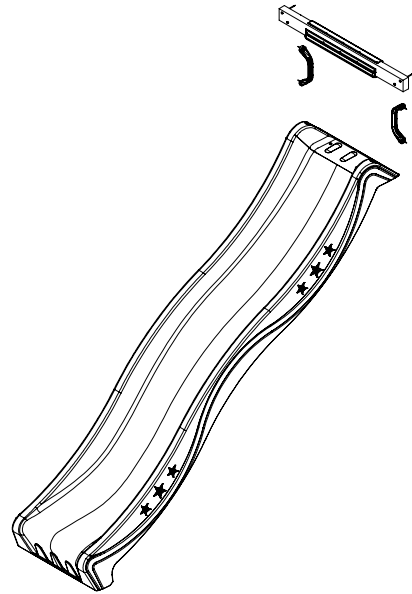


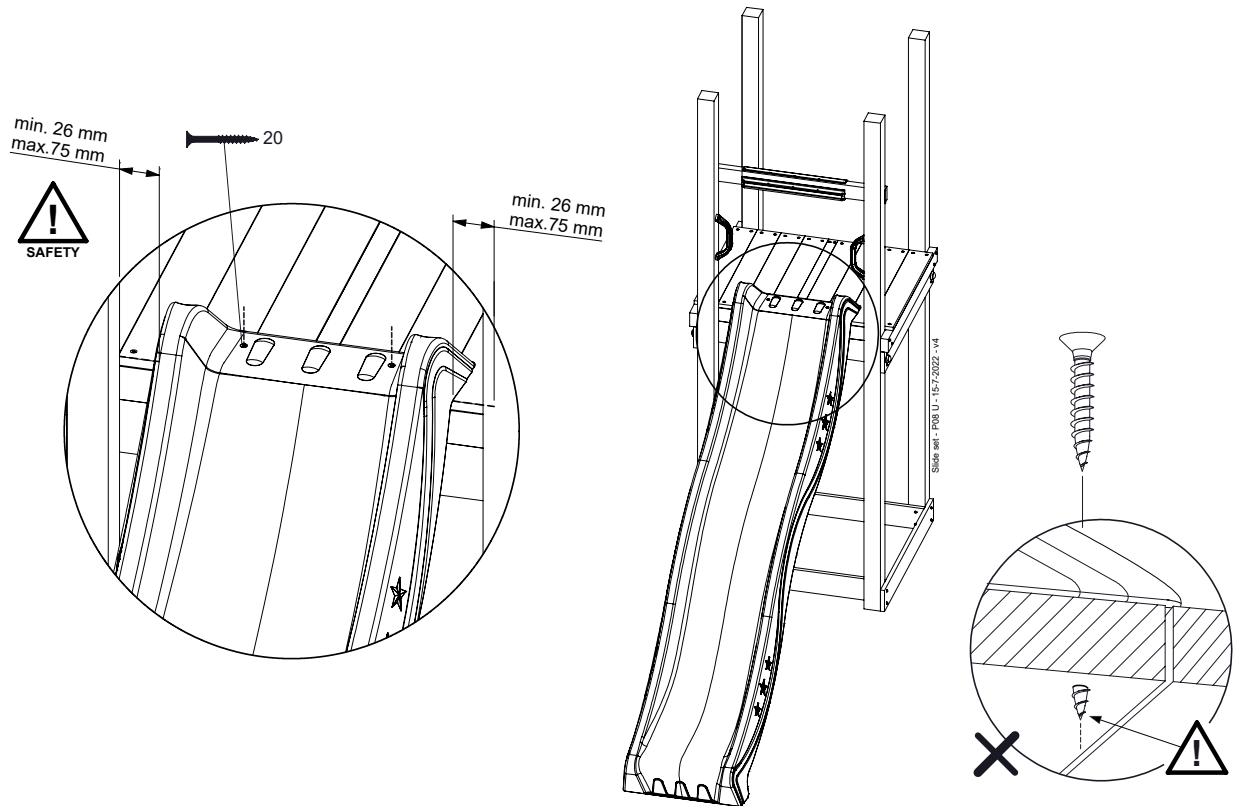
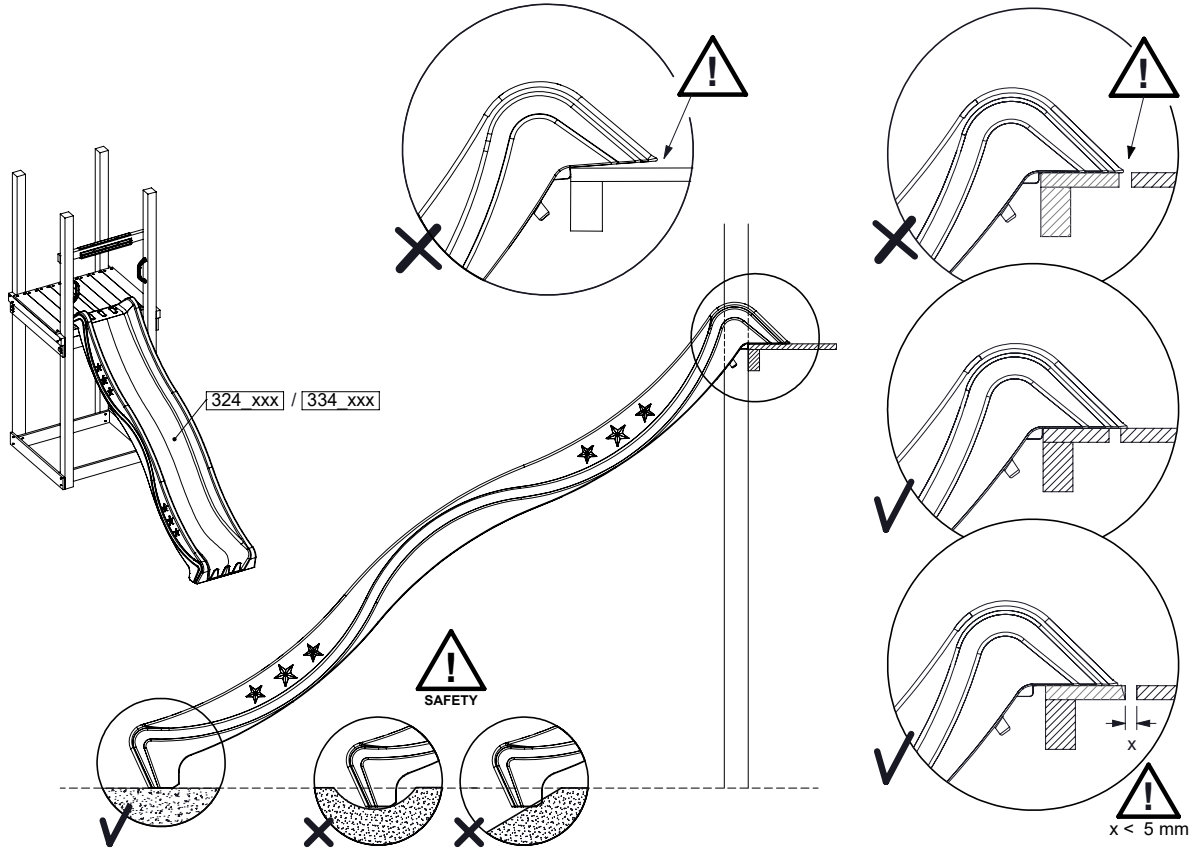
# 17 SL01a: Slide 80 125 U

( 194\_107 )

	PartNo	PartName	QTY.
Hardware Pack 100_605	000_101	Nail Pan Head	10
	002_223	Gap Point Screw T25 - 5x80	4
	002_308	Gap Point Screw T25 - 5x20	2
Other	120_102	Handgrip set (2x Complete)	1
	123_200	Bumperpad	1
	324_xxx 334_xxx	Wavy Star Slide XL 2200 mm / Wavy Star Slide XL 2650 mm	1
Timber	C74	Beam 740 mm	1

Slide set - P02 - 15-7-2022 - v4



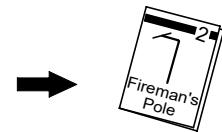
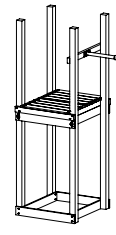
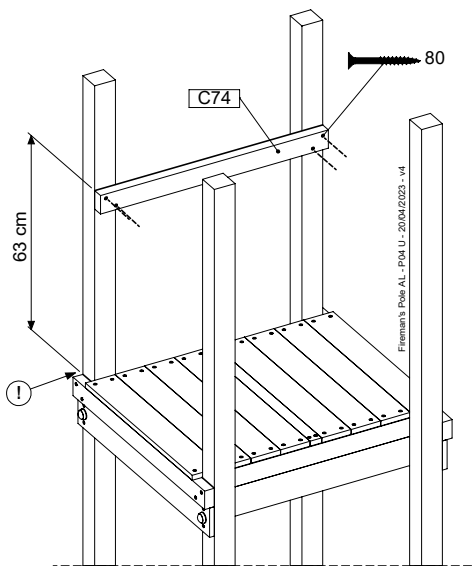
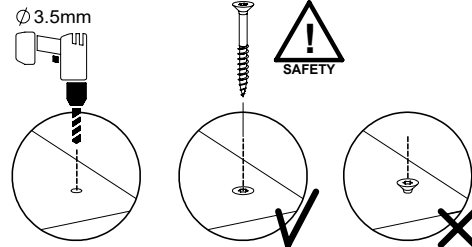
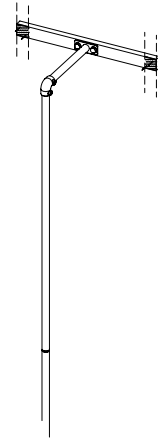


# 18 FP01a: Fireman's pole 80 U

( 201\_275 )

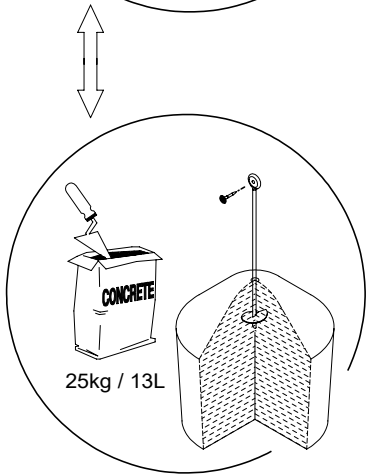
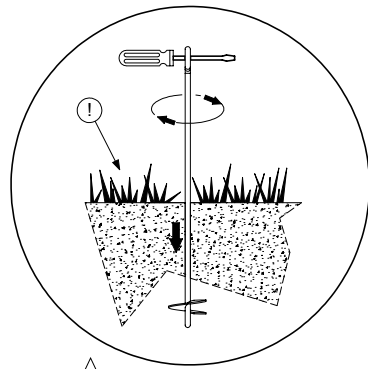
	PartNo	PartName	QTY.
Kit	201_275	Fireman's Pole kit (incl. 4x Screw T25 5x80)	1
Timber	C74	Beam 740 mm	1

Fireman's Pole AL - P02.U - 20/04/2023 - v4

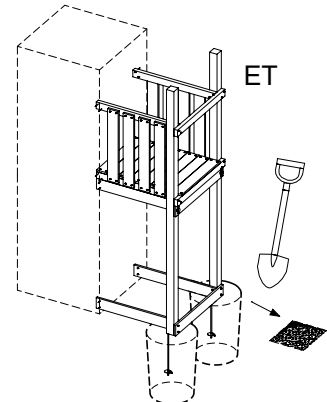
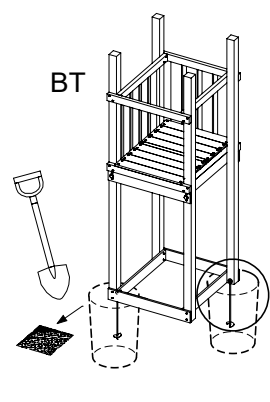
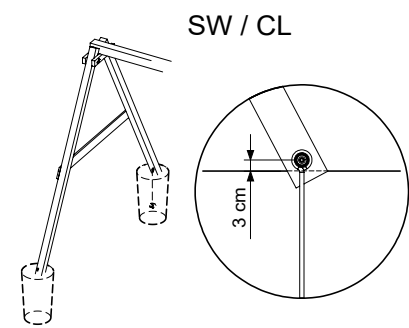
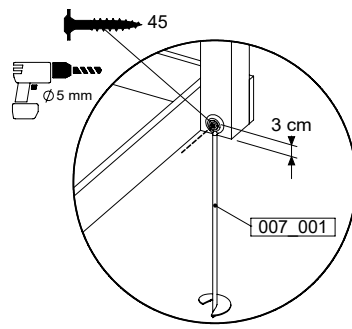


Fireman's Pole (201\_275)  
040\_335 Part 2

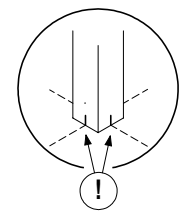
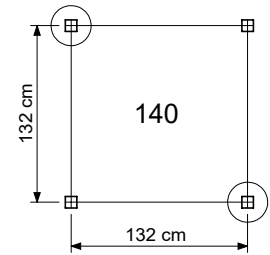
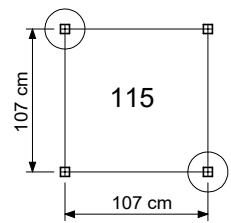
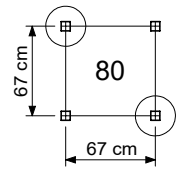
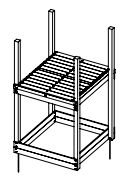
# 19 GA: Ground Anchors



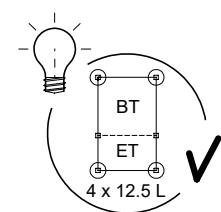
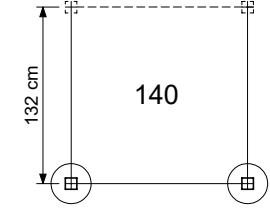
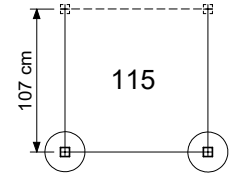
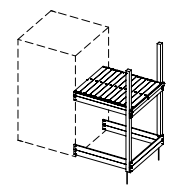
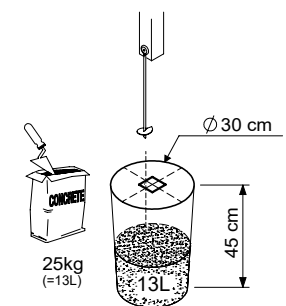
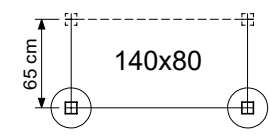
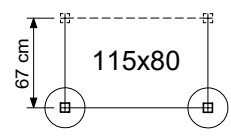
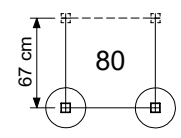
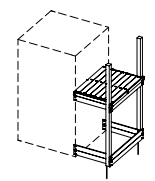
Ground Anchors Unit - P03 - 04/07/2023 - v1.2



BASE TOWERS

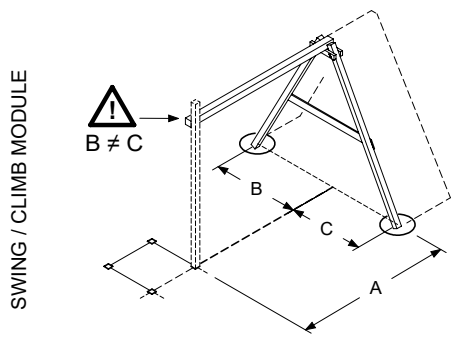
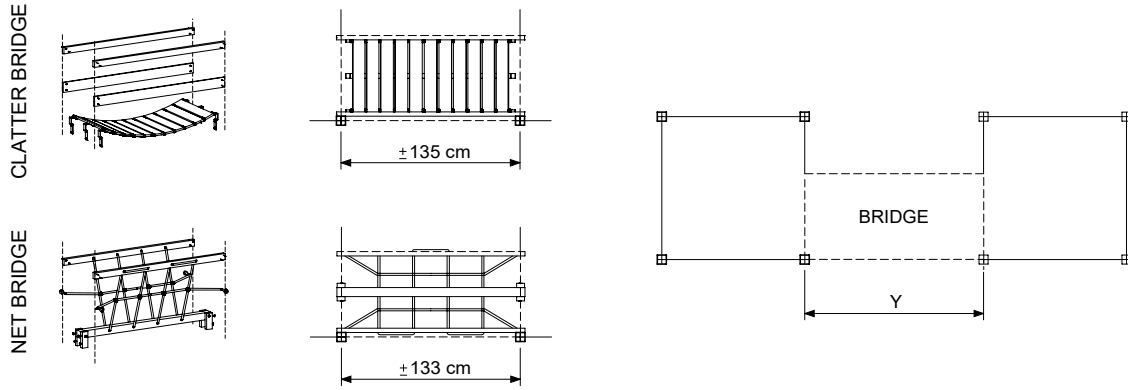


EXTENSION TOWERS



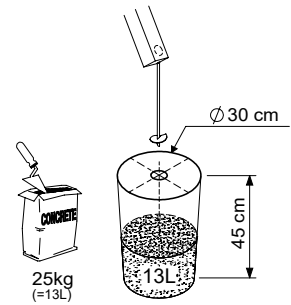
Ground Anchors Unit - P03 - 04/07/2023 - v1.2

# 19.1

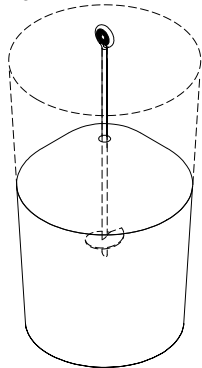


Module type	A	B	C
1-Swing 200	150	115	100
1-Swing 220 / 220 Extra		120	105
2-Swing 200	210	115	100
2-Climb 200			
1-Climb 200	142	120	105
1-Climb 220 / 220 Extra			
2-Swing 220 / 220 Extra	230	120	105
2-Climb 220 / 220 Extra			

Grand Anchers Uni. - P02 - 04/07/2023 - v1.2



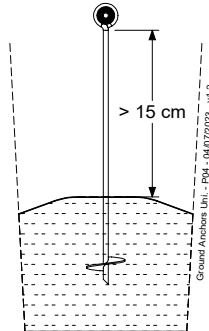
25kg / 13L



1.

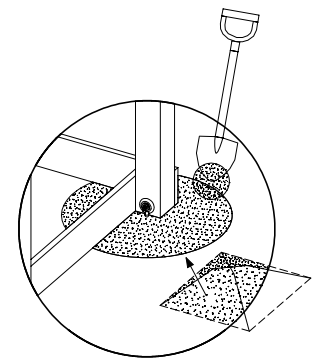


SAFETY



2.

24h



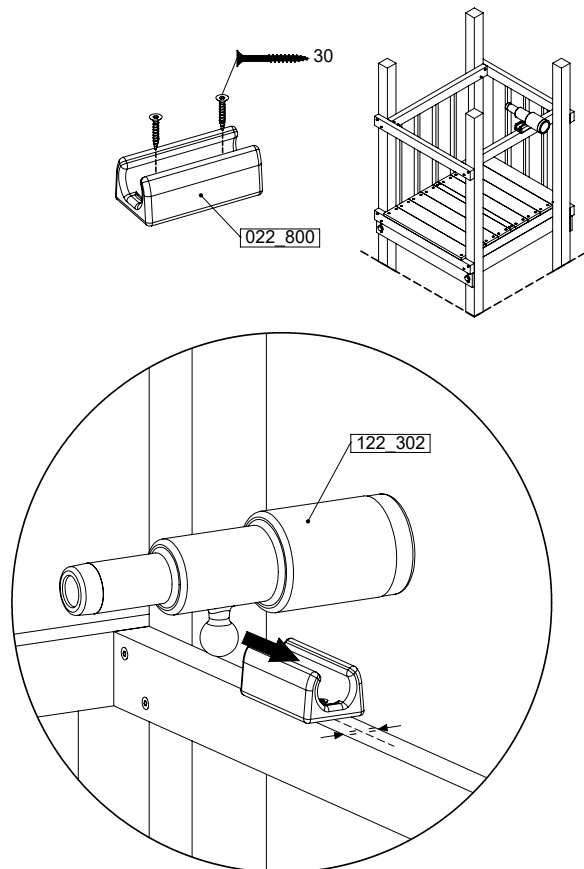
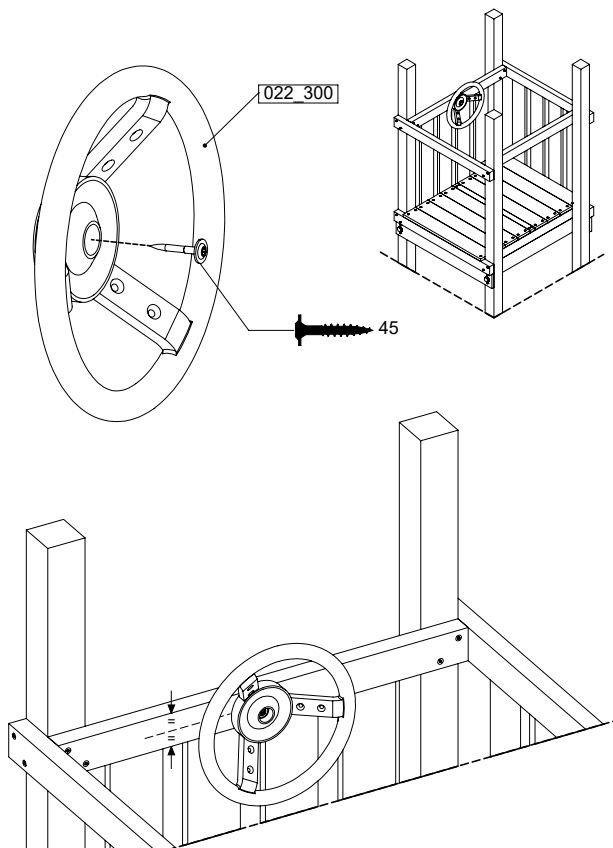
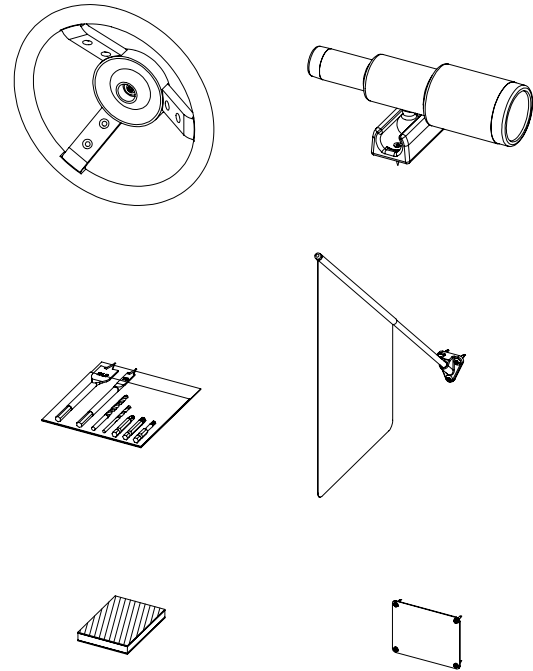
4.

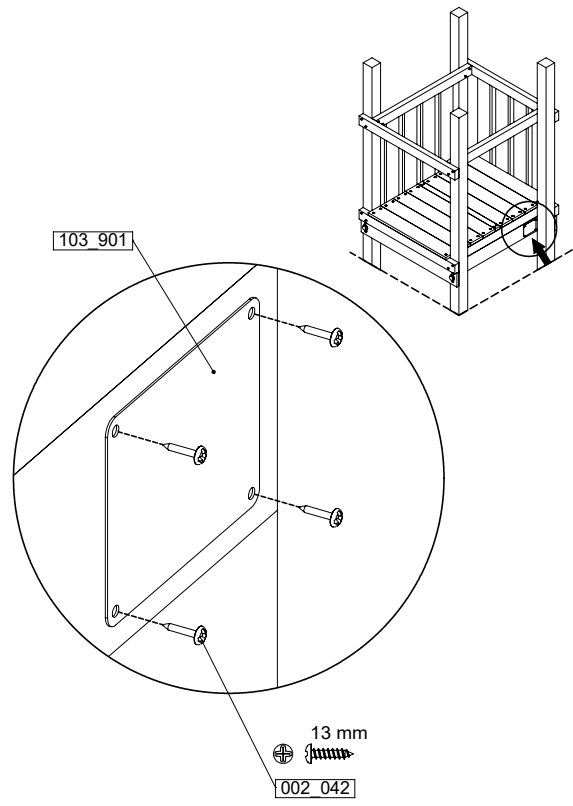
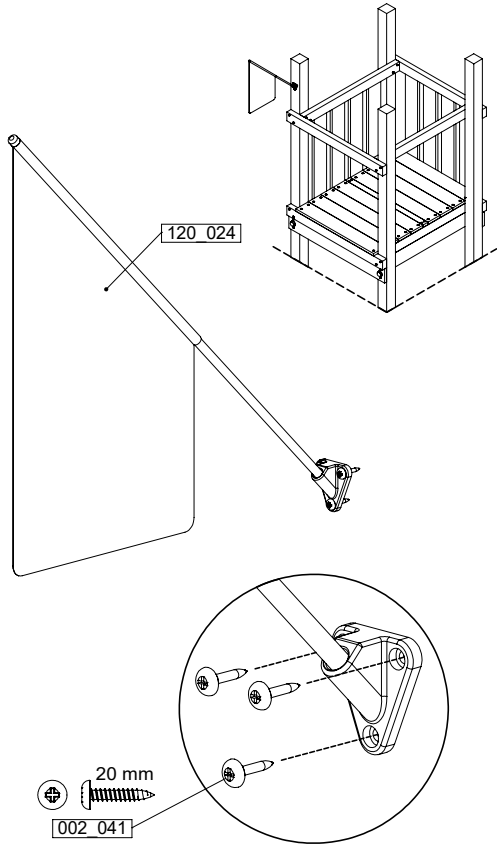


## 20 AC01a: Accessories

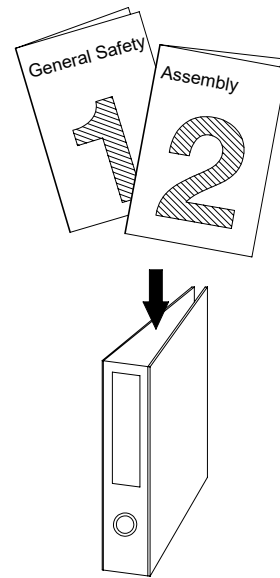
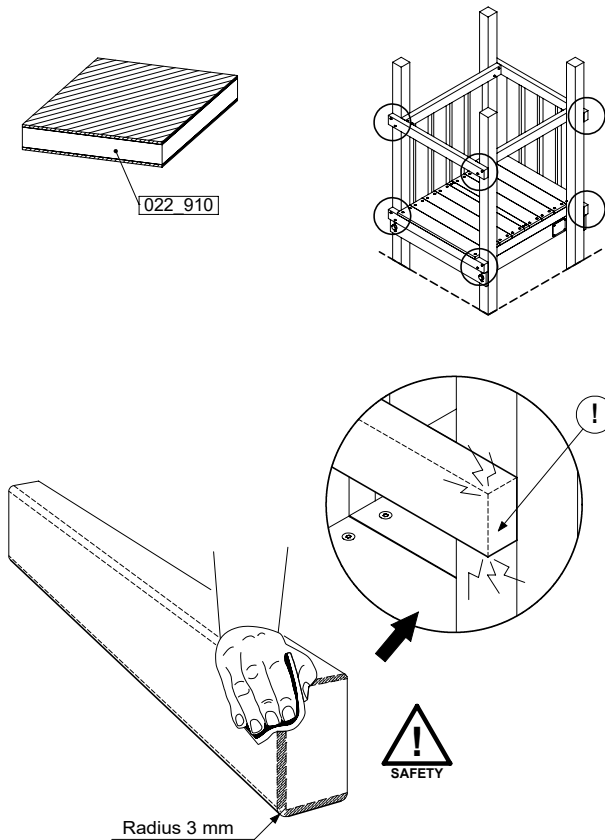
( 194\_119 )

	PartNo	PartName	QTY.
Hardware Pack 100_617	001_406	Stealth Screw 8x45	1
	002_041	Dome head screw 4.5 x 20 mm	3
	002_042	Dome head screw 3.5 x 13mm	4
	002_219	Gap Point Screw T25 - 5x30	2
Other	022_300	Steering Wheel	1
	022_800	Rail P/T 105	1
	022_910	Sandpad	1
	103_901	Logo ID Plate	1
	104_107	Tool Set Climbing Units	1
	120_024	Tower Flag	1
	122_302	Telescope	1





Accessory set - P04 - 24.01/2024 - v5



Accessory set - P04 - 24.01/2024 - v5

# 21 Declaration of conformity

Activity toys for domestic use  
 Aktivitätsspielzeug für den häuslichen Gebrauch  
 Jouets d'activité à usage familial



ID's

## 1. Wooden climbing frames

20232912\_v1

### 1.1. Assemblies

Playtowers	801_005, 801_009, 801_010, 801_013, 801_025, 801_040, 801_060, 801_070, 801_090, 801_095, 801_100, 801_103, 801_105, 801_110, 801_120, 801_200, 802_202, 802_204, 802_206, 802_208, 803_202, 803_204, 803_206, 803_208, 803_210, 809_802, 809_804
Swings	801_300, 801_601, 801_602
Modules	850_176, 850_177, 857_101, 857_102, 857_151, 857_152, 850_231, 850_232, 857_105, 857_106, 857_157, 857_158, 850_240

### 1.2. Sub assemblies

Base towers (BT)	BT01a, BT02a, BT03a, BT11a, BT14a, BT15a, BT20a
Extension towers (ET)	ET01a, ET02a, ET05a, ET06a, ET07a, ET08a, ET09a, ET10a, ET11a, ET12a, ET13a, ET14a, ET15a, ET16a, ET17a, ET18a, ET19a, ET20a, ET22a, ET23a, ET27a, ET28a, ET29a, ET35a, ET39a, ET40a
Bridges (CB, NB, BB, TB, BF)	CB01a, NB01a, BB01a, BB02a, TB01a, TB02a, TB03a, TB04a, BF01a, BF02a, BF03a, BF04a, BF05a, BF06a, BF07a, BF08a, BF21a, BF22a, BF23a, BF24a, BF25a, BF26a, BF27a, BF28a
Roofs (RF)	RF01a, RF02a, RF02b, RF03a, RF03b, RF04a, RF05a, RF06a, RF07a, RF07b, RF08a, RF09a, RF11a, RF12a, RF12b, RF14a, RF15a, RF16a, RF17a, RF18a, RF18b, RF20a, RF21a, RF22a, RF23a, RF24a, RF25a, RF26a
Balustrade (BL)	BL01a, BL02a, BL03a, BL04a, BL05a, BL06a, BL07a, BL08a, BL09a, BL10a, BL21a
Playhouse (PH)	PH03a, PH04a, PH05a, PH06a, PH10a, PH11a, PH12a, PH13a, PH16a, PH17a, PH18a, PH19a, PH40a, PH41a, PH42a, PH43a, PH44a, PH45a, PH46a, PH47a, PH48a, PH49a, PH30a, PH31a, PH20a, PH21a, PH22a, PH23a, PH24a, PH25a, PH26a, PH27a, PH50a, PH51a, PH52a, PH53a, PH54a, PH55a, PH56a, PH57a, PH32a, PH33a
Ladder (LA)	LA01a, LA01b, LA02a, LA02b, LA03a, LA03b, LA11a, LA12a, LA13a, LA14a, LA15a, LA16a, LA17a, LA18a, LA21a, LA22a, LA23a, LA24a, LA25a, LA26a
Two Step Ladder (TS)	TS01a, TS01b, TS02a, TS02b, TS03b, TS05a, TS06a, TS07a, TS08a, TS09a, TS10a, TS11a, TS12a, TS15a, TS16a, TS17a, TS18a, TS19a, TS20a, TS21a, TS22a
Rope Ladder (RL)	RL01a, RL02a, RL05a, RL06a, RL07a, RL08a, RL09a, RL10a, RL11a, RL12a, RL15a, RL16a, RL19a, RL20a
Rock wall (RW)	RW01a, RW01b, RW02a, RW02b, RW03b, RW05a, RW06a, RW07a, RW08a, RW09a, RW10a, RW11a, RW12a, RW15a, RW16a, RW17a, RW18a, RW19a, RW20a, RW31a, RW32a
Ramp (RA)	RA03a, RA04a, RA05a, RA06a, RA07a, RA08a, RA11a, RA12a, RA21a
Net (NA, NS)	NA01a, NS01a
Boat (BO)	BO01a
Market (MT)	MT01a, MT02a, MT05a, MT06a, MT11a, MT12a
Picnic (PC)	PC01a, PC05a, PC06a, PC09a, PC10a
Fireman's pole (FP)	FP01a, FP02a, FP04a, FP05a, FP06a, FP07a, FP23a, FP24a, FP25a, FP26a, FP27a, FP28a
Slides (SL)	SL01a, SL02a, SL03a, SL06a, SL07a, SL08a, SL09a, SL10a, SL11a, SL12a, SL13a, SL26a, SL27a, SL28a, SL29a
Swing (SM)	SW01a, SW02a, SW05a, SW06a, SW09a, SW10a, SW13a, SW14a, SW17a, SW18a, SW21a, SW22a
Climb (CM)	CL01a, CL02a, CL05a, CL06a, CL09a, CL10a, CL13a, CL14a, CL17a, CL18a, CL21a, CL22a
Accessories (AC)	AC01a, AC02a, AC03a, AC04a, AC05a, AC06a, AC07a, AC08a, AC09a, AC10a, AC21a, AC22a, AC23a, AC24a, AC25a, AC30a, AC50a, AC51a, AC52a, AC53a

## 2. Construction packages

### 2.1 Assembly Kits

Playtowers	401_015, 401_080, 401_125, 402_201, 402_202, 402_204, 402_206, 402_208, 403_202, 403_204, 403_206, 403_208, 403_210, 409_802, 409_804
Swings	401_300, 401_600
Modules	457_005, 457_102, 457_103, 457_106, 457_107, 457_205

### 2.2 Assembly Packs

Sub assemblies	194_002, 194_003, 194_004, 194_006, 194_007, 194_008, 194_009, 194_010, 194_100, 194_101, 194_102, 194_103, 194_104, 194_105, 194_107, 194_108, 194_109, 194_110, 194_111, 194_112, 194_113, 194_114, 194_115, 194_116, 194_117, 194_118, 194_119, 194_300, 194_308, 194_312, 194_500, 194_501, 194_508, 194_510, 194_809, 194_810, 194_811, 194_812
----------------	--

## 3. Accessories and components

Slides XL	324_100, 324_200, 324_300, 324_400, 324_500, 324_600
Slides XXL	334_100, 334_200, 334_300, 334_400, 334_500, 334_600
Fireman's pole	201_275
Climbing	201_060, 201_273
Imagination	201_280, 201_285, 201_290, 201_295, 202_473, 450_310, 450_320, 450_330
Swinging	250_001, 250_013, 250_025, 250_034, 250_053
Functional	123_220, 123_222, 123_230, 201_115, 201_220, 201_250, 201_260, 201_270, 202_620, 202_621, 202_622, 202_623, 202_624, 202_625, 202_626, 202_627, 202_628, 202_629, 202_824, 250_065, 250_070, 250_075

## Applicable EC directives and standards

### General

- General Product Safety Directive (GPSD) 2001/95/EG
- Reach directive 1907/2006
- AfPS GS 2019:01 PAK

### Activity Toys

- Toy Safety Directive (TSD) 2009/48/EG
- EN Standard 71 Safety of Toys
  - EN 71-1:2014 + A1:2018 Safety of toys Mechanical and physical properties
  - EN 71-2:2020 Flammability
  - EN 71-3:2019 + A1:2021 Migration of certain elements
  - EN 71-8:2018 Safety of toys Activity toys for domestic use

## Supplementary information

Conformity to the above specified directives and standards has been frequently verified by TÜV Rheinland LGA products, DEKRA, LNE SA, since 1994. Jungle Gym participates in the European Commission for standardisation for the safety of activity toys ( TC52 / WG 10).



## Manufacturer details

Company Name: Jungle Gym B.V.  
Address : Valschermkade 18, 1059 CD Amsterdam, Netherlands  
Email: info@junglegym.com

## Declaration

I hereby declare under our sole responsibility that the products mentioned above, to which this declaration relates, comply with the above mentioned directives and standards when the installation, assembly, and maintenance instructions are strictly followed.

Name	Issued date
Mr. P. Schmit / Director	
	
Signature of representative	