

Sauda

Date: 2023-11-22



Manual Part 1

**Important**

This assembly manual should always be read in conjunction with the General Safety manual part 1 as included in the hardware package of your playground equipment. Please read these safety instructions carefully before starting the assembly work.

Jungle Gym

BACKYARD PLAYGROUNDS

since 1988




EN. Warnings. Only for domestic use. Maximum number of users is 3. **DE.** Achtung. Nur für den Hausgebrauch. Maximale Benutzerszahl: 3. **FR.** Attention. Réservé à un usage privé. Le nombre maximal d'utilisateurs est de 3. **NL.** Waarschuwingen. Uitsluitend voor huishoudelijk gebruik. Het maximale aantal gebruikers is 3. **BG.** Внимание. За употреба само в домашни условия. Максималният брой потребители е 3. **ES.** Advertencias. Sólo para uso doméstico. Número máximo de usuarios: 3. **CS.** Varování. Jen pro domácí použití. Maximální počet uživatelů je 3. **DA.** Advarsler. Kun til privat brug. Maksimum antal brugere er 3. **ET.** Hoiatused. Ainult koduseks kasutamiseks. Maksimaalne kasutajate arv on 3. **EL.** Προειδοποιήσεις. Μόνο για οικιακή χρήση. Μέγιστος αριθμός χρηστών 3. **IS.** Varnaðarorð. Engöngu fyrir einhnanotkun í heimahúsum og á einaklóðum. Hámarksfjöldi notanda er 3. **IT.** Avvertenze. Solo per uso domestico. Massimo numero di utenti è 3. **LV.** Brīdinājumi. Izmanto tikai mājās. Maksimālais lietotāju skaits ir 3. **LT.** Įspėjimai. Tik butiniam naudojimui. Maksimalus naudotojų skaičius HR. Upozorenia. Samo za kućansku uporabu. Maksimalan broj korisnika je 3. **HU.** Figyelmeztetések. Csak otthoni használatra! A használók max. száma: 3. **NO.** Advarsler. Kun for privat bruk. Maksimallt antall brukere er 3. **PL.** Ostrzeżenia. Wyłącznie do użytku domowego. Maksymalna liczba użytkowników to 3. **PT.** Avisos. Apenas para uso doméstico. O número máximo de utilizadores é 3. **RO.** Avertismente. Numai pentru uz domestic. Numărul maxim de utilizatori este 3. **RU.** Предостережения. Только для домашнего использования. Максимальное количество пользователей - 3. **SK.** Upozornenia. Iba na domáce použitie. Maximálne množstvo osôb je 3. **SL.** Opozorila. Samo za domačo uporabo. Maksimalno število uporabnikov je 3. **FI.** Varoitukset. Ainoastaan kotikäyttöön. Käyttäjää yhteensä enintään 3. **SR.** Upozorenja. Samo za kućnu upotrebu. Maksimalan broj korisnika je 3. **SV.** Varningar. Endast för hemmabruk. Det maximala antalet användare är 3. **TR.** Uyarılar. Sadece ev kullanımı için. Maksimum kullanıcı sayısı 3.




1 Helpdesk JungleGym

1.1 FAQ




English




<https://helpdesk.jungle gym.com/help/en-gb>

Deutsch




<https://helpdesk.jungle gym.com/help/de-de>

Français






<https://helpdesk.jungle gym.com/help/fr-fr>


Nederlands





<https://helpdesk.jungle gym.com/help/nl-nl>

1.2 Support




info@jungle gym.com


<https://www.jungle gym.com/customersupport-chat>

 AT 0043 72 08 153 33* FR 0033 97 75 58 222*
BE 0032 78 48 16 19* IE 0035 38 1800 0300*
CH 0041 43 50 87 350* LU 0035 22 08 80 512*
DE 0049 32 22 10 98 299* NL 0031 85 44 44 102*
ES 0034 657 76 64 25* UK 0044 20 369 505 53*

EU 0031 85 44 44 100

Monday-Friday, CET 9:00am - 5:00pm
* Local phone charges may apply.

2 Start

2.1 Safety

Part 1
General Safety

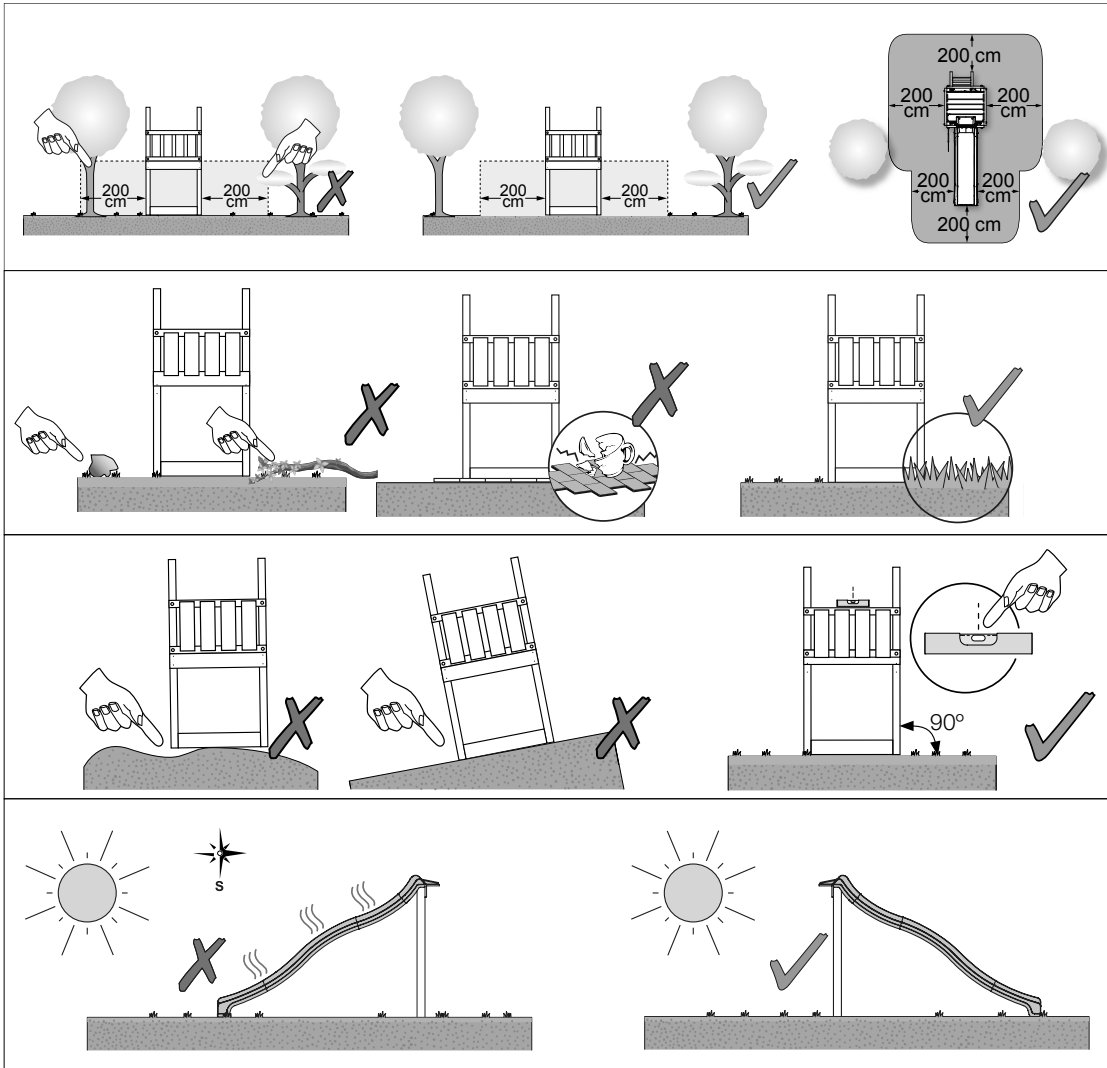
Jungle Gym

<https://helpdesk.jungle gym.com/api/v1/attachments/11436>

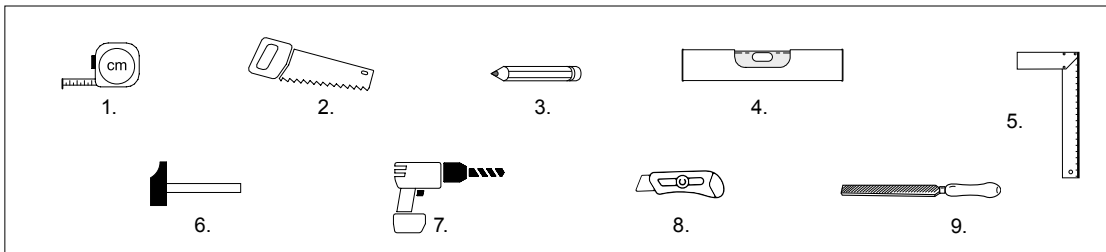
Icons: Kneeling (prohibited), Safety glasses, Gloves, Ear protection (checked).

Diagrams: Left shows workers assembling a platform with a child nearby and a warning sign. Right shows workers assembling a platform with a checkmark, indicating the correct method.

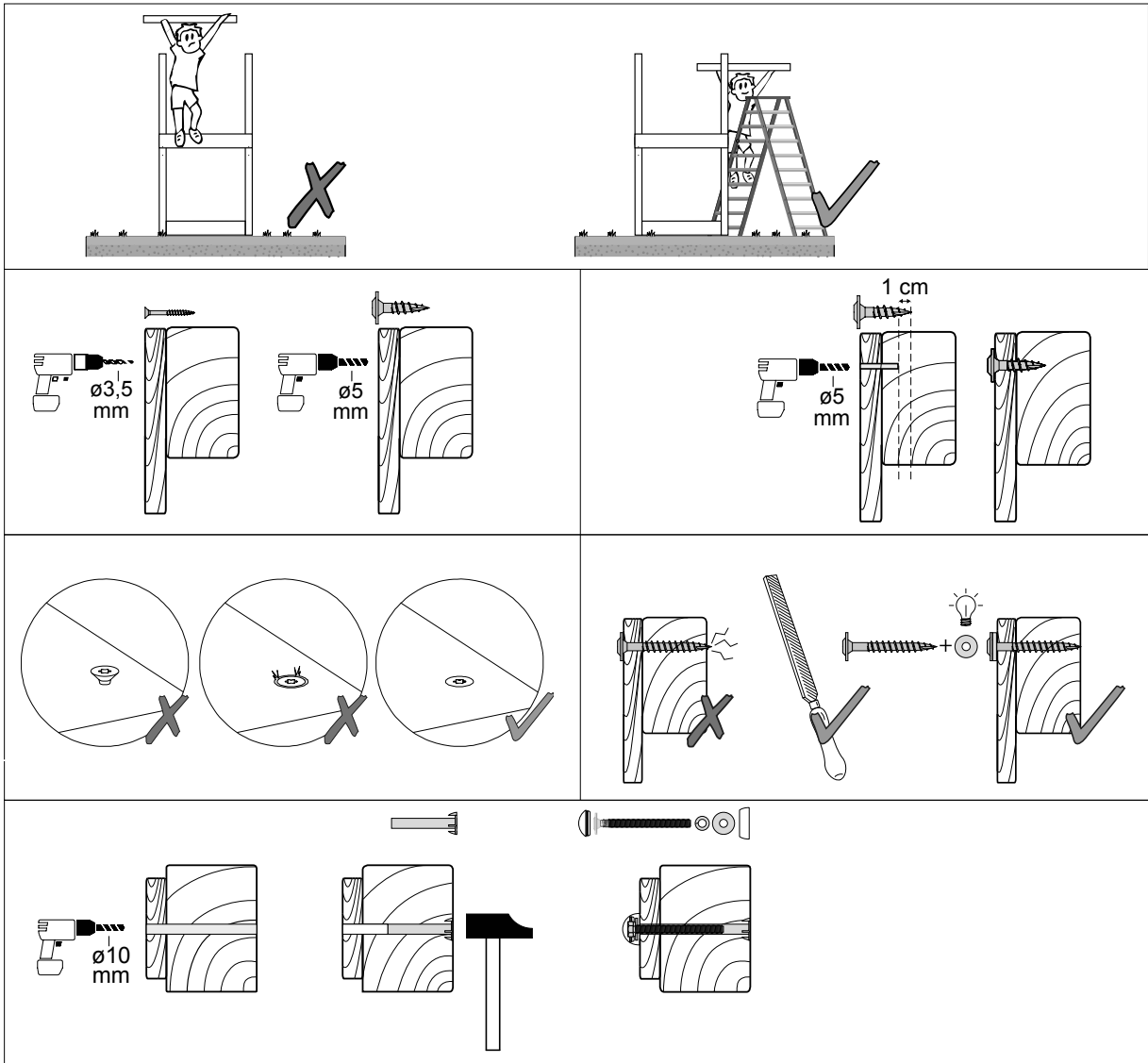
2.2 Planning



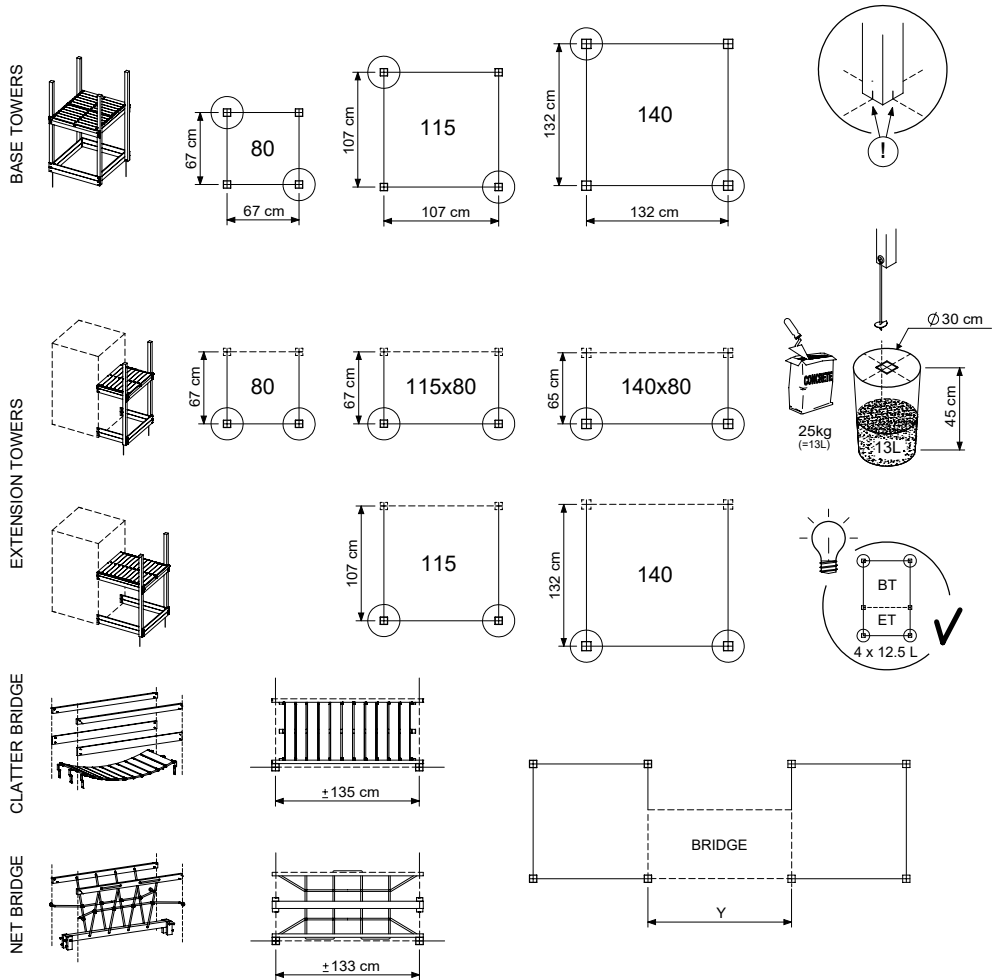
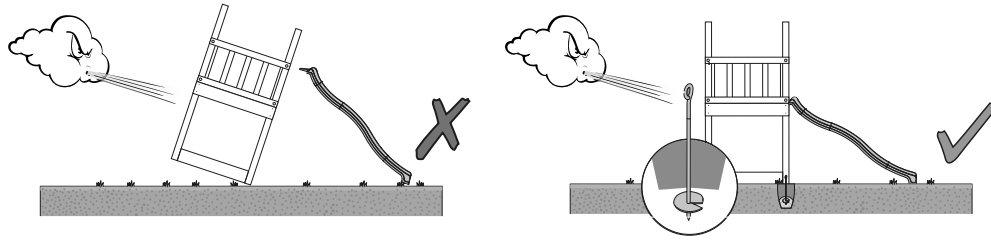
2.3 Tools



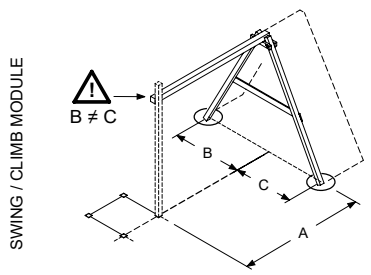
2.4 Assembly



3 Universal anchoring plan

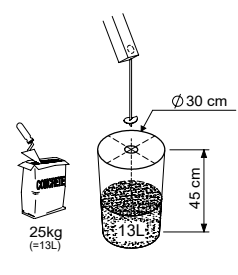


Ground Anchors Ltd. - P01 - 04/07/2023 - v1.2



Module type	A	B	C
1-Swing 200		115	100
1-Swing 220 / 220 Extra	150	120	105
2-Swing 200		210	100
2-Climb 200		115	100
1-Climb 200	142		
1-Climb 220 / 220 Extra	162		
2-Swing 220 / 220 Extra		120	105
2-Climb 220 / 220 Extra	230		

Ground Anchors Ltd. - P02 - 04/07/2023 - v1.2



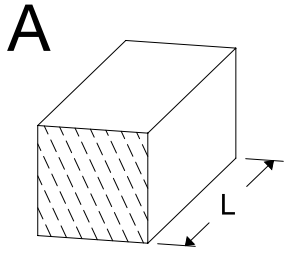
4 Overview

4.1 Order specification

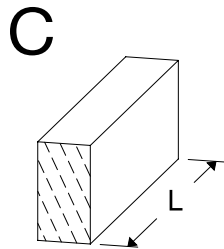


	Supplier ID	Assembly ID	Description	#
1	TS01	790_411	TwoStep Ladder 80_125	1
2	BT01a	790_001	Base Tower 80_200200	1
3	ET01a	790_101	Extension Tower 80_200	1
4	BL01a	790_301	Balustrade 80	2
5	BL02a	790_301	Balustrade 80	1
6	RA04a	790_441	Ramp 80_125	1
7	MT01a	790_502	Market 80	1
8	SL01a	790_901	Slide 80	1
9	AC01a	194_119	AP Accessory set	1
10	AC09a	450_310	Tic Tac Toe	1
11	324_x00a	324_x00a	Wavy Star Slide XL	1

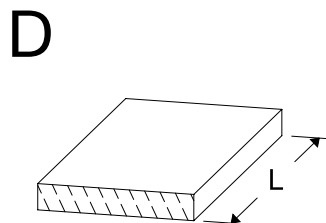
4.2 Timber parts



ID	L	#
A123	122 cm - 123 cm	1
A200	199 cm - 200 cm	6



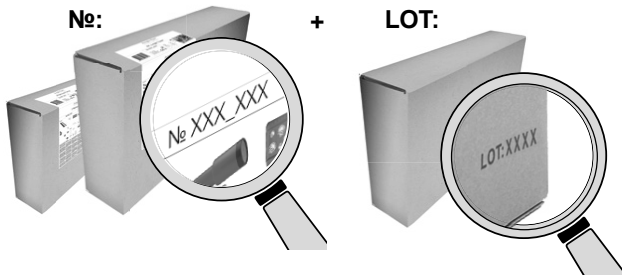
C37	36 cm - 37 cm	4
C74	73 cm - 74 cm	14
C154	153 cm - 154 cm	2



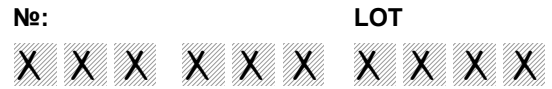
D60	59 cm - 60 cm	38
D65	64 cm - 65 cm	12
D74	73 cm - 74 cm	14

5 Product registration

5.1 Assembly kits



Example



№: LOT

1.	■	■	■	■	■	■	■	■	■	■	■
2.	■	■	■	■	■	■	■	■	■	■	■
3.	■	■	■	■	■	■	■	■	■	■	■
4.	■	■	■	■	■	■	■	■	■	■	■
5.	■	■	■	■	■	■	■	■	■	■	■

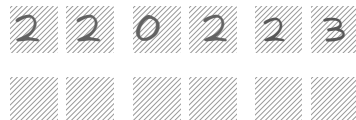
№: LOT

6.	■	■	■	■	■	■	■	■	■	■	■
7.	■	■	■	■	■	■	■	■	■	■	■
8.	■	■	■	■	■	■	■	■	■	■	■
9.	■	■	■	■	■	■	■	■	■	■	■
10.	■	■	■	■	■	■	■	■	■	■	■

5.2 Slide



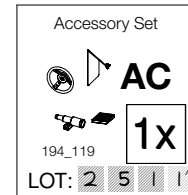
Example



5.3 Assembly packs



Example



<p>Two Step Ladder 80</p> <p>TS</p> <p>194_102</p> <p>1x</p> <p>LOT:</p>	<p>Tic Tac Toe</p> <p>AC</p> <p>450_310</p> <p>1x</p> <p>LOT:</p>	<p>Hardware 01</p> <p>BL H01</p> <p>194_101</p> <p>3x</p> <p>LOT:</p>	<p>Market</p> <p>MT</p> <p>194_113</p> <p>1x</p> <p>LOT:</p>	<p>Canvas 136 x 74cm</p> <p>1x</p> <p>123_220</p> <p>LOT:</p>
<p>Accessory Set</p> <p>AC</p> <p>194_119</p> <p>1x</p> <p>LOT:</p>	<p>Slide 2.2m</p> <p>1x</p> <p>324_x00</p> <p>LOT:</p>	<p>Ramp</p> <p>RA</p> <p>194_008</p> <p>1x</p> <p>LOT:</p>	<p>Tower 80</p> <p>BT ET</p> <p>194_100</p> <p>2x</p> <p>LOT:</p>	<p>Slide Frame</p> <p>SL</p> <p>194_107</p> <p>1x</p> <p>LOT:</p>

6 Hardware Identification

		SKU	L
		001_404	30 mm
		001_406	45 mm
		001_411	60 mm
		001_417	80 mm
		001_422	137 mm
	M8		
		001_102	30 mm
		000_101	20 mm
		002_036	16 mm
		002_041	20 mm
		002_042	13 mm
		002_301	40 mm

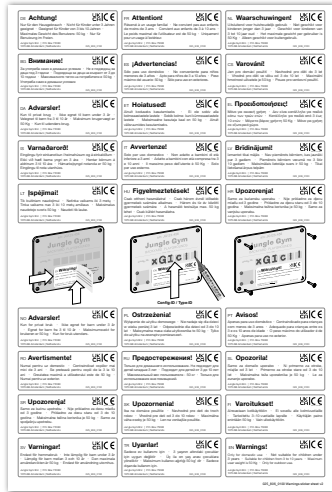
		SKU	L
		002_308	20 mm
		002_219	30 mm
		002_220	45 mm
		002_223	80 mm
	M8		
		003_010	
	M6		
		003_034	
	M8		
		004_050	22mm
		022_845	Yellow
		022_846	Blue
		022_847	Green
		022_848	Red
		023_031	White
		120_005	White
		022_844	
		022_314	

output: 25/05/23

7 Product ID



103_901



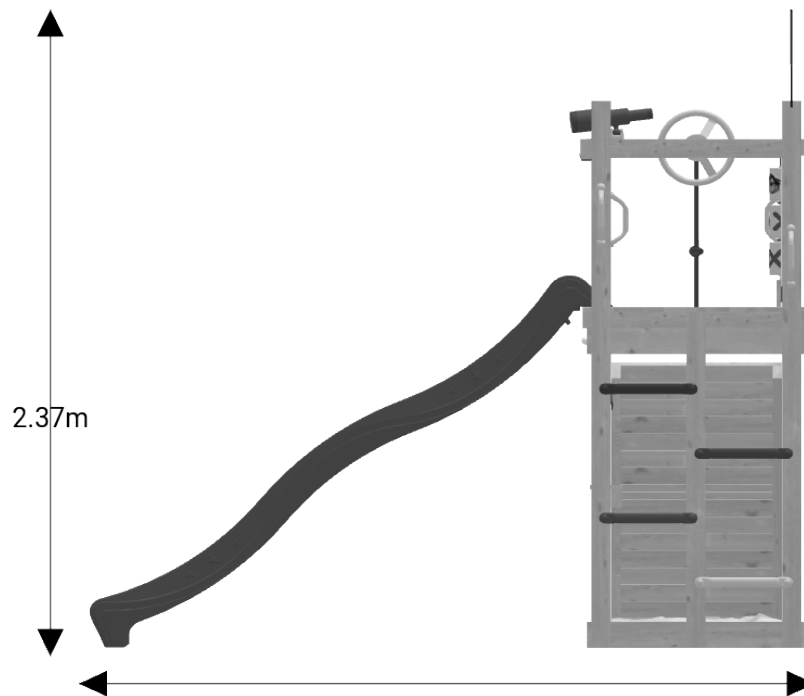
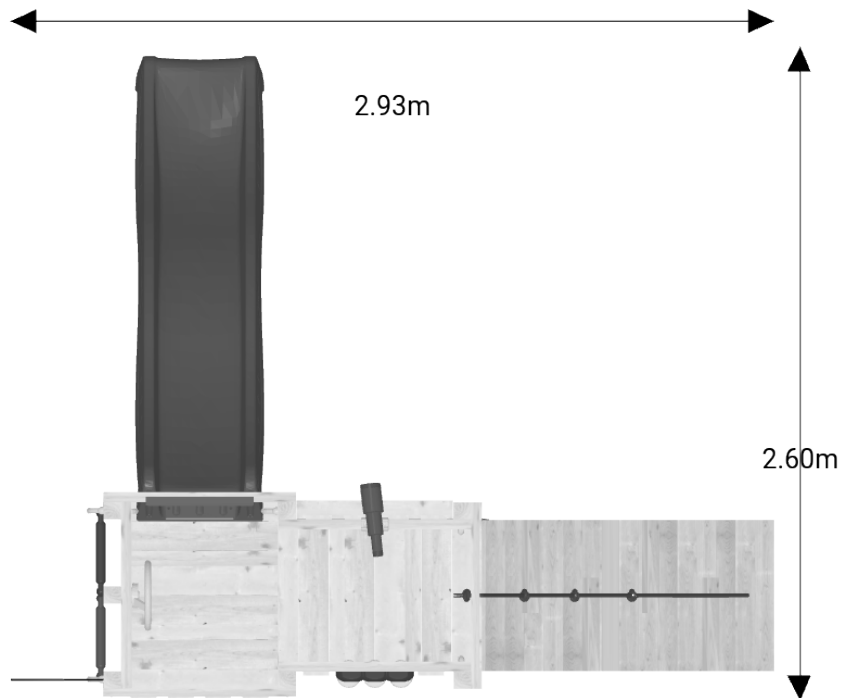
025_806



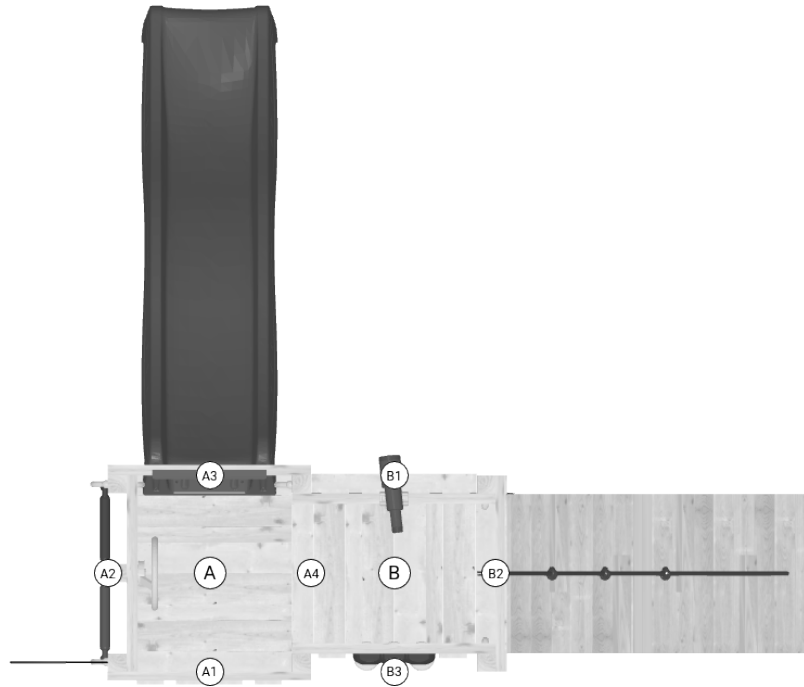
7.1 Your config ID: DksMWu



8 Dimensions



9 Assembly Planning



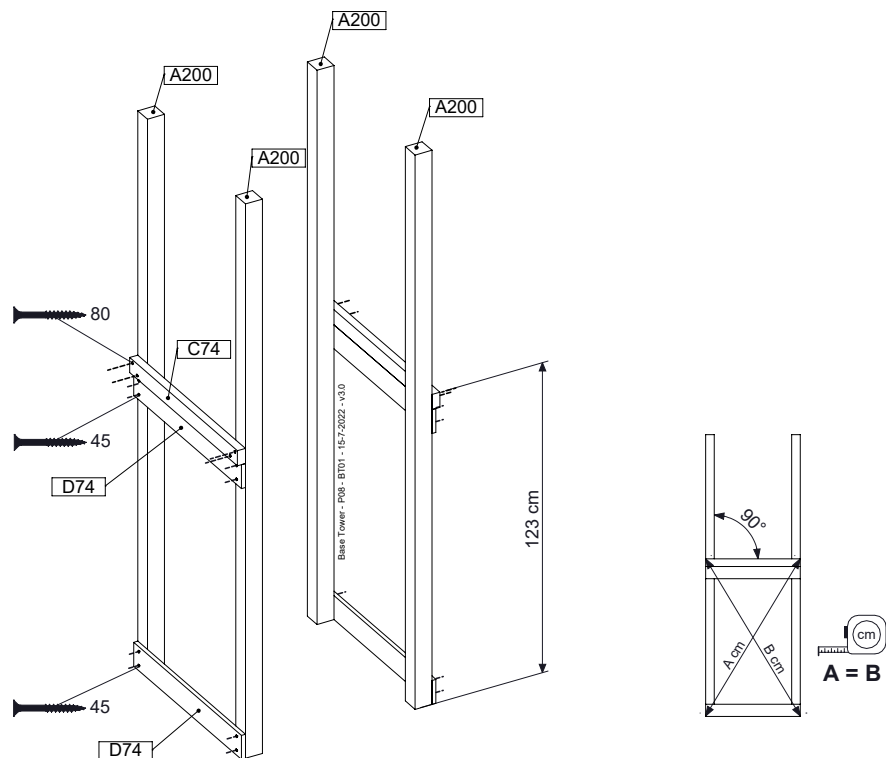
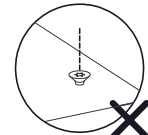
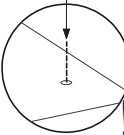
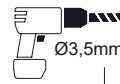
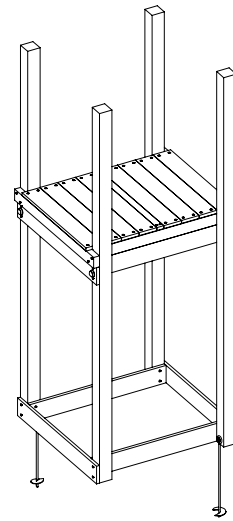
	ID			A	B
1	BT01a		p.15	✓	-
2	ET01a		p.17	-	✓
3	BL01a		p.19	-	B1, B3
4	BL02a		p.20	A1	-
5	TS01		p.21	A2	-
6	MT01a		p.23	-	B1
7	RA04a		p.27	-	B2
8	SL01a		p.31	A3	-
9	GA		p.33	✓	✓
10	AC01a		p.35	A1	-

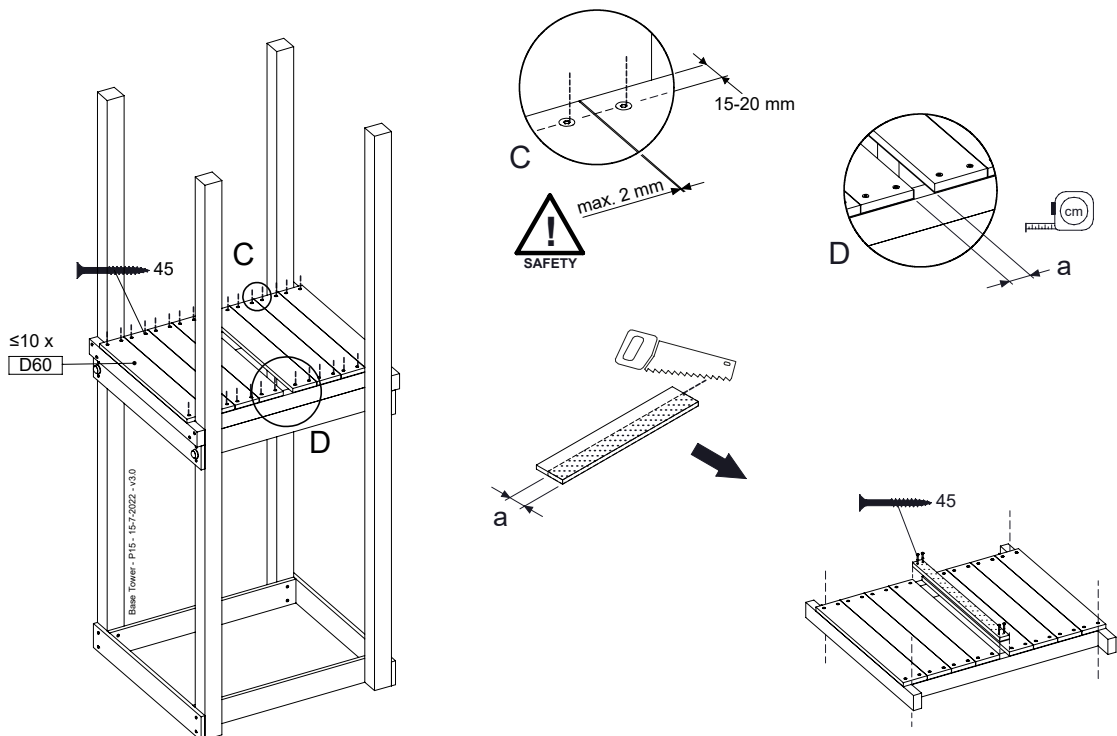
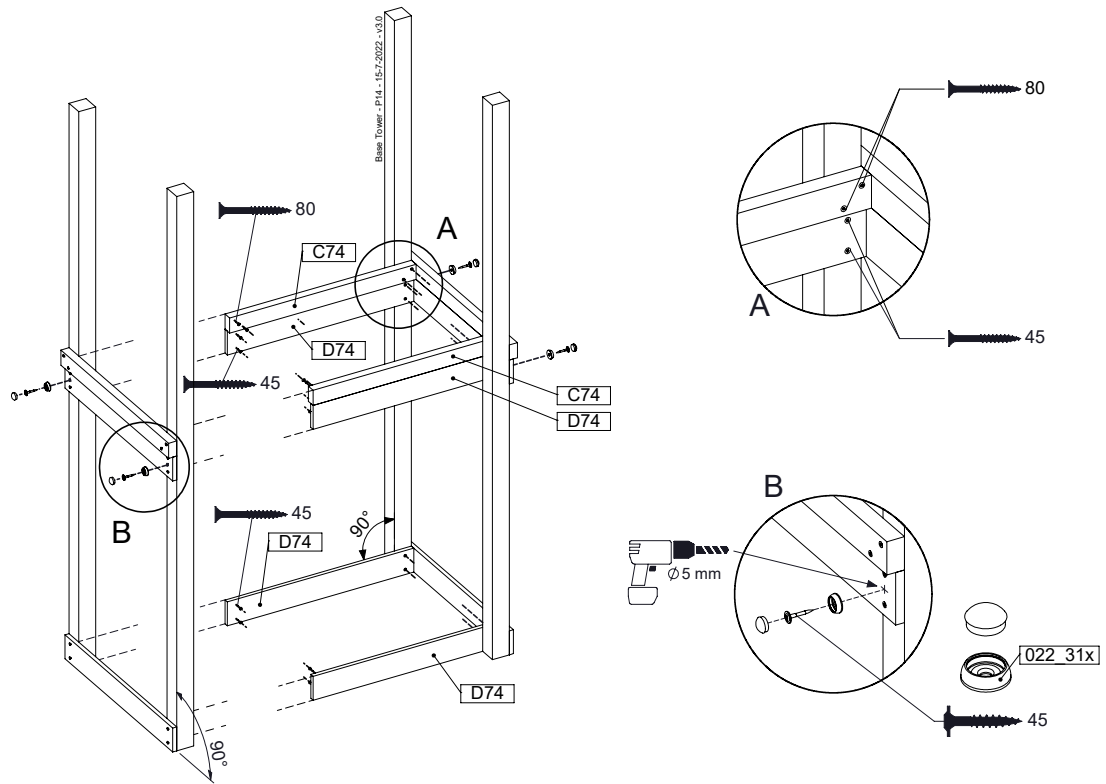
10 BT01a: Base tower 80 125cm 200200

(194_100)

	PartNo	PartName	QTY.
Hardware Pack 100_600	001_406	Stealth Screw 8x45	6
	002_220	Gap Point Screw T25 - 5x45	76
	002_223	Gap Point Screw T25 - 5x80	16
Other	007_001	Ground-anchor	2
Hardware Pack 100_600	022_31x	bpc-base version 3	4
	022_84x	bpc cover	4
Wood	A200	Post 70x70 L2000	4
	C74	Beam 740 mm	4
	D60	Board 600 mm	10
	D74	Board 740 mm	8

Base Tower - P02 - BT01 - 15-7-2022 - v3.0



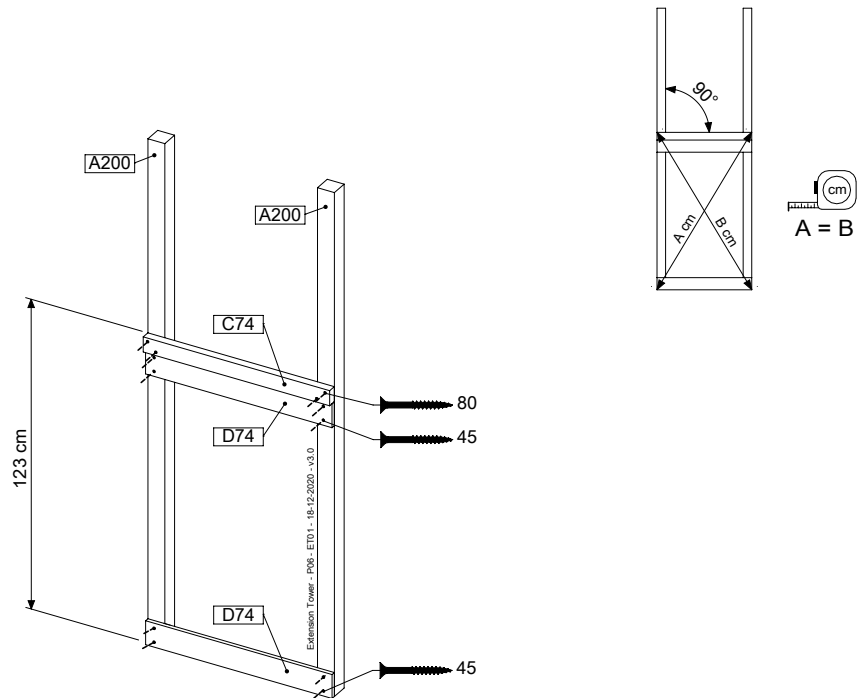
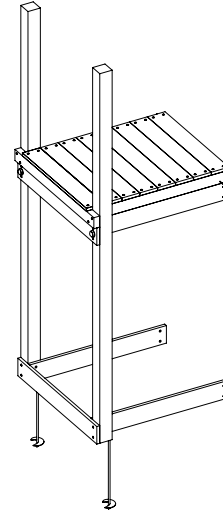


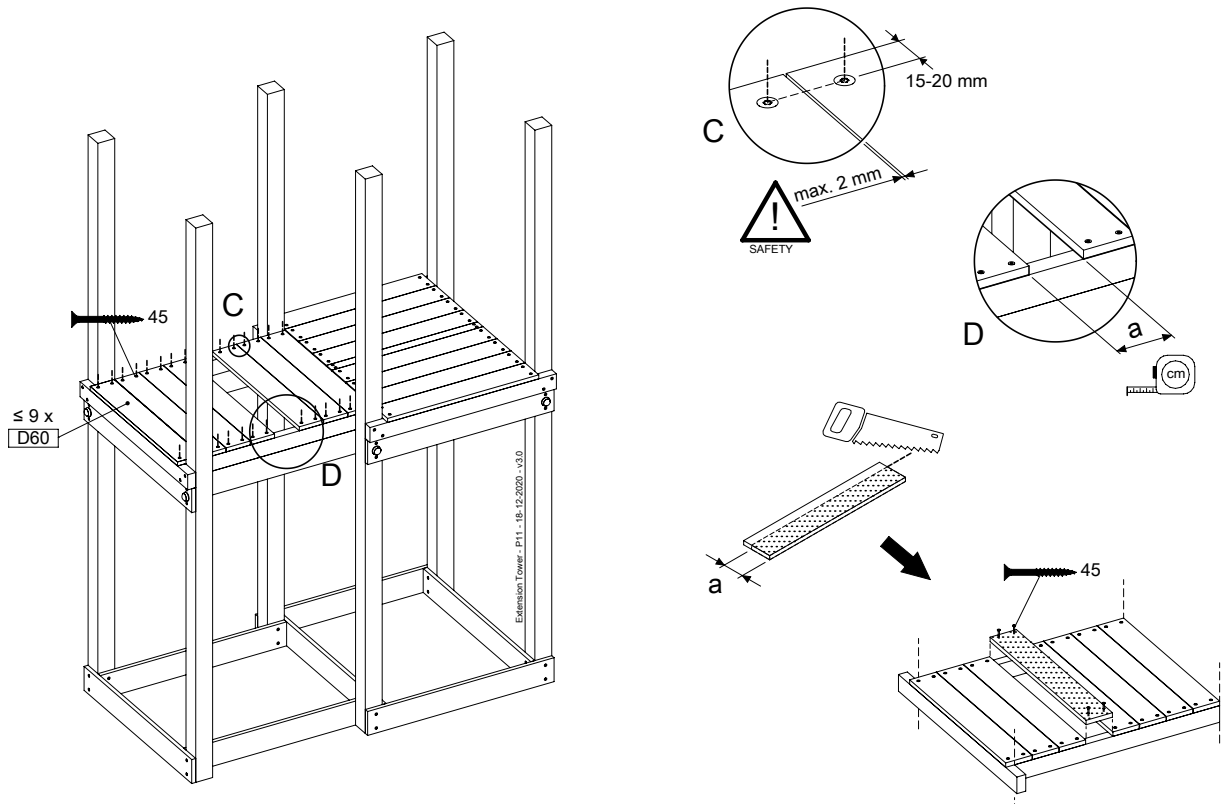
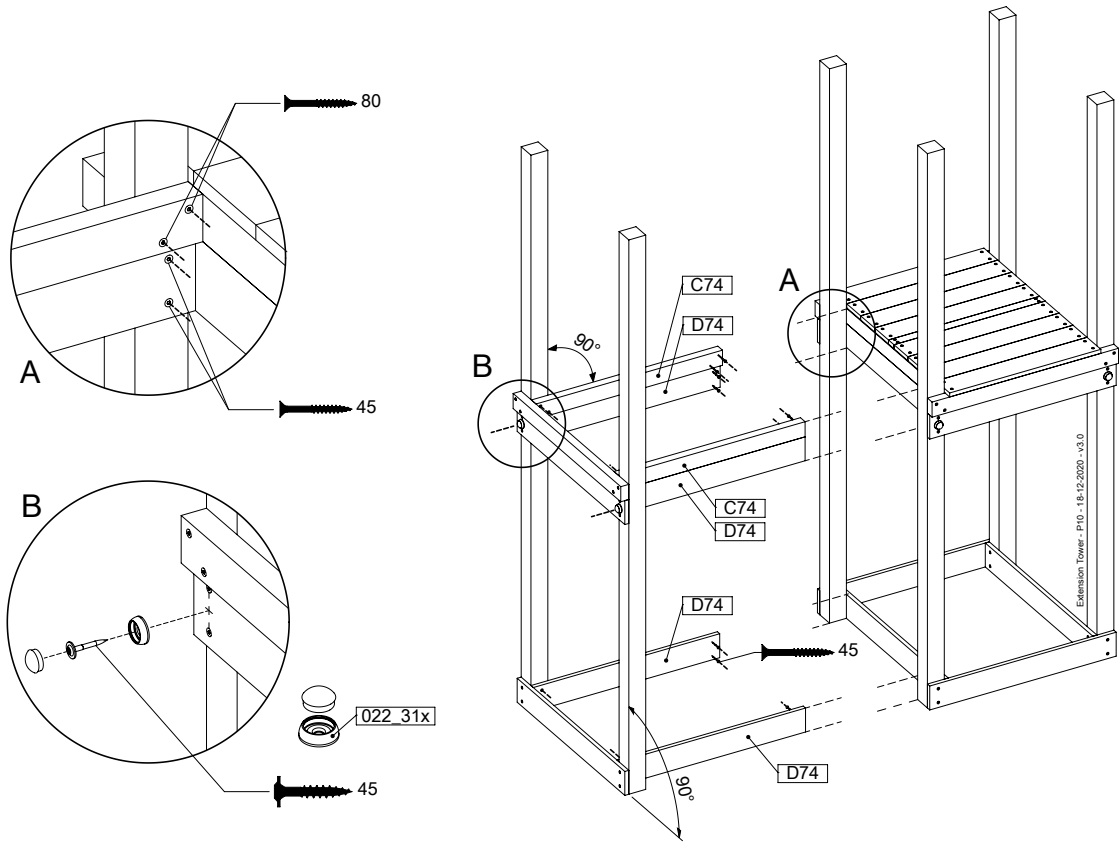
11 ET01a: Extension Tower 80 200/125

(194_100)

	PartNo	PartName	QTY.
Hardware Pack 100_600	001_406	Stealth Screw 8x45	4
	002_220	Gap Point Screw T25 - 5x45	60
	002_223	Gap Point Screw T25 - 5x80	12
Other	007_001	Ground-anchor	2
Hardware Pack 100_600	022_31x	bpc-base version 3	2
	022_84x	bpc cover	2
Wood	A200	Post 70x70 L2000	2
	C74	Beam 740 mm	3
	D60	Board 600 mm	9
	D74	Board 740 mm	6

Extension Tower - P02 - ET01 - 18-12-2020 - v3.0



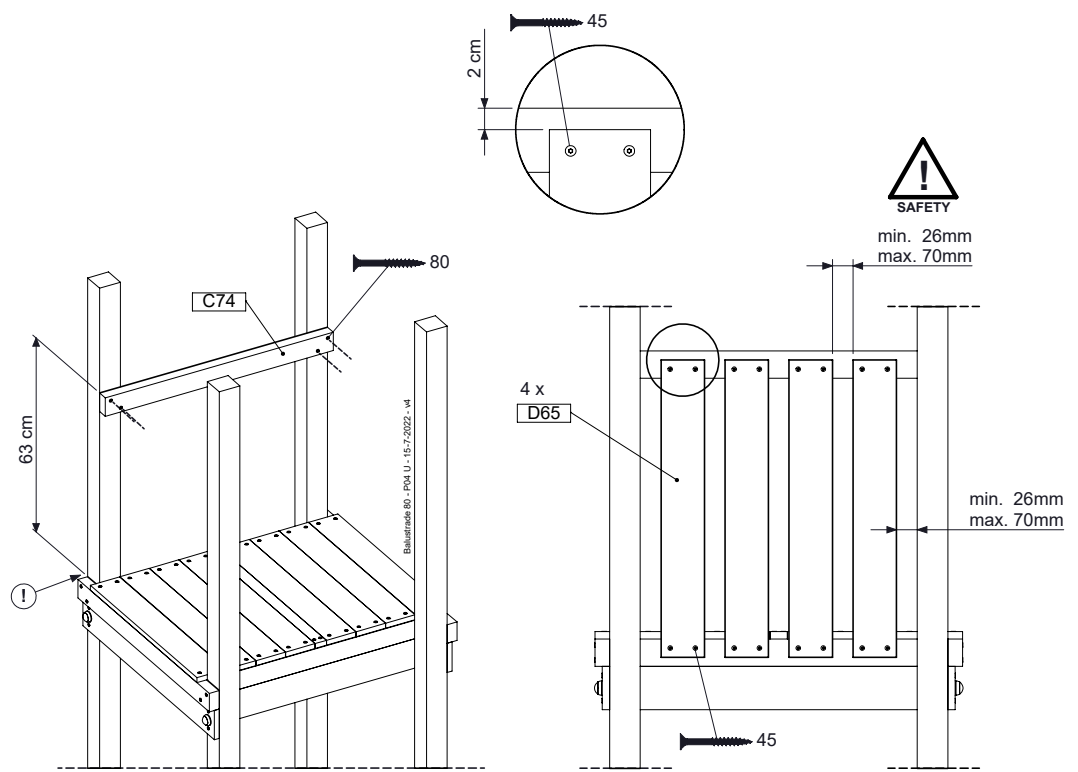
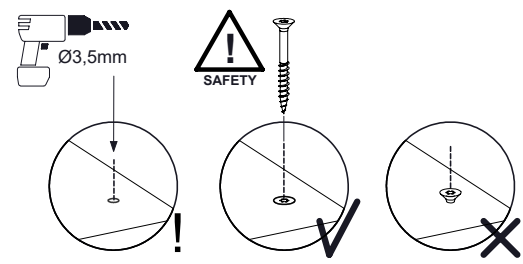
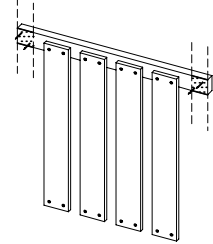


12 BL01a: Balustrade 80 U - 7x7 posts

(194_101)

	PartNo	PartName	QTY.
Hardware Pack	002_220	Gap Point Screw T25 - 5x45	16
	100_601	Gap Point Screw T25 - 5x80	4
Timber	C74	Beam 740 mm	1
	D65	Board 650 mm	4

Balustrade 80 - P02 U - 15-7-2022 - v4

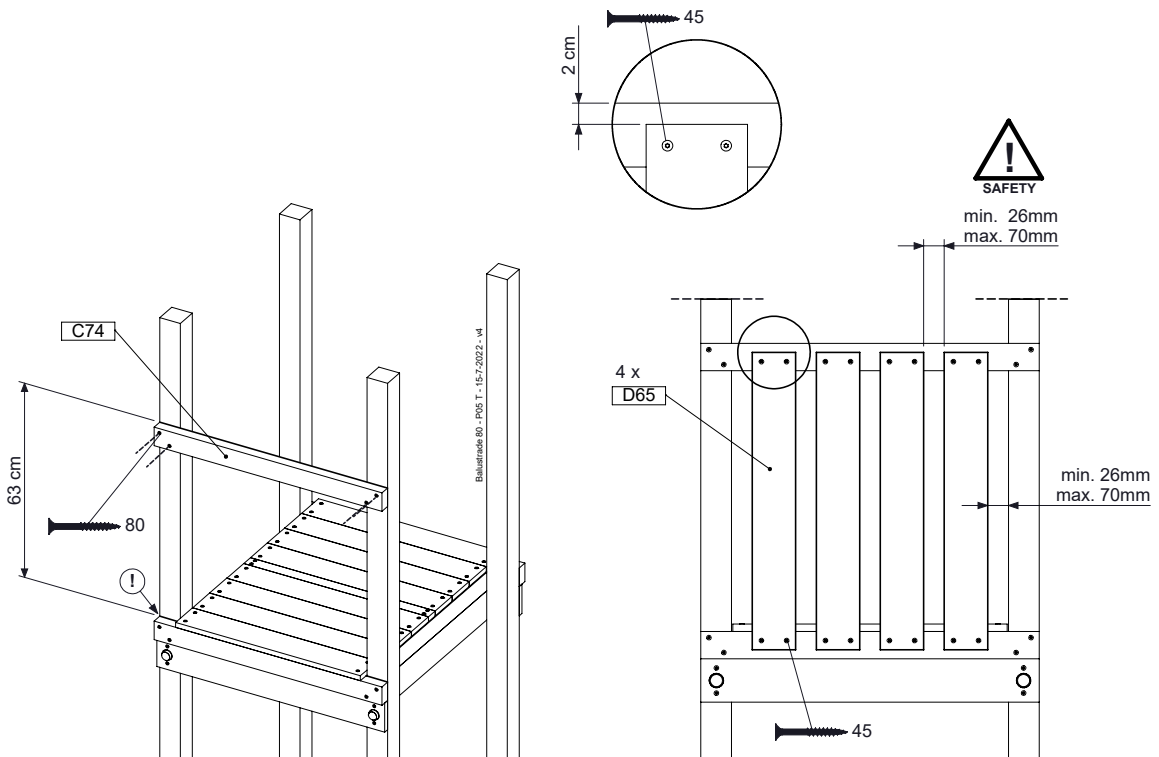
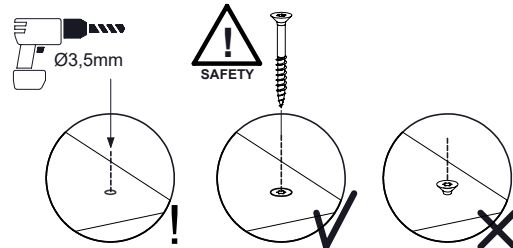
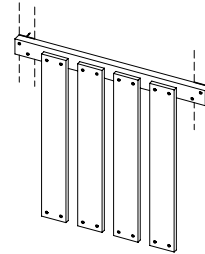


13 BL02a: Balustrade 80 T

(194_101)

	PartNo	PartName	QTY.
Hardware Pack	002_220	Gap Point Screw T25 - 5x45	16
	100_601	002_223	Gap Point Screw T25 - 5x80
Timber	C74	Beam 740 mm	1
	D65	Board 650 mm	4

Balustrade 80 - P03 T - 15-7-2022 - vt

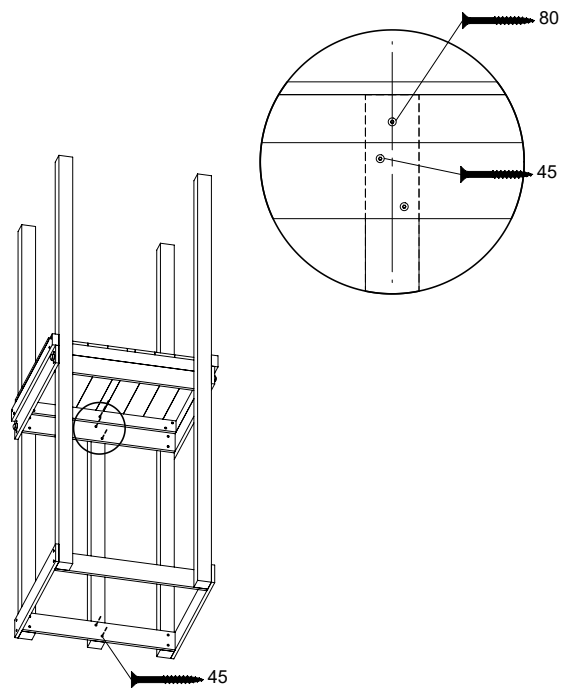
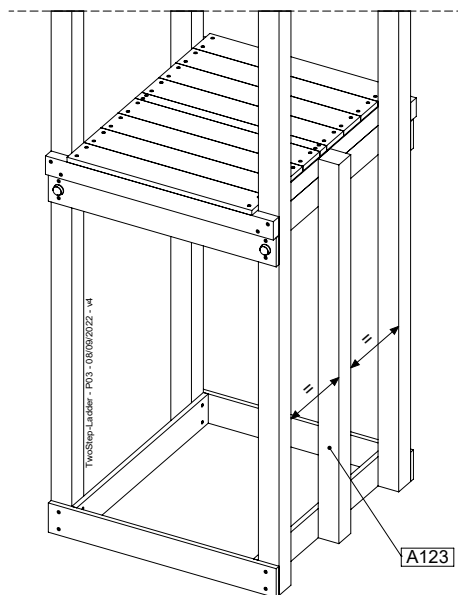
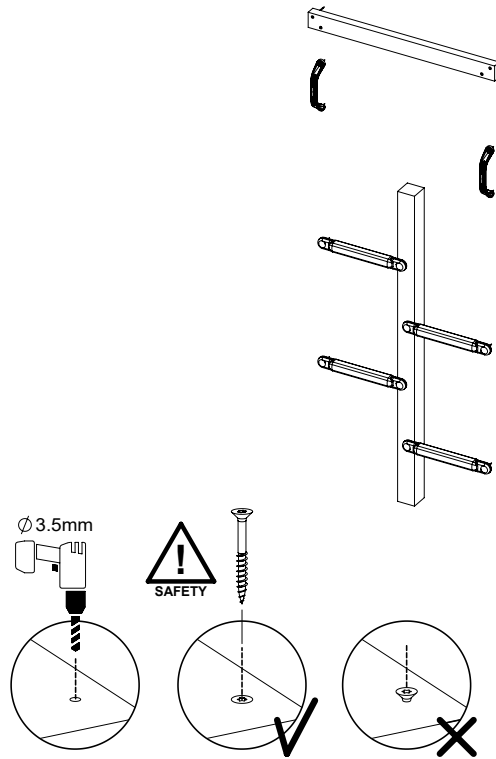


14 TS01: Two Step 80 125 U

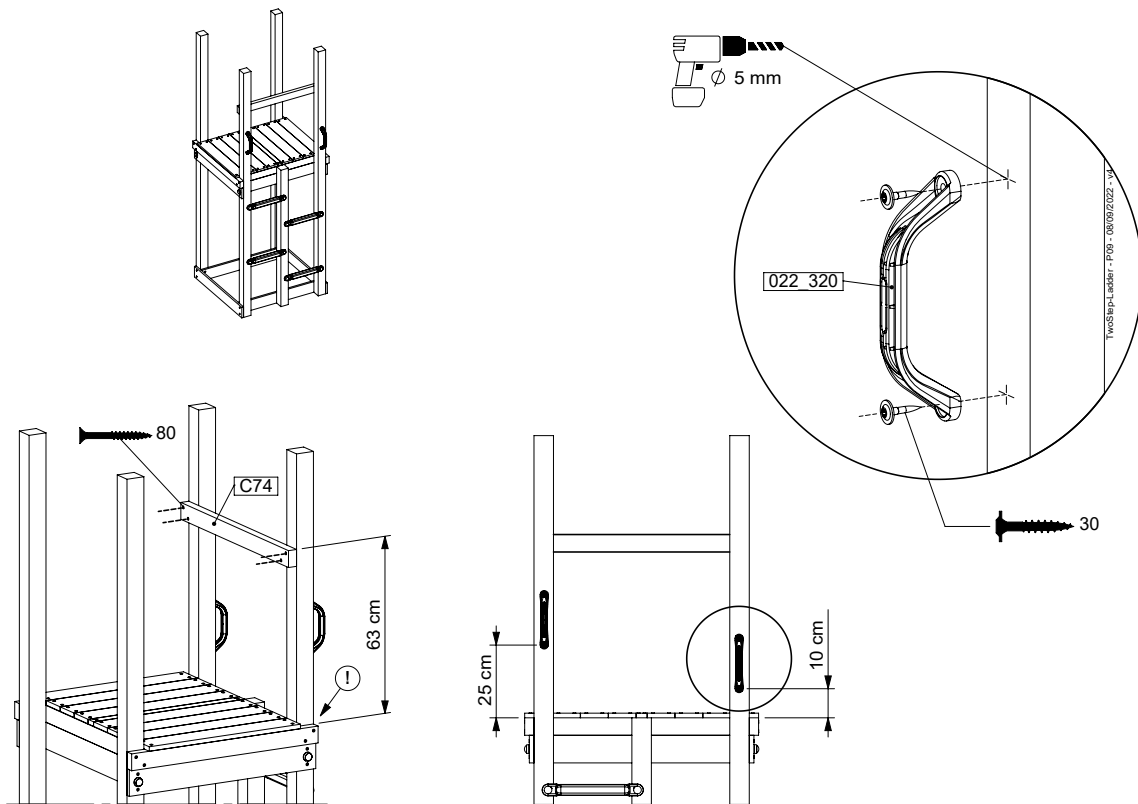
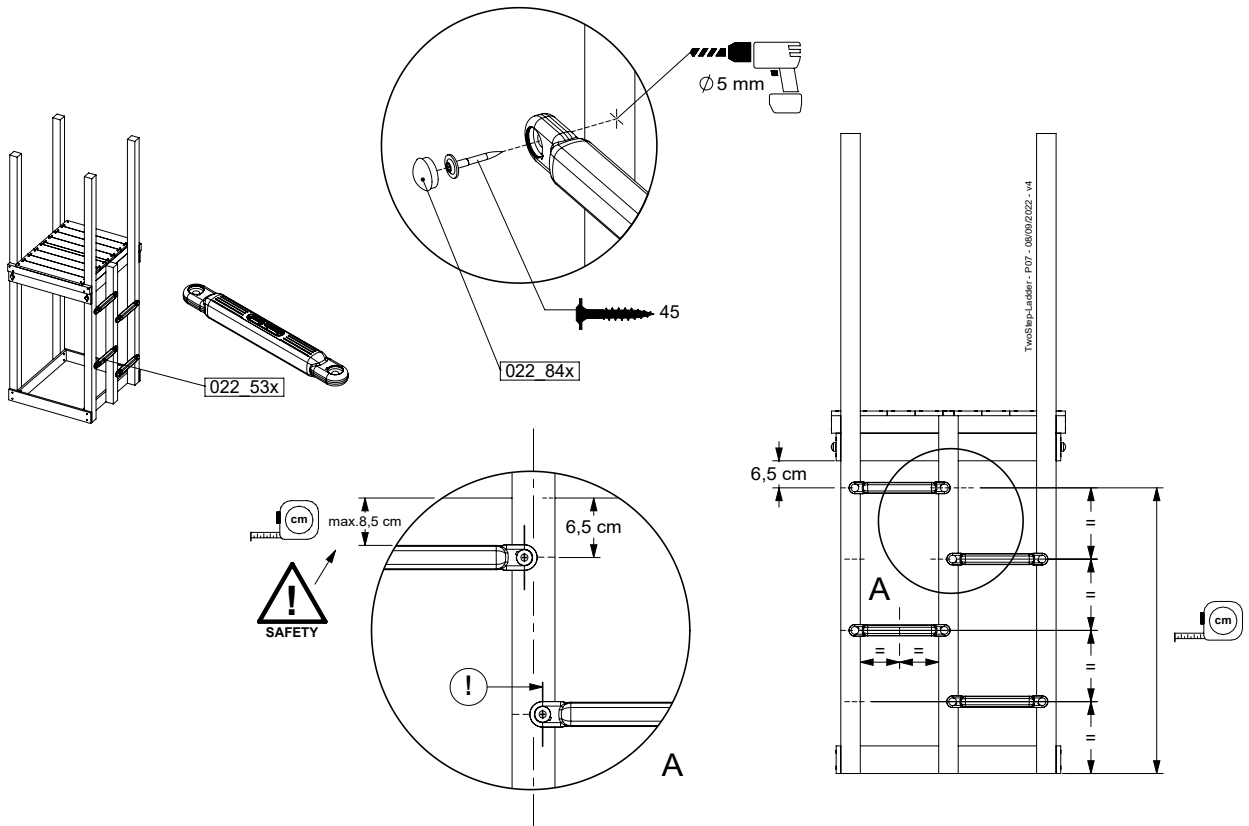
(194_102 / 194_002)

	PartNo	PartName	QTY.
Hardware Pack 100_602 /100_902	001_406	Stealth Screw 8x45	8
	002_220	Gap Point Screw T25 - 5x45	4
	002_223	Gap Point Screw T25 - 5x80	5
Other	022_53x	Ladder/ Rope Rung 30cm	4
	022_84x	bpc cover	8
	120_102	Handgrip set (2x Complete)	1
Timber	A123	Post 70x70 L1230	1
	C74	Beam 740 mm	1

TwoStep-Ladder - FR3 - 08/09/2022 - v4



14.1

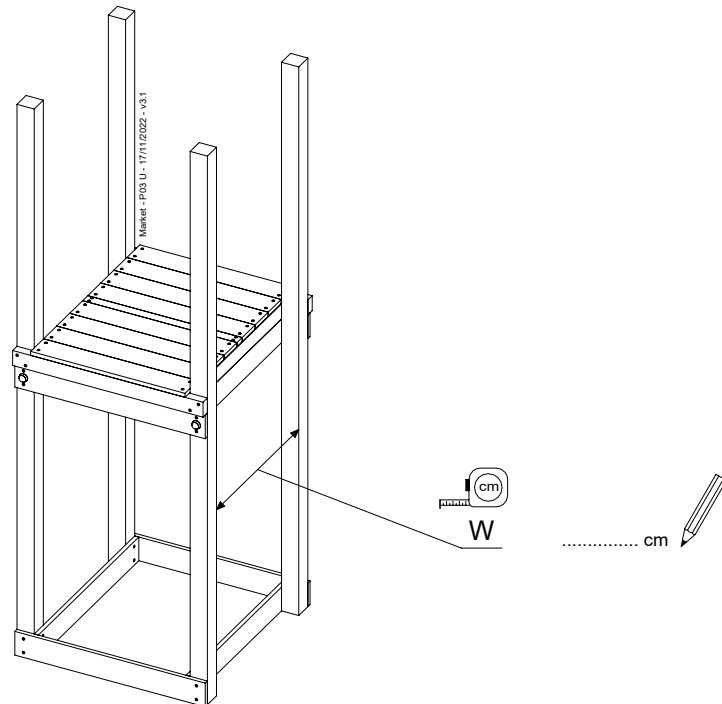
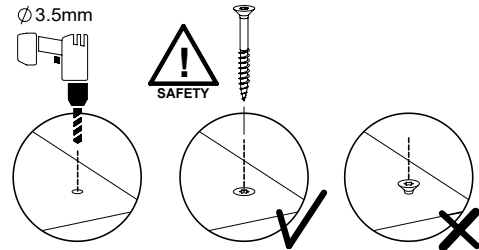
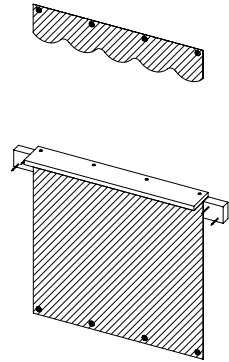


15 MT01a: Market 80 U

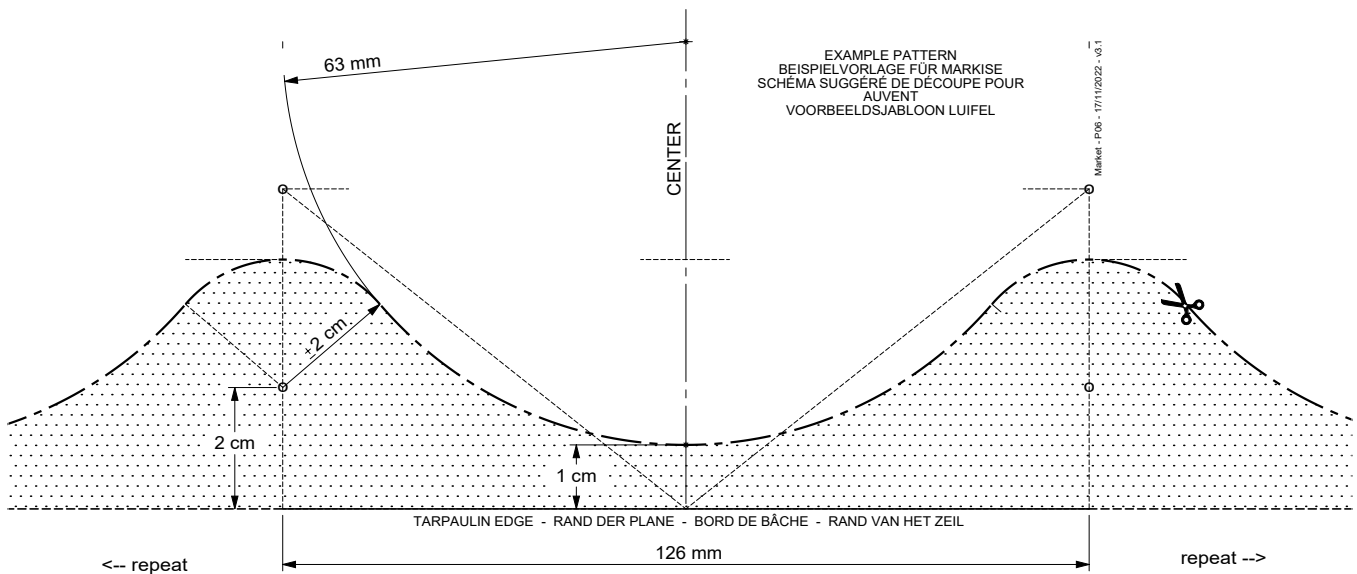
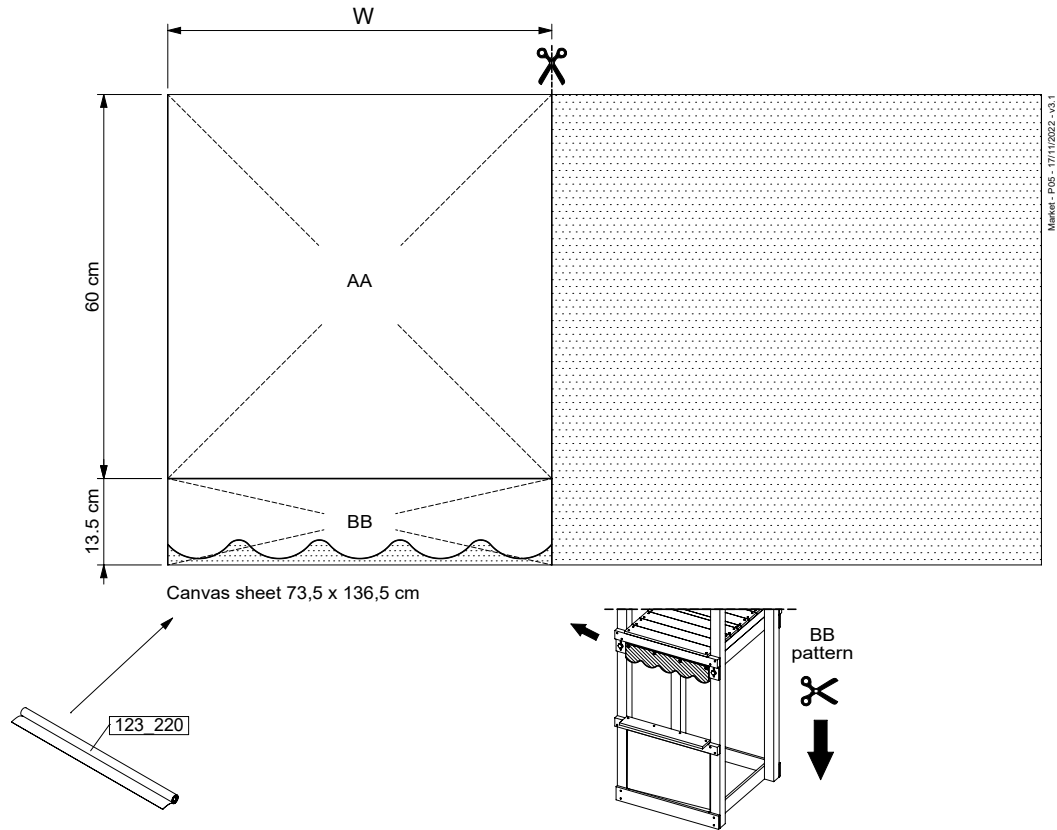
(194_113)

	PartNo	PartName	QTY.
Hardware Pack 100_611	002_220	Gap Point Screw T25 - 5x45	4
	002_223	Gap Point Screw T25 - 5x80	4
	002_308	Gap Point Screw T25 - 5x20	8
	023_031	Finishing Washer GPS 5.0	8
Other	123_220	Canvas sheet 735x1365	1
Wood	C74	Beam 740 mm	1
	D60	Board 600 mm	1

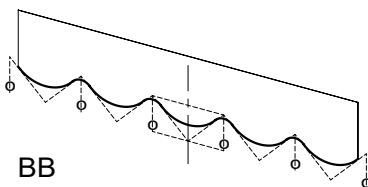
Market - P10 U - 17/11/2022 - v3.1



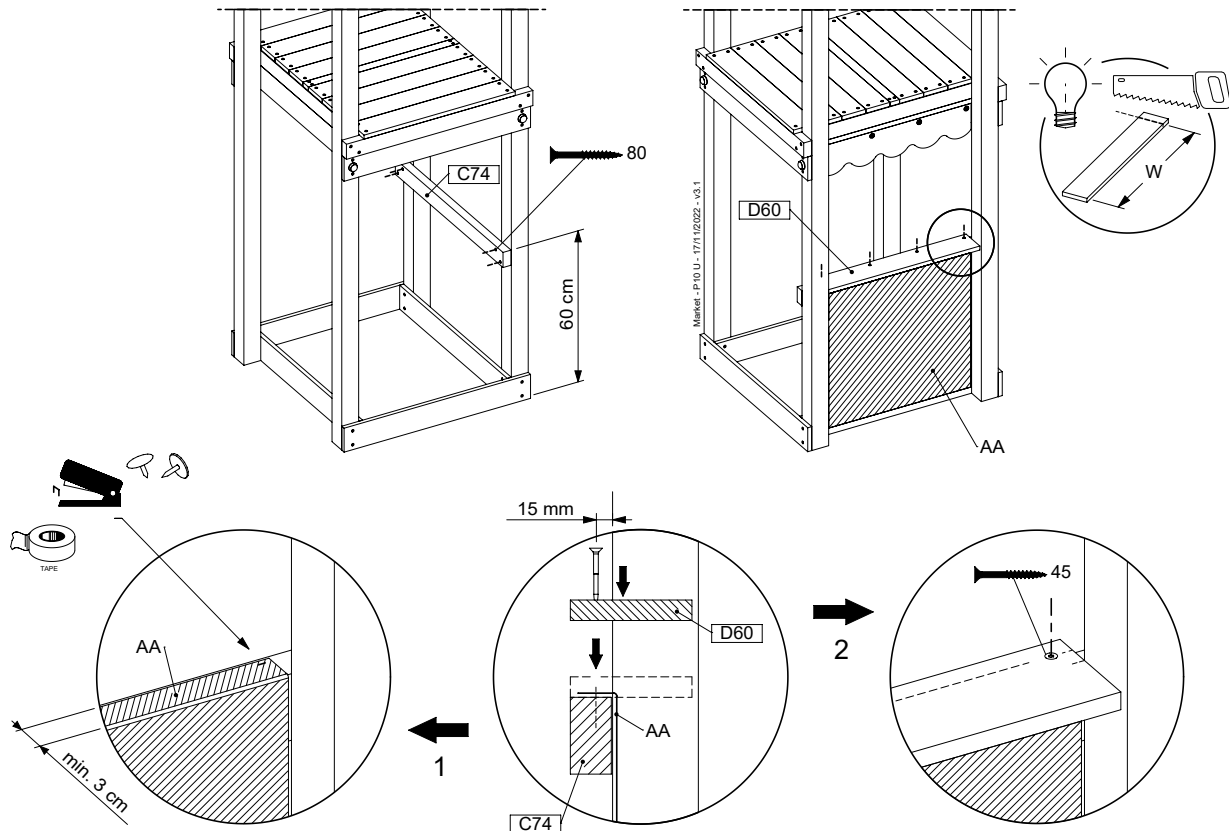
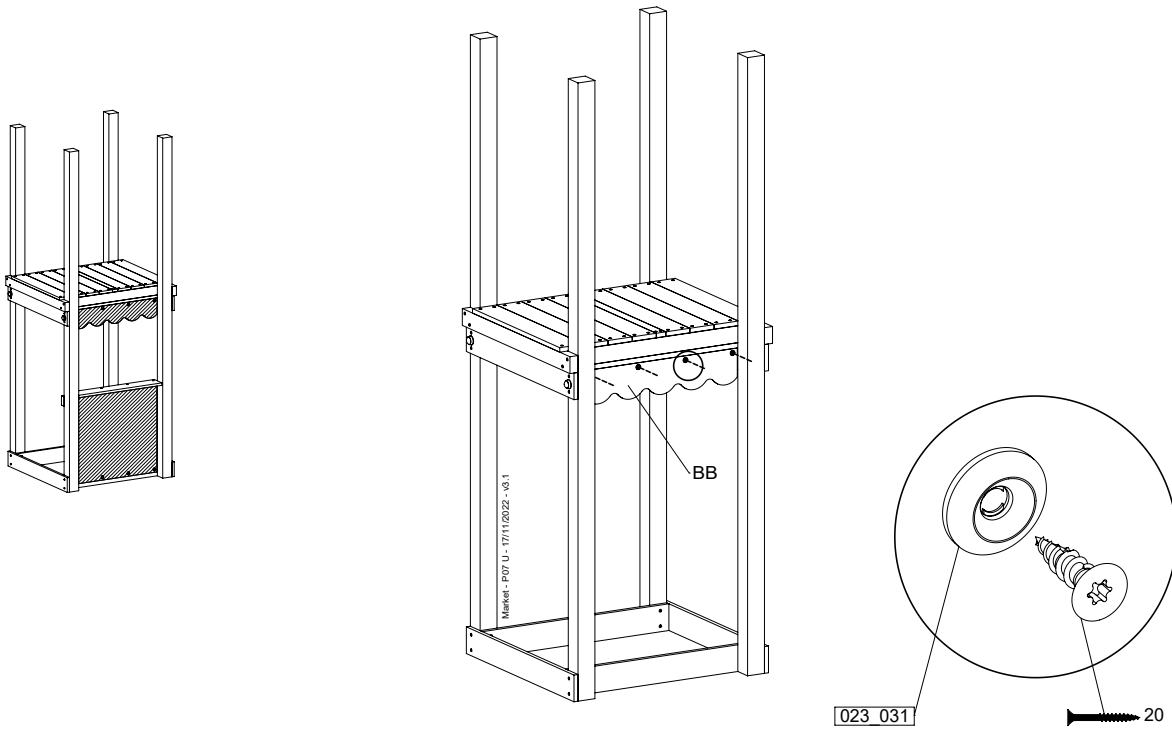
15.1



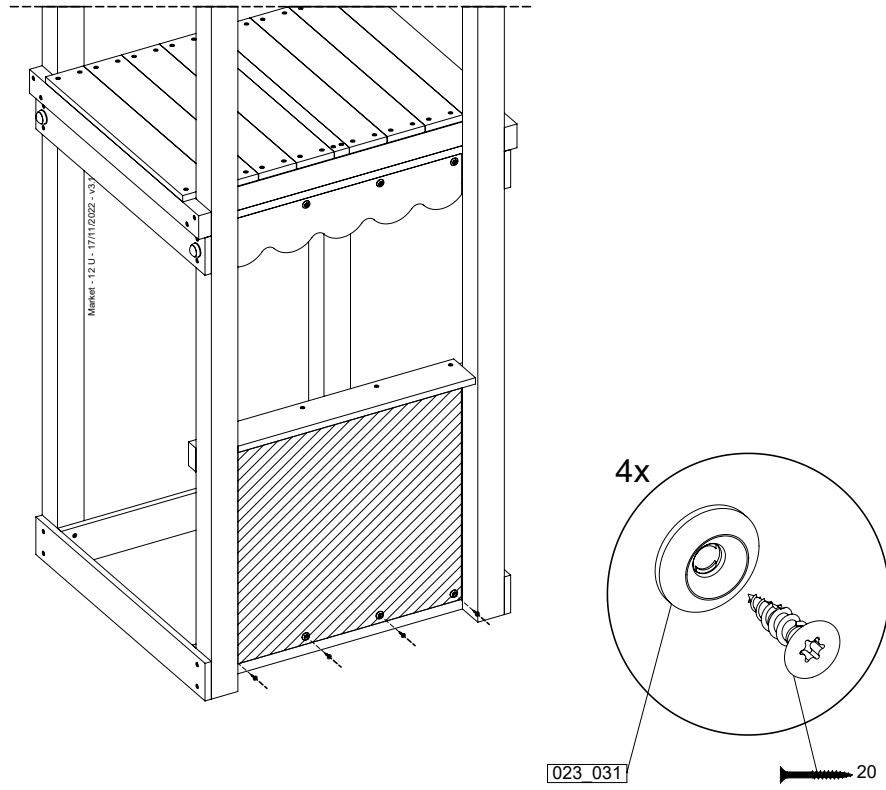
! Scale of print may not be accurate.
Druckformat kann abweichen.
Les tailles imprimées peuvent varier.
Printformaat kan afwijken.



15.2



15.3

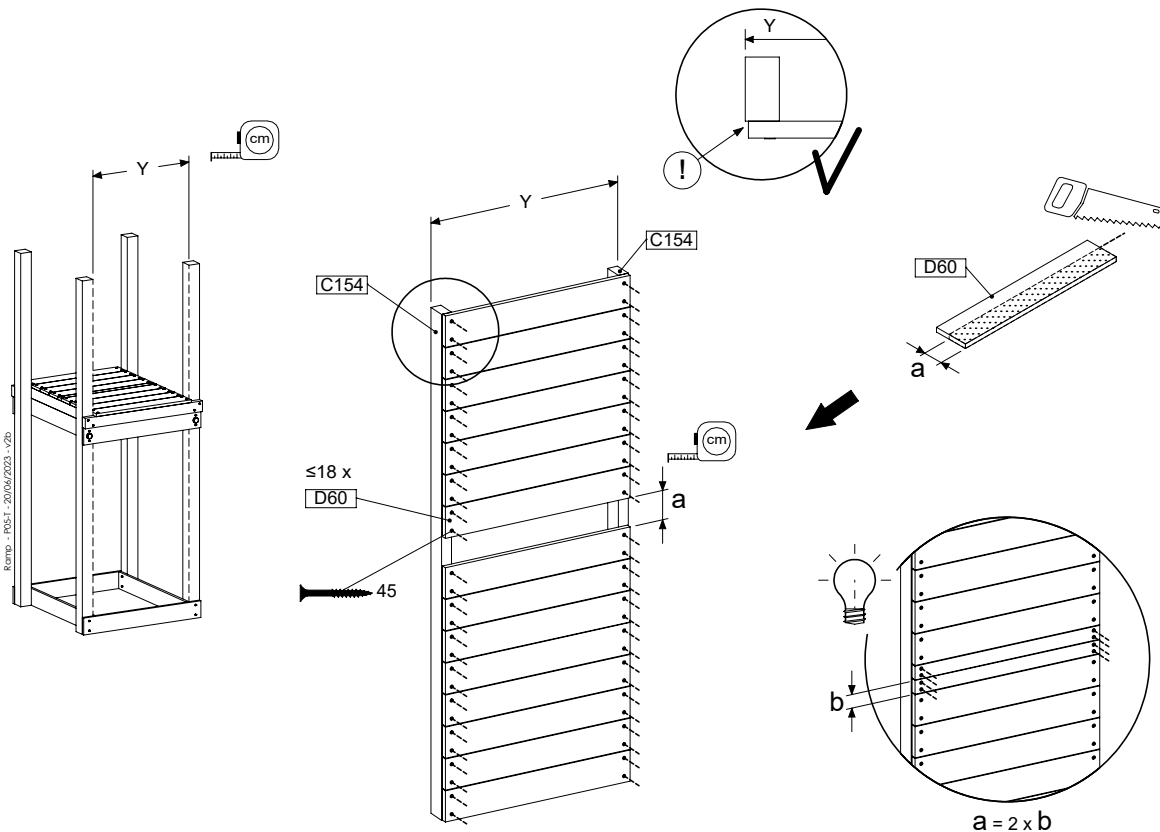
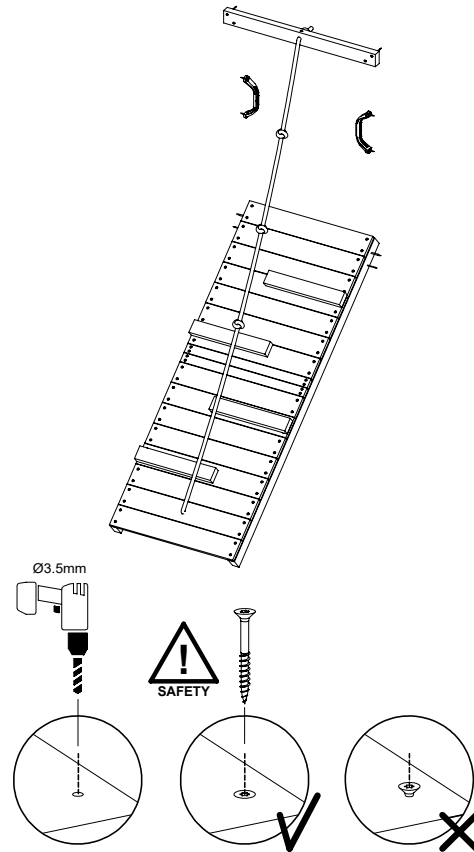


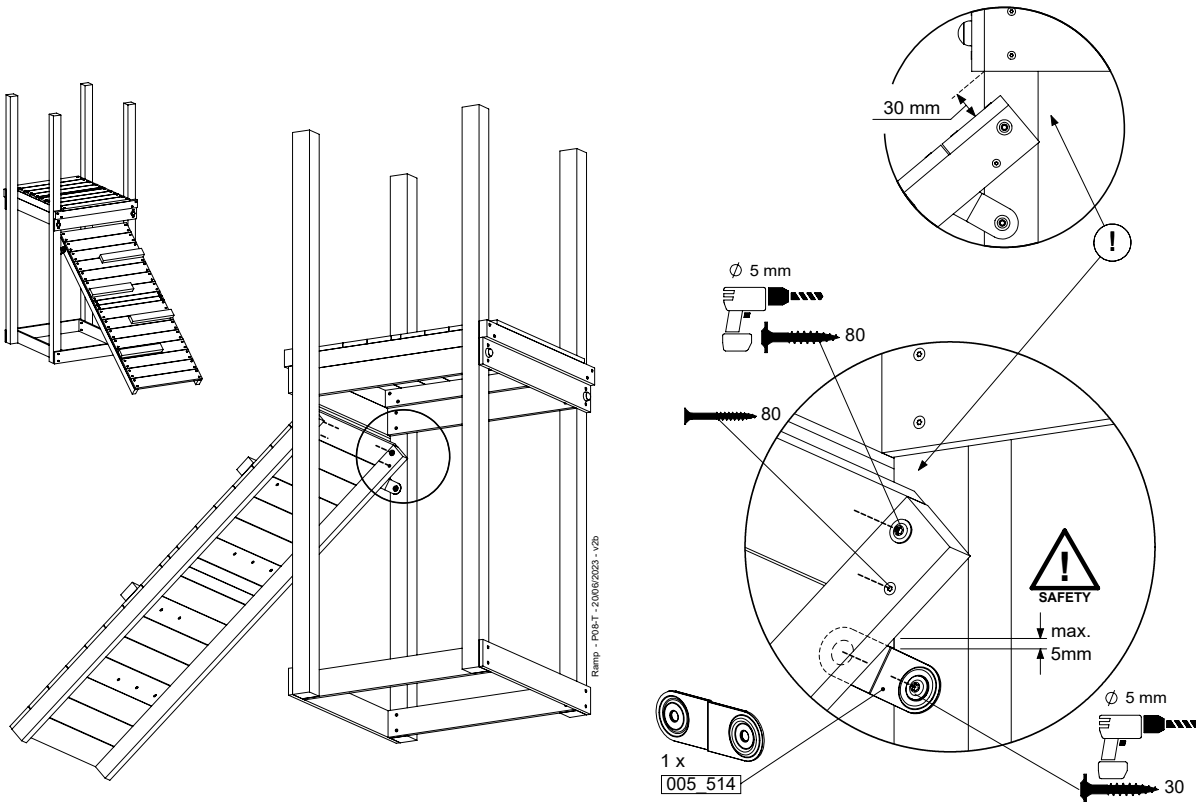
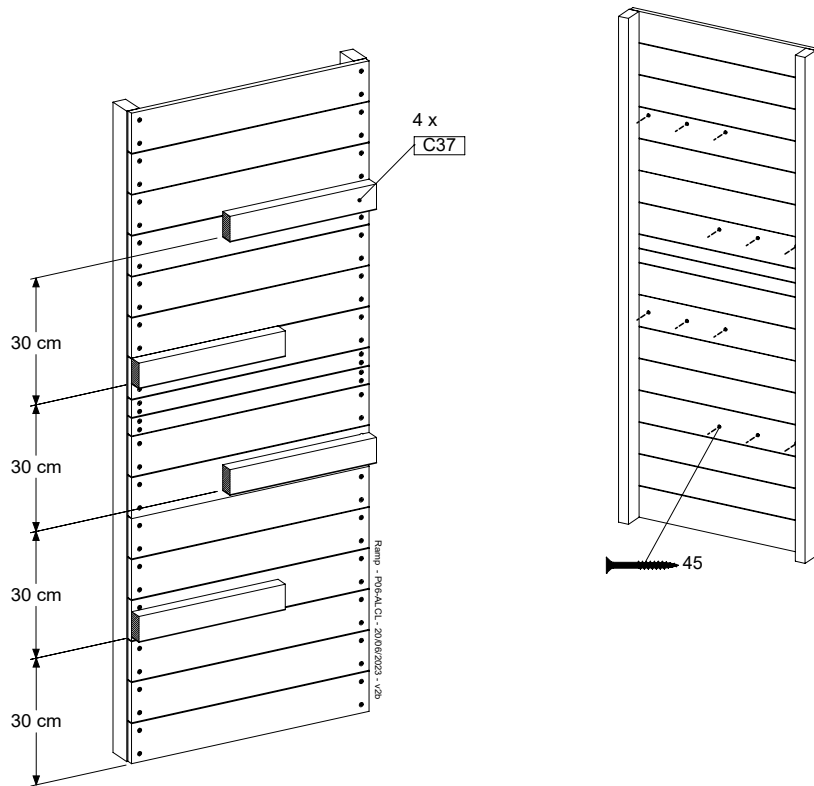
16 RA04a: Ramp 80 125 T

(194_008)

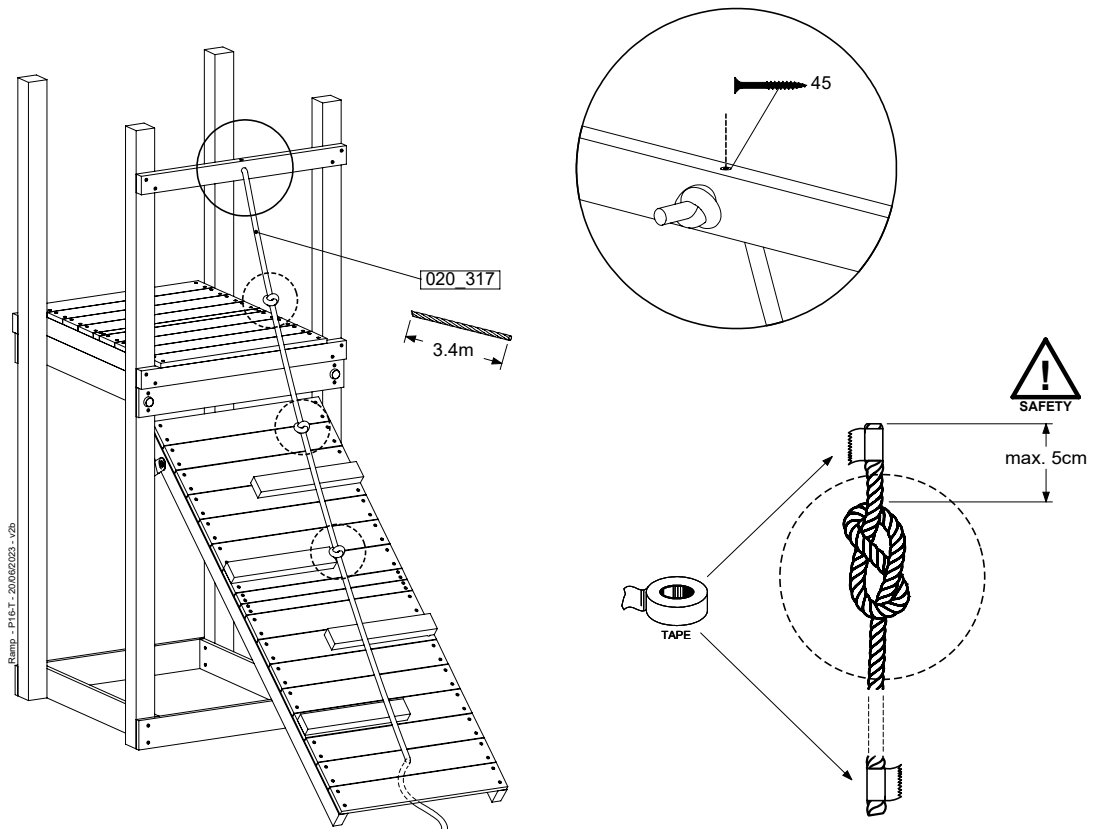
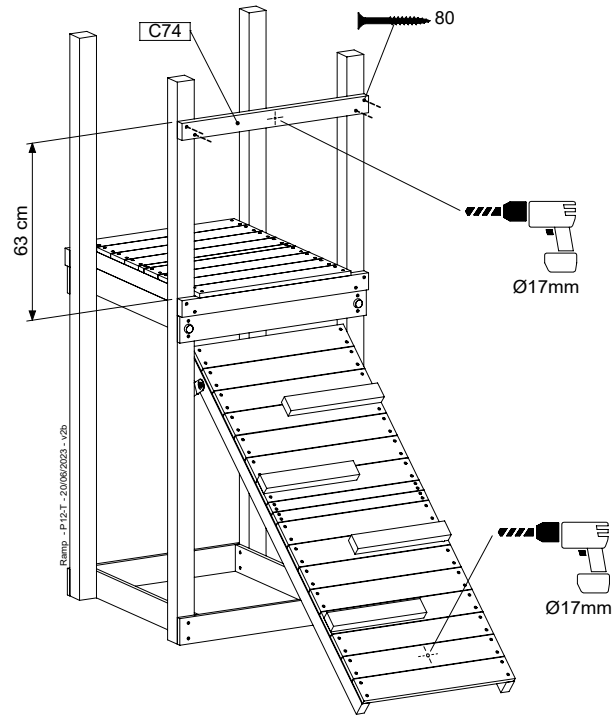
	PartNo	PartName	QTY.
Hardware Pack	001_404	Stealth Screw 8x30	2
	001_417	Stealth Screw 8x80	2
	002_220	Gap Point Screw T25 - 5x45	85
	002_223	Gap Point Screw T25 - 5x80	6
Other	005_514	Ladder Bracket	1
	020_317	Rope Polyester 16mm Green 3.4m	1
	120_102	Handgrip set (2x Complete)	1
Timber	C37	Beam 370 mm	4
	C74	Beam 740 mm	1
	C154	Beam 1540 mm	2
	D60	Board 600 mm	18

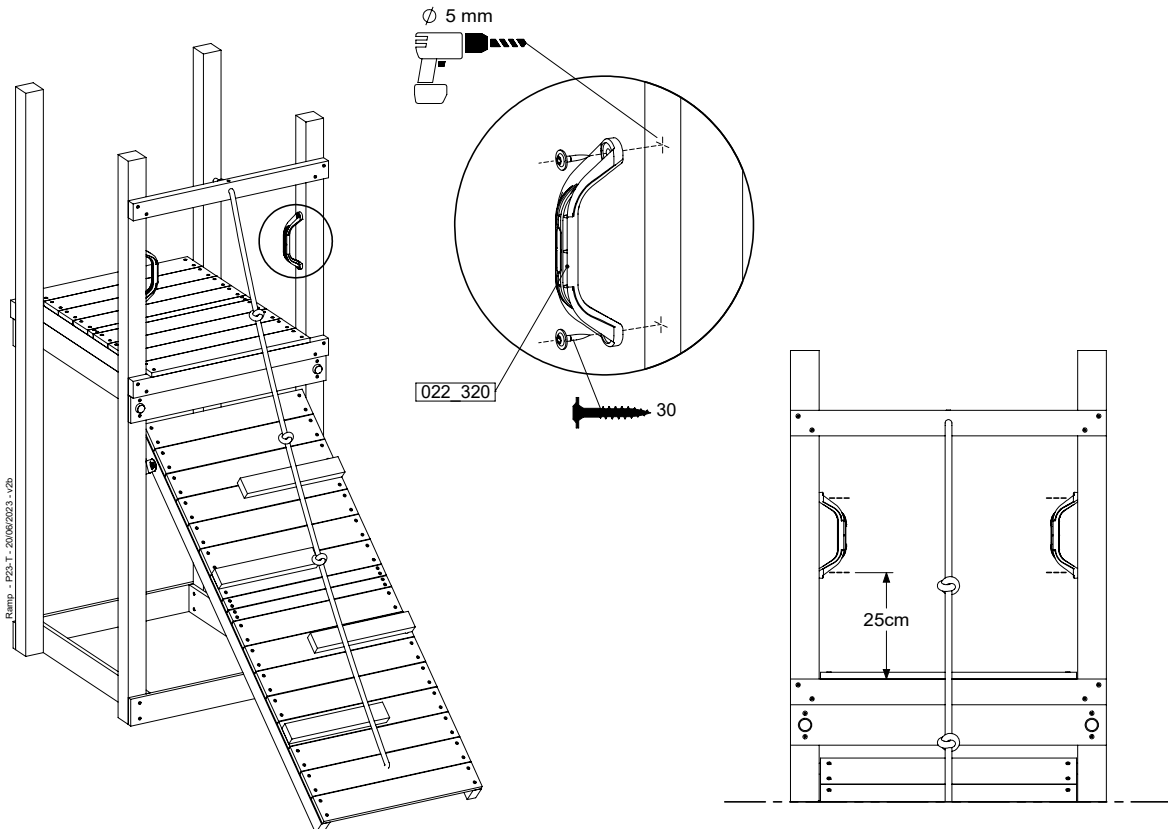
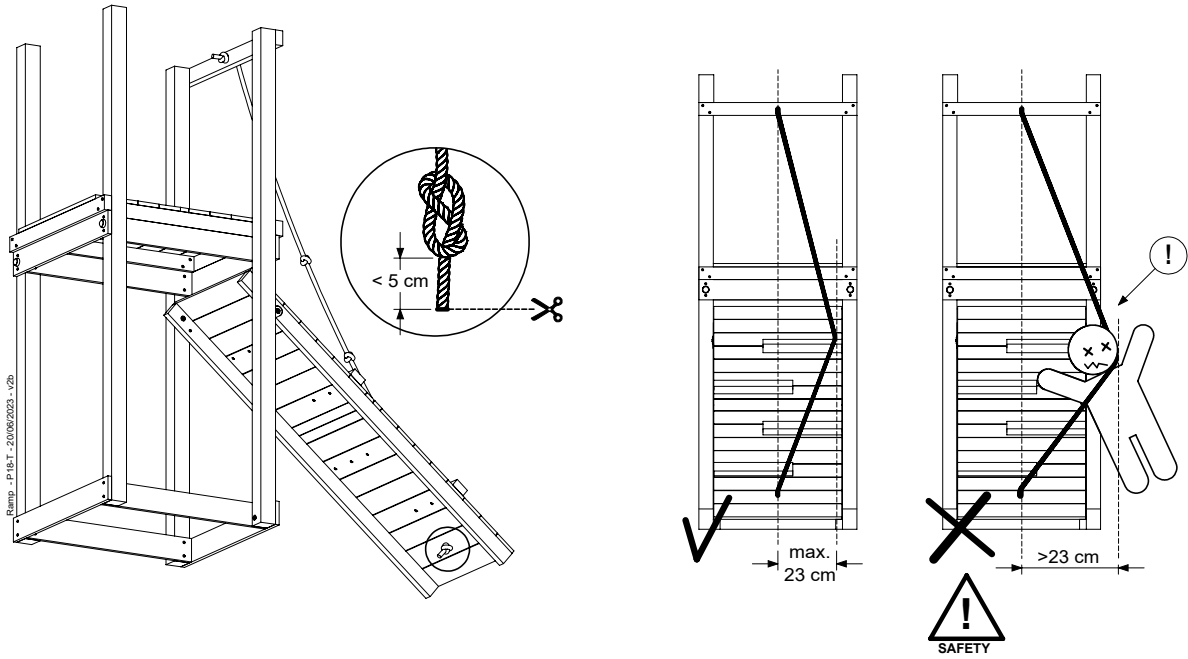
Ramp - P102-Beam - 2016/2023 - v2b





16.2



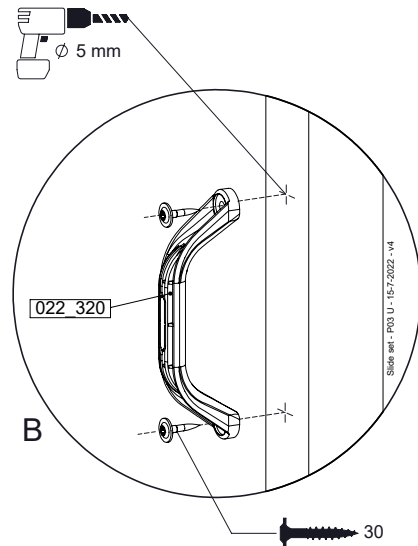
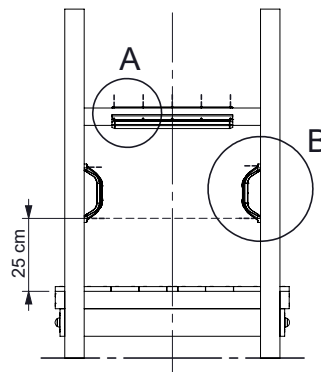
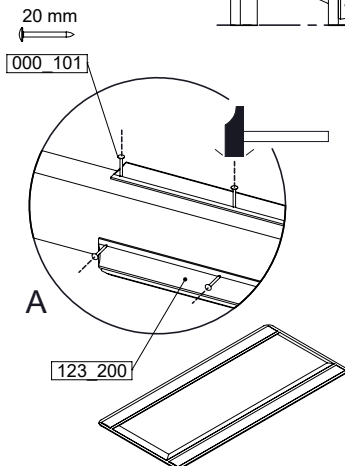
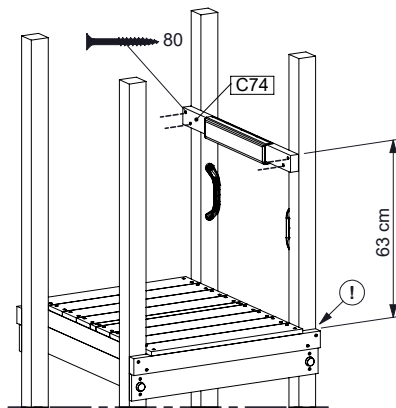
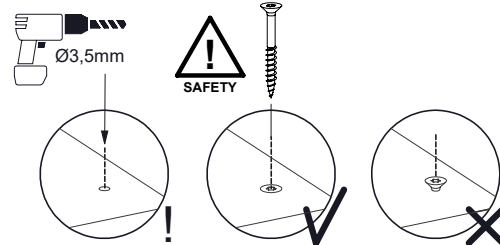
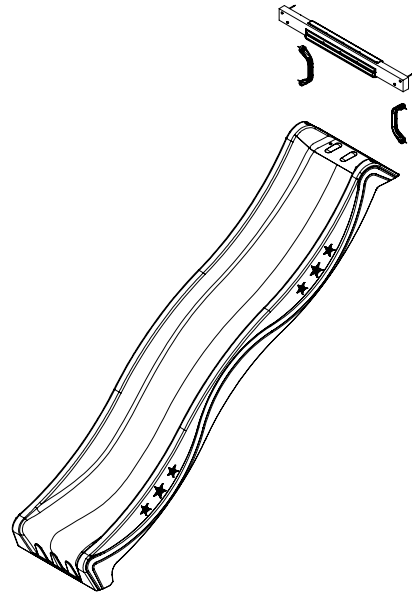


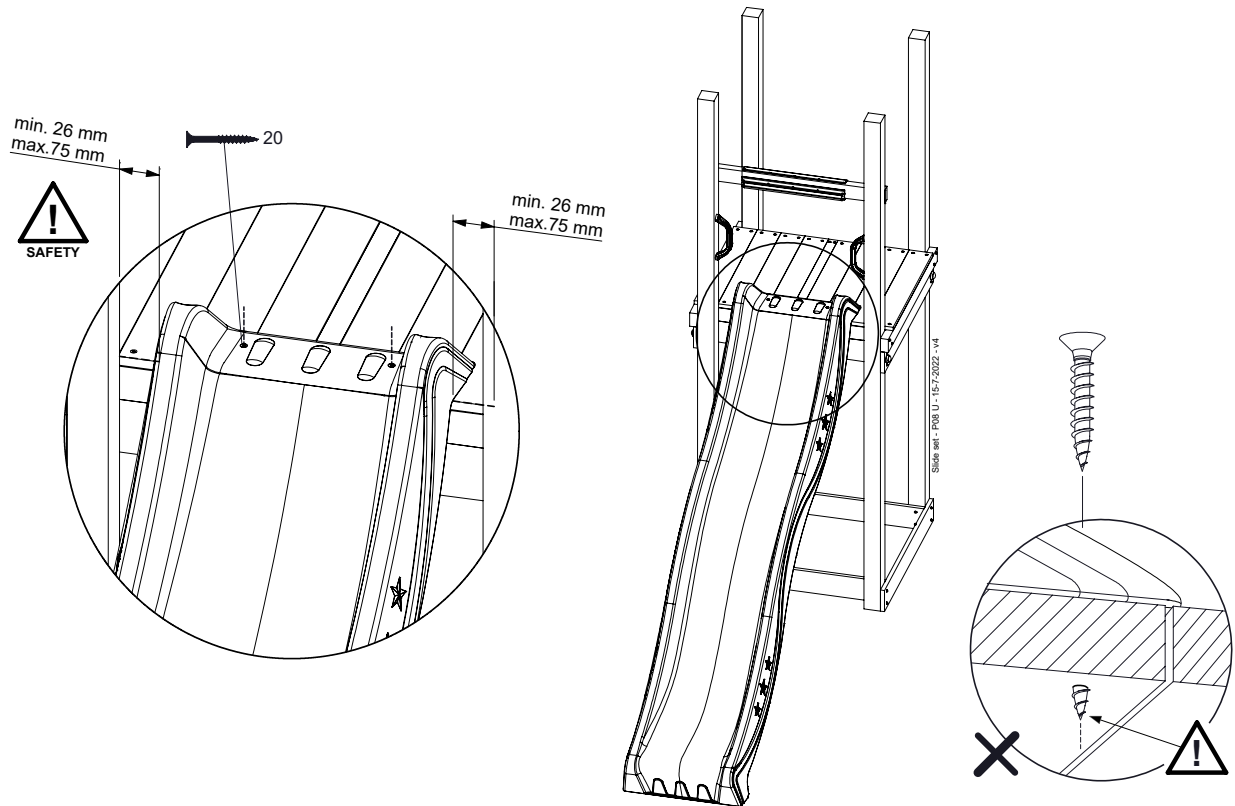
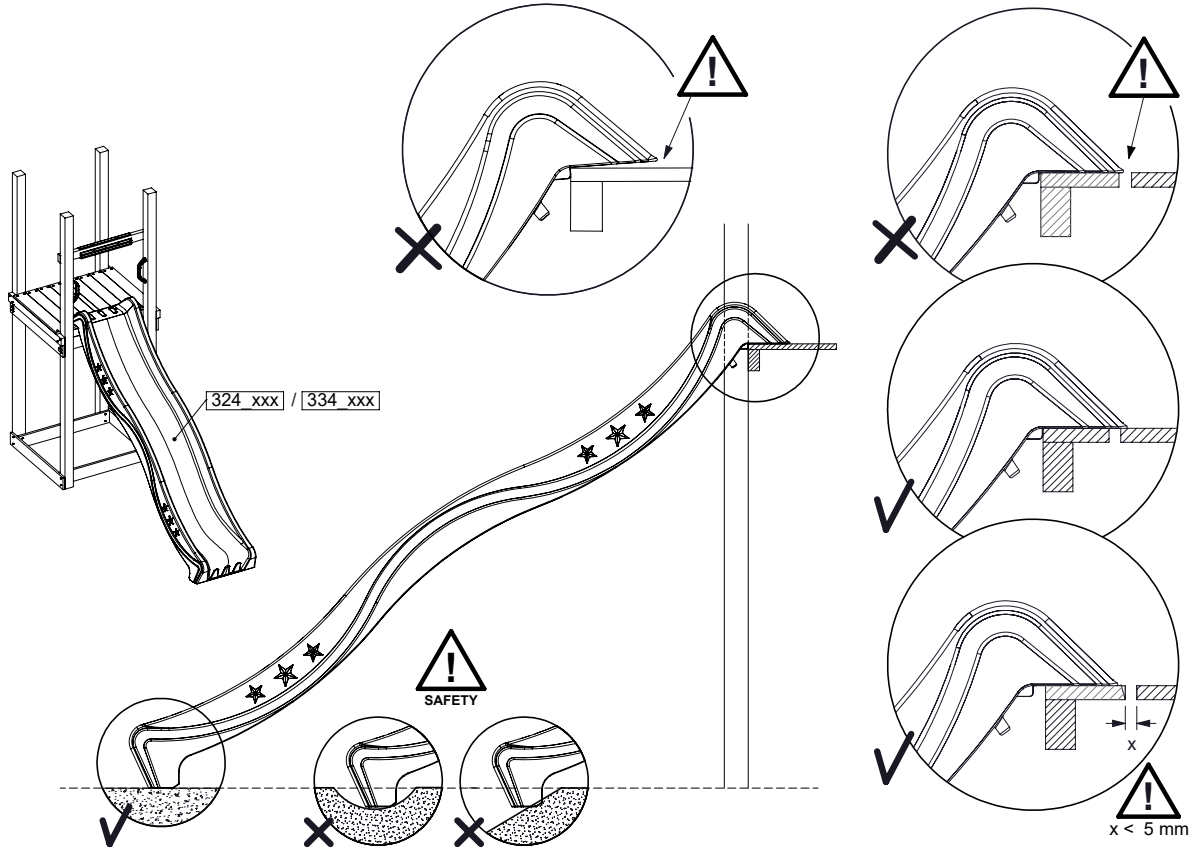
17 SL01a: Slide 80 125 U

(194_107)

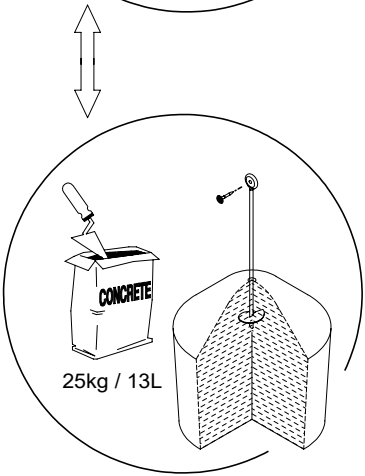
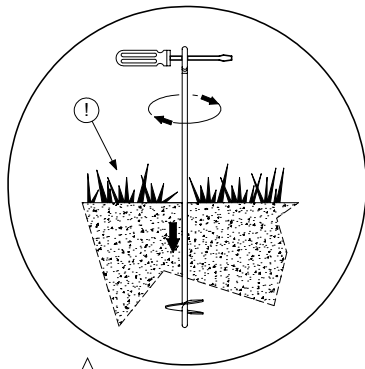
	PartNo	PartName	QTY.
Hardware Pack 100_605	000_101	Nail Pan Head	10
	002_223	Gap Point Screw T25 - 5x80	4
	002_308	Gap Point Screw T25 - 5x20	2
Other	120_102	Handgrip set (2x Complete)	1
	123_200	Bumperpad	1
	324_xxx 334_xxx	Wavy Star Slide XL 2200 mm / Wavy Star Slide XL 2650 mm	1
Timber	C74	Beam 740 mm	1

Slide set - P02 - 15-7-2022 - v4

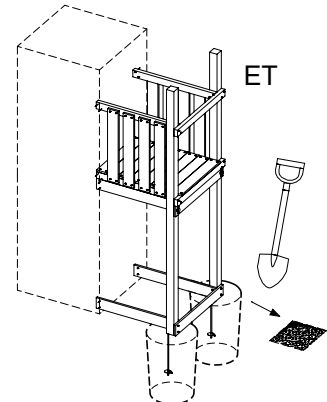
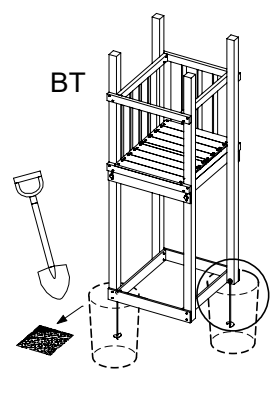
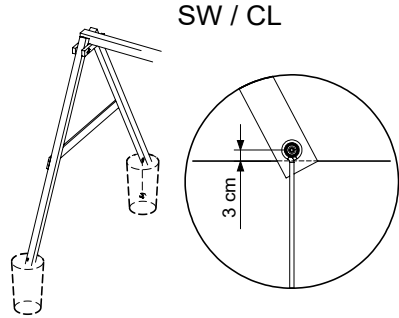
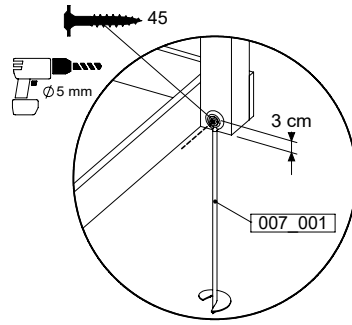




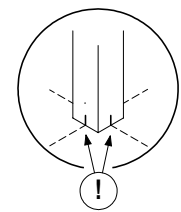
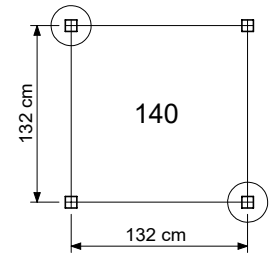
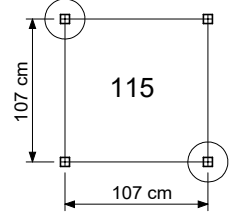
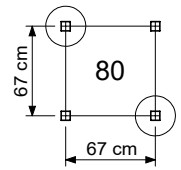
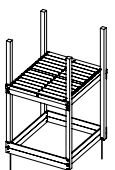
18 GA: Ground Anchors



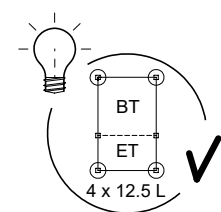
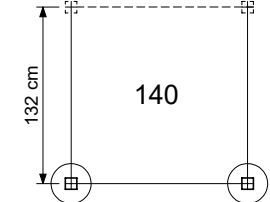
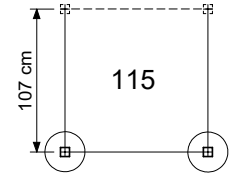
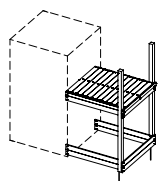
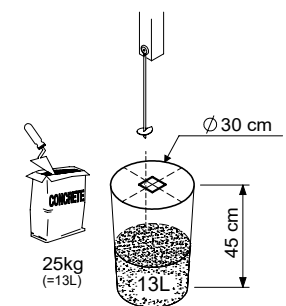
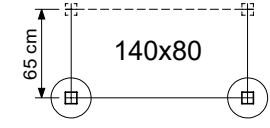
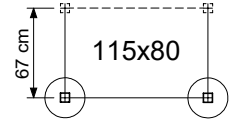
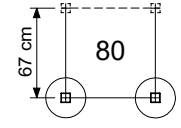
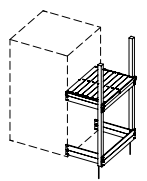
Ground Anchors Unit - P03 - 04/07/2023 - v1.2



BASE TOWERS



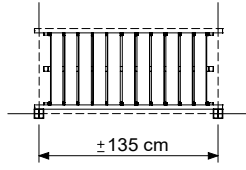
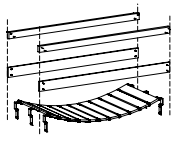
EXTENSION TOWERS



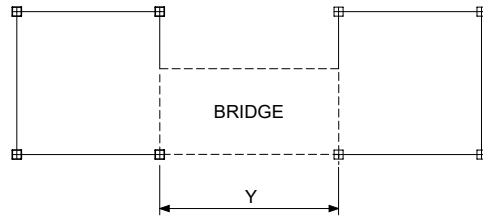
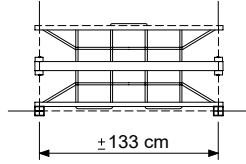
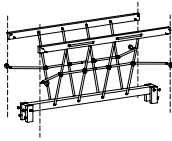
Ground Anchors Unit - P03 - 04/07/2023 - v1.2

18.1

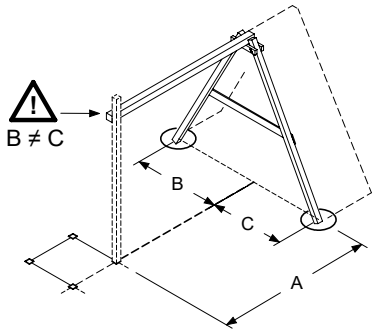
CLATTER BRIDGE



NET BRIDGE

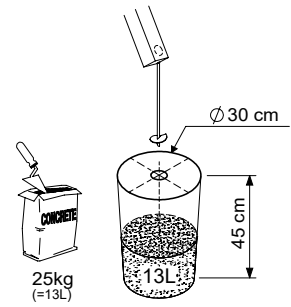


SWING / CLIMB MODULE

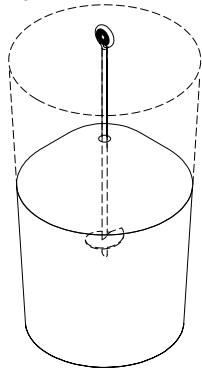


Module type	A	B	C
1-Swing 200	150	115	100
1-Swing 220 / 220 Extra		120	105
2-Swing 200	210	115	100
2-Climb 200			
1-Climb 200	142	120	105
1-Climb 220 / 220 Extra			
2-Swing 220 / 220 Extra	230	120	105
2-Climb 220 / 220 Extra			

Grand Anchers Uni. - P02 - 04/07/2023 - v1.2



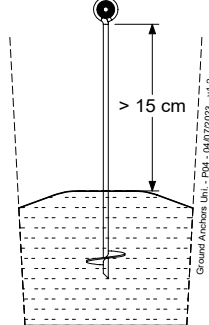
25kg / 13L



1.



SAFETY



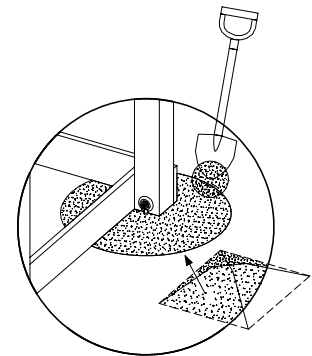
2.

Grand Anchers Uni. - P04 - 04/07/2023 - v1.2

24h



3.



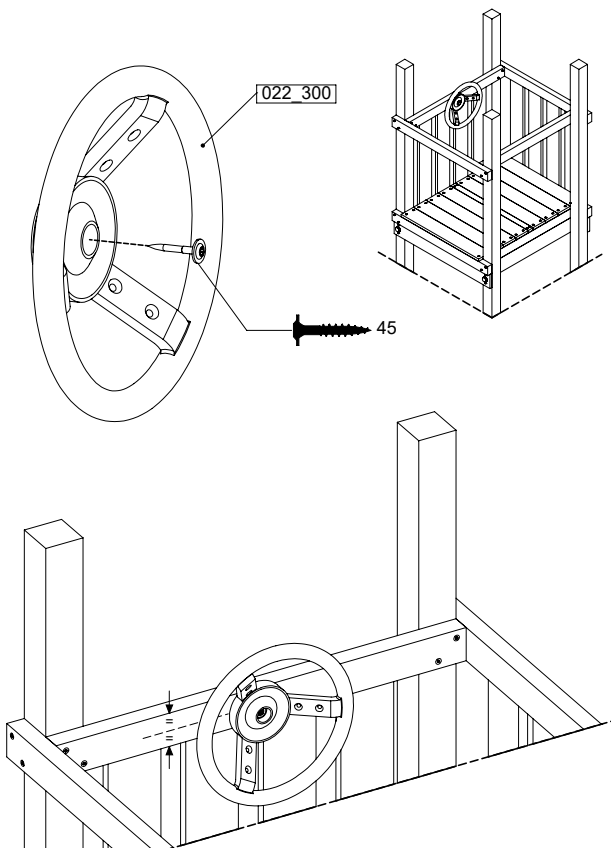
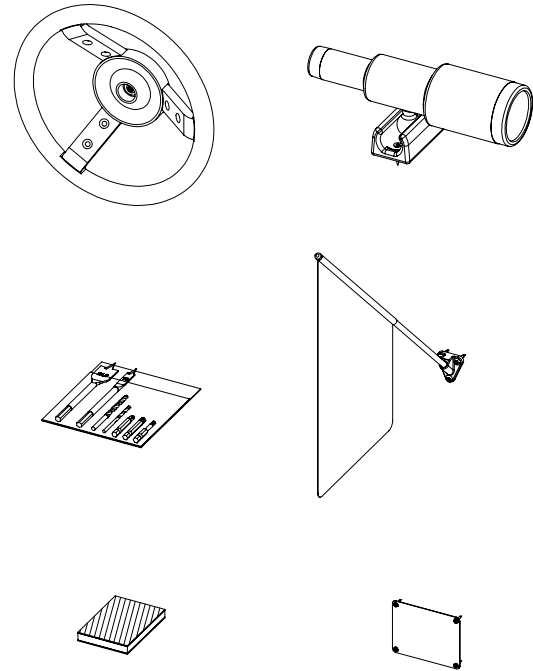
4.

19 AC01a: Accessories

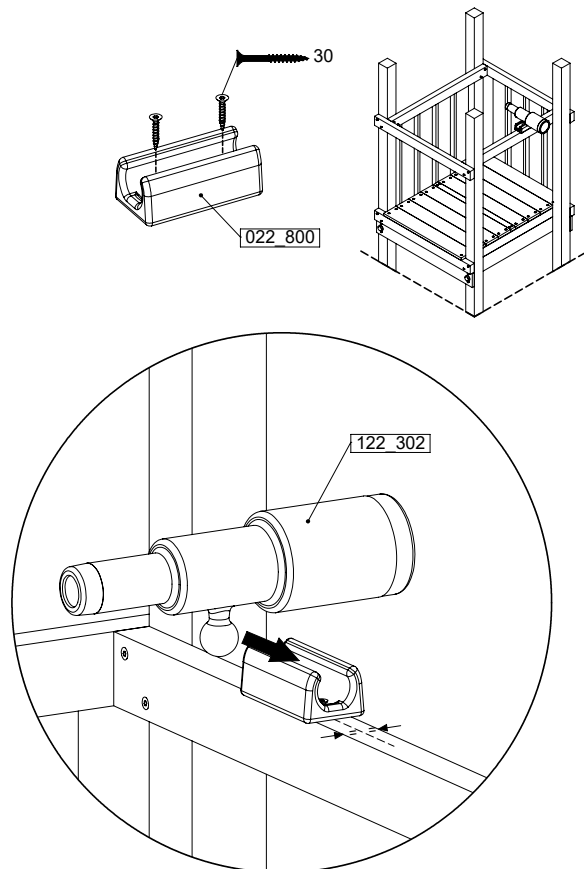
(194_119)

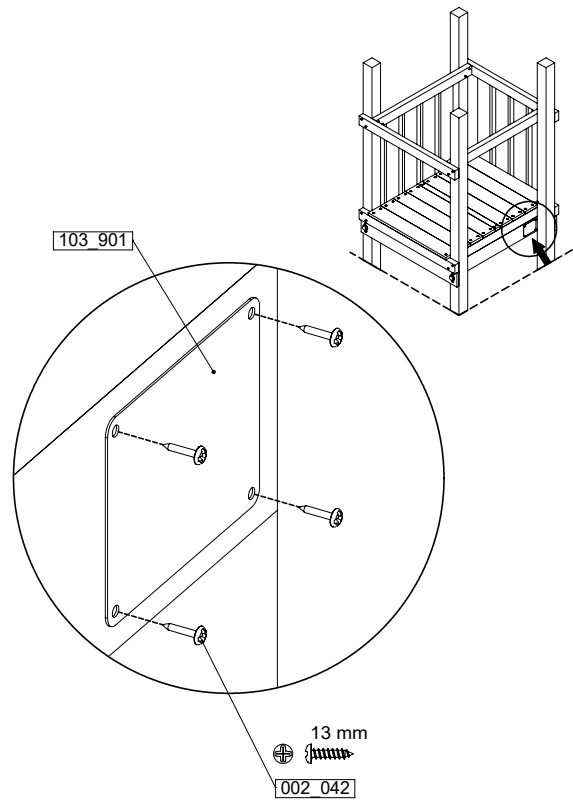
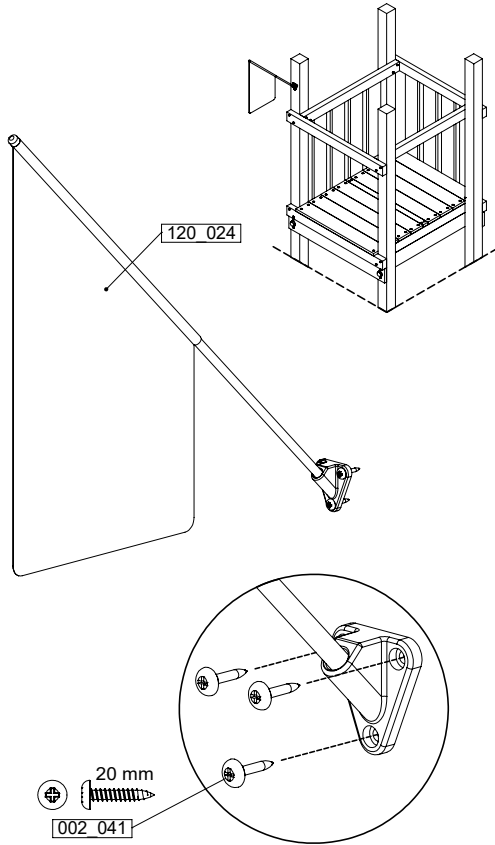
	PartNo	PartName	QTY.
Hardware Pack 100_617	001_406	Stealth Screw 8x45	1
	002_041	Dome head screw 4.5 x 20 mm	3
	002_042	Dome head screw 3.5 x 13mm	4
	002_219	Gap Point Screw T25 - 5x30	2
Other	022_300	Steering Wheel	1
	022_800	Rail P/T 105	1
	022_910	Sandpad	1
	103_901	Logo ID Plate	1
	104_107	Tool Set Climbing Units	1
	120_024	Tower Flag	1
	122_302	Telescope	1

Accessory set - P102 - 26/01/2024 - v5

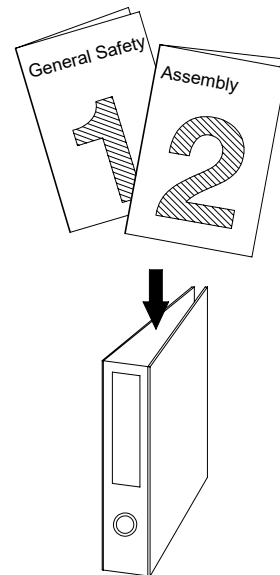
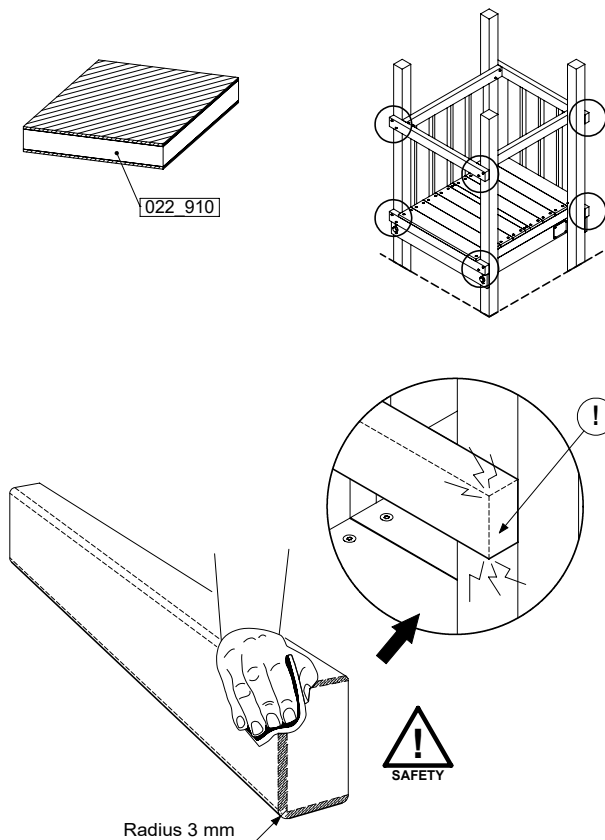


Accessory set - P103 - 26/01/2024 - v5





Accessory set - P04 - 24.01/2024 - v5



Accessory set - P05 - 24.01/2024 - v5

20 Declaration of conformity

Activity toys for domestic use
Aktivitätsspielzeug für den häuslichen Gebrauch
Jouets d'activité à usage familial

Jungle Gym
BACKYARD PLAYGROUNDS
since 1988

ID's

1. Wooden climbing frames

20232912_v1

1.1. Assemblies

Playtowers	801_005, 801_009, 801_010, 801_013, 801_025, 801_040, 801_060, 801_070, 801_090, 801_095, 801_100, 801_103, 801_105, 801_110, 801_120, 801_200, 802_202, 802_204, 802_206, 802_208, 803_202, 803_204, 803_206, 803_208, 803_210, 809_802, 809_804
Swings	801_300, 801_601, 801_602
Modules	850_176, 850_177, 857_101, 857_102, 857_151, 857_152, 850_231, 850_232, 857_105, 857_106, 857_157, 857_158, 850_240

1.2. Sub assemblies

Base towers (BT)	BT01a, BT02a, BT03a, BT11a, BT14a, BT15a, BT20a
Extension towers (ET)	ET01a, ET02a, ET05a, ET06a, ET07a, ET08a, ET09a, ET10a, ET11a, ET12a, ET13a, ET14a, ET15a, ET16a, ET17a, ET18a, ET19a, ET20a, ET22a, ET23a, ET27a, ET28a, ET29a, ET35a, ET39a, ET40a
Bridges (CB, NB, BB, TB, BF)	CB01a, NB01a, BB01a, BB02a, TB01a, TB02a, TB03a, TB04a, BF01a, BF02a, BF03a, BF04a, BF05a, BF06a, BF07a, BF08a, BF21a, BF22a, BF23a, BF24a, BF25a, BF26a, BF27a, BF28a
Roofs (RF)	RF01a, RF02a, RF02b, RF03a, RF03b, RF04a, RF05a, RF06a, RF07a, RF07b, RF08a, RF09a, RF11a, RF12a, RF12b, RF14a, RF15a, RF16a, RF17a, RF18a, RF18b, RF20a, RF21a, RF22a, RF23a, RF24a, RF25a, RF26a
Balustrade (BL)	BL01a, BL02a, BL03a, BL04a, BL05a, BL06a, BL07a, BL08a, BL09a, BL10a, BL21a
Playhouse (PH)	PH03a, PH04a, PH05a, PH06a, PH10a, PH11a, PH12a, PH13a, PH16a, PH17a, PH18a, PH19a, PH40a, PH41a, PH42a, PH43a, PH44a, PH45a, PH46a, PH47a, PH48a, PH49a, PH30a, PH31a, PH20a, PH21a, PH22a, PH23a, PH24a, PH25a, PH26a, PH27a, PH50a, PH51a, PH52a, PH53a, PH54a, PH55a, PH56a, PH57a, PH32a, PH33a
Ladder (LA)	LA01a, LA01b, LA02a, LA02b, LA03a, LA03b, LA11a, LA12a, LA13a, LA14a, LA15a, LA16a, LA17a, LA18a, LA21a, LA22a, LA23a, LA24a, LA25a, LA26a
Two Step Ladder (TS)	TS01a, TS01b, TS02a, TS02b, TS03b, TS05a, TS06a, TS07a, TS08a, TS09a, TS10a, TS11a, TS12a, TS15a, TS16a, TS17a, TS18a, TS19a, TS20a, TS21a, TS22a
Rope Ladder (RL)	RL01a, RL02a, RL05a, RL06a, RL07a, RL08a, RL09a, RL10a, RL11a, RL12a, RL15a, RL16a, RL19a, RL20a
Rock wall (RW)	RW01a, RW01b, RW02a, RW02b, RW03b, RW05a, RW06a, RW07a, RW08a, RW09a, RW10a, RW11a, RW12a, RW15a, RW16a, RW17a, RW18a, RW19a, RW20a, RW31a, RW32a
Ramp (RA)	RA03a, RA04a, RA05a, RA06a, RA07a, RA08a, RA11a, RA12a, RA21a
Net (NA, NS)	NA01a, NS01a
Boat (BO)	BO01a
Market (MT)	MT01a, MT02a, MT05a, MT06a, MT11a, MT12a
Picnic (PC)	PC01a, PC05a, PC06a, PC09a, PC10a
Fireman's pole (FP)	FP01a, FP02a, FP04a, FP05a, FP06a, FP07a, FP23a, FP24a, FP25a, FP26a, FP27a, FP28a
Slides (SL)	SL01a, SL02a, SL03a, SL06a, SL07a, SL08a, SL09a, SL10a, SL11a, SL12a, SL13a, SL26a, SL27a, SL28a, SL29a
Swing (SM)	SW01a, SW02a, SW05a, SW06a, SW09a, SW10a, SW13a, SW14a, SW17a, SW18a, SW21a, SW22a
Climb (CM)	CL01a, CL02a, CL05a, CL06a, CL09a, CL10a, CL13a, CL14a, CL17a, CL18a, CL21a, CL22a
Accessories (AC)	AC01a, AC02a, AC03a, AC04a, AC05a, AC06a, AC07a, AC08a, AC09a, AC10a, AC21a, AC22a, AC23a, AC24a, AC25a, AC30a, AC50a, AC51a, AC52a, AC53a

2. Construction packages

2.1 Assembly Kits

Playtowers	401_015, 401_080, 401_125, 402_201, 402_202, 402_204, 402_206, 402_208, 403_202, 403_204, 403_206, 403_208, 403_210, 409_802, 409_804
Swings	401_300, 401_600
Modules	457_005, 457_102, 457_103, 457_106, 457_107, 457_205

2.2 Assembly Packs

Sub assemblies	194_002, 194_003, 194_004, 194_006, 194_007, 194_008, 194_009, 194_010, 194_100, 194_101, 194_102, 194_103, 194_104, 194_105, 194_107, 194_108, 194_109, 194_110, 194_111, 194_112, 194_113, 194_114, 194_115, 194_116, 194_117, 194_118, 194_119, 194_300, 194_308, 194_312, 194_500, 194_501, 194_508, 194_510, 194_809, 194_810, 194_811, 194_812
----------------	--

3. Accessories and components

Slides XL	324_100, 324_200, 324_300, 324_400, 324_500, 324_600
Slides XXL	334_100, 334_200, 334_300, 334_400, 334_500, 334_600
Fireman's pole	201_275
Climbing	201_060, 201_273
Imagination	201_280, 201_285, 201_290, 201_295, 202_473, 450_310, 450_320, 450_330
Swinging	250_001, 250_013, 250_025, 250_034, 250_053
Functional	123_220, 123_222, 123_230, 201_115, 201_220, 201_250, 201_260, 201_270, 202_620, 202_621, 202_622, 202_623, 202_624, 202_625, 202_626, 202_627, 202_628, 202_629, 202_824, 250_065, 250_070, 250_075

Applicable EC directives and standards

General

- General Product Safety Directive (GPSD) 2001/95/EG
- Reach directive 1907/2006
- AfPS GS 2019:01 PAK

Activity Toys

- Toy Safety Directive (TSD) 2009/48/EG
- EN Standard 71 Safety of Toys
 - EN 71-1:2014 + A1:2018 Safety of toys Mechanical and physical properties
 - EN 71-2:2020 Flammability
 - EN 71-3:2019 + A1:2021 Migration of certain elements
 - EN 71-8:2018 Safety of toys Activity toys for domestic use

Supplementary information

Conformity to the above specified directives and standards has been frequently verified by TÜV Rheinland LGA products, DEKRA, LNE SA, since 1994. Jungle Gym participates in the European Commission for standardisation for the safety of activity toys (TC52 / WG 10).



Manufacturer details

Company Name: Jungle Gym B.V.
Address : Valschermkade 18, 1059 CD Amsterdam, Netherlands
Email: info@junglegym.com

Declaration

I hereby declare under our sole responsibility that the products mentioned above, to which this declaration relates, comply with the above mentioned directives and standards when the installation, assembly, and maintenance instructions are strictly followed.

Name Issued date
Mr. P. Schmit / Director

Signature of representative