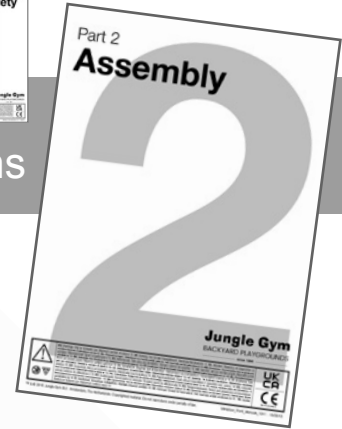


Part 2

Assembly

Instructions

Config ID: Z0KmRN
Product Name: Bay 1-Swing
Product ID: 211421








Watch in 3D



Jungle Gym

BACKYARD PLAYGROUNDS

since 1988

| | | |
|--|--|--|
| <p>Assembly time 11.5 hours by 2 adults</p>  |  <p>EN. Warnings. Only for domestic use. Maximum number of users is ⁴. DE. Achtung. Nur für den Hausgebrauch. Maximale Benutzerzahl: ⁴. FR. Attention. Réserve à un usage familial. Le nombre maximal d'utilisateurs est de ⁴. NL. Waarschuwingen. Uitsluitend voor huishoudelijk gebruik. Het maximale aantal gebruikers is ⁴. BG. Внимание. За употреба само в домашни условия. Максималният брой потребители е ⁴. CS. Varování. Jen pro domácí použití. Maximální počet uživatelů je ⁴. DA. Advarsler. Kun til privat brug. Maksimum antal brugere er ⁴. EL. Προειδοποιήσεις. Μόνο για οικιακή χρήση. Μέγιστος αριθμός χρηστών ⁴. ES. Advertencias. Solo para uso doméstico. Número máximo de usuarios: ⁴. ET. Hoiatused. Ainult koduseks kasutamiseks. Maksimaalne kasutajate arv on ⁴. FI. Varoitukset. Ainoastaan kotikäyttöön. Käyttäjää yhteensä enintään ⁴. HR. Upozorenja. Samo za kućansku uporabu. Maksimalan broj korisnika je ⁴. HU. Figyelmeztetések. Csak otthoni használatra! A használók max. száma: ⁴. IS. Varnaðarorð. Eingöngu fyrir einkanothun í heimahúsum og á einkalóðum. Hámarksfjöldi notenda er ⁴. IT. Avvertenze. Solo per uso domestico. Massimo numero di utenti è ⁴. LT. Įspėjimai. Tik buitiniam naudojimui. Maksimalus naudotojų skaičius ⁴. LV. Brīdinājumi. Izmantot tikai mājās. Maksimālais lietotāju skaits ir ⁴. NO. Advarsler. Kun for privat bruk. Maksimalt antall brukere er ⁴. PL. Ostrzeżenia. Wyłącznie do użytku domowego. Maksymalna liczba użytkowników to ⁴. PT. Avisos. Apenas para uso doméstico. O número máximo de utilizadores é ⁴. RO. Avertismente. Numai pentru uz domestic. Numărul maxim de utilizatori este ⁴. RU. Предостережения. Только для домашнего использования. Максимальное количество пользователей - ⁴. SK. Upozornenia. Iba na domáce použitie. Maximálne množstvo osôb je ⁴. SL. Opozorila. Samo za domačo uporabo. Maksimalno število uporabnikov je ⁴. SR. Upozorenja. Samo za kućnu upotrebu. Maksimalan broj korisnika je ⁴. SV. Varningar. Endast för hemmabruk. Det maximala antalet användare är ⁴. TR. Uyarılar. Sadece ev kullanımı için. Maksimum kullanıcı sayısı ⁴.</p> |  <p>EN 71-1,2,3,6,8-9</p>   |
|--|--|--|

1 Helpdesk JungleGym

FAQ & Support



English



Deutsch



Français



Nederlands



info@junglegym.com



EU 0031 85 44 44 100

AT 0043 72 08 153 33

BE 0032 78 48 16 19

CH 0041 43 50 87 350

DE 0049 32 22 10 98 299

ES 0034 657 76 64 25

FR 0033 97 75 58 222

IE 0035 38 1800 0300

LU 0035 22 08 80 512

NL 0031 85 44 44 102

UK 0044 20 369 505 53

Monday-Friday,

CET 9:00am - 5:00pm

Local phone charges may apply.

2 Start

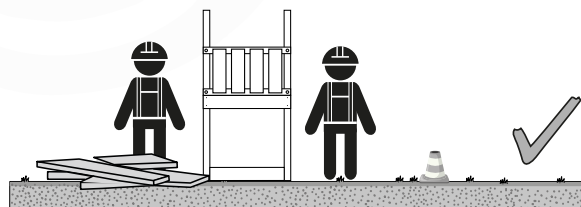
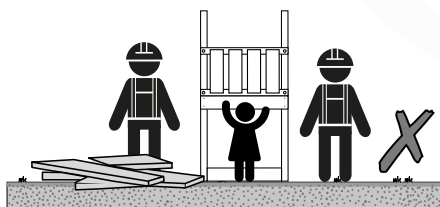
2.1 Safety



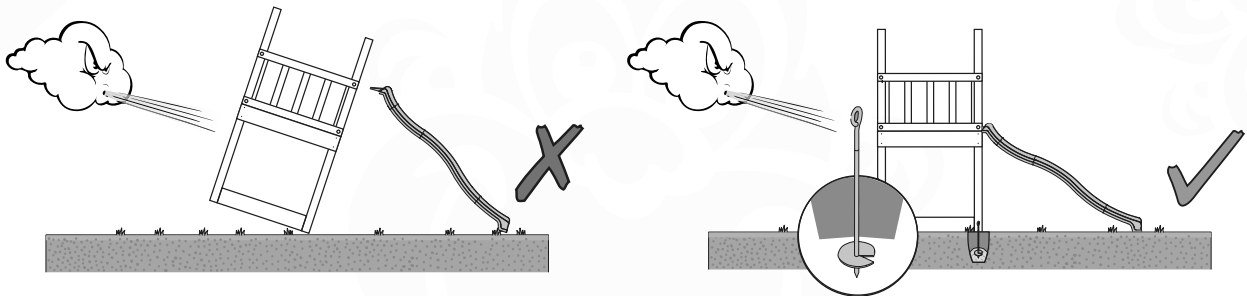
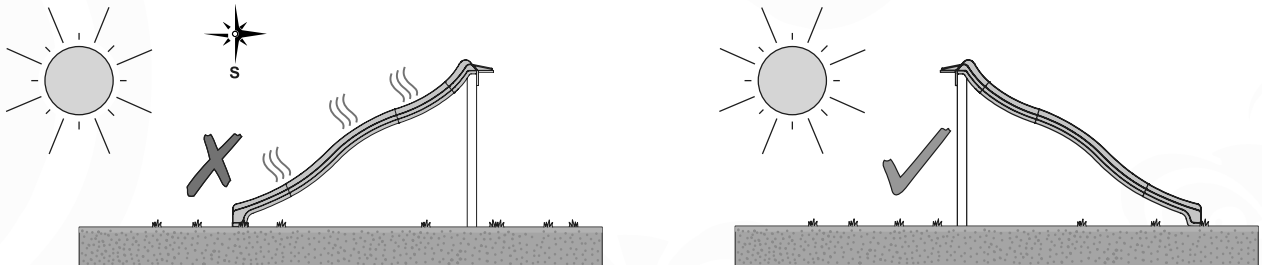
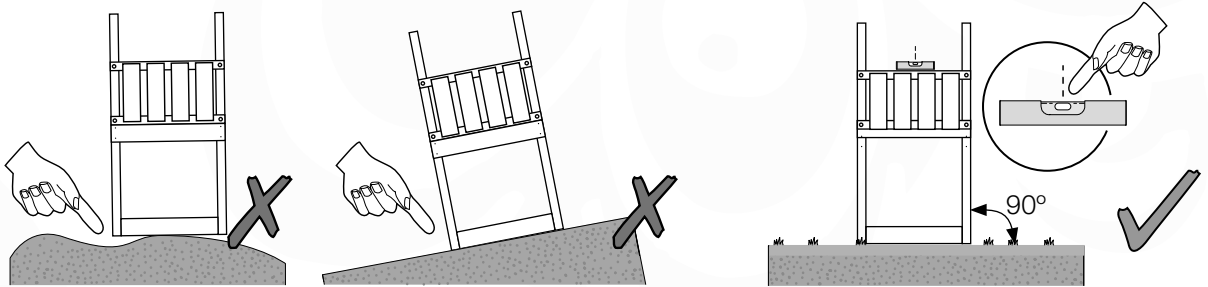
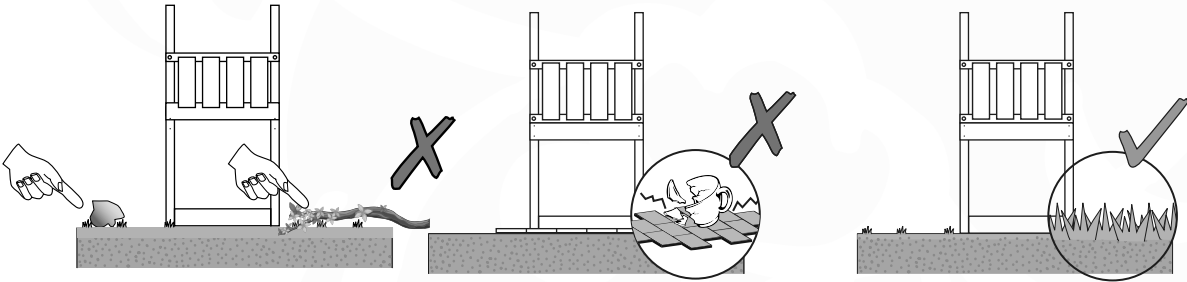
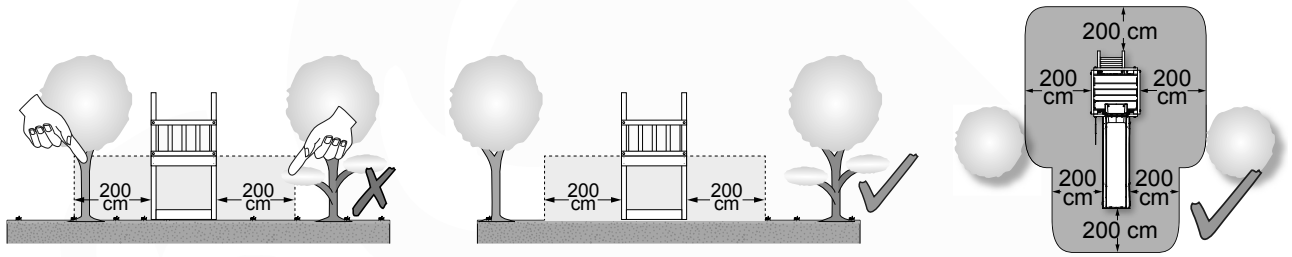
Download

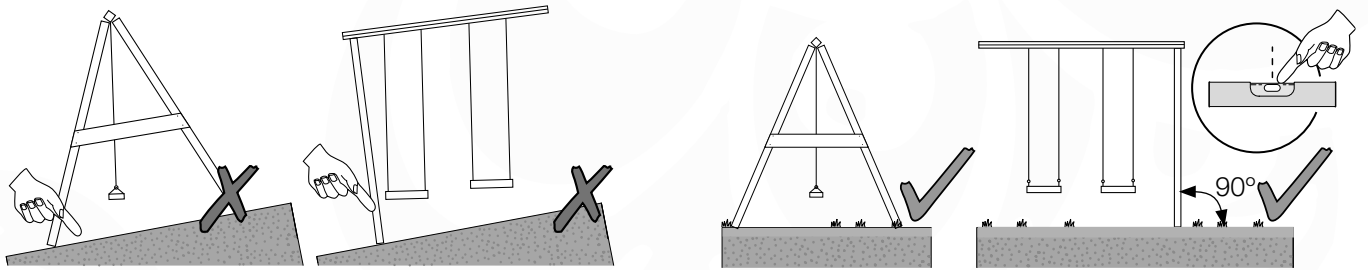
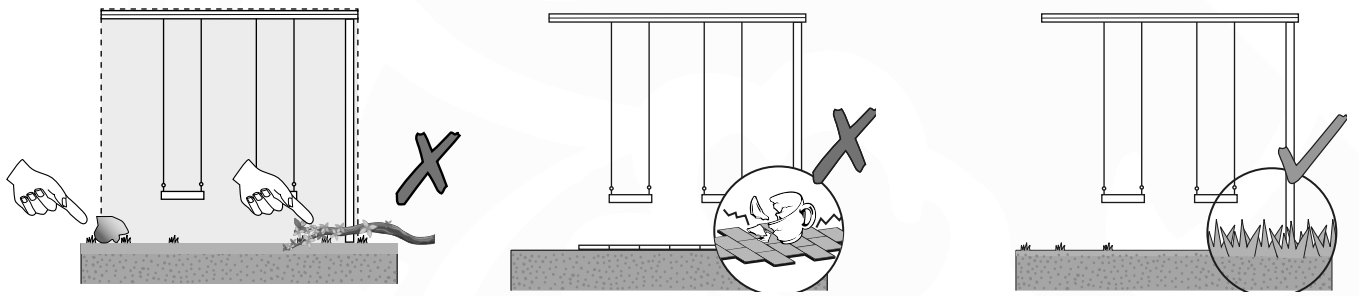
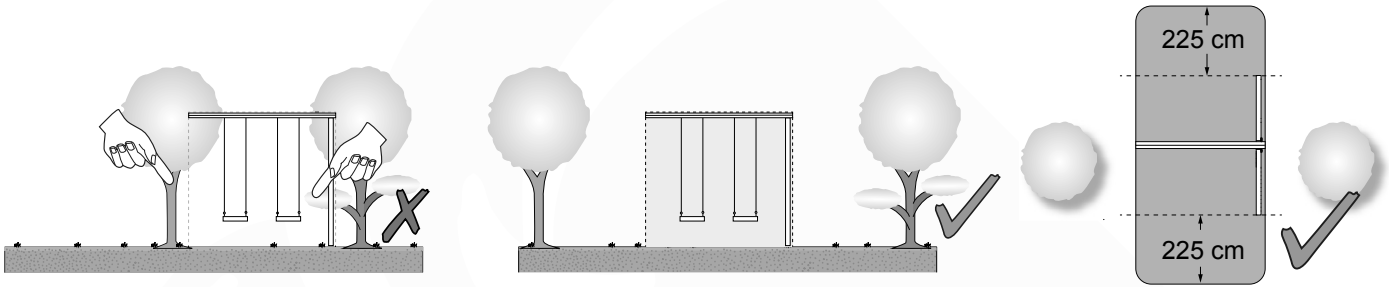


Part 1

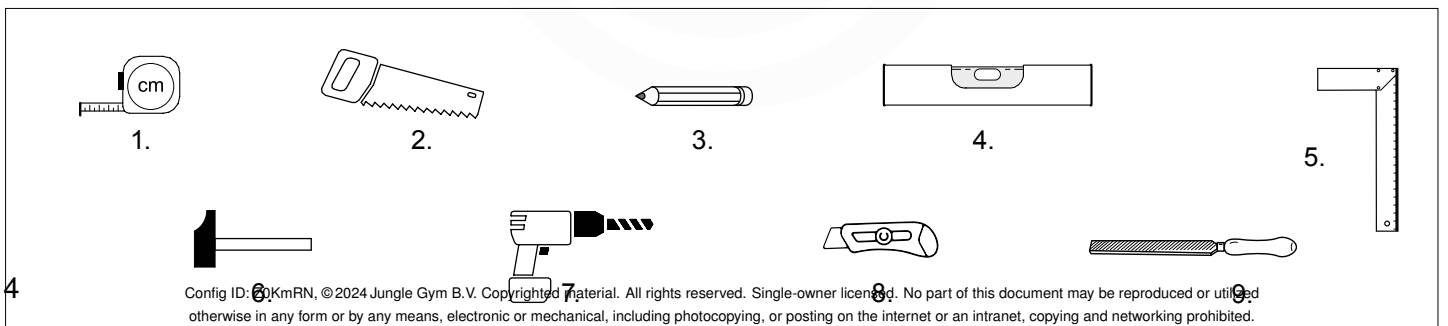


2.2 Planning

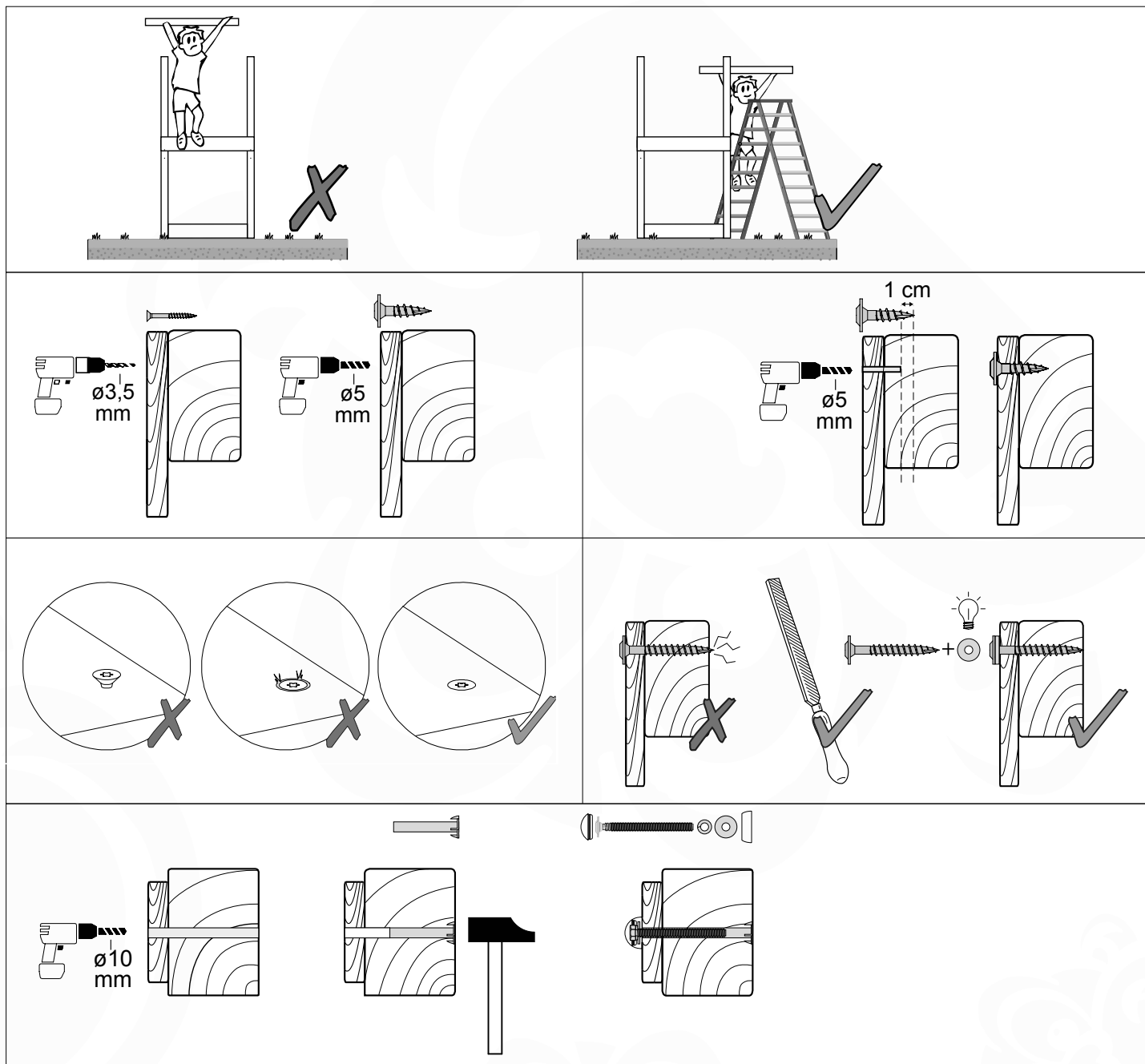




2.3 Tools



2.4 Assembly



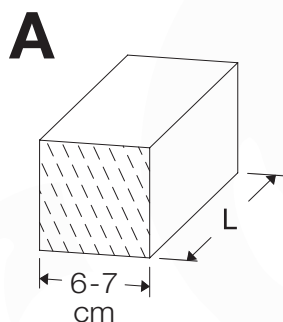
3 Overview

3.1 Order specification

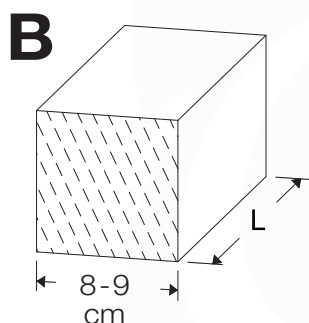


| # | Description | Supplier ID | Assembly ID |
|---|------------------------------------|-------------|-------------|
| 1 | Base Tower 80_200200_125 | 790_001 | BT01a |
| 1 | Base Tower 115_240240_125 | 792_002 | BT11a |
| 1 | Roof Timber Gable 115 | 792_202 | RF08a |
| 1 | Balustrade 80_U | 790_301 | BL01a |
| 2 | Balustrade 115_U | 792_301 | BL03a |
| 1 | Rock wall 115_125 T L x Balustrade | 792_401 | RW07a |
| 1 | Ladder 80_125 T | 790_431 | LA02a |
| 1 | Picnic 115 U | 792_503 | PC05a |
| 1 | Clatter Bridge 80 uni | 790_601 | CB01a |
| 1 | Bridge Frame 115 T R | 792_602 | BF04a |
| 1 | Slide Frame 80_125 U | 790_901 | SL01a |
| 1 | 1- Swing Module 220 3.0 | 757_159 | SW10a |
| 1 | Accessories Set | 194_119 | AC01a |
| 1 | Accessories Swing Seat | 250_034 | AC21a |
| 1 | Wavy Star Slide XL | 324_x00a | 324_x00a |

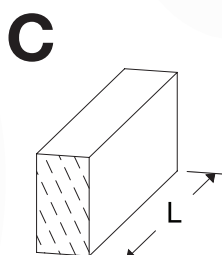
3.2 Timber parts



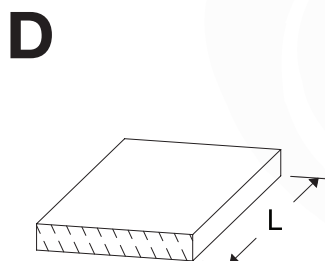
| ID | L | # |
|------|-----------------|---|
| A200 | 199 cm - 200 cm | 4 |
| A240 | 239 cm - 240 cm | 6 |



| | | |
|------|-----------------|---|
| B160 | 159 cm - 160 cm | 1 |
|------|-----------------|---|



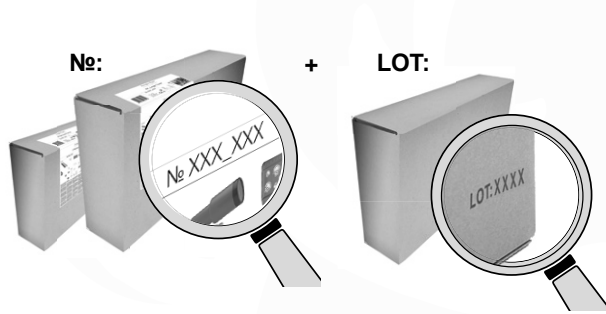
| | | |
|------|-----------------|---|
| C37 | 36 cm - 37 cm | 3 |
| C56 | 55 cm - 56 cm | 1 |
| C74 | 73 cm - 74 cm | 9 |
| C84 | 83 cm - 84 cm | 3 |
| C90 | 89 cm - 90 cm | 2 |
| C96 | 85 cm - 96 cm | 2 |
| C114 | 113 cm - 114 cm | 9 |
| C130 | 129 cm - 130 cm | 2 |
| C141 | 140 cm - 141 cm | 5 |
| C186 | 185 cm - 186 cm | 1 |



| | | |
|------|-----------------|----|
| D47 | 46 cm - 47 cm | 1 |
| D60 | 59 cm - 60 cm | 22 |
| D65 | 64 cm - 65 cm | 27 |
| D74 | 73 cm - 74 cm | 8 |
| D100 | 99 cm - 100 cm | 20 |
| D114 | 113 cm - 114 cm | 17 |
| D127 | 126 cm - 127 cm | 24 |
| D141 | 140 cm - 141 cm | 4 |

4 Product registration

4.1 Assembly kits



Example

№: X X X _ X X X LOT X X X X

| | №: | | LOT |
|----|----|---|-----|
| 1. | █ | █ | █ |
| 2. | █ | █ | █ |
| 3. | █ | █ | █ |
| 4. | █ | █ | █ |
| 5. | █ | █ | █ |

| | №: | | LOT |
|-----|----|---|-----|
| 6. | █ | █ | █ |
| 7. | █ | █ | █ |
| 8. | █ | █ | █ |
| 9. | █ | █ | █ |
| 10. | █ | █ | █ |

4.2 Slide

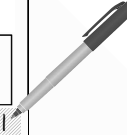
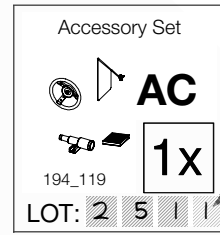


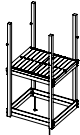
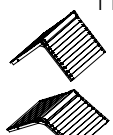
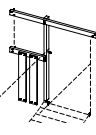
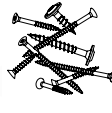



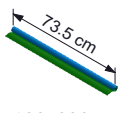
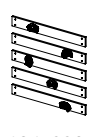
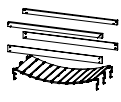




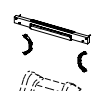

| | | | | | |
|---|---|---|---|---|---|
| █ | █ | █ | █ | █ | █ |
| █ | █ | █ | █ | █ | █ |
| █ | █ | █ | █ | █ | █ |

4.3 Assembly packs



Example



| | | | | |
|---|--|---|---|---|
| <p>Tower 115</p>  <p>BT ET</p> <p>194_300</p> <p>1x</p> <p>LOT: [][][][]</p> | <p>Roof Timber 115</p>  <p>RF</p> <p>194_308</p> <p>1x</p> <p>LOT: [][][][]</p> | <p>Bridge Frame</p>  <p>BF</p> <p>194_007</p> <p>1x</p> <p>LOT: [][][][]</p> | <p>Hardware 01</p>  <p>BL H01</p> <p>194_101</p> <p>2x</p> <p>LOT: [][][][]</p> | <p>Accessory Set</p>  <p>AC</p> <p>194_119</p> <p>1x</p> <p>LOT: [][][][]</p> |
| <p>Slide XL 2.2m</p>  <p>324_x00</p> <p>1x</p> <p>LOT: [][][][]</p> | <p>Hardware 10</p>  <p>H10</p> <p>194_810</p> <p>1x</p> <p>LOT: [][][][]</p> | <p>Canvas 136 x 74cm</p>  <p>123_220</p> <p>1x</p> <p>LOT: [][][][]</p> | <p>Rock Wall</p>  <p>RW</p> <p>194_006</p> <p>1x</p> <p>LOT: [][][][]</p> | <p>Clatter Bridge</p>  <p>CB</p> <p>194_116</p> <p>1x</p> <p>LOT: [][][][]</p> |
| <p>Swing Module Kit</p>  <p>SW</p> <p>457_103</p> <p>1x</p> <p>LOT: [][][][]</p> | <p>Ladder 80 125</p>  <p>LA</p> <p>194_103</p> <p>1x</p> <p>LOT: [][][][]</p> | <p>Swing Seat</p>  <p>AC</p> <p>250_034</p> <p>1x</p> <p>LOT: [][][][]</p> | <p>Balustrade 140</p>  <p>BL</p> <p>194_501</p> <p>2x</p> <p>LOT: [][][][]</p> | <p>Slide Frame</p>  <p>SL</p> <p>194_107</p> <p>1x</p> <p>LOT: [][][][]</p> |
| <p>Tower 80</p>  <p>BT ET</p> <p>194_100</p> <p>1x</p> <p>LOT: [][][][]</p> | | | | |

4.4 Your config ID: Z0KmRN

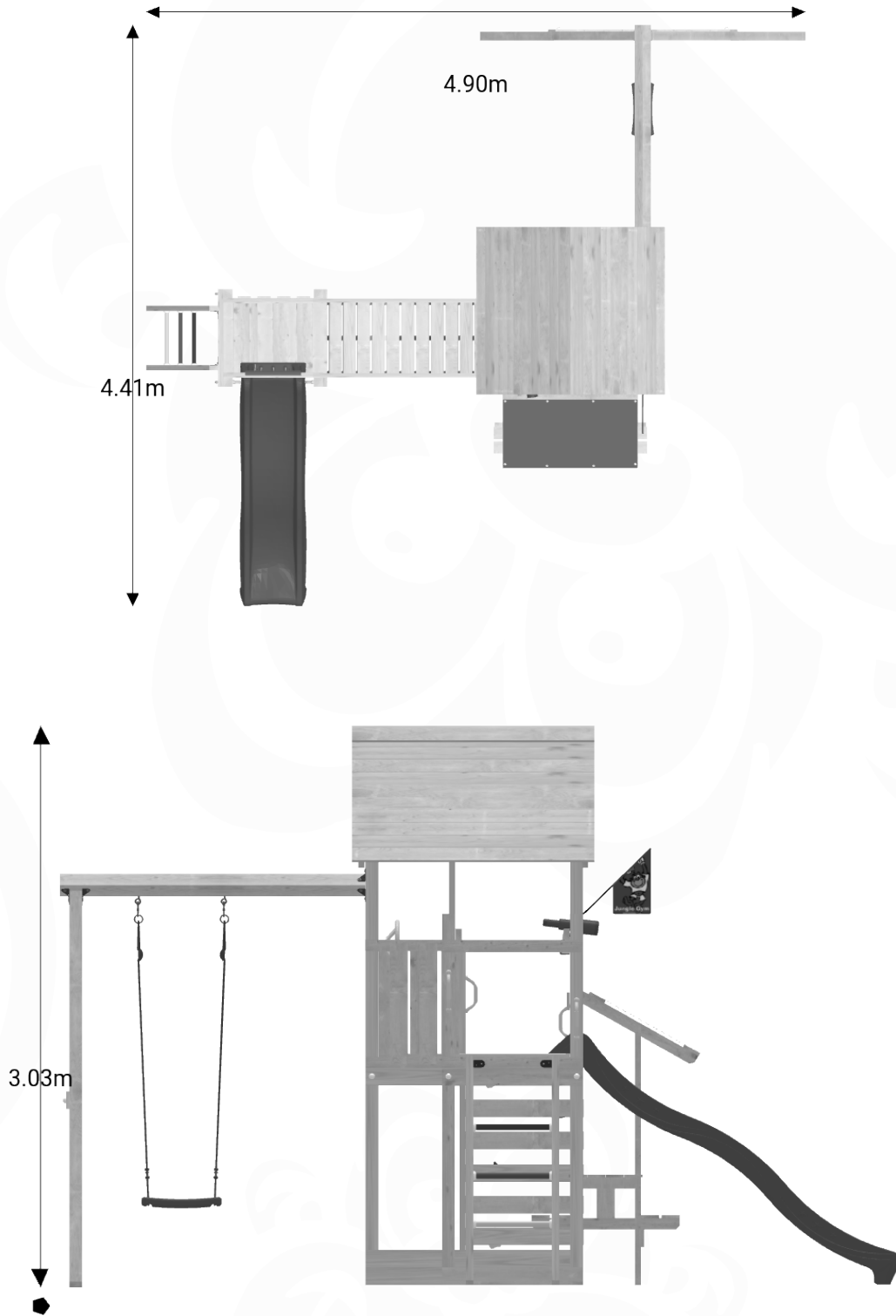


5 Hardware Identification

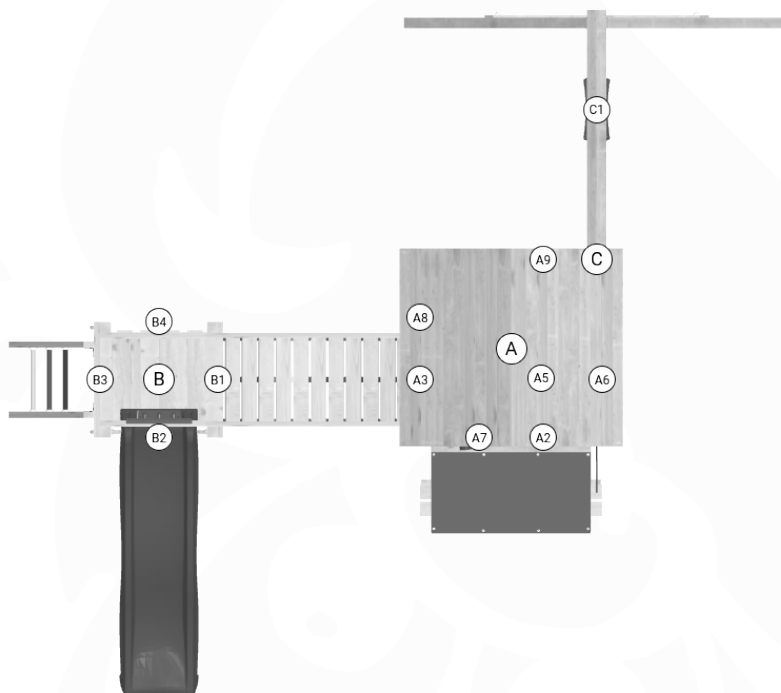
| | | SKU | | L | | | SKU | | L |
|--|--|-----|---------|--------|--|--|---------|---------|---------|
| | | | 001_404 | 30 mm | | | | 002_308 | 20 mm |
| | | | 001_406 | 45 mm | | | | 002_219 | 30 mm |
| | | | 001_411 | 60 mm | | | | 002_220 | 45 mm |
| | | | 001_417 | 80 mm | | | | 002_223 | 80 mm |
| | | | 001_422 | 137 mm | | | | | |
| | | | 001_102 | 30 mm | | | | 004_050 | 22mm |
| | | | | | | | | | |
| | | | 000_101 | 20 mm | | | | 003_010 | |
| | | | 002_036 | 16 mm | | | | 003_034 | |
| | | | | | | | | | |
| | | | 002_041 | 20 mm | | | | 022_845 | Yellow |
| | | | | | | | | | 022_846 |
| | | | | | | | 022_847 | Green | |
| | | | | | | | 022_848 | Red | |
| | | | 002_042 | 13 mm | | | | 023_031 | White |
| | | | | | | | | | |
| | | | 002_301 | 40 mm | | | | 120_005 | White |
| | | | | | | | | | 022_844 |
| | | | | | | | 022_314 | | |

output: 27/06/24

6 Dimensions



7 Assembly Planning



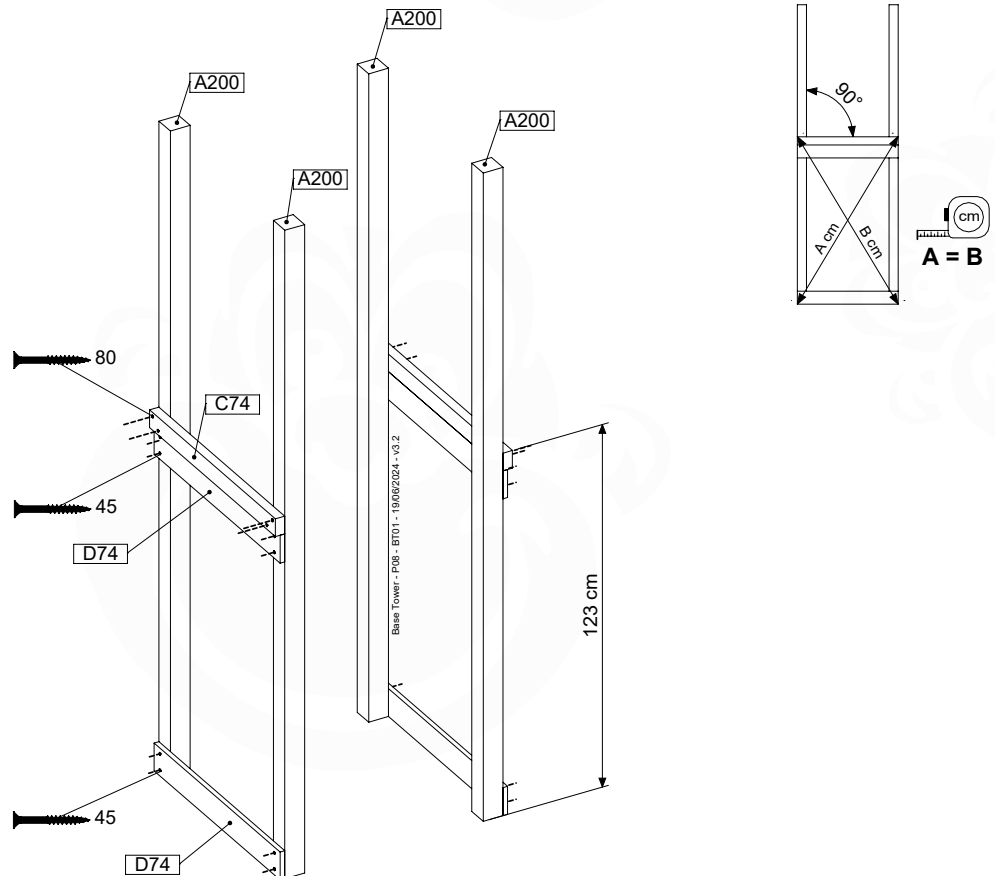
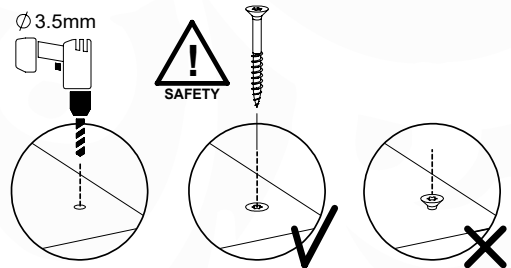
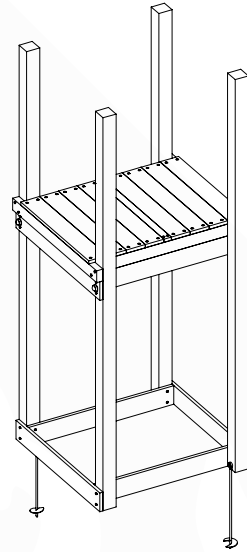
| | ID | | | A | B | C |
|----|-------|--|------|--------|----|---|
| 1 | BT01a | | p.13 | - | ✓ | - |
| 2 | BT11a | | p.15 | ✓ | - | - |
| 3 | BL01a | | p.18 | - | B4 | - |
| 4 | BL03a | | p.19 | A7, A9 | - | - |
| 5 | RF08a | | p.20 | A5 | - | - |
| 6 | CB01a | | p.23 | A3 | B1 | - |
| 7 | BF04a | | p.26 | A8 | - | - |
| 8 | RW07a | | p.29 | A6 | - | - |
| 9 | PC05a | | p.32 | A2 | - | - |
| 10 | LA02a | | p.36 | - | B3 | - |
| 11 | SW10a | | p.39 | - | - | ✓ |
| 12 | SL01a | | p.47 | - | B2 | - |
| 13 | GA | | p.50 | ✓ | ✓ | ✓ |
| 14 | AC01a | | p.52 | ✓ | - | - |

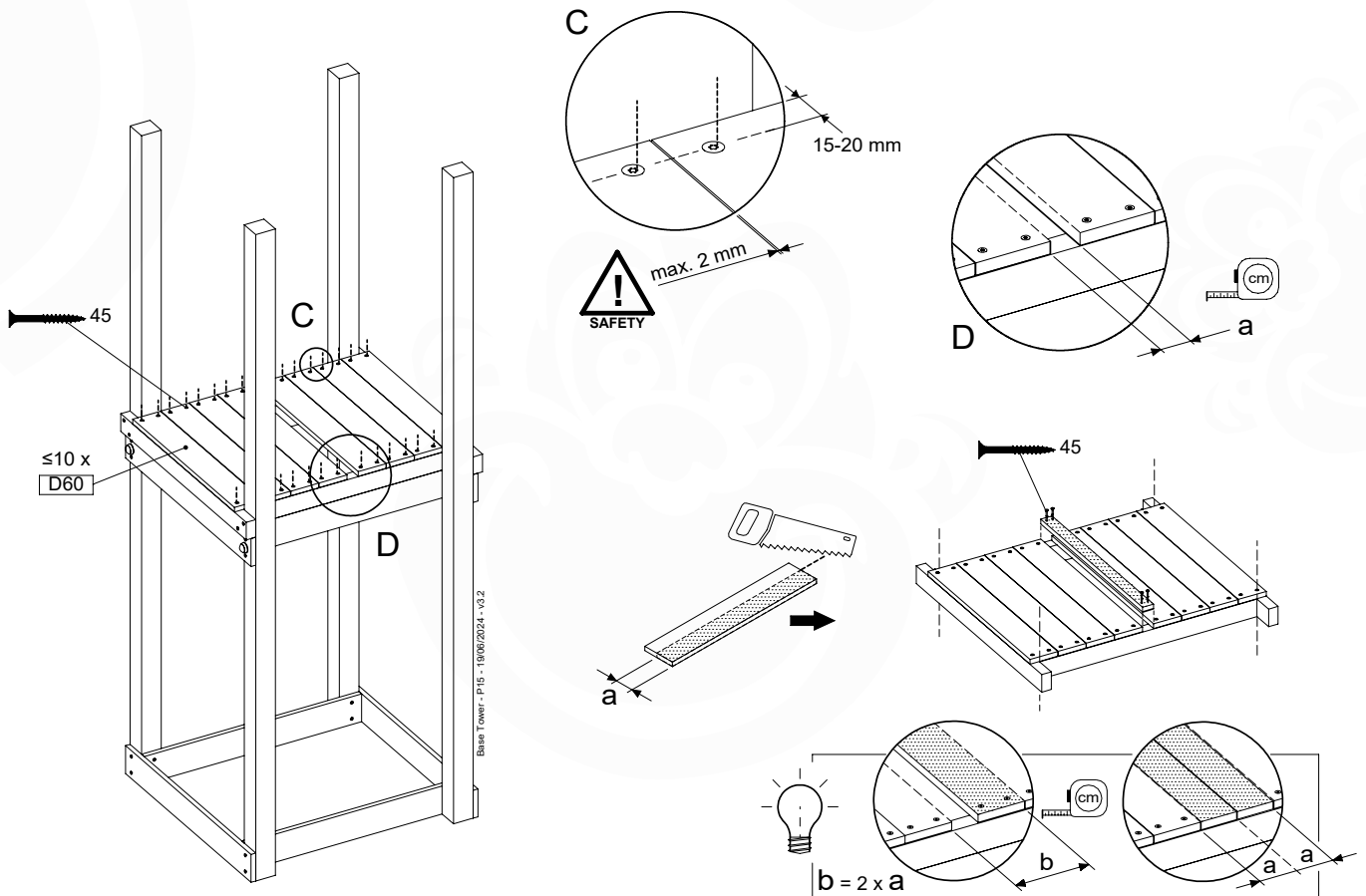
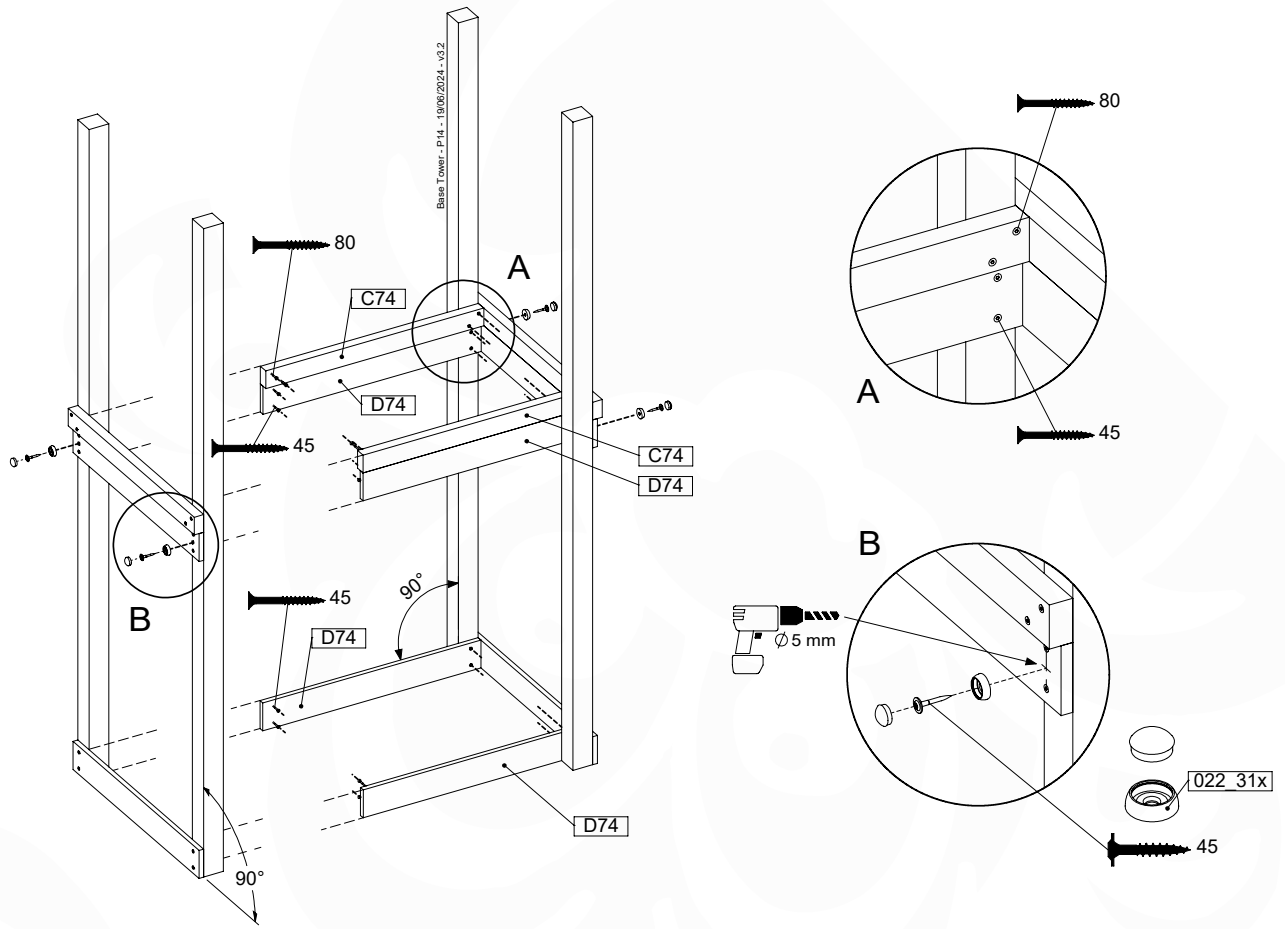
8 BT01a: Base Tower 80 125cm 200200

Assembly Pack: 194_100

| | PartNo | PartName | QTY. |
|------------------|---------|----------------------------|------|
| Hardware + Parts | 001_406 | Stealth Screw 8x45 | 6 |
| | 002_220 | Gap Point Screw T25 - 5x45 | 76 |
| | 002_223 | Gap Point Screw T25 - 5x80 | 16 |
| | 007_001 | Ground-anchor | 2 |
| | 022_31x | bpc-base version 3 | 4 |
| | 022_84x | bpc cover | 4 |
| Timber | A200 | Post 70x70 L2000 | 4 |
| | C74 | Beam 740 mm | 4 |
| | D60 | Board 600 mm | 10 |
| | D74 | Board 740 mm | 8 |

Base Tower - P02 - BT01 - 19062024 - v3.2



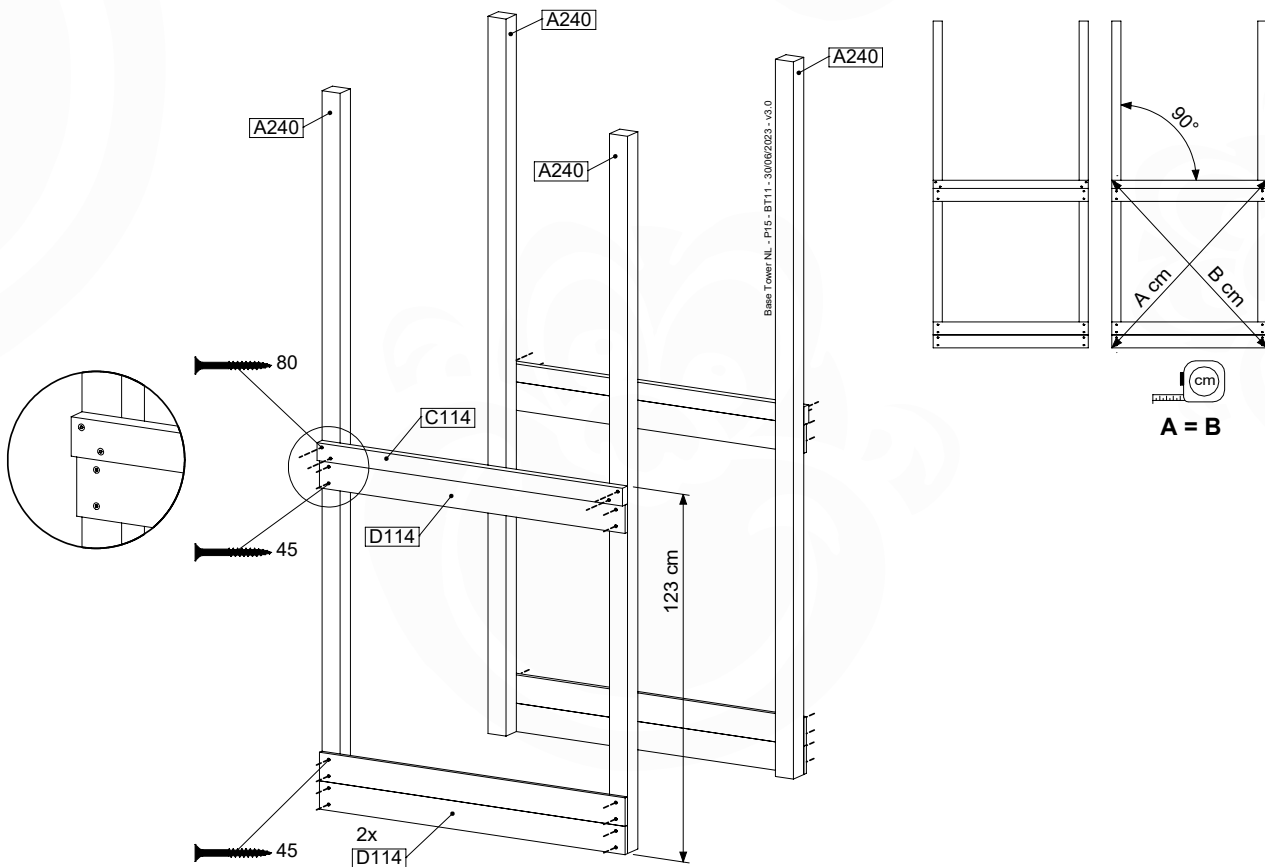
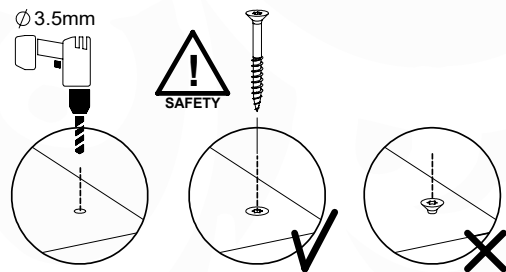
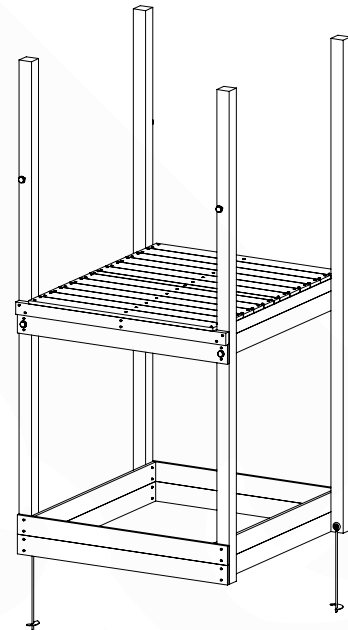


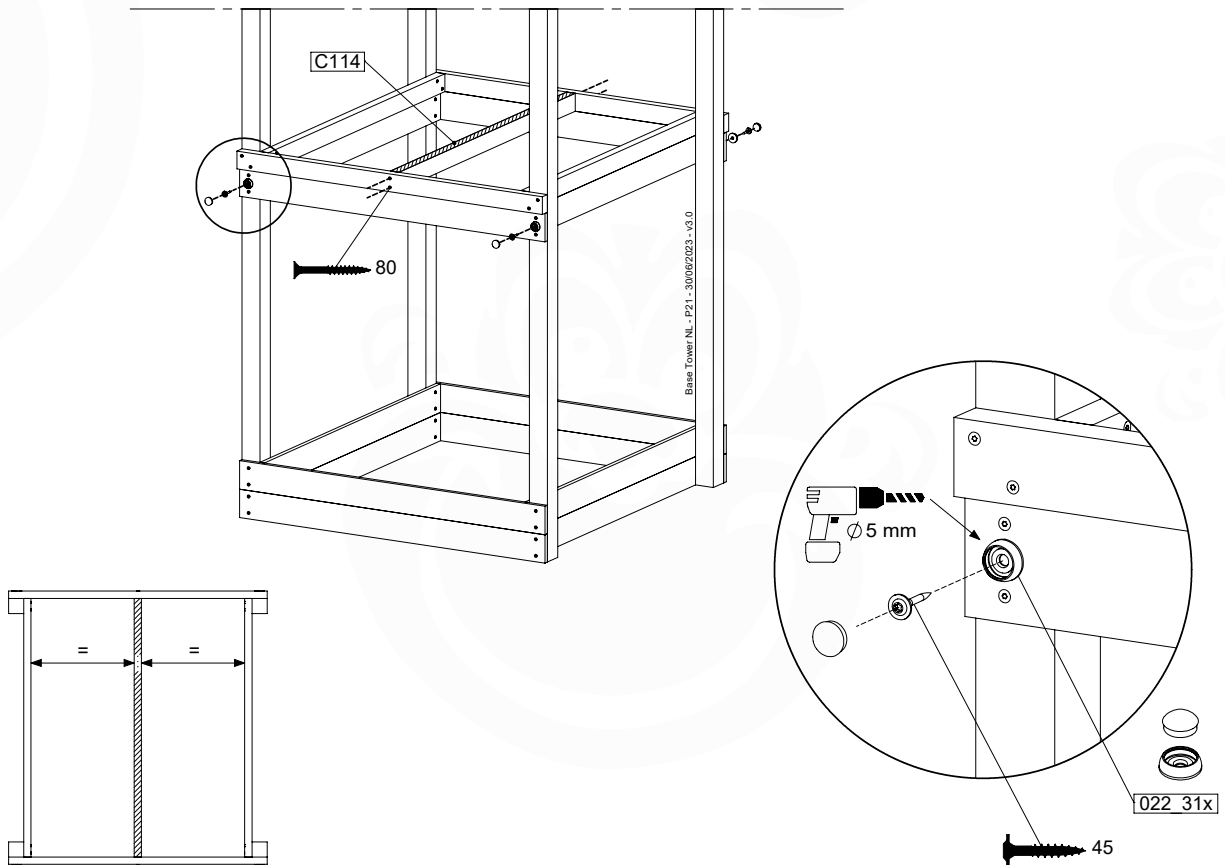
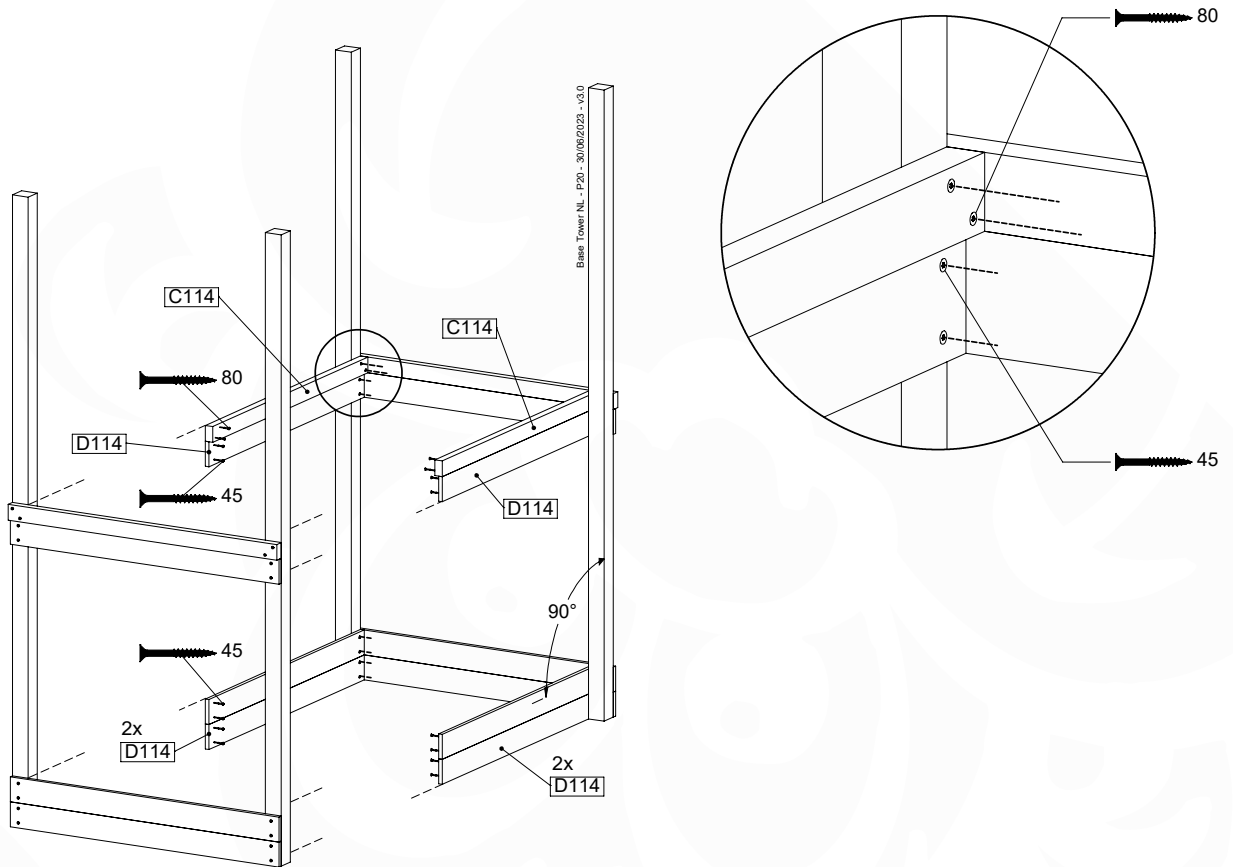
9 BT11a: Base Tower 115 125cm 240240

(194_300)

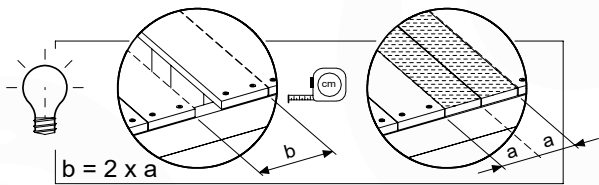
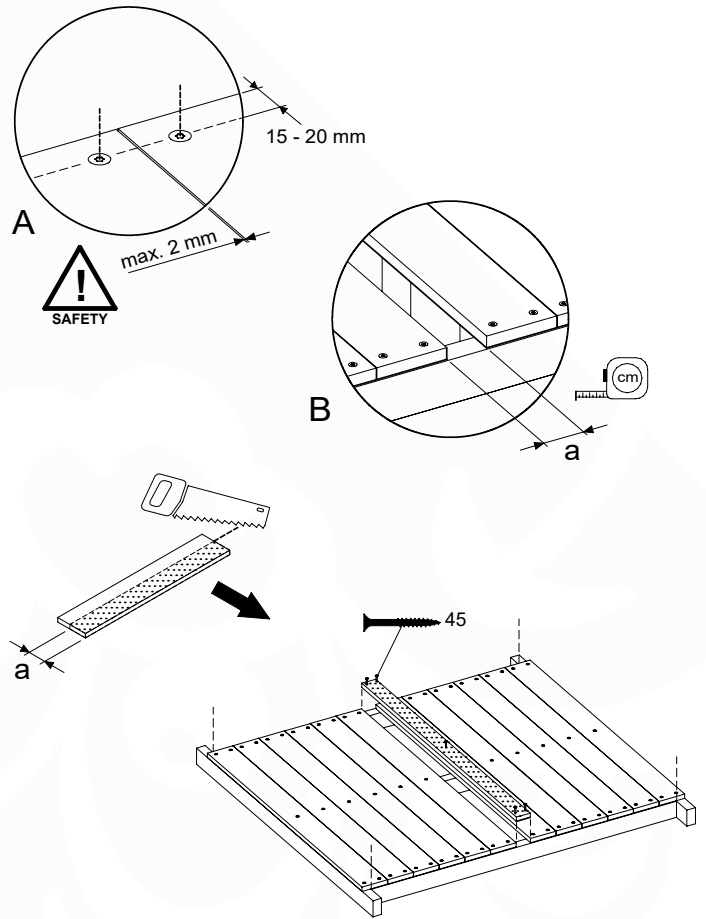
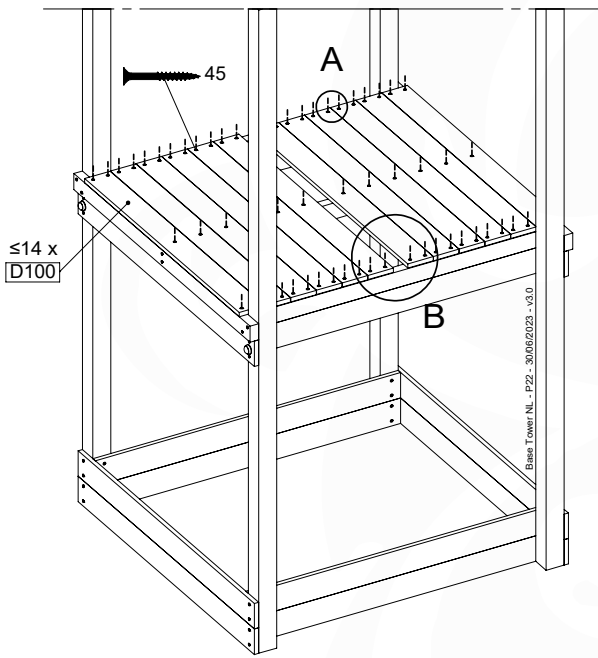
| | PartNo | PartName | QTY. |
|---------------|---------|----------------------------|------|
| Hardware pack | 001_406 | Stealth Screw 8x45 | 6 |
| | 001_417 | Stealth Screw 8x80 | 4 |
| | 002_220 | Gap Point Screw T25 - 5x45 | 118 |
| | 002_223 | Gap Point Screw T25 - 5x80 | 20 |
| | 022_31x | bpc-base version 3 | 8 |
| | 022_84x | bpc cover | 8 |
| Other | 007_001 | Ground-anchor | 2 |
| Timber | A240 | Post 70x70 L2400 | 4 |
| | C114 | Beam 1140 mm | 5 |
| | D100 | Board 1000 mm | 14 |
| | D114 | Board 1140 mm | 12 |

Base Tower NL - P15 - BT11 - 300062023 - v3.0





9.2

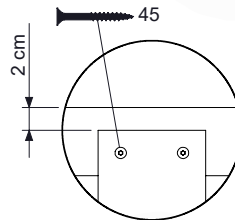
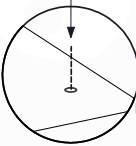
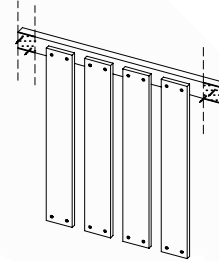


10 BL01a: Balustrade 80 U - 7x7 posts

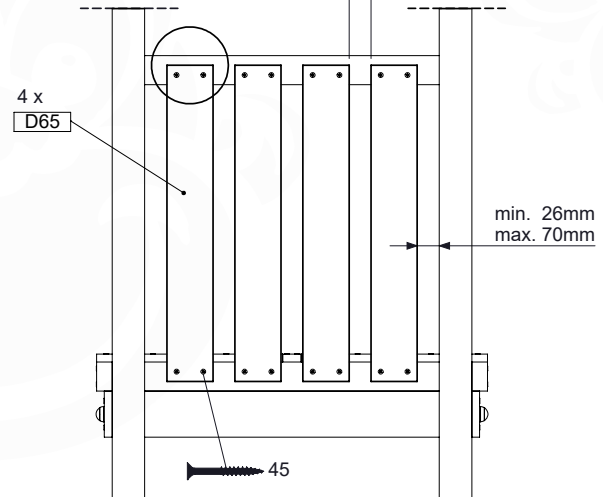
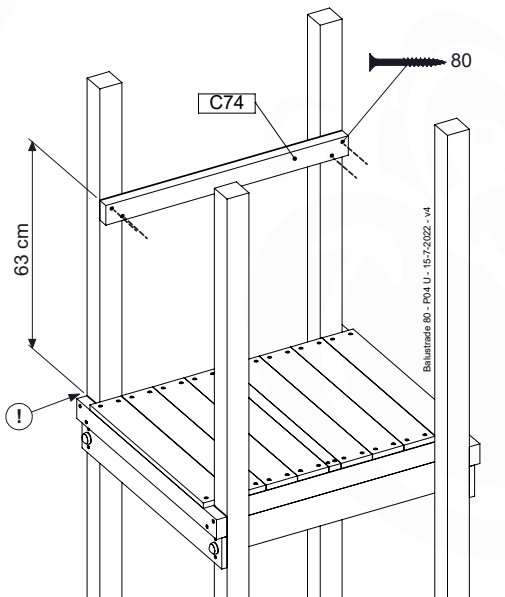
(194_101)

| | PartNo | PartName | QTY. |
|---------------|---------|----------------------------|------|
| Hardware Pack | 002_220 | Gap Point Screw T25 - 5x45 | 16 |
| | 100_601 | Gap Point Screw T25 - 5x80 | 4 |
| Timber | C74 | Beam 740 mm | 1 |
| | D65 | Board 650 mm | 4 |

Balustrade 80 - P02 U - 15-7-2022 - v4



min. 26mm
max. 70mm

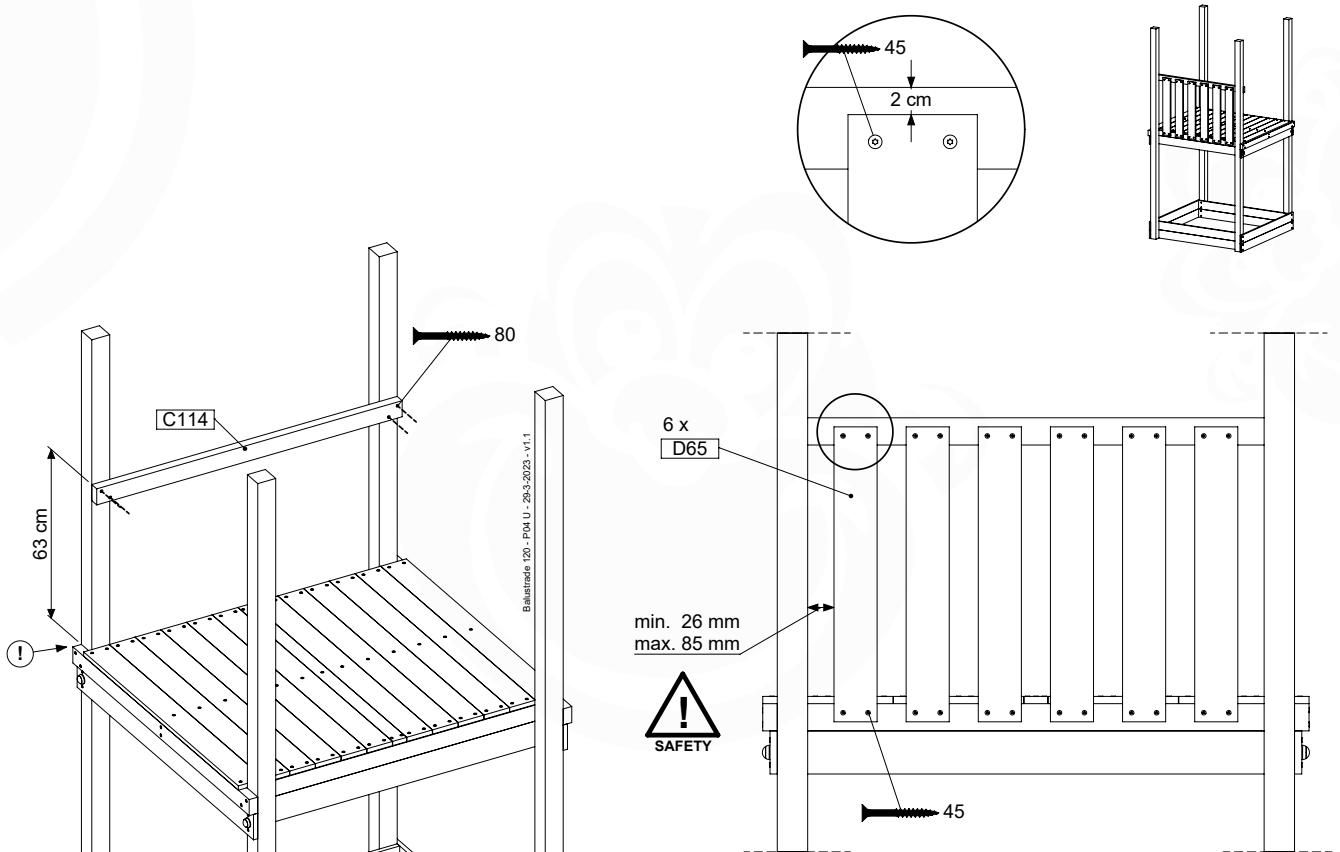
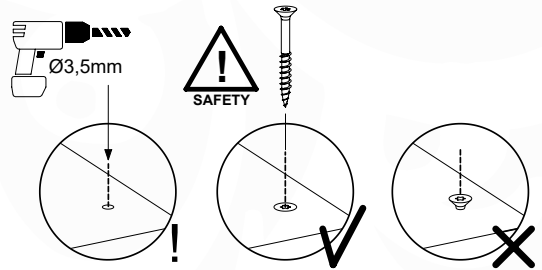
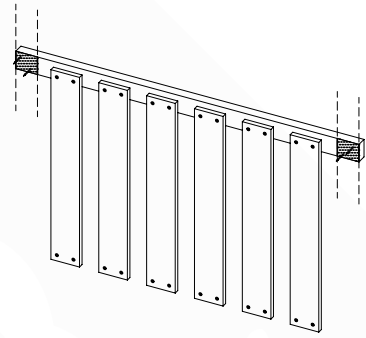


11 BL03a: Balustrade 115 U

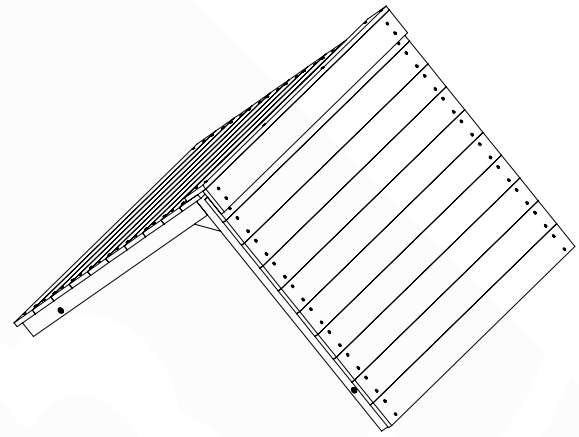
(194_501)

| | PartNo | PartName | QTY. |
|---------------|---------|----------------------------|------|
| Hardware Pack | 002_220 | Gap Point Screw T25 - 5x45 | 24 |
| | 002_223 | Gap Point Screw T25 - 5x80 | 4 |
| Timber | C114 | Beam 1140 mm | 1 |
| | D65 | Board 650 mm | 6 |

Balustrade 120 - P102 U - 29.3.2023 - v1.1



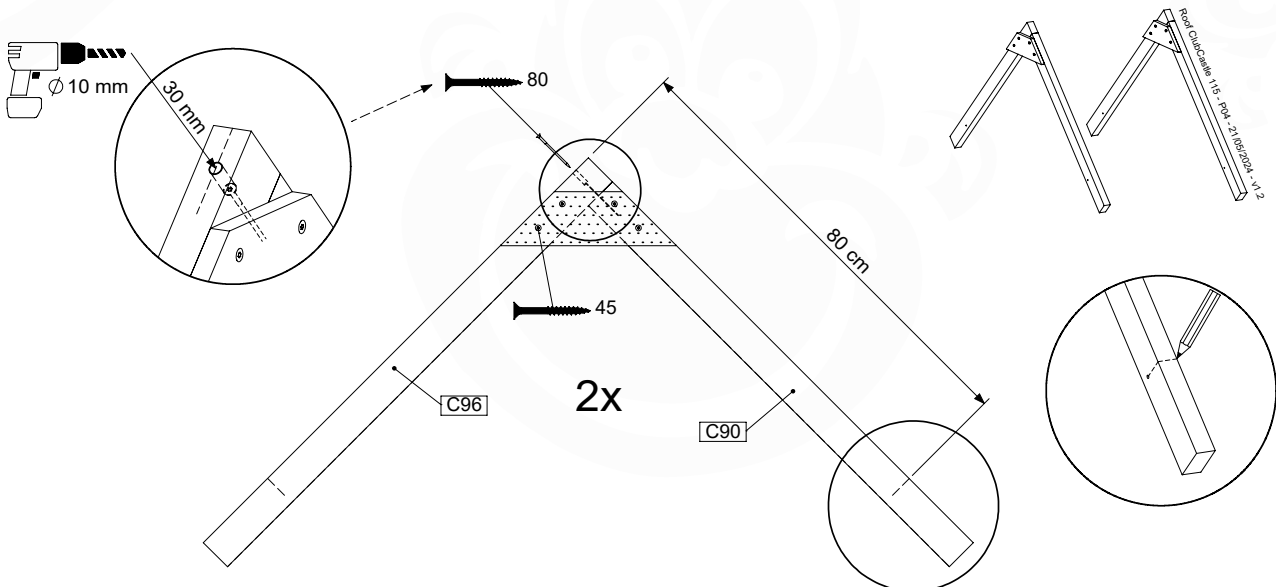
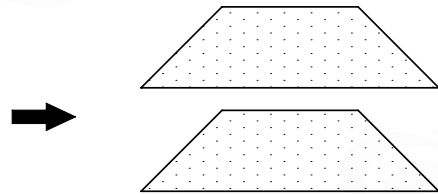
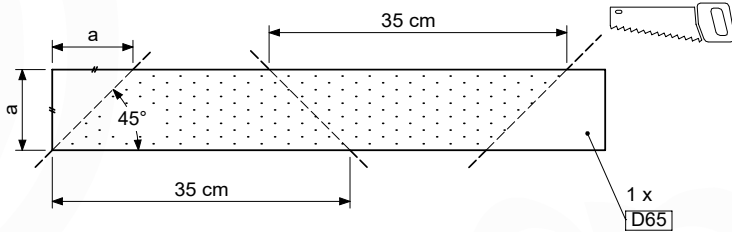
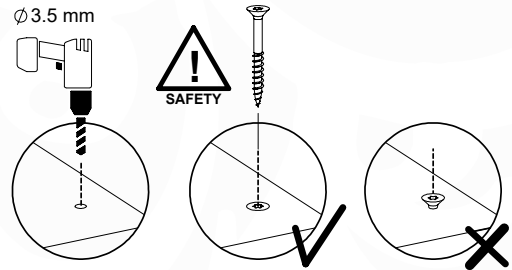
12 RF08a: Roof Timber Gable 115



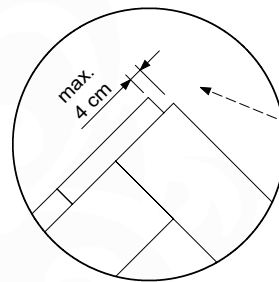
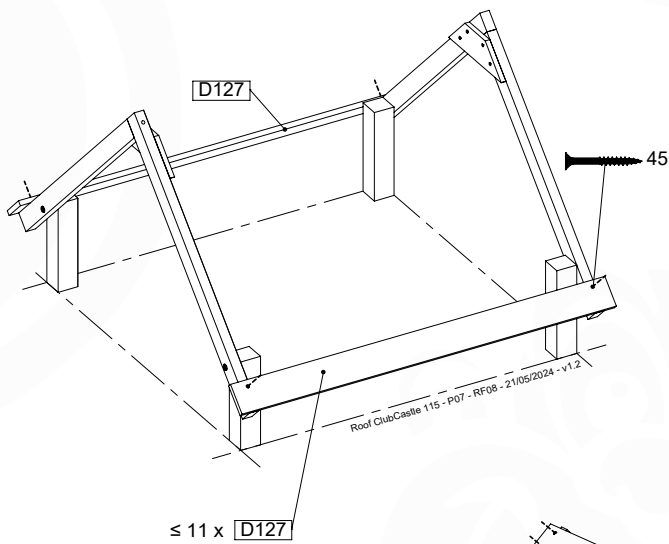
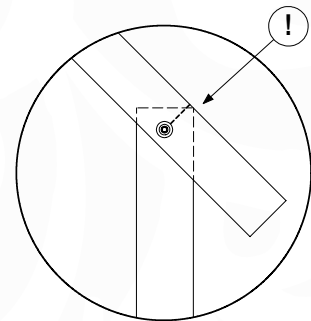
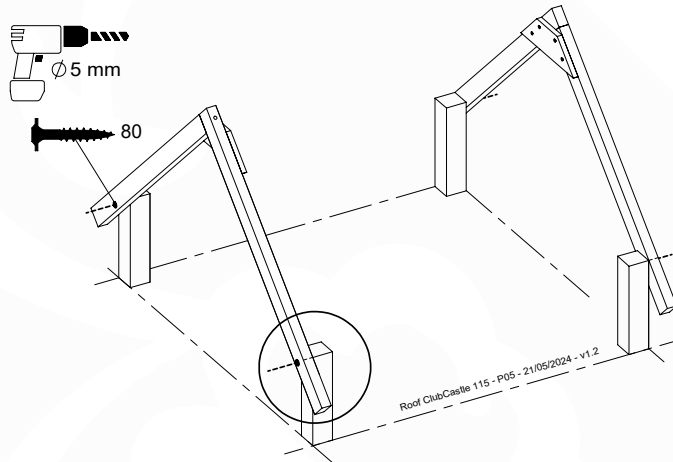
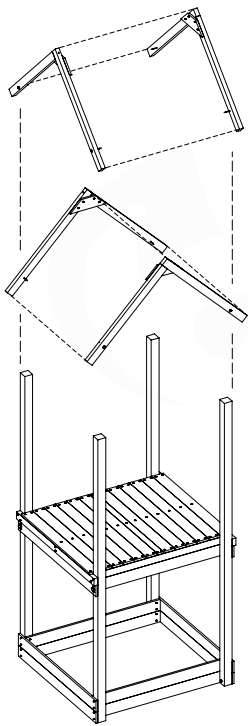
Assembly Pack: 194_308 / 194_804

| | PartNo | PartName | QTY. |
|---------------|---------|----------------------------|------|
| Hardware Pack | 001_417 | Stealth Screw 8x80 | 4 |
| | 002_220 | Gap Point Screw T25 - 5x45 | 100 |
| | 002_223 | Gap Point Screw T25 - 5x80 | 8 |
| Timber | C96 | Beam 960 mm | 2 |
| | D65 | Board 650 mm | 1 |
| | D127 | Board 1270 mm | 24 |
| | C90 | Beam 900 mm | 2 |

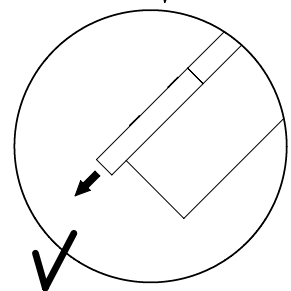
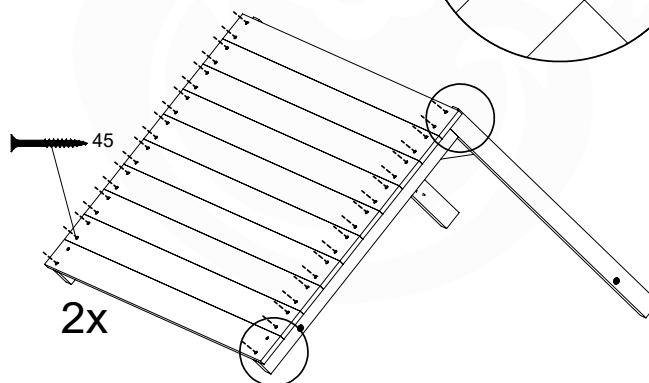
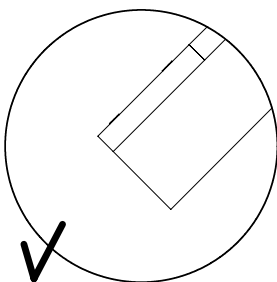
Roof Gable 115 - P03 - RF08 - 21/05/2024 - v1.2

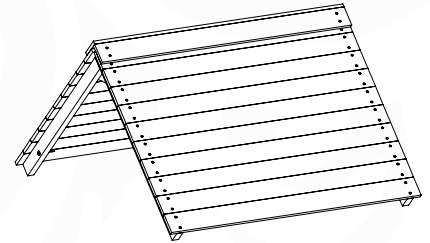
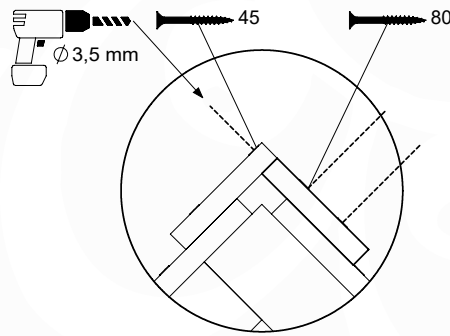
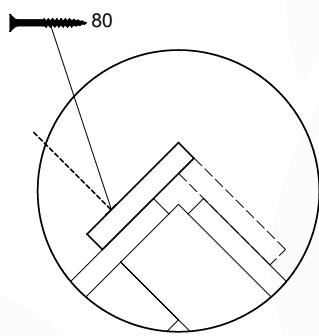
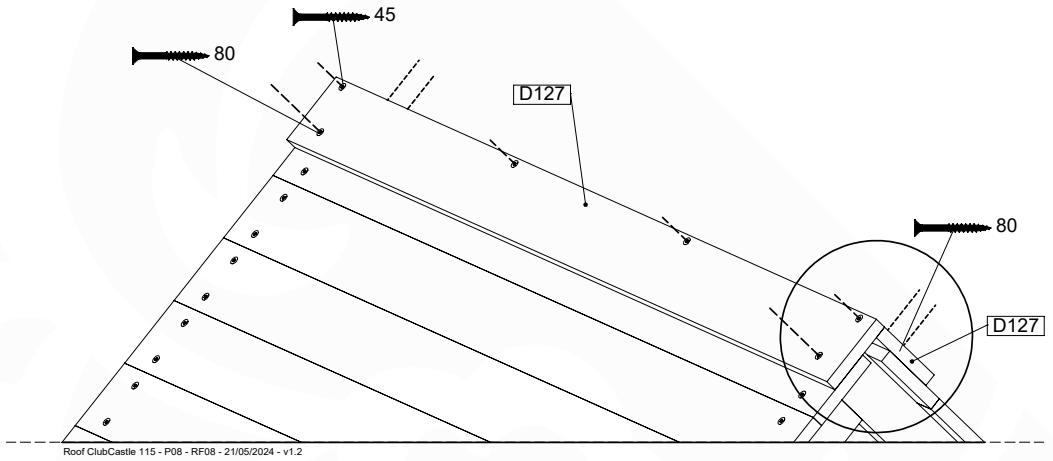


12.1



≤ 11 x D127



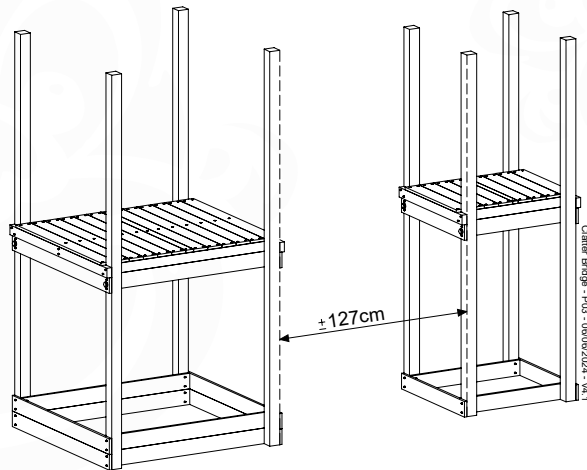
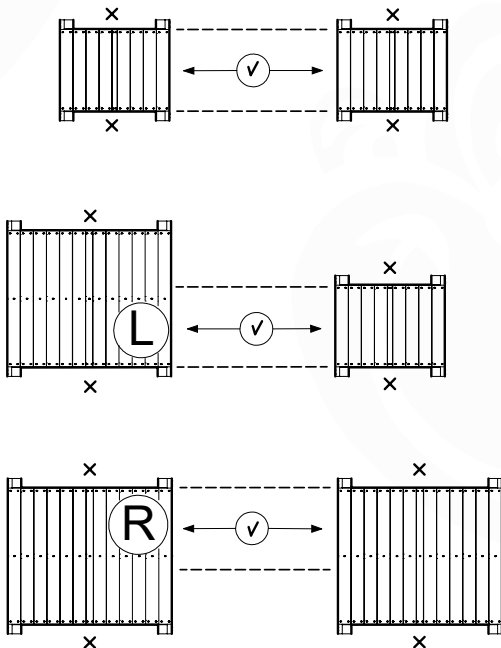
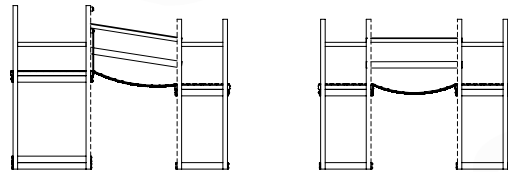
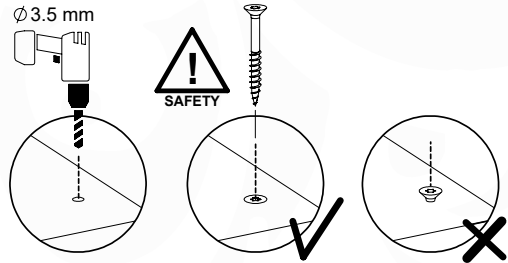
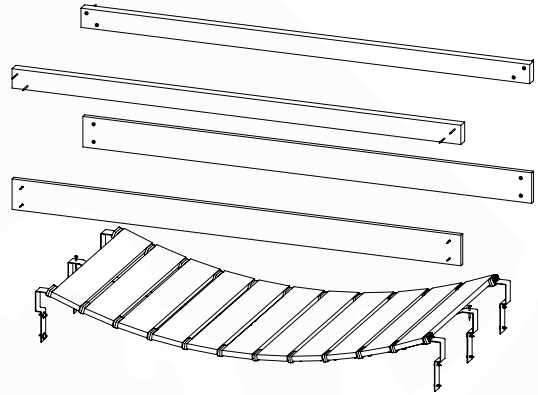


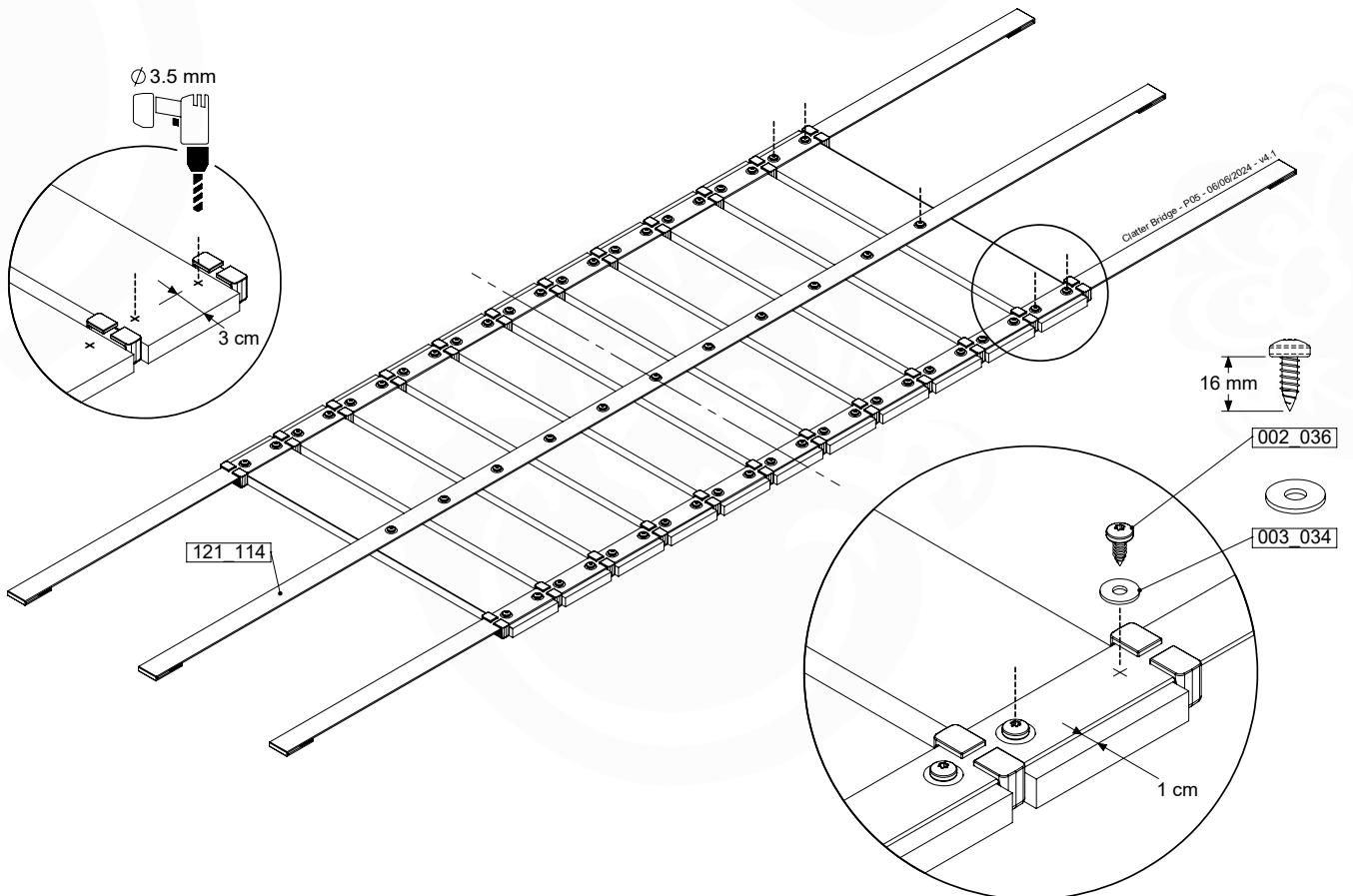
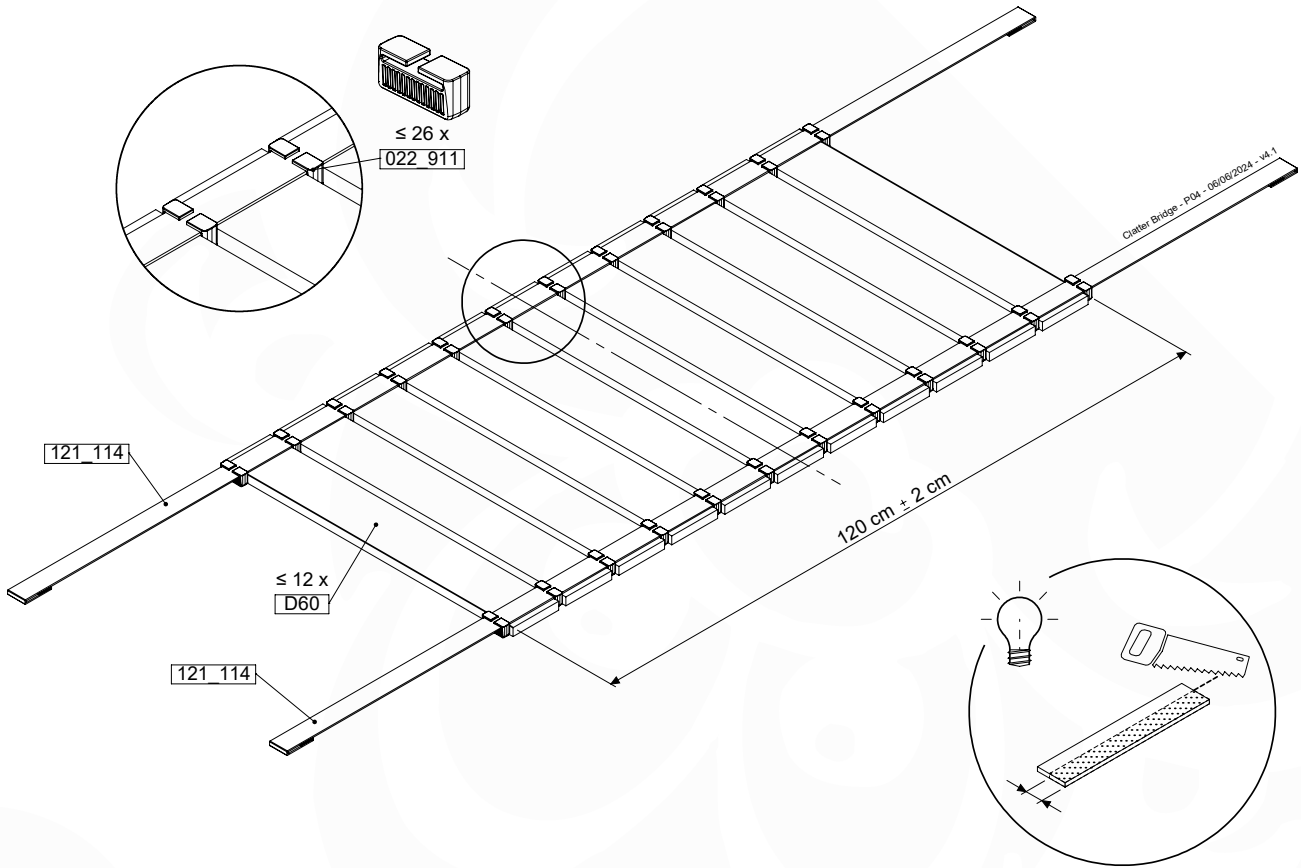
13 CB01a: Clatter Bridge - PART 1

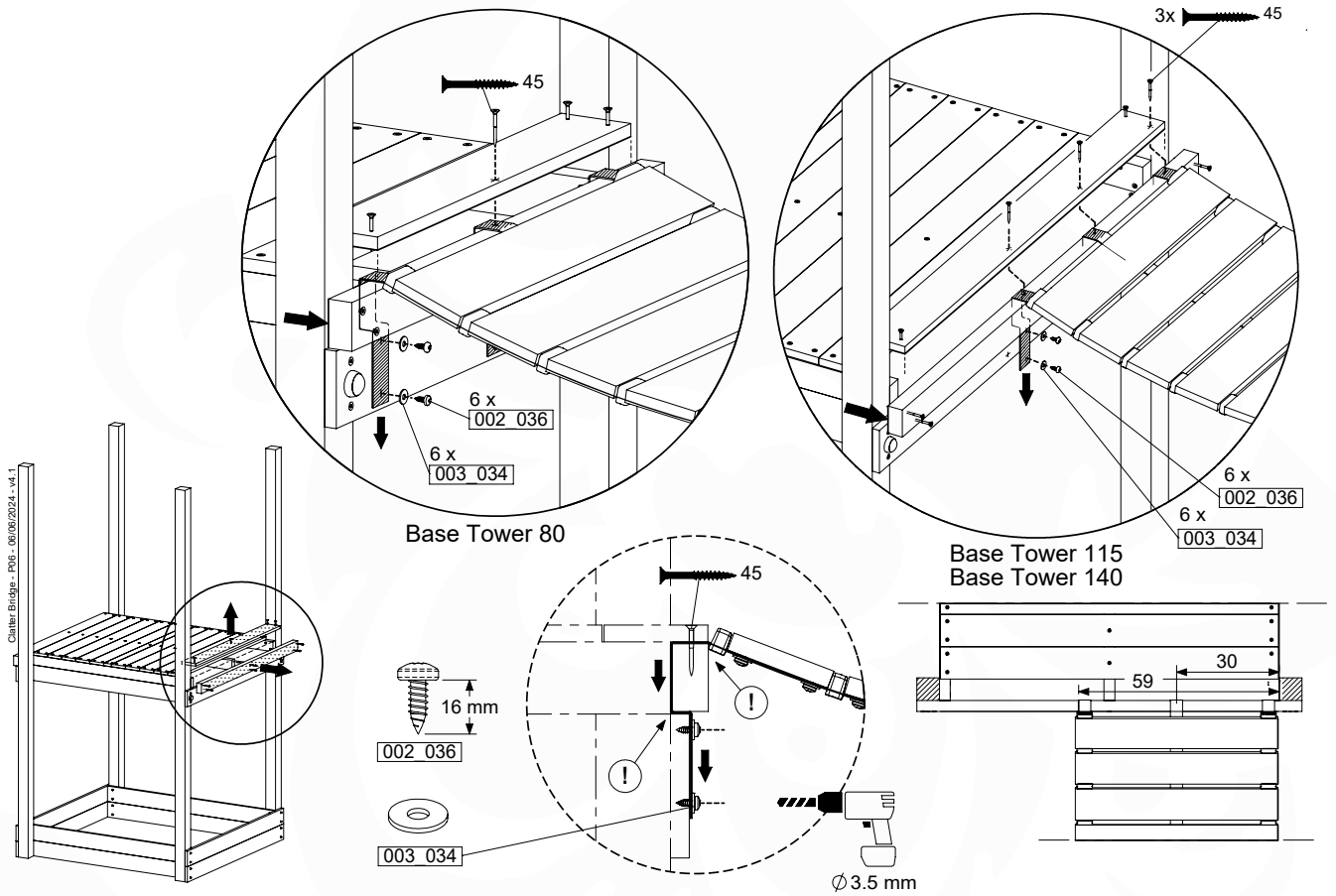
Assembly Pack: 194_116

| | PartNo | PartName | QTY. |
|------------------|---------|---------------------------------|------|
| Hardware + Parts | 002_036 | 16mm Pan Head Tapping Screw T25 | 72 |
| | 002_220 | Gap Point Screw T25 - 5x45 | 10 |
| | 002_223 | Gap Point Screw T25 - 5x80 | 12 |
| | 003_034 | M6 Washer | 72 |
| | 022_911 | Bridge Spacer | 26 |
| | 121_114 | BridgeLink Strap 210cm | 3 |
| Timber | C141 | Beam 1410 mm | 2 |
| | D60 | Board 600 mm | 12 |
| | D141 | Board 1410 mm | 2 |

Clatter Bridge - P02 - 08/06/2024 - v4.1





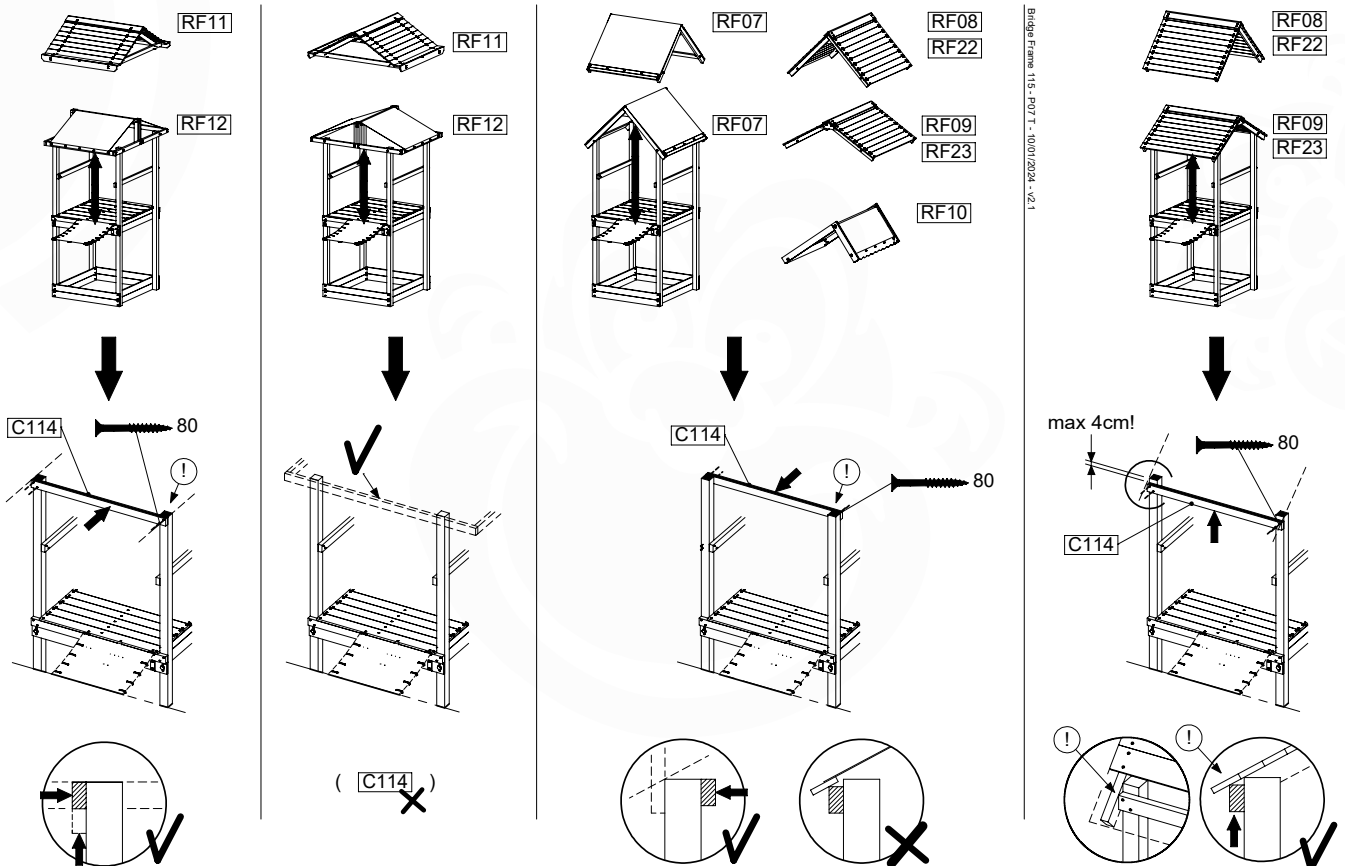
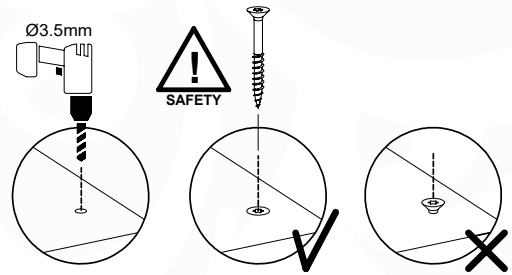
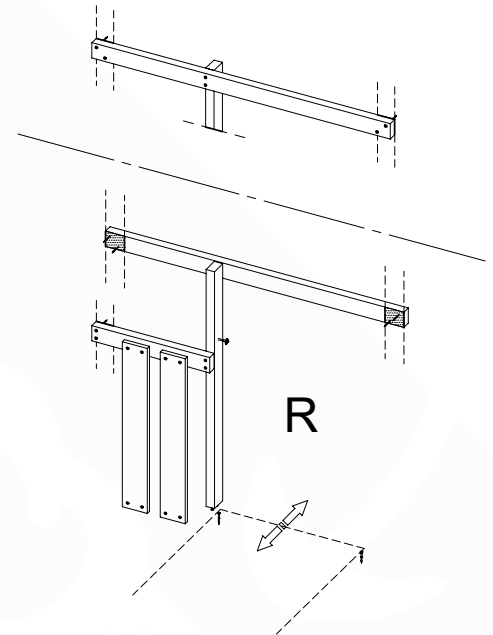


14 BF04a: Bridge Frame 115 T Right

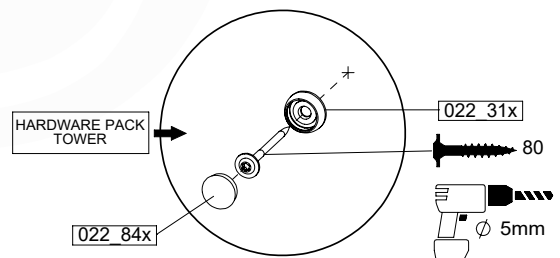
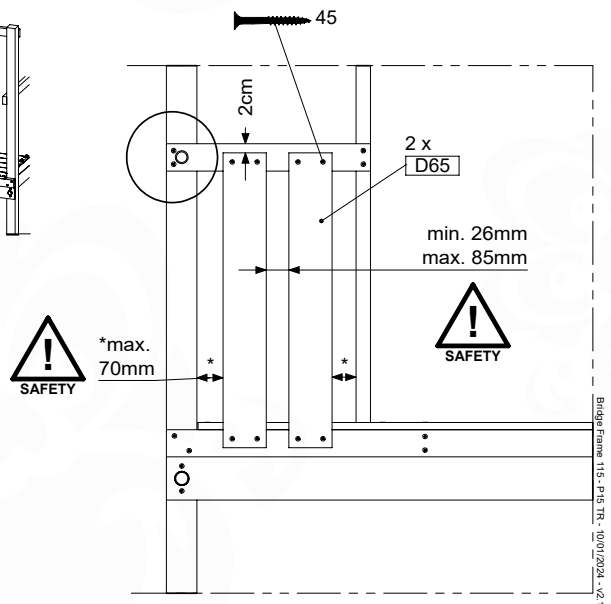
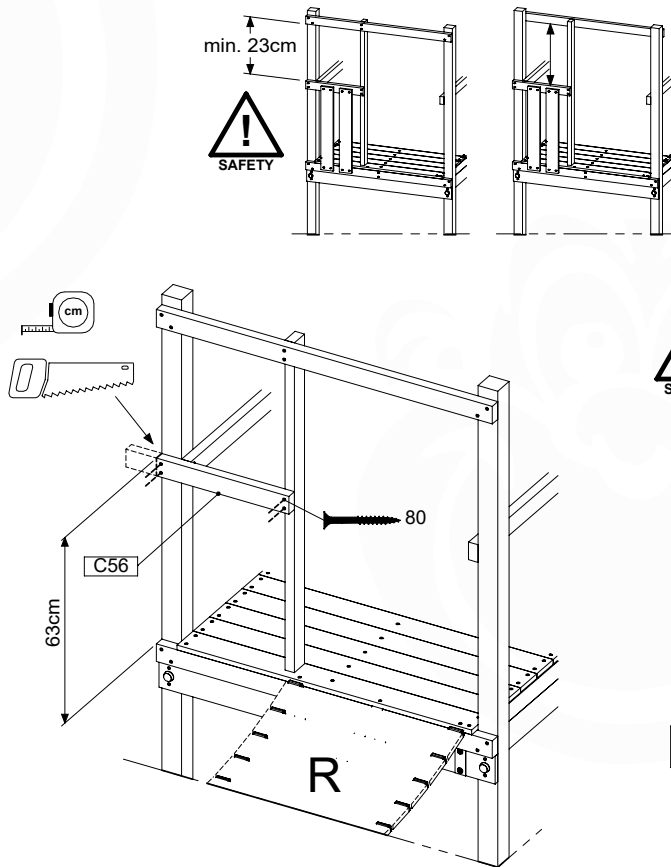
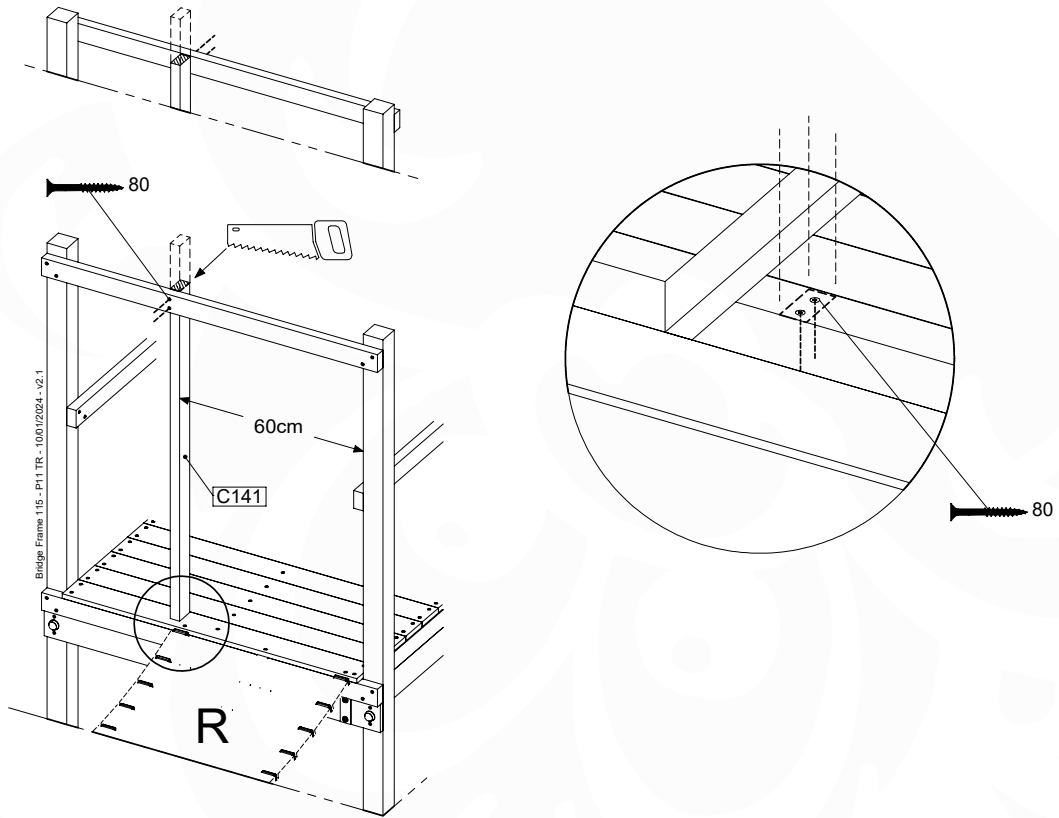
(194_007)

| | PartNo | PartName | QTY. |
|---------------|---------|----------------------------|------|
| Hardware Pack | 001_411 | Stealth Screw 8x60 | 1 |
| | 002_220 | Gap Point Screw T25 - 5x45 | 10 |
| | 002_223 | Gap Point Screw T25 - 5x80 | 12 |
| Timber | C56 | Beam 560 mm | 1 |
| | C114 | Beam 1140 mm | 1 |
| | C141 | Beam 1410 mm | 1 |
| | D65 | Board 650 mm | 2 |

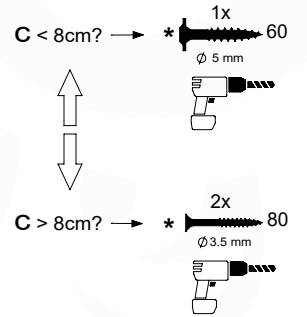
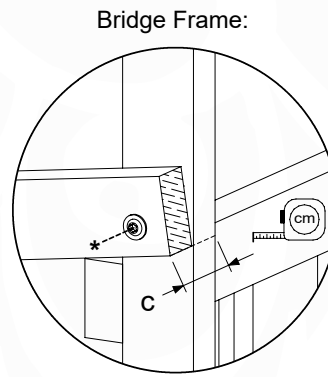
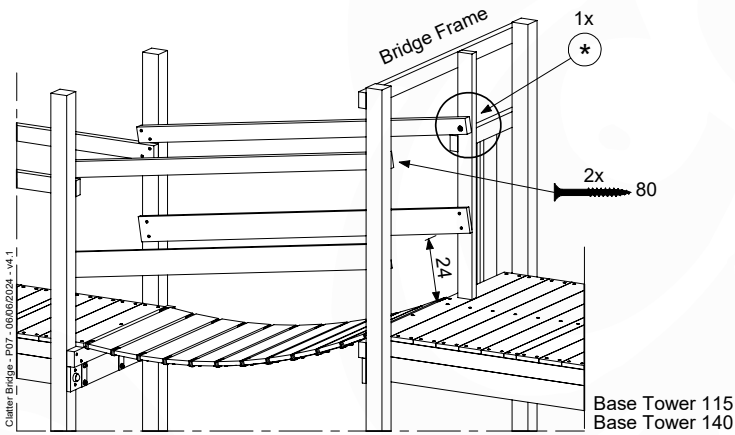
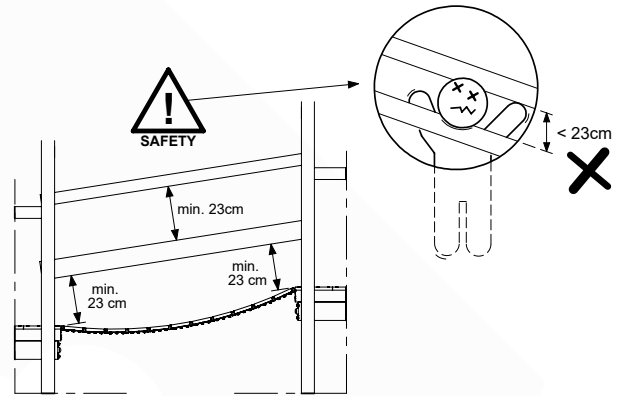
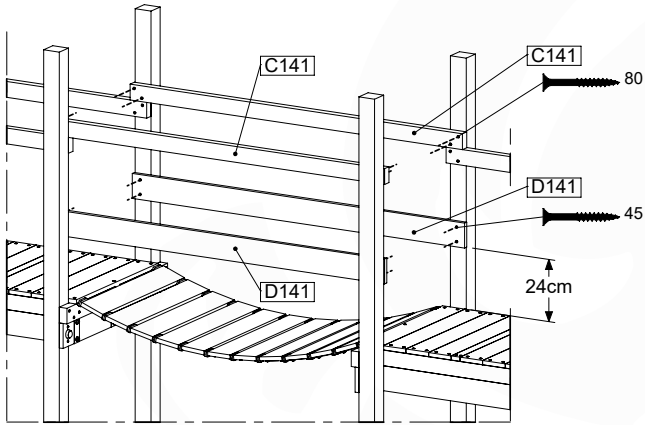
Bridge Frame 115 - P05 TR - 10012024 - v2.1



Bridge Frame 115 - P07 T - 10012024 - v2.1



15 CB01a: Clatter Bridge - PART 2

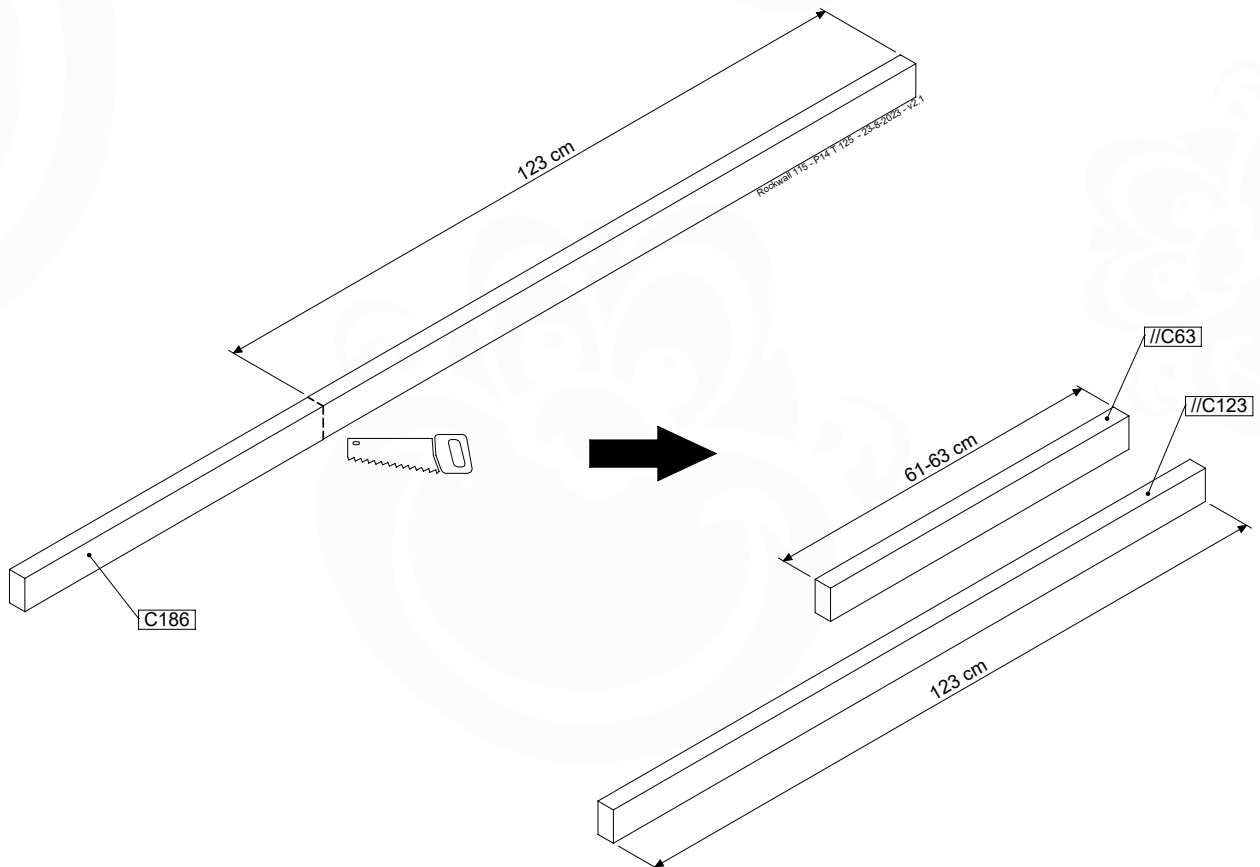
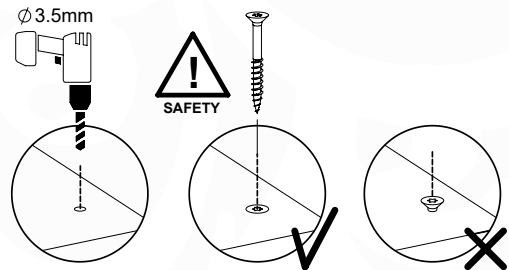
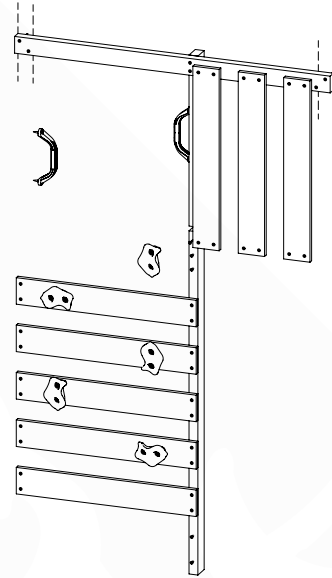


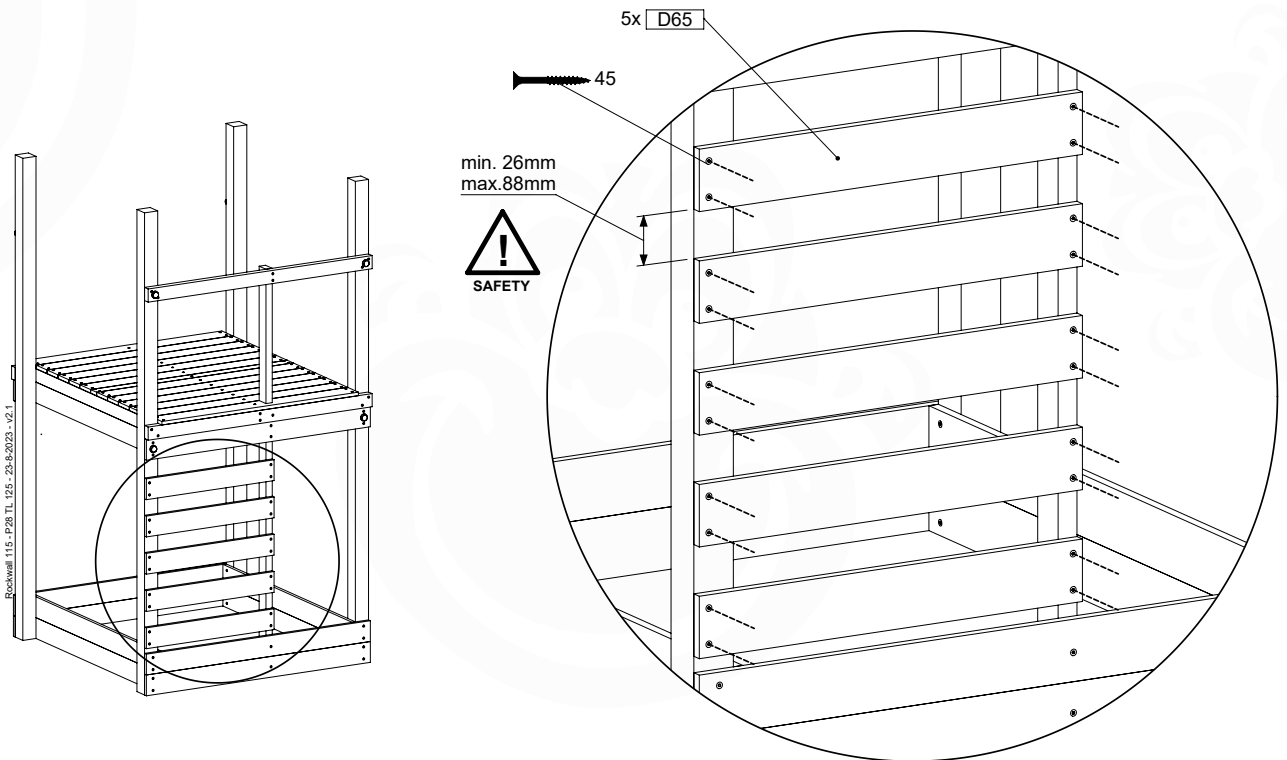
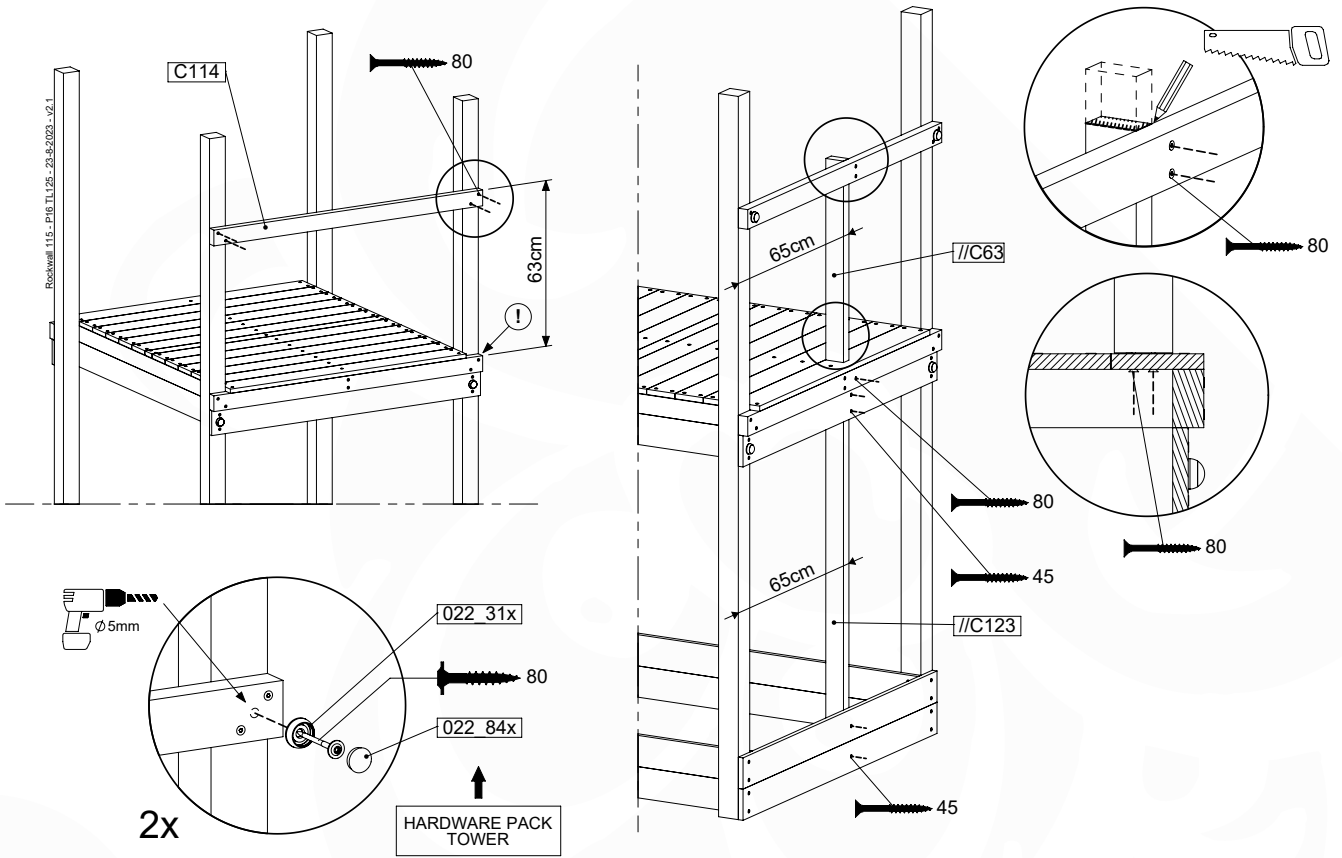
16 RW07a: Rock wall 115 145 U Left

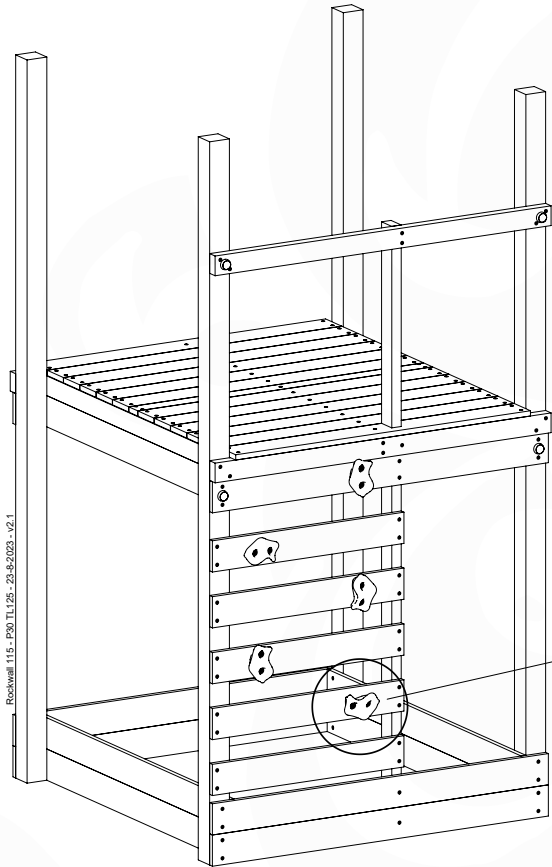
(194_006 + 194_101)

| | PartNo | PartName | QTY. |
|---------------|---------|-----------------------------|------|
| Hardware Pack | 001_102 | Washer Head Screw T40 M8x30 | 10 |
| | 002_220 | Gap Point Screw T25 - 5x45 | 36 |
| | 002_223 | Gap Point Screw T25 - 5x80 | 9 |
| | 003_010 | M8 spring lock washer | 10 |
| | 004_050 | M8 Drive-in Nut 22mm | 10 |
| Other | 022_50x | Climbing Rock | 5 |
| | 120_102 | Handgrip set (complete 2x) | 1 |
| Timber | C114 | Beam 1140 mm | 1 |
| | C186 | Beam 1860 mm | 1 |
| | D65 | Board 650 mm | 8 |

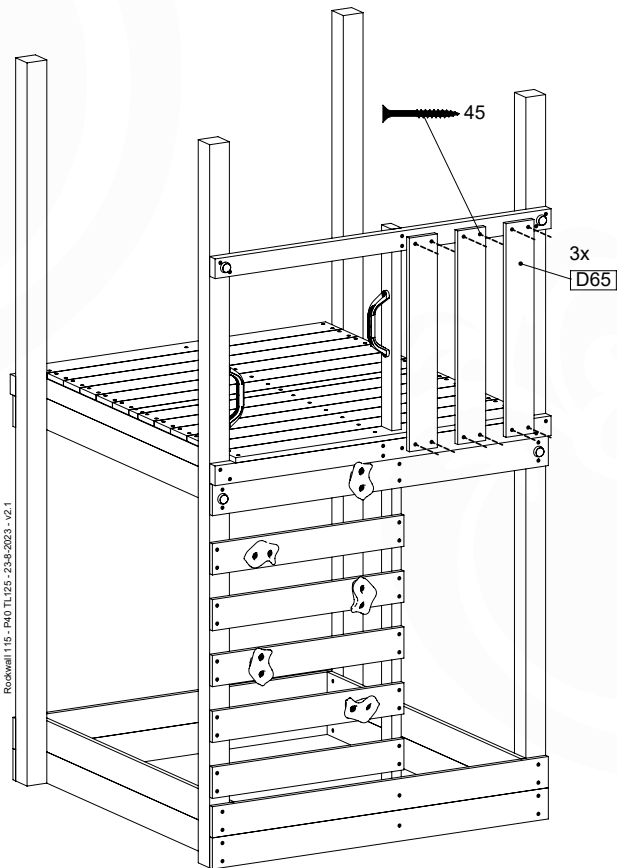
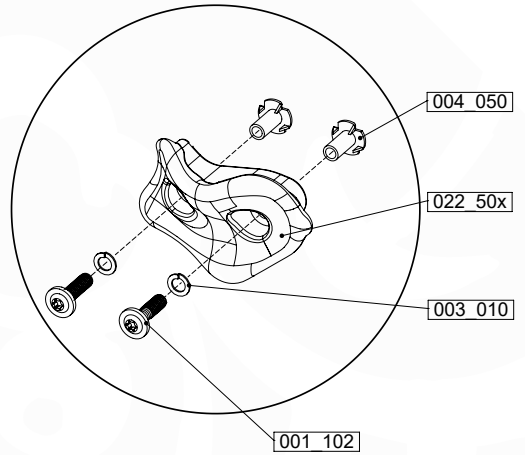
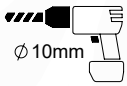
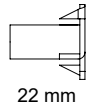
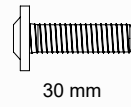
Rockwall 115 - P06 TL 105 - 23-8-2023 - v2.1



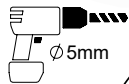




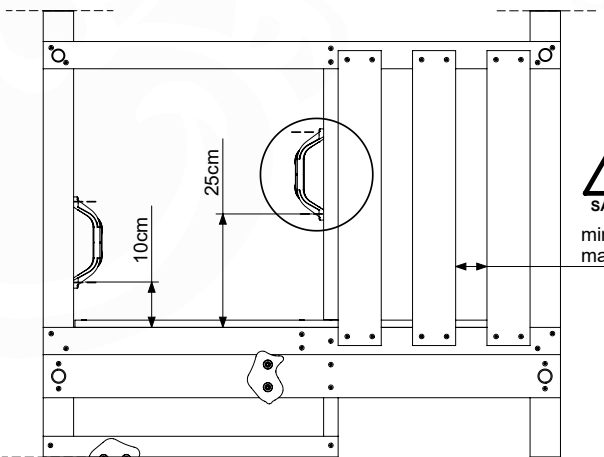
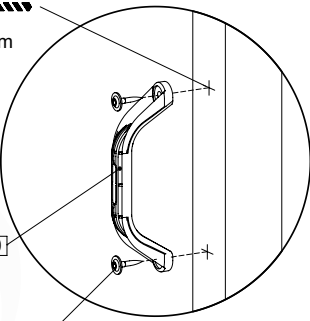
Rockwell 115 - P30 TL1P5 - 23-8-2023 - v2.1



Rockwell 115 - P40 TL1P5 - 23-8-2023 - v2.1



022 320



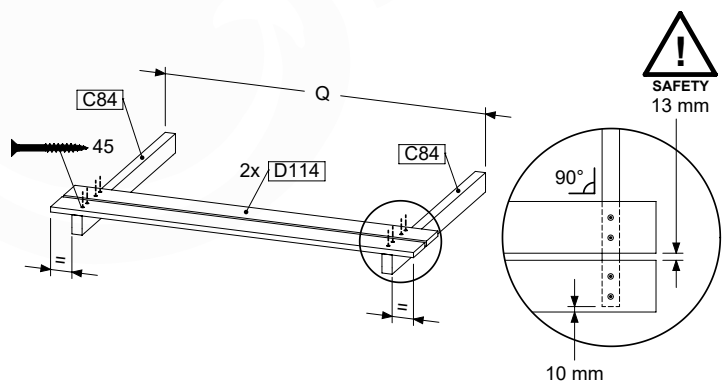
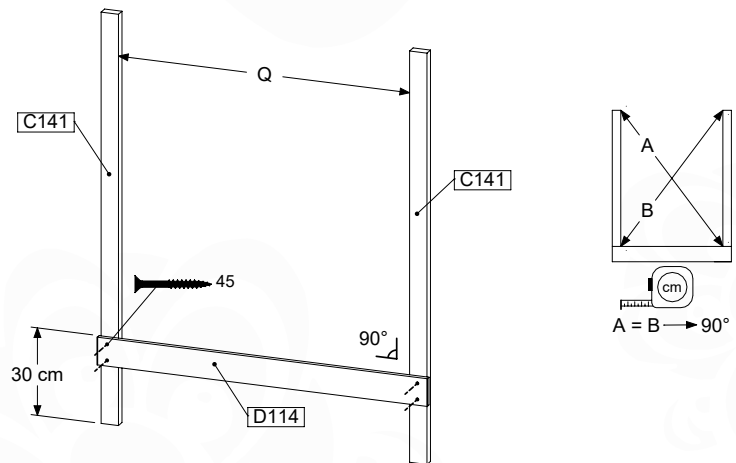
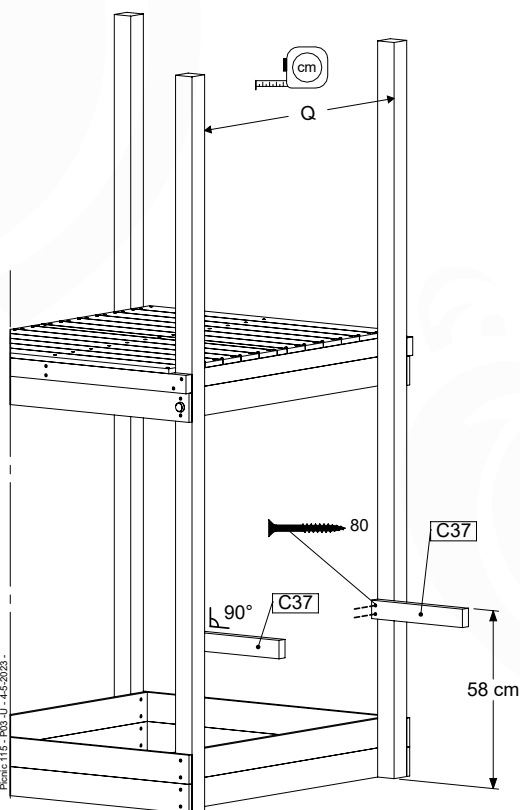
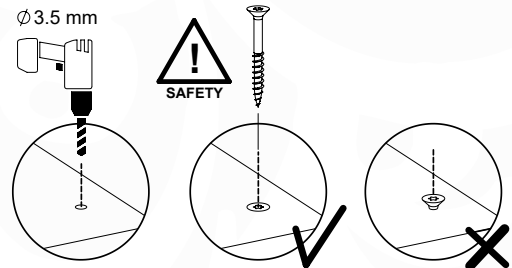
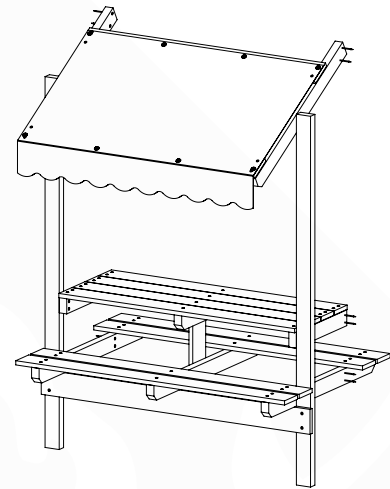
SAFETY
min. 26mm
max. 88mm

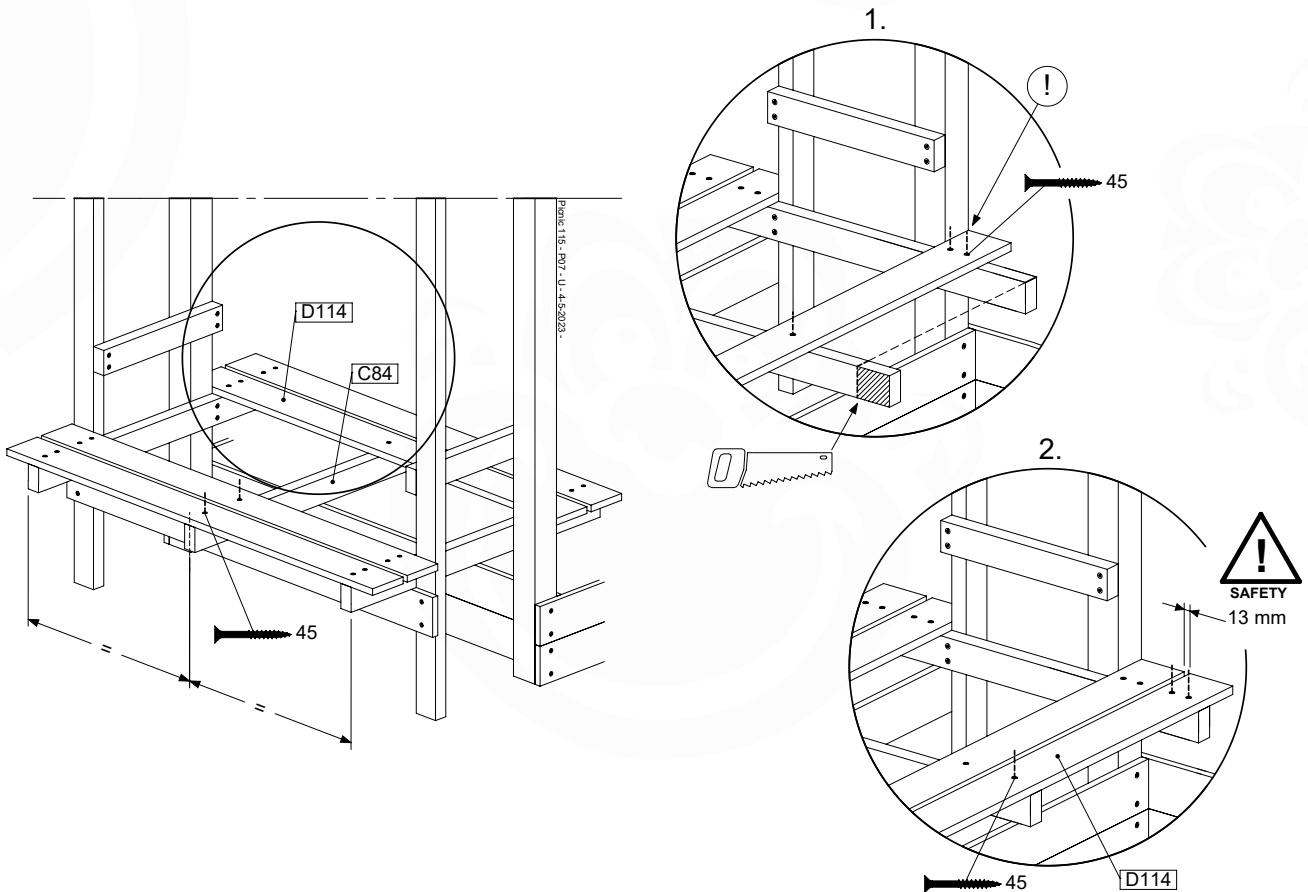
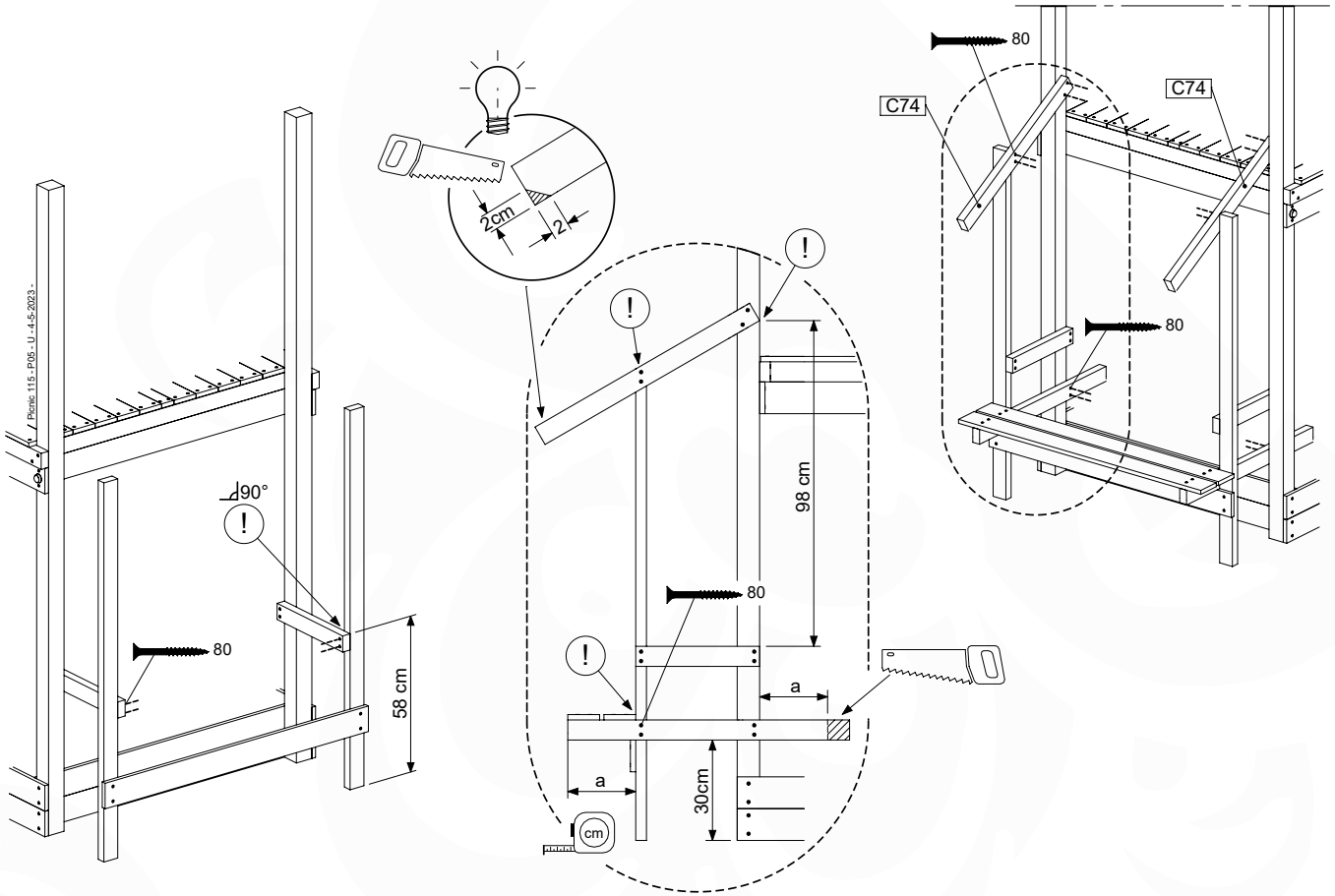
17 PC05a: Picnic 115 U

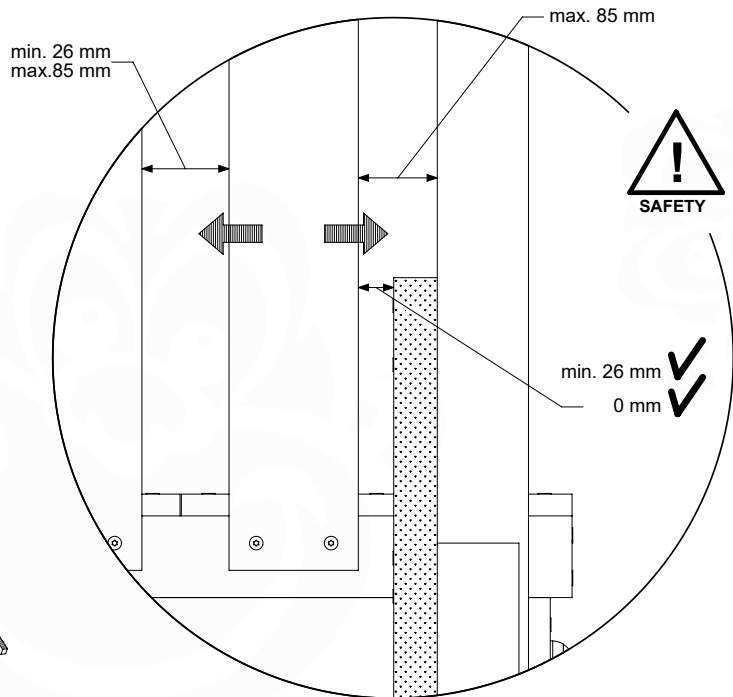
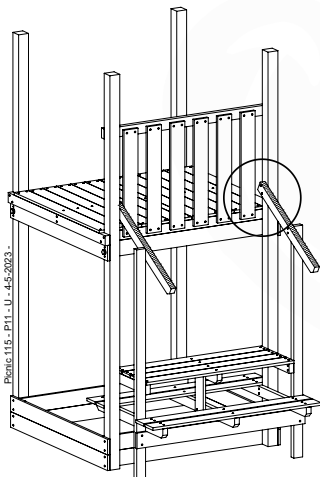
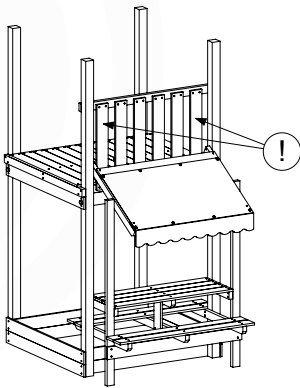
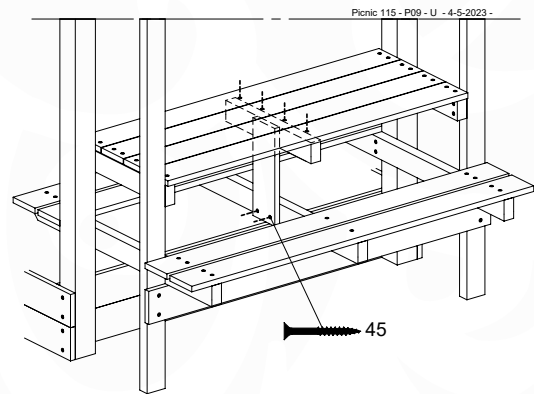
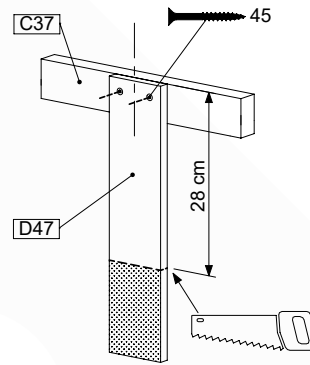
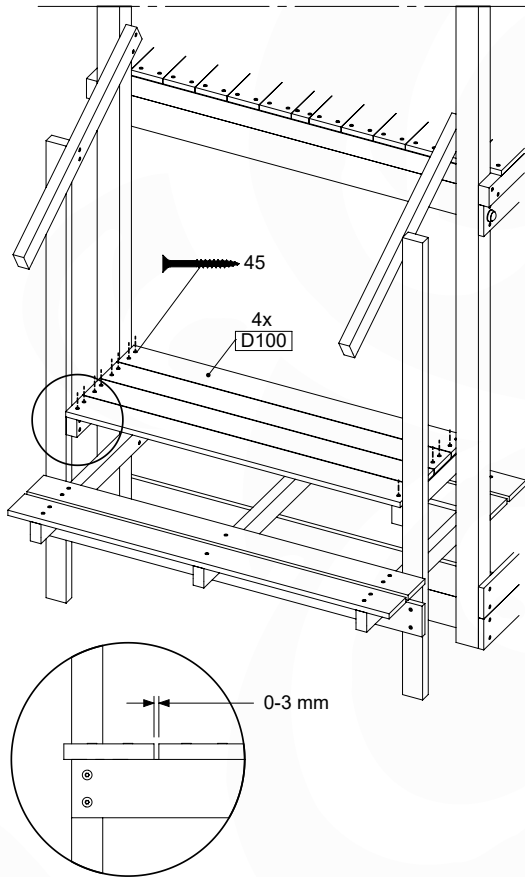
(194_810)

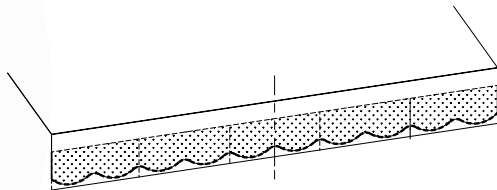
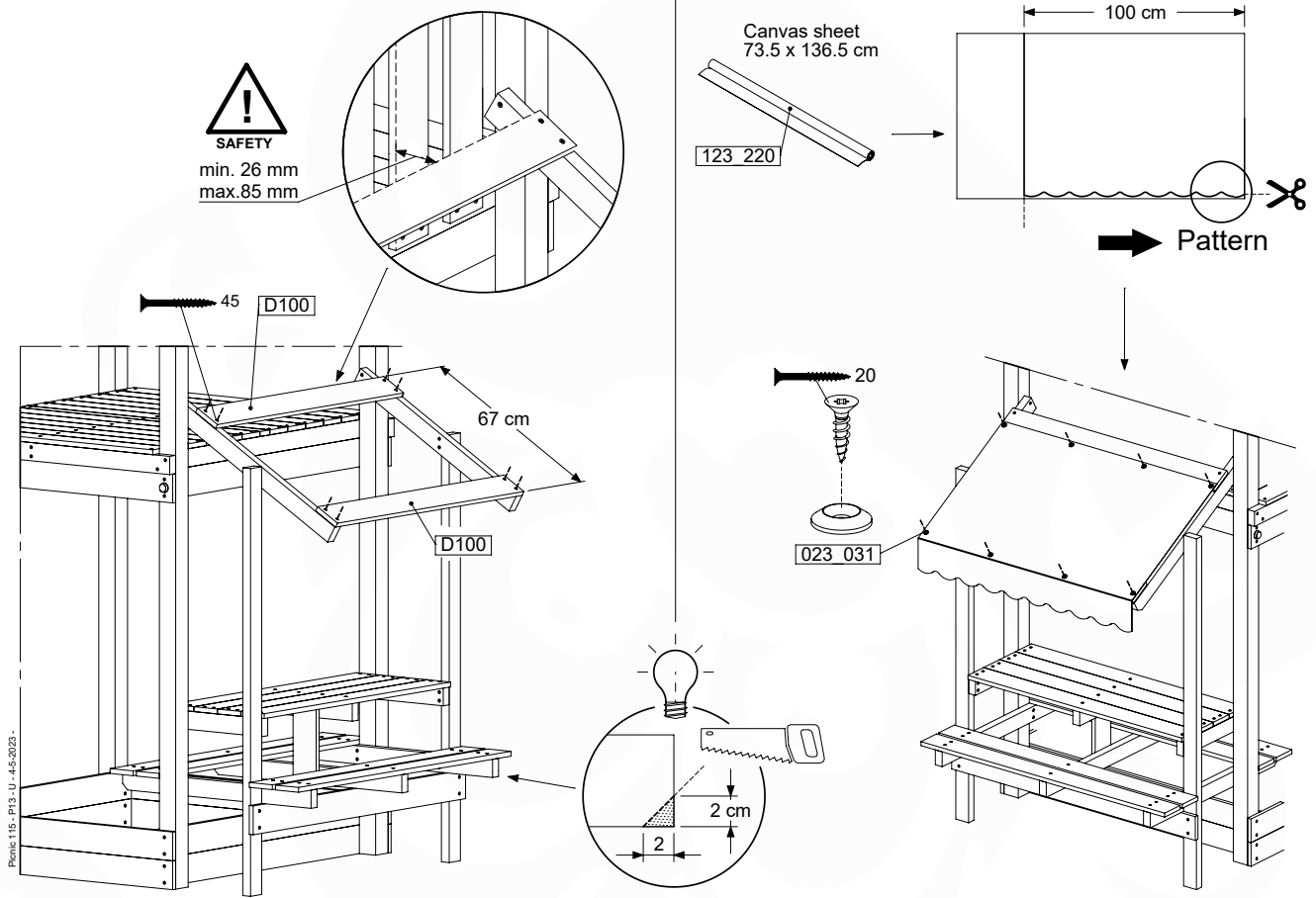
| | PartNo | PartName | QTY. |
|---------------|---------|----------------------------|------|
| Hardware Pack | 002_220 | Gap Point Screw T25 - 5x45 | 56 |
| | 002_223 | Gap Point Screw T25 - 5x80 | 24 |
| | 002_308 | Gap Point Screw T25 - 5x20 | 8 |
| | 023_031 | Finishing Washer GPS 5.0 | 8 |
| Other | 123_220 | Canvas sheet 735x1365mm | 1 |
| Timber | C37 | Beam 370 mm | 3 |
| | C74 | Beam 740 mm | 2 |
| | C84 | Beam 840 mm | 3 |
| | C141 | Beam 1410 mm | 2 |
| | D47 | Board 470 mm | 1 |
| | D100 | Board 1000 mm | 6 |
| | D114 | Board 1140 mm | 5 |

Picnic 115 - P03 - UJT - 4-5-2023 -

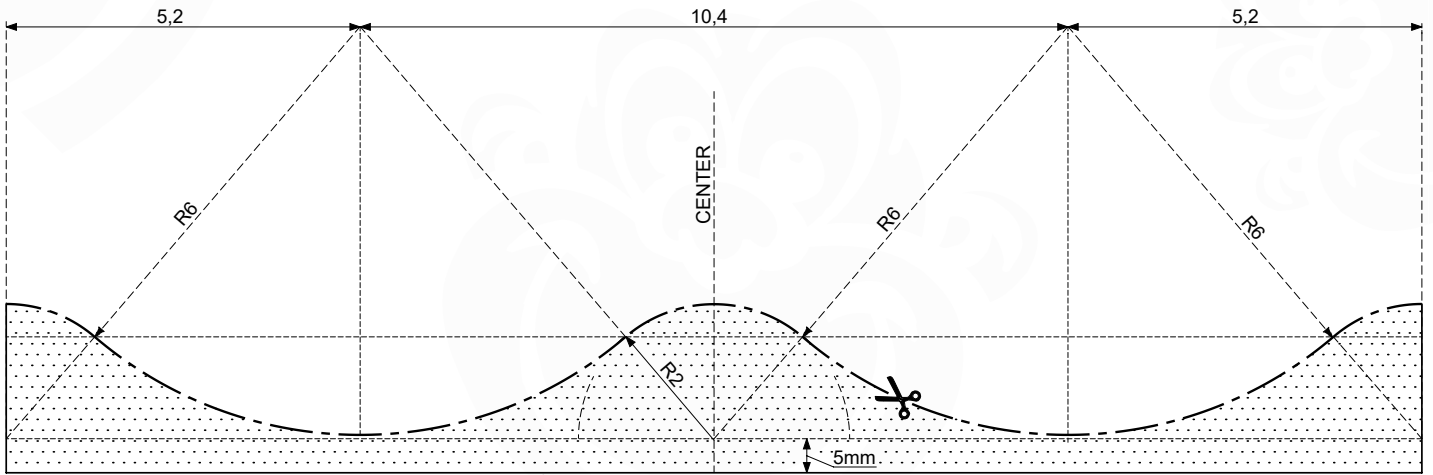








EXAMPLE PATTERN
 BEISPIELVORLAGE FÜR MARKISE
 SCHÉMA SUGGÈRE DE DÉCOUPE POUR AUVENT
 VOORBEELDSJABLOON LUIFEL



← repeat

repeat →

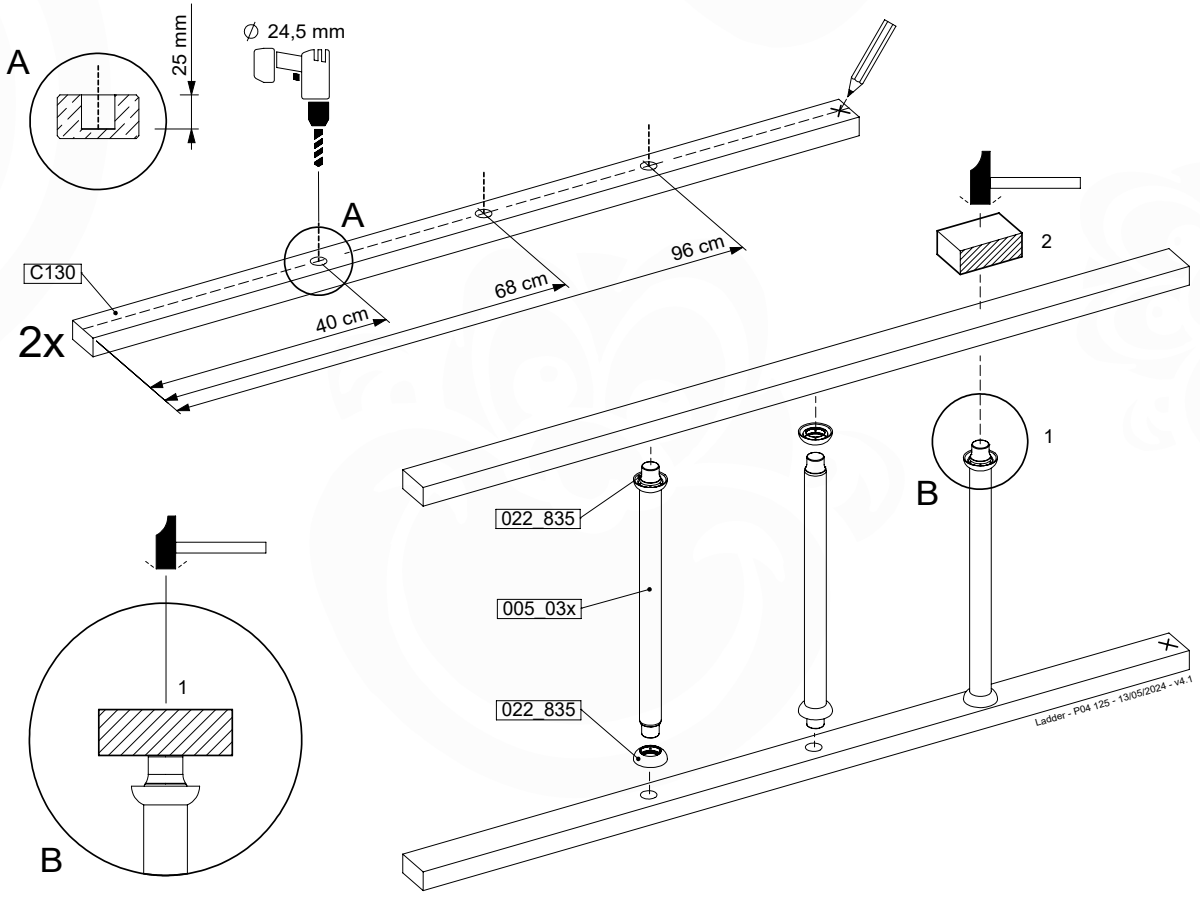
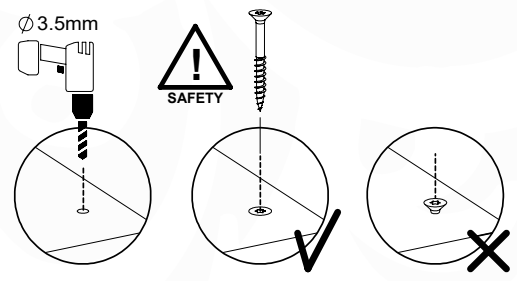
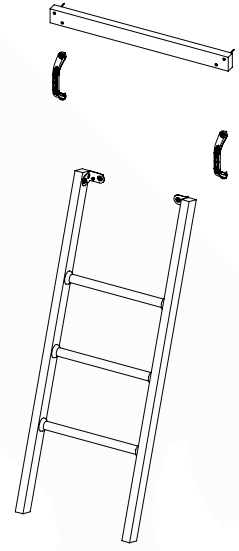
! Scale of print may not be accurate.
 Druckformat kann abweichen.
 Les tailles imprimées peuvent varier.
 Printformaat kan afwijken.

18 LA02a: Ladder 80 125 T

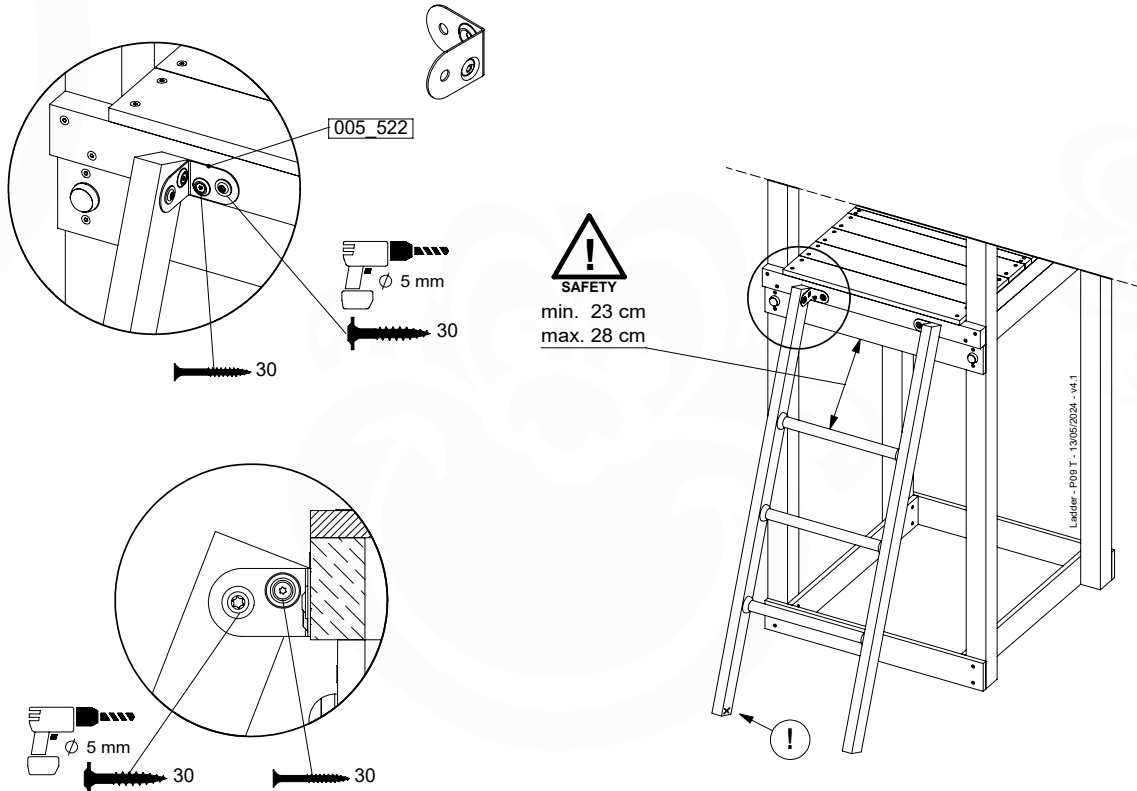
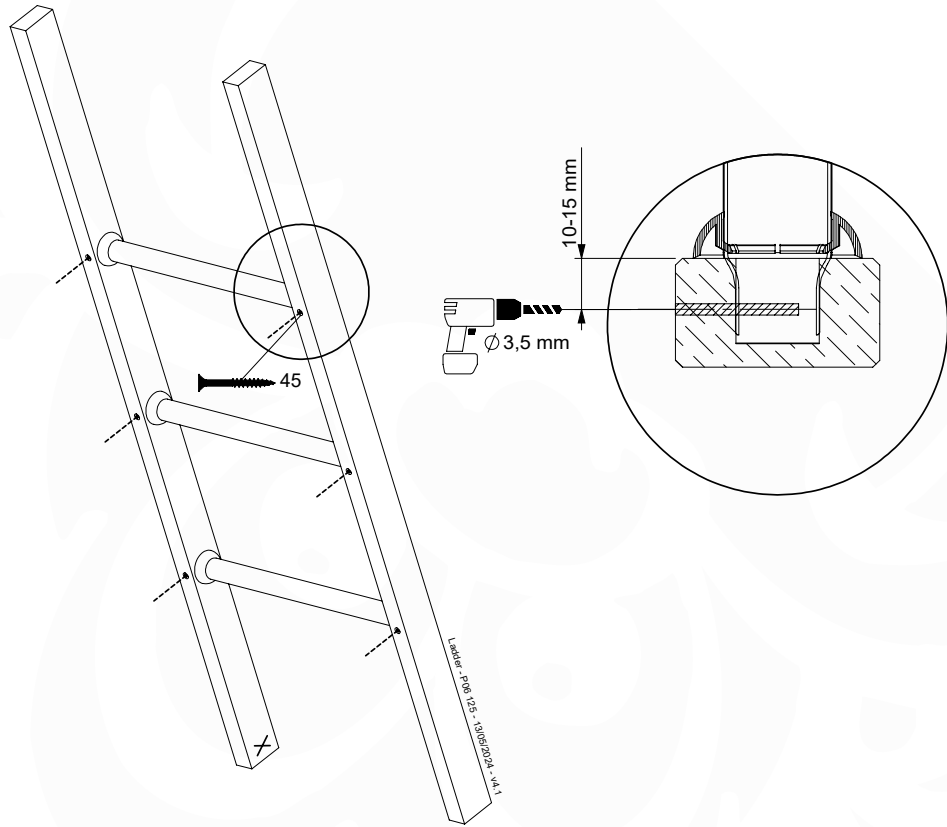
Assembly Pack: 194_103 / 194_003

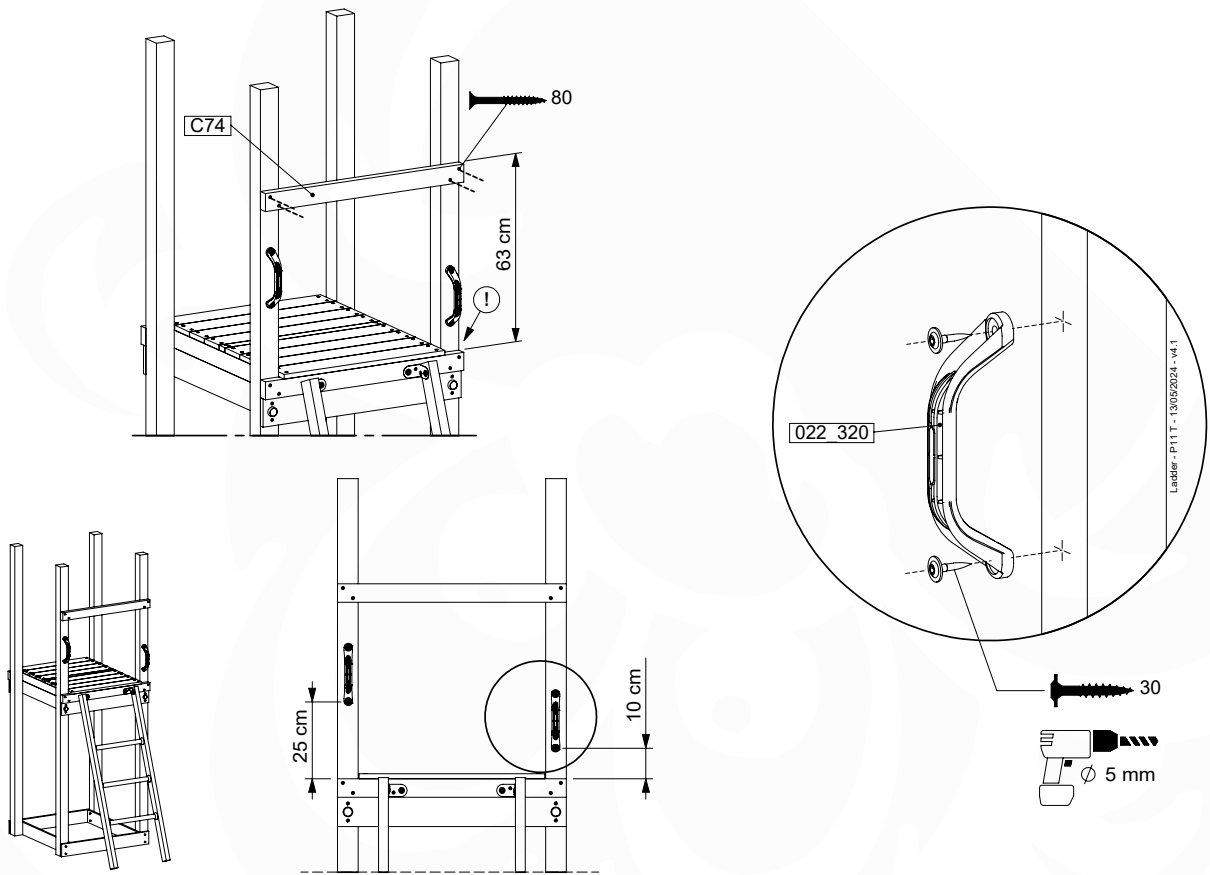
| | PartNo | PartName | QTY. |
|------------------|---------|--------------------------------|------|
| Hardware + Parts | 001_404 | Stealth Screw 8x30 | 4 |
| | 002_219 | Gap Point Screw T25 - 5x30 | 4 |
| | 002_220 | Gap Point Screw T25 - 5x45 | 6 |
| | 002_223 | Gap Point Screw T25 - 5x80 | 4 |
| | 005_03x | Ladder Rung Y/B/G/R | 3 |
| | 005_522 | Connection Bracket Mini Market | 2 |
| | 022_835 | Rung Cap | 6 |
| | 120_102 | Handgrip set (2x Complete) | 1 |
| Timber | C74 | Beam 740 mm | 1 |
| | C130 | Beam 1300 mm | 2 |

Ladder - P02 125 - 13/05/2024 - v4.1



Ladder - P04 125 - 13/05/2024 - v4.1



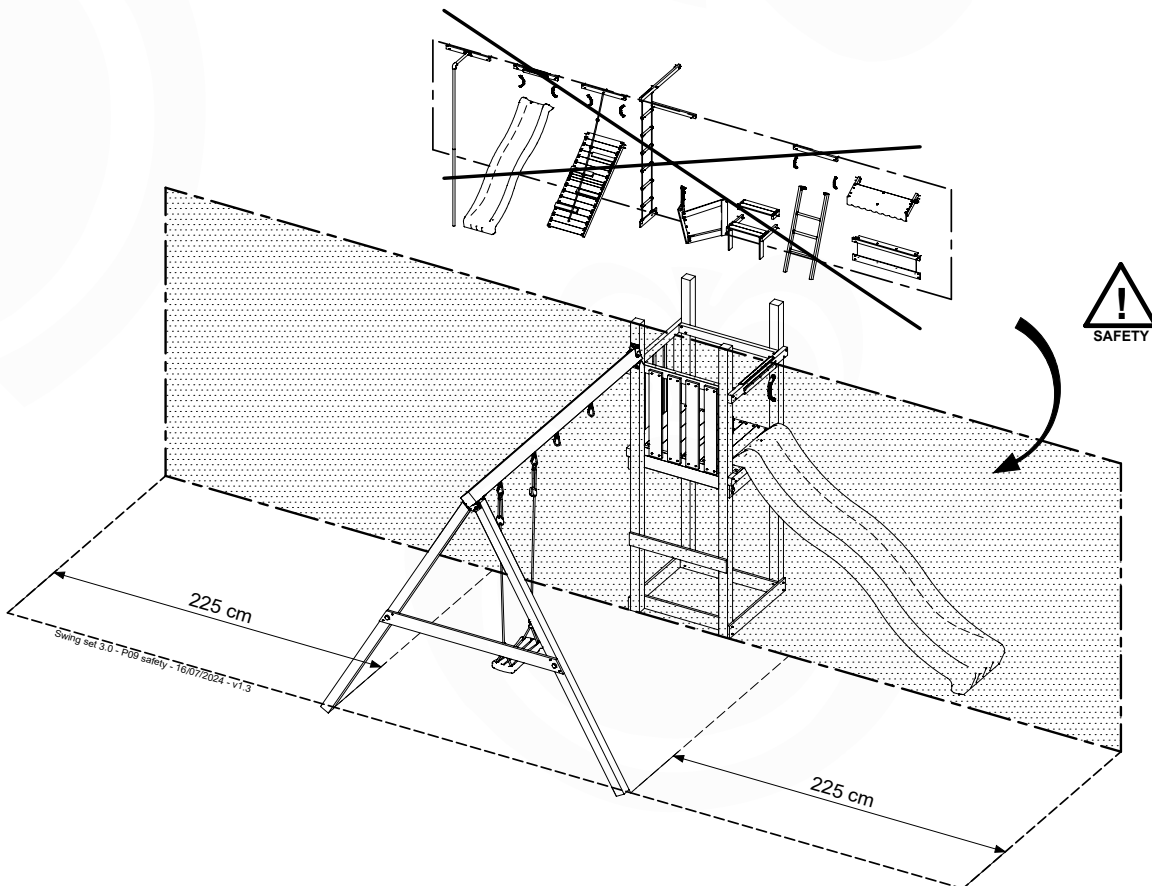
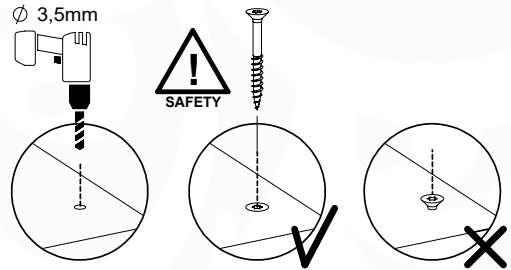
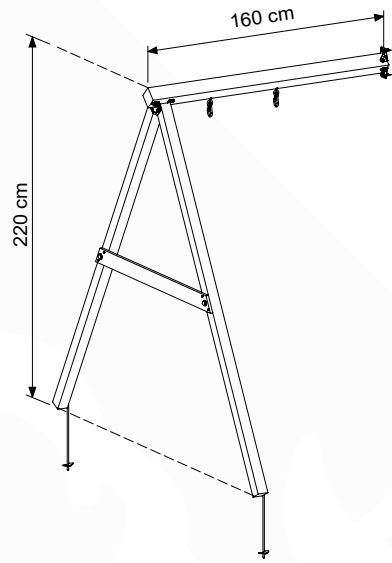


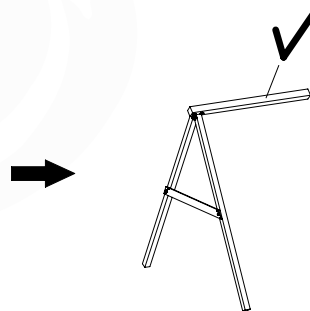
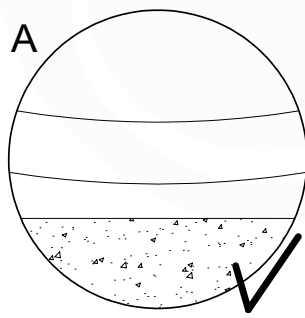
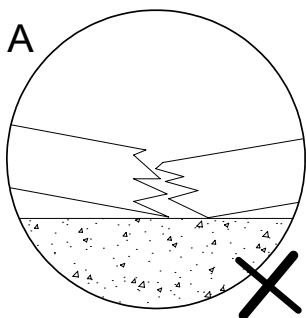
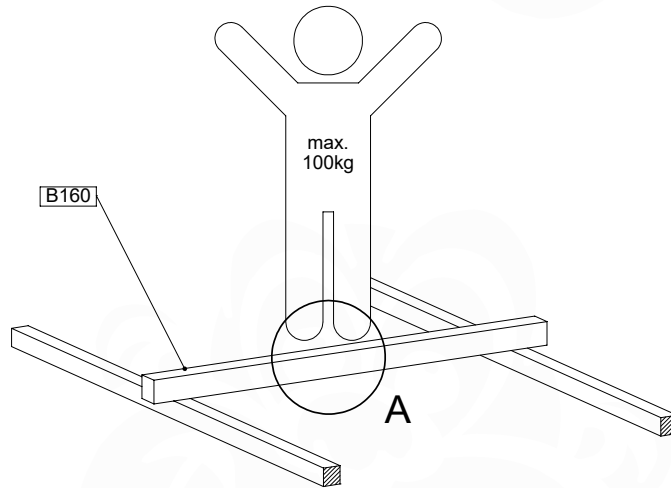
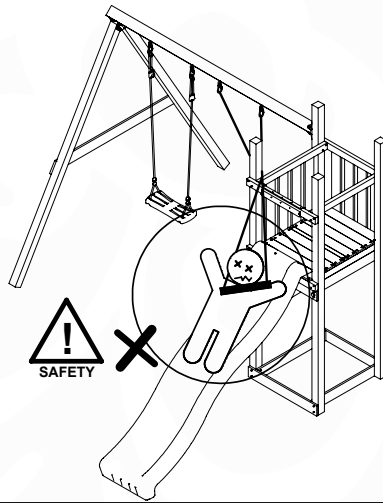
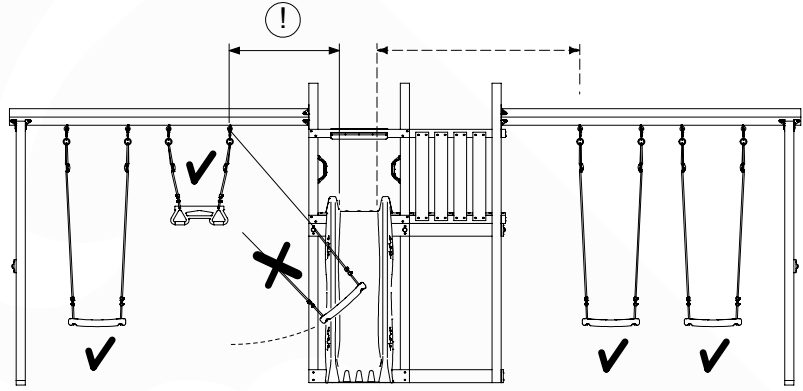
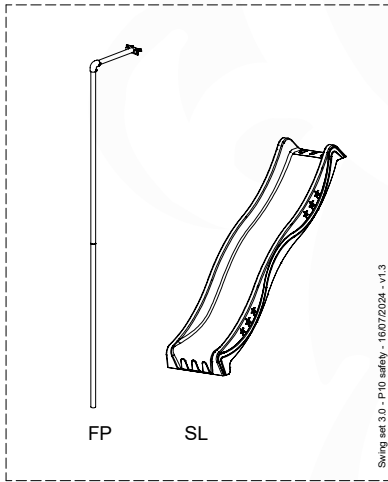
19 SW10a: 1- Swing Module 220 - 3.0

Assembly Kit: 457_103

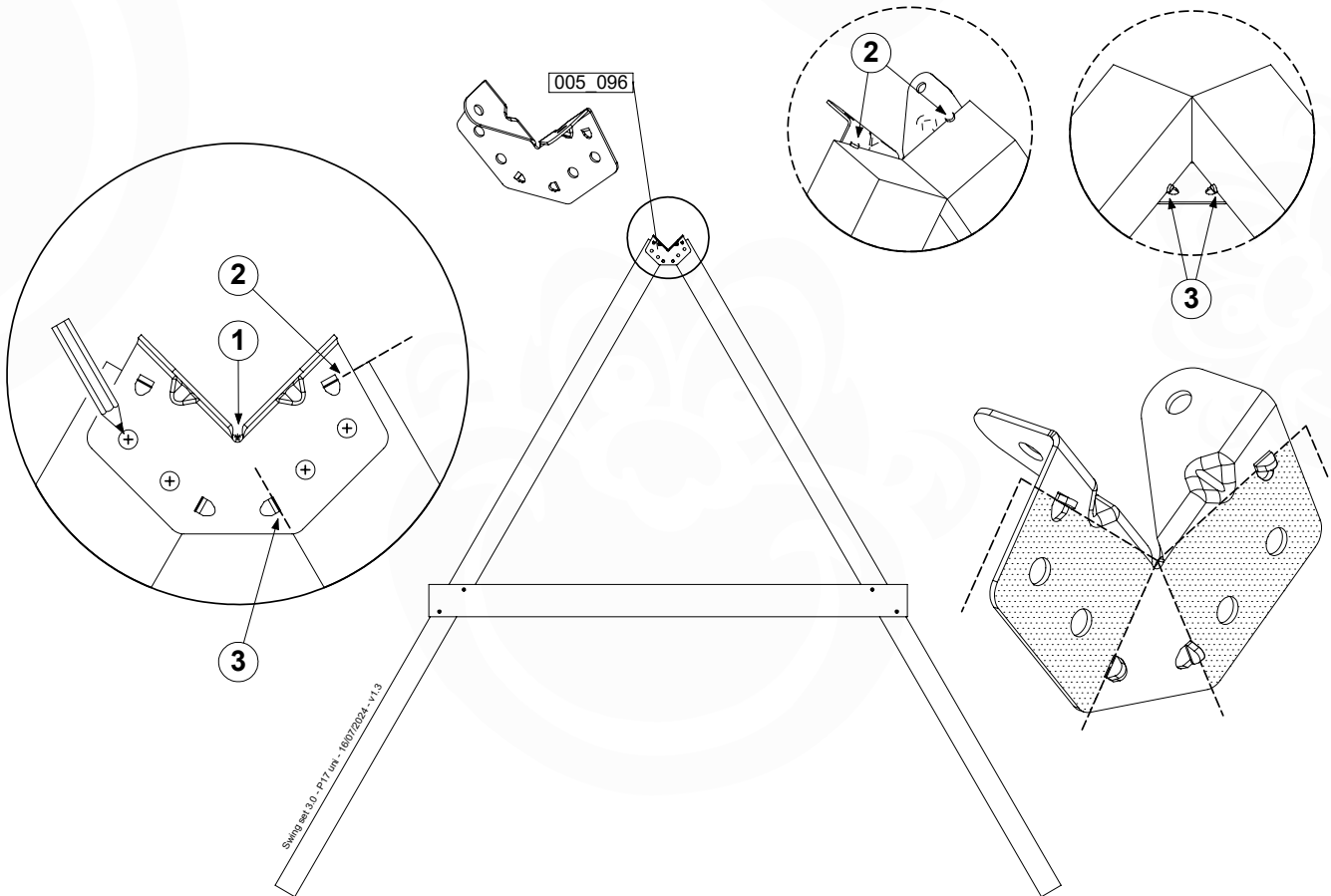
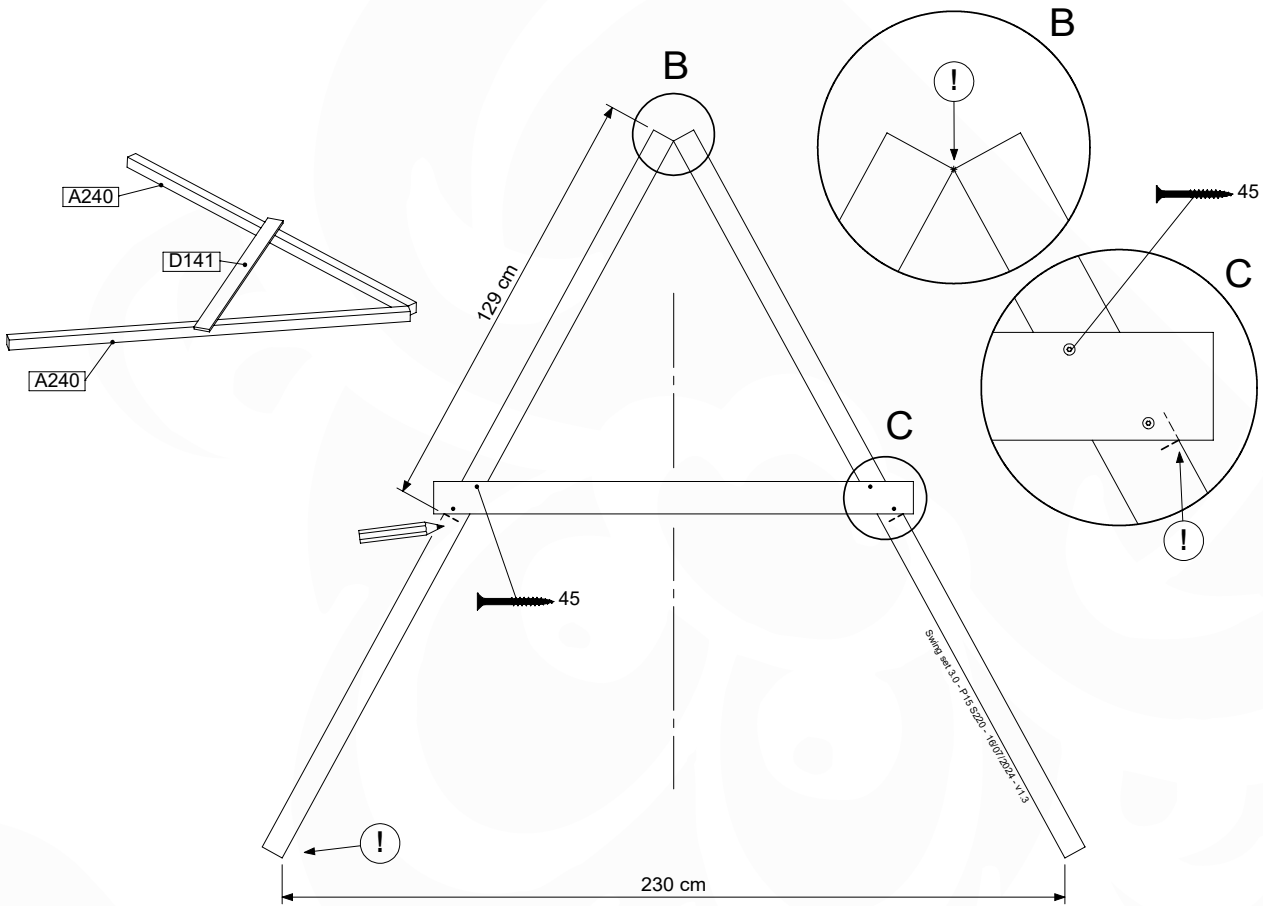
| | PartNo | PartName | QTY. |
|------------------------|---------|----------------------------|------|
| Hardware + Parts | 001_404 | Stealth Screw 8x30 | 4 |
| | 001_406 | Stealth Screw 8x45 | 22 |
| | 001_411 | Stealth Screw 8x60 | 2 |
| | 001_417 | Stealth Screw 8x80 | 2 |
| | 002_220 | Gap Point Screw T25 - 5x45 | 8 |
| | 002_223 | Gap Point Screw T25 - 5x80 | 2 |
| | 022_31x | bpc-base version 3 | 2 |
| | 022_84x | bpc cover | 2 |
| | 023_042 | Nylon washer 9x19x1.5 | 20 |
| | 005_096 | A-Frame V-Connector | 2 |
| | 005_097 | Swing V-Connector | 2 |
| | 007_001 | Ground-anchor | 2 |
| | 101_003 | Swing hook with Carabiner | 2 |
| Timber | A240 | Post ca.70x70 L2400 | 2 |
| | B160 | Post ca.90x90 L1600 | 1 |
| | D141 | Board 1410 mm | 2 |

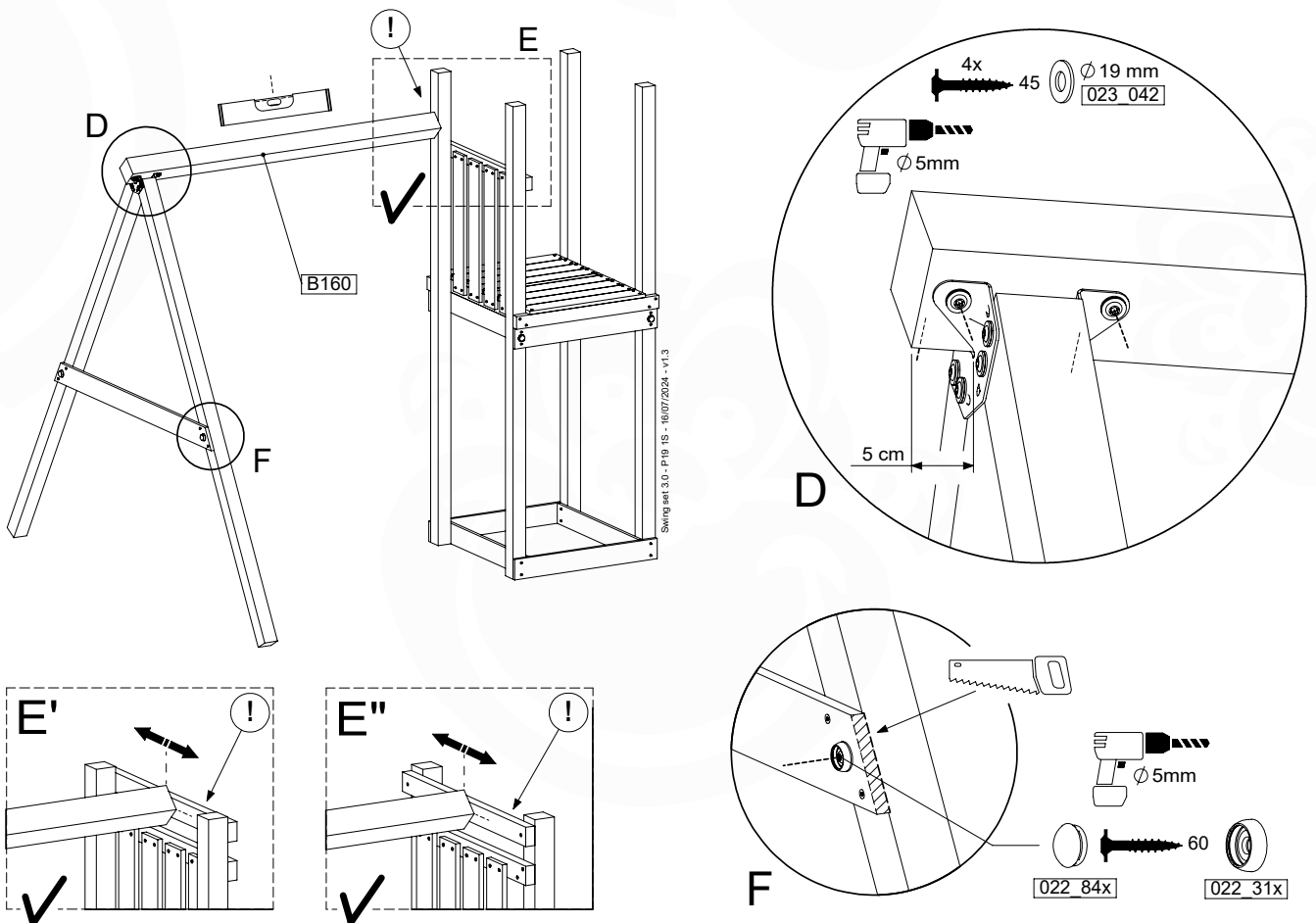
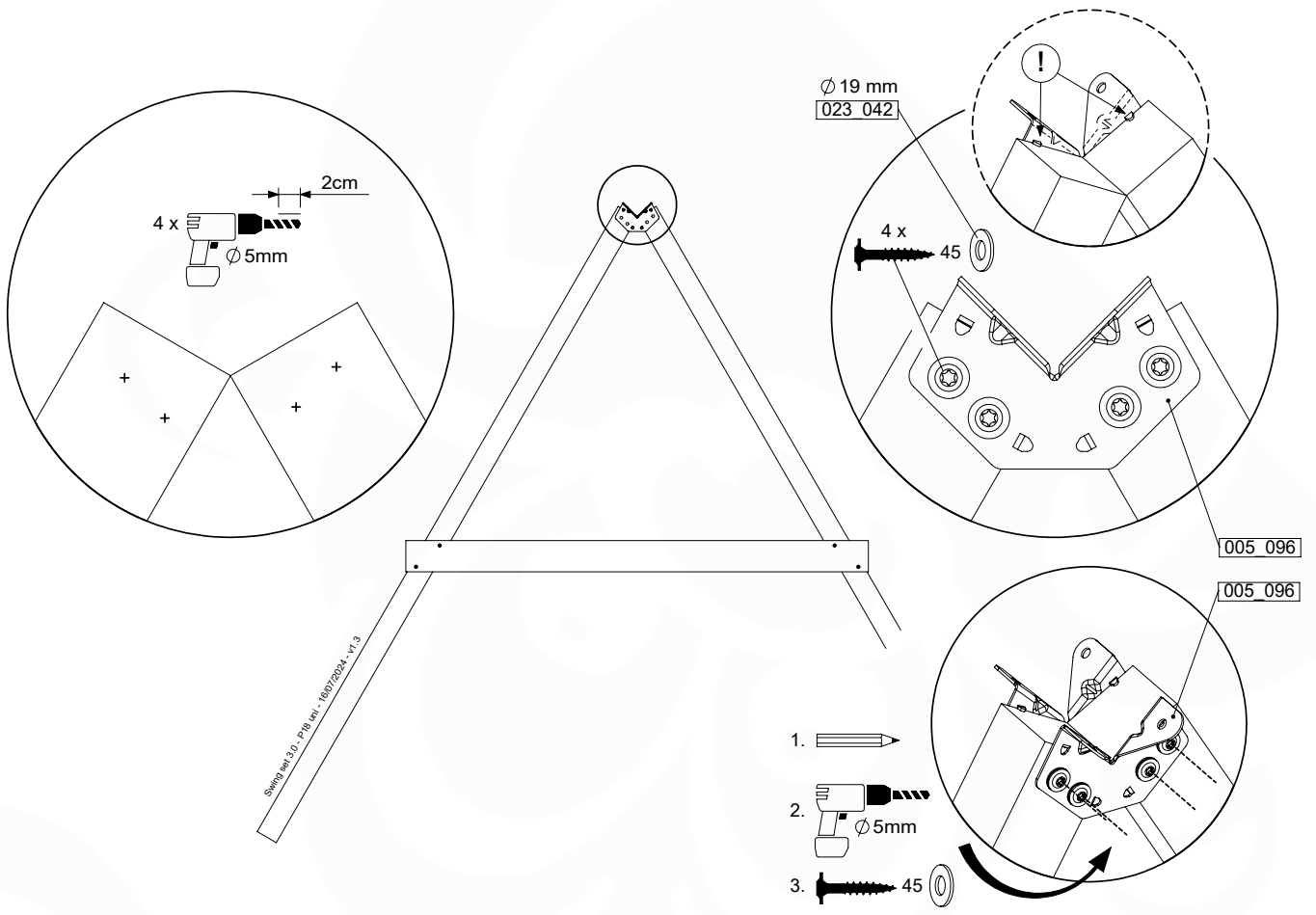
Swing set 3.0 - P05 16220 - 1607/2024 - v1.3





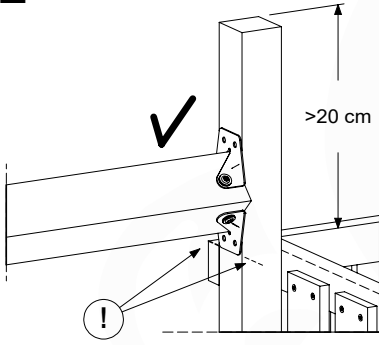
Swing set 3.0 - P11 IS - 18072024 - v1.3



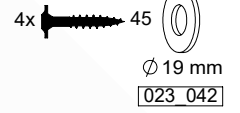
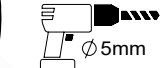
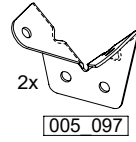
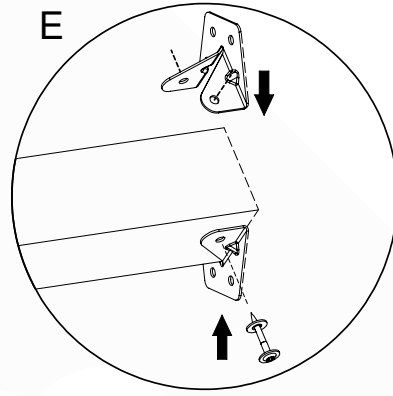


19.4

E

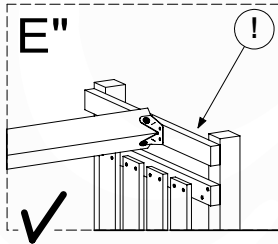
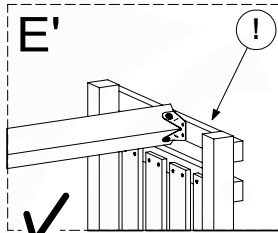
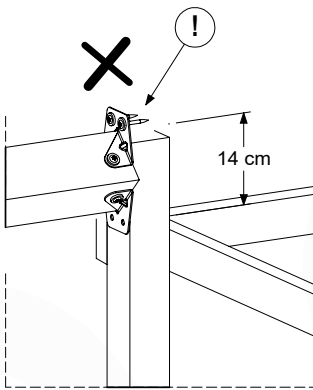


E

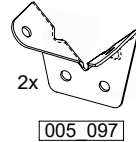
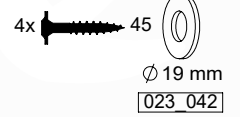
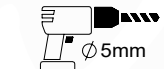
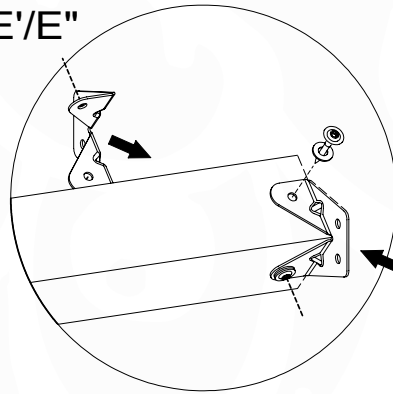


Swing set 3.0 - P22 uni - 16/07/2024 - v1.3

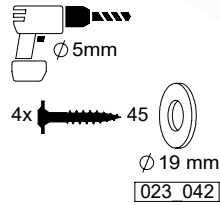
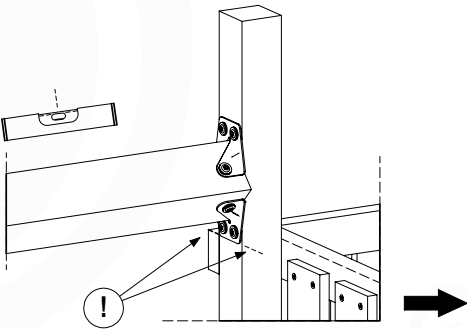
E'/E''



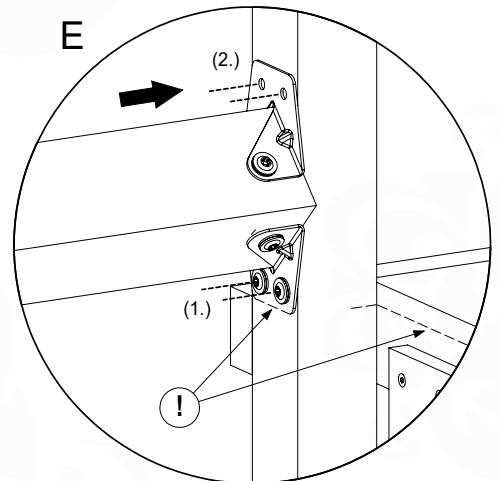
E'/E''



E

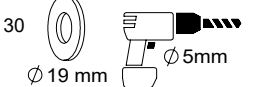
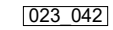
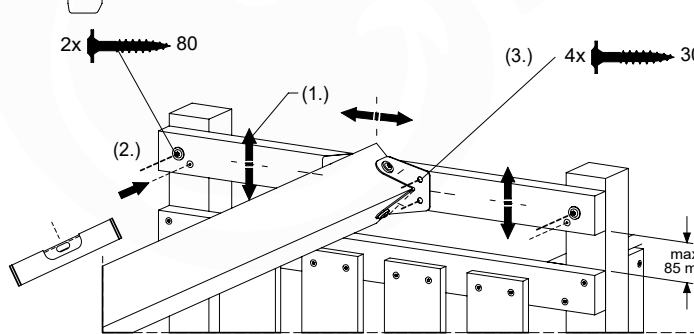
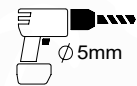
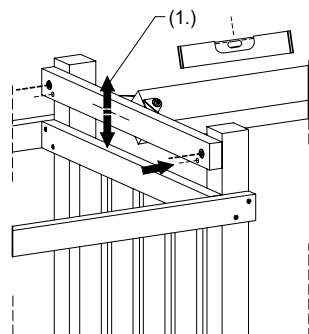


E



Swing set 3.0 - P23 uni - 16/07/2024 - v1.3

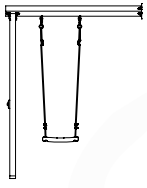
E'/E''



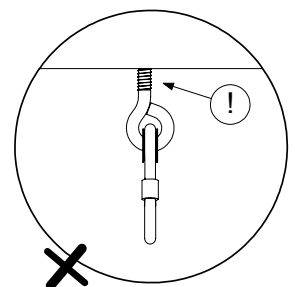
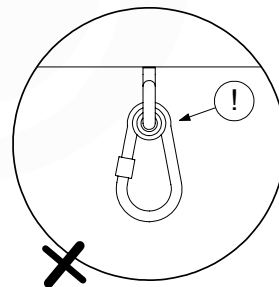
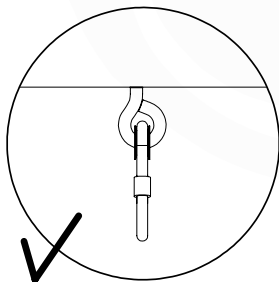
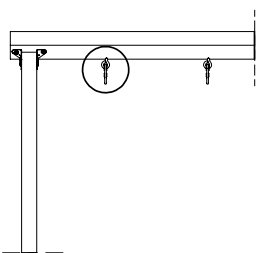
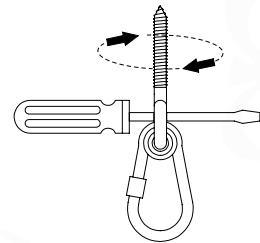
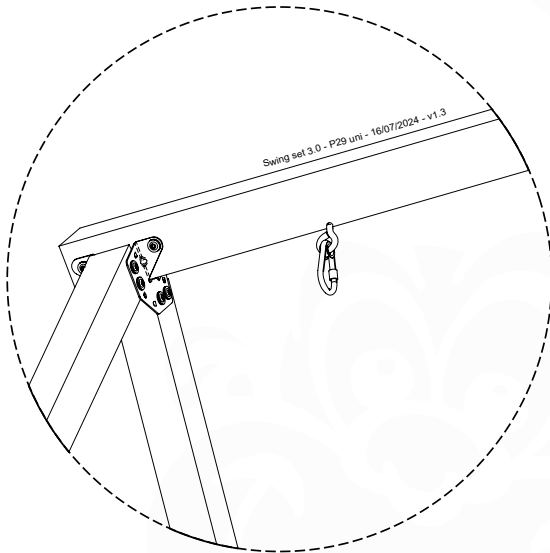
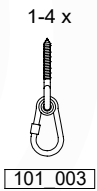
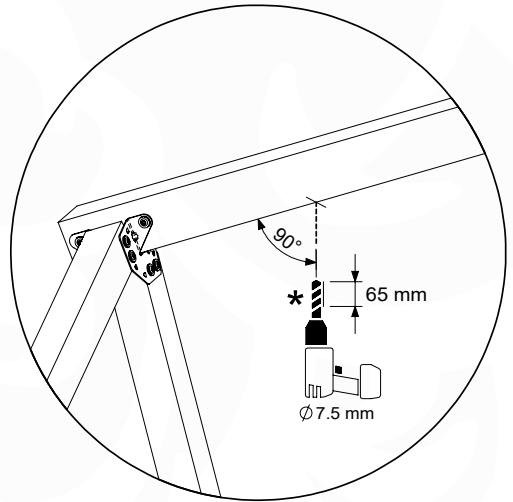
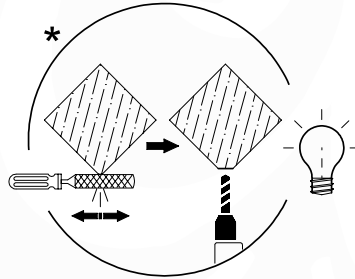
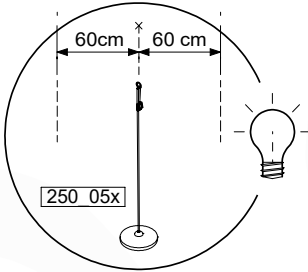
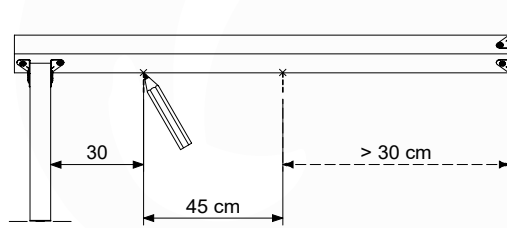
E'

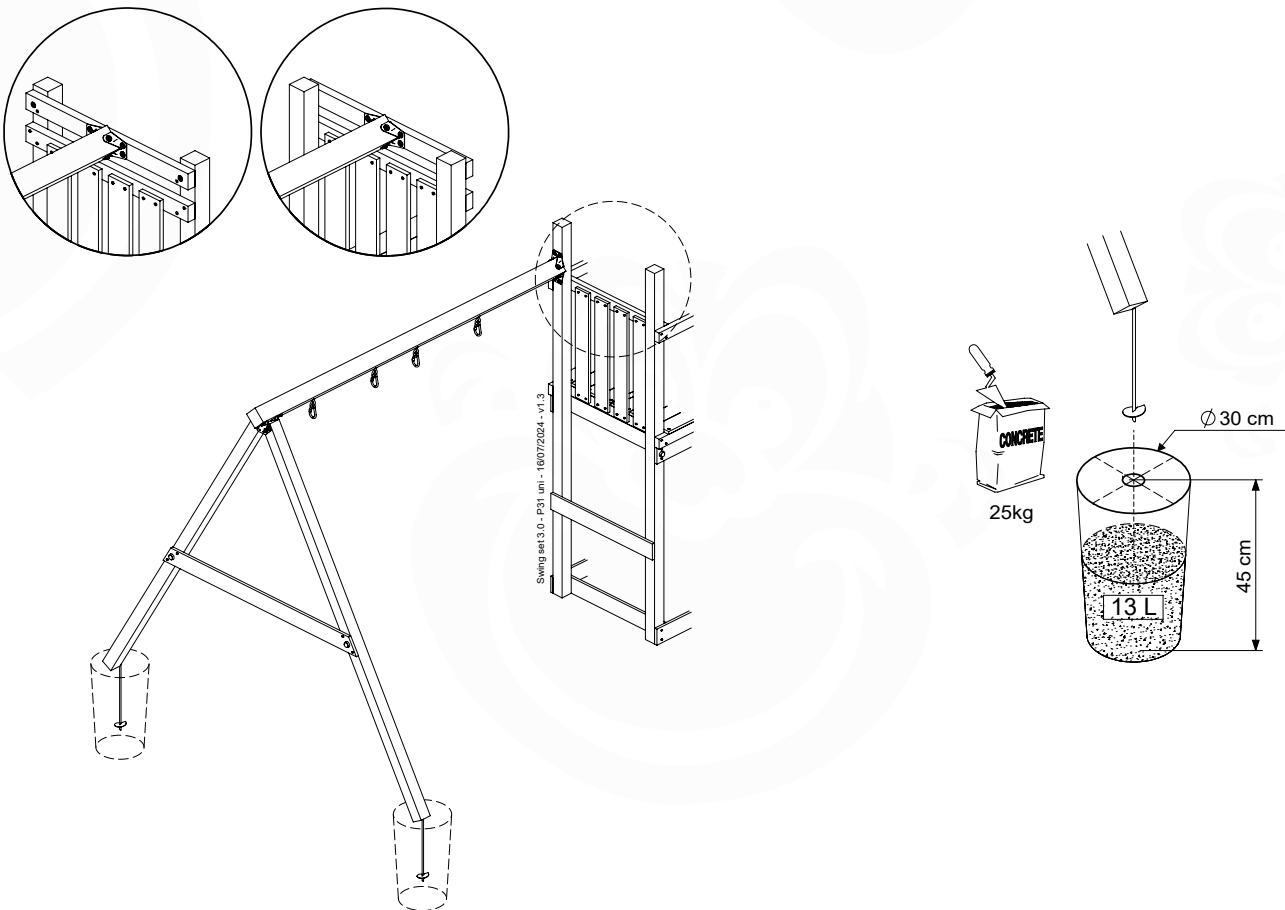
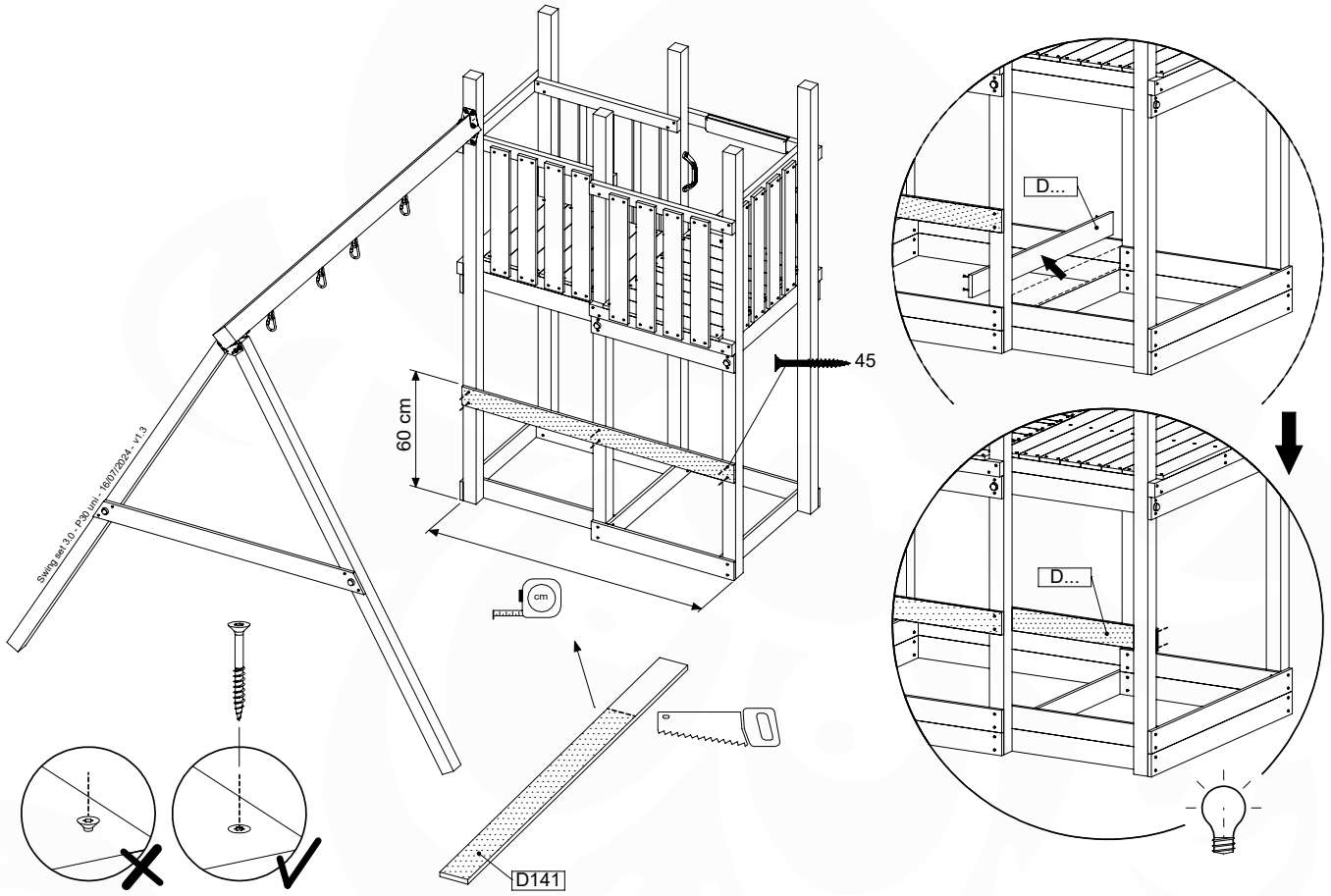
(E'')

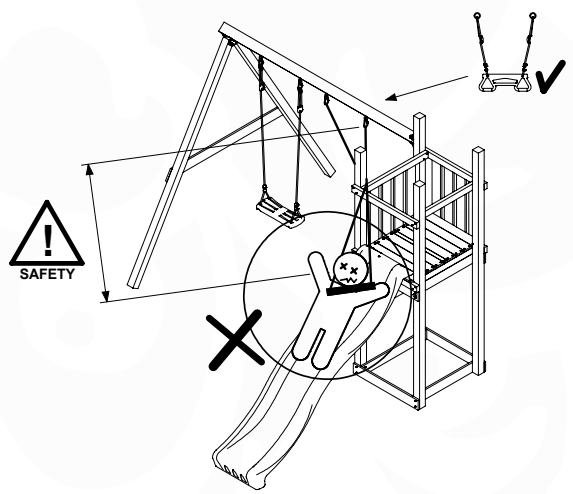
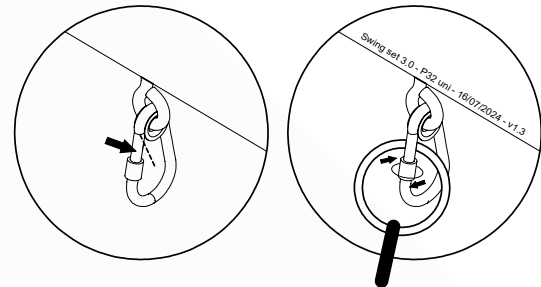
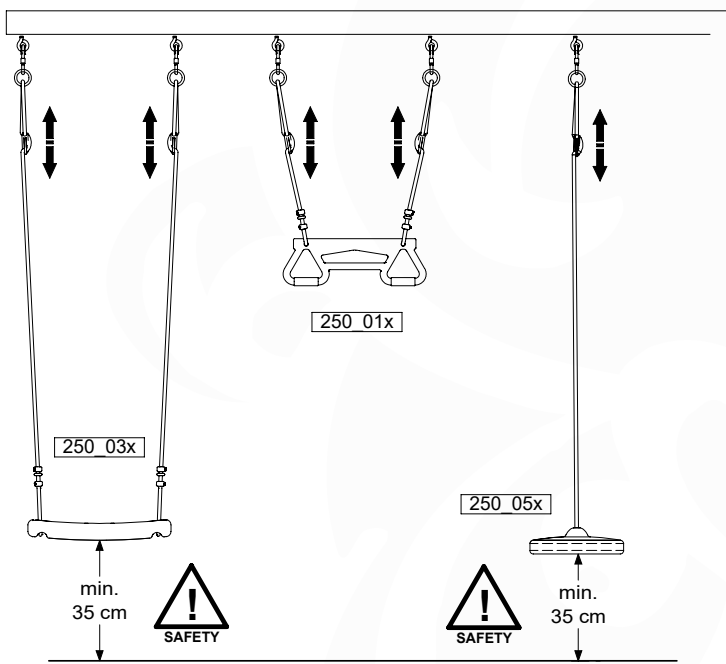




1-Swing position





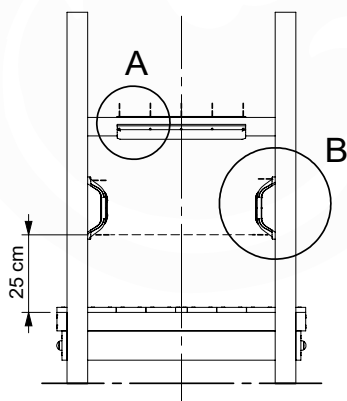
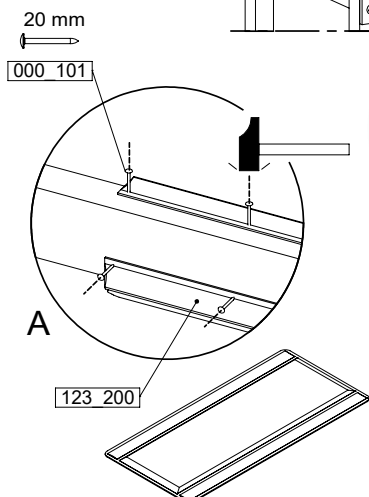
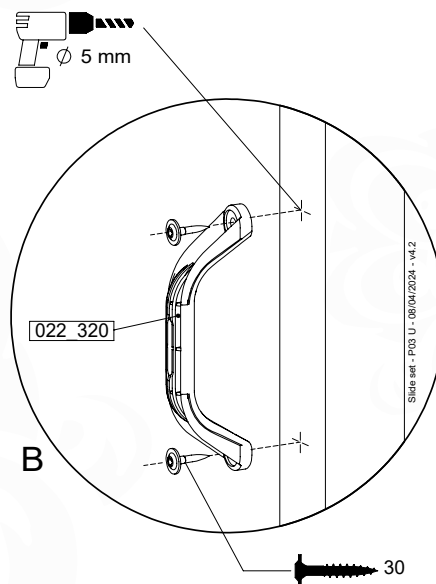
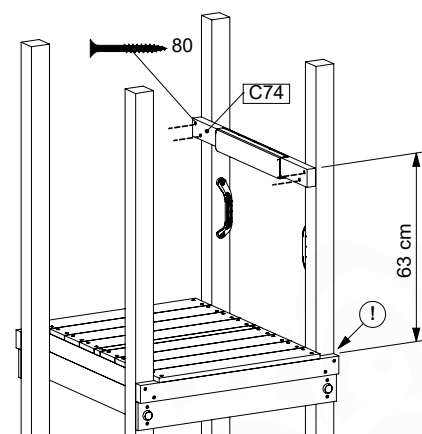
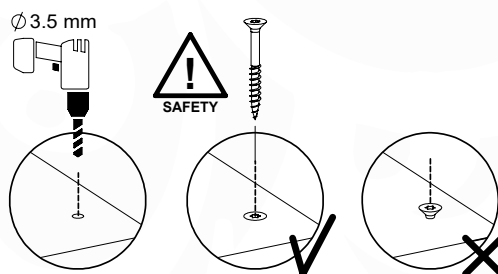
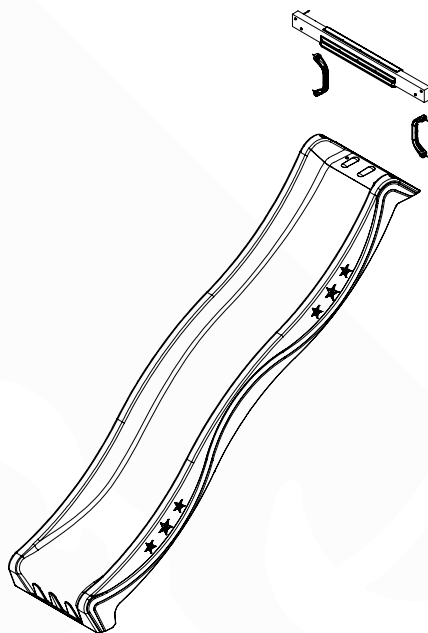


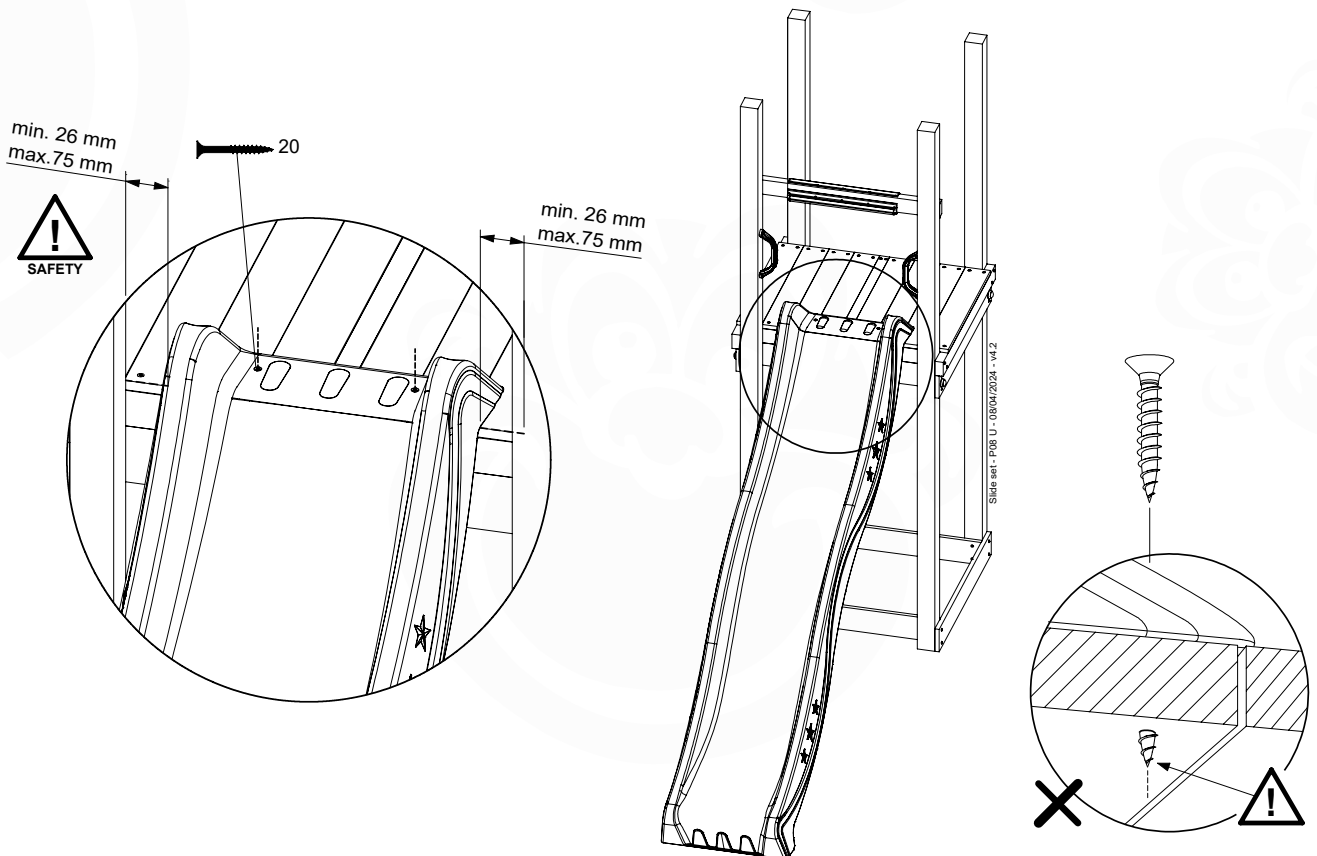
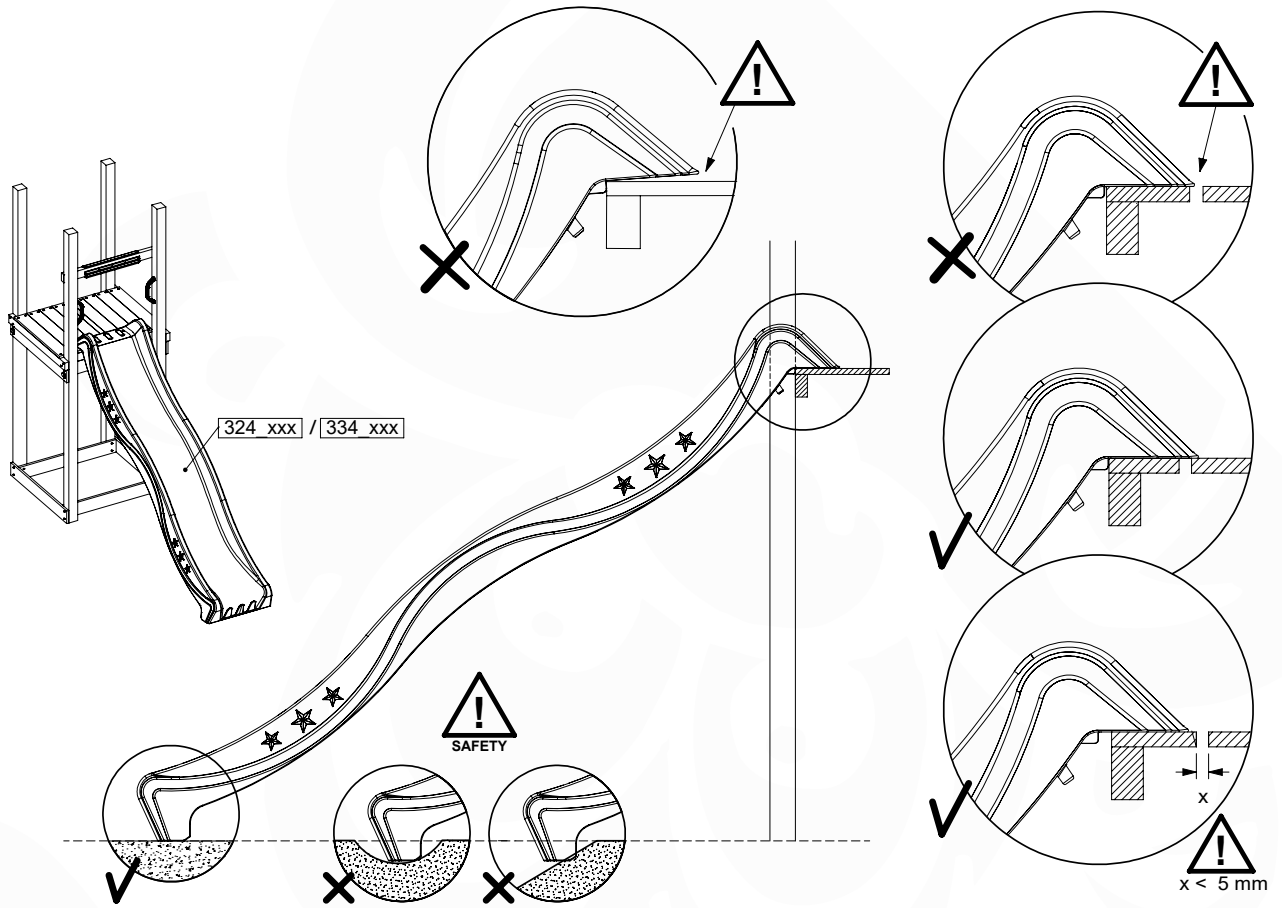
20 SL01a: Slide 80 125 U

Assembly Pack: 194_107

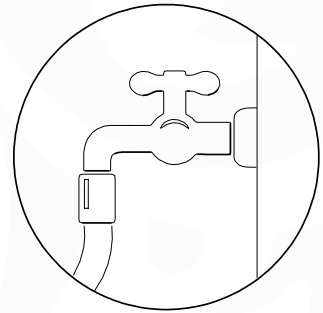
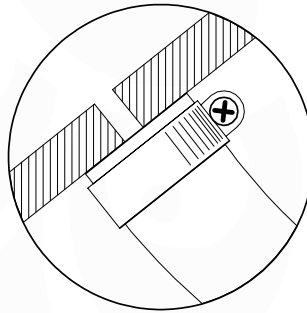
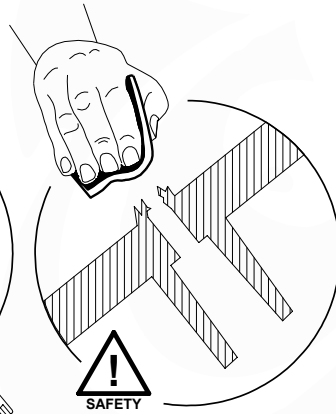
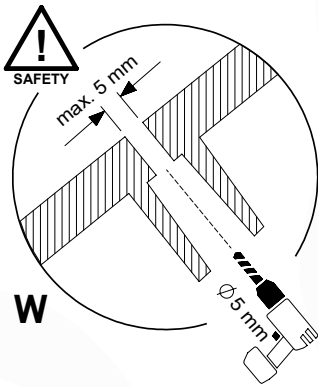
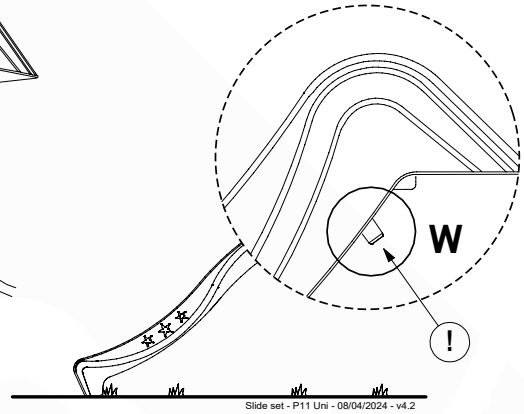
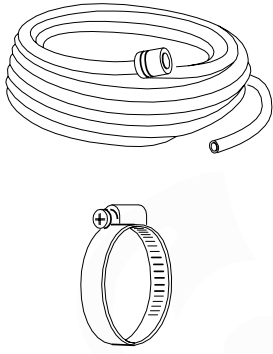
| | PartNo | PartName | QTY. |
|--------------------------|--------------------|--|------|
| Hardware Pack 100_605 | 000_101 | Nail Pan Head | 10 |
| | 002_223 | Gap Point Screw T25 - 5x80 | 4 |
| | 002_308 | Gap Point Screw T25 - 5x20 | 2 |
| Other | 120_102 | Handgrip set (2x Complete) | 1 |
| | 123_200 | Bumperpad | 1 |
| | 324_xxx 334_xxx | Wavy Star Slide XL 2200 mm / Wavy Star Slide XL 2650 mm | 1 |
| Timber | C74 | Beam 740 mm | 1 |

Slide set - P02 - 08/04/2024 - v4.2

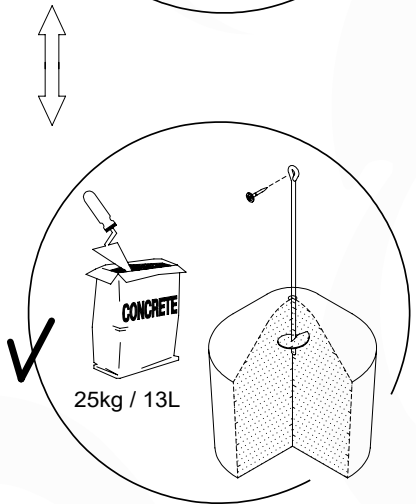
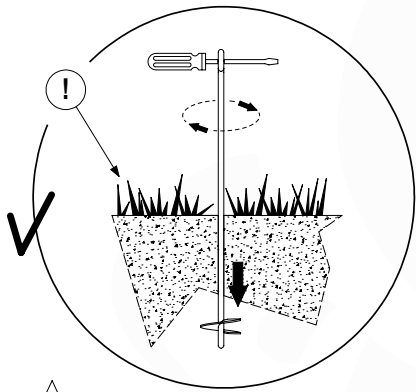




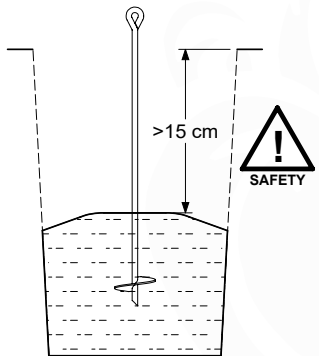
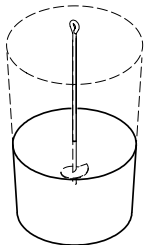
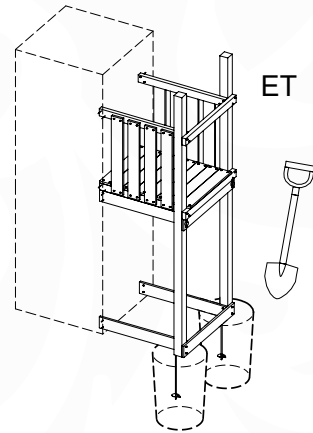
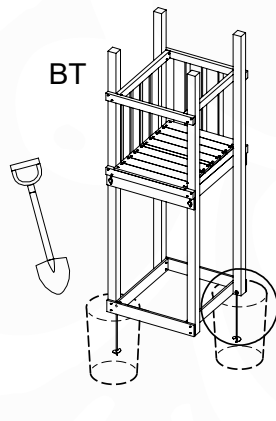
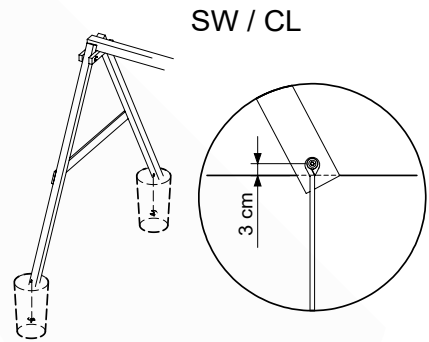
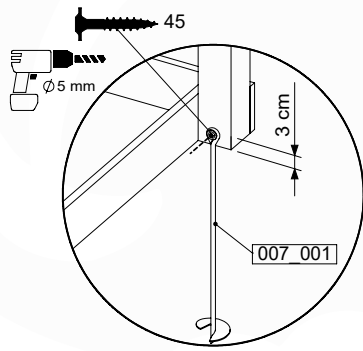
20.2



21 GA: Ground Anchors



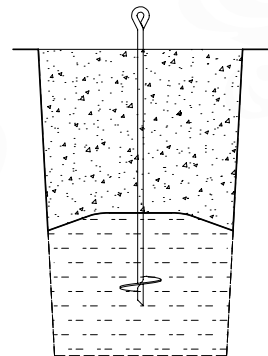
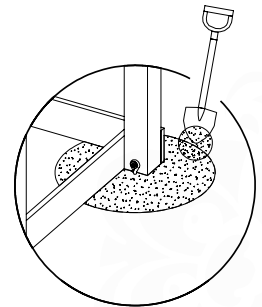
Ground Anchors Uhl. - PD3 - 14/06/2024 - v1.5



1.



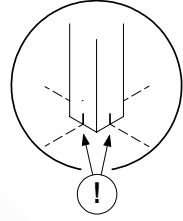
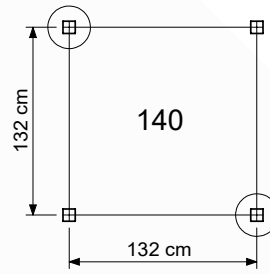
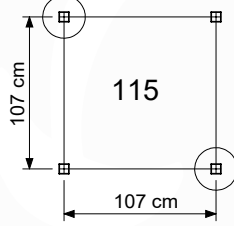
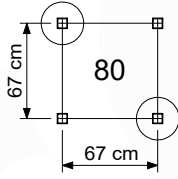
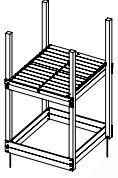
2.



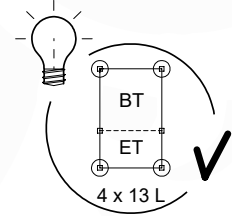
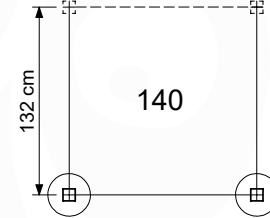
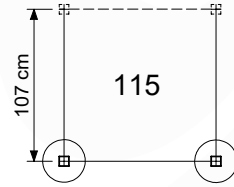
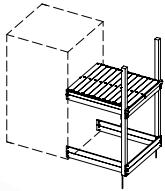
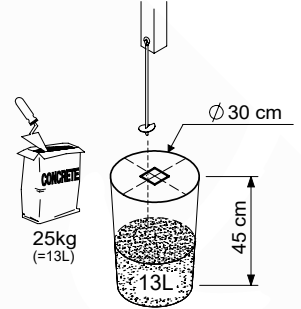
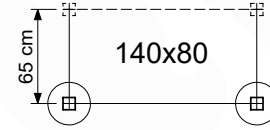
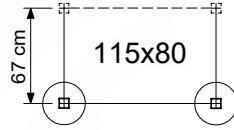
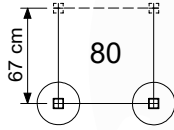
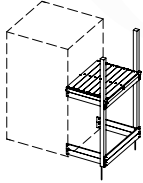
3.

Ground Anchors Uhl. - PD4 - 14/06/2024 - v1.5

BASE TOWERS

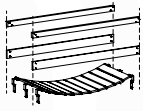


EXTENSION TOWERS

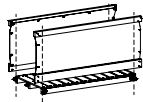


Ground Anchors Uni. - P01 - 14/06/2024 - v1.5

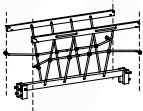
BRIDGES



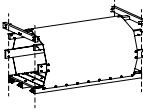
CLATTER



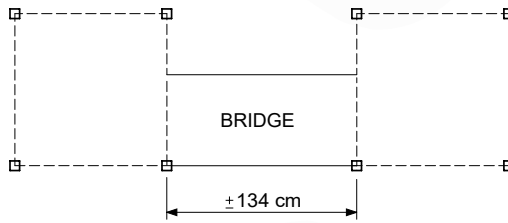
BOARDWALK



NET



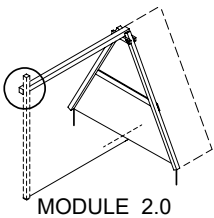
TUNNEL



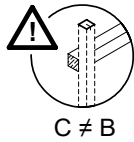
BRIDGE

Ground Anchors Uni. - P02 - 14/06/2024 - v1.5

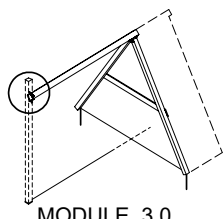
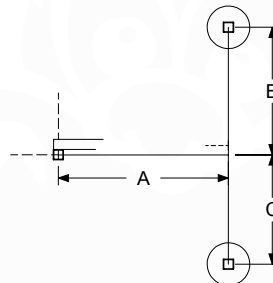
SWING / CLIMB



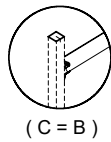
MODULE 2.0



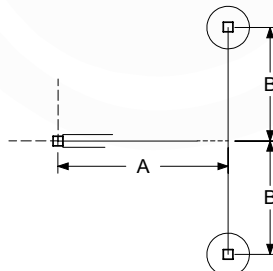
C ≠ B



MODULE 3.0



(C = B)



| MODULE 2.0 | Module type | A | B | C |
|---------------------|-------------|-----|-----|-----|
| | 1-Swing 200 | 150 | 115 | 100 |
| 1-Swing 220 (Extra) | | 120 | 105 | |
| 1-Climb 200 | 142 | | | |
| 2-Climb 200 | 210 | 115 | 100 | |
| 2-Swing 200 | | | | |
| 1-Climb 220 (Extra) | 162 | | | |
| 2-Climb 220 (Extra) | 230 | 120 | 105 | |
| 2-Swing 220 (Extra) | | | | |

cm

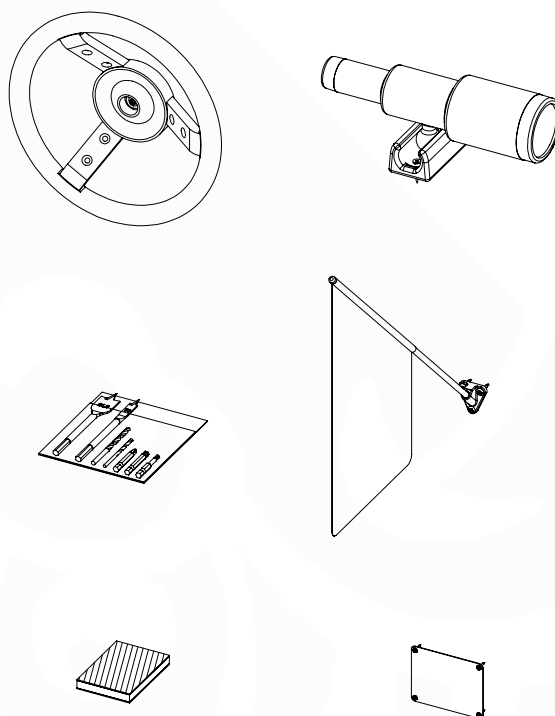
| MODULE 3.0 | Module type | A | B |
|---------------------------|-------------------|-----|-----|
| | 1-Swing 200 - 3.0 | 155 | 110 |
| 1-Swing 220 (Extra) - 3.0 | | 115 | |
| 1-Climb 200 - 3.0 | 148 | | |
| 2-Climb 200 - 3.0 | 222 | 110 | |
| 2-Swing 200 - 3.0 | 215 | | |
| 1-Climb 220 (Extra) - 3.0 | 170 | | |
| 2-Climb 220 (Extra) - 3.0 | 242 | 115 | |
| 2-Swing 220 (Extra) - 3.0 | 235 | | |

cm

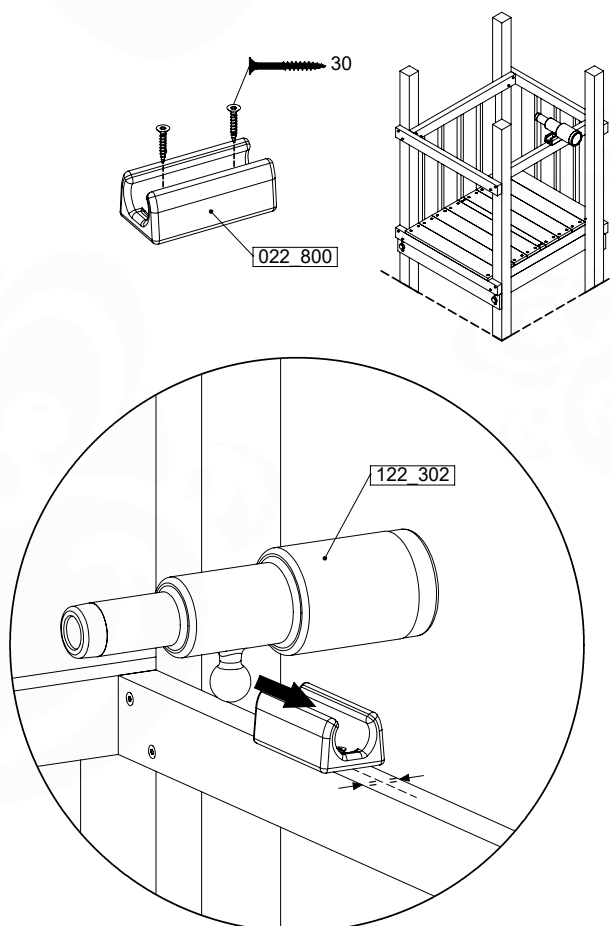
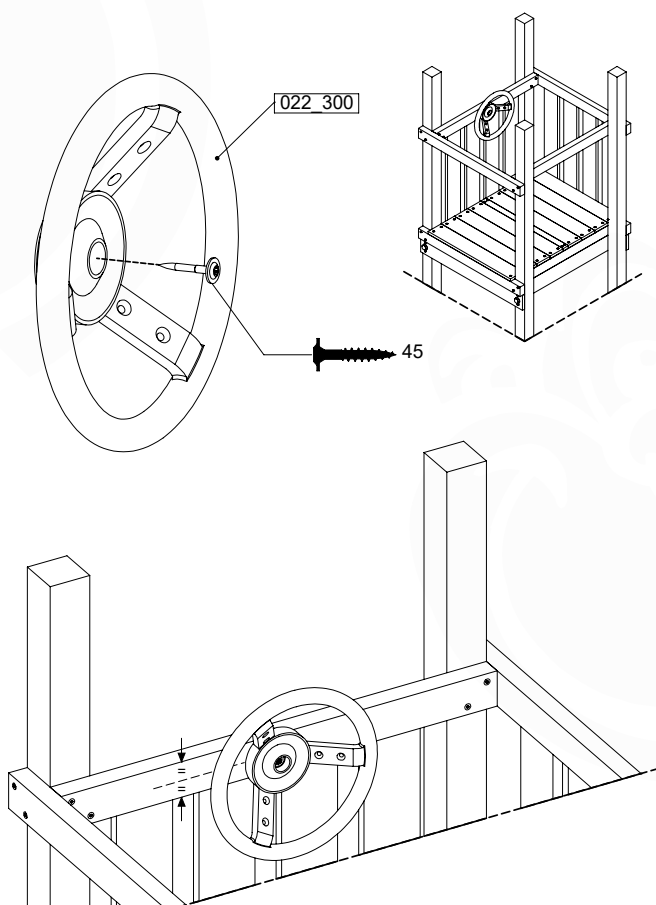
22 AC01a: Accessories

(194_119)

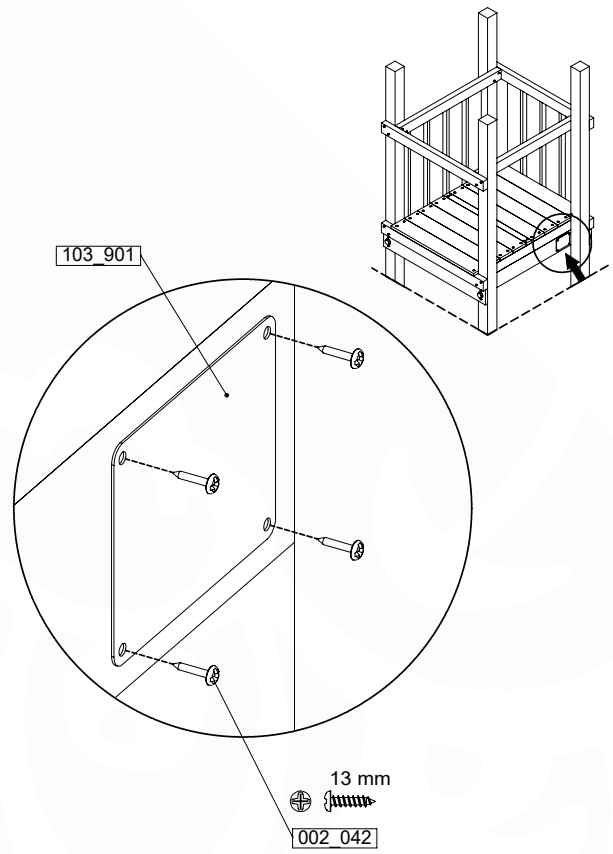
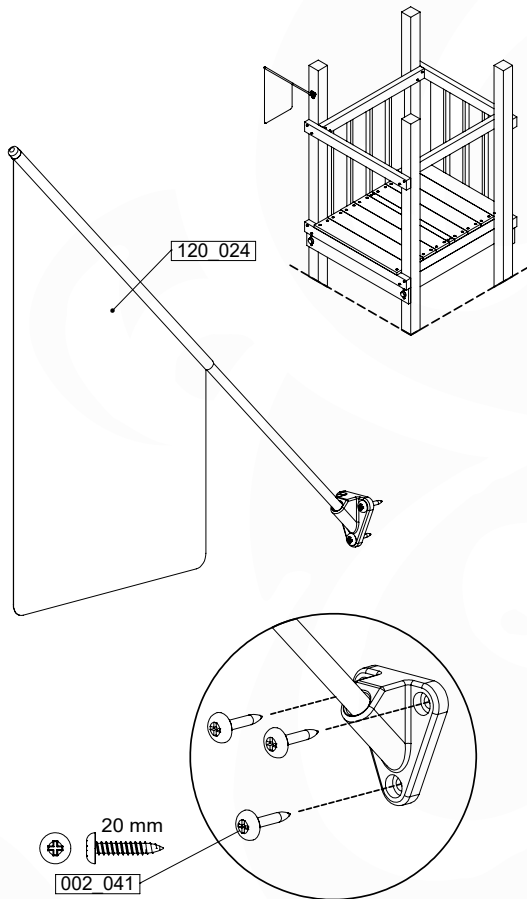
| | PartNo | PartName | QTY. |
|--------------------------|---------|-----------------------------|------|
| Hardware Pack 100_617 | 001_406 | Stealth Screw 8x45 | 1 |
| | 002_041 | Dome head screw 4.5 x 20 mm | 3 |
| | 002_042 | Dome head screw 3.5 x 13mm | 4 |
| | 002_219 | Gap Point Screw T25 - 5x30 | 2 |
| Other | 022_300 | Steering Wheel | 1 |
| | 022_800 | Rail P/T 105 | 1 |
| | 022_910 | Sandpad | 1 |
| | 103_901 | Logo ID Plate | 1 |
| | 104_107 | Tool Set Climbing Units | 1 |
| | 120_024 | Tower Flag | 1 |
| | 122_302 | Telescope | 1 |



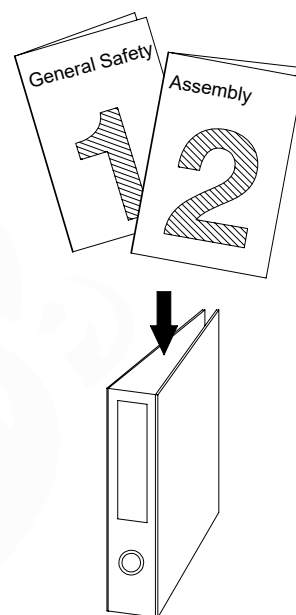
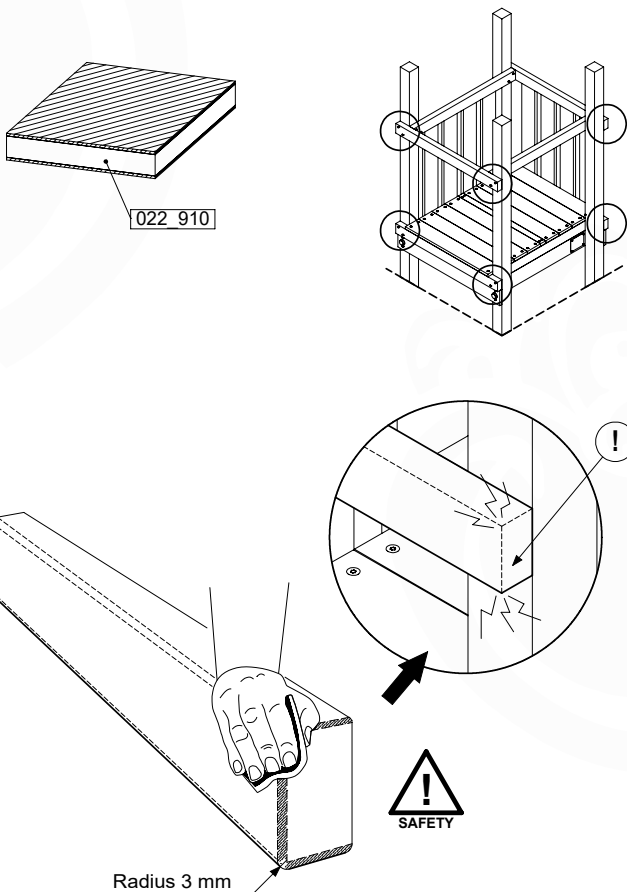
Accessory set - P02 - 24/01/2024 - v5



Accessory set - P03 - 24/01/2024 - v5



Accessory set - P04 - 24/01/2024 - v5



Accessory set - P05 - 24/01/2024 - v5

23 Declaration of conformity

Activity toys for domestic use Aktivitätsspielzeug für den häuslichen Gebrauch Jouets d'activité à usage familial

1. Wooden climbing frames

20240416_v3

1.1. Assemblies

| | |
|------------|---|
| Playtowers | 801_005, 801_009, 801_010, 801_013, 801_025, 801_040, 801_060, 801_070, 801_090, 801_095, 801_100, 801_103, 801_105, 801_110, 801_120, 801_200, 802_202, 802_204, 802_206, 802_208, 803_202, 803_204, 803_206, 803_208, 803_210, 809_802, 809_804 |
| Swings | 801_300, 801_601, 801_602 |
| Modules | 850_176, 850_177, 850_231, 850_232, 857_101, 857_102, 857_105, 857_106, 857_151, 857_152, 857_157, 857_158, 850_240 |

1.2. Sub assemblies

| | |
|--------------------------|--|
| Base towers (BT) | BT01a, BT02a, BT03a, BT11a, BT14a, BT15a, BT20a |
| Extension towers (ET) | ET01a, ET02a, ET05a, ET06a, ET07a, ET08a, ET09a, ET10a, ET11a, ET12a, ET13a, ET14a, ET15a, ET16a, ET17a, ET18a, ET19a, ET20a, ET22a, ET23a, ET27a, ET28a, ET35a, ET29a, ET39a, ET40a |
| Bridges (CB, NB, BB, TB) | CB01a, NB01a, BB01a, BB02a, TB01a, TB02a, TB03a, TB04a |
| Roofs (RF) | RF01a, RF21a, RF02a, RF03a, RF04a, RF05a, RF06a, RF20a, RF02b, RF03b, RF07a, RF08a, RF22a, RF09a, RF23a, RF11a, RF12a, RF07b, RF12b, RF08b, RF22b, RF09b, RF23b, RF11b, RF14a, RF24a, RF15a, RF25a, RF18a, RF18b, RF14b, RF24b, RF15b, RF25b |
| Balustrade (BL, BF) | BL01a, BL02a, BL21a, BF25a, BF26a, BF27a, BF28a, BF01a, BF02a, BF03a, BF04a, BF05a, BF06a, BF07a, BF08a, BF01b, BF02b, BF03b, BF04b, BF05b, BF06b, BF07b, BF08b, BF21a, BF22a, BF23a, BF24a, BF21b, BF22b, BF23b, BF24b |
| Playhouse (PH) | PH03a, PH04a, PH05a, PH06a, PH10a, PH11a, PH40a, PH41a, PH12a, PH13a, PH14a, PH15a, PH42a, PH43a, PH44a, PH45a, PH16a, PH17a, PH18a, PH19a, PH30a, PH31a, PH16b, PH17b, PH18b, PH19b, PH46a, PH47a, PH48a, PH49a, PH16c, PH17c, PH18c, PH19c, PH46b, PH47b, PH48b, PH49b, PH20a, PH21a, PH22a, PH23a, PH24a, PH25a, PH26a, PH27a, PH32a, PH33a, PH52a, PH53a, PH54a, PH55a, PH56a, PH57a, PH50a, PH51a, PH26b, PH27b, PH26c, PH27c, PH56b, PH57b |
| Ladder (LA) | LA05a, LA06a, LA01a, LA02a, LA03a, LA01b, LA02b, LA03b, LA11a, LA12a, LA13a, LA14a, LA15a, LA16a, LA17a, LA18a, LA31a, LA32a, LA33a, LA34a, LA35a, LA36a, LA37a, LA38a, LA21a, LA22a, LA23a, LA24a, LA25a, LA26a, LA43a, LA44a, LA45a, LA46a |
| Two Step Ladder (TS) | TS01a, TS01b, TS02a, TS02b, TS03b, TS22a, TS05a, TS06a, TS07a, TS08a, TS09a, TS10a, TS11a, TS12a, TS15a, TS16a, TS17a, TS18a, TS19a, TS20a, TS21a, TS22a |
| Rope Ladder (RL) | RL01a, RL02a, RL05a, RL06a, RL07a, RL08a, RL09a, RL10a, RL11a, RL12a, RL15a, RL16a, RL19a, RL20a |
| Rock wall (RW) | RW01a, RW02a, RW01b, RW02b, RW03b, RW31a, RW32a, RW33a, RW05a, RW06a, RW07a, RW08a, RW09a, RW10a, RW11a, RW12a, RW40a, RW41a, RW15a, RW16a, RW17a, RW18a, RW19a, RW20a, RW46a, RW47a |
| Ramp (RA) | RA03a, RA04a, RA05a, RA06a, RA07a, RA08a, RA11a, RA12a, RA21a |
| Net (NA, NS) | NA01a, NA02a, NS01a, NS02a, NS03a, NS21a, NA04a, NA05a, NS04a, NS05a, NS06a, NS07a, NA08a, NA09a, NS08a, NS09a |
| Boat (BO) | BO01a |
| Market (MT) | MT01a, MT02a, MT05a, MT06a, MT11a, MT12a |
| Picnic (PC) | PC01a, PC01b, PC05a, PC06a, PC09a, PC10a |
| Gymnastics bar (GY) | GY01a |
| Fireman's pole (FP) | FP01a, FP02a, FP04a, FP05a, FP06a, FP07a, FP23a, FP24a, FP25a, FP26a, FP27a, FP28a |
| Slides (SL) | SL01a, SL02a, SL03a, SL06a, SL07a, SL08a, SL09a, SL10a, SL11a, SL12a, SL13a, SL26a, SL27a, SL28a, SL29a |
| Swing (SM) | SW17a, SW21a, SW18a, SW22a, SW01a, SW05a, SW02a, SW06a, SW09a, SW13a, SW10a, SW14a |
| Climb (CL) | CL17a, CL21a, CL18a, CL22a, CL01a, CL05a, CL02a, CL06a, CL09a, CL13a, CL10a, CL14a |
| Universal Beam (UB) | UB01a, UB04a, UB02a, UB05a, UB03a, UB06a |
| Accessories (AC) | AC30a, AC31a, AC32a, AC33a, AC01a, AC05a, AC07a, AC03a, AC04a, AC06a, AC23a, AC22a, AC24a, AC21a, AC25a, AC02a, AC09a, AC08a, AC10a |

2. Construction packages

2.1 Assembly Kits

| | |
|------------|---|
| Playtowers | 401_015, 401_080, 401_125, 402_201, 402_202, 402_204, 402_206, 402_208, 403_202, 403_204, 403_206, 403_208, 403_210, 409_802, 409_804 |
| Swings | 401_300, 401_600 |
| Modules | 457_005, 457_102, 457_103, 457_106, 457_107, 457_205 |

2.2 Assembly Packs

| | |
|----------------|--|
| Sub assemblies | 194_002, 194_003, 194_004, 194_006, 194_007, 194_008, 194_009, 194_010, 194_100, 194_101, 194_102, 194_103, 194_104, 194_105, 194_107, 194_108, 194_109, 194_110, 194_111, 194_112, 194_113, 194_114, 194_115, 194_116, 194_117, 194_118, 194_119, 194_300, 194_308, 194_312, 194_500, 194_501, 194_508, 194_510, 194_802, 194_804, 194_809, 194_810, 194_811, 194_812 |
|----------------|--|

3. Accessories and components

| | |
|----------------|--|
| Slides XL | 324_100, 324_200, 324_300, 324_400, 324_500, 324_600 |
| Slides XXL | 334_100, 334_200, 334_300, 334_400, 334_500, 334_600 |
| Fireman's pole | 201_275 |
| Climbing | 201_060, 201_273 |
| Imagination | 201_280, 201_285, 201_290, 201_295, 202_473, 450_310, 450_320, 450_330 |
| Swinging | 250_001, 250_013, 250_025, 250_034, 250_053 |
| Functional | 123_220, 123_222, 123_230, 201_115, 201_220, 201_250, 201_260, 201_270, 202_620, 202_621, 202_622, 202_623, 202_624, 202_625, 202_626, 202_627, 202_628, 202_629, 202_824, 250_065, 250_070, 250_075 |

Applicable EU directives and standards

General

- General Product Safety Directive (GPSD) 2001\48\EG
- Reach directive 1907\2006
- AfPS GS 2019:01 PAK

Activity Toys

- Toy Safety Directive (TSD) 2009\48\EG
- EN Standard 71 Safety of Toys
 - EN 71-1:2014 + A1:2018 Safety of toys Mechanical and physical properties
 - EN 71-2:2020 Flammability
 - EN 71-3:2019 + A1:2021 Migration of certain elements
 - EN 71-8:2018 Safety of toys Activity toys for domestic use

Supplementary information

Conformity to the above specified directives and standards has been frequently verified by TÜV Rheinland LGA products, DEKRA, LNE SA, since 1994. Jungle Gym participates in the European Commission for standardisation for the safety of activity toys (TC52/WG10).



Manufacturer details

Company Name: Jungle Gym B.V.
Address: Valschermkade 18, 1059 CD Amsterdam, Netherlands
Email: info@junglegym.com

Declaration

I hereby declare under our sole responsibility that the products mentioned above, to which this declaration relates, comply with the above mentioned directives and standards when the installation, assembly, and maintenance instructions are strictly followed.

Name
Mr. P. Schmit / Director

Issued date
Monday 22nd July, 2024



Signature of representative

Jungle Gym B.V. | P.O. Box 75083 | 1070 AB Amsterdam | Netherlands | Phone: +31 85 444 41 00 | e-mail: info@junglegym.com | www.junglegym.com