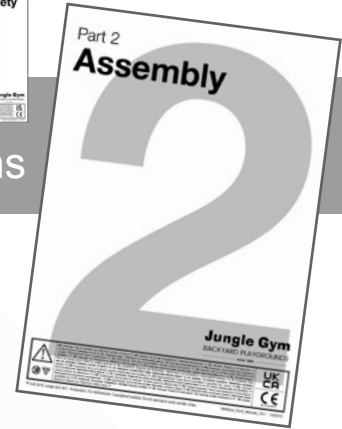


# Part 2

# Assembly

## Instructions

Config ID: CroXsi  
Product Name: Botan 2-Climb  
Product ID: 211518







Watch in 3D



# Jungle Gym

## BACKYARD PLAYGROUNDS

since 1988

<p><b>Assembly time</b> 18.5 hours by 2 adults</p> 	 <p>EN. Warnings. Only for domestic use. Maximum number of users is 7. DE. Achtung. Nur für den Hausgebrauch. Maximale Benutzerzahl: 7. FR. Attention. Réserve à un usage familial. Le nombre maximal d'utilisateurs est de 7. NL. Waarschuwingen. Uitsluitend voor huishoudelijk gebruik. Het maximale aantal gebruikers is 7. BG. Внимание. За употреба само в домашни условия. Максималният брой потребители е 7. CS. Varování. Jen pro domácí použití. Maximální počet uživatelů je 7. DA. Advarsler. Kun til privat brug. Maksimum antal brugere er 7. EL. Προειδοποιήσεις. Μόνο για οικιακή χρήση. Μέγιστος αριθμός χρηστών 7. ES. Advertencias. Sólo para uso doméstico. Número máximo de usuarios: 7. ET. Hoiatused. Ainult koduseks kasutamiseks. Maksimaalne kasutajate arv on 7. FI. Varoitukset. Ainoastaan kotikäyttöön. Käyttäjää yhteensä enintään 7. HR. Upozorenja. Samo za kućansku uporabu. Maksimalan broj korisnika je 7. HU. Figyelmeztetések. Csak otthoni használatra! A használók max. száma: 7. IS. Varnaðarorð. Eingöngu fyrir einkanothun í heimahúsum og á einkalóðum. Hámarksfjöldi notenda er 7. IT. Avvertenze. Solo per uso domestico. Massimo numero di utenti è 7. LT. Įspėjimai. Tik buitiniam naudojimui. Maksimalus naudotojų skaičius 7. LV. Brīdinājumi. Izmantot tikai mājās. Maksimālais lietotāju skaits ir 7. NO. Advarsler. Kun for privat bruk. Maksimalt antall brukere er 7. PL. Ostrzeżenia. Wyłącznie do użytku domowego. Maksymalna liczba użytkowników to 7. PT. Avisos. Apenas para uso doméstico. O número máximo de utilizadores é 7. RO. Avertismente. Numai pentru uz domestic. Numărul maxim de utilizatori este 7. RU. Предостережения. Только для домашнего использования. Максимальное количество пользователей - 7. SK. Upozornenia. Iba na domáce použitie. Maximálne množstvo osôb je 7. SL. Opozorila. Samo za domačo uporabo. Maksimalno število uporabnikov je 7. SR. Upozorenja. Samo za kućnu upotrebu. Maksimalan broj korisnika je 7. SV. Varningar. Endast för hemmabruk. Det maximala antalet användare är 7. TR. Uyarılar. Sadece ev kullanımı için. Maksimum kullanıcı sayısı 7.</p>	 
--	--	---

# 1 Helpdesk JungleGym

## FAQ & Support



English



Deutsch



Français



Nederlands



info@junglegym.com



EU 0031 85 44 44 100

AT 0043 72 08 153 33

BE 0032 78 48 16 19

CH 0041 43 50 87 350

DE 0049 32 22 10 98 299

ES 0034 657 76 64 25

FR 0033 97 75 58 222

IE 0035 38 1800 0300

LU 0035 22 08 80 512

NL 0031 85 44 44 102

UK 0044 20 369 505 53

Monday-Friday,

CET 9:00am - 5:00pm

Local phone charges may apply.

## 2 Start

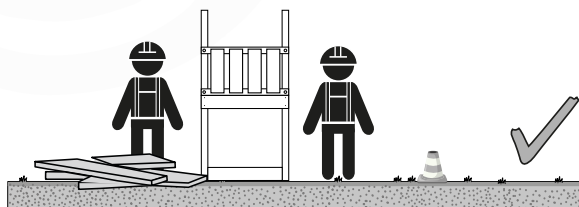
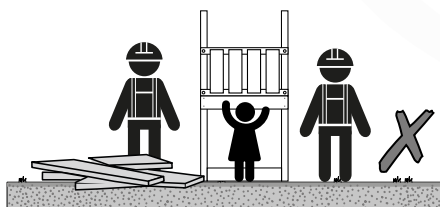
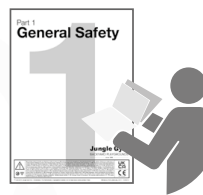
### 2.1 Safety



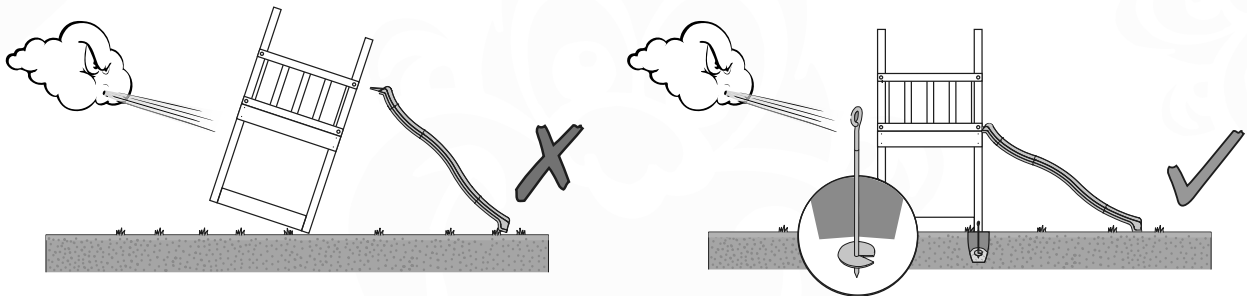
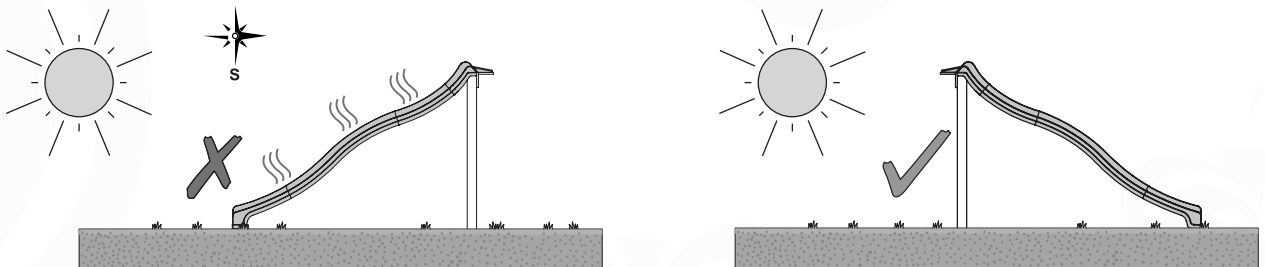
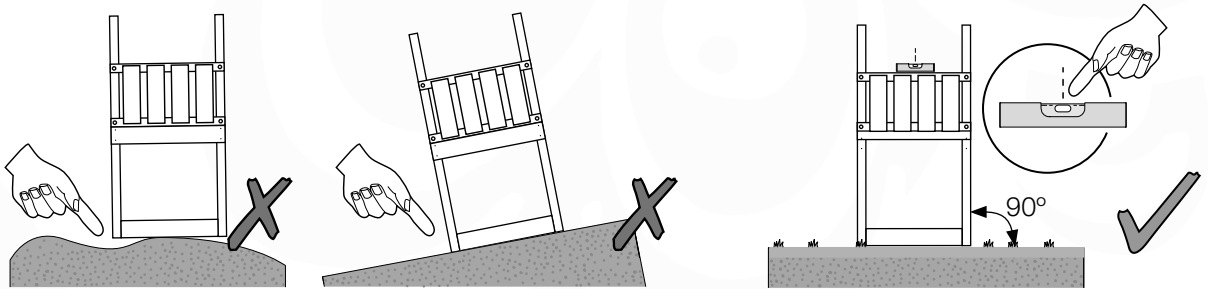
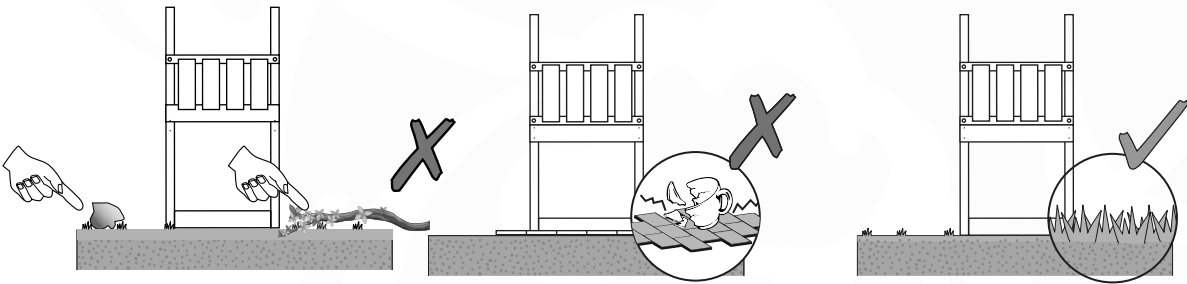
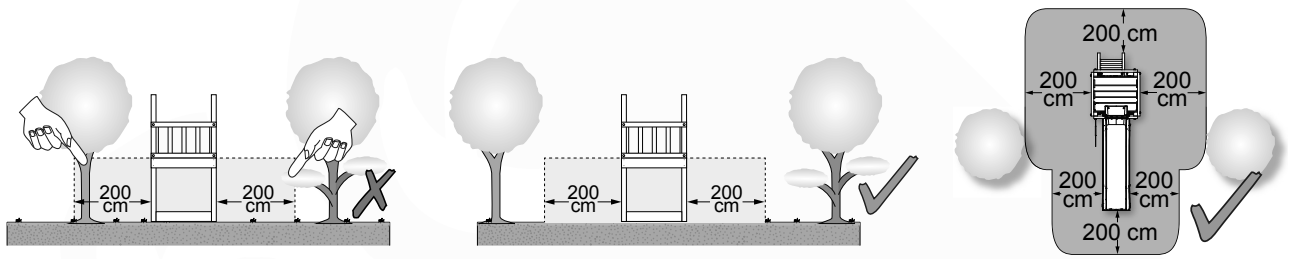
Download

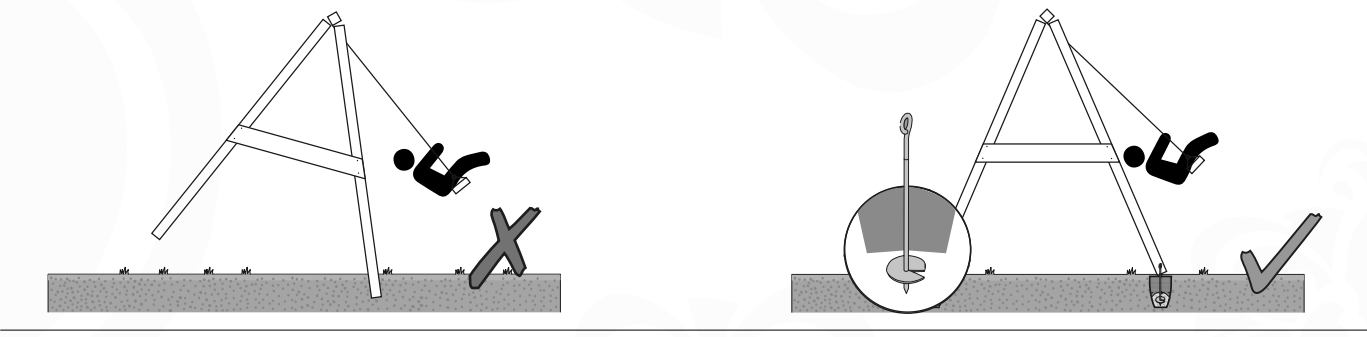
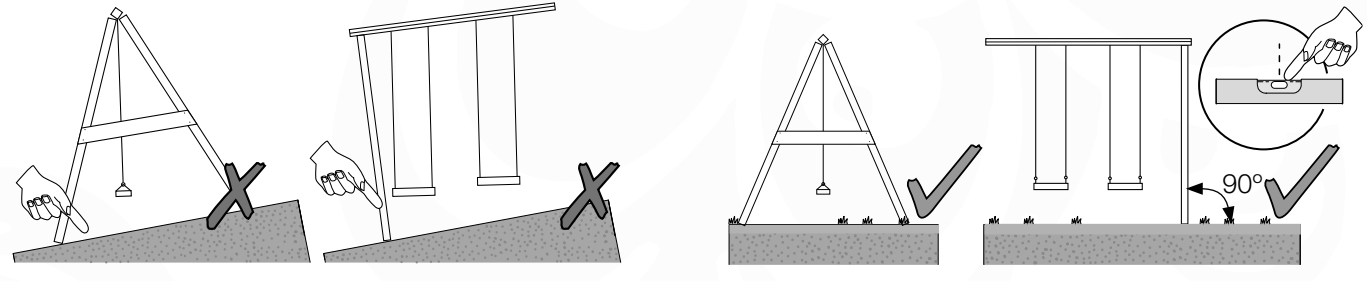
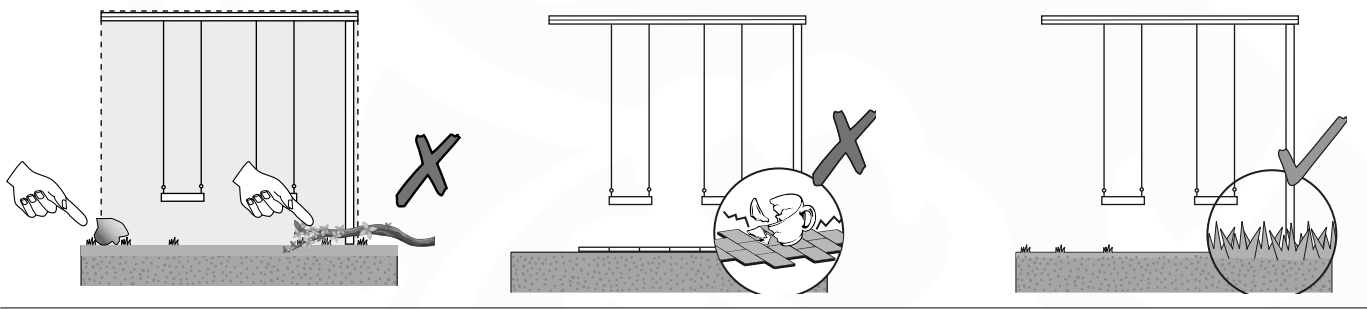
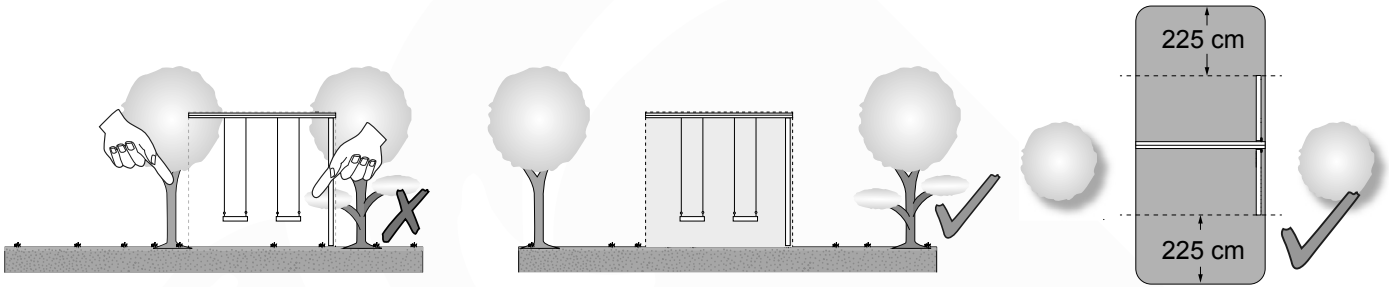


Part 1

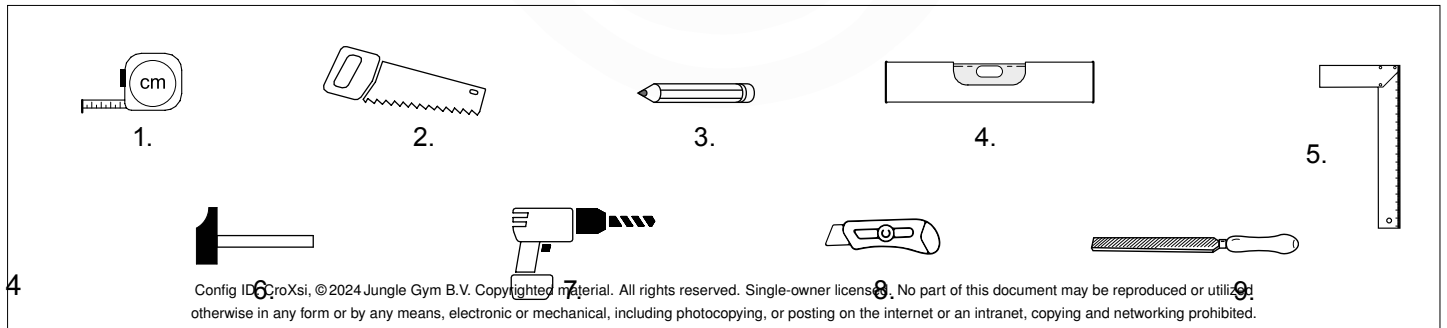


## 2.2 Planning

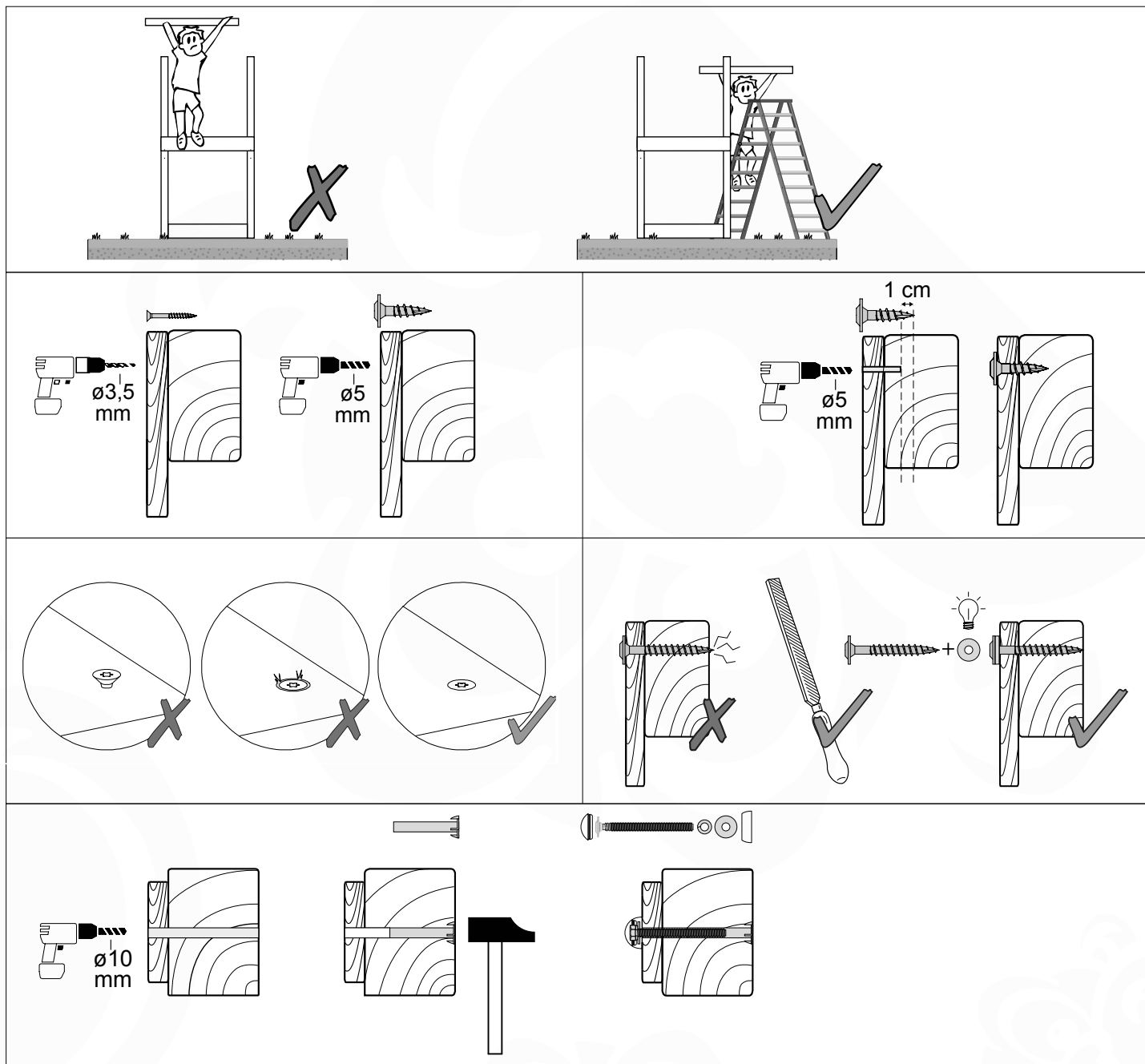




### 2.3 Tools



## 2.4 Assembly



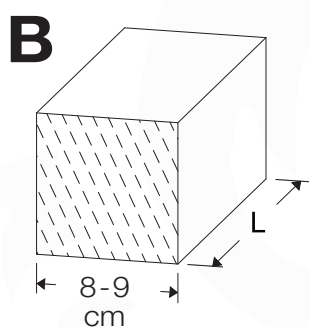
## 3 Overview

### 3.1 Order specification

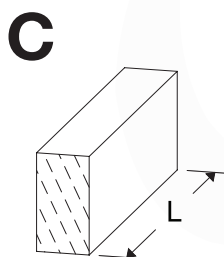


#	Description	Supplier ID	Assembly ID
2	Base Tower 140_270270_145	794_001	BT20a
1	Extension Tower 140140_220_145	794_107	ET39a
2	Roof Timber Slope 140	794_203	RF15a
2	Balustrade 140_ U	794_301	BL05a
1	Balustrade 140_ T	794_301	BL06a
2	Balustrade 70/140_ U L	794_302	BL07a
1	Playhouse 140 U Wall	794_311	PH20a
1	Playhouse 140 T Window	794_313	PH27a
1	Playhouse 140 Roof 120 set	794_314	PH33a
1	Rock wall 70/140_145 T R	794_402	RW20a
1	Ladder 70/140_145 U R	794_432	LA24a
1	Picnic 140 U	794_503	PC09a
1	Clatter Bridge 80 uni	790_601	CB01a
1	Bridge Frame 140 T L	794_602	BF23a
1	Bridge Frame 140 T R	794_602	BF24a
1	Slide Frame 70/140145 T L	794_901	SL28a
1	Fireman's pole 70/140_145 U R	794_911	FP26a
1	2- Climb Module 220_Extra 3.1	750_236	CL23a
1	Accessories Set	194_119	AC01a
2	Accessories Swing Seat	250_034	AC21a
1	Accessories Mesh for Bridge	123_230	AC30a
1	Wavy Star Slide XXL	334_x00a	334_x00a

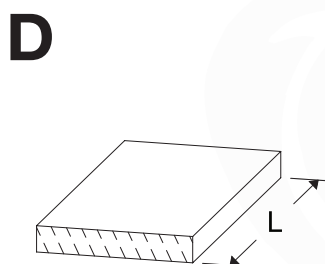
## 3.2 Timber parts



B74	73 cm - 74 cm	1
B220	219 cm - 220 cm	2
B240	239 cm - 240 cm	5
B270	269 cm - 270 cm	8



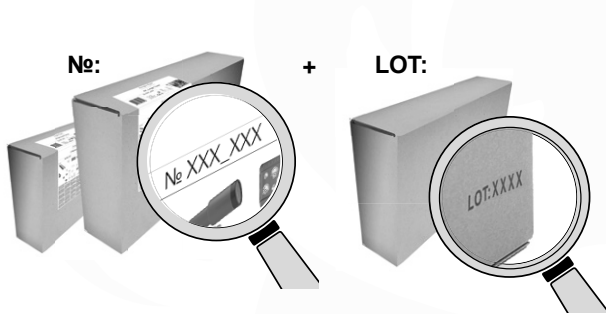
C37	36 cm - 37 cm	3
C70	69 cm - 70 cm	5
C74	73 cm - 74 cm	12
C84	83 cm - 84 cm	4
C96	85 cm - 96 cm	9
C141	140 cm - 141 cm	34
C150	149 cm - 150 cm	2
C206	205 cm - 206 cm	1



D47	46 cm - 47 cm	9
D60	59 cm - 60 cm	12
D65	64 cm - 65 cm	42
D74	73 cm - 74 cm	2
D100	99 cm - 100 cm	2
D123	122 cm - 123 cm	61
D141	140 cm - 141 cm	69
D154	153 cm - 154 cm	48

# 4 Product registration

## 4.1 Assembly kits



### Example

№: X X X \_ X X X LOT X X X X

	№:										LOT							
1.	■	■	■	■	■	■	■	■	■	■	■	■	■	■	■	■	■	■
2.	■	■	■	■	■	■	■	■	■	■	■	■	■	■	■	■	■	■
3.	■	■	■	■	■	■	■	■	■	■	■	■	■	■	■	■	■	■
4.	■	■	■	■	■	■	■	■	■	■	■	■	■	■	■	■	■	■
5.	■	■	■	■	■	■	■	■	■	■	■	■	■	■	■	■	■	■

	№:										LOT							
6.	■	■	■	■	■	■	■	■	■	■	■	■	■	■	■	■	■	■
7.	■	■	■	■	■	■	■	■	■	■	■	■	■	■	■	■	■	■
8.	■	■	■	■	■	■	■	■	■	■	■	■	■	■	■	■	■	■
9.	■	■	■	■	■	■	■	■	■	■	■	■	■	■	■	■	■	■
10.	■	■	■	■	■	■	■	■	■	■	■	■	■	■	■	■	■	■

## 4.2 Slide



■	■	■	■	■	■
■	■	■	■	■	■
■	■	■	■	■	■



### 4.3 Assembly packs



#### Example

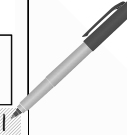
Accessory Set

**AC**

194\_119

**1x**

LOT: 2 5 1 1



<p>Slide Frame</p> <p><b>SL</b></p> <p>194_107</p> <p><b>1x</b></p> <p>LOT: [ ] [ ] [ ] [ ] [ ] [ ] [ ] [ ] [ ] [ ]</p>	<p>Window Hardware / Roof 140</p> <p><b>RF PH</b></p> <p>194_508</p> <p><b>2x</b></p> <p>LOT: [ ] [ ] [ ] [ ] [ ] [ ] [ ] [ ] [ ] [ ]</p>	<p>Climb Module Kit</p> <p><b>CL</b></p> <p>457_107</p> <p><b>1x</b></p> <p>LOT: [ ] [ ] [ ] [ ] [ ] [ ] [ ] [ ] [ ] [ ]</p>	<p>Bridge Frame</p> <p><b>BF</b></p> <p>194_007</p> <p><b>2x</b></p> <p>LOT: [ ] [ ] [ ] [ ] [ ] [ ] [ ] [ ] [ ] [ ]</p>	<p>Accessory Set</p> <p><b>AC</b></p> <p>194_119</p> <p><b>1x</b></p> <p>LOT: [ ] [ ] [ ] [ ] [ ] [ ] [ ] [ ] [ ] [ ]</p>
<p>Hardware 10</p> <p><b>H10</b></p> <p>194_810</p> <p><b>1x</b></p> <p>LOT: [ ] [ ] [ ] [ ] [ ] [ ] [ ] [ ] [ ] [ ]</p>	<p>Canvas 136 x 74cm</p> <p>73.5 cm</p> <p>123_220</p> <p><b>1x</b></p> <p>LOT: [ ] [ ] [ ] [ ] [ ] [ ] [ ] [ ] [ ] [ ]</p>	<p>Hardware 09</p> <p><b>H09</b></p> <p>194_809</p> <p><b>1x</b></p> <p>LOT: [ ] [ ] [ ] [ ] [ ] [ ] [ ] [ ] [ ] [ ]</p>	<p>Swing Seat</p> <p><b>AC</b></p> <p>250_034</p> <p><b>2x</b></p> <p>LOT: [ ] [ ] [ ] [ ] [ ] [ ] [ ] [ ] [ ] [ ]</p>	<p>Tower 140</p> <p><b>BT ET</b></p> <p>194_500</p> <p><b>3x</b></p> <p>LOT: [ ] [ ] [ ] [ ] [ ] [ ] [ ] [ ] [ ] [ ]</p>
<p>Clatter Bridge</p> <p><b>CB</b></p> <p>194_116</p> <p><b>1x</b></p> <p>LOT: [ ] [ ] [ ] [ ] [ ] [ ] [ ] [ ] [ ] [ ]</p>	<p>Hardware 01</p> <p><b>BL H01</b></p> <p>194_101</p> <p><b>2x</b></p> <p>LOT: [ ] [ ] [ ] [ ] [ ] [ ] [ ] [ ] [ ] [ ]</p>	<p>Slide XXL 2.6m</p> <p>334_x00</p> <p><b>1x</b></p> <p>LOT: [ ] [ ] [ ] [ ] [ ] [ ] [ ] [ ] [ ] [ ]</p>	<p>Rock Wall</p> <p><b>RW</b></p> <p>194_006</p> <p><b>1x</b></p> <p>LOT: [ ] [ ] [ ] [ ] [ ] [ ] [ ] [ ] [ ] [ ]</p>	<p>Fireman's Pole</p> <p><b>FP</b></p> <p>201_275</p> <p><b>1x</b></p> <p>LOT: [ ] [ ] [ ] [ ] [ ] [ ] [ ] [ ] [ ] [ ]</p>
<p>Balustrade 140</p> <p><b>BL</b></p> <p>194_501</p> <p><b>4x</b></p> <p>LOT: [ ] [ ] [ ] [ ] [ ] [ ] [ ] [ ] [ ] [ ]</p>	<p>Mesh Green 185 x 120cm</p> <p>120 cm</p> <p>123_230</p> <p><b>1x</b></p> <p>LOT: [ ] [ ] [ ] [ ] [ ] [ ] [ ] [ ] [ ] [ ]</p>	<p>Playhouse Panel</p> <p><b>PH</b></p> <p>194_118</p> <p><b>1x</b></p> <p>LOT: [ ] [ ] [ ] [ ] [ ] [ ] [ ] [ ] [ ] [ ]</p>	<p>Ladder 145</p> <p><b>LA</b></p> <p>194_004</p> <p><b>1x</b></p> <p>LOT: [ ] [ ] [ ] [ ] [ ] [ ] [ ] [ ] [ ] [ ]</p>	

## 4.4 Your config ID: CroXsi

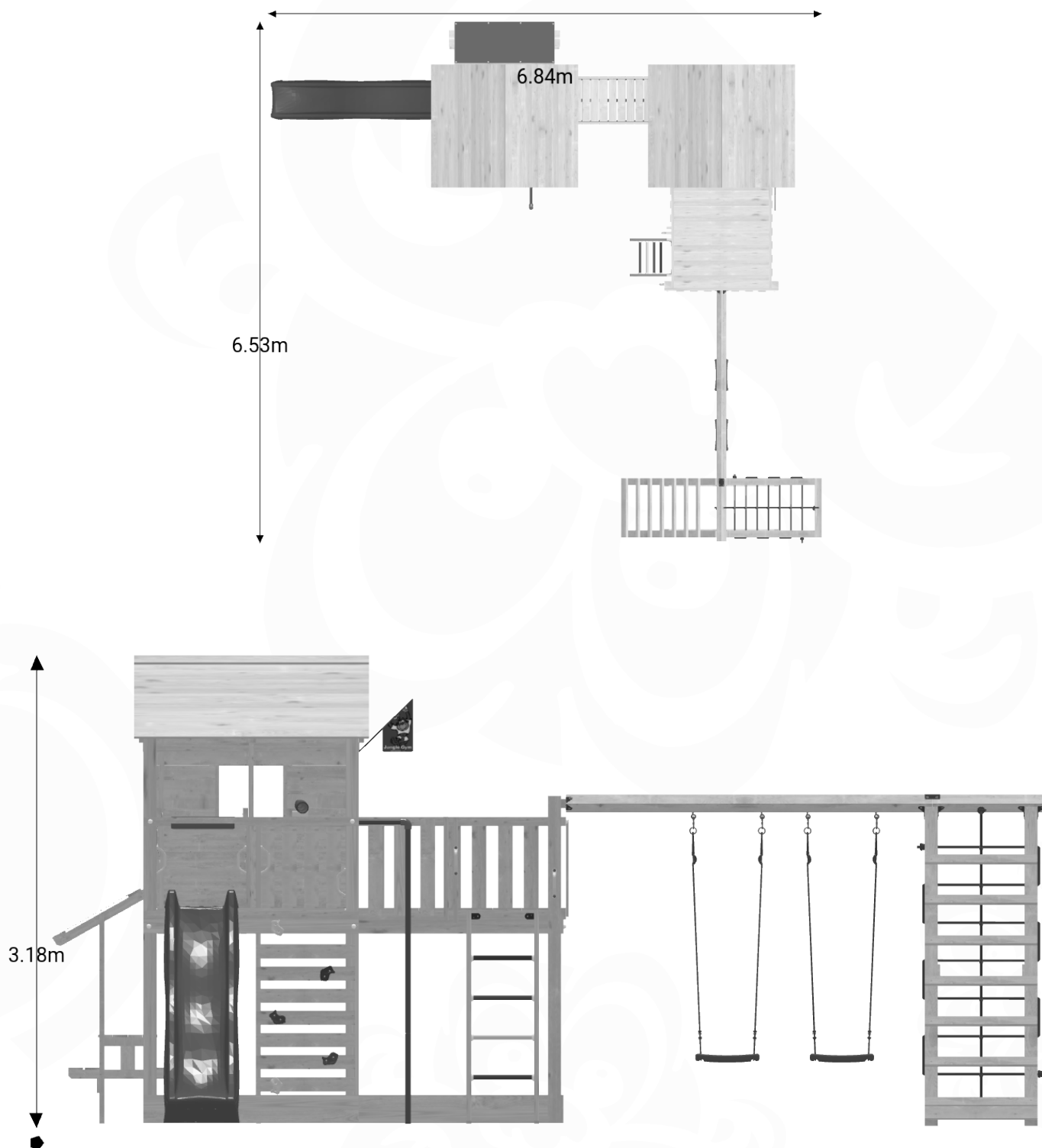


## 5 Hardware Identification

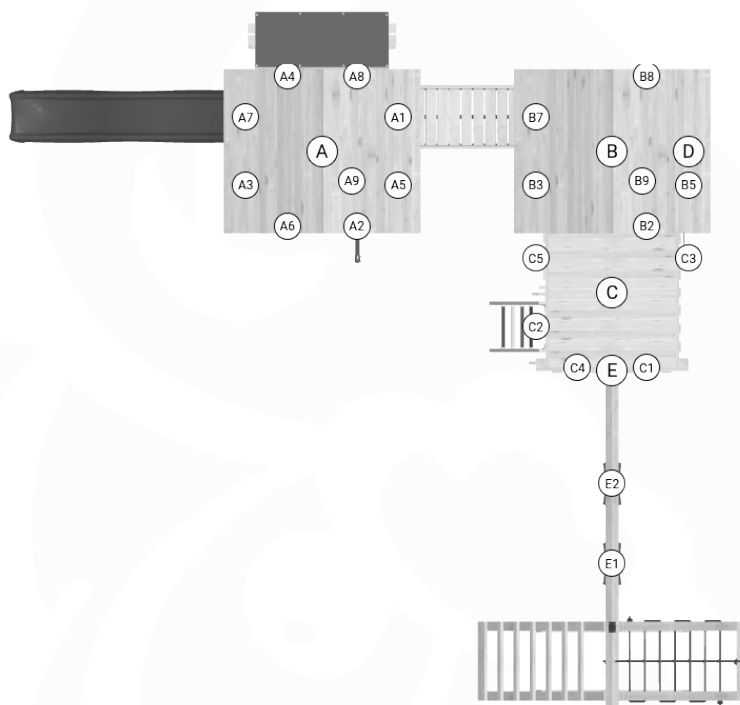
		SKU		L					
			001_404	30 mm				002_308	20 mm
			001_406	45 mm				002_219	30 mm
			001_411	60 mm				002_220	45 mm
			001_417	80 mm				002_223	80 mm
			001_422	137 mm					
			001_102	30 mm				004_050	22mm
			000_101	20 mm				003_010	
			002_036	16 mm				003_034	
			002_041	20 mm				022_845	Yellow
								022_846	Blue
								022_847	Green
								022_848	Red
			002_042	13 mm				023_031	White
			002_301	40 mm				120_005	White
								022_844	022_314

output: 27/06/24



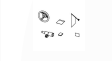
## 6 Dimensions



## 7 Assembly Planning



	ID			A	B	C	D	E
1	BT20a		p.14	✓	✓	-	-	-
2	ET39a		p.17	-	-	✓	-	-
3	BL05a		p.20	A4	-	C3	-	-
4	BL06a		p.21	-	-	C1	-	-
5	BL07a		p.22	A6	-	C5	-	-
6	RF15a		p.23	A9	B9	-	-	-
7	CB01a		p.26	A1	B7	-	-	-
8	BF23a		p.29	-	B3	-	-	-
9	BF24a		p.32	A5	-	-	-	-
10	PH20a		p.35	-	B8	-	-	-
11	PH27a		p.36	-	-	-	✓	-
12	PH33a		p.40	-	B9	-	-	-
13	RW20a		p.42	A3	-	-	-	-
14	PC09a		p.45	A4	-	-	-	-
15	LA24a		p.49	-	-	C2	-	-
16	CL23a		p.52	-	-	-	-	✓
17	SL28a		p.64	A7	-	-	-	-
18	FP26a		p.67	A2	-	-	-	-

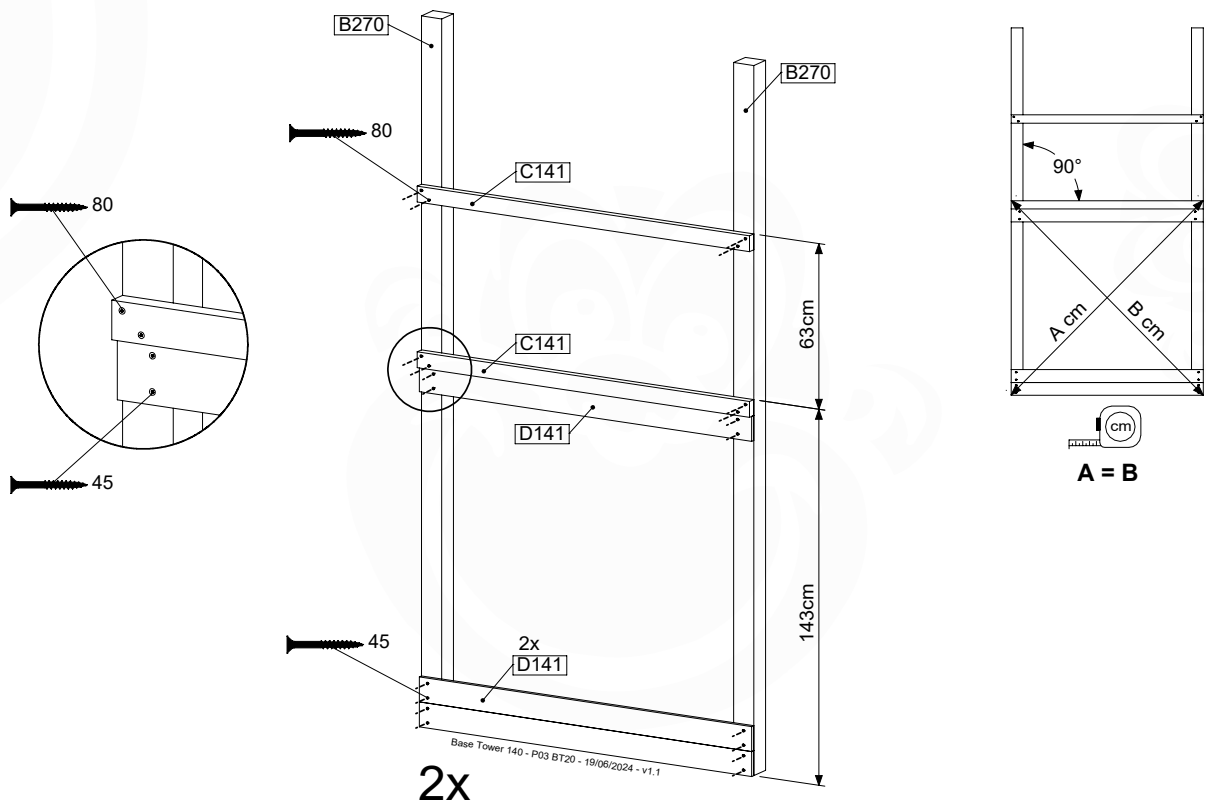
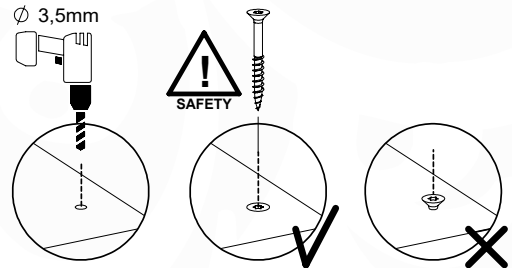
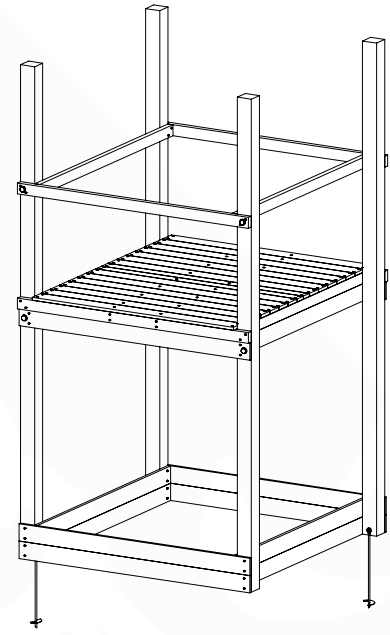
	ID			A	B	C	D	E
19	GA		p.68	✓	✓	✓	-	✓
20	AC30a		p.70	A1	B7	-	-	-
21	AC01a		p.72	-	✓	-	-	-

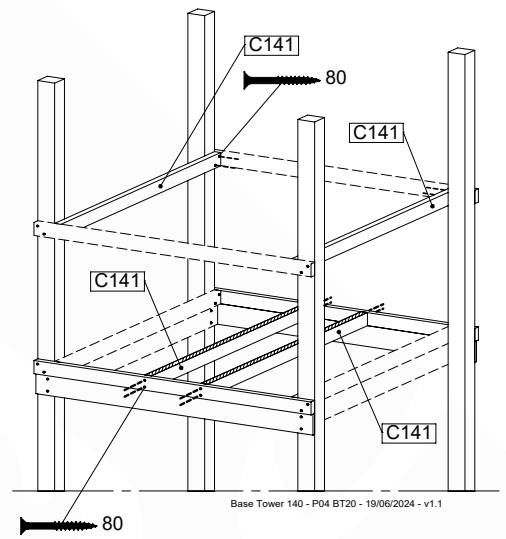
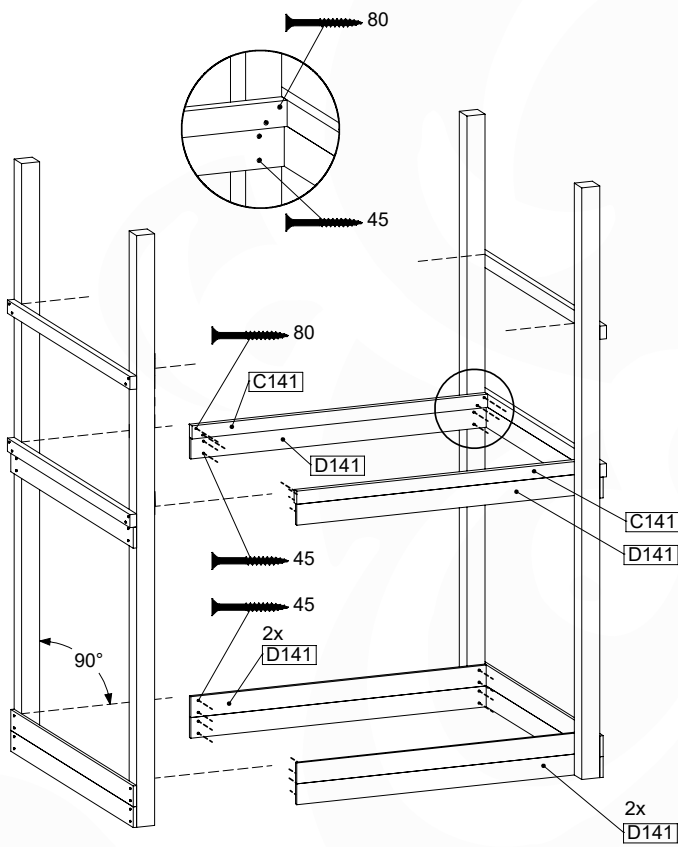
# 8 BT20a: Base Tower 140 145cm 270270

Assembly Pack: 194\_500

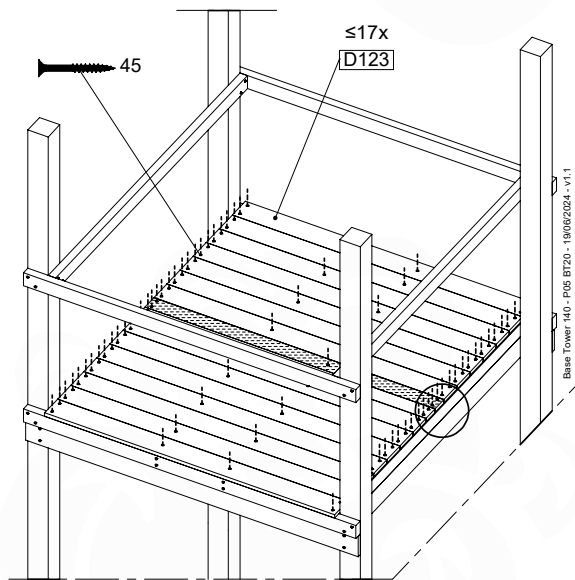
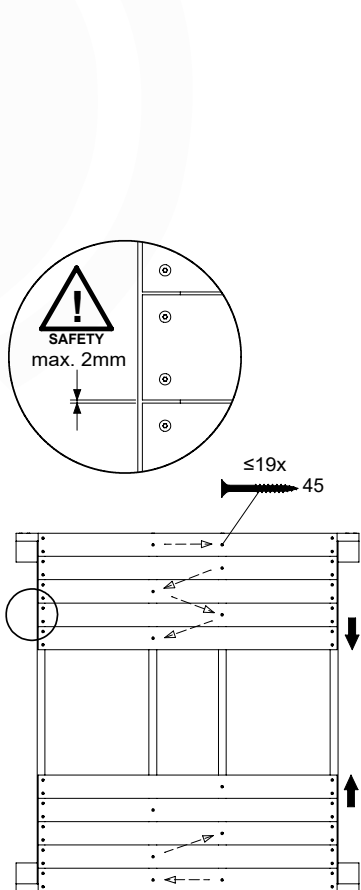
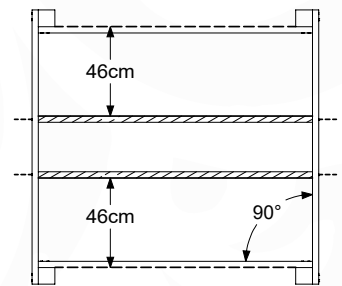
	PartNo	PartName	QTY.
Hardware + Parts	001_406	Stealth Screw 8x45	6
	001_417	Stealth Screw 8x80	4
	002_220	Gap Point Screw T25 - 5x45	135
	002_223	Gap Point Screw T25 - 5x80	40
	007_001	Ground-anchor	2
	022_31x	bpc-base version 3	8
	022_84x	bpc cover	8
Timber	B270	Post 90x90 L2700	4
	C141	Beam 1410 mm	10
	D123	Board 1230 mm	17
	D141	Board 1410 mm	12

Base Tower 140 - P02 BT20 - 19/08/2024 - v1.1

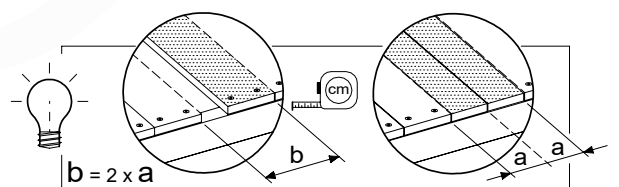
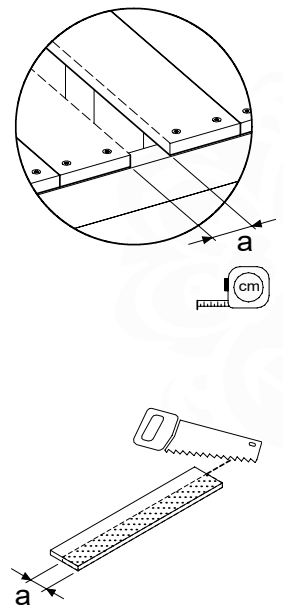


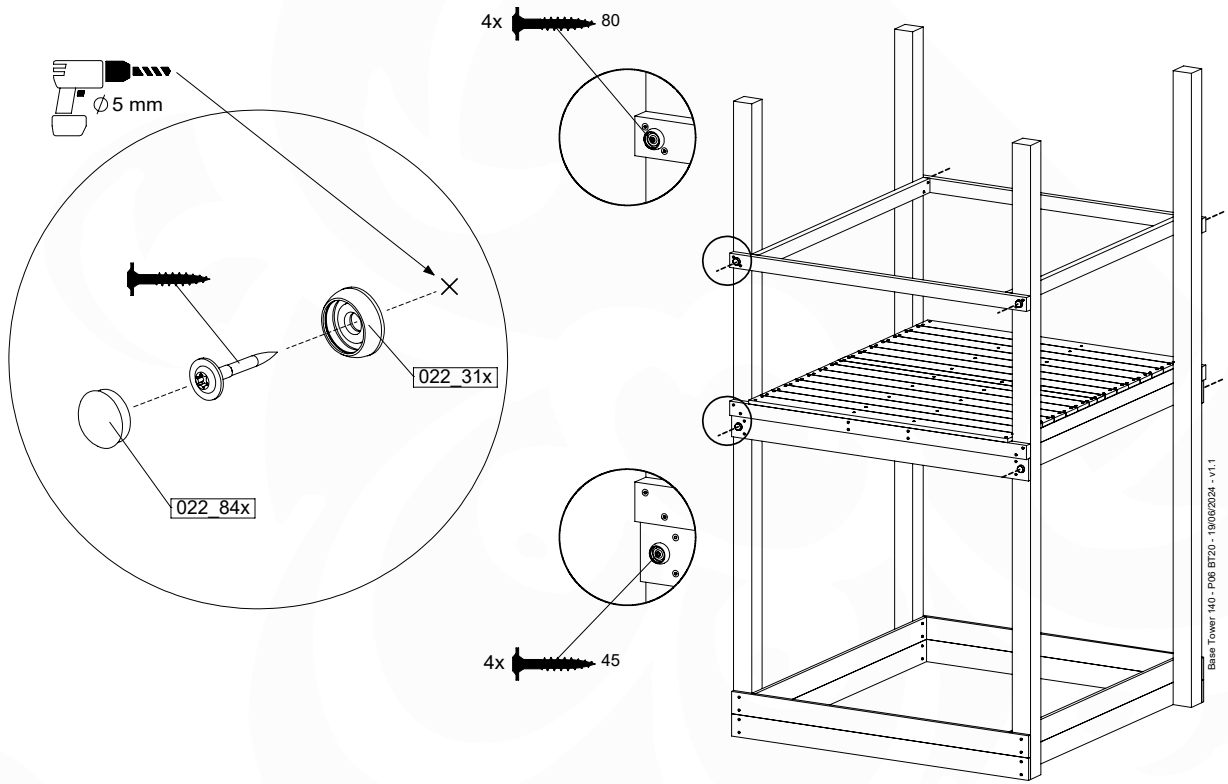


Base Tower 140 - P04 BT20 - 19/06/2024 - v1.1



Base Tower 140 - P05 BT20 - 19/06/2024 - v1.1





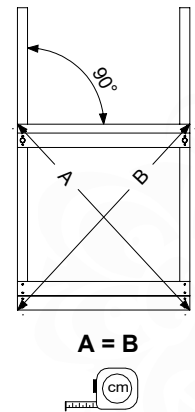
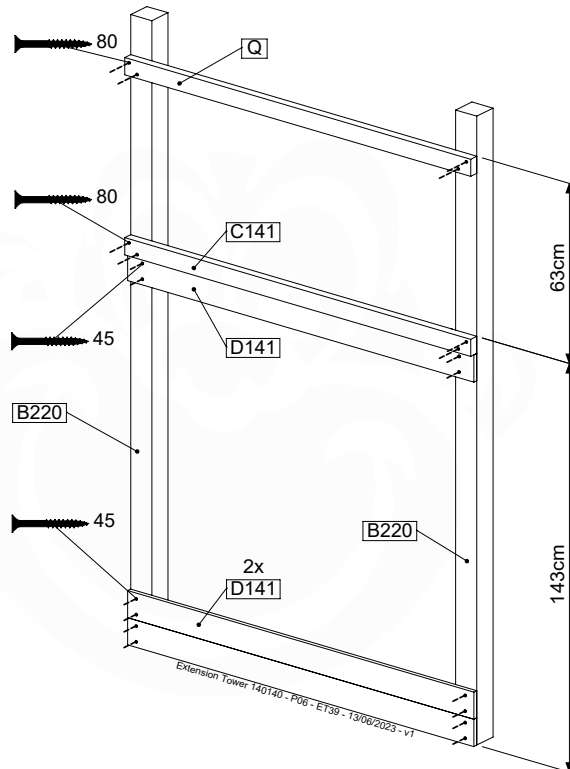
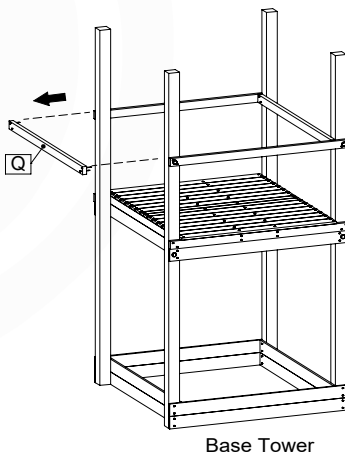
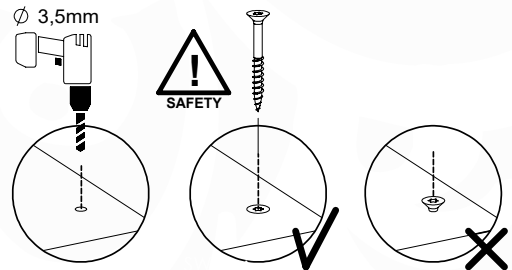
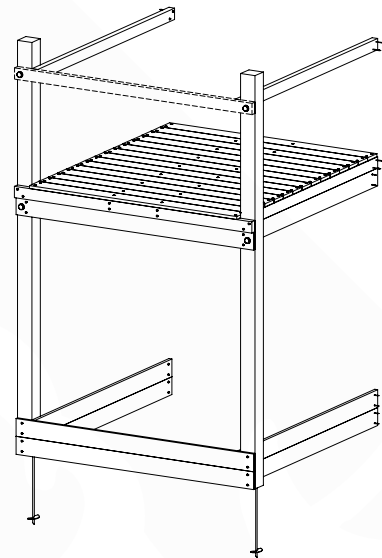


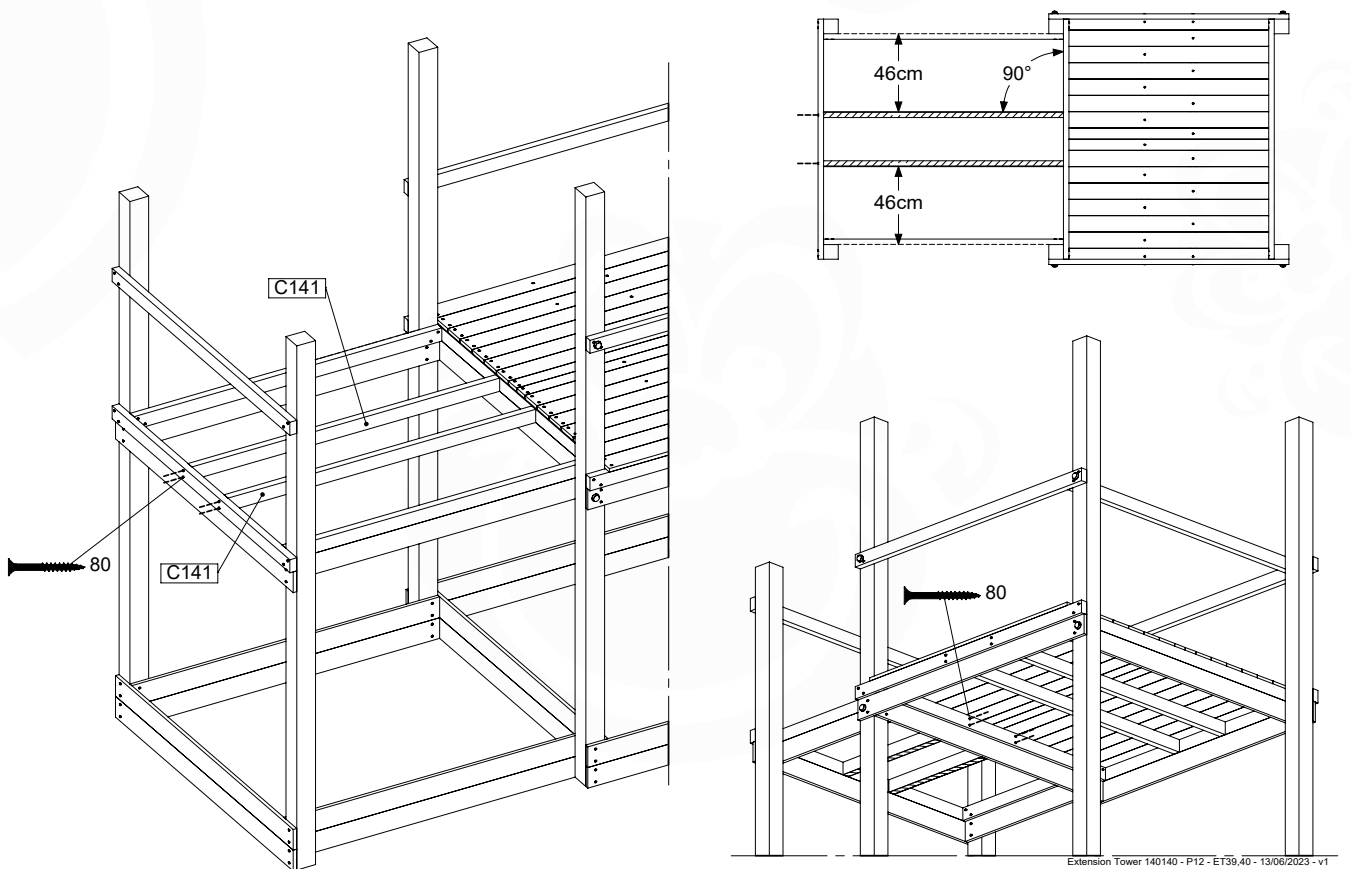
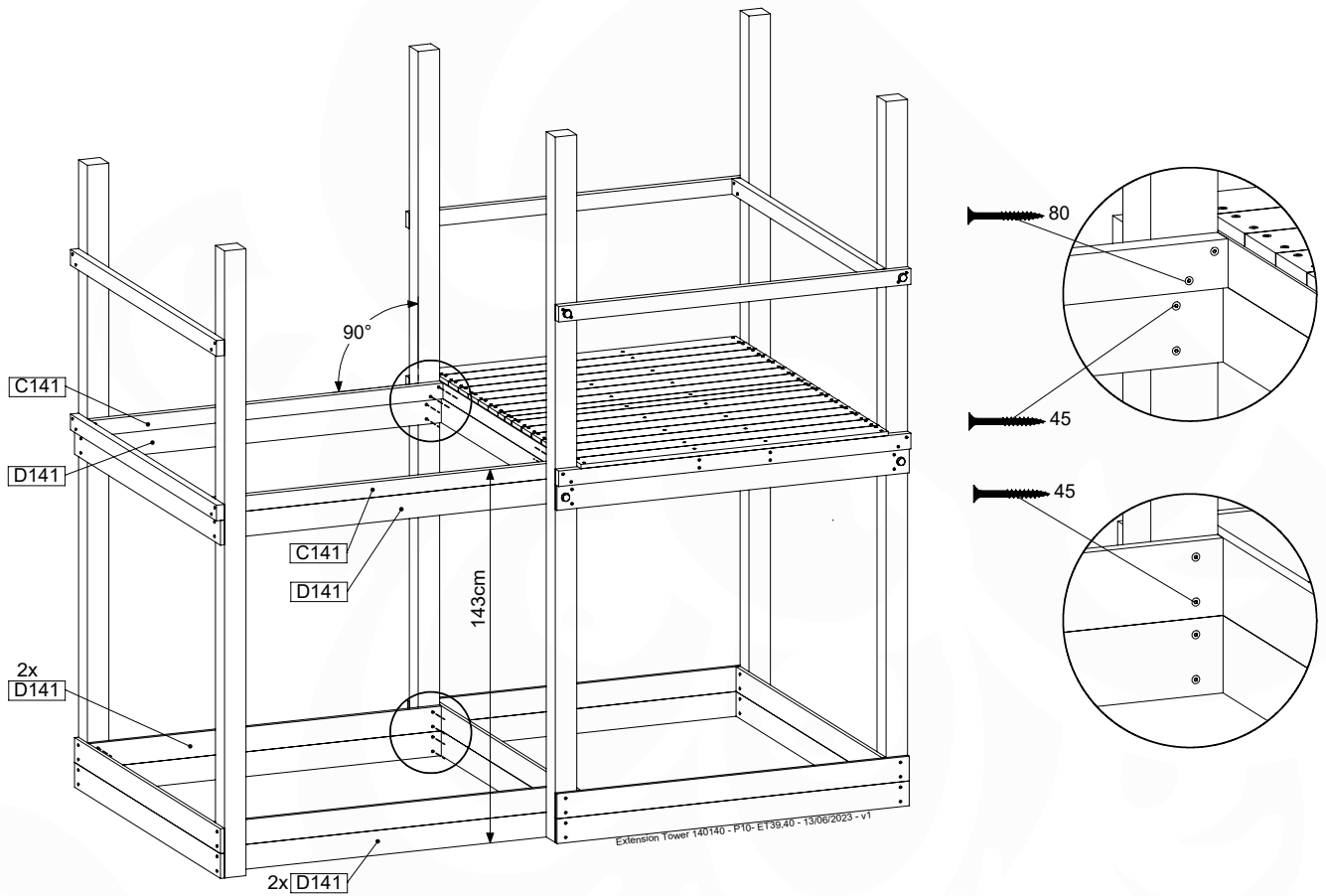
# 9 ET39a: Extension Tower 14080 220/145

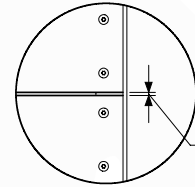
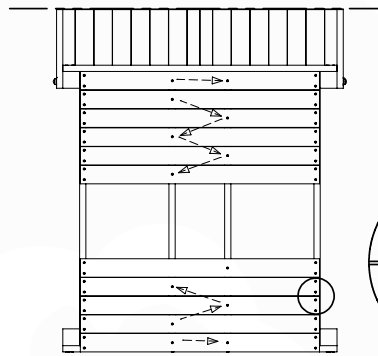
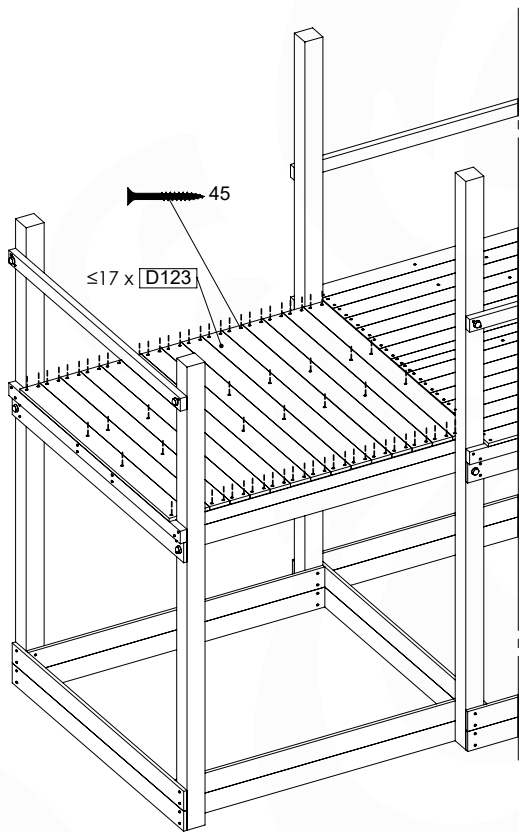
( 194\_500 )

	PartNo	PartName	QTY.
Hardware pack	001_406	Stealth Screw 8x45	4
	001_417	Stealth Screw 8x80	2
	002_220	Gap Point Screw T25 - 5x45	123
	002_223	Gap Point Screw T25 - 5x80	28
Other	007_001	Ground-anchor	2
	022_31x	bpc-base version 3	4
	022_84x	bpc cover	4
Timber	B220	Post 90x90 L2200	2
	C141	Beam 1410 mm	7
	D123	Board 1230 mm	17
	D141	Board 1410 mm	9

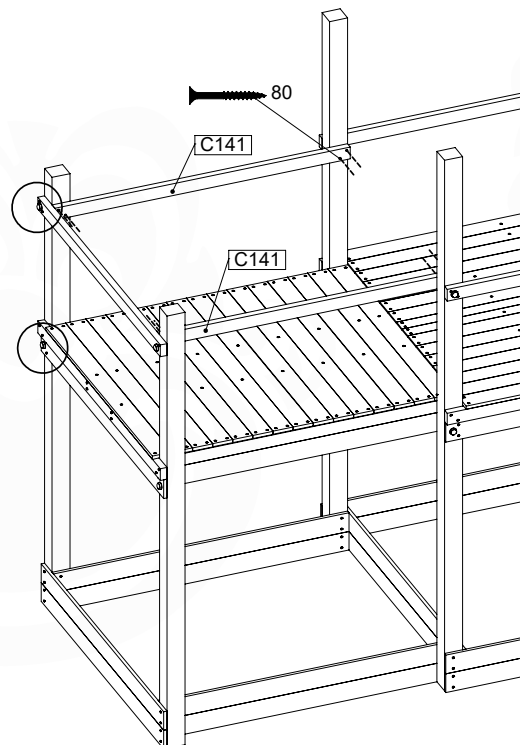
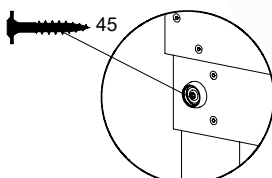
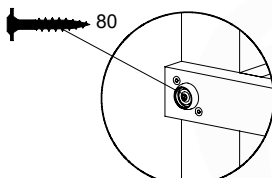
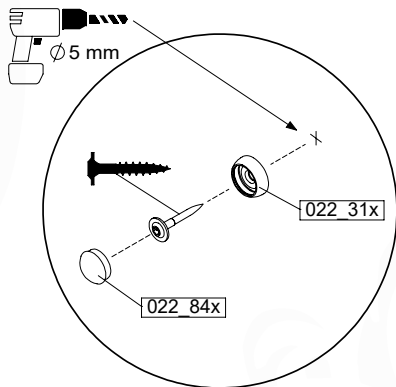
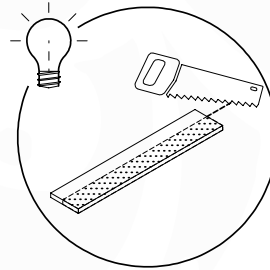
Extension Tower 140140 - P02 - ET39 - 13/06/2023 - v1







SAFETY  
max. 2mm

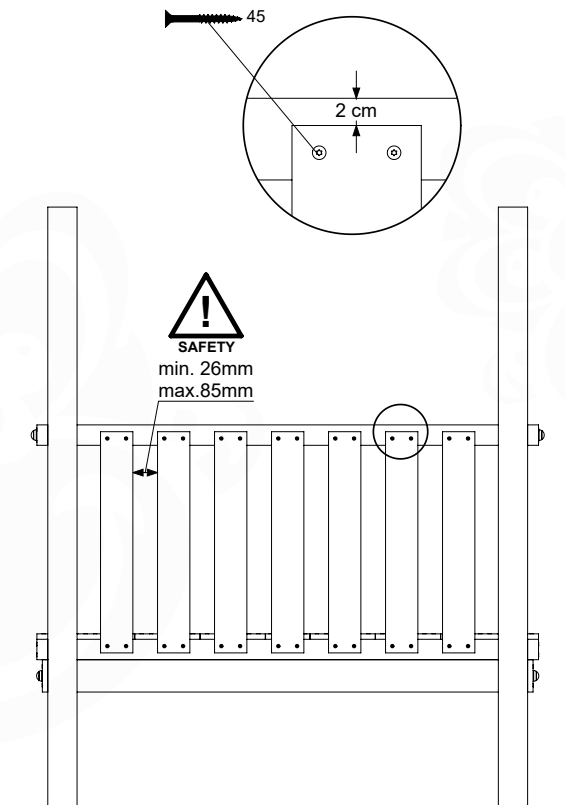
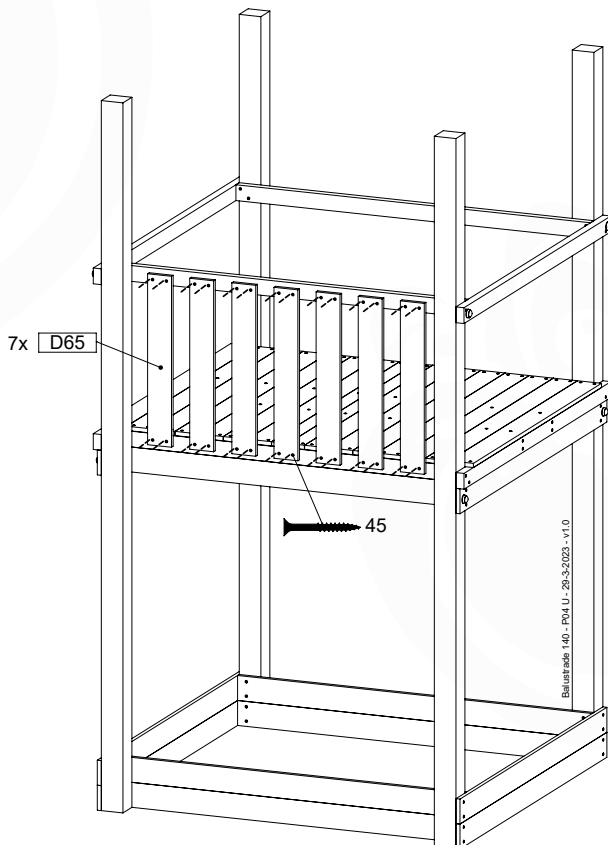
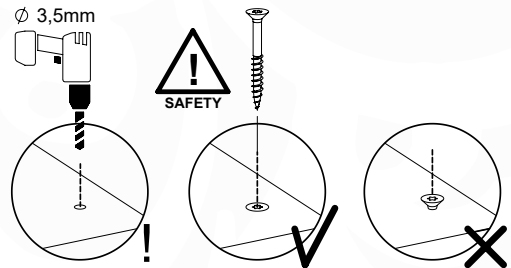
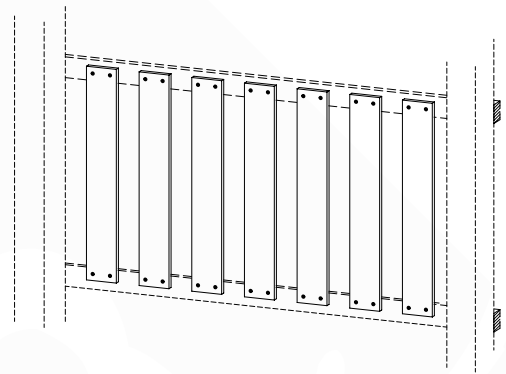


# 10 BL05a: Balustrade 140 U

( 194\_501 )

	PartNo	PartName	QTY.
Hardware pack	002_220	Gap Point Screw T25 - 5x45	28
Timber	D65	Board 650 mm	7

Balustrade 140 - P02 U - 28-3-2023 - v1.0

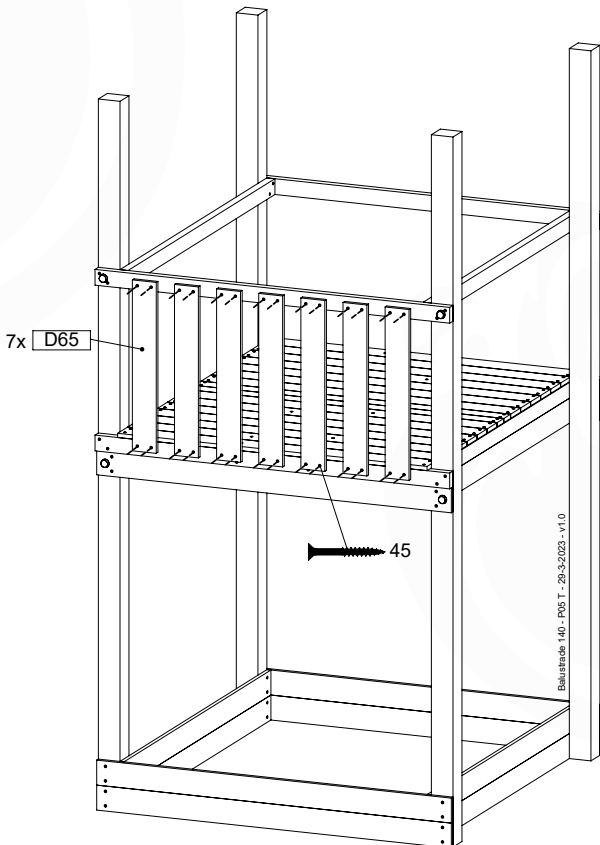
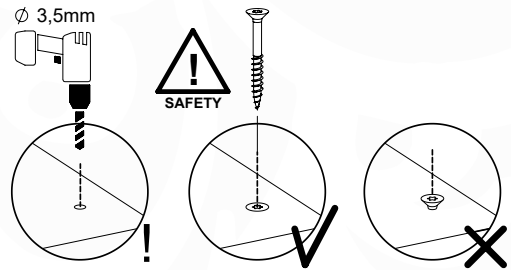
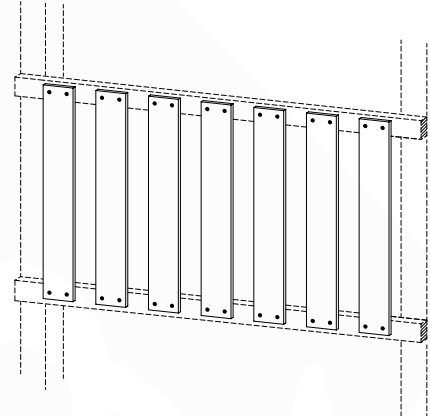


# 11 BL06a: Balustrade 140 T

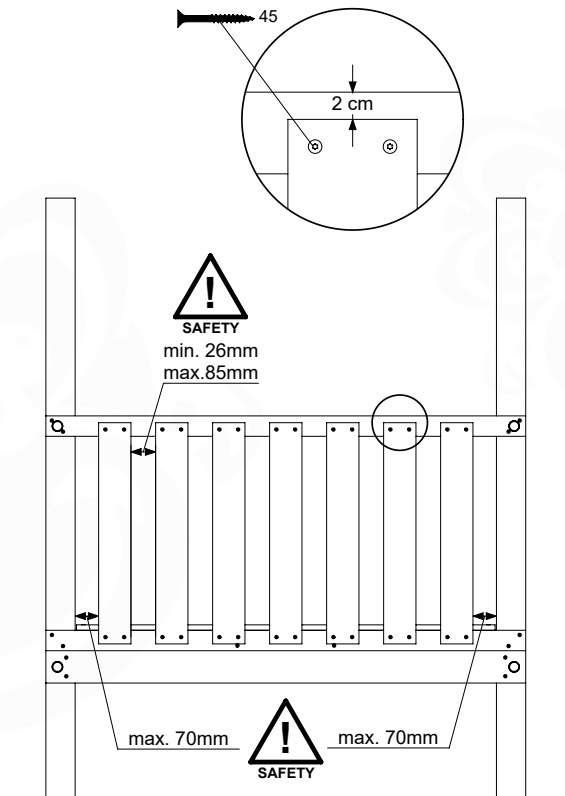
( 194\_501 )

	PartNo	PartName	QTY.
Hardware pack	002_220	Gap Point Screw T25 - 5x45	28
Timber	D65	Board 650 mm	7

Balustrade 140 - P03 T - 28-3-2023 - v1.0



Balustrade 140 - P05 T - 28-3-2023 - v1.0

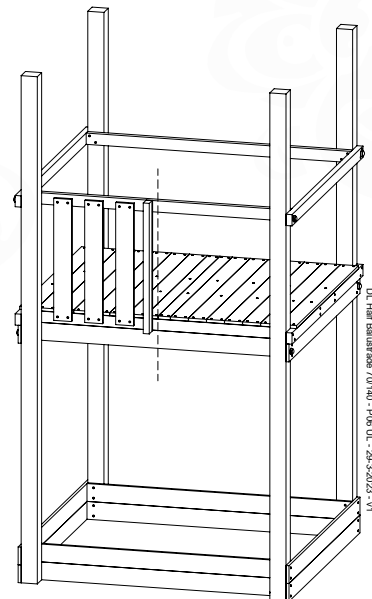
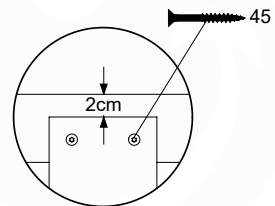
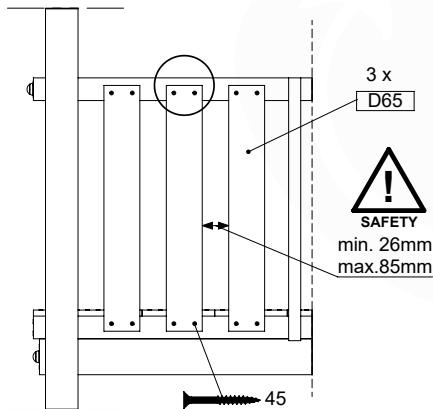
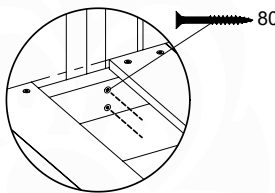
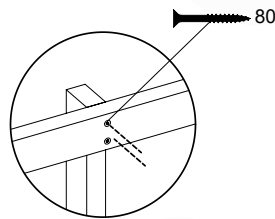
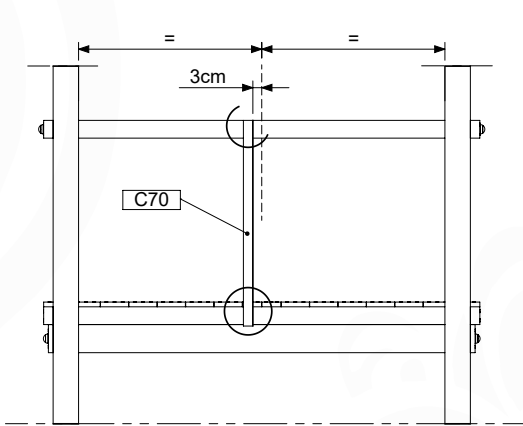
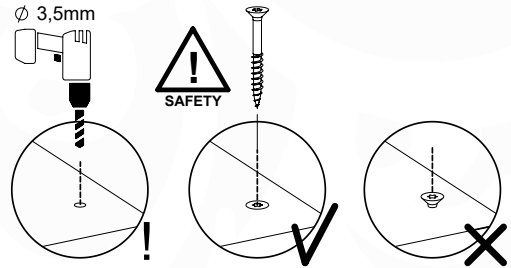
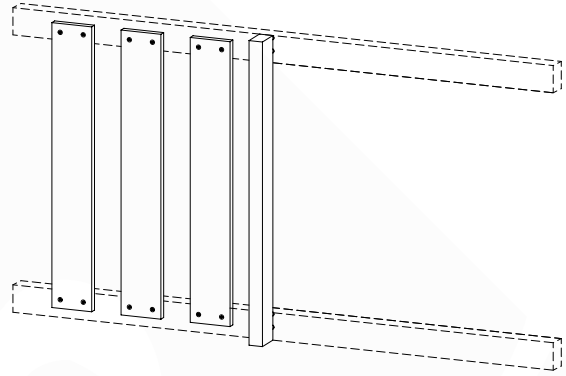


# 12 BL07a: Half Balustrade U Left

( 194\_101 )

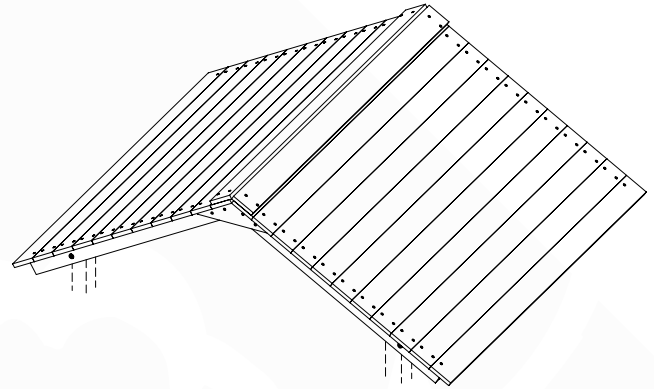
	PartNo	PartName	QTY.
Hardware pack	002_220	Gap Point Screw T25 - 5x45	12
	002_223	Gap Point Screw T25 - 5x80	4
Timber	C70	Beam 700 mm	1
	D65	Board 650 mm	3

DL Half Balustrade 70x40 - P02 UL - 29-3-2023 - v1



DL Half Balustrade 70x40 - P02 UL - 29-3-2023 - v1

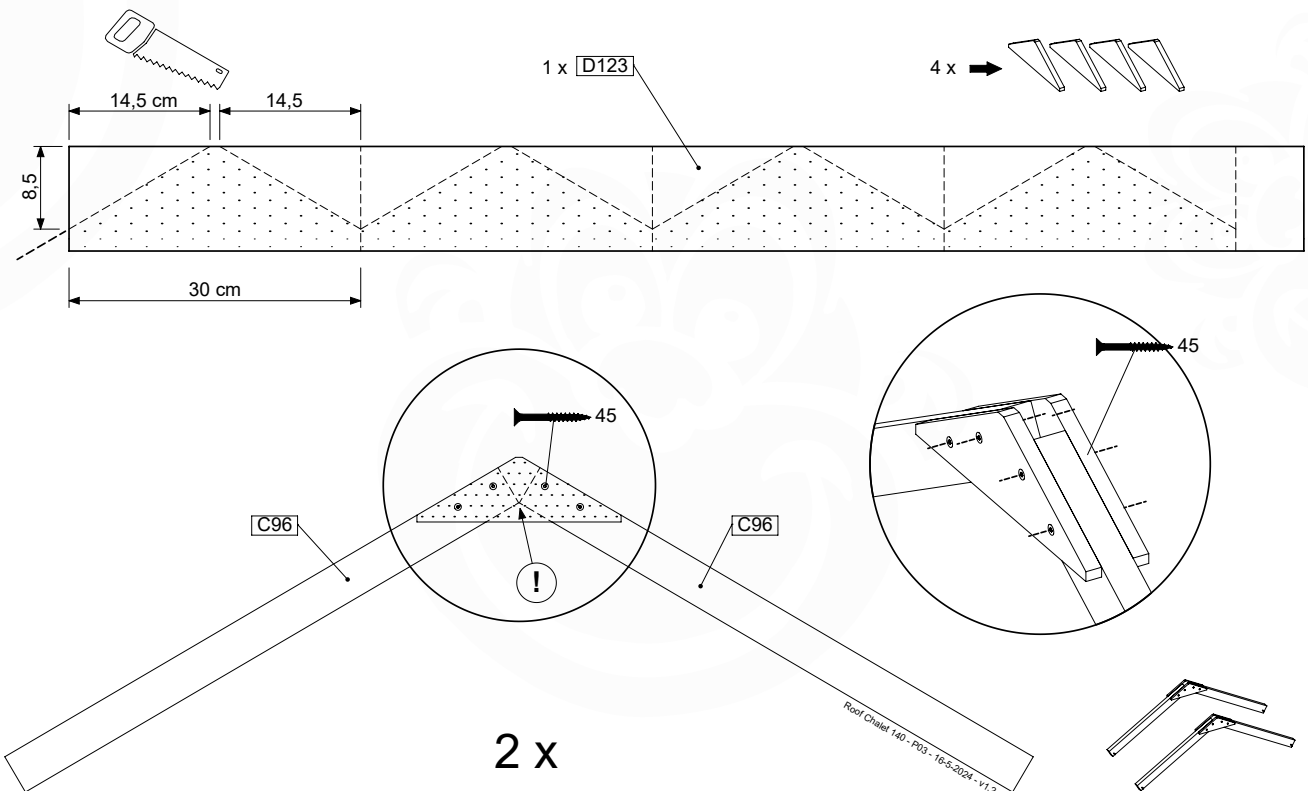
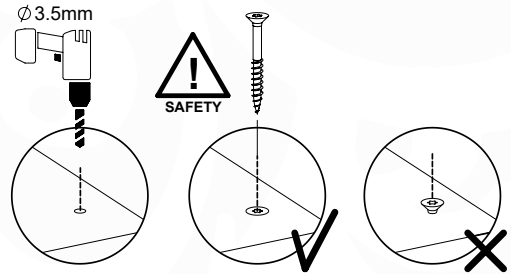
# 13 RF15a: Roof Timber Slope 140

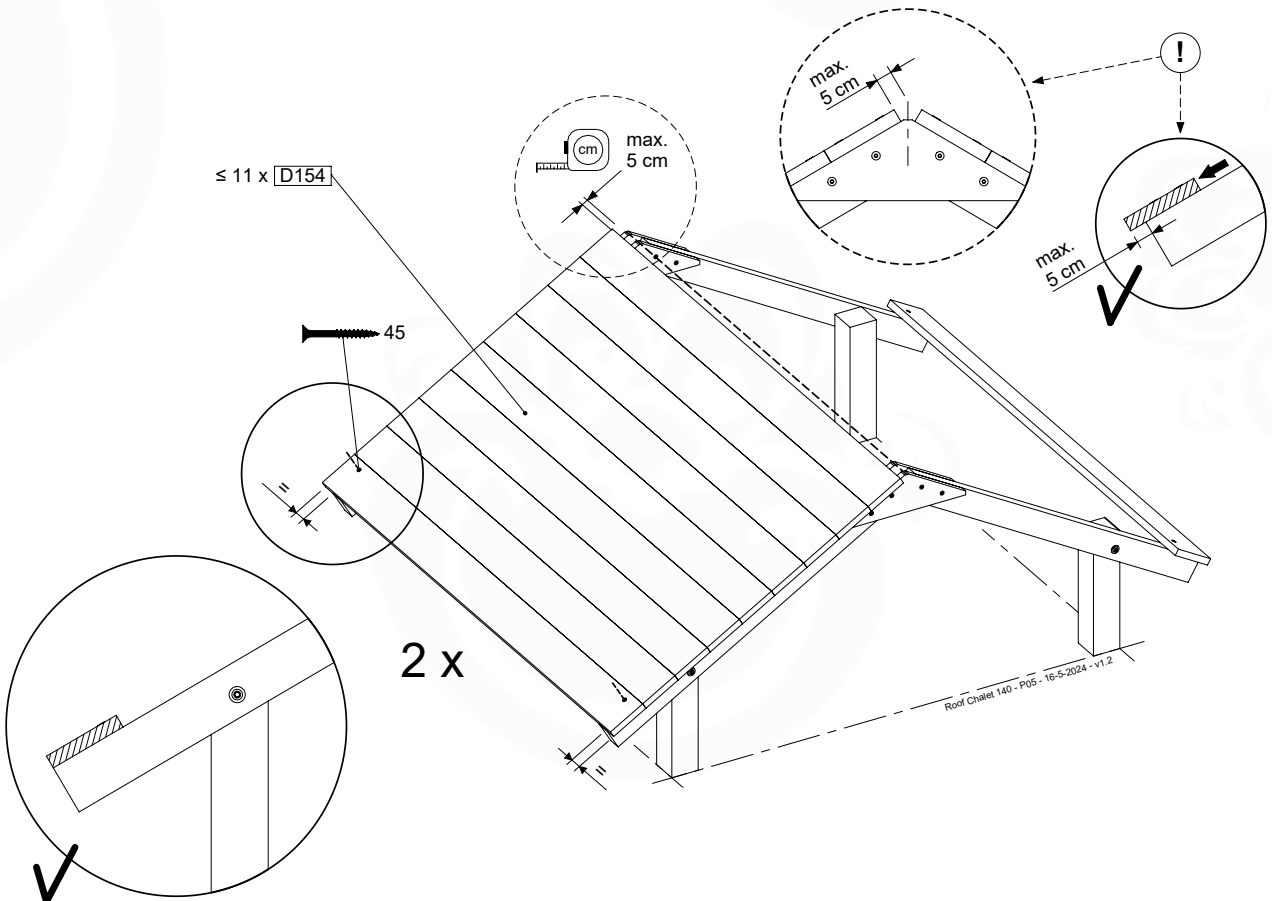
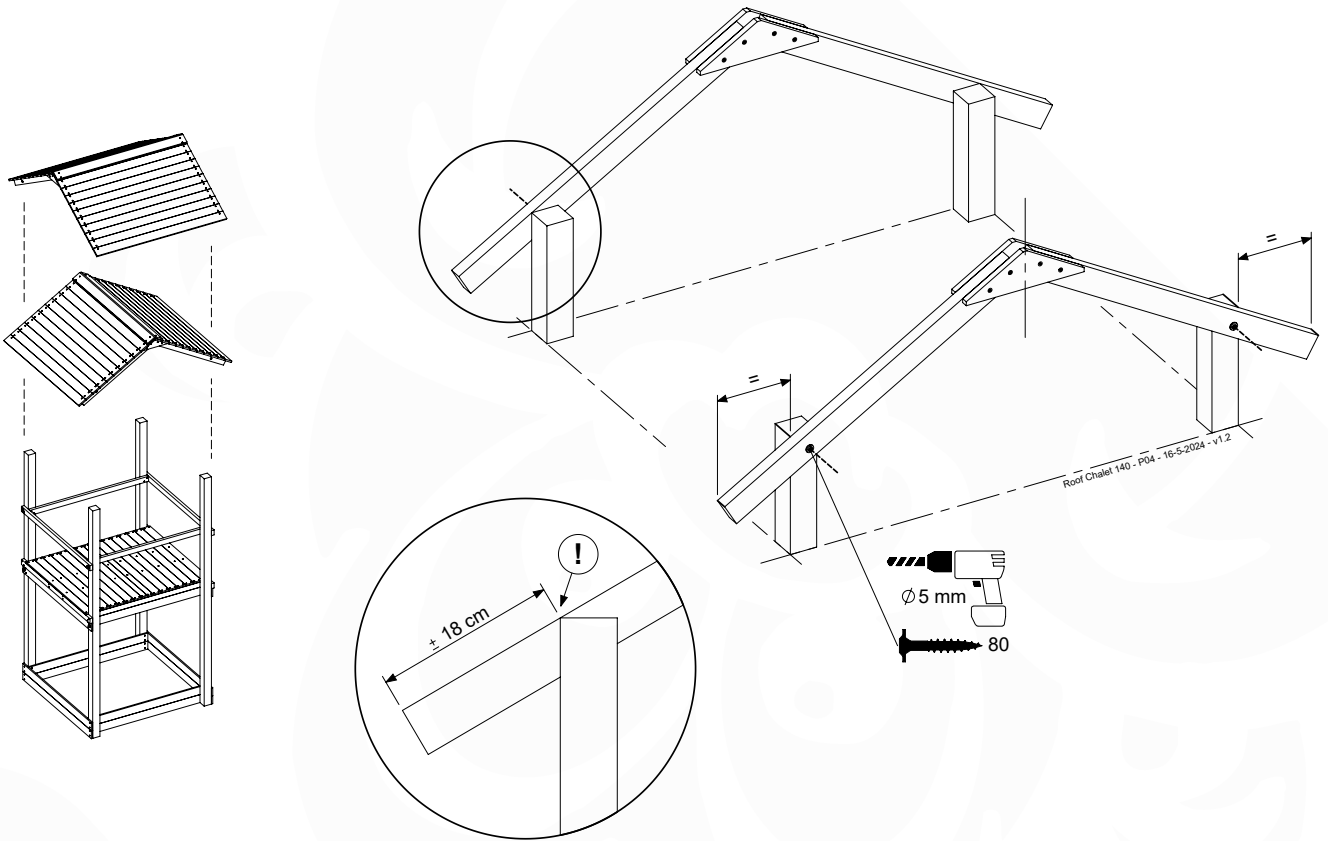


Assembly Pack: 194\_508 / 194\_804

	PartNo	PartName	QTY.
Hardware pack	001_417	Stealth Screw 8x80	4
	002_220	Gap Point Screw T25 - 5x45	108
Timber	C96	Beam 960 mm	4
	D123	Board 1230 mm	1
	D154	Board 1540 mm	24

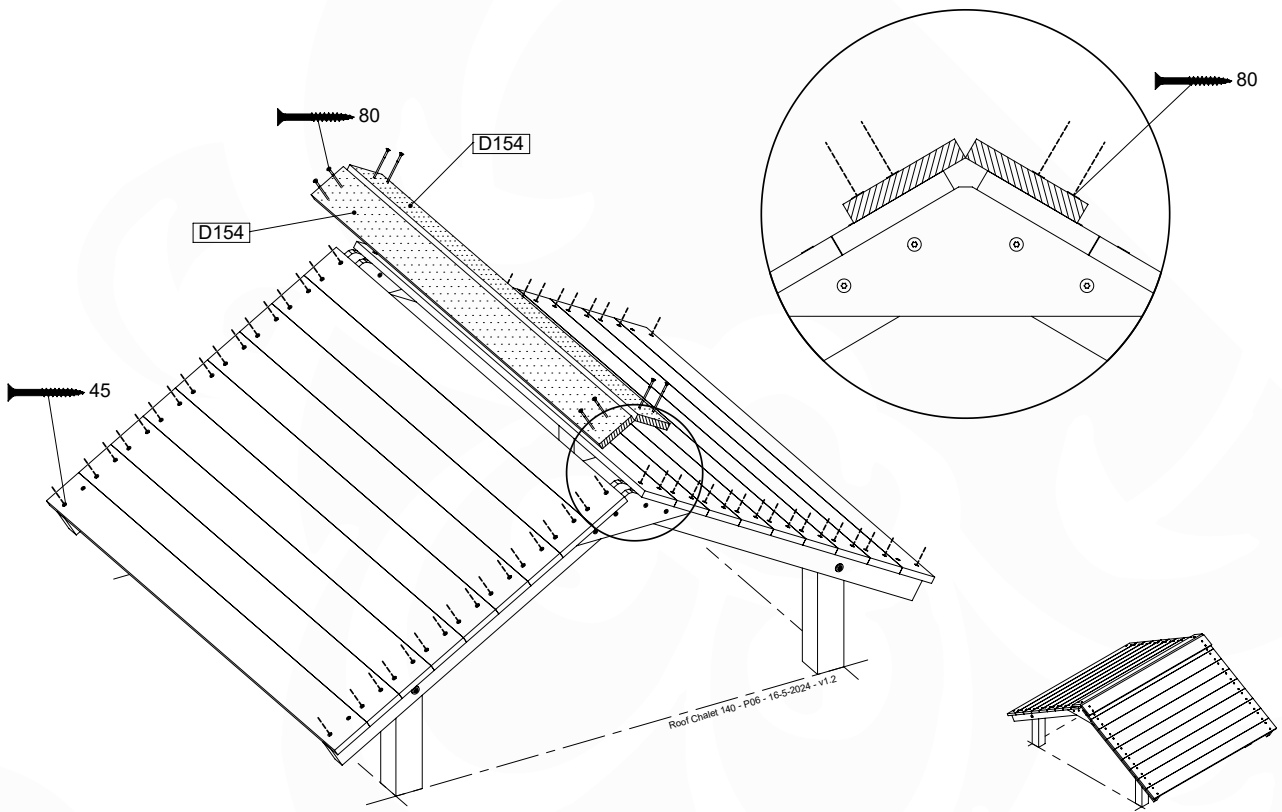
Roof Chisel 140 - P03 - 16-5-2024 - v1.2







13.2

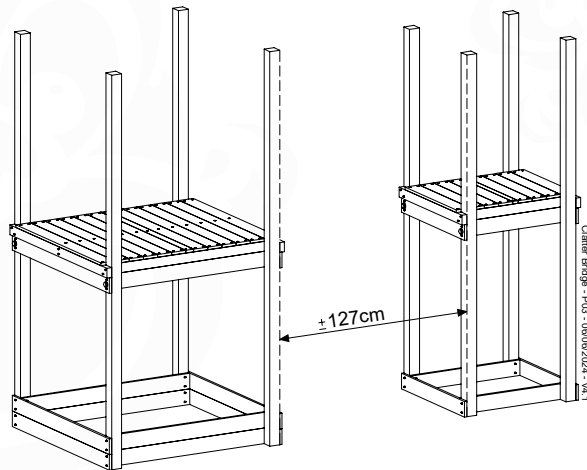
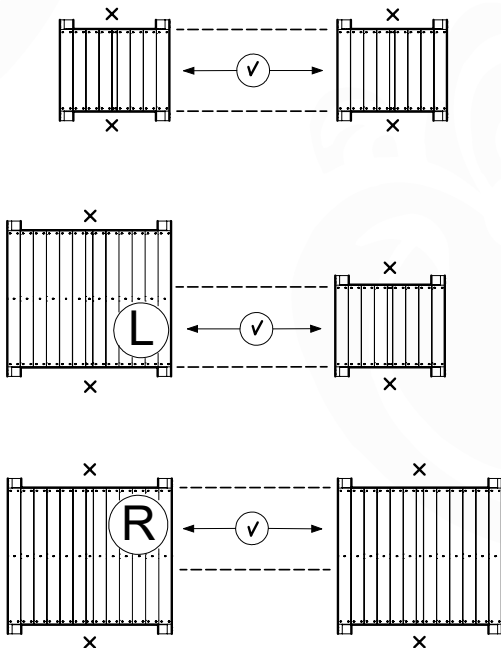
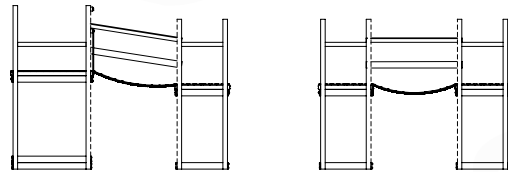
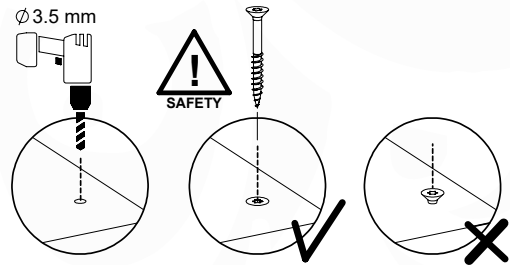
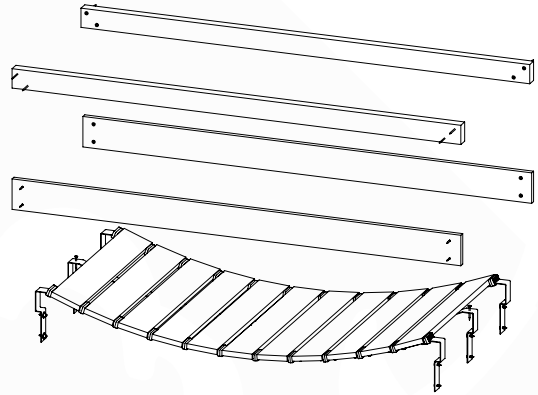


# 14 CB01a: Clatter Bridge - PART 1

Assembly Pack: 194\_116

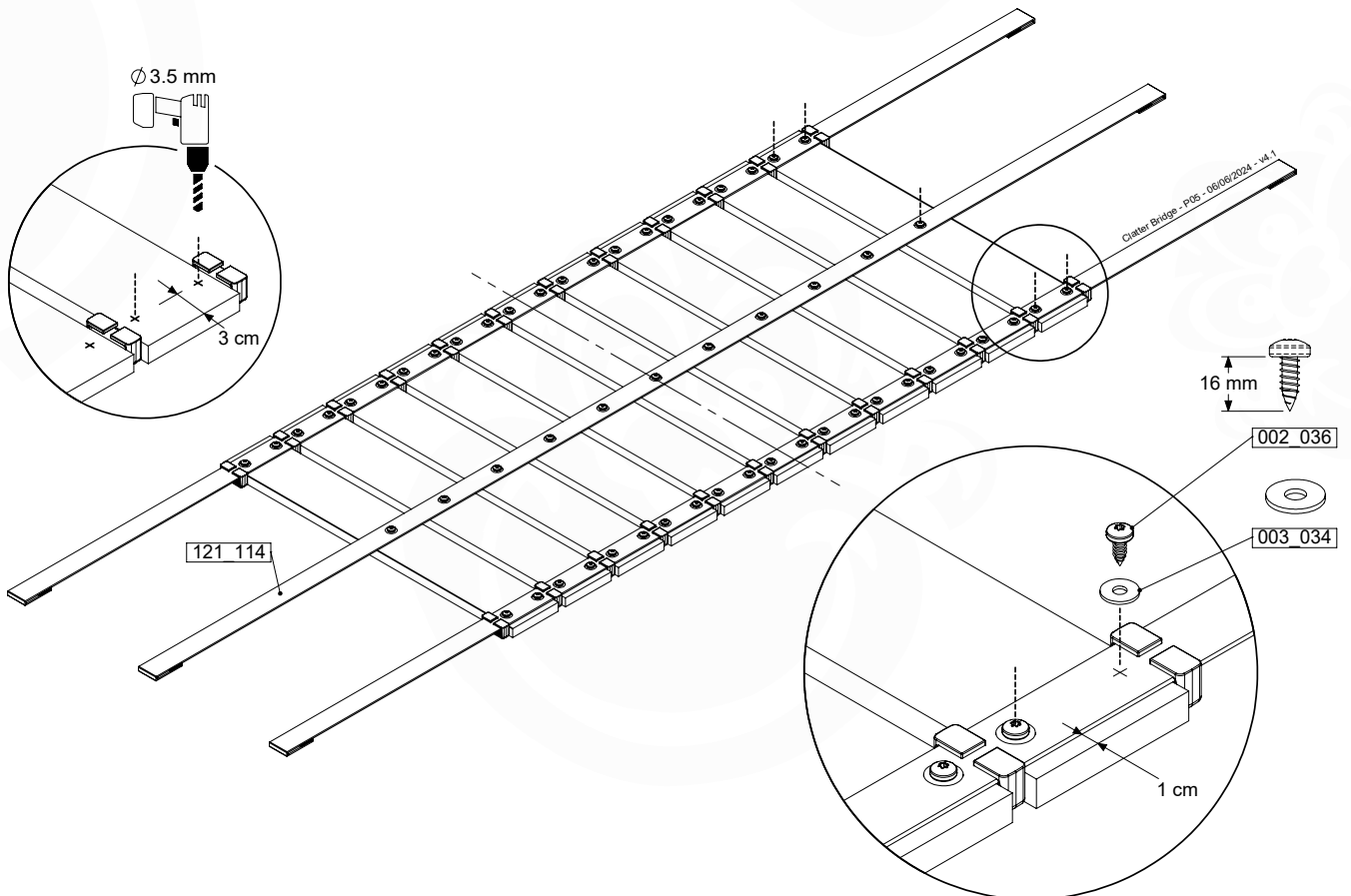
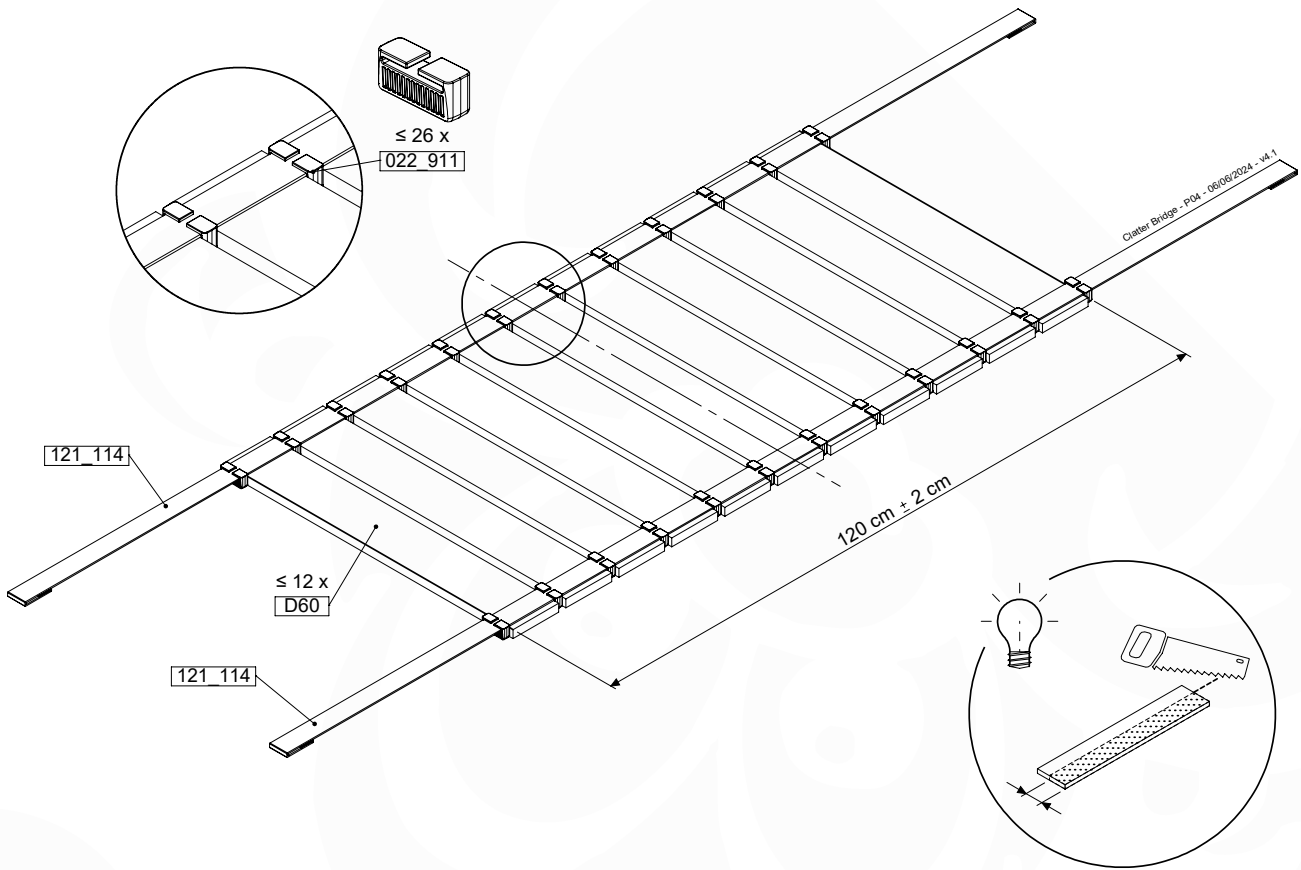
	PartNo	PartName	QTY.
Hardware + Parts	002_036	16mm Pan Head Tapping Screw T25	72
	002_220	Gap Point Screw T25 - 5x45	10
	002_223	Gap Point Screw T25 - 5x80	12
	003_034	M6 Washer	72
	022_911	Bridge Spacer	26
	121_114	BridgeLink Strap 210cm	3
Timber	C141	Beam 1410 mm	2
	D60	Board 600 mm	12
	D141	Board 1410 mm	2

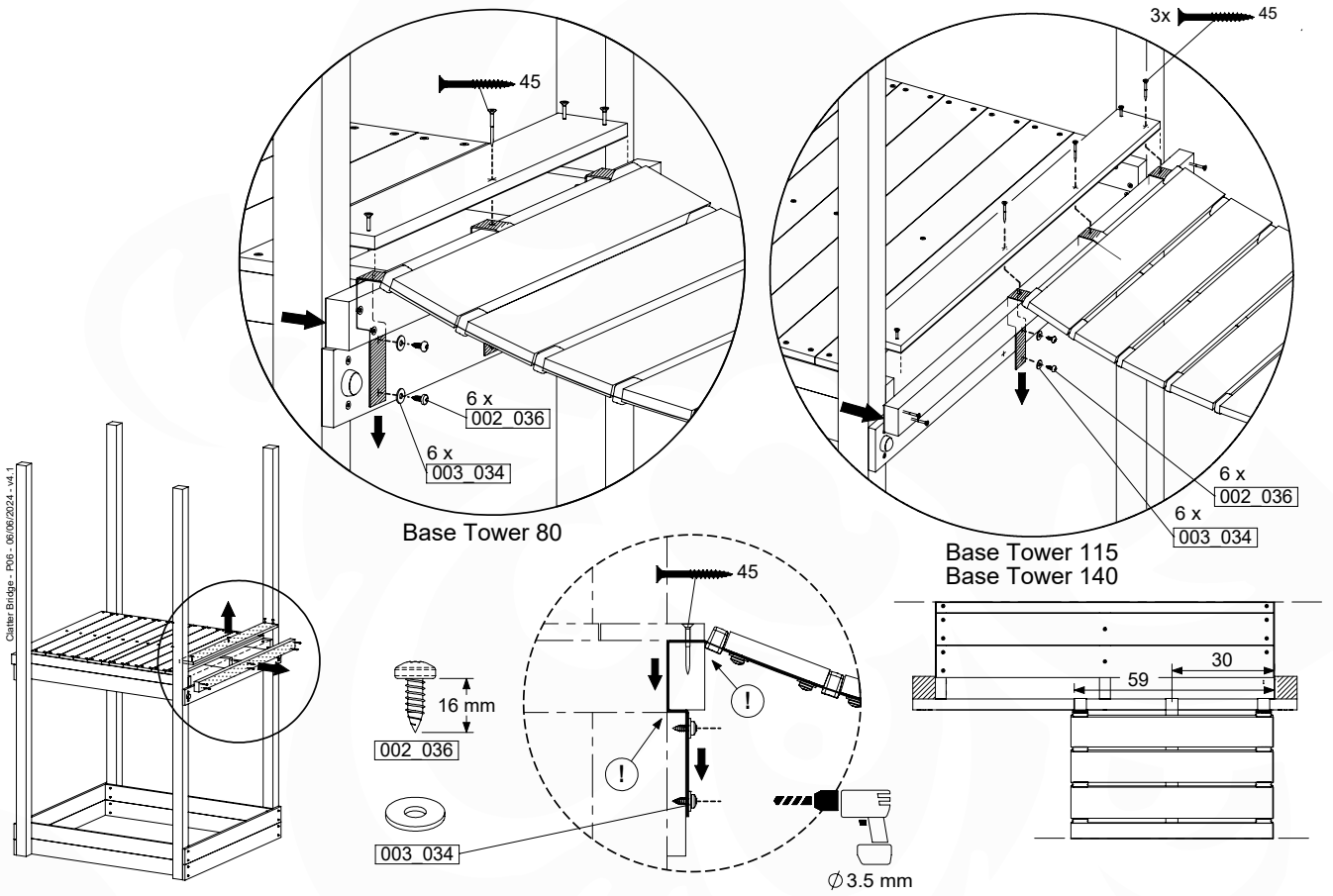
Clatter Bridge - P02 - 08/06/2024 - v4.1



Clatter Bridge - P03 - 08/06/2024 - v4.1

# 14.1



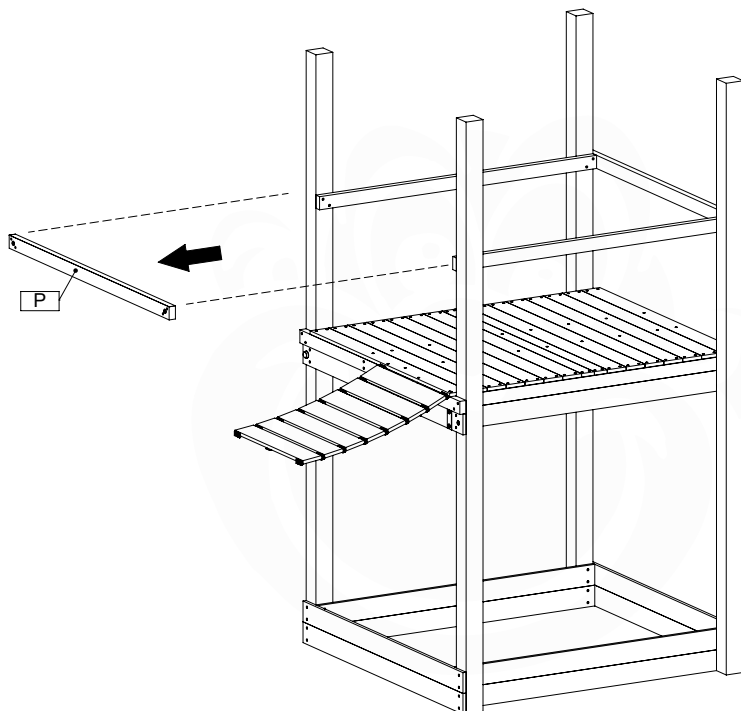
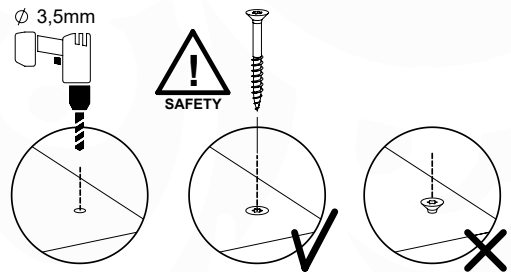
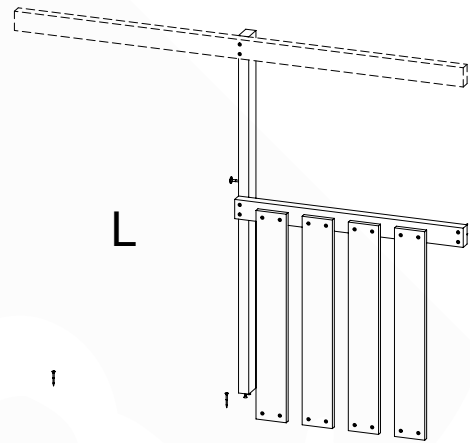


# 15 BF23a: Bridge Frame 140 T Left

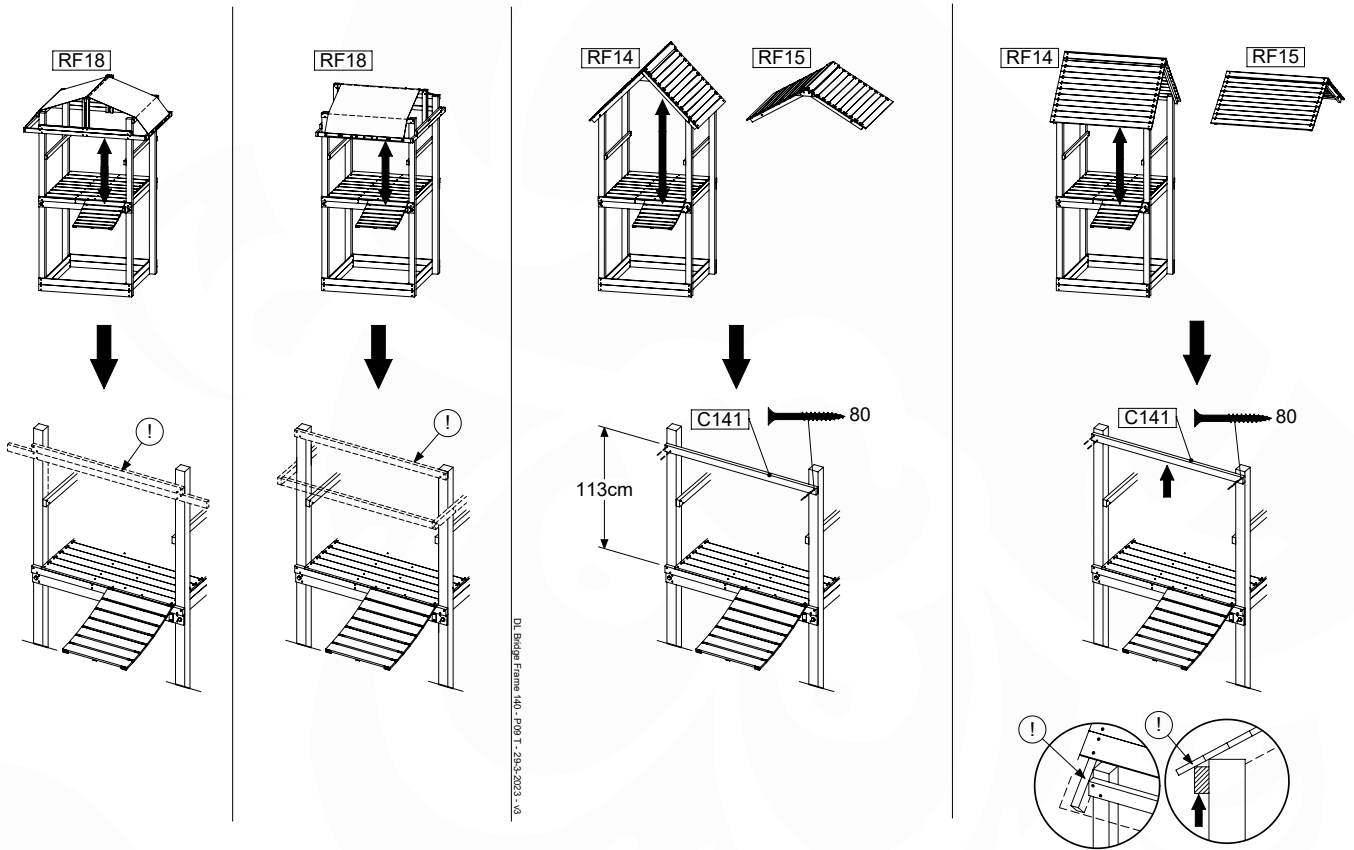
( 194\_007 )

	PartNo	PartName	QTY.
Hardware Pack 100_905	001_411	Stealth Screw 8x60	1
	002_220	Gap Point Screw T25 - 5x45	18
	002_223	Gap Point Screw T25 - 5x80	8
Timber	C74	Beam 740 mm	1
	C141	Beam 1410 mm	1
	D65	Board 650 mm	4

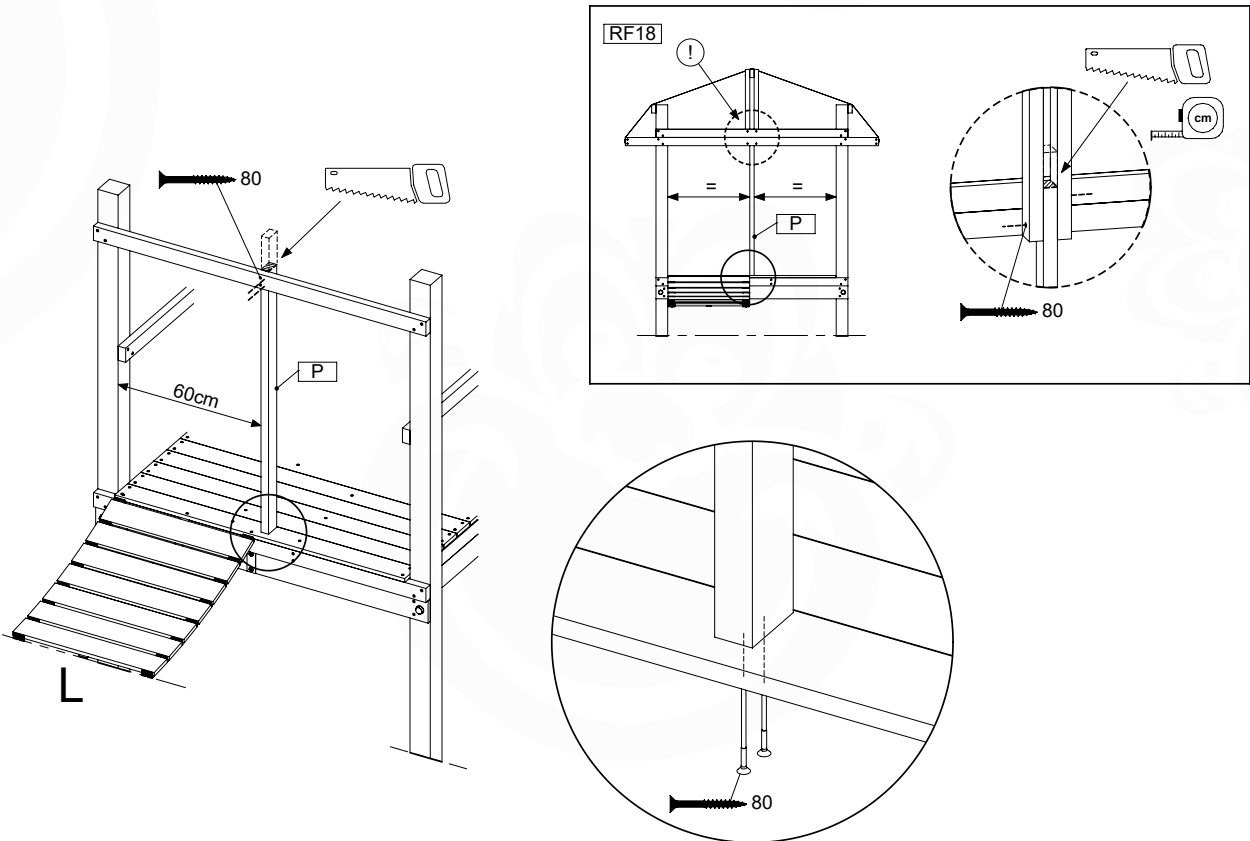
DL Bridge Frame 140 - P04 TL - 29-3-2023 - v3



DL Bridge Frame 140 - P07 T - 29-3-2023 - v3

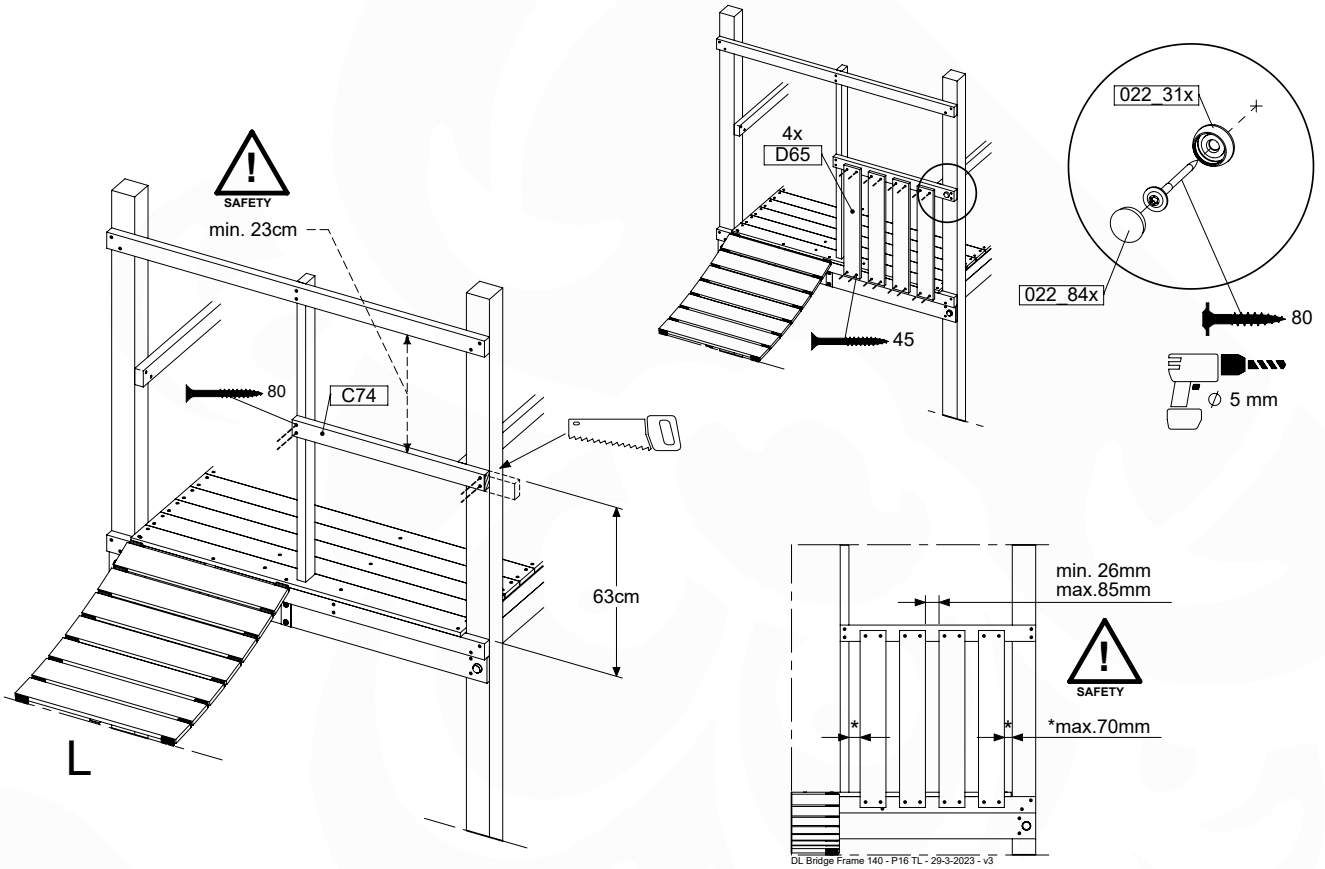


DL Bridge Frame 140 - P10 T - 28.5.2023 - v3



DL Bridge Frame 140 - P12 L - 28.5.2023 - v3

15.2

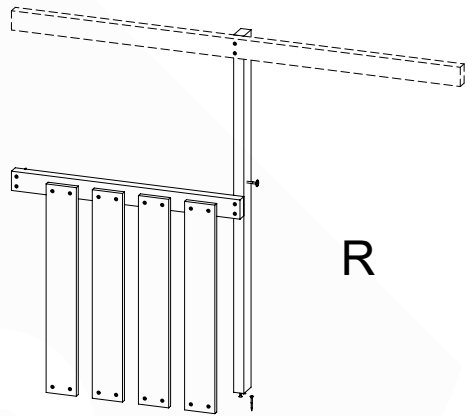


# 16 BF24a: Bridge Frame 140 T Right

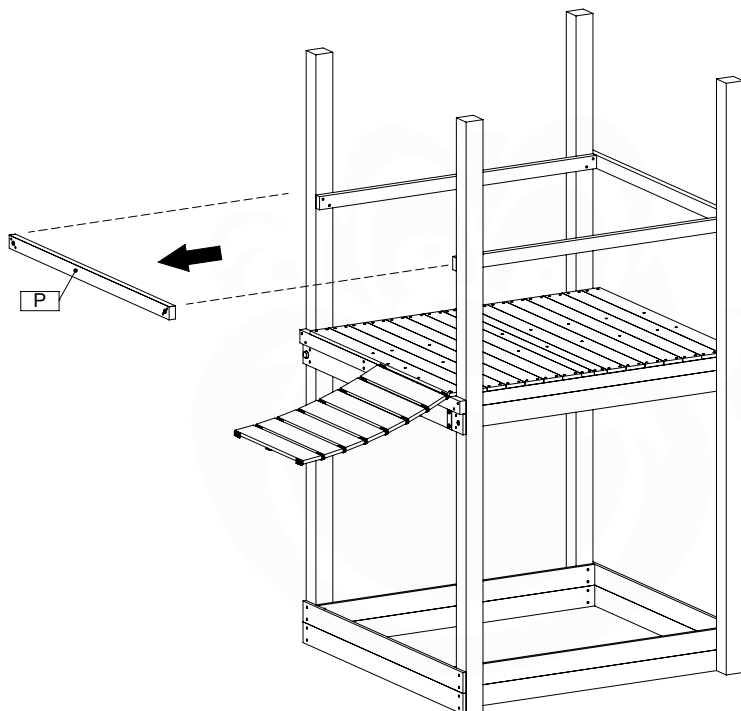
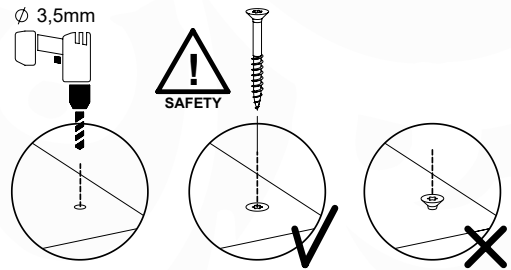
( 194\_007 )

	PartNo	PartName	QTY.
Hardware Pack 100_905	001_411	Stealth Screw 8x60	1
	002_220	Gap Point Screw T25 - 5x45	18
	002_223	Gap Point Screw T25 - 5x80	8
Timber	C74	Beam 740 mm	1
	C141	Beam 1410 mm	1
	D65	Board 650 mm	4

DL Bridge Frame 140 - P07 T - 29-3-2023 - v3

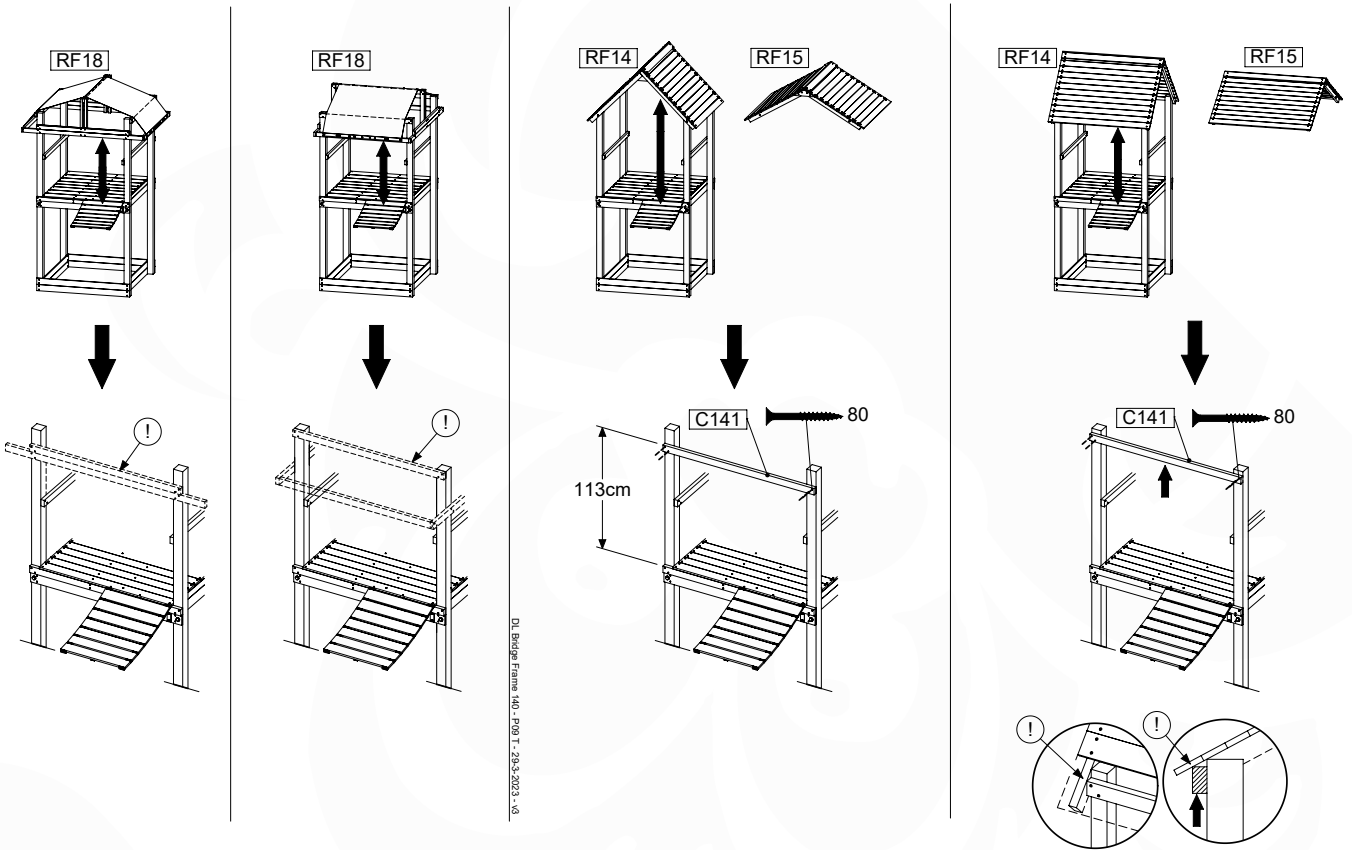


I

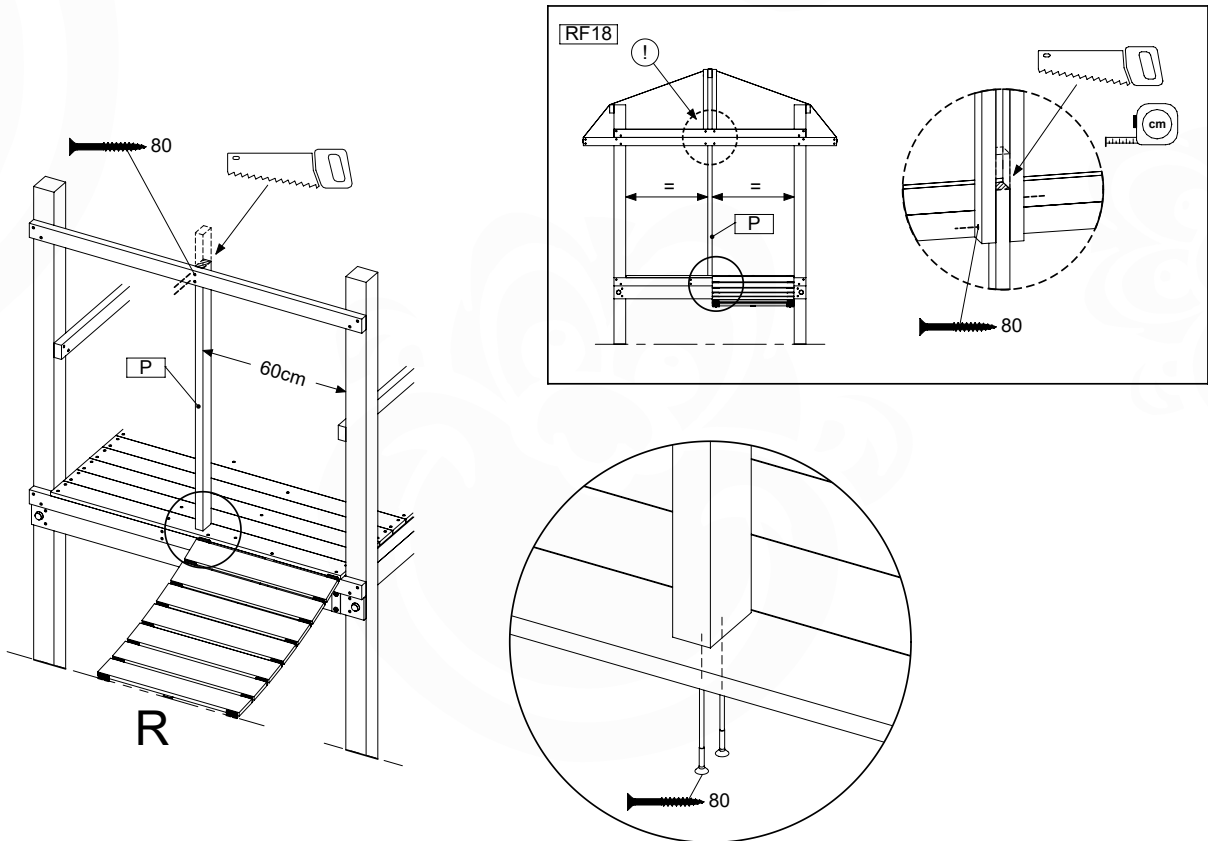


DL Bridge Frame 140 - P07 T - 29-3-2023 - v3

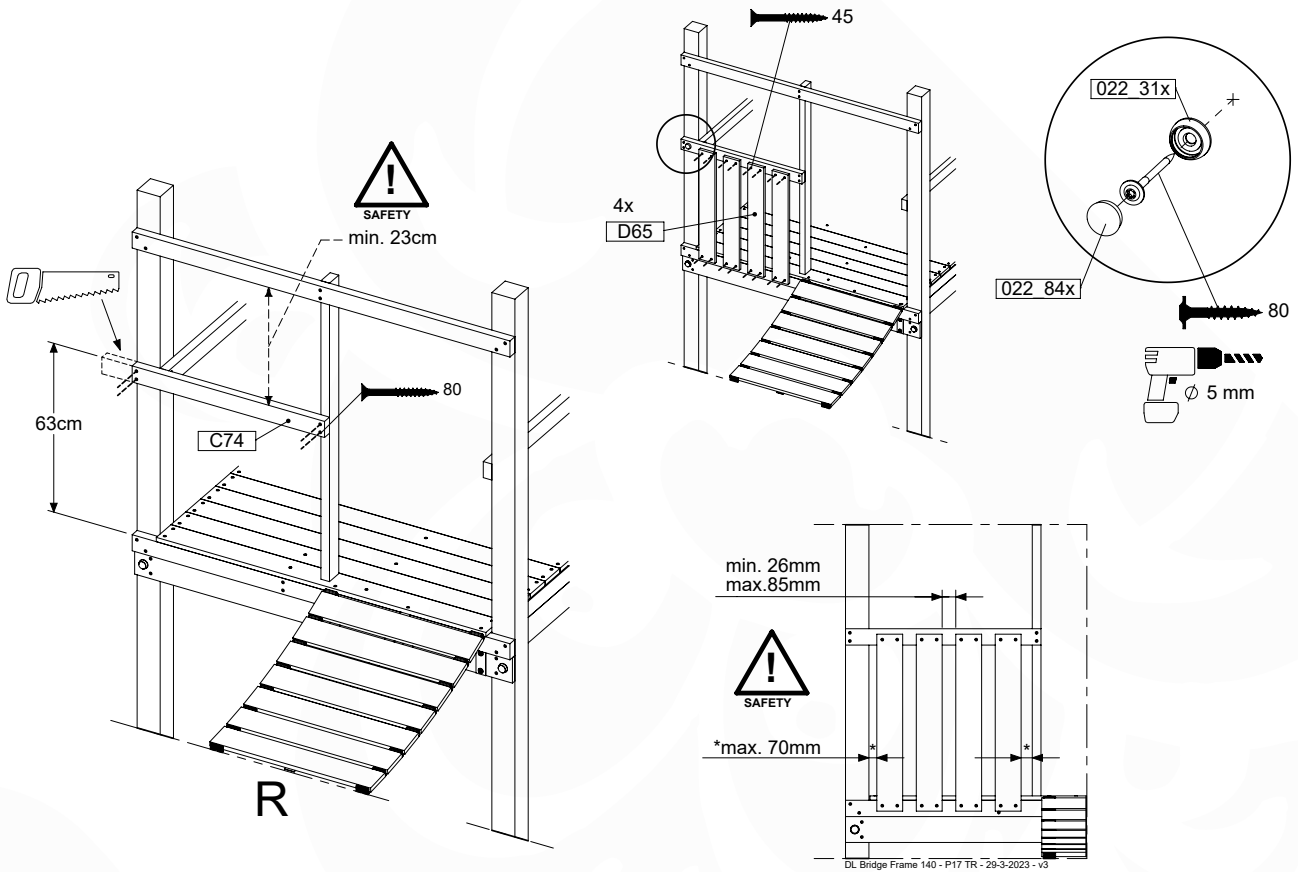




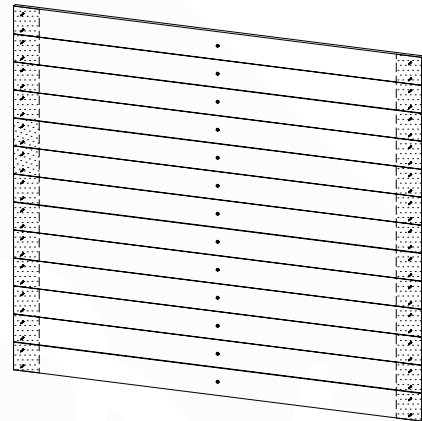
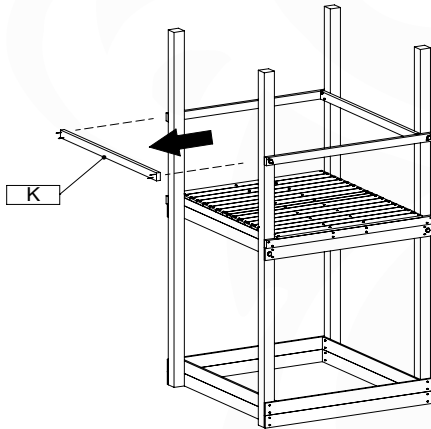
DL Bridge Frame 140 - P103 TR - 28.3.2023 - v3



DL Bridge Frame 140 - P103 TR - 28.3.2023 - v3



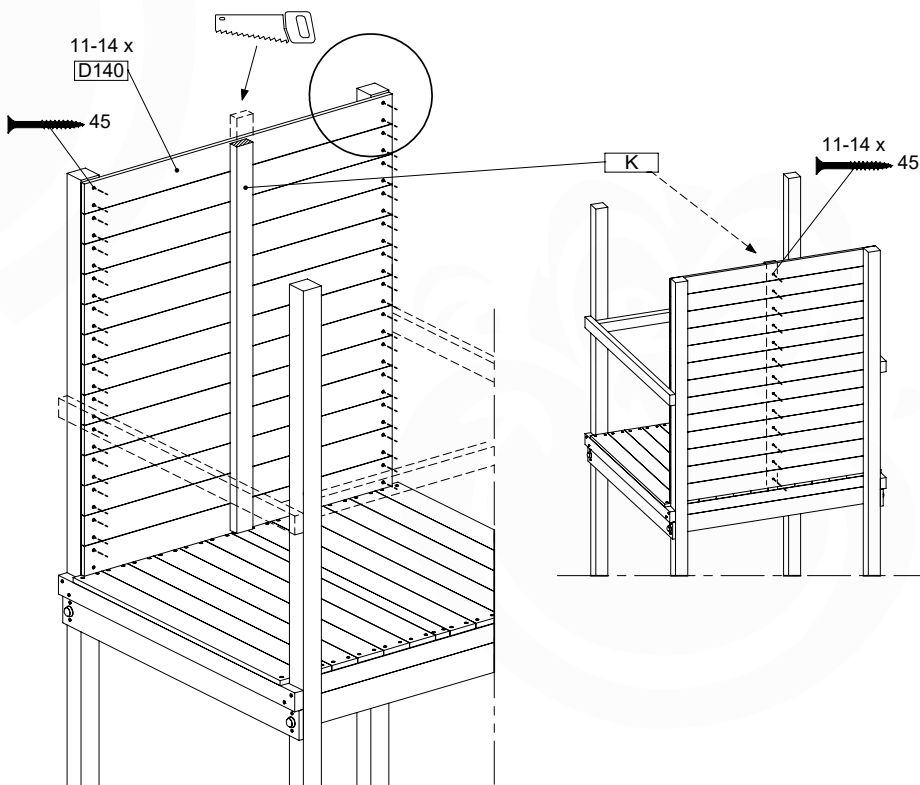
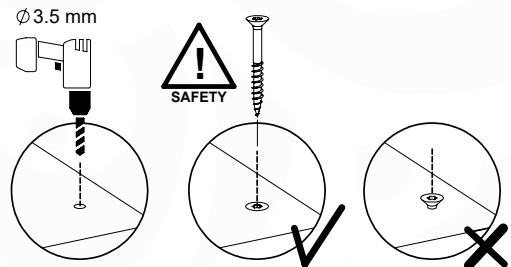
# 17 PH20a: Playhouse Wall Panel 140 U



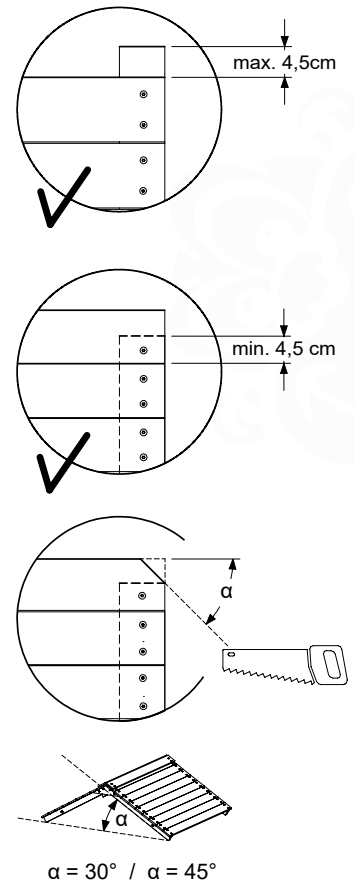
(194\_809)

	PartNo	PartName	QTY.
Hardware Pack	002_220	Gap Point Screw T25 - 5x45	70
	D141	Board 1410 mm	14

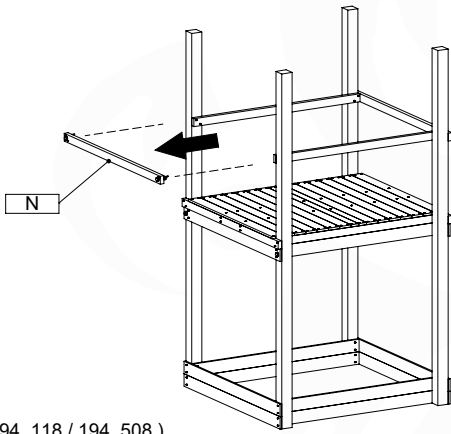
Playhouse Wall 140 - P02 U - 07/12/2023 - v2



Playhouse Wall 140 - P04 U - 07/12/2023 - v2



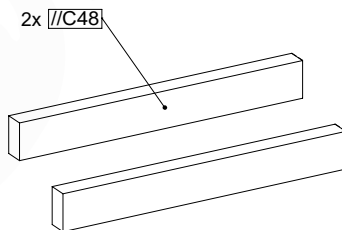
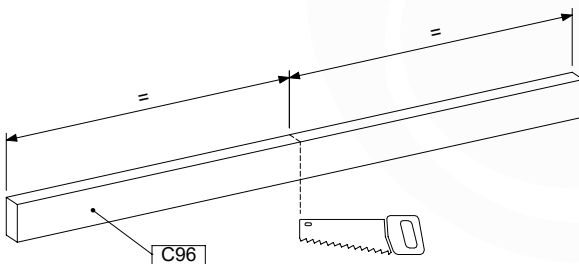
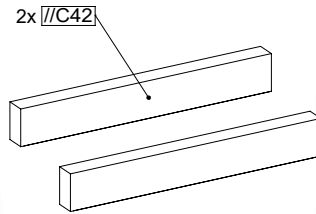
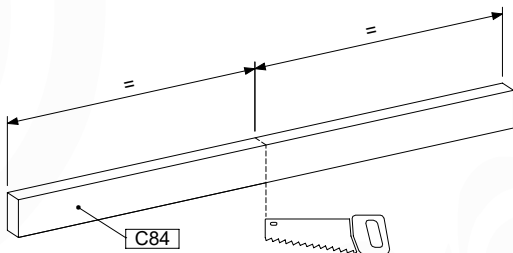
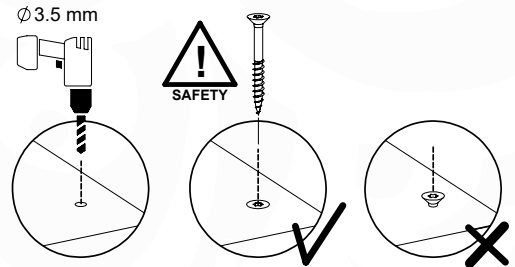
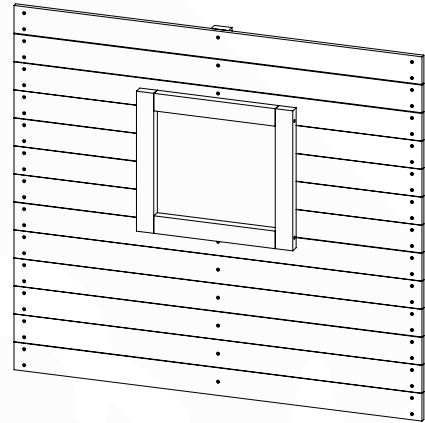
# 18 PH27a: Playhouse Window Panel 140 T

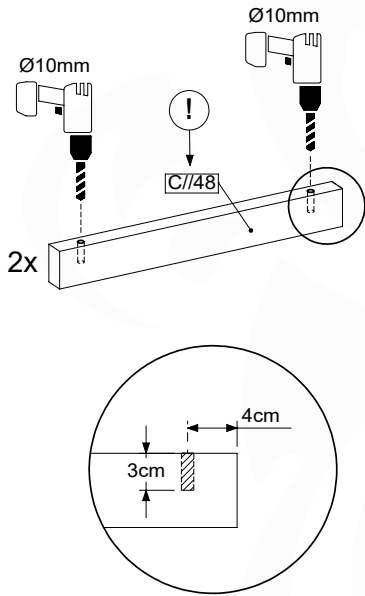


( 194\_118 / 194\_508 )

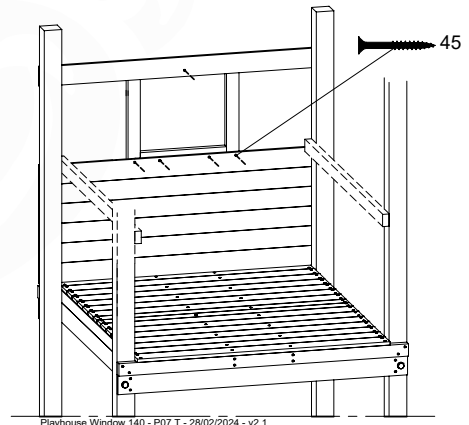
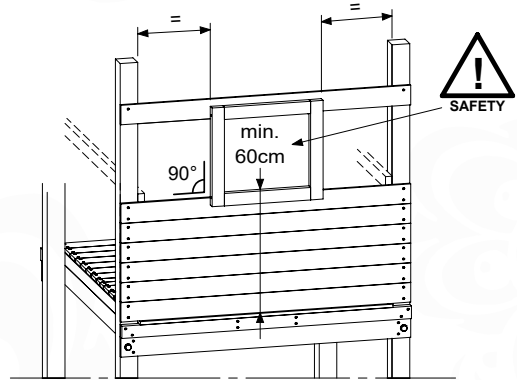
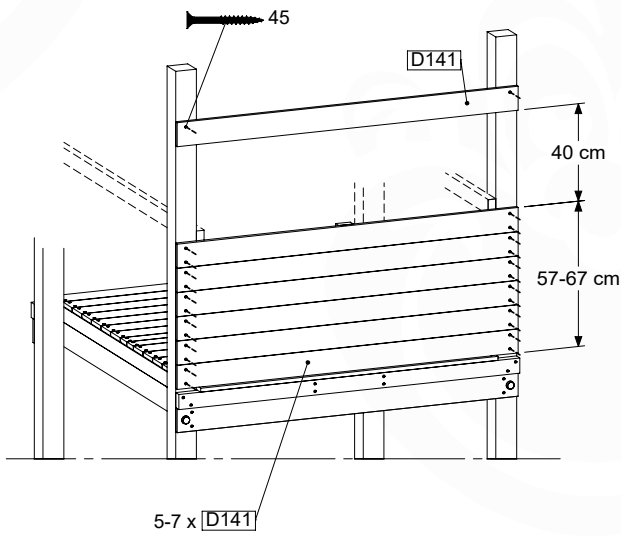
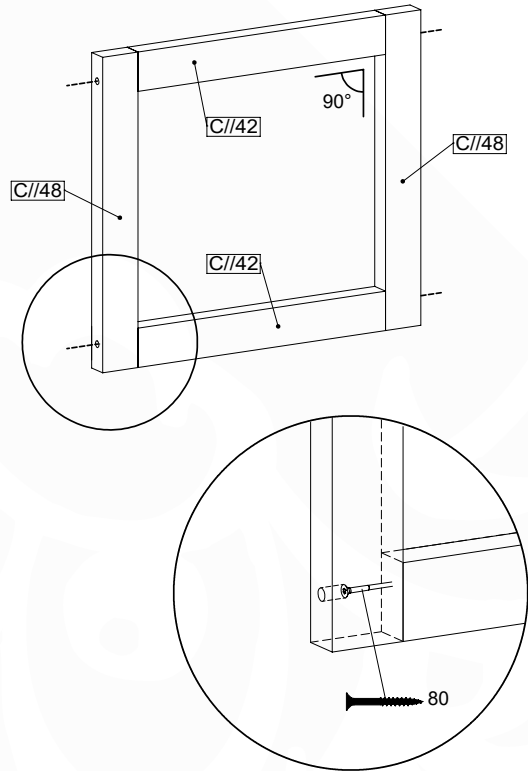
	PartNo	PartName	QTY.
Hardware Pack	002_220	Gap Point Screw T25 - 5x45	90
	002_223	Gap Point Screw T25 - 5x80	4
Timber	C84	Beam 840 mm	1
	C96	Beam 960 mm	1
	D47	Board 470 mm	8
	D141	Board 1410 mm	10

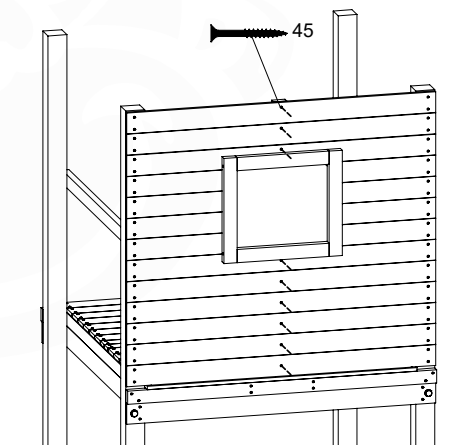
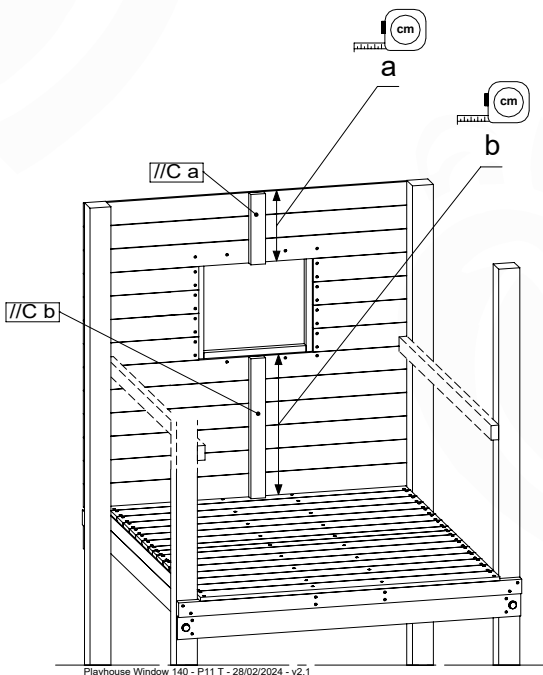
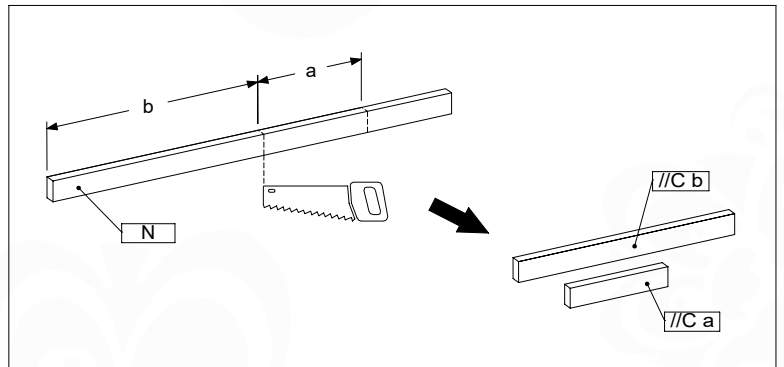
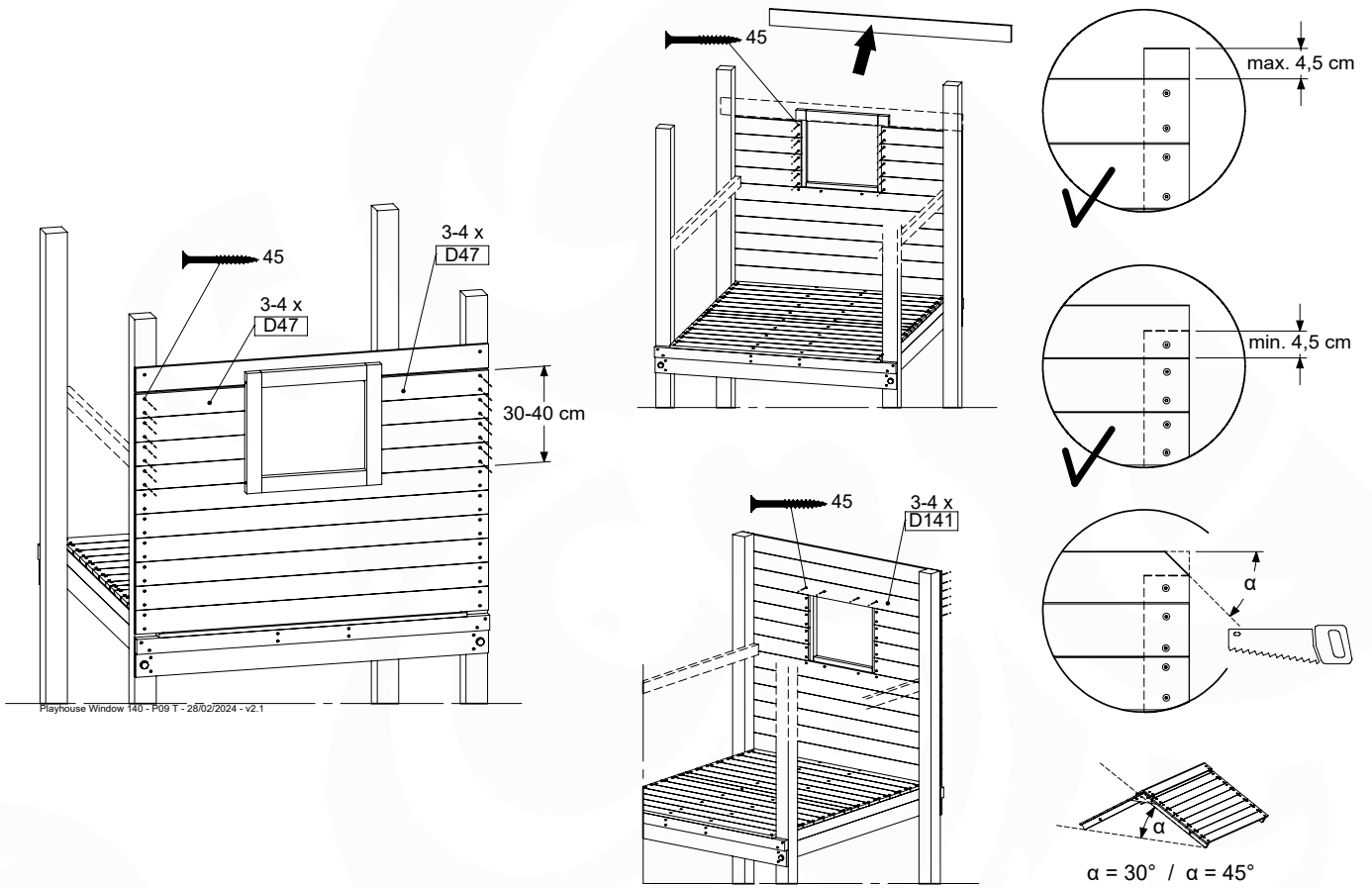
Playhouse Window 140 - P03 T - 28/02/2024 - v2.1



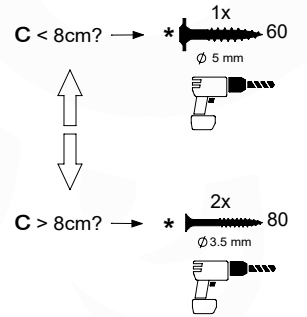
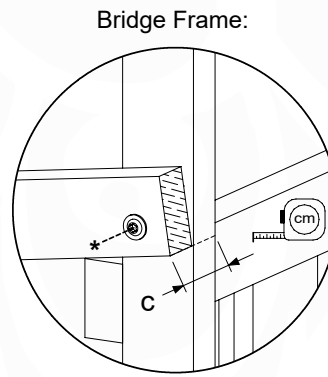
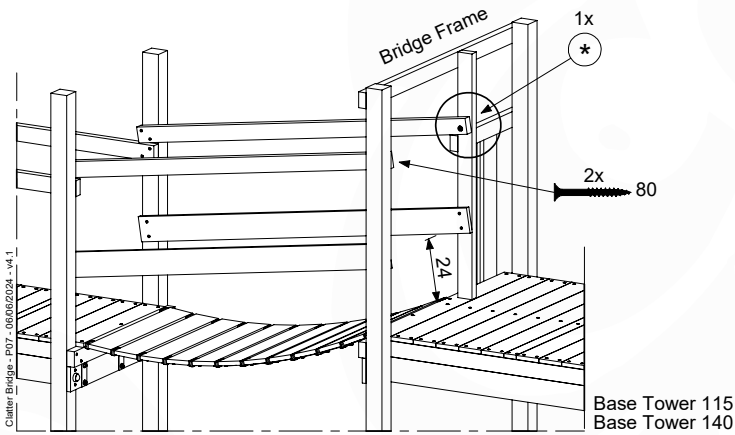
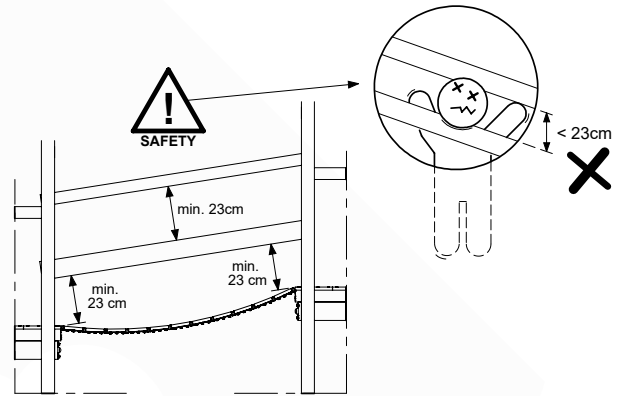
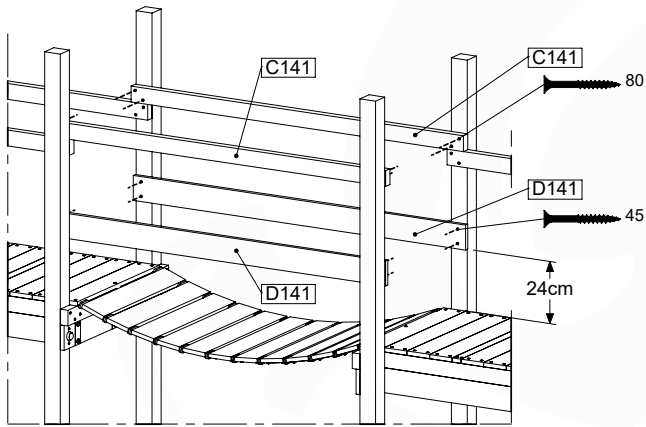


Playhouse Window 140 - P05 uni. - 28/02/2024 - v2.1





# 19 CB01a: Clatter Bridge - PART 2



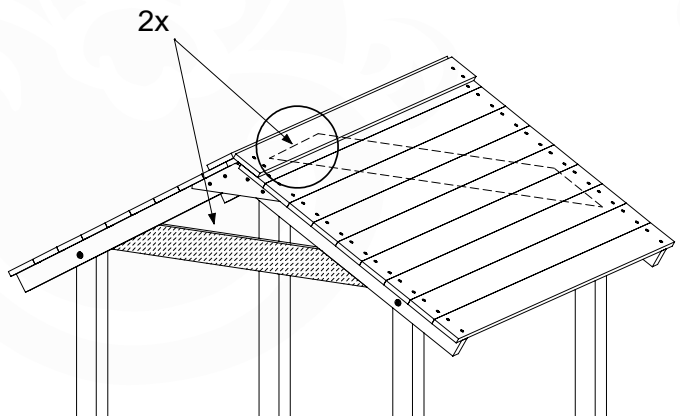
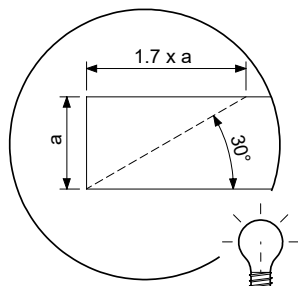
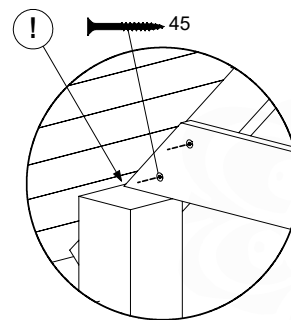
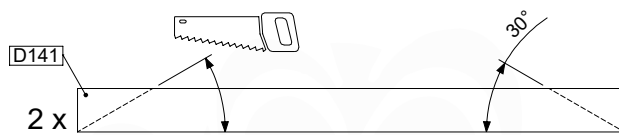
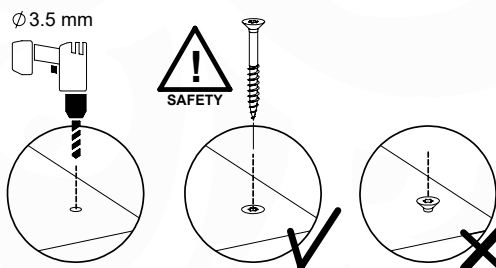
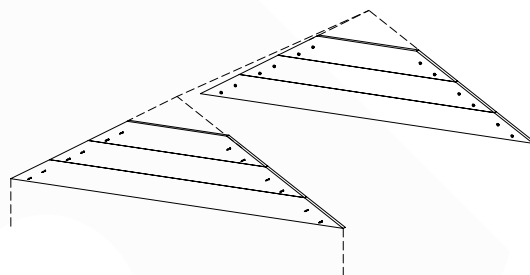
Clatter Bridge - P07\_06062024\_v4\_1

# 20 PH33a: Playhouse Roof Panels 140 120deg

(194\_501)

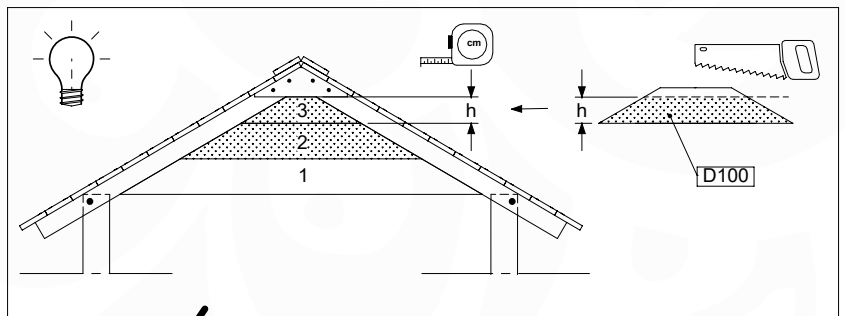
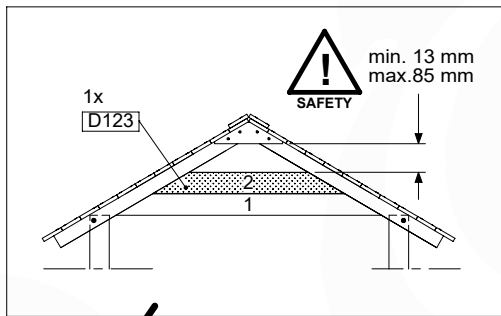
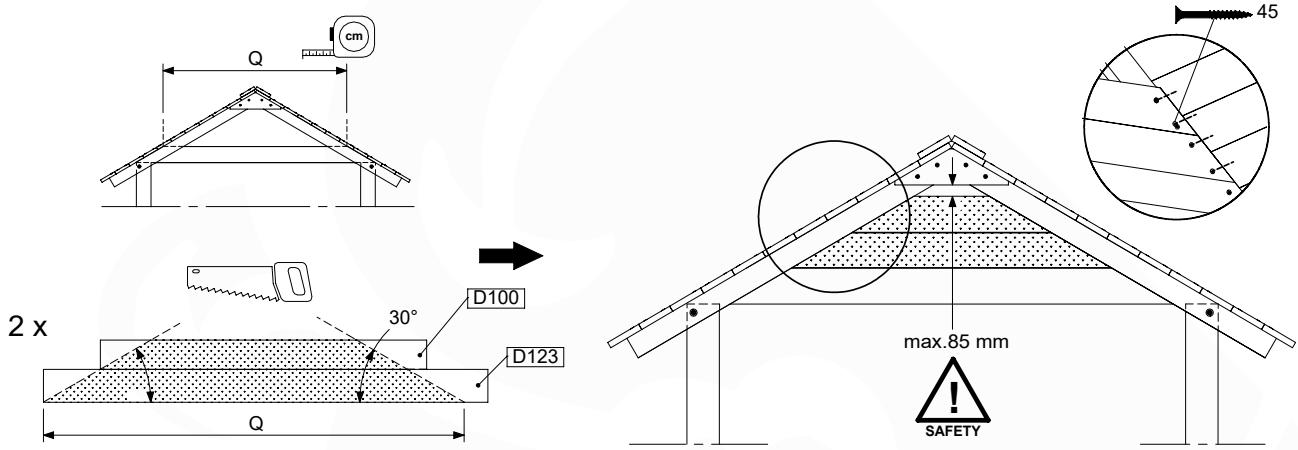
	PartNo	PartName	QTY.
Hardware Pack	002_220	Gap Point Screw T25 - 5x45	24
Timber	D100	Board 1000 mm	2
	D123	Board 1230 mm	2
	D141	Board 1410 mm	2

Playhouse Roof Panels - P09 DL120° - 15/03/2024 - v1.1



Playhouse Roof Panels - P09 DL120° - 15/03/2024 - v1.1





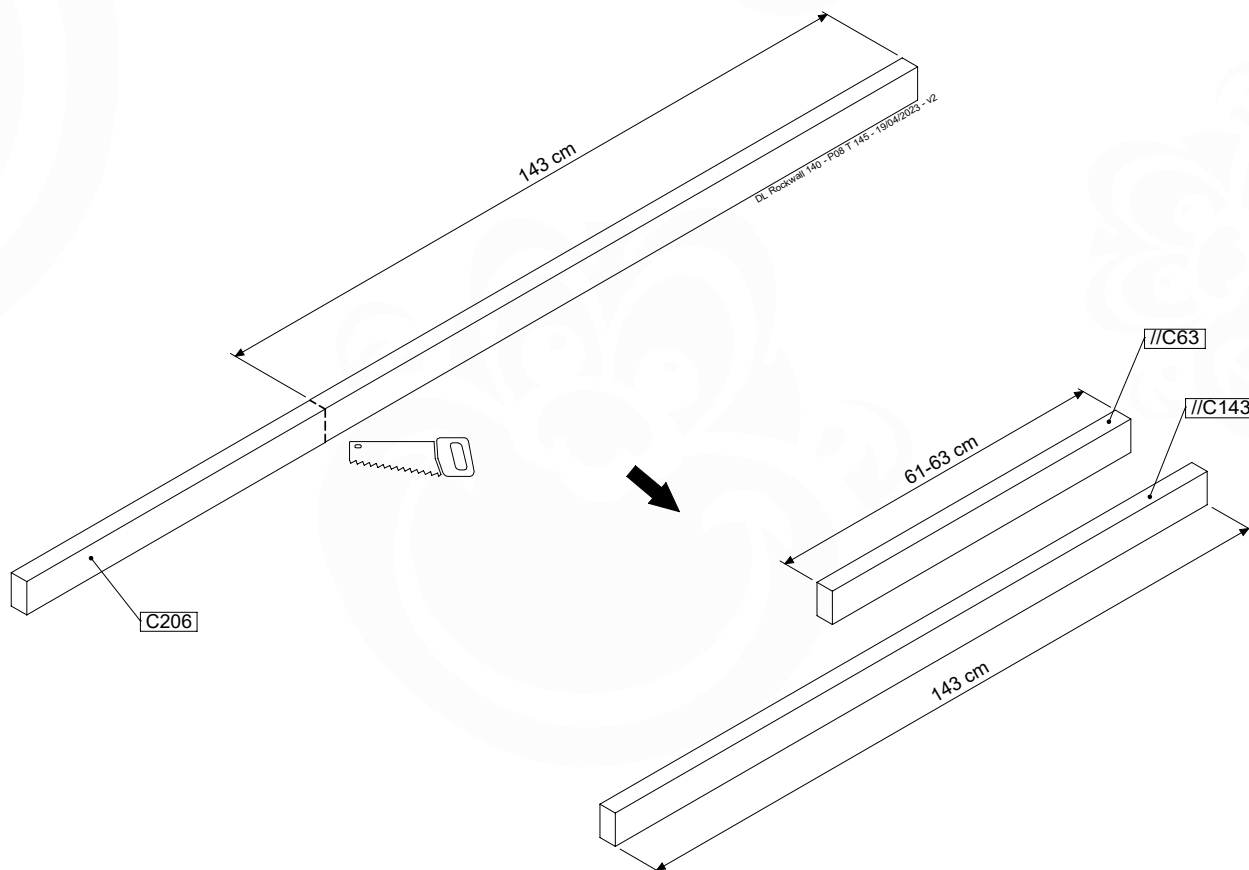
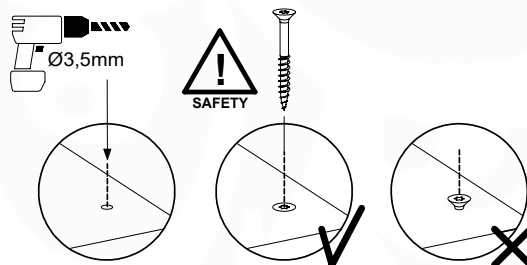
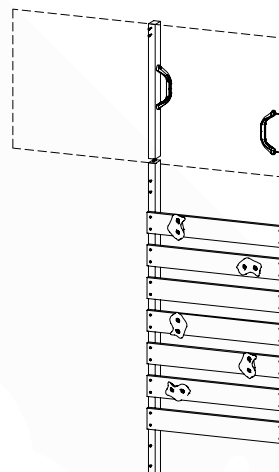
Playhouse Roof Panels - P13 DL120° - 15/03/2024 - v1.1

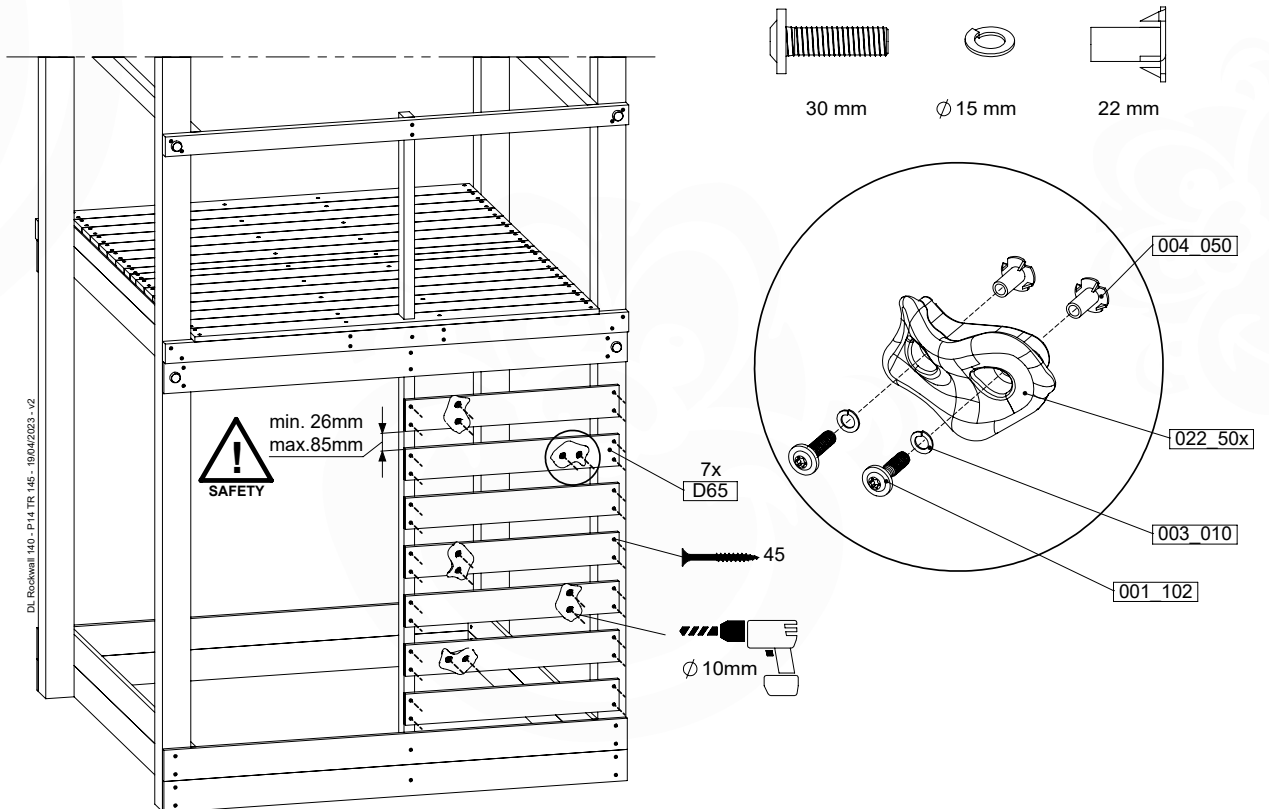
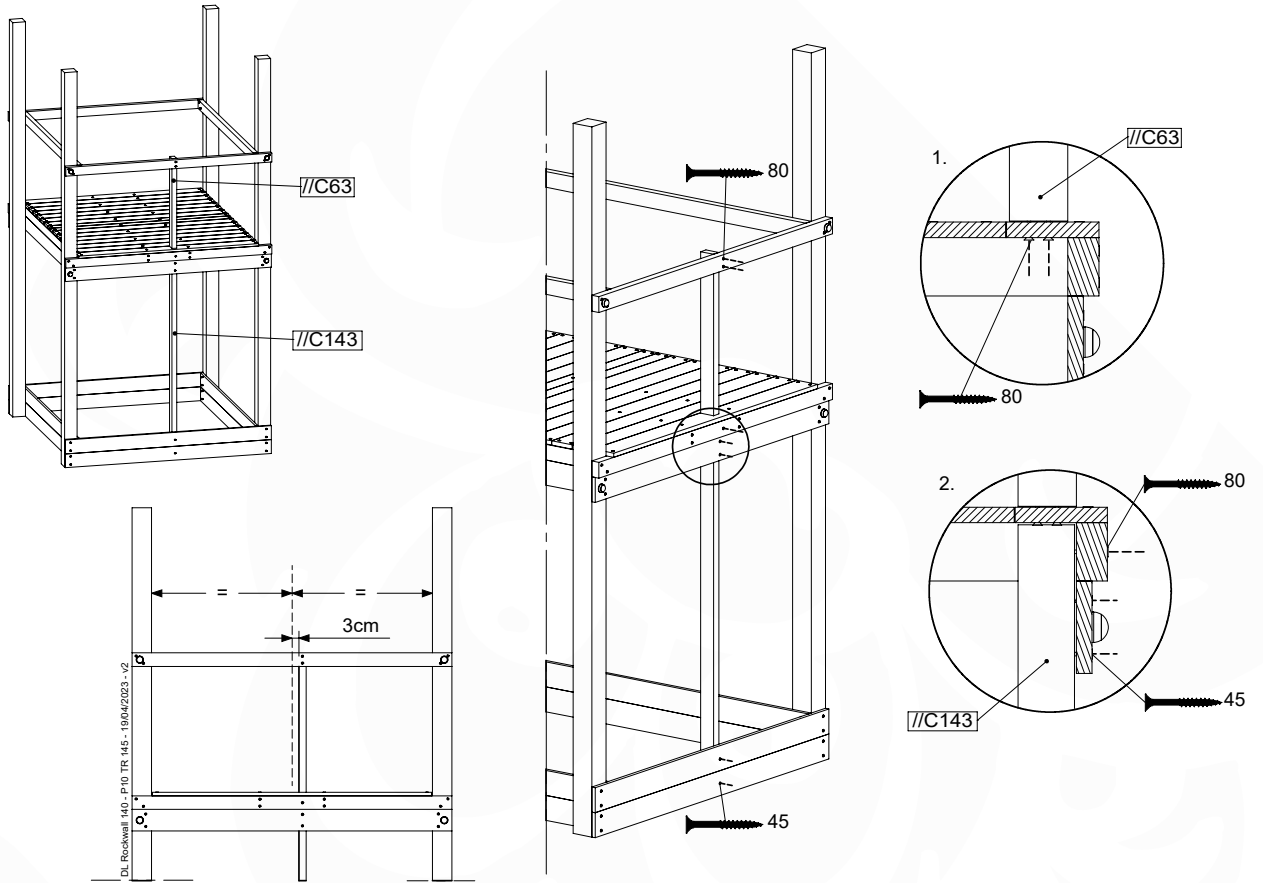
## 21 RW20a: Rock wall 140 145 T Right

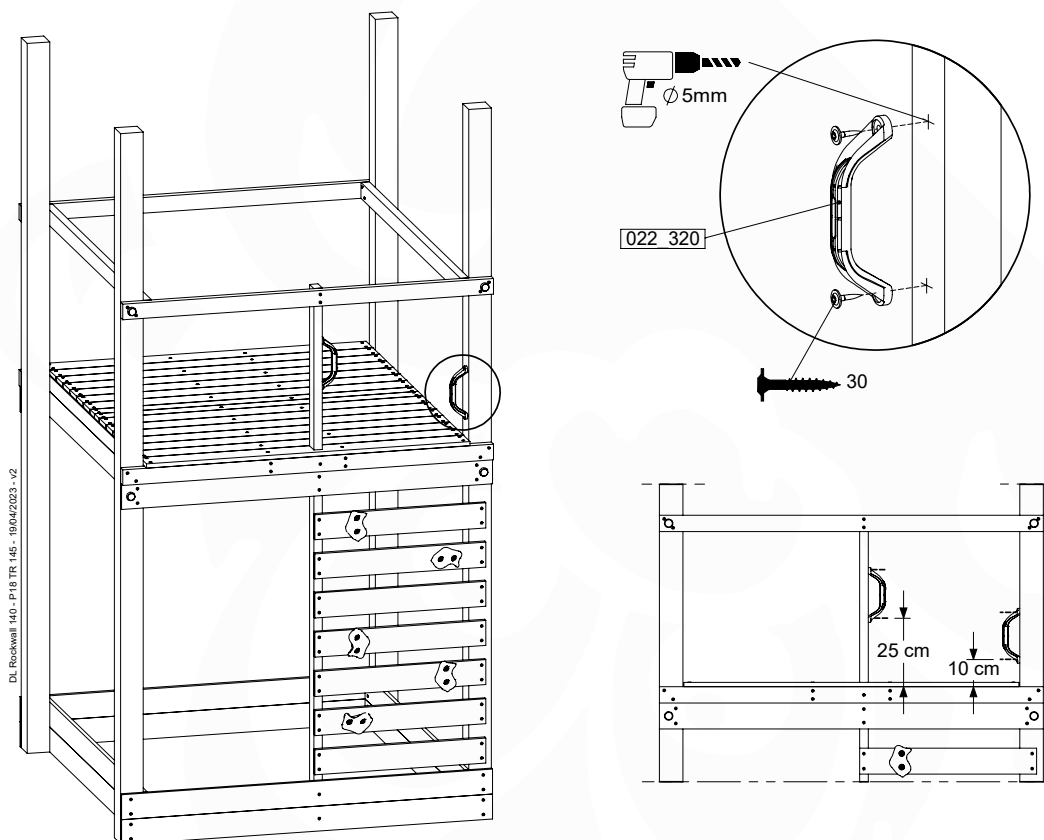
( 194\_006 )

	PartNo	PartName	QTY.
Hardware pack	001_102	Washer Head Screw T40 M8x30	10
	002_220	Gap Point Screw T25 - 5x45	32
	002_223	Gap Point Screw T25 - 5x80	5
	003_010	M8 spring lock washer	10
	004_050	M8 Drive-in Nut 22mm	10
Other	022_50x	Climbing Rock	5
	120_102	Handgrip set (complete 2x)	1
Timber	C206	Beam 2060 mm	1
	D65	Board 650 mm	7

DL Rockwall 140 - P08 TR 145 - 19/04/2023 - v2





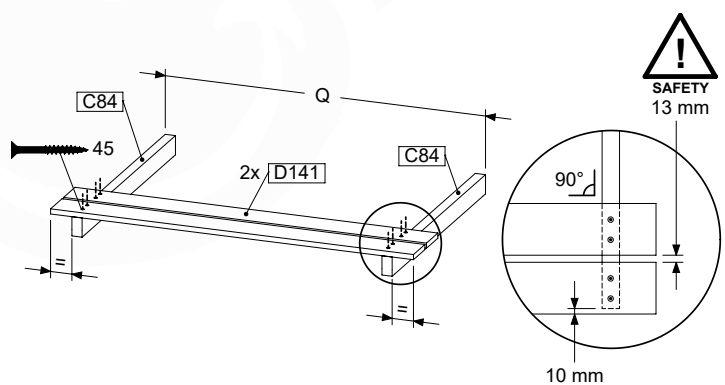
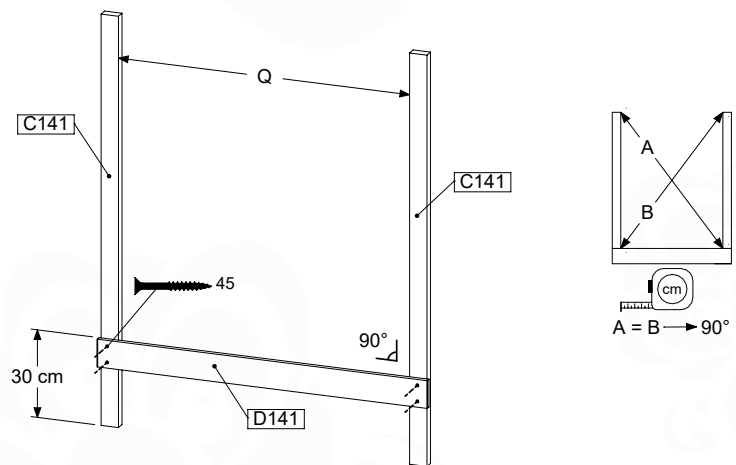
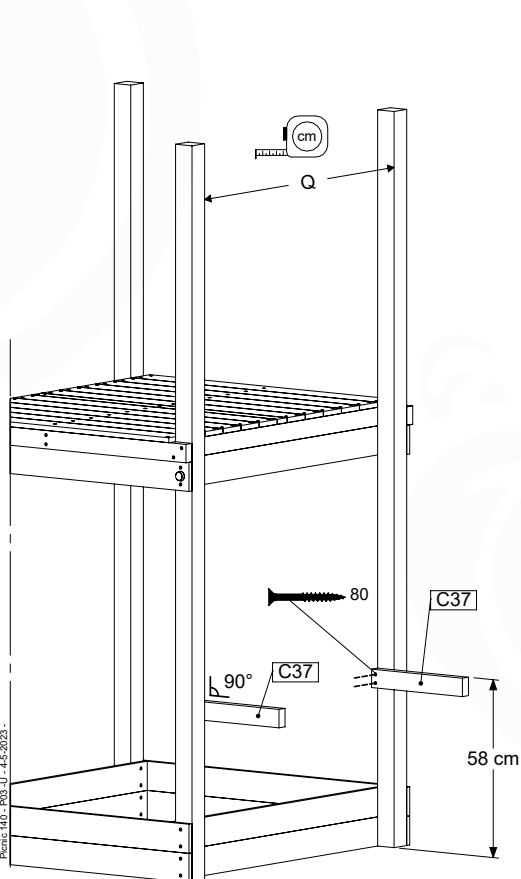
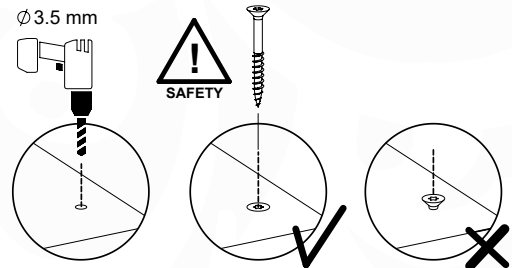
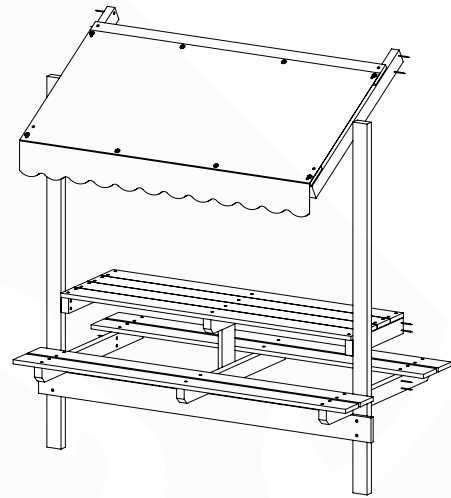


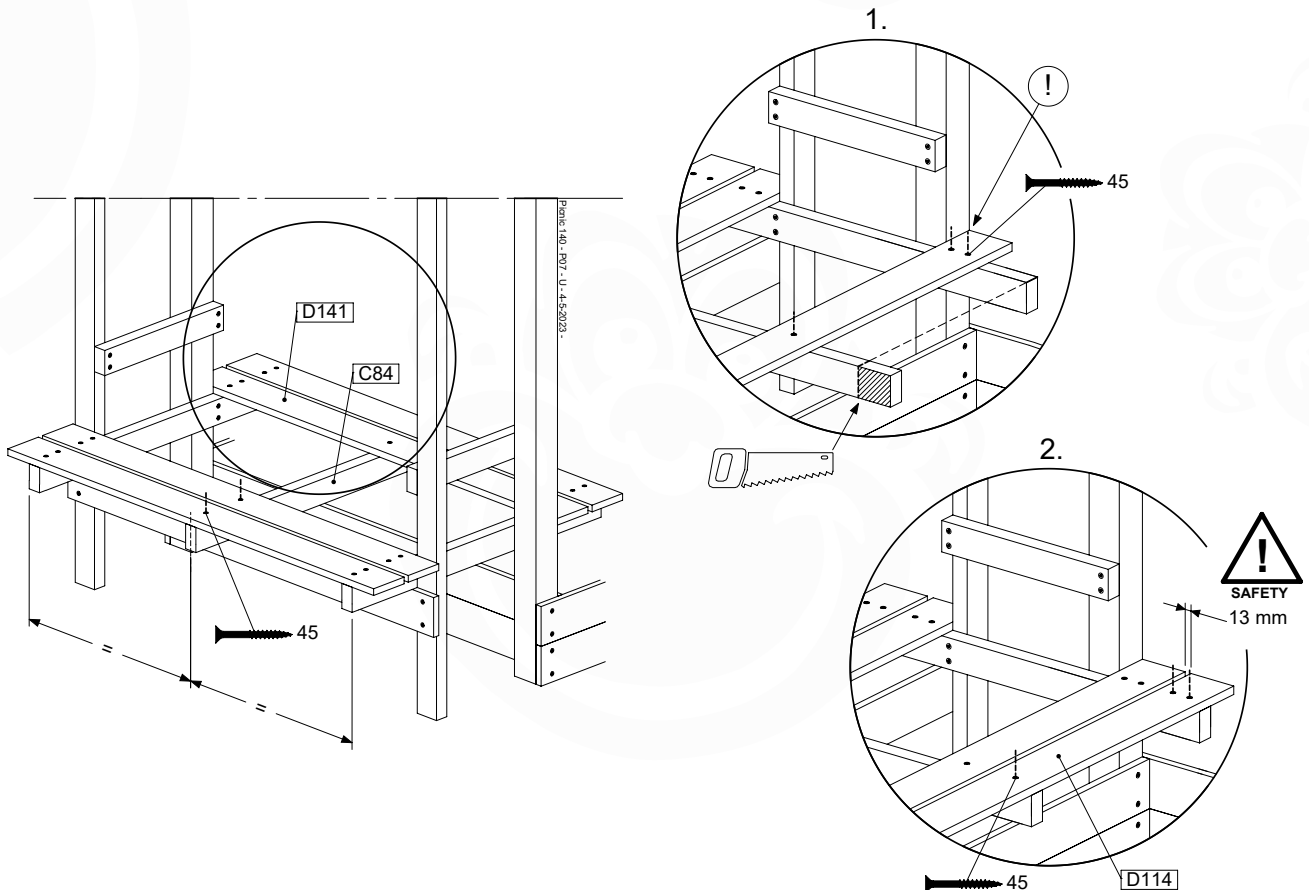
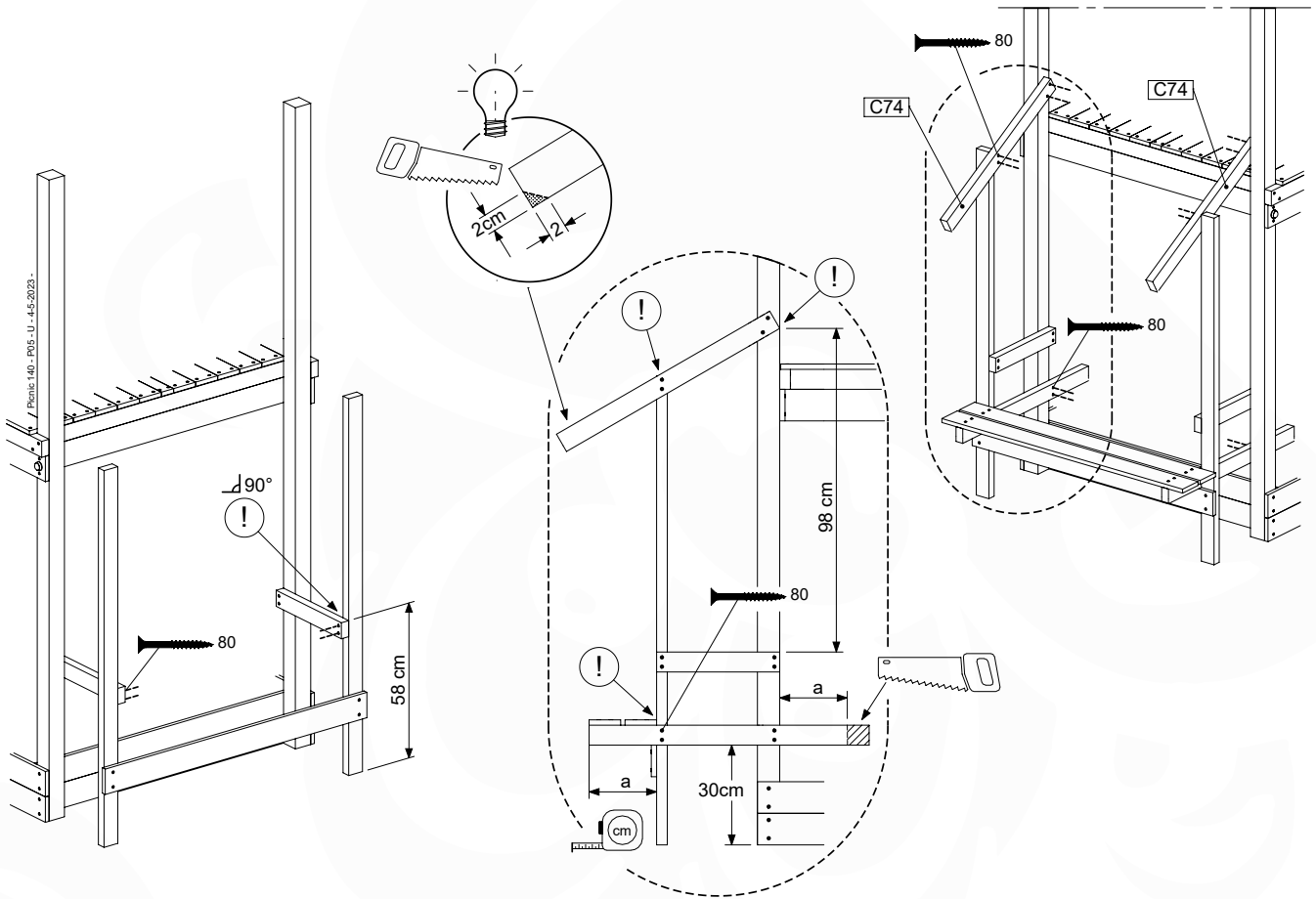
# 22 PC09a: Picnic 140 U

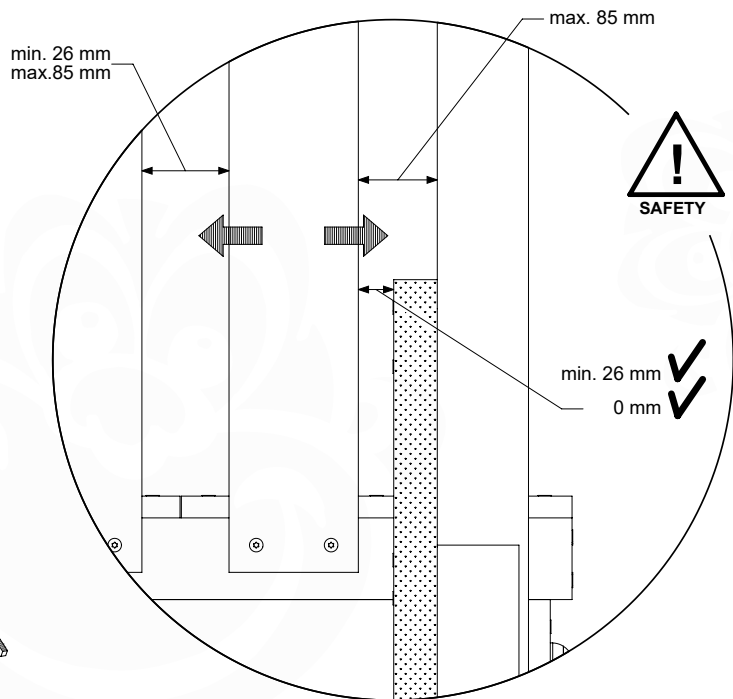
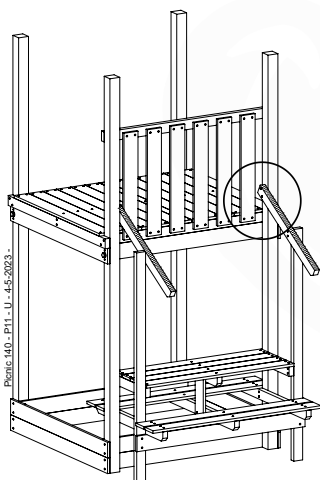
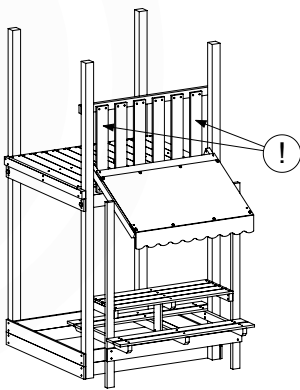
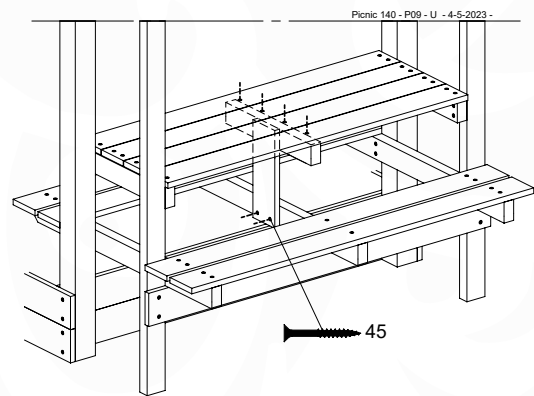
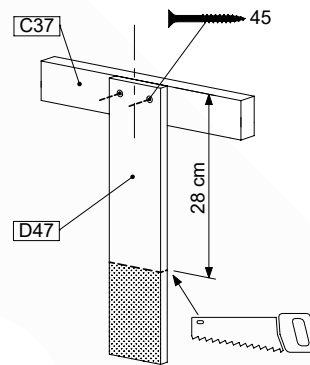
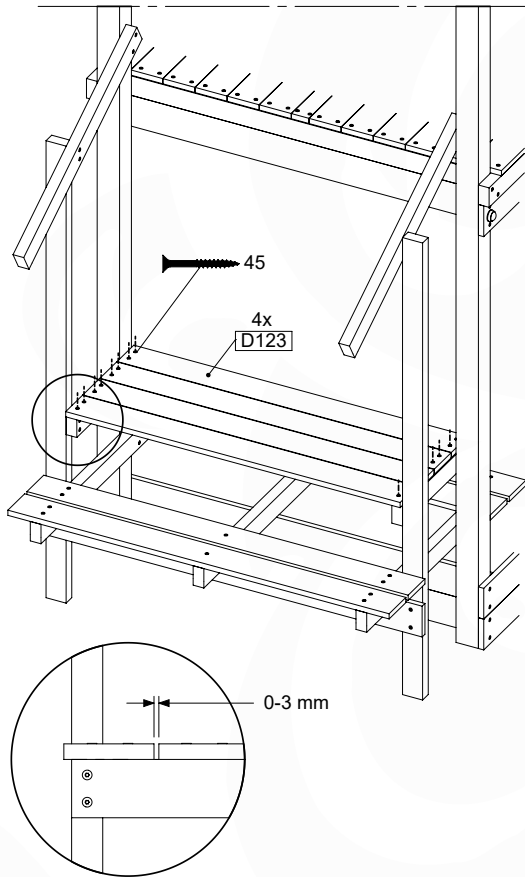
( 194\_810 )

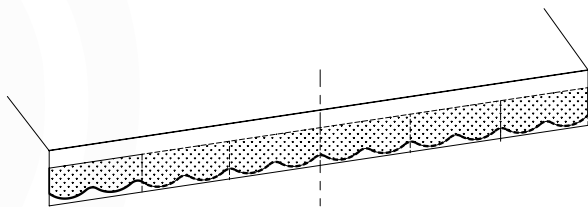
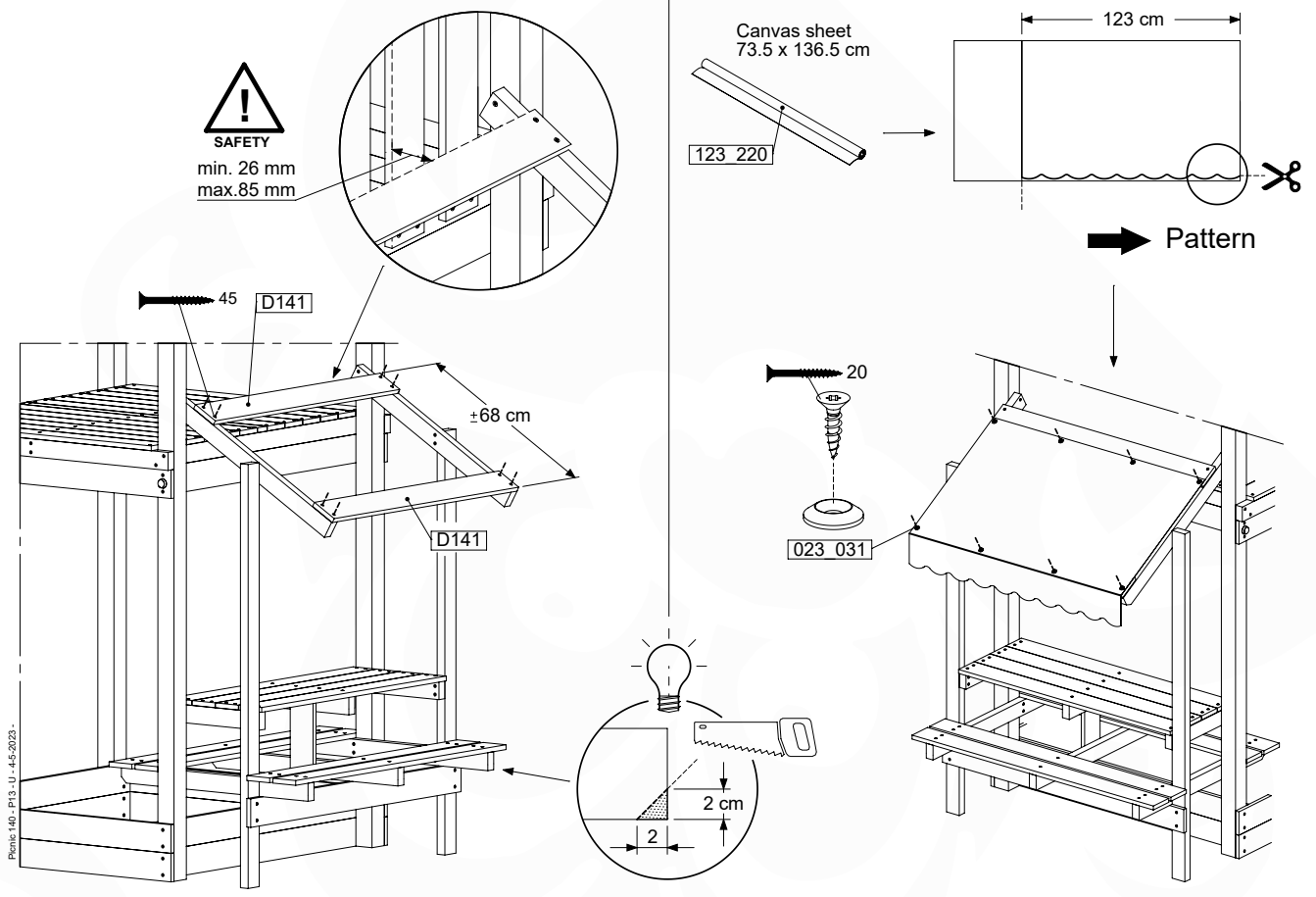
	PartNo	PartName	QTY.
Hardware Pack	002_220	Gap Point Screw T25 - 5x45	56
	002_223	Gap Point Screw T25 - 5x80	24
	002_308	Gap Point Screw T25 - 5x20	8
	023_031	Finishing Washer GPS 5.0	8
Other	123_220	Canvas sheet 735x1365mm	1
Timber	C37	Beam 370 mm	3
	C74	Beam 740 mm	2
	C84	Beam 840 mm	3
	C141	Beam 1410 mm	2
	D47	Board 470 mm	1
	D123	Board 1230 mm	6
	D141	Board 1410 mm	5

Picnic 140 - RPZ - UJT - 4-5-2023 -

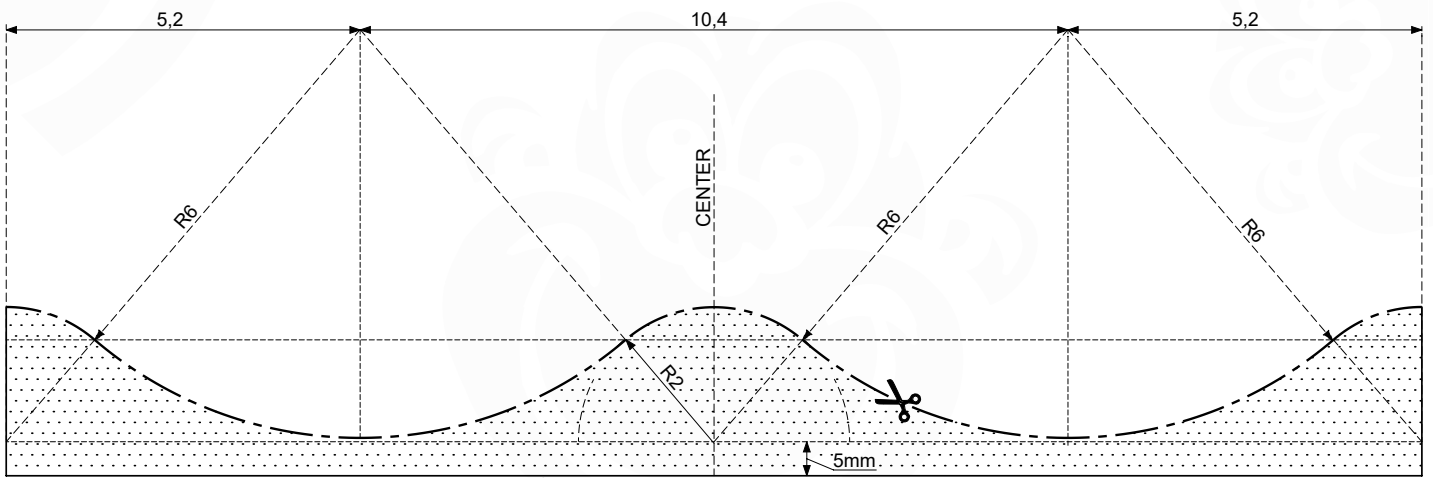








EXAMPLE PATTERN  
 BEISPIELVORLAGE FÜR MARKISE  
 SCHÉMA SUGGÈRE DE DÉCOUPE POUR AUVENT  
 VOORBEELDSJABLOON LUIFEL



← repeat

repeat →

! Scale of print may not be accurate.  
 Druckformat kann abweichen.  
 Les tailles imprimées peuvent varier.  
 Printformaat kan afwijken.

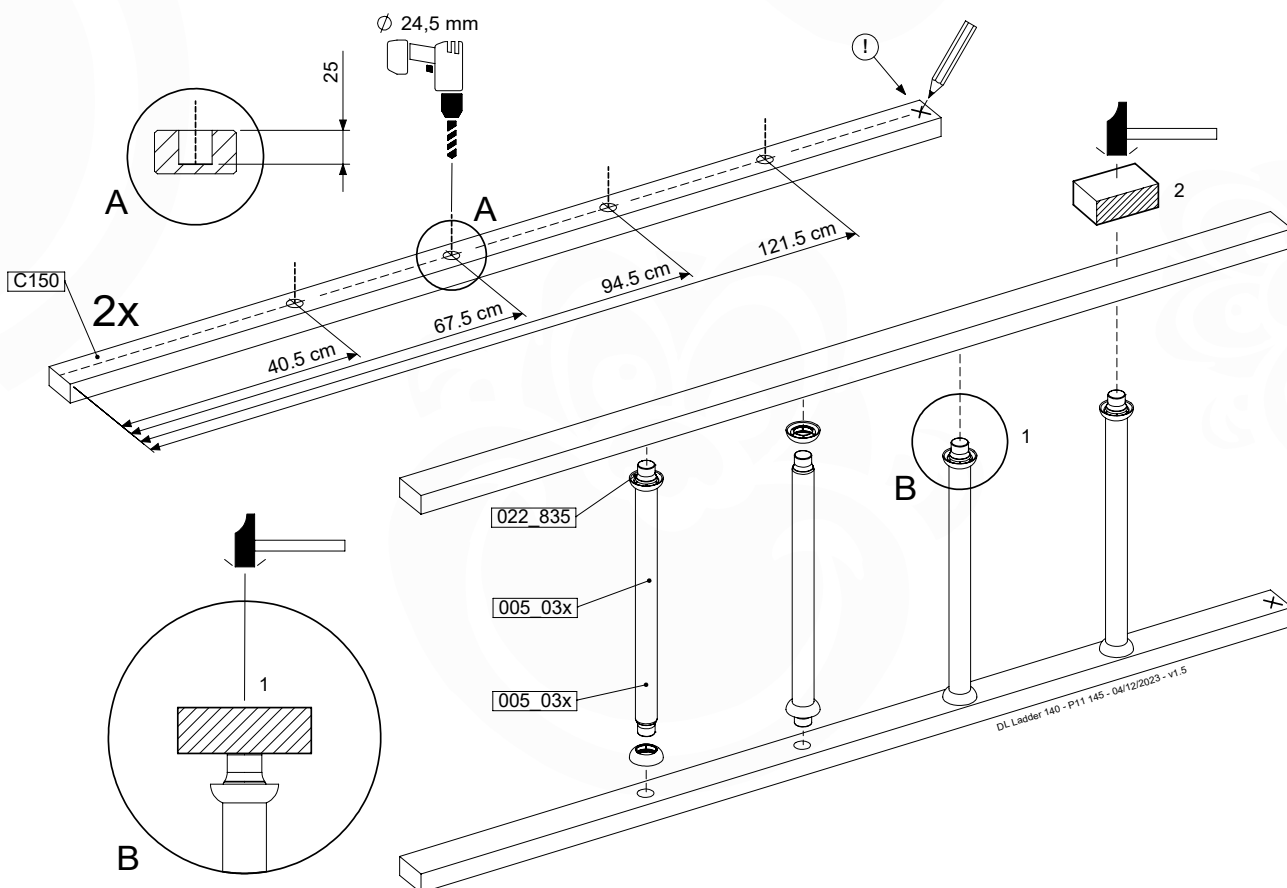
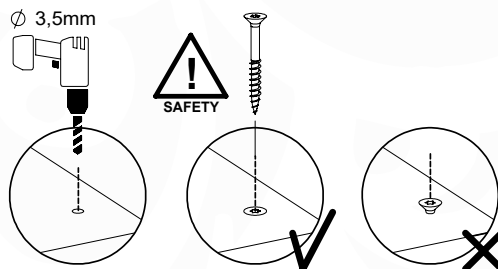
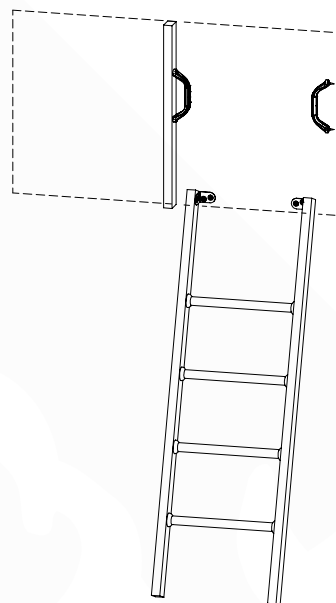


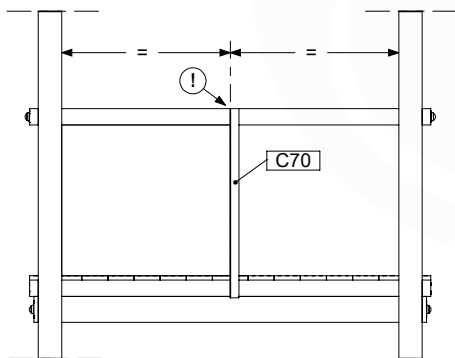
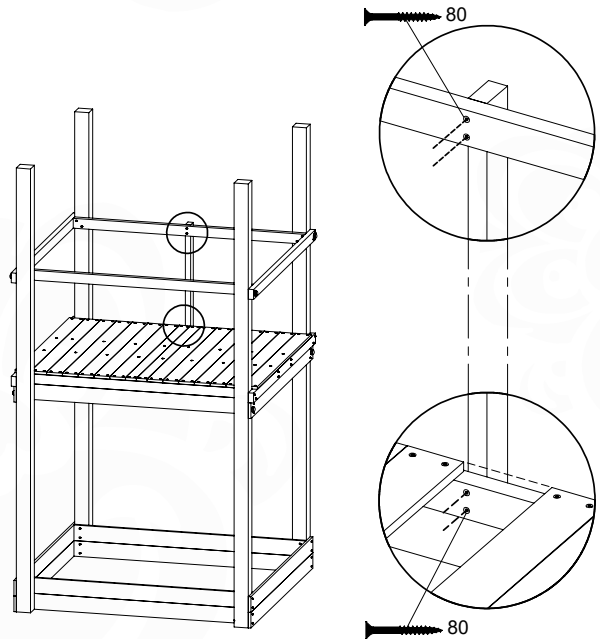
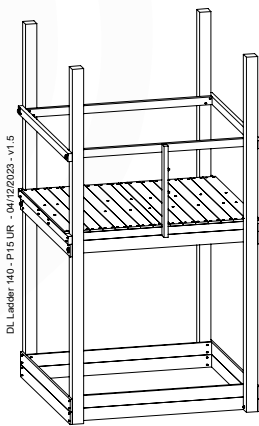
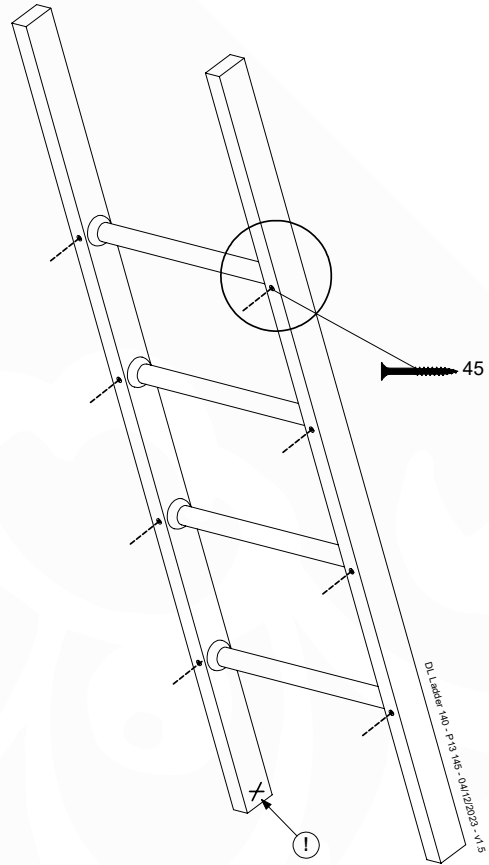
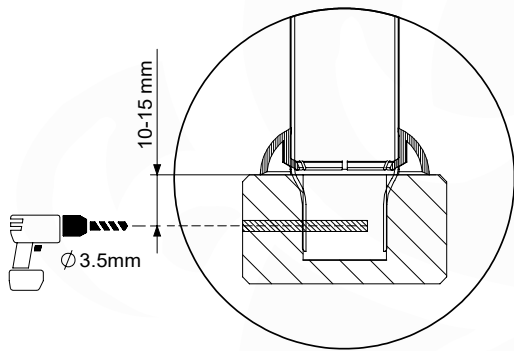
# 23 LA24a: Ladder 140 145 U Right

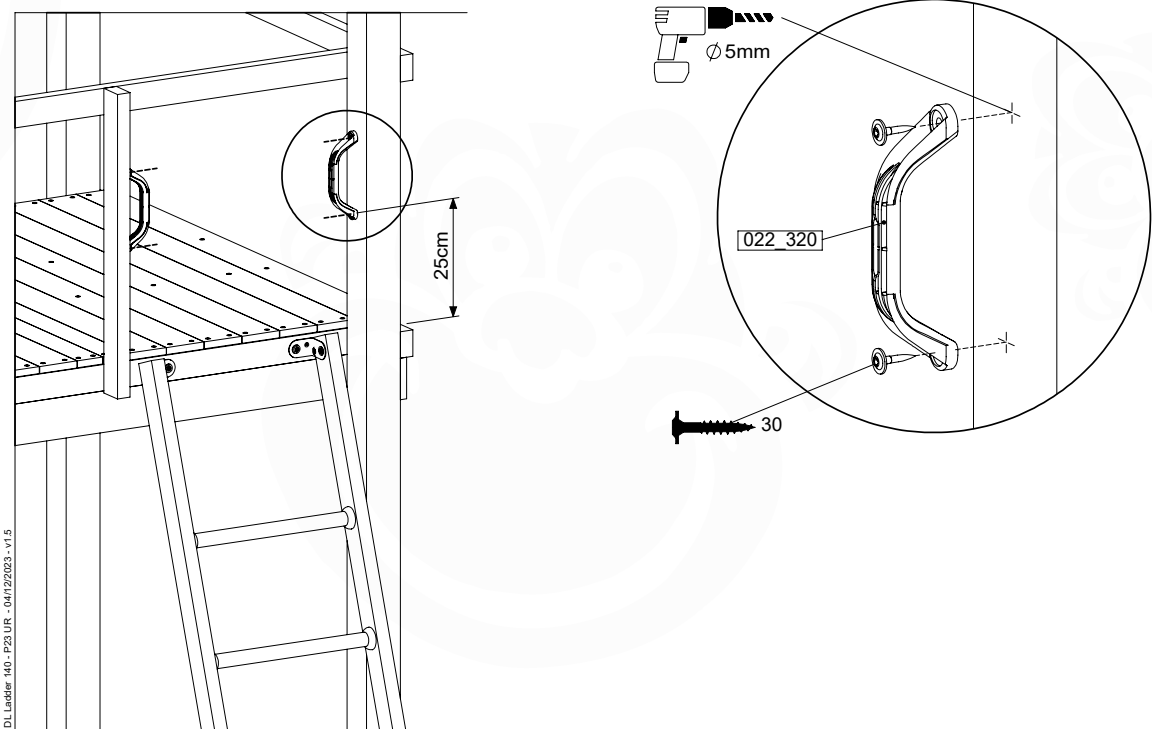
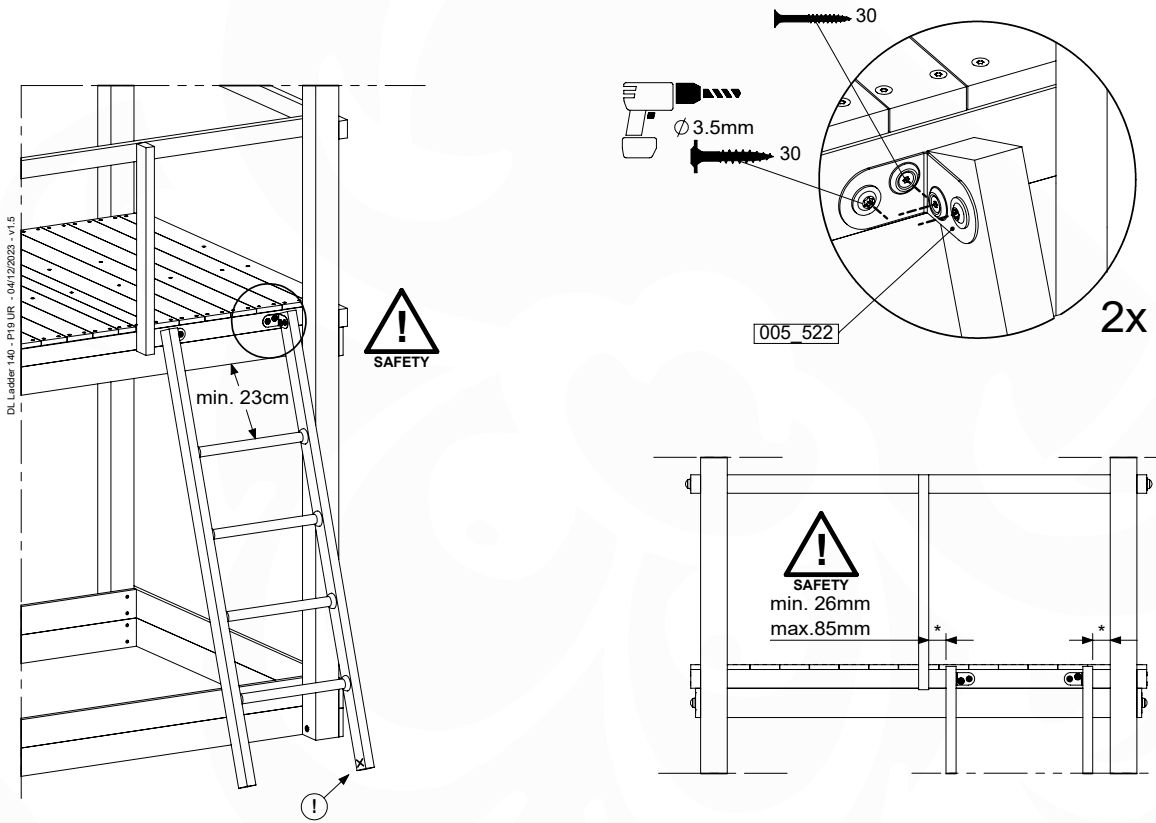
( 194\_004 )

	PartNo	PartName	QTY.
Hardware pack	001_404	Stealth Screw 8x30	4
	002_219	Gap Point Screw T25 - 5x30	4
	002_220	Gap Point Screw T25 - 5x45	8
	002_223	Gap Point Screw T25 - 5x80	4
Other	005_03x	Ladder Rung Y/B/G/R	4
	005_522	Connection Bracket Mini Market	2
	022_835	Rung Cap	8
	120_102	Handgrip set (complete 2x)	1
Timber	C70	Beam 700 mm	1
	C150	Beam 1500 mm	2

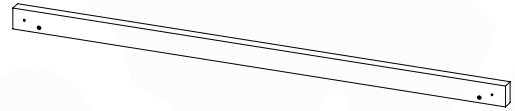
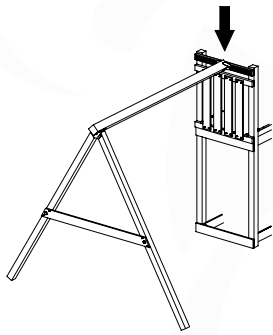
DL Ladder 140 - P107 UR 145 - 04/12/2023 - V1.5







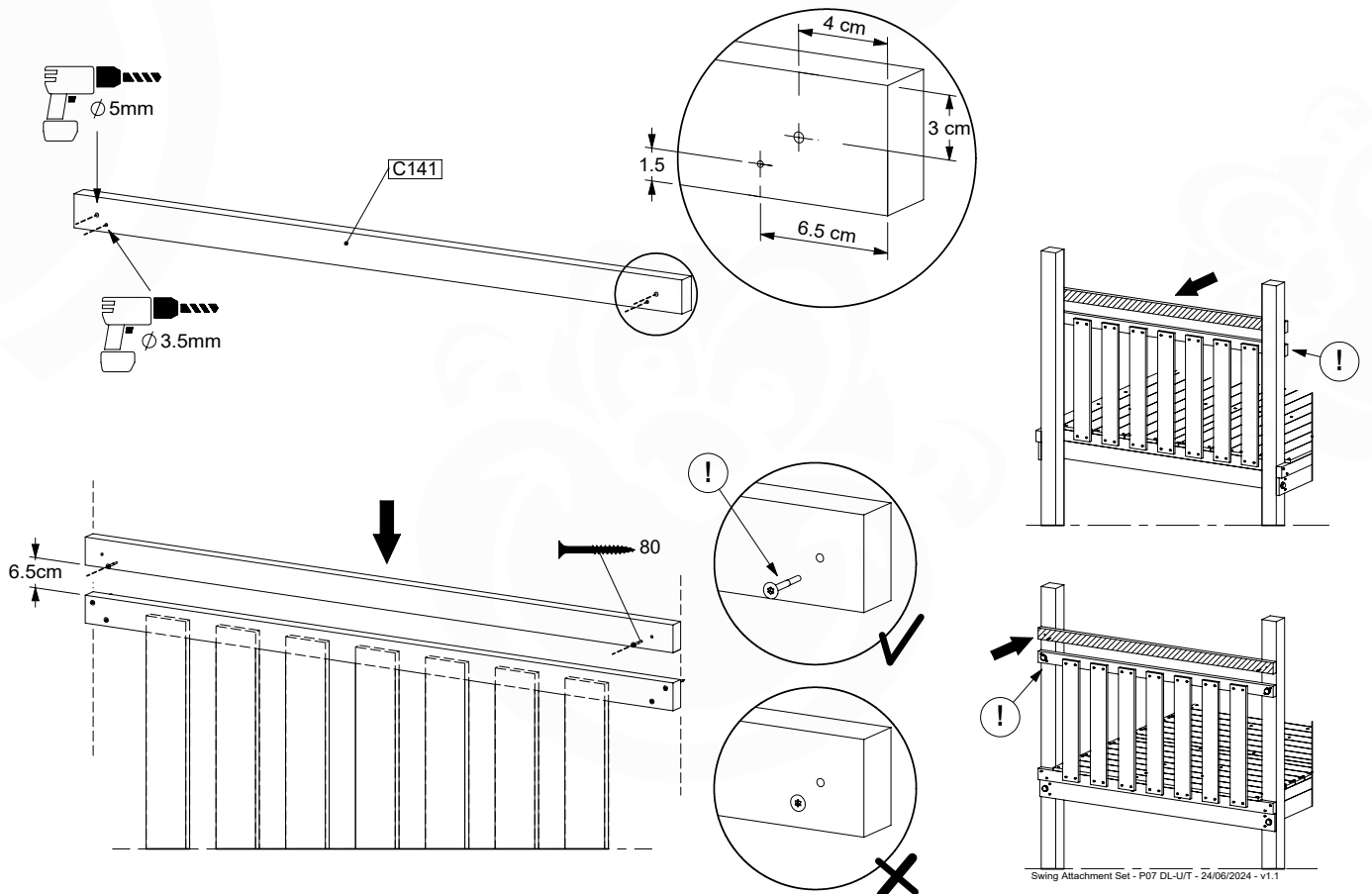
# 24 CL23a: Swing Attachment Set 140



Assembly Packs: 457\_103 / 457\_107 (Swing / Climb Kit)

	PartNo	PartName	QTY.
Hardware	002_223	Gap Point Screw T25 - 5x80	2
Timber	C141	Beam 1410 mm	1

Swing Attachment Set - P04 DL-U/T - 24/06/2024 - v1.1



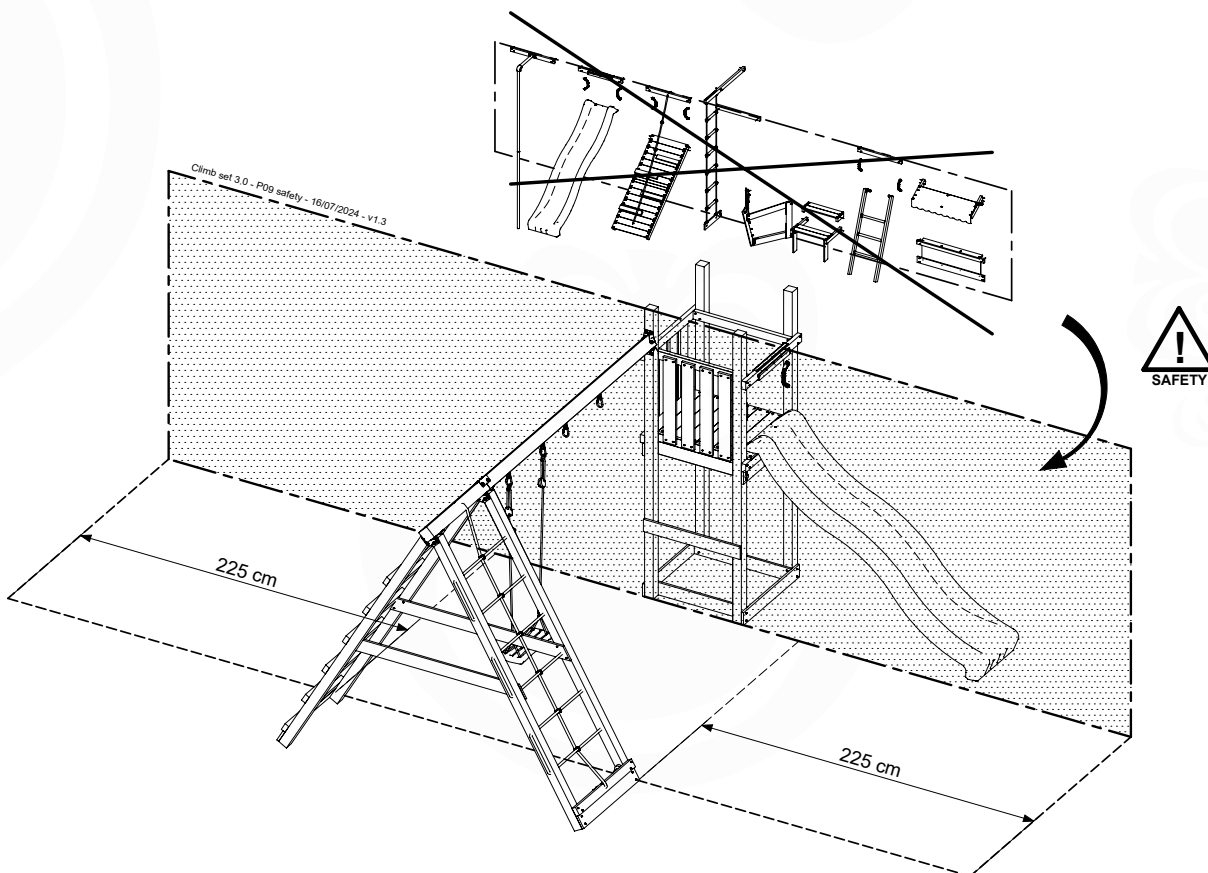
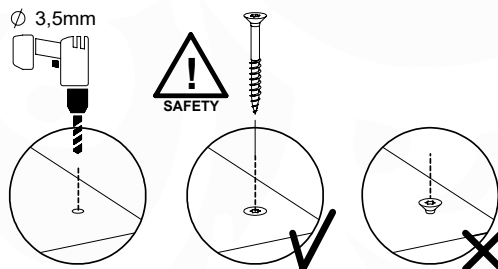
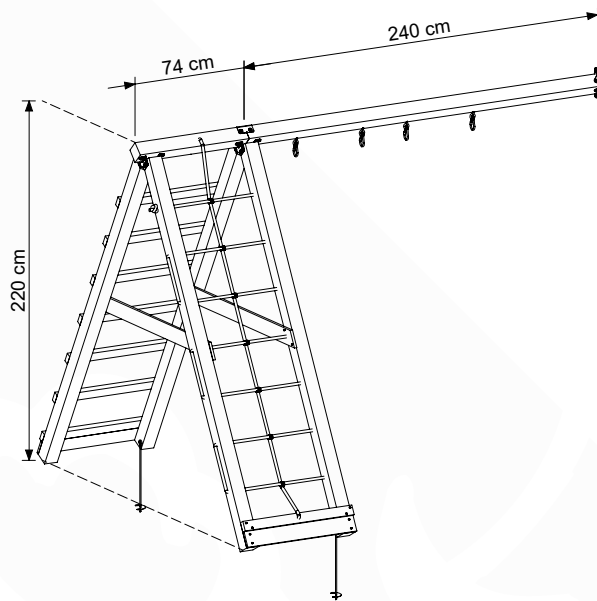
Swing Attachment Set - P07 DL-U/T - 24/06/2024 - v1.1

# 25 CL23a: 2- Climb Module 220 Extra - 3.0

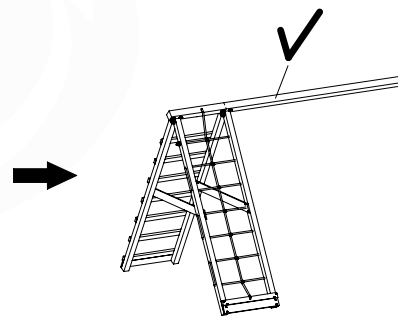
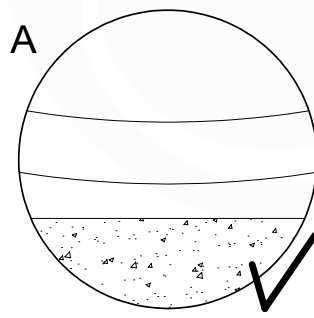
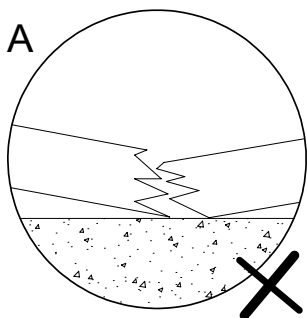
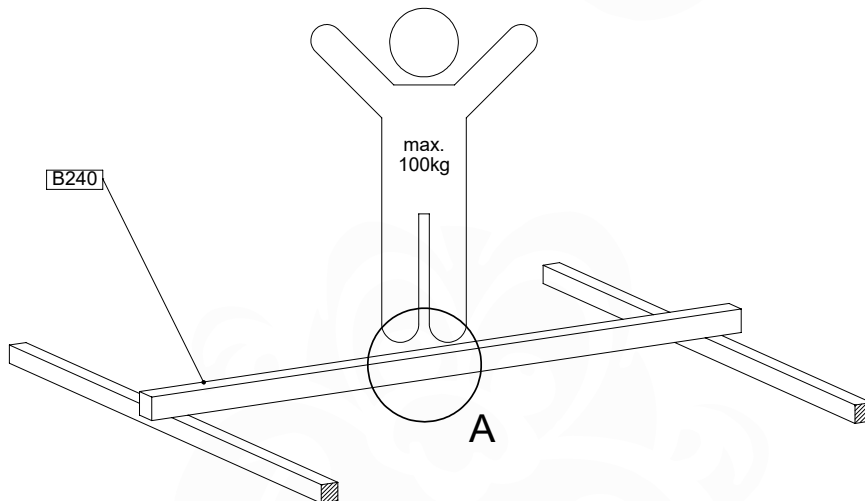
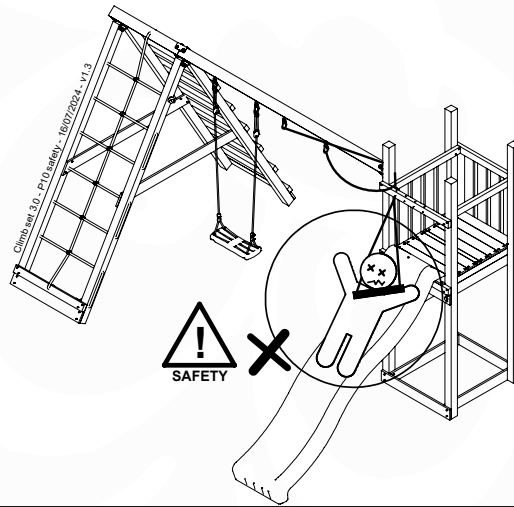
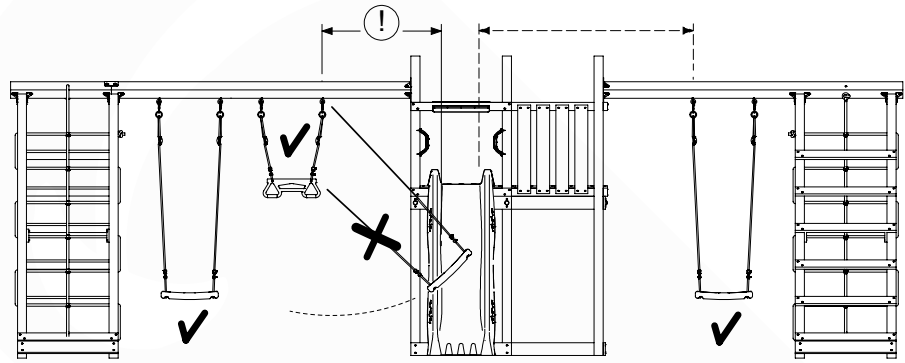
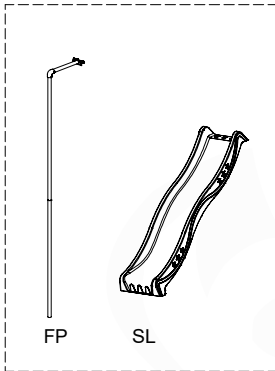
Assembly Kit: 457\_107

	PartNo	PartName	QTY.
Hardware + Parts	001_404	Stealth Screw 8x30	4
	001_406	Stealth Screw 8x45	34
	001_417	Stealth Screw 8x80	2
	002_220	Gap Point Screw T25 - 5x45	36
	002_223	Gap Point Screw T25 - 5x80	35
	002_301	Dry Wall Screw PH2 3.9 x 40 mm	7
	023_042	Nylon washer 9x19x1.5	36
	005_096	A-Frame V-Connector	4
	005_097	Swing V-Connector	2
	005_099	Climber Top Connector	1
	007_001	Ground-anchor	2
	020_317	Rope Polyester 16mm Green 3.4m	1
	020_318	Rope Polyester 16mm Green 8.1m	1
	022_455	Rope Cross Connector Egg	7
101_003	Swing hook with Carabiner	4	
Timber	B74	Post ca.90x90 L740	1
	B240	Post ca.90x90 L2400	5
	C74	Beam 740 mm	8
	D74	Board 740 mm	2
	D141	Board 1410 mm	3

Climb set 3.0 - P08 20220E - 16/07/2024 - v1.3

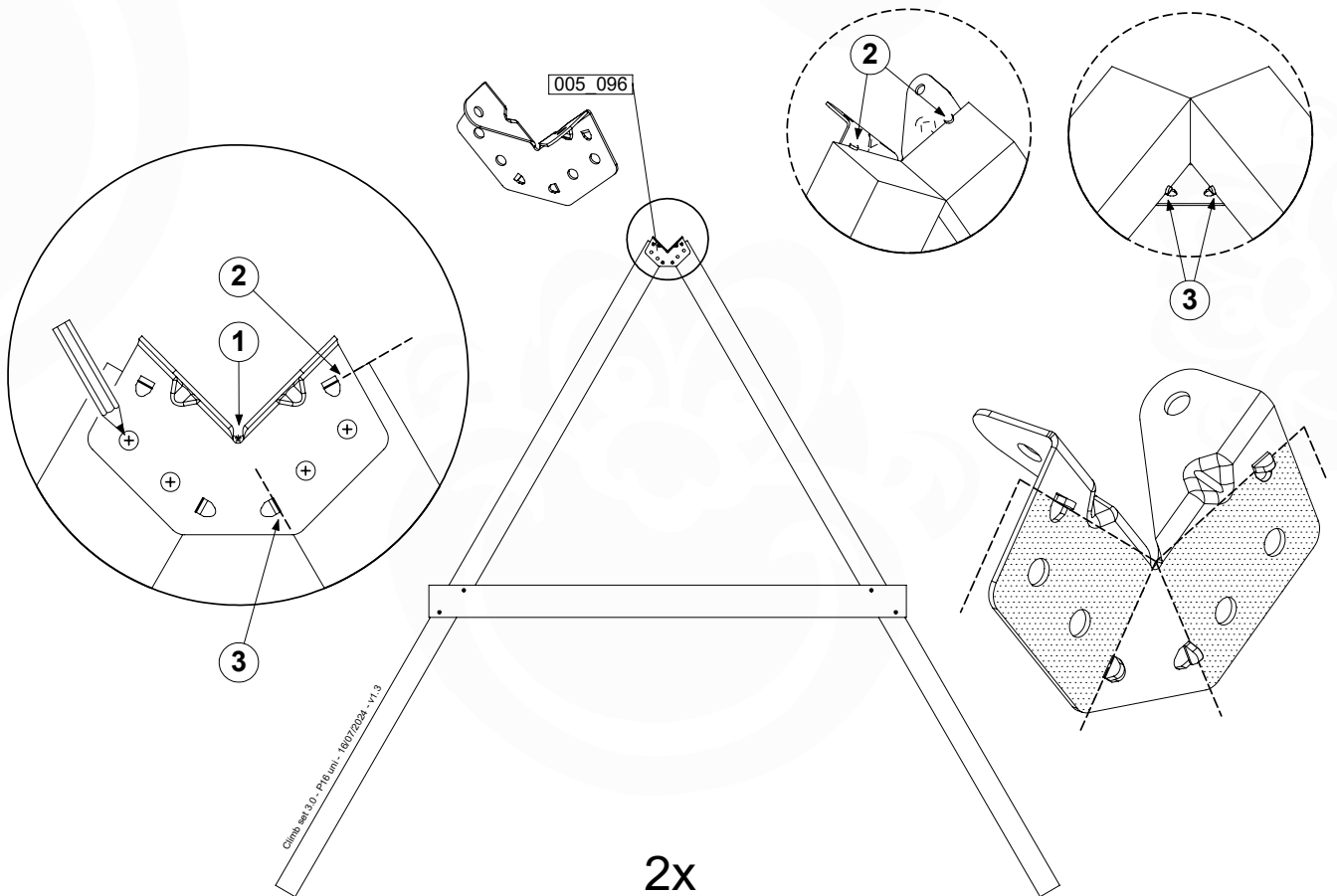
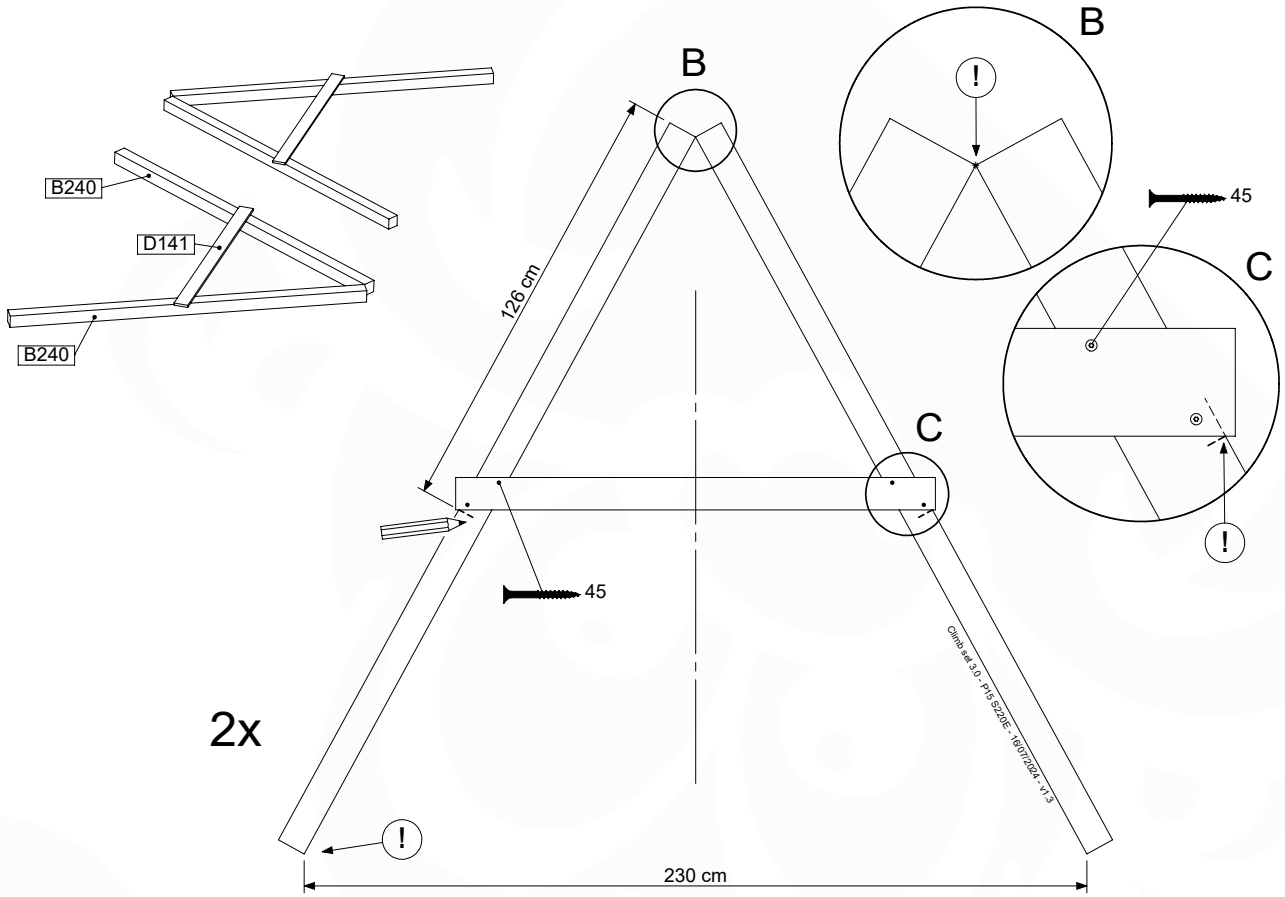


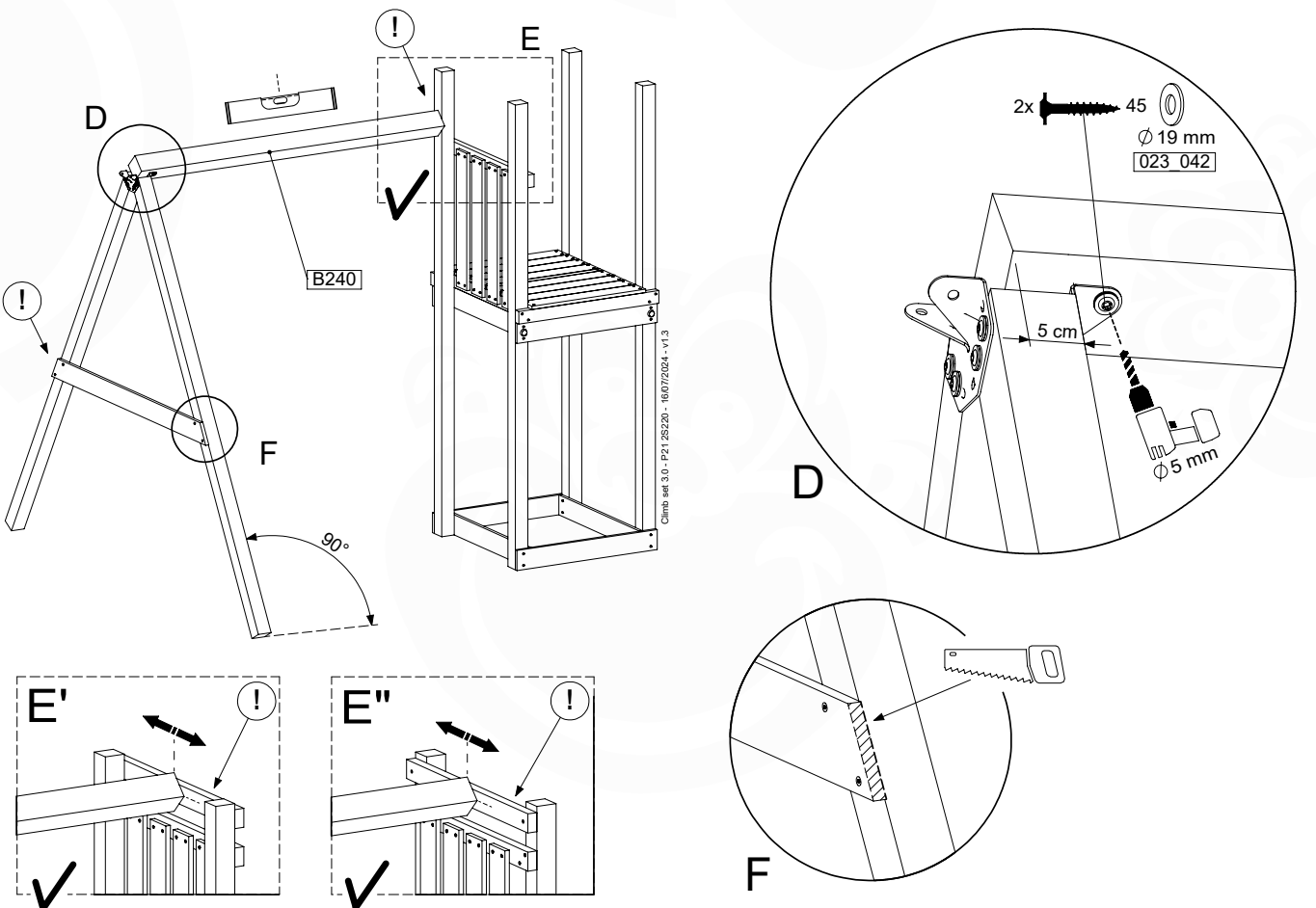
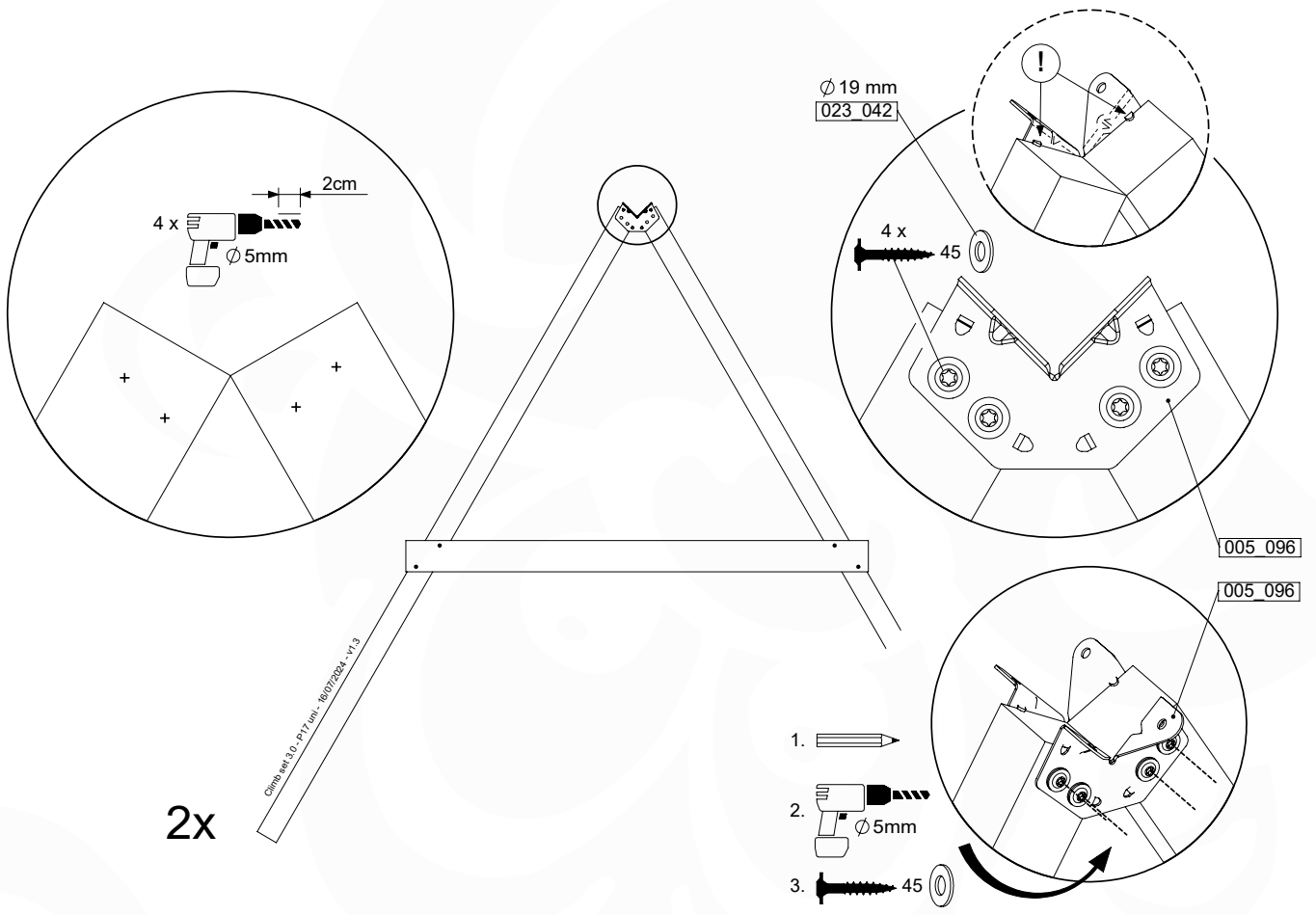
25.1



Climb set 3.0 - P12 25220 - 16/07/2024 - v1.3

25.2

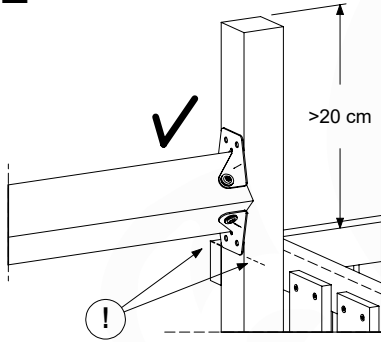




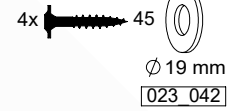
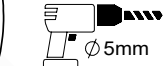
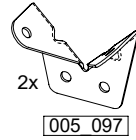
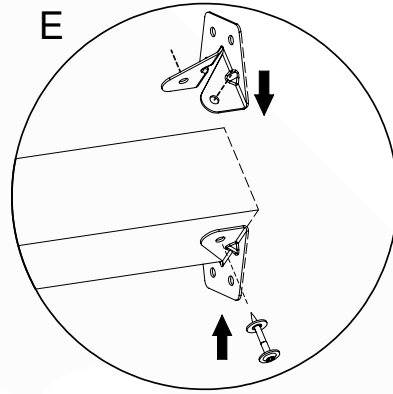


25.4

E

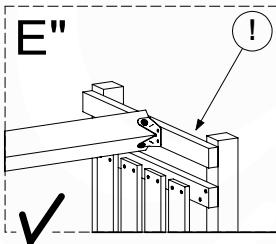
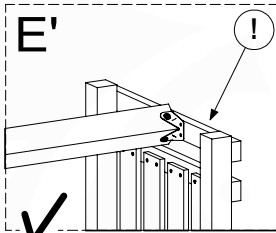
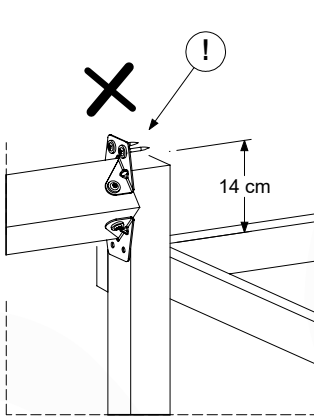


E

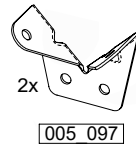
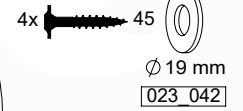
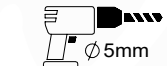
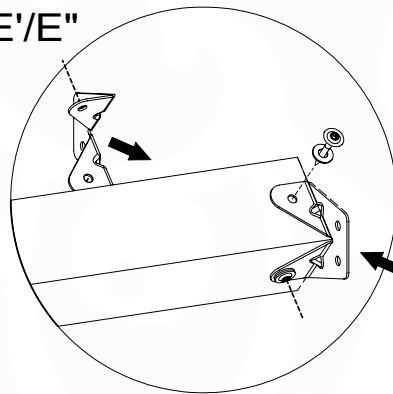


Climb set 3.0 - P22 uni - 16/07/2024 - v1.3

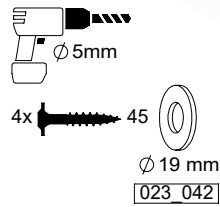
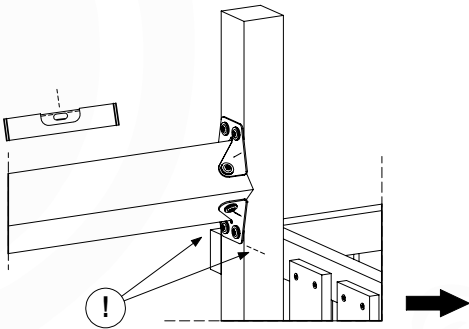
E'/E''



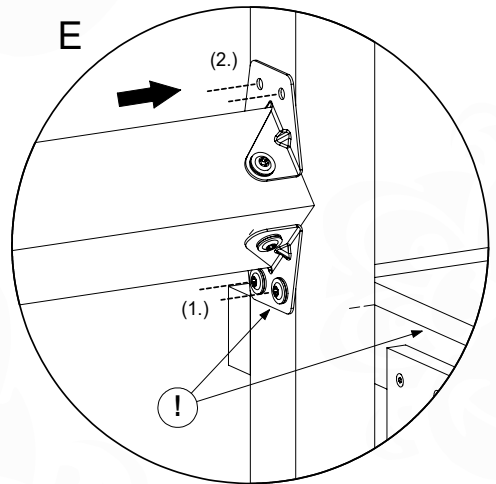
E'/E''



E

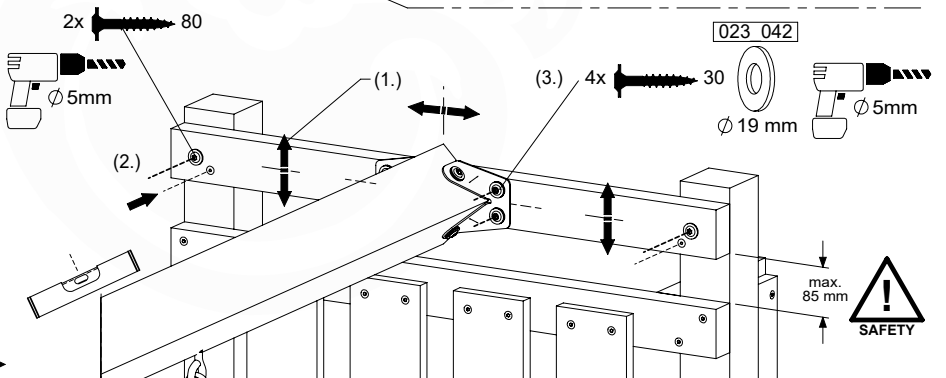
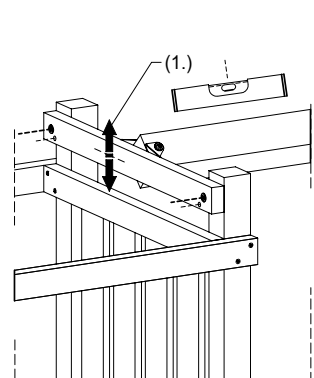


E



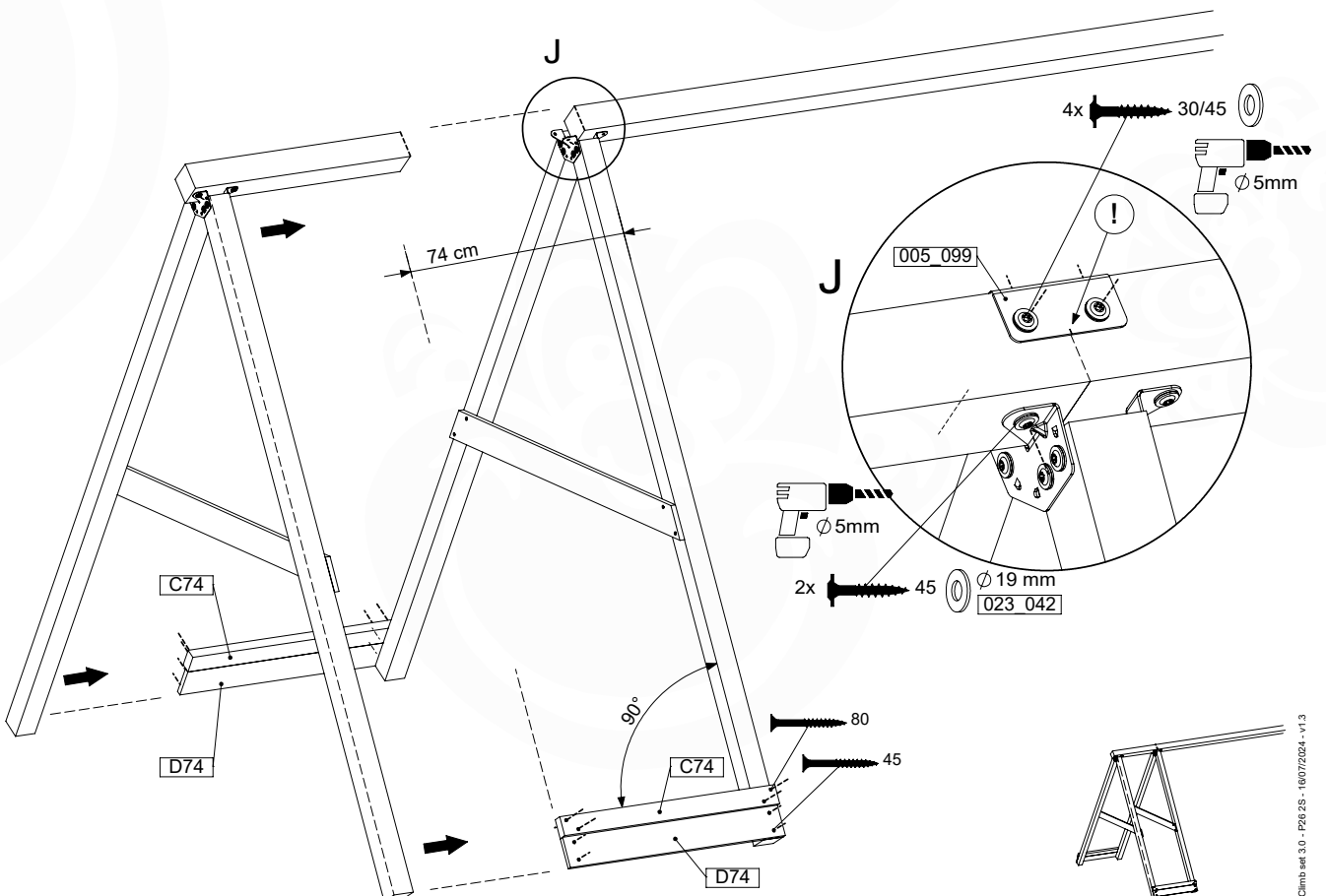
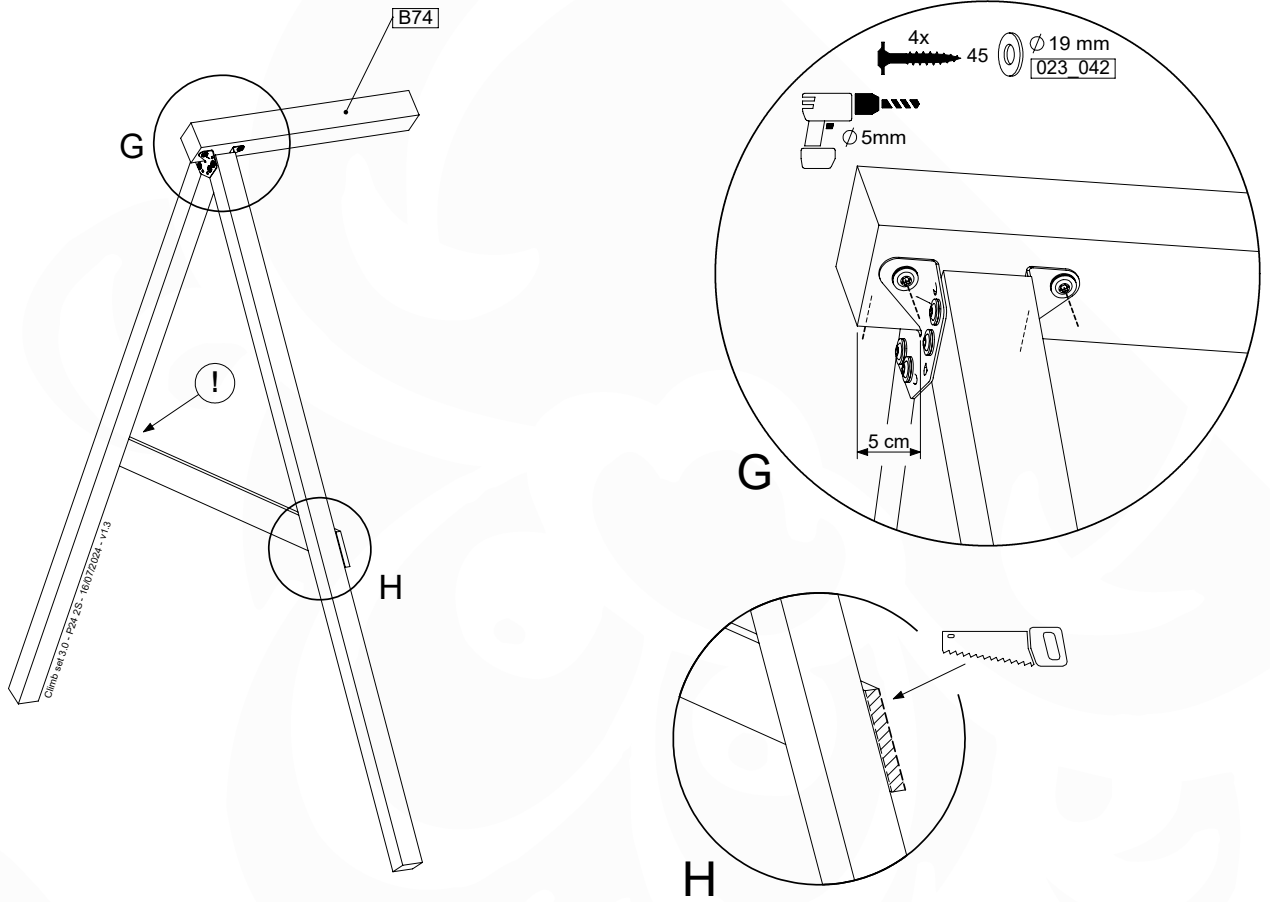
Climb set 3.0 - P23 uni - 16/07/2024 - v1.3

E'/E''

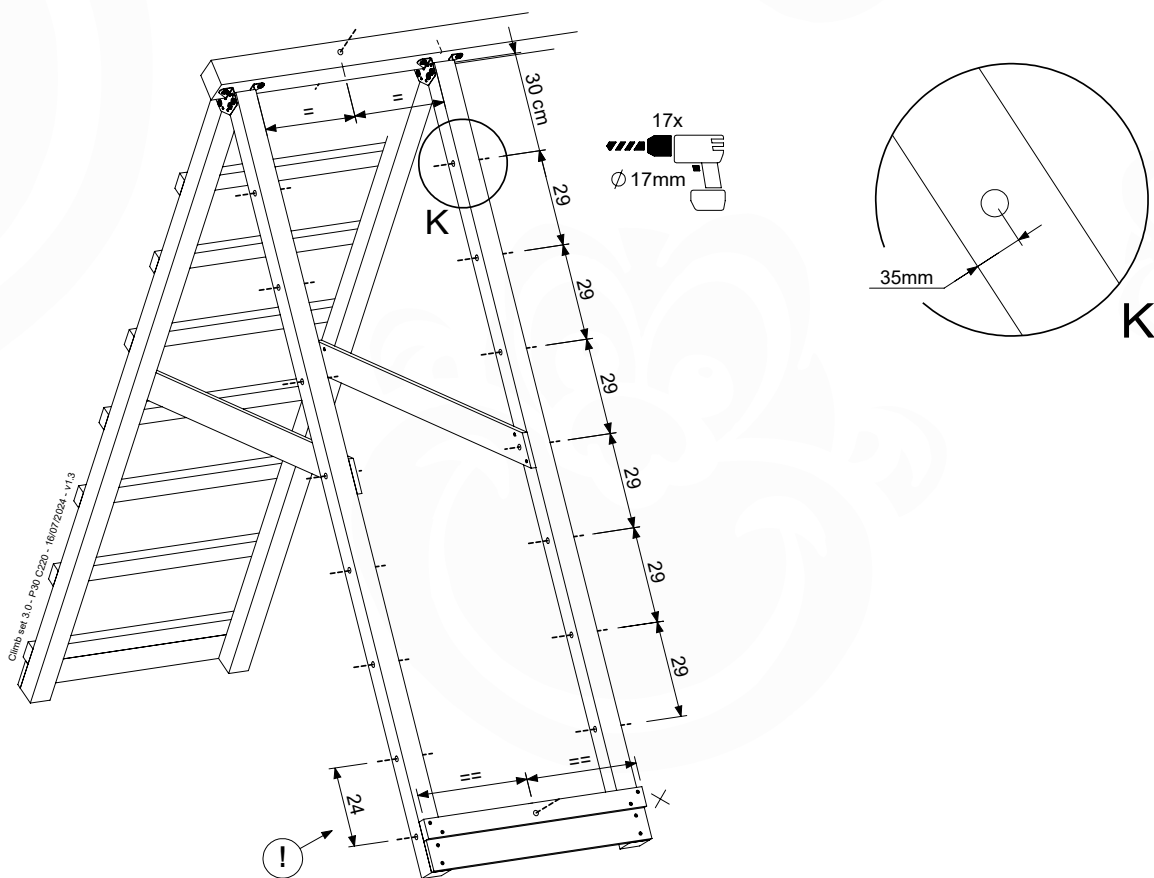
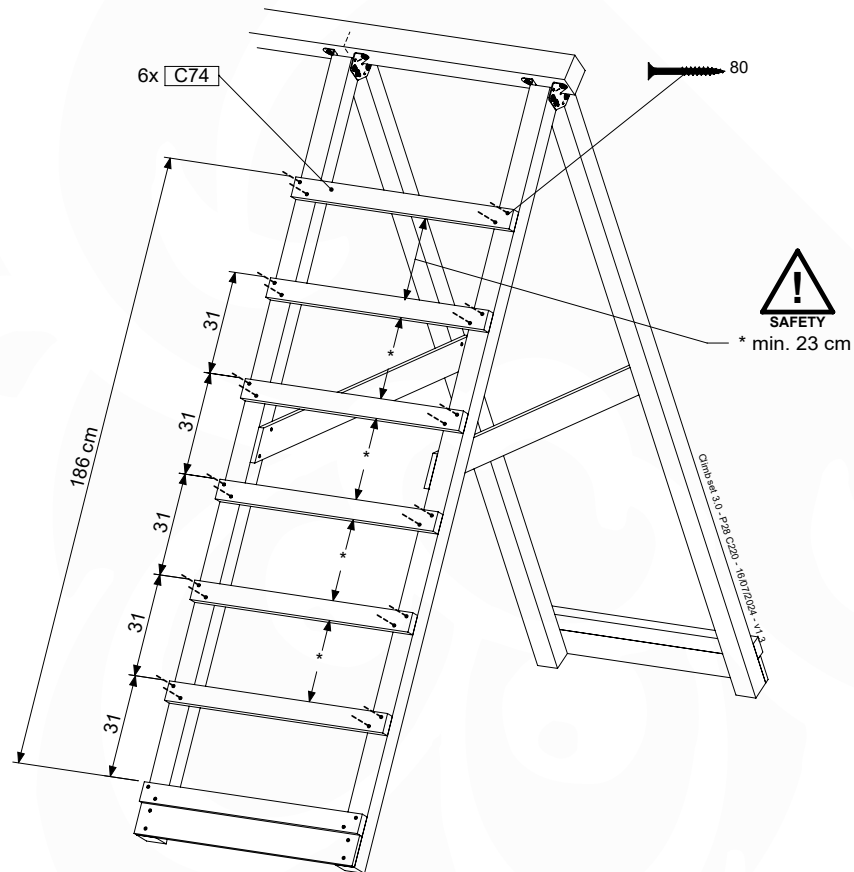


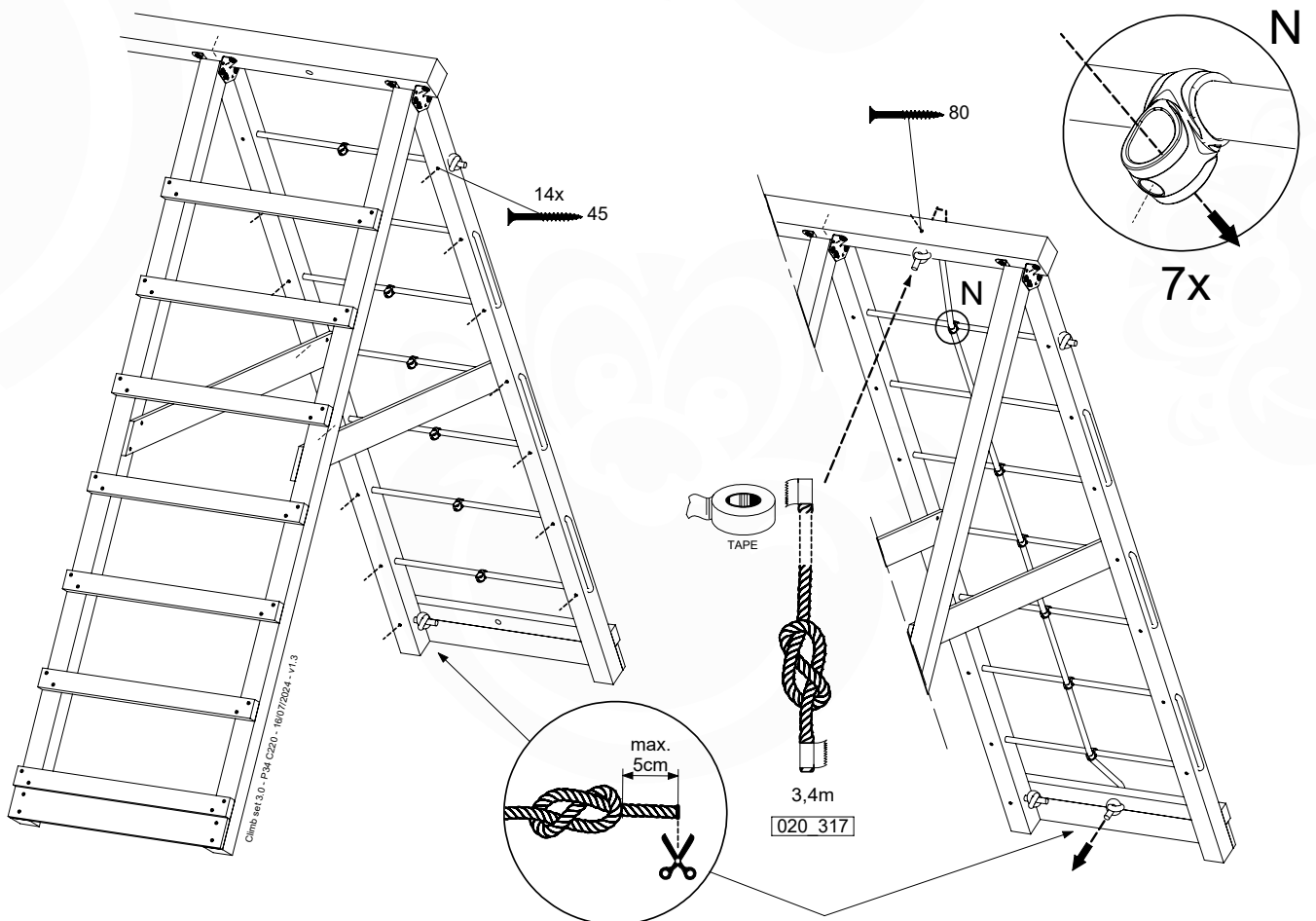
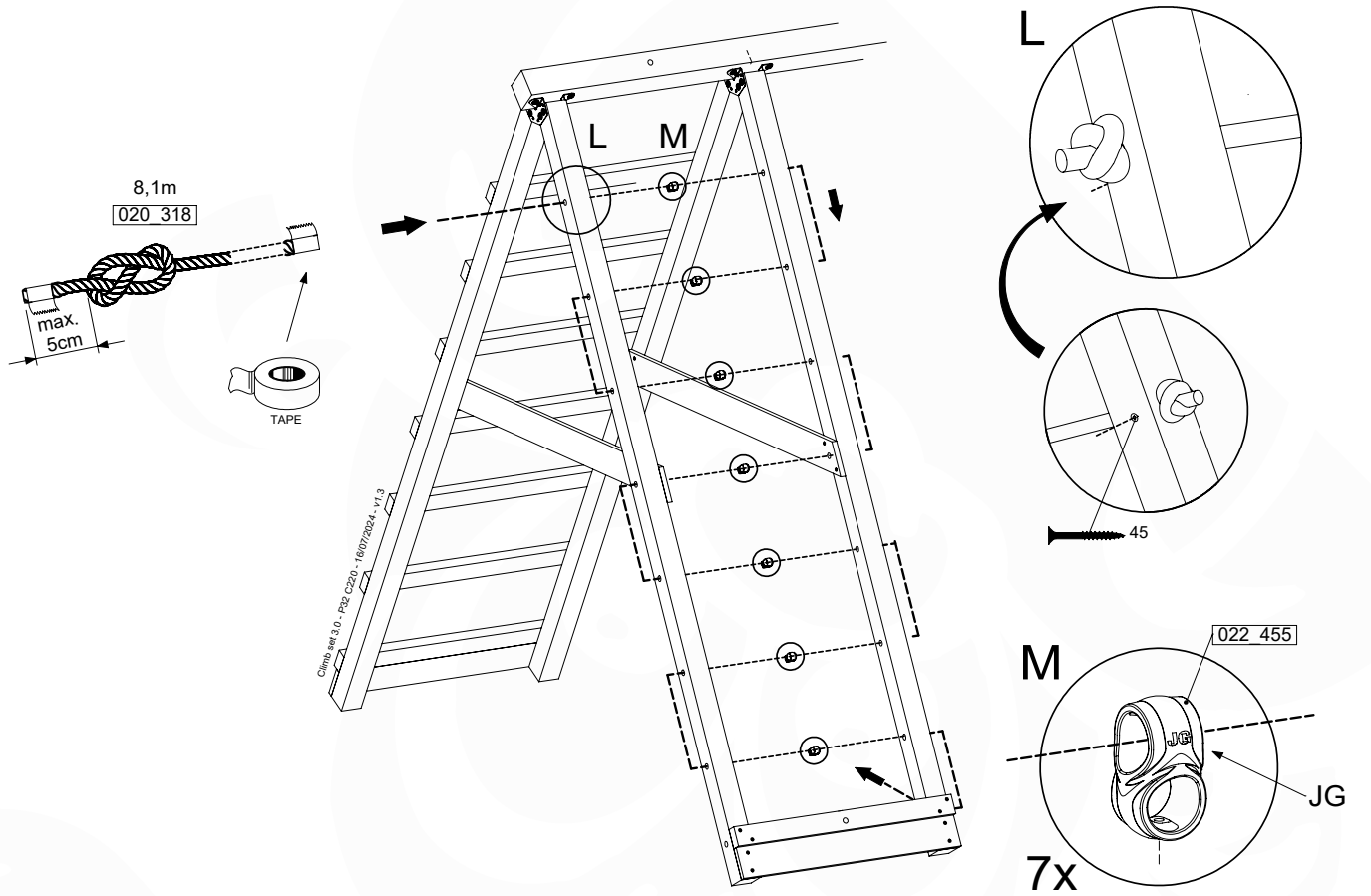
E'

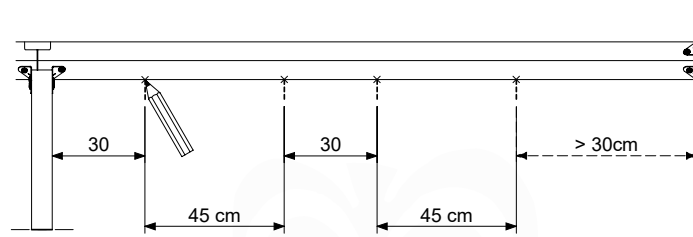
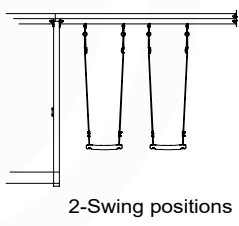
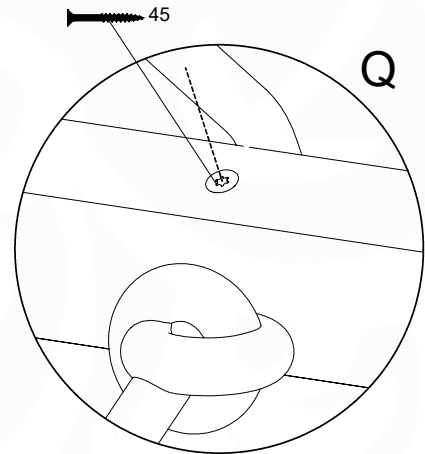
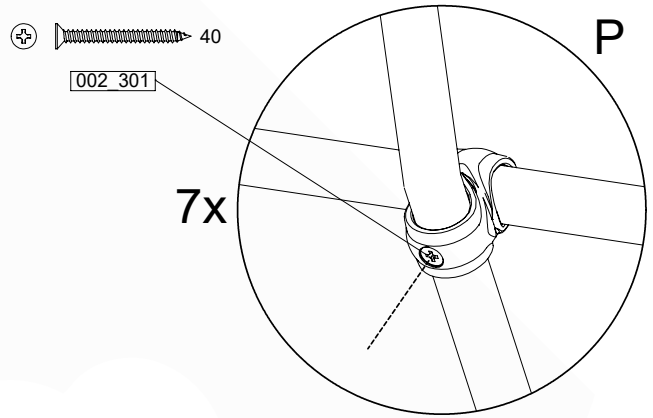
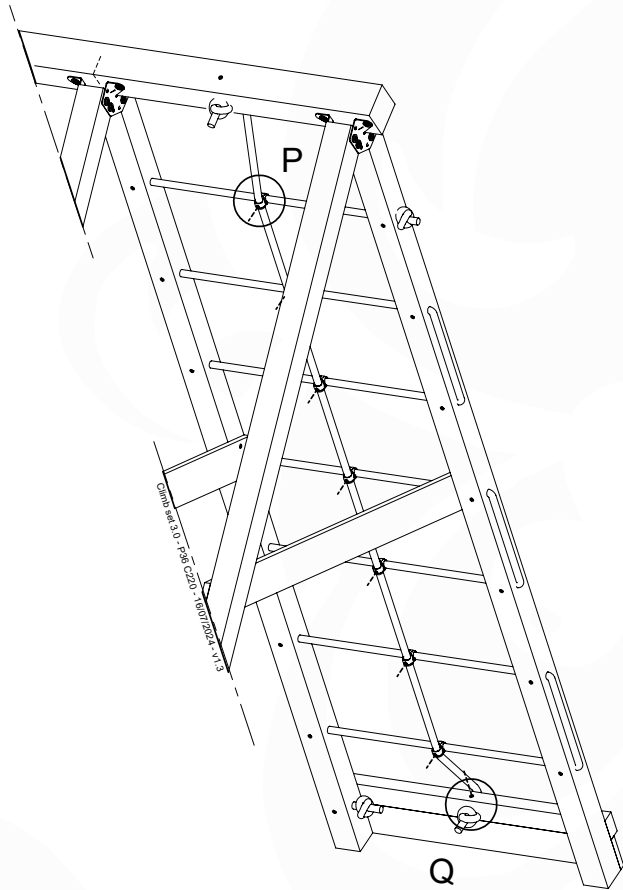
(E'')



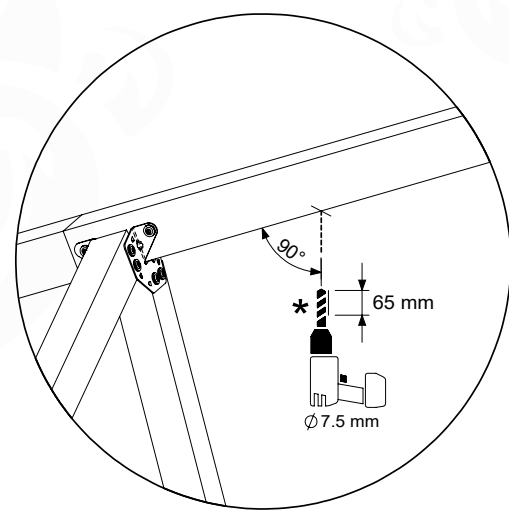
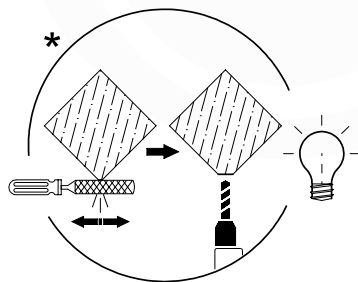
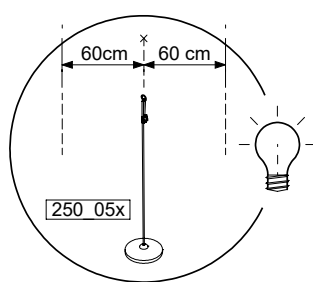
## 25.6

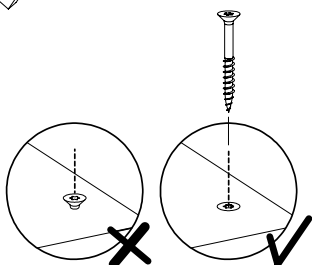
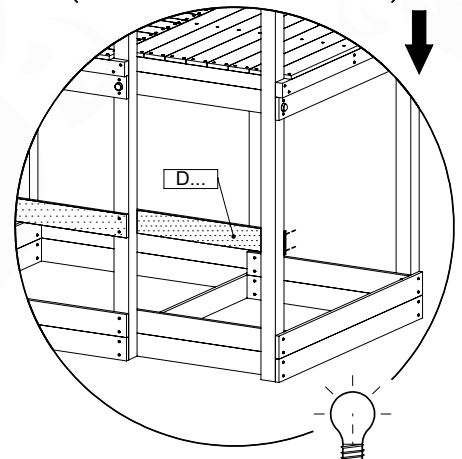
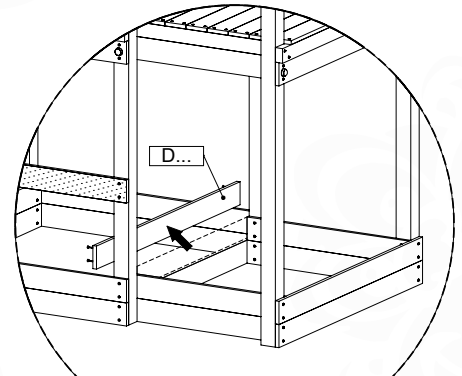
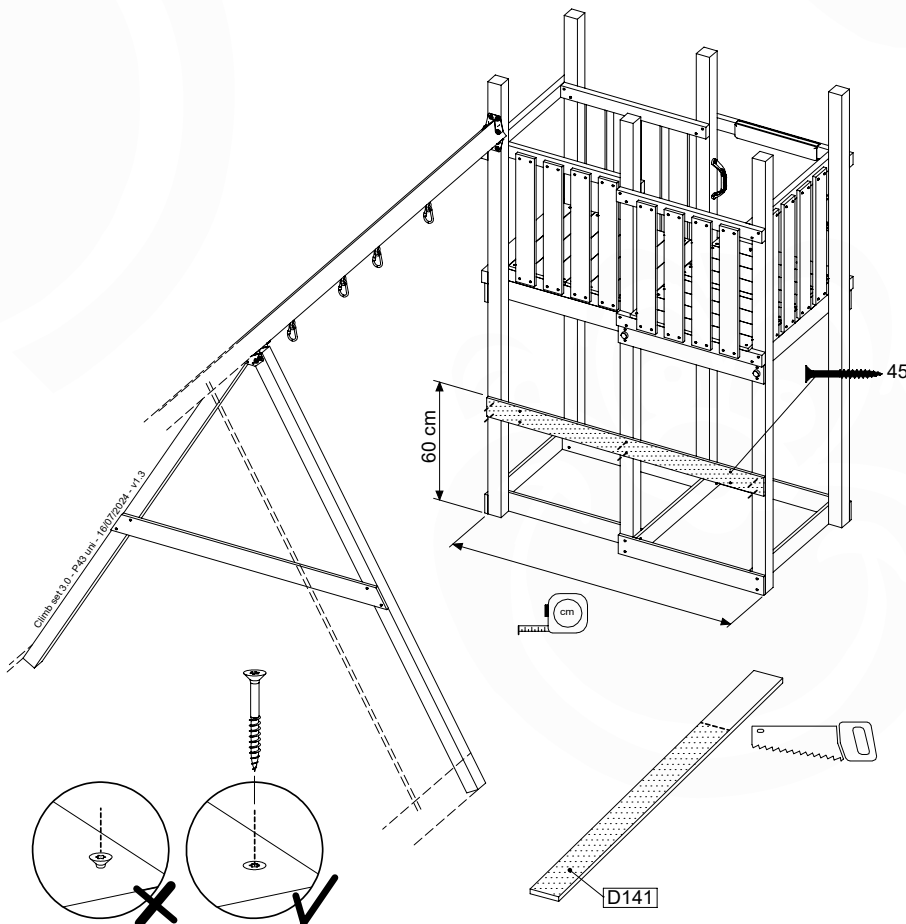
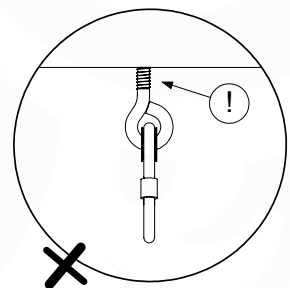
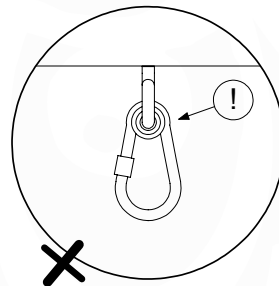
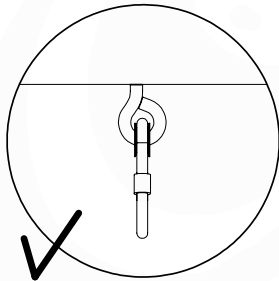
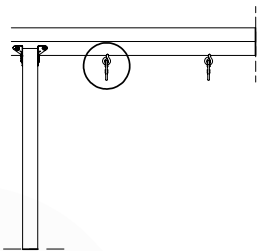
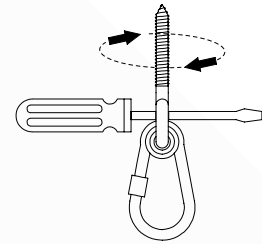
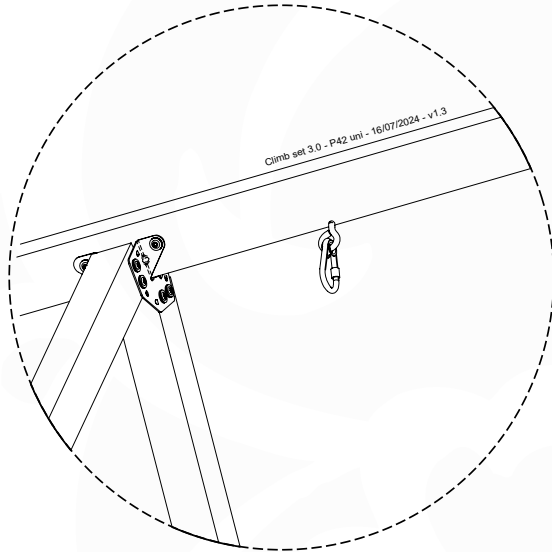
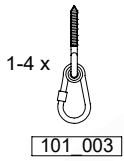




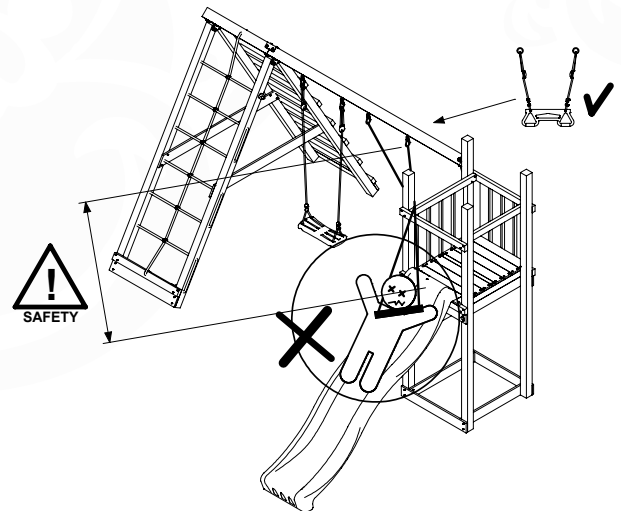
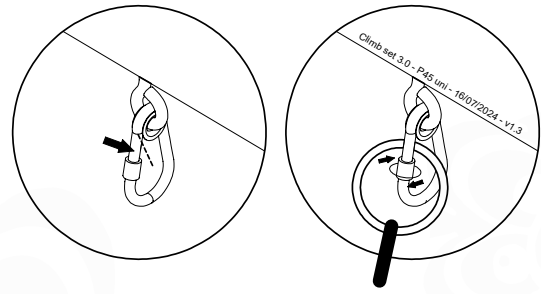
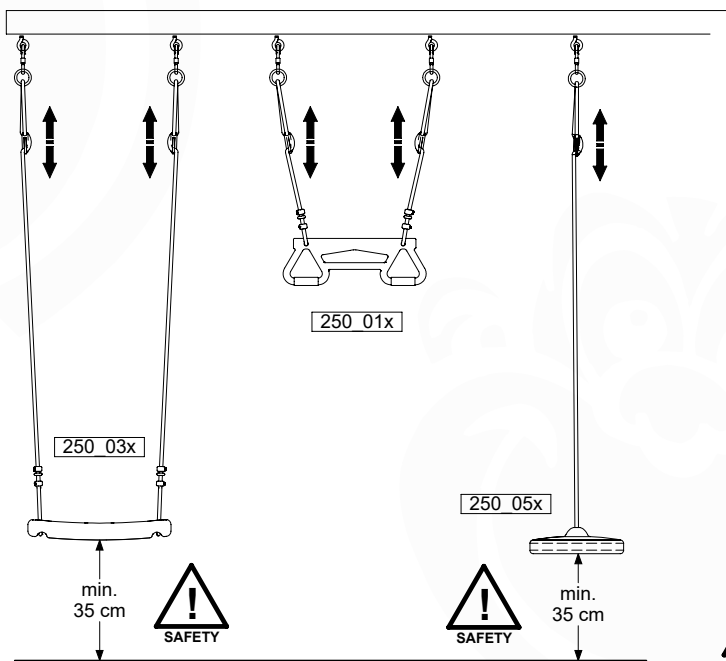
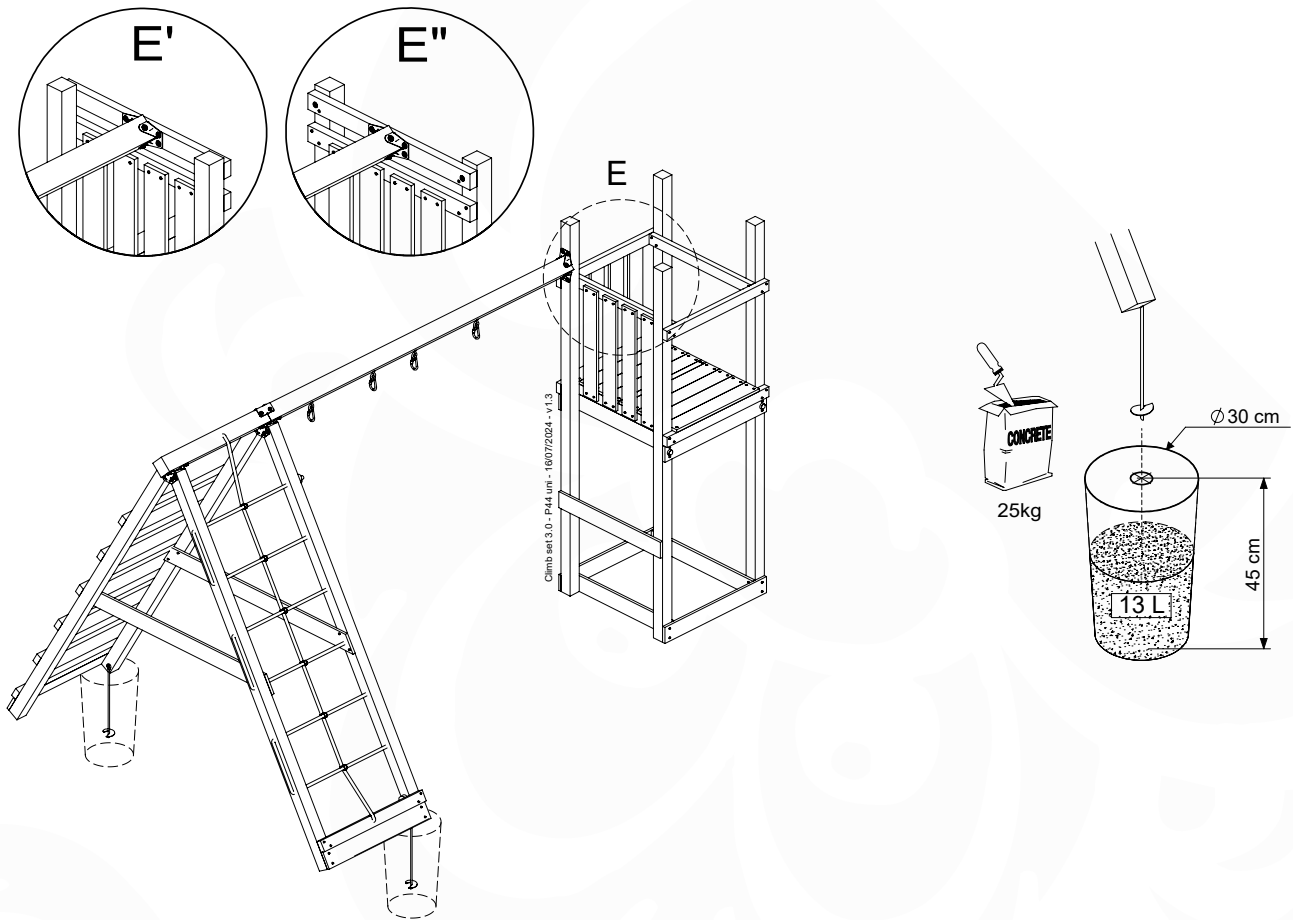


Climb set 3.0 - P41 2S220 - 10/07/2024 - v1.3

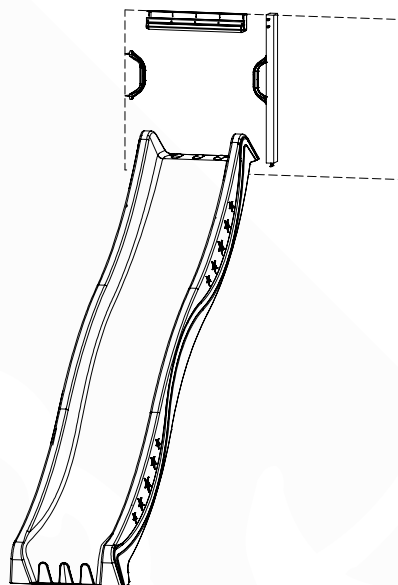




# 25.10



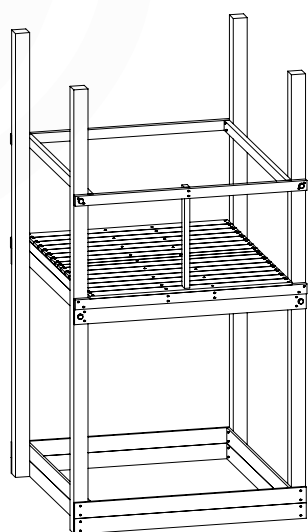
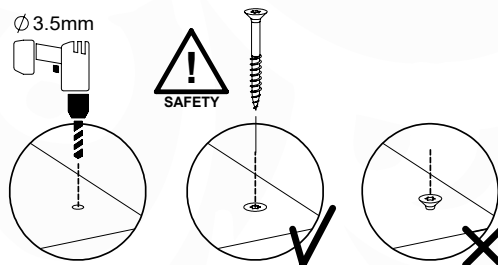
# 26 SL28a: Slide 140 145 T Left



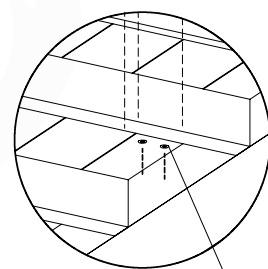
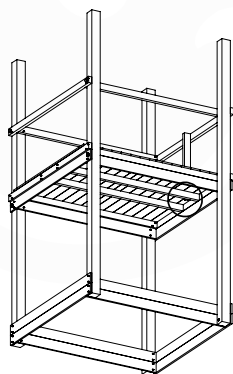
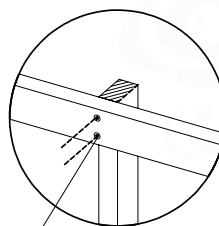
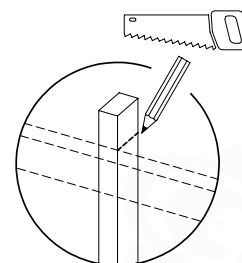
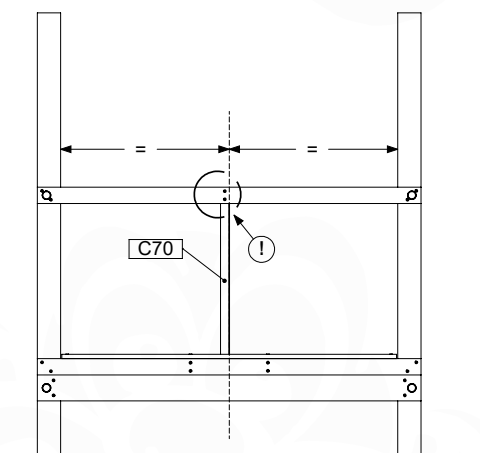
Assembly Pack: 194\_107

	PartNo	PartName	QTY.
Hardware pack	000_101	Nail Pan Head	10
	002_223	Gap Point Screw T25 - 5x80	4
	002_308	Gap Point Screw T25 - 5x20	2
Other	120_102	Handgrip set (complete 2x)	1
	123_200	Bumperpad	1
	334_xxx / 324_xxx	Wavy Star Slide XXL 2650 mm / Wavy Star Slide XL 2200 mm	1
Timber	C70	Beam 700 mm	1

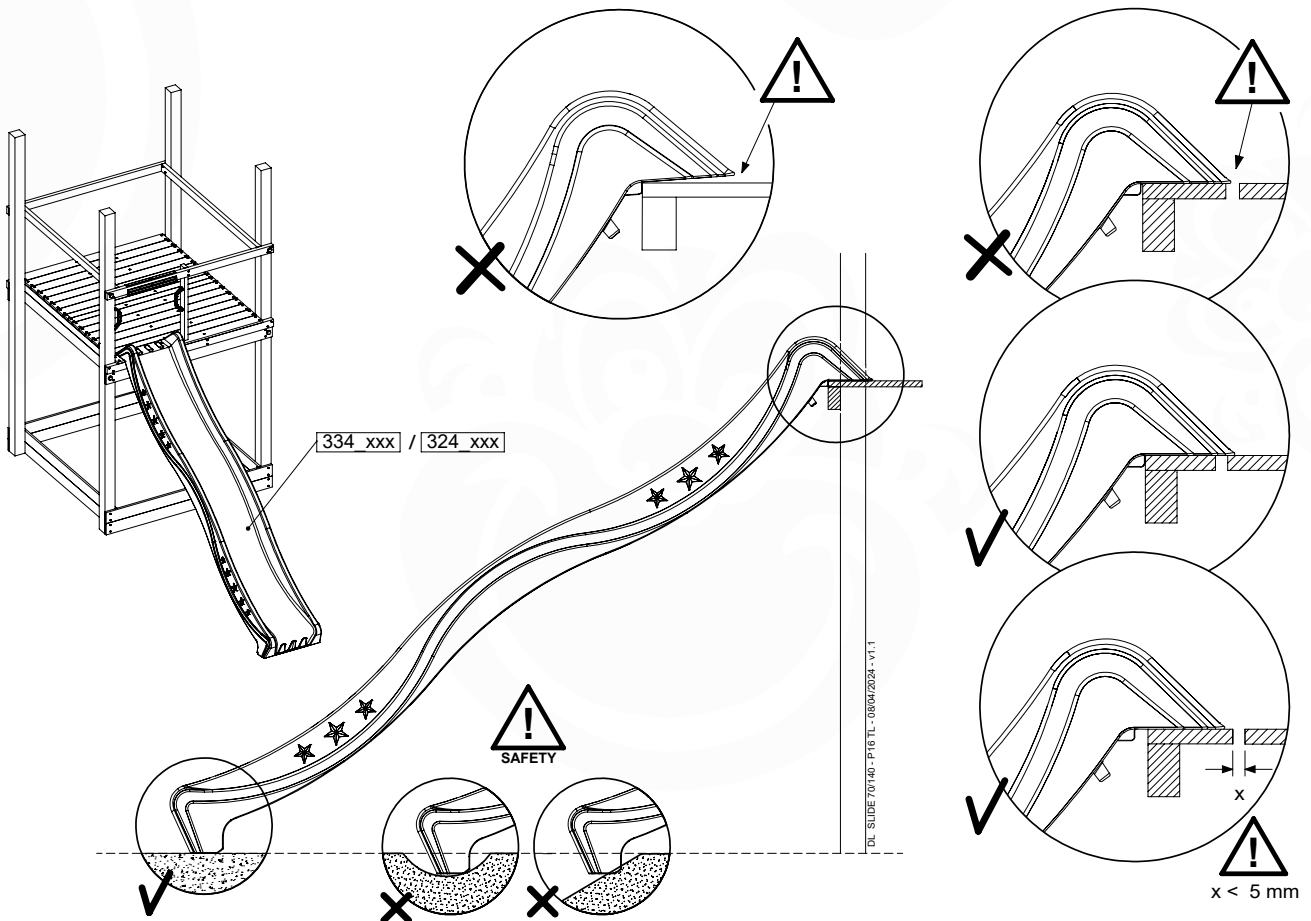
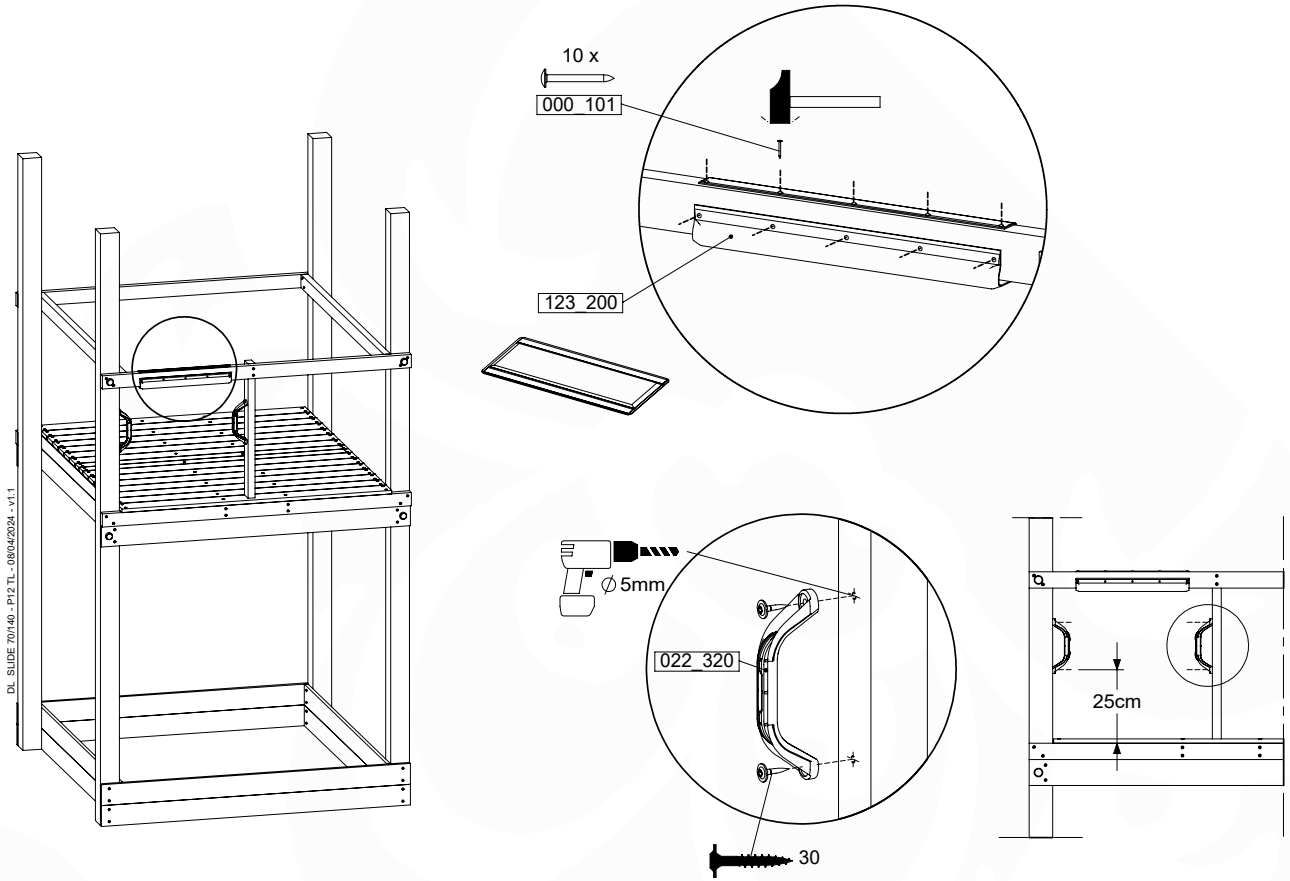
DL SLIDE 70/140 - P04 TL - 08/04/2024 - V1.1

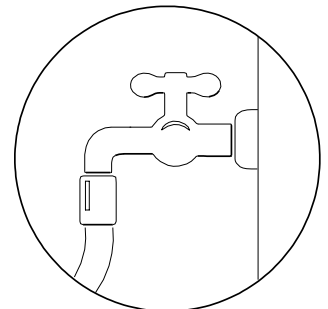
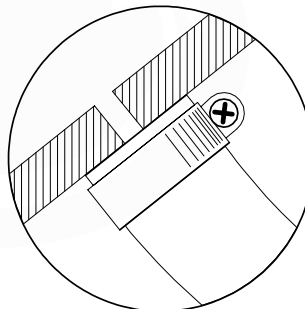
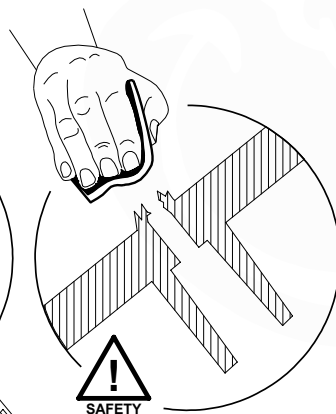
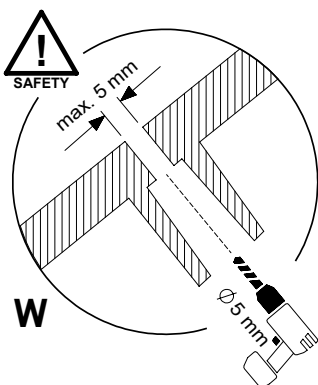
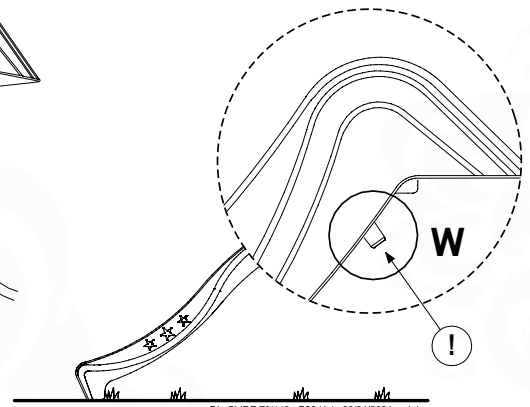
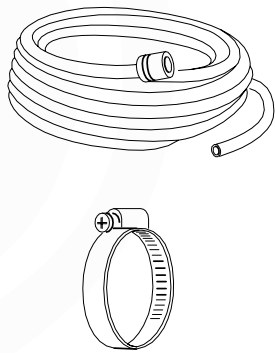
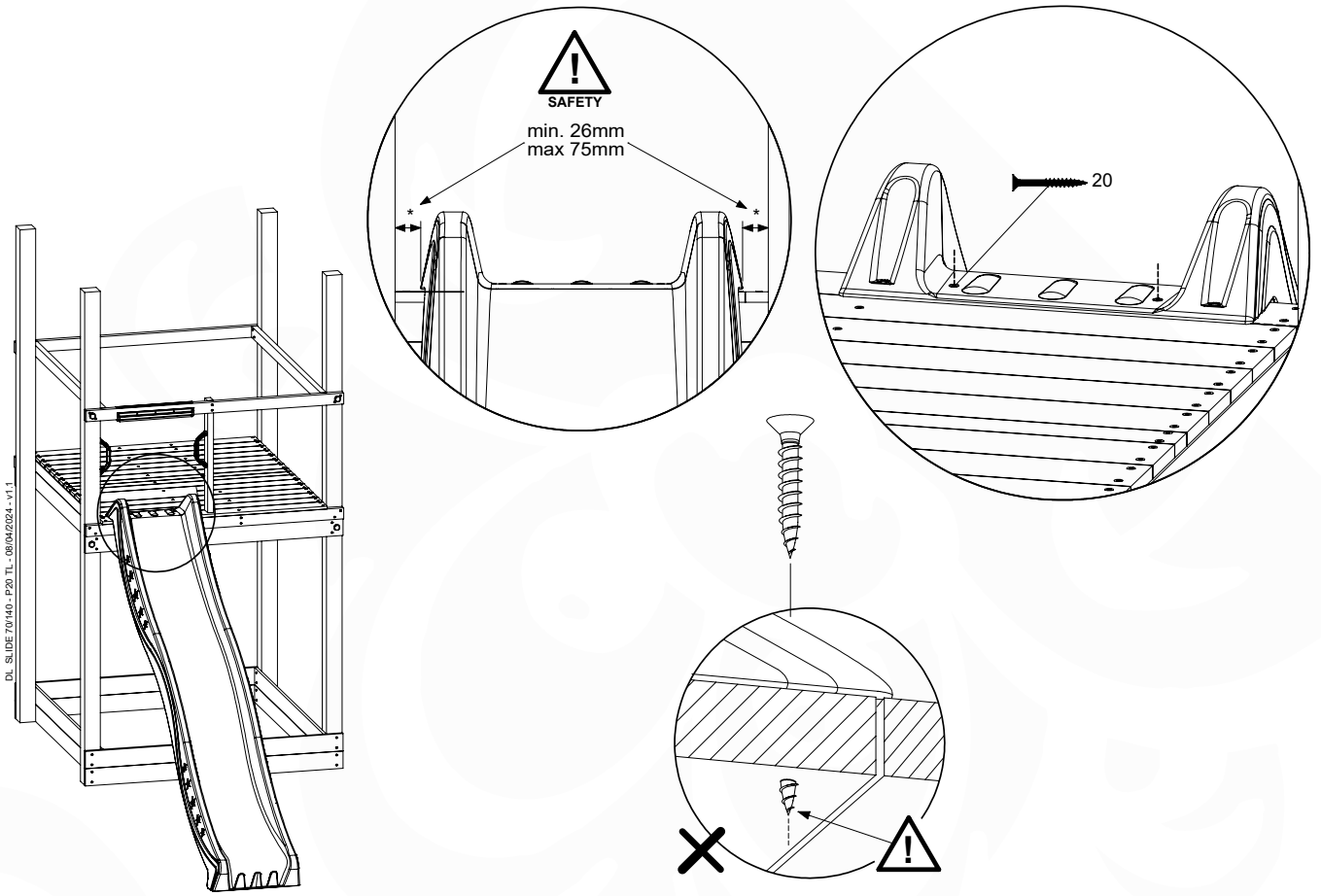


DL SLIDE 70/140 - P08 TL - 08/04/2024 - V1.1

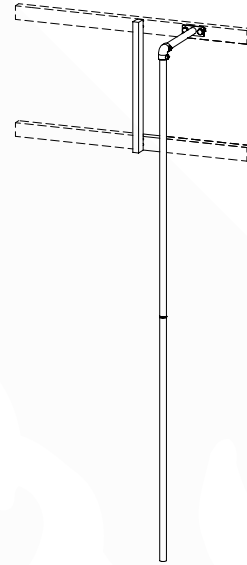








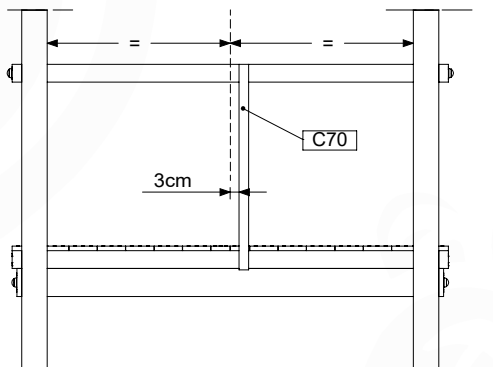
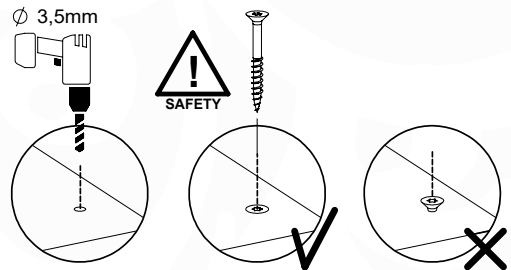
# 27 FP26a: Fireman's pole 140 Right U



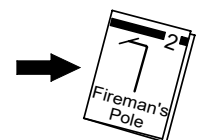
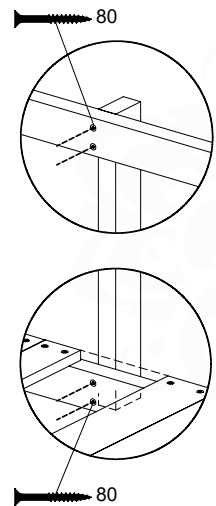
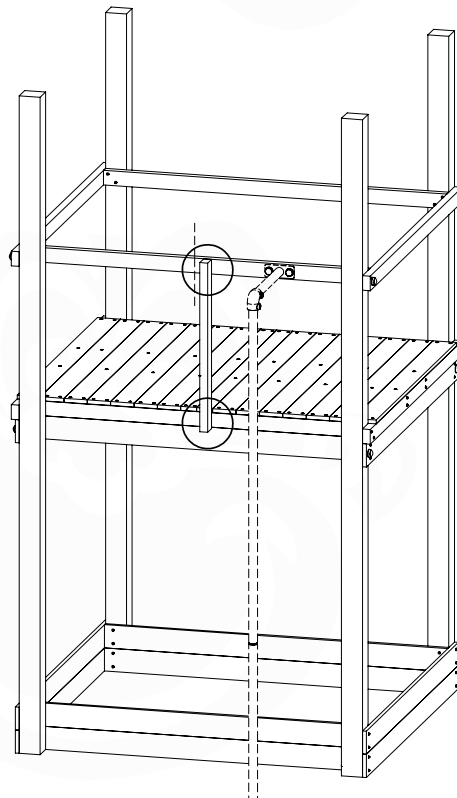
(201\_275)

	PartNo	PartName	QTY.
Other	201_275	Fireman's Pole kit (incl. 4x Screw T25 5x80)	1
Timber	C70	Beam 700 mm	1

DL\_Fireman's Pole 70 - P03 UR - 20/04/2023 - v1

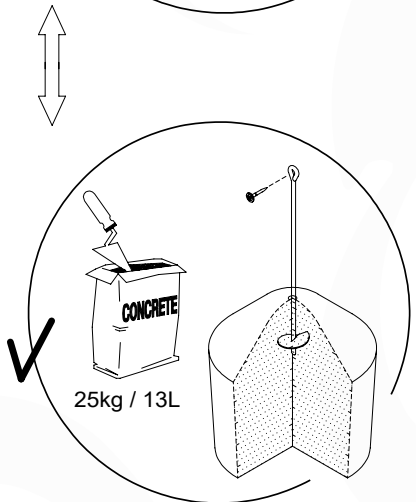
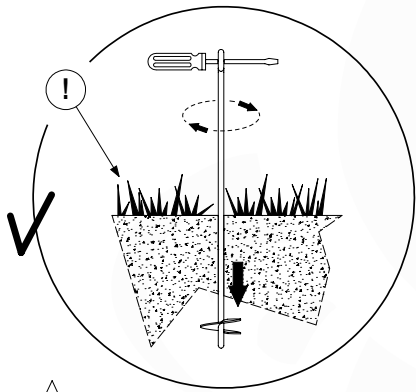


DL\_Fireman's Pole 70 - P07 UR - 20/04/2023 - v1

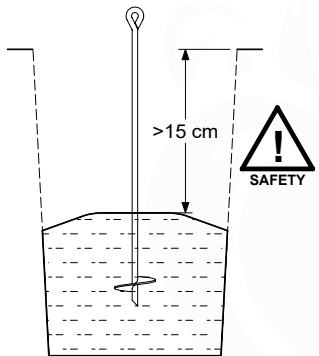
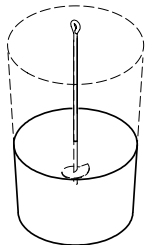
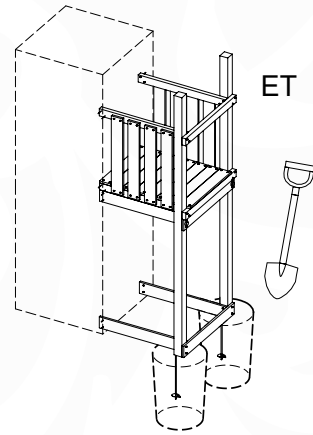
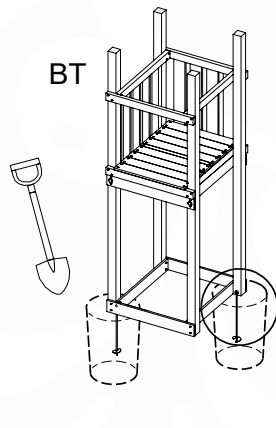
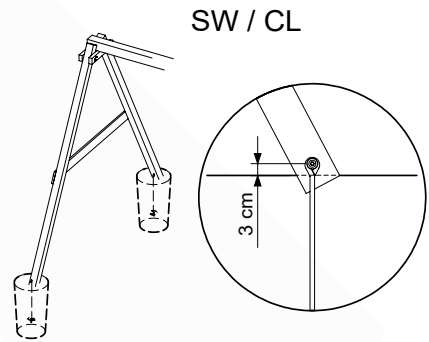
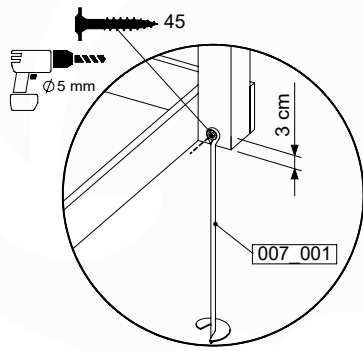


Fireman's Pole (201\_275)  
040\_335 Part 2

# 28 GA: Ground Anchors



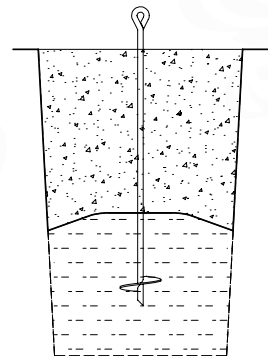
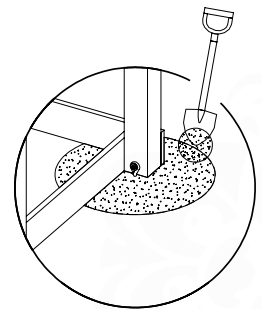
Ground Anchors Uhl. - PD3 - 14/06/2024 - v1.5



1.



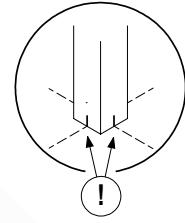
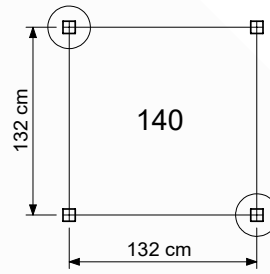
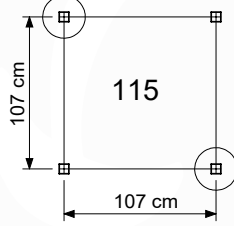
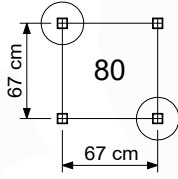
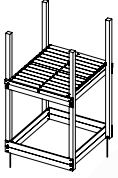
2.



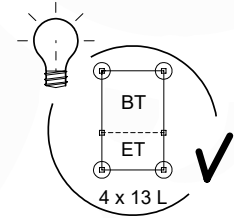
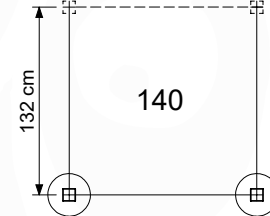
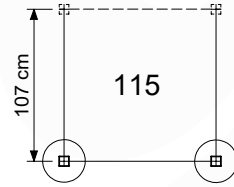
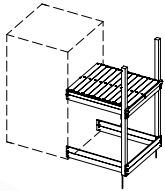
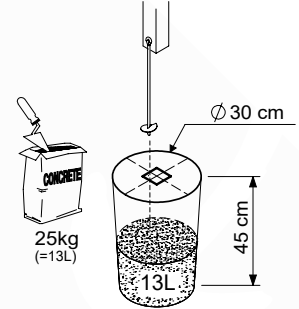
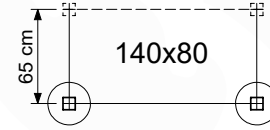
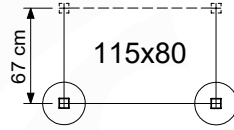
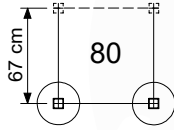
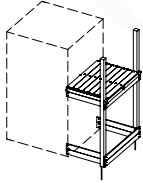
3.

Ground Anchors Uhl. - PD4 - 14/06/2024 - v1.5

BASE TOWERS

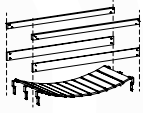


EXTENSION TOWERS

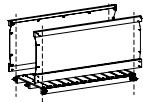


Ground Anchors Uni. - P01 - 14/06/2024 - v1.5

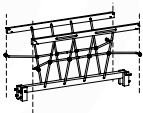
BRIDGES



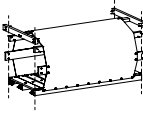
CLATTER



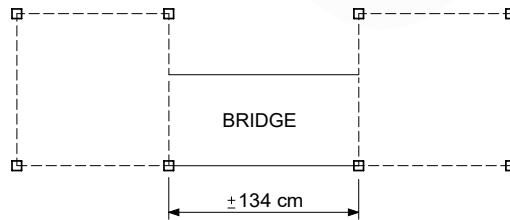
BOARDWALK



NET



TUNNEL

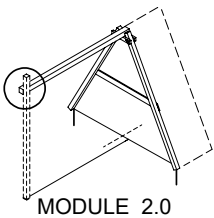


BRIDGE

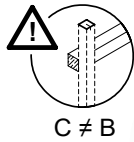
± 134 cm

Ground Anchors Uni. - P02 - 14/06/2024 - v1.5

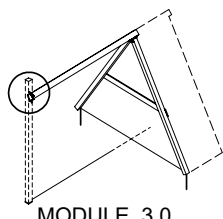
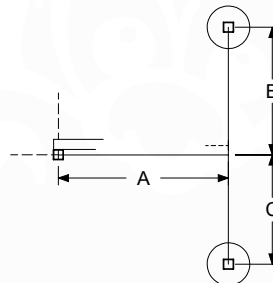
SWING / CLIMB



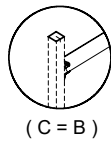
MODULE 2.0



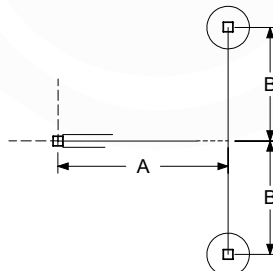
C ≠ B



MODULE 3.0



(C = B)



MODULE 2.0	Module type	A	B	C
	1-Swing 200	150	115	100
1-Swing 220 (Extra)		120	105	
1-Climb 200	142			
2-Climb 200	210	115	100	
2-Swing 200				
1-Climb 220 (Extra)	162			
2-Climb 220 (Extra)	230	120	105	
2-Swing 220 (Extra)				

cm

MODULE 3.0	Module type	A	B
	1-Swing 200 - 3.0	155	110
1-Swing 220 (Extra) - 3.0		115	
1-Climb 200 - 3.0	148		
2-Climb 200 - 3.0	222	110	
2-Swing 200 - 3.0	215		
1-Climb 220 (Extra) - 3.0	170		
2-Climb 220 (Extra) - 3.0	242	115	
2-Swing 220 (Extra) - 3.0	235		

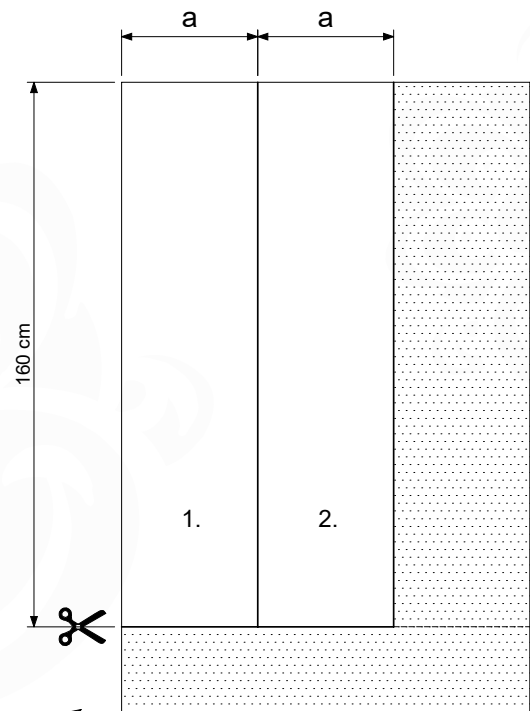
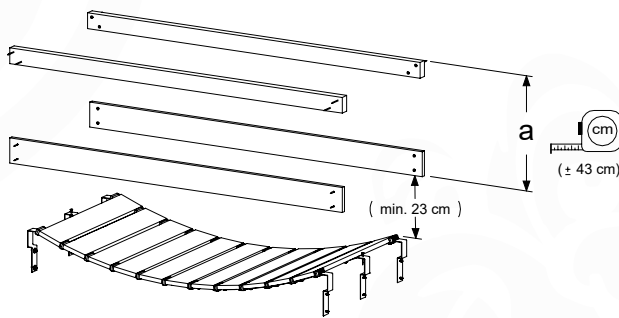
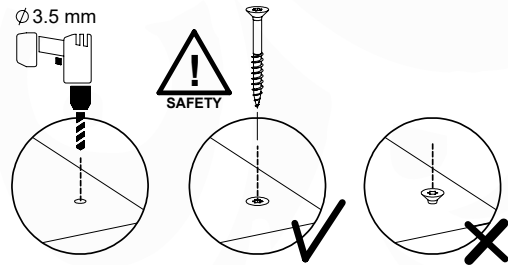
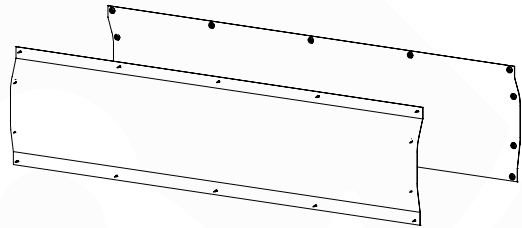
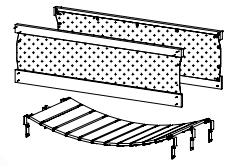
cm

# 29 AC30a: Bridge Mesh

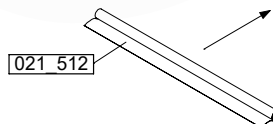
( 123\_230 )

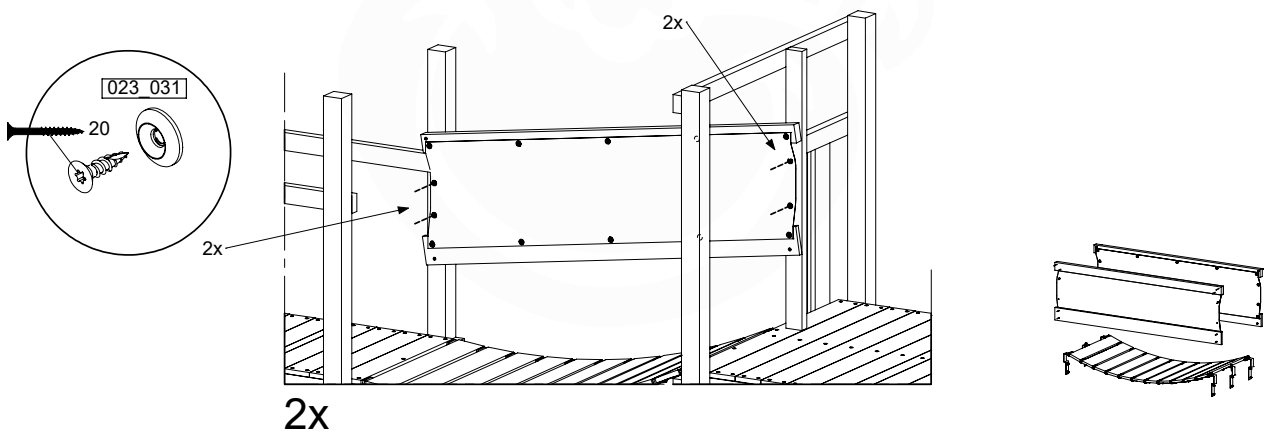
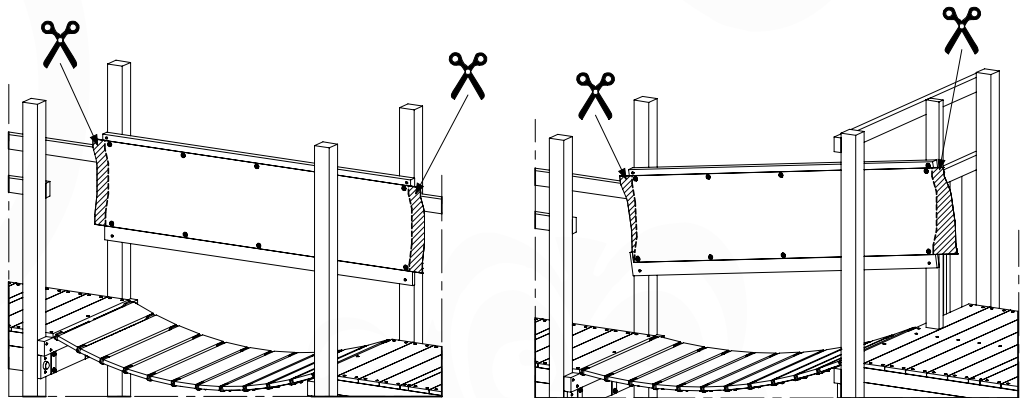
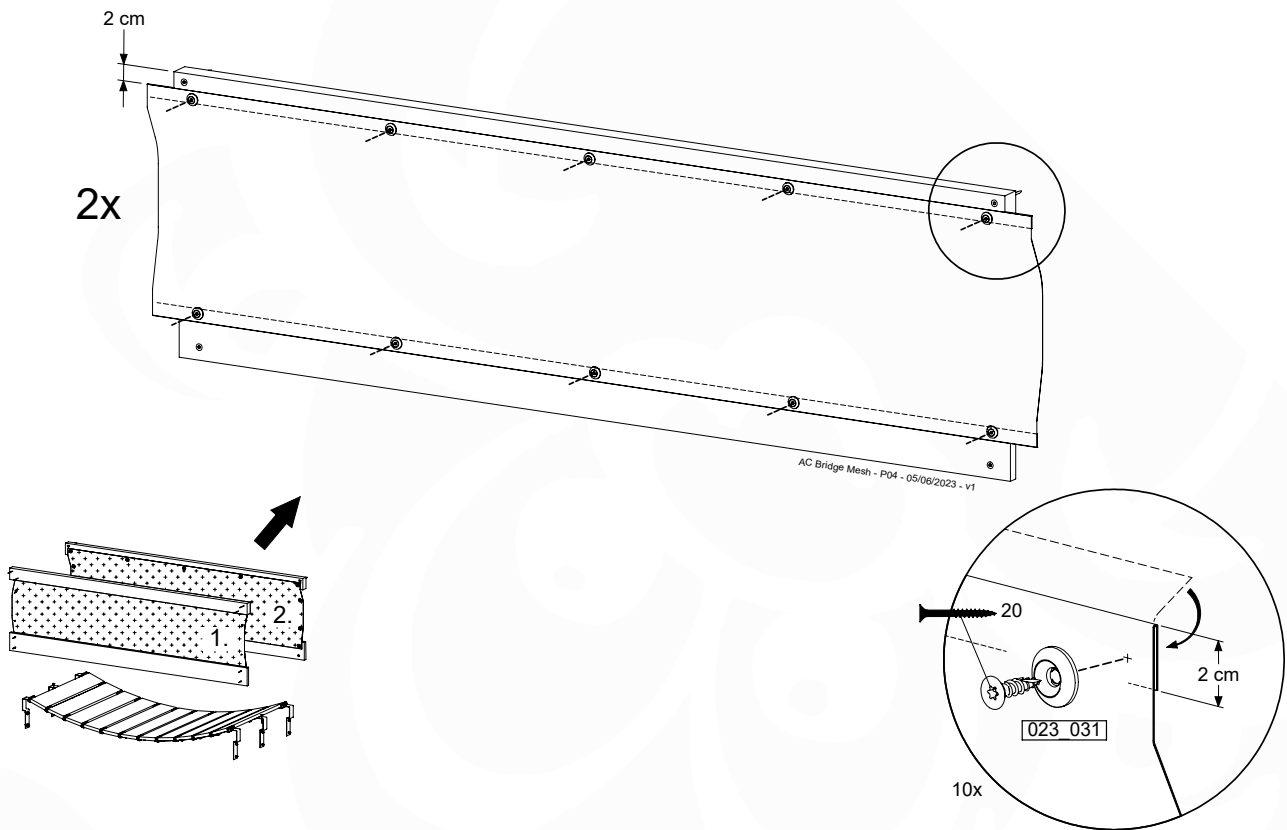
	PartNo	PartName	QTY.
Hardware Packs	002_308	Gap Point Screw T25 - 5x20	28
	100_411	Finishing Washer GPS 5.0	28
Other	021_512	Mesh green 1.20 x 1.85m	1

AC Bridge Mesh - P02 - 05/06/2023 - v1



Mesh Green sheet 120 x 185 cm

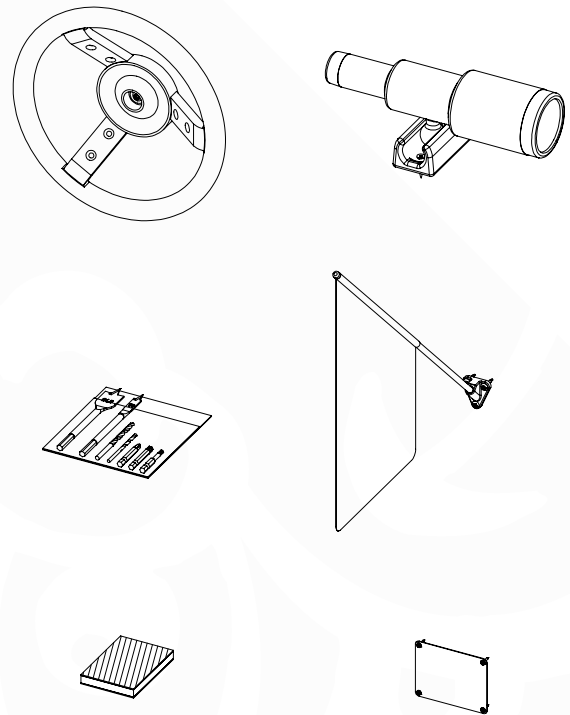




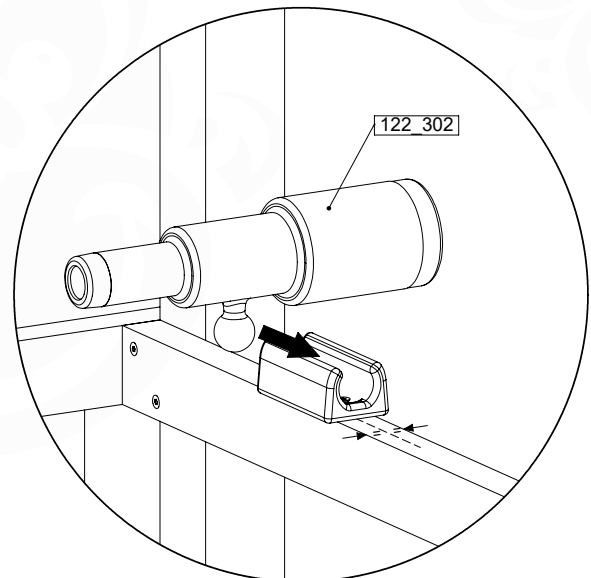
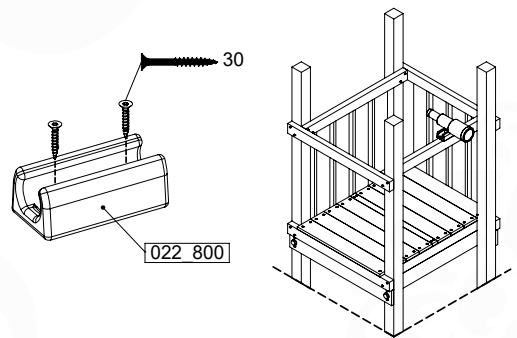
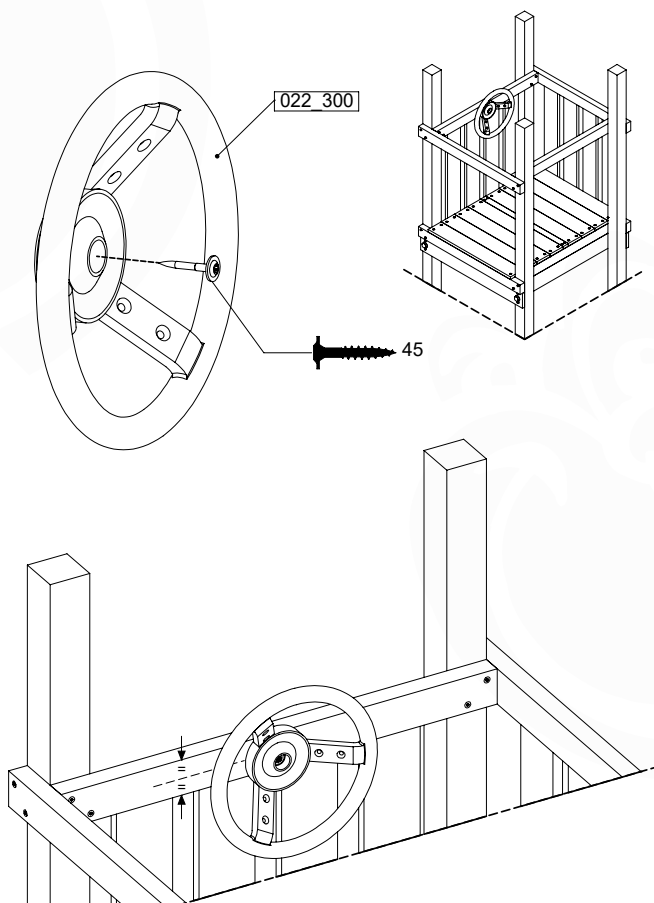
# 30 AC01a: Accessories

( 194\_119 )

	PartNo	PartName	QTY.
Hardware Pack 100_617	001_406	Stealth Screw 8x45	1
	002_041	Dome head screw 4.5 x 20 mm	3
	002_042	Dome head screw 3.5 x 13mm	4
	002_219	Gap Point Screw T25 - 5x30	2
Other	022_300	Steering Wheel	1
	022_800	Rail P/T 105	1
	022_910	Sandpad	1
	103_901	Logo ID Plate	1
	104_107	Tool Set Climbing Units	1
	120_024	Tower Flag	1
	122_302	Telescope	1

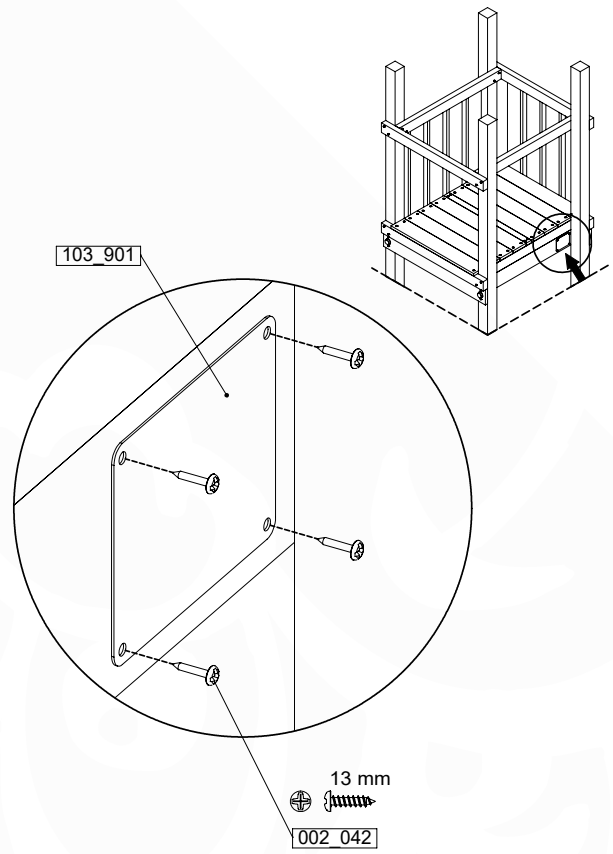
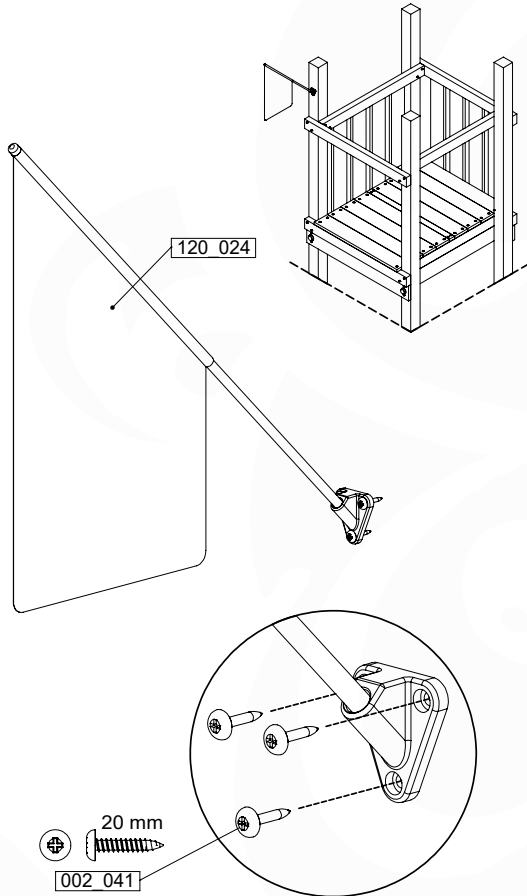


Accessory set - P02 - 24/01/2024 - v5

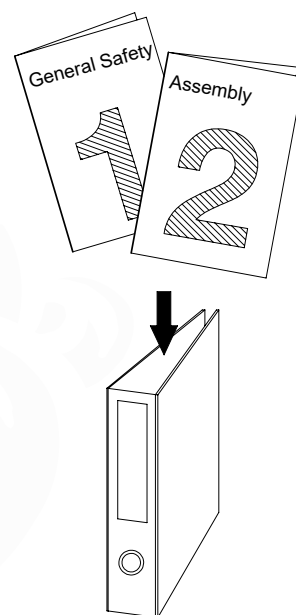
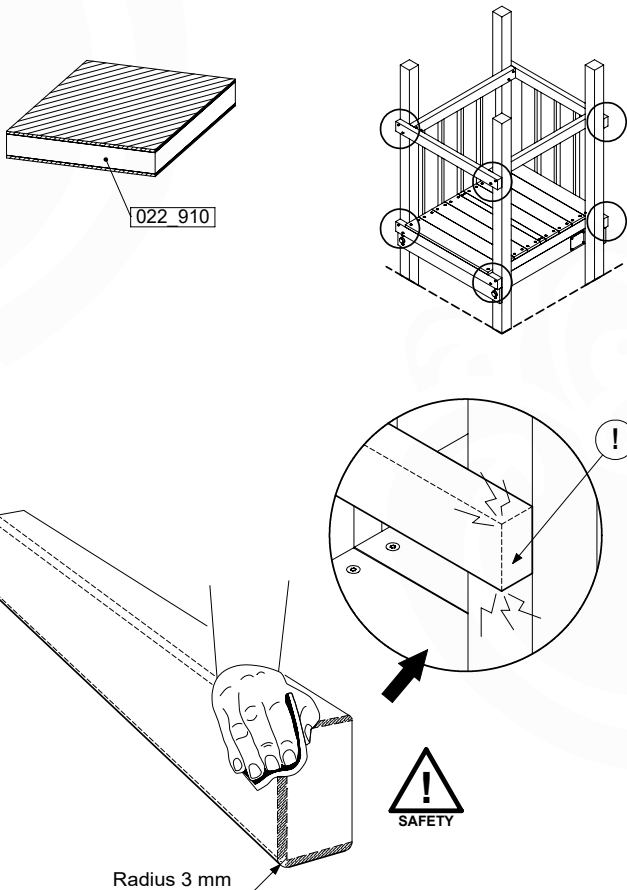


Accessory set - P03 - 24/01/2024 - v5





Accessory set - P04 - 24/01/2024 - v5



Accessory set - P05 - 24/01/2024 - v5

# 31 Declaration of conformity

## Activity toys for domestic use Aktivitätsspielzeug für den häuslichen Gebrauch Jouets d'activité à usage familial

### 1. Wooden climbing frames

20240416\_v3

#### 1.1. Assemblies

Playtowers	801_005, 801_009, 801_010, 801_013, 801_025, 801_040, 801_060, 801_070, 801_090, 801_095, 801_100, 801_103, 801_105, 801_110, 801_120, 801_200, 802_202, 802_204, 802_206, 802_208, 803_202, 803_204, 803_206, 803_208, 803_210, 809_802, 809_804
Swings	801_300, 801_601, 801_602
Modules	850_176, 850_177, 850_231, 850_232, 857_101, 857_102, 857_105, 857_106, 857_151, 857_152, 857_157, 857_158, 850_240

#### 1.2. Sub assemblies

Base towers (BT)	BT01a, BT02a, BT03a, BT11a, BT14a, BT15a, BT20a
Extension towers (ET)	ET01a, ET02a, ET05a, ET06a, ET07a, ET08a, ET09a, ET10a, ET11a, ET12a, ET13a, ET14a, ET15a, ET16a, ET17a, ET18a, ET19a, ET20a, ET22a, ET23a, ET27a, ET28a, ET35a, ET29a, ET39a, ET40a
Bridges (CB, NB, BB, TB)	CB01a, NB01a, BB01a, BB02a, TB01a, TB02a, TB03a, TB04a
Roofs (RF)	RF01a, RF21a, RF02a, RF03a, RF04a, RF05a, RF06a, RF20a, RF02b, RF03b, RF07a, RF08a, RF22a, RF09a, RF23a, RF11a, RF12a, RF07b, RF12b, RF08b, RF22b, RF09b, RF23b, RF11b, RF14a, RF24a, RF15a, RF25a, RF18a, RF18b, RF14b, RF24b, RF15b, RF25b
Balustrade (BL, BF)	BL01a, BL02a, BL21a, BF25a, BF26a, BF27a, BF28a, BF01a, BF02a, BF03a, BF04a, BF05a, BF06a, BF07a, BF08a, BF01b, BF02b, BF03b, BF04b, BF05b, BF06b, BF07b, BF08b, BF21a, BF22a, BF23a, BF24a, BF21b, BF22b, BF23b, BF24b
Playhouse (PH)	PH03a, PH04a, PH05a, PH06a, PH10a, PH11a, PH40a, PH41a, PH12a, PH13a, PH14a, PH15a, PH42a, PH43a, PH44a, PH45a, PH16a, PH17a, PH18a, PH19a, PH30a, PH31a, PH16b, PH17b, PH18b, PH19b, PH46a, PH47a, PH48a, PH49a, PH16c, PH17c, PH18c, PH19c, PH46b, PH47b, PH48b, PH49b, PH20a, PH21a, PH22a, PH23a, PH24a, PH25a, PH26a, PH27a, PH32a, PH33a, PH52a, PH53a, PH54a, PH55a, PH56a, PH57a, PH50a, PH51a, PH26b, PH27b, PH26c, PH27c, PH56b, PH57b
Ladder (LA)	LA05a, LA06a, LA01a, LA02a, LA03a, LA01b, LA02b, LA03b, LA11a, LA12a, LA13a, LA14a, LA15a, LA16a, LA17a, LA18a, LA31a, LA32a, LA33a, LA34a, LA35a, LA36a, LA37a, LA38a, LA21a, LA22a, LA23a, LA24a, LA25a, LA26a, LA43a, LA44a, LA45a, LA46a
Two Step Ladder (TS)	TS01a, TS01b, TS02a, TS02b, TS03b, TS22a, TS05a, TS06a, TS07a, TS08a, TS09a, TS10a, TS11a, TS12a, TS15a, TS16a, TS17a, TS18a, TS19a, TS20a, TS21a, TS22a
Rope Ladder (RL)	RL01a, RL02a, RL05a, RL06a, RL07a, RL08a, RL09a, RL10a, RL11a, RL12a, RL15a, RL16a, RL19a, RL20a
Rock wall (RW)	RW01a, RW02a, RW01b, RW02b, RW03b, RW31a, RW32a, RW33a, RW05a, RW06a, RW07a, RW08a, RW09a, RW10a, RW11a, RW12a, RW40a, RW41a, RW15a, RW16a, RW17a, RW18a, RW19a, RW20a, RW46a, RW47a
Ramp (RA)	RA03a, RA04a, RA05a, RA06a, RA07a, RA08a, RA11a, RA12a, RA21a
Net (NA, NS)	NA01a, NA02a, NS01a, NS02a, NS03a, NS21a, NA04a, NA05a, NS04a, NS05a, NS06a, NS07a, NA08a, NA09a, NS08a, NS09a
Boat (BO)	BO01a
Market (MT)	MT01a, MT02a, MT05a, MT06a, MT11a, MT12a
Picnic (PC)	PC01a, PC01b, PC05a, PC06a, PC09a, PC10a
Gymnastics bar (GY)	GY01a
Fireman's pole (FP)	FP01a, FP02a, FP04a, FP05a, FP06a, FP07a, FP23a, FP24a, FP25a, FP26a, FP27a, FP28a
Slides (SL)	SL01a, SL02a, SL03a, SL06a, SL07a, SL08a, SL09a, SL10a, SL11a, SL12a, SL13a, SL26a, SL27a, SL28a, SL29a
Swing (SM)	SW17a, SW21a, SW18a, SW22a, SW01a, SW05a, SW02a, SW06a, SW09a, SW13a, SW10a, SW14a
Climb (CL)	CL17a, CL21a, CL18a, CL22a, CL01a, CL05a, CL02a, CL06a, CL09a, CL13a, CL10a, CL14a
Universal Beam (UB)	UB01a, UB04a, UB02a, UB05a, UB03a, UB06a
Accessories (AC)	AC30a, AC31a, AC32a, AC33a, AC01a, AC05a, AC07a, AC03a, AC04a, AC06a, AC23a, AC22a, AC24a, AC21a, AC25a, AC02a, AC09a, AC08a, AC10a

### 2. Construction packages

#### 2.1 Assembly Kits

Playtowers	401_015, 401_080, 401_125, 402_201, 402_202, 402_204, 402_206, 402_208, 403_202, 403_204, 403_206, 403_208, 403_210, 409_802, 409_804
Swings	401_300, 401_600
Modules	457_005, 457_102, 457_103, 457_106, 457_107, 457_205

#### 2.2 Assembly Packs

Sub assemblies	194_002, 194_003, 194_004, 194_006, 194_007, 194_008, 194_009, 194_010, 194_100, 194_101, 194_102, 194_103, 194_104, 194_105, 194_107, 194_108, 194_109, 194_110, 194_111, 194_112, 194_113, 194_114, 194_115, 194_116, 194_117, 194_118, 194_119, 194_300, 194_308, 194_312, 194_500, 194_501, 194_508, 194_510, 194_802, 194_804, 194_809, 194_810, 194_811, 194_812
----------------	--

### 3. Accessories and components

Slides XL	324_100, 324_200, 324_300, 324_400, 324_500, 324_600
Slides XXL	334_100, 334_200, 334_300, 334_400, 334_500, 334_600
Fireman's pole	201_275
Climbing	201_060, 201_273
Imagination	201_280, 201_285, 201_290, 201_295, 202_473, 450_310, 450_320, 450_330
Swinging	250_001, 250_013, 250_025, 250_034, 250_053
Functional	123_220, 123_222, 123_230, 201_115, 201_220, 201_250, 201_260, 201_270, 202_620, 202_621, 202_622, 202_623, 202_624, 202_625, 202_626, 202_627, 202_628, 202_629, 202_824, 250_065, 250_070, 250_075

## Applicable EU directives and standards

### General

- General Product Safety Directive (GPSD) 2001\48\EG
- Reach directive 1907\2006
- AfPS GS 2019:01 PAK

### Activity Toys

- Toy Safety Directive (TSD) 2009\48\EG
- EN Standard 71 Safety of Toys
  - EN 71-1:2014 + A1:2018 Safety of toys Mechanical and physical properties
  - EN 71-2:2020 Flammability
  - EN 71-3:2019 + A1:2021 Migration of certain elements
  - EN 71-8:2018 Safety of toys Activity toys for domestic use

### Supplementary information

Conformity to the above specified directives and standards has been frequently verified by TÜV Rheinland LGA products, DEKRA, LNE SA, since 1994. Jungle Gym participates in the European Commission for standardisation for the safety of activity toys (TC52/WG10).



EN 71-1,-2, -3, -8 & -9

### Manufacturer details

Company Name: Jungle Gym B.V.  
Address: Valscherkade 18, 1059 CD Amsterdam, Netherlands  
Email: info@junglegym.com

### Declaration

I hereby declare under our sole responsibility that the products mentioned above, to which this declaration relates, comply with the above mentioned directives and standards when the installation, assembly, and maintenance instructions are strictly followed.

Name  
Mr. P. Schmit / Director

Issued date  
Monday 22<sup>nd</sup> July, 2024

A handwritten signature in blue ink, appearing to read 'P. Schmit', is written over a horizontal line.

Signature of representative

Jungle Gym B.V. | P.O. Box 75083 | 1070 AB Amsterdam | Netherlands | Phone: +31 85 444 41 00 | e-mail: info@junglegym.com | www.junglegym.com