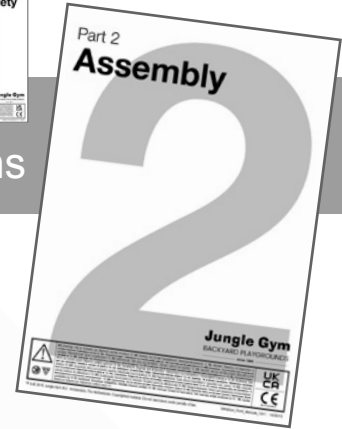


Part 2

Assembly

Instructions



Config ID: dkKf9w
Product Name: Bungalow 2-Swing
Product ID: 211425








Watch in 3D



Jungle Gym

BACKYARD PLAYGROUNDS

since 1988

<p>Assembly time 13.5 hours by 2 adults</p> 	 <p>EN. Warnings. Only for domestic use. Maximum number of users is 5. DE. Achtung. Nur für den Hausgebrauch. Maximale Benutzerzahl: 5. FR. Attention. Réserve à un usage familial. Le nombre maximal d'utilisateurs est de 5. NL. Waarschuwingen. Uitsluitend voor huishoudelijk gebruik. Het maximale aantal gebruikers is 5. BG. Внимание. За употреба само в домашни условия. Максималният брой потребители е 5. CS. Varování. Jen pro domácí použití. Maximální počet uživatelů je 5. DA. Advarsler. Kun til privat brug. Maksimum antal brugere er 5. EL. Προειδοποιήσεις. Μόνο για οικιακή χρήση. Μέγιστος αριθμός χρηστών 5. ES. Advertencias. Sólo para uso doméstico. Número máximo de usuarios: 5. ET. Hoiatused. Ainult koduseks kasutamiseks. Maksimaalne kasutajate arv on 5. FI. Varoitukset. Ainoastaan kotikäyttöön. Käyttäjää yhteensä enintään 5. HR. Upozorenja. Samo za kućansku uporabu. Maksimalan broj korisnika je 5. HU. Figyelmeztetések. Csak otthoni használatra! A használók max. száma: 5. IS. Varnaðarorð. Eingöngu fyrir einkanothun í heimahúsum og á einkalóðum. Hámarksfjöldi notenda er 5. IT. Avvertenze. Solo per uso domestico. Massimo numero di utenti è 5. LT. Įspėjimai. Tik buitiniam naudojimui. Maksimalus naudotojų skaičius 5. LV. Brīdinājumi. Izmantot tikai mājās. Maksimālais lietotāju skaits ir 5. NO. Advarsler. Kun for privat bruk. Maksimalt antall brukere er 5. PL. Ostrzeżenia. Wyłącznie do użytku domowego. Maksymalna liczba użytkowników to 5. PT. Avisos. Apenas para uso doméstico. O número máximo de utilizadores é 5. RO. Avertismente. Numai pentru uz domestic. Numărul maxim de utilizatori este 5. RU. Предостережения. Только для домашнего использования. Максимальное количество пользователей - 5. SK. Upozornenia. Iba na domáce použitie. Maximálne množstvo osôb je 5. SL. Opozorila. Samo za domačo uporabo. Maksimalno število uporabnikov je 5. SR. Upozorenja. Samo za kućnu upotrebu. Maksimalan broj korisnika je 5. SV. Varningar. Endast för hemmabruk. Det maximala antalet användare är 5. TR. Uyarılar. Sadece ev kullanımı için. Maksimum kullanıcı sayısı 5.</p>	 <p>EN 71-1,2,3,6,8-9</p>  
--	--	--

1 Helpdesk JungleGym

FAQ & Support



English



Deutsch



Français



Nederlands



info@junglegym.com



EU 0031 85 44 44 100

AT 0043 72 08 153 33

BE 0032 78 48 16 19

CH 0041 43 50 87 350

DE 0049 32 22 10 98 299

ES 0034 657 76 64 25

FR 0033 97 75 58 222

IE 0035 38 1800 0300

LU 0035 22 08 80 512

NL 0031 85 44 44 102

UK 0044 20 369 505 53

Monday-Friday,

CET 9:00am - 5:00pm

Local phone charges may apply.

2 Start

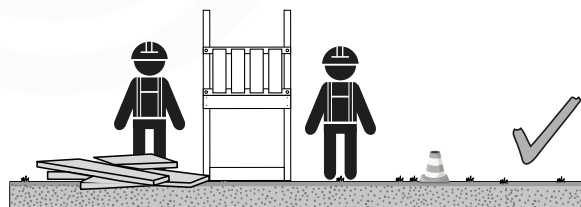
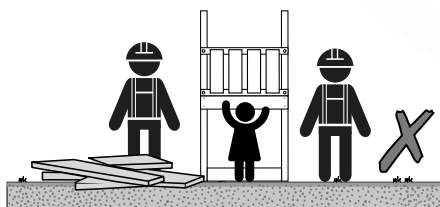
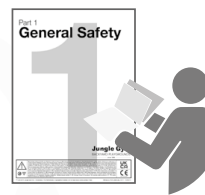
2.1 Safety



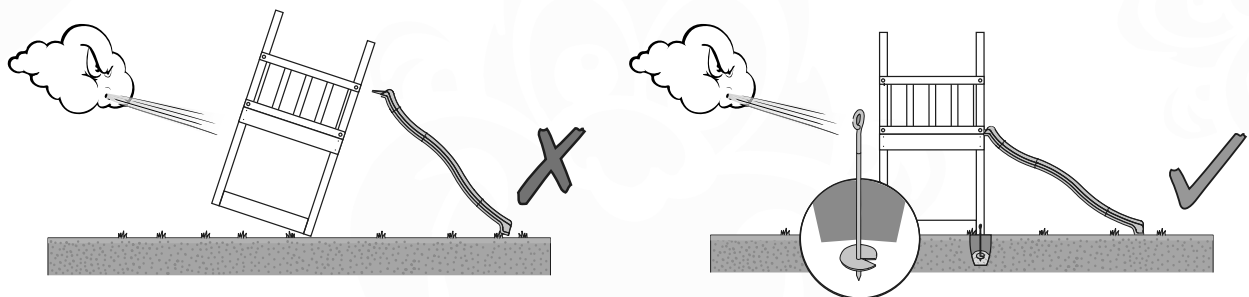
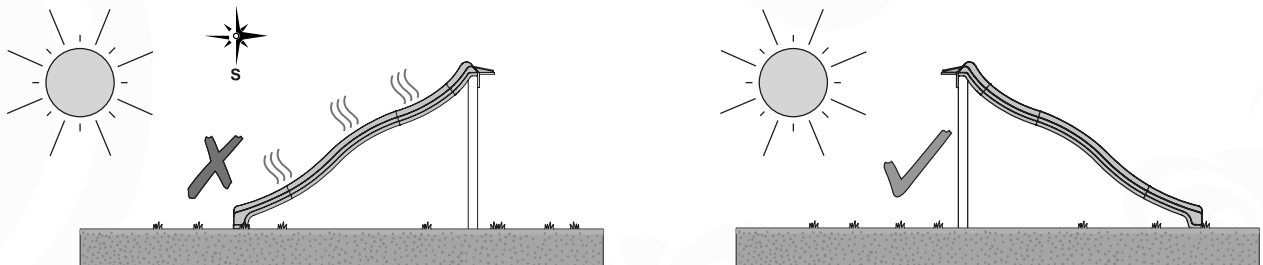
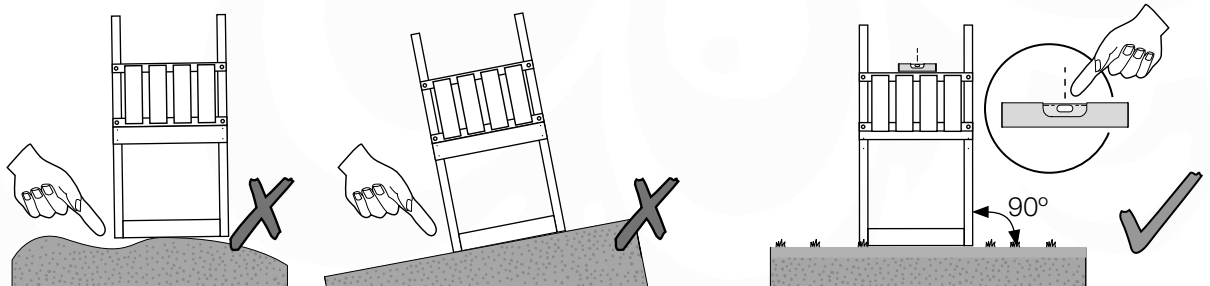
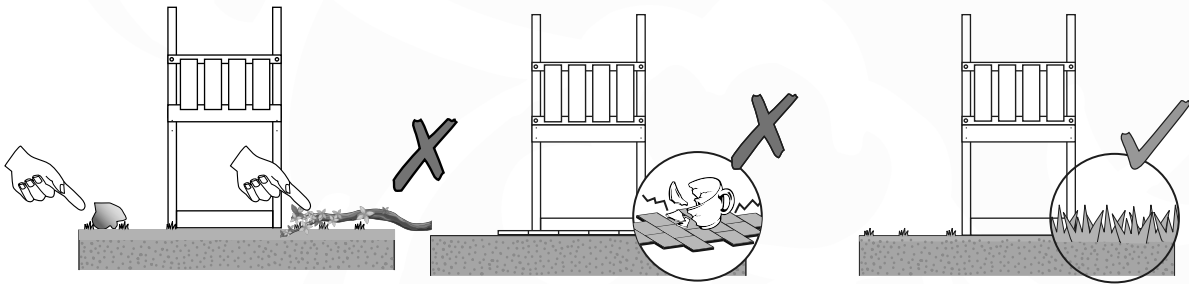
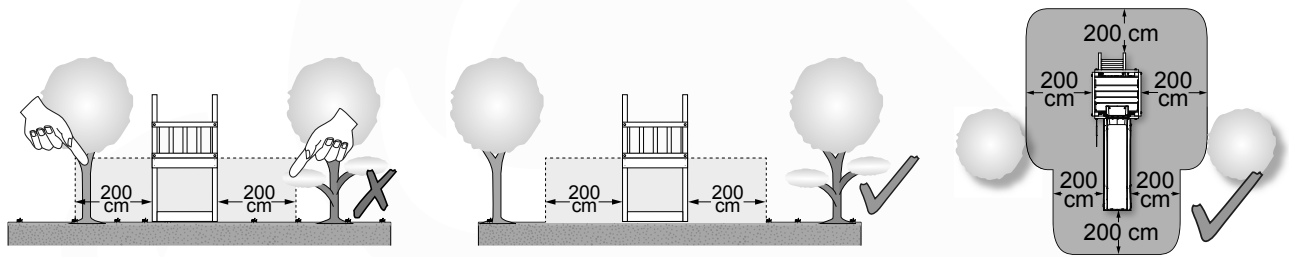
Download

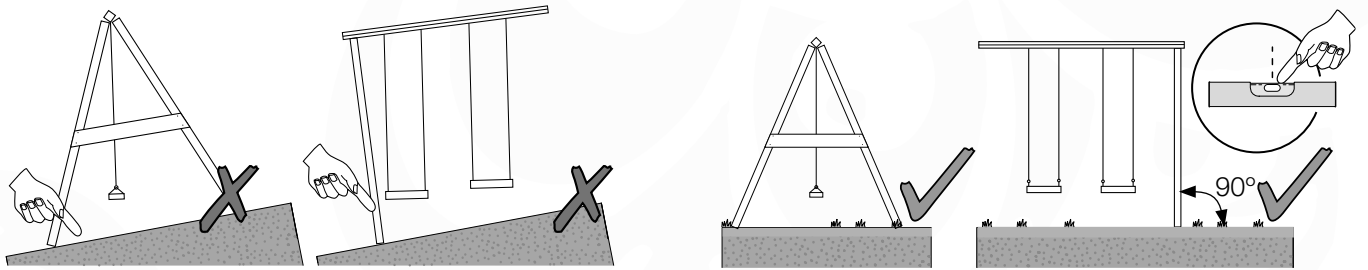
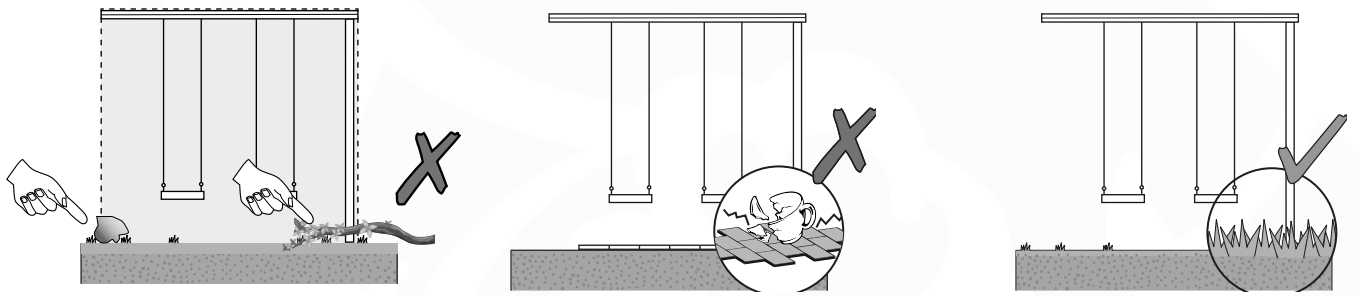
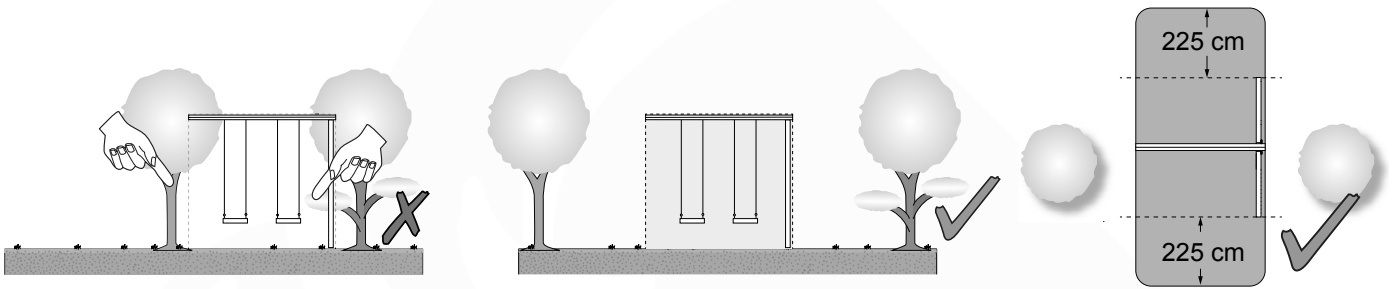


Part 1

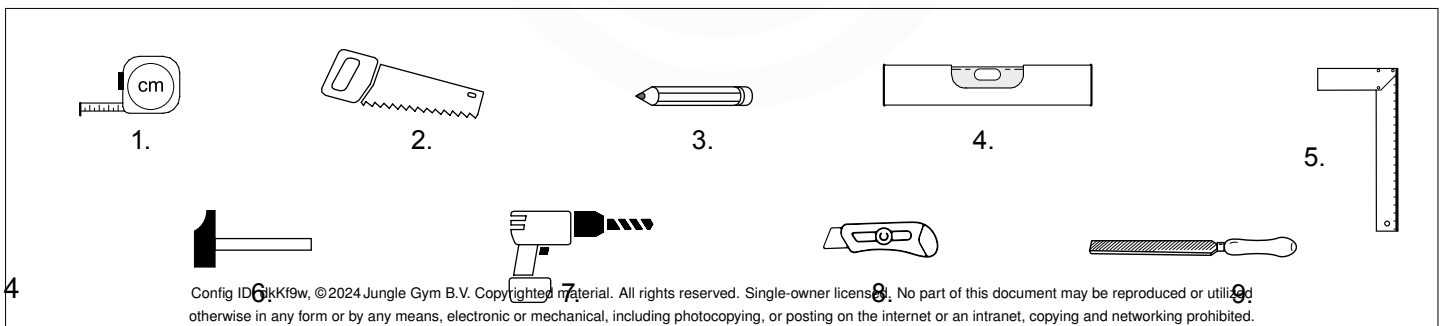


2.2 Planning

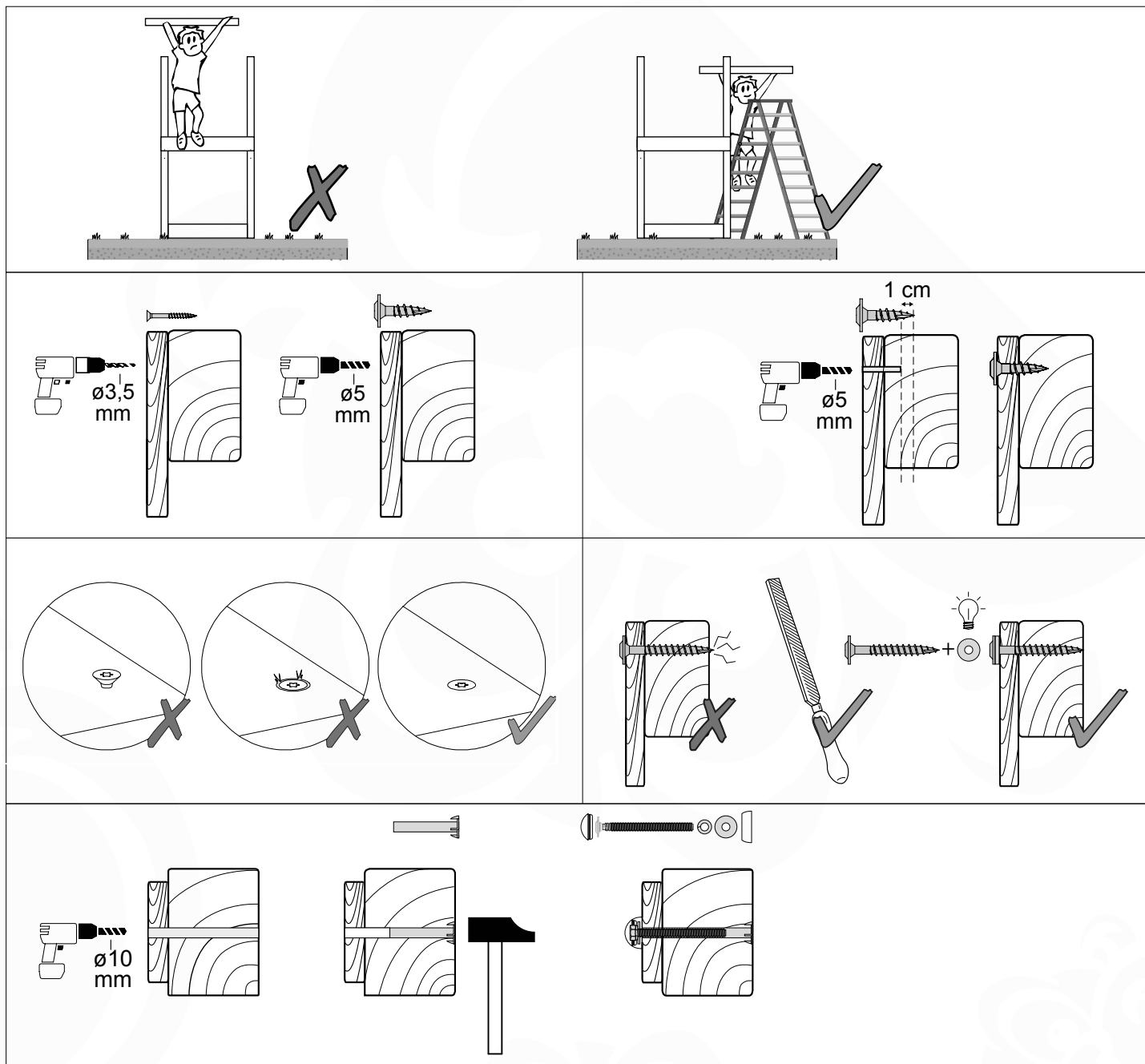




2.3 Tools



2.4 Assembly



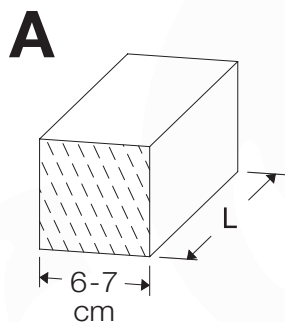
3 Overview

3.1 Order specification

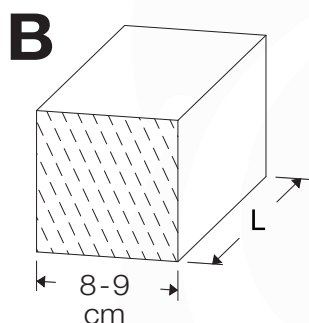


#	Description	Supplier ID	Assembly ID
1	Base Tower 115_270270_145	792_003	BT15a
1	Extension Tower 11580_220_145	792_102	ET07a
1	Roof Timber Gable 115	792_202	RF08a
1	Balustrade 80_ U	790_301	BL01a
1	Playhouse 115 U Wall	792_311	PH10a
1	Playhouse 115 U R Entrance	792_312	PH13a
1	Playhouse 115 T L Window	792_313	PH18a
1	Playhouse 115 T R Window	792_313	PH19a
1	Ladder 80_145 U	790_434	LA03b
1	Picnic 115 U	792_503	PC05a
1	Slide Frame 115_145 T L x Balustrade	792_901	SL12a
1	Swing Mount Set 115	792_915	UB02a
1	2- Swing Module 220 3.0	757_160	SW14b
1	Accessories Set	194_119	AC01a
2	Accessories Blue Shutters	250_075	AC02a
2	Accessories Swing Seat	250_034	AC21a
1	Wavy Star Slide XXL	334_x00a	334_x00a

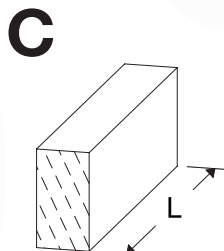
3.2 Timber parts



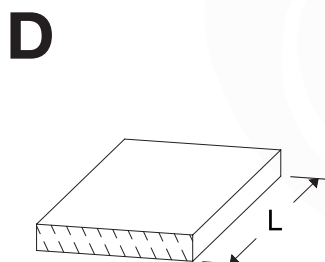
ID	L	#
A220	219 cm - 220 cm	2
A240	239 cm - 240 cm	2
A270	269 cm - 270 cm	4



B240	239 cm - 240 cm	1
------	-----------------	---



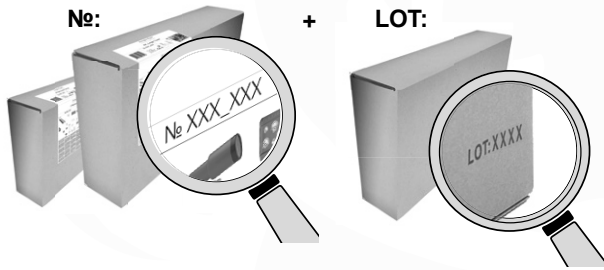
C37	36 cm - 37 cm	3
C62	61 cm - 62 cm	1
C70	69 cm - 70 cm	1
C74	73 cm - 74 cm	7
C84	83 cm - 84 cm	5
C90	89 cm - 90 cm	2
C96	85 cm - 96 cm	6
C114	113 cm - 114 cm	8
C123	122 cm - 123 cm	2
C141	140 cm - 141 cm	2
C150	149 cm - 150 cm	2



D21	20 cm - 21 cm	8
D47	46 cm - 47 cm	20
D65	64 cm - 65 cm	7
D74	73 cm - 74 cm	6
D100	99 cm - 100 cm	29
D114	113 cm - 114 cm	57
D127	126 cm - 127 cm	24
D141	140 cm - 141 cm	2

4 Product registration

4.1 Assembly kits



Example

№: X X X _ X X X LOT X X X X

№: LOT

1.

2.

3.

4.

5.

№: LOT

6.

7.

8.

9.

10.

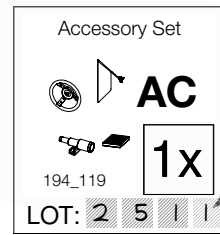
4.2 Slide





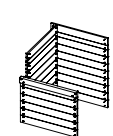
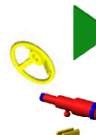

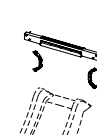

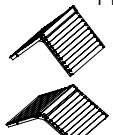



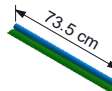


4.3 Assembly packs



Example



<p>Slide XXL 2.6m</p>  <p>334_x00</p> <p>1x</p> <p>LOT: [][][][]</p>	<p>Tower 115</p>  <p>BT ET</p> <p>194_300</p> <p>2x</p> <p>LOT: [][][][]</p>	<p>Ladder 145</p>  <p>LA</p> <p>194_004</p> <p>1x</p> <p>LOT: [][][][]</p>	<p>Hardware 01</p>  <p>BL H01</p> <p>194_101</p> <p>2x</p> <p>LOT: [][][][]</p>	<p>Playhouse Panel</p>  <p>PH</p> <p>194_118</p> <p>2x</p> <p>LOT: [][][][]</p>
<p>Accessory Set</p>  <p>AC</p> <p>194_119</p> <p>1x</p> <p>LOT: [][][][]</p>	<p>Swing Module Kit</p>  <p>SW</p> <p>457_103</p> <p>1x</p> <p>LOT: [][][][]</p>	<p>Slide Frame</p>  <p>SL</p> <p>194_107</p> <p>1x</p> <p>LOT: [][][][]</p>	<p>Hardware 09</p>  <p>H09</p> <p>194_809</p> <p>2x</p> <p>LOT: [][][][]</p>	<p>Roof Timber 115</p>  <p>RF</p> <p>194_308</p> <p>1x</p> <p>LOT: [][][][]</p>
<p>Shutters 2x Blue</p>  <p>AC</p> <p>250_075</p> <p>2x</p> <p>LOT: [][][][]</p>	<p>Swing Seat</p>  <p>AC</p> <p>250_034</p> <p>2x</p> <p>LOT: [][][][]</p>	<p>Hardware 10</p>  <p>H10</p> <p>194_810</p> <p>1x</p> <p>LOT: [][][][]</p>	<p>Canvas 136 x 74cm</p>  <p>73.5 cm</p> <p>123_220</p> <p>1x</p> <p>LOT: [][][][]</p>	

4.4 Your config ID: dkKf9w

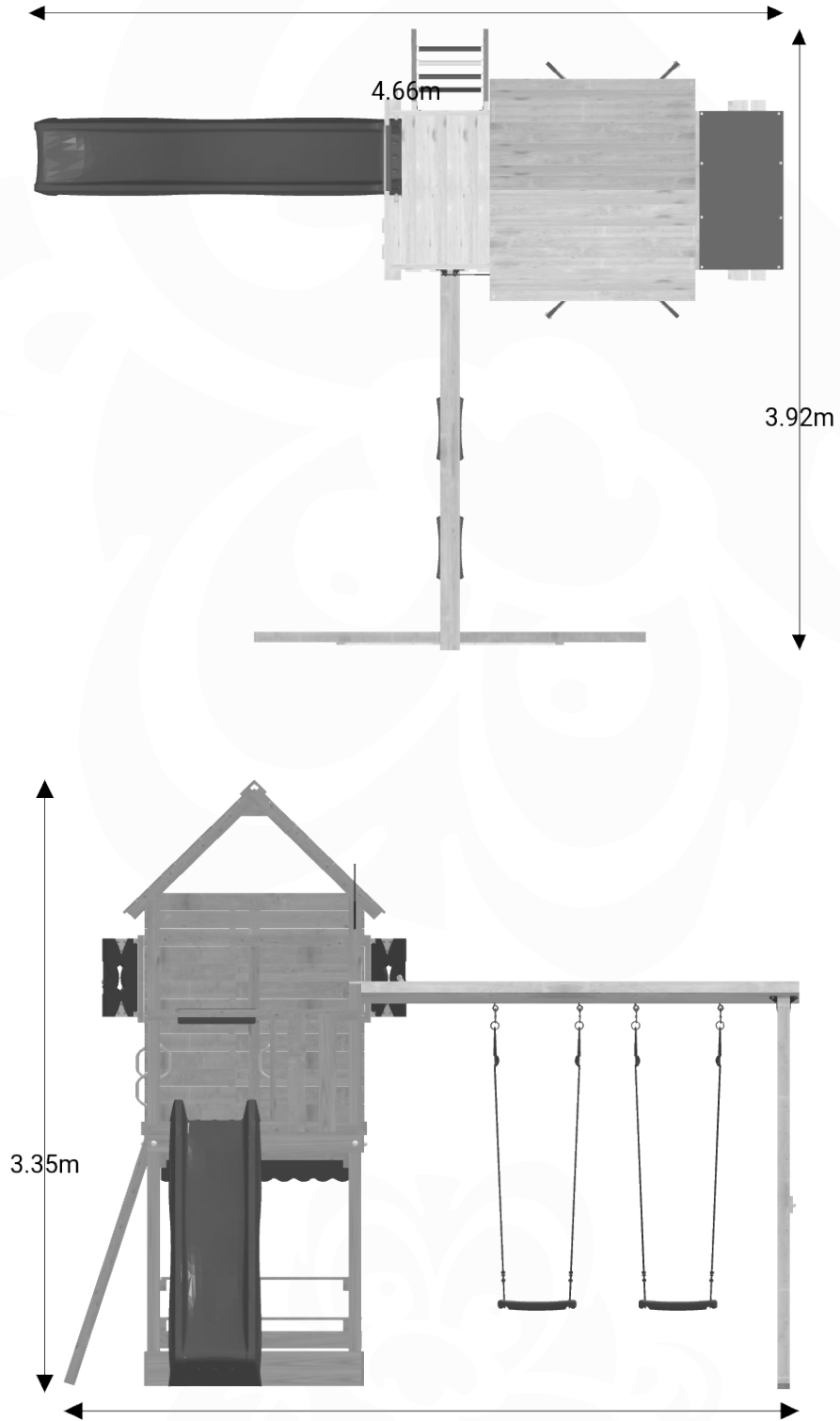


5 Hardware Identification

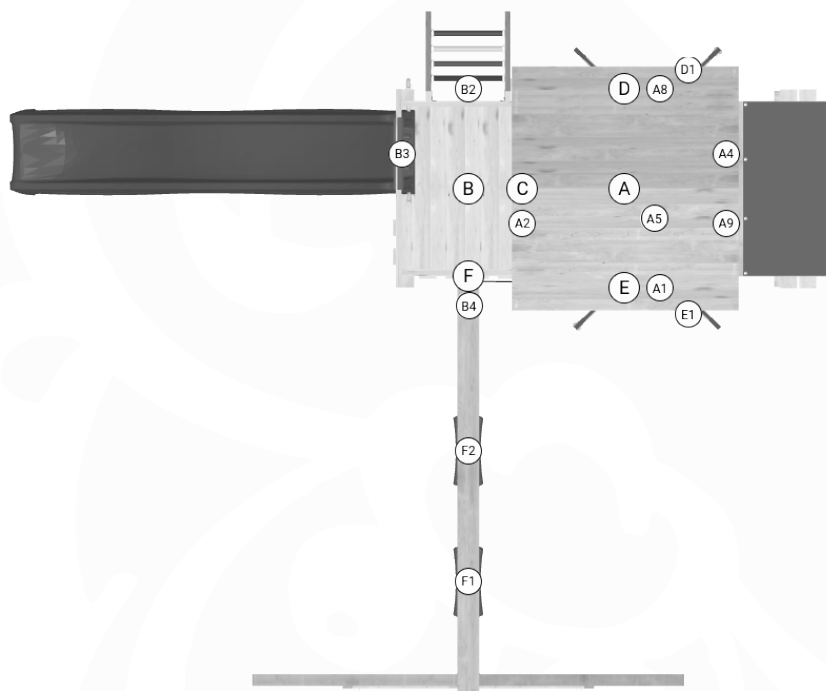
		SKU		L			
		001_404	30 mm				
		001_406	45 mm			002_308	20 mm
		001_411	60 mm			002_219	30 mm
		001_417	80 mm			002_220	45 mm
		001_422	137 mm			002_223	80 mm
		001_102	30 mm				
						004_050	22mm
		000_101	20 mm				
						003_010	
		002_036	16 mm				
		002_041	20 mm			003_034	
		002_042	13 mm			022_845	Yellow
		002_301	40 mm			022_846	Blue
				022_847	Green		
				022_848	Red		
				023_031	White		
				022_844	022_314	120_005	White

output: 27/06/24

6 Dimensions



7 Assembly Planning



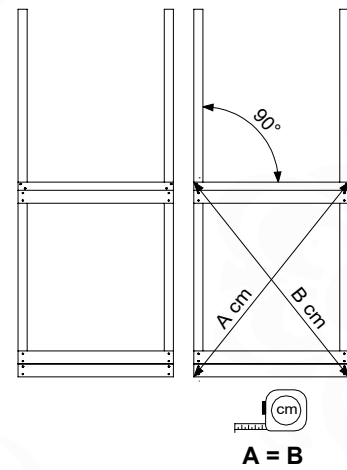
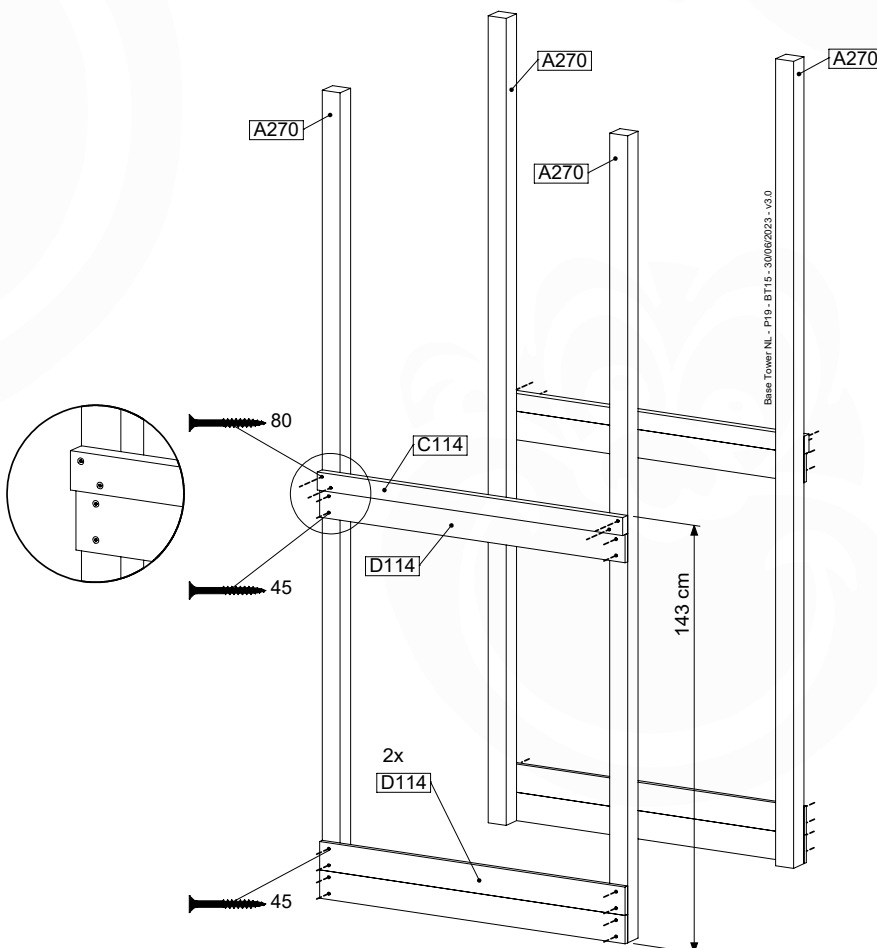
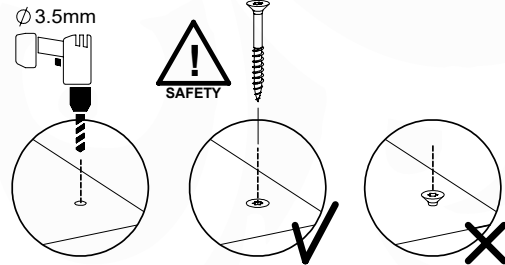
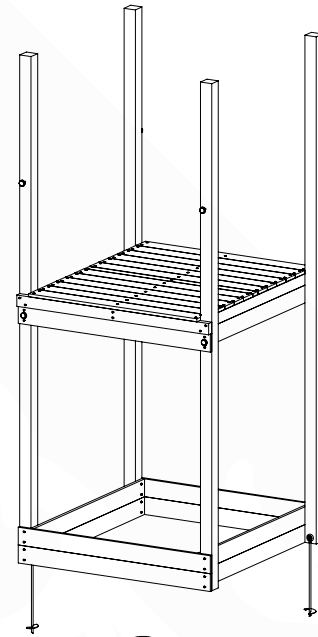
	ID			A	B	C	D	E	F
1	BT15a		p.13	✓	-	-	-	-	-
2	ET07a		p.16	-	✓	-	-	-	-
3	BL01a		p.19	-	B4	-	-	-	-
4	RF08a		p.20	A5	-	-	-	-	-
5	PH10a		p.23	A9	-	-	-	-	-
6	PH13a		p.24	-	-	✓	-	-	-
7	PH18a		p.26	-	-	-	✓	-	-
8	PH19a		p.29	-	-	-	-	✓	-
9	PC05a		p.32	A4	-	-	-	-	-
10	LA03b		p.36	-	B2	-	-	-	-
11	UB02a		p.39	-	-	-	-	-	✓
12	SW14b		p.40	-	-	-	-	-	✓
13	SL12a		p.48	-	B3	-	-	-	-
14	GA		p.52	✓	✓	-	-	-	✓
15	AC02a		p.54	-	-	-	D1	E1	-
16	AC01a		p.55	✓	-	-	-	-	-

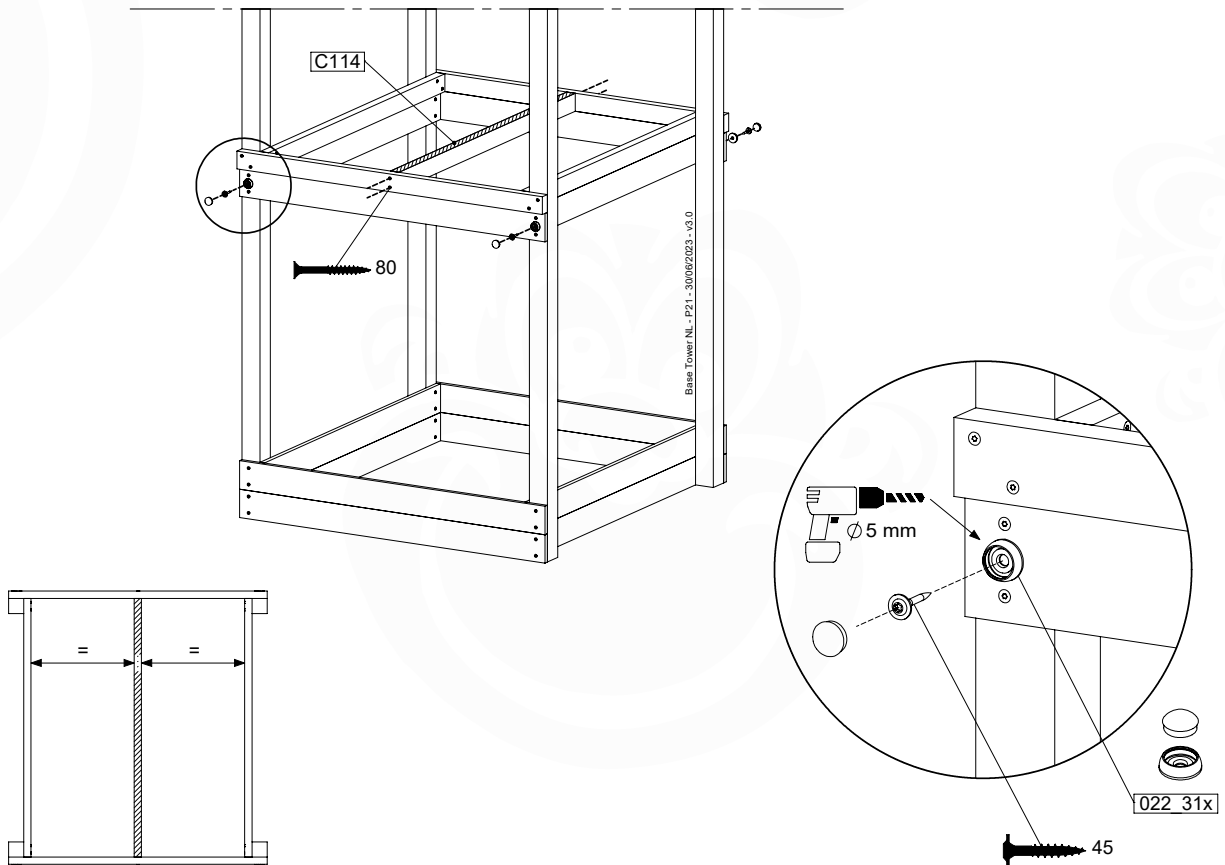
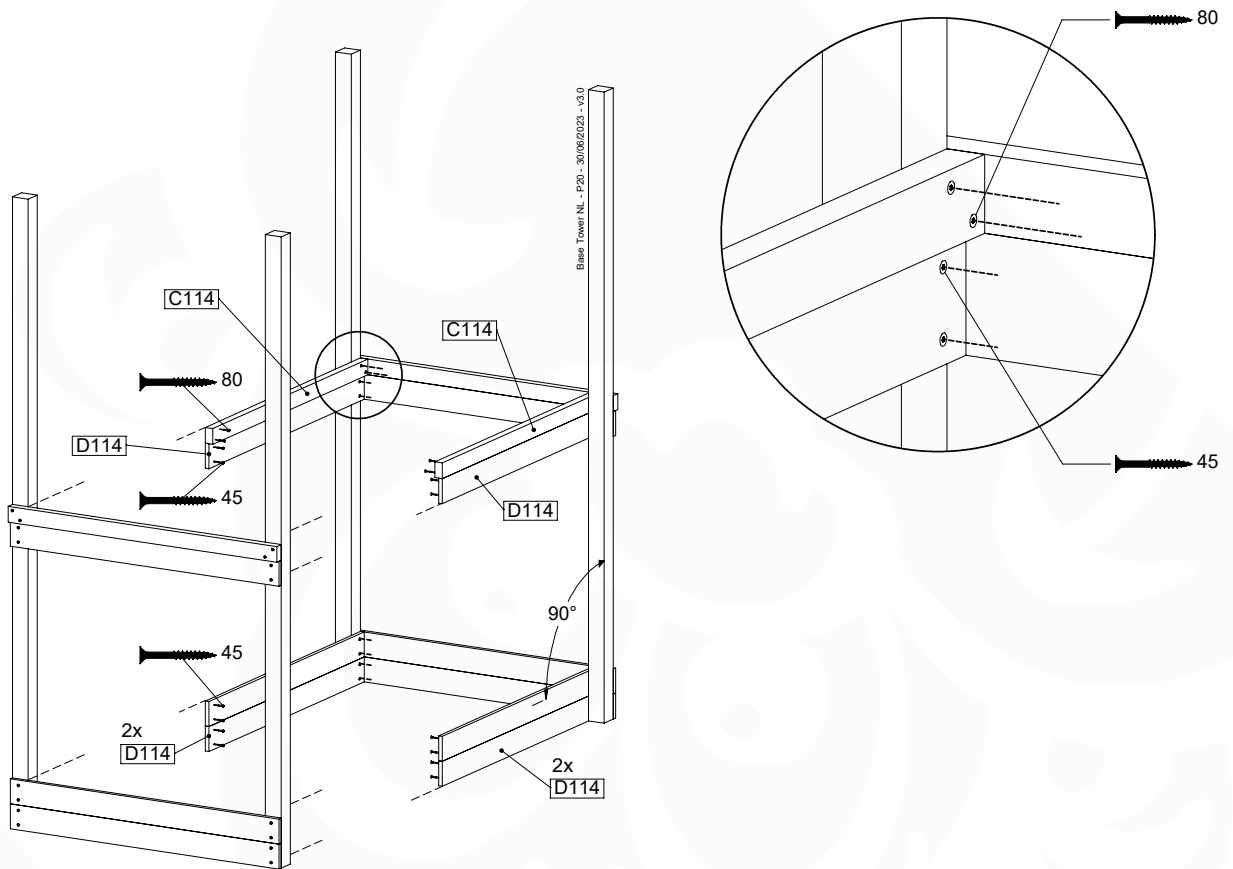
8 BT15a: Base Tower 115 145cm 270270

(194_300)

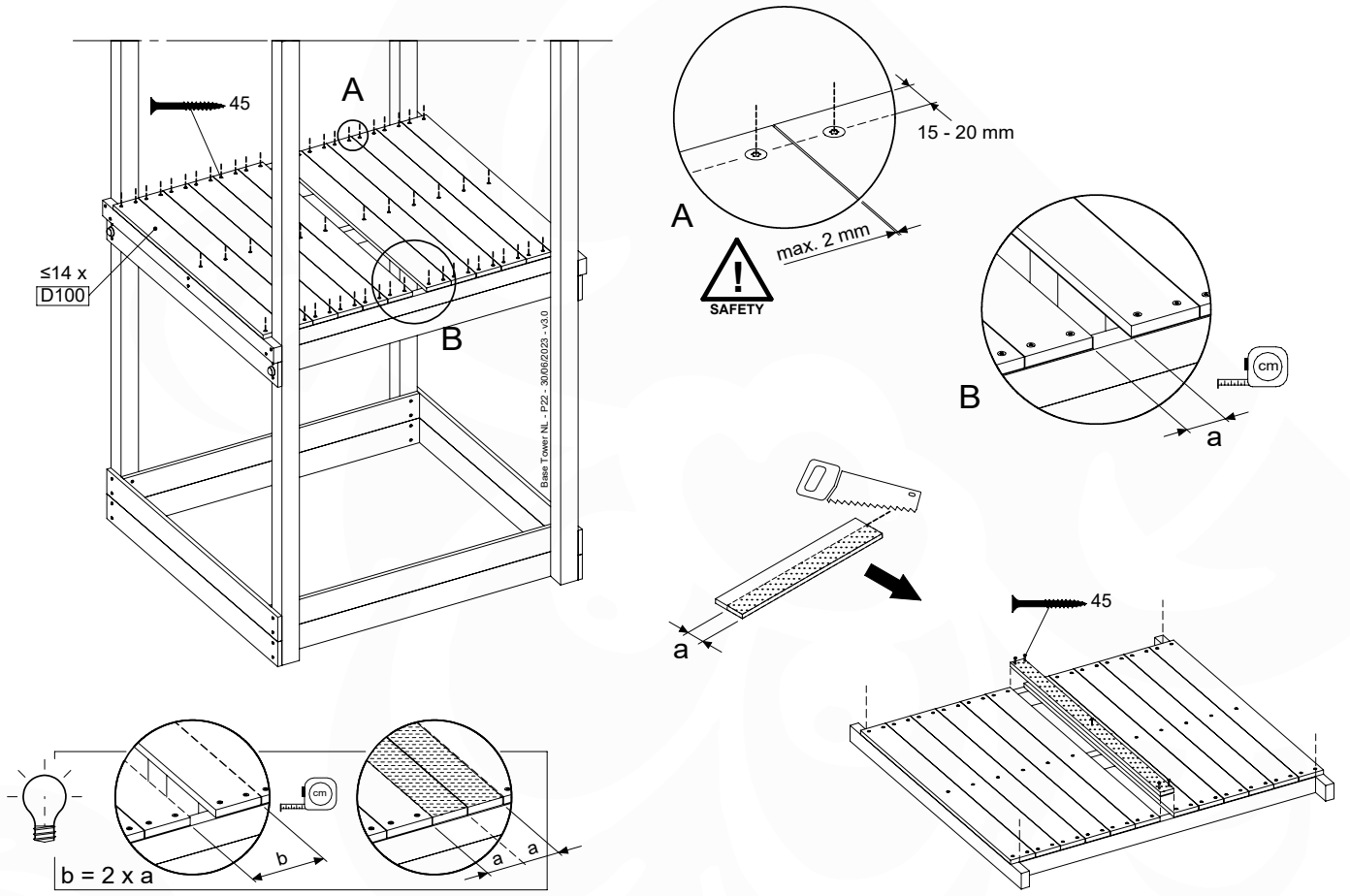
	PartNo	PartName	QTY.
Hardware Pack	001_406	Stealth Screw 8x45	6
	001_417	Stealth Screw 8x80	4
	002_220	Gap Point Screw T25 - 5x45	118
	002_223	Gap Point Screw T25 - 5x80	20
	022_31x	bpc-base version 3	8
	022_84x	bpc cover	8
Other	007_001	Ground-anchor	2
Timber	A270	Post 70x70 L2700	4
	C114	Beam 1140 mm	5
	D100	Board 1000 mm	14
	D114	Board 1140 mm	12

Base Tower NL - P10 - BT15 - 3006/2023 - v3.0





8.2

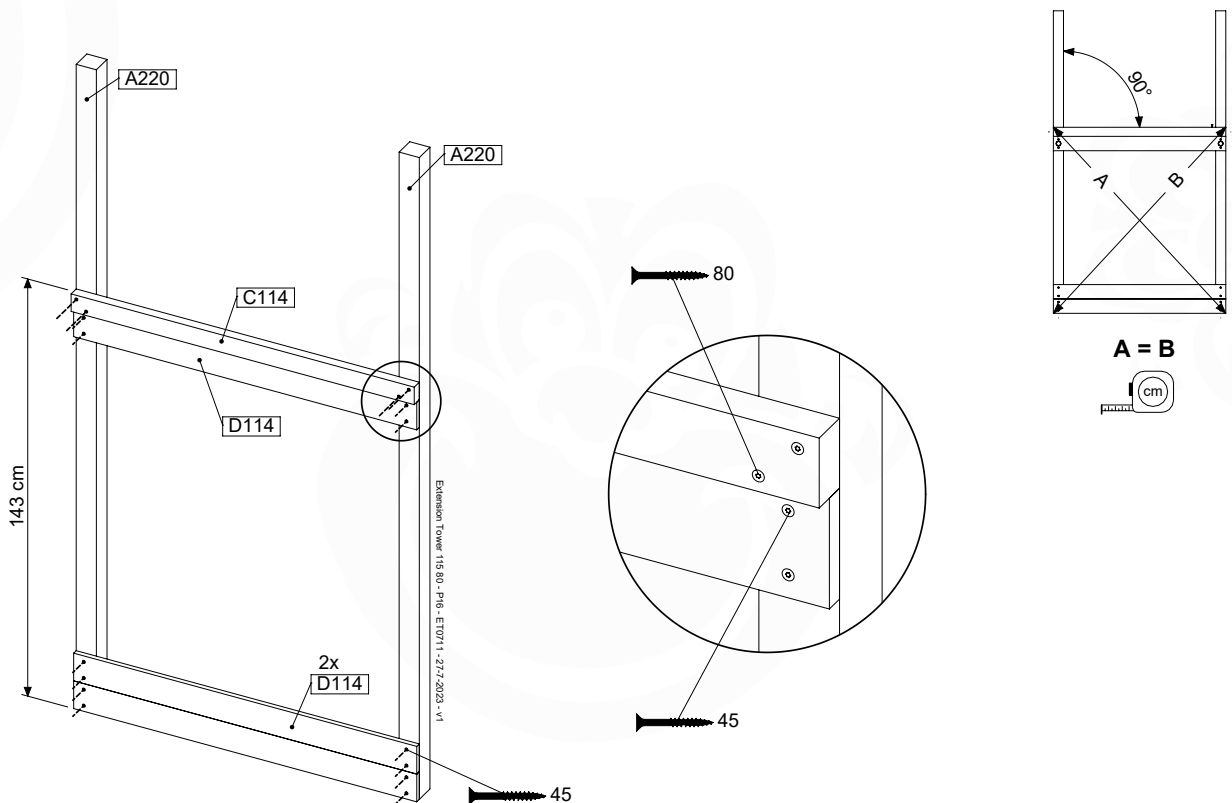
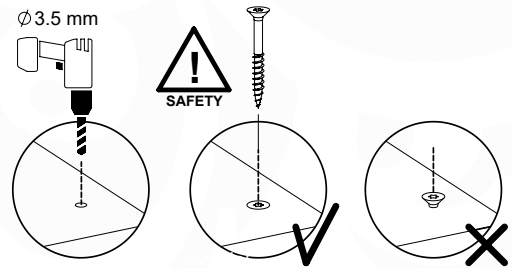
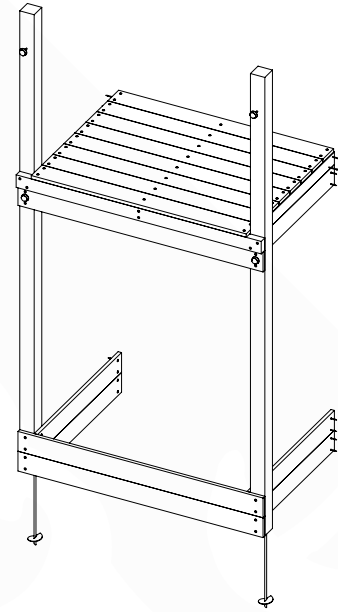


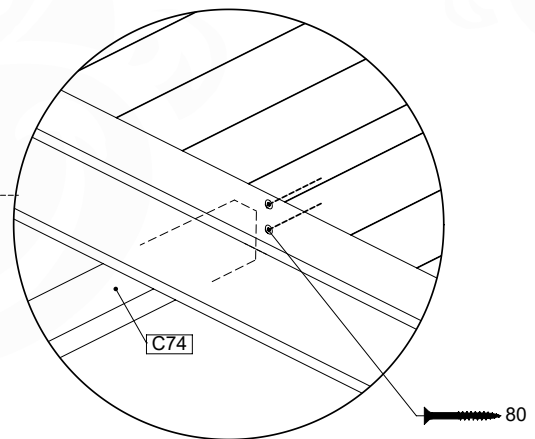
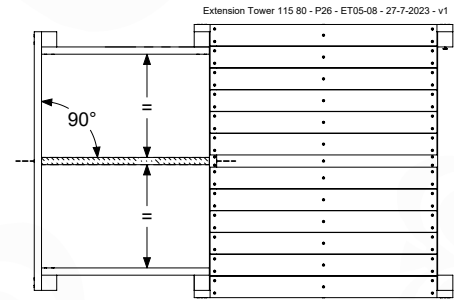
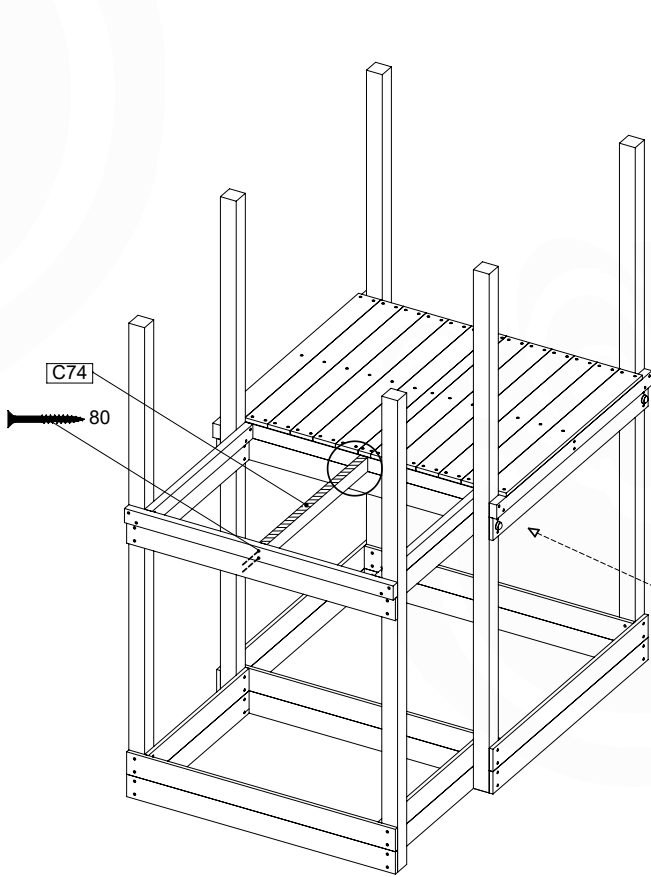
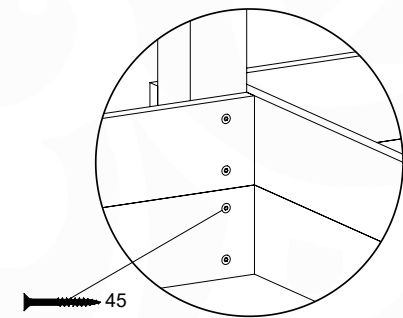
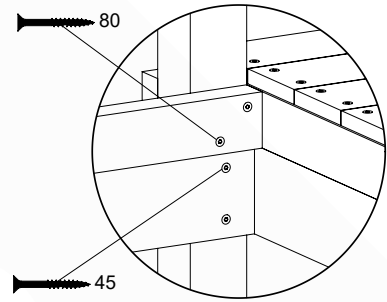
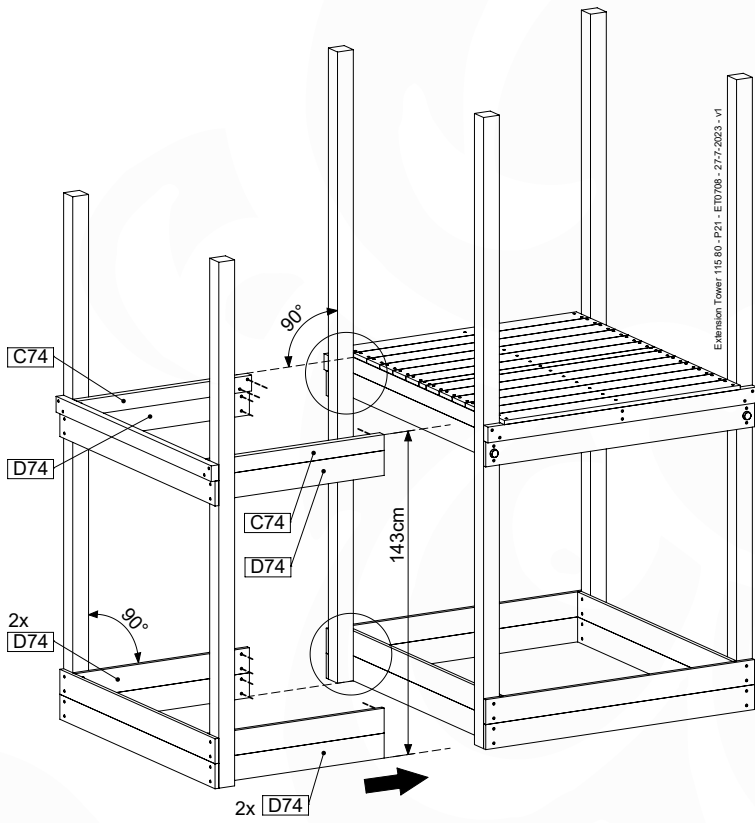
9 ET07a: Extension Tower 11580 220/145

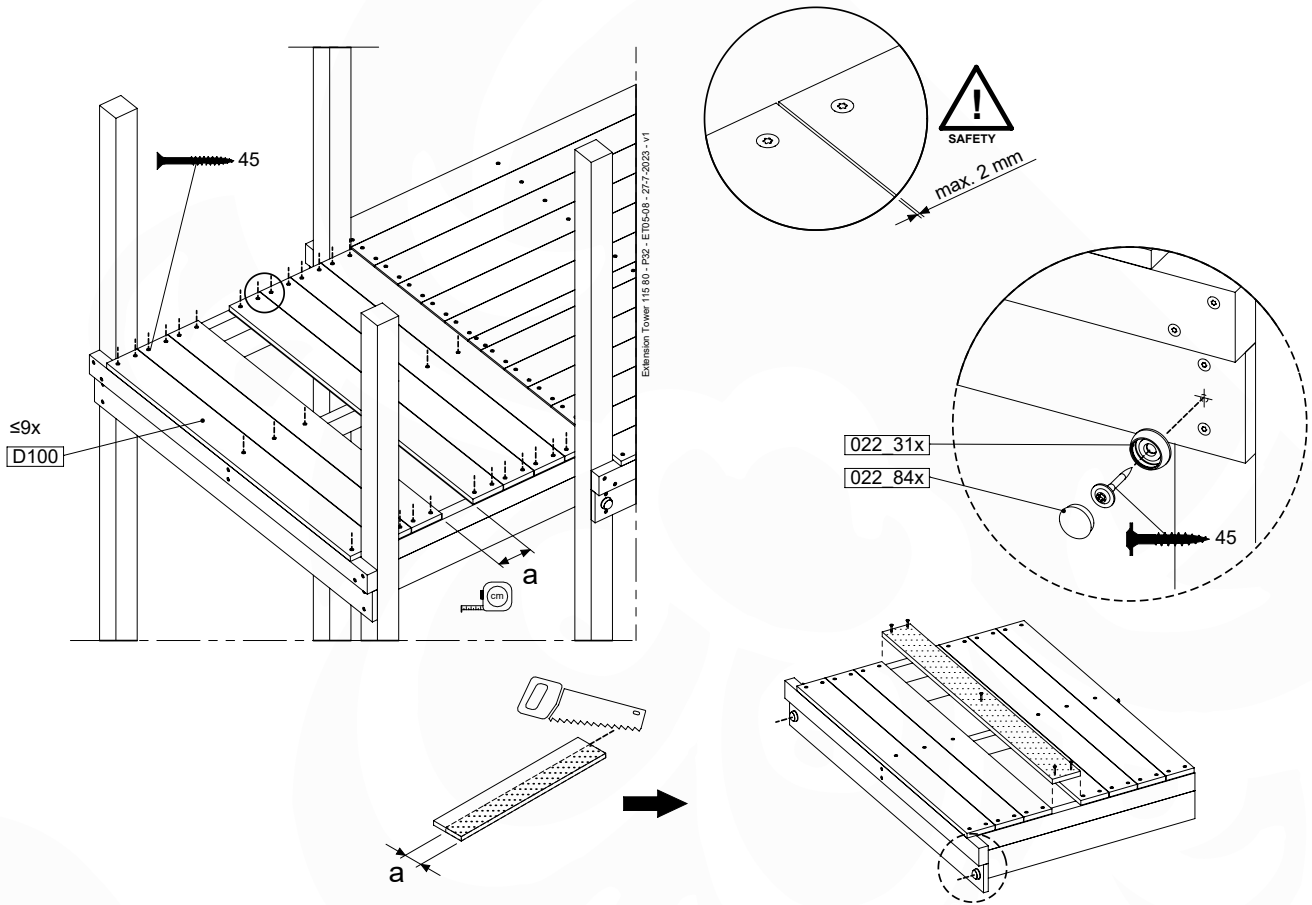
(194_300)

	PartNo	PartName	QTY.
Hardware pack	001_406	Stealth Screw 8x45	4
	001_417	Stealth Screw 8x80	2
	002_220	Gap Point Screw T25 - 5x45	81
	002_223	Gap Point Screw T25 - 5x80	16
Other	007_001	Ground-anchor	2
	022_31x	bpc-base version 3	4
	022_84x	bpc cover	4
Timber	A220	Post 70x70 L2200	2
	C74	Beam 740 mm	3
	C114	Beam 1140 mm	1
	D74	Board 740 mm	6
	D100	Board 1000 mm	9
	D114	Board 1140 mm	3

Extension Tower 115 80 - P04 - ET07 - 27.7-2023 - v1





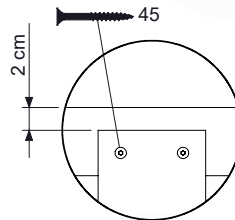
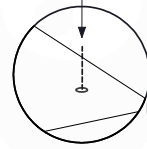
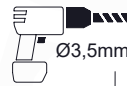
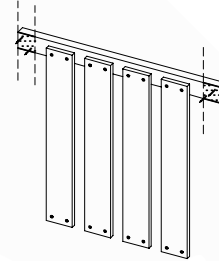


10 BL01a: Balustrade 80 U - 7x7 posts

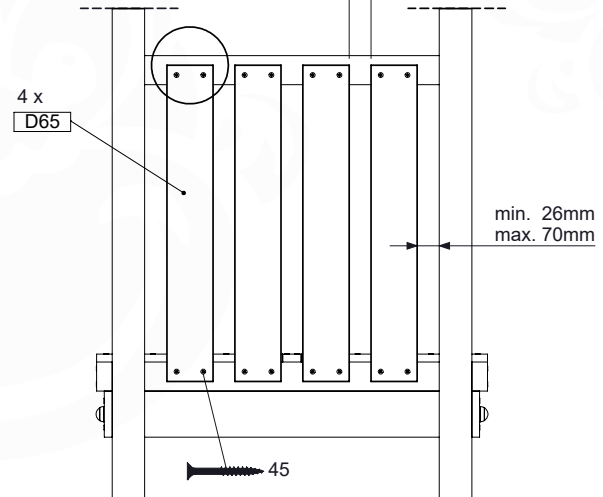
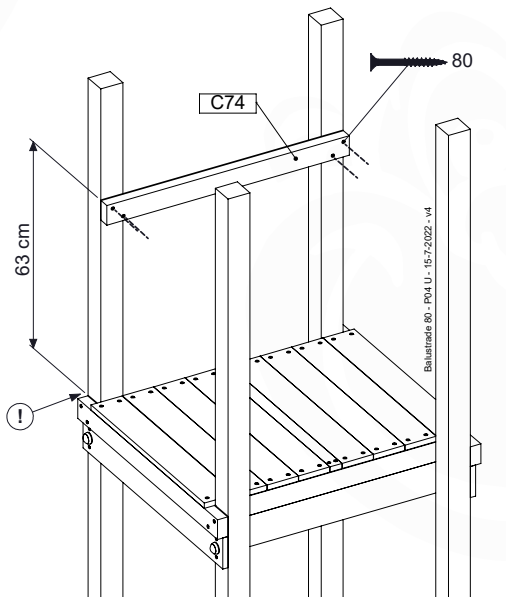
(194_101)

	PartNo	PartName	QTY.
Hardware Pack	002_220	Gap Point Screw T25 - 5x45	16
	100_601	Gap Point Screw T25 - 5x80	4
Timber	C74	Beam 740 mm	1
	D65	Board 650 mm	4

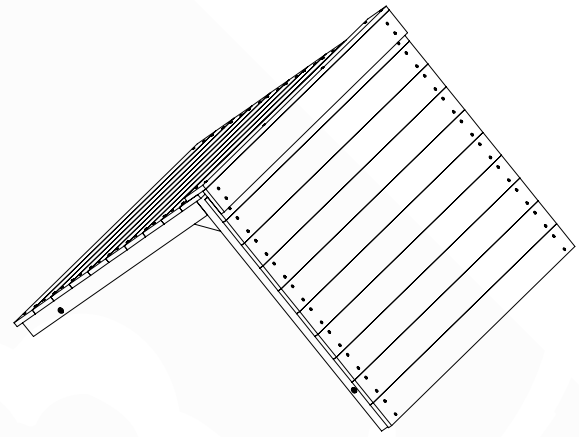
Balustrade 80 - P02 U - 15-7-2022 - v4



min. 26mm
max. 70mm



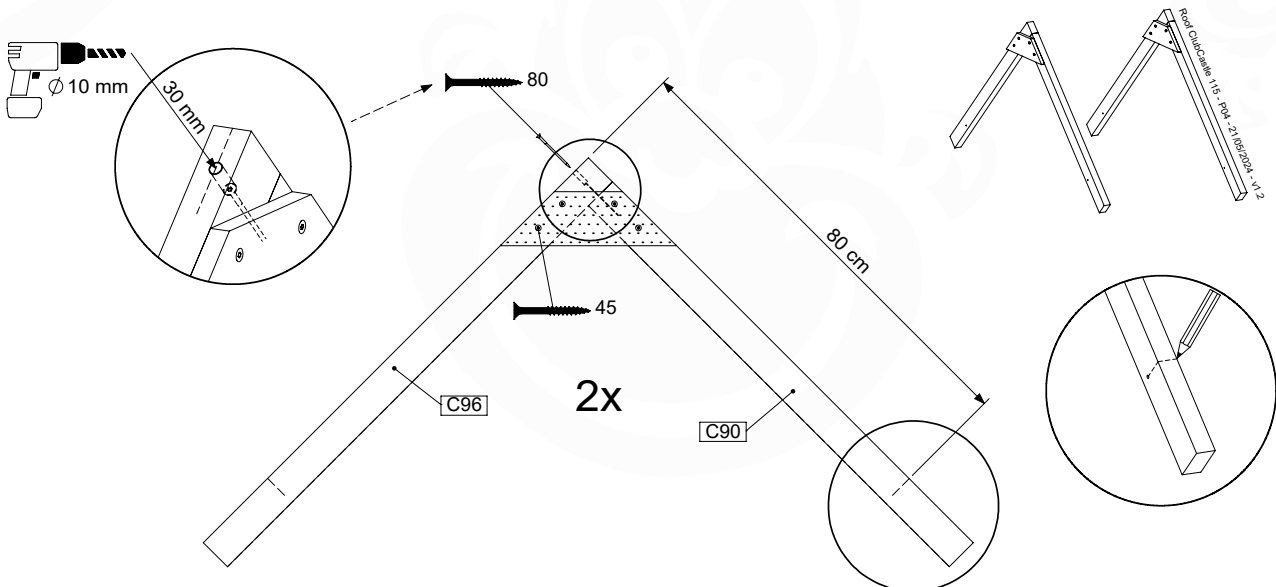
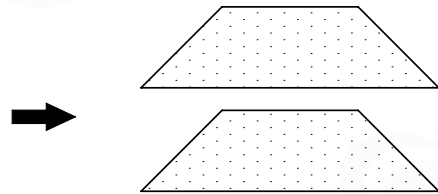
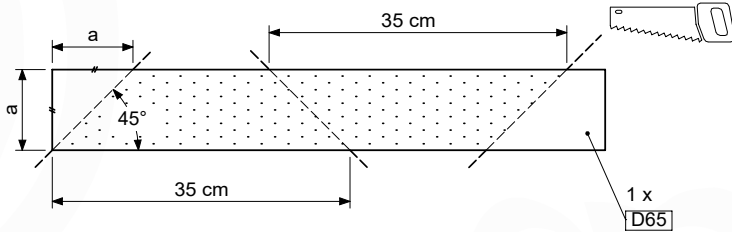
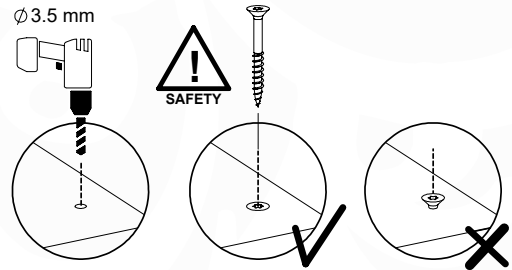
11 RF08a: Roof Timber Gable 115



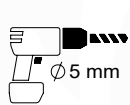
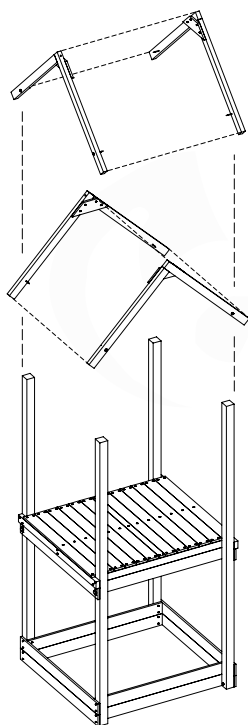
Assembly Pack: 194_308 / 194_804

	PartNo	PartName	QTY.
Hardware Pack	001_417	Stealth Screw 8x80	4
	002_220	Gap Point Screw T25 - 5x45	100
	002_223	Gap Point Screw T25 - 5x80	8
Timber	C96	Beam 960 mm	2
	D65	Board 650 mm	1
	D127	Board 1270 mm	24
	C90	Beam 900 mm	2

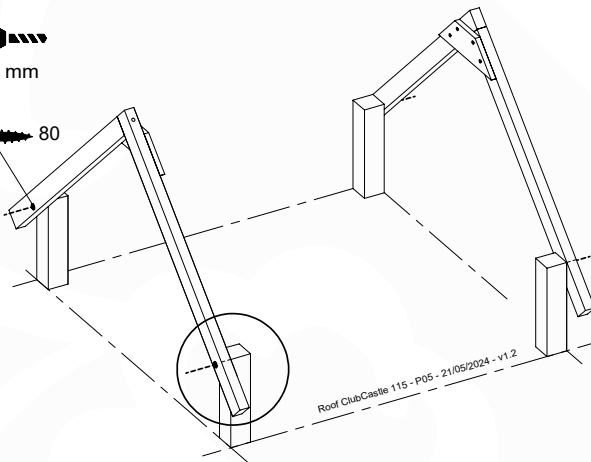
Roof Gable 115 - P03 - RF08 - 21/05/2024 - v1.2



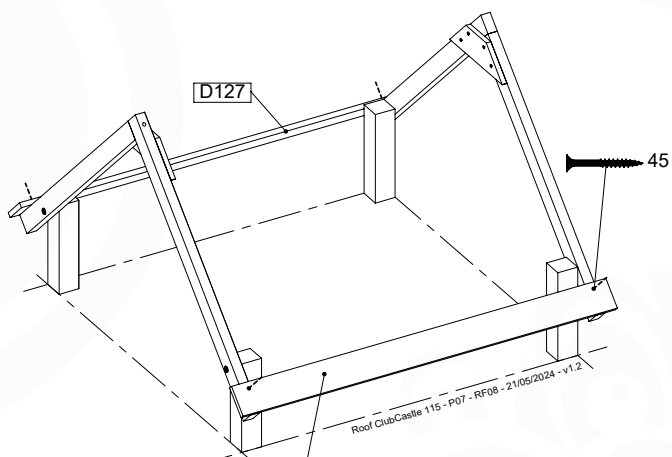
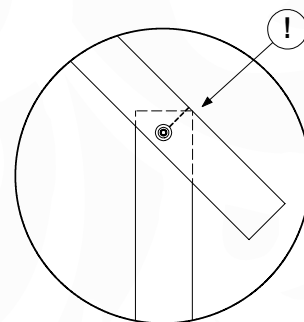
11.1



80

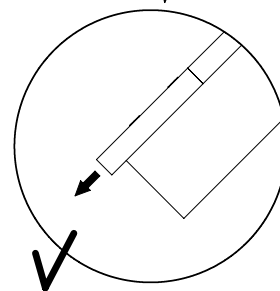
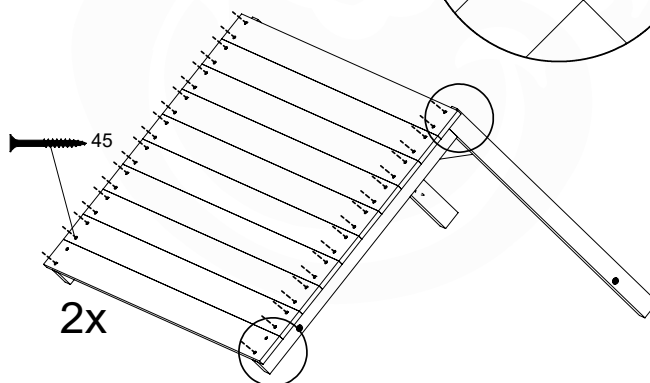
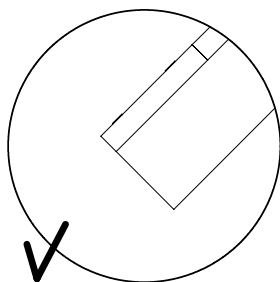
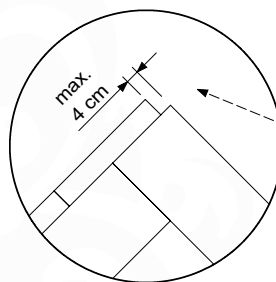


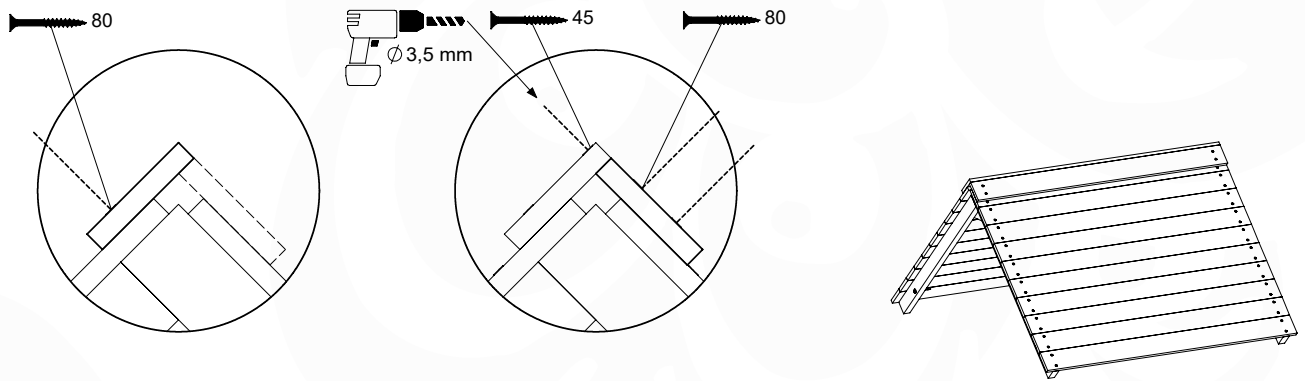
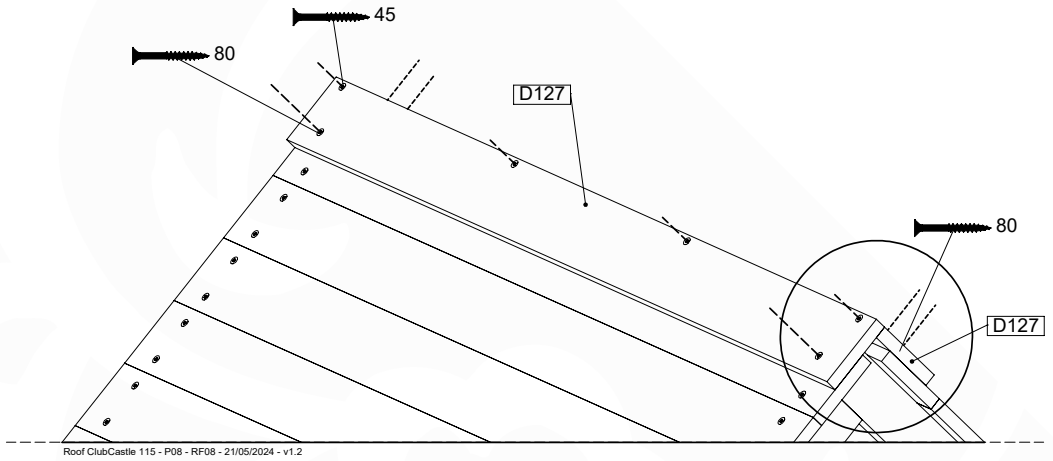
Roof ClubCastle 115 - P05 - 21/05/2024 - v1.2



Roof ClubCastle 115 - P07 - RF06 - 21/05/2024 - v1.2

≤ 11 x D127



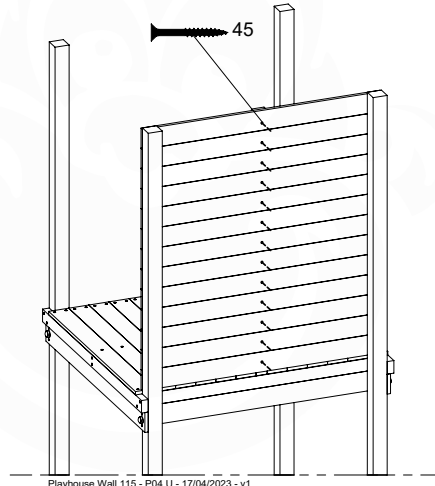
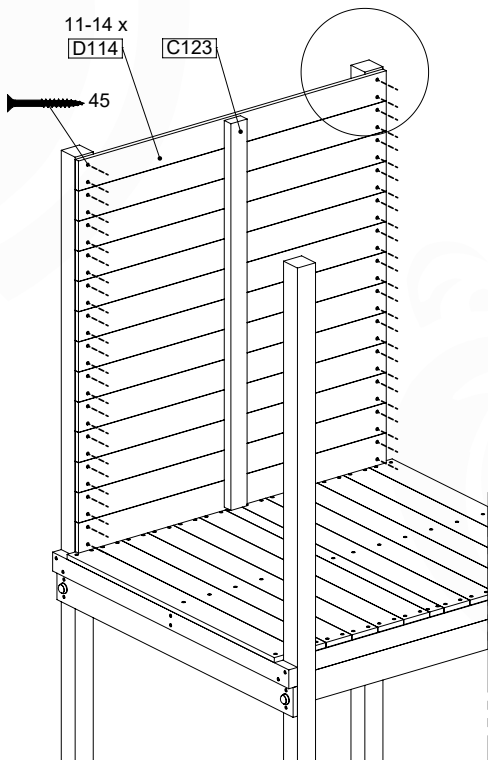
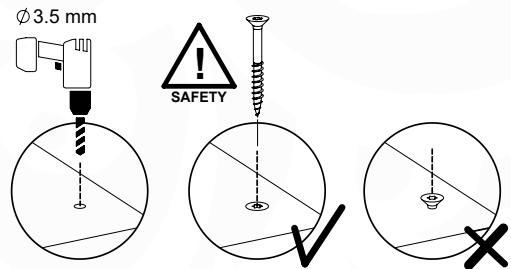
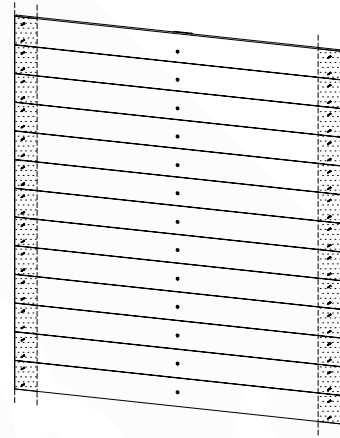


12 PH10a: Playhouse Wall Panel 115 U

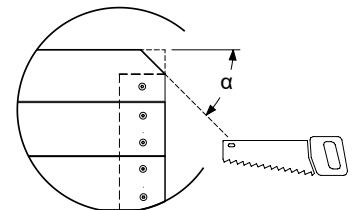
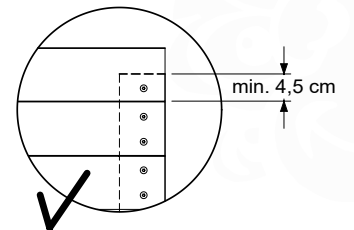
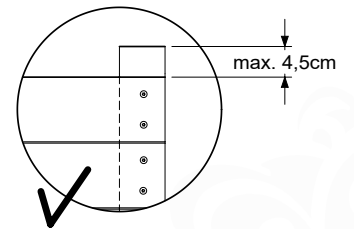
(194_809)

	PartNo	PartName	QTY.
Hardware Pack	002_220	Gap Point Screw T25 - 5x45	70
Timber	C123	Beam 1230 mm	1
	D114	Board 1140 mm	14

Playhouse Wall 115 - P02 U - 17/04/2023 - v1



Playhouse Wall 115 - P04 U - 17/04/2023 - v1



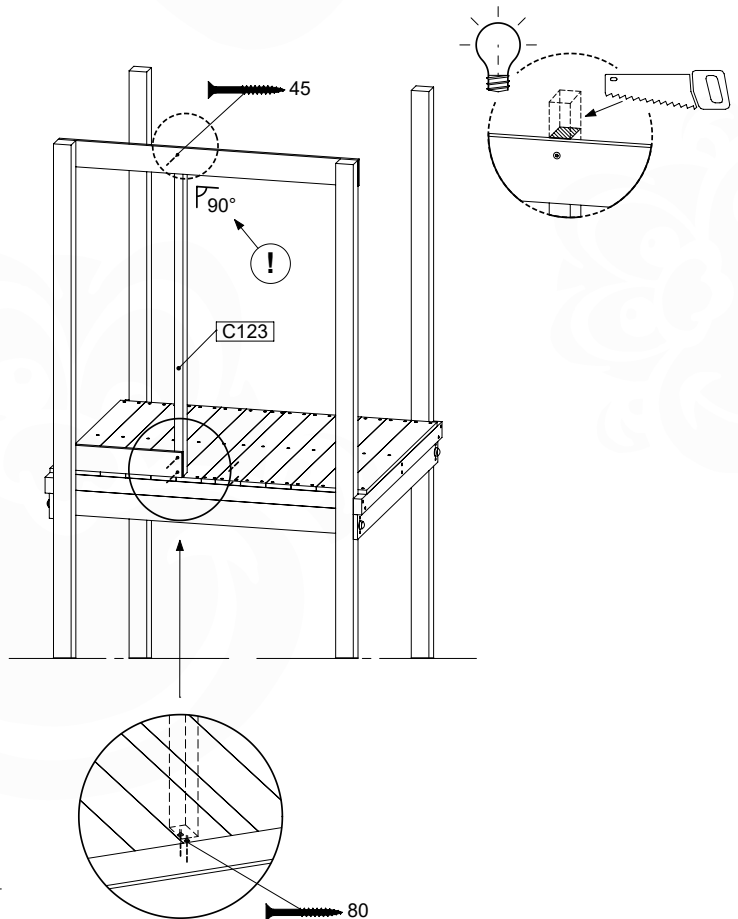
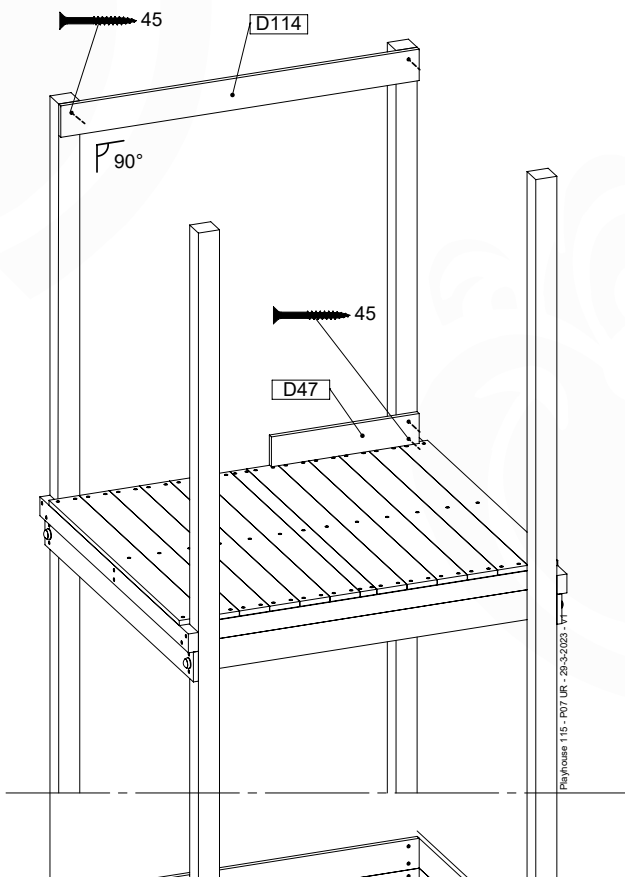
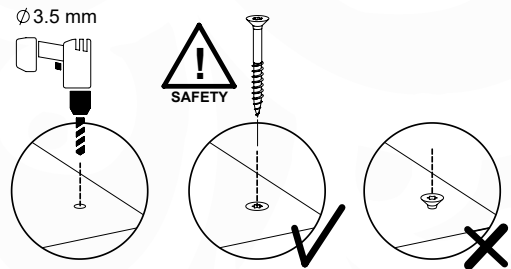
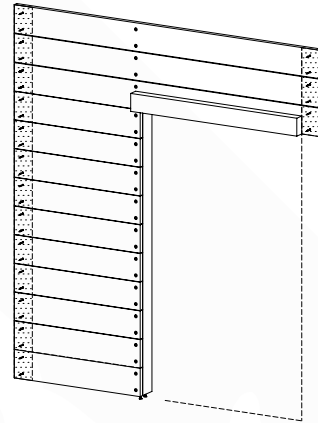
$\alpha = 30^\circ / \alpha = 45^\circ$

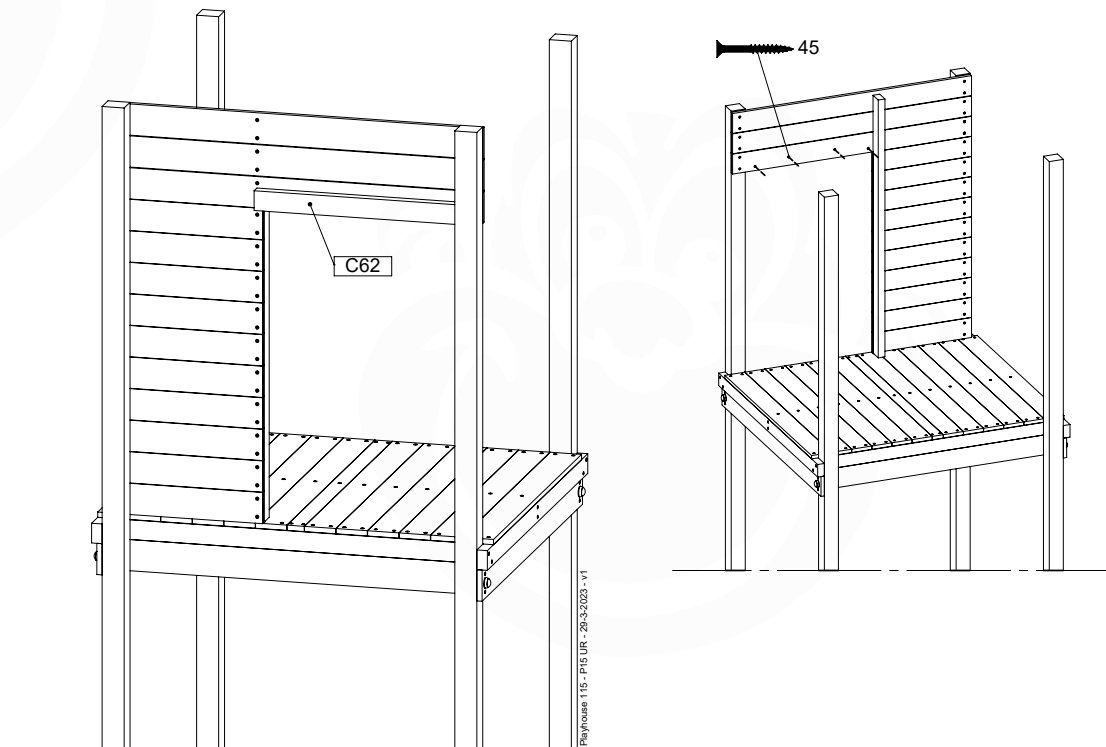
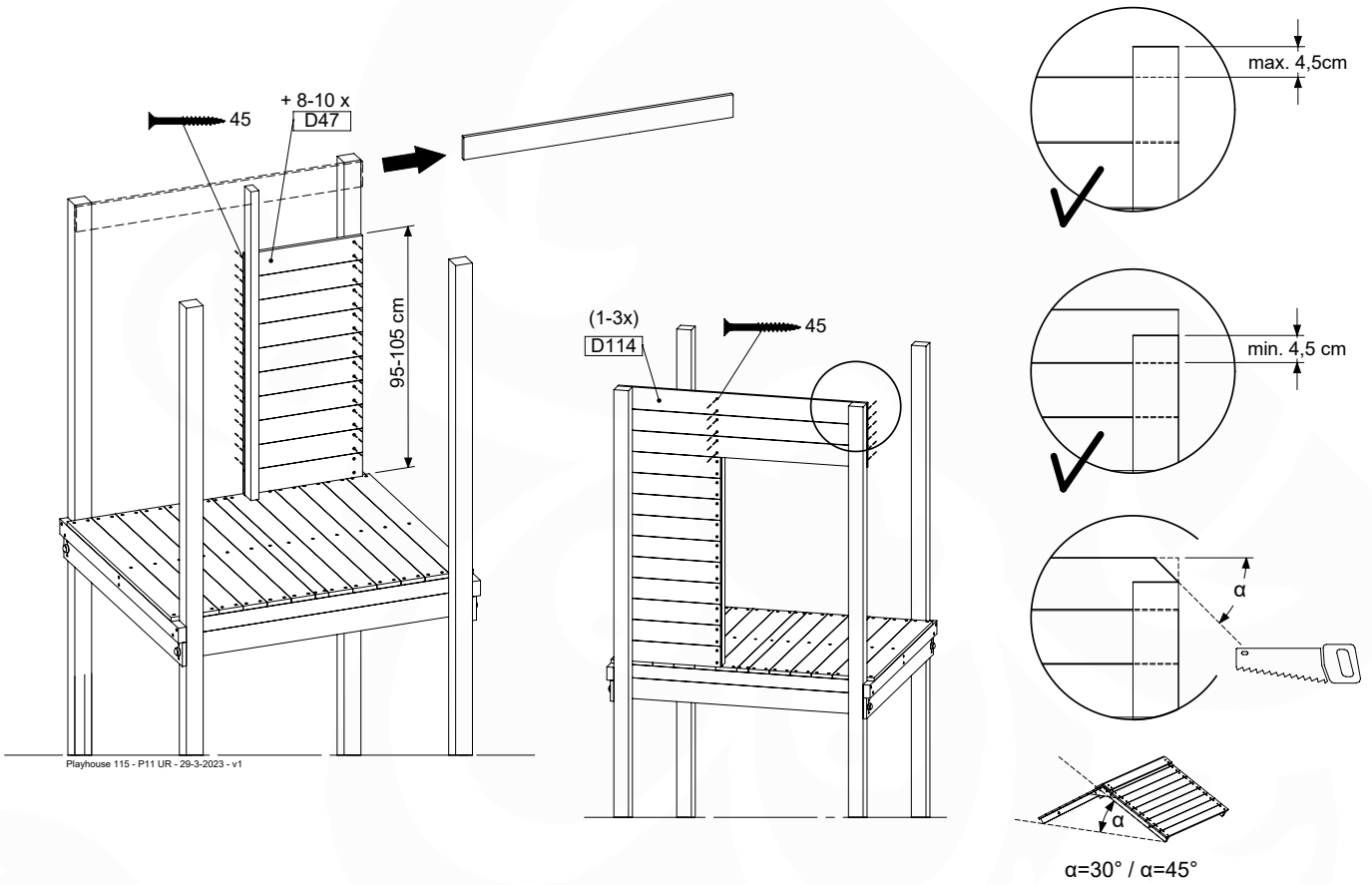
13 PH13a: Playhouse Entrance Panel 115 UR

(194_809)

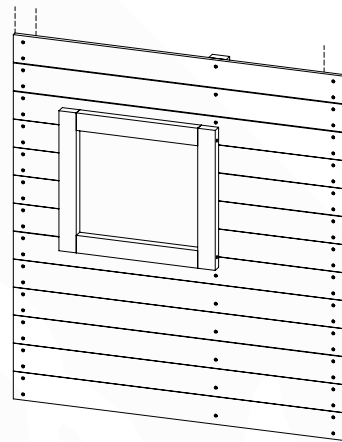
	PartNo	PartName	QTY.
Hardware Pack	002_220	Gap Point Screw T25 - 5x45	66
	002_223	Gap Point Screw T25 - 5x80	2
Timber	C62	Beam 620 mm	1
	C123	Beam 1230 mm	1
	D47	Board 470 mm	11
	D114	Board 1140 mm	3

Playhouse 115 - P03 UR - 20-3-2023 - v1





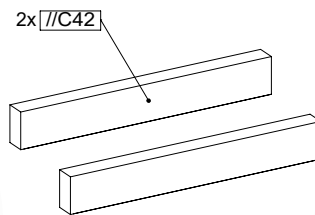
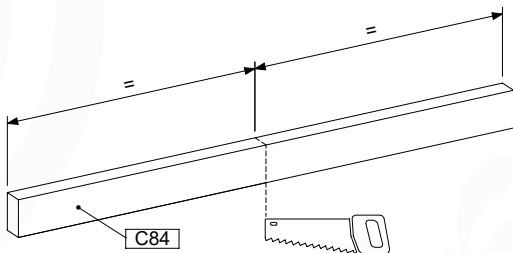
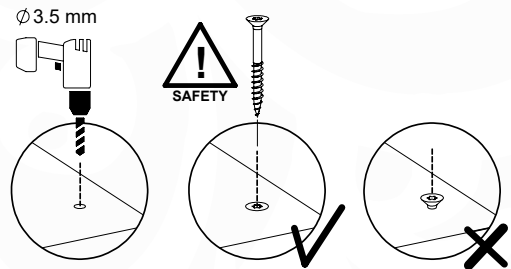
14 PH18a: Playhouse Window Panel 115 TL



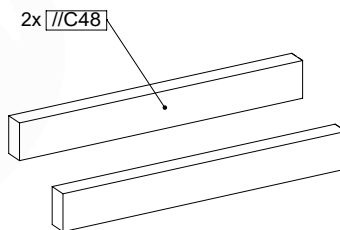
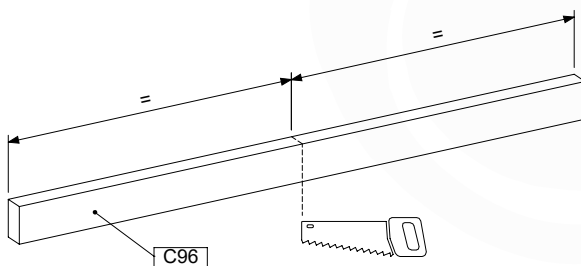
Assembly Pack: 194_118 (PH18a) / 194_508 (PH18b) / 194_804 (PH18c)

	PartNo	PartName	QTY.
Hardware Pack	002_220	Gap Point Screw T25 - 5x45	90
	002_223	Gap Point Screw T25 - 5x80	4
Timber	C84	Beam 840 mm	1
	C96	Beam 960 mm	2
	D21	Board 210 mm	4
	D47	Board 470 mm	4
	D114	Board 1140 mm	10

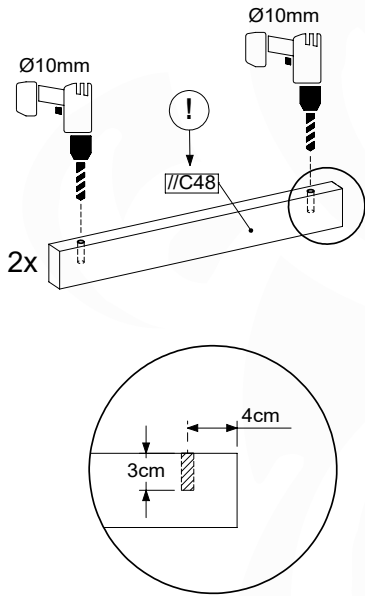
Playhouse Window 115 - P06 TL - 21/03/2024 - v1.1



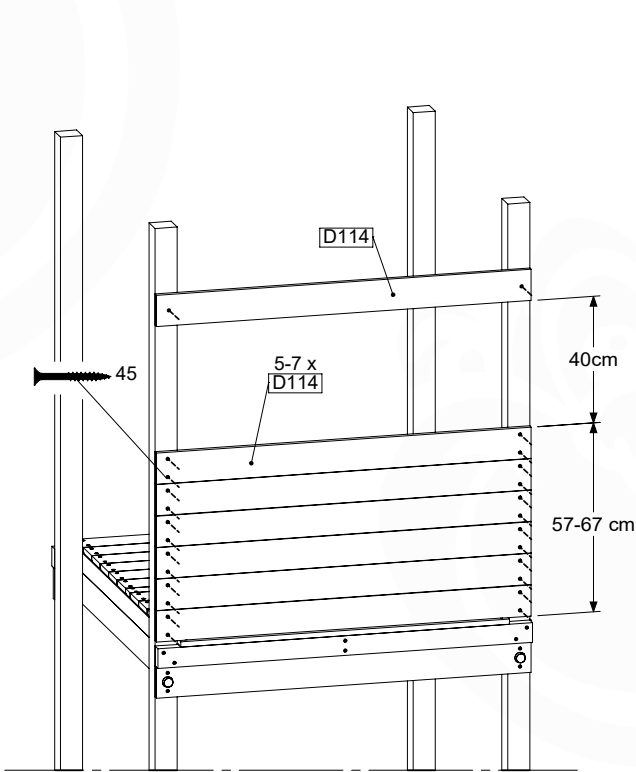
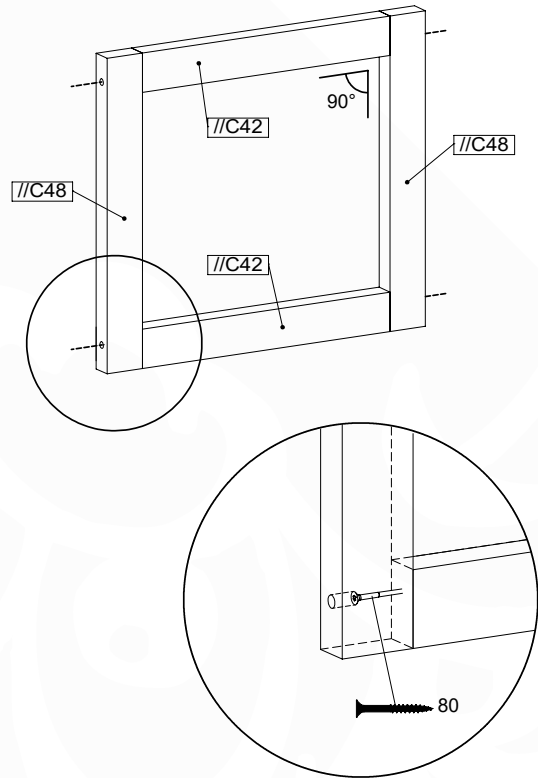
Playhouse Window 115 - P06 uni. - 21/03/2024 - v1.1



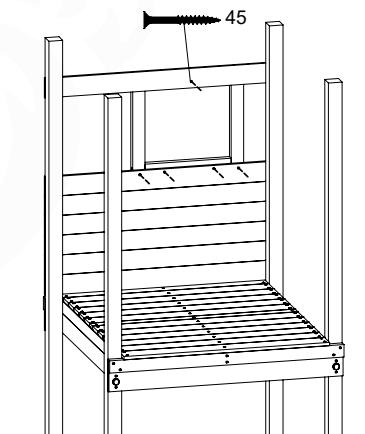
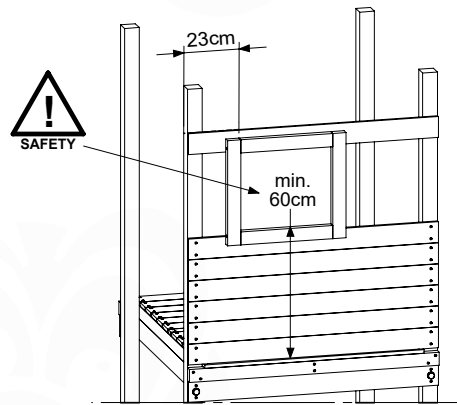
14.1

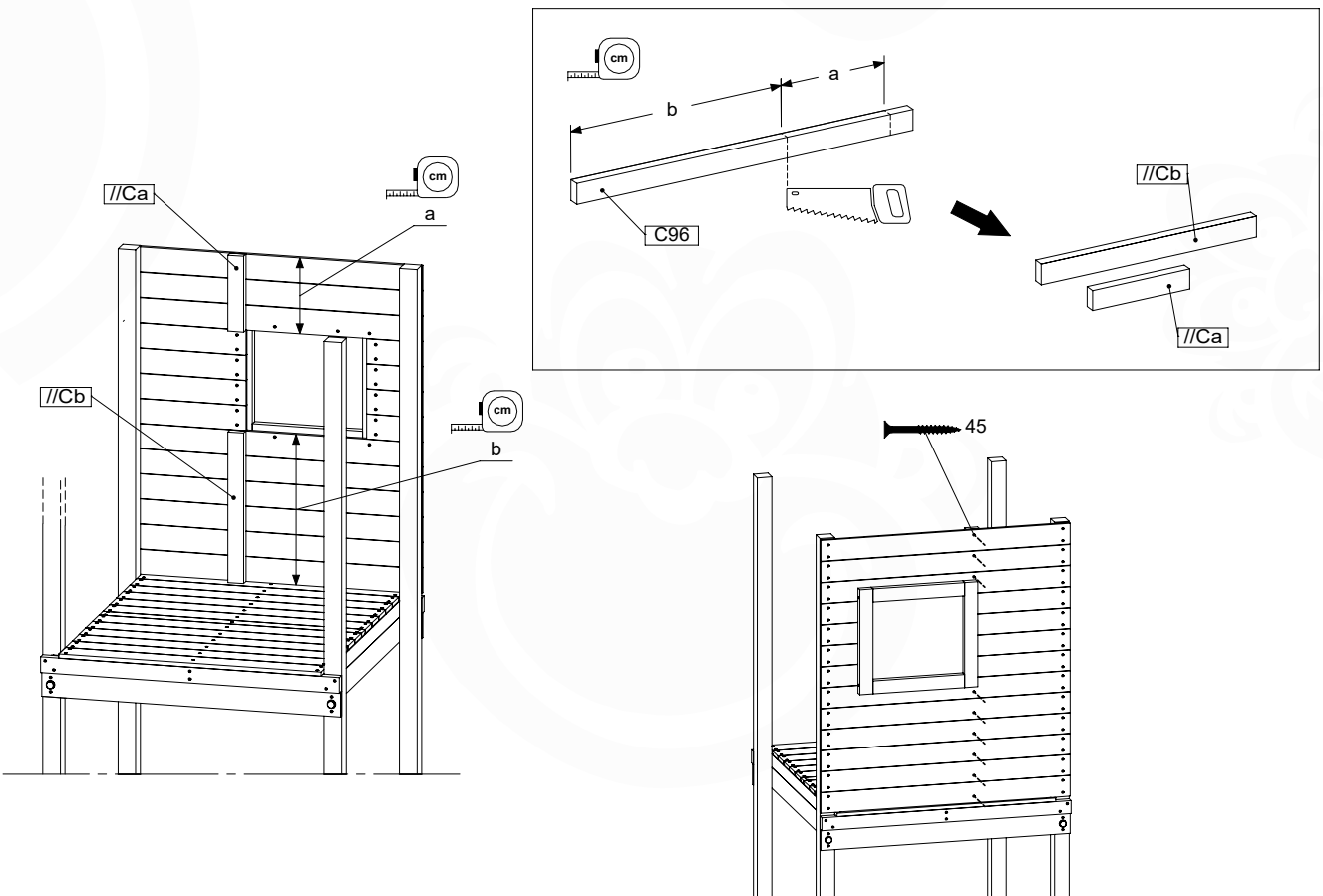
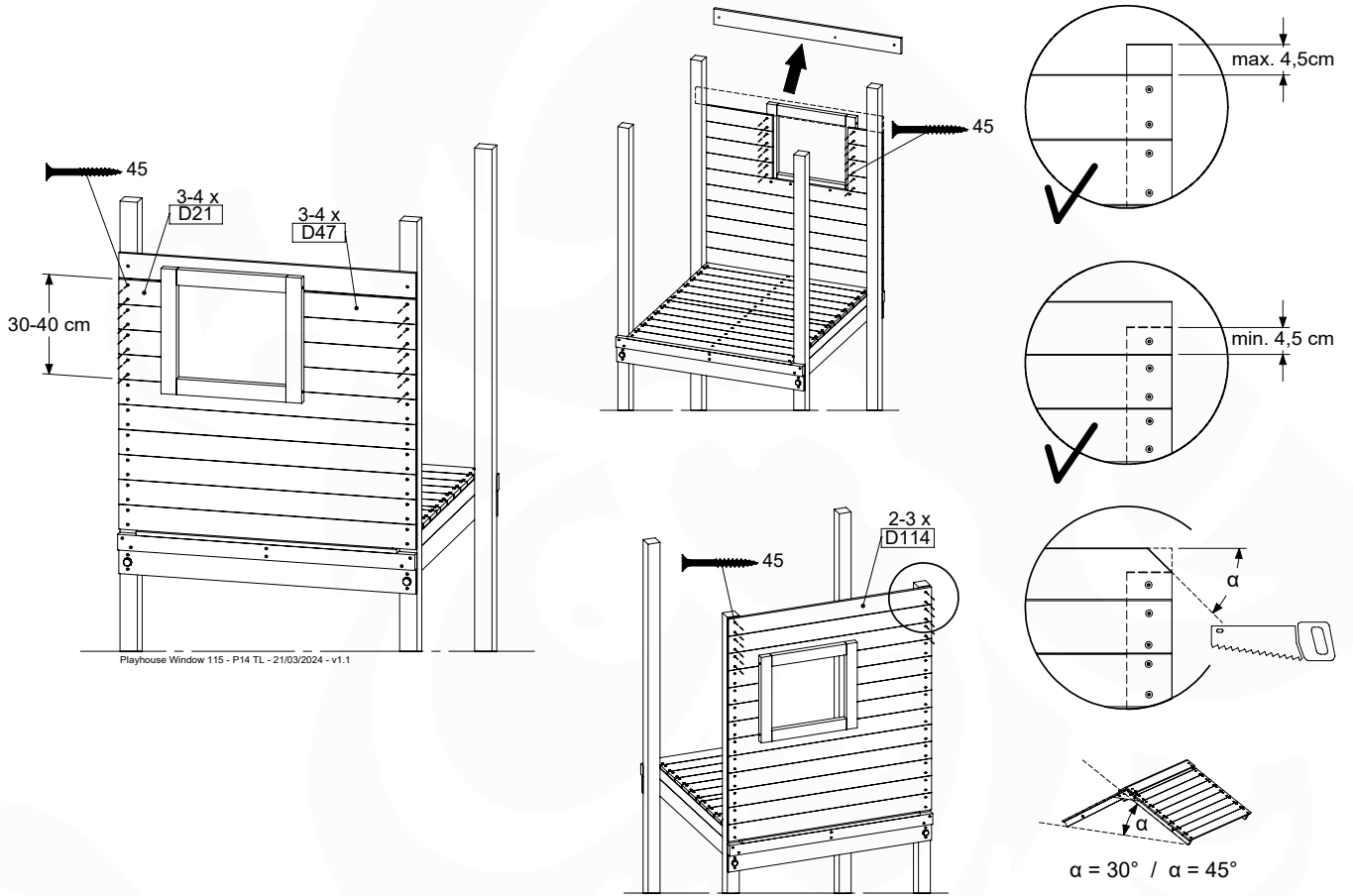


Playhouse Window 115 - P10 unit - 21/03/2024 - v1.1



Playhouse Window 115 - P10 TL - 21/03/2024 - v1.1



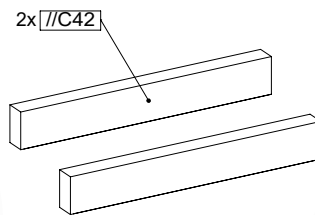
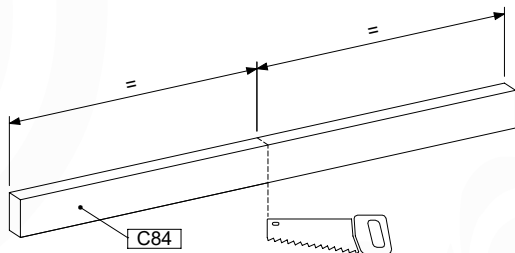
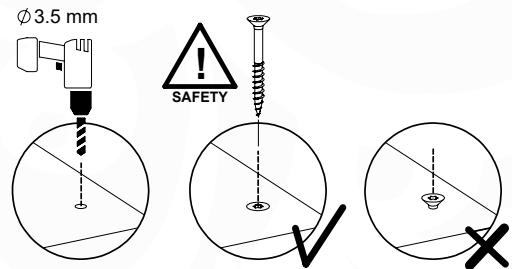
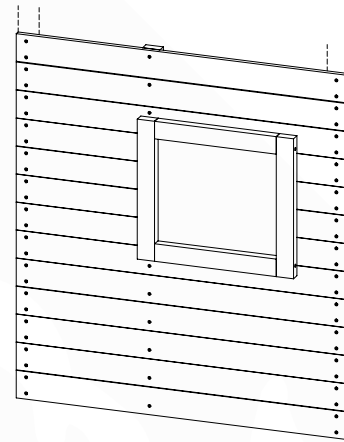


15 PH19a: Playhouse Window Panel 115 TR

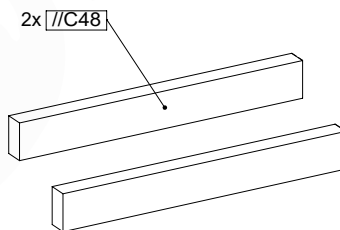
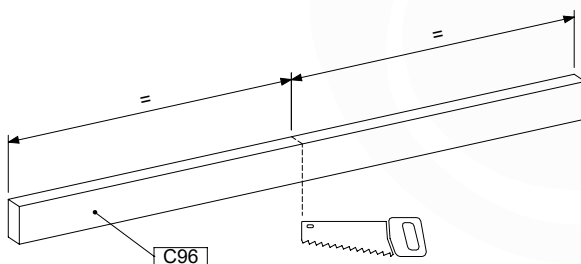
Assembly Pack: 194_118 (PH19a) / 194_508 (PH19b) / 194_804 (PH19c)

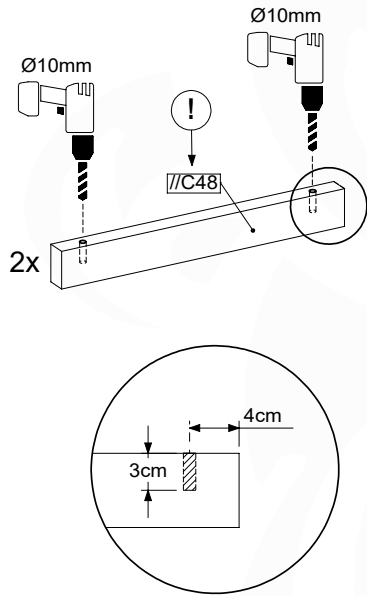
	PartNo	PartName	QTY.
Hardware Pack	002_220	Gap Point Screw T25 - 5x45	90
	002_223	Gap Point Screw T25 - 5x80	4
Timber	C84	Beam 840 mm	1
	C96	Beam 960 mm	2
	D21	Board 210 mm	4
	D47	Board 470 mm	4
	D114	Board 1140 mm	10

Playhouse Window 115 - P06 TR - 21/03/2024 - v1.1

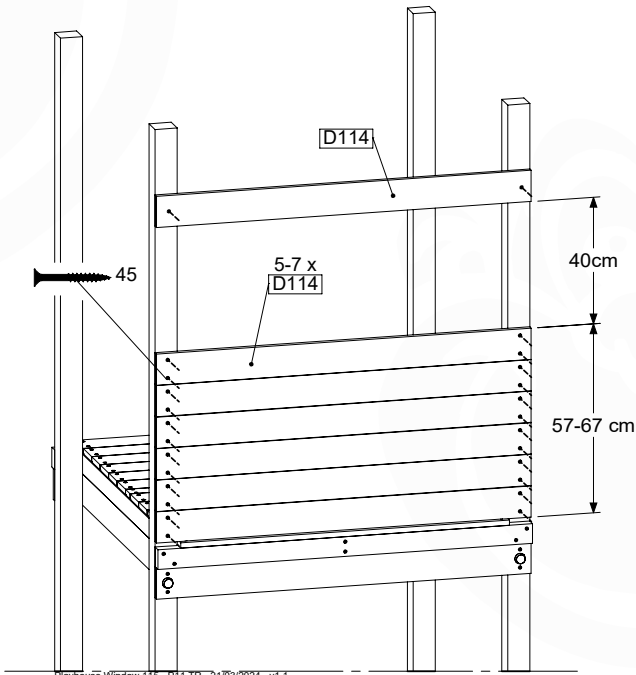
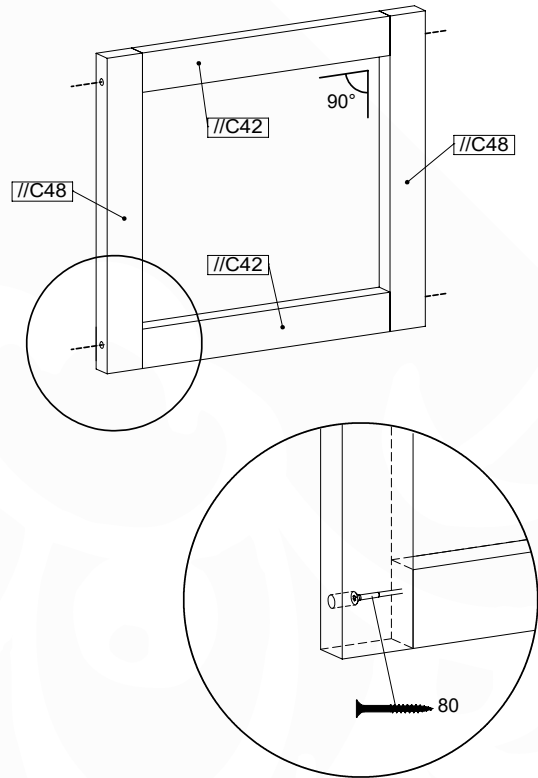


Playhouse Window 115 - P06 uni. - 21/03/2024 - v1.1

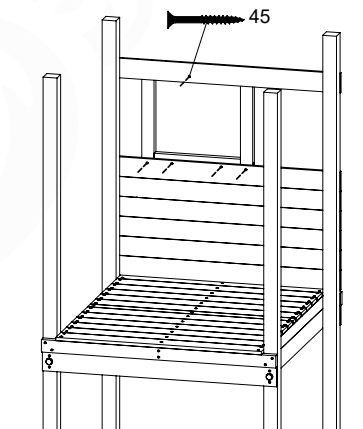
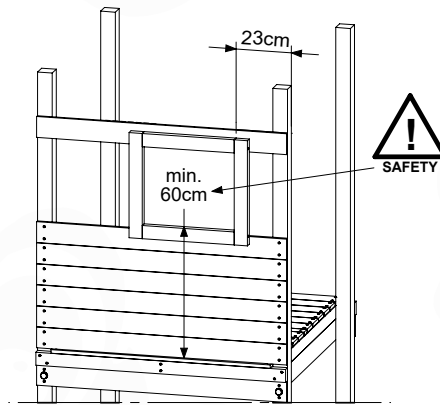


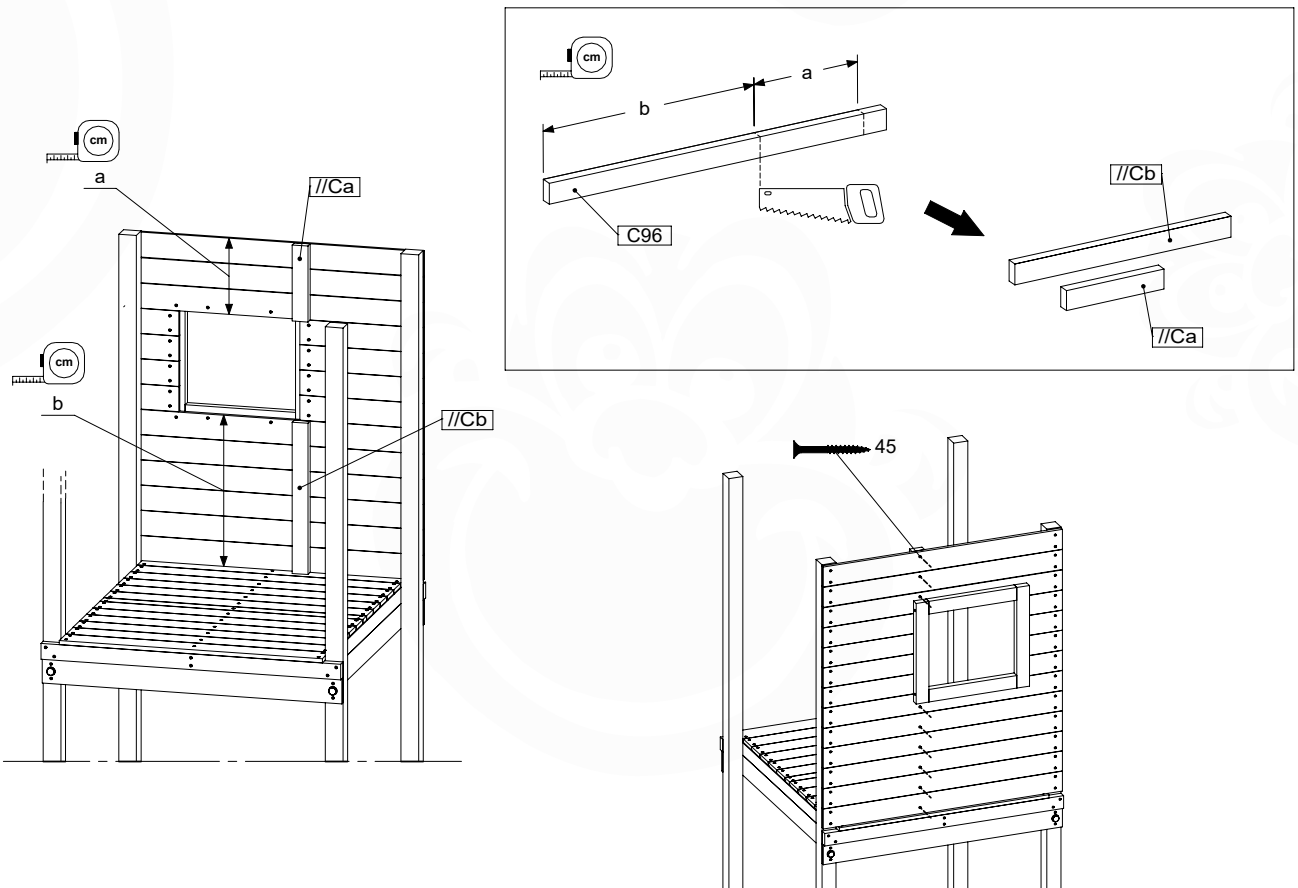
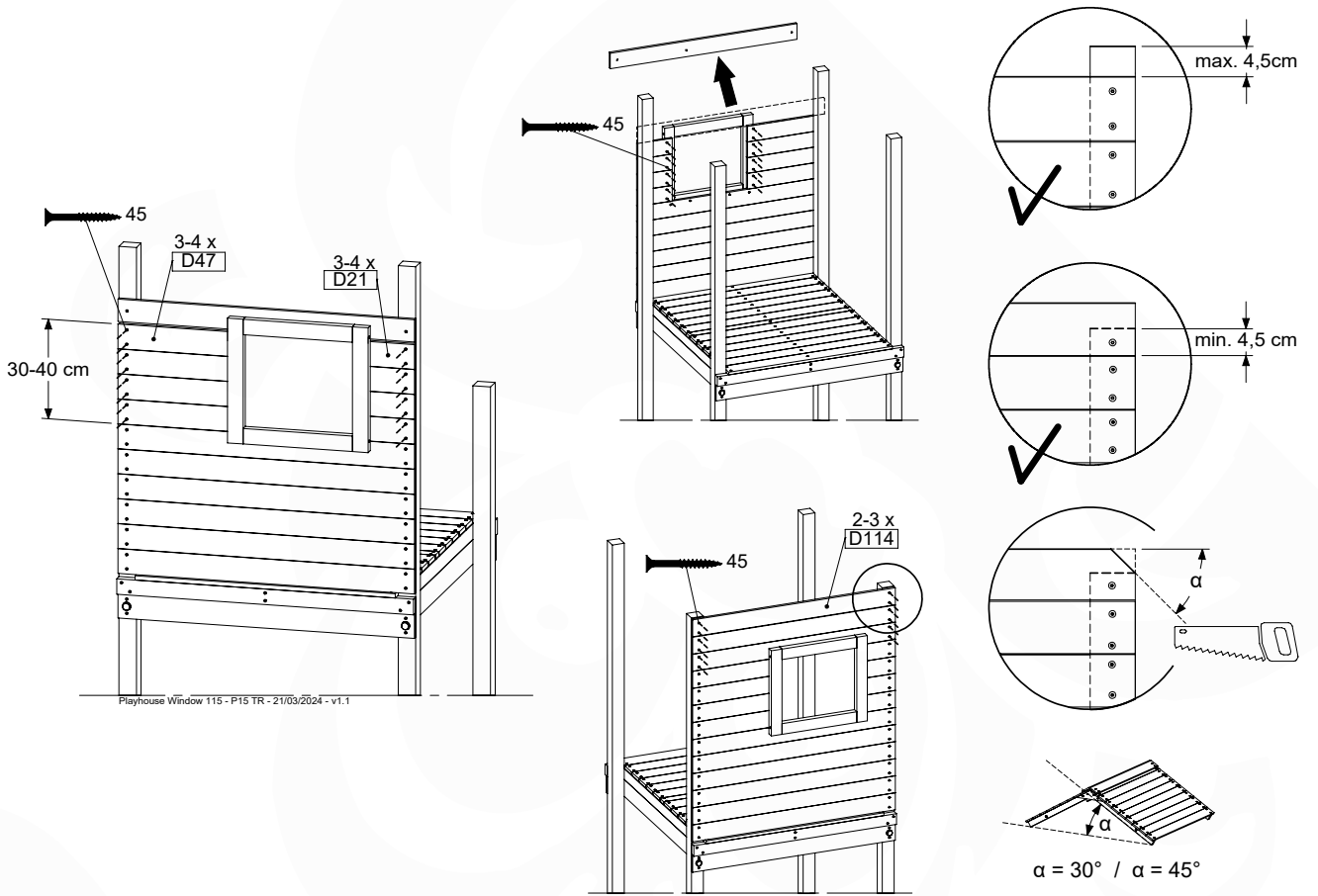


Playhouse Window 115 - P07 unit - 21/03/2024 - v1.1



Playhouse Window 115 - P11 1R - 21/03/2024 - v1.1



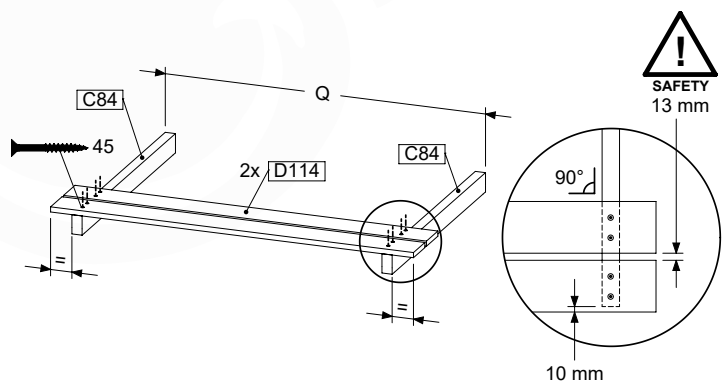
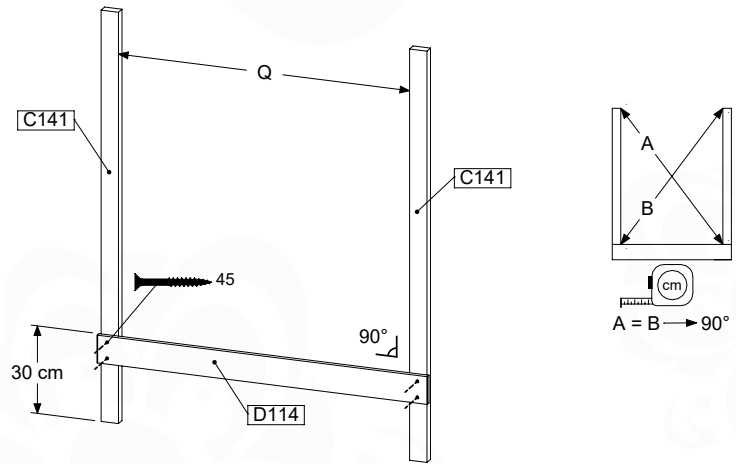
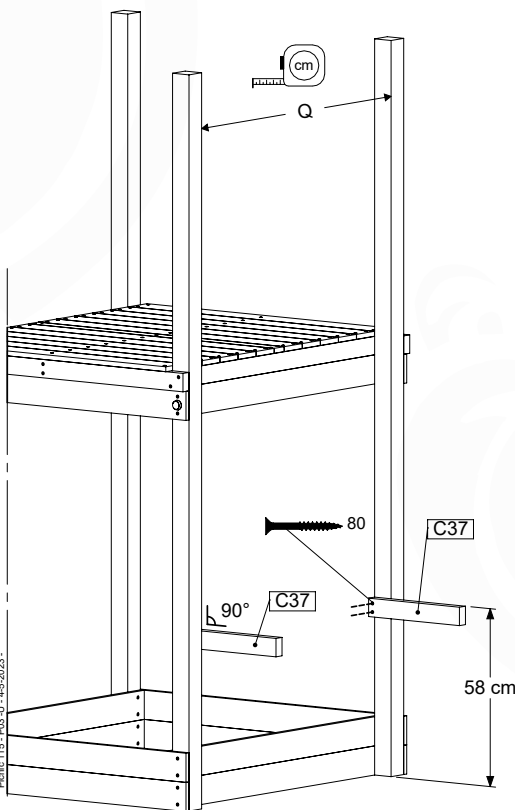
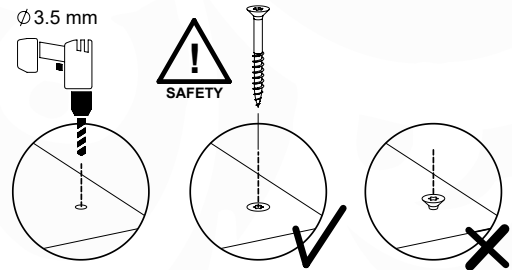
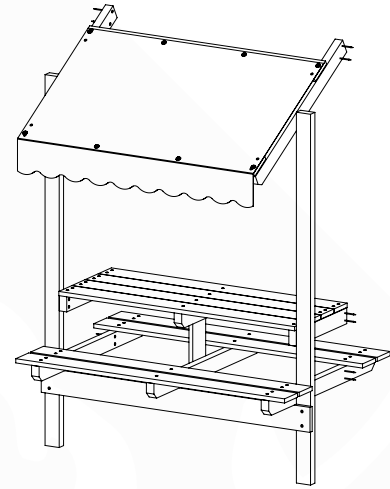


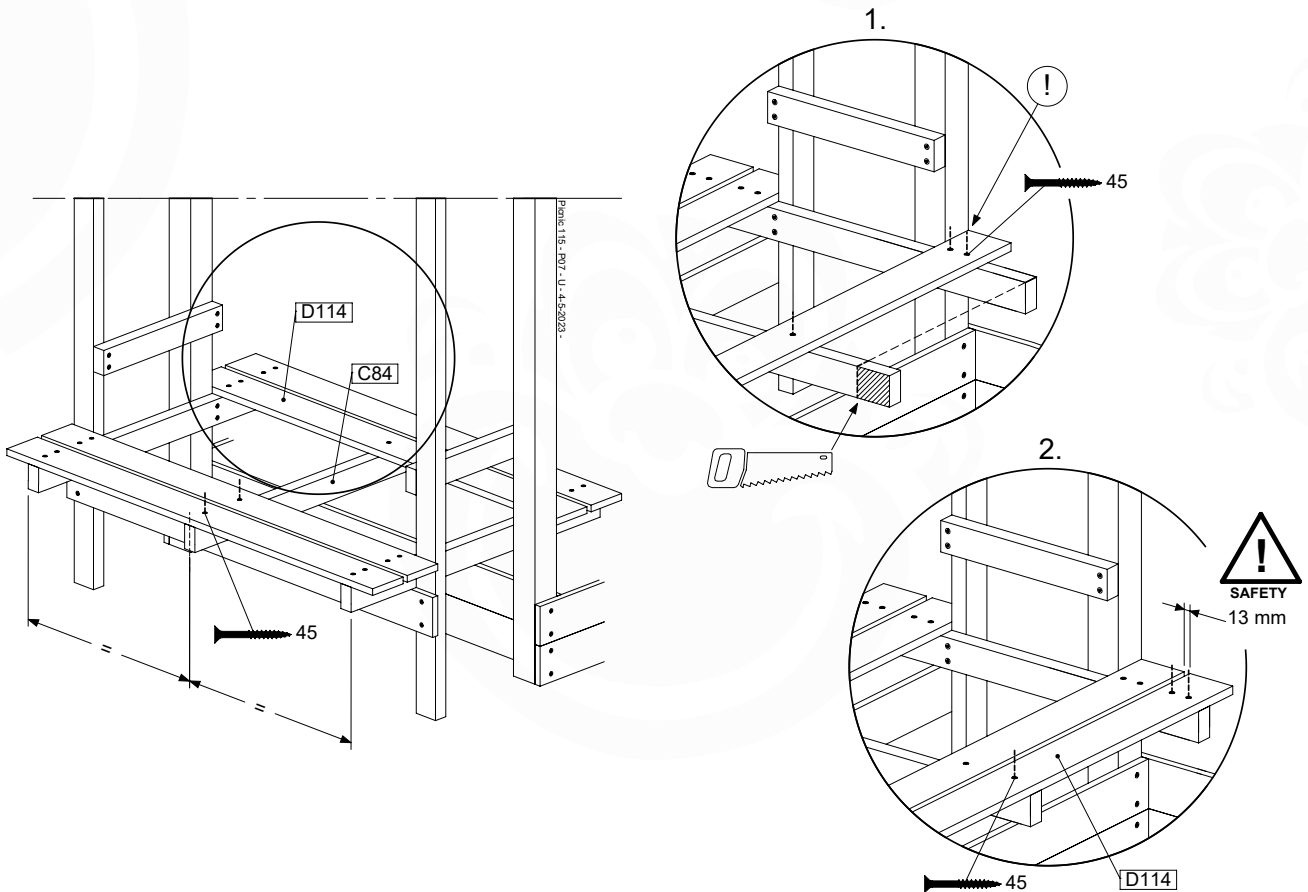
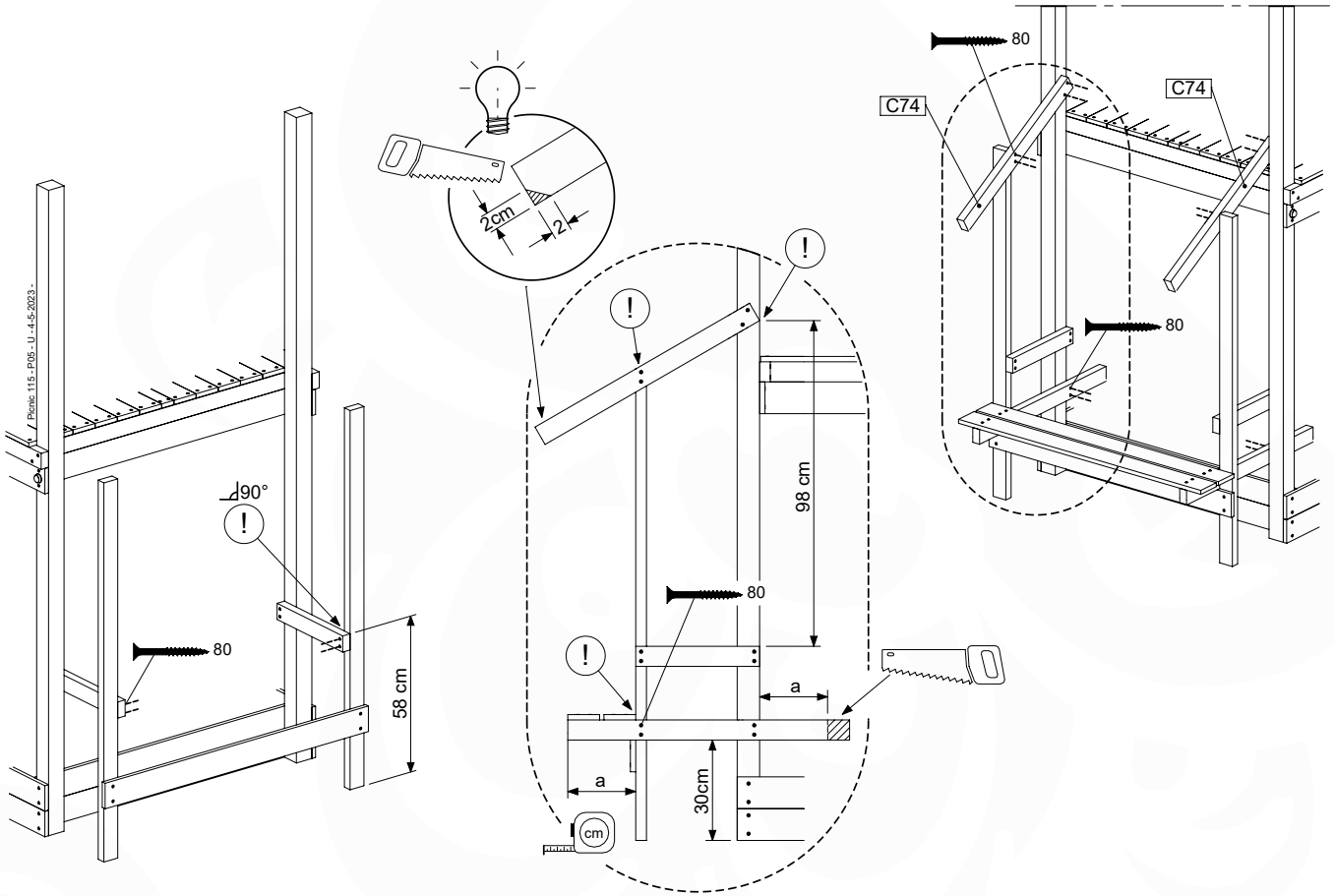
16 PC05a: Picnic 115 U

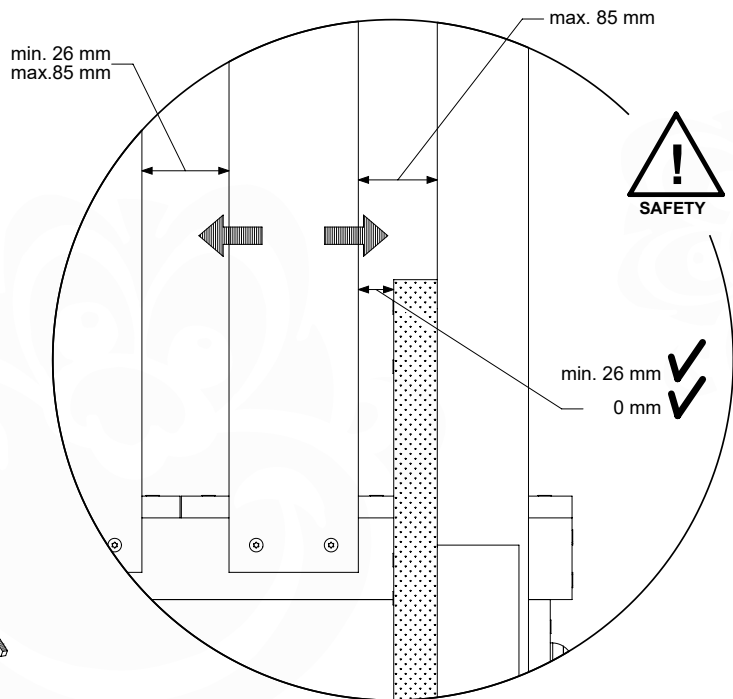
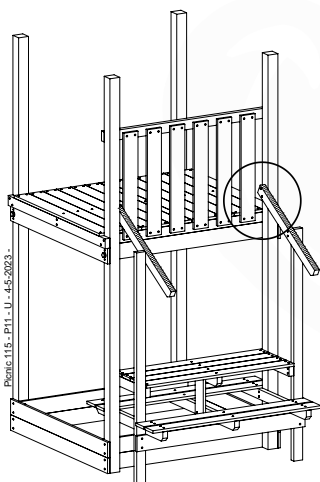
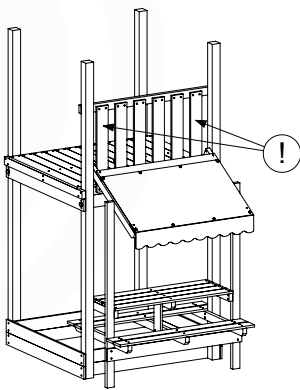
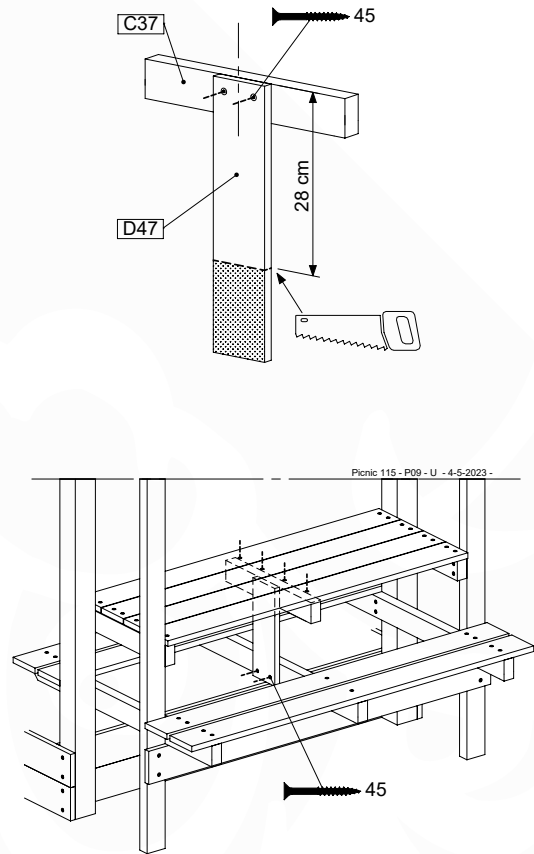
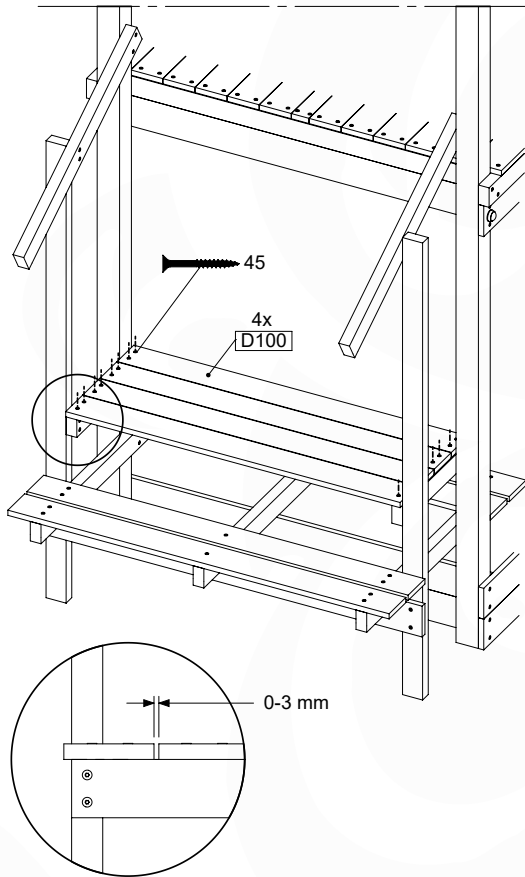
(194_810)

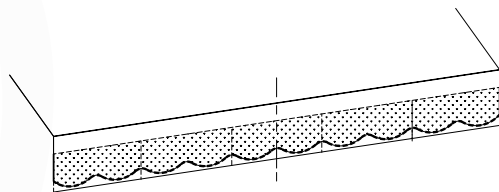
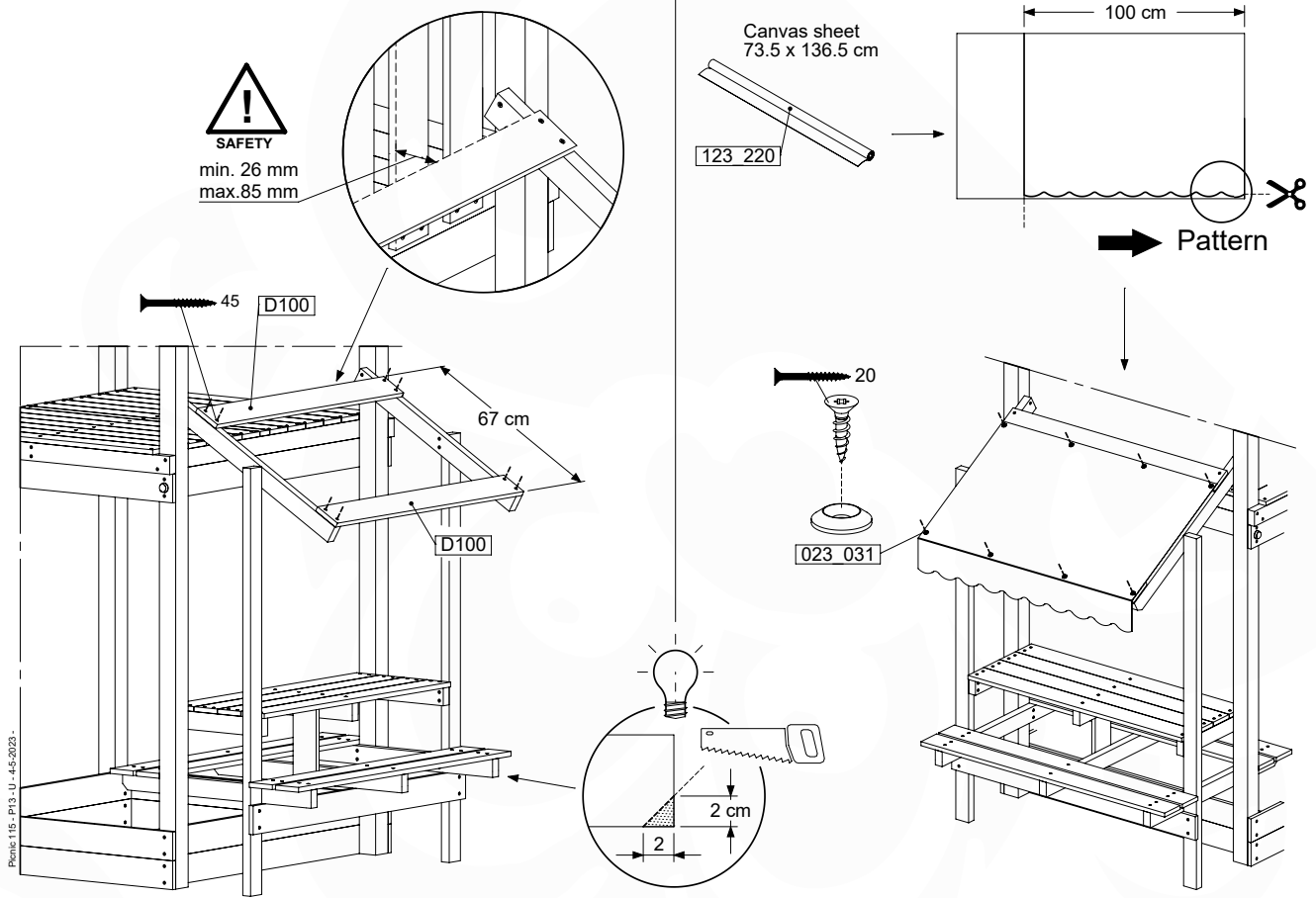
	PartNo	PartName	QTY.
Hardware Pack	002_220	Gap Point Screw T25 - 5x45	56
	002_223	Gap Point Screw T25 - 5x80	24
	002_308	Gap Point Screw T25 - 5x20	8
	023_031	Finishing Washer GPS 5.0	8
Other	123_220	Canvas sheet 735x1365mm	1
Timber	C37	Beam 370 mm	3
	C74	Beam 740 mm	2
	C84	Beam 840 mm	3
	C141	Beam 1410 mm	2
	D47	Board 470 mm	1
	D100	Board 1000 mm	6
	D114	Board 1140 mm	5

Picnic 115 - P03 - U1 - 4-5-2023 -

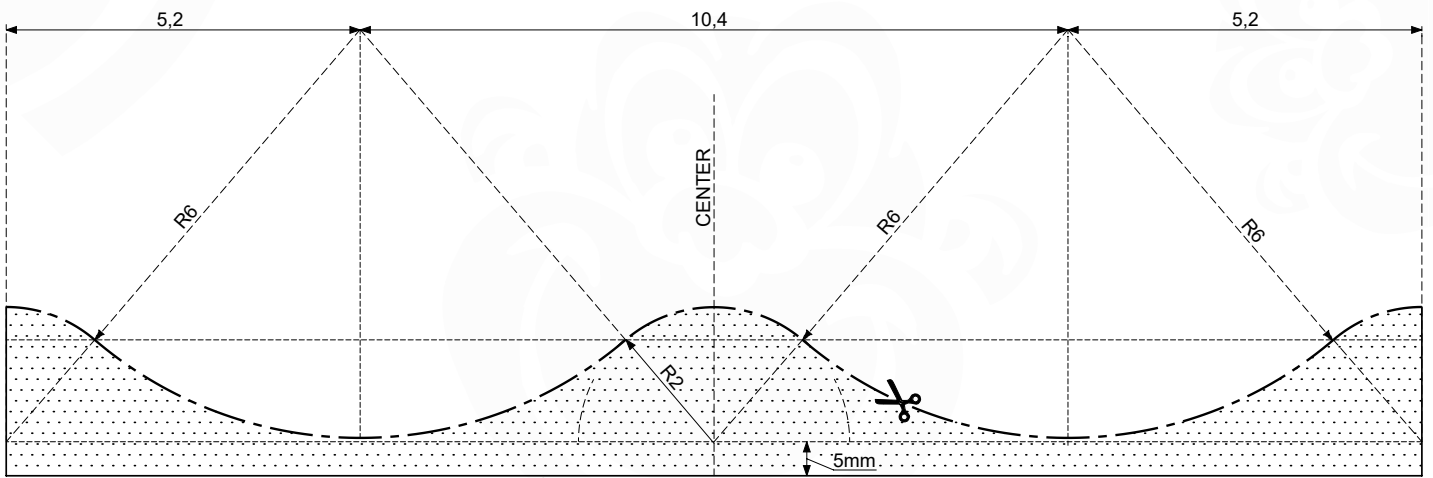








EXAMPLE PATTERN
 BEISPIELVORLAGE FÜR MARKISE
 SCHÉMA SUGGÈRE DE DÉCOUPE POUR AUVENT
 VOORBEELDSJABLOON LUIFEL



← repeat

repeat →

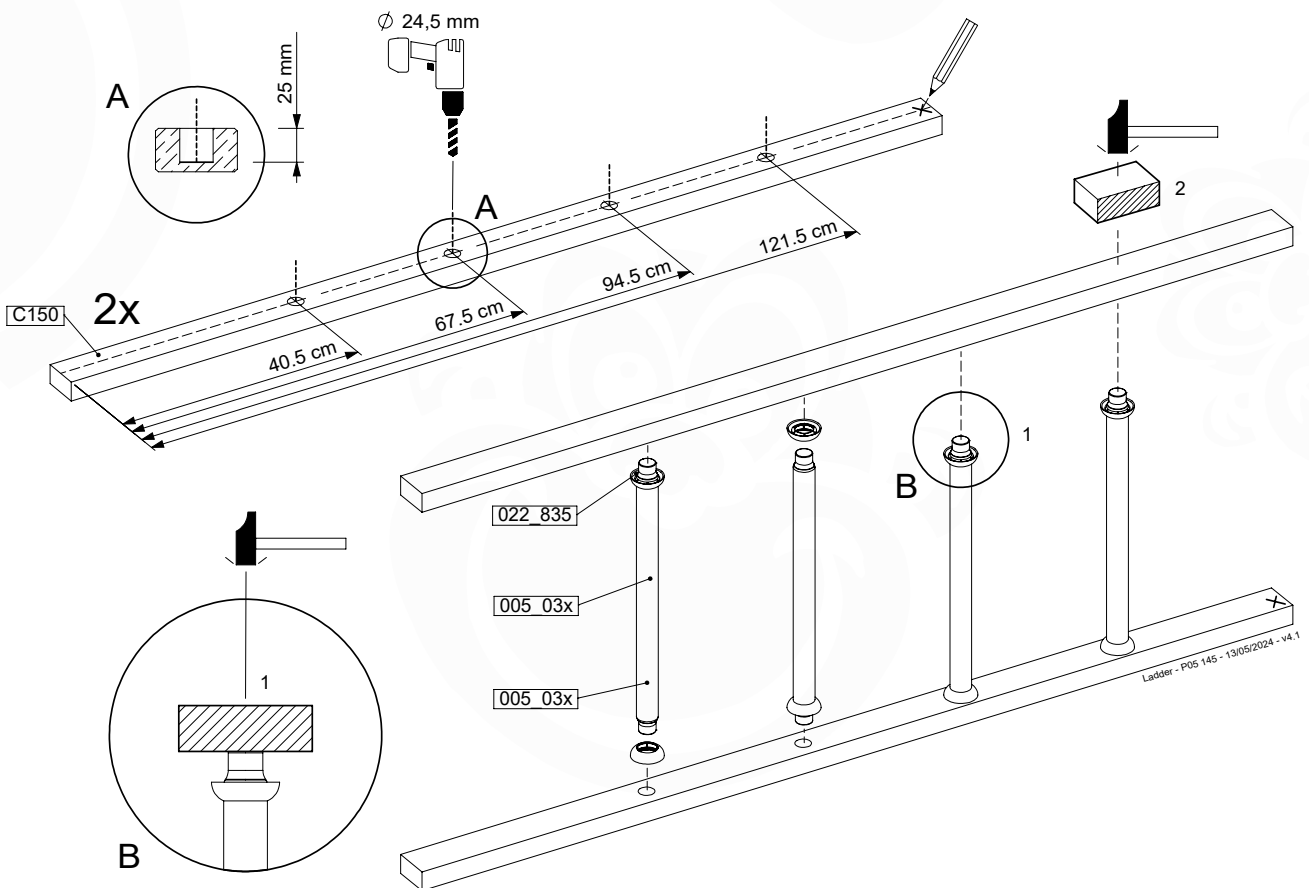
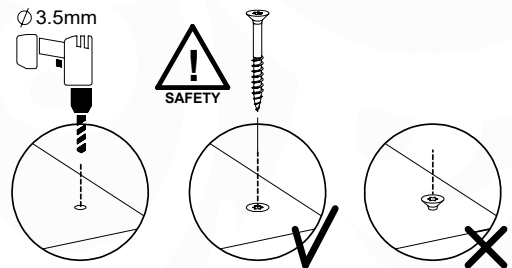
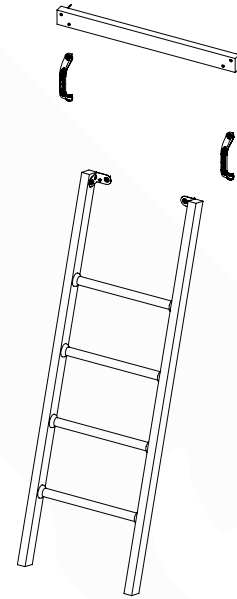
! Scale of print may not be accurate.
 Druckformat kann abweichen.
 Les tailles imprimées peuvent varier.
 Printformaat kan afwijken.

17 LA03b: Ladder 80 145 U

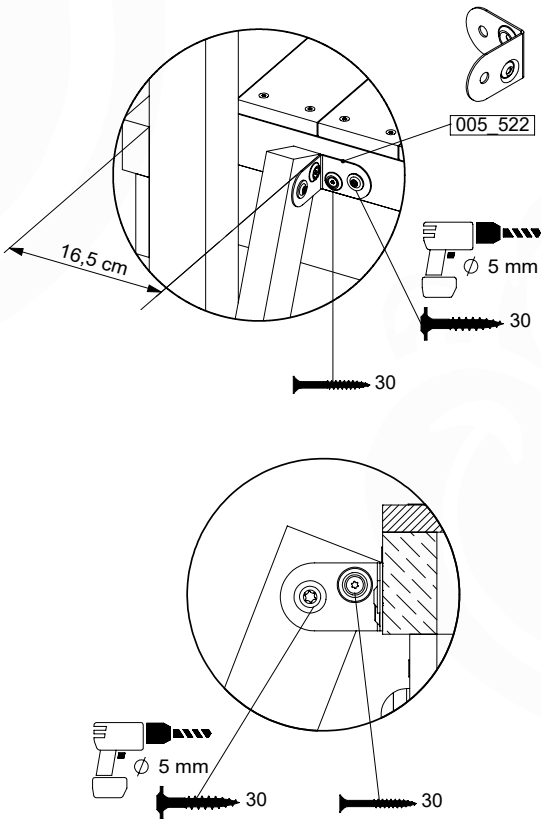
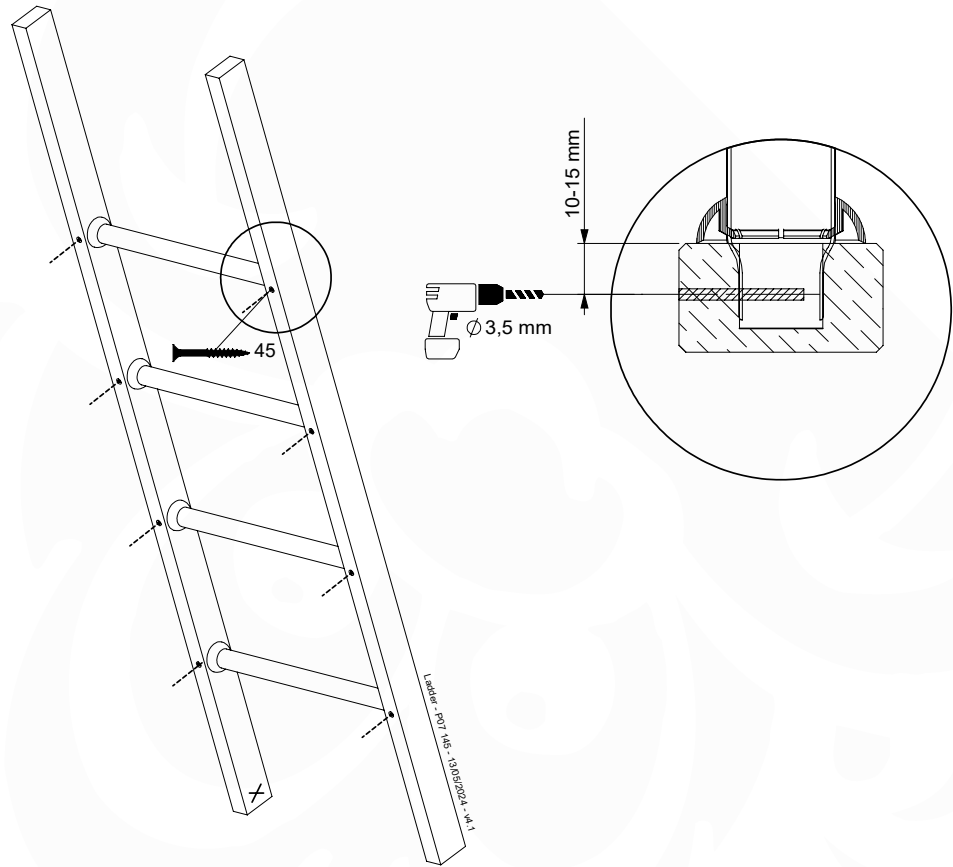
Assembly Pack: 194_104 / 194_004

	PartNo	PartName	QTY.
Hardware + Parts	001_404	Stealth Screw 8x30	4
	002_219	Gap Point Screw T25 - 5x30	4
	002_220	Gap Point Screw T25 - 5x45	8
	002_223	Gap Point Screw T25 - 5x80	4
	005_03x	Ladder Rung Y/B/G/R	4
	005_522	Connection Bracket Mini Market	2
	022_835	Rung Cap	8
	120_102	Handgrip set (2x Complete)	1
Timber	C74	Beam 740 mm	1
	C150	Beam 1500 mm	2

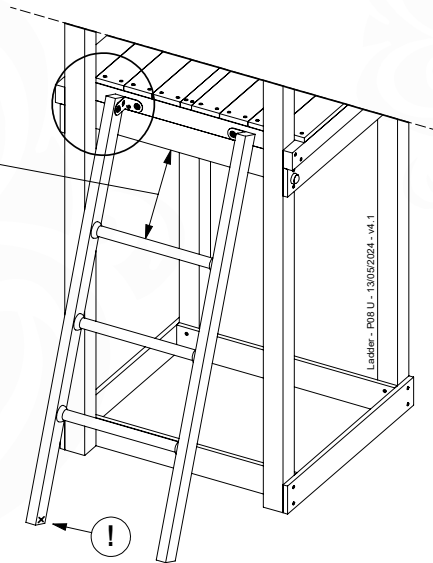
Ladder - P03 145 - 13/05/2024 - v4.1

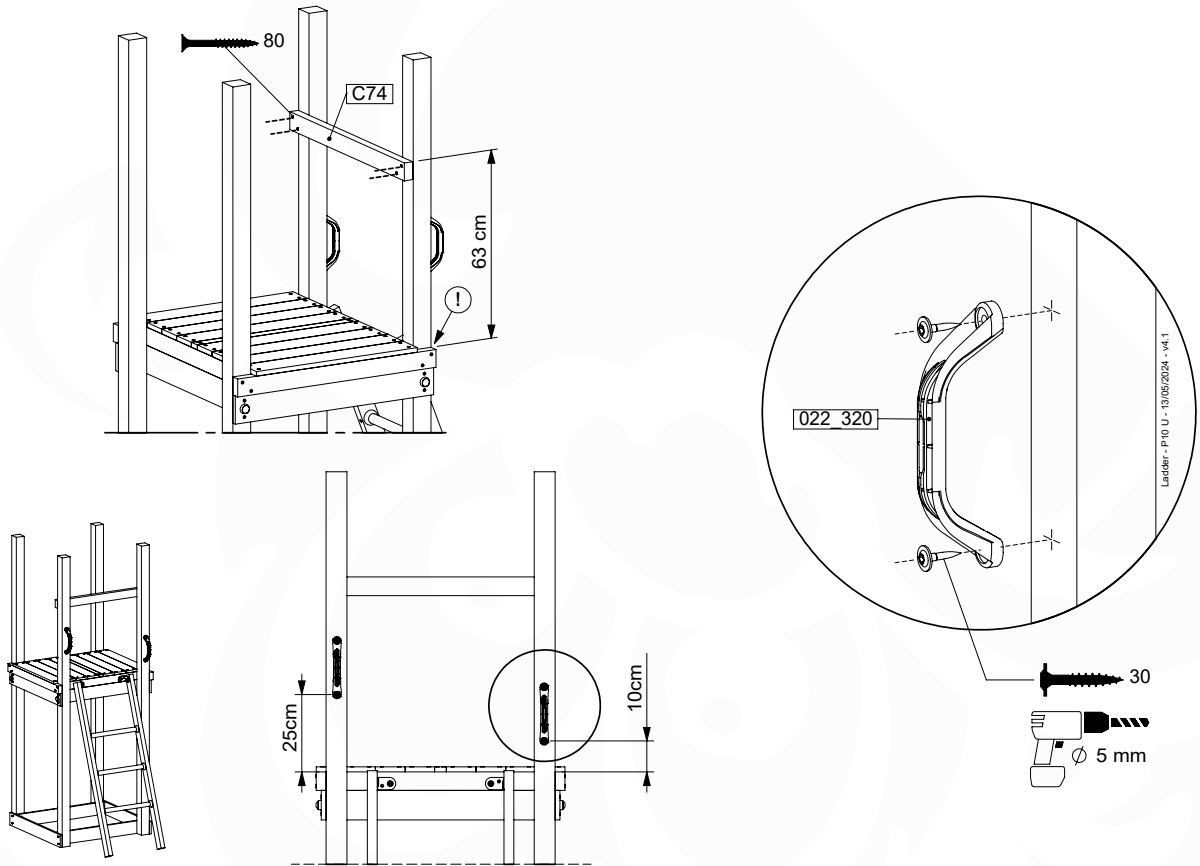


Ladder - P05 145 - 13/05/2024 - v4.1

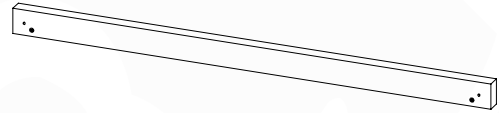
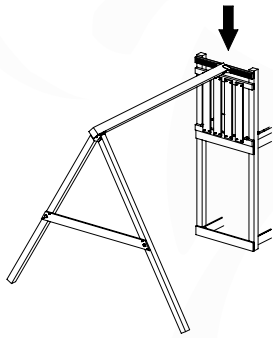


SAFETY
min. 23 cm
max. 28 cm





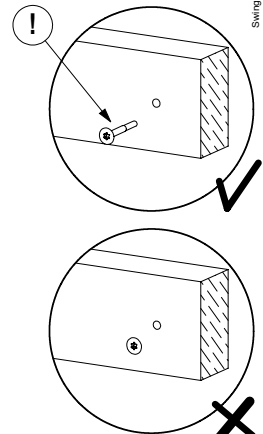
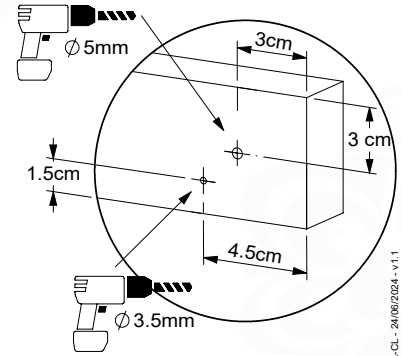
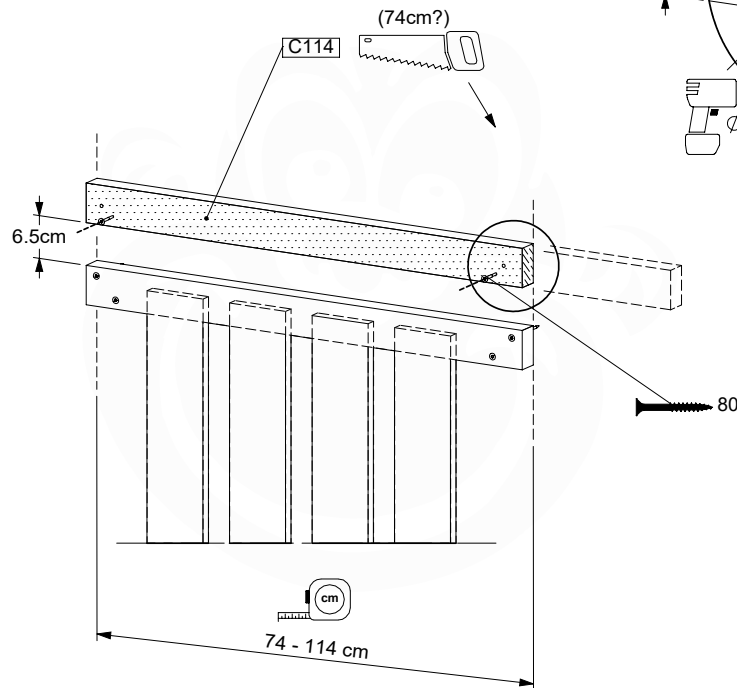
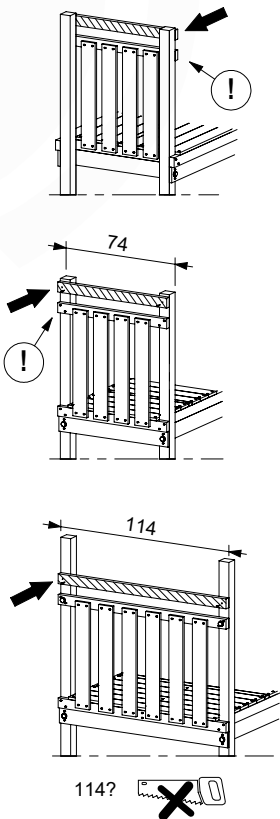
18 UB02a: Swing Attachment Set 80/115



Assembly Packs: 457_103 / 457_107 (Swing / Climb Kit)

	PartNo	PartName	QTY.
Hardware	002_223	Gap Point Screw T25 - 5x80	2
Timber	C114	Beam 1140 mm	1

Swing Attachment Set - P03 CL-UJT - 24/06/2024 - v1.1



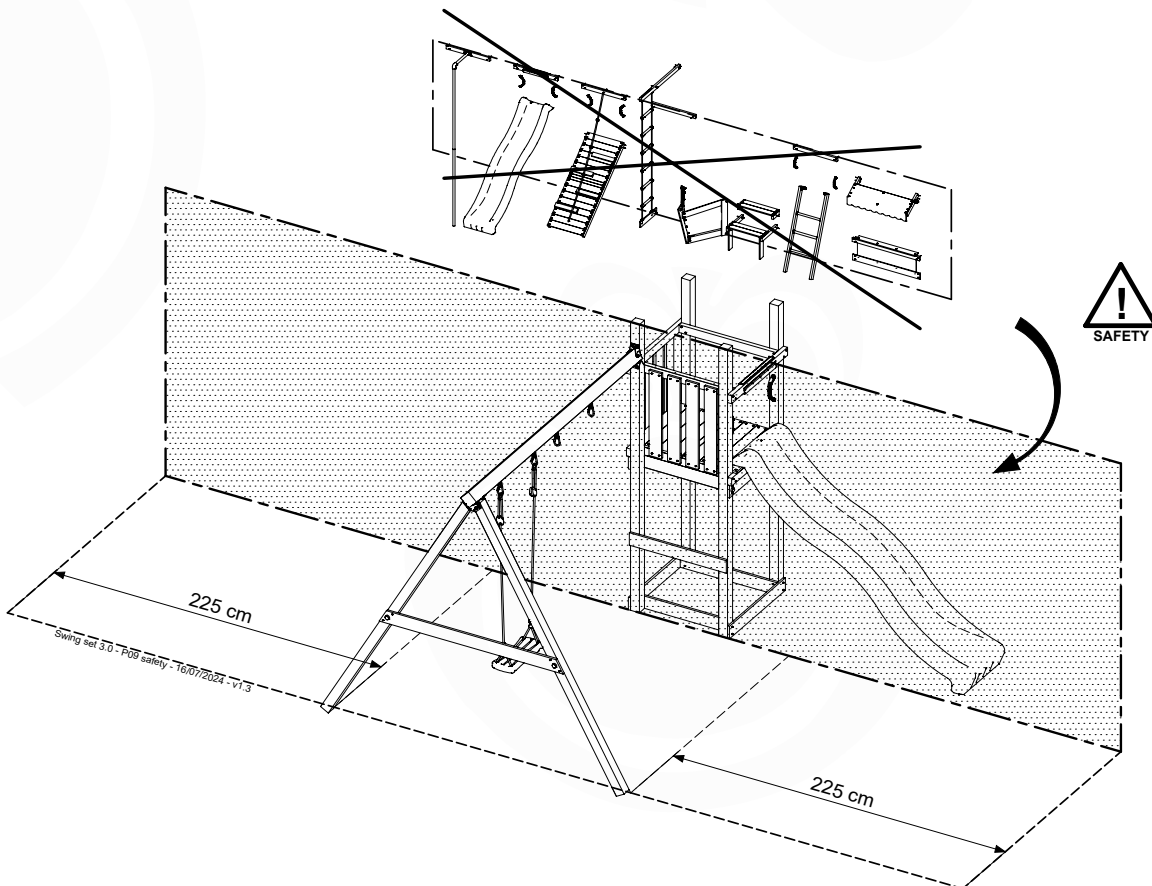
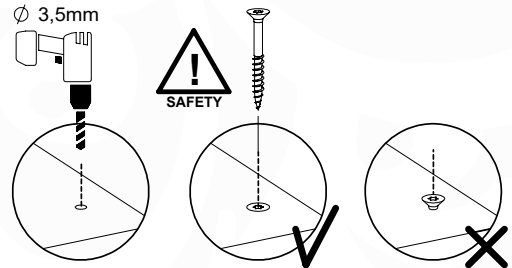
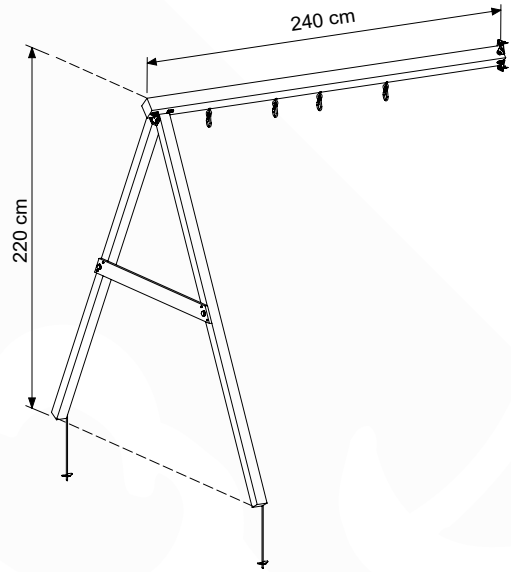
Swing Attachment Set - P06 AL-CL - 24/06/2024 - v1.1

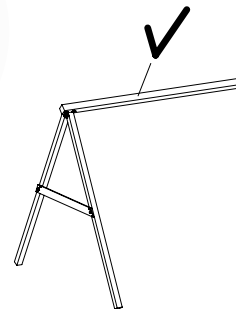
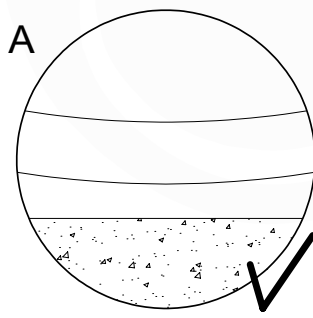
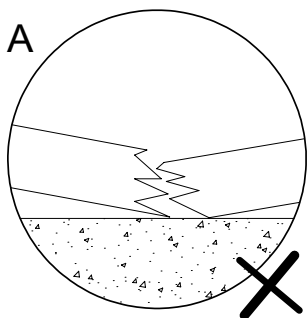
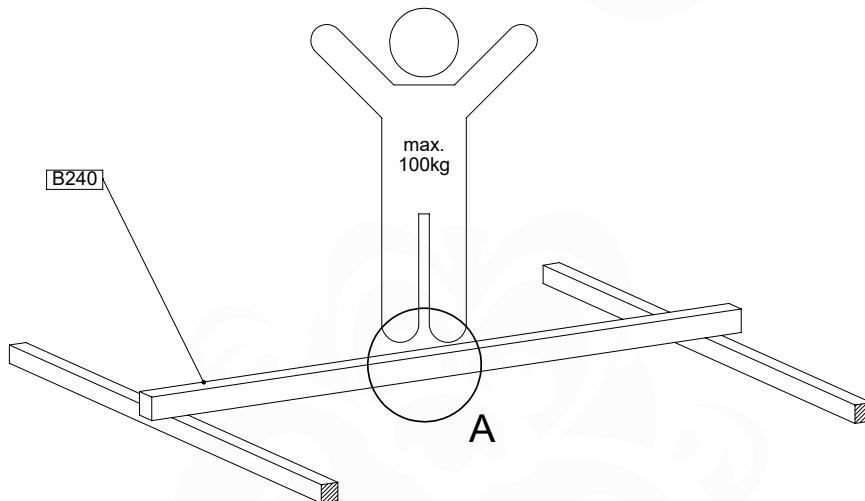
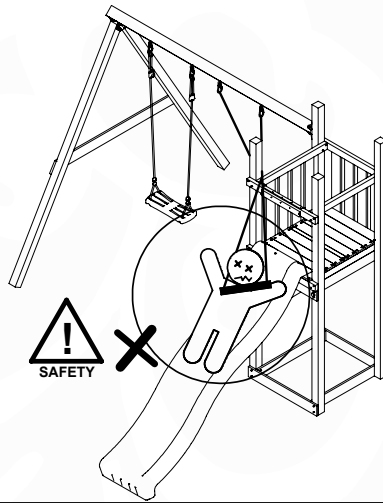
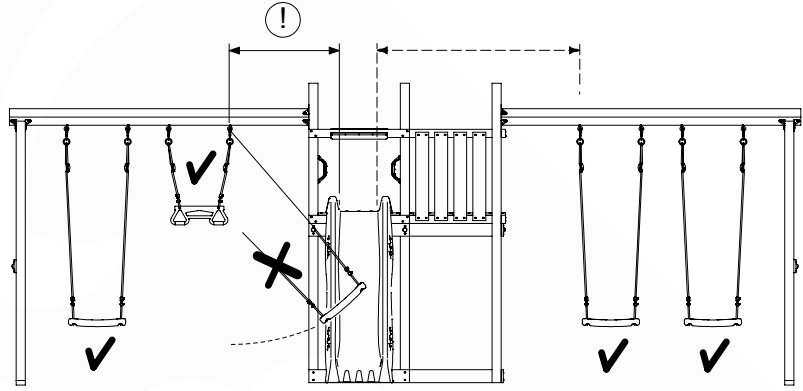
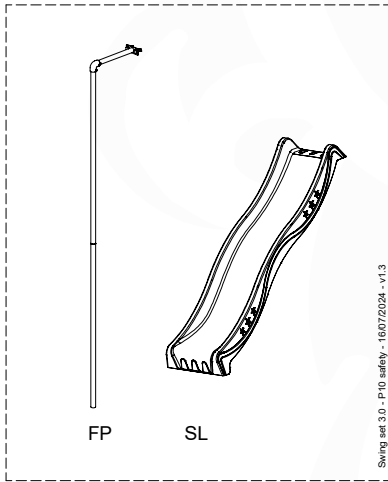
19 SW14b: 2- Swing Module 220 - 3.0

Assembly Kit: 457_103

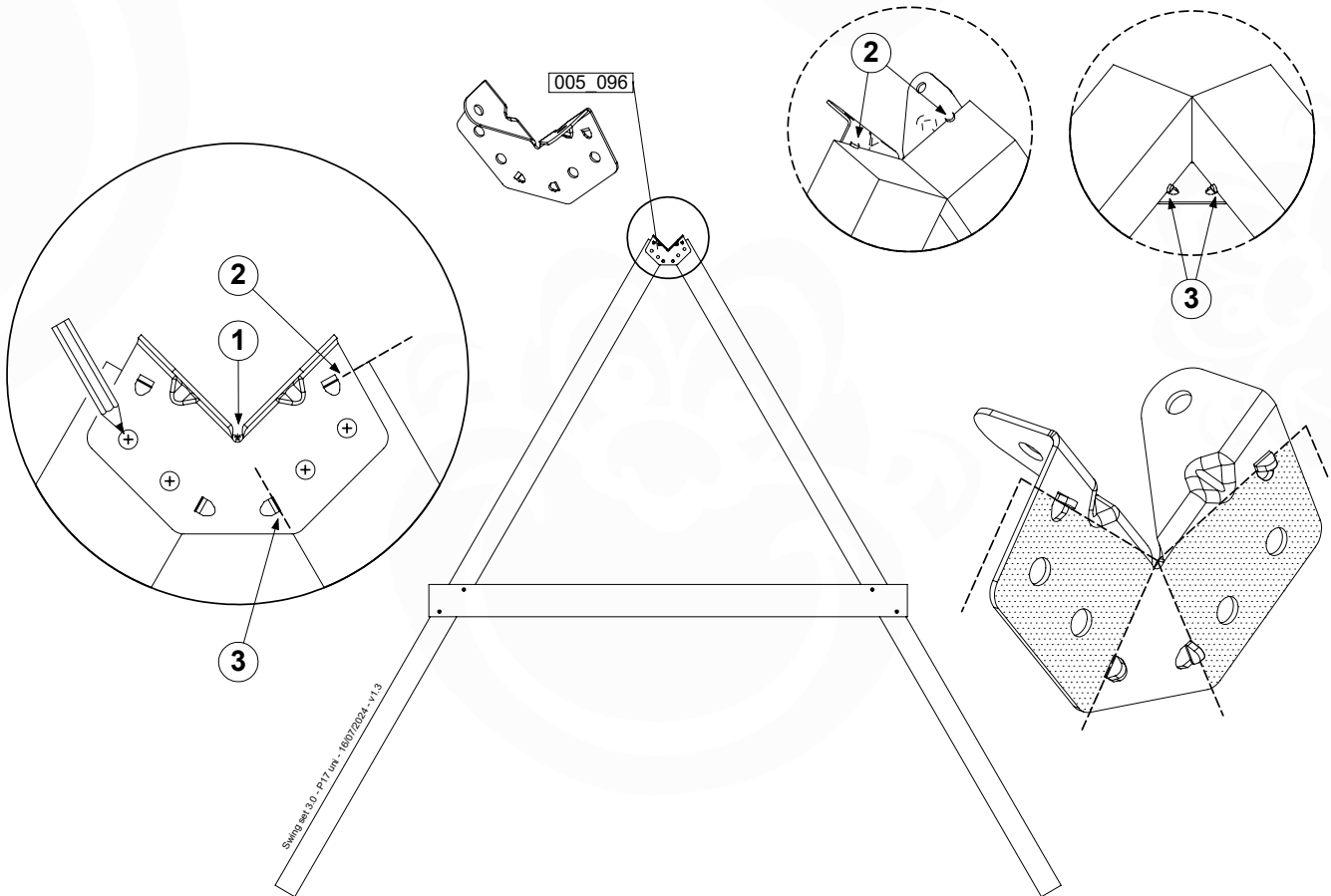
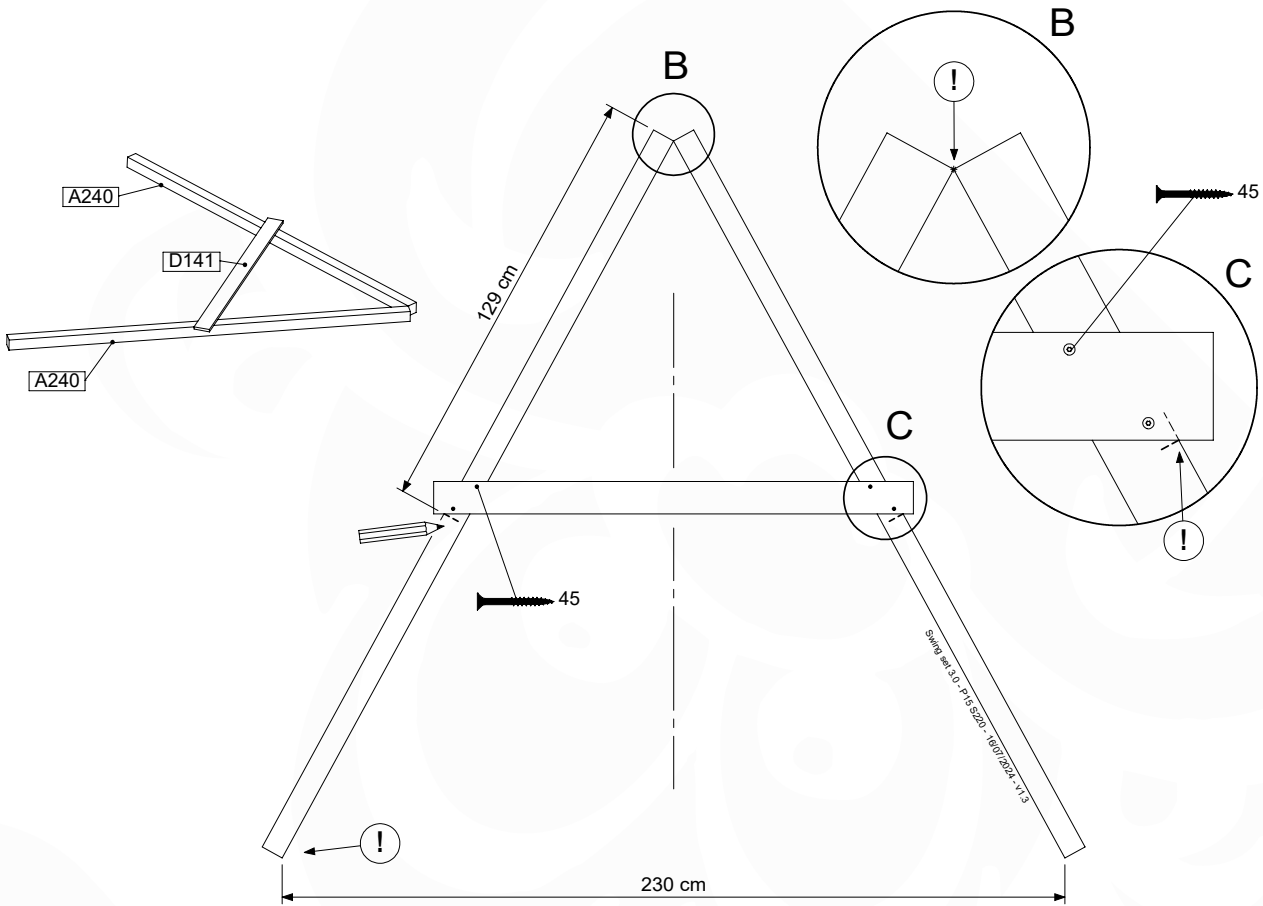
	PartNo	PartName	QTY.
Hardware + Parts	001_404	Stealth Screw 8x30	4
	001_406	Stealth Screw 8x45	22
	001_411	Stealth Screw 8x60	2
	001_417	Stealth Screw 8x80	2
	002_220	Gap Point Screw T25 - 5x45	8
	002_223	Gap Point Screw T25 - 5x80	2
	022_31x	bpc-base version 3	2
	022_84x	bpc cover	2
	023_042	Nylon washer 9x19x1.5	20
	005_096	A-Frame V-Connector	2
	005_097	Swing V-Connector	2
	007_001	Ground-anchor	2
	101_003	Swing hook with Carabiner	4
Timber	A240	Post ca.70x70 L2400	2
	B240	Post ca.90x90 L2400	1
	D141	Board 1410 mm	2

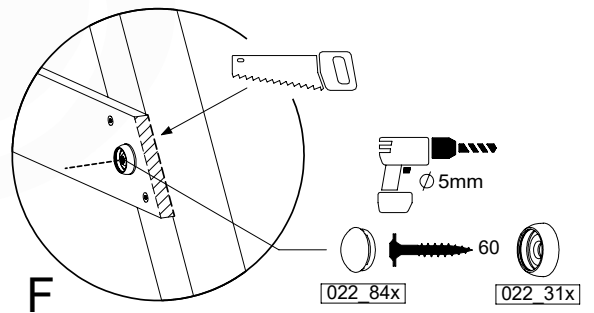
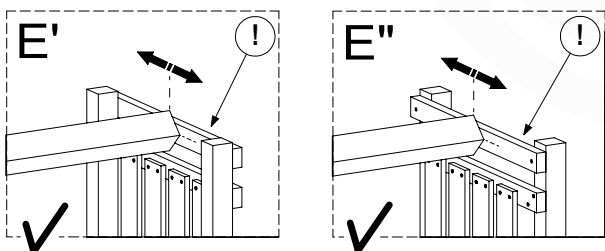
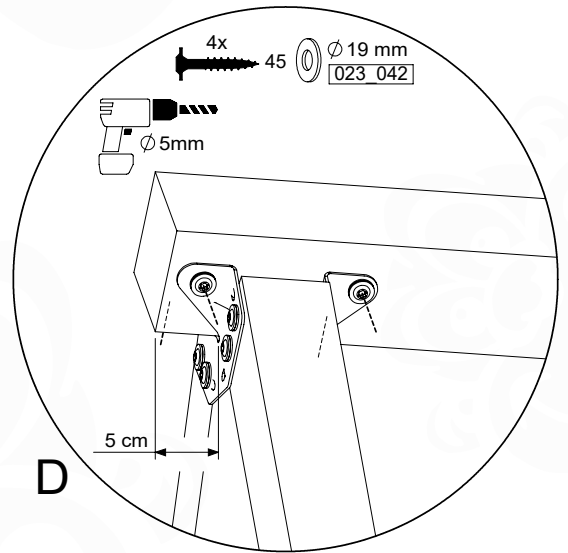
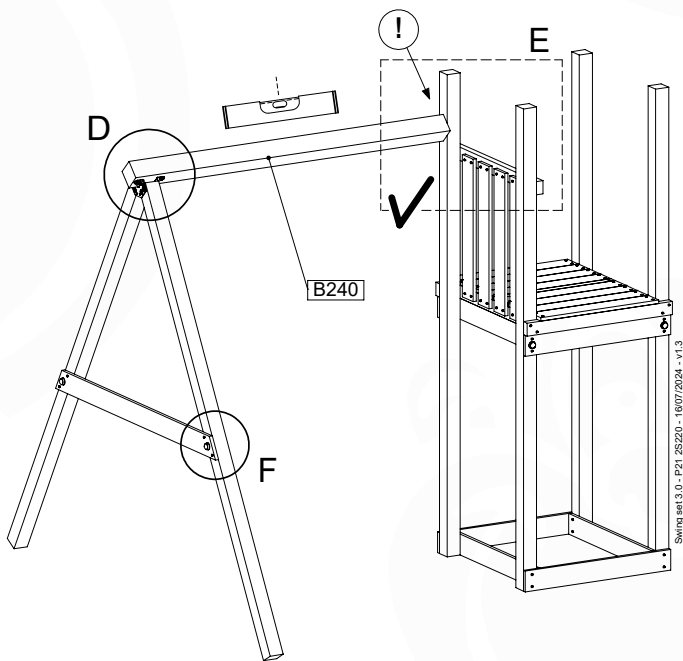
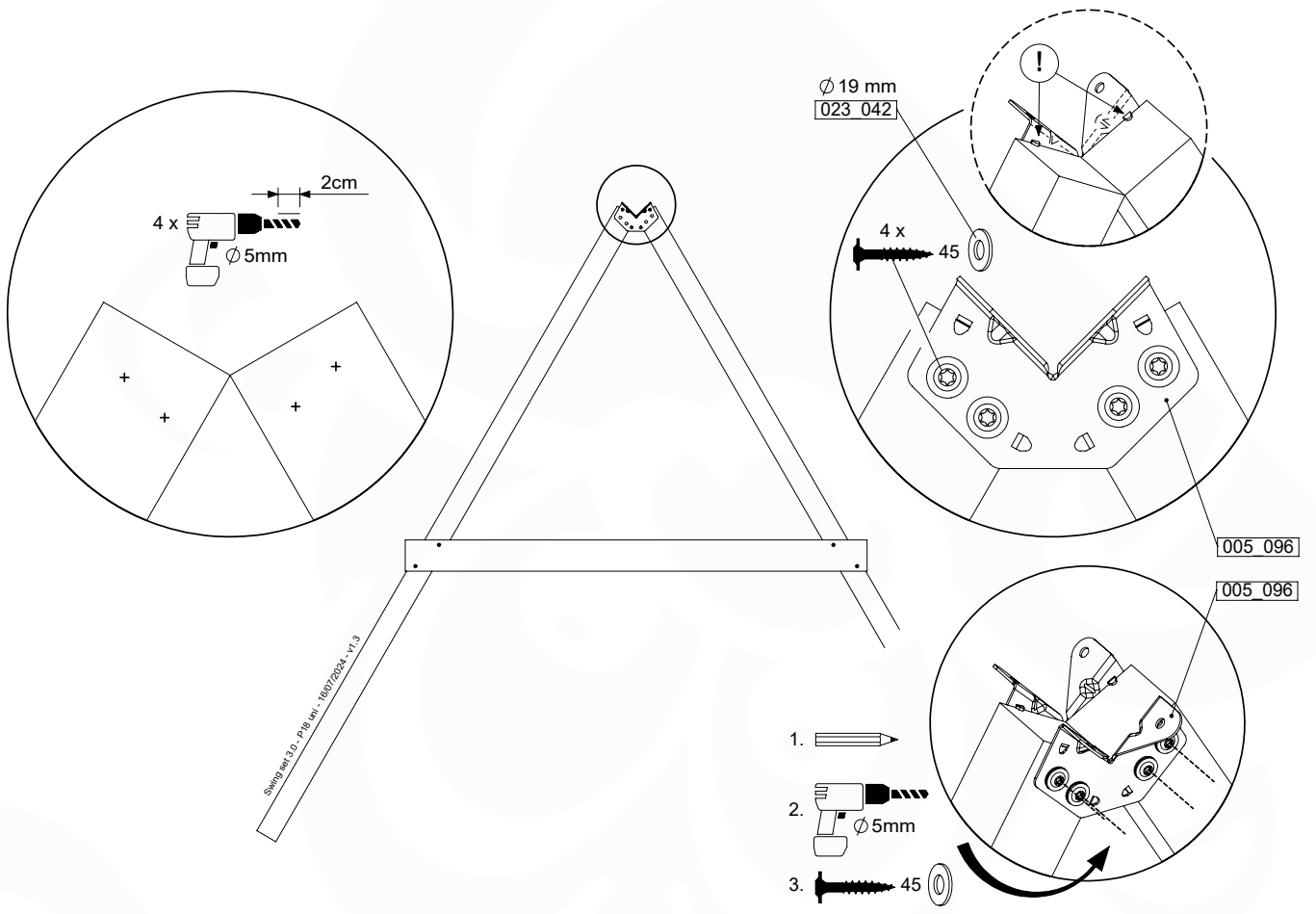
Swing set 3.0 - P06-25220 - 16/07/2024 - v1.3





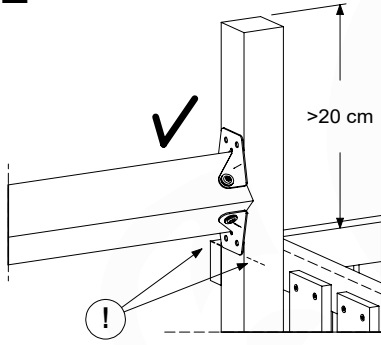
Swing set 3.0 - P13 25220 - 16/07/2024 - v1.3



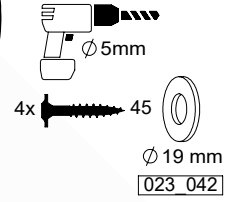
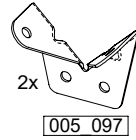
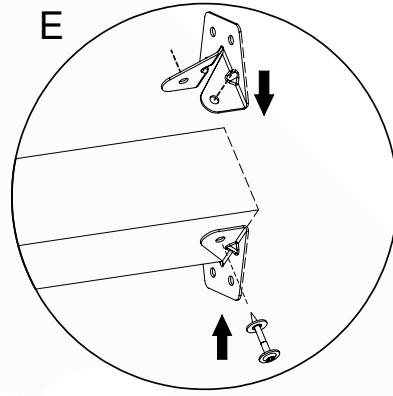


19.4

E

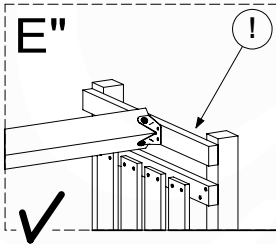
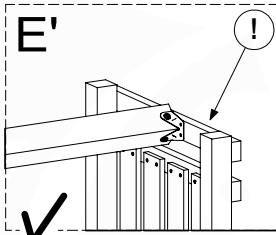
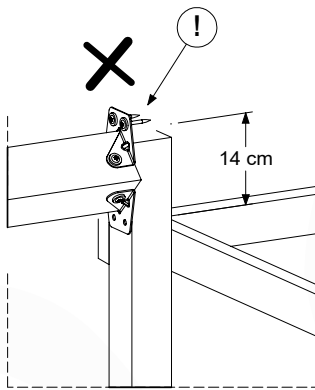


E

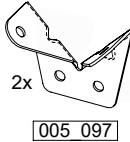
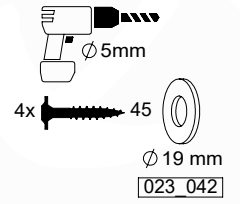
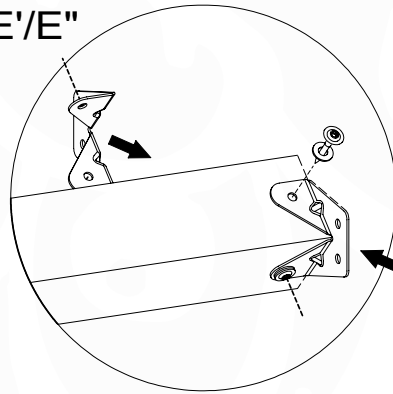


Swing set 3.0 - P22 uni - 16/07/2024 - v1.3

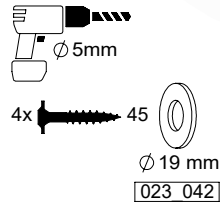
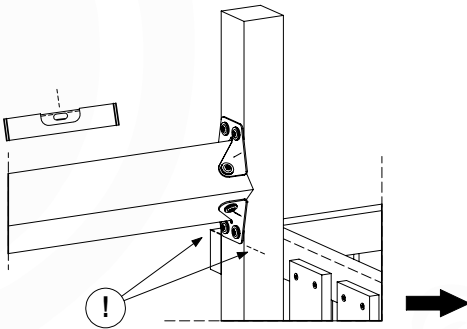
E'/E''



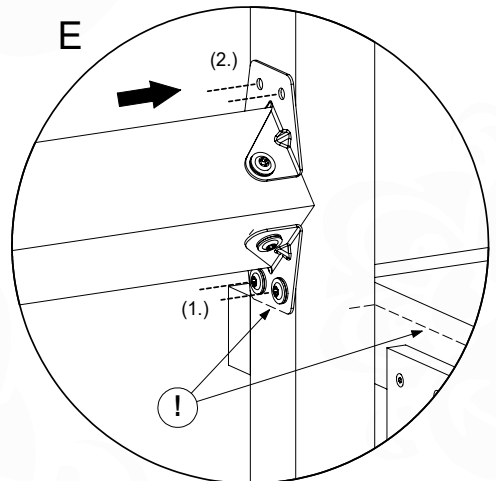
E'/E''



E

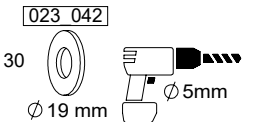
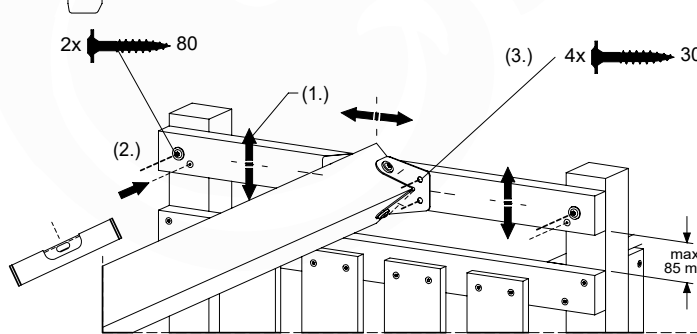
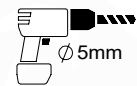
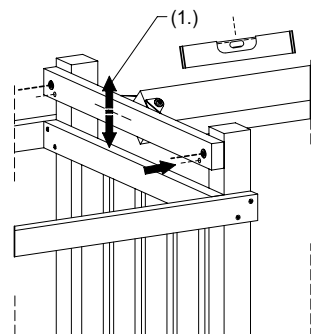


E



Swing set 3.0 - P23 uni - 16/07/2024 - v1.3

E'/E''

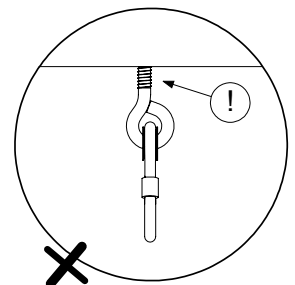
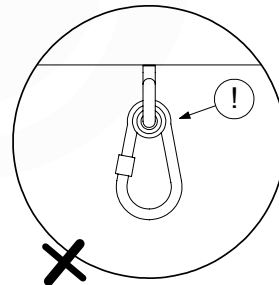
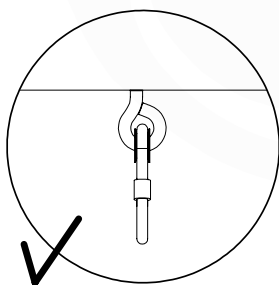
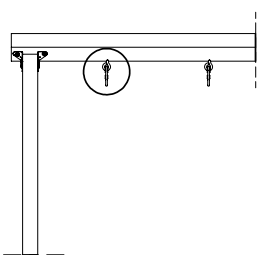
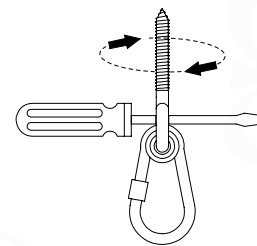
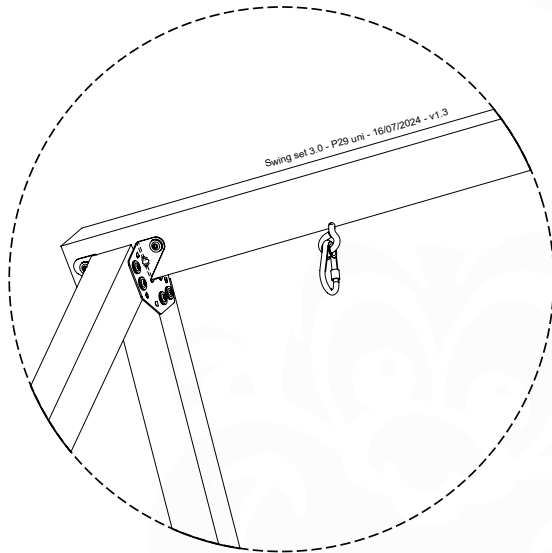
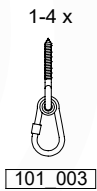
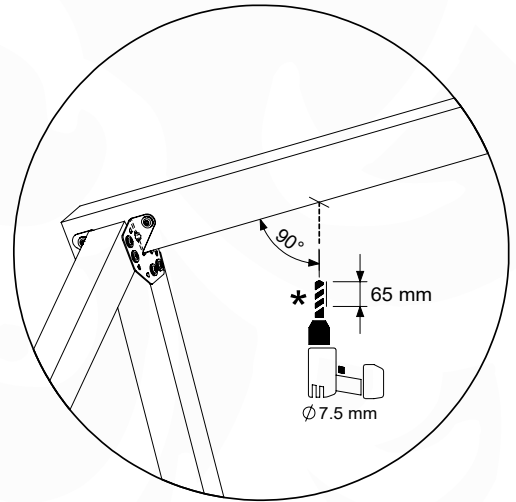
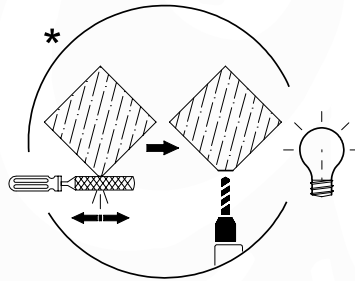
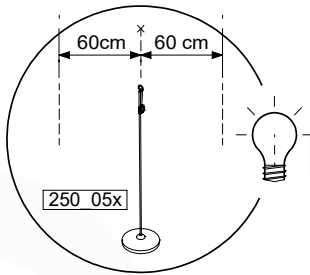
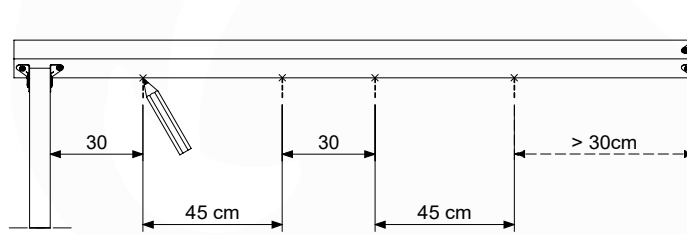
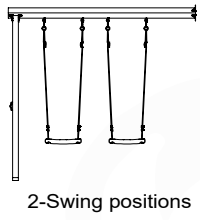


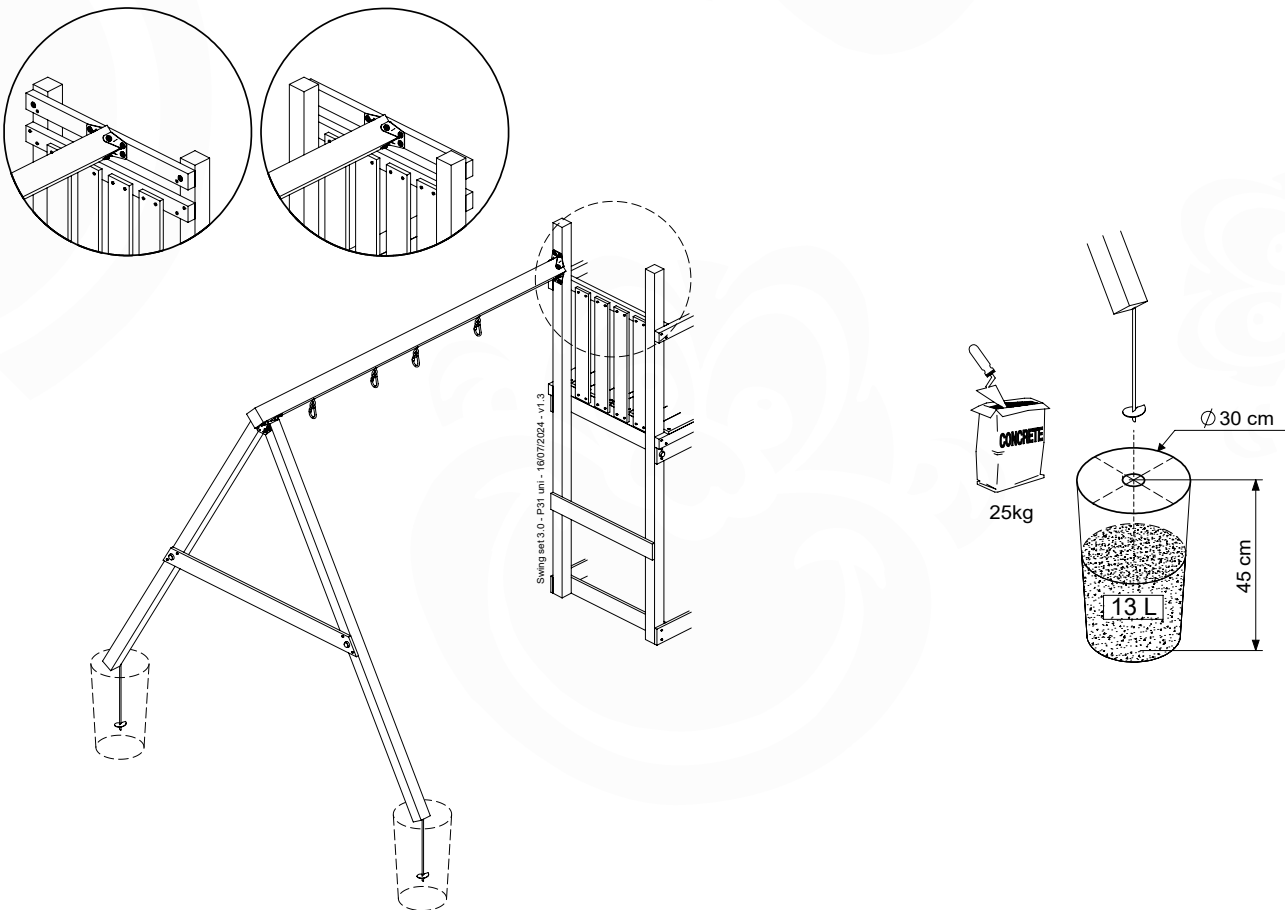
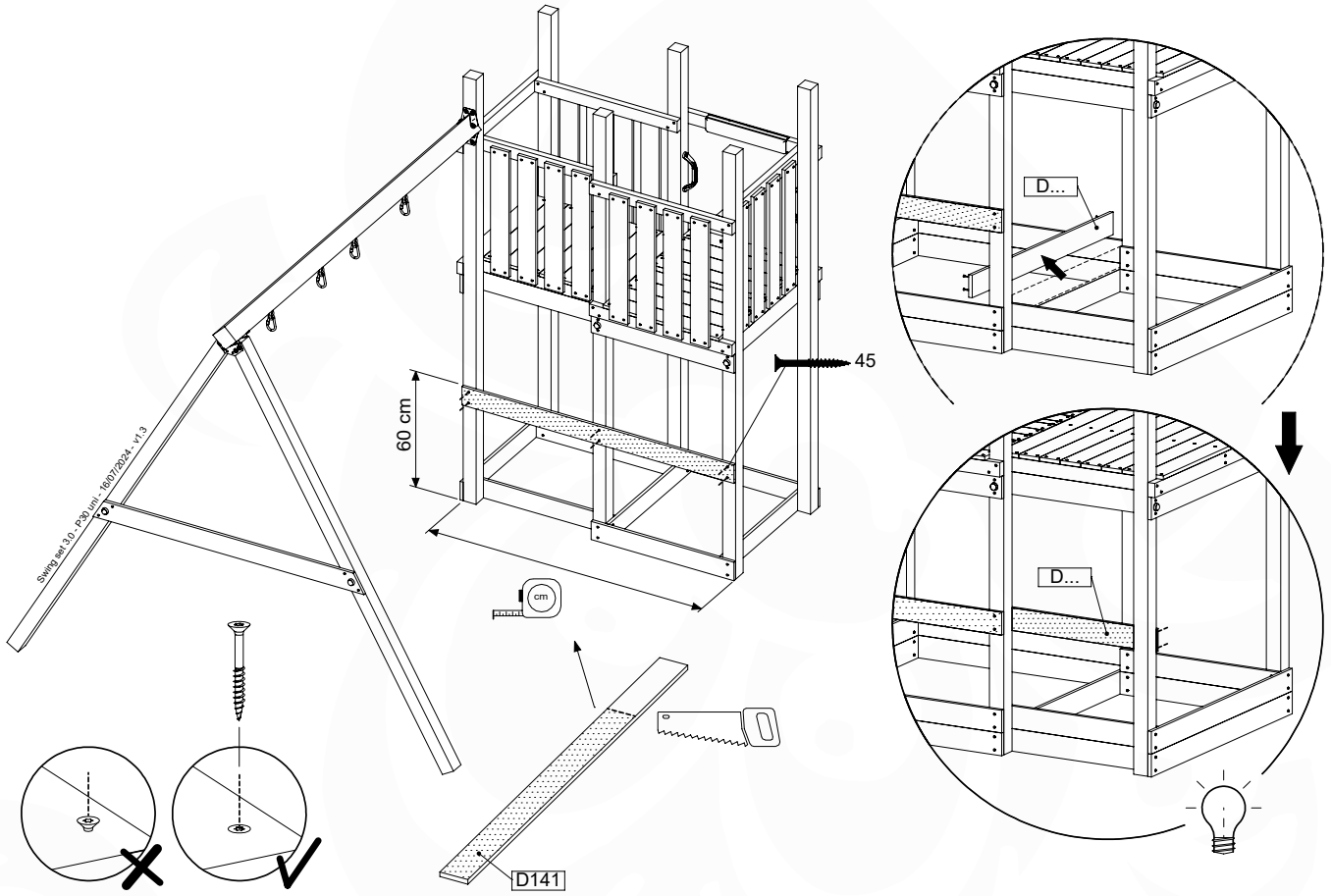
E'

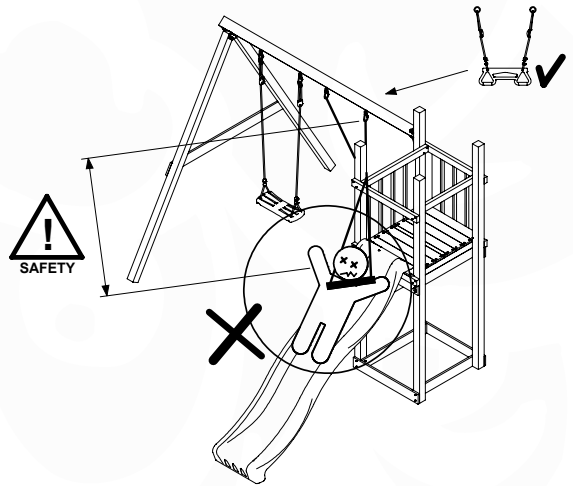
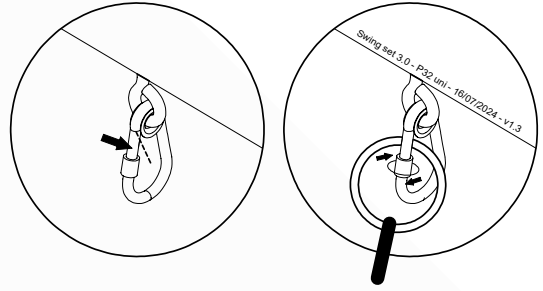
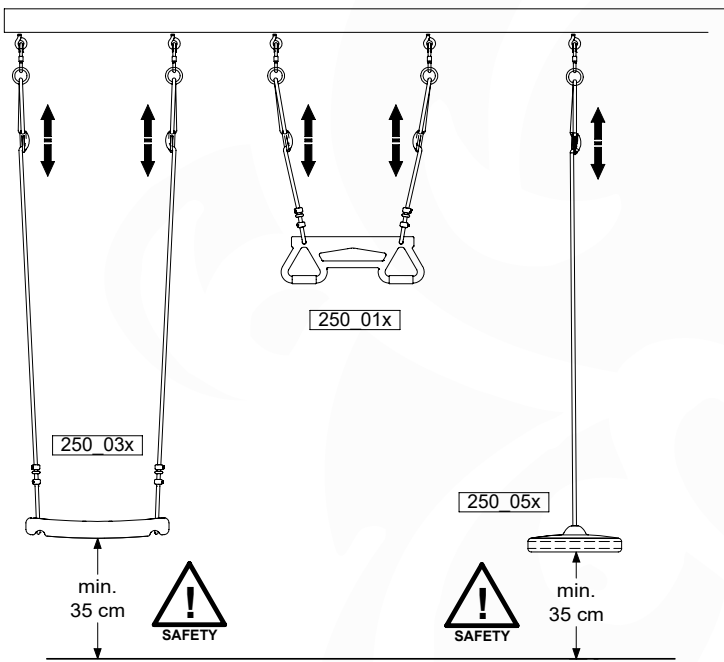
(E'')



19.5





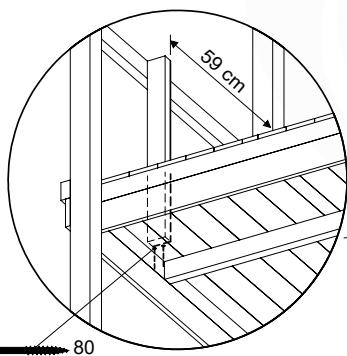
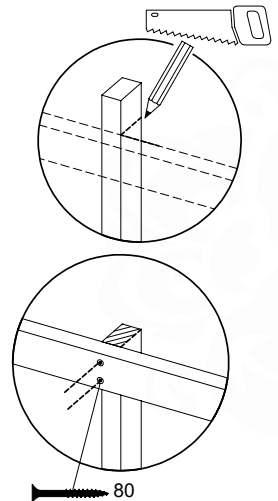
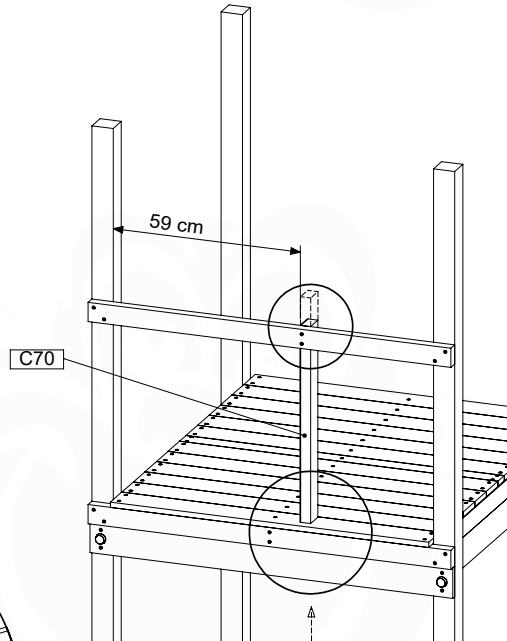
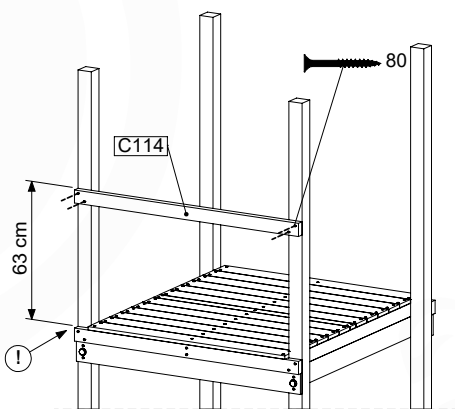
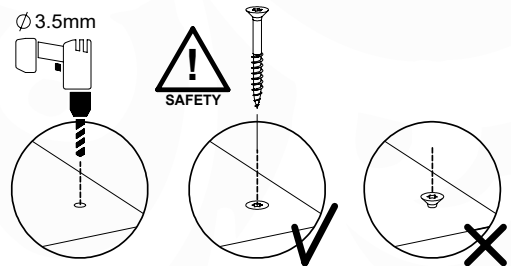
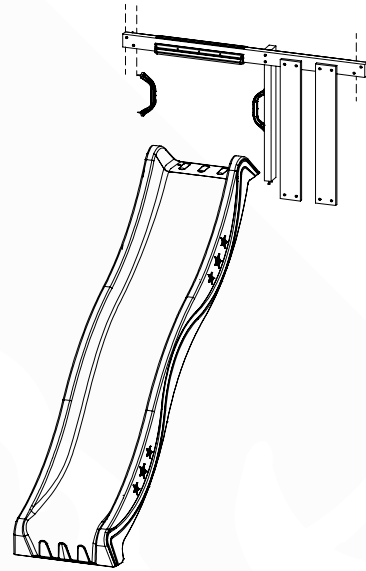


20 SL12a: Slide 115 145 T Left

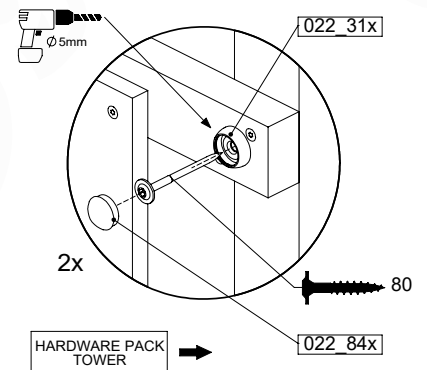
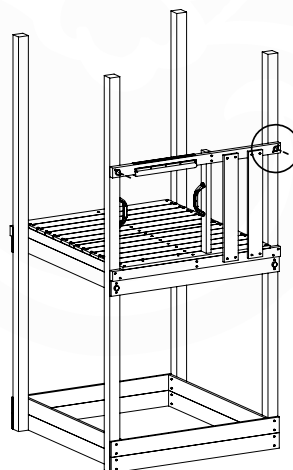
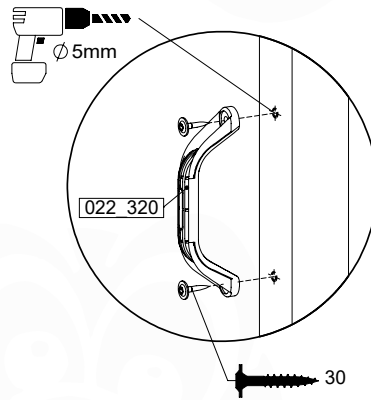
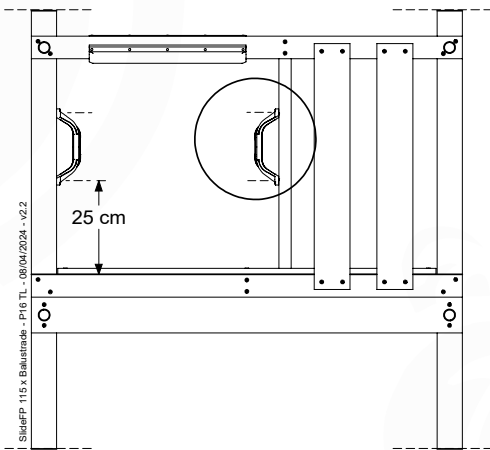
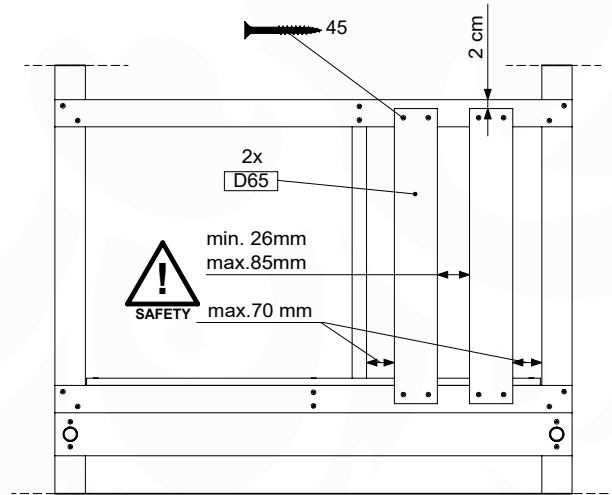
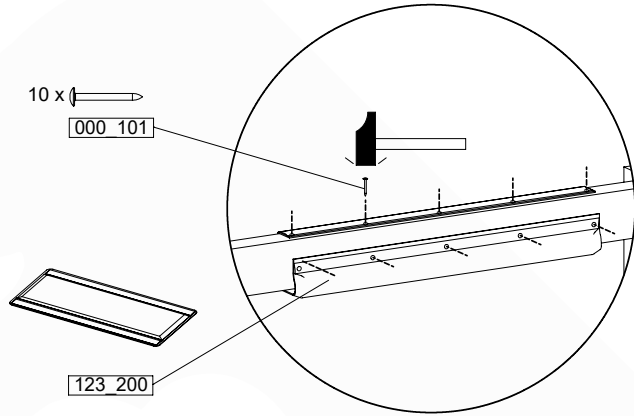
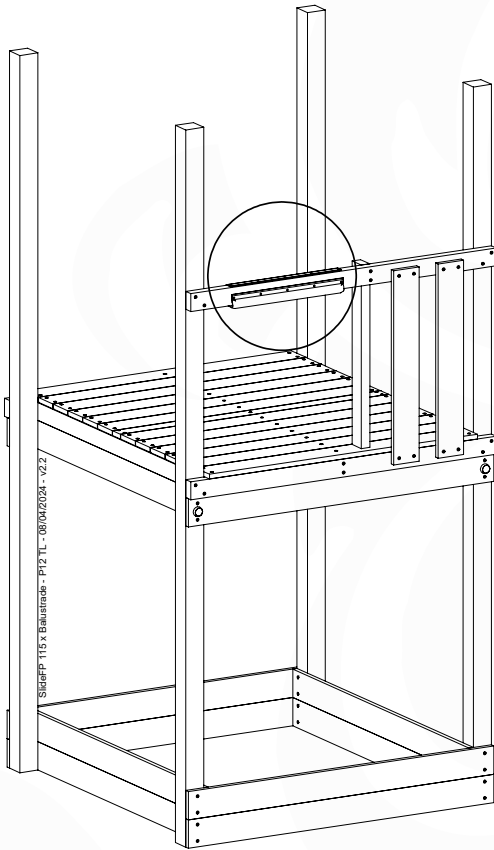
Assembly Packs: 194_107 + 194_101

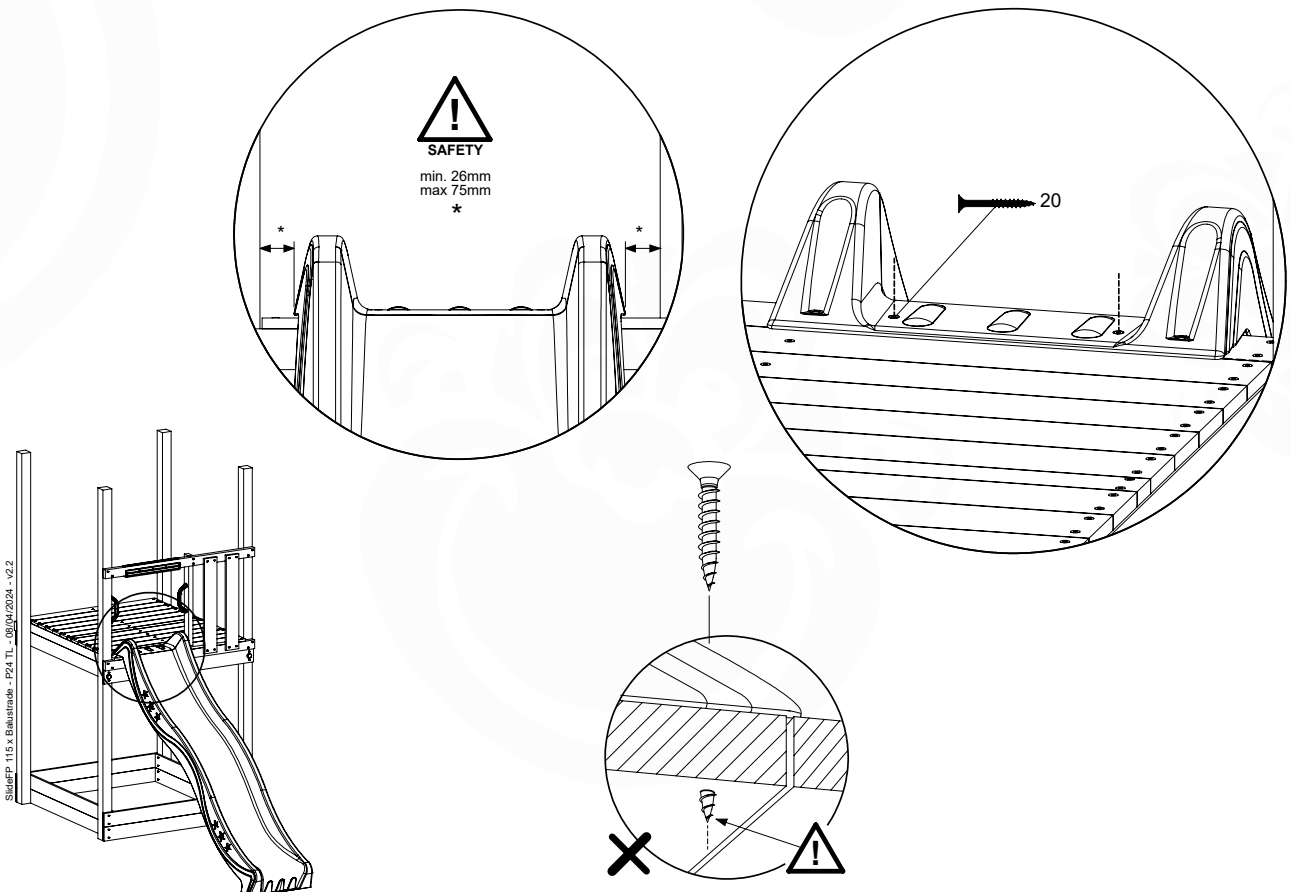
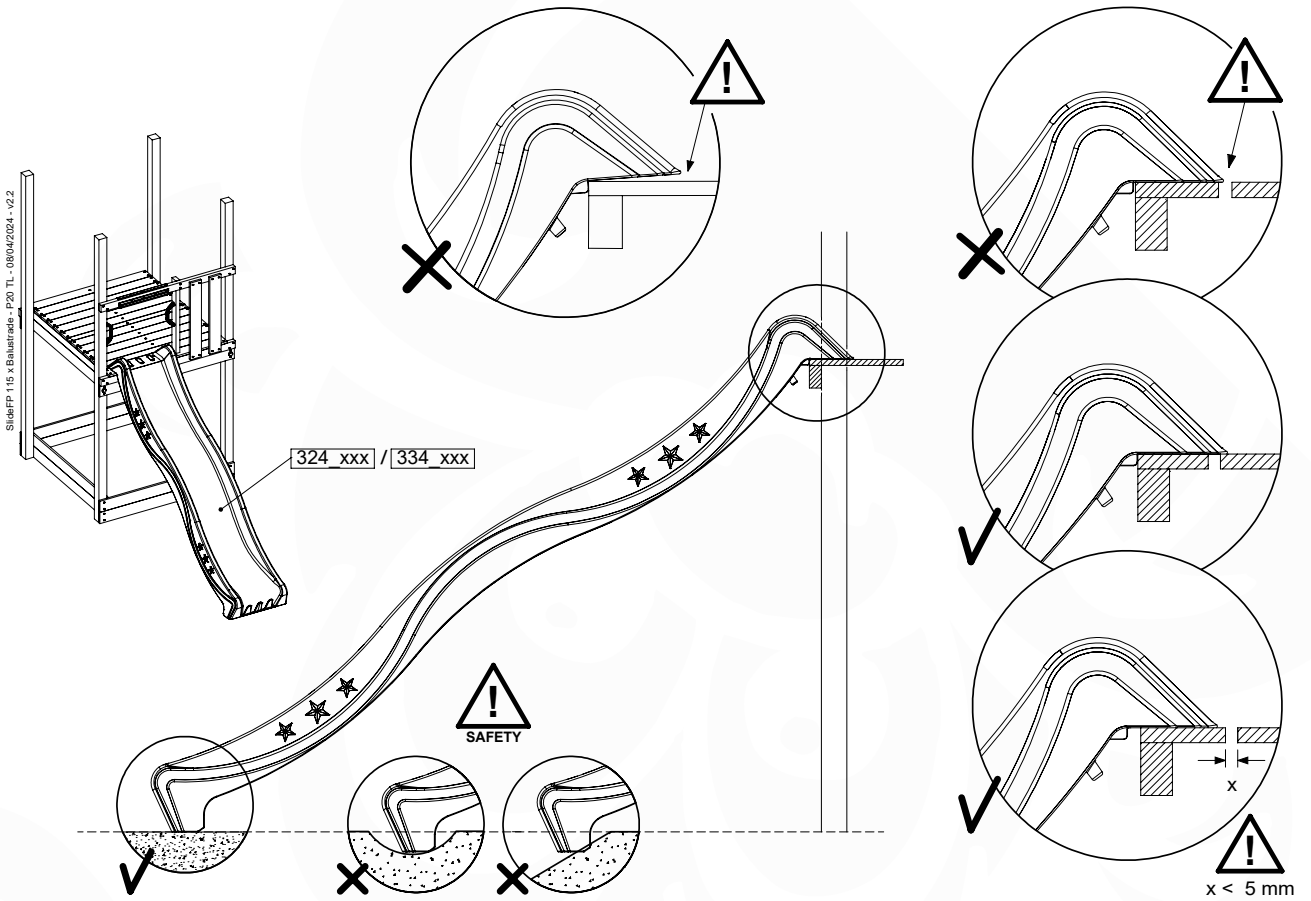
	PartNo	PartName	QTY.
Hardware + Parts	000_101	Nail Pan Head	10
	002_220	Gap Point Screw T25 - 5x45	8
	002_223	Gap Point Screw T25 - 5x80	8
	002_308	Gap Point Screw T25 - 5x20	2
	120_102	Handgrip set (complete 2x)	1
	123_200	Bumperpad	1
	324_xxx 334_xxx	Wavy Star Slide XL 2200 mm / Wavy Star Slide XXL 2650 mm	1
Timber	C114	Beam 1140 mm	1
	C70	Beam 700 mm	1
	D65	Board 650 mm	2

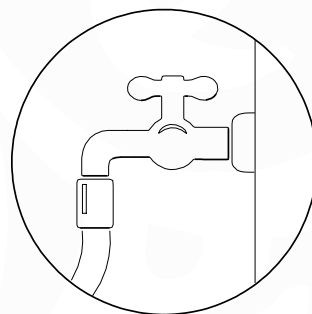
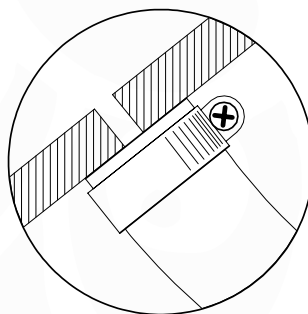
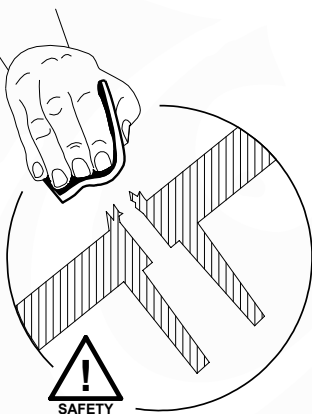
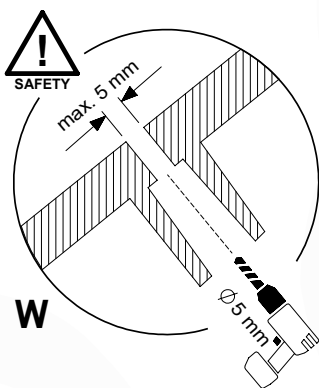
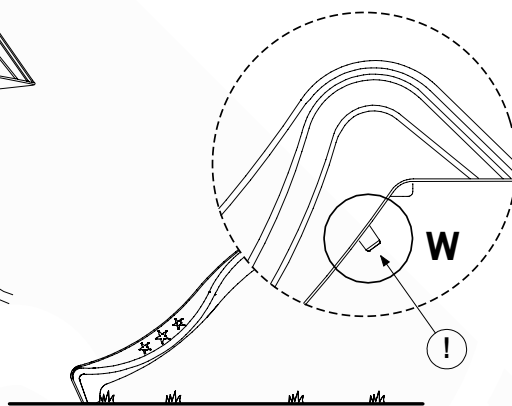
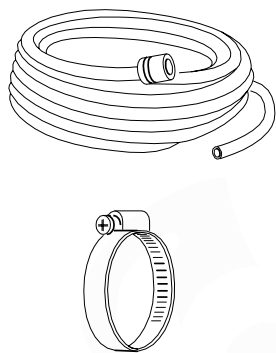
SlideFP 115 x Bahalstele - P04 TL - 08/04/2024 - v2.2



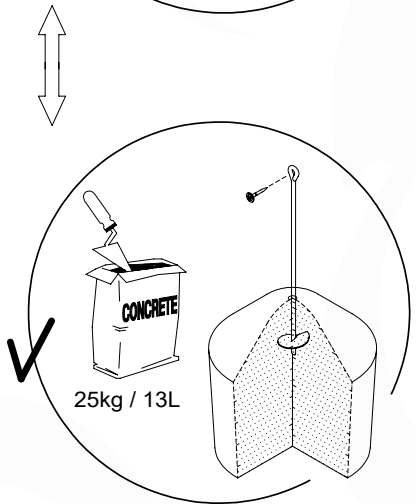
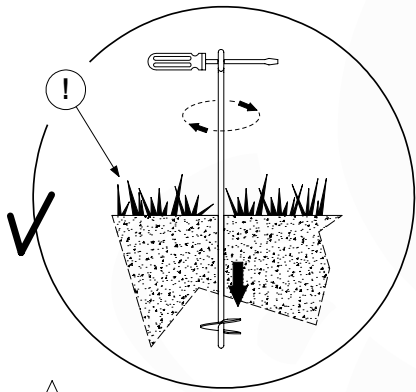
SlideFP 115 x Bahalstele - P08 TL - 08/04/2024 - v2.2



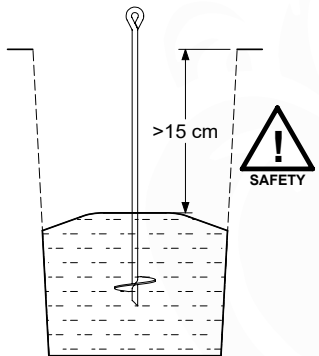
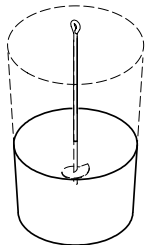
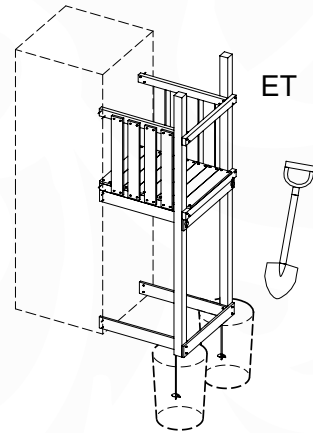
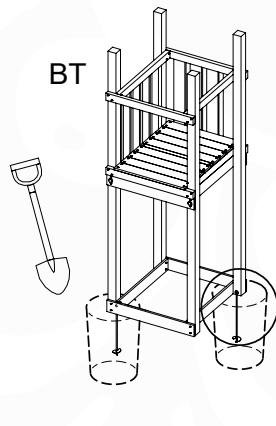
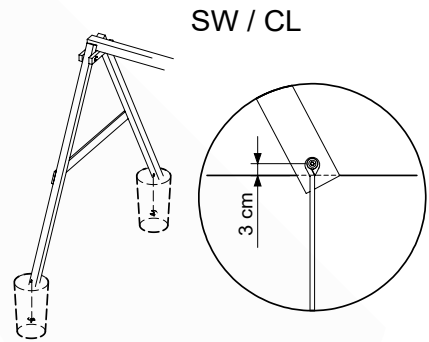
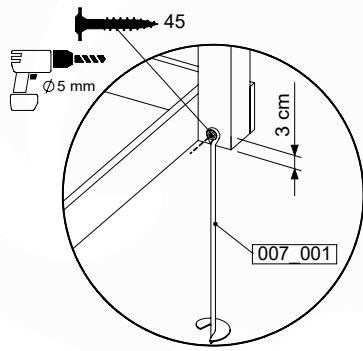




21 GA: Ground Anchors



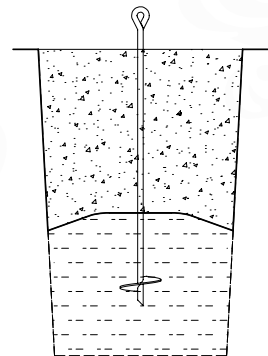
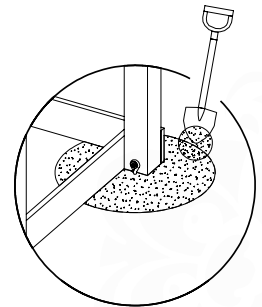
Ground Anchors Uhl. - PD3 - 14/06/2024 - v1.5



1.



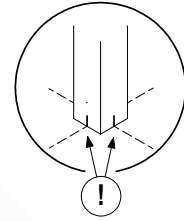
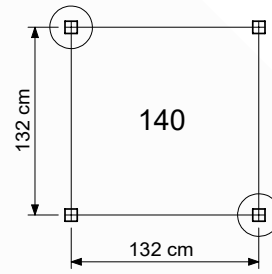
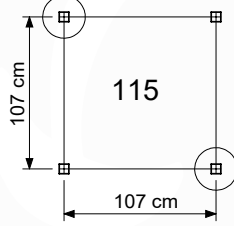
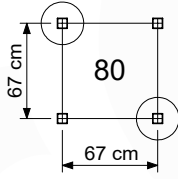
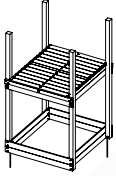
2.



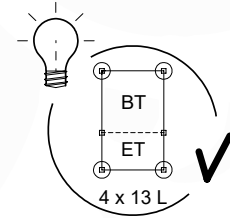
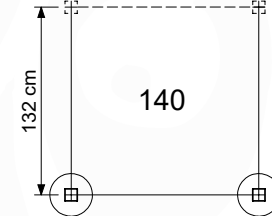
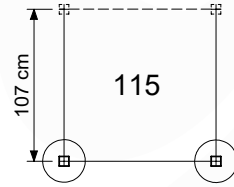
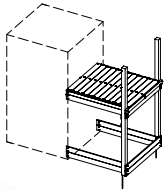
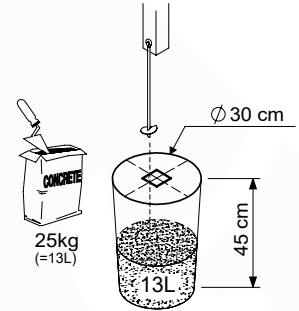
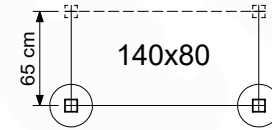
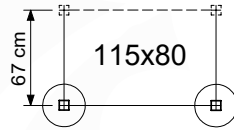
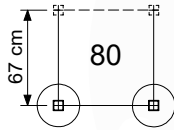
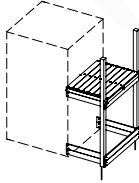
3.

Ground Anchors Uhl. - PD4 - 14/06/2024 - v1.5

BASE TOWERS

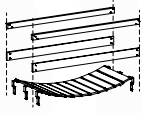


EXTENSION TOWERS

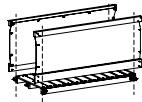


Ground Anchors Uni. - P01 - 14/06/2024 - v1.5

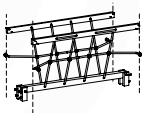
BRIDGES



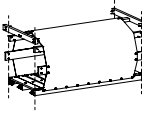
CLATTER



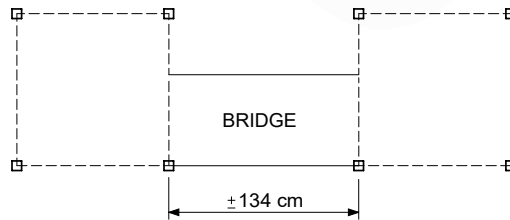
BOARDWALK



NET



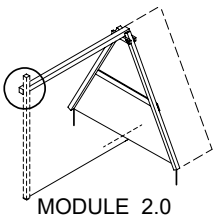
TUNNEL



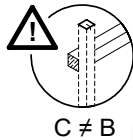
BRIDGE

Ground Anchors Uni. - P02 - 14/06/2024 - v1.5

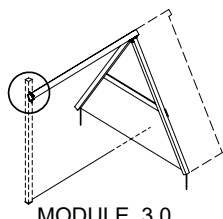
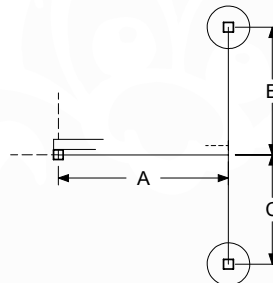
SWING / CLIMB



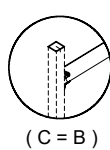
MODULE 2.0



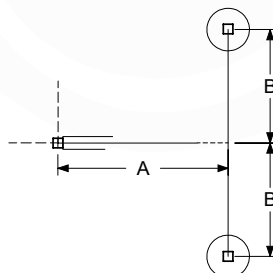
C ≠ B



MODULE 3.0



(C = B)



MODULE 2.0	Module type	A	B	C
	1-Swing 200	150	115	100
1-Swing 220 (Extra)		120	105	
1-Climb 200	142			
2-Climb 200	210	115	100	
2-Swing 200				
1-Climb 220 (Extra)	162			
2-Climb 220 (Extra)	230	120	105	
2-Swing 220 (Extra)				

cm

MODULE 3.0	Module type	A	B
	1-Swing 200 - 3.0	155	110
1-Swing 220 (Extra) - 3.0		115	
1-Climb 200 - 3.0	148		
2-Climb 200 - 3.0	222	110	
2-Swing 200 - 3.0	215		
1-Climb 220 (Extra) - 3.0	170		
2-Climb 220 (Extra) - 3.0	242	115	
2-Swing 220 (Extra) - 3.0	235		

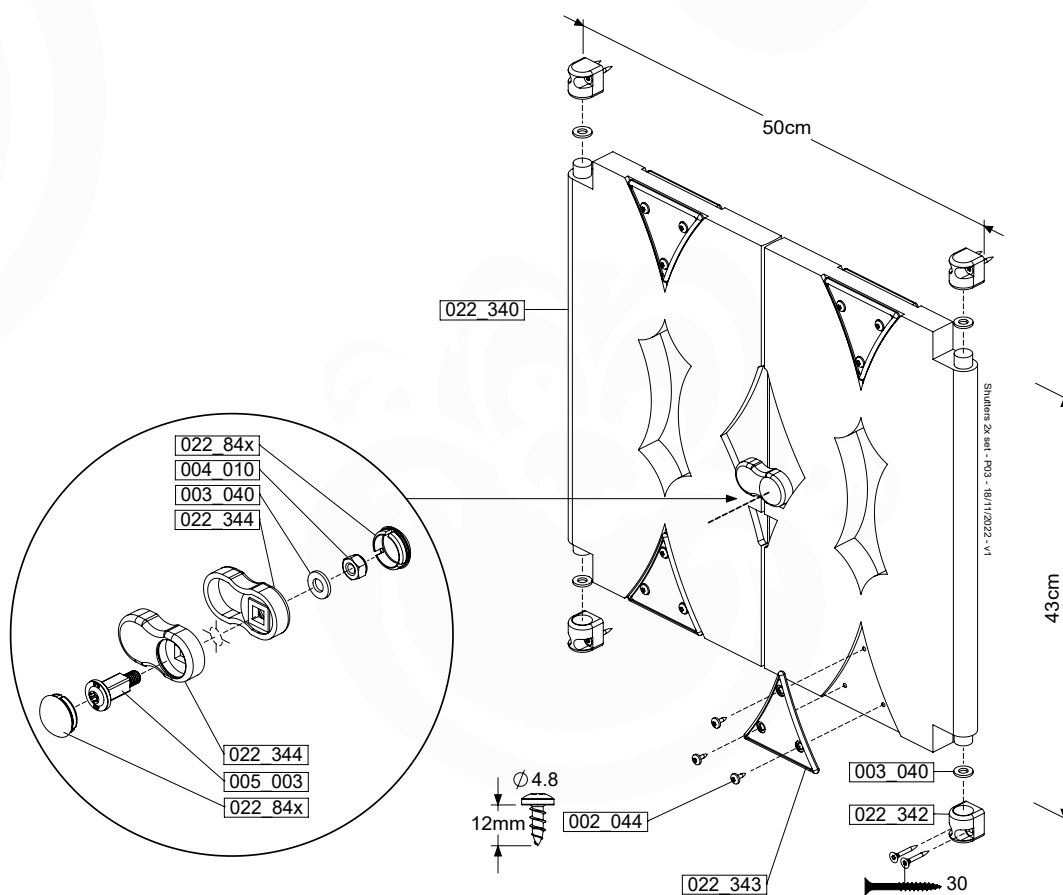
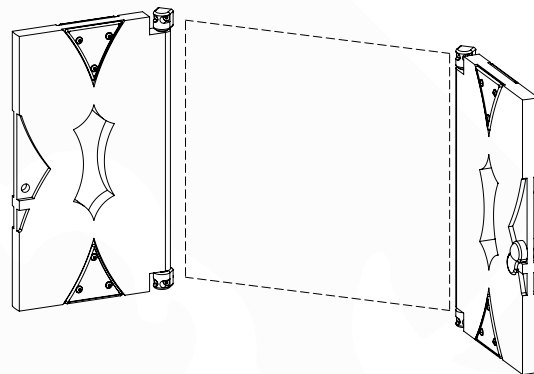
cm

22 AC02a: Shutters

(250_075)

	PartNo	PartName	QTY.
Hardware Pack	002_044	Pan head screw - DIN 7981 - T25 - 4.8x12	24
	002_219	Gap Point Screw T25 - 5x30	8
	003_040	M8 Washer	5
	004_010	M8 Locking Nut	1
	005_003	Lock bolt	1
Other	022_84x	bpc cover	2
	022_340	Shutter	2
	022_342	Hinge	4
	022_343	Decoration plate	8
	022_344	Lock	2

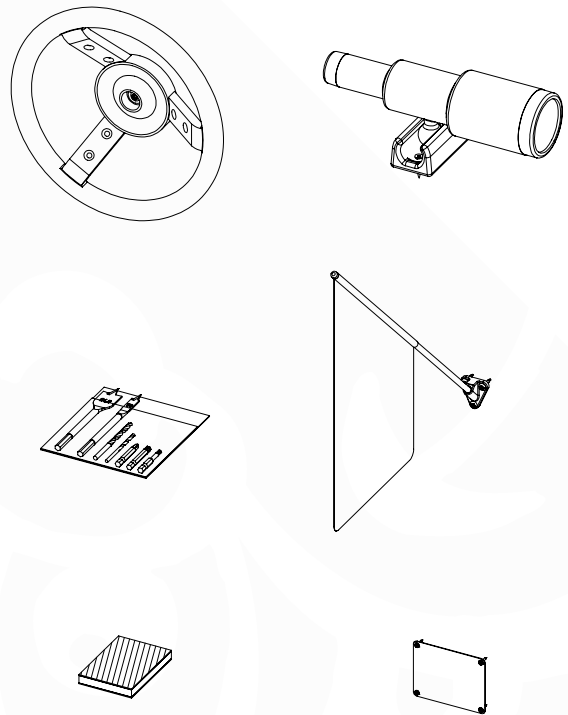
Shutters 2x set - P02 - 18/11/2022 - v1



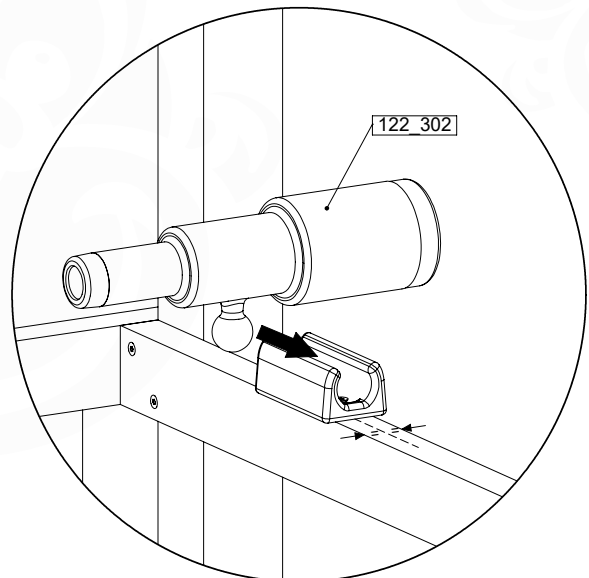
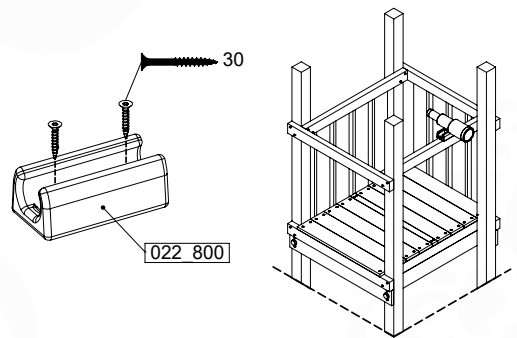
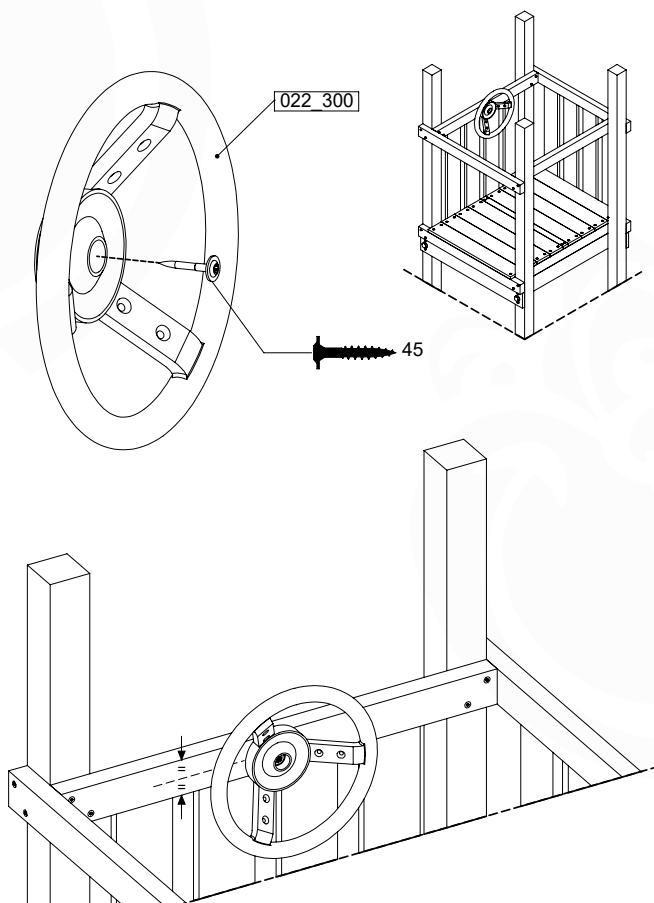
23 AC01a: Accessories

(194_119)

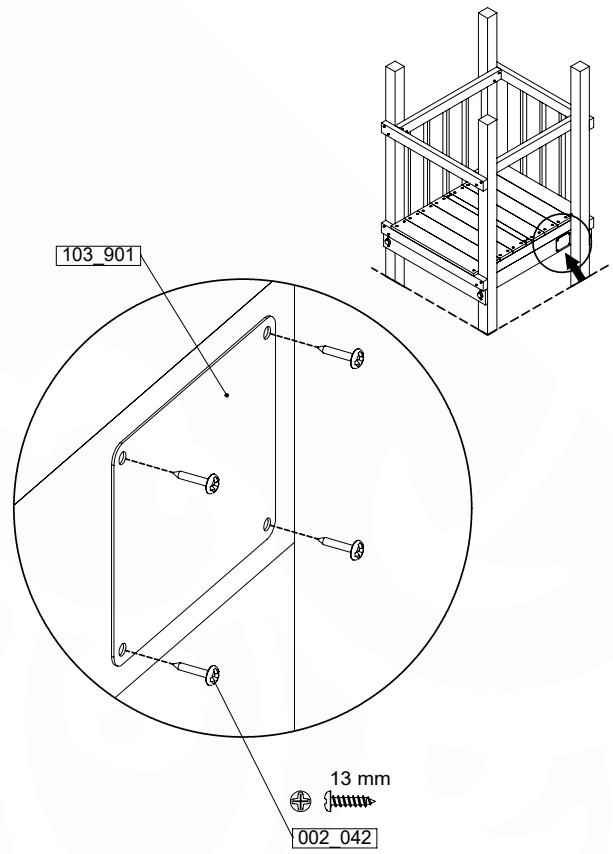
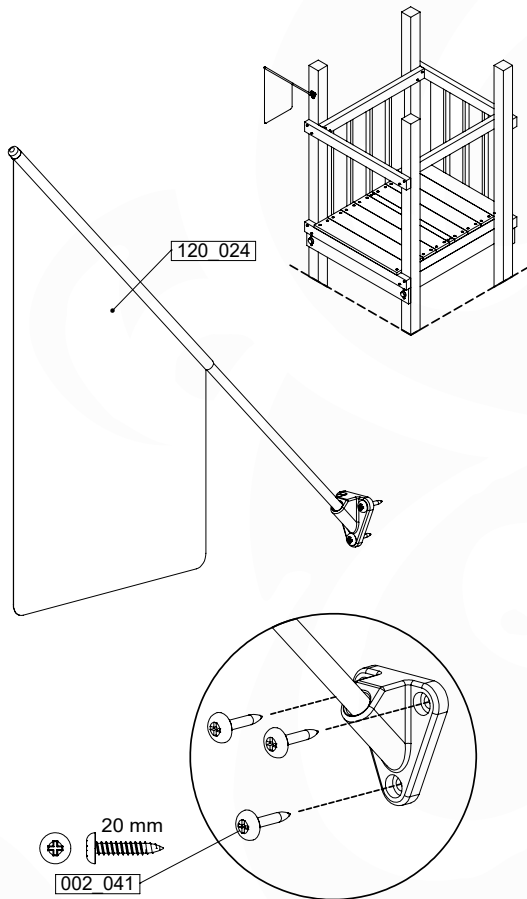
	PartNo	PartName	QTY.
Hardware Pack 100_617	001_406	Stealth Screw 8x45	1
	002_041	Dome head screw 4.5 x 20 mm	3
	002_042	Dome head screw 3.5 x 13mm	4
	002_219	Gap Point Screw T25 - 5x30	2
Other	022_300	Steering Wheel	1
	022_800	Rail P/T 105	1
	022_910	Sandpad	1
	103_901	Logo ID Plate	1
	104_107	Tool Set Climbing Units	1
	120_024	Tower Flag	1
	122_302	Telescope	1



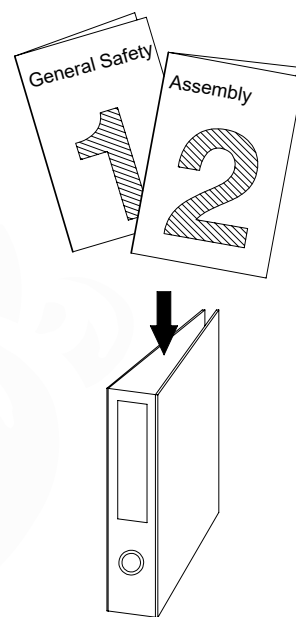
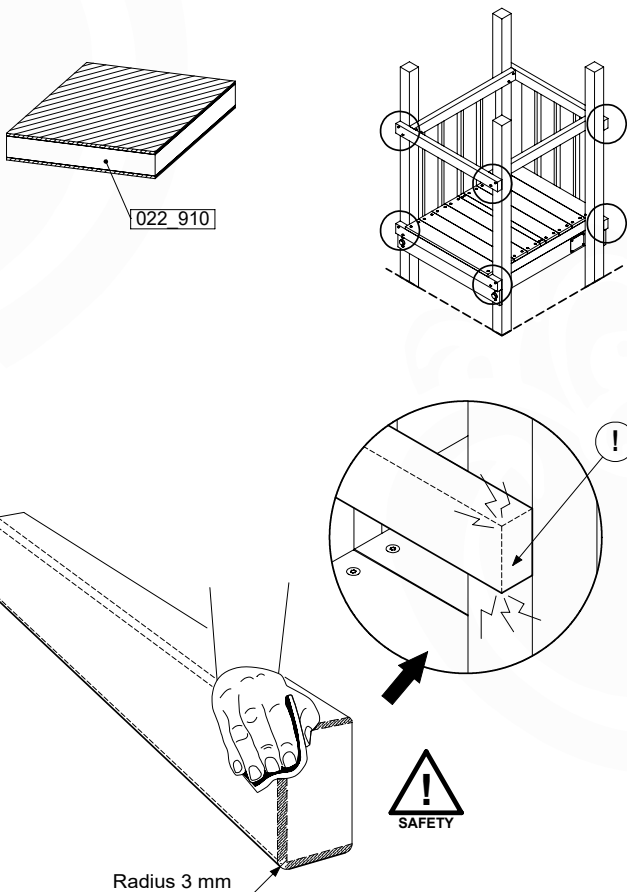
Accessory set - P02 - 24/01/2024 - v5



Accessory set - P03 - 24/01/2024 - v5



Accessory set - P04 - 24/01/2024 - v5



Accessory set - P05 - 24/01/2024 - v5

24 Declaration of conformity

Activity toys for domestic use Aktivitätsspielzeug für den häuslichen Gebrauch Jouets d'activité à usage familial

1. Wooden climbing frames

20240416_v3

1.1. Assemblies

Playtowers	801_005, 801_009, 801_010, 801_013, 801_025, 801_040, 801_060, 801_070, 801_090, 801_095, 801_100, 801_103, 801_105, 801_110, 801_120, 801_200, 802_202, 802_204, 802_206, 802_208, 803_202, 803_204, 803_206, 803_208, 803_210, 809_802, 809_804
Swings	801_300, 801_601, 801_602
Modules	850_176, 850_177, 850_231, 850_232, 857_101, 857_102, 857_105, 857_106, 857_151, 857_152, 857_157, 857_158, 850_240

1.2. Sub assemblies

Base towers (BT)	BT01a, BT02a, BT03a, BT11a, BT14a, BT15a, BT20a
Extension towers (ET)	ET01a, ET02a, ET05a, ET06a, ET07a, ET08a, ET09a, ET10a, ET11a, ET12a, ET13a, ET14a, ET15a, ET16a, ET17a, ET18a, ET19a, ET20a, ET22a, ET23a, ET27a, ET28a, ET35a, ET29a, ET39a, ET40a
Bridges (CB, NB, BB, TB)	CB01a, NB01a, BB01a, BB02a, TB01a, TB02a, TB03a, TB04a
Roofs (RF)	RF01a, RF21a, RF02a, RF03a, RF04a, RF05a, RF06a, RF20a, RF02b, RF03b, RF07a, RF08a, RF22a, RF09a, RF23a, RF11a, RF12a, RF07b, RF12b, RF08b, RF22b, RF09b, RF23b, RF11b, RF14a, RF24a, RF15a, RF25a, RF18a, RF18b, RF14b, RF24b, RF15b, RF25b
Balustrade (BL, BF)	BL01a, BL02a, BL21a, BF25a, BF26a, BF27a, BF28a, BF01a, BF02a, BF03a, BF04a, BF05a, BF06a, BF07a, BF08a, BF01b, BF02b, BF03b, BF04b, BF05b, BF06b, BF07b, BF08b, BF21a, BF22a, BF23a, BF24a, BF21b, BF22b, BF23b, BF24b
Playhouse (PH)	PH03a, PH04a, PH05a, PH06a, PH10a, PH11a, PH40a, PH41a, PH12a, PH13a, PH14a, PH15a, PH42a, PH43a, PH44a, PH45a, PH16a, PH17a, PH18a, PH19a, PH30a, PH31a, PH16b, PH17b, PH18b, PH19b, PH46a, PH47a, PH48a, PH49a, PH16c, PH17c, PH18c, PH19c, PH46b, PH47b, PH48b, PH49b, PH20a, PH21a, PH22a, PH23a, PH24a, PH25a, PH26a, PH27a, PH32a, PH33a, PH52a, PH53a, PH54a, PH55a, PH56a, PH57a, PH50a, PH51a, PH26b, PH27b, PH26c, PH27c, PH56b, PH57b
Ladder (LA)	LA05a, LA06a, LA01a, LA02a, LA03a, LA01b, LA02b, LA03b, LA11a, LA12a, LA13a, LA14a, LA15a, LA16a, LA17a, LA18a, LA31a, LA32a, LA33a, LA34a, LA35a, LA36a, LA37a, LA38a, LA21a, LA22a, LA23a, LA24a, LA25a, LA26a, LA43a, LA44a, LA45a, LA46a
Two Step Ladder (TS)	TS01a, TS01b, TS02a, TS02b, TS03b, TS22a, TS05a, TS06a, TS07a, TS08a, TS09a, TS10a, TS11a, TS12a, TS15a, TS16a, TS17a, TS18a, TS19a, TS20a, TS21a, TS22a
Rope Ladder (RL)	RL01a, RL02a, RL05a, RL06a, RL07a, RL08a, RL09a, RL10a, RL11a, RL12a, RL15a, RL16a, RL19a, RL20a
Rock wall (RW)	RW01a, RW02a, RW01b, RW02b, RW03b, RW31a, RW32a, RW33a, RW05a, RW06a, RW07a, RW08a, RW09a, RW10a, RW11a, RW12a, RW40a, RW41a, RW15a, RW16a, RW17a, RW18a, RW19a, RW20a, RW46a, RW47a
Ramp (RA)	RA03a, RA04a, RA05a, RA06a, RA07a, RA08a, RA11a, RA12a, RA21a
Net (NA, NS)	NA01a, NA02a, NS01a, NS02a, NS03a, NS21a, NA04a, NA05a, NS04a, NS05a, NS06a, NS07a, NA08a, NA09a, NS08a, NS09a
Boat (BO)	BO01a
Market (MT)	MT01a, MT02a, MT05a, MT06a, MT11a, MT12a
Picnic (PC)	PC01a, PC01b, PC05a, PC06a, PC09a, PC10a
Gymnastics bar (GY)	GY01a
Fireman's pole (FP)	FP01a, FP02a, FP04a, FP05a, FP06a, FP07a, FP23a, FP24a, FP25a, FP26a, FP27a, FP28a
Slides (SL)	SL01a, SL02a, SL03a, SL06a, SL07a, SL08a, SL09a, SL10a, SL11a, SL12a, SL13a, SL26a, SL27a, SL28a, SL29a
Swing (SM)	SW17a, SW21a, SW18a, SW22a, SW01a, SW05a, SW02a, SW06a, SW09a, SW13a, SW10a, SW14a
Climb (CL)	CL17a, CL21a, CL18a, CL22a, CL01a, CL05a, CL02a, CL06a, CL09a, CL13a, CL10a, CL14a
Universal Beam (UB)	UB01a, UB04a, UB02a, UB05a, UB03a, UB06a
Accessories (AC)	AC30a, AC31a, AC32a, AC33a, AC01a, AC05a, AC07a, AC03a, AC04a, AC06a, AC23a, AC22a, AC24a, AC21a, AC25a, AC02a, AC09a, AC08a, AC10a

2. Construction packages

2.1 Assembly Kits

Playtowers	401_015, 401_080, 401_125, 402_201, 402_202, 402_204, 402_206, 402_208, 403_202, 403_204, 403_206, 403_208, 403_210, 409_802, 409_804
Swings	401_300, 401_600
Modules	457_005, 457_102, 457_103, 457_106, 457_107, 457_205

2.2 Assembly Packs

Sub assemblies	194_002, 194_003, 194_004, 194_006, 194_007, 194_008, 194_009, 194_010, 194_100, 194_101, 194_102, 194_103, 194_104, 194_105, 194_107, 194_108, 194_109, 194_110, 194_111, 194_112, 194_113, 194_114, 194_115, 194_116, 194_117, 194_118, 194_119, 194_300, 194_308, 194_312, 194_500, 194_501, 194_508, 194_510, 194_802, 194_804, 194_809, 194_810, 194_811, 194_812
----------------	--

3. Accessories and components

Slides XL	324_100, 324_200, 324_300, 324_400, 324_500, 324_600
Slides XXL	334_100, 334_200, 334_300, 334_400, 334_500, 334_600
Fireman's pole	201_275
Climbing	201_060, 201_273
Imagination	201_280, 201_285, 201_290, 201_295, 202_473, 450_310, 450_320, 450_330
Swinging	250_001, 250_013, 250_025, 250_034, 250_053
Functional	123_220, 123_222, 123_230, 201_115, 201_220, 201_250, 201_260, 201_270, 202_620, 202_621, 202_622, 202_623, 202_624, 202_625, 202_626, 202_627, 202_628, 202_629, 202_824, 250_065, 250_070, 250_075

Applicable EU directives and standards

General

- General Product Safety Directive (GPSD) 2001\48\EG
- Reach directive 1907\2006
- AfPS GS 2019:01 PAK

Activity Toys

- Toy Safety Directive (TSD) 2009\48\EG
- EN Standard 71 Safety of Toys
 - EN 71-1:2014 + A1:2018 Safety of toys Mechanical and physical properties
 - EN 71-2:2020 Flammability
 - EN 71-3:2019 + A1:2021 Migration of certain elements
 - EN 71-8:2018 Safety of toys Activity toys for domestic use

Supplementary information

Conformity to the above specified directives and standards has been frequently verified by TÜV Rheinland LGA products, DEKRA, LNE SA, since 1994. Jungle Gym participates in the European Commission for standardisation for the safety of activity toys (TC52/WG10).



EN 71-1,-2, -3, -8 & -9

Manufacturer details

Company Name: Jungle Gym B.V.
Address: Valschermkade 18, 1059 CD Amsterdam, Netherlands
Email: info@junglegym.com

Declaration

I hereby declare under our sole responsibility that the products mentioned above, to which this declaration relates, comply with the above mentioned directives and standards when the installation, assembly, and maintenance instructions are strictly followed.

Name
Mr. P. Schmit / Director

Issued date
Monday 22nd July, 2024

A handwritten signature in blue ink, appearing to read 'P. Schmit', is written over a horizontal line.

Signature of representative

Jungle Gym B.V. | P.O. Box 75083 | 1070 AB Amsterdam | Netherlands | Phone: +31 85 444 41 00 | e-mail: info@junglegym.com | www.junglegym.com