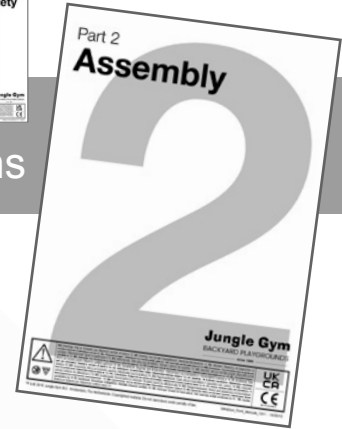


Part 2

Assembly

Instructions

Config ID: I30URm
 Product Name: Canopy 2-Climb
 Product ID: 211519








Watch in 3D



Jungle Gym

BACKYARD PLAYGROUNDS

since 1988

<p>Assembly time 10.0 hours by 2 adults</p> 	 <p>EN. Warnings. Only for domestic use. Maximum number of users is 3. DE. Achtung. Nur für den Hausgebrauch. Maximale Benutzerzahl: 3. FR. Attention. Réserve à un usage familial. Le nombre maximal d'utilisateurs est de 3. NL. Waarschuwingen. Uitsluitend voor huishoudelijk gebruik. Het maximale aantal gebruikers is 3. BG. Внимание. За употреба само в домашни условия. Максималният брой потребители е 3. CS. Varování. Jen pro domácí použití. Maximální počet uživatelů je 3. DA. Advarsler. Kun til privat brug. Maksimum antal brugere er 3. EL. Προειδοποιήσεις. Μόνο για οικιακή χρήση. Μέγιστος αριθμός χρηστών 3. ES. Advertencias. Sólo para uso doméstico. Número máximo de usuarios: 3. ET. Hoiatused. Ainult koduseks kasutamiseks. Maksimaalne kasutajate arv on 3. FI. Varoitukset. Ainoastaan kotikäyttöön. Käyttäjää yhteensä enintään 3. HR. Upozorenja. Samo za kućansku uporabu. Maksimalan broj korisnika je 3. HU. Figyelmeztetések. Csak otthoni használatra! A használók max. száma: 3. IS. Varnaðarorð. Eingöngu fyrir einkanothun í heimahúsum og á einkalóðum. Hámarksfjöldi notenda er 3. IT. Avvertenze. Solo per uso domestico. Massimo numero di utenti è 3. LT. Įspėjimai. Tik buitiniam naudojimui. Maksimalus naudotojų skaičius 3. LV. Brīdinājumi. Izmantot tikai mājās. Maksimālais lietotāju skaits ir 3. NO. Advarsler. Kun for privat bruk. Maksimalt antall brukere er 3. PL. Ostrzeżenia. Wyłącznie do użytku domowego. Maksymalna liczba użytkowników to 3. PT. Avisos. Apenas para uso doméstico. O número máximo de utilizadores é 3. RO. Avertismente. Numai pentru uz domestic. Numărul maxim de utilizatori este 3. RU. Предостережения. Только для домашнего использования. Максимальное количество пользователей - 3. SK. Upozornenia. Iba na domáce použitie. Maximálne množstvo osôb je 3. SL. Opozorila. Samo za domačo uporabo. Maksimalno število uporabnikov je 3. SR. Upozorenja. Samo za kućnu upotrebu. Maksimalan broj korisnika je 3. SV. Varningar. Endast för hemmabruk. Det maximala antalet användare är 3. TR. Uyarılar. Sadece ev kullanımı için. Maksimum kullanıcı sayısı 3.</p>	 <p>EN 71-1, 2, 3, 6, 8, 9</p>  
--	---	---

1 Helpdesk JungleGym

FAQ & Support



English



Deutsch



Français



Nederlands



info@junglegym.com



EU 0031 85 44 44 100

AT 0043 72 08 153 33

BE 0032 78 48 16 19

CH 0041 43 50 87 350

DE 0049 32 22 10 98 299

ES 0034 657 76 64 25

FR 0033 97 75 58 222

IE 0035 38 1800 0300

LU 0035 22 08 80 512

NL 0031 85 44 44 102

UK 0044 20 369 505 53

Monday-Friday,

CET 9:00am - 5:00pm

Local phone charges may apply.

2 Start

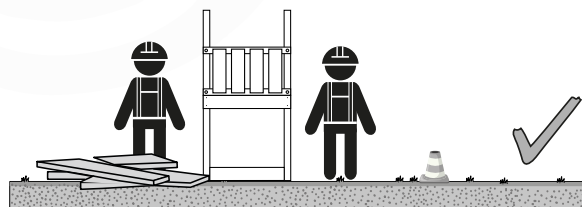
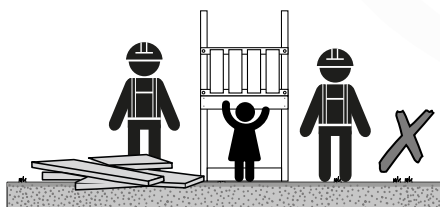
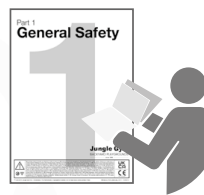
2.1 Safety



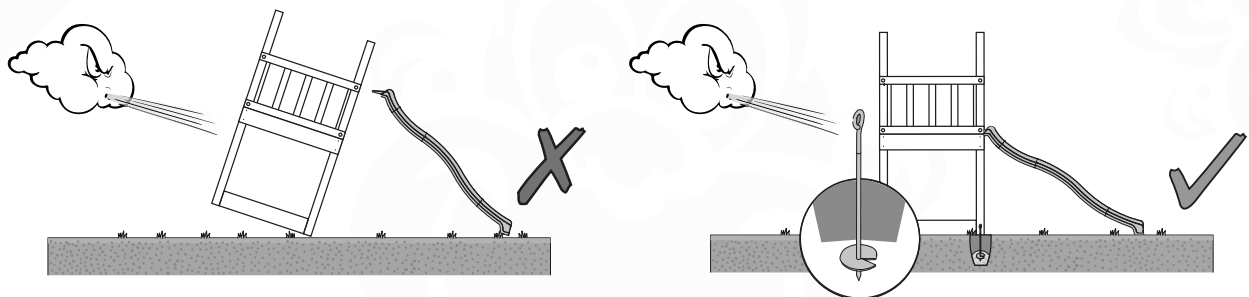
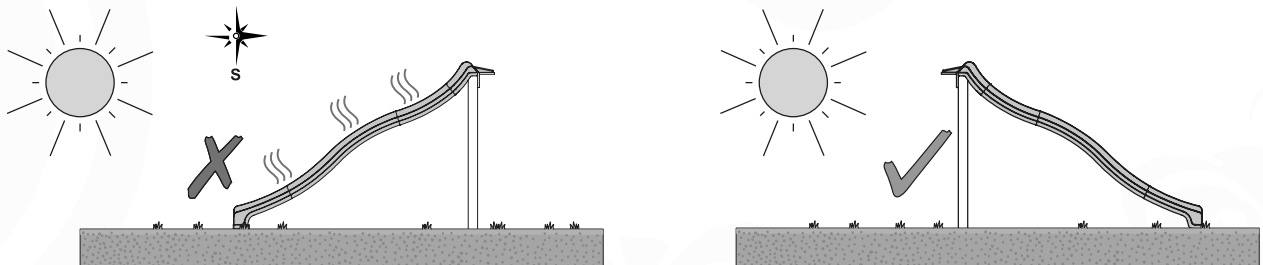
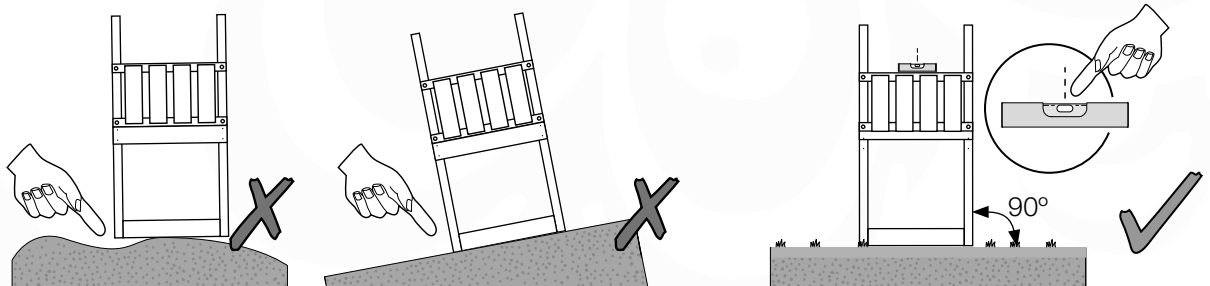
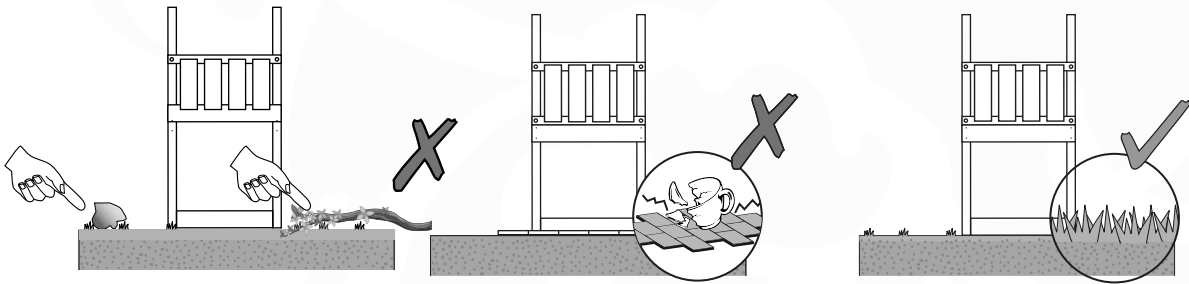
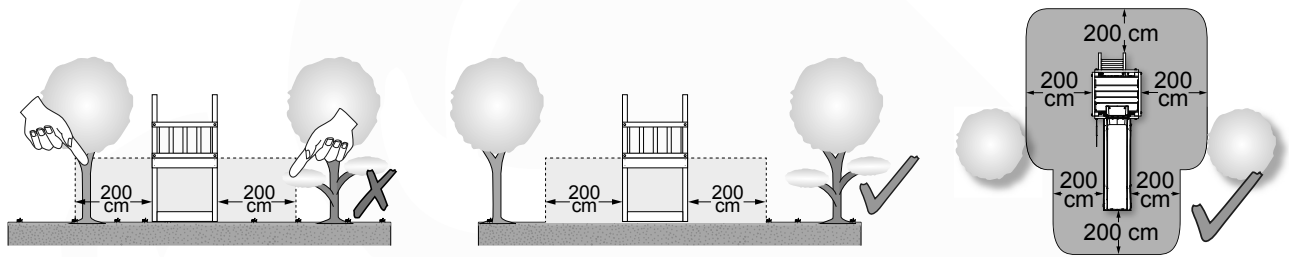
Download

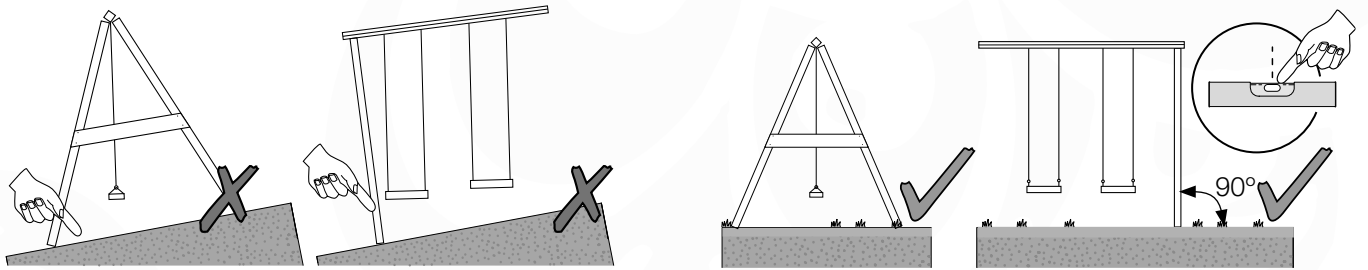
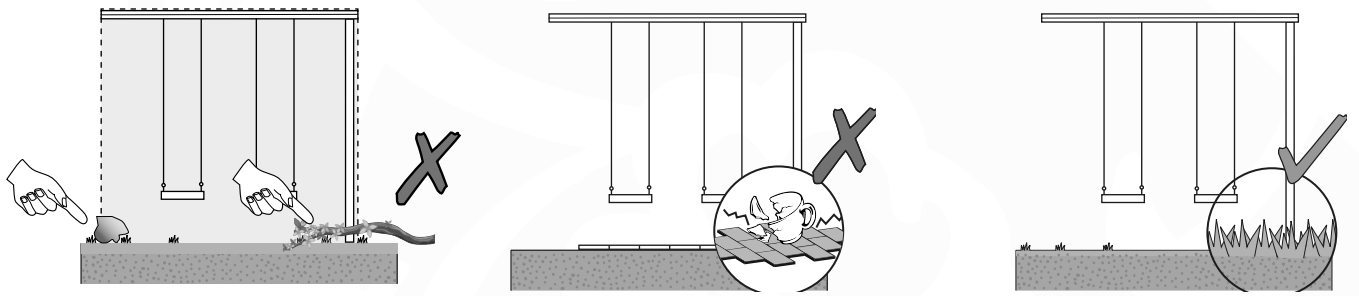
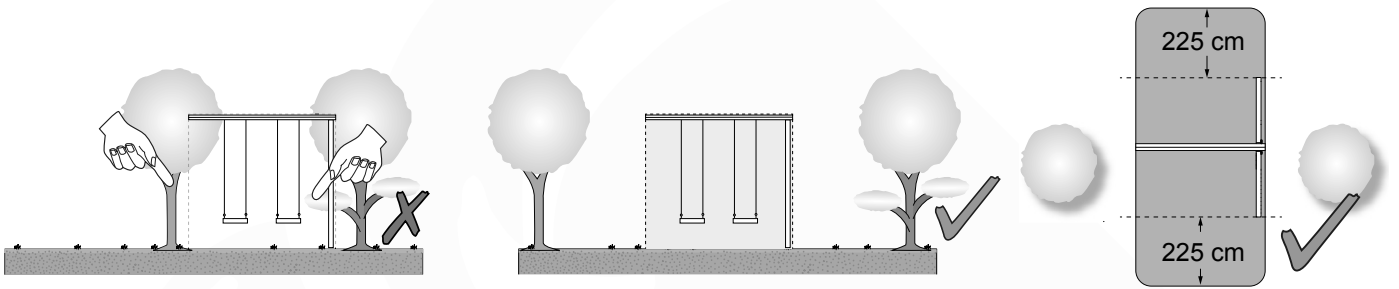


Part 1

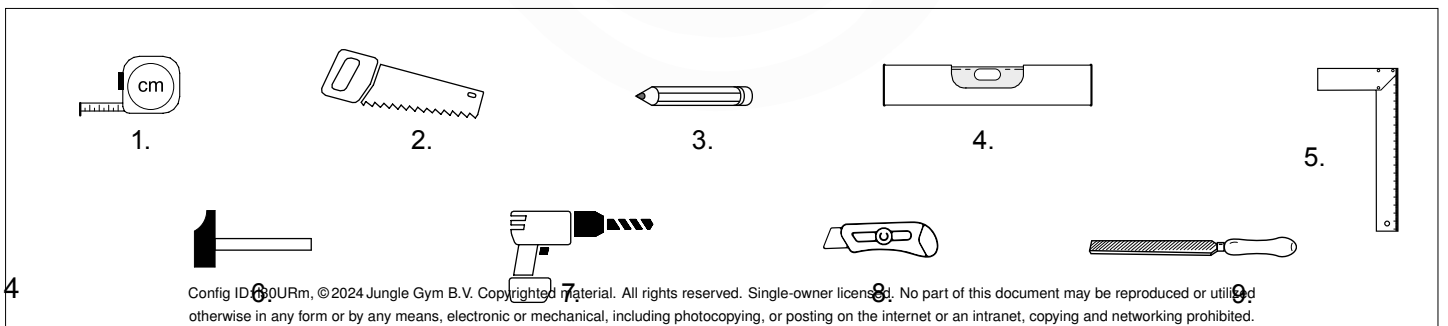


2.2 Planning

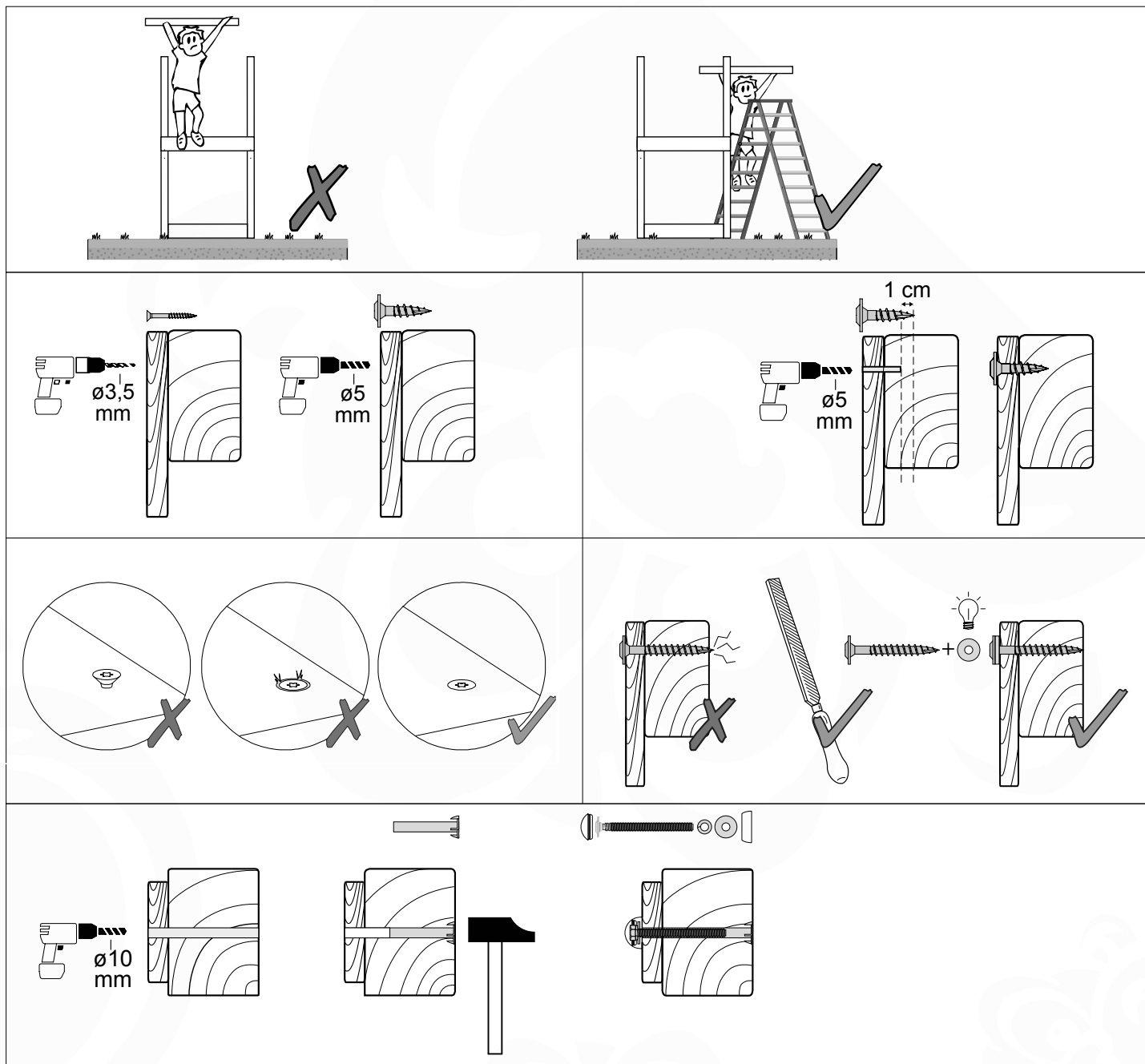




2.3 Tools



2.4 Assembly



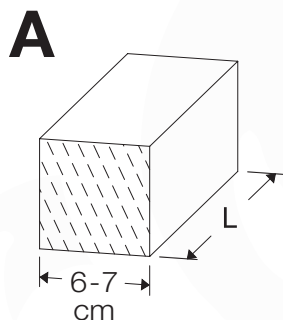
3 Overview

3.1 Order specification

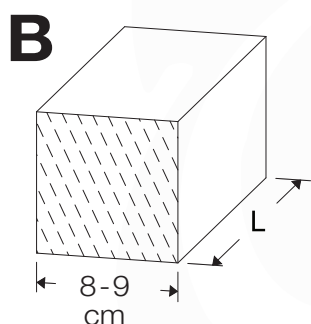


#	Description	Supplier ID	Assembly ID
1	Base Tower 115_240240_145	792_002	BT14a
1	Extension Tower 11580_220_145	792_102	ET07a
1	Roof Timber Gable 115	792_202	RF08a
2	Balustrade 80_U	790_301	BL01a
2	Balustrade 115_T	792_301	BL04a
1	Ladder 115_145 U R x Balustrade	792_432	LA16a
1	Slide Frame 115_145 T R x Balustrade	792_901	SL13a
1	2- Climb Module 220 3.0	757_162	CL14a
1	Accessories Set	194_119	AC01a
1	Accessories Sling Swing	250_001	AC23a
1	Accessories Baby Seat	250_025	AC24a
1	Wavy Star Slide XXL	334_x00a	334_x00a

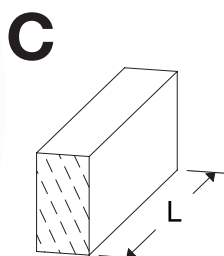
3.2 Timber parts



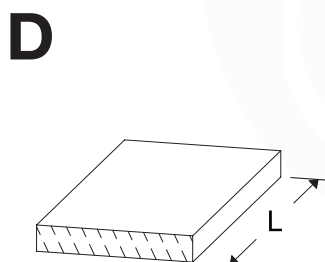
ID	L	#
A220	219 cm - 220 cm	2
A240	239 cm - 240 cm	8



B74	73 cm - 74 cm	1
B240	239 cm - 240 cm	1



C70	69 cm - 70 cm	2
C74	73 cm - 74 cm	13
C90	89 cm - 90 cm	2
C96	85 cm - 96 cm	2
C114	113 cm - 114 cm	10
C150	149 cm - 150 cm	2




D65	64 cm - 65 cm	25
D74	73 cm - 74 cm	8
D100	99 cm - 100 cm	23
D114	113 cm - 114 cm	15
D127	126 cm - 127 cm	24
D141	140 cm - 141 cm	3

4.3 Assembly packs




Example

Accessory Set



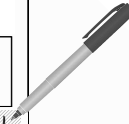
AC


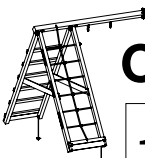

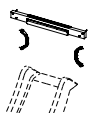

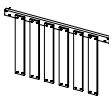
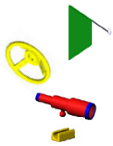

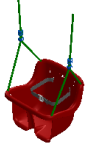




1x

194_119

LOT:



<p>Roof Timber 115</p>  <p>RF</p> <p>194_308</p> <p>1x</p> <p>LOT: <input type="text"/> <input type="text"/> <input type="text"/> <input type="text"/></p>	<p>Climb Module Kit</p>  <p>CL</p> <p>457_107</p> <p>1x</p> <p>LOT: <input type="text"/> <input type="text"/> <input type="text"/> <input type="text"/></p>	<p>Tower 115</p>  <p>BT ET</p> <p>194_300</p> <p>2x</p> <p>LOT: <input type="text"/> <input type="text"/> <input type="text"/> <input type="text"/></p>	<p>Slide Frame</p>  <p>SL</p> <p>194_107</p> <p>1x</p> <p>LOT: <input type="text"/> <input type="text"/> <input type="text"/> <input type="text"/></p>	<p>Hardware 01</p>  <p>BL H01</p> <p>194_101</p> <p>4x</p> <p>LOT: <input type="text"/> <input type="text"/> <input type="text"/> <input type="text"/></p>
<p>Balustrade 140</p>  <p>BL</p> <p>194_501</p> <p>2x</p> <p>LOT: <input type="text"/> <input type="text"/> <input type="text"/> <input type="text"/></p>	<p>Accessory Set</p>  <p>AC</p> <p>194_119</p> <p>1x</p> <p>LOT: <input type="text"/> <input type="text"/> <input type="text"/> <input type="text"/></p>	<p>Sling Swing</p>  <p>AC</p> <p>250_001</p> <p>1x</p> <p>LOT: <input type="text"/> <input type="text"/> <input type="text"/> <input type="text"/></p>	<p>Baby Swing</p>  <p>AC</p> <p>250_025</p> <p>1x</p> <p>LOT: <input type="text"/> <input type="text"/> <input type="text"/> <input type="text"/></p>	<p>Ladder 145</p>  <p>LA</p> <p>194_004</p> <p>1x</p> <p>LOT: <input type="text"/> <input type="text"/> <input type="text"/> <input type="text"/></p>
<p>Slide XXL 2.6m</p>  <p>1x</p> <p>334_x00</p> <p>LOT: <input type="text"/> <input type="text"/> <input type="text"/> <input type="text"/></p>				

4.4 Your config ID: I30URm

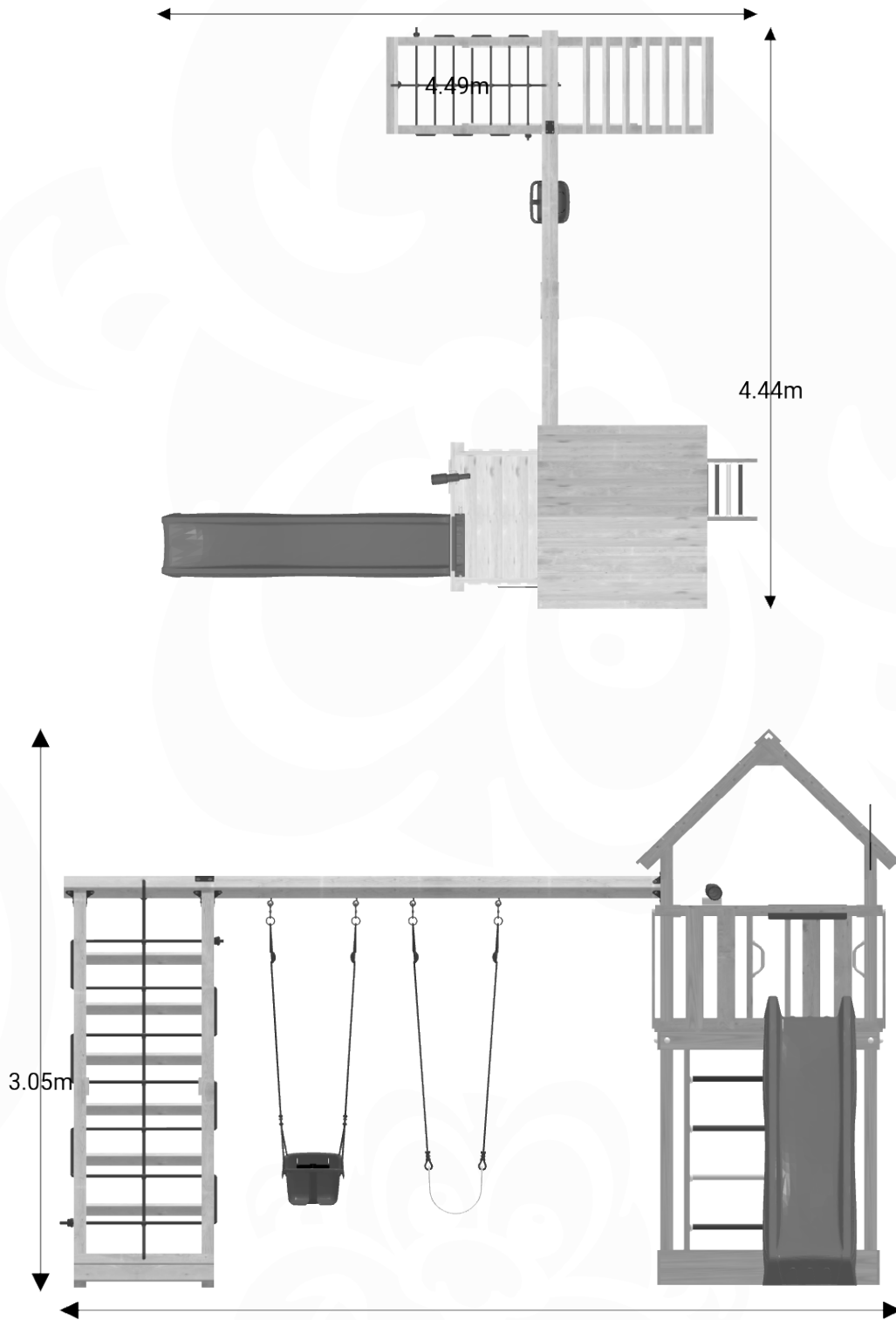


5 Hardware Identification

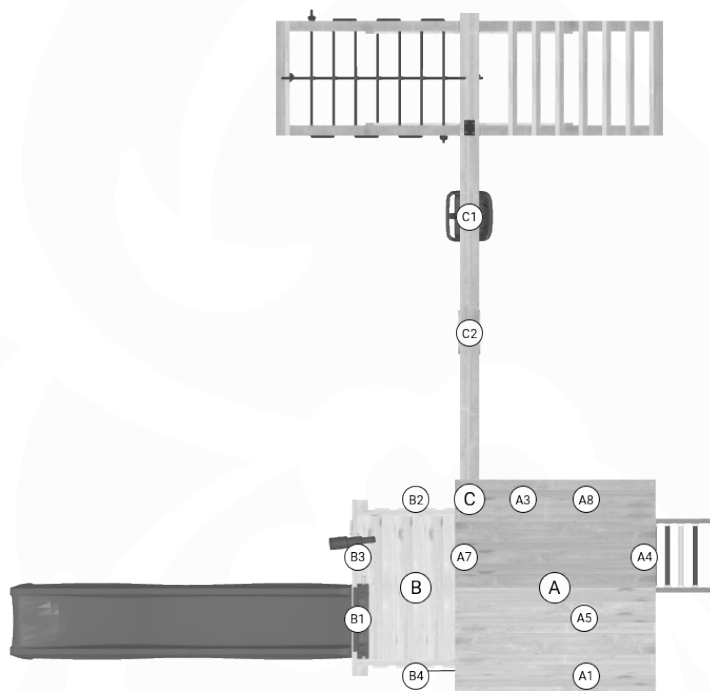
		SKU		L						
			001_404	30 mm				002_308	20 mm	
			001_406	45 mm				002_219	30 mm	
			001_411	60 mm				002_220	45 mm	
			001_417	80 mm				002_223	80 mm	
			001_422	137 mm						
			001_102	30 mm				004_050	22mm	
			000_101	20 mm				003_010		
			002_036	16 mm				003_034		
			002_041	20 mm				022_845	Yellow	
									022_846	Blue
									022_847	Green
									022_848	Red
			002_042	13 mm				023_031	White	
			002_301	40 mm				120_005	White	

output: 27/06/24

6 Dimensions



7 Assembly Planning



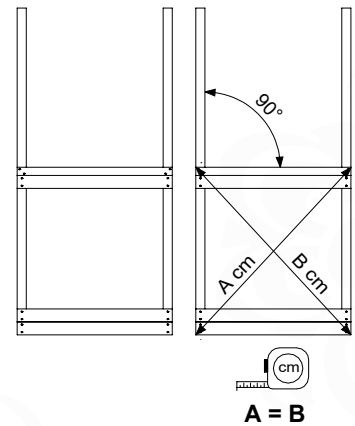
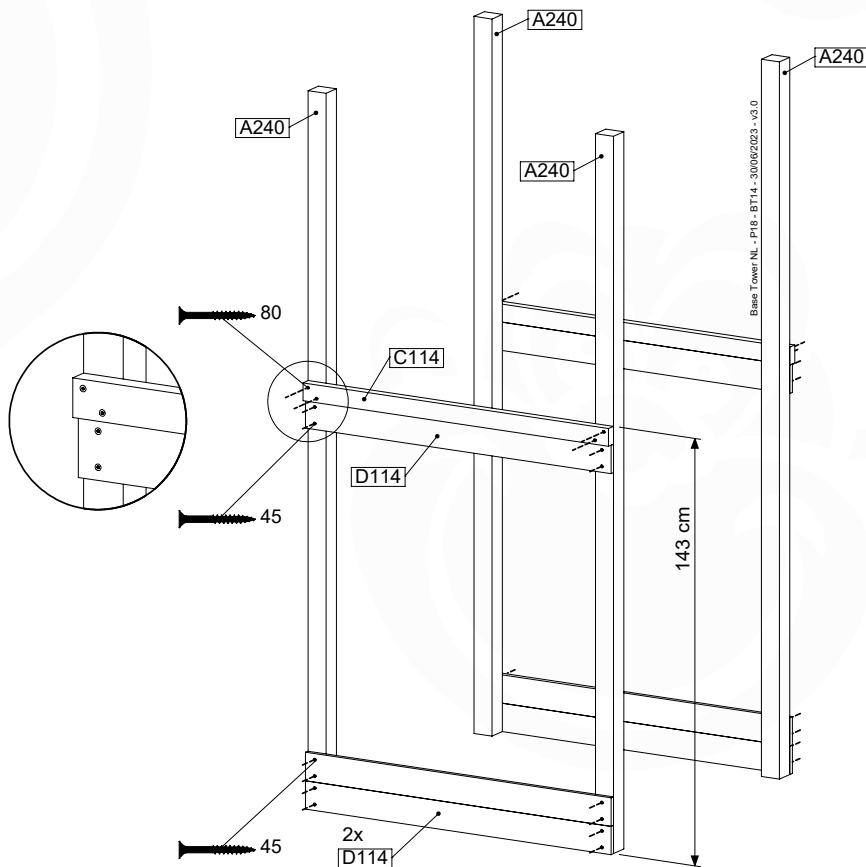
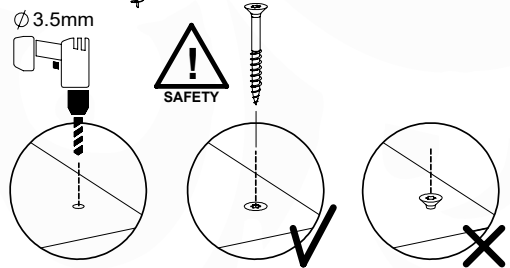
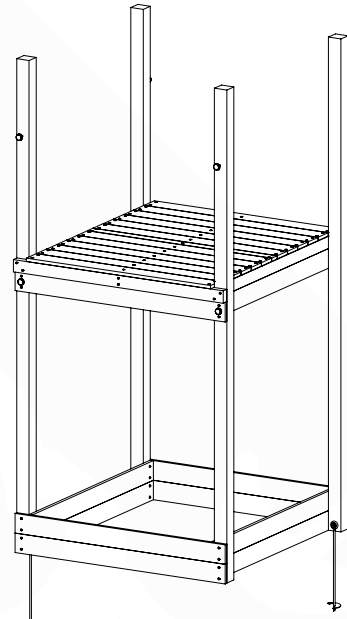
	ID			A	B	C
1	BT14a		p.13	✓	-	-
2	ET07a		p.16	-	✓	-
3	BL01a		p.19	-	B2, B4	-
4	BL04a		p.20	A1, A8	-	-
5	RF08a		p.21	A5	-	-
6	LA16a		p.24	A4	-	-
7	CL14a		p.27	-	-	✓
8	SL13a		p.38	-	B1	-
9	GA		p.42	✓	✓	✓
10	AC01a		p.44	✓	-	-

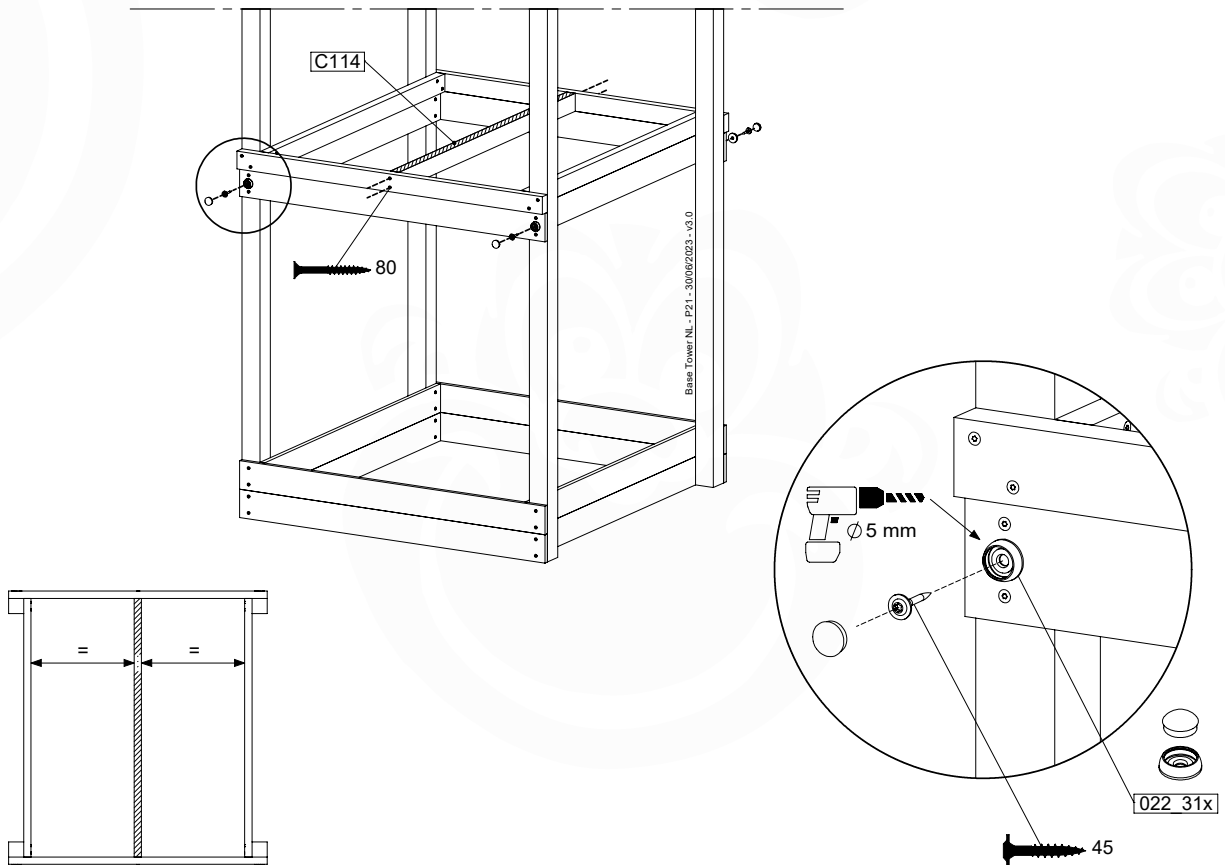
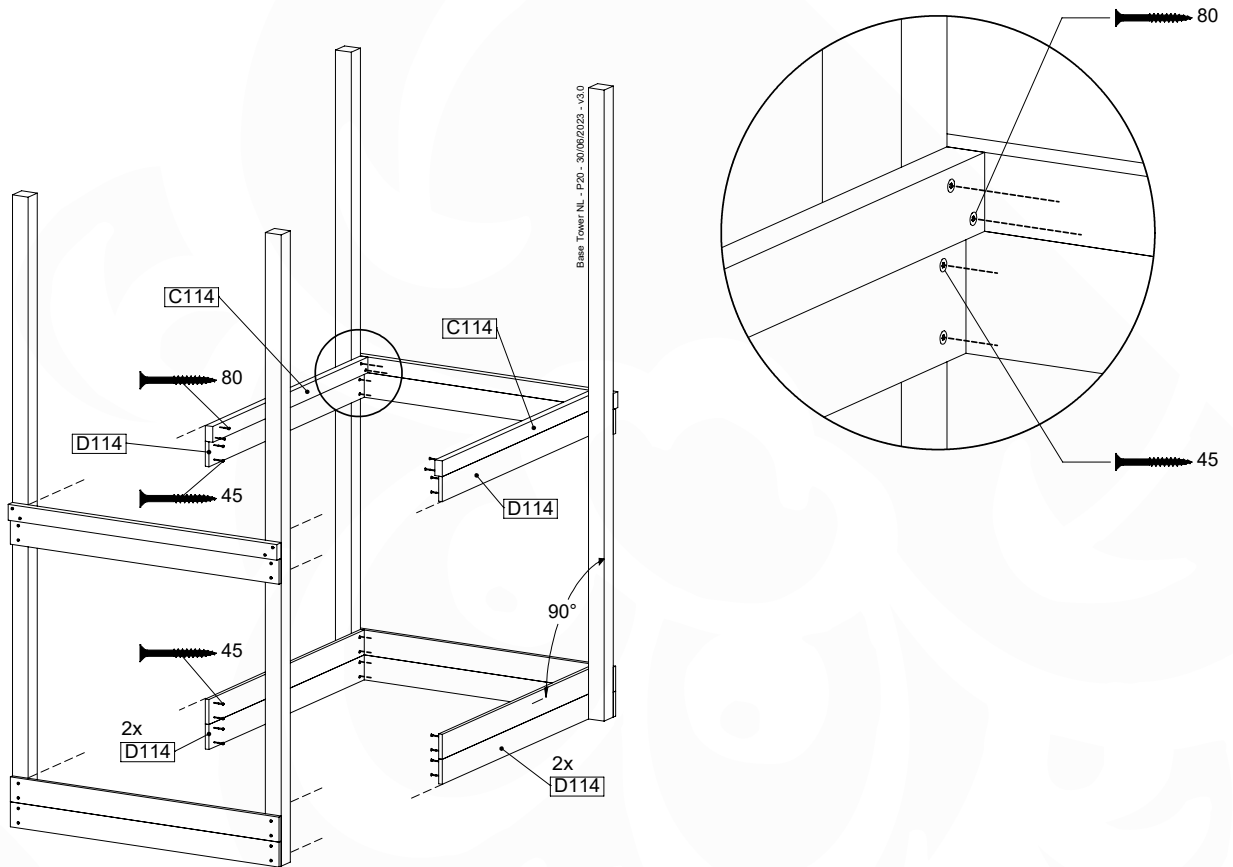
8 BT14a: Base Tower 115 145cm 240240

(194_300)

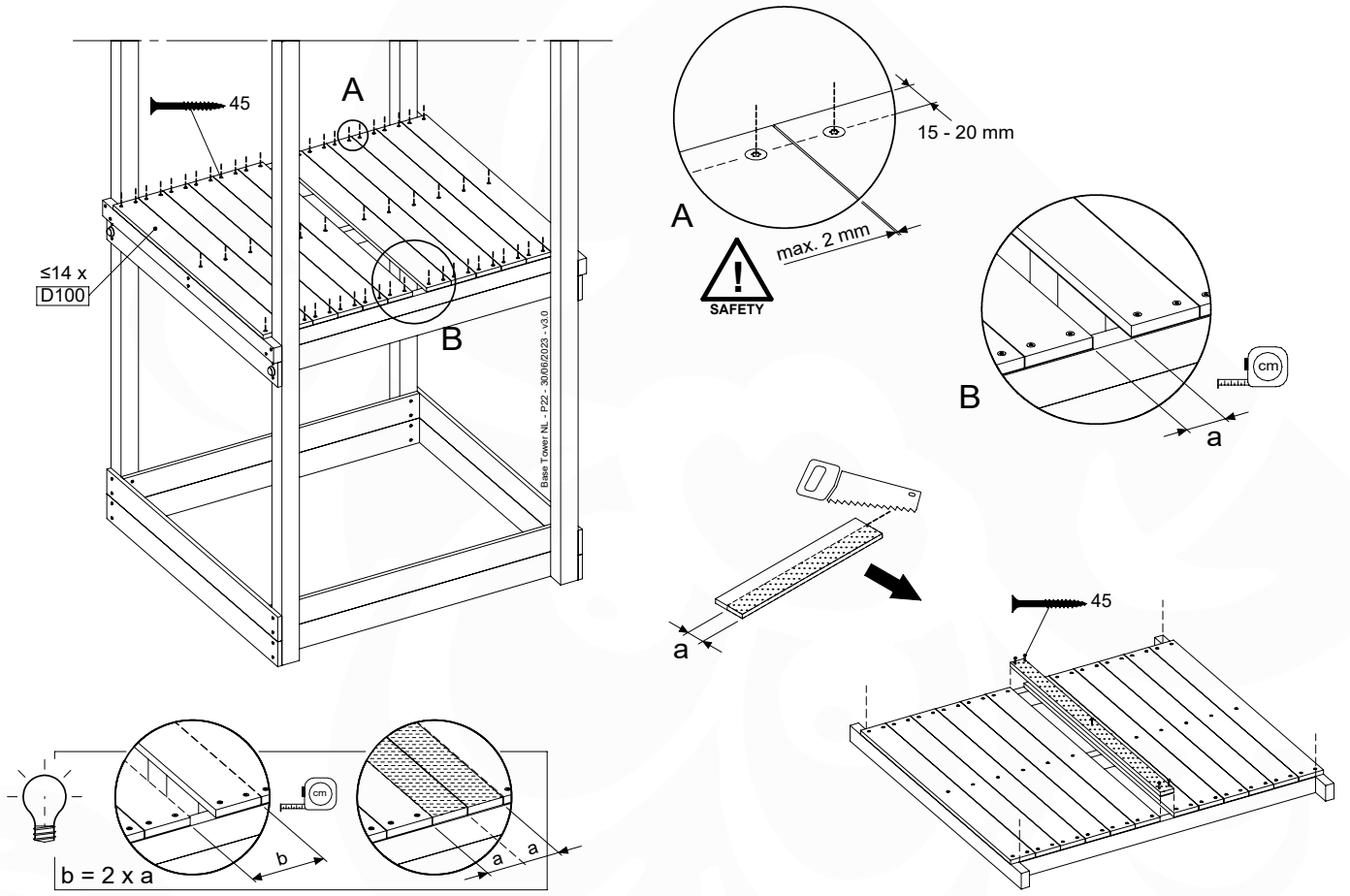
	PartNo	PartName	QTY.
Hardware pack	001_406	Stealth Screw 8x45	6
	001_417	Stealth Screw 8x80	4
	002_220	Gap Point Screw T25 - 5x45	118
	002_223	Gap Point Screw T25 - 5x80	20
	022_31x	bpc-base version 3	8
	022_84x	bpc cover	8
Other	007_001	Ground-anchor	2
Timber	A240	Post 70x70 L2400	4
	C114	Beam 1140 mm	5
	D100	Board 1000 mm	14
	D114	Board 1140 mm	12

Base Tower NL - P19 - BT14 - 30/06/2023 - v3.0





8.2

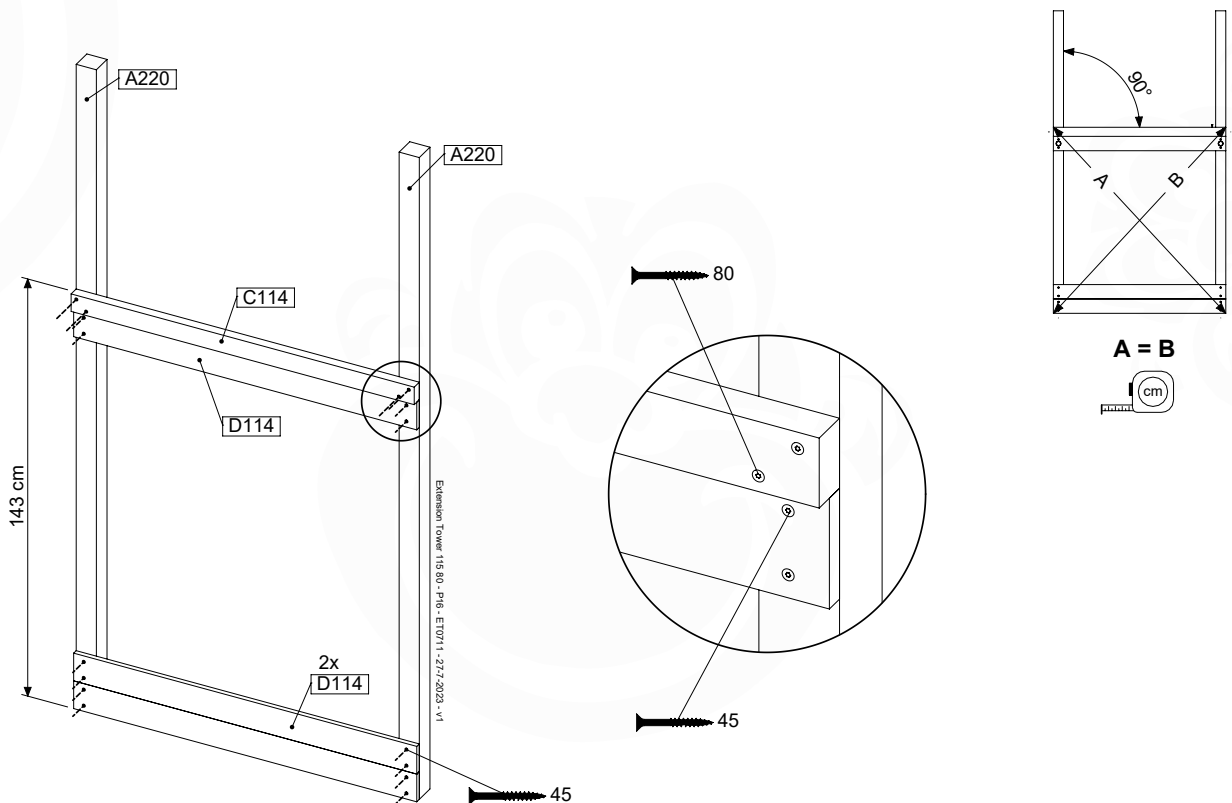
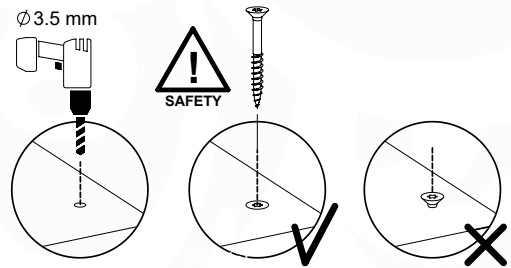
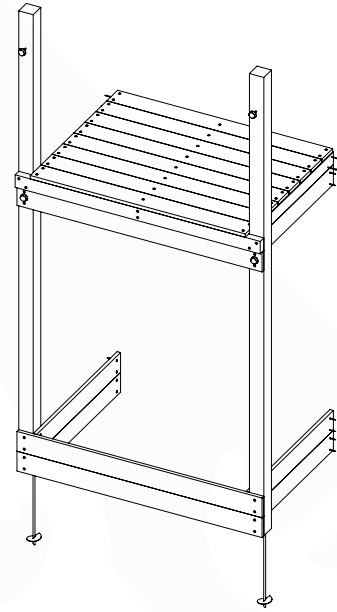


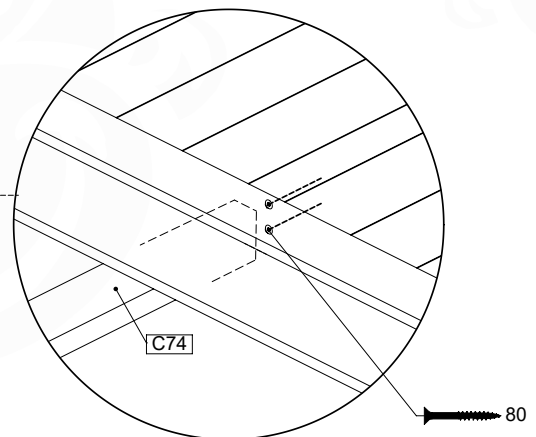
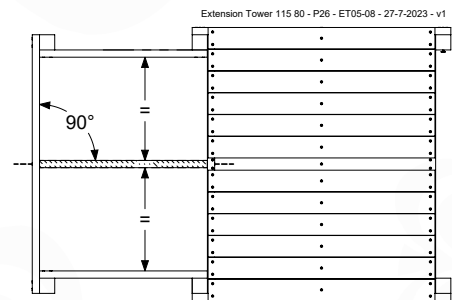
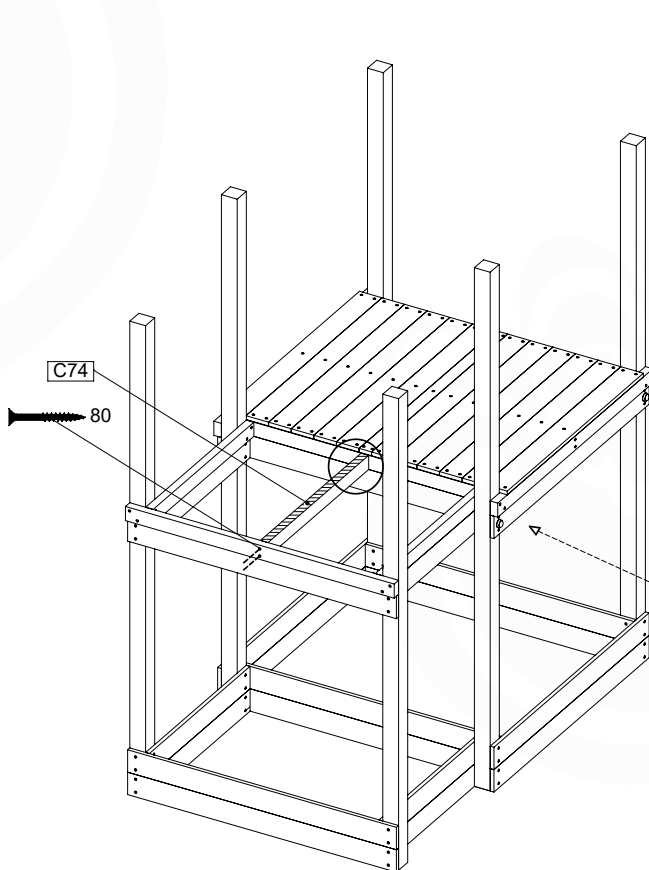
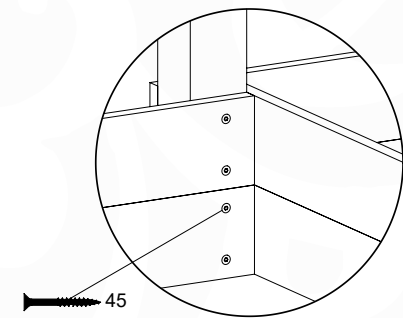
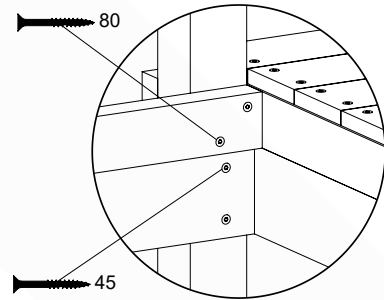
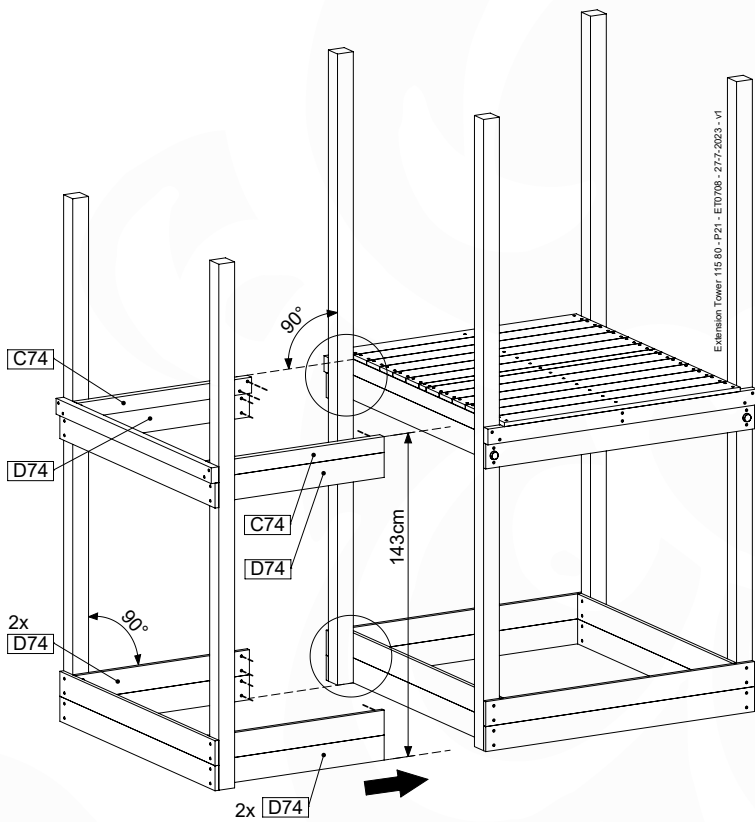
9 ET07a: Extension Tower 11580 220/145

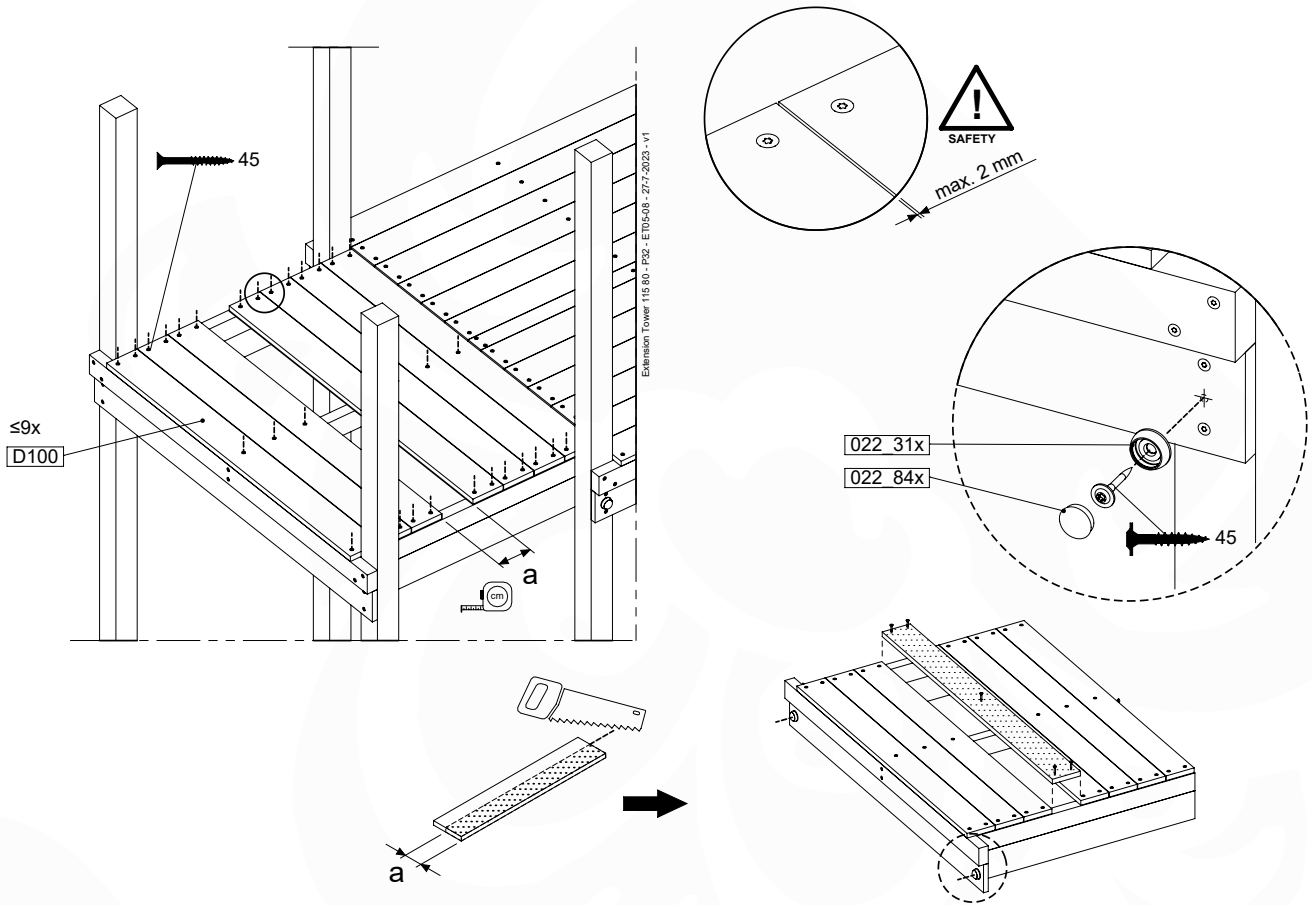
(194_300)

	PartNo	PartName	QTY.
Hardware pack	001_406	Stealth Screw 8x45	4
	001_417	Stealth Screw 8x80	2
	002_220	Gap Point Screw T25 - 5x45	81
	002_223	Gap Point Screw T25 - 5x80	16
Other	007_001	Ground-anchor	2
	022_31x	bpc-base version 3	4
	022_84x	bpc cover	4
Timber	A220	Post 70x70 L2200	2
	C74	Beam 740 mm	3
	C114	Beam 1140 mm	1
	D74	Board 740 mm	6
	D100	Board 1000 mm	9
	D114	Board 1140 mm	3

Extension Tower 115 80 - P04 - ET07 - 27.7-2023 - v1





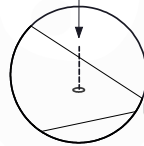
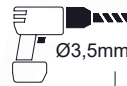
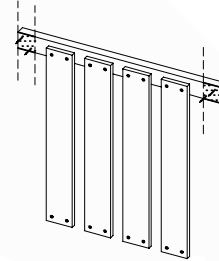


10 BL01a: Balustrade 80 U - 7x7 posts

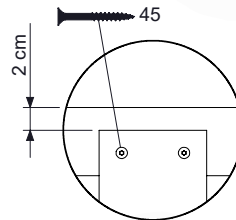
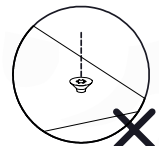
(194_101)

	PartNo	PartName	QTY.
Hardware Pack	002_220	Gap Point Screw T25 - 5x45	16
	100_601	Gap Point Screw T25 - 5x80	4
Timber	C74	Beam 740 mm	1
	D65	Board 650 mm	4

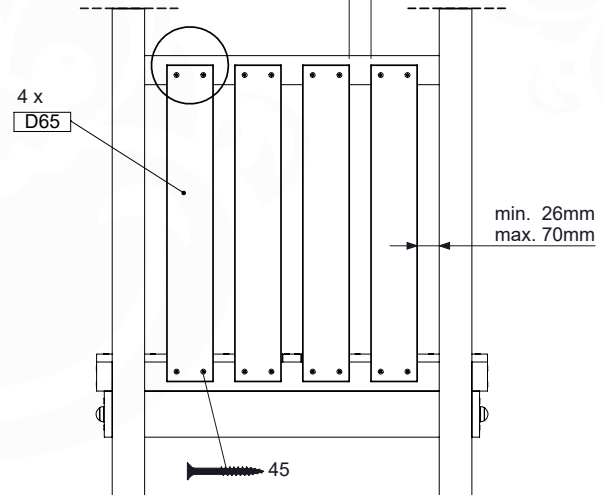
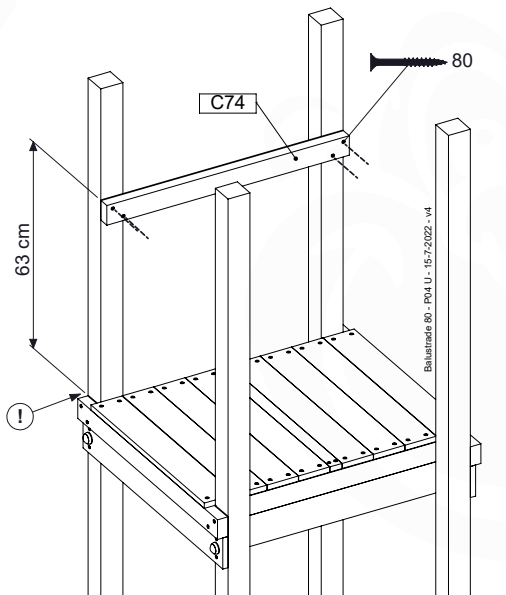
Balustrade 80 - P02 U - 15-7-2022 - v4



SAFETY



min. 26mm
max. 70mm

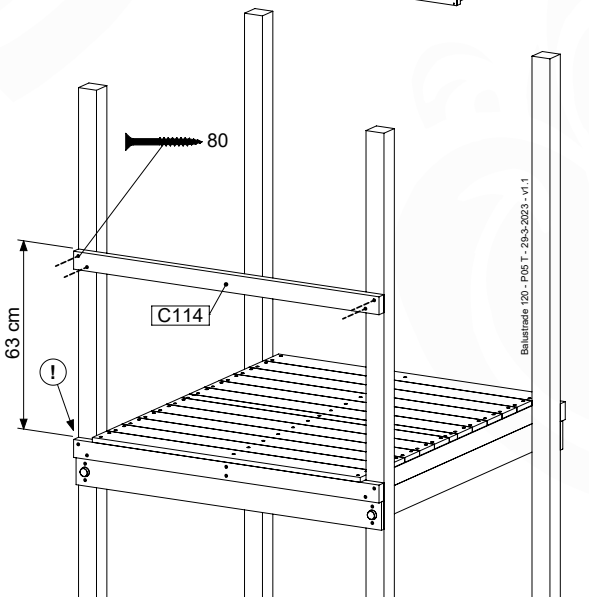
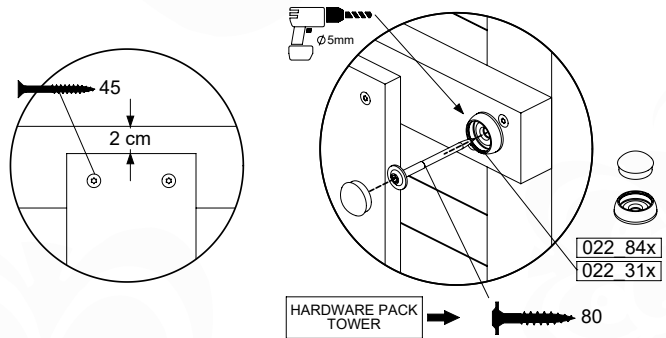
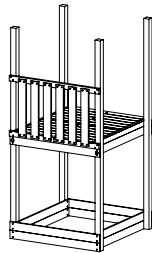
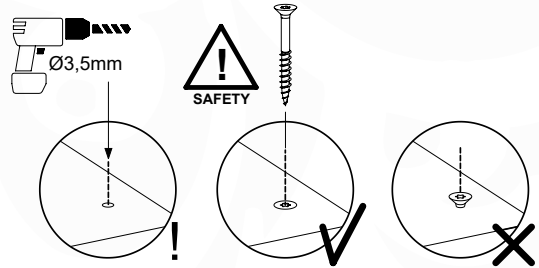
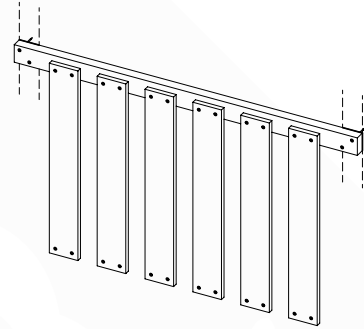


11 BL04a: Balustrade 115 T

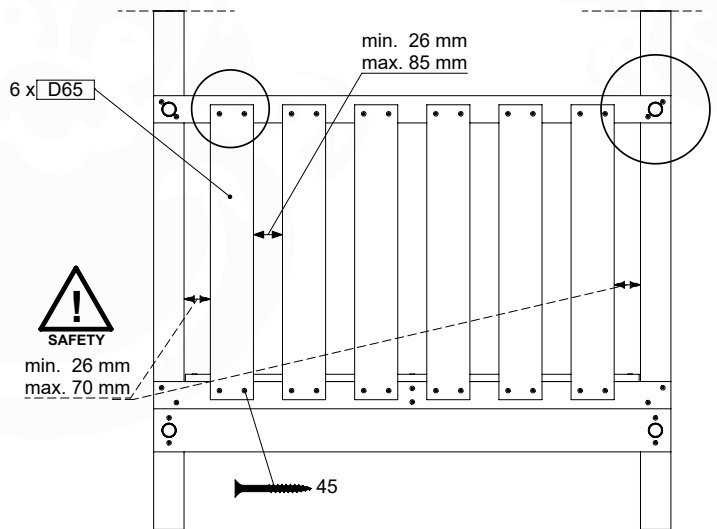
(194_501)

	PartNo	PartName	QTY.
Hardware Pack	002_220	Gap Point Screw T25 - 5x45	24
	002_223	Gap Point Screw T25 - 5x80	4
Timber	C114	Beam 1140 mm	1
	D65	Board 650 mm	6

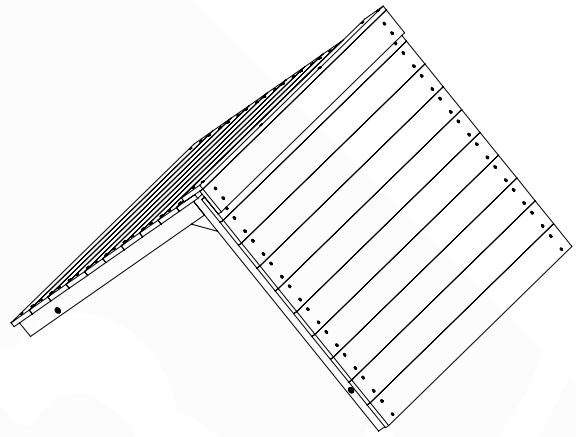
Balustrade 120 - P03 T - 29-3-2023 - v1.1



Balustrade 120 - P03 T - 29-3-2023 - v1.1



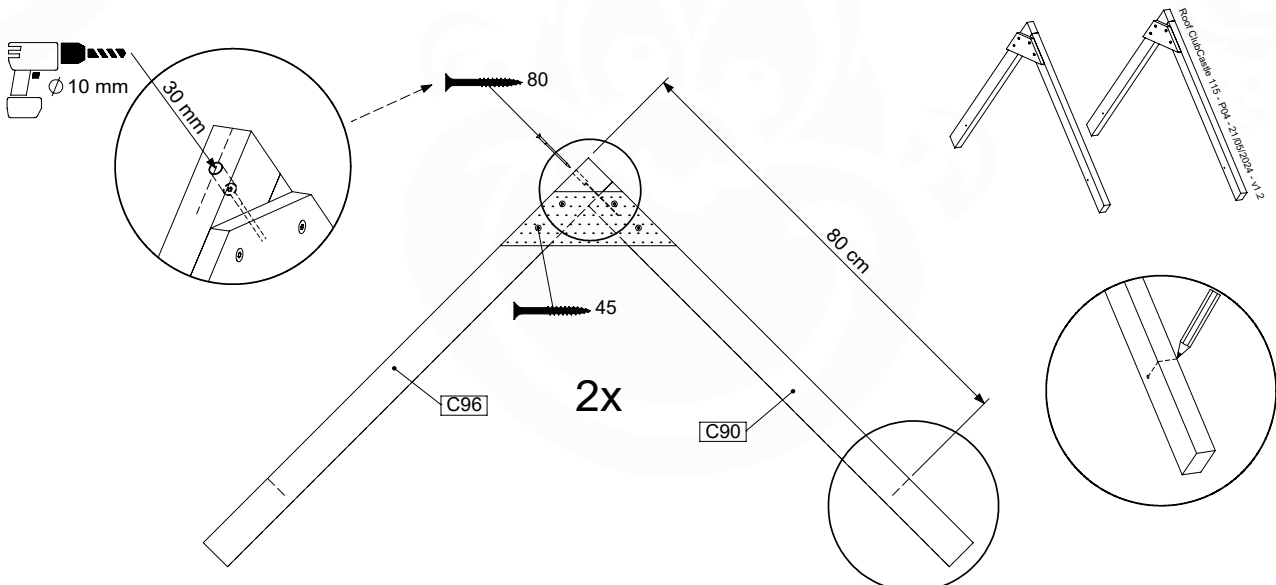
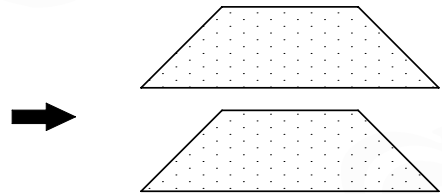
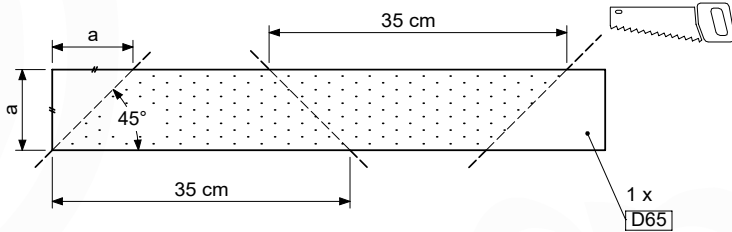
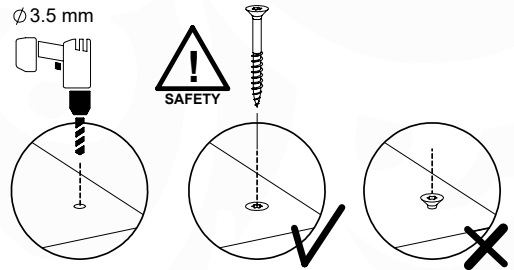
12 RF08a: Roof Timber Gable 115



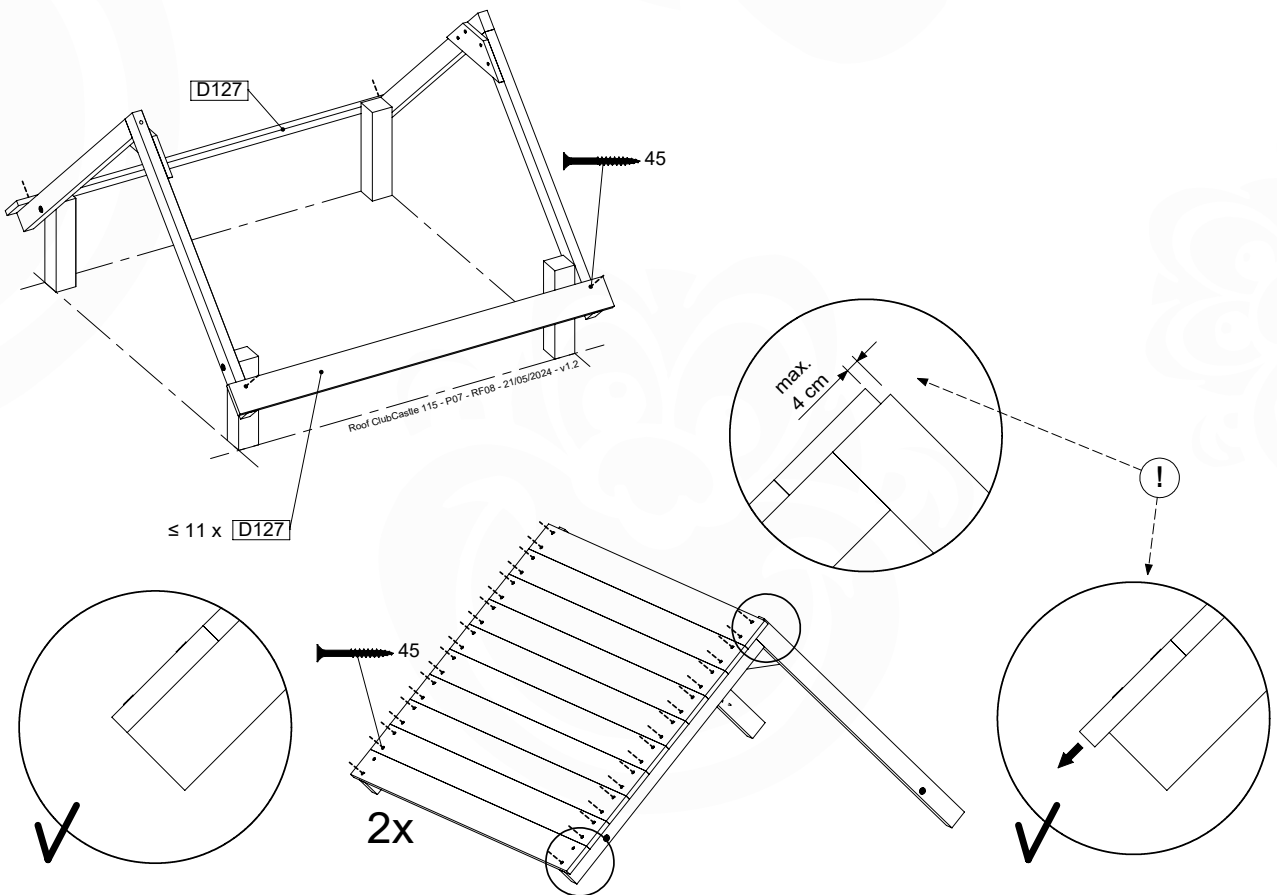
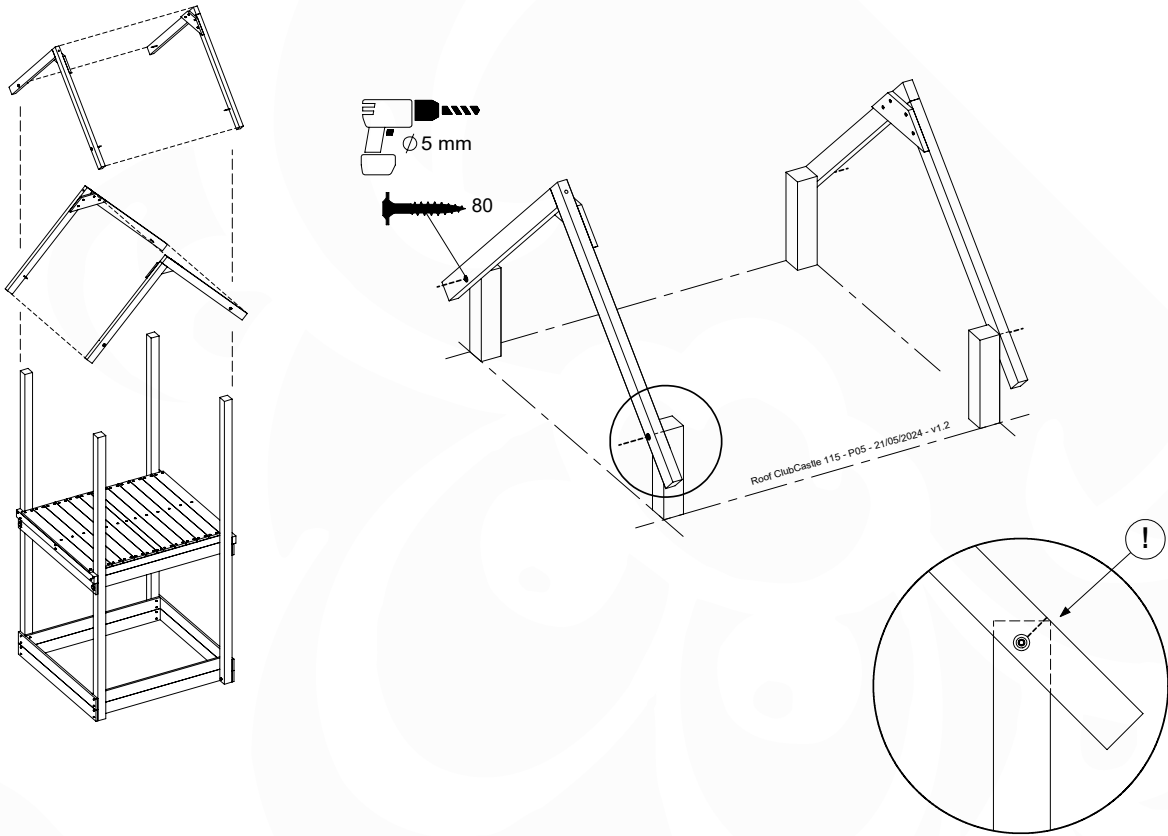
Assembly Pack: 194_308 / 194_804

	PartNo	PartName	QTY.
Hardware Pack	001_417	Stealth Screw 8x80	4
	002_220	Gap Point Screw T25 - 5x45	100
	002_223	Gap Point Screw T25 - 5x80	8
Timber	C96	Beam 960 mm	2
	D65	Board 650 mm	1
	D127	Board 1270 mm	24
	C90	Beam 900 mm	2

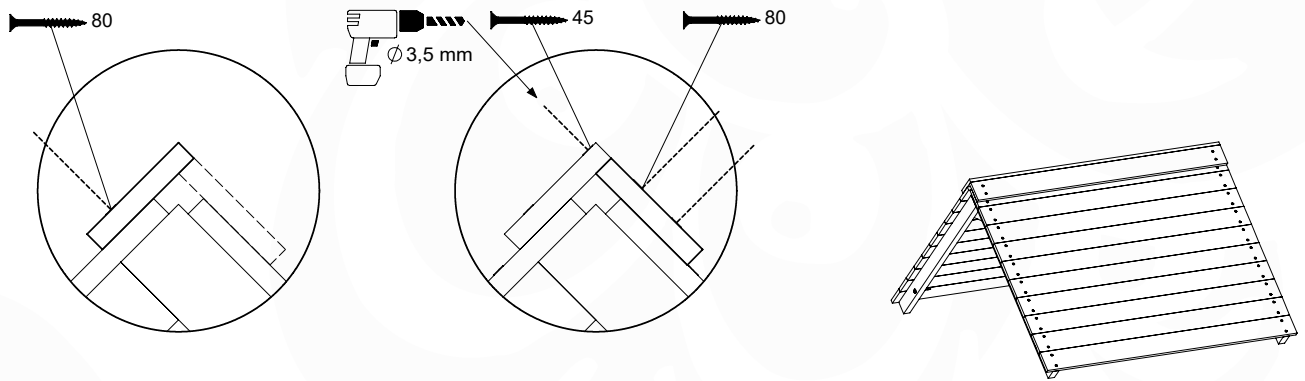
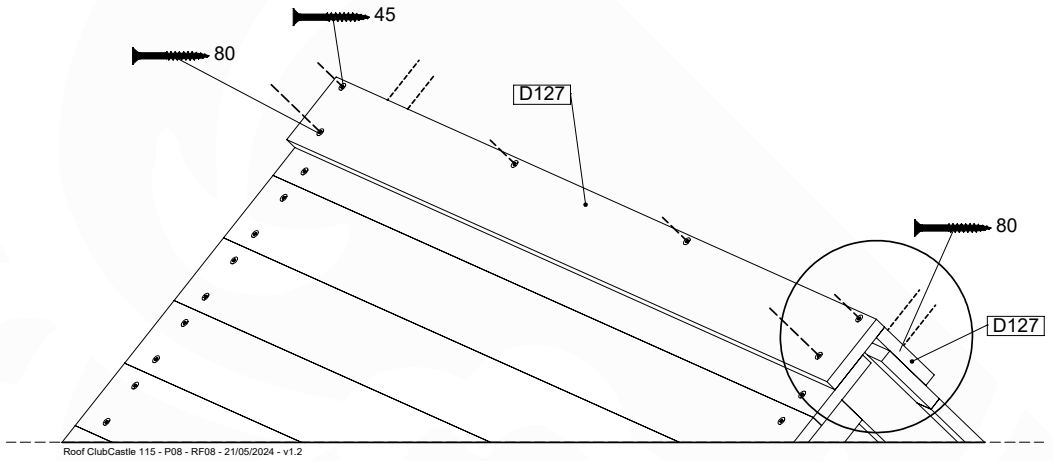
Roof Gable 115 - P03 - RF08 - 21/05/2024 - v1.2



12.1



12.2

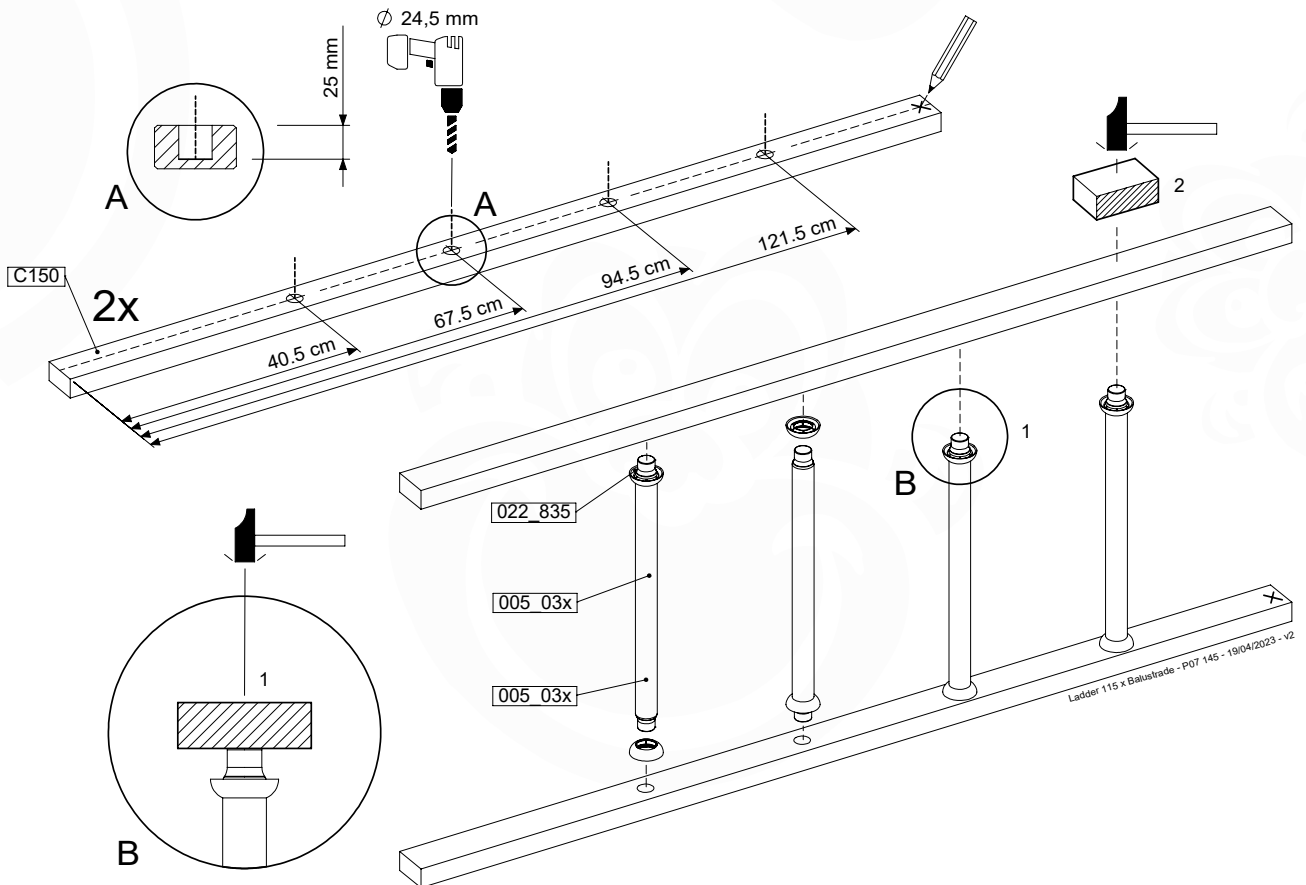
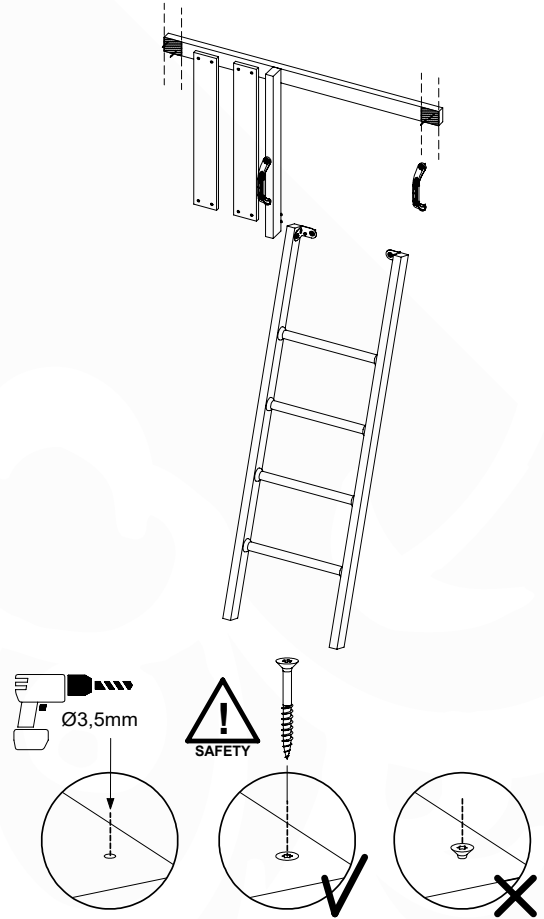


13 LA16a: Ladder 115 145 U Right

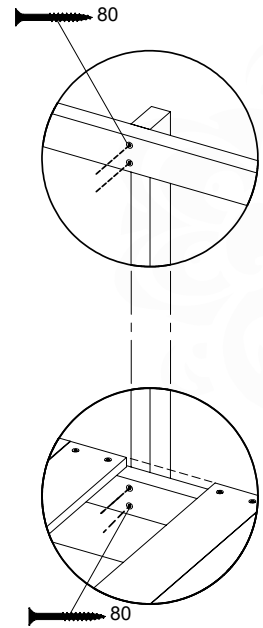
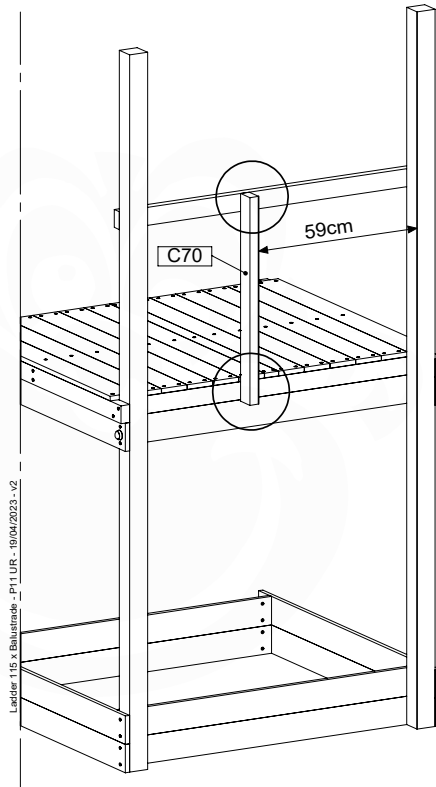
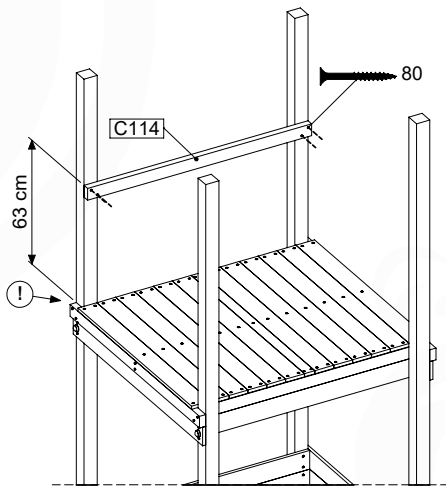
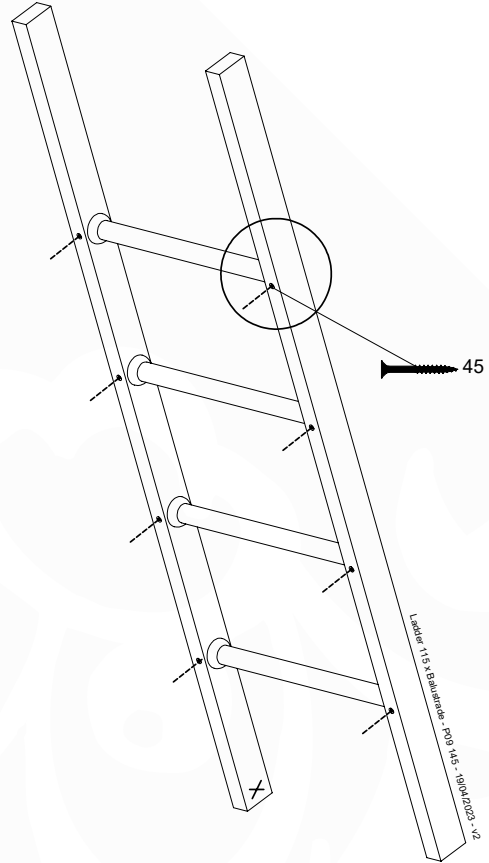
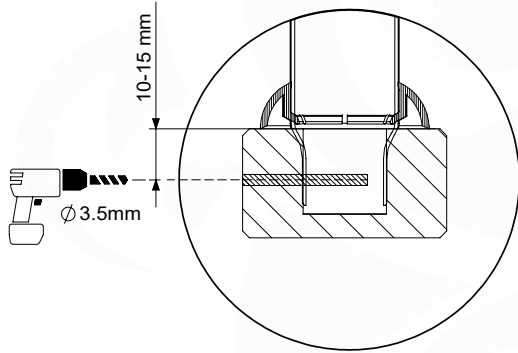
(194_004 + 194_101)

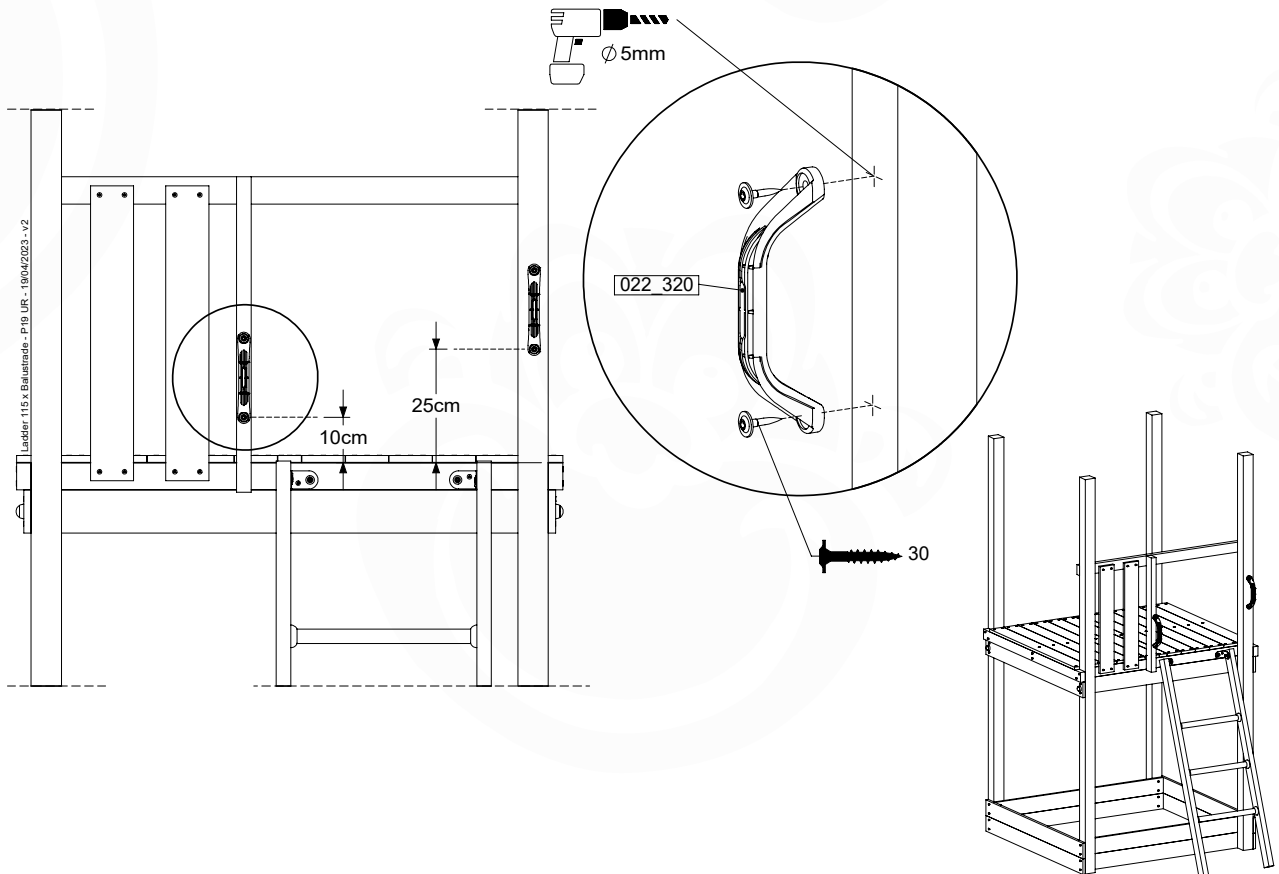
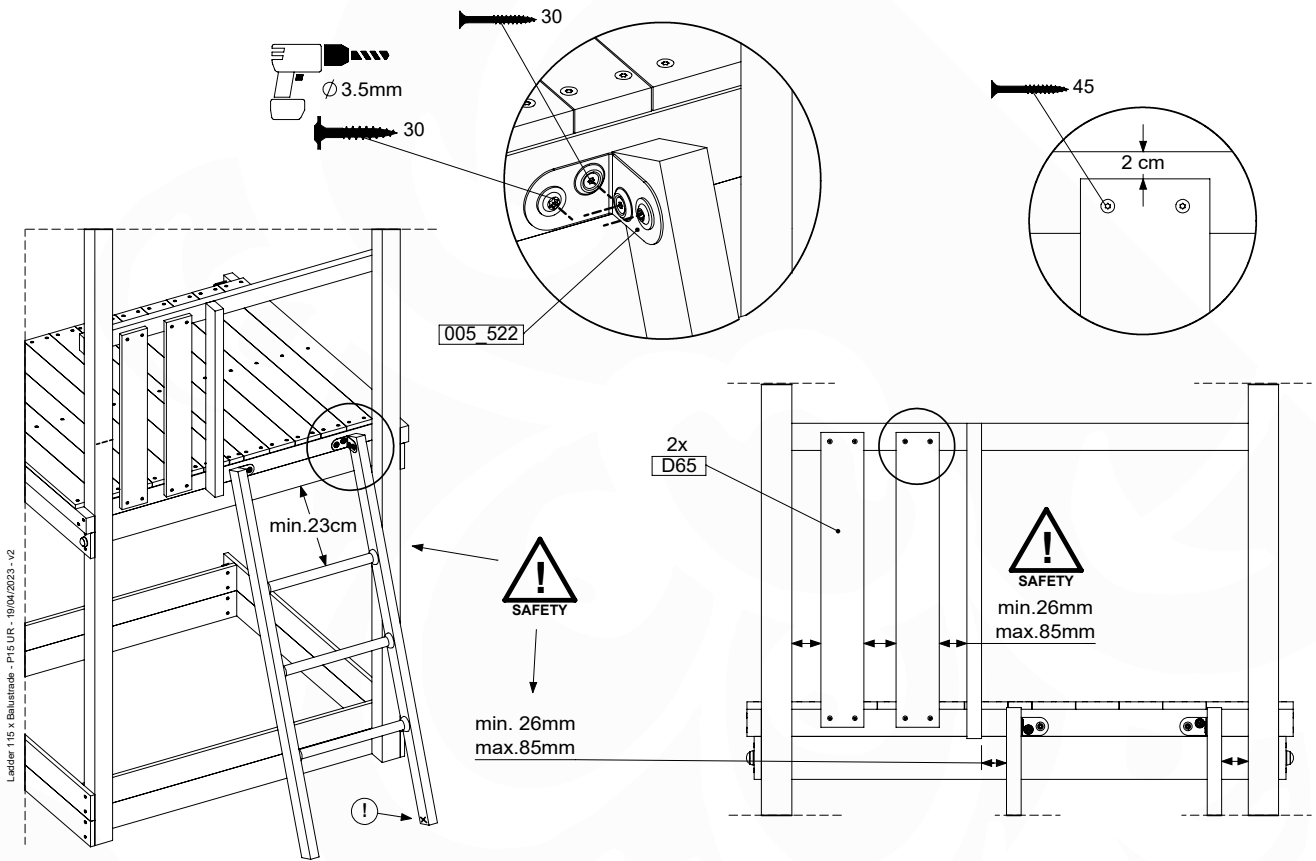
	PartNo	PartName	QTY.
Hardware Pack	001_404	Stealth Screw 8x30	4
	002_219	Gap Point Screw T25 - 5x30	4
	002_220	Gap Point Screw T25 - 5x45	16
	002_223	Gap Point Screw T25 - 5x80	8
Other	005_03x	Ladder Rung Y/B/G/R	4
	005_522	Connection Bracket Mini Market	2
	022_835	Rung Cap	8
	120_102	Handgrip set (complete 2x)	1
Timber	C114	Beam 1140 mm	1
	C150	Beam 1500 mm	2
	C70	Beam 700 mm	1
	D65	Board 650 mm	2

Ladder 115 x Balustrade - P23 UR 145 - 19/04/2023 - v2



Ladder 115 x Balustrade - P07 145 - 19/04/2023 - v2



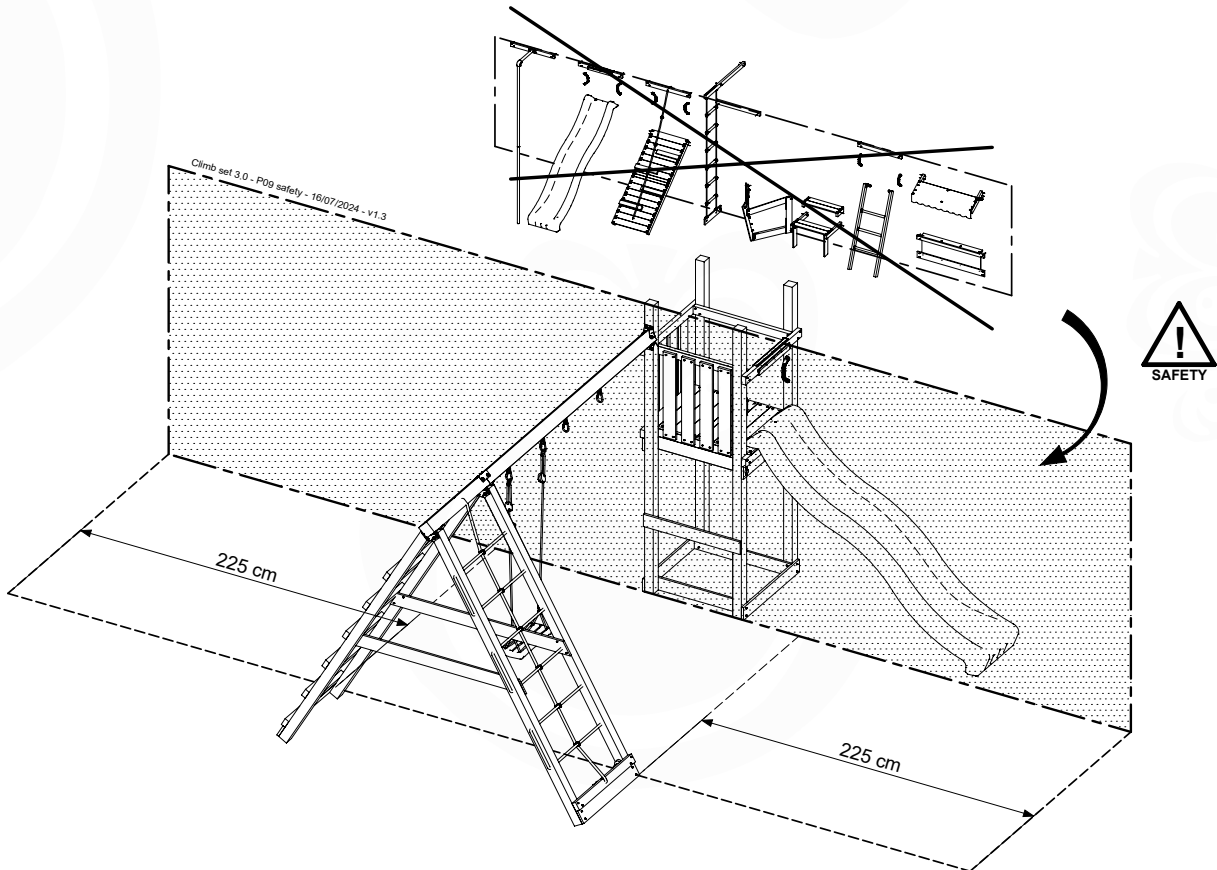
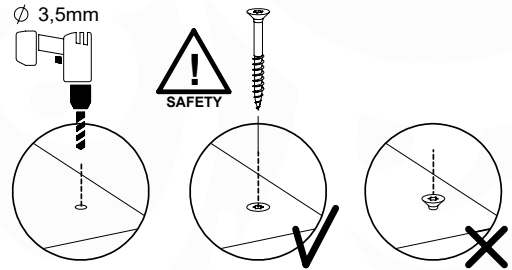
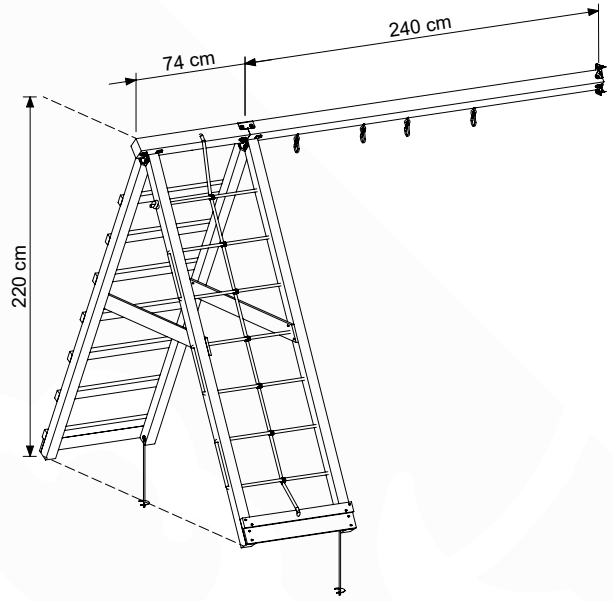


14 CL14a: 2- Climb Module 220 - 3.0

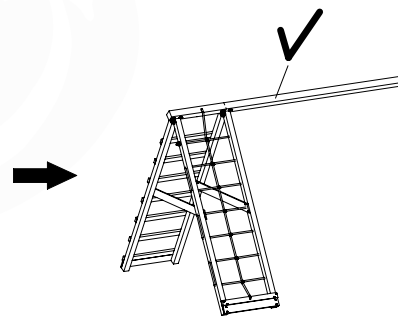
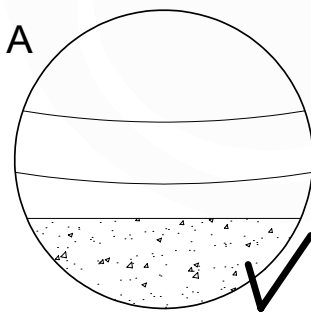
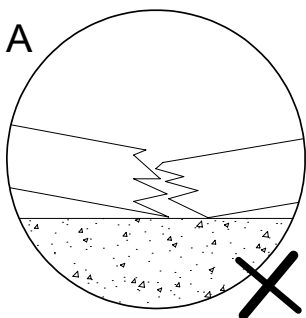
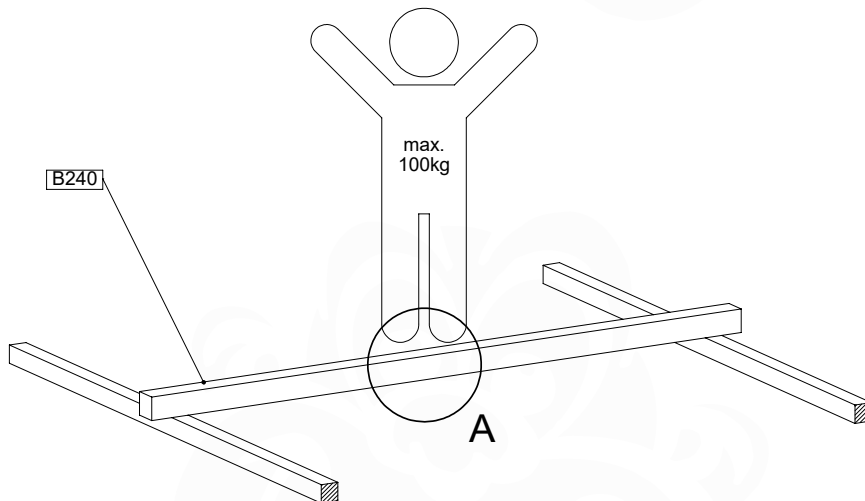
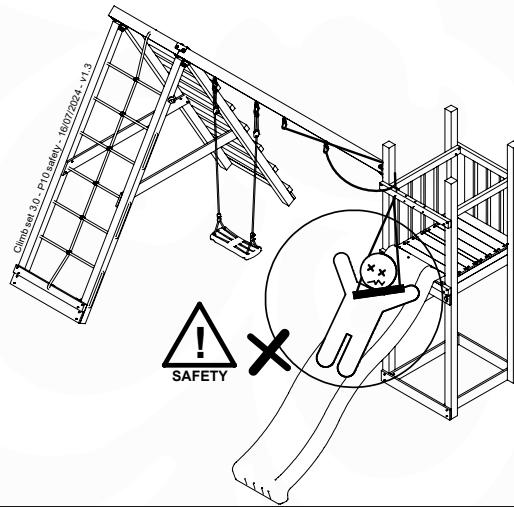
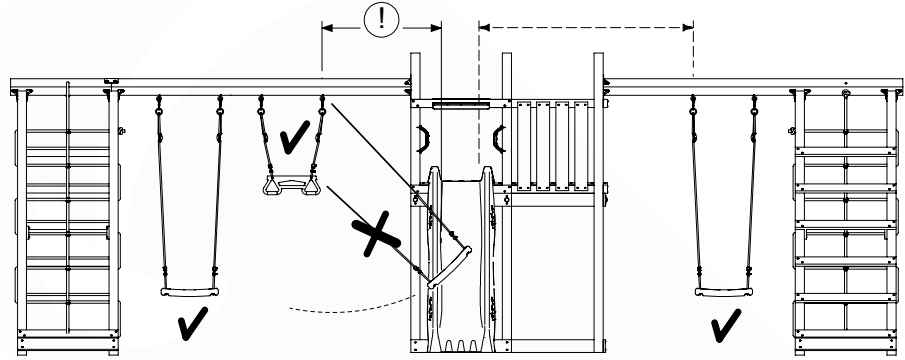
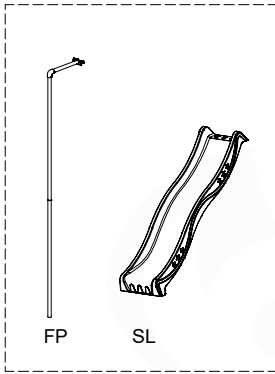
Assembly Kit: 457_107

	PartNo	PartName	QTY.
Hardware + Parts	001_406	Stealth Screw 8x45	34
	001_417	Stealth Screw 8x80	2
	002_220	Gap Point Screw T25 - 5x45	36
	002_223	Gap Point Screw T25 - 5x80	35
	002_301	Dry Wall Screw PH2 3.9 x 40 mm	7
	023_042	Nylon washer 9x19x1.5	32
	005_096	A-Frame V-Connector	4
	005_097	Swing V-Connector	2
	007_001	Ground-anchor	2
	020_317	Rope Polyester 16mm Green 3.4m	1
	020_318	Rope Polyester 16mm Green 8.1m	1
	022_455	Rope Cross Connector Egg	7
	101_003	Swing hook with Carabiner	2
Timber	A240	Post ca.70x70 L2400	4
	B240	Post ca.90x90 L2400	1
	C74	Beam 740 mm	8
	D74	Board 740 mm	2
	D141	Board 1410 mm	3

Climb set 3.0 - P06 2C220 - 16/07/2024 - v1.3

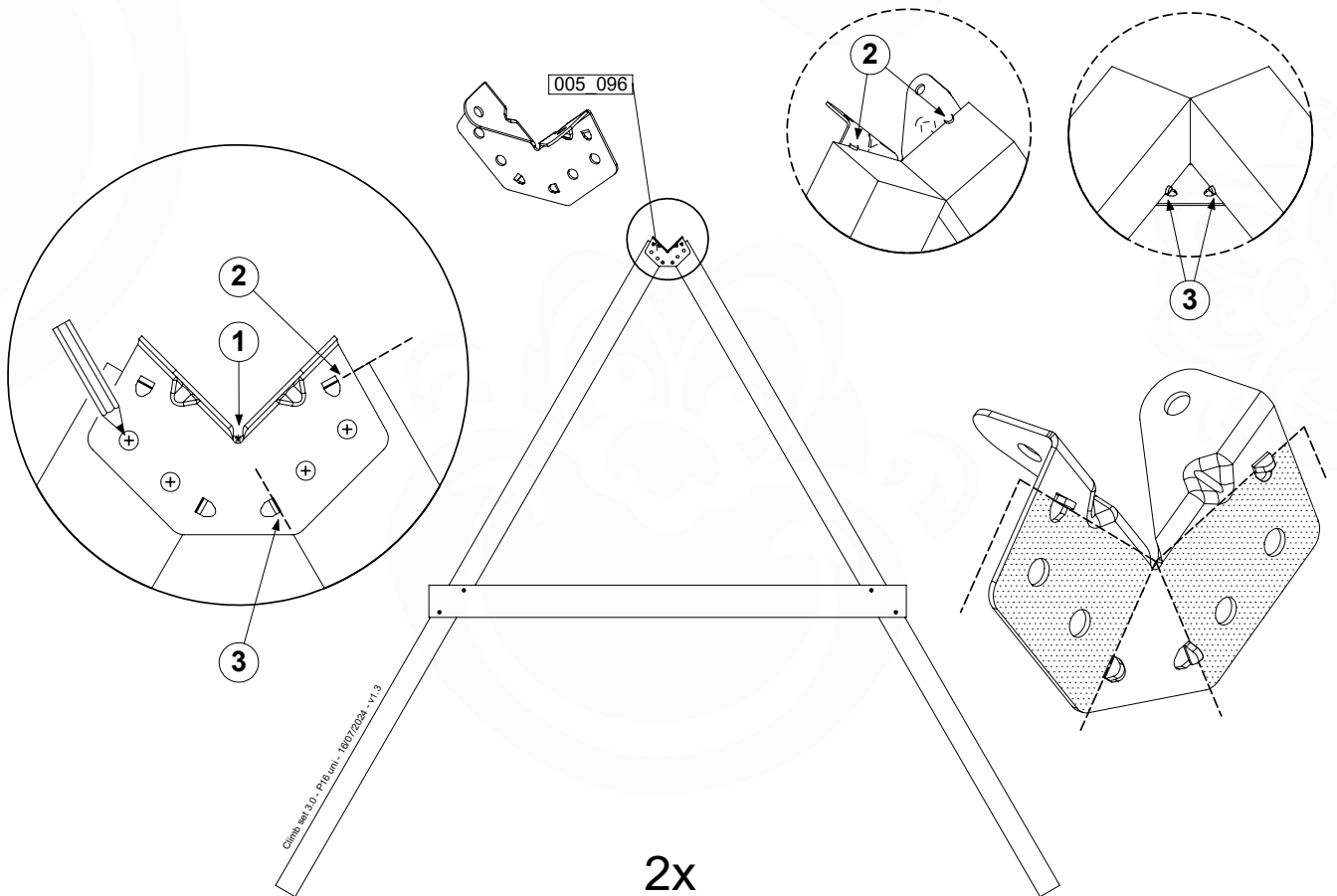
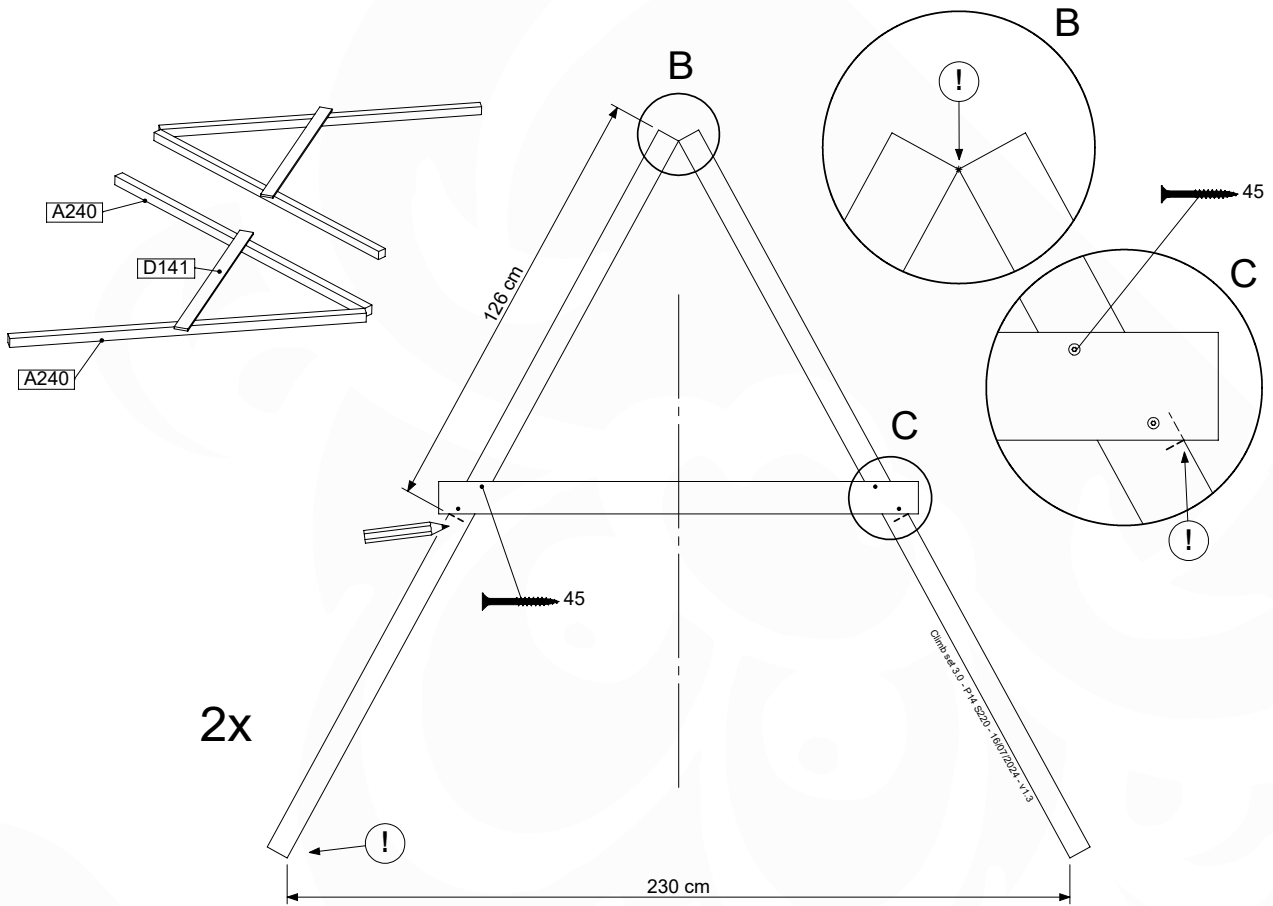


14.1



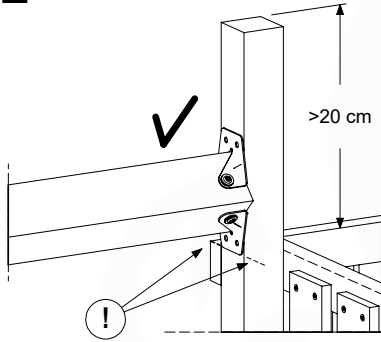
Clima set 3.0 - P12 2S220 - 16/07/2024 - v1.3

14.2

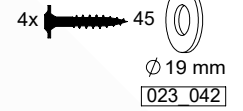
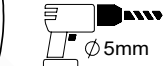
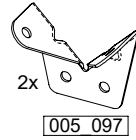
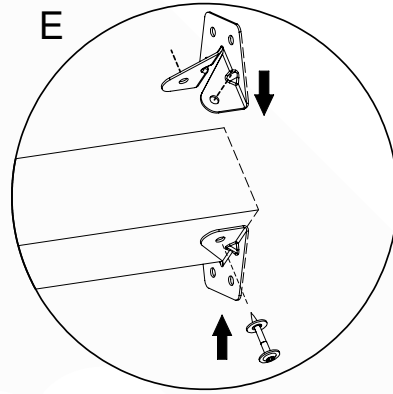


14.4

E

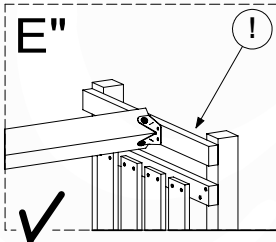
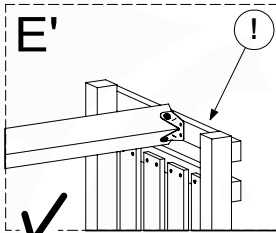
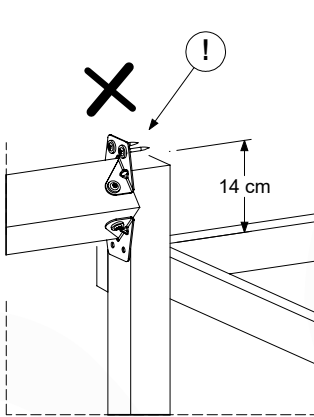


E

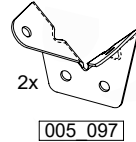
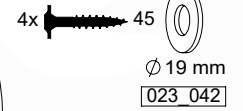
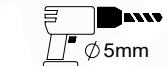
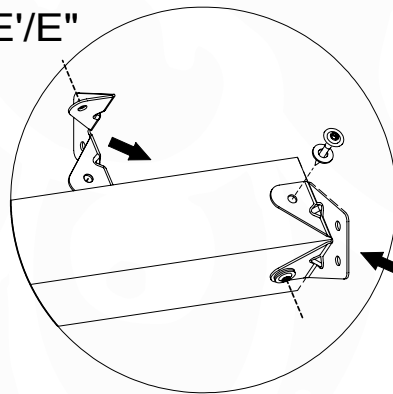


Climb set 3.0 - P22 uni - 16/07/2024 - v1.3

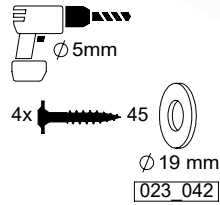
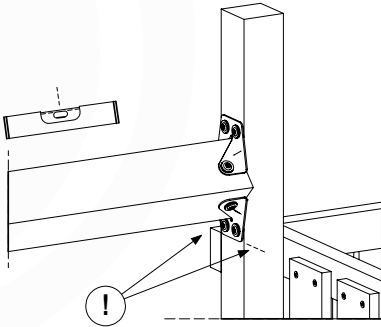
E'/E''



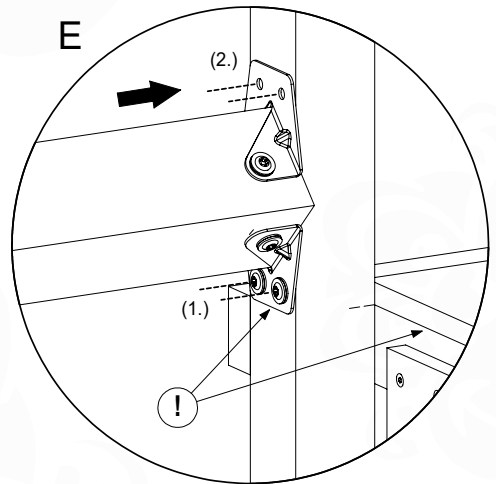
E'/E''



E

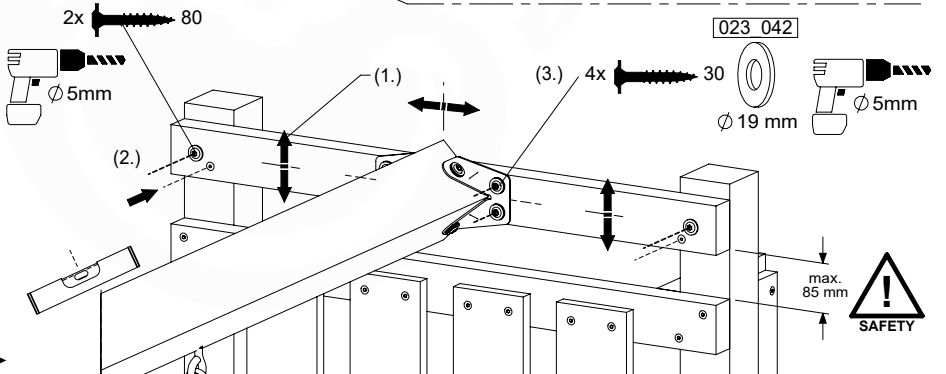
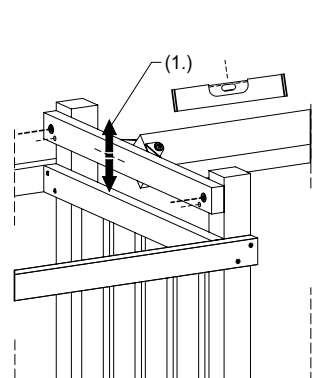


E



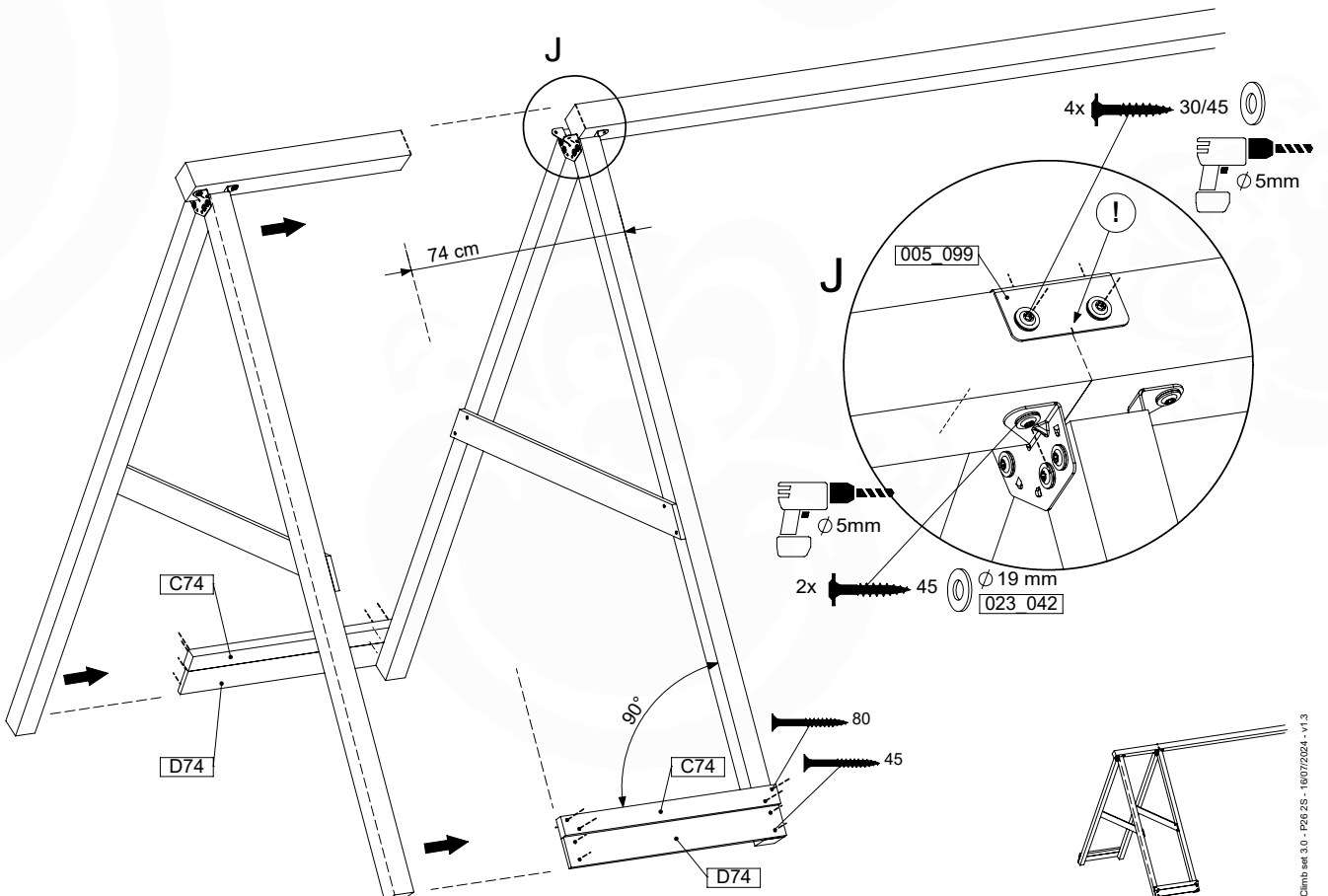
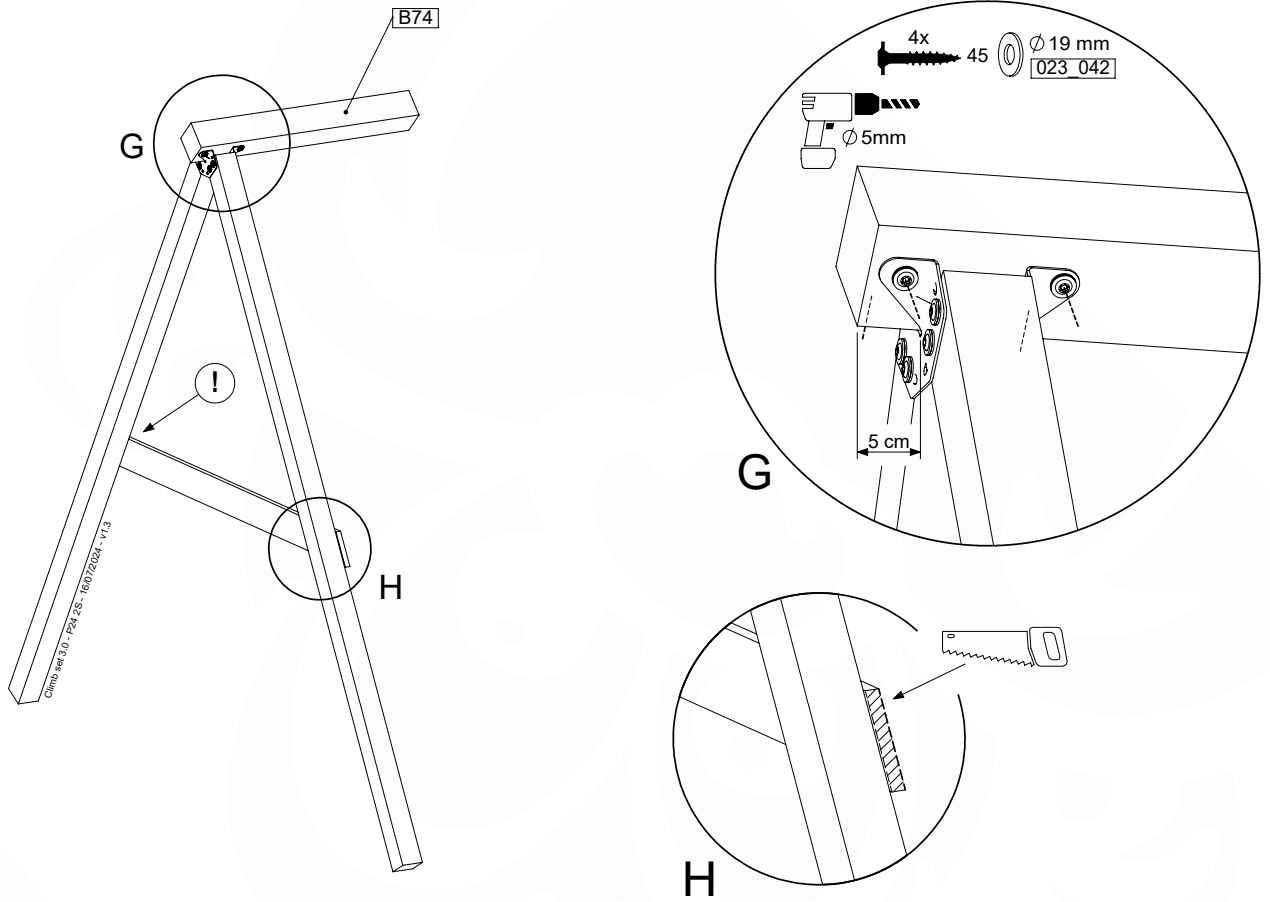
Climb set 3.0 - P23 uni - 16/07/2024 - v1.3

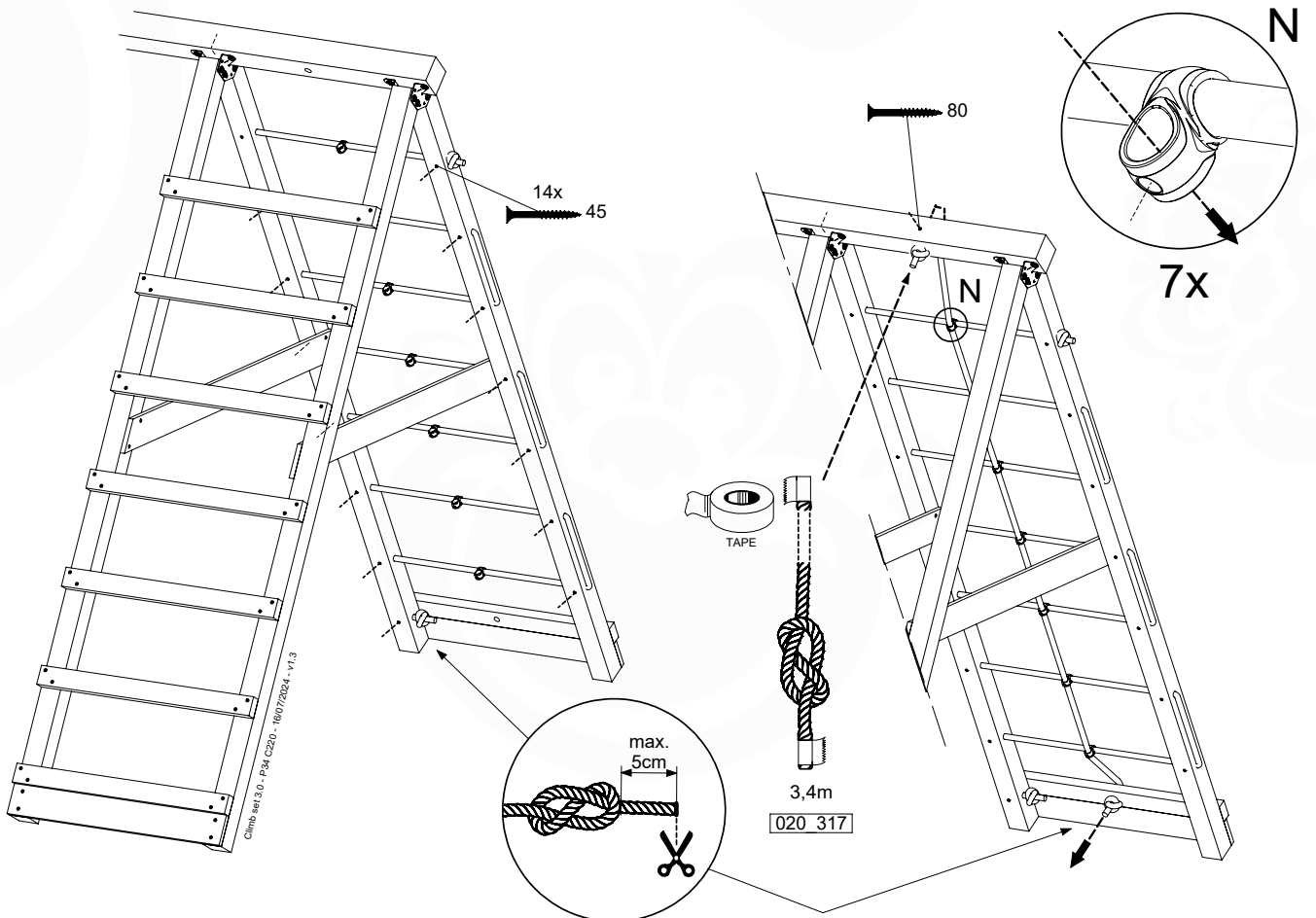
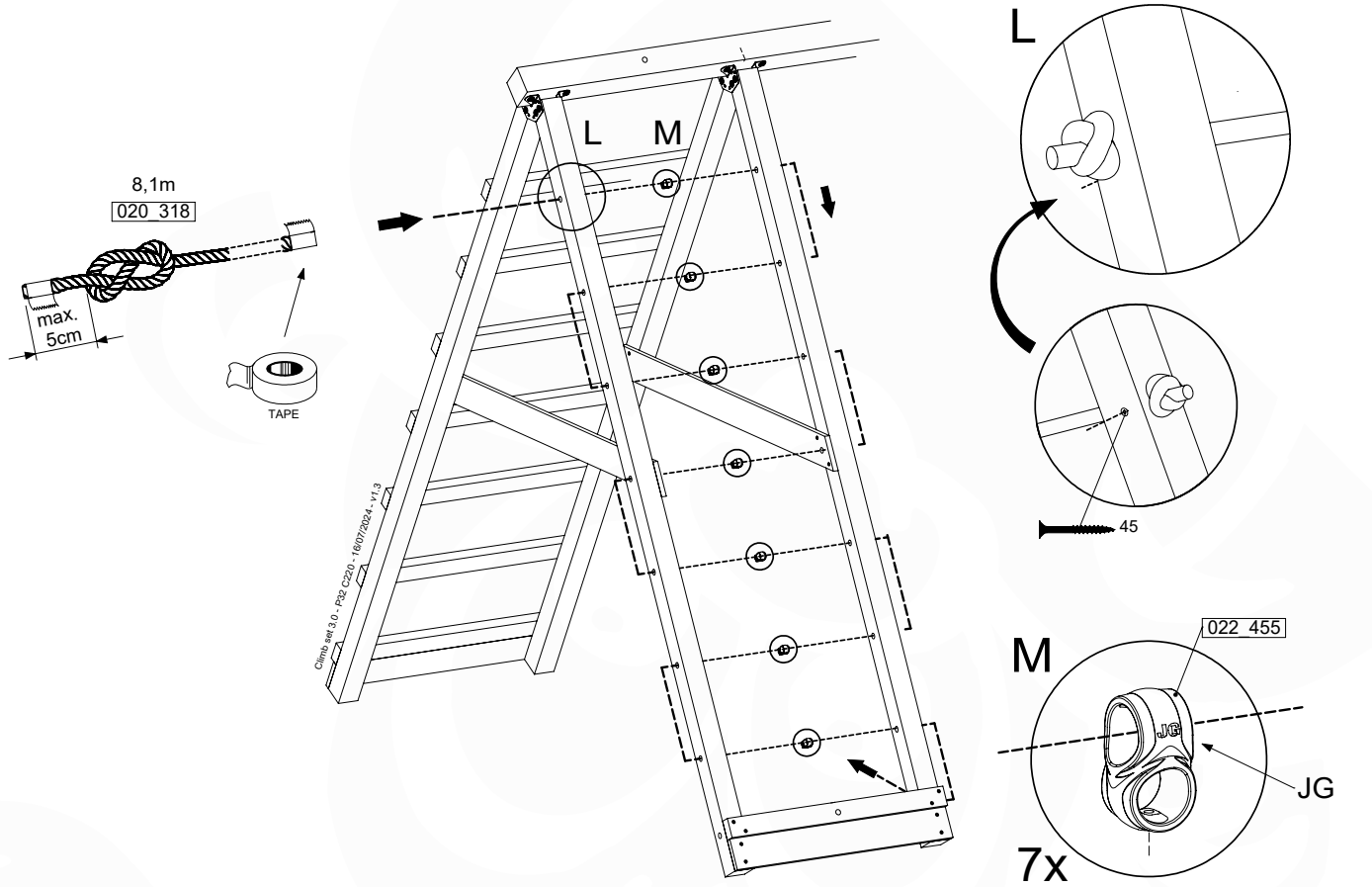
E'/E''



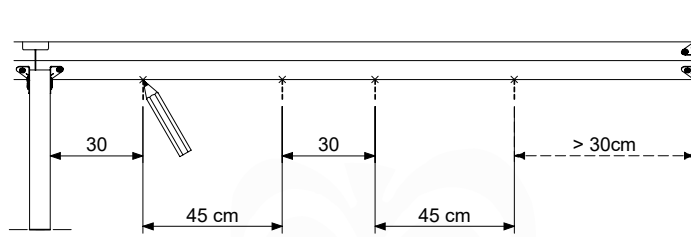
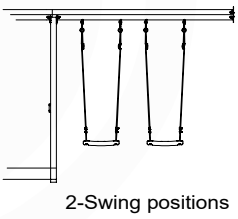
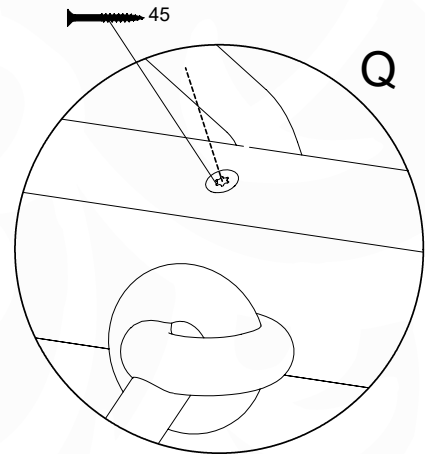
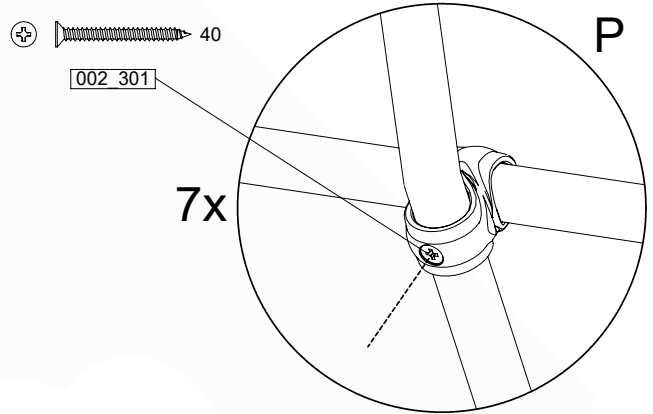
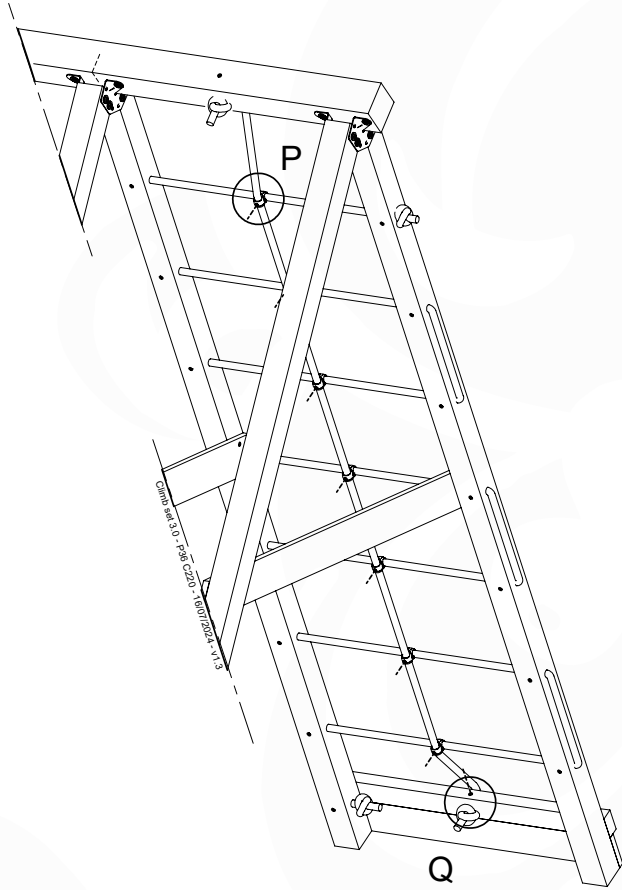
E'

(E'')

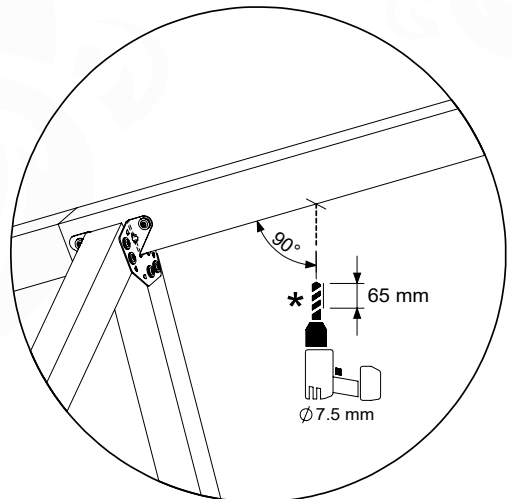
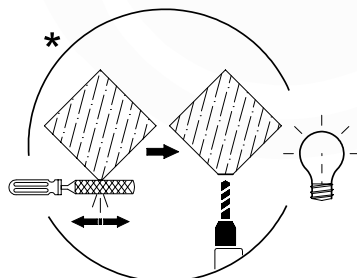
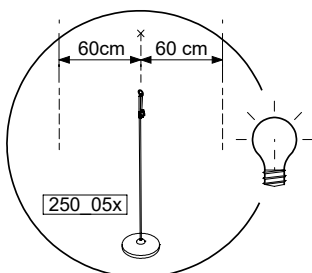


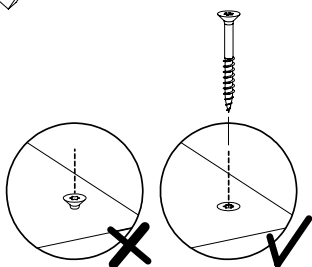
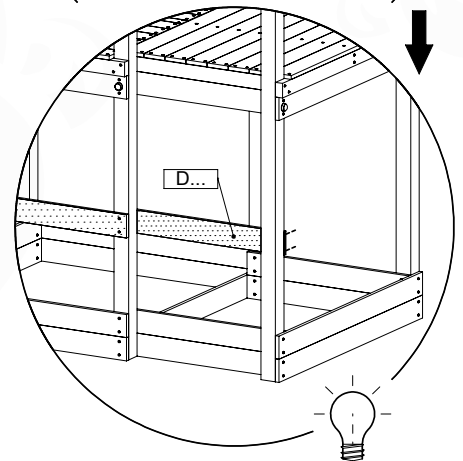
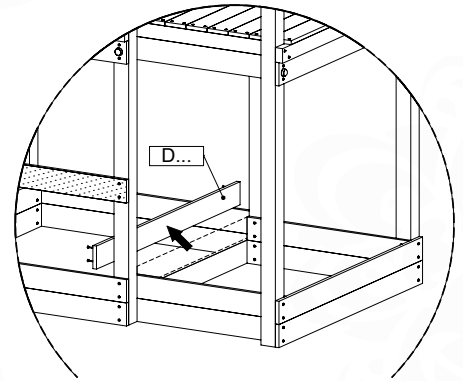
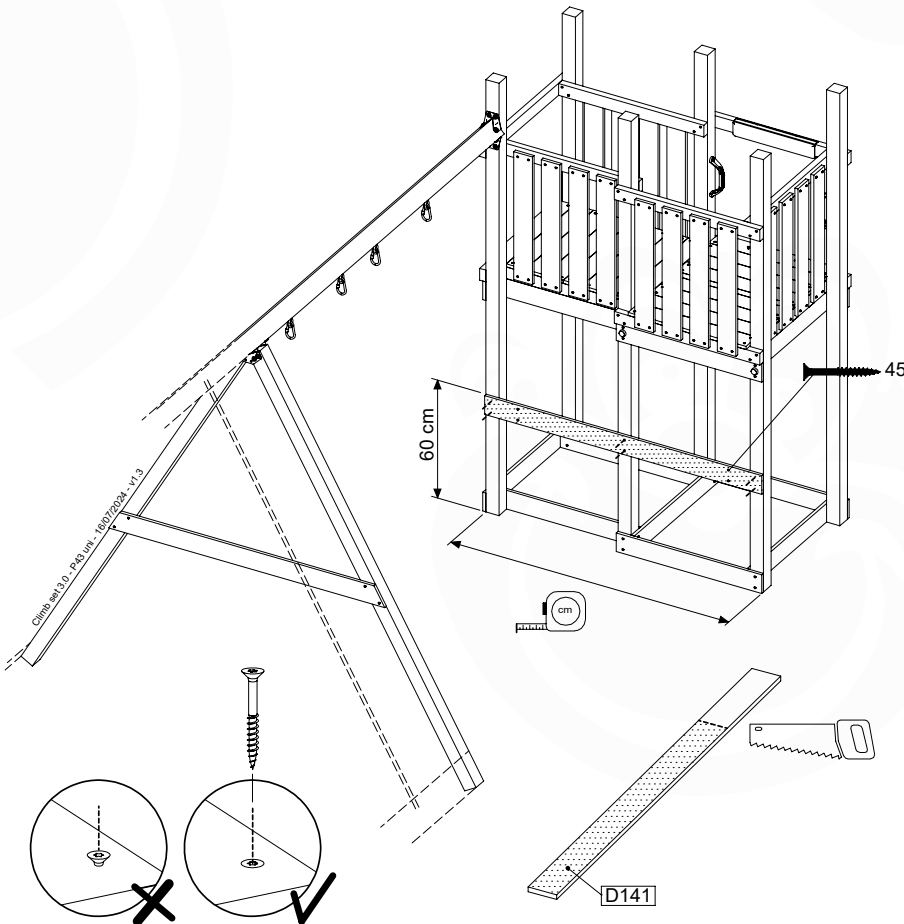
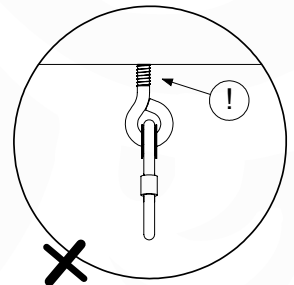
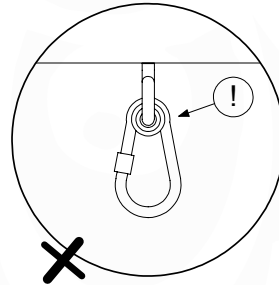
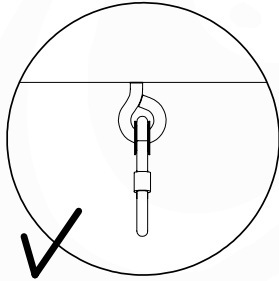
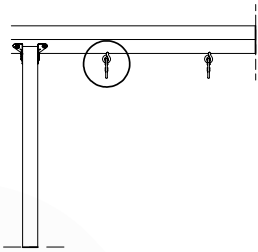
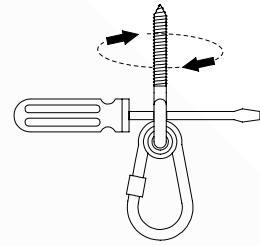
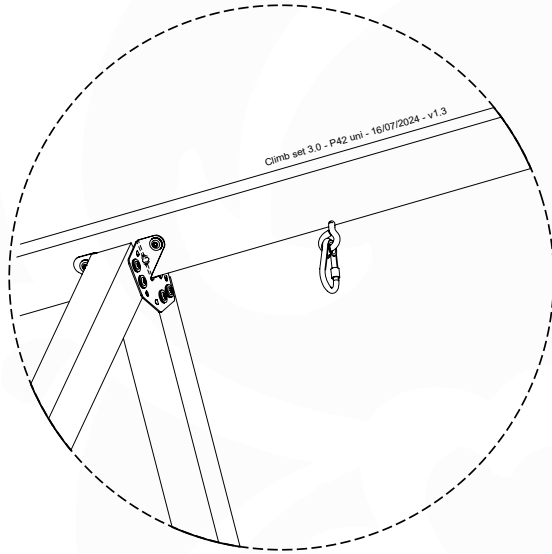
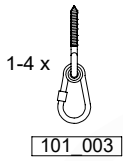


14.8

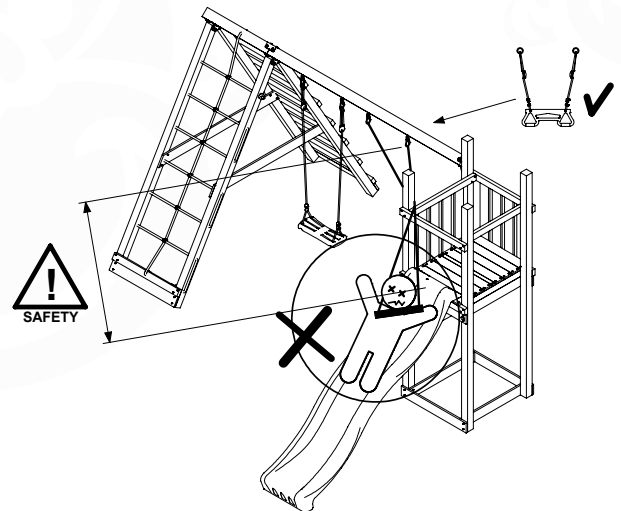
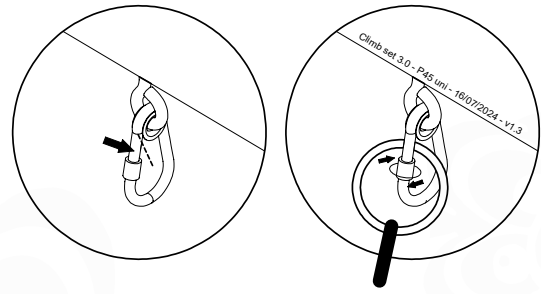
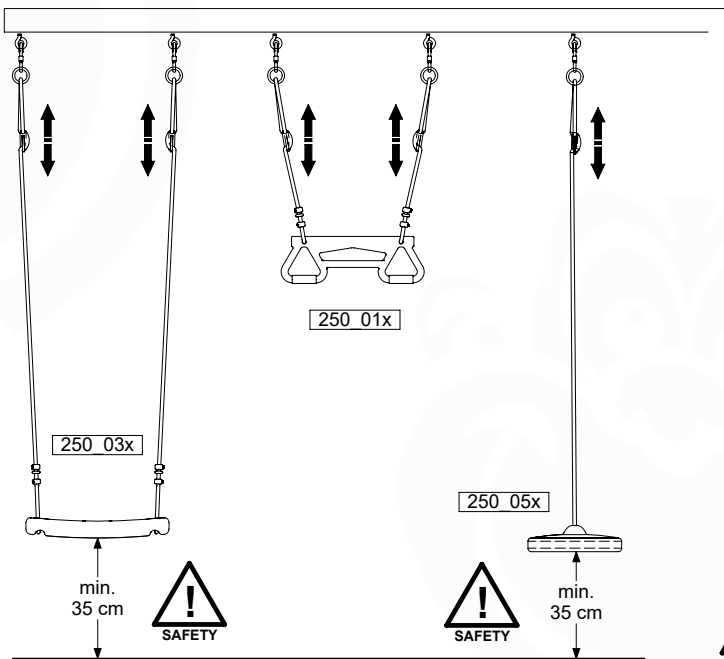
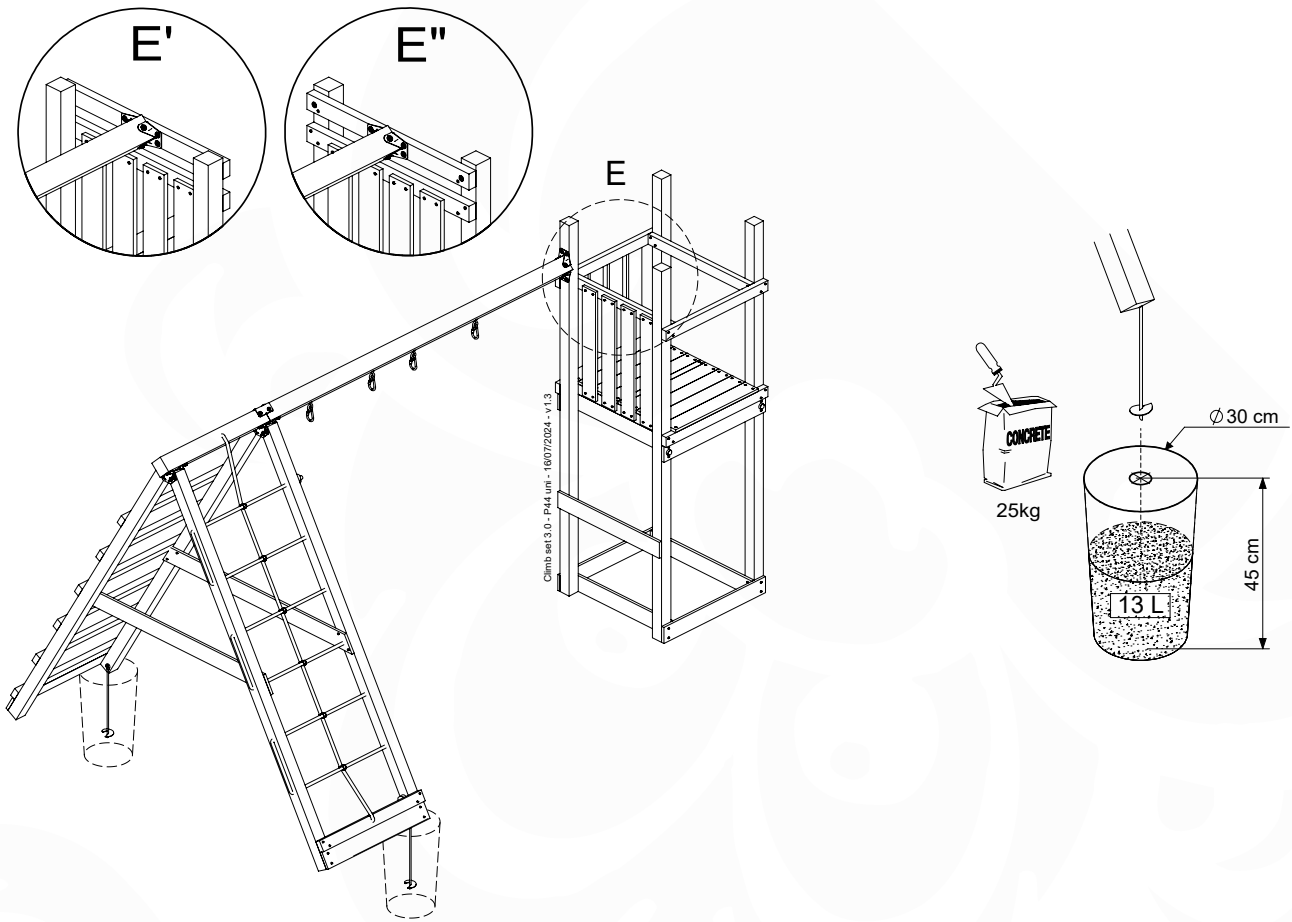


Climb set 3.0 - P41 2S220 - 10/07/2024 - v1.3





14.10

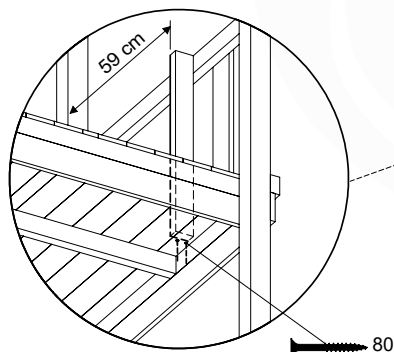
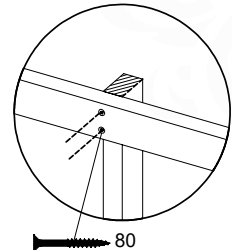
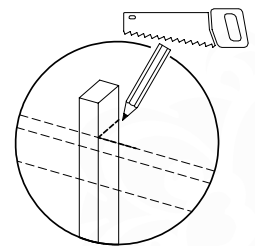
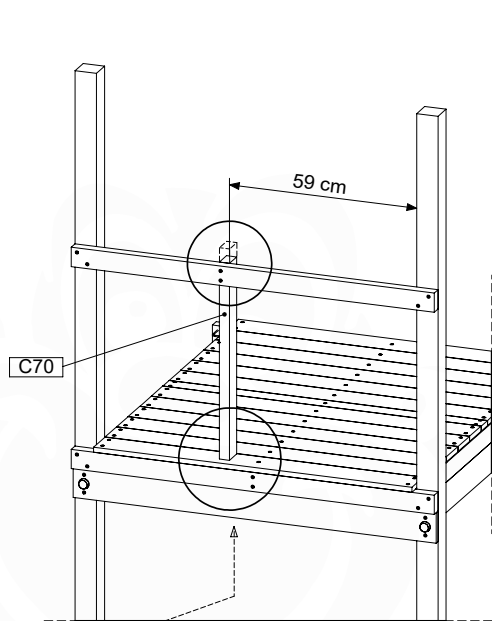
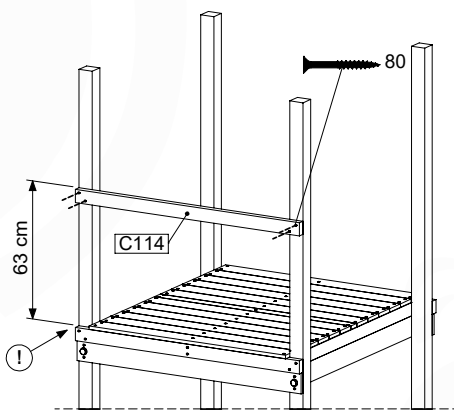
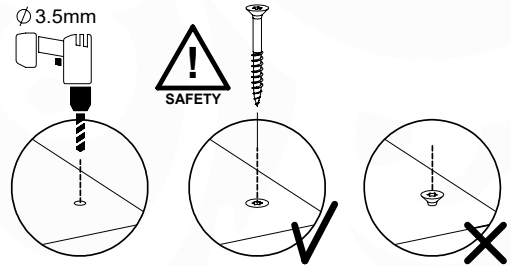
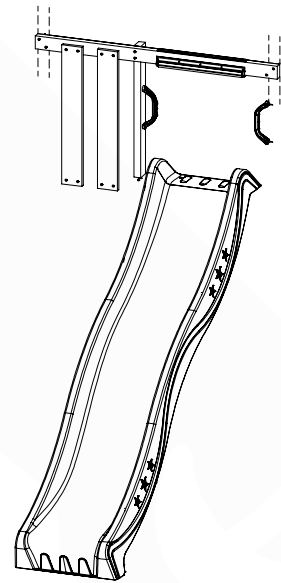


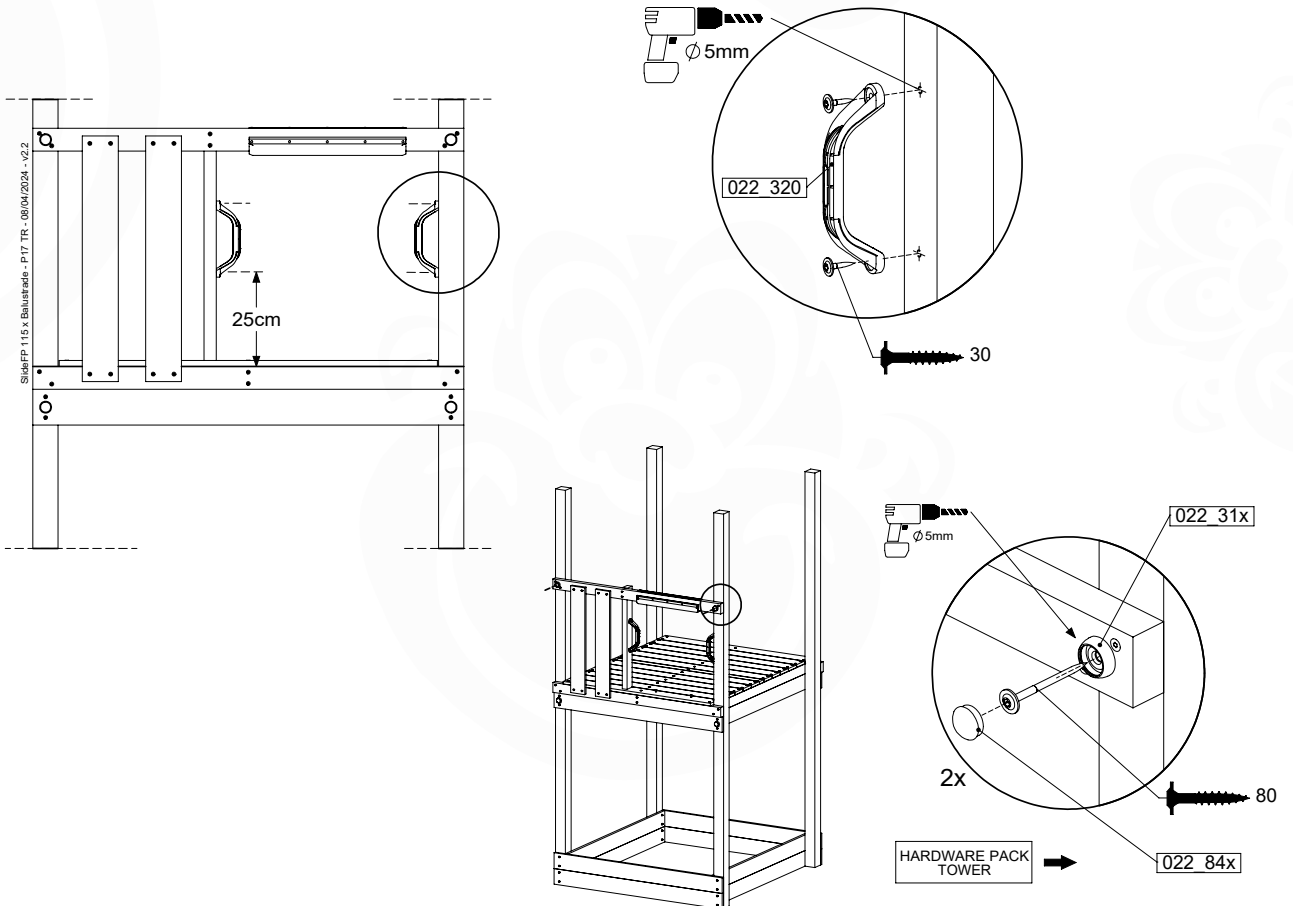
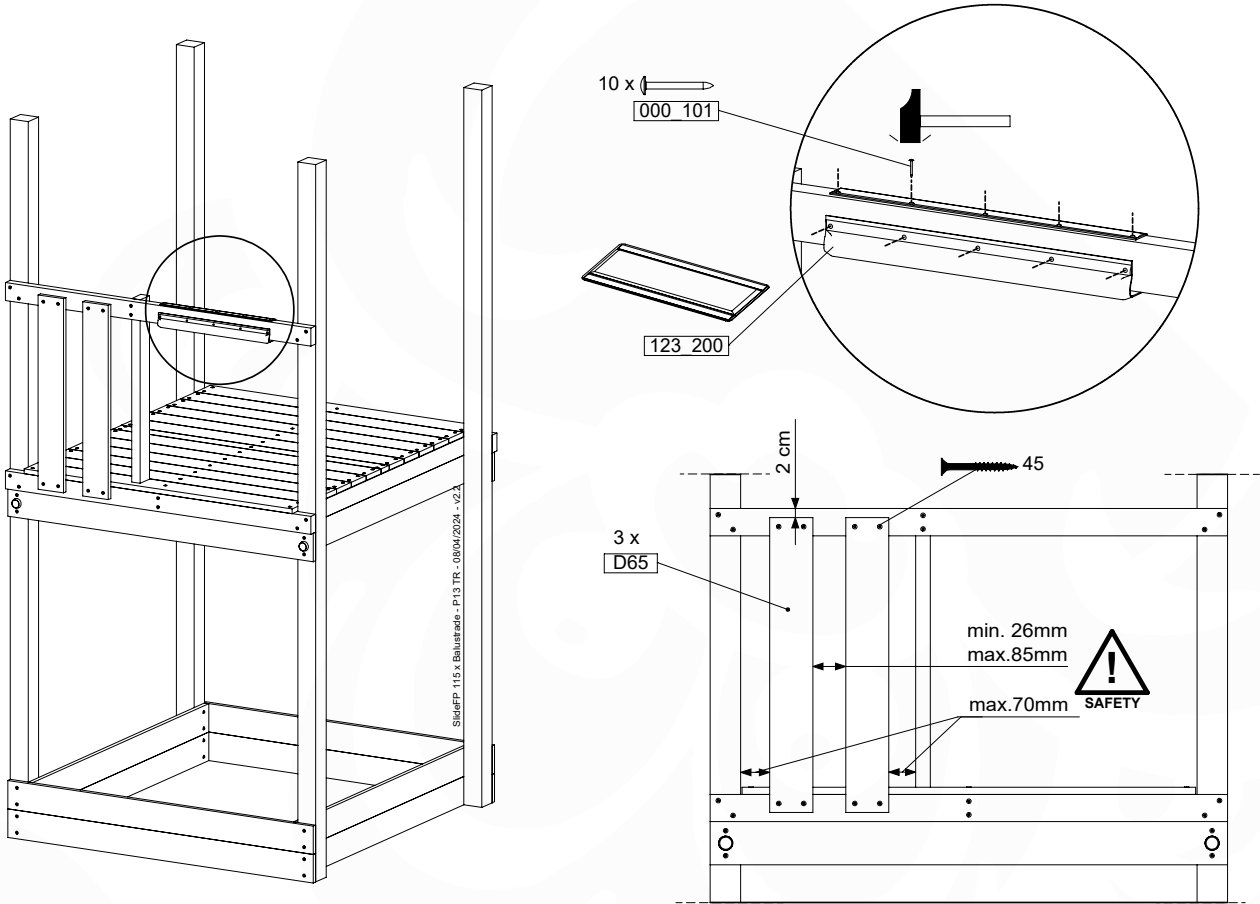
15 SL13a: Slide 115 145 T Right

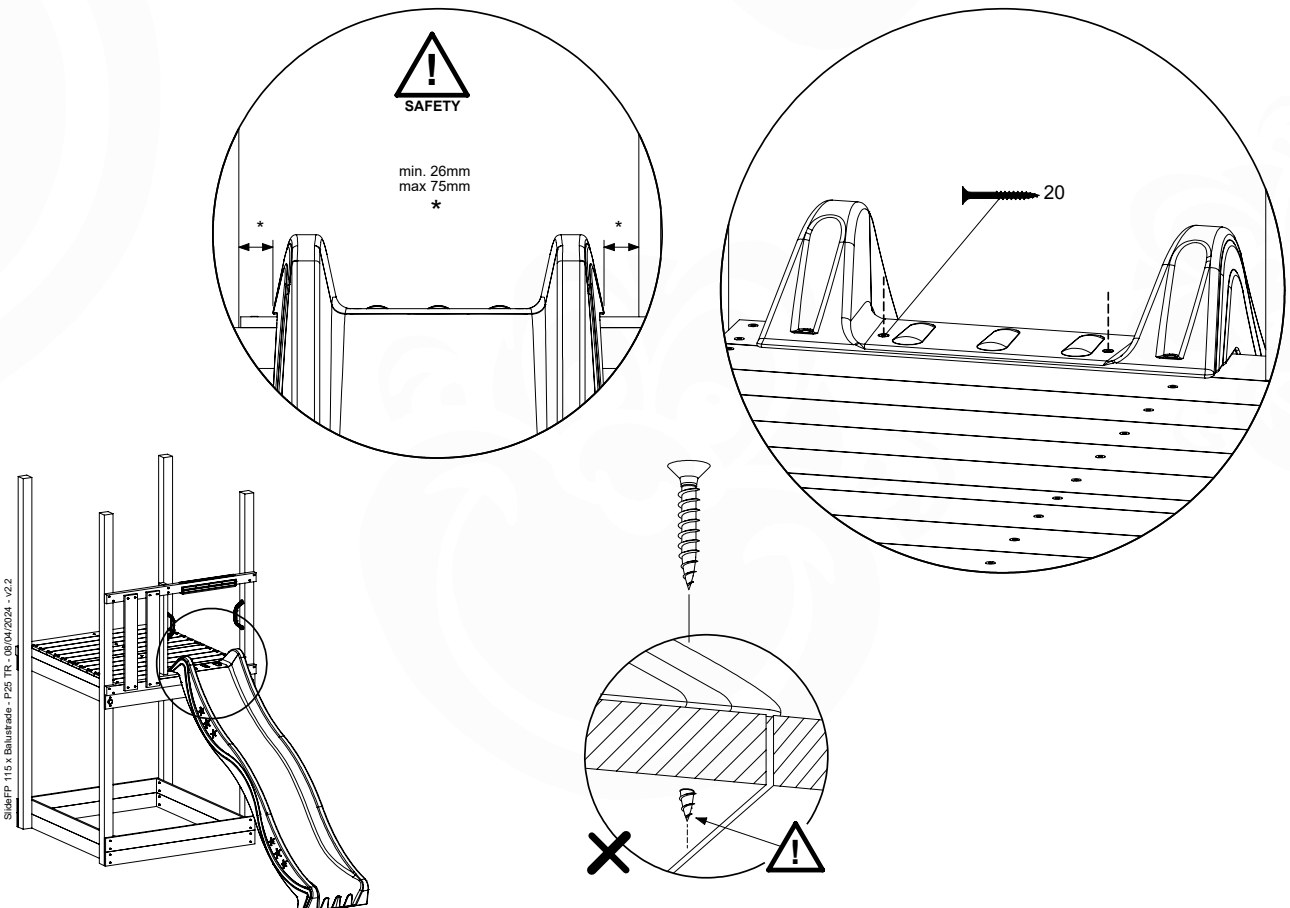
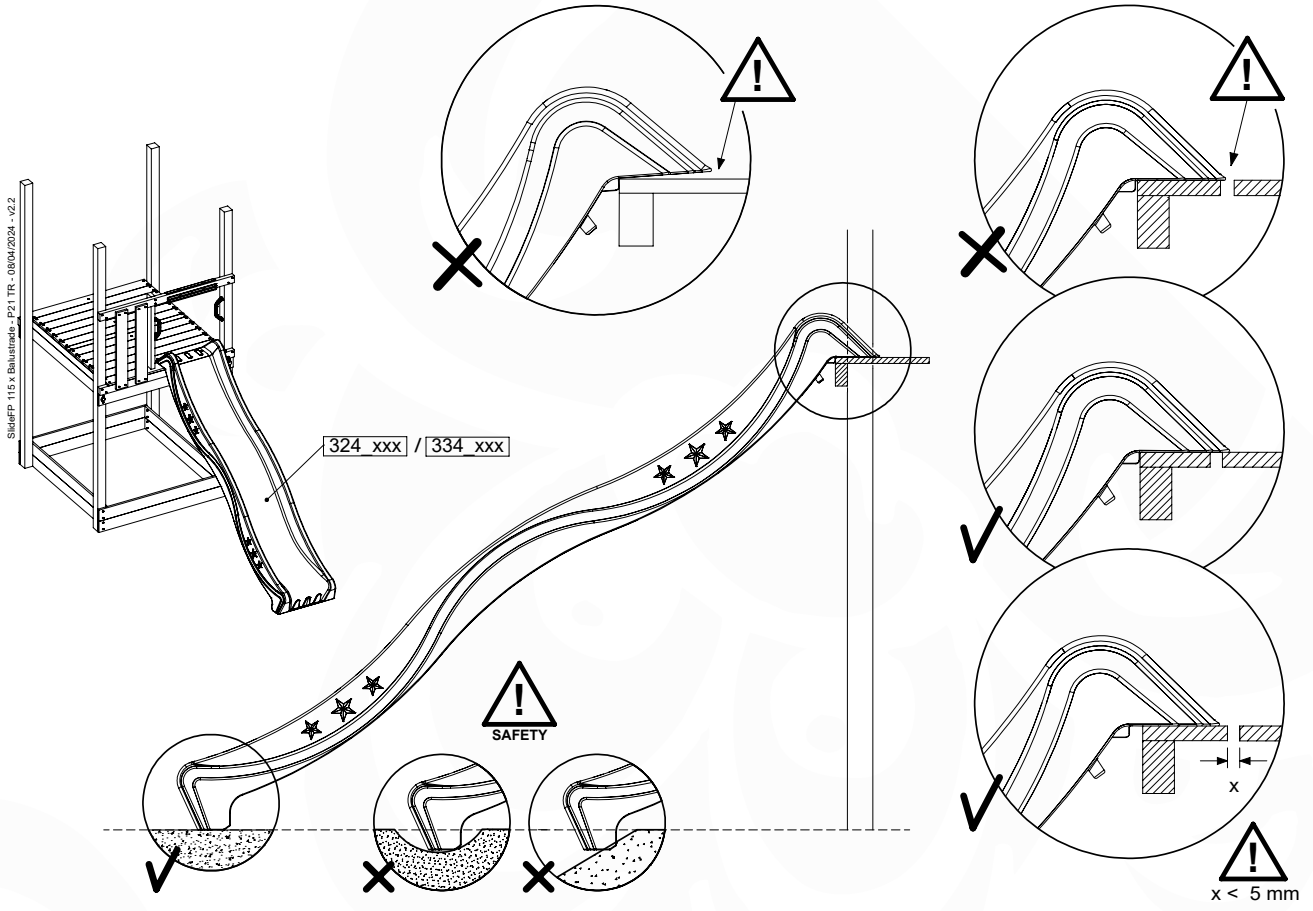
Assembly Packs: 194_107 + 194_101

	PartNo	PartName	QTY.
Hardware + Parts	000_101	Nail Pan Head	10
	002_220	Gap Point Screw T25 - 5x45	8
	002_223	Gap Point Screw T25 - 5x80	8
	002_308	Gap Point Screw T25 - 5x20	2
	120_102	Handgrip set (complete 2x)	1
	123_200	Bumperpad	1
	324_xxx 334_xxx	Wavy Star Slide XL 2200 mm / Wavy Star Slide XXL 2650 mm	1
Timber	C114	Beam 1140 mm	1
	C70	Beam 700 mm	1
	D65	Board 650 mm	2

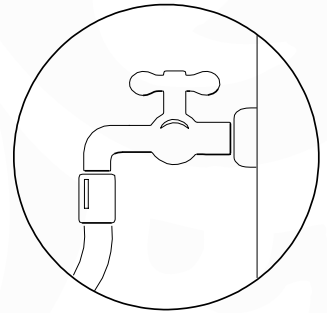
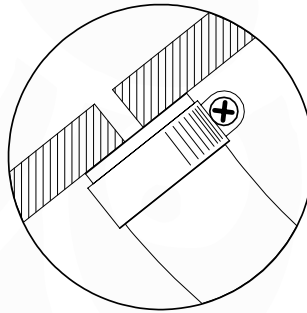
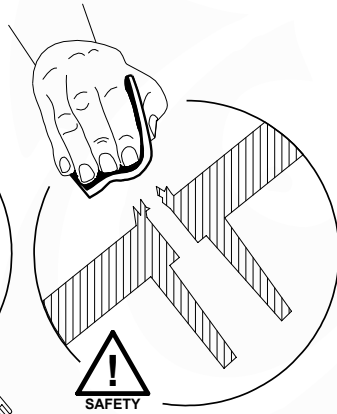
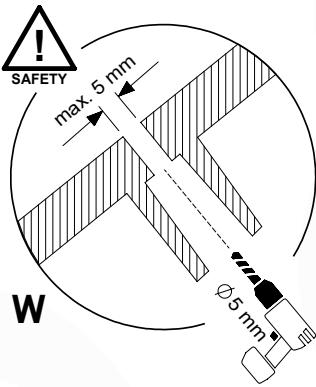
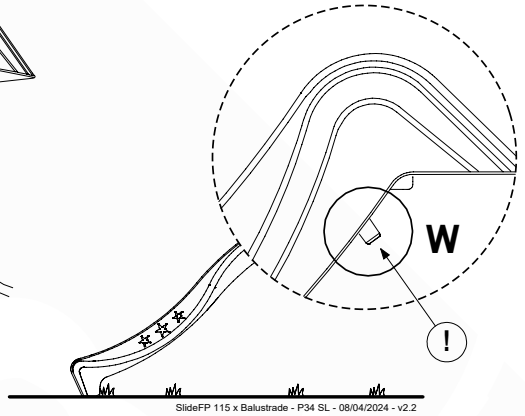
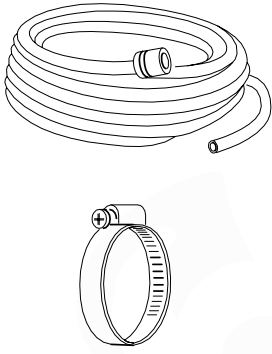
SlideFP 115 x Barsteele - P05 TR - 08/04/2024 - v2.2



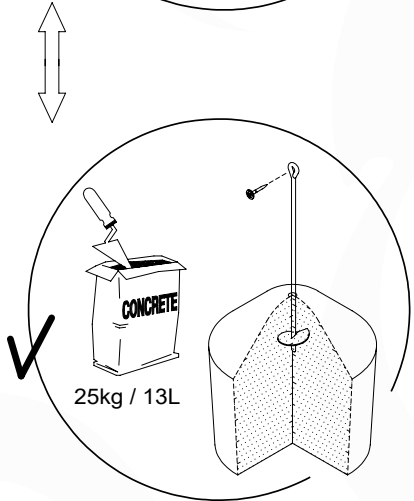
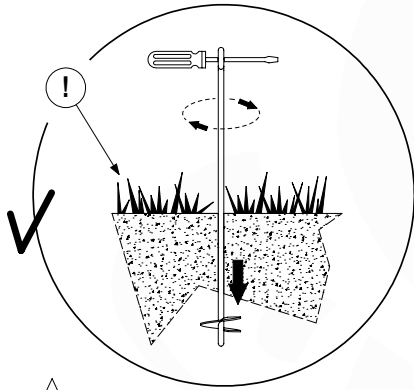




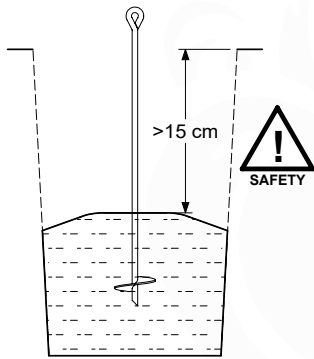
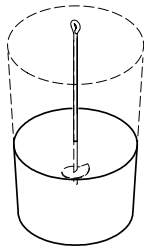
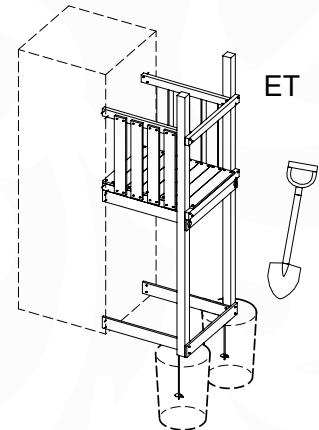
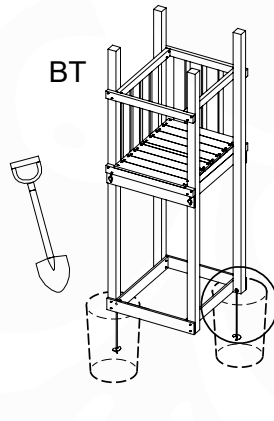
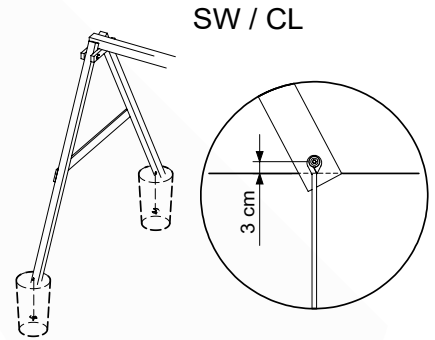
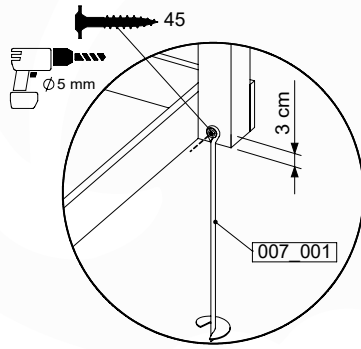
15.3



16 GA: Ground Anchors



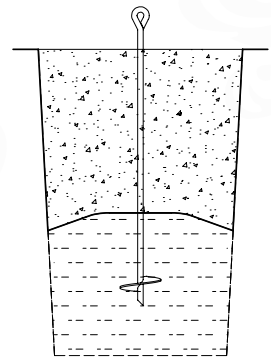
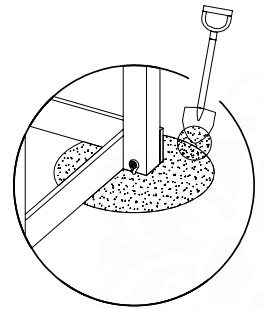
Ground Anchors Unit - PD3 - 14/06/2024 - v1.5



1.



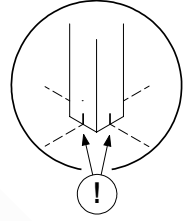
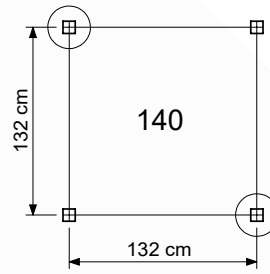
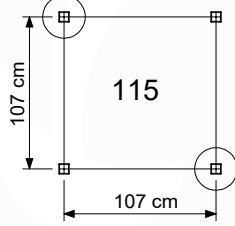
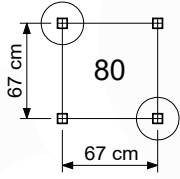
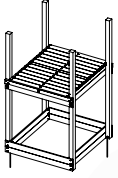
2.



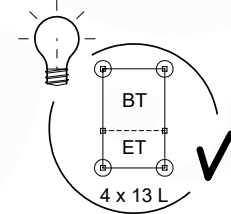
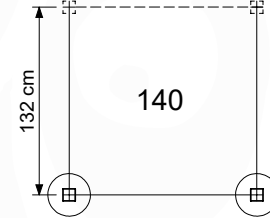
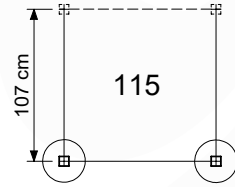
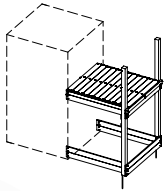
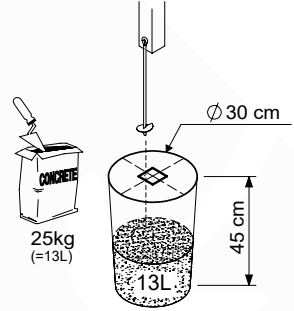
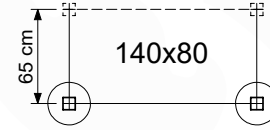
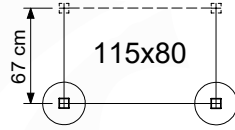
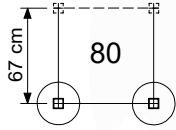
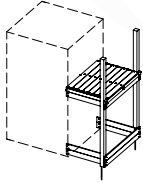
3.

Ground Anchors Unit - PD4 - 14/06/2024 - v1.5

BASE TOWERS

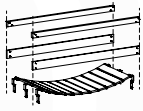


EXTENSION TOWERS

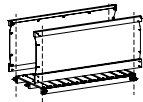


Ground Anchors Uni. - P01 - 14/06/2024 - v1.5

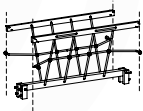
BRIDGES



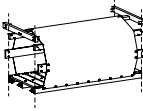
CLATTER



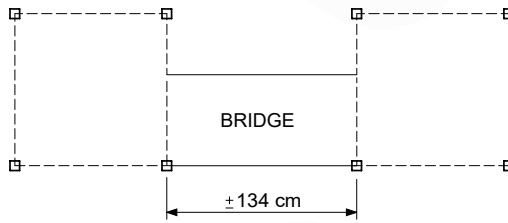
BOARDWALK



NET



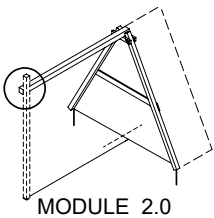
TUNNEL



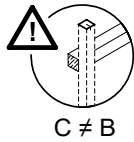
BRIDGE

Ground Anchors Uni. - P02 - 14/06/2024 - v1.5

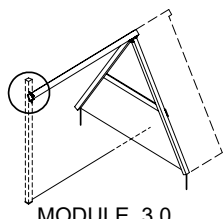
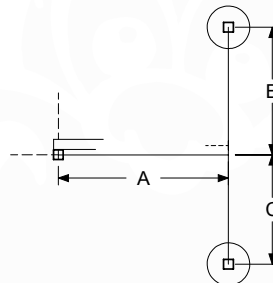
SWING / CLIMB



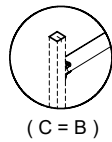
MODULE 2.0



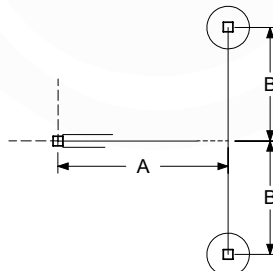
C ≠ B



MODULE 3.0



(C = B)



MODULE 2.0	Module type	A	B	C
	1-Swing 200	150	115	100
1-Swing 220 (Extra)		120	105	
1-Climb 200	142			
2-Climb 200	210	115	100	
2-Swing 200				
1-Climb 220 (Extra)	162			
2-Climb 220 (Extra)	230	120	105	
2-Swing 220 (Extra)				

cm

MODULE 3.0	Module type	A	B
	1-Swing 200 - 3.0	155	110
1-Swing 220 (Extra) - 3.0		115	
1-Climb 200 - 3.0	148		
2-Climb 200 - 3.0	222	110	
2-Swing 200 - 3.0	215		
1-Climb 220 (Extra) - 3.0	170		
2-Climb 220 (Extra) - 3.0	242	115	
2-Swing 220 (Extra) - 3.0	235		

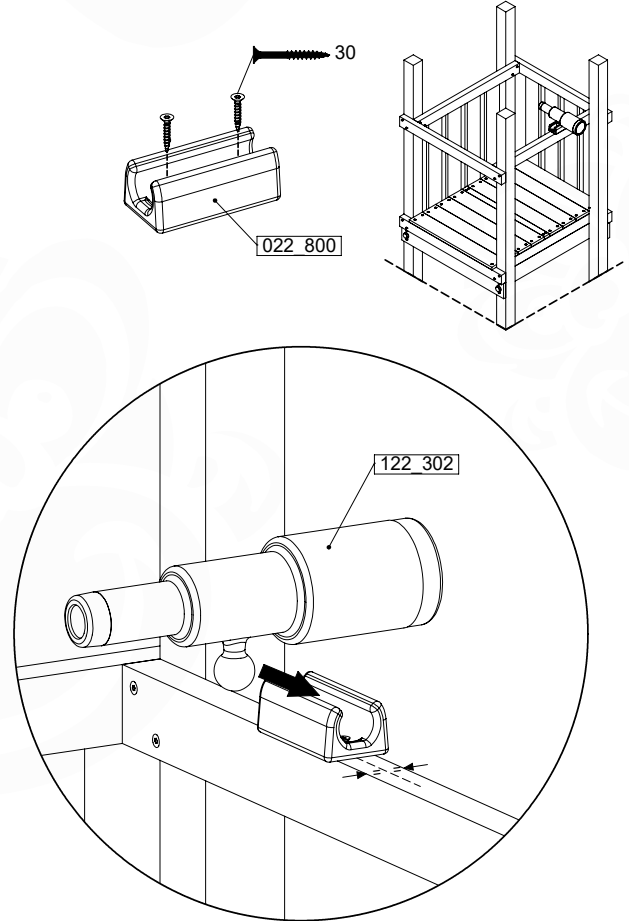
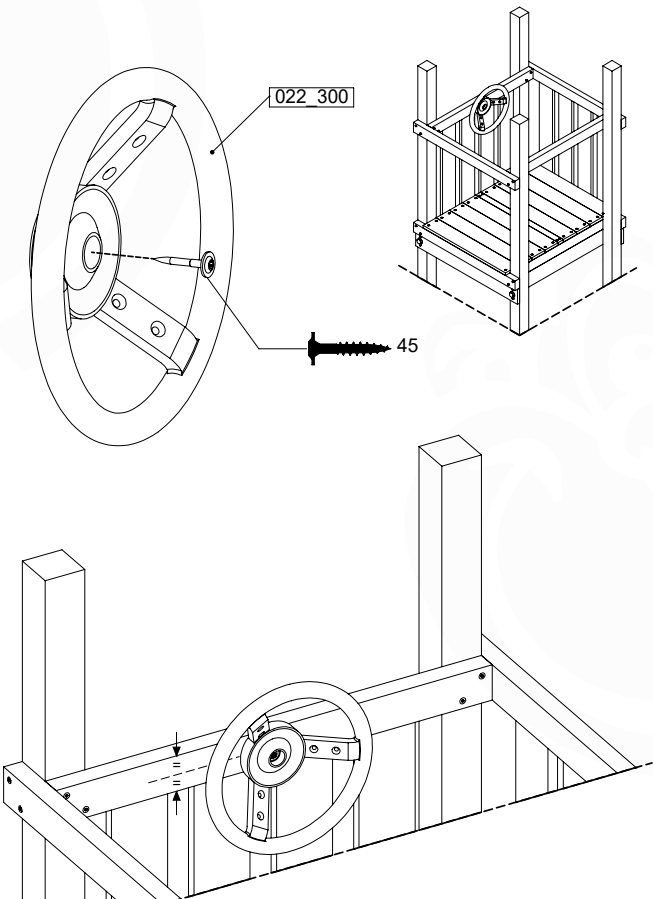
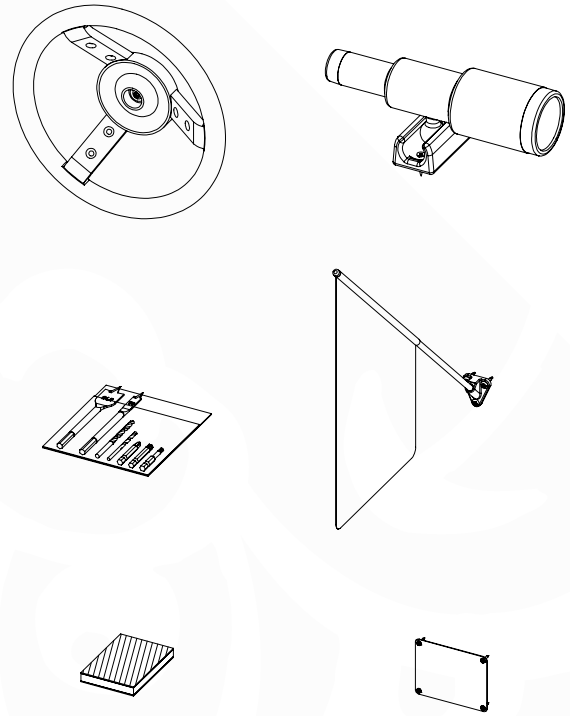
cm

17 AC01a: Accessories

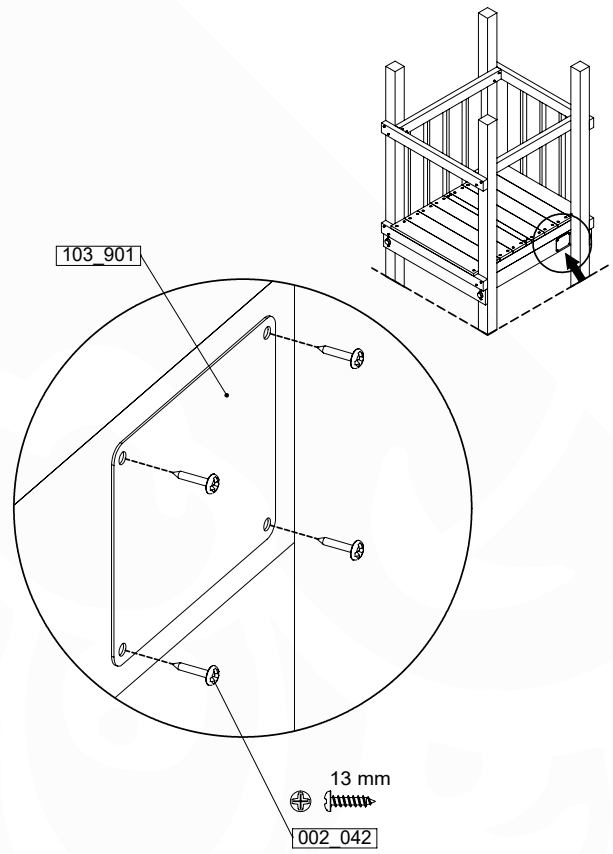
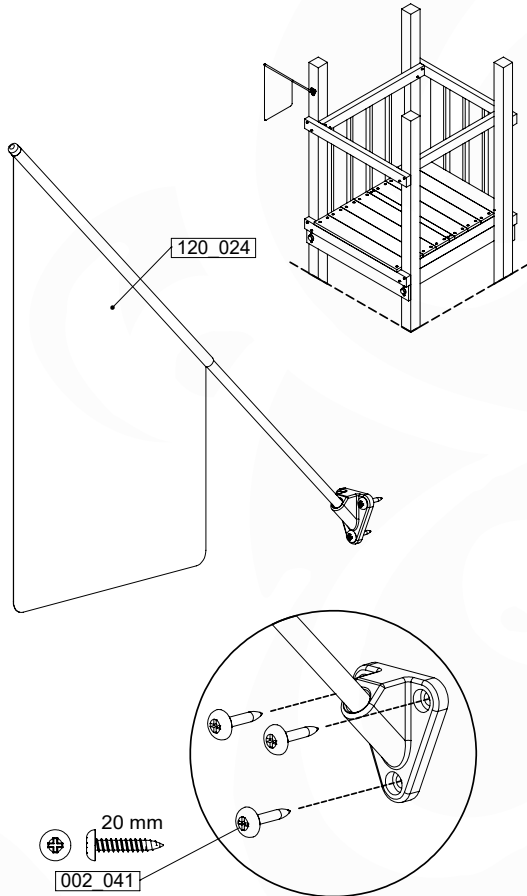
(194_119)

	PartNo	PartName	QTY.
Hardware Pack 100_617	001_406	Stealth Screw 8x45	1
	002_041	Dome head screw 4.5 x 20 mm	3
	002_042	Dome head screw 3.5 x 13mm	4
	002_219	Gap Point Screw T25 - 5x30	2
Other	022_300	Steering Wheel	1
	022_800	Rail P/T 105	1
	022_910	Sandpad	1
	103_901	Logo ID Plate	1
	104_107	Tool Set Climbing Units	1
	120_024	Tower Flag	1
	122_302	Telescope	1

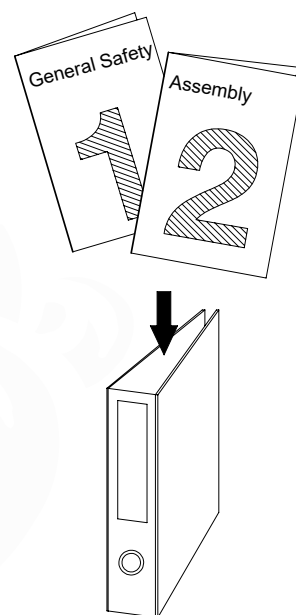
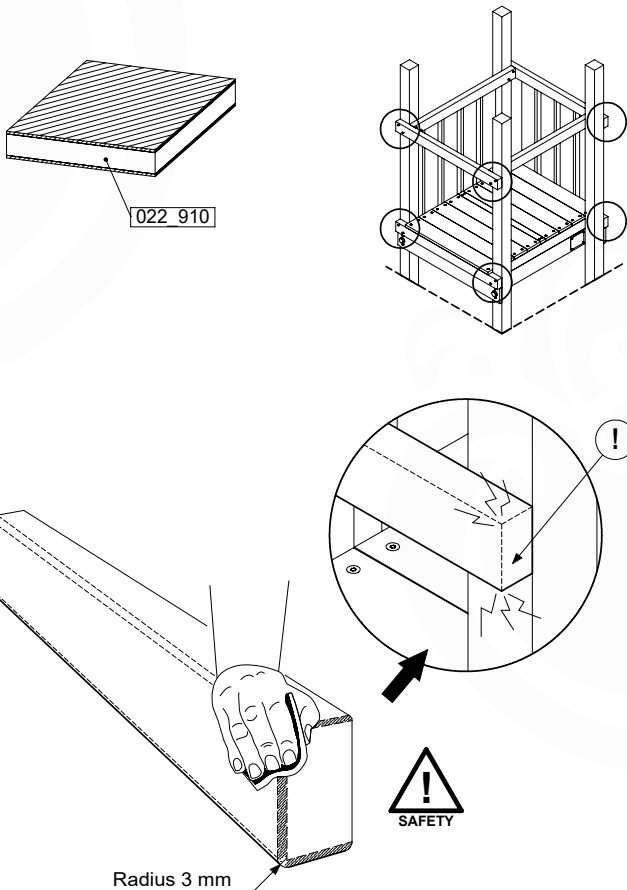
Accessory set - P02 - 24/01/2024 - v5



Accessory set - P03 - 24/01/2024 - v5



Accessory set - P04 - 24/01/2024 - v5



Accessory set - P05 - 24/01/2024 - v5

18 Declaration of conformity

Activity toys for domestic use Aktivitätsspielzeug für den häuslichen Gebrauch Jouets d'activité à usage familial

1. Wooden climbing frames

20240416_v3

1.1. Assemblies

Playtowers	801_005, 801_009, 801_010, 801_013, 801_025, 801_040, 801_060, 801_070, 801_090, 801_095, 801_100, 801_103, 801_105, 801_110, 801_120, 801_200, 802_202, 802_204, 802_206, 802_208, 803_202, 803_204, 803_206, 803_208, 803_210, 809_802, 809_804
Swings	801_300, 801_601, 801_602
Modules	850_176, 850_177, 850_231, 850_232, 857_101, 857_102, 857_105, 857_106, 857_151, 857_152, 857_157, 857_158, 850_240

1.2. Sub assemblies

Base towers (BT)	BT01a, BT02a, BT03a, BT11a, BT14a, BT15a, BT20a
Extension towers (ET)	ET01a, ET02a, ET05a, ET06a, ET07a, ET08a, ET09a, ET10a, ET11a, ET12a, ET13a, ET14a, ET15a, ET16a, ET17a, ET18a, ET19a, ET20a, ET22a, ET23a, ET27a, ET28a, ET35a, ET29a, ET39a, ET40a
Bridges (CB, NB, BB, TB)	CB01a, NB01a, BB01a, BB02a, TB01a, TB02a, TB03a, TB04a
Roofs (RF)	RF01a, RF21a, RF02a, RF03a, RF04a, RF05a, RF06a, RF20a, RF02b, RF03b, RF07a, RF08a, RF22a, RF09a, RF23a, RF11a, RF12a, RF07b, RF12b, RF08b, RF22b, RF09b, RF23b, RF11b, RF14a, RF24a, RF15a, RF25a, RF18a, RF18b, RF14b, RF24b, RF15b, RF25b
Balustrade (BL, BF)	BL01a, BL02a, BL21a, BF25a, BF26a, BF27a, BF28a, BF01a, BF02a, BF03a, BF04a, BF05a, BF06a, BF07a, BF08a, BF01b, BF02b, BF03b, BF04b, BF05b, BF06b, BF07b, BF08b, BF21a, BF22a, BF23a, BF24a, BF21b, BF22b, BF23b, BF24b
Playhouse (PH)	PH03a, PH04a, PH05a, PH06a, PH10a, PH11a, PH40a, PH41a, PH12a, PH13a, PH14a, PH15a, PH42a, PH43a, PH44a, PH45a, PH16a, PH17a, PH18a, PH19a, PH30a, PH31a, PH16b, PH17b, PH18b, PH19b, PH46a, PH47a, PH48a, PH49a, PH16c, PH17c, PH18c, PH19c, PH46b, PH47b, PH48b, PH49b, PH20a, PH21a, PH22a, PH23a, PH24a, PH25a, PH26a, PH27a, PH32a, PH33a, PH52a, PH53a, PH54a, PH55a, PH56a, PH57a, PH50a, PH51a, PH26b, PH27b, PH26c, PH27c, PH56b, PH57b
Ladder (LA)	LA05a, LA06a, LA01a, LA02a, LA03a, LA01b, LA02b, LA03b, LA11a, LA12a, LA13a, LA14a, LA15a, LA16a, LA17a, LA18a, LA31a, LA32a, LA33a, LA34a, LA35a, LA36a, LA37a, LA38a, LA21a, LA22a, LA23a, LA24a, LA25a, LA26a, LA43a, LA44a, LA45a, LA46a
Two Step Ladder (TS)	TS01a, TS01b, TS02a, TS02b, TS03b, TS22a, TS05a, TS06a, TS07a, TS08a, TS09a, TS10a, TS11a, TS12a, TS15a, TS16a, TS17a, TS18a, TS19a, TS20a, TS21a, TS22a
Rope Ladder (RL)	RL01a, RL02a, RL05a, RL06a, RL07a, RL08a, RL09a, RL10a, RL11a, RL12a, RL15a, RL16a, RL19a, RL20a
Rock wall (RW)	RW01a, RW02a, RW01b, RW02b, RW03b, RW31a, RW32a, RW33a, RW05a, RW06a, RW07a, RW08a, RW09a, RW10a, RW11a, RW12a, RW40a, RW41a, RW15a, RW16a, RW17a, RW18a, RW19a, RW20a, RW46a, RW47a
Ramp (RA)	RA03a, RA04a, RA05a, RA06a, RA07a, RA08a, RA11a, RA12a, RA21a
Net (NA, NS)	NA01a, NA02a, NS01a, NS02a, NS03a, NS21a, NA04a, NA05a, NS04a, NS05a, NS06a, NS07a, NA08a, NA09a, NS08a, NS09a
Boat (BO)	BO01a
Market (MT)	MT01a, MT02a, MT05a, MT06a, MT11a, MT12a
Picnic (PC)	PC01a, PC01b, PC05a, PC06a, PC09a, PC10a
Gymnastics bar (GY)	GY01a
Fireman's pole (FP)	FP01a, FP02a, FP04a, FP05a, FP06a, FP07a, FP23a, FP24a, FP25a, FP26a, FP27a, FP28a
Slides (SL)	SL01a, SL02a, SL03a, SL06a, SL07a, SL08a, SL09a, SL10a, SL11a, SL12a, SL13a, SL26a, SL27a, SL28a, SL29a
Swing (SM)	SW17a, SW21a, SW18a, SW22a, SW01a, SW05a, SW02a, SW06a, SW09a, SW13a, SW10a, SW14a
Climb (CL)	CL17a, CL21a, CL18a, CL22a, CL01a, CL05a, CL02a, CL06a, CL09a, CL13a, CL10a, CL14a
Universal Beam (UB)	UB01a, UB04a, UB02a, UB05a, UB03a, UB06a
Accessories (AC)	AC30a, AC31a, AC32a, AC33a, AC01a, AC05a, AC07a, AC03a, AC04a, AC06a, AC23a, AC22a, AC24a, AC21a, AC25a, AC02a, AC09a, AC08a, AC10a

2. Construction packages

2.1 Assembly Kits

Playtowers	401_015, 401_080, 401_125, 402_201, 402_202, 402_204, 402_206, 402_208, 403_202, 403_204, 403_206, 403_208, 403_210, 409_802, 409_804
Swings	401_300, 401_600
Modules	457_005, 457_102, 457_103, 457_106, 457_107, 457_205

2.2 Assembly Packs

Sub assemblies	194_002, 194_003, 194_004, 194_006, 194_007, 194_008, 194_009, 194_010, 194_100, 194_101, 194_102, 194_103, 194_104, 194_105, 194_107, 194_108, 194_109, 194_110, 194_111, 194_112, 194_113, 194_114, 194_115, 194_116, 194_117, 194_118, 194_119, 194_300, 194_308, 194_312, 194_500, 194_501, 194_508, 194_510, 194_802, 194_804, 194_809, 194_810, 194_811, 194_812
----------------	--

3. Accessories and components

Slides XL	324_100, 324_200, 324_300, 324_400, 324_500, 324_600
Slides XXL	334_100, 334_200, 334_300, 334_400, 334_500, 334_600
Fireman's pole	201_275
Climbing	201_060, 201_273
Imagination	201_280, 201_285, 201_290, 201_295, 202_473, 450_310, 450_320, 450_330
Swinging	250_001, 250_013, 250_025, 250_034, 250_053
Functional	123_220, 123_222, 123_230, 201_115, 201_220, 201_250, 201_260, 201_270, 202_620, 202_621, 202_622, 202_623, 202_624, 202_625, 202_626, 202_627, 202_628, 202_629, 202_824, 250_065, 250_070, 250_075

Applicable EU directives and standards

General

- General Product Safety Directive (GPSD) 2001\48\EG
- Reach directive 1907\2006
- AfPS GS 2019:01 PAK

Activity Toys

- Toy Safety Directive (TSD) 2009\48\EG
- EN Standard 71 Safety of Toys
 - EN 71-1:2014 + A1:2018 Safety of toys Mechanical and physical properties
 - EN 71-2:2020 Flammability
 - EN 71-3:2019 + A1:2021 Migration of certain elements
 - EN 71-8:2018 Safety of toys Activity toys for domestic use

Supplementary information

Conformity to the above specified directives and standards has been frequently verified by TÜV Rheinland LGA products, DEKRA, LNE SA, since 1994. Jungle Gym participates in the European Commission for standardisation for the safety of activity toys (TC52/WG10).



EN 71-1,-2, -3, -8 & -9

Manufacturer details

Company Name: Jungle Gym B.V.
Address: Valscherkade 18, 1059 CD Amsterdam, Netherlands
Email: info@junglegym.com

Declaration

I hereby declare under our sole responsibility that the products mentioned above, to which this declaration relates, comply with the above mentioned directives and standards when the installation, assembly, and maintenance instructions are strictly followed.

Name
Mr. P. Schmit / Director

Issued date
Monday 22nd July, 2024

A handwritten signature in blue ink, appearing to read 'P. Schmit', is written over a horizontal line.

Signature of representative

Jungle Gym B.V. | P.O. Box 75083 | 1070 AB Amsterdam | Netherlands | Phone: +31 85 444 41 00 | e-mail: info@junglegym.com | www.junglegym.com