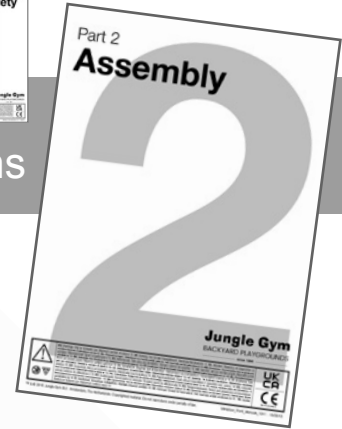


Part 2

Assembly

Instructions

Config ID: LH5K9w
 Product Name: Cascade 2-Swing
 Product ID: 211520








Watch in 3D



Jungle Gym

BACKYARD PLAYGROUNDS

since 1988

<p>Assembly time 14.5 hours by 2 adults</p> 	 <p>EN. Warnings. Only for domestic use. Maximum number of users is 5. DE. Achtung. Nur für den Hausgebrauch. Maximale Benutzerzahl: 5. FR. Attention. Réserve à un usage familial. Le nombre maximal d'utilisateurs est de 5. NL. Waarschuwingen. Uitsluitend voor huishoudelijk gebruik. Het maximale aantal gebruikers is 5. BG. Внимание. За употреба само в домашни условия. Максималният брой потребители е 5. CS. Varování. Jen pro domácí použití. Maximální počet uživatelů je 5. DA. Advarsler. Kun til privat brug. Maksimum antal brugere er 5. EL. Προειδοποιήσεις. Μόνο για οικιακή χρήση. Μέγιστος αριθμός χρηστών 5. ES. Advertencias. Sólo para uso doméstico. Número máximo de usuarios: 5. ET. Hoiatused. Ainult koduseks kasutamiseks. Maksimaalne kasutajate arv on 5. FI. Varoitukset. Ainoastaan kotikäyttöön. Käyttäjää yhteensä enintään 5. HR. Upozorenja. Samo za kućansku uporabu. Maksimalan broj korisnika je 5. HU. Figyelmeztetések. Csak otthoni használatra! A használók max. száma: 5. IS. Varnaðarorð. Eingöngu fyrir einkanoðkun í heimahúsum og á einkalóðum. Hámarksfjöldi notenda er 5. IT. Avvertenze. Solo per uso domestico. Massimo numero di utenti è 5. LT. Įspėjimai. Tik buitiniam naudojimui. Maksimalus naudotojų skaičius 5. LV. Brīdinājumi. Izmantot tikai mājās. Maksimālais lietotāju skaits ir 5. NO. Advarsler. Kun for privat bruk. Maksimalt antall brukere er 5. PL. Ostrzeżenia. Wyłącznie do użytku domowego. Maksymalna liczba użytkowników to 5. PT. Avisos. Apenas para uso doméstico. O número máximo de utilizadores é 5. RO. Avertismente. Numai pentru uz domestic. Numărul maxim de utilizatori este 5. RU. Предостережения. Только для домашнего использования. Максимальное количество пользователей - 5. SK. Upozornenia. Iba na domáce použitie. Maximálne množstvo osôb je 5. SL. Opozorila. Samo za domačo uporabo. Maksimalno število uporabnikov je 5. SR. Upozorenja. Samo za kućnu upotrebu. Maksimalan broj korisnika je 5. SV. Varningar. Endast för hemmabruk. Det maximala antalet användare är 5. TR. Uyarılar. Sadece ev kullanımı için. Maksimum kullanıcı sayısı 5.</p>	 <p>EN 71-1,2,3,6,8-9</p>  
--	--	--

1 Helpdesk JungleGym

FAQ & Support



English



Deutsch



Français



Nederlands



info@junglegym.com



EU 0031 85 44 44 100

AT 0043 72 08 153 33

BE 0032 78 48 16 19

CH 0041 43 50 87 350

DE 0049 32 22 10 98 299

ES 0034 657 76 64 25

FR 0033 97 75 58 222

IE 0035 38 1800 0300

LU 0035 22 08 80 512

NL 0031 85 44 44 102

UK 0044 20 369 505 53

Monday-Friday,

CET 9:00am - 5:00pm

Local phone charges may apply.

2 Start

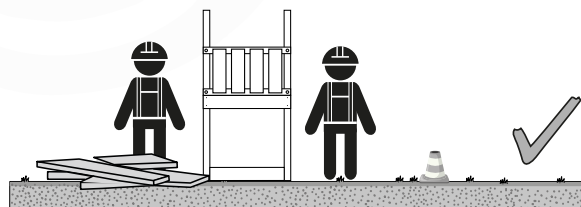
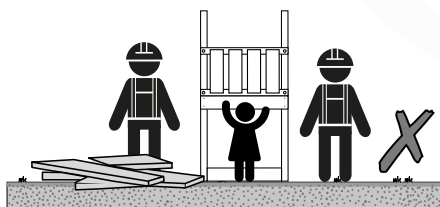
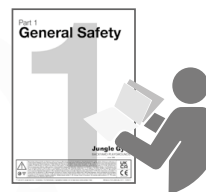
2.1 Safety



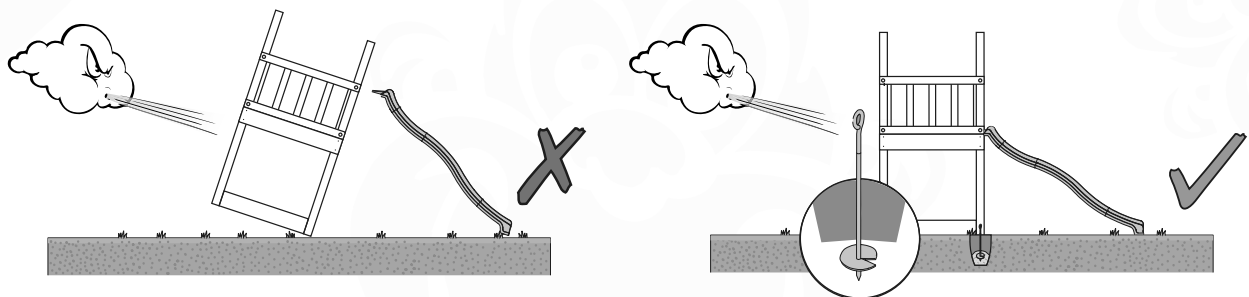
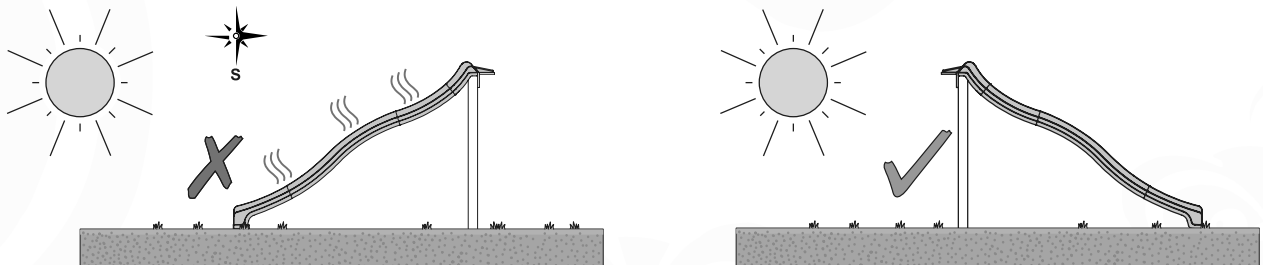
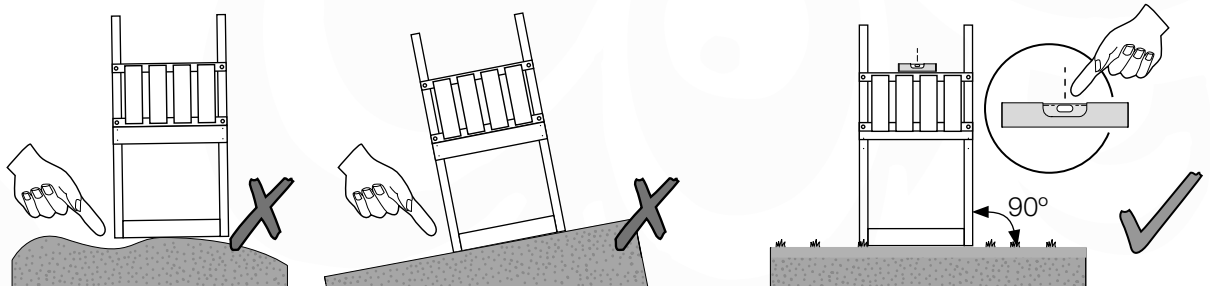
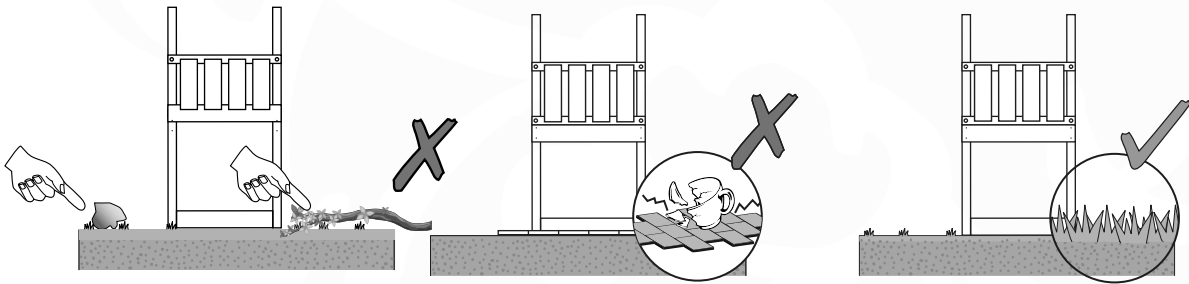
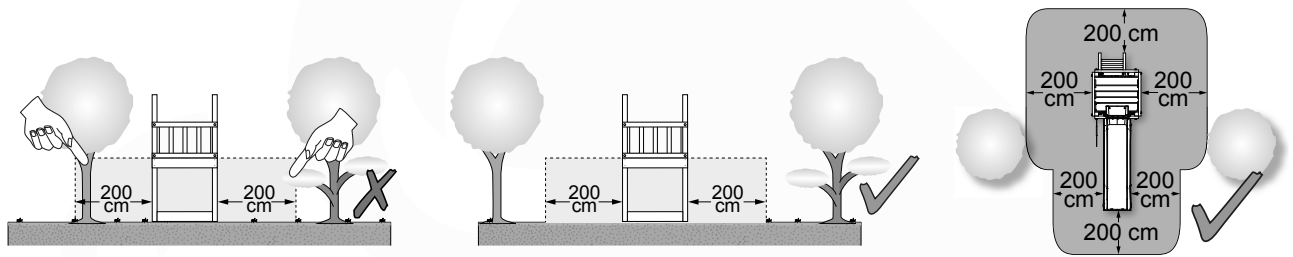
Download

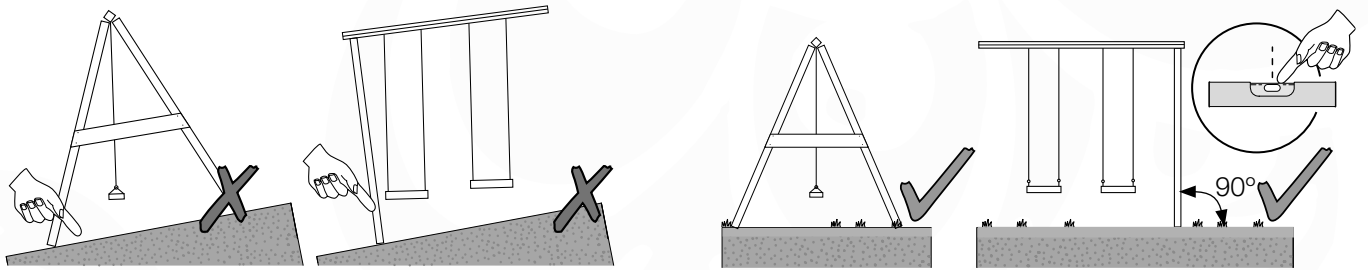
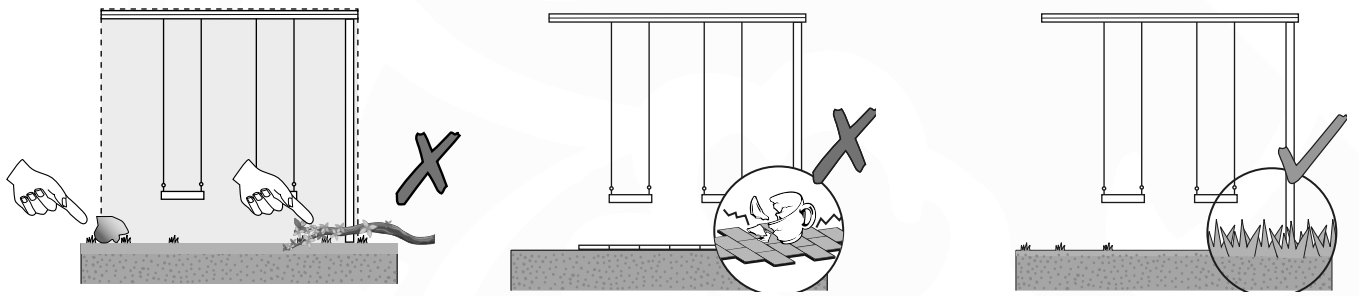
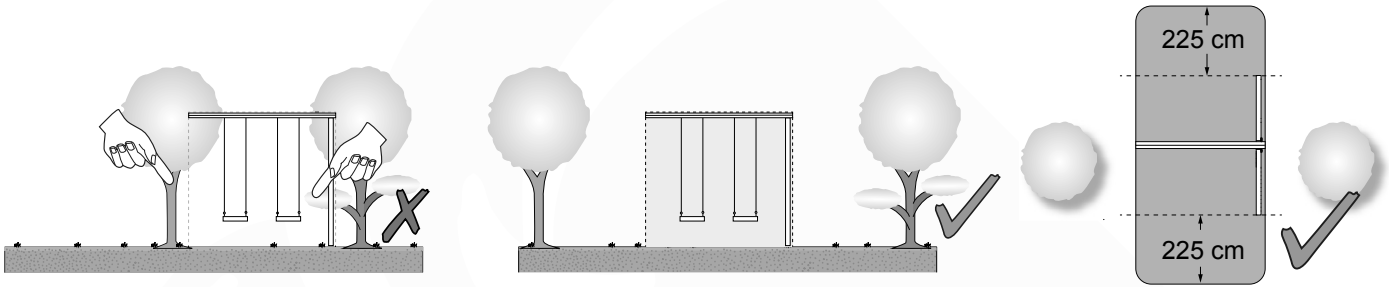


Part 1

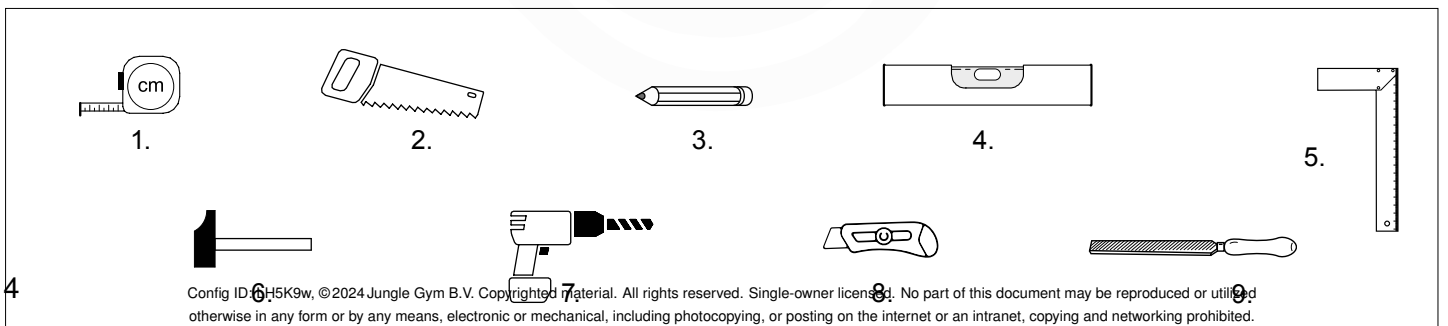


2.2 Planning

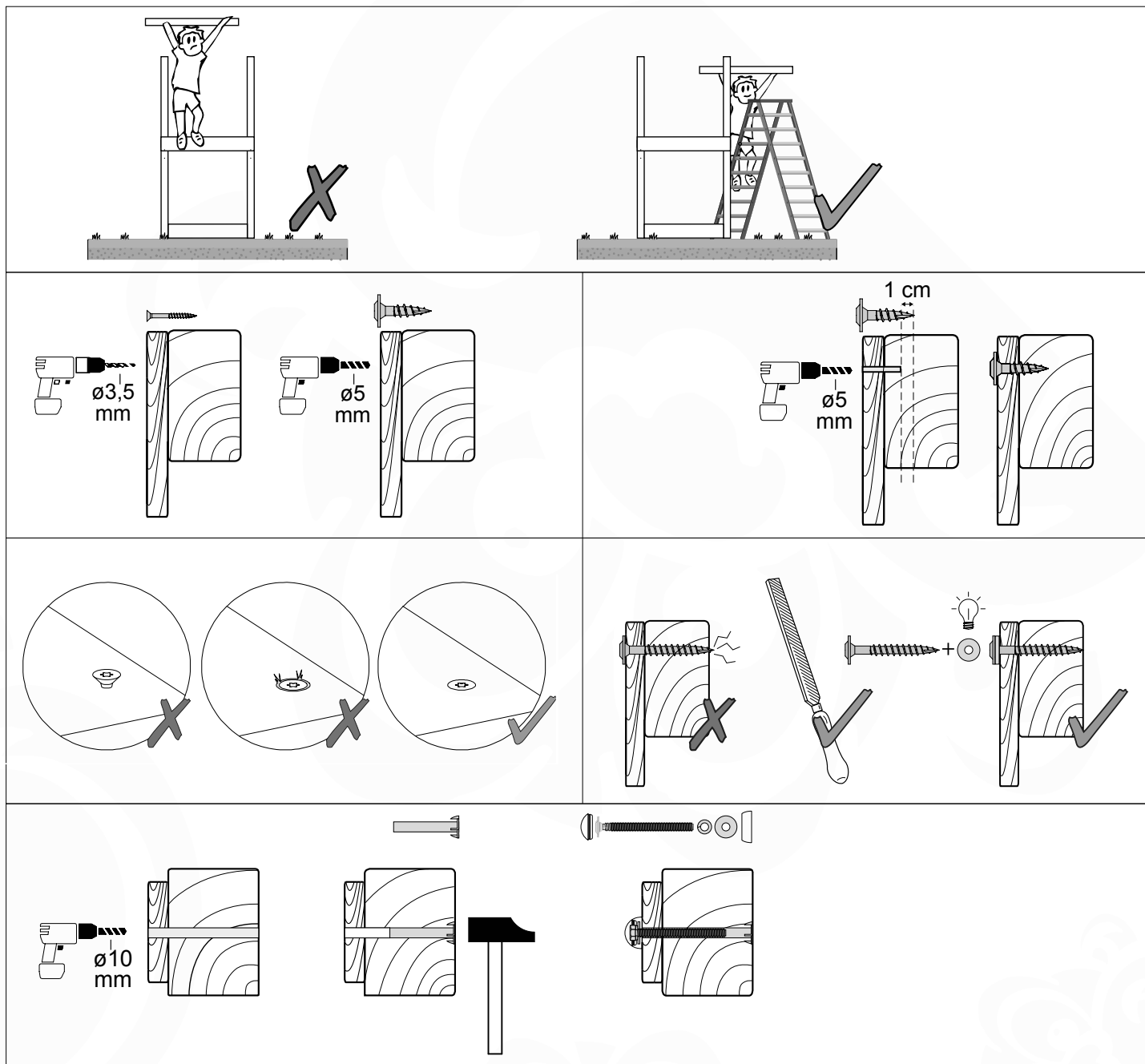




2.3 Tools



2.4 Assembly



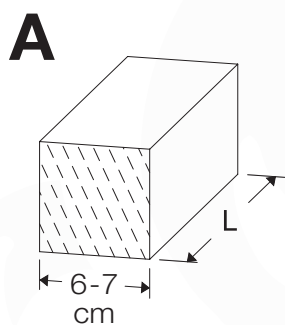
3 Overview

3.1 Order specification

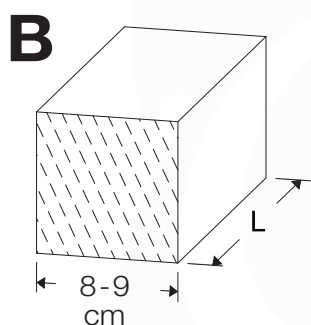


#	Description	Supplier ID	Assembly ID
1	Base Tower 80_200200_125	790_001	BT01a
1	Base Tower 140_270270_145	794_001	BT20a
1	Roof Timber Lookout 80	790_206	RF06a
1	Roof Timber Slope 140	794_203	RF15a
1	Balustrade 140_U	794_301	BL05a
1	Balustrade 140_T	794_301	BL06a
1	Playhouse 80 T Window	790_313	PH06a
1	Ladder 80_125 U	790_431	LA01a
1	TwoStep Ladder 70/140_145 U L	794_412	TS17a
1	TwoStep Ladder 70/140_145 U R	794_412	TS18a
1	Picnic 140 U	794_503	PC09a
1	Clatter Bridge 80 uni	790_601	CB01a
1	Bridge Frame 140 T R	794_602	BF24a
1	Slide Frame 80_125 U	790_901	SL01a
1	2- Swing Module 220_Extra 3.0	750_183	SW22a
1	Accessories Set	194_119	AC01a
1	Accessories Tic Tac Toe	450_310	AC09a
2	Accessories Swing Seat	250_034	AC21a
1	Accessories Mesh for Bridge	123_230	AC30a
1	Wavy Star Slide XL	324_x00a	324_x00a

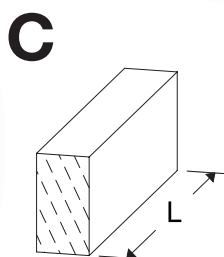
3.2 Timber parts



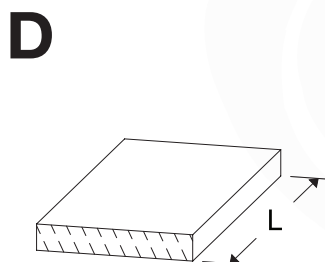
ID	L	#
A200	199 cm - 200 cm	4



B240	239 cm - 240 cm	3
B270	269 cm - 270 cm	4



C37	36 cm - 37 cm	3
C74	73 cm - 74 cm	10
C84	83 cm - 84 cm	3
C96	85 cm - 96 cm	4
C130	129 cm - 130 cm	2
C141	140 cm - 141 cm	17
C206	205 cm - 206 cm	2

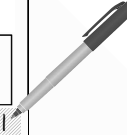
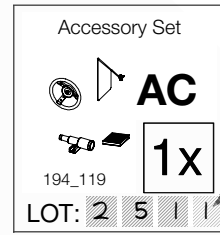


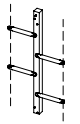

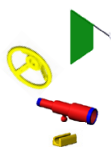



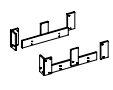

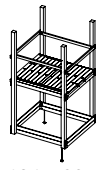
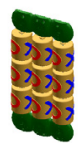
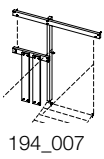


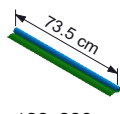


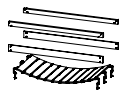
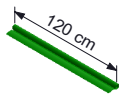
D21	20 cm - 21 cm	10
D47	46 cm - 47 cm	1
D60	59 cm - 60 cm	24
D65	64 cm - 65 cm	18
D74	73 cm - 74 cm	15
D123	122 cm - 123 cm	24
D141	140 cm - 141 cm	21
D154	153 cm - 154 cm	24

4.3 Assembly packs



Example



<p>Two Step Ladder</p>  <p>TS</p> <p>194_002</p> <p>2x</p> <p>LOT: [][][][]</p>	<p>Window Hardware / Roof 140</p>  <p>RF PH</p> <p>194_508</p> <p>1x</p> <p>LOT: [][][][]</p>	<p>Accessory Set</p>  <p>AC</p> <p>194_119</p> <p>1x</p> <p>LOT: [][][][]</p>	<p>Swing Seat</p>  <p>AC</p> <p>250_034</p> <p>2x</p> <p>LOT: [][][][]</p>	<p>Swing Module Kit</p>  <p>SW</p> <p>457_103</p> <p>1x</p> <p>LOT: [][][][]</p>
<p>Balustrade 140</p>  <p>BL</p> <p>194_501</p> <p>3x</p> <p>LOT: [][][][]</p>	<p>Roof Timber Lookout 80</p>  <p>RF</p> <p>194_112</p> <p>1x</p> <p>LOT: [][][][]</p>	<p>Ladder 80 125</p>  <p>LA</p> <p>194_103</p> <p>1x</p> <p>LOT: [][][][]</p>	<p>Tower 140</p>  <p>BT ET</p> <p>194_500</p> <p>1x</p> <p>LOT: [][][][]</p>	<p>Tic Tac Toe</p>  <p>AC</p> <p>450_310</p> <p>1x</p> <p>LOT: [][][][]</p>
<p>Bridge Frame</p>  <p>BF</p> <p>194_007</p> <p>1x</p> <p>LOT: [][][][]</p>	<p>Slide XL 2.2m</p>  <p>324_x00</p> <p>1x</p> <p>LOT: [][][][]</p>	<p>Hardware 10</p>  <p>H10</p> <p>194_810</p> <p>1x</p> <p>LOT: [][][][]</p>	<p>Canvas 136 x 74cm</p>  <p>73.5 cm</p> <p>123_220</p> <p>1x</p> <p>LOT: [][][][]</p>	<p>Slide Frame</p>  <p>SL</p> <p>194_107</p> <p>1x</p> <p>LOT: [][][][]</p>
<p>Tower 80</p>  <p>BT ET</p> <p>194_100</p> <p>1x</p> <p>LOT: [][][][]</p>	<p>Clatter Bridge</p>  <p>CB</p> <p>194_116</p> <p>1x</p> <p>LOT: [][][][]</p>	<p>Mesh Green 185 x 120cm</p>  <p>120 cm</p> <p>123_230</p> <p>1x</p> <p>LOT: [][][][]</p>		

4.4 Your config ID: **LH5K9w**

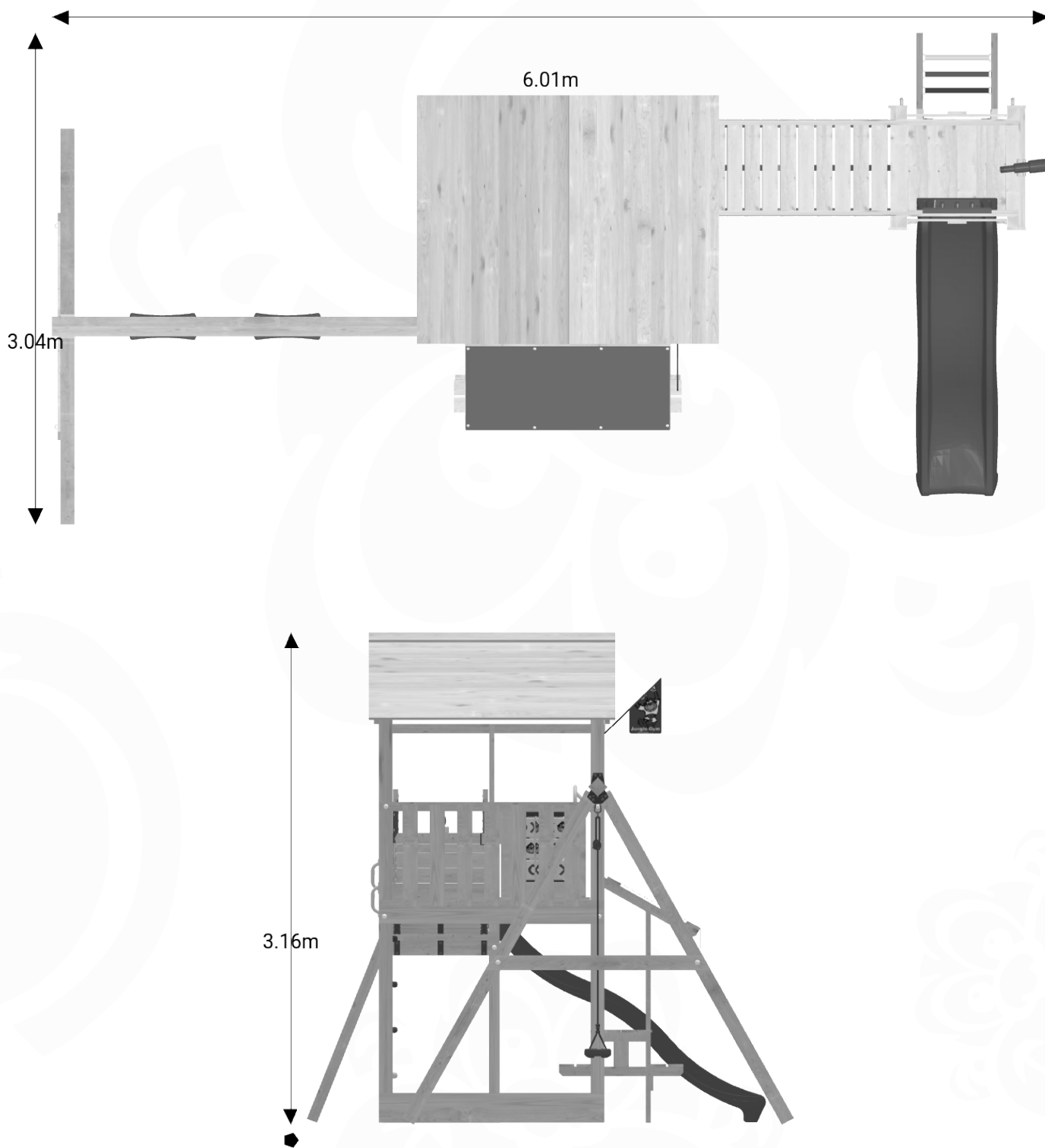


5 Hardware Identification

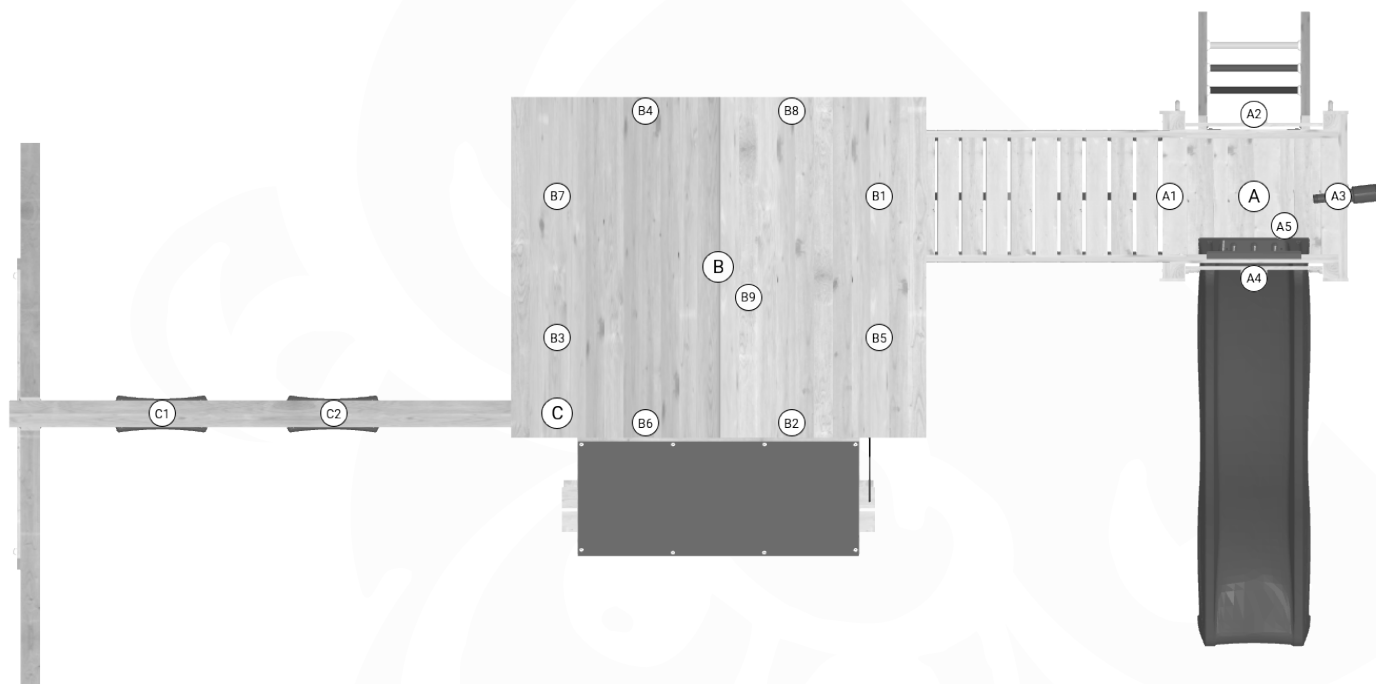
		SKU		L			
 ø 5 T-40	 ø 8.0 mm	001_404	30 mm	 ø 3.5 T-25	 ø 5.0 mm	002_308	20 mm
		001_406	45 mm			002_219	30 mm
		001_411	60 mm			002_220	45 mm
		001_417	80 mm			002_223	80 mm
		001_422	137 mm				
 ø 10 T-40	 M8	001_102	30 mm	 ø 10	 M8	004_050	22mm
 ø 3.5 T-25	 ø 2.0 mm	000_101	20 mm	 ø 3.5 T-25	 ø 6.3 mm	002_036	16 mm
 ø 3.5 PH-2	 ø 4.5 mm	002_041	20 mm	 ø 3.5 PH-2	 ø 4.5 mm	022_845	Yellow
 ø 3.5 PH-2	 ø 3.5 mm	002_042	13 mm	 ø 3.5 PH-2	 ø 3.5 mm	022_847	Green
 ø 3.9 PH-2	 ø 3.9 mm	002_301	40 mm	 ø 3.9 PH-2	 ø 3.9 mm	023_031	White
				 022_844		 022_314	

output: 27/06/24

6 Dimensions



7 Assembly Planning



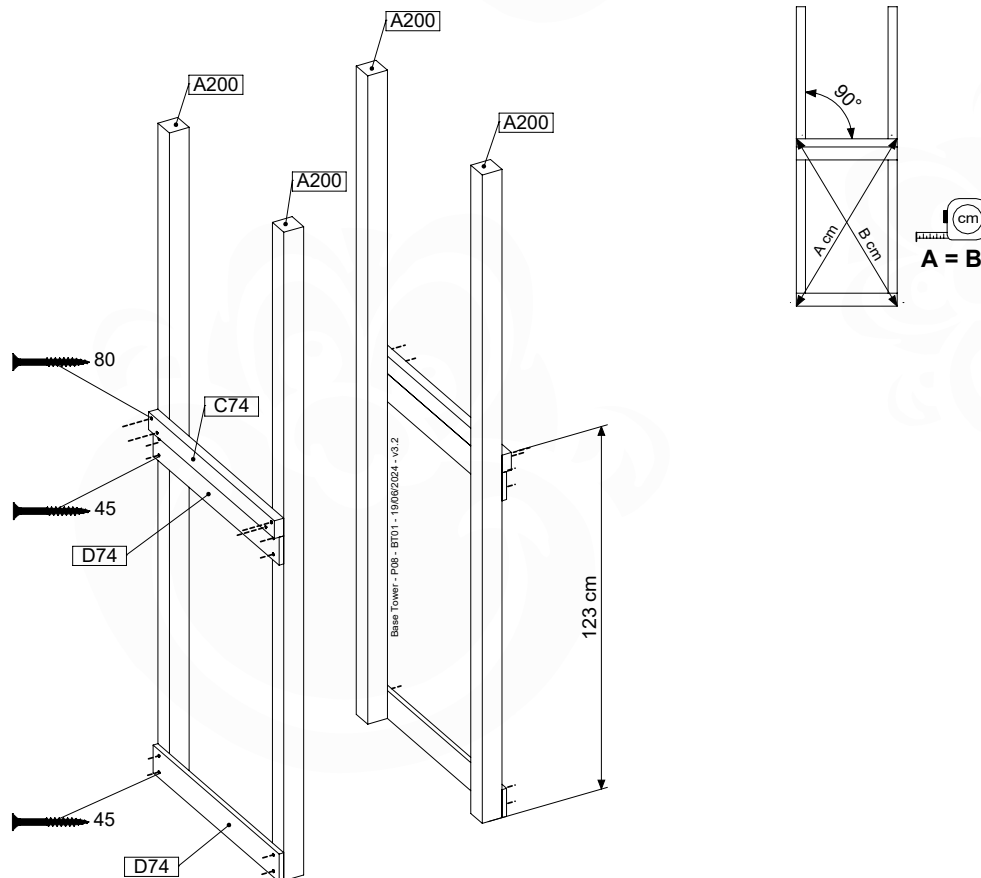
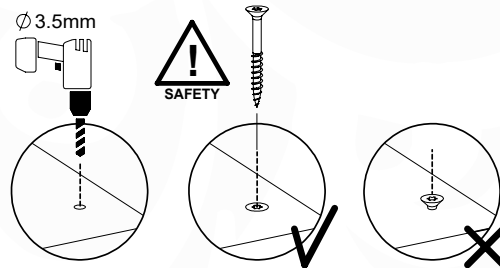
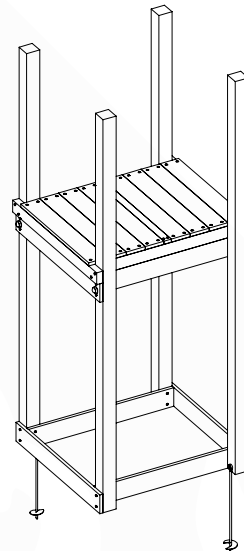
	ID			A	B	C
1	BT01a		p.13	✓	-	-
2	BT20a		p.15	-	✓	-
3	BL05a		p.18	-	B6	-
4	BL06a		p.19	-	B7	-
5	RF06a		p.20	A5	-	-
6	RF15a		p.21	-	B9	-
7	CB01a		p.24	A1	B1	-
8	BF24a		p.27	-	B5	-
9	PH06a		p.30	A3	-	-
10	TS17a		p.32	-	B8	-
11	TS18a		p.34	-	B4	-
12	PC09a		p.36	-	B2	-
13	LA01a		p.40	A2	-	-
14	SW22a		p.43	-	-	✓
15	SL01a		p.51	A4	-	-
16	GA		p.54	✓	✓	✓
17	AC30a		p.56	A1	B1	-
18	AC01a		p.58	-	✓	-

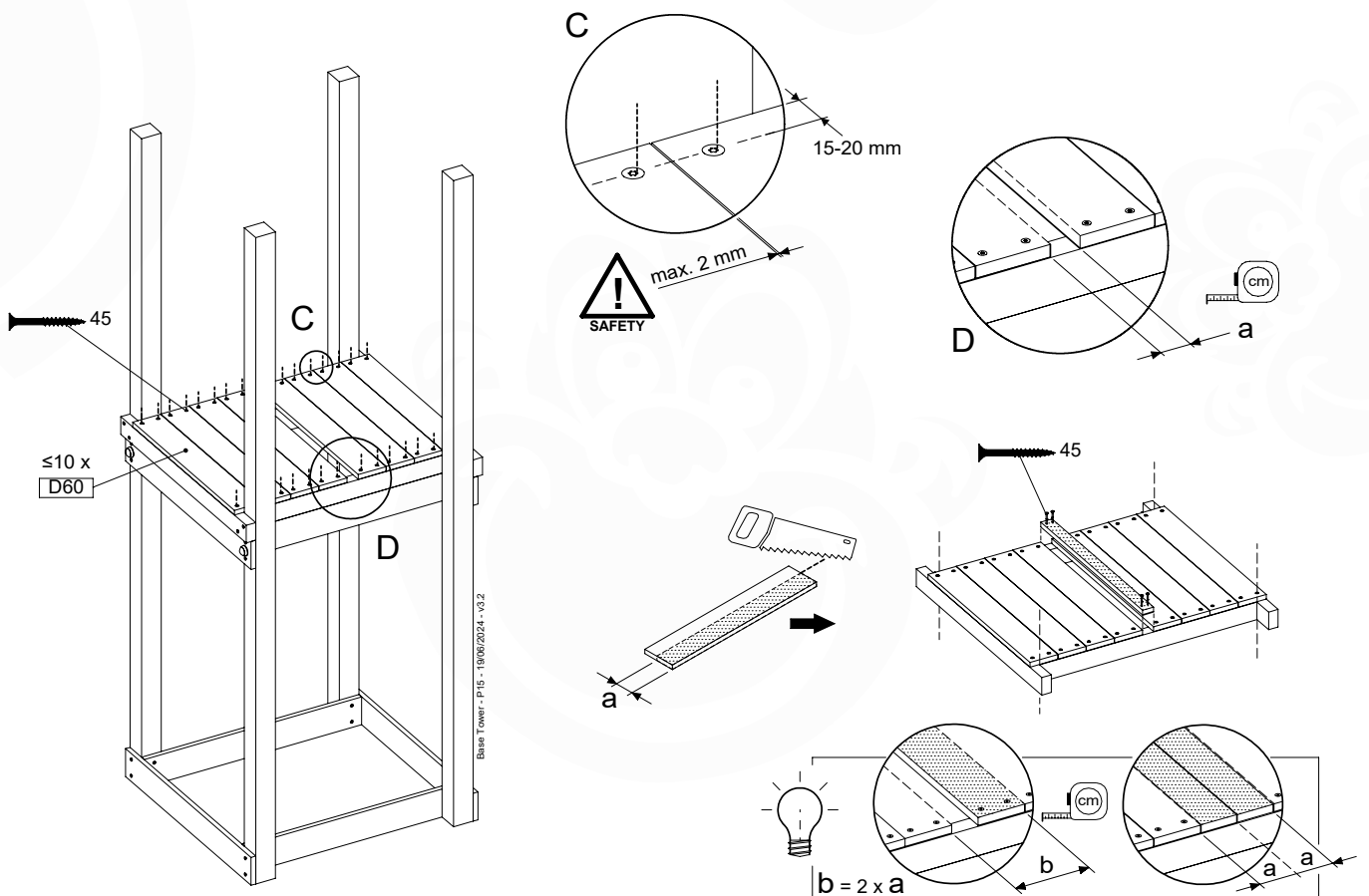
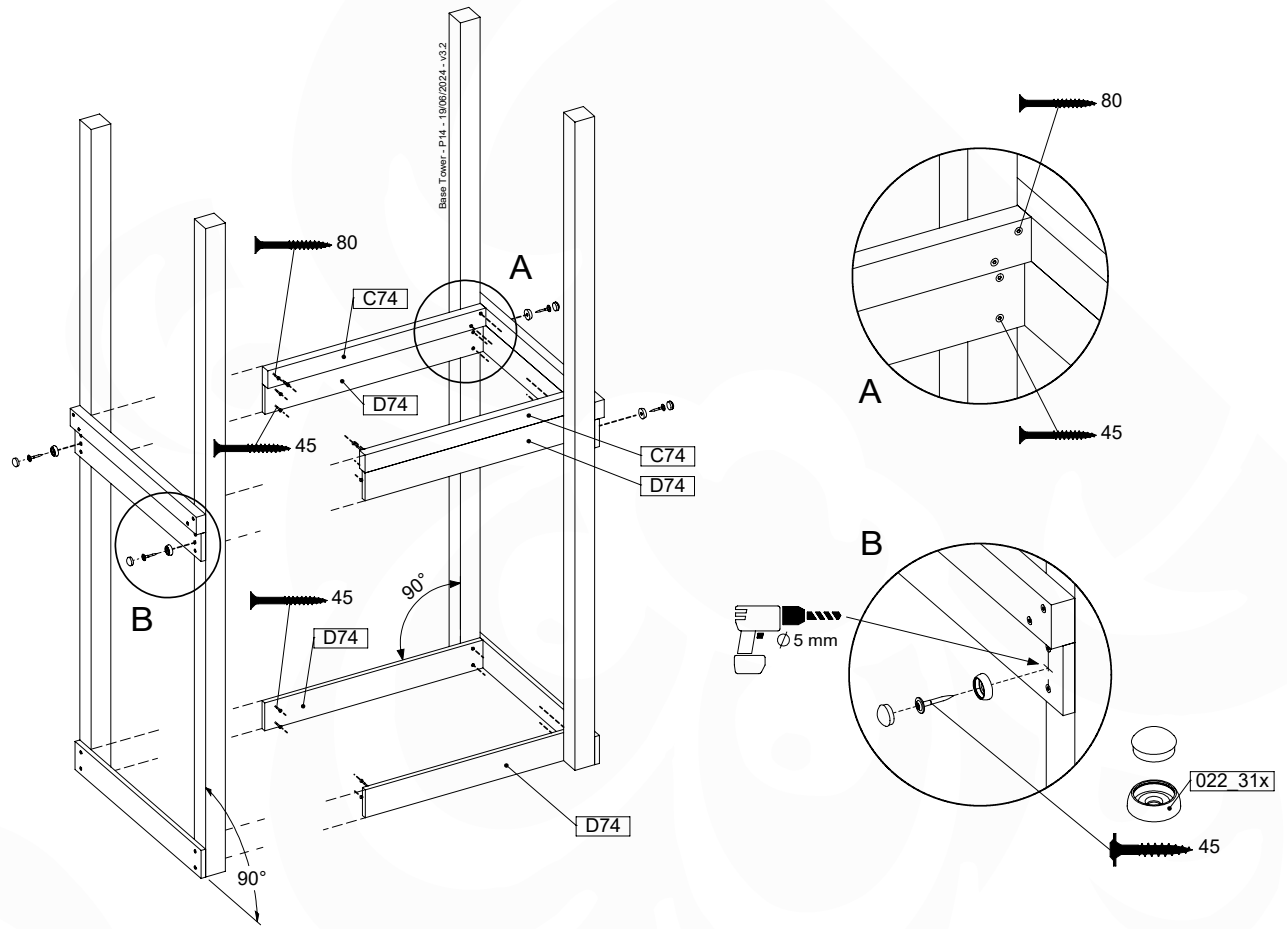
8 BT01a: Base Tower 80 125cm 200200

Assembly Pack: 194_100

	PartNo	PartName	QTY.
Hardware + Parts	001_406	Stealth Screw 8x45	6
	002_220	Gap Point Screw T25 - 5x45	76
	002_223	Gap Point Screw T25 - 5x80	16
	007_001	Ground-anchor	2
	022_31x	bpc-base version 3	4
	022_84x	bpc cover	4
Timber	A200	Post 70x70 L2000	4
	C74	Beam 740 mm	4
	D60	Board 600 mm	10
	D74	Board 740 mm	8

Base Tower - P02 - BT01 - 19062024 - v3.2



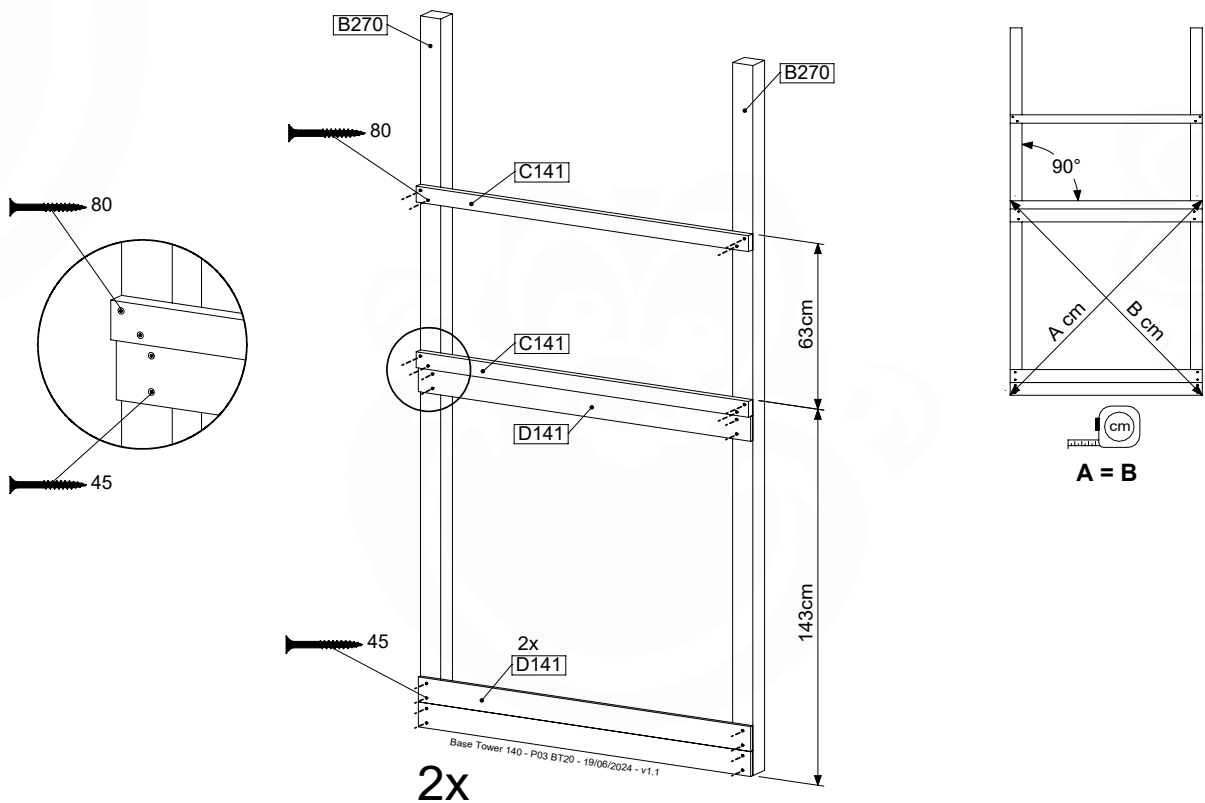
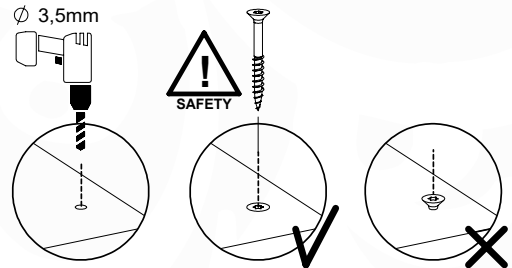
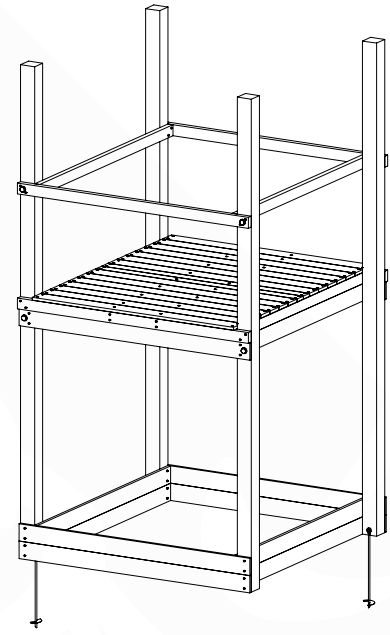


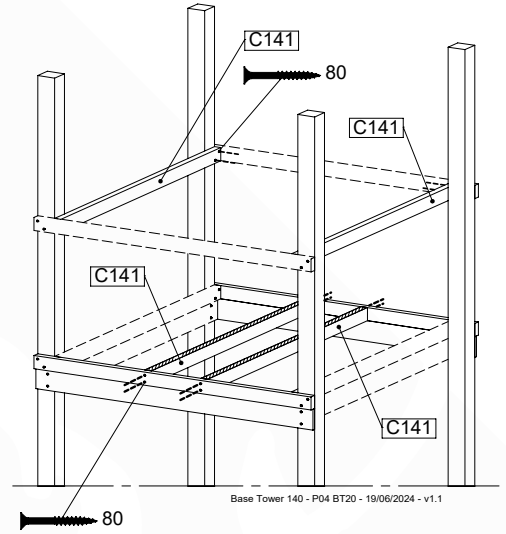
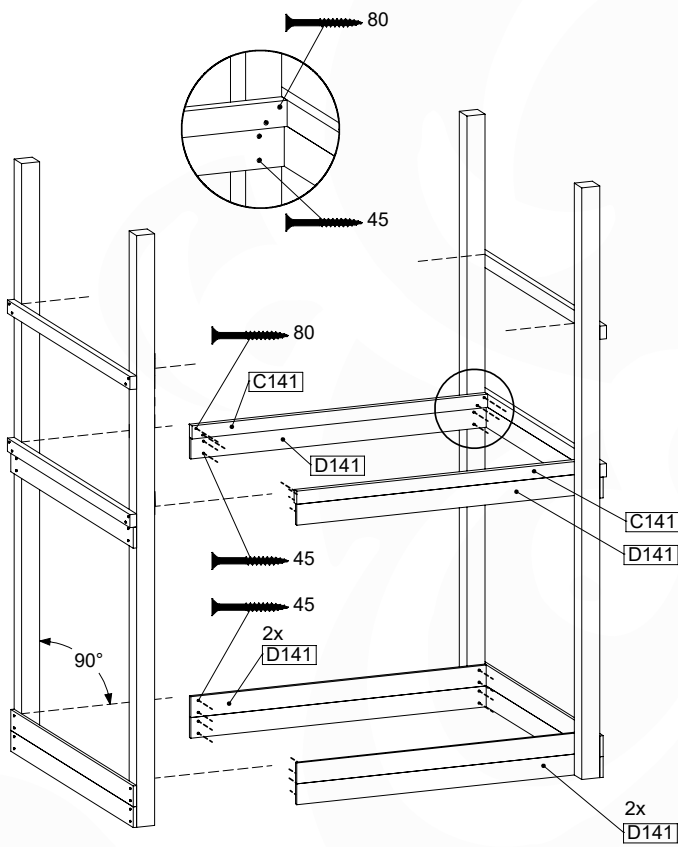
9 BT20a: Base Tower 140 145cm 270270

Assembly Pack: 194_500

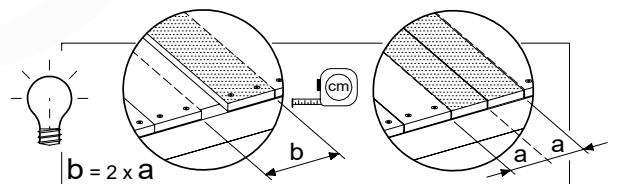
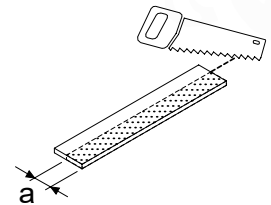
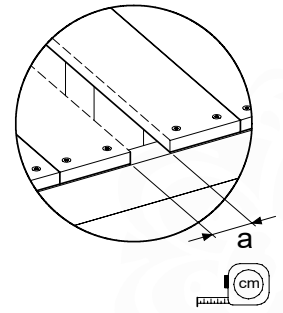
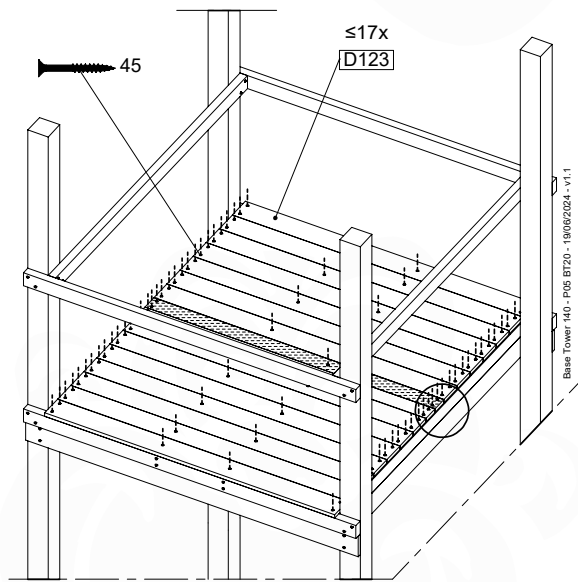
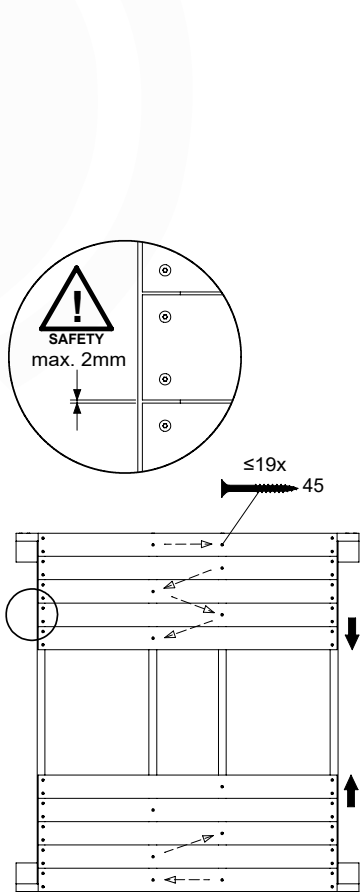
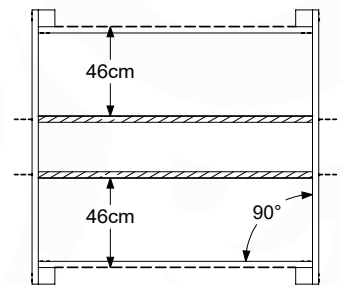
	PartNo	PartName	QTY.
Hardware + Parts	001_406	Stealth Screw 8x45	6
	001_417	Stealth Screw 8x80	4
	002_220	Gap Point Screw T25 - 5x45	135
	002_223	Gap Point Screw T25 - 5x80	40
	007_001	Ground-anchor	2
	022_31x	bpc-base version 3	8
	022_84x	bpc cover	8
Timber	B270	Post 90x90 L2700	4
	C141	Beam 1410 mm	10
	D123	Board 1230 mm	17
	D141	Board 1410 mm	12

Base Tower 140 - P03 BT20 - 19/08/2024 - v1.1

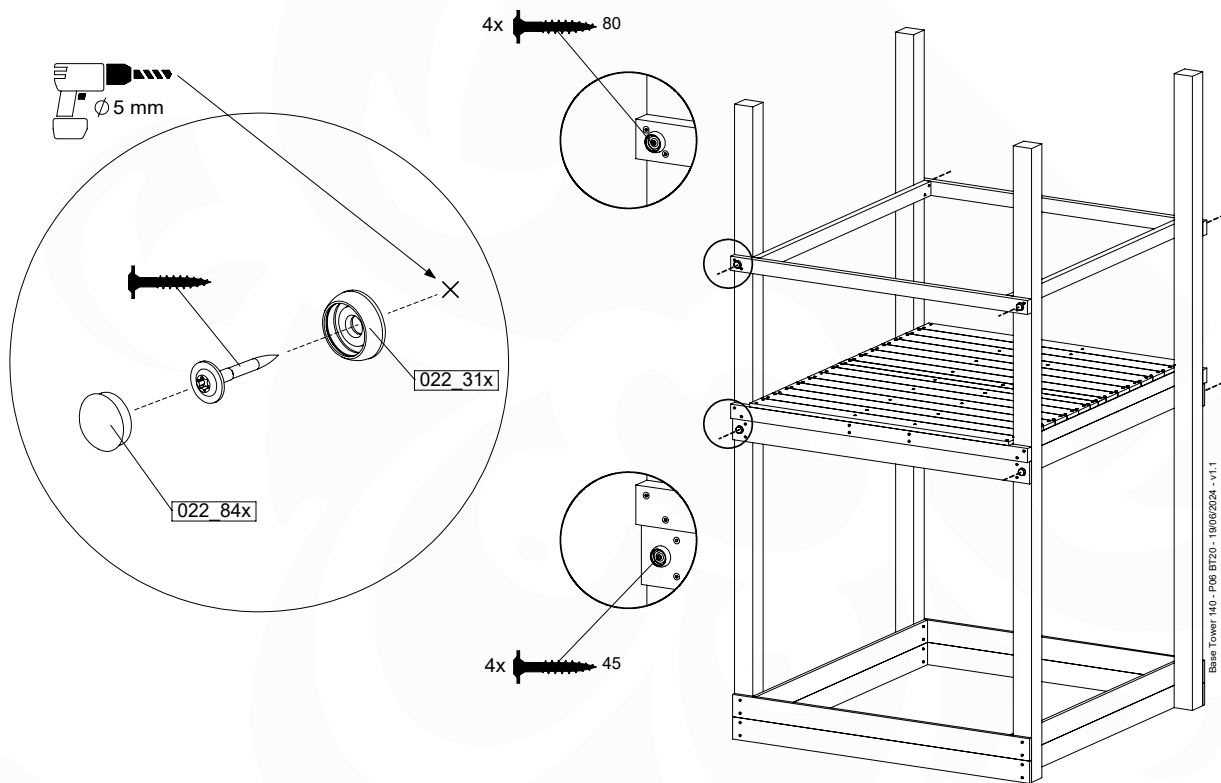




Base Tower 140 - P04 BT20 - 19/06/2024 - v1.1



9.2

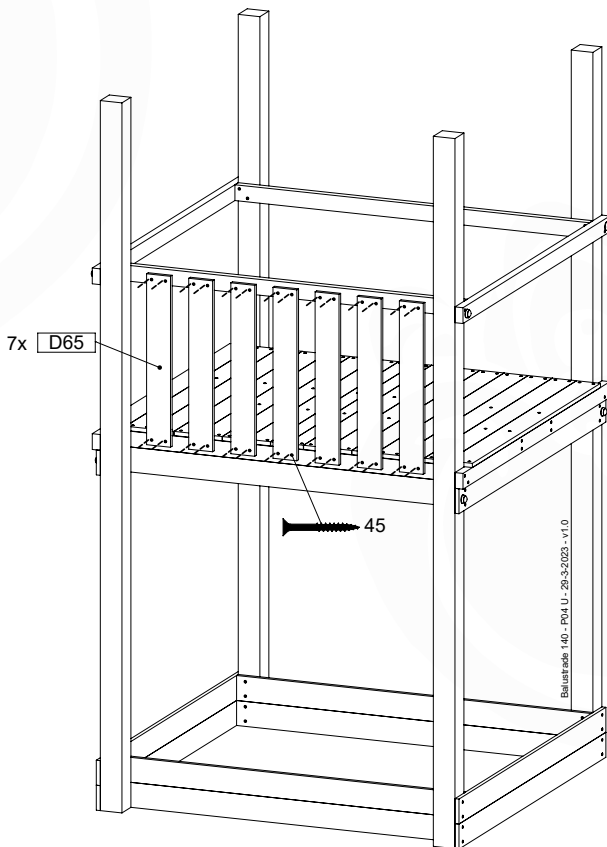
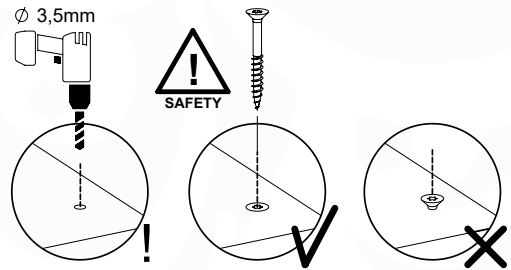
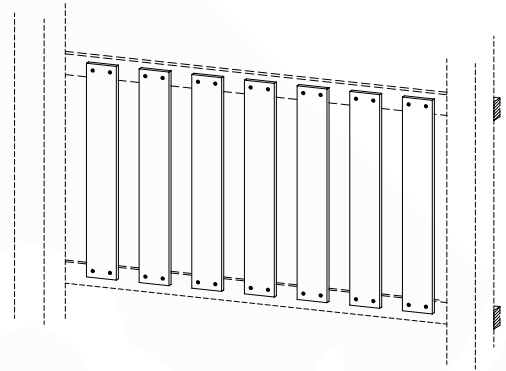


10 BL05a: Balustrade 140 U

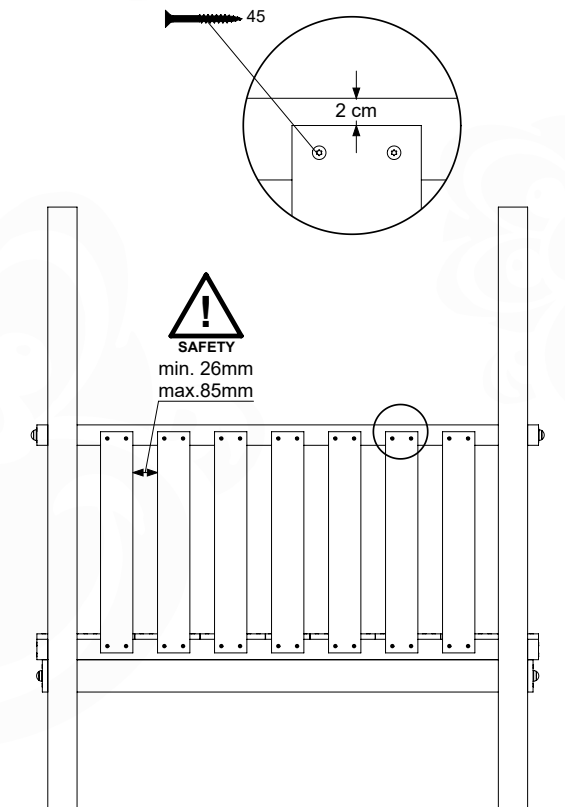
(194_501)

	PartNo	PartName	QTY.
Hardware pack	002_220	Gap Point Screw T25 - 5x45	28
Timber	D65	Board 650 mm	7

Balustrade 140 - P02 U - 28-3-2023 - v1.0



Balustrade 140 - P04 U - 28-3-2023 - v1.0

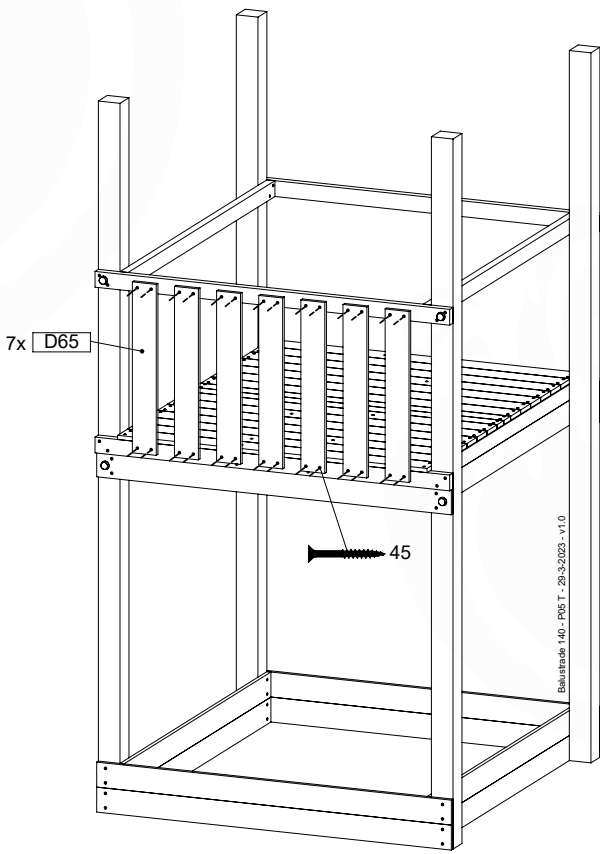
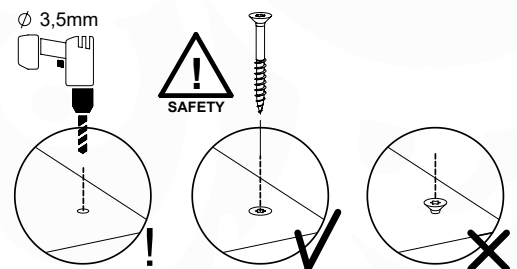
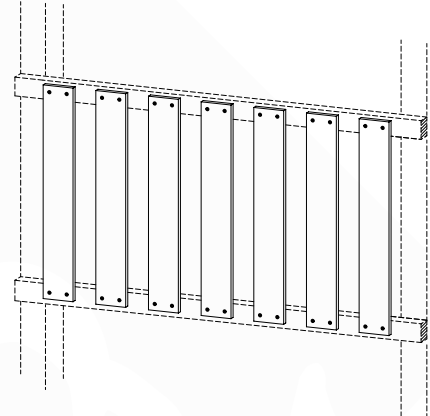


11 BL06a: Balustrade 140 T

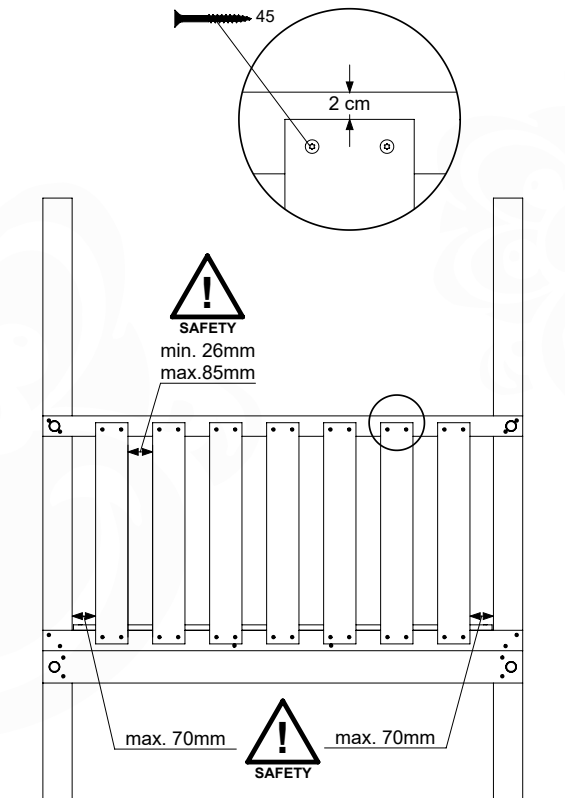
(194_501)

	PartNo	PartName	QTY.
Hardware pack	002_220	Gap Point Screw T25 - 5x45	28
Timber	D65	Board 650 mm	7

Balustrade 140 - P03 T - 28-3-2023 - v1.0



Balustrade 140 - P05 T - 28-3-2023 - v1.0

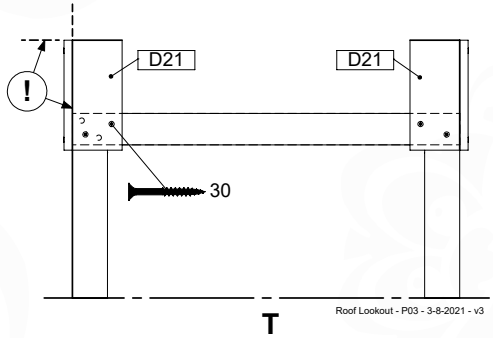
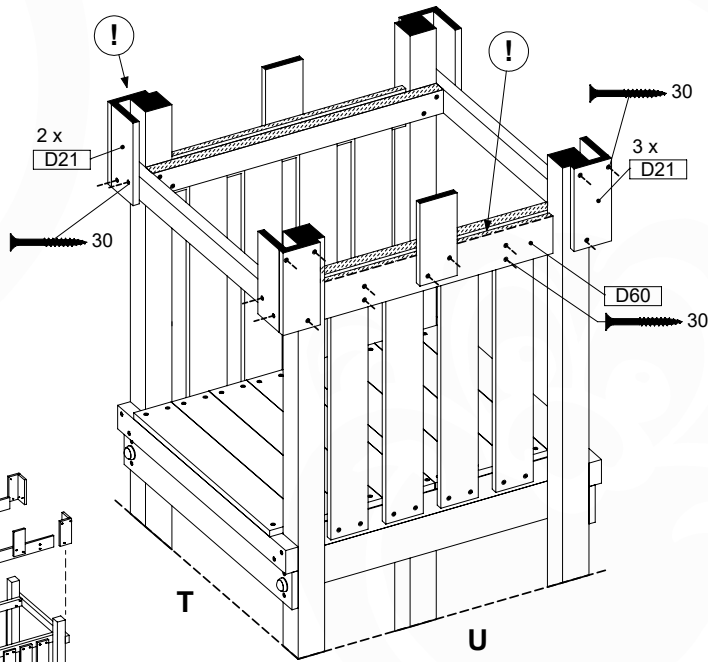
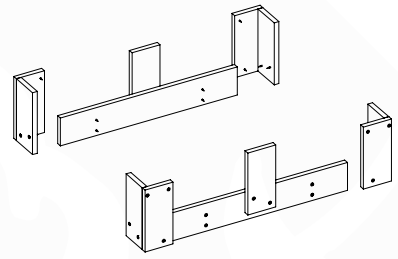


12 RF06a: Roof Timber Lookout 80

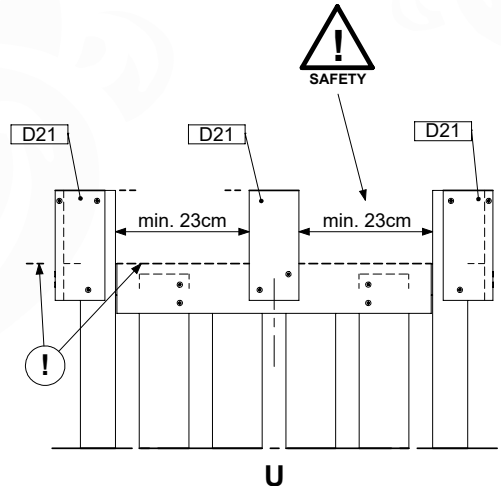
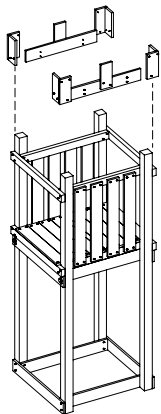
(194_112)

	PartNo	PartName	QTY.
Hardware Pack 100_610	002_219	Gap Point Screw T25 - 5x30	32
Wood	D21	Board 210 mm	10
	D60	Board 600 mm	2

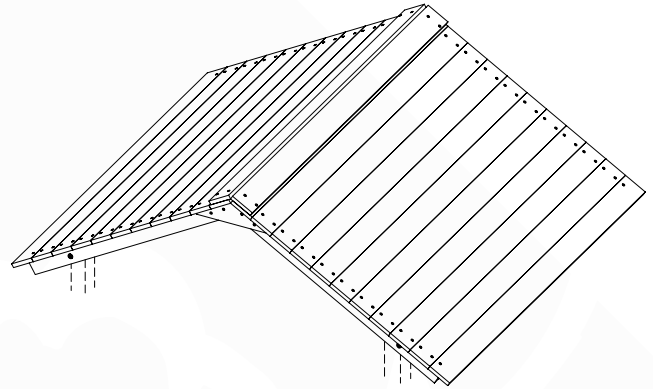
Roof Lookout - P02 - 3-8-2021 - v3



Roof Lookout - P03 - 3-8-2021 - v3



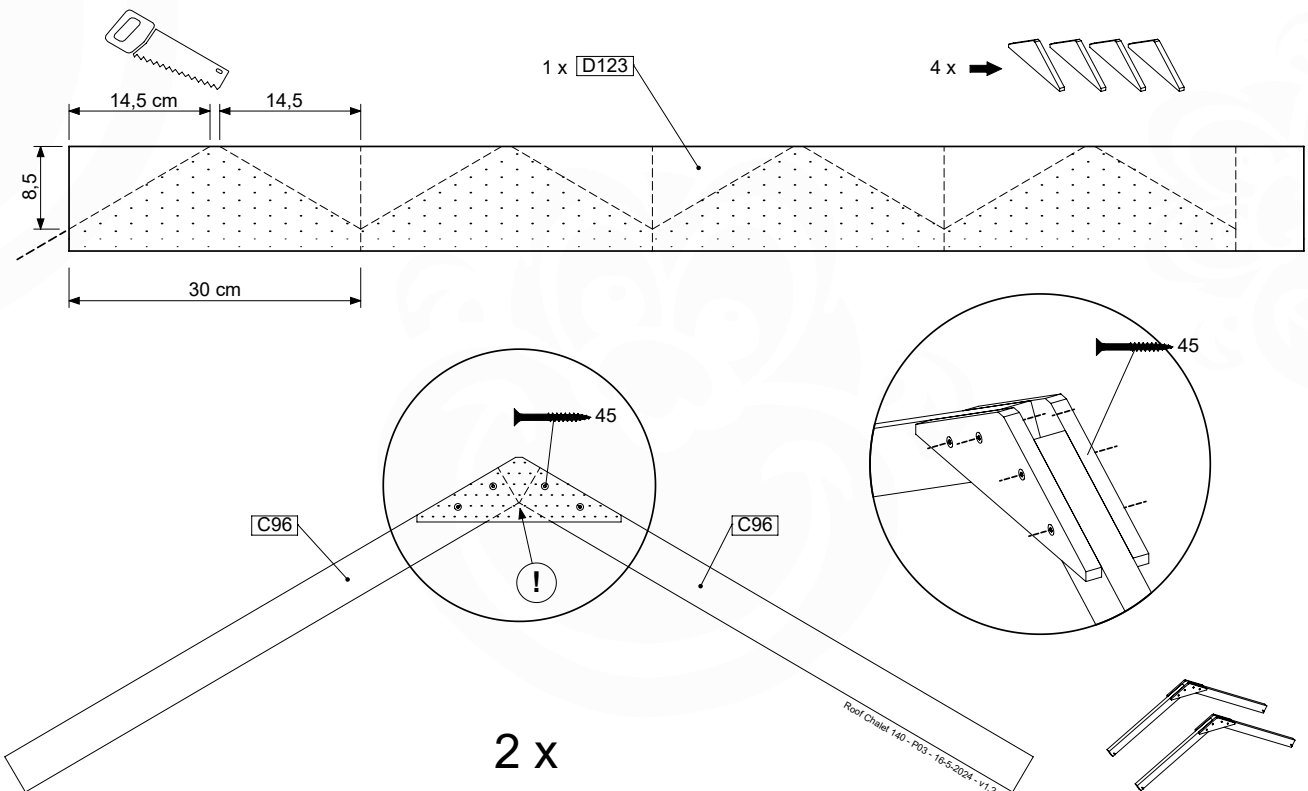
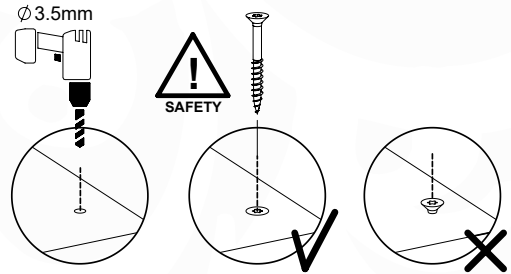
13 RF15a: Roof Timber Slope 140

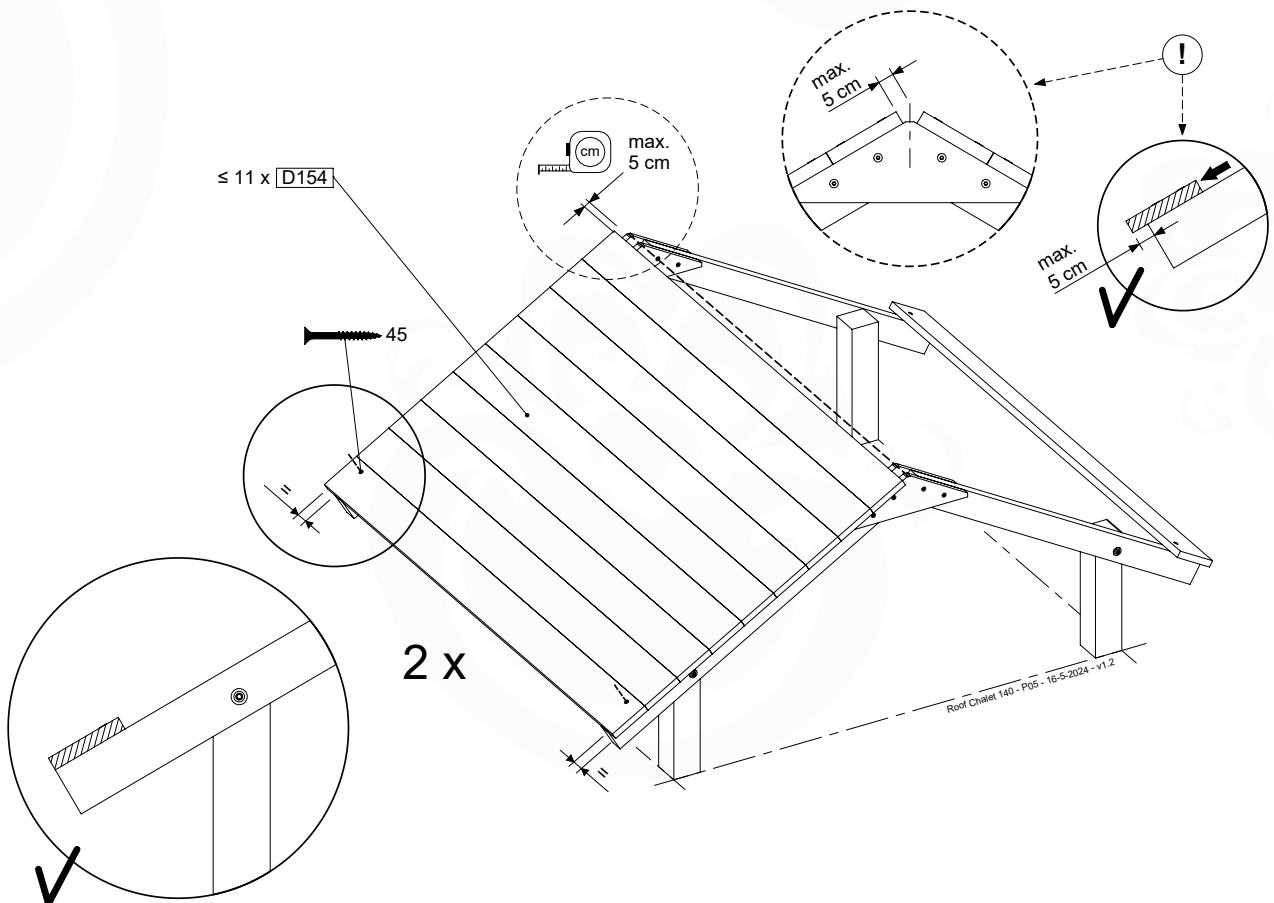
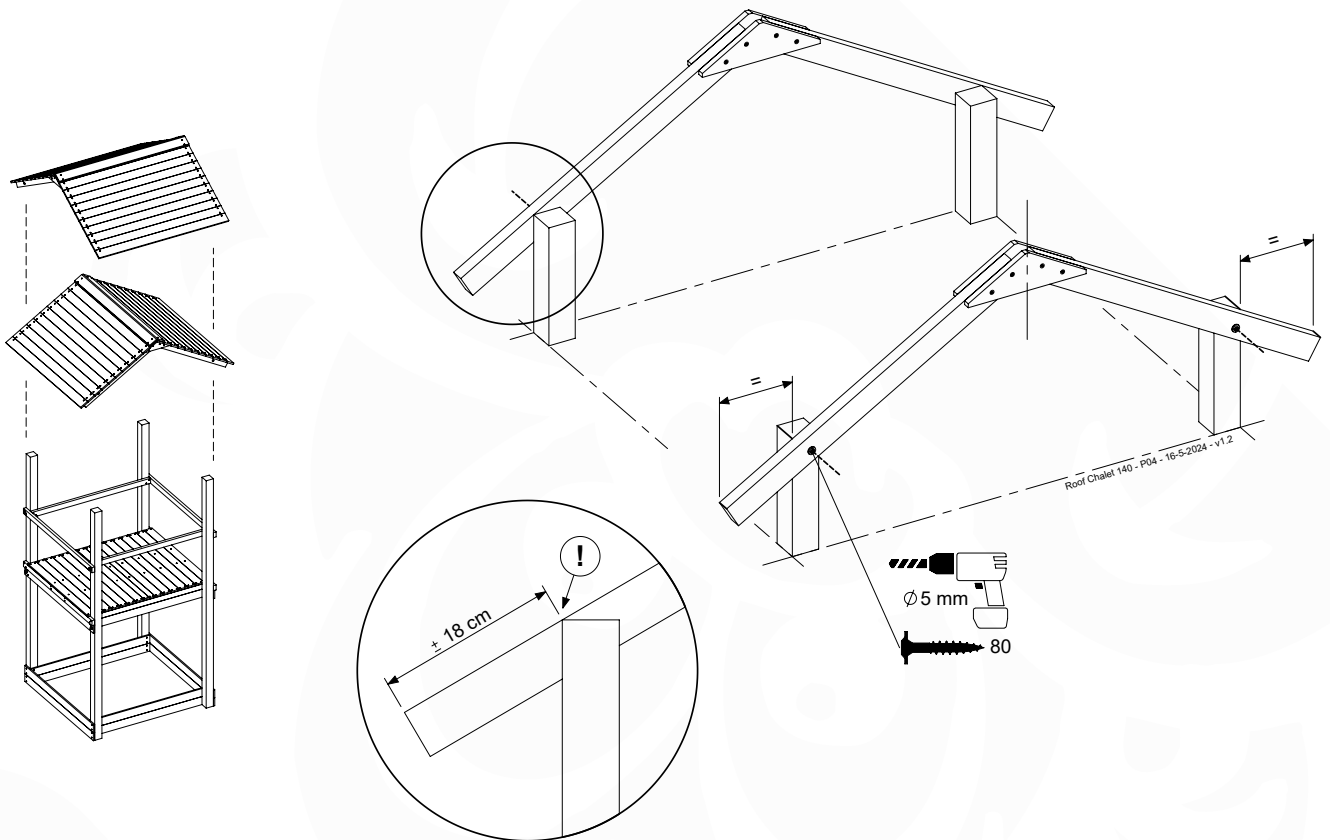


Assembly Pack: 194_508 / 194_804

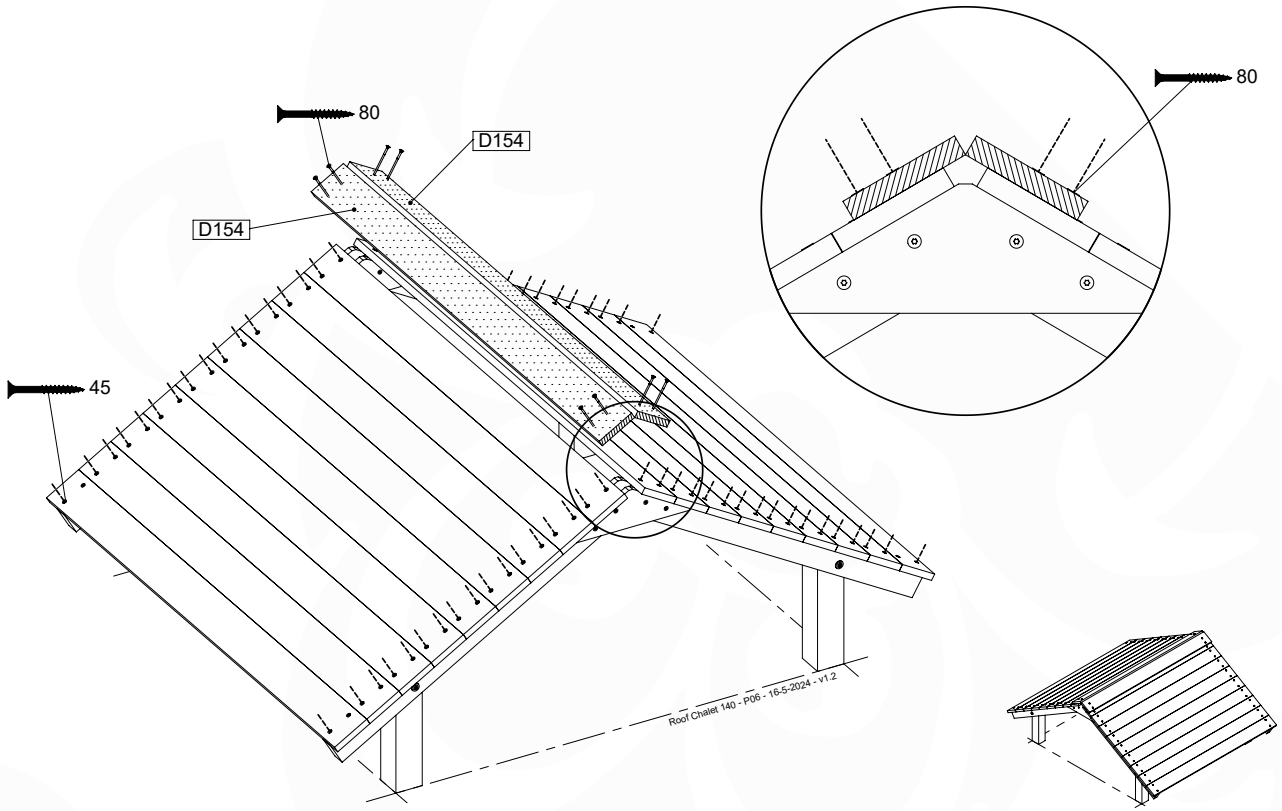
	PartNo	PartName	QTY.
Hardware pack	001_417	Stealth Screw 8x80	4
	002_220	Gap Point Screw T25 - 5x45	108
Timber	C96	Beam 960 mm	4
	D123	Board 1230 mm	1
	D154	Board 1540 mm	24

Roof Chisel 140 - P03 - 16-5-2024 - v1.2





13.2

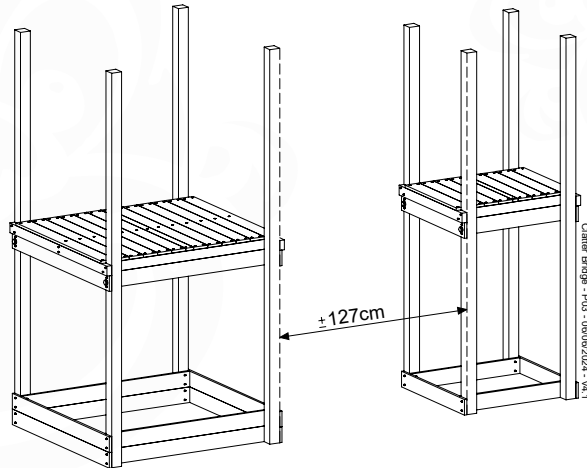
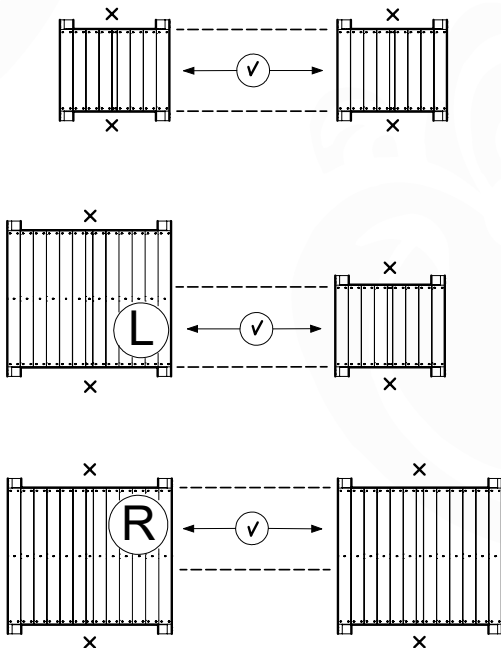
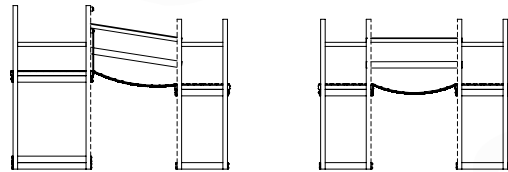
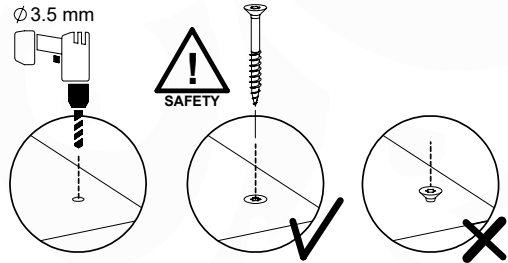
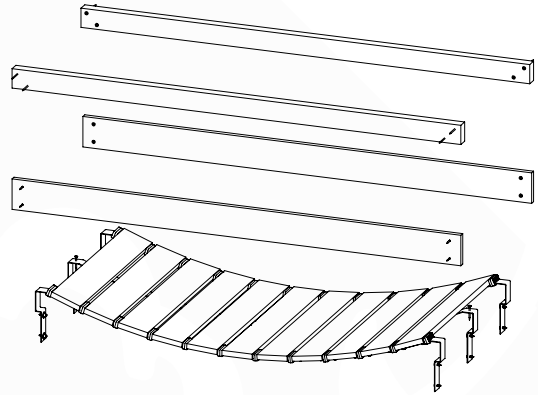


14 CB01a: Clatter Bridge - PART 1

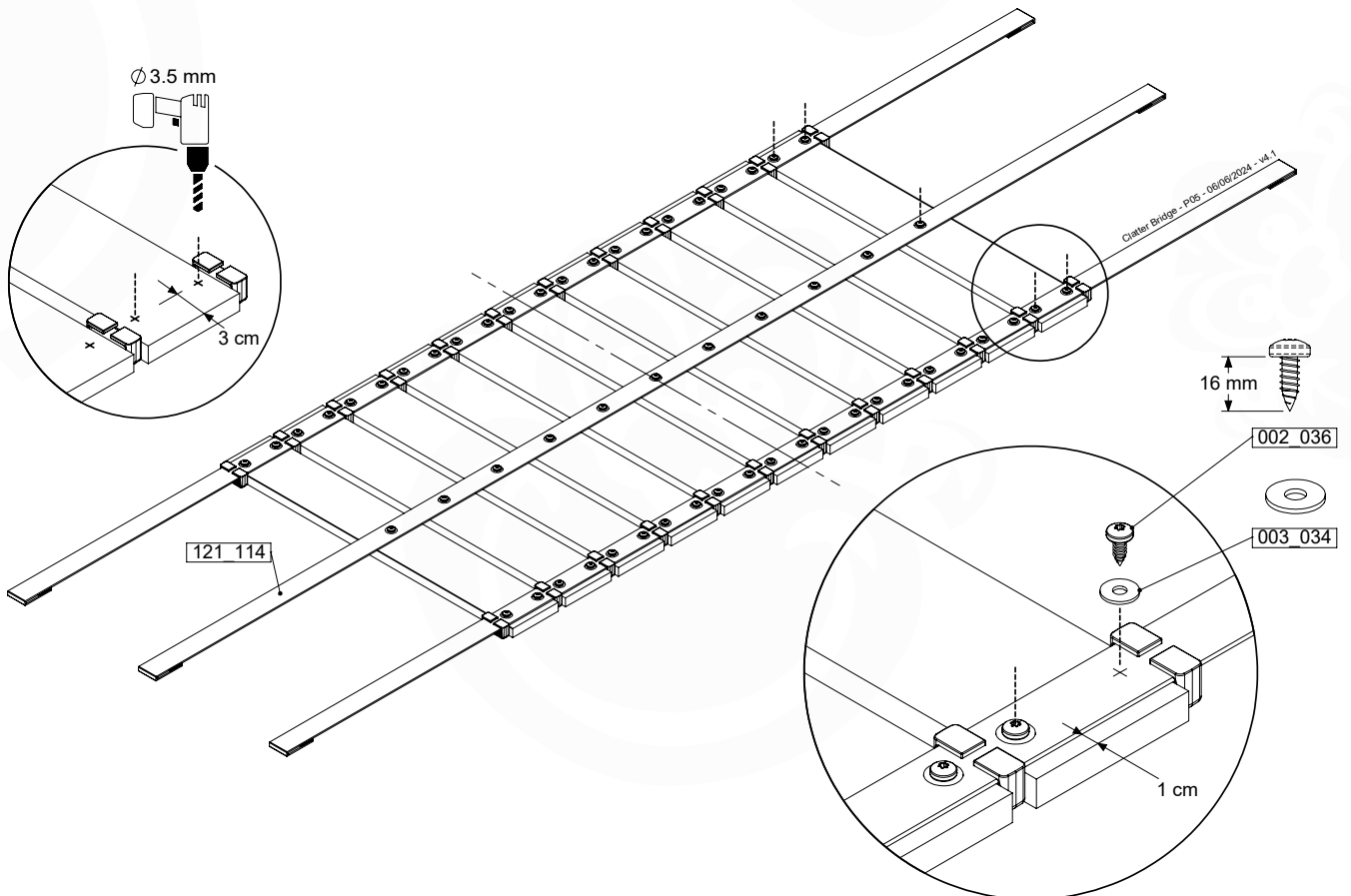
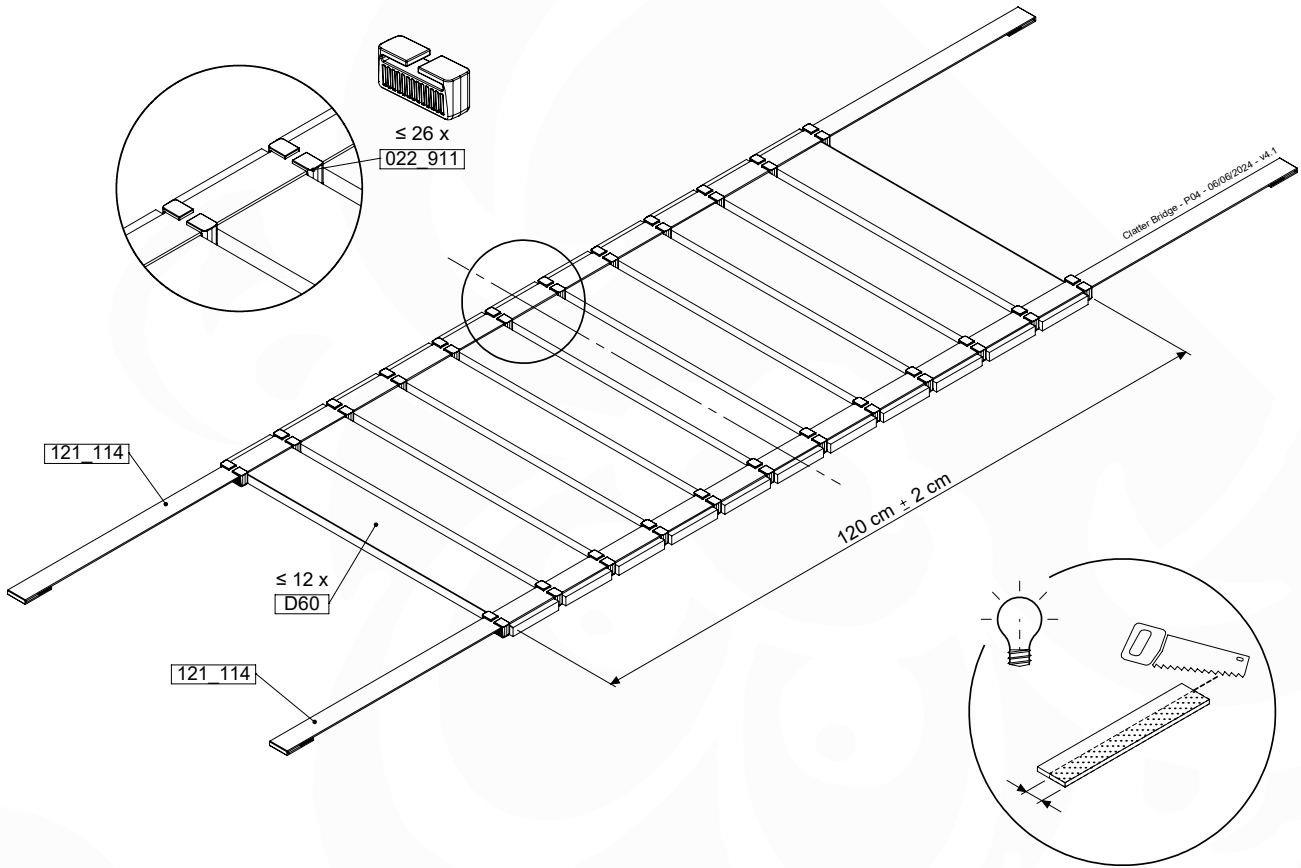
Assembly Pack: 194_116

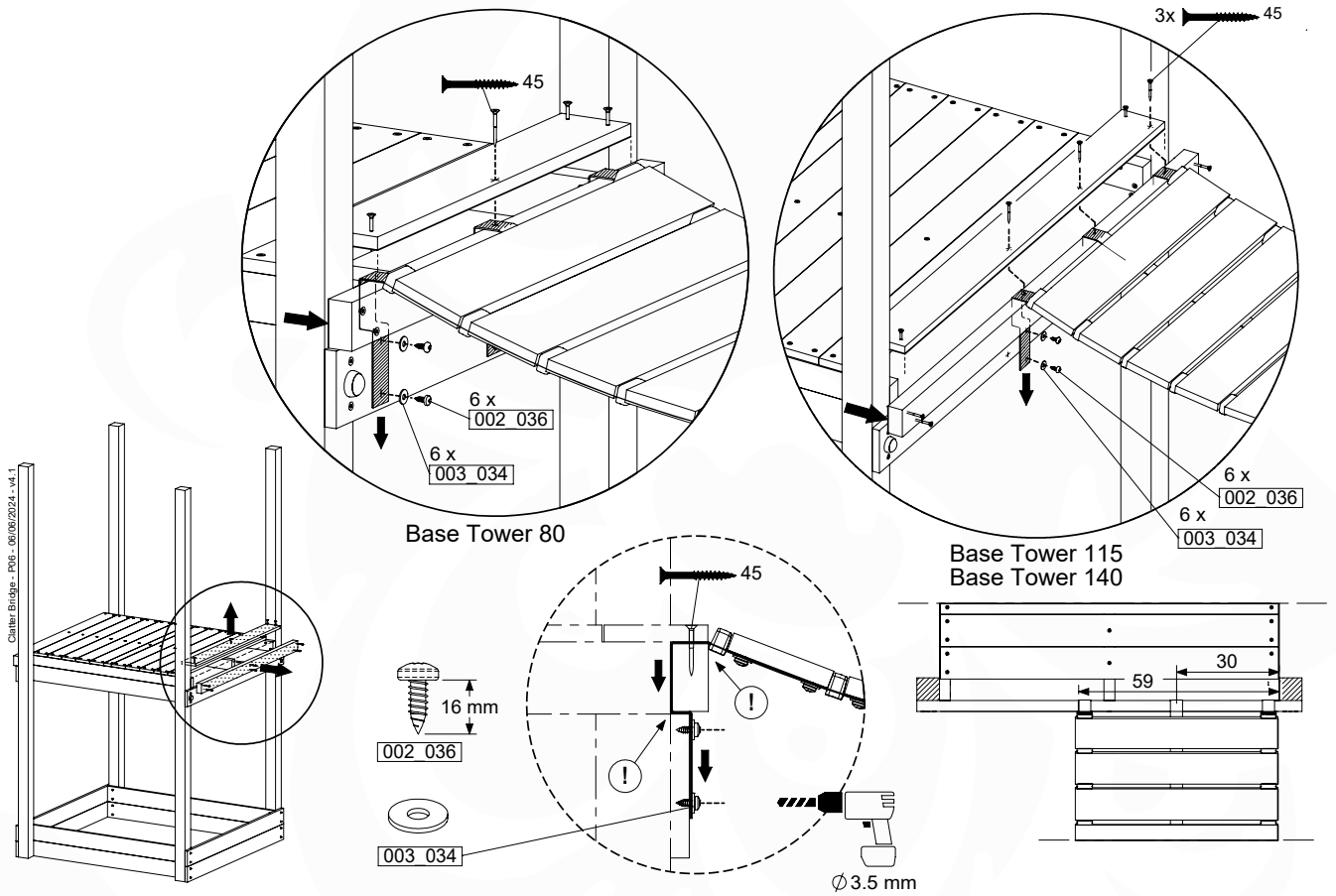
	PartNo	PartName	QTY.
Hardware + Parts	002_036	16mm Pan Head Tapping Screw T25	72
	002_220	Gap Point Screw T25 - 5x45	10
	002_223	Gap Point Screw T25 - 5x80	12
	003_034	M6 Washer	72
	022_911	Bridge Spacer	26
	121_114	BridgeLink Strap 210cm	3
Timber	C141	Beam 1410 mm	2
	D60	Board 600 mm	12
	D141	Board 1410 mm	2

Clatter Bridge - P02 - 08/06/2024 - v4.1



14.1



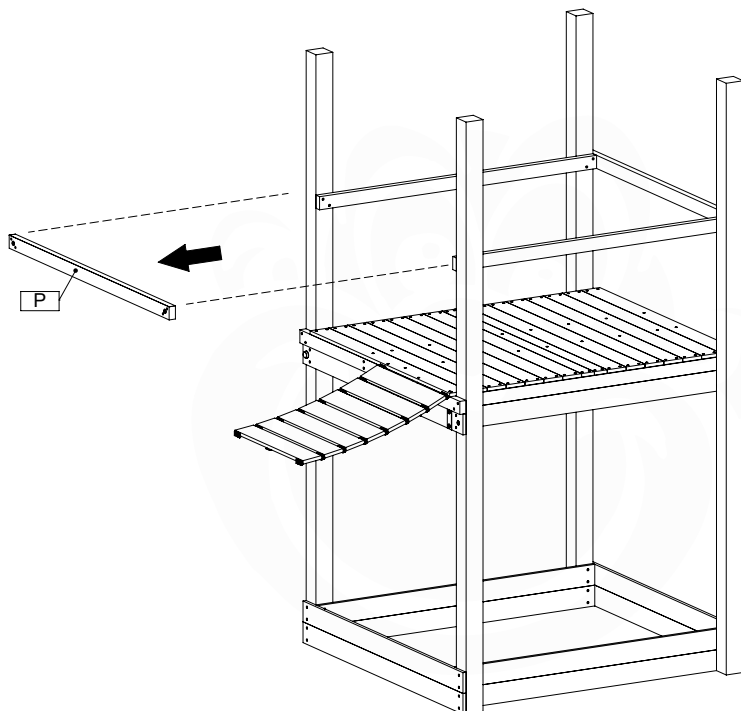
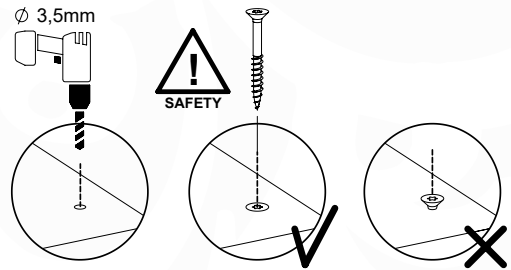
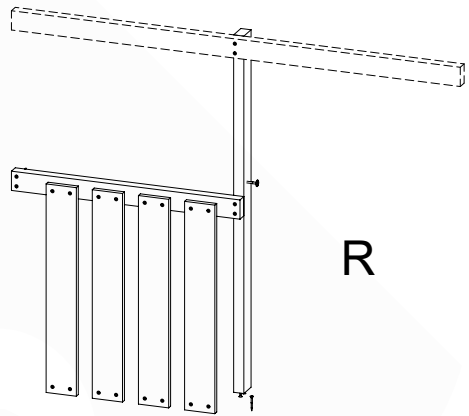


15 BF24a: Bridge Frame 140 T Right

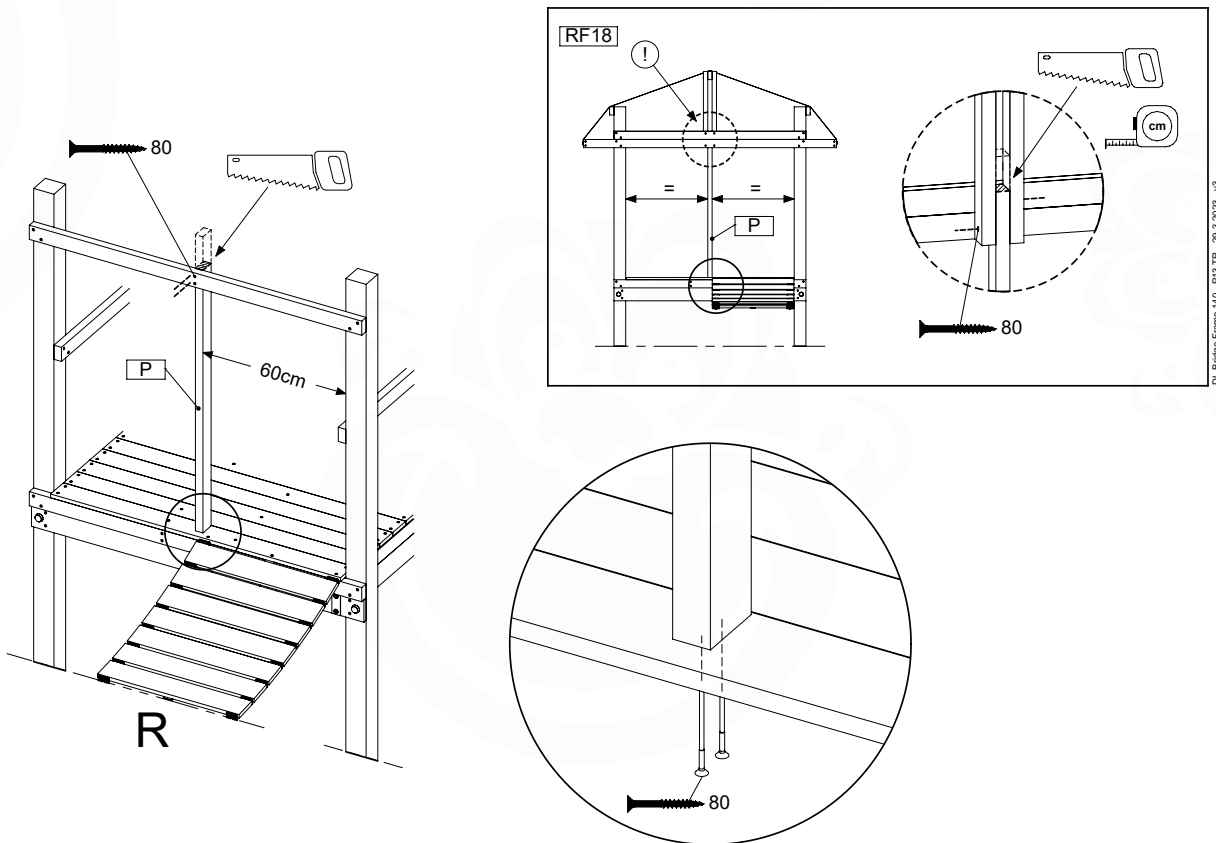
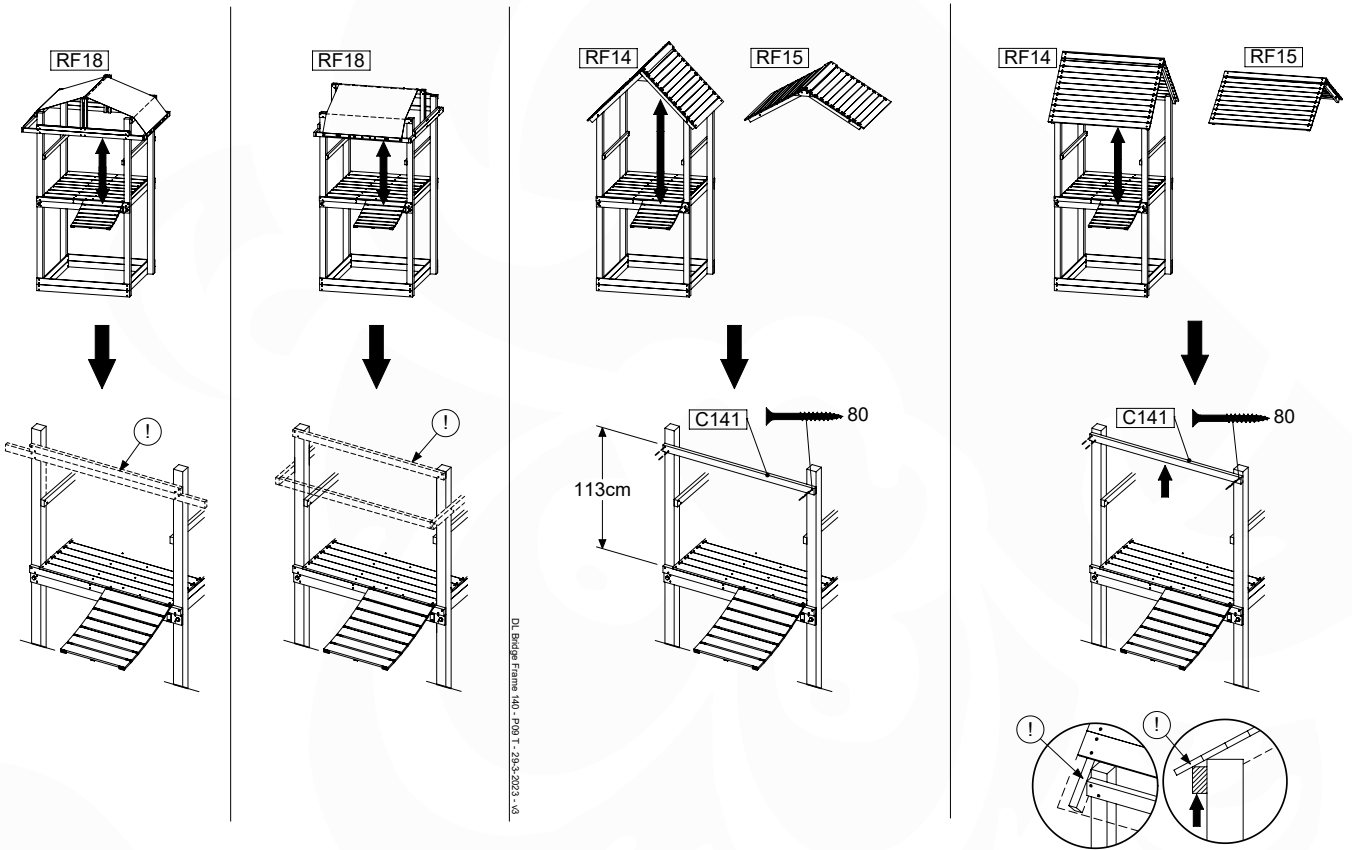
(194_007)

	PartNo	PartName	QTY.
Hardware Pack 100_905	001_411	Stealth Screw 8x60	1
	002_220	Gap Point Screw T25 - 5x45	18
	002_223	Gap Point Screw T25 - 5x80	8
Timber	C74	Beam 740 mm	1
	C141	Beam 1410 mm	1
	D65	Board 650 mm	4

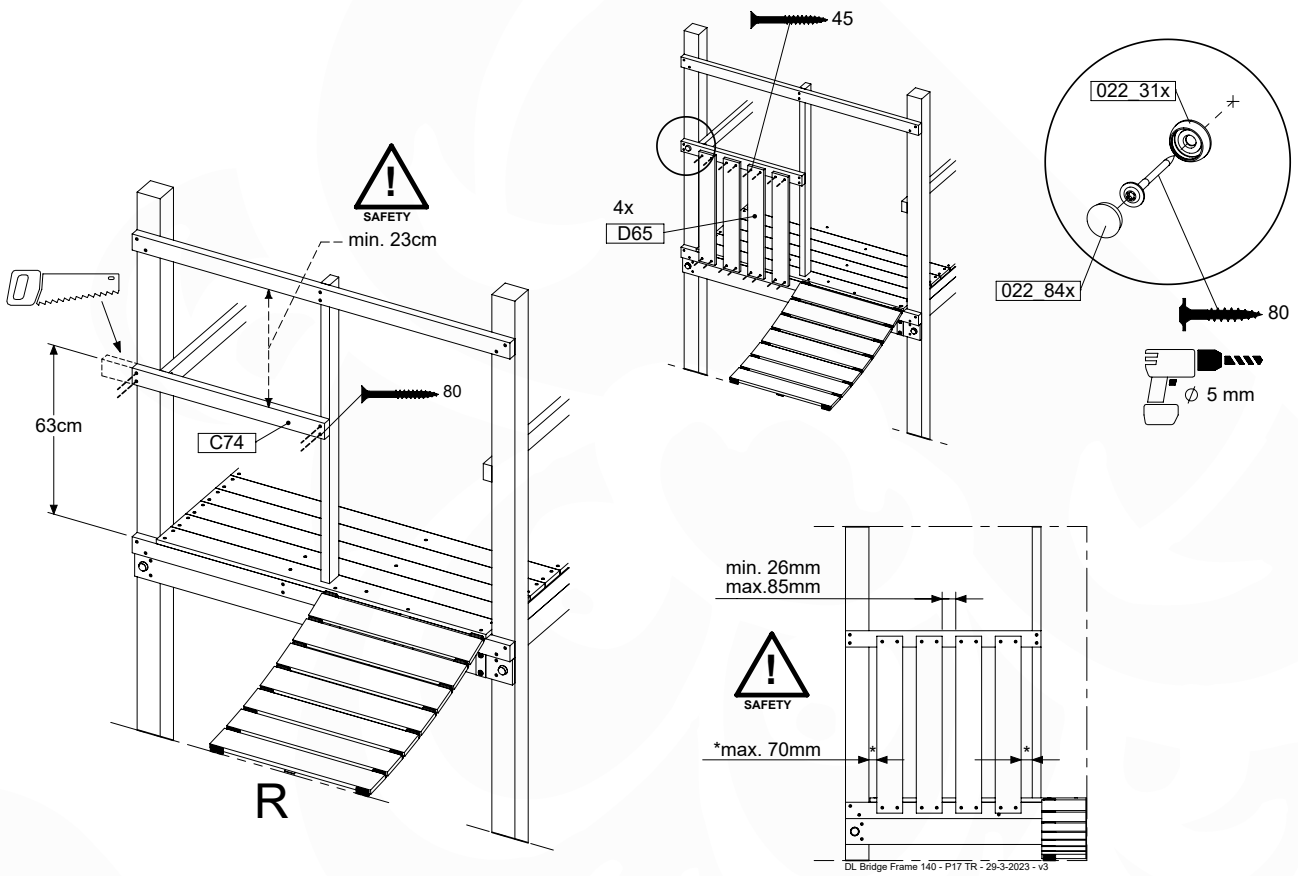
DL Bridge Frame 140 - P07 T - 29-3-2023 - v3



DL Bridge Frame 140 - P07 T - 29-3-2023 - v3



15.2

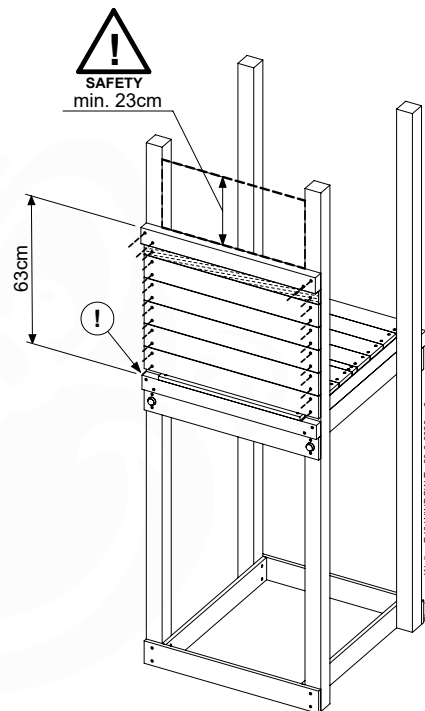
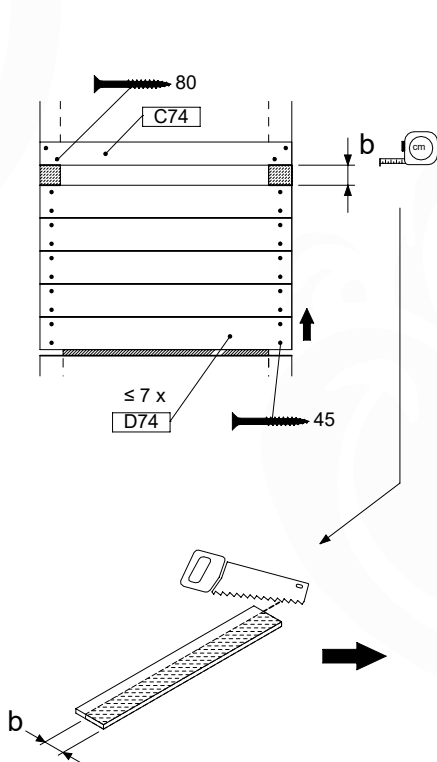
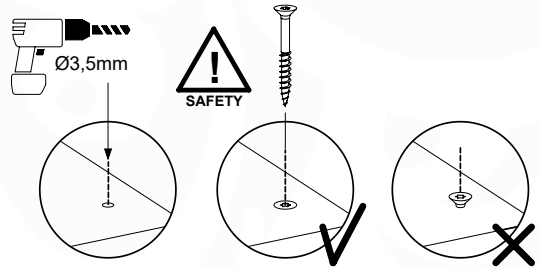
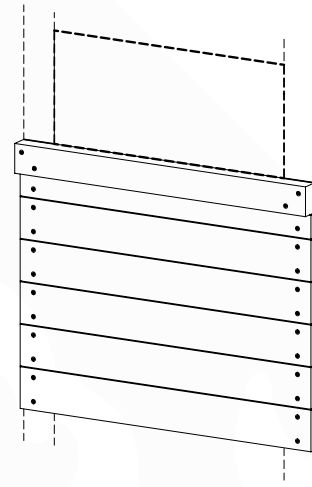


16 PH06a: Playhouse Window Panel 80 T

(194_501)

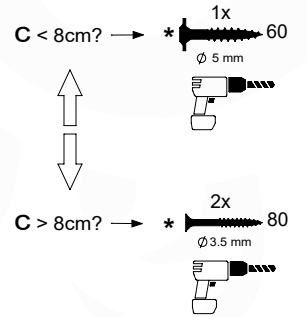
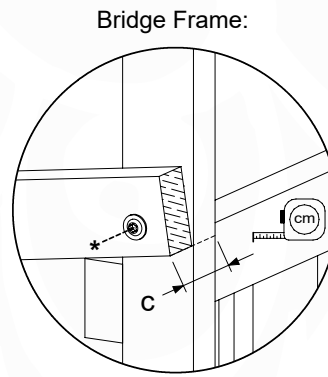
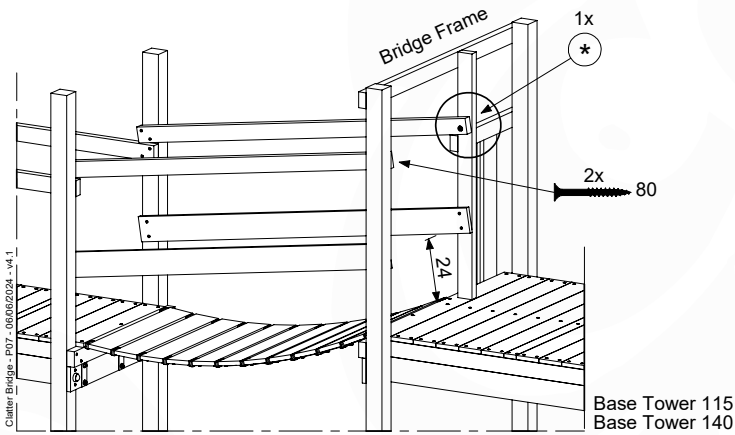
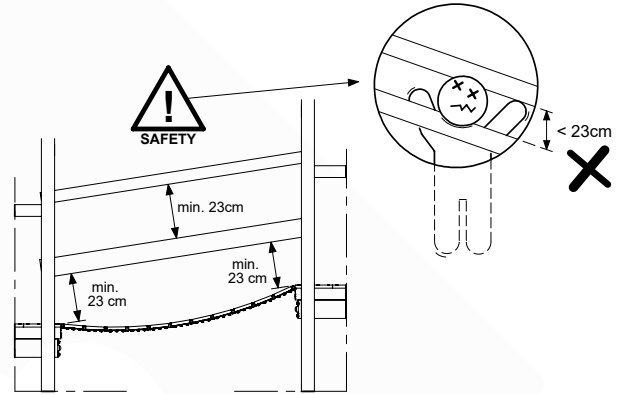
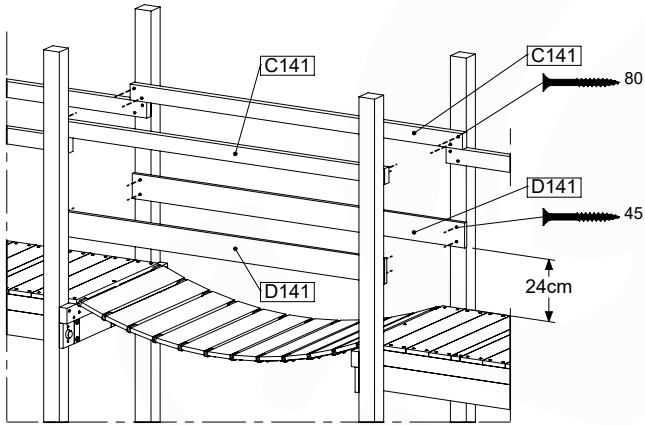
PartNo	PartName	QTY.
002_220	Gap Point Screw T25 - 5x45	28
002_223	Gap Point Screw T25 - 5x80	4
C74	Beam 740 mm	1
D74	Board 740 mm	7

Playhouse Walls - P16 WINDOW T - 28-3-2023 - v3



Playhouse Walls - P16 WINDOW T - 28-3-2023 - v3

17 CB01a: Clatter Bridge - PART 2

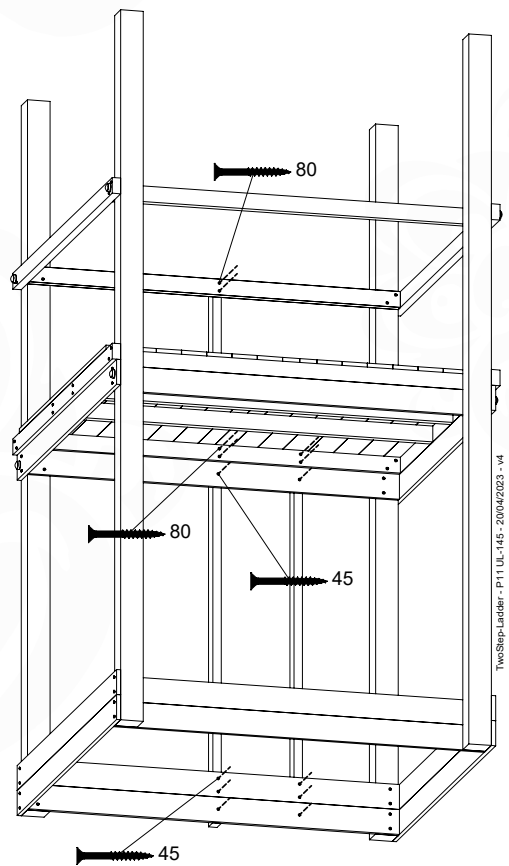
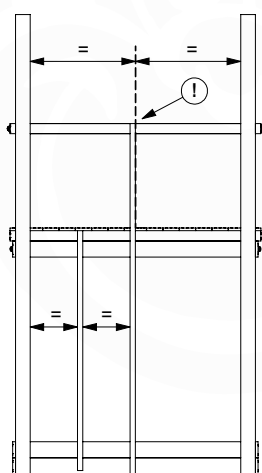
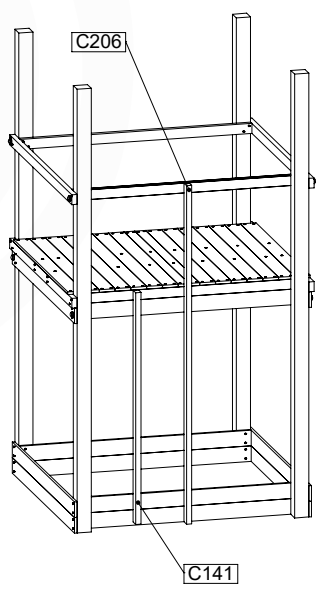
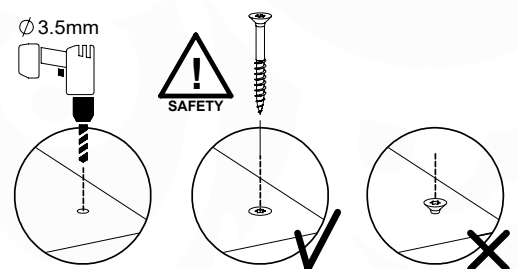
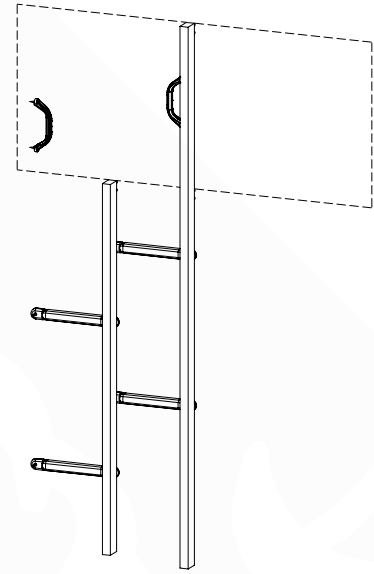


18 TS17a: TwoStep 140 145 U Left

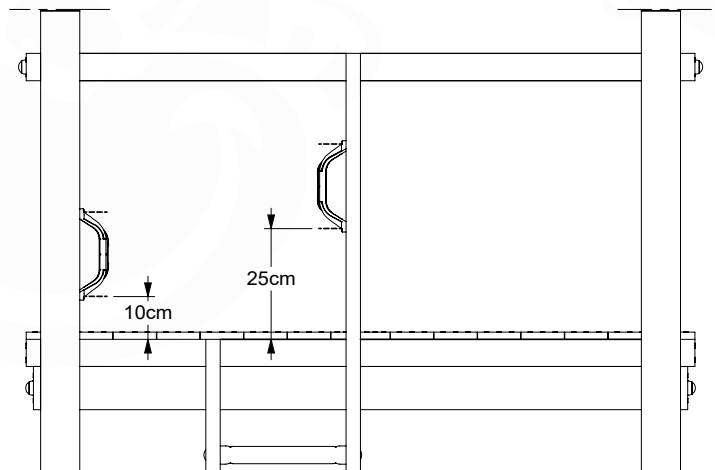
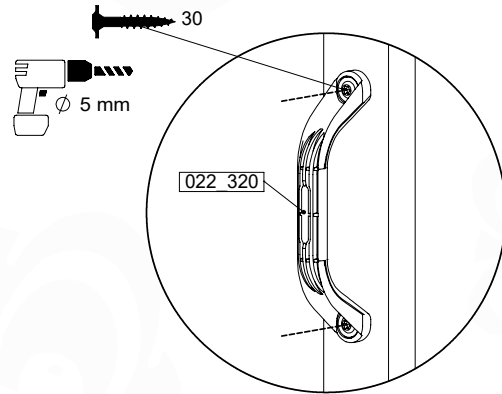
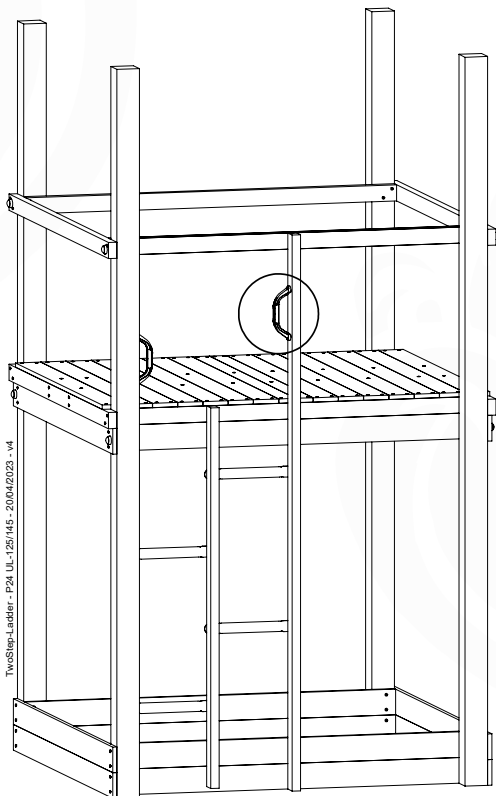
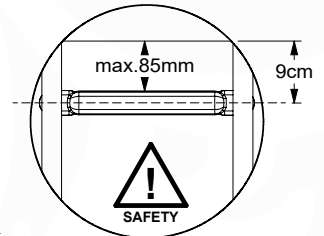
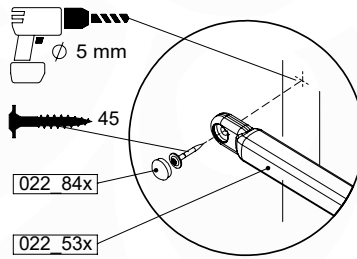
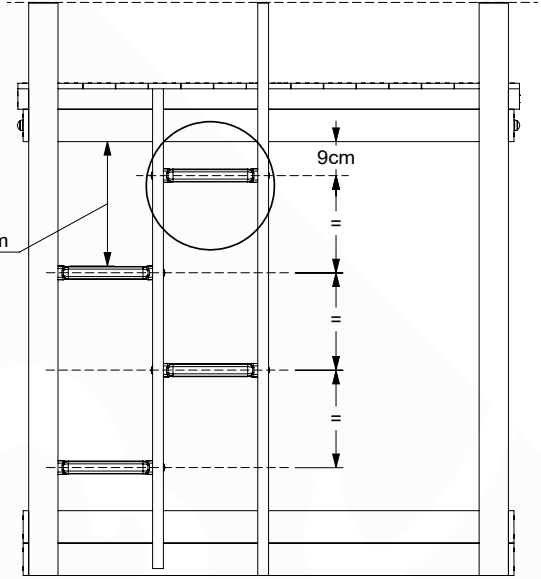
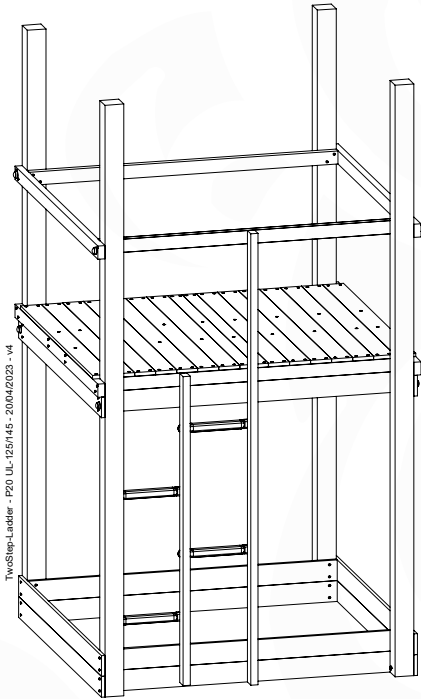
(194_002)

	PartNo	PartName	QTY.
Hardware pack	001_406	Stealth Screw 8x45	8
	002_220	Gap Point Screw T25 - 5x45	8
	002_223	Gap Point Screw T25 - 5x80	6
Other	022_53x	Ladder/ Rope Rung 30cm	4
	022_84x	bpc cover	8
	120_102	Handgrip set (complete 2x)	1
Timber	C141	Beam 1410 mm	1
	C206	Beam 2060 mm	1

TwoStep-Ladder - P08 UL-145 - 20/04/2023 - v4



TwoStep-Ladder - P11 UL-145 - 20/04/2023 - v4

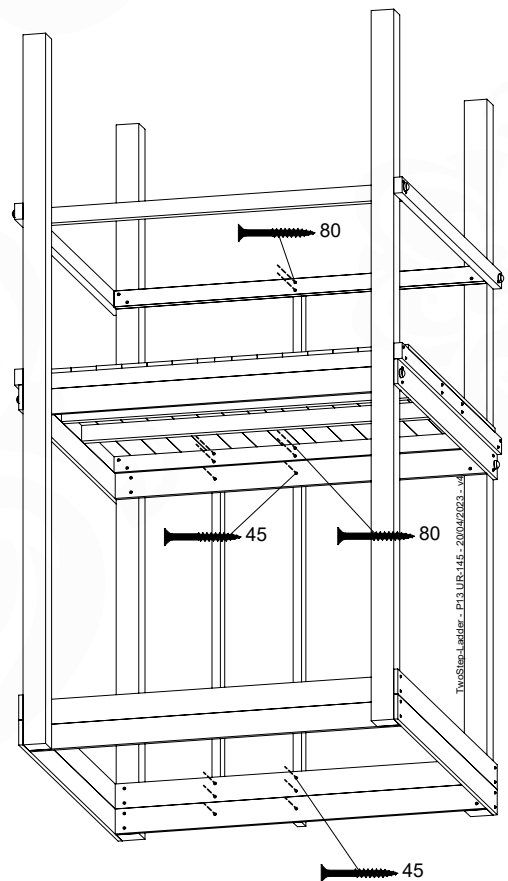
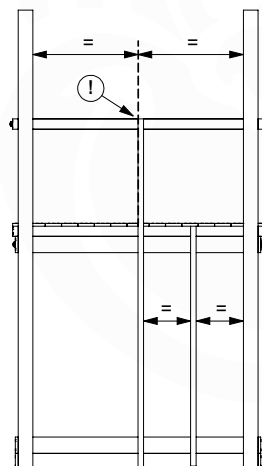
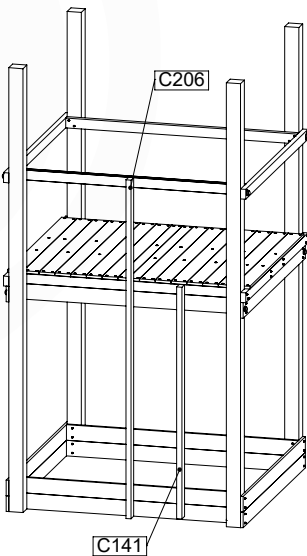
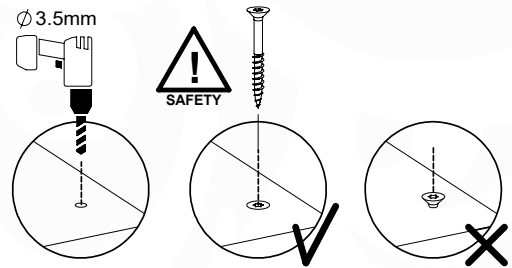
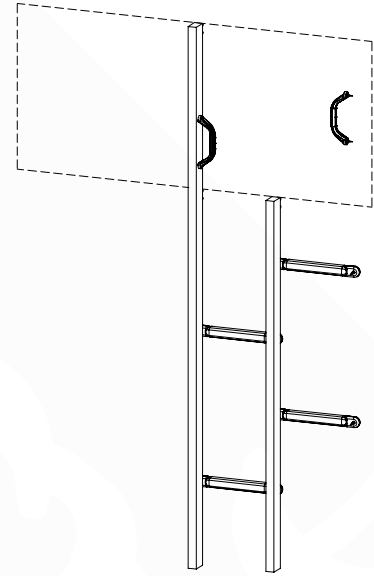


19 TS18a: TwoStep 140 145 U Right

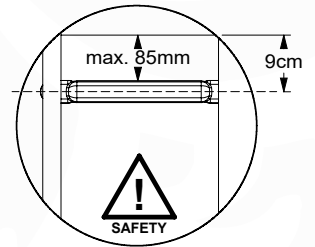
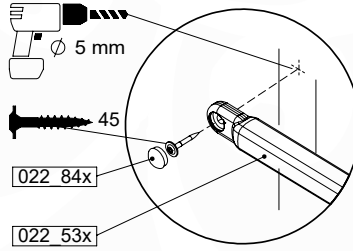
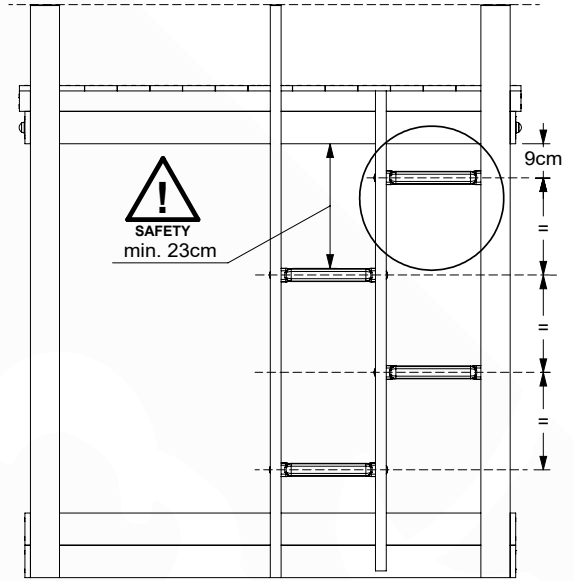
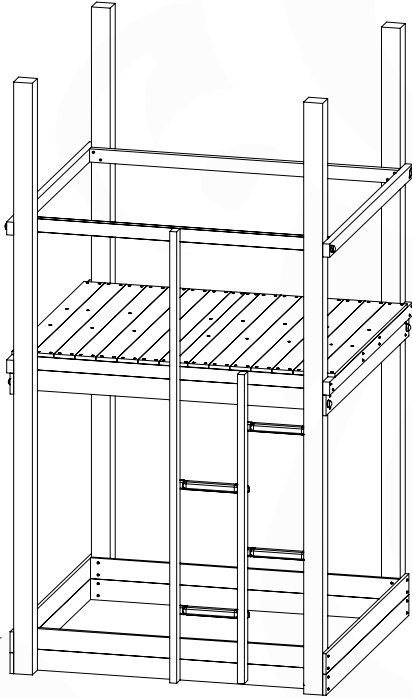
(194_002)

	PartNo	PartName	QTY.
Hardware pack	001_406	Stealth Screw 8x45	8
	002_220	Gap Point Screw T25 - 5x45	8
	002_223	Gap Point Screw T25 - 5x80	6
Other	022_53x	Ladder/ Rope Rung 30cm	4
	022_84x	bpc cover	8
	120_102	Handgrip set (complete 2x)	1
Timber	C141	Beam 1410 mm	1
	C206	Beam 2060 mm	1

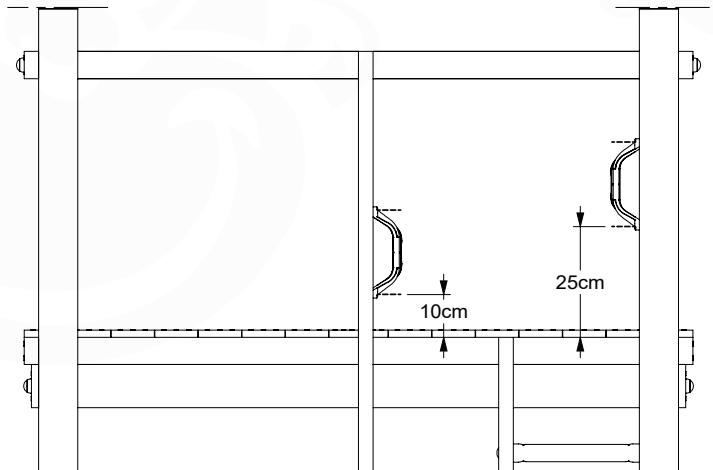
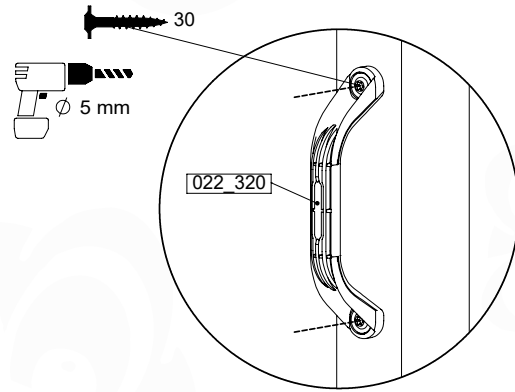
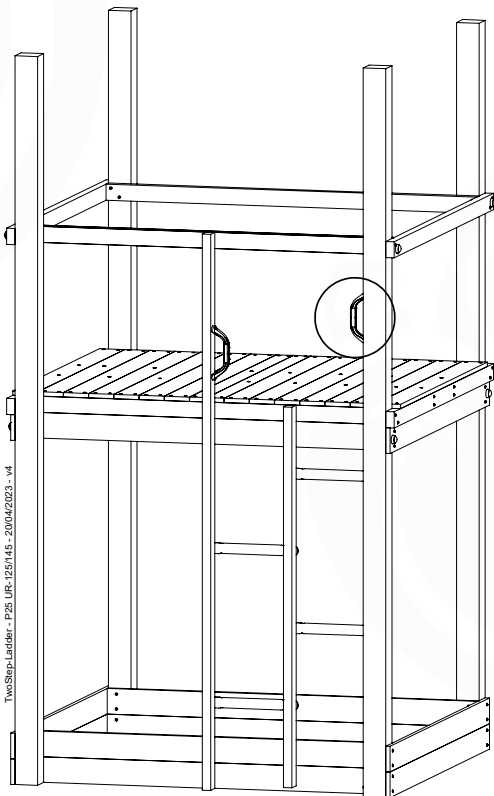
TwoStep-Ladder - P17 UR-145 - 2024/2023 - v4



TwoStep-Ladder - P21 UR-125/145 - 20/04/2023 - v4



TwoStep-Ladder - P26 UR-125/145 - 20/04/2023 - v4

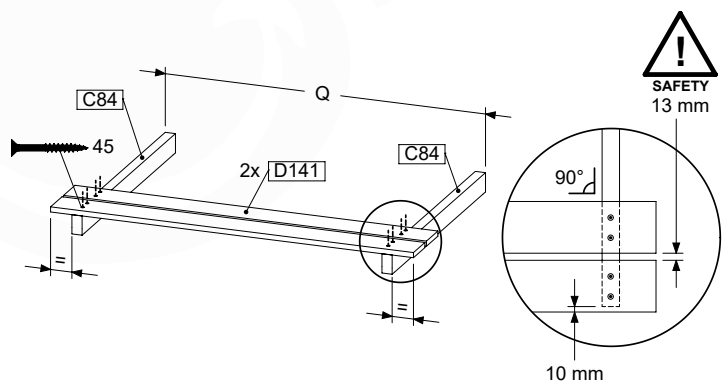
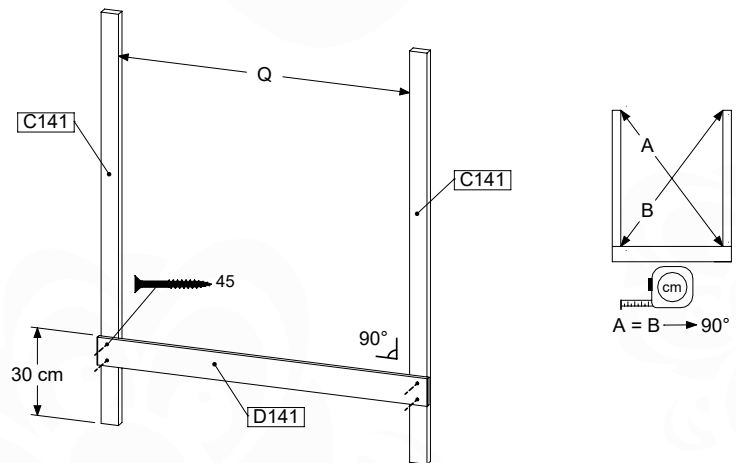
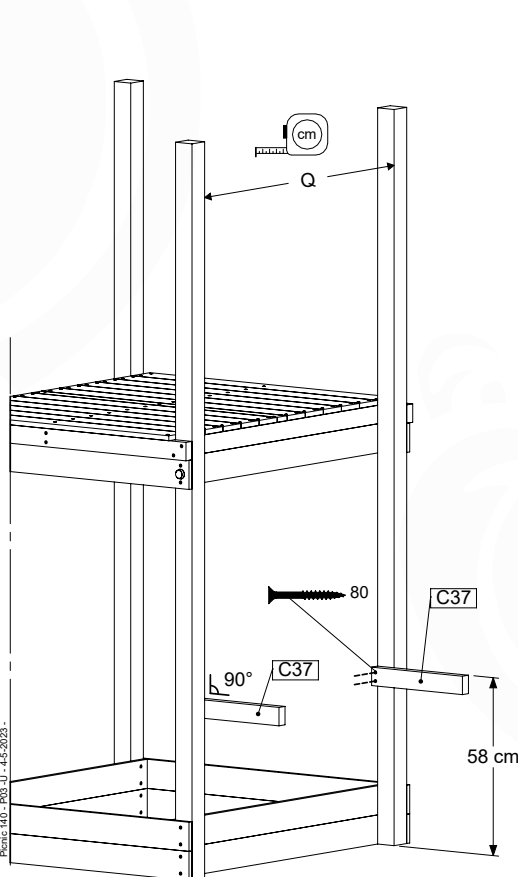
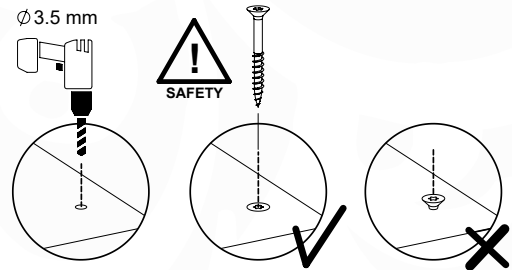
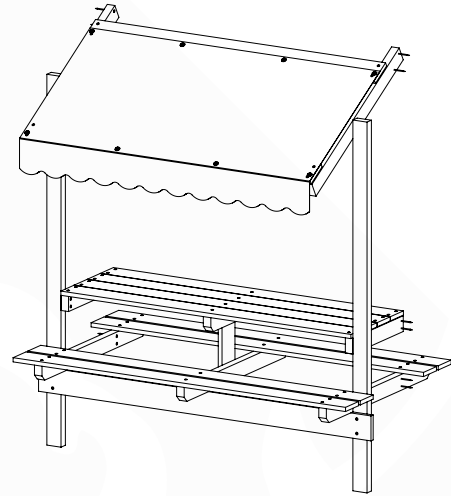


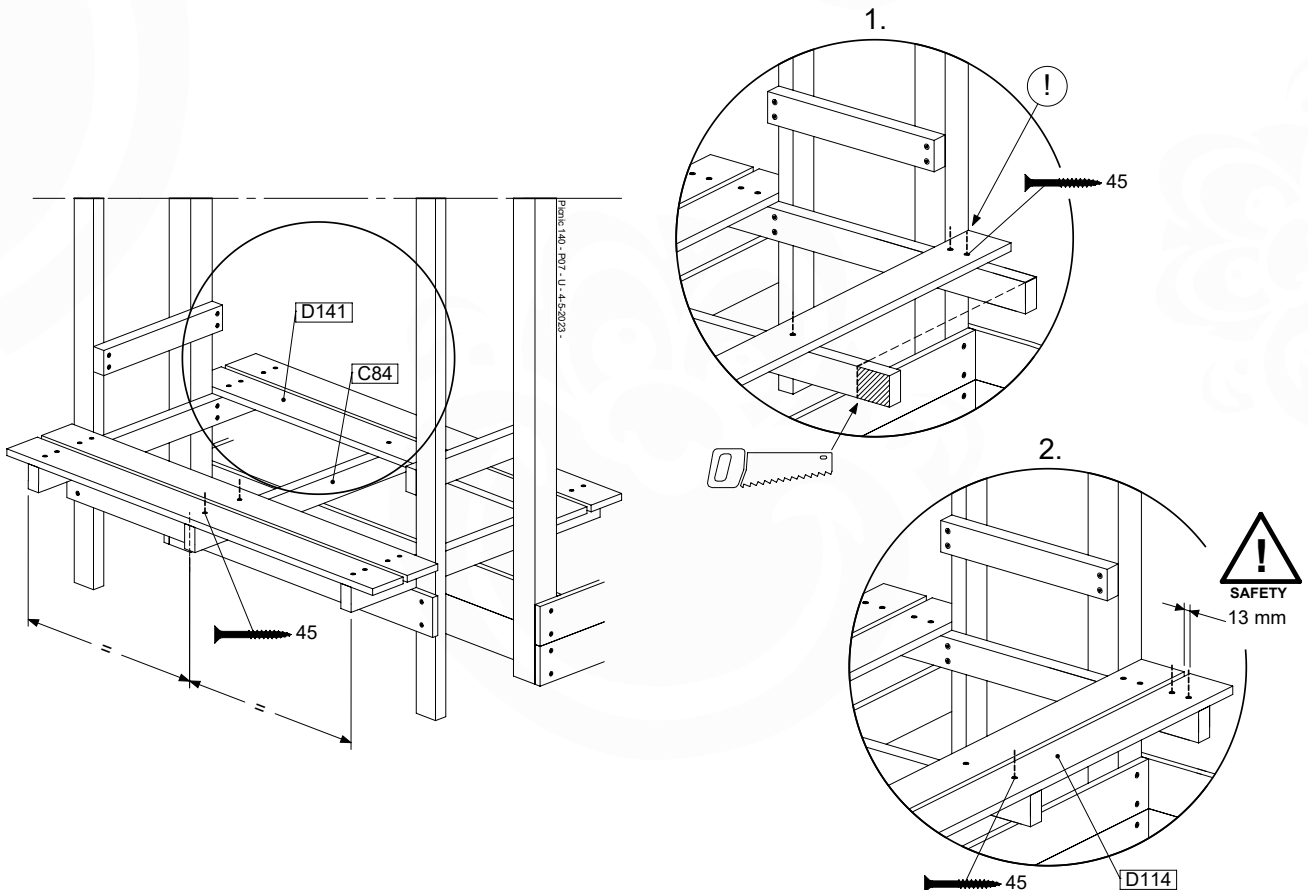
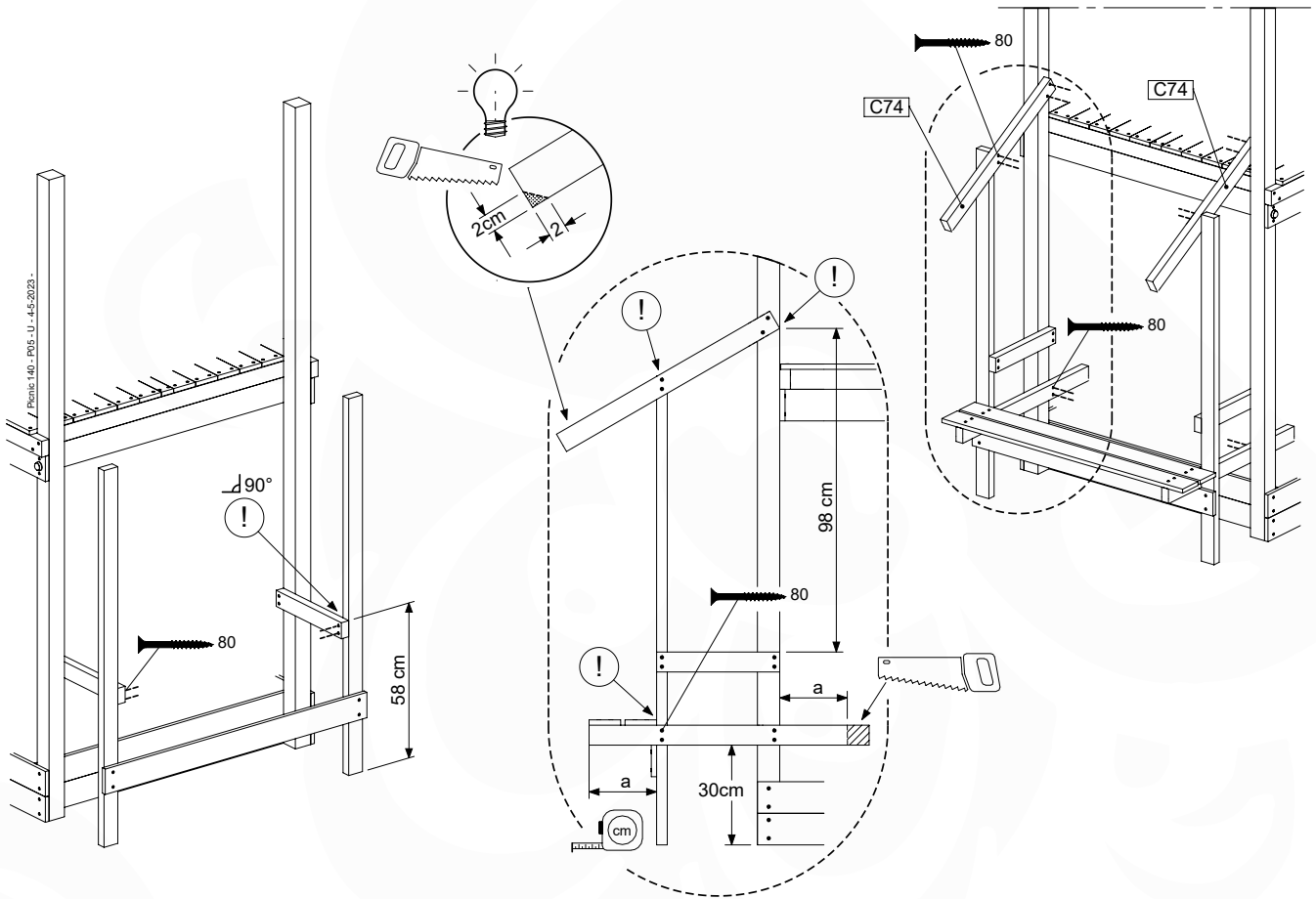
20 PC09a: Picnic 140 U

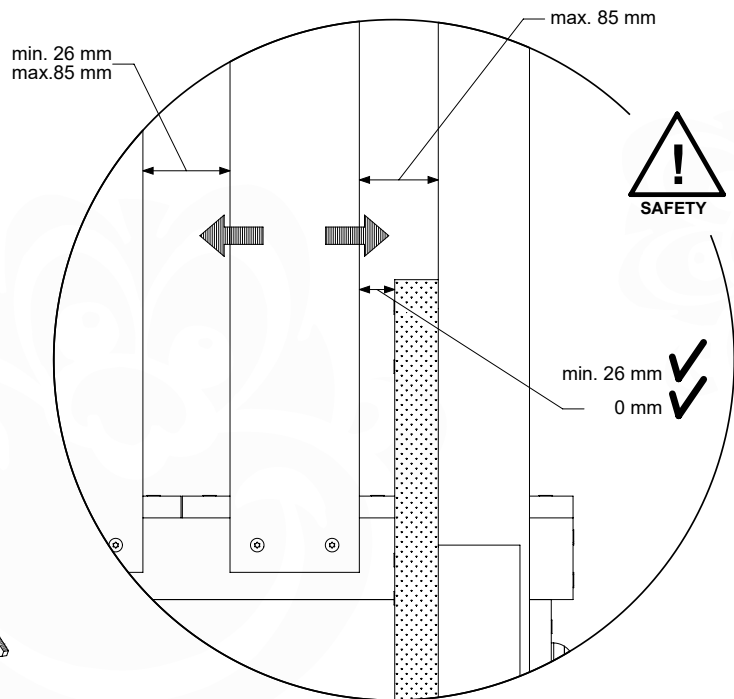
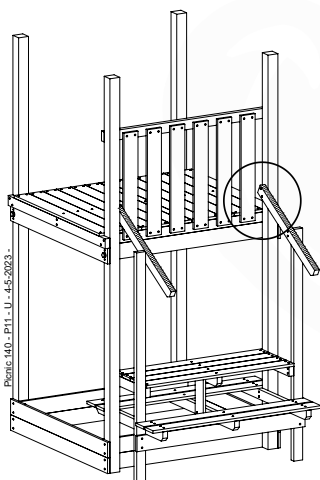
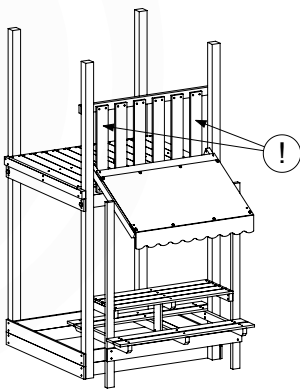
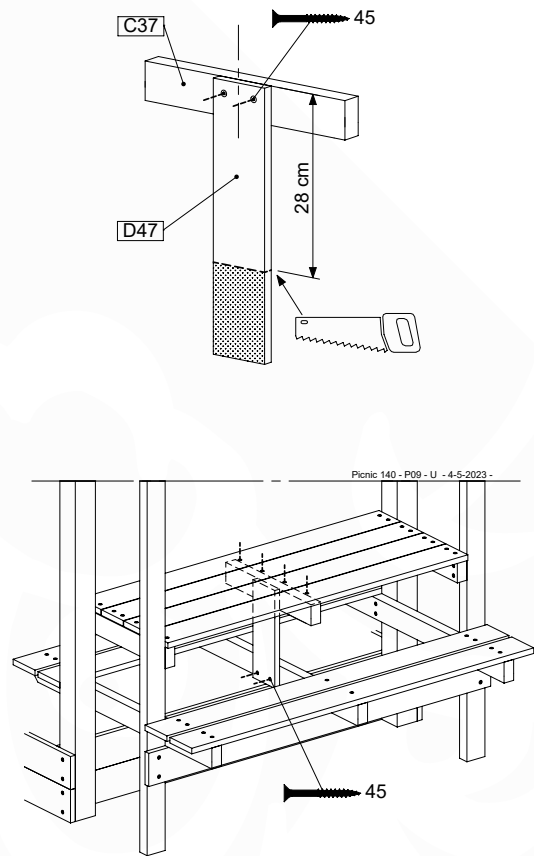
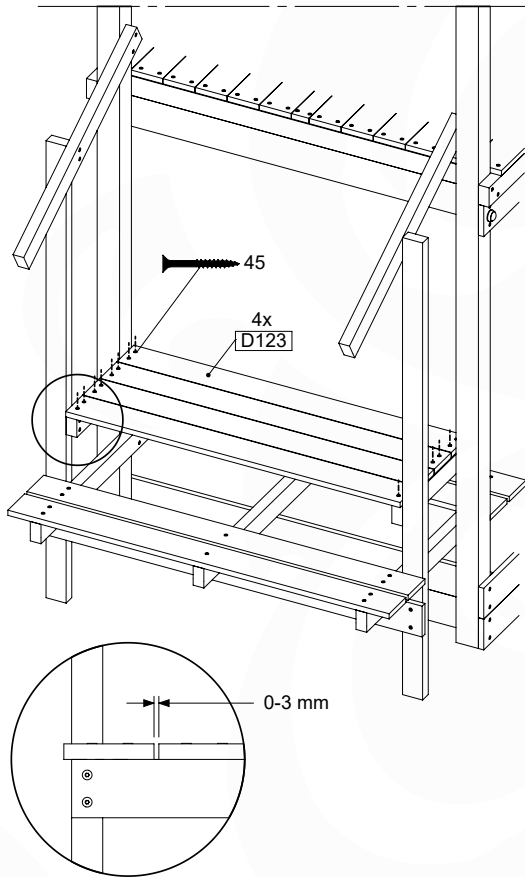
(194_810)

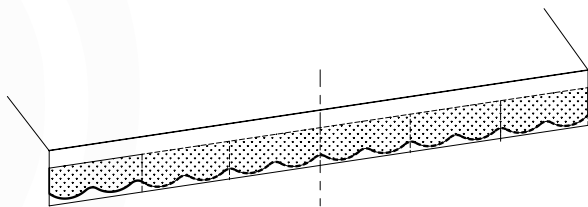
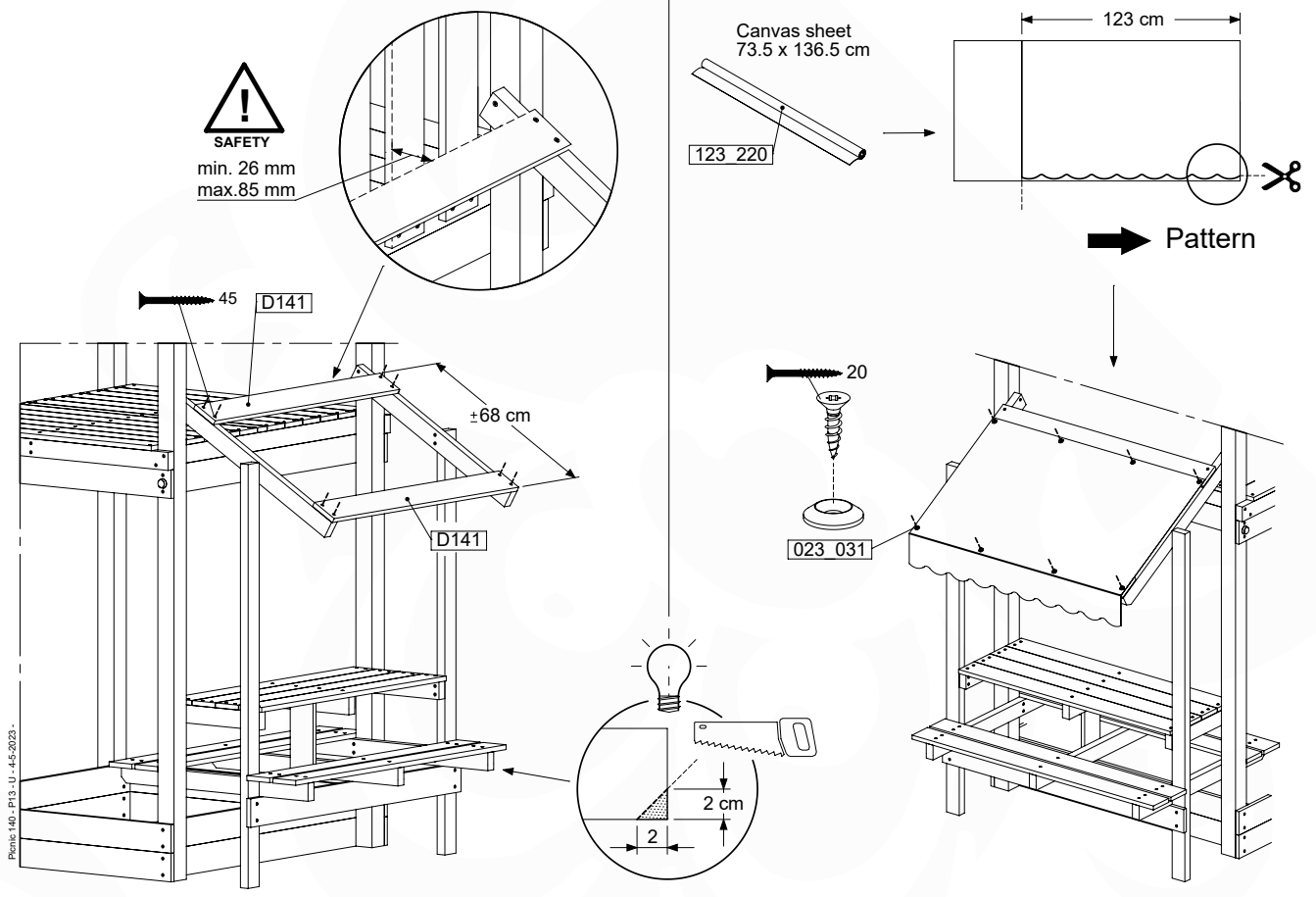
	PartNo	PartName	QTY.
Hardware Pack	002_220	Gap Point Screw T25 - 5x45	56
	002_223	Gap Point Screw T25 - 5x80	24
	002_308	Gap Point Screw T25 - 5x20	8
	023_031	Finishing Washer GPS 5.0	8
Other	123_220	Canvas sheet 735x1365mm	1
Timber	C37	Beam 370 mm	3
	C74	Beam 740 mm	2
	C84	Beam 840 mm	3
	C141	Beam 1410 mm	2
	D47	Board 470 mm	1
	D123	Board 1230 mm	6
	D141	Board 1410 mm	5

Picnic 140 - RPZ - UJT - 4-5-2023 -

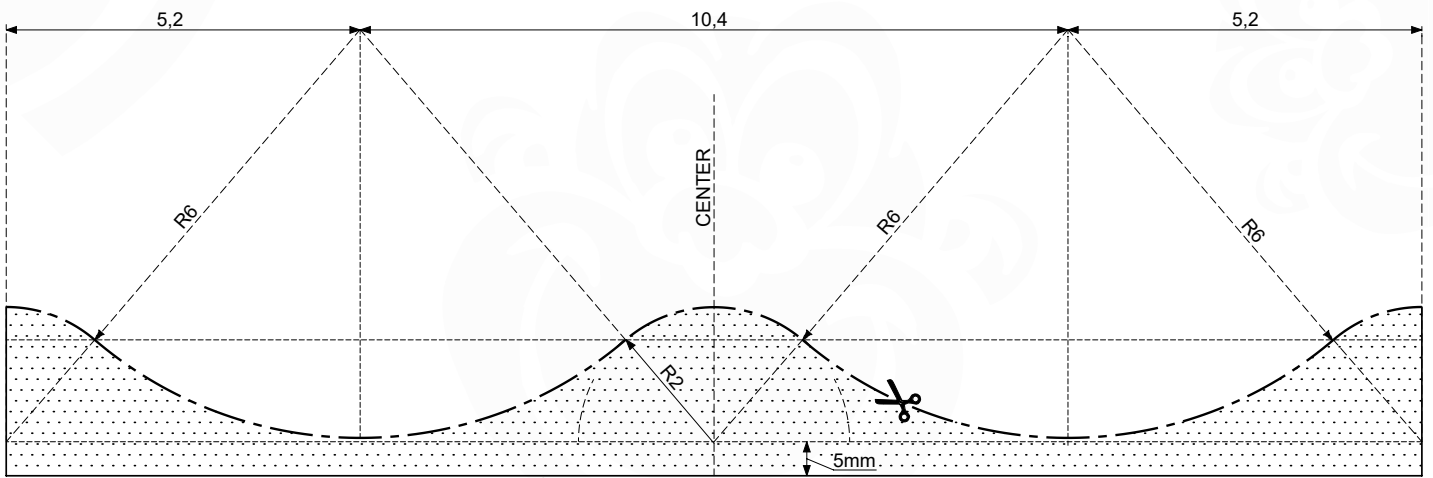








EXAMPLE PATTERN
BEISPIELVORLAGE FÜR MARKISE
SCHEMA SUGGÈRE DE DÉCOUPE POUR AUVENT
VOORBEELDSJABLOON LUIFEL



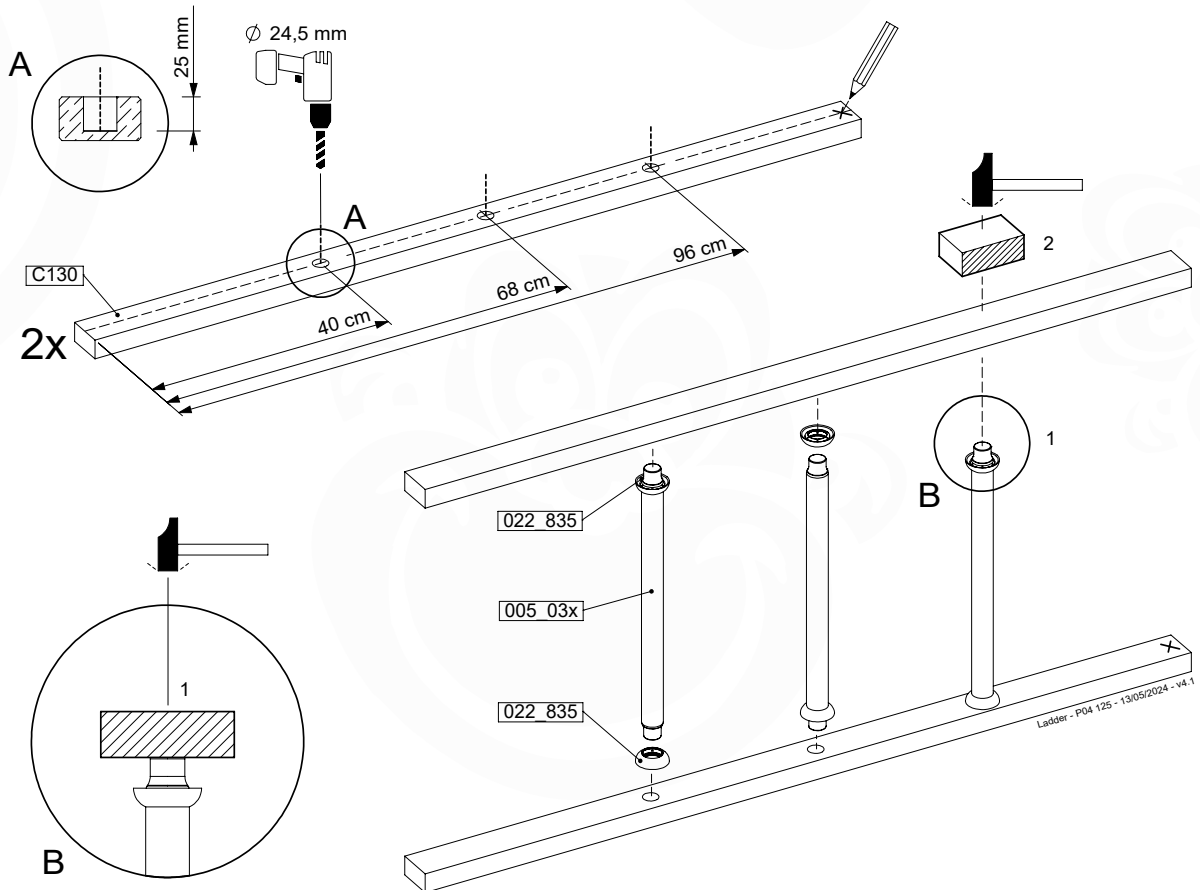
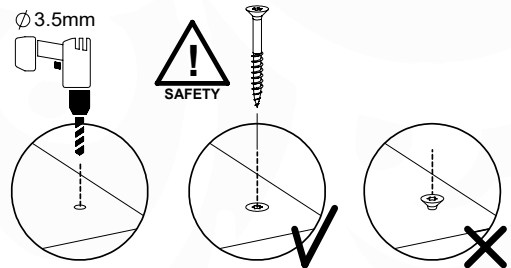
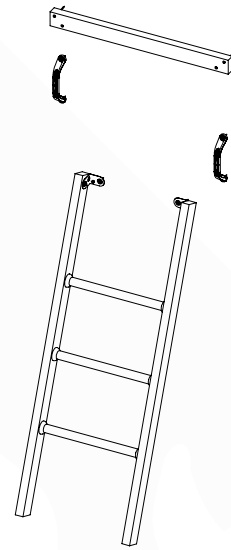
! Scale of print may not be accurate.
Druckformat kann abweichen.
Les tailles imprimées peuvent varier.
Printformaat kan afwijken.

21 LA01a: Ladder 80 125 U

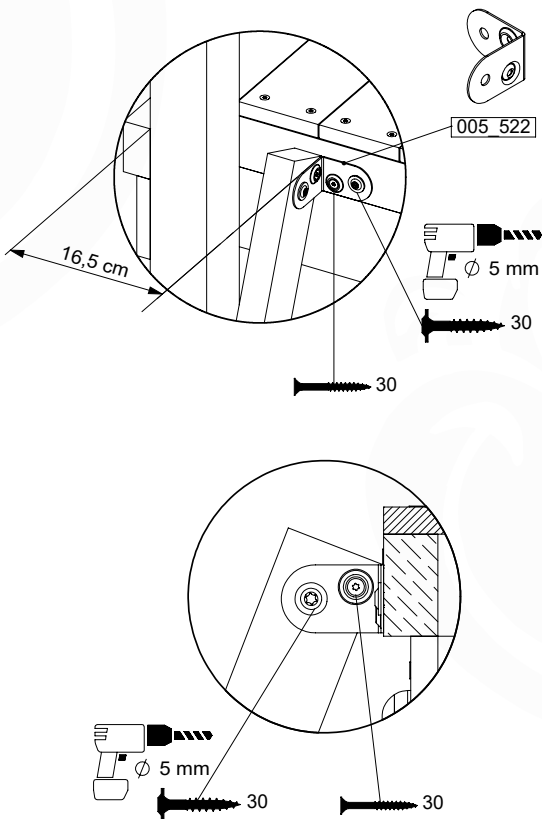
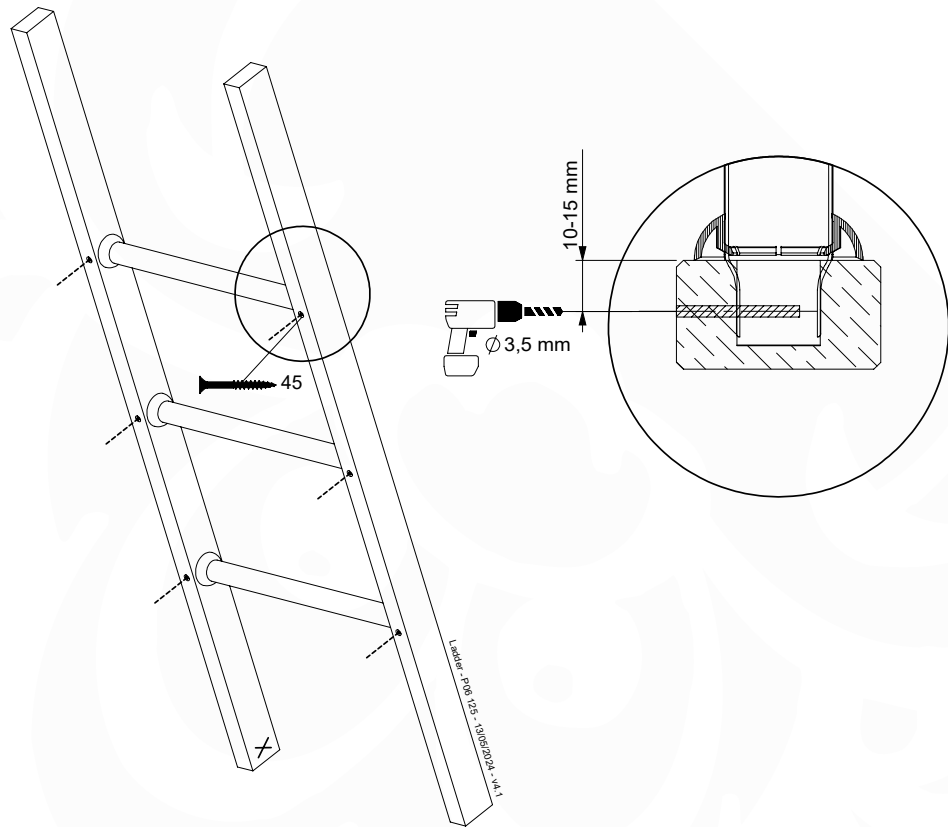
Assembly Pack: 194_103 / 194_003

	PartNo	PartName	QTY.
Hardware + Parts	001_404	Stealth Screw 8x30	4
	002_219	Gap Point Screw T25 - 5x30	4
	002_220	Gap Point Screw T25 - 5x45	6
	002_223	Gap Point Screw T25 - 5x80	4
	005_03x	Ladder Rung Y/B/G/R	3
	005_522	Connection Bracket Mini Market	2
	022_835	Rung Cap	6
	120_102	Handgrip set (2x Complete)	1
Timber	C74	Beam 740 mm	1
	C130	Beam 1300 mm	2

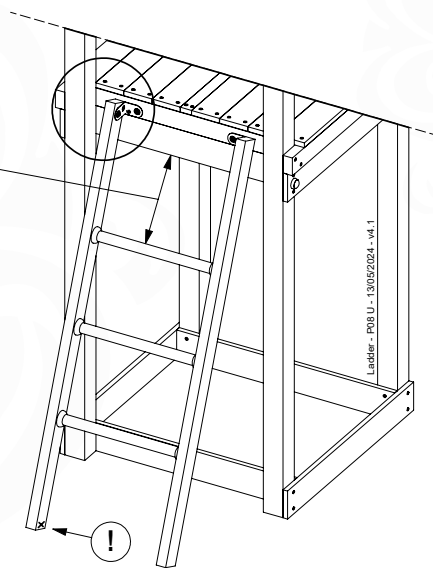
Ladder - P02 125 - 13/05/2024 - v4.1

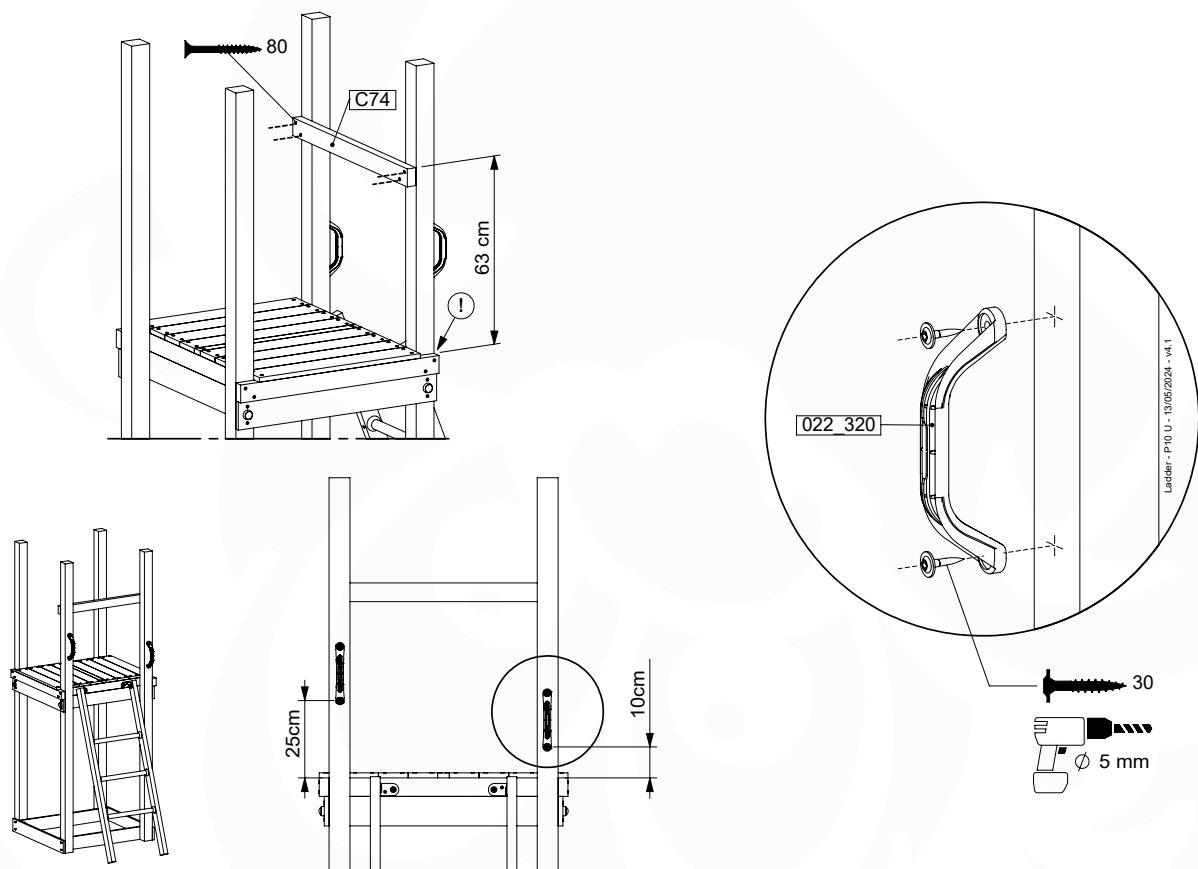


Ladder - P04 125 - 13/05/2024 - v4.1



SAFETY
 min. 23 cm
 max. 28 cm



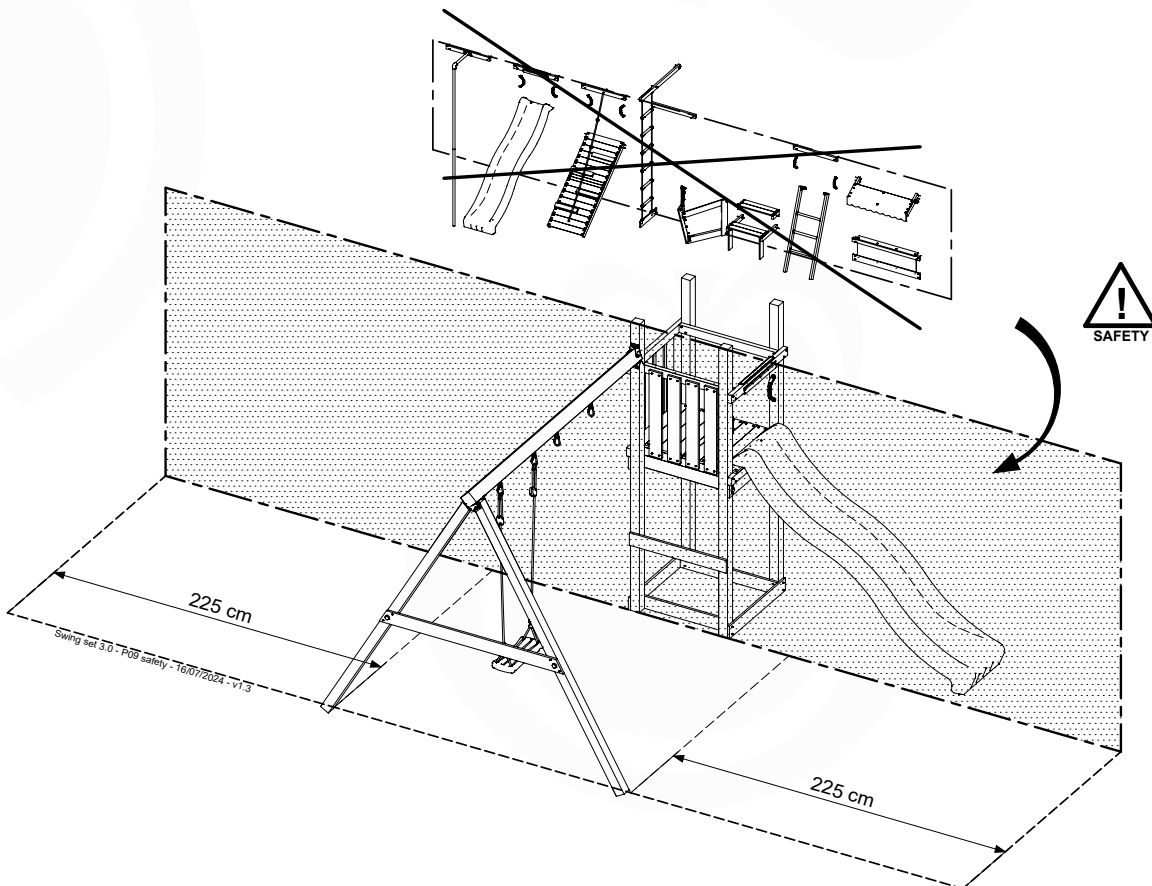
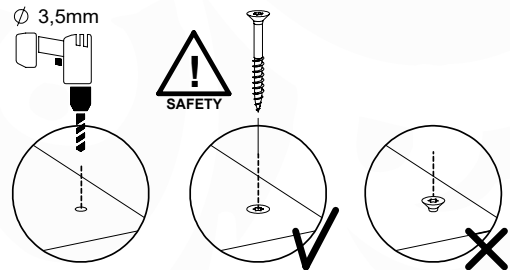
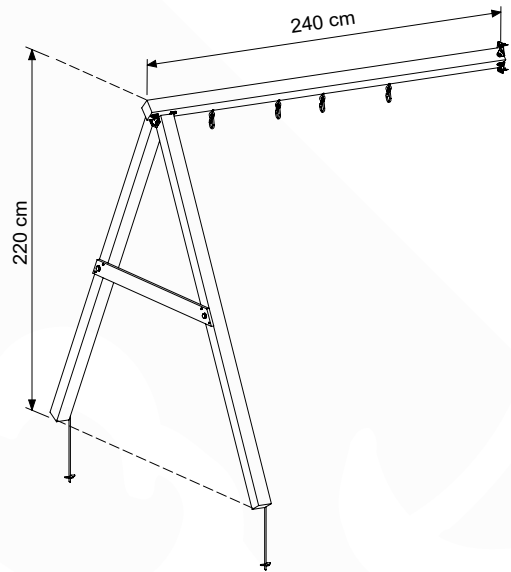


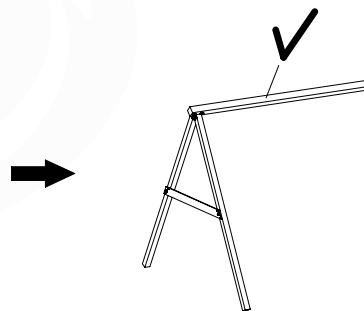
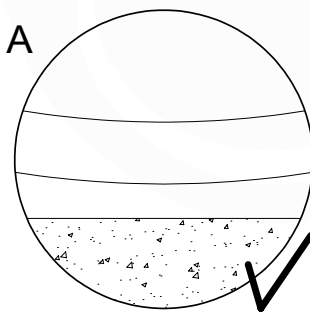
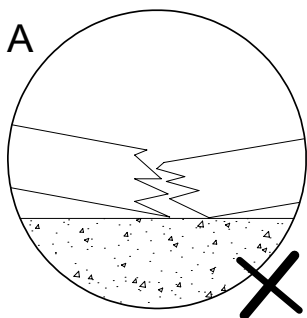
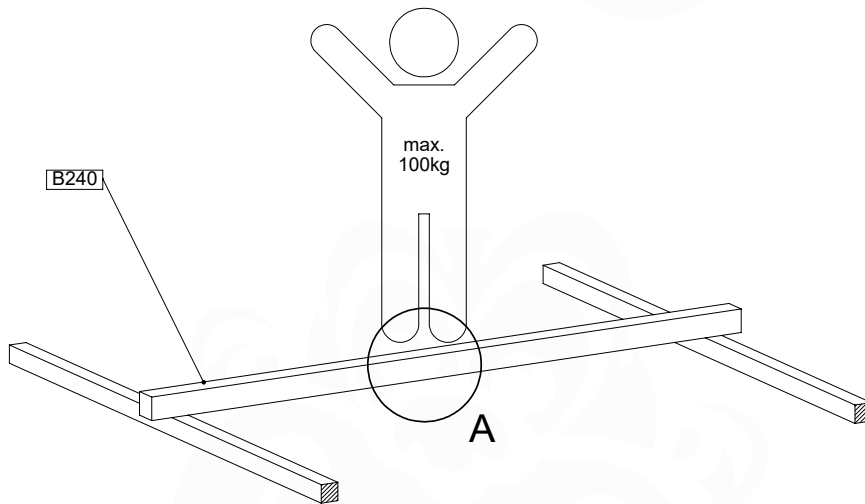
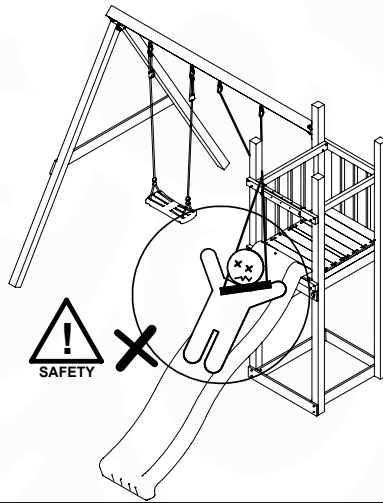
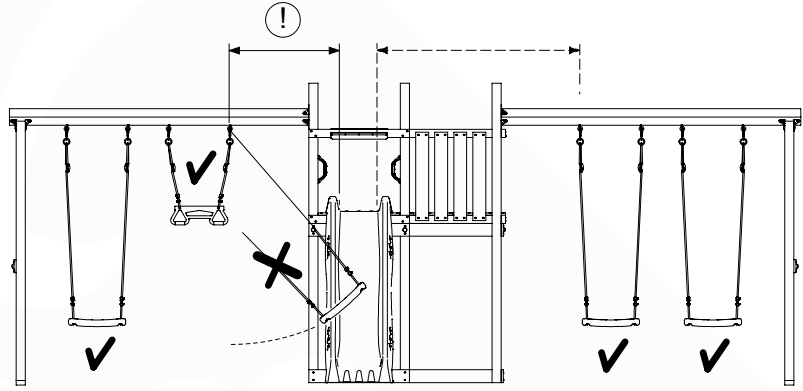
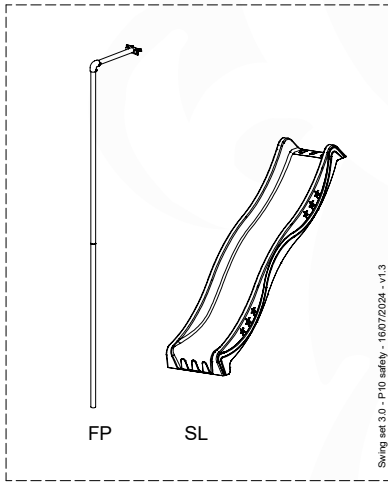
22 SW22a: 2- Swing Module 220 Extra - 3.0

Assembly Kit: 457_103

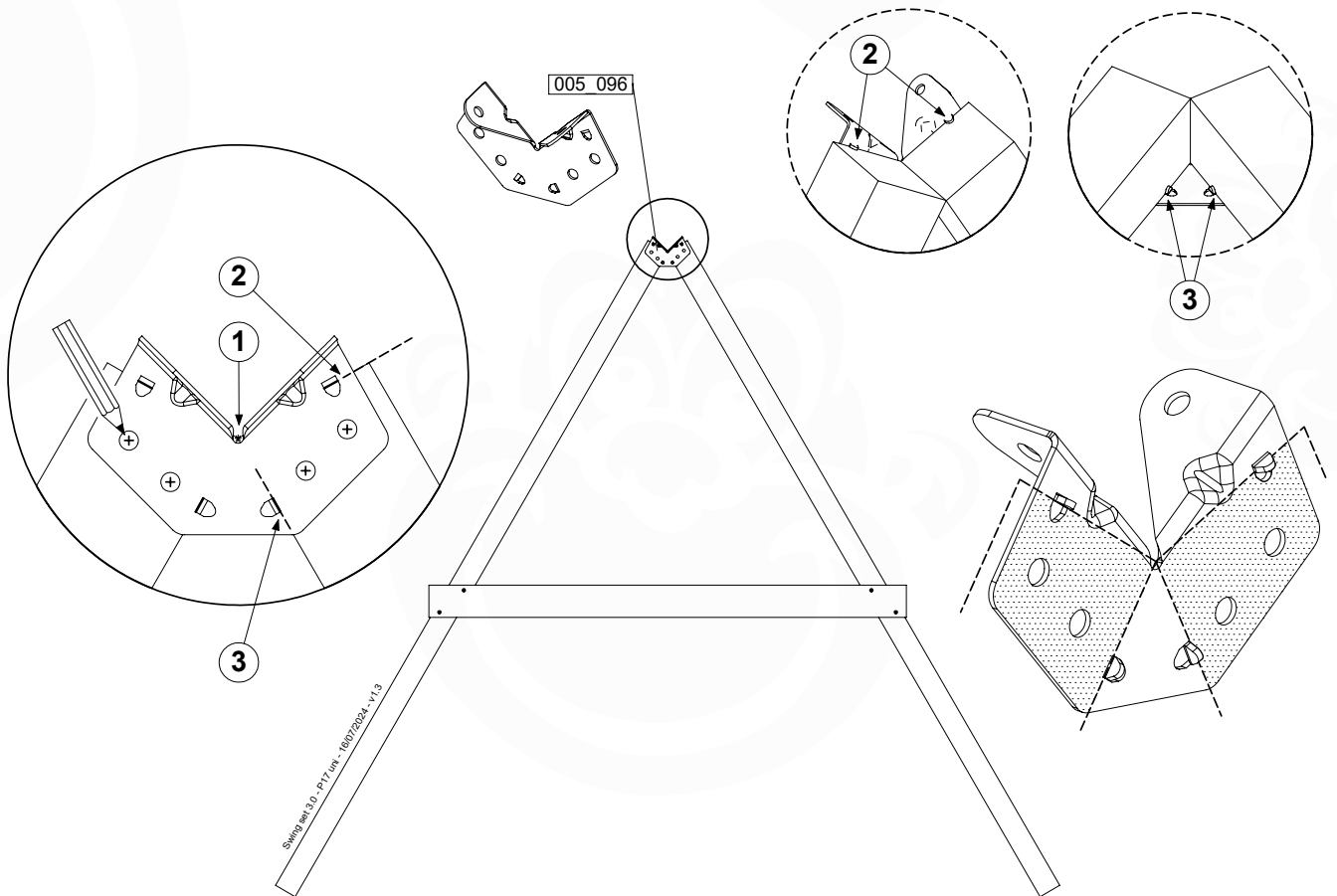
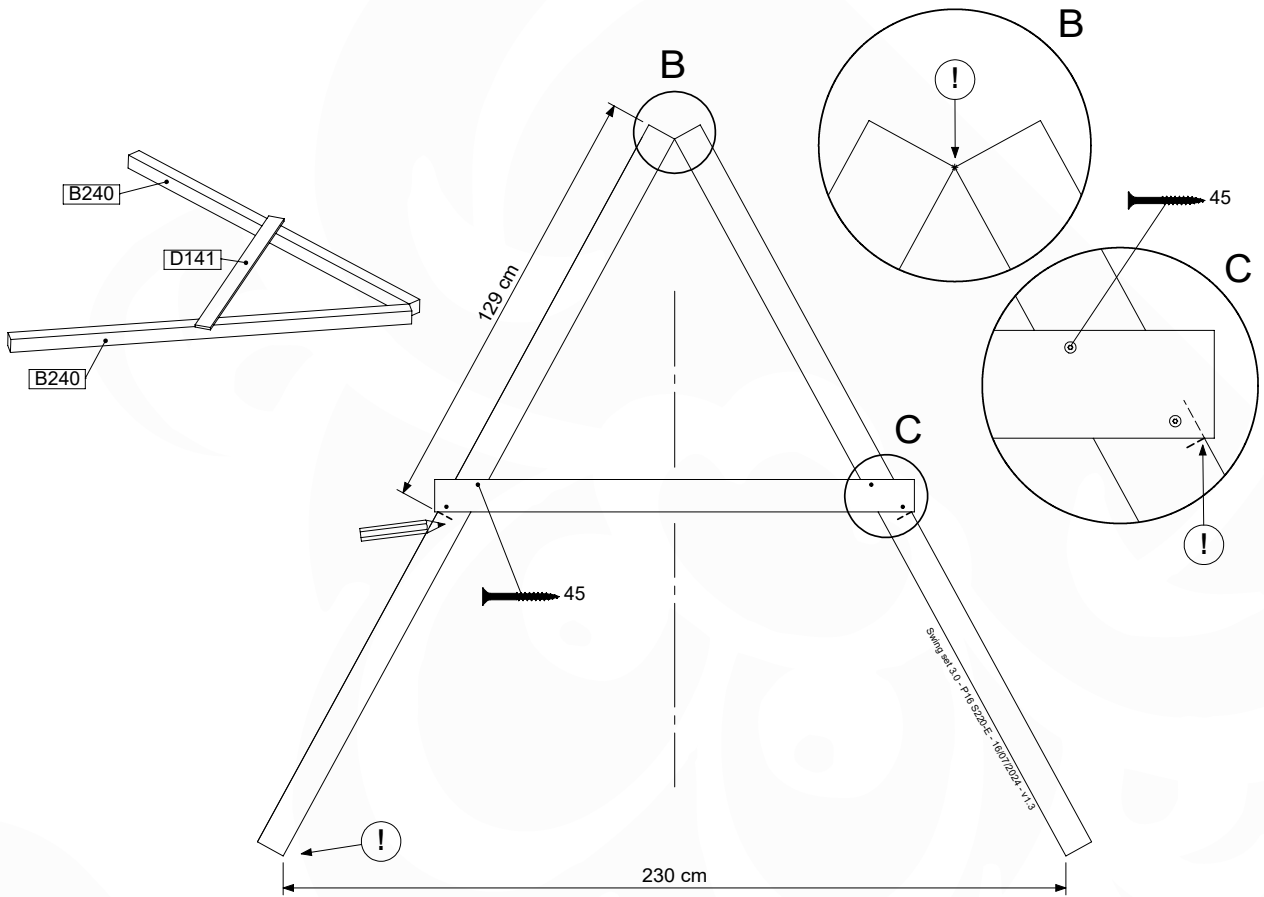
	PartNo	PartName	QTY.
Hardware + Parts	001_404	Stealth Screw 8x30	4
	001_406	Stealth Screw 8x45	22
	001_411	Stealth Screw 8x60	2
	001_417	Stealth Screw 8x80	2
	002_220	Gap Point Screw T25 - 5x45	8
	002_223	Gap Point Screw T25 - 5x80	2
	022_31x	bpc-base version 3	2
	022_84x	bpc cover	2
	023_042	Nylon washer 9x19x1.5	20
	005_096	A-Frame V-Connector	2
	005_097	Swing V-Connector	2
	007_001	Ground-anchor	2
	101_003	Swing hook with Carabiner	4
Timber	B240	Post ca.90x90 L2400	3
	D141	Board 1410 mm	2

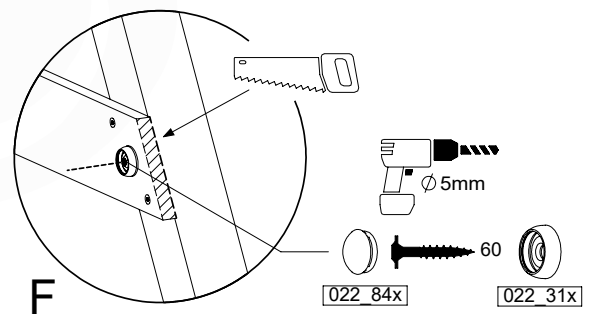
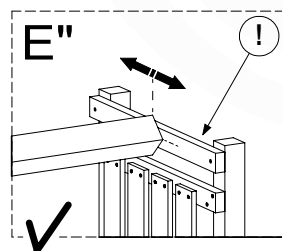
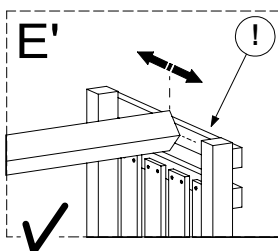
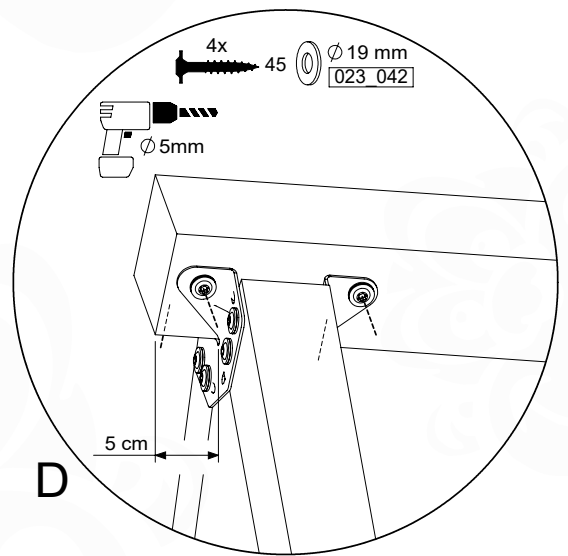
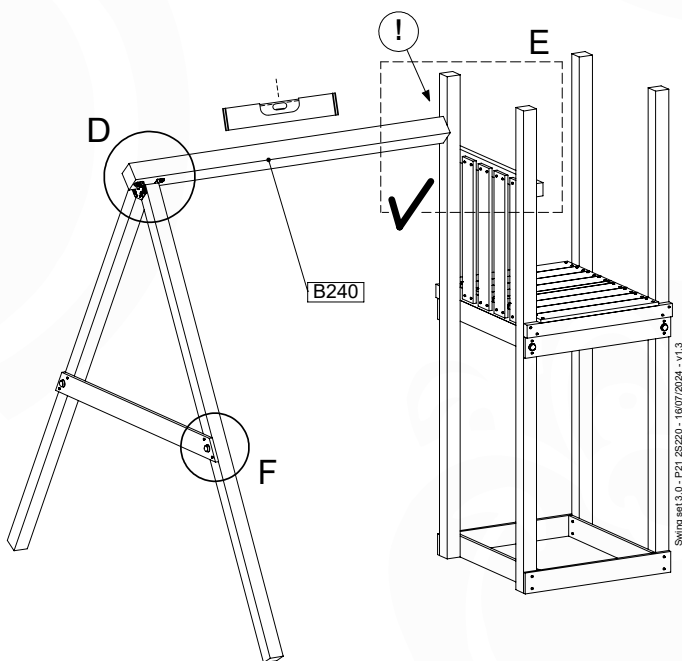
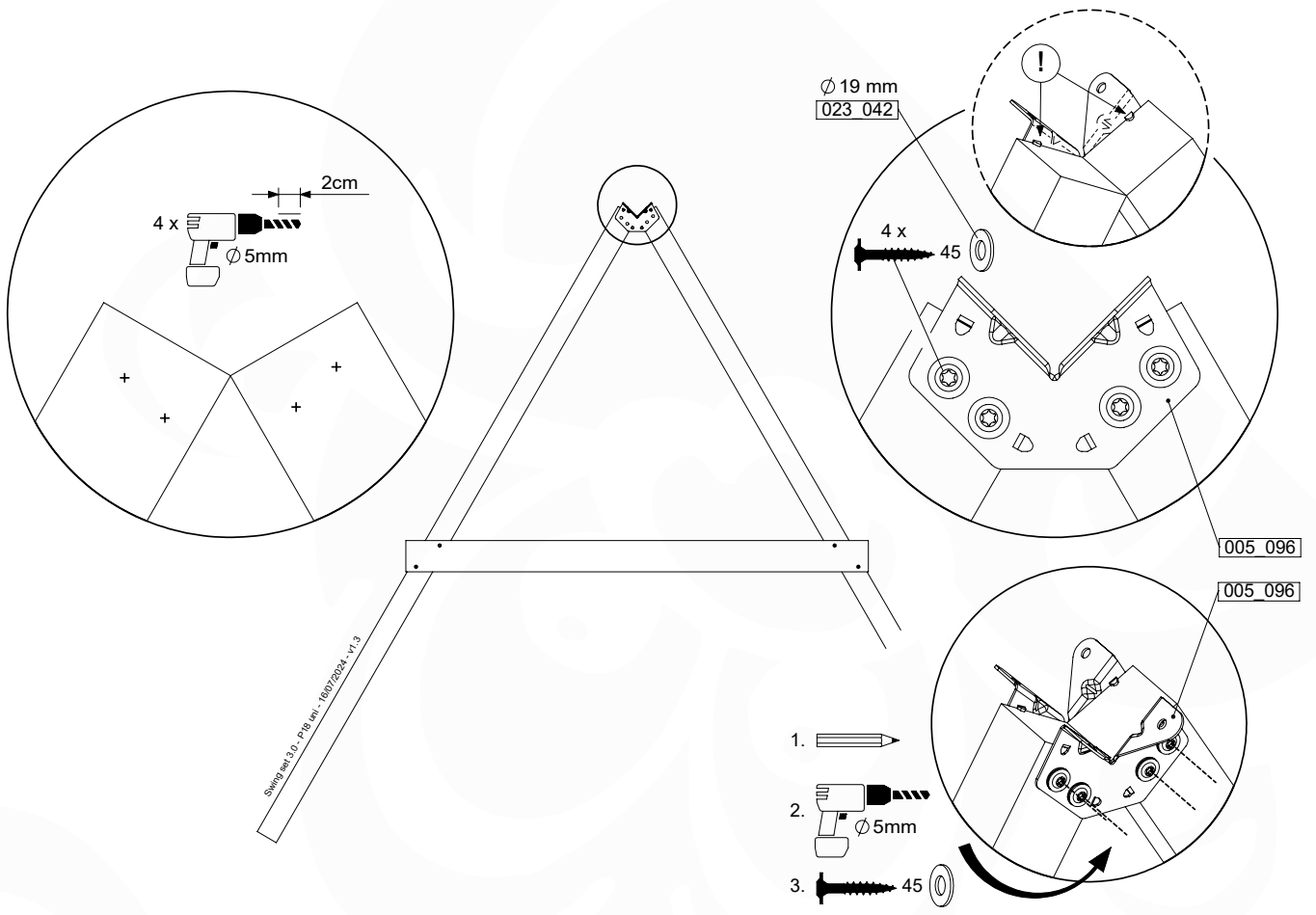
Swing set 3.0 - PWB-252204E - 16/07/2024 - v1.3





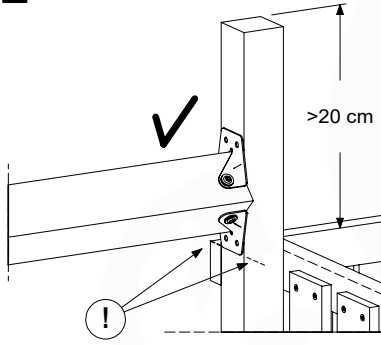
Swing set 3.0 - P13 25220 - 16/07/2024 - v1.3



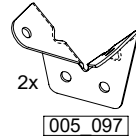
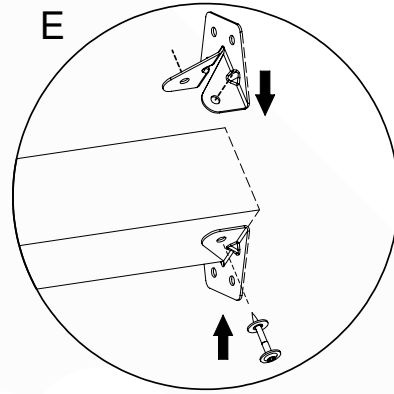


22.4

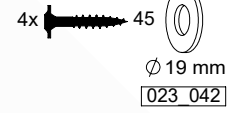
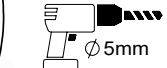
E



E

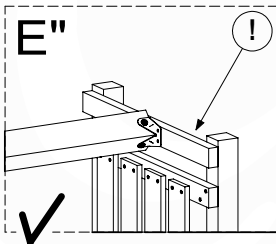
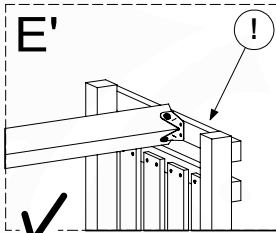
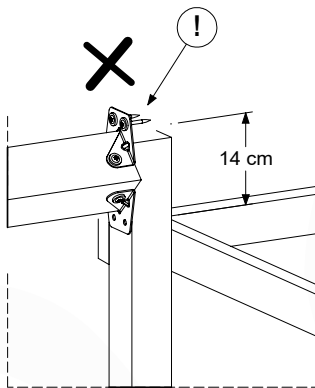


2x
005 097

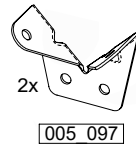
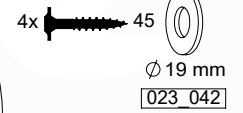
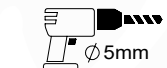
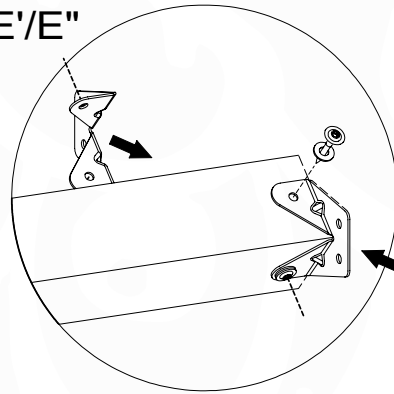


Swing set 3.0 - P22 uni - 16/07/2024 - v1.3

E'/E''

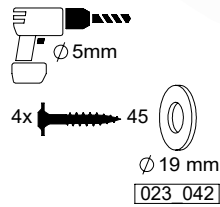
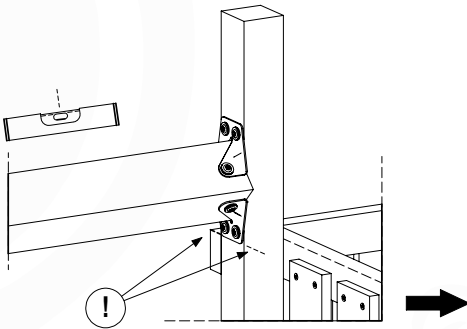


E'/E''

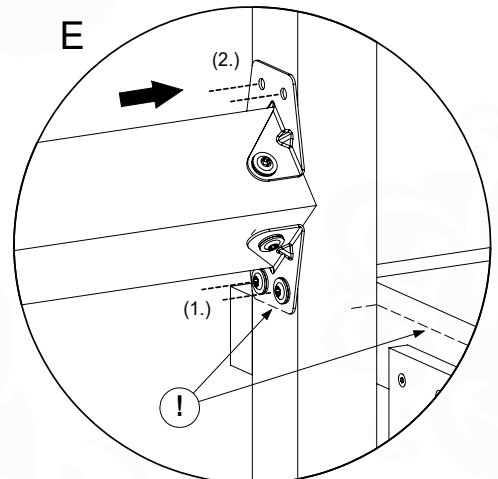


2x
005 097

E

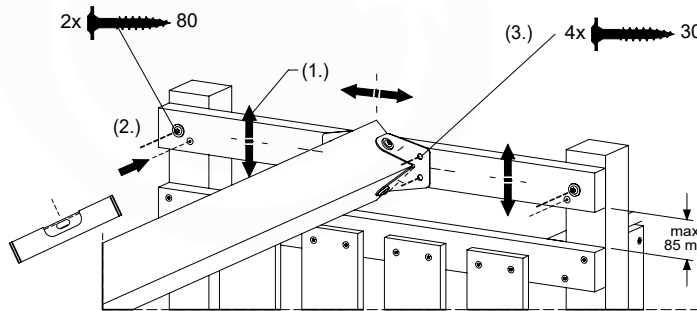
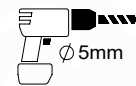
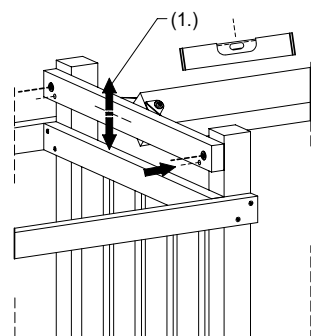


E

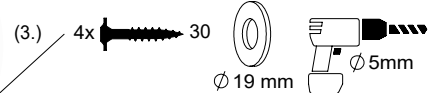


Swing set 3.0 - P23 uni - 16/07/2024 - v1.3

E'/E''

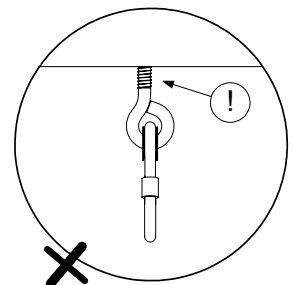
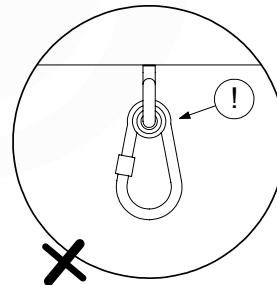
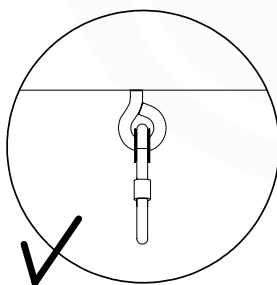
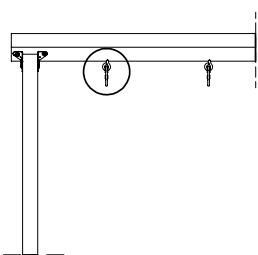
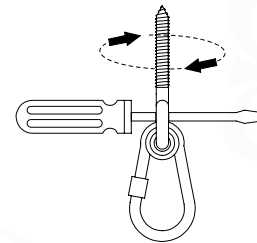
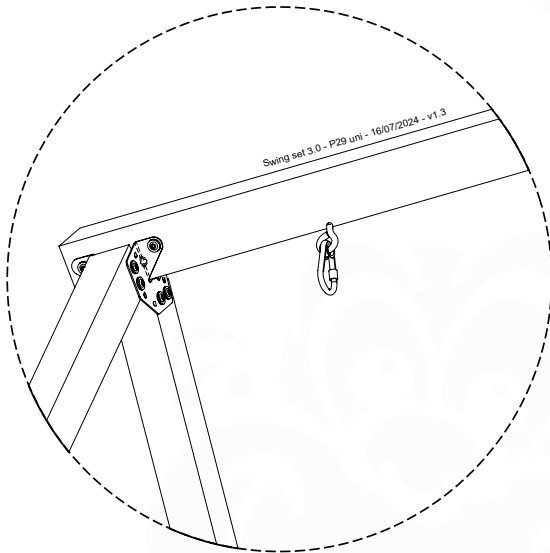
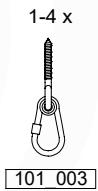
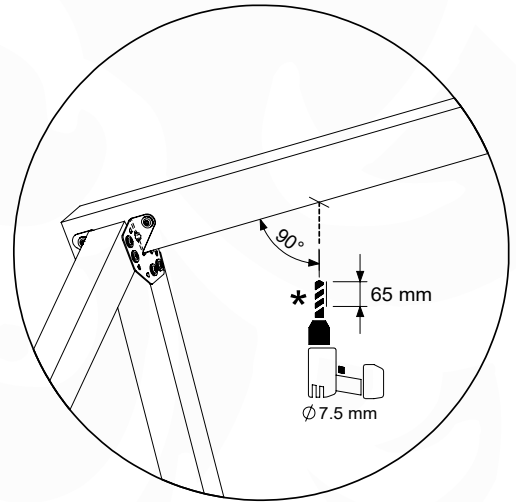
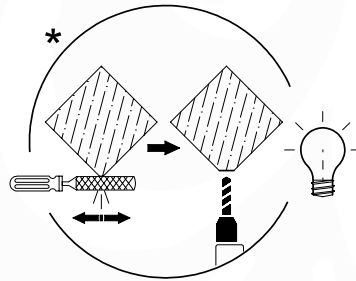
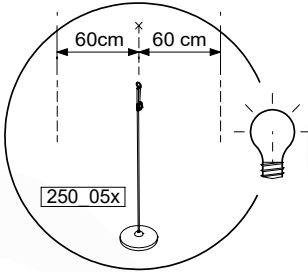
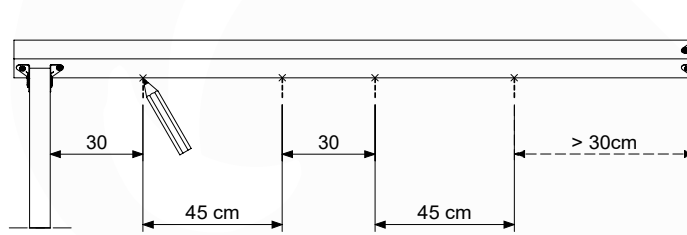
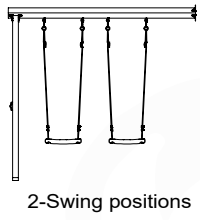


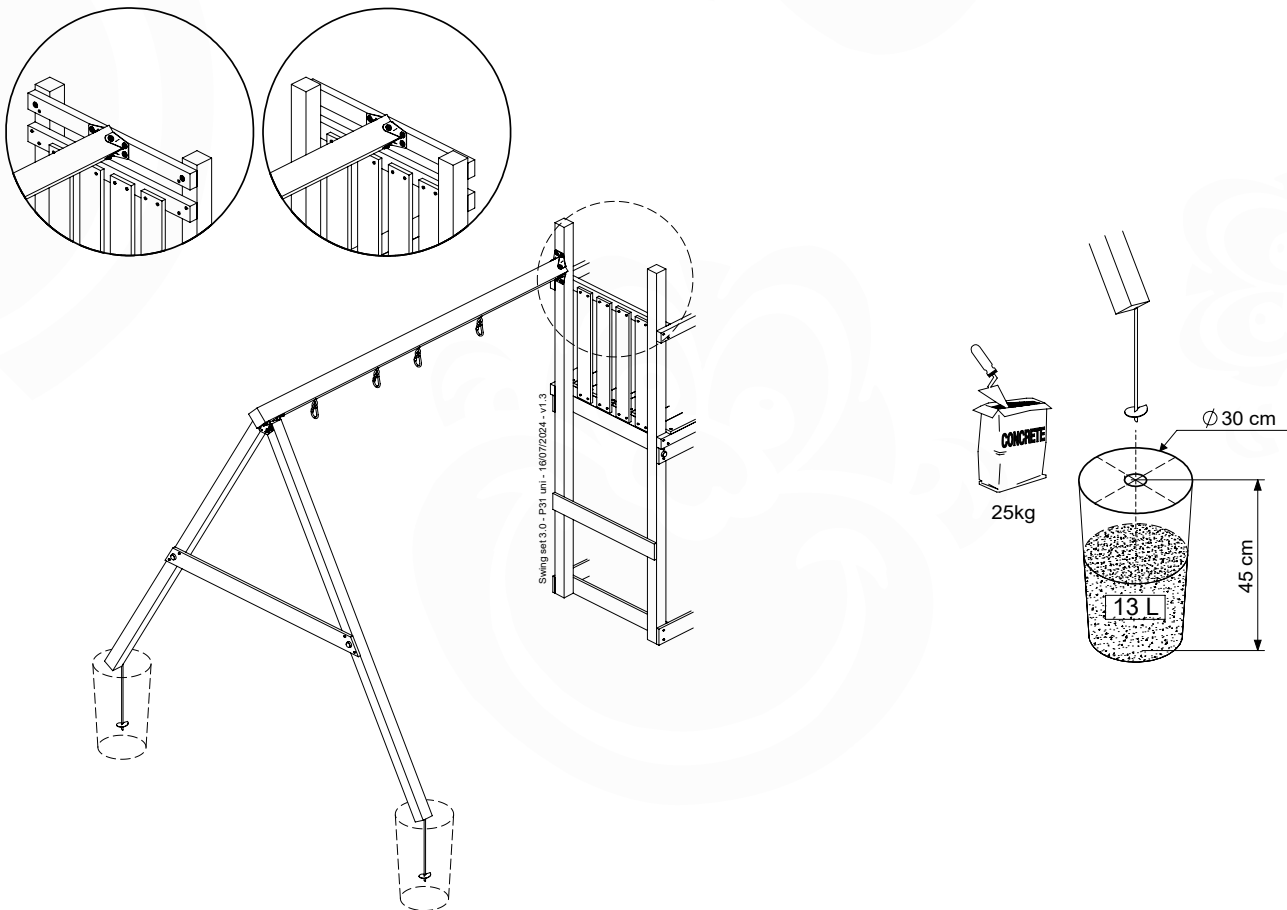
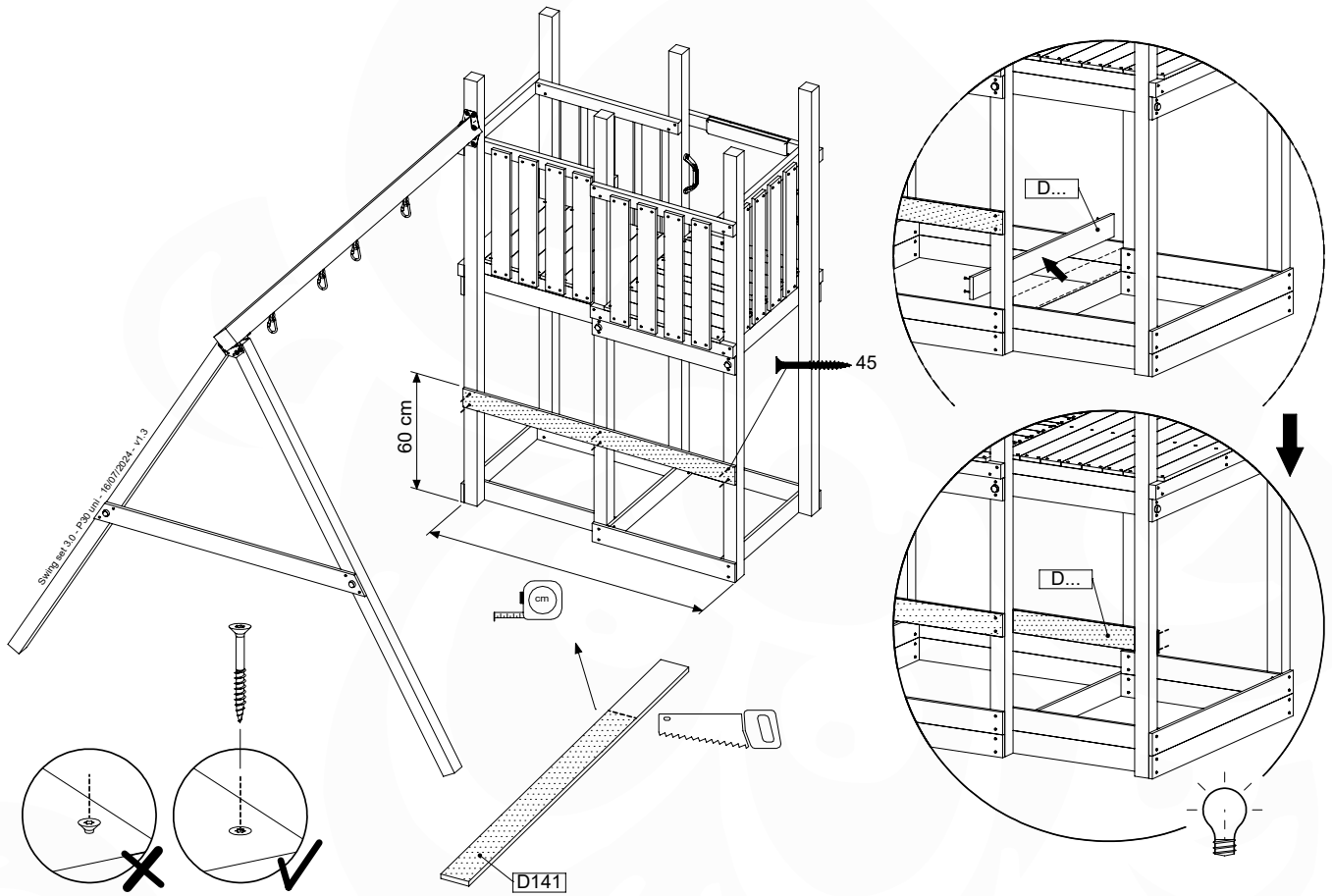
023 042

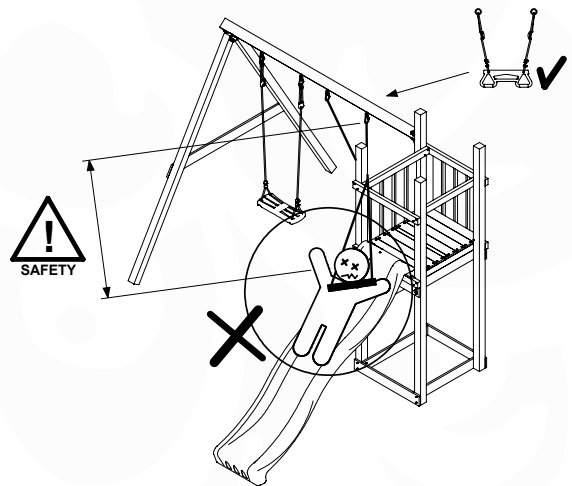
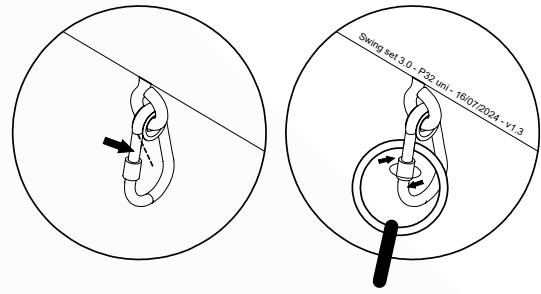
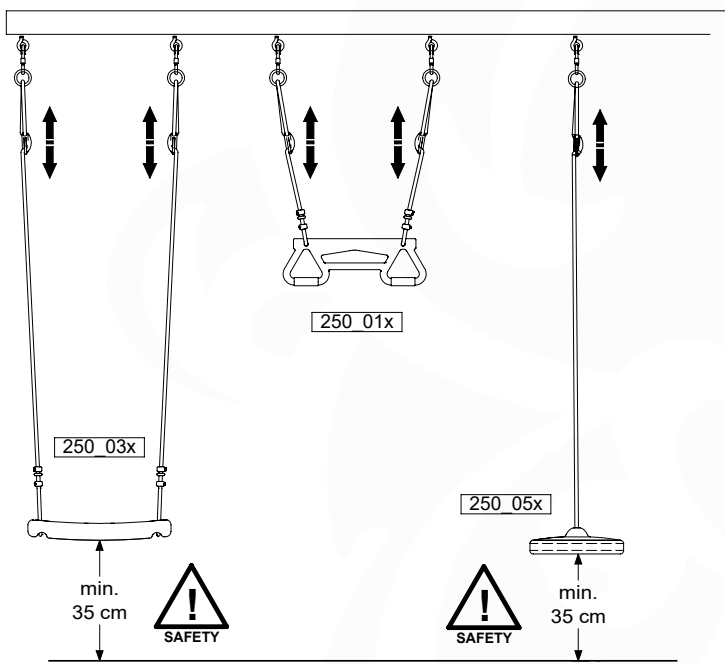


E'

(E'')





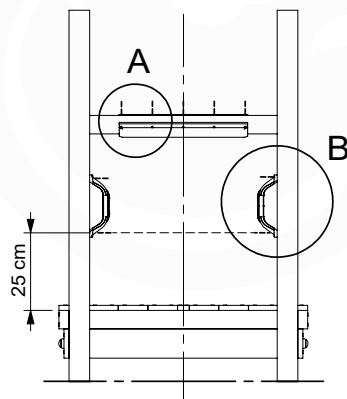
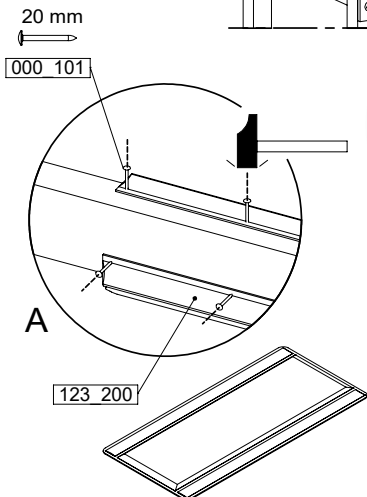
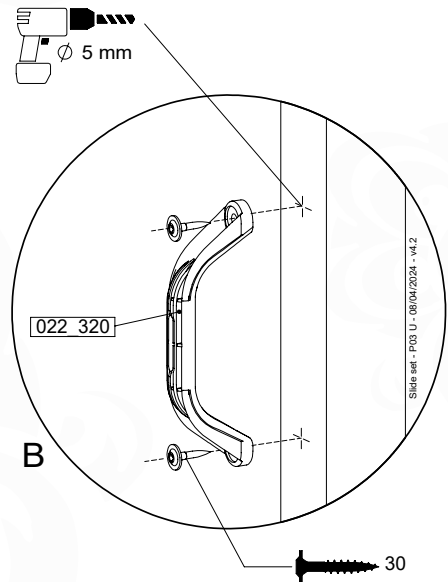
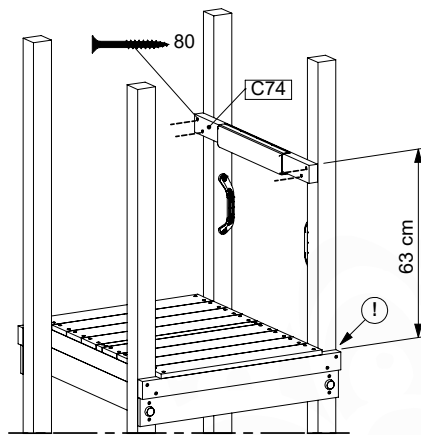
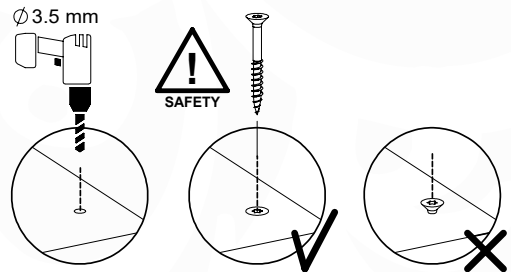
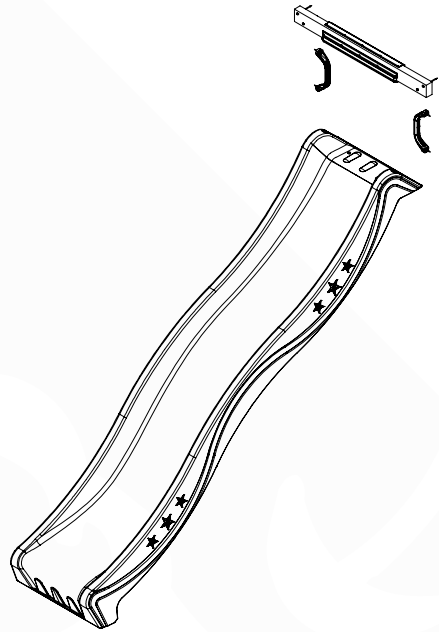


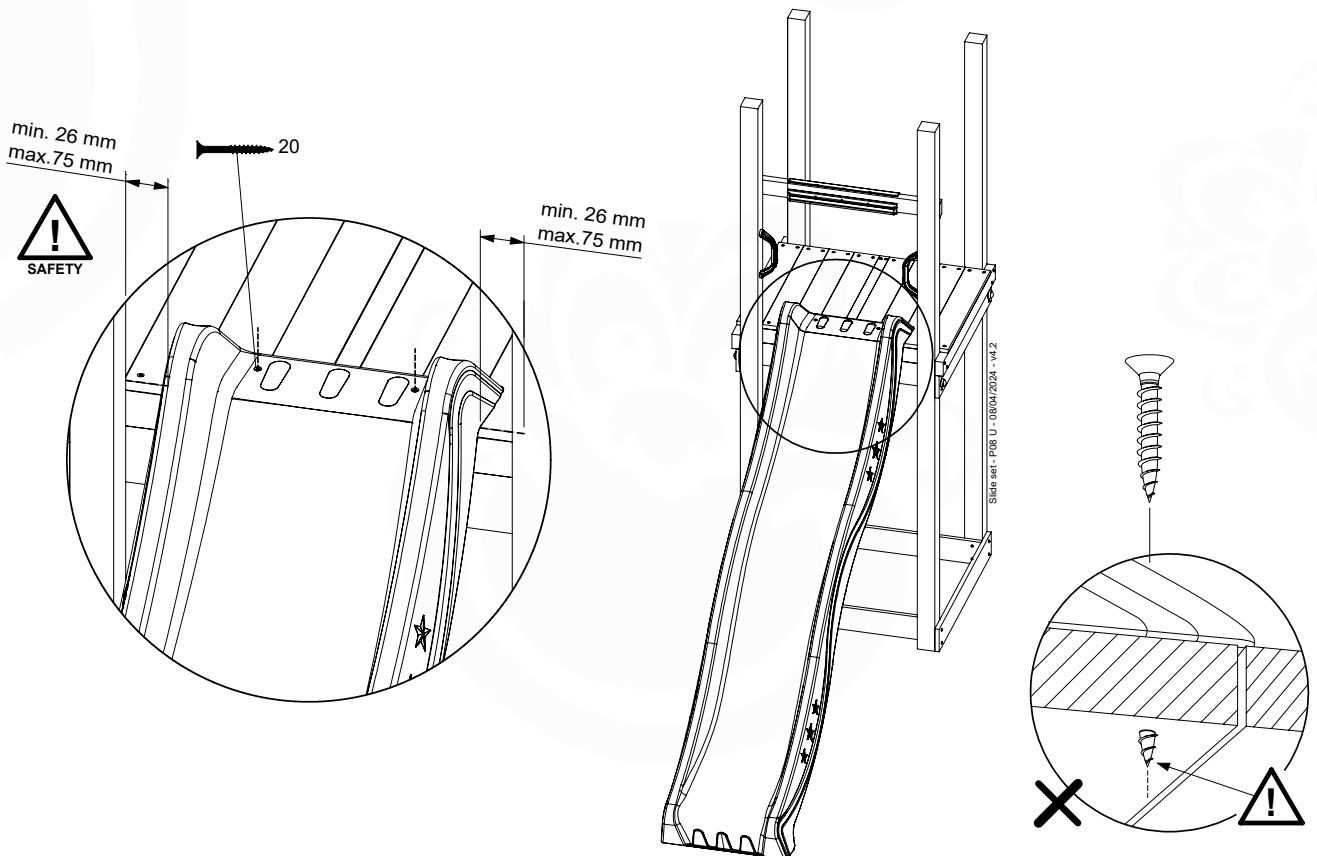
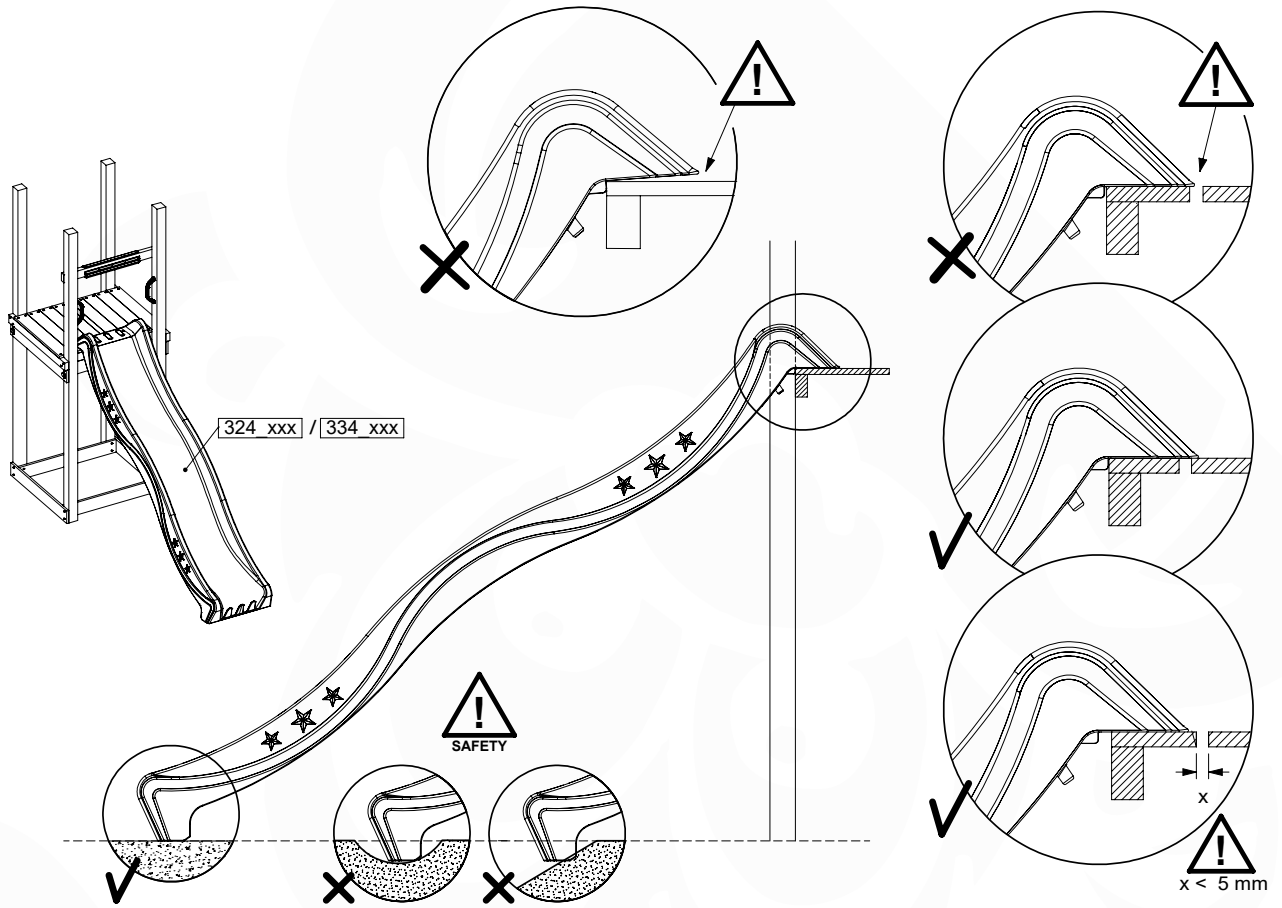
23 SL01a: Slide 80 125 U

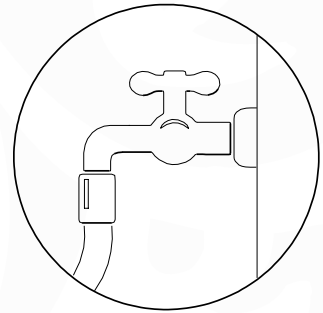
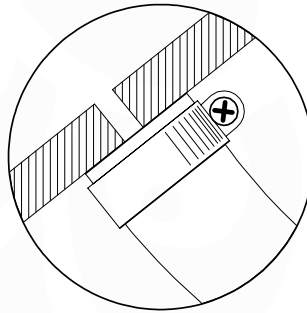
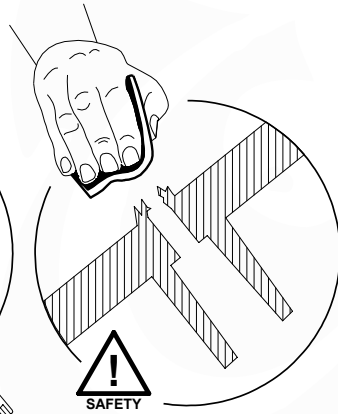
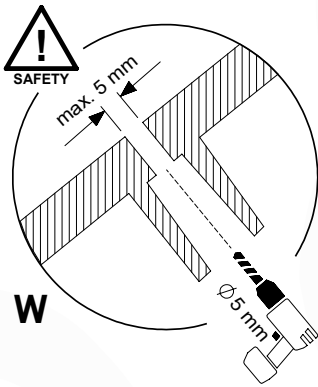
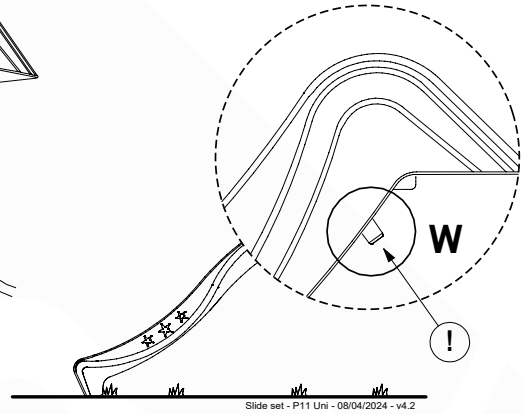
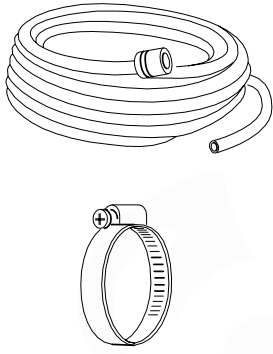
Assembly Pack: 194_107

	PartNo	PartName	QTY.
Hardware Pack 100_605	000_101	Nail Pan Head	10
	002_223	Gap Point Screw T25 - 5x80	4
	002_308	Gap Point Screw T25 - 5x20	2
Other	120_102	Handgrip set (2x Complete)	1
	123_200	Bumperpad	1
	324_xxx 334_xxx	Wavy Star Slide XL 2200 mm / Wavy Star Slide XL 2650 mm	1
Timber	C74	Beam 740 mm	1

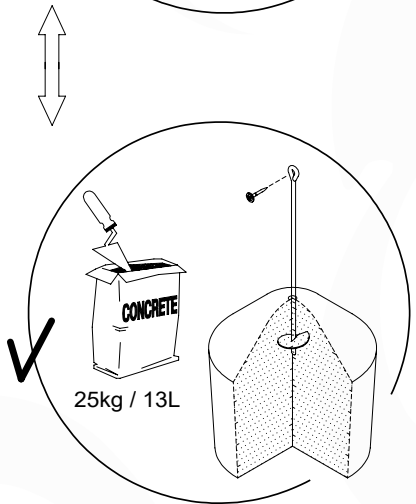
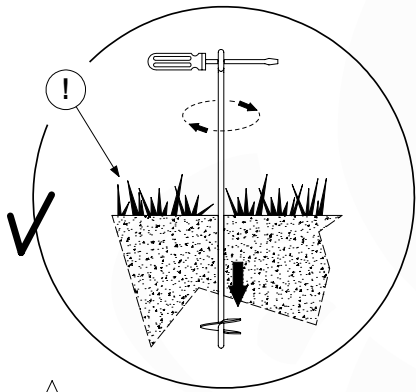
Slide set - P02 - 08/04/2024 - v4.2



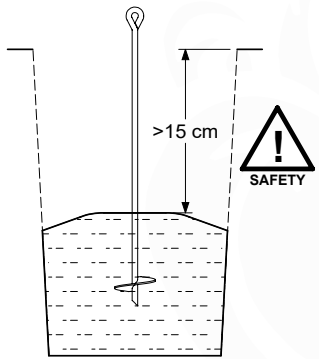
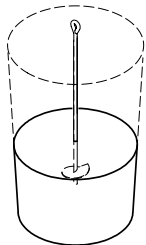
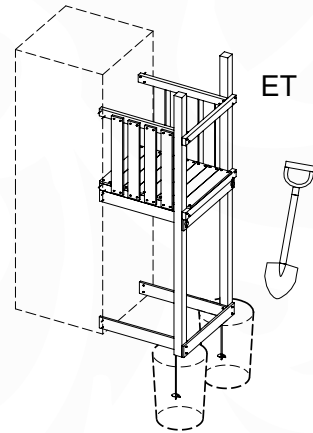
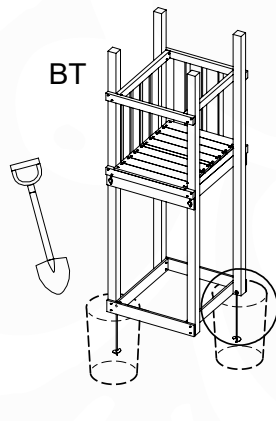
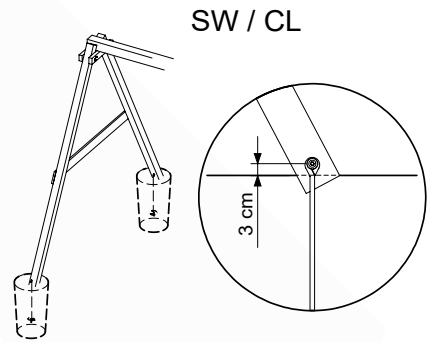
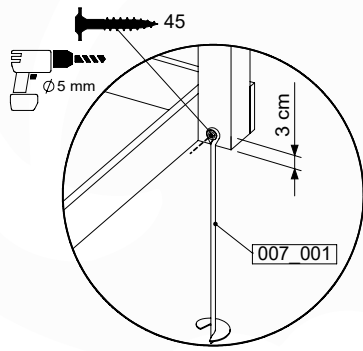




24 GA: Ground Anchors



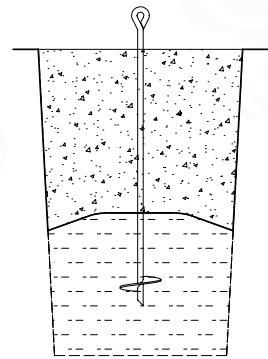
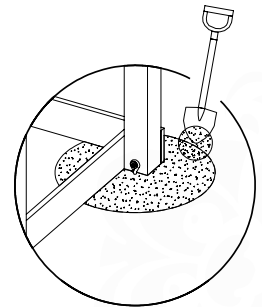
Ground Anchors Uni. - PD3 - 14/06/2024 - v1.5



1.



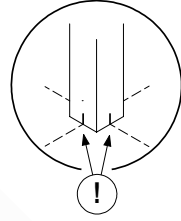
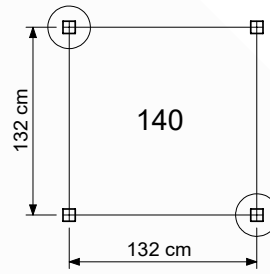
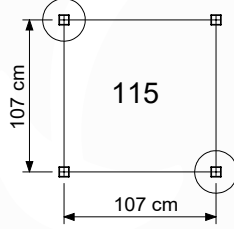
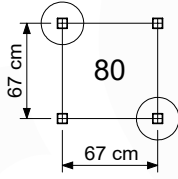
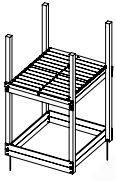
2.



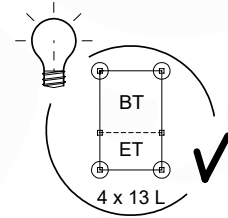
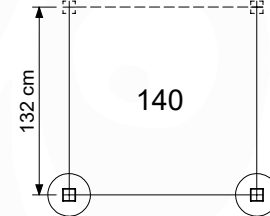
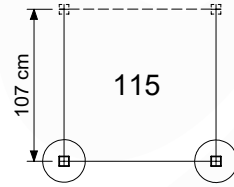
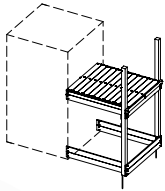
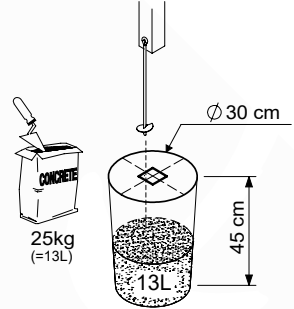
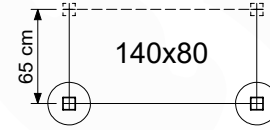
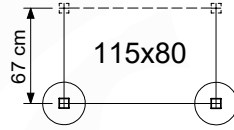
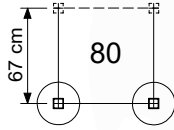
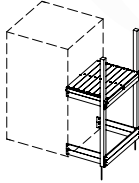
3.

Ground Anchors Uni. - PD4 - 14/06/2024 - v1.5

BASE TOWERS

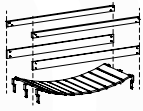


EXTENSION TOWERS

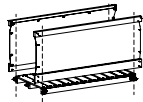


Ground Anchors Uni. - P01 - 14/06/2024 - v1.5

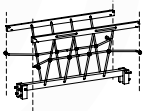
BRIDGES



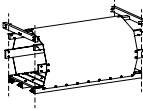
CLATTER



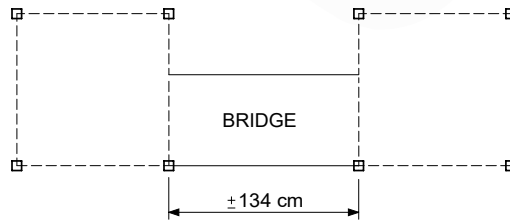
BOARDWALK



NET



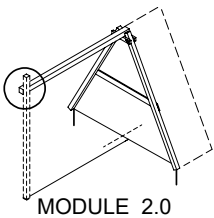
TUNNEL



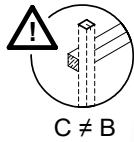
BRIDGE

Ground Anchors Uni. - P02 - 14/06/2024 - v1.5

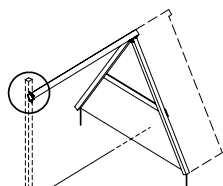
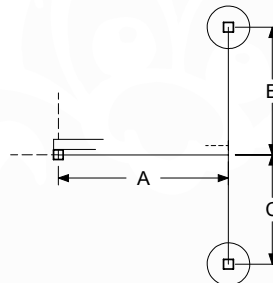
SWING / CLIMB



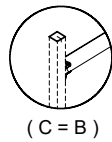
MODULE 2.0



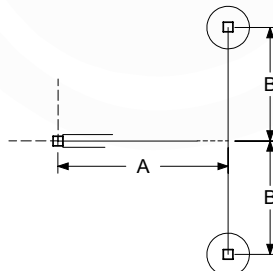
C ≠ B



MODULE 3.0



(C = B)



MODULE 2.0	Module type	A	B	C
	1-Swing 200	150	115	100
1-Swing 220 (Extra)		120	105	
1-Climb 200	142			
2-Climb 200	210	115	100	
2-Swing 200				
1-Climb 220 (Extra)	162			
2-Climb 220 (Extra)	230	120	105	
2-Swing 220 (Extra)				

cm

MODULE 3.0	Module type	A	B
	1-Swing 200 - 3.0	155	110
1-Swing 220 (Extra) - 3.0		115	
1-Climb 200 - 3.0	148		
2-Climb 200 - 3.0	222	110	
2-Swing 200 - 3.0	215		
1-Climb 220 (Extra) - 3.0	170		
2-Climb 220 (Extra) - 3.0	242	115	
2-Swing 220 (Extra) - 3.0	235		

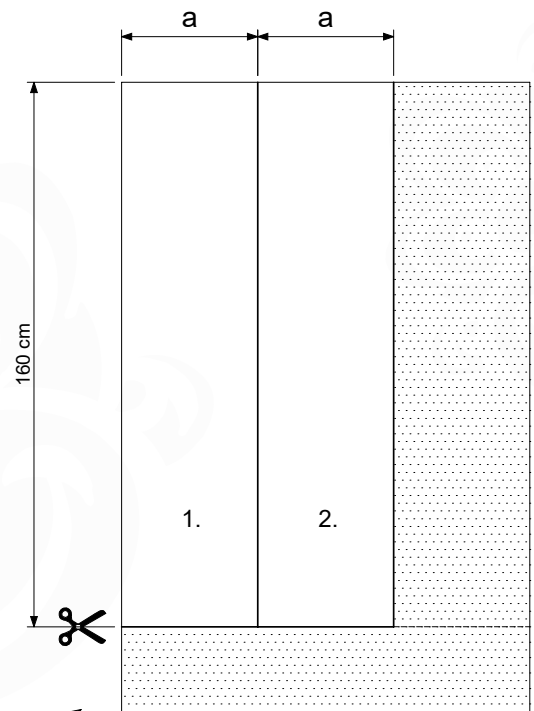
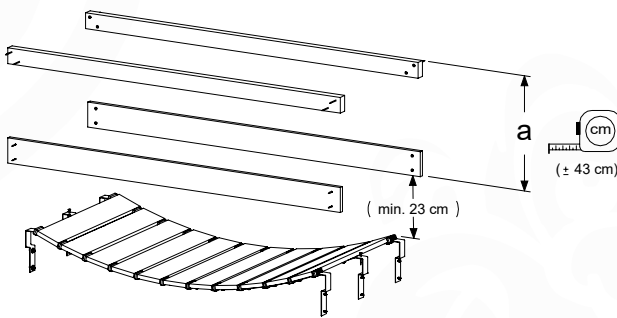
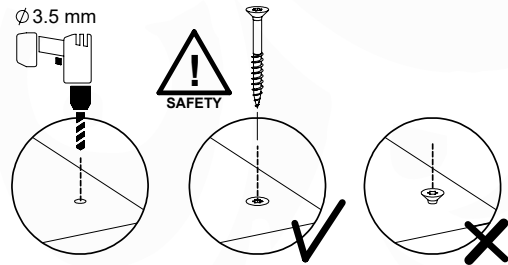
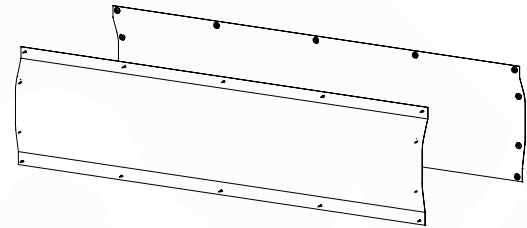
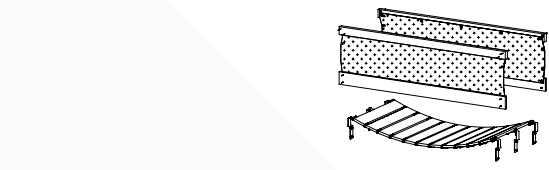
cm

25 AC30a: Bridge Mesh

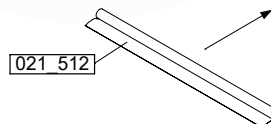
(123_230)

	PartNo	PartName	QTY.
Hardware Packs	002_308	Gap Point Screw T25 - 5x20	28
100_411	023_031	Finishing Washer GPS 5.0	28
Other	021_512	Mesh green 1.20 x 1.85m	1

AC Bridge Mesh - P02 - 05/06/2023 - v1

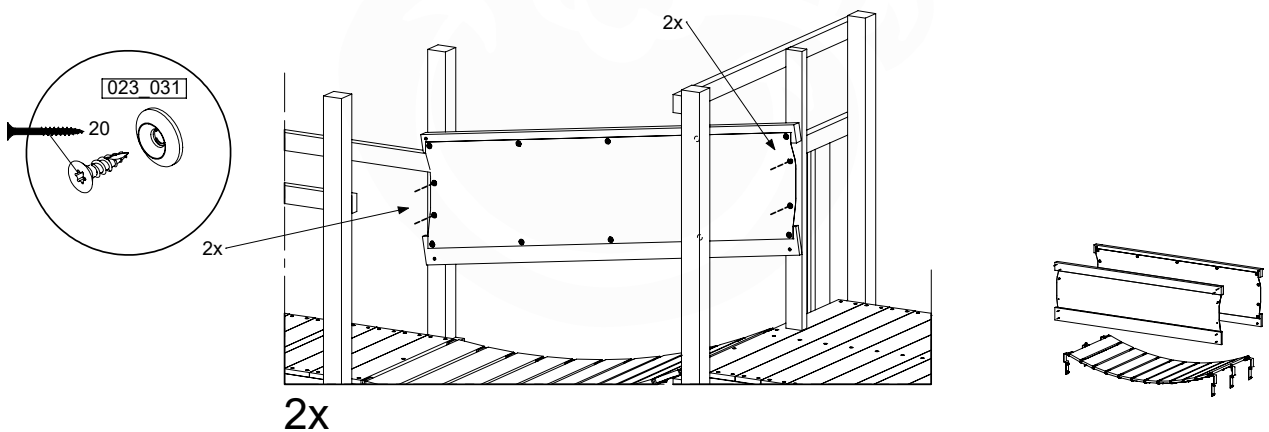
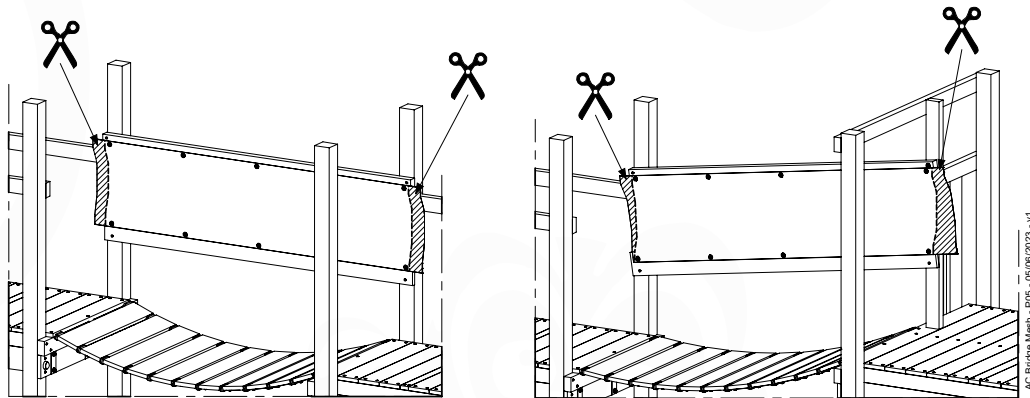
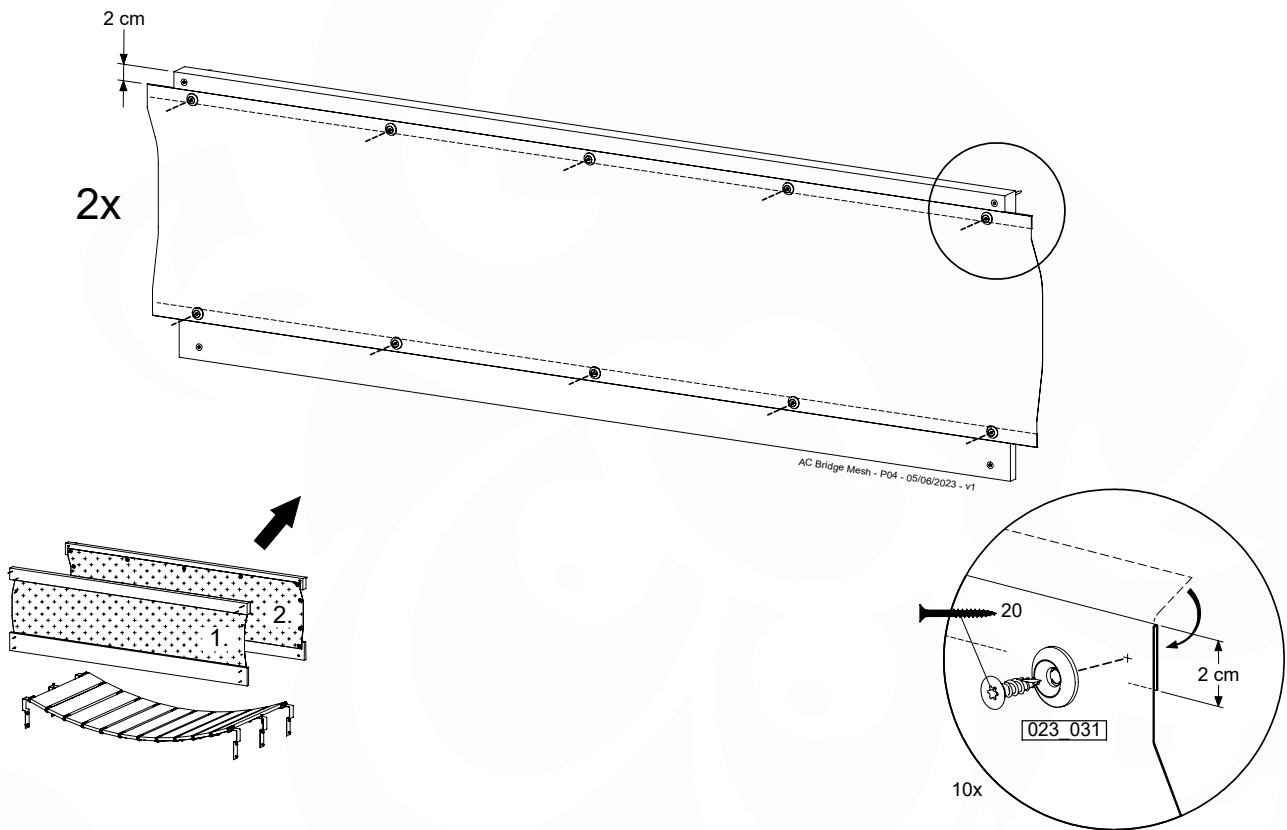


Mesh Green sheet 120 x 185 cm



AC Bridge Mesh - P02 - 05/06/2023 - v1

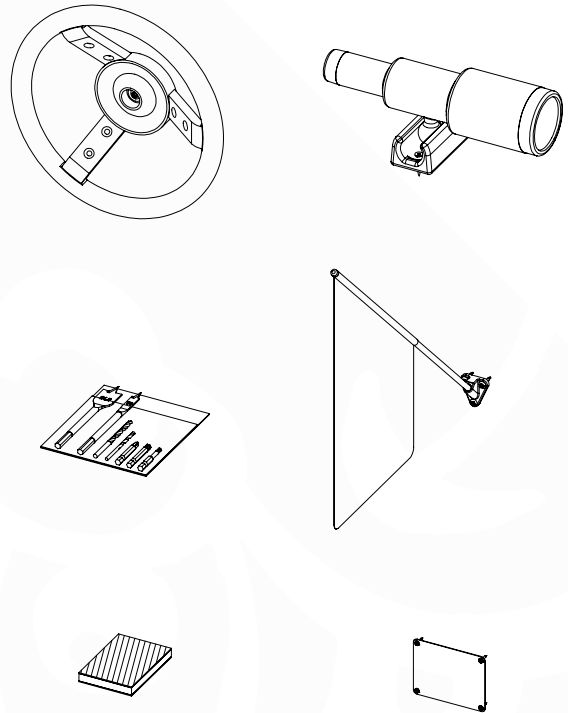
25.1



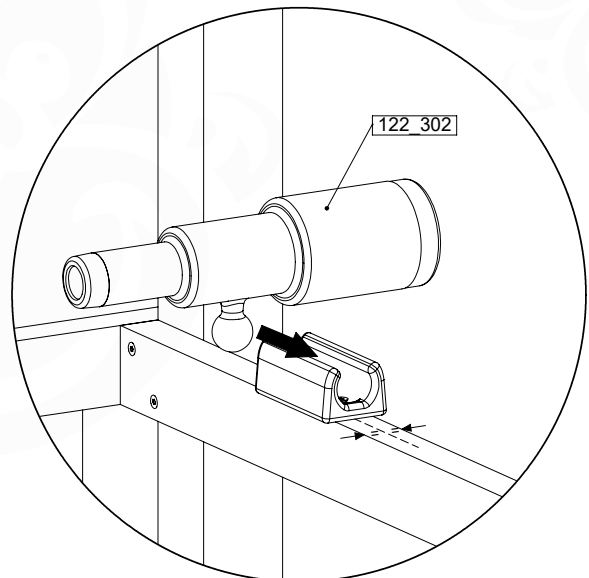
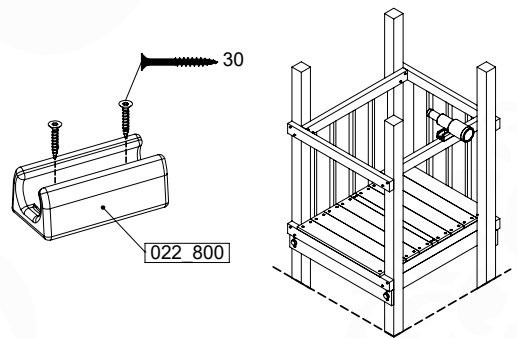
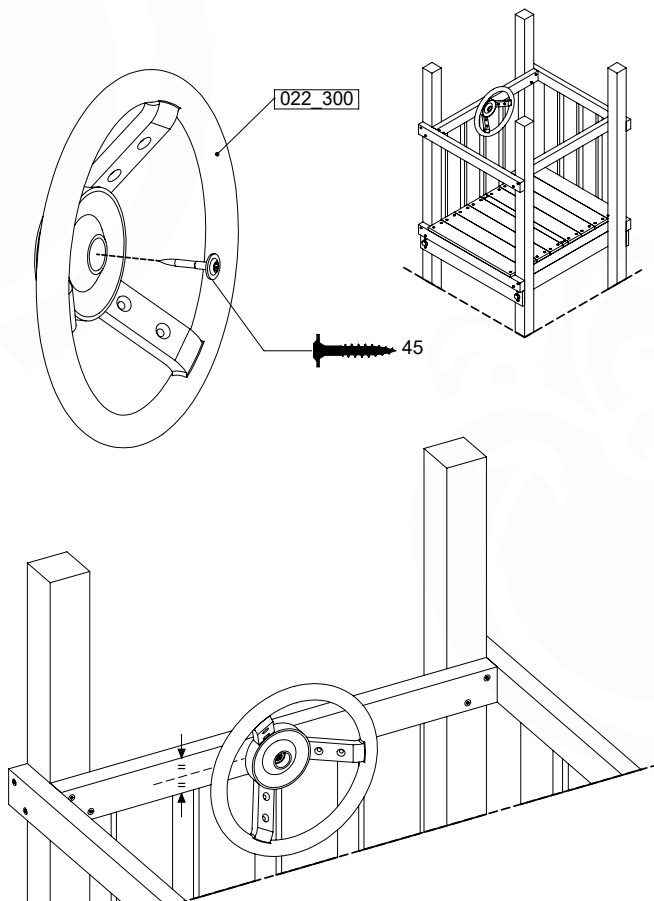
26 AC01a: Accessories

(194_119)

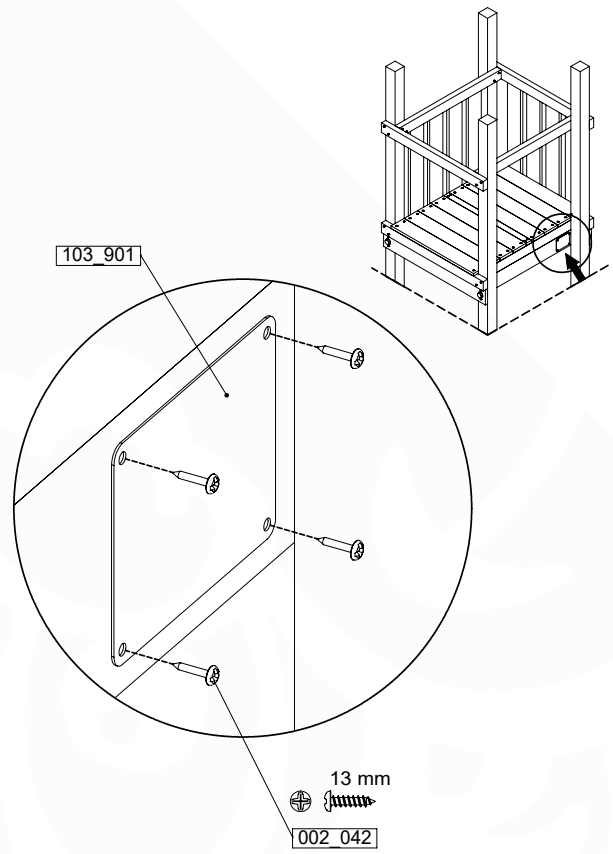
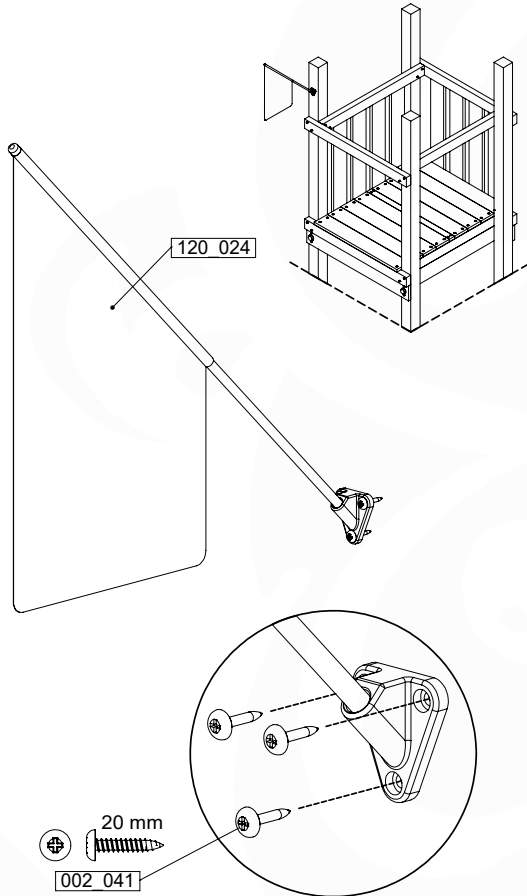
	PartNo	PartName	QTY.
Hardware Pack 100_617	001_406	Stealth Screw 8x45	1
	002_041	Dome head screw 4.5 x 20 mm	3
	002_042	Dome head screw 3.5 x 13mm	4
	002_219	Gap Point Screw T25 - 5x30	2
Other	022_300	Steering Wheel	1
	022_800	Rail P/T 105	1
	022_910	Sandpad	1
	103_901	Logo ID Plate	1
	104_107	Tool Set Climbing Units	1
	120_024	Tower Flag	1
	122_302	Telescope	1



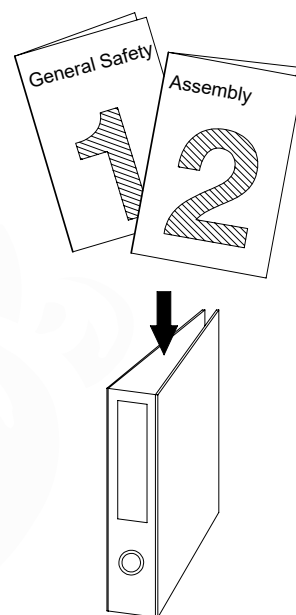
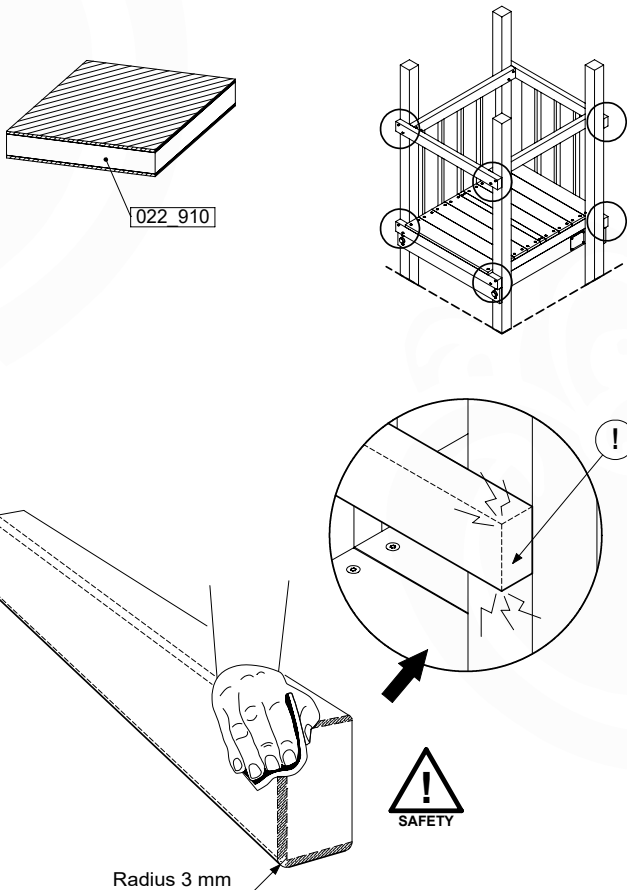
Accessory set - P02 - 24/01/2024 - v5



Accessory set - P03 - 24/01/2024 - v5



Accessory set - P04 - 24/01/2024 - v5



Accessory set - P05 - 24/01/2024 - v5

27 Declaration of conformity

Activity toys for domestic use Aktivitätsspielzeug für den häuslichen Gebrauch Jouets d'activité à usage familial

20240416_v3

1. Wooden climbing frames

1.1. Assemblies

Playtowers	801_005, 801_009, 801_010, 801_013, 801_025, 801_040, 801_060, 801_070, 801_090, 801_095, 801_100, 801_103, 801_105, 801_110, 801_120, 801_200, 802_202, 802_204, 802_206, 802_208, 803_202, 803_204, 803_206, 803_208, 803_210, 809_802, 809_804
Swings	801_300, 801_601, 801_602
Modules	850_176, 850_177, 850_231, 850_232, 857_101, 857_102, 857_105, 857_106, 857_151, 857_152, 857_157, 857_158, 850_240

1.2. Sub assemblies

Base towers (BT)	BT01a, BT02a, BT03a, BT11a, BT14a, BT15a, BT20a
Extension towers (ET)	ET01a, ET02a, ET05a, ET06a, ET07a, ET08a, ET09a, ET10a, ET11a, ET12a, ET13a, ET14a, ET15a, ET16a, ET17a, ET18a, ET19a, ET20a, ET22a, ET23a, ET27a, ET28a, ET35a, ET29a, ET39a, ET40a
Bridges (CB, NB, BB, TB)	CB01a, NB01a, BB01a, BB02a, TB01a, TB02a, TB03a, TB04a
Roofs (RF)	RF01a, RF21a, RF02a, RF03a, RF04a, RF05a, RF06a, RF20a, RF02b, RF03b, RF07a, RF08a, RF22a, RF09a, RF23a, RF11a, RF12a, RF07b, RF12b, RF08b, RF22b, RF09b, RF23b, RF11b, RF14a, RF24a, RF15a, RF25a, RF18a, RF18b, RF14b, RF24b, RF15b, RF25b
Balustrade (BL, BF)	BL01a, BL02a, BL21a, BF25a, BF26a, BF27a, BF28a, BF01a, BF02a, BF03a, BF04a, BF05a, BF06a, BF07a, BF08a, BF01b, BF02b, BF03b, BF04b, BF05b, BF06b, BF07b, BF08b, BF21a, BF22a, BF23a, BF24a, BF21b, BF22b, BF23b, BF24b
Playhouse (PH)	PH03a, PH04a, PH05a, PH06a, PH10a, PH11a, PH40a, PH41a, PH12a, PH13a, PH14a, PH15a, PH42a, PH43a, PH44a, PH45a, PH16a, PH17a, PH18a, PH19a, PH30a, PH31a, PH16b, PH17b, PH18b, PH19b, PH46a, PH47a, PH48a, PH49a, PH16c, PH17c, PH18c, PH19c, PH46b, PH47b, PH48b, PH49b, PH20a, PH21a, PH22a, PH23a, PH24a, PH25a, PH26a, PH27a, PH32a, PH33a, PH52a, PH53a, PH54a, PH55a, PH56a, PH57a, PH50a, PH51a, PH26b, PH27b, PH26c, PH27c, PH56b, PH57b
Ladder (LA)	LA05a, LA06a, LA01a, LA02a, LA03a, LA01b, LA02b, LA03b, LA11a, LA12a, LA13a, LA14a, LA15a, LA16a, LA17a, LA18a, LA31a, LA32a, LA33a, LA34a, LA35a, LA36a, LA37a, LA38a, LA21a, LA22a, LA23a, LA24a, LA25a, LA26a, LA43a, LA44a, LA45a, LA46a
Two Step Ladder (TS)	TS01a, TS01b, TS02a, TS02b, TS03b, TS22a, TS05a, TS06a, TS07a, TS08a, TS09a, TS10a, TS11a, TS12a, TS15a, TS16a, TS17a, TS18a, TS19a, TS20a, TS21a, TS22a
Rope Ladder (RL)	RL01a, RL02a, RL05a, RL06a, RL07a, RL08a, RL09a, RL10a, RL11a, RL12a, RL15a, RL16a, RL19a, RL20a
Rock wall (RW)	RW01a, RW02a, RW01b, RW02b, RW03b, RW31a, RW32a, RW33a, RW05a, RW06a, RW07a, RW08a, RW09a, RW10a, RW11a, RW12a, RW40a, RW41a, RW15a, RW16a, RW17a, RW18a, RW19a, RW20a, RW46a, RW47a
Ramp (RA)	RA03a, RA04a, RA05a, RA06a, RA07a, RA08a, RA11a, RA12a, RA21a
Net (NA, NS)	NA01a, NA02a, NS01a, NS02a, NS03a, NS21a, NA04a, NA05a, NS04a, NS05a, NS06a, NS07a, NA08a, NA09a, NS08a, NS09a
Boat (BO)	BO01a
Market (MT)	MT01a, MT02a, MT05a, MT06a, MT11a, MT12a
Picnic (PC)	PC01a, PC01b, PC05a, PC06a, PC09a, PC10a
Gymnastics bar (GY)	GY01a
Fireman's pole (FP)	FP01a, FP02a, FP04a, FP05a, FP06a, FP07a, FP23a, FP24a, FP25a, FP26a, FP27a, FP28a
Slides (SL)	SL01a, SL02a, SL03a, SL06a, SL07a, SL08a, SL09a, SL10a, SL11a, SL12a, SL13a, SL26a, SL27a, SL28a, SL29a
Swing (SM)	SW17a, SW21a, SW18a, SW22a, SW01a, SW05a, SW02a, SW06a, SW09a, SW13a, SW10a, SW14a
Climb (CL)	CL17a, CL21a, CL18a, CL22a, CL01a, CL05a, CL02a, CL06a, CL09a, CL13a, CL10a, CL14a
Universal Beam (UB)	UB01a, UB04a, UB02a, UB05a, UB03a, UB06a
Accessories (AC)	AC30a, AC31a, AC32a, AC33a, AC01a, AC05a, AC07a, AC03a, AC04a, AC06a, AC23a, AC22a, AC24a, AC21a, AC25a, AC02a, AC09a, AC08a, AC10a

2. Construction packages

2.1 Assembly Kits

Playtowers	401_015, 401_080, 401_125, 402_201, 402_202, 402_204, 402_206, 402_208, 403_202, 403_204, 403_206, 403_208, 403_210, 409_802, 409_804
Swings	401_300, 401_600
Modules	457_005, 457_102, 457_103, 457_106, 457_107, 457_205

2.2 Assembly Packs

Sub assemblies	194_002, 194_003, 194_004, 194_006, 194_007, 194_008, 194_009, 194_010, 194_100, 194_101, 194_102, 194_103, 194_104, 194_105, 194_107, 194_108, 194_109, 194_110, 194_111, 194_112, 194_113, 194_114, 194_115, 194_116, 194_117, 194_118, 194_119, 194_300, 194_308, 194_312, 194_500, 194_501, 194_508, 194_510, 194_802, 194_804, 194_809, 194_810, 194_811, 194_812
----------------	--

3. Accessories and components

Slides XL	324_100, 324_200, 324_300, 324_400, 324_500, 324_600
Slides XXL	334_100, 334_200, 334_300, 334_400, 334_500, 334_600
Fireman's pole	201_275
Climbing	201_060, 201_273
Imagination	201_280, 201_285, 201_290, 201_295, 202_473, 450_310, 450_320, 450_330
Swinging	250_001, 250_013, 250_025, 250_034, 250_053
Functional	123_220, 123_222, 123_230, 201_115, 201_220, 201_250, 201_260, 201_270, 202_620, 202_621, 202_622, 202_623, 202_624, 202_625, 202_626, 202_627, 202_628, 202_629, 202_824, 250_065, 250_070, 250_075

Applicable EU directives and standards

General

- General Product Safety Directive (GPSD) 2001\48\EG
- Reach directive 1907\2006
- AfPS GS 2019:01 PAK

Activity Toys

- Toy Safety Directive (TSD) 2009\48\EG
- EN Standard 71 Safety of Toys
 - EN 71-1:2014 + A1:2018 Safety of toys Mechanical and physical properties
 - EN 71-2:2020 Flammability
 - EN 71-3:2019 + A1:2021 Migration of certain elements
 - EN 71-8:2018 Safety of toys Activity toys for domestic use

Supplementary information

Conformity to the above specified directives and standards has been frequently verified by TÜV Rheinland LGA products, DEKRA, LNE SA, since 1994. Jungle Gym participates in the European Commission for standardisation for the safety of activity toys (TC52/WG10).



EN 71-1,-2, -3, -8 & -9

Manufacturer details

Company Name: Jungle Gym B.V.
Address: Valschermkade 18, 1059 CD Amsterdam, Netherlands
Email: info@junglegym.com

Declaration

I hereby declare under our sole responsibility that the products mentioned above, to which this declaration relates, comply with the above mentioned directives and standards when the installation, assembly, and maintenance instructions are strictly followed.

Name
Mr. P. Schmit / Director

Issued date
Monday 22nd July, 2024

A handwritten signature in blue ink, appearing to read 'P. Schmit', is written over a horizontal line.

Signature of representative

Jungle Gym B.V. | P.O. Box 75083 | 1070 AB Amsterdam | Netherlands | Phone: +31 85 444 41 00 | e-mail: info@junglegym.com | www.junglegym.com