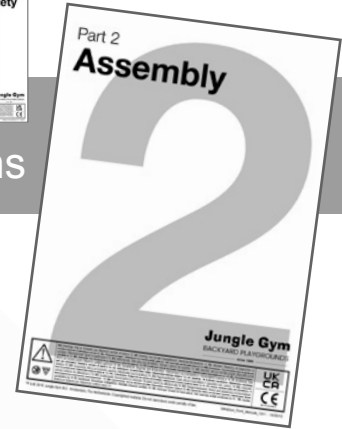


Part 2

Assembly

Instructions

Config ID: q94fgh
 Product Name: Gatehouse 2-Swing
 Product ID: 211527








Watch in 3D



Jungle Gym

BACKYARD PLAYGROUNDS

since 1988

<p>Assembly time 12.0 hours by 2 adults</p> 	 <p>EN. Warnings. Only for domestic use. Maximum number of users is 4. DE. Achtung. Nur für den Hausgebrauch. Maximale Benutzerzahl: 4. FR. Attention. Réserve à un usage familial. Le nombre maximal d'utilisateurs est de 4. NL. Waarschuwingen. Uitsluitend voor huishoudelijk gebruik. Het maximale aantal gebruikers is 4. BG. Внимание. За употреба само в домашни условия. Максималният брой потребители е 4. CS. Varování. Jen pro domácí použití. Maximální počet uživatelů je 4. DA. Advarsler. Kun til privat brug. Maksimum antal brugere er 4. EL. Προειδοποίησης. Μόνο για οικιακή χρήση. Μέγιστος αριθμός χρηστών 4. ES. Advertencias. Solo para uso doméstico. Número máximo de usuarios: 4. ET. Hoiatused. Ainult koduseks kasutamiseks. Maksimaalne kasutajate arv on 4. FI. Varoitukset. Ainoastaan kotikäyttöön. Käyttäjää yhteensä enintään 4. HR. Upozorenja. Samo za kućansku uporabu. Maksimalan broj korisnika je 4. HU. Figyelmeztetések. Csak otthoni használatra! A használók max. száma: 4. IS. Varnaðarorð. Eingöngu fyrir einkanoðkun í heimahúsum og á einkalóðum. Hámarksfjöldi notenda er 4. IT. Avvertenze. Solo per uso domestico. Massimo numero di utenti è 4. LT. Įspėjimai. Tik buitiniam naudojimui. Maksimalus naudotojų skaičius 4. LV. Brīdinājumi. Izmantot tikai mājās. Maksimālais lietotāju skaits ir 4. NO. Advarsler. Kun for privat bruk. Maksimalt antall brukere er 4. PL. Ostrzeżenia. Wyłącznie do użytku domowego. Maksymalna liczba użytkowników to 4. PT. Avisos. Apenas para uso doméstico. O número máximo de utilizadores é 4. RO. Avertismente. Numai pentru uz domestic. Numărul maxim de utilizatori este 4. RU. Предостережения. Только для домашнего использования. Максимальное количество пользователей - 4. SK. Upozornenia. Iba na domáce použitie. Maximálne množstvo osôb je 4. SL. Opozorila. Samo za domačo uporabo. Maksimalno število uporabnikov je 4. SR. Upozorenja. Samo za kućnu upotrebu. Maksimalan broj korisnika je 4. SV. Varningar. Endast för hemmabruk. Det maximala antalet användare är 4. TR. Uyarılar. Sadece ev kullanımı için. Maksimum kullanıcı sayısı 4.</p>	 <p>EN 71-1, 2, 3, 8 & 9</p>  
--	---	---

1 Helpdesk JungleGym

FAQ & Support



English



Deutsch



Français



Nederlands



info@junglegym.com



EU 0031 85 44 44 100

AT 0043 72 08 153 33

BE 0032 78 48 16 19

CH 0041 43 50 87 350

DE 0049 32 22 10 98 299

ES 0034 657 76 64 25

FR 0033 97 75 58 222

IE 0035 38 1800 0300

LU 0035 22 08 80 512

NL 0031 85 44 44 102

UK 0044 20 369 505 53

Monday-Friday,

CET 9:00am - 5:00pm

Local phone charges may apply.

2 Start

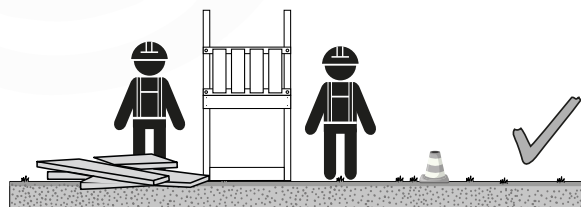
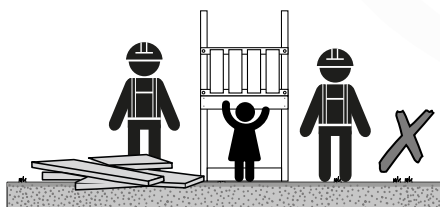
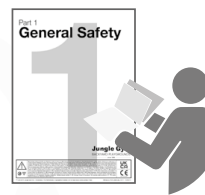
2.1 Safety



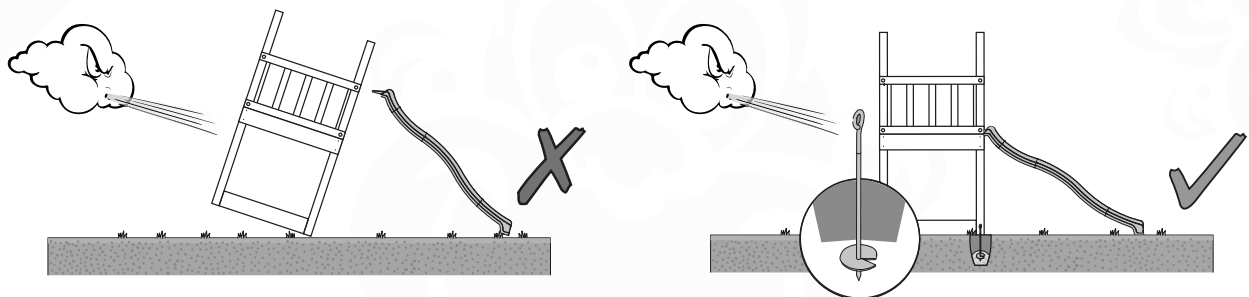
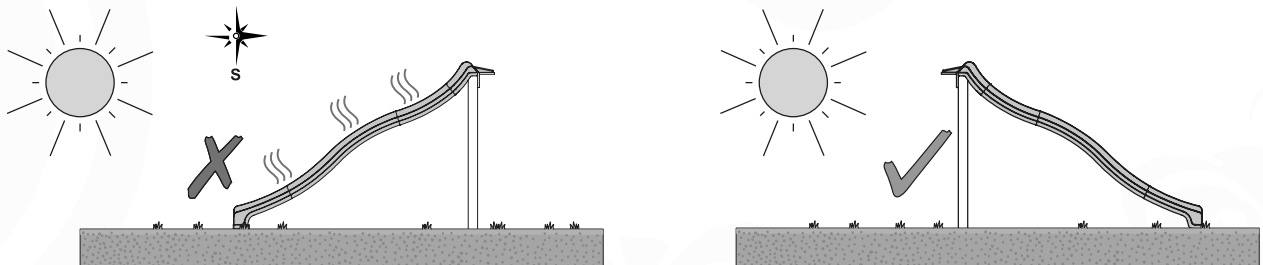
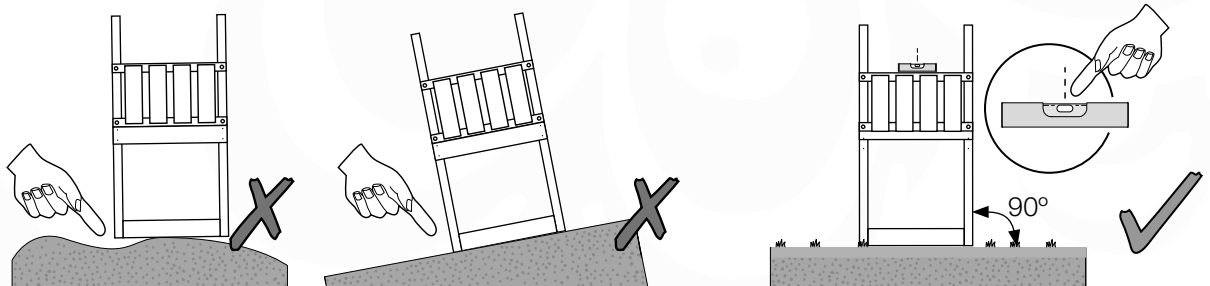
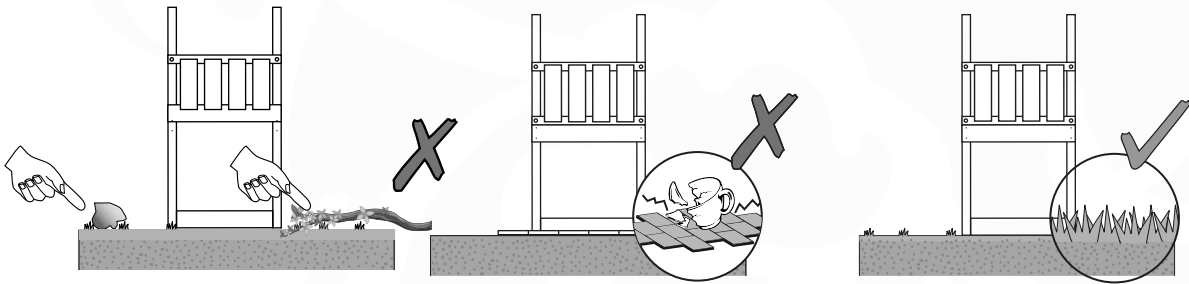
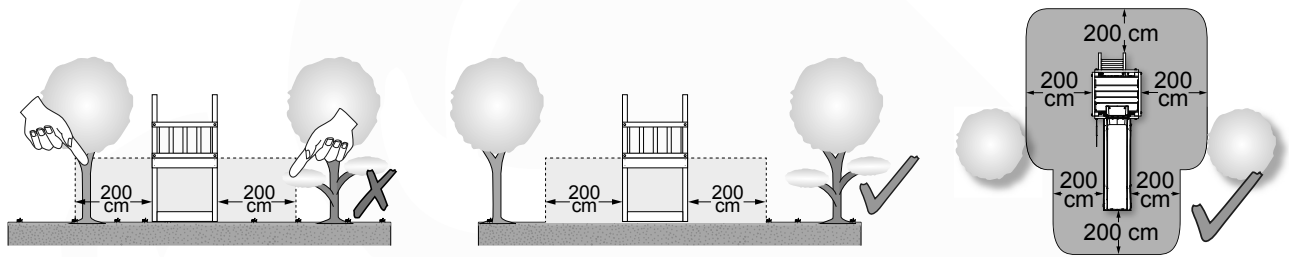
Download

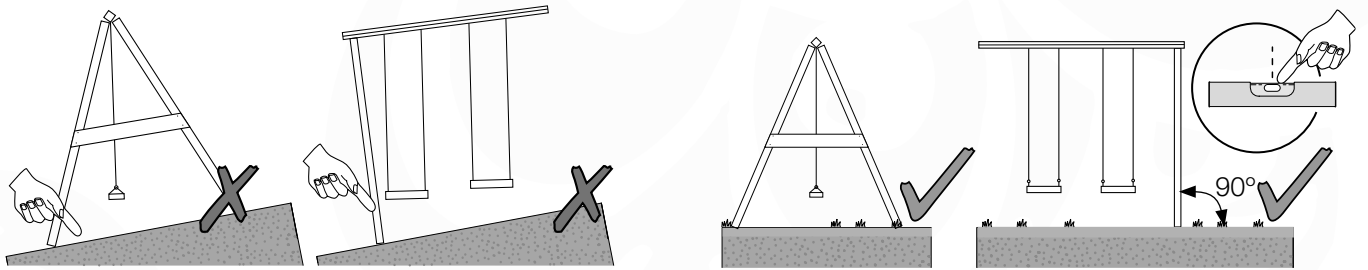
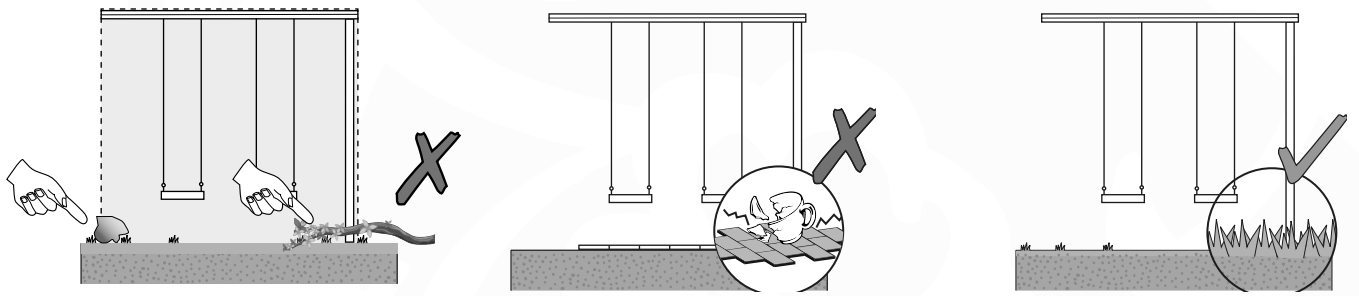
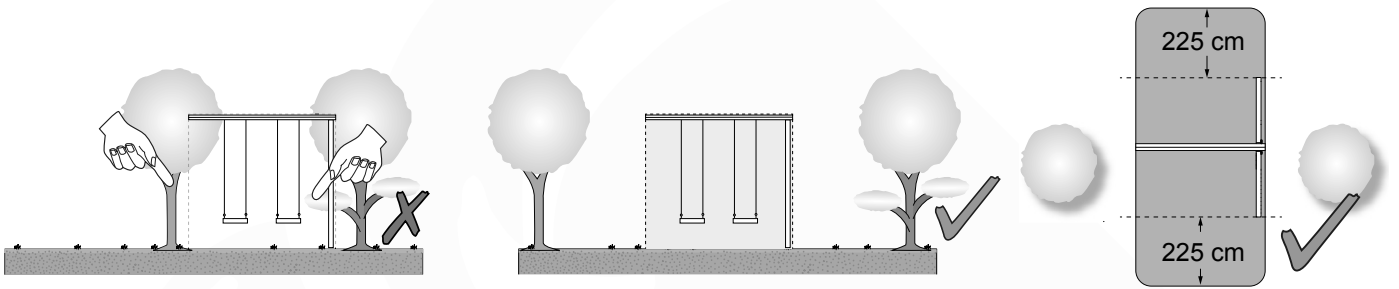


Part 1

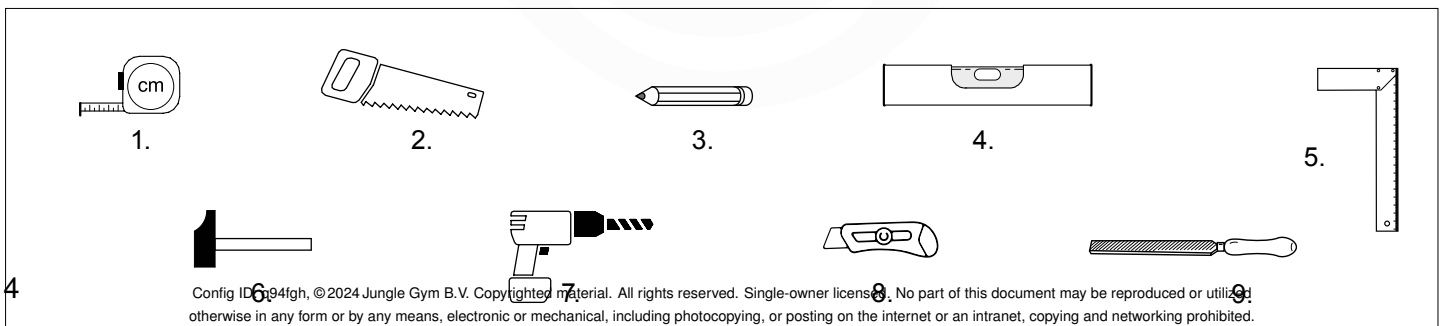


2.2 Planning

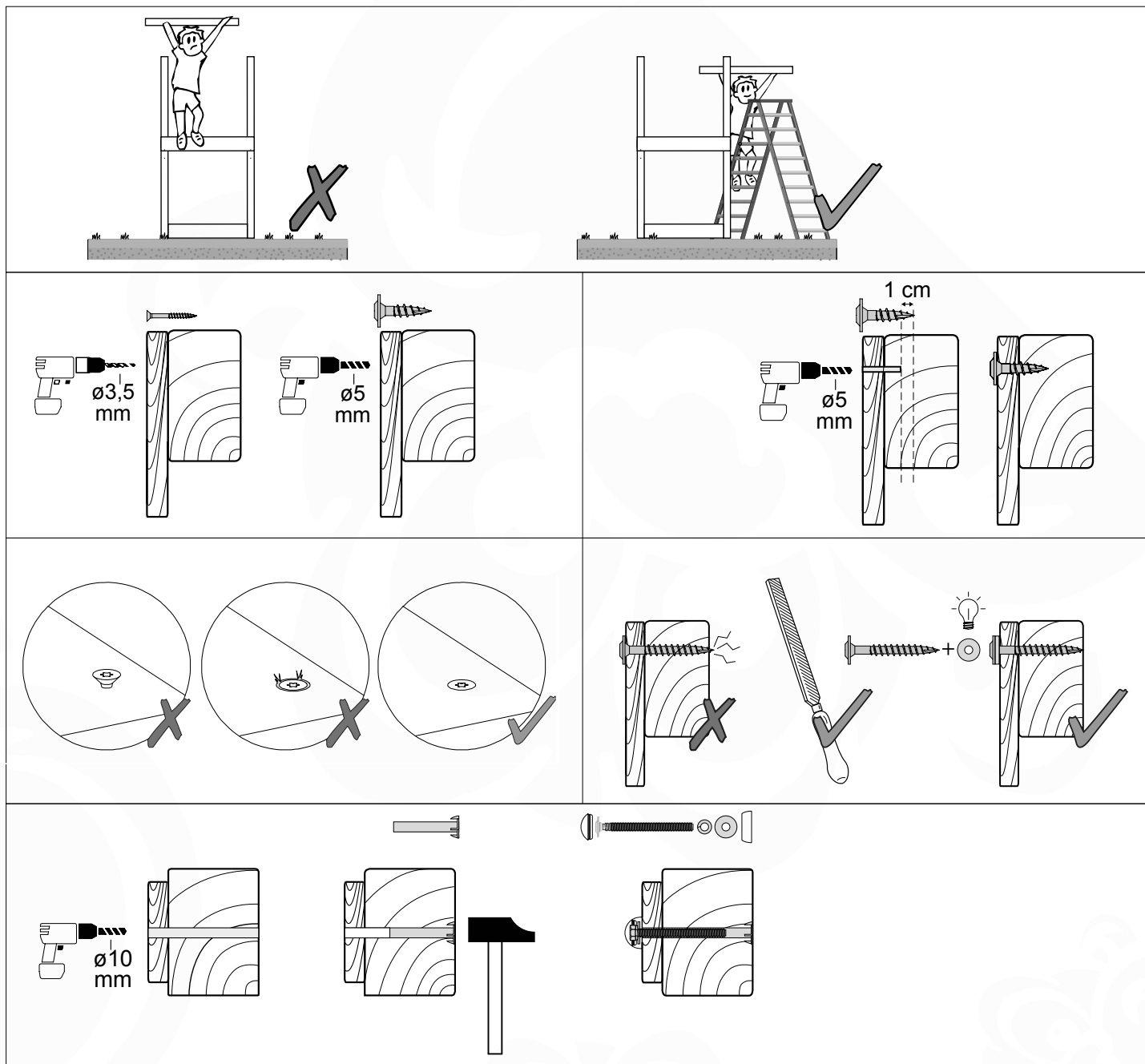




2.3 Tools



2.4 Assembly



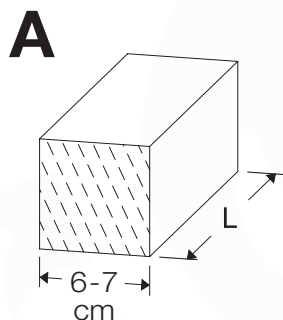
3 Overview

3.1 Order specification

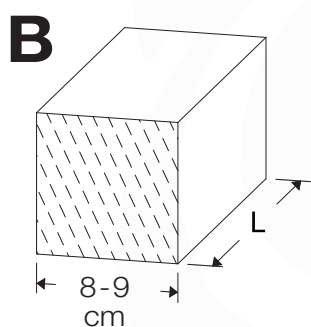


#	Description	Supplier ID	Assembly ID
2	Base Tower 80_220220_125	790_003	BT03a
2	Roof Timber Clapboard 80	790_201	RF01a
1	Playhouse 80 U Window	790_313	PH05a
2	Playhouse 80 T Window	790_313	PH06a
1	TwoStep Ladder 80_125 T	790_411	TS02a
1	Ramp 80 T	790_441	RA04a
1	Market 80 U	790_502	MT01a
1	Net Bridge 80 uni	790_611	NB01a
1	Slide Frame 80_125 U	790_901	SL01a
1	2- Swing Module 200 3.0	757_110	SW06a
1	Accessories Set	194_119	AC01a
1	Accessories Swing Seat	250_034	AC21a
1	Accessories Monkey Bar	250_013	AC22a
1	Wavy Star Slide XL	324_x00a	324_x00a

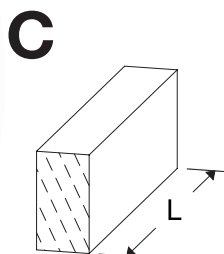
3.2 Timber parts



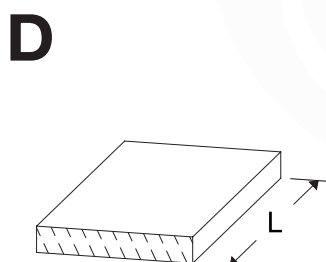
ID	L	#
A123	122 cm - 123 cm	1
A141	140 cm - 141 cm	1
A220	219 cm - 220 cm	10



B220	219 cm - 220 cm	1
------	-----------------	---



C37	36 cm - 37 cm	4
C56	55 cm - 56 cm	4
C62	61 cm - 62 cm	4
C70	69 cm - 70 cm	1
C74	73 cm - 74 cm	15
C141	140 cm - 141 cm	2
C154	153 cm - 154 cm	2



D60	59 cm - 60 cm	41
D74	73 cm - 74 cm	69
D141	140 cm - 141 cm	2

4.3 Assembly packs



Example

Accessory Set

AC

194_119

LOT: **2** 5 1 1

<p>Swing Module Kit</p> <p>SW</p> <p>457_103</p> <p>LOT: 1x</p>	<p>Net Pack</p> <p>NB NA</p> <p>194_009</p> <p>LOT: 1x</p>	<p>Balustrade 140</p> <p>BL</p> <p>194_501</p> <p>LOT: 3x</p>	<p>Market</p> <p>MT</p> <p>194_113</p> <p>LOT: 1x</p>	<p>Canvas 136 x 74cm</p> <p>123_220</p> <p>LOT: 1x</p>
<p>Accessory Set</p> <p>AC</p> <p>194_119</p> <p>LOT: 1x</p>	<p>Slide XL 2.2m</p> <p>324_x00</p> <p>LOT: 1x</p>	<p>Monkey Bar</p> <p>AC</p> <p>250_013</p> <p>LOT: 1x</p>	<p>Tower 80</p> <p>BT ET</p> <p>194_100</p> <p>LOT: 2x</p>	<p>Roof Timber 80 / Wall Panel</p> <p>RF PH</p> <p>194_111</p> <p>LOT: 2x</p>
<p>Swing Seat</p> <p>AC</p> <p>250_034</p> <p>LOT: 1x</p>	<p>Ramp</p> <p>RA</p> <p>194_008</p> <p>LOT: 1x</p>	<p>Slide Frame</p> <p>SL</p> <p>194_107</p> <p>LOT: 1x</p>	<p>Two Step Ladder 80</p> <p>TS</p> <p>194_102</p> <p>LOT: 1x</p>	

4.4 Your config ID: q94fgh

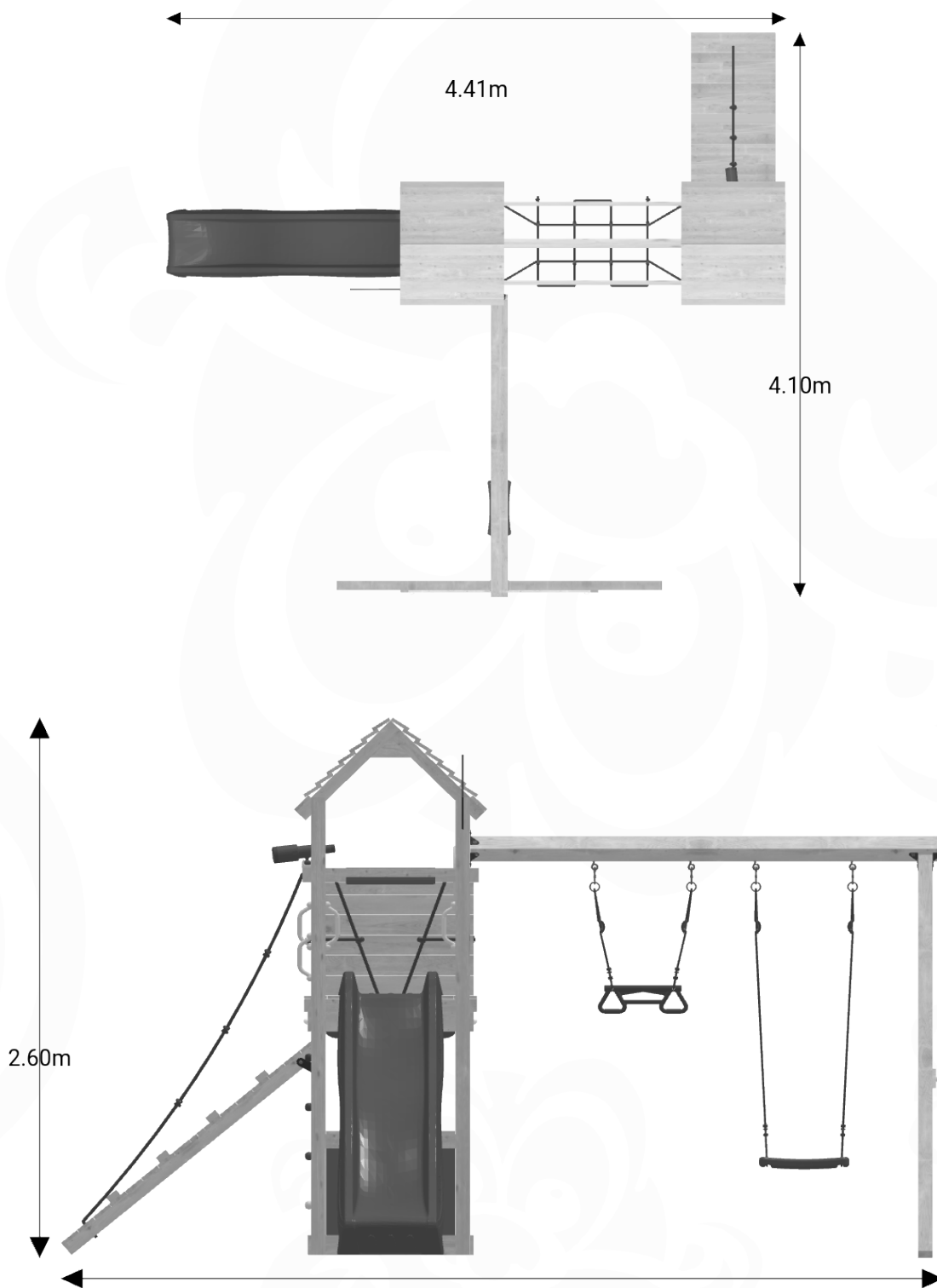


5 Hardware Identification

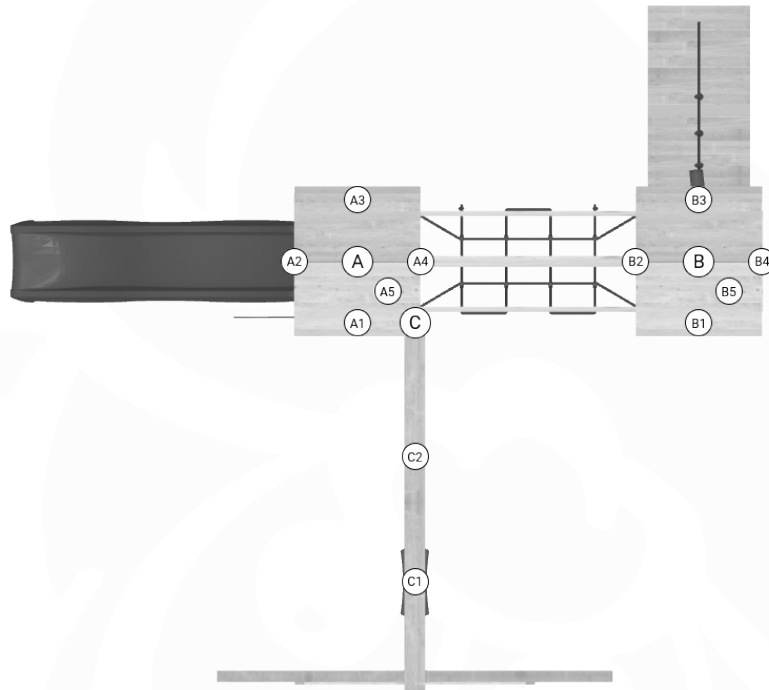
		SKU		L			
		001_404	30 mm				
		001_406	45 mm			002_308	20 mm
		001_411	60 mm			002_219	30 mm
		001_417	80 mm			002_220	45 mm
		001_422	137 mm			002_223	80 mm
		001_102	30 mm				
						004_050	22mm
		000_101	20 mm				
						003_010	
		002_036	16 mm				
						002_041	20 mm
		002_042	13 mm				
						002_301	40 mm
						022_844	022_314

output: 27/06/24

6 Dimensions



7 Assembly Planning



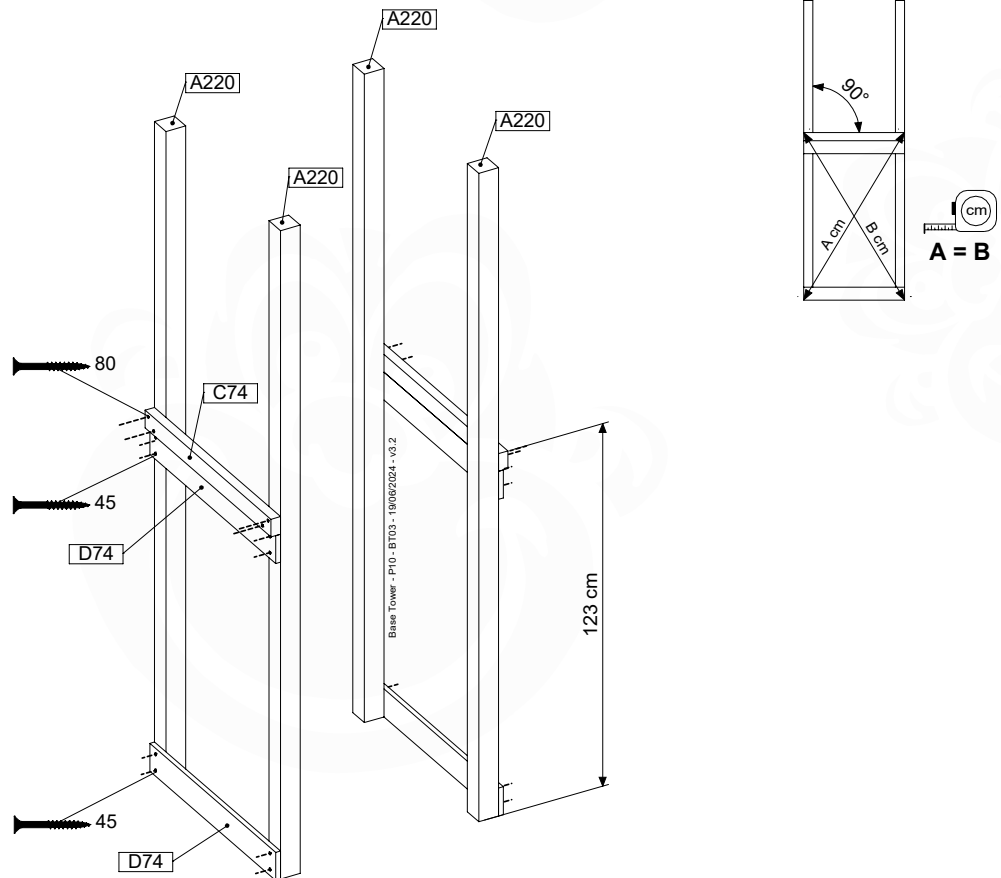
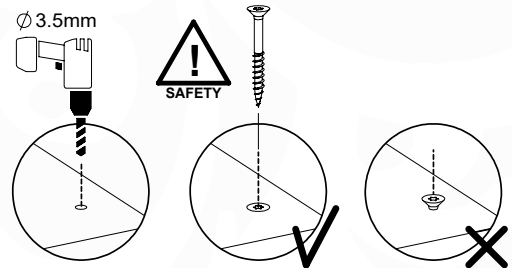
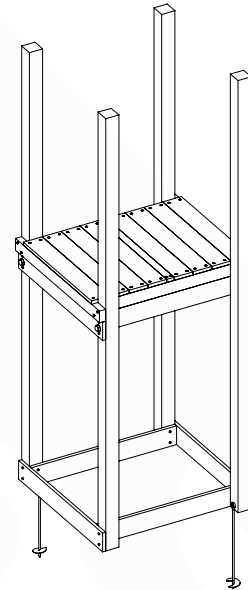
	ID			A	B	C
1	BT03a		p.13	✓	✓	-
2	RF01a		p.15	A5	B5	-
3	PH05a		p.17	-	B4	-
4	PH06a		p.18	A1	B1	-
5	NB01a		p.19	A4	B2	-
6	TS02a		p.24	A3	-	-
7	MT01a		p.26	-	B4	-
8	RA04a		p.30	-	B3	-
9	SW06a		p.34	-	-	✓
10	SL01a		p.42	A2	-	-
11	GA		p.45	✓	✓	✓
12	AC01a		p.47	A1	-	-

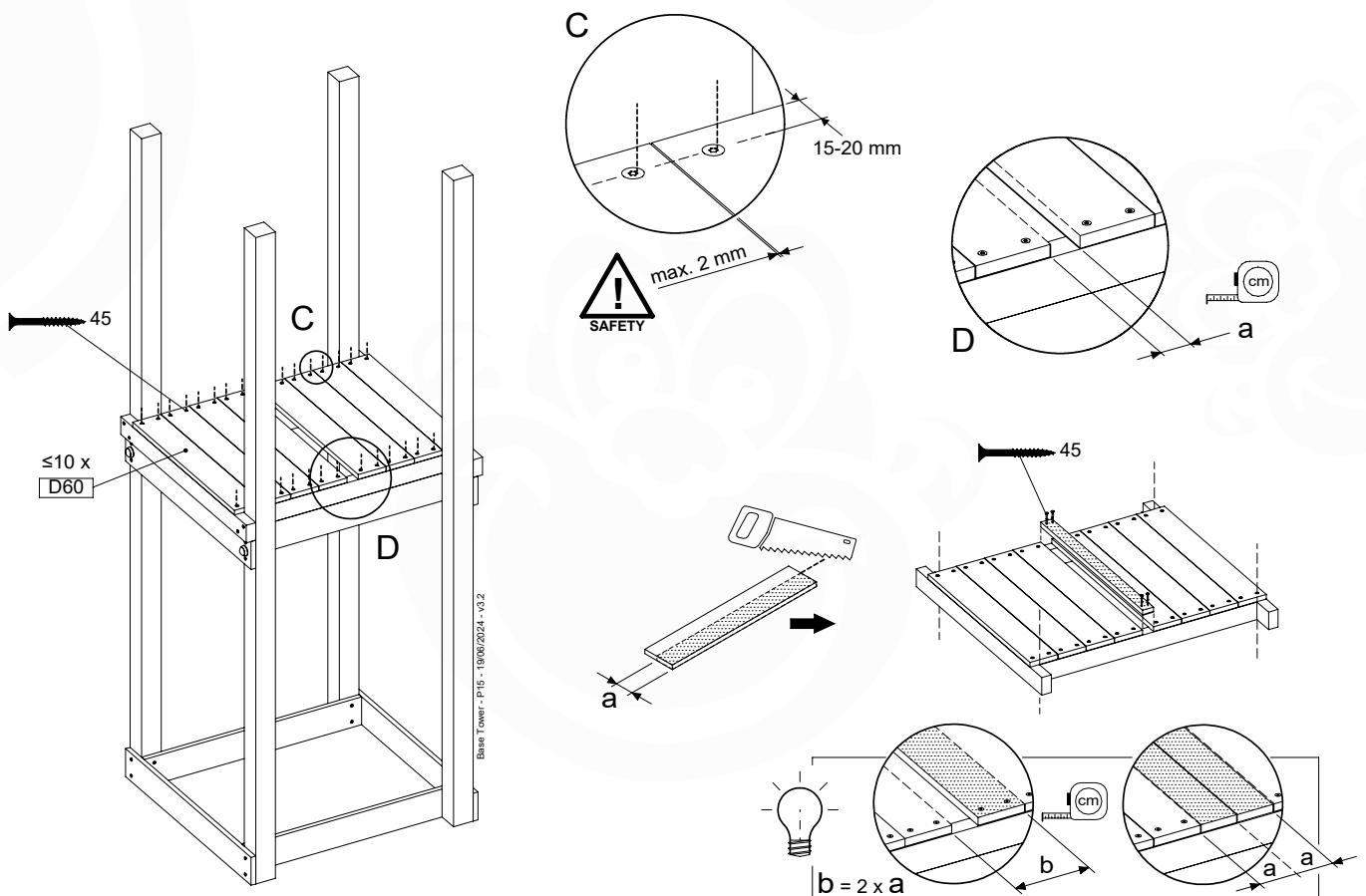
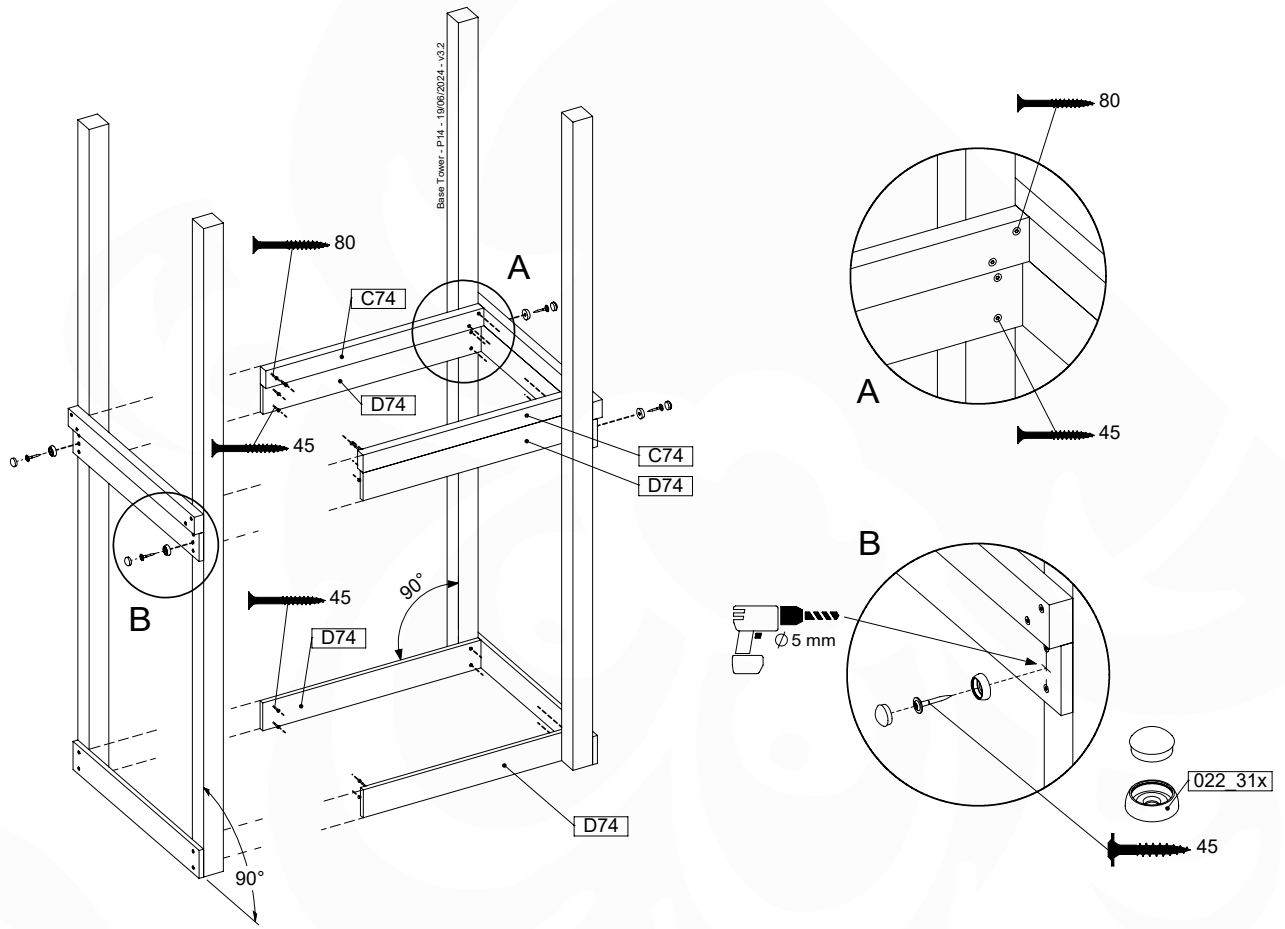
8 BT03a: Base Tower 80 125cm 220220

Assembly Pack: 194_100

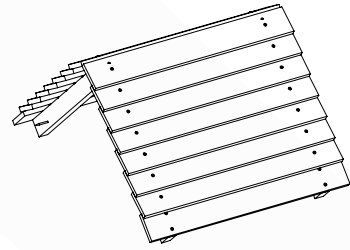
	PartNo	PartName	QTY.
Hardware + Parts	001_406	Stealth Screw 8x45	6
	002_220	Gap Point Screw T25 - 5x45	76
	002_223	Gap Point Screw T25 - 5x80	16
	007_001	Ground-anchor	2
	022_31x	bpc-base version 3	4
	022_84x	bpc cover	4
Timber	A220	Post 70x70 L2200	4
	C74	Beam 740 mm	4
	D60	Board 600 mm	10
	D74	Board 740 mm	8

Base Tower - P10 - BT03 - 19082024 - v3.2





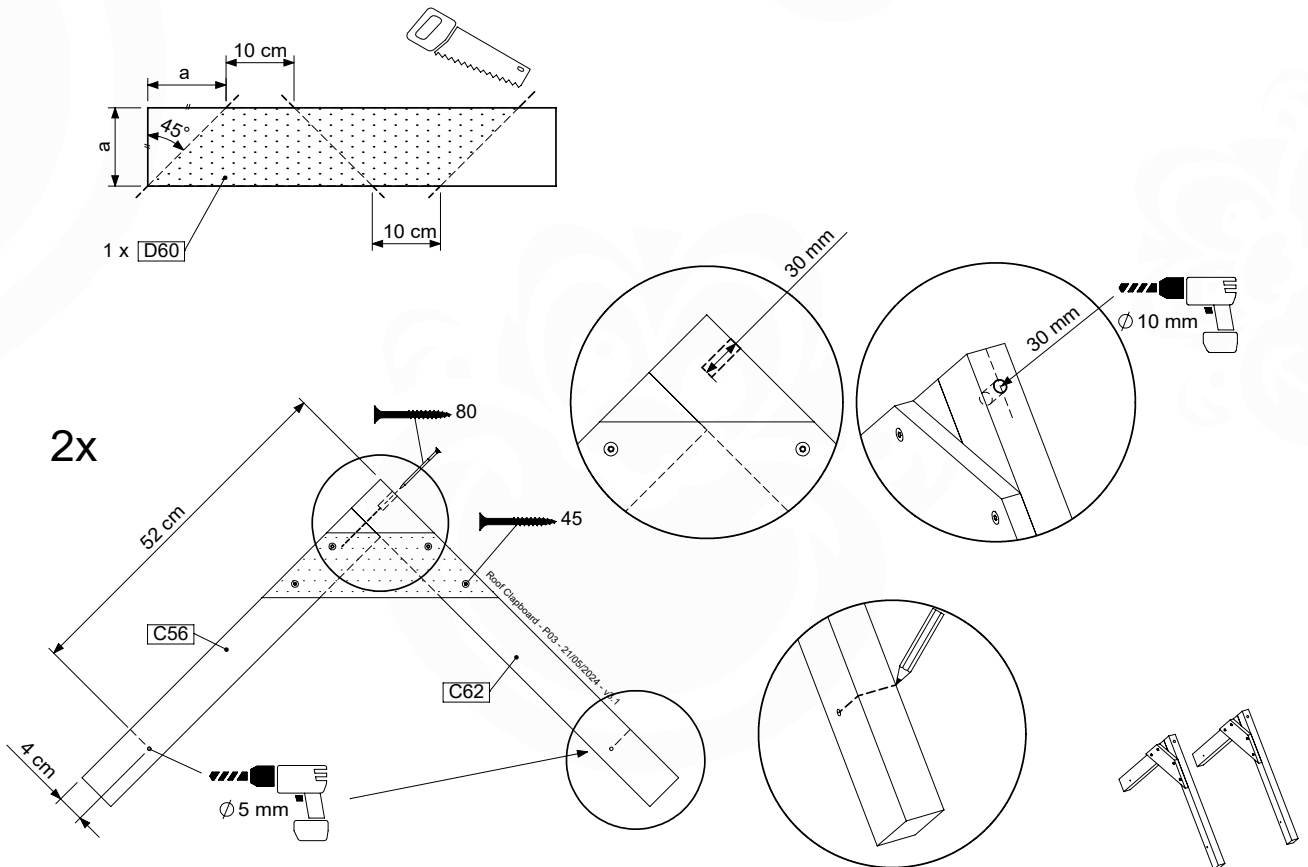
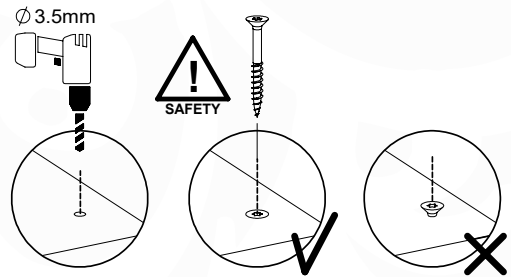
9 RF01a: Roof Timber Clapboard Gable 80

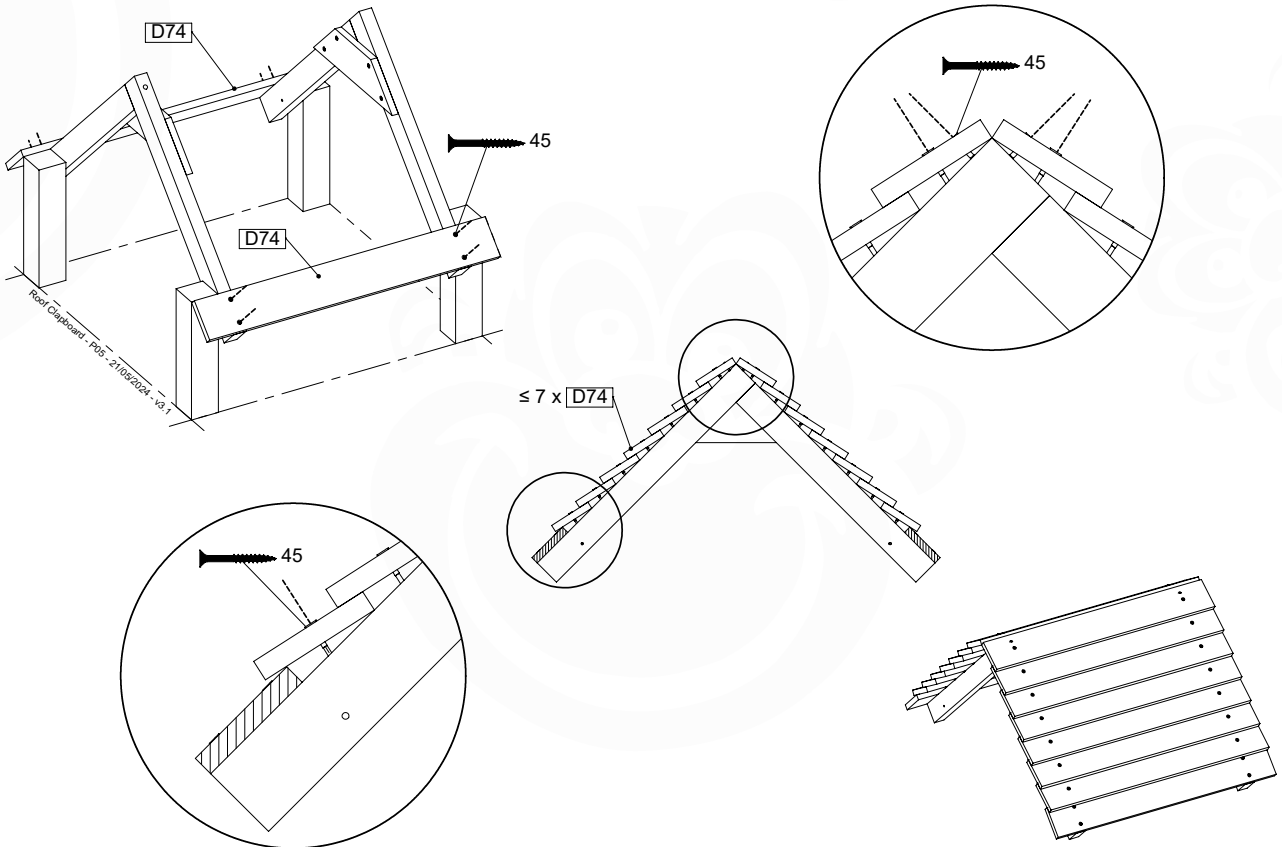
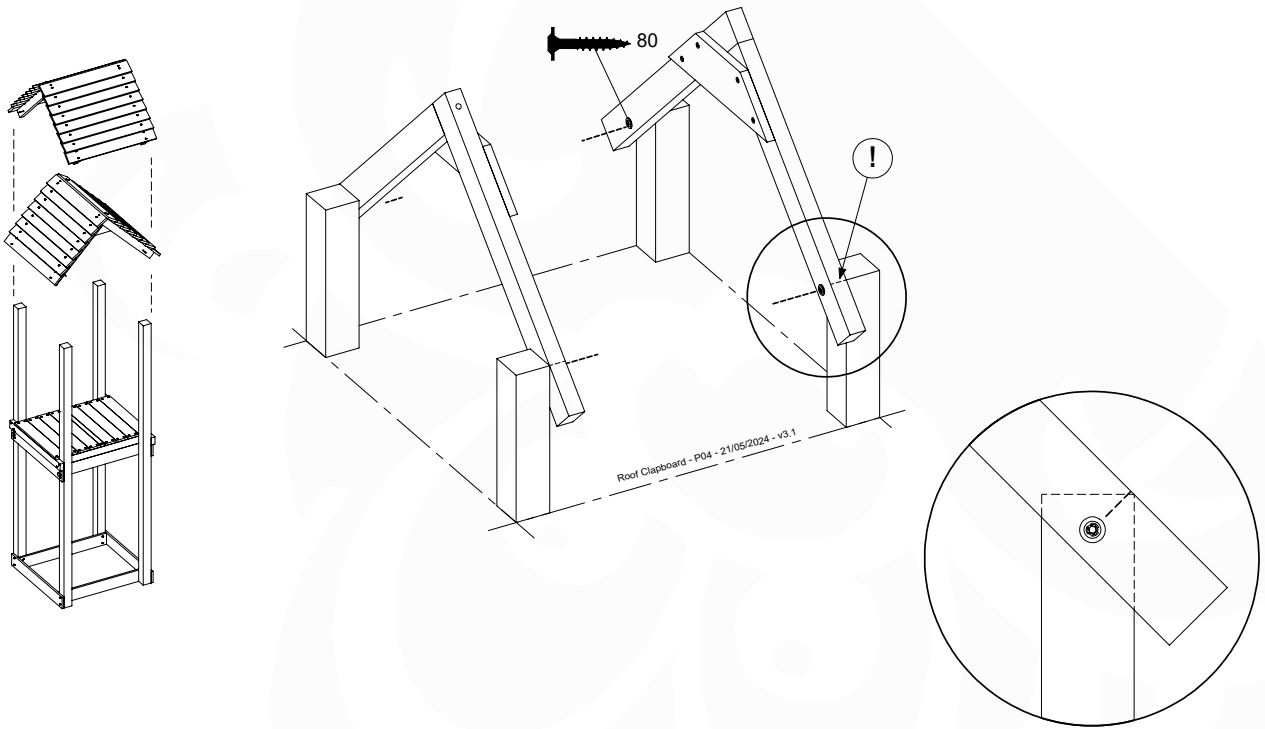


Assembly Pack: 194_111

	PartNo	PartName	QTY.
Hardware Pack	001_417	Stealth Screw 8x80	4
	002_220	Gap Point Screw T25 - 5x45	48
	002_223	Gap Point Screw T25 - 5x80	2
Timber	C56	Beam 560 mm	2
	C62	Beam 620 mm	2
	D60	Board 600 mm	1
	D74	Board 740 mm	16

Roof Clapboard - R02 - 21/05/2024 - v3.1



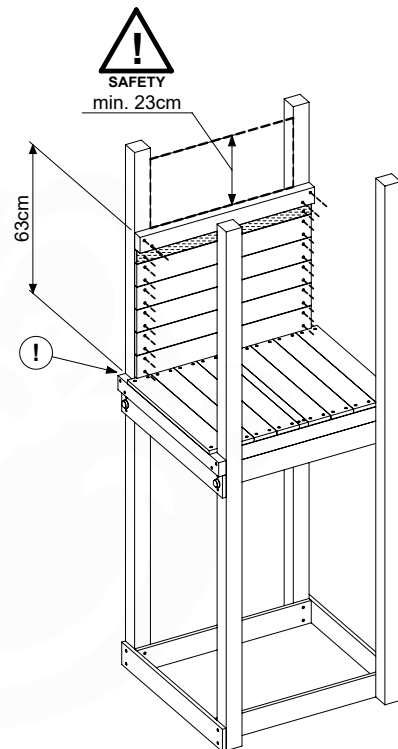
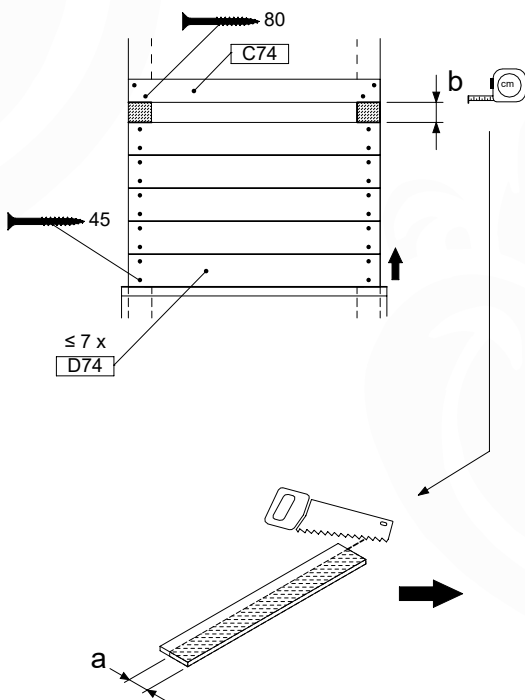
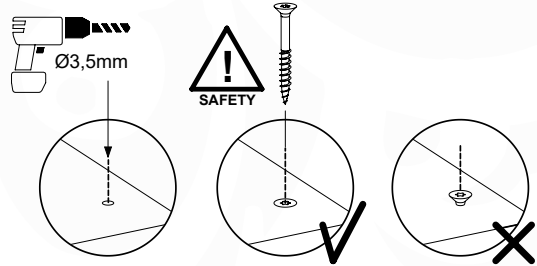
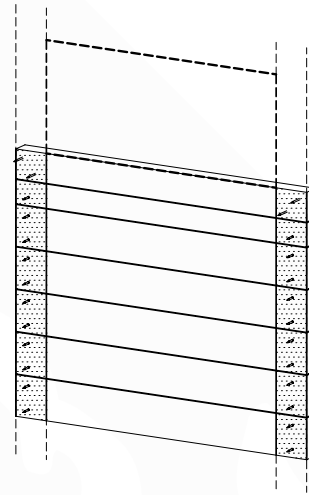


10 PH05a: Playhouse Window Panel 80 U

(194_501)

	PartNo	PartName	QTY.
Hardware Pack	002_220	Gap Point Screw T25 - 5x45	28
	002_223	Gap Point Screw T25 - 5x80	4
Timber	C74	Beam 740 mm	1
	D74	Board 740 mm	7

Playhouse Walls - P10 WINDOW U - 29-3-2023 - 43

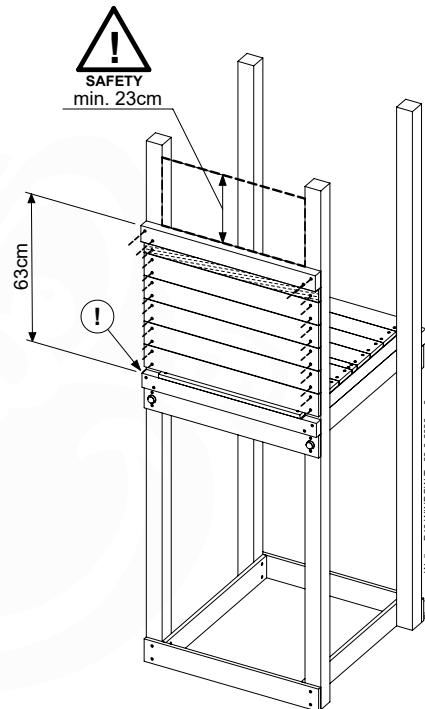
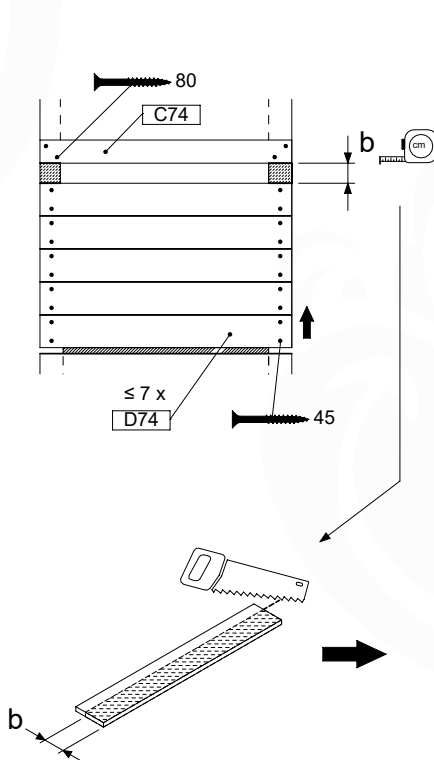
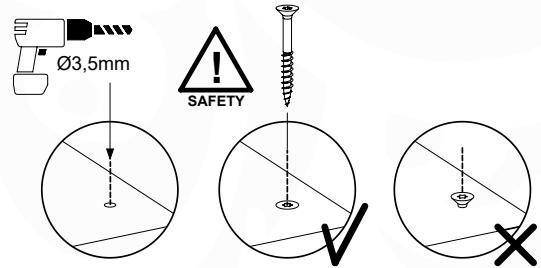
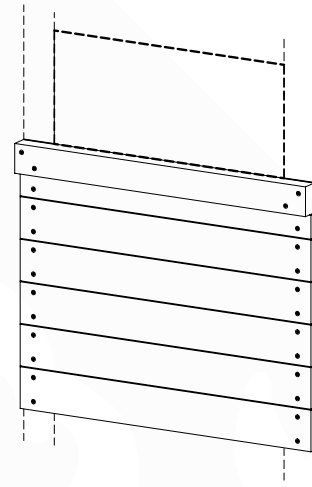


11 PH06a: Playhouse Window Panel 80 T

(194_501)

PartNo	PartName	QTY.
002_220	Gap Point Screw T25 - 5x45	28
002_223	Gap Point Screw T25 - 5x80	4
C74	Beam 740 mm	1
D74	Board 740 mm	7

Playhouse Walls - P16 WINDOW T - 28-3-2023 - v3



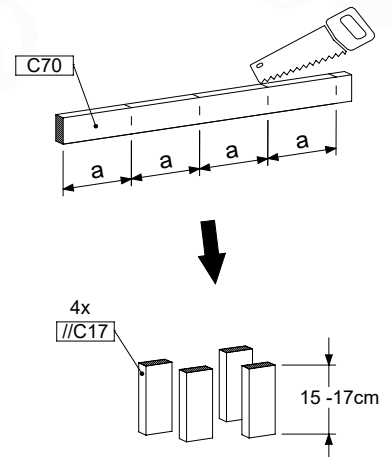
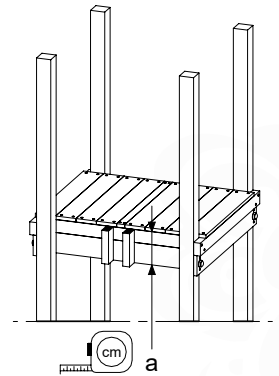
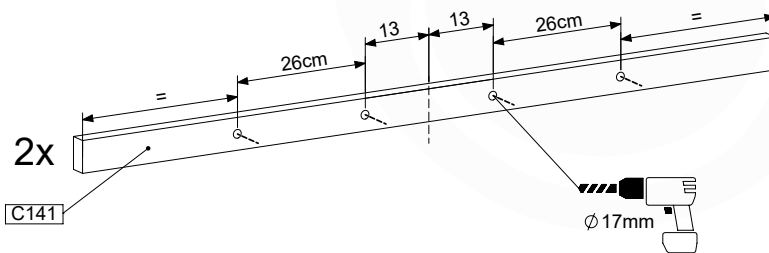
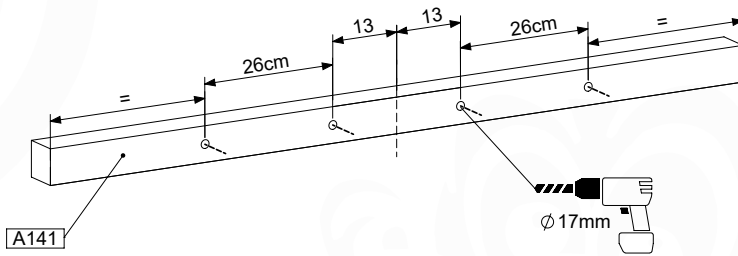
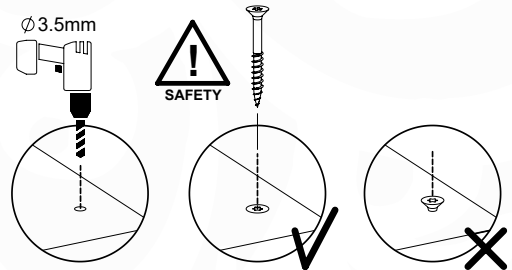
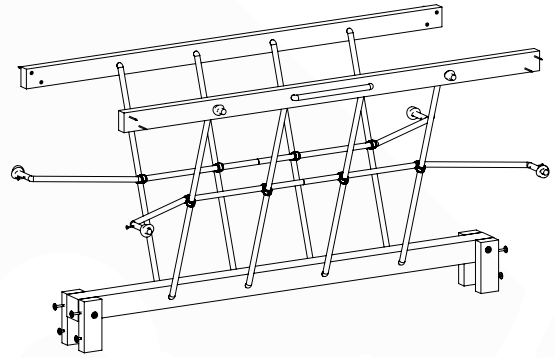
Playhouse Walls - P16 WINDOW T - 28-3-2023 - v3

12 NB01a: Net Bridge

(194_009)

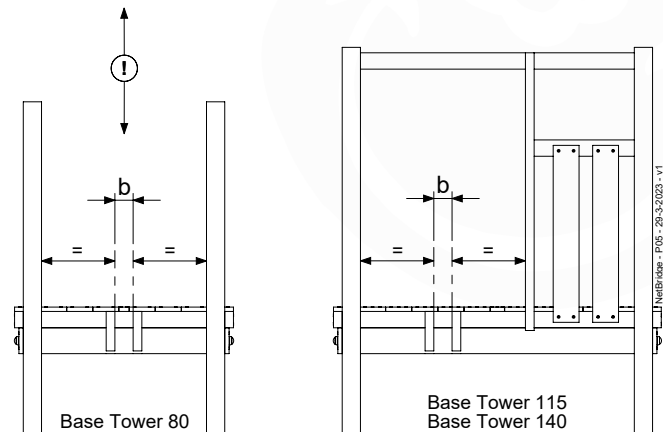
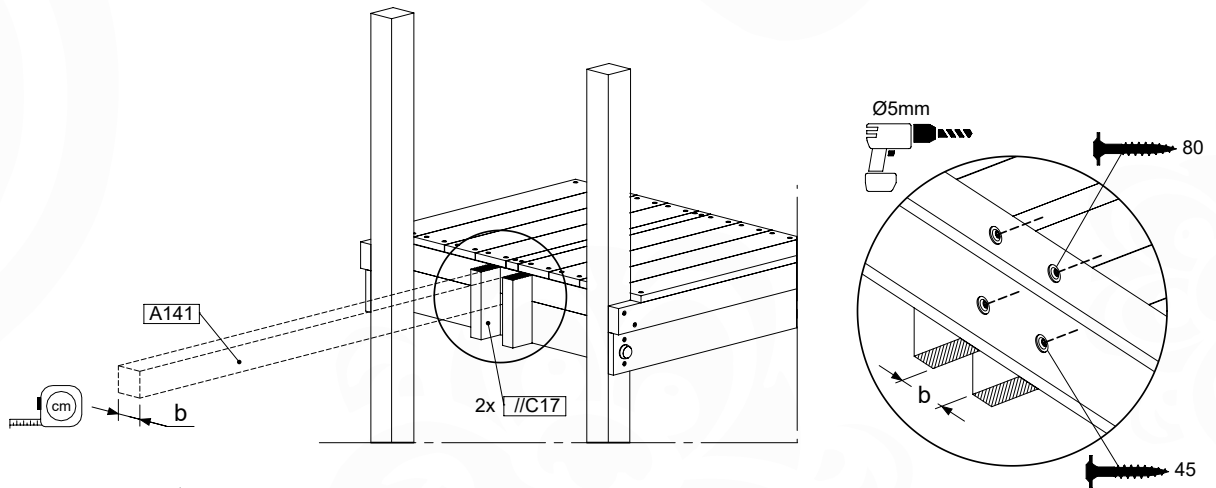
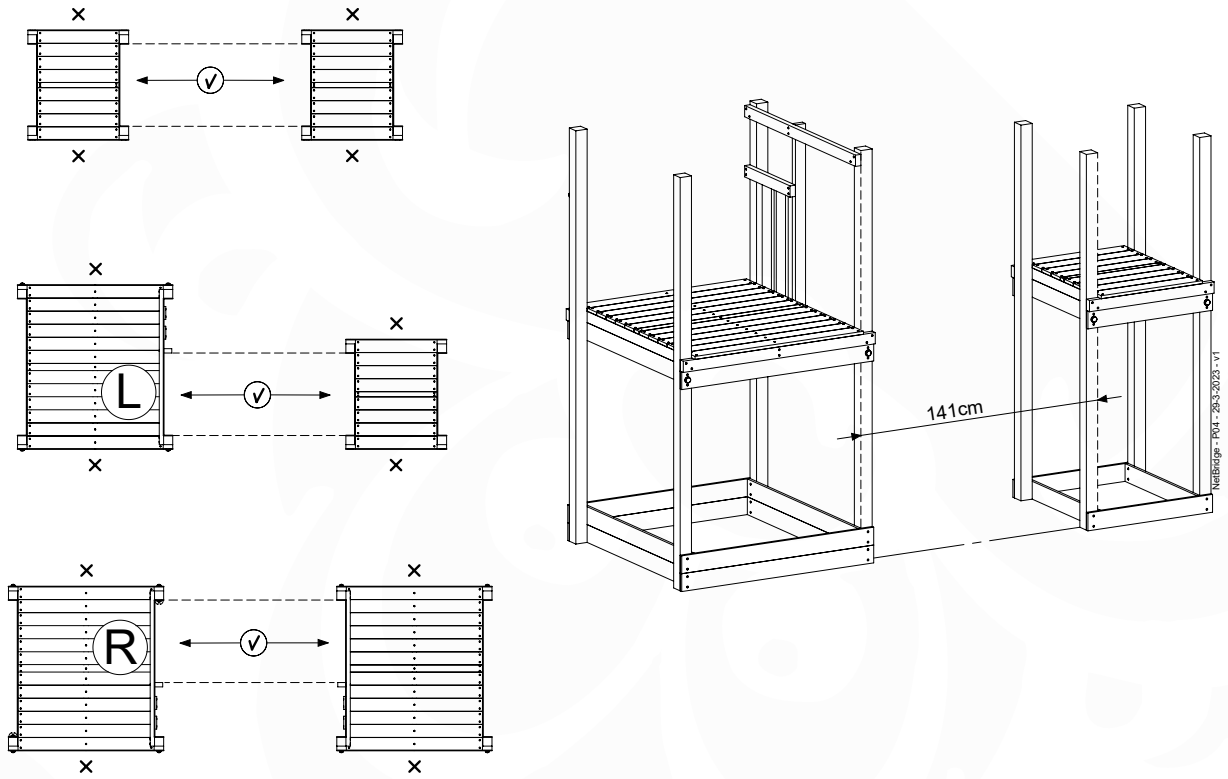
	PartNo	PartName	QTY.
Hardware Pack	001_406	Stealth Screw 8x45	4
	001_417	Stealth Screw 8x80	8
	002_220	Gap Point Screw T25 - 5x45	12
	002_223	Gap Point Screw T25 - 5x80	8
	002_301	Dry Wall Screw PH2 3.9 x 40 mm	8
Other	020_315	Rope Polyester 16mm Green 2.25m	2
	020_319	Rope Polyester 16mm Green 7.45m	1
	022_455	Rope Cross Connector Egg	8
Timber	A141	Post 70x70 L1410	1
	C70	Beam 700 mm	1
	C141	Beam 1410 mm	2

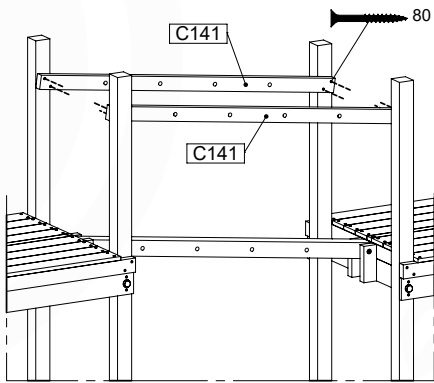
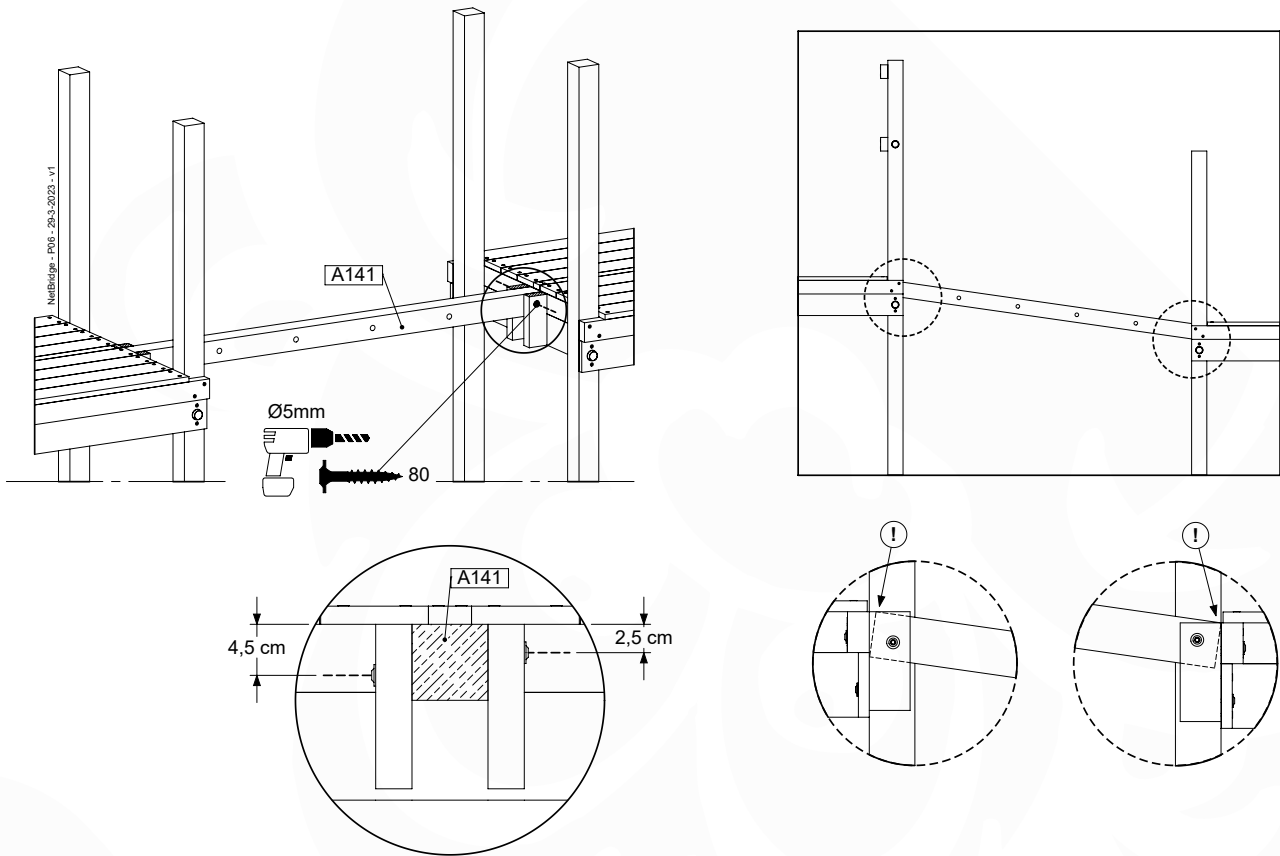
NetBridge - P00 - 20-3-2023 - v1



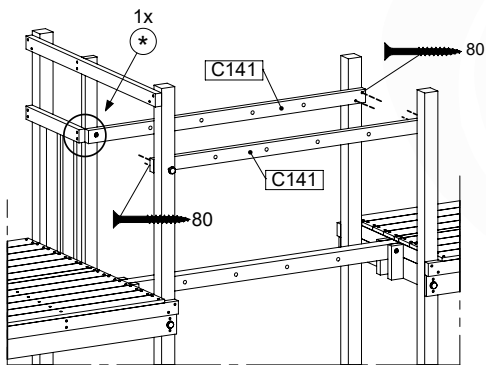
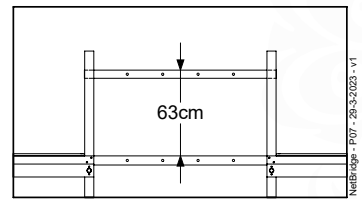
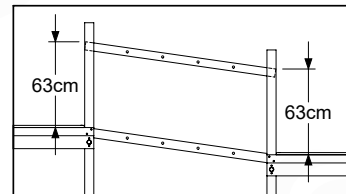
NetBridge - P00 - 20-3-2023 - v1

12.1

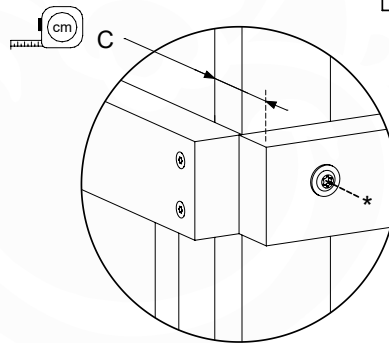




Base Tower 80



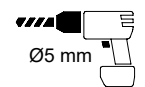
Base Tower 115
Base Tower 140

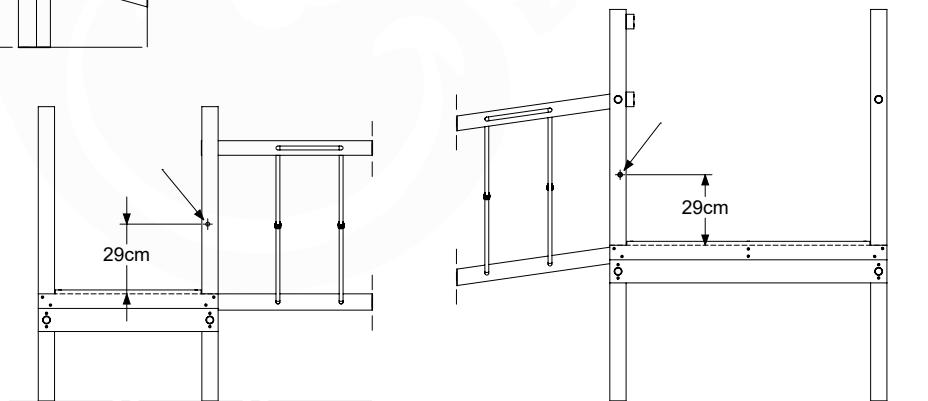
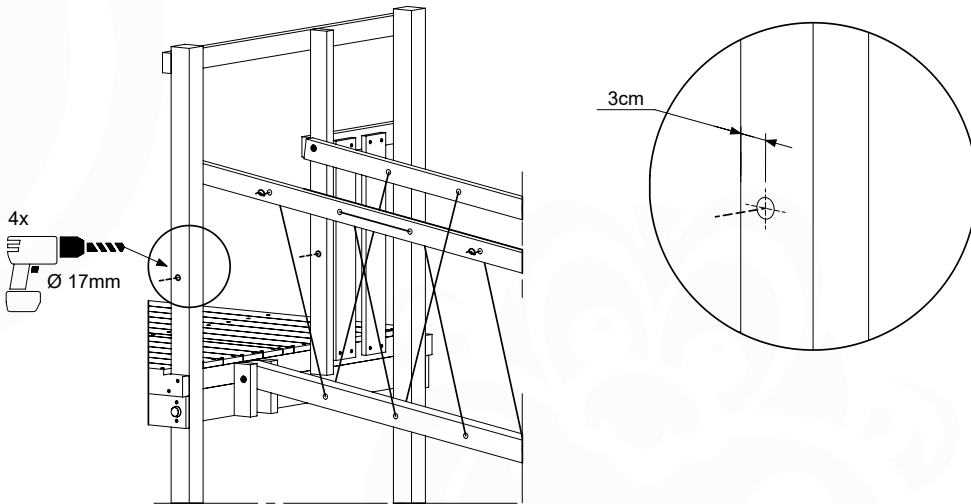
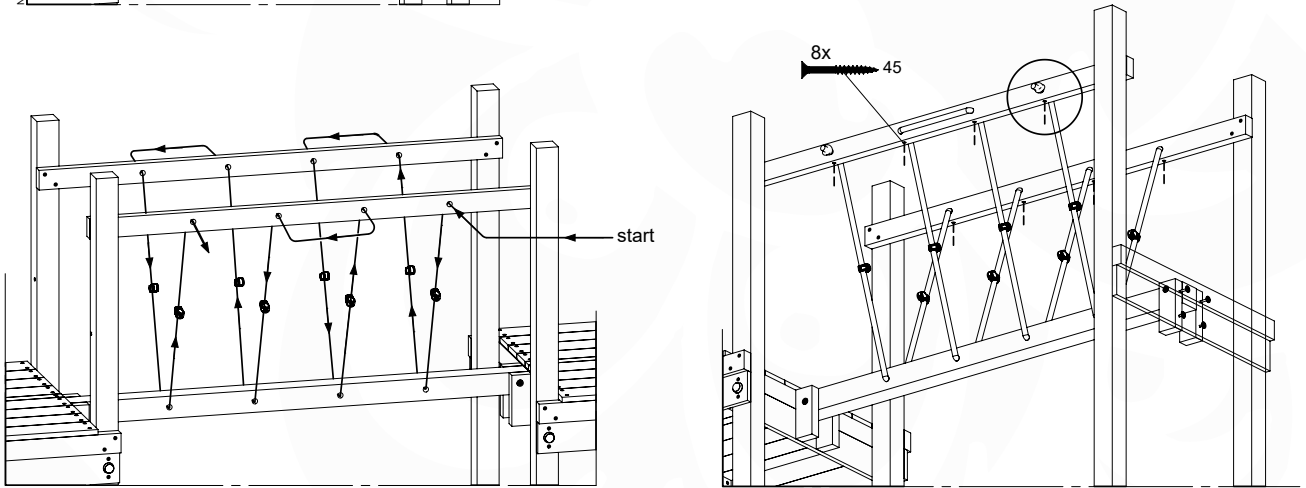
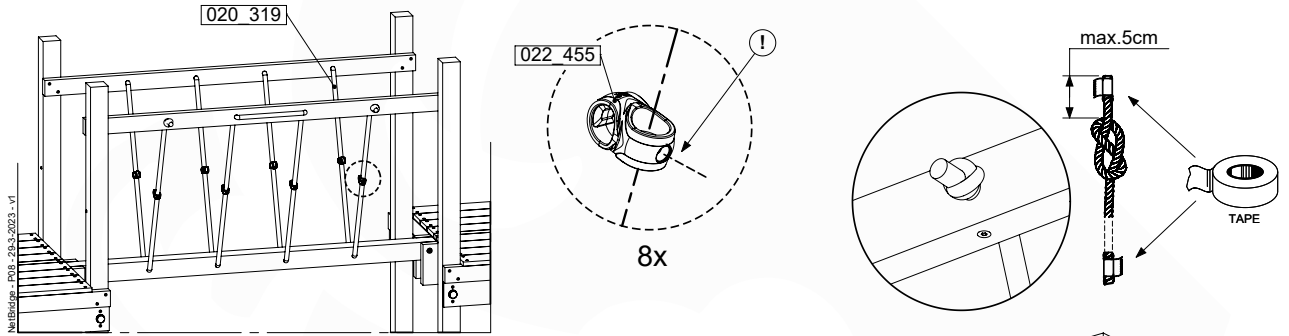


BF - Bridge Frame

C ≥ 8cm → 2x Ø5mm 80

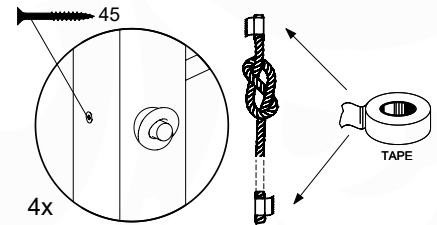
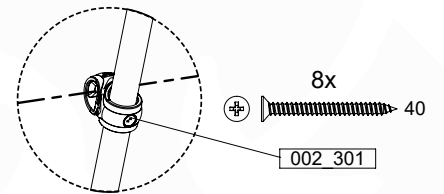
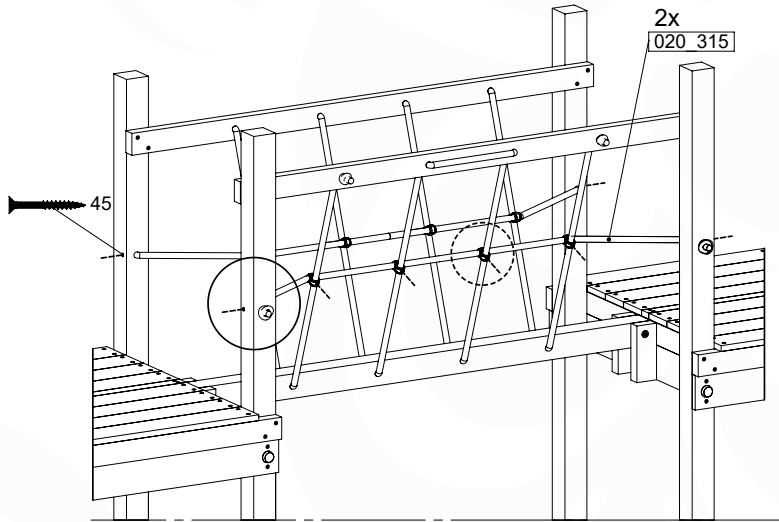
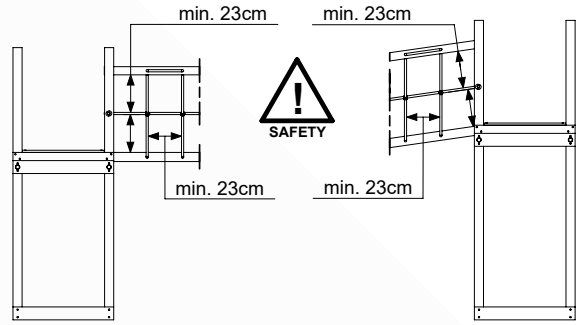
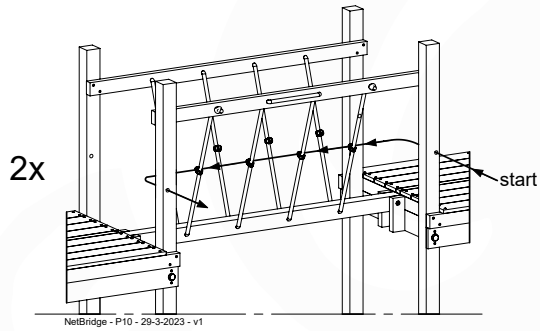
C < 8cm → 1x Ø5mm 60





NetBridge - P09 - 29-3-2023 - v1

12.4

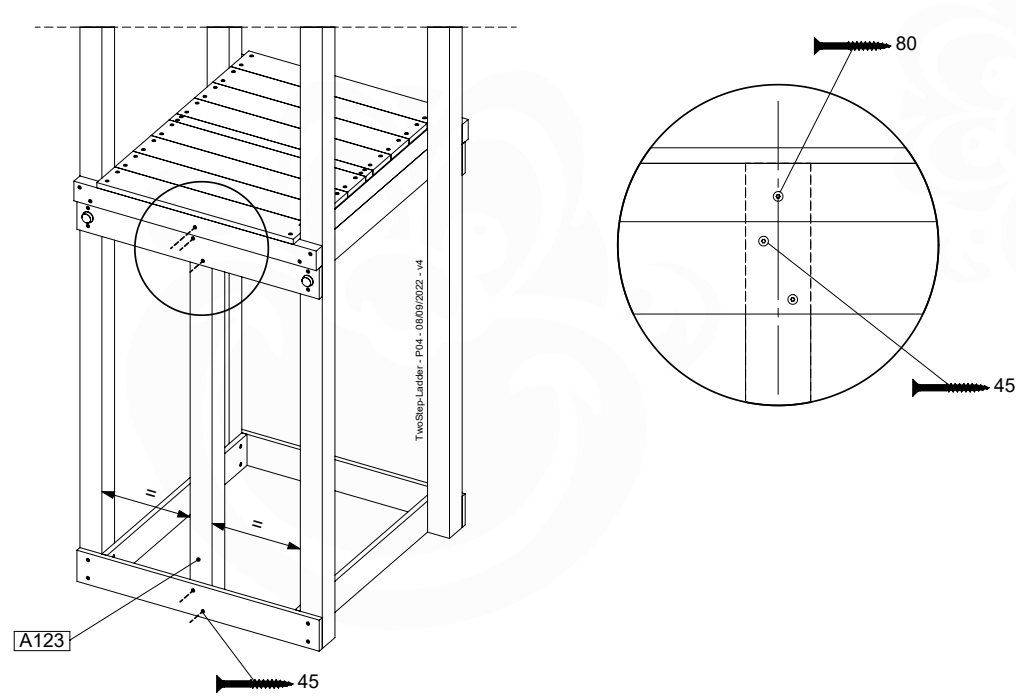
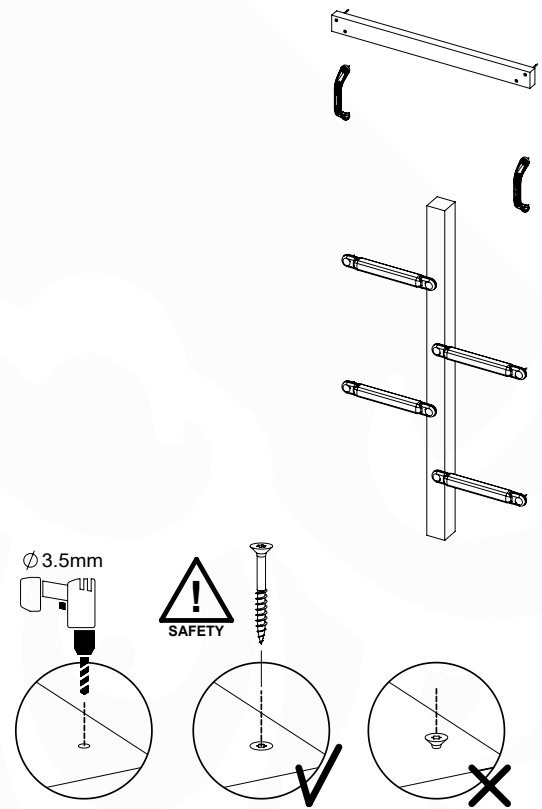


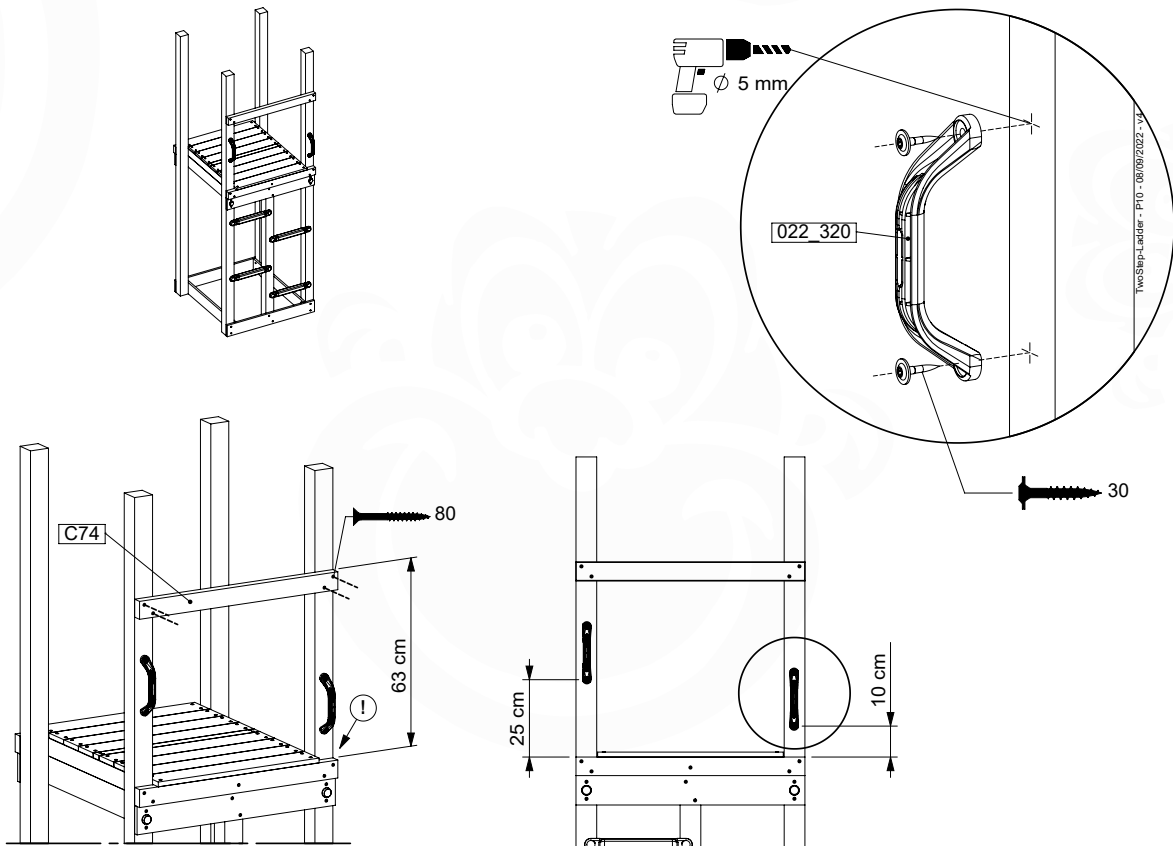
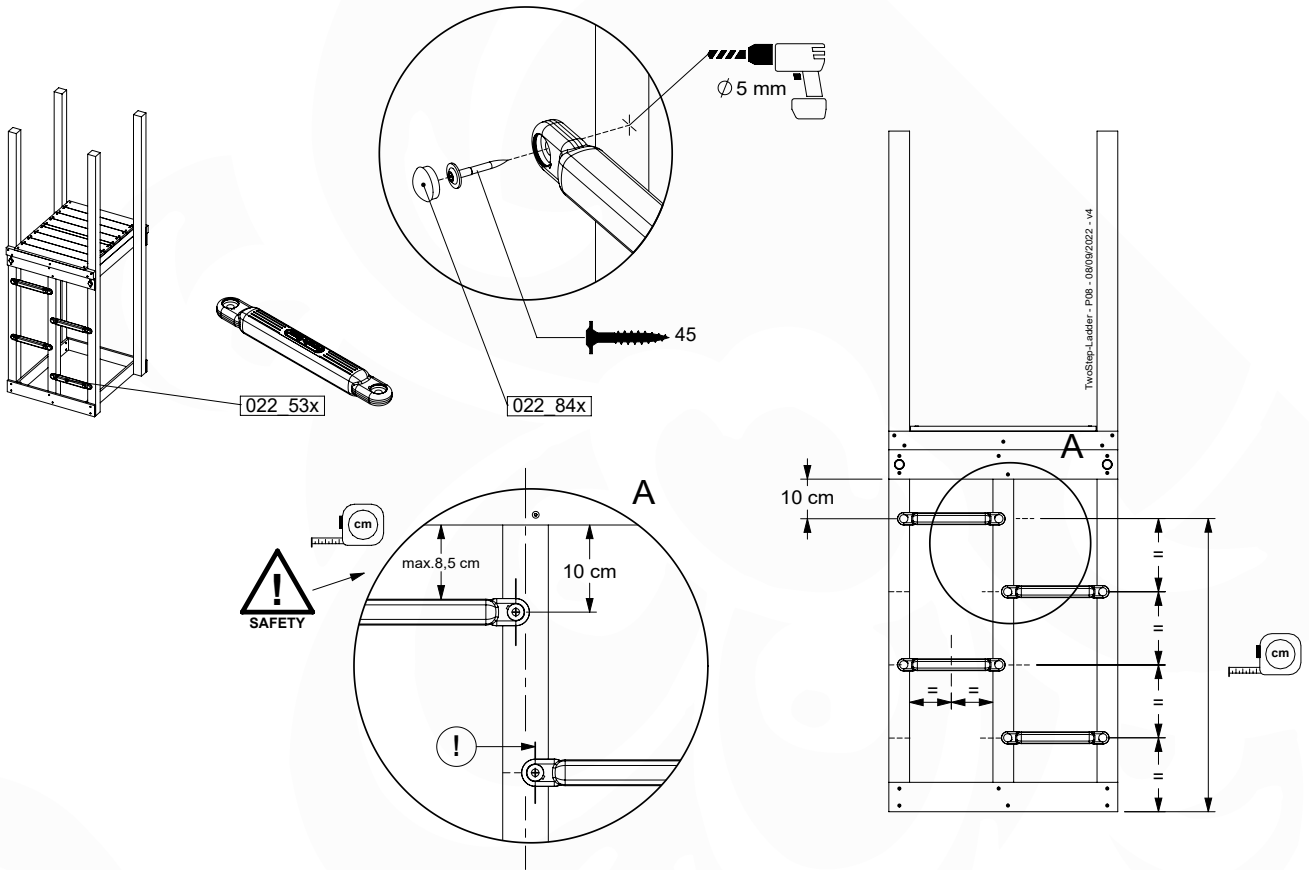
13 TS02a: Two Step 80 125 T

(194_102 / 194_002)

	PartNo	PartName	QTY.
Hardware Pack 100_602 /100_902	001_406	Stealth Screw 8x45	8
	002_220	Gap Point Screw T25 - 5x45	4
	002_223	Gap Point Screw T25 - 5x80	5
Other	022_53x	Ladder/ Rope Rung 30cm	4
	022_84x	bpc cover	8
	120_102	Handgrip set (2x Complete)	1
Timber	A123	Post 70x70 L1230	1
	C74	Beam 740 mm	1

TwoStep-Ladder - P02 - 08/09/2022 - v4



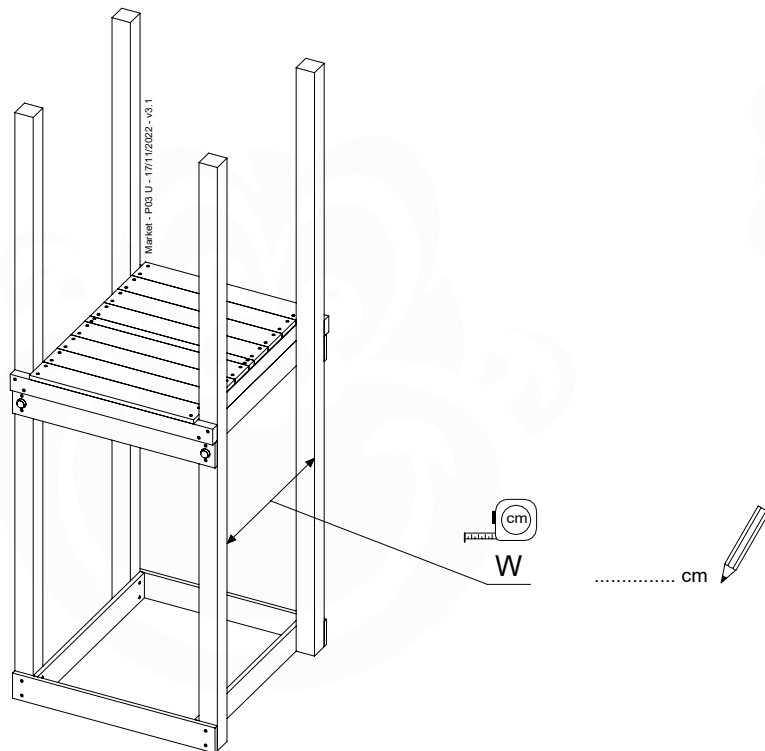
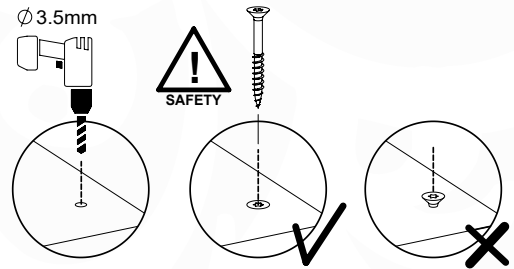
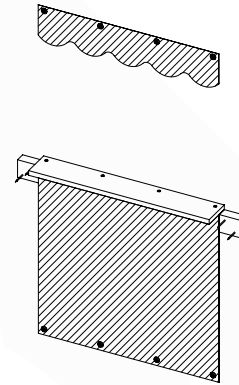


14 MT01a: Market 80 U

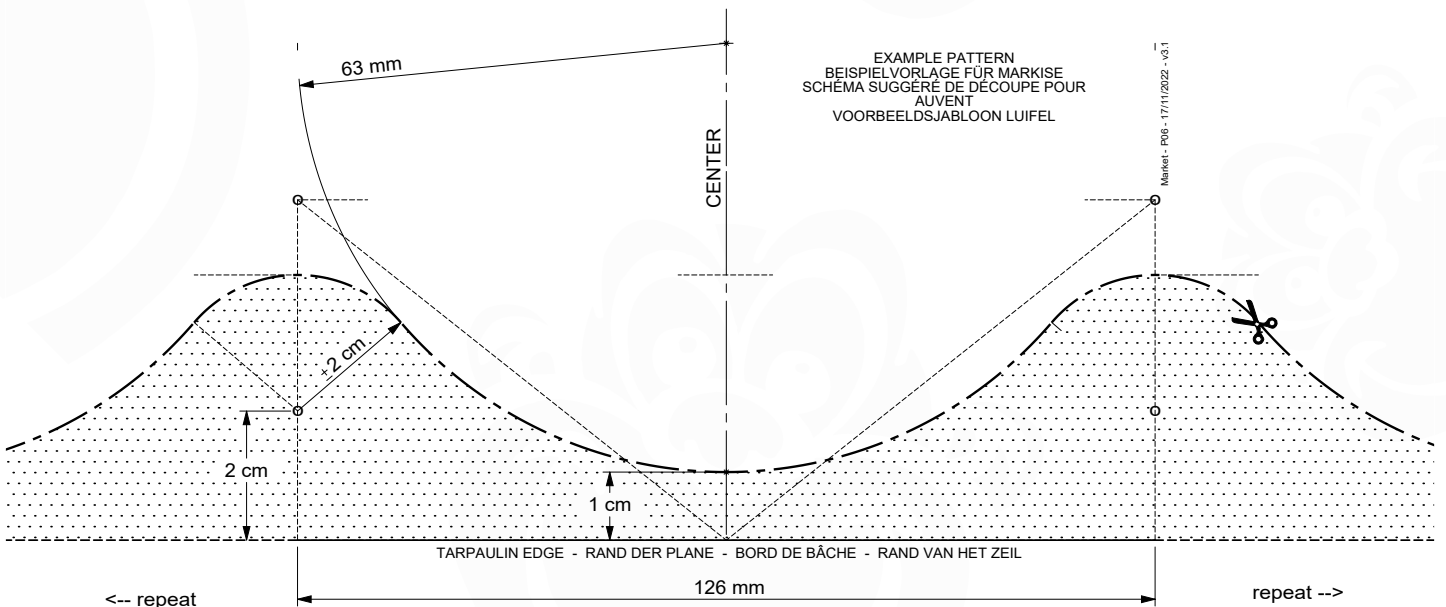
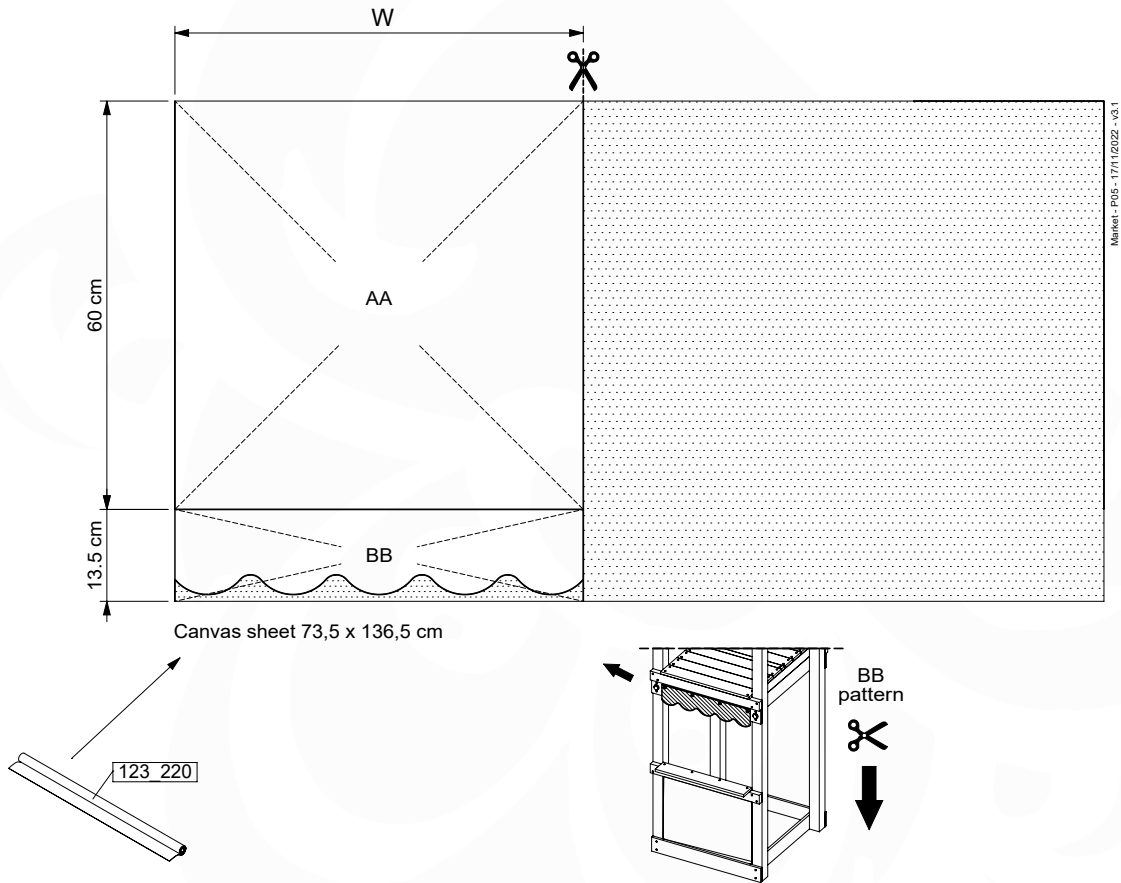
(194_113)

	PartNo	PartName	QTY.
Hardware Pack 100_611	002_220	Gap Point Screw T25 - 5x45	4
	002_223	Gap Point Screw T25 - 5x80	4
	002_308	Gap Point Screw T25 - 5x20	8
	023_031	Finishing Washer GPS 5.0	8
Other	123_220	Canvas sheet 735x1365	1
Wood	C74	Beam 740 mm	1
	D60	Board 600 mm	1

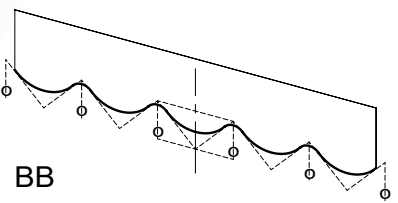
Market - P14U - 17/11/2022 - v3.1

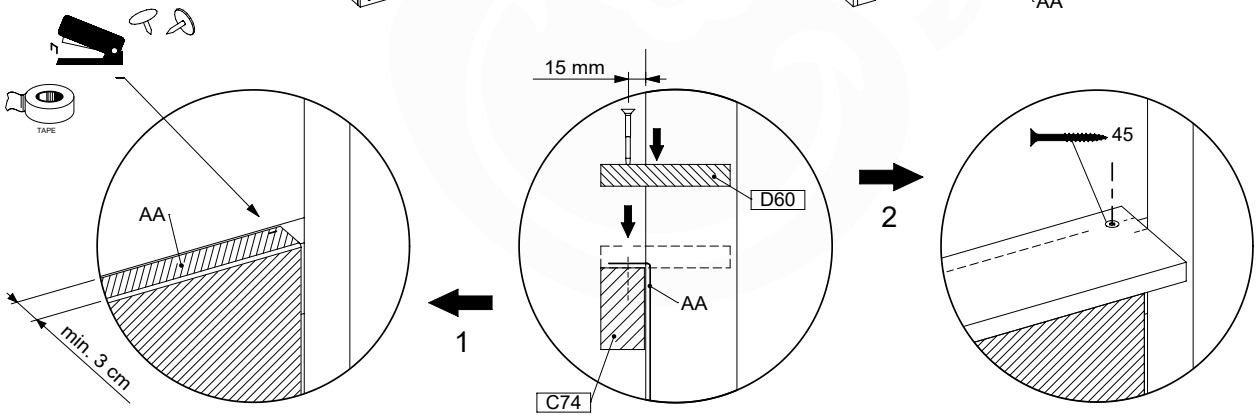
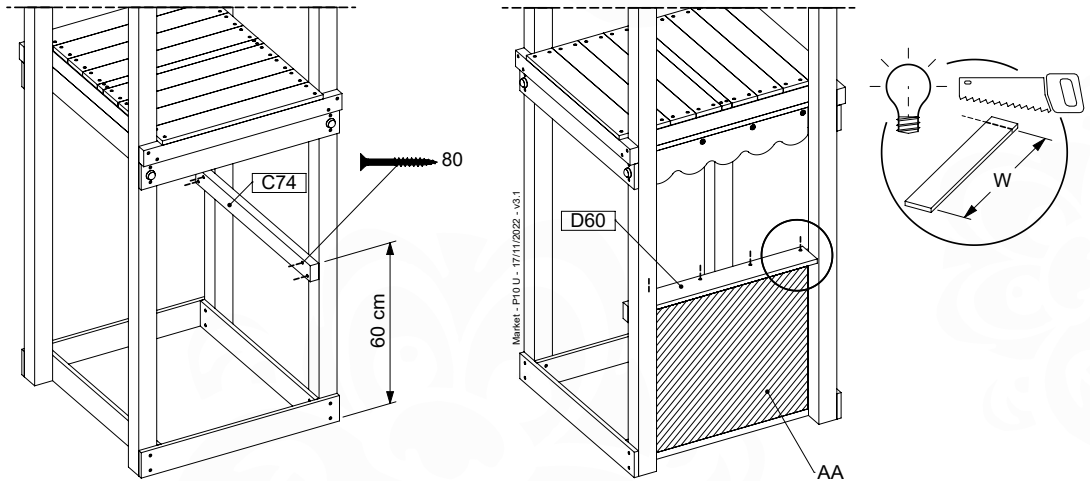
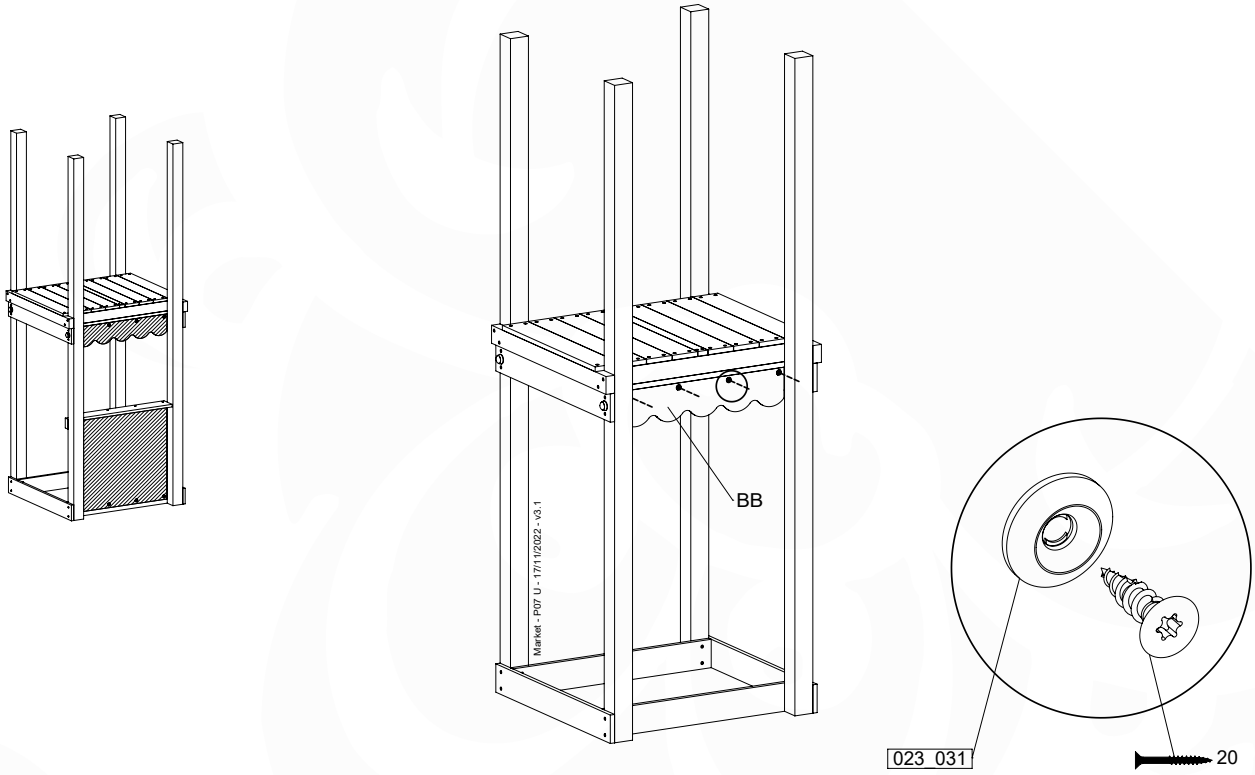


14.1

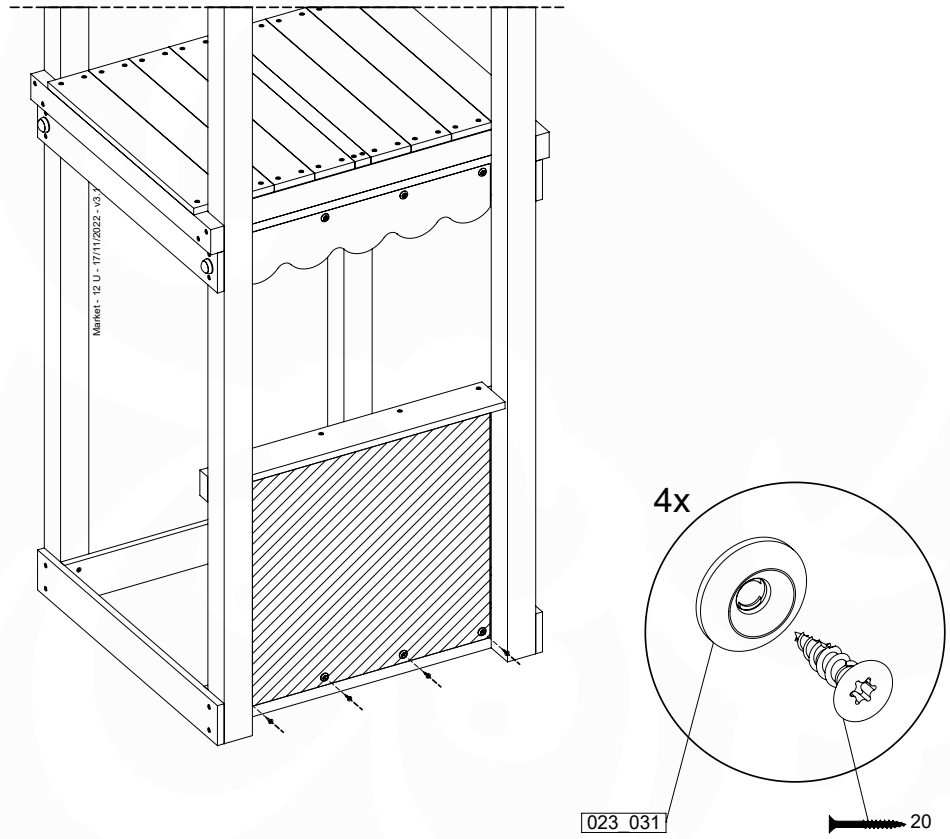


! Scale of print may not be accurate.
Druckformat kann abweichen.
Les tailles imprimées peuvent varier.
Printformaat kan afwijken.





14.3

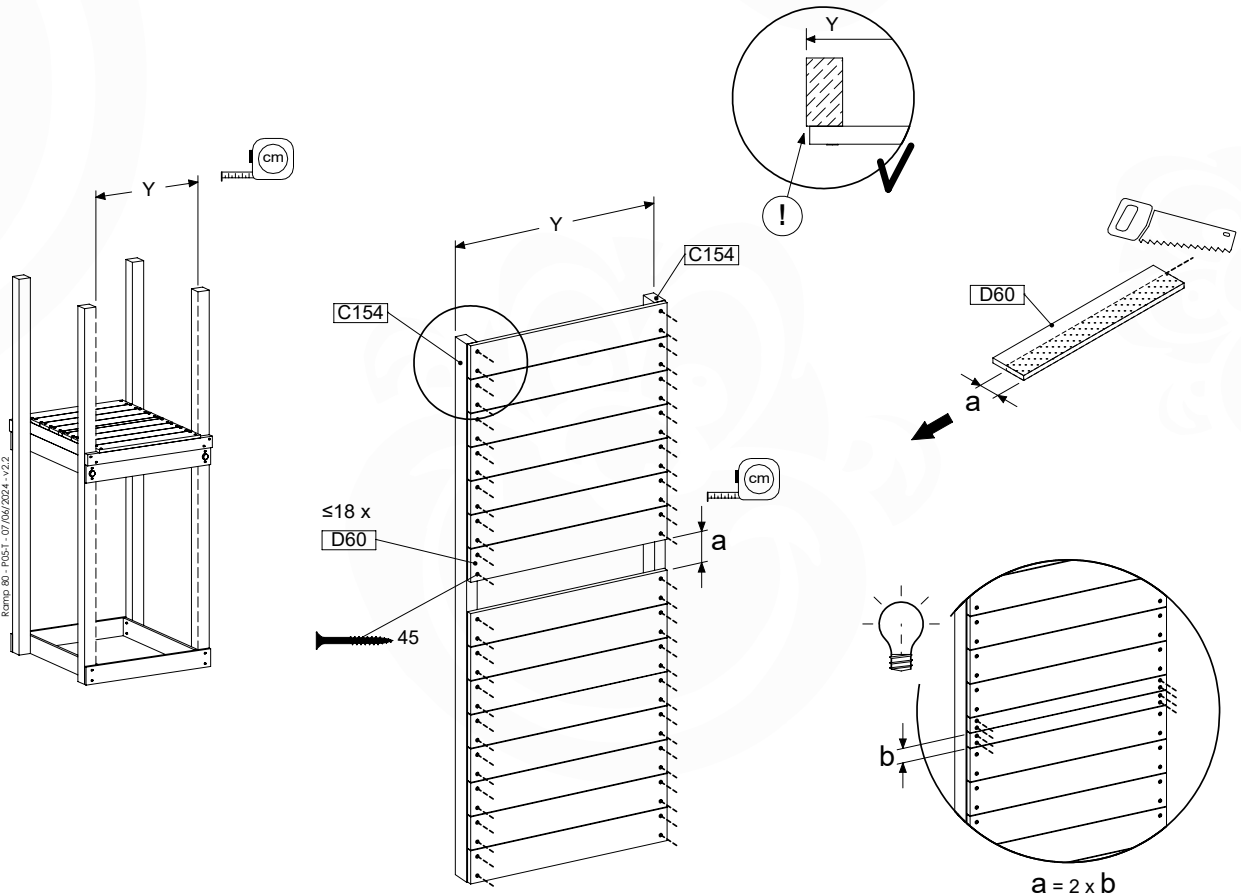
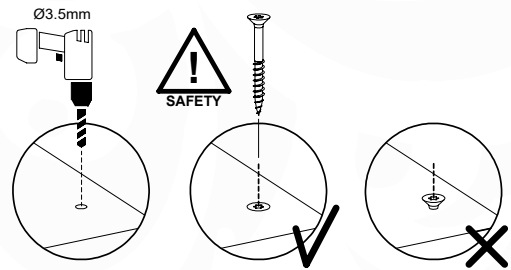
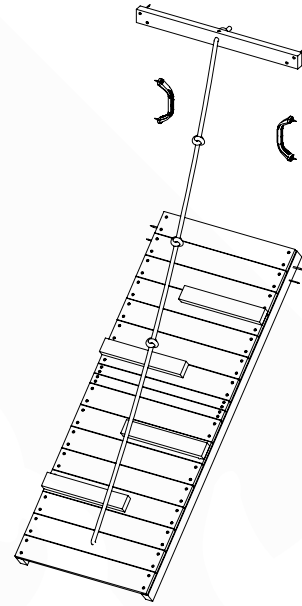


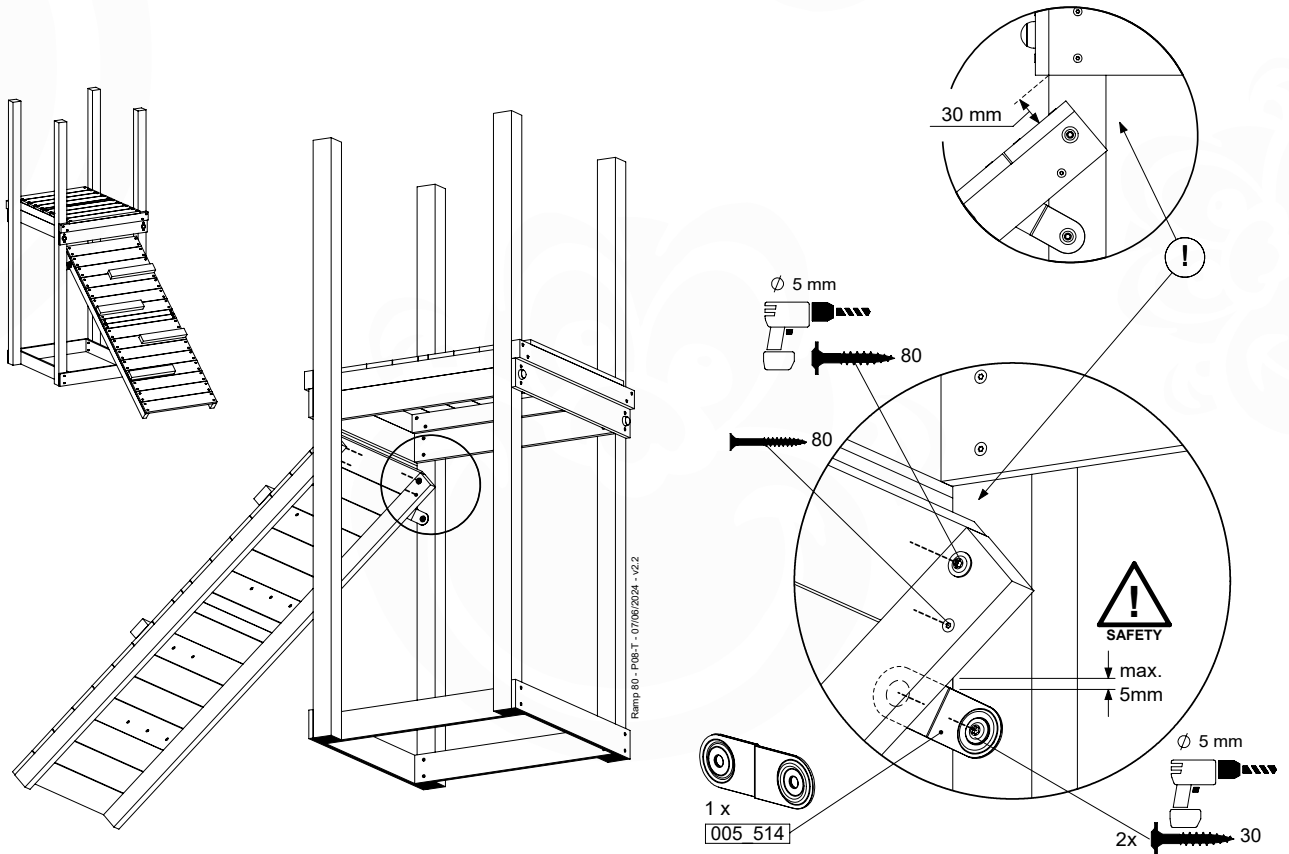
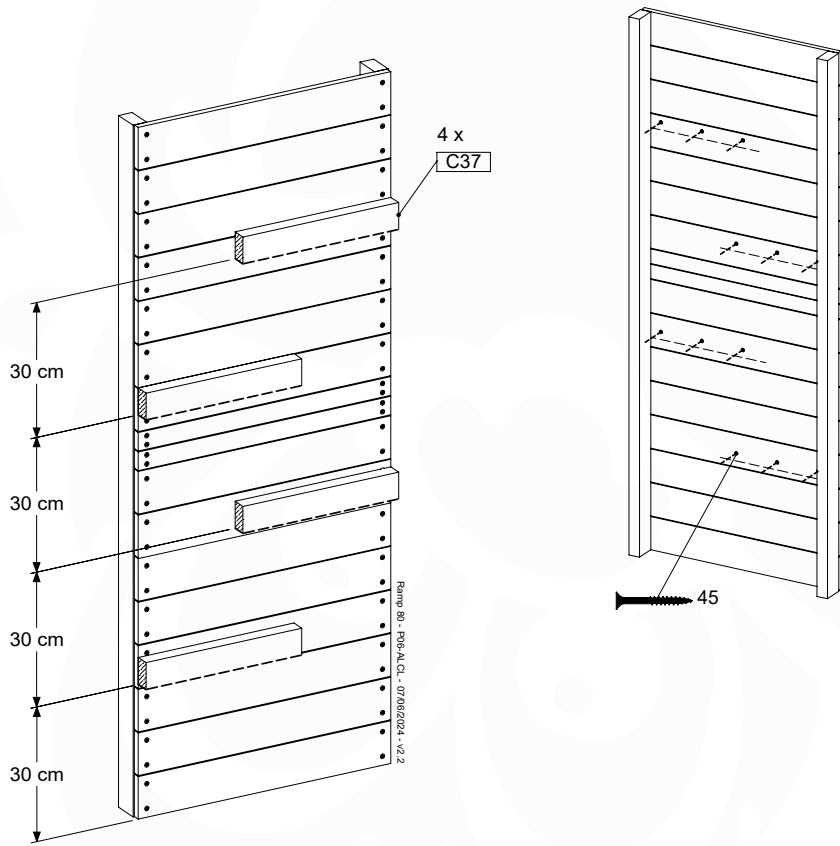
15 RA04a: Ramp 80 125 T

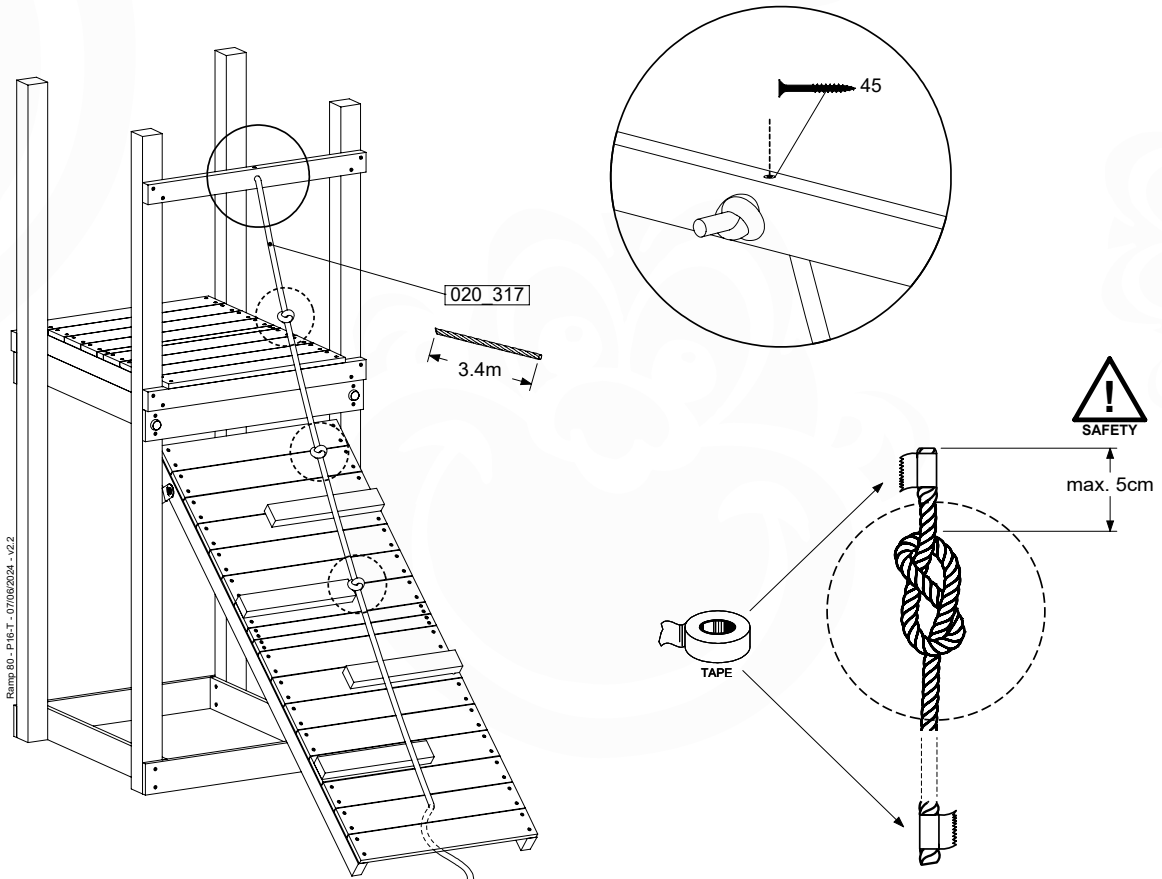
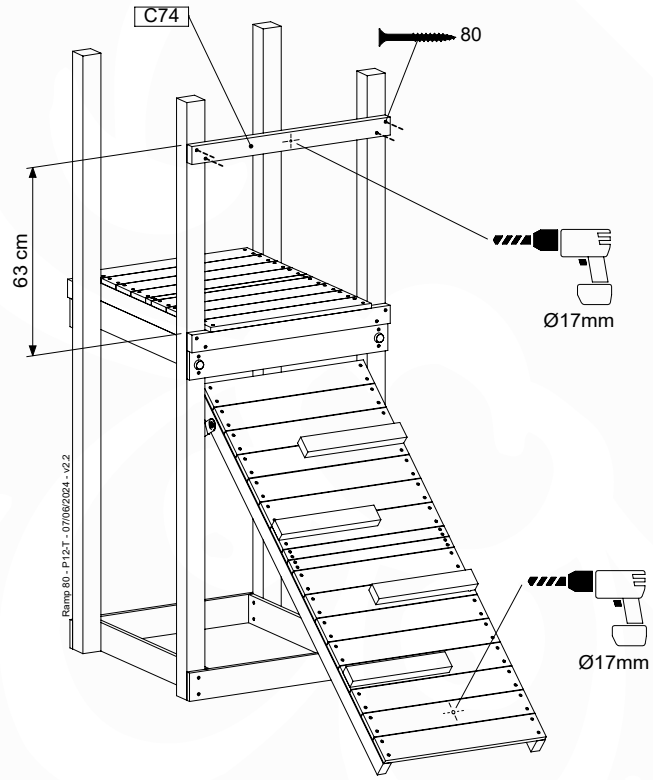
Assembly Pack: 194_008

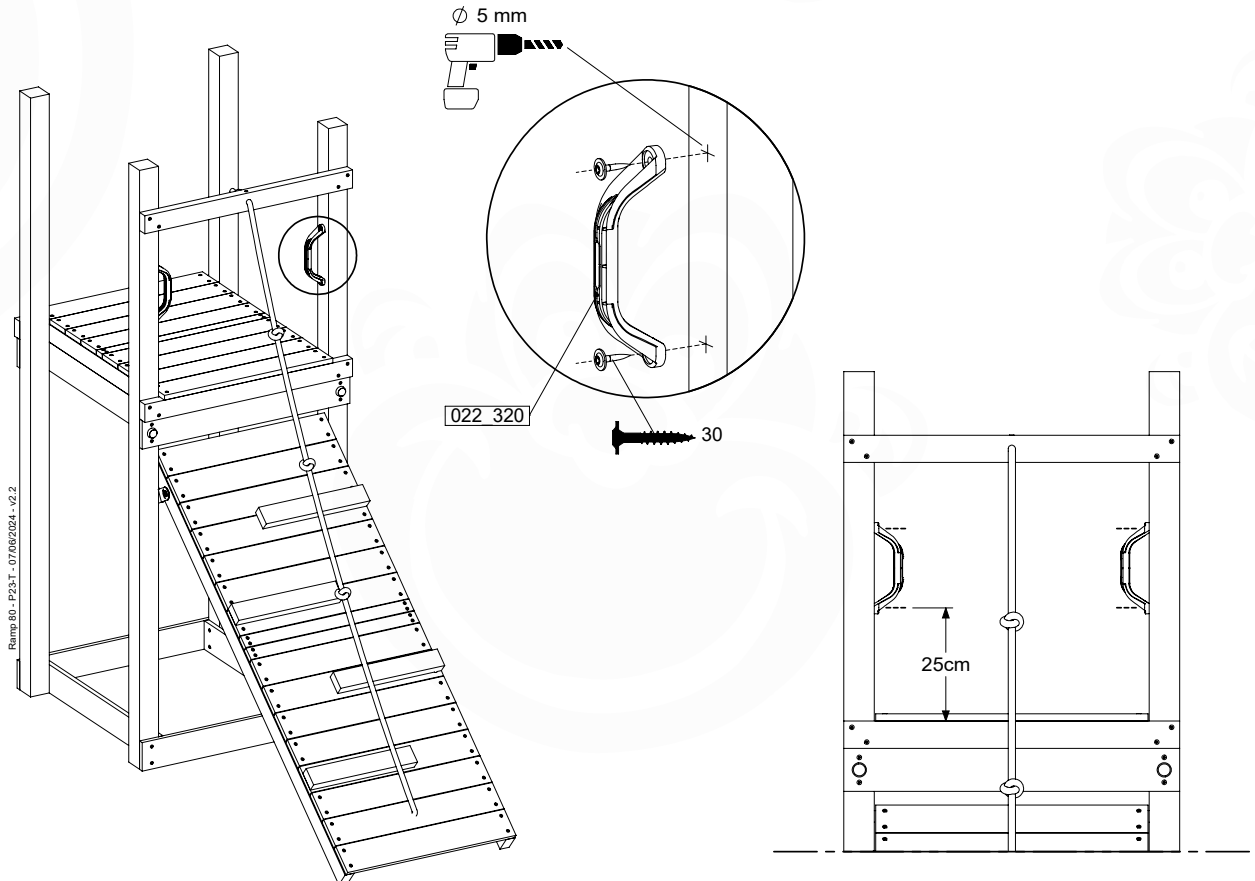
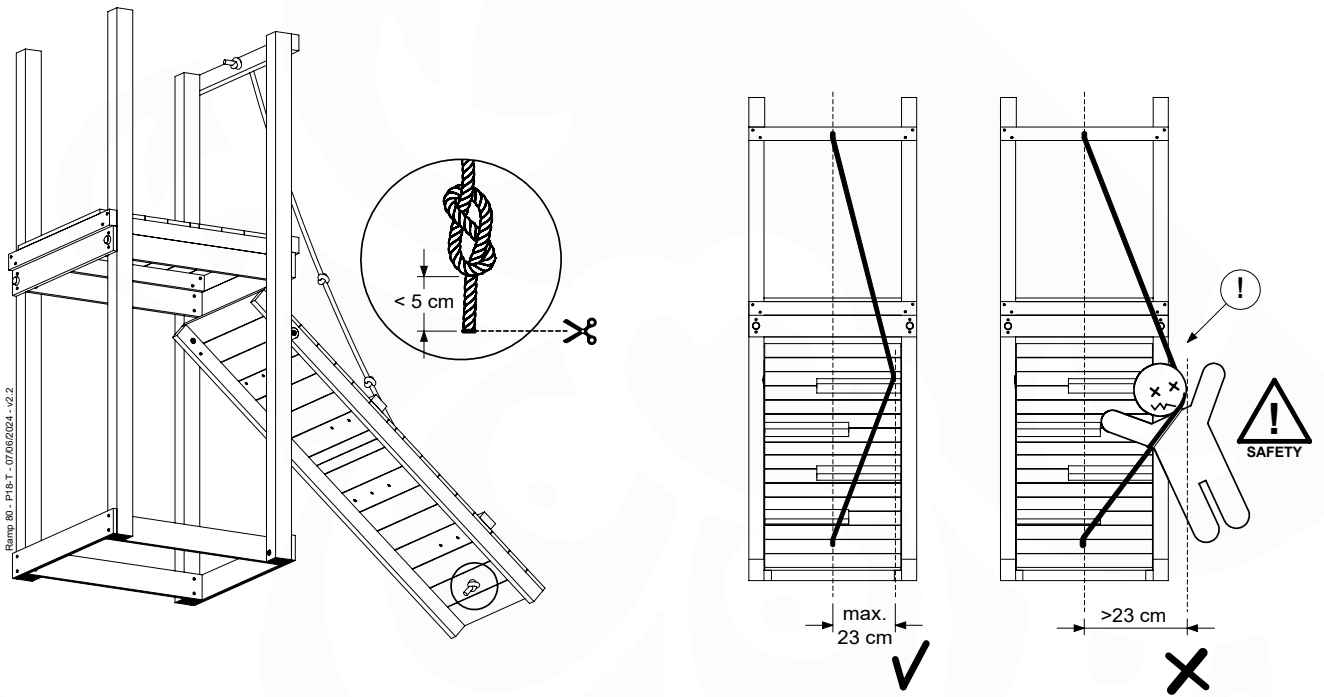
	PartNo	PartName	QTY.
Hardware + Parts	001_404	Stealth Screw 8x30	2
	001_417	Stealth Screw 8x80	2
	002_220	Gap Point Screw T25 - 5x45	85
	002_223	Gap Point Screw T25 - 5x80	6
	005_514	Ladder Bracket	1
	020_317	Rope Polyester 16mm Green 3.4m	1
	120_102	Handgrip set (2x Complete)	1
Timber	C37	Beam 370 mm	4
	C74	Beam 740 mm	1
	C154	Beam 1540 mm	2
	D60	Board 600 mm	18

Ramp 80 - P02-Tbeam - 07/06/2024 - v2.2







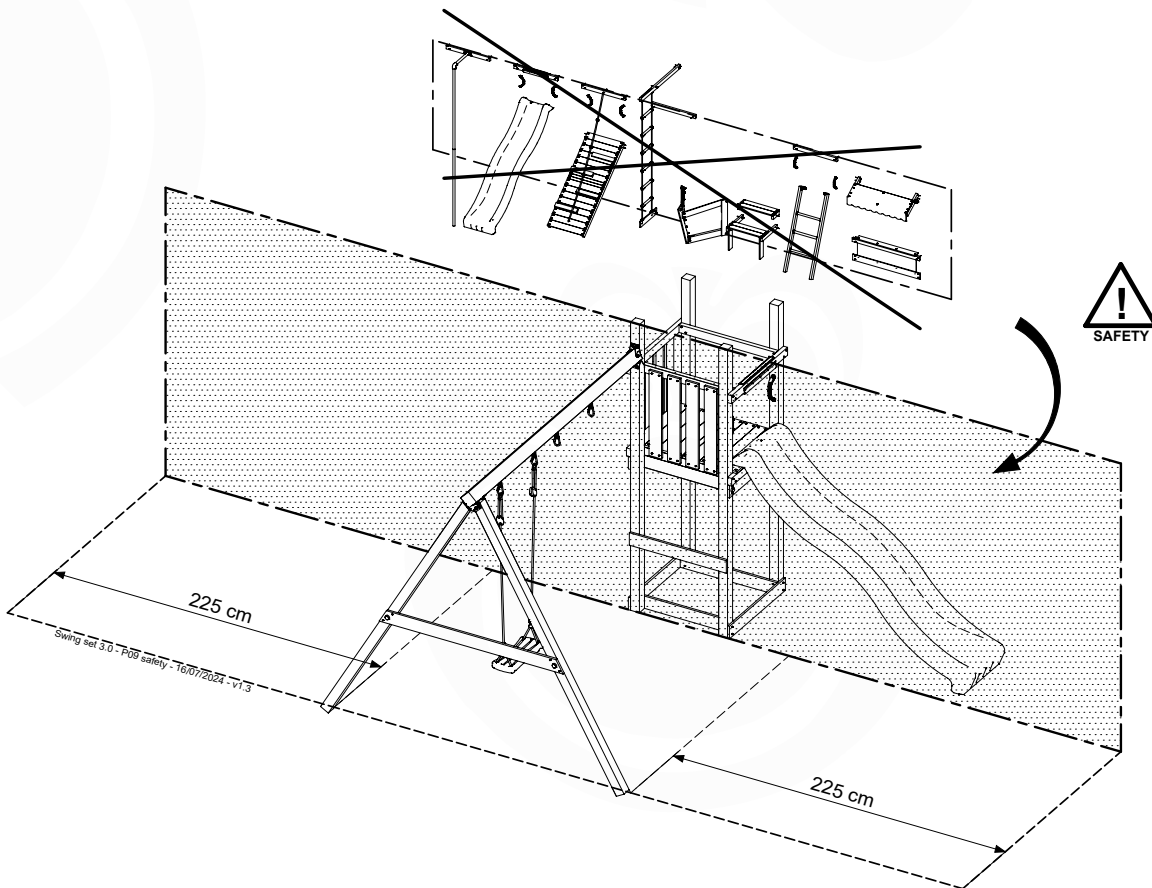
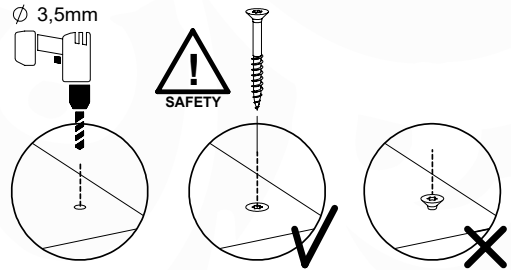
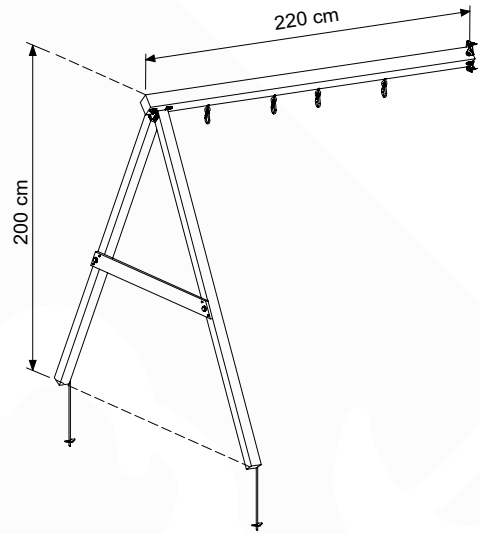


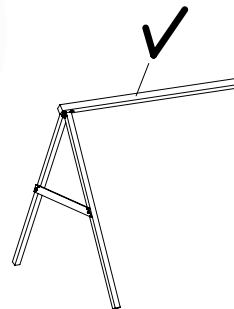
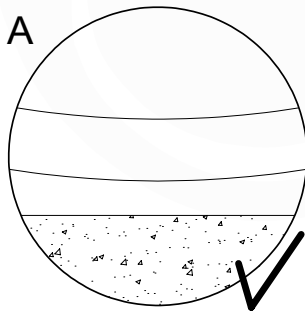
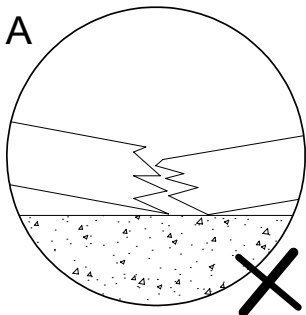
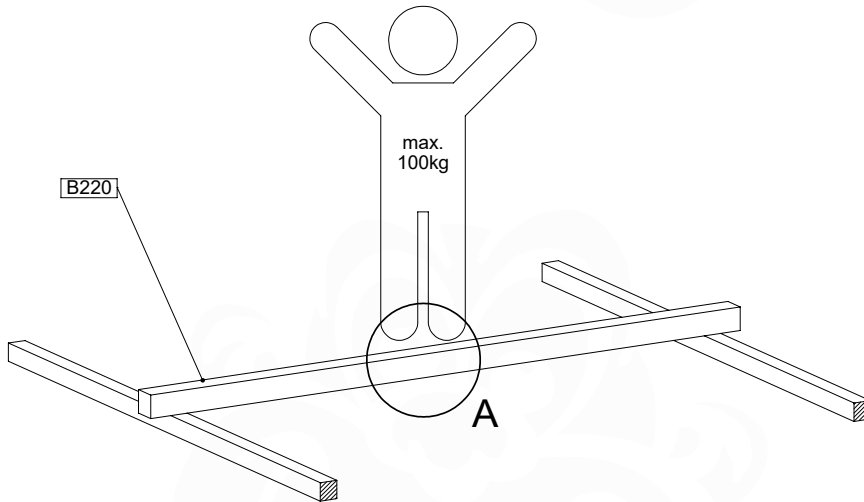
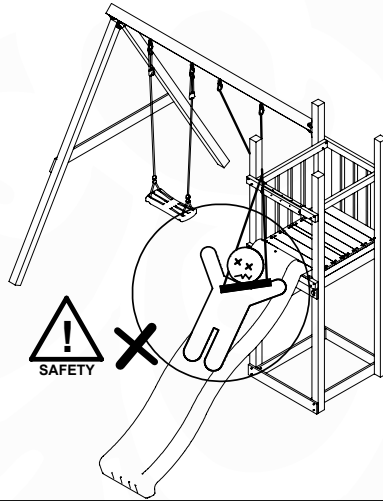
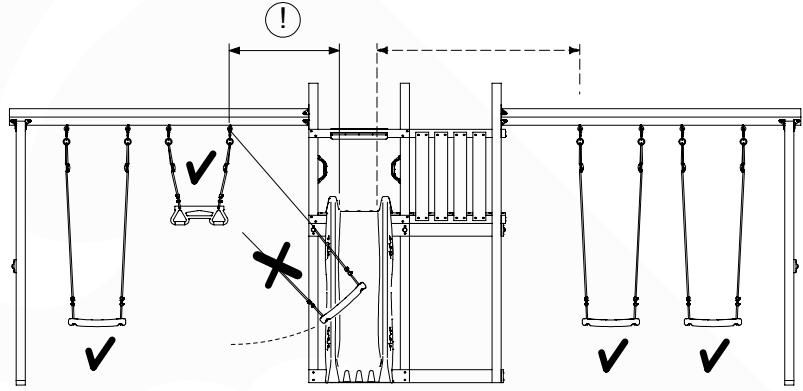
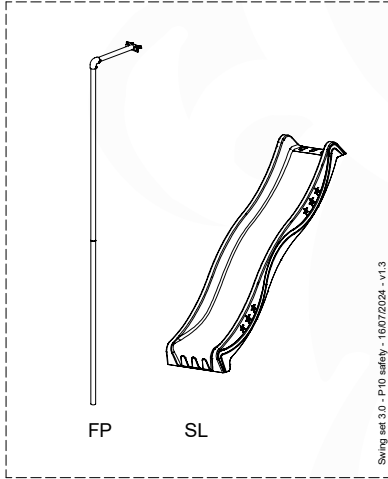
16 SW06a: 2- Swing Module 200 - 3.0

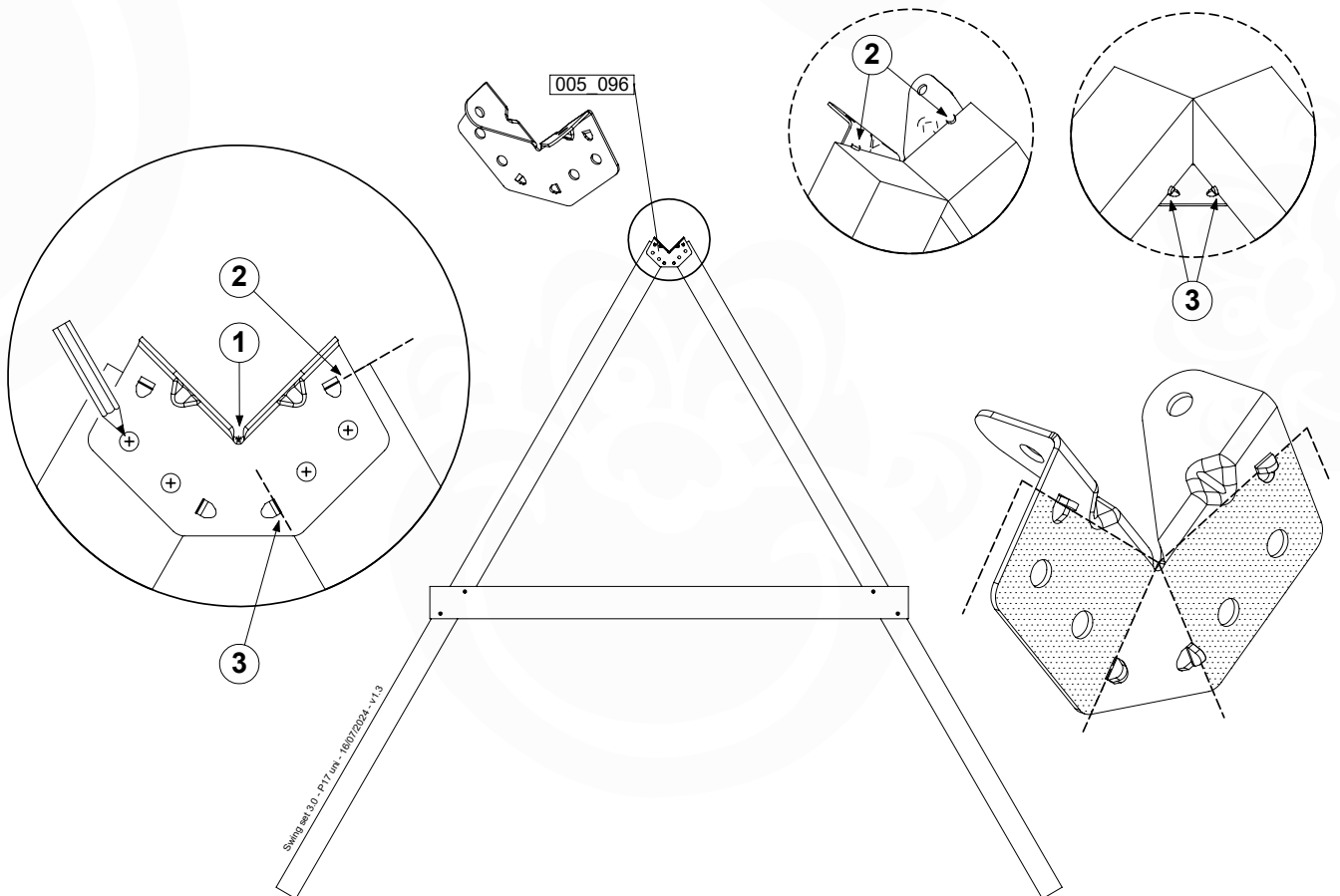
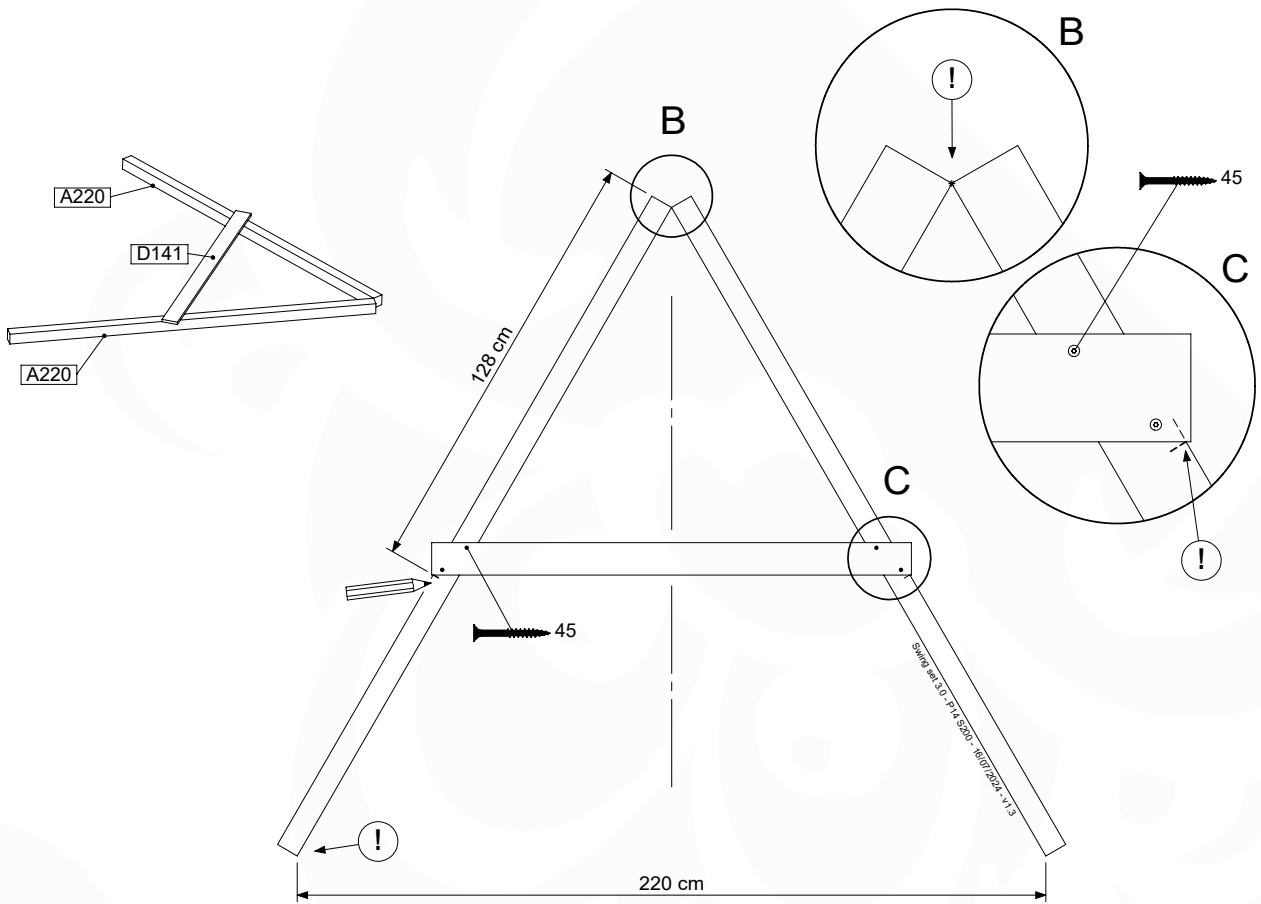
Assembly Kit: 457_103

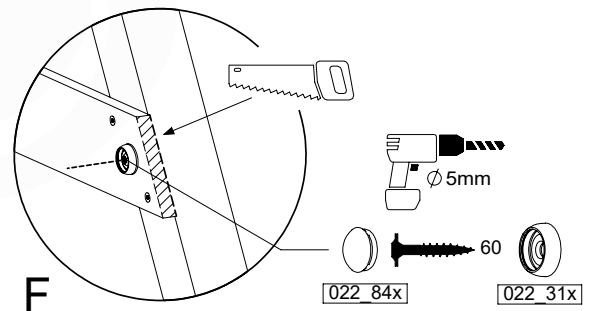
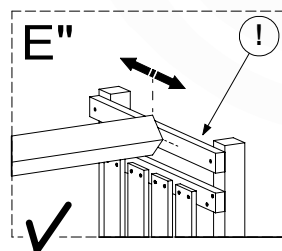
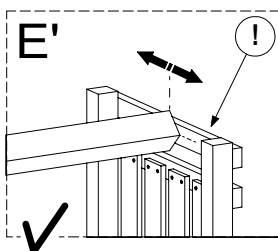
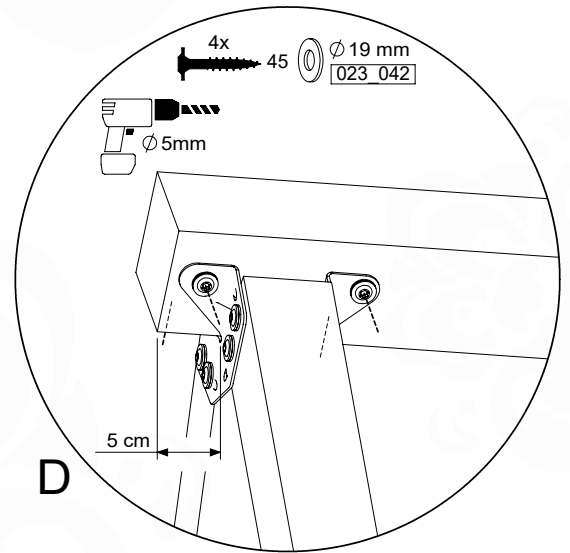
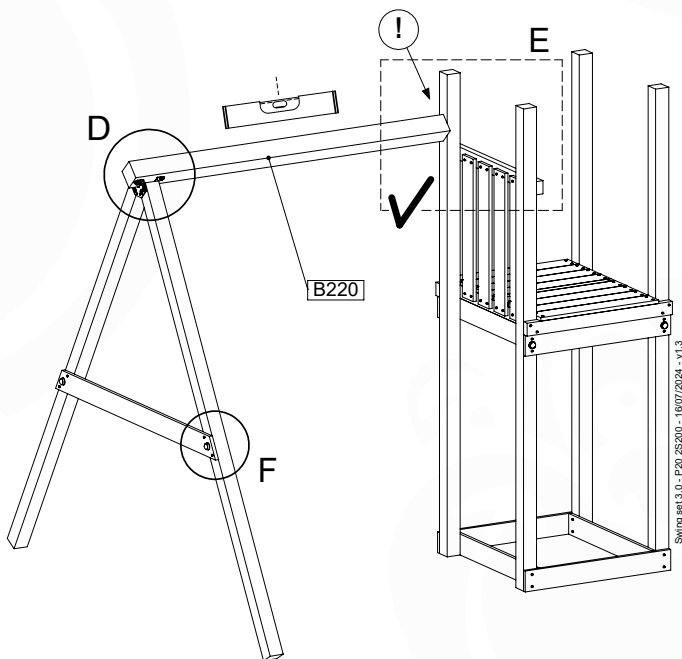
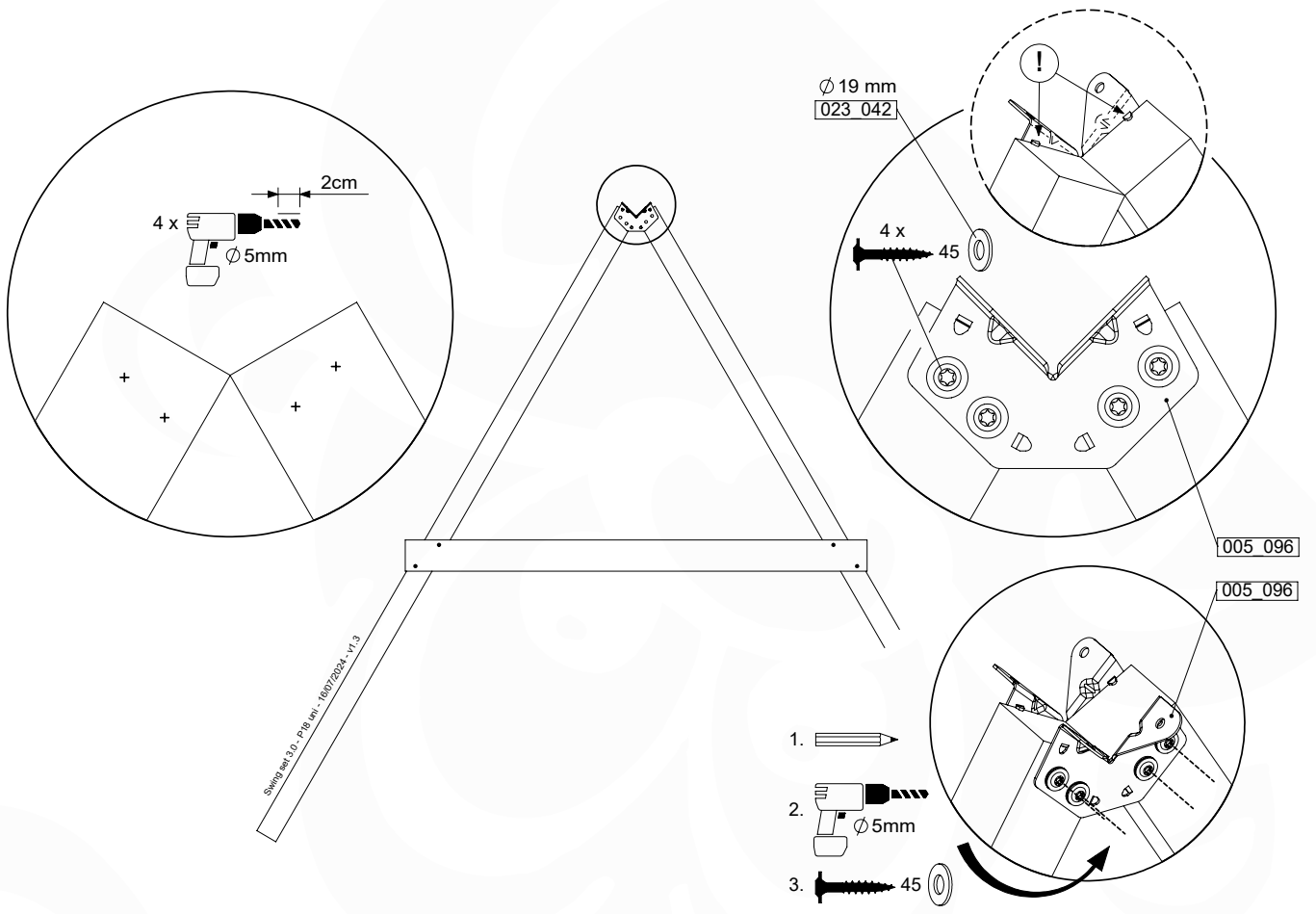
	PartNo	PartName	QTY.
Hardware + Parts	001_404	Stealth Screw 8x30	4
	001_406	Stealth Screw 8x45	22
	001_411	Stealth Screw 8x60	2
	001_417	Stealth Screw 8x80	2
	002_220	Gap Point Screw T25 - 5x45	8
	002_223	Gap Point Screw T25 - 5x80	2
	022_31x	bpc-base version 3	2
	022_84x	bpc cover	2
	023_042	Nylon washer 9x19x1.5	20
	005_096	A-Frame V-Connector	2
	005_097	Swing V-Connector	2
	007_001	Ground-anchor	2
	101_003	Swing hook with Carabiner	4
Timber	A220	Post ca.70x70 L2200	2
	B220	Post ca.90x90 L2200	1
	D141	Board 1410 mm	2

Swing set 3.0 - P04 25200 - 16/07/2024 - v1.3



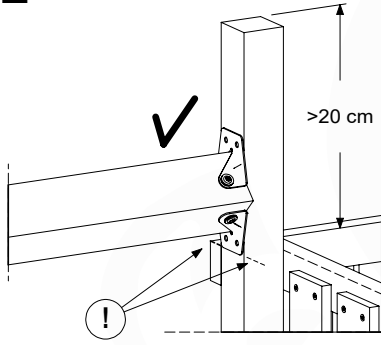




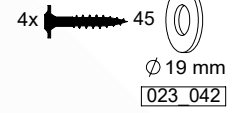
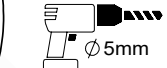
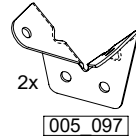
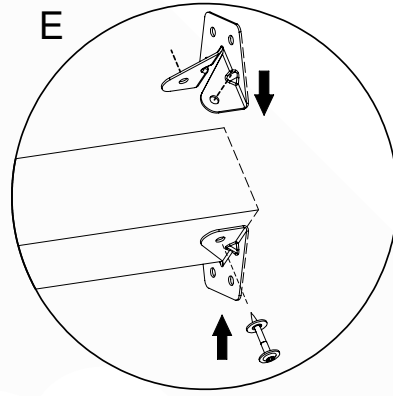


16.4

E

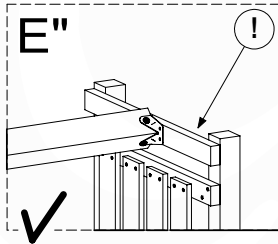
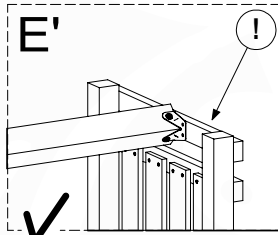
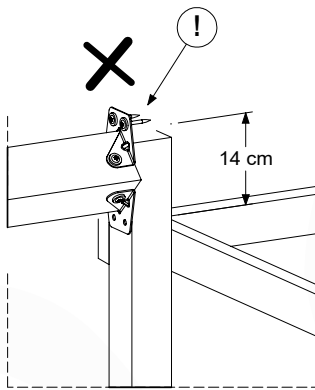


E

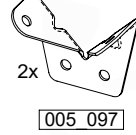
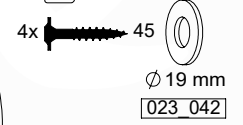
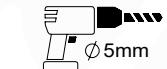
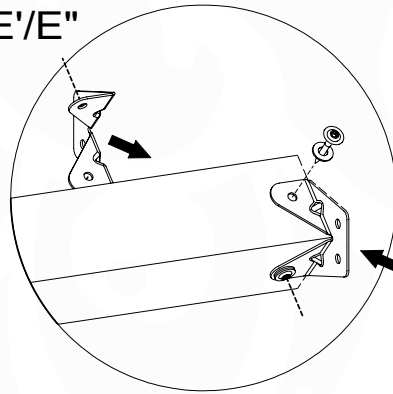


Swing set 3.0 - P22 uni - 16/07/2024 - v1.3

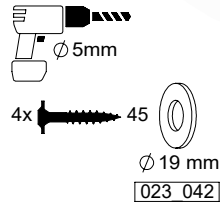
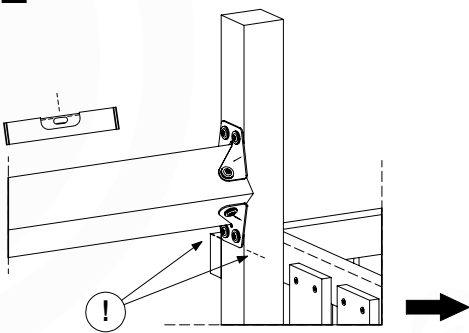
E'/E''



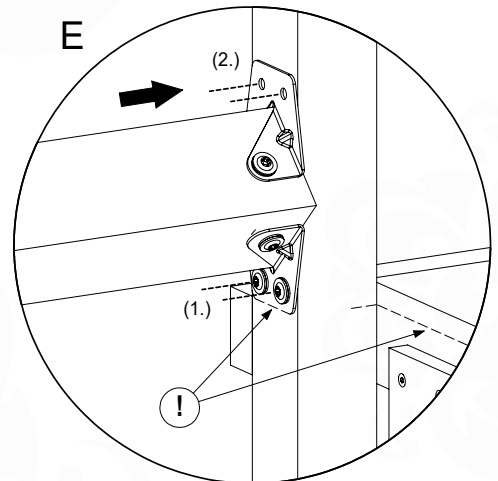
E'/E''



E

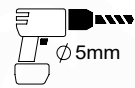
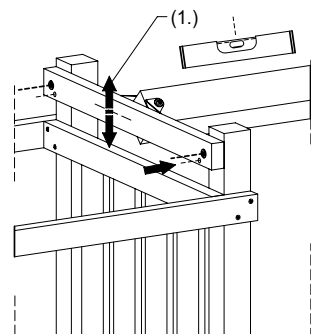


E

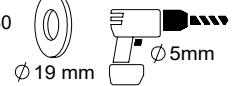
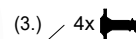
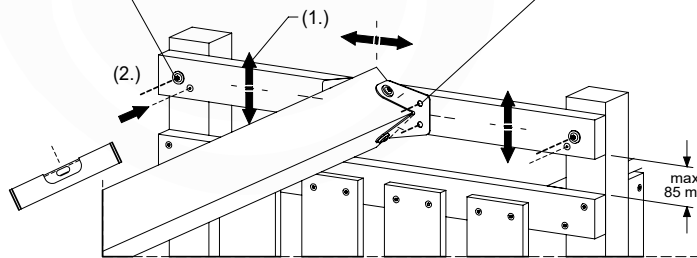


Swing set 3.0 - P23 uni - 16/07/2024 - v1.3

E'/E''



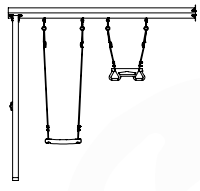
023 042



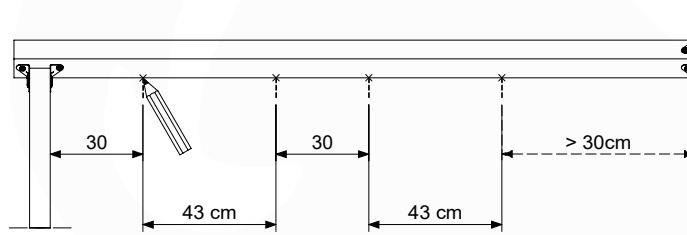
E'

(E'')

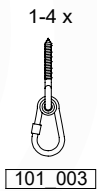
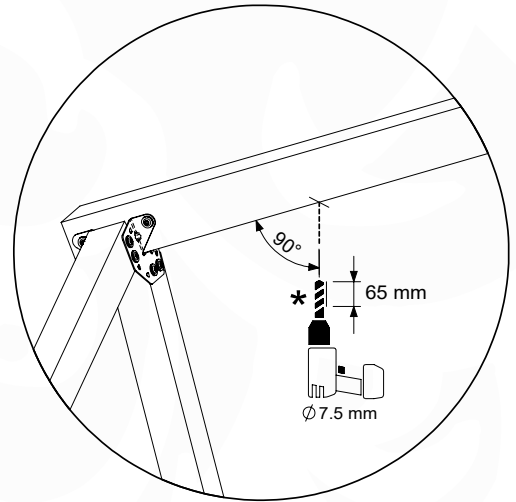
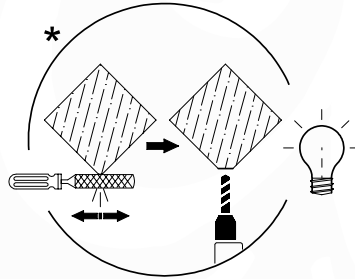
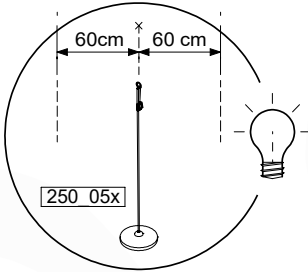
16.5



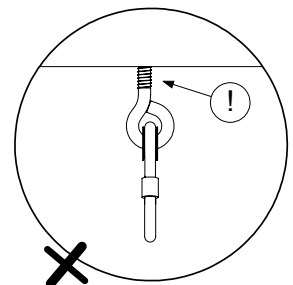
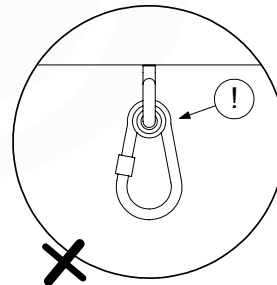
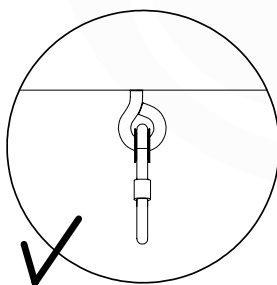
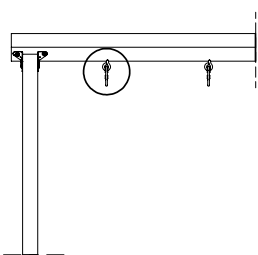
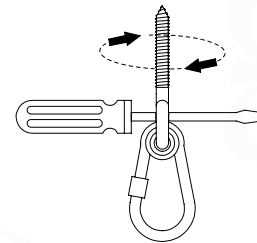
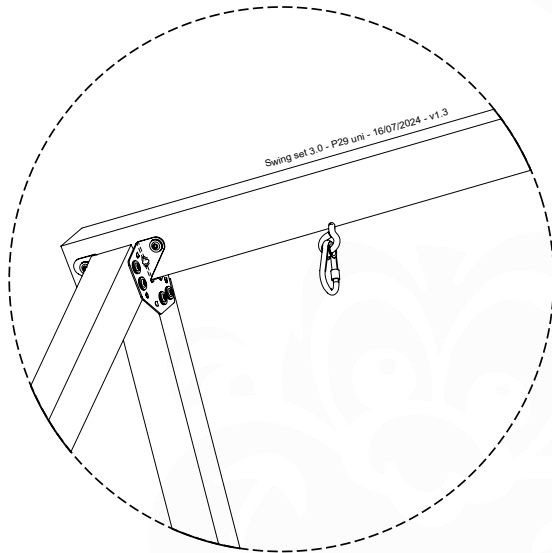
2-Swing positions

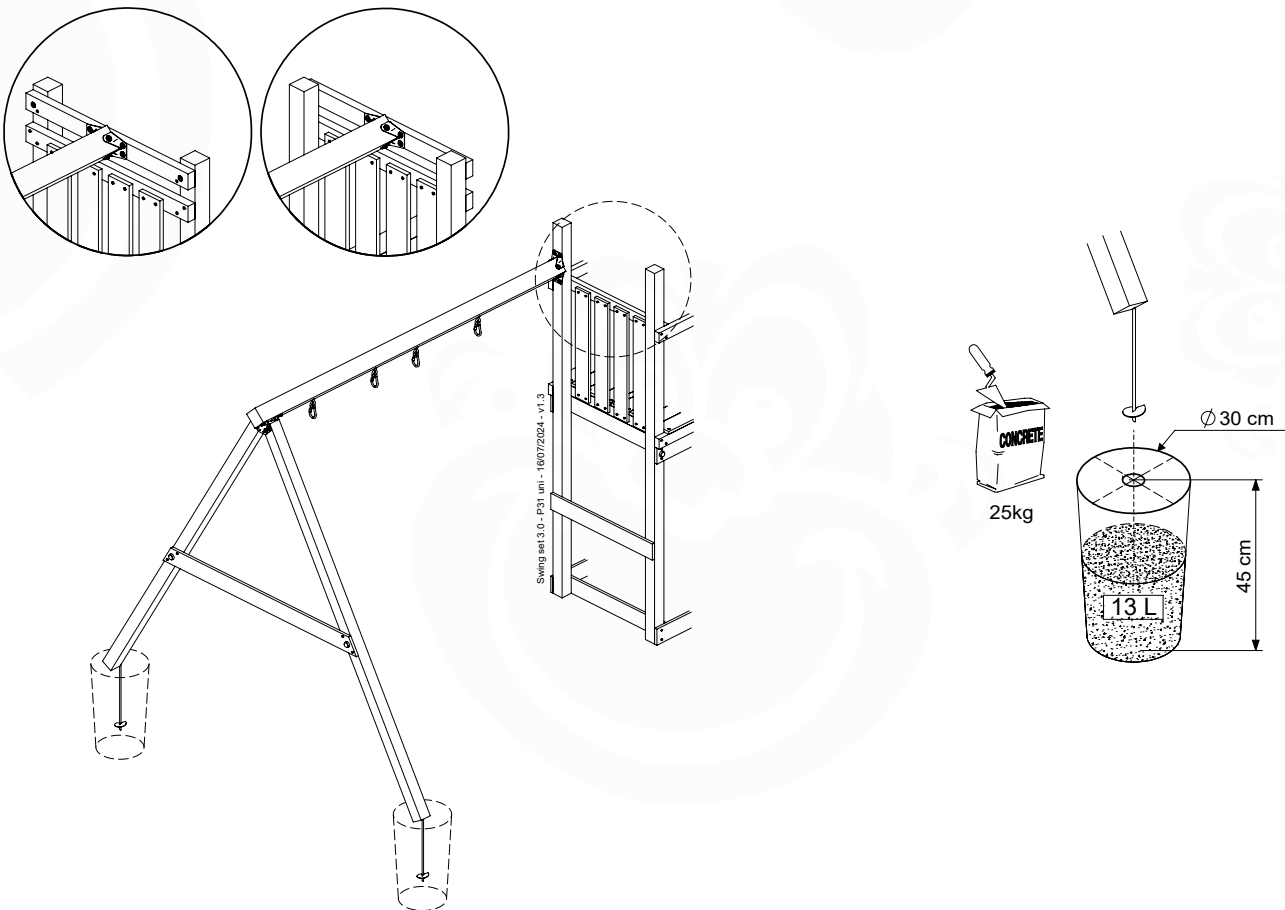
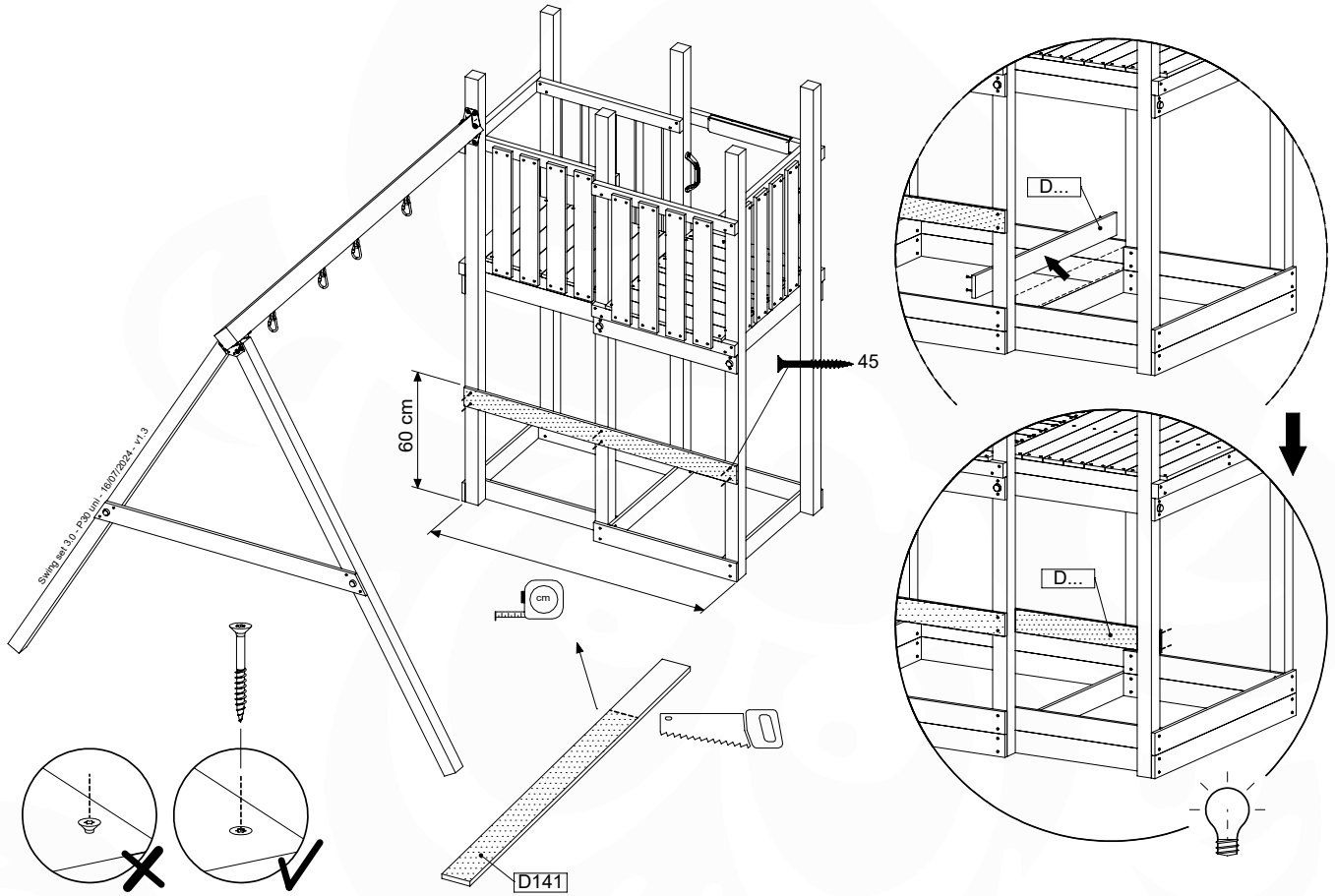


Swing set 3.0 - P27 25200 - 16/07/2024 - v1.3

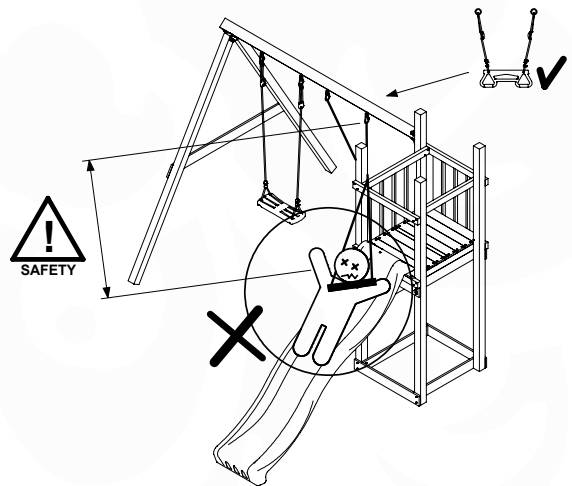
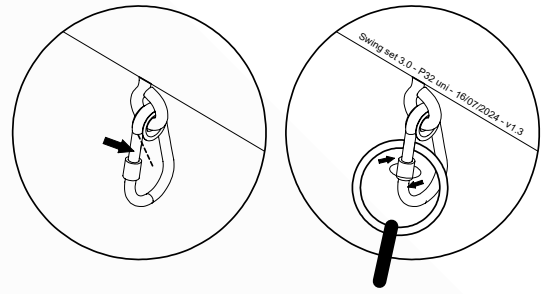
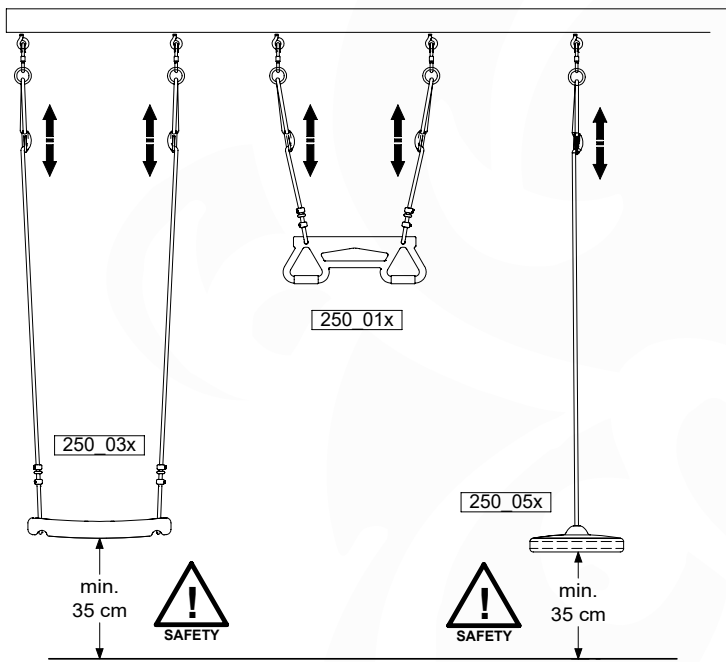


1-4 x





16.7

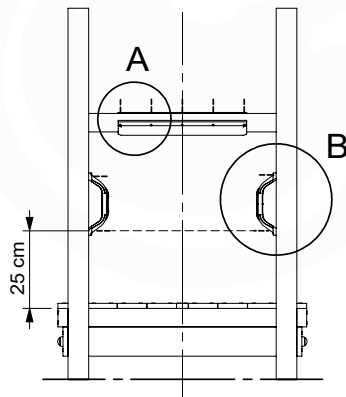
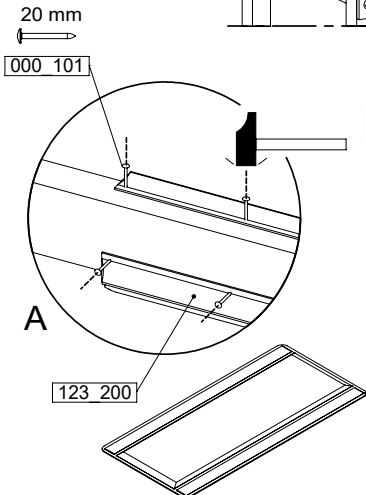
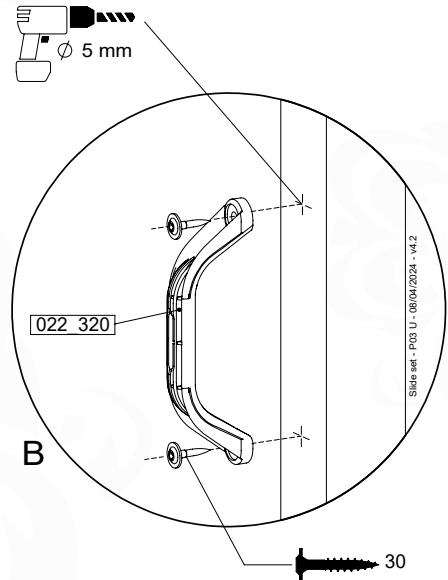
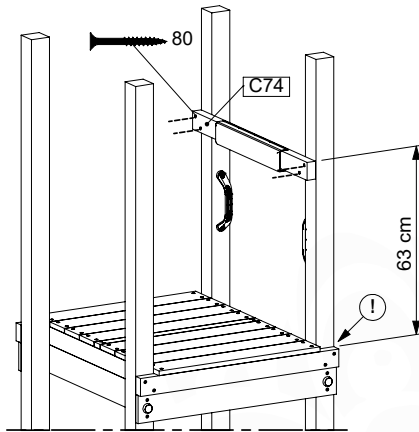
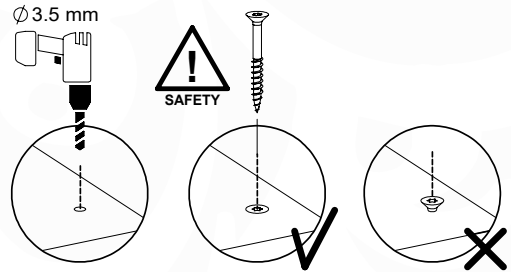
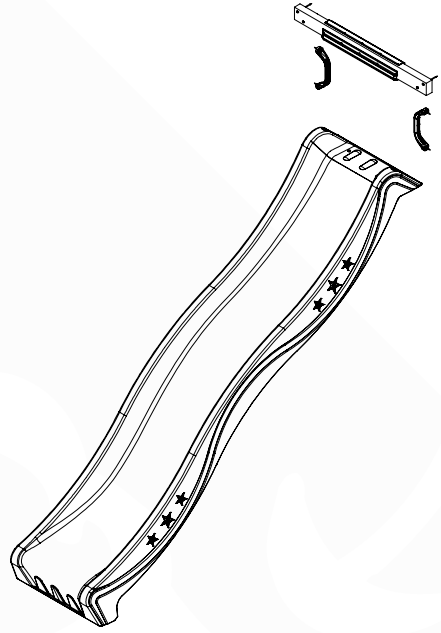


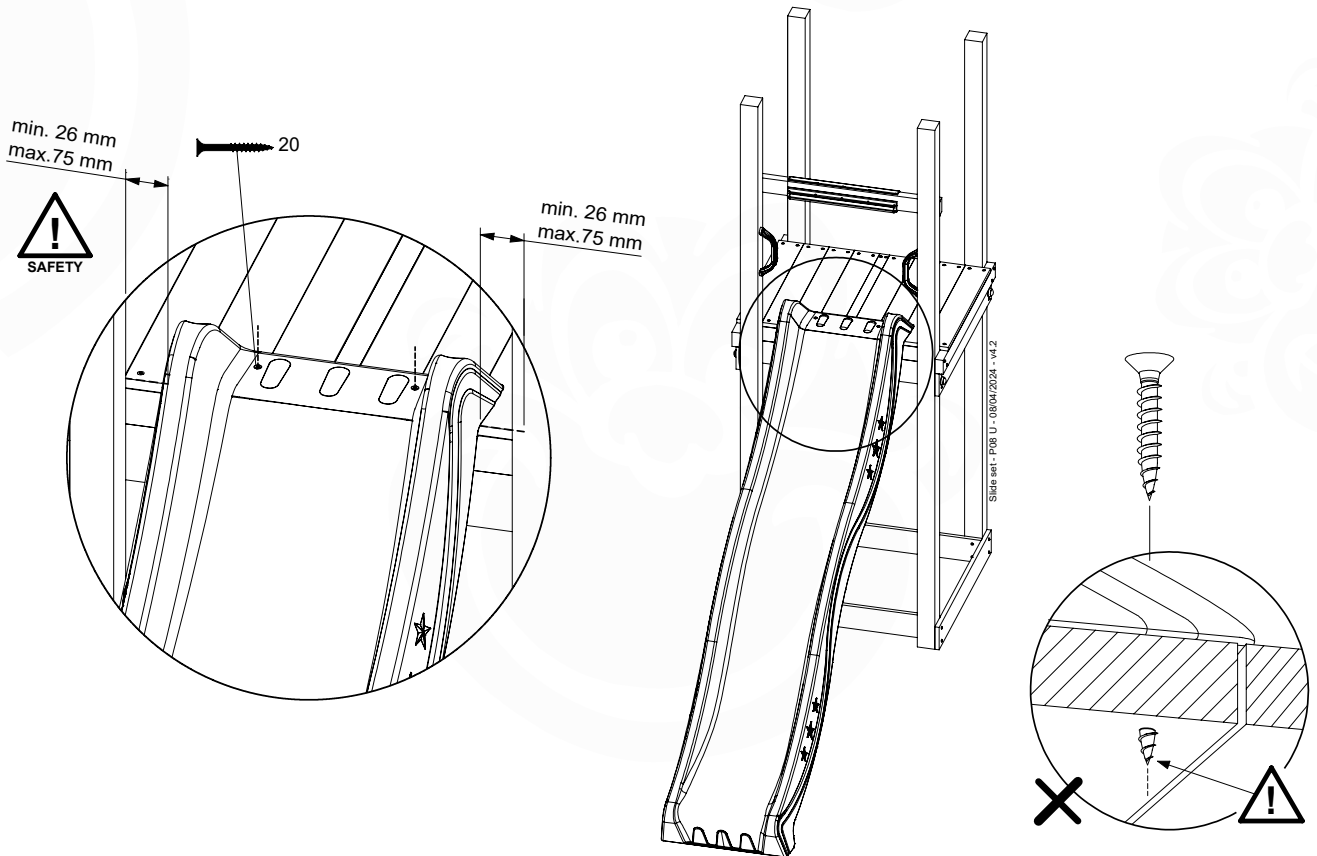
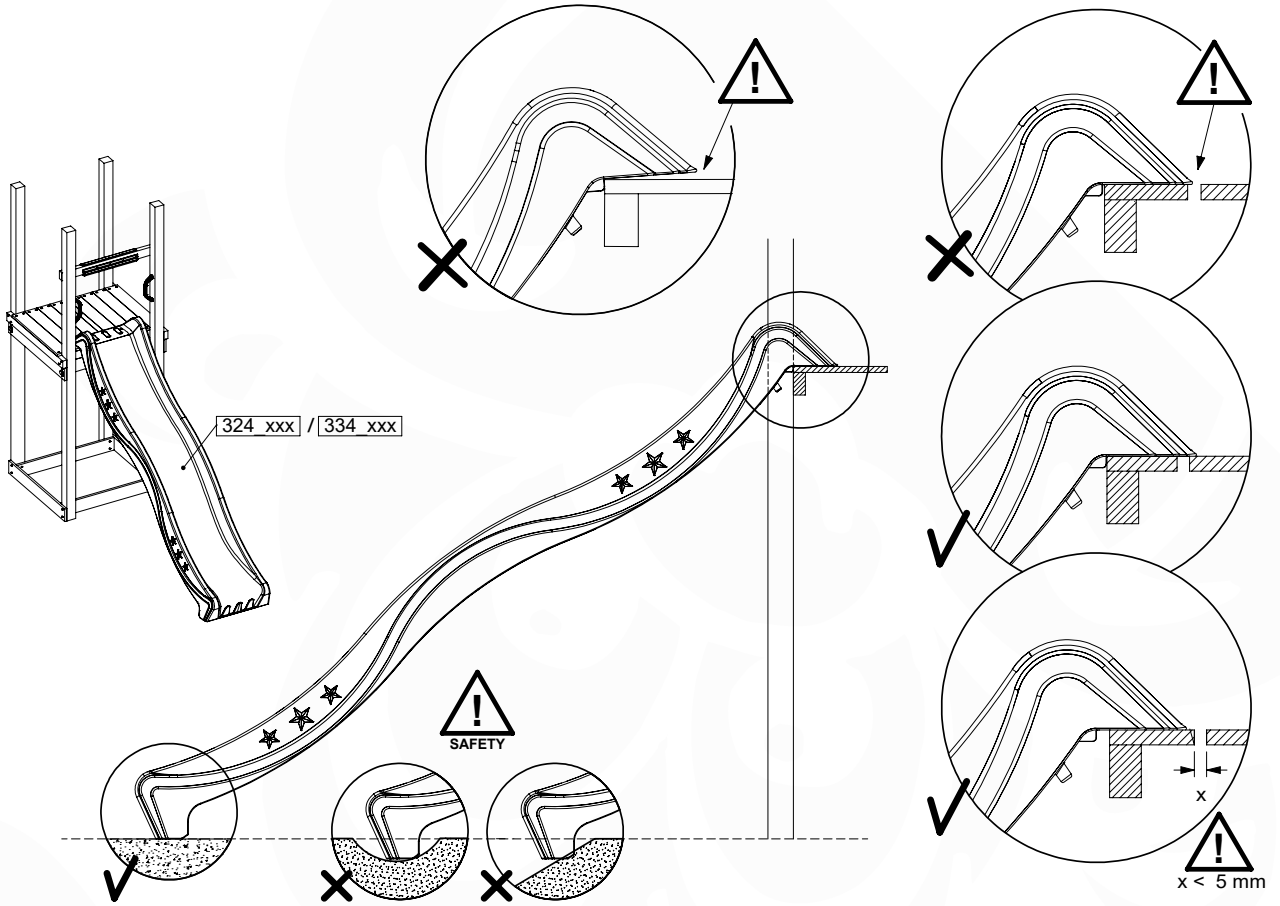
17 SL01a: Slide 80 125 U

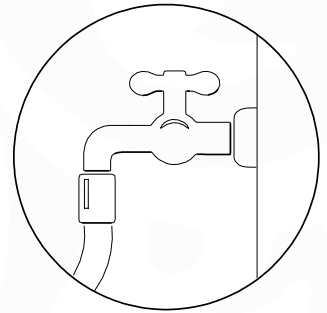
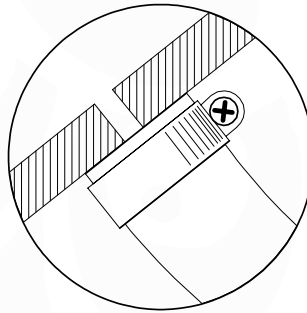
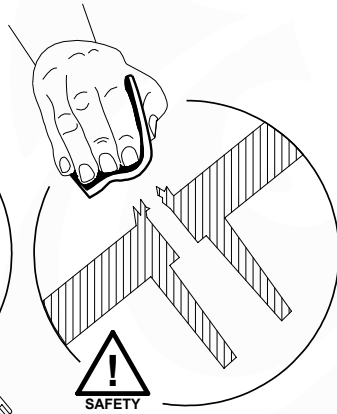
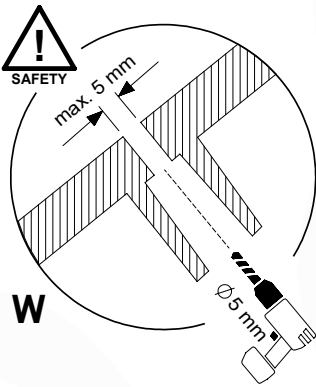
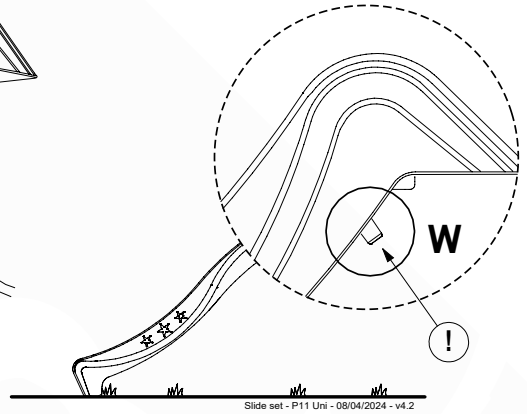
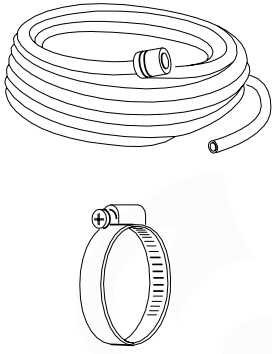
Assembly Pack: 194_107

	PartNo	PartName	QTY.
Hardware Pack 100_605	000_101	Nail Pan Head	10
	002_223	Gap Point Screw T25 - 5x80	4
	002_308	Gap Point Screw T25 - 5x20	2
Other	120_102	Handgrip set (2x Complete)	1
	123_200	Bumperpad	1
	324_xxx 334_xxx	Wavy Star Slide XL 2200 mm / Wavy Star Slide XL 2650 mm	1
Timber	C74	Beam 740 mm	1

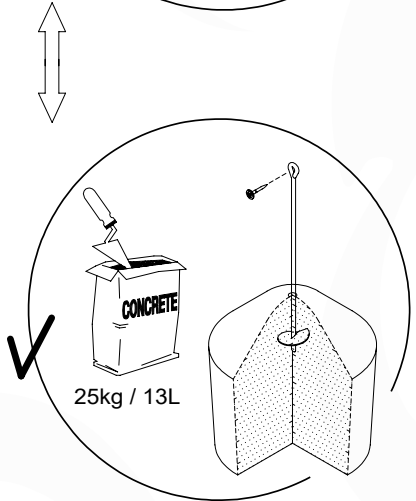
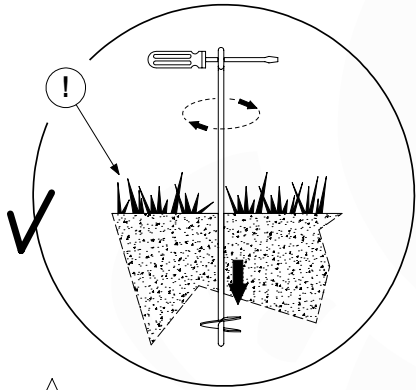
Slide set - P02 - 08/04/2024 - v4.2



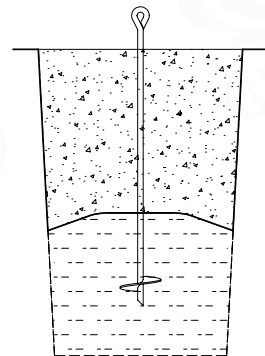
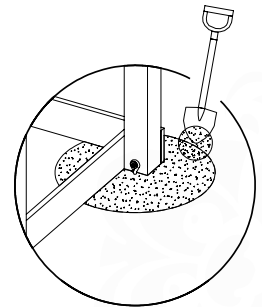
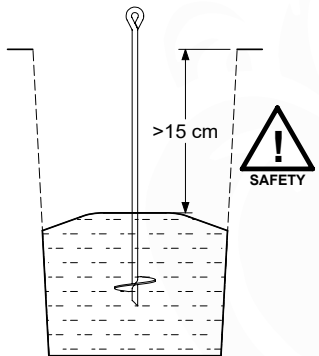
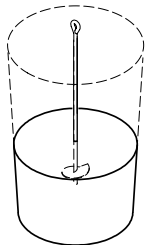
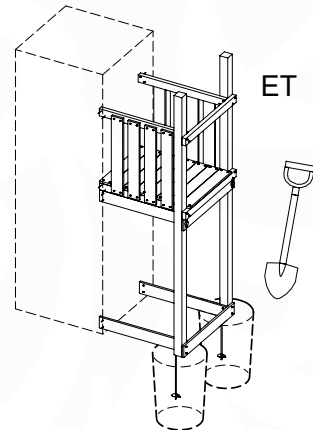
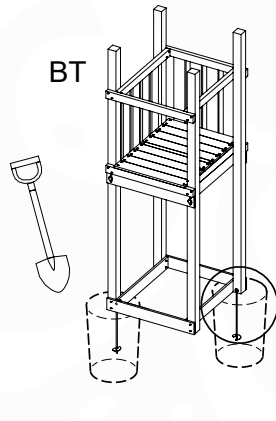
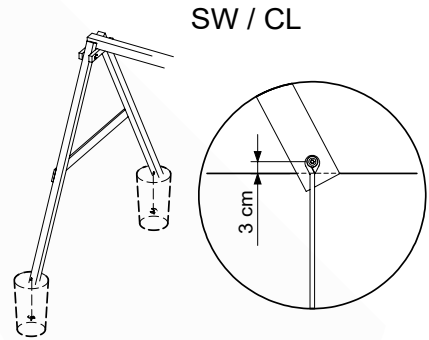
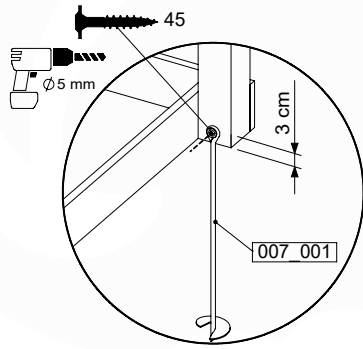




18 GA: Ground Anchors



Ground Anchors Uhl. - PD3 - 14/06/2024 - v1.5



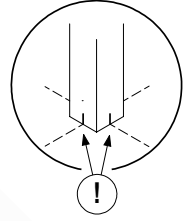
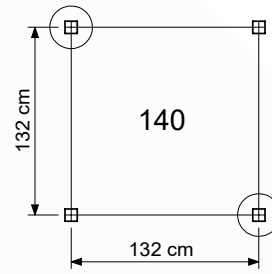
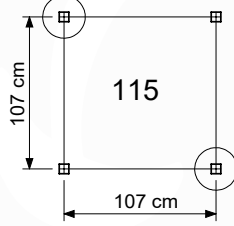
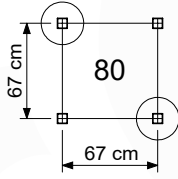
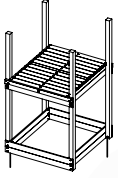
1.

2.

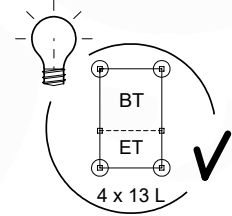
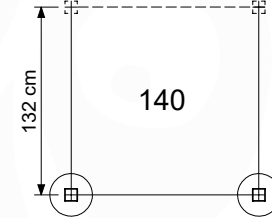
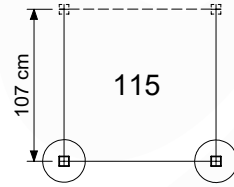
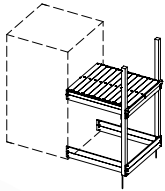
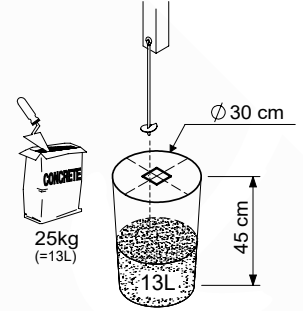
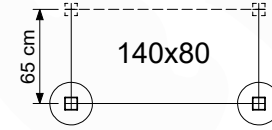
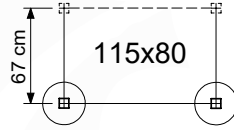
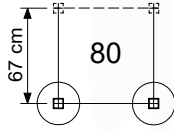
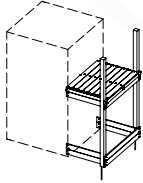
3.

Ground Anchors Uhl. - PD4 - 14/06/2024 - v1.5

BASE TOWERS

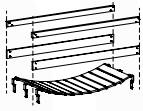


EXTENSION TOWERS

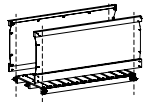


Ground Anchors Uni. - P01 - 14/06/2024 - v1.5

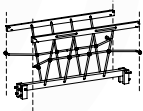
BRIDGES



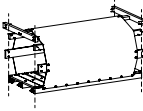
CLATTER



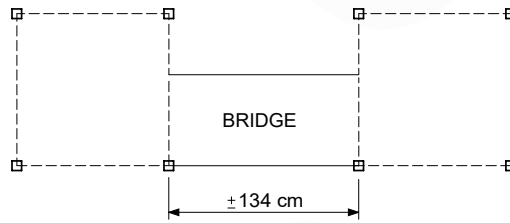
BOARDWALK



NET



TUNNEL

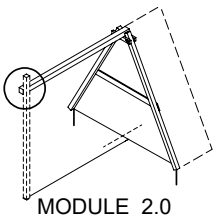


BRIDGE

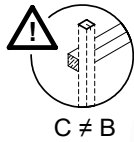
± 134 cm

Ground Anchors Uni. - P02 - 14/06/2024 - v1.5

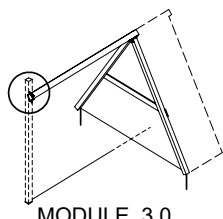
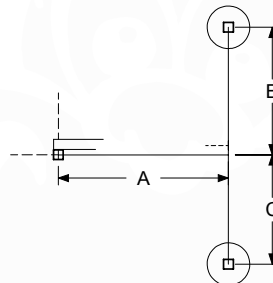
SWING / CLIMB



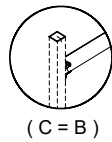
MODULE 2.0



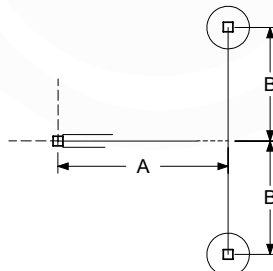
C ≠ B



MODULE 3.0



(C = B)



MODULE 2.0	Module type	A	B	C
	1-Swing 200	150	115	100
1-Swing 220 (Extra)		120	105	
1-Climb 200	142			
2-Climb 200	210	115	100	
2-Swing 200				
1-Climb 220 (Extra)	162			
2-Climb 220 (Extra)	230	120	105	
2-Swing 220 (Extra)				

cm

MODULE 3.0	Module type	A	B
	1-Swing 200 - 3.0	155	110
1-Swing 220 (Extra) - 3.0		115	
1-Climb 200 - 3.0	148		
2-Climb 200 - 3.0	222	110	
2-Swing 200 - 3.0	215		
1-Climb 220 (Extra) - 3.0	170		
2-Climb 220 (Extra) - 3.0	242	115	
2-Swing 220 (Extra) - 3.0	235		

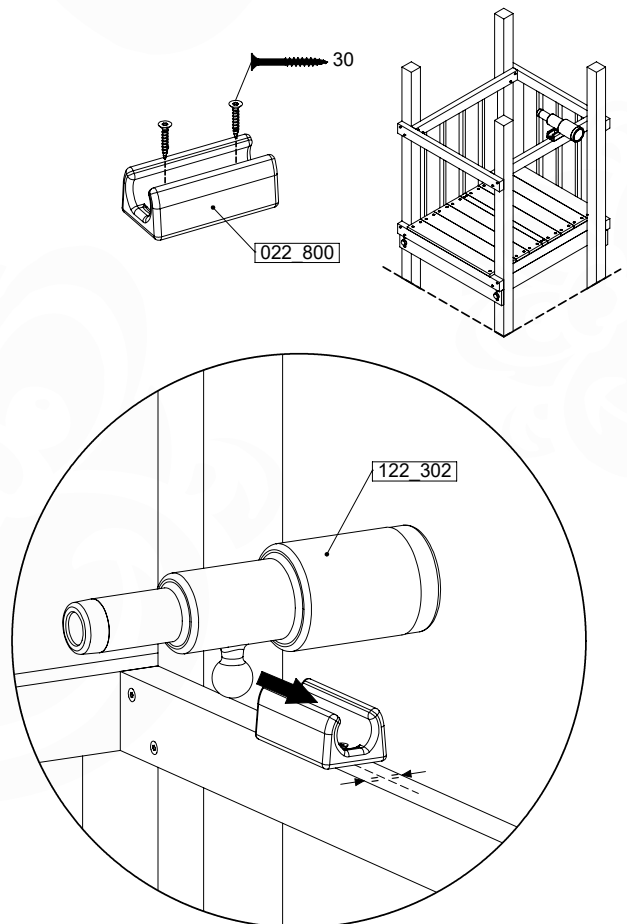
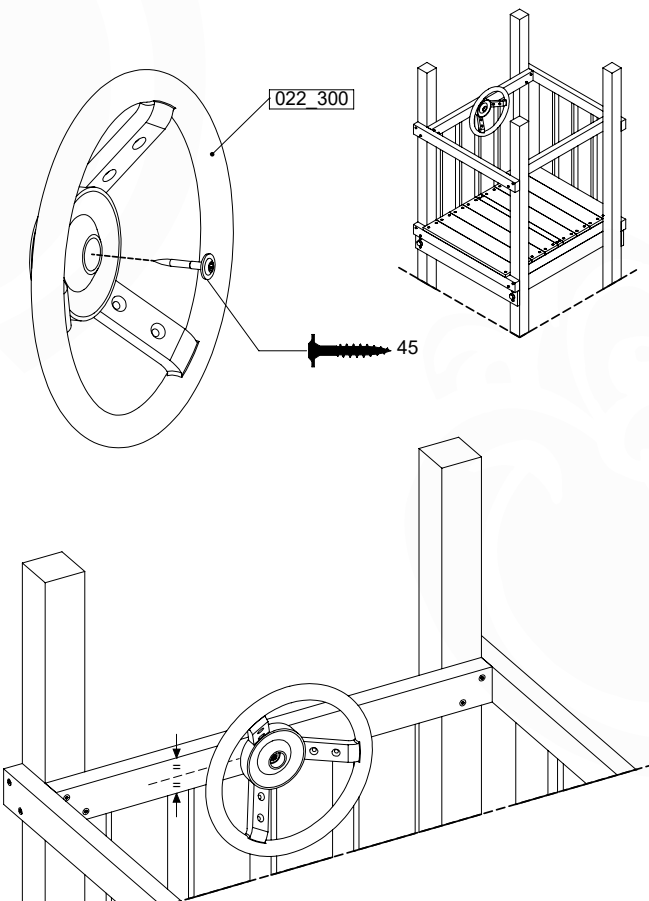
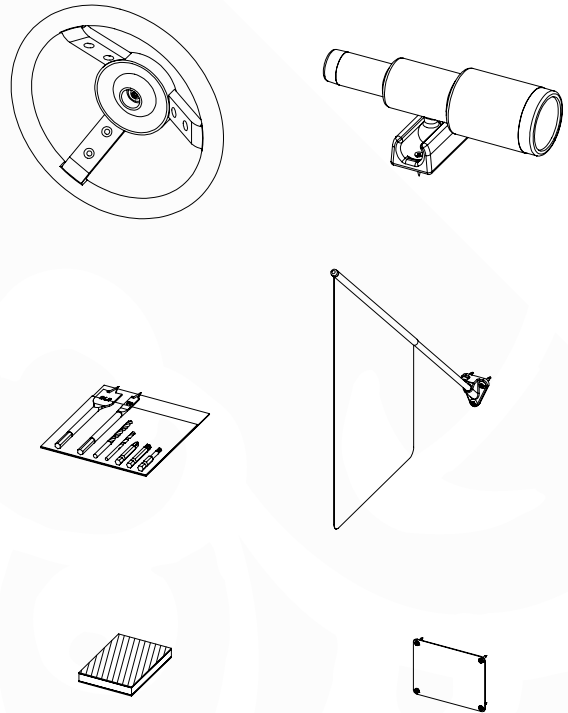
cm

19 AC01a: Accessories

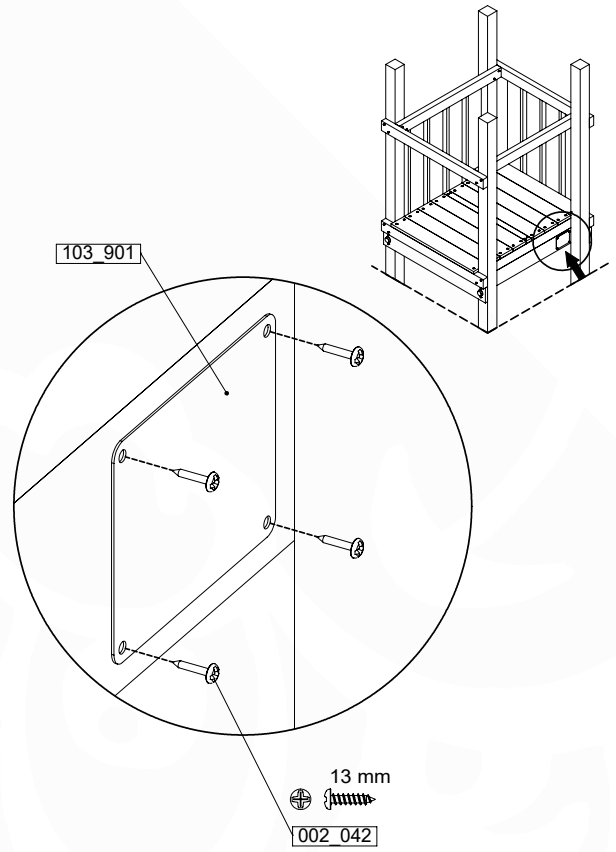
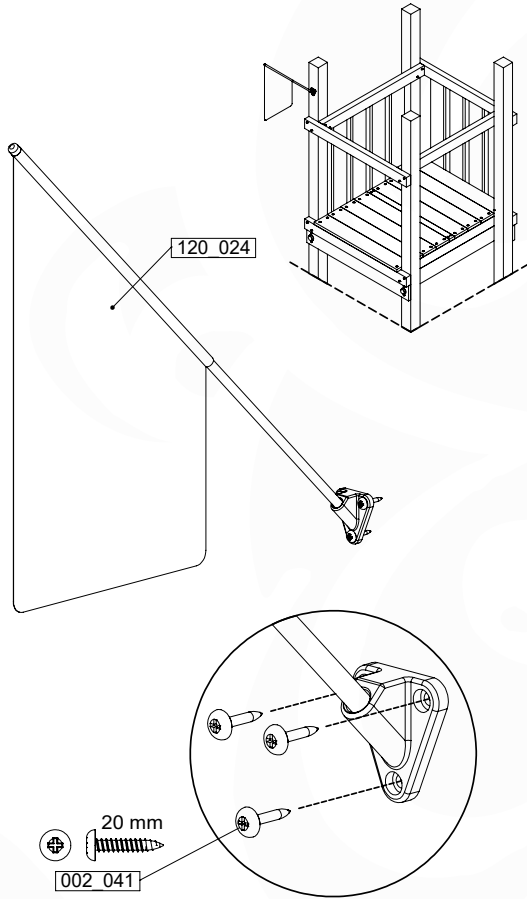
(194_119)

	PartNo	PartName	QTY.
Hardware Pack 100_617	001_406	Stealth Screw 8x45	1
	002_041	Dome head screw 4.5 x 20 mm	3
	002_042	Dome head screw 3.5 x 13mm	4
	002_219	Gap Point Screw T25 - 5x30	2
Other	022_300	Steering Wheel	1
	022_800	Rail P/T 105	1
	022_910	Sandpad	1
	103_901	Logo ID Plate	1
	104_107	Tool Set Climbing Units	1
	120_024	Tower Flag	1
	122_302	Telescope	1

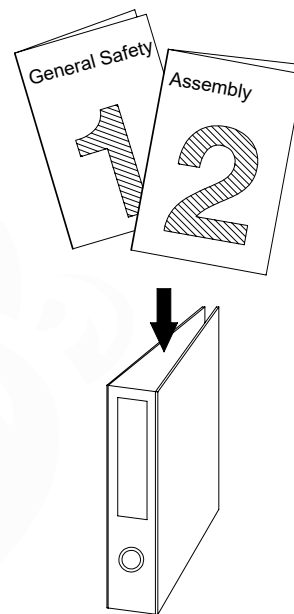
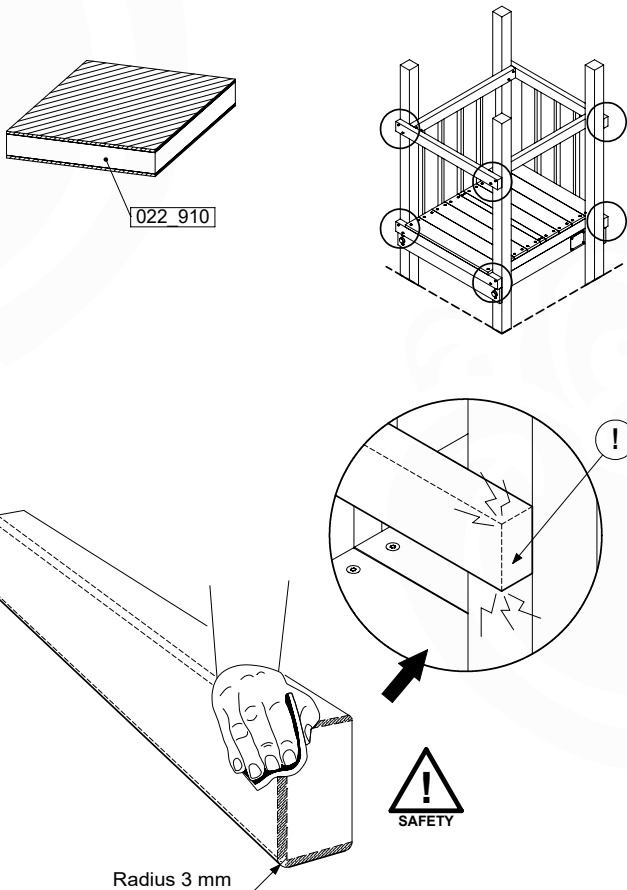
Accessory set - P02 - 24/01/2024 - v5



Accessory set - P03 - 24/01/2024 - v5



Accessory set - P04 - 24/01/2024 - v5



Accessory set - P05 - 24/01/2024 - v5

20 Declaration of conformity

Activity toys for domestic use Aktivitätsspielzeug für den häuslichen Gebrauch Jouets d'activité à usage familial

1. Wooden climbing frames

20240416_v3

1.1. Assemblies

Playtowers	801_005, 801_009, 801_010, 801_013, 801_025, 801_040, 801_060, 801_070, 801_090, 801_095, 801_100, 801_103, 801_105, 801_110, 801_120, 801_200, 802_202, 802_204, 802_206, 802_208, 803_202, 803_204, 803_206, 803_208, 803_210, 809_802, 809_804
Swings	801_300, 801_601, 801_602
Modules	850_176, 850_177, 850_231, 850_232, 857_101, 857_102, 857_105, 857_106, 857_151, 857_152, 857_157, 857_158, 850_240

1.2. Sub assemblies

Base towers (BT)	BT01a, BT02a, BT03a, BT11a, BT14a, BT15a, BT20a
Extension towers (ET)	ET01a, ET02a, ET05a, ET06a, ET07a, ET08a, ET09a, ET10a, ET11a, ET12a, ET13a, ET14a, ET15a, ET16a, ET17a, ET18a, ET19a, ET20a, ET22a, ET23a, ET27a, ET28a, ET35a, ET29a, ET39a, ET40a
Bridges (CB, NB, BB, TB)	CB01a, NB01a, BB01a, BB02a, TB01a, TB02a, TB03a, TB04a
Roofs (RF)	RF01a, RF21a, RF02a, RF03a, RF04a, RF05a, RF06a, RF20a, RF02b, RF03b, RF07a, RF08a, RF22a, RF09a, RF23a, RF11a, RF12a, RF07b, RF12b, RF08b, RF22b, RF09b, RF23b, RF11b, RF14a, RF24a, RF15a, RF25a, RF18a, RF18b, RF14b, RF24b, RF15b, RF25b
Balustrade (BL, BF)	BL01a, BL02a, BL21a, BF25a, BF26a, BF27a, BF28a, BF01a, BF02a, BF03a, BF04a, BF05a, BF06a, BF07a, BF08a, BF01b, BF02b, BF03b, BF04b, BF05b, BF06b, BF07b, BF08b, BF21a, BF22a, BF23a, BF24a, BF21b, BF22b, BF23b, BF24b
Playhouse (PH)	PH03a, PH04a, PH05a, PH06a, PH10a, PH11a, PH40a, PH41a, PH12a, PH13a, PH14a, PH15a, PH42a, PH43a, PH44a, PH45a, PH16a, PH17a, PH18a, PH19a, PH30a, PH31a, PH16b, PH17b, PH18b, PH19b, PH46a, PH47a, PH48a, PH49a, PH16c, PH17c, PH18c, PH19c, PH46b, PH47b, PH48b, PH49b, PH20a, PH21a, PH22a, PH23a, PH24a, PH25a, PH26a, PH27a, PH32a, PH33a, PH52a, PH53a, PH54a, PH55a, PH56a, PH57a, PH50a, PH51a, PH26b, PH27b, PH26c, PH27c, PH56b, PH57b
Ladder (LA)	LA05a, LA06a, LA01a, LA02a, LA03a, LA01b, LA02b, LA03b, LA11a, LA12a, LA13a, LA14a, LA15a, LA16a, LA17a, LA18a, LA31a, LA32a, LA33a, LA34a, LA35a, LA36a, LA37a, LA38a, LA21a, LA22a, LA23a, LA24a, LA25a, LA26a, LA43a, LA44a, LA45a, LA46a
Two Step Ladder (TS)	TS01a, TS01b, TS02a, TS02b, TS03b, TS22a, TS05a, TS06a, TS07a, TS08a, TS09a, TS10a, TS11a, TS12a, TS15a, TS16a, TS17a, TS18a, TS19a, TS20a, TS21a, TS22a
Rope Ladder (RL)	RL01a, RL02a, RL05a, RL06a, RL07a, RL08a, RL09a, RL10a, RL11a, RL12a, RL15a, RL16a, RL19a, RL20a
Rock wall (RW)	RW01a, RW02a, RW01b, RW02b, RW03b, RW31a, RW32a, RW33a, RW05a, RW06a, RW07a, RW08a, RW09a, RW10a, RW11a, RW12a, RW40a, RW41a, RW15a, RW16a, RW17a, RW18a, RW19a, RW20a, RW46a, RW47a
Ramp (RA)	RA03a, RA04a, RA05a, RA06a, RA07a, RA08a, RA11a, RA12a, RA21a
Net (NA, NS)	NA01a, NA02a, NS01a, NS02a, NS03a, NS21a, NA04a, NA05a, NS04a, NS05a, NS06a, NS07a, NA08a, NA09a, NS08a, NS09a
Boat (BO)	BO01a
Market (MT)	MT01a, MT02a, MT05a, MT06a, MT11a, MT12a
Picnic (PC)	PC01a, PC01b, PC05a, PC06a, PC09a, PC10a
Gymnastics bar (GY)	GY01a
Fireman's pole (FP)	FP01a, FP02a, FP04a, FP05a, FP06a, FP07a, FP23a, FP24a, FP25a, FP26a, FP27a, FP28a
Slides (SL)	SL01a, SL02a, SL03a, SL06a, SL07a, SL08a, SL09a, SL10a, SL11a, SL12a, SL13a, SL26a, SL27a, SL28a, SL29a
Swing (SM)	SW17a, SW21a, SW18a, SW22a, SW01a, SW05a, SW02a, SW06a, SW09a, SW13a, SW10a, SW14a
Climb (CL)	CL17a, CL21a, CL18a, CL22a, CL01a, CL05a, CL02a, CL06a, CL09a, CL13a, CL10a, CL14a
Universal Beam (UB)	UB01a, UB04a, UB02a, UB05a, UB03a, UB06a
Accessories (AC)	AC30a, AC31a, AC32a, AC33a, AC01a, AC05a, AC07a, AC03a, AC04a, AC06a, AC23a, AC22a, AC24a, AC21a, AC25a, AC02a, AC09a, AC08a, AC10a

2. Construction packages

2.1 Assembly Kits

Playtowers	401_015, 401_080, 401_125, 402_201, 402_202, 402_204, 402_206, 402_208, 403_202, 403_204, 403_206, 403_208, 403_210, 409_802, 409_804
Swings	401_300, 401_600
Modules	457_005, 457_102, 457_103, 457_106, 457_107, 457_205

2.2 Assembly Packs

Sub assemblies	194_002, 194_003, 194_004, 194_006, 194_007, 194_008, 194_009, 194_010, 194_100, 194_101, 194_102, 194_103, 194_104, 194_105, 194_107, 194_108, 194_109, 194_110, 194_111, 194_112, 194_113, 194_114, 194_115, 194_116, 194_117, 194_118, 194_119, 194_300, 194_308, 194_312, 194_500, 194_501, 194_508, 194_510, 194_802, 194_804, 194_809, 194_810, 194_811, 194_812
----------------	--

3. Accessories and components

Slides XL	324_100, 324_200, 324_300, 324_400, 324_500, 324_600
Slides XXL	334_100, 334_200, 334_300, 334_400, 334_500, 334_600
Fireman's pole	201_275
Climbing	201_060, 201_273
Imagination	201_280, 201_285, 201_290, 201_295, 202_473, 450_310, 450_320, 450_330
Swinging	250_001, 250_013, 250_025, 250_034, 250_053
Functional	123_220, 123_222, 123_230, 201_115, 201_220, 201_250, 201_260, 201_270, 202_620, 202_621, 202_622, 202_623, 202_624, 202_625, 202_626, 202_627, 202_628, 202_629, 202_824, 250_065, 250_070, 250_075

Applicable EU directives and standards

General

- General Product Safety Directive (GPSD) 2001\48\EG
- Reach directive 1907\2006
- AfPS GS 2019:01 PAK

Activity Toys

- Toy Safety Directive (TSD) 2009\48\EG
- EN Standard 71 Safety of Toys
 - EN 71-1:2014 + A1:2018 Safety of toys Mechanical and physical properties
 - EN 71-2:2020 Flammability
 - EN 71-3:2019 + A1:2021 Migration of certain elements
 - EN 71-8:2018 Safety of toys Activity toys for domestic use

Supplementary information

Conformity to the above specified directives and standards has been frequently verified by TÜV Rheinland LGA products, DEKRA, LNE SA, since 1994. Jungle Gym participates in the European Commission for standardisation for the safety of activity toys (TC52/WG10).



Manufacturer details

Company Name: Jungle Gym B.V.
Address: Valschermkade 18, 1059 CD Amsterdam, Netherlands
Email: info@junglegym.com

Declaration

I hereby declare under our sole responsibility that the products mentioned above, to which this declaration relates, comply with the above mentioned directives and standards when the installation, assembly, and maintenance instructions are strictly followed.

Name
Mr. P. Schmit / Director

Issued date
Monday 22nd July, 2024



Signature of representative

Jungle Gym B.V. | P.O. Box 75083 | 1070 AB Amsterdam | Netherlands | Phone: +31 85 444 41 00 | e-mail: info@junglegym.com | www.junglegym.com