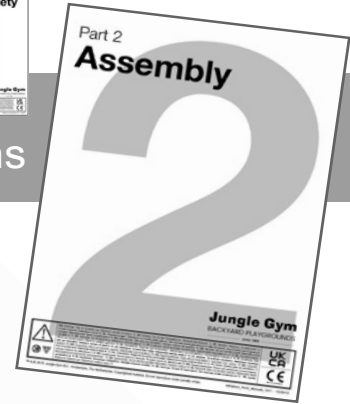


# Part 2

# Assembly

Instructions



Config ID: ViN0Y9  
 Product Name: Habitat 1-Swing  
 Product ID: 211528



Watch in 3D



# Jungle Gym

BACKYARD PLAYGROUNDS

since 1988

<b>Assembly time</b> 12.0 hours by 2 adults		<p>EN. Warnings. Only for domestic use. Maximum number of users is 4. DE. Achtung. Nur für den Hausgebrauch. Maximale Benutzerzahl: 4. FR. Attention. Réserve à un usage familial. Le nombre maximal d'utilisateurs est de 4. NL. Waarschuwingen. Uitsluitend voor huishoudelijk gebruik. Het maximale aantal gebruikers is 4. BG. Внимание. За употреба само в домашни условия. Максималният брой потребители е 4. CS. Varování. Jen pro domácí použití. Maximální počet uživatelů je 4. DA. Advarsler. Kun til privat brug. Maksimum antal brugere er 4. EL. Προειδοποιήσεις. Μόνο για οικιακή χρήση. Μέγιστος αριθμός χρηστών 4. ES. Advertencias. Solo para uso doméstico. Número máximo de usuarios: 4. ET. Hoiatused. Ainult koduseks kasutamiseks. Maksimaalne kasutajate arv on 4. FI. Varoitukset. Ainoastaan kotikäyttöön. Käyttäjää yhteensä enintään 4. HR. Upozorenja. Samo za kućansku uporabu. Maksimalan broj korisnika je 4. HU. Figyelmeztetések. Csak otthoni használatra! A használók max. száma: 4. IS. Varnaðarorð. Eingöngu fyrir einkanotkun í heimahúsum og á einkalóðum. Hámarksfjöldi notenda er 4. IT. Avvertenze. Solo per uso domestico. Massimo numero di utenti è 4. LT. Įspėjimai. Tik buitiniam naudojimui. Maksimalus naudotojų skaičius 4. LV. Brīdinājumi. Izmantot tikai mājās. Maksimālais lietotāju skaits ir 4. NO. Advarsler. Kun for privat bruk. Maksimalt antall brukere er 4. PL. Ostrzeżenia. Wyłącznie do użytku domowego. Maksymalna liczba użytkowników to 4. PT. Avisos. Apenas para uso doméstico. O número máximo de utilizadores é 4. RO. Avertismente. Numai pentru uz domestic. Numărul maxim de utilizatori este 4. RU. Предостережения. Только для домашнего использования. Максимальное количество пользователей - 4. SK. Upozornenia. Iba na domáce použitie. Maximálne množstvo osôb je 4. SL. Opozorila. Samo za domačo uporabo. Maksimalno število uporabnikov je 4. SR. Upozorenja. Samo za kućnu upotrebu. Maksimalan broj korisnika je 4. SV. Varningar. Endast för hemmabruk. Det maximala antalet användare är 4. TR. Uyarılar. Sadece ev kullanımı için. Maksimum kullanıcı sayısı</p>											

# 1 Helpdesk JungleGym

## FAQ & Support



English



Deutsch



Français



Nederlands



info@junglegym.com



EU 0031 85 44 44 100

AT 0043 72 08 153 33

BE 0032 78 48 16 19

CH 0041 43 50 87 350

DE 0049 32 22 10 98 299

ES 0034 657 76 64 25

FR 0033 97 75 58 222

IE 0035 38 1800 0300

LU 0035 22 08 80 512

NL 0031 85 44 44 102

UK 0044 20 369 505 53

Monday-Friday,  
CET 9:00am - 5:00pm

Local phone charges may apply.

## 2 Start

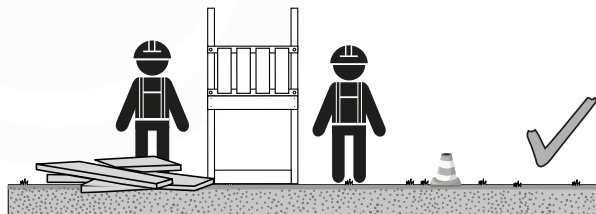
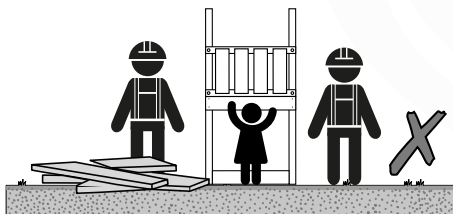
### 2.1 Safety



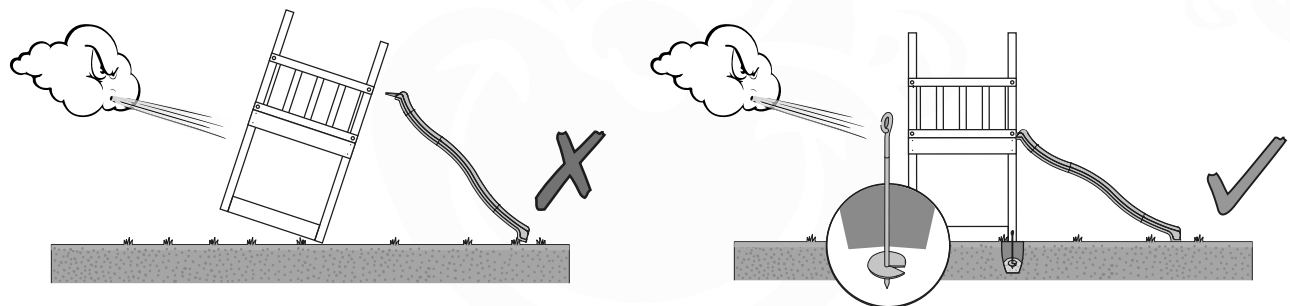
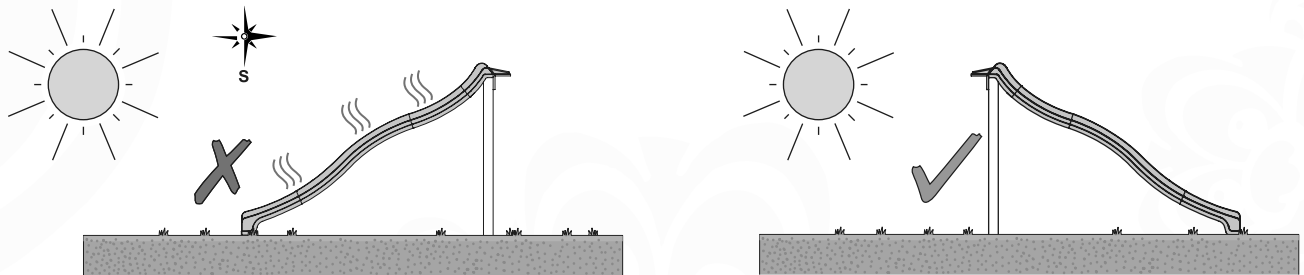
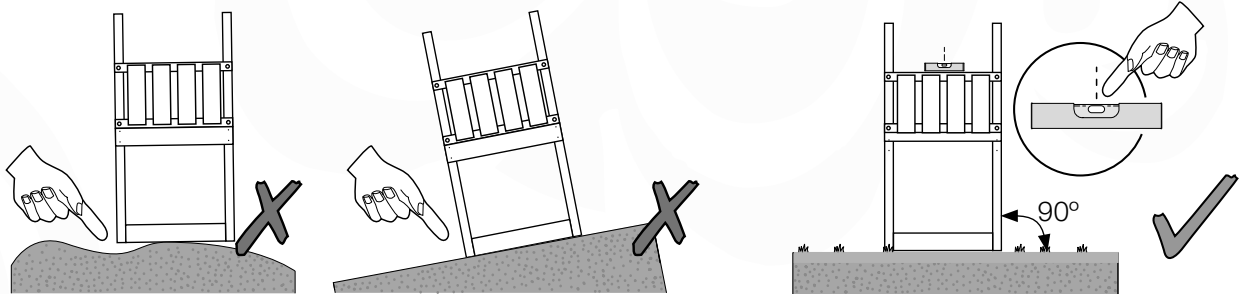
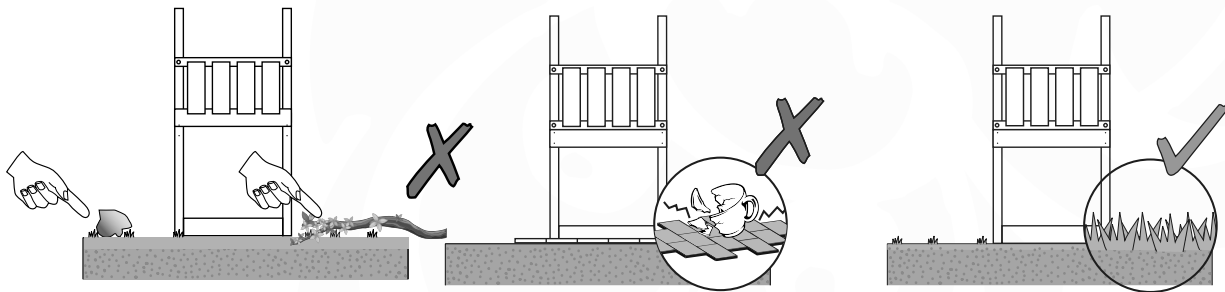
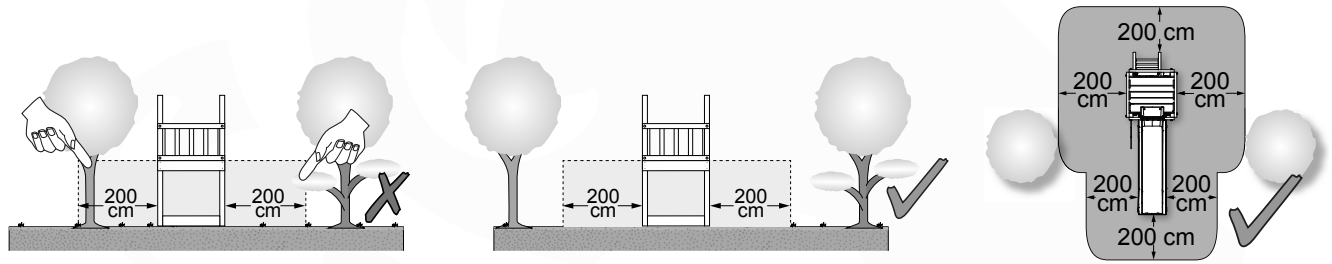
Download

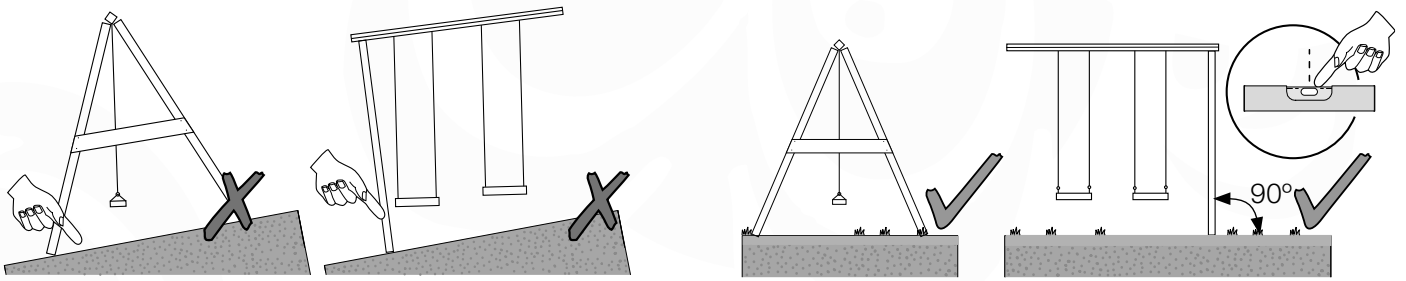
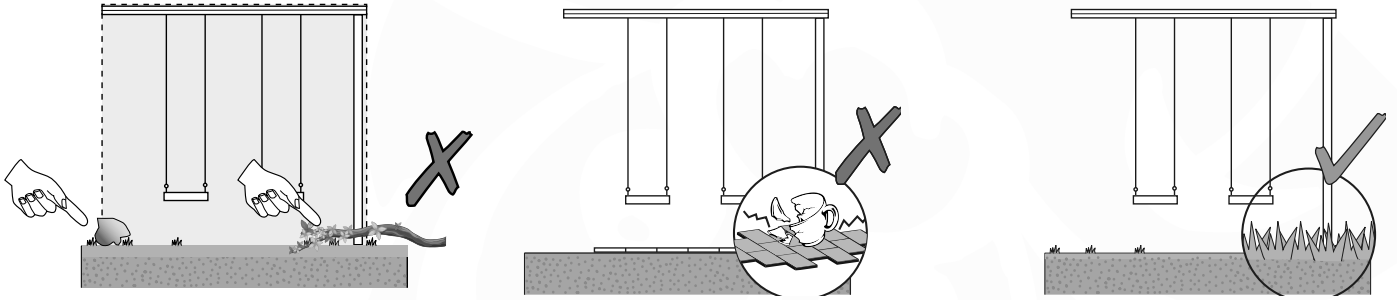
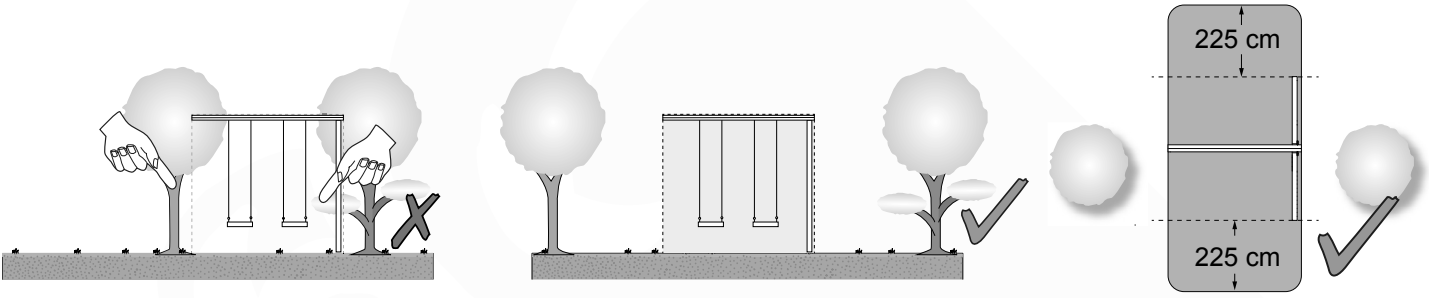


Part 1



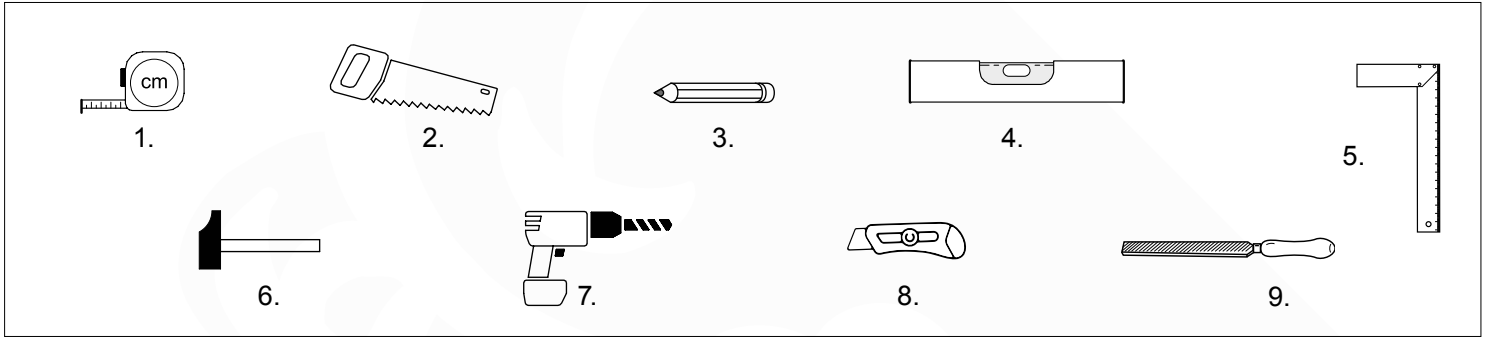
## 2.2 Planning



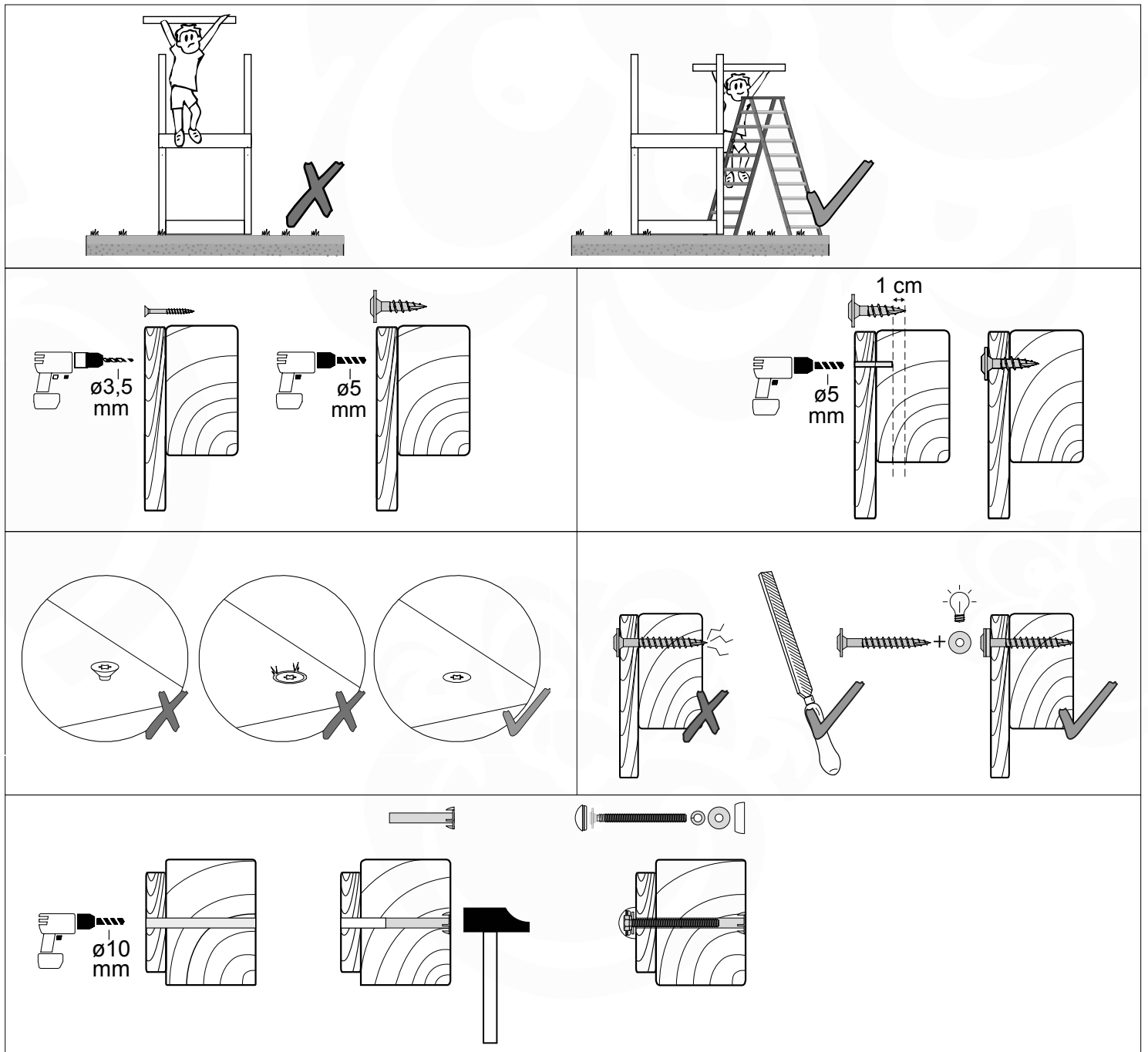




## 2.3 Tools



## 2.4 Assembly



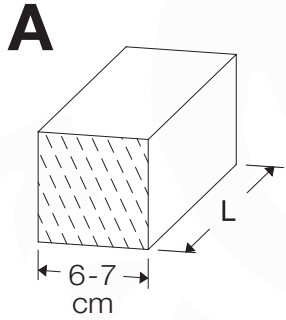
### 3 Overview

#### 3.1 Order specification

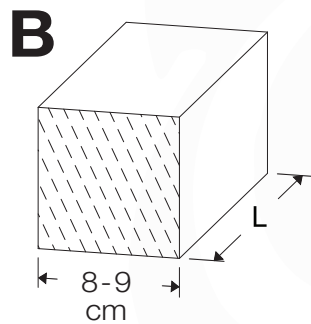


#	Description	Supplier ID	Assembly ID
1	Base Tower 115_240240_145	792_002	BT14a
1	Extension Tower 11580_220_145	792_102	ET07a
1	Extension Tower 115_200_125 up	792_110	ET17a
1	Roof Timber Slope 115	792_203	RF09a
2	Balustrade 80_ U	790_301	BL01a
1	Balustrade 115_ U	792_301	BL03a
2	Balustrade 115_ T	792_301	BL04a
1	Ladder 115_125 T R x Balustrade	792_431	LA14a
1	Ramp 115_125 U R	792_441	RA06a
1	Picnic 115 T	792_503	PC06a
1	Slide Frame 115_145 T L x Balustrade	792_901	SL12a
1	1- Swing Module 200 3.1	757_113	SW03a
1	Accessories Set	194_119	AC01a
1	Accessories Swing Seat	250_034	AC21a
1	Wavy Star Slide XXL	334_x00a	334_x00a

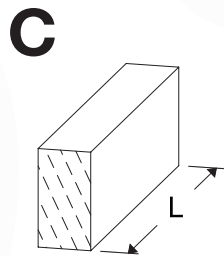
### 3.2 Timber parts



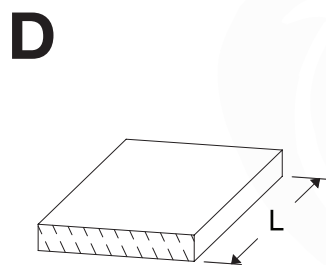
ID	L	#
A200	199 cm - 200 cm	2
A220	219 cm - 220 cm	4
A240	239 cm - 240 cm	4



B160	159 cm - 160 cm	1
------	-----------------	---



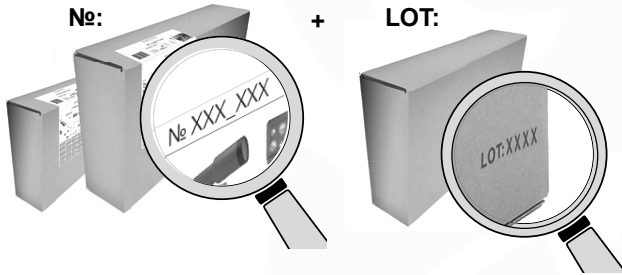
C37	36 cm - 37 cm	7
C70	69 cm - 70 cm	2
C74	73 cm - 74 cm	7
C84	83 cm - 84 cm	7
C114	113 cm - 114 cm	17
C130	129 cm - 130 cm	2
C141	140 cm - 141 cm	2
C154	153 cm - 154 cm	2
C186	185 cm - 186 cm	1



D47	46 cm - 47 cm	1
D60	59 cm - 60 cm	18
D65	64 cm - 65 cm	32
D74	73 cm - 74 cm	6
D100	99 cm - 100 cm	43
D114	113 cm - 114 cm	32
D127	126 cm - 127 cm	23
D141	140 cm - 141 cm	2

## 4 Product registration

### 4.1 Assembly kits



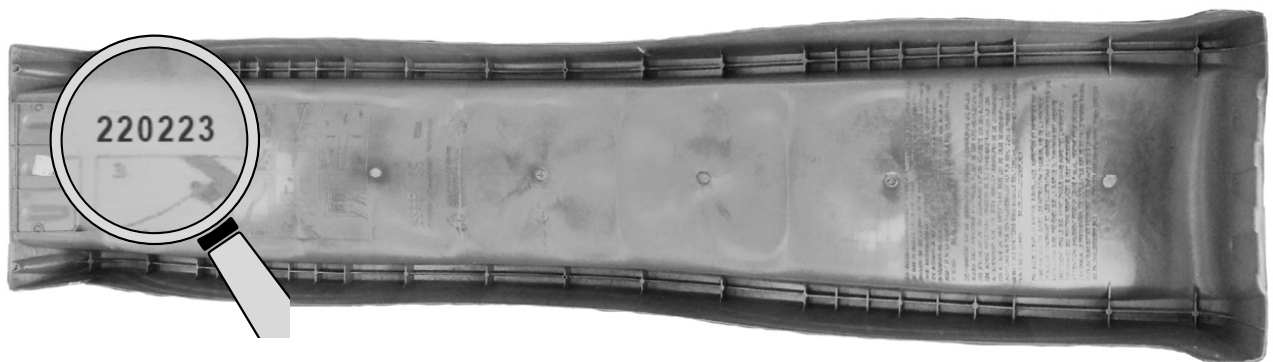
#### Example

№: X X X \_ X X X LOT X \_ X X X X

	№:		LOT:
1.			
2.			
3.			
4.			
5.			

	№:		LOT:
6.			
7.			
8.			
9.			
10.			

### 4.2 Slide





### 4.3 Assembly packs

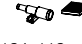


#### Example

Accessory Set



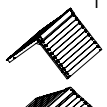






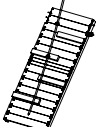

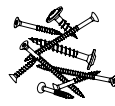
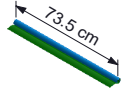


**AC**



194\_119

LOT:



<p>Roof Timber 115</p>  <p><b>RF</b></p> <p>194_308</p> <p>LOT: <input type="text"/> <input type="text"/> <input type="text"/> <input type="text"/></p>	<p>Slide XXL 2.6m</p>  <p><b>1x</b></p> <p>334_x00</p> <p>LOT: <input type="text"/> <input type="text"/> <input type="text"/> <input type="text"/></p>	<p>Tower 115</p>  <p><b>BT ET</b></p> <p>194_300</p> <p>LOT: <input type="text"/> <input type="text"/> <input type="text"/> <input type="text"/></p>	<p>Balustrade 140</p>  <p><b>BL</b></p> <p>194_501</p> <p>LOT: <input type="text"/> <input type="text"/> <input type="text"/> <input type="text"/></p>	<p>Ladder 125</p>  <p><b>LA</b></p> <p>194_003</p> <p>LOT: <input type="text"/> <input type="text"/> <input type="text"/> <input type="text"/></p>
<p>Hardware 01</p>  <p><b>BL H01</b></p> <p>194_101</p> <p>LOT: <input type="text"/> <input type="text"/> <input type="text"/> <input type="text"/></p>	<p>Slide Frame</p>  <p><b>SL</b></p> <p>194_107</p> <p>LOT: <input type="text"/> <input type="text"/> <input type="text"/> <input type="text"/></p>	<p>Ramp</p>  <p><b>RA</b></p> <p>194_008</p> <p>LOT: <input type="text"/> <input type="text"/> <input type="text"/> <input type="text"/></p>	<p>Swing Module Kit</p>  <p><b>SW</b></p> <p>457_103</p> <p>LOT: <input type="text"/> <input type="text"/> <input type="text"/> <input type="text"/></p>	<p>Hardware 10</p>  <p><b>H10</b></p> <p>194_810</p> <p>LOT: <input type="text"/> <input type="text"/> <input type="text"/> <input type="text"/></p>
<p>Canvas 136 x 74cm</p>  <p><b>1x</b></p> <p>123_220</p> <p>LOT: <input type="text"/> <input type="text"/> <input type="text"/> <input type="text"/></p>	<p>Accessory Set</p>  <p><b>AC</b></p> <p>194_119</p> <p>LOT: <input type="text"/> <input type="text"/> <input type="text"/> <input type="text"/></p>	<p>Swing Seat</p>  <p><b>AC</b></p> <p>250_034</p> <p>LOT: <input type="text"/> <input type="text"/> <input type="text"/> <input type="text"/></p>		

## 4.4 Your config ID: ViNOY9

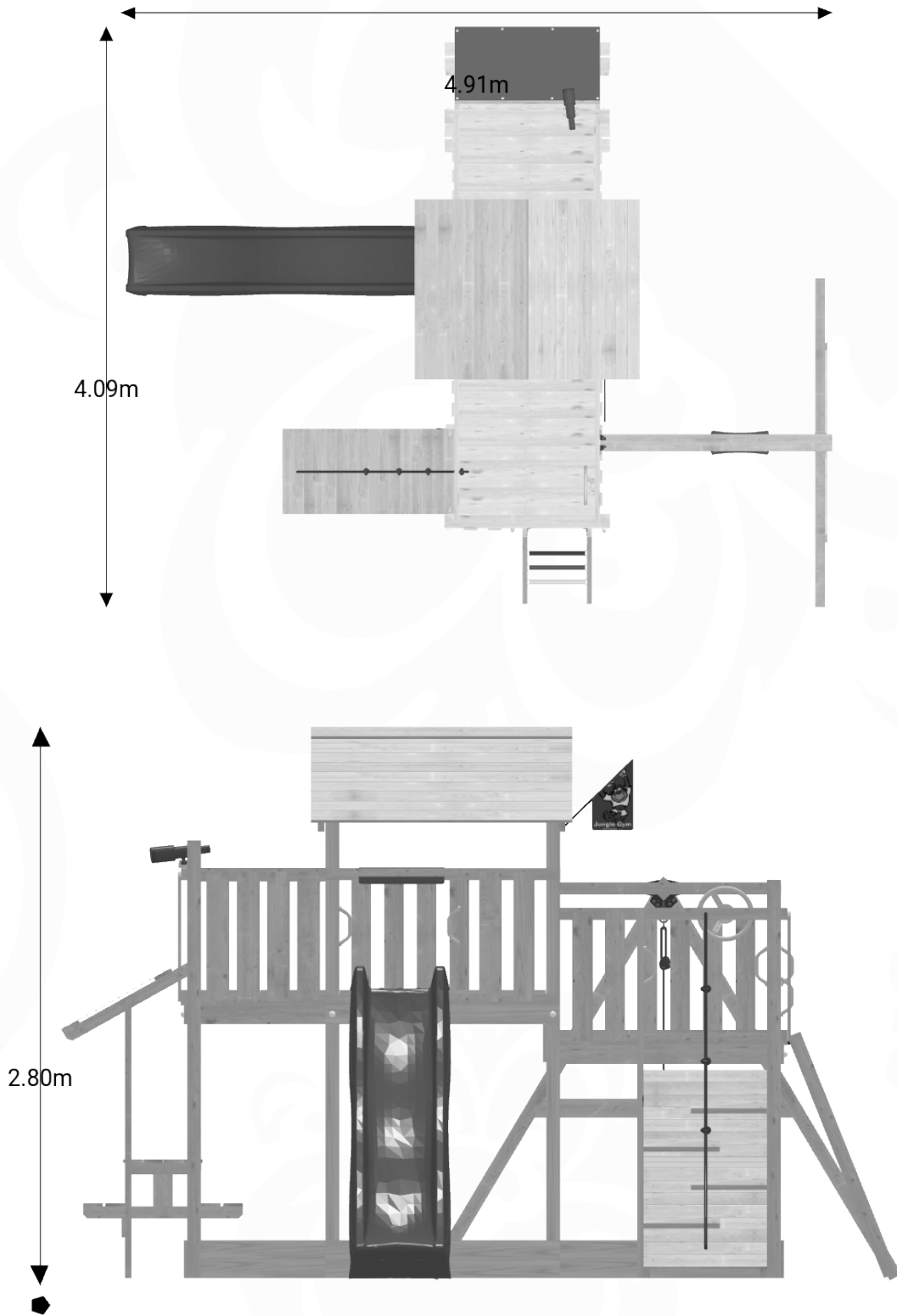


## 5 Hardware Identification

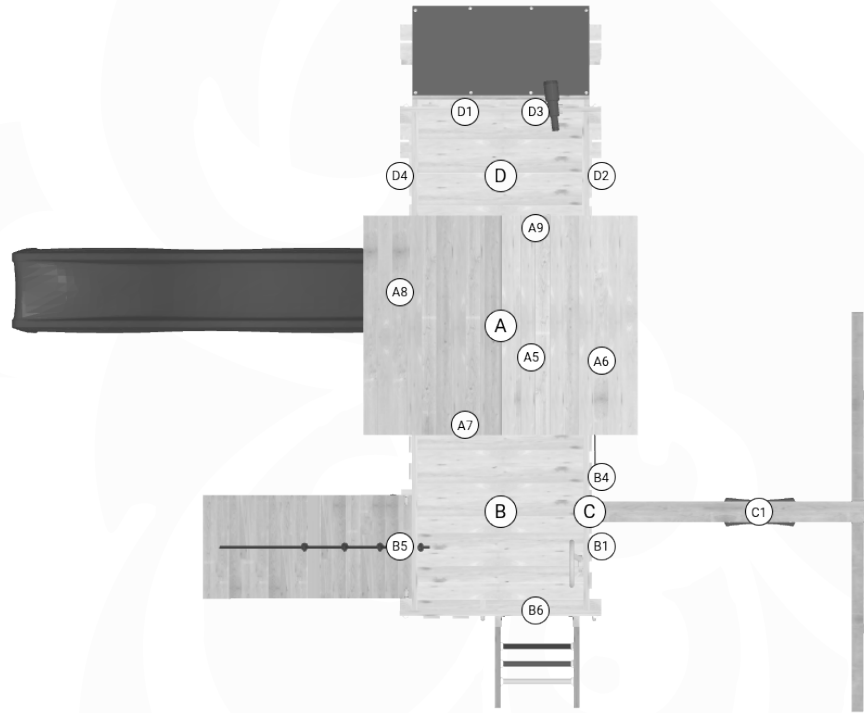
		SKU	L		
		001_404	30 mm		
		001_406	45 mm		
		001_411	60 mm		
		001_417	80 mm		
		001_422	137 mm		
		001_102	30 mm		
		002_036	16 mm		
		002_041	20 mm		
				002_042	13 mm
		002_301	40 mm		
		002_308	20 mm		
		002_219	30 mm		
		002_220	45 mm		
		002_223	80 mm		
		004_050	22mm		
		003_010			
		003_034			
		022_845	Yellow		
		022_846	Blue		
		022_847	Green		
		022_848	Red		
		023_031	White		
		120_005	White		
		022_844			
		022_314			

output: 27/06/24

## 6 Dimensions



## 7 Assembly Planning



	ID			A	B	C	D
1	BT14a		p.13	✓	-	-	-
2	ET07a		p.16	-	-	-	✓
3	ET17a		p.19	-	✓	-	-
4	BL01a		p.22	-	-	-	D2, D4
5	BL03a		p.23	-	B1	-	-
6	BL04a		p.24	A6	-	-	D3
7	RF09a		p.25	A5	-	-	-
8	PC06a		p.28	-	-	-	D1
9	LA14a		p.32	-	B6	-	-
10	RA06a		p.35	-	B5	-	-
11	SW03a		p.39	-	-	✓	-
12	SL12a		p.48	A8	-	-	-
13	GA		p.52	✓	✓	✓	✓
14	AC01a		p.54	✓	-	-	-

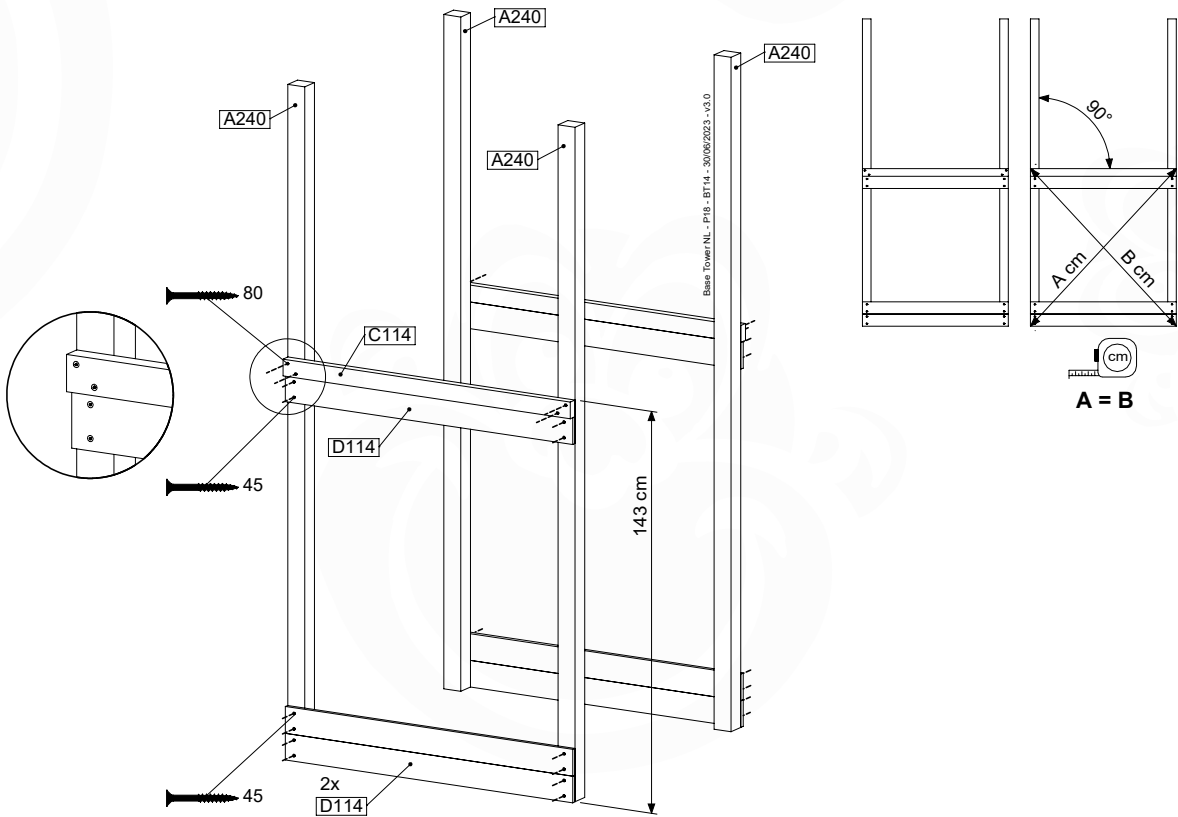
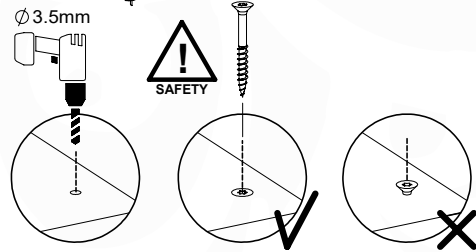
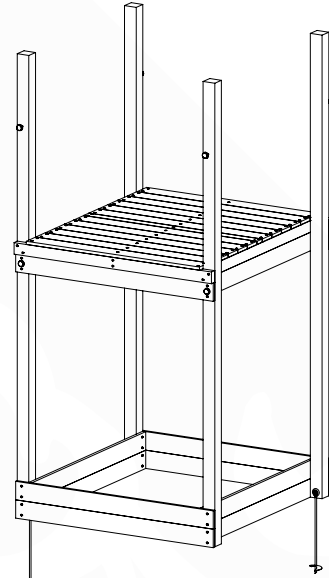


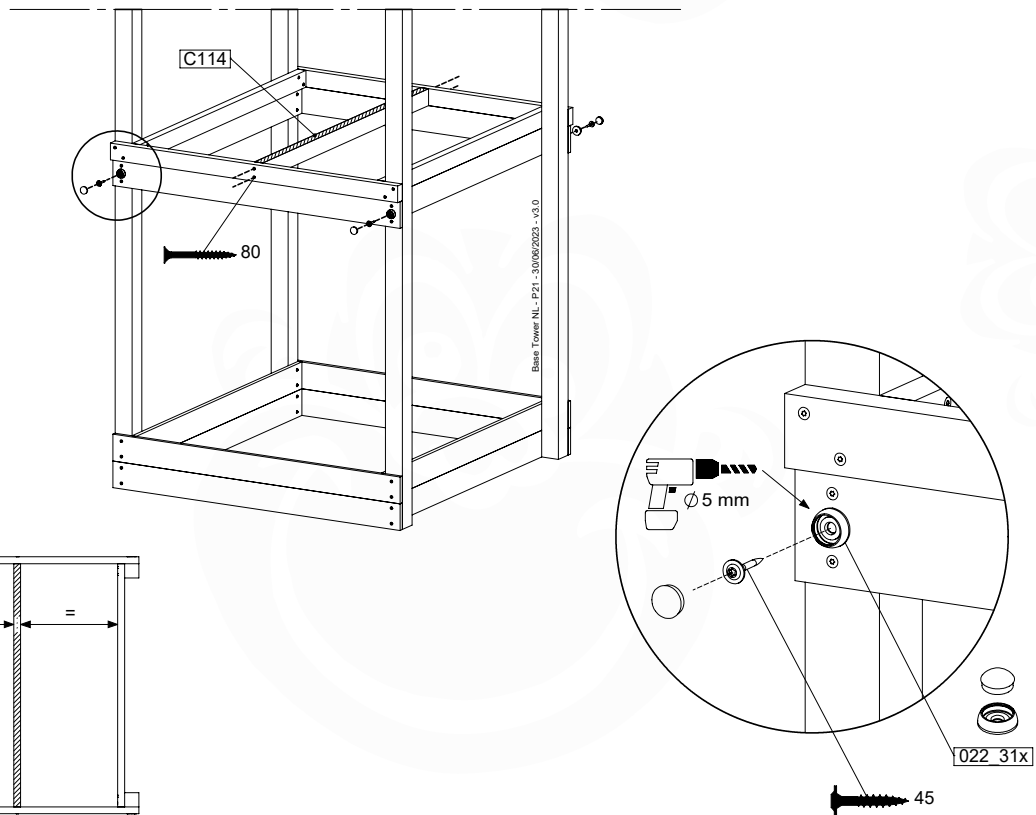
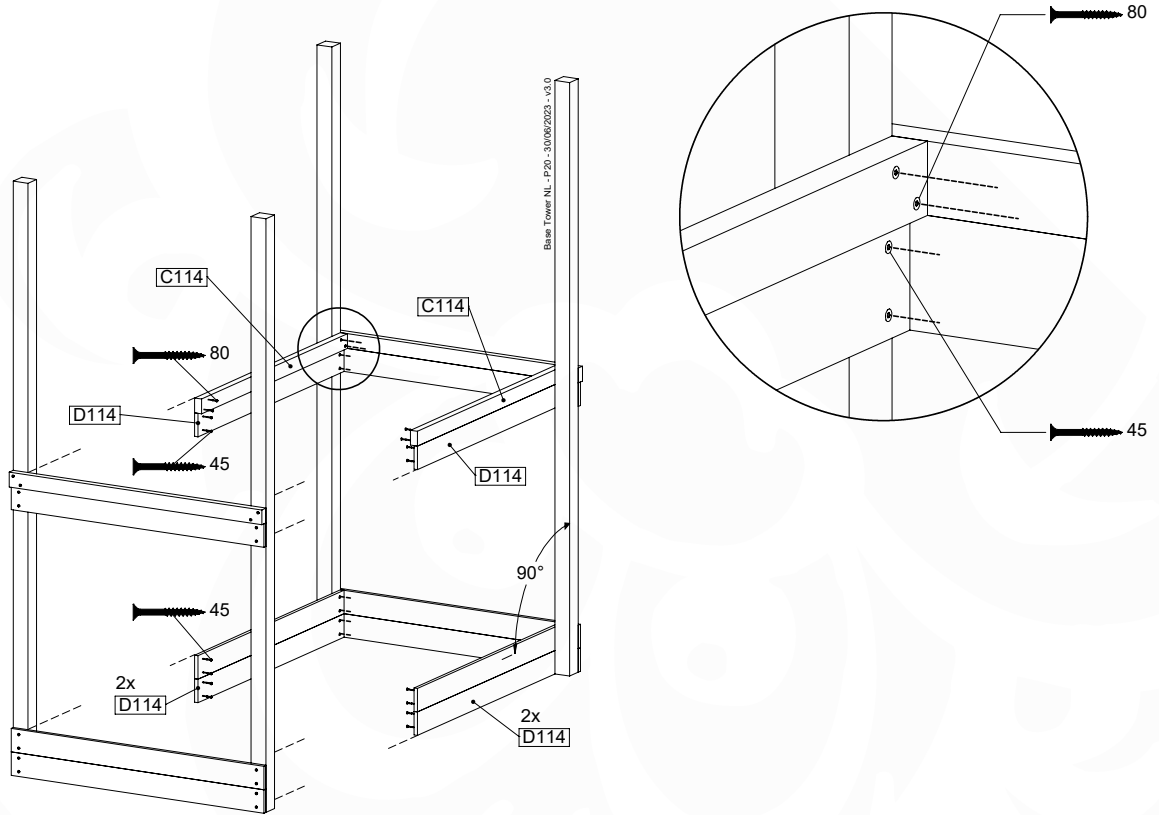
# 8 BT14a: Base Tower 115 145cm 240240

( 194\_300 )

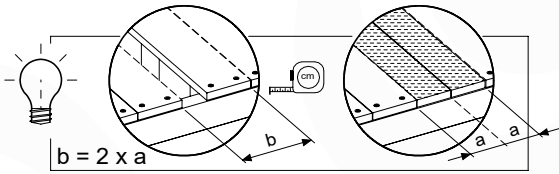
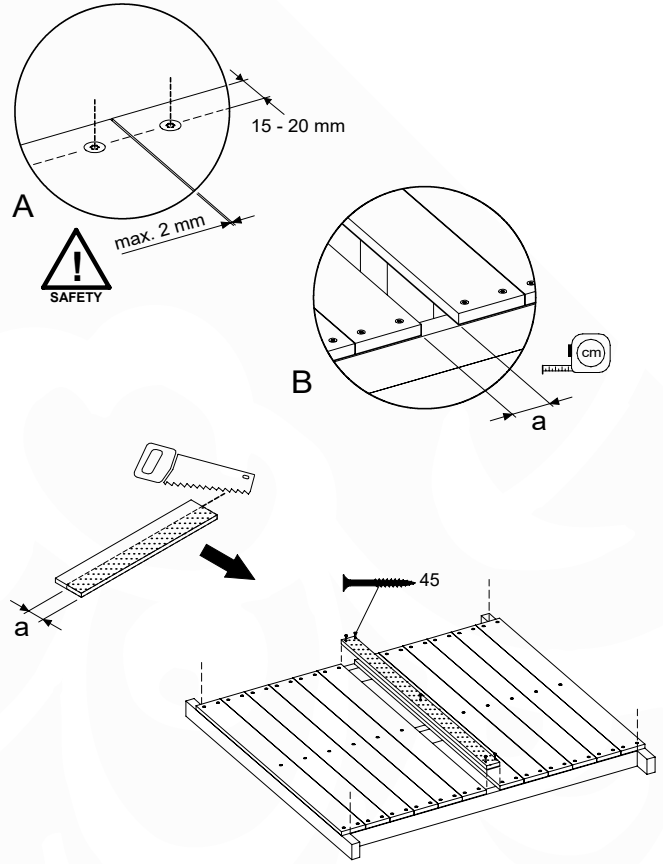
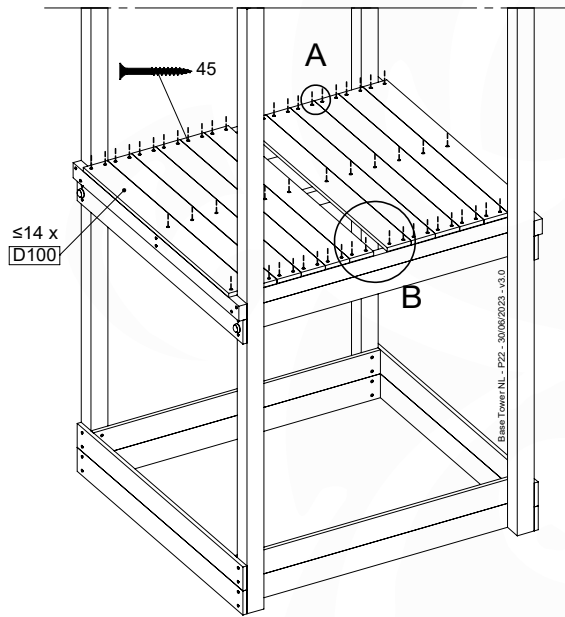
	PartNo	PartName	QTY.
Hardware pack	001_406	Stealth Screw 8x45	6
	001_417	Stealth Screw 8x80	4
	002_220	Gap Point Screw T25 - 5x45	118
	002_223	Gap Point Screw T25 - 5x80	20
	022_31x	bpc-base version 3	8
	022_84x	bpc cover	8
Other	007_001	Ground-anchor	2
Timber	A240	Post 70x70 L2400	4
	C114	Beam 1140 mm	5
	D100	Board 1000 mm	14
	D114	Board 1140 mm	12

Base Tower.NL - POP - BT14 - 30/06/2023 - v3.0





8.2

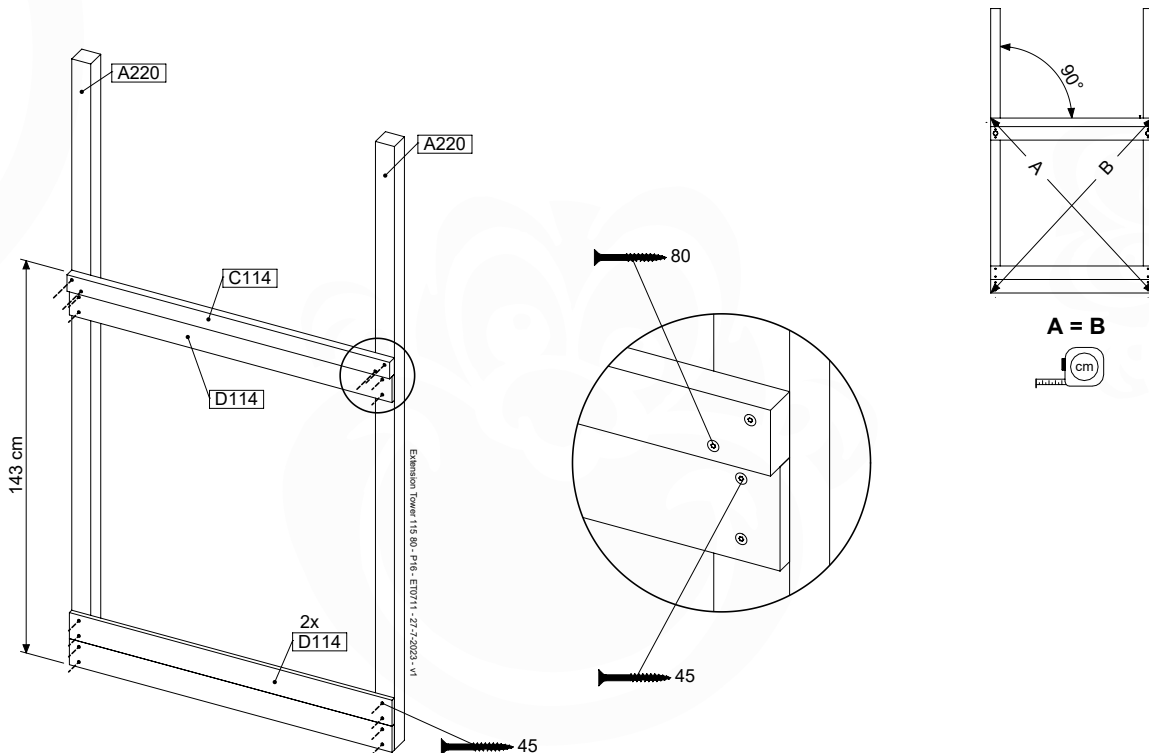
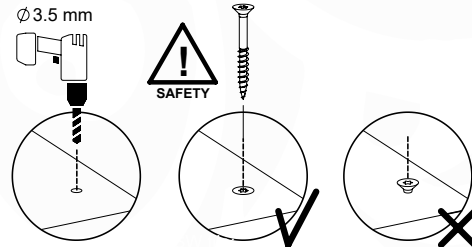
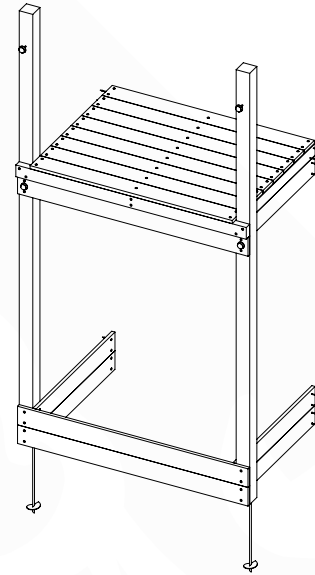


# 9 ET07a: Extension Tower 11580 220/145

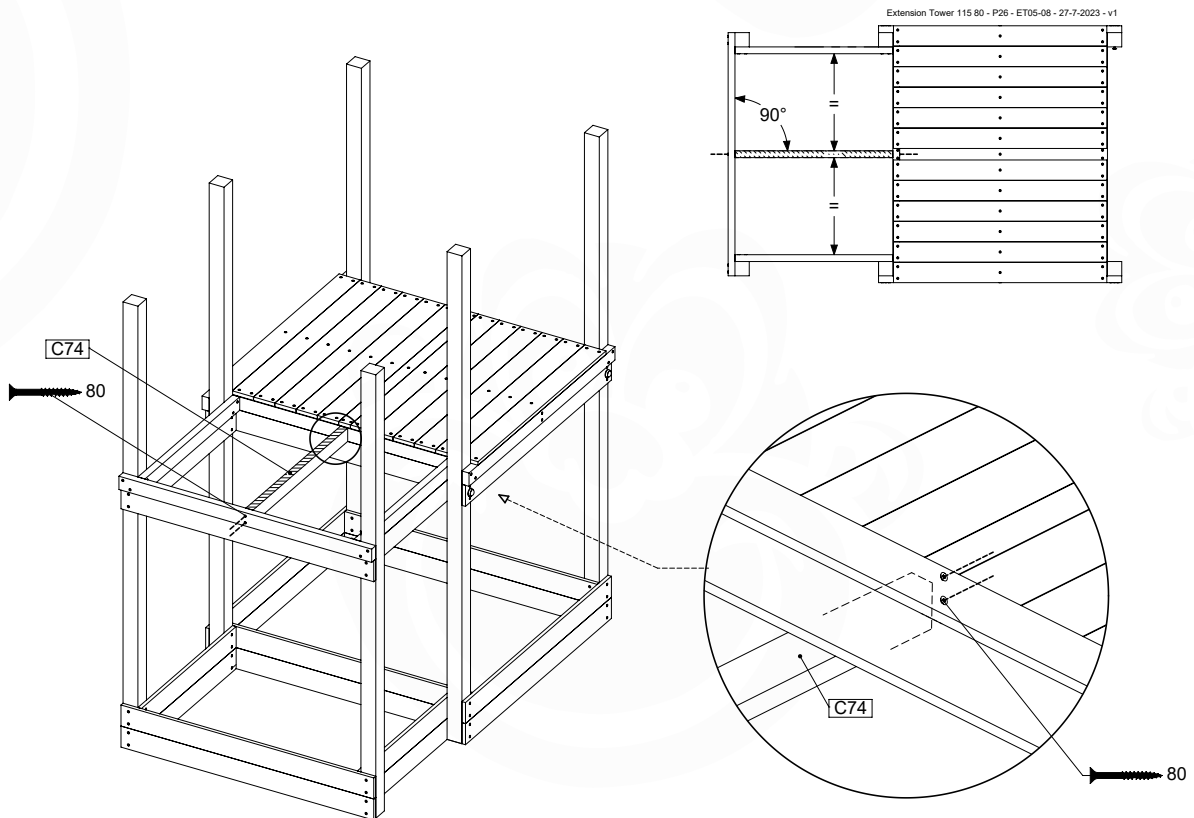
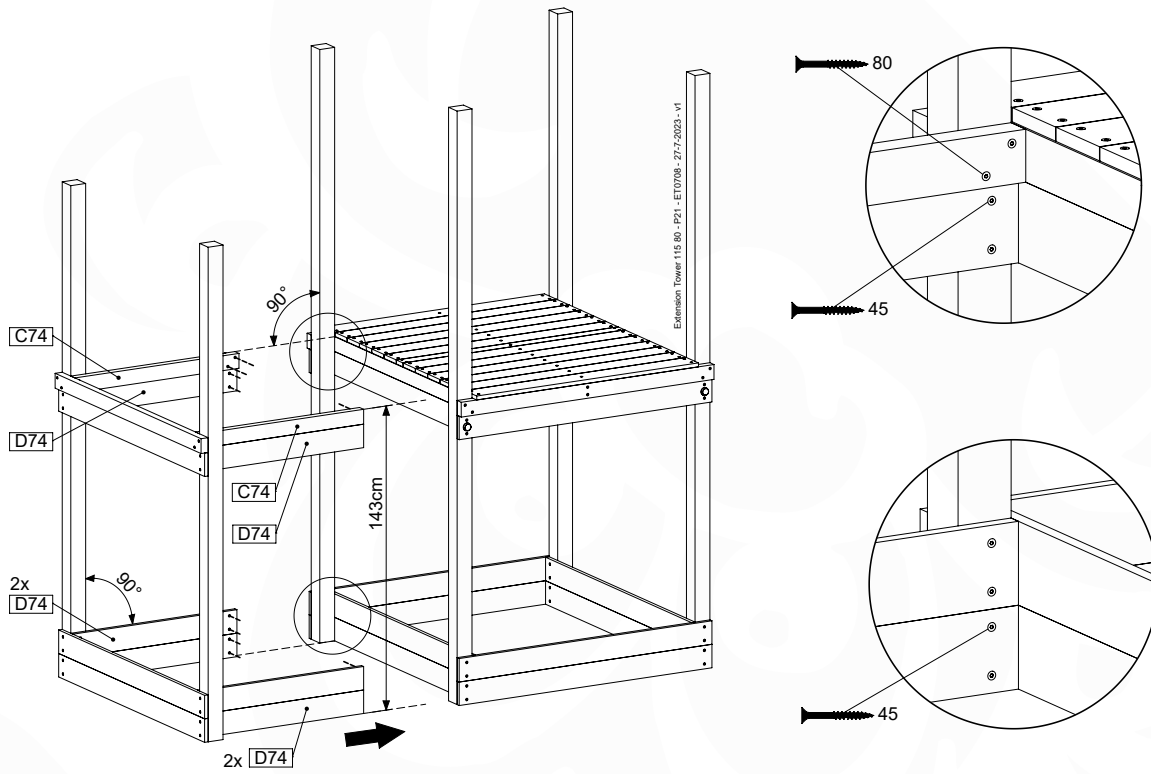
( 194\_300 )

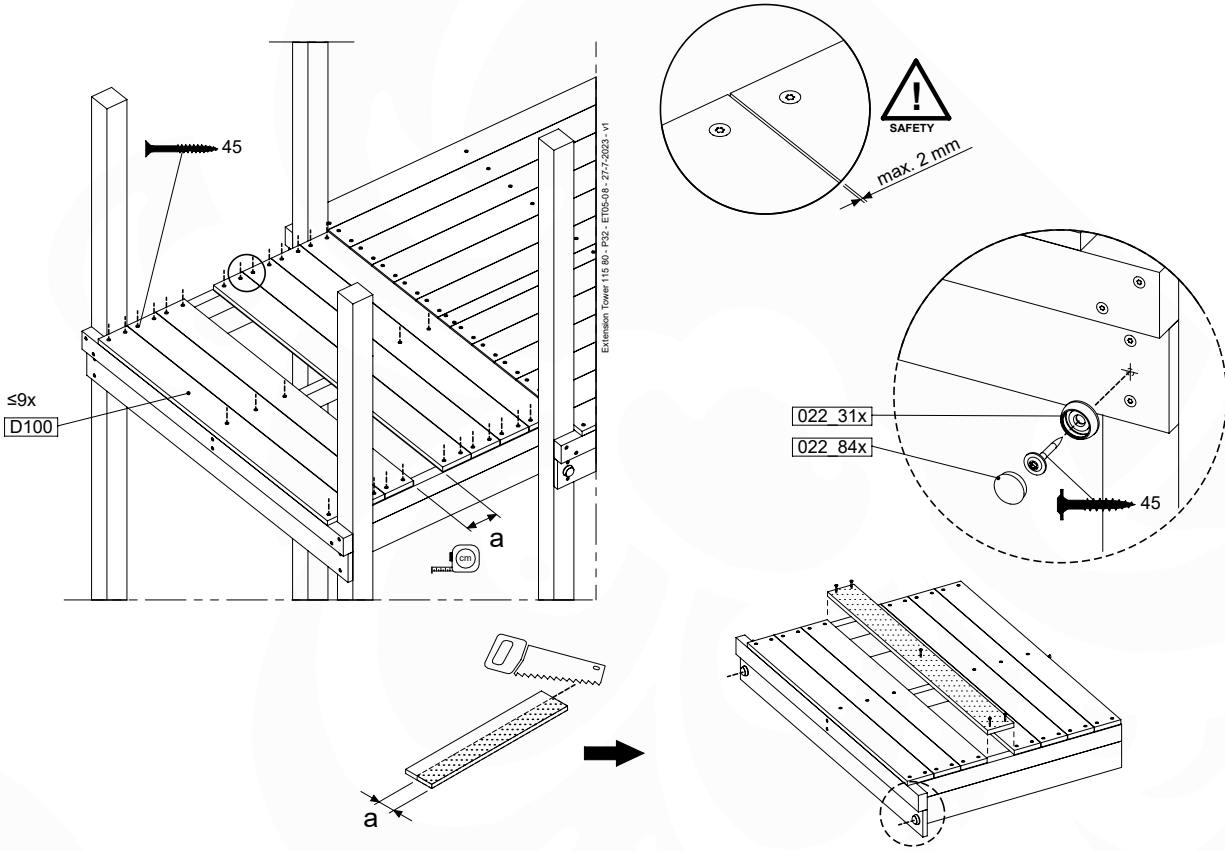
	PartNo	PartName	QTY.
Hardware pack	001_406	Stealth Screw 8x45	4
	001_417	Stealth Screw 8x80	2
	002_220	Gap Point Screw T25 - 5x45	81
	002_223	Gap Point Screw T25 - 5x80	16
Other	007_001	Ground-anchor	2
	022_31x	bpc-base version 3	4
	022_84x	bpc cover	4
Timber	A220	Post 70x70 L2200	2
	C74	Beam 740 mm	3
	C114	Beam 1140 mm	1
	D74	Board 740 mm	6
	D100	Board 1000 mm	9
	D114	Board 1140 mm	3

Extension Tower 11580 - P04 - ET07 - Z7-Z-2023 - v1



9.1



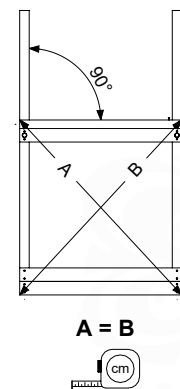
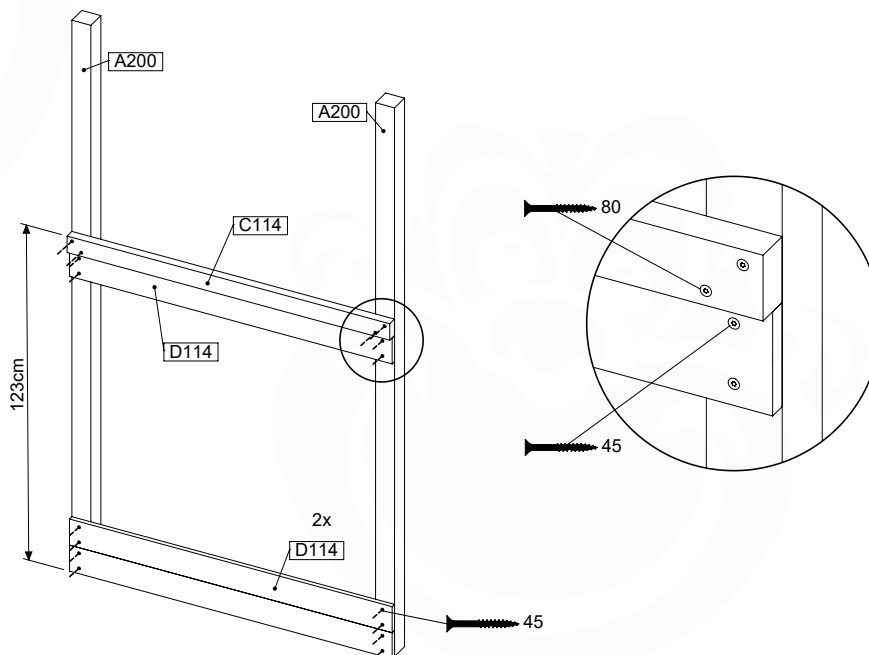
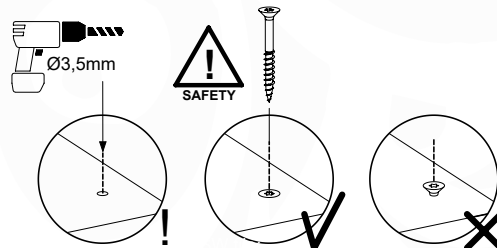
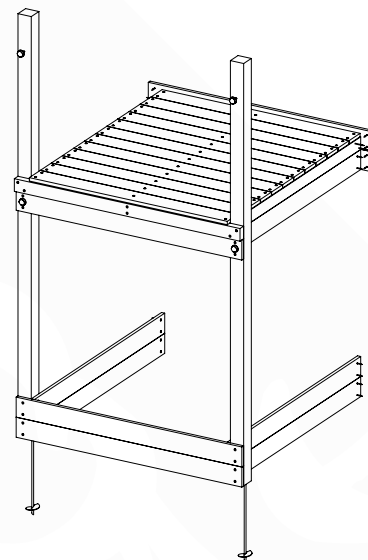


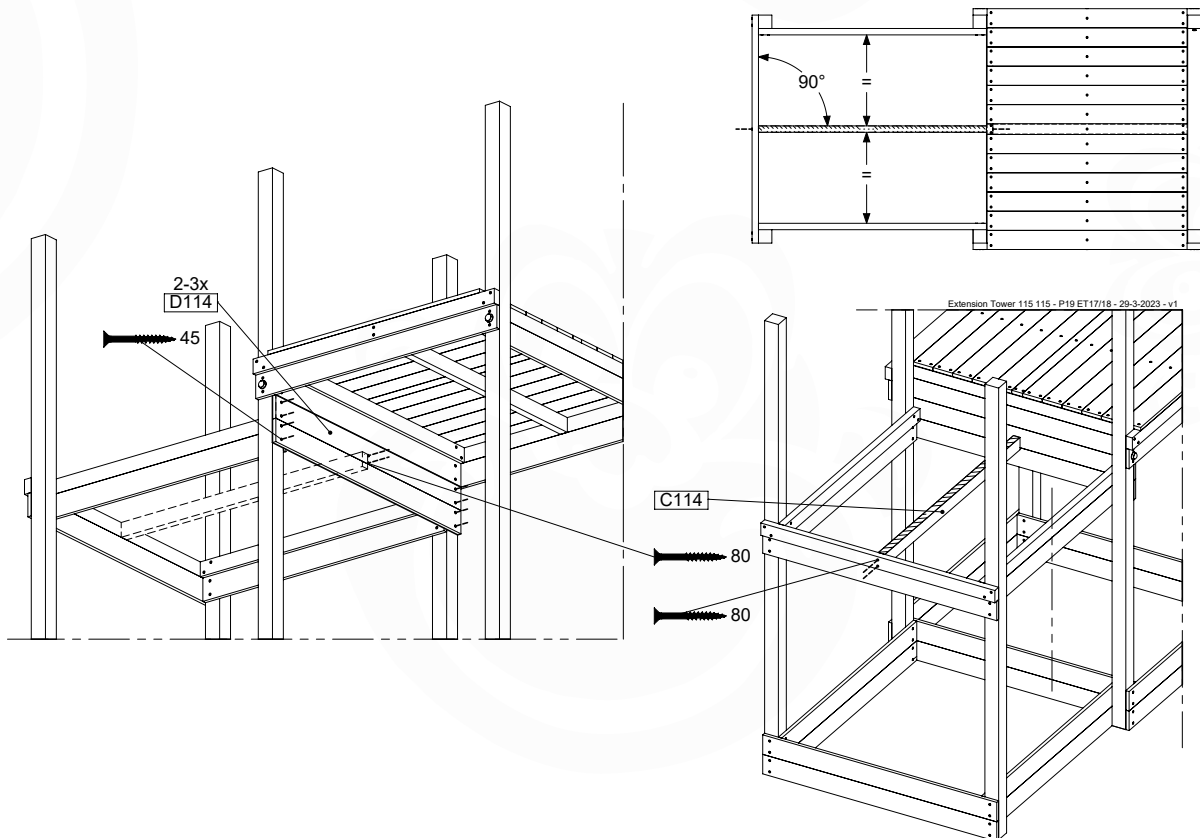
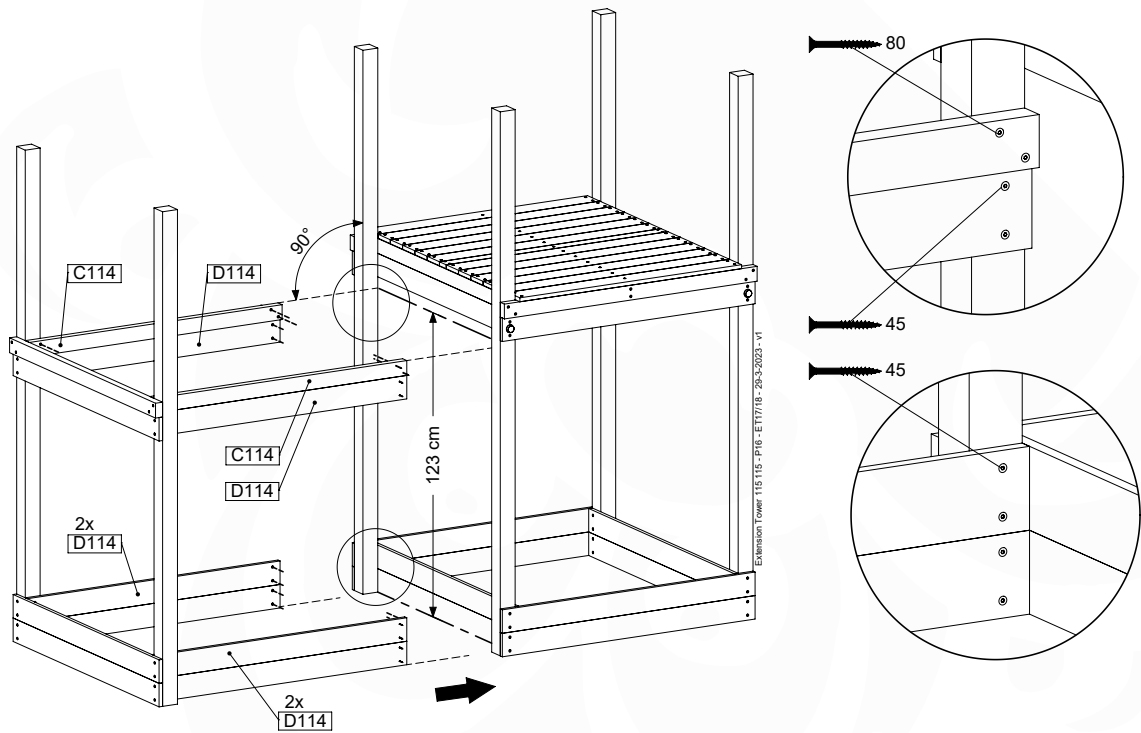
# 10 ET17a: Extension Tower 115 200/125

( 194\_300 )

	PartNo	PartName	QTY.
Hardware pack	001_406	Stealth Screw 8x45	4
	001_417	Stealth Screw 8x80	2
	002_220	Gap Point Screw T25 - 5x45	118
	002_223	Gap Point Screw T25 - 5x80	16
Other	007_001	Ground-anchor	2
	022_31x	bpc-base version 3	4
	022_84x	bpc cover	4
Timber	A200	Post 70x70 L2000	2
	C114	Beam 1140 mm	4
	D100	Board 1000 mm	14
	D114	Board 1140 mm	12

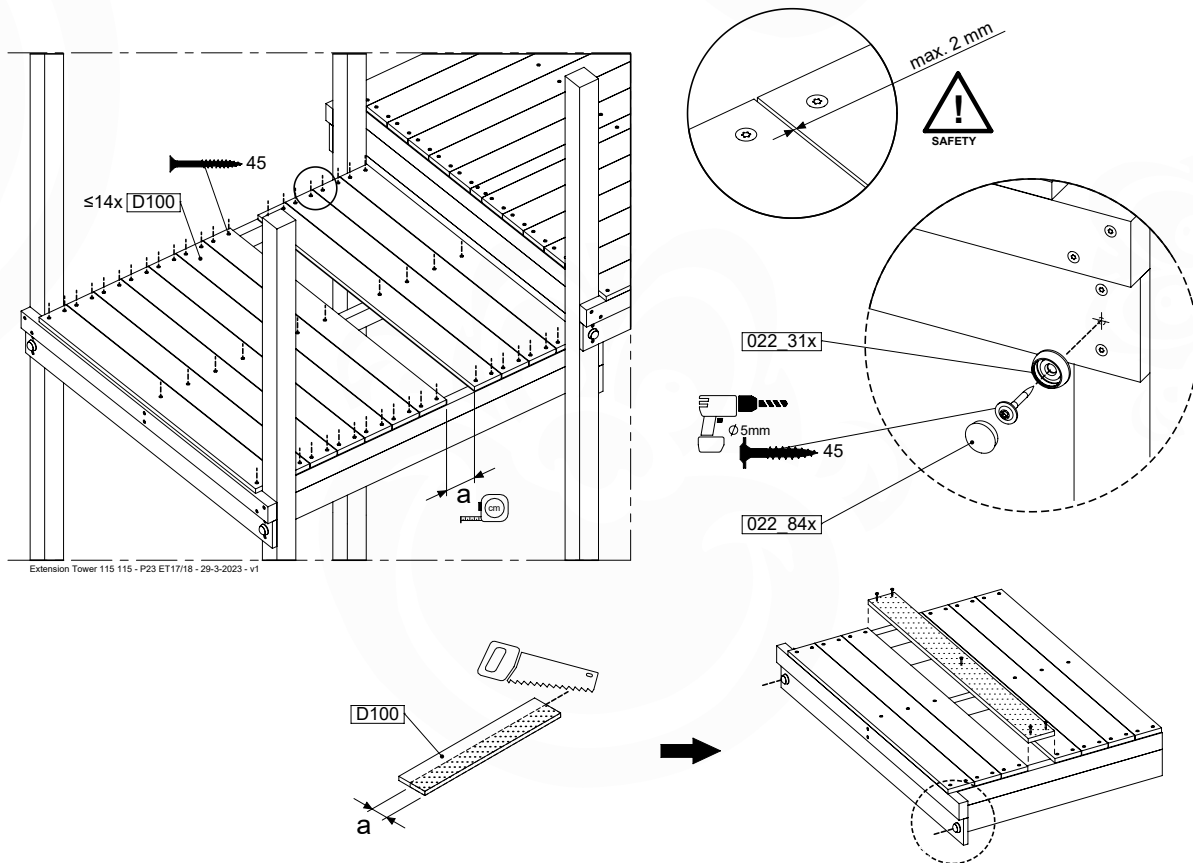
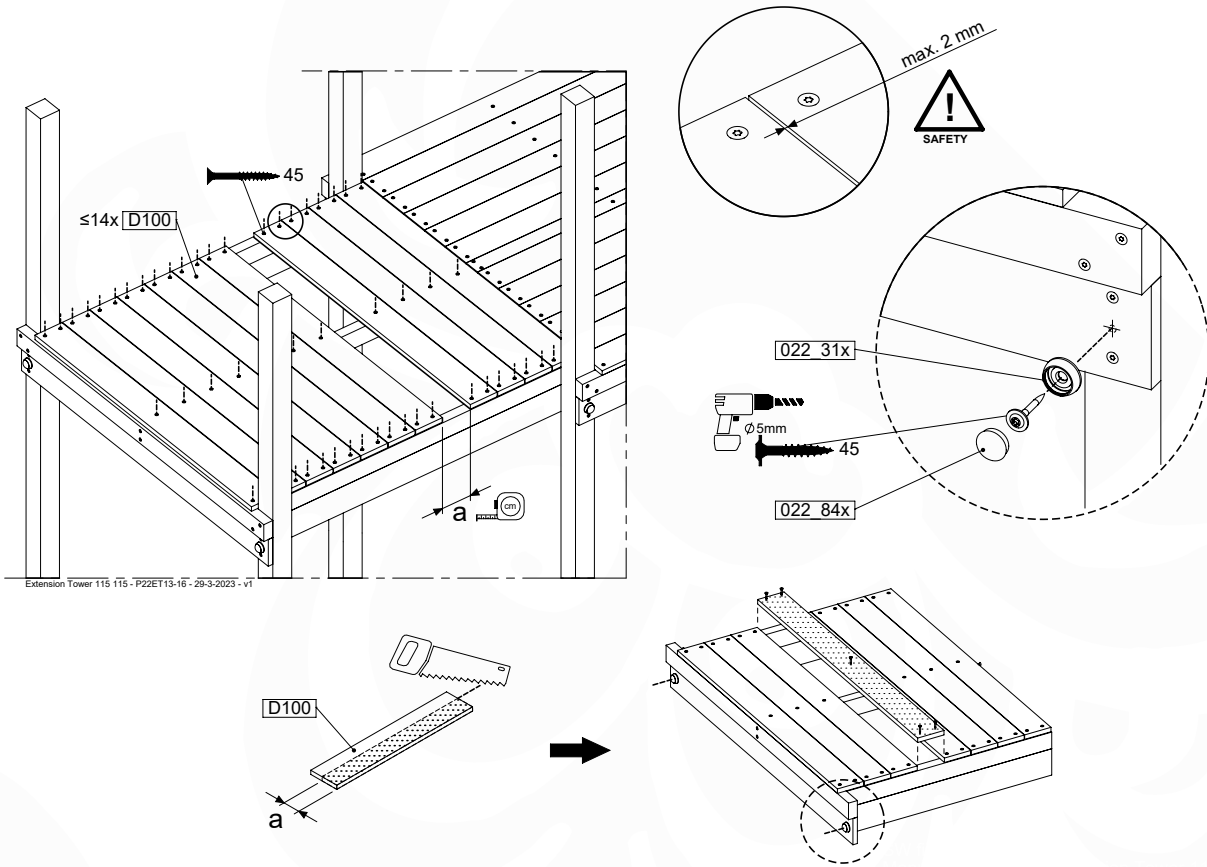
Extension Tower 115 115- P10 - ET17 - 20-3-2023 - v1







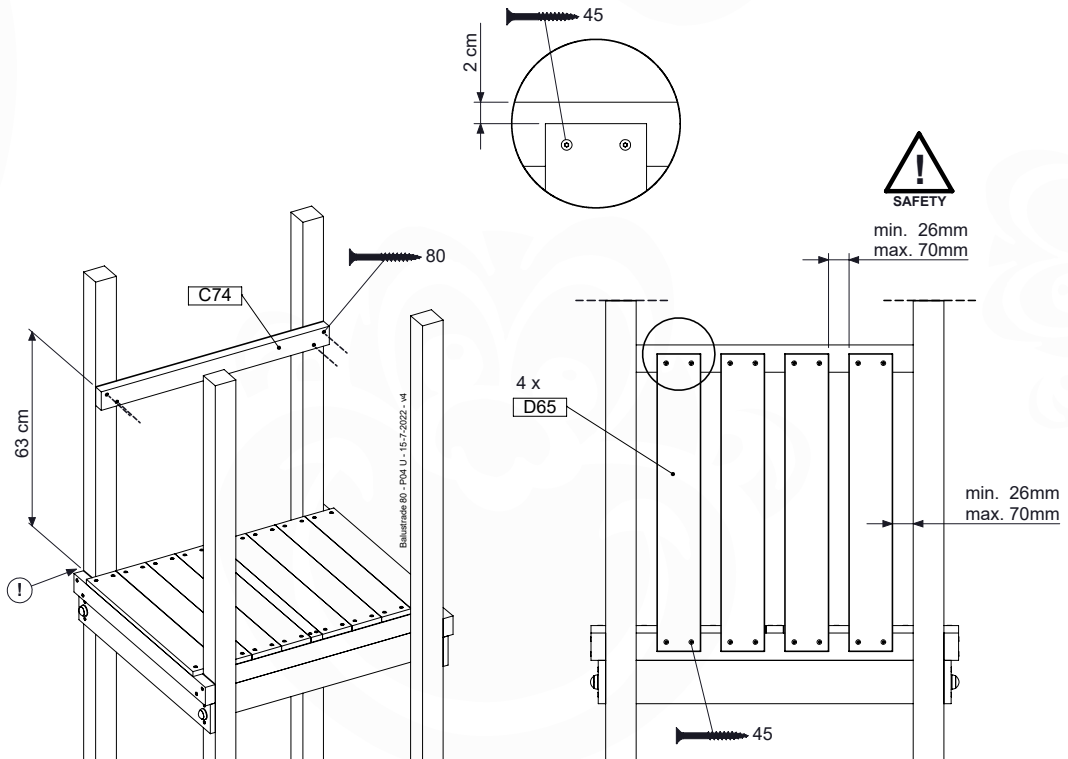
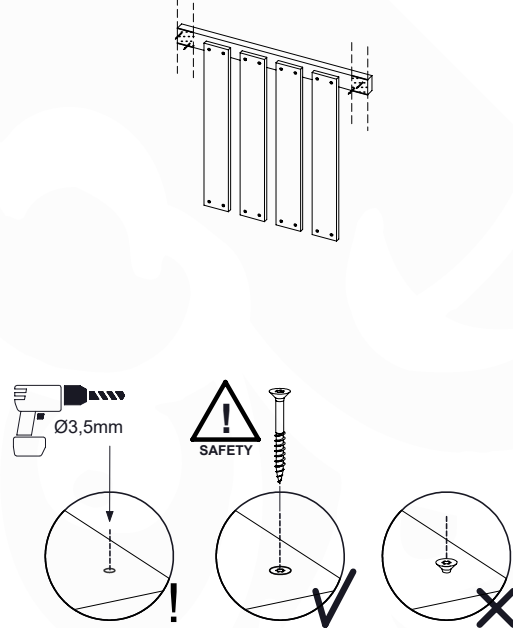
# 10.2



# 11 BL01a: Balustrade 80 U - 7x7 posts

(194\_101)

	PartNo	PartName	QTY.
Hardware Pack	002_220	Gap Point Screw T25 - 5x45	16
	100_601	002_223	Gap Point Screw T25 - 5x80
Timber	C74	Beam 740 mm	1
	D65	Board 650 mm	4

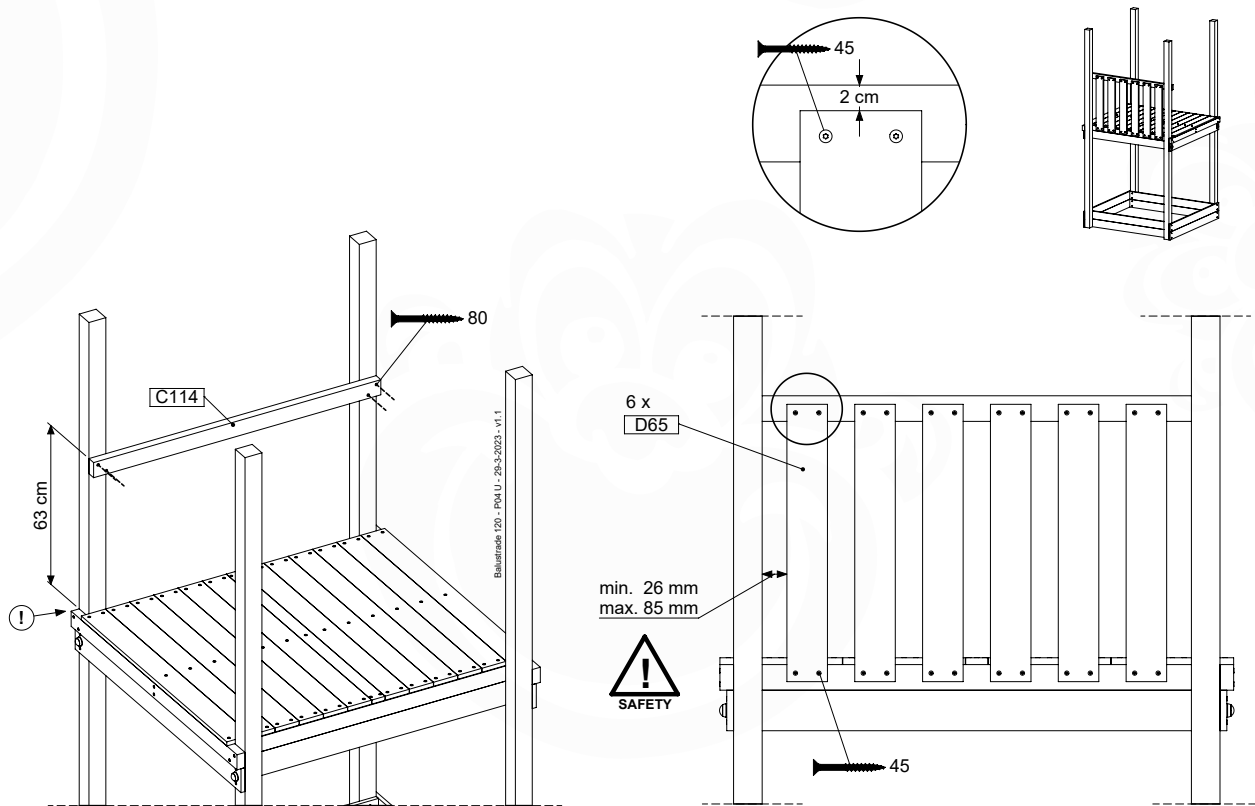
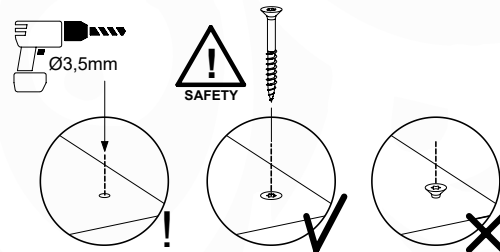
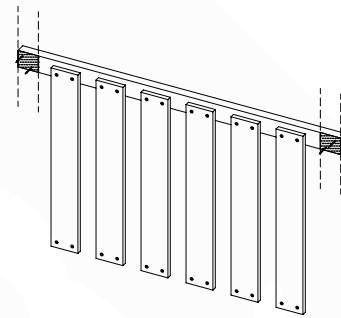


# 12 BL03a: Balustrade 115 U

( 194\_501 )

	PartNo	PartName	QTY.
Hardware Pack	002_220	Gap Point Screw T25 - 5x45	24
	002_223	Gap Point Screw T25 - 5x80	4
Timber	C114	Beam 1140 mm	1
	D65	Board 650 mm	6

Balustrade 120 - POC U - 29-3-2023 - v1.1

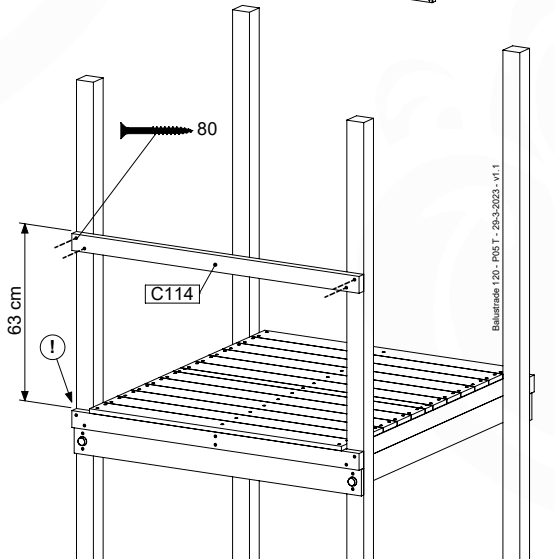
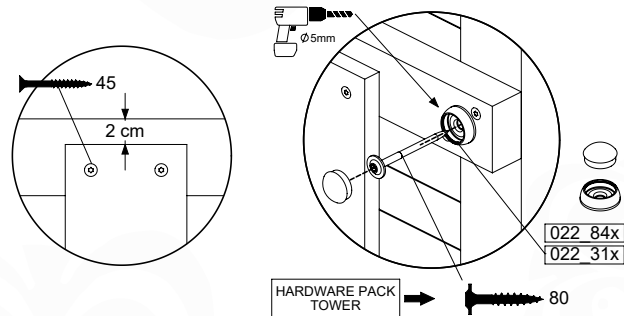
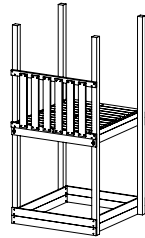
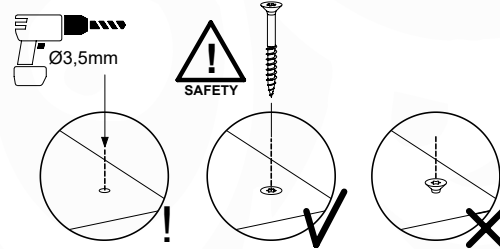
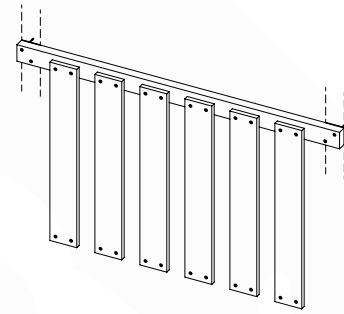


# 13 BL04a: Balustrade 115 T

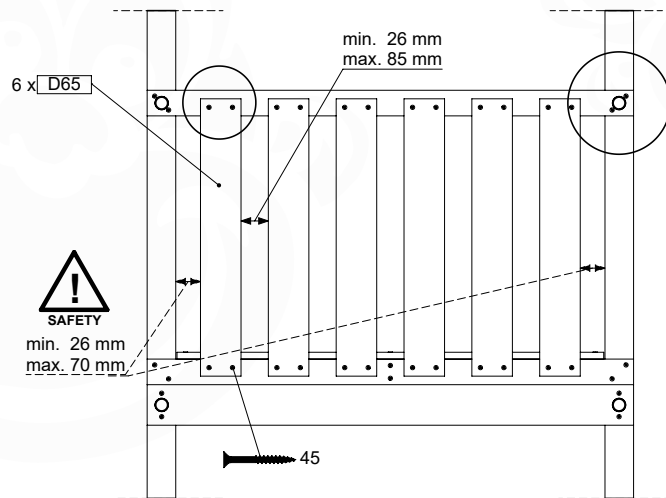
( 194\_501 )

	PartNo	PartName	QTY.
Hardware Pack	002_220	Gap Point Screw T25 - 5x45	24
	002_223	Gap Point Screw T25 - 5x80	4
Timber	C114	Beam 1140 mm	1
	D65	Board 650 mm	6

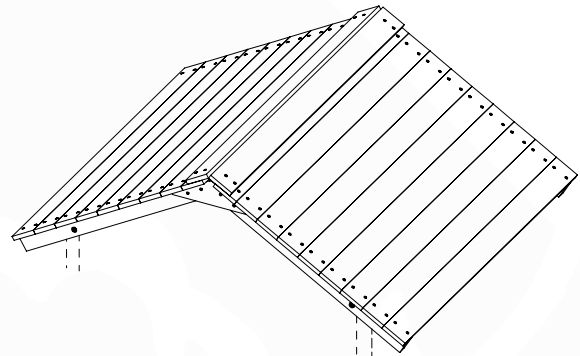
Balustrade 120 - P03 T - 29-3-2023 - v1.1



Balustrade 120 - P05 T - 29-3-2023 - v1.1



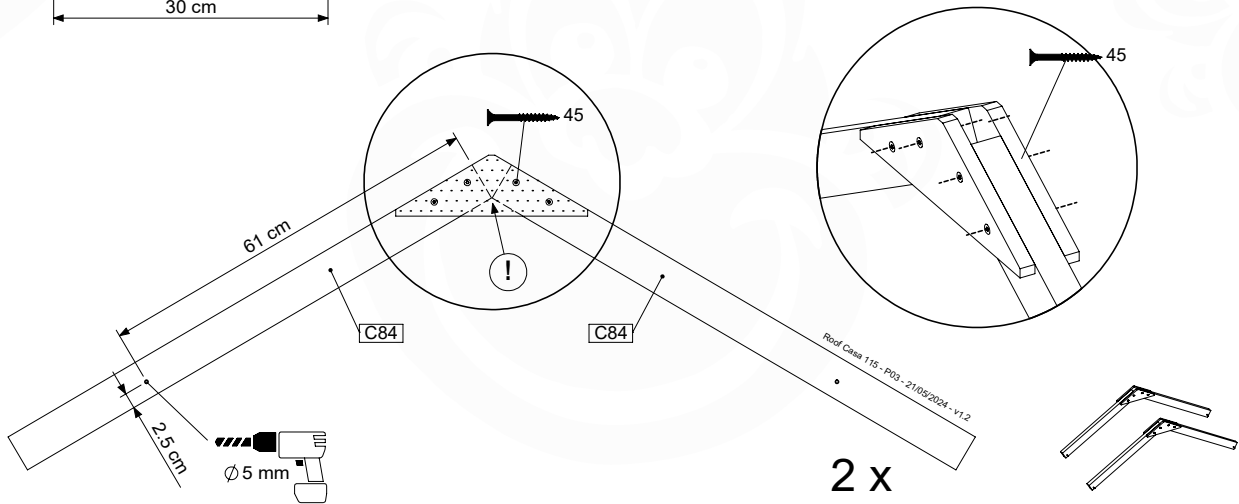
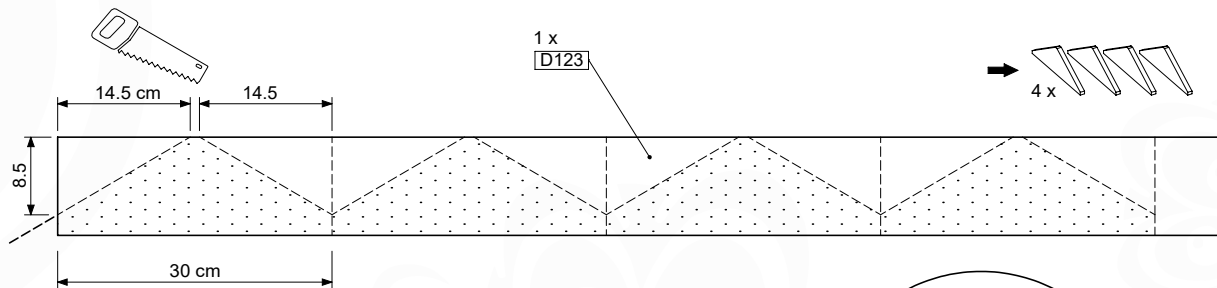
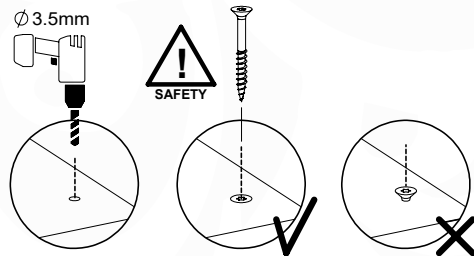
# 14 RF09a: Roof Timber Slope 115

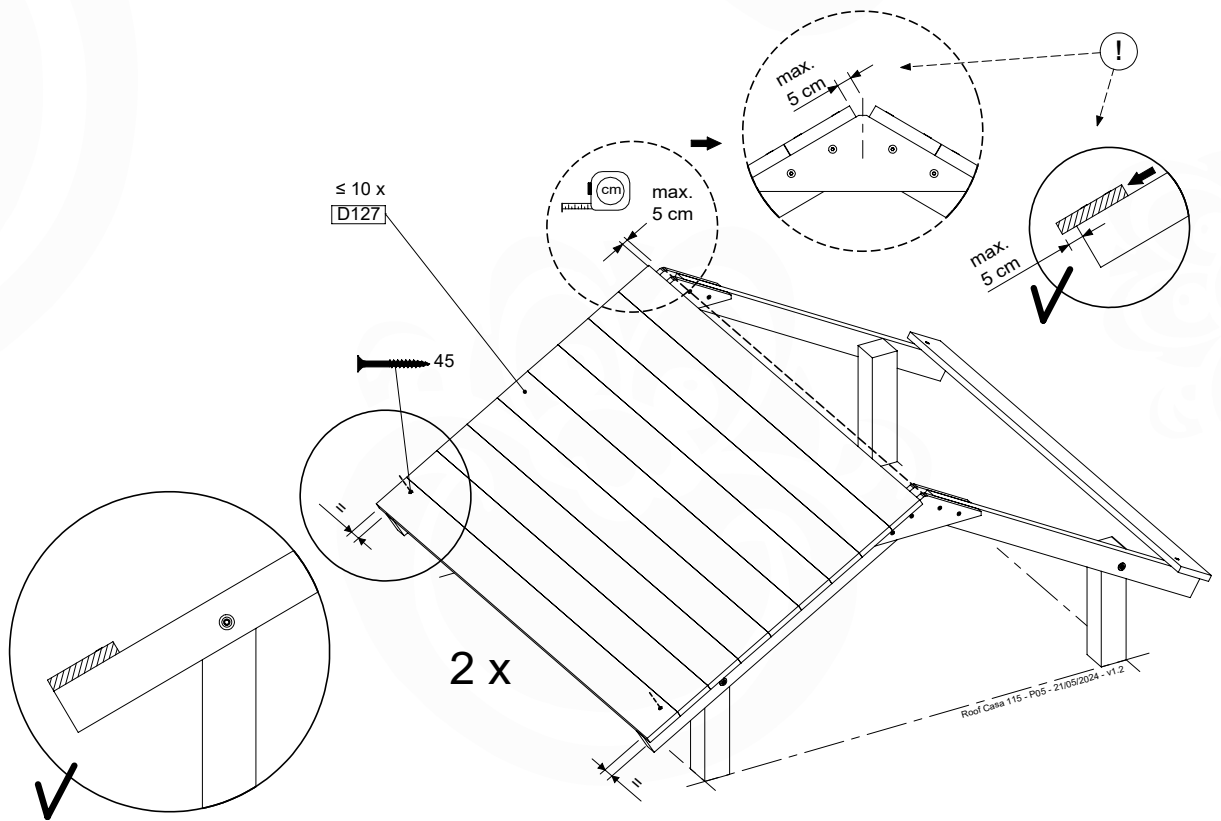
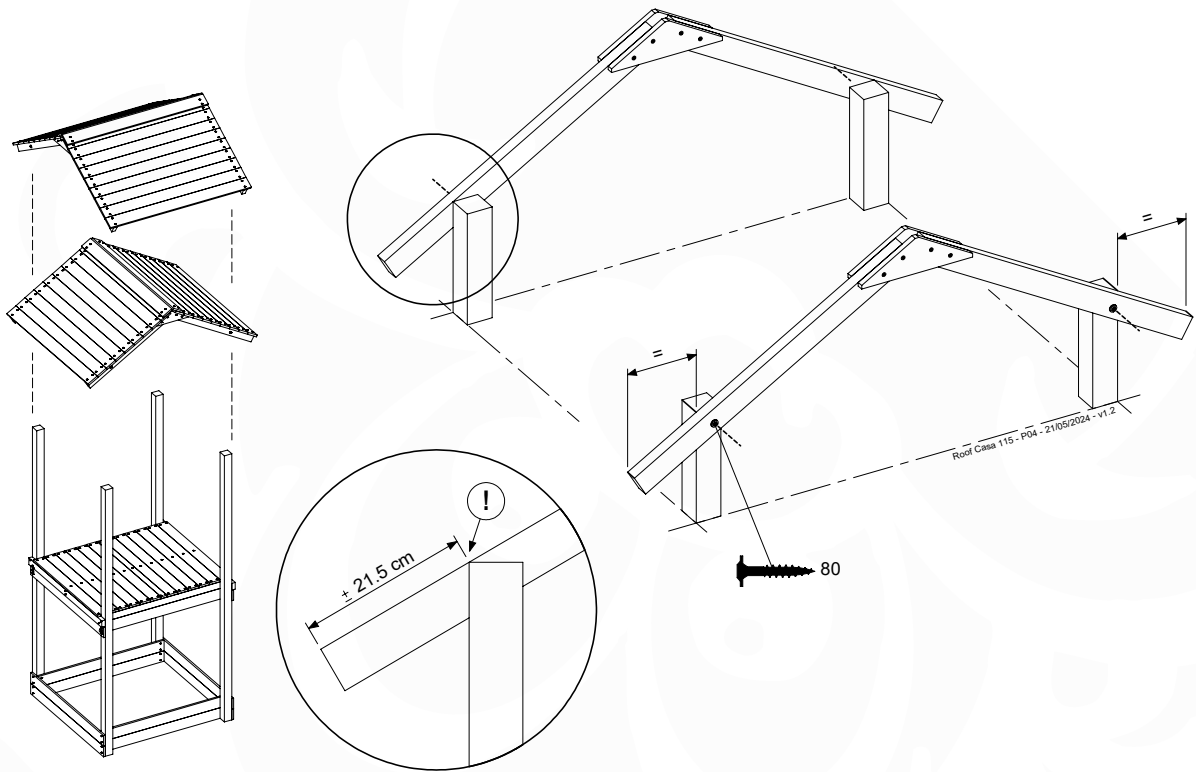


Assembly Pack: 194\_308 / 194\_804

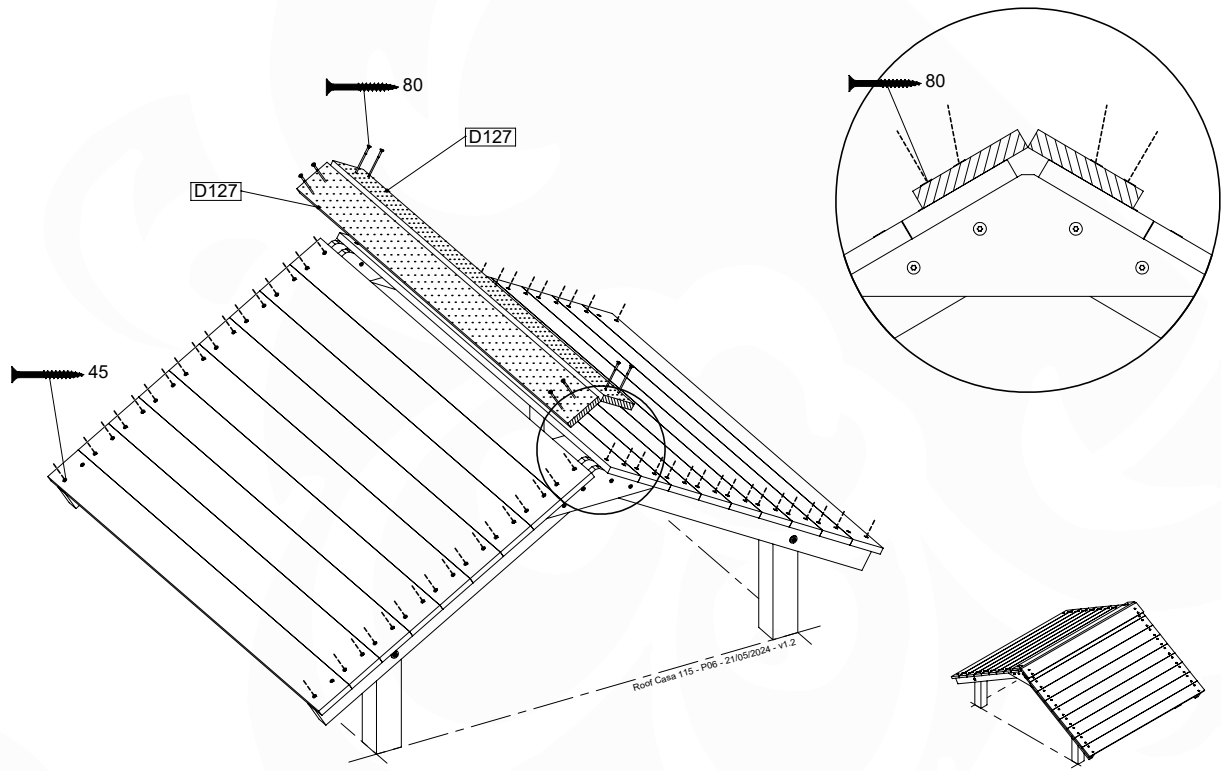
	PartNo	PartName	QTY.
Hardware Pack	001_417	Stealth Screw 8x80	4
	002_220	Gap Point Screw T25 - 5x45	96
	002_223	Gap Point Screw T25 - 5x80	8
Timber	C84	Beam 840 mm	4
	D127	Board 1270 mm	23

Roof Case 115 - P102 - 21052024 - v1.2





14.2

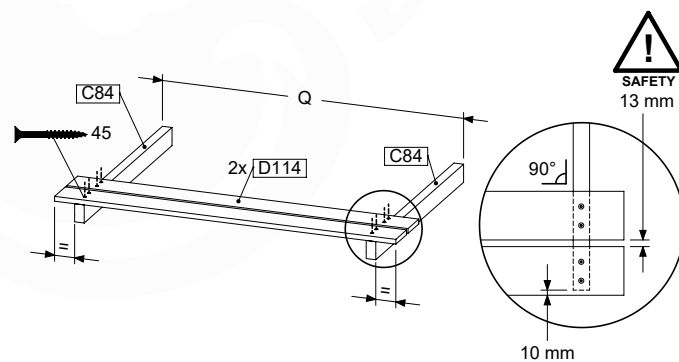
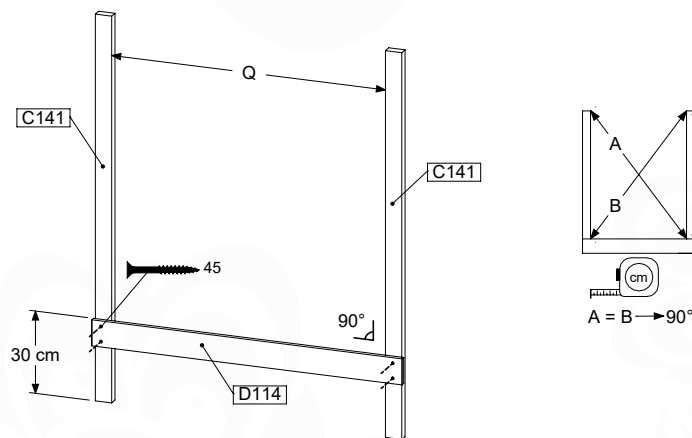
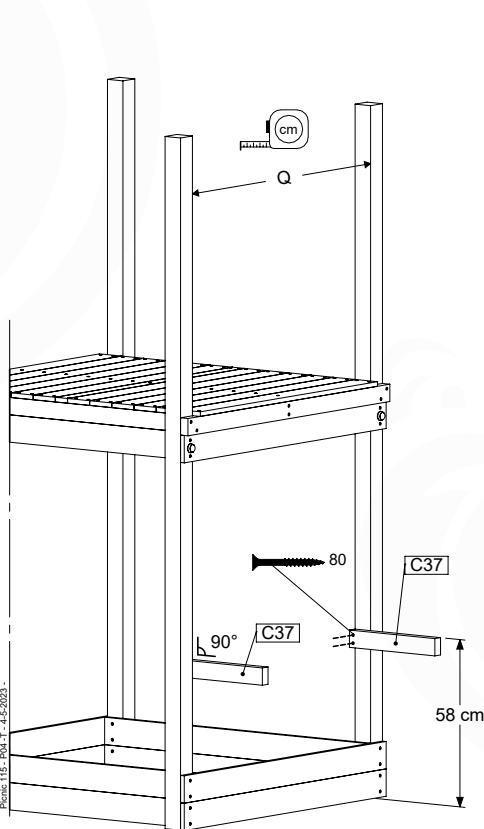
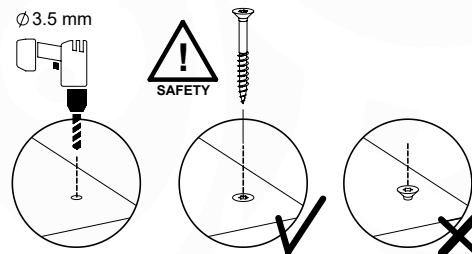
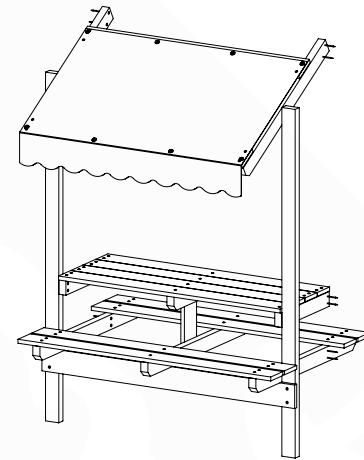


# 15 PC06a: Picnic 115 T

( 194\_810 )

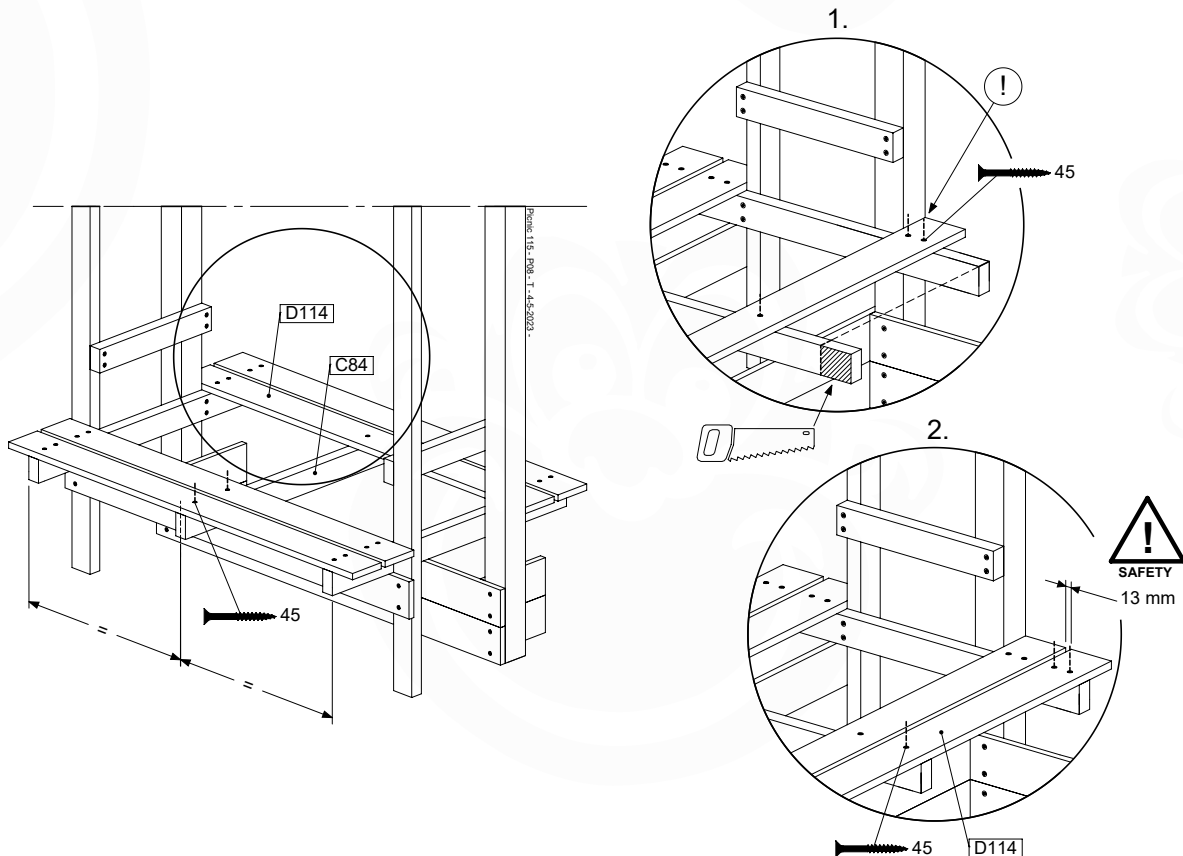
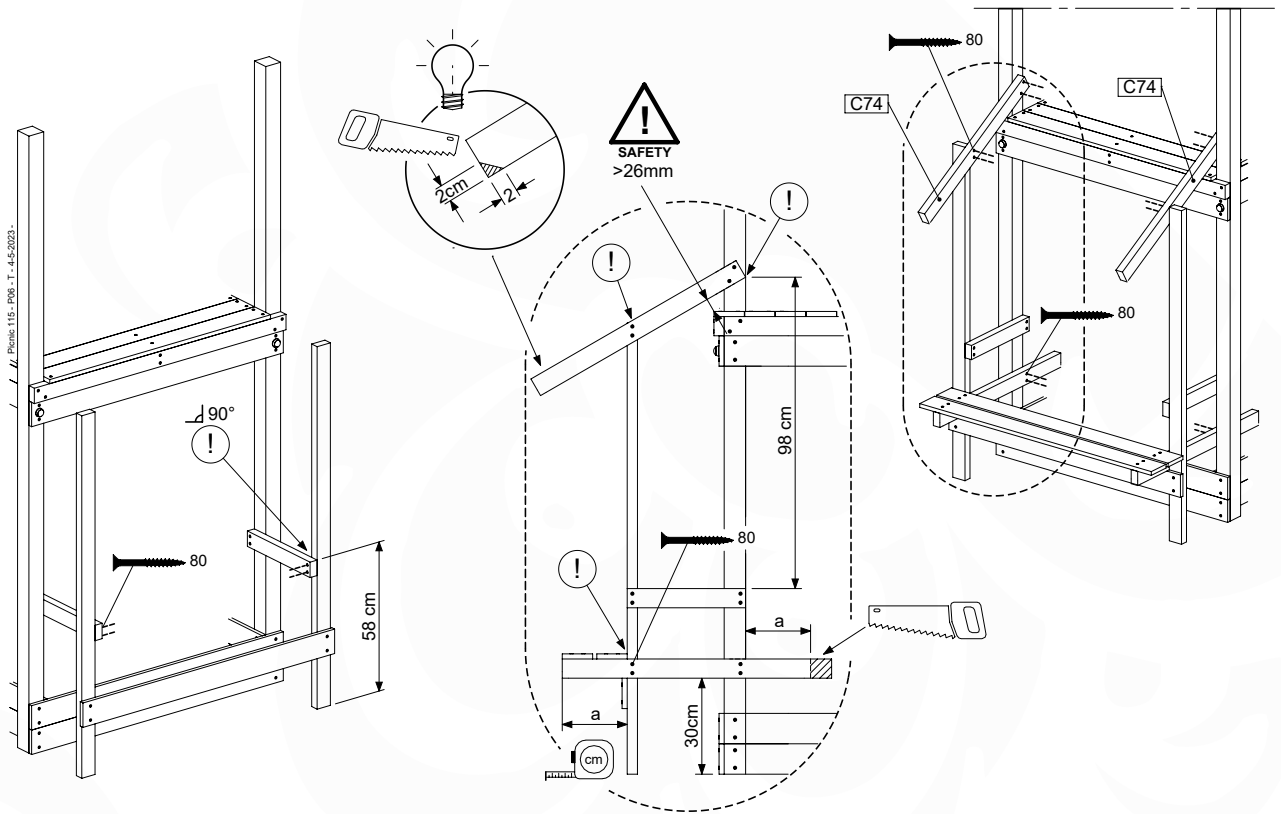
	PartNo	PartName	QTY.
Hardware Pack	002_220	Gap Point Screw T25 - 5x45	56
	002_223	Gap Point Screw T25 - 5x80	24
	002_308	Gap Point Screw T25 - 5x20	8
	023_031	Finishing Washer GPS 5.0	8
Other	123_220	Canvas sheet 735x1365mm	1
Timber	C37	Beam 370 mm	3
	C74	Beam 740 mm	2
	C84	Beam 840 mm	3
	C141	Beam 1410 mm	2
	D47	Board 470 mm	1
	D100	Board 1000 mm	6
	D114	Board 1140 mm	5

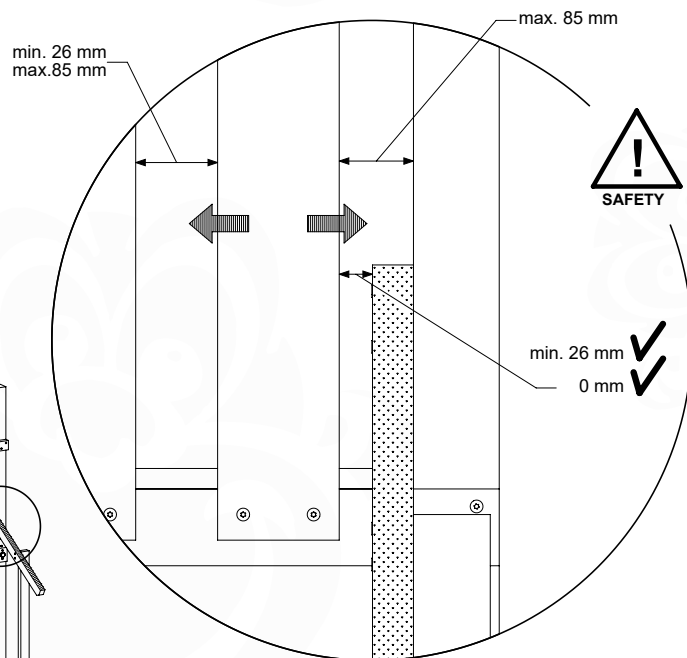
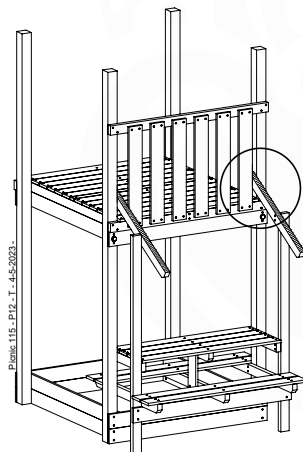
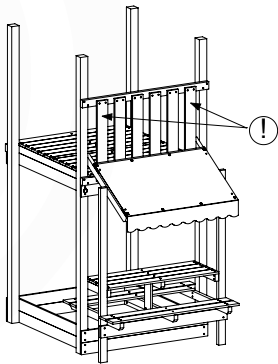
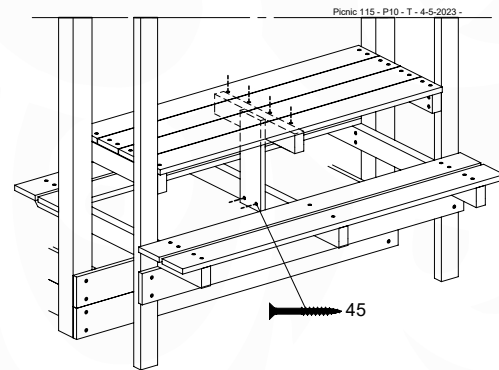
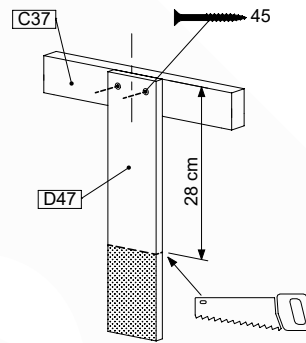
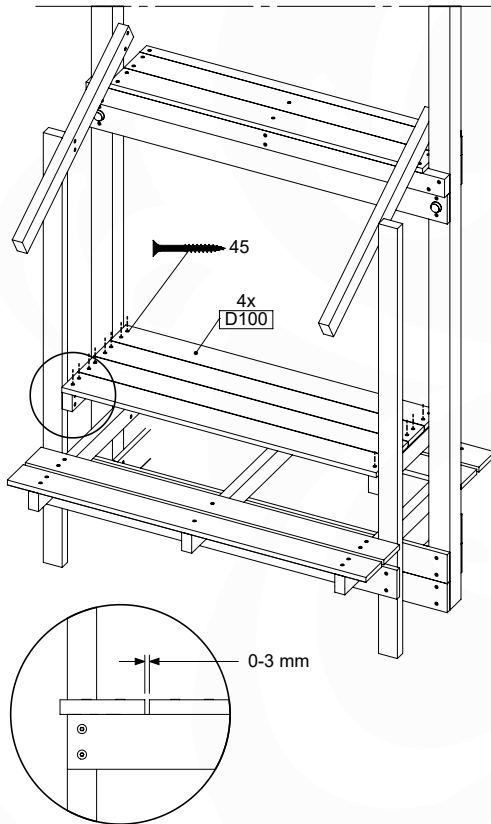
Picnic 115 - P02 - LUT - 4-5-2023

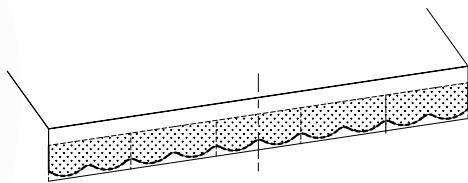
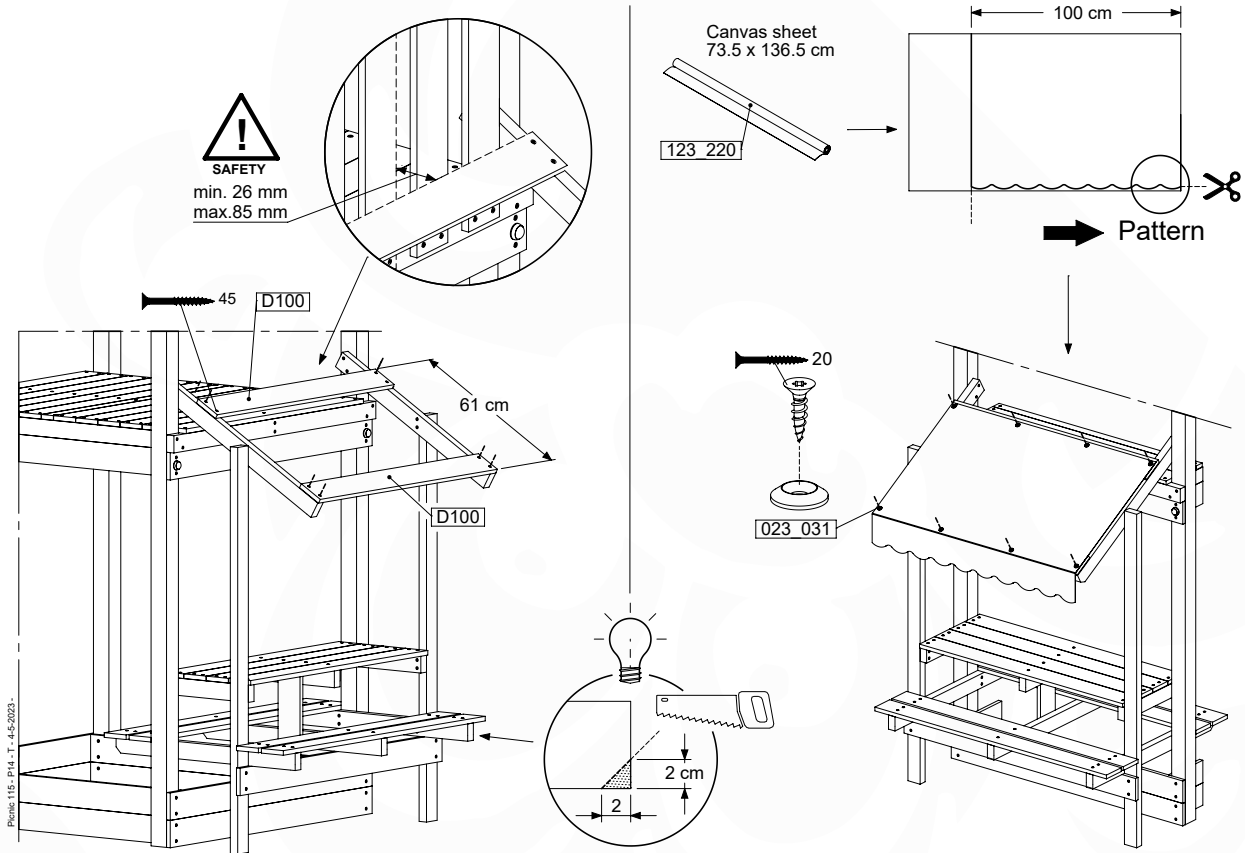




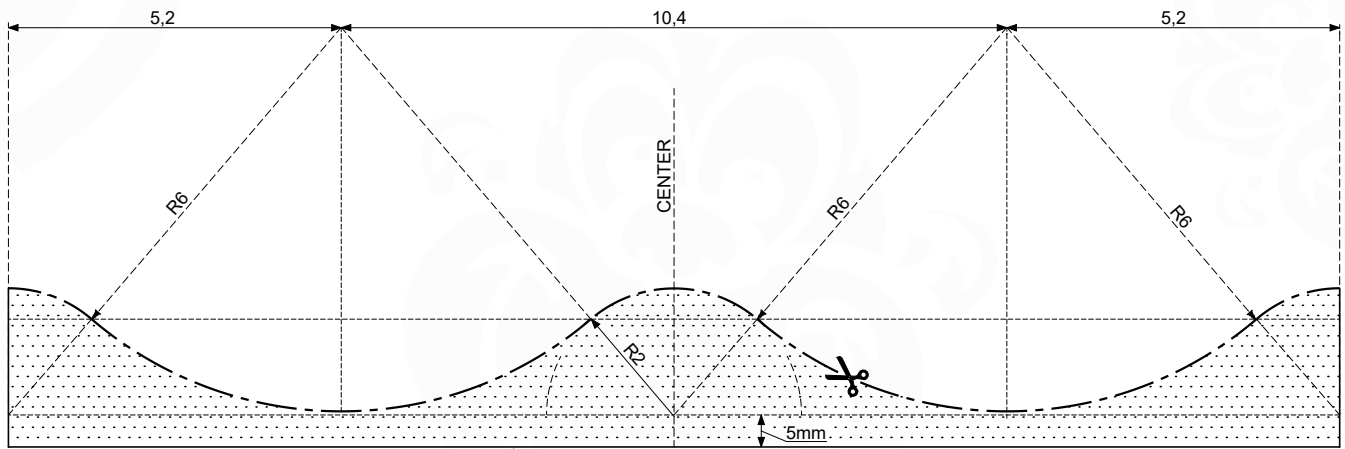
# 15.1







EXAMPLE PATTERN  
 BEISPIELVORLAGE FÜR MARKISE  
 SCHÉMA SUGGÉRÉ DE DÉCOUPE POUR AUVENT  
 VOORBEELDSJABLOON LUIFEL



← repeat

repeat →

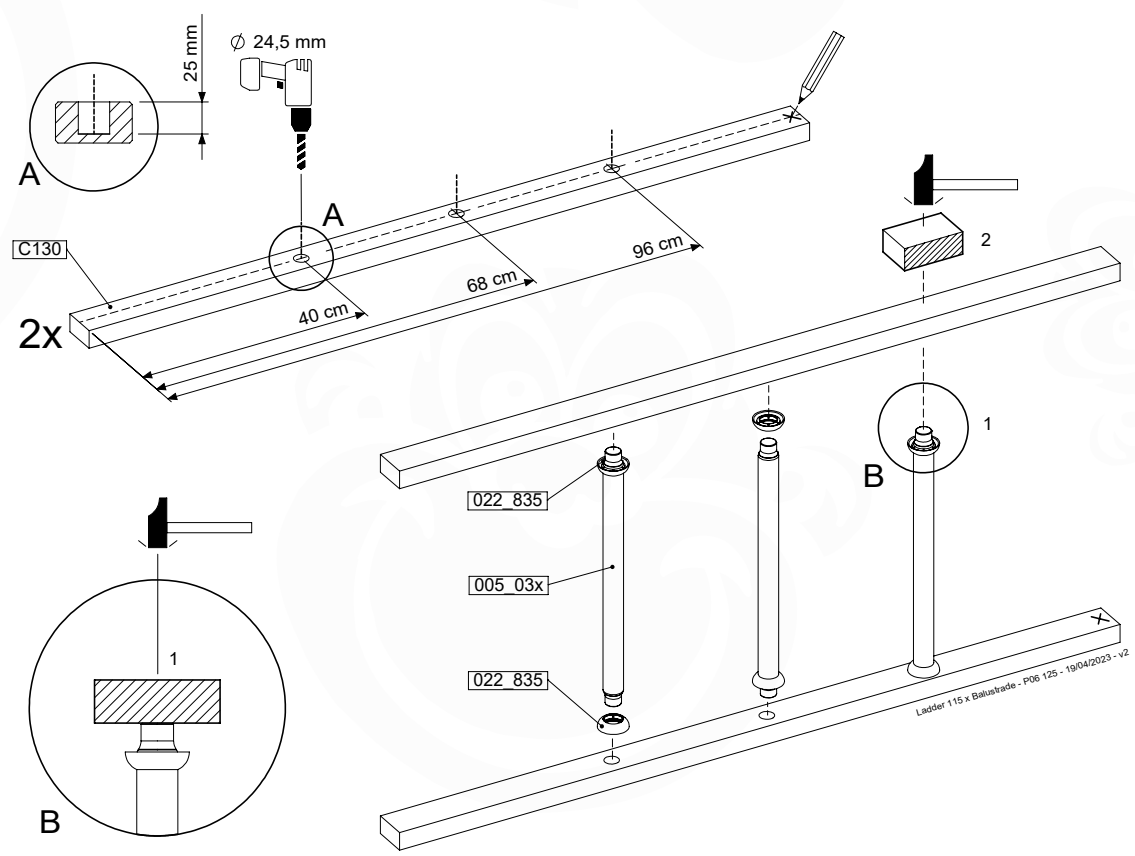
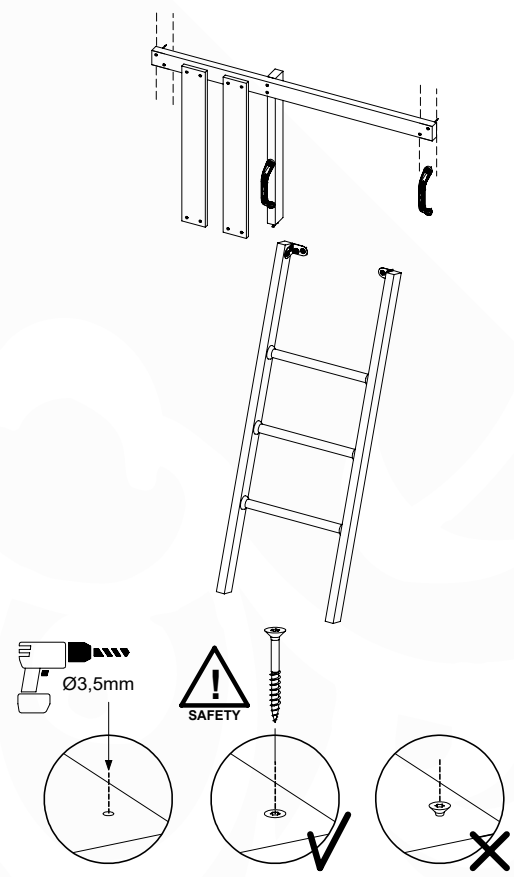
! Scale of print may not be accurate.  
 Druckformat kann abweichen.  
 Les tailles imprimées peuvent varier.  
 Printformaat kan afwijken.

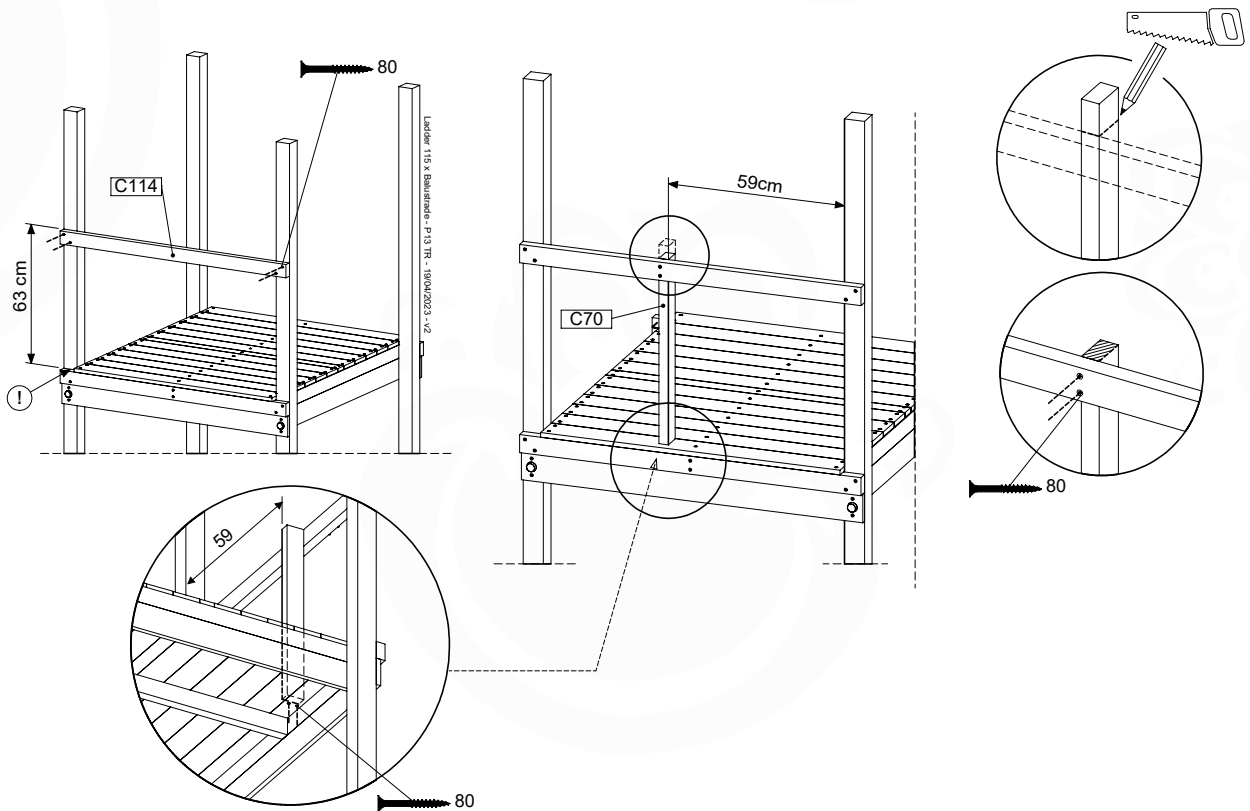
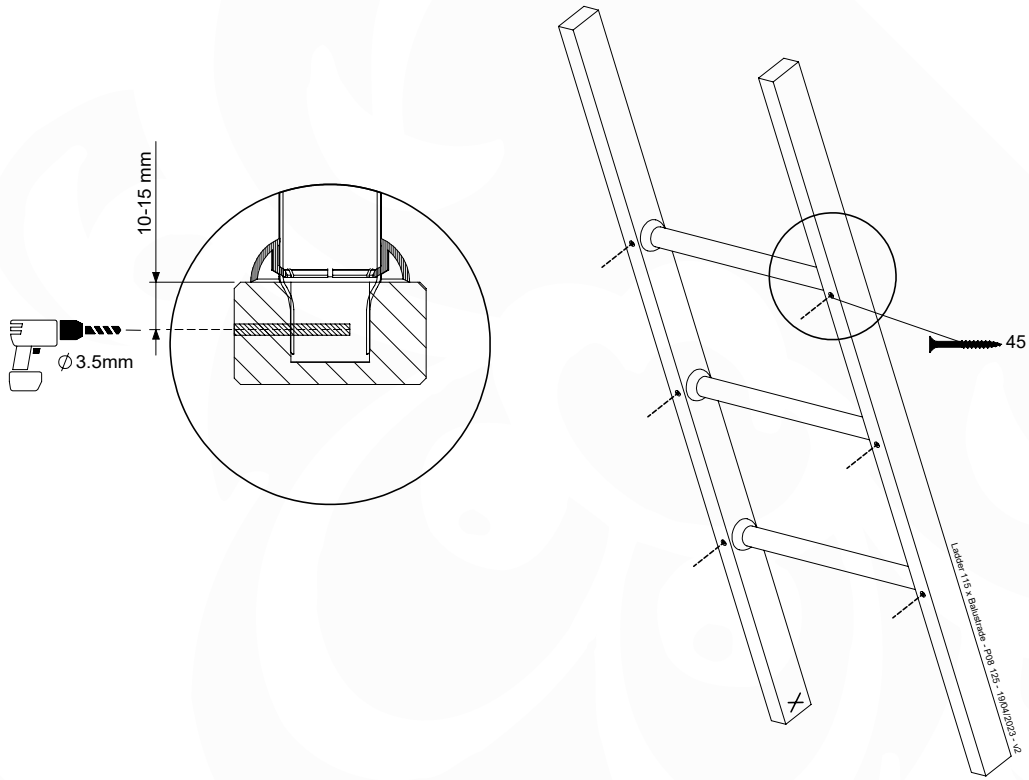
# 16 LA14a: Ladder 115 125 T Right

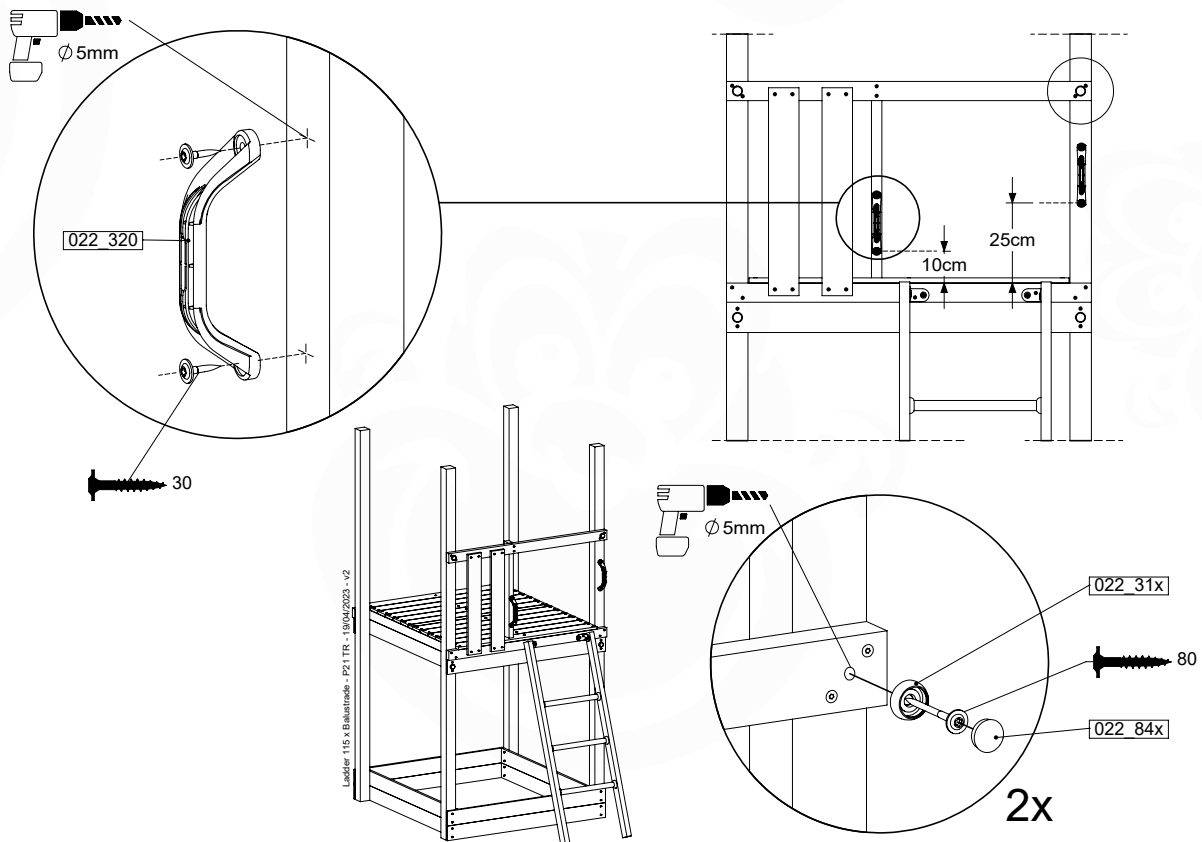
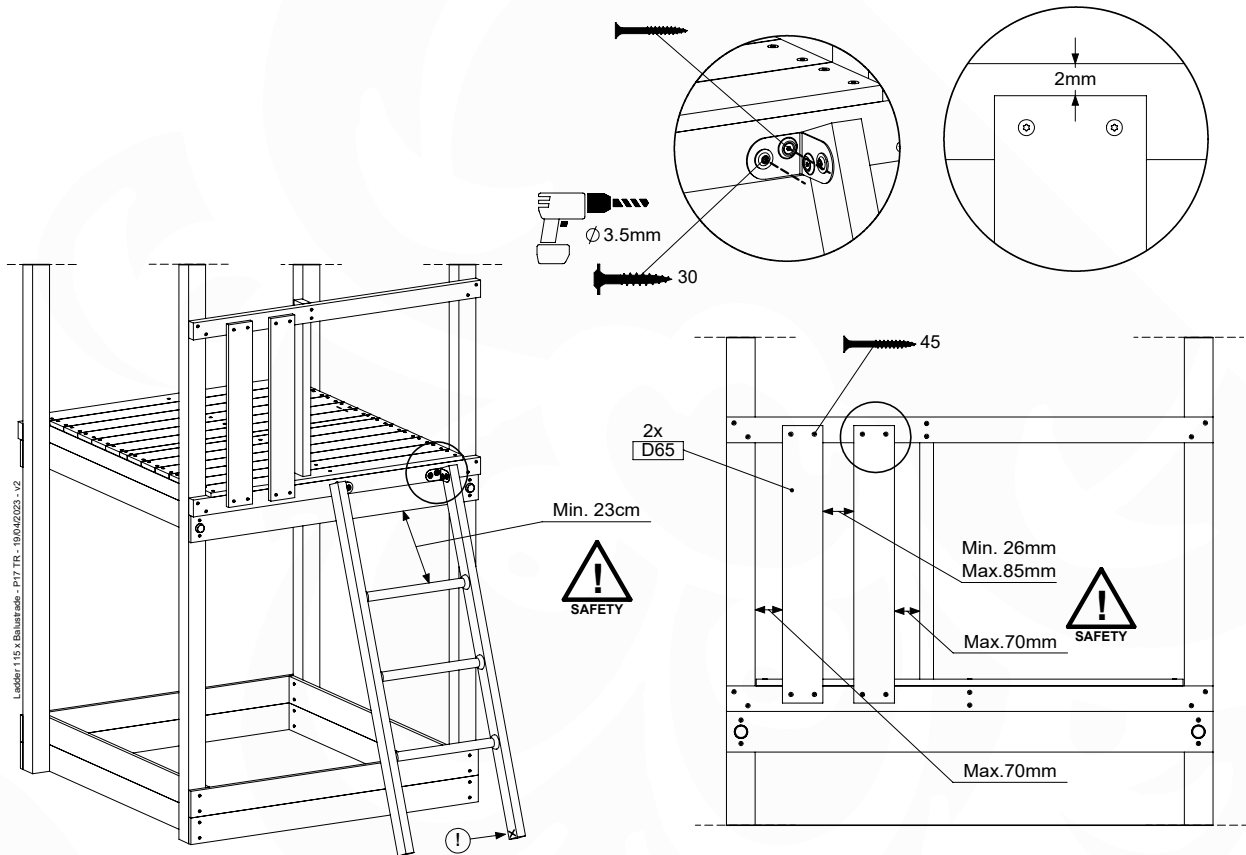
( 194\_003 + 194\_101 )

	PartNo	PartName	QTY.
Hardware Pack	001_404	Stealth Screw 8x30	4
	002_219	Gap Point Screw T25 - 5x30	4
	002_220	Gap Point Screw T25 - 5x45	14
	002_223	Gap Point Screw T25 - 5x80	8
Other	005_03x	Ladder Rung Y/B/G/R	3
	005_522	Connection Bracket Mini Market	2
	022_835	Rung Cap	6
	120_102	Handgrip set (complete 2x)	1
Timber	C114	Beam 1140 mm	1
	C130	Beam 1300 mm	2
	C70	Beam 700 mm	1
	D65	Board 650 mm	2

Ladder 115 x Balustrade - P05 TR125 - 19/04/2023 - v2





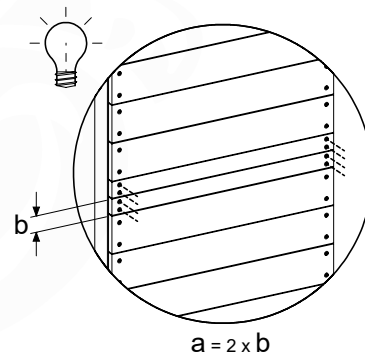
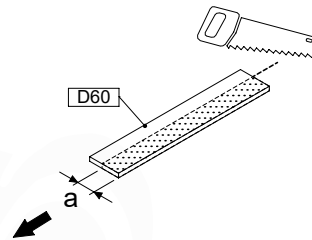
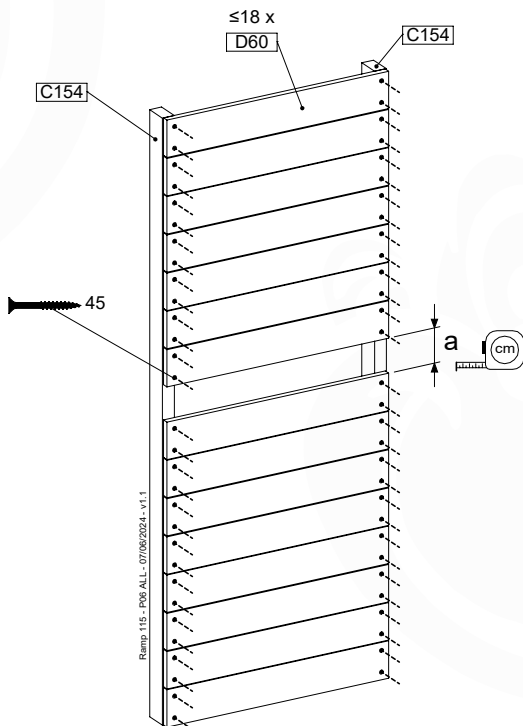
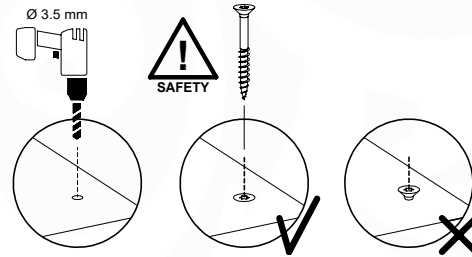
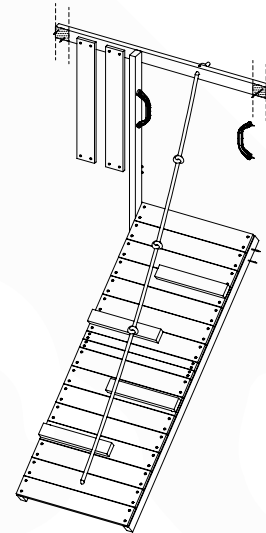


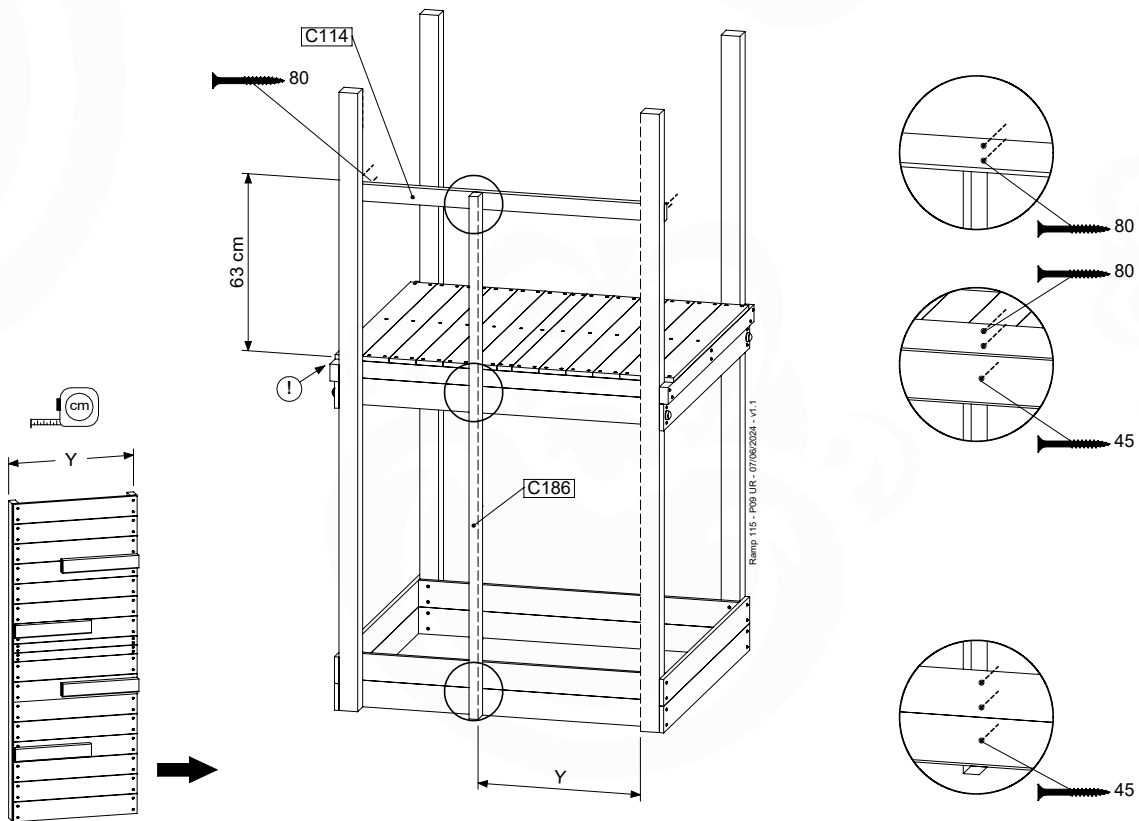
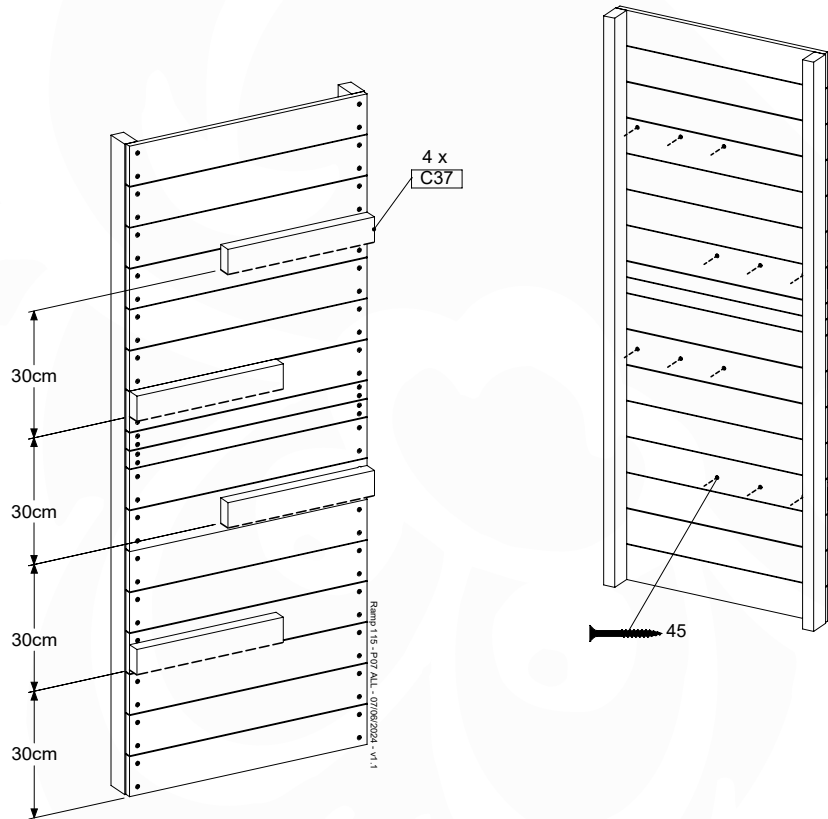
# 17 RA06a: Ramp 115 125 UR

Assembly Pack: 194\_008

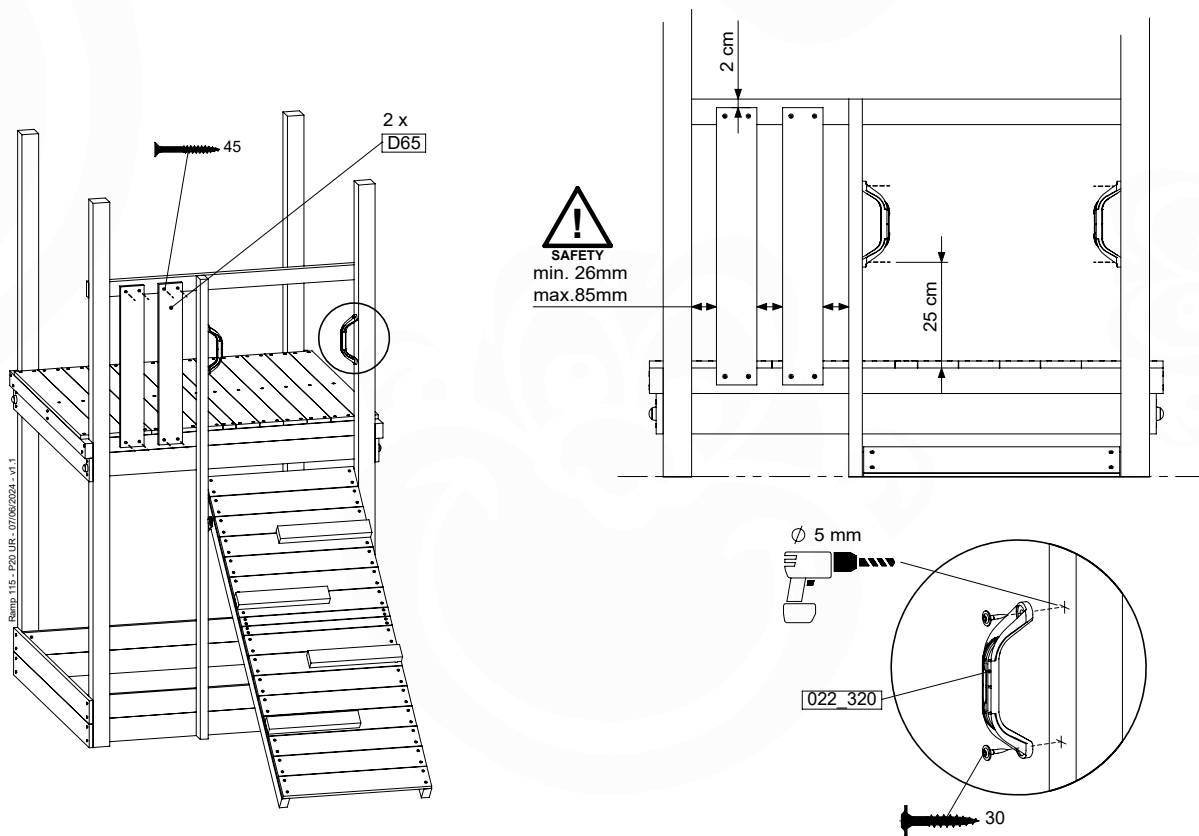
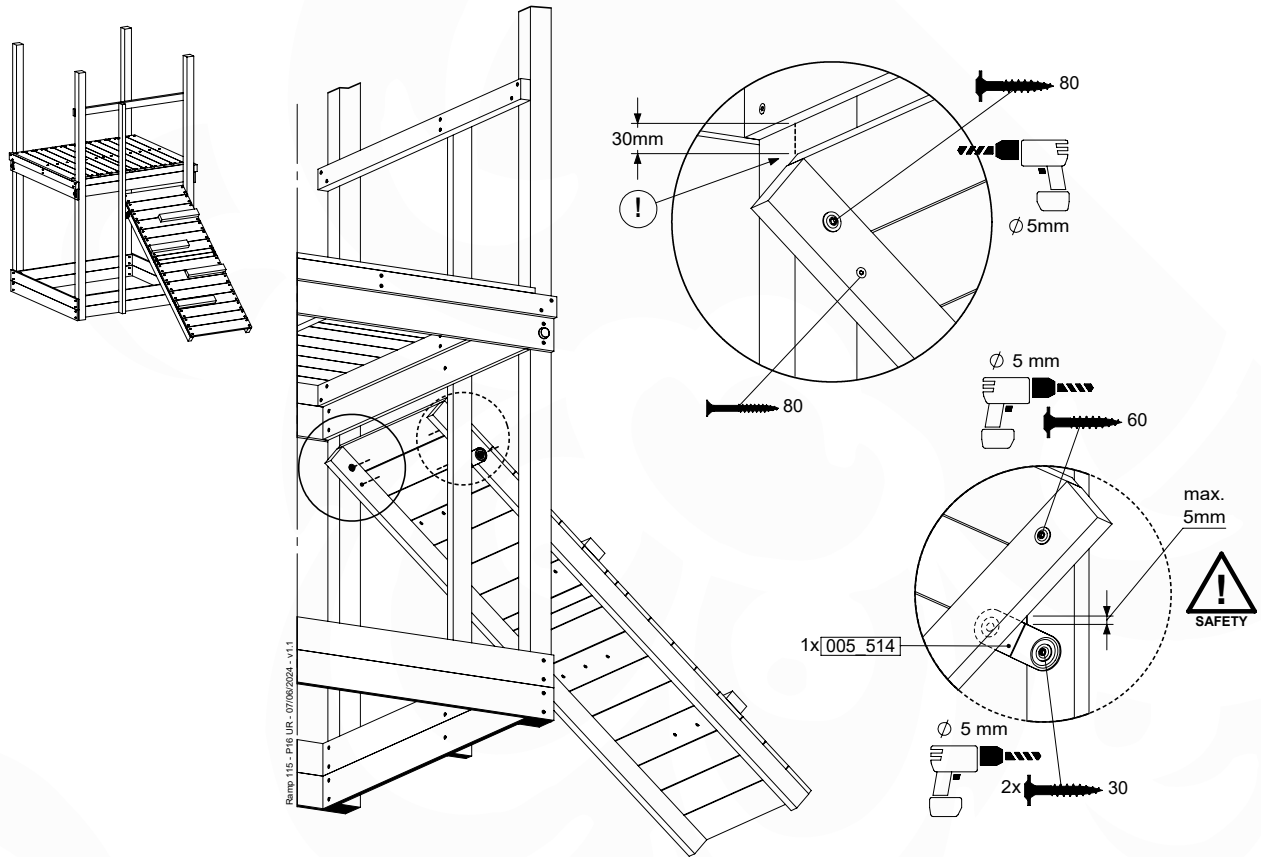
	PartNo	PartName	QTY.
Hardware + Parts	001_404	Stealth Screw 8x30	2
	001_411	Stealth Screw 8x60	1
	001_417	Stealth Screw 8x80	2
	002_220	Gap Point Screw T25 - 5x45	97
	002_223	Gap Point Screw T25 - 5x80	9
	005_514	Ladder Bracket	1
	020_317	Rope Polyester 16mm Green 3.4m	1
	120_102	Handgrip set (2x Complete)	1
Timber	C37	Beam 370 mm	4
	C114	Beam 1140 mm	1
	C154	Beam 1540 mm	2
	C186	Beam 1860 mm	1
	D60	Board 600 mm	18
	D65	Board 650 mm	2

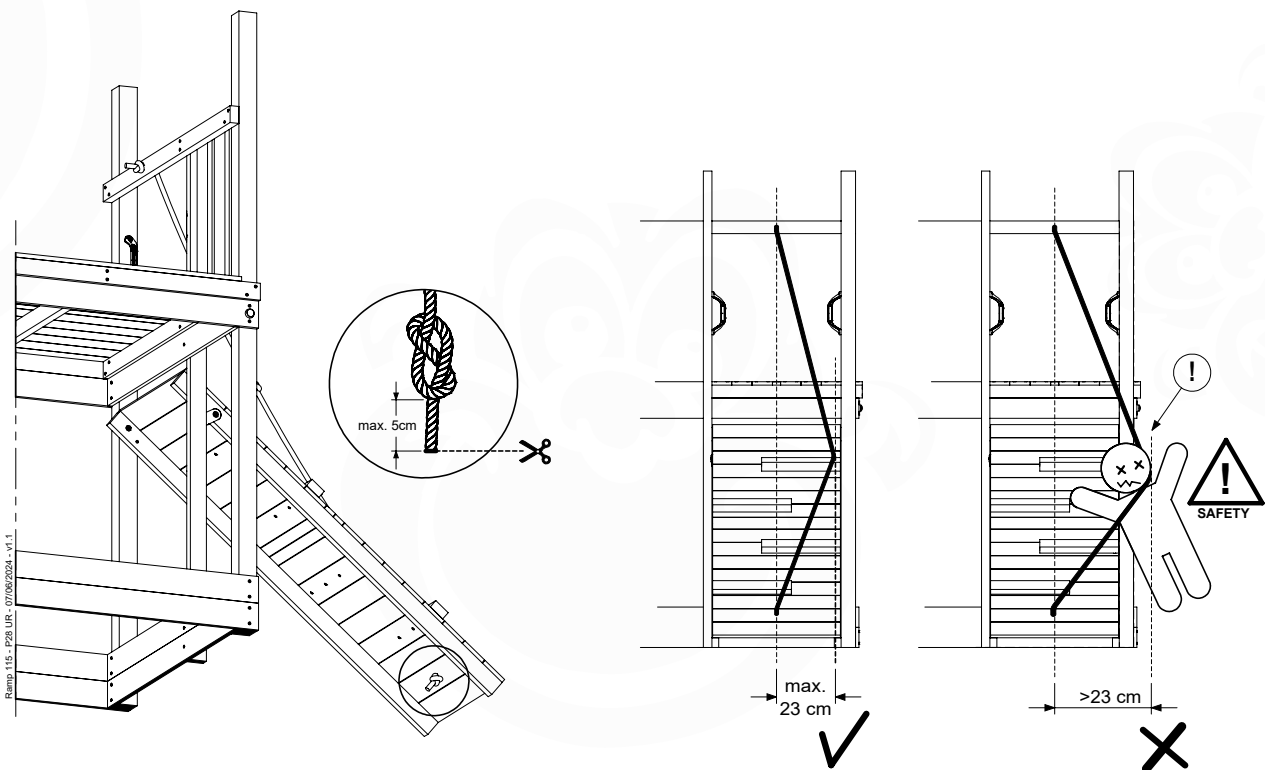
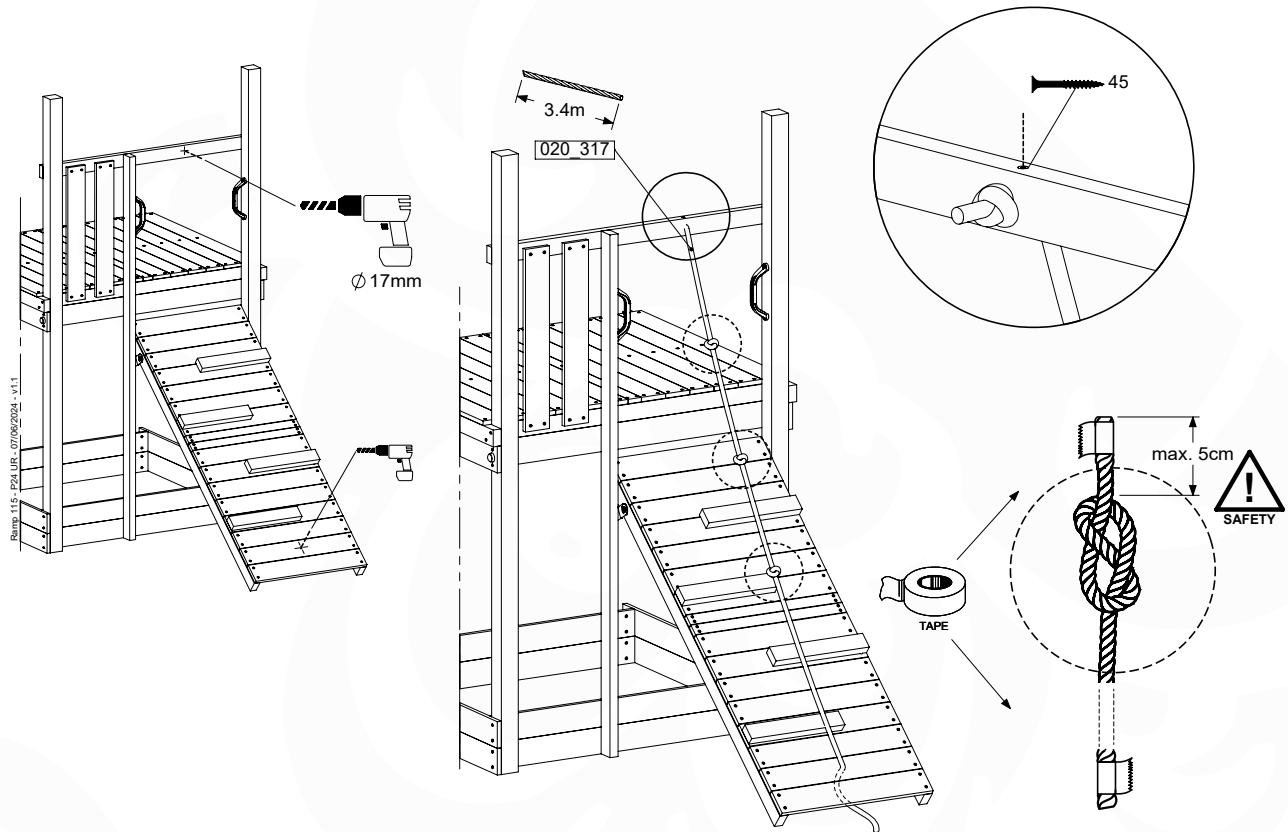
Ramp 115 - P02 UR - 07/06/2024 - v1.1



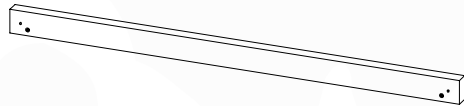
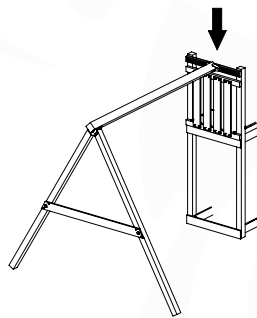








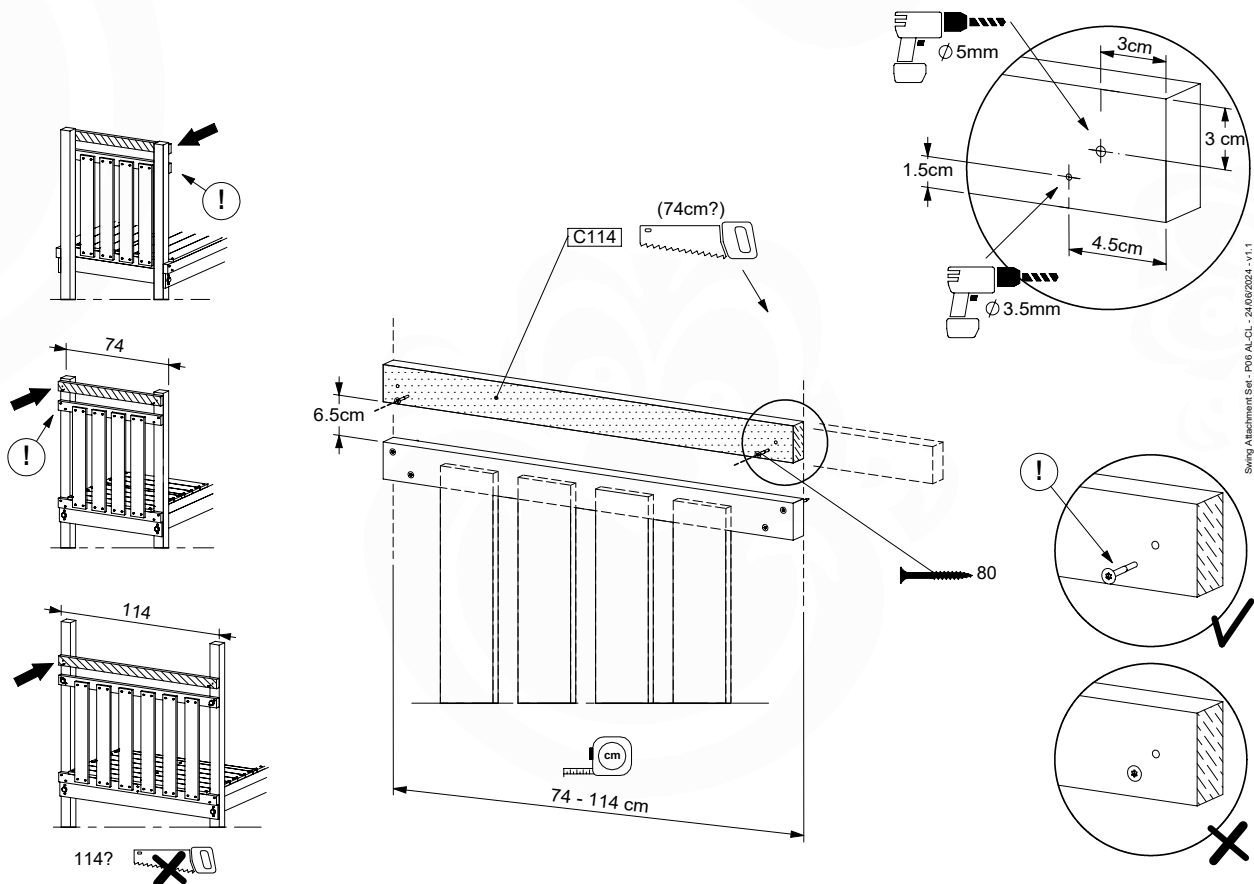
# 18 SW03a: Swing Attachment Set 80/115



Assembly Packs: 457\_103 / 457\_107 (Swing / Climb Kit)

	PartNo	PartName	QTY.
Hardware	002_223	Gap Point Screw T25 - 5x80	2
Timber	C114	Beam 1140 mm	1

Swing Attachment Set - PDF CL-UT - 24/06/2024 - v1.1



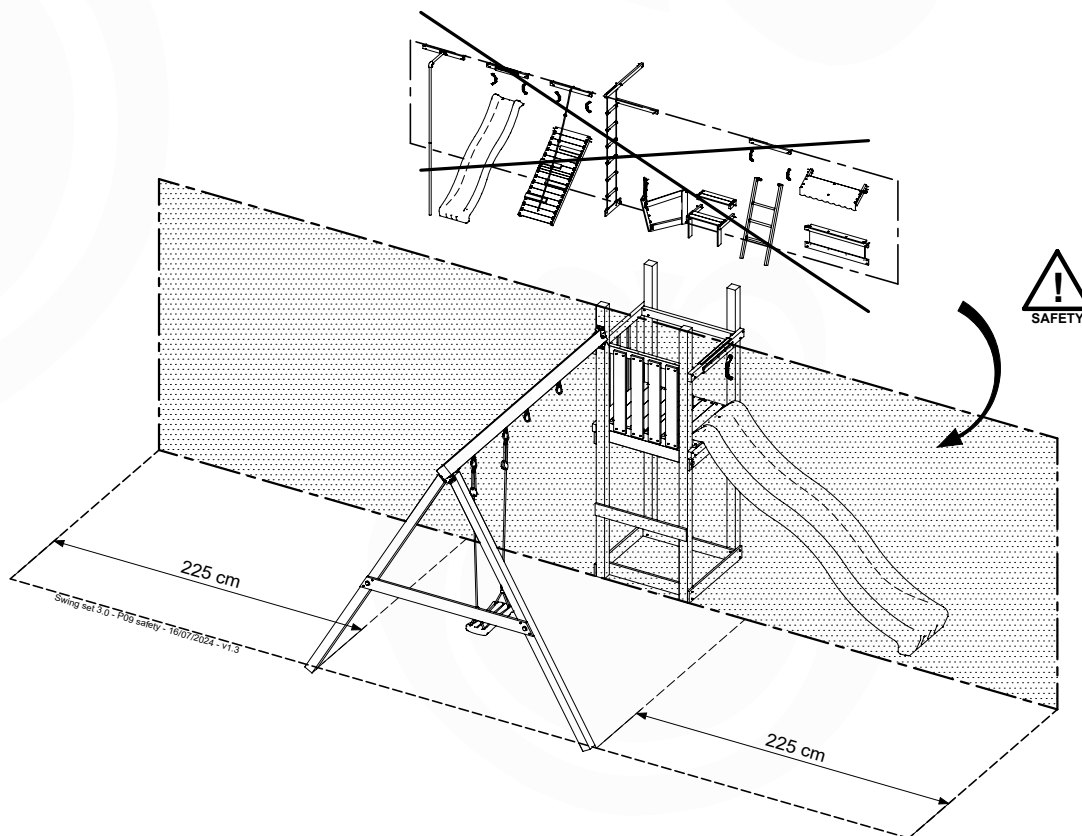
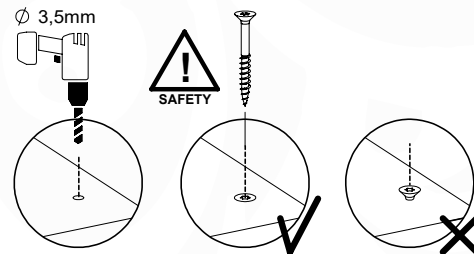
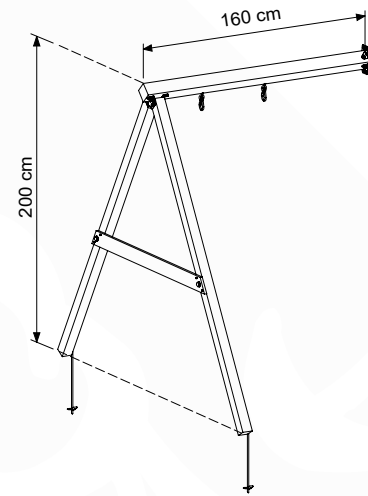
Swing Attachment Set - PDF AL-CL - 24/06/2024 - v1.1

# 19 SW03a: 1- Swing Module 200 - 3.0

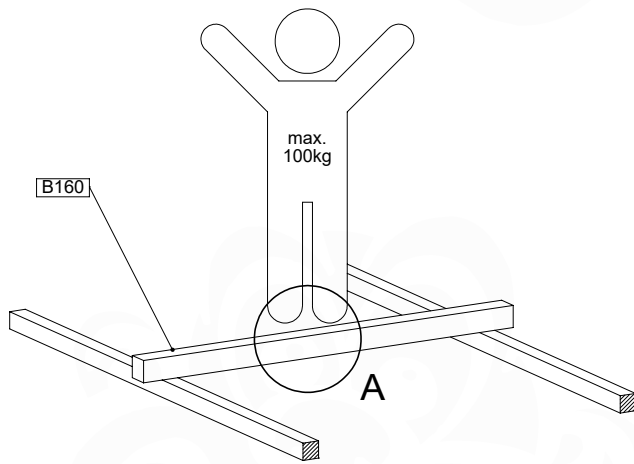
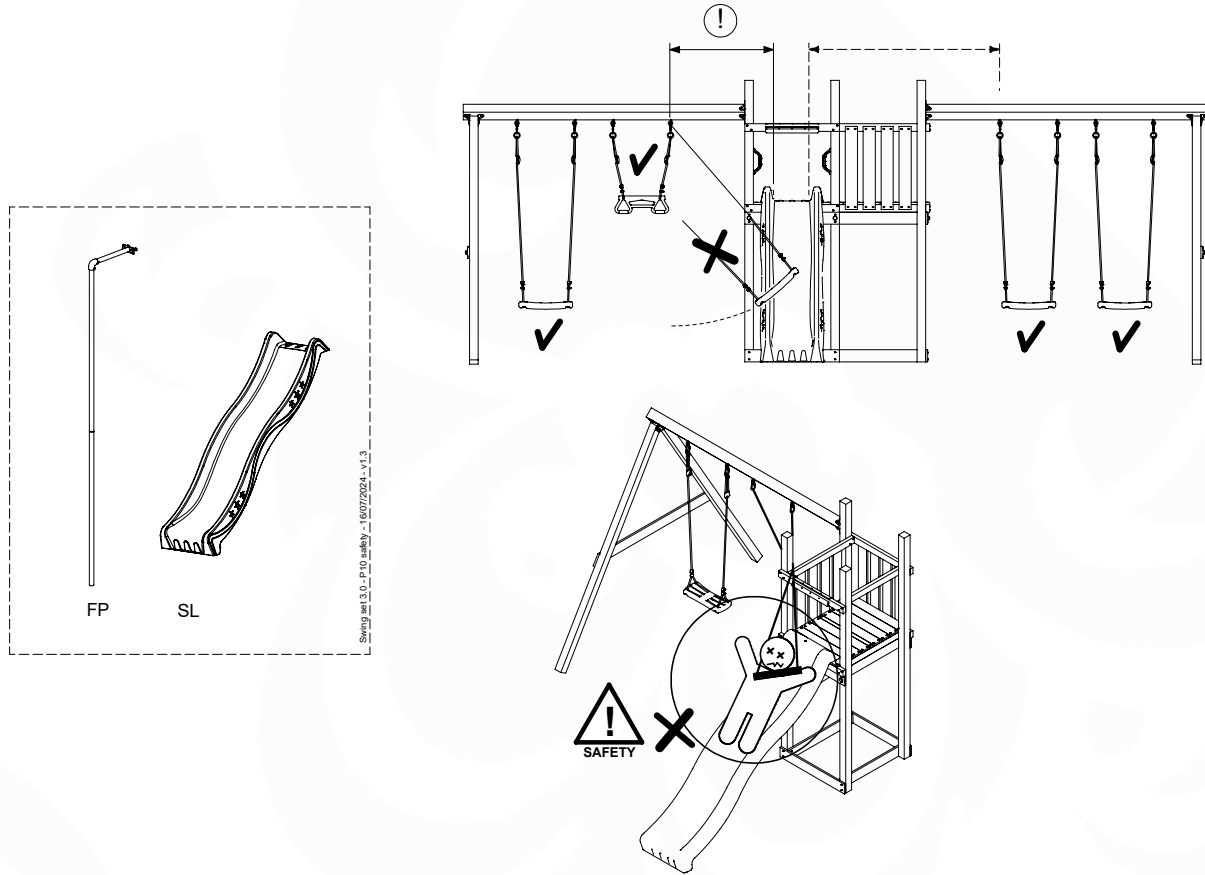
Assembly Kit: 457\_103

	PartNo	PartName	QTY.
Hardware + Parts	001_404	Stealth Screw 8x30	4
	001_406	Stealth Screw 8x45	22
	001_411	Stealth Screw 8x60	2
	001_417	Stealth Screw 8x80	2
	002_220	Gap Point Screw T25 - 5x45	8
	002_223	Gap Point Screw T25 - 5x80	2
	022_31x	bpc-base version 3	2
	022_84x	bpc cover	2
	023_042	Nylon washer 9x19x1.5	20
	005_096	A-Frame V-Connector	2
	005_097	Swing V-Connector	2
	007_001	Ground-anchor	2
	101_003	Swing hook with Carabiner	2
Timber	A220	Post ca.70x70 L2200	2
	B160	Post ca.90x90 L1600	1
	D141	Board 1410 mm	2

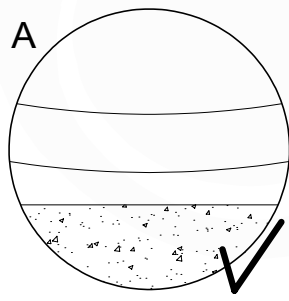
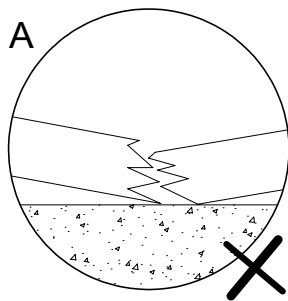
Swing set 3.0 - P03 (S200) - 16/07/2024 - v1.3

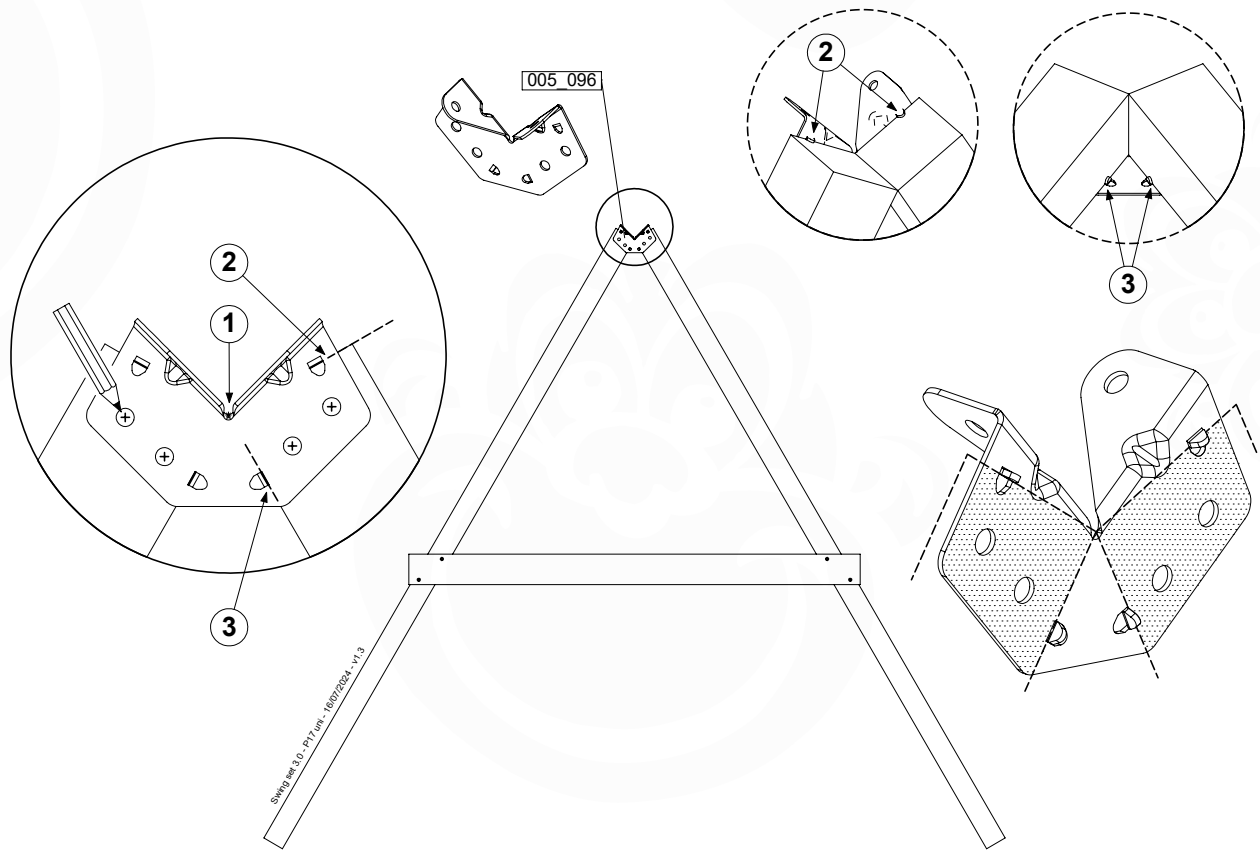
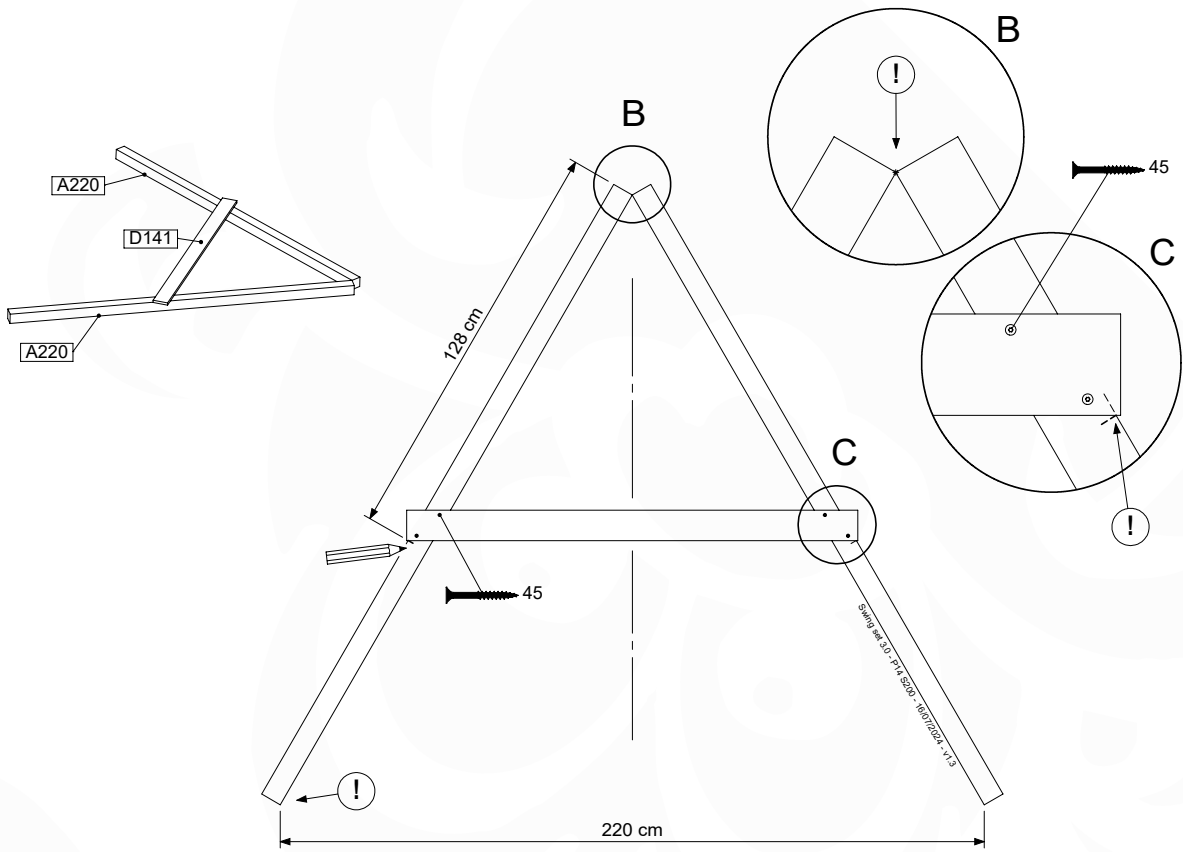


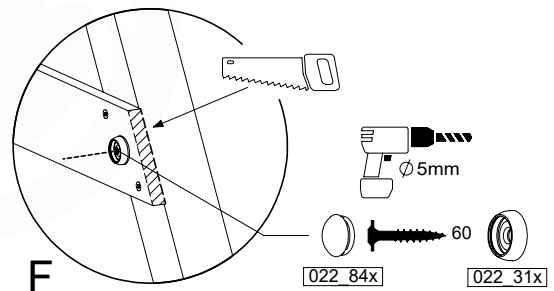
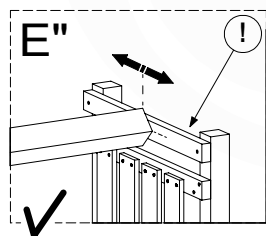
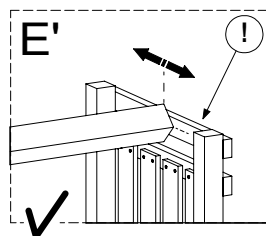
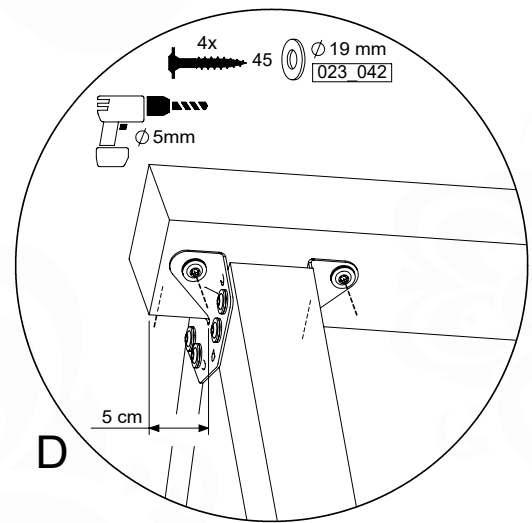
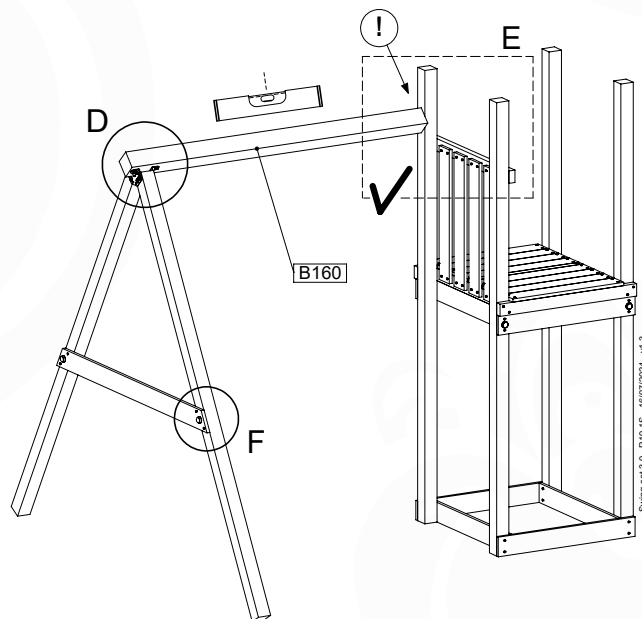
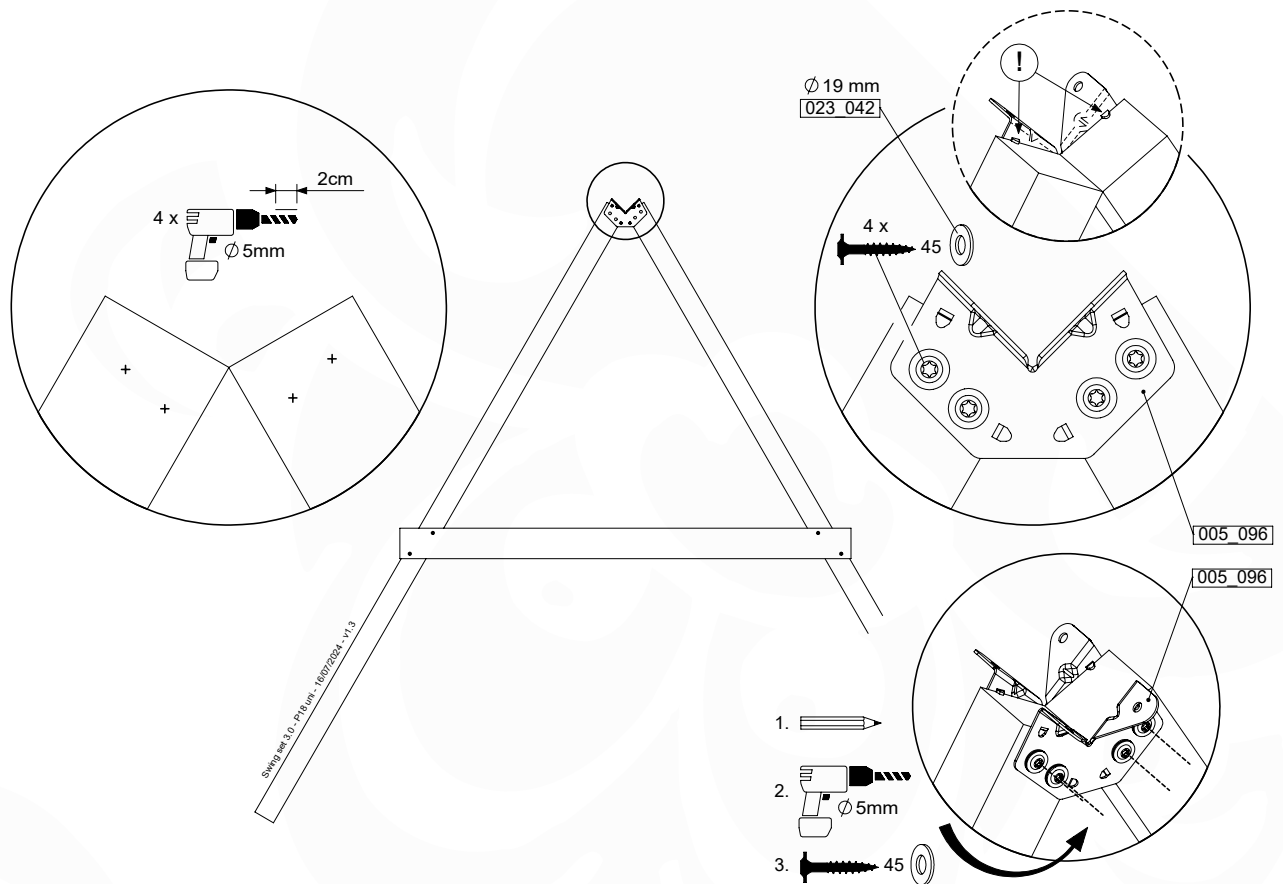
19.1

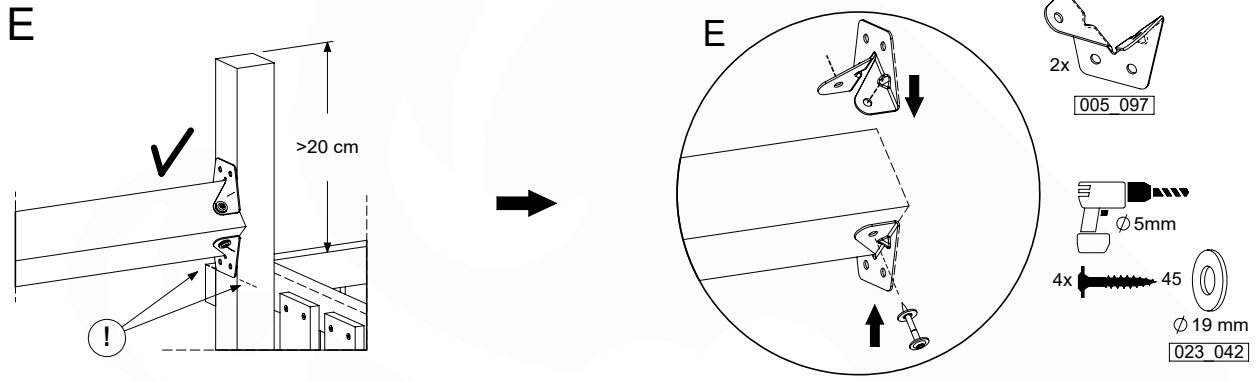


Swing set 3.0 - F11 IS - 16072024 - v1.3

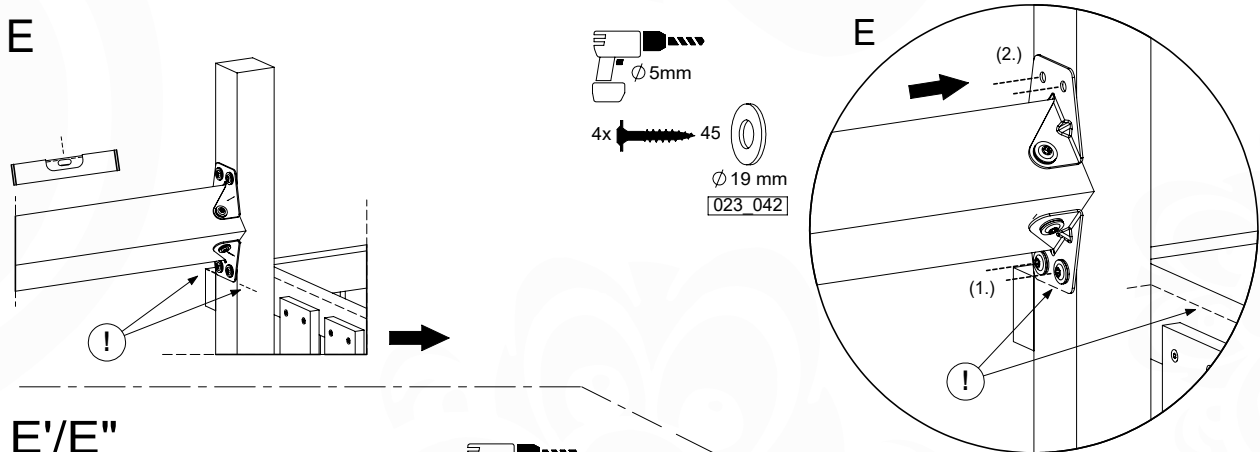
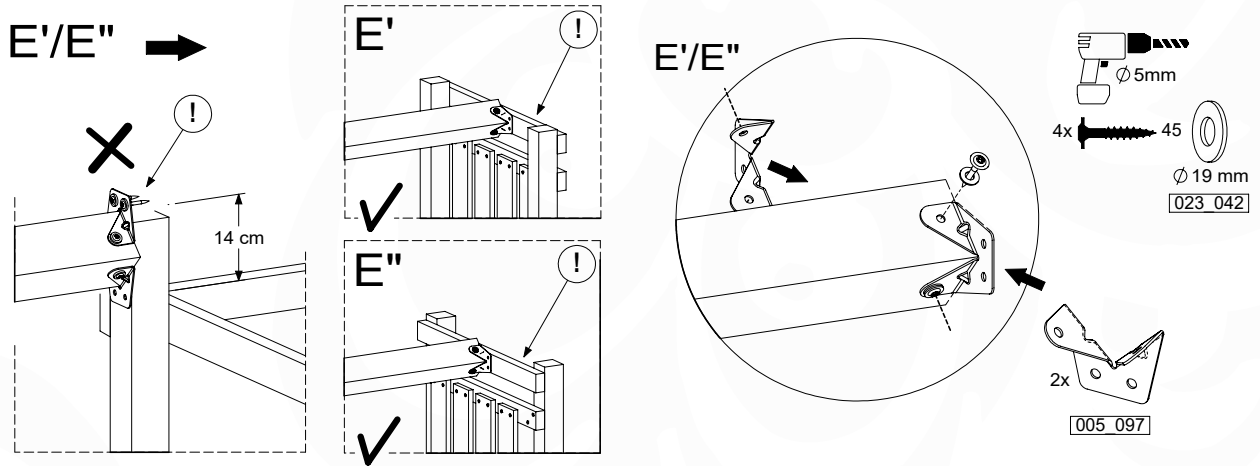




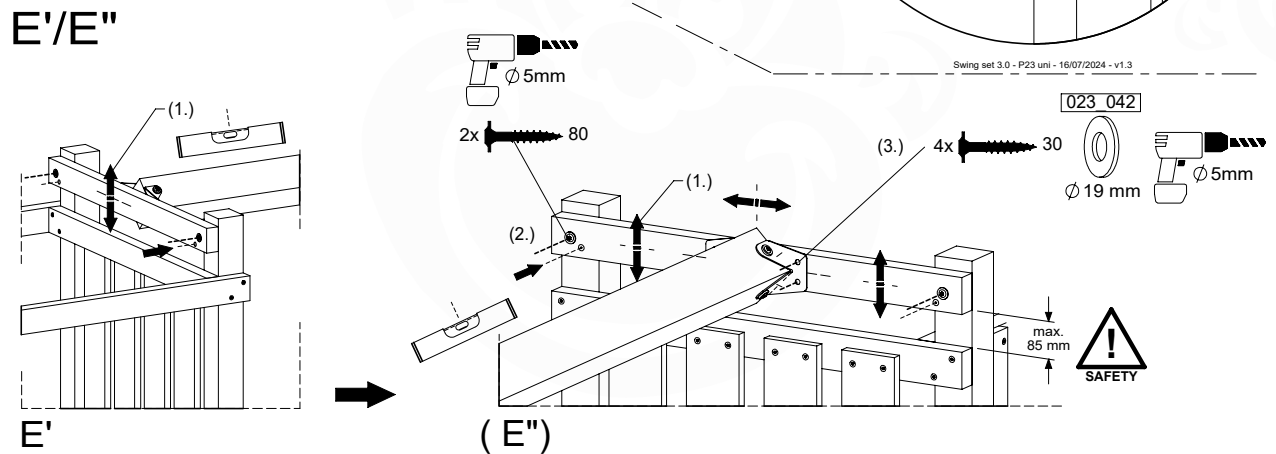




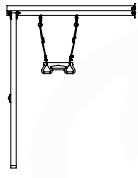
Swing set 3.0 - P22 uni - 16/07/2024 - v1.3



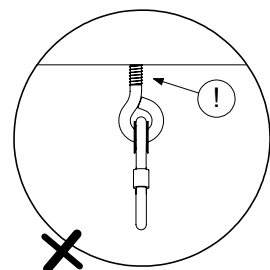
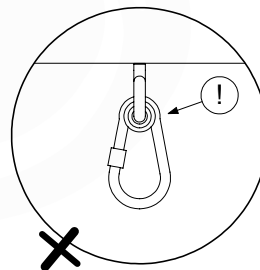
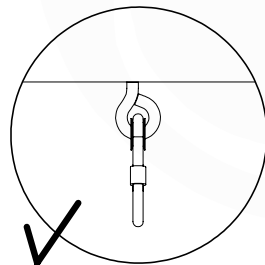
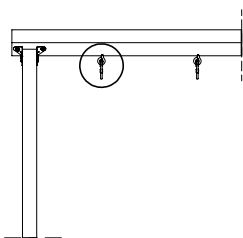
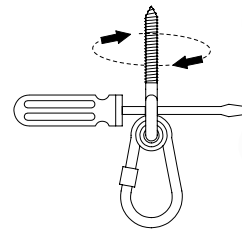
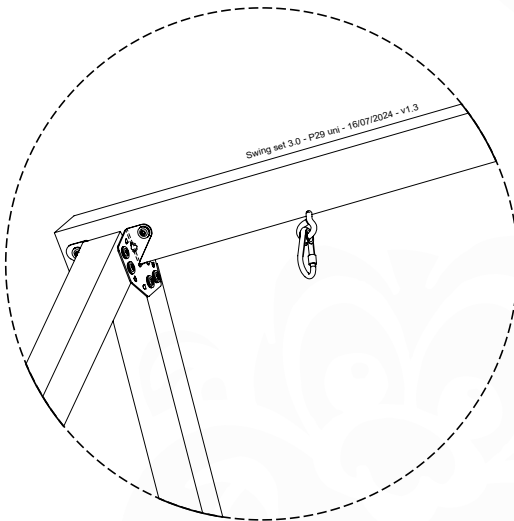
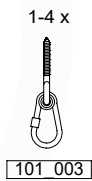
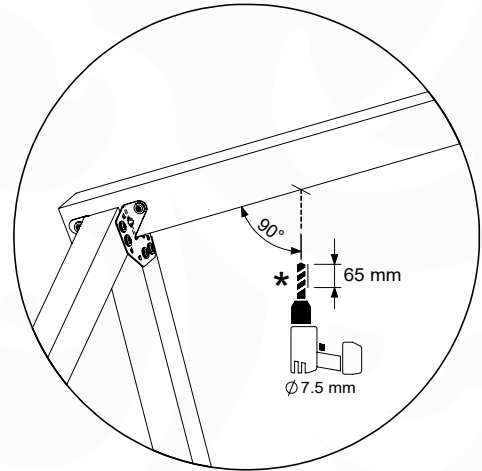
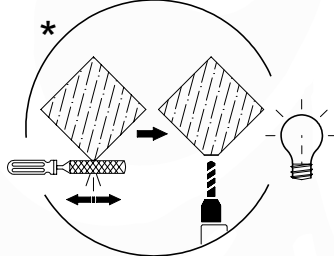
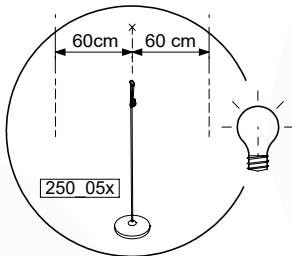
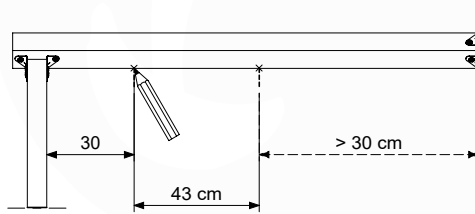
Swing set 3.0 - P23 uni - 16/07/2024 - v1.3

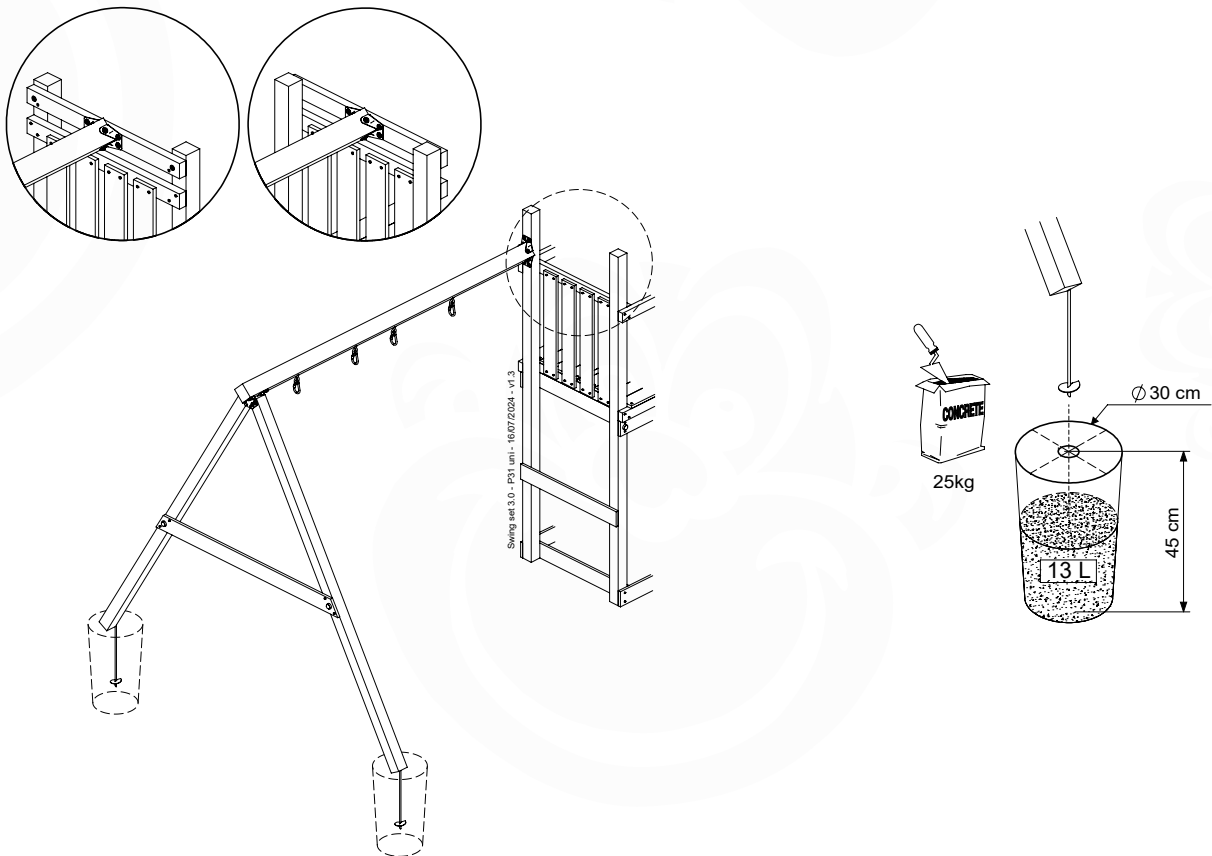
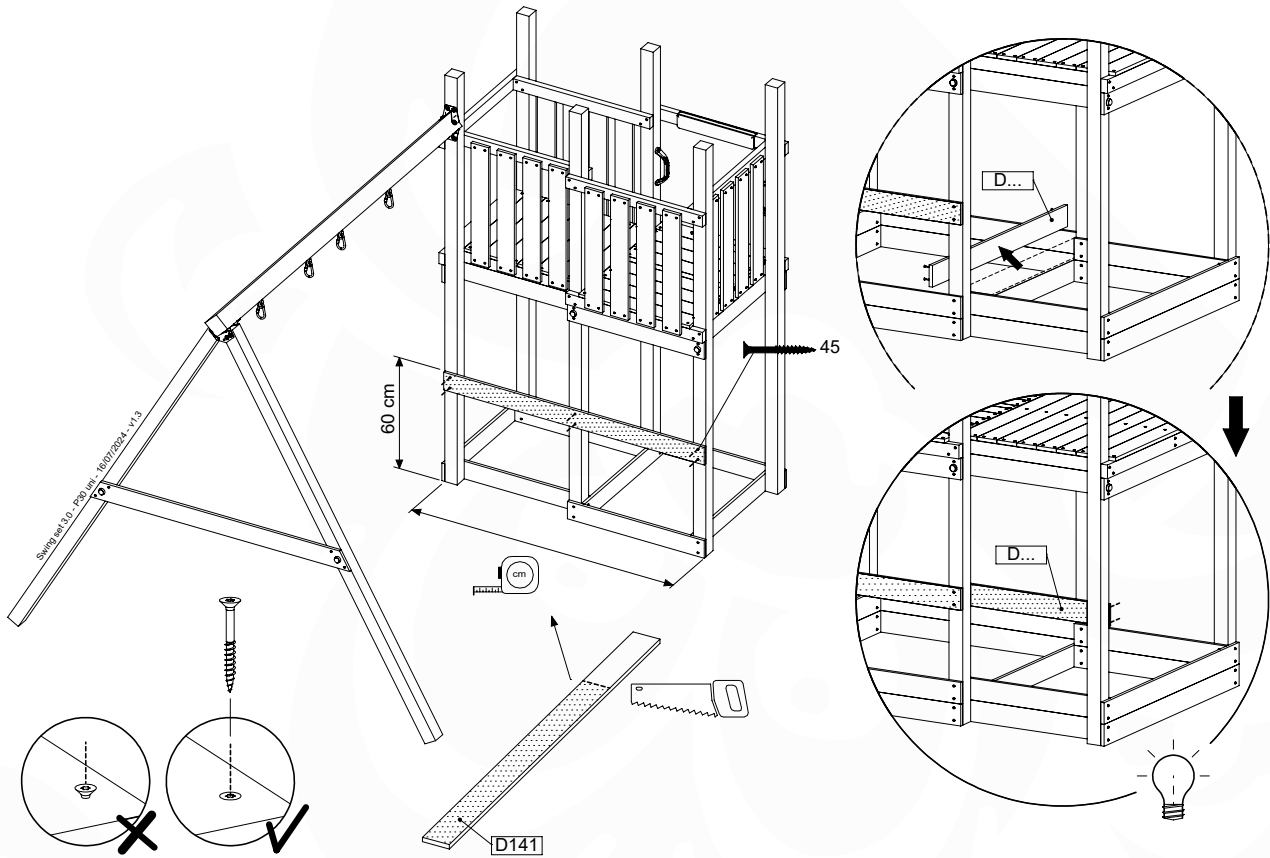




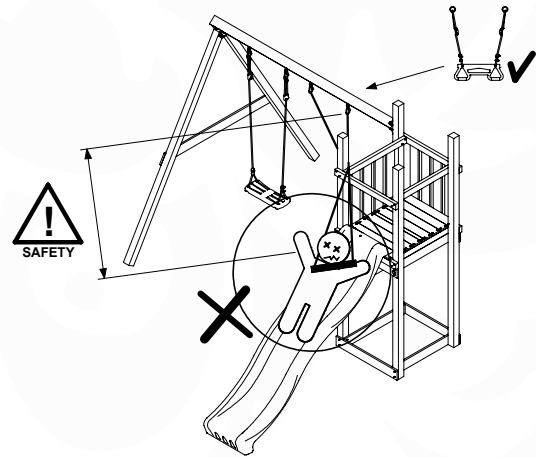
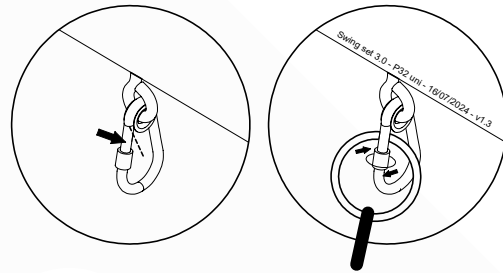
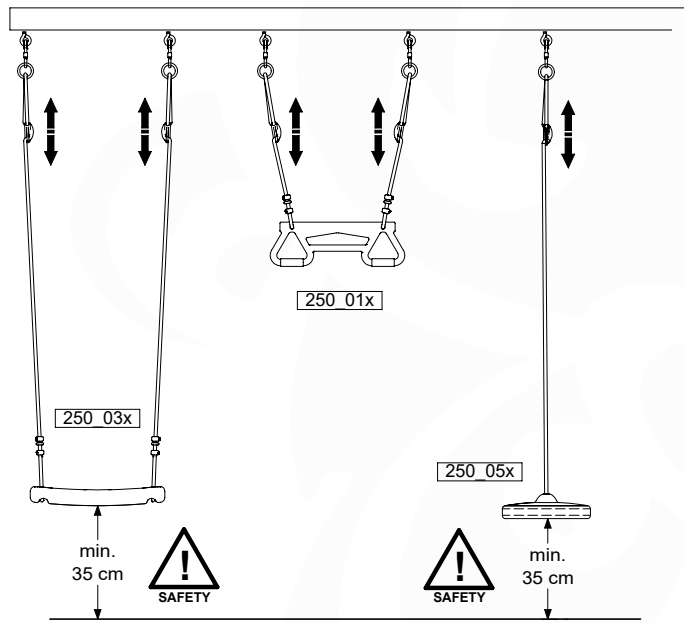


1-Swing position





19.7

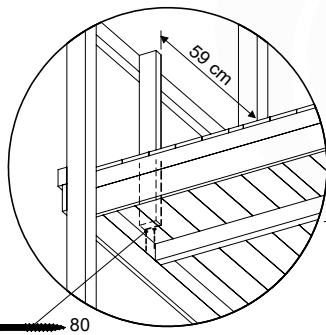
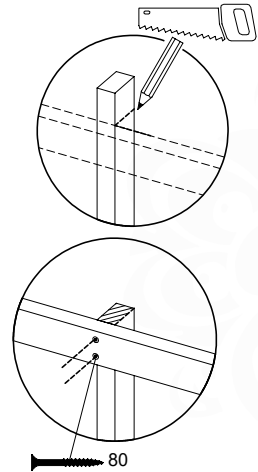
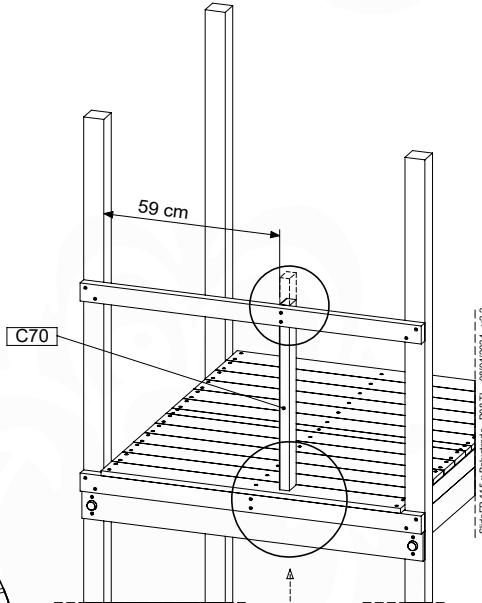
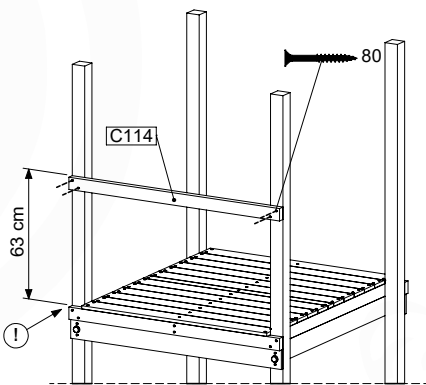
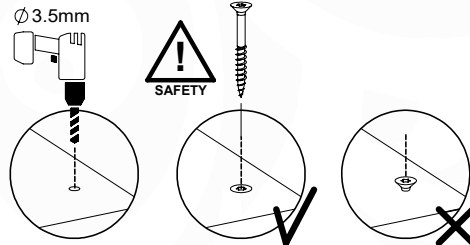
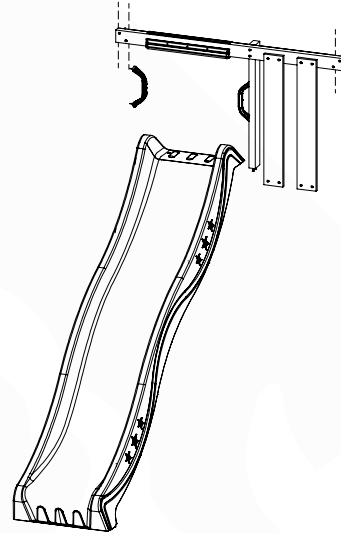


# 20 SL12a: Slide 115 145 T Left

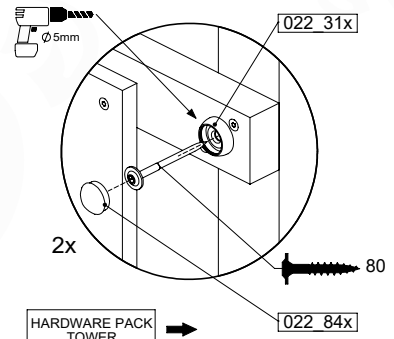
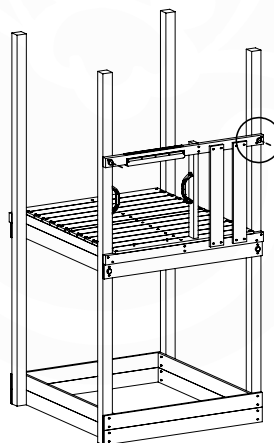
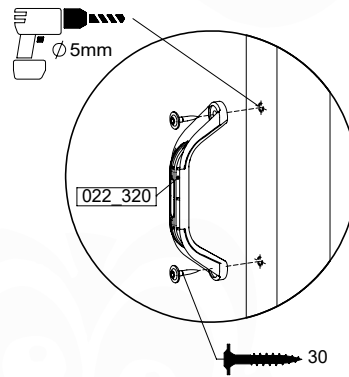
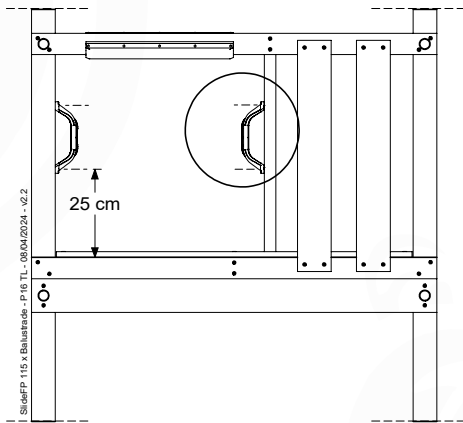
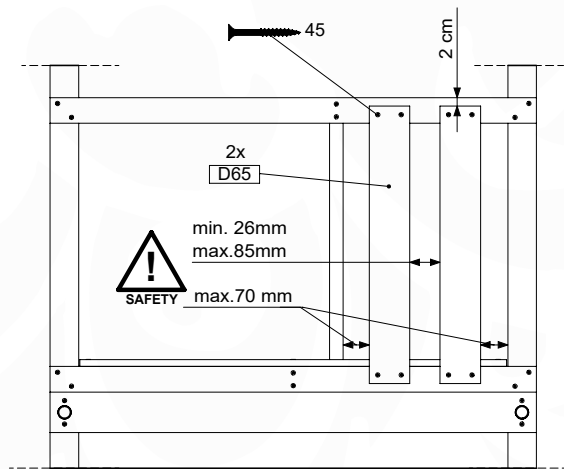
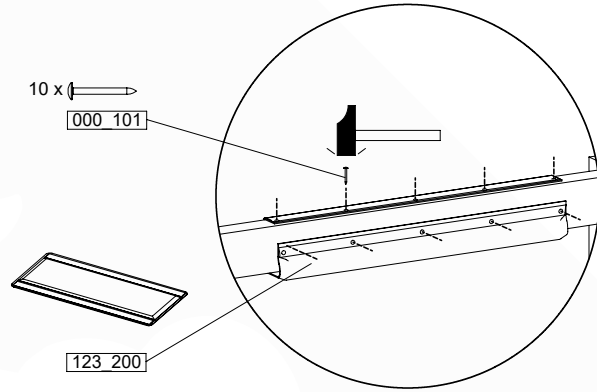
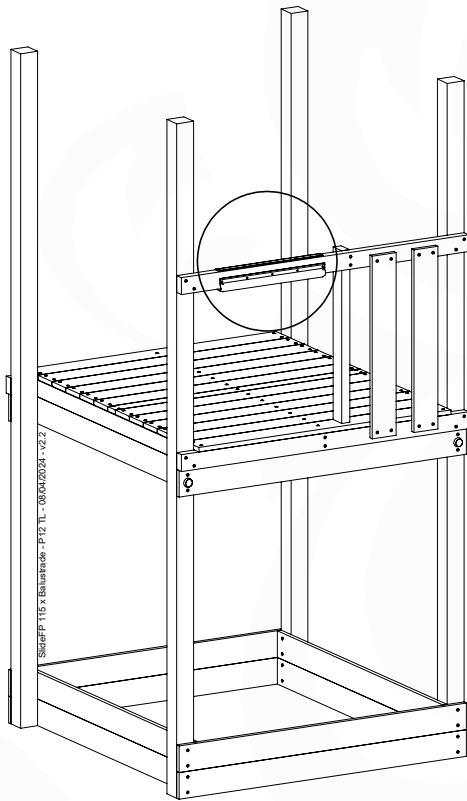
Assembly Packs: 194\_107 + 194\_101

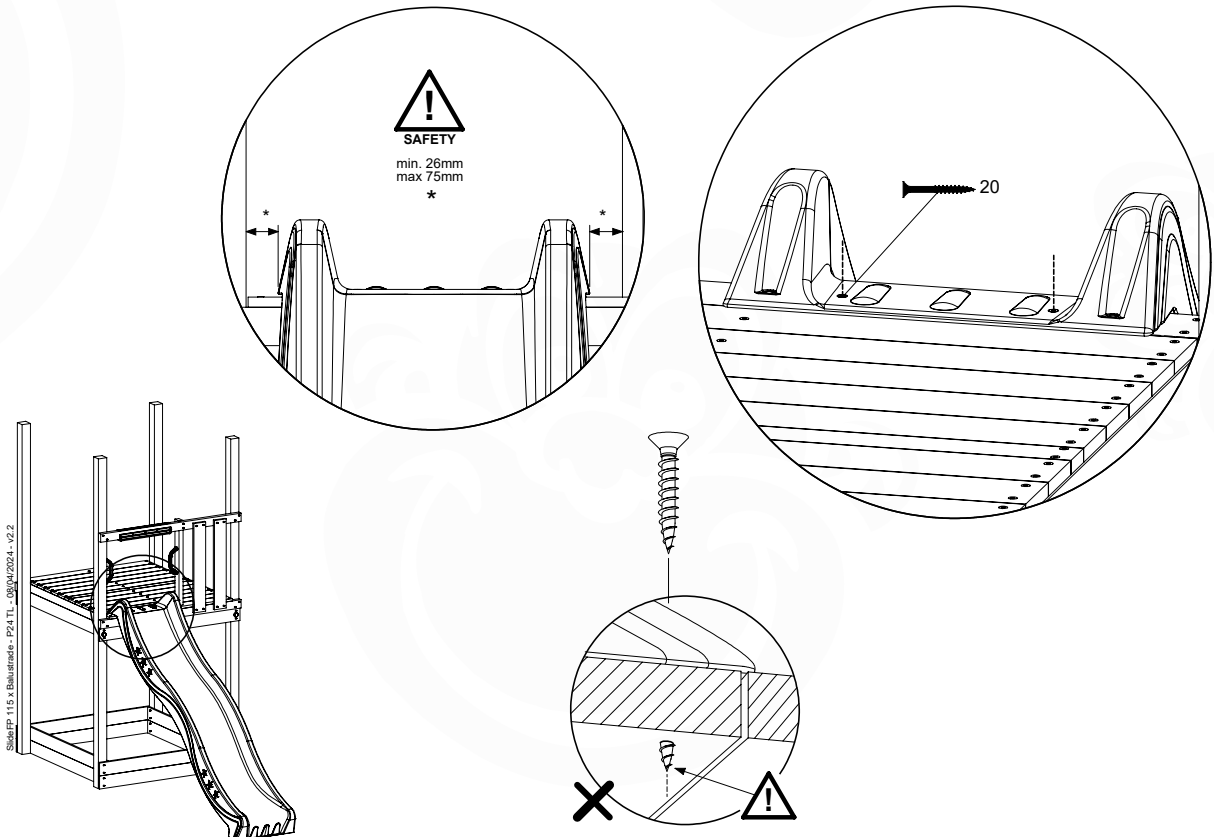
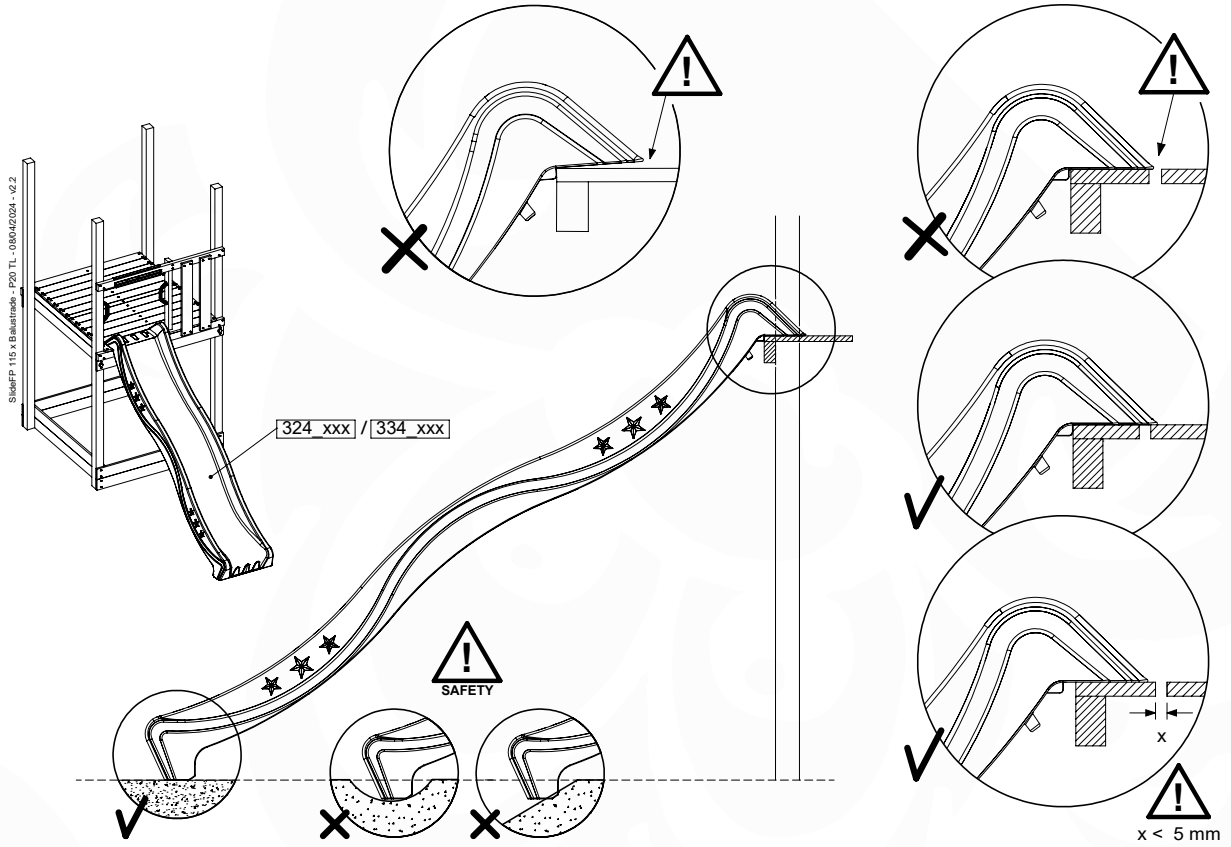
	PartNo	PartName	QTY.
Hardware + Parts	000_101	Nail Pan Head	10
	002_220	Gap Point Screw T25 - 5x45	8
	002_223	Gap Point Screw T25 - 5x80	8
	002_308	Gap Point Screw T25 - 5x20	2
	120_102	Handgrip set (complete 2x)	1
	123_200	Bumperpad	1
	324_xxx 334_xxx	Wavy Star Slide XL 2200 mm / Wavy Star Slide XXL 2650 mm	1
Timber	C114	Beam 1140 mm	1
	C70	Beam 700 mm	1
	D65	Board 650 mm	2

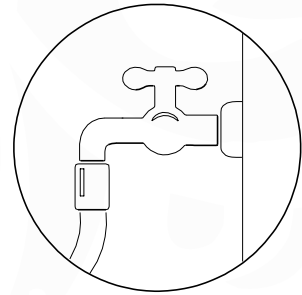
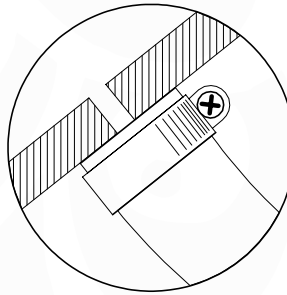
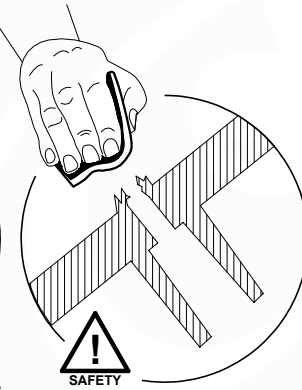
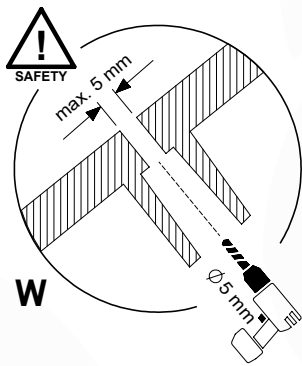
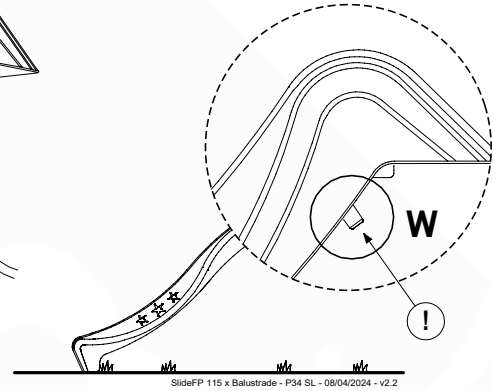
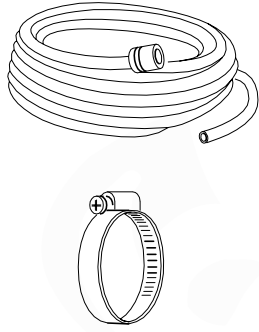
SlideFP 115 x Beaurivade - P03 TL - 08/04/2024 - v2.2



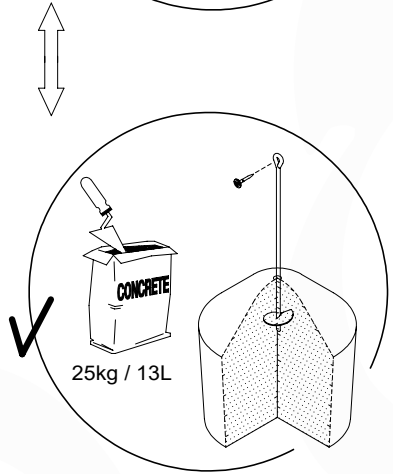
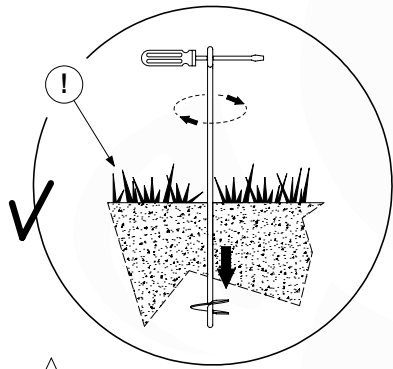
20.1



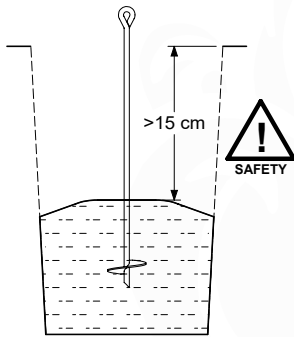
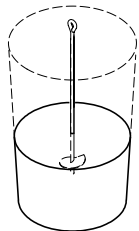
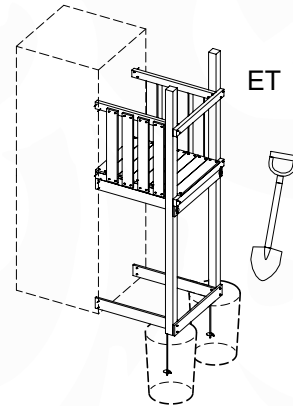
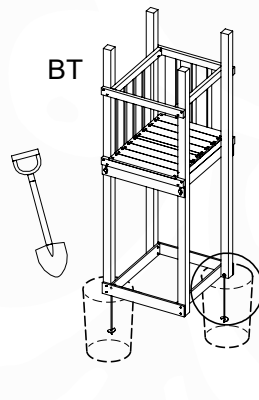
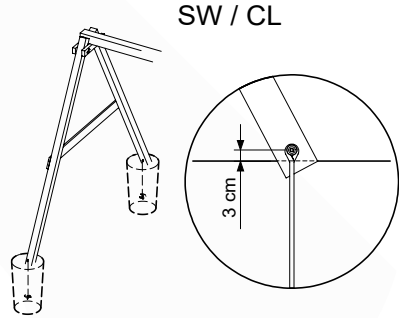
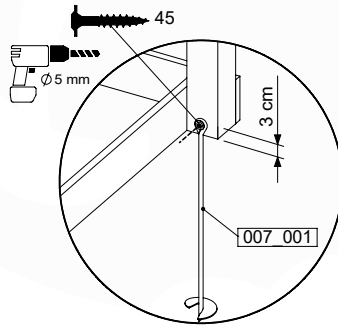




# 21 GA: Ground Anchors



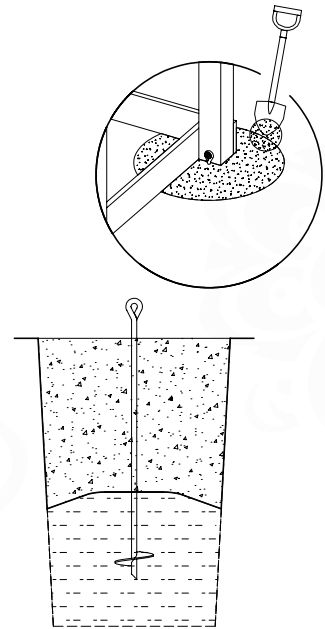
Ground Anchors Uni. - P03 - 14/06/2024 - v1.5



1.



2.

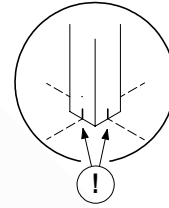
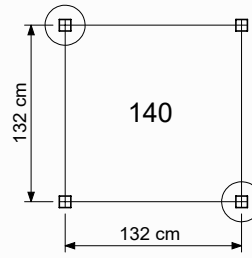
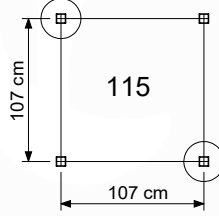
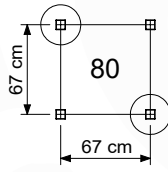
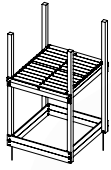


3.

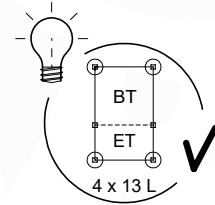
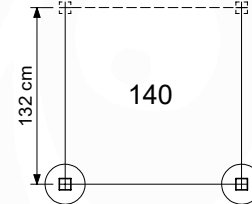
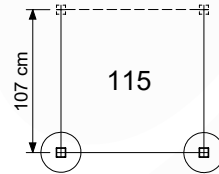
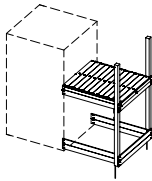
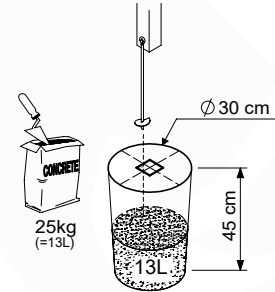
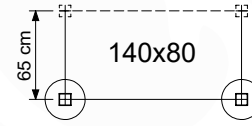
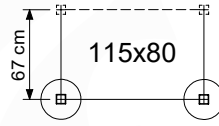
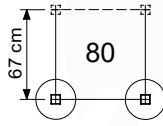
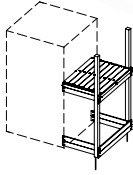
Ground Anchors Uni. - P04 - 14/06/2024 - v1.5



BASE TOWERS

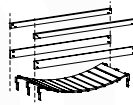


EXTENSION TOWERS

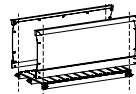


Ground Anchors Uni. - P01 - 14.06/2024 - v1.5

BRIDGES



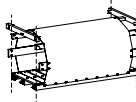
CLATTER



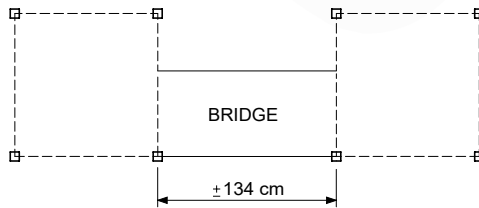
BOARDWALK



NET

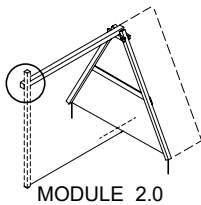


TUNNEL

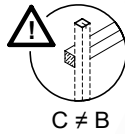


Ground Anchors Uni. - P02 - 14.06/2024 - v1.5

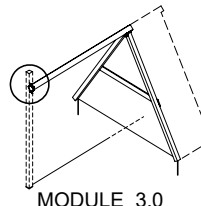
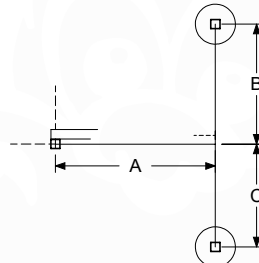
SWING / CLIMB



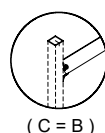
MODULE 2.0



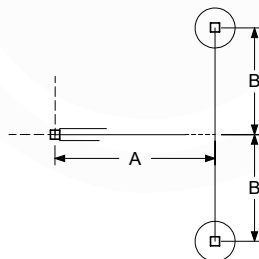
C ≠ B



MODULE 3.0



(C = B)



MODULE 2.0	Module type	A	B	C
	1-Swing 200	150	115	100
	1-Swing 220 (Extra)	150	120	105
	1-Climb 200	142		
	2-Climb 200	210	115	100
	2-Swing 200	210		
	1-Climb 220 (Extra)	162		
	2-Climb 220 (Extra)	230	120	105
	2-Swing 220 (Extra)	230		

cm

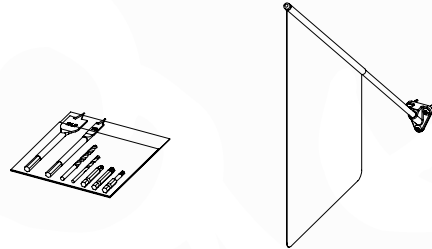
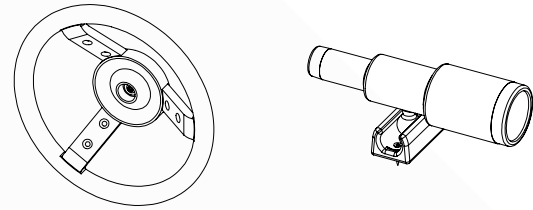
MODULE 3.0	Module type	A	B
	1-Swing 200 - 3.0	155	110
	1-Swing 220 (Extra) - 3.0	155	115
	1-Climb 200 - 3.0	148	
	2-Climb 200 - 3.0	222	110
	2-Swing 200 - 3.0	215	
	1-Climb 220 (Extra) - 3.0	170	
	2-Climb 220 (Extra) - 3.0	242	115
2-Swing 220 (Extra) - 3.0	235		

cm

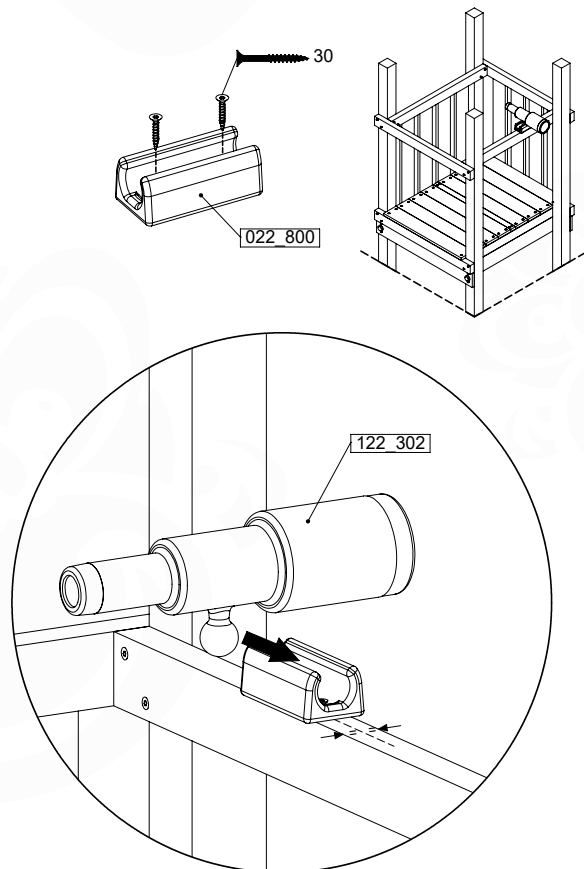
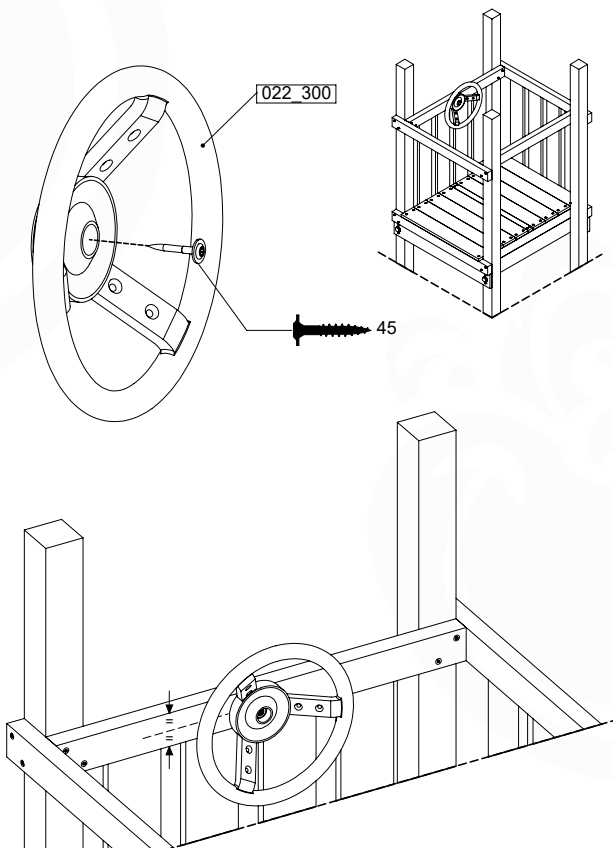
## 22 AC01a: Accessories

( 194\_119 )

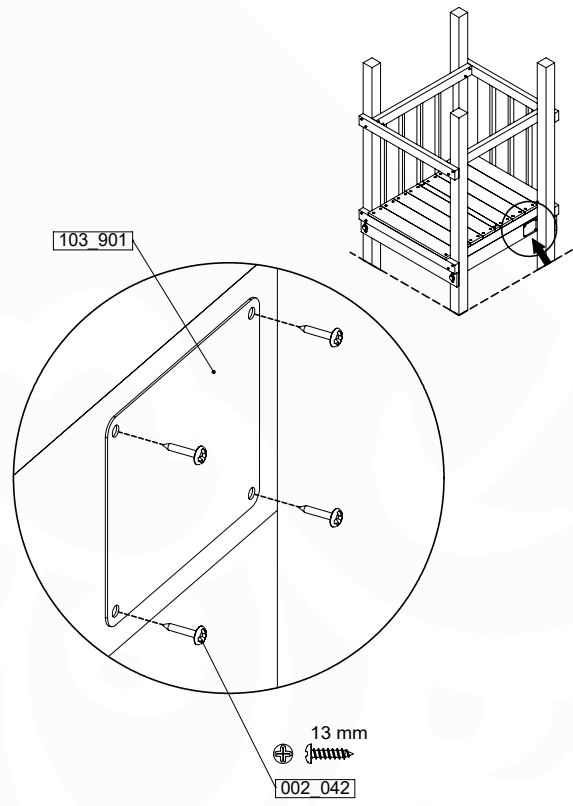
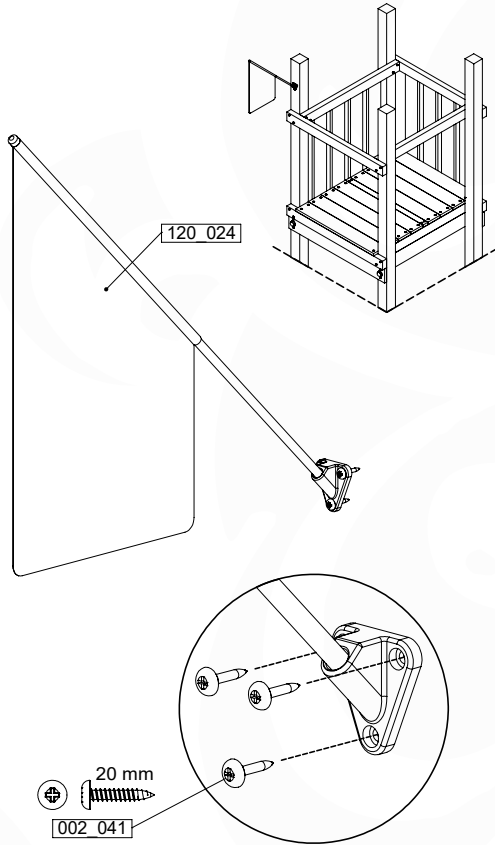
	PartNo	PartName	QTY.
Hardware Pack 100_617	001_406	Stealth Screw 8x45	1
	002_041	Dome head screw 4.5 x 20 mm	3
	002_042	Dome head screw 3.5 x 13mm	4
	002_219	Gap Point Screw T25 - 5x30	2
Other	022_300	Steering Wheel	1
	022_800	Rail P/T 105	1
	022_910	Sandpad	1
	103_901	Logo ID Plate	1
	104_107	Tool Set Climbing Units	1
	120_024	Tower Flag	1
	122_302	Telescope	1



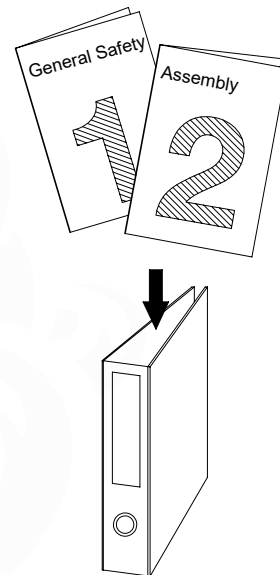
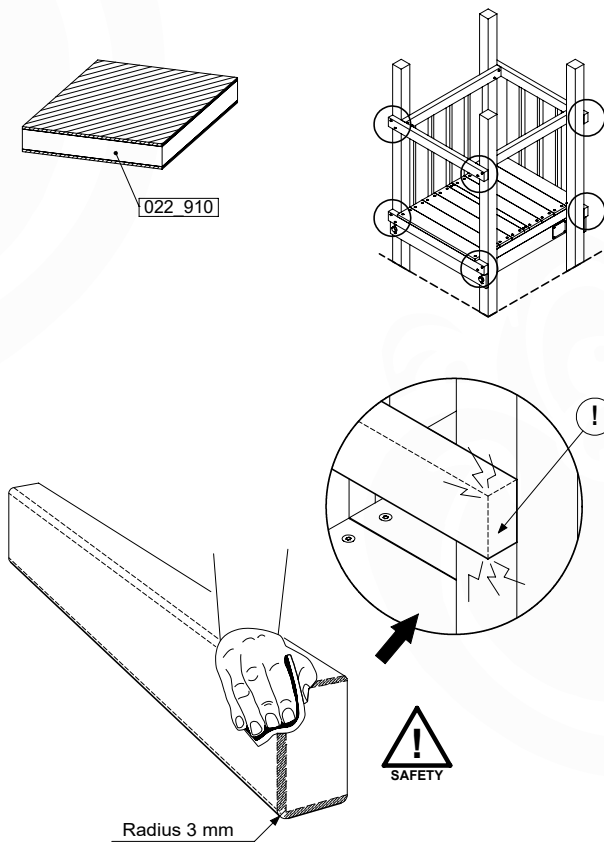
Accessory set - P102 - 24/01/2024 - v5



Accessory set - P103 - 24/01/2024 - v5



Accessory set - P04 - 24.01/2024 - v5



Accessory set - P05 - 24.01/2024 - v5

# 23 Declaration of conformity

## Activity toys for domestic use Aktivitätsspielzeug für den häuslichen Gebrauch Jouets d'activité à usage familial

### 1. Wooden climbing frames

20240416\_v3

#### 1.1. Assemblies

Playtowers	801_005, 801_009, 801_010, 801_013, 801_025, 801_040, 801_060, 801_070, 801_090, 801_095, 801_100, 801_103, 801_105, 801_110, 801_120, 801_200, 802_202, 802_204, 802_206, 802_208, 803_202, 803_204, 803_206, 803_208, 803_210, 809_802, 809_804
Swings	801_300, 801_601, 801_602
Modules	850_176, 850_177, 850_231, 850_232, 857_101, 857_102, 857_105, 857_106, 857_151, 857_152, 857_157, 857_158, 850_240

#### 1.2. Sub assemblies

Base towers (BT)	BT01a, BT02a, BT03a, BT11a, BT14a, BT15a, BT20a
Extension towers (ET)	ET01a, ET02a, ET05a, ET06a, ET07a, ET08a, ET09a, ET10a, ET11a, ET12a, ET13a, ET14a, ET15a, ET16a, ET17a, ET18a, ET19a, ET20a, ET22a, ET23a, ET27a, ET28a, ET35a, ET29a, ET39a, ET40a
Bridges (CB, NB, BB, TB)	CB01a, NB01a, BB01a, BB02a, TB01a, TB02a, TB03a, TB04a
Roofs (RF)	RF01a, RF21a, RF02a, RF03a, RF04a, RF05a, RF06a, RF20a, RF02b, RF03b, RF07a, RF08a, RF22a, RF09a, RF23a, RF11a, RF12a, RF07b, RF12b, RF08b, RF22b, RF09b, RF23b, RF11b, RF14a, RF24a, RF15a, RF25a, RF18a, RF18b, RF14b, RF24b, RF15b, RF25b
Balustrade (BL, BF)	BL01a, BL02a, BL21a, BF25a, BF26a, BF27a, BF28a, BF01a, BF02a, BF03a, BF04a, BF05a, BF06a, BF07a, BF08a, BF01b, BF02b, BF03b, BF04b, BF05b, BF06b, BF07b, BF08b, BF21a, BF22a, BF23a, BF24a, BF21b, BF22b, BF23b, BF24b
Playhouse (PH)	PH03a, PH04a, PH05a, PH06a, PH10a, PH11a, PH40a, PH41a, PH12a, PH13a, PH14a, PH15a, PH42a, PH43a, PH44a, PH45a, PH16a, PH17a, PH18a, PH19a, PH30a, PH31a, PH16b, PH17b, PH18b, PH19b, PH46a, PH47a, PH48a, PH49a, PH16c, PH17c, PH18c, PH19c, PH46b, PH47b, PH48b, PH49b, PH20a, PH21a, PH22a, PH23a, PH24a, PH25a, PH26a, PH27a, PH32a, PH33a, PH52a, PH53a, PH54a, PH55a, PH56a, PH57a, PH50a, PH51a, PH26b, PH27b, PH26c, PH27c, PH56b, PH57b
Ladder (LA)	LA05a, LA06a, LA01a, LA02a, LA03a, LA01b, LA02b, LA03b, LA11a, LA12a, LA13a, LA14a, LA15a, LA16a, LA17a, LA18a, LA31a, LA32a, LA33a, LA34a, LA35a, LA36a, LA37a, LA38a, LA21a, LA22a, LA23a, LA24a, LA25a, LA26a, LA43a, LA44a, LA45a, LA46a
Two Step Ladder (TS)	TS01a, TS01b, TS02a, TS02b, TS03b, TS22a, TS05a, TS06a, TS07a, TS08a, TS09a, TS10a, TS11a, TS12a, TS15a, TS16a, TS17a, TS18a, TS19a, TS20a, TS21a, TS22a
Rope Ladder (RL)	RL01a, RL02a, RL05a, RL06a, RL07a, RL08a, RL09a, RL10a, RL11a, RL12a, RL15a, RL16a, RL19a, RL20a
Rock wall (RW)	RW01a, RW02a, RW01b, RW02b, RW03b, RW31a, RW32a, RW33a, RW05a, RW06a, RW07a, RW08a, RW09a, RW10a, RW11a, RW12a, RW40a, RW41a, RW15a, RW16a, RW17a, RW18a, RW19a, RW20a, RW46a, RW47a
Ramp (RA)	RA03a, RA04a, RA05a, RA06a, RA07a, RA08a, RA11a, RA12a, RA21a
Net (NA, NS)	NA01a, NA02a, NS01a, NS02a, NS03a, NS21a, NA04a, NA05a, NS04a, NS05a, NS06a, NS07a, NA08a, NA09a, NS08a, NS09a
Boat (BO)	BO01a
Market (MT)	MT01a, MT02a, MT05a, MT06a, MT11a, MT12a
Picnic (PC)	PC01a, PC01b, PC05a, PC06a, PC09a, PC10a
Gymnastics bar (GY)	GY01a
Fireman's pole (FP)	FP01a, FP02a, FP04a, FP05a, FP06a, FP07a, FP23a, FP24a, FP25a, FP26a, FP27a, FP28a
Slides (SL)	SL01a, SL02a, SL03a, SL06a, SL07a, SL08a, SL09a, SL10a, SL11a, SL12a, SL13a, SL26a, SL27a, SL28a, SL29a
Swing (SM)	SW17a, SW21a, SW18a, SW22a, SW01a, SW05a, SW02a, SW06a, SW09a, SW13a, SW10a, SW14a
Climb (CL)	CL17a, CL21a, CL18a, CL22a, CL01a, CL05a, CL02a, CL06a, CL09a, CL13a, CL10a, CL14a
Universal Beam (UB)	UB01a, UB04a, UB02a, UB05a, UB03a, UB06a
Accessories (AC)	AC30a, AC31a, AC32a, AC33a, AC01a, AC05a, AC07a, AC03a, AC04a, AC06a, AC23a, AC22a, AC24a, AC21a, AC25a, AC02a, AC09a, AC08a, AC10a

### 2. Construction packages

#### 2.1 Assembly Kits

Playtowers	401_015, 401_080, 401_125, 402_201, 402_202, 402_204, 402_206, 402_208, 403_202, 403_204, 403_206, 403_208, 403_210, 409_802, 409_804
Swings	401_300, 401_600
Modules	457_005, 457_102, 457_103, 457_106, 457_107, 457_205

#### 2.2 Assembly Packs

Sub assemblies	194_002, 194_003, 194_004, 194_006, 194_007, 194_008, 194_009, 194_010, 194_100, 194_101, 194_102, 194_103, 194_104, 194_105, 194_107, 194_108, 194_109, 194_110, 194_111, 194_112, 194_113, 194_114, 194_115, 194_116, 194_117, 194_118, 194_119, 194_300, 194_308, 194_312, 194_500, 194_501, 194_508, 194_510, 194_802, 194_804, 194_809, 194_810, 194_811, 194_812
----------------	--

### 3. Accessories and components

Slides XL	324_100, 324_200, 324_300, 324_400, 324_500, 324_600
Slides XXL	334_100, 334_200, 334_300, 334_400, 334_500, 334_600
Fireman's pole	201_275
Climbing	201_060, 201_273
Imagination	201_280, 201_285, 201_290, 201_295, 202_473, 450_310, 450_320, 450_330
Swinging	250_001, 250_013, 250_025, 250_034, 250_053
Functional	123_220, 123_222, 123_230, 201_115, 201_220, 201_250, 201_260, 201_270, 202_620, 202_621, 202_622, 202_623, 202_624, 202_625, 202_626, 202_627, 202_628, 202_629, 202_824, 250_065, 250_070, 250_075

## Applicable EU directives and standards

### General

- General Product Safety Directive (GPSD) 2001\48\EG
- Reach directive 1907\2006
- AfPS GS 2019:01 PAK

### Activity Toys

- Toy Safety Directive (TSD) 2009\48\EG
- EN Standard 71 Safety of Toys
  - EN 71-1:2014 + A1:2018 Safety of toys Mechanical and physical properties
  - EN 71-2:2020 Flammability
  - EN 71-3:2019 + A1:2021 Migration of certain elements
  - EN 71-8:2018 Safety of toys Activity toys for domestic use

## Supplementary information

Conformity to the above specified directives and standards has been frequently verified by TÜV Rheinland LGA products, DEKRA, LNE SA, since 1994. Jungle Gym participates in the European Commission for standardisation for the safety of activity toys (TC52/WG10).



EN 71-1,-2, -3, -8 & -9

## Manufacturer details

Company Name: Jungle Gym B.V.  
Address: Valschermkade 18, 1059 CD Amsterdam, Netherlands  
Email: info@junglegym.com

## Declaration

I hereby declare under our sole responsibility that the products mentioned above, to which this declaration relates, comply with the above mentioned directives and standards when the installation, assembly, and maintenance instructions are strictly followed.

Name  
Mr. P. Schmit / Director

Issued date  
Thursday 18<sup>th</sup> July, 2024

A handwritten signature in blue ink, appearing to read 'P. Schmit', is written over a horizontal line.

Signature of representative

Jungle Gym B.V. | P.O. Box 75083 | 1070 AB Amsterdam | Netherlands | Phone: +31 85 444 41 00 | e-mail: info@junglegym.com | www.junglegym.com