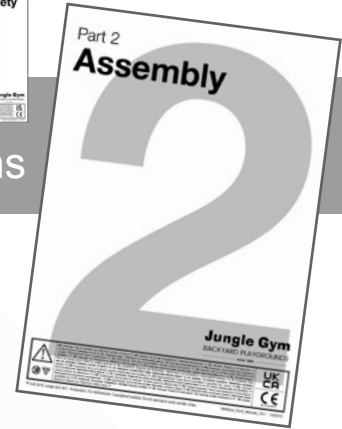


Part 2

Assembly

Instructions

Config ID: ar03HI
 Product Name: Majesty 2-Climb
 Product ID: 211535








Watch in 3D



Jungle Gym

BACKYARD PLAYGROUNDS

since 1988

<p>Assembly time 11.5 hours by 2 adults</p> 	 <p>EN. Warnings. Only for domestic use. Maximum number of users is 4. DE. Achtung. Nur für den Hausgebrauch. Maximale Benutzerzahl: 4. FR. Attention. Réserve à un usage familial. Le nombre maximal d'utilisateurs est de 4. NL. Waarschuwingen. Uitsluitend voor huishoudelijk gebruik. Het maximale aantal gebruikers is 4. BG. Внимание. За употреба само в домашни условия. Максималният брой потребители е 4. CS. Varování. Jen pro domácí použití. Maximální počet uživatelů je 4. DA. Advarsler. Kun til privat brug. Maksimum antal brugere er 4. EL. Προειδοποιήσεις. Μόνο για οικιακή χρήση. Μέγιστος αριθμός χρηστών 4. ES. Advertencias. Solo para uso doméstico. Número máximo de usuarios: 4. ET. Hoiatused. Ainult koduseks kasutamiseks. Maksimaalne kasutajate arv on 4. FI. Varoitukset. Ainoastaan kotikäyttöön. Käyttäjää yhteensä enintään 4. HR. Upozorenja. Samo za kućansku uporabu. Maksimalan broj korisnika je 4. HU. Figyelmeztetések. Csak otthoni használatra! A használók max. száma: 4. IS. Varnaðarorð. Eingöngu fyrir einkanothun í heimahúsum og á einkalóðum. Hámarksfjöldi notenda er 4. IT. Avvertenze. Solo per uso domestico. Massimo numero di utenti è 4. LT. Įspėjimai. Tik buitiniam naudojimui. Maksimalus naudotojų skaičius 4. LV. Brīdinājumi. Izmantot tikai mājās. Maksimālais lietotāju skaits ir 4. NO. Advarsler. Kun for privat bruk. Maksimalt antall brukere er 4. PL. Ostrzeżenia. Wyłącznie do użytku domowego. Maksymalna liczba użytkowników to 4. PT. Avisos. Apenas para uso doméstico. O número máximo de utilizadores é 4. RO. Avertismente. Numai pentru uz domestic. Numărul maxim de utilizatori este 4. RU. Предостережения. Только для домашнего использования. Максимальное количество пользователей - 4. SK. Upozornenia. Iba na domáce použitie. Maximálne množstvo osôb je 4. SL. Opozorila. Samo za domačo uporabo. Maksimalno število uporabnikov je 4. SR. Upozorenja. Samo za kućnu upotrebu. Maksimalan broj korisnika je 4. SV. Varningar. Endast för hemmabruk. Det maximala antalet användare är 4. TR. Uyarılar. Sadece ev kullanımı için. Maksimum kullanıcı sayısı 4.</p>	 <p>EN 71-1,2,3,6,8-9</p>  
--	--	--

1 Helpdesk JungleGym

FAQ & Support



English



Deutsch



Français



Nederlands



info@junglegym.com



EU 0031 85 44 44 100

AT 0043 72 08 153 33

BE 0032 78 48 16 19

CH 0041 43 50 87 350

DE 0049 32 22 10 98 299

ES 0034 657 76 64 25

FR 0033 97 75 58 222

IE 0035 38 1800 0300

LU 0035 22 08 80 512

NL 0031 85 44 44 102

UK 0044 20 369 505 53

Monday-Friday,

CET 9:00am - 5:00pm

Local phone charges may apply.

2 Start

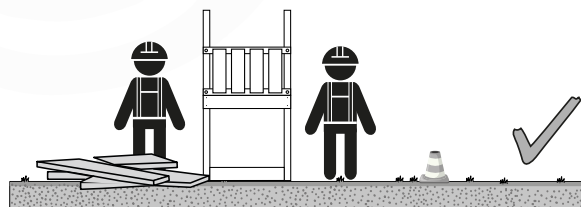
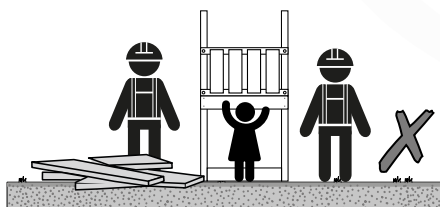
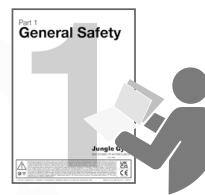
2.1 Safety



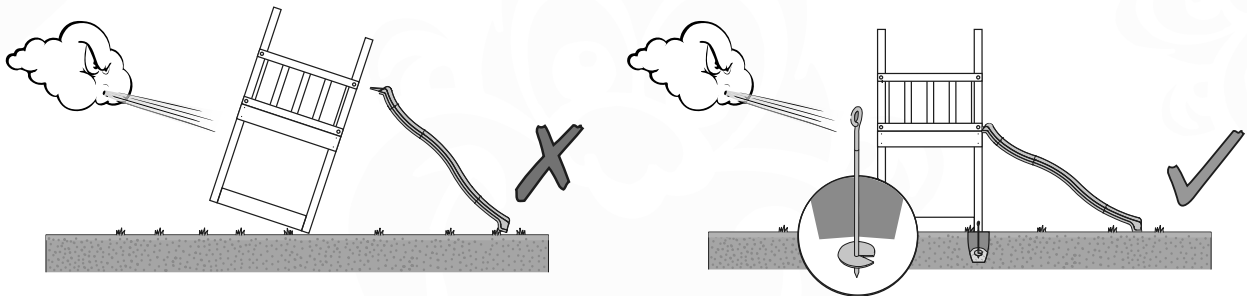
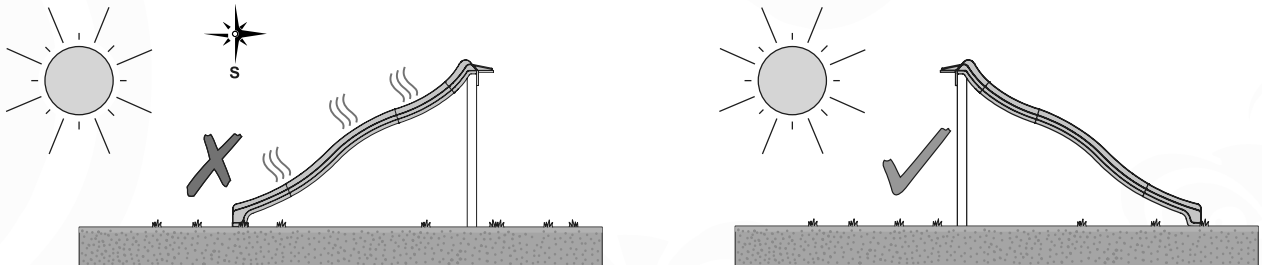
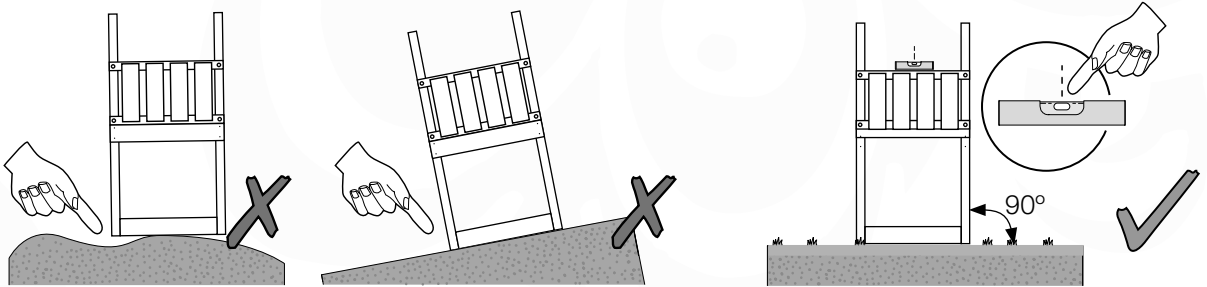
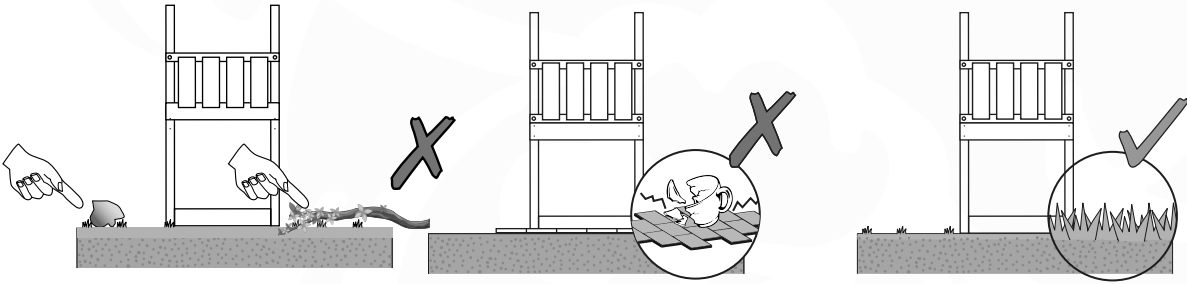
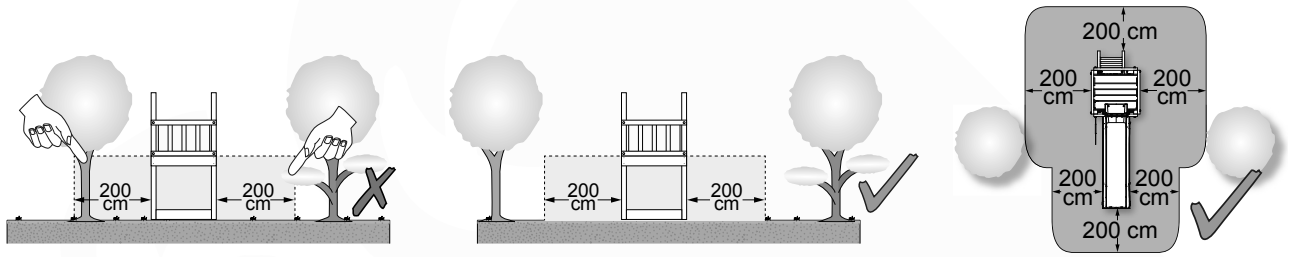
Download

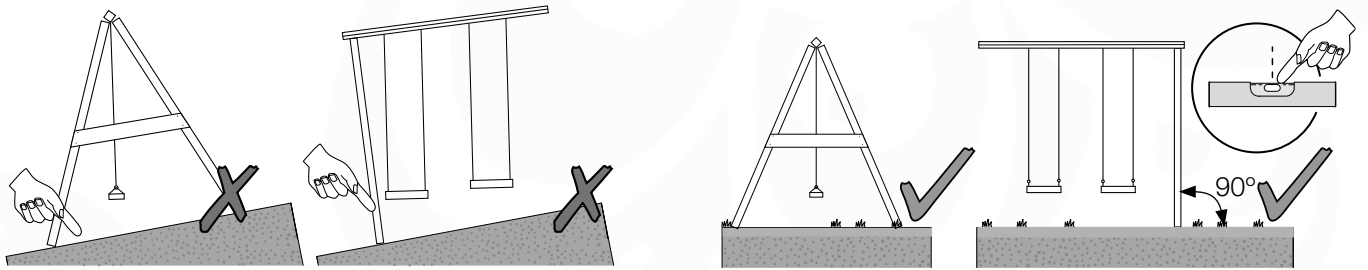
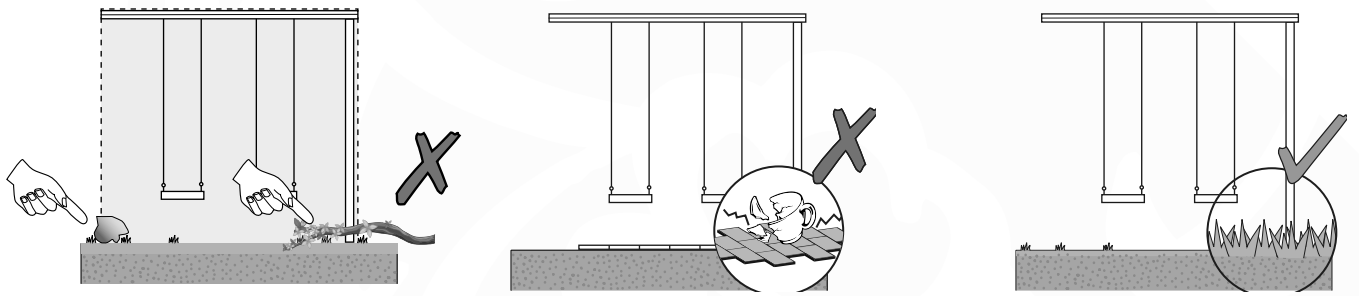
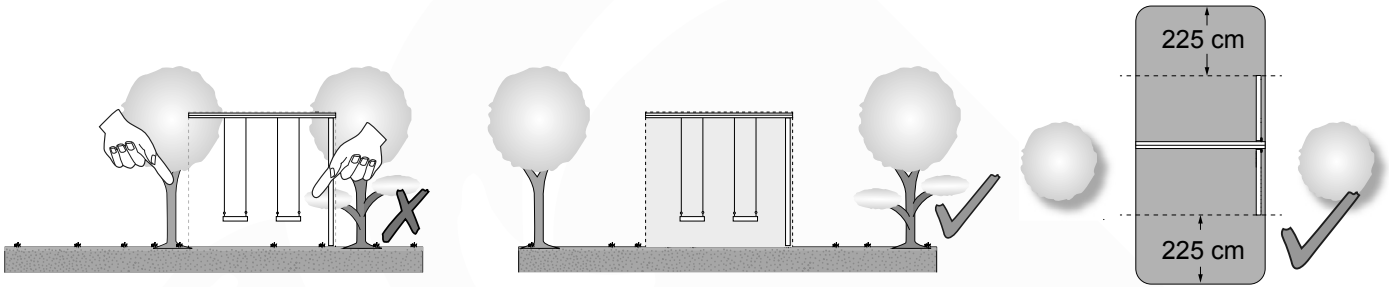


Part 1

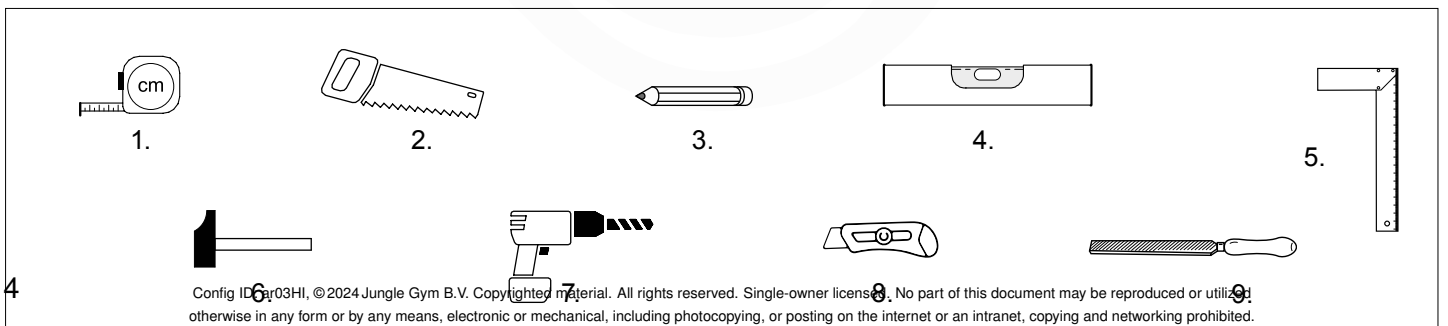


2.2 Planning

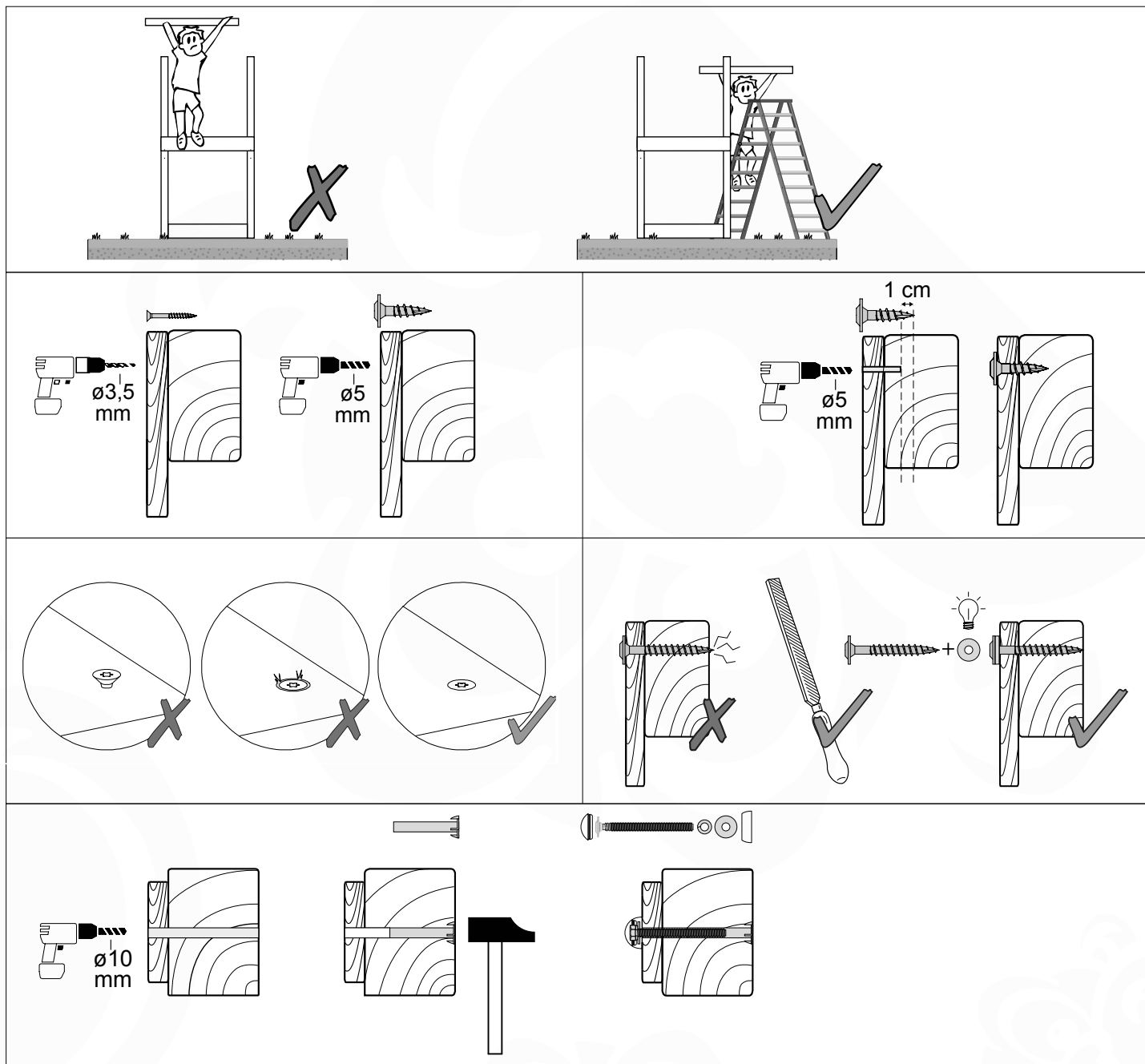




2.3 Tools



2.4 Assembly



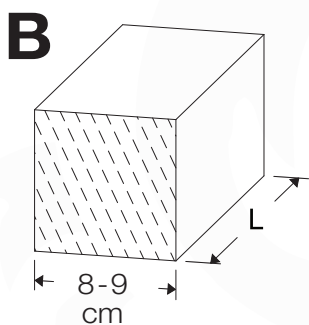
3 Overview

3.1 Order specification

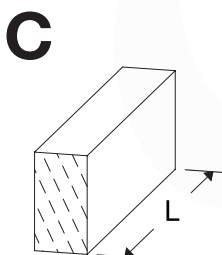


#	Description	Supplier ID	Assembly ID
1	Base Tower 140_270270_145	794_001	BT20a
1	Extension Tower 14080_220_145	794_102	ET27a
1	Roof Timber Gable 140	794_202	RF14a
1	Balustrade 140_ U	794_301	BL05a
1	Balustrade 140_ T	794_301	BL06a
1	Balustrade 70/140_ T R	794_302	BL10a
2	Balustrade 14080_ U 9x9	790_301	BL21a
1	Ladder 70/140_145 T L	794_432	LA25a
1	TwoStep Ladder 70/140_145 T L	794_412	TS19a
1	Slide Frame 70/140145 T R	794_901	SL29a
1	2- Climb Module 220_Extra 3.0	750_234	CL22a
1	Accessories Set	194_119	AC01a
1	Accessories Swing Seat	250_034	AC21a
1	Accessories Monkey Bar	250_013	AC22a
1	Wavy Star Slide XXL	334_x00a	334_x00a

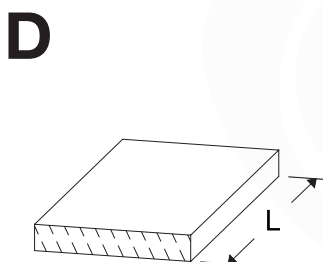
3.2 Timber parts



B74	73 cm - 74 cm	1
B220	219 cm - 220 cm	2
B240	239 cm - 240 cm	5
B270	269 cm - 270 cm	4



C70	69 cm - 70 cm	3
C74	73 cm - 74 cm	14
C108	107 cm - 108 cm	2
C114	113 cm - 114 cm	2
C141	140 cm - 141 cm	12
C150	149 cm - 150 cm	2
C206	205 cm - 206 cm	1

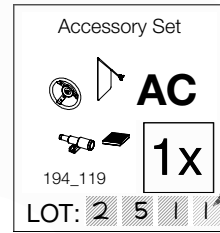




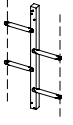
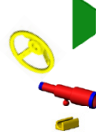









D65	64 cm - 65 cm	26
D74	73 cm - 74 cm	8
D123	122 cm - 123 cm	26
D141	140 cm - 141 cm	18
D154	153 cm - 154 cm	28

4.3 Assembly packs



Example



<p>Tower 140</p>  <p>BT ET</p> <p>194_500</p> <p>1x</p> <p>LOT: <input type="text"/></p>	<p>Hardware 01</p>  <p>BL H01</p> <p>194_101</p> <p>3x</p> <p>LOT: <input type="text"/></p>	<p>Two Step Ladder</p>  <p>TS</p> <p>194_002</p> <p>1x</p> <p>LOT: <input type="text"/></p>	<p>Accessory Set</p>  <p>AC</p> <p>194_119</p> <p>1x</p> <p>LOT: <input type="text"/></p>	<p>Swing Seat</p>  <p>AC</p> <p>250_034</p> <p>1x</p> <p>LOT: <input type="text"/></p>
<p>Monkey Bar</p>  <p>AC</p> <p>250_013</p> <p>1x</p> <p>LOT: <input type="text"/></p>	<p>Tower 115</p>  <p>BT ET</p> <p>194_300</p> <p>1x</p> <p>LOT: <input type="text"/></p>	<p>Slide Frame</p>  <p>SL</p> <p>194_107</p> <p>1x</p> <p>LOT: <input type="text"/></p>	<p>Window Hardware / Roof 140</p>  <p>RF PH</p> <p>194_508</p> <p>1x</p> <p>LOT: <input type="text"/></p>	<p>Balustrade 140</p>  <p>BL</p> <p>194_501</p> <p>2x</p> <p>LOT: <input type="text"/></p>
<p>Ladder 145</p>  <p>LA</p> <p>194_004</p> <p>1x</p> <p>LOT: <input type="text"/></p>	<p>Climb Module Kit</p>  <p>CL</p> <p>457_107</p> <p>1x</p> <p>LOT: <input type="text"/></p>	<p>Slide XXL 2.6m</p>  <p>1x</p> <p>334_x00</p> <p>LOT: <input type="text"/></p>		

4.4 Your config ID: ar03HI

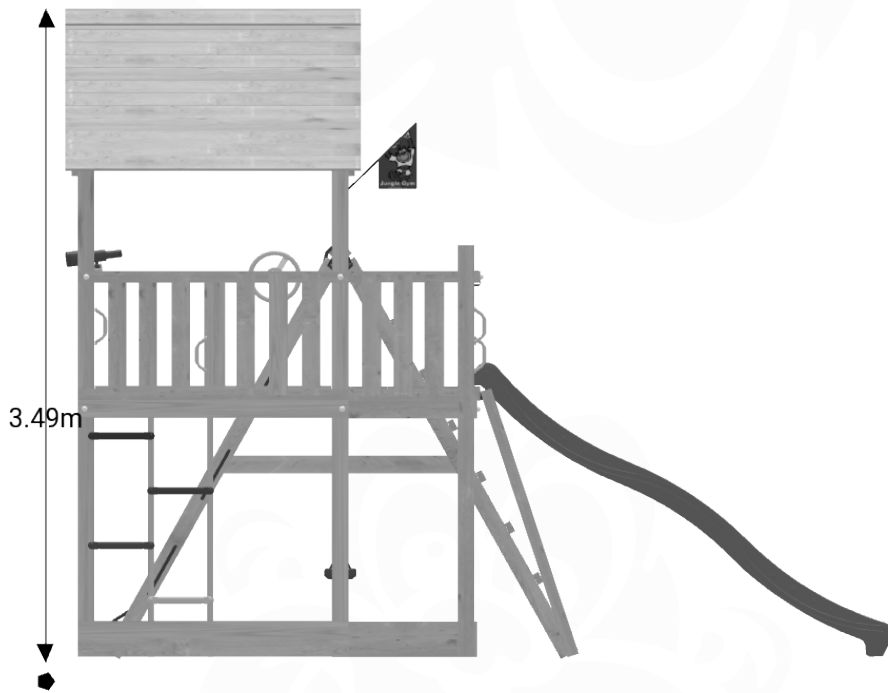
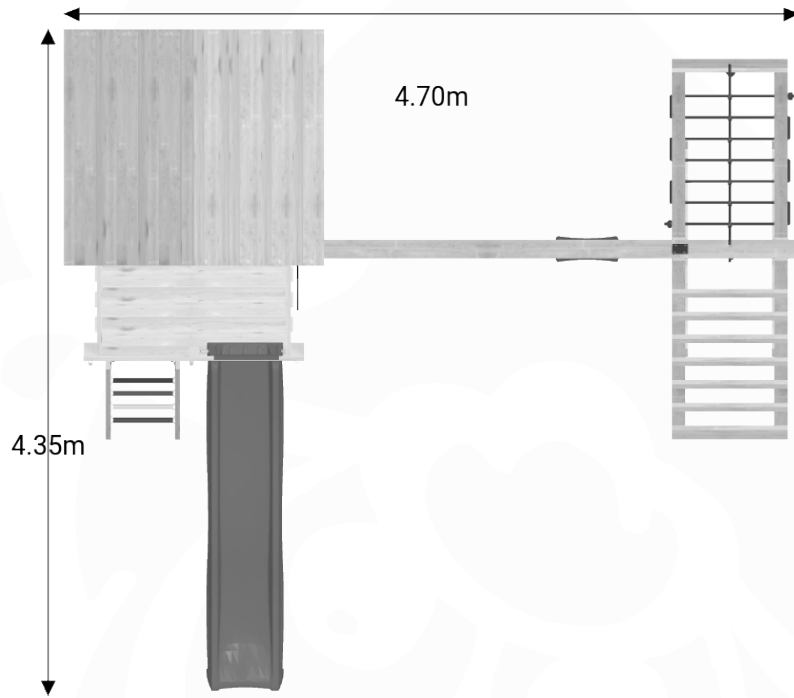


5 Hardware Identification

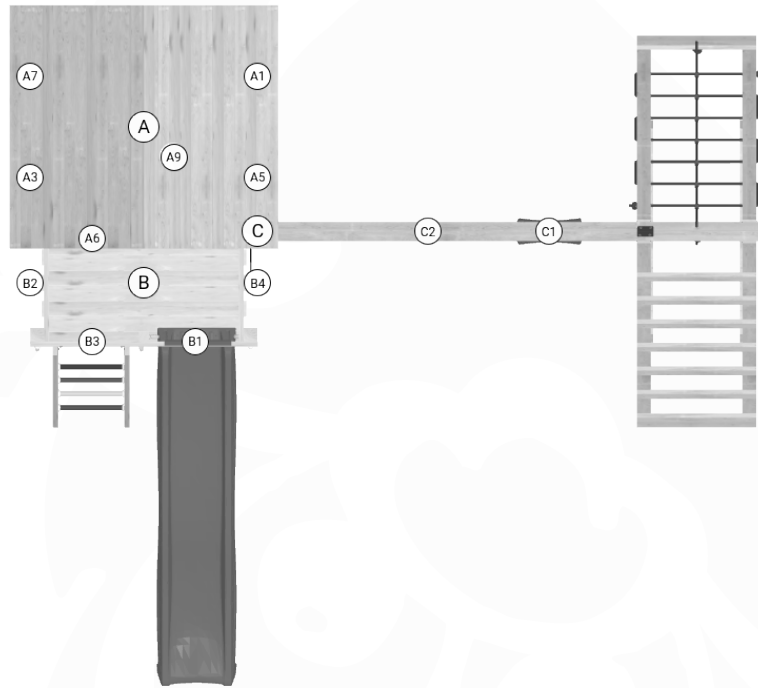
		SKU		L			
		001_404	30 mm				
		001_406	45 mm			002_308	20 mm
		001_411	60 mm			002_219	30 mm
		001_417	80 mm			002_220	45 mm
		001_422	137 mm			002_223	80 mm
		001_102	30 mm				
						004_050	22mm
		000_101	20 mm				
						003_010	
		002_041	20 mm				
						003_034	
		002_042	13 mm				
						002_845	Yellow
		002_301	40 mm				
						002_846	Blue
					002_847	Green	
					002_848	Red	
					023_031	White	
					120_005	White	
					022_844		
					022_314		

output: 27/06/24

6 Dimensions



7 Assembly Planning



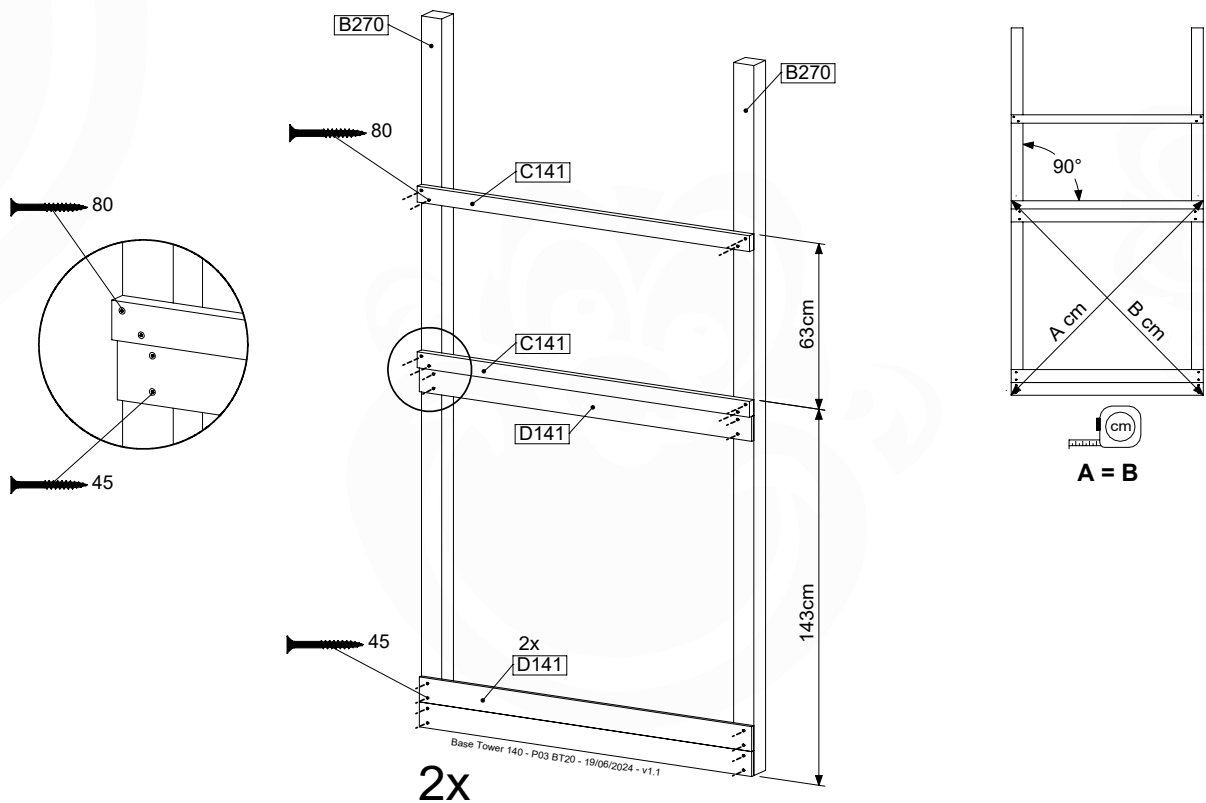
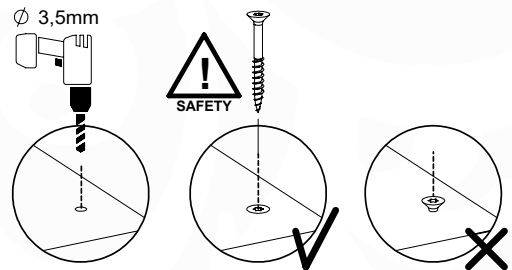
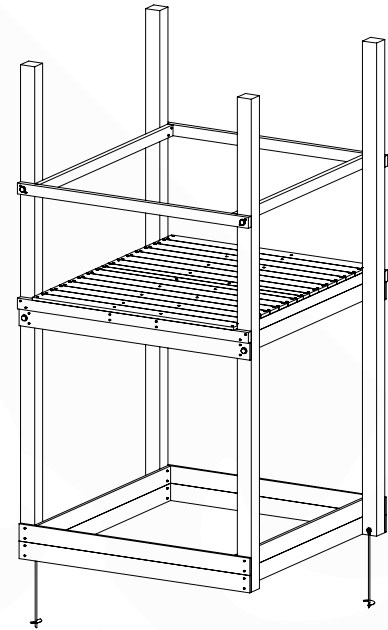
	ID			A	B	C
1	BT20a		p.13	✓	-	-
2	ET27a		p.16	-	✓	-
3	BL05a		p.19	A4	-	-
4	BL06a		p.20	A1	-	-
5	BL10a		p.21	A3	-	-
6	BL21a		p.22	-	B2, B4	-
7	RF14a		p.23	A9	-	-
8	TS19a		p.26	A7	-	-
9	LA25a		p.29	-	B3	-
10	CL22a		p.32	-	-	✓
11	SL29a		p.43	-	B1	-
12	GA		p.46	✓	✓	✓
13	AC01a		p.48	✓	-	-

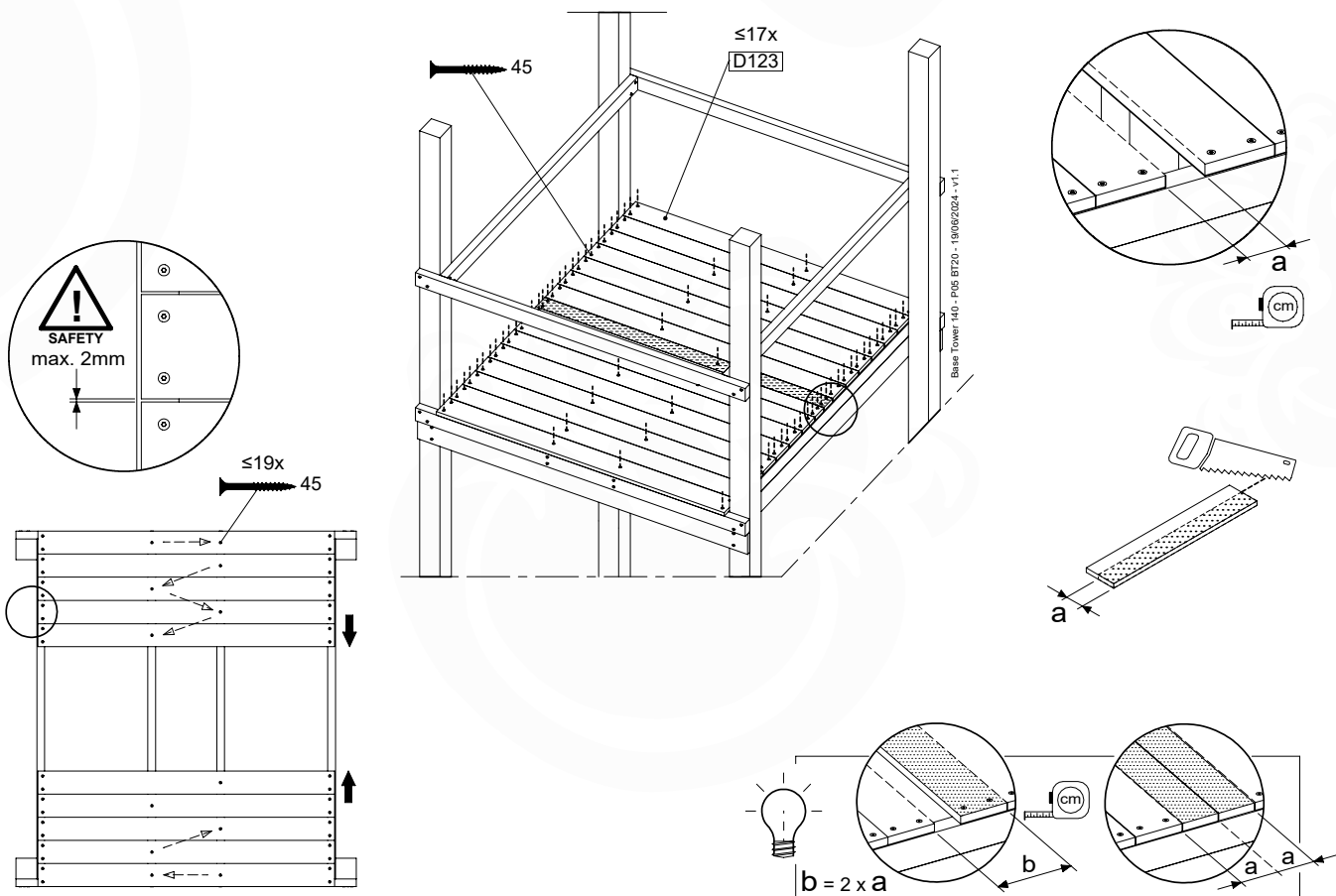
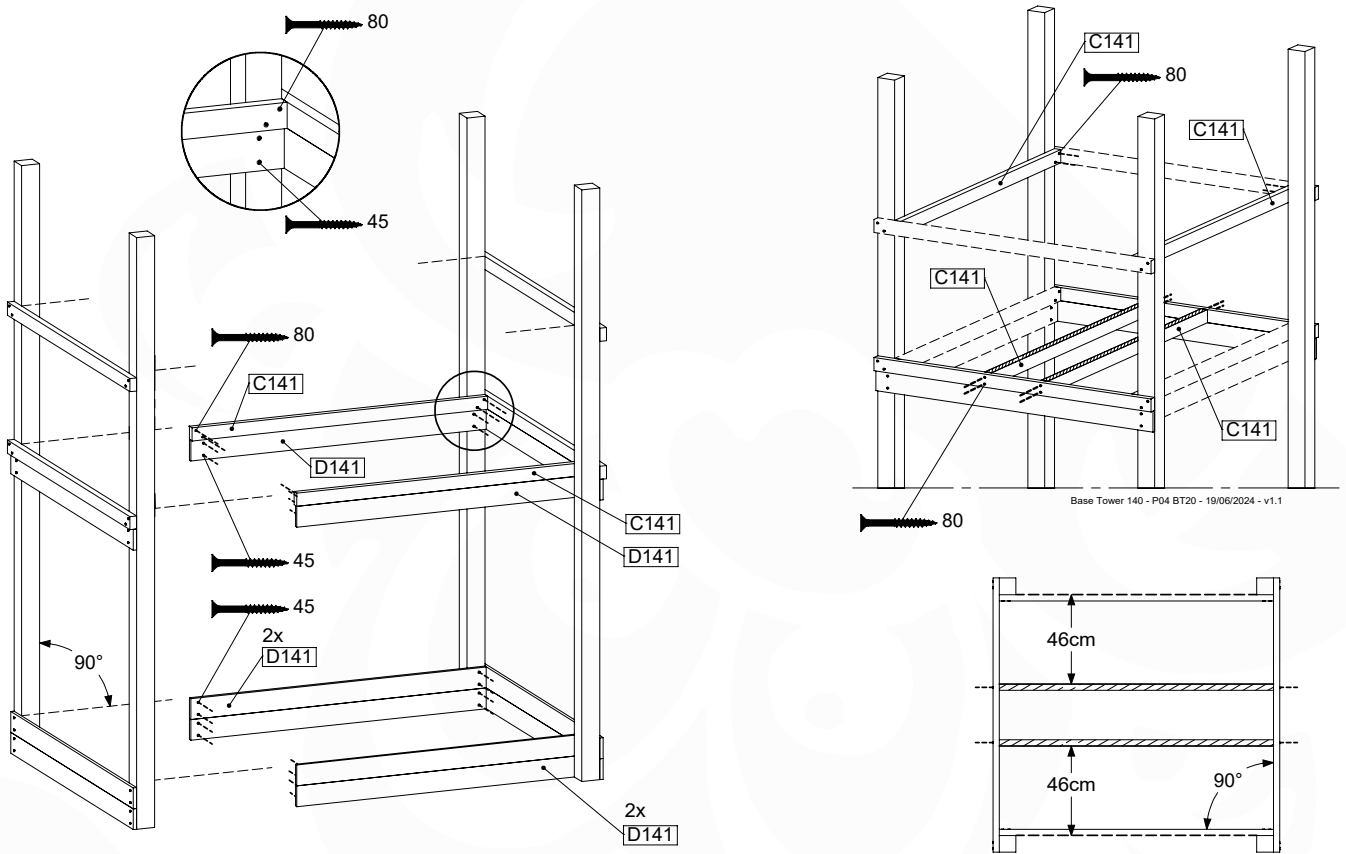
8 BT20a: Base Tower 140 145cm 270270

Assembly Pack: 194_500

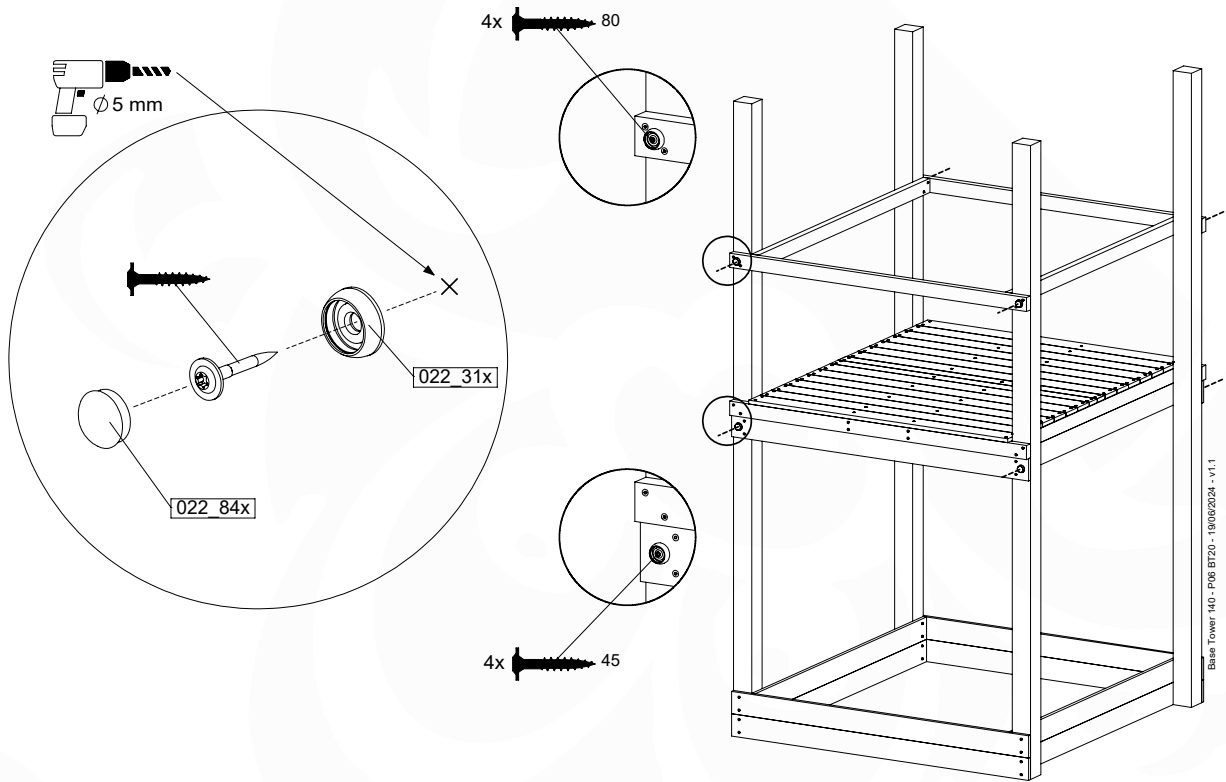
	PartNo	PartName	QTY.
Hardware + Parts	001_406	Stealth Screw 8x45	6
	001_417	Stealth Screw 8x80	4
	002_220	Gap Point Screw T25 - 5x45	135
	002_223	Gap Point Screw T25 - 5x80	40
	007_001	Ground-anchor	2
	022_31x	bpc-base version 3	8
	022_84x	bpc cover	8
Timber	B270	Post 90x90 L2700	4
	C141	Beam 1410 mm	10
	D123	Board 1230 mm	17
	D141	Board 1410 mm	12

Base Tower 140 - P02 BT20 - 19/08/2024 - v1.1





8.2

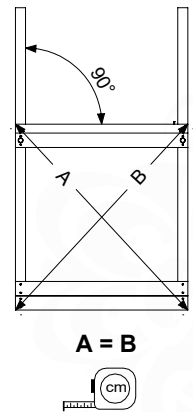
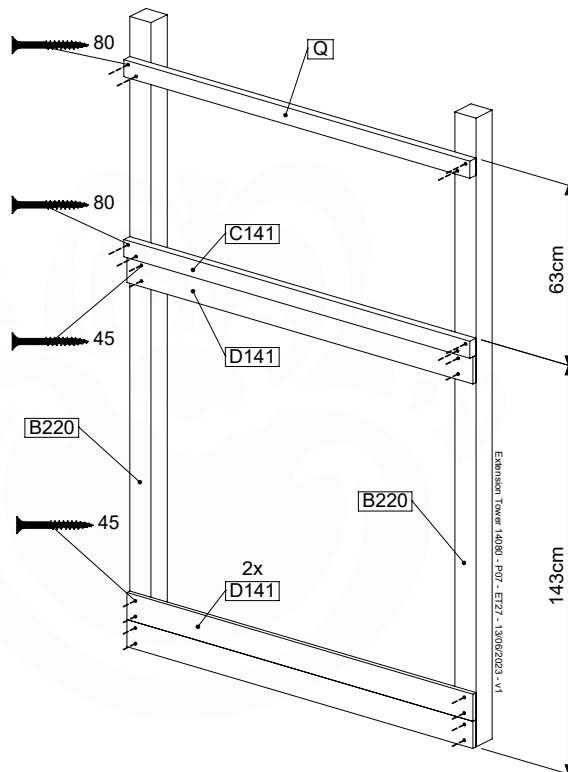
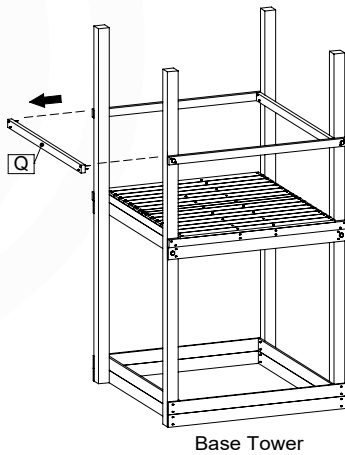
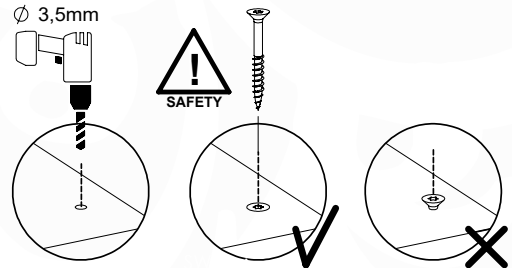
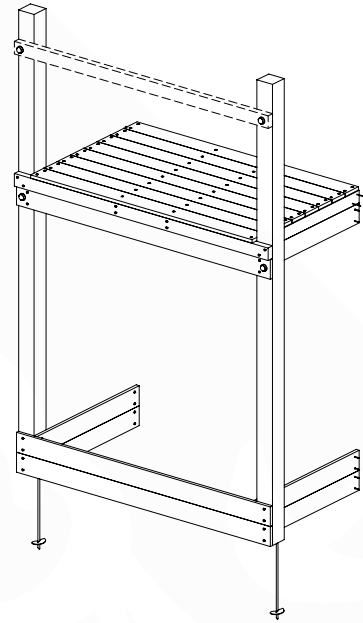


9 ET27a: Extension Tower 14080 220/145

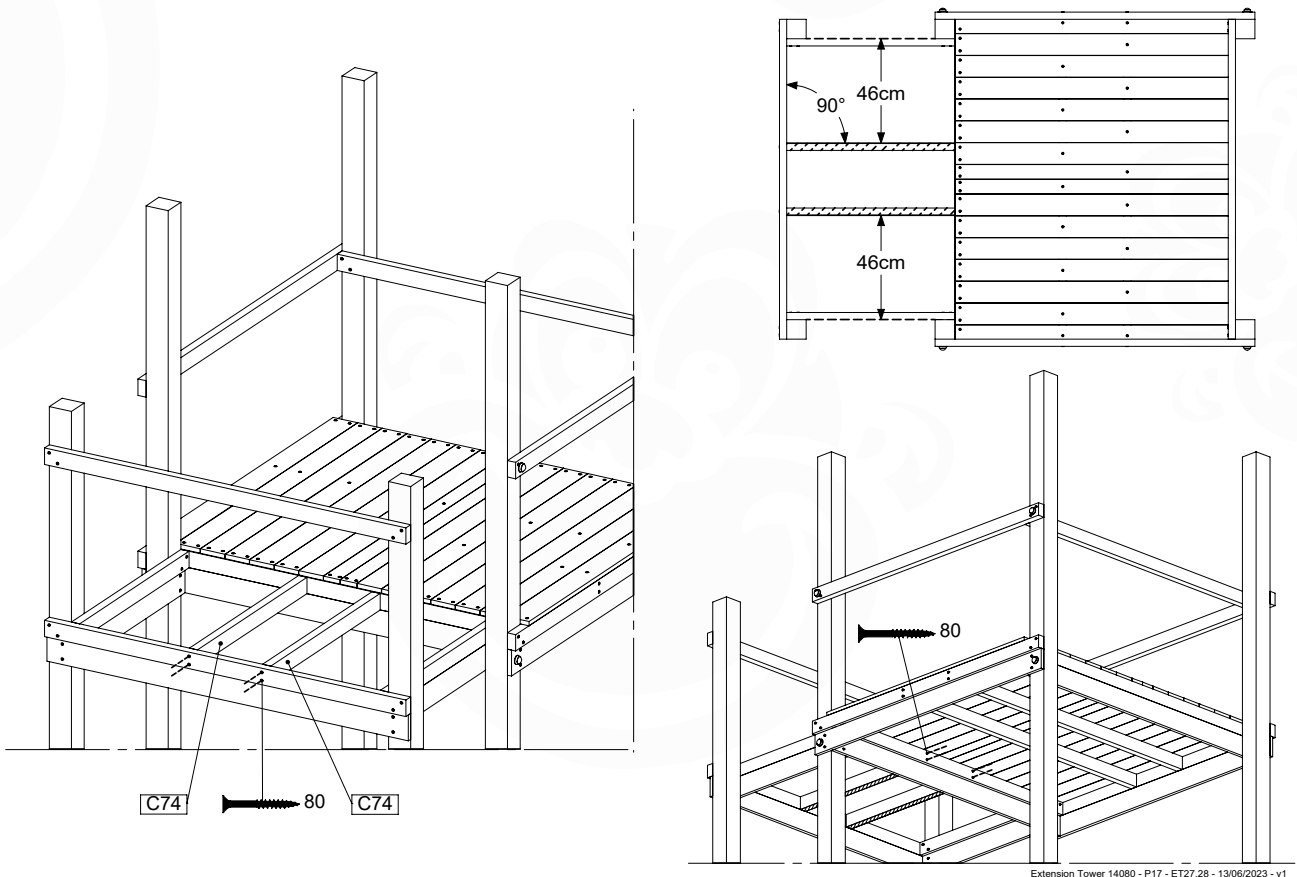
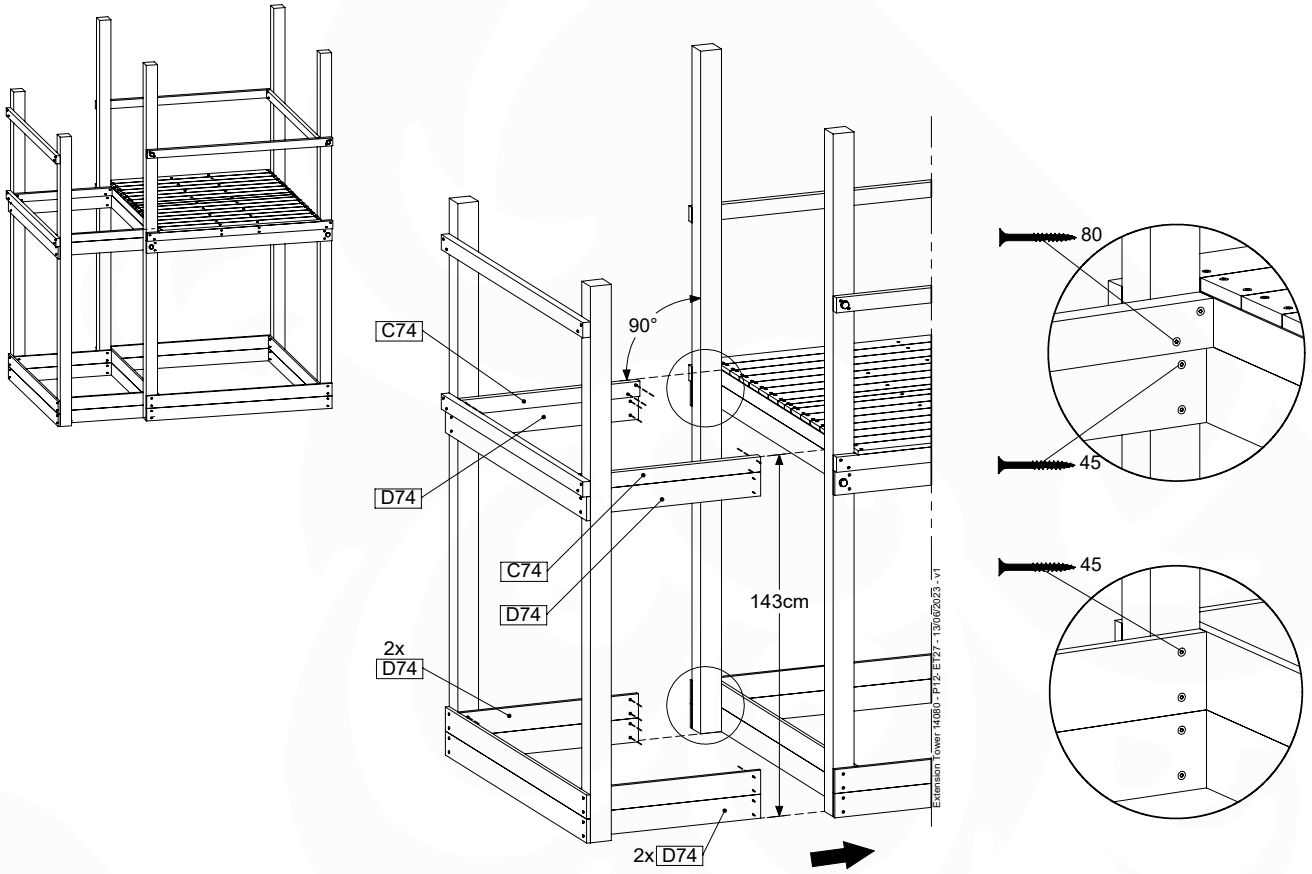
(194_300)

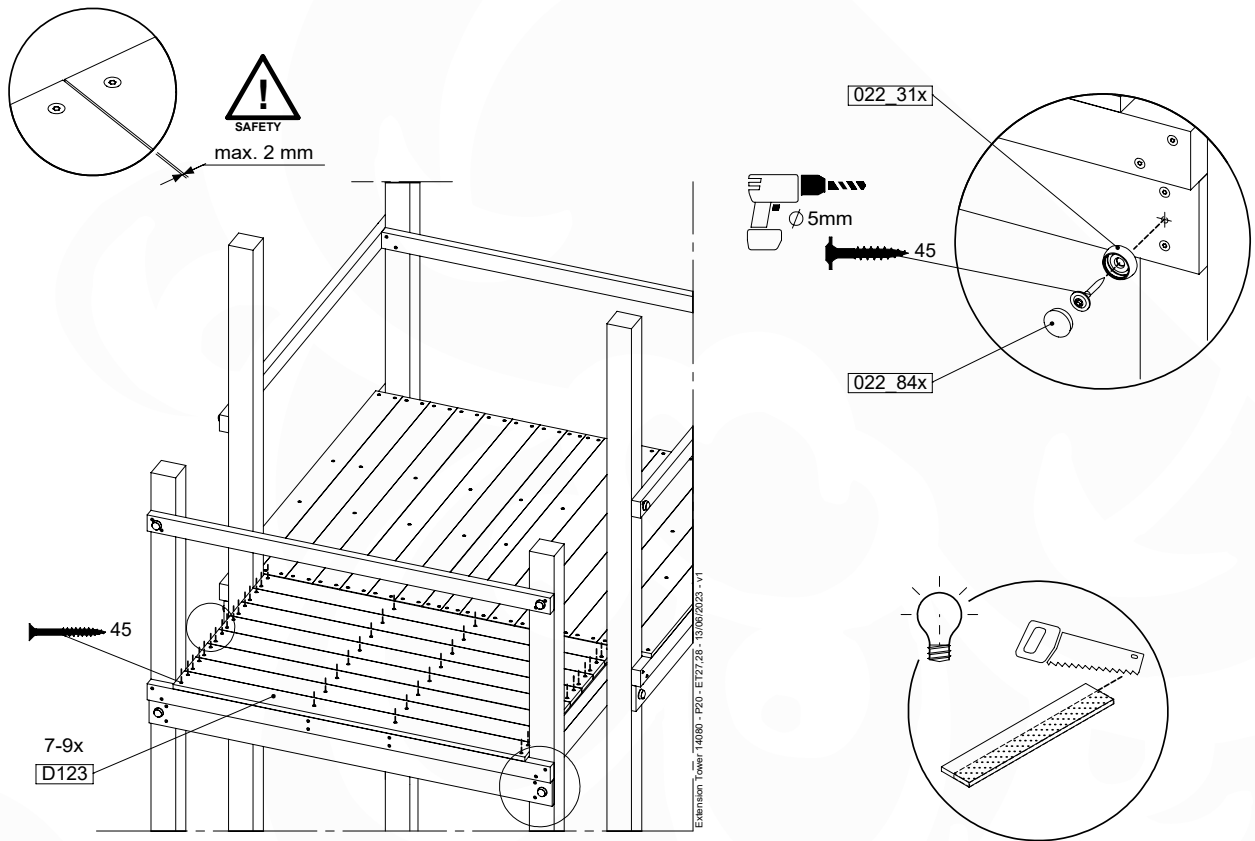
	PartNo	PartName	QTY.
Hardware pack	001_406	Stealth Screw 8x45	4
	001_417	Stealth Screw 8x80	2
	002_220	Gap Point Screw T25 - 5x45	90
	002_223	Gap Point Screw T25 - 5x80	20
Other	007_001	Ground-anchor	2
	022_31x	bpc-base version 3	4
	022_84x	bpc cover	4
Timber	B220	Post 90x90 L2200	2
	C74	Beam 740 mm	4
	C141	Beam 1410 mm	1
	D74	Board 740 mm	6
	D123	Board 1230 mm	9
	D141	Board 1410 mm	3

Extension Tower 14080 - 001 - 002 - ET27 - 1308/2023 - V1



9.1



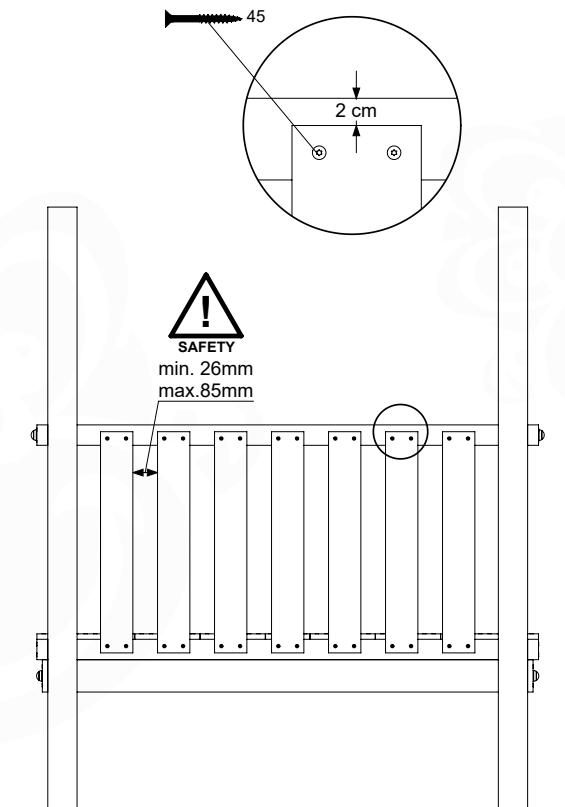
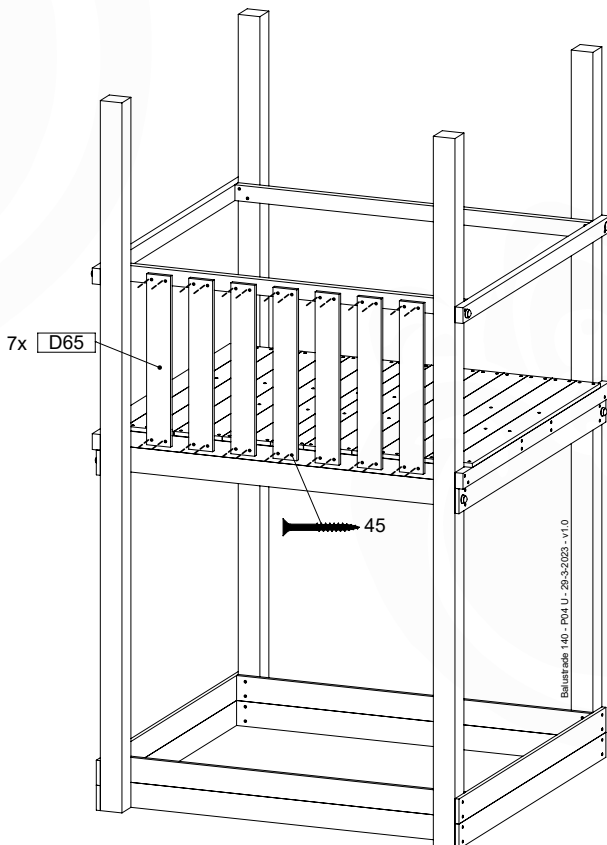
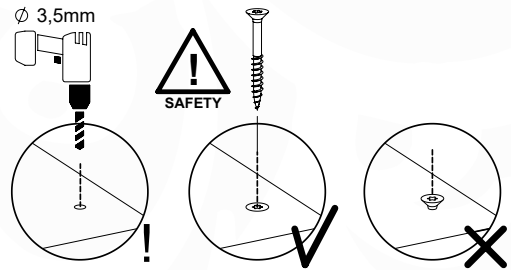
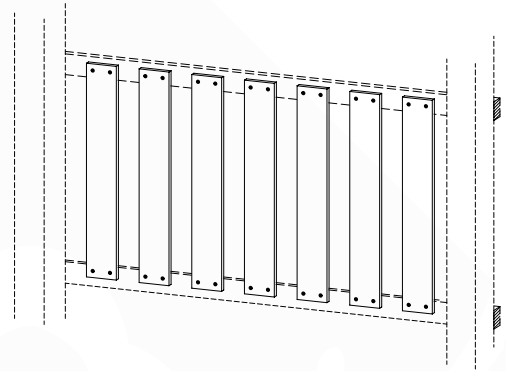


10 BL05a: Balustrade 140 U

(194_501)

	PartNo	PartName	QTY.
Hardware pack	002_220	Gap Point Screw T25 - 5x45	28
Timber	D65	Board 650 mm	7

Balustrade 140 - P02 U - 28-3-2023 - v1.0

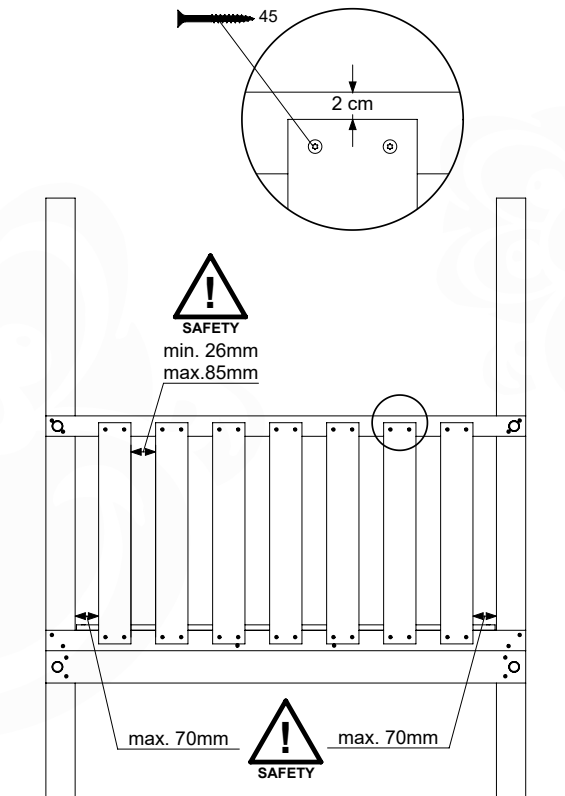
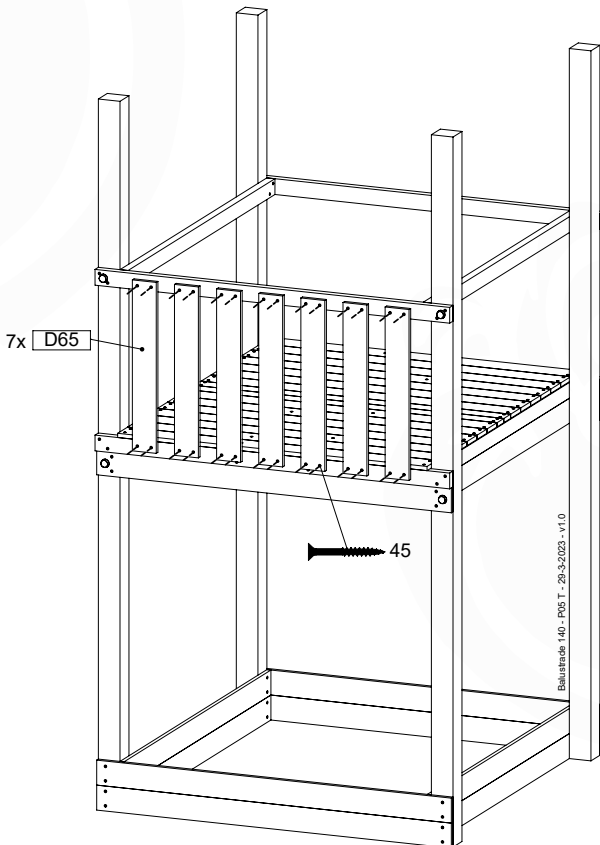
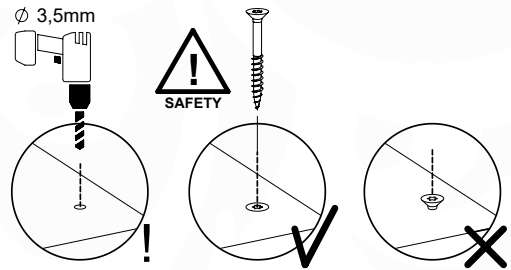
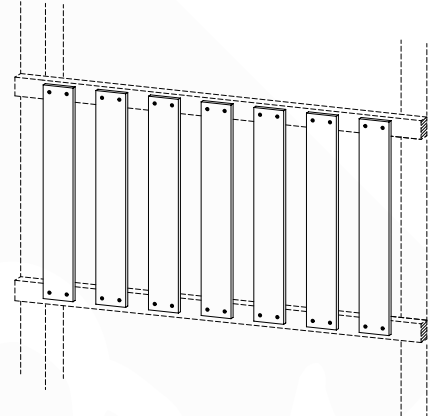


11 BL06a: Balustrade 140 T

(194_501)

	PartNo	PartName	QTY.
Hardware pack	002_220	Gap Point Screw T25 - 5x45	28
Timber	D65	Board 650 mm	7

Balustrade 140 - P03 T - 28-3-2023 - v1.0

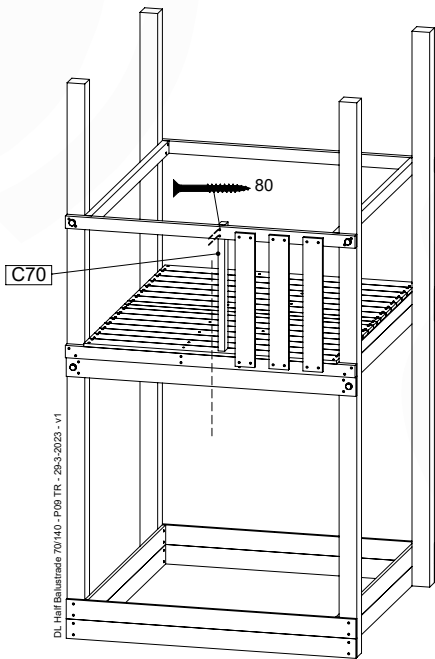
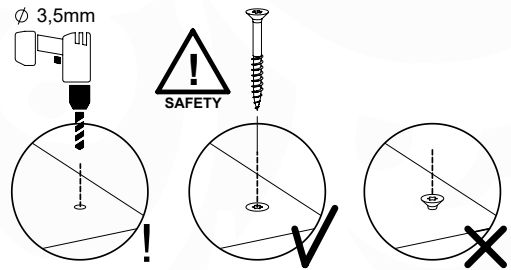
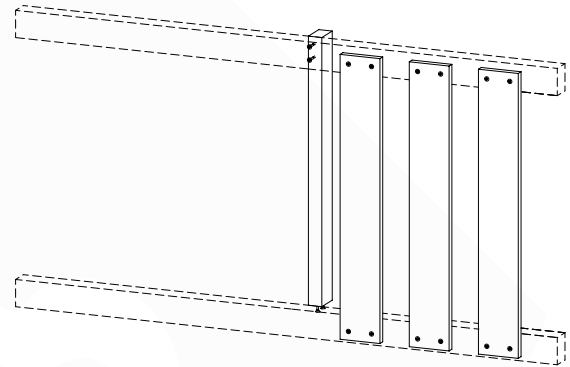


12 BL10a: Half Balustrade T Right

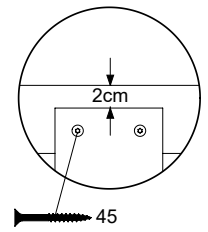
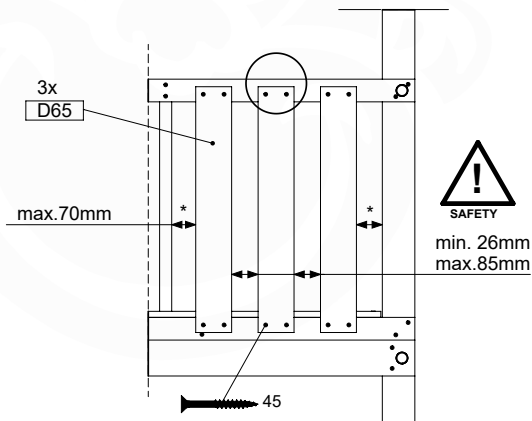
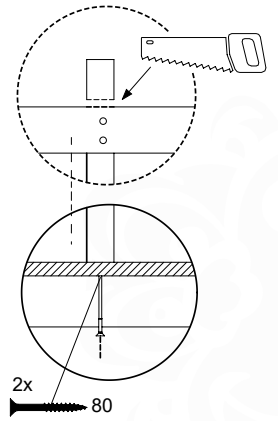
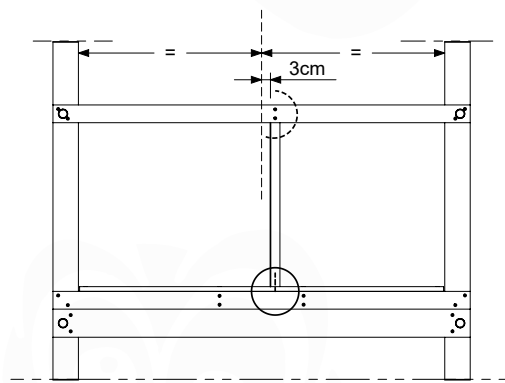
(194_101)

	PartNo	PartName	QTY.
Hardware pack	002_220	Gap Point Screw T25 - 5x45	12
	002_223	Gap Point Screw T25 - 5x80	4
Timber	C70	Beam 700 mm	1
	D65	Board 650 mm	3

DI: Half Balustrade 70140 - P05 TR - 29-3-2023 - v1



DI: Half Balustrade 70140 - P05 TR - 29-3-2023 - v1

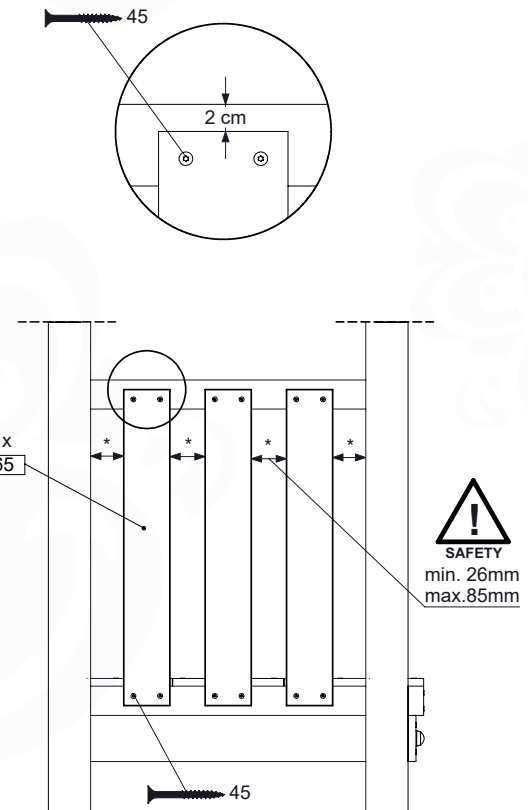
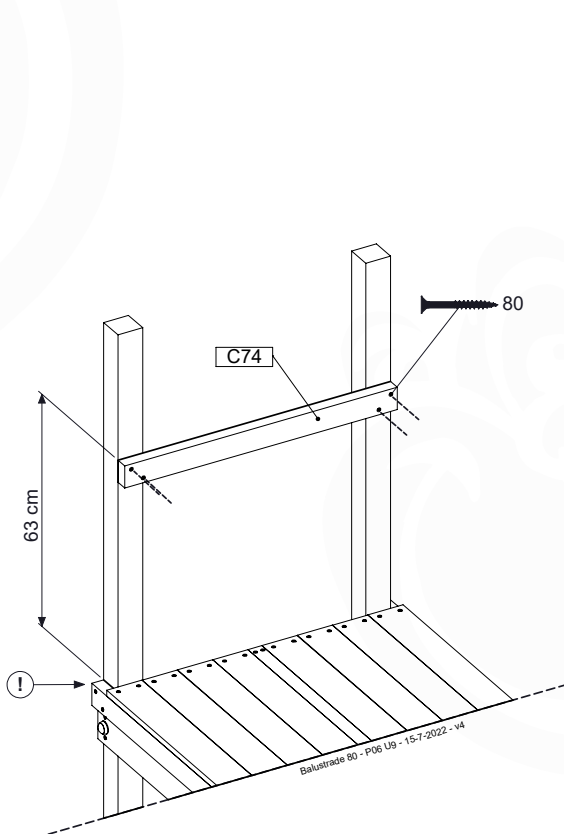
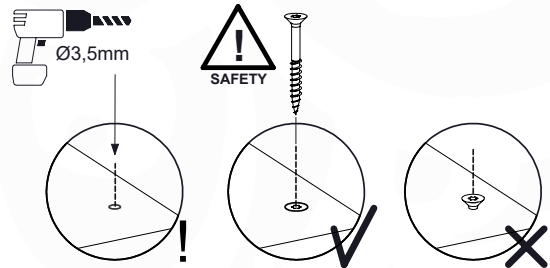
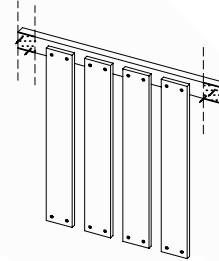


13 BL21a: Balustrade 80 U - 9x9 posts

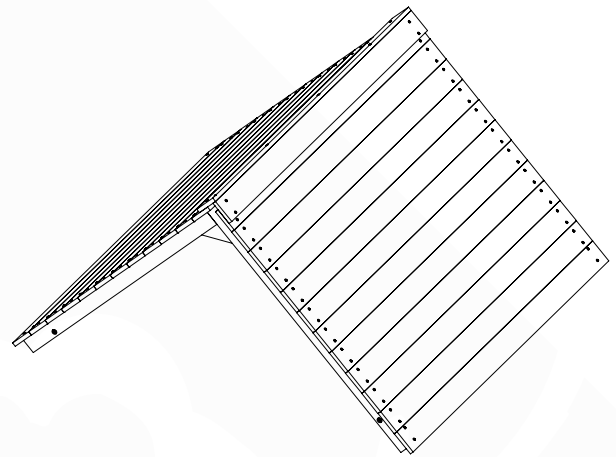
(194_101)

	PartNo	PartName	QTY.
Hardware Pack	002_220	Gap Point Screw T25 - 5x45	16
	100_601	Gap Point Screw T25 - 5x80	4
Timber	C74	Beam 740 mm	1
	D65	Board 650 mm	4

Balustrade 80 - P02 U - 15-7-2022 - v4



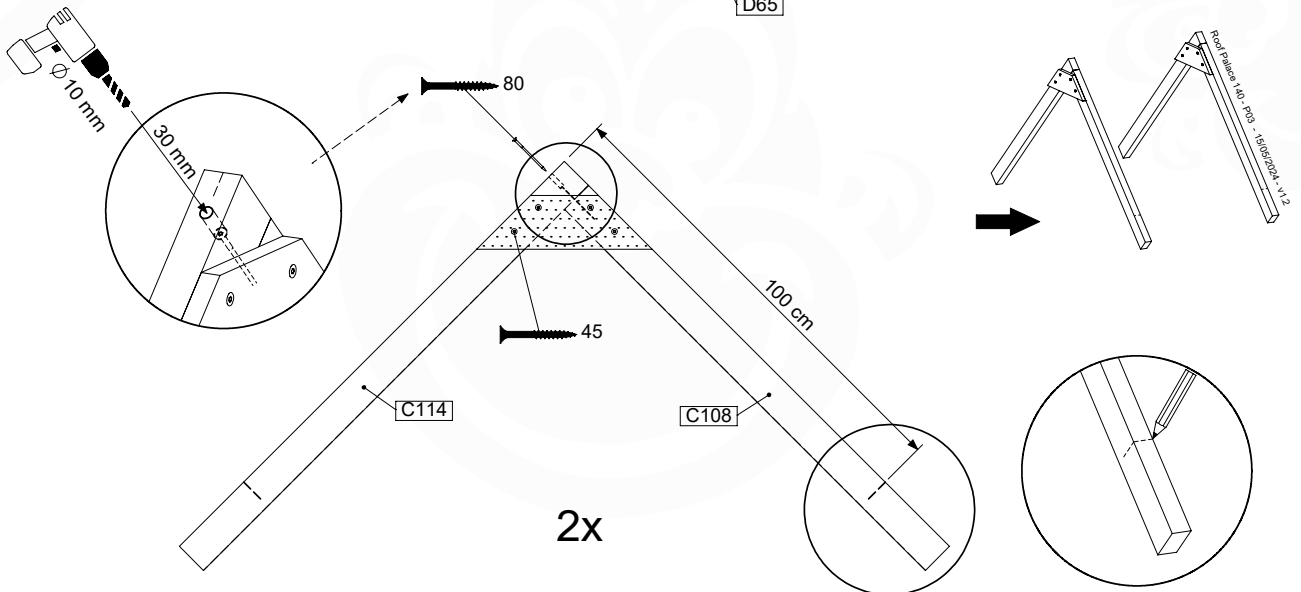
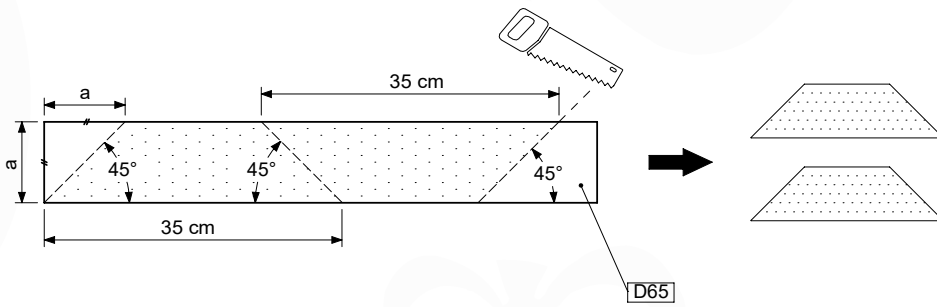
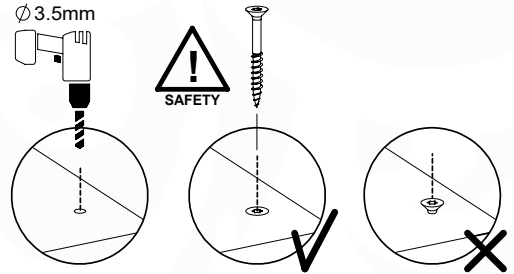
14 RF14a: Roof Timber Gable 140



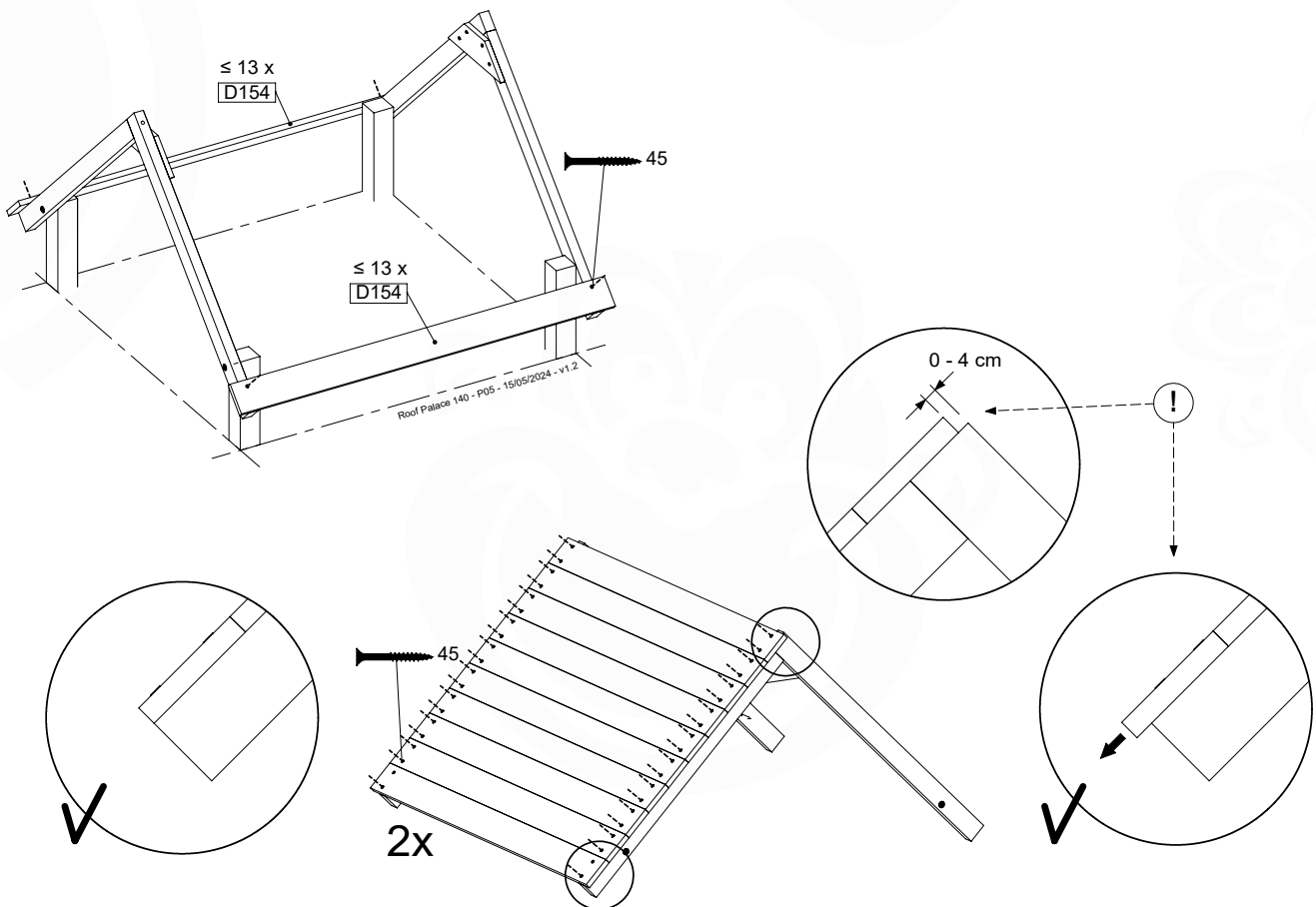
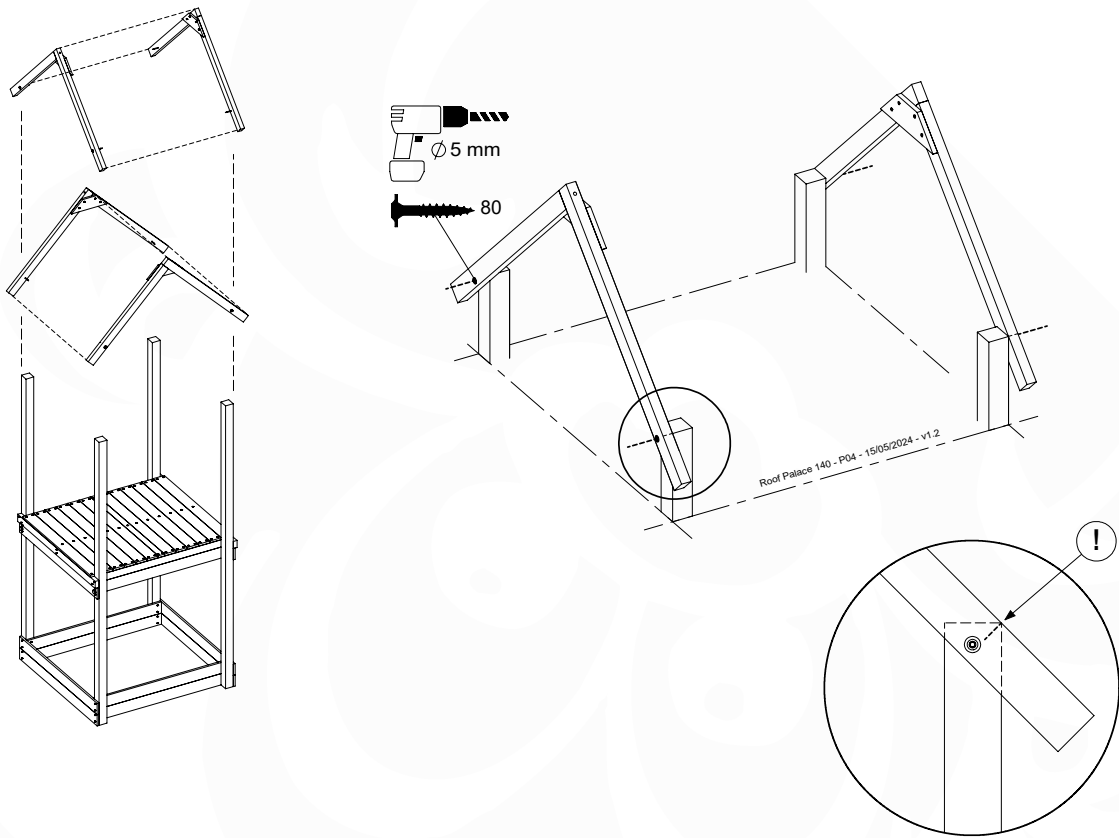
Assembly Pack: 194_508 / 194_804

	PartNo	PartName	QTY.
Hardware + Parts	001_417	Stealth Screw 8x80	4
	002_220	Gap Point Screw T25 - 5x45	120
	002_223	Gap Point Screw T25 - 5x80	4
Timber	C108	Beam 1080 mm	2
	C114	Beam 1140 mm	2
	D65	Board 650 mm	1
	D154	Board 1540 mm	28

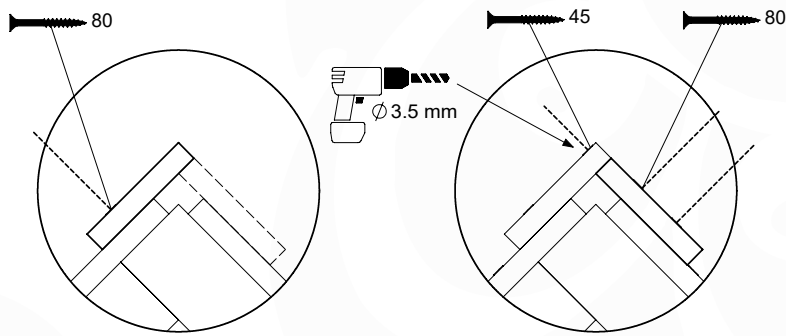
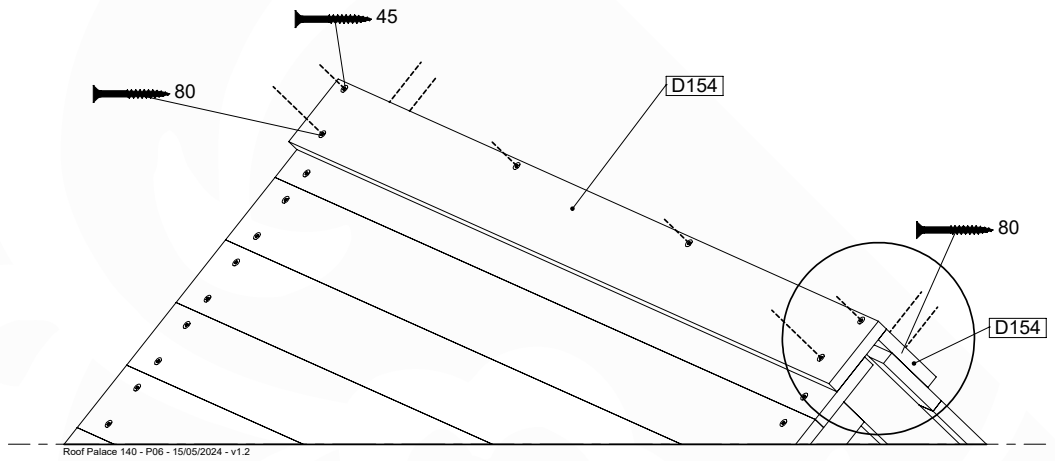
Roof Palace 140 - P02 - 19092024 - V12



14.1



14.2

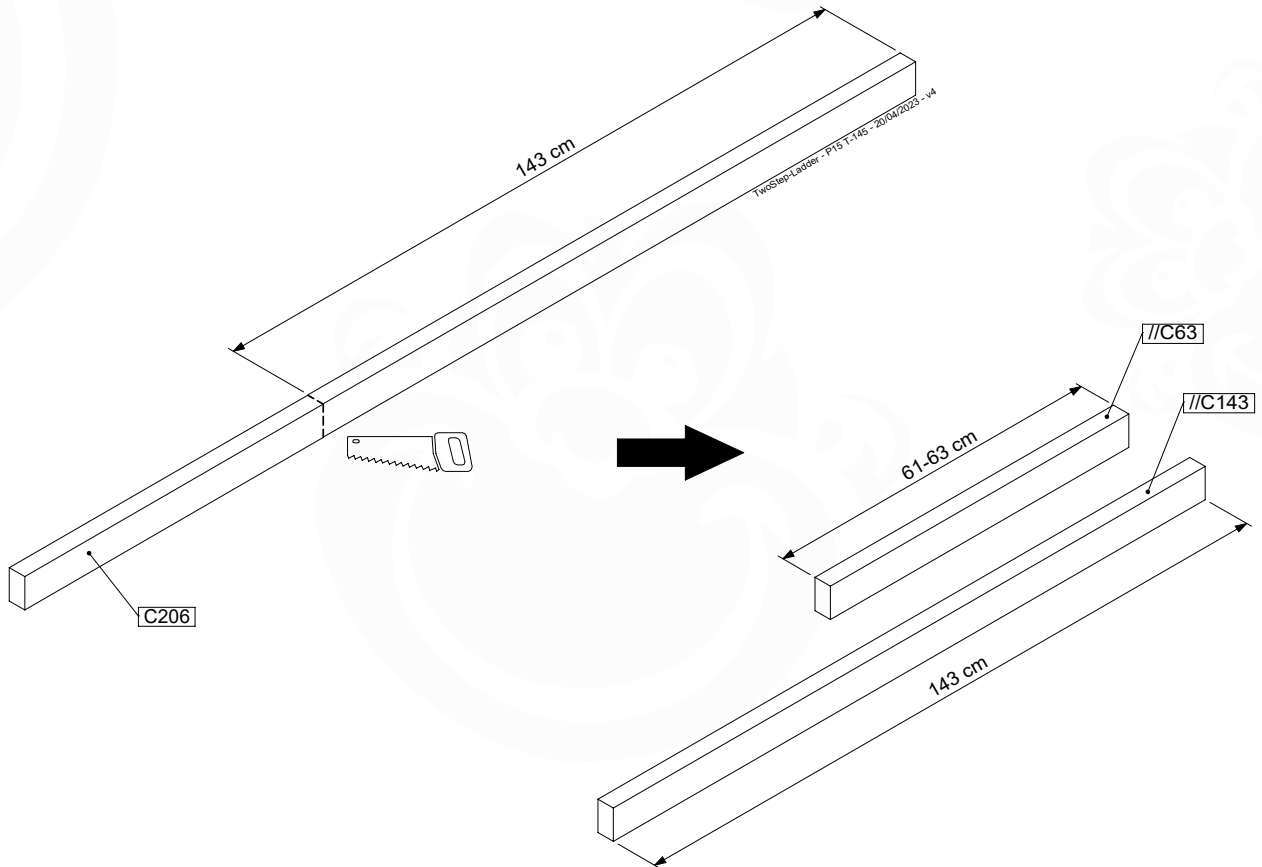
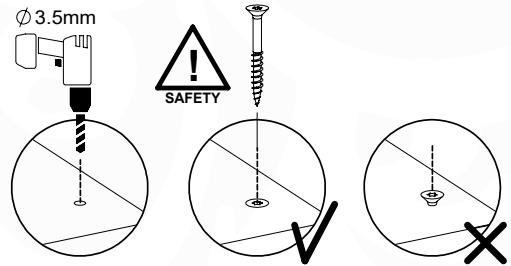
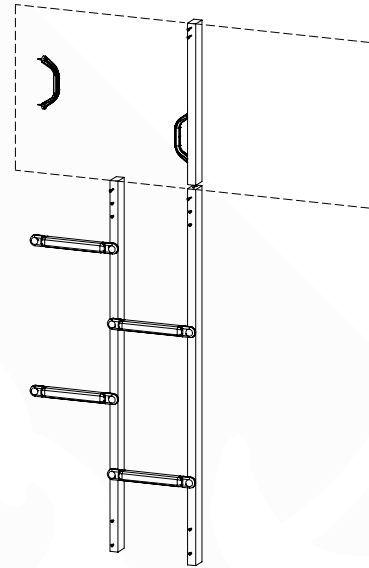


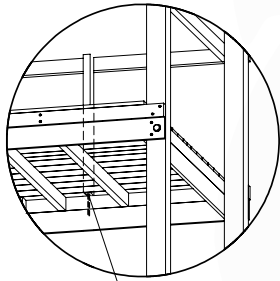
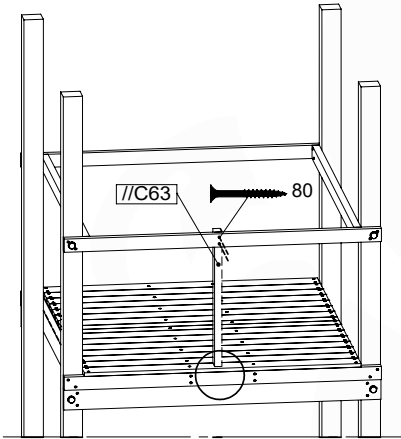
15 TS19a: TwoStep 140 145 T Left

(194_002)

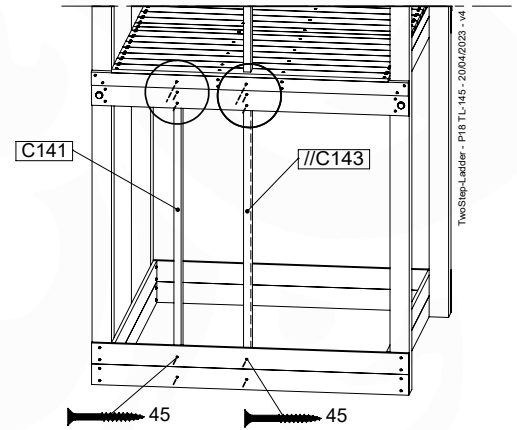
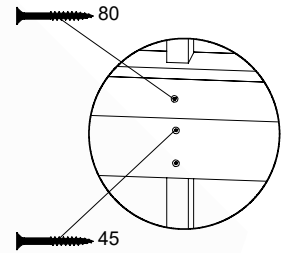
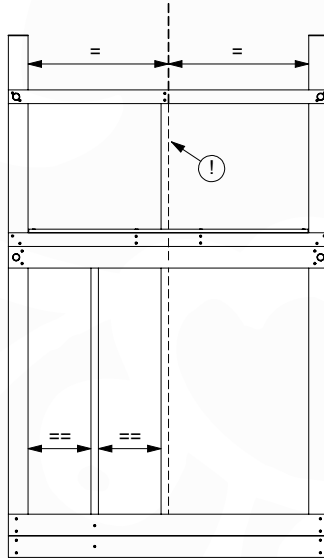
	PartNo	PartName	QTY.
Hardware pack	001_406	Stealth Screw 8x45	8
	002_220	Gap Point Screw T25 - 5x45	8
	002_223	Gap Point Screw T25 - 5x80	6
Other	022_53x	Ladder/ Rope Rung 30cm	4
	022_84x	bpc cover	8
	120_102	Handgrip set (complete 2x)	1
Timber	C141	Beam 1410 mm	1
	C206	Beam 2060 mm	1

TwoStep-Ladder - P18 T-145 - 20/04/2023 - v4



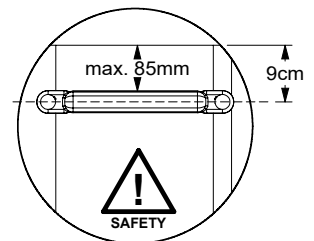
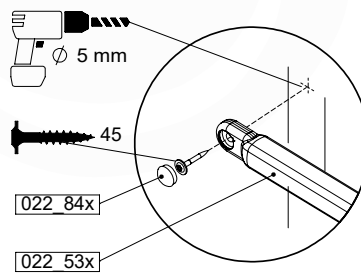
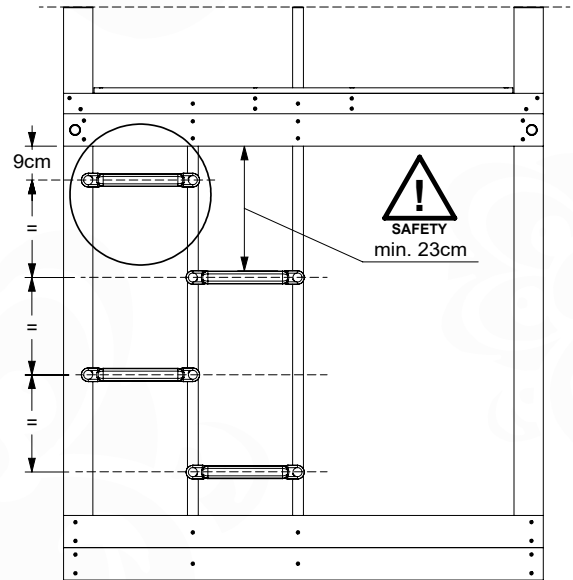
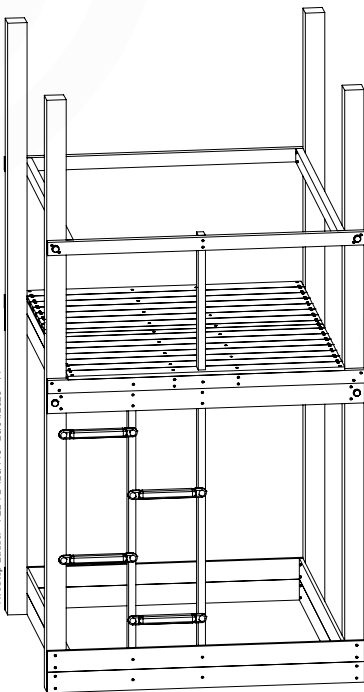


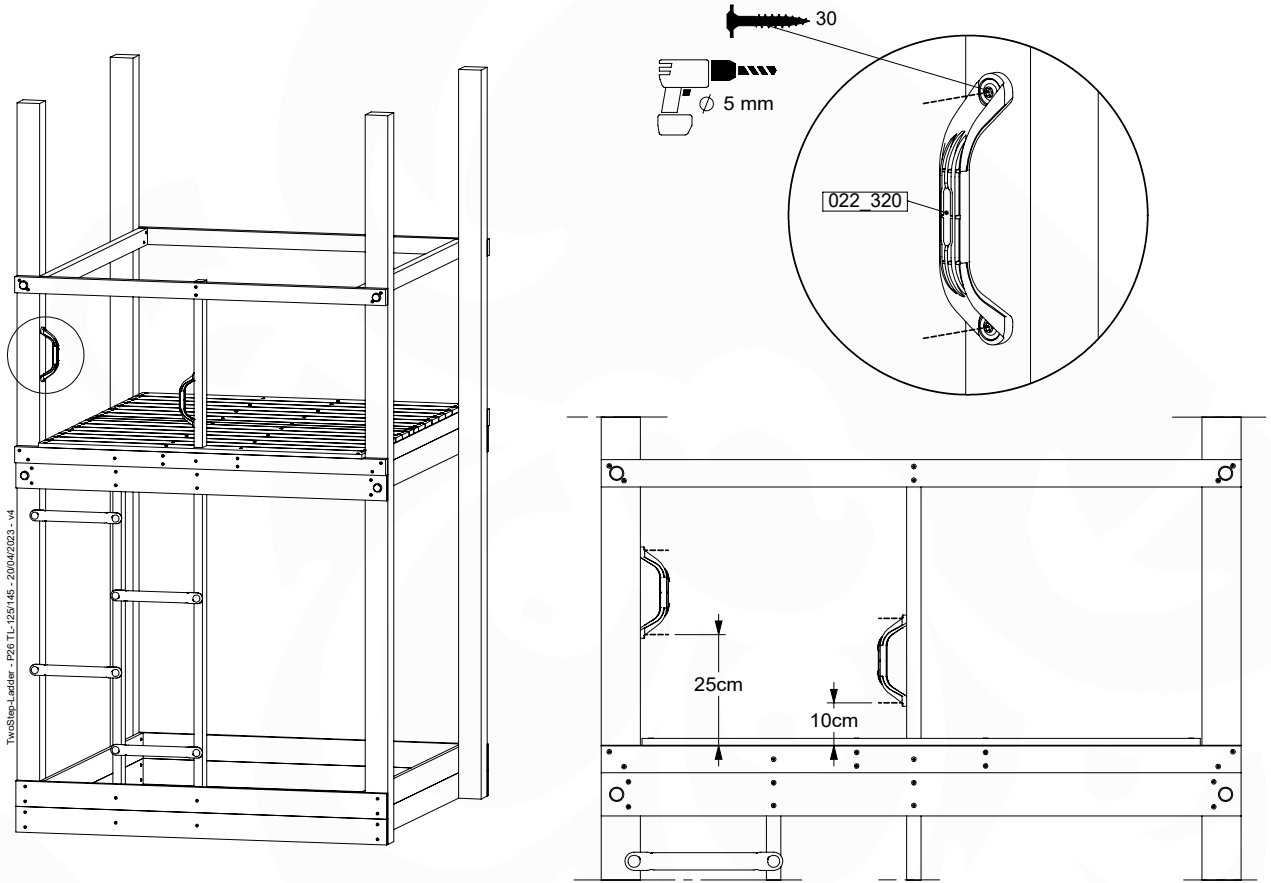
2x 80



TwoStep-Ladder - P18 TL-145 - 2004/2023 - v4

TwoStep-Ladder - P22 TL-125/145 - 2004/2023 - v4



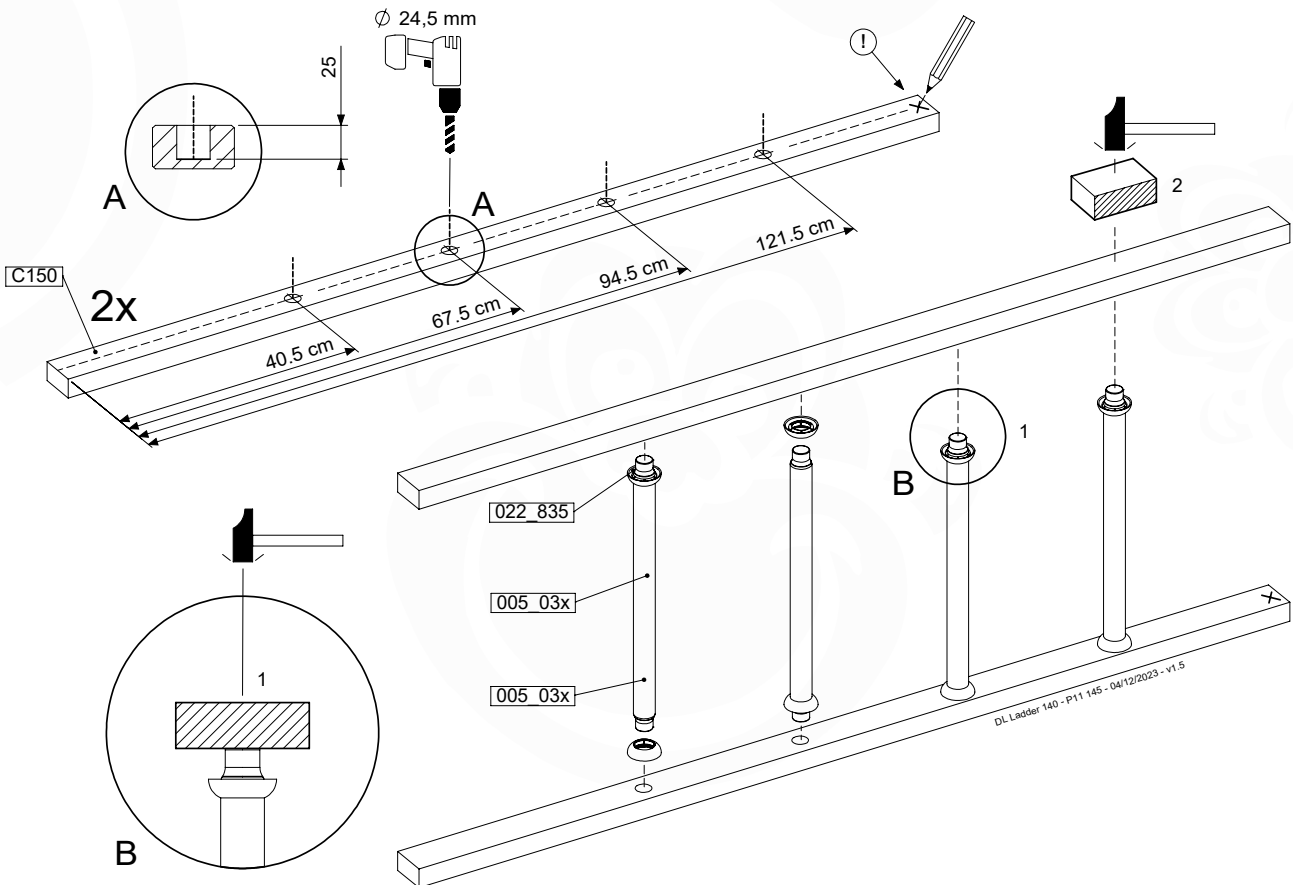
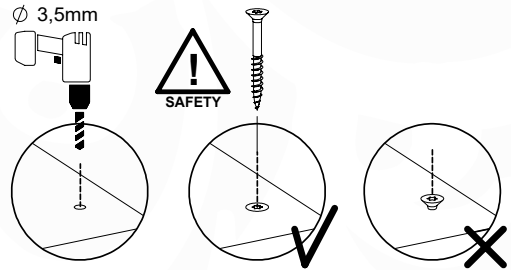
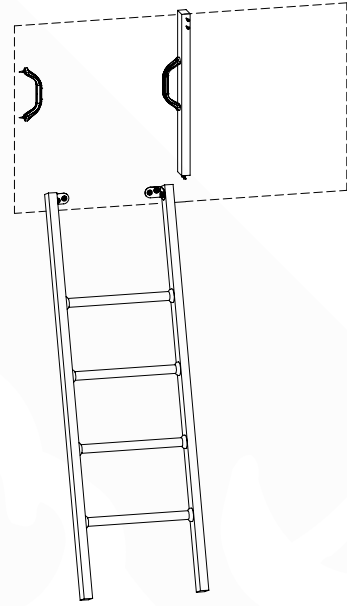


16 LA25a: Ladder 140 145 T Left

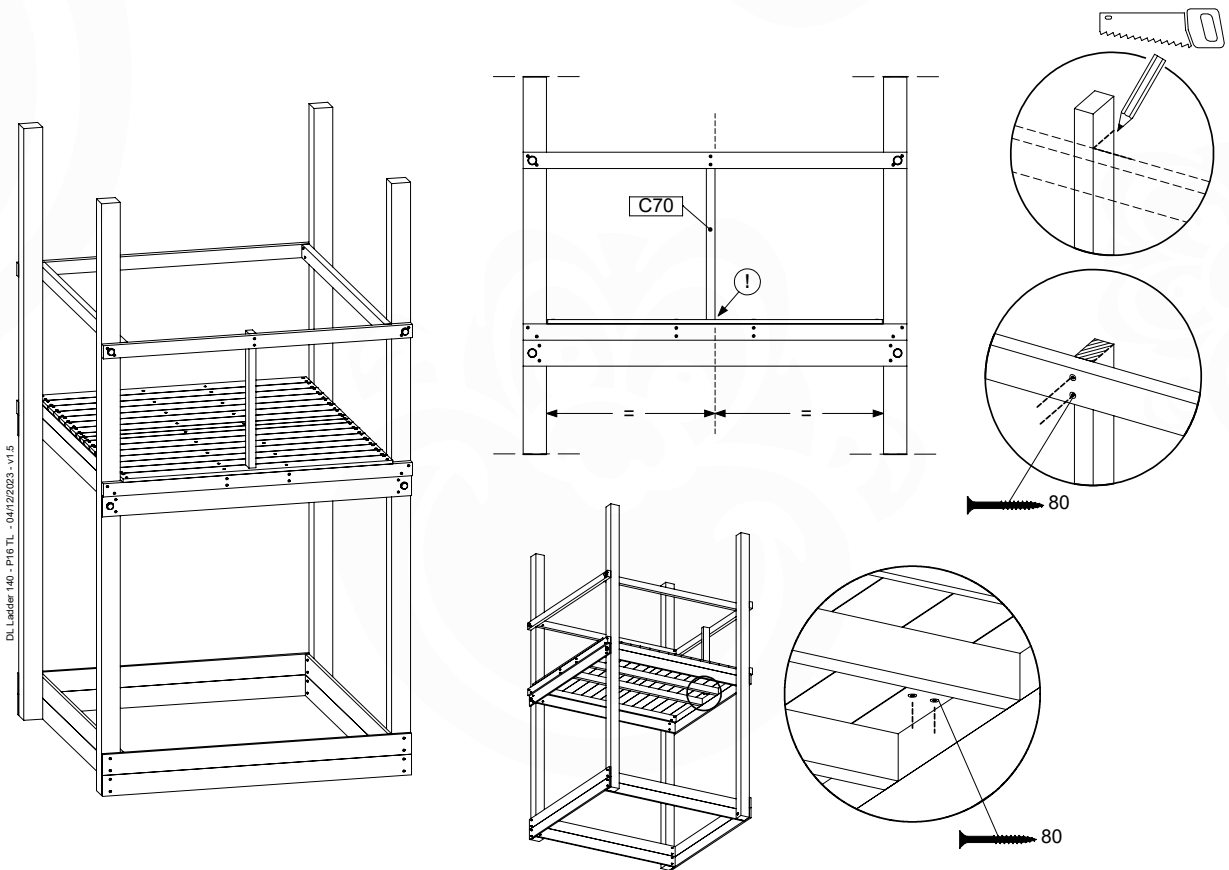
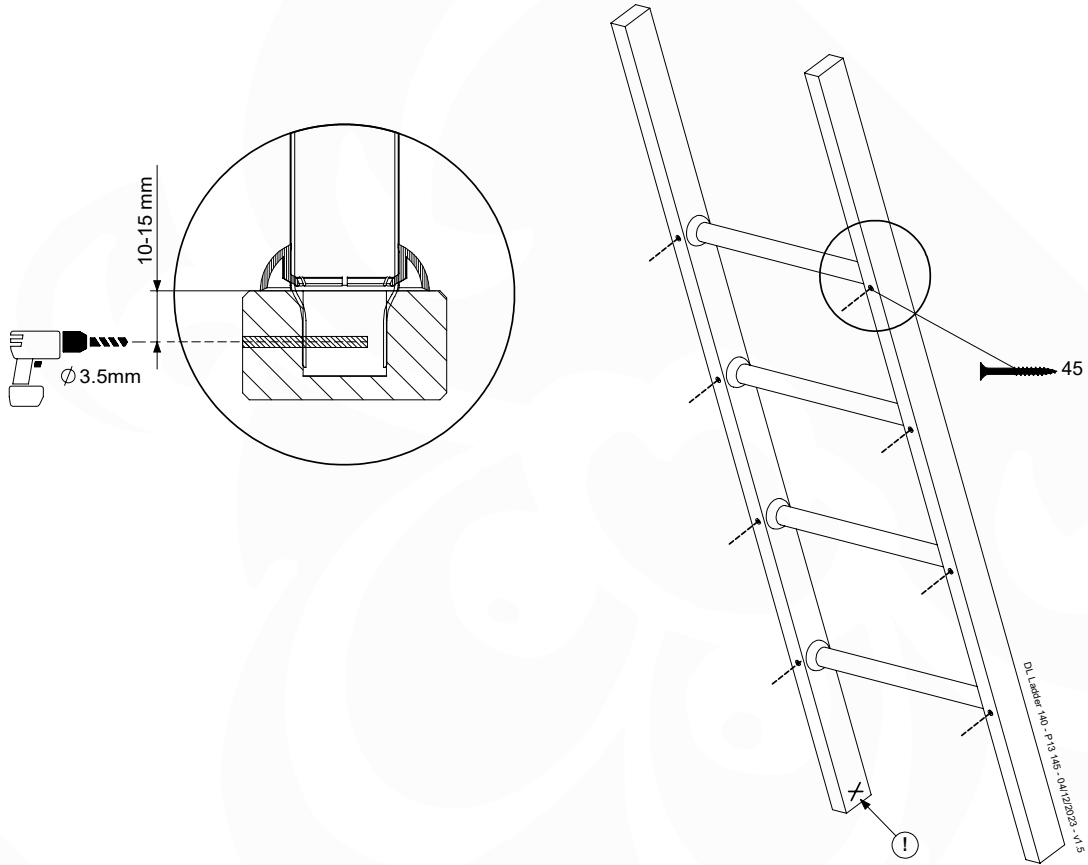
(194_004)

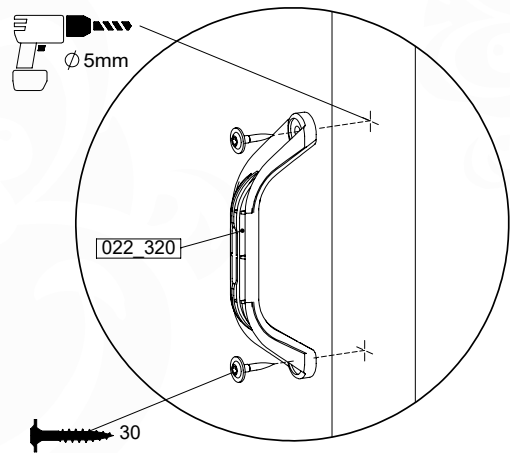
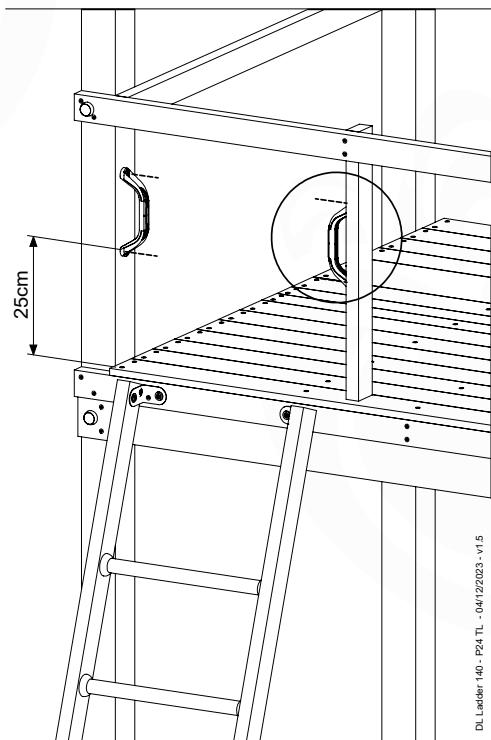
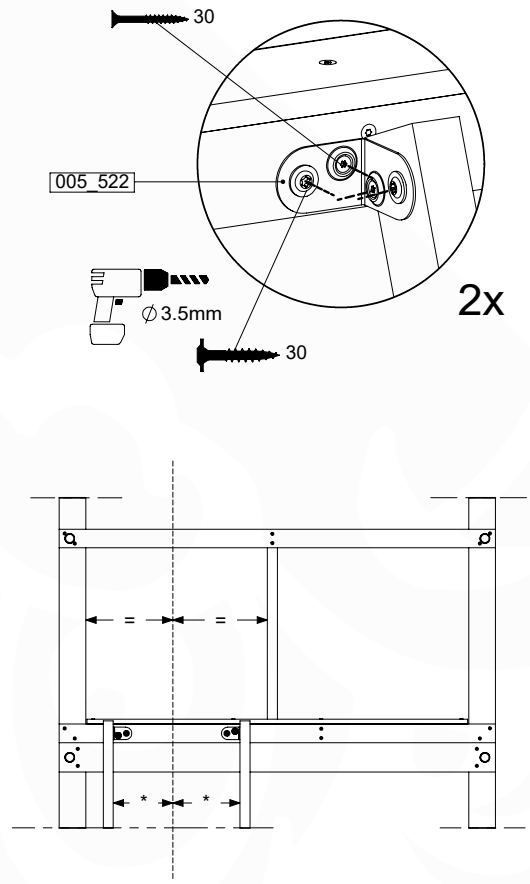
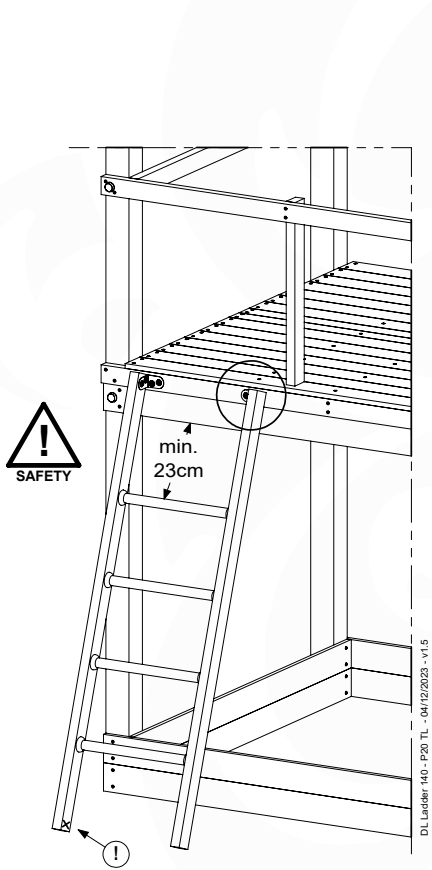
	PartNo	PartName	QTY.
Hardware pack	001_404	Stealth Screw 8x30	4
	002_219	Gap Point Screw T25 - 5x30	4
	002_220	Gap Point Screw T25 - 5x45	8
	002_223	Gap Point Screw T25 - 5x80	4
Other	005_03x	Ladder Rung Y/B/G/R	4
	005_522	Connection Bracket Mini Market	2
	022_835	Rung Cap	8
	120_102	Handgrip set (complete 2x)	1
Timber	C70	Beam 700 mm	1
	C150	Beam 1500 mm	2

DL Ladder 140 - P08 TL 145 - 04/12/2023 - v1.5



DL Ladder 140 - P11 145 - 04/12/2023 - v1.5

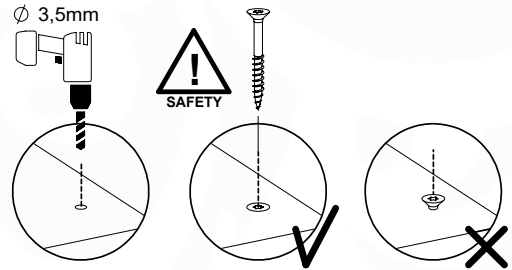
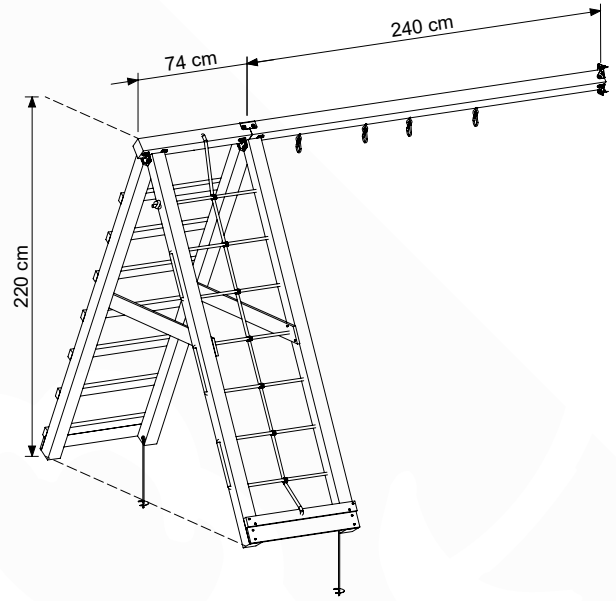




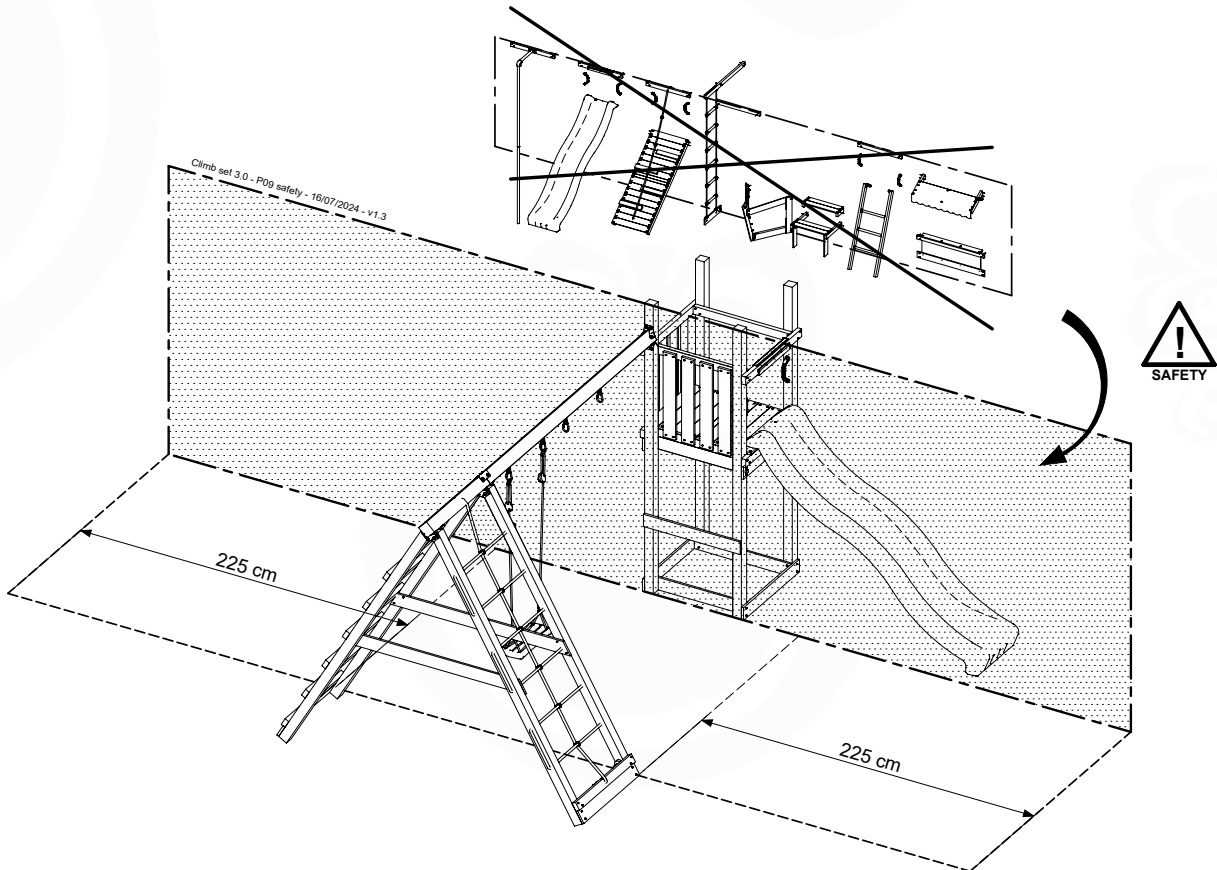
17 CL22a: 2- Climb Module 220 Extra - 3.0

Assembly Kit: 457_107

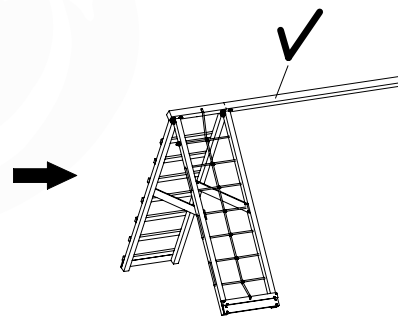
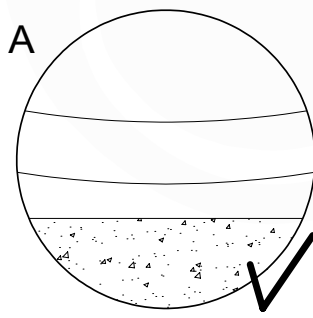
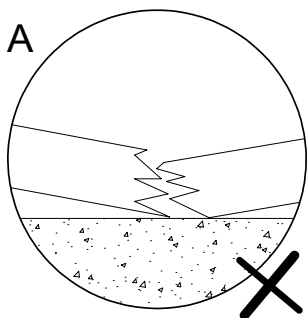
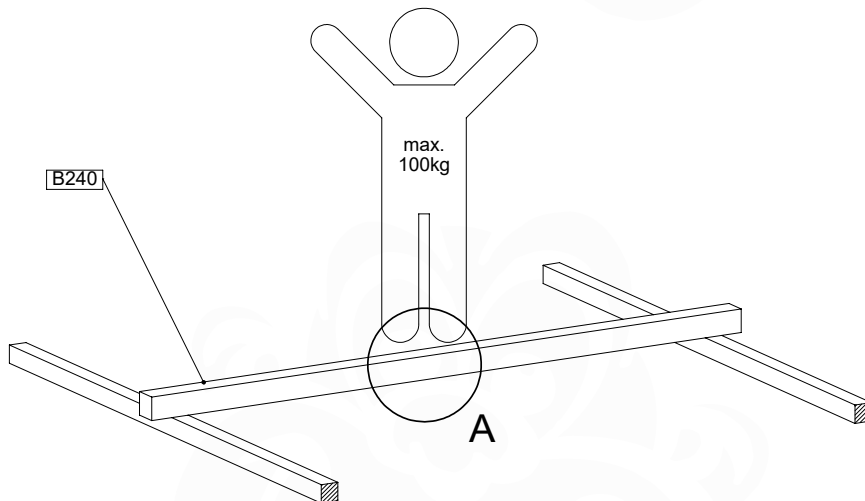
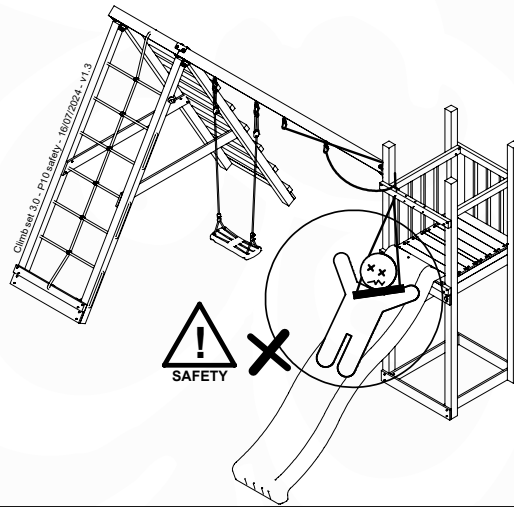
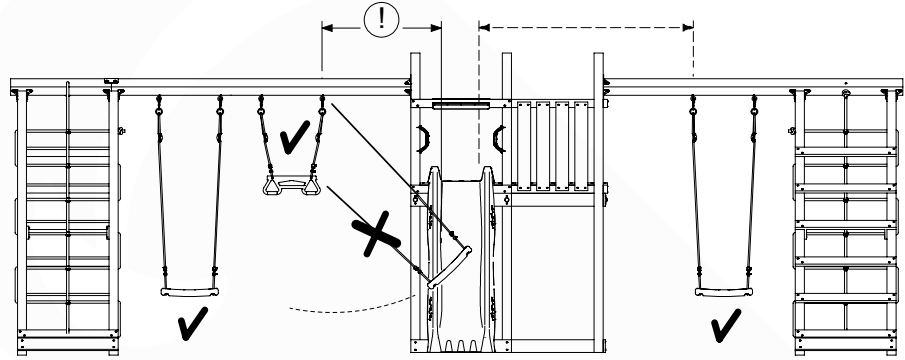
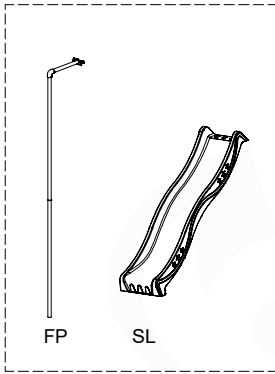
	PartNo	PartName	QTY.
Hardware + Parts	001_404	Stealth Screw 8x30	4
	001_406	Stealth Screw 8x45	34
	001_417	Stealth Screw 8x80	2
	002_220	Gap Point Screw T25 - 5x45	36
	002_223	Gap Point Screw T25 - 5x80	35
	002_301	Dry Wall Screw PH2 3.9 x 40 mm	7
	023_042	Nylon washer 9x19x1.5	36
	005_096	A-Frame V-Connector	4
	005_097	Swing V-Connector	2
	005_099	Climber Top Connector	1
	007_001	Ground-anchor	2
	020_317	Rope Polyester 16mm Green 3.4m	1
	020_318	Rope Polyester 16mm Green 8.1m	1
	022_455	Rope Cross Connector Egg	7
101_003	Swing hook with Carabiner	4	
Timber	B74	Post ca.90x90 L740	1
	B240	Post ca.90x90 L2400	5
	C74	Beam 740 mm	8
	D74	Board 740 mm	2
	D141	Board 1410 mm	3



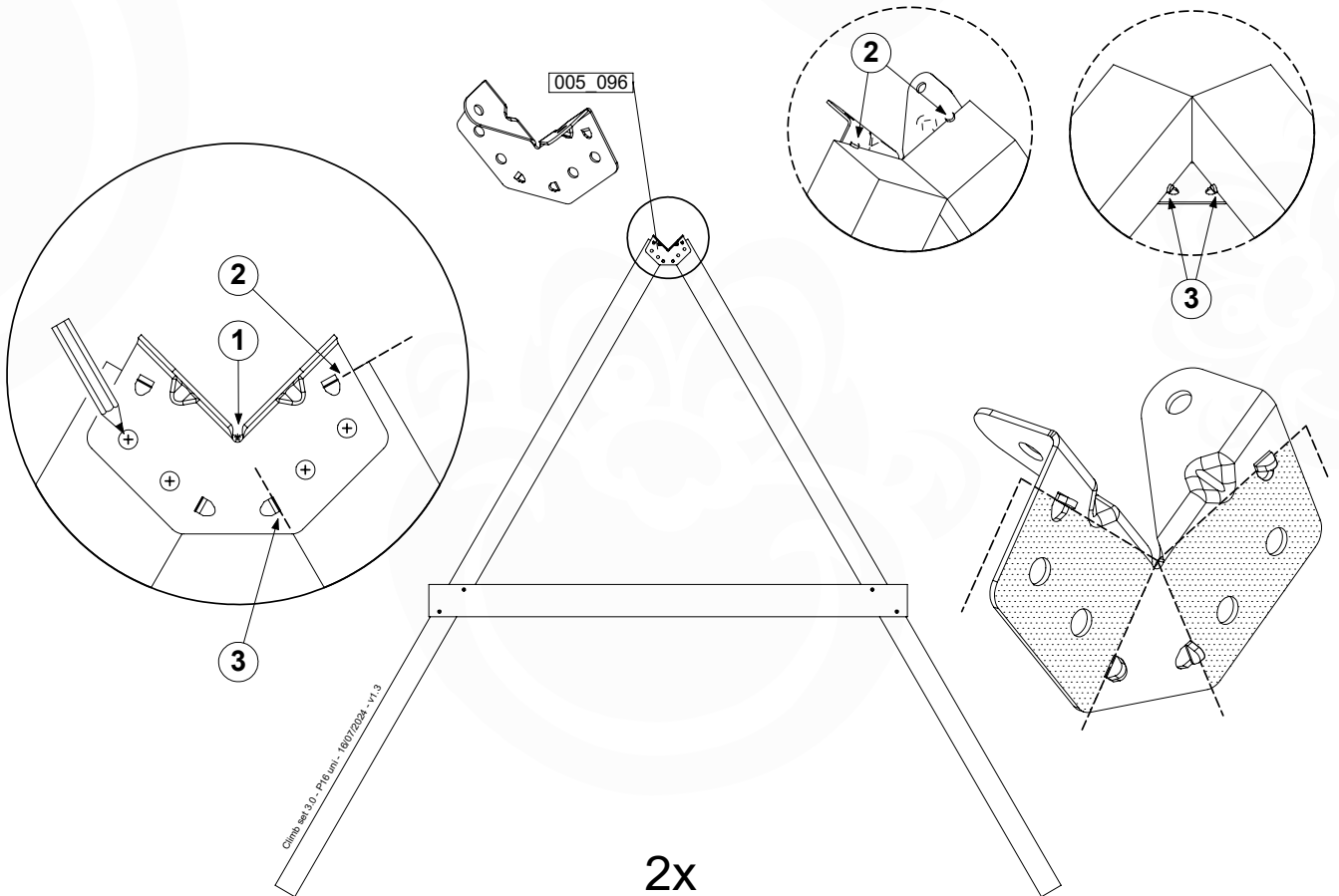
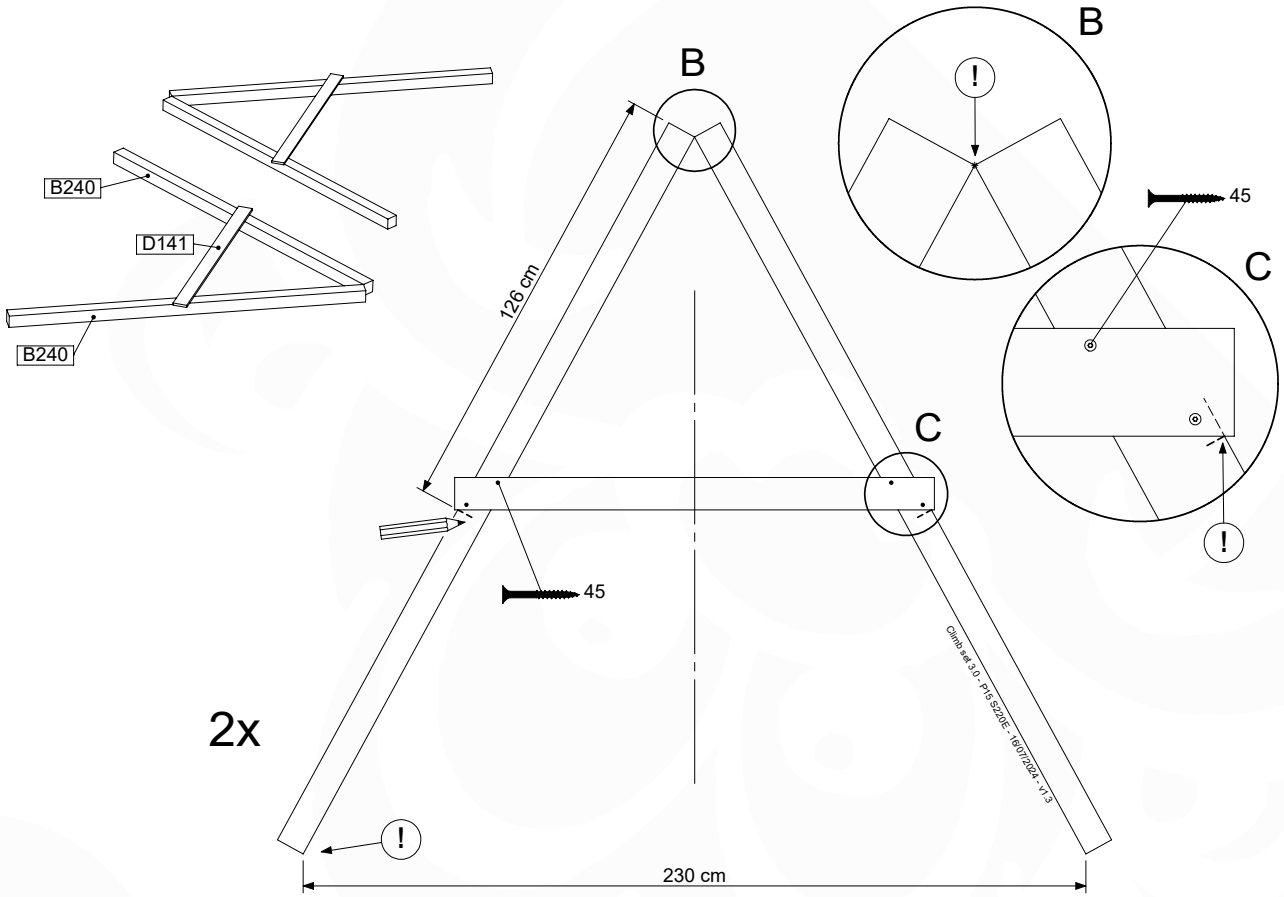
Climb set 3.0 - P08 2C220E - 16/07/2024 - v1.3

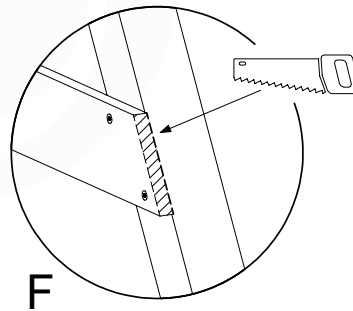
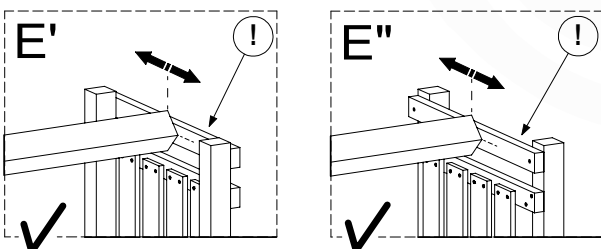
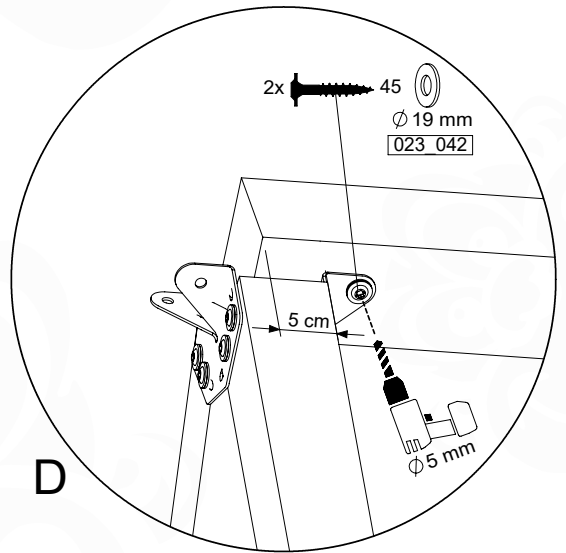
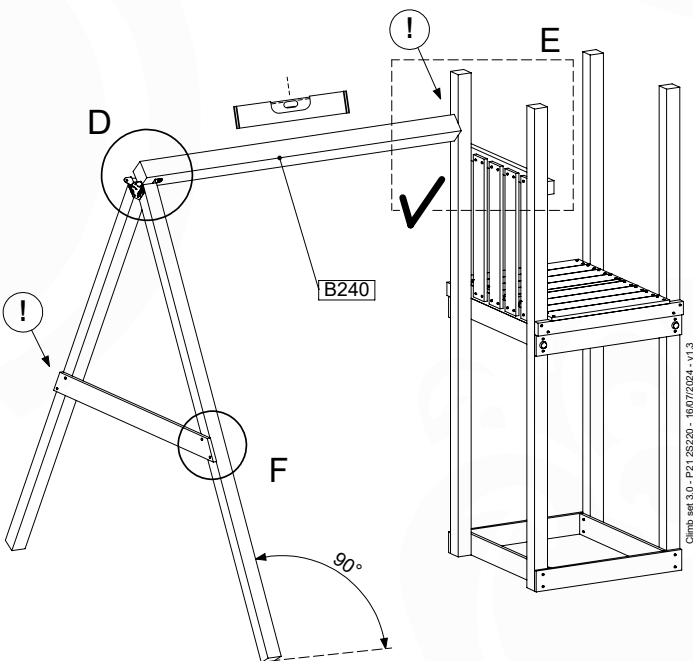
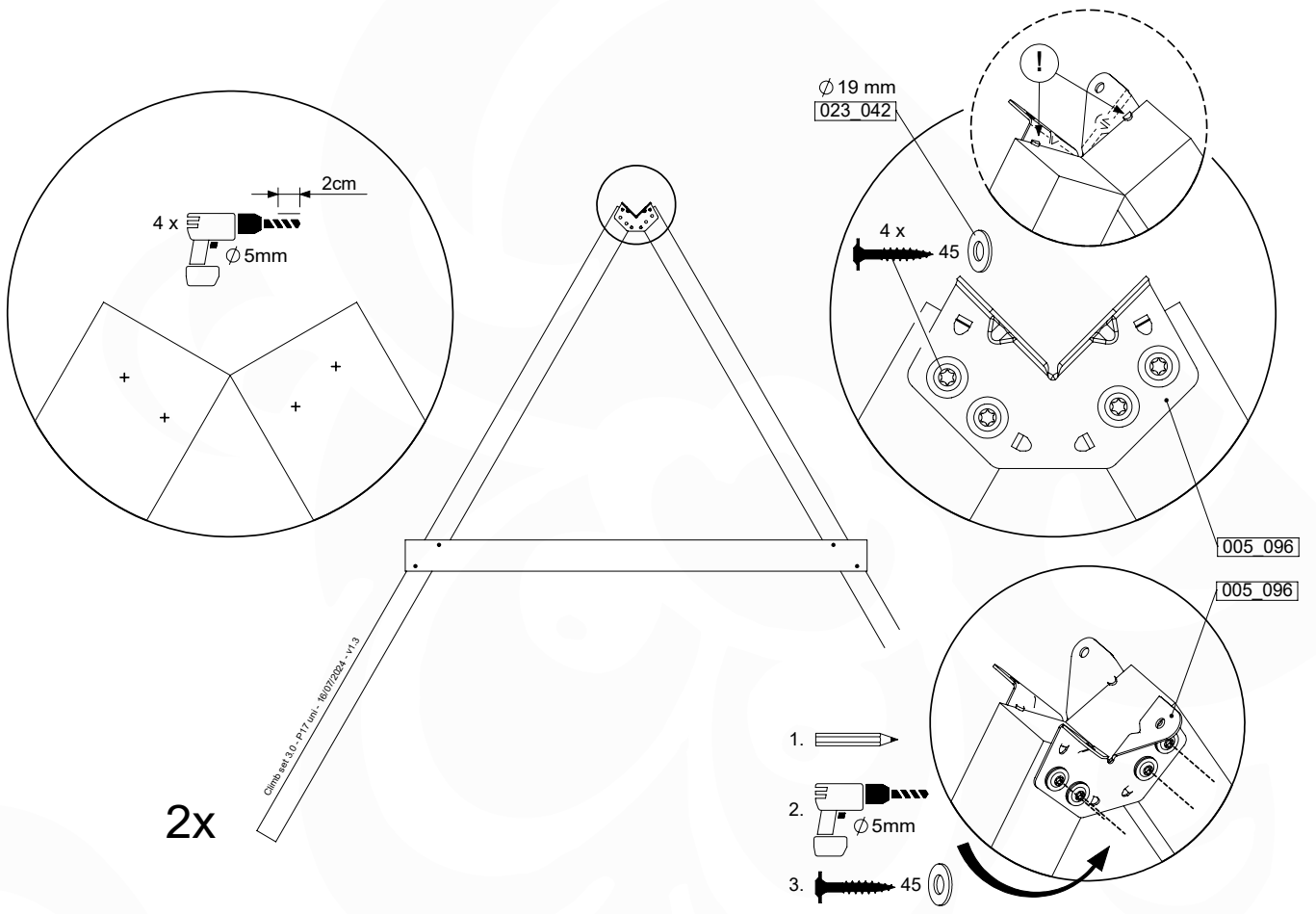


17.1

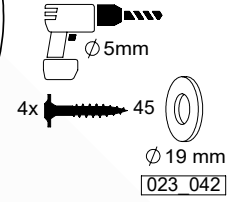
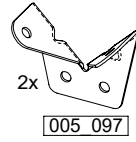
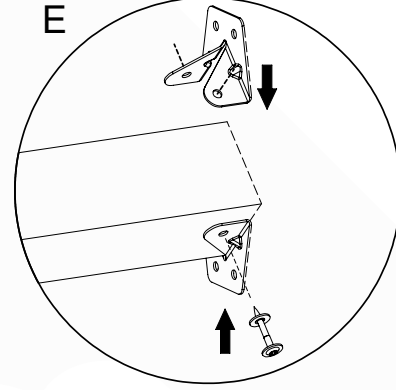
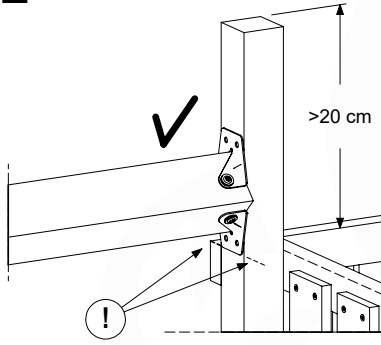


Climb set 3.0 - P12 2S220 - 16/07/2024 - v1.3



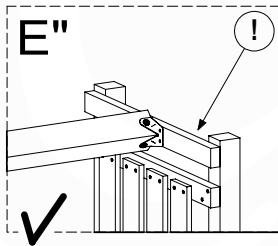
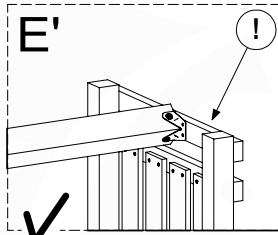
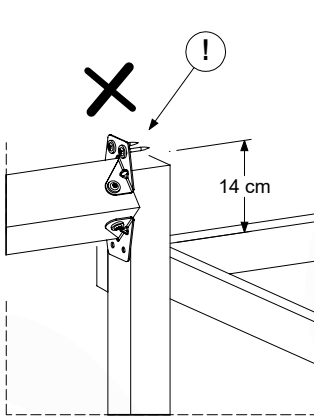


E

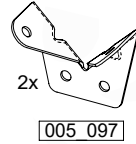
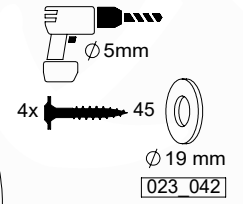
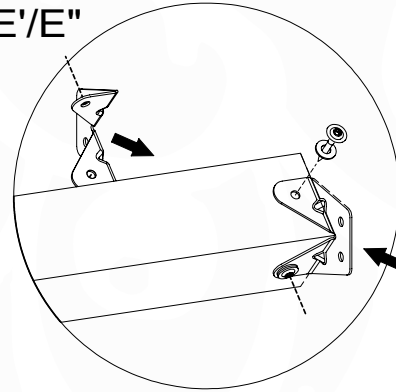


Climb set 3.0 - P22 uni - 16/07/2024 - v1.3

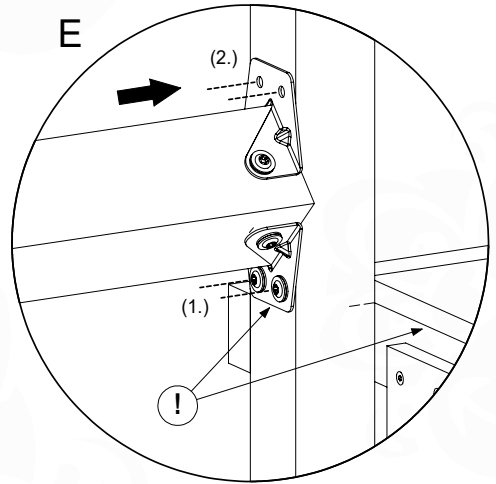
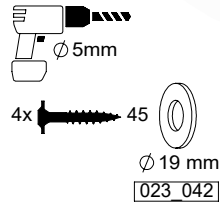
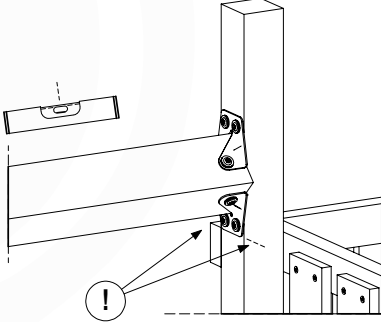
E'/E''



E'/E''

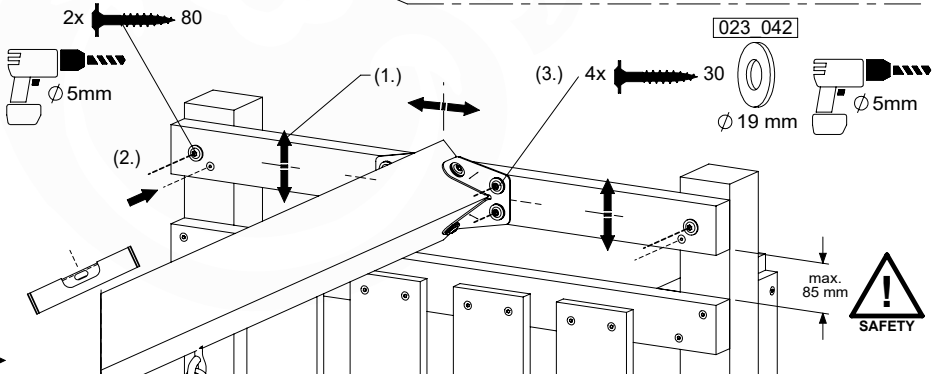
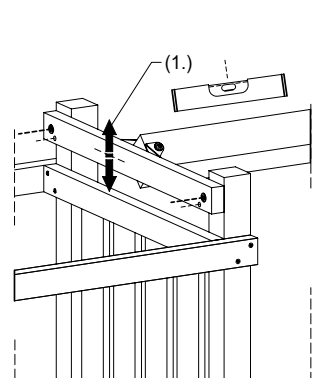


E



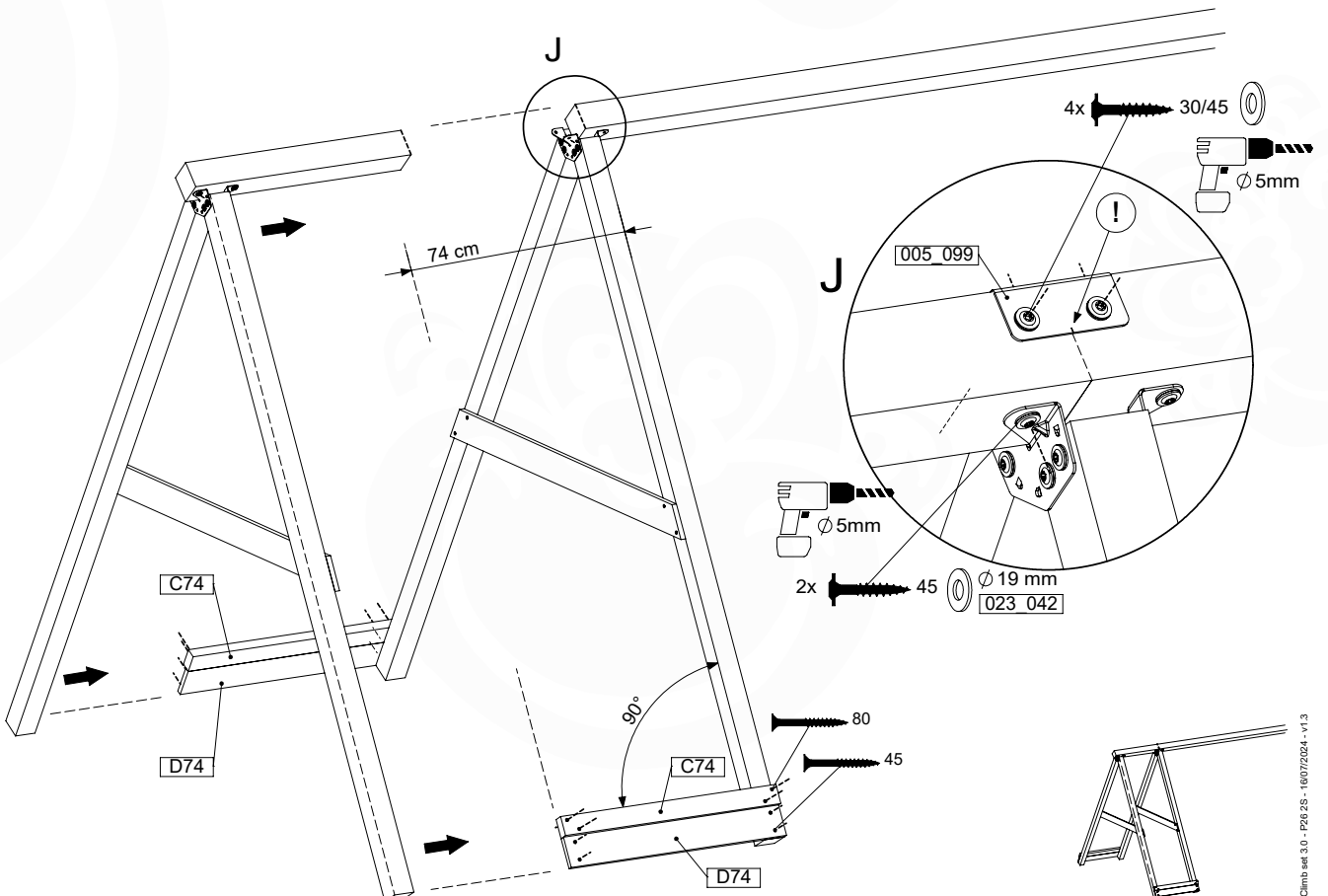
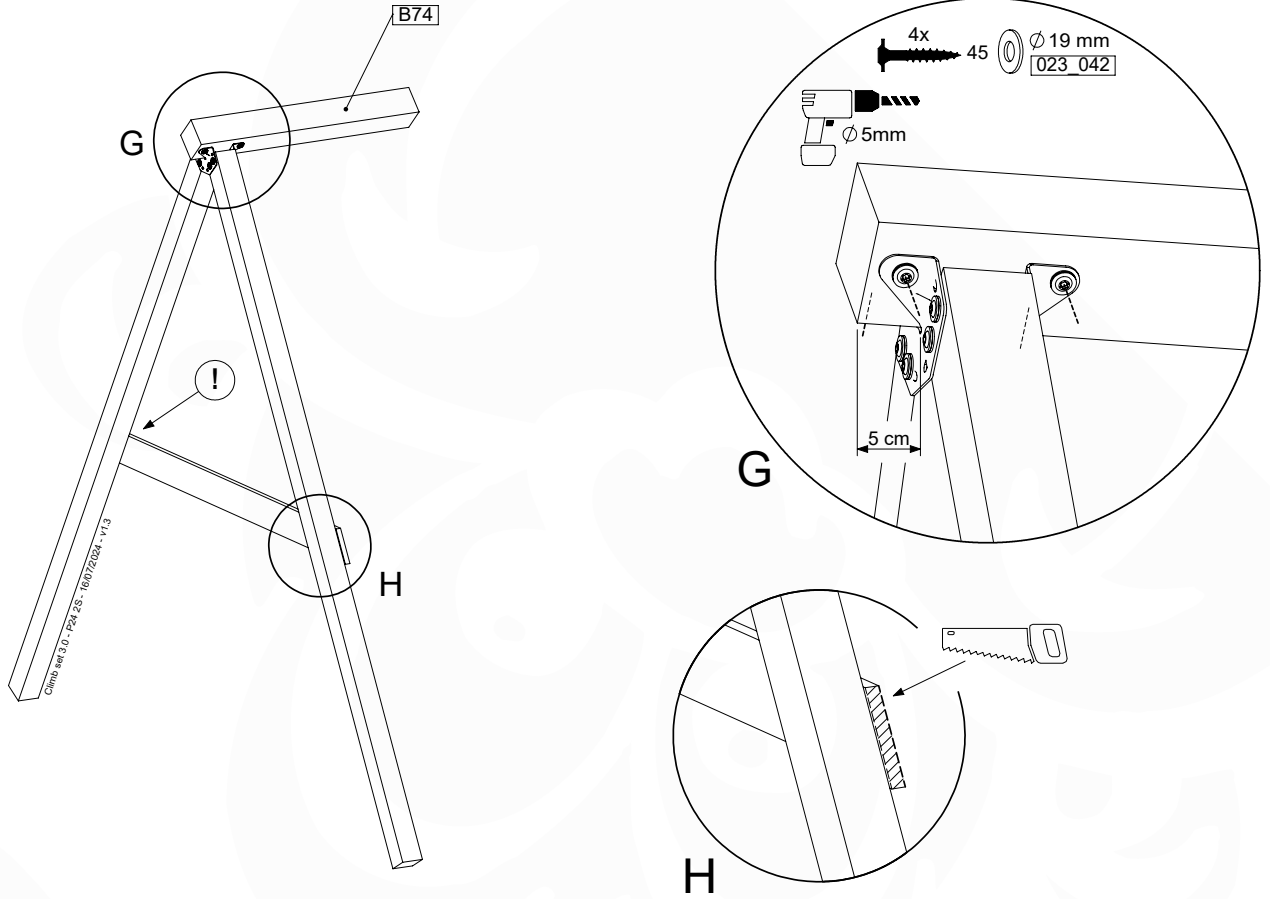
Climb set 3.0 - P23 uni - 16/07/2024 - v1.3

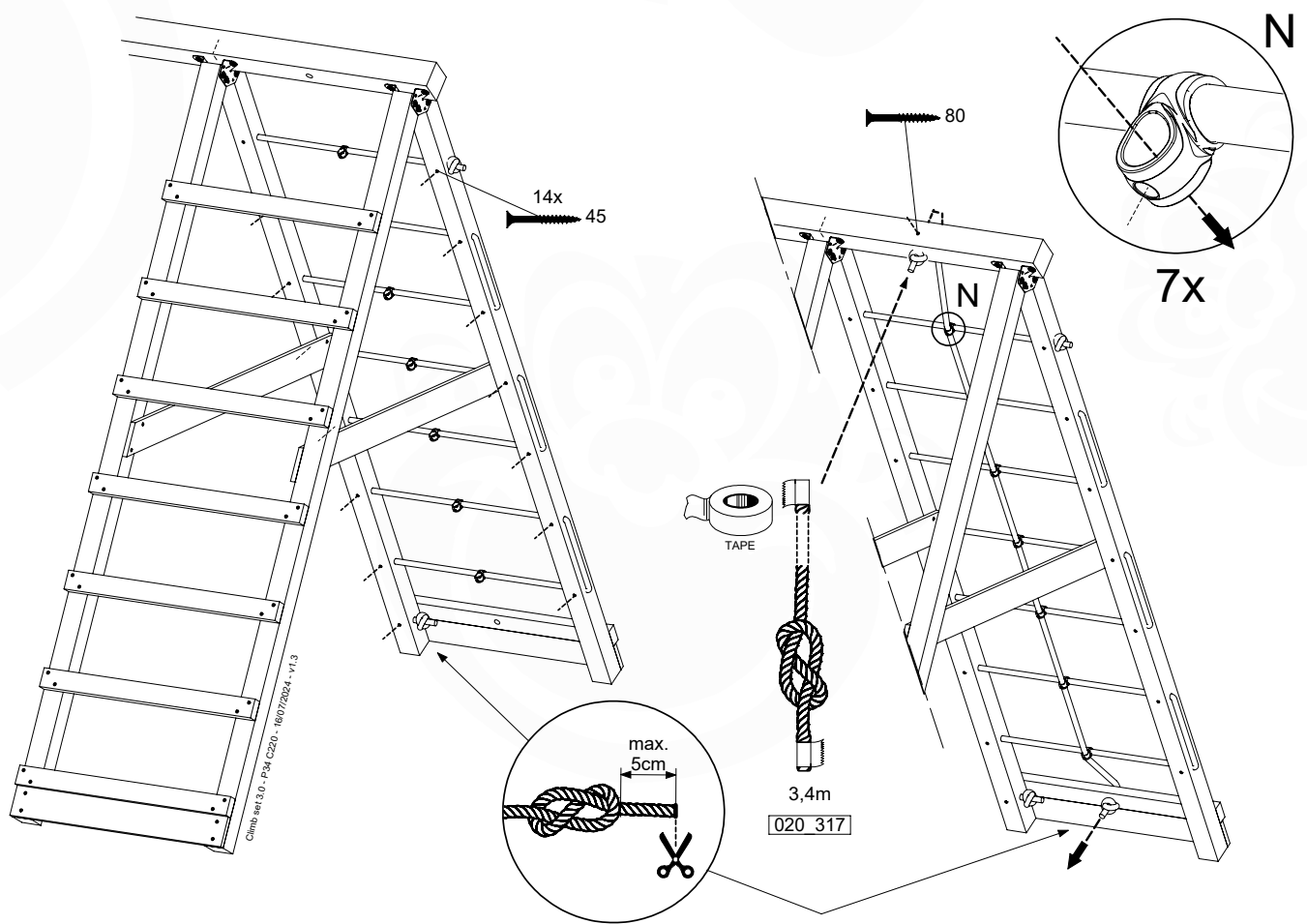
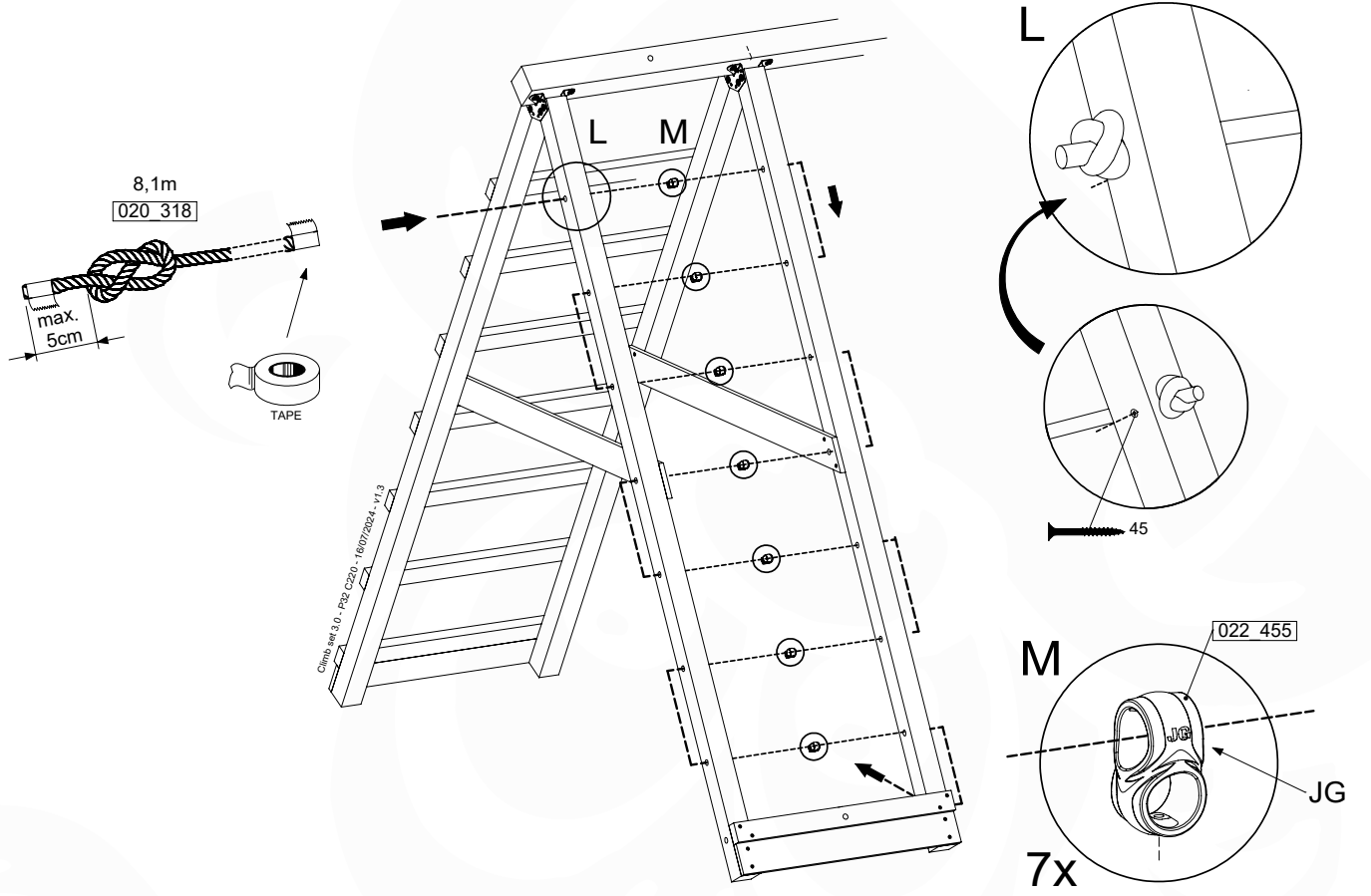
E'/E''

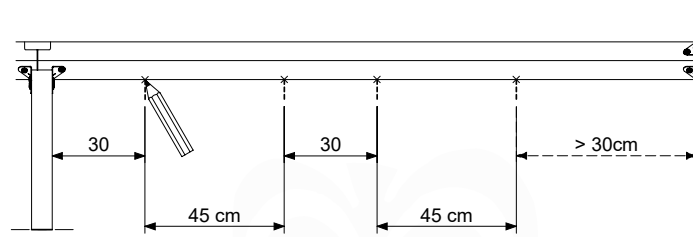
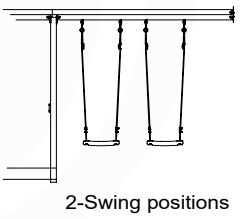
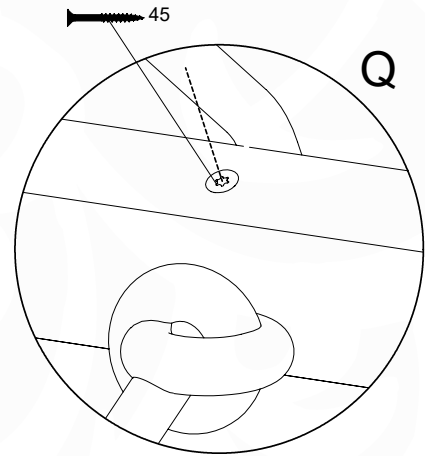
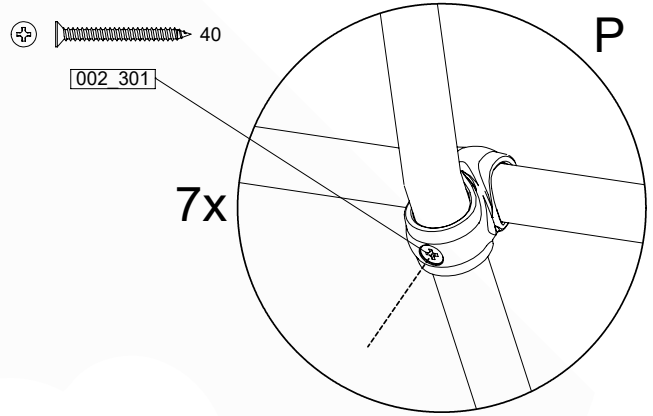
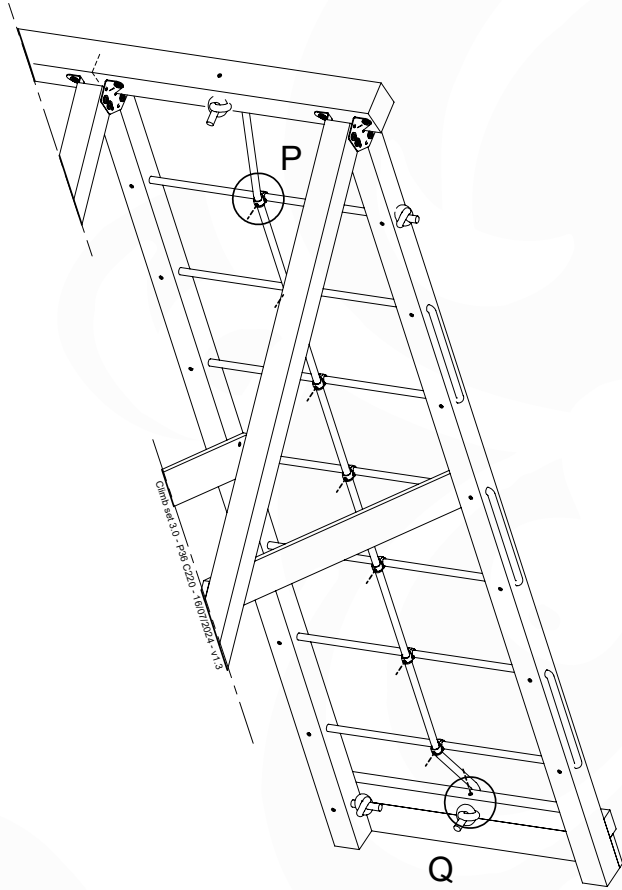


E'

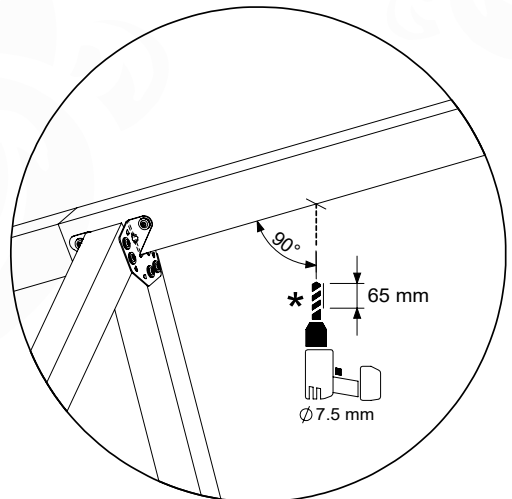
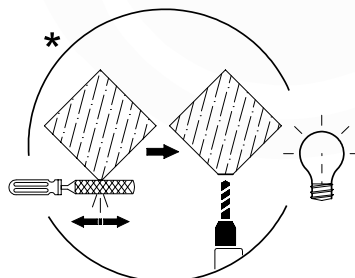
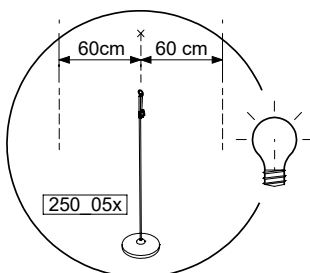
(E'')

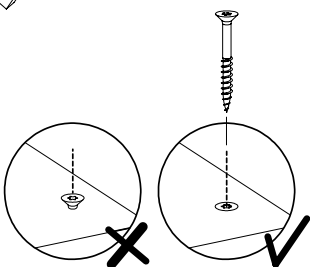
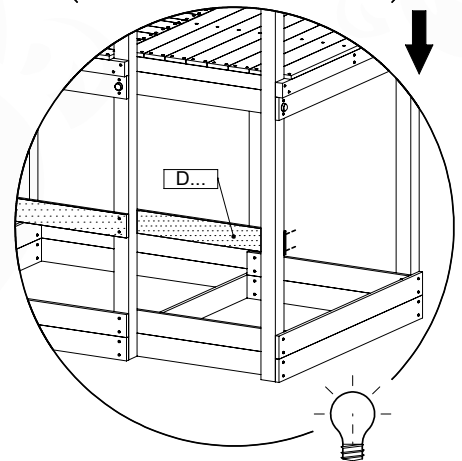
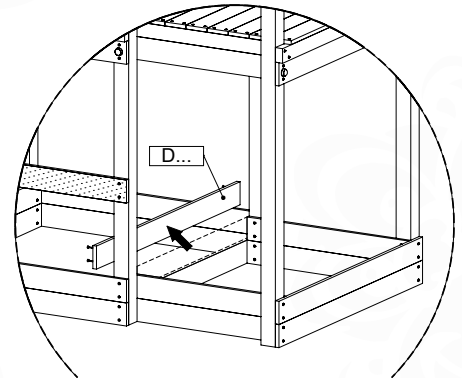
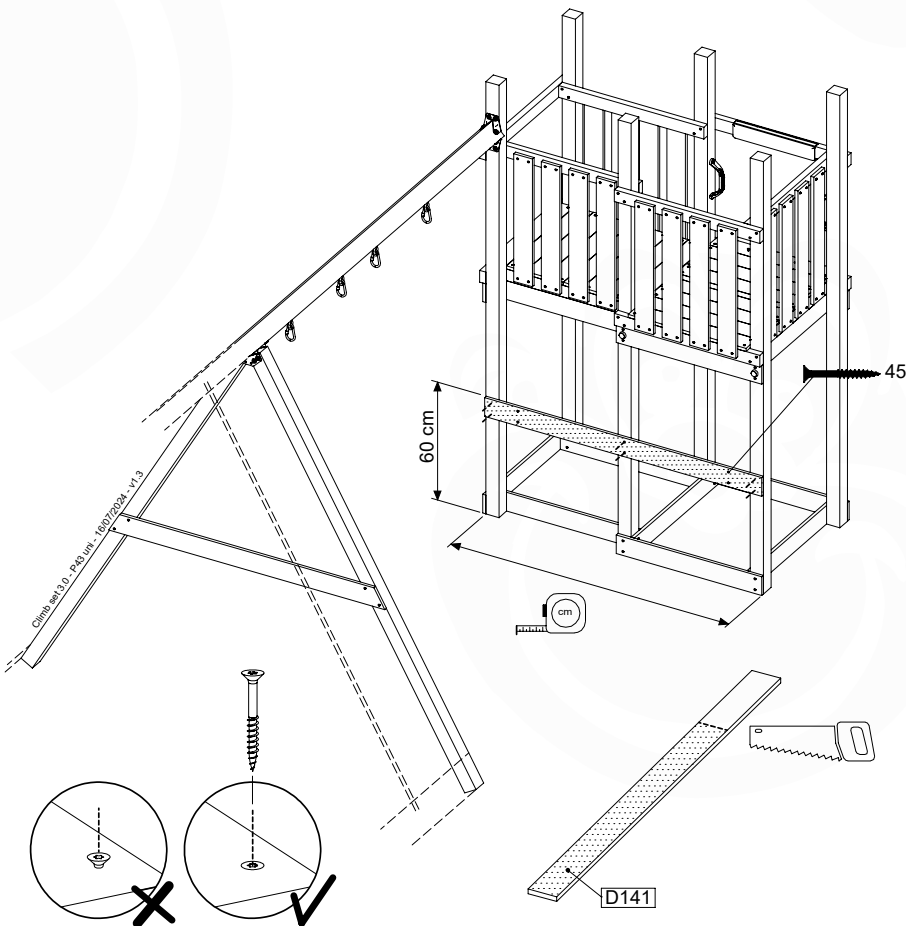
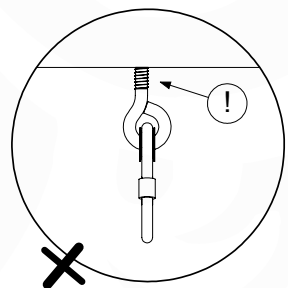
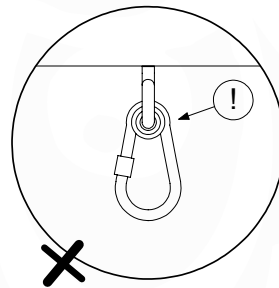
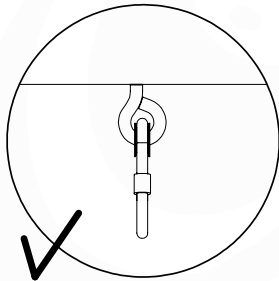
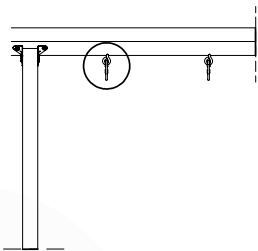
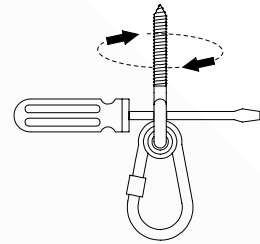
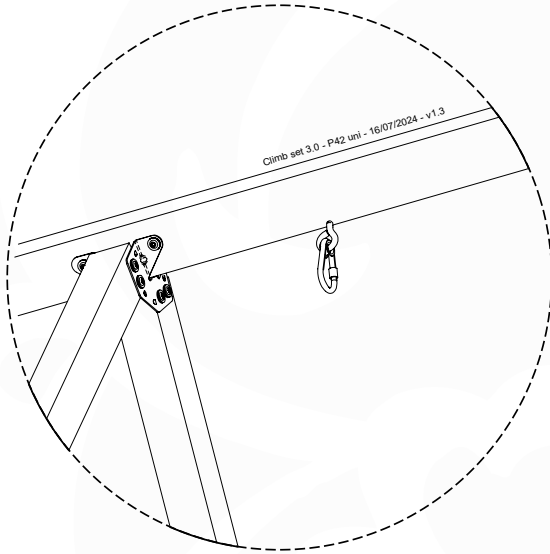
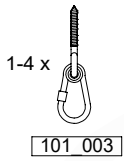




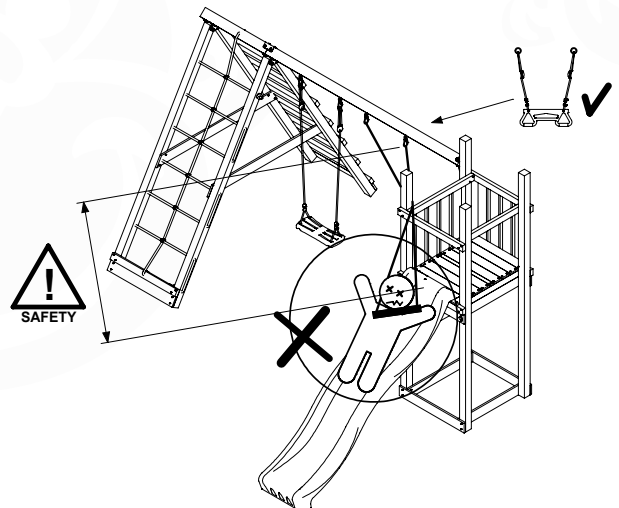
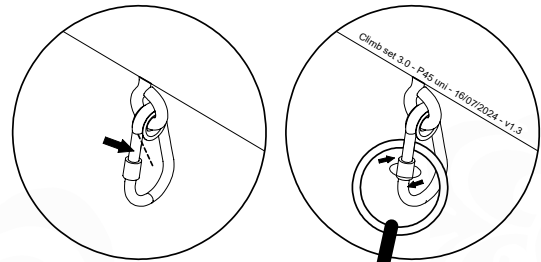
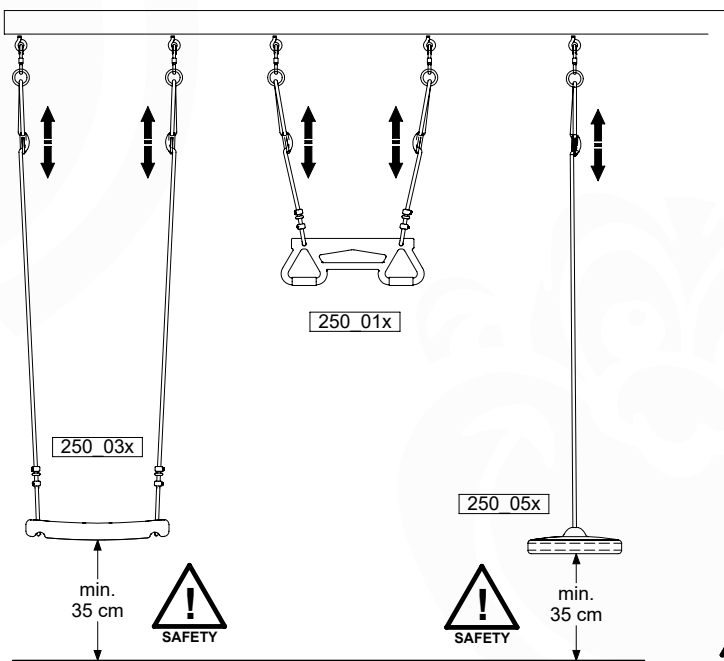
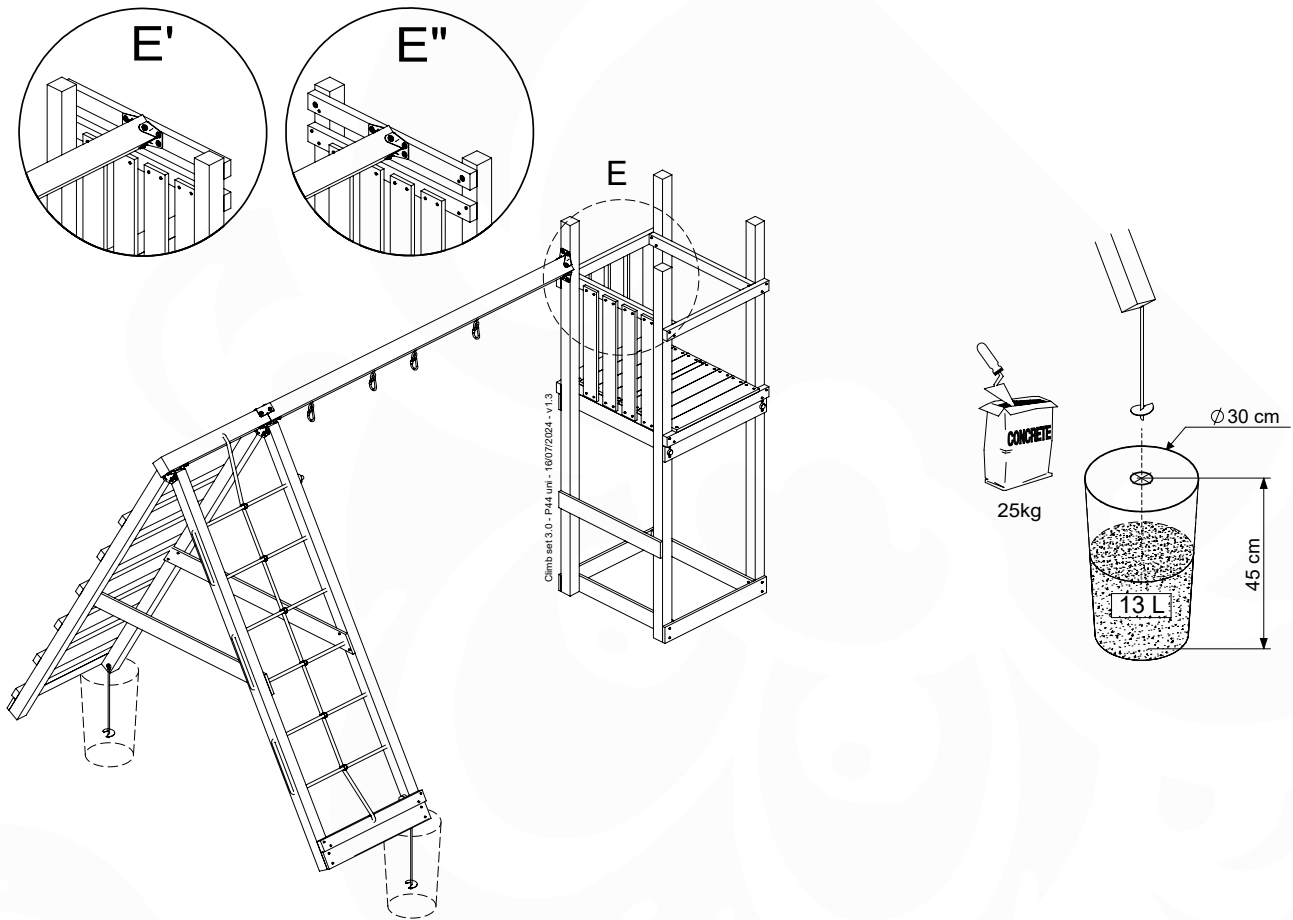


Climb set 3.0 - P41 2S220 - 16/07/2024 - v1.3





17.10

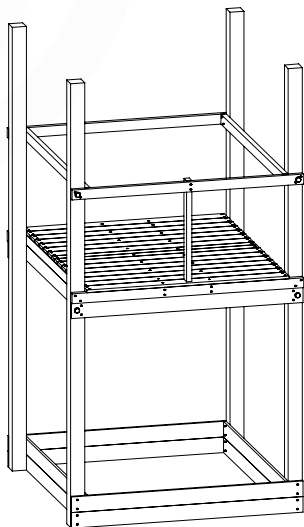
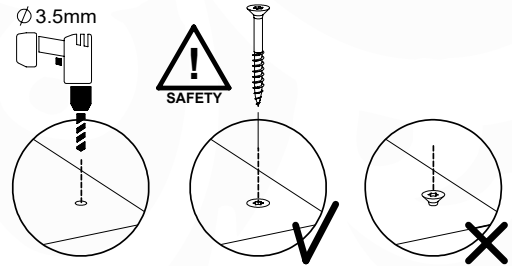
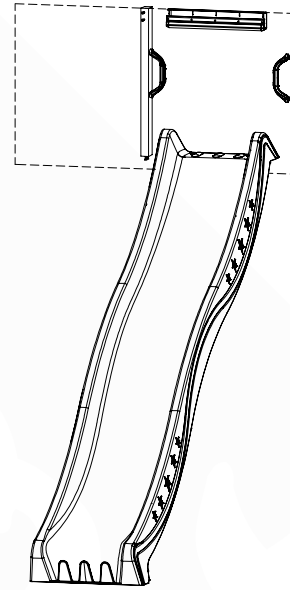


18 SL29a: Slide 140 145 T Right

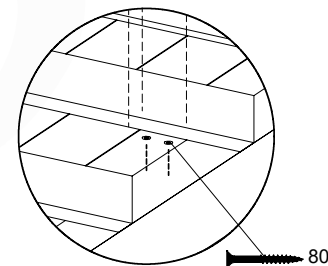
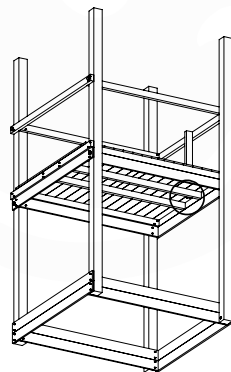
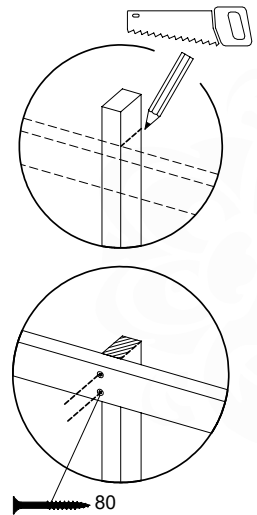
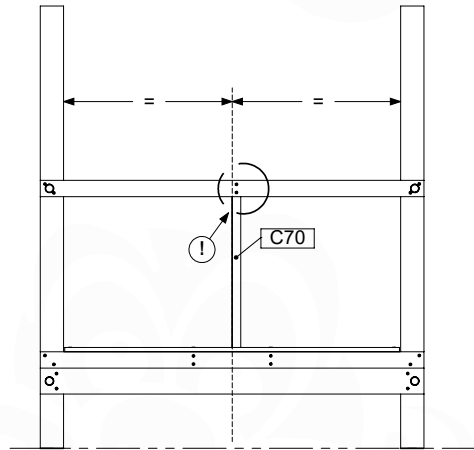
Assembly Pack: 194_107

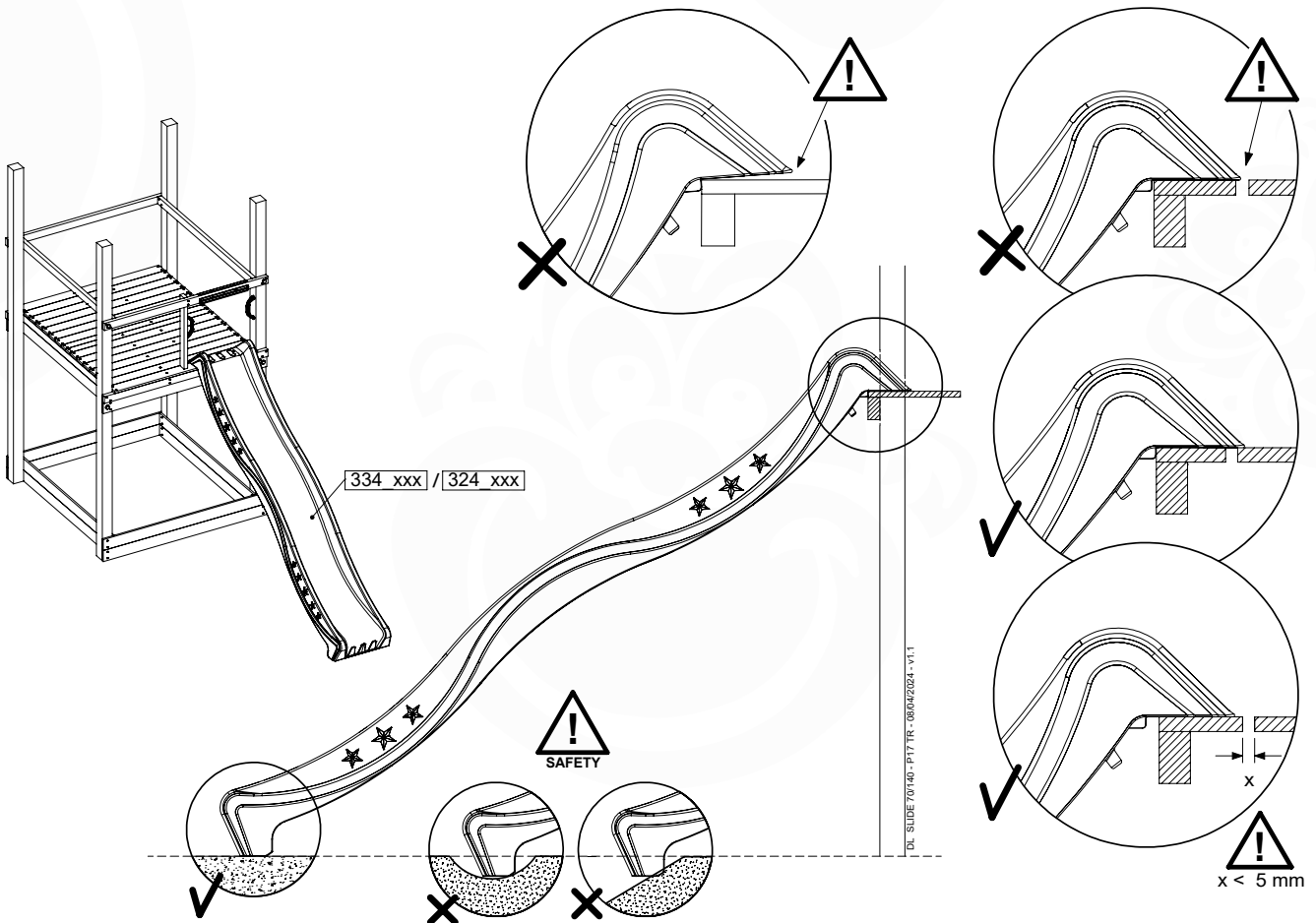
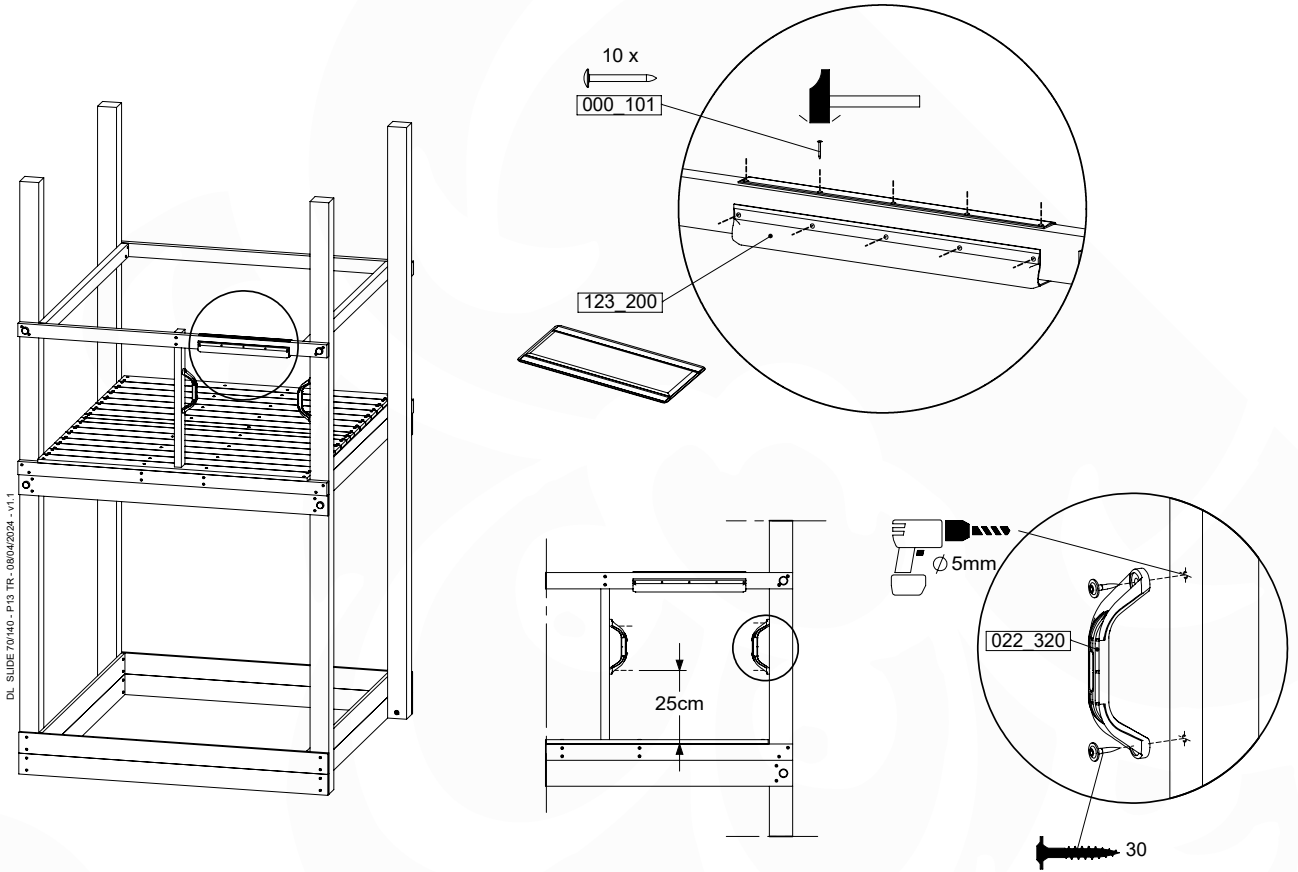
	PartNo	PartName	QTY.
Hardware pack	000_101	Nail Pan Head	10
	002_223	Gap Point Screw T25 - 5x80	4
	002_308	Gap Point Screw T25 - 5x20	2
Other	120_102	Handgrip set (complete 2x)	1
	123_200	Bumperpad	1
	334_xxx / 324_xxx	Wavy Star Slide XXL 2650 mm / Wavy Star Slide XL 2200 mm	1
Timber	C70	Beam 700 mm	1

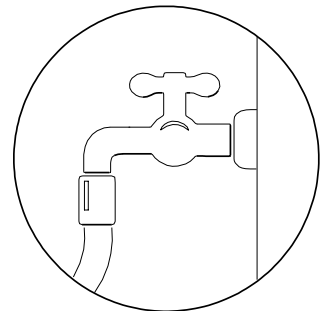
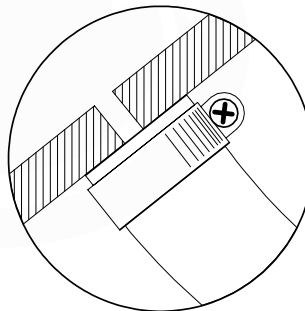
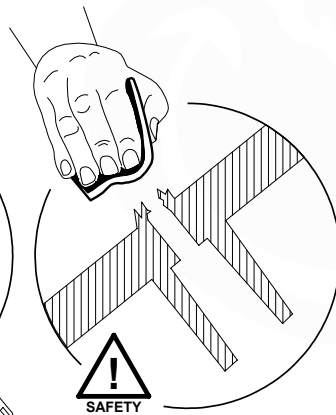
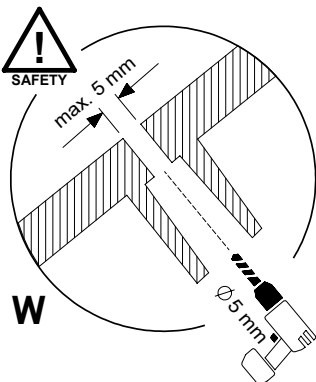
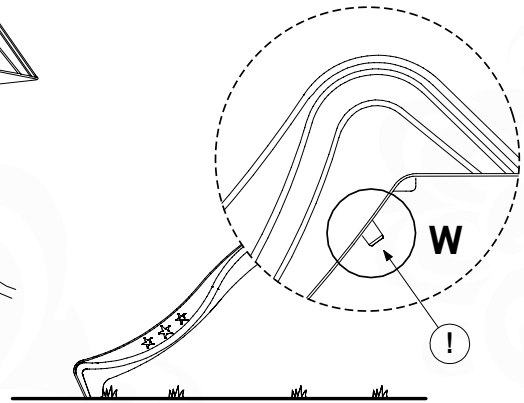
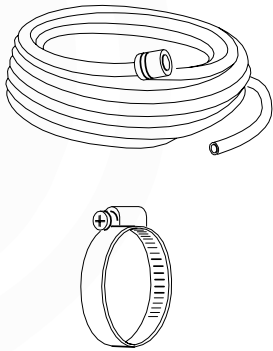
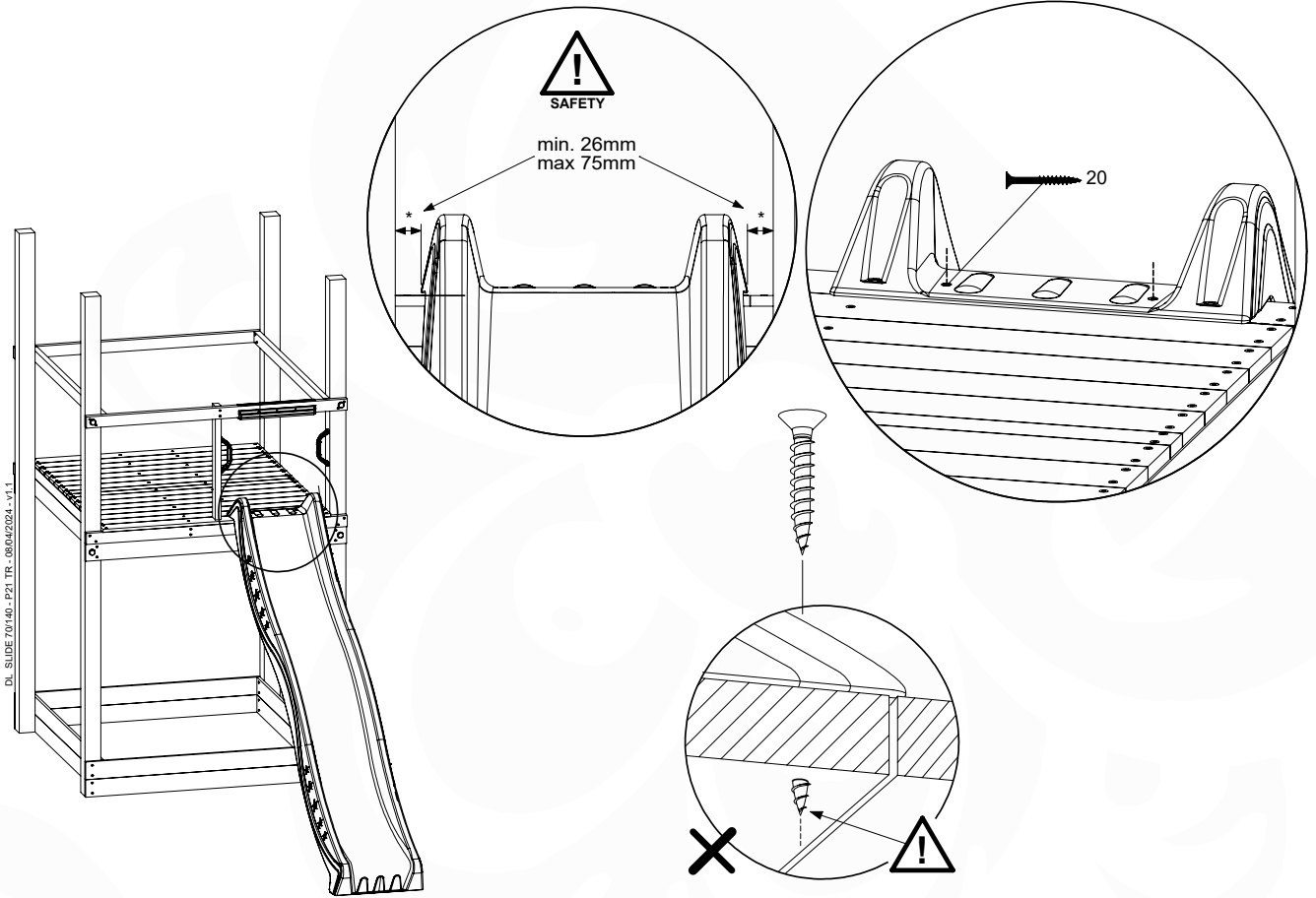
DL SLIDE 70/140 - P05 TR - 08/04/2024 - v1.1



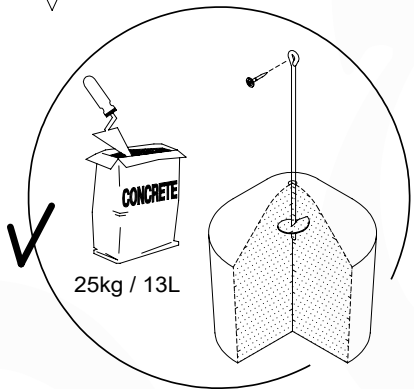
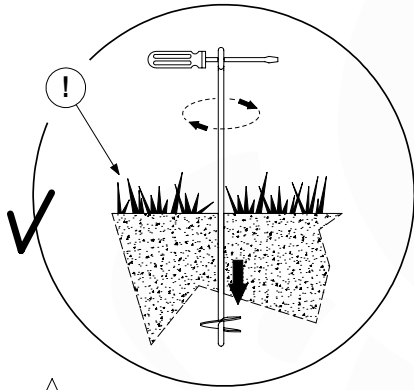
DL SLIDE 70/140 - P05 TR - 08/04/2024 - v1.1



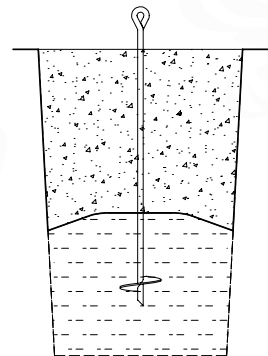
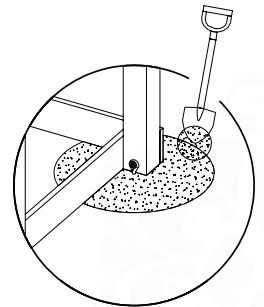
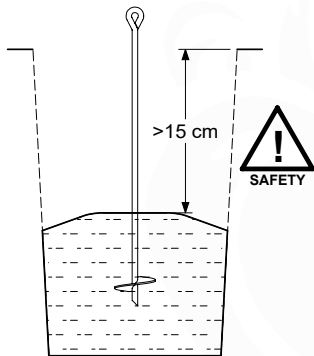
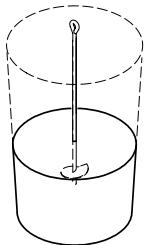
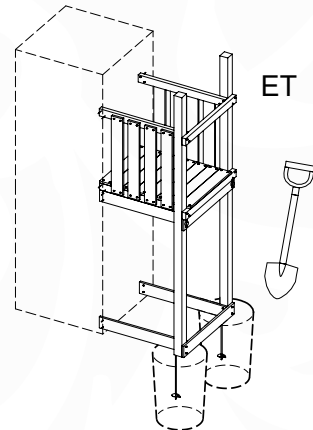
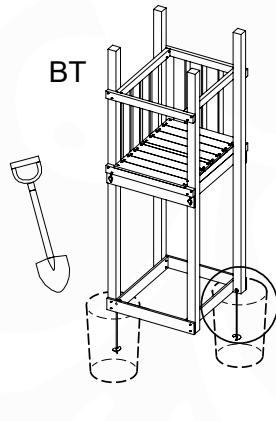
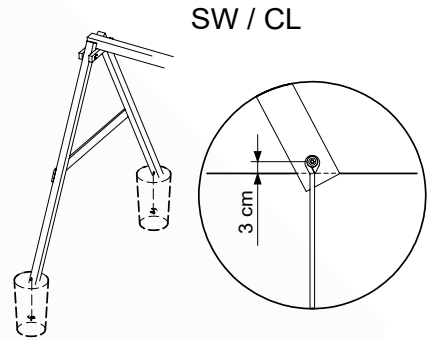
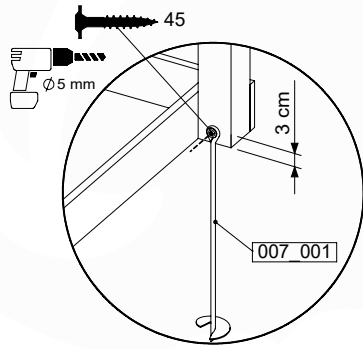




19 GA: Ground Anchors



Ground Anchors Uhl. - PD3 - 14/06/2024 - v1.5



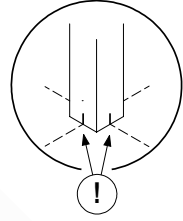
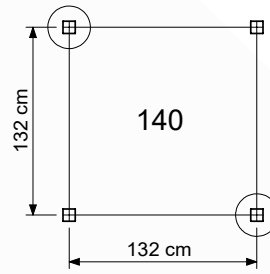
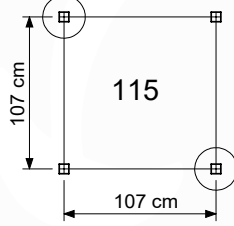
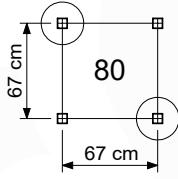
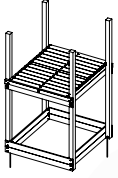
1.

2.

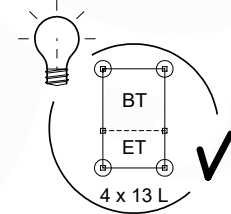
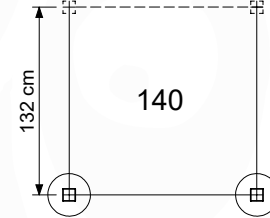
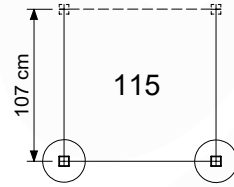
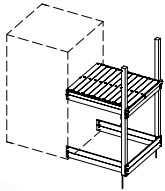
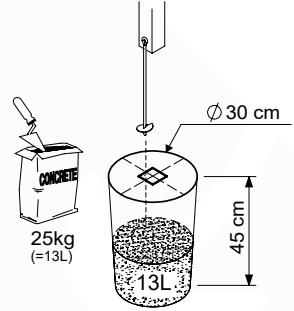
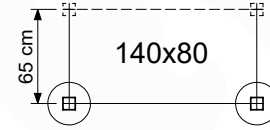
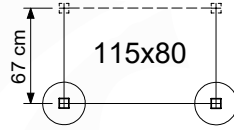
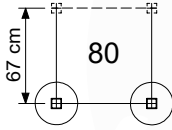
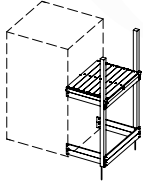
3.

Ground Anchors Uhl. - PD4 - 14/06/2024 - v1.5

BASE TOWERS

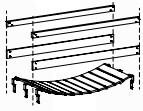


EXTENSION TOWERS

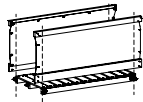


Ground Anchors Uni. - P01 - 14/06/2024 - v1.5

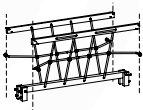
BRIDGES



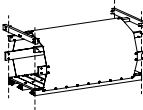
CLATTER



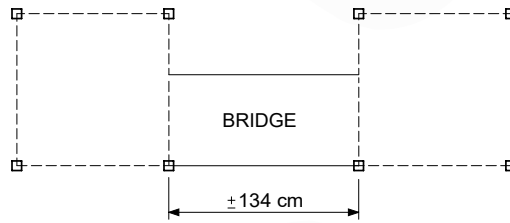
BOARDWALK



NET



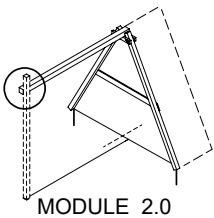
TUNNEL



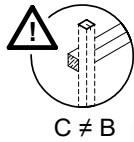
BRIDGE

Ground Anchors Uni. - P02 - 14/06/2024 - v1.5

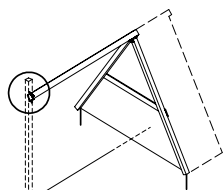
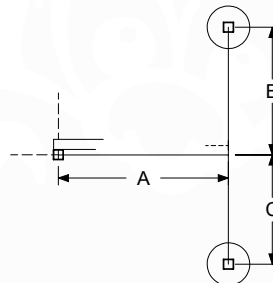
SWING / CLIMB



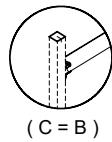
MODULE 2.0



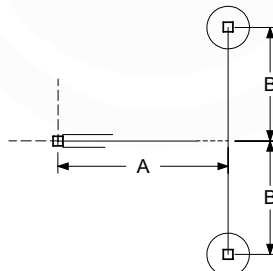
C ≠ B



MODULE 3.0



(C = B)



MODULE 2.0	Module type	A	B	C
	1-Swing 200	150	115	100
1-Swing 220 (Extra)		120	105	
1-Climb 200	142			
2-Climb 200	210	115	100	
2-Swing 200				
1-Climb 220 (Extra)	162			
2-Climb 220 (Extra)	230	120	105	
2-Swing 220 (Extra)				

cm

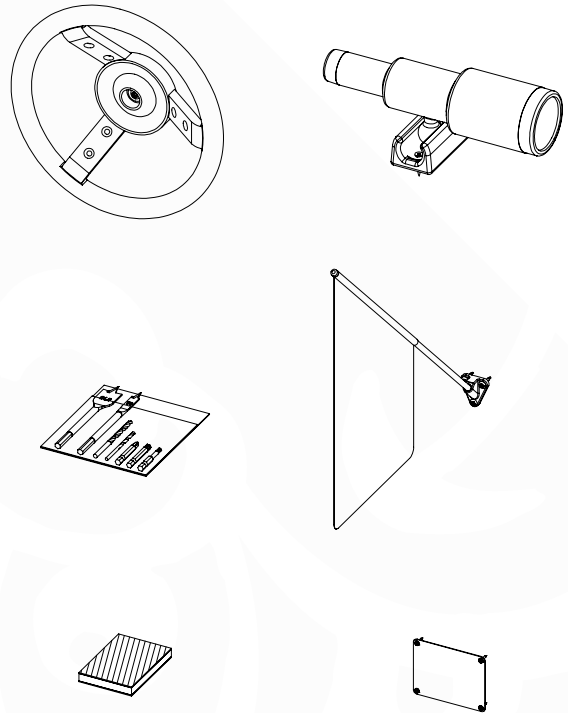
MODULE 3.0	Module type	A	B
	1-Swing 200 - 3.0	155	110
1-Swing 220 (Extra) - 3.0		115	
1-Climb 200 - 3.0	148		
2-Climb 200 - 3.0	222	110	
2-Swing 200 - 3.0	215		
1-Climb 220 (Extra) - 3.0	170		
2-Climb 220 (Extra) - 3.0	242	115	
2-Swing 220 (Extra) - 3.0	235		

cm

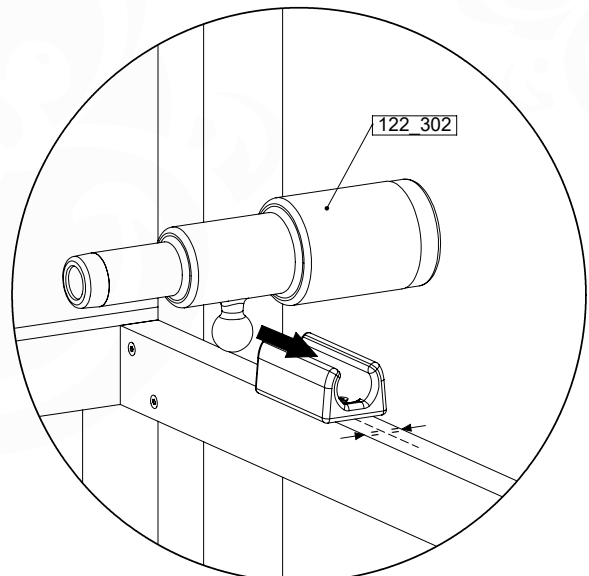
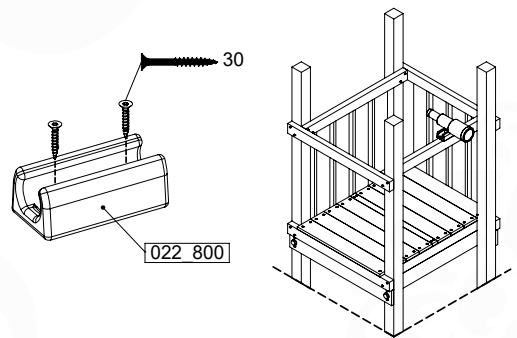
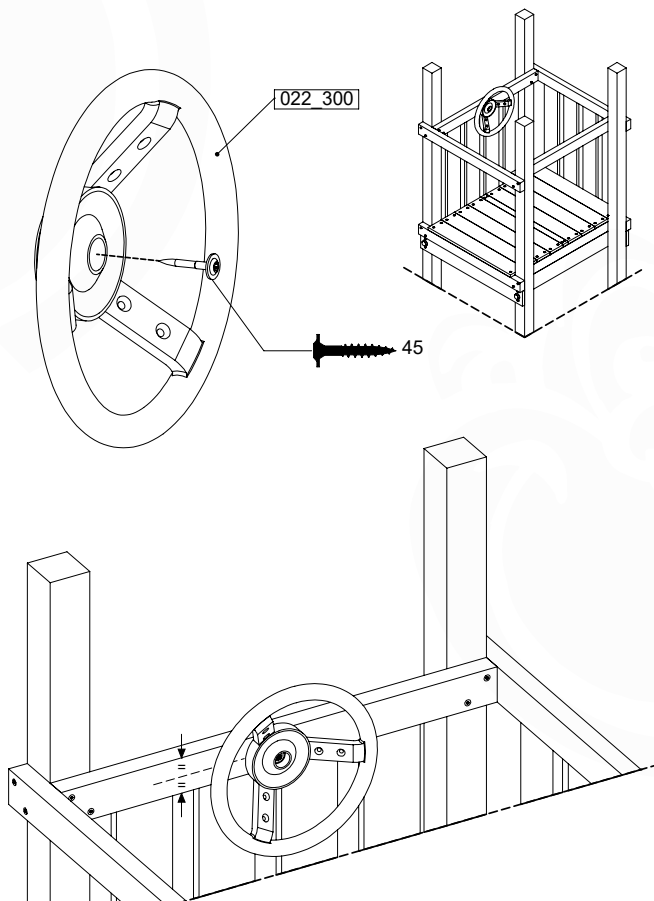
20 AC01a: Accessories

(194_119)

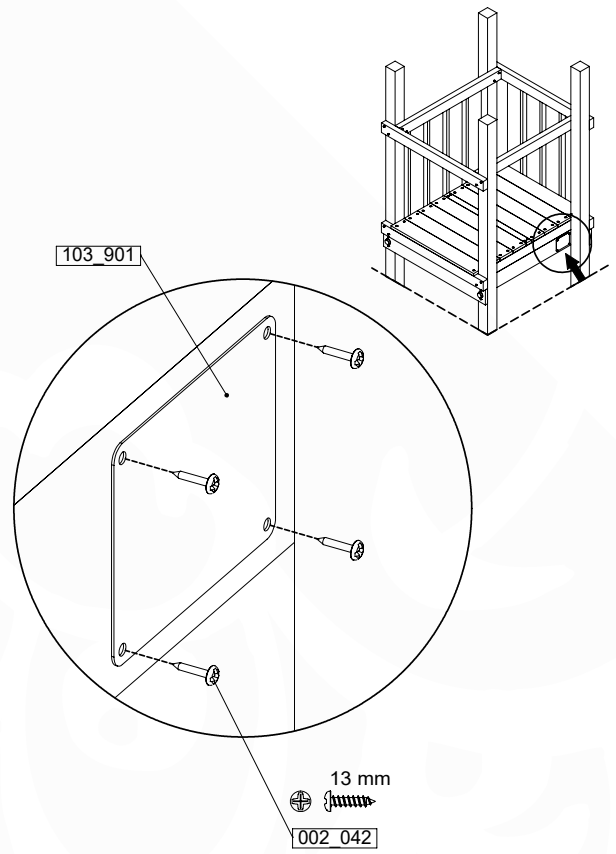
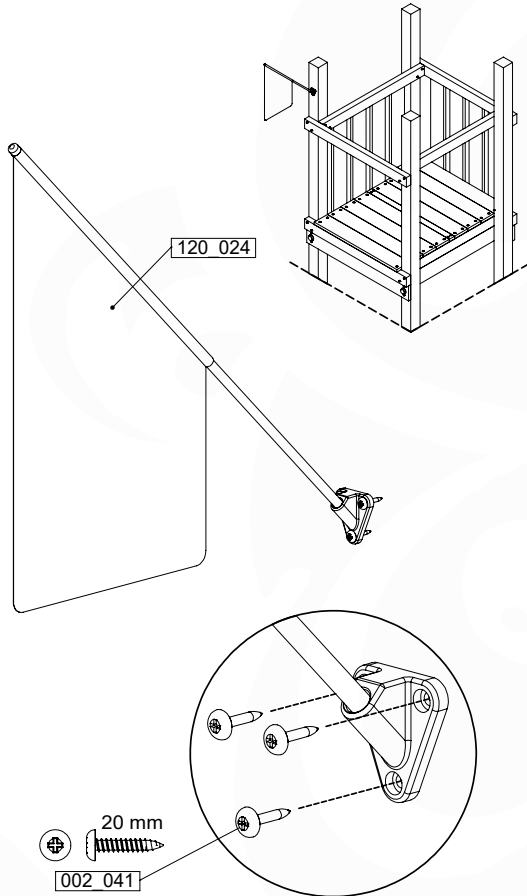
	PartNo	PartName	QTY.
Hardware Pack 100_617	001_406	Stealth Screw 8x45	1
	002_041	Dome head screw 4.5 x 20 mm	3
	002_042	Dome head screw 3.5 x 13mm	4
	002_219	Gap Point Screw T25 - 5x30	2
Other	022_300	Steering Wheel	1
	022_800	Rail P/T 105	1
	022_910	Sandpad	1
	103_901	Logo ID Plate	1
	104_107	Tool Set Climbing Units	1
	120_024	Tower Flag	1
	122_302	Telescope	1



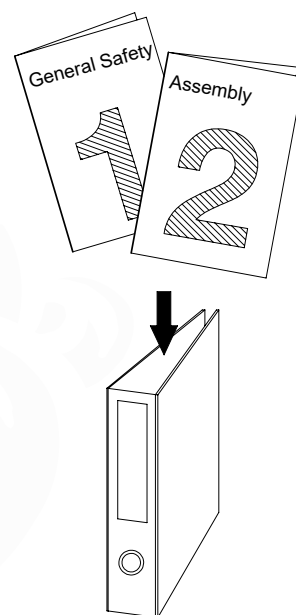
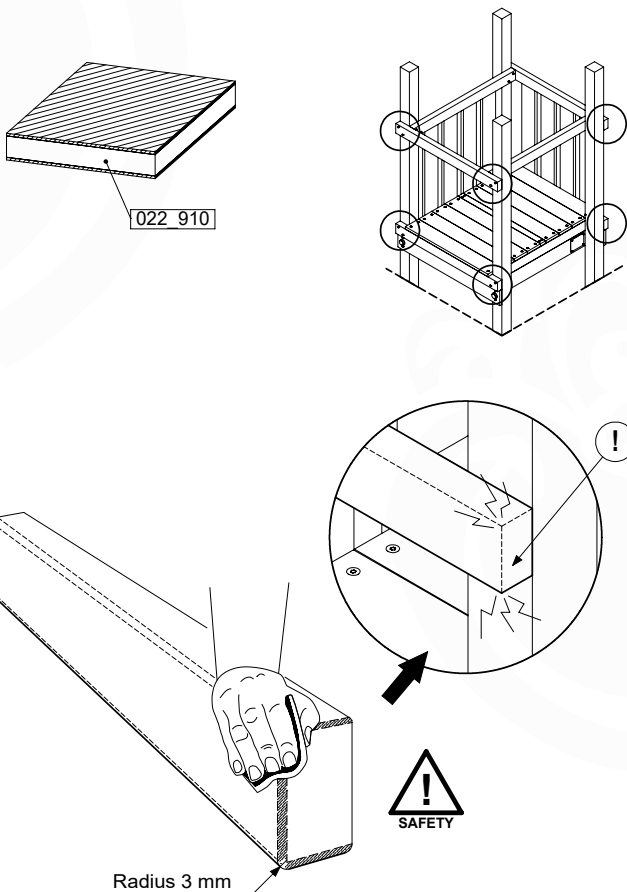
Accessory set - P02 - 24/01/2024 - v5



Accessory set - P03 - 24/01/2024 - v5



Accessory set - P04 - 24/01/2024 - v5



Accessory set - P05 - 24/01/2024 - v5

21 Declaration of conformity

Activity toys for domestic use Aktivitätsspielzeug für den häuslichen Gebrauch Jouets d'activité à usage familial

20240416_v3

1. Wooden climbing frames

1.1. Assemblies

Playtowers	801_005, 801_009, 801_010, 801_013, 801_025, 801_040, 801_060, 801_070, 801_090, 801_095, 801_100, 801_103, 801_105, 801_110, 801_120, 801_200, 802_202, 802_204, 802_206, 802_208, 803_202, 803_204, 803_206, 803_208, 803_210, 809_802, 809_804
Swings	801_300, 801_601, 801_602
Modules	850_176, 850_177, 850_231, 850_232, 857_101, 857_102, 857_105, 857_106, 857_151, 857_152, 857_157, 857_158, 850_240

1.2. Sub assemblies

Base towers (BT)	BT01a, BT02a, BT03a, BT11a, BT14a, BT15a, BT20a
Extension towers (ET)	ET01a, ET02a, ET05a, ET06a, ET07a, ET08a, ET09a, ET10a, ET11a, ET12a, ET13a, ET14a, ET15a, ET16a, ET17a, ET18a, ET19a, ET20a, ET22a, ET23a, ET27a, ET28a, ET35a, ET29a, ET39a, ET40a
Bridges (CB, NB, BB, TB)	CB01a, NB01a, BB01a, BB02a, TB01a, TB02a, TB03a, TB04a
Roofs (RF)	RF01a, RF21a, RF02a, RF03a, RF04a, RF05a, RF06a, RF20a, RF02b, RF03b, RF07a, RF08a, RF22a, RF09a, RF23a, RF11a, RF12a, RF07b, RF12b, RF08b, RF22b, RF09b, RF23b, RF11b, RF14a, RF24a, RF15a, RF25a, RF18a, RF18b, RF14b, RF24b, RF15b, RF25b
Balustrade (BL, BF)	BL01a, BL02a, BL21a, BF25a, BF26a, BF27a, BF28a, BF01a, BF02a, BF03a, BF04a, BF05a, BF06a, BF07a, BF08a, BF01b, BF02b, BF03b, BF04b, BF05b, BF06b, BF07b, BF08b, BF21a, BF22a, BF23a, BF24a, BF21b, BF22b, BF23b, BF24b
Playhouse (PH)	PH03a, PH04a, PH05a, PH06a, PH10a, PH11a, PH40a, PH41a, PH12a, PH13a, PH14a, PH15a, PH42a, PH43a, PH44a, PH45a, PH16a, PH17a, PH18a, PH19a, PH30a, PH31a, PH16b, PH17b, PH18b, PH19b, PH46a, PH47a, PH48a, PH49a, PH16c, PH17c, PH18c, PH19c, PH46b, PH47b, PH48b, PH49b, PH20a, PH21a, PH22a, PH23a, PH24a, PH25a, PH26a, PH27a, PH32a, PH33a, PH52a, PH53a, PH54a, PH55a, PH56a, PH57a, PH50a, PH51a, PH26b, PH27b, PH26c, PH27c, PH56b, PH57b
Ladder (LA)	LA05a, LA06a, LA01a, LA02a, LA03a, LA01b, LA02b, LA03b, LA11a, LA12a, LA13a, LA14a, LA15a, LA16a, LA17a, LA18a, LA31a, LA32a, LA33a, LA34a, LA35a, LA36a, LA37a, LA38a, LA21a, LA22a, LA23a, LA24a, LA25a, LA26a, LA43a, LA44a, LA45a, LA46a
Two Step Ladder (TS)	TS01a, TS01b, TS02a, TS02b, TS03b, TS22a, TS05a, TS06a, TS07a, TS08a, TS09a, TS10a, TS11a, TS12a, TS15a, TS16a, TS17a, TS18a, TS19a, TS20a, TS21a, TS22a
Rope Ladder (RL)	RL01a, RL02a, RL05a, RL06a, RL07a, RL08a, RL09a, RL10a, RL11a, RL12a, RL15a, RL16a, RL19a, RL20a
Rock wall (RW)	RW01a, RW02a, RW01b, RW02b, RW03b, RW31a, RW32a, RW33a, RW05a, RW06a, RW07a, RW08a, RW09a, RW10a, RW11a, RW12a, RW40a, RW41a, RW15a, RW16a, RW17a, RW18a, RW19a, RW20a, RW46a, RW47a
Ramp (RA)	RA03a, RA04a, RA05a, RA06a, RA07a, RA08a, RA11a, RA12a, RA21a
Net (NA, NS)	NA01a, NA02a, NS01a, NS02a, NS03a, NS21a, NA04a, NA05a, NS04a, NS05a, NS06a, NS07a, NA08a, NA09a, NS08a, NS09a
Boat (BO)	BO01a
Market (MT)	MT01a, MT02a, MT05a, MT06a, MT11a, MT12a
Picnic (PC)	PC01a, PC01b, PC05a, PC06a, PC09a, PC10a
Gymnastics bar (GY)	GY01a
Fireman's pole (FP)	FP01a, FP02a, FP04a, FP05a, FP06a, FP07a, FP23a, FP24a, FP25a, FP26a, FP27a, FP28a
Slides (SL)	SL01a, SL02a, SL03a, SL06a, SL07a, SL08a, SL09a, SL10a, SL11a, SL12a, SL13a, SL26a, SL27a, SL28a, SL29a
Swing (SM)	SW17a, SW21a, SW18a, SW22a, SW01a, SW05a, SW02a, SW06a, SW09a, SW13a, SW10a, SW14a
Climb (CL)	CL17a, CL21a, CL18a, CL22a, CL01a, CL05a, CL02a, CL06a, CL09a, CL13a, CL10a, CL14a
Universal Beam (UB)	UB01a, UB04a, UB02a, UB05a, UB03a, UB06a
Accessories (AC)	AC30a, AC31a, AC32a, AC33a, AC01a, AC05a, AC07a, AC03a, AC04a, AC06a, AC23a, AC22a, AC24a, AC21a, AC25a, AC02a, AC09a, AC08a, AC10a

2. Construction packages

2.1 Assembly Kits

Playtowers	401_015, 401_080, 401_125, 402_201, 402_202, 402_204, 402_206, 402_208, 403_202, 403_204, 403_206, 403_208, 403_210, 409_802, 409_804
Swings	401_300, 401_600
Modules	457_005, 457_102, 457_103, 457_106, 457_107, 457_205

2.2 Assembly Packs

Sub assemblies	194_002, 194_003, 194_004, 194_006, 194_007, 194_008, 194_009, 194_010, 194_100, 194_101, 194_102, 194_103, 194_104, 194_105, 194_107, 194_108, 194_109, 194_110, 194_111, 194_112, 194_113, 194_114, 194_115, 194_116, 194_117, 194_118, 194_119, 194_300, 194_308, 194_312, 194_500, 194_501, 194_508, 194_510, 194_802, 194_804, 194_809, 194_810, 194_811, 194_812
----------------	--

3. Accessories and components

Slides XL	324_100, 324_200, 324_300, 324_400, 324_500, 324_600
Slides XXL	334_100, 334_200, 334_300, 334_400, 334_500, 334_600
Fireman's pole	201_275
Climbing	201_060, 201_273
Imagination	201_280, 201_285, 201_290, 201_295, 202_473, 450_310, 450_320, 450_330
Swinging	250_001, 250_013, 250_025, 250_034, 250_053
Functional	123_220, 123_222, 123_230, 201_115, 201_220, 201_250, 201_260, 201_270, 202_620, 202_621, 202_622, 202_623, 202_624, 202_625, 202_626, 202_627, 202_628, 202_629, 202_824, 250_065, 250_070, 250_075

Applicable EU directives and standards

General

- General Product Safety Directive (GPSD) 2001\48\EG
- Reach directive 1907\2006
- AfPS GS 2019:01 PAK

Activity Toys

- Toy Safety Directive (TSD) 2009\48\EG
- EN Standard 71 Safety of Toys
 - EN 71-1:2014 + A1:2018 Safety of toys Mechanical and physical properties
 - EN 71-2:2020 Flammability
 - EN 71-3:2019 + A1:2021 Migration of certain elements
 - EN 71-8:2018 Safety of toys Activity toys for domestic use

Supplementary information

Conformity to the above specified directives and standards has been frequently verified by TÜV Rheinland LGA products, DEKRA, LNE SA, since 1994. Jungle Gym participates in the European Commission for standardisation for the safety of activity toys (TC52/WG10).



Manufacturer details

Company Name: Jungle Gym B.V.
Address: Valschermkade 18, 1059 CD Amsterdam, Netherlands
Email: info@junglegym.com

Declaration

I hereby declare under our sole responsibility that the products mentioned above, to which this declaration relates, comply with the above mentioned directives and standards when the installation, assembly, and maintenance instructions are strictly followed.

Name
Mr. P. Schmit / Director

Issued date
Monday 22nd July, 2024



Signature of representative

Jungle Gym B.V. | P.O. Box 75083 | 1070 AB Amsterdam | Netherlands | Phone: +31 85 444 41 00 | e-mail: info@junglegym.com | www.junglegym.com