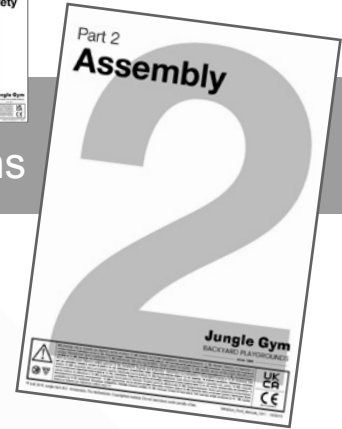


# Part 2

# Assembly

## Instructions

Config ID: m8GqRL  
 Product Name: Summit 1-Swing  
 Product ID: 211426








Watch in 3D



# Jungle Gym

## BACKYARD PLAYGROUNDS

since 1988

<p><b>Assembly time</b> 12.5 hours by 2 adults</p> 	 <p>EN. Warnings. Only for domestic use. Maximum number of users is 4. DE. Achtung. Nur für den Hausgebrauch. Maximale Benutzerzahl: 4. FR. Attention. Réserve à un usage familial. Le nombre maximal d'utilisateurs est de 4. NL. Waarschuwingen. Uitsluitend voor huishoudelijk gebruik. Het maximale aantal gebruikers is 4. BG. Внимание. За употреба само в домашни условия. Максималният брой потребители е 4. CS. Varování. Jen pro domácí použití. Maximální počet uživatelů je 4. DA. Advarsler. Kun til privat brug. Maksimum antal brugere er 4. EL. Προειδοποιήσεις. Μόνο για οικιακή χρήση. Μέγιστος αριθμός χρηστών 4. ES. Advertencias. Sólo para uso doméstico. Número máximo de usuarios: 4. ET. Hoiatused. Ainult koduseks kasutamiseks. Maksimaalne kasutajate arv on 4. FI. Varoitukset. Ainoastaan kotikäyttöön. Käyttäjää yhteensä enintään 4. HR. Upozorenja. Samo za kućansku uporabu. Maksimalan broj korisnika je 4. HU. Figyelmeztetések. Csak otthoni használatra! A használók max. száma: 4. IS. Varnaðarorð. Eingöngu fyrir einkanoðkun í heimahúsum og á einkalóðum. Hámarksfjöldi notenda er 4. IT. Avvertenze. Solo per uso domestico. Massimo numero di utenti è 4. LT. Įspėjimai. Tik buitiniam naudojimui. Maksimalus naudotojų skaičius 4. LV. Brīdinājumi. Izmantot tikai mājās. Maksimālais lietotāju skaits ir 4. NO. Advarsler. Kun for privat bruk. Maksimalt antall brukere er 4. PL. Ostrzeżenia. Wyłącznie do użytku domowego. Maksymalna liczba użytkowników to 4. PT. Avisos. Apenas para uso doméstico. O número máximo de utilizadores é 4. RO. Avertismente. Numai pentru uz domestic. Numărul maxim de utilizatori este 4. RU. Предостережения. Только для домашнего использования. Максимальное количество пользователей - 4. SK. Upozornenia. Iba na domáce použitie. Maximálne množstvo osôb je 4. SL. Opozorila. Samo za domačo uporabo. Maksimalno število uporabnikov je 4. SR. Upozorenja. Samo za kućnu upotrebu. Maksimalan broj korisnika je 4. SV. Varningar. Endast för hemmabruk. Det maximala antalet användare är 4. TR. Uyarılar. Sadece ev kullanımı için. Maksimum kullanıcı sayısı 4.</p>	 <p>EN 71-1,2,3,6,8-9</p>  
--	--	--

# 1 Helpdesk JungleGym

## FAQ & Support



English



Deutsch



Français



Nederlands



info@junglegym.com



EU 0031 85 44 44 100

AT 0043 72 08 153 33

BE 0032 78 48 16 19

CH 0041 43 50 87 350

DE 0049 32 22 10 98 299

ES 0034 657 76 64 25

FR 0033 97 75 58 222

IE 0035 38 1800 0300

LU 0035 22 08 80 512

NL 0031 85 44 44 102

UK 0044 20 369 505 53

Monday-Friday,

CET 9:00am - 5:00pm

Local phone charges may apply.

## 2 Start

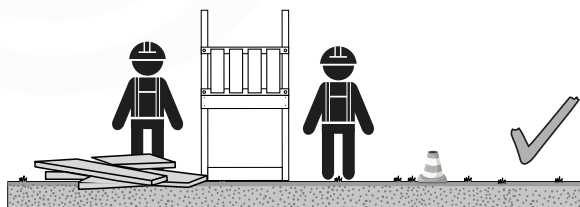
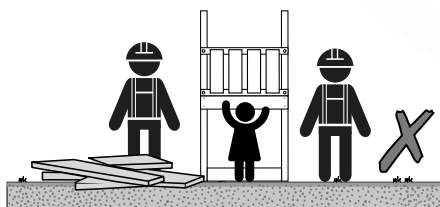
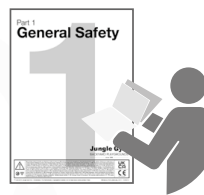
### 2.1 Safety



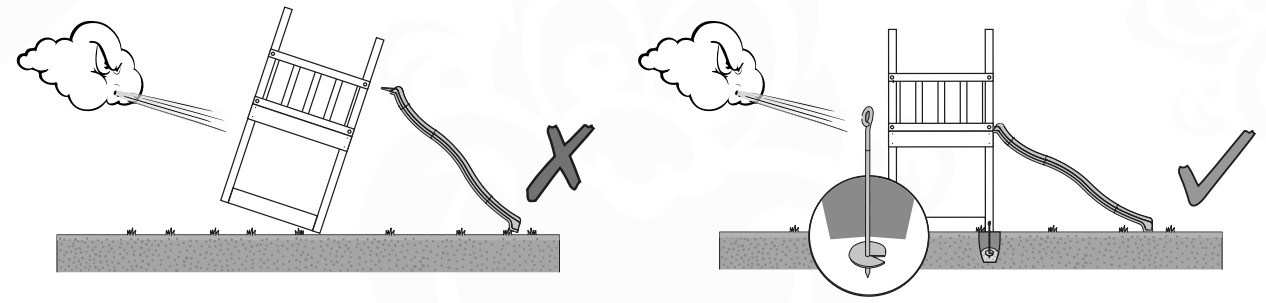
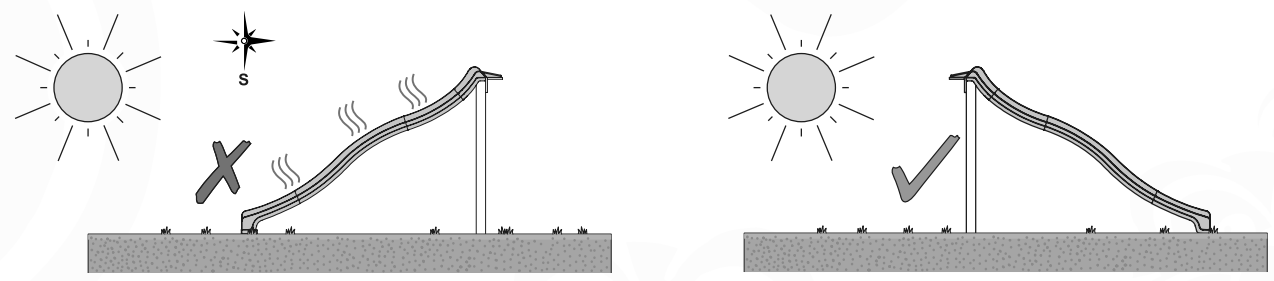
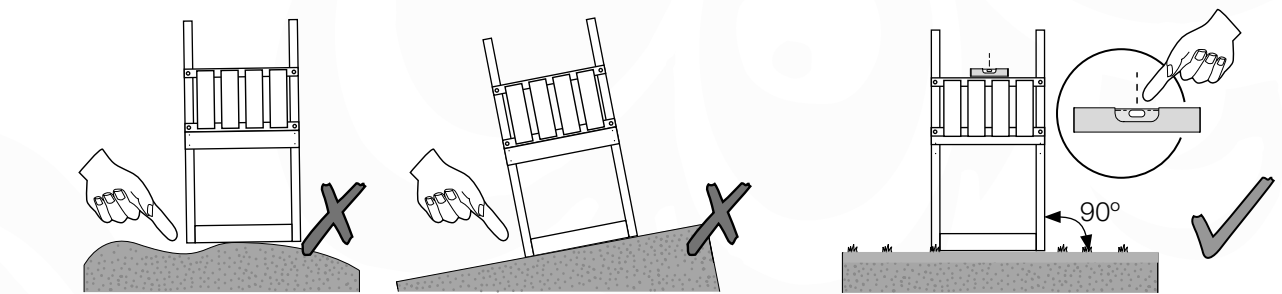
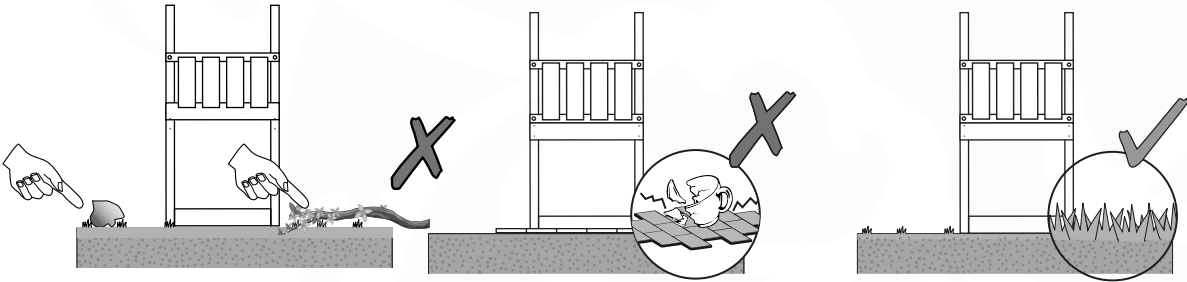
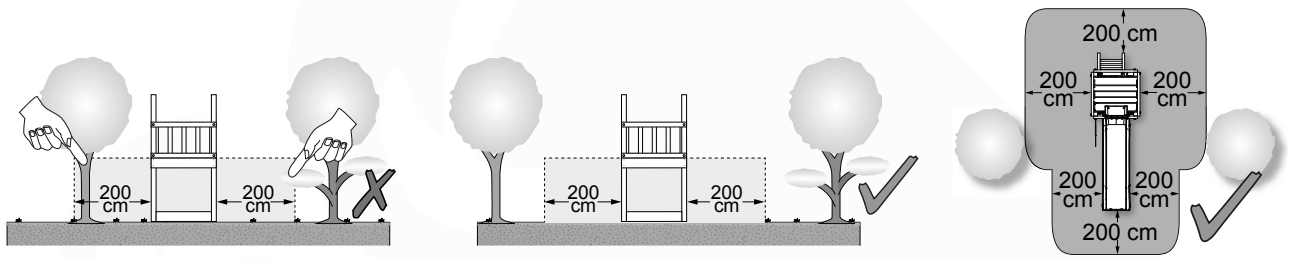
Download

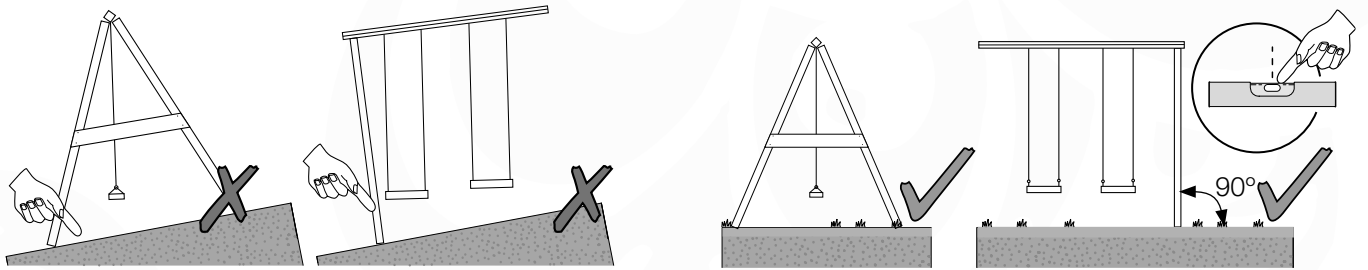
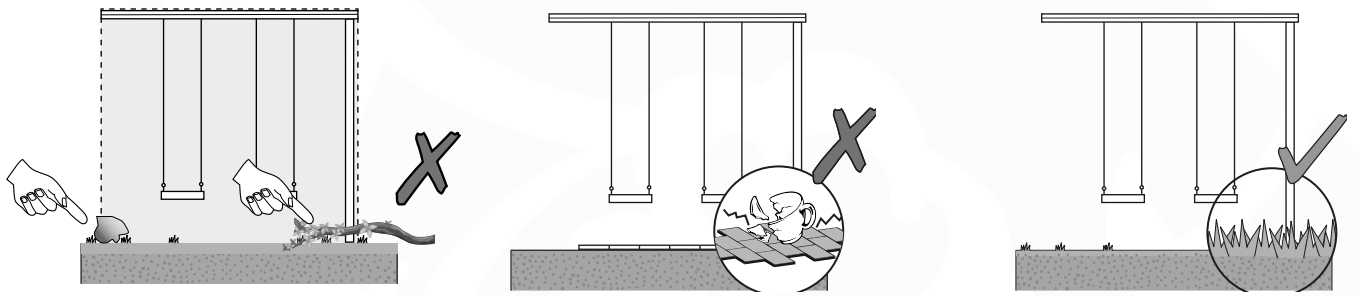
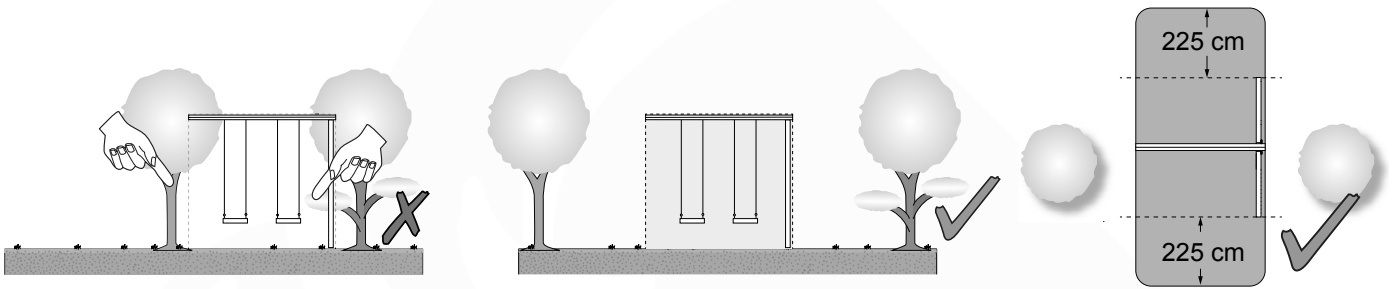


Part 1

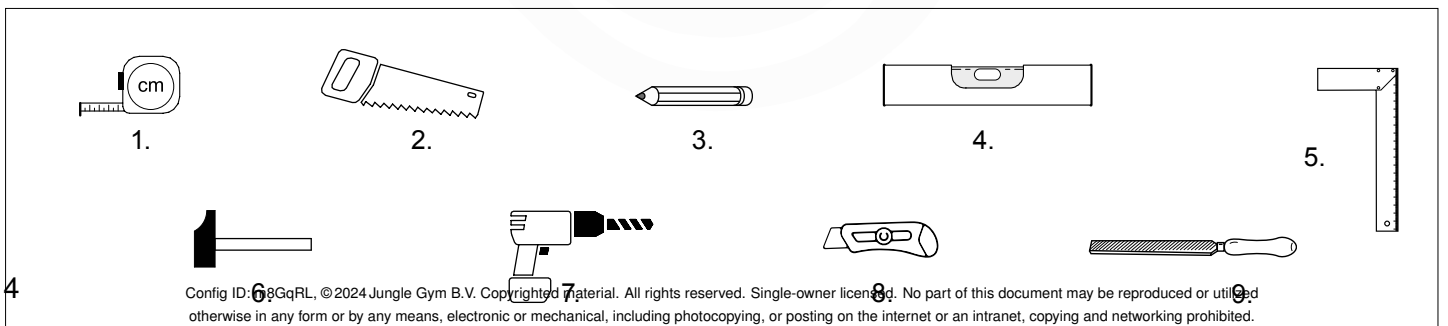


## 2.2 Planning



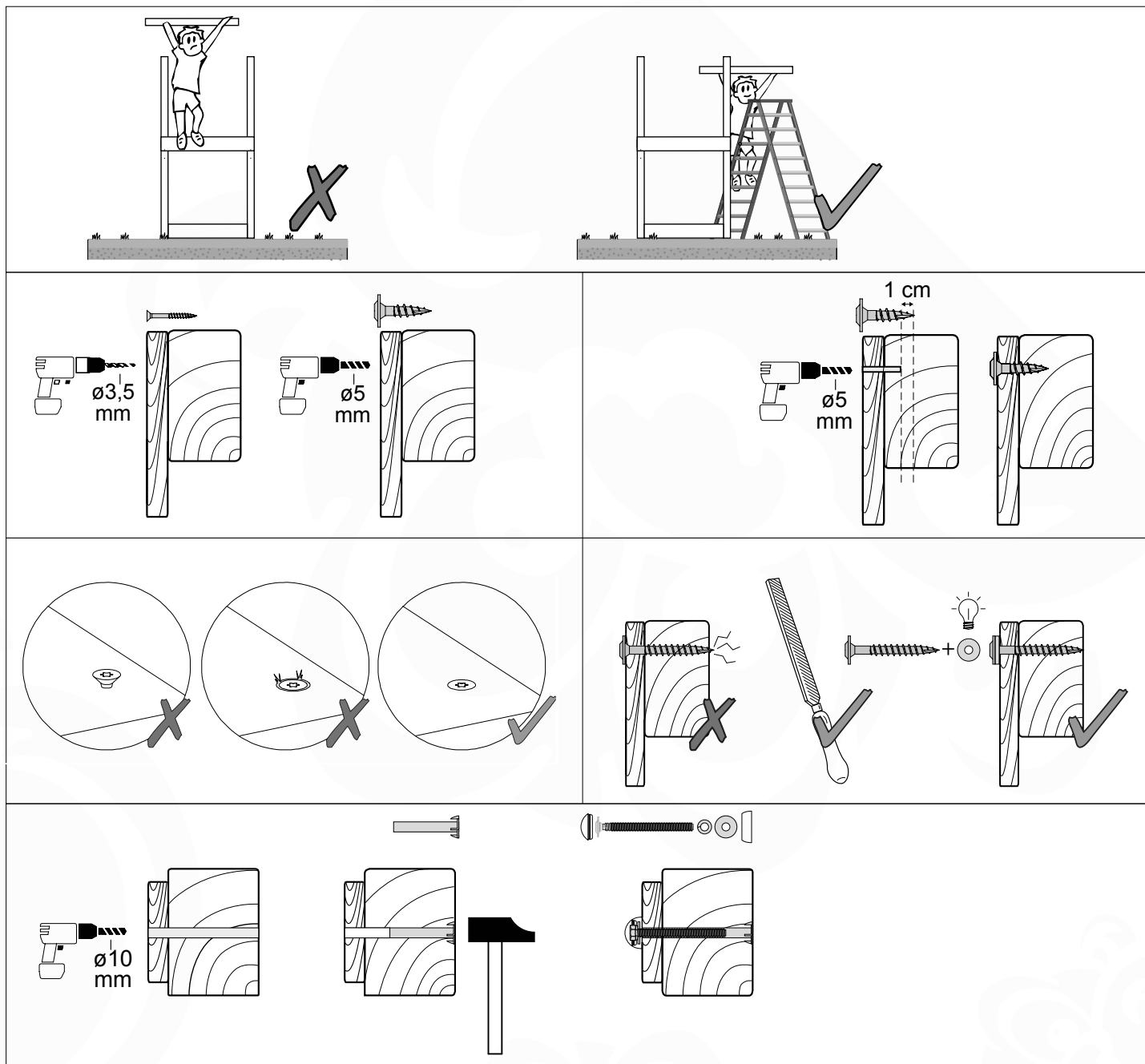


### 2.3 Tools





## 2.4 Assembly



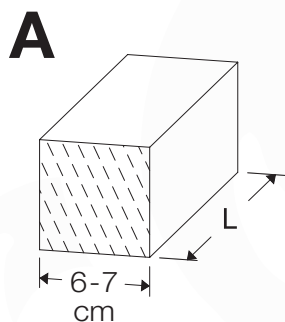
## 3 Overview

### 3.1 Order specification

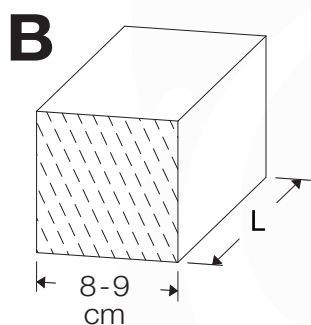


#	Description	Supplier ID	Assembly ID
1	Base Tower 80_200200_125	790_001	BT01a
1	Base Tower 140_270270_145	794_001	BT20a
1	Roof Timber Slope 140	794_203	RF15a
1	Balustrade 80_T	790_301	BL02a
1	Balustrade 140_T	794_301	BL06a
1	Balustrade 70/140_U L	794_302	BL07a
1	Balustrade 70/140_U R	794_302	BL08a
1	Rock wall 80_125 U	790_401	RW01a
1	Ladder 70/140_145 U L	794_432	LA23a
1	Ramp 80 U	790_441	RA03a
1	Clatter Bridge 80 uni	790_601	CB01a
1	Bridge Frame 140 T R	794_602	BF24a
1	Slide Frame 70/140145 U R	794_901	SL27a
1	1- Swing Module 220_Extra 3.0	750_182	SW18a
1	Accessories Set	194_119	AC01a
1	Accessories Tic Tac Toe	450_310	AC09a
1	Accessories Swing Seat	250_034	AC21a
1	Wavy Star Slide XXL	334_x00a	334_x00a

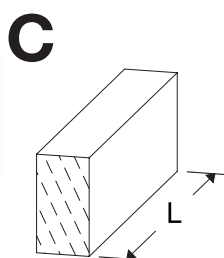
## 3.2 Timber parts



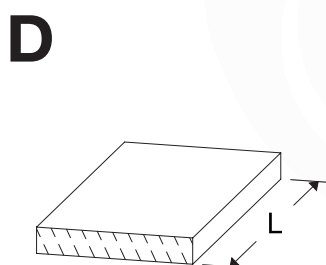
ID	L	#
A200	199 cm - 200 cm	4



B160	159 cm - 160 cm	1
B240	239 cm - 240 cm	2
B270	269 cm - 270 cm	4



C37	36 cm - 37 cm	4
C70	69 cm - 70 cm	4
C74	73 cm - 74 cm	8
C96	85 cm - 96 cm	4
C141	140 cm - 141 cm	13
C150	149 cm - 150 cm	2
C154	153 cm - 154 cm	2



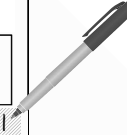
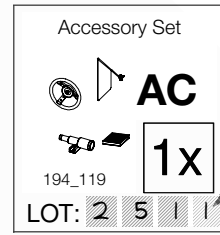
D60	59 cm - 60 cm	40
D65	64 cm - 65 cm	21
D74	73 cm - 74 cm	13
D123	122 cm - 123 cm	18
D141	140 cm - 141 cm	16
D154	153 cm - 154 cm	24


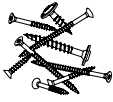
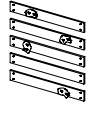



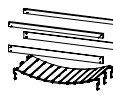
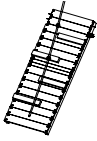



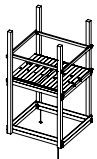
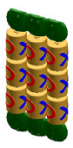
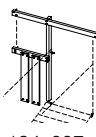




### 4.3 Assembly packs



#### Example



<p>Ladder 145</p>  <p><b>LA</b></p> <p>194_004</p> <p><b>1x</b></p> <p>LOT: [ ][ ][ ][ ]</p>	<p>Hardware 01</p>  <p><b>BL H01</b></p> <p>194_101</p> <p><b>3x</b></p> <p>LOT: [ ][ ][ ][ ]</p>	<p>Rock Wall 80</p>  <p><b>RW</b></p> <p>194_105</p> <p><b>1x</b></p> <p>LOT: [ ][ ][ ][ ]</p>	<p>Window Hardware / Roof 140</p>  <p><b>RF PH</b></p> <p>194_508</p> <p><b>1x</b></p> <p>LOT: [ ][ ][ ][ ]</p>	<p>Accessory Set</p>  <p><b>AC</b></p> <p>194_119</p> <p><b>1x</b></p> <p>LOT: [ ][ ][ ][ ]</p>
<p>Swing Seat</p>  <p><b>AC</b></p> <p>250_034</p> <p><b>1x</b></p> <p>LOT: [ ][ ][ ][ ]</p>	<p>Clatter Bridge</p>  <p><b>CB</b></p> <p>194_116</p> <p><b>1x</b></p> <p>LOT: [ ][ ][ ][ ]</p>	<p>Ramp</p>  <p><b>RA</b></p> <p>194_008</p> <p><b>1x</b></p> <p>LOT: [ ][ ][ ][ ]</p>	<p>Slide Frame</p>  <p><b>SL</b></p> <p>194_107</p> <p><b>1x</b></p> <p>LOT: [ ][ ][ ][ ]</p>	<p>Balustrade 140</p>  <p><b>BL</b></p> <p>194_501</p> <p><b>1x</b></p> <p>LOT: [ ][ ][ ][ ]</p>
<p>Slide XXL 2.6m</p>  <p><b>1x</b></p> <p>334_x00</p> <p>LOT: [ ][ ][ ][ ]</p>	<p>Tower 140</p>  <p><b>BT ET</b></p> <p>194_500</p> <p><b>1x</b></p> <p>LOT: [ ][ ][ ][ ]</p>	<p>Tic Tac Toe</p>  <p><b>AC</b></p> <p>450_310</p> <p><b>1x</b></p> <p>LOT: [ ][ ][ ][ ]</p>	<p>Bridge Frame</p>  <p><b>BF</b></p> <p>194_007</p> <p><b>1x</b></p> <p>LOT: [ ][ ][ ][ ]</p>	<p>Tower 80</p>  <p><b>BT ET</b></p> <p>194_100</p> <p><b>1x</b></p> <p>LOT: [ ][ ][ ][ ]</p>
<p>Swing Module Kit</p>  <p><b>SW</b></p> <p>457_103</p> <p><b>1x</b></p> <p>LOT: [ ][ ][ ][ ]</p>				

## 4.4 Your config ID: m8GqRL

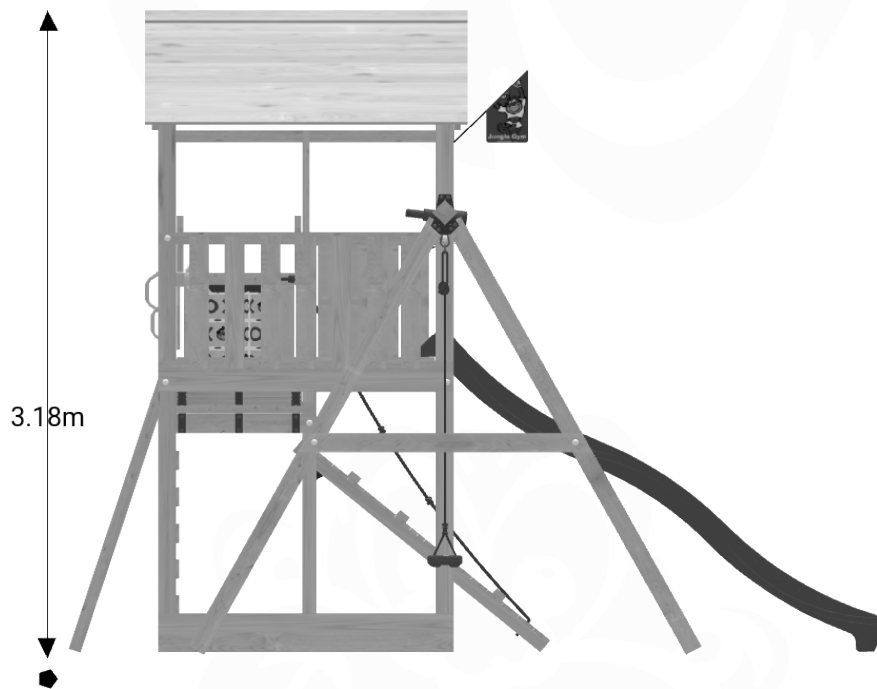
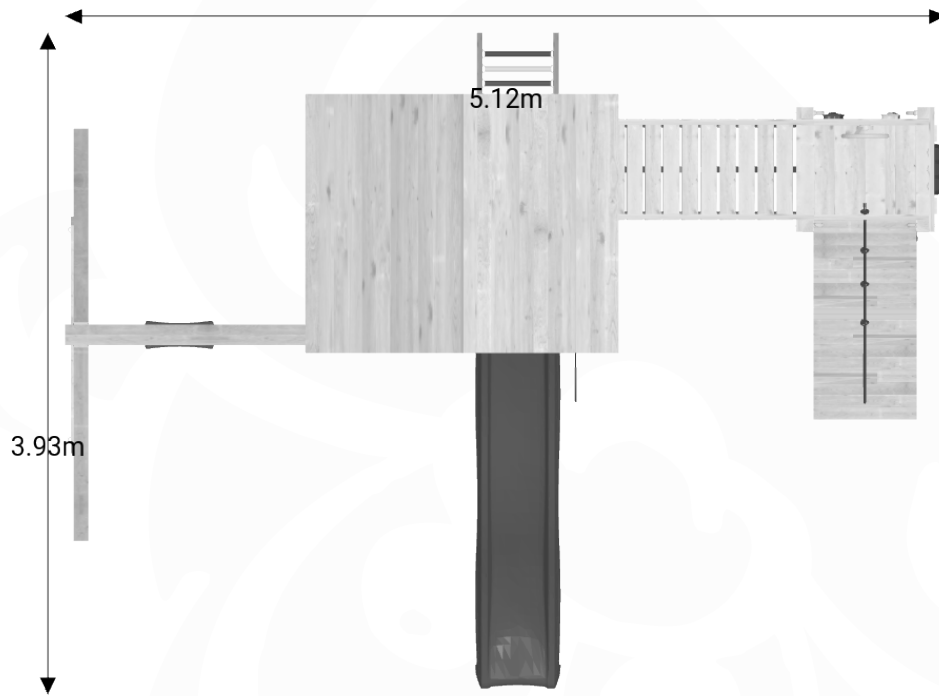


## 5 Hardware Identification

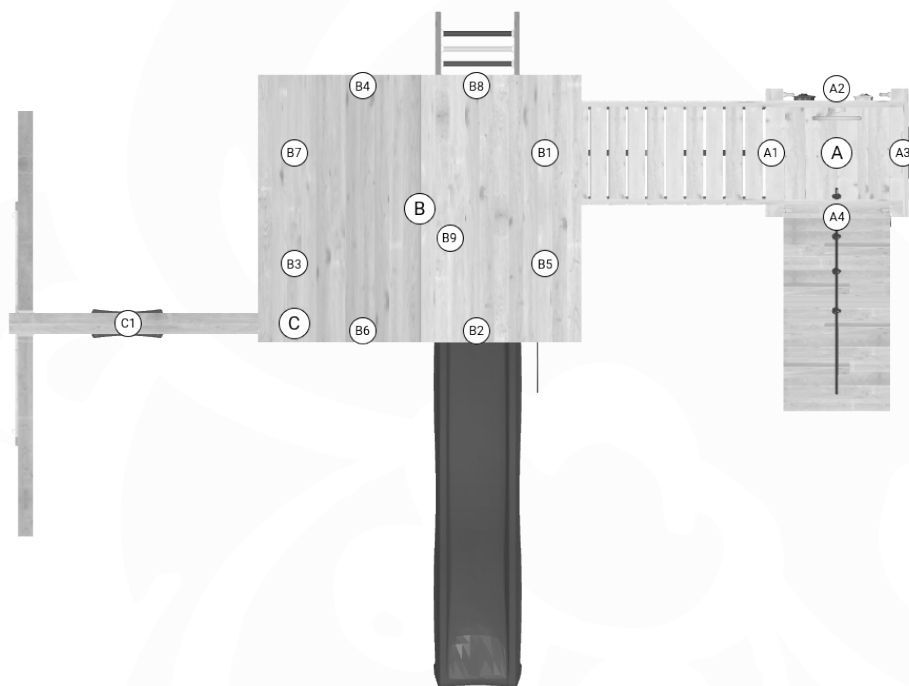
		SKU		L			
 ø 5 T-40	 ø 8.0 mm	001_404	30 mm	 ø 3.5 T-25	 ø 5.0 mm	002_308	20 mm
		001_406	45 mm			002_219	30 mm
		001_411	60 mm			002_220	45 mm
		001_417	80 mm			002_223	80 mm
		001_422	137 mm				
 ø 10 T-40	 M8	001_102	30 mm	 ø 10	 M8	004_050	22mm
 ø 3.5 T-25	 ø 2.0 mm	000_101	20 mm	 ø 6.3 mm	 M8	003_010	
 ø 3.5 PH-2	 ø 4.5 mm	002_036	16 mm	 ø 4.5 mm	 M6	003_034	
		002_041	20 mm			022_845	Yellow
						022_846	Blue
 ø 3.5 mm	 ø 3.5 mm	002_042	13 mm	 ø 3.5 mm	 ø 4.5 mm	022_847	Green
 ø 3.9 mm	 ø 3.9 mm	002_301	40 mm	 ø 3.9 mm	 ø 3.9 mm	023_031	White

output: 27/06/24

## 6 Dimensions



## 7 Assembly Planning



	ID			A	B	C
1	BT01a		p.13	✓	-	-
2	BT20a		p.15	-	✓	-
3	BL02a		p.18	A3	-	-
4	BL06a		p.19	-	B7	-
5	BL07a		p.20	-	B6	-
6	BL08a		p.21	-	B4	-
7	RF15a		p.22	-	B9	-
8	CB01a		p.25	A1	B1	-
9	BF24a		p.28	-	B5	-
10	RW01a		p.32	A2	-	-
11	LA23a		p.34	-	B8	-
12	RA03a		p.37	A4	-	-
13	SW18a		p.41	-	-	✓
14	SL27a		p.49	-	B2	-
15	GA		p.52	✓	✓	✓
16	AC01a		p.54	-	✓	-

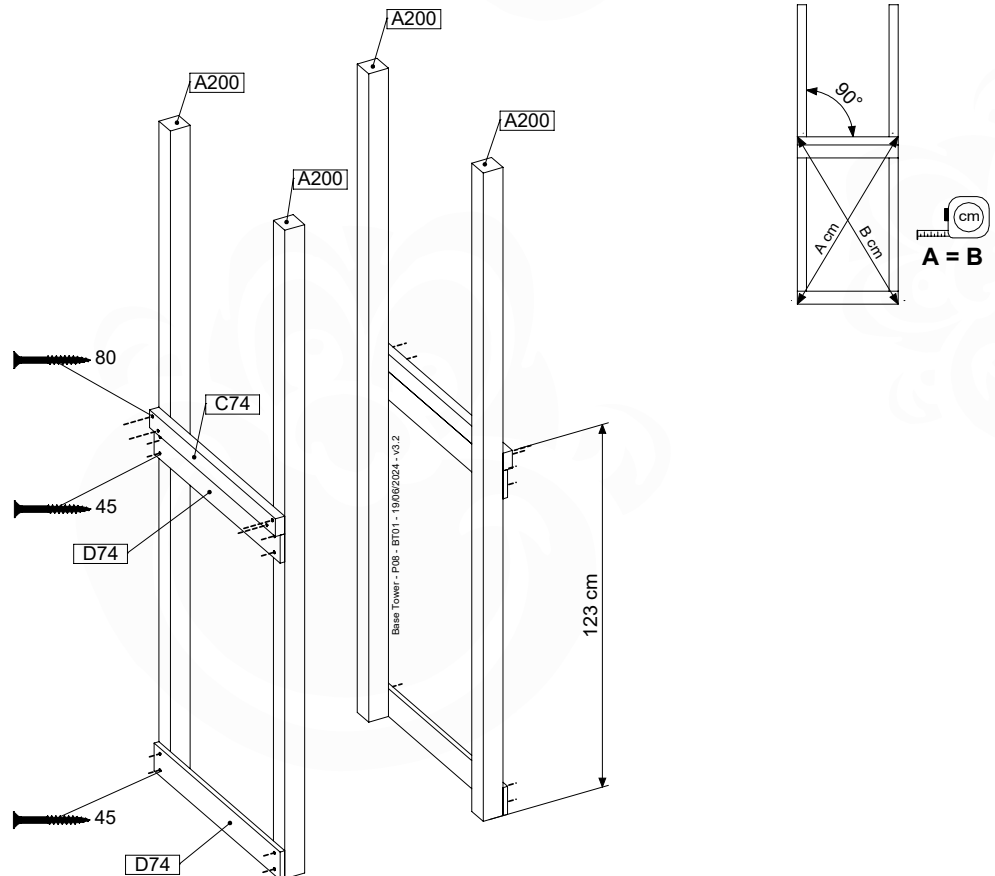
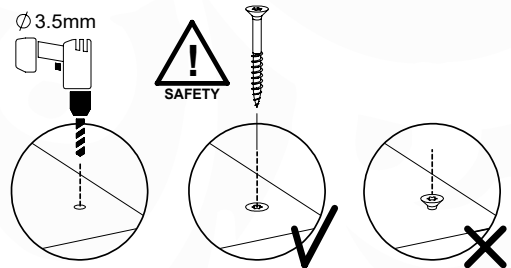
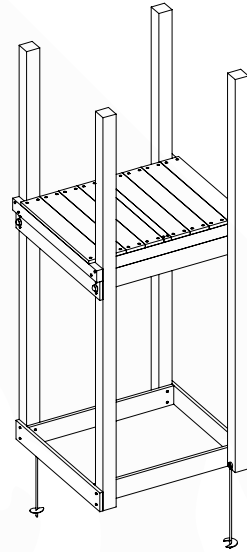


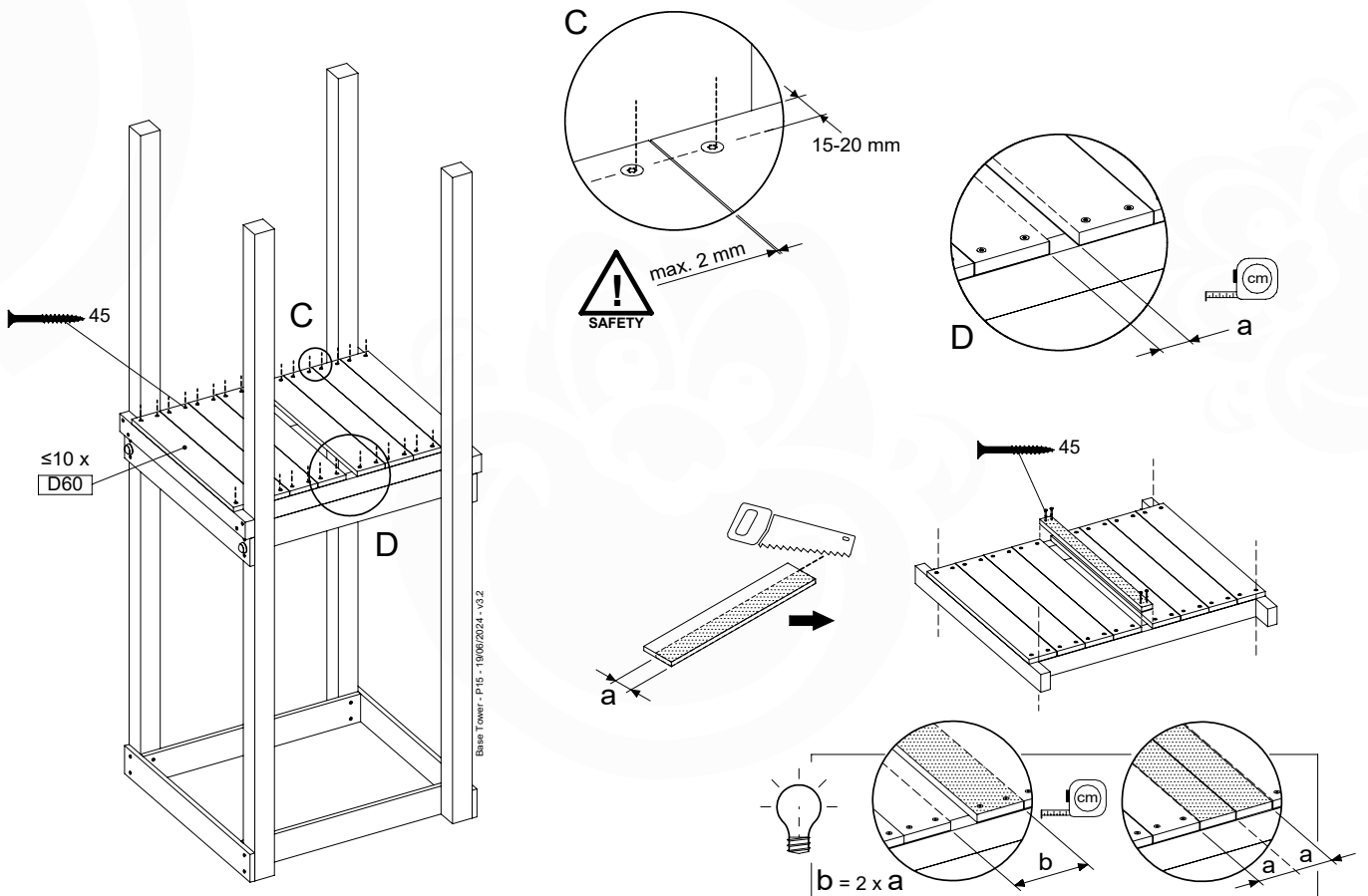
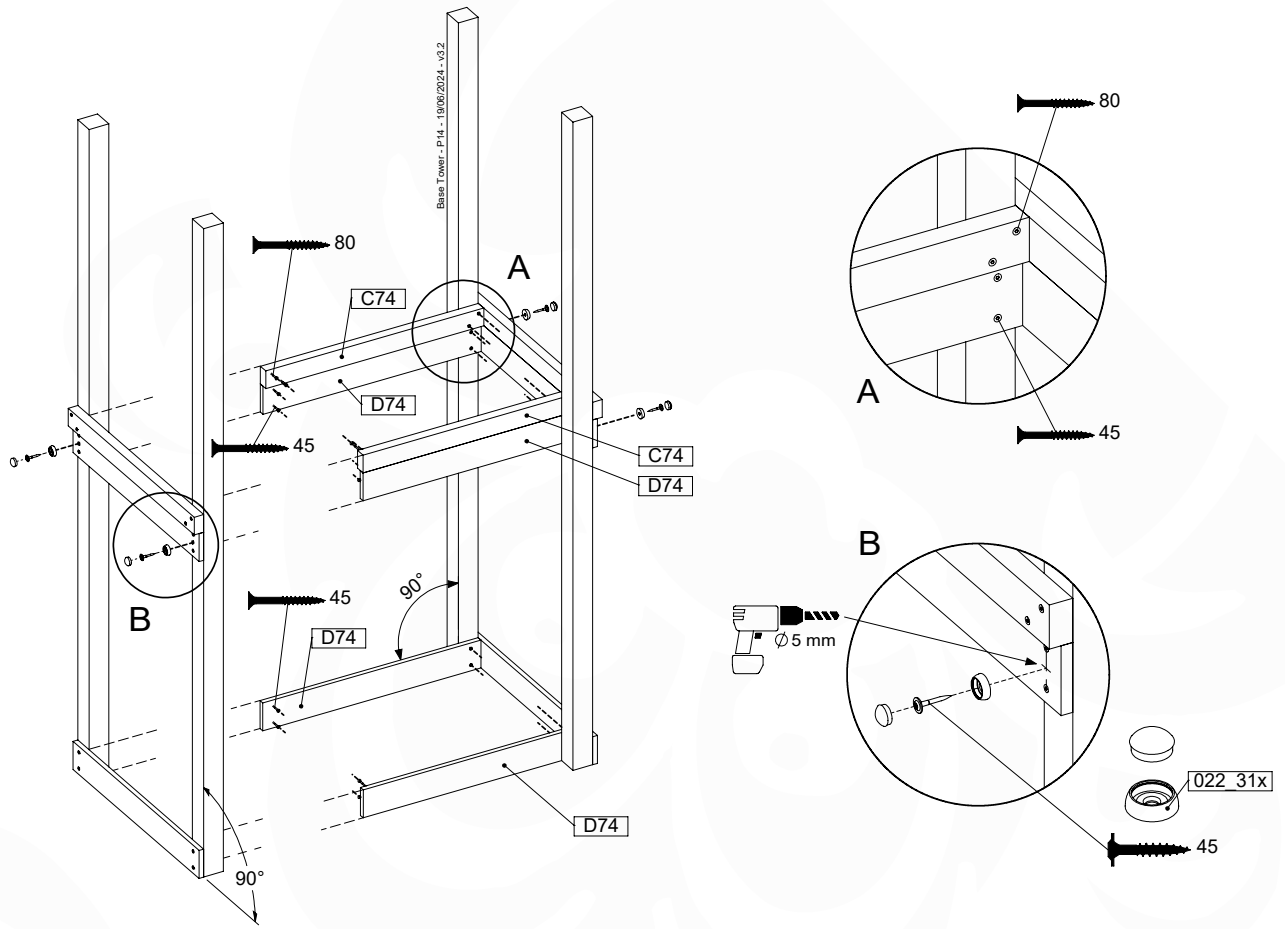
# 8 BT01a: Base Tower 80 125cm 200200

Assembly Pack: 194\_100

	PartNo	PartName	QTY.
Hardware + Parts	001_406	Stealth Screw 8x45	6
	002_220	Gap Point Screw T25 - 5x45	76
	002_223	Gap Point Screw T25 - 5x80	16
	007_001	Ground-anchor	2
	022_31x	bpc-base version 3	4
	022_84x	bpc cover	4
Timber	A200	Post 70x70 L2000	4
	C74	Beam 740 mm	4
	D60	Board 600 mm	10
	D74	Board 740 mm	8

Base Tower - P02 - BT01 - 19062024 - v3.2



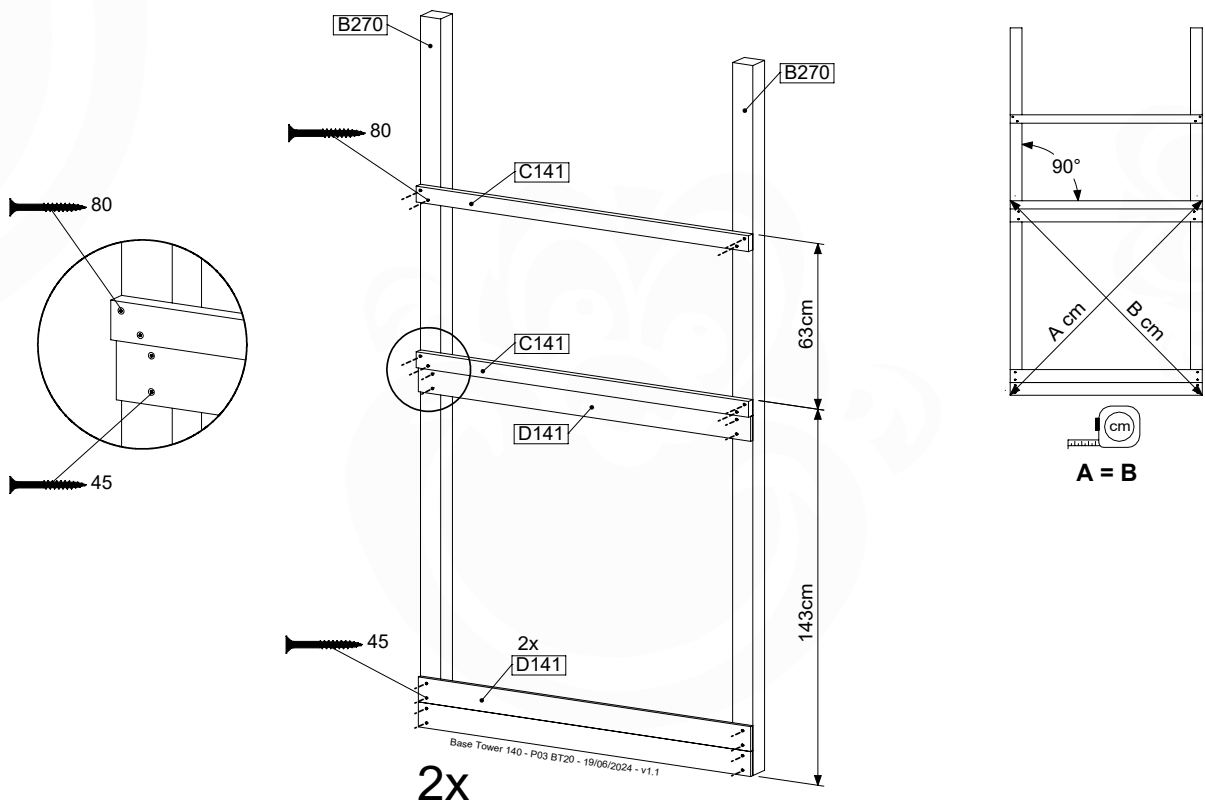
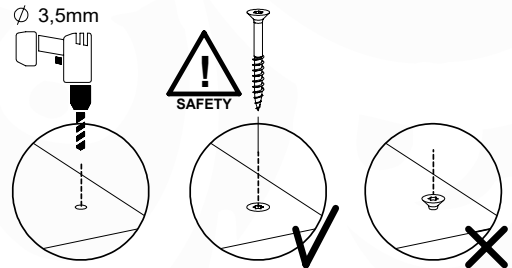
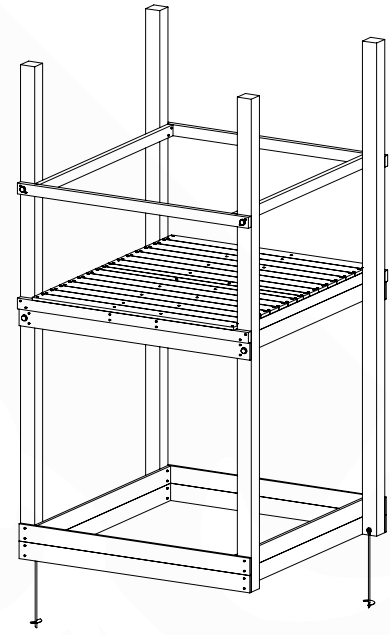


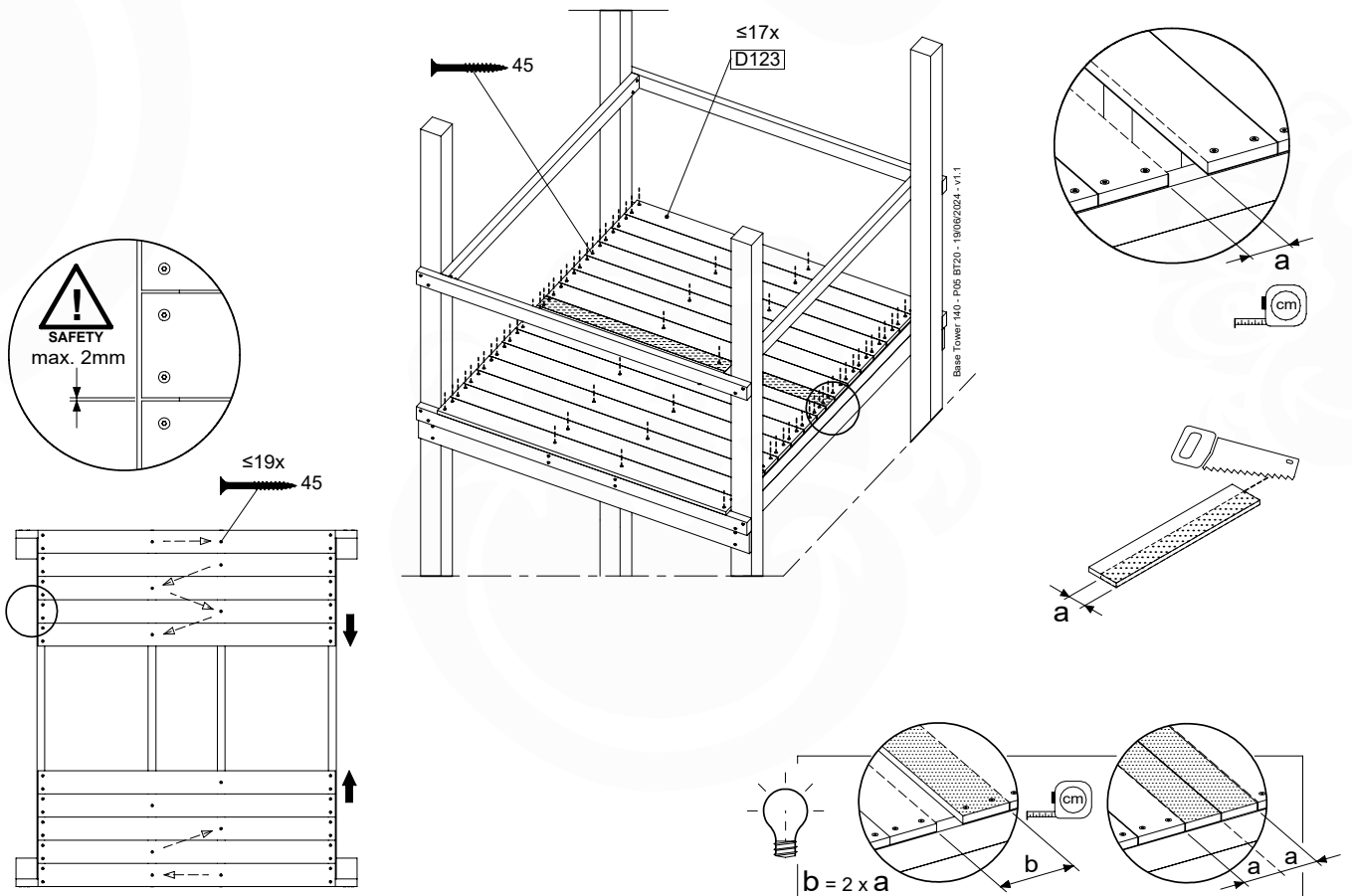
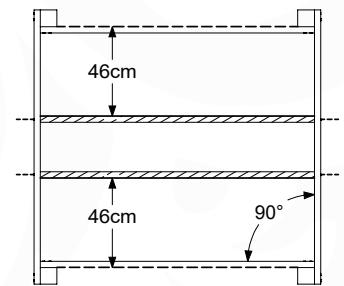
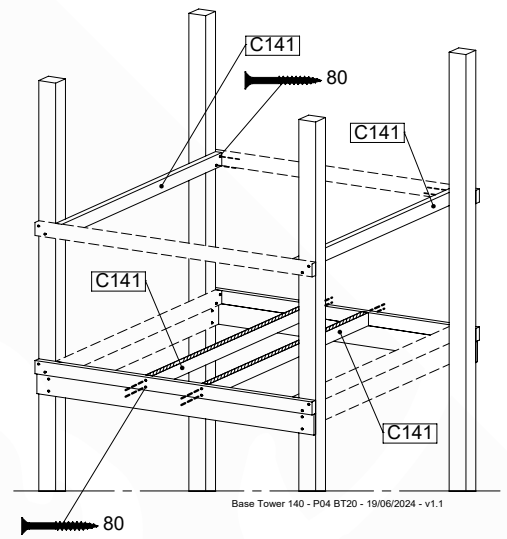
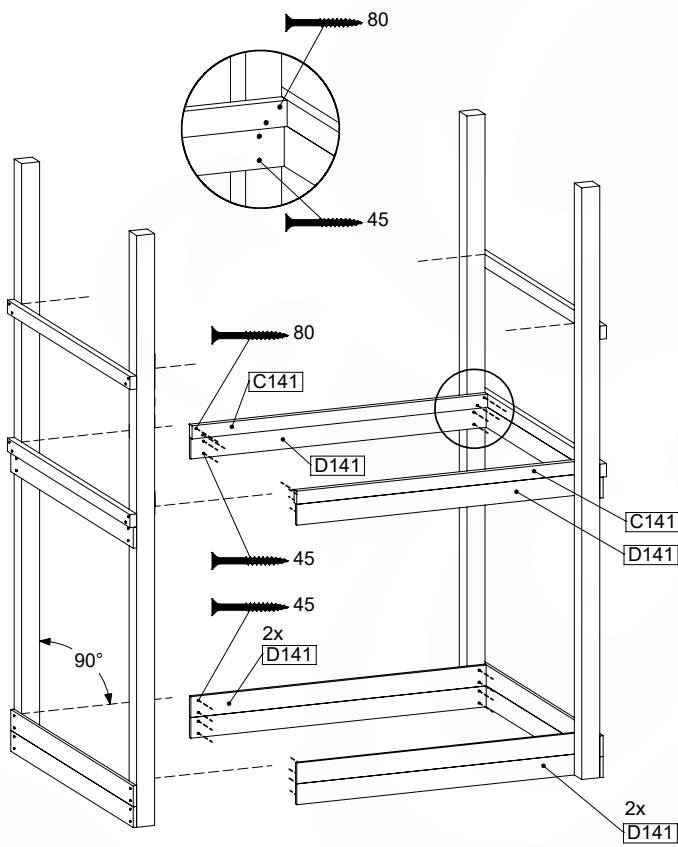
# 9 BT20a: Base Tower 140 145cm 270270

Assembly Pack: 194\_500

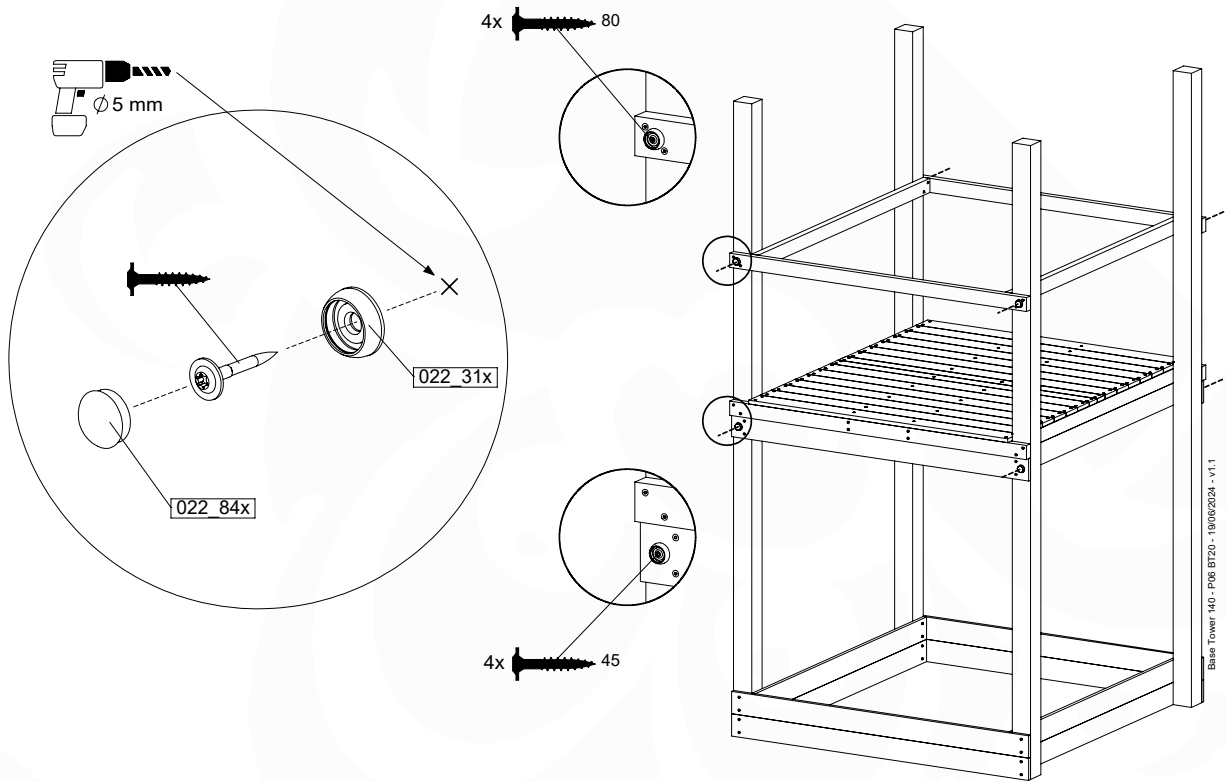
	PartNo	PartName	QTY.
Hardware + Parts	001_406	Stealth Screw 8x45	6
	001_417	Stealth Screw 8x80	4
	002_220	Gap Point Screw T25 - 5x45	135
	002_223	Gap Point Screw T25 - 5x80	40
	007_001	Ground-anchor	2
	022_31x	bpc-base version 3	8
	022_84x	bpc cover	8
Timber	B270	Post 90x90 L2700	4
	C141	Beam 1410 mm	10
	D123	Board 1230 mm	17
	D141	Board 1410 mm	12

Base Tower 140 - P03 BT20 - 19/08/2024 - v1.1





## 9.2

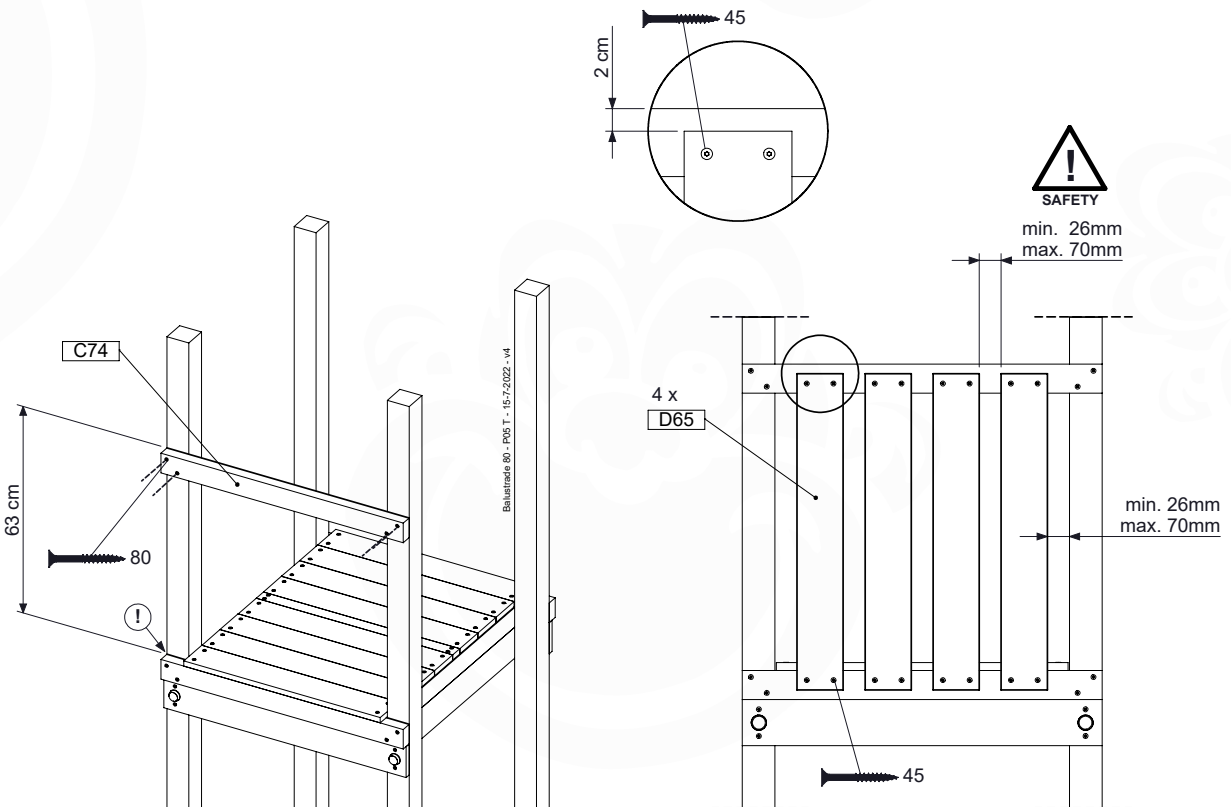
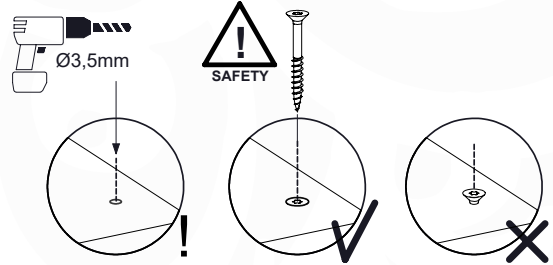
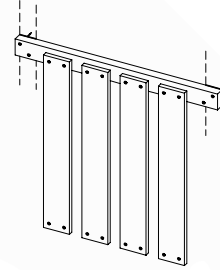


# 10 BL02a: Balustrade 80 T

( 194\_101 )

	PartNo	PartName	QTY.
Hardware Pack	002_220	Gap Point Screw T25 - 5x45	16
	100_601	Gap Point Screw T25 - 5x80	4
Timber	C74	Beam 740 mm	1
	D65	Board 650 mm	4

Balustrade 80 - P03 T - 15-7-2022 - v4

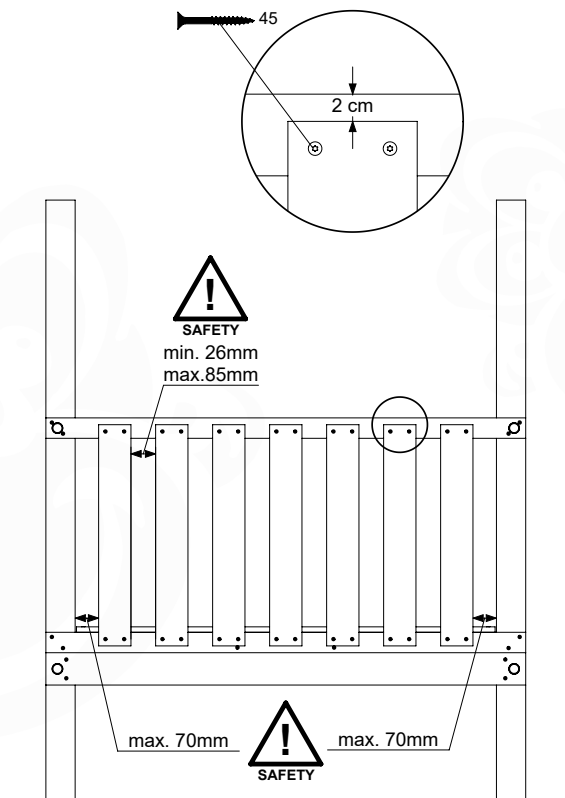
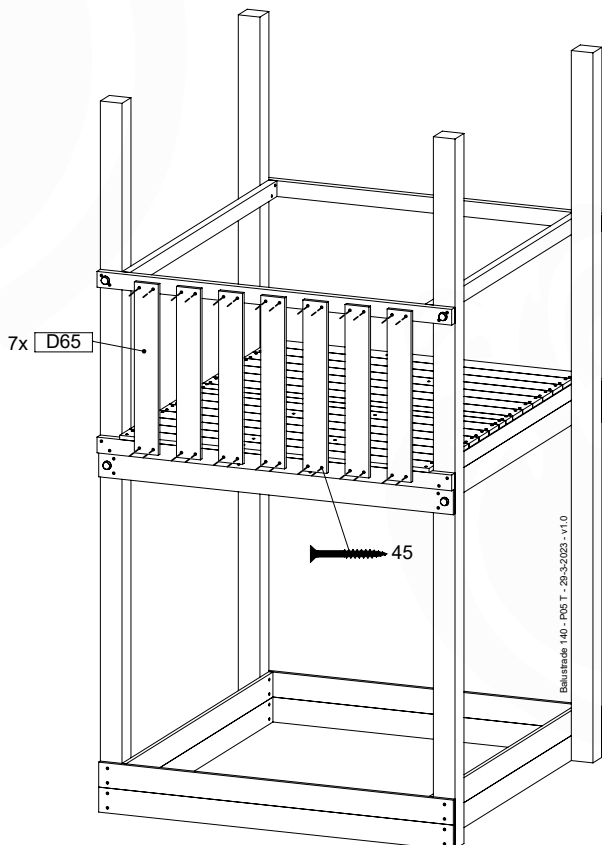
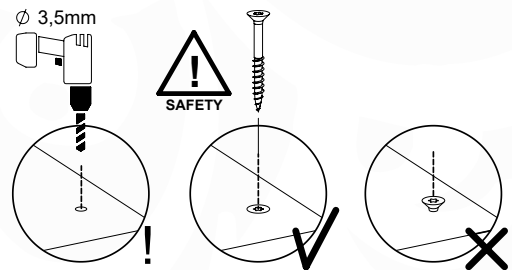
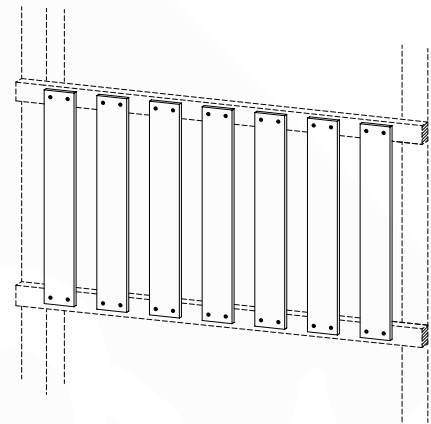


# 11 BL06a: Balustrade 140 T

( 194\_501 )

	PartNo	PartName	QTY.
Hardware pack	002_220	Gap Point Screw T25 - 5x45	28
Timber	D65	Board 650 mm	7

Balustrade 140 - P03 T - 28-3-2023 - v1.0

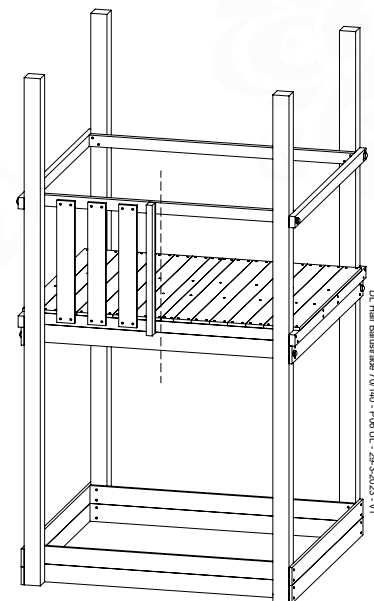
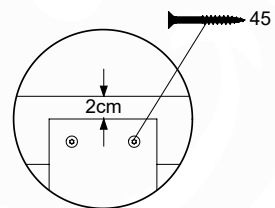
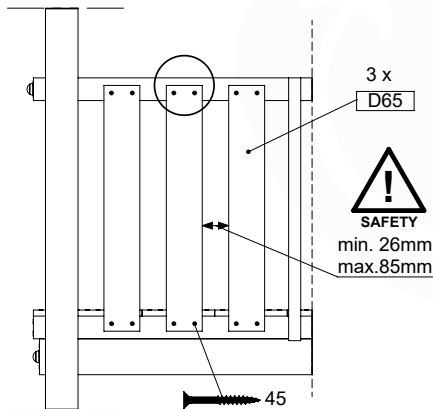
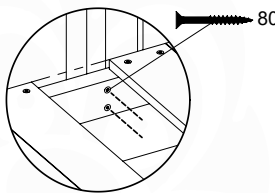
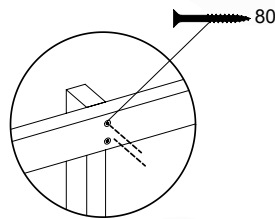
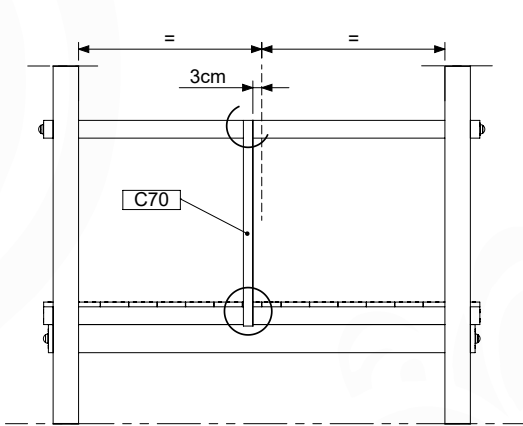
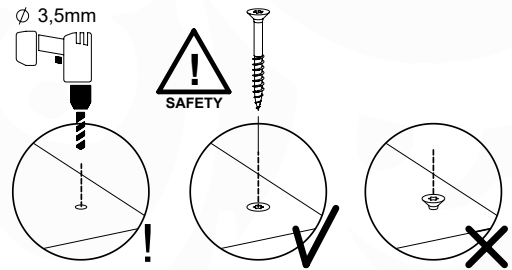
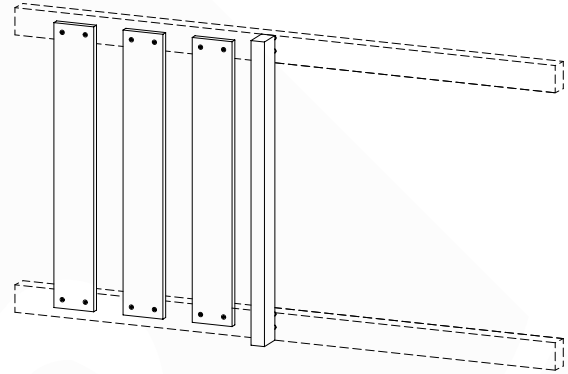


# 12 BL07a: Half Balustrade U Left

( 194\_101 )

	PartNo	PartName	QTY.
Hardware pack	002_220	Gap Point Screw T25 - 5x45	12
	002_223	Gap Point Screw T25 - 5x80	4
Timber	C70	Beam 700 mm	1
	D65	Board 650 mm	3

DL Half Balustrade 70x40 - P02 UL - 29-3-2023 - v1



DL Half Balustrade 70x40 - P02 UL - 29-3-2023 - v1

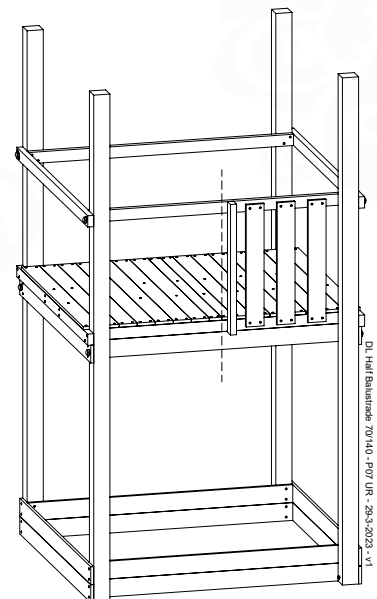
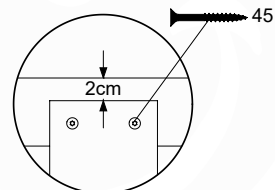
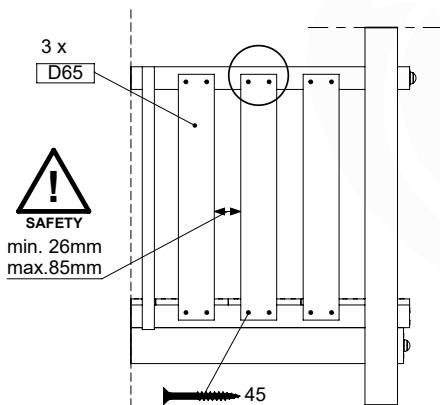
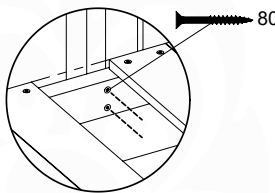
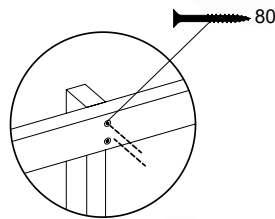
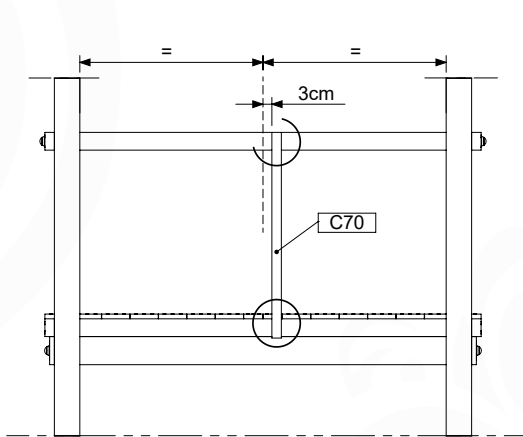
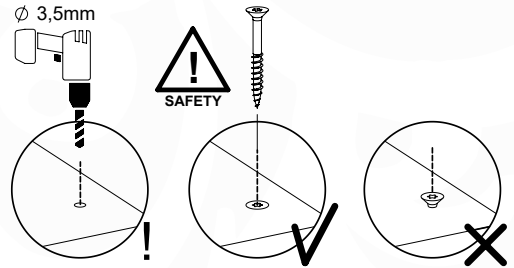
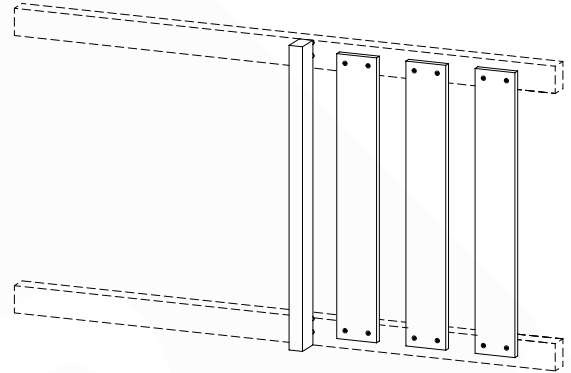


# 13 BL08a: Half Balustrade U Right

( 194\_101 )

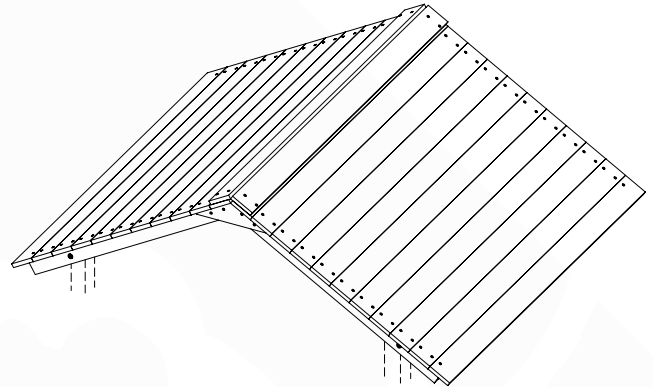
	PartNo	PartName	QTY.
Hardware pack	002_220	Gap Point Screw T25 - 5x45	12
	002_223	Gap Point Screw T25 - 5x80	4
Timber	C70	Beam 700 mm	1
	D65	Board 650 mm	3

DL Half Balustrade 70x140 - P03 UR - 29.3.2023 - v1



DL Half Balustrade 70x140 - P03 UR - 29.3.2023 - v1

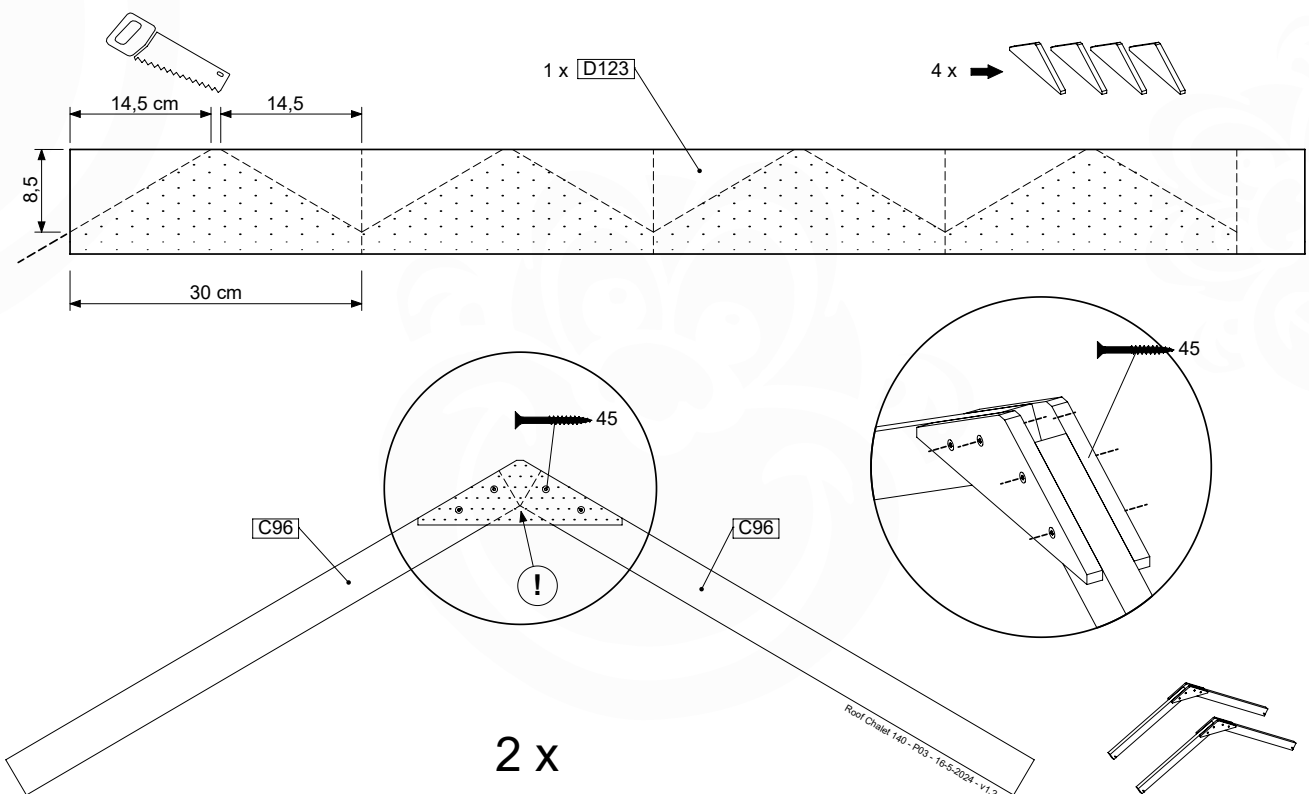
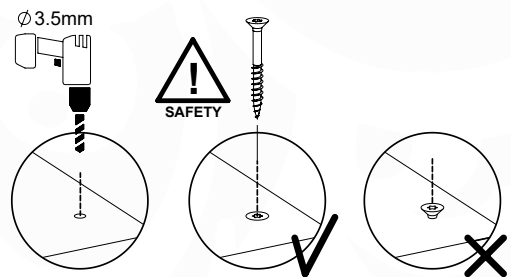
# 14 RF15a: Roof Timber Slope 140



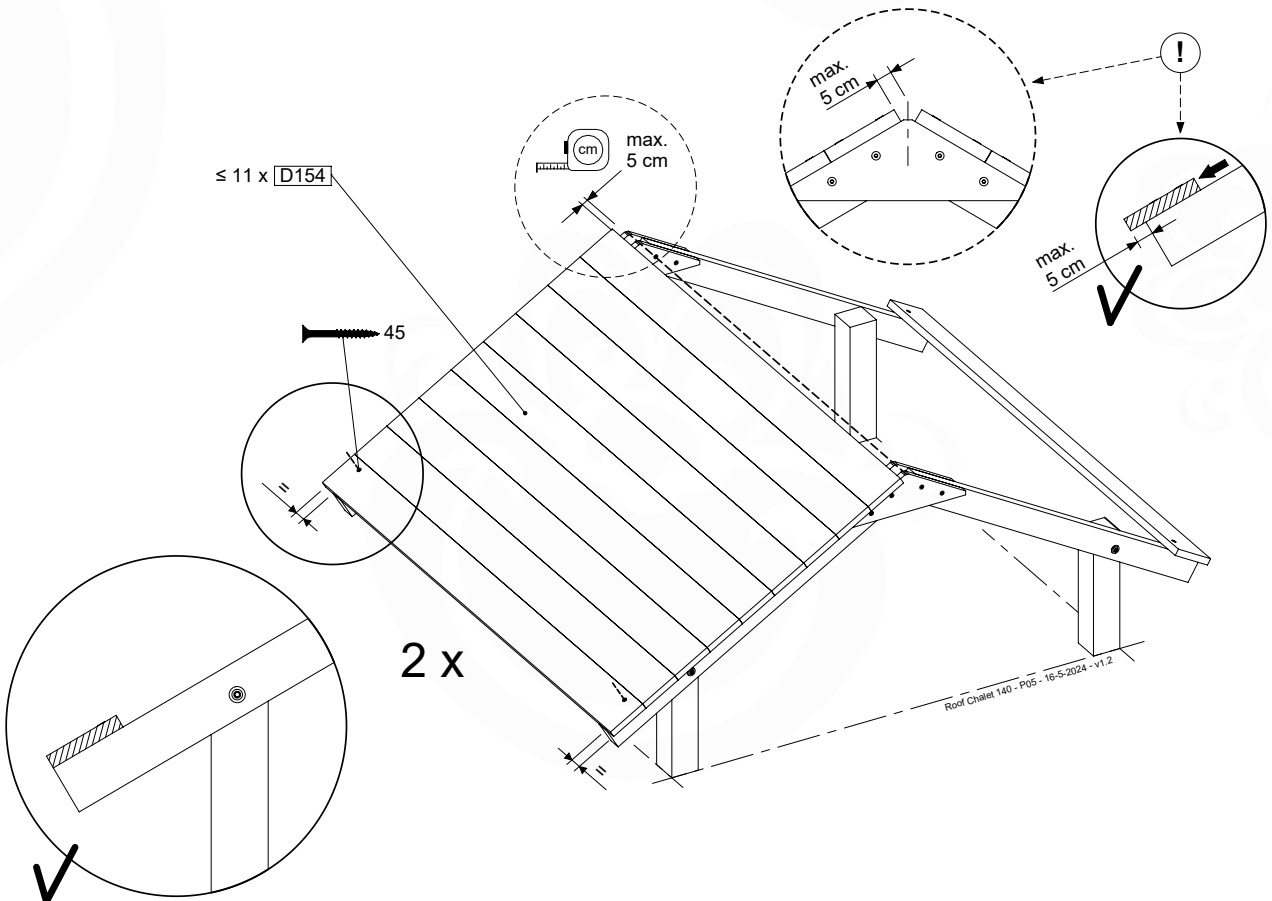
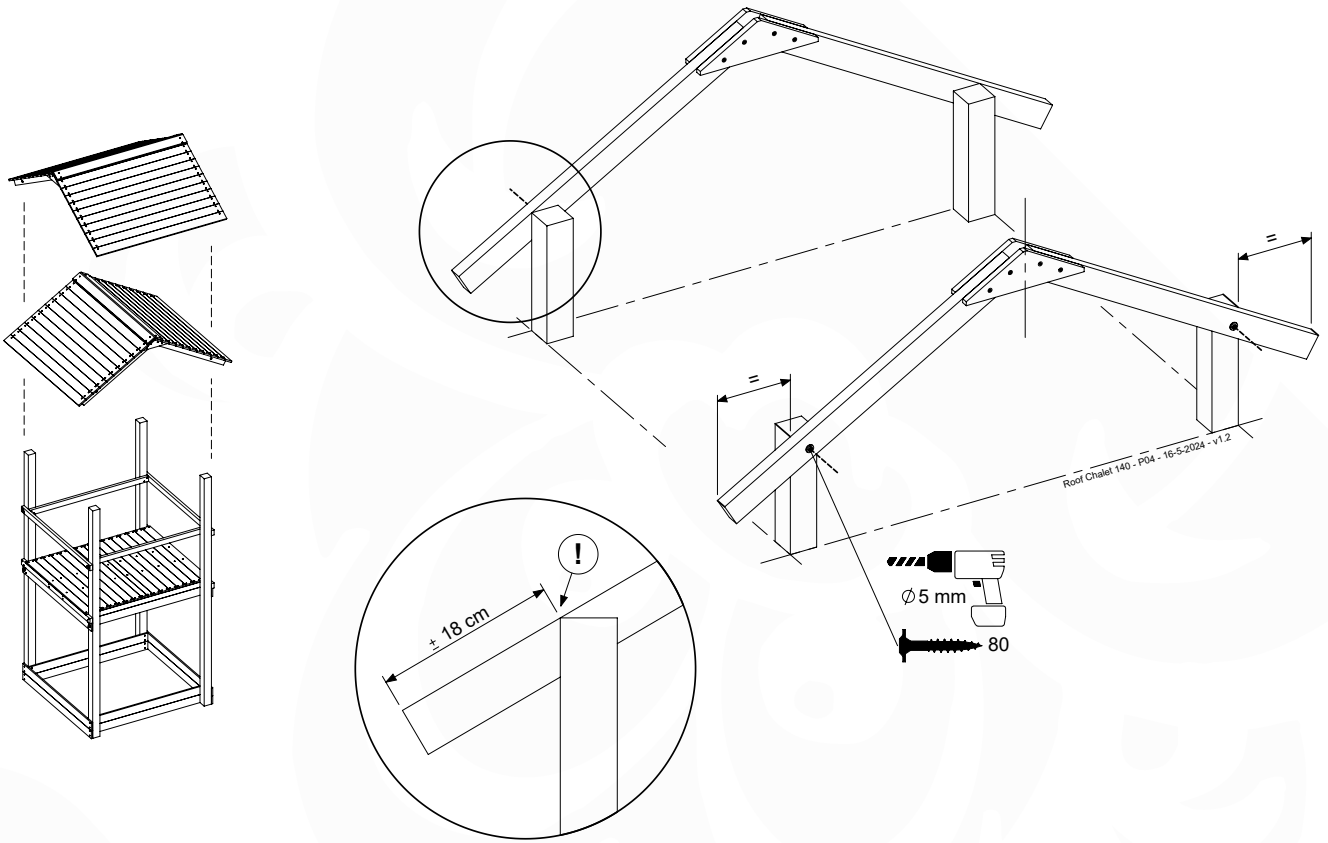
Assembly Pack: 194\_508 / 194\_804

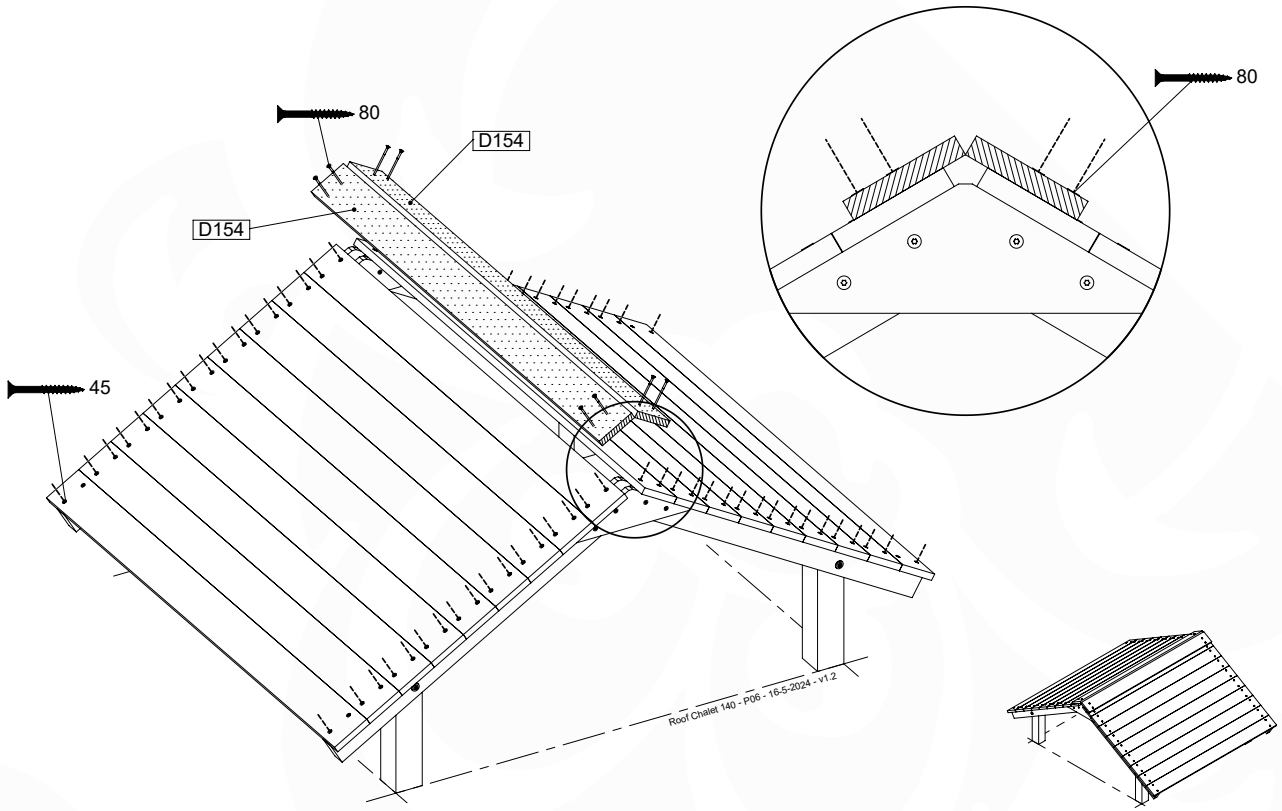
	PartNo	PartName	QTY.
Hardware pack	001_417	Stealth Screw 8x80	4
	002_220	Gap Point Screw T25 - 5x45	108
Timber	C96	Beam 960 mm	4
	D123	Board 1230 mm	1
	D154	Board 1540 mm	24

Roof Chisel 140 - P03 - 16-5-2024 - v1.2



14.1



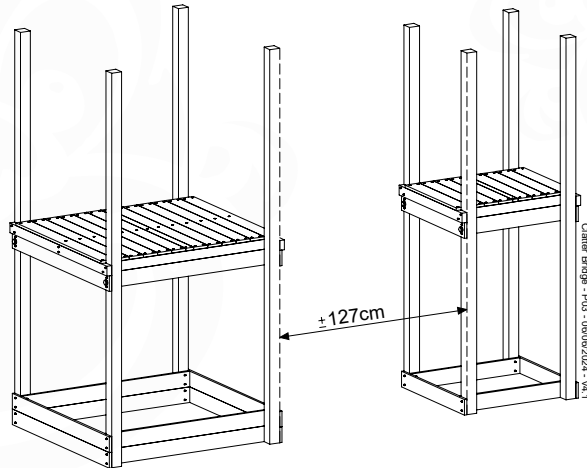
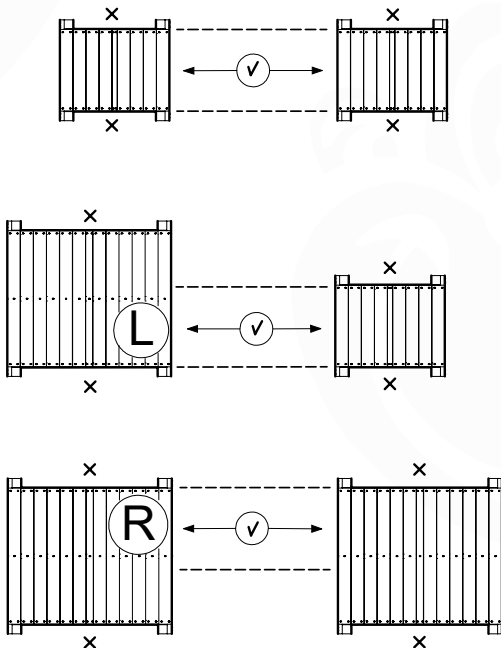
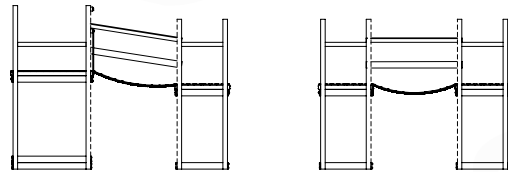
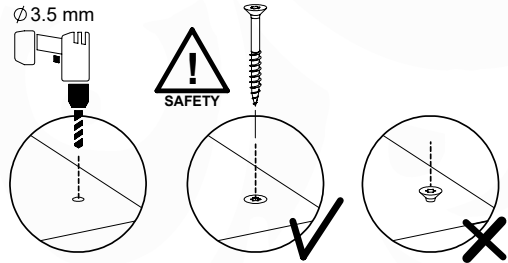
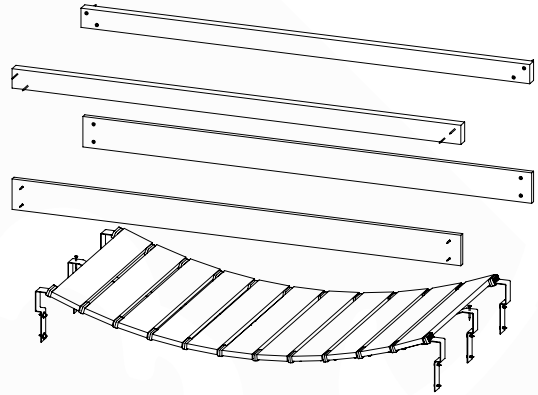


# 15 CB01a: Clatter Bridge - PART 1

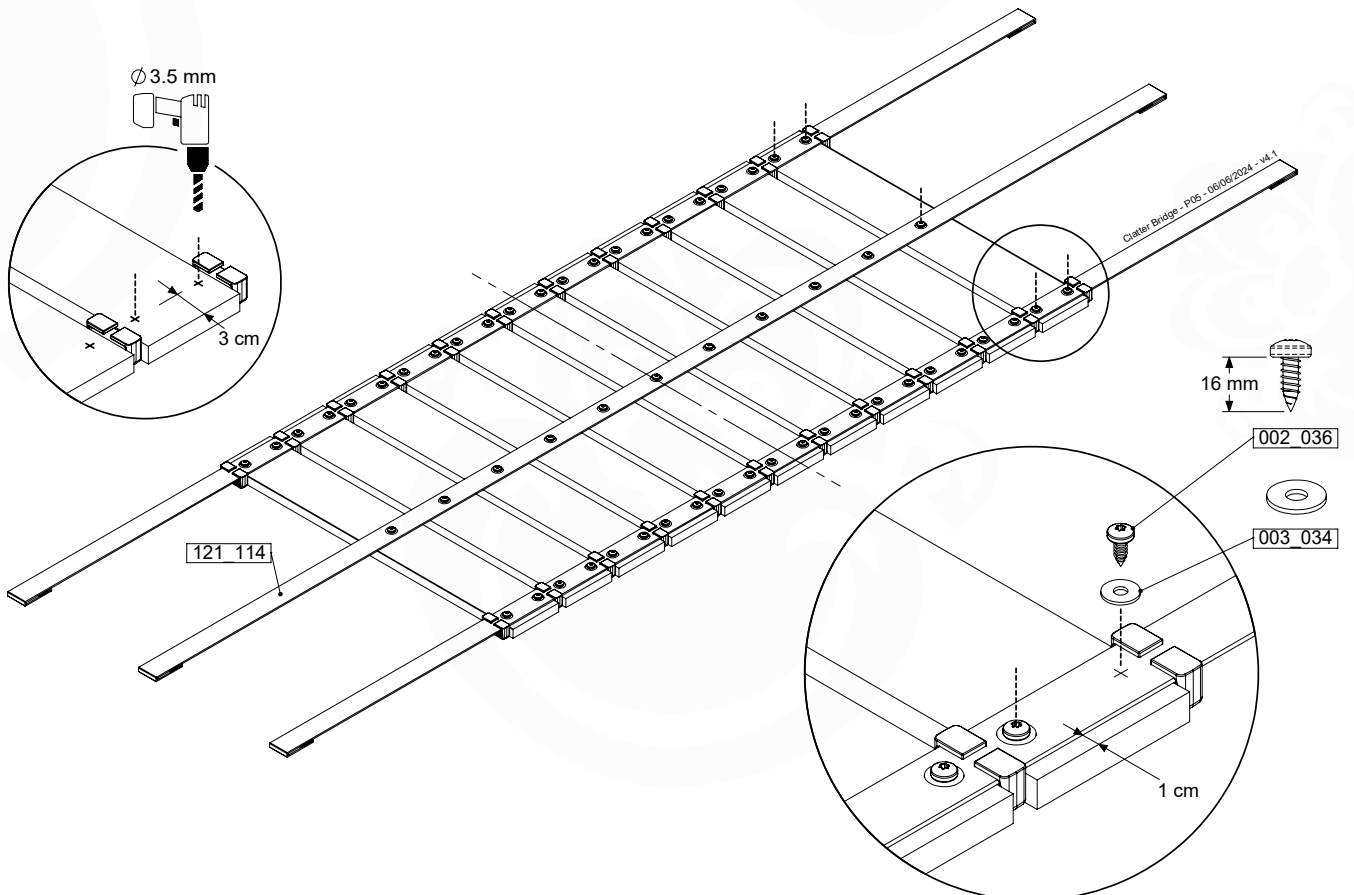
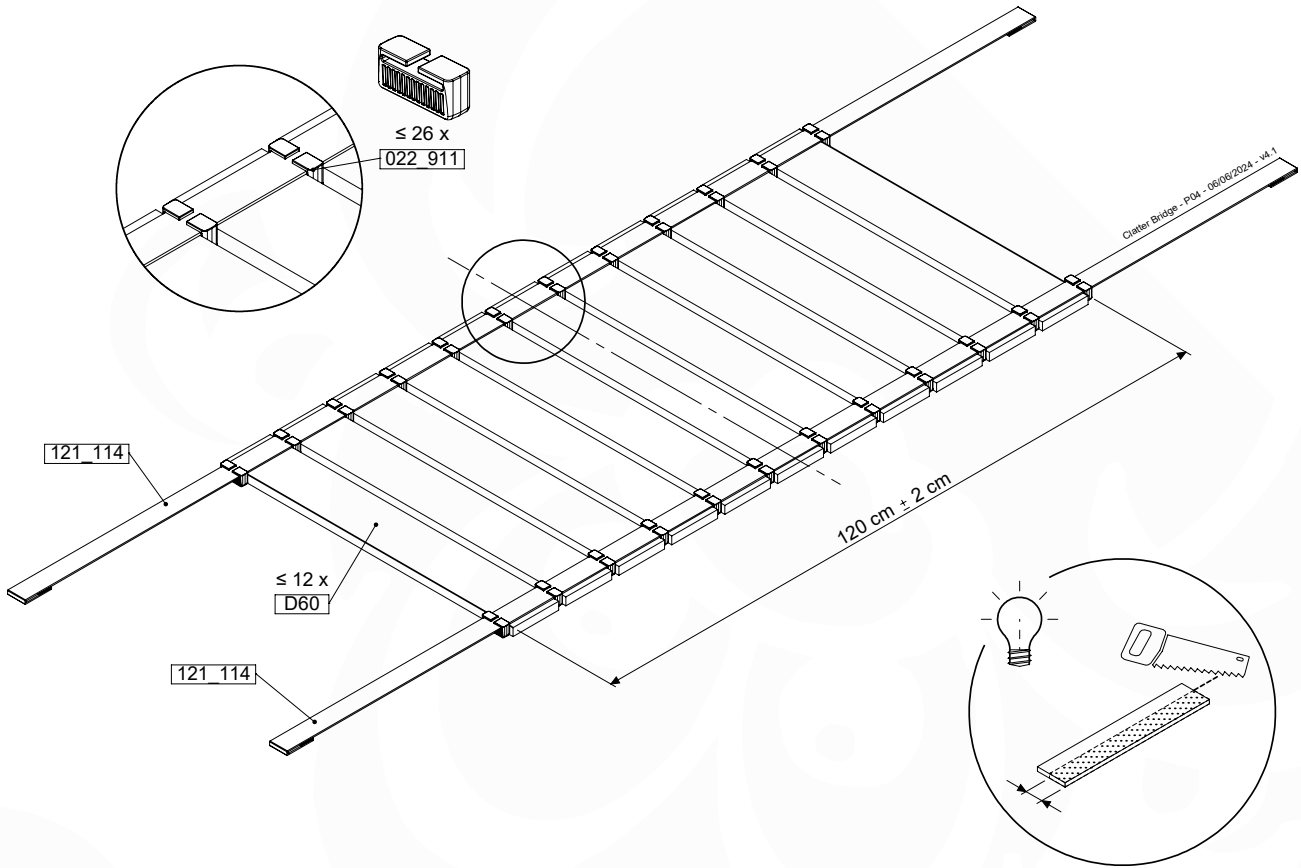
Assembly Pack: 194\_116

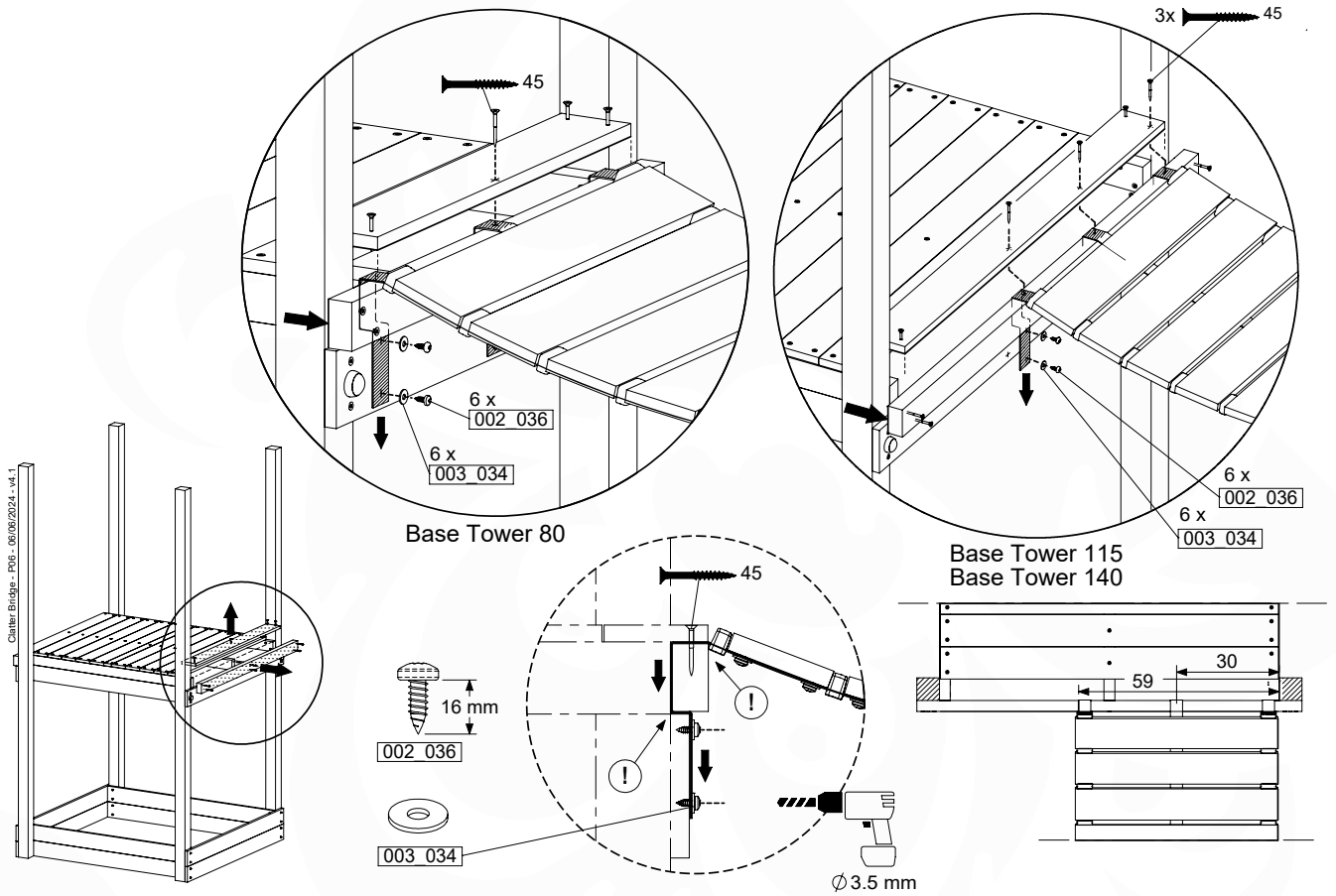
	PartNo	PartName	QTY.
Hardware + Parts	002_036	16mm Pan Head Tapping Screw T25	72
	002_220	Gap Point Screw T25 - 5x45	10
	002_223	Gap Point Screw T25 - 5x80	12
	003_034	M6 Washer	72
	022_911	Bridge Spacer	26
	121_114	BridgeLink Strap 210cm	3
Timber	C141	Beam 1410 mm	2
	D60	Board 600 mm	12
	D141	Board 1410 mm	2

Clatter Bridge - P02 - 08/06/2024 - v4.1



Clatter Bridge - P03 - 08/06/2024 - v4.1



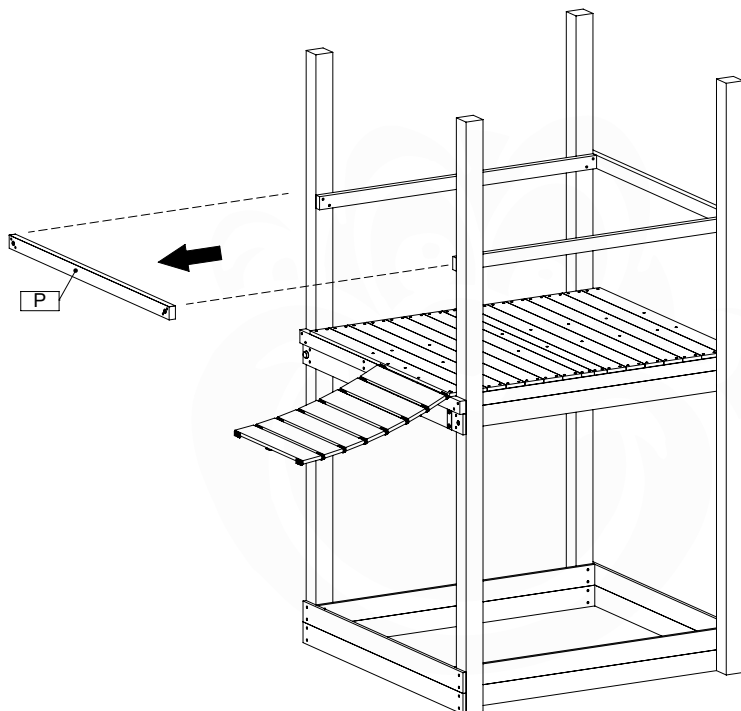
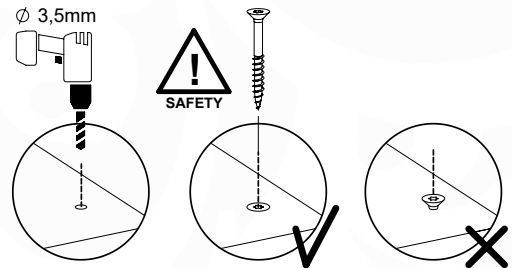
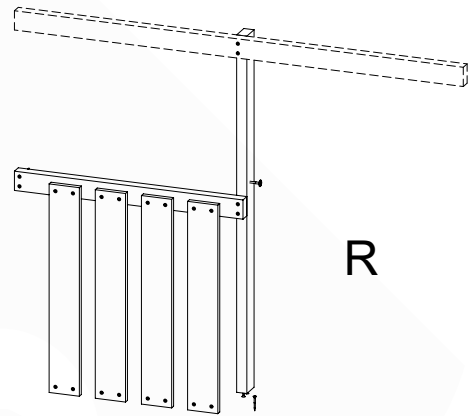


# 16 BF24a: Bridge Frame 140 T Right

( 194\_007 )

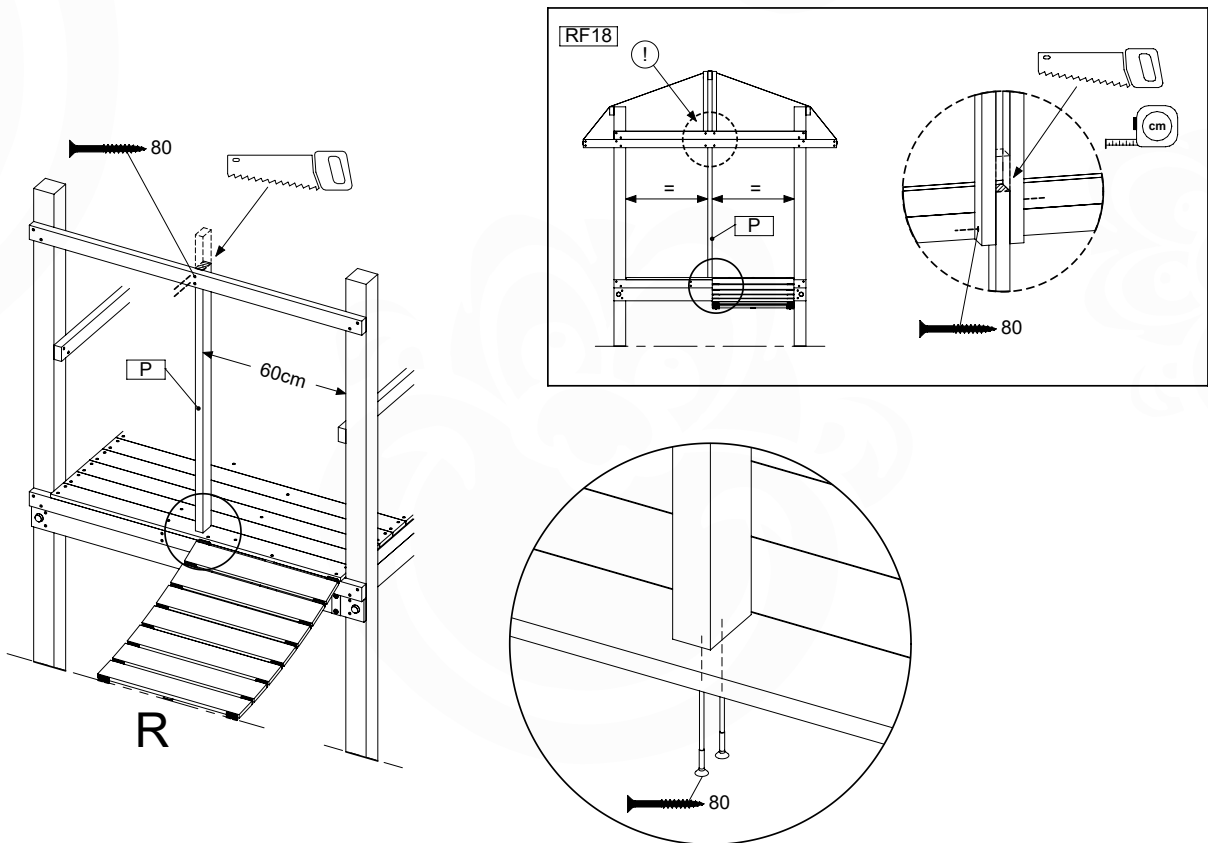
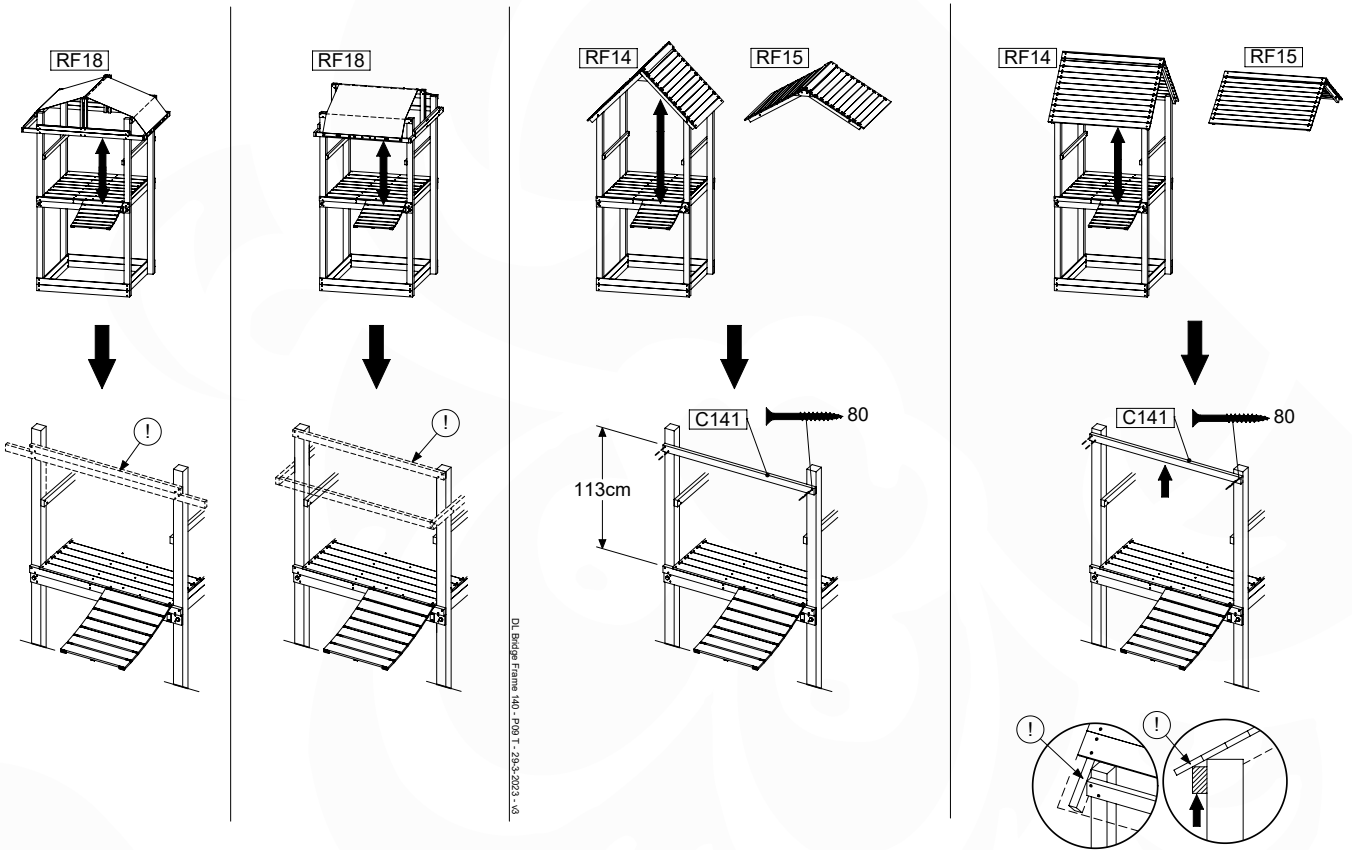
	PartNo	PartName	QTY.
Hardware Pack 100_905	001_411	Stealth Screw 8x60	1
	002_220	Gap Point Screw T25 - 5x45	18
	002_223	Gap Point Screw T25 - 5x80	8
Timber	C74	Beam 740 mm	1
	C141	Beam 1410 mm	1
	D65	Board 650 mm	4

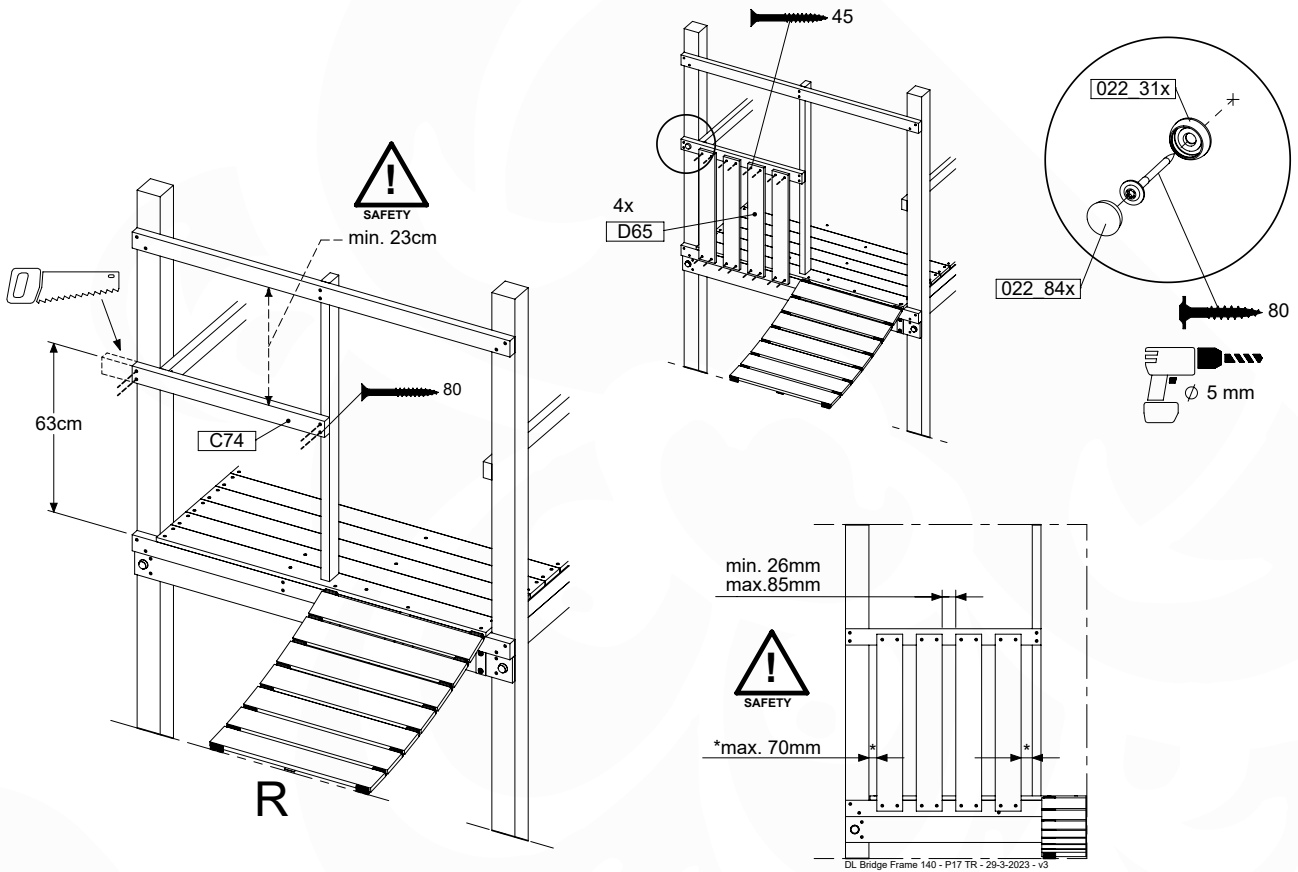
DL Bridge Frame 140 - P07 T - 29-3-2023 - v3



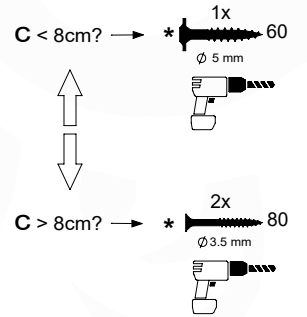
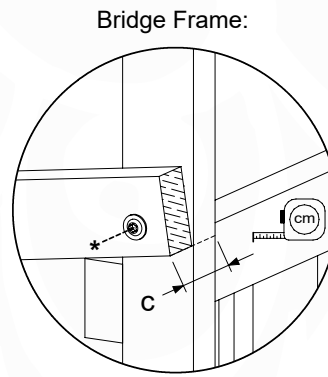
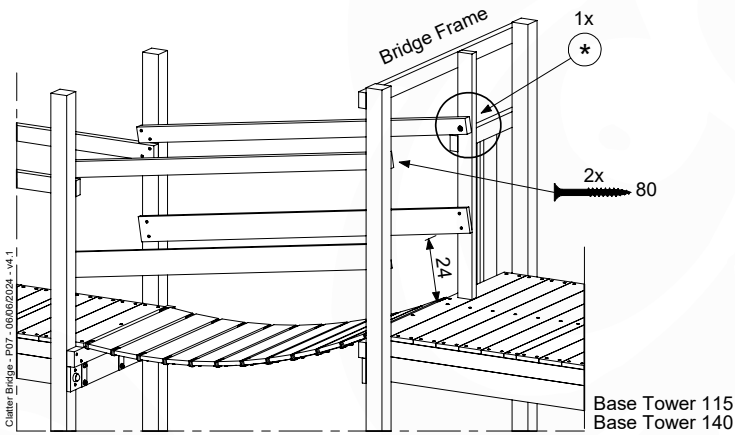
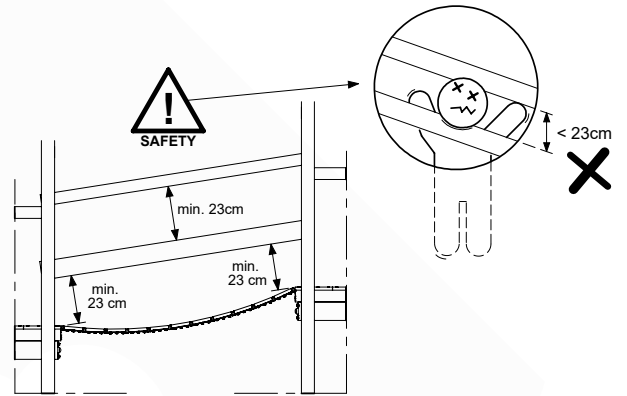
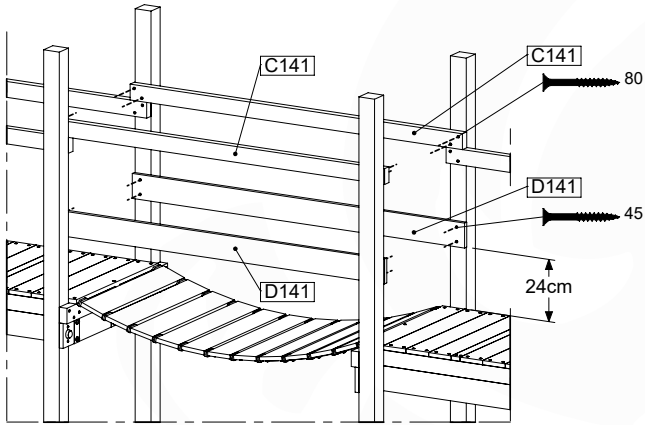
DL Bridge Frame 140 - P07 T - 29-3-2023 - v3







# 17 CB01a: Clatter Bridge - PART 2

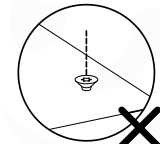
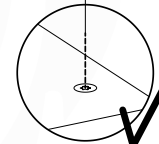
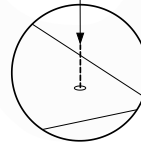
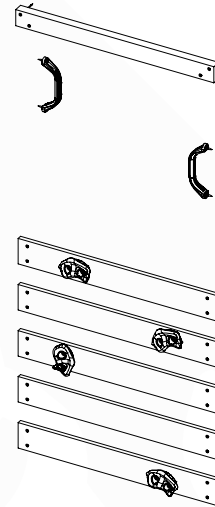


# 18 RW01a: Rock wall 80 125 U

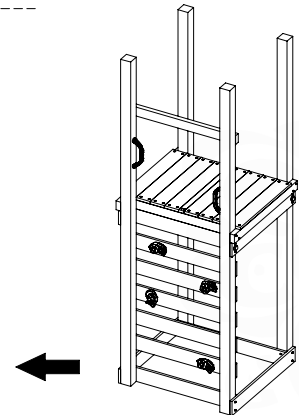
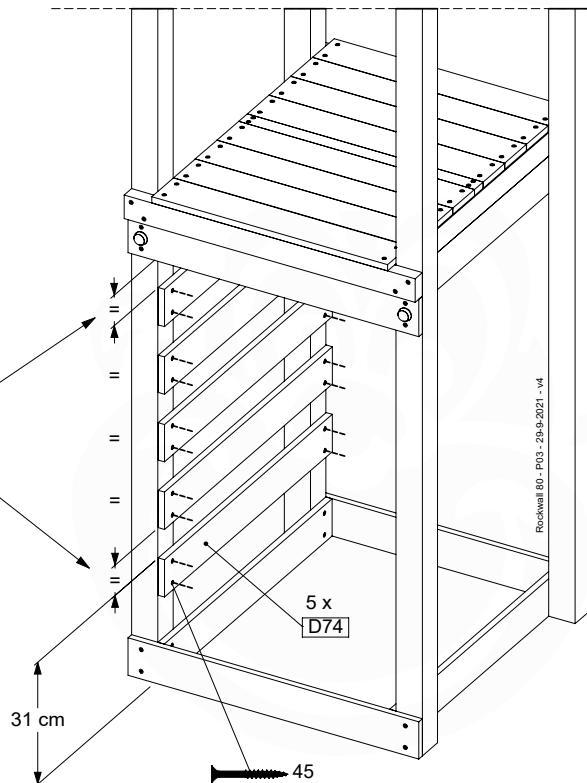
( 194\_105 )

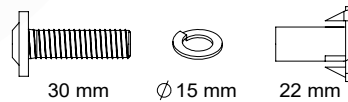
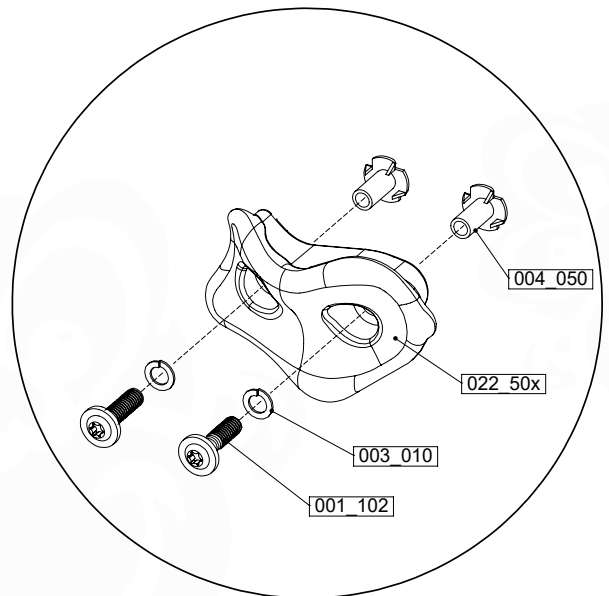
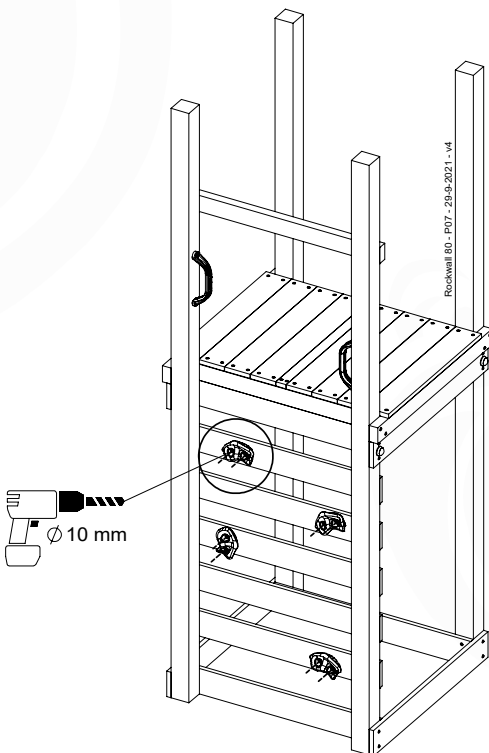
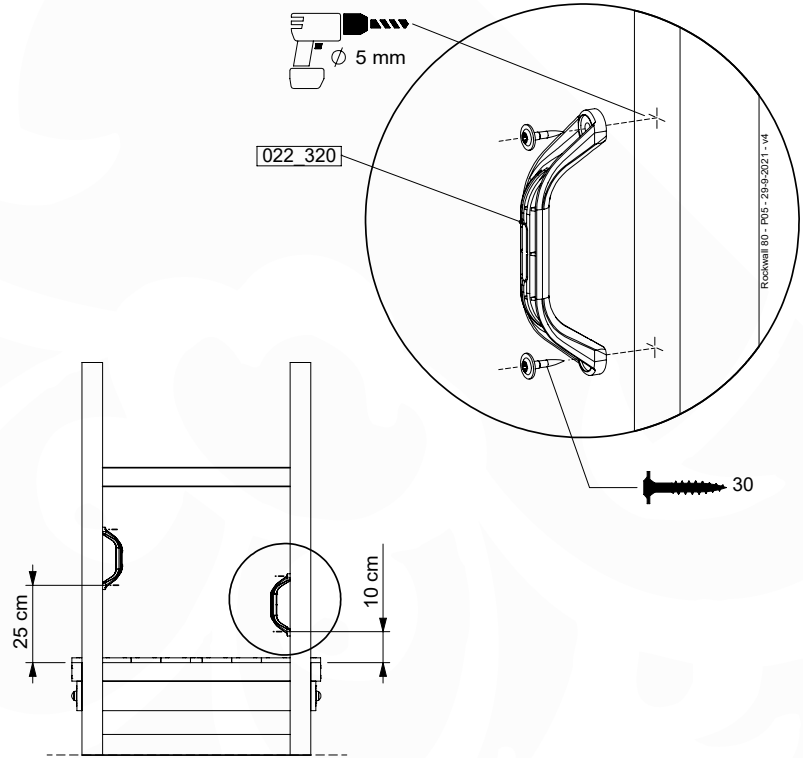
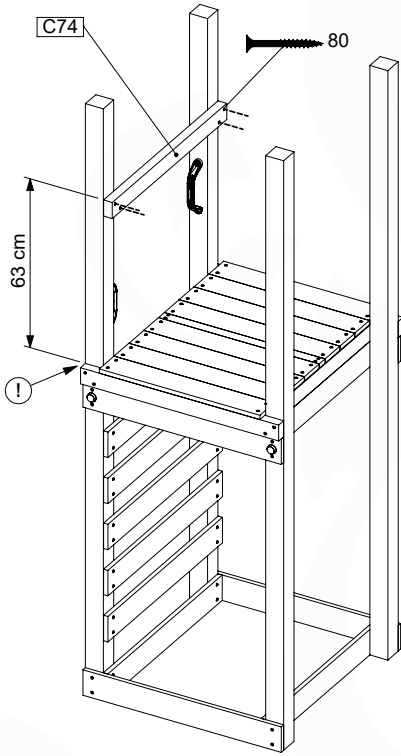
	PartNo	PartName	QTY.
Hardware pack 100_604	001_102	Washer Head Screw T40 M8x30	8
	002_220	Gap Point Screw T25 - 5x45	24
	002_223	Gap Point Screw T25 - 5x80	4
	003_010	M8 spring lock washer	8
	004_050	M8 22mm Drive in Nut	8
Other	022_50x	Climbing Rock	4
	120_102	Handgrip set (2x Complete)	1
Timber	C74	Beam 740 mm	1
	D74	Board 740 mm	5

Rockwall 80 - PD2 - 29-9-2021 - v4



min. 2,6 cm  
max. 8,8 cm



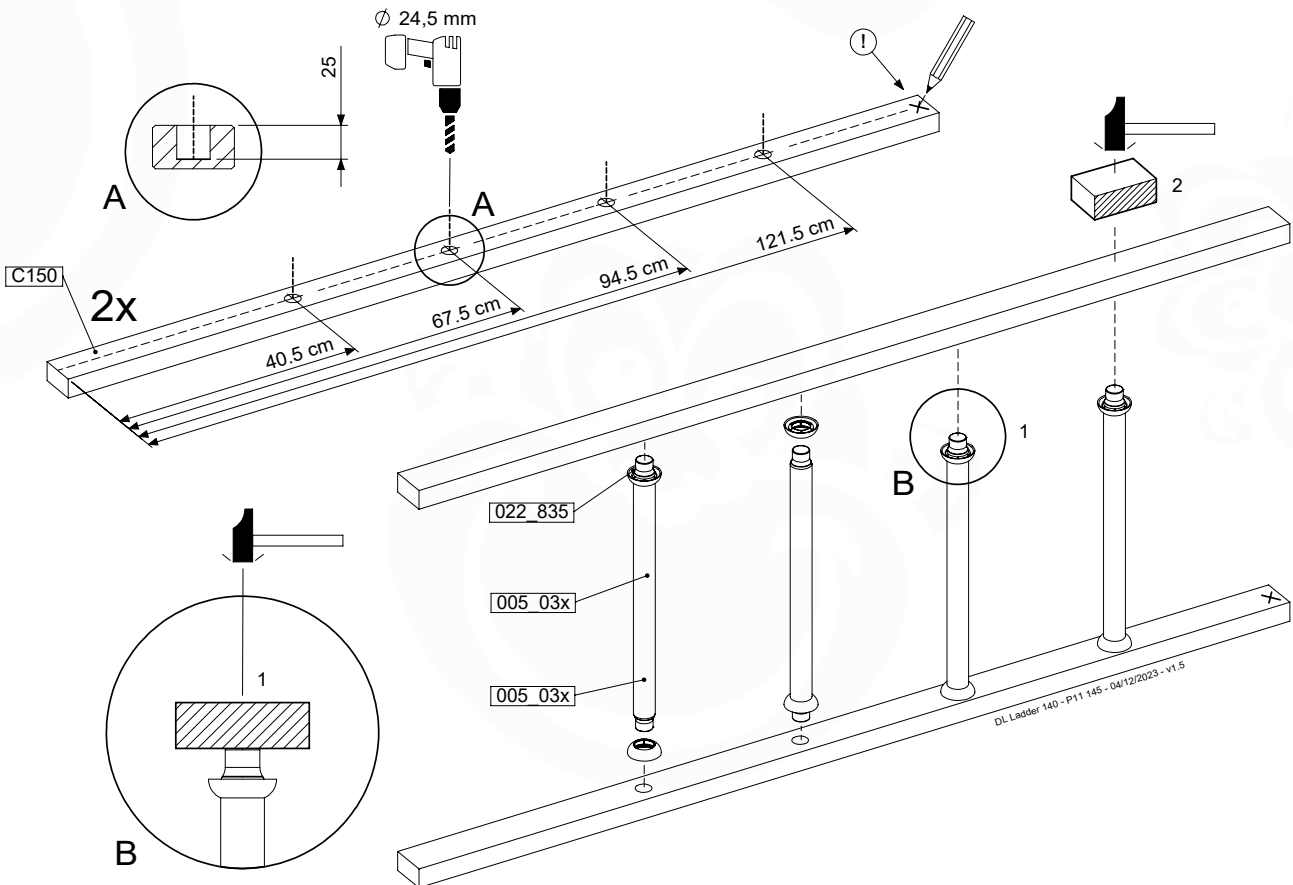
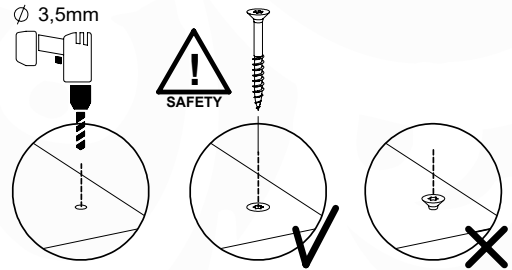
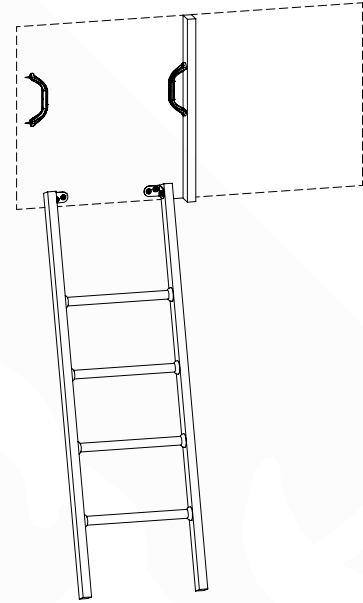


# 19 LA23a: Ladder 140 145 U Left

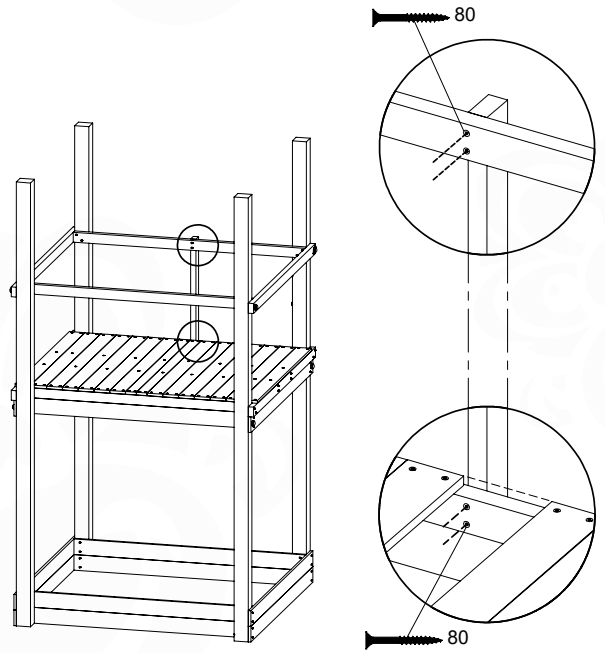
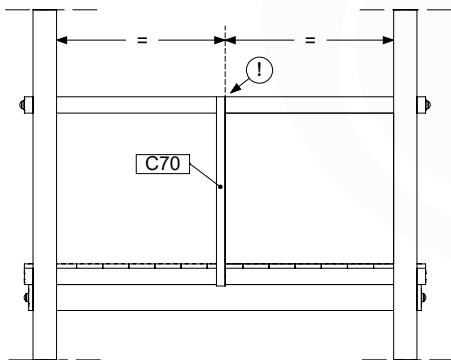
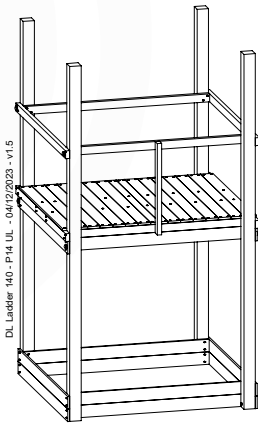
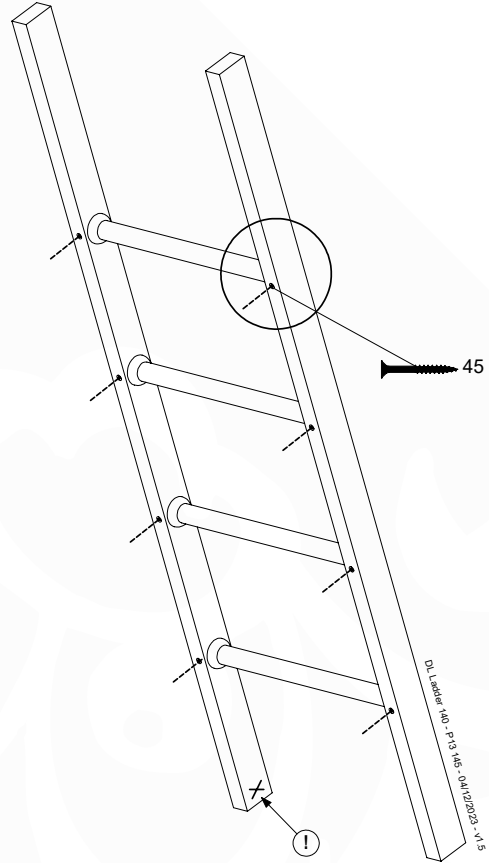
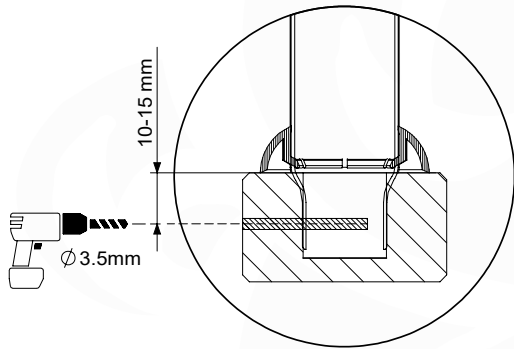
( 194\_004 )

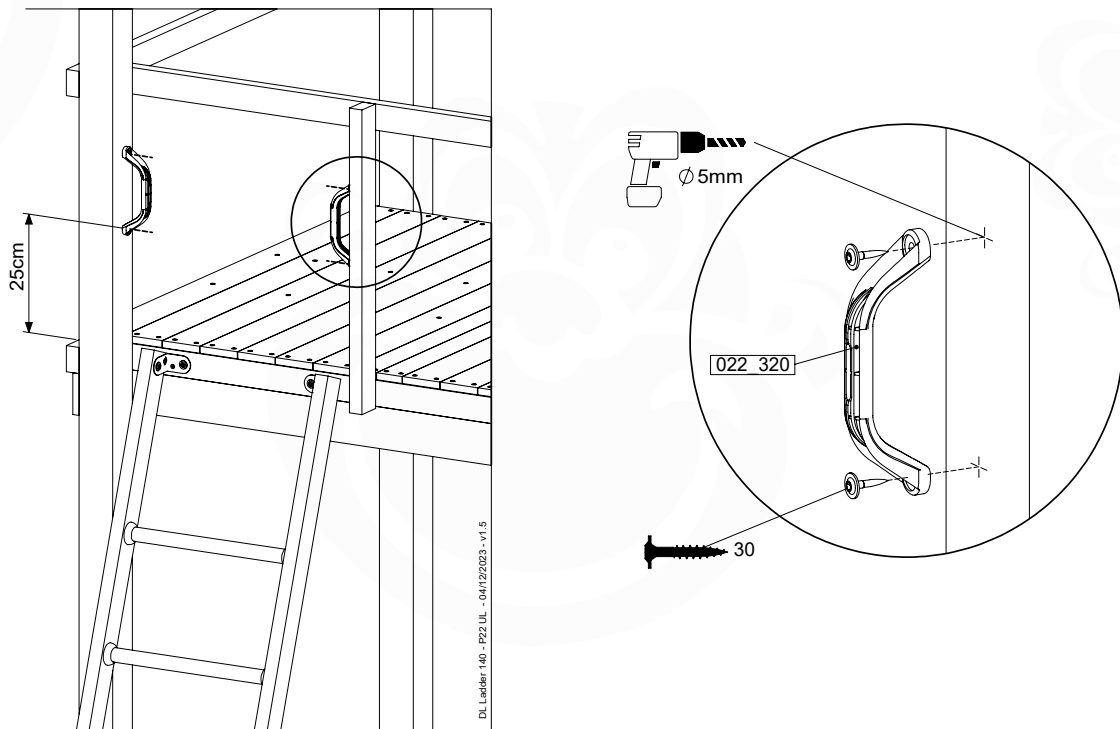
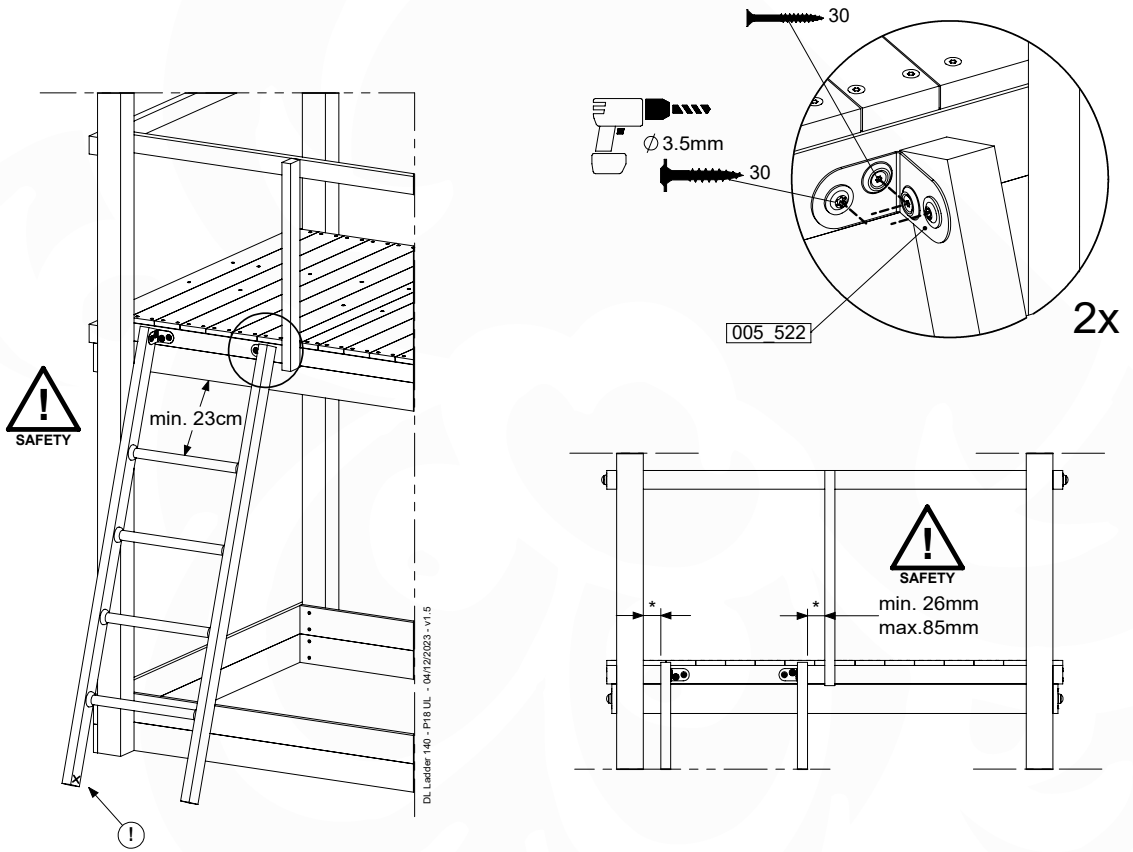
	PartNo	PartName	QTY.
Hardware pack	001_404	Stealth Screw 8x30	4
	002_219	Gap Point Screw T25 - 5x30	4
	002_220	Gap Point Screw T25 - 5x45	8
	002_223	Gap Point Screw T25 - 5x80	4
Other	005_03x	Ladder Rung Y/B/G/R	4
	005_522	Connection Bracket Mini Market	2
	022_835	Rung Cap	8
	120_102	Handgrip set (complete 2x)	1
Timber	C70	Beam 700 mm	1
	C150	Beam 1500 mm	2

DL Ladder 140 - P06 U/L 145 - 04/12/2023 - v1.5



DL Ladder 140 - P11 145 - 04/12/2023 - v1.5





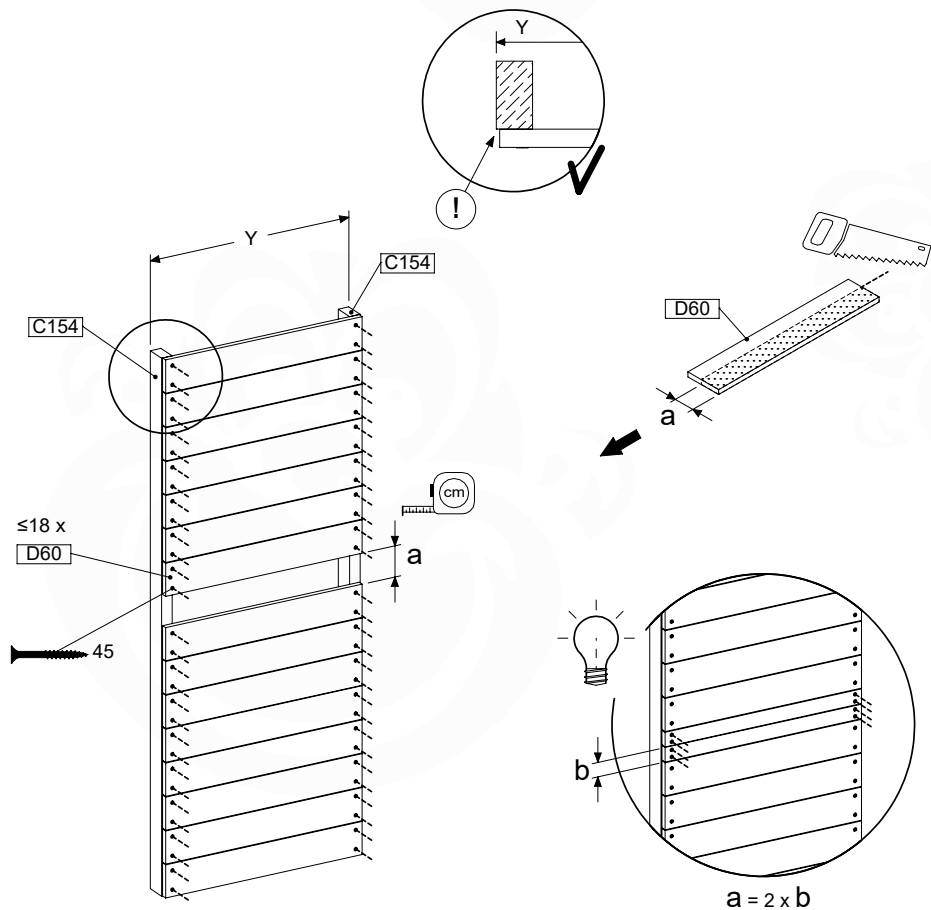
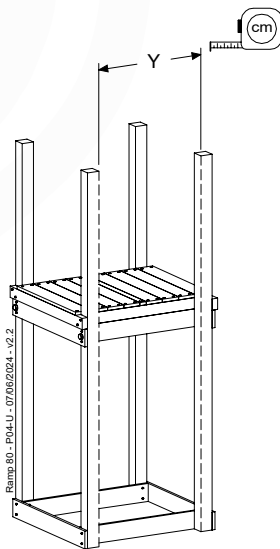
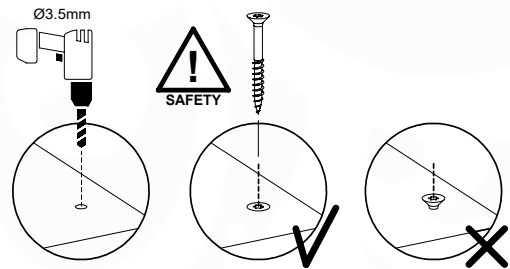
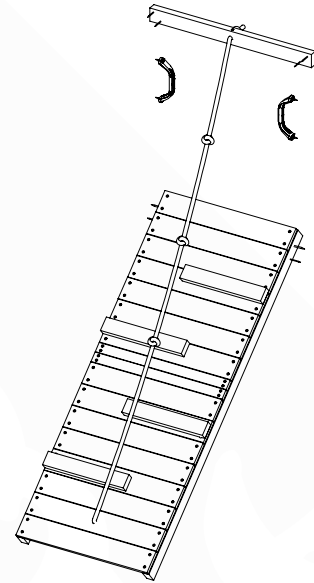


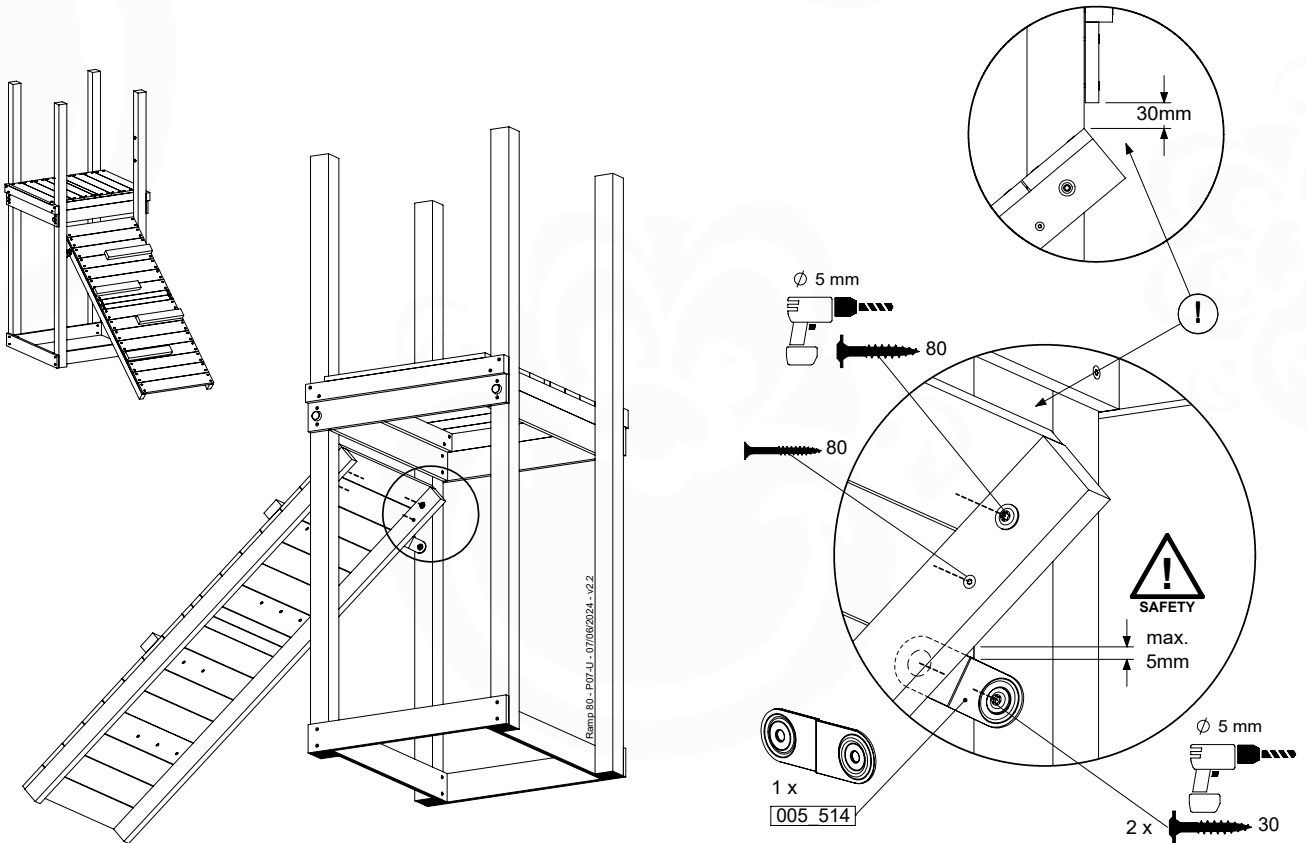
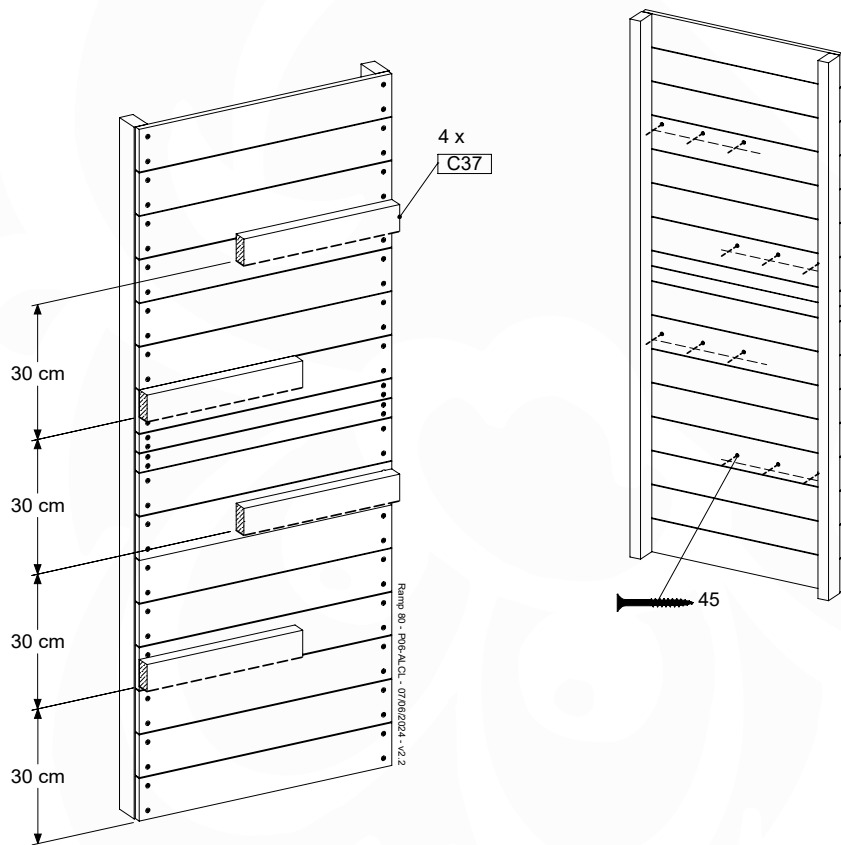
# 20 RA03a: Ramp 80 125 U

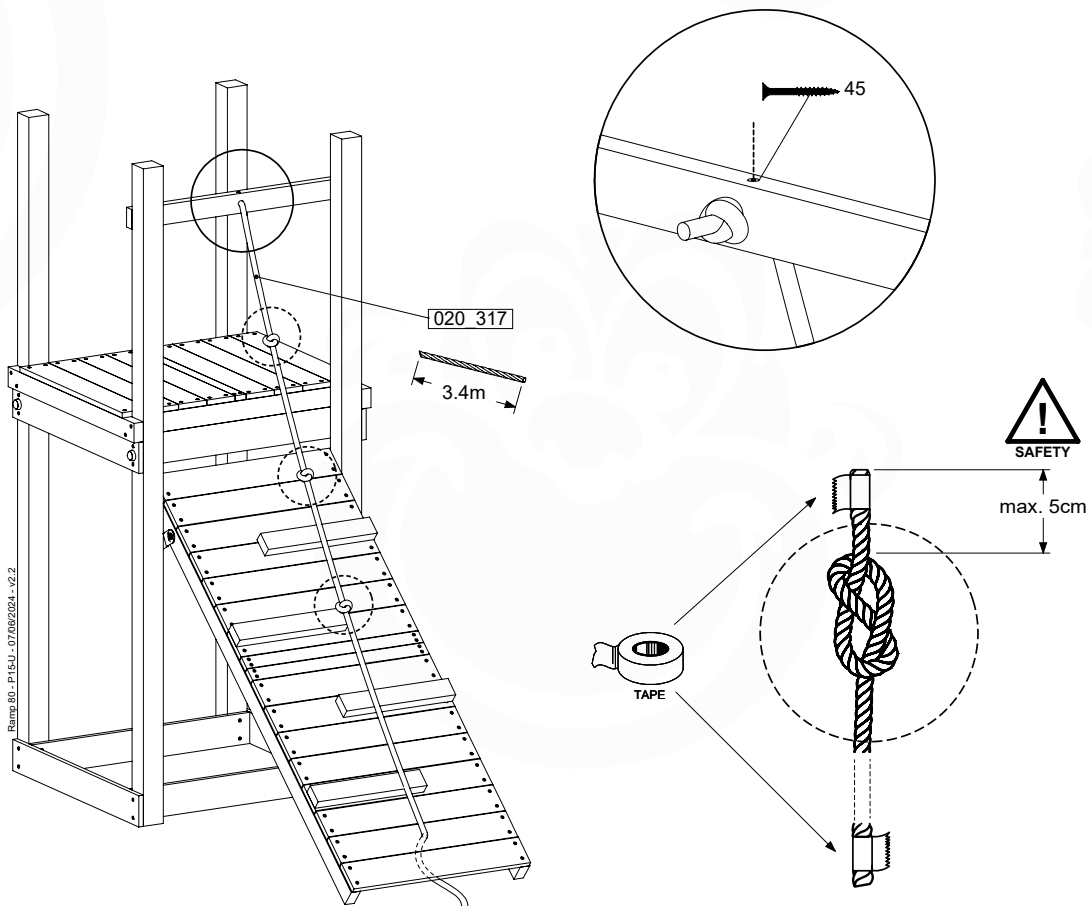
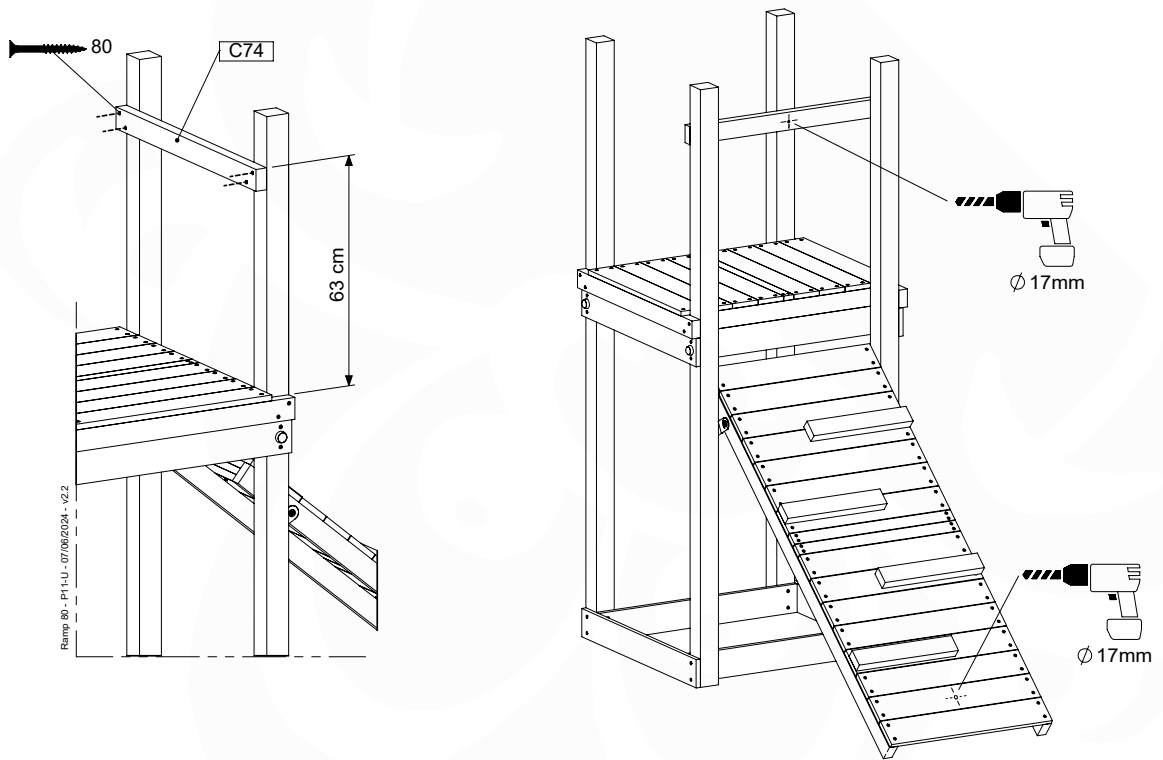
Assembly Pack: 194\_008

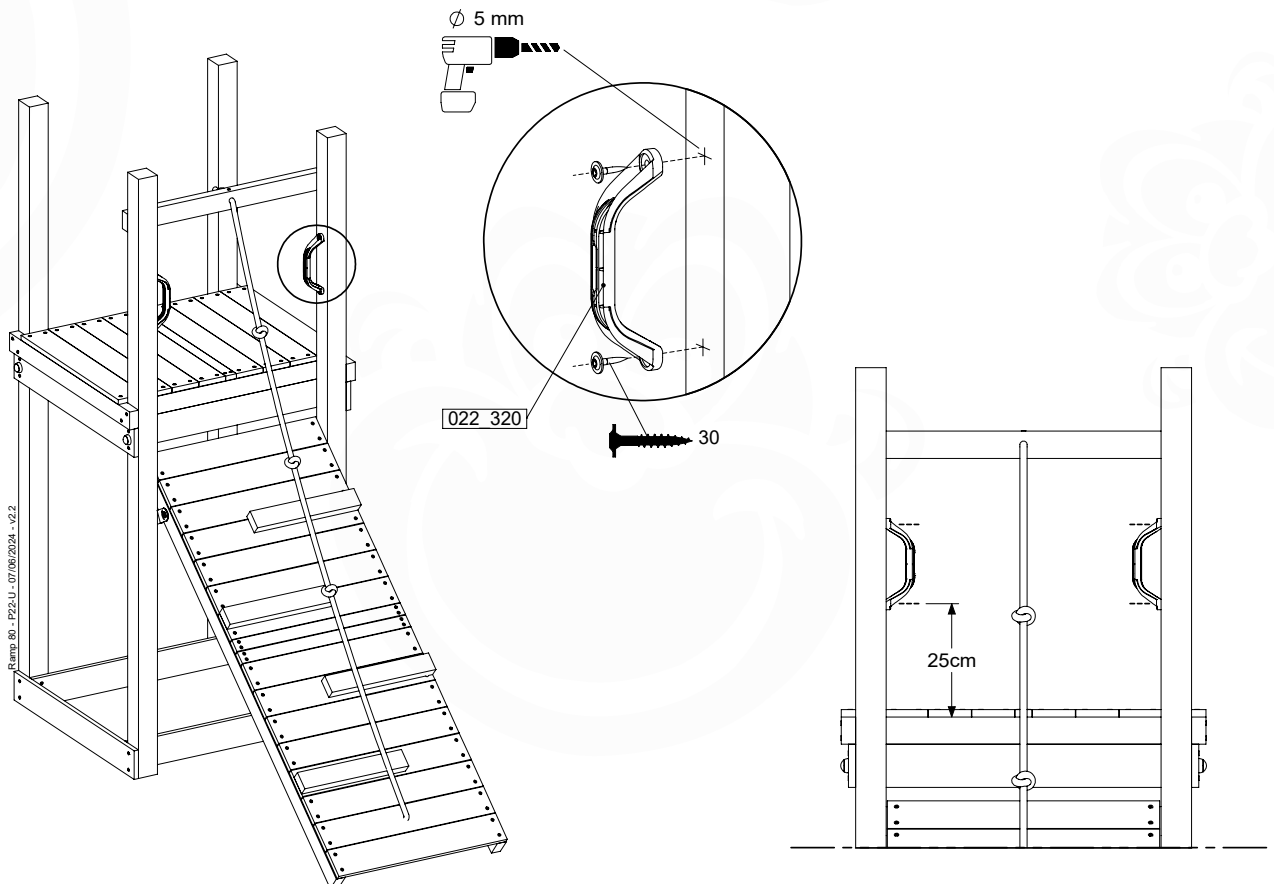
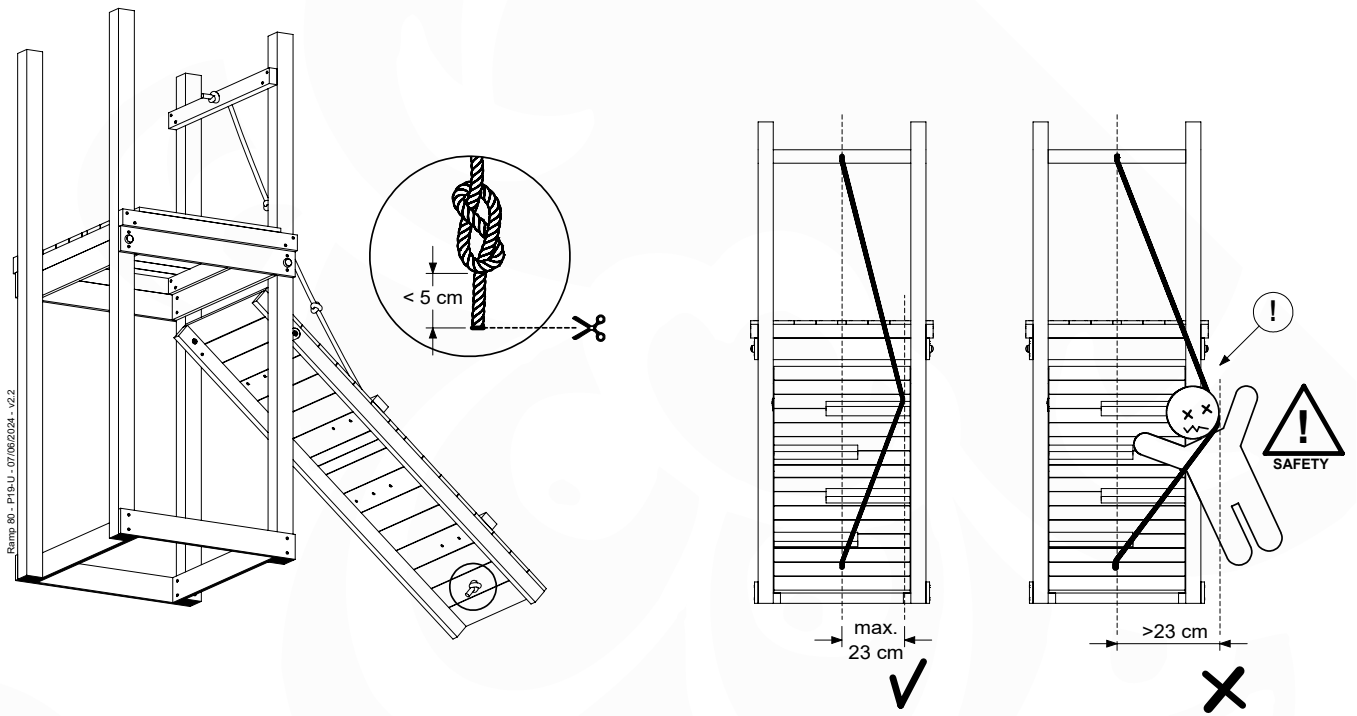
	PartNo	PartName	QTY.
Hardware + Parts	001_404	Stealth Screw 8x30	2
	001_417	Stealth Screw 8x80	2
	002_220	Gap Point Screw T25 - 5x45	85
	002_223	Gap Point Screw T25 - 5x80	6
	005_514	Ladder Bracket	1
	020_317	Rope Polyester 16mm Green 3.4m	1
	120_102	Handgrip set (2x Complete)	1
Timber	C37	Beam 370 mm	4
	C74	Beam 740 mm	1
	C154	Beam 1540 mm	2
	D60	Board 600 mm	18

Ramp 80 - P03-U - 07/06/2024 - v2.2







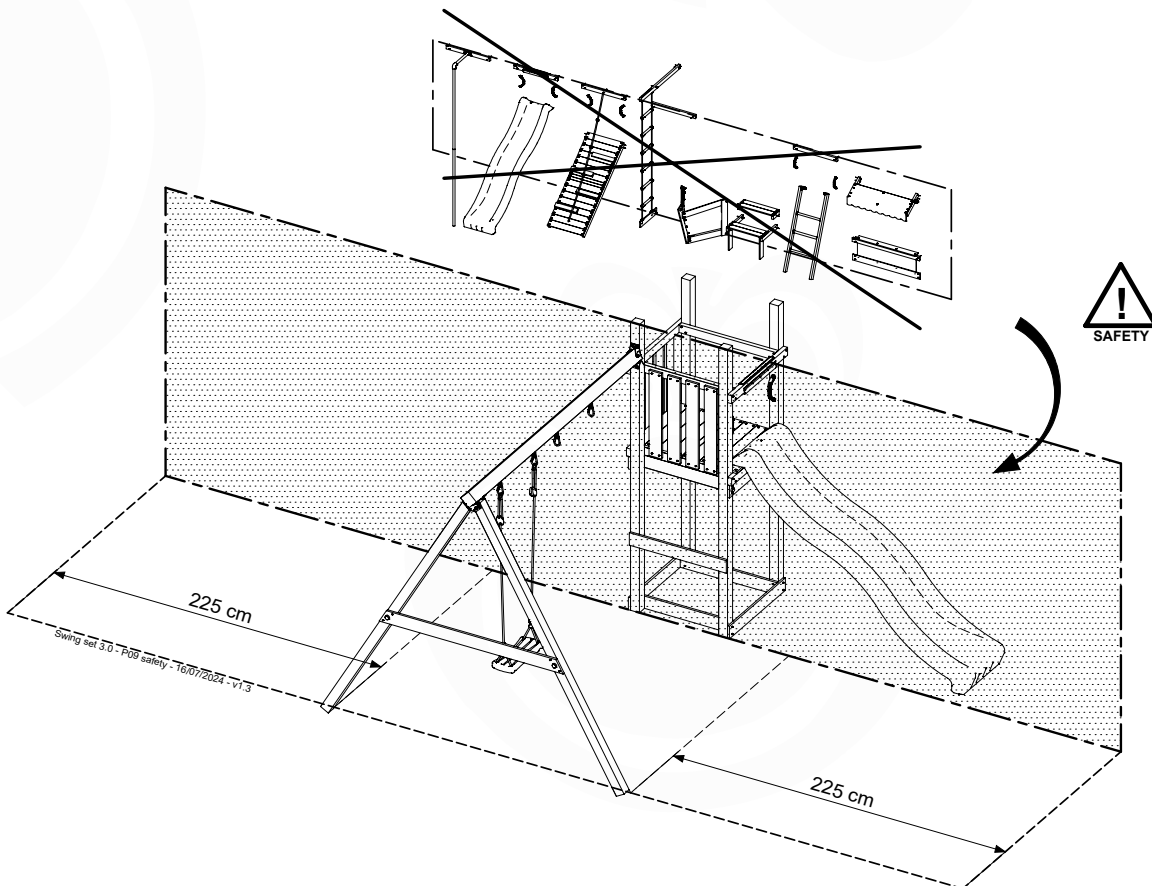
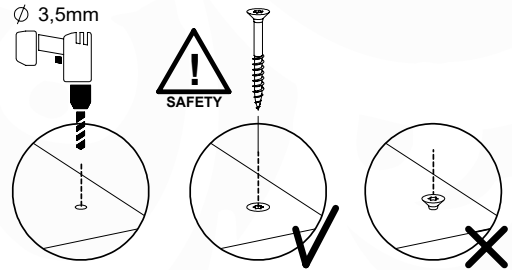
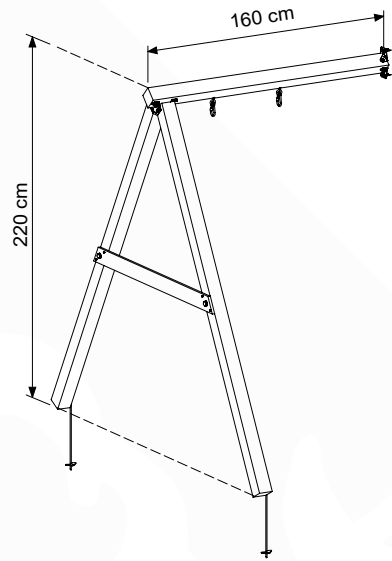


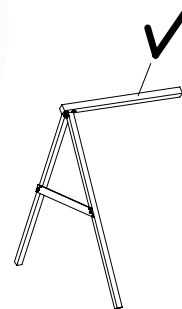
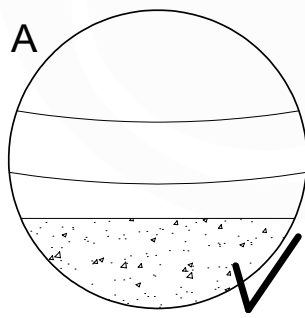
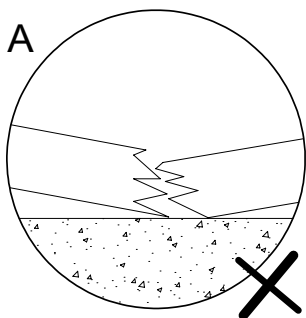
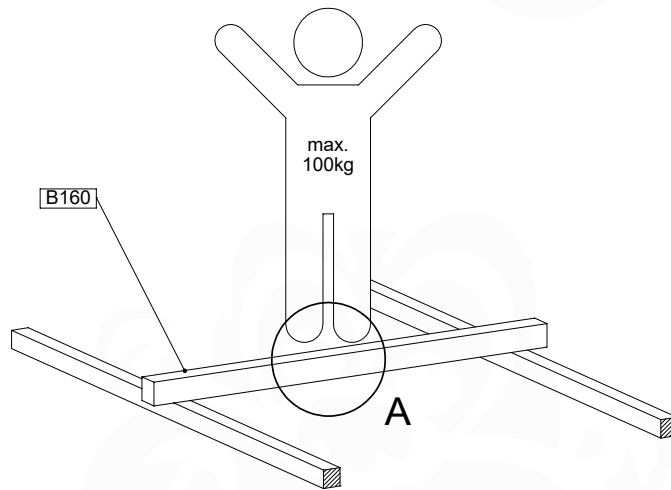
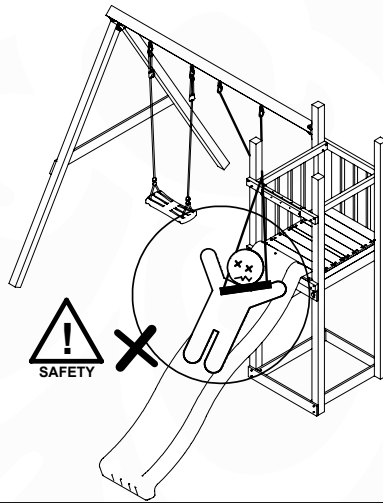
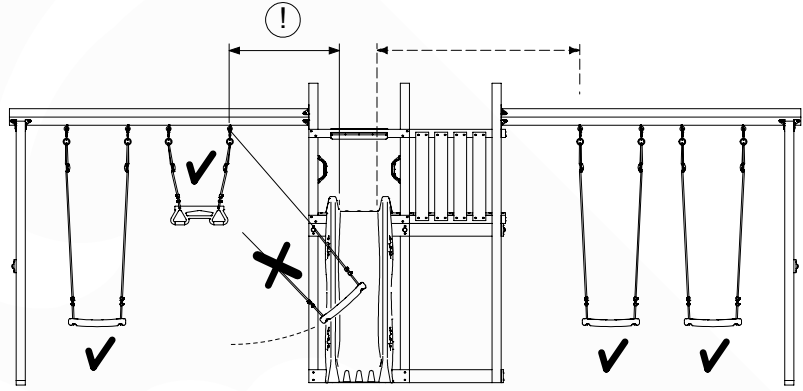
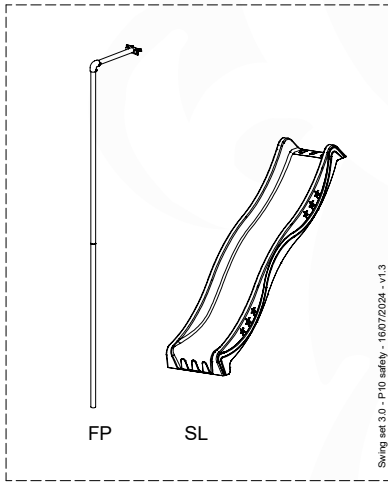
# 21 SW18a: 1- Swing Module 220 Extra - 3.0

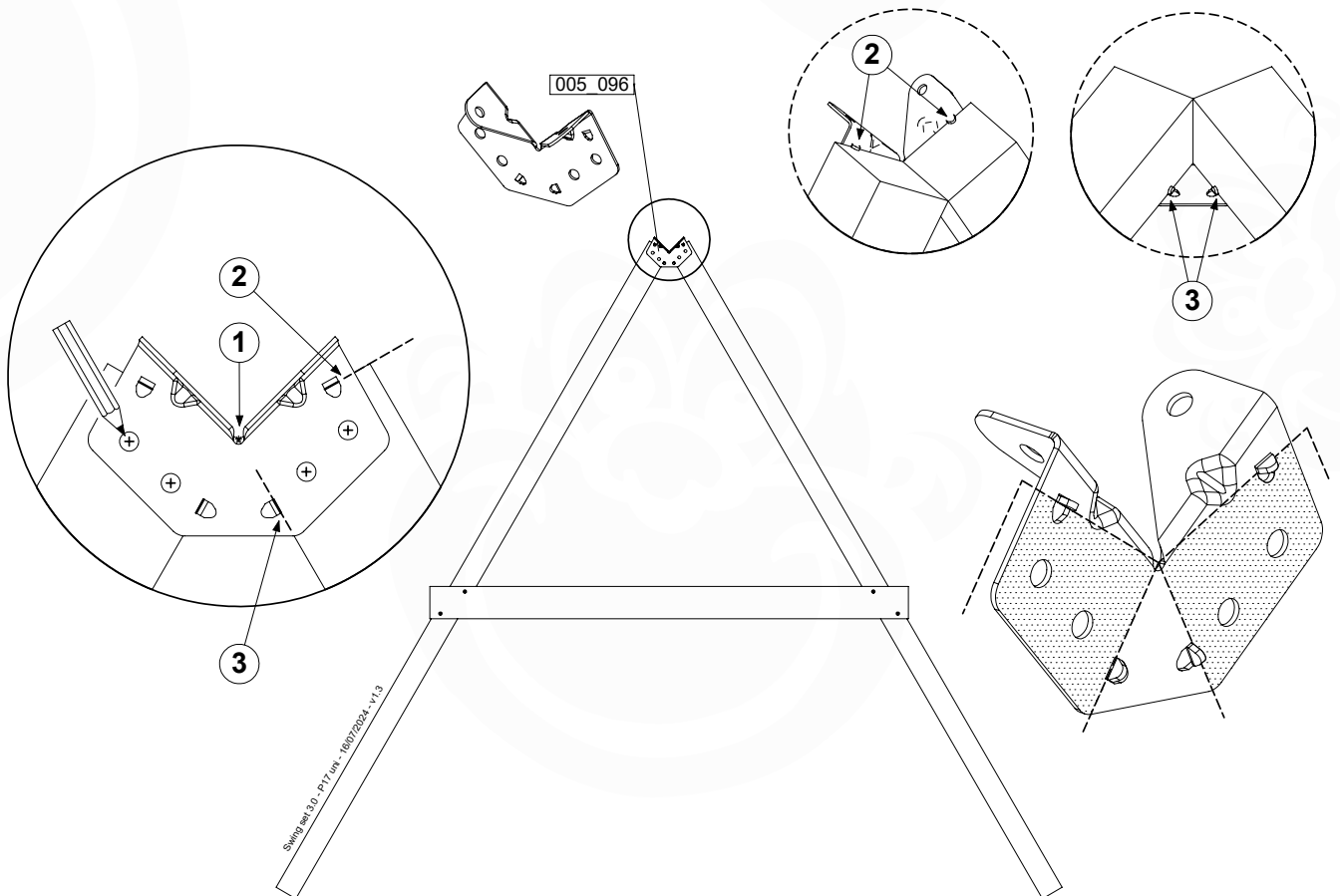
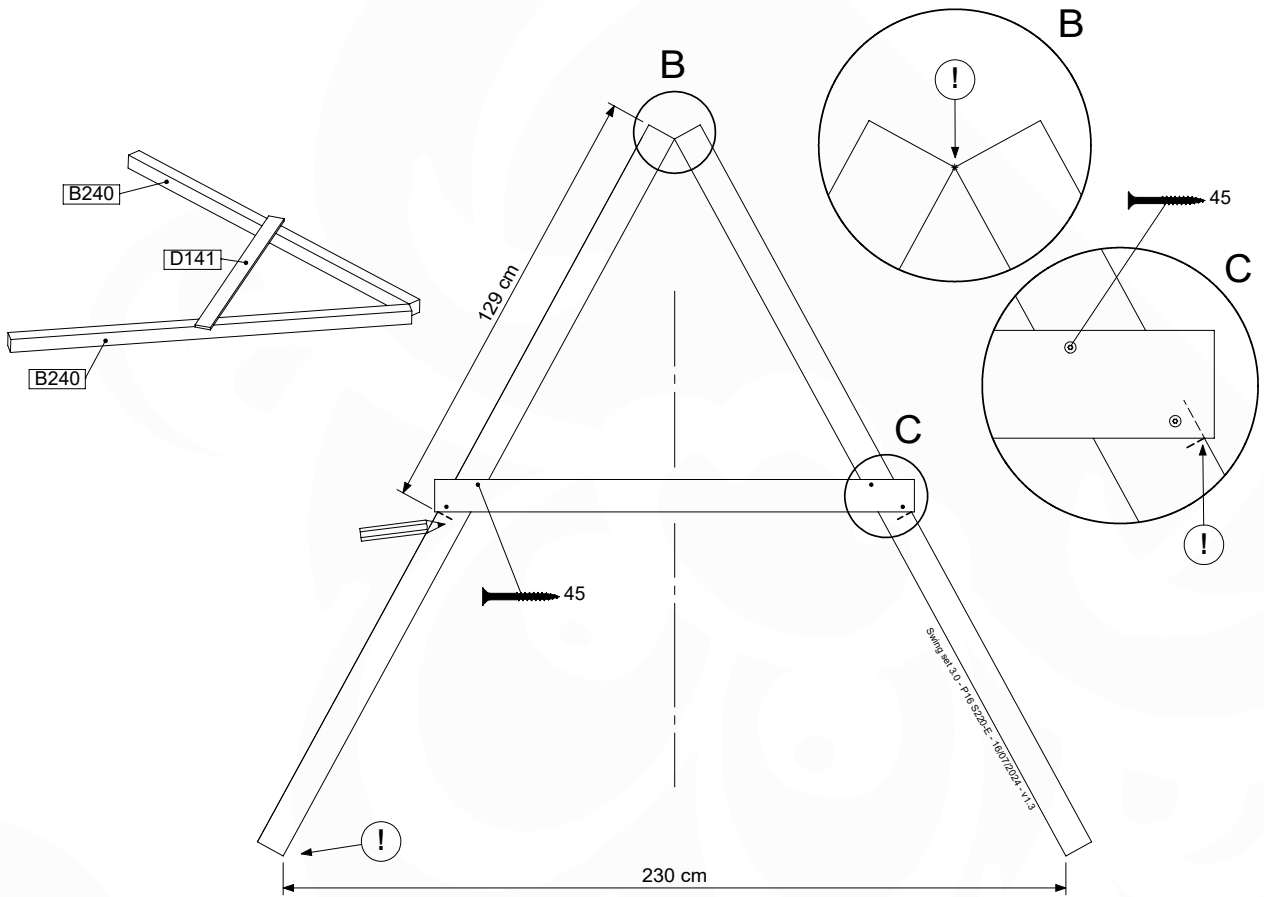
Assembly Kit: 457\_103

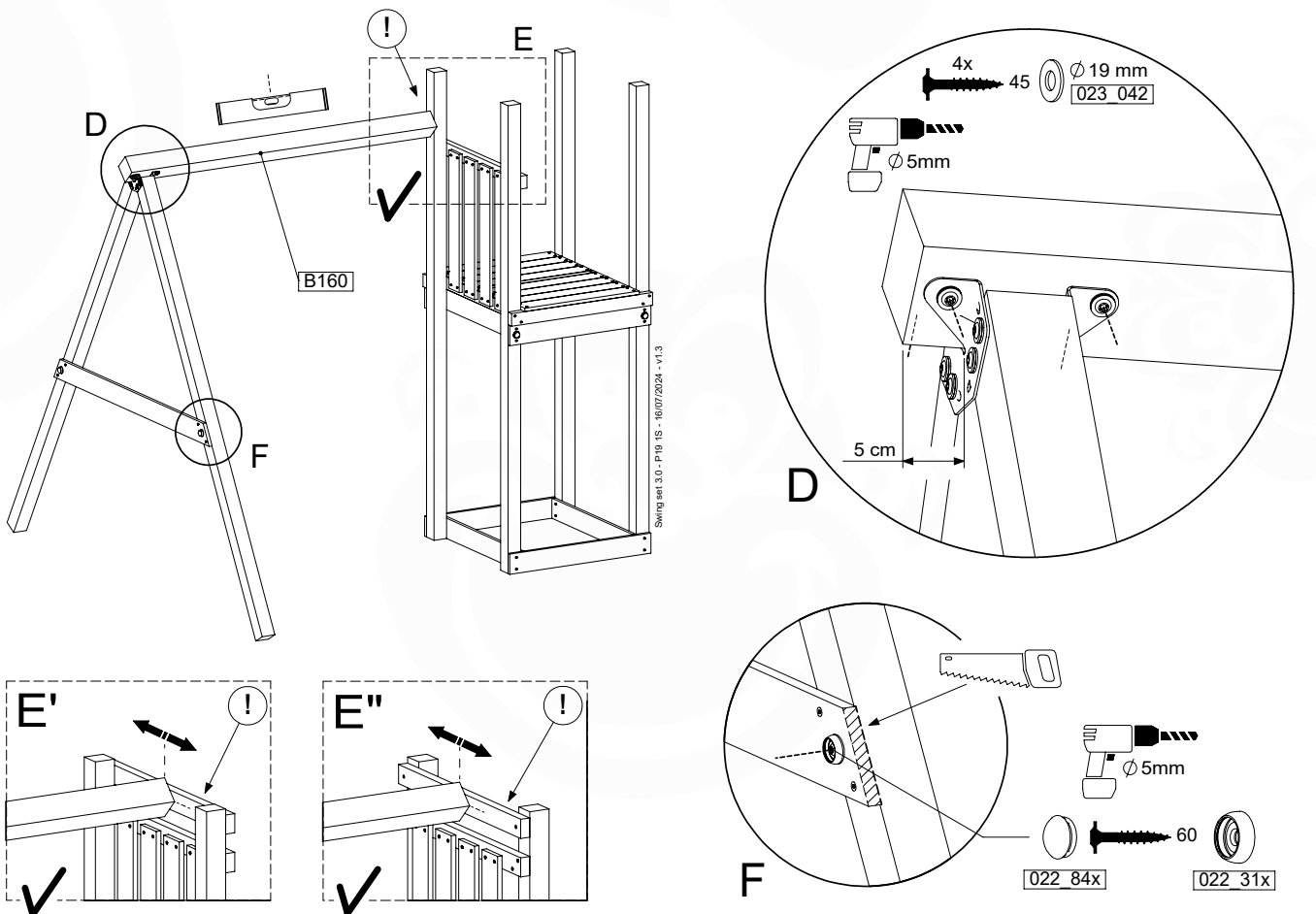
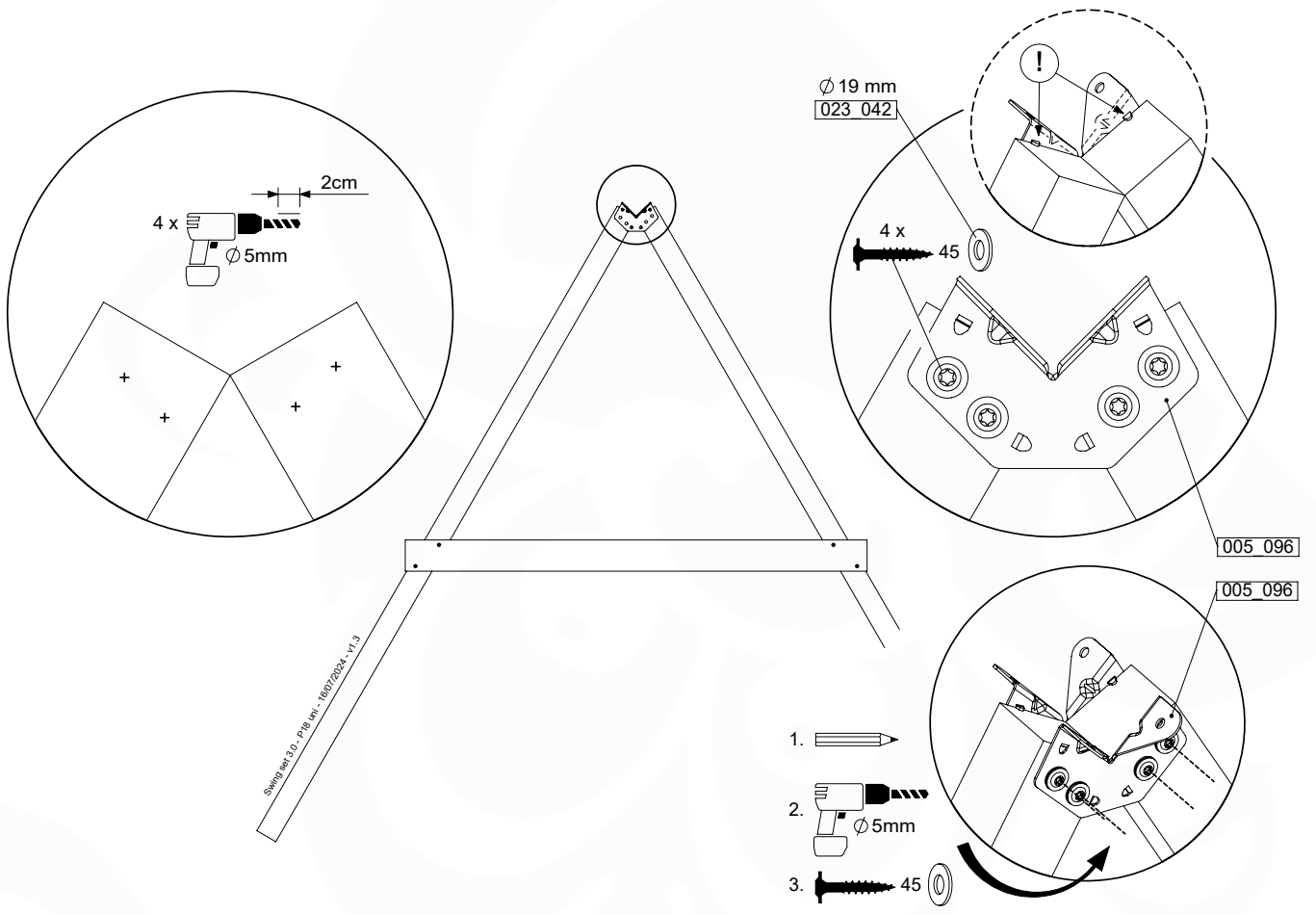
	PartNo	PartName	QTY.
Hardware + Parts	001_404	Stealth Screw 8x30	4
	001_406	Stealth Screw 8x45	22
	001_411	Stealth Screw 8x60	2
	001_417	Stealth Screw 8x80	2
	002_220	Gap Point Screw T25 - 5x45	8
	002_223	Gap Point Screw T25 - 5x80	2
	022_31x	bpc-base version 3	2
	022_84x	bpc cover	2
	023_042	Nylon washer 9x19x1.5	20
	005_096	A-Frame V-Connector	2
	005_097	Swing V-Connector	2
	007_001	Ground-anchor	2
	101_003	Swing hook with Carabiner	2
Timber	B160	Post ca.90x90 L1600	1
	B240	Post ca.90x90 L2400	2
	D141	Board 1410 mm	2

Swing set 3.0 - PV7 1S220E - 16/07/2024 - v1.3





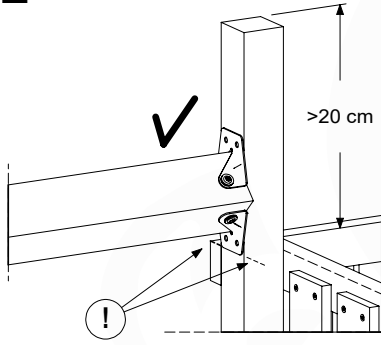




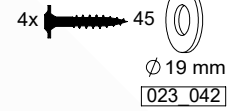
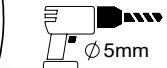
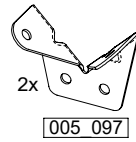
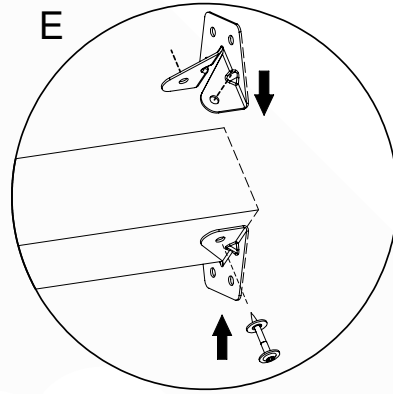


21.4

E

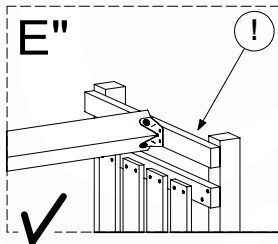
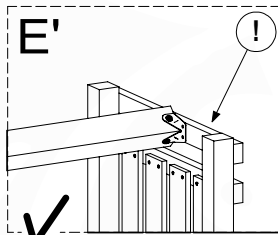
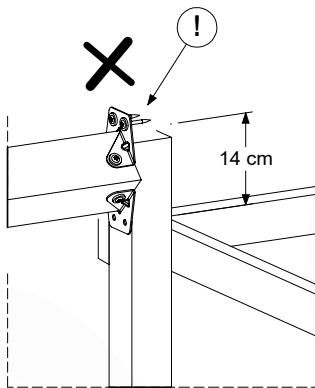


E

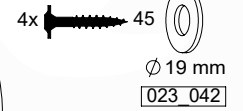
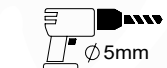
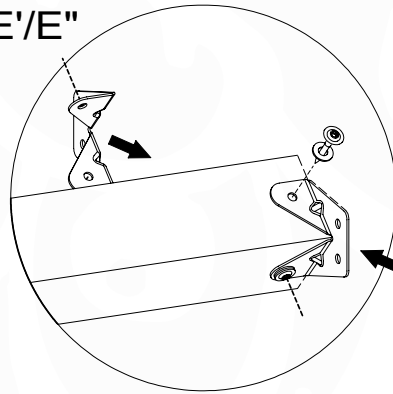


Swing set 3.0 - P22 uni - 16/07/2024 - v1.3

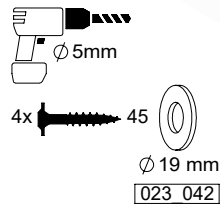
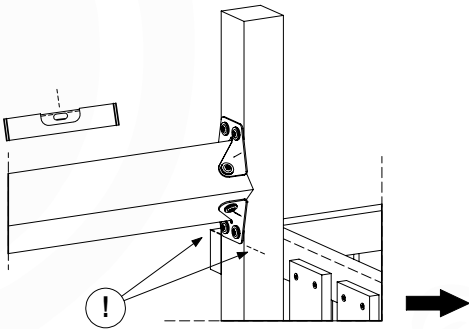
E'/E''



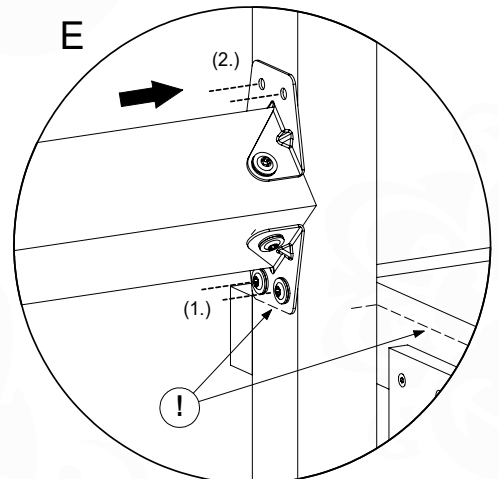
E'/E''



E

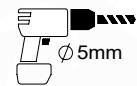
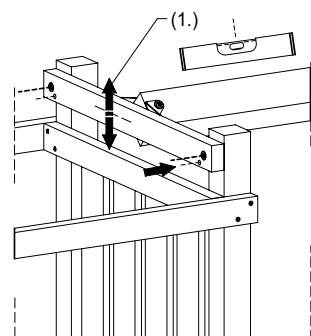


E

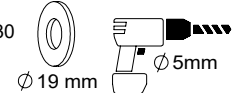


Swing set 3.0 - P23 uni - 16/07/2024 - v1.3

E'/E''

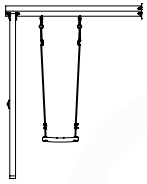


023 042

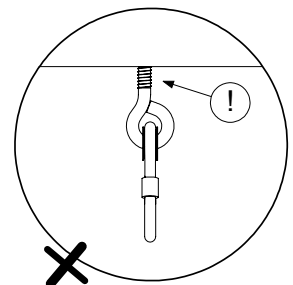
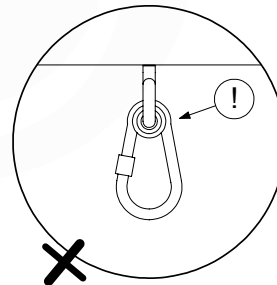
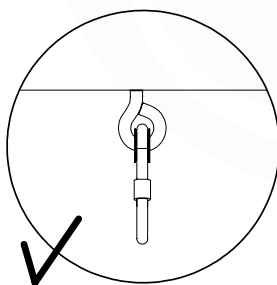
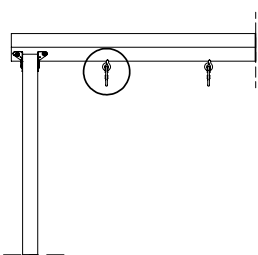
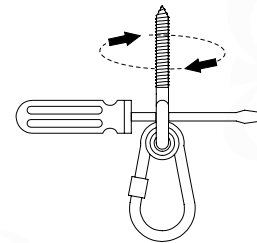
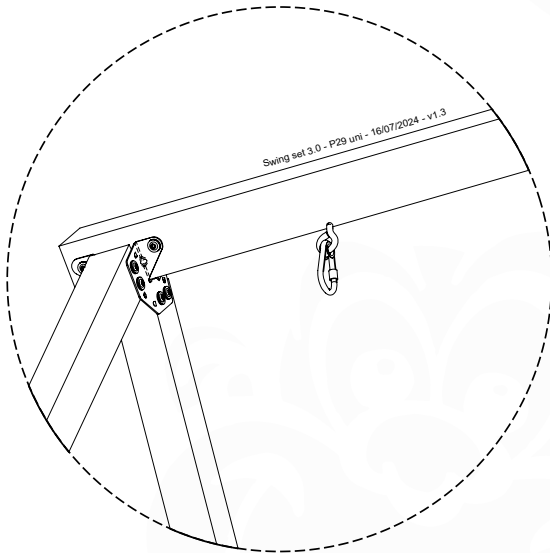
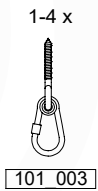
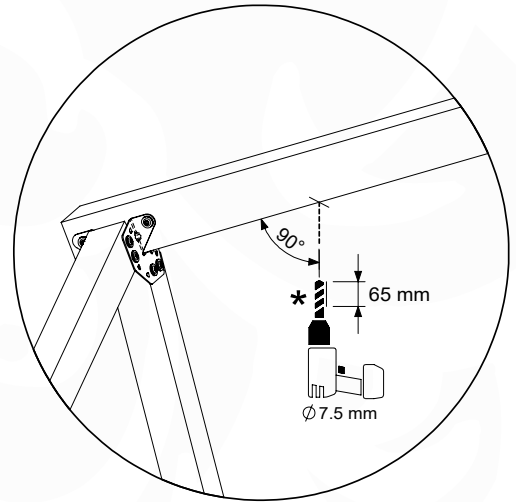
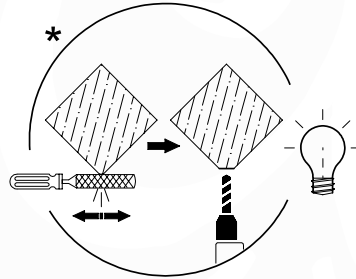
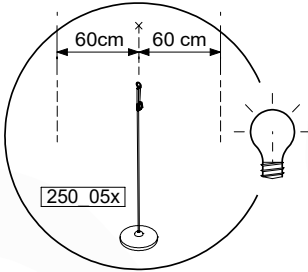
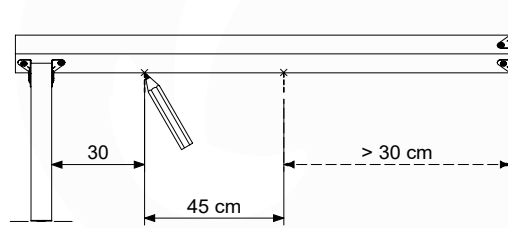


E'

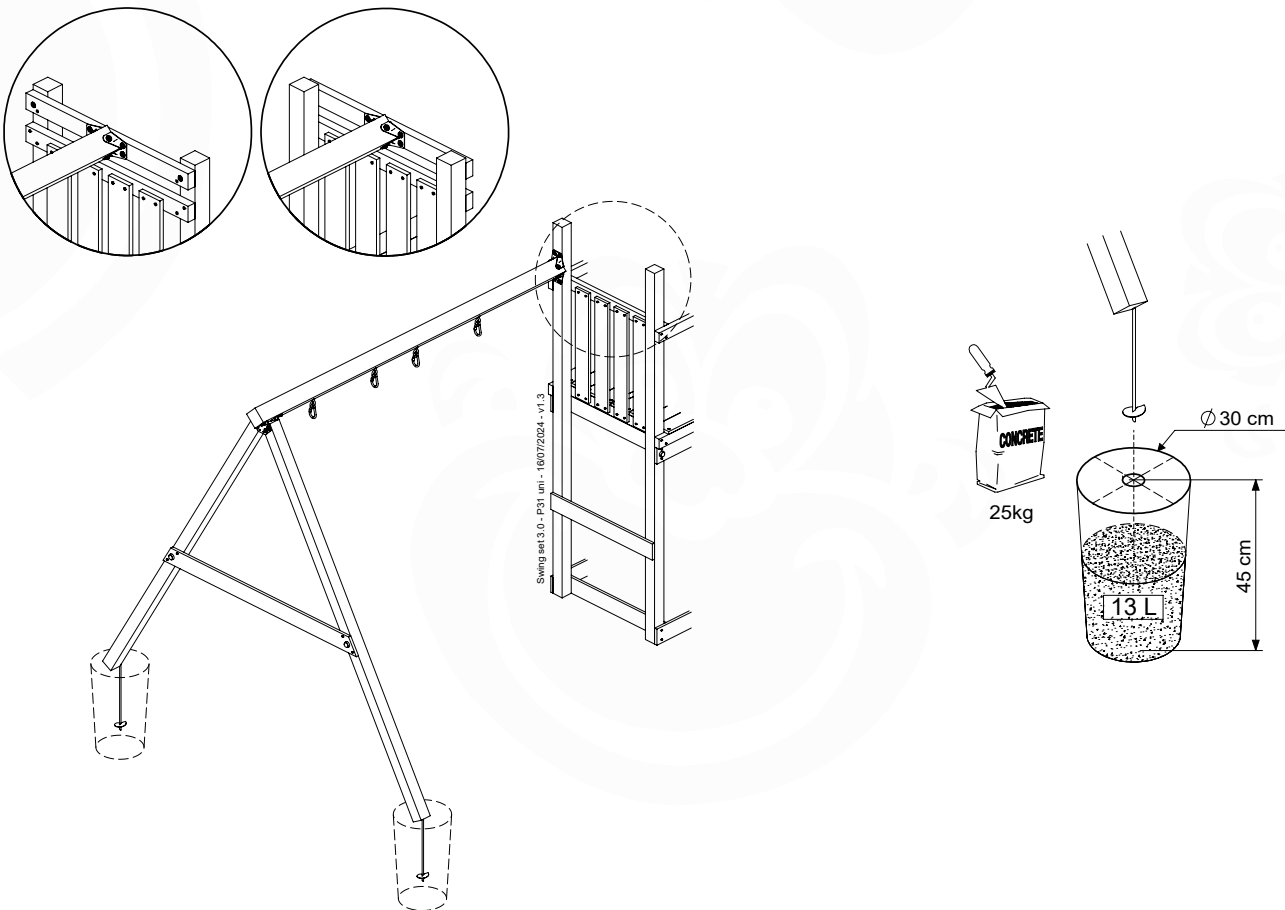
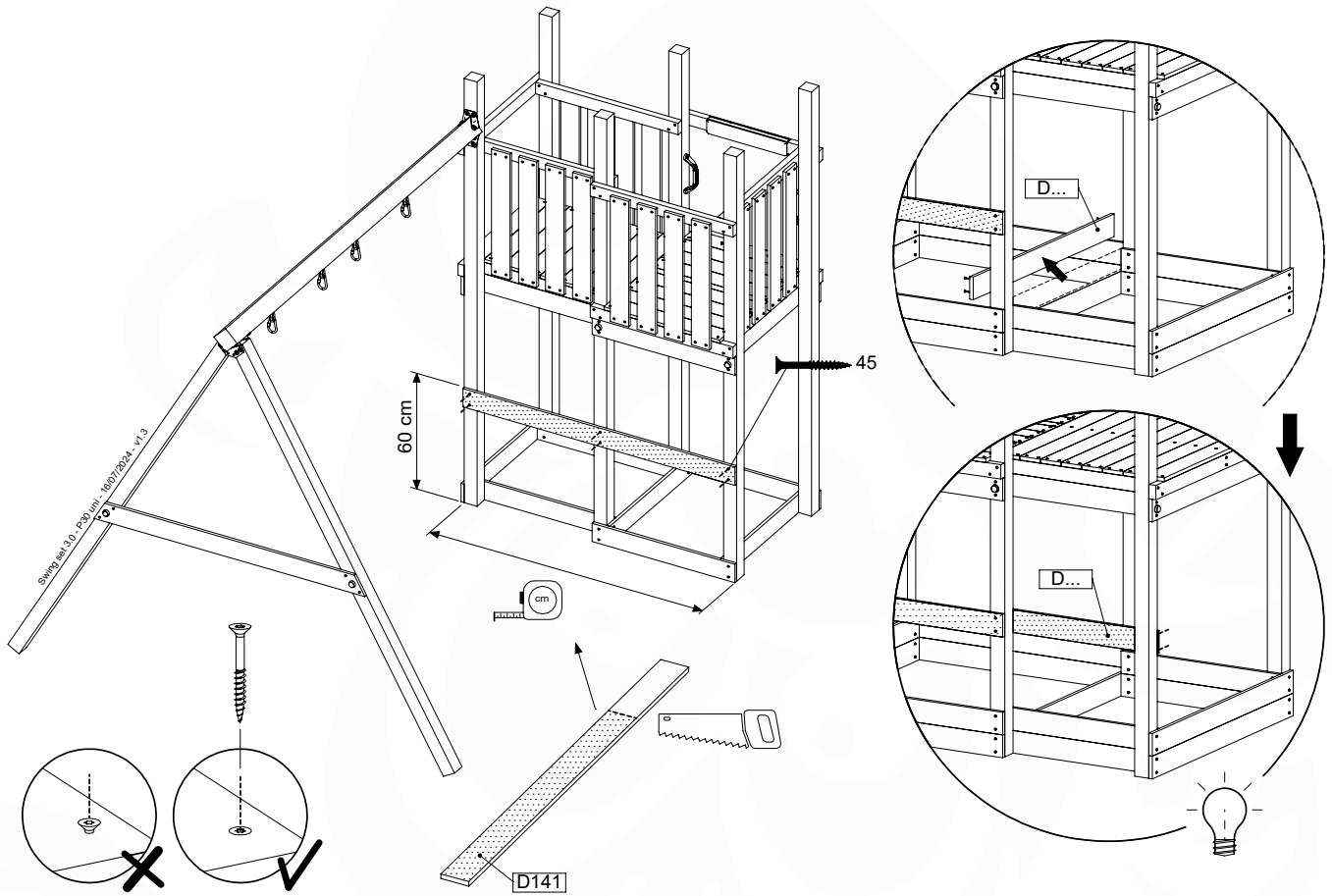
(E'')

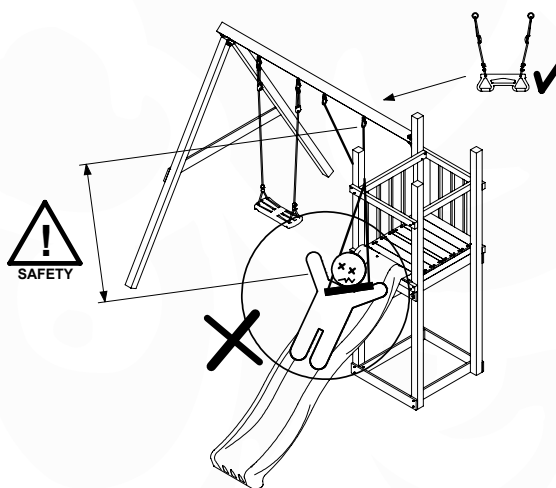
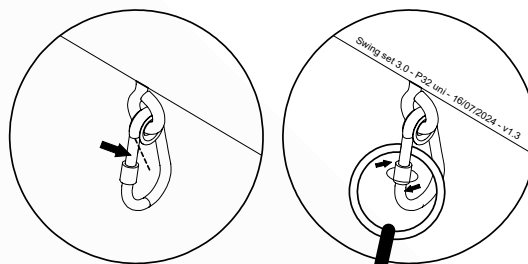
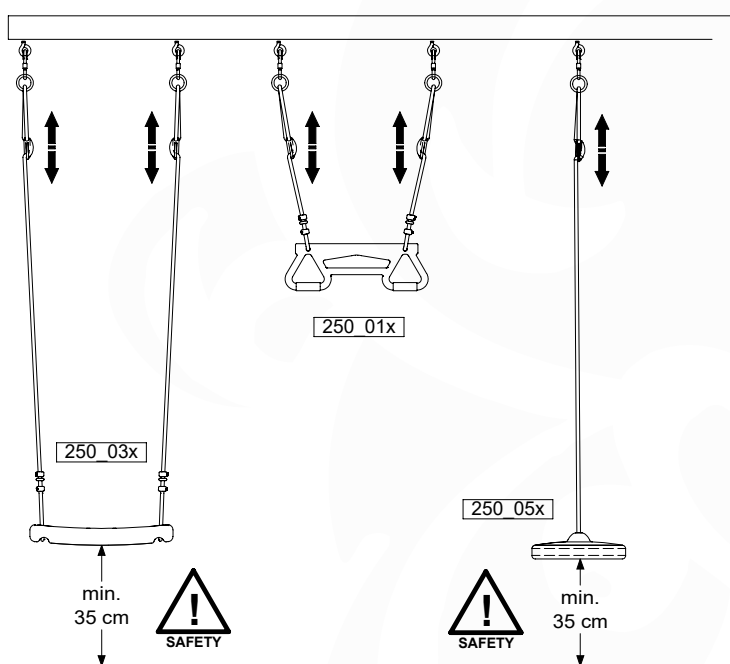


1-Swing position



21.6



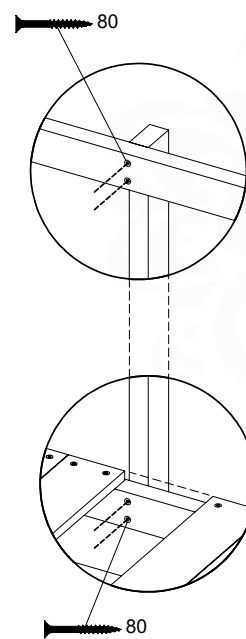
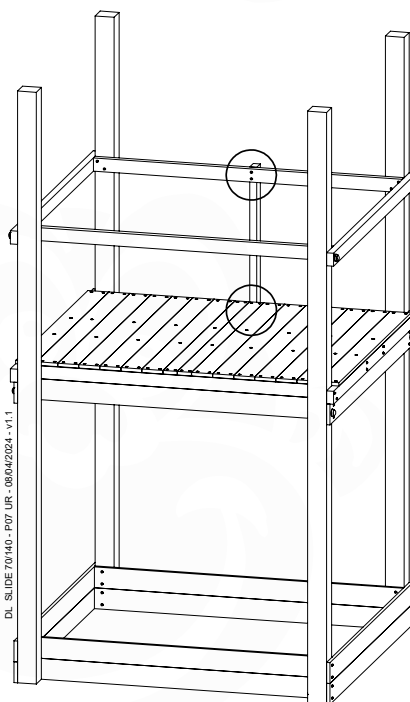
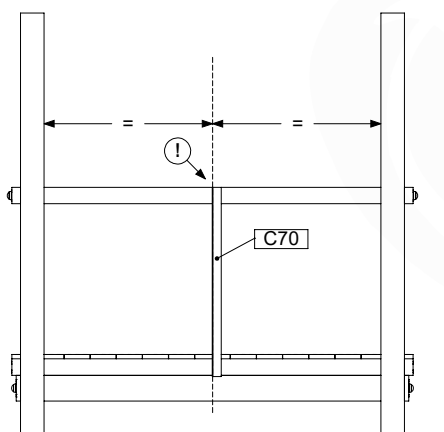
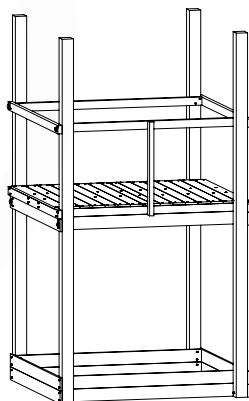
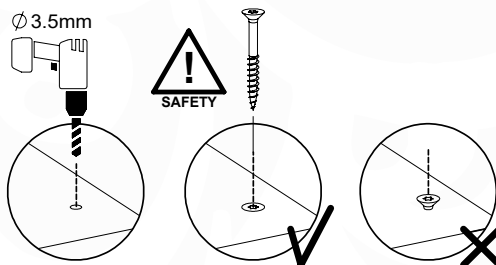
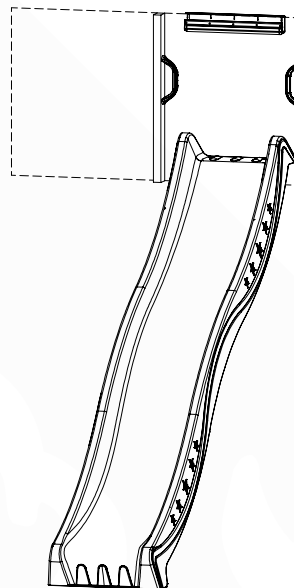


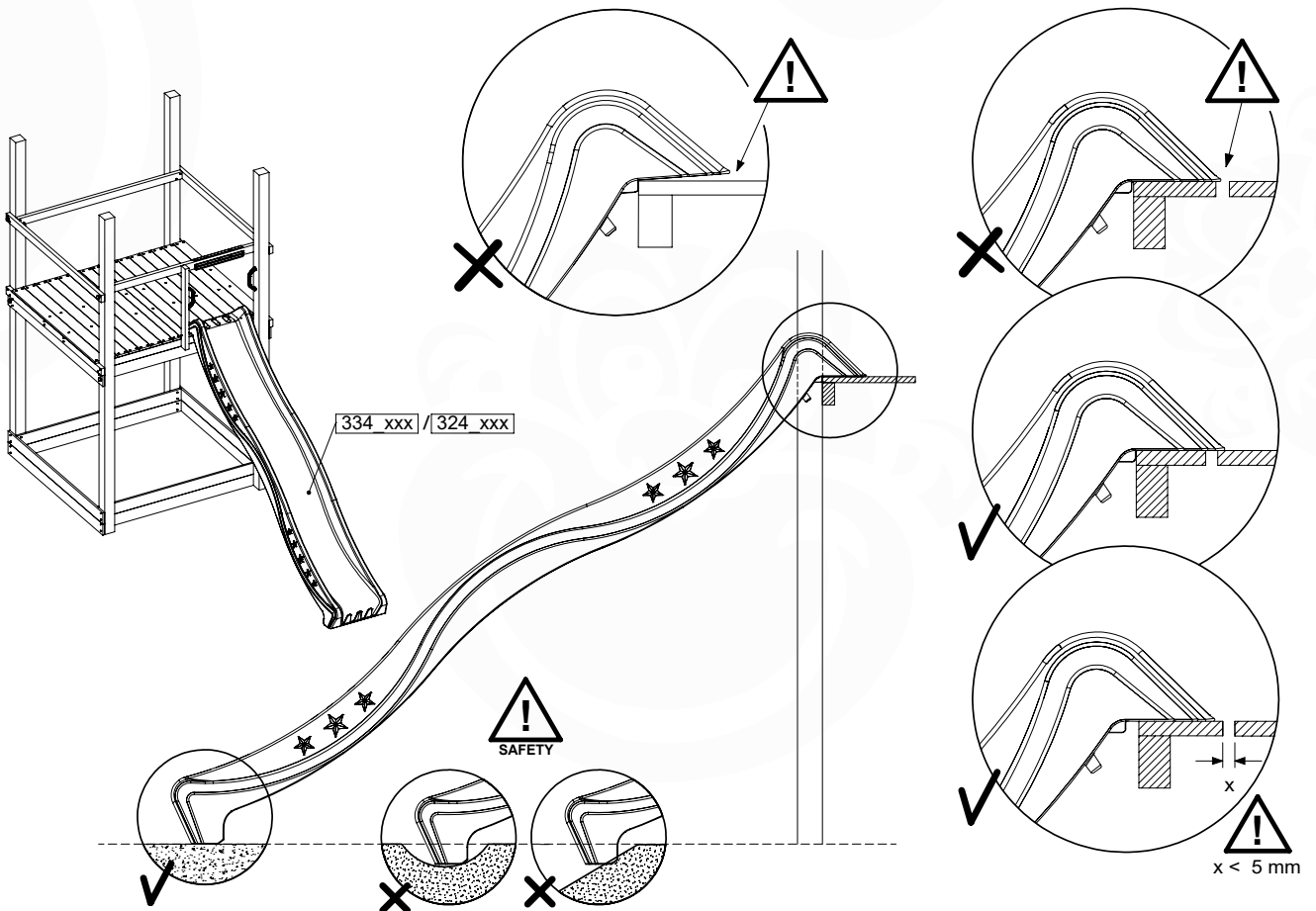
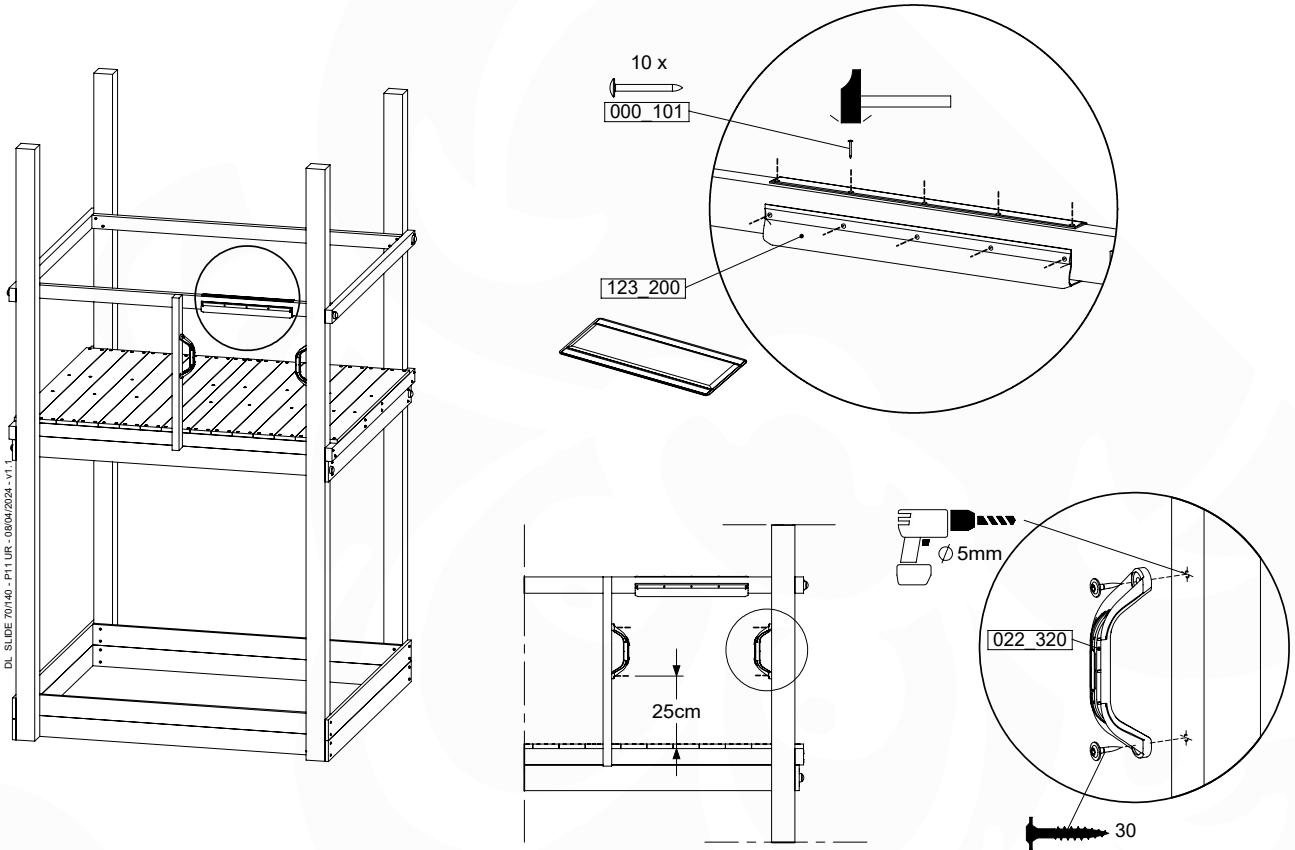
## 22 SL27a: Slide 140 145 U Right

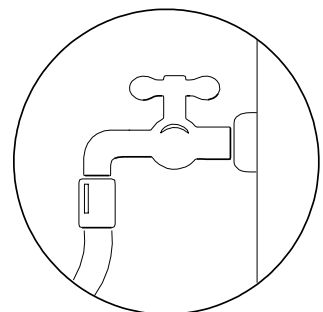
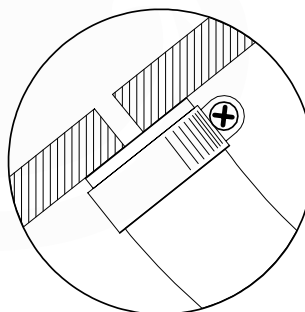
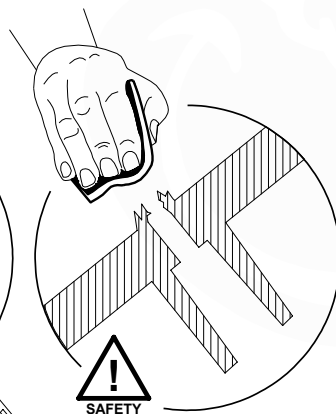
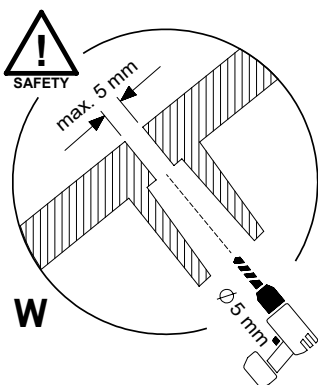
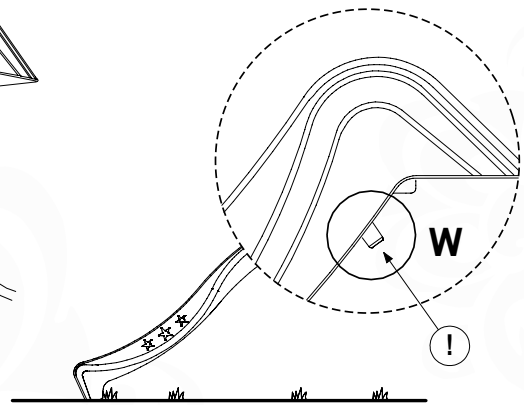
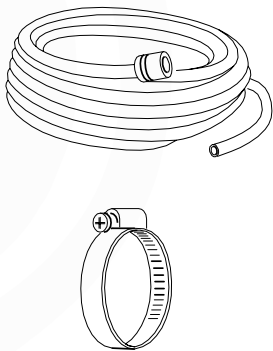
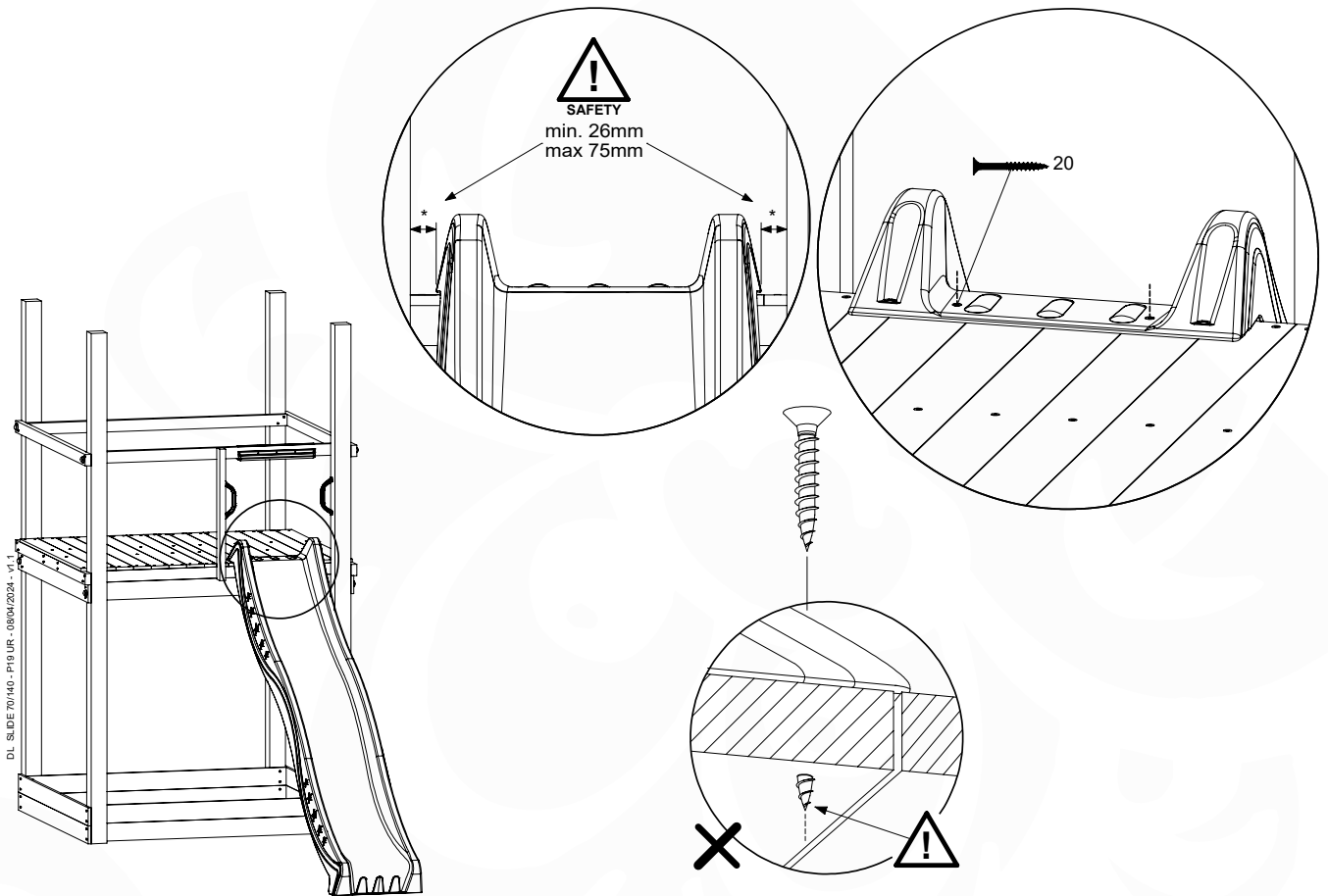
Assembly Pack: 194\_107

	PartNo	PartName	QTY.
Hardware pack	000_101	Nail Pan Head	10
	002_223	Gap Point Screw T25 - 5x80	4
	002_308	Gap Point Screw T25 - 5x20	2
Other	120_102	Handgrip set (complete 2x)	1
	123_200	Bumperpad	1
	334_xxx / 324_xxx	Wavy Star Slide XXL 2650 mm / Wavy Star Slide XL 2200 mm	1
Timber	C70	Beam 700 mm	1

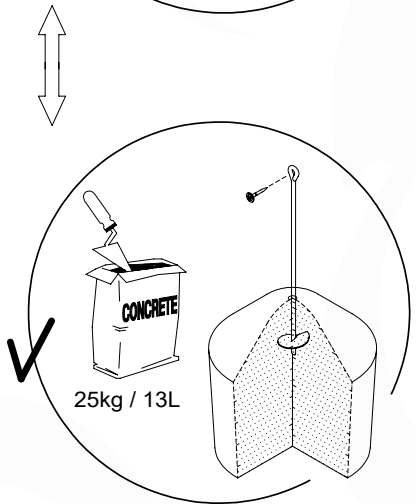
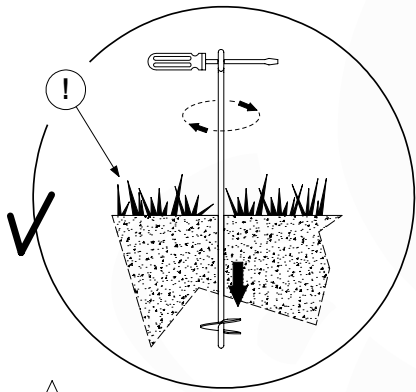
DL SLIDE 70/140 - P07 UR - 08/04/2024 - v1.1



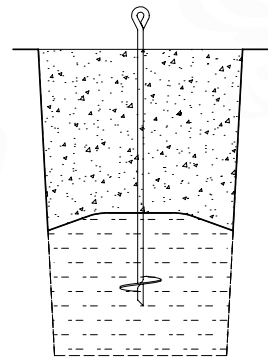
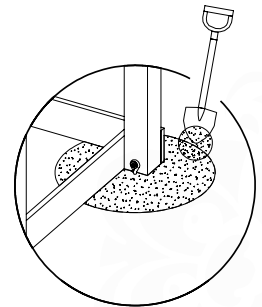
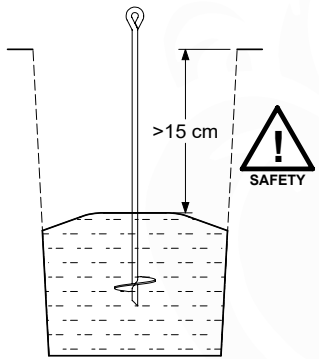
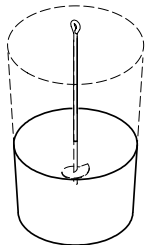
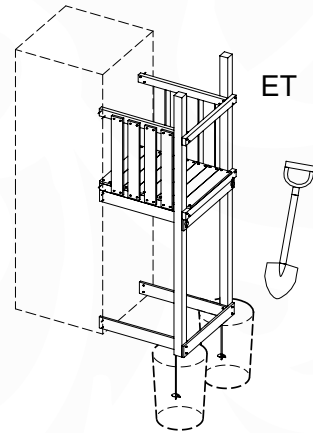
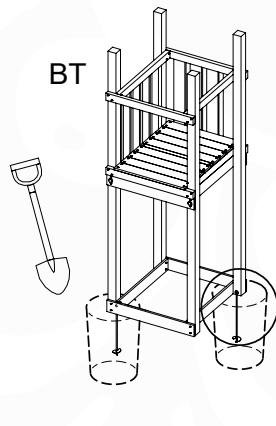
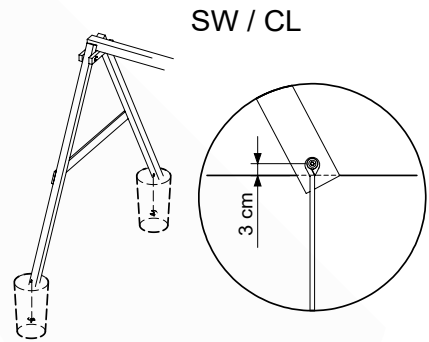
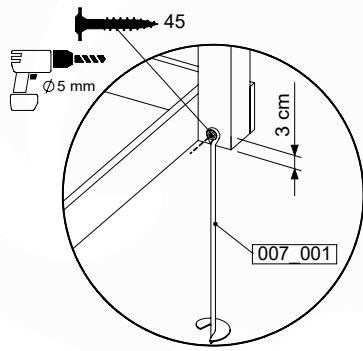




# 23 GA: Ground Anchors



Ground Anchors Uni. - PD3 - 14/06/2024 - v1.5



1.

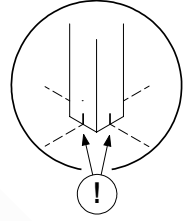
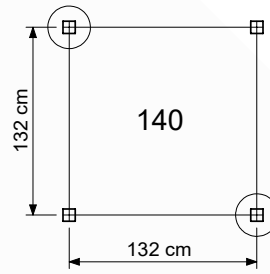
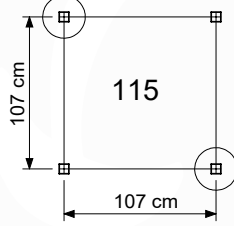
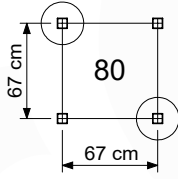
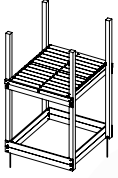
2.

3.

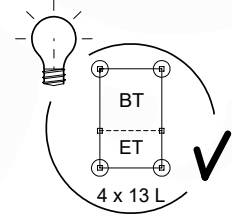
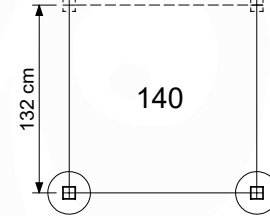
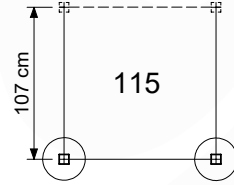
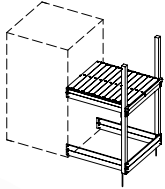
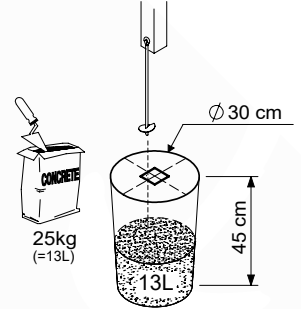
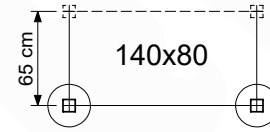
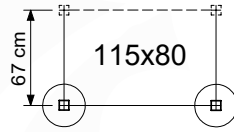
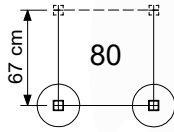
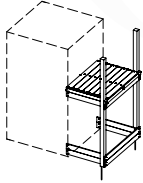
Ground Anchors Uni. - PD4 - 14/06/2024 - v1.5



BASE TOWERS

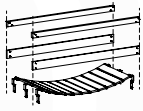


EXTENSION TOWERS

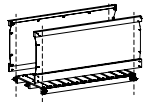


Ground Anchors Uni. - P01 - 14/06/2024 - v1.5

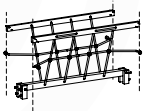
BRIDGES



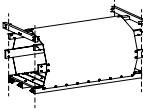
CLATTER



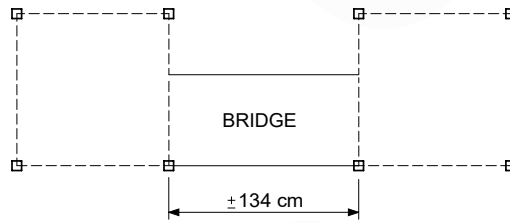
BOARDWALK



NET



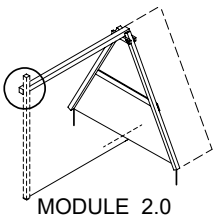
TUNNEL



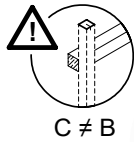
BRIDGE

Ground Anchors Uni. - P02 - 14/06/2024 - v1.5

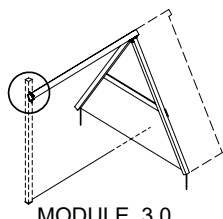
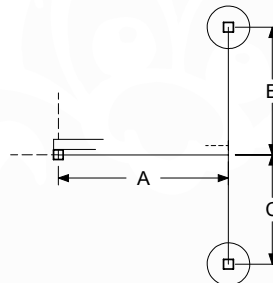
SWING / CLIMB



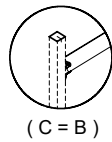
MODULE 2.0



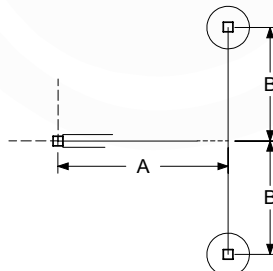
C ≠ B



MODULE 3.0



(C = B)



MODULE 2.0	Module type	A	B	C
	1-Swing 200	150	115	100
1-Swing 220 (Extra)		120	105	
1-Climb 200	142			
2-Climb 200	210	115	100	
2-Swing 200				
1-Climb 220 (Extra)	162			
2-Climb 220 (Extra)	230	120	105	
2-Swing 220 (Extra)				

cm

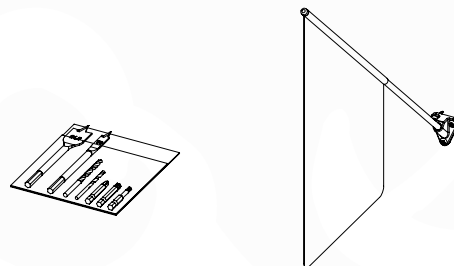
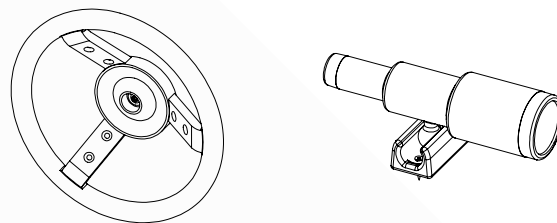
MODULE 3.0	Module type	A	B
	1-Swing 200 - 3.0	155	110
1-Swing 220 (Extra) - 3.0		115	
1-Climb 200 - 3.0	148		
2-Climb 200 - 3.0	222	110	
2-Swing 200 - 3.0	215		
1-Climb 220 (Extra) - 3.0	170		
2-Climb 220 (Extra) - 3.0	242	115	
2-Swing 220 (Extra) - 3.0	235		

cm

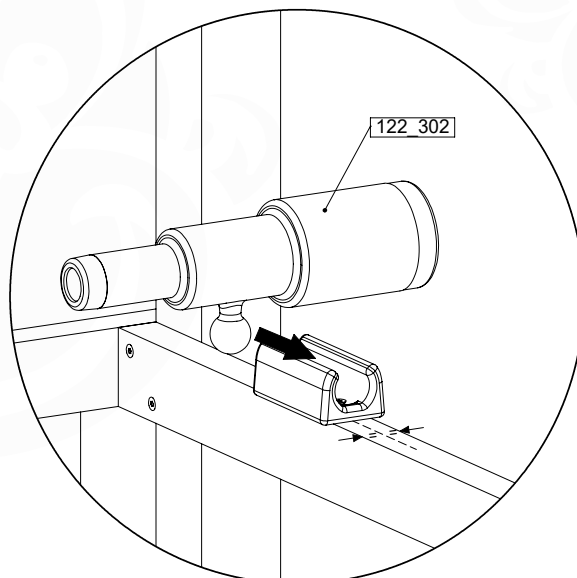
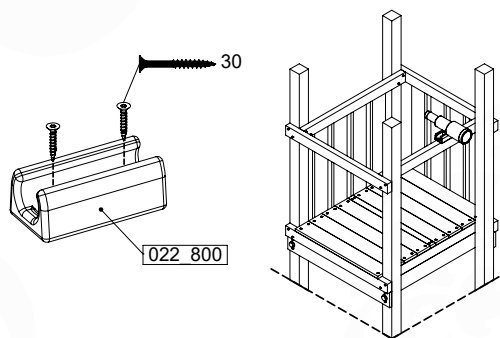
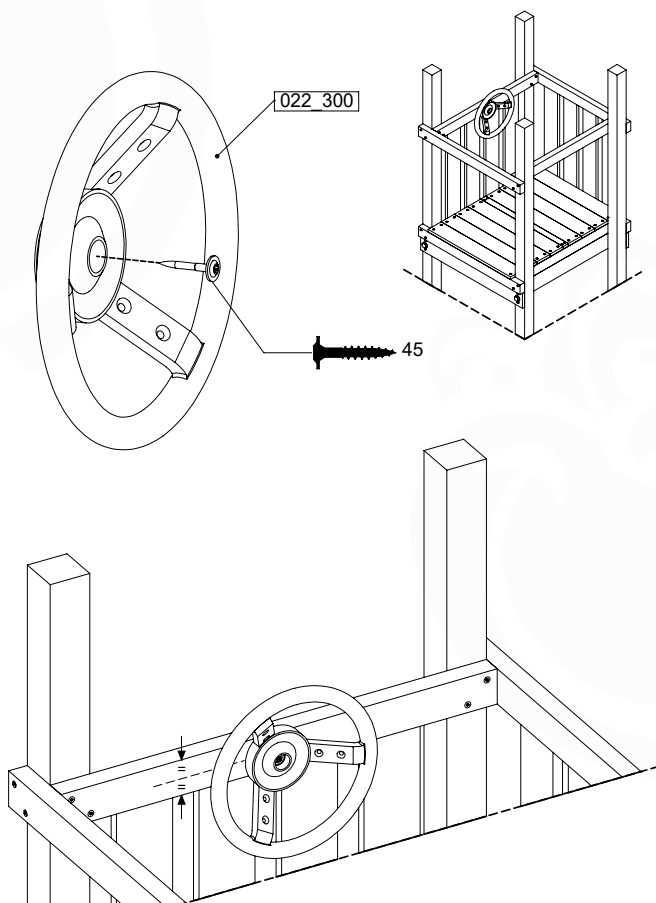
## 24 AC01a: Accessories

( 194\_119 )

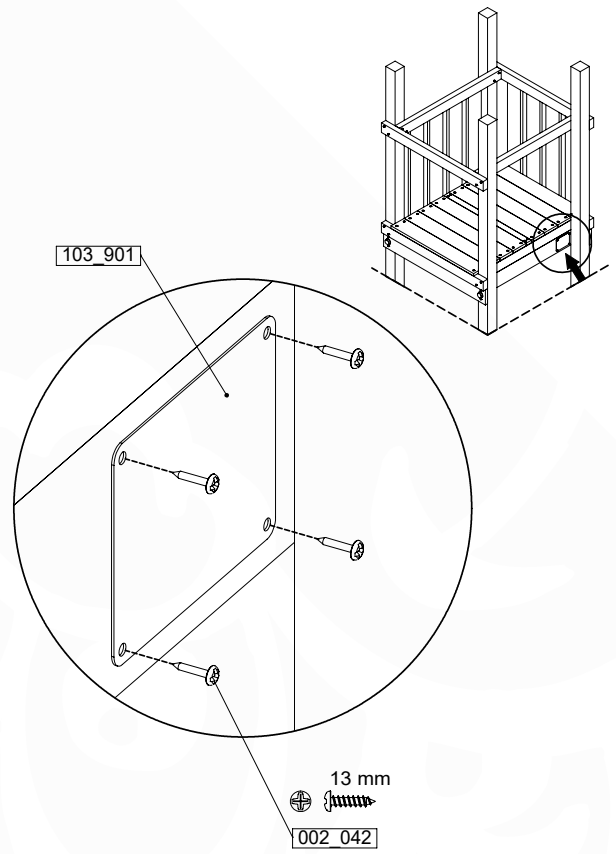
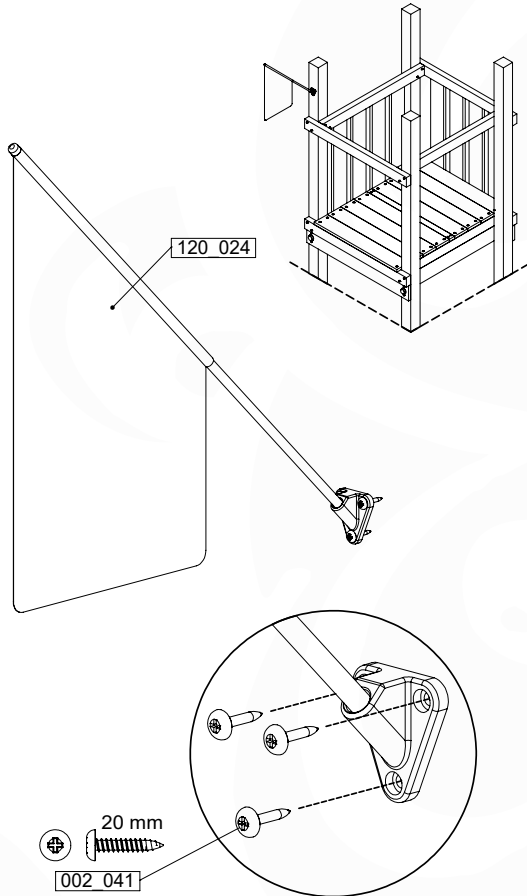
	PartNo	PartName	QTY.
Hardware Pack 100_617	001_406	Stealth Screw 8x45	1
	002_041	Dome head screw 4.5 x 20 mm	3
	002_042	Dome head screw 3.5 x 13mm	4
	002_219	Gap Point Screw T25 - 5x30	2
Other	022_300	Steering Wheel	1
	022_800	Rail P/T 105	1
	022_910	Sandpad	1
	103_901	Logo ID Plate	1
	104_107	Tool Set Climbing Units	1
	120_024	Tower Flag	1
	122_302	Telescope	1



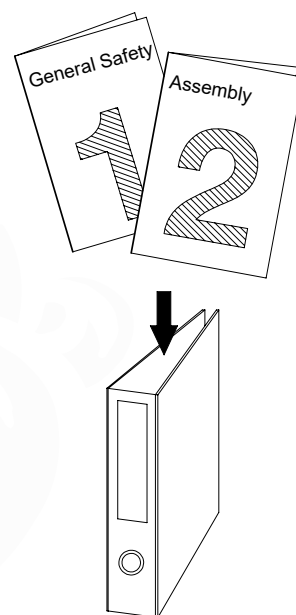
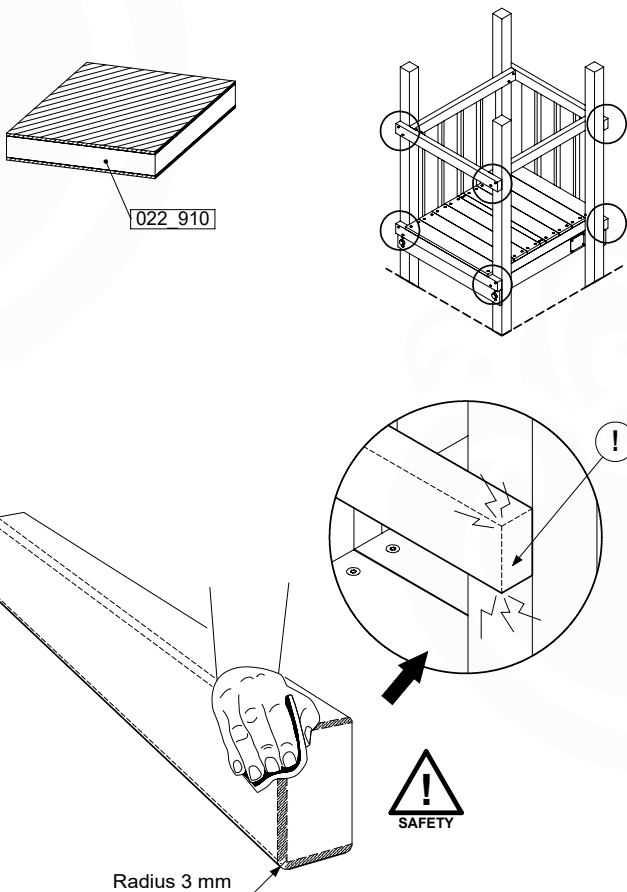
Accessory set - P02 - 24/01/2024 - v5



Accessory set - P03 - 24/01/2024 - v5



Accessory set - P04 - 24/01/2024 - v5



Accessory set - P05 - 24/01/2024 - v5

# 25 Declaration of conformity

## Activity toys for domestic use Aktivitätsspielzeug für den häuslichen Gebrauch Jouets d'activité à usage familial

### 1. Wooden climbing frames

20240416\_v3

#### 1.1. Assemblies

Playtowers	801_005, 801_009, 801_010, 801_013, 801_025, 801_040, 801_060, 801_070, 801_090, 801_095, 801_100, 801_103, 801_105, 801_110, 801_120, 801_200, 802_202, 802_204, 802_206, 802_208, 803_202, 803_204, 803_206, 803_208, 803_210, 809_802, 809_804
Swings	801_300, 801_601, 801_602
Modules	850_176, 850_177, 850_231, 850_232, 857_101, 857_102, 857_105, 857_106, 857_151, 857_152, 857_157, 857_158, 850_240

#### 1.2. Sub assemblies

Base towers (BT)	BT01a, BT02a, BT03a, BT11a, BT14a, BT15a, BT20a
Extension towers (ET)	ET01a, ET02a, ET05a, ET06a, ET07a, ET08a, ET09a, ET10a, ET11a, ET12a, ET13a, ET14a, ET15a, ET16a, ET17a, ET18a, ET19a, ET20a, ET22a, ET23a, ET27a, ET28a, ET35a, ET29a, ET39a, ET40a
Bridges (CB, NB, BB, TB)	CB01a, NB01a, BB01a, BB02a, TB01a, TB02a, TB03a, TB04a
Roofs (RF)	RF01a, RF21a, RF02a, RF03a, RF04a, RF05a, RF06a, RF20a, RF02b, RF03b, RF07a, RF08a, RF22a, RF09a, RF23a, RF11a, RF12a, RF07b, RF12b, RF08b, RF22b, RF09b, RF23b, RF11b, RF14a, RF24a, RF15a, RF25a, RF18a, RF18b, RF14b, RF24b, RF15b, RF25b
Balustrade (BL, BF)	BL01a, BL02a, BL21a, BF25a, BF26a, BF27a, BF28a, BF01a, BF02a, BF03a, BF04a, BF05a, BF06a, BF07a, BF08a, BF01b, BF02b, BF03b, BF04b, BF05b, BF06b, BF07b, BF08b, BF21a, BF22a, BF23a, BF24a, BF21b, BF22b, BF23b, BF24b
Playhouse (PH)	PH03a, PH04a, PH05a, PH06a, PH10a, PH11a, PH40a, PH41a, PH12a, PH13a, PH14a, PH15a, PH42a, PH43a, PH44a, PH45a, PH16a, PH17a, PH18a, PH19a, PH30a, PH31a, PH16b, PH17b, PH18b, PH19b, PH46a, PH47a, PH48a, PH49a, PH16c, PH17c, PH18c, PH19c, PH46b, PH47b, PH48b, PH49b, PH20a, PH21a, PH22a, PH23a, PH24a, PH25a, PH26a, PH27a, PH32a, PH33a, PH52a, PH53a, PH54a, PH55a, PH56a, PH57a, PH50a, PH51a, PH26b, PH27b, PH26c, PH27c, PH56b, PH57b
Ladder (LA)	LA05a, LA06a, LA01a, LA02a, LA03a, LA01b, LA02b, LA03b, LA11a, LA12a, LA13a, LA14a, LA15a, LA16a, LA17a, LA18a, LA31a, LA32a, LA33a, LA34a, LA35a, LA36a, LA37a, LA38a, LA21a, LA22a, LA23a, LA24a, LA25a, LA26a, LA43a, LA44a, LA45a, LA46a
Two Step Ladder (TS)	TS01a, TS01b, TS02a, TS02b, TS03b, TS22a, TS05a, TS06a, TS07a, TS08a, TS09a, TS10a, TS11a, TS12a, TS15a, TS16a, TS17a, TS18a, TS19a, TS20a, TS21a, TS22a
Rope Ladder (RL)	RL01a, RL02a, RL05a, RL06a, RL07a, RL08a, RL09a, RL10a, RL11a, RL12a, RL15a, RL16a, RL19a, RL20a
Rock wall (RW)	RW01a, RW02a, RW01b, RW02b, RW03b, RW31a, RW32a, RW33a, RW05a, RW06a, RW07a, RW08a, RW09a, RW10a, RW11a, RW12a, RW40a, RW41a, RW15a, RW16a, RW17a, RW18a, RW19a, RW20a, RW46a, RW47a
Ramp (RA)	RA03a, RA04a, RA05a, RA06a, RA07a, RA08a, RA11a, RA12a, RA21a
Net (NA, NS)	NA01a, NA02a, NS01a, NS02a, NS03a, NS21a, NA04a, NA05a, NS04a, NS05a, NS06a, NS07a, NA08a, NA09a, NS08a, NS09a
Boat (BO)	BO01a
Market (MT)	MT01a, MT02a, MT05a, MT06a, MT11a, MT12a
Picnic (PC)	PC01a, PC01b, PC05a, PC06a, PC09a, PC10a
Gymnastics bar (GY)	GY01a
Fireman's pole (FP)	FP01a, FP02a, FP04a, FP05a, FP06a, FP07a, FP23a, FP24a, FP25a, FP26a, FP27a, FP28a
Slides (SL)	SL01a, SL02a, SL03a, SL06a, SL07a, SL08a, SL09a, SL10a, SL11a, SL12a, SL13a, SL26a, SL27a, SL28a, SL29a
Swing (SM)	SW17a, SW21a, SW18a, SW22a, SW01a, SW05a, SW02a, SW06a, SW09a, SW13a, SW10a, SW14a
Climb (CL)	CL17a, CL21a, CL18a, CL22a, CL01a, CL05a, CL02a, CL06a, CL09a, CL13a, CL10a, CL14a
Universal Beam (UB)	UB01a, UB04a, UB02a, UB05a, UB03a, UB06a
Accessories (AC)	AC30a, AC31a, AC32a, AC33a, AC01a, AC05a, AC07a, AC03a, AC04a, AC06a, AC23a, AC22a, AC24a, AC21a, AC25a, AC02a, AC09a, AC08a, AC10a

### 2. Construction packages

#### 2.1 Assembly Kits

Playtowers	401_015, 401_080, 401_125, 402_201, 402_202, 402_204, 402_206, 402_208, 403_202, 403_204, 403_206, 403_208, 403_210, 409_802, 409_804
Swings	401_300, 401_600
Modules	457_005, 457_102, 457_103, 457_106, 457_107, 457_205

#### 2.2 Assembly Packs

Sub assemblies	194_002, 194_003, 194_004, 194_006, 194_007, 194_008, 194_009, 194_010, 194_100, 194_101, 194_102, 194_103, 194_104, 194_105, 194_107, 194_108, 194_109, 194_110, 194_111, 194_112, 194_113, 194_114, 194_115, 194_116, 194_117, 194_118, 194_119, 194_300, 194_308, 194_312, 194_500, 194_501, 194_508, 194_510, 194_802, 194_804, 194_809, 194_810, 194_811, 194_812
----------------	--

### 3. Accessories and components

Slides XL	324_100, 324_200, 324_300, 324_400, 324_500, 324_600
Slides XXL	334_100, 334_200, 334_300, 334_400, 334_500, 334_600
Fireman's pole	201_275
Climbing	201_060, 201_273
Imagination	201_280, 201_285, 201_290, 201_295, 202_473, 450_310, 450_320, 450_330
Swinging	250_001, 250_013, 250_025, 250_034, 250_053
Functional	123_220, 123_222, 123_230, 201_115, 201_220, 201_250, 201_260, 201_270, 202_620, 202_621, 202_622, 202_623, 202_624, 202_625, 202_626, 202_627, 202_628, 202_629, 202_824, 250_065, 250_070, 250_075

## Applicable EU directives and standards

### General

- General Product Safety Directive (GPSD) 2001\48\EG
- Reach directive 1907\2006
- AfPS GS 2019:01 PAK

### Activity Toys

- Toy Safety Directive (TSD) 2009\48\EG
- EN Standard 71 Safety of Toys
  - EN 71-1:2014 + A1:2018 Safety of toys Mechanical and physical properties
  - EN 71-2:2020 Flammability
  - EN 71-3:2019 + A1:2021 Migration of certain elements
  - EN 71-8:2018 Safety of toys Activity toys for domestic use

### Supplementary information

Conformity to the above specified directives and standards has been frequently verified by TÜV Rheinland LGA products, DEKRA, LNE SA, since 1994. Jungle Gym participates in the European Commission for standardisation for the safety of activity toys (TC52/WG10).



EN 71-1,-2, -3, -8 & -9

### Manufacturer details

Company Name: Jungle Gym B.V.  
Address: Valscherkade 18, 1059 CD Amsterdam, Netherlands  
Email: info@junglegym.com

### Declaration

I hereby declare under our sole responsibility that the products mentioned above, to which this declaration relates, comply with the above mentioned directives and standards when the installation, assembly, and maintenance instructions are strictly followed.

Name  
Mr. P. Schmit / Director

Issued date  
Monday 22<sup>nd</sup> July, 2024

A handwritten signature in blue ink, appearing to read 'P. Schmit', is written over a horizontal line.

Signature of representative

Jungle Gym B.V. | P.O. Box 75083 | 1070 AB Amsterdam | Netherlands | Phone: +31 85 444 41 00 | e-mail: info@junglegym.com | www.junglegym.com