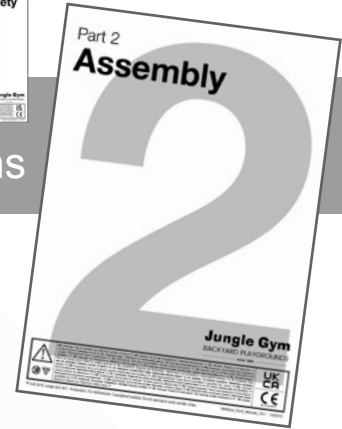


Part 2

Assembly

Instructions

Config ID: oqbQDf
 Product Name: Luxor 1-Climb
 Product ID: 211534



Watch in 3D



Jungle Gym

BACKYARD PLAYGROUNDS

since 1988

<p>Assembly time 15.5 hours by 2 adults</p>	<p>EN. Warnings. Only for domestic use. Maximum number of users is 5. DE. Achtung. Nur für den Hausgebrauch. Maximale Benutzerzahl: 5. FR. Attention. Réserve à un usage familial. Le nombre maximal d'utilisateurs est de 5. NL. Waarschuwingen. Uitsluitend voor huishoudelijk gebruik. Het maximale aantal gebruikers is 5. BG. Внимание. За употреба само в домашни условия. Максималният брой потребители е 5. CS. Varování. Jen pro domácí použití. Maximální počet uživatelů je 5. DA. Advarsler. Kun til privat brug. Maksimum antal brugere er 5. EL. Προειδοποιήσεις. Μόνο για οικιακή χρήση. Μέγιστος αριθμός χρηστών 5. ES. Advertencias. Sólo para uso doméstico. Número máximo de usuarios: 5. ET. Hoiatused. Ainult koduseks kasutamiseks. Maksimaalne kasutajate arv on 5. FI. Varoitukset. Ainoastaan kotikäyttöön. Käyttäjää yhteensä enintään 5. HR. Upozorenja. Samo za kućansku uporabu. Maksimalan broj korisnika je 5. HU. Figyelmeztetések. Csak otthoni használatra! A használók max. száma: 5. IS. Varnaðarorð. Eingöngu fyrir einkanothun í heimahúsum og á einkalóðum. Hámarksfjöldi notenda er 5. IT. Avvertenze. Solo per uso domestico. Massimo numero di utenti è 5. LT. Įspėjimai. Tik buitiniam naudojimui. Maksimalus naudotojų skaičius 5. LV. Brīdinājumi. Izmantot tikai mājās. Maksimālais lietotāju skaits ir 5. NO. Advarsler. Kun for privat bruk. Maksimalt antall brukere er 5. PL. Ostrzeżenia. Wyłącznie do użytku domowego. Maksymalna liczba użytkowników to 5. PT. Avisos. Apenas para uso doméstico. O número máximo de utilizadores é 5. RO. Avertismente. Numai pentru uz domestic. Numărul maxim de utilizatori este 5. RU. Предостережения. Только для домашнего использования. Максимальное количество пользователей - 5. SK. Upozornenia. Iba na domáce použitie. Maximálne množstvo osôb je 5. SL. Opozorila. Samo za domačo uporabo. Maksimalno število uporabnikov je 5. SR. Upozorenja. Samo za kućnu upotrebu. Maksimalan broj korisnika je 5. SV. Varningar. Endast för hemmabruk. Det maximala antalet användare är 5. TR. Uyarılar. Sadece ev kullanımı için. Maksimum kullanıcı sayısı 5.</p>	<p>EN 71-1, 2, 3, 6, 8, 9</p>
--	---	-------------------------------

1 Helpdesk JungleGym

FAQ & Support



English



Deutsch



Français



Nederlands



info@junglegym.com



EU 0031 85 44 44 100

AT 0043 72 08 153 33

BE 0032 78 48 16 19

CH 0041 43 50 87 350

DE 0049 32 22 10 98 299

ES 0034 657 76 64 25

FR 0033 97 75 58 222

IE 0035 38 1800 0300

LU 0035 22 08 80 512

NL 0031 85 44 44 102

UK 0044 20 369 505 53

Monday-Friday,

CET 9:00am - 5:00pm

Local phone charges may apply.

2 Start

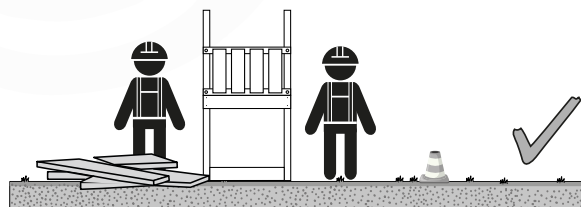
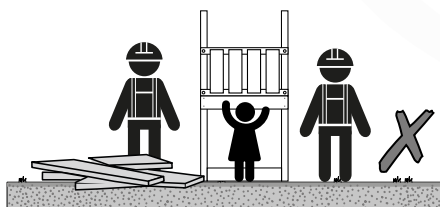
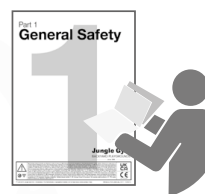
2.1 Safety



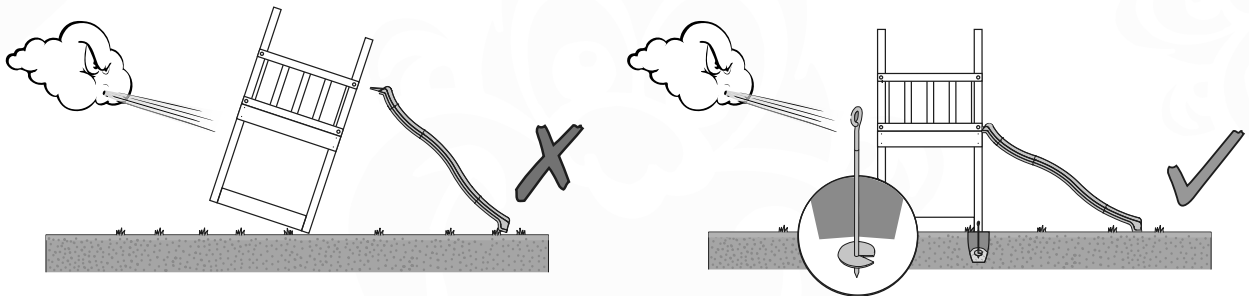
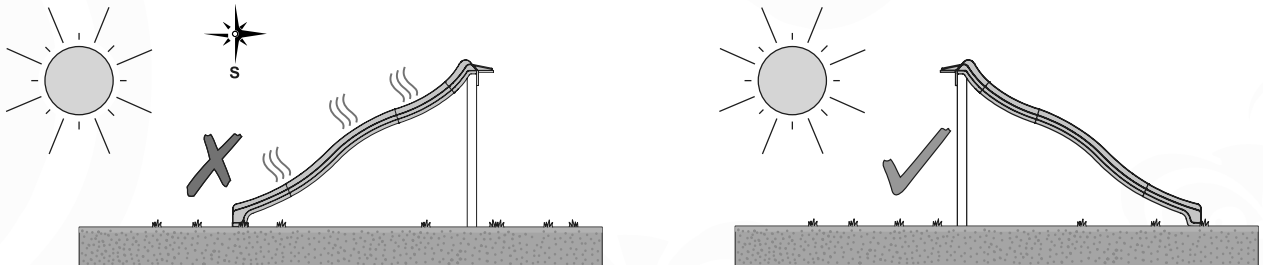
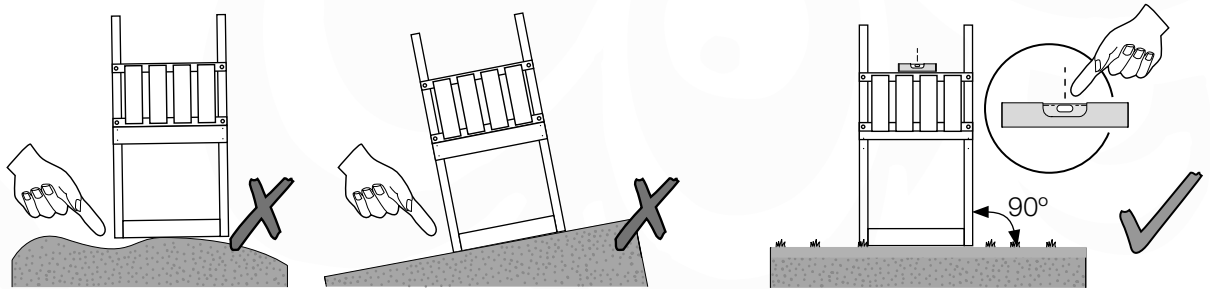
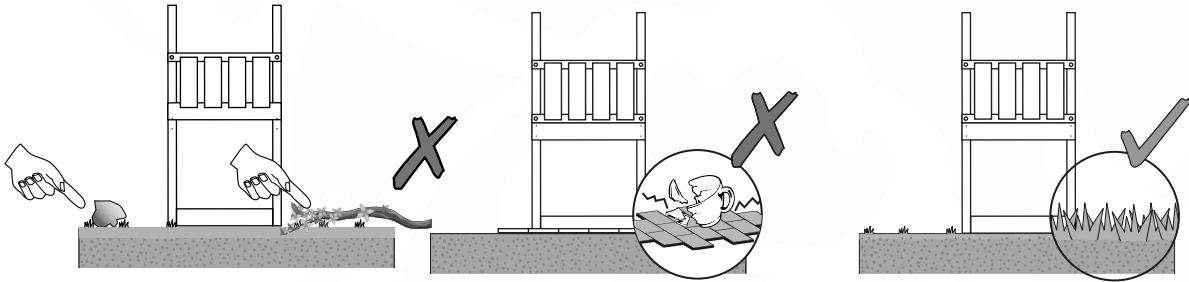
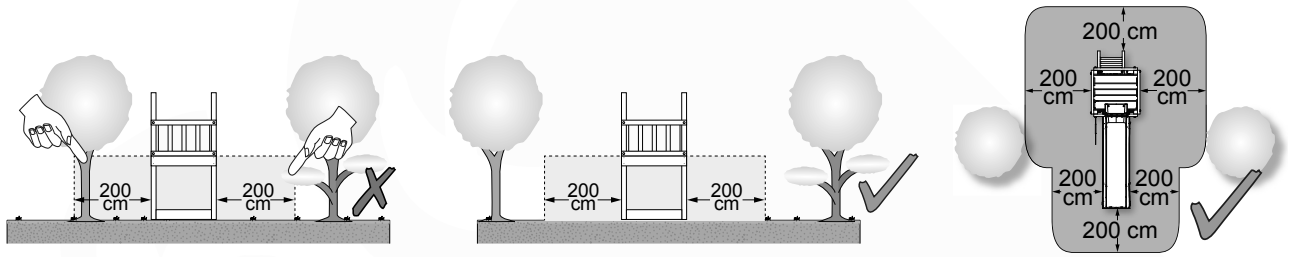
Download

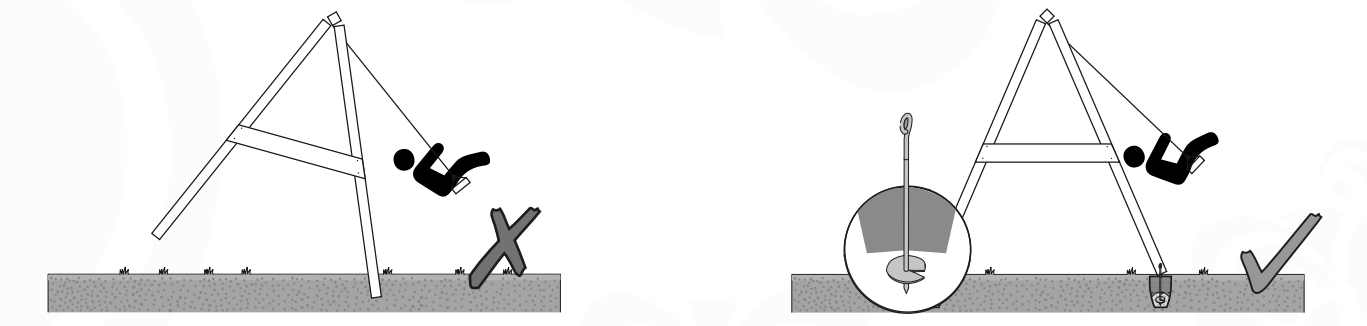
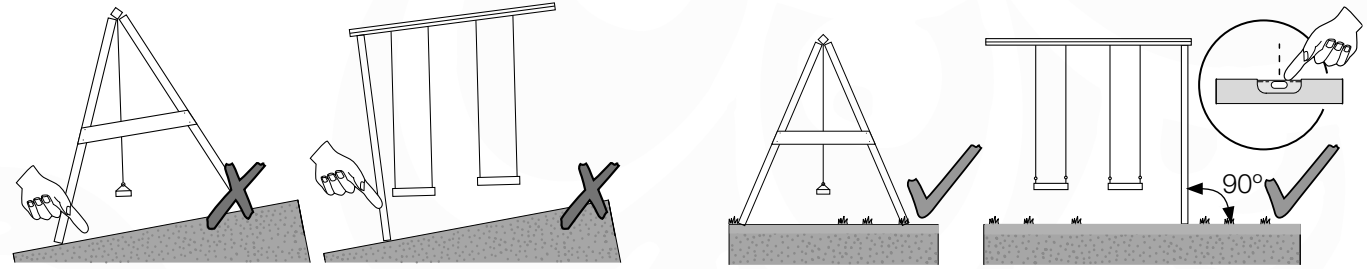
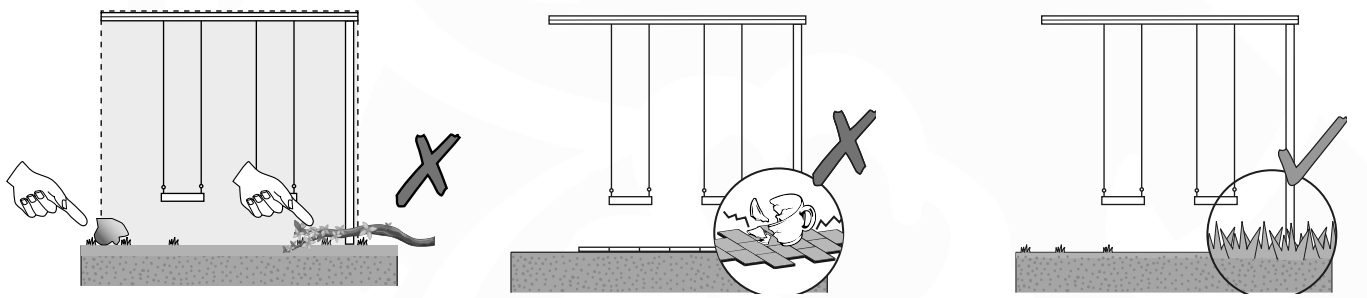
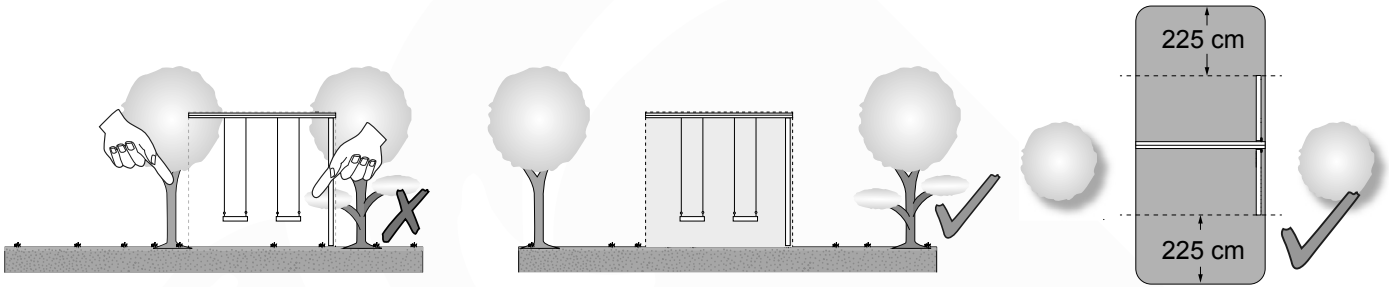


Part 1

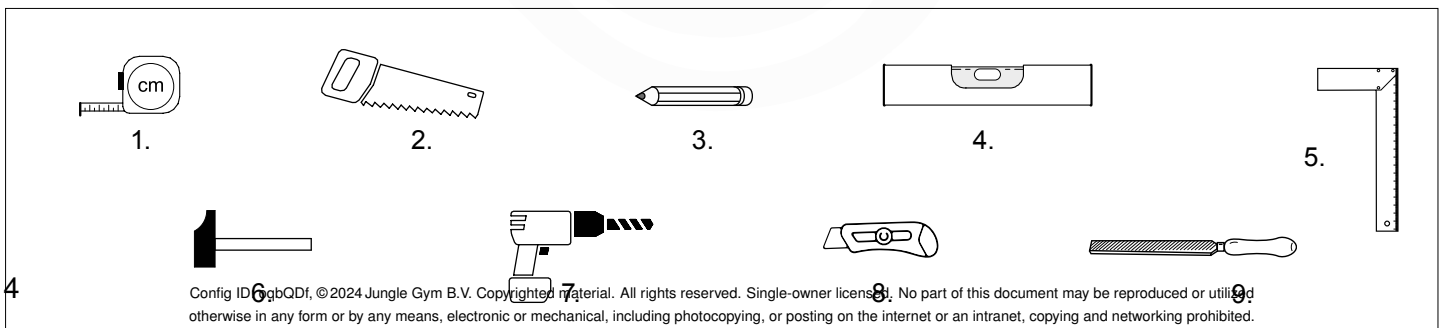


2.2 Planning

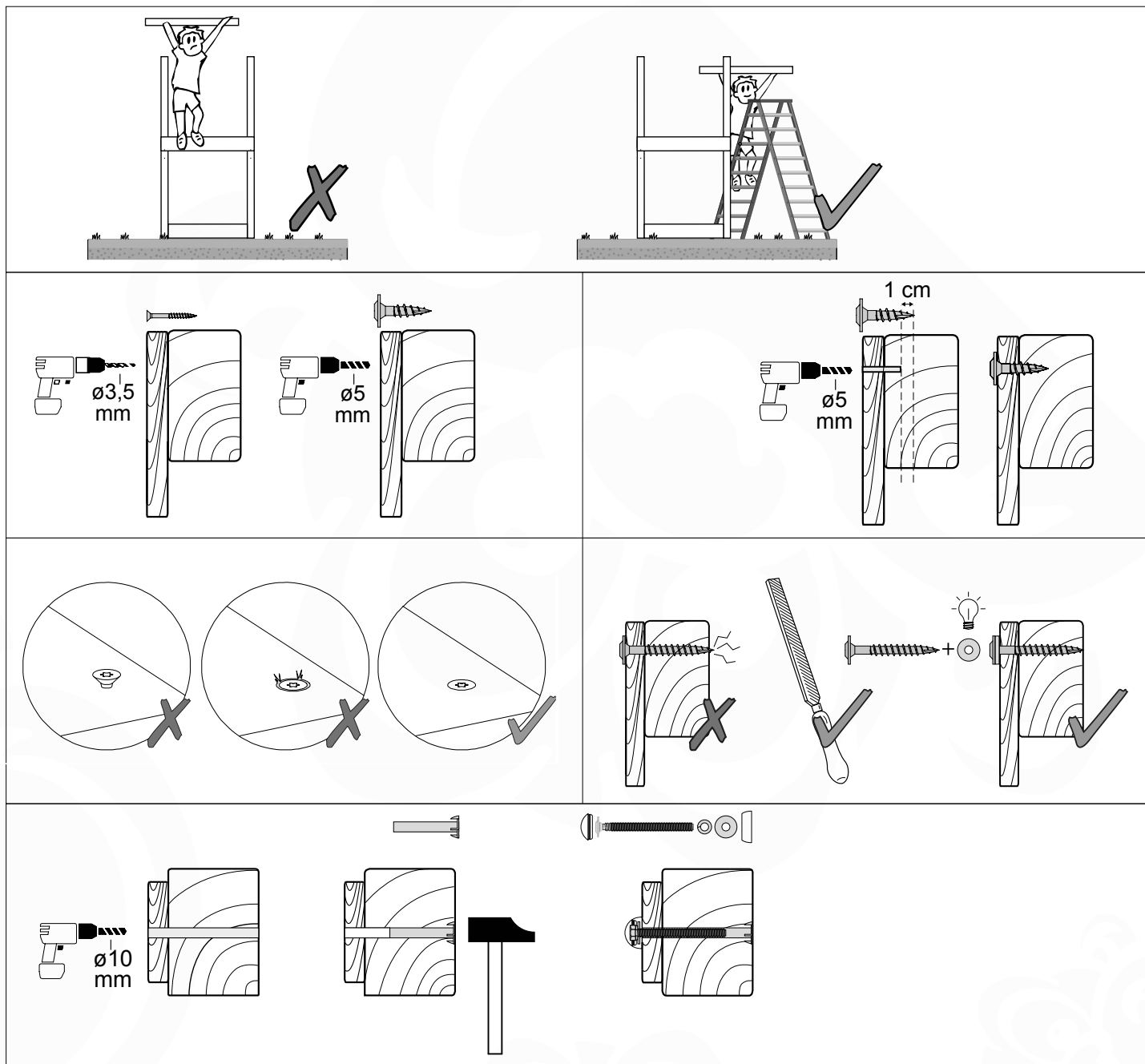




2.3 Tools



2.4 Assembly



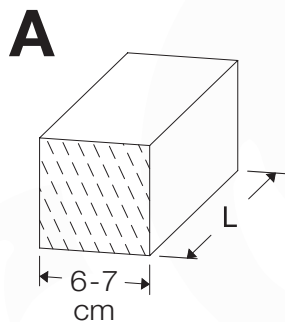
3 Overview

3.1 Order specification

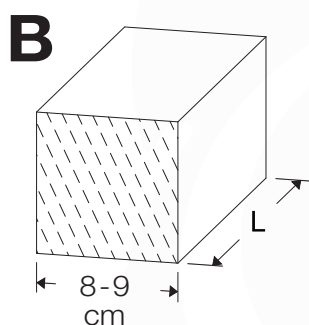


#	Description	Supplier ID	Assembly ID
2	Base Tower 115_240240_125	792_002	BT11a
1	Extension Tower 115_220_145 down	792_111	ET19a
2	Roof Timber Gable 115	792_202	RF08a
1	Balustrade 115_ U	792_301	BL03a
3	Balustrade 115_ T	792_301	BL04a
1	Ladder 115_125 U R x Balustrade	792_431	LA12a
1	TwoStep Ladder 115_125 U L x Balustrade	792_411	TS05a
1	Picnic 115 T	792_503	PC06a
1	Clatter Bridge 80 uni	790_601	CB01a
1	Bridge Frame 115 T L	792_602	BF03a
1	Bridge Frame 115 T R	792_602	BF04a
1	Slide Frame 115_125 U R x Balustrade	792_901	SL07a
1	Fireman's pole 115 U L x balustrade	792_911	FP04a
1	1- Climb Module 220 3.0	757_161	CL10a
1	Accessories Set	194_119	AC01a
1	Accessories Swing Seat	250_034	AC21a
1	Accessories Mesh for Bridge	123_230	AC30a
1	Wavy Star Slide XL	324_x00a	324_x00a

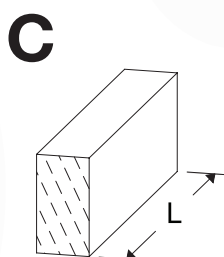
3.2 Timber parts



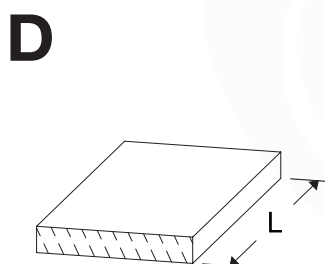
ID	L	#
A220	219 cm - 220 cm	2
A240	239 cm - 240 cm	12



B240	239 cm - 240 cm	1
------	-----------------	---



C37	36 cm - 37 cm	3
C56	55 cm - 56 cm	2
C70	69 cm - 70 cm	3
C74	73 cm - 74 cm	10
C84	83 cm - 84 cm	3
C90	89 cm - 90 cm	4
C96	85 cm - 96 cm	4
C114	113 cm - 114 cm	24
C123	122 cm - 123 cm	1
C130	129 cm - 130 cm	2
C141	140 cm - 141 cm	6
C186	185 cm - 186 cm	1

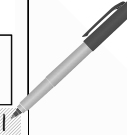
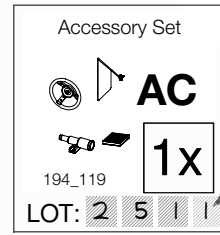


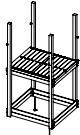
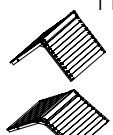
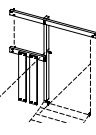

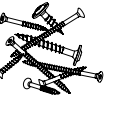

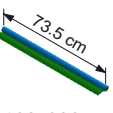
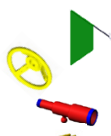
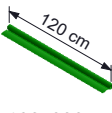
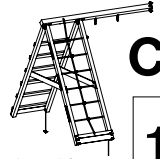




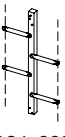

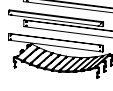
D47	46 cm - 47 cm	1
D60	59 cm - 60 cm	12
D65	64 cm - 65 cm	38
D74	73 cm - 74 cm	2
D100	99 cm - 100 cm	48
D114	113 cm - 114 cm	41
D127	126 cm - 127 cm	48
D141	140 cm - 141 cm	5

4.3 Assembly packs

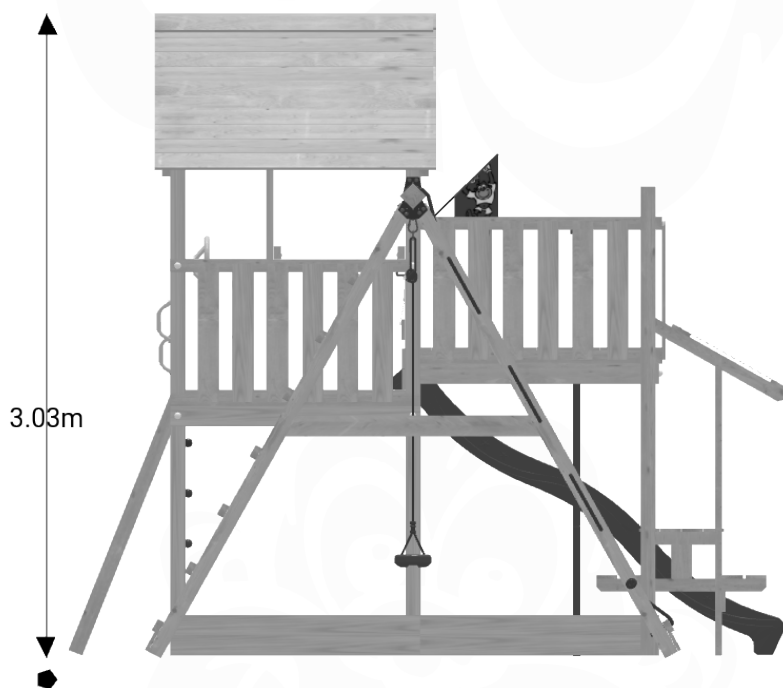
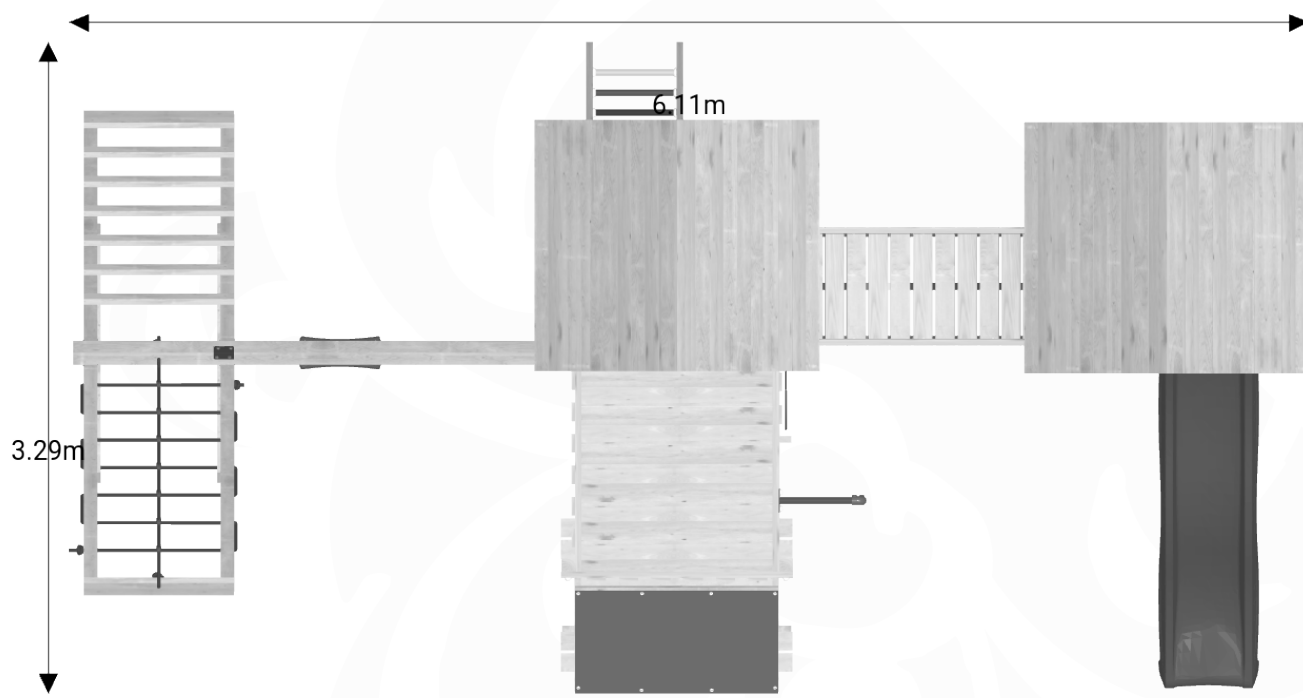


Example

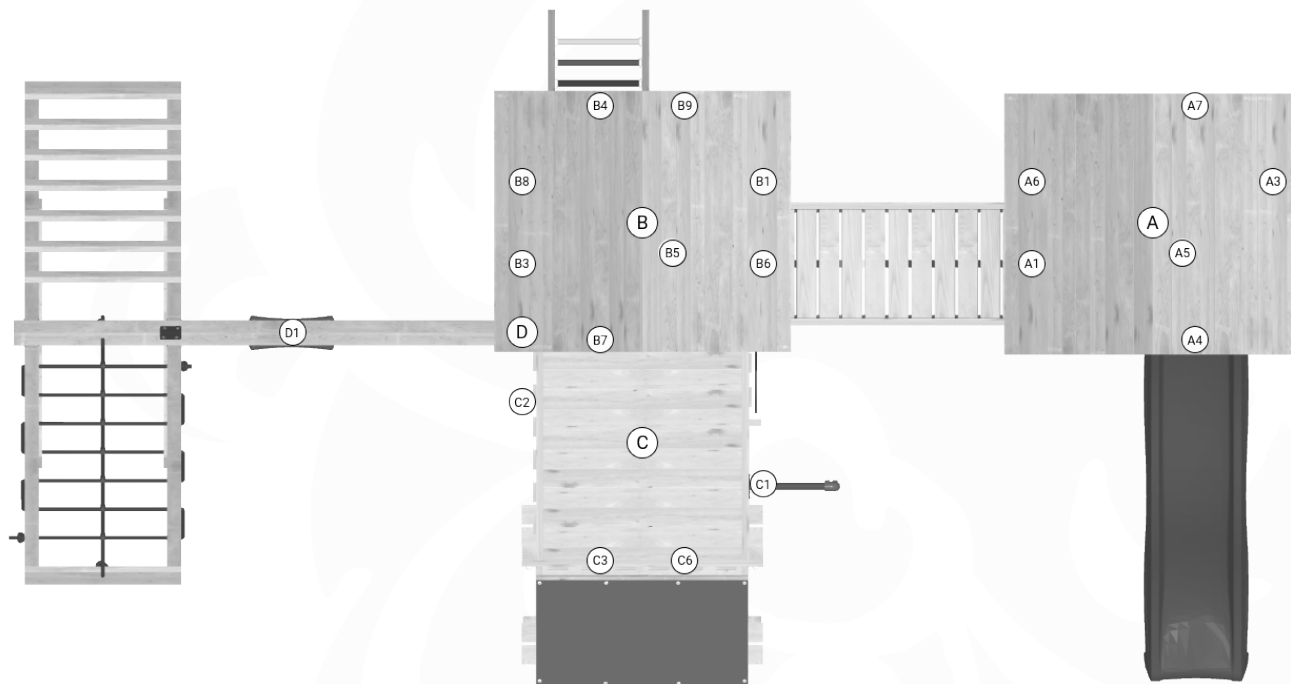


<p>Tower 115</p>  <p>BT ET</p> <p>194_300</p> <p>3x</p> <p>LOT: [][][][]</p>	<p>Roof Timber 115</p>  <p>RF</p> <p>194_308</p> <p>2x</p> <p>LOT: [][][][]</p>	<p>Bridge Frame</p>  <p>BF</p> <p>194_007</p> <p>2x</p> <p>LOT: [][][][]</p>	<p>Fireman's Pole</p>  <p>FP</p> <p>201_275</p> <p>1x</p> <p>LOT: [][][][]</p>	<p>Hardware 01</p>  <p>BL H01</p> <p>194_101</p> <p>4x</p> <p>LOT: [][][][]</p>
<p>Hardware 10</p>  <p>H10</p> <p>194_810</p> <p>1x</p> <p>LOT: [][][][]</p>	<p>Canvas 136 x 74cm</p>  <p>73.5 cm</p> <p>123_220</p> <p>1x</p> <p>LOT: [][][][]</p>	<p>Accessory Set</p>  <p>AC</p> <p>194_119</p> <p>1x</p> <p>LOT: [][][][]</p>	<p>Mesh Green 185 x 120cm</p>  <p>120 cm</p> <p>123_230</p> <p>1x</p> <p>LOT: [][][][]</p>	<p>Climb Module Kit</p>  <p>CL</p> <p>457_107</p> <p>1x</p> <p>LOT: [][][][]</p>
<p>Ladder 125</p>  <p>LA</p> <p>194_003</p> <p>1x</p> <p>LOT: [][][][]</p>	<p>Slide Frame</p>  <p>SL</p> <p>194_107</p> <p>1x</p> <p>LOT: [][][][]</p>	<p>Balustrade 140</p>  <p>BL</p> <p>194_501</p> <p>4x</p> <p>LOT: [][][][]</p>	<p>Slide XL 2.2m</p>  <p>1x</p> <p>324_x00</p> <p>LOT: [][][][]</p>	<p>Two Step Ladder</p>  <p>TS</p> <p>194_002</p> <p>1x</p> <p>LOT: [][][][]</p>
<p>Swing Seat</p>  <p>AC</p> <p>250_034</p> <p>1x</p> <p>LOT: [][][][]</p>	<p>Clatter Bridge</p>  <p>CB</p> <p>194_116</p> <p>1x</p> <p>LOT: [][][][]</p>			

6 Dimensions



7 Assembly Planning



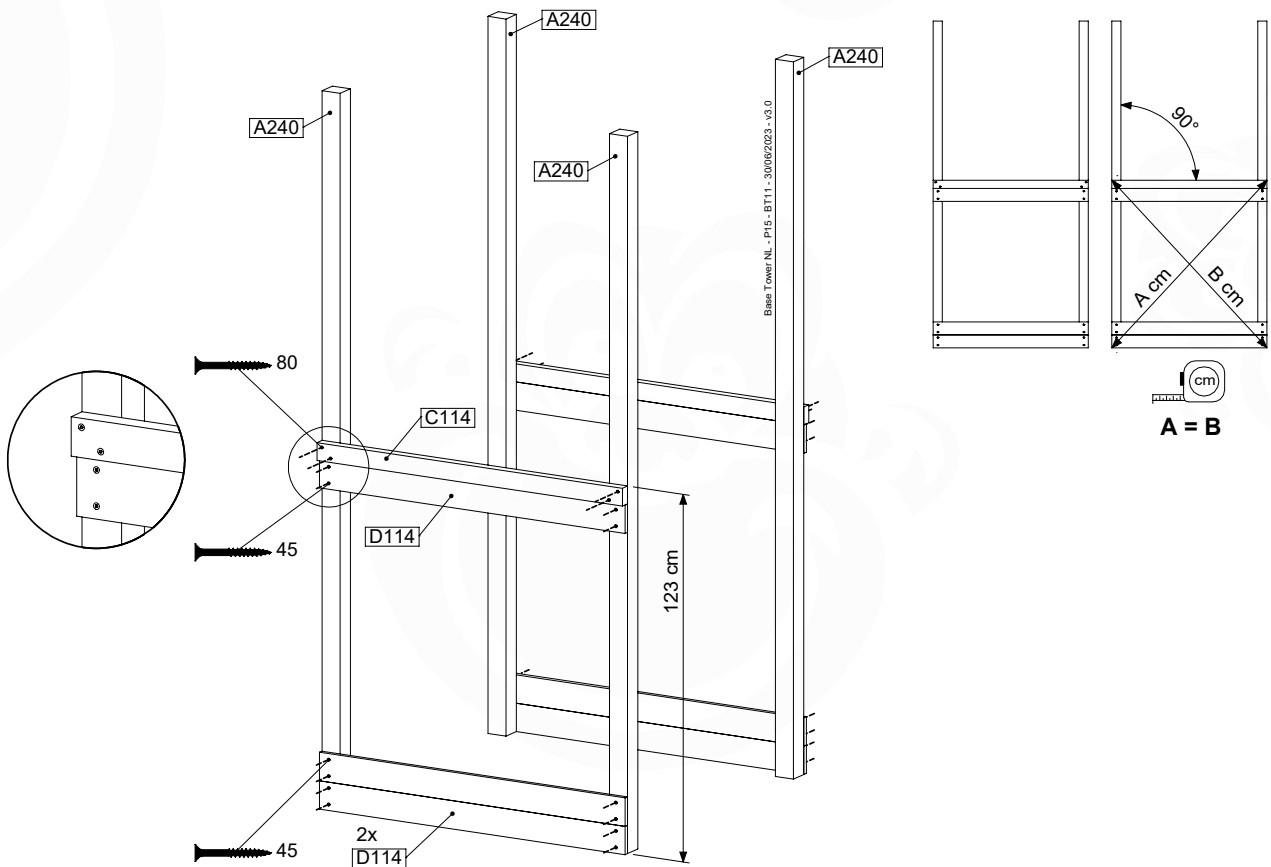
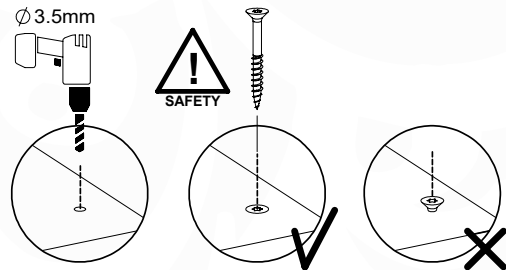
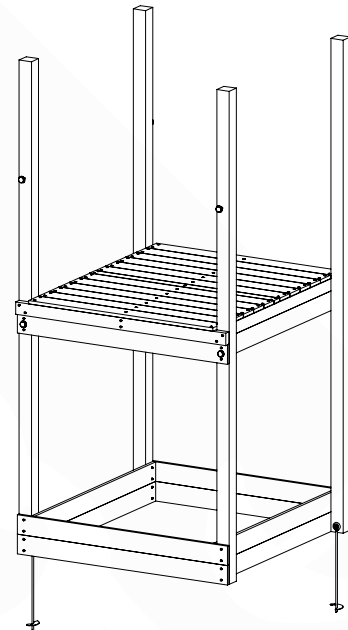
	ID			A	B	C	D
1	BT11a		p.13	✓	✓	-	-
2	ET19a		p.16	-	-	✓	-
3	BL03a		p.19	-	-	C2	-
4	BL04a		p.20	A3	B8	C3	-
5	RF08a		p.21	A5	B5	-	-
6	CB01a		p.24	A1	B6	-	-
7	BF03a		p.27	-	B1	-	-
8	BF04a		p.29	A6	-	-	-
9	TS05a		p.32	A7	-	-	-
10	PC06a		p.34	-	-	C3	-
11	LA12a		p.38	-	B4	-	-
12	CL10a		p.41	-	-	-	✓
13	SL07a		p.52	A4	-	-	-
14	FP04a		p.56	-	-	C1	-
15	GA		p.58	✓	✓	✓	✓
16	AC30a		p.60	A1	B6	-	-
17	AC01a		p.62	-	✓	-	-

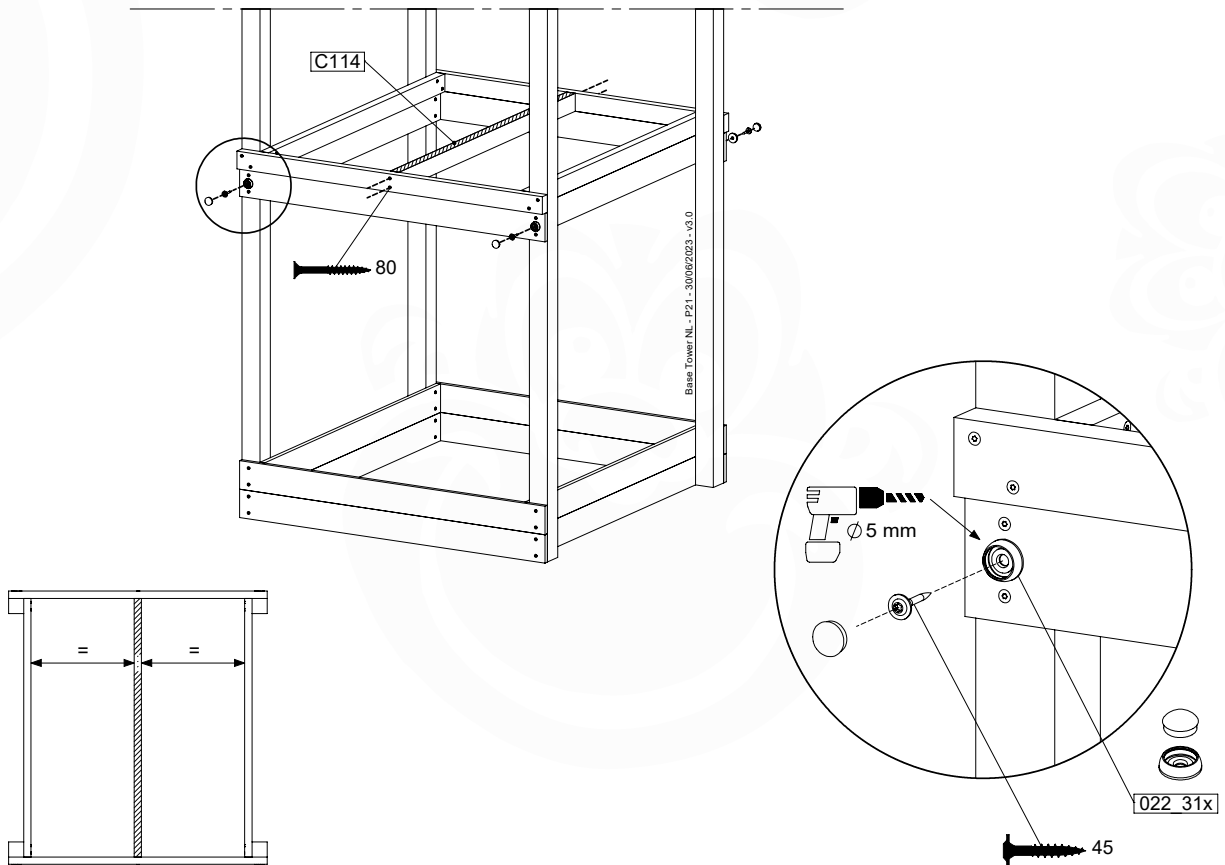
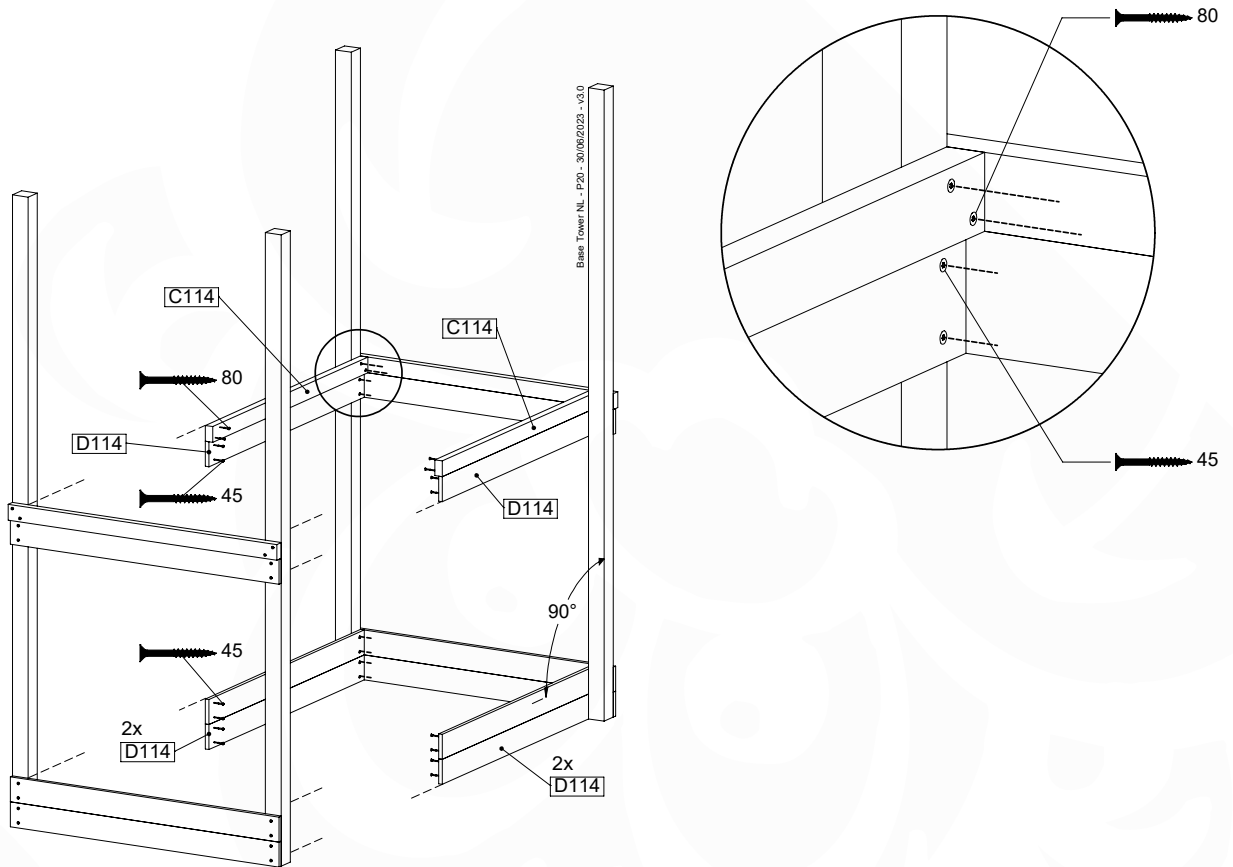
8 BT11a: Base Tower 115 125cm 240240

(194_300)

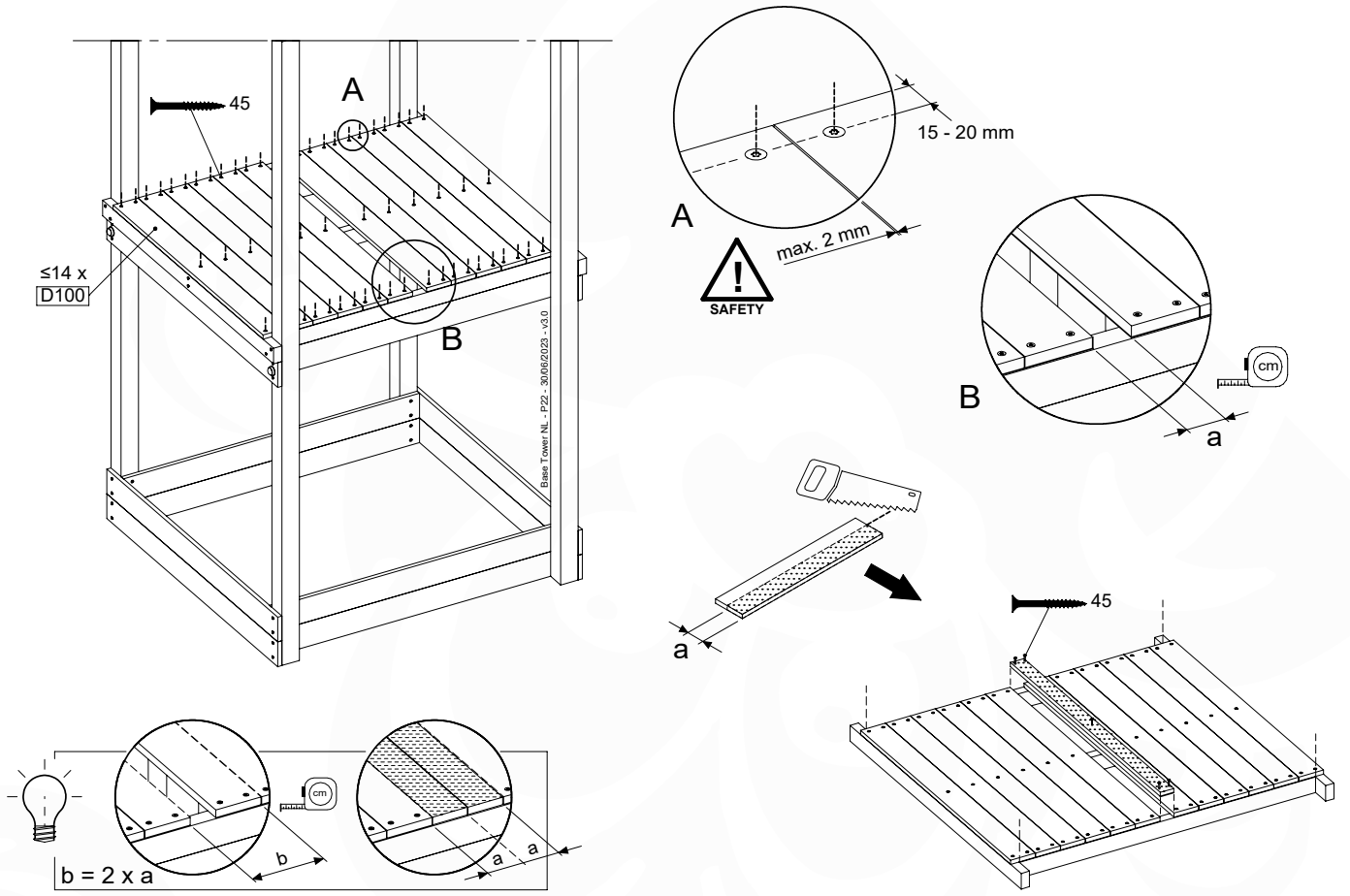
	PartNo	PartName	QTY.
Hardware pack	001_406	Stealth Screw 8x45	6
	001_417	Stealth Screw 8x80	4
	002_220	Gap Point Screw T25 - 5x45	118
	002_223	Gap Point Screw T25 - 5x80	20
	022_31x	bpc-base version 3	8
	022_84x	bpc cover	8
Other	007_001	Ground-anchor	2
Timber	A240	Post 70x70 L2400	4
	C114	Beam 1140 mm	5
	D100	Board 1000 mm	14
	D114	Board 1140 mm	12

Base Tower NL - P15 - BT11 - 300062023 - v3.0





8.2

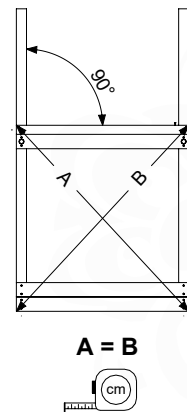
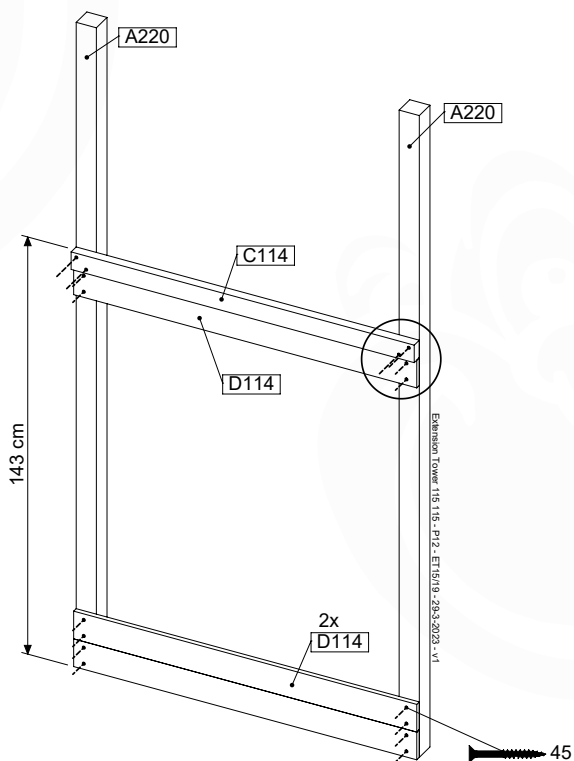
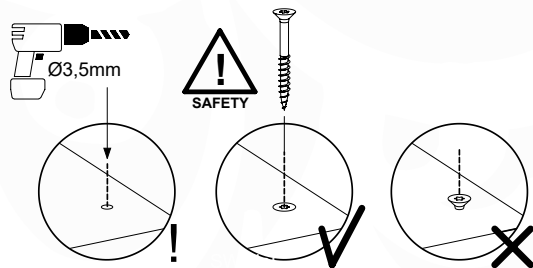
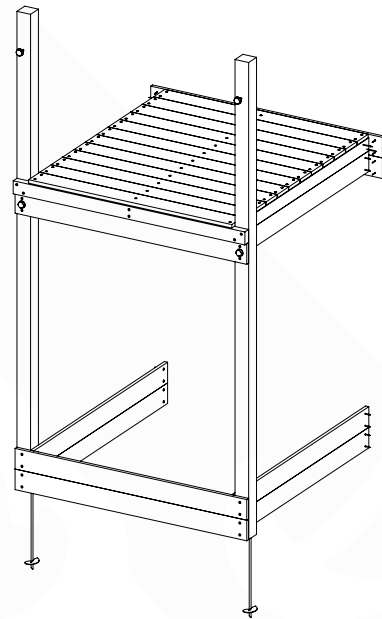


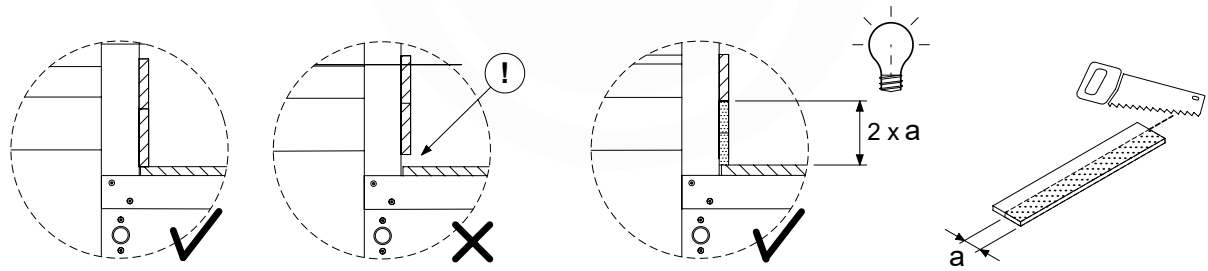
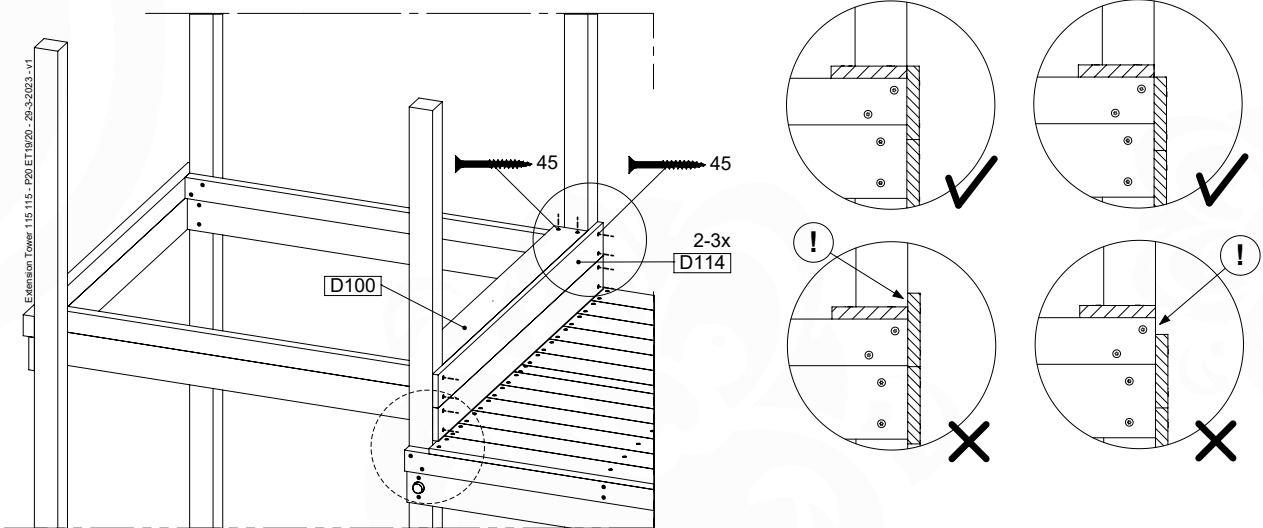
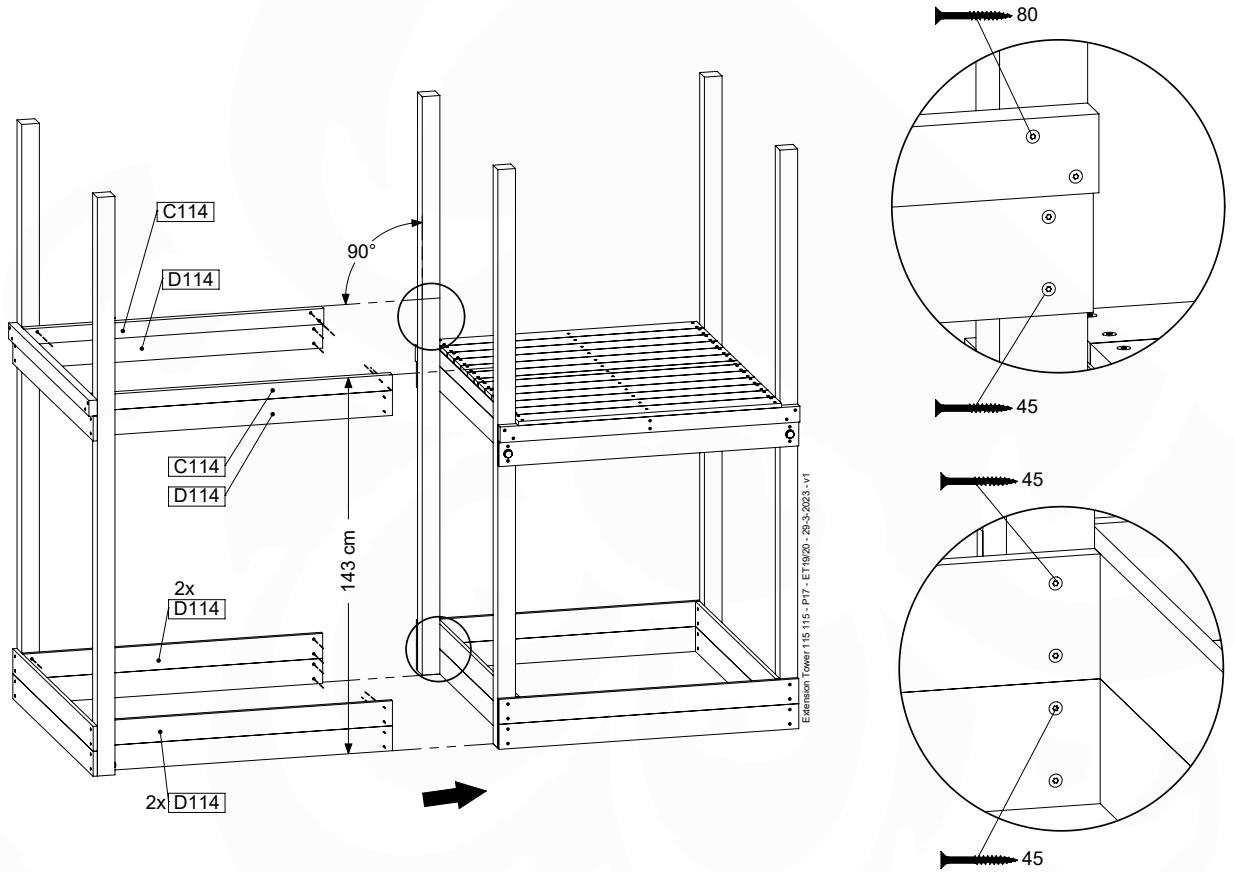
9 ET19a: Extension Tower 115 220/145

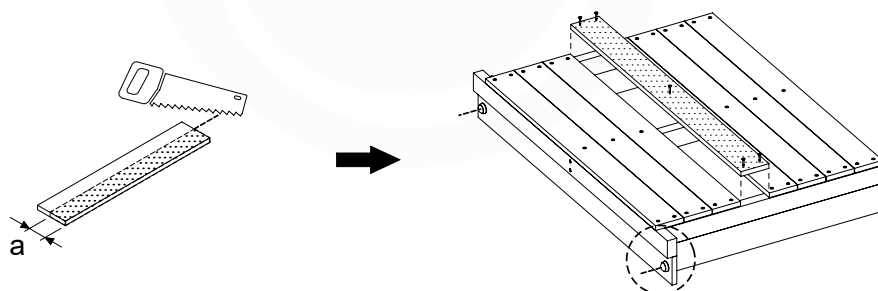
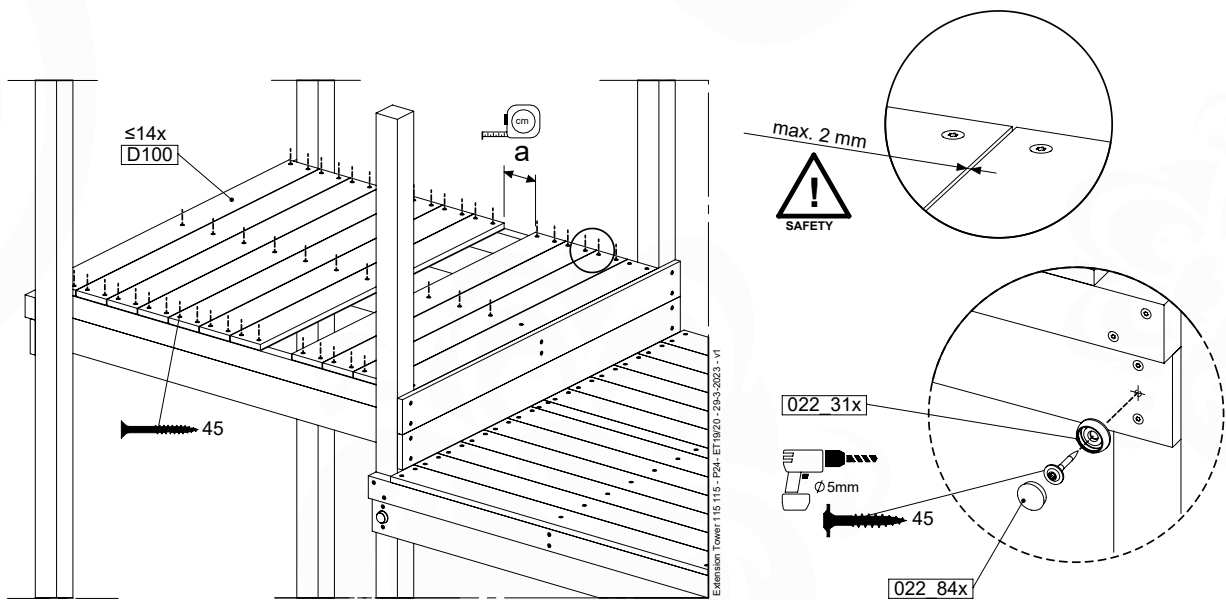
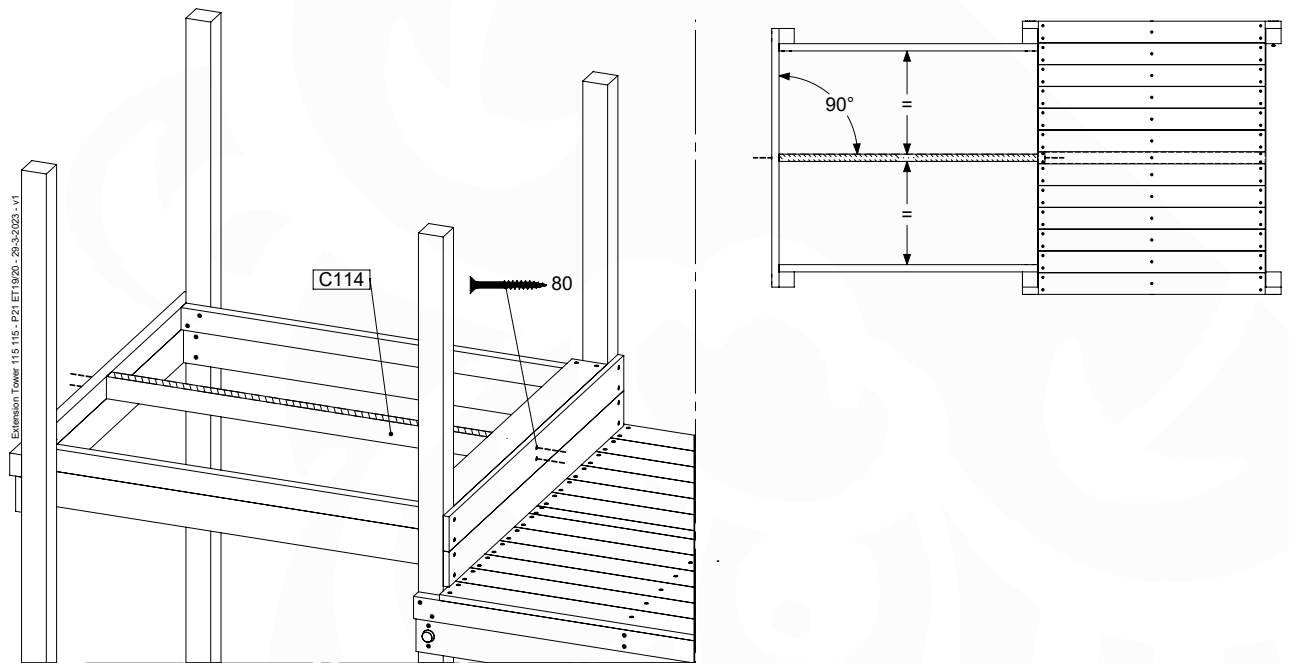
(194_300)

	PartNo	PartName	QTY.
Hardware pack	001_406	Stealth Screw 8x45	4
	001_417	Stealth Screw 8x80	2
	002_220	Gap Point Screw T25 - 5x45	118
	002_223	Gap Point Screw T25 - 5x80	16
Other	007_001	Ground-anchor	2
	022_31x	bpc-base version 3	4
	022_84x	bpc cover	4
Timber	A220	Post 70x70 L2200	2
	C114	Beam 1140 mm	4
	D100	Board 1000 mm	14
	D114	Board 1140 mm	12

Extension Tower 115 115 - P08 - ET19 - 20-3-2023 - v1





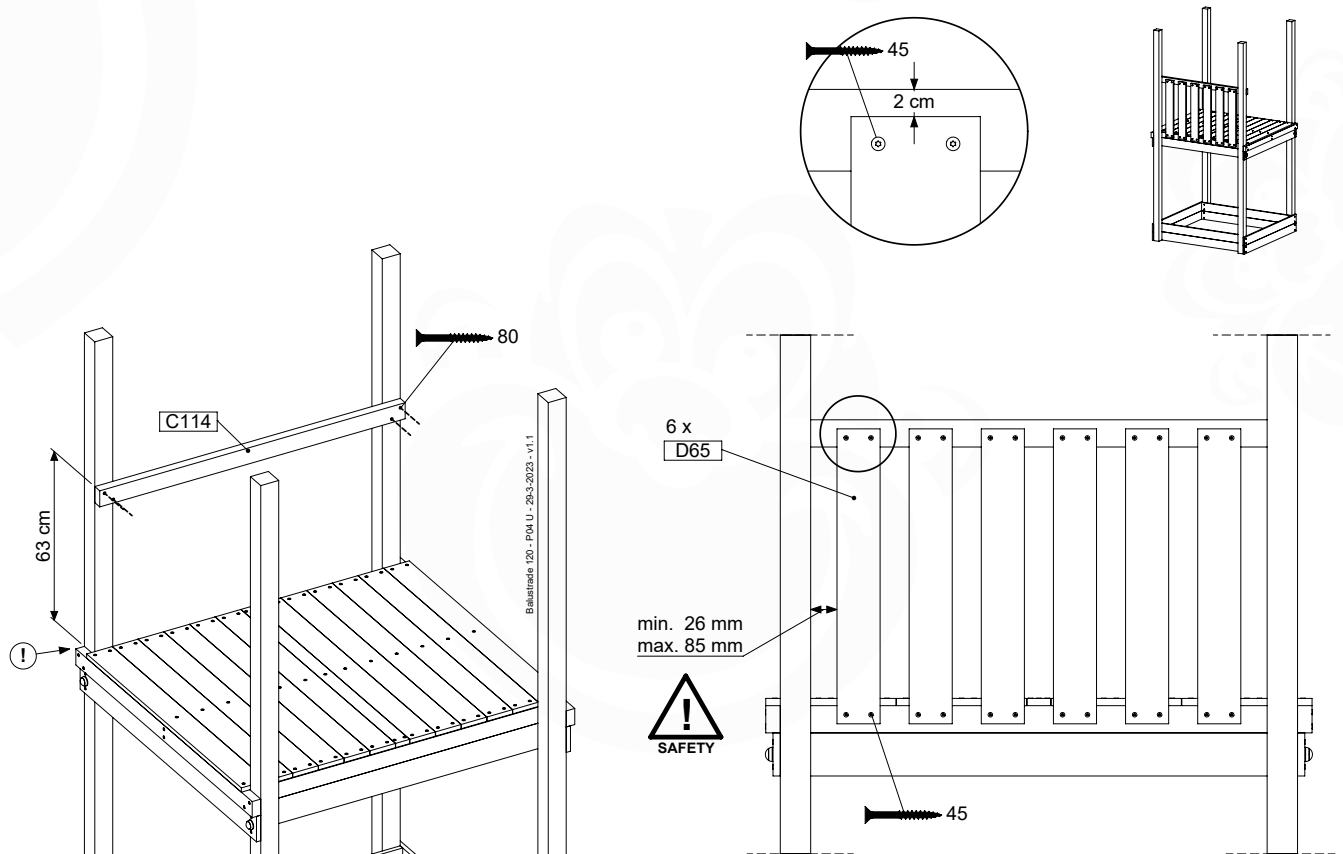
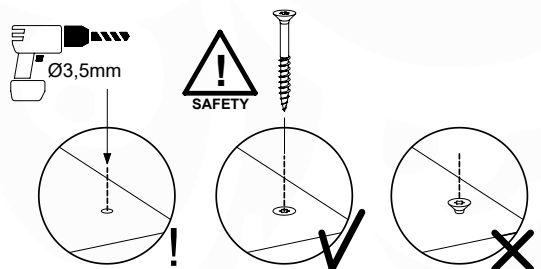
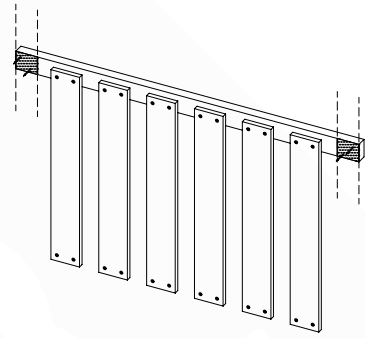


10 BL03a: Balustrade 115 U

(194_501)

	PartNo	PartName	QTY.
Hardware Pack	002_220	Gap Point Screw T25 - 5x45	24
	002_223	Gap Point Screw T25 - 5x80	4
Timber	C114	Beam 1140 mm	1
	D65	Board 650 mm	6

Balustrade 120 - P102 U - 29.3.2023 - v1.1

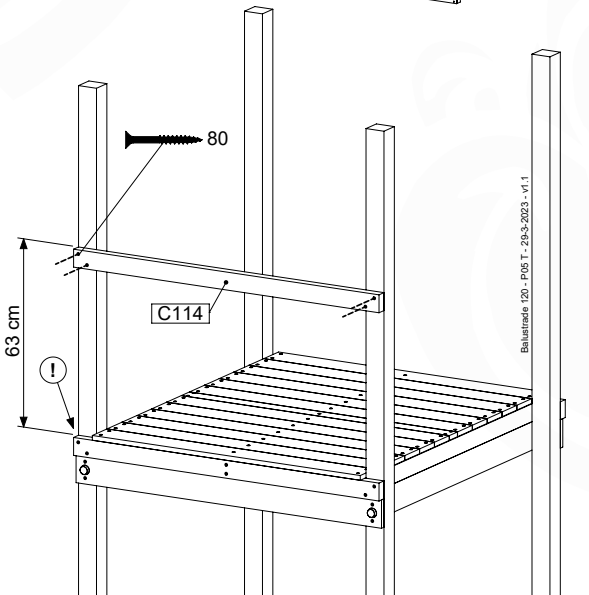
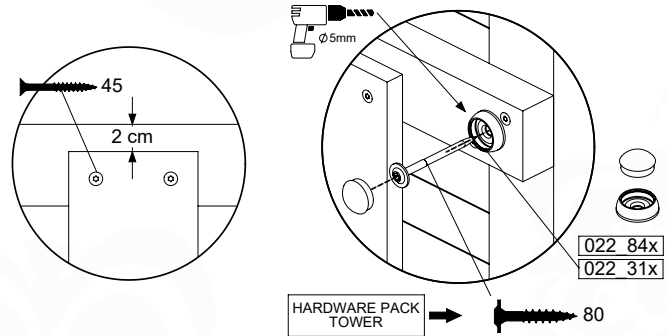
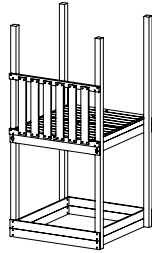
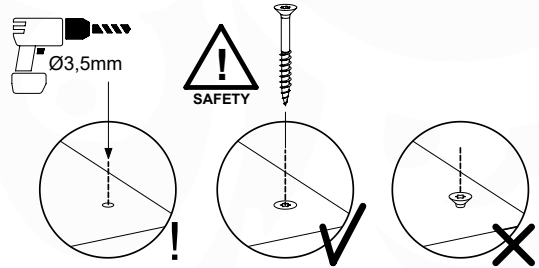
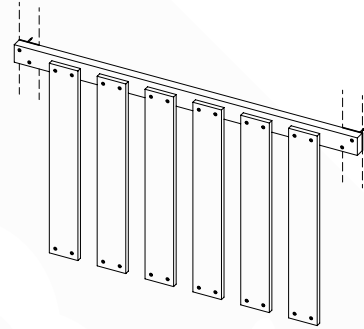


11 BL04a: Balustrade 115 T

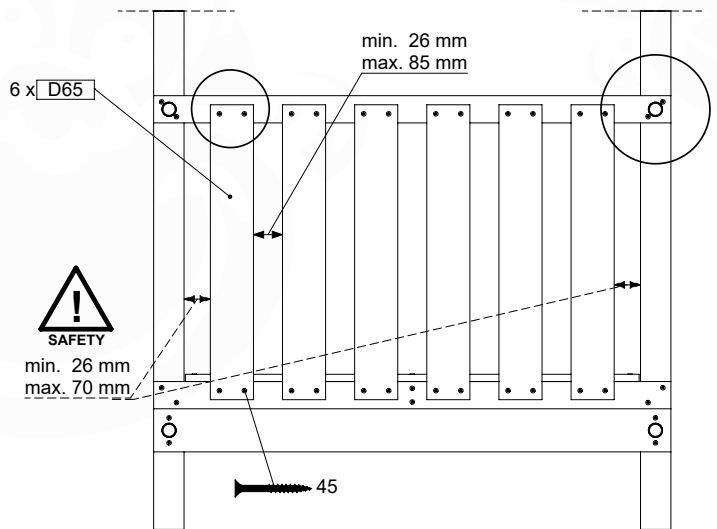
(194_501)

	PartNo	PartName	QTY.
Hardware Pack	002_220	Gap Point Screw T25 - 5x45	24
	002_223	Gap Point Screw T25 - 5x80	4
Timber	C114	Beam 1140 mm	1
	D65	Board 650 mm	6

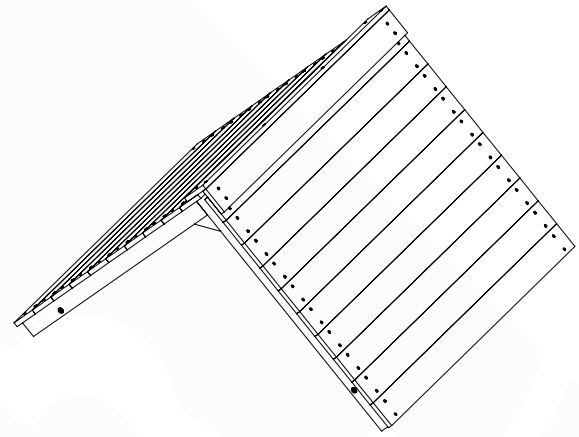
Balustrade 120 - P03 T - 29-3-2023 - v1.1



Balustrade 120 - P03 T - 29-3-2023 - v1.1



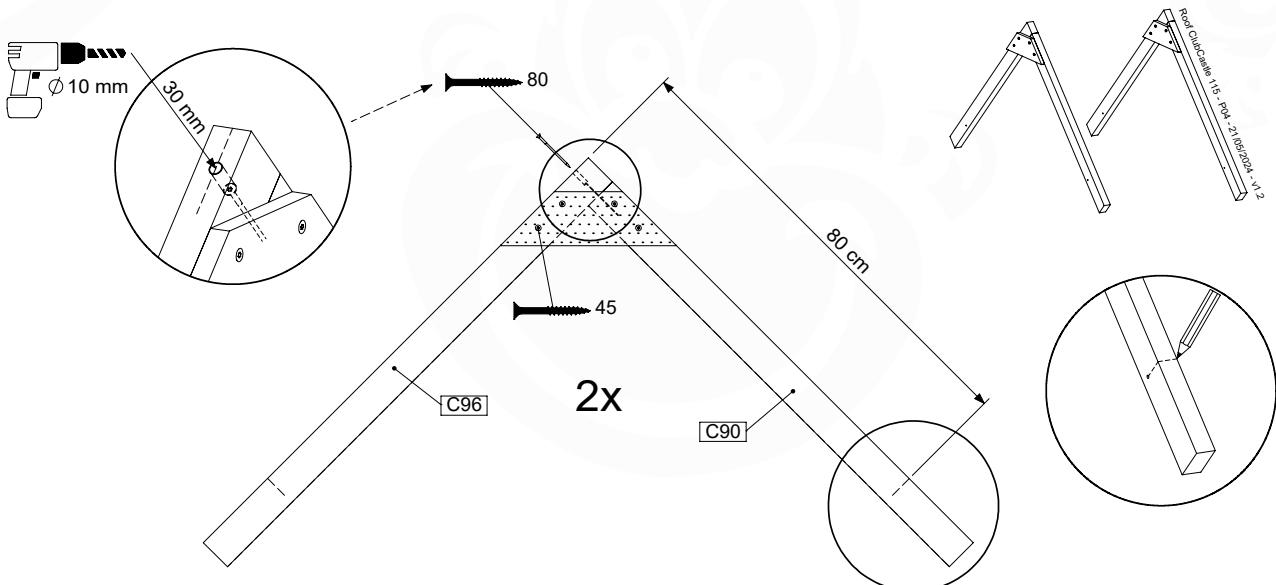
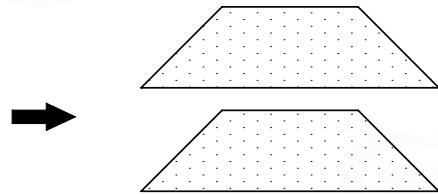
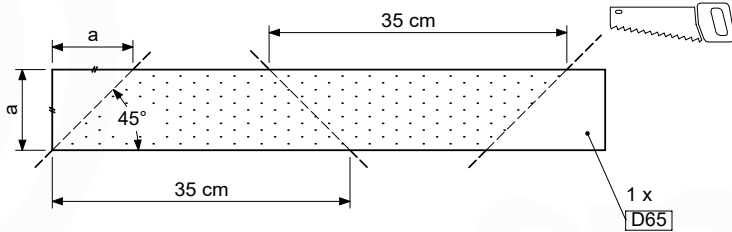
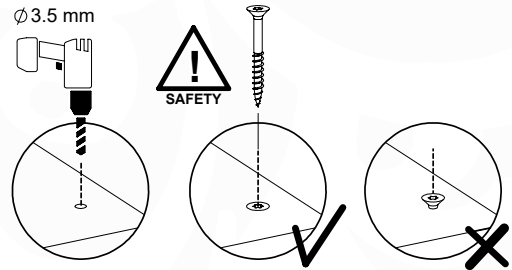
12 RF08a: Roof Timber Gable 115



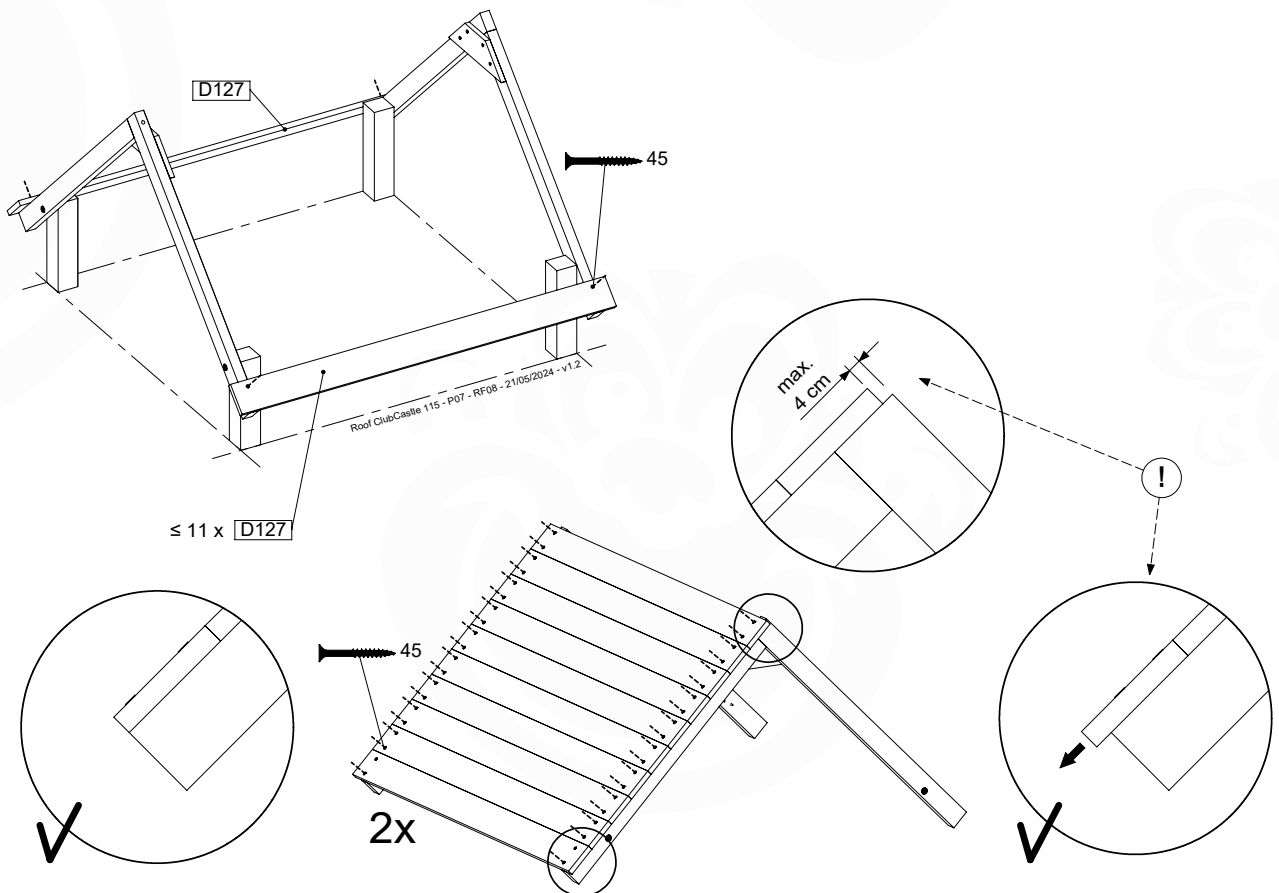
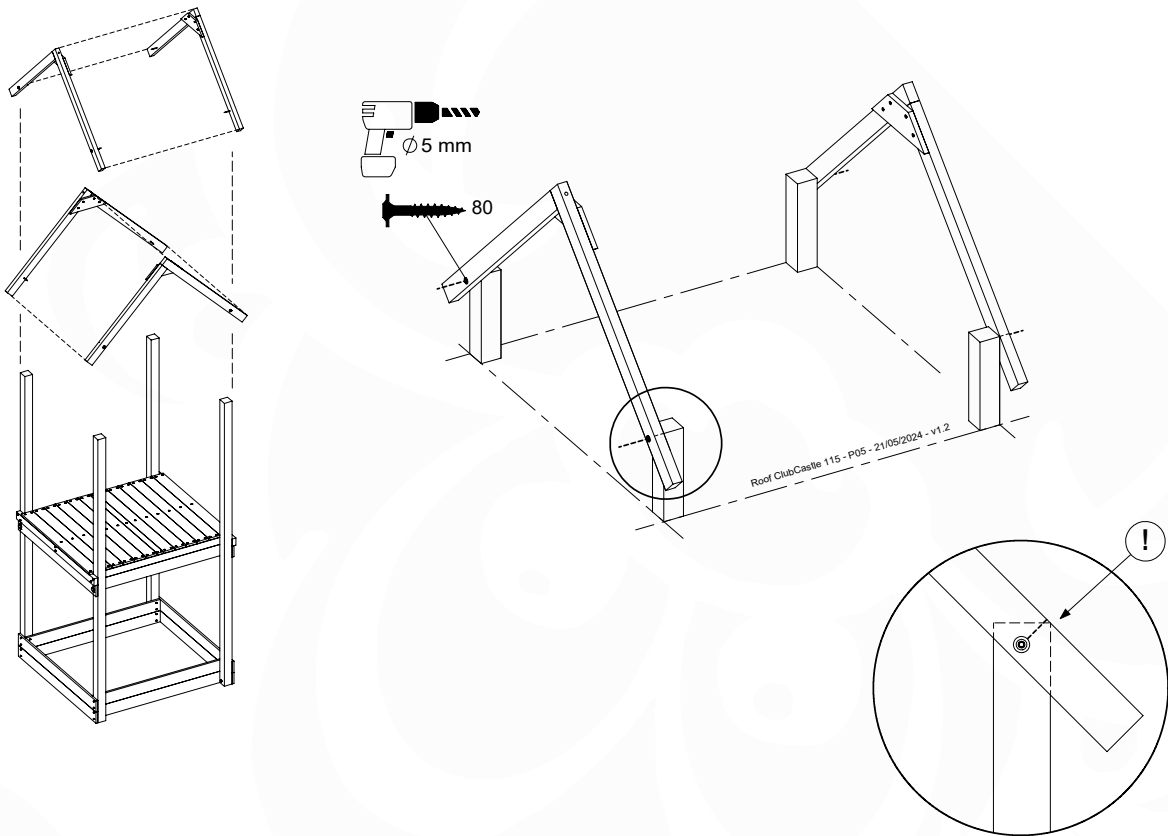
Assembly Pack: 194_308 / 194_804

	PartNo	PartName	QTY.
Hardware Pack	001_417	Stealth Screw 8x80	4
	002_220	Gap Point Screw T25 - 5x45	100
	002_223	Gap Point Screw T25 - 5x80	8
Timber	C96	Beam 960 mm	2
	D65	Board 650 mm	1
	D127	Board 1270 mm	24
	C90	Beam 900 mm	2

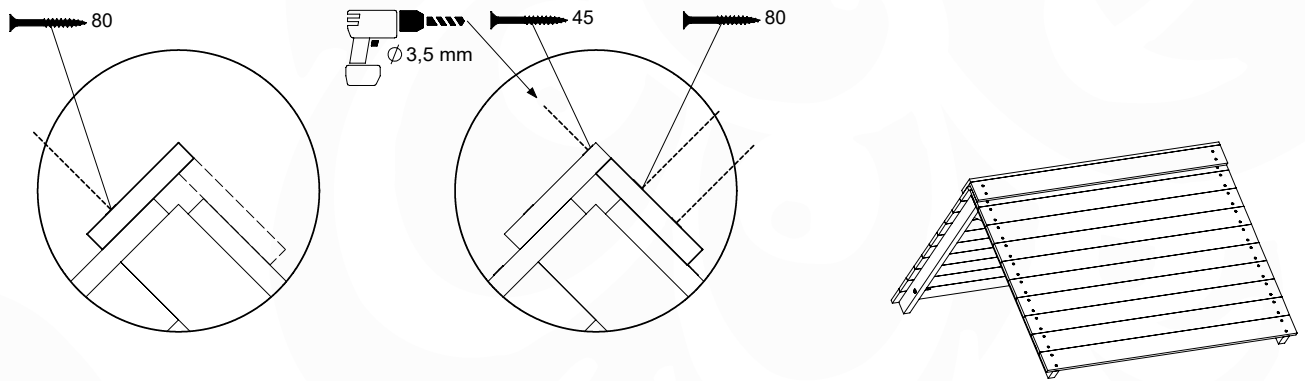
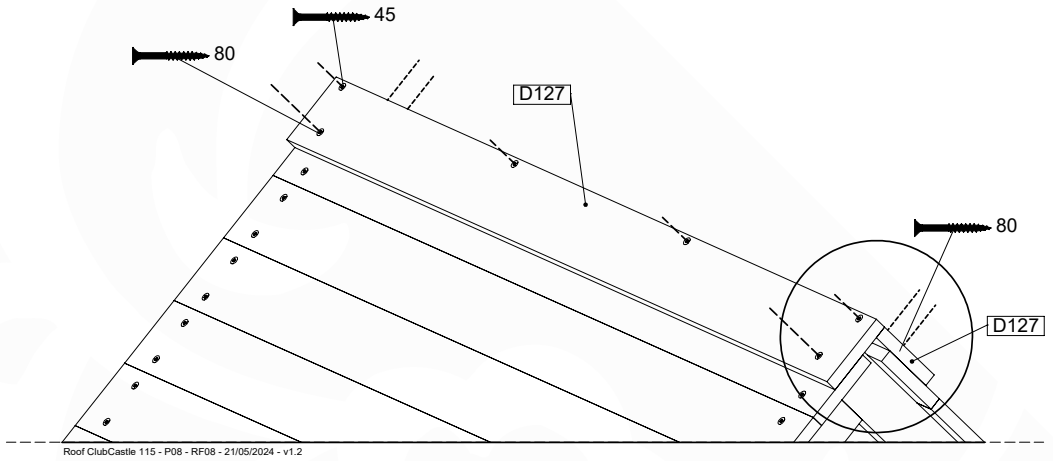
Roof Gable 115 - P03 - RF08 - 21/05/2024 - v1.2



12.1



12.2

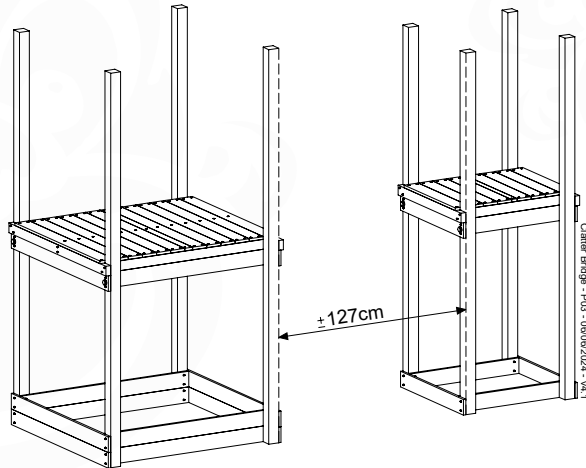
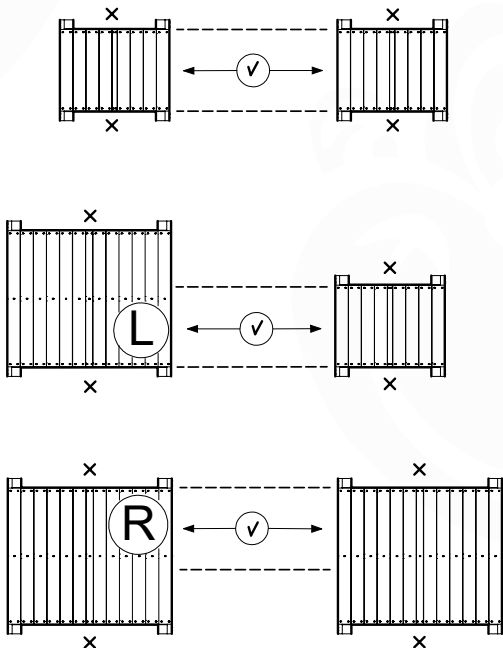
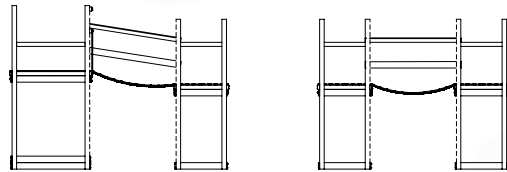
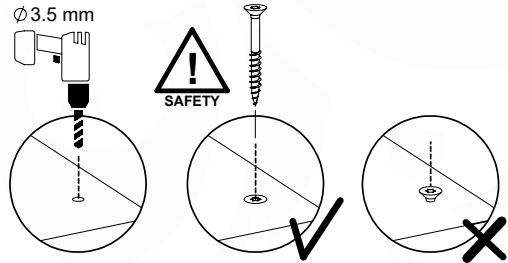
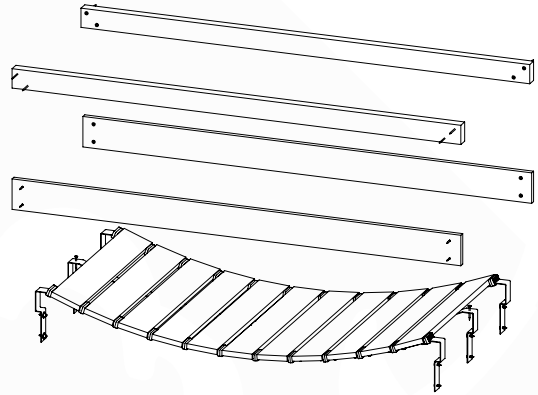


13 CB01a: Clatter Bridge - PART 1

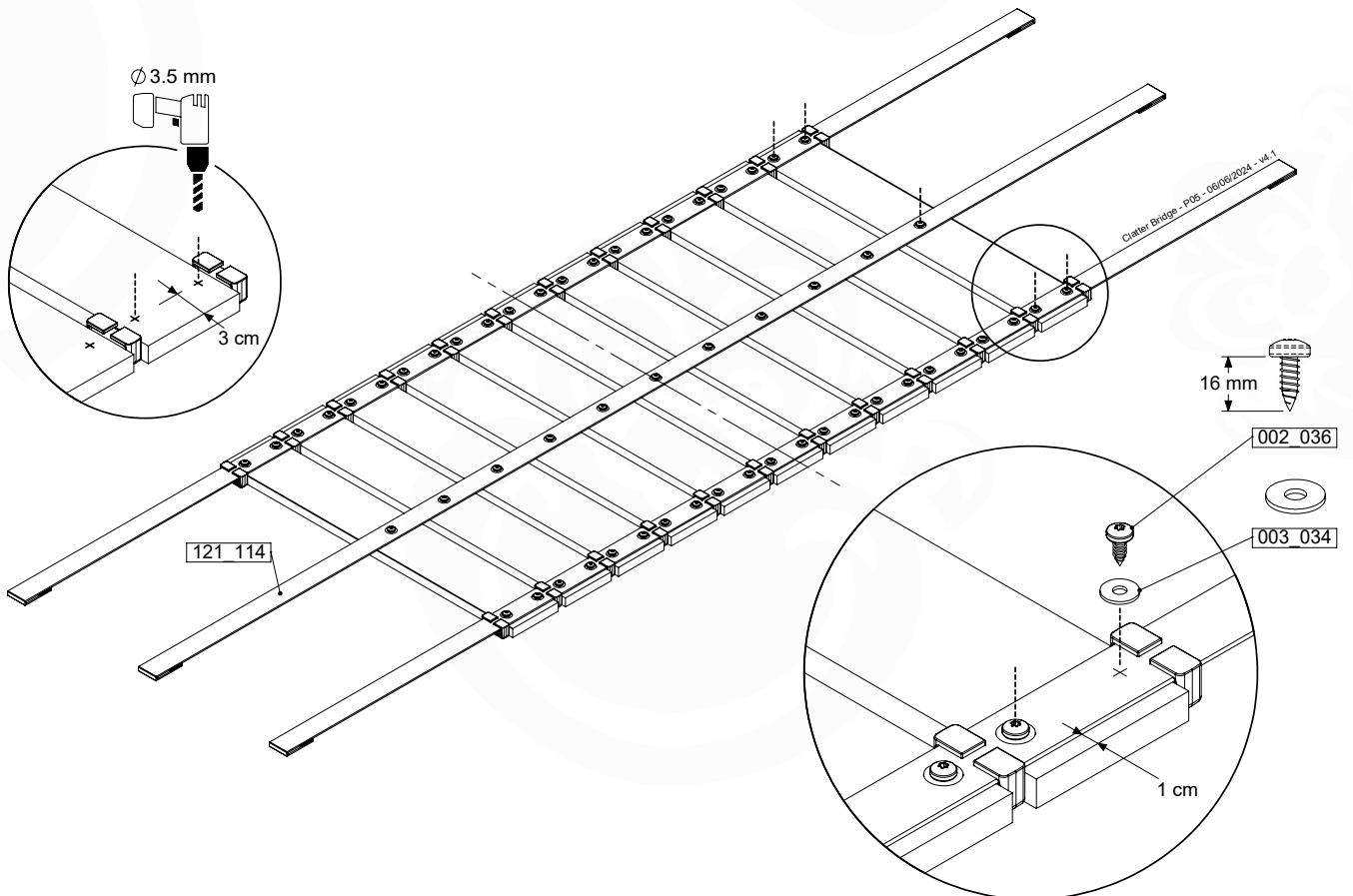
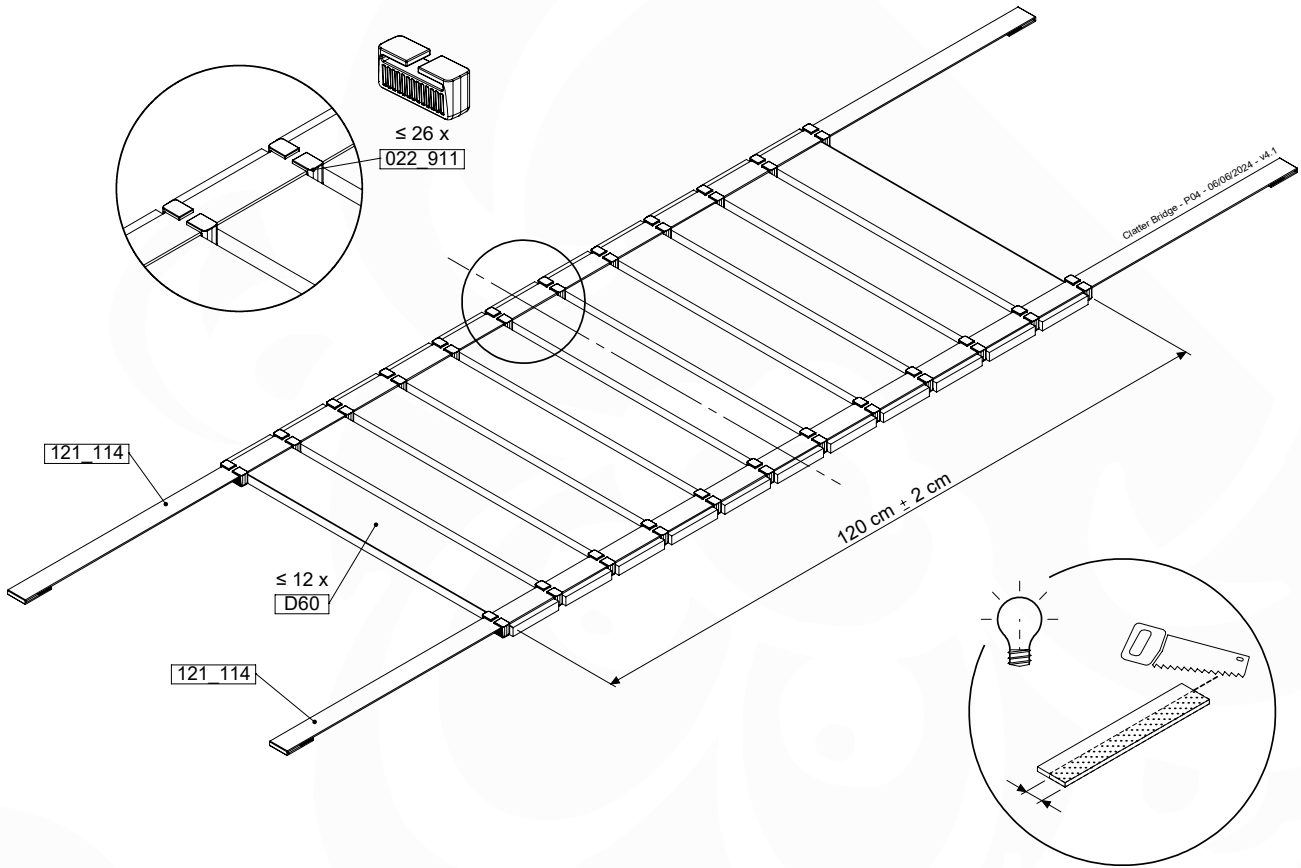
Assembly Pack: 194_116

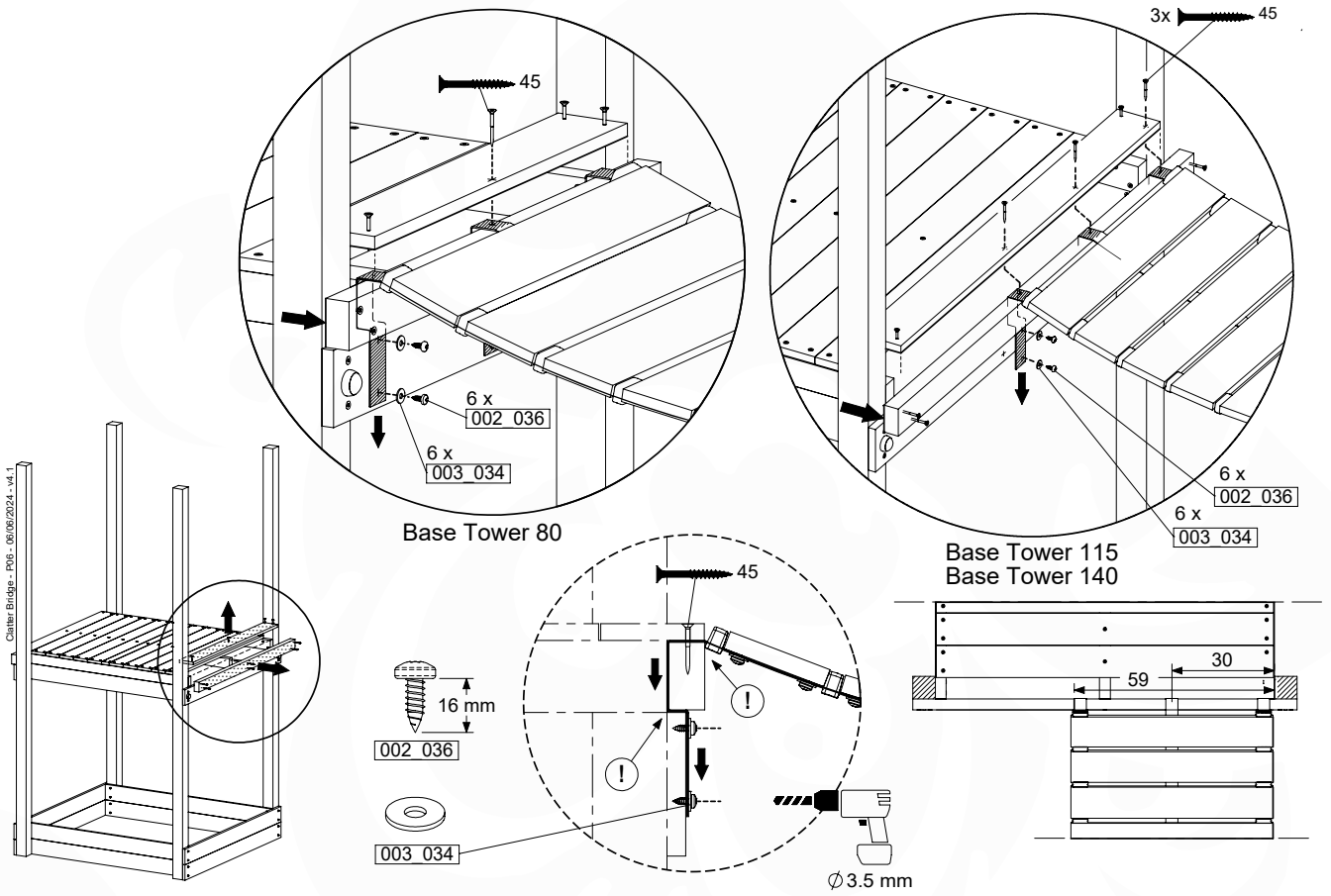
	PartNo	PartName	QTY.
Hardware + Parts	002_036	16mm Pan Head Tapping Screw T25	72
	002_220	Gap Point Screw T25 - 5x45	10
	002_223	Gap Point Screw T25 - 5x80	12
	003_034	M6 Washer	72
	022_911	Bridge Spacer	26
	121_114	BridgeLink Strap 210cm	3
Timber	C141	Beam 1410 mm	2
	D60	Board 600 mm	12
	D141	Board 1410 mm	2

Clatter Bridge - P02 - 08/06/2024 - v4.1



13.1



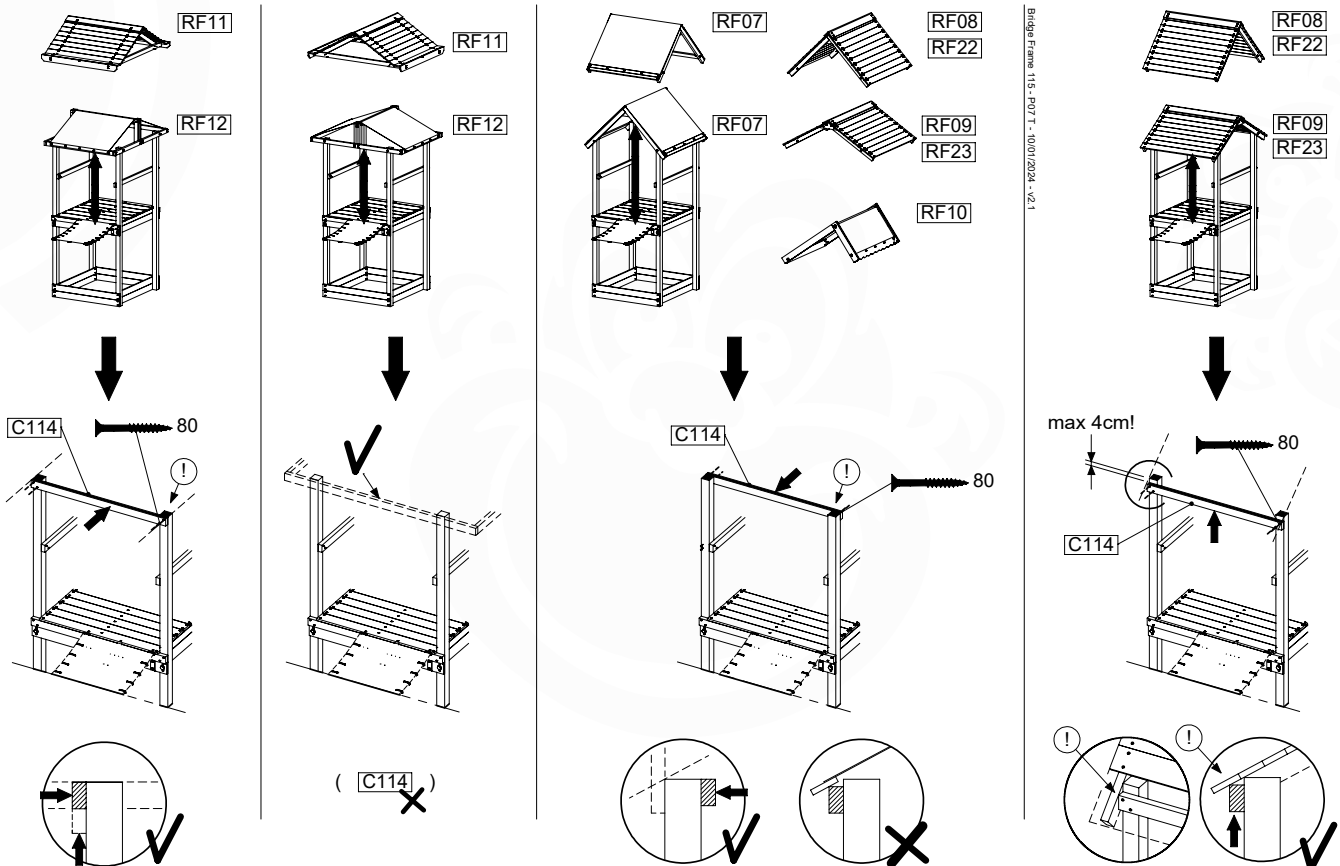
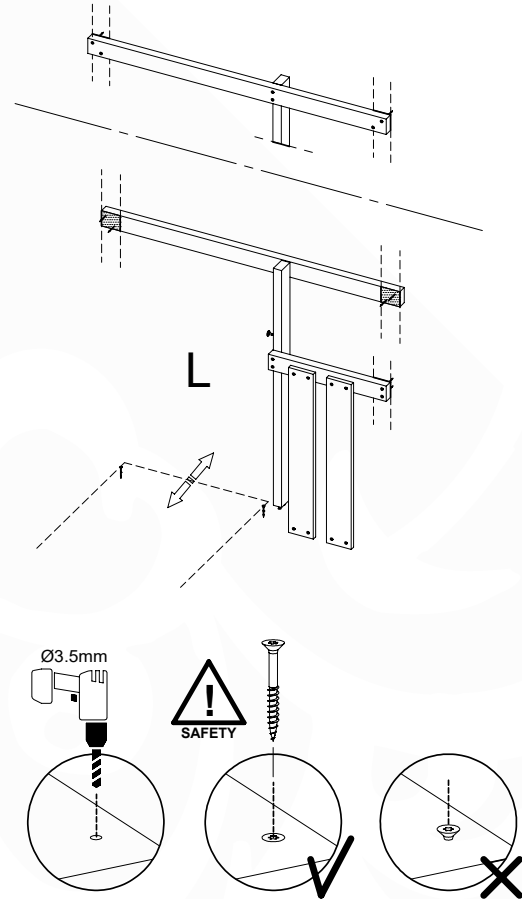


14 BF03a: Bridge Frame 115 T Left

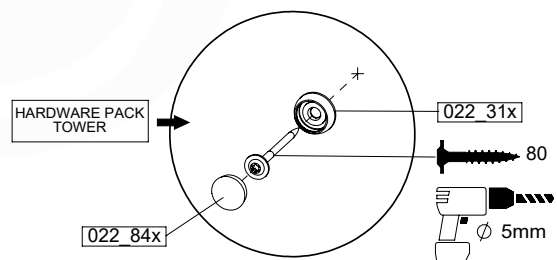
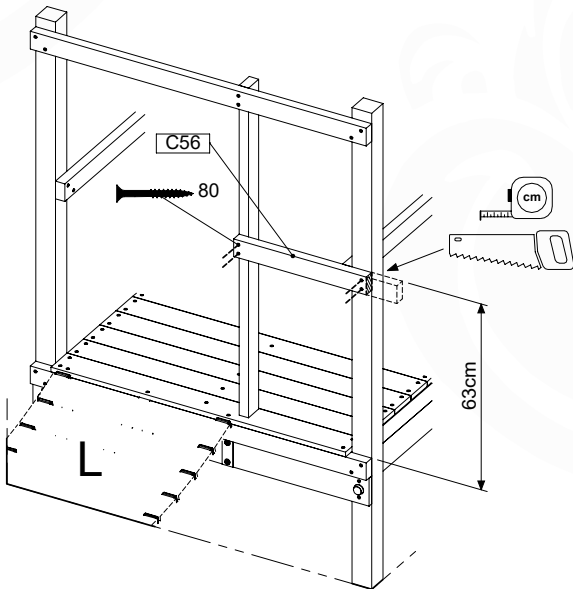
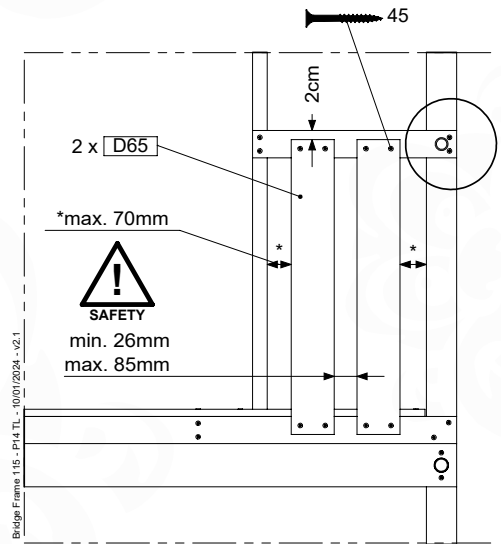
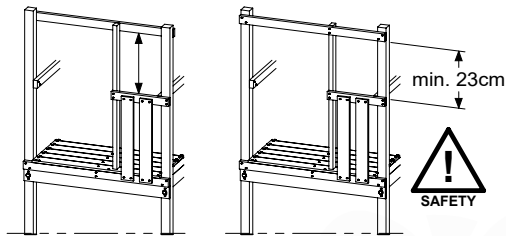
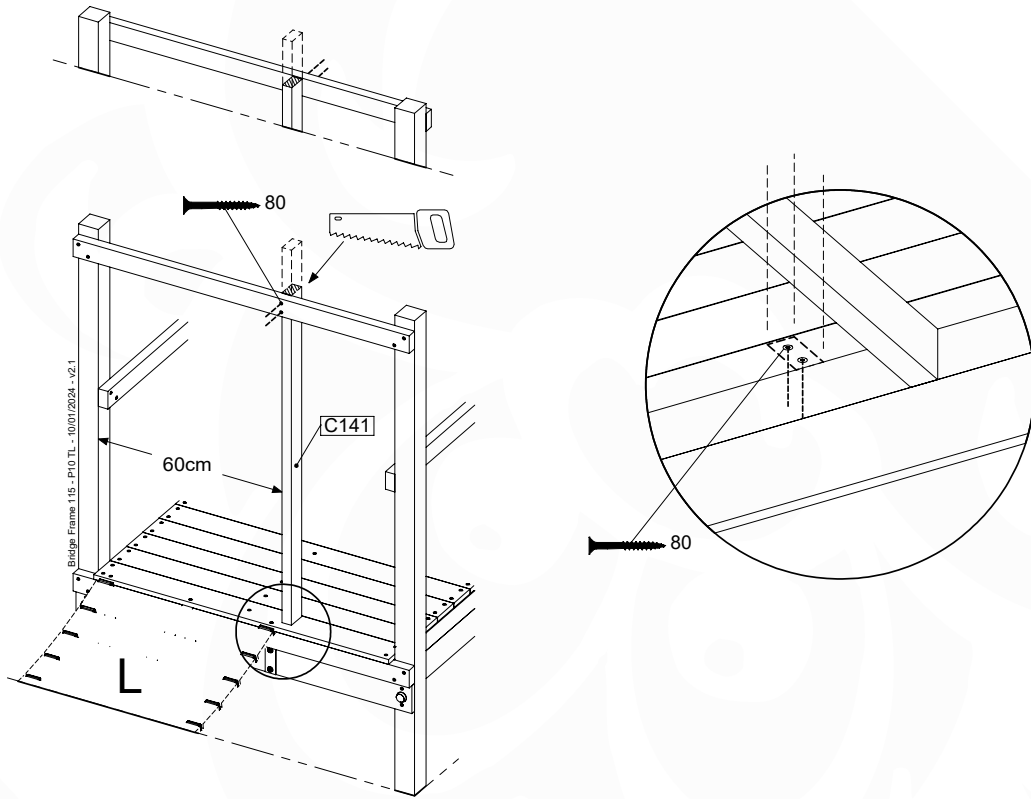
(194_007)

	PartNo	PartName	QTY.
Hardware Pack	001_411	Stealth Screw 8x60	1
	002_220	Gap Point Screw T25 - 5x45	10
	002_223	Gap Point Screw T25 - 5x80	12
Timber	C56	Beam 560 mm	1
	C114	Beam 1140 mm	1
	C141	Beam 1410 mm	1
	D65	Board 650 mm	2

Bridge Frame 115 - P04 TL - 10/01/2024 - v2.1



Bridge Frame 115 - P07 L - 10/01/2024 - v2.1

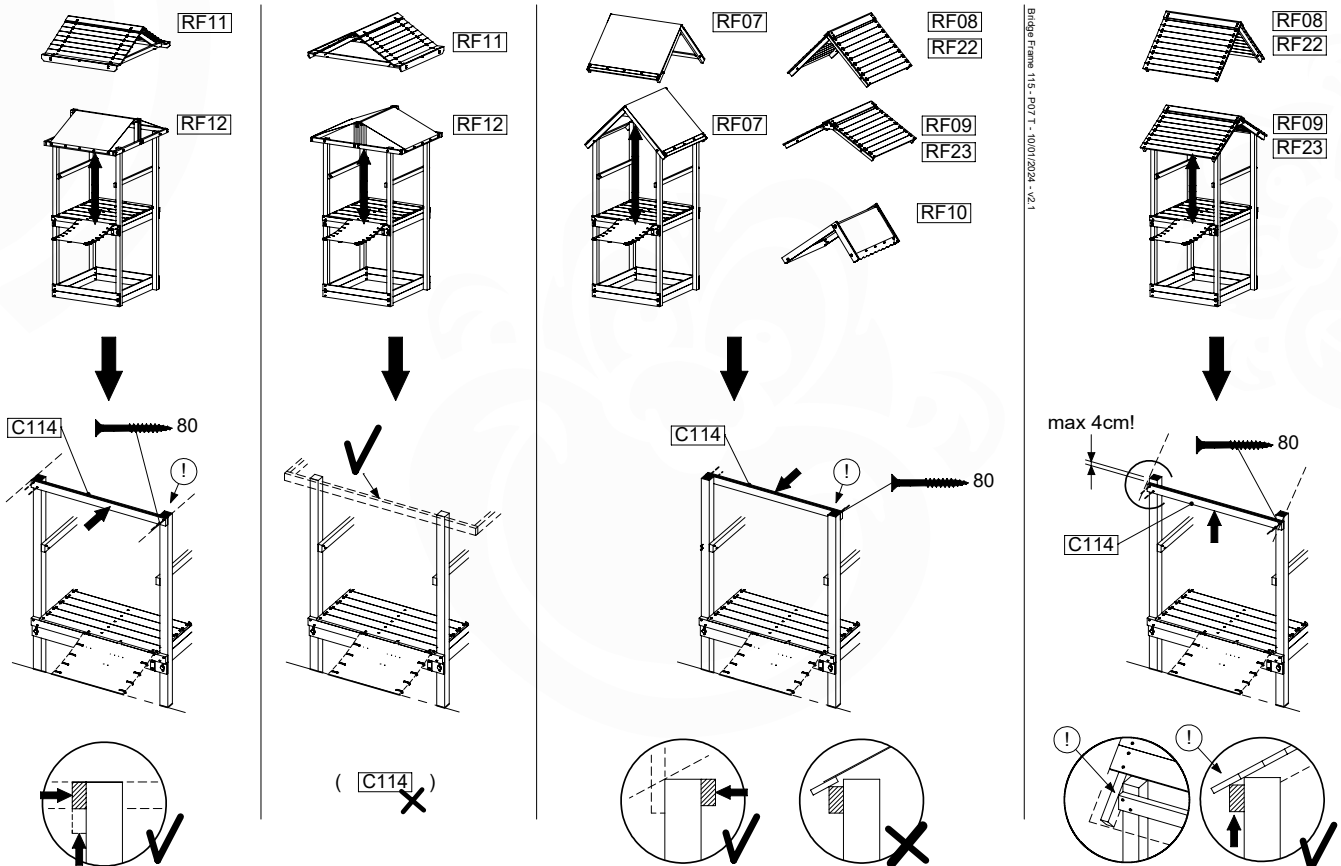
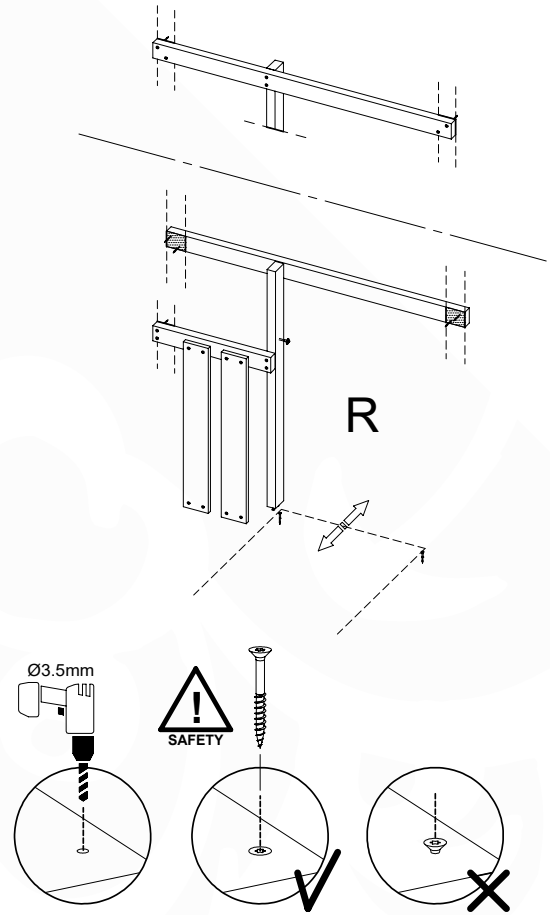


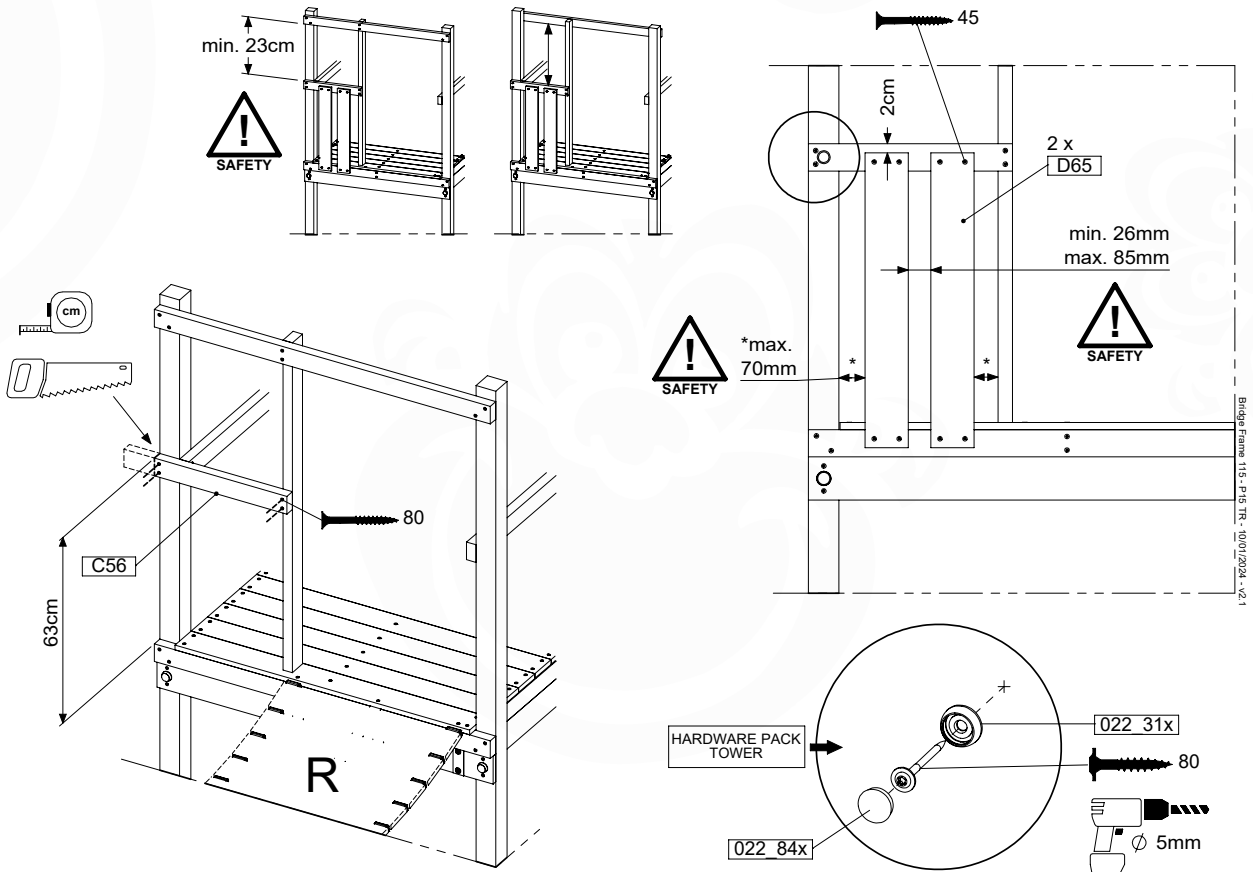
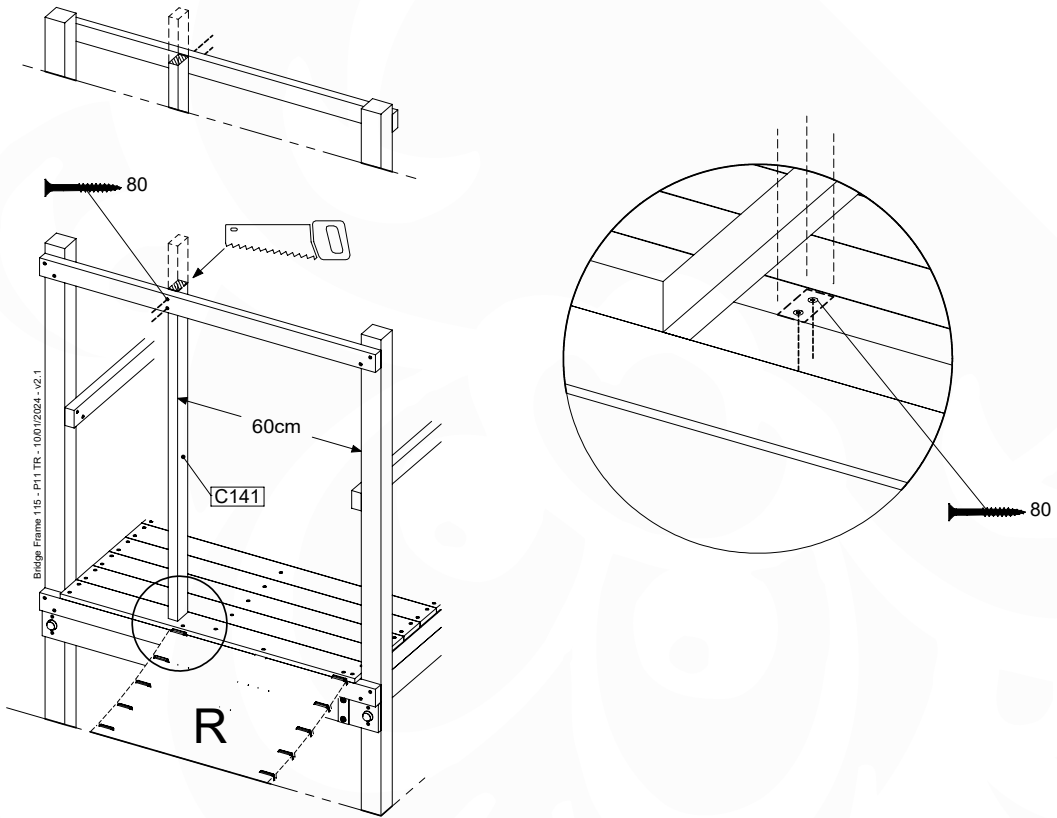
15 BF04a: Bridge Frame 115 T Right

(194_007)

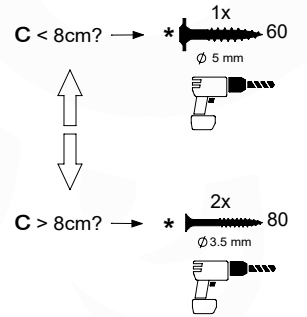
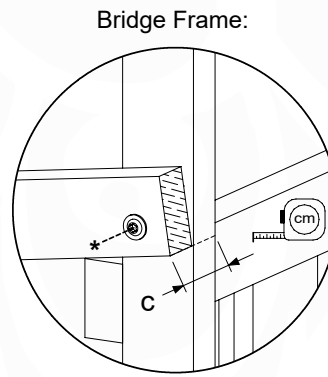
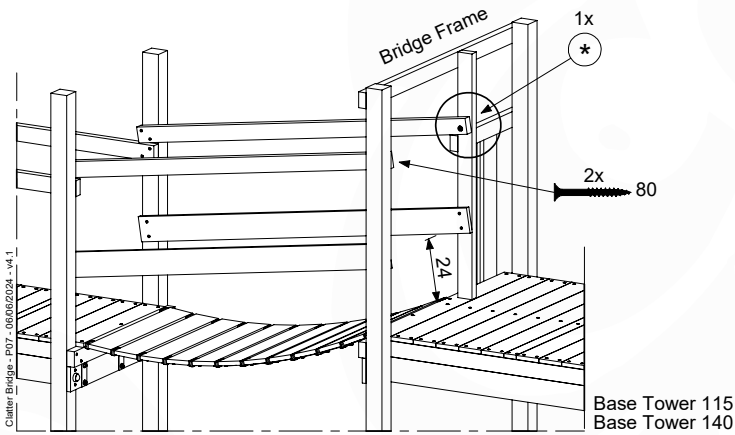
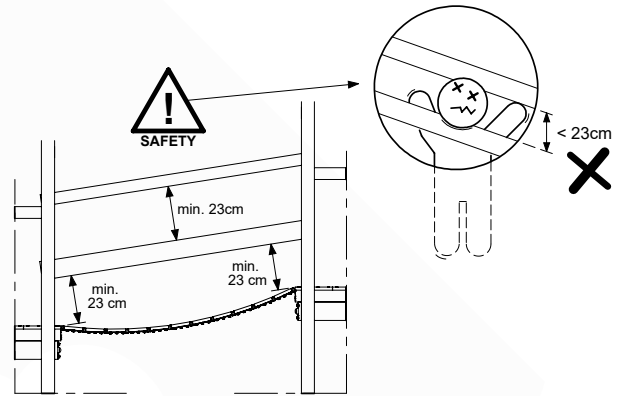
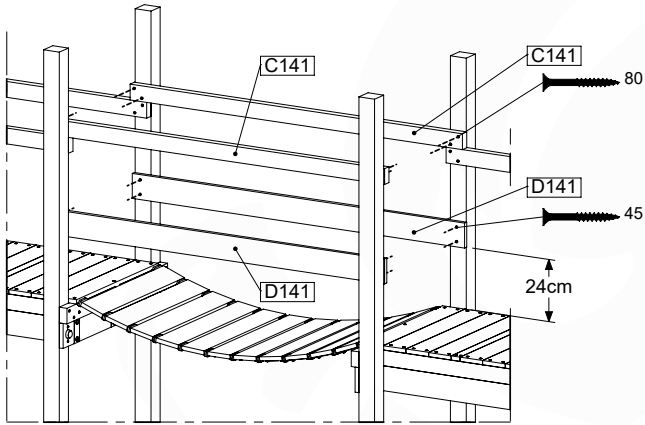
	PartNo	PartName	QTY.
Hardware Pack	001_411	Stealth Screw 8x60	1
	002_220	Gap Point Screw T25 - 5x45	10
	002_223	Gap Point Screw T25 - 5x80	12
Timber	C56	Beam 560 mm	1
	C114	Beam 1140 mm	1
	C141	Beam 1410 mm	1
	D65	Board 650 mm	2

Bridge Frame 115 - P05 TR - 10012024 - v2.1





16 CB01a: Clatter Bridge - PART 2



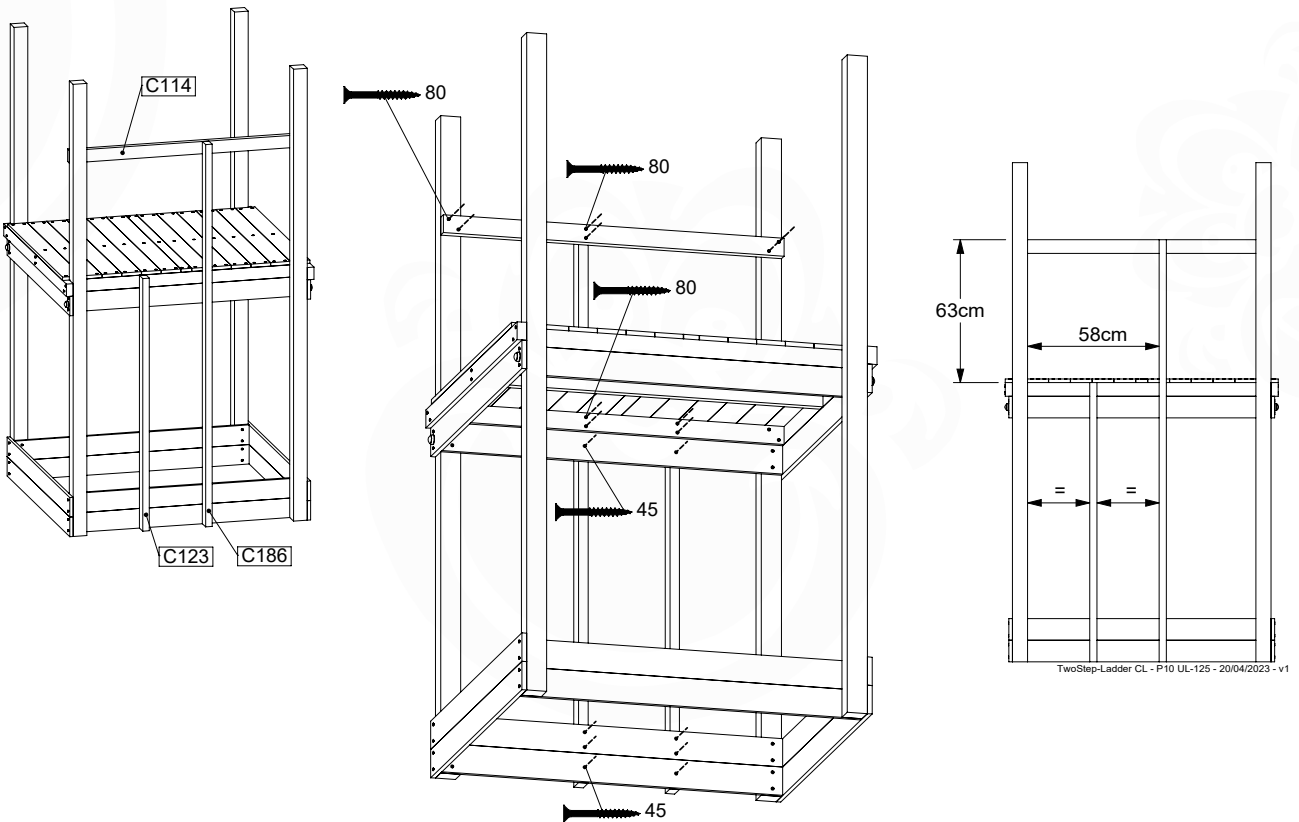
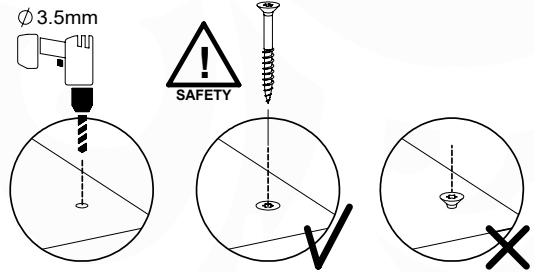
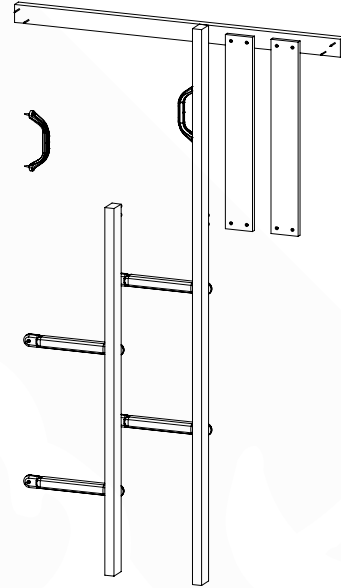
Clatter Bridge - P07_06062024_v4-1

17 TS05a: Two Step 115 125 U Left

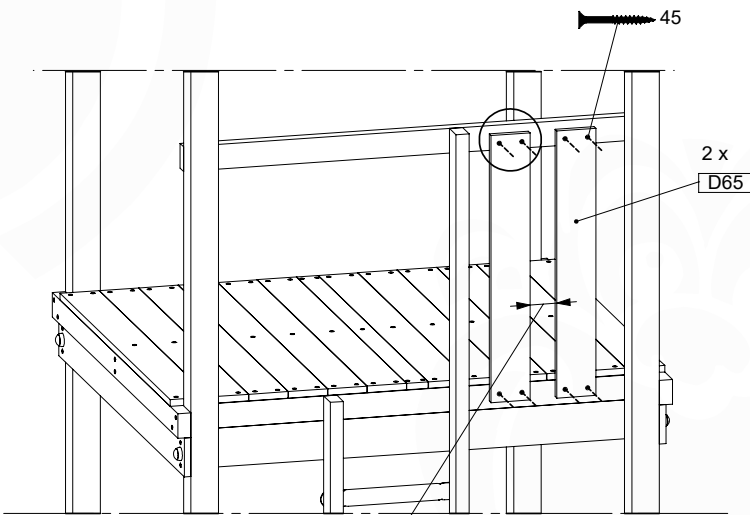
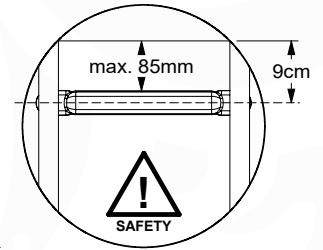
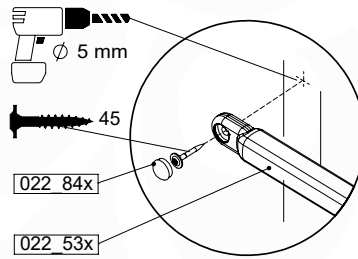
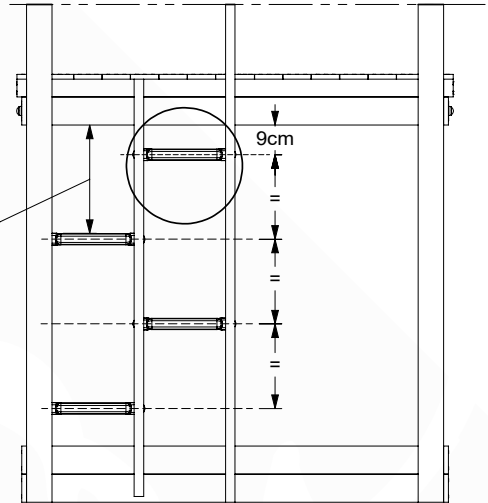
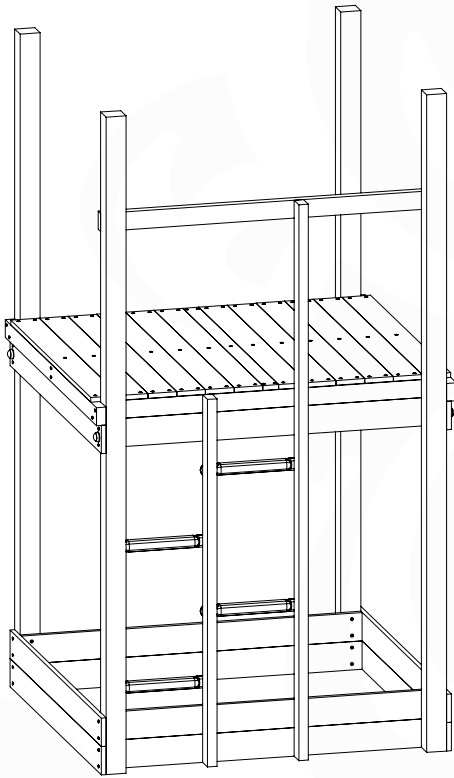
(194_002 +194_101)

	PartNo	PartName	QTY.
Hardware pack	001_406	Stealth Screw 8x45	8
	002_220	Gap Point Screw T25 - 5x45	16
	002_223	Gap Point Screw T25 - 5x80	10
Other	022_53x	Ladder/ Rope Rung 30cm	4
	022_84x	bpc cover	8
	120_102	Handgrip set (complete 2x)	1
Timber	C114	Beam 1140 mm	1
	C123	Beam 1230 mm	1
	C186	Beam 1860 mm	1
	D65	Board 650 mm	2

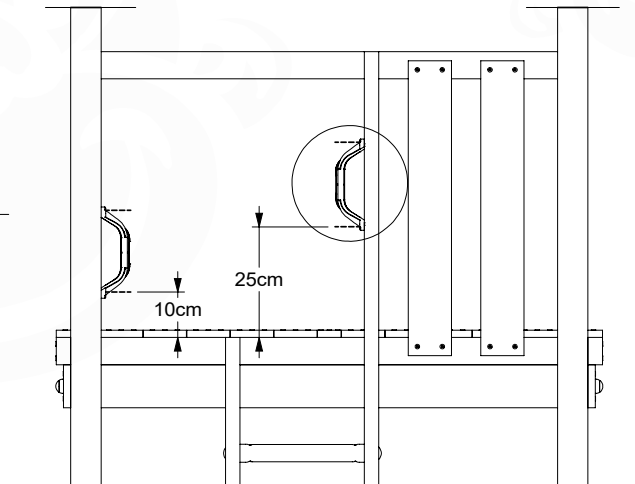
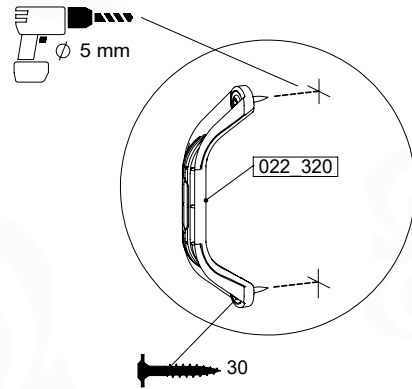
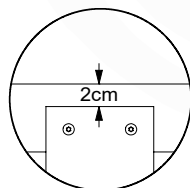
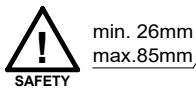
TwoStep-Ladder CL - P10 UL-125 - 20/04/2023 - v1



TwoStep-Ladder CL - P10 UL-125 - 20/04/2023 - v1



TwoStep-Ladder CL - P26 UL-125/145 - 20/04/2023 - v1

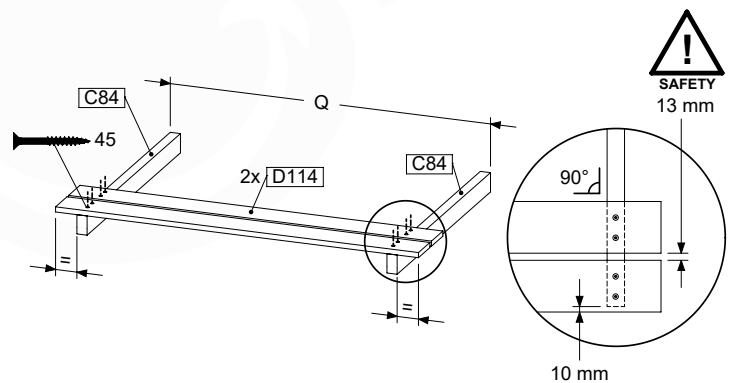
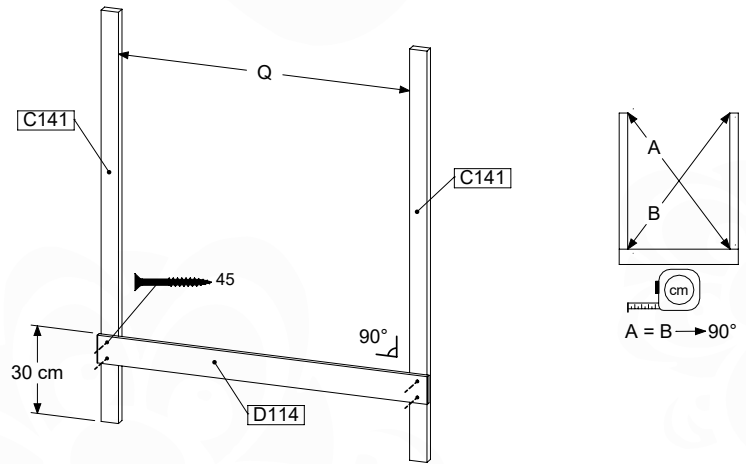
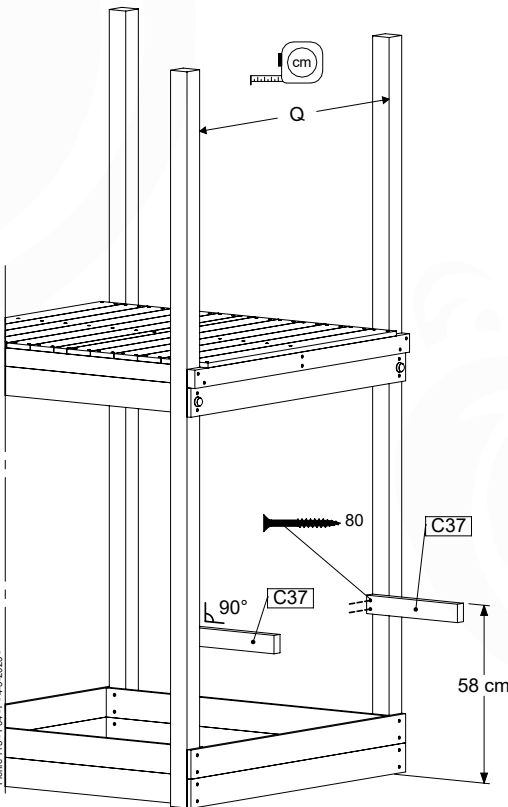
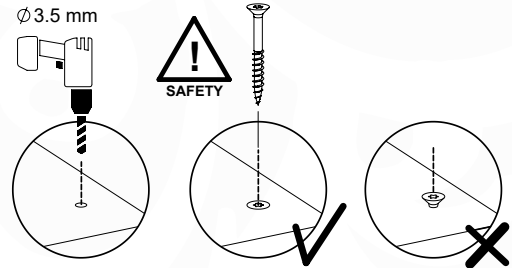
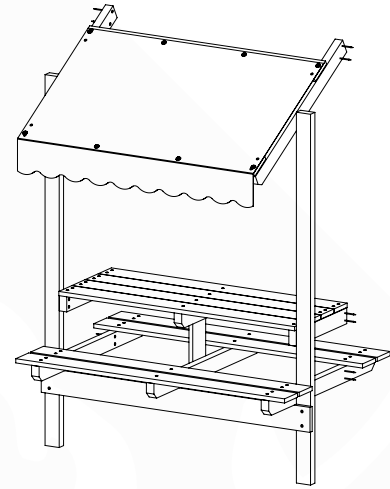


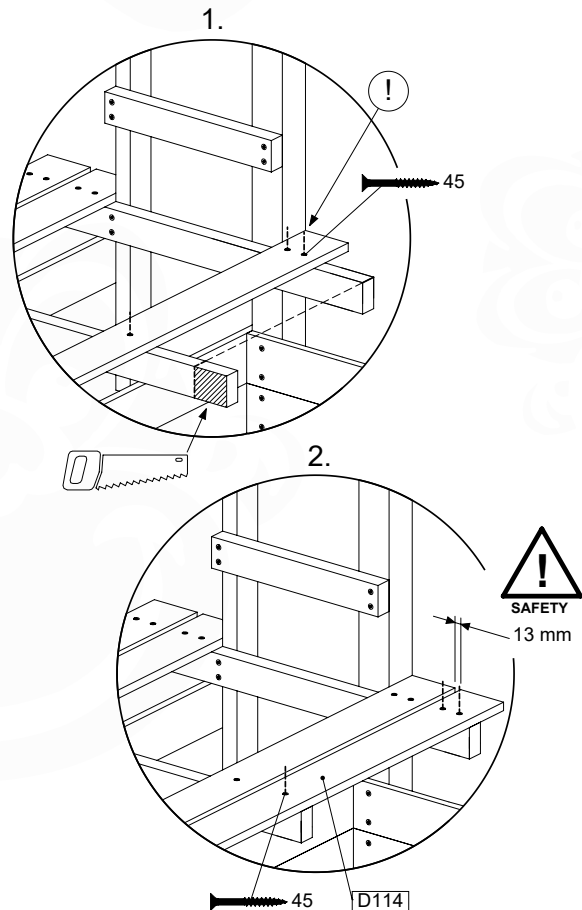
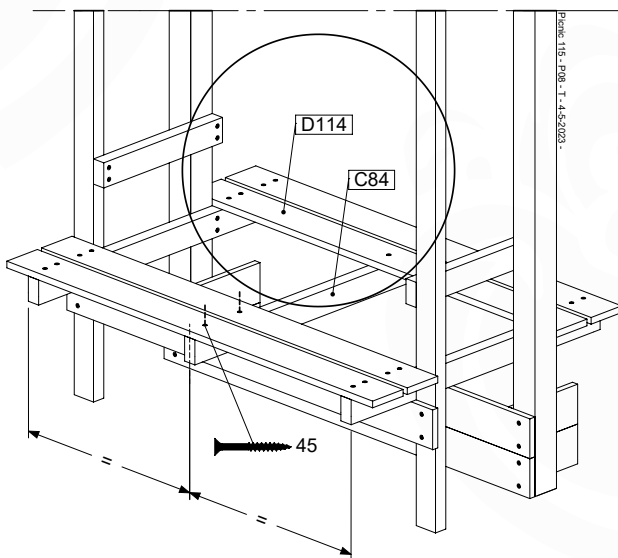
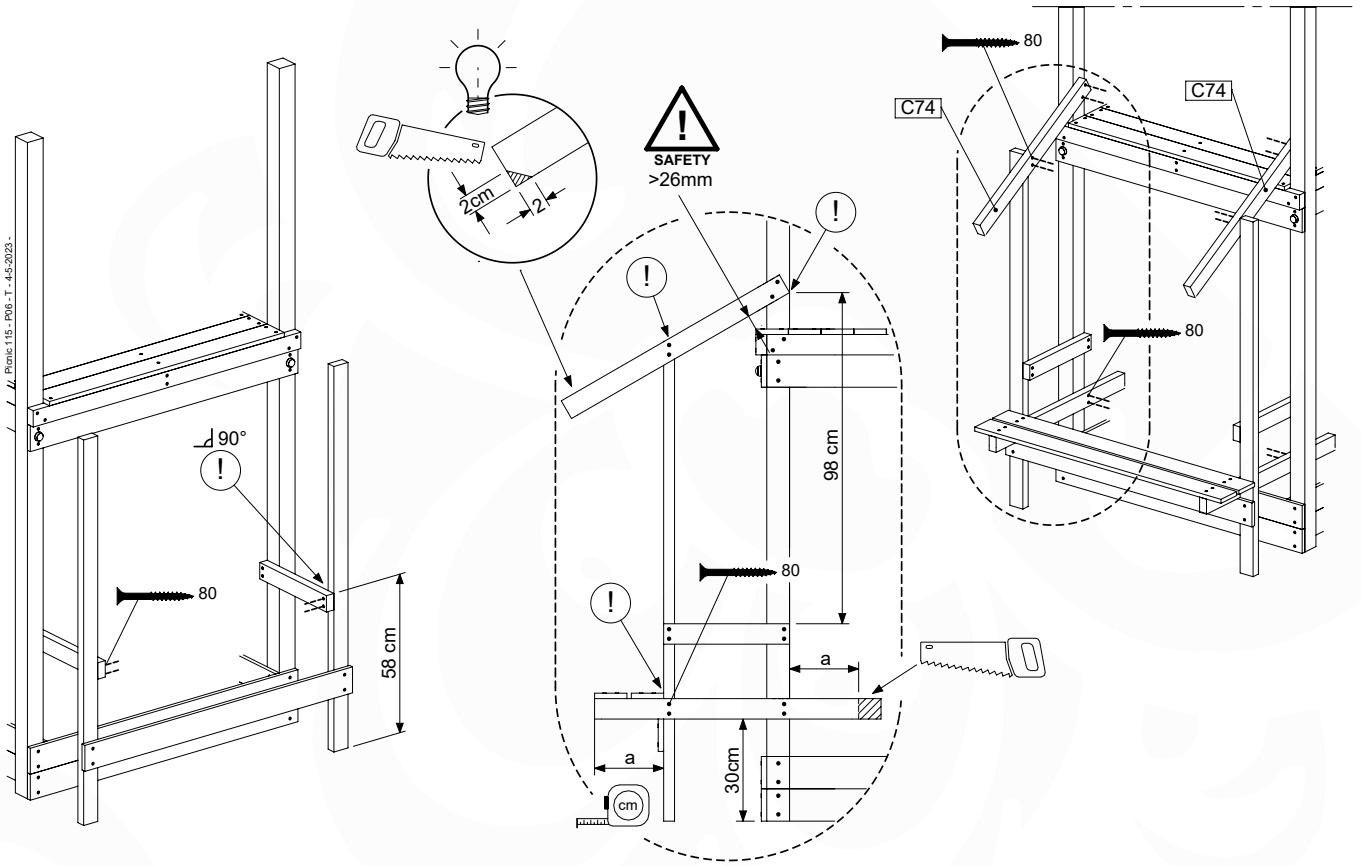
18 PC06a: Picnic 115 T

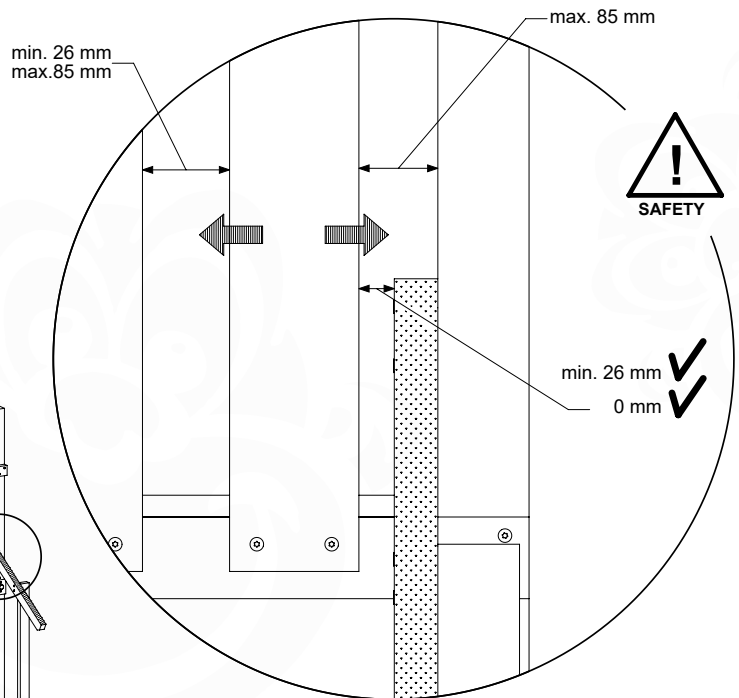
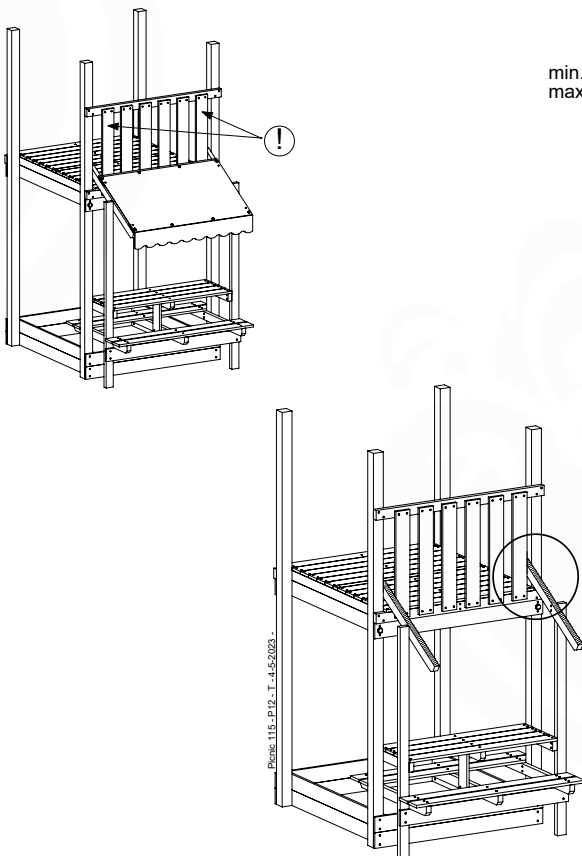
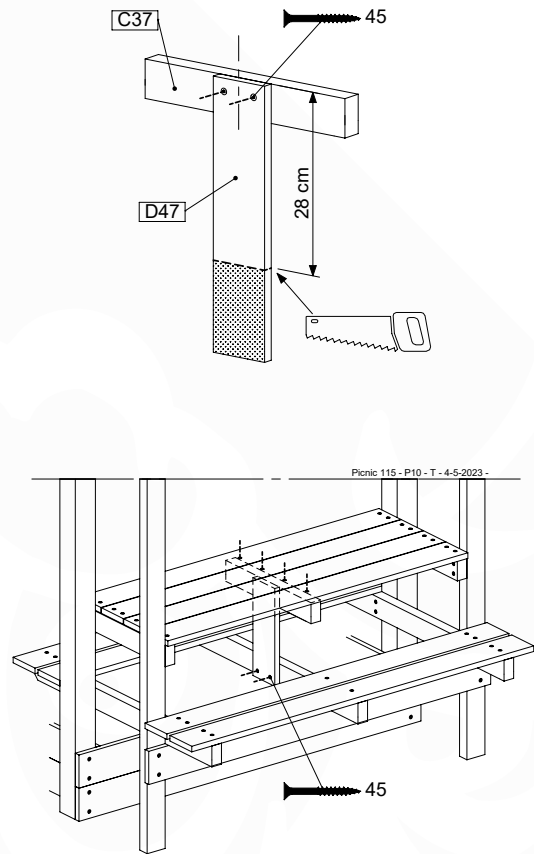
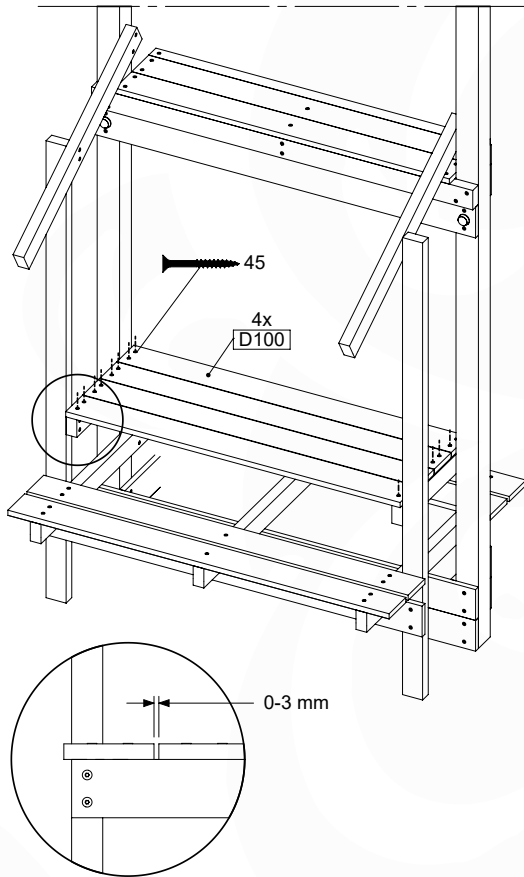
(194_810)

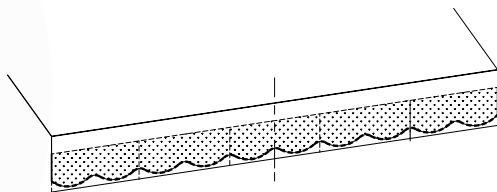
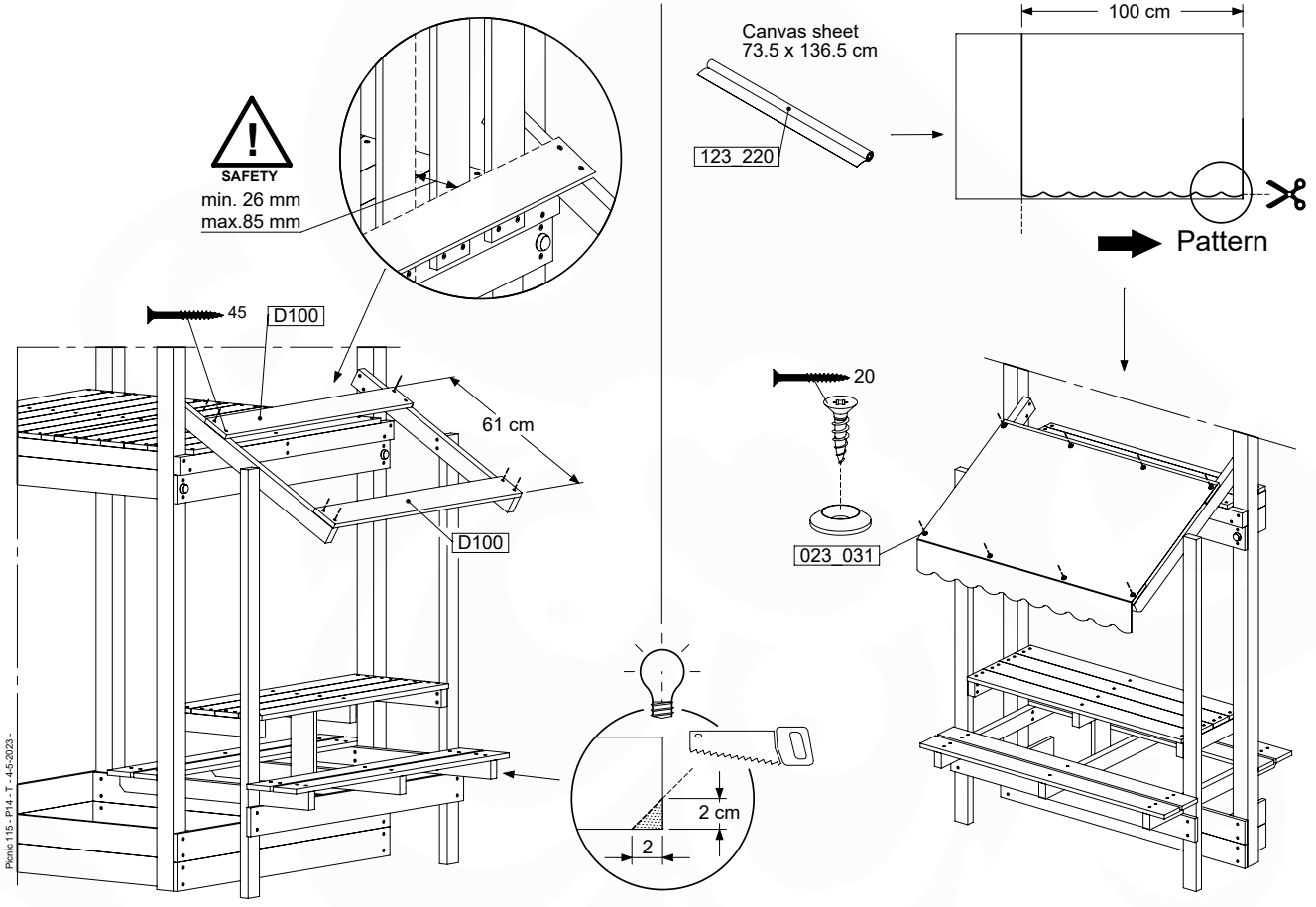
	PartNo	PartName	QTY.
Hardware Pack	002_220	Gap Point Screw T25 - 5x45	56
	002_223	Gap Point Screw T25 - 5x80	24
	002_308	Gap Point Screw T25 - 5x20	8
	023_031	Finishing Washer GPS 5.0	8
Other	123_220	Canvas sheet 735x1365mm	1
Timber	C37	Beam 370 mm	3
	C74	Beam 740 mm	2
	C84	Beam 840 mm	3
	C141	Beam 1410 mm	2
	D47	Board 470 mm	1
	D100	Board 1000 mm	6
	D114	Board 1140 mm	5

Picnic 115 - RPZ - UIT - 4-5-2023 -

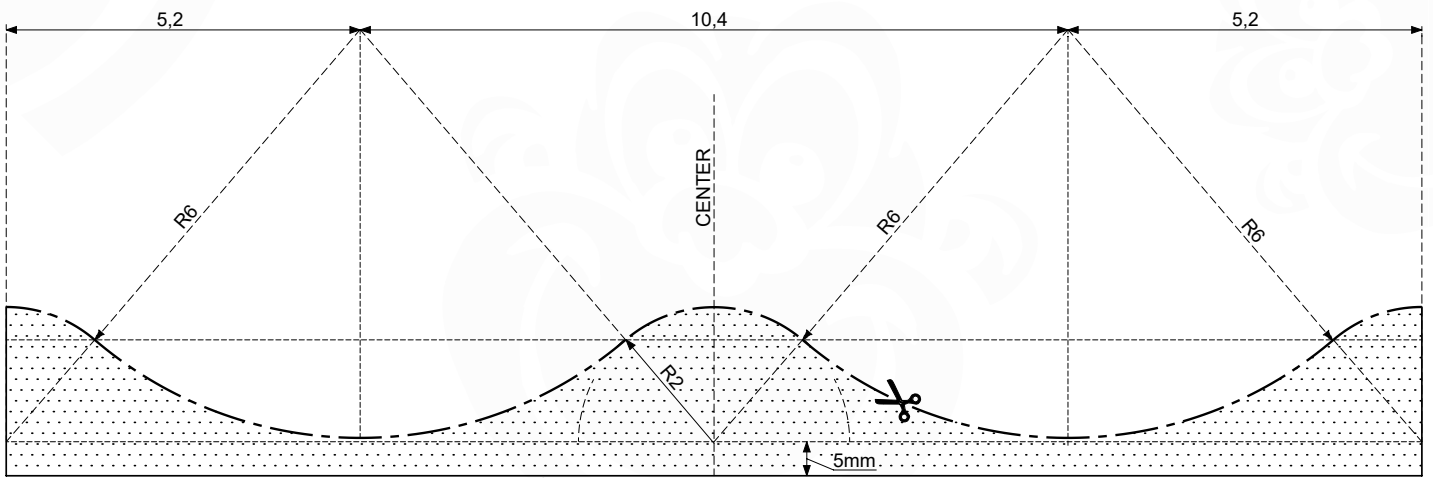








EXAMPLE PATTERN
 BEISPIELVORLAGE FÜR MARKISE
 SCHÉMA SUGGÈRE DE DÉCOUPE POUR AUVENT
 VOORBEELDSJABLOON LUIFEL



← repeat

repeat →

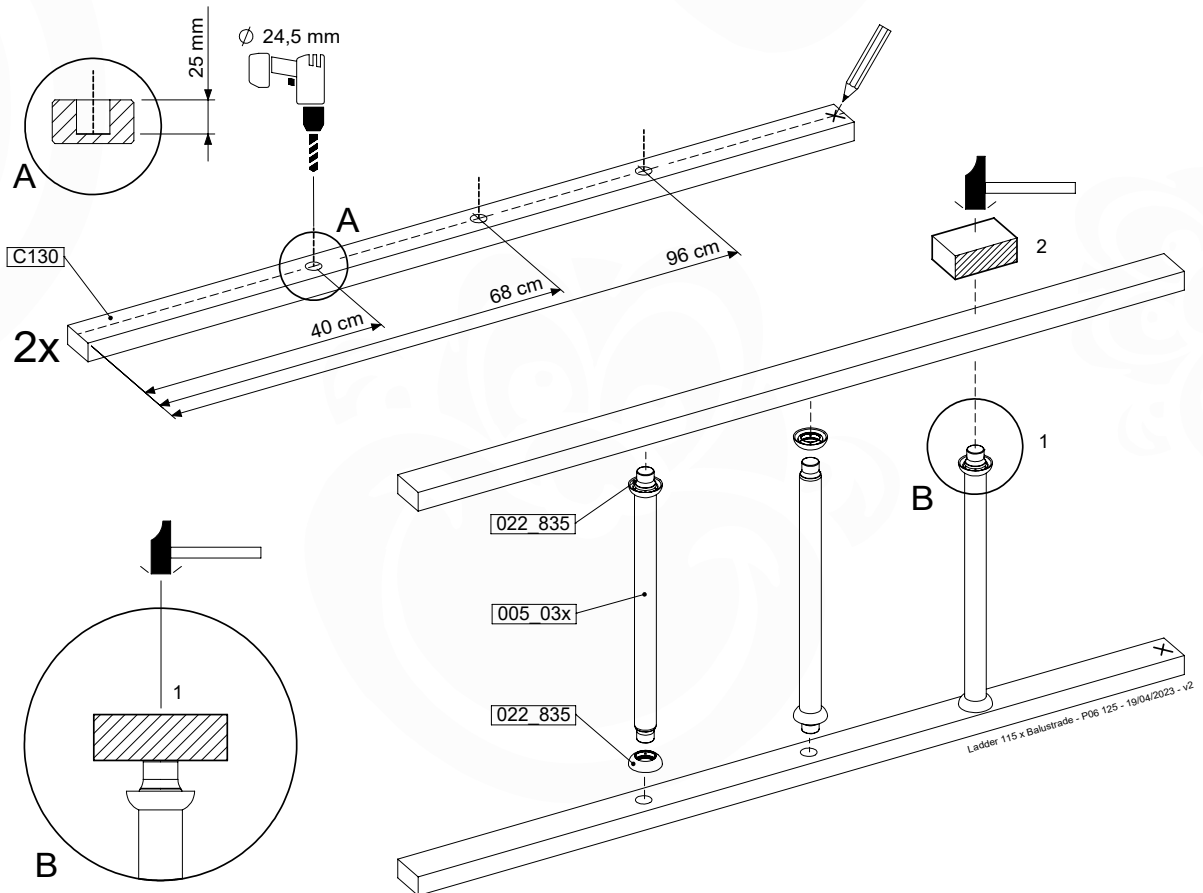
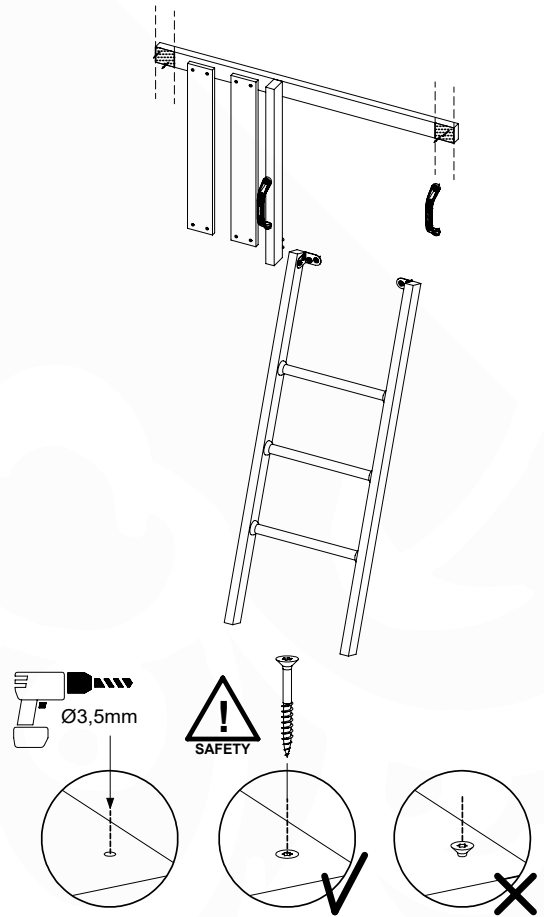
! Scale of print may not be accurate.
 Druckformat kann abweichen.
 Les tailles imprimées peuvent varier.
 Printformaat kan afwijken.

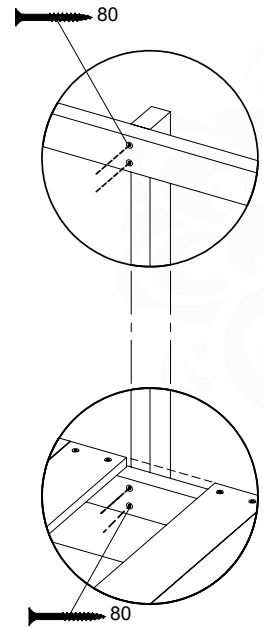
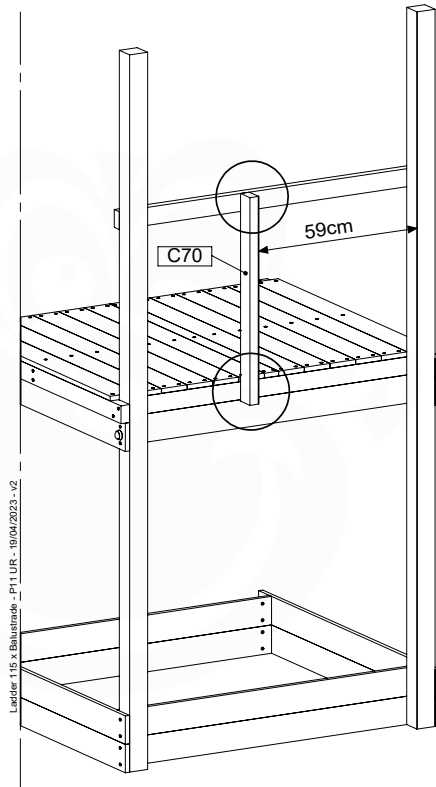
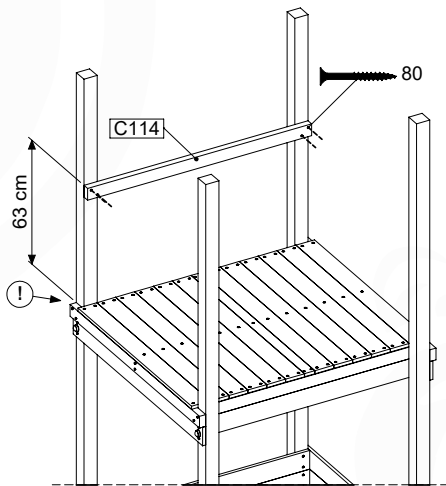
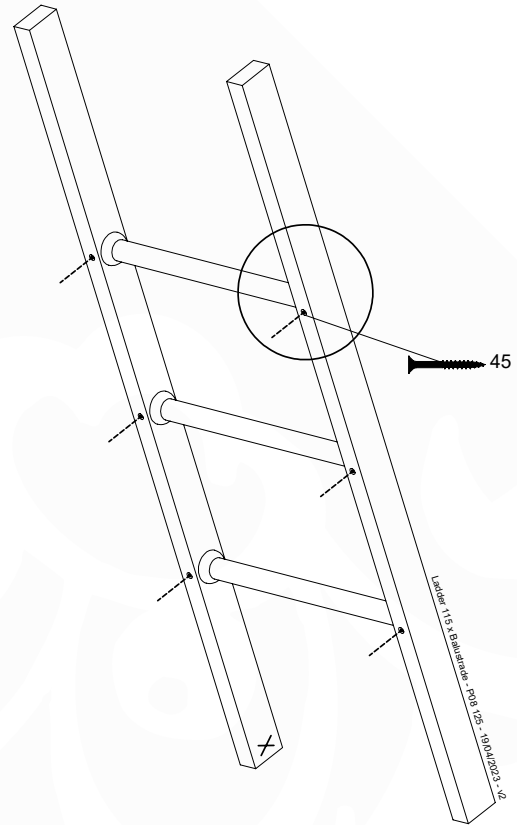
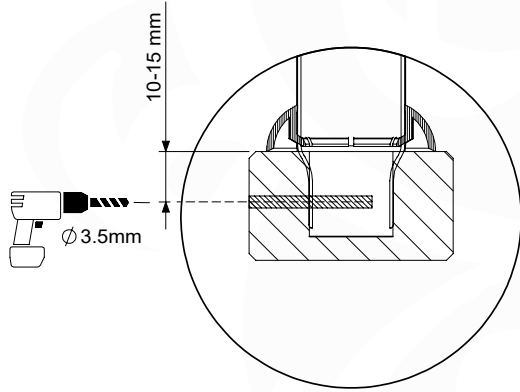
19 LA12a: Ladder 115 125 U Right

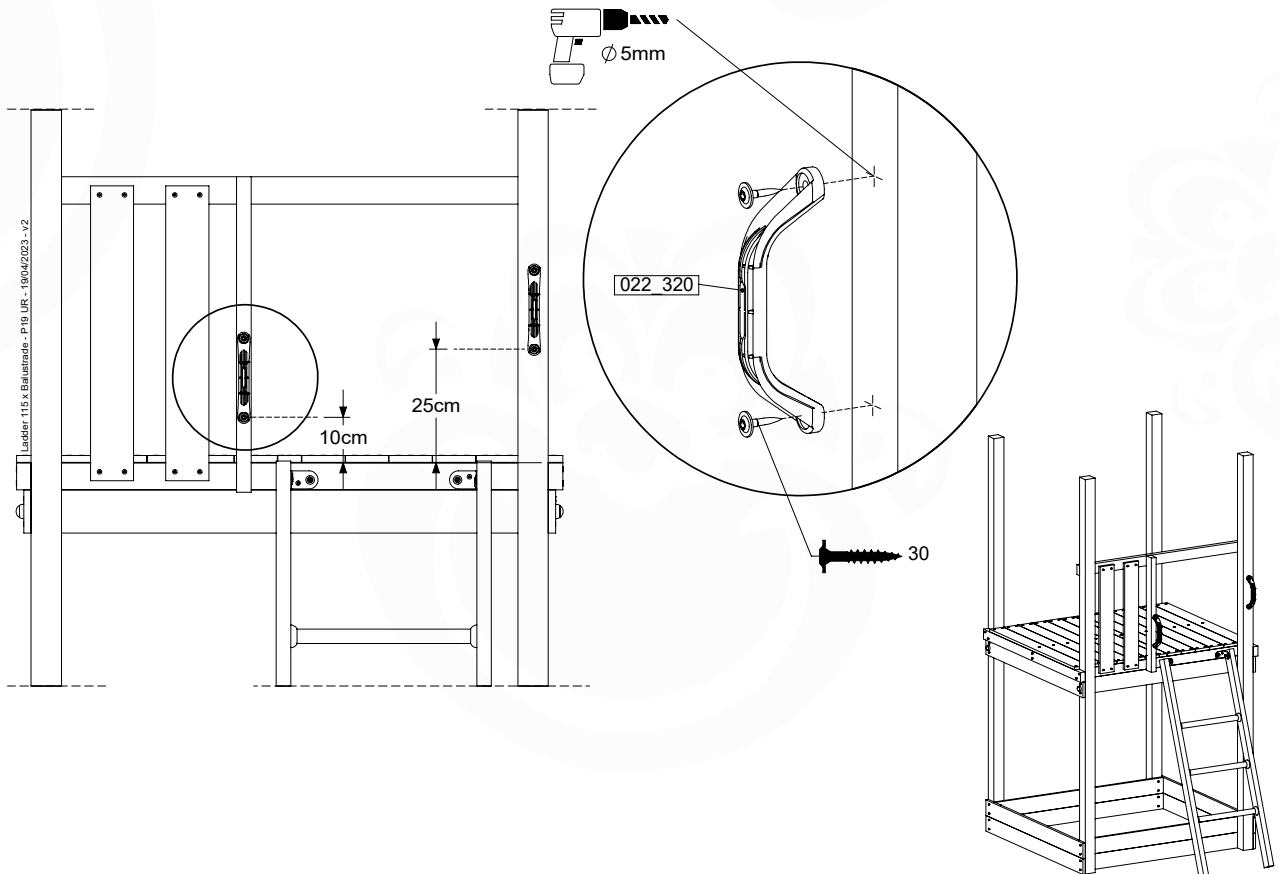
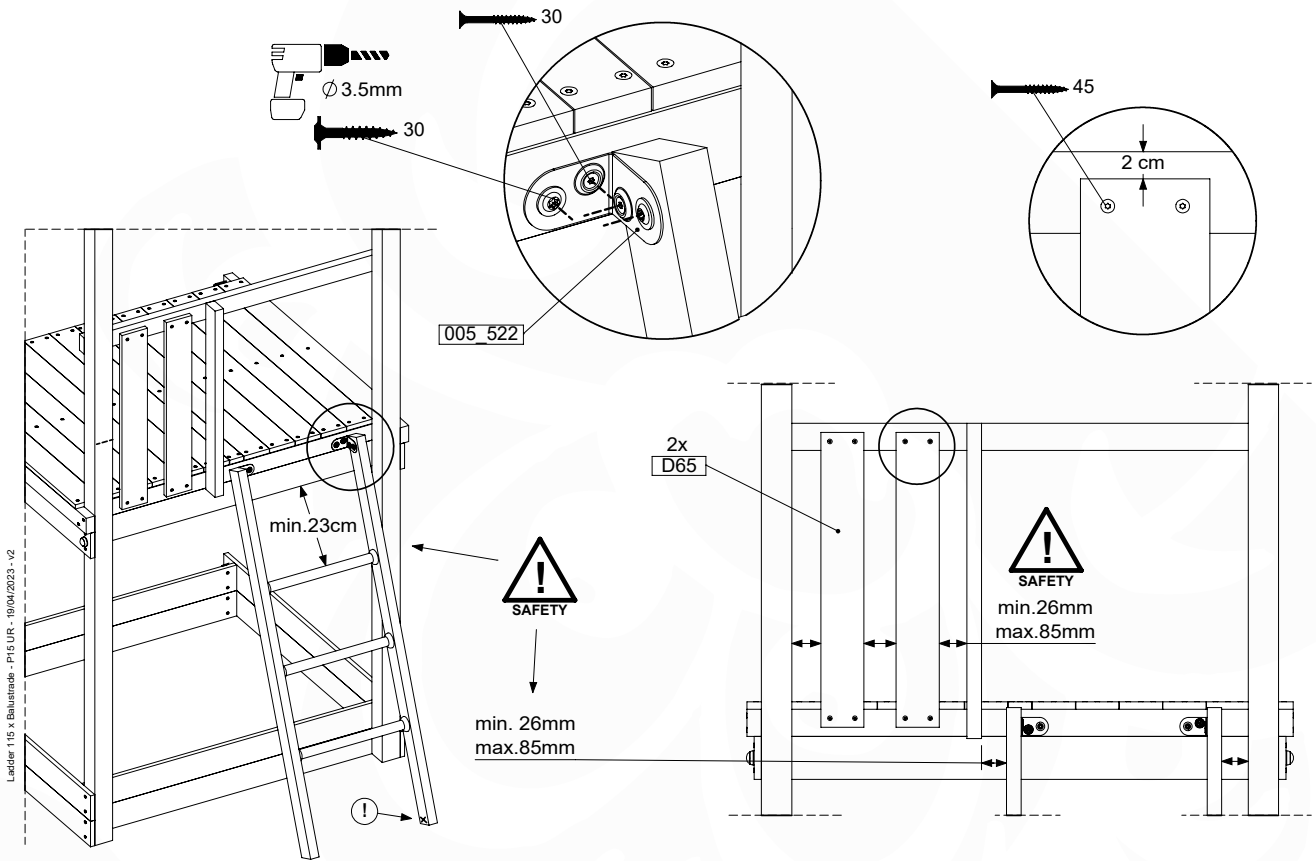
(194_003 + 194_101)

	PartNo	PartName	QTY.
Hardware Pack	001_404	Stealth Screw 8x30	4
	002_219	Gap Point Screw T25 - 5x30	4
	002_220	Gap Point Screw T25 - 5x45	14
	002_223	Gap Point Screw T25 - 5x80	8
Other	005_03x	Ladder Rung Y/B/G/R	3
	005_522	Connection Bracket Mini Market	2
	022_835	Rung Cap	6
	120_102	Handgrip set (complete 2x)	1
Timber	C114	Beam 1140 mm	1
	C130	Beam 1300 mm	2
	C70	Beam 700 mm	1
	D65	Board 650 mm	2

Ladder 115 x Balustrade - P03 UR125 - 19/04/2023 - v2





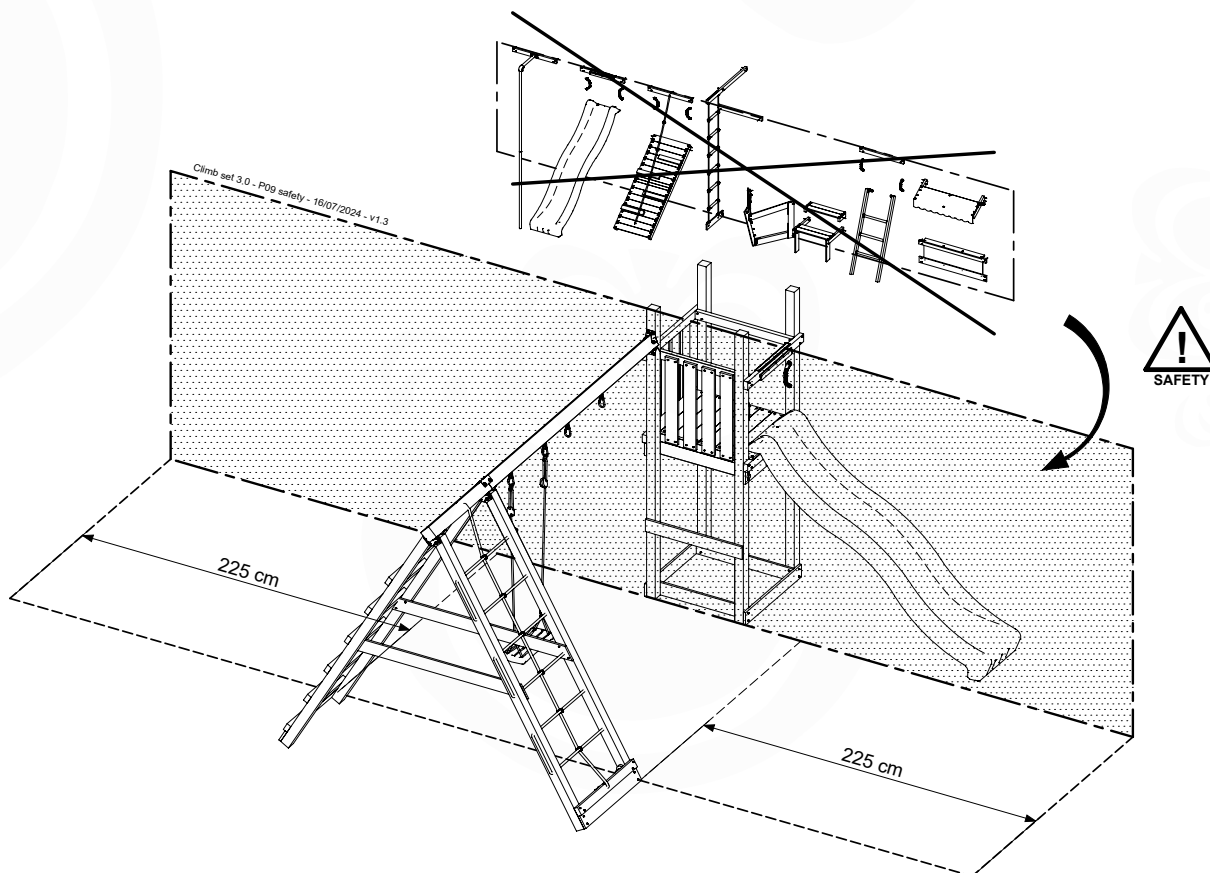
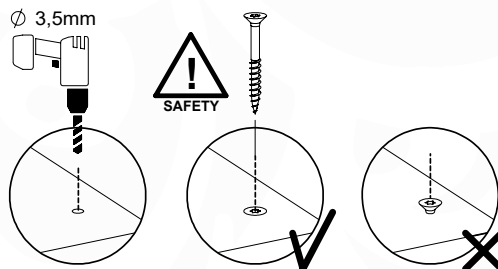
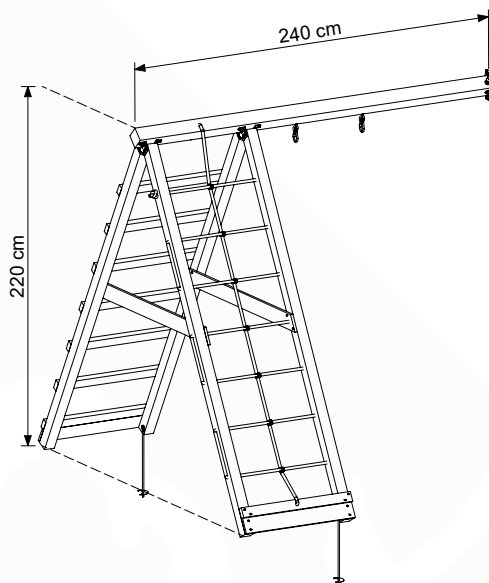


20 CL10a: 1- Climb Module 220 - 3.0

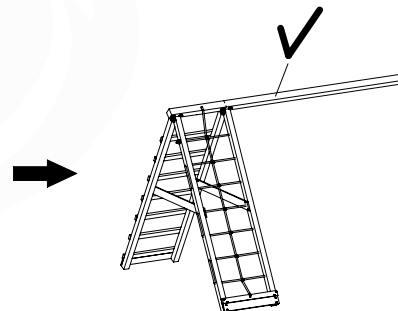
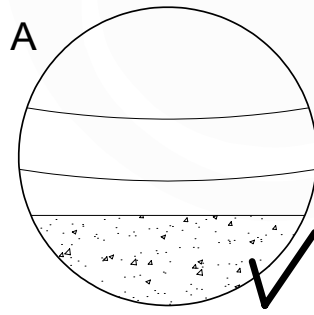
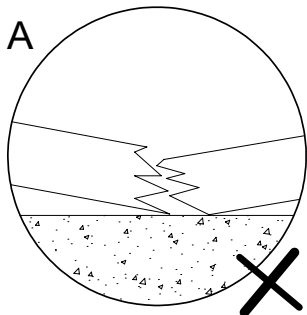
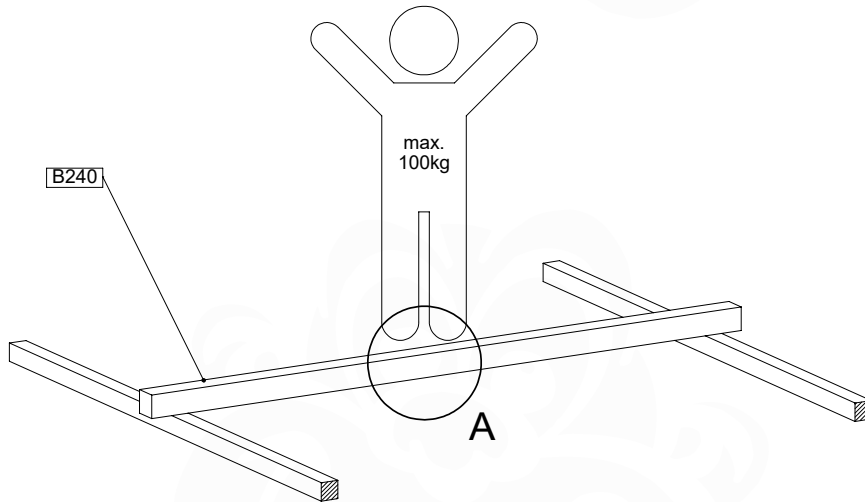
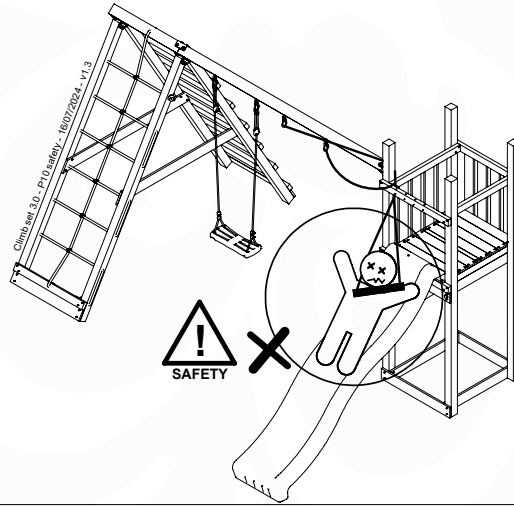
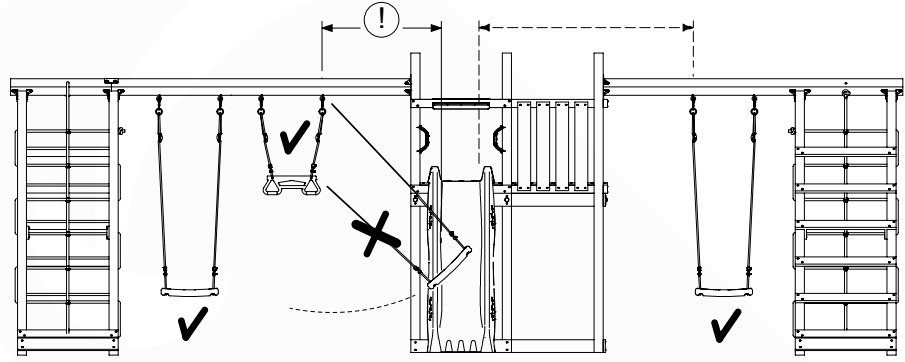
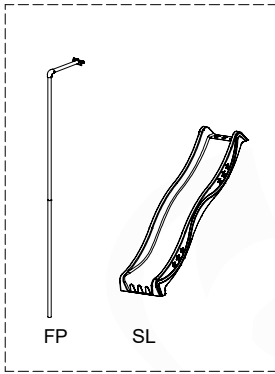
Assembly Kit: 457_107

	PartNo	PartName	QTY.
Hardware + Parts	001_406	Stealth Screw 8x45	34
	001_417	Stealth Screw 8x80	2
	002_220	Gap Point Screw T25 - 5x45	36
	002_223	Gap Point Screw T25 - 5x80	35
	002_301	Dry Wall Screw PH2 3.9 x 40 mm	7
	023_042	Nylon washer 9x19x1.5	32
	005_096	A-Frame V-Connector	4
	005_097	Swing V-Connector	2
	007_001	Ground-anchor	2
	020_317	Rope Polyester 16mm Green 3.4m	1
	020_318	Rope Polyester 16mm Green 8.1m	1
	022_455	Rope Cross Connector Egg	7
	101_003	Swing hook with Carabiner	2
	Timber	A240	Post ca.70x70 L2400
B240		Post ca.90x90 L2400	1
C74		Beam 740 mm	8
D74		Board 740 mm	2
D141		Board 1410 mm	3

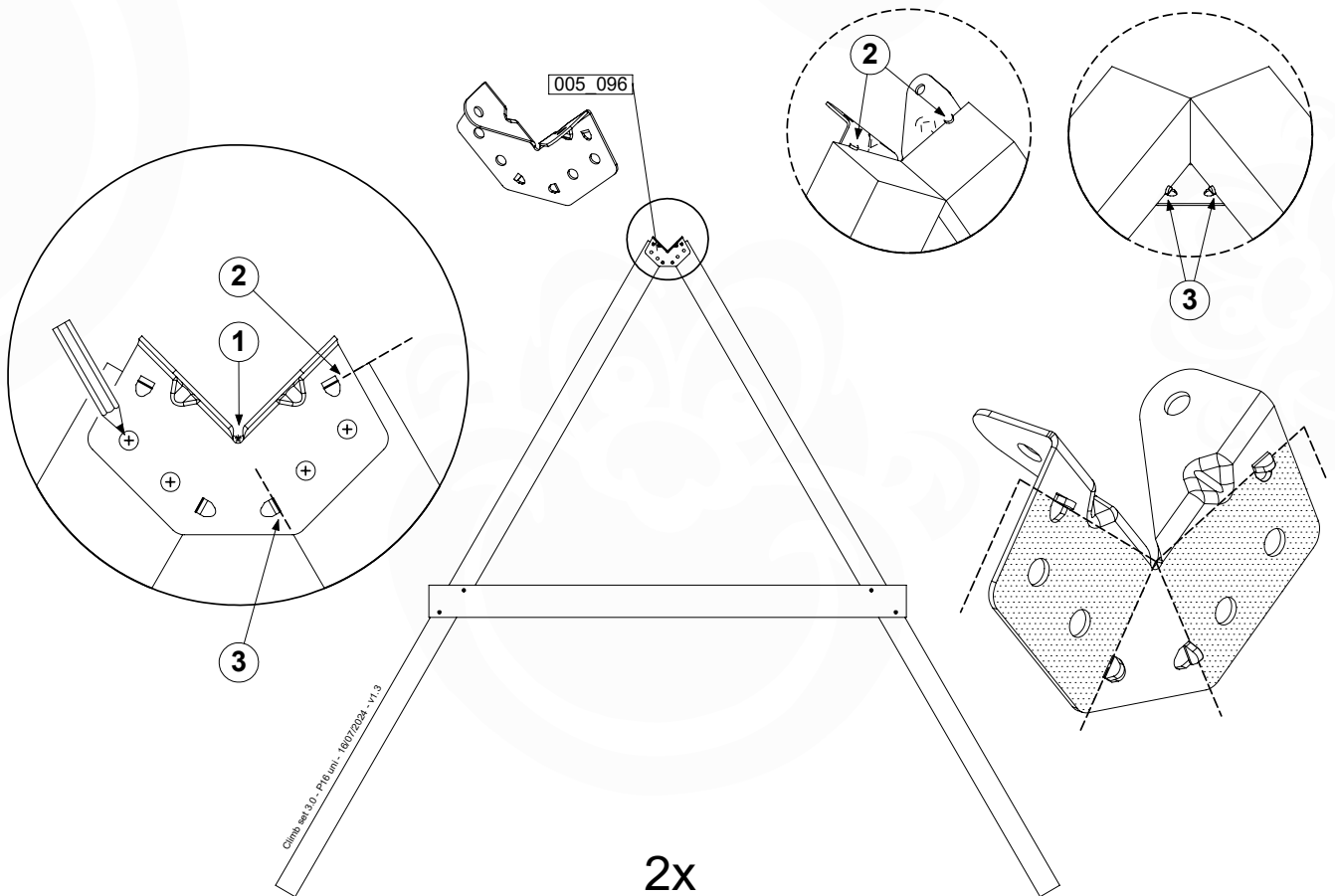
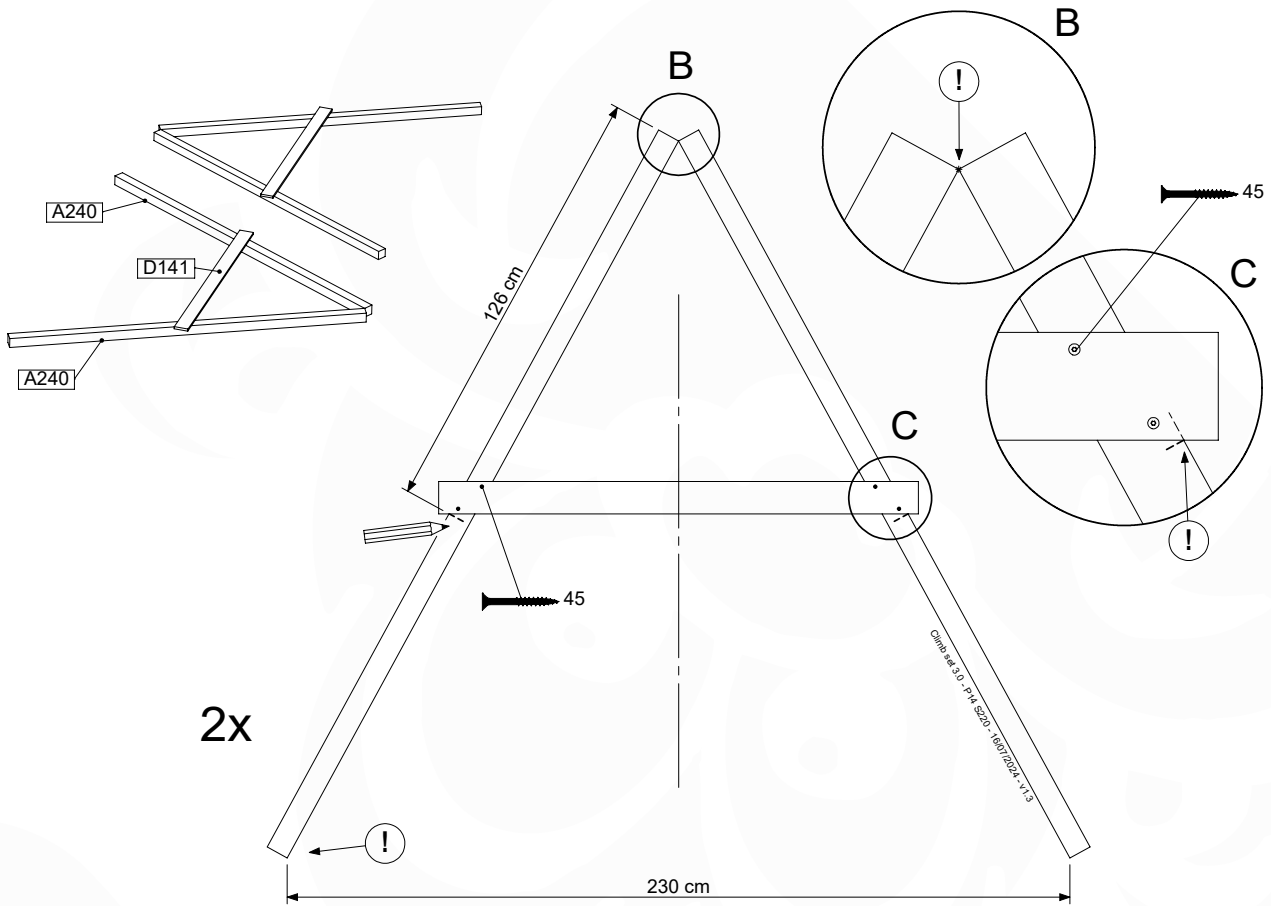
Climb set 3.0 - P05 1C220 - 16/07/2024 - v1.3

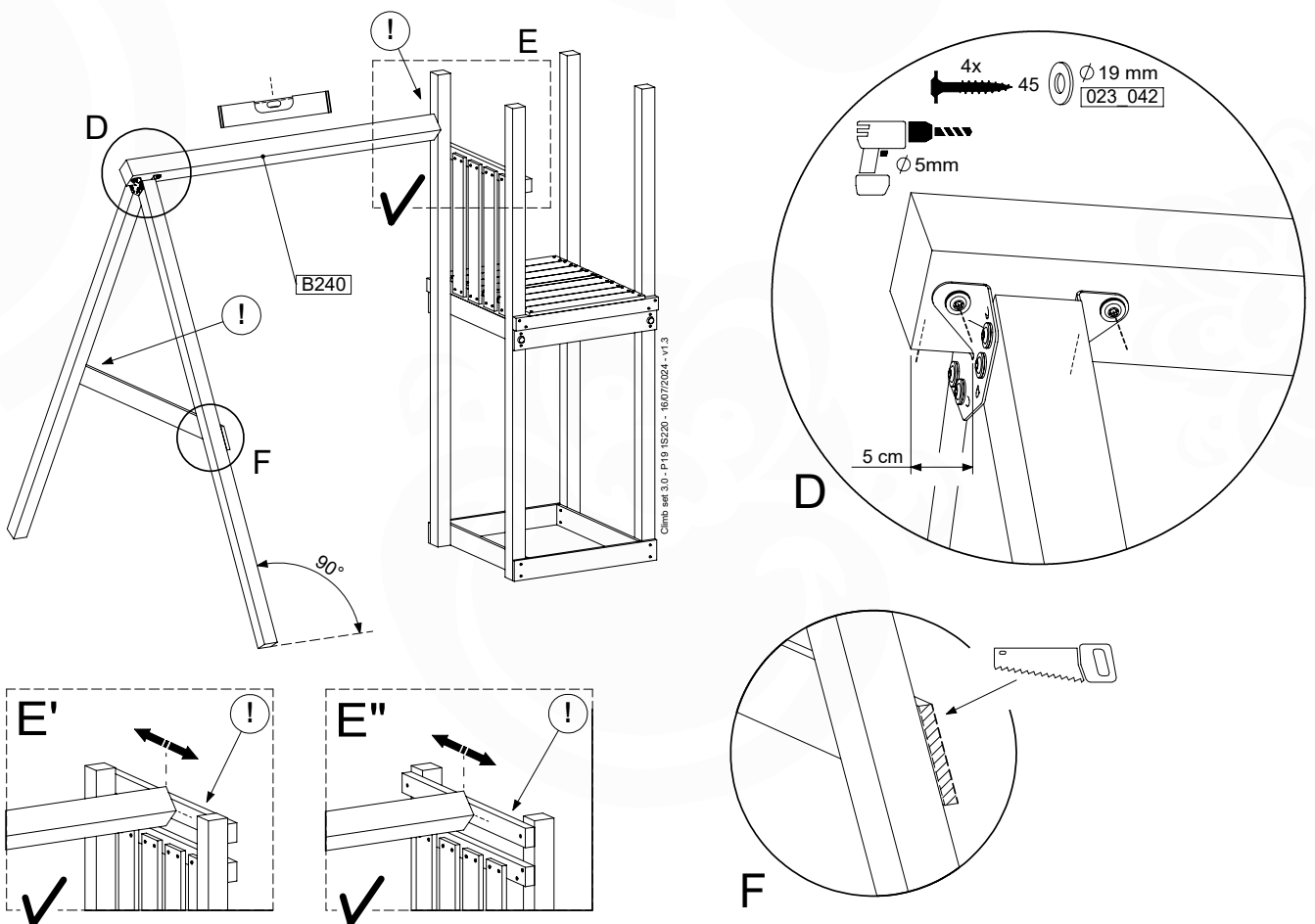
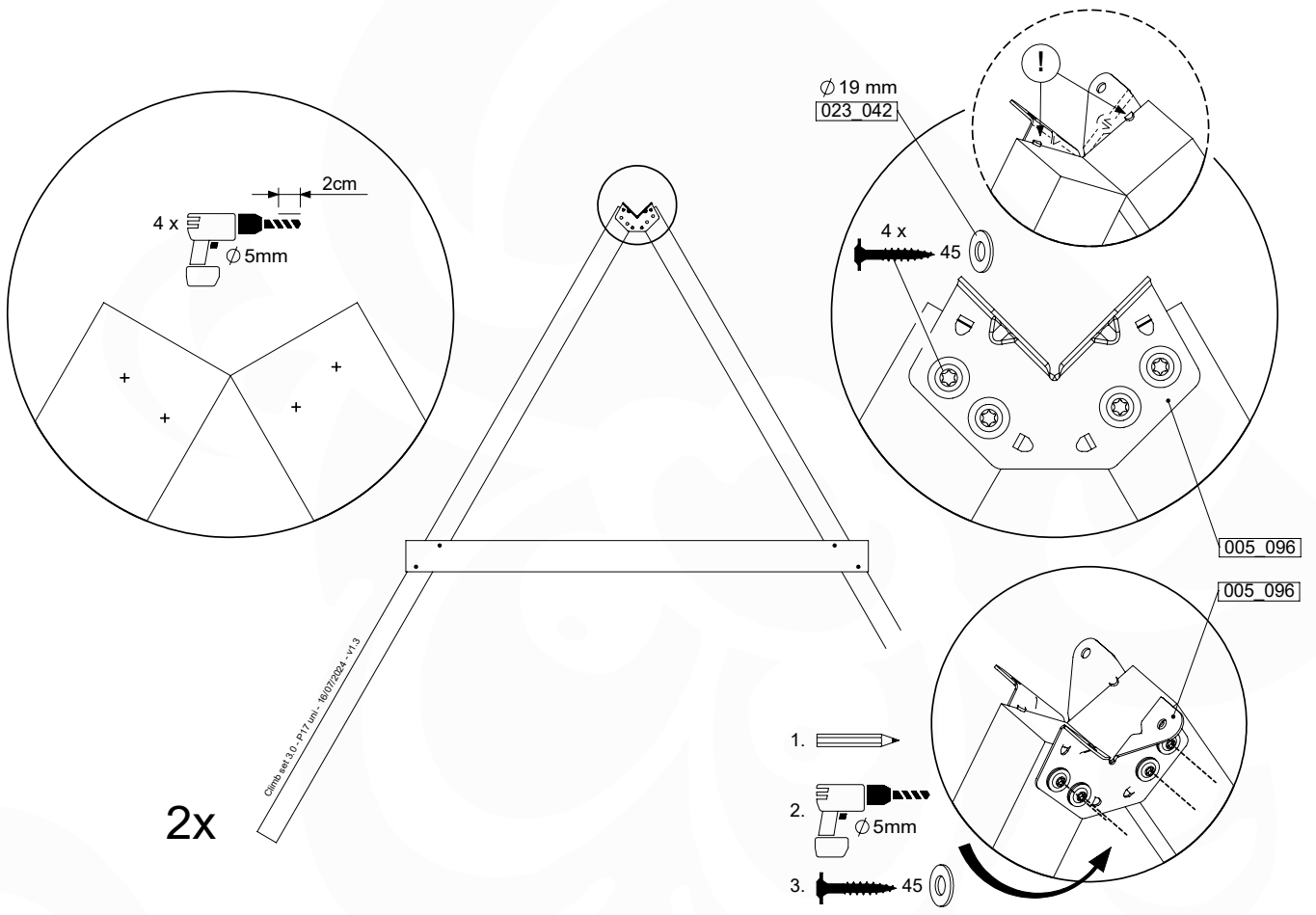


20.1



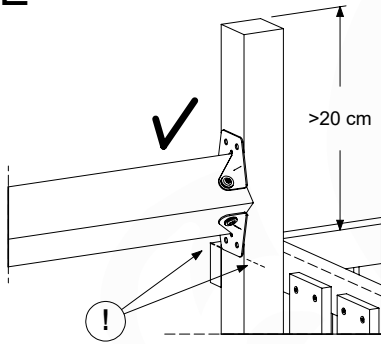
Climb set 3.0 - P12 2S220 - 16/07/2024 - v1.3



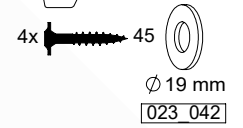
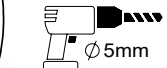
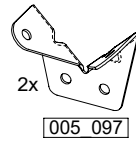
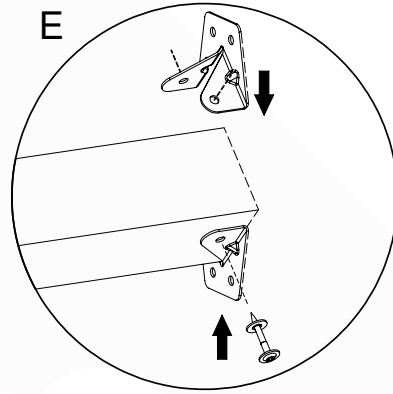


20.4

E

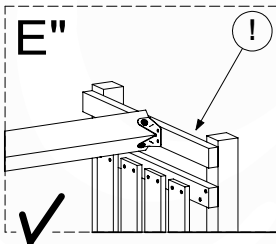
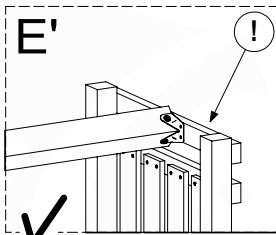
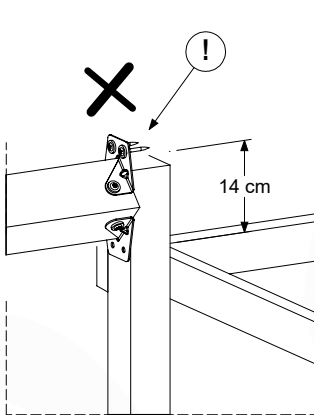


E

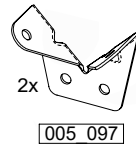
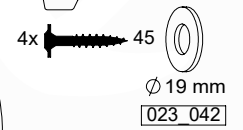
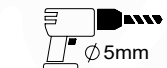
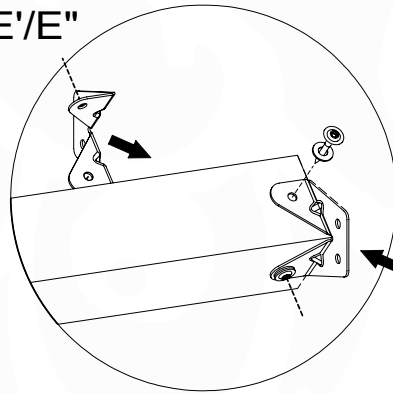


Climb set 3.0 - P22 uni - 16/07/2024 - v1.3

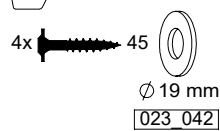
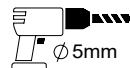
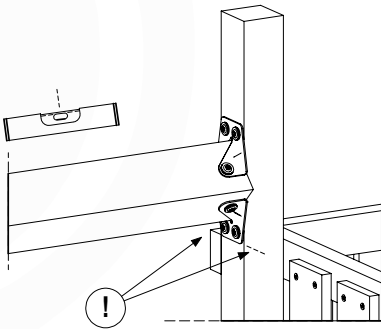
E'/E''



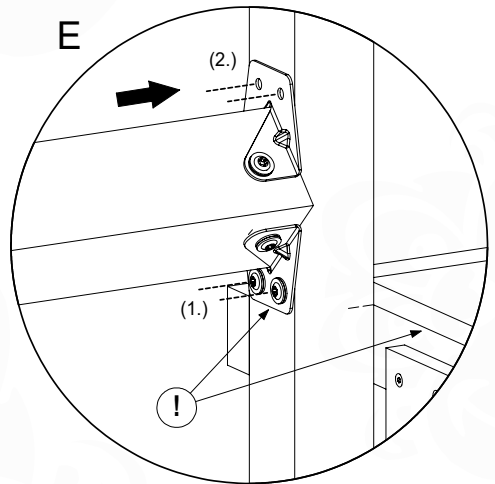
E'/E''



E

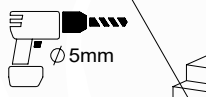
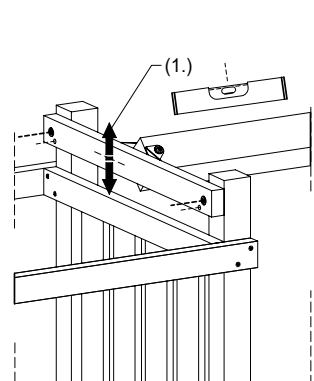


E

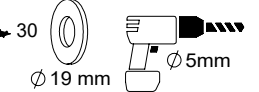
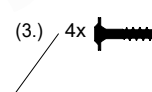


Climb set 3.0 - P23 uni - 16/07/2024 - v1.3

E'/E''

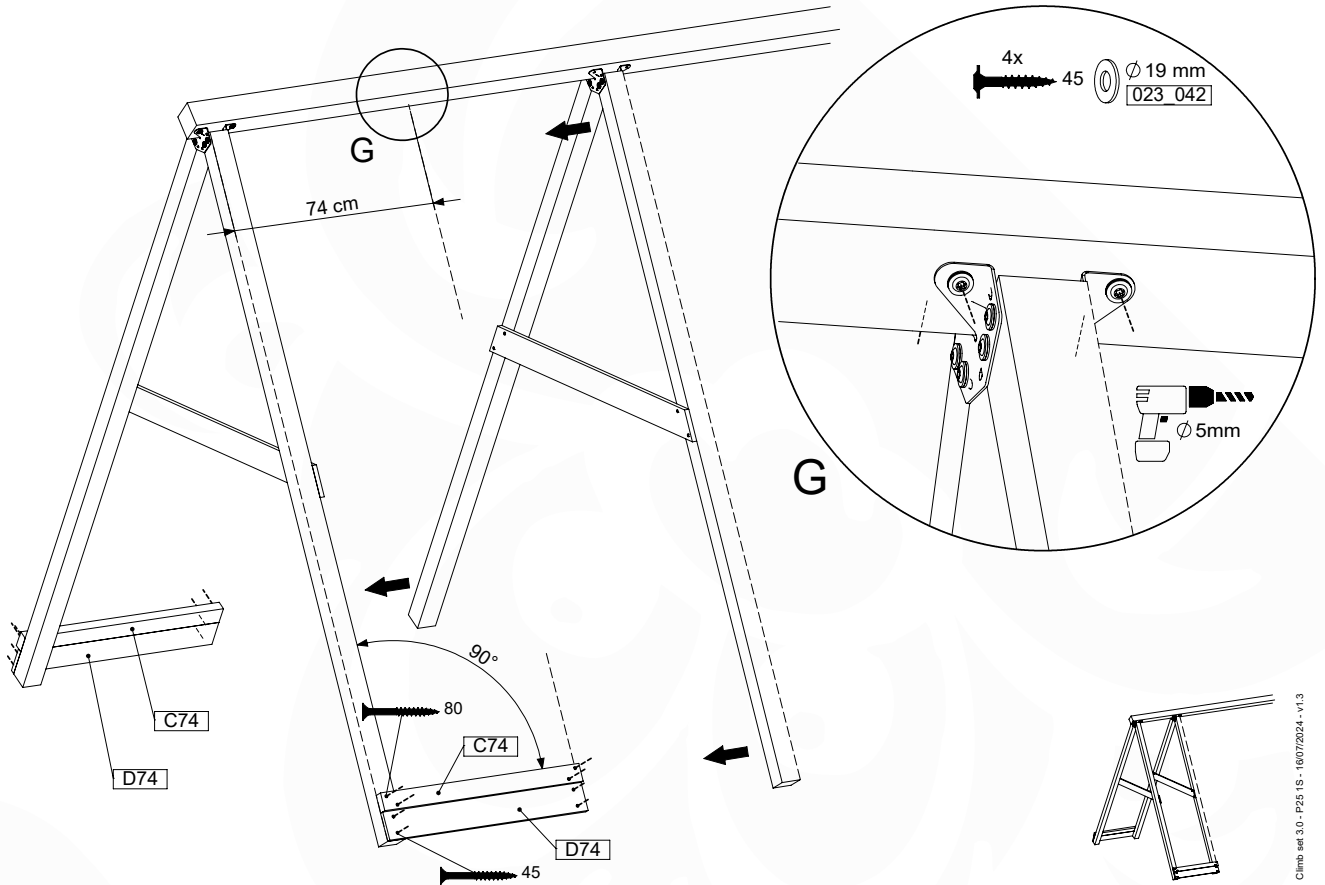


023_042

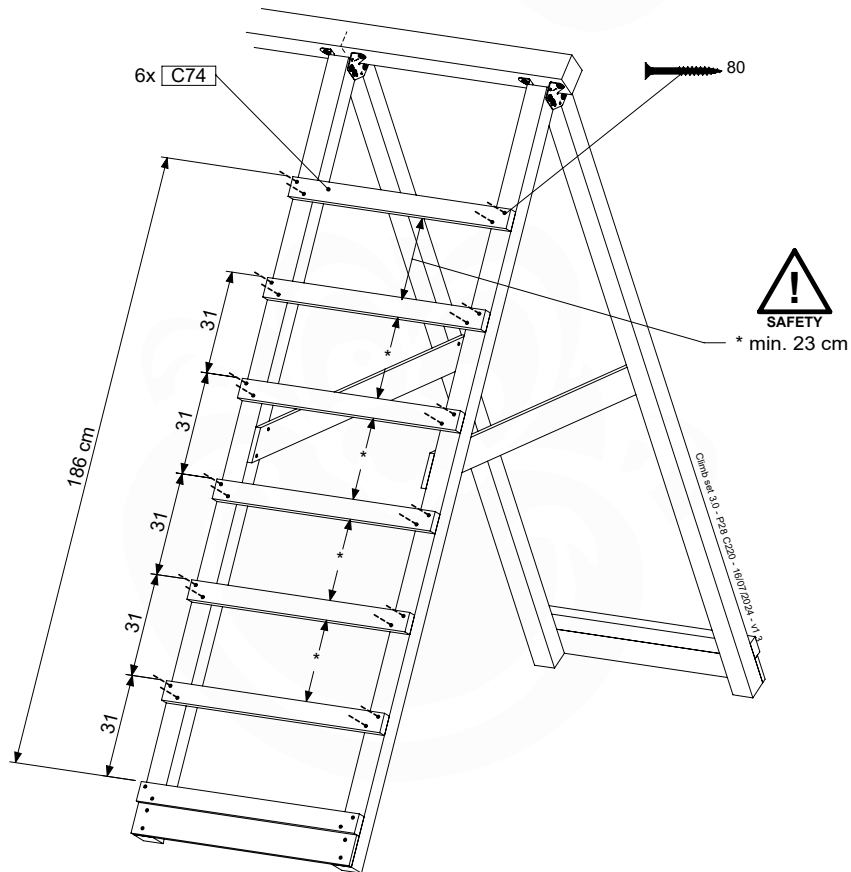


E'

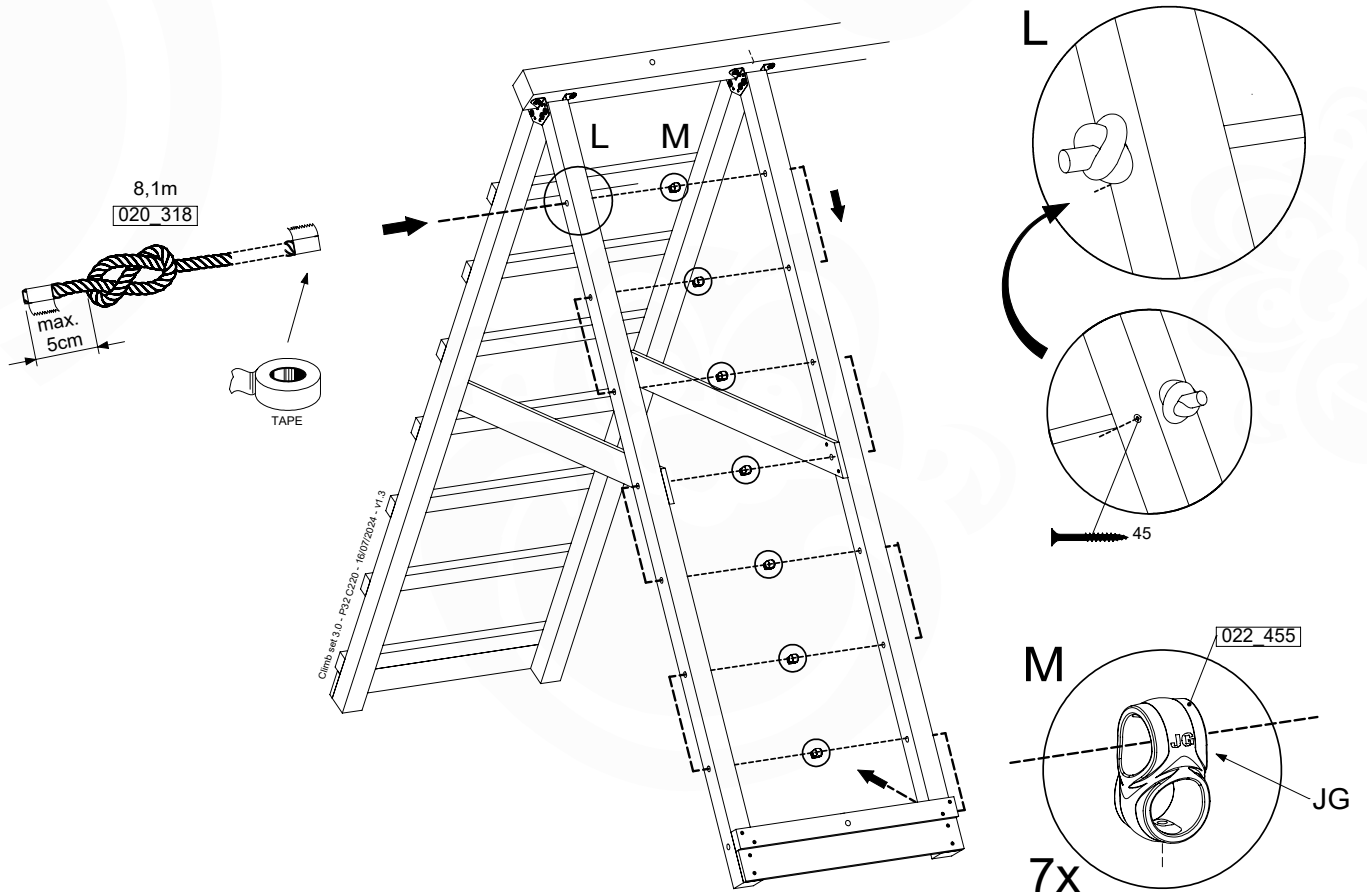
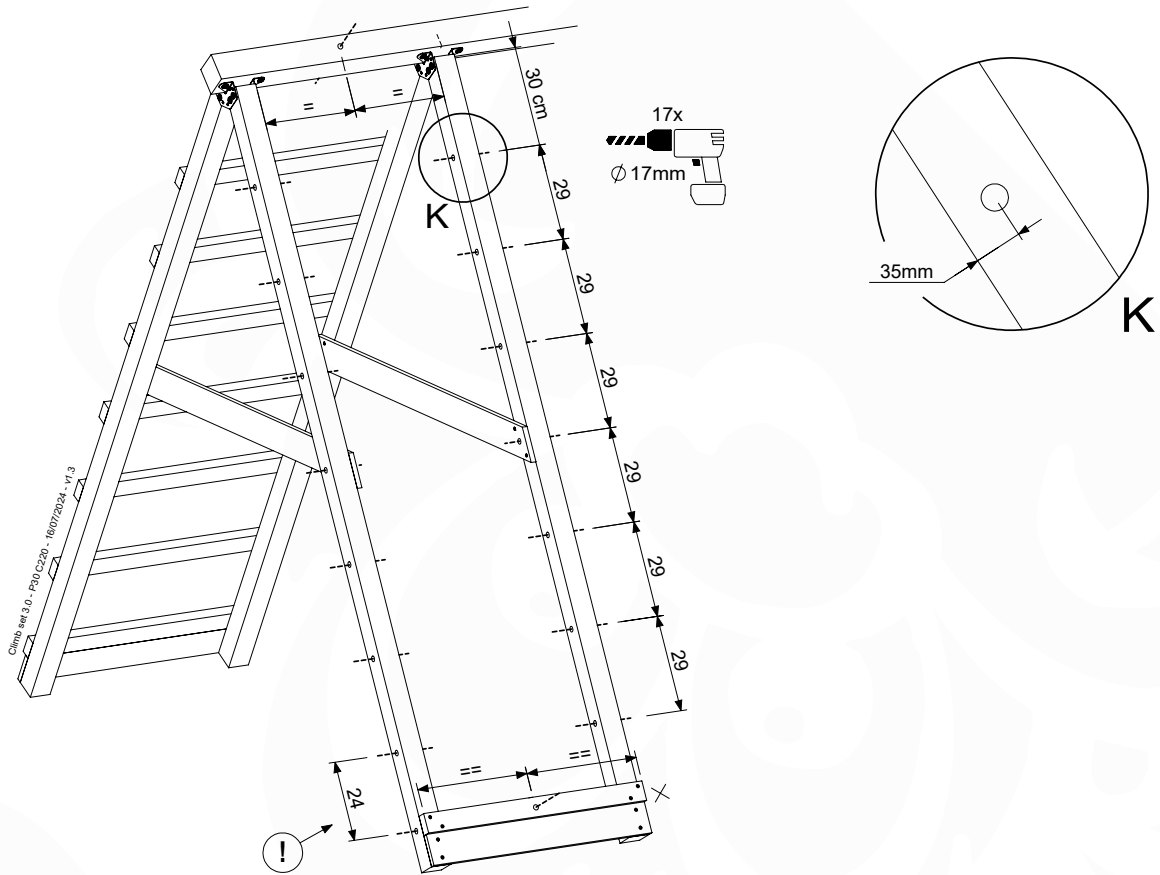
(E'')

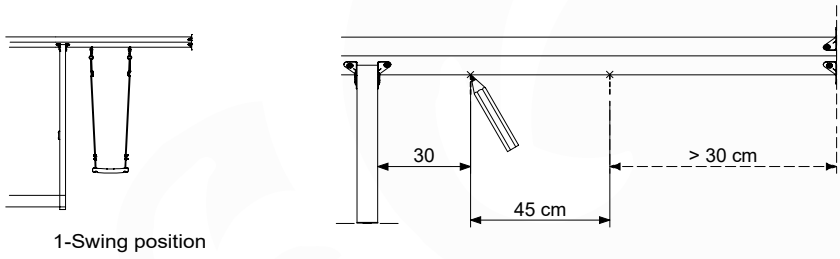


Climb set 3.0 - P25 IS - 1607/2024 - v1.3

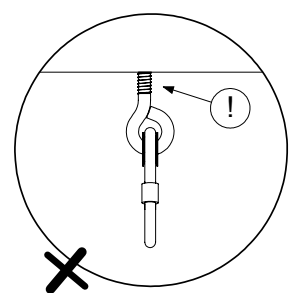
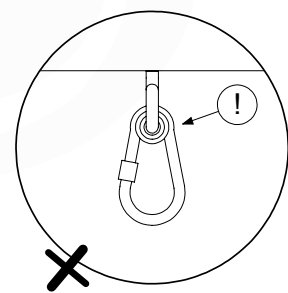
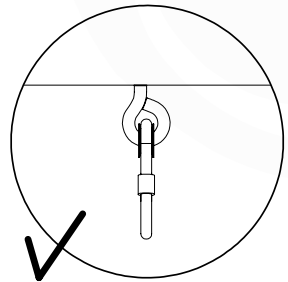
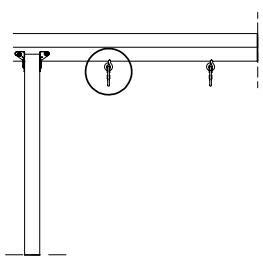
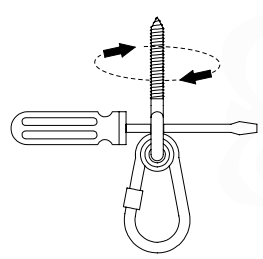
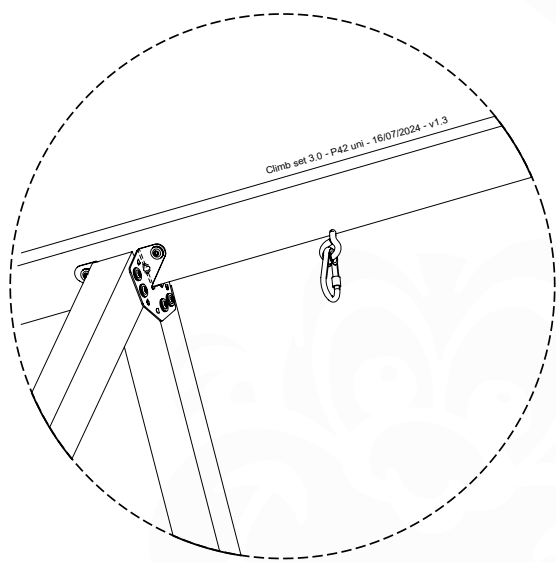
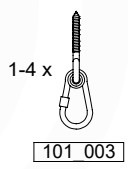
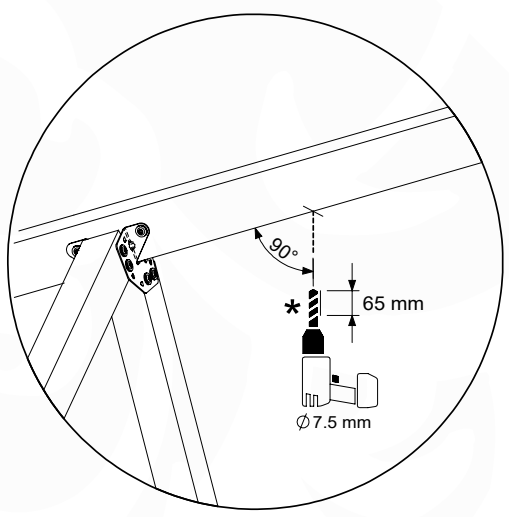
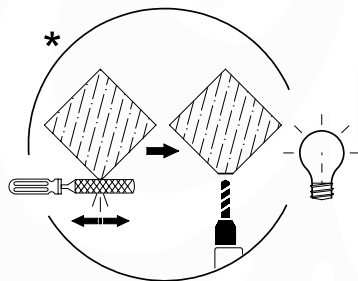
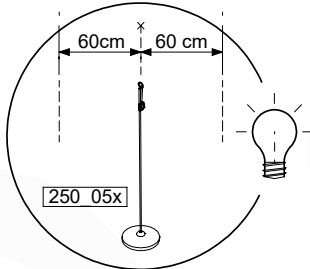


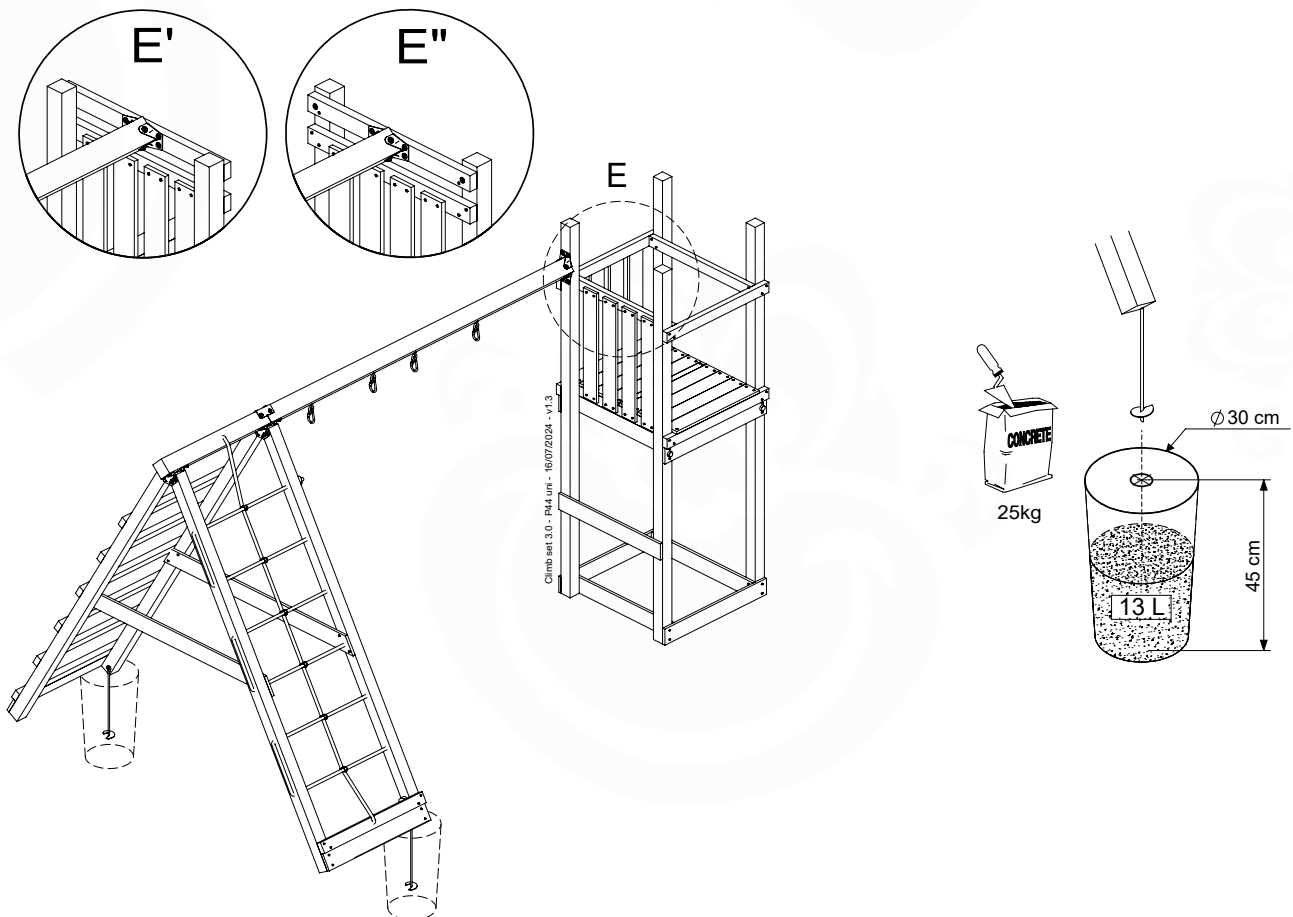
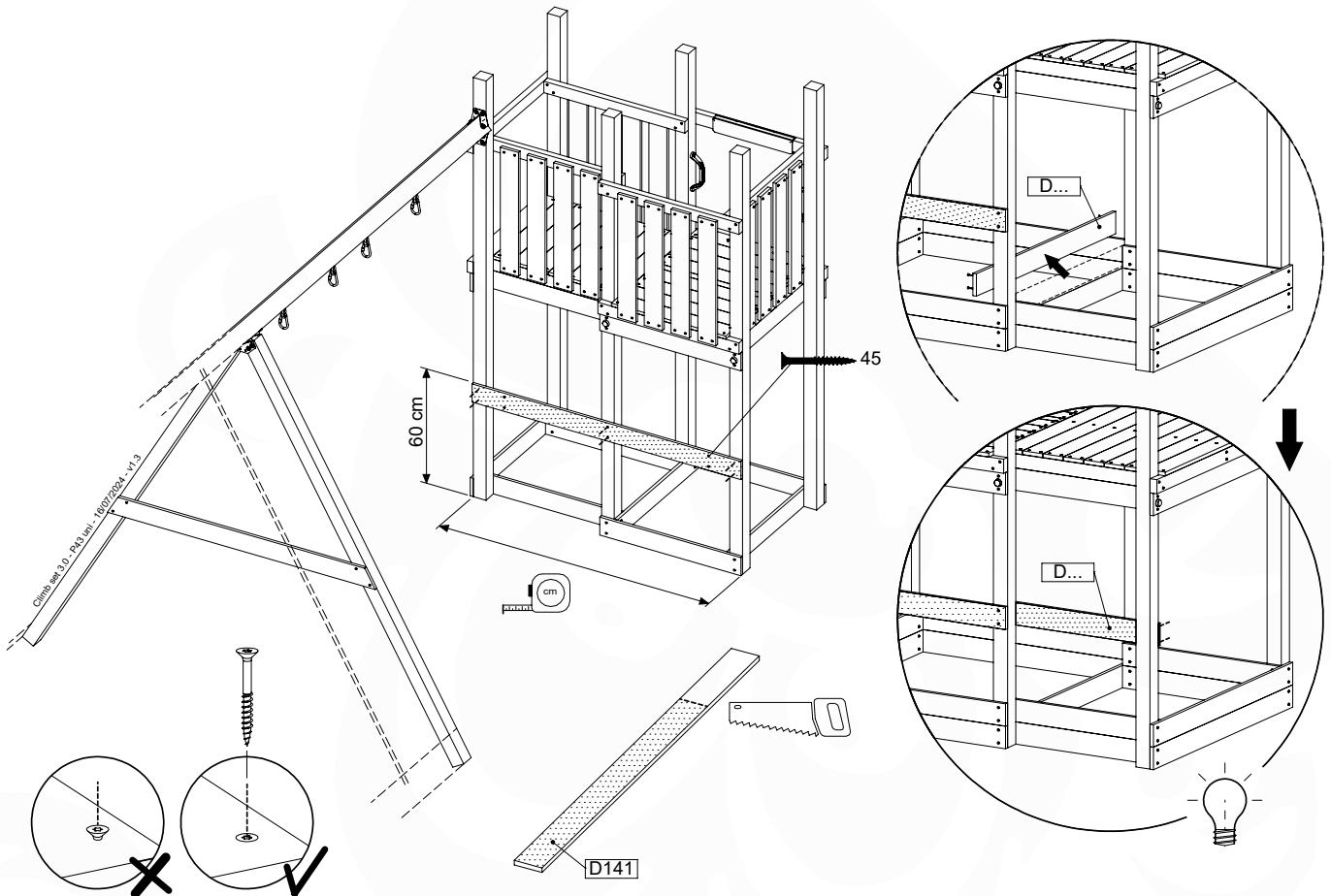
20.6

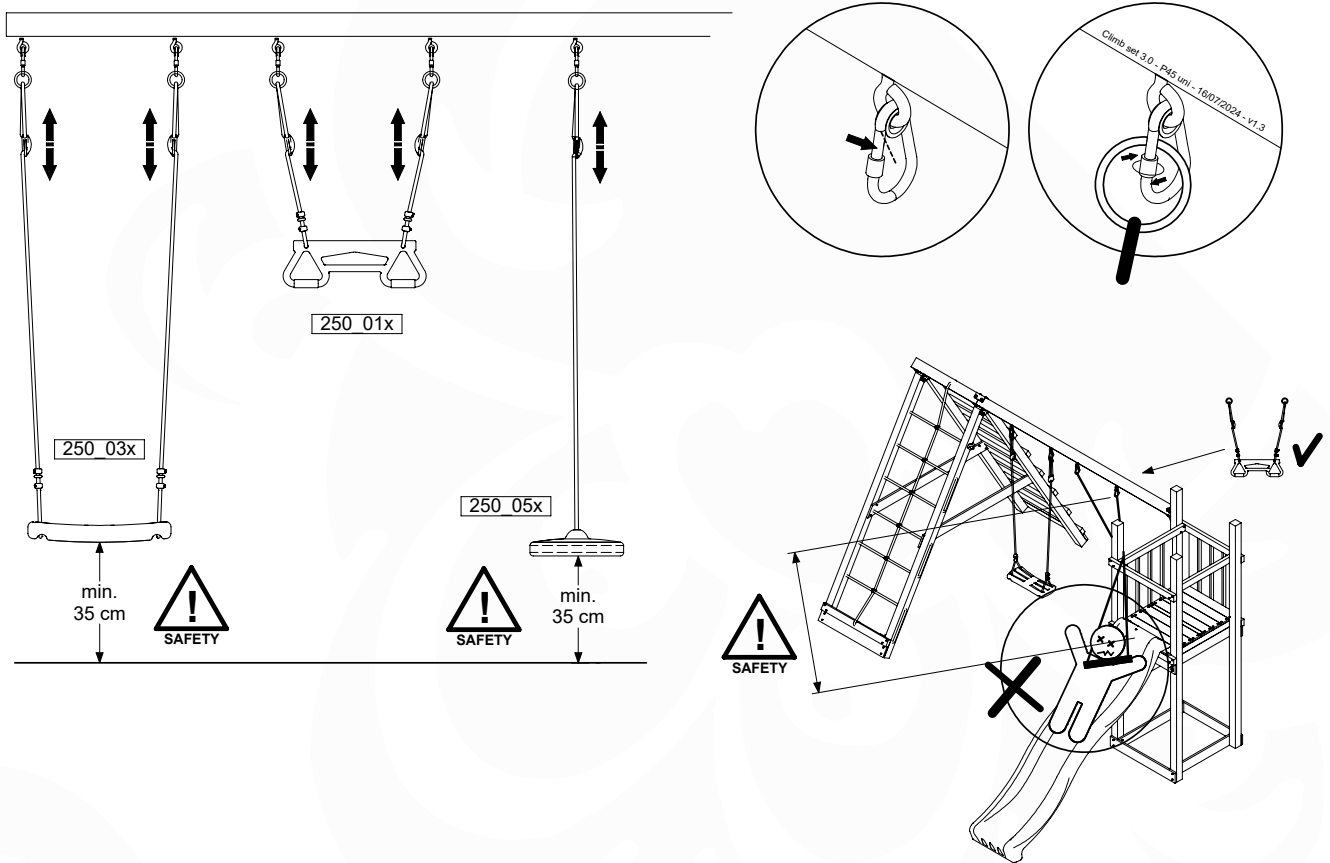




1-Swing position





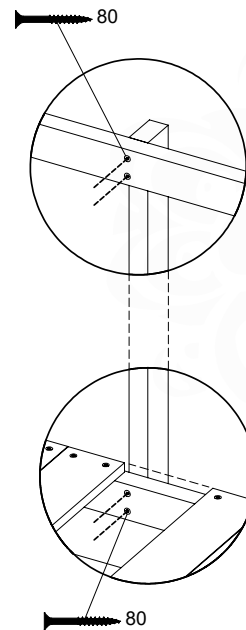
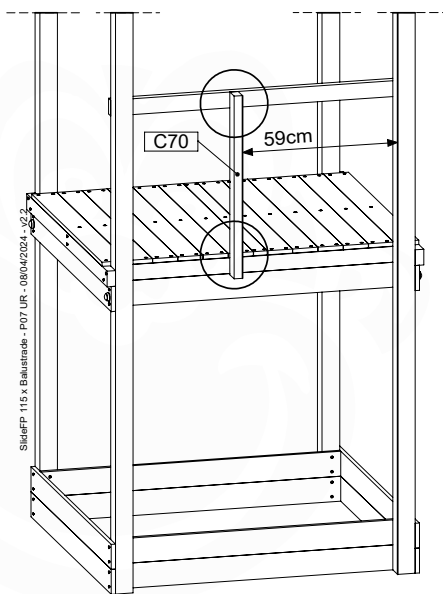
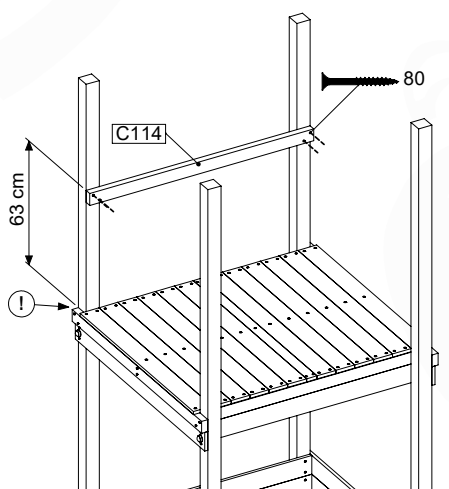
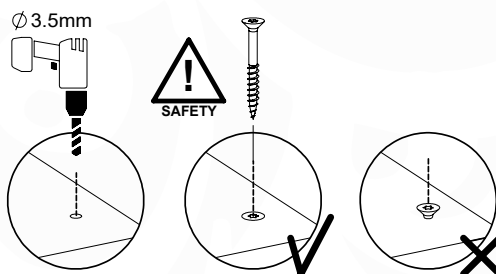
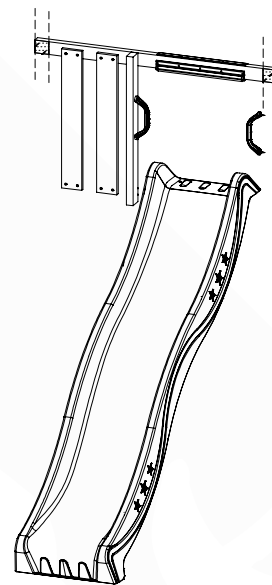


21 SL07a: Slide 115 125 U Right

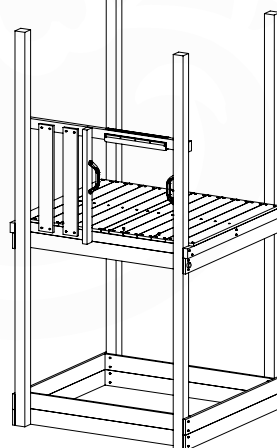
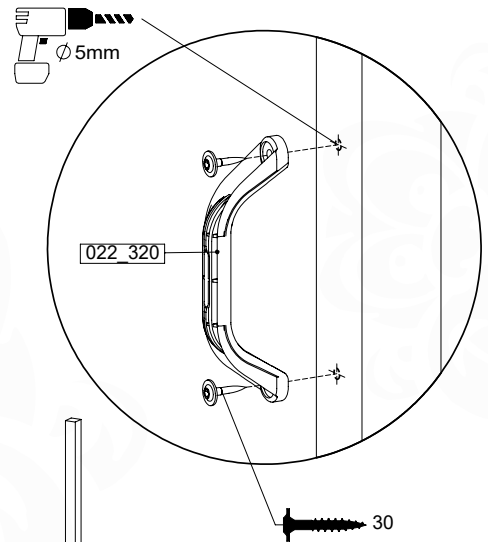
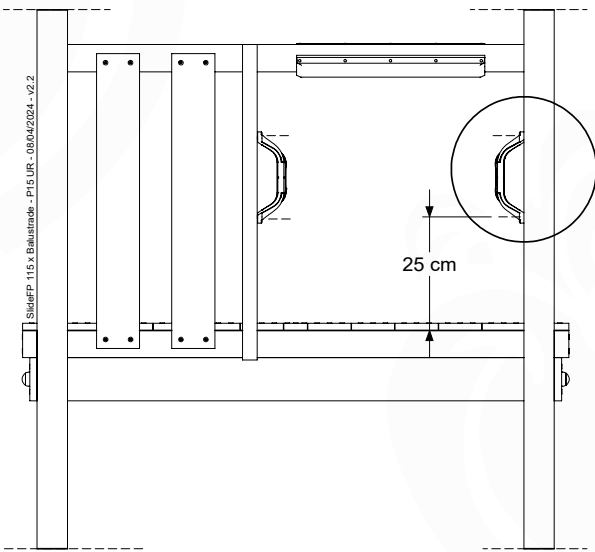
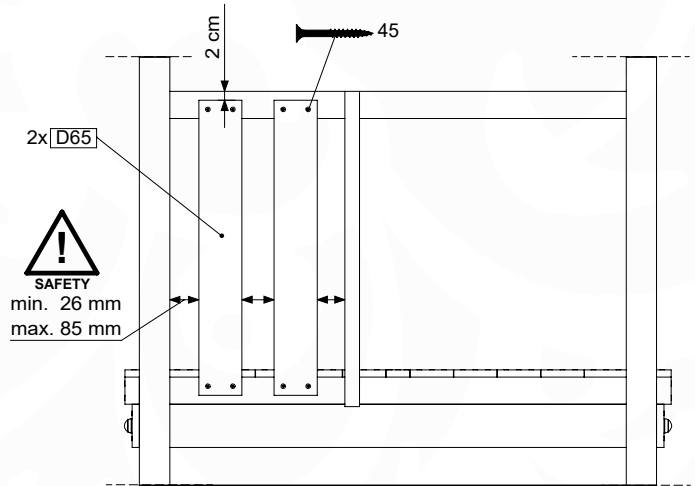
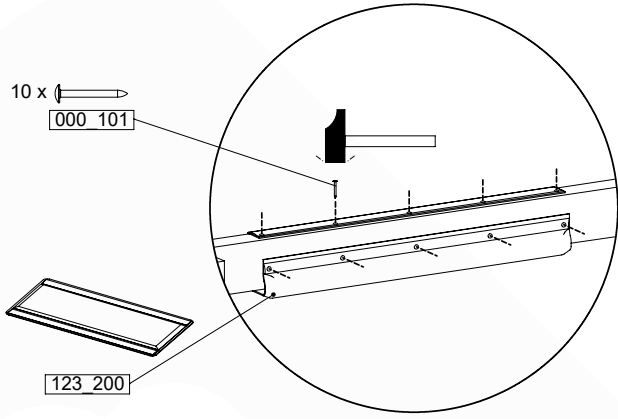
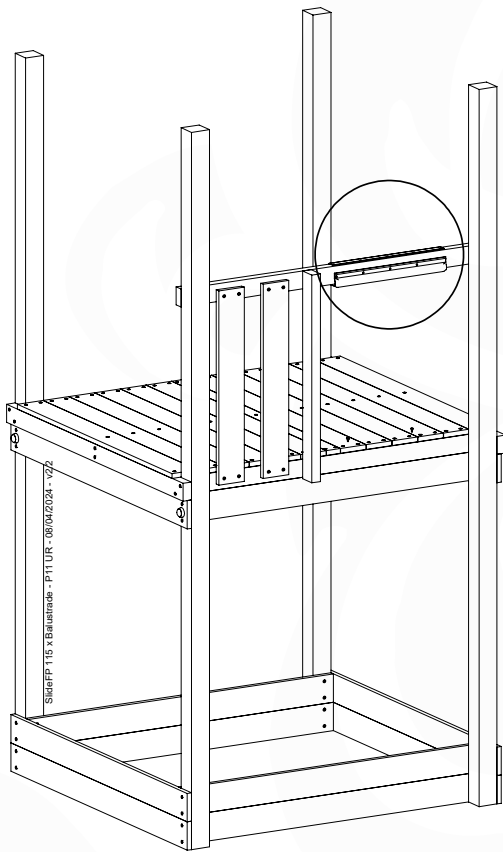
Assembly Packs: 194_107 + 194_101

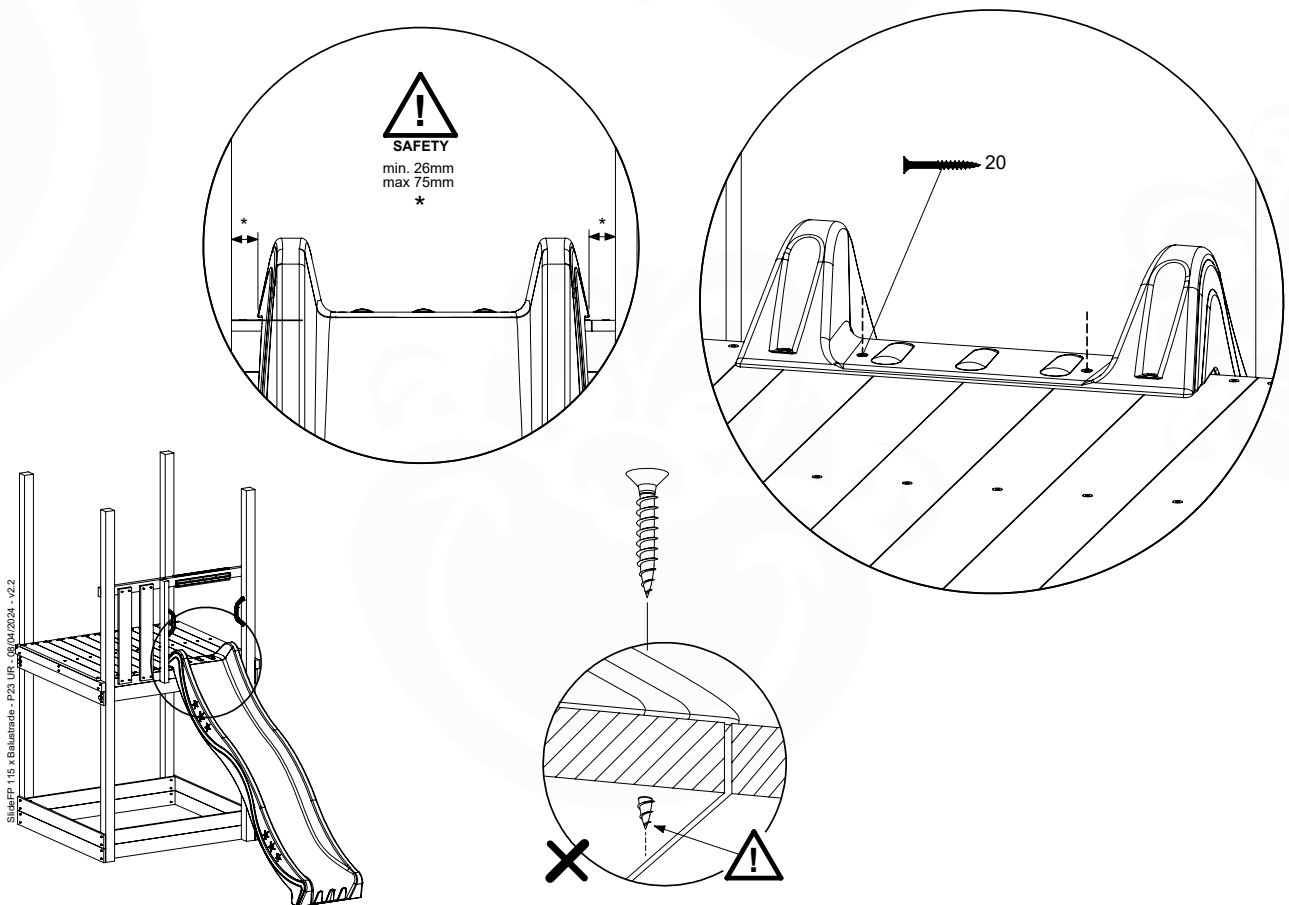
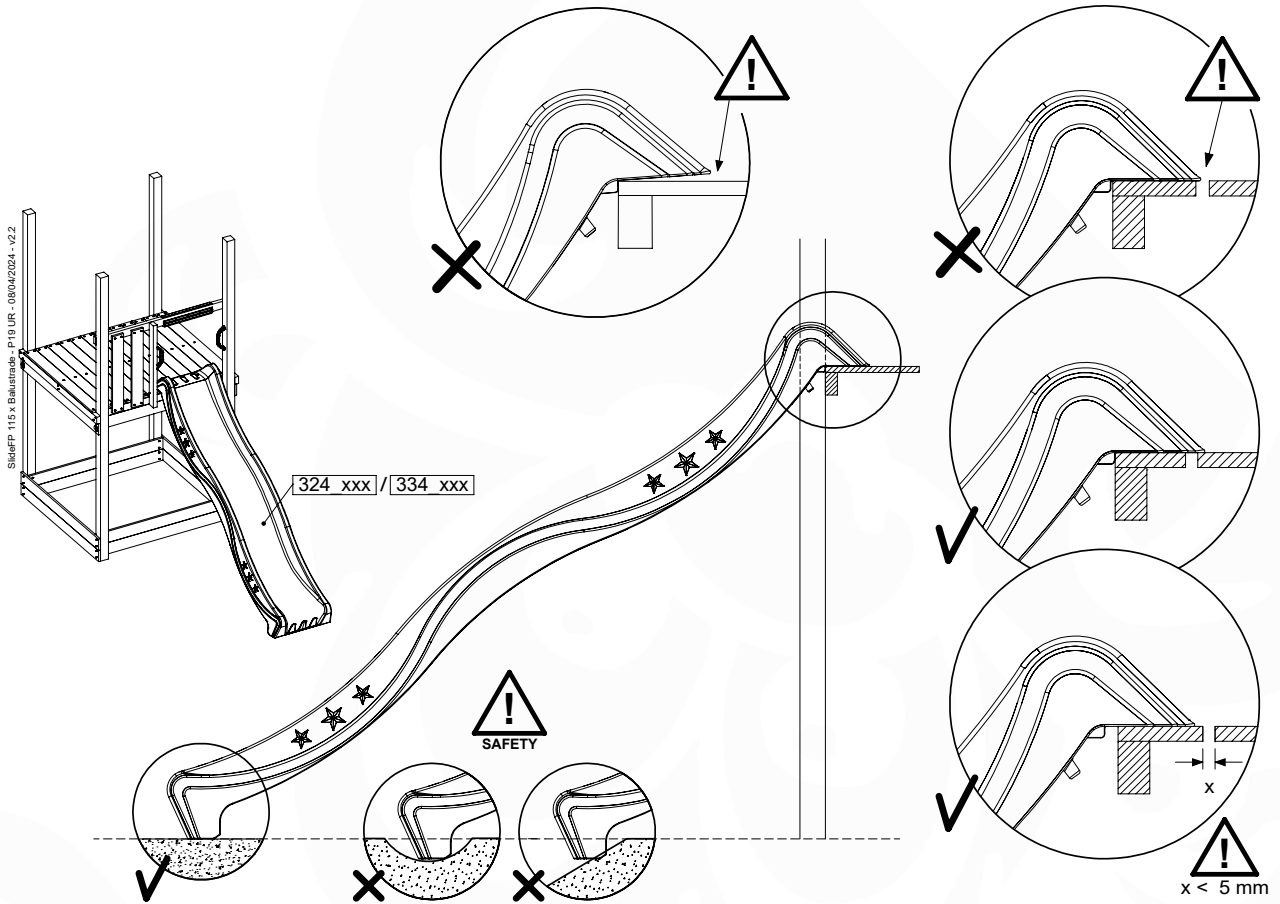
	PartNo	PartName	QTY.
Hardware + Parts	000_101	Nail Pan Head	10
	002_220	Gap Point Screw T25 - 5x45	8
	002_223	Gap Point Screw T25 - 5x80	8
	002_308	Gap Point Screw T25 - 5x20	2
	120_102	Handgrip set (complete 2x)	1
	123_200	Bumperpad	1
	324_xxx 334_xxx	Wavy Star Slide XL 2200 mm / Wavy Star Slide XXL 2650 mm	1
Timber	C114	Beam 1140 mm	1
	C70	Beam 700 mm	1
	D65	Board 650 mm	2

SlideFP 115 x Balustrade - P03 UR - 08/04/2024 - v2.2

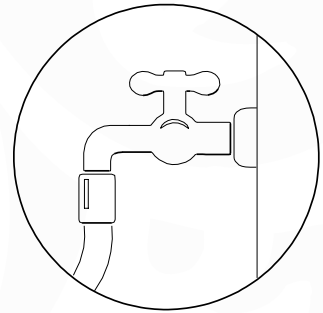
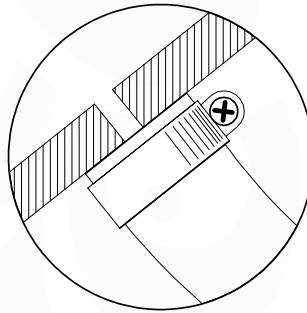
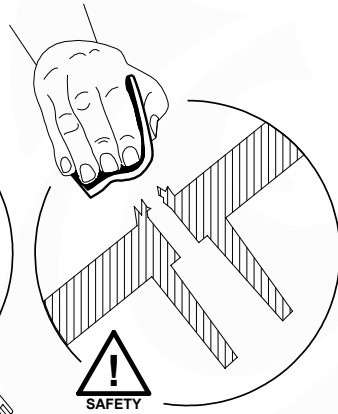
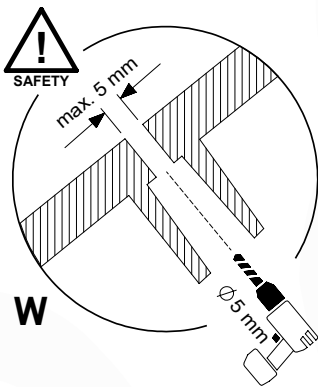
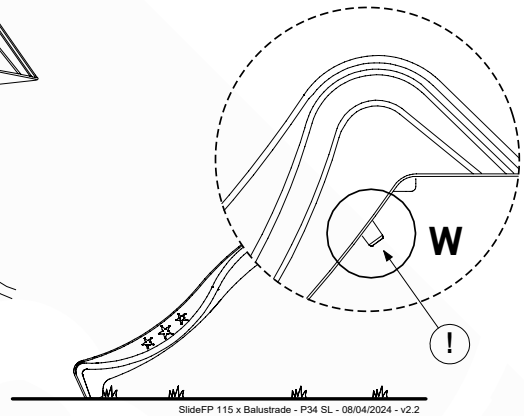
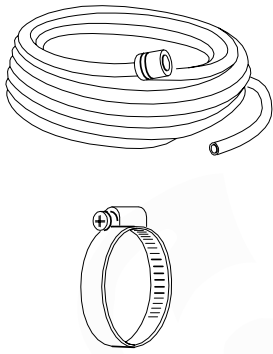


21.1





21.3

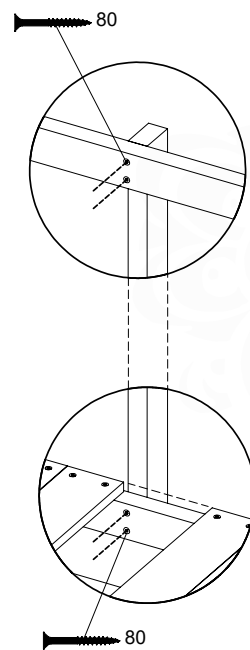
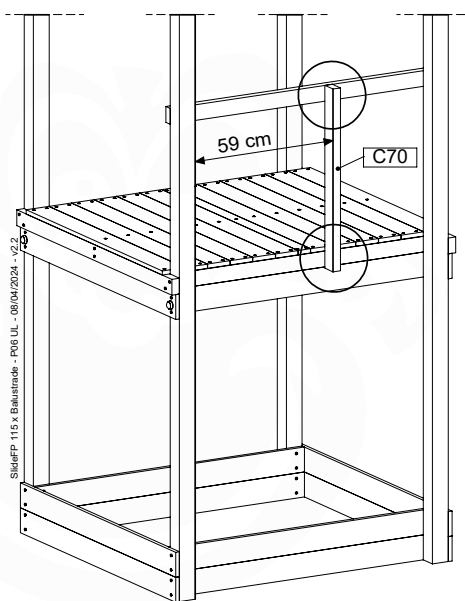
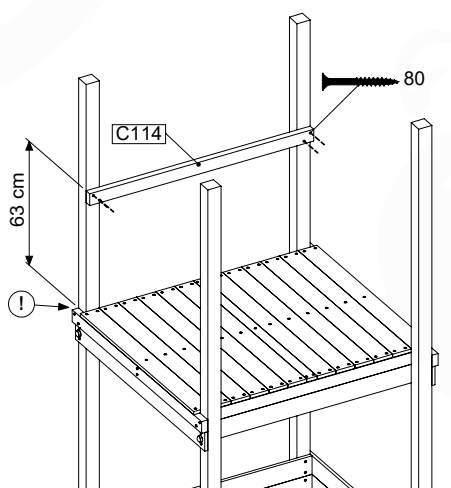
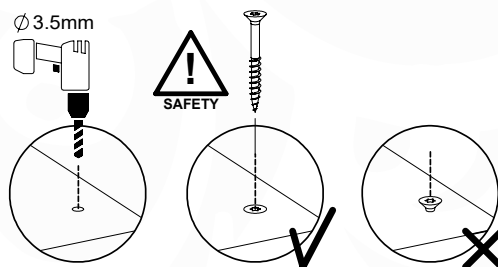
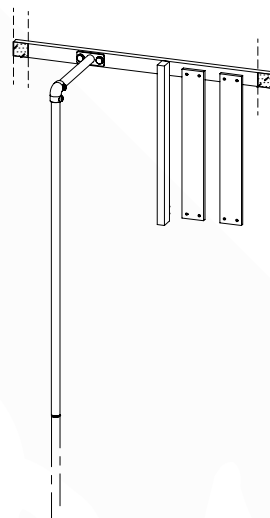


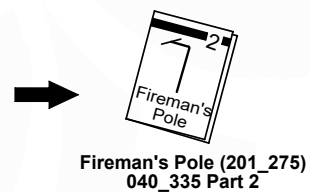
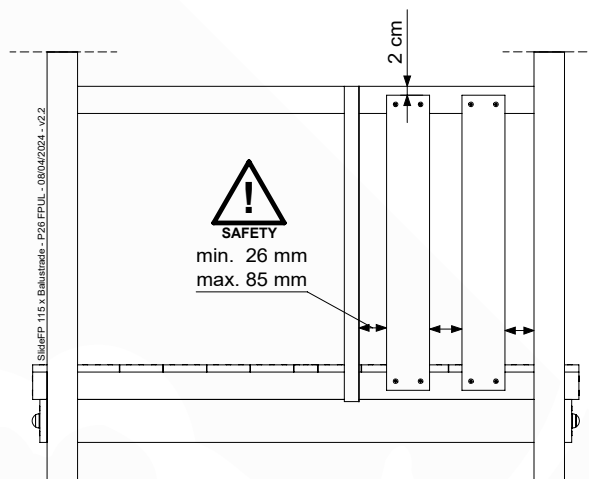
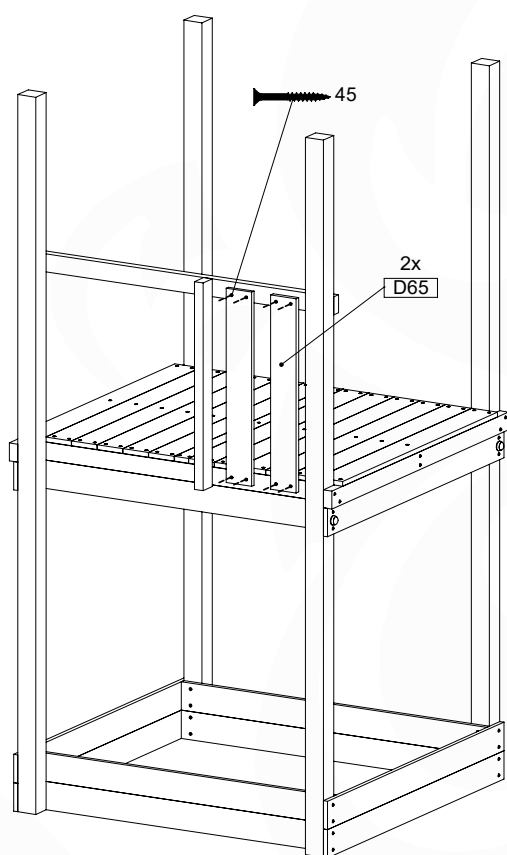
22 FP04a: Fireman's pole 115 Left U 125

Assembly Packs: 201_275 + 194_101

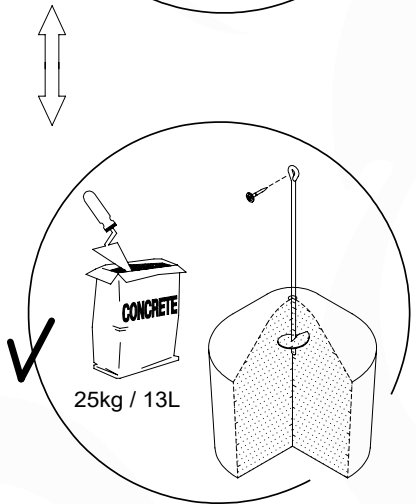
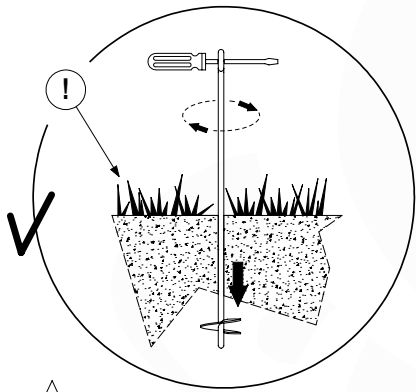
	PartNo	PartName	QTY.
Hardware Pack 194_101	002_220	Gap Point Screw T25 - 5x45	8
	002_223	Gap Point Screw T25 - 5x80	4
Other	201_275	Fireman's Pole kit (incl. 4x Screw T25 5x80)	1
Timber	C70	Beam 700 mm	1
	C114	Beam 1140 mm	1
	D65	Board 650 mm	2

SlideFP 115 x Bauleitrod - P06 UL - 08/04/2024 - v2.2

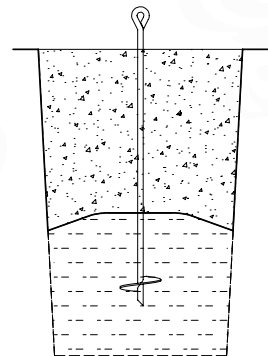
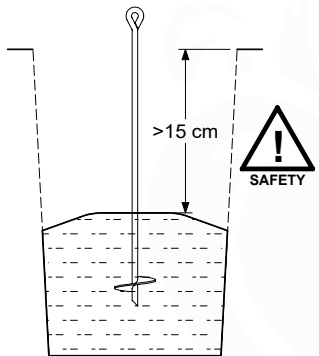
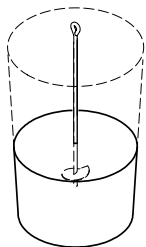
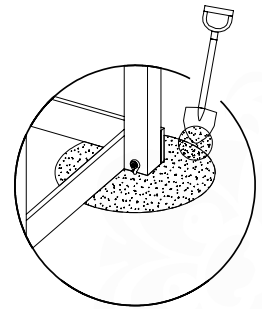
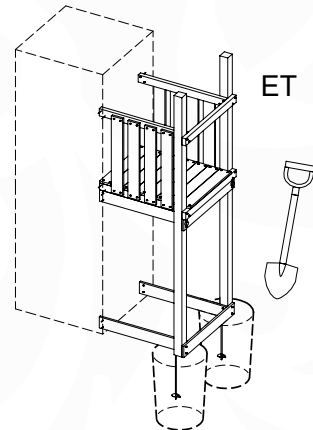
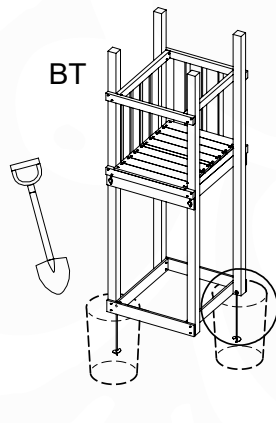
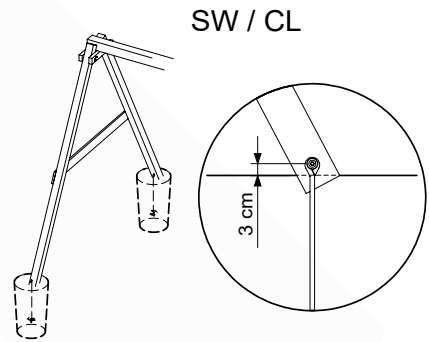
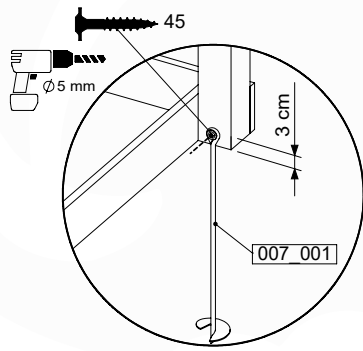




23 GA: Ground Anchors



Ground Anchors Uhl. - PD3 - 14/06/2024 - v1.5



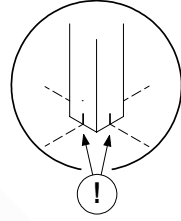
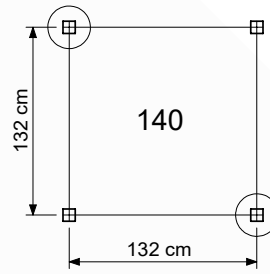
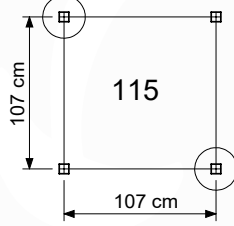
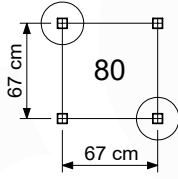
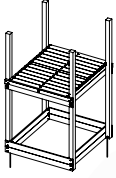
1.

2.

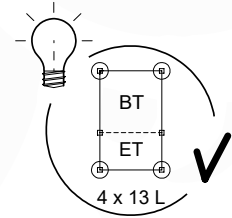
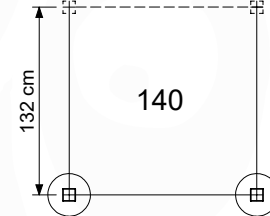
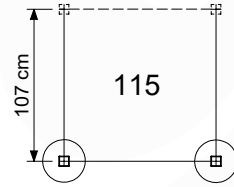
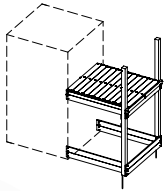
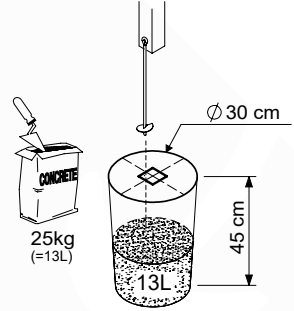
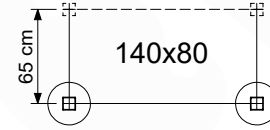
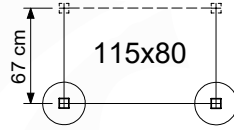
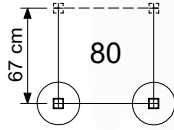
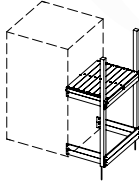
3.

Ground Anchors Uhl. - PD4 - 14/06/2024 - v1.5

BASE TOWERS

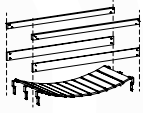


EXTENSION TOWERS

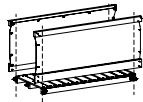


Ground Anchors Uni. - P01 - 14/06/2024 - v1.5

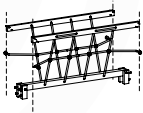
BRIDGES



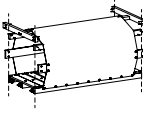
CLATTER



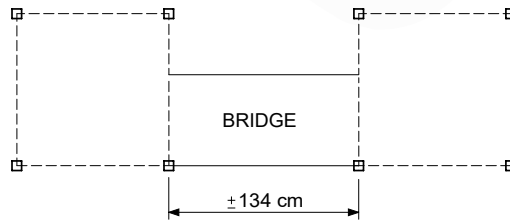
BOARDWALK



NET



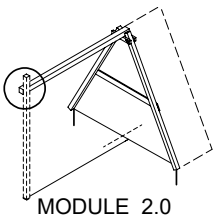
TUNNEL



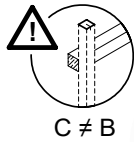
BRIDGE

Ground Anchors Uni. - P02 - 14/06/2024 - v1.5

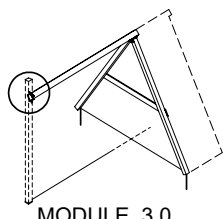
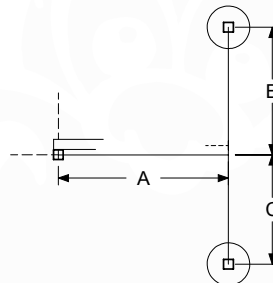
SWING / CLIMB



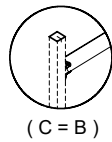
MODULE 2.0



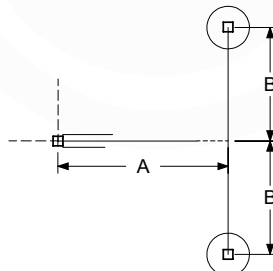
C ≠ B



MODULE 3.0



(C = B)



MODULE 2.0	Module type	A	B	C
	1-Swing 200	150	115	100
1-Swing 220 (Extra)		120	105	
1-Climb 200	142			
2-Climb 200	210	115	100	
2-Swing 200				
1-Climb 220 (Extra)	162			
2-Climb 220 (Extra)	230	120	105	
2-Swing 220 (Extra)				

cm

MODULE 3.0	Module type	A	B
	1-Swing 200 - 3.0	155	110
1-Swing 220 (Extra) - 3.0		115	
1-Climb 200 - 3.0	148		
2-Climb 200 - 3.0	222	110	
2-Swing 200 - 3.0	215		
1-Climb 220 (Extra) - 3.0	170		
2-Climb 220 (Extra) - 3.0	242	115	
2-Swing 220 (Extra) - 3.0	235		

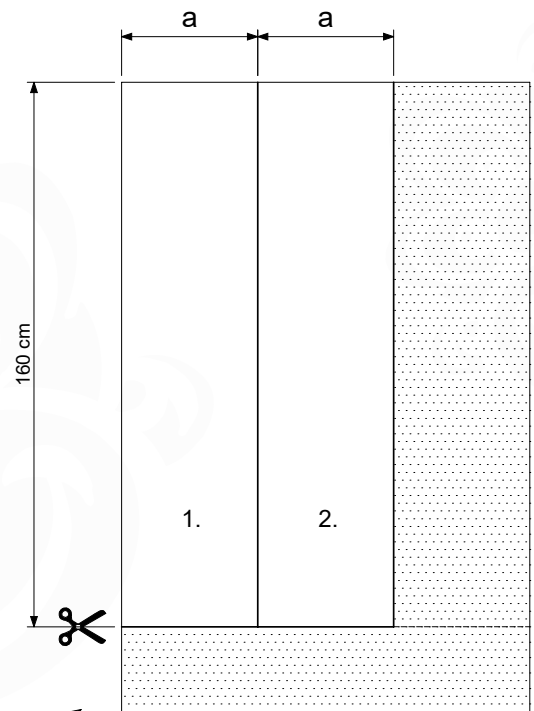
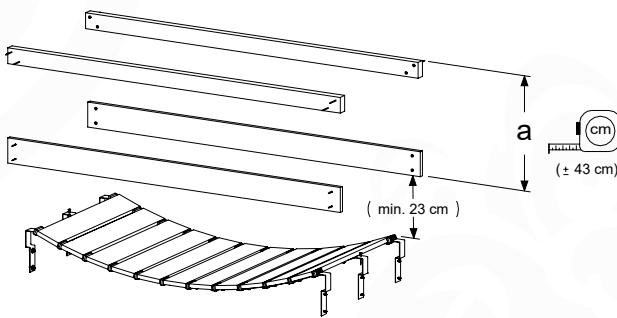
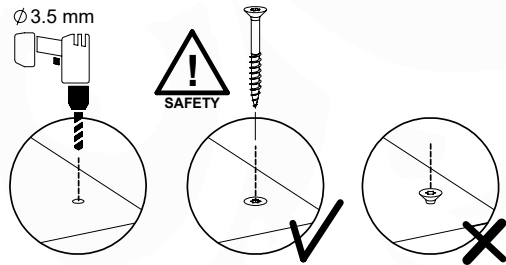
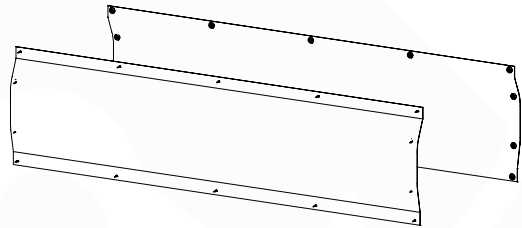
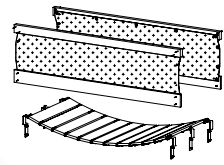
cm

24 AC30a: Bridge Mesh

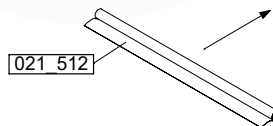
(123_230)

	PartNo	PartName	QTY.
Hardware Packs	002_308	Gap Point Screw T25 - 5x20	28
	100_411	Finishing Washer GPS 5.0	28
Other	021_512	Mesh green 1.20 x 1.85m	1

AC Bridge Mesh - P02 - 05/06/2023 - v1

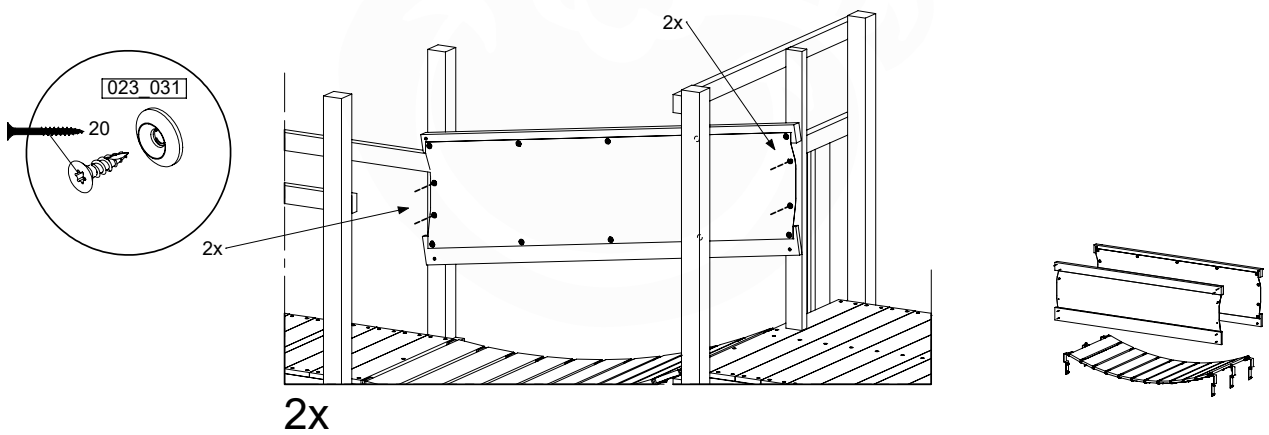
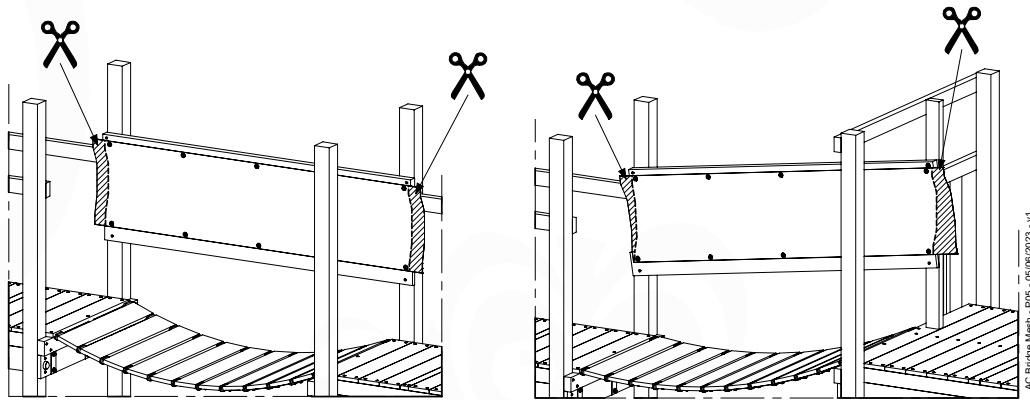
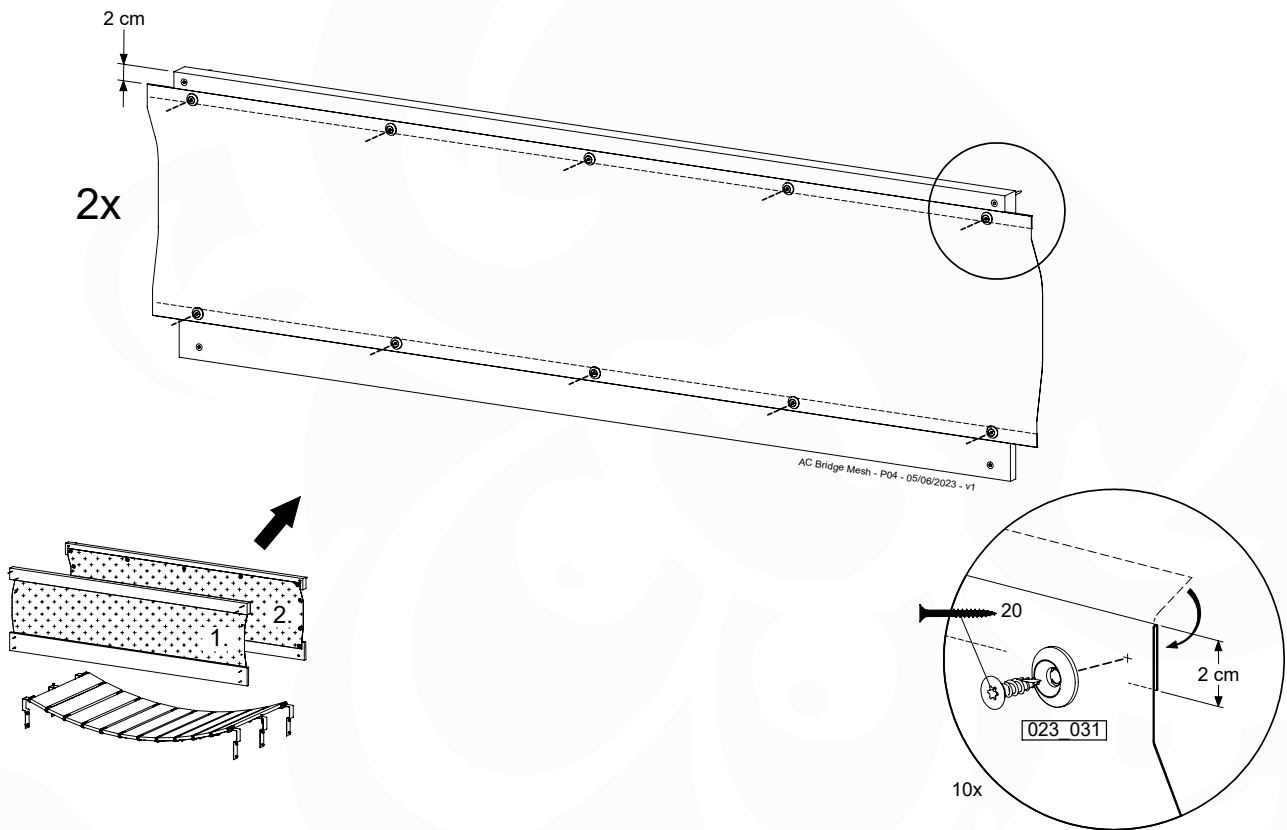


Mesh Green sheet 120 x 185 cm



AC Bridge Mesh - P02 - 05/06/2023 - v1

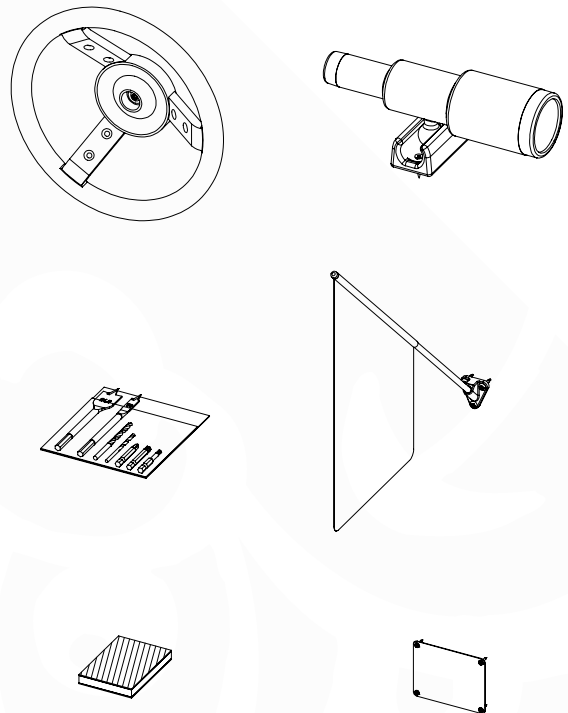
24.1



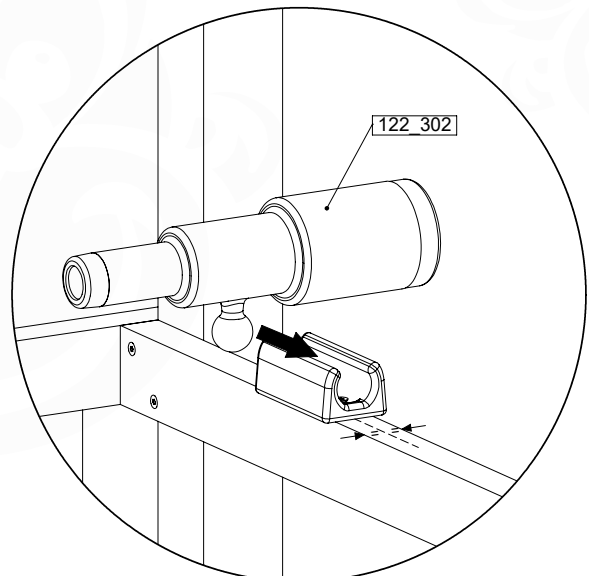
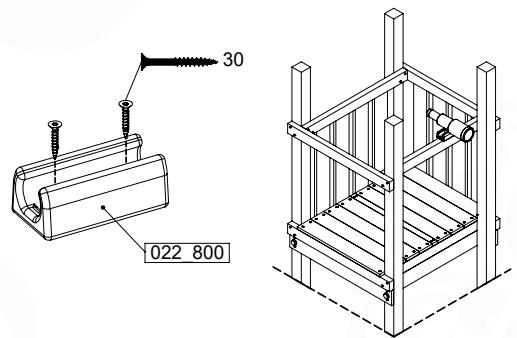
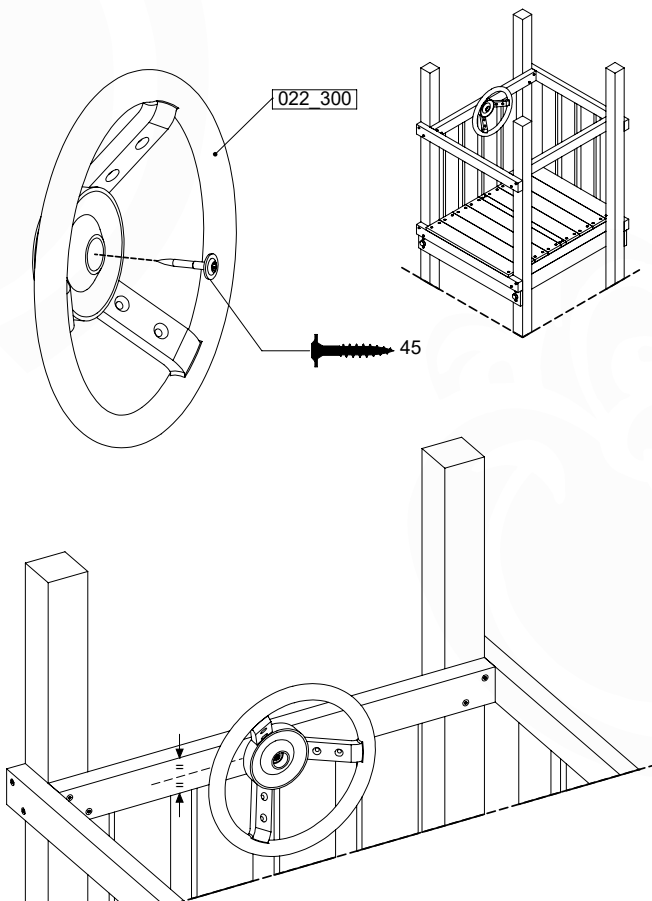
25 AC01a: Accessories

(194_119)

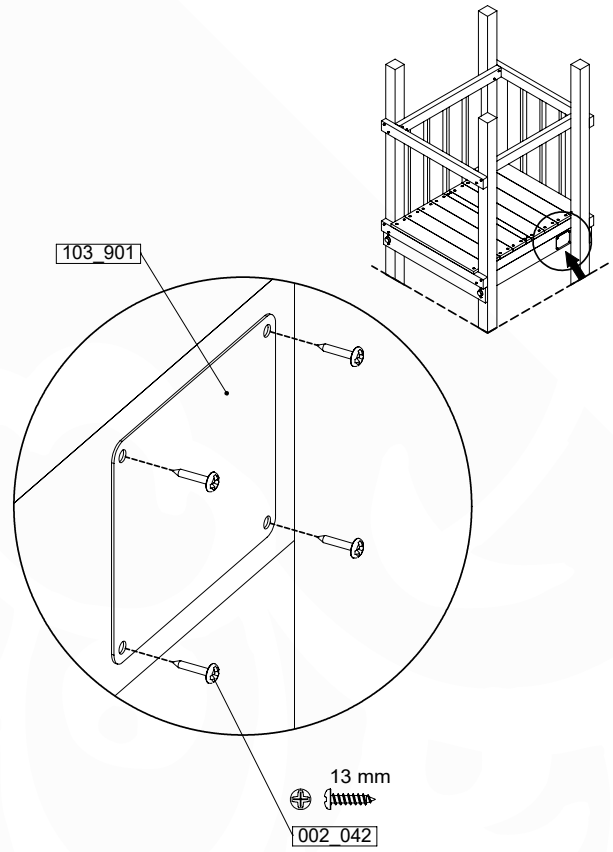
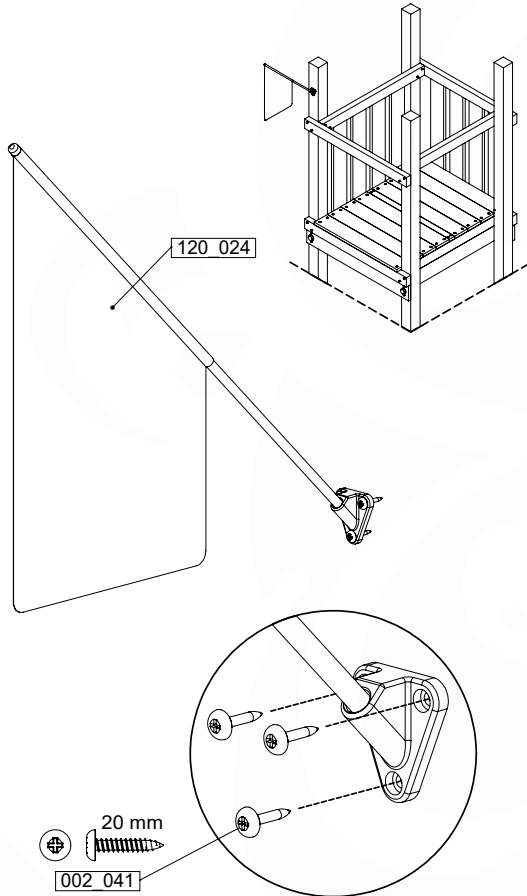
	PartNo	PartName	QTY.
Hardware Pack 100_617	001_406	Stealth Screw 8x45	1
	002_041	Dome head screw 4.5 x 20 mm	3
	002_042	Dome head screw 3.5 x 13mm	4
	002_219	Gap Point Screw T25 - 5x30	2
Other	022_300	Steering Wheel	1
	022_800	Rail P/T 105	1
	022_910	Sandpad	1
	103_901	Logo ID Plate	1
	104_107	Tool Set Climbing Units	1
	120_024	Tower Flag	1
	122_302	Telescope	1



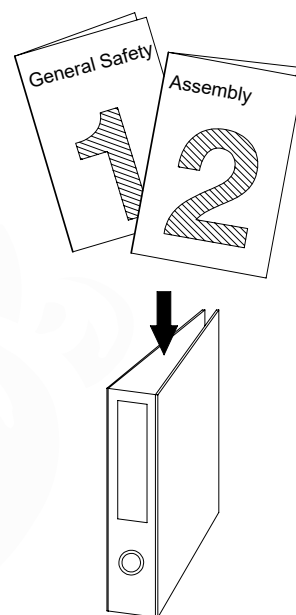
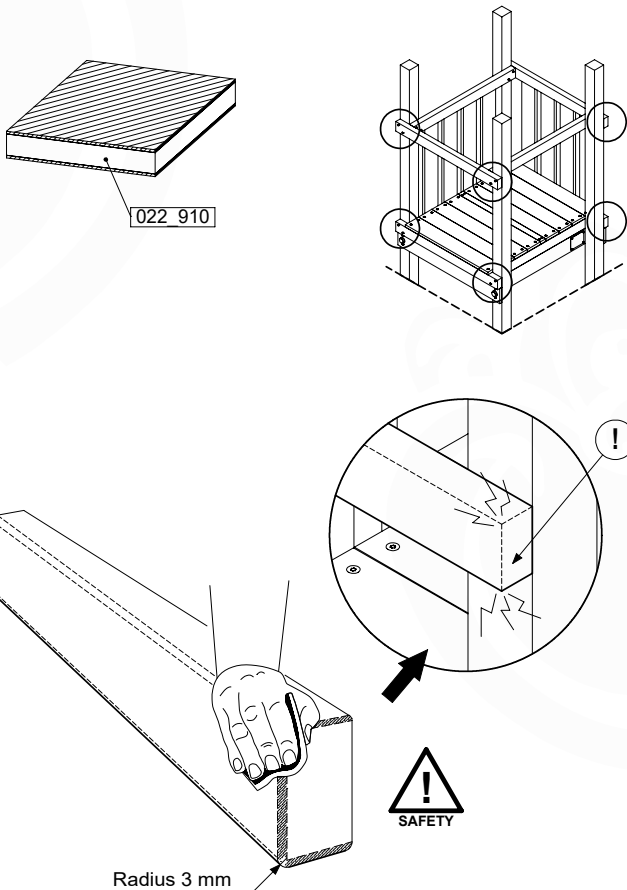
Accessory set - P02 - 24/01/2024 - v5



Accessory set - P03 - 24/01/2024 - v5



Accessory set - P04 - 24/01/2024 - v5



Accessory set - P05 - 24/01/2024 - v5

26 Declaration of conformity

Activity toys for domestic use Aktivitätsspielzeug für den häuslichen Gebrauch Jouets d'activité à usage familial

1. Wooden climbing frames

20240416_v3

1.1. Assemblies

Playtowers	801_005, 801_009, 801_010, 801_013, 801_025, 801_040, 801_060, 801_070, 801_090, 801_095, 801_100, 801_103, 801_105, 801_110, 801_120, 801_200, 802_202, 802_204, 802_206, 802_208, 803_202, 803_204, 803_206, 803_208, 803_210, 809_802, 809_804
Swings	801_300, 801_601, 801_602
Modules	850_176, 850_177, 850_231, 850_232, 857_101, 857_102, 857_105, 857_106, 857_151, 857_152, 857_157, 857_158, 850_240

1.2. Sub assemblies

Base towers (BT)	BT01a, BT02a, BT03a, BT11a, BT14a, BT15a, BT20a
Extension towers (ET)	ET01a, ET02a, ET05a, ET06a, ET07a, ET08a, ET09a, ET10a, ET11a, ET12a, ET13a, ET14a, ET15a, ET16a, ET17a, ET18a, ET19a, ET20a, ET22a, ET23a, ET27a, ET28a, ET35a, ET29a, ET39a, ET40a
Bridges (CB, NB, BB, TB)	CB01a, NB01a, BB01a, BB02a, TB01a, TB02a, TB03a, TB04a
Roofs (RF)	RF01a, RF21a, RF02a, RF03a, RF04a, RF05a, RF06a, RF20a, RF02b, RF03b, RF07a, RF08a, RF22a, RF09a, RF23a, RF11a, RF12a, RF07b, RF12b, RF08b, RF22b, RF09b, RF23b, RF11b, RF14a, RF24a, RF15a, RF25a, RF18a, RF18b, RF14b, RF24b, RF15b, RF25b
Balustrade (BL, BF)	BL01a, BL02a, BL21a, BF25a, BF26a, BF27a, BF28a, BF01a, BF02a, BF03a, BF04a, BF05a, BF06a, BF07a, BF08a, BF01b, BF02b, BF03b, BF04b, BF05b, BF06b, BF07b, BF08b, BF21a, BF22a, BF23a, BF24a, BF21b, BF22b, BF23b, BF24b
Playhouse (PH)	PH03a, PH04a, PH05a, PH06a, PH10a, PH11a, PH40a, PH41a, PH12a, PH13a, PH14a, PH15a, PH42a, PH43a, PH44a, PH45a, PH16a, PH17a, PH18a, PH19a, PH30a, PH31a, PH16b, PH17b, PH18b, PH19b, PH46a, PH47a, PH48a, PH49a, PH16c, PH17c, PH18c, PH19c, PH46b, PH47b, PH48b, PH49b, PH20a, PH21a, PH22a, PH23a, PH24a, PH25a, PH26a, PH27a, PH32a, PH33a, PH52a, PH53a, PH54a, PH55a, PH56a, PH57a, PH50a, PH51a, PH26b, PH27b, PH26c, PH27c, PH56b, PH57b
Ladder (LA)	LA05a, LA06a, LA01a, LA02a, LA03a, LA01b, LA02b, LA03b, LA11a, LA12a, LA13a, LA14a, LA15a, LA16a, LA17a, LA18a, LA31a, LA32a, LA33a, LA34a, LA35a, LA36a, LA37a, LA38a, LA21a, LA22a, LA23a, LA24a, LA25a, LA26a, LA43a, LA44a, LA45a, LA46a
Two Step Ladder (TS)	TS01a, TS01b, TS02a, TS02b, TS03b, TS22a, TS05a, TS06a, TS07a, TS08a, TS09a, TS10a, TS11a, TS12a, TS15a, TS16a, TS17a, TS18a, TS19a, TS20a, TS21a, TS22a
Rope Ladder (RL)	RL01a, RL02a, RL05a, RL06a, RL07a, RL08a, RL09a, RL10a, RL11a, RL12a, RL15a, RL16a, RL19a, RL20a
Rock wall (RW)	RW01a, RW02a, RW01b, RW02b, RW03b, RW31a, RW32a, RW33a, RW05a, RW06a, RW07a, RW08a, RW09a, RW10a, RW11a, RW12a, RW40a, RW41a, RW15a, RW16a, RW17a, RW18a, RW19a, RW20a, RW46a, RW47a
Ramp (RA)	RA03a, RA04a, RA05a, RA06a, RA07a, RA08a, RA11a, RA12a, RA21a
Net (NA, NS)	NA01a, NA02a, NS01a, NS02a, NS03a, NS21a, NA04a, NA05a, NS04a, NS05a, NS06a, NS07a, NA08a, NA09a, NS08a, NS09a
Boat (BO)	BO01a
Market (MT)	MT01a, MT02a, MT05a, MT06a, MT11a, MT12a
Picnic (PC)	PC01a, PC01b, PC05a, PC06a, PC09a, PC10a
Gymnastics bar (GY)	GY01a
Fireman's pole (FP)	FP01a, FP02a, FP04a, FP05a, FP06a, FP07a, FP23a, FP24a, FP25a, FP26a, FP27a, FP28a
Slides (SL)	SL01a, SL02a, SL03a, SL06a, SL07a, SL08a, SL09a, SL10a, SL11a, SL12a, SL13a, SL26a, SL27a, SL28a, SL29a
Swing (SM)	SW17a, SW21a, SW18a, SW22a, SW01a, SW05a, SW02a, SW06a, SW09a, SW13a, SW10a, SW14a
Climb (CL)	CL17a, CL21a, CL18a, CL22a, CL01a, CL05a, CL02a, CL06a, CL09a, CL13a, CL10a, CL14a
Universal Beam (UB)	UB01a, UB04a, UB02a, UB05a, UB03a, UB06a
Accessories (AC)	AC30a, AC31a, AC32a, AC33a, AC01a, AC05a, AC07a, AC03a, AC04a, AC06a, AC23a, AC22a, AC24a, AC21a, AC25a, AC02a, AC09a, AC08a, AC10a

2. Construction packages

2.1 Assembly Kits

Playtowers	401_015, 401_080, 401_125, 402_201, 402_202, 402_204, 402_206, 402_208, 403_202, 403_204, 403_206, 403_208, 403_210, 409_802, 409_804
Swings	401_300, 401_600
Modules	457_005, 457_102, 457_103, 457_106, 457_107, 457_205

2.2 Assembly Packs

Sub assemblies	194_002, 194_003, 194_004, 194_006, 194_007, 194_008, 194_009, 194_010, 194_100, 194_101, 194_102, 194_103, 194_104, 194_105, 194_107, 194_108, 194_109, 194_110, 194_111, 194_112, 194_113, 194_114, 194_115, 194_116, 194_117, 194_118, 194_119, 194_300, 194_308, 194_312, 194_500, 194_501, 194_508, 194_510, 194_802, 194_804, 194_809, 194_810, 194_811, 194_812
----------------	--

3. Accessories and components

Slides XL	324_100, 324_200, 324_300, 324_400, 324_500, 324_600
Slides XXL	334_100, 334_200, 334_300, 334_400, 334_500, 334_600
Fireman's pole	201_275
Climbing	201_060, 201_273
Imagination	201_280, 201_285, 201_290, 201_295, 202_473, 450_310, 450_320, 450_330
Swinging	250_001, 250_013, 250_025, 250_034, 250_053
Functional	123_220, 123_222, 123_230, 201_115, 201_220, 201_250, 201_260, 201_270, 202_620, 202_621, 202_622, 202_623, 202_624, 202_625, 202_626, 202_627, 202_628, 202_629, 202_824, 250_065, 250_070, 250_075

Applicable EU directives and standards

General

- General Product Safety Directive (GPSD) 2001\48\EG
- Reach directive 1907\2006
- AfPS GS 2019:01 PAK

Activity Toys

- Toy Safety Directive (TSD) 2009\48\EG
- EN Standard 71 Safety of Toys
 - EN 71-1:2014 + A1:2018 Safety of toys Mechanical and physical properties
 - EN 71-2:2020 Flammability
 - EN 71-3:2019 + A1:2021 Migration of certain elements
 - EN 71-8:2018 Safety of toys Activity toys for domestic use

Supplementary information

Conformity to the above specified directives and standards has been frequently verified by TÜV Rheinland LGA products, DEKRA, LNE SA, since 1994. Jungle Gym participates in the European Commission for standardisation for the safety of activity toys (TC52/WG10).



EN 71-1,-2, -3, -8 & -9

Manufacturer details

Company Name: Jungle Gym B.V.
Address: Valschermkade 18, 1059 CD Amsterdam, Netherlands
Email: info@junglegym.com

Declaration

I hereby declare under our sole responsibility that the products mentioned above, to which this declaration relates, comply with the above mentioned directives and standards when the installation, assembly, and maintenance instructions are strictly followed.

Name
Mr. P. Schmit / Director

Issued date
Monday 22nd July, 2024

A handwritten signature in blue ink, appearing to read 'P. Schmit', is written over a horizontal line.

Signature of representative

Jungle Gym B.V. | P.O. Box 75083 | 1070 AB Amsterdam | Netherlands | Phone: +31 85 444 41 00 | e-mail: info@junglegym.com | www.junglegym.com