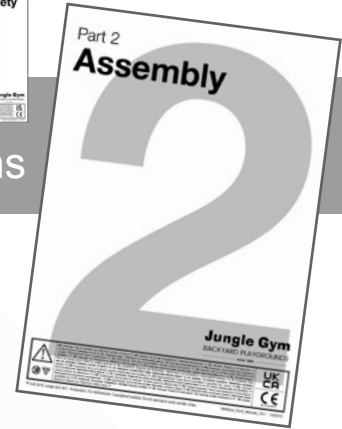


# Assembly

Instructions

Config ID: 1XECU8  
 Product Name: Retreat 2-Swing  
 Product ID: 211540








Watch in 3D



# Jungle Gym

BACKYARD PLAYGROUNDS

since 1988

<p><b>Assembly time</b> 16.0 hours by 2 adults</p> 	 <p>EN. Warnings. Only for domestic use. Maximum number of users is 6. DE. Achtung. Nur für den Hausgebrauch. Maximale Benutzerzahl: 6. FR. Attention. Réserve à un usage familial. Le nombre maximal d'utilisateurs est de 6. NL. Waarschuwingen. Uitsluitend voor huishoudelijk gebruik. Het maximale aantal gebruikers is 6. BG. Внимание. За употреба само в домашни условия. Максималният брой потребители е 6. CS. Varování. Jen pro domácí použití. Maximální počet uživatelů je 6. DA. Advarsler. Kun til privat brug. Maksimum antal brugere er 6. EL. Προειδοποίησης. Μόνο για οικιακή χρήση. Μέγιστος αριθμός χρηστών 6. ES. Advertencias. Solo para uso doméstico. Número máximo de usuarios: 6. ET. Hoiatused. Ainult koduseks kasutamiseks. Maksimaalne kasutajate arv on 6. FI. Varoitukset. Ainoastaan kotikäyttöön. Käyttäjää yhteensä enintään 6. HR. Upozorenja. Samo za kućansku uporabu. Maksimalan broj korisnika je 6. HU. Figyelmeztetések. Csak otthoni használatra! A használók max.száma: 6. IS. Varnaðarorð. Eingöngu fyrir einkanothun í heimahúsum og á einkalóðum. Hámarksfjöldi notenda er 6. IT. Avvertenze. Solo per uso domestico. Massimo numero di utenti è 6. LT. Įspėjimai. Tik buitiniam naudojimui. Maksimalus naudotojų skaičius 6. LV. Brīdinājumi. Izmantot tikai mājās. Maksimālais lietotāju skaits ir 6. NO. Advarsler. Kun for privat bruk. Maksimalt antall brukere er 6. PL. Ostrzeżenia. Wyłącznie do użytku domowego. Maksymalna liczba użytkowników to 6. PT. Avisos. Apenas para uso doméstico. O número máximo de utilizadores é 6. RO. Avertismente. Numai pentru uz domestic. Numărul maxim de utilizatori este 6. RU. Предостережения. Только для домашнего использования. Максимальное количество пользователей - 6. SK. Upozornenia. Iba na domáce použitie. Maximálne množstvo osôb je 6. SL. Opozorila. Samo za domačo uporabo. Maksimalno število uporabnikov je 6. SR. Upozorenja. Samo za kućnu upotrebu. Maksimalan broj korisnika je 6. SV. Varningar. Endast för hemmabruk. Det maximala antalet användare är 6. TR. Uyarılar. Sadece ev kullanımı için. Maksimum kullanıcı sayısı 6.</p>	 <p>EN 71-1,2,3-8&amp;9</p>  
--	--	--

# 1 Helpdesk JungleGym

## FAQ & Support



English



Deutsch



Français



Nederlands



info@junglegym.com



EU 0031 85 44 44 100

AT 0043 72 08 153 33

BE 0032 78 48 16 19

CH 0041 43 50 87 350

DE 0049 32 22 10 98 299

ES 0034 657 76 64 25

FR 0033 97 75 58 222

IE 0035 38 1800 0300

LU 0035 22 08 80 512

NL 0031 85 44 44 102

UK 0044 20 369 505 53

Monday-Friday,

CET 9:00am - 5:00pm

Local phone charges may apply.

## 2 Start

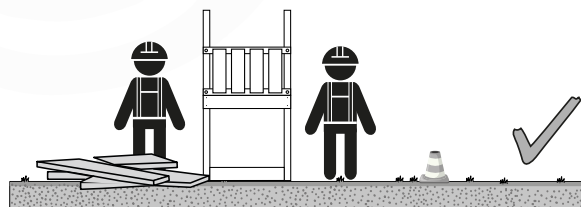
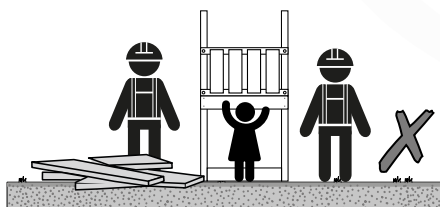
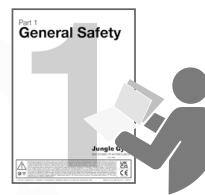
### 2.1 Safety



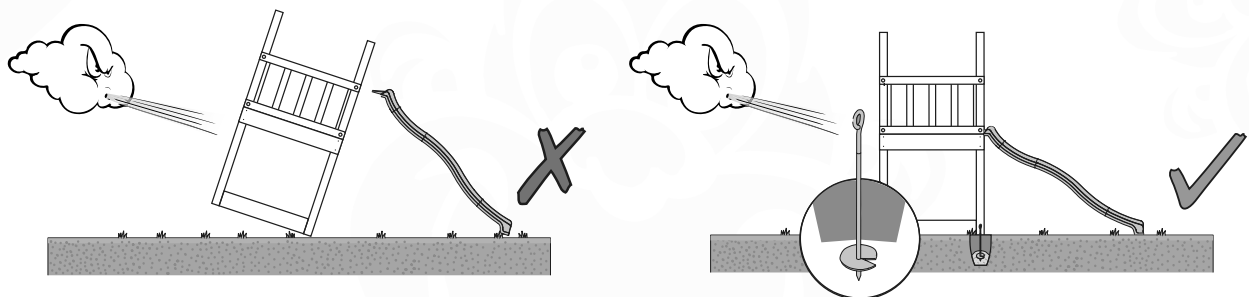
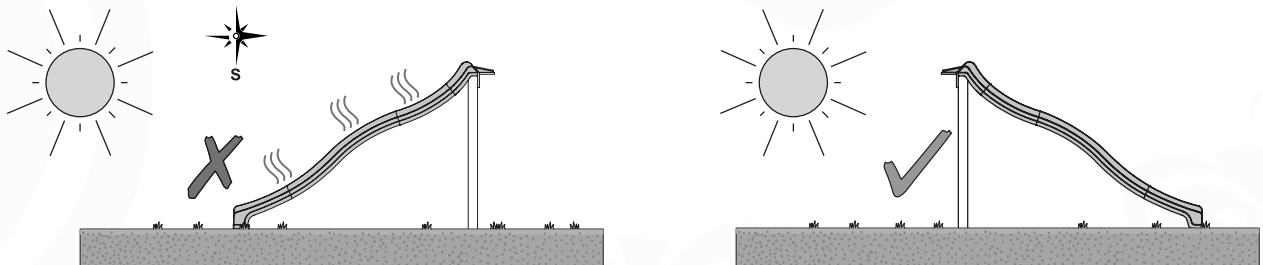
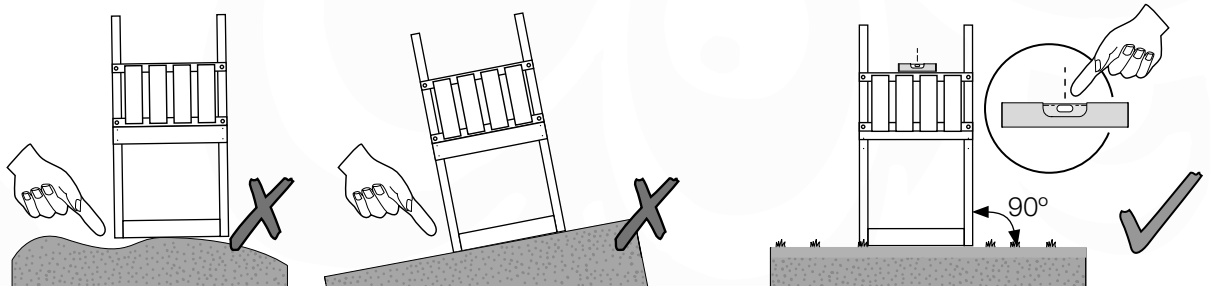
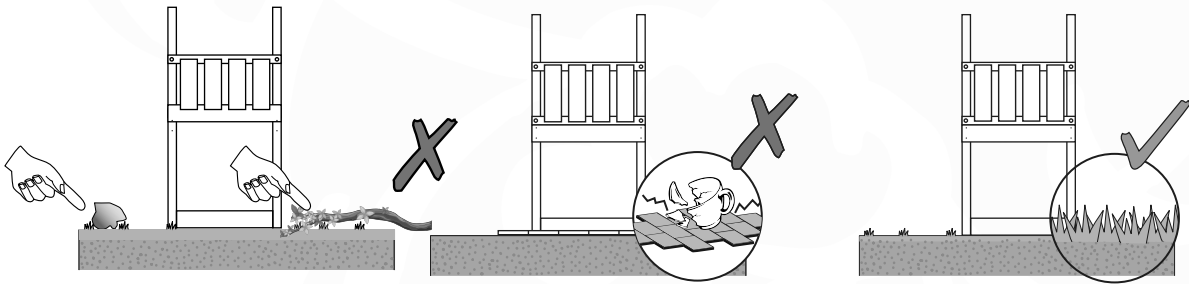
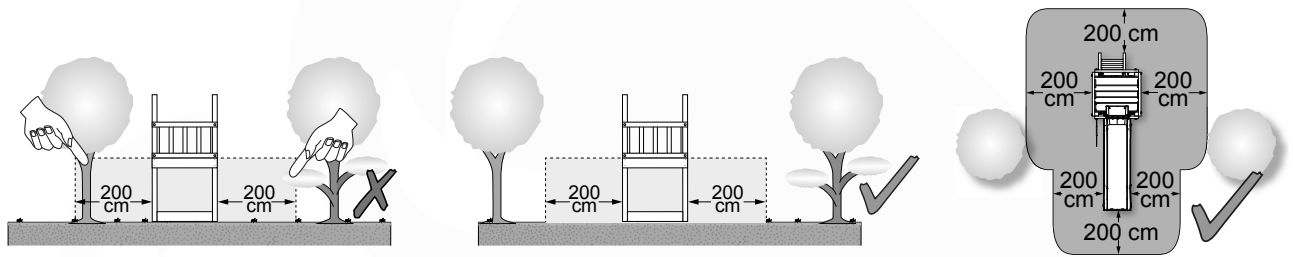
Download

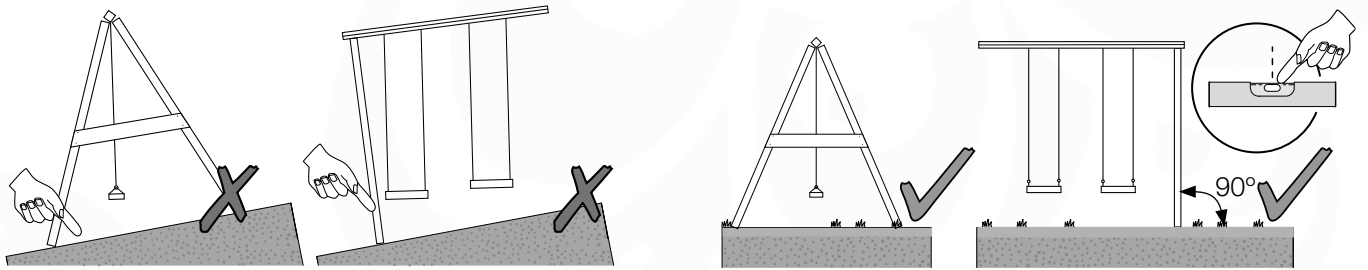
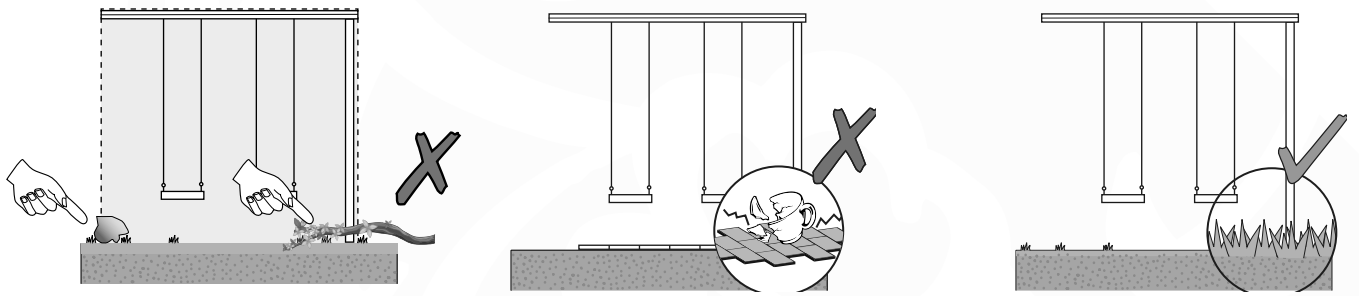
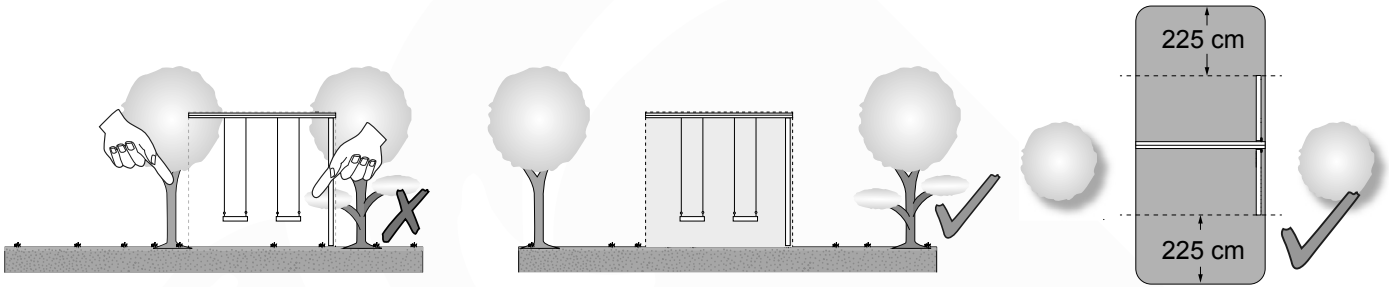


Part 1

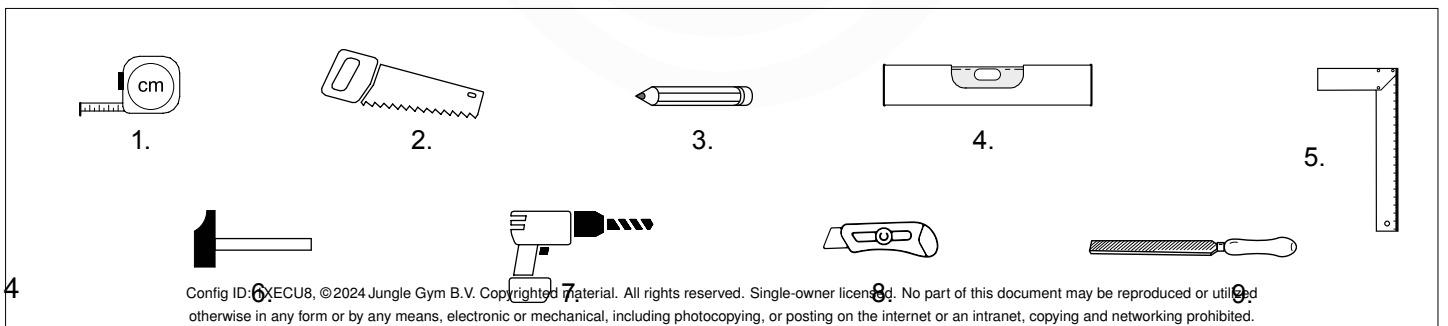


## 2.2 Planning

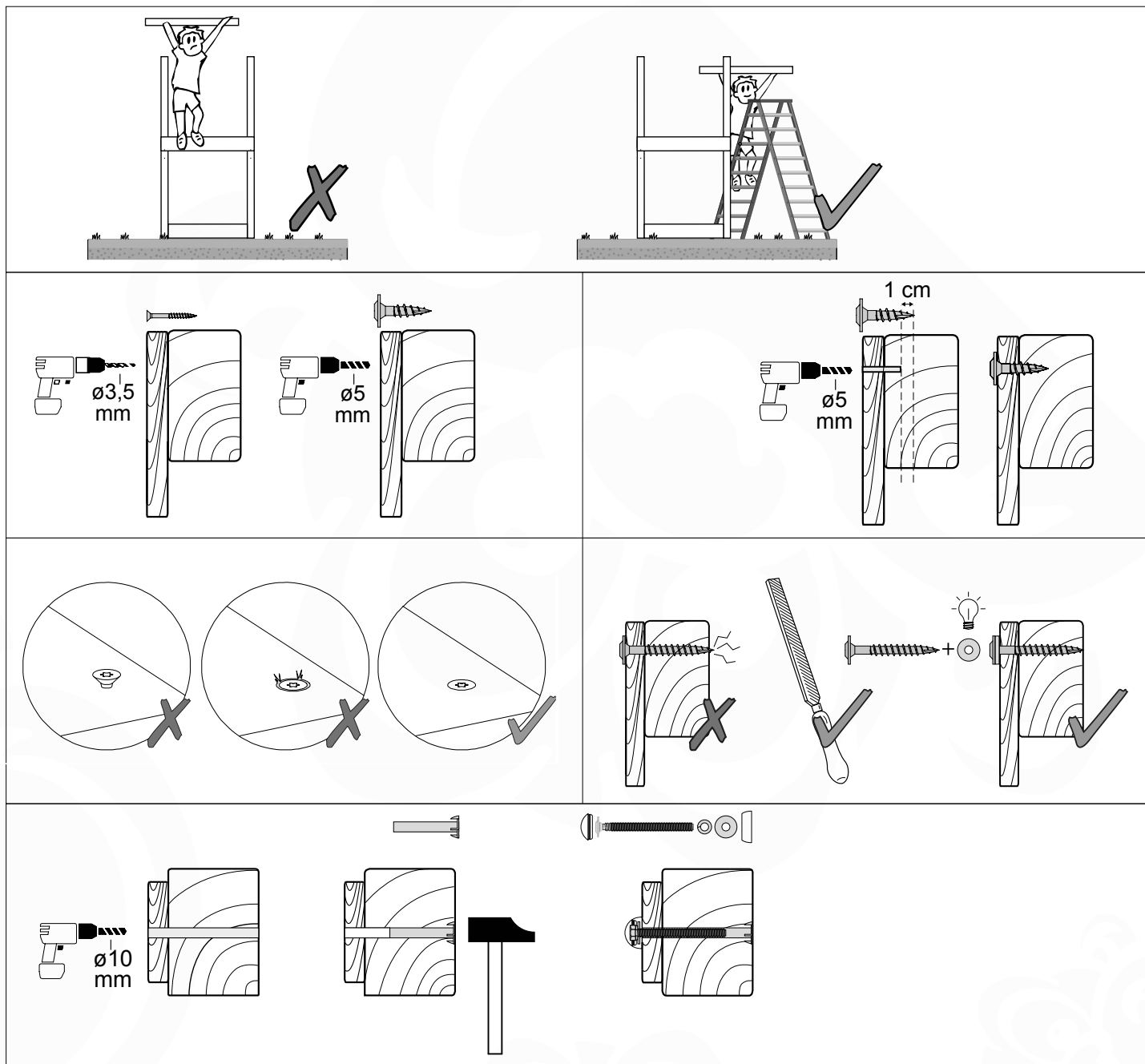




### 2.3 Tools



## 2.4 Assembly



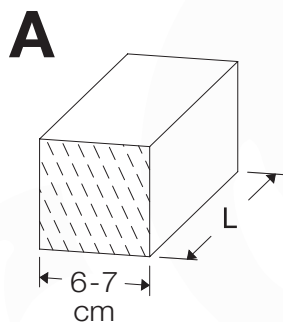
## 3 Overview

### 3.1 Order specification

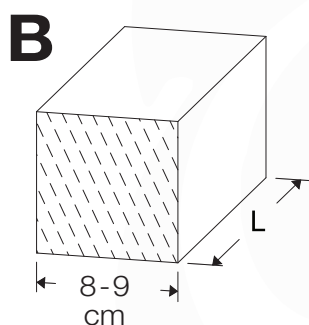


#	Description	Supplier ID	Assembly ID
1	Base Tower 80_220220_125	790_003	BT03a
1	Base Tower 115_270270_145	792_003	BT15a
1	Extension Tower 11580_220_145	792_102	ET07a
1	Roof Timber Clapboard 80	790_201	RF01a
1	Roof Timber Gable 115	792_202	RF08a
1	Balustrade 115_T	792_301	BL04a
1	Playhouse 80 T Window	790_313	PH06a
1	Playhouse 115 T Wall	792_311	PH11a
1	Playhouse 115 U R Entrance	792_312	PH13a
1	Playhouse 115 U L Window	792_313	PH16a
1	Playhouse 115 T R Window	792_313	PH19a
1	Playhouse 115 Roof 90 set	792_314	PH30a
1	Rock wall 80_145 U	790_404	RW03b
1	TwoStep Ladder 80_125 U	790_411	TS01a
1	Net Bridge 80 uni	790_611	NB01a
1	Slide Frame 80_125 U	790_901	SL01a
1	2- Swing Module 200 3.0	757_110	SW06a
1	Accessories Set	194_119	AC01a
2	Accessories Blue Shutters	250_075	AC02a
1	Accessories Swing Seat	250_034	AC21a
1	Accessories Monkey Bar	250_013	AC22a
1	Wavy Star Slide XL	324_x00a	324_x00a

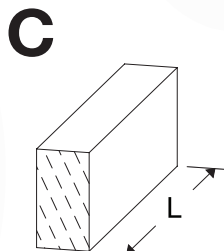
## 3.2 Timber parts



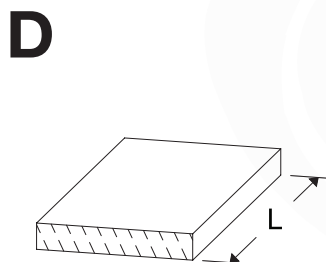
ID	L	#
A123	122 cm - 123 cm	1
A141	140 cm - 141 cm	1
A220	219 cm - 220 cm	8
A270	269 cm - 270 cm	4



B220	219 cm - 220 cm	1
------	-----------------	---



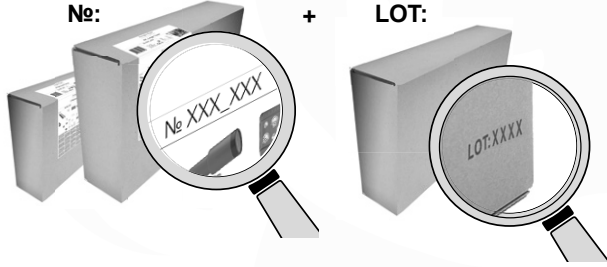
C56	55 cm - 56 cm	2
C62	61 cm - 62 cm	3
C70	69 cm - 70 cm	1
C74	73 cm - 74 cm	11
C84	83 cm - 84 cm	2
C90	89 cm - 90 cm	2
C96	85 cm - 96 cm	6
C114	113 cm - 114 cm	7
C123	122 cm - 123 cm	2
C141	140 cm - 141 cm	2



D21	20 cm - 21 cm	8
D47	46 cm - 47 cm	19
D60	59 cm - 60 cm	11
D65	64 cm - 65 cm	9
D74	73 cm - 74 cm	44
D100	99 cm - 100 cm	25
D114	113 cm - 114 cm	54
D127	126 cm - 127 cm	24
D141	140 cm - 141 cm	2

# 4 Product registration

## 4.1 Assembly kits



### Example

№: X X X \_ X X X \_ LOT X X X X

№: LOT

1.

2.

3.

4.

5.

№: LOT

6.

7.

8.

9.

10.

## 4.2 Slide

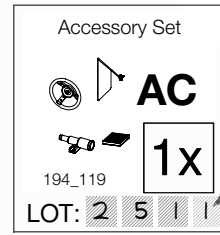



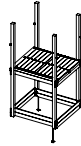
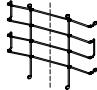





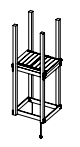
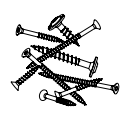
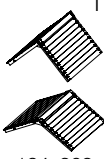

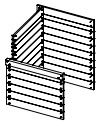
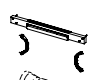
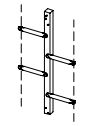
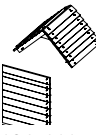
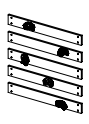


### 4.3 Assembly packs



#### Example



<p>Swing Module Kit</p>  <p><b>SW</b></p> <p>1x</p> <p>457_103</p> <p>LOT: [ ][ ][ ][ ]</p>	<p>Tower 115</p>  <p><b>BT ET</b></p> <p>2x</p> <p>194_300</p> <p>LOT: [ ][ ][ ][ ]</p>	<p>Net Pack</p>  <p><b>NB NA</b></p> <p>1x</p> <p>194_009</p> <p>LOT: [ ][ ][ ][ ]</p>	<p>Accessory Set</p>  <p><b>AC</b></p> <p>1x</p> <p>194_119</p> <p>LOT: [ ][ ][ ][ ]</p>	<p>Slide XL 2.2m</p>  <p>1x</p> <p>324_x00</p> <p>LOT: [ ][ ][ ][ ]</p>
<p>Swing Seat</p>  <p><b>AC</b></p> <p>1x</p> <p>250_034</p> <p>LOT: [ ][ ][ ][ ]</p>	<p>Monkey Bar</p>  <p><b>AC</b></p> <p>1x</p> <p>250_013</p> <p>LOT: [ ][ ][ ][ ]</p>	<p>Balustrade 140</p>  <p><b>BL</b></p> <p>3x</p> <p>194_501</p> <p>LOT: [ ][ ][ ][ ]</p>	<p>Tower 80</p>  <p><b>BT ET</b></p> <p>1x</p> <p>194_100</p> <p>LOT: [ ][ ][ ][ ]</p>	<p>Hardware 09</p>  <p><b>H09</b></p> <p>2x</p> <p>194_809</p> <p>LOT: [ ][ ][ ][ ]</p>
<p>Roof Timber 115</p>  <p><b>RF</b></p> <p>1x</p> <p>194_308</p> <p>LOT: [ ][ ][ ][ ]</p>	<p>Shutters 2x Blue</p>  <p><b>AC</b></p> <p>2x</p> <p>250_075</p> <p>LOT: [ ][ ][ ][ ]</p>	<p>Playhouse Panel</p>  <p><b>PH</b></p> <p>2x</p> <p>194_118</p> <p>LOT: [ ][ ][ ][ ]</p>	<p>Slide Frame</p>  <p><b>SL</b></p> <p>1x</p> <p>194_107</p> <p>LOT: [ ][ ][ ][ ]</p>	<p>Two Step Ladder 80</p>  <p><b>TS</b></p> <p>1x</p> <p>194_102</p> <p>LOT: [ ][ ][ ][ ]</p>
<p>Roof Timber 80 / Wall Panel</p>  <p><b>RF PH</b></p> <p>1x</p> <p>194_111</p> <p>LOT: [ ][ ][ ][ ]</p>	<p>Rock Wall</p>  <p><b>RW</b></p> <p>1x</p> <p>194_006</p> <p>LOT: [ ][ ][ ][ ]</p>			

## 4.4 Your config ID: 1XECU8

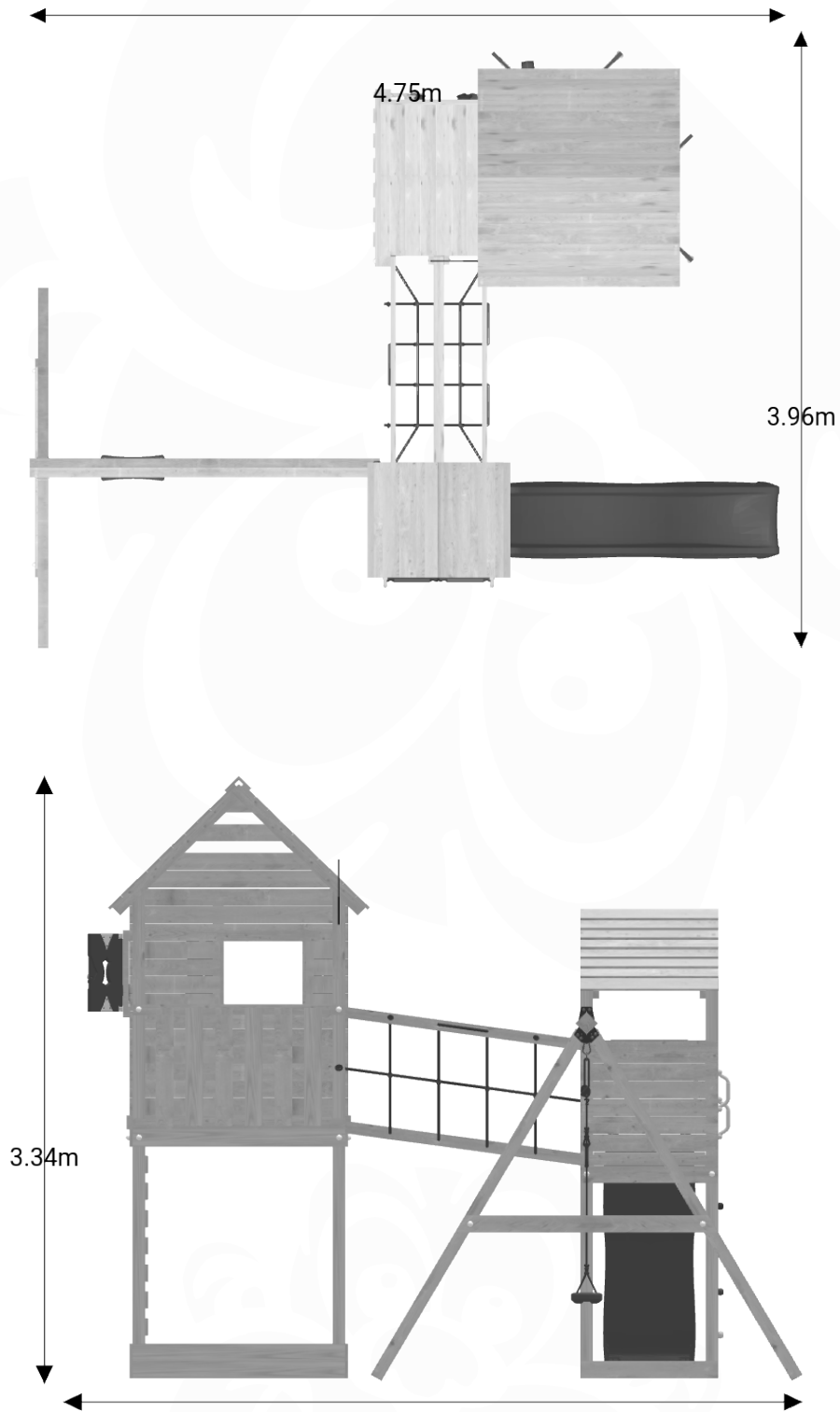


## 5 Hardware Identification

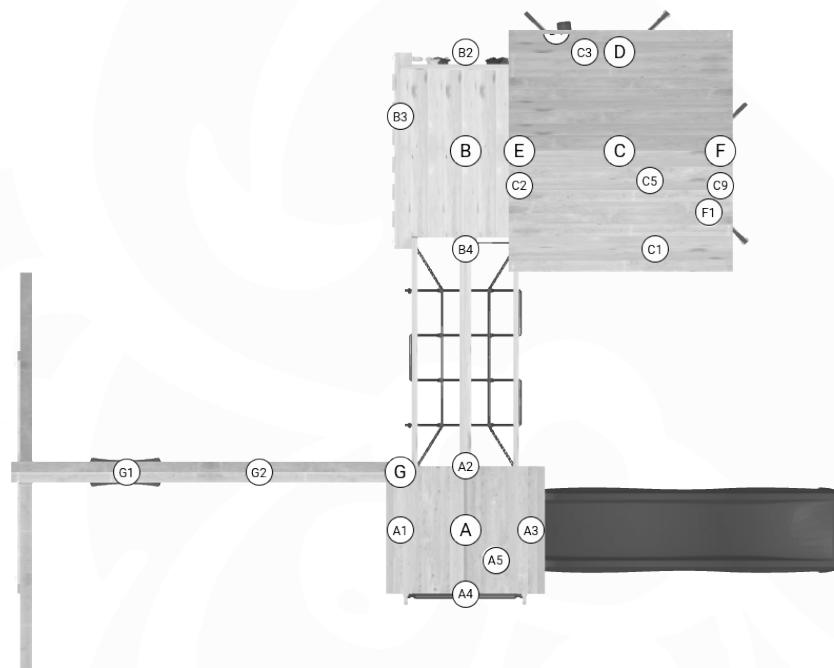
		SKU		L					
		001_404	30 mm		002_308	20 mm			
		001_406	45 mm		002_219	30 mm			
		001_411	60 mm		002_220	45 mm			
		001_417	80 mm		002_223	80 mm			
		001_422	137 mm						
		001_102	30 mm			004_050	22mm		
		000_101	20 mm			003_010			
		002_036	16 mm			003_034			
		002_041	20 mm			022_845	Yellow		
								022_846	Blue
								022_847	Green
								022_848	Red
		002_042	13 mm			023_031	White		
		002_301	40 mm			120_005	White		
								022_844	022_314

output: 27/06/24



## 6 Dimensions



## 7 Assembly Planning



	ID			A	B	C	D	E	F	G
1	BT03a		p.14	✓	-	-	-	-	-	-
2	BT15a		p.16	-	-	✓	-	-	-	-
3	ET07a		p.19	-	✓	-	-	-	-	-
4	BL04a		p.22	-	B3	-	-	-	-	-
5	RF01a		p.23	A5	-	-	-	-	-	-
6	RF08a		p.25	-	-	C5	-	-	-	-
7	PH06a		p.28	A1	-	-	-	-	-	-
8	PH11a		p.29	-	-	C1	-	-	-	-
9	PH13a		p.30	-	-	-	-	✓	-	-
10	PH16a		p.32	-	-	-	-	-	✓	-
11	PH19a		p.35	-	-	-	✓	-	-	-
12	NB01a		p.38	A2	B4	-	-	-	-	-
13	PH30a		p.43	-	-	C5	-	-	-	-
14	RW03b		p.45	-	B2	-	-	-	-	-
15	TS01a		p.47	A4	-	-	-	-	-	-
16	SW06a		p.49	-	-	-	-	-	-	✓
17	SL01a		p.57	A3	-	-	-	-	-	-
18	GA		p.60	✓	✓	✓	-	-	-	✓

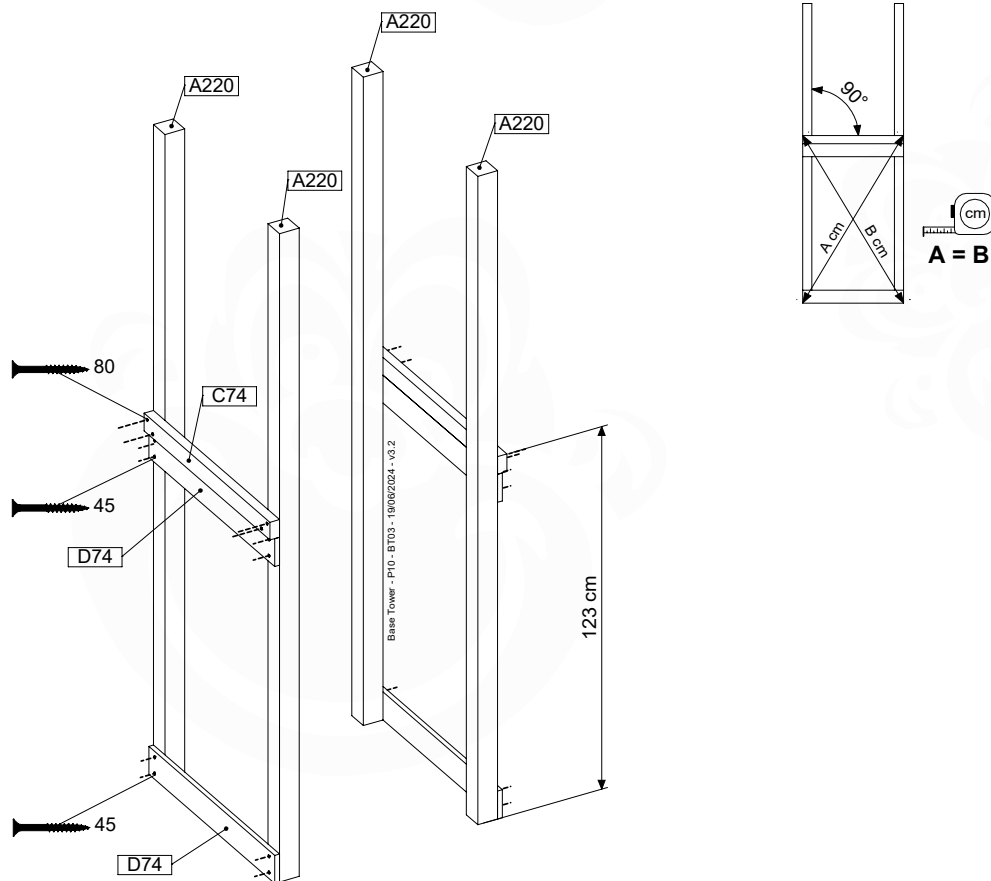
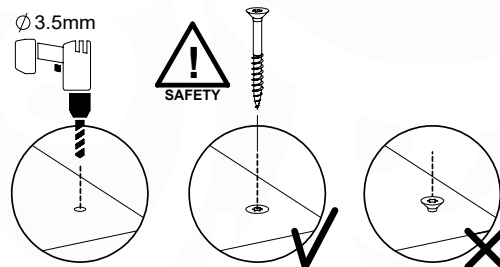
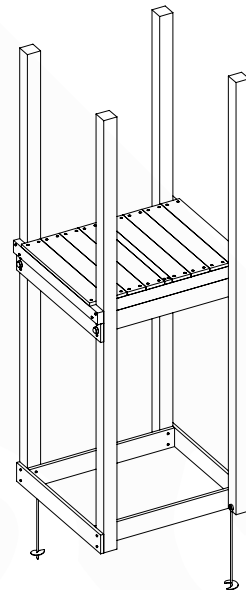
	ID			A	B	C	D	E	F	G
19	AC02a		p.62	-	-	-	D1	-	F1	-
20	AC01a		p.63	-	-	✓	-	-	-	-

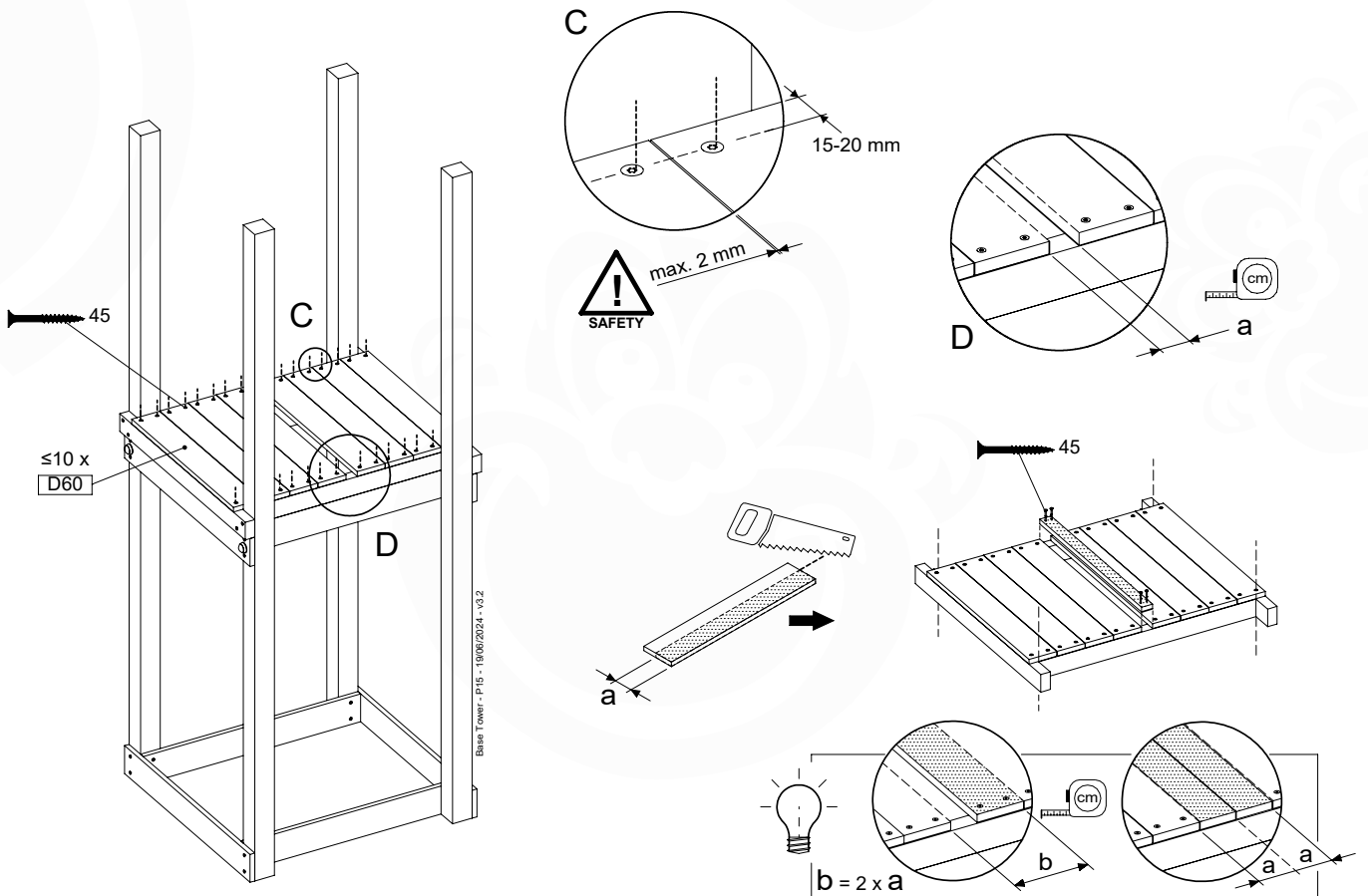
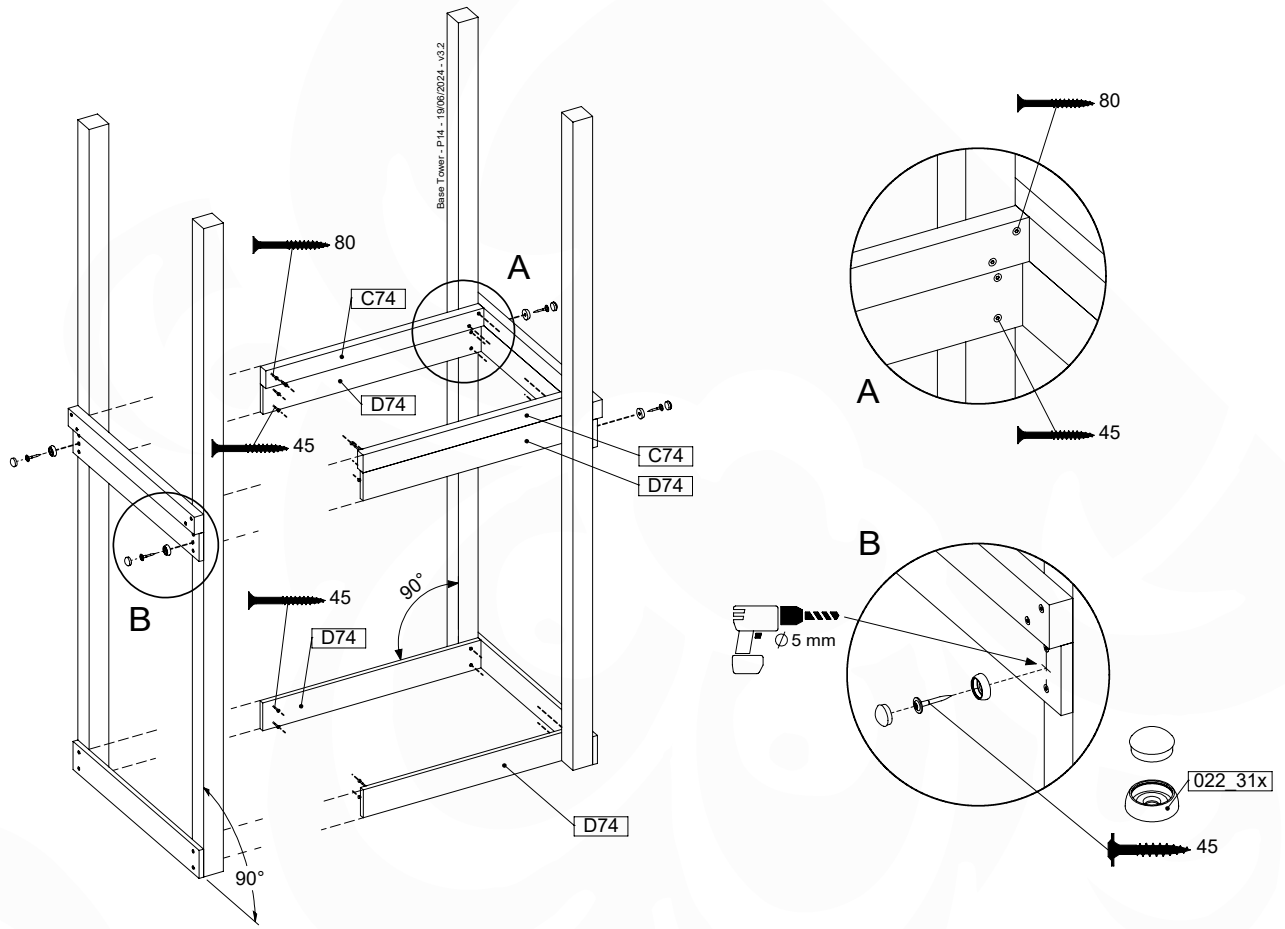
# 8 BT03a: Base Tower 80 125cm 220220

Assembly Pack: 194\_100

	PartNo	PartName	QTY.
Hardware + Parts	001_406	Stealth Screw 8x45	6
	002_220	Gap Point Screw T25 - 5x45	76
	002_223	Gap Point Screw T25 - 5x80	16
	007_001	Ground-anchor	2
	022_31x	bpc-base version 3	4
	022_84x	bpc cover	4
Timber	A220	Post 70x70 L2200	4
	C74	Beam 740 mm	4
	D60	Board 600 mm	10
	D74	Board 740 mm	8

Base Tower - P10 - BT03 - 19082024 - v3.2



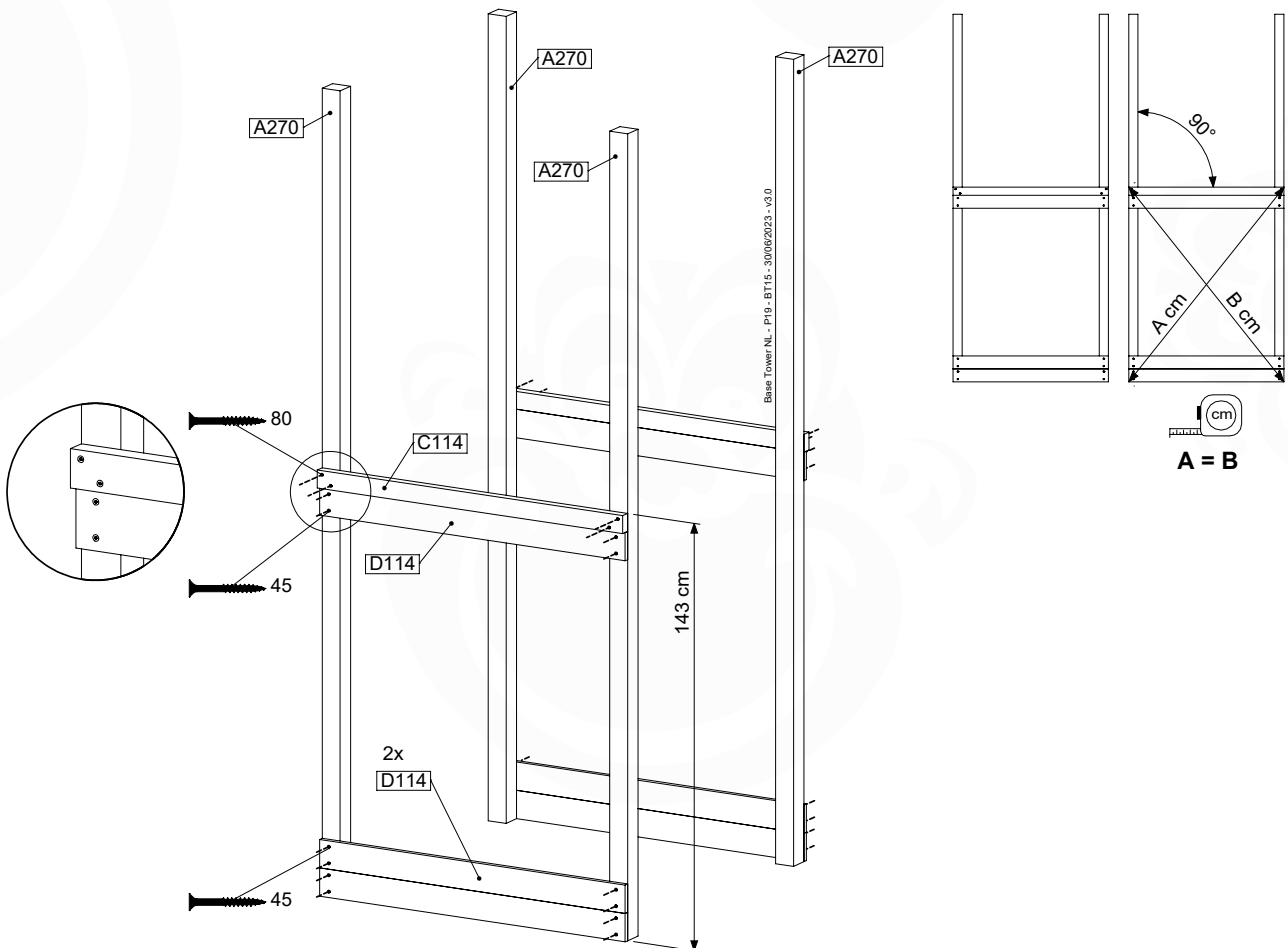
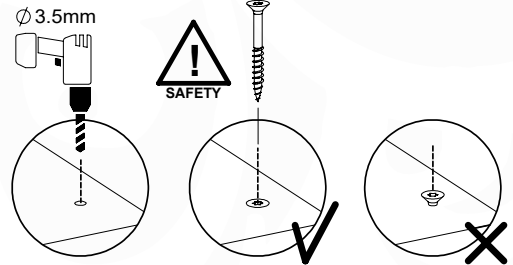
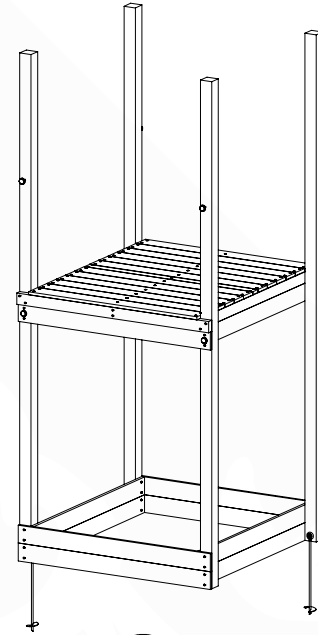


# 9 BT15a: Base Tower 115 145cm 270270

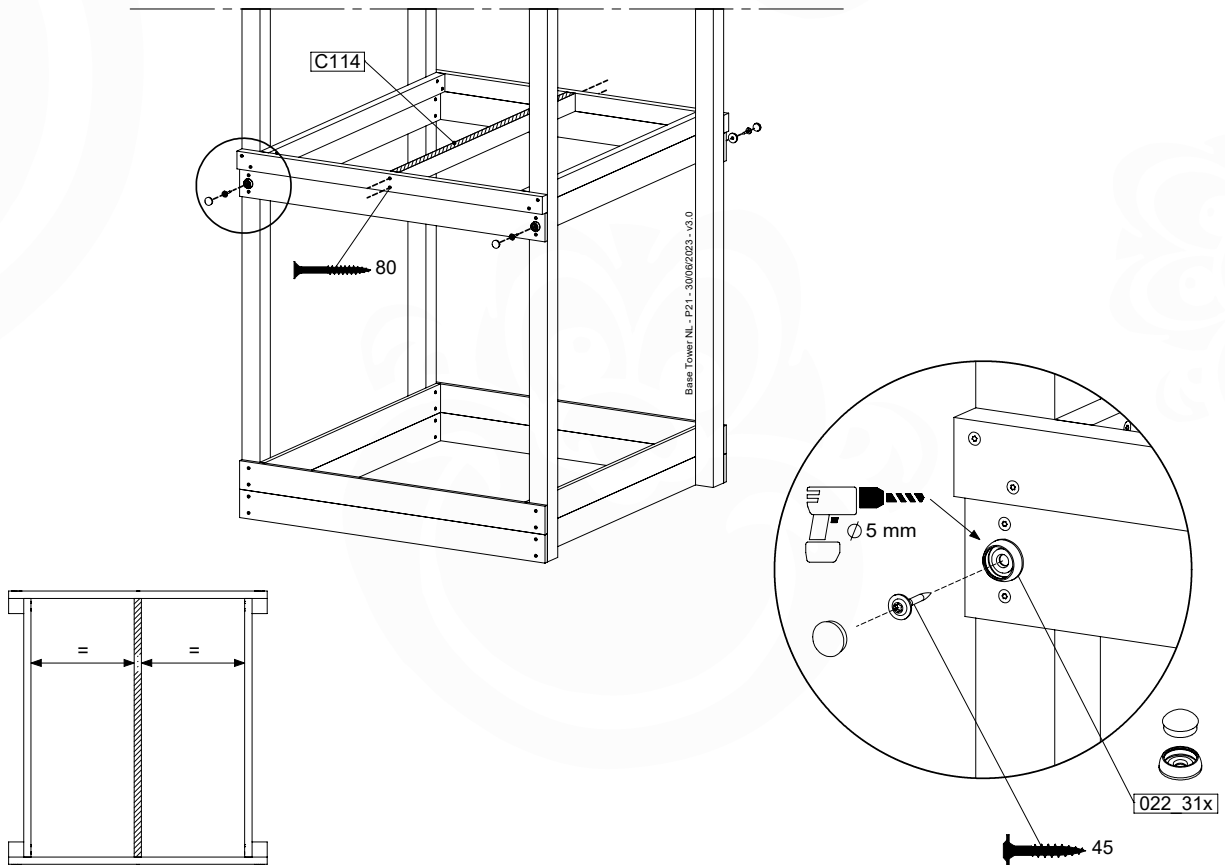
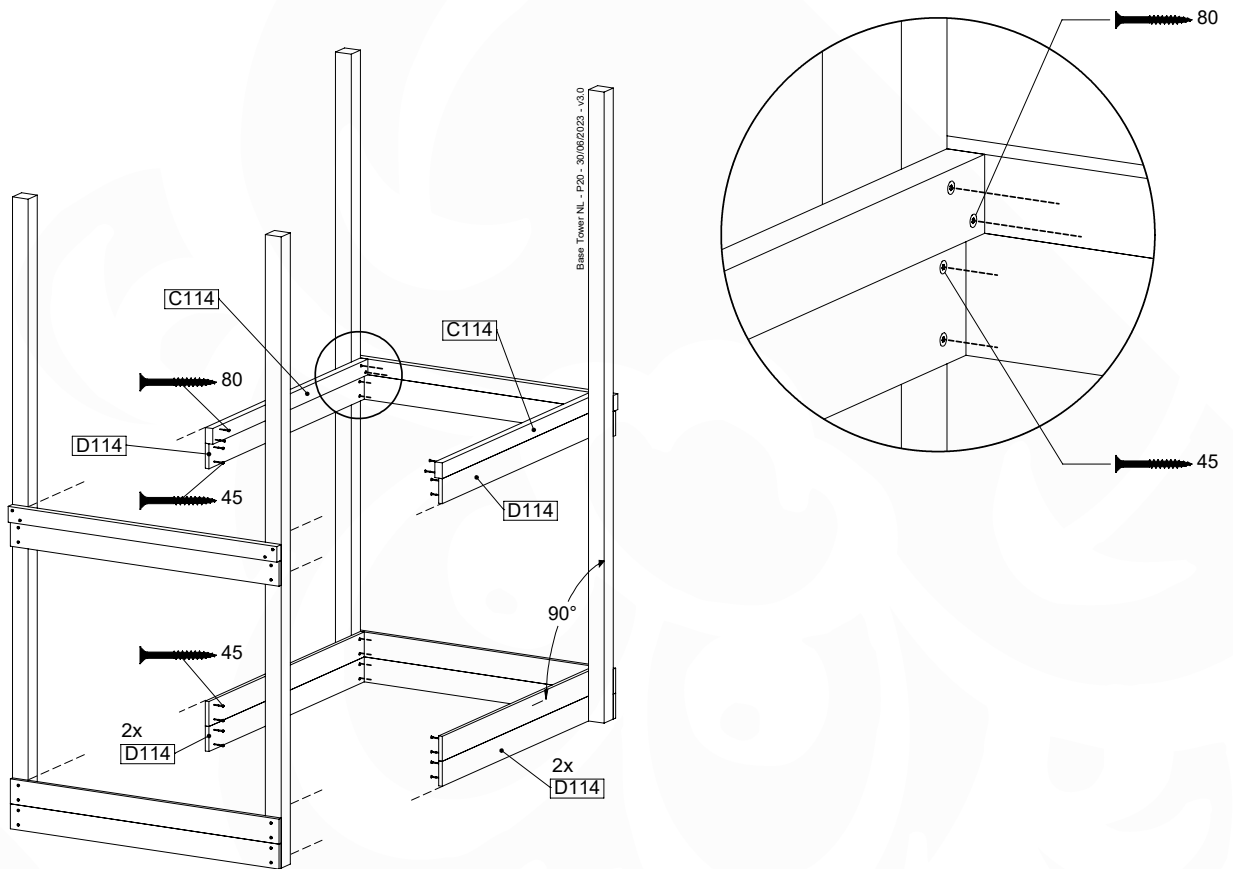
( 194\_300 )

	PartNo	PartName	QTY.
Hardware Pack	001_406	Stealth Screw 8x45	6
	001_417	Stealth Screw 8x80	4
	002_220	Gap Point Screw T25 - 5x45	118
	002_223	Gap Point Screw T25 - 5x80	20
	022_31x	bpc-base version 3	8
	022_84x	bpc cover	8
Other	007_001	Ground-anchor	2
Timber	A270	Post 70x70 L2700	4
	C114	Beam 1140 mm	5
	D100	Board 1000 mm	14
	D114	Board 1140 mm	12

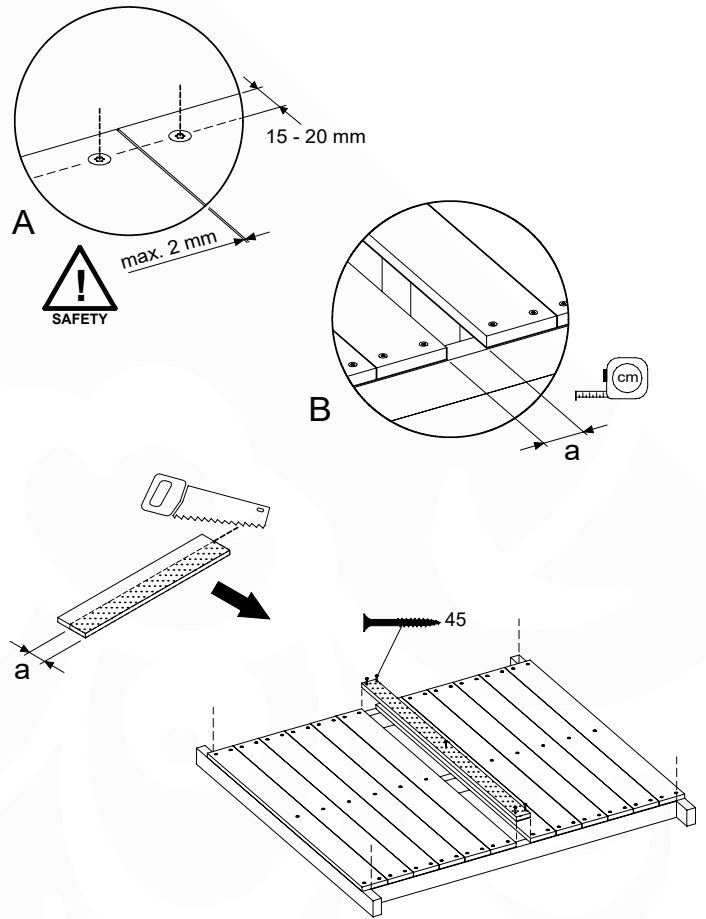
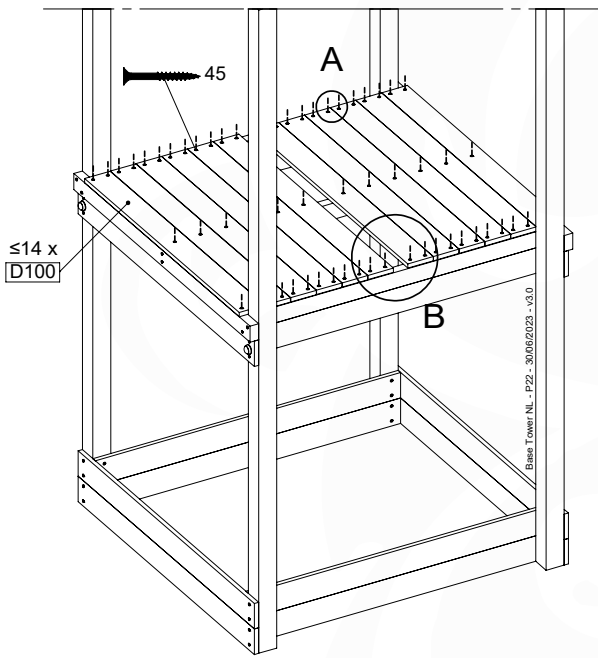
Base Tower NL - P10 - BT15 - 3006/2023 - v3.0







9.2

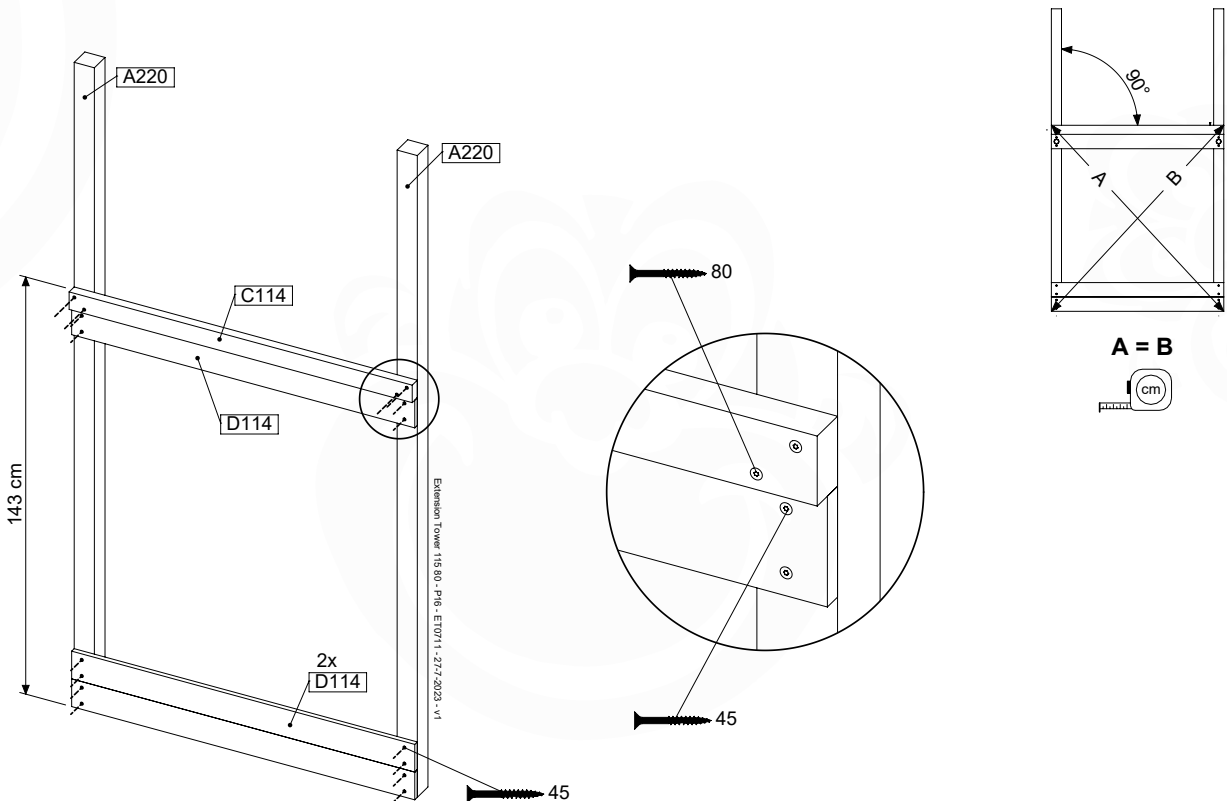
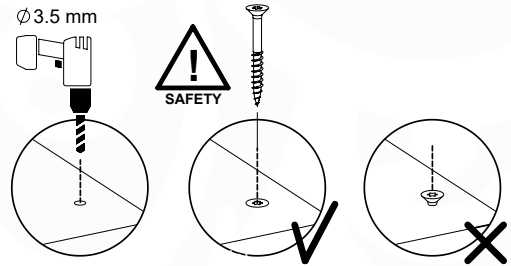
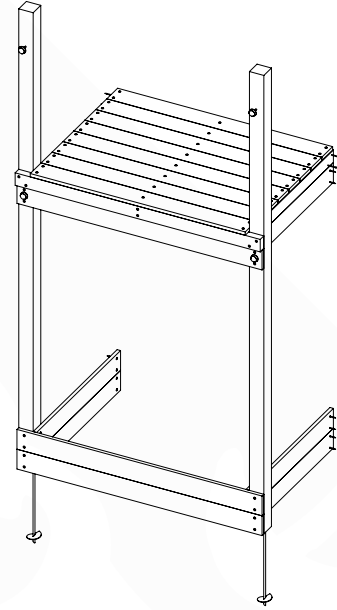


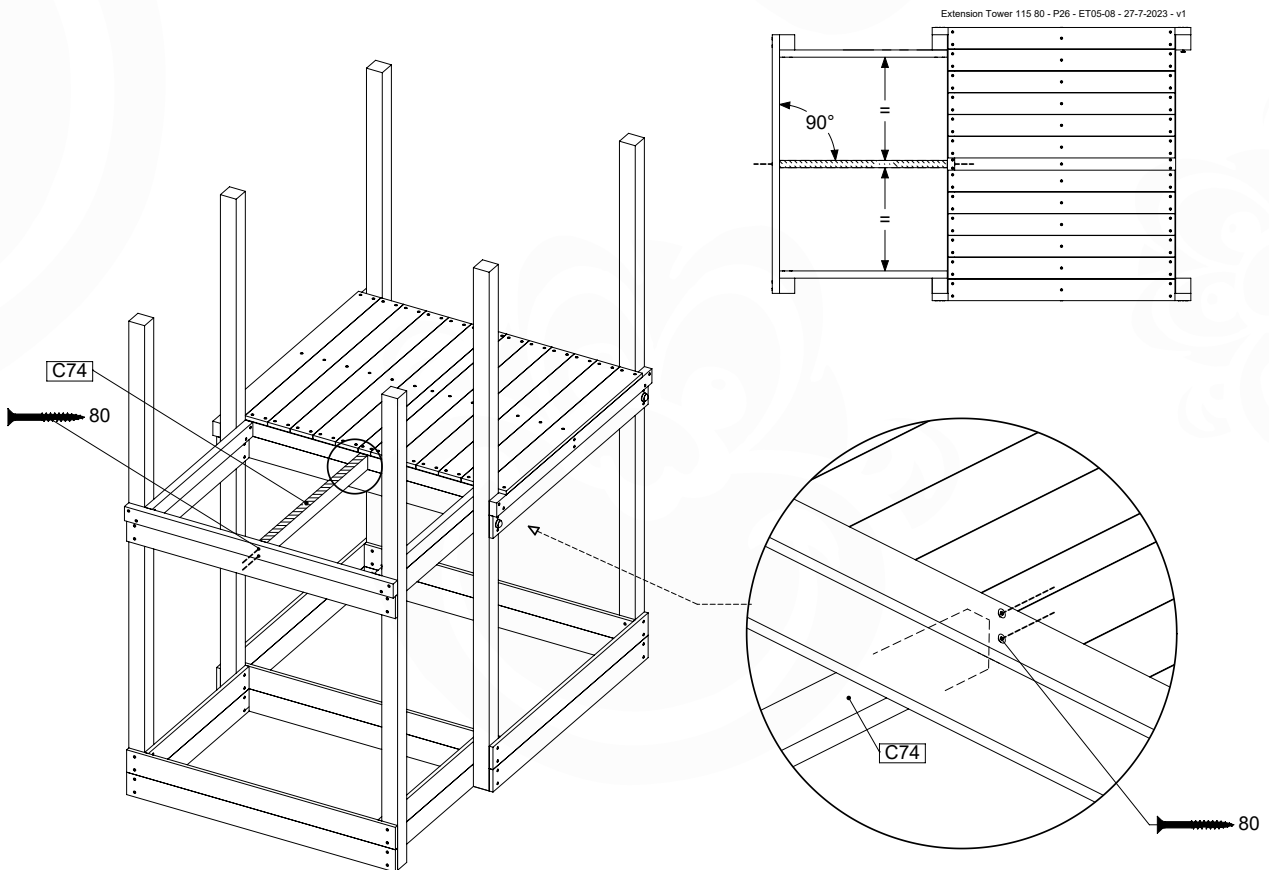
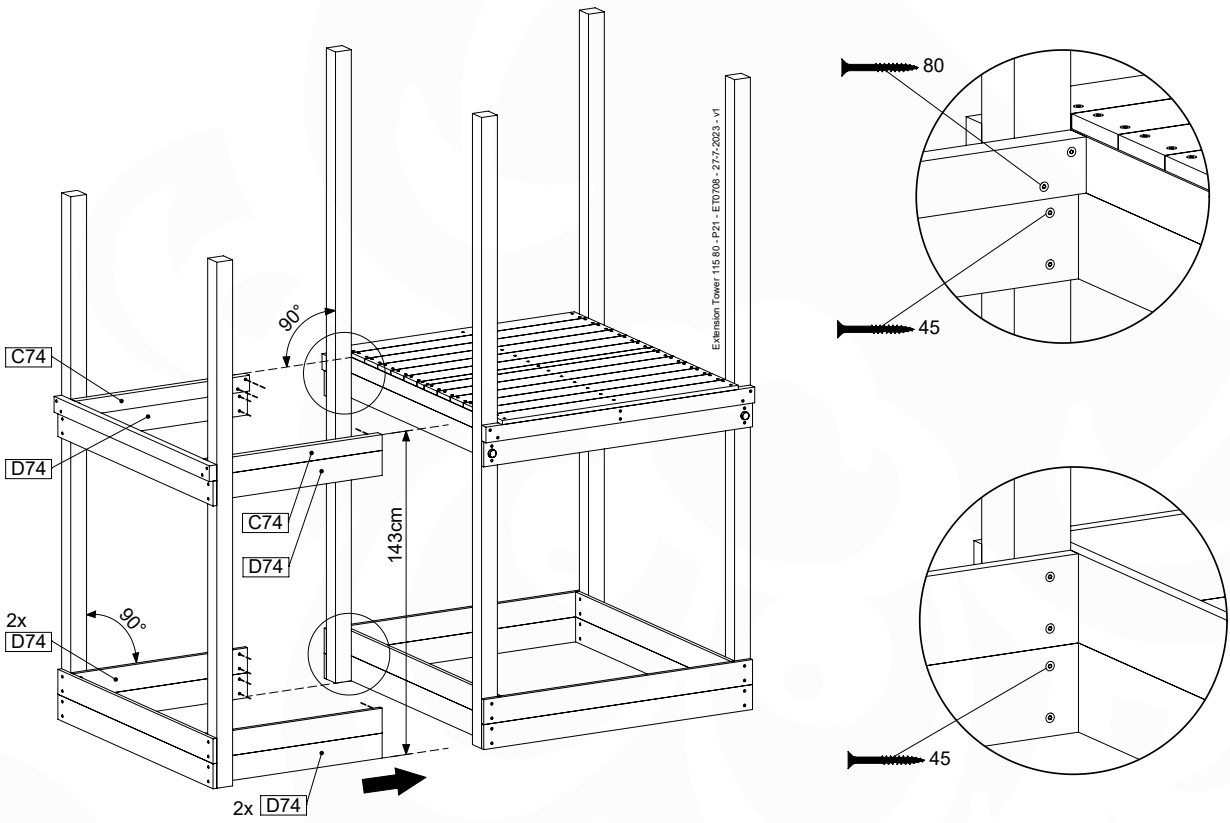
# 10 ET07a: Extension Tower 11580 220/145

( 194\_300 )

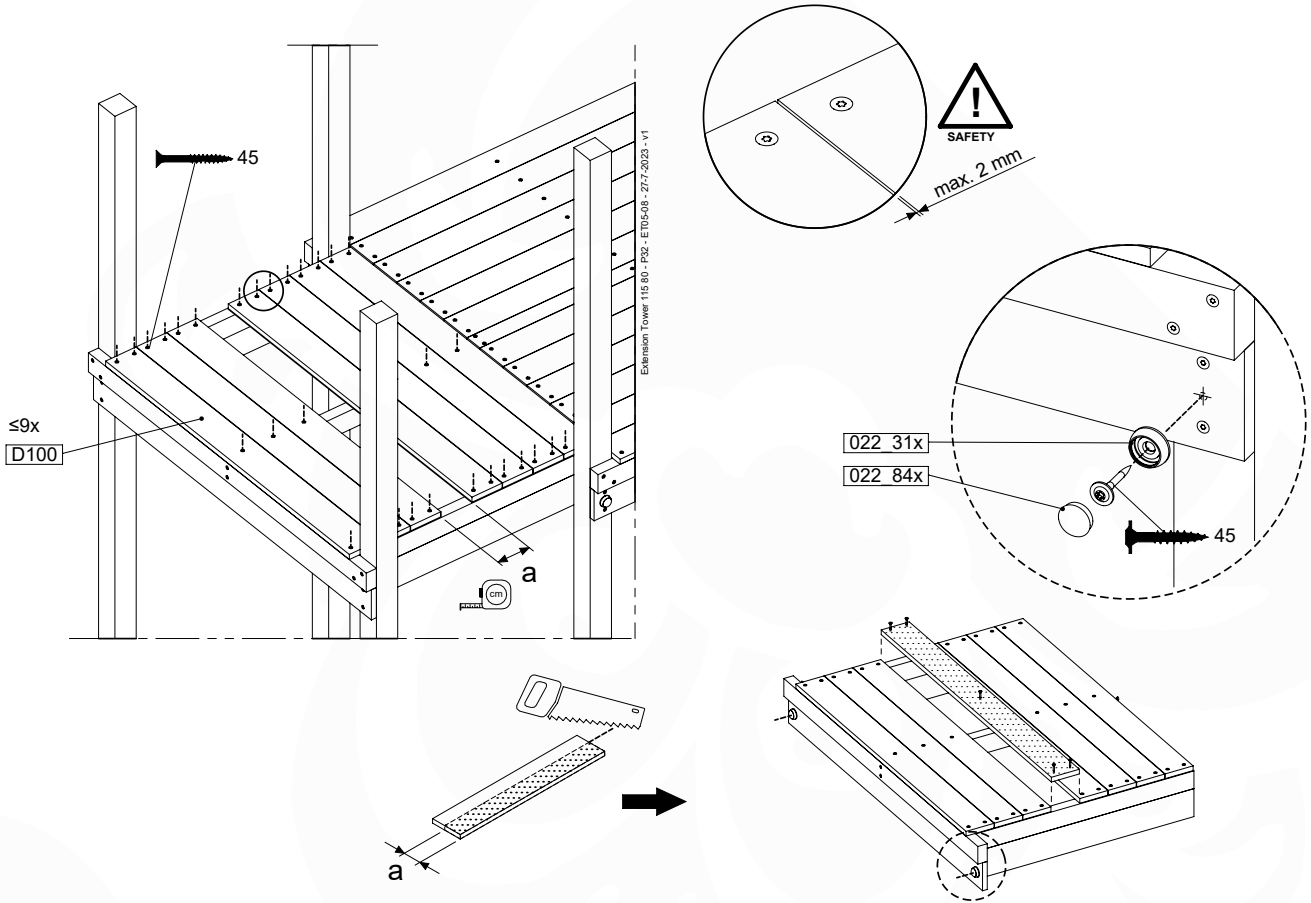
	PartNo	PartName	QTY.
Hardware pack	001_406	Stealth Screw 8x45	4
	001_417	Stealth Screw 8x80	2
	002_220	Gap Point Screw T25 - 5x45	81
	002_223	Gap Point Screw T25 - 5x80	16
Other	007_001	Ground-anchor	2
	022_31x	bpc-base version 3	4
	022_84x	bpc cover	4
Timber	A220	Post 70x70 L2200	2
	C74	Beam 740 mm	3
	C114	Beam 1140 mm	1
	D74	Board 740 mm	6
	D100	Board 1000 mm	9
	D114	Board 1140 mm	3

Extension Tower 115 80 - P04 - ET07 - 27.7-2023 - v1





# 10.2

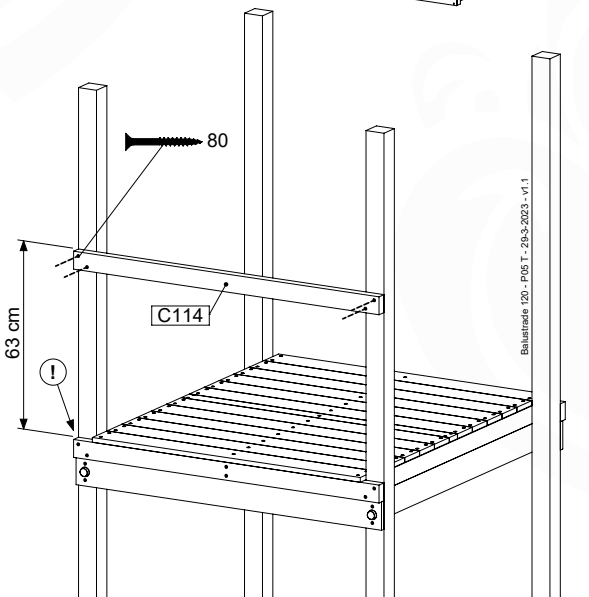
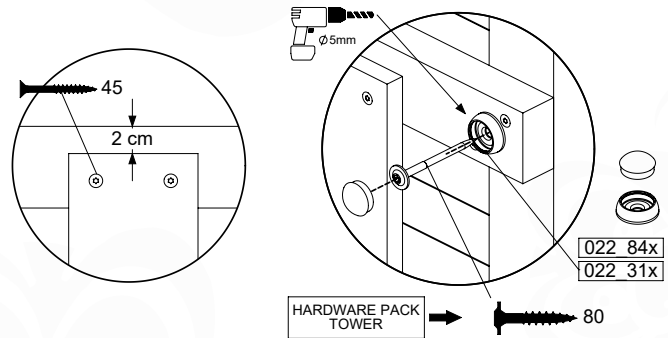
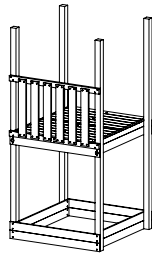
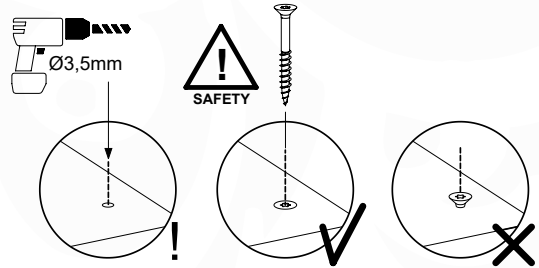
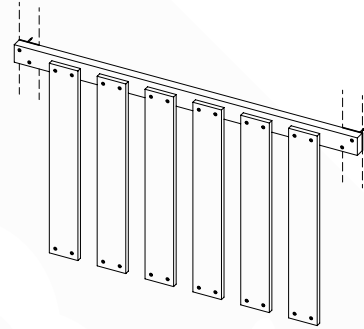


# 11 BL04a: Balustrade 115 T

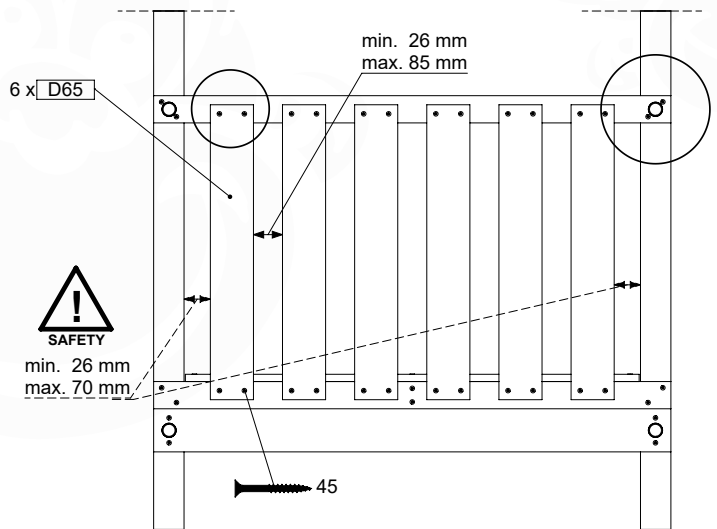
( 194\_501 )

	PartNo	PartName	QTY.
Hardware Pack	002_220	Gap Point Screw T25 - 5x45	24
	002_223	Gap Point Screw T25 - 5x80	4
Timber	C114	Beam 1140 mm	1
	D65	Board 650 mm	6

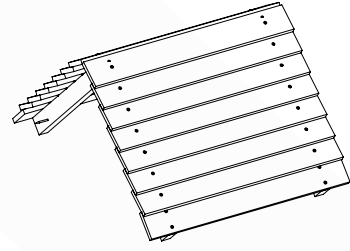
Balustrade 120 - P03 T - 29-3-2023 - v1.1



Balustrade 120 - P03 T - 29-3-2023 - v1.1



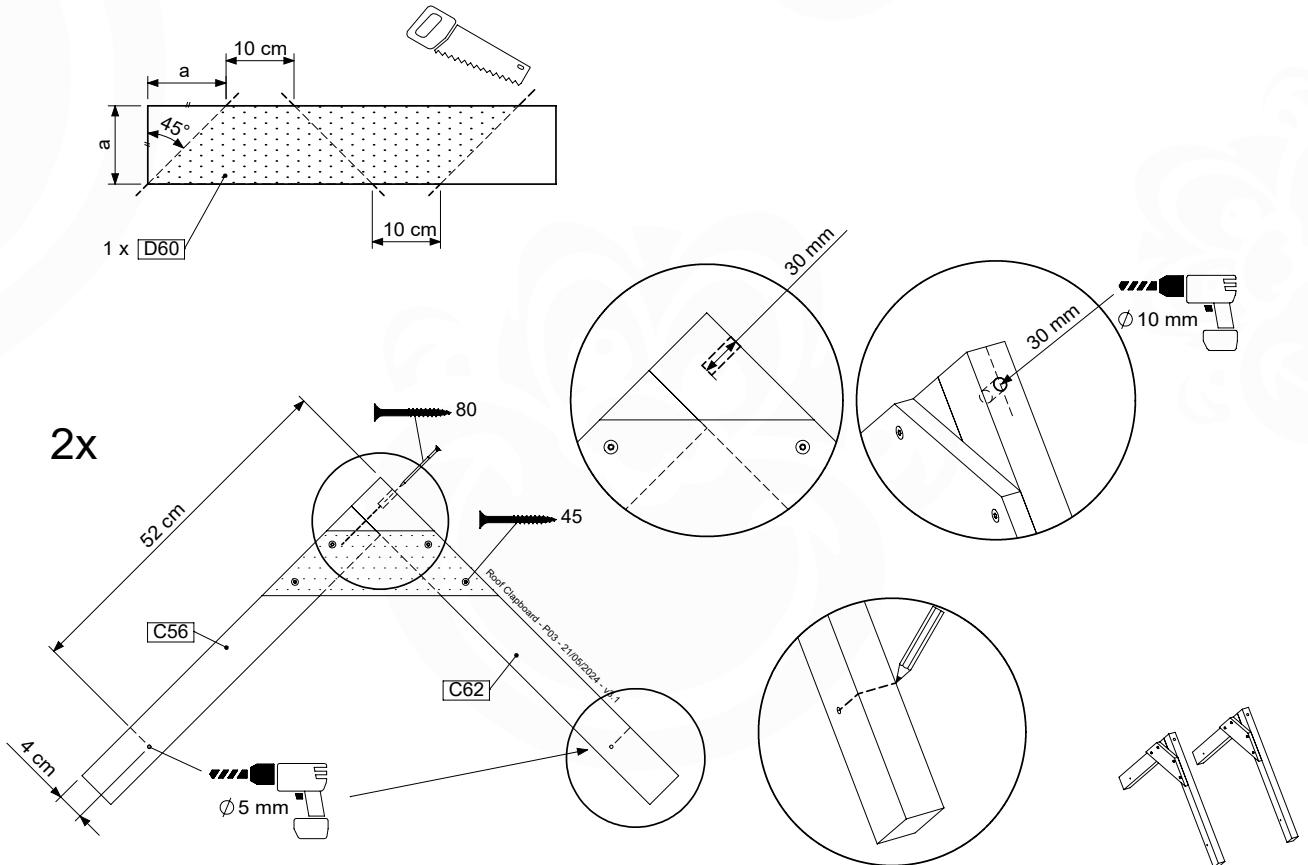
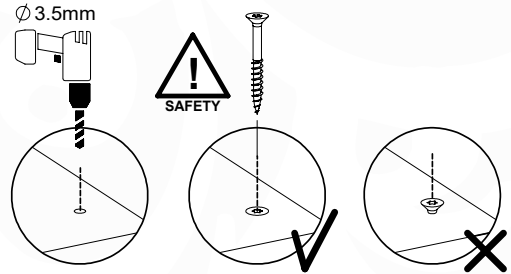
# 12 RF01a: Roof Timber Clapboard Gable 80

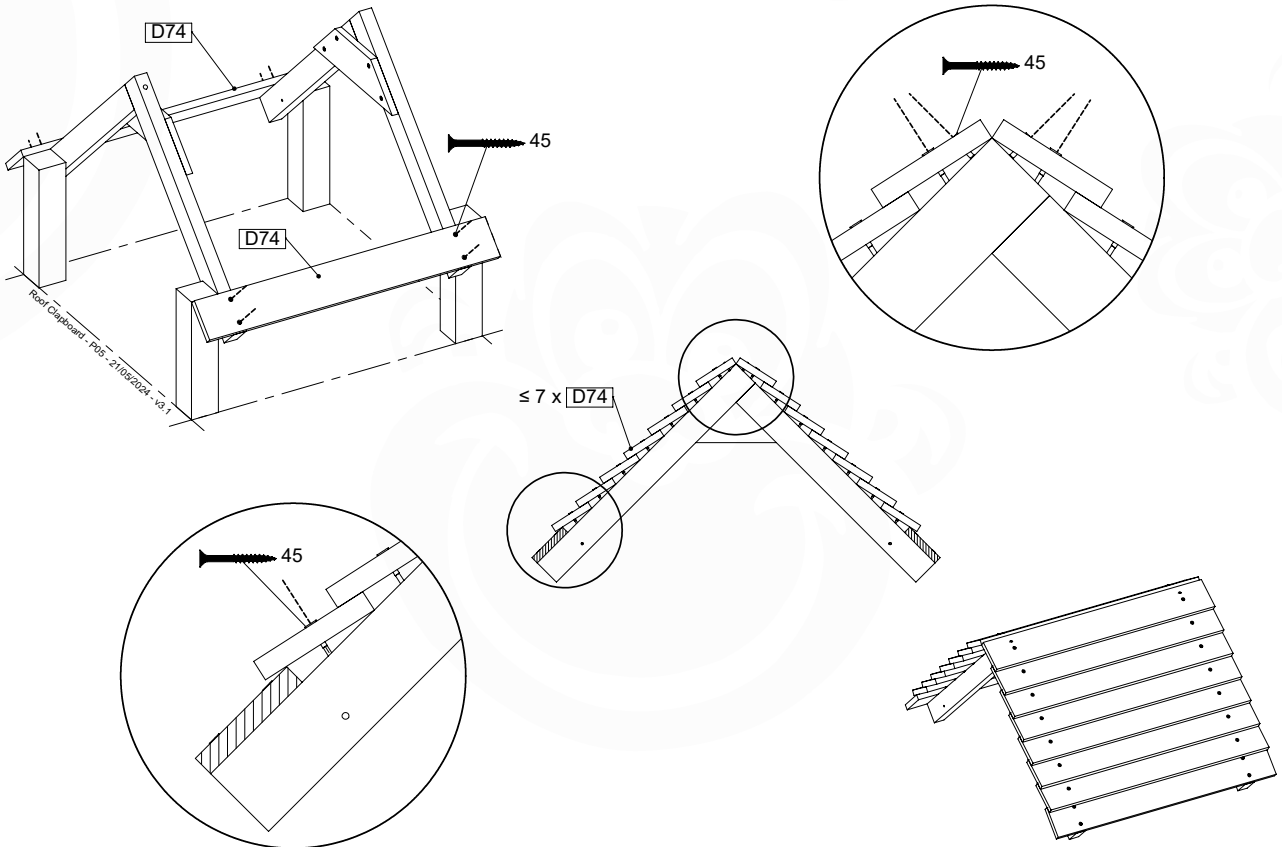
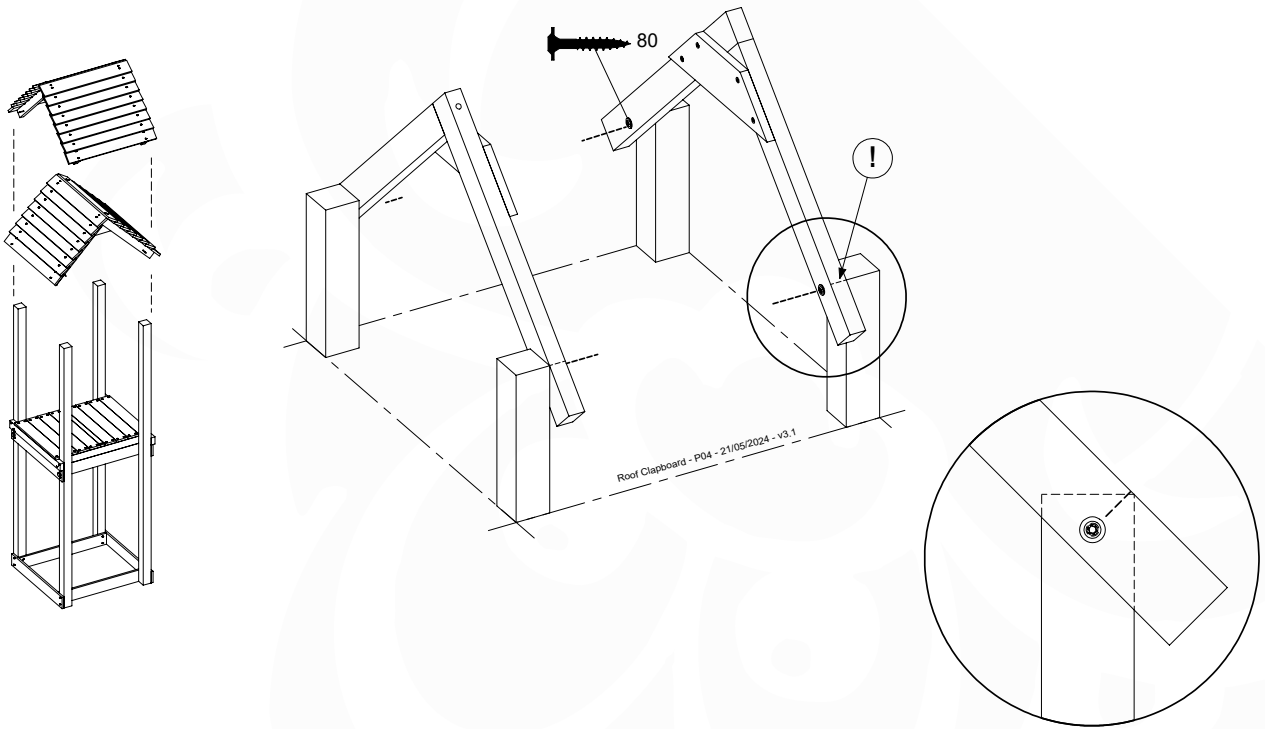


Assembly Pack: 194\_111

	PartNo	PartName	QTY.
Hardware Pack	001_417	Stealth Screw 8x80	4
	002_220	Gap Point Screw T25 - 5x45	48
	002_223	Gap Point Screw T25 - 5x80	2
Timber	C56	Beam 560 mm	2
	C62	Beam 620 mm	2
	D60	Board 600 mm	1
	D74	Board 740 mm	16

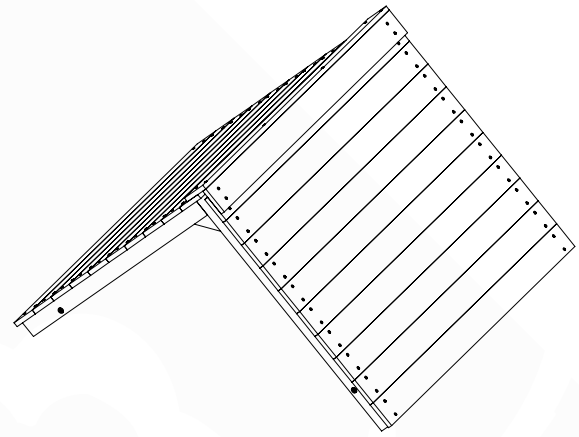
Roof Clapboard - R02 - 21/05/2024 - v3.1







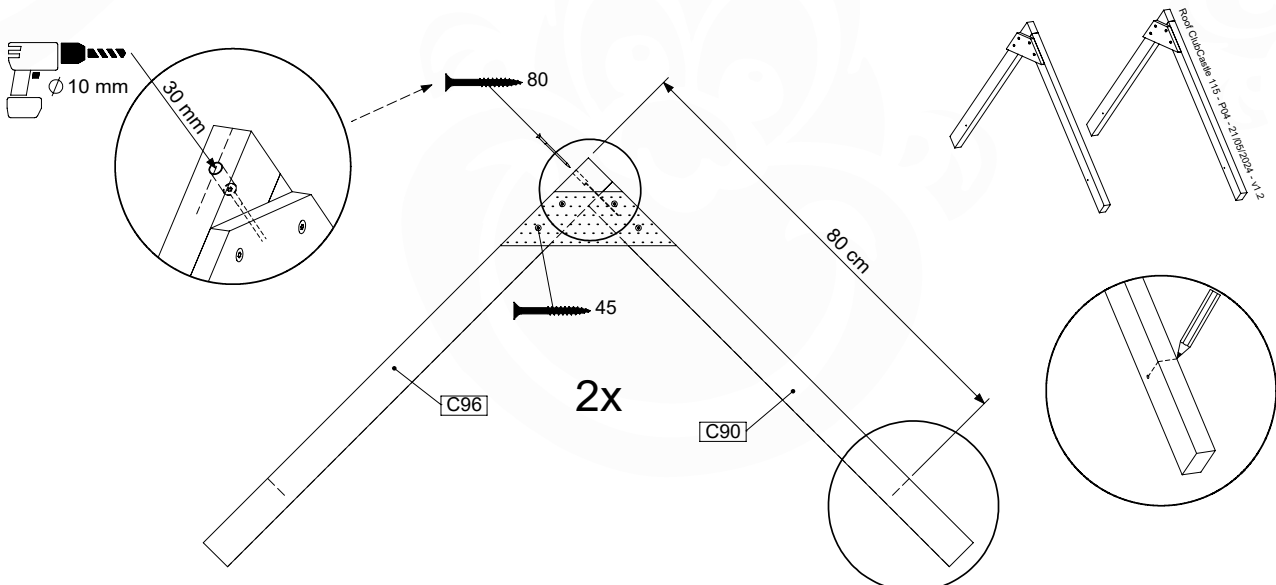
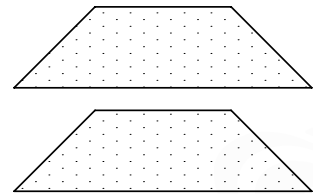
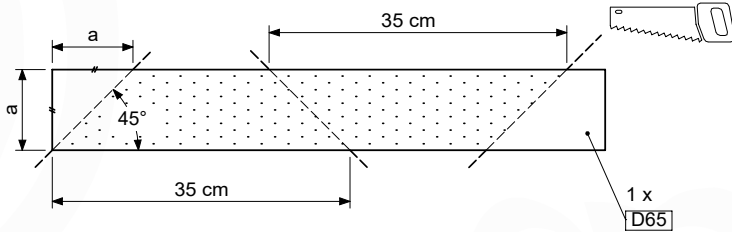
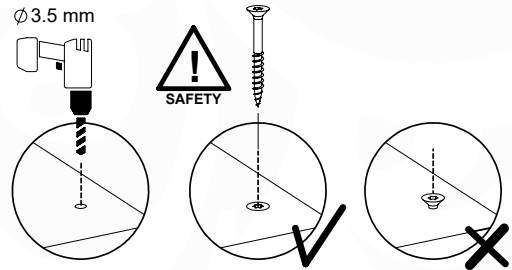
# 13 RF08a: Roof Timber Gable 115



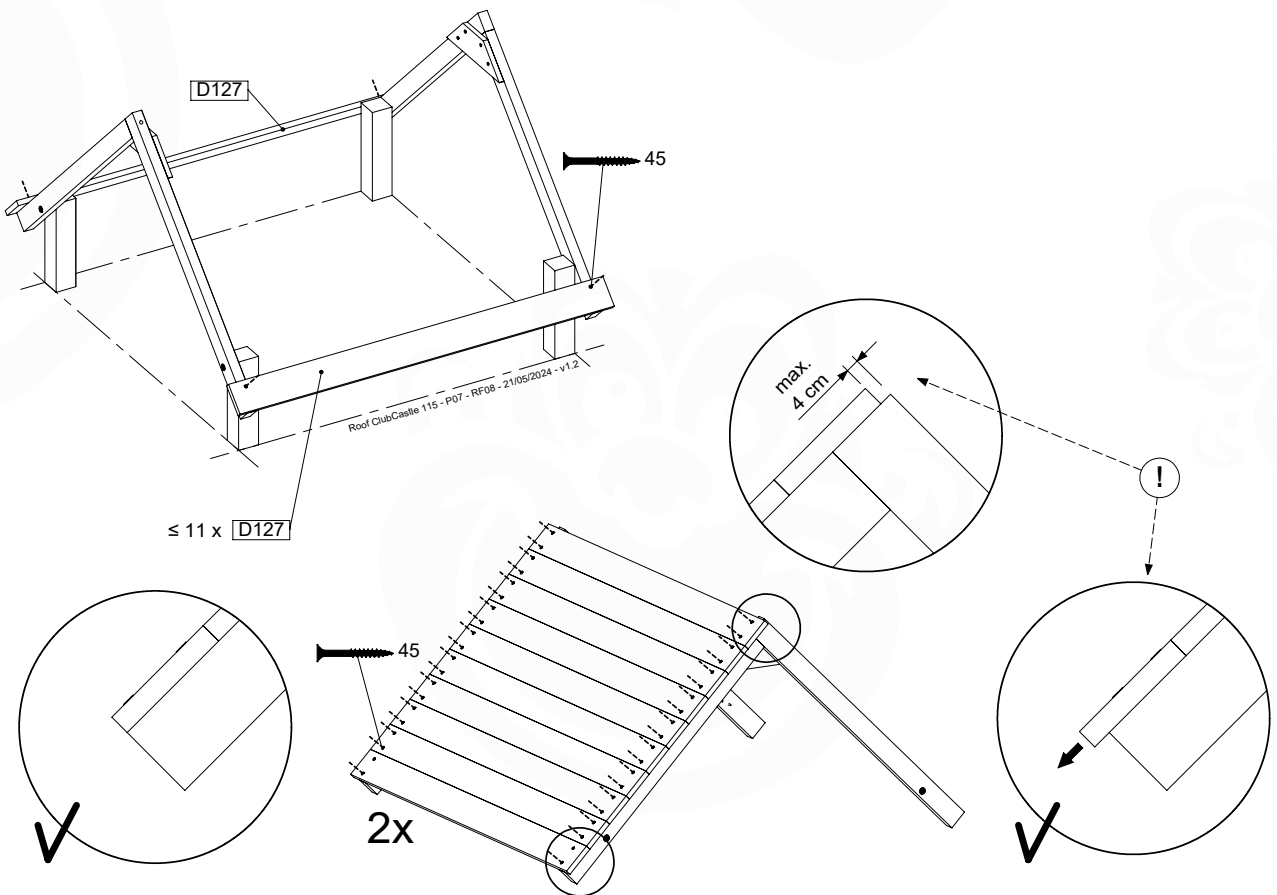
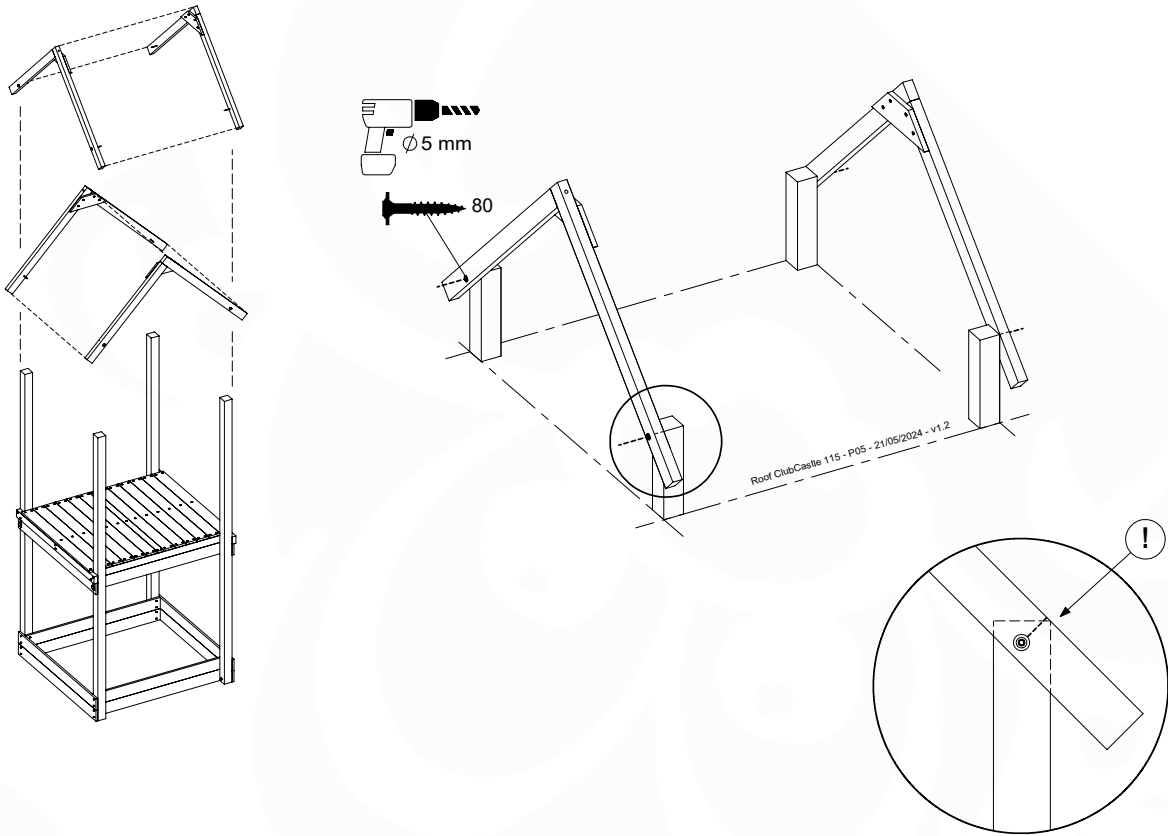
Assembly Pack: 194\_308 / 194\_804

	PartNo	PartName	QTY.
Hardware Pack	001_417	Stealth Screw 8x80	4
	002_220	Gap Point Screw T25 - 5x45	100
	002_223	Gap Point Screw T25 - 5x80	8
Timber	C96	Beam 960 mm	2
	D65	Board 650 mm	1
	D127	Board 1270 mm	24
	C90	Beam 900 mm	2

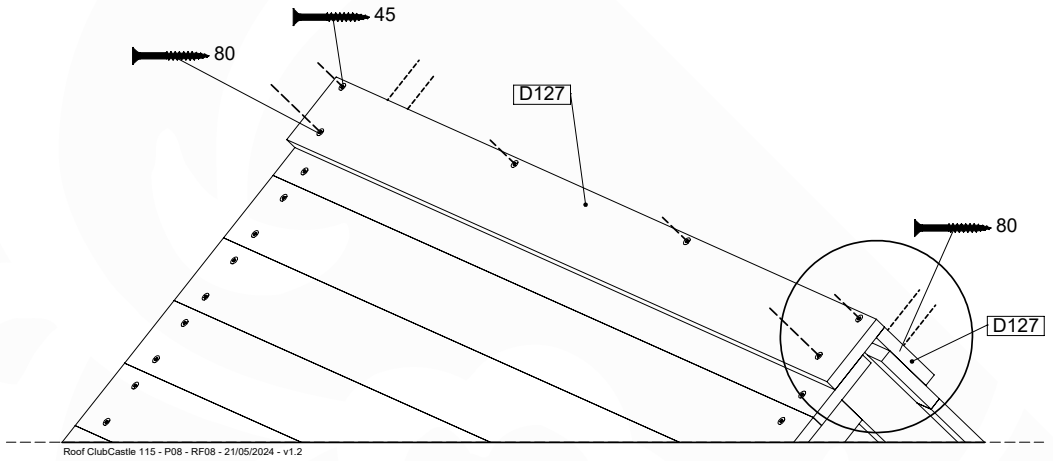
Roof Gable 115 - P03 - RF08 - 21/05/2024 - v1.2



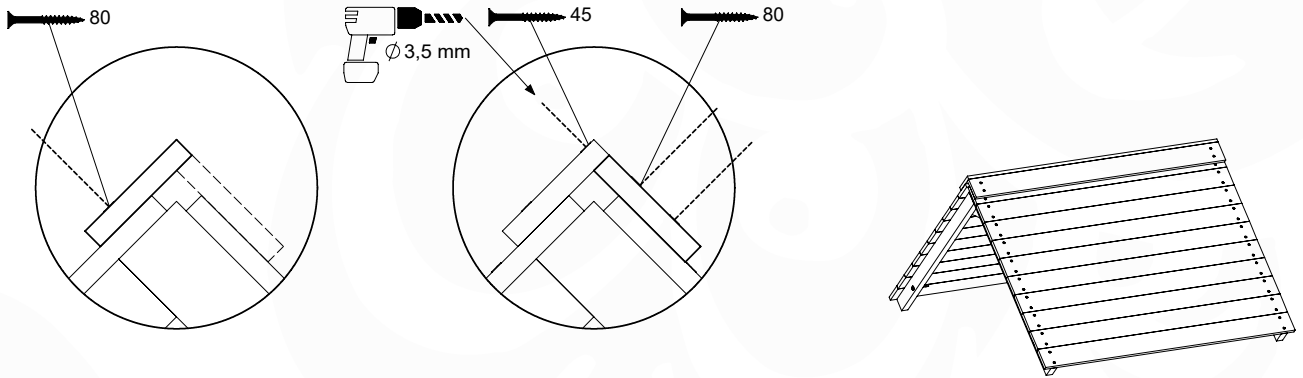
13.1



13.2



Roof ClubCastle 115 - P08 - RF08 - 21/05/2024 - v1.2

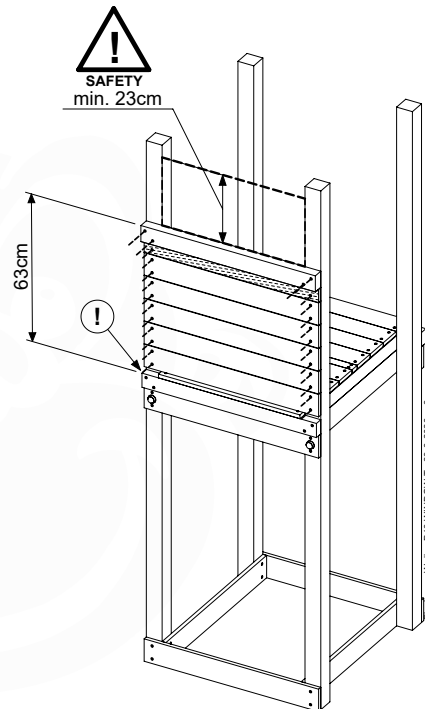
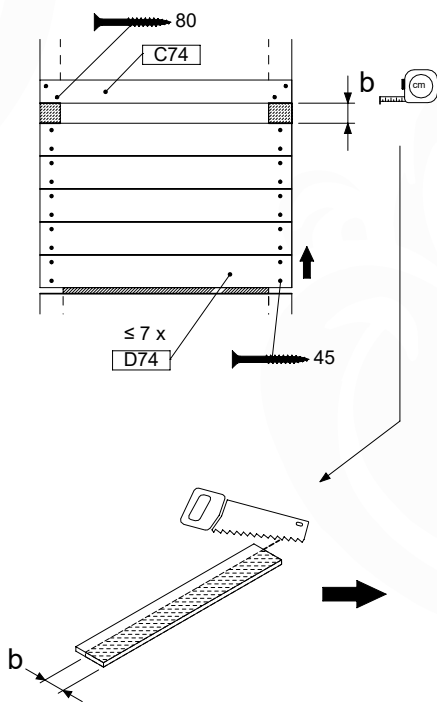
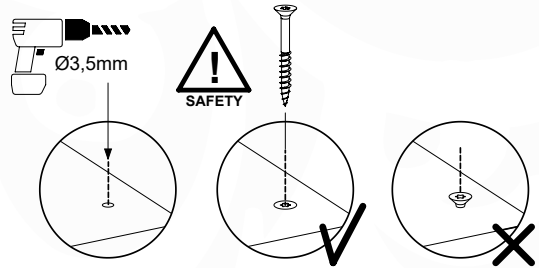
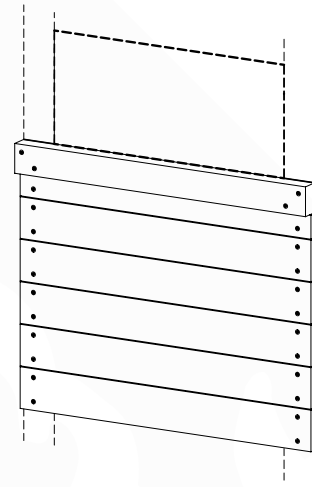


# 14 PH06a: Playhouse Window Panel 80 T

(194\_501)

PartNo	PartName	QTY.
002_220	Gap Point Screw T25 - 5x45	28
002_223	Gap Point Screw T25 - 5x80	4
C74	Beam 740 mm	1
D74	Board 740 mm	7

Playhouse Walls - P16 WINDOW T - 28-3-2023 - v3



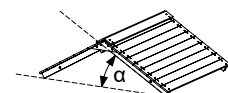
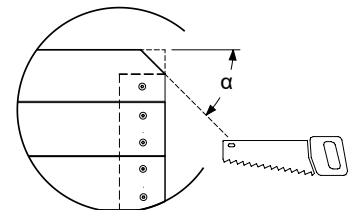
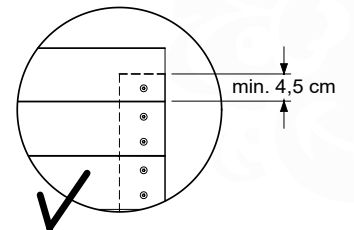
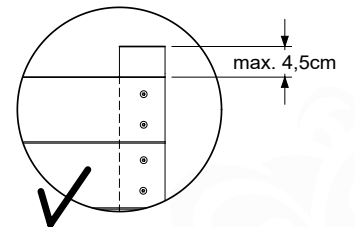
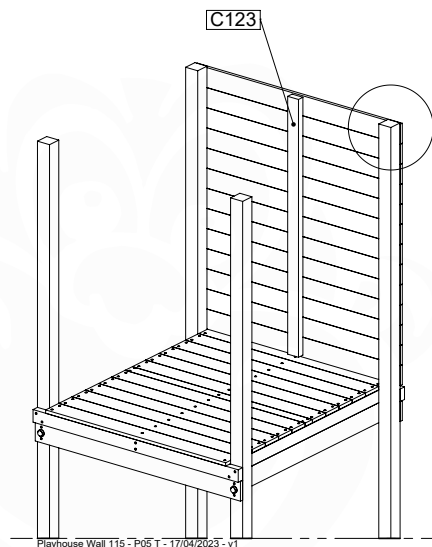
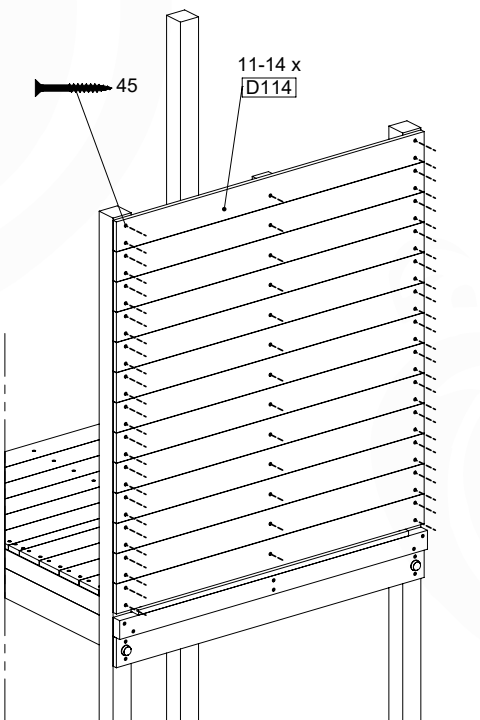
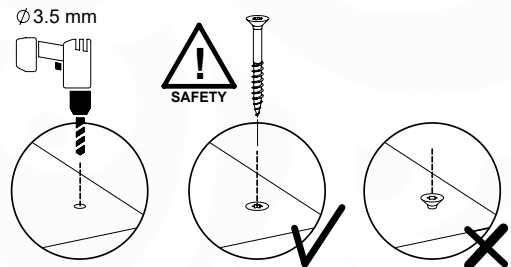
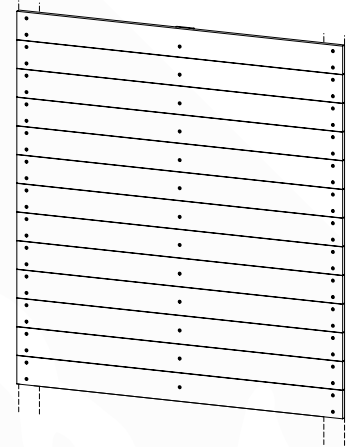
Playhouse Walls - P16 WINDOW T - 28-3-2023 - v3

# 15 PH11a: Playhouse Wall Panel 115 T

( 194\_809 )

	PartNo	PartName	QTY.
Hardware Pack	002_220	Gap Point Screw T25 - 5x45	70
Timber	C123	Beam 1230 mm	1
	D114	Board 1140 mm	14

Playhouse Wall 115 - P03 - 17/04/2023 - v1



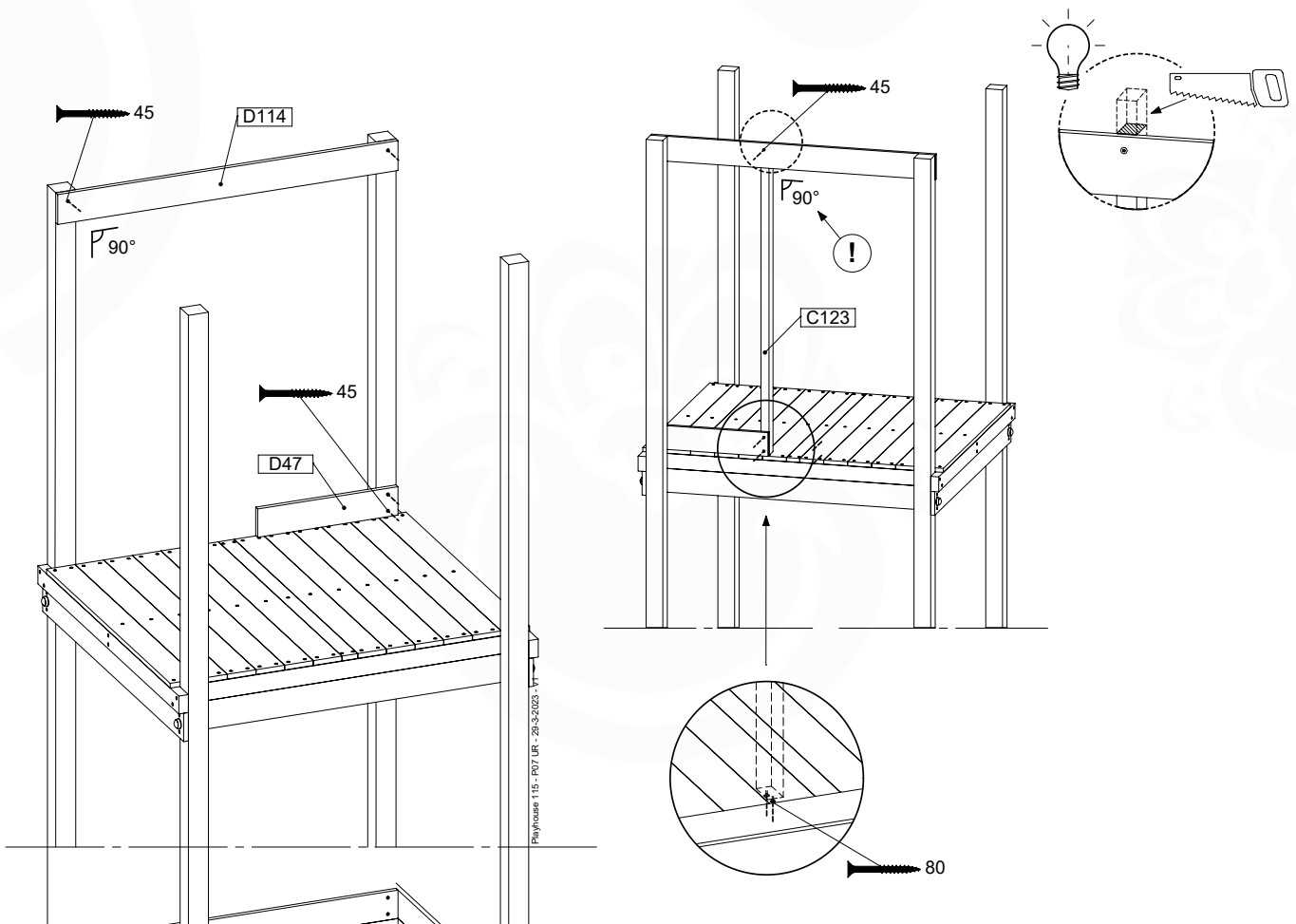
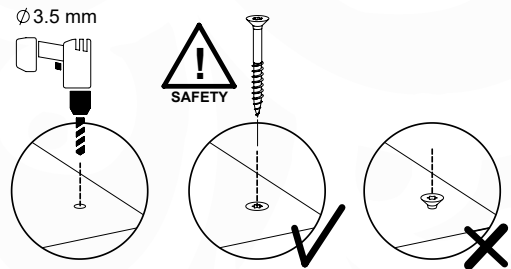
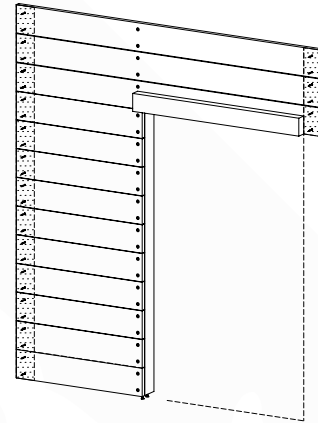
$\alpha = 30^\circ / \alpha = 45^\circ$

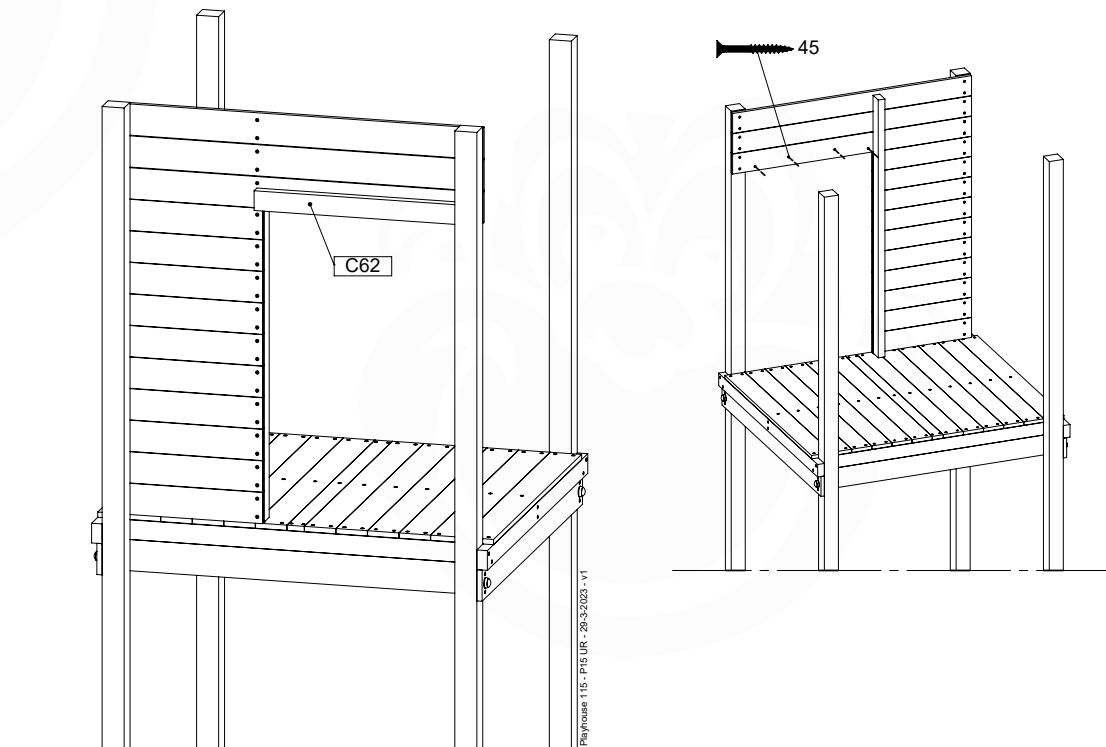
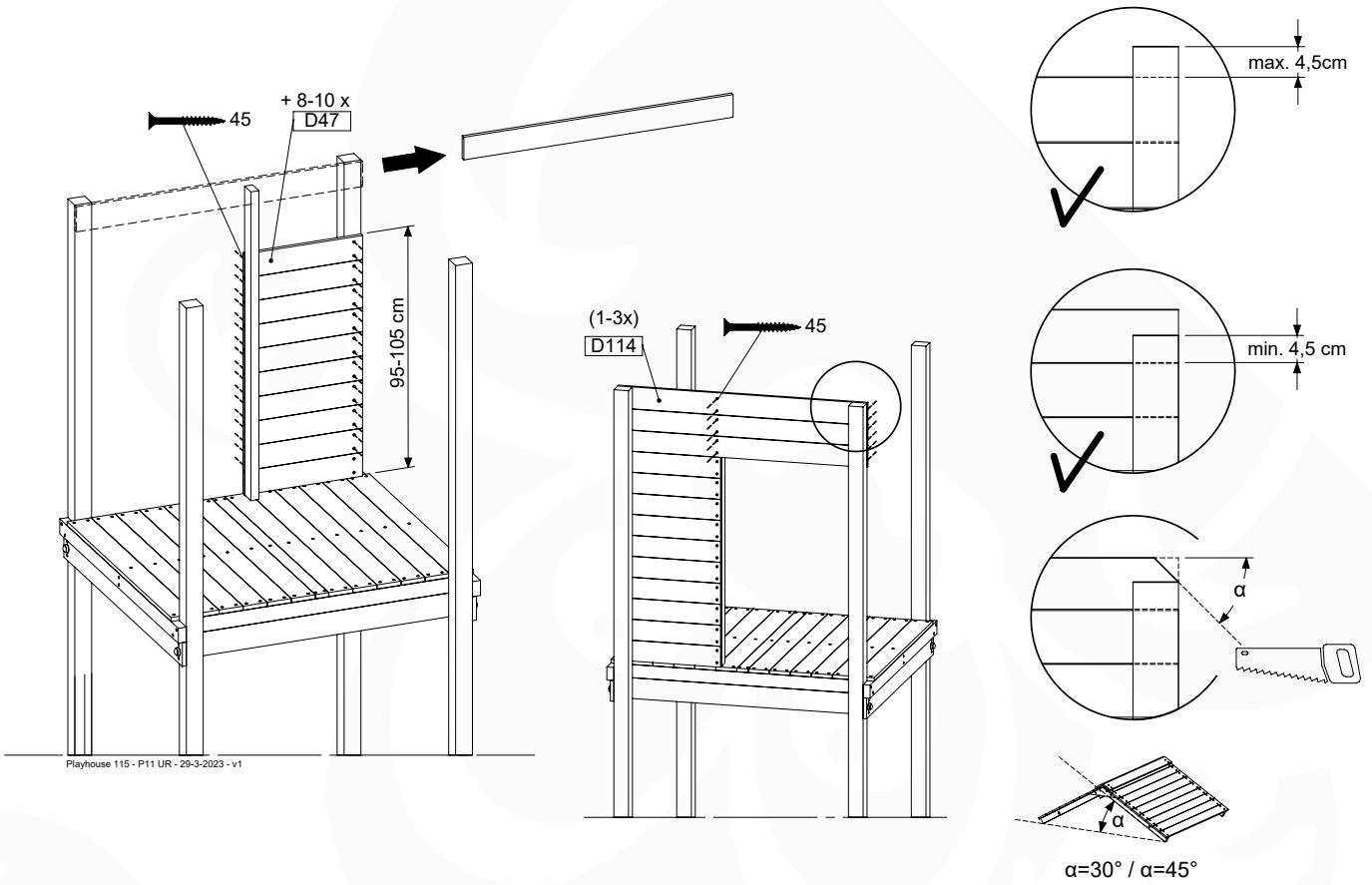
# 16 PH13a: Playhouse Entrance Panel 115 UR

( 194\_809 )

	PartNo	PartName	QTY.
Hardware Pack	002_220	Gap Point Screw T25 - 5x45	66
	002_223	Gap Point Screw T25 - 5x80	2
Timber	C62	Beam 620 mm	1
	C123	Beam 1230 mm	1
	D47	Board 470 mm	11
	D114	Board 1140 mm	3

Playhouse 115 - P03 UR - 20-3-2023 - v1



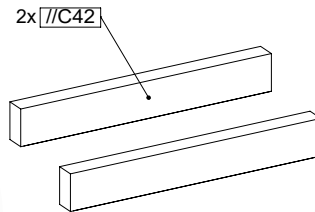
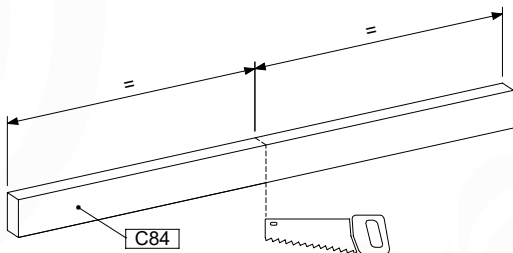
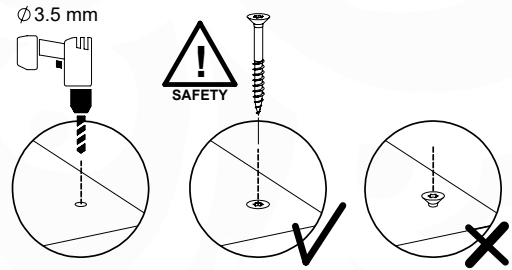
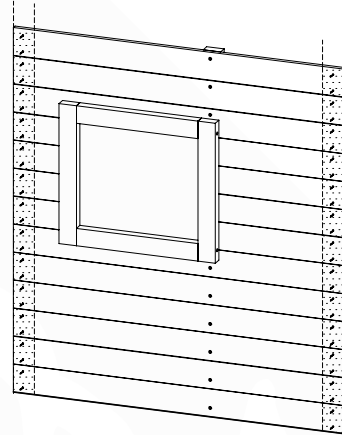


# 17 PH16a: Playhouse Window Panel 115 UL

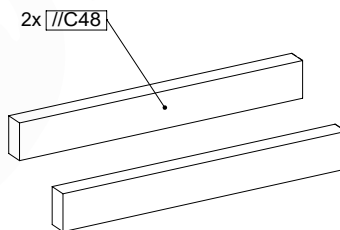
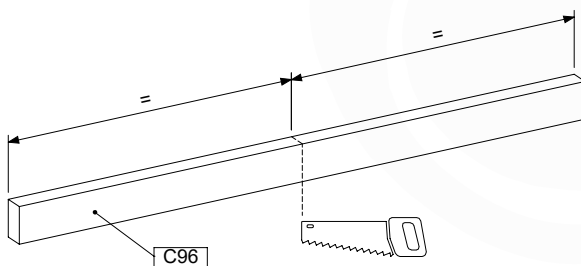
Assembly Pack: 194\_118 (PH16a) / 194\_508 (PH16b) / 194\_804 (PH16c)

	PartNo	PartName	QTY.
Hardware Pack	002_220	Gap Point Screw T25 - 5x45	90
	002_223	Gap Point Screw T25 - 5x80	4
Timber	C84	Beam 840 mm	1
	C96	Beam 960 mm	2
	D21	Board 210 mm	4
	D47	Board 470 mm	4
	D114	Board 1140 mm	10

Playhouse Window 115 - P02 UL - 21032024 - v1.1

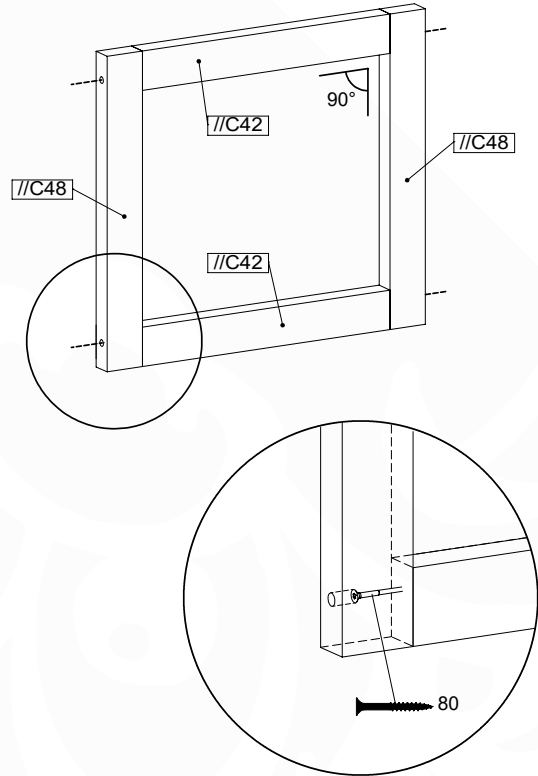
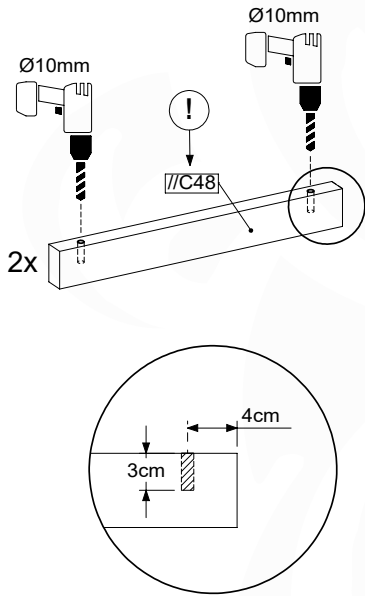


Playhouse Window 115 - P06 uni. - 21032024 - v1.1

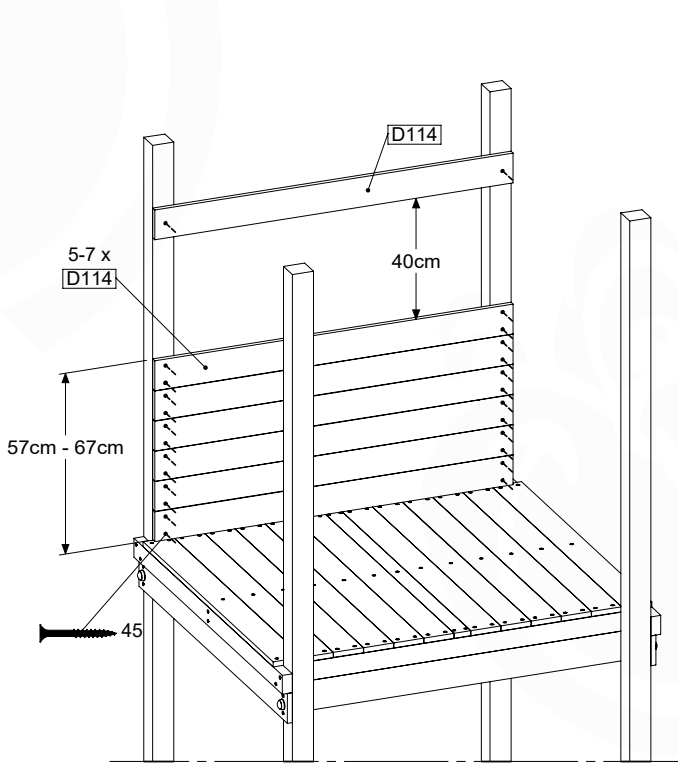




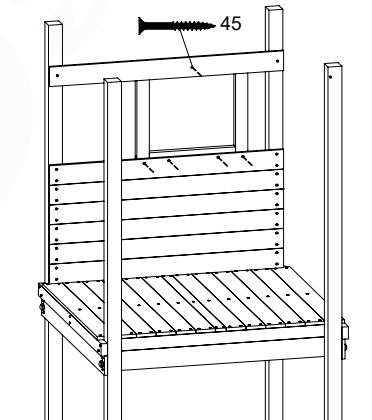
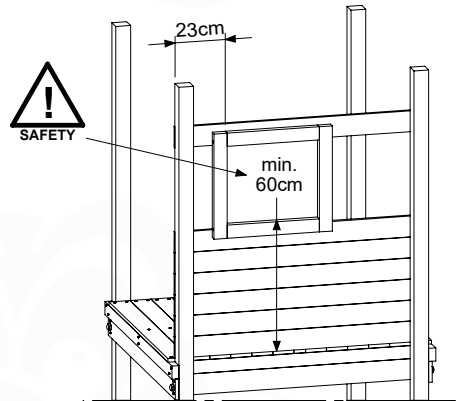
17.1

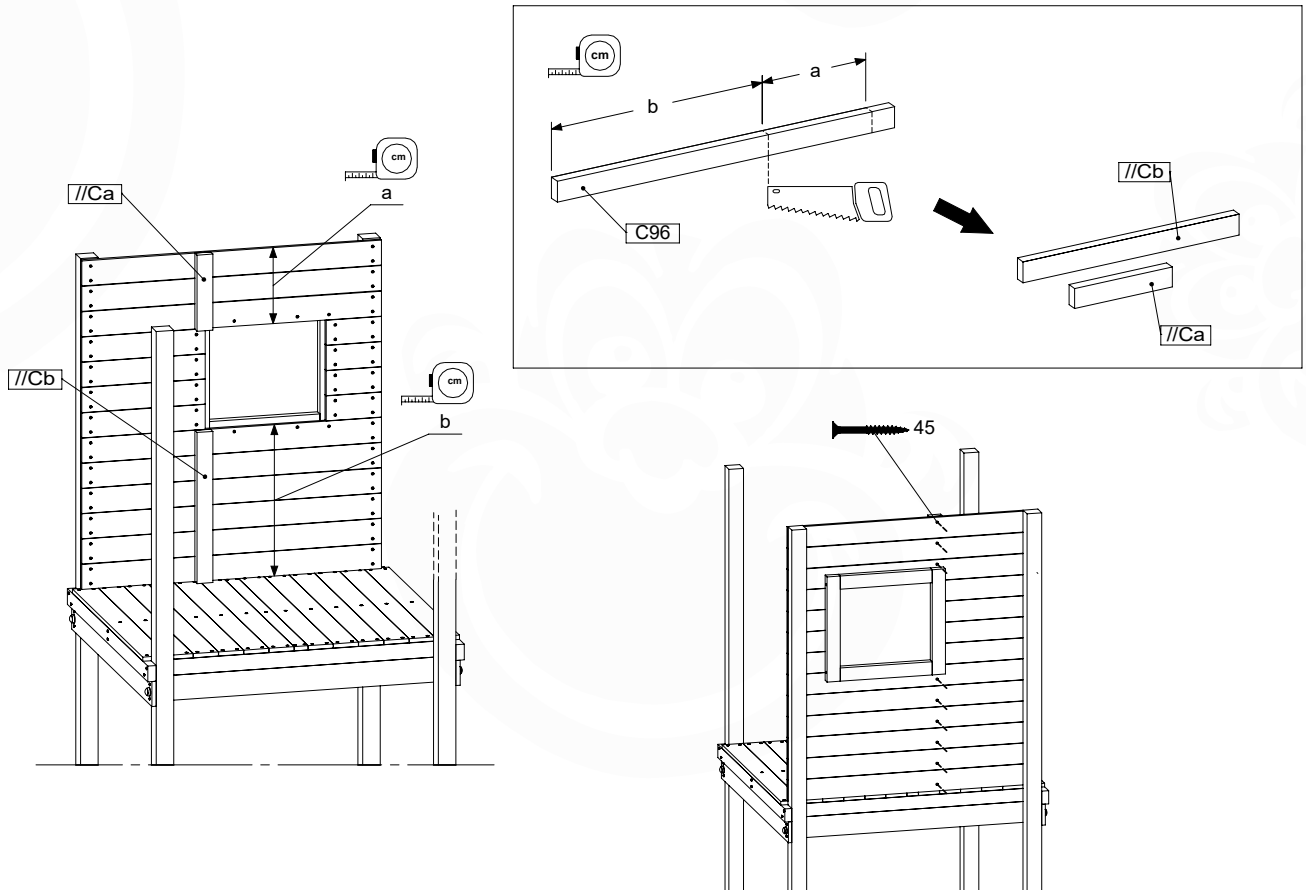
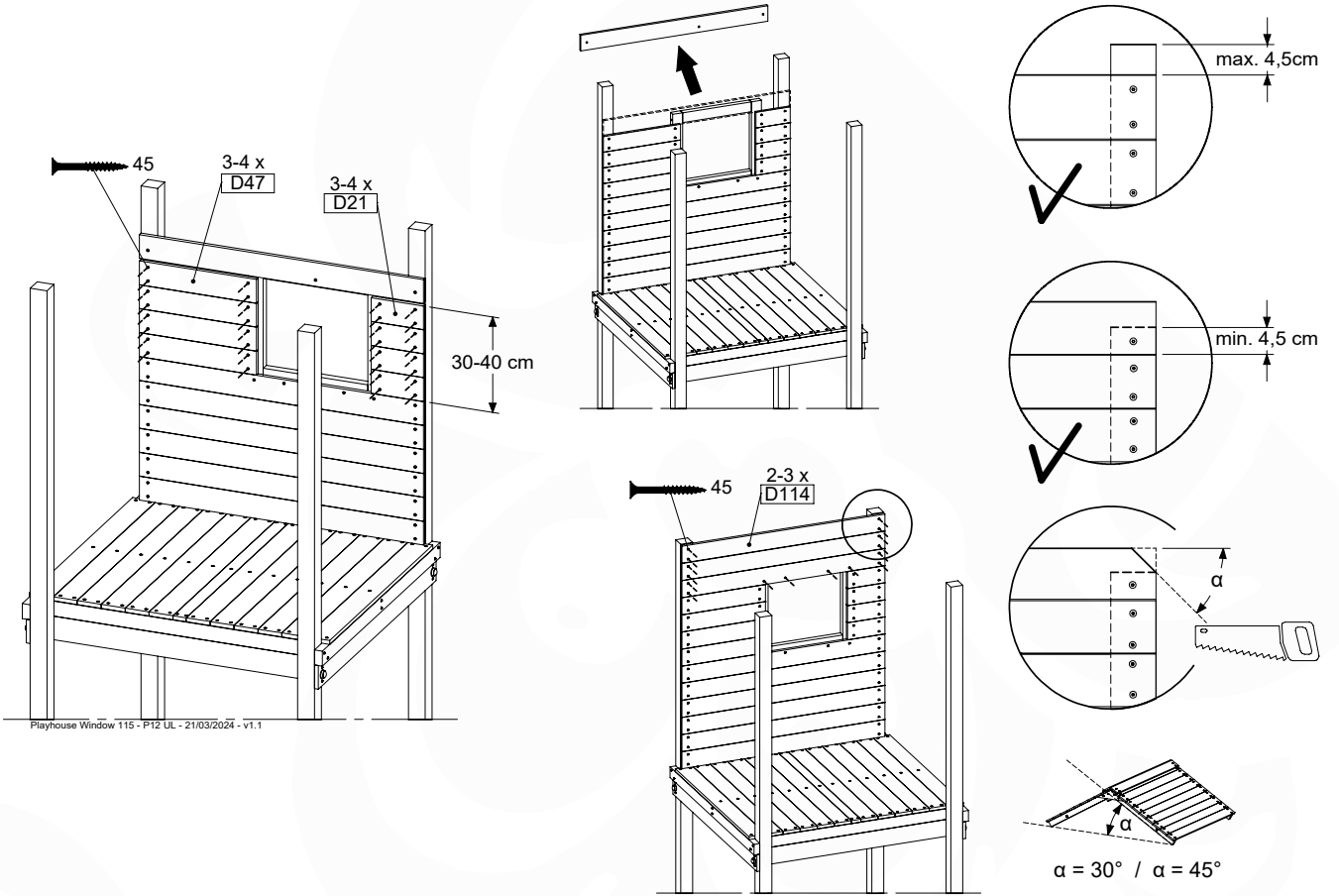


Playhouse Window 115 - P07 unit - 21/03/2024 - v1.1



Playhouse Window 115 - P08 UL - 21/03/2024 - v1.1



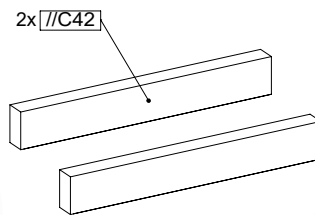
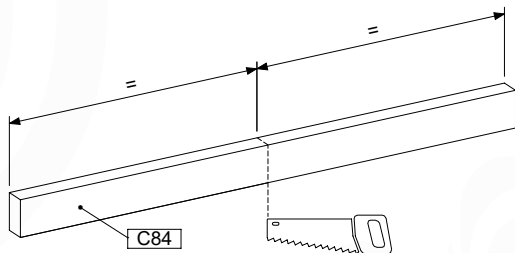
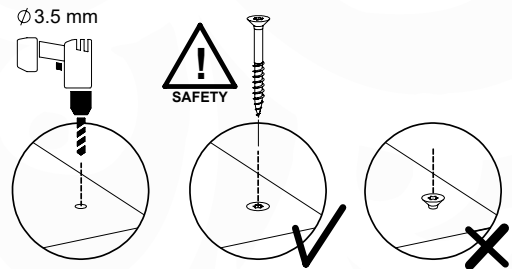
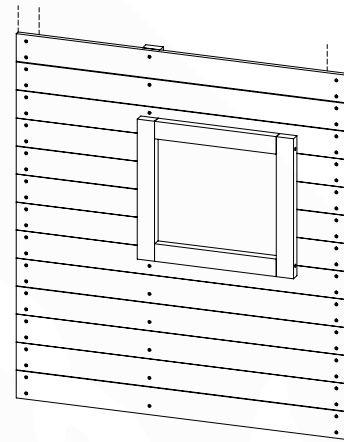


# 18 PH19a: Playhouse Window Panel 115 TR

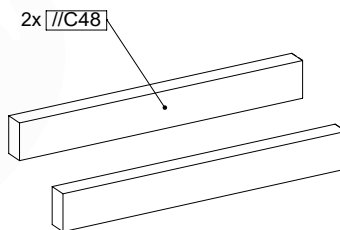
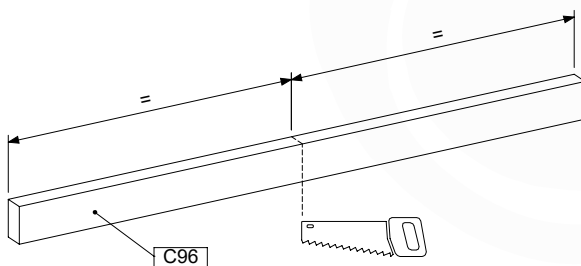
Assembly Pack: 194\_118 (PH19a) / 194\_508 (PH19b) / 194\_804 (PH19c)

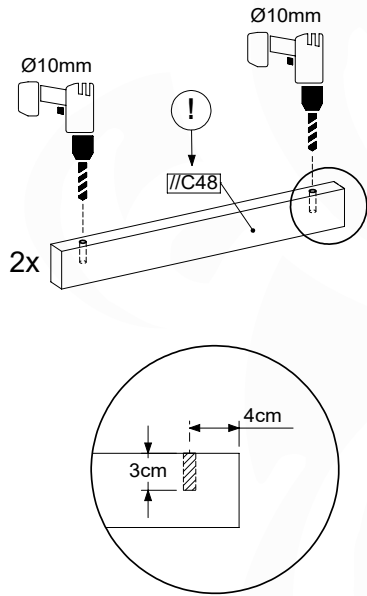
	PartNo	PartName	QTY.
Hardware Pack	002_220	Gap Point Screw T25 - 5x45	90
	002_223	Gap Point Screw T25 - 5x80	4
Timber	C84	Beam 840 mm	1
	C96	Beam 960 mm	2
	D21	Board 210 mm	4
	D47	Board 470 mm	4
	D114	Board 1140 mm	10

Playhouse Window 115 - P06 TR - 21/03/2024 - v1.1

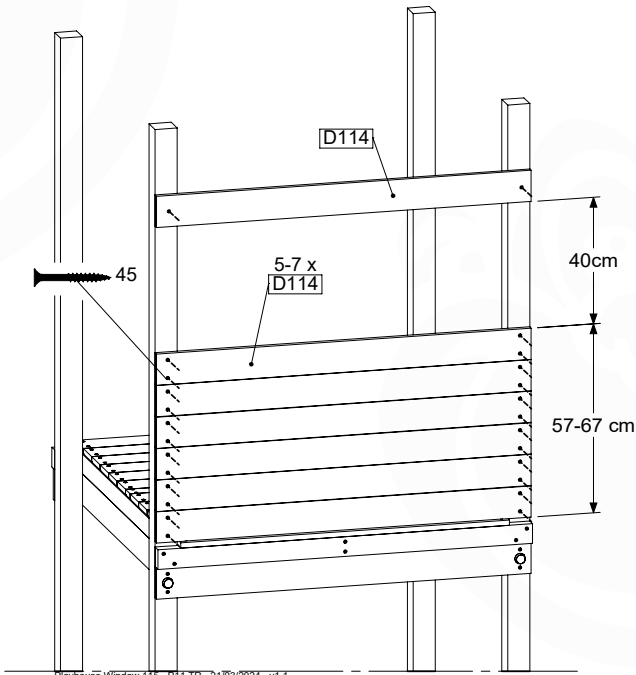
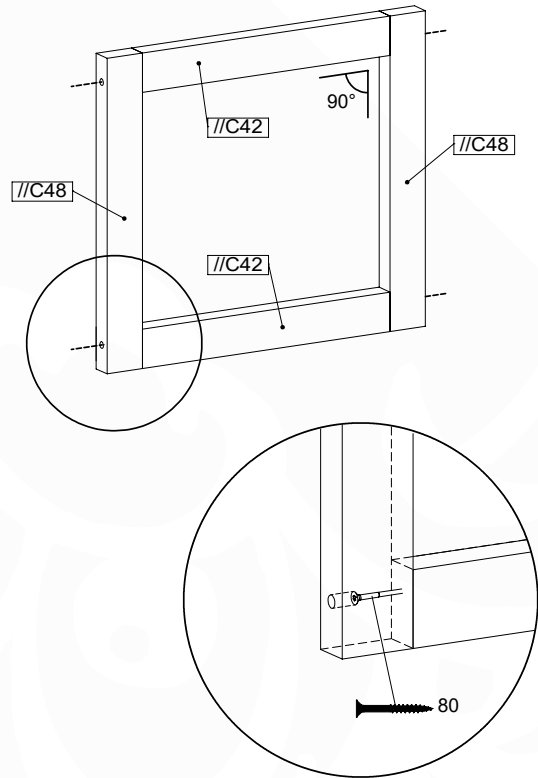


Playhouse Window 115 - P06 uni. - 21/03/2024 - v1.1

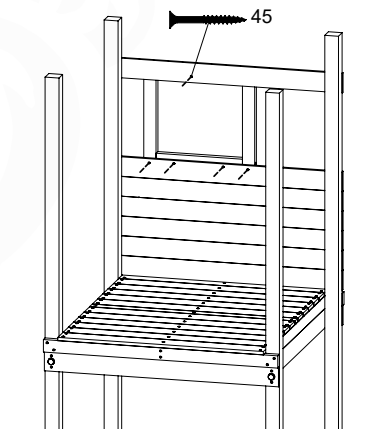
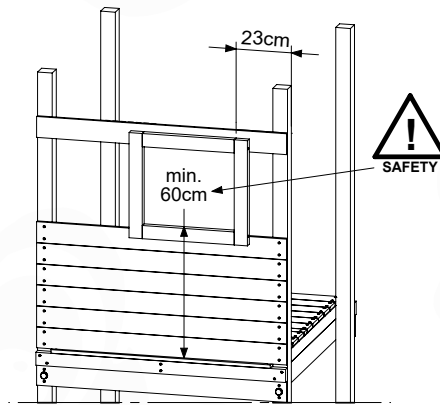


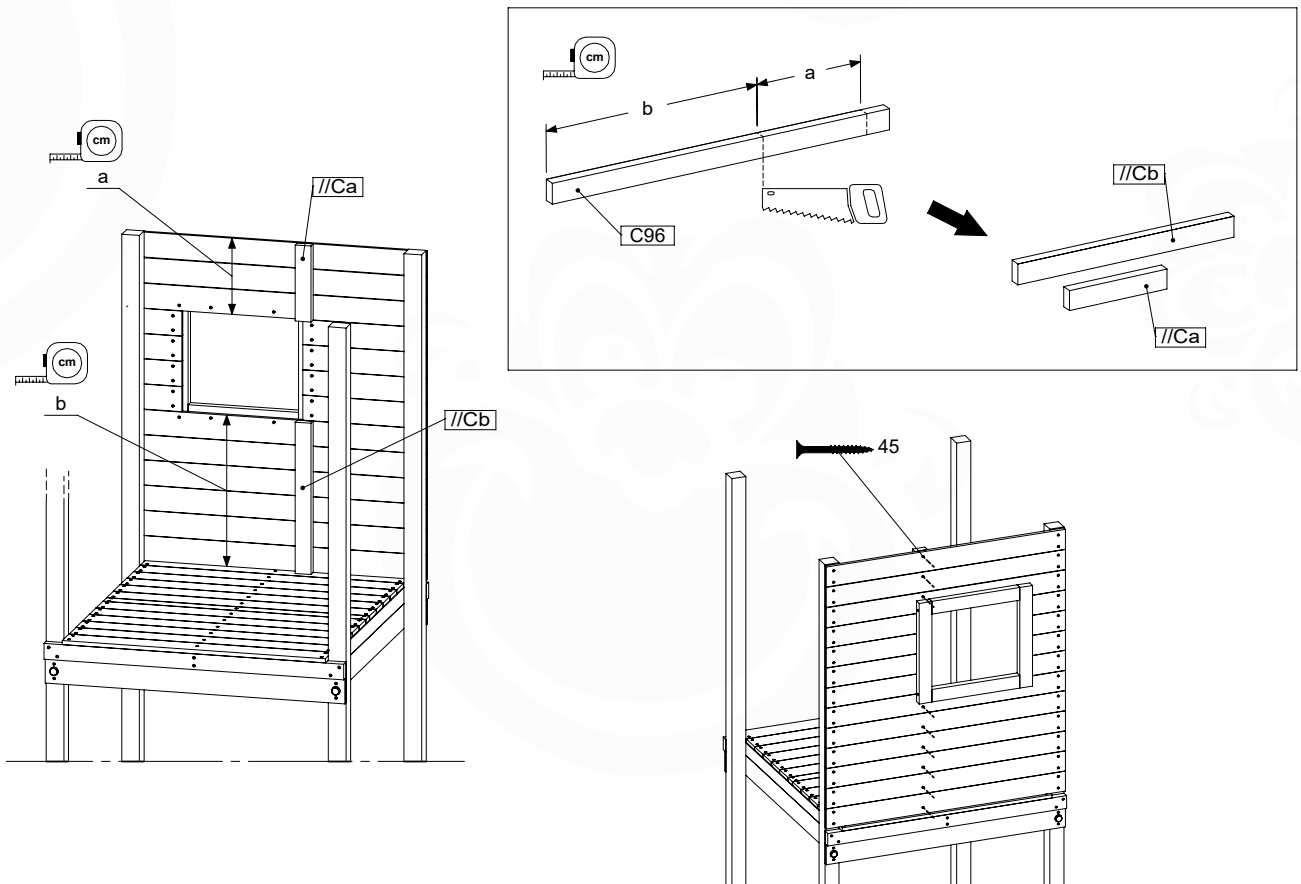
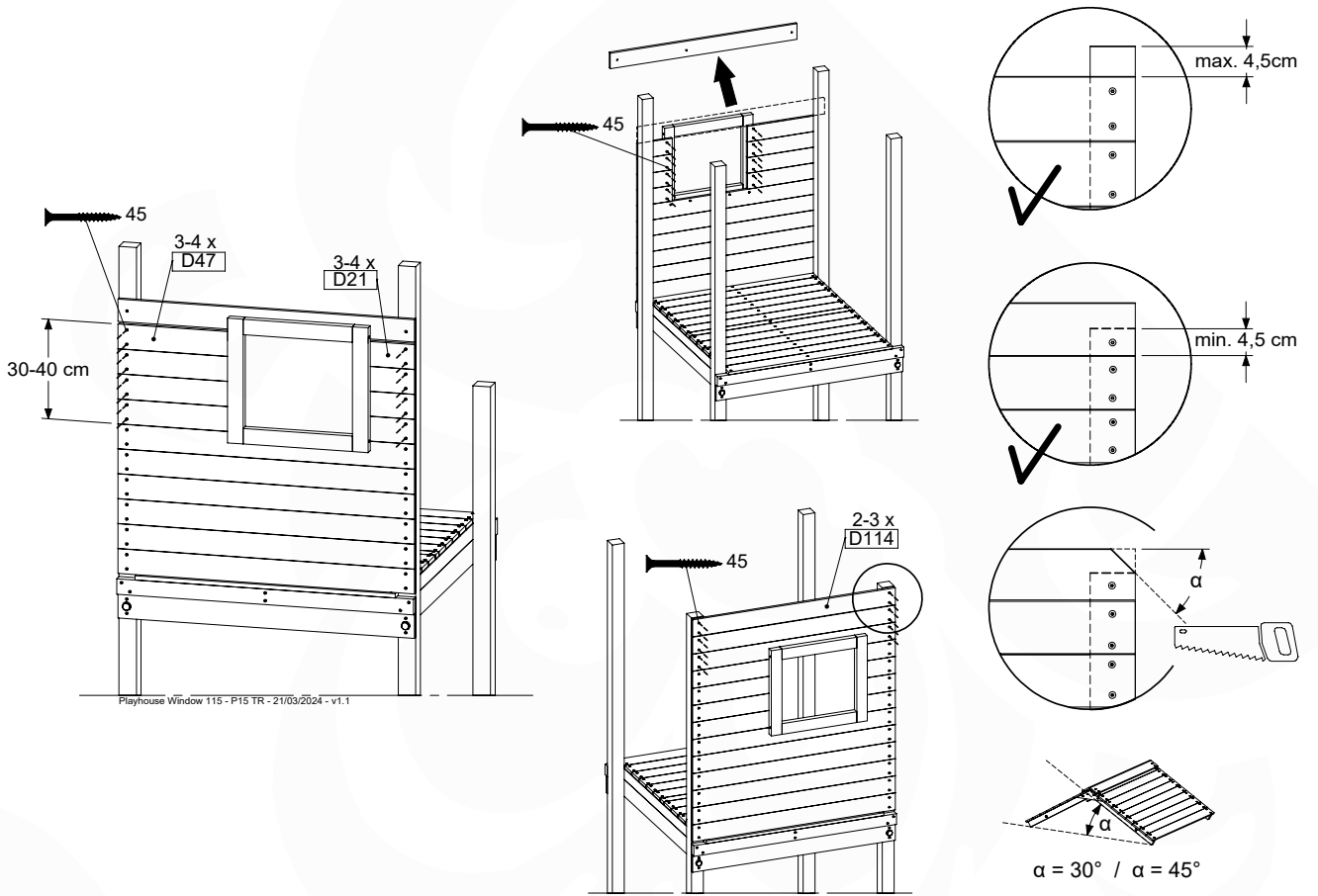


Playhouse Window 115 - P07 unit - 21/03/2024 - v1.1



Playhouse Window 115 - P11 1R - 21/03/2024 - v1.1

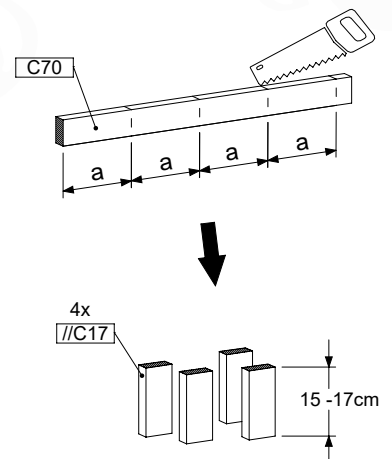
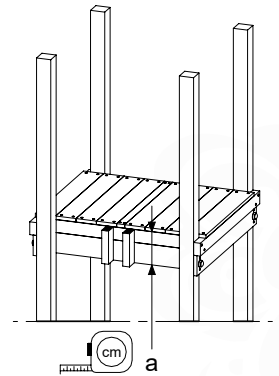
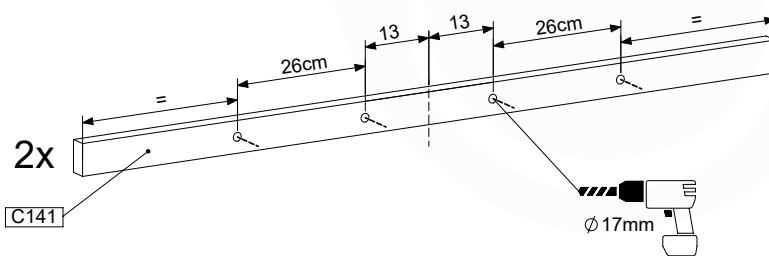
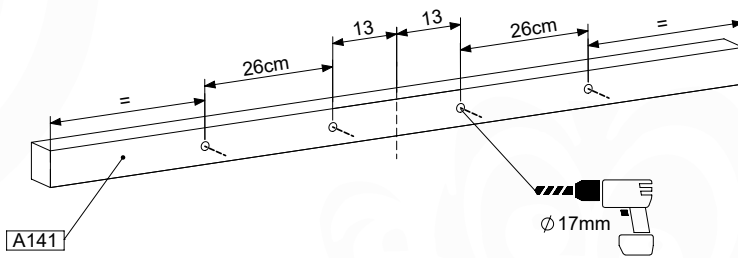
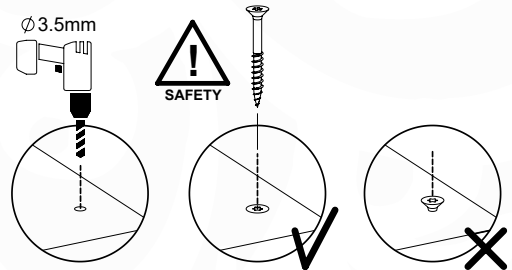
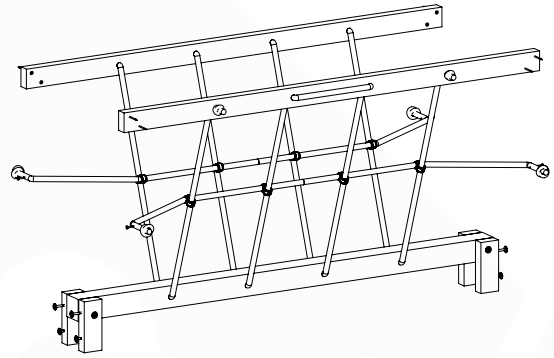


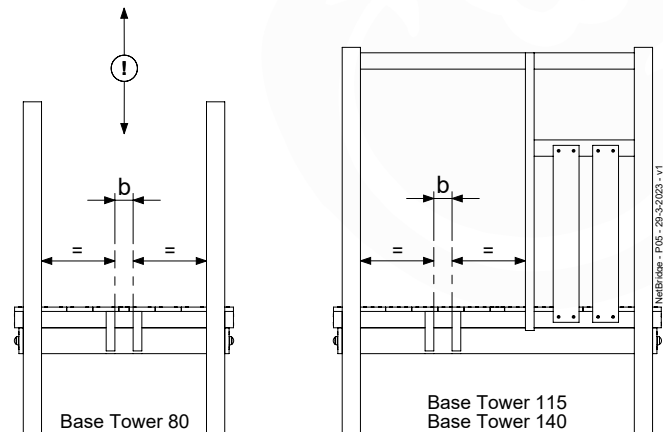
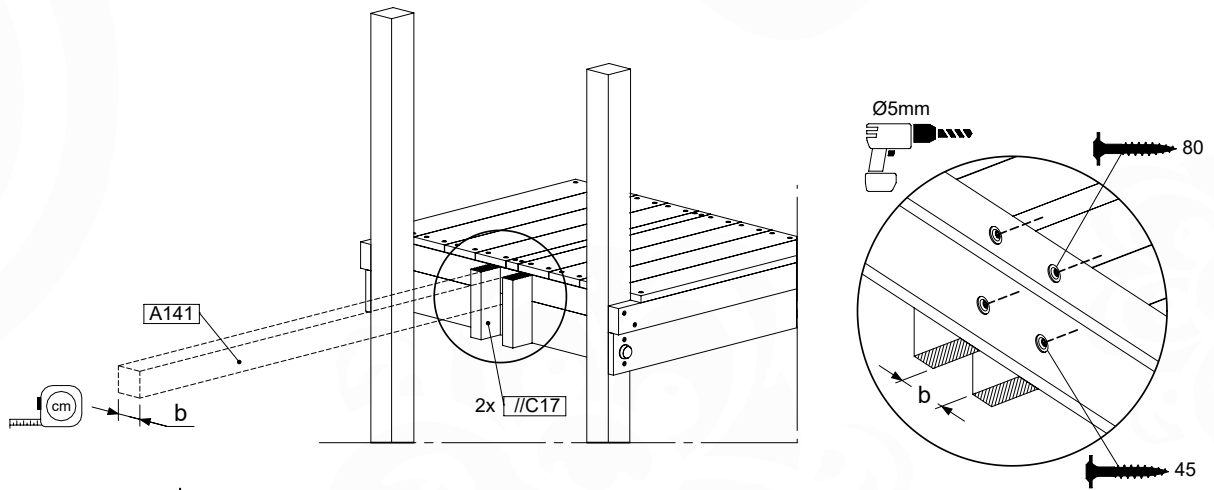
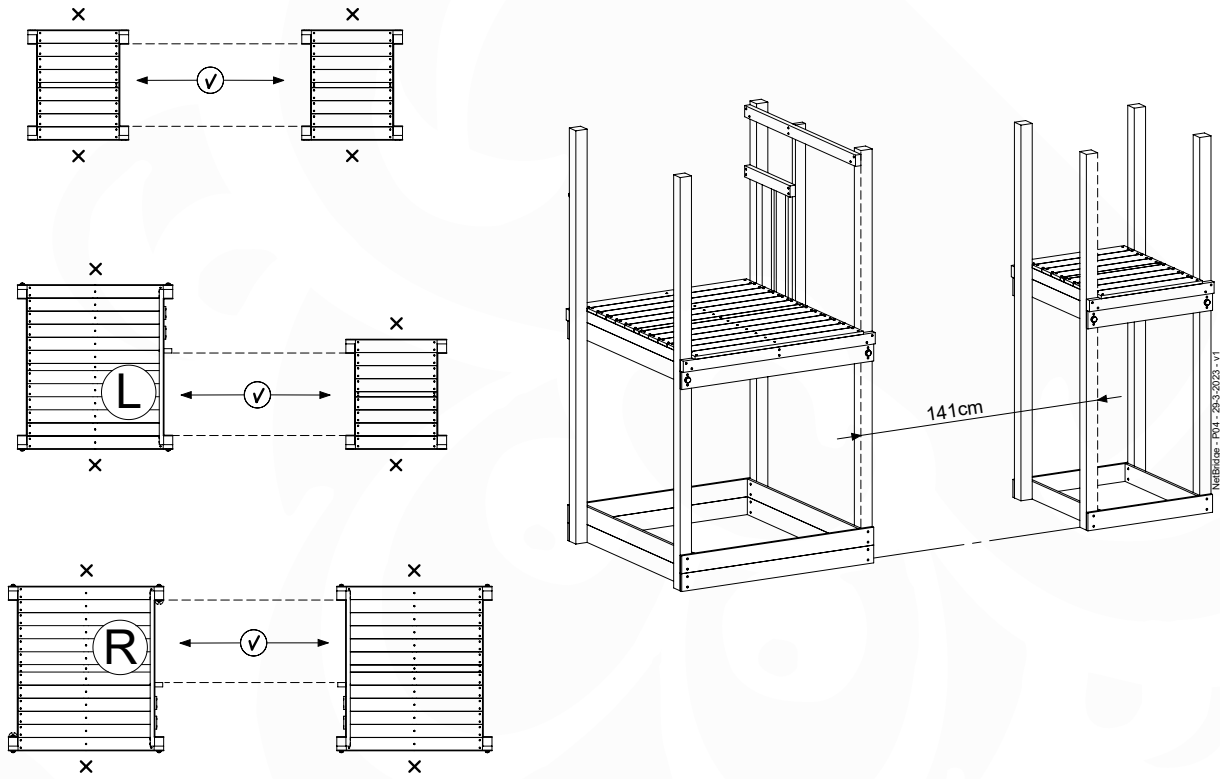


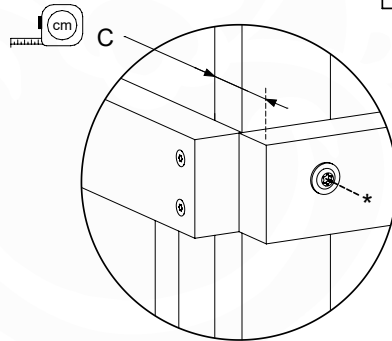
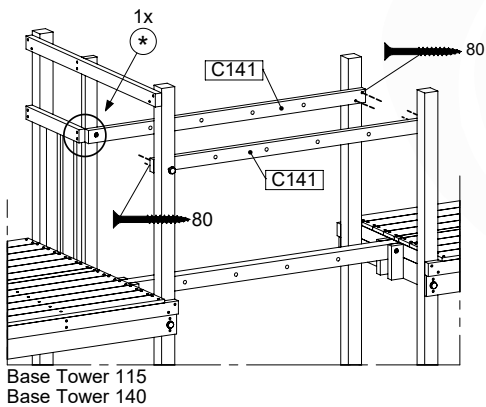
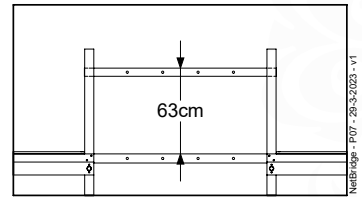
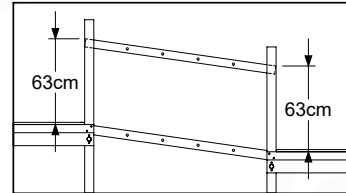
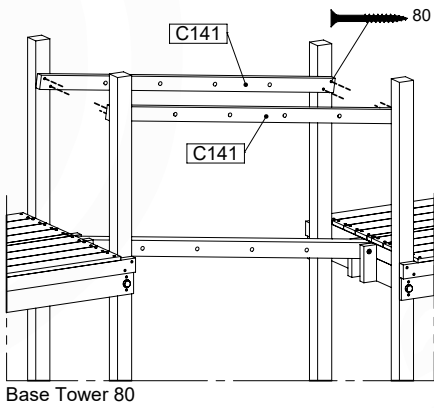
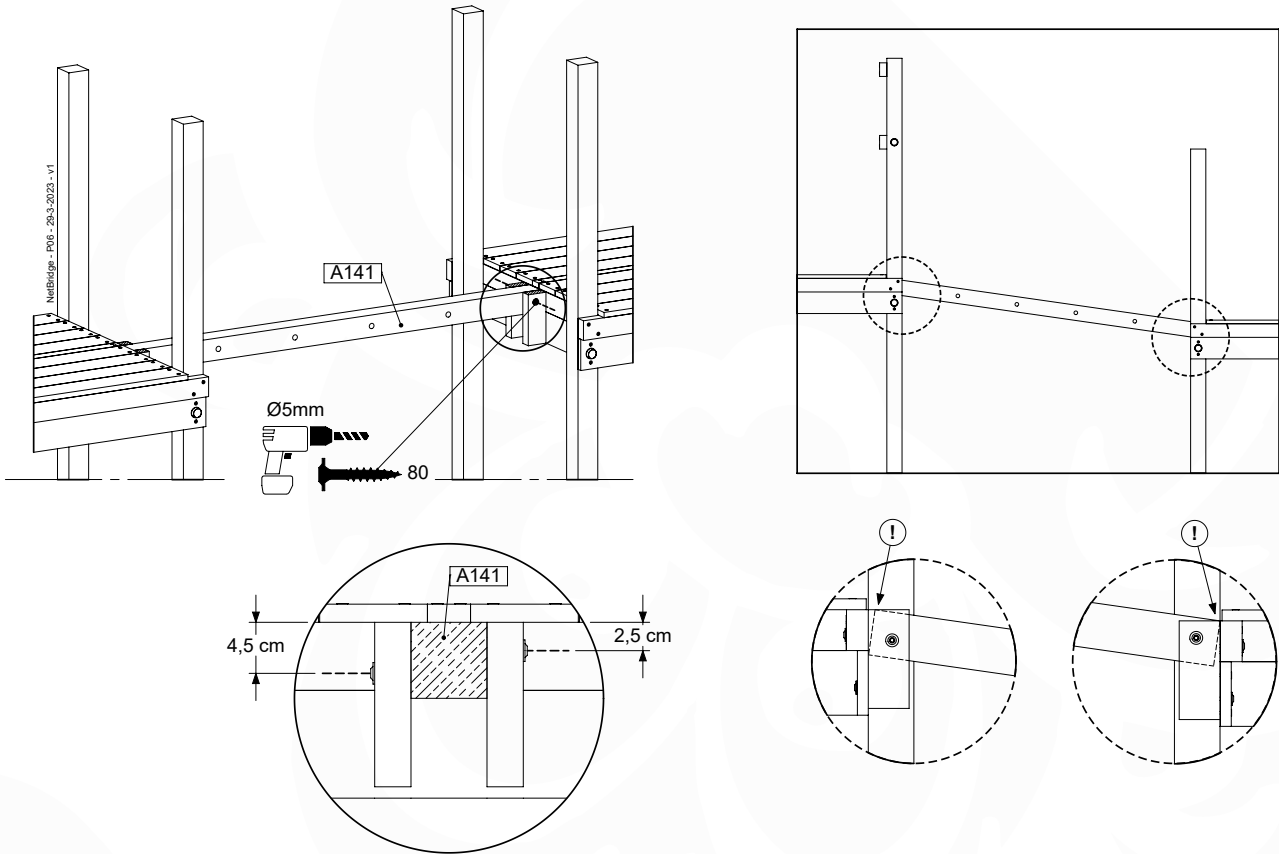
# 19 NB01a: Net Bridge

(194\_009)

	PartNo	PartName	QTY.
Hardware Pack	001_406	Stealth Screw 8x45	4
	001_417	Stealth Screw 8x80	8
	002_220	Gap Point Screw T25 - 5x45	12
	002_223	Gap Point Screw T25 - 5x80	8
	002_301	Dry Wall Screw PH2 3.9 x 40 mm	8
Other	020_315	Rope Polyester 16mm Green 2.25m	2
	020_319	Rope Polyester 16mm Green 7.45m	1
	022_455	Rope Cross Connector Egg	8
Timber	A141	Post 70x70 L1410	1
	C70	Beam 700 mm	1
	C141	Beam 1410 mm	2

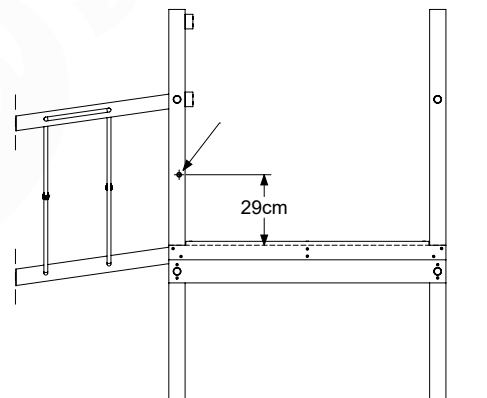
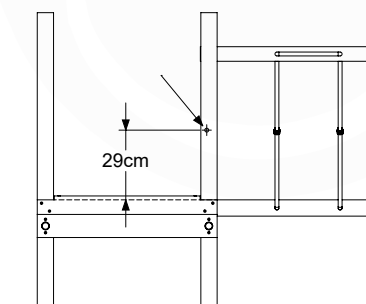
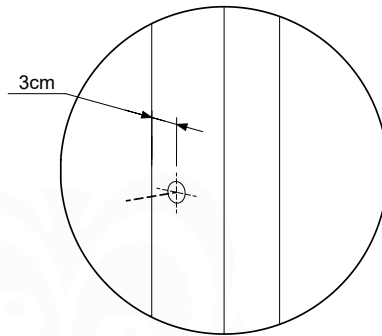
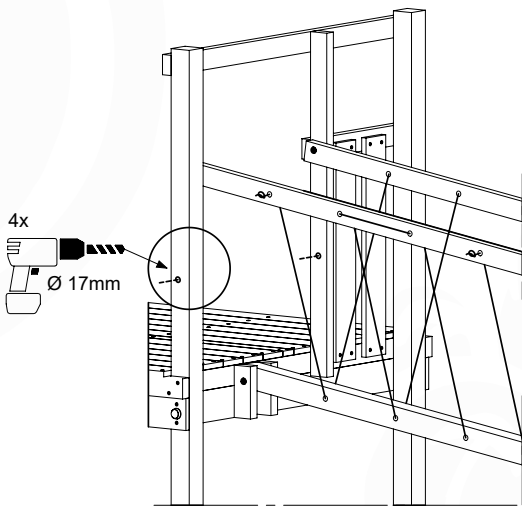
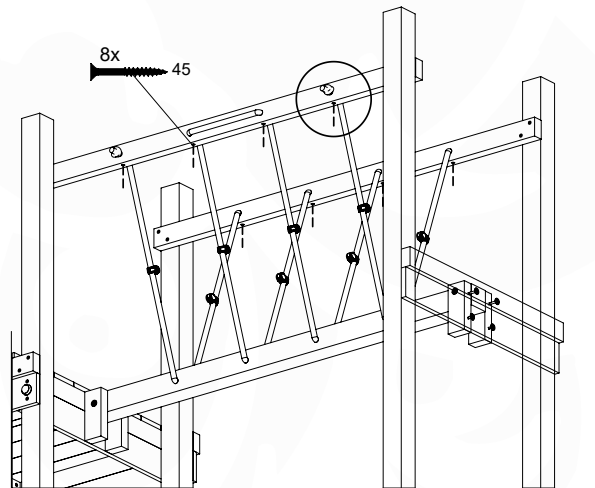
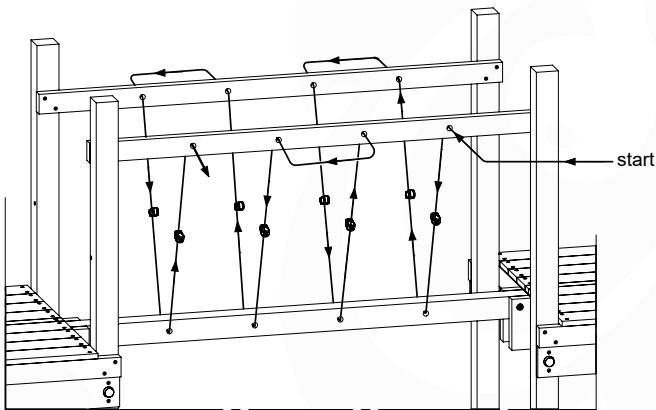
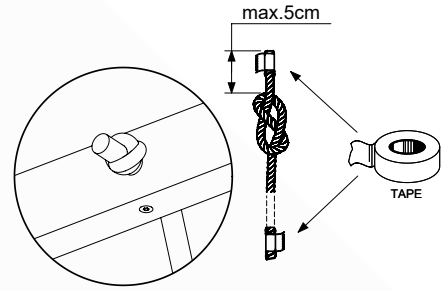
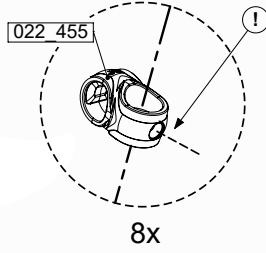
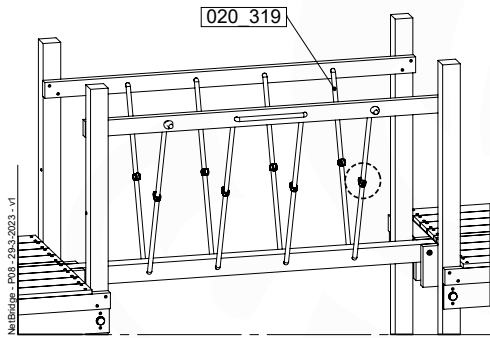




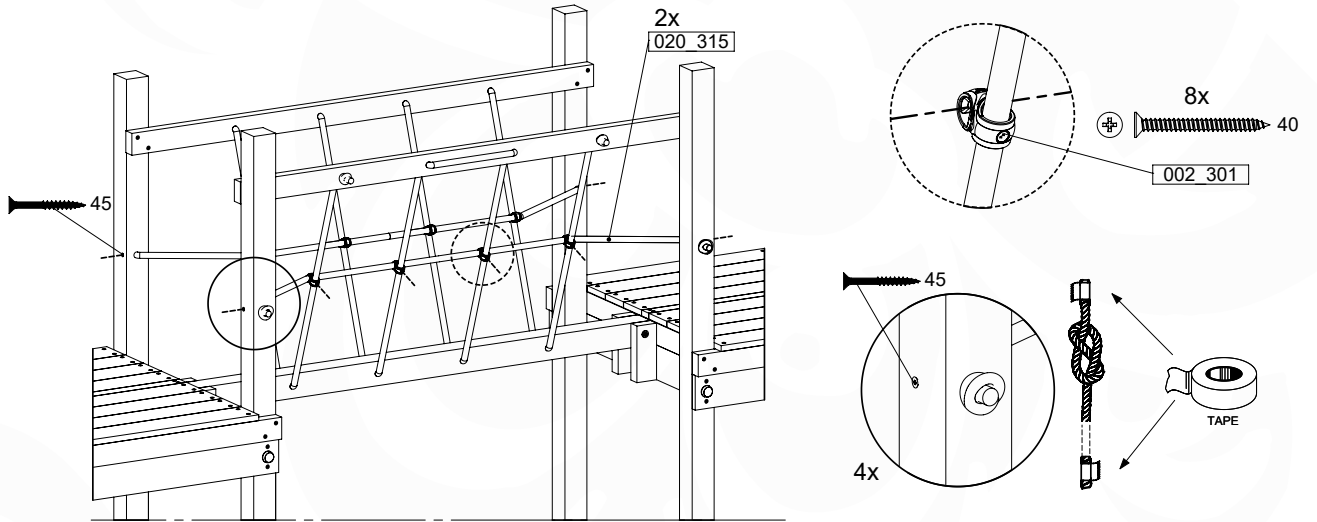
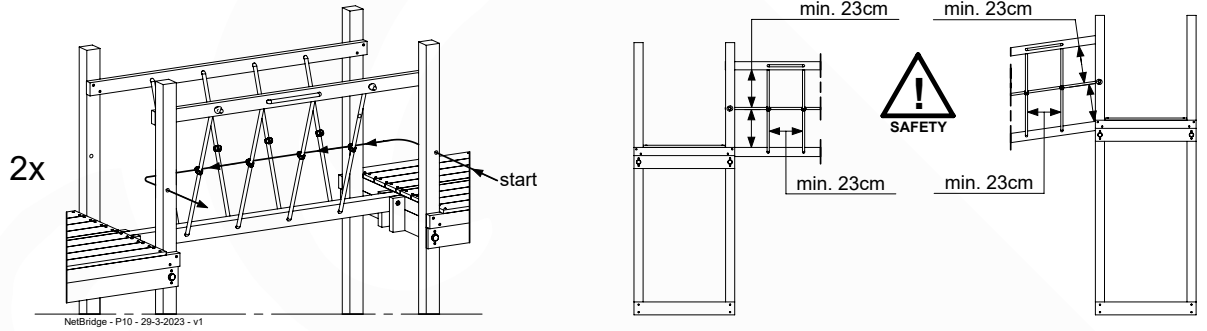


- C ≥ 8cm → 2x 80
- C < 8cm → 1x 60
- Ø5 mm





# 19.4

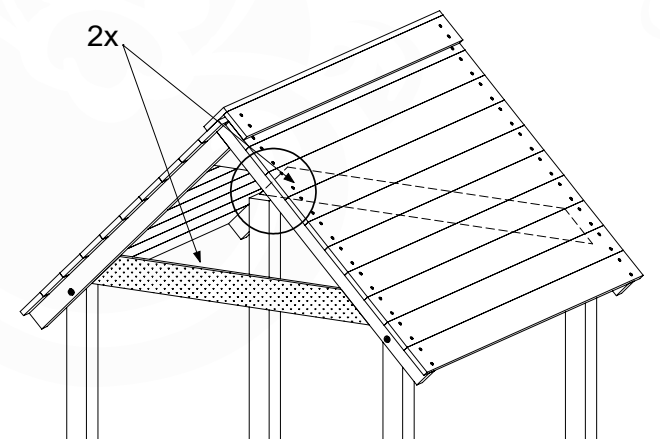
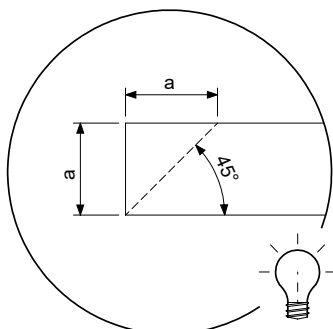
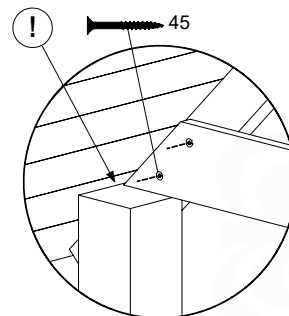
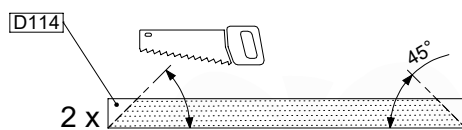
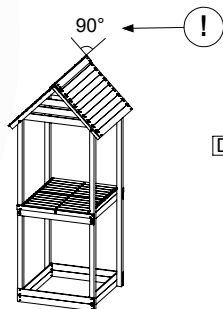
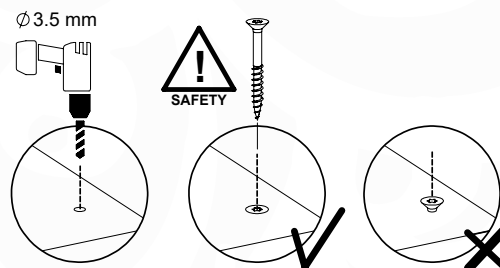
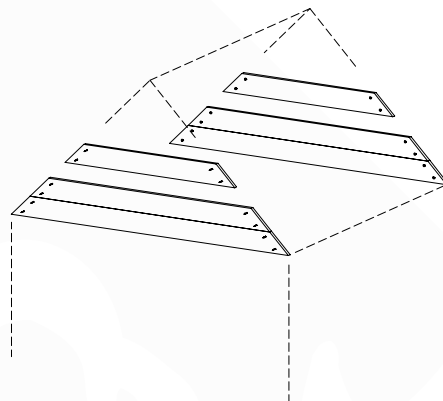


# 20 PH30a: Playhouse Roof Panels 115 90deg

( 194\_501 )

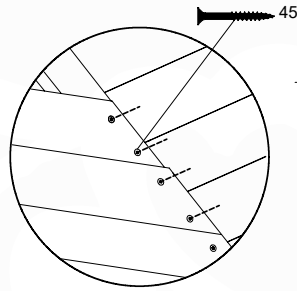
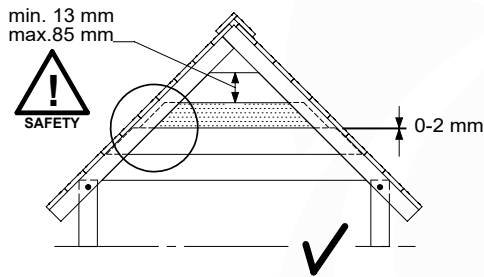
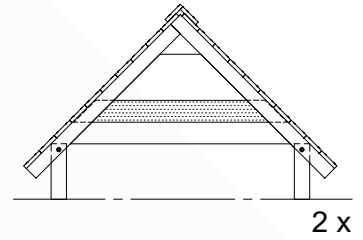
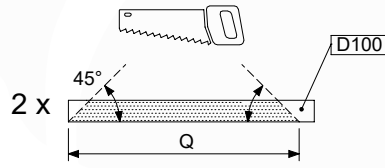
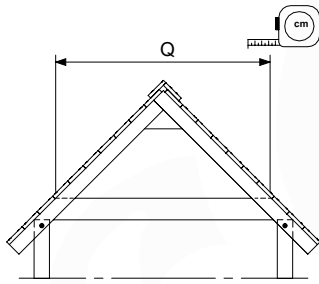
	PartNo	PartName	QTY.
Hardware Pack	002_220	Gap Point Screw T25 - 5x45	24
Timber	D65	Board 650 mm	2
	D100	Board 1000 mm	2
	D114	Board 1140 mm	2

Playhouse Roof Panels - P02 CL90° - 15/03/2024 - v1.1



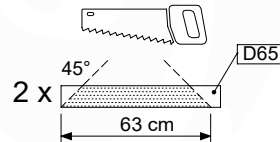
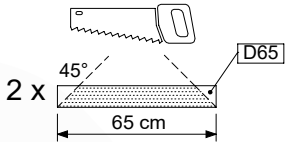
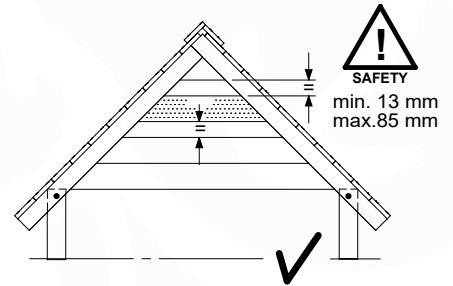
Playhouse Roof Panels - P06 CL90° - 15/03/2024 - v1.1

20.1



A ↔ B

Playhouse Roof Panels - P10 CL90° - 15/03/2024 - v1.1

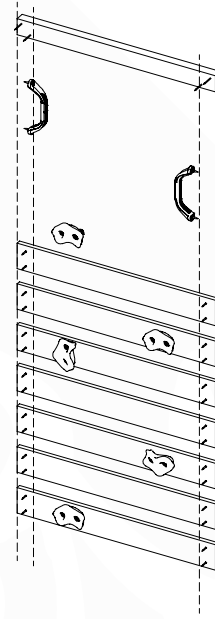


# 21 RW03b: Rock wall 80 145 U

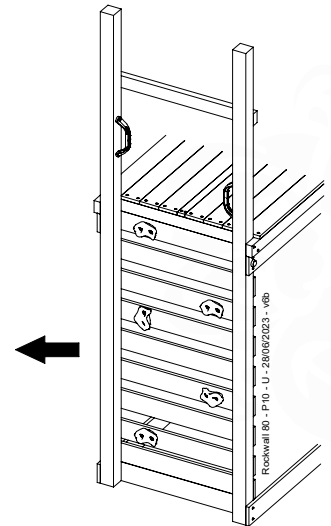
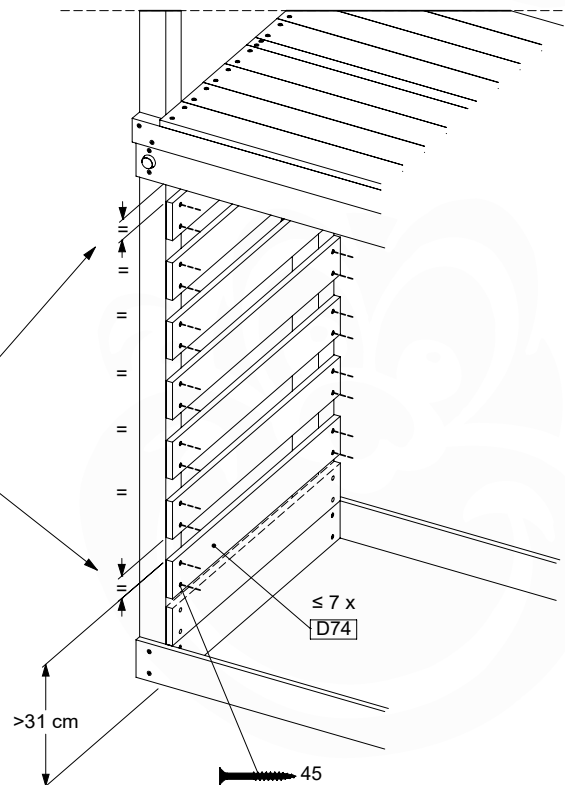
( 194\_006 )

	PartNo	PartName	QTY.
Hardware Pack 100_904	001_102	Washer Head Screw T40 M8x30	10
	002_220	Gap Point Screw T25 - 5x45	28
	002_223	Gap Point Screw T25 - 5x80	4
	003_010	M8 spring lock washer	10
	004_050	M8 Drive-in Nut 22mm	10
Other	022_50x	Climbing Rock	5
	120_102	Handgrip set (2x Complete)	1
Timber	C74	Beam 740 mm	1
	D74	Board 740 mm	7

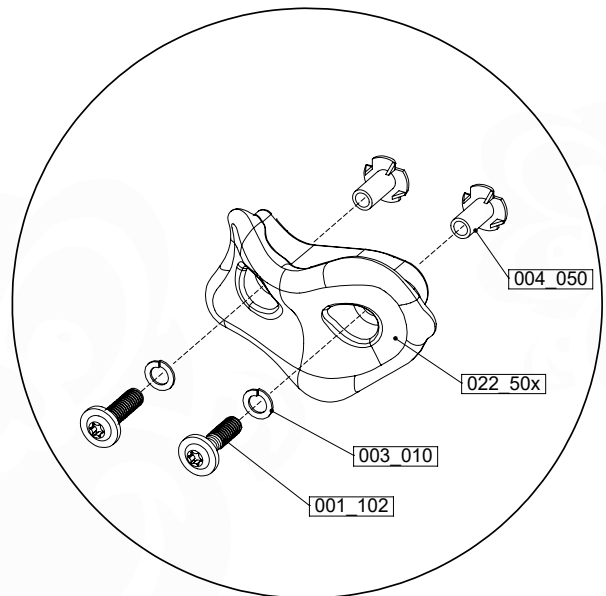
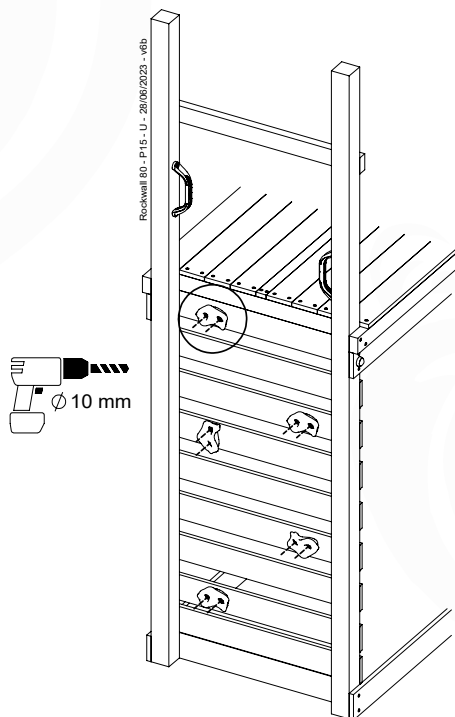
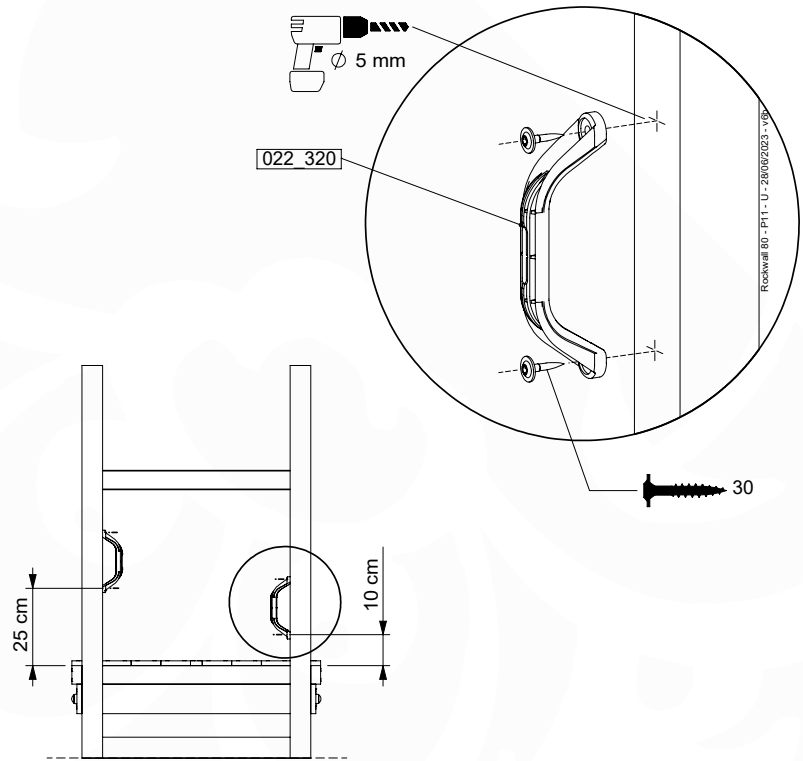
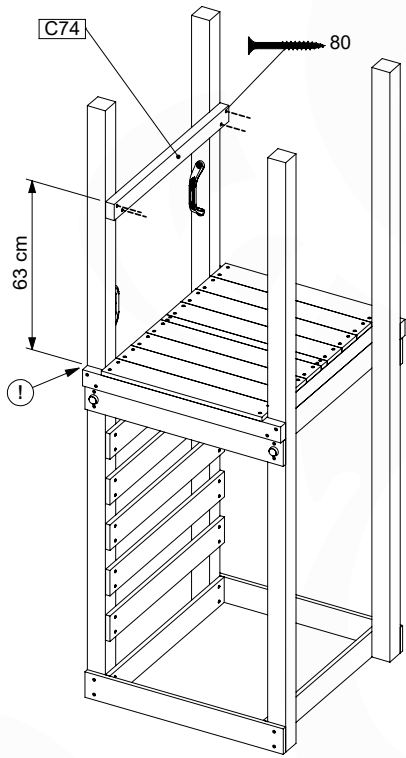
Rockwall 80 - P04 - 145U - 28/06/2023 - v6b



min. 2,6 cm  
max. 8,8 cm



Rockwall 80 - P10 - U - 28/06/2023 - v6b

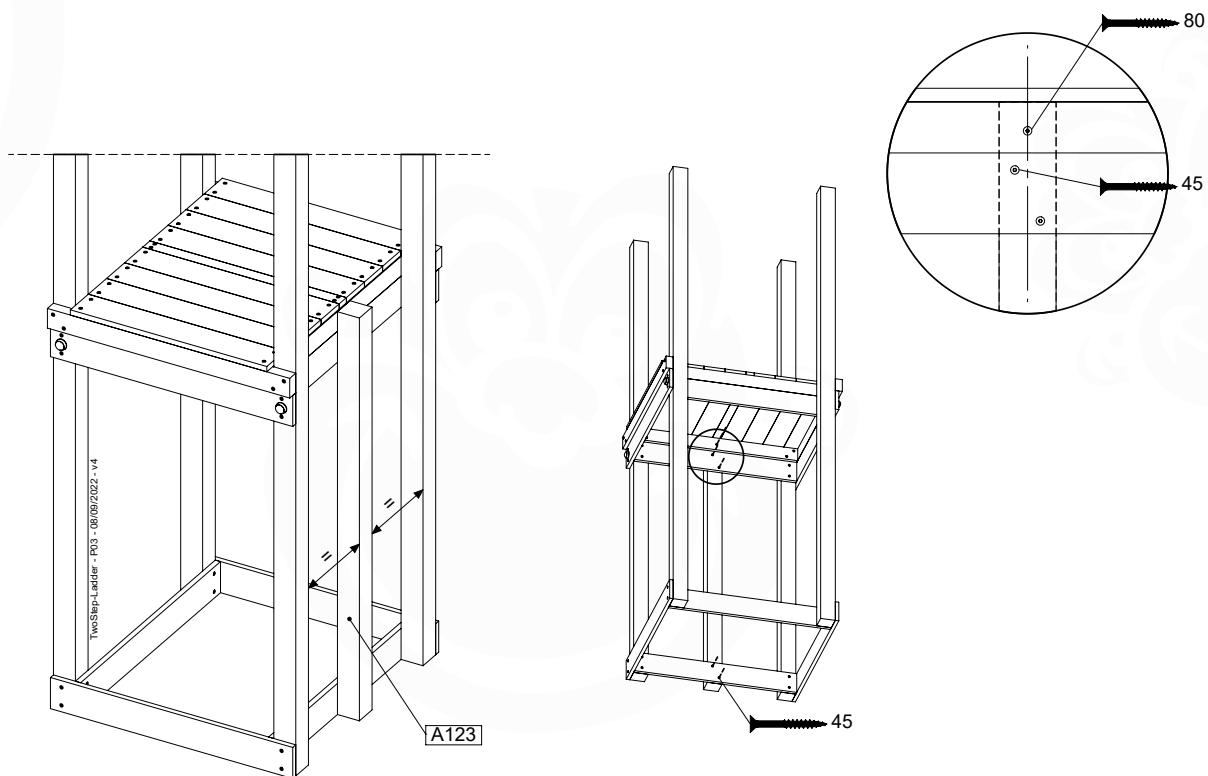
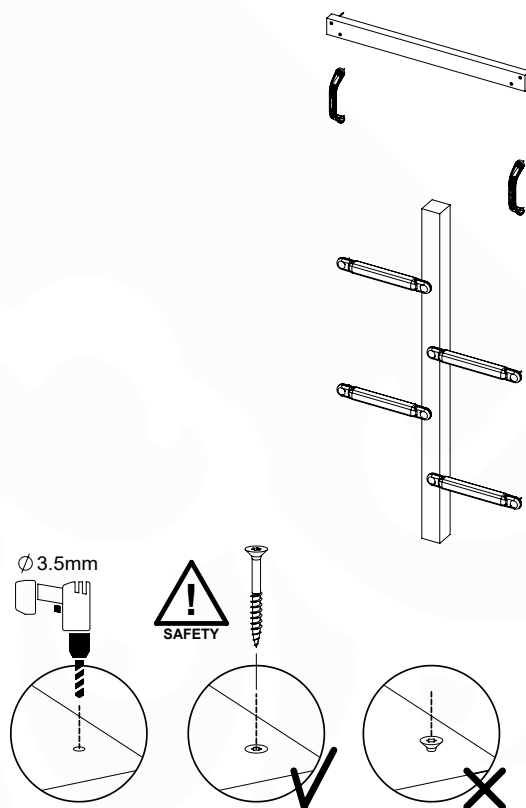


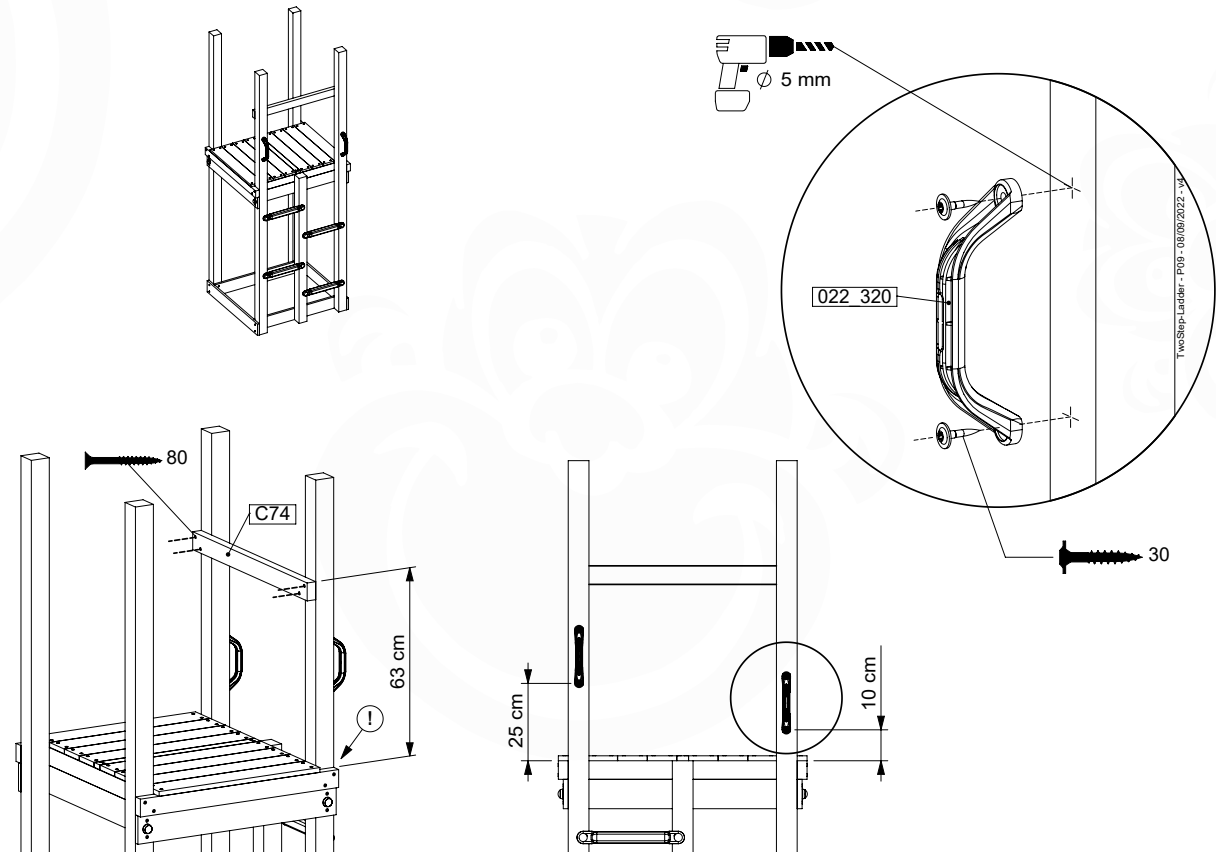
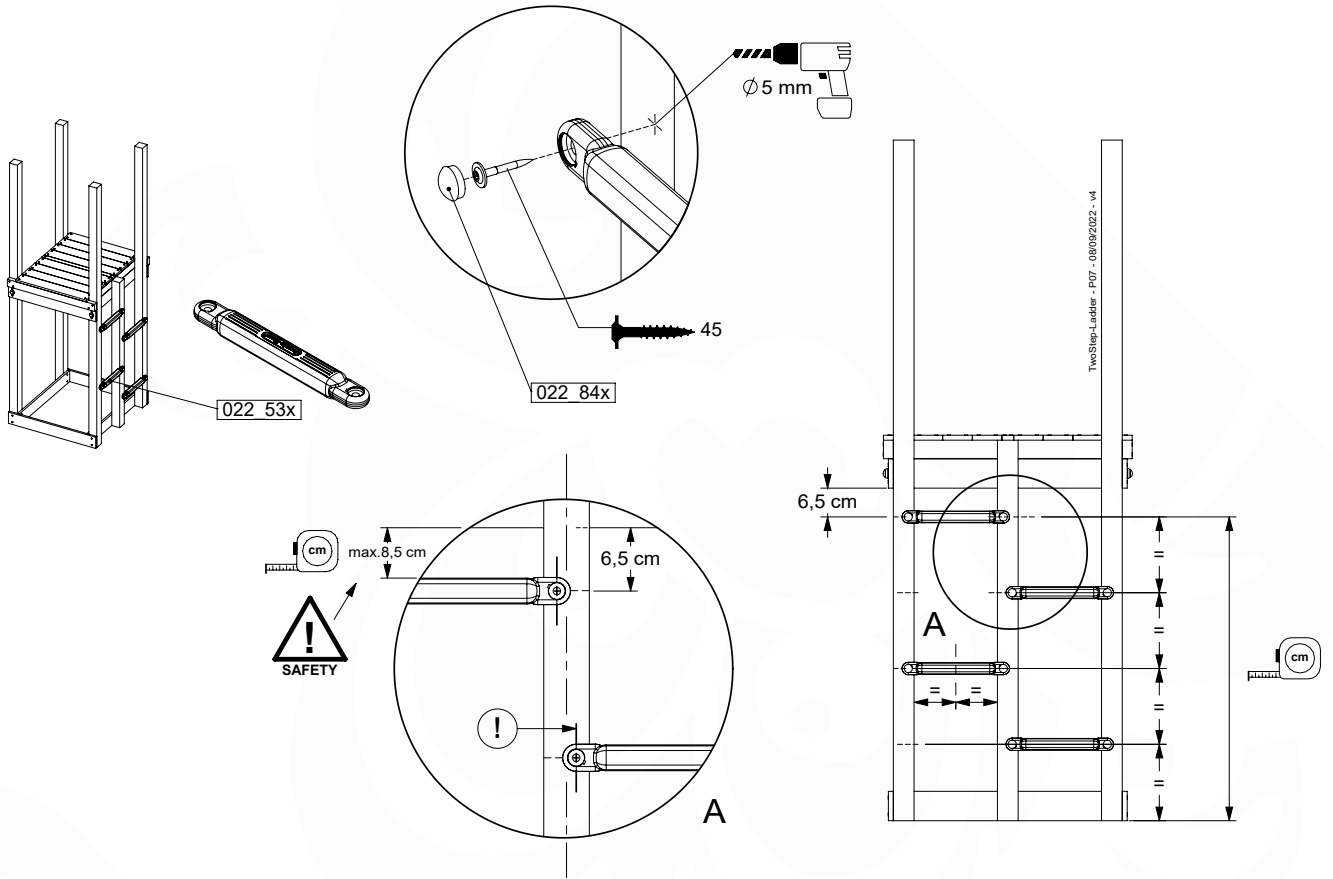
# 22 TS01a: Two Step 80 125 U

( 194\_102 / 194\_002 )

	PartNo	PartName	QTY.
Hardware Pack 100_602 /100_902	001_406	Stealth Screw 8x45	8
	002_220	Gap Point Screw T25 - 5x45	4
	002_223	Gap Point Screw T25 - 5x80	5
Other	022_53x	Ladder/ Rope Rung 30cm	4
	022_84x	bpc cover	8
	120_102	Handgrip set (2x Complete)	1
Timber	A123	Post 70x70 L1230	1
	C74	Beam 740 mm	1

TwoStep-Ladder - P102 - 08/09/2022 - v4





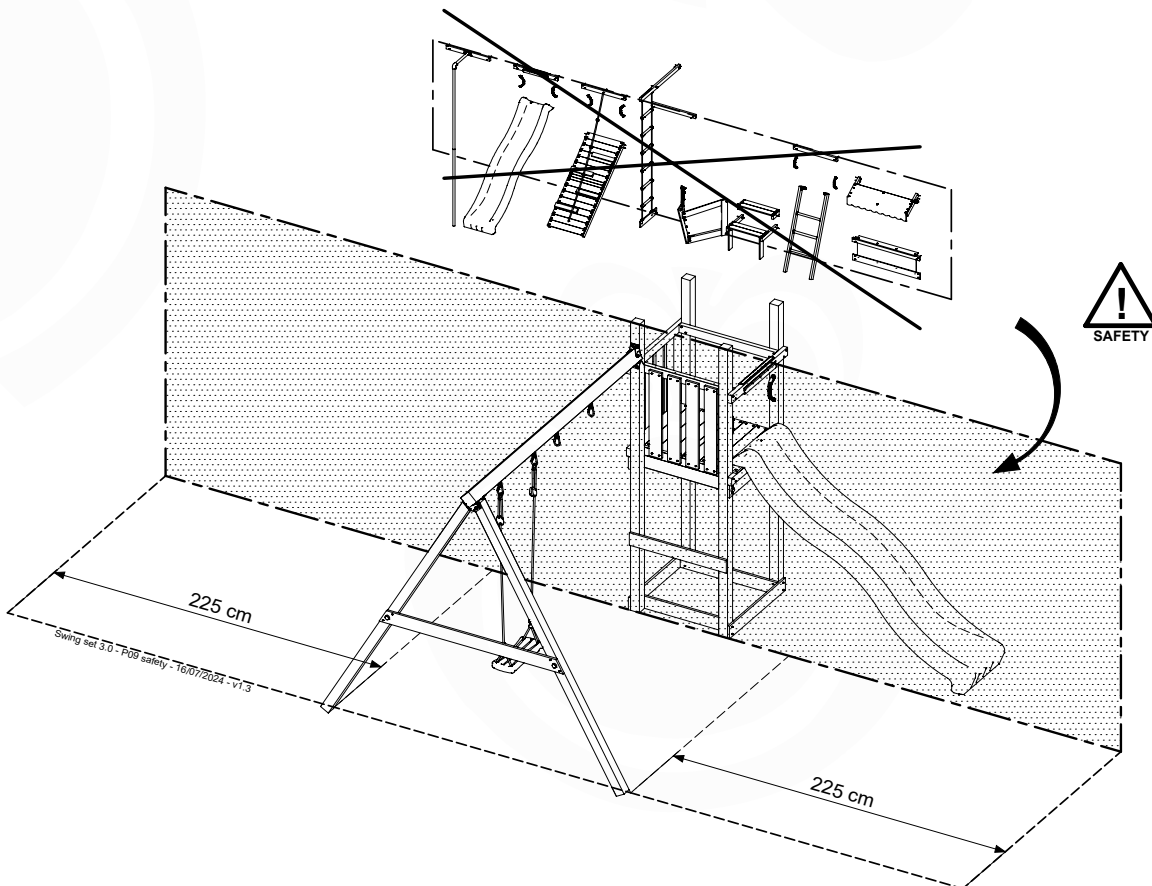
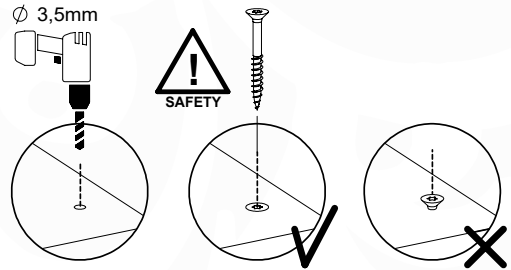
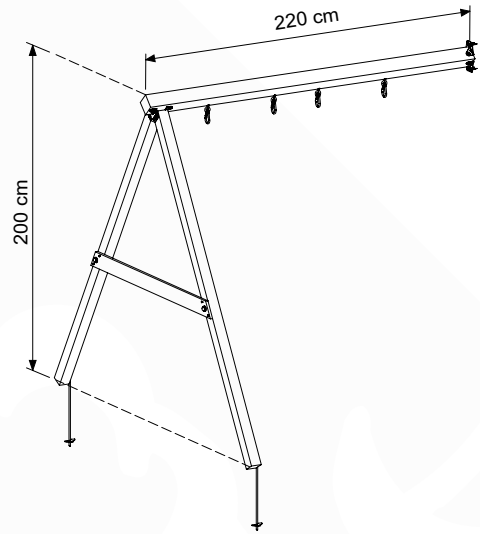


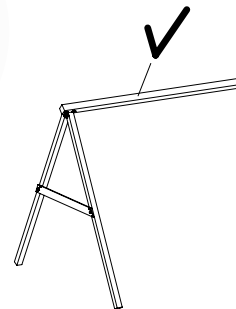
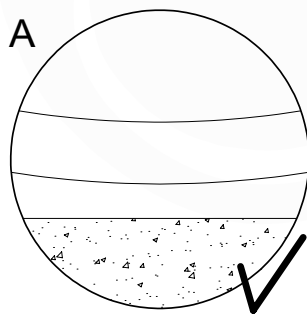
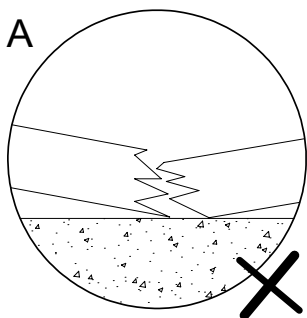
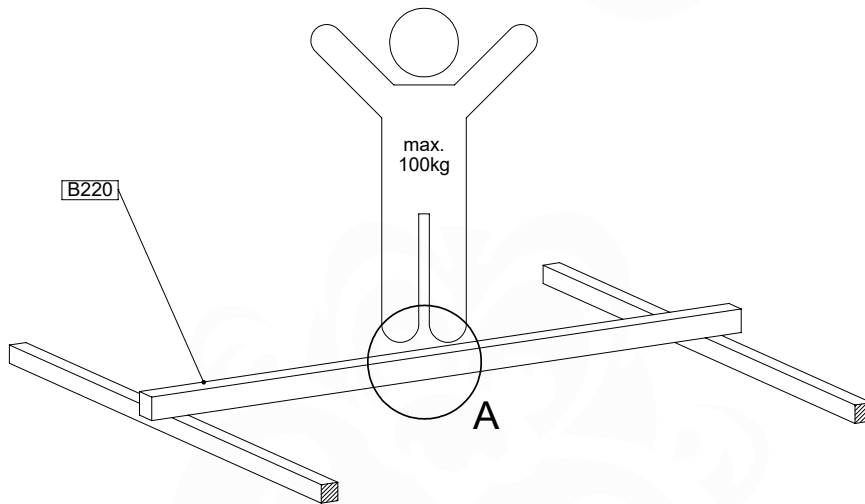
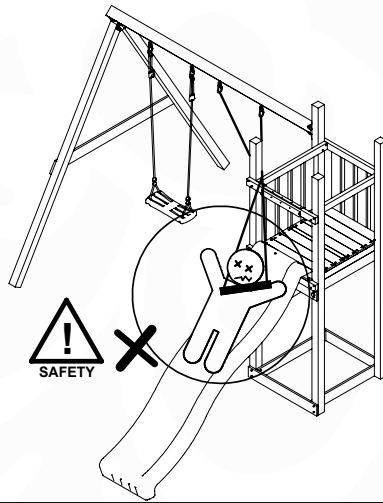
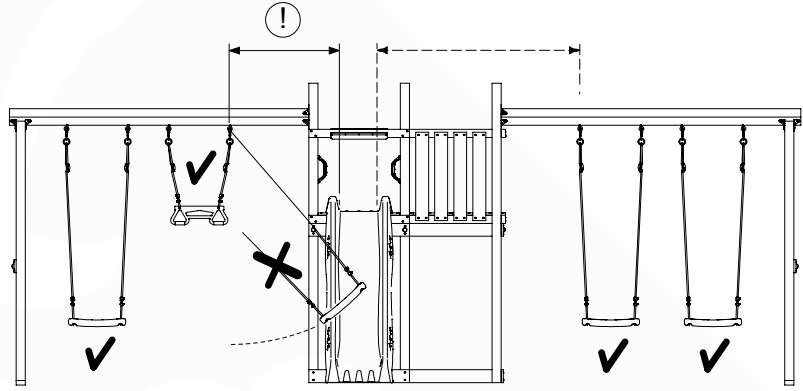
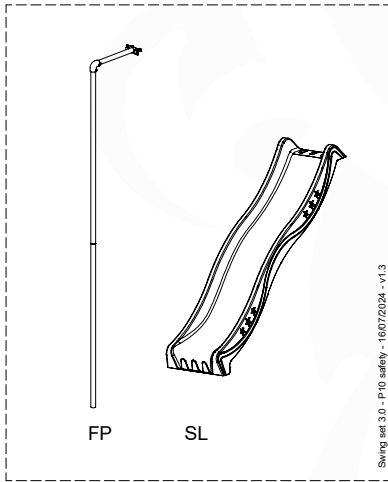
# 23 SW06a: 2- Swing Module 200 - 3.0

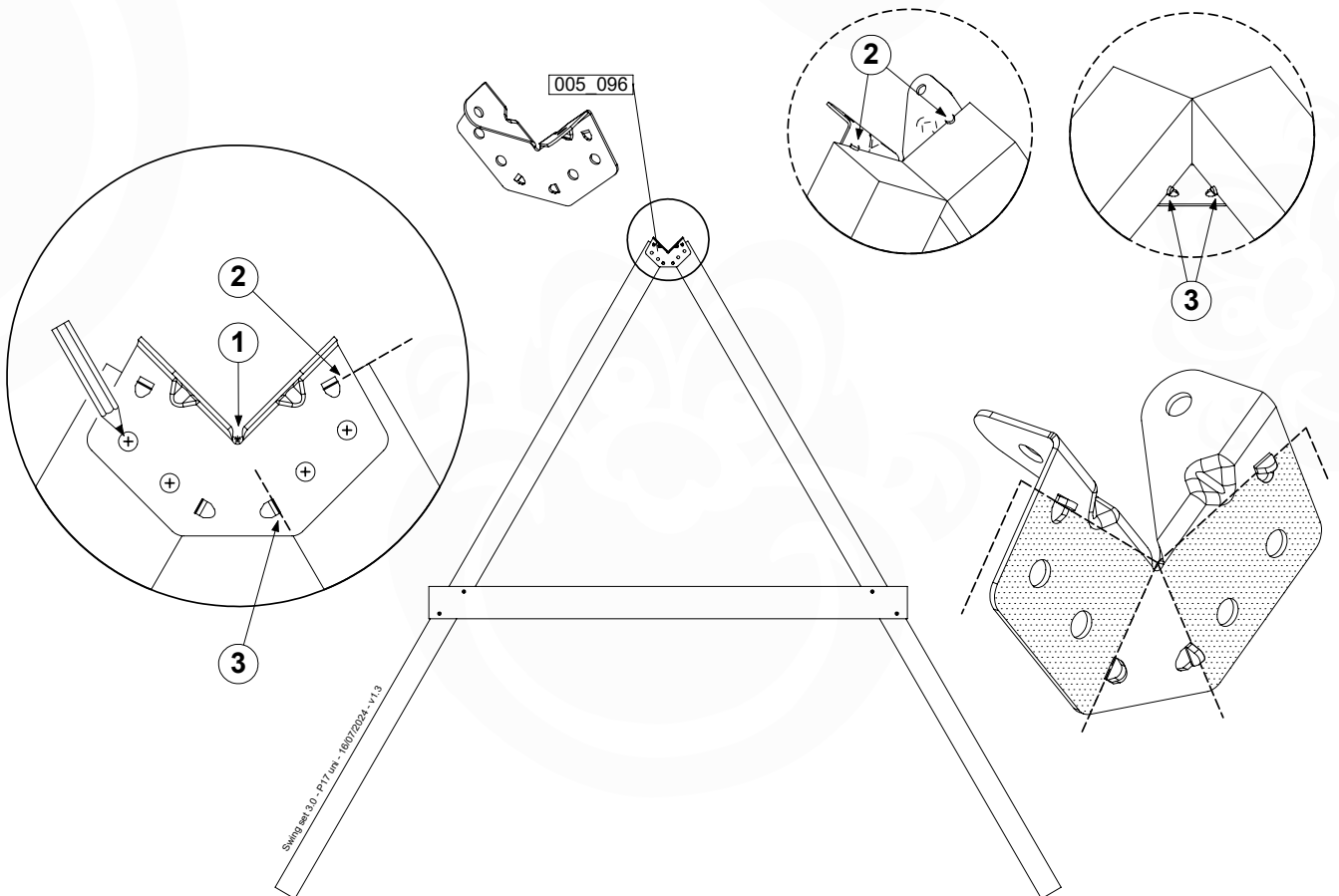
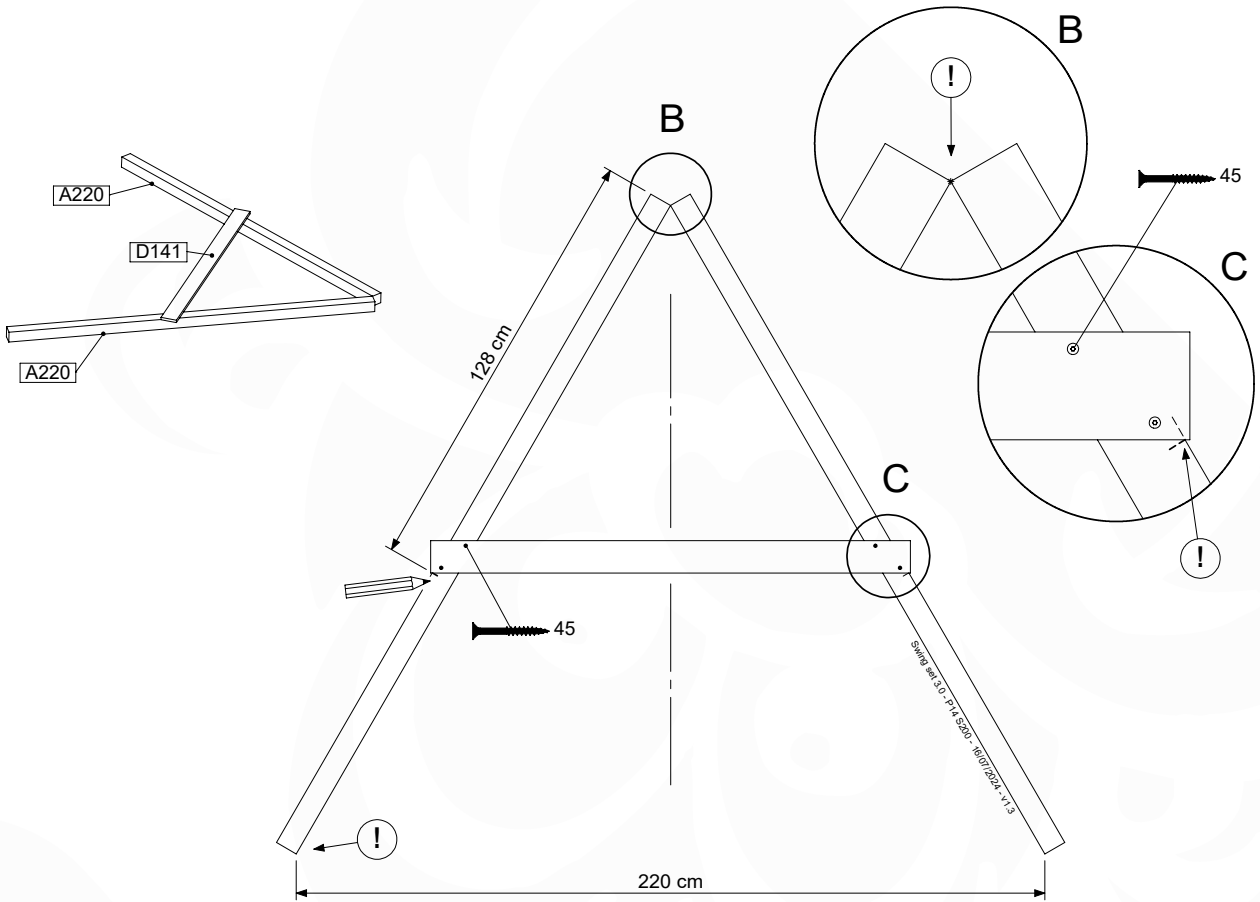
Assembly Kit: 457\_103

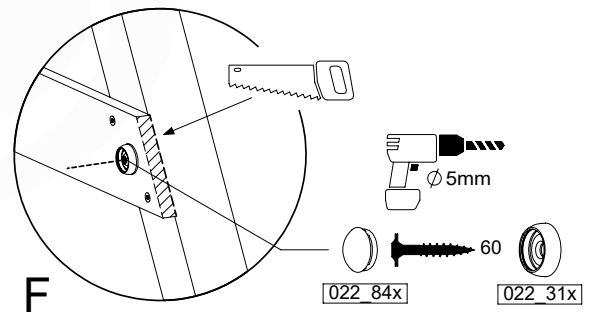
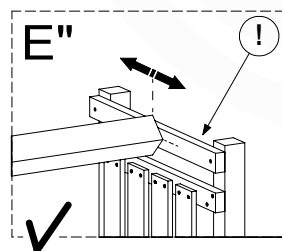
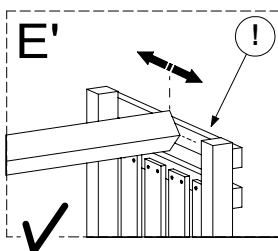
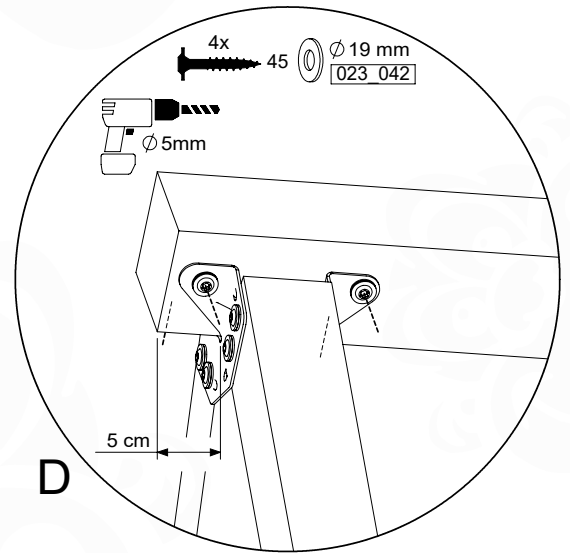
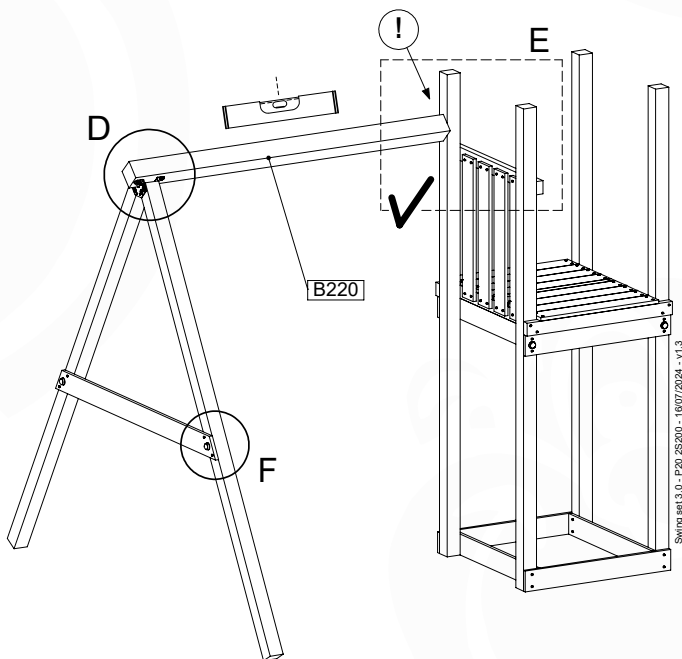
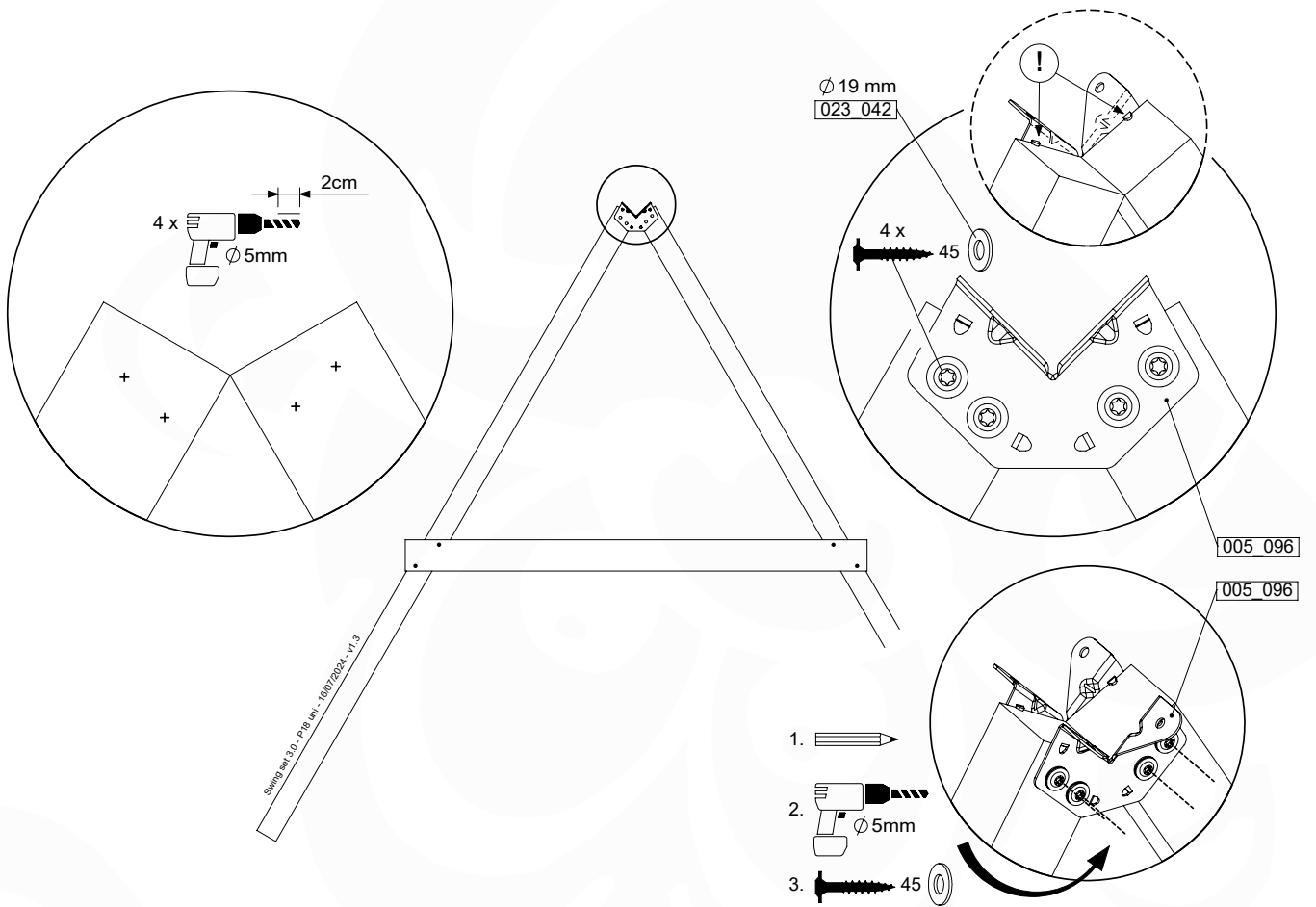
	PartNo	PartName	QTY.
Hardware + Parts	001_404	Stealth Screw 8x30	4
	001_406	Stealth Screw 8x45	22
	001_411	Stealth Screw 8x60	2
	001_417	Stealth Screw 8x80	2
	002_220	Gap Point Screw T25 - 5x45	8
	002_223	Gap Point Screw T25 - 5x80	2
	022_31x	bpc-base version 3	2
	022_84x	bpc cover	2
	023_042	Nylon washer 9x19x1.5	20
	005_096	A-Frame V-Connector	2
	005_097	Swing V-Connector	2
	007_001	Ground-anchor	2
Timber	101_003	Swing hook with Carabiner	4
	A220	Post ca.70x70 L2200	2
	B220	Post ca.90x90 L2200	1
	D141	Board 1410 mm	2

Swing set 3.0 - P04 25200 - 16/07/2024 - v1.3

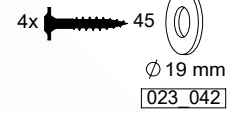
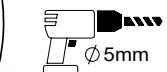
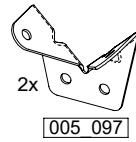
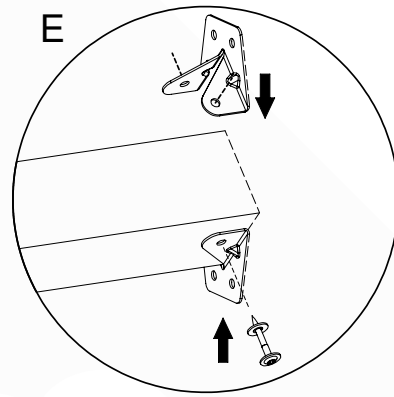
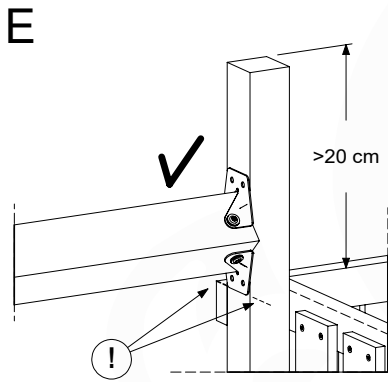






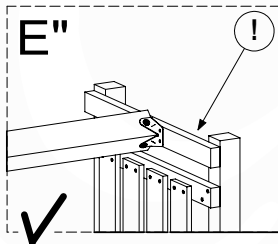
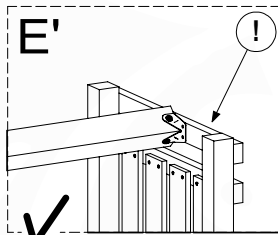
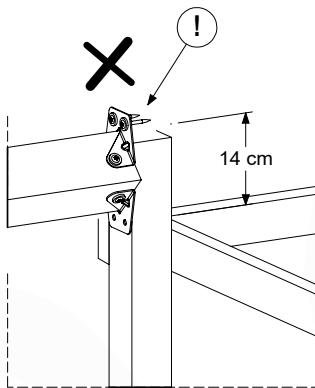


23.4

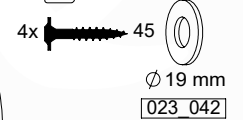
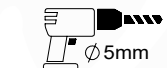
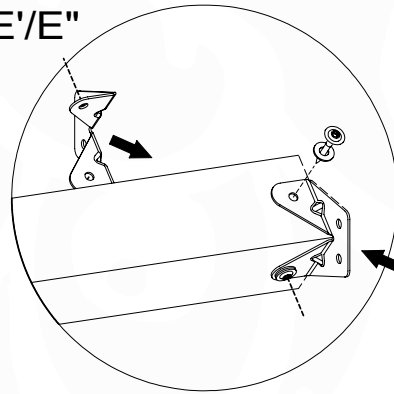


Swing set 3.0 - P22 uni - 16/07/2024 - v1.3

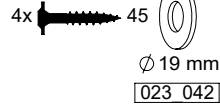
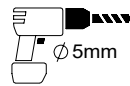
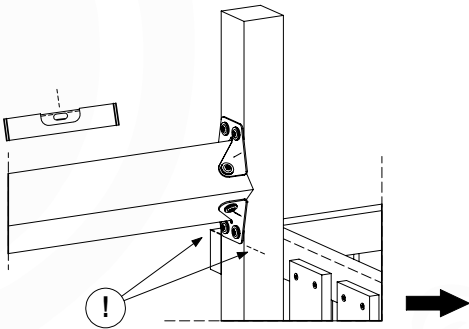
E'/E''



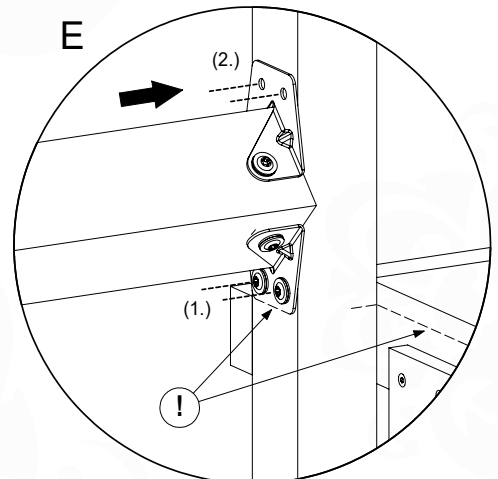
E'/E''



E

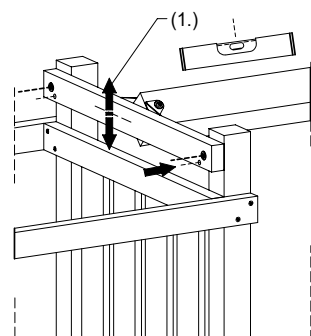


E

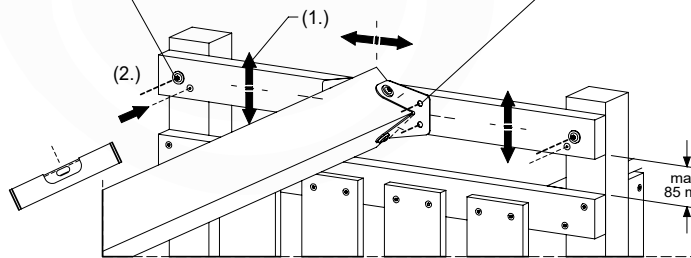
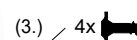


Swing set 3.0 - P23 uni - 16/07/2024 - v1.3

E'/E''

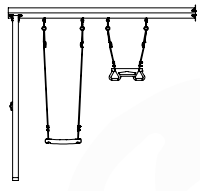


023 042

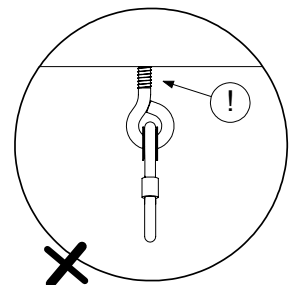
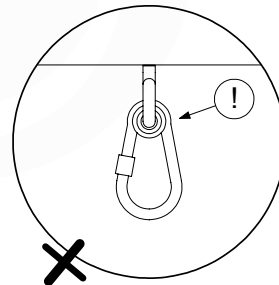
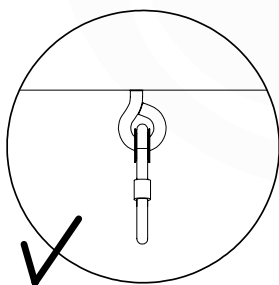
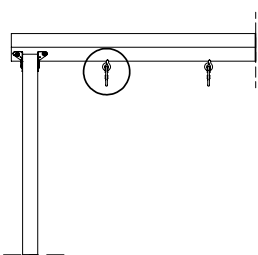
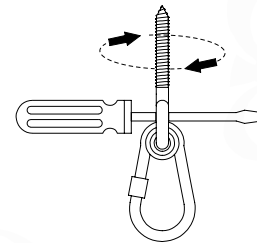
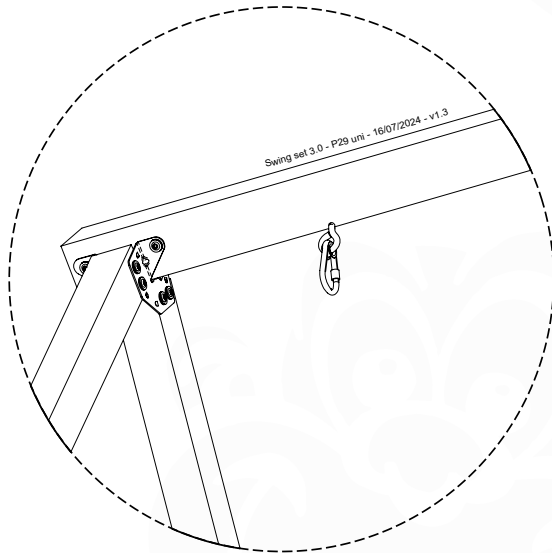
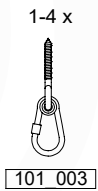
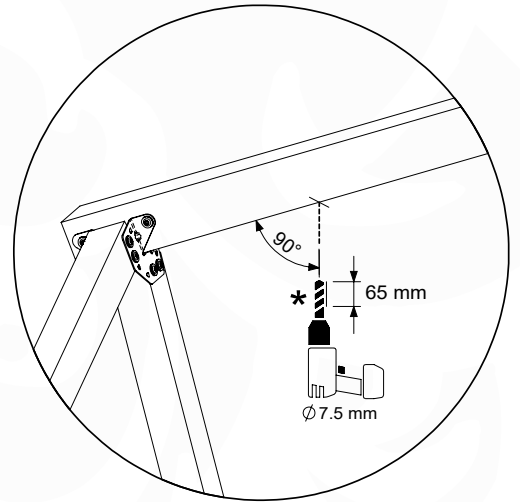
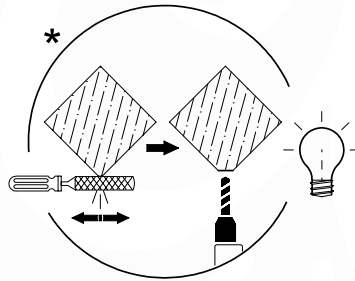
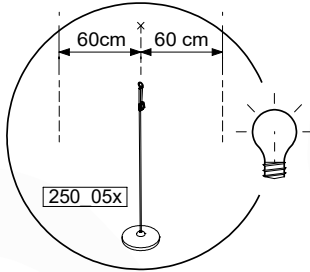
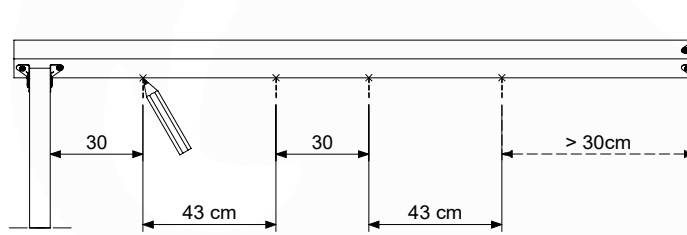


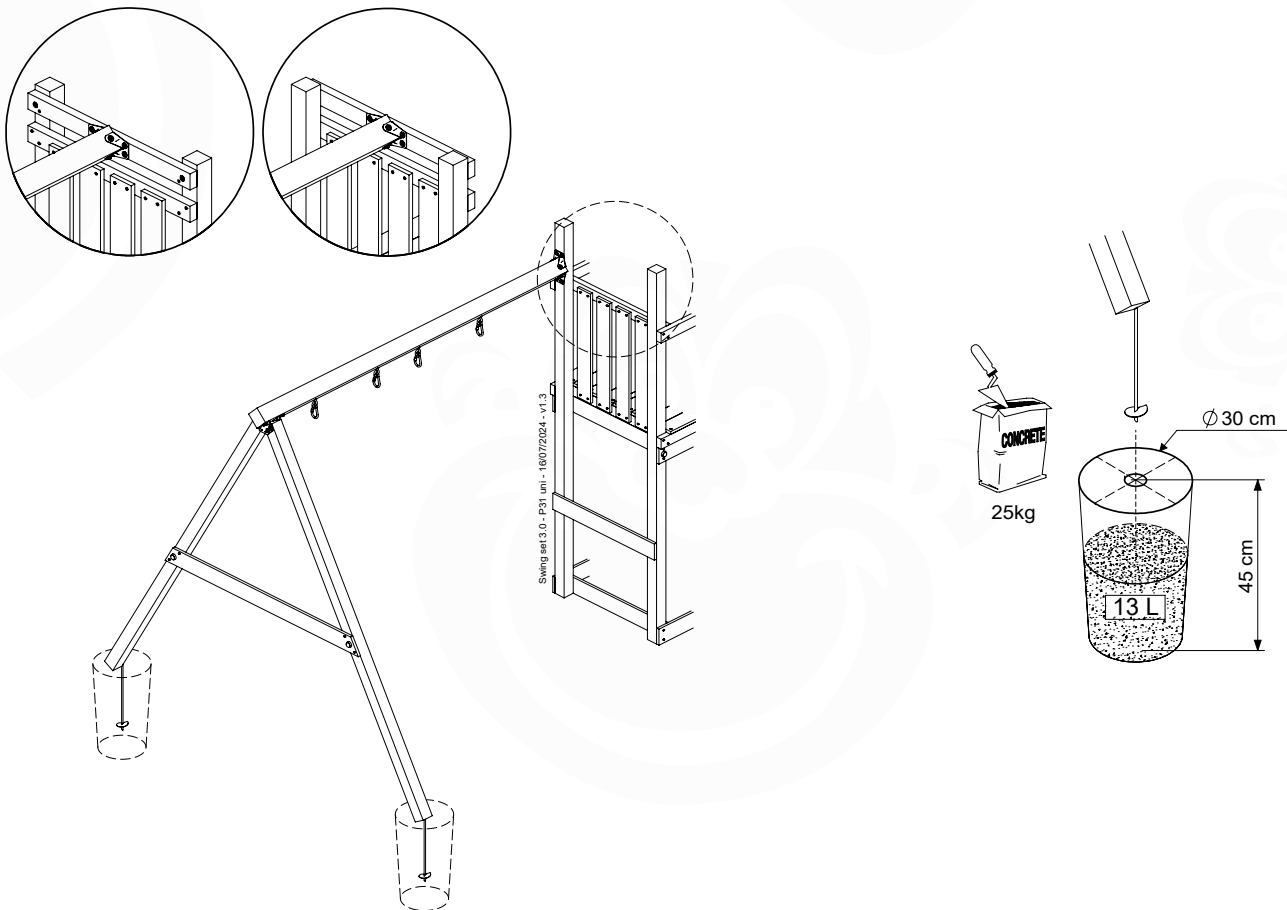
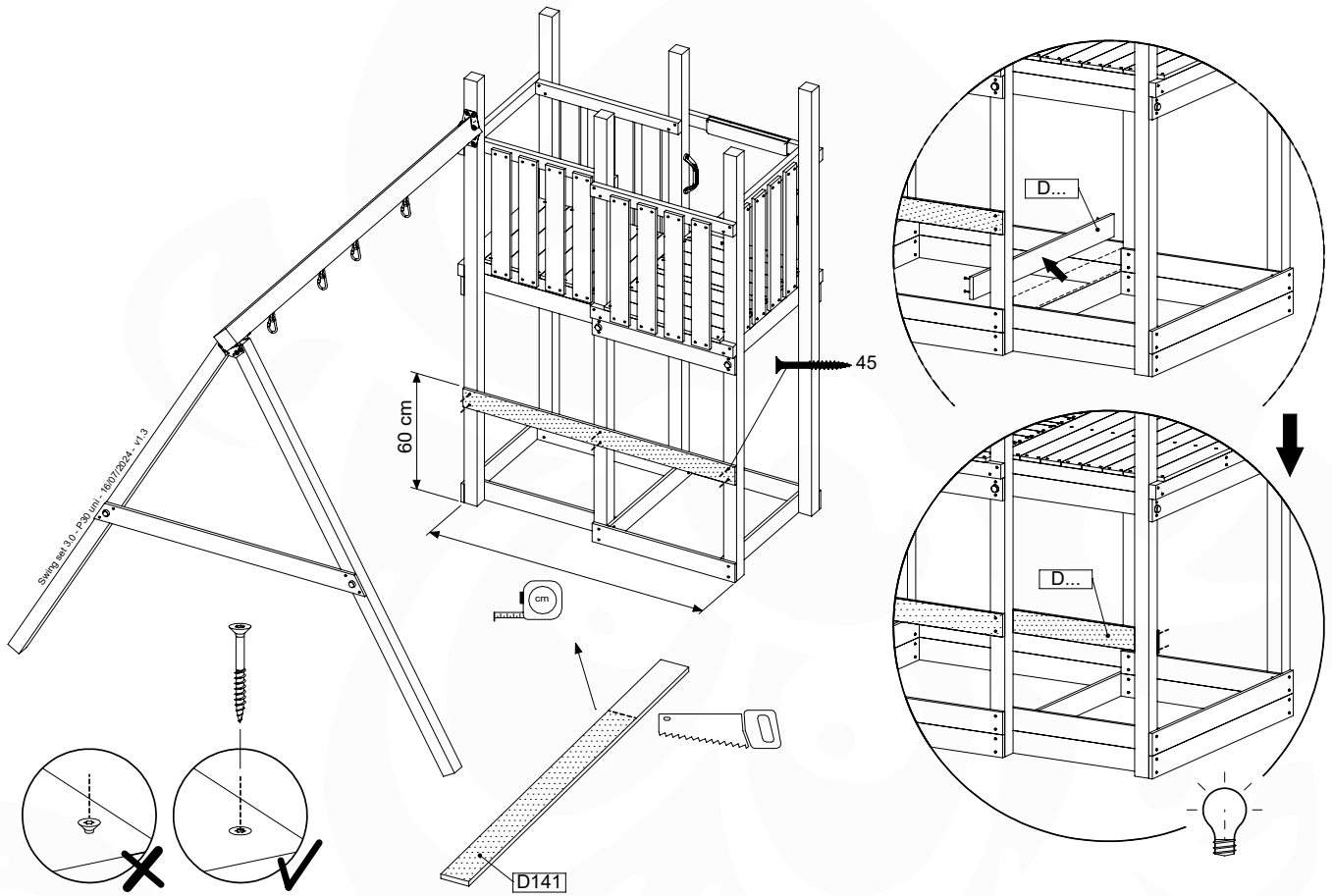
E'

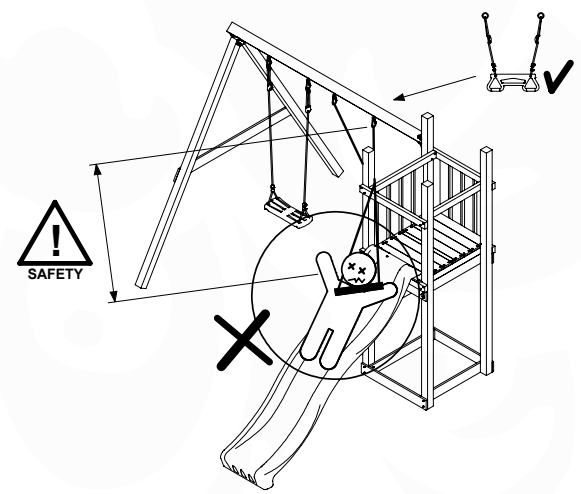
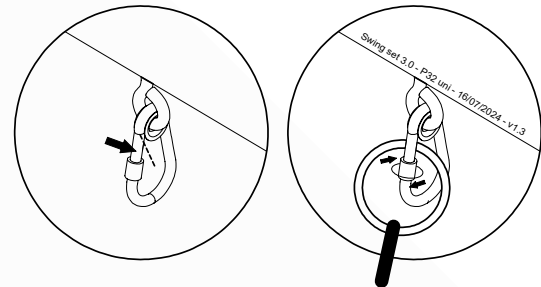
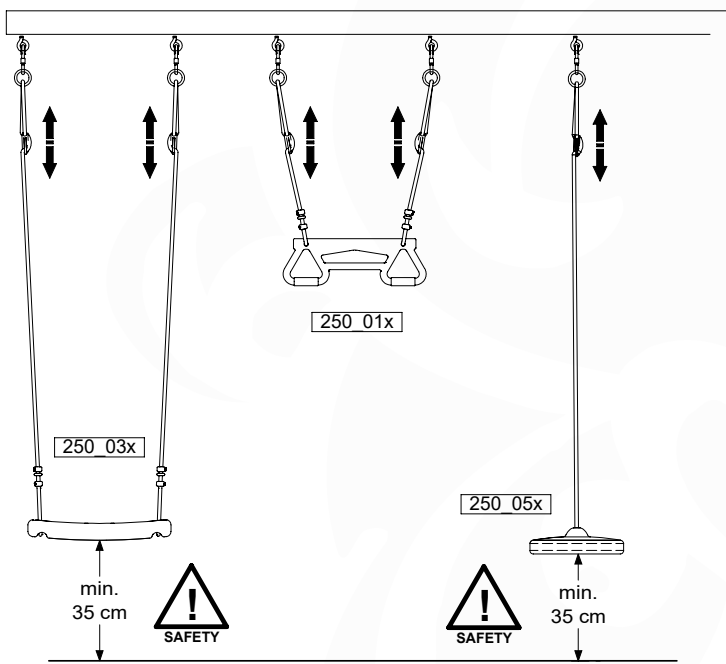
(E'')



2-Swing positions







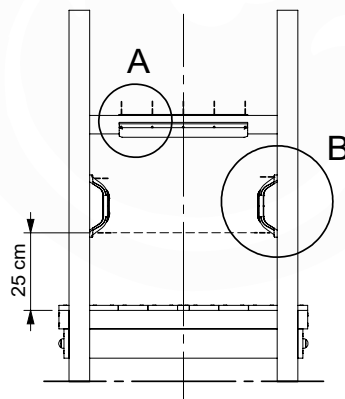
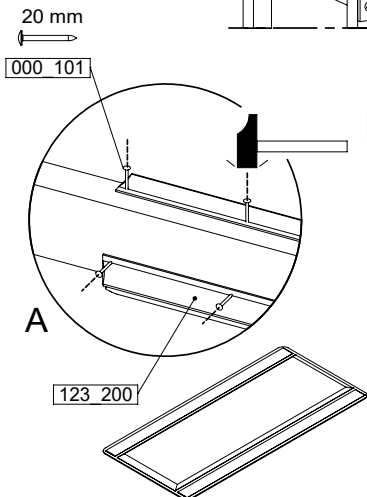
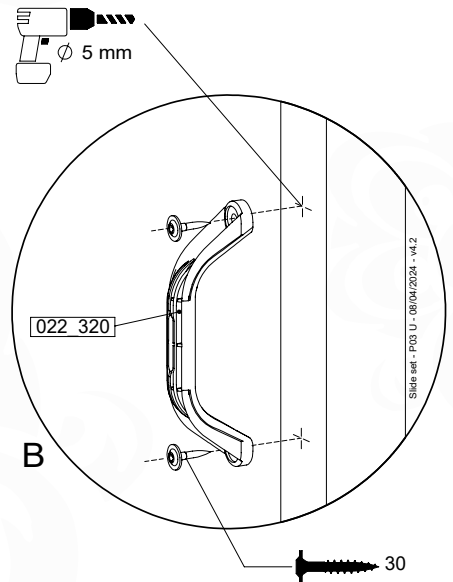
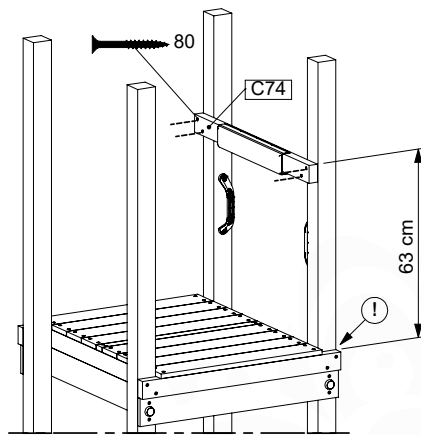
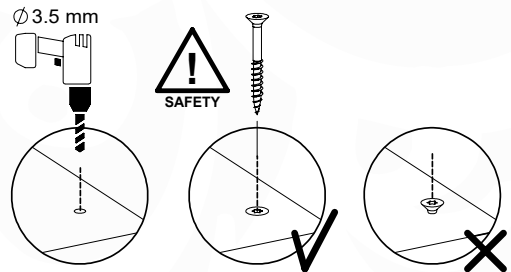
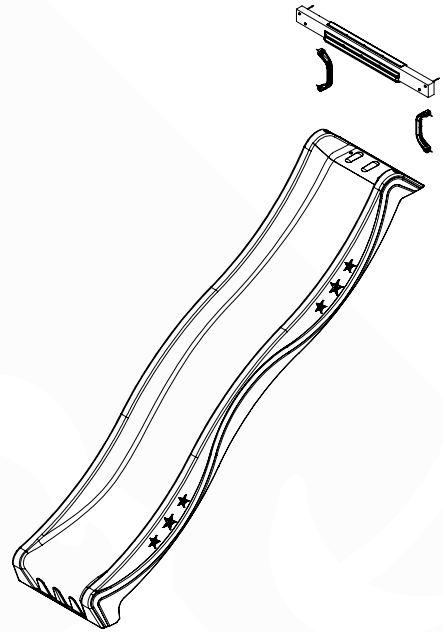


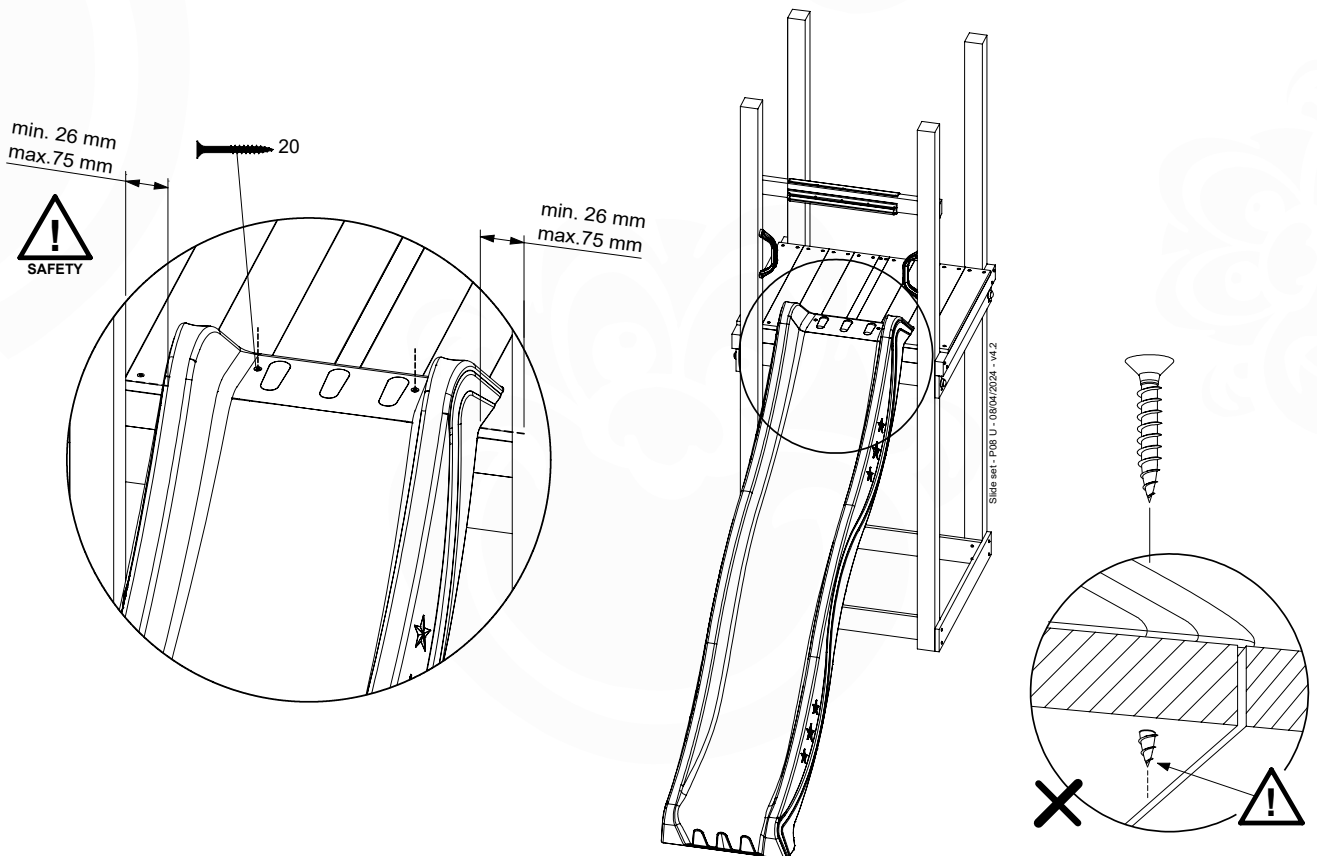
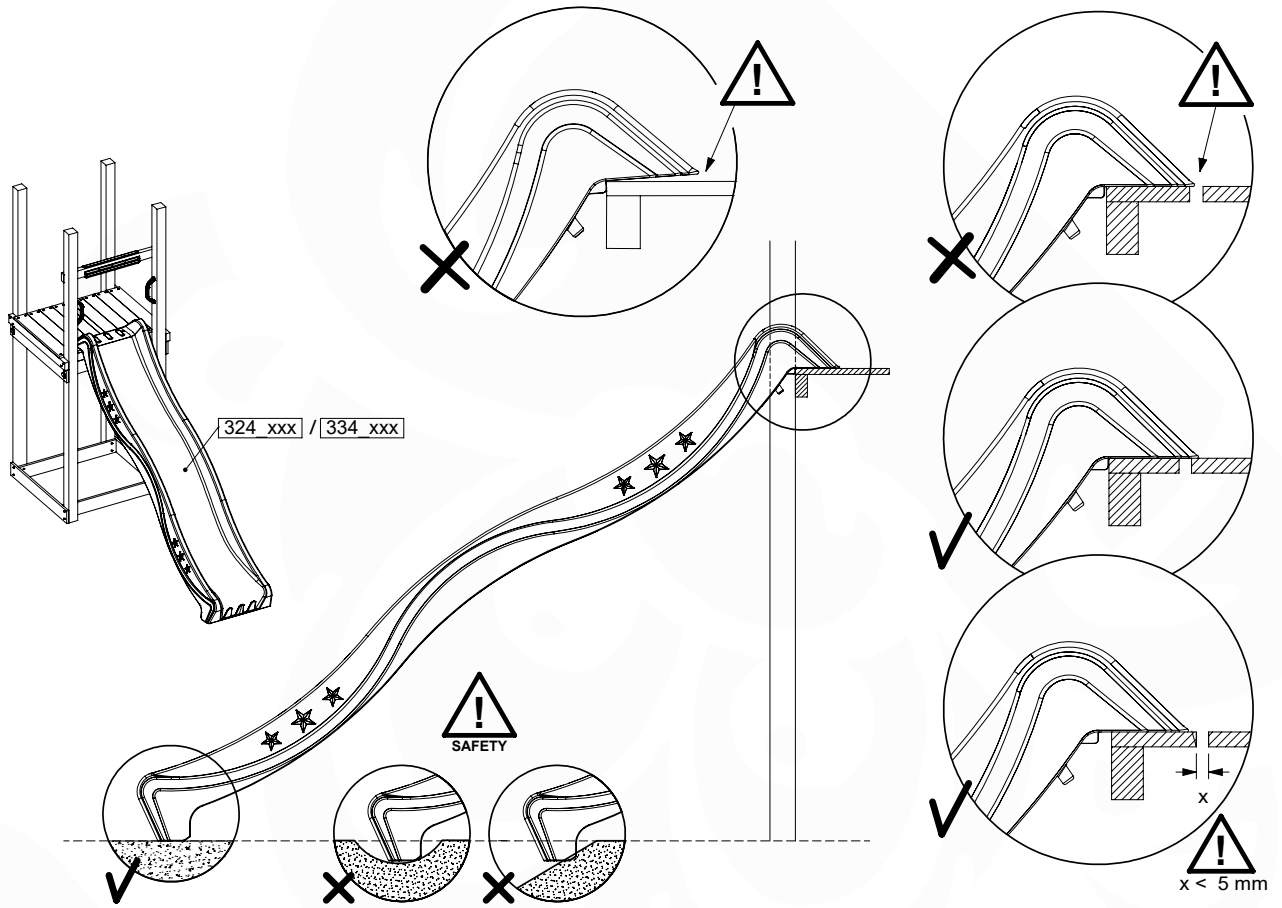
# 24 SL01a: Slide 80 125 U

Assembly Pack: 194\_107

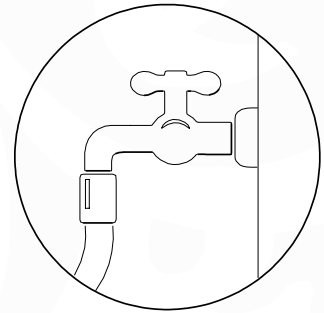
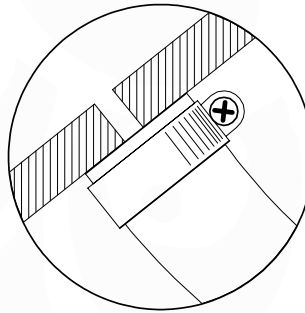
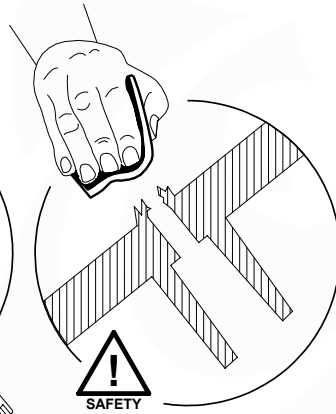
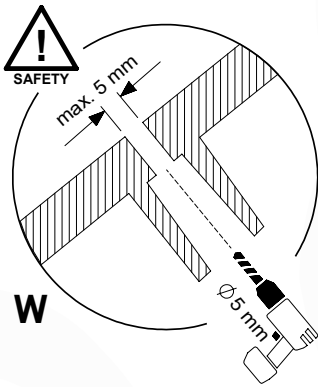
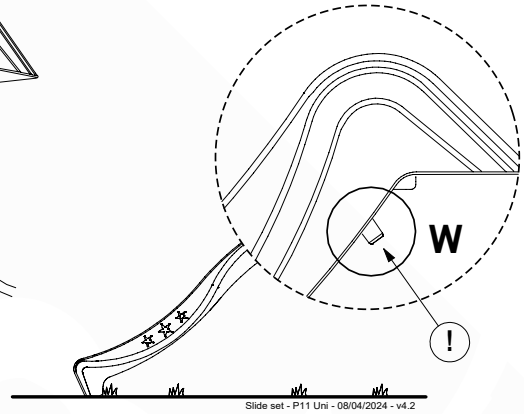
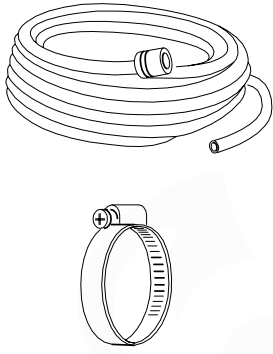
	PartNo	PartName	QTY.
Hardware Pack 100_605	000_101	Nail Pan Head	10
	002_223	Gap Point Screw T25 - 5x80	4
	002_308	Gap Point Screw T25 - 5x20	2
Other	120_102	Handgrip set (2x Complete)	1
	123_200	Bumperpad	1
	324_xxx 334_xxx	Wavy Star Slide XL 2200 mm / Wavy Star Slide XL 2650 mm	1
Timber	C74	Beam 740 mm	1

Slide set - P02 - 08/04/2024 - v4.2

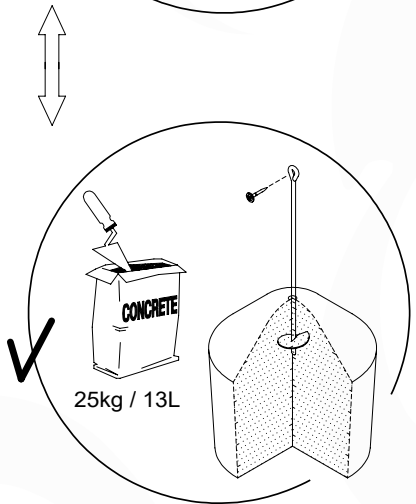
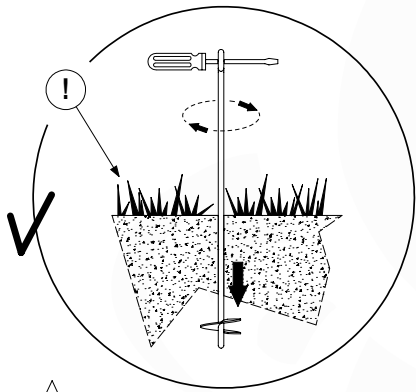




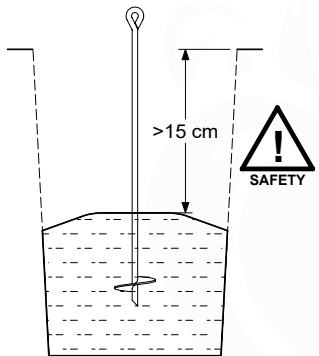
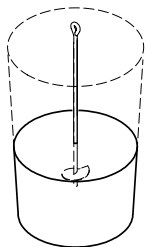
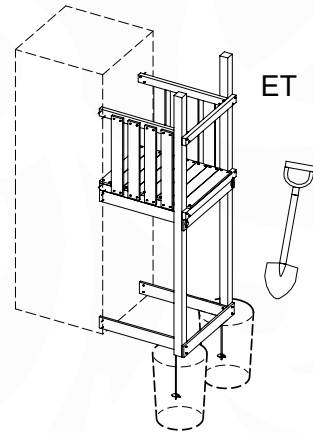
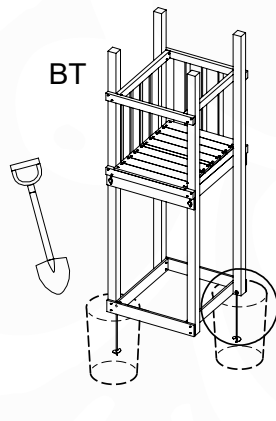
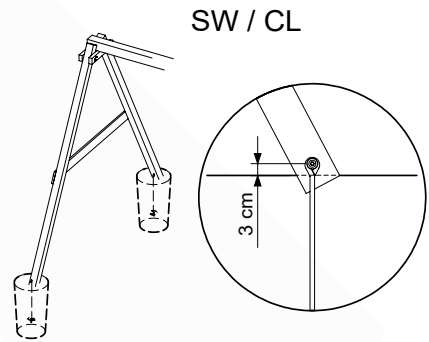
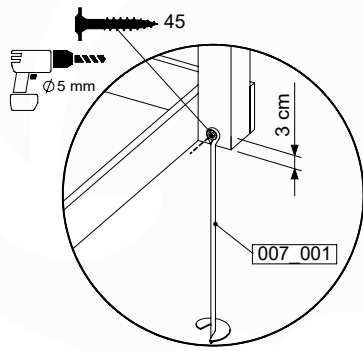
24.2



# 25 GA: Ground Anchors



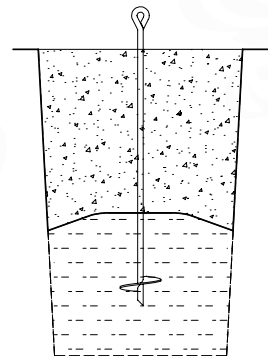
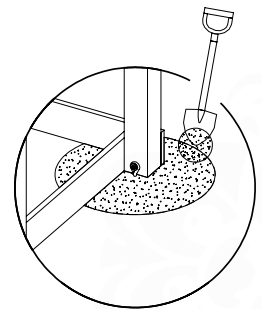
Ground Anchors Unit - PD3 - 14/06/2024 - v1.5



1.



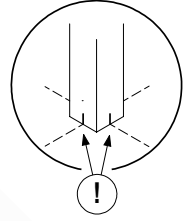
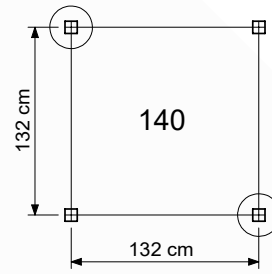
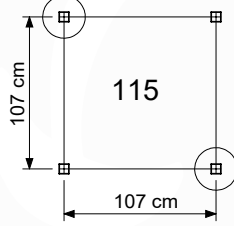
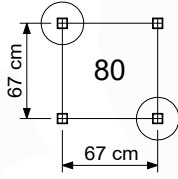
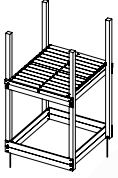
2.



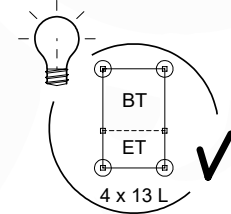
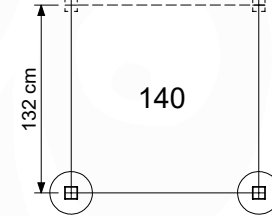
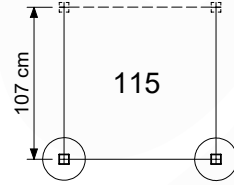
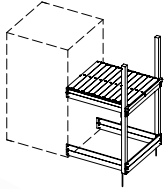
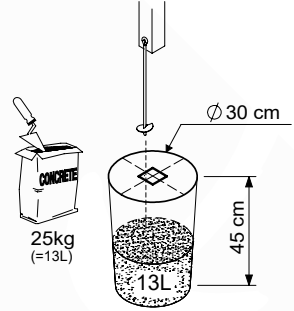
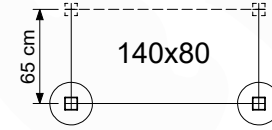
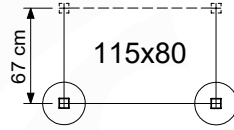
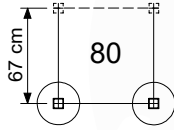
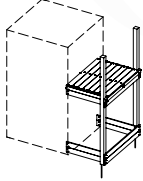
3.

Ground Anchors Unit - PD4 - 14/06/2024 - v1.5

BASE TOWERS

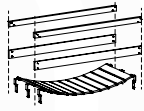


EXTENSION TOWERS

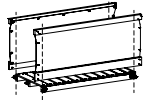


Ground Anchors Uni. - P01 - 14/06/2024 - v1.5

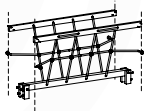
BRIDGES



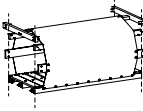
CLATTER



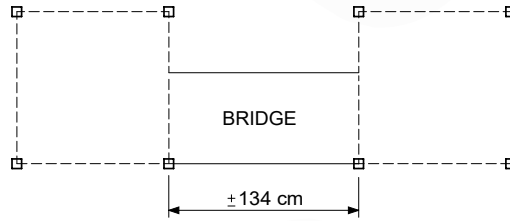
BOARDWALK



NET



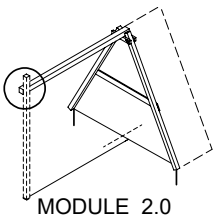
TUNNEL



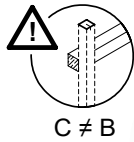
BRIDGE

Ground Anchors Uni. - P02 - 14/06/2024 - v1.5

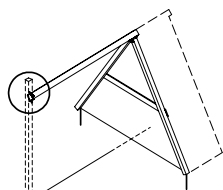
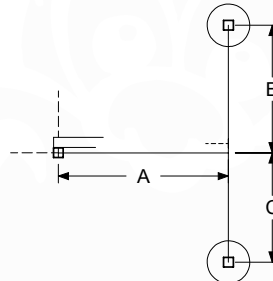
SWING / CLIMB



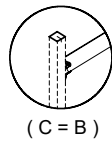
MODULE 2.0



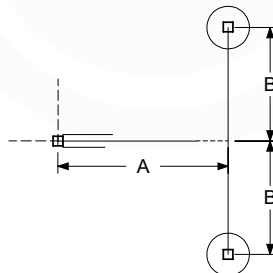
C ≠ B



MODULE 3.0



(C = B)



MODULE 2.0	Module type	A	B	C
	1-Swing 200	150	115	100
1-Swing 220 (Extra)		120	105	
1-Climb 200	142			
2-Climb 200	210	115	100	
2-Swing 200				
1-Climb 220 (Extra)	162			
2-Climb 220 (Extra)	230	120	105	
2-Swing 220 (Extra)				

cm

MODULE 3.0	Module type	A	B
	1-Swing 200 - 3.0	155	110
1-Swing 220 (Extra) - 3.0		115	
1-Climb 200 - 3.0	148		
2-Climb 200 - 3.0	222	110	
2-Swing 200 - 3.0	215		
1-Climb 220 (Extra) - 3.0	170		
2-Climb 220 (Extra) - 3.0	242	115	
2-Swing 220 (Extra) - 3.0	235		

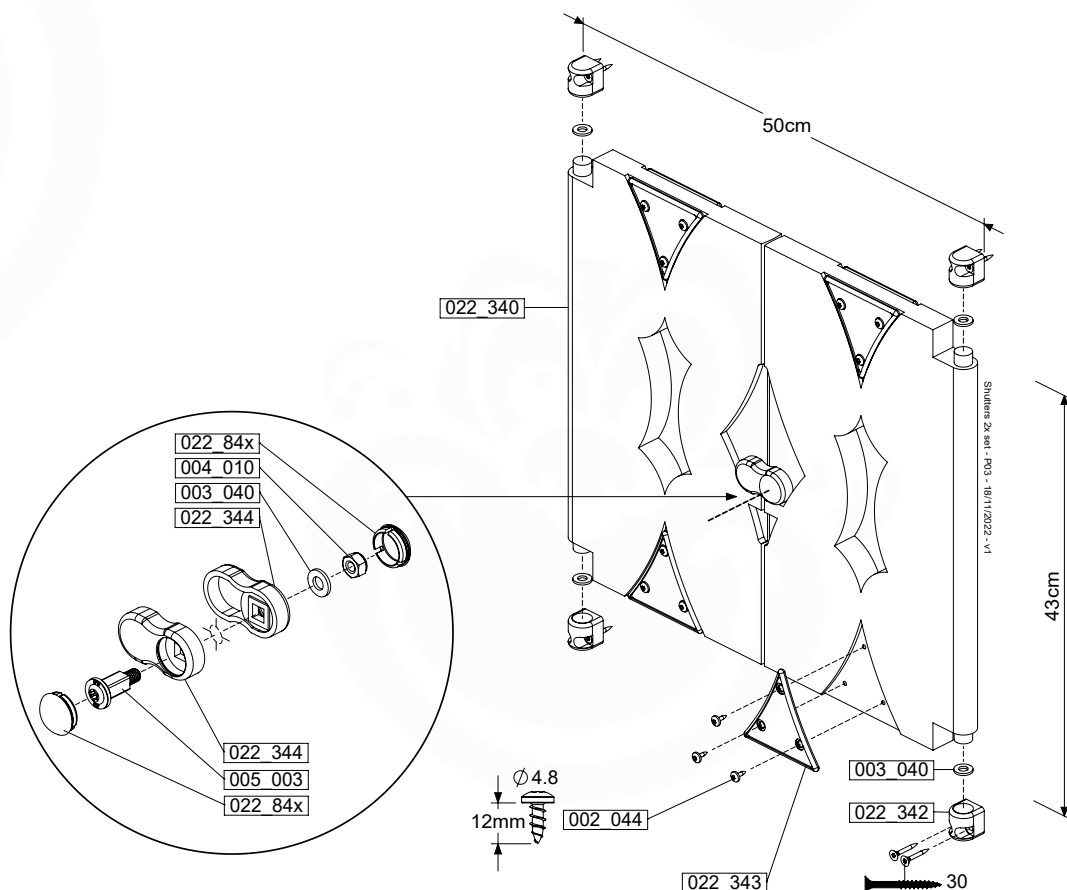
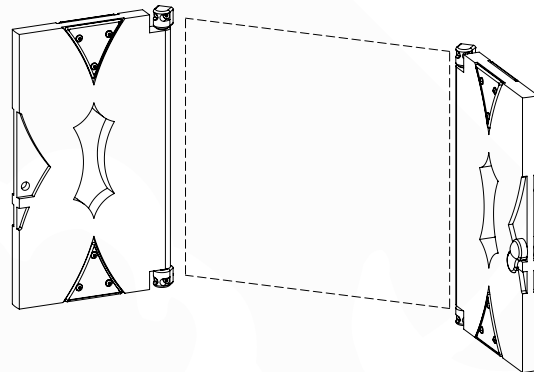
cm

## 26 AC02a: Shutters

( 250\_075 )

	PartNo	PartName	QTY.
Hardware Pack	002_044	Pan head screw - DIN 7981 - T25 - 4.8x12	24
	002_219	Gap Point Screw T25 - 5x30	8
	003_040	M8 Washer	5
	004_010	M8 Locking Nut	1
	005_003	Lock bolt	1
Other	022_84x	bpc cover	2
	022_340	Shutter	2
	022_342	Hinge	4
	022_343	Decoration plate	8
	022_344	Lock	2

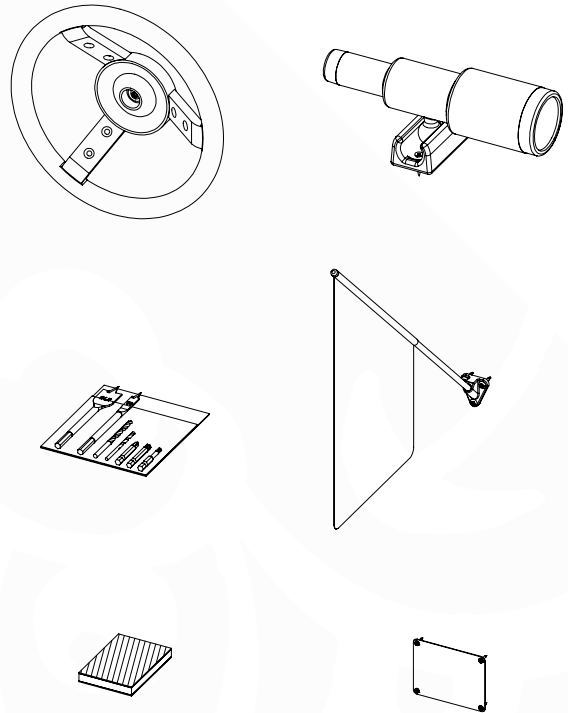
Shutters 2x set - P02 - 18/11/2022 - v1



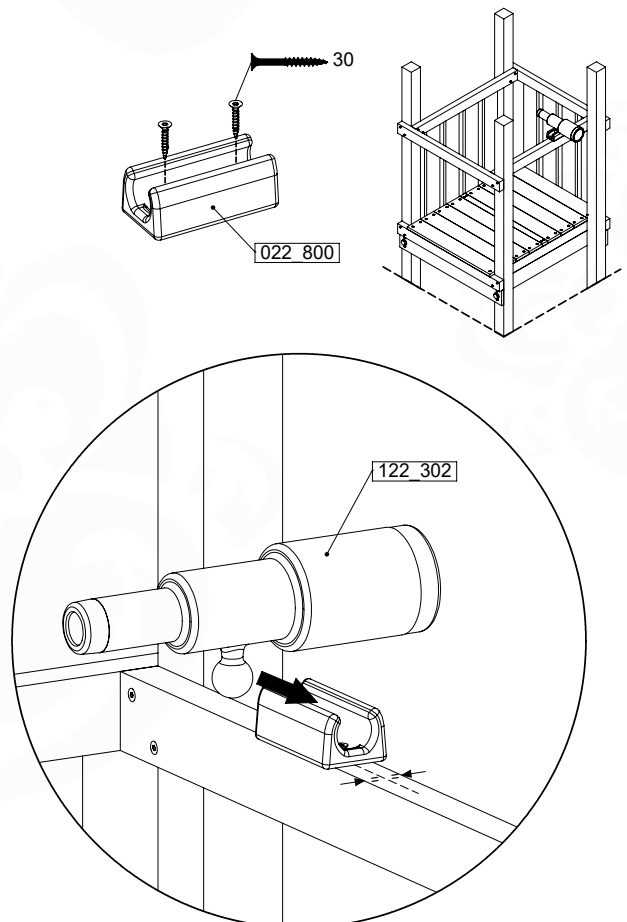
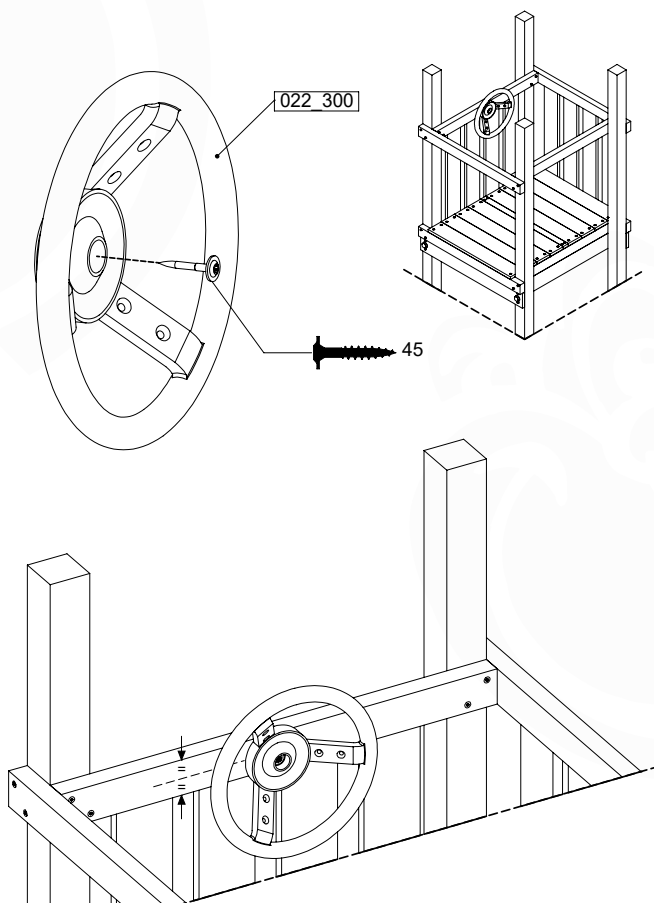
## 27 AC01a: Accessories

( 194\_119 )

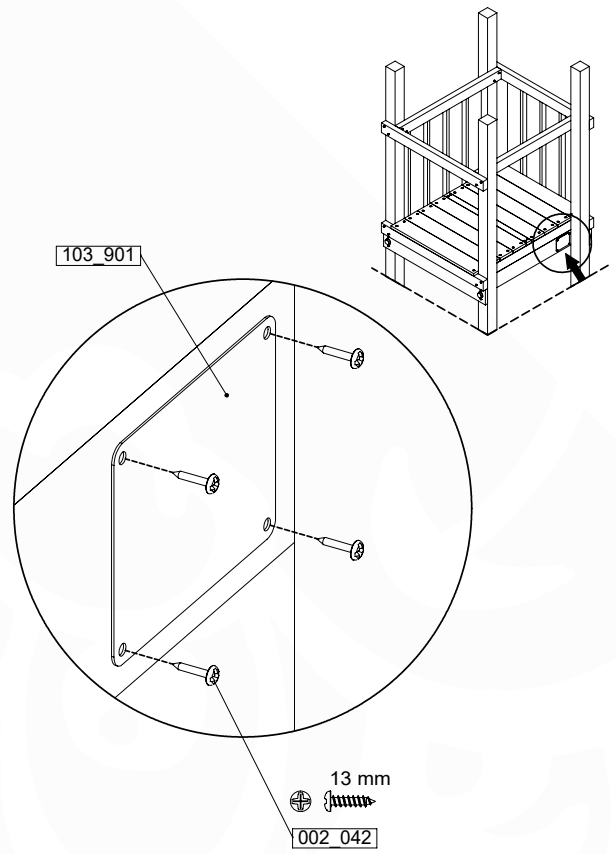
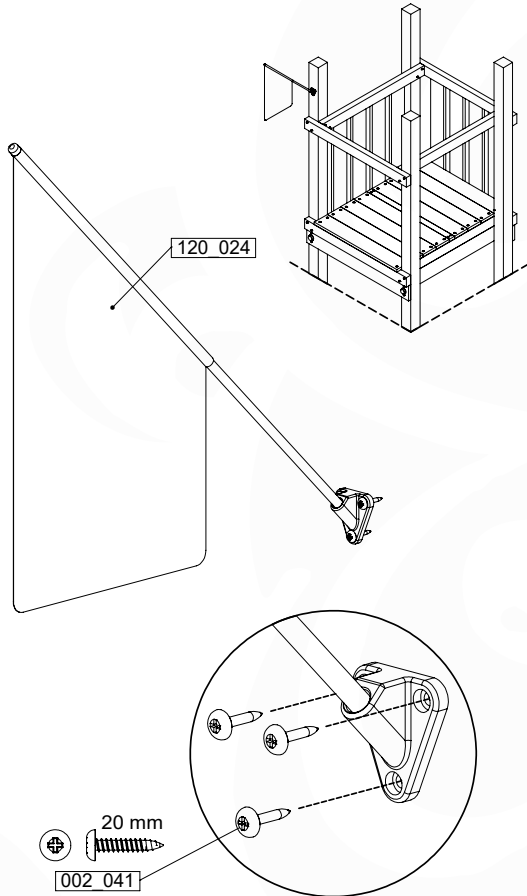
	PartNo	PartName	QTY.
Hardware Pack 100_617	001_406	Stealth Screw 8x45	1
	002_041	Dome head screw 4.5 x 20 mm	3
	002_042	Dome head screw 3.5 x 13mm	4
	002_219	Gap Point Screw T25 - 5x30	2
Other	022_300	Steering Wheel	1
	022_800	Rail P/T 105	1
	022_910	Sandpad	1
	103_901	Logo ID Plate	1
	104_107	Tool Set Climbing Units	1
	120_024	Tower Flag	1
	122_302	Telescope	1



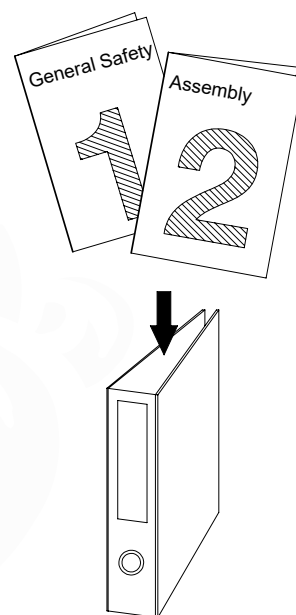
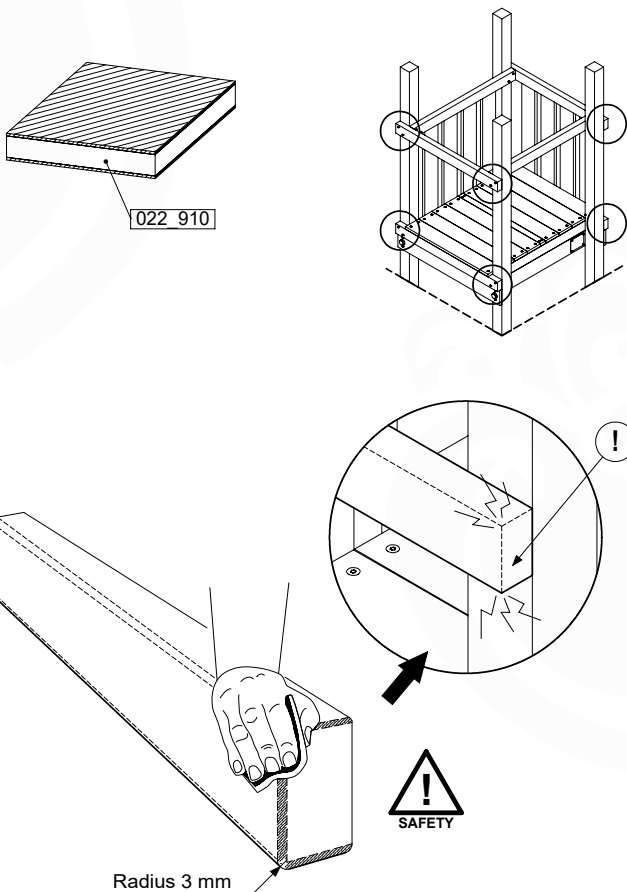
Accessory set - P02 - 24/01/2024 - v5



Accessory set - P03 - 24/01/2024 - v5



Accessory set - P04 - 24/01/2024 - v5



Accessory set - P05 - 24/01/2024 - v5



# 28 Declaration of conformity

## Activity toys for domestic use Aktivitätsspielzeug für den häuslichen Gebrauch Jouets d'activité à usage familial

### 1. Wooden climbing frames

20240416\_v3

#### 1.1. Assemblies

Playtowers	801_005, 801_009, 801_010, 801_013, 801_025, 801_040, 801_060, 801_070, 801_090, 801_095, 801_100, 801_103, 801_105, 801_110, 801_120, 801_200, 802_202, 802_204, 802_206, 802_208, 803_202, 803_204, 803_206, 803_208, 803_210, 809_802, 809_804
Swings	801_300, 801_601, 801_602
Modules	850_176, 850_177, 850_231, 850_232, 857_101, 857_102, 857_105, 857_106, 857_151, 857_152, 857_157, 857_158, 850_240

#### 1.2. Sub assemblies

Base towers (BT)	BT01a, BT02a, BT03a, BT11a, BT14a, BT15a, BT20a
Extension towers (ET)	ET01a, ET02a, ET05a, ET06a, ET07a, ET08a, ET09a, ET10a, ET11a, ET12a, ET13a, ET14a, ET15a, ET16a, ET17a, ET18a, ET19a, ET20a, ET22a, ET23a, ET27a, ET28a, ET35a, ET29a, ET39a, ET40a
Bridges (CB, NB, BB, TB)	CB01a, NB01a, BB01a, BB02a, TB01a, TB02a, TB03a, TB04a
Roofs (RF)	RF01a, RF21a, RF02a, RF03a, RF04a, RF05a, RF06a, RF20a, RF02b, RF03b, RF07a, RF08a, RF22a, RF09a, RF23a, RF11a, RF12a, RF07b, RF12b, RF08b, RF22b, RF09b, RF23b, RF11b, RF14a, RF24a, RF15a, RF25a, RF18a, RF18b, RF14b, RF24b, RF15b, RF25b
Balustrade (BL, BF)	BL01a, BL02a, BL21a, BF25a, BF26a, BF27a, BF28a, BF01a, BF02a, BF03a, BF04a, BF05a, BF06a, BF07a, BF08a, BF01b, BF02b, BF03b, BF04b, BF05b, BF06b, BF07b, BF08b, BF21a, BF22a, BF23a, BF24a, BF21b, BF22b, BF23b, BF24b
Playhouse (PH)	PH03a, PH04a, PH05a, PH06a, PH10a, PH11a, PH40a, PH41a, PH12a, PH13a, PH14a, PH15a, PH42a, PH43a, PH44a, PH45a, PH16a, PH17a, PH18a, PH19a, PH30a, PH31a, PH16b, PH17b, PH18b, PH19b, PH46a, PH47a, PH48a, PH49a, PH16c, PH17c, PH18c, PH19c, PH46b, PH47b, PH48b, PH49b, PH20a, PH21a, PH22a, PH23a, PH24a, PH25a, PH26a, PH27a, PH32a, PH33a, PH52a, PH53a, PH54a, PH55a, PH56a, PH57a, PH50a, PH51a, PH26b, PH27b, PH26c, PH27c, PH56b, PH57b
Ladder (LA)	LA05a, LA06a, LA01a, LA02a, LA03a, LA01b, LA02b, LA03b, LA11a, LA12a, LA13a, LA14a, LA15a, LA16a, LA17a, LA18a, LA31a, LA32a, LA33a, LA34a, LA35a, LA36a, LA37a, LA38a, LA21a, LA22a, LA23a, LA24a, LA25a, LA26a, LA43a, LA44a, LA45a, LA46a
Two Step Ladder (TS)	TS01a, TS01b, TS02a, TS02b, TS03b, TS22a, TS05a, TS06a, TS07a, TS08a, TS09a, TS10a, TS11a, TS12a, TS15a, TS16a, TS17a, TS18a, TS19a, TS20a, TS21a, TS22a
Rope Ladder (RL)	RL01a, RL02a, RL05a, RL06a, RL07a, RL08a, RL09a, RL10a, RL11a, RL12a, RL15a, RL16a, RL19a, RL20a
Rock wall (RW)	RW01a, RW02a, RW01b, RW02b, RW03b, RW31a, RW32a, RW33a, RW05a, RW06a, RW07a, RW08a, RW09a, RW10a, RW11a, RW12a, RW40a, RW41a, RW15a, RW16a, RW17a, RW18a, RW19a, RW20a, RW46a, RW47a
Ramp (RA)	RA03a, RA04a, RA05a, RA06a, RA07a, RA08a, RA11a, RA12a, RA21a
Net (NA, NS)	NA01a, NA02a, NS01a, NS02a, NS03a, NS21a, NA04a, NA05a, NS04a, NS05a, NS06a, NS07a, NA08a, NA09a, NS08a, NS09a
Boat (BO)	BO01a
Market (MT)	MT01a, MT02a, MT05a, MT06a, MT11a, MT12a
Picnic (PC)	PC01a, PC01b, PC05a, PC06a, PC09a, PC10a
Gymnastics bar (GY)	GY01a
Fireman's pole (FP)	FP01a, FP02a, FP04a, FP05a, FP06a, FP07a, FP23a, FP24a, FP25a, FP26a, FP27a, FP28a
Slides (SL)	SL01a, SL02a, SL03a, SL06a, SL07a, SL08a, SL09a, SL10a, SL11a, SL12a, SL13a, SL26a, SL27a, SL28a, SL29a
Swing (SM)	SW17a, SW21a, SW18a, SW22a, SW01a, SW05a, SW02a, SW06a, SW09a, SW13a, SW10a, SW14a
Climb (CL)	CL17a, CL21a, CL18a, CL22a, CL01a, CL05a, CL02a, CL06a, CL09a, CL13a, CL10a, CL14a
Universal Beam (UB)	UB01a, UB04a, UB02a, UB05a, UB03a, UB06a
Accessories (AC)	AC30a, AC31a, AC32a, AC33a, AC01a, AC05a, AC07a, AC03a, AC04a, AC06a, AC23a, AC22a, AC24a, AC21a, AC25a, AC02a, AC09a, AC08a, AC10a

### 2. Construction packages

#### 2.1 Assembly Kits

Playtowers	401_015, 401_080, 401_125, 402_201, 402_202, 402_204, 402_206, 402_208, 403_202, 403_204, 403_206, 403_208, 403_210, 409_802, 409_804
Swings	401_300, 401_600
Modules	457_005, 457_102, 457_103, 457_106, 457_107, 457_205

#### 2.2 Assembly Packs

Sub assemblies	194_002, 194_003, 194_004, 194_006, 194_007, 194_008, 194_009, 194_010, 194_100, 194_101, 194_102, 194_103, 194_104, 194_105, 194_107, 194_108, 194_109, 194_110, 194_111, 194_112, 194_113, 194_114, 194_115, 194_116, 194_117, 194_118, 194_119, 194_300, 194_308, 194_312, 194_500, 194_501, 194_508, 194_510, 194_802, 194_804, 194_809, 194_810, 194_811, 194_812
----------------	--

### 3. Accessories and components

Slides XL	324_100, 324_200, 324_300, 324_400, 324_500, 324_600
Slides XXL	334_100, 334_200, 334_300, 334_400, 334_500, 334_600
Fireman's pole	201_275
Climbing	201_060, 201_273
Imagination	201_280, 201_285, 201_290, 201_295, 202_473, 450_310, 450_320, 450_330
Swinging	250_001, 250_013, 250_025, 250_034, 250_053
Functional	123_220, 123_222, 123_230, 201_115, 201_220, 201_250, 201_260, 201_270, 202_620, 202_621, 202_622, 202_623, 202_624, 202_625, 202_626, 202_627, 202_628, 202_629, 202_824, 250_065, 250_070, 250_075

## Applicable EU directives and standards

### General

- General Product Safety Directive (GPSD) 2001\48\EG
- Reach directive 1907\2006
- AfPS GS 2019:01 PAK

### Activity Toys

- Toy Safety Directive (TSD) 2009\48\EG
- EN Standard 71 Safety of Toys
  - EN 71-1:2014 + A1:2018 Safety of toys Mechanical and physical properties
  - EN 71-2:2020 Flammability
  - EN 71-3:2019 + A1:2021 Migration of certain elements
  - EN 71-8:2018 Safety of toys Activity toys for domestic use

## Supplementary information

Conformity to the above specified directives and standards has been frequently verified by TÜV Rheinland LGA products, DEKRA, LNE SA, since 1994. Jungle Gym participates in the European Commission for standardisation for the safety of activity toys (TC52/WG10).



EN 71-1,-2, -3, -8 & -9

## Manufacturer details

Company Name: Jungle Gym B.V.  
Address: Valscherkade 18, 1059 CD Amsterdam, Netherlands  
Email: info@junglegym.com

## Declaration

I hereby declare under our sole responsibility that the products mentioned above, to which this declaration relates, comply with the above mentioned directives and standards when the installation, assembly, and maintenance instructions are strictly followed.

Name  
Mr. P. Schmit / Director

Issued date  
Monday 22<sup>nd</sup> July, 2024

A handwritten signature in blue ink, appearing to read 'P. Schmit', is written over a horizontal line.

Signature of representative

Jungle Gym B.V. | P.O. Box 75083 | 1070 AB Amsterdam | Netherlands | Phone: +31 85 444 41 00 | e-mail: info@junglegym.com | www.junglegym.com